

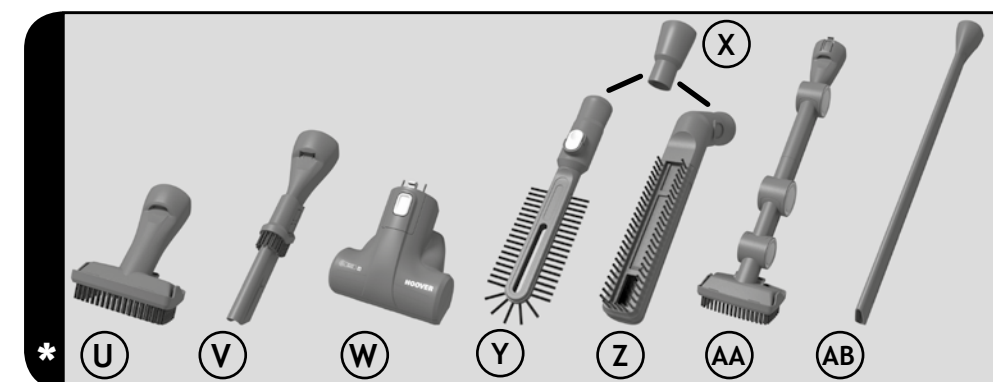
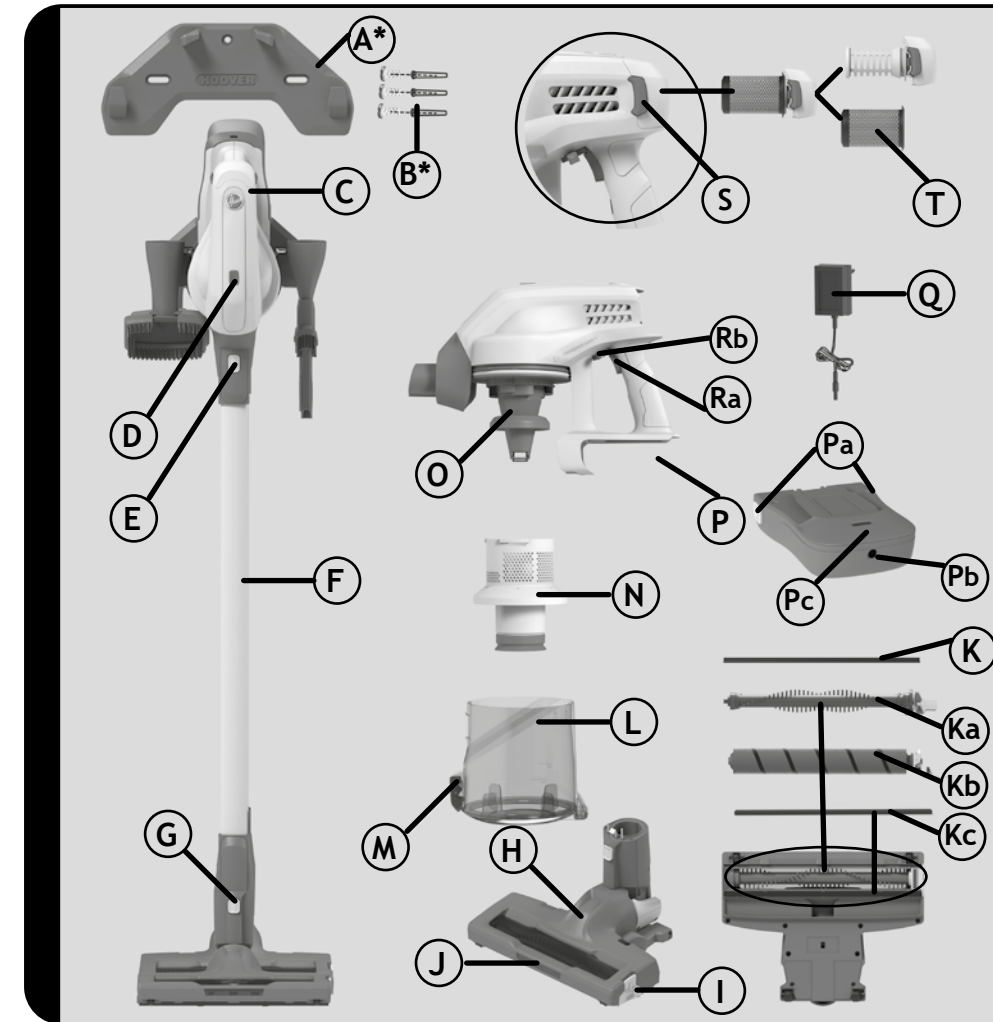
# HOOVER



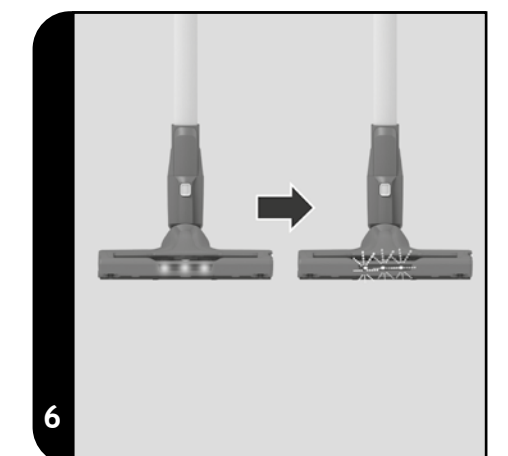
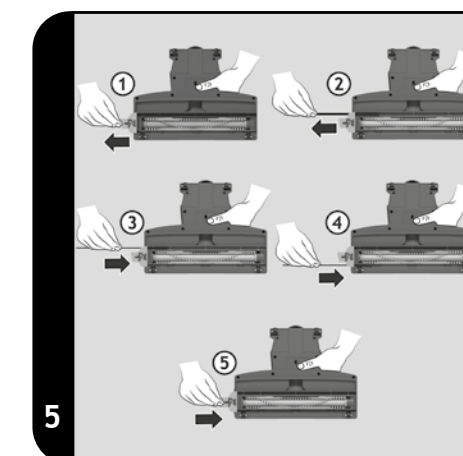
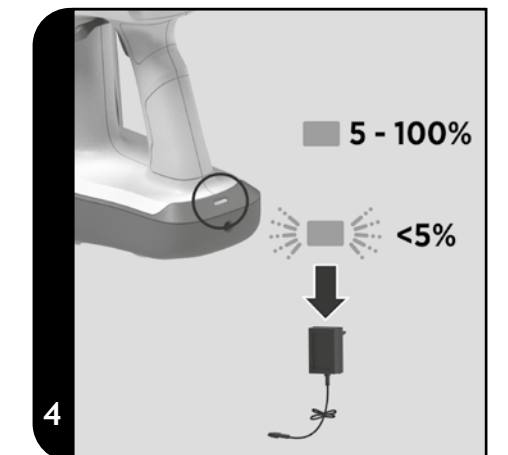
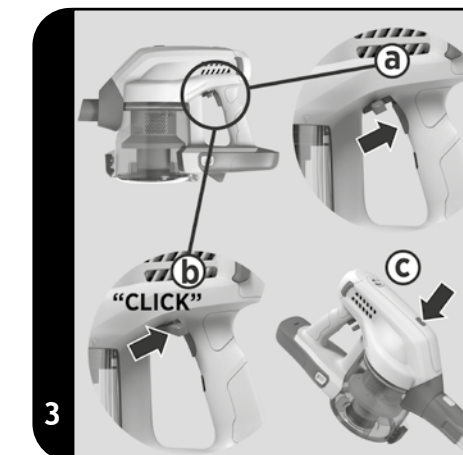
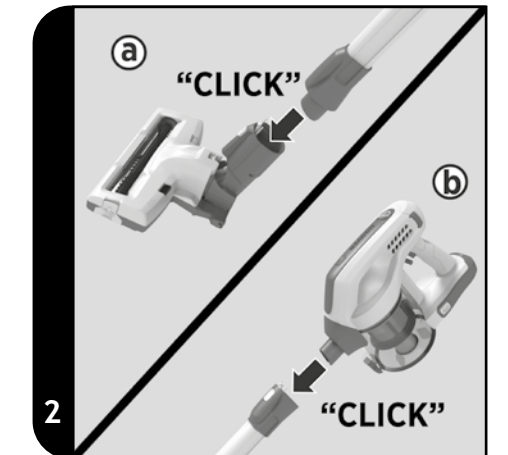
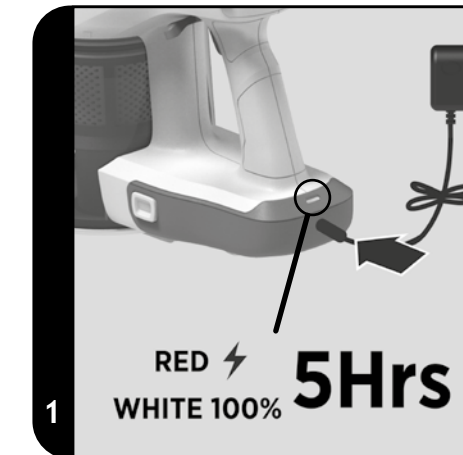
USER MANUAL (GB) ..... P 01  
 MANUEL D'UTILISATION (FR) ..... P 07  
 BEDIENUNGSANLEITUNG (DE) ..... P 13  
 MANUALE D'ISTRUZIONI (IT) ..... P 19  
 MANUAL DE INSTRUÇÕES (PT) ..... P 26  
 MANUAL DE INSTRUCCIONES (ES) ..... P 31  
 GEBRUIKERSHANDLEIDING (NL) ..... P 37  
 BRUGERVEJLEDNING (DK) ..... P 43  
 BRUKSANVISNING (NO) ..... P 49  
 KÄYTTÖOHJE (FI) ..... P 55  
 INSTRUKTIONSMANUAL (SE) ..... P 61  
 ΟΔΗΓΙΕΣ ΧΡΗΣΕΩΣ (GR) ..... P 67  
 РУКОВОДСТВО ПОЛЬЗОВАТЕЛЯ (RU) ..... P 73  
 INSTRUKCJA OBSŁUGI (PL) ..... P 79  
 NÁVOD K OBSLUZE (CZ) ..... P 85  
 NAVODILA ZA UPORABO (SI) ..... P 91  
 KULLANIM KILAVUZU (TR) ..... P 97

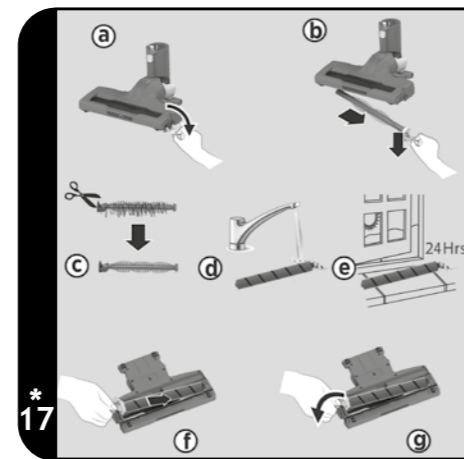
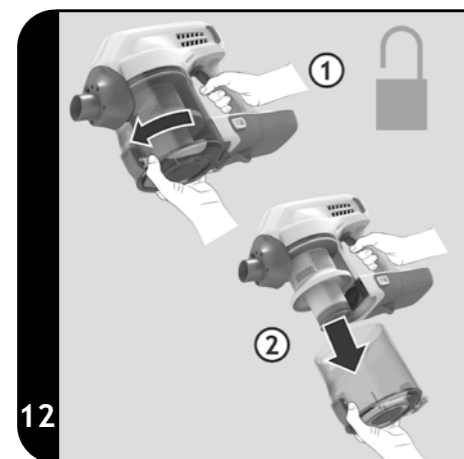
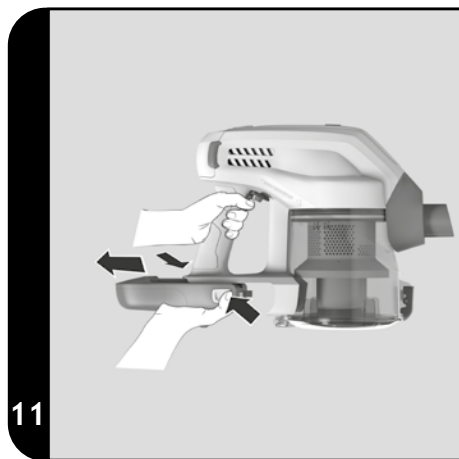
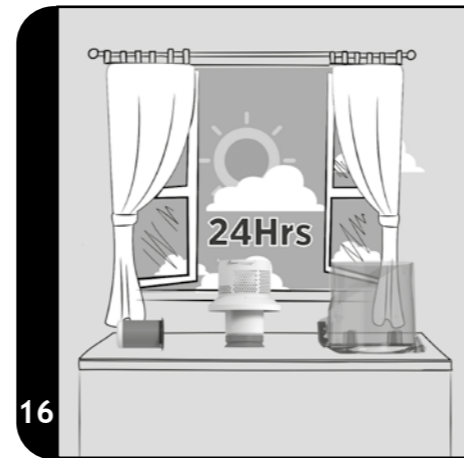
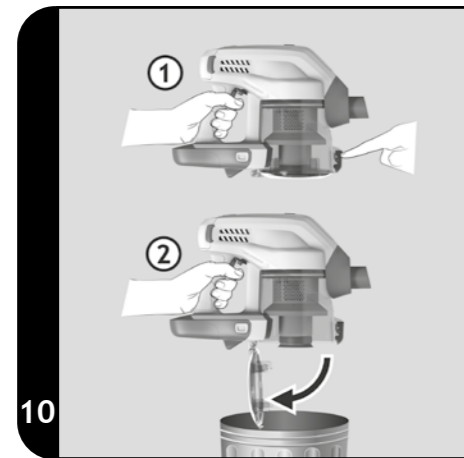
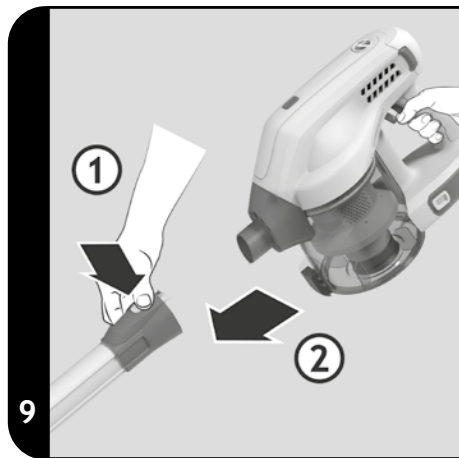
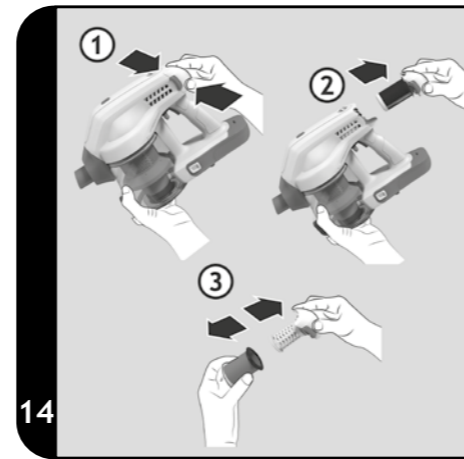
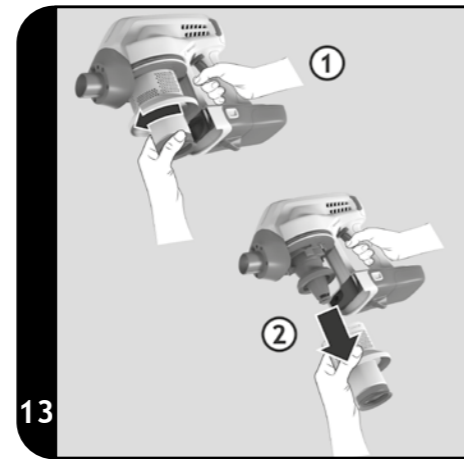
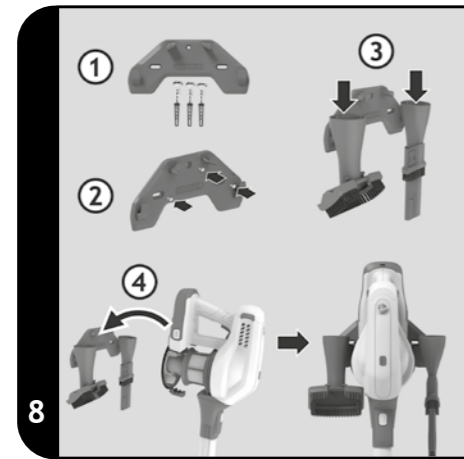
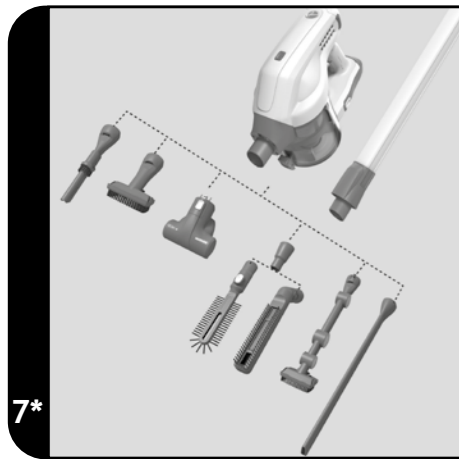


PRINTED IN P.R.C.  
48030510-1



\* Certain Models Only





\* Certain Models Only

## INSTRUCTIONS FOR SAFE USE

This appliance should only be used for domestic cleaning, as described in this user guide. Please ensure that this guide is fully understood before operating the appliance.

Always switch off and remove the charger from the socket before cleaning the appliance or any maintenance task.

This appliance can be used by children aged from 8 years and above and persons with reduced physical, sensory or mental capabilities or lack of experience and knowledge if they have been given supervision or instruction concerning use of the appliance in a safe way and understand the hazards involved. Children shall not play with the appliance. Cleaning and user maintenance shall not be made by children without supervision.

If the power cord is damaged stop using the appliance immediately. To avoid a safety hazard, an authorised Hoover service engineer must replace the power cord.

Keep hands, feet, loose clothing and hair away from rotating brushes.

Use only the original charger supplied with the appliance.

Check that your supply voltage is the same as that stated on the charger.

This appliance is supplied with a double insulated battery charger which is only suitable for insertion in a 230V (UK 240V) socket outlet.

Plug the charger in to suitable socket outlet and connect the charger jack plug to the appliance.

When charging the appliance, the power switch lever must be in the off position.

Before first use, charge your appliance for at least 24 hours. The battery pack LED light will illuminate RED during charging and will turn WHITE when fully charged.

Re-connect the appliance to the charger after use to recharge the battery.

Never charge the batteries in temperatures above 37°C or below 0°C.

It is normal for the charger to become warm to the touch when charging.

Do not unplug the charger by pulling on the power cord.

Unplug the charger in the event of prolonged absence (holidays, etc.). Recharge appliance again before use as batteries may self discharge over increased periods of storage.

If the appliance is to be disposed of the batteries must first be removed. The appliance must be disconnected from the supply mains when removing the battery. Dispose of the batteries safely. Run the appliance until it stops because the batteries are fully discharged. Used batteries should be taken to a recycling station and not disposed of with household waste. To remove the batteries, please contact the Hoover Customer Centre or proceed according to the following instructions.

**IMPORTANT:** Always fully discharge the batteries before removal.

Run the cleaner until the batteries are completely empty.

Remove the charger jack plug from the appliance.

Press the battery pack release buttons and slide to remove. [11]

**NOTE:** Should you experience any difficulty in dismantling the unit or for more detailed information on treatment, recovery and recycling of this appliance, please contact your local city office or your household waste disposal service.

Use only attachments, consumables or spares recommended or supplied by Hoover.

**Static electricity:** Some carpets can cause a small build up of static electricity. Any static discharge is not hazardous to health.

Do not use your appliance out of doors or on any wet surface or for wet pick up.

Do not pick up hard or sharp objects, matches, hot ashes, cigarette ends or other similar items. Do not spray with or pick up flammable liquids, cleaning fluids, aerosols or their vapours.

Do not run over the power cord when using your appliance or remove the plug by pulling on the power cord. Do not continue to use your appliance or charger if it appears faulty.

**Hoover service:** To ensure the continued safe and efficient operation of this appliance we recommend that any servicing or repairs are only carried out by an authorised Hoover service engineer.

Do not use the appliance to clean animals or people.

Do not replace the batteries with non-rechargeable batteries.

#### The Environment:

This appliance is marked according to the European directive 2011/65/EC on Waste Electrical and Electronic Equipment (WEEE). By ensuring this product is disposed of correctly, you will help prevent potential negative consequences for the environment and human health, which could otherwise be caused by inappropriate waste handling of this product. The symbol on the product indicates that this product may not be treated as household waste. Instead it shall be handed over to the applicable collection point for the recycling of electrical and electronic equipment. Disposal must be carried out in accordance with local environmental regulations for waste disposal. For more detailed information about treatment, recovery and recycling of this product, please contact your local city office, your household waste disposal service or the shop where you purchased the product.



This product complies with the European Directives 2014/35/EU, 2014/30/EU and 2011/65/EU.

CANDY HOOVER GROUP S.r.l. Via Privata Eden Fumagalli, 20861 Brugherio (MB) Italy

### PRODUCT COMPONENTS

- |                             |   |
|-----------------------------|---|
| A. Wall Mount*              | P. Battery Pack                                   |
| B. Wall Mount Screws*       | Pa. Battery Pack Release Buttons                  |
| C. Main Body                | Pb. Battery Pack Charging Inlet                   |
| D. Turbo Button             | Pc. Battery Pack Charging / Discharging Led Light |
| E. Main Body Release Button | Q. Battery Pack Charger                           |
| F. Tube                     | Ra. On/Off Switch                                 |
| G. Nozzle Release Button    | Rb. Continuous Mode Lever                         |
| H. Nozzle                   | S. Exhaust Filter Release Buttons                 |
| I. Agitator Release Flap    | T. Exhaust Filter                                 |
| J. Nozzle Front LED         | U. 2 In1 Large Dusting And Furniture Tool*        |
| K. Wiper Blade              | V. 2 In1 Crevice And Dusting Tool*                |
| Ka. Intense Floor Roller    | W. Mini-Turbo Nozzle*                             |
| Kb. Deep Care Roller        | X. Accessory Adaptor*                             |
| Kc. Rear Soft Strip         | Y. Radiator Tool*                                 |
| L. Dust Cup                 | Z. Deep Cleaning Brush*                           |
| M. Dust Cup Empty Button    | AA. Multi-Function Up To Top Tool*                |
| N. Single Cyclone Separator | AB. Long Flexible Crevice Tool*                   |
| O. Single Cyclone           |   |

### PREPARING YOUR CLEANER

1. On first use, fully charge the appliance battery by connecting the charger jack plug to the battery pack. Charging time is approximately 5Hrs. The battery pack Led light will illuminate red during charging and will turn white when fully charged. [1]
2. Assemble the tube to the nozzle until you hear it "click" into place. [2a]
3. Assemble the main body unit to the tube until you hear it "click" into place. [2b]

**NOTE:** To remove the nozzle press the nozzle release button and pull away from the main body.

**NOTE:** Use only the charger supplied with your cleaner to recharge.

**IMPORTANT:** When charging the cleaner the switch lever must be in the OFF position. You can charge the removable battery pack also when released from the product.

It is normal for the charger to become warm to touch when charging.

\* Certain Models Only

## USING YOUR CLEANER

There are three working modes:

• **STANDARD MODE:** When you press ON-OFF switch, the cleaner is ready to clean thoroughly with the main motorised nozzle. [3a]

**NOTE:** Standard mode is recommended to clean hard floors and above floors.

• **CONTINUOUS MODE:** To enable continuous mode you can pull switch lever back and it will click into place. To disable continuous mode you can push the switch lever forward. [3b]

• **TURBO MODE:** Press the turbo button to fully power the product for hard cleaning tasks. [3c]

**IMPORTANT:** After each use of your product, please ensure to push the switch lever forward to the unlocked position. Failure to do so may result in a reduction in battery life or failure.

## SELECT SUITABLE ROLLER FOR BEST CLEANING

**Intense Floor roller\*:** It is recommended to use on carpet which can go deep into the carpet to clean the dust.

**Deep Care roller\*:** It is recommended to use on hard floor or delicate parquet. Thank to the soft bristles you can gently clean those type of floors.

**IMPORTANT:** Always switch off the cleaner before changing and cleaning the agitator.

**NOTE:** To fit the Roller you would like to use: [17]

1. Detach the agitator release button flap. It is positioned on the lateral part of the nozzle.
2. Hold the agitator release flap and pull down to remove the agitator.
3. Replace with Intense Floor Roller or with the Deep Care Roller.
4. Re-fit in position the agitator release flap.

## BATTERY

When the battery is discharging in normal use, the battery pack Led is white. When the battery capacity is lower than 5%, the white Led light will begin to flash. [4]

When this happens you should stop cleaning and immediately recharge your battery, the Led will be red during the charging. [1]

When charging the product, the continuous switch lever must be in the OFF position, it is also possible to charge the battery pack when released from the product.

**NOTE:** If you are not going to use the cleaner for a long period of time, please remove the battery pack from the cleaner to maintain the battery life.

## WIPER BLADE ASSEMBLY

To obtain the best crevice and carpet performance, it is recommended to assemble the front and rear wiper blades to the soleplate of the nozzle.

To do this, open the agitator release flap and remove the soft strip. Then grip one wiper blade, by inserting one end into the rear slot and slide it in until fully home. Repeat these operations for the second wiper blade and slide it in the front slot. Lock the agitator release flap. [5]

## SAFETY PROTECTION SYSTEM

To ensure the reliability of the product is not affected if used under arduous conditions, the product features an integrated safety protection system.

**NOTE:** The safety protection system will action if the agitator has a blockage or is locked, once actioned the agitator will stop rotating, the white Led lights on the front of the nozzle will Flash 5 times. [6] If this happens, simply switch off your product and clear the agitator obstruction. To resume cleaning, press the ON/OFF button and the product will restart in normal mode.

## ACCESSORIES\*

### 2in1 CREVICE & DUSTING TOOL\*, 2in1 LARGE DUSTING & FURNITURE TOOL\*, LONG FLEXIBLE CREVICE TOOL\*, MULTI FUNCTION UP TO TOP TOOL\* AND MINI TURBO NOZZLE\*

The above accessories can be fitted directly into the main body unit or the tube. [7]

**NOTE:** To remove the nozzle or main body unit from the tube, press the respective release button and pull apart.

### RADIATOR TOOL\* / DEEP CLEANING BRUSH\*

The accessory adaptor\* must be fitted when using these 2 accessories. [7]

**NOTE:** The mini-turbo nozzle is ideal for deep cleaning textile surfaces (i.e. sofas) and pet hair removal. Move it steadily backwards and forwards. After using, please remove hair / threads collected on the brush with scissors if necessary.

**NOTE:** The long flexible crevice tool is ideal for cleaning in hard to reach areas, underneath furniture and in your car.

**NOTE:** The radiator tool is ideal for cleaning inside and around cabinets, radiators, couches, blinds and more.

**NOTE:** The deep cleaning brush is useful to clean in tight spaces without scratching surfaces, and inside your car.

**NOTE:** The multi-function tool is designed to easily clean delicate surfaces without scratching and all areas that are hard to access or reach. The multi-function tool is made up of three key parts:

1. Crevice tool this is ideal for accessing tight spaces.
2. Dusting brush is ideal for cleaning surfaces without damaging or scratching.
3. Furniture Nozzle is ideal for cleaning surfaces like sofa.

### ACCESSORY BAG\*

Accessories can be stored in the accessory bag.

### WALL MOUNT\*

For storage and space saving, your appliance can be fixed to your wall using the three screws and screw plugs included.

The product, 2in1 Crevice and Dusting Tool and the 2 in1 Large Dusting and Furniture Tool can be stored on the wall mount. [8]

## CLEANER MAINTENANCE

### Emptying the Dust Container

1. Press the main body release button and remove the tube. [9]
2. Press the dust cup empty button to release the bin flap and empty the contents. [10]
3. Close the dust cup flap, you will hear a click when fully locked.

**NOTE:** It is recommended to empty the dust cup after each use or when dust is up to the max fill line.

### Cleaning the Dust Container and Filter

1. Press the main body release button and remove the tube. [9]
2. Press the dust cup empty button to release the bin flap and empty the contents. [10]
3. Close the dust cup flap, you will hear a click when fully locked.
4. Press the two battery pack release buttons and remove the battery pack from the main body. [11]
5. Turn the dust bin clockwise direction, align the arrow marks and remove from the main body. [12]
6. Turn the single cyclone separator clockwise direction and remove it from the single cyclone. [13]
7. Press the two exhaust filter release buttons and remove the exhaust filter from the main body. [14]
8. Wipe clean the single cyclone with a dry cloth. Wash the exhaust filter, dust cup and single cyclone separator in lukewarm water [15], leave to dry for 24 hours. [16] Ensure all components are fully dry before refitting to the main body.

**NOTE:** Do not use hot water or detergents when cleaning the exhaust filter. In the unlikely event of the exhaust filter becoming damaged, fit a genuine Hoover replacement. Do not use the product without a filter fitted.

**IMPORTANT:** For optimum performance, always keep your the separation system clean. We recommend that the filter should be washed at least once a month.

### Changing and Cleaning the Agitator

**IMPORTANT:** Always switch off the cleaner before changing and cleaning the agitator.

1. Detach the agitator release button flap. It is positioned on the lateral part of the nozzle. [17a]
2. Hold the agitator release flap and remove the Intense Floor Roller. [17b]
3. To clean the Intense Floor Roller, remove excess debris using scissors. [17c]
4. To clean the Deep Care Roller, rinse with water [17d] and leave to dry for 24hrs. [17e]
5. Re-fit the Deep Care Roller. [17f] The agitator can only fit in one direction.
6. Close the agitator release flap to secure the Deep Care Roller in position. [17g]

\* Certain Models Only

## Replacing the Batteries

This cleaner is fitted with a rechargeable lithium ion battery pack which is replaceable.

**WARNING:** only use approved replacement parts for your cleaner. Using parts not validated by Hoover are dangerous and will invalidate your guarantee.

**WARNING:** do not try to open the battery pack and repair it by yourself.

1. Press the battery pack release buttons and slide to remove. **[11]**
2. Replace the old battery pack with the new battery pack.
3. Dispose of the batteries safely. Used batteries should be taken to a recycling station and not disposed of with household waste.

## TROUBLE SHOOTING

Should you have any problem with you cleaner, follow this simple check list before calling the Hoover Customer Service Centre:

### A. Cleaner does not switch on

- Check if the battery pack is charged.
- Check if the battery pack is assembled in place.

### B. Loss of suction or no suction

- Empty the dust cup and wash the exhaust filter & cyclone separator.
- Remove the nozzle and check for any blockages in the duct.

### C. Batteries cannot be charged

- This may be a result of very long storage periods (over half year).
- Contact Hoover customer service to arrange battery replacement.
- If the problem persists, contact the Hoover customer service center.

## HOOVER SPARES AND CONSUMABLES

Always replace parts with genuine Hoover spares. These are available from your local Hoover dealer or direct from Hoover. When ordering parts always quote your model number.

## YOUR GUARANTEE

The guarantee conditions for this appliance are as defined by our representative in the country in which it is sold. Details regarding these conditions can be obtained from the dealer from whom the appliance was purchased. The bill of sale or receipt must be produced when making any claim under the terms of this guarantee.

**IMPORTANT:** the battery in this cleaner is guaranteed for 6 months from the date of purchase. After 6 months the customer is liable for the cost of a new battery.

Subject to change without notice.



## INSTRUCTIONS DE SÉCURITÉ D'UTILISATION

Cet appareil ne doit être utilisé que pour un nettoyage domestique, conformément à ce guide d'utilisation. Veuillez vous assurer que ces instructions sont parfaitement comprises avant d'utiliser l'appareil.

Il convient de toujours éteindre et mettre le chargeur hors tension avant d'entreprendre des opérations de nettoyage ou d'entretien de l'appareil.

Cet appareil peut être utilisé par des enfants âgés d'au moins 8 ans et par des personnes ayant des capacités physiques, sensorielles ou mentales réduites, ou n'ayant pas d'expérience ou de connaissances en la matière. Ces dernières doivent recevoir des instructions sur l'utilisation de l'appareil en toute sécurité et comprendre les risques impliqués. Les enfants ne doivent pas jouer avec l'appareil. Le nettoyage et l'entretien ne devraient pas être effectués par des enfants sans supervision.

Si le cordon d'alimentation est endommagé, arrêtez immédiatement d'utiliser l'appareil. Pour éviter les risques d'accident, un réparateur Hoover agréé doit remplacer le cordon d'alimentation.

Maintenez les mains, pieds, vêtements et cheveux à distance des brosses rotatives.

Utilisez uniquement le chargeur d'origine qui vous a été fourni avec l'appareil.

Vérifiez que la tension de l'alimentation est la même que celle indiquée sur le chargeur.

Cet appareil Candy est fourni avec un chargeur de batterie doublement isolé qui n'est adapté qu'à une prise de 230 V (240 V Grande-Bretagne). Branchez le chargeur dans une prise adaptée et connectez la prise jack du chargeur dans l'appareil.

Lors du chargement de l'appareil, le commutateur d'arrêt/de démarrage doit être sur arrêt.

Avant la première utilisation, rechargez votre aspirateur pendant au moins 24 heures. Le voyant LED du bloc batterie s'illumine en ROUGE lors de la charge et deviendra BLANC lorsque l'appareil est entièrement chargé.

Rebranchez l'appareil au chargeur après l'utilisation pour recharger les batteries.

Ne rechargez jamais les batteries dans des températures de plus de 37°C ou en-dessous de 0°C.

Il est normal que le chargeur devienne chaud au toucher lorsqu'il est en train de charger.

Ne débranchez pas l'appareil en tirant sur le cordon d'alimentation.

Le chargeur doit être débranché en cas d'absence prolongée

(vacances, etc.). Rechargez l'appareil de nouveau avant de l'utiliser car les batteries peuvent se décharger toutes seules si elles sont stockées pendant longtemps.

Si vous mettez l'appareil à la poubelle, il convient de retirer les batteries d'abord. L'appareil ne doit pas être branché à la prise lorsque vous retirez les batteries. Jetez les batteries dans un endroit sûr. Laissez fonctionner l'appareil jusqu'à l'arrêt total de l'appareil provoqué par le déchargement complet des batteries. Les batteries usées doivent être amenées à un point de recyclage et non pas être éliminées avec les ordures ménagères. Pour retirer les batteries, veuillez contacter le centre d'assistance Hoover ou suivez les instructions suivantes.

**IMPORTANT** : Déchargez toujours complètement la batterie avant de la retirer.

Utilisez votre aspirateur jusqu'à ce que la batterie soit complètement déchargée.

Retirez la prise jack du chargeur de l'appareil.

Appuyez sur les boutons de déverrouillage du bloc batterie et faites glisser le bloc batterie pour le retirer. [11]

**REMARQUE** : Si vous rencontrez des difficultés en démontant l'unité ou si vous souhaitez obtenir de plus amples informations concernant le traitement, la maintenance et le recyclage de cet appareil, veuillez contacter les services de votre ville locale ou un centre de traitement des ordures ménagères.

N'utilisez que les accessoires, les consommables et les pièces de rechange recommandés ou fournis par Hoover.

**Électricité statique** : Certains tapis peuvent entraîner une petite accumulation d'électricité statique. Les décharges d'électricité statique ne sont pas dangereuses pour la santé.

N'utilisez pas votre appareil à l'extérieur, sur une surface humide ou aspirer des débris humides.

N'aspirez pas d'objets durs ou tranchants, d'allumettes, de cendres chaudes, de mégots de cigarettes ou d'autres objets similaires. Ne pulvérisez ou n'aspirez pas de liquides inflammables, des produits d'entretien liquides, des aérosols ou leurs vapeurs.

Ne marchez pas sur le cordon d'alimentation lorsque vous utilisez votre appareil et ne le débranchez pas de la prise en tirant sur le cordon d'alimentation. Ne continuez pas à utiliser votre appareil ou votre chargeur s'il semble défectueux.

**Service Hoover** : Pour assurer l'utilisation sûre et efficace de cet appareil, nous recommandons de n'en confier l'entretien et les réparations qu'à un réparateur Hoover agréé.

# N'utilisez pas l'appareil sur des personnes ou des animaux. Ne remplacez pas les batteries avec des batteries non rechargeables.

## Environnement :

Cet appareil porte des marquages conformes à la directive européenne 2011/65/EC relative aux déchets d'équipements électriques et électroniques (DEEE). Si vous jetez ce produit convenablement, vous contribuerez à éviter des conséquences potentiellement nuisibles pour l'environnement et pour la santé. Le symbole figurant sur le produit indique qu'il ne peut pas être mis à la poubelle avec les ordures ménagères. Vous devez le déposer dans un centre de recyclage des déchets électriques et électroniques. La déposition doit être effectuée conformément à la réglementation locale en matière de déchets. Pour obtenir des compléments d'information sur le traitement, la récupération et le recyclage de ce produit, merci de contacter votre municipalité, le service local des ordures ménagères ou le lieu d'achat du produit.



Cet appareil est conforme aux Directives européennes 2014/35/UE, 2014/30/EUE et 2011/65/UE.

CANDY HOOVER GROUP S.r.l. Via Privata Eden Fumagalli, 20861 Brugherio (MB) Italy

## COMPOSANTS DU PRODUIT

- |  |   |
|--|---|
| A. Support mural*  | O. Simple Cyclone                                     |
| B. Vis de montage mural*   | P. Bloc batterie                                      |
| C. Corps principal   | Pa. Boutons de déverrouillage du bloc batterie        |
| D. Bouton turbo  | Pb. Entrée de charge du bloc batterie                 |
| E. Bouton de déverrouillage du corps principal                                       | Pc. Voyant LED de charge/décharge du bloc batterie    |
| F. Tube  | Q. Chargeur du bloc batterie                          |
| G. Bouton pour détacher la brosse  | Ra. Bouton de Marche/Arrêt.                           |
| H. Brosse  | Rb. Levier de mode continu                            |
| I. Volet de dégagement de la brosse rotative   | S. Bouton de déverrouillage du filtre d'évacuation    |
| J. Voyants LED avant de la brosse  | T. Filtre d'évacuation                                |
| K. Bande avant en caoutchouc   | U. Grand suceur pour dépoussiérer les meubles 2 en 1* |
| Ka. Rouleau pour électrobrosse (idéal pour sols durs)                                | V. Suceur plat 2 en 1*                                |
| Kb. Rouleau doux d'entretien en profondeur<br>(idéal pour parquets et sols délicats) | W. Mini Turbobrosse*                                  |
| Kc. Bande souple arrière   | X. Adaptateur d'accessoire*                           |
| L. Bac à poussière   | Y. Outil de radiateur*                                |
| M. Bouton de vidage du bac à poussière   | Z. Brosse de nettoyage soigné*                        |
| N. Séparateur cyclonique   | AA. Outil accès en hauteur multifonction*             |
|  | AB. Suceur flexible coins profonds*                   |

## PREPARATION DE L'APPAREIL

- Lors de la première utilisation, chargez entièrement la batterie de l'appareil en connectant la prise jack du chargeur au bloc batterie. La durée de charge est d'environ 5 heures. Le voyant LED du bloc batterie s'allume en ROUGE lors de la charge et deviendra BLANC lorsque l'appareil est entièrement chargé. **[1]**
- Montez le tube sur la brosse jusqu'à ce qu'il s'enclenche en place. **[2a]**
- Montez l'unité de corps principal sur le tube jusqu'à ce qu'elle s'enclenche en place. **[2b]**

**REMARQUE :** Pour enlever la brosse, appuyez sur le bouton pour détacher la brosse et enlevez-la du corps principal.

**REMARQUE :** N'utilisez que le chargeur fourni avec votre nettoyeur pour recharger.

**IMPORTANT :** Lors du chargement de l'appareil, le commutateur d'arrêt/de démarrage doit être sur arrêt. Vous pouvez charger le bloc batterie amovible également lorsqu'il est libéré du produit.

Il est normal pour le chargeur de devenir chaud au toucher lorsqu'il est en train de charger.

\* Sur certains modèles uniquement

## UTILISATION DE L'APPAREIL

Il existe trois modes de fonctionnement :

• **MODE STANDARD** : Lorsque vous appuyez sur l'interrupteur MARCHÉ-ARRÊT, l'aspirateur est prêt à nettoyer à fond à l'aide de la brosse motorisée principale. **[3a]**

**REMARQUE** : Le mode standard est recommandé pour nettoyer des sols durs et des sols en hauteur.

• **MODE CONTINU** : Pour activer le mode continu, vous pouvez pousser la gâchette d'arrêt/de démarrage vers le haut et il s'enclenchera. Pour désactiver le mode continu, vous pouvez pousser la gâchette d'arrêt/de démarrage en bas. **[3b]**

• **MODE TURBO** : Appuyez sur le bouton Turbo afin d'obtenir la pleine puissance nécessaire pour le nettoyage des sols durs après avoir mis en marche votre aspirateur. **[3c]**

**IMPORTANT** : Après chaque utilisation du produit, veuillez vous assurer de faire avancer la gâchette d'arrêt/de démarrage à la position déverrouillée.

Ne pas respecter cette instruction peut entraîner la réduction de la durée de vie ou la défaillance de la batterie.

## SÉLECTIONNEZ LE ROULEAU ADAPTÉ POUR UN MEILLEUR NETTOYAGE

**Rouleau pour électrobrosse (idéal pour sols durs)\***: Il est recommandé de l'utiliser sur la moquette de manière à nettoyer la poussière incrustée.

**Rouleau d'entretien en profondeur\***: Il est recommandé de l'utiliser sur les sols durs ou les parquets délicats. Grâce aux poils doux vous pouvez nettoyer ces types de sols en douceur.

**IMPORTANT** : Arrêtez toujours l'appareil avant de changer ou de nettoyer la brosse rotative.

**REMARQUE** : Pour le montage du rouleau que vous souhaitez utiliser : **[17]**

1. Déclipez le volet de dégagement de la brosse rotative. Il est positionné sur la partie latérale de la brosse.
2. Tenez le volet de dégagement de la brosse rotative et abaissez-le pour retirer la brosse rotative.
3. Remplacez par le rouleau pour sol intense ou par le rouleau d'entretien en profondeur.
4. Remettez le volet de dégagement de la brosse rotative en place.

## BATTERIE

Lorsque la batterie se décharge lors d'une utilisation normale, le voyant LED de bloc batterie est blanc. Lorsque la capacité de la batterie est inférieure à 5 %, le voyant LED BLANC commence à clignoter. **[4]**

Lorsque cela se produit, vous devez arrêter le nettoyage et immédiatement recharger votre batterie ; le voyant LED est rouge lors de la charge. **[1]**

Lors du chargement du produit, le commutateur d'arrêt/de démarrage doit être sur arrêt ; il est également possible de charger le bloc batterie lorsqu'il est libéré du produit.

**REMARQUE** : Si l'aspirateur ne sera pas utilisé pendant longtemps, veuillez retirer le bloc batterie de l'appareil afin de préserver sa durée de vie.

## INSTALLATION DES LAMES DE BALAYAGE

Pour obtenir la meilleure performance du suceur plat sur la moquette, il est conseillé d'assembler les lames de balayage arrière et avant sous la semelle de la brosse.

Pour ce faire, ouvrez le volet de dégagement de la brosse rotative et retirez la bande souple. Puis, saisissez une lame de balayage en caoutchouc en insérant une extrémité dans la fente arrière et faites-la glisser jusqu'à ce qu'elle soit complètement en place. Répétez l'opération pour la seconde lame de balayage et faites-la glisser dans la fente avant.

Verrouillez le volet de dégagement de la brosse rotative. **[5]**

## SYSTÈME DE PROTECTION DE SÉCURITÉ

Pour s'assurer que la fiabilité du produit n'est pas affectée en cas d'utilisation dans des conditions difficiles, le produit comporte un système de protection de sécurité intégré.

**REMARQUE** : Le système de protection de sécurité s'active si la brosse rotative a un blocage ou est bloquée. Une fois actionnée, la brosse rotative arrête de tourner, les voyants Led blancs à l'avant de la brosse clignotent 5 fois. **[6]** Si cela se produit, éteignez simplement le produit et dégagez l'obstruction de l'agitateur. Pour reprendre le nettoyage, appuyez sur le bouton de marche/arrêt et le produit redémarrera en mode normal.

\* Sur certains modèles uniquement

## ACCESSOIRES\*

### SUCEUR PLAT 2 EN 1\*, GRAND SUCEUR POUR DÉPOUSSIÉRER LES MEUBLES 2 en 1\*, SUCEUR FLEXIBLE COINS PROFONDS\*, ACCESSOIRE MULTIFONCTION SPECIAL HAUTEURS\* ET MINI TURBO BROSSE\*

Les accessoires ci-dessus peuvent être fixés directement dans l'unité de corps principal ou le tube. [7]

**REMARQUE :** Pour retirer la brosse ou l'unité de corps principal du tube, appuyez sur le bouton de déverrouillage respectif et démontez-la.

### OUTIL DE RADIATEUR\* / BROSSE DE NETTOYAGE SOIGNÉ\*

L'adaptateur d'accessoire\* doit être fixé lorsque vous utilisez ces 2 accessoires. [7]

**REMARQUE :** La mini turbobrosse est idéale pour le nettoyage en profondeur des surfaces textiles (c.-à-d. les canapés) et pour le retrait de poils d'animaux domestiques. Faites-le avancer et reculer de façon régulière. Après l'utilisation, veuillez retirer les cheveux/fils rassemblés sur la brosse à l'aide de ciseaux, si nécessaire.

**REMARQUE :** Le suceur flexible coins profonds est idéal pour le nettoyage des endroits difficilement accessibles, sous les meubles et dans votre voiture.

**REMARQUE :** La brosse radiateur est idéale pour nettoyer à l'intérieur et autour des meubles, radiateurs, canapés, stores et plus.

**REMARQUE :** La brosse de nettoyage en profondeur est utile pour nettoyer les espaces étroits sans abîmer les surfaces et l'intérieur de votre voiture.

**REMARQUE :** L'outil multifonction est conçu pour facilement nettoyer les surfaces délicates sans les égratigner et tous les endroits difficilement accessibles. L'accessoire multifonction est constitué de trois pièces clés :

1. Le suceur plat est idéal pour accéder aux espaces étroits.
2. La brosse à dépoussiérer est idéale pour nettoyer les surfaces sans les endommager ou les égratigner.
3. La brosse à meubles est idéale pour le nettoyage des surfaces comme les canapés.

### SAC ACCESSOIRES\*

Les accessoires supplémentaires peuvent être rangés dans le sac accessoires.

### SUPPORT MURAL\*

Pour les besoins de stockage et d'économie d'espace, votre appareil peut être fixé au mur à l'aide de trois vis et du support fournis. Le produit, le suceur plat 2 en 1 et le grand suceur pour dépoussiérer les meubles 2 en 1 peuvent être stockés sur le support mural. [8]

## ENTRETIEN DE L'ASPIRATEUR

### Vidage du bac à poussière

1. Appuyez sur le bouton de déverrouillage du corps principal et retirez le tube. [9]
2. Appuyez sur le bouton de vidage du bac à poussière pour ouvrir le clapet du bac et videz-le. [10]
3. Fermez le clapet du bac à poussière ; vous entendrez un dé clic une fois complètement verrouillé.

**REMARQUE :** Il est recommandé de vider le bac à poussière après chaque usage ou lorsque la poussière atteint la ligne de remplissage maximale.

### Nettoyez le bac à poussière et le filtre.

1. Appuyez sur le bouton de déverrouillage du corps principal et retirez le tube. [9]
2. Appuyez sur le bouton de vidage du bac à poussière pour ouvrir le clapet du bac et videz-le. [10]
3. Fermez le clapet du bac à poussière ; vous entendrez un dé clic une fois complètement verrouillé.
4. Appuyez sur les deux boutons de déverrouillage du bloc batterie et retirez le bloc batterie du corps principal. [11]
5. Tournez le récipient à poussière dans le sens horaire des aiguilles d'une montre, alignez-le aux flèches de repère, et retirez-le du corps principal de l'aspirateur. [12]
6. Tournez le séparateur à cyclone unique dans le sens horaire et retirez-le du cyclone unique. [13]
7. Appuyez sur les deux boutons de déverrouillage du filtre d'évacuation et retirez le filtre d'évacuation du corps principal de l'aspirateur. [14]
8. Nettoyez le cyclone unique avec un chiffon sec. Lavez le filtre d'échappement, le bac poussière et le séparateur à cyclone unique à l'eau tiède [15], laissez sécher pendant 24 heures. [16] Assurez-vous que tous les composants sont entièrement secs avant de les réfixer au corps principal de l'aspirateur.

**REMARQUE :** N'utilisez pas d'eau chaude ou de détergents pour laver le filtre d'évacuation. Dans le cas peu probable où le filtre d'évacuation s'endommage, fixez une pièce de rechange Hoover authentique. N'utilisez pas l'aspirateur quand le filtre n'est pas monté.

**IMPORTANT :** Pour des performances optimales, garder toujours votre système de séparation propre. Nous recommandons que le filtre soit lavé au moins une fois par mois.

\* Sur certains modèles uniquement

### Changement et nettoyage de la brosse rotative

**IMPORTANT** : Arrêtez toujours l'appareil avant de changer ou de nettoyer la brosse rotative.

1. Déclipsez le volet de dégagement de la brosse rotative. Il est positionné sur la partie latérale de la brosse. **[17a]**
2. Tenez le volet de dégagement de la brosse rotative et retirez le rouleau pour sol intense **[17b]**
3. Pour nettoyer le rouleau pour sol intense, retirez l'excès de débris à l'aide de ciseaux. **[17c]**
4. Pour nettoyer le rouleau d'entretien en profondeur, rincez-le à l'eau [17d] et laissez-le sécher pendant 24 heures. **[17e]**
5. Refixez le rouleau d'entretien en profondeur. **[17f]** La brosse rotative ne peut s'insérer que dans un seul sens.
6. Fermez le volet de dégagement de la brosse rotative pour maintenir le rouleau d'entretien en profondeur en place. **[17g]**

### Remplacement des batteries

L'aspirateur est équipé d'un bloc batterie Lithium ion rechargeable qui est remplaçable.

**MISE EN GARDE** : Utilisez uniquement les pièces de rechange approuvées pour votre aspirateur. L'utilisation de pièces non approuvées par Hoover est dangereuse et invalidera votre garantie.

**MISE EN GARDE** : N'essayez pas d'ouvrir la batterie pour la réparer vous-même.

1. Appuyez sur les boutons de déverrouillage du bloc batterie et faites glisser le bloc batterie pour le retirer. **[11]**
2. Remplacez l'ancien bloc batterie par le nouveau bloc batterie.
3. Jetez les batteries dans un endroit sûr. Les batteries usées doivent être amenées à un point de recyclage et non pas être éliminées avec les ordures ménagères.

## DÉPANNAGE

Si vous avez des problèmes avec votre nettoyeur, suivez cette simple liste de vérification avant d'appeler le service clientèle Hoover :

#### A. L'aspirateur ne s'allume pas

Veuillez vérifier si le bloc batterie est chargé.

Vérifiez que la batterie est bien en place.

#### B. Aspiration insuffisante ou pas d'aspiration du tout

Videz le bac à poussière et lavez le filtre d'échappement et le séparateur à cyclone.

Enlevez la brosse et vérifiez qu'il n'y a pas de blocages dans les conduites.

#### C. La batterie ne charge pas

Cela peut être dû à de très longues périodes de stockage (plus de 6 mois).

Contactez le service clientèle Hoover pour effectuer le changement de batterie.

Si le problème persiste, contactez le service clientèle Hoover.

## PIÈCES DÉTACHÉES ET CONSOMMABLES HOOVER

Toujours remplacer les pièces par des pièces détachées de la marque Hoover. Celles-ci sont disponibles auprès de votre revendeur Hoover. Lors de la commande de pièces, veuillez toujours préciser le numéro de votre modèle.

## VOTRE GARANTIE

Les conditions de garantie de cet appareil sont définies par notre représentant dans le pays où il est vendu et peuvent être obtenues auprès de votre revendeur. Les détails concernant ces conditions peuvent être obtenus auprès du revendeur auprès duquel l'appareil a été acheté. La facture d'achat ou le reçu doivent être présentés pour toutes réclamations relevant des conditions de cette garantie.

**IMPORTANT** : La batterie de cet aspirateur est garantie 6 mois à compter de la date d'achat. Passés les six mois, le client est responsable du coût d'acquisition d'une nouvelle batterie.

Ces conditions peuvent être modifiées sans préavis.

## HINWEISE FÜR DIE SICHERE BENUTZUNG

Dieses Gerät ist nur zum Gebrauch im Haushalt und nicht für gewerbliche Zwecke bestimmt. Sie sollten das Gerät ausschließlich gemäß den Angaben in dieser Bedienungsanleitung verwenden. Vor dem Gebrauch des Gerätes muss die vorliegende Bedienungsanleitung vollständig gelesen und verstanden worden sein.

Schalten Sie das Gerät immer aus und ziehen den Stecker des Ladegerätes, bevor Sie das Gerät reinigen oder irgendwelche Wartungsarbeiten durchführen.

Dieses Gerät darf von Kindern ab 8 Jahren, sowie körperlich, geistig oder sensorisch behinderten Personen bzw. Personen ohne Erfahrung und Kenntnisse im Gebrauch nur unter Aufsicht oder unter Anleitung für die sichere Benutzung und den damit verbundenen Gefahren benutzt werden. Kinder sollten nicht mit dem Gerät spielen. Reinigungs- und Wartungsarbeiten dürfen von Kindern nur unter Aufsicht ausgeführt werden.

Ist das Netzkabel beschädigt, darf das Gerät NICHT mehr benutzt werden. Im Falle eines Defektes, darf das Netzkabel nur durch einen autorisierten Hoover-Kundendiensttechniker ausgetauscht werden.

Hände, Füße, lose Kleidung und Haare von den rotierenden Bürsten fernhalten.

Verwenden Sie nur das Originalladegerät, das mit dem Gerät geliefert wurde.

Stellen Sie sicher, dass die Versorgungsspannung mit der auf dem Ladegerät angegebenen Spannung übereinstimmt.

Dieses Haushaltsgerät von Hoover wird mit einem schutzisolierten Batterieladegerät geliefert, welches ausschließlich für 230 V (GB 240 V) Steckdosen geeignet ist.

Stecken Sie das Netzteil in eine geeignete Steckdose und schließen Sie den Stecker am Gerät an.

Zum Aufladen muss der Ein-/Ausschalter des Gerätes auf AUS geschaltet werden.

Laden Sie die Akkus des Gerätes vor der ersten Benutzung mindestens 24 Stunden lang auf. Die Akku-LED-Leuchte leuchtet während des Ladevorgangs ROT und nach dem Aufladen WEISS.

Schließen Sie das Gerät nach der Benutzung wieder an das Netzteil an, um die Akkus wieder aufzuladen.

Akkus niemals bei Temperaturen über 37°C oder unter 0°C aufladen!

Es ist normal, dass sich das Ladegerät während des Ladevorgangs erwärmt.

Ziehen Sie den Netzstecker des Ladegerätes NIEMALS durch Ziehen am Kabel heraus.

Ziehen Sie im Fall einer längeren Abwesenheit, z. B. Urlaub usw. den Stecker des Ladegerätes aus der Steckdose. Laden Sie nach einer längeren Zeit der Lagerung/Nichtbenutzung das Gerät vor der erneuten Benutzung wieder komplett auf, da sich die Akkus von selber entladen können.

Wenn das Gerät entsorgt wird, müssen zuvor die Akkus entfernt werden. Das Gerät muss von der Stromnetz getrennt sein, wenn die Akkus entnommen werden. Entsorgen Sie die Akkus ordnungsgemäß. Lassen Sie das Gerät laufen, bis die Akkus leer sind und es von selber stoppt. Gebrauchte Akkus sollten zum Recycling zurückgegeben und nicht mit dem Hausmüll entsorgt werden. Um die Akkus herauszunehmen, wenden Sie sich bitte an das Hoover-Kundendienst oder führen Sie folgende Schritte aus.

**WICHTIG:** Entladen Sie die Akkus vor dem Herausnehmen immer ganz. Lassen Sie dafür das Gerät laufen, bis die Akkus vollständig entladen sind. Ziehen Sie den Stecker des Ladegeräts aus dem Gerät.

Drücken Sie die Freigabetaste des Akkus und schieben Sie ihn heraus, um ihn zu entnehmen. [11]

**HINWEIS:** Sollten Sie irgendwelche Schwierigkeiten beim Auseinandernehmen des Gerätes haben oder detailliertere Informationen zur Behandlung, Reparatur oder zum Recycling des Geräts benötigen, kontaktieren Sie bitte Ihre Stadtverwaltung oder den lokalen Entsorgungsdienst für Haushaltsabfälle.

Verwenden Sie nur Zubehör, Verbrauchsmaterial oder Ersatzteile, die von Hoover empfohlen oder geliefert werden.

**Statische Aufladung:** Manche Teppiche können die Bildung statischer Elektrizität verursachen. Diese ist nicht gesundheitsschädlich.

Benutzen Sie das Gerät nicht im Freien, auf nassen Oberflächen oder zur Aufnahme von feuchtem Schmutz.

Vermeiden Sie es, harte oder scharfe Gegenstände, Streichhölzer, heiße Asche, Zigarettenkippen oder Ähnliches aufzusaugen. Niemals entzündliche Flüssigkeiten, Reinigungsmittel, Aerosole oder deren Dämpfe auf das Gerät sprühen oder damit aufsaugen.

Während des Betriebs nicht über das Netzkabel fahren. Nicht am Kabel ziehen, um den Gerätestecker aus der Steckdose zu ziehen. Stellen Sie die Verwendung des Gerätes oder des Ladegerätes ein, wenn ein Defekt vermutet wird.

**Hoover-Kundendienst:** Um auf Dauer den sicheren und effizienten Betrieb dieses Gerätes zu gewährleisten, empfehlen wir, Wartungs- und Reparaturarbeiten ausschließlich von einem zugelassenen Hoover-Kundendiensttechniker durchführen zu lassen.



# Benutzen Sie das Gerät nicht zur Reinigung von Menschen oder Tieren. Ersetzen Sie die Akkus nicht durch Einwegbatterien.

## Umweltschutz:

Dieses Elektrohaushaltsgerät ist entsprechend der EU-Richtlinie 2011/65/EC über Elektro- und Elektronik-Altgeräte (WEEE) gekennzeichnet. Durch die sichere und umweltgerechte Entsorgung dieses Produkts tragen Sie dazu bei, mögliche negative Auswirkungen auf die Umwelt und die Gesundheit des Menschen zu verhindern. Das am Produkt angebrachte Symbol gibt an, dass dieses Produkt nicht als Hausmüll behandelt werden darf, sondern an einer entsprechenden Sammelstelle für das Recycling von elektrischen und elektronischen Geräten zu entsorgen ist. Die Entsorgung ist in Übereinstimmung mit allen geltenden Vorschriften für die umweltgerechte Abfallentsorgung vorzunehmen. Ausführlichere Informationen über die Müllbehandlung und das Recycling dieses Geräts erhalten Sie von der zuständigen Umweltbehörde, der Müllentsorgungsstelle Ihrer Kommune oder dem Händler, bei dem Sie das Gerät erworben haben.



Dieses Gerät erfüllt die Europäischen Richtlinien 2014/35/EG, 2014/30/EG und 2011/65/EG.

CANDY HOOVER GROUP S.r.l. Via Privata Eden Fumagalli, 20861 Brugherio (MB) Italy

## PRODUKTBESTANDTEILE

- |                                       |   |
|---------------------------------------|---|
| A. Wandhalterung*                     | P. Akku   |
| B. Wandbefestigungsschrauben*         | Pa. Akku-Freigabetasten                           |
| C. Gerätekorpus                       | Pb. Anschluss zum Laden des Akkus                 |
| D. Taste für Turbo-Betriebsmodus      | Pc. Akku-Auflade-/Entlade-LED-Leuchte             |
| E. Gerätekorpus-Freigabetaste         | Q. Akku-Ladegerät                                 |
| F. Rohr                               | Ra. EIN-/AUS-Schalter                             |
| G. Taste zum Entfernen der Bodendüse  | Rb. Hebel für kontinuierlichen Modus              |
| H. Bodendüse                          | S. Abluffilter-Freigabetasten                     |
| I. Bürstwalzen-Freigabeklappe         | T. Abluffilter                                    |
| J. Düsen-LED vorne                    | U. 2in1-große Möbelpinsel und Polsterdüse*        |
| K. Wischblatt                         | V. 2in1-Fugendüse und Möbelpinsel*                |
| Ka. Intense Floor Roller              | W. Mini-Turbodüse*                                |
| Kb. Deep Care Roller                  | X. Zubehöradapter*                                |
| Kc. Hinterer weicher Streifen         | Y. Heizkörperdüse*                                |
| L. Staubbehälter                      | Z. Tiefenreinigungsbürste*                        |
| M. Staubfangbehälter-Entleerungstaste | AA. Multifunktions-Reinigungsbürste (Rüsseldüse)* |
| N. Einzel-Zyklon-Staubtrennsystem     | AB. Lange, flexible Fugendüse*                    |
| O. Einzel-Zyklon                      |   |

## VORBEREITUNG DES STAUBSAUGERS

- Laden Sie den Akku des vor dem ersten Gebrauch vollständig auf. Stecken Sie hierzu den Stecker des Ladegeräts in den Akku. Die Ladedauer beträgt ungefähr 5 Stunden. Die Akku-LED-Leuchte leuchtet während des Ladevorgangs rot und nach dem Aufladen weiß. **[1]**

- Schieben Sie das Rohr auf die Düse bis es hörbar einrastet. **[2a]**

- Schieben Sie den Gerätekorpus auf das Rohr bis er hörbar einrastet. **[2b]**

**HINWEIS:** Zum Abnehmen der Bodendüse drücken Sie auf die Düsenfreigabetaste und ziehen diese ab.

**HINWEIS:** Verwenden Sie zum Aufladen nur das mit dem Gerät mitgelieferte Ladegerät.

**WICHTIG:** Zum Aufladen muss der Ein-/Aus-Schalter des Staubsaugers auf die Position AUS geschaltet werden. Sie können den abnehmbaren Akku auch aufladen, wenn Sie ihn vom Gerät abnehmen. Es ist normal, dass sich das Ladegerät während des Ladevorgangs erwärmt.

\* Geräteausstattung ist modellabhängig

## GEBRAUCH DES GERÄTES

Es gibt drei Betriebsarten:

• **STANDARD MODUS:** Wenn Sie den EIN-/AUS-Schalter drücken, ist der Staubsauger bereit, um mit der angetriebenen Hauptdüse gründlich zu reinigen. **[3a]**

**HINWEIS:** Der Standard-Modus wird zum Reinigen von Hartböden und Überböden empfohlen.

• **Kontinuierlicher Modus** Um den Dauerbetrieb zu aktivieren, können Sie den Schalthebel nach hinten ziehen und einrasten lassen. Um den Dauerbetrieb zu deaktivieren, drücken Sie den Schalthebel nach vorne. **[3b]**

• **TURBO MODUS:** Drücken Sie die Turbo-Taste für volle Leistung und anspruchsvolle Reinigungsarbeiten. **[3c]**

**WICHTIG:** Achten Sie nach jedem Gebrauch des Geräts darauf, dass der Schalthebel nach vorne in die entriegelte Position gedrückt ist.

Andernfalls kann es zu einer Verringerung der Batterielebensdauer oder zu einem Ausfall kommen.

## WÄHLEN SIE DIE GEEIGNETE WALZE FÜR BESTE REINIGUNGSERGEBNISSE

**Intense Floor Roller\*:** Es wird empfohlen, sie auf Teppichböden zum verwenden, weil sie Staub tiefgehend aus dem Teppichboden entfernt.

**Deep Care Roller\*:** Es wird empfohlen sie auf Hartböden oder empfindlichem Parkett zu verwenden. Aufgrund der weichen Borsten können Sie diese Art von Fußböden sanft reinigen.

**WICHTIG:** Schalten Sie vor einem Austausch oder Reinigen der Bürstwalze den Staubsauger immer aus.

**HINWEIS:** Um die Walze einzusetzen, die Sie verwenden möchten: **[17]**

1. Entriegeln Sie die Bürstwalzen-Freigabeklappe. Sie befindet sich auf dem Seitenteil der Düse.
2. Halten Sie Bürstwalzen-Freigabeklappe fest und ziehen Sie sie nach unten, um die Bürstwalze zu entfernen.
3. Ersetzen Sie sie durch die der Intense Floor Roller oder die Deep Care Roller.
4. Setzen Sie die Bürstwalzen-Freigabeklappe wieder ein.

## BATTERIE

Wenn der Akku bei normalem Gebrauch entladen wird, leuchtet die Akku-LED weiß. Wenn die Akkukapazität unter 5% liegt, beginnt die weiße LED-Leuchte zu blinken. **[4]**

Unterbrechen Sie in diesem Fall sofort die Arbeit und laden Sie den Akku wieder auf. Während des Ladevorgangs leuchtet die LED-Anzeige rot. **[1]**

Wenn Sie das Gerät laden, muss sich der Schalter auf der Position AUS befinden. Sie können den Akku auch laden, wenn Sie ihn aus dem Gerät herausgenommen haben.

**HINWEIS:** Wenn Sie den Staubsauger über einen längeren Zeitraum nicht verwenden möchten, nehmen Sie bitte den Akku aus dem Staubsauger, um die Akku-Lebensdauer zu erhalten.

## ANBRINGUNG DES GUMMIEINSATZES

Um die beste Fugen- und Teppichbodenleistung zu erzielen, empfiehlt es sich die vordere und hintere Wischblätter an der Sohle der Düse zu montieren.

Öffnen Sie hierzu die Freigabeklappe der Bürstwalze und entfernen Sie den weichen Streifen. Nehmen Sie danach ein Wischblatt, setzen Sie ein Ende in den hinteren Schlitz ein und schieben Sie es bis zum Anschlag hinein. Wiederholen Sie diese Schritte für das zweite Wischblatt und schieben Sie es in den vorderen Schlitz. Verriegeln Sie die Freigabeklappe der Bürstwalze. **[5]**

## SICHERHEITSSCHUTZSYSTEM

Um zu gewährleisten, dass die Zuverlässigkeit des Geräts bei Gebrauch unter schwierigen Bedingungen nicht beeinträchtigt wird, wurde das Gerät mit einem integrierten Sicherheitsschutzsystem ausgestattet.

**HINWEIS:** Das Sicherheitsschutzsystem wird aktiv, wenn die Bürstwalze verstopft oder blockiert ist. Sie hört auf zu rotieren und die weiße LED-Leuchte an der Düse blinkt 5 Mal. **[6]** Wenn dies geschieht, schalten Sie einfach Ihr Gerät aus und beseitigen Sie das Hindernis an der Bürstwalze. Um weiter zu reinigen, drücken Sie die Ein-/Aus-Taste und das Gerät startet wieder im Normalbetrieb.

\* Geräteausstattung ist modellabhängig

## ZUBEHÖR\*

### 2IN1-FUGENDÜSE & MÖBELPINSEL\*, 2IN1-GROßER MÖBELPINSEL & POLSTERDÜSE\*, LANGE, FLEXIBLE FUGENDÜSE\*, MULTIFUNKTIONELLE RÜSSELDÜSE\* UND MINI-TURBODÜSE\*

Das oben genannte Zubehör kann direkt am Gerätekorpus oder an einem Rohrende befestigt werden. [7]

**HINWEIS:** Um die Düse oder den Gerätekorpus vom Rohr zu lösen, drücken Sie die entsprechende Freigabetaste und ziehen Sie die Teile auseinander.

### HEIZKÖRPERDÜSE\* / TIEFENREINIGUNGSBÜRSTE\*

Bei zwei der oben genannten Zubehöerteile muss der Zubehöradapter\* benutzt werden. [7]

**HINWEIS:** Die Mini-Turbodüse ist ideal für die tiefe Reinigung von Textiloberflächen (z. B. Sofas) und zum Entfernen von Tierhaaren. Bewegen Sie ihn kontinuierlich rückwärts und vorwärts. Entfernen Sie nach dem Gebrauch auf der Bürste angesammelte Haare/Fäden nach Bedarf mit einer Schere.

**HINWEIS:** Die lange, flexible Fugendüse ist ideal für die Reinigung von schwer erreichbaren Bereichen, unter Möbeln und in Ihrem Auto.

**HINWEIS:** Die Heizkörperbürste ist ideal für die Reinigung von Heizkörpern, Sofas, Jalousien, dem Schrankinneren und vielem mehr.

**HINWEIS:** Die Tiefenreinigungsbürste ist hilfreich bei der Reinigung von engen Bereichen, ohne dabei die Oberflächen zu zerkratzen, beispielsweise in Ihrem Auto.

**HINWEIS:** Das Multifunktionszubehör ist so konzipiert, dass Sie empfindliche Oberflächen ohne Kratzer und alle Bereiche, die schwer zugänglich sind, leicht reinigen können. Das Multifunktionszubehör besteht aus drei wichtigen Teilen:

1. Fugendüse, sie ist ideal für den Zugang zu engen Räumen.
2. Möbelpinsel, er eignet sich hervorragend zum Reinigen von Oberflächen ohne sie zu beschädigen oder Kratzer zu hinterlassen.
3. Polsterdüse, sie ist ideal zum Reinigen von Polstermöbeln.

### ZUBEHÖRTASCHE\*

Alles weitere Zubehör kann in der Zubehörtasche aufbewahrt werden.

### WANDHALTERUNG\*

Zur Aufbewahrung und um Platz zu sparen kann die Halterung für Ihr Gerät mit den drei mitgelieferten Schrauben und Dübeln an der Wand befestigt werden.

Das 2in1-Fugendüse und Möbelpinsel-Zubehör, sowie das 2in1-Möbelpinsel und Staubbürste-Zubehör können an der Wandhalterung aufbewahrt werden. [8]

## WARTUNG DES GERÄTES

### Leeren des Staubbehälters

1. Drücken Sie die Freigabetaste auf dem Gerätekorpus und nehmen Sie das Rohr ab. [9]
2. Drücken Sie die Staubfangbehälter-Entleerungstaste nach unten, um die Behälterklappe zu entriegeln und den Behälter zu entleeren. [10]
3. Schließen Sie die Staubbehälterklappe. Sie werden ein "Klicken" hören, wenn diese vollständig verschlossen ist.

**HINWEIS:** Es wird empfohlen den Staubbehälter nach jedem Gebrauch, oder wenn der Staub bis zur maximalen Fülllinie reicht, zu entleeren.

### Reinigen Sie den Staubbehälter und den Filter.

1. Drücken Sie die Freigabetaste auf dem Gerätekorpus und nehmen Sie das Rohr ab. [9]
2. Drücken Sie die Staubfangbehälter-Entleerungstaste nach unten, um die Behälterklappe zu entriegeln und den Behälter zu entleeren. [10]
3. Schließen Sie die Staubbehälterklappe. Sie werden ein "Klicken" hören, wenn diese vollständig verschlossen ist.
4. Drücken Sie die beiden Akku-Freigabetasten und nehmen Sie den Akku aus dem Gerätekorpus. [11]
5. Drehen Sie den Staubbehälter im Uhrzeigersinn. Richten Sie die Pfeilmarkierungen aus und nehmen das Staubsaugergehäuse ab. [12]
6. Drehen Sie den Einzel-Zyklonabscheider im Uhrzeigersinn und nehmen Sie ihn vom Einzel-Zyklon ab. [13]
7. Drücken Sie die beiden Abluftfilter-Freigabetasten und nehmen Sie den Abluftfilter vom Gerätekorpus ab. [14]

Wischen Sie den Einzel-Zyklon mit einem trockenen Tuch ab. Waschen Sie den Abluftfilter, den Staubfangteller und den Einzel-Zyklonabscheider mit lauwarmem Wasser [15] und lassen Sie diese 24 Stunden lang trocknen. [16] Vergewissern Sie sich, bevor Sie die Teile wieder in den Gerätekorpus einsetzen, dass sie vollständig trocken sind.

\* Geräteausstattung ist modellabhängig

**HINWEIS:** Verwenden Sie kein heißes Wasser oder Reinigungsmittel zum Reinigen des Abluftfilters. Im unwahrscheinlichen Fall, dass der Abluftfilter beschädigt sein sollte, tauschen Sie ihn nur gegen einen Hoover-Originalfilter aus. Versuchen Sie nicht, das Gerät ohne eingesetzten Filter zu benutzen.

**WICHTIG:** Halten Sie den Abscheider für optimale Leistung immer sauber. Wir empfehlen, den Filter je nach Nutzungshäufigkeit mindestens einmal pro Monat zu reinigen.

**Wir empfehlen, den Agitator mindestens einmal alle zwei Wochen zu reinigen.**

**WICHTIG:** Schalten Sie vor einem Austausch oder Reinigen der Bürstwalze den Staubsauger immer aus.

1. Entriegeln Sie die Bürstwalzen-Freigabeklappe. Sie befindet sich auf dem Seitenteil der Düse. **[17a]**
2. Halten Sie Bürstwalzen-Freigabeklappe fest und nehmen Sie die Intense Floor Roller heraus. **[17b]**
3. Die Intense Floor Roller können Sie mithilfe einer Schere von übermäßigem Schmutz reinigen. **[17c]**
4. Um die Tiefpflegewalze zu reinigen, spülen Sie diese mit Wasser [17d] aus und lassen Sie sie 24 Stunden lang trocknen. **[17e]**
5. Setzen Sie die Deep Care Roller ein. **[17f]** Die Bürstwalze passt nur in einer Richtung.
6. Schließen Sie die Bürstwalzen-Freigabeklappe fest, um die Deep Care Roller in ihrer Position zu sichern. **[17g]**

### Akku ersetzen

Dieser Staubsauger ist mit einem wiederaufladbaren, austauschbaren Lithium-Ionen-Akku ausgestattet.

**WARNUNG:** Verwenden Sie nur Hoover Originalersatzteile für Ihren Staubsauger. Das Verwenden von Teilen, die nicht von Hoover zugelassen wurden, ist gefährlich und führt eventuell dazu, dass Ihre Garantie erlischt.

**WARNUNG:** Versuchen Sie nicht den Akku zu öffnen und selbst zu reparieren.

1. Drücken Sie die Freigabetaste des Akkus und schieben Sie ihn heraus, um ihn zu entnehmen. **[11]**
2. Ersetzen Sie den alten Akku durch einen Neuen.
3. Entsorgen Sie die Akkus ordnungsgemäß. Gebrauchte Akkus sollten zum Recycling zurückgegeben und nicht mit dem Hausmüll entsorgt werden.

## FEHLERBEHEBUNG

Falls Sie ein Problem mit Ihrem Gerät haben, befolgen Sie, bevor Sie den Hoover-Kundendienst kontaktieren, bitte folgende einfache Checkliste:

### A. Das Gerät lässt sich nicht einschalten

- Überprüfen Sie, ob der Akku geladen ist.
- Überprüfen Sie, ob der Akku richtig eingesetzt ist.

### B. Niedrige Saugleistung oder das Gerät saugt überhaupt nichts an.

- Entleeren Sie den Staubfangteller und waschen Sie den Abluftfilter und den Zyklonabscheider.
- Entfernen Sie die Düse und überprüfen Sie diese auf Verstopfungen.

### C. Die Akkus können nicht aufgeladen werden

- Dies ist nach einem langen Zeitraum (über ein halbes Jahr) der Nichtbenutzung/Lagerung möglich.
- Wenden Sie sich bitte an den Hoover-Kundendienst, um einen Austausch der Akkus zu veranlassen.
- Wenn das Problem weiterhin besteht, wenden Sie sich bitte an den Hoover-Kundendienst.

## HOOVER ORIGINAL-ERSATZTEILE UND VERBRAUCHSARTIKEL

Verwenden Sie stets Originalersatzteile von Hoover. Diese sind über den Hoover-Kundendienst erhältlich. Geben Sie bei der Bestellung von Ersatzteilen bitte stets die komplette 16stellige Artikelnummer (Typenplakette auf der Rückseite des Gerätes) Ihres Gerätemodells an.

## GARANTIEERKLÄRUNG

Die Garantiebestimmungen für dieses Gerät entsprechen den Richtlinien des Landes, in dem Sie das Gerät erworben haben. Weitere Einzelheiten dazu erhalten Sie vom Händler, bei dem Sie das Gerät erworben haben oder aus dem Garantieheft, das der Verpackung beiliegt. Bitte bewahren Sie den Kaufbeleg sorgfältig auf, denn er wird für eventuell auftretende Garantieansprüche benötigt.

**WICHTIG:** Für die Akkuzellen in diesem Staubsauger beträgt die Garantie sechs Monate ab Kaufdatum. Nach Ablauf der 6 Monate trägt der Kunde die Kosten für einen neuen Akku.

Änderungen vorbehalten.

## ISTRUZIONI PER UN USO SICURO

Questo apparecchio deve essere utilizzato esclusivamente in ambito domestico per interventi di pulizia, secondo le istruzioni riportate nel presente documento. Accertarsi di aver compreso le istruzioni prima di mettere in funzione l'apparecchio.

Prima di procedere alla pulizia dell'apparecchio o effettuare qualsiasi operazione di manutenzione, spegnerlo sempre e rimuovere il caricatore dalla presa.

Questo elettrodomestico non è destinato a essere utilizzato da bambini di età inferiore a 8 anni e da persone dalle ridotte capacità fisiche, sensoriali o mentali, o senza esperienza a causa di una inadeguata informazione sull'uso in sicurezza dell'apparecchio e sui relativi pericoli. Controllare che i bambini non giochino con l'apparecchio. Pulizia e manutenzione non possono essere eseguite da bambini senza sorveglianza da parte di una persona responsabile.

Se il cavo di alimentazione è danneggiato, interrompere immediatamente l'utilizzo dell'apparecchio. Per evitare pericoli, il cavo di alimentazione dovrà essere sostituito da un tecnico del servizio assistenza autorizzato Hoover.

Tenere le mani, i piedi, i capi di abbigliamento non attillati e i capelli lontani dalle spazzole rotanti.

Per ricaricare l'apparecchio, usare solo il caricatore in dotazione.

Controllare che i dati indicati sul caricatore corrispondano alla vostra tensione di alimentazione.

Questo prodotto Candy è dotato di un caricabatteria doppio isolato che può essere collegato unicamente a una presa 230V (UK 240V).

Inserire la spina del caricatore in una presa adatta e collegare il connettore jack del caricatore all'apparecchio.

Durante la carica, la leva dell'interruttore di accensione/spegnimento (On/Off) dell'apparecchio deve trovarsi in posizione Off.

Al primo utilizzo caricare l'apparecchio per almeno 24 ore. Durante la ricarica il LED della batteria si illumina di colore ROSSO e ritornerà di colore BIANCO a carica completamente terminata.

Dopo l'uso, ricollegare l'apparecchio al caricatore per ricaricare le batterie.

Mai caricare le batterie a temperature superiori ai 37 °C o inferiori a 0 °C.

È normale che il caricatore si scaldi mentre è in funzione.

Non scollegare il caricatore tirando il cavo.

Scollegare il caricatore in caso di assenza prolungata (ferie, ecc.).

Dopo lunghi periodi di inutilizzo ricaricare l'apparecchio perchè le batterie potrebbero essersi scaricate automaticamente.

Se l'apparecchio è da smaltire, le batterie devono prima essere rimosse. Rimuovere la batteria solo quando l'apparecchio è scollegato dalla rete di alimentazione. Smaltire le batterie in sicurezza. Far funzionare l'apparecchio fino al suo arresto ed assicurarsi che le batterie siano completamente scariche. Le batterie usate devono essere riposte in un centro di riciclaggio e non smaltite con i rifiuti domestici. Per rimuovere le batterie, si prega di contattare il Centro Servizi per Assistenza Clienti Hoover o procedere in base alle seguenti istruzioni.

**IMPORTANTE:** Scaricare sempre completamente le batterie prima della rimozione.

Procedere con la pulizia fino a quando le batterie sono completamente scariche.

Rimuovere il connettore jack per la ricarica dall'apparecchio.

Premere il pulsante di rilascio per far scorrere la batteria ed estrarla. [11]

**NOTA:** Se si riscontrano difficoltà a smantellare l'unità o per informazioni più dettagliate sul trattamento, recupero e riciclaggio di questo apparecchio, si prega di contattare l'ufficio comunale per il servizio smaltimento rifiuti.

Utilizzare solo accessori o parti di consumo e di ricambio consigliati o forniti da HOOVER.

**Elettricità statica:** Alcuni tappeti possono produrre un piccolo accumulo di elettricità statica. Le cariche di elettricità statica non sono pericolose per la salute.

Non utilizzare l'apparecchio all'aperto, su superfici bagnate o per aspirare liquidi.

Non aspirare oggetti solidi o appuntiti, fiammiferi, ceneri calde, mozziconi di sigaretta o simili. Non vaporizzare o aspirare liquidi infiammabili, detersivi, bombolette o i loro vapori.

Non calpestare il cavo di alimentazione durante l'utilizzo dell'apparecchio o scollegare la spina dalla presa tirando il cavo di alimentazione. Non continuare a utilizzare l'apparecchio o il caricatore in caso di presunto guasto.

**Assistenza Hoover:** per garantire un funzionamento sempre sicuro ed efficiente dell'apparecchiatura, si consiglia di fare eseguire eventuali interventi di assistenza o di riparazione dai tecnici del servizio assistenza autorizzato Hoover.

Non utilizzare l'apparecchio per l'igiene della persona o degli animali.

## Non sostituire le batterie con batterie non ricaricabili.

### Ambiente:

L'apparecchio è contrassegnato in conformità con la Direttiva Europea 2011/65/EC sulla gestione dei rifiuti da apparecchiature elettriche ed elettroniche. Garantendo il corretto smaltimento del prodotto, il cliente contribuisce alla salvaguardia della salute delle persone e alla protezione dell'ambiente che potrebbero altrimenti essere compromessi da uno smaltimento eseguito in maniera non idonea. Il simbolo apposto sul prodotto indica che lo stesso non può essere smaltito come i normali rifiuti domestici, bensì deve essere portato al punto di raccolta o al centro di riciclaggio delle apparecchiature elettriche ed elettroniche più vicino. Lo smaltimento deve essere eseguito in conformità alle normative locali vigenti per la salvaguardia dell'ambiente e lo smaltimento dei rifiuti. Per ulteriori informazioni sul trattamento, il recupero e il riciclaggio di questo prodotto, contattare l'unità territoriale competente per il servizio di smaltimento o il negozio in cui il prodotto è stato acquistato.



Questo prodotto è conforme alle Direttive Europee 2014/35/EU, 2014/30/EU e 2011/65/EU.

CANDY HOOVER GROUP S.r.l. Via Privata Eden Fumagalli, 20861 Brugherio (MB) Italy

### COMPONENTI DELL'APPARECCHIO

- |   |  |
|---|--|
| A. Supporto a Parete*                                     | O. Ciclone   |
| B. Viti per supporto a parete*                            | P. Batteria  |
| C. Corpo principale dell'apparecchio                      | Pa. Pulsanti di rilascio batteria                                  |
| D. Pulsante modalità Turbo                                | Pb. Ingresso per il caricabatteria                                 |
| E. Pulsante di rilascio corpo principale dell'apparecchio | Pc. Ricarica batteria / Spia led stato della carica                |
| F. Tubo   | Q. Caricabatteria  |
| G. Pulsante rilascio spazzola                             | Ra. Interruttore accensione/spegnimento On/Off                     |
| H. Spazzola   | Rb. Leva modalità continua   |
| I. Levetta per il rilascio del rullo                      | S. Pulsanti di rilascio filtro in uscita                           |
| J. LED frontale della spazzola                            | T. Filtro in uscita  |
| K. Inserto in gomma                                       | U. Accessorio 2in1 con spazzola larga per mobili e imbottiti*      |
| Ka. Rullo Intense Floor                                   | V. 2in1spazzola a pennello e bocchetta per fessure*                |
| Kb. Agitatore Deep Care                                   | W. Mini Turbospazzola*   |
| Kc. Strip morbido posteriore                              | X. Adattatore accessori*   |
| L. Contenitore raccogli-polvere                           | Y. Accessorio per termosifoni*                                     |
| M. Pulsante per svuotamento contenitore raccogli-polvere  | Z. Spazzola per una pulizia profonda*                              |
| N. Separatore del mono ciclone                            | AA. Accessorio Multi-Funzione per la pulizia delle superfici alte* |
|   | AB. Bocchetta flessibile lunga per fessure*                        |

### PREPARAZIONE DELL'APPARECCHIO

- Al primo utilizzo, caricare completamente la batteria collegando la spina del connettore jack del caricatore al set batteria. Il tempo di ricarica è approssimativamente di 5 ore. Durante la ricarica il LED della batteria si illumina di colore ROSSO e ritornerà di colore BIANCO a carica completamente terminata. **[1]**
- Inserire il tubo nella spazzola fino a sentire un "click" di posizionamento. **[2a]**
- Inserire l'unità del corpo principale nel tubo fino a sentire un "click" di posizionamento. **[2b]**

**NOTA:** Premere il pulsante di rilascio spazzola per rimuovere la spazzola e staccarla dal corpo principale dall'apparecchio.

**NOTA:** Per ricaricare l'apparecchio, usare solo il caricatore in dotazione.

**IMPORTANTE:** Durante la carica, la leva di accensione/spegnimento dell'apparecchio deve trovarsi in posizione OFF.

È possibile caricare la batteria estraibile anche quando non è inserita nell'apparecchio.

È normale che il caricatore si scaldi mentre è in funzione.

\* Solo su alcuni modelli

## UTILIZZO DELL'APPARECCHIO

L'apparecchio ha tre modalità di funzionamento:

• **MODALITÀ STANDARD:** All'accensione dell'interruttore accensione-spegnimento, l'apparecchio è pronto per pulire con la spazzola principale motorizzata. **[3a]**

**NOTA:** La modalità standard è consigliata per pulire pavimenti duri e superfici alte.

• **MODALITÀ CONTINUA:** Per attivare la modalità continua basta tirare indietro la leva dell'interruttore che scatterà in posizione. Per disabilitare la modalità continua premere la leva dell'interruttore per riportarla avanti. **[3b]**

• **MODALITÀ TURBO:** Premere il tasto Turbo per azionare la piena potenza dell'apparecchio per una pulizia profonda. **[3c]**

**IMPORTANTE:** Dopo ogni utilizzo dell'apparecchio, assicurarsi che venga spinta in avanti la leva dell'interruttore per portarla nella posizione di sblocco.

Se non lo si facesse si potrebbe danneggiare o compromettere la durata della batteria.

## SCELTA DELL'AGITATORE PIÙ ADATTO PER UNA PULIZIA OTTIMALE

**Rullo Intense Floor\*:** Adatto per la pulizia di tappeti dove l'agitatore può raggiungere la profondità del tappeto e rimuoverne la polvere.

**Rullo Deep Care\*:** adatto per la pulizia di pavimenti duri e parquet delicati. Grazie ai soffici inserti in gomma pulisce con delicatezza questo tipo di pavimenti.

**IMPORTANTE:** Spegnerne sempre l'apparecchio prima di assemblare o pulire il rullo.

**NOTA:** Per assemblare l'agitatore: **[17]**

1. Staccare la levetta per il rilascio del rullo. Essa è posizionata sulla parte laterale della spazzola.
2. Tenere la levetta di rilascio e tirare verso il basso per rimuovere il rullo rotante.
3. Sostituire con il rullo Intense Floor o Deep Care.
4. Riposizionare la levetta per il rilascio del rullo rotante.

## BATTERIA

Durante il normale utilizzo la batteria si scarica e il LED sulla batteria è di colore bianco. Quando la carica della batteria è inferiore al 5% la spia LED BIANCA comincia a lampeggiare. **[4]**

Quando ciò accade, è necessario interrompere la pulizia e ricaricare immediatamente la batteria, durante la ricarica il LED si illumina di colore rosso. **[1]**

Durante la ricarica dell'apparecchio, la leva dell'interruttore della modalità continua deve essere in posizione "OFF"; è inoltre possibile ricaricare la batteria separatamente.

**NOTA:** Se l'apparecchio non viene utilizzato regolarmente per un lungo periodo di tempo, rimuovere la batteria dall'apparecchio per ottimizzarne la sua durata.

## ASSEMBLAGGIO INSERTO IN GOMMA

Per ottenere le migliori performance nella pulizia di fessure e tappeti si consiglia di montare gli inserti anteriore e posteriore in gomma sulla base della spazzola.

Per fare questo, aprire lo sportello di rilascio del rullo rotante e togliere la strip. Afferrare un inserto in gomma inserendolo un'estremità nella scanalatura posteriore e farlo scivolare finché non è completamente inserito. Ripetere le stesse operazioni per il secondo inserto in gomma e farlo scivolare nella scanalatura anteriore. Chiudere lo sportello di rilascio della spazzola rotante. **[5]**

## SISTEMA DI PROTEZIONE

Al fine di salvaguardare l'affidabilità del prodotto quando utilizzato in condizioni non corrette, il prodotto ha un sistema di protezione integrato.

**NOTA:** Il sistema di sicurezza entra in funzione quando l'agitatore ha un'ostruzione o è bloccato. Non appena viene attivato, l'agitatore smette di girare e il Led bianco sulla parte anteriore della spazzola lampeggerà 5 volte. **[6]** Se ciò dovesse accadere, spegnere semplicemente l'apparecchio e pulire l'agitatore dall'ostruzione. Per riprendere la pulizia, premere il pulsante Accensione/Spegnimento (ON/OFF) e l'apparecchio riprenderà a funzionare normalmente.

\* Solo su alcuni modelli



## ACCESSORI\*

### 2IN1 BOCCHETTA PER FESSURE E SPAZZOLA A PENNELLO\*, ACCESSORIO 2IN1 CON SPAZZOLA LARGA PER MOBILI E IMBOTTITI\*, LANCIA FLESSIBILE LUNGA\*, ACCESSORIO MULTIFUNZIONE\* E MINI TURBO SPAZZOLA\*

Gli accessori elencati sopra possono essere inseriti direttamente nel corpo principale dell'apparecchio o nel tubo. [7]

**NOTA:** Per rimuovere la spazzola o il corpo principale dell'apparecchio dal tubo, premere il rispettivo pulsante di rilascio e separarli.

### ACCESSORIO PER TERMOFONI\* / SPAZZOLA PER UNA PULIZIA PROFONDA\*

Per utilizzare questi 2 accessori è necessario assemblarli con l'adattatore\* accessori. [7]

**NOTA:** La Mini Turbospazzola è ideale per la pulizia profonda di tessuti (come ad esempio divani) e per rimuovere i peli degli animali domestici. Passarla avanti e indietro regolarmente. Dopo l'uso, prestare attenzione e se necessario, rimuovere con delle forbici eventuali capelli o fili aggrovigliati nella spazzola.

**NOTA:** La bocchetta flessibile lunga per fessure è ideale per la pulizia di aree di difficile accesso, sotto i mobili e nelle automobili.

**NOTA:** La bocchetta per radiatore è ideale per la pulizia intorno e nell'interno degli armadi, dei radiatori, dei divani, delle tende e molto altro ancora.

**NOTA:** La spazzola per pulizia profonda è utile per pulire in spazi ristretti senza graffiarne le superfici e all'interno delle automobili.

**NOTA:** L'accessorio multi-funzione è ideale per una facile pulizia di superfici delicate senza rovinarle e di aree difficili da raggiungere. L'accessorio multi-funzione è composto da 3 pezzi base:

1. La bocchetta per fessure è ideale per la pulizia degli angoli o i punti difficili da raggiungere.
2. La spazzola a pennello è utile per pulire superfici delicate senza danneggiarle.
3. La spazzola per mobili è ideale per la pulizia degli imbottiti (come ad esempio divani).

### BORSA ACCESSORI\*

Gli altri accessori possono essere riposti nella apposita borsa.

### SUPPORTO A MURO\*

Per lo stazionamento e risparmio di spazio, l'apparecchio può essere fissato al muro utilizzando le 3 viti e i tasselli forniti. L'apparecchio, il 2in1 spazzola a pennello e bocchetta per fessure e l'accessorio 2in1 con spazzola larga per mobili e imbottiti possono essere riposti sul supporto a muro. [8]

## MANUTENZIONE DELL'APPARECCHIO

### Svuotamento del contenitore raccogli polvere

1. Premere il pulsante di rilascio del corpo principale e staccare il tubo. [9]
2. Premere il pulsante per lo svuotamento del contenitore raccogli polvere per aprirlo e svuotarne il contenuto. [10]
3. Chiudere lo sportello del contenitore raccogli polvere, si udirà un "click" quando completamente bloccato.

**NOTA:** si consiglia di svuotare il contenitore raccogli polvere dopo ogni utilizzo o quando la polvere supera il livello massimo di riempimento.

### Pulizia del contenitore raccogli polvere e del filtro

1. Premere il pulsante di rilascio del corpo principale e staccare il tubo. [9]
2. Premere il pulsante per lo svuotamento del contenitore raccogli polvere per aprirlo e svuotarne il contenuto. [10]
3. Chiudere lo sportello del contenitore raccogli polvere, si udirà un "click" quando completamente bloccato.
4. Premere i pulsanti di rilascio della batteria per estrarla dal corpo principale. [11]
5. Ruotare il contenitore raccogli polvere in senso orario ed allinearli alla freccia disegnata, quindi estrarlo dal corpo principale. [12]
6. Ruotare il separatore del ciclone in senso orario per estrarlo dal ciclone stesso. [13]
7. Premere i due pulsanti di rilascio filtro in uscita e poi rimuovere quest'ultimo dal corpo principale. [14]
8. Strofinare il mono-ciclone con un panno asciutto. Lavare il filtro in uscita, il contenitore raccogli polvere e il separatore del ciclone in acqua tiepida [15] e lasciare asciugare per almeno 24 ore. [16] Assicurarsi che tutti i componenti siano completamente asciutti prima di rimontarli nel corpo principale dell'apparecchio.

**NOTA:** Non utilizzare acqua bollente o detersivi durante la pulizia del filtro in uscita. Se accidentalmente il filtro in uscita viene danneggiato, sostituirlo con un ricambio originale Hoover. Non utilizzare l'apparecchio senza aver montato il filtro.

**IMPORTANTE:** Per mantenere prestazioni ottimali, tenere sempre il sistema di separazione pulito. Si raccomanda di lavare il filtro almeno una volta al mese.

\* Solo su alcuni modelli

### Sostituzione e pulizia dell'agitatore

**IMPORTANTE:** Spegnerne sempre l'apparecchio prima di assemblare o pulire il rullo.

1. Staccare la levetta per il rilascio del rullo. Essa è posizionata sulla parte laterale della spazzola. [17a]
2. Tenere la levetta di rilascio della spazzola rotante e rimuovere il rullo Intense Floor. [17b]
3. Per pulire il rullo Intense Floor, rimuovere lo sporco in eccesso con delle forbici. [17c]
4. Per pulire l'agitatore Deep Care, sciacquare con acqua [17d] e lasciare asciugare per 24 ore. [17e]
5. Reinserrire il rullo Deep Care. [17f] La spazzola rotante può essere inserita solo in una direzione.
6. Chiudere la levetta di rilascio della spazzola rotante assicurandosi che il rullo Deep Care sia nella corretta posizione. [17g]

### Sostituzione delle batterie

L'apparecchio è dotato di un set batterie ricaricabili al litio che possono essere sostituite.

**ATTENZIONE:** Utilizzare solo parti di ricambio originali per il vostro apparecchio. L'uso di parti non originali Hoover può risultare pericoloso ed invalida la garanzia.

**ATTENZIONE:** Non tentare di aprire o riparare la batteria.

1. Premere il pulsante di rilascio per far scorrere la batteria ed estrarla. [11]
2. Sostituire il vecchio pacco batteria con uno nuovo.
3. Smaltire le batterie in sicurezza. Le batterie usate devono essere riposte in un centro di riciclaggio e non smaltite con i rifiuti domestici.

## RISOLUZIONE DEI PROBLEMI

In caso di problemi con l'apparecchio, completare questa semplice checklist utente prima di chiamare il Centro per l'Assistenza Clienti Hoover:

### A. L'apparecchio non si accende

- Controllare che il pacco batteria sia carico.
- Controllare che il set di batterie sia posizionato correttamente.

### B. Forza aspirante bassa o nulla

- Svuotare il contenitore raccogli-polvere, lavare il filtro in uscita e il separatore del ciclone.
- Rimuovere la spazzola e controllare eventuali ostruzioni nel condotto.

### C. Le batterie non si caricano

- Potrebbe essere a causa di lunghi periodi di inutilizzo (oltre un semestre).
- Contattare un Centro per l'Assistenza Clienti Hoover per la sostituzione delle batterie.
- Se il problema persiste, contattare il Centro per l'Assistenza Tecnica Hoover più vicino.

## INFORMAZIONI IMPORTANTI

### PARTI DI RICAMBIO E DI CONSUMO HOOVER

Utilizzare sempre parti di ricambio originali Hoover, che è possibile acquistare dal distributore locale Hoover o direttamente sul sito internet Hoover. Quando si ordinano delle parti di ricambio, ricordarsi sempre di fornire il numero di modello dell'apparecchio utilizzato.

### ASSISTENZA E GARANZIA HOOVER

Questo prodotto è garantito, oltre che ai sensi di legge, alle condizioni e nei termini riportati sul certificato di garanzia convenzionale inserito nel prodotto. Il certificato dovrà essere conservato e mostrato al nostro Centro di Assistenza Tecnica Autorizzato, in caso di necessità, insieme allo scontrino comprovante l'acquisto dell'elettrodomestico. Puoi consultare le condizioni di garanzia anche sul nostro sito internet Per ottenere assistenza compila l'apposito form on-line oppure contattaci al numero che trovi indicato nella pagina di assistenza del nostro sito internet Queste condizioni potrebbero venire modificate senza obbligo di preavviso.

## INSTRUÇÕES PARA UMA UTILIZAÇÃO SEGURA

Este aparelho só deve ser utilizado para limpeza doméstica, conforme descrito neste guia do utilizador. Certifique-se de que este manual é totalmente compreendido antes de utilizar o aparelho.

Desligue sempre o aparelho e retire o carregador da tomada antes de limpar o aparelho ou efetuar qualquer tarefa de manutenção.

Este aparelho pode ser utilizado por crianças com idade igual ou superior a 8 anos e por pessoas com capacidades mentais, sensoriais e físicas reduzidas ou sem experiência e conhecimento caso lhes sejam fornecidas instruções e supervisão relativas à utilização do aparelho de modo seguro e caso compreendam os perigos envolvidos. As crianças não devem brincar com o aparelho. A limpeza e a manutenção não devem ser efetuadas por crianças sem supervisão.

Se o cabo de alimentação estiver danificado deixe de utilizar o aparelho imediatamente. Para evitar um risco de segurança, o cabo de alimentação deve ser substituído por um técnico de assistência autorizado da Hoover.

Mantenha as mãos, os pés, as roupas largas e o cabelo longe das escovas rotativas.

Utilize apenas o carregador original fornecido com o aparelho.

Verifique que a tensão de alimentação corresponde à indicada no carregador.

Este eletrodoméstico da Hoover vem com um carregador de baterias duplamente isolado que é apenas adequado para alimentação elétrica de 230 V (240 V no Reino Unido).

Ligue o carregador a uma tomada elétrica adequada e ligue a ficha do carregador ao eletrodoméstico.

Ao carregar o aparelho, o interruptor de alimentação tem de estar na posição Off.

Antes da primeira utilização, carregue o aparelho durante, pelo menos, 24 horas. A luz LED do pack de baterias irá acender a VERMELHO durante o carregamento e irá acender a BRANCO quando totalmente carregado.

Volte a ligar o aparelho ao carregador depois da utilização para recarregar a bateria.

Nunca troque as baterias em temperaturas acima de 37 °C ou abaixo de 0 °C. É normal que o carregador aqueça enquanto estiver a carregar.

Não desligue o carregador puxando o cabo.

Desligue o carregador em caso de ausência prolongada (férias, etc.). Recarregue novamente o produto antes de utilizar, pois a bateria pode descarregar durante longos períodos de armazenamento.

Se for necessário eliminar o aparelho, primeiro retire as baterias. O aparelho deve ser desligado da fonte de alimentação ao remover a bateria. Elimine as baterias em segurança. Deixe o aparelho em funcionamento até parar devido ao facto de as baterias estarem completamente descarregadas. As pilhas usadas devem ser levadas para uma estação de reciclagem e não devem ser colocadas no lixo doméstico. Para remover as baterias, contacte o centro de apoio ao cliente da Hoover ou prossiga de acordo com as instruções seguintes.

**IMPORTANTE:** Descarregue, sempre, na totalidade as baterias antes de as remover.

Coloque o aspirador em funcionamento até a bateria estar totalmente descarregada.

Remova a ficha de tomada do carregador do aparelho.

Prima os botões de libertação do pack de baterias e deslize para remover. [11]

**NOTA:** Caso experiencie qualquer dificuldade na desmontagem da unidade ou necessite de informações mais detalhadas sobre o trabalho, recuperação e reciclagem deste aparelho, contacte o departamento da sua cidade ou o serviço de eliminação de lixo doméstico.

Utilize apenas acessórios, consumíveis ou peças sobressalentes recomendadas ou fornecidas pela Hoover.

**Eletricidade estática:** Algumas alcatifas podem provocar uma pequena acumulação de eletricidade estática. A descarga de eletricidade estática não constitui qualquer perigo para a saúde.

Não utilize o aparelho no exterior, em superfícies húmidas ou para aspirar líquidos.

Não aspire objetos duros ou afiados, fósforos, cinzas quentes, pontas de cigarro ou outros itens semelhantes. Não pulverize nem aspire líquidos inflamáveis, líquidos de limpeza, aerossóis ou respetivos vapores.

Não passe por cima do cabo de alimentação ao utilizar o aspirador nem retire a ficha puxando pelo cabo de alimentação. Não continue a utilizar o aparelho ou o carregador caso aparente estar defeituoso.

**Assistência da Hoover:** Para assegurar o funcionamento seguro e eficiente deste aparelho, recomendamos que todas as intervenções de assistência ou reparação sejam efetuadas apenas por um técnico de assistência autorizado da Hoover.

Não utilize o aparelho para limpar pessoas ou animais.  
 Não substitua as baterias por baterias não recarregáveis.

#### Ambiente:

Este eletrodoméstico está marcado de acordo com o disposto na diretiva europeia 2011/65/EC relativa aos resíduos de equipamentos elétricos e eletrônicos (REEE). Ao garantir que este produto é eliminado de forma correta, estará a contribuir para evitar potenciais consequências negativas para o ambiente e a saúde humana, o que pode ocorrer devido a um tratamento inadequado dos resíduos deste produto. O símbolo no produto indica que este não pode ser tratado como resíduo doméstico. Pelo contrário, deve ser encaminhado para o ponto de recolha aplicável para reciclagem de equipamento elétrico e eletrónico. A eliminação deve ser realizada em conformidade com as leis ambientais locais relativas à eliminação de resíduos. Para obter informações mais detalhadas sobre o tratamento, recuperação e reciclagem deste produto, contacte as autoridades locais, o serviço de eliminação de resíduos domésticos ou a loja onde adquiriu o produto.



Este aparelho encontra-se em conformidade com as Diretivas Europeias 2014/35/UE, 2014/30/UE e 2011/65/UE.

CANDY HOOVER GROUP S.r.l. Via Privata Eden Fumagalli, 20861 Brugherio (MB) Italy

### COMPONENTES DO PRODUTO

- |   |  |
|---|--|
| A. Montagem de parede*                        | P. Conjunto de baterias  |
| B. Parafusos de montagem na parede*           | Pa. Botões de libertação do pack de bateria                    |
| C. Corpo principal                            | Pb. Entrada de carregamento do pack de bateria                 |
| D. Botão Turbo                                | Pc. Luz LED de carregamento/descarregamento do pack de bateria |
| E. Botão de libertação da estrutura principal | Q. Carregador do pack da bateria                               |
| F. Tubo                                       | Ra. Interruptor Ligar/Desligar (On/Off)                        |
| G. Botão de libertação da escova              | Rb. Patilha de modo contínuo                                   |
| H. Escova                                     | S. Botões Libertação Filtro Exaustão                           |
| I. Aba de libertação do agitador              | T. Filtro do escape  |
| J. LED dianteiro do bocal                     | U. Utensílio 2 em 1 para pó e mobílias*                        |
| K. Escova de limpeza                          | V. Ferramenta de remoção de pó e para fendas 2 em 1*           |
| Ka. Cilindro intensivo para pavimentos        | W. Escova Mini Turbo*  |
| Kb. Rolo de cuidado profundo                  | X. Adaptador de acessórios*                                    |
| Kc. Tira suave traseira                       | Y. Ferramenta para radiadores*                                 |
| L. Compartimento para o pó                    | Z. Escova de limpeza profunda*                                 |
| M. Botão de esvaziamento do depósito de pó    | AA. Acessório Multifunções até ao Topo*                        |
| N. Separador de ciclone simples               | AB. Ferramenta longa para fendas flexível*                     |
| O. Ciclone simples                            |  |

### PREPARAR O SEU ASPIRADOR

- Na primeira utilização, carregue totalmente a bateria do aparelho ligando o conector do carregador ao pack da bateria. O tempo de carregamento é cerca de 5 h. A luz LED do pack de baterias irá acender a VERMELHO durante o carregamento e irá acender a BRANCO quando totalmente carregado. **[1]**
- Monte o tubo no bocal até ouvir um "clique", que significa que encaixou no sítio. **[2a]**
- Monte a unidade da estrutura principal no tubo até ouvir um "clique", que significa que encaixou no sítio. **[2b]**

**NOTA:** Para remover a escova, pressione o botão de libertação da escova e retire do corpo principal.

**NOTA:** Utilize apenas o carregador fornecido com o aspirador para recarregar.

**IMPORTANTE:** Ao carregar o aspirador, a alavanca do interruptor tem de estar na posição OFF. Também pode carregar o pack de bateria removível quando está removido do produto. É normal que o carregador aqueça enquanto estiver a carregar.

\* Apenas em alguns modelos

## UTILIZAR O SEU APARELHO

Há três modos de trabalho:

• **MODO STANDARD:** Quando pressiona o interruptor Ligar/Desligar, o aspirador fica pronto para limpar com o bocal motorizado principal. [3a]

**NOTA:** Recomenda-se a utilização do modo standard para limpar pisos duros e acima do piso.

• **MODO CONTÍNUO:** Para activar o modo contínuo, pode puxar a alavanca do interruptor para trás e irá encaixar. Para desactivar o modo contínuo, pode empurrar a alavanca do interruptor para a frente. [3b]

• **MODO TURBO:** Prima o botão Turbo para a potência total para tarefas de limpeza a fundo. [3c]

**IMPORTANTE:** Depois de cada utilização do produto, certifique-se de que empurra a alavanca do interruptor para a frente para a posição desbloqueada.

O incumprimento desta recomendação pode resultar numa redução da vida da bateria ou na sua falha.

## SELECIONE O ROLO ADEQUADO PARA A MELHOR LIMPEZA

**Cilindro intensivo para pavimentos\*:** Recomenda-se utilizar na tapete pela qual consiga ir a fundo para limpar o pó.

**Rolo de cuidado profundo\*:** recomenda-se utilizar em pavimentos duros ou parquet delicado. Graças às cerdas suaves, é possível limpar levemente estes tipos de pavimentos.

**IMPORTANTE:** Desligue sempre o aspirador antes de mudar e limpar o agitador.

**NOTA:** Para montar o rolo, aconselhamos utilizar: [17]

1. Liberte a aba de libertação do agitador. Posicionada na parte lateral do bocal.
2. Segure na aba de libertação do agitador e puxe-a para retirar o agitador.
3. Substituir com o rolo de limpeza de pavimentos intensa ou com o Rolo de cuidado profundo.
4. Volte a colocar na respetiva posição a aba de libertação do agitador.

## BATERIA

Quando a bateria se descarrega durante a utilização normal, o LED do pack da bateria fica branco. Quando a capacidade da bateria é inferior a 5%, a luz LED BRANCA começa a piscar. [4]

Quando isto acontece, deve parar de limpar e recarregar imediatamente a bateria; o LED ficará VERMELHO durante o carregamento. [1]

Ao carregar o produto, a alavanca contínua do interruptor deve estar desligada; também é possível carregar o pack da bateria quando removido do produto.

**NOTA:** Se não utilizar o aspirador durante um longo período de tempo, remova o pack da bateria do aspirador para manter a vida útil da bateria.

## MONTAGEM DA ESCOVA DO LIMPADOR

Para obter a melhor forma e desempenho na tapete, recomenda-se montar as escovas dianteira e traseira à placa do bocal.

Para isto, abra a aba de libertação do agitador e remova a fita suave. Em seguida, agarre uma escova inserindo uma na ranhura traseira e deslize até ficar totalmente encaixada. Repita estas operações para a segunda escova e deslize-a na ranhura dianteira. Bloquee a aba de libertação do agitador. [5]

## SISTEMA DE PROTEÇÃO DE SEGURANÇA

Para garantir que a fiabilidade do produto não é afetada devido a utilização em condições exigentes, o produto possui um sistema de proteção de segurança integrado.

**NOTA:** O sistema de proteção de Segurança será acionado se o agitador tiver um bloqueio ou se estiver bloqueado, uma vez acionado o agitador deixará de rodar, as luzes brancas Led na parte frontal do bocal vão piscar 5 vezes. [6] Se tal acontecer, deve desligar o produto e remover a obstrução do agitador. Para terminar a limpeza, pressione o botão on/off e o produto reinicia no modo normal.

\* Apenas em alguns modelos

## ACESSÓRIOS\*

### FERRAMENTA DE REMOÇÃO DE PÓ E PARA FENDAS 2 EM 1\*, UTENSÍLIO 2 EM 1 PARA PÓ E MOBÍLIAS\*, FERRAMENTA LONGA PARA FENDAS FLEXÍVEL\*, UTENSÍLIO ALTO MULTIFUNÇÕES\* E ESCOVA MINI TURBO\*

Os acessórios indicados acima podem ser encaixados diretamente na unidade da estrutura principal ou tubo. [7]

**NOTA:** Para remover o bocal ou a unidade da estrutura principal do tubo, pressione o respetivo botão de libertação e puxe.

### FERRAMENTA PARA RADIADORES\* / ESCOVA DE LIMPEZA PROFUNDA\*

O adaptador do acessório\* tem de ser encaixado quando se utiliza estes 2 acessórios. [7]

**NOTA:** A mini escova turbo é ideal para a limpeza profunda de superfícies têxteis (ou seja, sofás) e remoção de pelos de animais. Desloque firmemente para trás e para a frente. Depois da utilização, retire os pelos/fios recolhidos da escova com uma tesoura, se necessário.

**NOTA:** O acessório de fendas flexível longo é ideal para limpar áreas de difícil acesso, debaixo de móveis e no automóvel.

**NOTA:** A ferramenta para radiadores é ideal para limpar dentro e ao redor de armários, radiadores, sofás, persianas, etc.

**NOTA:** A escova de limpeza profunda é útil para limpar espaços apertados sem riscar as superfícies, e dentro do seu automóvel.

**NOTA:** A ferramenta multifunções é projetada para limpar facilmente superfícies delicadas sem riscar e todas as áreas que são de difícil acesso. O acessório multi-funções é feito de três partes principais:

1. O acessório para fendas é ideal para aceder a espaços apertados.
2. A escova de pó é ideal para limpar superfícies sem danificar ou arranhar.
3. O bocal de móveis é ideal para superfícies como o sofá.

### SACO DE ACESSÓRIOS\*

Podem ser armazenados acessórios adicionais no saco de acessórios.

### MONTAGEM DE PAREDE\*

Para o armazenamento e para poupar espaço, o aparelho pode ser fixo à parede utilizando os três parafusos e o tampão incluídos.

O produto, a ferramenta de pó e fendas 2 em 1 e a ferramenta de pó e móveis de grandes dimensões 2 em 1 podem ser armazenados no suporte da parede. [8]

## MANUTENÇÃO DO APARELHO

### Esvaziar o depósito de pó

1. Prima o botão de libertação da estrutura principal e remova o tubo. [9]
2. Empurre o botão de esvaziamento do compartimento para pó para soltar a aba do recipiente e esvazie o conteúdo. [10]
3. Feche a aba do compartimento para pó, ouvirá um clique quando estiver encaixado.

**NOTA:** É recomendado esvaziar o compartimento para pó depois de cada utilização ou quando o pó estiver até à linha máxima de enchimento.

### Limpe o depósito de pó e o filtro

1. Prima o botão de libertação da estrutura principal e remova o tubo. [9]
2. Empurre o botão de esvaziamento do compartimento para pó para soltar a aba do recipiente e esvazie o conteúdo. [10]
3. Feche a aba do compartimento para pó, ouvirá um clique quando estiver encaixado.
4. Pressione os dois botões de libertação do pack da bateria e remova o pack da bateria da estrutura principal. [11]
5. Gire o depósito de pó para a direita, alinhe as marcas de seta e remova-o da estrutura principal do aspirador. [12]
6. Rode o separador de ciclone simples no sentido dos ponteiros do relógio e remova-o do ciclone simples. [13]
7. Pressione os dois botões de libertação do filtro de escape e remova o filtro de escape da estrutura principal. [14]
8. Limpe o ciclone simples com um pano seco. Lave o filtro de exaustão, o depósito de pó e o separador de ciclone simples em água tépida [15] e deixe a secar durante 24 horas. [16] Certifique-se de que todos os componentes estão totalmente secos antes de voltar a instalá-los na estrutura principal.

**NOTA:** Não utilize água quente nem detergentes para limpar o filtro de escape. No caso improvável de o filtro de escape ficar danificado, instale uma peça de substituição Hoover genuína. Não utilize o produto sem o filtro instalado.

**IMPORTANTE:** Para um desempenho ideal, mantenha sempre o sistema de separação limpo. Recomendamos lavar o filtro mensalmente.

### Substituir e limpar o agitador

**IMPORTANTE:** Desligue sempre o aspirador antes de mudar e limpar o agitador.

1. Liberte a aba de libertação do agitador. Posicionada na parte lateral do bocal. [17a]
2. Segure na aba de libertação do agitador e remova o rolo de limpeza profunda. [17b]

\* Apenas em alguns modelos

3. Para limpar o Rolo de Limpeza Intensa do Chão, remova a sujidade em excesso utilizando tesouras. [17c]
4. Para limpar o Rolo de Limpeza Profunda, lave com água [17d] e deixe secar durante 24 horas. [17e]
5. Volte a instalar o rolo de cuidado profundo [17f] O agitador apenas pode ser instalado numa direção.
6. Feche a aba de libertação do agitador para fixar o rolo de cuidado profundo na respetiva posição. [17g]

### Substituição das baterias

Este aspirador está equipado com um pack de bateria de iões de lítio recarregável que pode ser substituído.

**ATENÇÃO:** Utilize apenas peças de substituição aprovadas para o aspirador. A utilização de peças não aprovadas pela Hoover é perigosa e irá tornar a sua garantia inválida.

**ATENÇÃO:** Não tente abrir o conjunto de baterias e repará-lo.

1. Prima os botões de libertação do pack de baterias e deslize para remover. [11]
2. Substitua o pack da bateria antigo pelo novo pack da bateria.
3. Elimine as baterias em segurança. As pilhas usadas devem ser levadas para uma estação de reciclagem e não devem ser colocadas no lixo doméstico.

## RESOLUÇÃO DE PROBLEMAS

Se tiver qualquer problema com o aspirador, siga esta lista de verificação simples antes de contactar o Centro de Assistência ao Cliente da Hoover:

### A. O aspirador não liga

Verifique se o pack da bateria está carregado.

Controle se o pacote da bateria está montado no lugar.

### B. Perda de sucção ou sem sucção

Esvazie o depósito de pó e lave o filtro de exaustão e o separador de ciclone.

Retire a escova e verifique se existe qualquer obstrução na conduta.

### C. Não é possível carregar a bateria

Isto pode dever-se a um período de armazenamento muito longo (mais de meio ano).

Contacte o serviço de apoio ao cliente da Hoover para que a bateria seja substituída.

Se o problema persistir, contacte o centro de assistência ao cliente da Hoover.

## PEÇAS SOBRESSALENTES E CONSUMÍVEIS HOOVER

Substitua sempre as peças por peças sobressalentes Hoover genuínas. Pode obtê-las junto do seu representante local ou diretamente da Hoover. Quando encomendar peças, mencione sempre o número do seu modelo.

## A SUA GARANTIA

As condições de garantia para este aparelho são as definidas pelo nosso representante no país onde foi vendido. Pode obter detalhes sobre estas condições junto do agente a quem adquiriu o aparelho. A fatura de venda ou o recibo deverão ser entregues quando apresentar uma reclamação ao abrigo dos termos da garantia.

**IMPORTANTE:** A bateria existente no interior deste aspirador possui uma garantia de 6 meses a partir da data de compra. Depois de seis meses, o cliente é responsável pelo custo de uma nova bateria.

Sujeito a alteração sem aviso prévio.



## INSTRUCCIONES PARA UN USO SEGURO

Este aparato solo debe utilizarse para la limpieza doméstica, como se describe en este manual de usuario. Asegúrese de haber comprendido todo el contenido de este manual antes de poner en funcionamiento el aparato.

Apague y quite el cargador de la toma de corriente antes de limpiar el aparato o de efectuar cualquier operación de mantenimiento.

Este aparato puede ser usado bajo supervisión por niños de 8 años en adelante, personas con capacidades físicas, sensoriales o mentales reducidas o falta de experiencia y conocimiento siempre con una explicación previa de las instrucciones con respecto al uso del aparato de manera segura y que comprendan los riesgos implicados. Los niños no deben jugar con el aparato. Los niños no deben limpiar ni dar mantenimiento sin supervisión.

Si el cable de alimentación está dañado, deje de utilizar el aparato inmediatamente. Para evitar riesgos de seguridad, el cable de alimentación sólo puede ser cambiado por un especialista de un Servicio Técnico Oficial de Hoover.

Mantener lejos de los cepillos rotatorios los pies, manos, ropa y cabellos.

Utilice únicamente el cargador original suministrado con el aparato.

Controle que el voltaje de la corriente eléctrica sea el mismo que el indicado en el cargador.

Este aparato Hoover se proporciona con un cargador de baterías con doble aislamiento que solo se puede conectar en una toma de corriente de 230V (240V en Reino Unido).

Enchufe el cargador en una toma de corriente adecuada y conecte la clavija del cargador al electrodoméstico.

Durante la carga del electrodoméstico, el interruptor de alimentación debe estar en posición de apagado.

Antes del primer uso, cargue el aspirador durante al menos 24 horas. La luz led del paquete de baterías se iluminará de color ROJO durante la carga y se volverá de color BLANCO cuando la carga esté completa.

Conecte el cargador al electrodoméstico después del uso para recargar la batería.

Nunca cargue la batería a temperaturas superiores a los 37 °C o inferiores a 0 °C.

Es normal que el cargador se caliente mientras se está cargando.

No tire del cable para desenchufar el cargador.

Desenchufe el cargador en caso de ausencias prolongadas

(vacaciones, etc.). Vuelva a cargar el aparato nuevamente antes de usarlo, ya que la batería se podría descargar durante períodos de almacenamiento prolongados.

Para desechar el aparato, primero es necesario extraer la batería. Cuando extraiga la batería, el electrodoméstico debe estar desconectado de la corriente eléctrica. Extraiga la batería de manera segura. Haga funcionar el electrodoméstico hasta que se detenga cuando la batería esté totalmente descargada. Las baterías usadas deben llevarse a un punto de reciclaje y no deben desecharse con los residuos domésticos. Para quitar la batería, contacte con el Servicio Técnico de Hoover o siga las siguientes instrucciones.

**IMPORTANTE:** Descargue siempre la batería completamente antes de desecharla.

Haga funcionar el aspirador hasta que las baterías estén completamente descargadas.

Quite el conector jack del cargador del electrodoméstico.

Pulse los botones de desenganche del paquete de baterías y deslice para extraerlo. [11]

**NOTA:** Si llega a experimentar problemas al desmontar el aspirador o para obtener más información sobre el funcionamiento, la recuperación y el reciclaje de este electrodoméstico, contacte con su Ayuntamiento o con el servicio de recogida de residuos domésticos de su zona.

Utilice únicamente accesorios, consumibles o repuestos recomendados o distribuidos por Hoover.

**Electricidad estática:** Algunas alfombras pueden provocar una pequeña acumulación de electricidad estática. Las descargas estáticas no son peligrosas para la salud.

No utilice el aparato al aire libre, en superficies húmedas o para recoger líquidos.

No aspire objetos duros o afilados, cerillas, cenizas calientes, colillas de cigarrillo u objetos similares. No acompañe la limpieza con líquidos inflamables o aerosoles.

No pase por encima del cable de alimentación cuando utilice el aparato ni lo desenchufe tirando del cable. No siga utilizando el electrodoméstico o el cargador si parece estar defectuoso.

**Servicio Técnico Oficial de Hoover:** Para garantizar el funcionamiento seguro, eficaz y duradero del aspirador, recomendamos que las tareas de mantenimiento sean realizadas exclusivamente por técnicos autorizados del Servicio Técnico Oficial de Hoover.

No utilice el aparato sobre personas ni animales.  
No sustituya las baterías por baterías no recargables.

#### El Medio Ambiente:

Este aparato está marcado de acuerdo con la Directiva Europea 2011/65/EC sobre residuos de aparatos eléctricos y electrónicos (RAEE). Al cerciorarse de que este producto se elimine correctamente, usted ayudará a prevenir las posibles consecuencias perjudiciales para el medio ambiente y la salud humana que, de otro modo, podrían producirse en caso de un manejo inadecuado de los residuos de este producto. El símbolo que puede verse en el producto indica que éste no puede tratarse como residuo doméstico. En vez de esto debe entregarse en un punto de recogida de electrodomésticos para el reciclaje de equipos eléctricos y electrónicos. La eliminación debe llevarse a cabo según los reglamentos medioambientales locales sobre eliminación de residuos. Para información más detallada sobre cómo funciona la recogida y el reciclaje de este producto, póngase en contacto con su Ayuntamiento, su servicio de recogida de residuos domésticos o con el establecimiento donde haya comprado el producto.



Este aparato cumple con las Directivas europeas 2014/35/EU, 2014/30/EU y 2011/65/EU.

CANDY HOOVER GROUP S.r.l. Via Privata Eden Fumagalli, 20861 Brugherio (MB) Italy

### COMPONENTES DEL PRODUCTO

- |  |   |
|--|---|
| A. SOPORTE DE PARED*                         | P. Batería  |
| B. Tornillos del soporte de pared*           | Pa. Botones de desenganche del paquete de baterías      |
| C. Cuerpo principal                          | Pb. Entrada de carga del paquete de baterías            |
| D. Botón Turbo                               | Pc. Luz led de carga/descarga de la batería             |
| E. Botón de desbloqueo del cuerpo principal  | Q. Cargador del paquete de baterías                     |
| F. Tubo                                      | Ra. Interruptor de encendido/apagado (on/off)           |
| G. Botón desbloqueo del cepillo              | Rb. Palanca modo continuo                               |
| H. Tobera                                    | S. Botones de liberación del filtro de salida           |
| I. Solapa de desbloqueo del rodillo          | T. Filtro de Descarga                                   |
| J. Luz LED delantera del cepillo             | U. Accesorio largo para polvo y muebles 2 en 1*         |
| K. Rasqueta                                  | V. Accesorio para polvo y rincones 2 en 1*              |
| Ka. Rodillo Intense Floor                    | W. Cepillo Especial Pelo de Mascota (Mini Turbo)*       |
| Kb. Rodillo Deep Care                        | X. Adaptador de accesorios*                             |
| Kc. Banda blanda trasera                     | Y. Accesorio para radiador*                             |
| L. Depósito de suciedad                      | Z. Cepillo para limpieza en profundidad*                |
| M. Botón de vaciado del depósito de suciedad | AA. Accesorio multifuncional para superficies elevadas* |
| N. Separador del monociclón                  | AB. Accesorio largo flexible*                           |
| O. Monociclón                                |   |

### PREPARACIÓN DEL ASPIRADOR

- Durante el primer uso, cargue por completo la batería del electrodoméstico, conectando el conector jack del cargador al paquete de baterías. El tiempo de carga es de aproximadamente 5 horas. La luz led de la batería se iluminará de color ROJO durante la carga y se volverá de color BLANCO cuando la carga esté completa. [1]
- Monte el tubo en el cepillo principal hasta que encaje en su lugar y se oiga un "clic". [2a]
- Monte la unidad del cuerpo principal con el tubo hasta que encaje en su lugar y se oiga un "clic". [2b]

**NOTA:** Para retirar el cepillo, presione el botón de desbloqueo del cepillo y retírelo del cuerpo principal.

**NOTA:** Sólo utilice el cargador proporcionado con su aspirador para recargar la batería.

**IMPORTANTE:** Cuando el aspirador se esté cargando la palanca del interruptor debe estar en posición de APAGADO.

El paquete de baterías extraíble se puede cargar incluso cuando está desenganchado del electrodoméstico. Es normal que el cargador esté caliente al tacto mientras se está cargando.

\* Solo para algunos modelos

## USO DEL APARATO

Hay tres modos de funcionamiento:

- **MODO ESTÁNDAR:** Al pulsar el interruptor de ENCENDIDO-APAGADO, el aspirador está listo para limpiar minuciosamente con la tobera principal motorizada. **[3a]**

**NOTA:** Se recomienda el modo Estándar para limpiar suelos duros y lugares encima del suelo.

- **MODO CONTINUO:** Para activar el modo continuo es necesario tirar hacia atrás el gatillo del interruptor que se encajará en su lugar al oírse un clic. Para desactivar el modo continuo es necesario empujar la palanca del interruptor hacia adelante. **[3b]**

- **MODO TURBO:** Pulse el botón Turbo para activar una limpieza profunda sobre superficies duras. **[3c]**

**IMPORTANTE:** Después de cada uso del electrodoméstico, asegúrese de empujar la palanca del interruptor hacia adelante en posición de desbloqueado.

De lo contrario, puede reducirse la vida útil de la batería u ocurrir una avería.

## SELECCIONE EL RODILLO ADECUADO PARA LA MEJOR LIMPIEZA

**Rodillo Intense Floor\*:** Se recomienda su uso para limpiar alfombras ya que puede llegar hasta el fondo de la alfombra para limpiar el polvo.

**Rodillo Deep Care\*:** Se recomienda para usar en suelos duros o parquet delicado. Gracias a las cerdas suaves, puede limpiar delicadamente esos tipos de suelos.

**IMPORTANTE:** Apague siempre el aspirador antes de cambiar o limpiar el rodillo.

**NOTA:** Para montar el rodillo debe usar: **[17]**

1. Desacople la solapa de desbloqueo del rodillo. Está colocada en la parte lateral de la tobera.
2. Sostén la solapa de desbloqueo del rodillo y tira hacia abajo para quitar el rodillo.
3. Reemplace con el rodillo intense floor o con el rodillo deep care.
4. Vuelva a encajar la solapa de desbloqueo del rodillo en su lugar.

## BATERÍA

Cuando la batería se descarga con uso normal, el led del paquete de baterías es blanco. Cuando la capacidad de la batería es inferior al 5% la luz led BLANCA comenzará a parpadear. **[4]**

Cuando esto sucede, se recomienda dejar de limpiar y cargar inmediatamente la batería, el led estará ROJO durante la carga. **[1]**

Durante la carga del aparato, el gatillo del interruptor continuo debe estar en posición de APAGADO, también es posible cargar el paquete de baterías cuando esté desenganchado del electrodoméstico.

**NOTA:** Si no va a utilizar el aspirador por un periodo prolongado, extraiga el paquete de baterías del aspirador para mantener la vida útil de la batería.

## ENSAMBLE DE LA RASQUETA

Para obtener el mejor resultado en los rincones y las alfombras se recomienda ensamblar la rasqueta delantera y la rasqueta trasera en la suela de la tobera.

Para hacerlo, abra la solapa de desbloqueo del rodillo y extraiga la tira suave. Luego agarre una rasqueta introduciendo un extremo en la ranura trasera y deslícela hasta que encaje perfectamente en su alojamiento. Repita este procedimiento para la segunda rasqueta y deslícela en la ranura delantera. Bloquee la solapa de desbloqueo del rodillo. **[5]**

## SISTEMA DE PROTECCIÓN DE SEGURIDAD

Para asegurar que el electrodoméstico mantenga su fiabilidad si se usa en condiciones difíciles, el aparato está dotado de un sistema de protección de seguridad.

**NOTA:** El sistema de protección de seguridad actuará si el rodillo tiene un bloqueo o está bloqueado, una vez accionado el rodillo dejará de girar, las luces led blancas de la parte delantera del cepillo parpadearán 5 veces. **[6]** Si esto sucede, apague el electrodoméstico y elimine la obstrucción del rodillo. Para reanudar la limpieza presione el botón de encendido/apagado y el electrodoméstico volverá a encenderse en modo normal.

\* Solo para algunos modelos

## ACCESORIOS\*

### ACCESORIO PARA POLVO Y RINCONES 2 EN 1\*, ACCESORIO LARGO PARA POLVO Y MUEBLES 2 EN 1\*, ACCESORIO LARGO FLEXIBLE\*, ACCESORIO MULTI-FUNCIÓN PARA SUPERFICIES ELEVADAS\* Y TOBERA ESPECIAL PELO DE MASCOTA (MINI TURBO)\*

Los accesorios indicados anteriormente pueden encajarse directamente en la unidad del cuerpo principal o en el tubo. [7]

**NOTA:** Para extraer el cepillo o la unidad del cuerpo principal del tubo, pulse el botón de desbloqueo correspondiente y desprendala.

### ACCESORIO PARA RADIADOR\* / CEPILLO PARA LIMPIEZA EN PROFUNDIDAD\*

Cuando se utilicen estos 2 accesorios se debe encajar el adaptador\* de accesorios. [7]

**NOTA:** El cepillo Mini Turbo es ideal para una limpieza profunda de los tejidos del hogar (p. ej. sofás) y para eliminar el pelo de las mascotas. Haga movimientos constantes hacia adelante y hacia atrás. Después del uso, elimine cabello/hilos recogidos en el cepillo, usando las tijeras si es necesario.

**NOTA:** El accesorio largo y flexible para rincones es ideal para la limpieza de zonas difíciles de alcanzar, debajo de los muebles y en el coche.

**NOTA:** El accesorio para el radiador es ideal para limpiar alrededor y en el interior de armarios, radiadores, sofás, persianas etc.

**NOTA:** El cepillo para limpieza profunda es útil para limpiar espacios estrechos sin rayar las superficies y el interior del coche.

**NOTA:** El accesorio multifunción está diseñado para limpiar fácilmente superficies delicadas sin rayarlas y todas las zonas difíciles de alcanzar. El accesorio multifunción está formado por tres partes fundamentales:

1. El accesorio para rincones es ideal para alcanzar espacios estrechos.
2. El cepillo para polvo es ideal para limpiar superficies sin dañarlas o rayarlas.
3. El accesorio para muebles es ideal para limpiar superficies como el sofá.

### BOLSA PARA ACCESORIOS\*

Los accesorios adicionales se pueden guardar en la bolsa para accesorios.

### SOPORTE DE PARED\*

Para el almacenamiento y para ahorrar espacio, se puede fijar el electrodoméstico a la pared utilizando los tres tornillos y tapones de tornillos incluidos.

El electrodoméstico, el accesorio para polvo y rincones 2 en 1 y el accesorio largo para muebles y polvo 2 en 1 se pueden almacenar en el soporte de pared. [8]

## MANTENIMIENTO DEL APARATO

### Vaciado del depósito de suciedad

1. Pulse el botón de desbloqueo del cuerpo principal y extraiga el tubo. [9]
2. Presione el botón de vaciado del depósito de suciedad para desenganchar la solapa del contenedor y vaciar el contenido. [10]
3. Cierre la solapa del depósito de suciedad, cuando esté totalmente bloqueada se escuchará un clic.

**NOTA:** Se recomienda vaciar el depósito de suciedad después de cada uso o cuando la suciedad llegue a la línea de llenado máximo.

### Limpiar el depósito y el filtro

1. Pulse el botón de desbloqueo del cuerpo principal y extraiga el tubo. [9]
2. Presione el botón de vaciado del depósito de suciedad para desenganchar la solapa del contenedor y vaciar el contenido. [10]
3. Cierre la solapa del depósito de suciedad, cuando esté totalmente bloqueada se escuchará un clic.
4. Pulse los dos botones de desenganche del paquete de baterías y extraiga dicho paquete de baterías del cuerpo principal. [11]
5. Gire el depósito en el sentido de las agujas del reloj, alinee las marcas de las flechas y extraígallo del cuerpo principal. [12]
6. Gire el separador del monoción hacia la derecha y retírelo del monoción. [13]
7. Presione los dos botones de desenganche del filtro de salida y extraiga dicho filtro de salida del cuerpo principal. [14]
8. Limpie el monoción con un paño seco. Lave el filtro de salida, el depósito de suciedad y el separador del monoción en agua tibia [15], déjelos secar durante 24 horas. [16] Asegúrese de que todos los componentes estén completamente secos antes de volver a colocarlos en el cuerpo principal.

**NOTA:** No utilice agua caliente o detergentes para limpiar el filtro de salida. En el caso poco probable de que el filtro de

\* Solo para algunos modelos

salida se dañe, utilice un repuesto original Hoover. No intente utilizar el aparato sin montar el filtro.

**IMPORTANTE:** Para obtener un rendimiento óptimo, mantenga siempre limpio el sistema de separación. Le recomendamos que lave el filtro una vez al mes.

### Cambio y limpieza del rodillo

**IMPORTANTE:** Apague siempre el aspirador antes de cambiar o limpiar el rodillo.

1. Desacople la solapa de desbloqueo del rodillo. Está colocada en la parte lateral de la tobera. [17a]
2. Sostenga la solapa de desbloqueo del rodillo y extraiga el rodillo Intense Floor. [17b]
3. Para limpiar el rodillo deep care, elimine cualquier desecho con tijeras. [17c]
4. Para limpiar el rodillo para cuidado profundo, lávelo con agua [17d] y déjelo secar durante 24 horas. [17e]
5. Vuelva a colocar el rodillo Deep Care. [17f] El rodillo solo se puede colocar en una dirección.
6. Cierre la solapa de desbloqueo del rodillo para fijar el rodillo Deep Care en su lugar. [17g]

### Reemplazar las baterías

Este aspirador está dotado de un paquete de baterías recargables de ion-litio, que es reemplazable.

**ADVERTENCIA:** Para su aspirador utilice únicamente piezas de repuesto Hoover. El uso de piezas no homologadas por Hoover es peligroso e invalidará su garantía.

**ADVERTENCIA:** No trate de abrir el paquete de baterías ni de repararlo por sí mismo.

1. Pulse los botones de desenganche del paquete de baterías y deslice para extraerlo. [11]
2. Sustituya el viejo paquete de baterías con el nuevo.
3. Extraiga la batería de manera segura. Las baterías usadas deben llevarse a un punto de reciclaje y no deben desecharse con los residuos domésticos.

## RESOLUCIÓN DE PROBLEMAS

Si tiene algún problema con su aspirador, siga esta simple lista de verificación antes de llamar al Servicio Técnico de Hoover:

### A. El aspirador no se enciende

Verifique si el paquete de baterías está cargado.

Verifique si el paquete de baterías está montado correctamente.

### B. Pérdida de potencia de aspiración o succión.

Vacíe el depósito de suciedad y lave el filtro de salida y el separador del ciclón.

Extraiga el cepillo y verifique si hay obstrucciones en el tubo.

### C. Las baterías no se pueden cargar

Este puede ser el resultado de periodos de almacenamiento muy prolongados (más de 6 meses).

Contacte con el servicio técnico de Hoover para solicitar un reemplazo de baterías.

Si el problema continúa, contacte con el servicio técnico de Hoover.

## PIEZAS DE REPUESTO Y CONSUMIBLES HOOVER

Utilice siempre piezas de repuesto originales de Hoover. Puede adquirirlas a través de su Servicio Técnico Oficial de Hoover. Cuando realice pedidos de piezas, indique siempre el número de modelo que posee.

## SU GARANTÍA

Las condiciones de garantía para este aparato vienen definidas por nuestro representante en el país de venta. Puede obtener los detalles acerca de estas condiciones en el establecimiento donde haya comprado este aparato. Debe mostrarse la factura de compra o el tiquet al hacer alguna reclamación en virtud de las condiciones de garantía.

**IMPORTANTE:** La batería de este aparato está garantizada durante 6 meses a partir de la fecha de compra. Tras los 6 meses desde la fecha de compra, el coste de una nueva batería está a cargo del cliente.

Sujeto a cambios sin previo aviso.

## INSTRUCTIES VOOR VEILIG GEBRUIK

Dit toestel mag enkel gebruikt worden voor reiniging in het huis, zoals beschreven in deze handleiding. Zorg ervoor dat u de handleiding volledig begrijpt voordat u het apparaat in gebruik neemt.

Oplader altijd afzetten en stekker uit het stopcontact halen voor u het toestel schoonmaakt of enige andere onderhoudstaak verricht.

Dit toestel kan gebruikt worden door kinderen vanaf 8 jaar en personen met verminderde lichamelijke, zintuiglijke of mentale capaciteiten. Ook personen met een gebrek aan ervaring of kennis kunnen dit toestel gebruiken, indien ze toezicht of instructies hebben gekregen over het veilig gebruik van het toestel en de gevaren in kwestie begrijpen. Kinderen mogen niet met het toestel spelen. Reinigings- en gebruikersonderhoud mag niet uitgevoerd worden door kinderen zonder toezicht.

Indien het stroomsnoer beschadigd is, stop dan onmiddellijk met het toestel te gebruiken. Om veiligheidsrisico's te voorkomen, moet de kabel worden vervangen door een erkend monteur van Hoover.

Houd handen, voeten, losse kleding en haar uit de buurt van roterende borstels.

Gebruik alleen de oplader die oorspronkelijk bij het toestel geleverd is.

Controleer of uw netspanning dezelfde is als deze vermeld op de lader.

Dit Hoover-apparaat is voorzien van een dubbel geïsoleerde batterijoplader, die alleen geschikt is om in een 230V (UK 240V) stopcontact te steken.

Steek de oplader in een geschikt stopcontact en steek de aansluitingstekker van de oplader in het apparaat.

Tijdens het opladen van het toestel dient de stroomschakelaar in de uit-stand te staan.

Laad het toestel voor het eerste gebruik minstens 24 uur op. Het LED-lampje van het batterijpakket gaat tijdens het opladen ROOD branden en wordt WIT als het volledig is opgeladen.

Sluit het toestel na gebruik weer aan op de lader om de batterij op te laden.

Laad de batterijen niet op bij temperaturen boven 37°C of onder 0°C.

Het is normaal dat de lader warm wordt bij het opladen.

Haal de oplader niet uit het stopcontact door aan het stroomsnoer te trekken.

Haal bij langere afwezigheid (vakanties, etc.) de oplader uit het stopcontact. Laad het product opnieuw op voor gebruik, aangezien batterijen uit zichzelf kunnen ontladen tijdens langere opslagperiodes.

In het geval dat u het apparaat weg doet, dienen de batterijen eerst verwijderd te worden. Bij het verwijderen van de batterij moet het apparaat ontkoppeld zijn van het net. Gooi de batterijen veilig weg. Laat het apparaat doorwerken totdat het stopt en de batterijen volledig ontladen zijn. Gebruikte batterijen moeten naar een recyclagecentrum gebracht worden en mogen niet bij het huishoudelijk afval weggegooid worden. Om de batterijen te verwijderen neem contact op met de Hoover klantendienst, of ga verder volgens deze instructies.

**BELANGRIJK:** Maak de batterijen helemaal leeg voordat u ze verwijdert.

Laat de reiniger draaien totdat de batterijen helemaal leeg zijn.

Verwijder de stekker van de oplader uit het toestel.

Druk op de ontgrendelingsknoppen van de batterij en schuif deze eruit om te verwijderen. **[11]**

**OPMERKING:** Mocht u enige problemen ondervinden met het uit elkaar halen van het voorwerp, of voor meer gedetailleerde informatie over behandeling, herstel en recyclage van dit apparaat, neem contact op met uw lokale gemeente of de afvalreinigingsdienst.

Gebruik enkel toebehoren, gebruiksartikelen of reserveonderdelen die door Hoover aanbevolen of geleverd worden.

**Statische elektriciteit:** Sommige tapijten kunnen een kleine opbouw van statische elektriciteit veroorzaken. Ontladingen van statische elektriciteit zijn onschadelijk voor uw gezondheid.

Gebruik uw toestel nooit buiten, op natte oppervlaktes of op een vochtige ondergrond.

Raap geen harde of scherpe objecten op zoals lucifers, hete assen, sigaretten of andere gelijkaardige items. Spuit niet met ontvlambare vloeistoffen, reinigingsvloeistoffen, aerosols of hun dampen en zuig ze ook niet op.

Loop niet over het stroomsnoer wanneer u het toestel gebruikt of verwijder de stekker niet door aan het stroomsnoer te trekken. Gebruik uw apparaat of oplader niet als deze defect blijkt te zijn.

**Hoover service:** Om de veilige en doeltreffende werking van het apparaat te verzekeren, adviseren wij om onderhoud of reparaties alleen door een erkende onderhoudsmonteur van Hoover te laten uitvoeren.



Gebruik het toestel niet om dieren of mensen te reinigen.

Vervang de batterijen niet met oplaadbare batterijen.

#### Het milieu:

Dit toestel is gemarkeerd conform de Europese richtlijn 2011/65/EC betreffende afgedankte elektrische en elektronische apparatuur (AEEA). Door dit product aan het einde van de levensduur op verantwoorde wijze weg te gooien, voorkomt u mogelijke negatieve gevolgen voor het milieu en de gezondheid, die zouden kunnen ontstaan door een onverantwoorde afvalverwerking van dit product. Het symbool op dit product geeft aan dat het niet mag worden beschouwd als huishoudelijk afval. In plaats daarvan moet u het inleveren bij een inzamelpunt voor het recyclen van elektrische en elektronische apparatuur. U moet het toestel weggooien in overeenstemming met de lokale voorschriften voor afvalverwerking. Voor meer informatie over verwerking, hergebruik en recyclen van dit product, kunt u contact opnemen met uw lokale overheid, uw afvalverwerkingsbedrijf of de winkel waar u het product heeft gekocht.



Dit toestel voldoet aan de Europese Richtlijnen 2014/35/EU, 2014/30/EU en 2011/65/EU.

CANDY HOOVER GROUP S.r.l. Via Privata Eden Fumagalli, 20861 Brugherio (MB) Italy

### PRODUCTONDERDELEN

- |                                 |   |
|---------------------------------|---|
| A. Wandhouder*                  | P. Batterijpak                          |
| B. Schroeven wandhouder*        | Pa. Vrijgaveknoppen Batterijpak         |
| C. Romp                         | Pb. Laadingang batterijpak              |
| D. Turboknop                    | Pc. LED-lamp Laden/Uitladen Batterijpak |
| E. Vrijgaveknop hoofdbehuizing  | Q. Batterijpaklader                     |
| F. Buis                         | Ra. Aan/uit-schakelaar                  |
| G. Ontgrendelingsknop mondstuk  | Rb. Continue Mode Hengel                |
| H. Mondstuk                     | S. Ontgrendelingsknoppen uitlaatfilter  |
| I. Ontgrendelingsklep borstel   | T. Uitlaatfilter                        |
| J. Mondstuk Frontale LED        | U. 2 in 1 grote stof- en meubelborstel* |
| K. Wisselblad                   | V. 2 IN 1 Kieren- en Stofmondstuk*      |
| Ka. Intense vloerroller         | W. Mini turbozuigmond*                  |
| Kb. Diepe verzorgingsroller     | X. Accessoire adapter*                  |
| Kc. Achterste zachte strook     | Y. Radiatorborstel*                     |
| L. Stofreservoir                | Z. Grondige reinigingsborstel*          |
| M. Stofreservoir leegmaken knop | AA. Multifunctioneel opzetstuk*         |
| N. Enkele Cyclone-afscheider    | AB. Lange flexibele kierenzuiger*       |
| O. Enkele cycloon               |   |

### UW STOFZUIGER IN ELKAAR ZETTEN

- Bij het eerste gebruik dient u de batterij van het apparaat volledig op te laden door de stekker van de oplader aan te sluiten op het batterijpakket. De laadtijd bedraagt ongeveer 5 uur. Het LED-lampje van het batterijpakket gaat tijdens het opladen ROOD branden en wordt WIT als het volledig is opgeladen. [1]
- Monteer de buis op het mondstuk totdat u het op zijn plaats hoort "klikken". [2a]
- Monteer de hoofdbehuizing op de buis totdat deze op zijn plaats "klikt". [2b]

**OPMERKING:** Om het mondstuk te verwijderen drukt u op de ontgrendelingsknop van het mondstuk en maakt u het los van de romp.

**OPMERKING:** Gebruik uitsluitend de bijgeleverde oplader om de stofzuiger op te laden.

**BELANGRIJK:** Tijdens het laden van het toestel dient de schakelaar in de OFF stand te staan. U kunt de verwijderbare batterij ook opladen wanneer deze uit het product is verwijderd.

Het is normaal dat de lader warm wordt bij het opladen.

\* Alleen bepaalde modellen

## UW STOFZUIGER GEBRUIKEN

Er zijn drie werkwijzen:

• **STANDAARD MODUS:** Wanneer u op de AAN / UIT-schakelaar drukt, is de reiniger klaar om grondig te reinigen met de gemotoriseerde hoofdspuitmond. **[3a]**

**OPMERKING:** De standaardmodus wordt aanbevolen voor het reinigen van harde vloeren en bovenvloeren.

• **CONTINUE MODUS:** Om de continue modus in te schakelen kan je de schakelaar naar achter halen welke dan op zijn plaats klikt. Om de continue modus uit te schakelen kan je de schakelaar naar voor duwen. **[3b]**

• **TURBO MODUS:** Druk op de Turbo knop voor volledig vermogen voor een zware reinigingstaak. **[3c]**

**BELANGRIJK:** Gelieve steeds de schakelaar naar voren te duwen in de ontgrendelde positie na elk gebruik van uw product.

Als dit niet gebeurt kan dit leiden tot een kortere batterijduur of falen.

## KIES DE GESCHIKTE ROLLER VOOR DE BESTE REINIGING

**Intense Vloerroller\*:** Aanbevolen voor gebruik op tapijt, om dieper in het tapijt te gaan en het stof op te zuigen.

**Diepe verzorgingsroller\*:** aanbevolen voor gebruik op een harde vloer of op een delicate parquet. Dankzij de zachte haren om dit soort vloeren voorzichtig schoon te maken.

**BELANGRIJK:** De reiniger altijd uitschakelen alvorens het mondstuk te veranderen en schoon te maken.

**OPMERKING:** Om de vloerroller die u wenst te gebruiken: **[17]**

1. Maak de ontgrendelklep aan de vloerroller los. Deze is gepositioneerd op het achterdeel van het mondstuk.
2. Hou de agitatorontgrendelklep vast en trek deze naar beneden om de agitator te verwijderen.
3. Vervang deze met intense vloerroller of met de diepe verzorgingsroller.
4. Breng de agitatorontgrendelklep terug in positie.

## BATTERIJ

Wanneer de batterij leeg raakt bij normaal gebruik, is het batterijlampje wit. Wanneer de batterijcapaciteit lager is dan 5%, begint het witte LED-lampje te knipperen. **[4]**

Wanneer dit gebeurt, moet u stoppen met reinigen en onmiddellijk uw batterij opladen, de LED is ROOD tijdens het opladen. Wanneer de batterijcapaciteit lager is dan 5%, begint het witte LED-lampje te knipperen. **[1]**

Bij het opladen van het product moet de continue schakelaar in de UIT-stand staan, het is ook mogelijk om de batterij op te laden wanneer deze uit het product wordt gehaald.

**OPMERKING:** Als u de reiniger langere tijd niet gaat gebruiken, verwijder dan de batterij uit de reiniger om de levensduur van de batterij te verlengen

## WISSERBLAD MONTAGE

Om de beste prestaties voor spleten en tapijten te verkrijgen, wordt het aanbevolen om de wisserbladen aan de voor- en achterkant op de zoolplaat van de zuigmond te monteren.

Open hiervoor de ontgrendelflap van de vloerroller en verwijder de zachte strip. Neem dan een wisserblad vast, door een uiteinde ervan in de achterste gleuf te steken tot het volledig erin steekt. Herhaal deze handelingen voor het tweede wisserblad en steek het in de voorste gleuf. Zet de ontgrendelflap van de vloerroller vast. **[5]**

## VEILIGHEIDSSYSTEEM

Uw stofzuiger is voorzien van een ingebouwd veiligheidssysteem, om de betrouwbaarheid van het product ook onder moeilijke omstandigheden te garanderen.

**OPMERKING:** Het veiligheidsbeschermingssysteem treedt in werking als het roerwerk een blokkering heeft of vergrendeld is, eenmaal geactiveerd stopt het roerwerk met draaien, de witte led-lampjes aan de voorkant van het mondstuk knipperen 5 keer. **[6]** Indien dit gebeurt, schakel dan eenvoudigweg uw product uit en verwijder de obstructie in de agitator. Om opnieuw te beginnen reinigen, druk op de on/off-knop en het product zal in normale modus terug beginnen werken.

\* Alleen bepaalde modellen

## ACCESSOIRES\*

### 2 IN 1 KIEREN- EN STOFMONDSTUK\*, 2 IN 1 GROTE STOF- EN MEUBELBORSTEL\*, LANGE FLEXIBELE KIERENZUIGER\*, MULTIFUNCTIONEEL OPZETSTUK\* EN MINI TURBOZUIGMOND\*

De bovenstaande accessoires kunnen rechtstreeks in de hoofdbehuizing of de buis worden gemonteerd. [7]

**OPMERKING:** Om het mondstuk of de hoofdbehuizing van de buis te verwijderen, drukt u op de betreffende ontgrendelingsknop en trekt u deze uit elkaar.

### RADIATORBORSTEL\* / GRONDIGE REINIGINGSBORSTEL\*

Bij gebruik van deze 2 accessoires moet de accessoire-adapter\* worden aangebracht. [7]

**OPMERKING:** Het mini-turbo mondstuk is ideaal voor het grondig reinigen van textiele oppervlakken (zoals banken) en het verwijderen van haar van huisdieren. Beweeg de reiniger gelijkmatig heen en weer. Verwijder na gebruik haren en/of draden die op de borstel zitten, indien nodig met een schaar.

**OPMERKING:** De lange, flexibele kierenzuiger is ideaal voor het reinigen van moeilijk te bereiken plaatsen, zoals onder meubels of in de auto.

**OPMERKING:** De radiator tool is ideaal voor het van binnen en van buiten reinigen van kasten, banken, lamellen en meer.

**OPMERKING:** De diepreinigende borstel is handig voor het schoonmaken van nauwe ruimtes zonder risico op krassen, zoals in de auto.

**OPMERKING:** Het multifunctionele mondstuk is ontworpen om kwetsbare en moeilijk te bereiken oppervlakken gemakkelijk te reinigen zonder risico op krassen. Het multifunctionele mondstuk bestaat uit drie hoofd delen:

1. Kierenmondstuk voor het bereiken van nauwe ruimtes.
2. Stofborstel voor het reinigen van oppervlakken zonder risico op beschadiging of krassen.
3. Meubelmondstuk voor het reinigen van oppervlakken zoals bankstellen.

### ACCESSOIRE ZAK\*

Overige toebehoren kunnen in de zak voor accessoires bewaard worden.

### WANDHOUDER\*

Voor opslag en ruimtebesparing kan uw apparaat aan uw muur worden bevestigd met behulp van de drie meegeleverde schroeven en schroefpluggen.

Het product, 2in1 kieren- en stofgereedschap en de 2in1 grote afstof- en meubelhelpmiddelen kunnen op de muurbevestiging worden opgeborgen. [8]

## ONDERHOUD STOFZUIGER

### Het stofreservoir leegmaken

1. Druk op de ontgrendelingsknop van het hoofdgedeelte en verwijder de buis. [9]
2. Druk de stofreservoir ledigknop in om de klep van de bak te ontgrendelen en de inhoud te ledigen. [10]
3. Sluit de stofreservoir klep, je hoort een klik als deze volledig vergrendeld is.

**OPMERKING:** Het is aangeraden om het stofreservoir te legen na elk gebruik of als het stof tot de maximale vullijn komt.

### Maak het stofreservoir en de filter schoon

1. Druk op de ontgrendelingsknop van het hoofdgedeelte en verwijder de buis. [9]
2. Druk de stofreservoir ledigknop in om de klep van de bak te ontgrendelen en de inhoud te ledigen. [10]
3. Sluit de stofreservoir klep, je hoort een klik als deze volledig vergrendeld is.
4. Druk op de twee vrijgaveknoppen van het batterijpakket en verwijder het batterijpak uit de hoofdbehuizing. [11]
5. Draai het stofreservoir naar rechts. Lijn de pijltkens uit en verwijder de bak van het hoofdgedeelte van de stofzuiger. [12]
6. Draai de enkele cycloonafscheider rechtsom en verwijder deze van de enkele cycloon. [13]
7. Druk op de twee ontgrendelingsknoppen van het uitlaafilter en verwijder het uitlaafilter uit de hoofdbehuizing. [14]
8. Veeg de enkele cycloon schoon met een droge doek. Was het uitlaafilter, de stofbak en de cycloonafscheider in lauw water [15] en laat 24 uur drogen. [16] Zorg ervoor dat alle componenten volledig droog zijn voordat u ze opnieuw in de hoofdbehuizing plaatst.

**OPMERKING:** Gebruik geen heet water of reinigingsmiddelen bij het reinigen van het uitlaafilter. In het onwaarschijnlijke geval dat de uitlaafilter beschadigd raakt, vervangt u deze door een origineel onderdeel van Hoover. Gebruik het product niet zonder de filter.

**BELANGRIJK:** Voor een optimale werking altijd je scheidingssysteem schoon houden. Wij raden aan de filter eenmaal per maand te wassen.

### De draaiborstel veranderen en reinigen

**BELANGRIJK:** De reiniger altijd uitschakelen alvorens het mondstuk te veranderen en schoon te maken.

\* Alleen bepaalde modellen

1. Maak de ontgrendelklep aan de vloerroller los. Deze is gepositioneerd op het achterdeel van het mondstuk. [17a]
2. Houd de vrijgaveklep van de agitator vast en verwijder de Intense Vloerroller. [17b]
3. Om de intense vloerroller te reinigen, verwijdert u overtollig vuil met een schaar. [17c]
4. Om de Diepe Verzorgingsroller te reinigen, spoelt u met water [17d] en laat u deze 24 uur drogen. [17e]
5. Plaats de Deep Care-roller terug [17f] De vloerroller past maar in één richting.
6. Sluit de klep van de agitator om de Deep Care Roller op zijn plaats te houden. [17g]

### Batterijen vervangen

Deze reiniger is uitgerust met een oplaadbaar lithium-ionbatterijpak dat kan worden vervangen.

**WAARSCHUWING:** gebruik alleen erkende vervangingsonderdelen voor uw toestel. Het gebruik van niet door Hoover gevalideerde onderdelen maakt uw garantie ongeldig.

**WAARSCHUWING:** Het batterijpak niet openen om het zelf proberen te repareren.

1. Druk op de ontgrendelingsknoppen van de batterij en schuif deze eruit om te verwijderen. [11]
2. Vervang het oude batterijpak door een nieuw batterijpak.
3. Gooi de batterijen veilig weg. Gebruikte batterijen moeten naar een recyclagecentrum gebracht worden en mogen niet bij het huishoudelijk afval weggegooid worden.

## WAT TE DOEN BIJ PROBLEMEN

Mocht u problemen hebben met uw reiniger, volg dan eerst deze eenvoudige checklist voordat u het Hoover-klantenservicecentrum belt:

### A. De stofzuiger gaat niet aan

Controleer of de batterij opgeladen is.

Controleer of de batterij op zijn plaats zit.

### B. Verminderde of helemaal geen zuigkracht

Leeg de stofbak en was het uitblaasfilter en de cycloonafscheider.

Verwijder het mondstuk en kijk of er iets de buis blokkeert.

### C. Batterijen kunnen niet worden opgeladen

Dit zou het resultaat kunnen zijn van een zeer lange opberg periode (meer dan 6 maanden).

Neem contact op met de Hoover-klantenservice om vervanging van de accu te regelen.

Indien het probleem aanhoudt, neem contact op met het Hoover-klantenservicecentrum.

## HOOVER RESERVEONDERDELEN EN GEBRUIKSARTIKELEN

Gebruik uitsluitend originele reserveonderdelen van Hoover. Deze zijn verkrijgbaar bij uw Hoover dealer. Als u onderdelen bestelt, vermeld dan altijd het modelnummer.

## UW GARANTIE

De garantievoorwaarden voor dit toestel worden bepaald door onze vertegenwoordiger in het land waar het toestel wordt verkocht. Details omtrent deze voorwaarden zijn verkrijgbaar bij de dealer waar u het toestel hebt gekocht. Wanneer u aanspraak wilt maken op deze garantie, dan moet u het verkoop- of ontvangstbewijs voorleggen.

**BELANGRIJK:** De batterij in deze reiniger heeft een garantie gedurende 6 maanden vanaf de aankoop. Na 6 maanden worden de kosten van een nieuwe accu door de klant betaald.

Wijzigingen zijn zonder voorafgaande kennisgeving mogelijk.

## INSTRUKTIONER FOR SIKKER ANVENDELSE

Denne støvsuger må kun anvendes til almindelig husholdningsrengøring, som beskrevet i brugsanvisningen. Du bør sikre dig, at du har forstået indholdet af denne brugervejledning fuldt ud, inden apparatet tages i brug.

Inden du rengør eller foretager nogen som helst vedligeholdelse af apparatet, skal du altid slukke for det og tage stikket ud af stikkontakten.

Dette udstyr kan anvendes af børn, der er 8 år gamle og derover, og af personer med nedsatte fysiske, sensoriske eller mentale evner eller manglende erfaring og viden, hvis de er under opsyn eller vejledning i at bruge udstyret på en sikker måde og forstår de risici, der er involveret. Børn må ikke lege med udstyret. Rengøring og vedligeholdelse må ikke udføres af børn uden en voksen tilstede.

Hvis netledningen er ødelagt, skal du stoppe med at bruge støvsugeren øjeblikkeligt. For at undgå en sikkerhedsrisiko skal en autoriseret Hoover-servicetekniker udskifte strømledningen.

Hold hænder, fødder, løstsiddende tøj og hår væk fra roterende børster.

Brug kun den originale oplader, der blev leveret sammen med apparatet.

Sørg for at stømmen i dit forsyningsnet er den samme som anført på opladeren.

Denne støvsuger er forsynet med en dobbelt isoleret batterioplader, der kun er beregnet til tilslutning til en 220 V stikdåse.

Sæt opladeren i en passende stikkontakt og tilslut opladeren til apparatet.

Strømknappen skal stå på off-positionen ved opladning af apparatet.

Støvsugeren skal oplades i mindst 24 timer, før den tages i brug første gang. Batteripakkens LED lys vil lyse RØDT under opladning, og vil skifte til HVID når den er fuldt opladet

Støvsugeren skal tilsluttes opladeren igen efter brug, så batterierne kan blive genopladet.

Oplad aldrig batterierne ved over 37°C eller under 0°C.

Det er normalt for opladeren at blive varm at røre ved under opladning.

Opladeren må ikke trækkes ud af stikdåsen ved at trække i kablet. Træk opladeren ud af stikket ved længere tids fravær (ferie o.lign.). Genoplad støvsugeren igen før brug, da batterierne kan selvaflade ved længere tids stilstand.

Hvis dit apparat skal kasseres, skal batterierne fjernes inden. Apparatet skal afbrydes fra lysnettet når batteriet fjernes. Bortskaf batterierne på en sikker måde. Tænd apparatet, indtil det stopper, fordi batterierne er helt afladet. Brugte batterier skal afleveres på en genbrugsstation og ikke smides ud sammen med husholdningsaffald. Hvis batterierne skal fjernes, bedes du kontakte Hoover-kundeservice eller handle i henhold til følgende anvisninger.

**VIGTIGT:** Aflad altid batterierne helt, før de fjernes.

Kør med støvsugeren, indtil batterierne er helt tomme.

Fjern opladeren fra apparatet.

Tryk på batteripakkens udløsningsknapper, og fjern pakken. [11]

**BEMÆRK:** Hvis du får problemer med at afmontere enheden eller ønsker mere detaljerede oplysninger om behandling, genanvendelse og genbrug af dette produkt, bedes du kontakte kommunen eller skraldeselskabet.

Anvend kun tilbehør, udstyr og reservedele leveret af Hoover.

**Statisk elektricitet:** Visse tæpper kan forårsage en mindre akkumulering af statisk elektricitet. Uledning af statisk elektricitet er ikke sundhedsfarligt.

Brug ikke støvsugeren udendørs eller på våde overflader eller til opugning af væsker.

Undlad at opsuge hårde eller skarpe genstande, tændstikker, varm aske, cigaretstumper eller andre lignende genstande. Undlad at sprøjte med eller opsuge brændbare væsker, rensesvæsker, spraydåser eller spray fra disse.

Undlad at køre over strømkablet når du bruger din støvsuger og undlad at trække stikket ud ved at trække i strømkablet, men hold fast i stikket. Hvis apparatet eller opladeren ser ud til at være beskadigede, skal det tages ud af brug.

**Hoover service:** For at sikre løbende sikker og effektiv drift af denne støvsuger anbefaler vi, at eftersyn eller reparationer udelukkende udføres af en autoriseret Hoover-servicetekniker.

Undlad at bruge apparatet på at rengøre mennesker eller dyr.

## Batterierne må ikke udskiftes med ikke-genopladelige batterier.

### Miljøet:

Denne håndstøvsuger er mærket i overensstemmelse med det europæiskedirektiv 2011/65/EC om affald af elektrisk og elektronisk udstyr (WEEE). Ved at sikre at dette produkt bortskaffes korrekt er du med til at forhindre eventuelle negative konsekvenser for miljø og sundhed, som ellers kunne forårsages på grund af forkert bortskaffelse af dette produkt. Symbolet på produktet angiver, at produktet ikke må behandles som husholdningsaffald. Det skal i stedet afleveres til en affaldsstation for genbrug af elektrisk og elektronisk udstyr. Bortskaffelse skal ske i overensstemmelse med de lokale miljøregler vedrørende bortskaffelse af affald. Du kan få flere detaljerede oplysninger om behandling, genvinding og genbrug af dette produkt ved at kontakte din lokale kommune, renovationsfirmaet eller den butik, hvor du købte produktet.



Dette apparat overholder bestemmelserne i EU Direktiverne 2014/35/EU, 2014/30/EU og 2011/65/EU.

CANDY HOOVER GROUP S.r.l. Via Privata Eden Fumagalli, 20861 Brugherio (MB) Italy

### PRODUKTKOMPONENTER

- |                                       |  |
|---------------------------------------|--|
| A. Vægholder*                         | P. Batteripakke                                |
| B. Vægmonteringsskruer*               | Pa. Batteripakke udløserknapper                |
| C. Hoveddel                           | Pb. Batteripakke opladningsindgang             |
| D. TÆPPE-position                     | Pc. Batteripakke opladning/afledning LED lys   |
| E. Udløserknap hovedenhed             | Q. Batteripakke oplader                        |
| F. Rør                                | Ra. Tænd/sluk-kontakt                          |
| G. Knap til afmontering af mundstykke | Rb. Håndtag til kontinuerlig tilstand          |
| H. Baghjul                            | S. Knapper til afmontering af udsugningsfilter |
| I. Rotor-udløserklap                  | T. Udsugningsfilter                            |
| J. Mundstykke LED frontlys            | U. 2i1 stort støv- og møbelbørsteredskab*      |
| K. Viskerblade                        | V. 2i1 Fuge- og børsteredskab*                 |
| Ka. Kraftig gulvvalse                 | W. Mini-turbomundstykke*                       |
| Kb. Lang beskyttelsesvalse            | X. Tilbehørsadapter*                           |
| Kc. Blød ende bagerst                 | Y. Radiatorredskab*                            |
| L. Støvbeholder                       | Z. Lang rengøringsbørste*                      |
| M. Knap til tømning af støvbeholder   | AA. Multifunktionelt op til toppen-redskab*    |
| N. Enkelt cyklon adskiller            | AB. Langt fleksibelt fugemundstykke*           |
| O. Enkel cyklon                       |  |

### SÅDAN KLARGØRES STØVSUGEREN

1. Ved første anvendelse skal apparatets batteri lades helt op, ved at forbinde opladerens jackstik til batteripakken. Opladningstid er ca. 5 timer. Batteripakkens LED lys vil lyse RØDT under opladning, og vil skifte til HVID når den er fuldt opladet [1]

2. Saml røret med mundstykket indtil du hører det "klikker" på plads. [2a]

3. Placer hovedenheden på røret indtil du hører det "klikker" på plads. [2b]

**BEMÆRK:** Mundstykket tages af, ved at trykke på udløserknappen, hvorefter mundstykket trækkes af hoveddelen.

**BEMÆRK:** Brug kun den oplader, der er leveret sammen med støvsugeren, til opladning.

**VIGTIGT:** Omskifterkontakten skal stå på OFF-positionen ved opladning af støvsugeren. Du kan også oplade den aftagelige batteripakke, når det udløses fra produktet.

Det er normalt for opladeren at blive varm at røre ved under opladning.

\* Kun til visse modeller

## BRUG AF STØVSUGEREN

Der er tre arbejdstilstande:

• **STANDARD TILSTAND:** Når du trykker på tænd/sluk knappen, er støvsugeren klar til en omhyggelig rengøring med det motoriserede hovedmundstykke. **[3a]**

**BEMÆRK:** Standard tilstand anbefales til rengøring af hårde gulve og over gulve.

• **KONTINUERLIG TILSTAND:** For at aktivere kontinuerlig tilstand kan du trække omskifterkontakten tilbage, hvorefter det vil klikke på plads. For at deaktivere kontinuerlig tilstand skal du skubbe omskifterkontakten frem, **[3b]**

• **TURBO INDSTILLING:** Tryk på turbo-knappen for fuld styrke til svære rengøringsopgaver. **[3c]**

**VIGTIGT:** Efter du har brugt produktet, skal du sørge for at skubbe omskifterkontakten frem til den ulåste position.

I modsat fald kan det resultere i en reduktion i batteriets levetid eller fejl.

## VÆLG DEN PASSENDE VÅLSE FOR DEN BEDSTE RENGØRING

**Kraftig gulvvalse\*:** Den anbefales til brug på tæpper, hvor den går dybt ind og fjerner støvet.

**Dyb plejevalse\*:** anbefales til brug på hårde gulve eller skrøbelige parketgulve. Takket være de bløde børster kan du forsigtigt rense disse type gulve.

**VIGTIGT:** Støvsugeren skal altid slukkes ved udskiftning og rengøring af børsten.

**BEMÆRK:** For at samle valse, skal bruge: **[17]**

1. Frigør rotor-udløsningsklappen. Den er placeret på den tværgående del af mundstykket.
2. Hold i rotor-udløsningsklappen og træk ned for at løsne rotoren.
3. Skift ud med den kraftige gulvvalse eller med den lange beskyttelsesvalse.
4. Før rotor-udløsningsklappen tilbage til sin oprindelige position.

## BATTERI

Når batteriet aflades under almindelig anvendelse, vil batteripakkens LED lyse hvidt. Når batteriets kapacitet er under 5 %, vil det HVIDE LED lys begynde at blinke. **[4]**

Når det sker bør du stoppe rengøringen, og omgående oplade batteriet. Under opladning vil LED'en være RØD. **[1]**

Når produktet oplades skal håndtaget til kontinuerlig tilstand være i slukket tilstand. Det er også muligt at oplade batteripakken, når det udløses fra produktet.

**BEMÆRK:** Hvis du ikke skal bruge støvsugeren i en længere periode, bedes du fjerne batteripakken fra støvsugeren, for at bevare batteriets holdbarhed.

## SAMLING AF VISKERBLAD

For at opnå den bedste fuge- og tæppefunktion, anbefales det at samle de forreste og bagerste viskerblade på mundstykkets bundplade.

For at gøre dette, skal du åbne rotorens udløsningsknap og fjerne den bløde strimmel. Tag fat i et viskerblad, og sæt den ene ende i den bagerste åbning, før bladet ind indtil det er helt på plads. Gentag denne operation for det andet viskerblad, og før det ind i den forreste åbning. Lås rotorens udløsningsknap fast. **[5]**

## SIKKERHEDSBESKYTTELSESSYSTEM

Produktet har et integreret sikkerhedsbeskyttelsessystem for at sikre pålideligheden af produktet, som ikke påvirkes under vanskelige forhold.

**BEMÆRK:** Sikkerhedsbeskyttelsessystemet vil blive aktiveret hvis agitatoren er blokeret eller er låst, når den er aktiveret, vil agitatoren stoppe med at dreje, og de hvide LED lys på fronten af mundstykket vil blinke 5 gange. **[6]** Hvis dette sker, skal du bare slukke for dit produkt og fjerne tilstopningerne i agitatoren. For at genoptage rengøringen, skal du trykke på tænd/sluk-knappen, og produktet starter igen i normal tilstand.

\* Kun til visse modeller



## TILBEHØR\*

### 211 FUGE- OG BØRSTEREDSKAB\*, 211 STORT STØV- OG MØBELBØRSTEREDSKAB 211 STORT STØV- OG MØBELBØRSTEREDSKAB\*, LANGT FLEKSIBELT FUGEMUNDSTYKKE\*, MULTIFUNKTIONELT OP TIL TOPPEN-REDSKAB\* OG MINI TURBOMUNDSTYKKE\*

Det ovennævnte tilbehør kan monteres direkte på hovedenheden eller på røret. [7]

**BEMÆRK:** For at fjerne mundstykket eller hovedenheden fra røret, skal du trykke på de relevante udløserknapper og trække enhederne fra hinanden.

### RADIATORREDSKAB\* / LANG RENGØRINGSBØRSTE\*

Tilbehørets adapter\* skal monteres når man anvender disse 2 tilbehør. [7]

**BEMÆRK:** Mini-turbo mundstykket er ideelt til dybdegående rengøring af tekstiloverflader (dvs. sofaer) og fjernelse af dyrehår. Flyt den frem og tilbage i en støt bevægelse. Hvis det er nødvendigt skal du med en saks fjerne hår/tråde, der har samlet sig på børsten efter brug.

**BEMÆRK:** Det lange fleksible fugemundstykke er ideelt til rengøring på svært tilgængelige steder, under møblerne og i din bil.

**BEMÆRK:** Radiatorredskabet er ideelt til rengøring i og omkring skabe, radiatorer, sofaer, persienner og mere.

**BEMÆRK:** Den lange rengøringsbørste er nyttig til rengøring af smalle steder uden at ridse overflader, eller til rengøring indvendigt i din bil.

**BEMÆRK:** Det multifunktionelle redskab er designet til en let rengøring af sarte overflader uden at ridse og til svært tilgængelige steder. Det multifunktionelle redskab består af tre hoveddele:

1. Fugemundstykket er ideelt til at nå snævre steder.
2. Støvbørsten er ideel til rengøring af overflader uden at beskadige eller ridse.
3. Møbelmundstykket er ideelt til rengøring af overflader som sofaer.

### TILBEHØRSTASKE\*

Tilbehørsudstyr kan gemmes i tilbehørstasken.

### VÆGHOLDER\*

For at spare plads og under opbevaring, kan dit apparat monteres på væggen, vha. de medfølgende tre skruer og dyvler.

Produktet, 2-i-1 fuge- og rengøringsværktøj, og 2-i-1 store støv- og møbelværktøj, kan opbevares på vægmonteringen. [8]

## VEDLIGEHOLDELSE AF STØVSUGEREN

### Tømning af støvbeholderen

1. Tryk på udløserknappen på hovedproduktet, og fjern røret. [9]
2. Tryk på knappen til tømning af støvbeholderen for at udløse beholderklappen og tømme indholdet. [10]
3. Luk klappen på støvbeholderen, hvorefter du vil høre en kliklyd, når den er helt lukket i.

**BEMÆRK:** Det anbefales at tømme støvbeholderen efter hvert brug, eller når støvet når til den maksimale fyldlinje.

### Rengør støvbeholderen og filteret

1. Tryk på udløserknappen på hovedproduktet, og fjern røret. [9]
2. Tryk på knappen til tømning af støvbeholderen for at udløse beholderklappen og tømme indholdet. [10]
3. Luk klappen på støvbeholderen, hvorefter du vil høre en kliklyd, når den er helt lukket i.
4. Tryk på de to udløserknapper til batteripakken, og fjern batteripakken fra hovedenheden. [11]
5. Drej støvbeholderen mod uret og træk den fremad, justér pilmærkerne og fjern den fra støvsugerens hoveddel. [12]
6. Drej den enkelte cyklons adskiller i urets retning, og tag adskilleren af enkelt cyklonen. [13]
7. Tryk på de to udløserknapper til udstødningsfilteret, og fjern udstødningsfilteret fra hovedenheden. [14]
8. Brug en tør klud til at rengøre enkelt cyklonen. Vask udstødningsfilteret, støvbeholderen og enkelt cyklonens adskiller i lunken vand [15], og lad det tørre i 24 timer. [16] Sørg for, at alle komponenter er helt tørre før de monteres på hovedenheden.

**BEMÆRK:** Anvend ikke varmt vand eller rengøringsmidler når du renser udstødningsfilteret. I tilfælde af at udstødningsfilteret bliver beskadiget, skal du udskifte det med et originalt Hoover filter. Forsøg ikke at anvende produktet uden et filter er monteret.

**VIGTIGT:** For optimal ydelse skal du altid holde adskillelsessystemet rent. Vi anbefaler, at filtret vaskes en gang om måneden.

### Sådan skiftes og rengøres rotoren

**VIGTIGT:** Støvsugeren skal altid slukkes ved udskiftning og rengøring af børsten.

\* Kun til visse modeller

1. Frigør rotor-udløsningsklappen. Den er placeret på den tværgående del af mundstykket. [17a]
2. Hold agitatorens udløserklap og fjern den Intense gulvvalse. [17b]
3. For at rengøre den Intense gulvvalse, skal du fjerne overskuden affald med en saks. [17c]
4. For at rengøre Dybplejevalsen, skal du rense den med vand [17d] og lade den tørre i 24 timer. [17e]
5. Genmonter Dyb plejevalsen. [17f] Agitatoren kan kun monteres i en retning.
6. Luk agitatorens udløserklap for at sikre, at Dyb plejevalsen er i dens position. [17g]

### Udskiftning af batterierne

Denne støvsuger er udstyret med en genopladelige litium-ion batteripakke, som kan udskiftes.

**ADVARSEL:** Brug kun godkendte udskiftningsdele for din støvsuger. Dele, som ikke er godkendt af Hoover, er farlige og gør din garanti ugyldig.

**ADVARSEL:** Forsøg ikke at åbne batteripakken og reparere den selv.

1. Tryk på batteripakkens udløsningsknapper, og fjern pakken. [11]
2. Udskift den gamle batteripakke med en ny batteripakke.
3. Bortskaf batterierne på en sikker måde. Brugte batterier skal afleveres på en genbrugsstation og ikke smides ud sammen med husholdningsaffald.

### FEJLFINDING

Hvis du har problemer med støvsugeren, bedes du følge følgende enkle tjekliste, før du kontakter Hoovers kundeservicecenter:

#### A. Støvsugeren starter ikke

Kontroller om batteripakken er opladet.

Kontrollér om batteripakken sidder korrekt.

#### B. Tab af sugeevne eller ingen sugning

Tøm støvbeholderen, og vask udstødningfilteret og cyklon adskilleren.

Fjern mundstykket og kontrollér for eventuel tilstopning af kanalen.

#### C. Batterier kan ikke oplades

Dette kan opstå som følge af lange opbevaringsperioder (over et halvt år).

Kontakt Hoover kundeservice for at bestille udskiftning af batteriet.

Kontakt Hoover kundeservice, hvis problemet bliver ved.

### HOOVER RESERVEDELE OG FORBRUGSSTOFFER

Udskift altid dele med ægte Hoover reservedele. Disse fås fra Hoovers reservedelsforhandler, check [www.hoover.dk](http://www.hoover.dk) Når du bestiller dele, skal du altid opgive modelnummer.

### DIN GARANTI

Garantibetingelserne for dette apparat er som defineret af vores repræsentant i det land, hvor det er solgt. Oplysninger vedrørende disse betingelser kan indhentes hos den forhandler, apparatet er købt hos. Kvitteringen skal fremvises i forbindelse med ethvert krav under disse garantibetingelser.

**VIGTIGT:** Batteriet fra denne støvsuger har en garanti på 6 måneder fra købsdatoen. Efter 6 måneder er kunden ansvarlig for omkostningerne for et nyt batteri.

Ret til ændringer uden varsel forbeholdes

## INSTRUKSJONER FOR SIKKER BRUK

Dette apparatet må kun brukes til husrengjøring, og slik denne bruksanvisningen beskriver. Sørg for at denne veiledningene er forstått fullstendig før du bruker apparatet.

Slå alltid av og koble laderen fra støpselet før enheten rengjøres eller vedlikeholdes.

Apparatet kan brukes av barn fra 8 år, og av personer med nedsatte fysiske, sanselige eller mentale evner, eller manglende erfaring og kunnskap, dersom de er under oppsyn eller har fått opplæring i sikker bruk av apparatet og forstår farene bruk av apparatet kan medføre. Barn skal ikke leke med apparatet. Rengjøring og vedlikehold skal ikke utføres av barn uten oppsyn.

Bruken av apparatet må opphøre umiddelbart dersom strømledningen er skadet. Av sikkerhetshensyn må en autorisert Hoover-tekniker erstatte strømledningen.

Hold hender, føtter, løse klær og hår unna roterende børster.

Bruk den opprinnelige laderen som fulgte med apparatet.

Kontroller at forsyningsspenningen er den samme som er angitt på laderen.

Dette Hoover-apparatet leveres med dobbeltisolert batterilader, som kun kan settes i et 230V (britisk 240V) strømuttak.

Koble laderen til et egnet strømuttak, og koble laderens kontakt til apparatet.

Når du lader apparatet, må av/på-spaken være i av-posisjon.

La rengjøringsapparatet stå på lading i minst 24 timer før første gangs bruk. LED-lampen på batteriene lyser RØDT under lading og skifter til hvitt når ladingen er fullført.

Koble apparatet tilbake i laderen etter bruk, slik at batteriet lades opp.

Lad aldri batteriene i temperaturer over 37 °C eller under 0 °C.

Det er vanlig at laderen er varm ved berøring under lading.

Ikke koble fra laderen ved å trekke i ledningen.

Koble fra laderen dersom du er borte over langre tid (f.eks.

ferie). Produktet bør lades opp igjen før bruk, da batteriene kan selvutløses ved lengre tids lagring.

Hvis apparatet skal avhendes, bør batteriene fjernes først. Apparatet må være frakoblet strømmettet når du fjerner batteriet. Kast batteriene på en trygg måte. La apparatet gå til den stopper fordi batteriene er helt tømt. Brukte batterier bør leveres til en gjenbruksstasjon, og ikke kastes sammen med husholdningsavfall. For å fjerne batteriene, bør du kontakte Hoovers kundesenter, eller fortsette som anvist nedenfor:

**VIKTIG:** Påse at batteriene er fulladede før du fjerner dem.

La rengjøringsapparatet gå til batteriene er helt tømt.

Ta laderkontakten ut av apparatet.

Trykk på knappene som frigjør batteripakken og dra den ut. [11]

**MERK:** Hvis du har vanskeligheter med å demontere enheten eller ønsker mer detaljert informasjon om behandling, gjenvinning og resirkulering av apparatet, ta kontakt med kommunen eller renovasjonsselskapet.

Bruk kun tilbehør, forbruksvarer eller reservedeler som anbefales eller leveres av Hoover.

**Statisk elektrisitet:** Enkelte tepper kan bygge opp små mengder statisk elektrisitet. Utladning av statisk elektrisitet er ikke helseskadelig.

Du må ikke bruke apparatet utendørs, på våte overflater eller til å støvsuge væske.

Du må ikke støvsuge harde eller skarpe objekter, varm aske, sigarettneiper eller andre liknende gjenstander. Apparatet må ikke utsettes for eller støvsuge opp brennbare væsker, rengjøringsmidler, aerosoler eller damp fra slike væsker.

Unngå å kjøre over ledningen eller trekke ut støpselet under bruk. Ikke fortsett å bruke rengjøringsapparatet eller laderen hvis det virker som om det er noe feil med dem.

**Hoover-service:** For å sikre at apparatet fortsatt virker som det skal, og er trygt å bruke, anbefaler vi at all service og alle reparasjoner blir utført av en autorisert Hoover-tekniker.

# Du må ikke bruke apparatet til å rengjøre dyr eller mennesker. Ikke erstatt batteriene med ikke-oppladbare batterier.

## Miljøet:

Dette apparatet er merket i henhold til EU-direktiv 2011/65/EC om elektrisk avfall og elektronisk utstyr (WEEE). Ved å sørge for at dette produktet avhendes på riktig måte, bidrar du til å forhindre eventuelle negative konsekvenser for miljø og menneskelig helse, som ellers kunne ha blitt forårsaket av uriktig avfallshåndtering av dette produktet. Symbolet på produktet angir at dette produktet ikke kan behandles som husholdingsavfall. Det må istedet leveres til passende oppsamlingspunkt for resirkulering av elektrisk og elektronisk utstyr. Avhendingen må gjennomføres i samsvar med lokale miljøforskrifter for avfallshåndtering. For mer informasjon om behandling, gjenvinning og resirkulering av dette produktet, ta kontakt med den kommunale etaten for avfallshåndtering eller butikken der du kjøpte produktet.



Dette produktet overholder EU-direktiv 2014/35/EU, 2014/30/EU og 2011/65/EU.

CANDY HOOVER GROUP S.r.l. Via Privata Eden Fumagalli, 20861 Brugherio (MB) Italy

## PRODUKTKOMPONENTER

- |  |  |
|--|--|
| A. Veggmontering*                      | P. Batteripakke  |
| B. Skruer til veggfestet*              | Pa. Utløsningsknapp for batteripakken                      |
| C. Hoveddel                            | Pb. Inntak for opplading av batteripakke                   |
| D. Turboknapp                          | Pc. LED-lampe som indikerer batteripakkens lading/utlading |
| E. Utløsningsknapp på hoveddel         | Q. Lader til batteripakke                                  |
| F. Rør                                 | Ra. Av/på-bryter   |
| G. Utløserknapp for munnstykket        | Rb. Spak for uavbrutt modus                                |
| H. Munnstykke                          | S. Utløserknapper for avtrekksfilter                       |
| I. Utløserklaff for agitator           | T. Avgassfilter  |
| J. LED foran på munnstykket            | U. To-i-ett - Stort støv-og møbelverktøy*                  |
| K. Viskerblad                          | V. 2in1 Spalte og støvkost*                                |
| Ka. Kraftig gulvvals                   | W. Mini-turbo munnstykke*                                  |
| Kb. Dyptgående varsom vals             | X. Tilbehørsadapter*                                       |
| Kc. Myk kant bak                       | Y. Radiatorverktøy*  |
| L. Støvbeholder                        | Z. Dyprengjørende børste*                                  |
| M. Knapp for tømning av støvbeholderen | AA. Flerfunksjons Opp-til-toppen-verktøy*                  |
| N. Separator enkel-syklon              | AB. Langt bøyetlig verktøy for sprekker*                   |
| O. Enkelsyklon                         |  |

## FORBEREDING AV STØVSUGEREN

1. Ved førstegangs bruk må apparatet lades fullstendig ved å koble laderens jackplugg til batteripakken. Ladetid er omtrent fem timer. LED-lampen på batteriene lyser RØDT under lading og skifter til hvitt når ladingen er fullført. **[1]**
2. Sett slangen på munnstykket til du hører at den klikker på plass. **[2a]**
3. Sett hoveddelen inn på slangen til du hører den klikker på plass. **[2b]**

**MERK:** Du fjerner munnstykket ved å trykke på munnstykkets utløserknapp og trekke den unna hoveddelen.

**MERK:** Bruk kun laderen som ble levert med rengjøringsapparatet.

**VIKTIG:** Når du lader rengjøringsapparatet, må bryterspaken være i AV-posisjon. Du kan også lade batteripakken når den er demontert fra produktet.

Det er vanlig at laderen er varm ved berøring under lading.

\* Bare enkelte modeller

## BRUK AV APPARATET

Det er finnes tre driftsmoduser:

• **STANDARD-MODUS** Når du trykker på PÅ-AV-bryteren er rengjøringsmaskinen klar til å utføre grundig rengjøring med det motoriserte munnstykket. **[3a]**

**MERK:** Standardmodus er anbefalt for rengjøring av harde gulv og over gulv.

• **KONTINUERLIG MODUS:** For aktivere kontinuerlig modus kan du trekke bryterspaken tilbake, til du hører en klikkelyd. Du kan aktivere kontinuerlig modus ved å skyve bryterspaken forover. **[3b]**

• **TURBO-MODUS:** Trykk på Turboknappen for full styrke til en kraftig vask. **[3c]**

**VIKTIG:** Etter at du har brukt produktet må du alltid skyve bryterspaken frem i ulåst posisjon.

Dersom du ikke gjør det, kan det føre til at batteriet svikter eller får kortere levetid.

## VELG EGNET VALS FOR BEST RENGJØRING

**Kraftig gulvvals\*:** Det anbefales å bruke den på teppet ettersom den kan gå dypt inn i teppet og fjerne støv.

**Rulle for dyptrengjøring\*:** det anbefales å bruke den på hardt gulv eller delikat parket. Takket være myke buster kan du rengjøre disse type gulvene på en varsom måte.

**VIKTIG:** Slå alltid rengjøringsapparatet av før du skifter ut og rengjør agitatoren.

**MERK:** For å montere valsen bør du bruke: **[17]**

1. Løse utløserklaffen for agitatoren. Den er plassert på den laterale delen av munnstykket.
2. Hold utløserklaffen for agitatoren og dra den ned for å fjerne agitatoren.
3. Skift ut med kraftig gulvvals eller med dyptgående varsom vals.
4. Sett utløserklaffen for agitatoren tilbake på plass.

## BATTERI

Mens batteriet utlades gjennom normal bruk, lyser LED-lampen på batteripakken hvitt. Når batteripakkens gjenværende kapasitet er under 5%, vil det hvite lyset begynne å blinke. **[4]**

Når dette skjer bør du stoppe rengjøringen og umiddelbart sette batteriet til lading. LED-lampen vil lyse RØDT under ladingen. **[1]**

Under lading må dreiebryteren være i AV-posisjon. Det er også mulig å lade batteripakken når den er frigjort og løsnet fra produktet.

**MERK:** Hvis du ikke kommer til å bruke rengjøringsmaskinen på en lang stund, vennligst fjerne batteripakken fra rengjøringsmaskinen for å bevare batteriets levetid.

## MONTERING AV VISKERBLAD

For å oppnå den beste ytelsen for sprekker og tepper, anbefales det å montere de fremre og bakre viskerbladene på sålen til munnstykket.

For å gjøre dette, åpne agitatorens utløserpak og dra ut det myke båndet. Ta deretter tak i ett viskerblad, ved å føre én ende inn i den bakre åpningen og la den gli helt inn. Gjenta disse operasjonene for det andre viskerbladet og la den gli inn den fremre åpningen. Lås agitatorens utløserpak. **[5]**

## BESKYTTELSESYSTEM FOR SIKKERHET

For å sørge for at produktets pålitelighet ikke påvirkes hvis det brukes under krevende forhold, har produktet et integrert Beskyttelsessystem for sikkerhet.

**MERK:** Beskyttelsessystemet for sikkerhet vil fungere hvis agitatoren er blokkert eller låst. Når systemet fungerer, vil agitatoren stoppe å rotere og de hvite LED-lysene foran på munnstykket vil blinke 5 ganger. **[6]** Hvis dette skulle skje er det bare å slå av produktet og fjerne det som blokkerer agitatoren. For å gjenoppta rengjøringen trykker man på on/off-knappen og produktet vil gjenstarte i normal modus.

\* Bare enkelte modeller

## TILBEHØR\*

### 2IN1 SPALTE OG STØVKOST\*, TO-I-ETT STORT STØV- OG MØBELVERKTØY\*, LANGT BØYELIG VERKTØY FOR SPREKKER\*, FLERFUNKSJONS OPP-TIL-TOPPEN-VERKTØY\* OG MINI-TURBO MUNNSTYKKE\*

Overnevnte tilbehør kan monteres direkte inn på hoveddelen eller på slangen. [7]

**MERK:** For å fjerne munnstykket eller hoveddelen fra slangen, trykk på den respektive utløserknappen og trekk delene fra hverandre.

### RADIATORVERKTØY\* / DYPRENGJØRENDE BØRSTE\*

Tilbehør-adapteret\* må benyttes når en bruker disse to tilbehørene. [7]

**MERK:** Mini-turbodysen passer perfekt for rengjøring av tekstiloverflater (f.eks. sofaer) og fjerning av dyrehår. Skv apparatet jevnt forover og bakover. Etter bruk må du fjerne hår/tråder som har samlet seg i børsten, om nødvendig ved hjelp av saks.

**MERK:** Det lange bøyelege sprekkverktøyet passer perfekt til rengjøring på steder der det er vanskelig å komme til, under møbler og i bilen.

**MERK:** Radiatorverktøyet passer perfekt for rengjøring inni og rundt skap, radiatorer, sofaer, persienser osv.

**MERK:** Den dyptrengjørende børsten rengjør trange områder, uten å ripe overflater, og inne i bilen din.

**MERK:** Flerfunksjonsverktøyet er utviklet for å enkelt rengjøre skjøre overflater uten å lage riper og alle områder som er vanskelig å komme til. Flerfunksjonsverktøyet består av tre viktige deler:

1. Sprekkverktøyet er ideelt for å komme til på trange plasser.
2. Støvbørsten er ideell for å rengjøre overflater uten å lage riper og skader.
3. Møbelmunnstykket er ideelt for å rengjøre overflater som en sofa.

### TILBEHØRPOSE\*

Annet tilbehør kan lagres i tilbehørposen.

### VEGGMONTERING\*

Forlagring og forårspareplass, kan apparatet ditt monteres på veggene ved hjelp av de treskruene og skruerpluggenes omfølgger med.

Produktet, to-i-ett Sprekk- og støvverktøy og to-i-ett Stort støv- og møbelverktøy kan oppbevares i veggfestet. [8]

## VEDLIKEHOLD AV STØVSUGEREN

### Tømme støvbeholderen

1. Trykk på frigjøringsknappen på hoveddelen for å fjerne slangen. [9]
2. Skv ned tømmeknappen for støvsamlere for å løse støvbeholderklaffen og tømme ut innholdet. [10]
3. Lås støvsamlere fast med klaffen opp. En klikkelyd høres når den er låst fast.

**MERK:** Det anbefales at du tømmer støvbeholderen etter hver bruk, eller når støvet når opp til makslinjen.

### Rengjør støvbeholderen og filteret

1. Trykk på frigjøringsknappen på hoveddelen for å fjerne slangen. [9]
2. Skv ned tømmeknappen for støvsamlere for å løse støvbeholderklaffen og tømme ut innholdet. [10]
3. Lås støvsamlere fast med klaffen opp. En klikkelyd høres når den er låst fast.
4. Trykk på de to utløserknappene for batteripakken og fjern batteripakken fra hoveddelen. [11]
5. Drei støvbeholderen i retning mot klokken, sett pilmerkene på linje og ta den ut av rengjøringsapparatets hoveddel. [12]
6. Drei den enkle sykklonseparatoren med klokken og fjern den fra den enkle sykklonen. [13]
7. Trykk på de to utløserknappene for utblåsningsfilteret og fjern utblåsningsfilteret fra hoveddelen. [14]
8. Rengjør enkeltsyklonen med en tørr klut. Vask eksosfilteret, støvbegeret og den enkle sykklonseparatoren i lunke vann [15] og la tørke i 24 timer. [16] Forsikre deg om at delene er helt tørre før de settes tilbake på hoveddelen.

**MERK:** Ikke bruk varmt vann eller rengjøringsmidler ved rengjøring av utblåsningsfilteret. Hvis utblåsningsfilteret, mot formodning, skulle bli skadet, bytt det ut med en original Hoover-erstatning. Ikke bruk produktet uten innsatt filter.

**VIKTIG:** For optimal ytelse må separasjonssystemet alltid holdes rent. Vi anbefaler at filteret vaskes én gang i måneden.

### Bytte og rengjøre agitatorene.

**VIKTIG:** Slå alltid rengjøringsapparatet av før du skifter ut og rengjør agitatorene.

1. Løsne utløserklaffen for agitatorene. Den er plassert på den laterale delen av munnstykket. [17a]
2. Hold på agitatorens utløserflikk og fjern den Intense gulv-rolleren. [17b]
3. For å rengjøre Intense Floor Rolleren, må du fjerne rester som er til overs ved å bruke en saks. [17c]
4. For å rengjøre Deep Care Rolleren, må du skylle med vann [17d] og la tørke i 24t. [17e]
5. Sett tilbake Dyptrengjøringsrullen. [17f] Agitatoren passer kun i en retning.
6. Lukk utløserfliken til agitatorene for å sikre Dyptrengjøringsrullen i posisjonen. [17g]

\* Bare enkelte modeller

## Bytte batteriene

Denne rengjøringsmaskinen er utstyrt med oppladbare litiumsbatterier som kan skiftes ut.

**ADVARSEL:** Bruk bare godkjente reservedeler til rengjøringsapparatet. Å bruke deler som ikke er godkjent av Hoover er farlig og vil ugyldiggjøre garantien.

**ADVARSEL:** Ikke prøv å åpne batteripakken og reparere den selv.

1. Trykk på knappene som frigjør batteripakken og dra den ut. [11]
2. Bytt ut den gamle batteripakken med en ny batteripakke.
3. Kast batteriene på en trygg måte. Brukte batterier bør leveres til en gjenbruksstasjon, og ikke kastes sammen med husholdningsavfall.

## FEILSØKING

Dersom du får problemer med rengjøringsapparatet, kan du følge denne enkle kontrollisten før du tar kontakt med Hoover kundeservice:

### A. Støvsugeren slås ikke på

Kontroller om batteripakken er oppladet.

Sjekk om batteripakken er montert på plass.

### B. Tap av sugeeffekt eller ingen sugeeffekt.

Tøm støvbegeret og vask eksosfilteret og syklonseparatoren.

Ta av dysen og se etter blokkasje i røret.

### C. Batteriene kan ikke lades

Dette kan skyldes lagring over lenger tid (mer enn et halvt år).

Ta kontakt med Hoover kundeservice for å avtale utskifting av batteri.

Ta kontakt med Hoover kundeservice dersom problemet vedvarer.

## ORIGINALDELER FRA HOOVER

Bruk alltid originale deler fra Hoover. Disse er tilgjengelige fra din lokale Hoover-forhandler eller direkte fra Hoover. Når du bestiller deler, må du alltid oppgi modellnummeret ditt.

## DIN GARANTI

Garantibetingelsene for dette apparatet er som definert av vår representant i det landet der det ble solgt. Detaljer vedrørende disse betingelsene fås fra forhandleren der apparatet ble kjøpt. Salgskvitteringen må fremvises ved fremsetting av krav under betingelsene i denne garantien..

**VIKTIG:** Batteriet som medfølger dette rengjøringsapparatet har 6 måneders garanti fra kjøpsdato. Etter seks måneder har kunden selv ansvar for å kjøpe nytt batteri.

Kan endres uten forvarsel.



## OHJEET TURVALLISTA KÄYTTÖÄ VARTEN

Tämä laite on tarkoitettu ainoastaan kotikäyttöön tämän käyttöoppaan kuvaamalla tavalla. Tutustu tähän käyttöoppaaseen huolellisesti ennen laitteen käyttöä.

Kytke laturista virta ja irrota laturi virtalähteestä aina käytön jälkeen ja myös ennen kuin puhdistat laitteen tai teet huoltotoimenpiteitä.

Tätä laitetta voivat käyttää yli 8-vuotiaat lapset ja henkilöt joilla on vähentynyt fyysinen, aistillinen tai henkinen kyky tai joilla ei kokemusta tai tietoja, mikäli heille on annettu ohjausta ja valvontaa koskien laitteen turvallista käyttöä ja ymmärtävät käyttöön liittyvät vaaratekijät. Lapset eivät saa leikkiä laitteella. Käyttäjän suorittamaa puhdistusta ja huoltoa ei tule suorittaa lasten toimesta ilman valvontaa.

Lopeta laitteen käyttö välittömästi, jos virtajohto on vahingoittunut. Virtajohdon saa turvallisuussyistä vaihtaa vain valtuutettu Hoover-huoltoliike.

Pidä kädet, jalat, löysät vaatteet ja hiukset poissa pyörivistä harjoista.

Käytä vain laitteen mukana toimitettua laturia.

Varmista, että laturiin merkityt arvot vastaavat syöttöjännitettä.

Tämä Hoover-laite on varustettu kaksoiseristetyllä akkulaturilla joka sopii liitettäväksi vain 230V:n (Iso-Britannia 240V) pistorasiaan.

Kytke laturi sopivaan pistorasiaan ja yhdistä laturin liitin laitteeseen.

Virtakytkimen on oltava OFF-asennossa laitteen lataamisen aikana.

Lataa laitetta ennen ensimmäistä käyttöä vähintään 24 tuntia. Akkuyksikön LED-valo on PUNAINEN latauksen aikana, ja se muuttuu VALKOISEKSI kun laite on ladattu täyteen.

Kytke laite käytön jälkeen takaisin laturiin akun lataamiseksi.

Älä koskaan lataa akkuja yli 37°C:n tai alle 0°C:n lämpötiloissa.

Laturi lämpeneminen latauksen aikana on aivan normaalia.

Älä irrota laturia virtalähteestä johdosta vetämällä.

Irrota laturi pistorasiasta mikäli laitetta ei käytetä pitkään aikaan

(loma-ajat jne.). Lataa laite uudelleen ennen käyttöä koska akut voivat purkaantua varauksesta pitkien säilytysjaksojen aikana.

Jos laite hävitetään, akut on ensin poistettava laitteesta. Laitteen täytyy olla irroitettu verkkovirrasta akkua vaihdettaessa. Kierrätä akut turvallisesti. On suositeltavaa käyttää laitetta, kunnes se pysähtyy, jotta akut tyhjäntyvät kokonaan. Vie käytetyt akut kierrätyskeskukseen. Älä hävitä niitä kotitalousjätteen mukana. Irrottaaksesi akut ota yhteyttä valtuutettuun Hoover-huoltoliikkeeseen tai noudata seuraavia ohjeita.

**TÄRKEÄÄ:** Tyhjennä akut aina kokonaan ennen niiden poistamista.

Käytä imuria kunnes akut ovat täysin tyhjä.

Irrota laturin liitin laitteesta.

Paina akkuyksikön vapautuspainikkeita ja irrota liu'uttamalla. [11]

**HUOMAA:** Jos sinulla on vaikeuksia purkaa laitetta tai tarvitset yksityiskohtaisempaa tietoa laitteen jälkikäsitteystä, talteenotosta ja kierrätyksestä, ota yhteyttä paikallisiin kierrätysviranomaisiin tai kotitalouksien jätehuoltoon.

Käytä ainoastaan Hooverin toimittamia tai suosittelemia lisävarusteita tai varaosia.

**Staattinen sähkö:** Jotkut matot voivat aiheuttaa vähäisen määrän staattista sähköä. Staattisen sähkö purkaus ei ole vaarallinen terveydelle.

Älä käytä laitettasi ulkona tai märällä alustalla. Älä imuroi nesteitä.

Älä imuroi kovia tai teräviä esineitä, tulitikkuja, kuumaa tuhkaa, tupakantumppeja tai muita vastaavia esineitä. Älä ruiskuta laitteelle tai imuroi laitteella syttyviä nesteitä, puhdistusnesteitä, aerosoleja tai näiden höyryjä.

Älä aja laitteella verkkojohdon yli tai irrota pistoketta pistorasiasta johdosta vetämällä. Älä käytä laitetta tai laturia, jos se vaikuttaa vialliselta.

**Hoover-huolto:** Laitteen käyttöturvallisuuden ja tehokkaan toiminnan varmistamiseksi suosittelemme, että huolto ja korjaukset teetetään vain valtuutetussa Hoover-huollossa.

Älä käytä laitetta ihmisten tai eläinten puhdistamiseen.

Älä vaihda akkuja ei-ladattaviin akkuihin.

#### Ympäristö:

Tämä laite on merkitty sähkö- ja elektroniikkalaiteromusta annetun direktiivin 2011/65/EY (WEEE) mukaisesti. Hävittämällä tämän laitteen oikein estät mahdollisia ympäristölle ja ihmisterveydelle aiheuttavia haittavaikutuksia, joita saattaa syntyä laitteen vääränlaisen hävittämisen seurauksena. Laitteessa oleva symboli osoittaa, että laitetta ei saa hävittää kotitalousjätteenä. Se täytyy luovuttaa kodinkoneiden keräyspisteeseen sähkölaitteiden kierrätystä varten. Hävittäminen on suoritettava paikallisten jätteiden hävittämistä koskevien ympäristösäännösten mukaisesti. Saat lisätietoja tämän tuotteen käsittelemisestä, hyötykäytöstä ja kierrätyksestä paikallisilta viranomaisilta, kotitalouksien jätehuollosta tai liikkeestä, josta ostit tuotteen.



Tämä tuote on yhdenmukainen Euroopan direktiivien 2014/35/EU, 2014/30/EU ja 2011/65/EU kanssa.

CANDY HOOVER GROUP S.r.l. Via Privata Eden Fumagalli, 20861 Brugherio (MB) Italy

### TUOTTEEN OSAT

- |   |  |
|---|--|
| A. Seinäasennus*                                | P. Akkupaketti                               |
| B. Seinätelineen ruuvit*                        | Pa. Akkuyksikön vapautuspainikkeet           |
| C. Runko-osa                                    | Pb. Akkuyksikön latausaukko                  |
| D. Turbo-painike                                | Pc. Akkuyksikön latauksen merkivalo          |
| E. Päärungon vapautuspainike                    | Q. Akkuyksikön laturi                        |
| F. Putki  | Ra. Päälle/pois-kytkin                       |
| G. Suulakkeen vapautus-painike                  | Rb. Jatkuvan tilan vipu                      |
| H. Suulake                                      | S. Poistoilmansuodattimen vapautuspainikkeet |
| I. Mattoharjan vapautuslappä                    | T. Poistoilmansuodatin                       |
| J. Suulakkeen etuvalo                           | U. 2 IN 1 Suuri pöly- ja huonekaluharja*     |
| K. Pyyhkijä                                     | V. 2 IN 1 Rakosuutin ja pölyharja*           |
| Ka. Voimakas lattiarulla (Intense Floor Roller) | W. Miniturbosuulake*                         |
| Kb. Tehokas lattiarulla (Deep Care Roller)      | X. Lisävarustesovitin*                       |
| Kc. Pehmeä takaliuska                           | Y. Lämpöpatterisuulake*                      |
| L. Pölysäiliö                                   | Z. Syväpuhdistusharja*                       |
| M. Pölysäiliön tyhjennyspainike                 | AA. Monitoimivaruste*                        |
| N. Yksinkertainen sykloni-erotin                | AB. Pitkä joustava rakosuulake*              |
| O. Yksinkertainen pyörrepuhdistin               |  |

### LAITTEEN KOKOAMINEN

1. Lataa laitteen akku täyteen ennen ensimmäistä käyttökertaa liittämällä latausliitin akkuyksikköön. Latausaika on noin 5 tuntia. Akkuyksikön LED-valo on PUNAINEN latauksen aikana, ja se muuttuu VALKOISEKSI kun laite on ladattu täyteen. [1]

2. Kiinnitä putki paikalleen suulakkeeseen niin, että kuulet napsahduksen. [2a]

3. Kiinnitä päärunkoyksikkö paikalleen putkeen niin, että kuulet napsahduksen. [2b]

**HUOMAA:** Irrottaaksesi suulakkeen paina suulakkeen vapautus-painiketta ja vedä suulaketa runko-osasta ulospäin.

**HUOMAA:** Käytä vain imurisi kanssa toimitettua laturia imurin lataukseen.

**TÄRKEÄÄ:** Imurin latauksen aikana kytkinvivun on oltava OFF-asennossa. Voit ladata irrotettavan akkuyksikön myös silloin, kun se on irti laitteesta.

On normaalia, että laturi lämpenee latauksen aikana.

\* Vain joissakin malleissa

## LAITTEEN KÄYTTÖ

Laitteella on kolme eri toimintatilaa:

- **VAKIOTILA:** Kun painat ON-OFF-kytkintä, imuri on valmis puhdistamaan perusteellisesti moottoroidulla pääsuulakkeella. **[3a]**
- **HUOMAA:** Preustilaa suositellaan käytettäväksi kovien lattioiden ja lattian yläpuolisten tilojen puhdistamiseen.
- **JATKUVA TOIMINTO:** Jatkuvan toiminnon saa käyttöön vetämällä kytkinvivun taakse niin, että se napsahtaa paikalleen. Jatkuva toiminto kytketään pois päältä työntämällä kytkinvipu eteen. **[3b]**
- **TURBO-TILA:** Paina turbo-painiketta, jos haluat käyttää laitetta täydellä teholla hankalissa puhdistustehtävissä. **[3c]**
- **TÄRKEÄÄ:** Kytkinvipu on muistettava työntää aina imurin käytön jälkeen eteen lukitsemattomaan asentoon. Muussa tapauksessa akun käyttöikä voi lyhentyä tai akku voi vahingoittua.

## VALITSE SOPIVA SUUTIN, JOKA TAKAA PARHAAT TULOKSET

**Voimakas lattiarulla\*:** Suositellaan käytettäväksi matoilla; pääsee puhdistamaan pölyn syvältä matosta.

**Deep Care roller\*:** Suositellaan käytettäväksi kovalla lattialla tai herkällä parkeilla. Pehmeiden harjojen ansiosta sopii näiden lattioiden hienovaraiseen puhdistamiseen.

**TÄRKEÄÄ:** Imurista on aina katkaistava virta ennen mattoharjan vaihtoa ja puhdistusta.

**HUOMAA:** Telan asentamisessa voi käyttää: **[17]**

1. Avaa mattoharjan vapautuslappä. Se sijaitsee suulakkeen sivuosassa.
2. Irrota mattoharja pitelemällä mattoharjan vapautuslappä ja vetämällä alaspäin.
3. Vaihda tilalle tehokas tela tai tehokkaasti hoitava tela.
4. Aseta mattoharjan vapautuslappä takaisin paikalleen.

## AKKU

Kun akku tyhjenee normaalissa käytössä, akkuyksikön merkkivalo on valkoinen. Kun akku on jäljellä vähemmän kuin 5 %, VALKOINEN merkkivalo alkaa vilkkua. **[4]**

Kun näin käy, lopeta siivoaminen ja lataa akku välittömästi. Merkkivalo palaa latauksen aikana PUNAISENA. **[1]**

Jatkuvan tilan katkaisinvivun tulee olla OFF-asennossa silloin, kun laite on latauksessa. Akkuyksikkö on mahdollista ladata myös niin, että se on irti laitteesta.

**HUOMAA:** Jos et aio käyttää imuria pitkään aikaan, poista akkuyksikkö laitteesta säilyttääksesi akun varauksen.

## PYYHKIJÄN KOKOONPANO

Rakosuulakkeen ja maton puhdistustehokkuuden parhaan tuloksen saamiseksi on suositeltavaa asentaa etu- ja takapyyhkijät suuttimen pohjalevyyn.

Tee tämä avaamalla mattoharjan vapautuslappä ja irrottamalla pehmeät kaistale. Ota sitten kiinni pyyhkijästä. Aseta yksi pää takauraan ja liu'uta se loppuun asti. Toista toimenpiteet toisen pyyhkijän osalta ja liu'uta tämä etu-uraan. Lukitse mattoharjan vapautuslappä. **[5]**

## TURVAJÄRJESTELMÄ

Jotta tuotteen suorituskyky säilyisi myös vaativissa käyttöolosuhteissa, tuotteessa on sisäänrakennettu turvajärjestelmä.

**HUOMAA:** Turvajärjestelmä kytkeytyy, jos mattoharja on tukossa tai se on lukkiutunut. Kytkeytymisen jälkeen mattoharjan pyörintä pysähtyy ja suulakkeen etuvalot vilkkuvat 5 kertaa. **[6]** Jos näin tapahtuu, sammuta laite ja poista harjassa oleva tukos. Jatka laitteen käyttöä painamalla on/off-painiketta; laite käynnistyy uudelleen normaalissa toimintatilassa.

## LISÄVARUSTEET\*

**2 IN 1 RAKOSUUTIN JA PÖLYHARJA\*, 2 IN 1 SUURI PÖLY- JA HUONEKALU HARJA\*, PITKÄ JOUSTAVA RAKOSUULAKE\*, MONITOIMIVARUSTE\* JA MINITURBOSUULAKE\***

Yllämainitut lisävarusteet voi asentaa suoraan päärunkoyksikköön tai putkeen. **[7]**

**HUOMAA:** Poistaaksesi suulakkeen tai päärunkoyksikön putkesta, paina kyseisen osan vapautuspainiketta ja vedä osa irti.

**PATTERISUULAKE\* / SYVÄPUHDISTUSHARJA\***

Lisävarusteadapteri\* pitää asentaa, kun nämä kaksi lisävarustetta ovat käytössä. **[7]**

\* Vain joissakin malleissa

**HUOMAA:** Miniturbosuulake sopii ihanteellisesti tekstiilipintojen (esim. sohvien) puhdistukseen ja kotieläinten karvojen poistoon. Liikuta tasaisesti taakse- ja eteenpäin. Poista tarvittaessa käytön jälkeen harjaan kertyneet karvat/langat saksilla.

**HUOMAA:** Pitkä joustava rako-suulake sopii ihanteellisesti puhdistamaan vaikeapääsyisiä paikkoja, huonekalujen alta ja autojen sisätiloja.

**HUOMAA:** Lämmitinpatterisuutin sopii ihanteellisesti kaappien, pattereiden, sohvien, kaihdinten jne. sisäosien ja ympäryksen puhdistamiseen

**HUOMAA:** Syväpuhdistusharjalla puhdistuvat kätevästi ahtaat paikat, pintoja naarmuttamatta, sekä autojen sisätilat.

**HUOMAA:** Monitoimityökallulla voi puhdistaa helposti herkät pinnat niitä naarmuttamatta sekä vaikeapääsyiset alueet. Monitoimityökalu koostuu kolmesta pääosasta:

1. Rakosuuttimella pääsee hyvin ahtaisiin paikkoihin.
2. Pölyharja puhdistaa pinnat niitä vahingoittamatta tai naarmuttamatta.
3. Huonekalusuulake sopii esimerkiksi sohvapintojen puhdistamiseen.

## LISÄVARUSTELAUKKU\*

Lisävarusteita voi säilyttää lisävarustelaukussa.

### SEINÄASENNUS\*

Säästääksesi tilaa säilytyksessä, laitteesi voidaan kiinnittää seinälle pakkauksessa mukana toimitetuilla ruuveilla ja ruuvitulvilla.

Laitetta, 2 in 1 rako- ja pölysuutinta, ja 2 in 1 suurta pöly- ja huonekaluharjaa voidaan säilyttää seinätelineessä. **[8]**

## LAITTEEN KUNNOSSAPITO

### Pölysäiliön tyhjennys

1. Paina pääyksikön vapautuspainiketta ja irrota putki. **[9]**
2. Paina pölysäiliön tyhjennyspainiketta säiliön kannen avaamiseksi ja tyhjennä se. **[10]**
3. Sulje pölysäiliön kansi; sen lukituessa kuuluu napsahdus.

**HUOMAA:** Pölysäiliö kannattaa tyhjentää aina käytön jälkeen tai kun se on täynnä maksimirajaan asti.

### Puhdista pölysäiliö ja suodatin

1. Paina pääyksikön vapautuspainiketta ja irrota putki. **[9]**
2. Paina pölysäiliön tyhjennyspainiketta säiliön kannen avaamiseksi ja tyhjennä se. **[10]**
3. Sulje pölysäiliön kansi; sen lukituessa kuuluu napsahdus.
4. Paina akkuyksikön molempia vapautuspainikkeita ja irrota akkuyksikkö imurin runko-osasta. **[11]**
5. Käännä pölysäiliötä myötöpäivään, kohdista nuolimerkit ja irrota säiliö runko-osasta. **[12]**
6. Käännä yksinkertaista pyörre-erotinta myötöpäivään ja irrota se yksinkertaisesta pyörrepuhdistimesta. **[13]**
7. Paina poistoilmansuodattimen vapautuspainikkeita ja poista suodatin imurin runko-osasta. **[14]**
8. Pyyhi pyörreharja puhtaaksi kuivalla liinalla. Pese poistoilmansuodatin, pölysäiliö ja yksinkertainen pyörre-erotin haaleassa vedessä **[15]** ja anna kuivia 24 tunnin ajan. **[16]** Varmista että kaikki osat ovat täysin kuivia ennen, kun kiinnität ne takaisin imurin runkoon.

**HUOMAA:** Älä käytä kuumaa vettä tai pesuaineita poistoilmansuodattimen puhdistamiseen. Jos poistoilmansuodattimet jostain syystä vahingoittuvat, asenna tilalle Hooverin alkuperäinen varaosa. Älä käytä laitetta, ellei suodatin ole paikoillaan.

**TÄRKEÄÄ:** Pidä erotinjärjestelmä aina puhtaana optimaalisen suorituskyvyn takaamiseksi. Suosittelemme että suodatin pestään kerran kuukaudessa.

### Mattoharjan vaihto ja puhdistus

**TÄRKEÄÄ:** Imurista on aina katkaistava virta ennen mattoharjan vaihtoa ja puhdistusta.

1. Avaa mattoharjan vapautuslappä. Se sijaitsee suulakkeen sivuosassa. **[17a]**
2. Pidä kiinni rullan vapautuslappästä ja poista voimakas lattiarulla. **[17b]**
3. Intense Floor Rollerin puhdistamiseksi poista ylimääräiset jäänteet saksilla. **[17c]**
4. Deep Care Rollerin puhdistamiseksi huuhtele vedellä **[17d]** ja anna kuivua 24 tuntia. **[17e]**
5. Laita tehokkaasti hoitava rulla takaisin paikoilleen. **[17f]** Harja mahtuu vain yhdensuuntaisesti.
6. Sulje rullan vapautuslappä varmistaaksesi, että tehokkaasti hoitava rulla on paikoillaan. **[17g]**

### Akkujen vaihtaminen

Imuriin sopii ladattava litiumioniakkuyksikkö, joka on mahdollista vaihtaa.

**VAROITUS:** Asenna imuriin vain hyväksytyt varaosat. Varaosia, jotka eivät ole Hooverin hyväksymiä, käyttäminen on vaarallista ja mitätöi takuun.

**VAROITUS:** Älä yritä avata ja korjata akkupakettia itse.

1. Paina akkuyksikön vapautuspainikkeita ja irrota liu'uttamalla. **[11]**
2. Vaida vanha akkuyksikkö uuteen.
3. Kierrätä akut turvallisesti. Vie käytetyt akut kierrätyskeskukseen. Älä hävitä niitä kotitalousjätteen mukana.

\* Vain joissakin malleissa

## VIANMÄÄRITYS

Mikäli sinulla on mitään ongelmia imurisi kanssa, noudata seuraavaa yksinkertaista tarkistuslistaa ennen kuin soitat valtuutettuun Hoover-huoltoliikkeeseen:

### A. Imuri ei käynnisty

Tarkista, onko akkuyksikkö ladattu.

Tarkista, onko akkupaketti asennettu paikalleen.

### B. Imun vähäisyys tai ei imua

Tyhjennä pölysäiliö ja pese poistoilmansuodatin ja yksinkertainen sykloni-erotin.

Irrota suulake ja tarkista, ettei putkessa ole tukoksia.

### C. Akkuja ei voida ladata

Voi johtua pitkästä (yli puolen vuoden) varastointijaksosta.

Ota yhteyttä valtuutettuun Hoover huoltoliikkeeseen, mistä voit ostaa uudet akut.

Mikäli ongelma ei ratkea, ota yhteyttä valtuutettuun Hoover huoltoliikkeeseen.

## HOOVER-VARAOSAT JA -TARVIKKEET

Käytä vain alkuperäisiä Hoover-varaosia. Niitä on saatavana paikalliselta Hoover-jälleenmyyjältä tai valtuutetusta huoltoliikkeestä. Mainitse varaosatilauksen yhteydessä laitteen tyyppinumero.

## TAKUU

Tämän laitteen takuehdot määrittelee ostamaan Hoover-edustaja. Yksityiskohtaiset tiedot näistä ehdoista saa laitteen myyneeltä jälleenmyyjältä. Tämän takuun mukaisia vaateita esitettäessä on esitettävä myyntitodistus tai ostokuitti.

**TÄRKEÄÄ:** Tämän imurin akun takuu on 6 kuukautta ostopäivästä. 6 kuukauden jälkeen asiakkaan on maksettava uusi akku.

Oikeus muutoksiin pidätetään.

## INSTRUKTIONER FÖR SÄKER ANVÄNDNING

Som beskrivs i denna bruksanvisning, får denna apparat endast användas vid städning av hemmet. Se till att du förstår anvisningarna helt innan du börjar använda maskinen.

Stäng alltid av och ta bort laddaren från uttaget innan du rengör apparaten eller utför något underhåll.

Den här apparaten kan användas av barn från 8 års ålder och personer med en nedsatt fysisk, sensorisk eller mental förmåga och som inte har den erfarenhet och kunskaper som behövs, förutsatt att de övervakas eller har fått instruktioner om hur apparaten används på ett säkert vis och förstår riskerna som är involverade. Barn får inte leka med apparaten. Rengöring och underhåll som användaren ska utföra, får inte göras av barn utan överinseende.

Om nätsladden är skadad, sluta då omedelbart att använda produkten. För att undvika säkerhetsrisker så måste en behörig Hoover-servicetekniker byta nätsladden.

Håll händer, fötter, lösa klädesplagg och hår borta från roterande borstar.

Använd endast den ursprungliga laddaren som följer med apparaten.

Kontrollera att din nätspänning är samma som är angiven på laddaren.

Denna Hooverprodukt levereras med en dubbelisolerad batteriladdare som endast är lämplig i ett 230V (Storbritannien 240V) uttag.

Koppla in laddaren i lämpligt eluttag och anslut laddaren till apparaten.

När du laddar apparaten måste strömbrytaren vara i avslaget läge.

Ladda apparaten i minst 24 timmar innan du använder den för första gången. Batterilampan kommer att lysa röd under laddning och vit när laddningen är slutförd.

Anslut apparaten till laddaren igen efter användning för att ladda batteriet.

Ladda aldrig batterier i temperaturer över 37°C eller under 0°C.

Det är normalt att laddaren blir varm när laddning pågår.

Dra inte ut kontakten till laddaren genom att dra i kabeln.

Koppla ur laddaren vid långvarig frånvaro (semester, etc.). Ladda produkten igen innan användning då batterierna kan själv urladdas under förlängd förvaring.

Om maskinen ska kasseras måste batterierna först tas bort. Maskinen måste kopplas bort från elnätet vid borttagning av batterierna. Kassera batterierna på ett säkert sätt. Kör apparaten tills den stannar på grund av att batterierna är helt urladdade. Använda batterier bör tas till en återvinningsstation och inte disponeras med hushållssoporna. För att ta bort batterierna, kontakta kundtjänsten på Hoover eller fortsätt enligt följande instruktioner.

**VIKTIGT:** Ladda alltid ur batterier helt innan de tas ut.

Kör apparaten tills det att batterierna är helt tomma.

Dra ur laddarens stickpropp ur apparaten.

Tryck på batteriets frikopplingsknapp och skjut fram för att ta bort det. [11]

**OBS!** Om du upplever några svårigheter med att montera ner enheten eller för mer information om hantering eller återvinning av den här maskinen, var god och kontakta dina lokala myndigheter eller din återvinningsstation.

Använd endast tillbehör, förbrukningsvaror och reservdelar som rekommenderas eller levereras av Hoover.

**Statisk elektricitet:** Vissa mattor kan orsaka en liten uppbyggnad av statisk elektricitet. Elektrostatiska urladdningar är inte hälsofarliga.

Använd inte apparaten utomhus eller på något vått underlag eller för våtupptagning.

Dammsug inte hårda eller vassa föremål, tändstickor, het aska, fimpar eller andra liknande föremål. Plocka inte upp eller spraya med brandfarliga vätskor, rengöringsmedel, aerosoler eller ångor.

Kör inte över sladden när du använder apparaten eller dra ut kontakten genom att dra i sladden. Fortsätt inte att använda apparaten eller laddaren om den verkar vara defekt.

**Hoover service:** För att se till att maskinen fortsätter att vara effektiv och fungerar som den ska rekommenderar vi att service och reparationer endast utförs av behöriga servicetekniker från Hoover.



# Använd inte apparaten för att rengöra djur eller människor.

## Ersätt inte batterierna med icke-uppladdningsbara batterier.

### Miljön:

Denna produkt är märkt enligt det europeiska direktivet 2011/65/EC gällande elektroniskt avfall och elektronisk utrustning (WEEE). Genom att se till att produkten avfallshandteras på rätt sätt kan du hjälpa till att hindra möjliga negativa konsekvenser för miljö och hälsa. Symbolen på produkten visar att den inte får hanteras som hushållsavfall. Den ska i stället lämnas in på en samlingsplats för återvinning av elektrisk och elektronisk utrustning. Avfallshandlingen ska utföras enligt de lokala miljöbestämmelserna. Mer utförlig information om hantering och återvinning av produkten kan du få från kommunen, återvinningsanläggningen eller den butik där du köpte produkten.



Denna apparat uppfyller de europeiska direktiven 2014/35/EU, 2014/30/EU och 2011/65/EU.

CANDY HOOVER GROUP S.r.l. Via Privata Eden Fumagalli, 20861 Brugherio (MB) Italy

## PRODUKTKOMPONENTER

- |                                      |                                       |
|--------------------------------------|---------------------------------------|
| A. Väggfäste*                        | P. Batteripaket                       |
| B. Vägghalteringsskruvar*            | Pa. Frigöringsknappar batteri         |
| C. Huvuddel                          | Pb. Laddningsuttag batteri            |
| D. Turbo-knappen                     | Pc. LED-lampa batteriladdning         |
| E. Frigöringsknapp huvudkropp        | Q. Batteriladdare                     |
| F. Slang                             | Ra. On/Off-knapp (På/av-knapp)        |
| G. Knapp för frigörande av munstycke | Rb. Spak för kontinuerligt läge       |
| H. Munstycke                         | S. Frigöringsknapp utblåsningsfilter  |
| I. Omrörarens frigöringsflik         | T. Utblåsningsfilter                  |
| J. Främre LED-lampa munstycke        | U. 2-i-1 stor damm- och möbelborste*  |
| K. Torkarblad                        | V. 2-i-1 Fogmunstycke och dammborste* |
| Ka. Effektiv golvrulle               | W. Mini turbomunstycke*               |
| Kb. Deep Care-rulle                  | X. Tillbehörsadapter*                 |
| Kc. Bakre mjuk remsa                 | Y. Elementmunstycke*                  |
| L. Dammbehållare                     | Z. Borste för djuprengöring*          |
| M. Knapp för tömning av dammkopp     | AA. Multifunktions-toppverkyg*        |
| N. Enkel cyklonseparator             | AB. Långt, flexibelt fogmunstycke*    |
| O. Enkel cyklon                      |                                       |

## FÖRBEREDA DIN DAMMSUGARE

1. Ladda apparatens batteri helt innan första användning genom att ansluta laddarens uttag till batteriet. Laddningstid är cirka fem timmar. Batterilampan kommer att lysa rött under laddning och vit när laddningen är slutförd. **[1]**
2. Montera röret på munstycket tills du hör ett klick. **[2a]**
3. Montera huvudenheten på röret tills du hör ett klick. **[2b]**

**OBS!** För att ta bort munstycket, tryck på utlösningsskruven till munstycket och dra bort från dammsugaren.

**OBS!** Använd endast laddare som medföljde produkten.

**VIKTIGT:** När du laddar dammsugaren måste strömbrytaren vara i avslaget läge. Du kan även ladda det avtagbara batteriet när det är avlägsnat från produkten.

Det är normalt att laddaren blir varm när laddning pågår.

\* Endast vissa modeller

## ANVÄNDA PRODUKTEN

Det finns tre arbetslägen:

• **STANDARDLÄGE:** När du trycker på På/Av-knappen är dammsugaren redo för noggrann dammsugning med det motoriserade huvudmunstycket. [3a]

**OBS!** Standardläge är rekommenderat för rengöring av hårda golv och ovanför golv.

• **KONTINUERLIGT LÄGE:** Om du vill aktivera det kontinuerliga läget drar du spaken bakåt tills den klickar på plats. Om du vill inaktivera det kontinuerliga läget för du spaken framåt. [3b]

• **TURBOLÄGE:** Tryck på turboknappen för att full effekt vid tuffa rengöringsuppgifter. [3c]

**VIKTIGT:** Efter varje användning av produkten ska du se till att föra spaken framåt till den olåsta positionen.

Underlåtelse att göra detta kan leda till minskad livslängd hos batteriet eller andra fel.

## VÄLJ LÄMPLIG RULLE FÖR BÄSTA RENGÖRING

**Kraftig golvrulle\*:** Vi rekommenderar att den används på mattan eftersom den kan gå djupt in i mattan för att ta bort damm.

**Deep Care-rulle\*:** Vi rekommenderar att den används på hårda golv eller känslig parkett. Tack vare mjuka borst kan du rengöra den typen av golv på ett skonsamt sätt.

**VIKTIGT:** Stäng alltid av dammsugaren innan du byter ut och rengör rullborsten.

**OBS!** Montera rullen som du vill använda: [17]

1. Ta loss omrörarens frigöringsflik. Den är placerad på munstyckets sida.
2. Håll in omrörarens frigöringsflik och dra nedåt för att ta bort omröraren.
3. Byt ut mot kraftig golvrulle eller Deep Care-rulle.
4. Återmontera omrörarens frigöringsflik.

## BATTERI

När batteriet laddas ur genom normal användning lyser batteriets LED-lampa vitt. När batterikapaciteten är lägre än 5 % börjar den VITA LED-lampan att blinka. [4]

När detta händer bör du avsluta dammsugningen och omedelbart ladda batteriet. LED-lampan lyser rött under laddning. [1] Vid laddning av denna produkt måste spaken för kontinuerligt läge att vara i avstängt läge. Du kan även ladda batteriet när det är avlägsnat från produkten.

**OBS!** Om du inte kommer att använda produkten under en längre tid ska batteriet avlägsnas från dammsugaren för att bibehålla batteriets livslängd.

## MONTERING TORKARBLAD

För att uppnå bästa prestanda för mantel och mattor rekommenderas att främre- och bakre torkarbladen monteras på munstyckets sula.

För att göra detta, öppna torkarramens frikopplingsflik och ta bort den mjuka remsan. Montera sedan ett torkarblad genom att sätta in ena änden i bakre spåret och skjut in tills det är helt inne. Upprepa dessa moment för det andra torkarbladet och skjut in det i det främre spåret. Lås torkarramens frikopplingsflik. [5]

## SÄKERHETSSKYDDSSYSTEM

För att säkerställa att produktens tillförlitlighet inte påverkas om den används under svåra förhållanden har produkten ett integrerat säkerhetsskyddssystem.

**OBS!** Säkerhetsskyddssystemet kommer att fungera om omröraren har en blockering eller är låst. När systemet aktiveras slutar omröraren att rotera och de vita LED-lamporna på munstyckets framsida blinkar 5 gånger. [6] Om detta händer måste du stänga av din produkt och ta bort hindret i agitatorn. Tryck på På-/Av-knappen för att återuppta rengöringen och produkten kommer att starta om i normalt läge.

\* Endast vissa modeller

## TILLBEHÖR\*

### 2-i-1 FOGMUNSTYCKE OCH DAMMBORSTE\*, 2-i-1 STOR DAMM- OCH MÖBELBORSTE\*, LÅNGT, FLEXIBELT FOGMUNSTYCKE\*, UPP-TILL-TOPP-VERKTYG MED FLERA FUNKTIONER\* OCH MINI TURBOMUNSTYCKE\*

De ovanstående tillbehören kan monteras direkt på huvudkroppen eller på röret. [7]

**OBS!** Avlägsna munstycket eller huvudkroppsheten från röret genom att trycka på respektive frigöringsknapp och dra isär.

### ELEMENTMUNSTYCKE\* / BORSTE FÖR DJUPRENGÖRING\*

Tillbehörsadaptor\* måste monteras vid användning av dessa två tillbehör. [7]

**OBS!** Det lilla turbomunstycket är perfekt för djuprengöring av ytor i textil (dvs. soffor) och för borttagning av päls. Rör det stadigt bakåt och framåt. Efter användning bör du använda en sax för att avlägsna hår/trådar som samlats på borsten om så krävs.

**OBS!** Det långa flexibla fogmunstycket är perfekt för rengöring av områden som är svåra att komma åt, exempelvis under möbler eller i bilen.

**OBS!** Elementmunstycket är perfekt för rengöring inne i och runt skåp, element, soffor, persienner osv.

**OBS!** Djuprengöringsborsten är användbar för att rengöra trånga utrymmen utan att repa ytor och bilens insida.

**OBS!** Multifunktionsverktyget är utformat för att enkelt rengöra ömtåliga ytor utan att repa och alla områden som är svåra att komma åt. Multifunktionsverktyget består av tre huvuddelar:

1. Fogmunstycke som är perfekt för att komma åt trånga utrymmen.
2. Dammborste som är perfekt för att rengöra ytor utan skador och repor.
3. Möbelsmunstycke som är perfekt för att rengöra ytor som exempelvis soffor.

### TILLBEHÖRSVÄSKA\*

Ytterligare tillbehör kan förvaras i tillbehörsväskan.

### VÄGGFÄSTE\*

För förvaring och för att spara plats kan din apparat monteras på vägg med hjälp av den medföljande tre skruvarna och skruvpluggarna.

Produkten, 2-i-1 fog- och dammverktyget och 2-i-1 stort damm- och möbelverktyget kan förvaras på väggfästet. [8]

## UNDERHÅLL AV DAMMSUGAREN

### Tömma dammbehållaren

1. Tryck på huvudkroppens frigöringsknapp och avlägsna röret. [9]
  2. Tryck ner knappen för tömning av dammuppsamlaren för att frigöra klaffen och tömma innehållet. [10]
  3. Stäng klaffen till dammuppsamlaren. Du hör ett klickljud när den är låst.
- OBS!** Du rekommenderas att tömma dammuppsamlaren efter varje användning eller när dammet når upp till max-linjen.

### Rengör dammbehållare och filter

1. Tryck på huvudkroppens frigöringsknapp och avlägsna röret. [9]
2. Tryck ner knappen för tömning av dammuppsamlaren för att frigöra klaffen och tömma innehållet. [10]
3. Stäng klaffen till dammuppsamlaren. Du hör ett klickljud när den är låst.
4. Tryck på batteriets två frigöringsknappar och avlägsna batteripaketet från huvudkroppen. [11]
5. Vrid soppåsen medurs, rikta in pilmarkeringarna och ta bort från dammsugarens huvudkropp. [12]
6. Vrid den enskilda cyklonseparatorn medurs och ta bort den från den enskilda cyklonen. [13]
7. Tryck på de två partikelfiltrena och avlägsna partikelfiltret från huvudkroppen. [14]
8. Torka rent enkelcyklonen med en torr trasa. Tvätta utloppsfiltret, dammskålen och den enskilda cyklonseparatorn i ljummet vatten [15], låt torka i 24 timmar. [16] Se till att alla komponenter är helt torra innan du sätter tillbaka dem på huvudkroppen.

**OBS!** Använd inte varmt vatten eller rengöringsprodukter när du rengör partikelfiltret. Om partikelfiltret mot förmodan skulle skadas ska det ersättas med en äkta Hoover-reservdel. Använd inte produkten utan filtret.

**VIKTIGT:** För bästa prestanda ska du alltid hålla separationssystemet rent. Vi rekommenderar att filtret tvättas en gång i månaden.

### Byta ut och rengöra borste

**VIKTIGT:** Stäng alltid av dammsugaren innan du byter ut och rengör rullborsten.

1. Ta loss omrörarens frigöringsflik. Den är placerad på munstyckets sida. [17a]
2. Håll i agitatorns frigöringsklaff och avlägsna Intense Floor Roller [17b]
3. Rengör Intense Floor Roller genom att ta bort överflödigt skräp med hjälp av en sax. [17c]

\* Endast vissa modeller

4. Rengör Deep Care Roller genom att skölja den med vatten [17d] och låta den torka i 24 timmar. [17e]
5. Återmontera Deep Care Roller. [17f] Borsten passar endast i en riktning.
6. Stäng agitatorns frigöringsklaff för att Deep Care Roller ska hamna i rätt läge. [17g]

### Byta batterier

Denna dammsugare är utrustad med ett laddningsbart litiumjonbatteri som är utbytbar.

**VARNING:** Använd endast godkända reservdelar för din dammsugare. Användning av delar som inte är godkända av Hoover är farligt och kan ogiltigförklara din garanti.

**VARNING:** Försök inte att öppna batteripaketet och reparera det själv.

1. Tryck på batteriets frikopplingsknapp och skjut fram för att ta bort det. [11]
2. Ersätt det gamla batteripaketet med ett nytt.
3. Kassera batterierna på ett säkert sätt. Använda batterier bör tas till en återvinningsstation och inte disponeras med hushållsoporna.

## FELSÖKNING

Om du har något problem med din dammsugare, följ denna enkla checklista innan du ringer Hoover kundtjänstcenter:

### A. Dammsugaren slår inte på

Kontrollera om batteripaketet är laddat.

Kontrollera att batterisatsen sitter på plats.

### B. Förlust av insugningstryck eller inget sug alls

Töm dammskålen och tvätta utloppsfilteret och cyklonseparatorn.

Ta bort munstycket och kontrollera om det kanalen är igentäppt.

### C. Batterierna kan inte laddas

Det kan bero på att den har förvarats under en väldigt lång period (mer än ett halvår).

Kontakta Hoovers kundtjänst för att ordna batteribyte.

Om problemet kvarstår kontakta Hoovers kundtjänstcenter.

## HOOVER RESERVDELAR OCH FÖRBRUKNINGSVAROR

Använd alltid originaldelar från Hoover vid byte. Du kan beställa delar från närmaste Hoover-återförsäljare eller direkt från Hoover. Uppge alltid modellnummer när du beställer delar.

## DIN GARANTI

Garantivillkoren för produkten definieras av vår representant i det land där produkten säljs. Du kan få uppgifter om aktuella villkor från återförsäljaren. Kvittot måste visas upp när man kräver ersättning enligt garantin.

**VIKTIGT:** Batteriet i denna dammsugare har en garanti på 6 månader från den dag den köptes. Efter 6 månader är kunden själv ansvarig för kostnaden för ett nytt batteri.

Specifikationerna kan ändras utan föregående meddelande.

**ΟΔΗΓΙΕΣ ΑΣΦΑΛΟΥΣ ΧΡΗΣΗΣ**

Η συσκευή πρέπει να χρησιμοποιείται αποκλειστικά για οικιακή χρήση, σύμφωνα με τις οδηγίες χρήσης. Πριν δοκιμάσετε να χρησιμοποιήσετε τη συσκευή, βεβαιωθείτε ότι έχετε κατανοήσει τις οδηγίες που περιέχει το βιβλίο που κρατάτε στα χέρια σας.

Πριν από τον καθαρισμό της συσκευής ή οποιαδήποτε εργασία συντήρησης, να απενεργοποιείτε πάντα τη συσκευή και να βγάζετε το φορτιστή από την πρίζα.

Η χρήση της συσκευής από παιδιά άνω των 8 ετών, ηλικιωμένους και ΑΜΕΑ προυποθέτει την παρουσία ενήλικα που θα φέρει την ευθύνη για την ασφαλείά τους. Η χρήση της συσκευής από άτομα που δεν έχουν εξοικειωθεί στη χρήση παρόμοιων συσκευών μπορεί να γίνει μόνο αφού γίνει κατανοητός ο κίνδυνος που ενέχει η χρήση της συσκευής. Μην αφήνετε τα παιδιά να παίζουν με τη συσκευή. Οι εργασίες καθαρισμού και συντήρησης της συσκευής δεν πρέπει να γίνονται από τα παιδιά χωρίς την επίβλεψη ενήλικα που θα φέρει την ευθύνη για την ασφαλείά τους.

Εάν το καλώδιο σύνδεσης με το δίκτυο παροχής εμφανίσει φθορές διακόψτε την λειτουργία της συσκευής αμέσως. Η αντικατάσταση του καλώδιου σύνδεσης με το δίκτυο ηλεκτρικής ενέργειας, πρέπει για λόγους ασφαλείας, να γίνεται απολειστικά από τεχνικό του δικτύου τεχνικής υποστήριξης Gias Service.

Μην πλησιάζετε τις περιστρεφόμενες βούρτσες με τα χέρια, τα πόδια, τα μαλλιά ή τα ρούχα σας.

Χρησιμοποιείτε μόνο τον αυθεντικό φορτιστή που παρέχεται με τη συσκευή.

Ελέγξτε ότι η τάση τροφοδοσίας είναι η ίδια με αυτή που αναγράφεται στο φορτιστή.

Η συσκευή Candy διατίθεται με φορτιστή μπαταρίας με διπλή μόνωση, ο οποίος είναι κατάλληλος μόνον για πρίζες με τάση 230 V (240 V - Ηνωμένο Βασίλειο). Βάλτε τον φορτιστή σε κατάλληλη πρίζα και συνδέστε το βύσμα του φορτιστή στη συσκευή.

Κατά τη φόρτιση της συσκευής ο διακόπτης τροφοδοσίας πρέπει να βρίσκεται στη θέση OFF.

Πριν από την πρώτη χρήση, φορτίστε τη συσκευή για τουλάχιστον 24 ώρες. Η LED λυχνία της μπαταρίας θα ανάψει με ΚΟΚΚΙΝΟ χρώμα κατά τη διάρκεια της φόρτισης και θα γίνει ΛΕΥΚΟ όταν φορτιστεί πλήρως.

Μετά τη χρήση, βάλτε τη συσκευή στον φορτιστή για την επαναφόρτιση της μπαταρίας.

Μη φορτίζετε ποτέ τις μπαταρίες σε θερμοκρασία μεγαλύτερη από 37°C ή μικρότερη από 0°C.

Κατά την διάρκεια της φόρτισης ο φορτιστής θερμαίνεται.

Μην αποσυνδέετε το φορτιστή τραβώντας το καλώδιο.

Σε περίπτωση μακράς απουσίας (διακοπές, κλπ) αποσυνδέστε τον φορτιστή από την παροχή. Σε μακροχρόνιες περιόδους αποθήκευσης της συσκευής, επαναφορτίστε την συσκευή πριν την χρησιμοποιήσετε, καθώς οι μπαταρίες μπορεί να έχουν αδειάσει.

Εάν η συσκευή πρόκειται να απορριφθεί, πρώτα πρέπει να αφαιρεθούν οι μπαταρίες. Η συσκευή πρέπει να αποσυνδεθεί από το ηλεκτρικό ρεύμα κατά την αφαίρεση των μπαταριών. Απορρίψτε τις μπαταρίες με ασφαλή τρόπο. Αφήστε τη συσκευή να λειτουργεί μέχρι να σταματήσει λόγω πλήρους αποφόρτισης των μπαταριών. Οι χρησιμοποιημένες μπαταρίες πρέπει να προσκομίζονται σε σημείο ανακύκλωσης και δεν πρέπει να απορρίπτονται με τα οικιακά απορρίμματα. Για να αφαιρέσετε τις μπαταρίες, επικοινωνήστε με το κέντρο εξυπηρέτησης πελατών της Hoover ή ακολουθήστε τις παρακάτω οδηγίες.

**ΕΠΙΣΗΜΑΝΣΗ:** Αποφορτίστε τις μπαταρίες πριν τις αφαιρέσετε από τη συσκευή.

Λειτουργίστε τη σκούπα μέχρι να αδειάσουν πλήρως οι μπαταρίες.

Βγάλτε το βύσμα του φορτιστή από τη συσκευή.

Πιέστε τα πλήκτρα απελευθέρωσης της μπαταρίας και σύρετε για να την αφαιρέσετε. [11]

**ΣΗΜΕΙΩΣΗ:** Εάν συναντήσετε δυσκολίες κατά την αποσυναρμολόγηση της μονάδας ή για περισσότερες πληροφορίες για την διαδικασία ανάκτησης ή ανακύκλωσης της , επικοινωνήστε με την δημοτική αρχή ή την υπηρεσία συλλογής οικιακών απορριμμάτων.

Χρησιμοποιείτε αποκλειστικά τα εξαρτήματα, αναλώσιμα ή ανταλλακτικά που συνιστώνται ή διατίθενται από τη Hoover.

**Στατικός ηλεκτρισμός:** Ορισμένα χαλιά μπορεί να προκαλέσουν συσσώρευση στατικού ηλεκτρισμού. Τυχόν στατικές εκκενώσεις δεν είναι επικίνδυνες για την υγεία.

Μη χρησιμοποιείτε τη συσκευή σας σε εξωτερικούς χώρους, σε υγρή επιφάνεια ή για τη συλλογή υγρών.

Μην συλλέγετε με τη συσκευή σκληρά ή αιχμηρά αντικείμενα, ψιλή σκόνη ή χρώματα, καυτή στάχτη, αποτσίγαρα ή άλλα παρόμοια αντικείμενα. Μην ψεκάζετε ή συλλέγετε εύφλεκτα υγρά, υγρά καθαρισμού, σπρέυ ή τους ατμούς τους.

Ενώσω χρησιμοποιείτε τη συσκευή δεν πρέπει να πατάτε επάνω στο καλώδιο, μην τραβάτε το καλώδιο για να αποσυνδέσετε τη συσκευή από την παροχή. Μη συνεχίσετε να χρησιμοποιείτε τη συσκευή ή το φορτιστή αν παρουσιάζουν βλάβη.

**Τεχνική Υποστήριξη Hoover:** Για τις εργασίες συντήρησης ή αποκατάστασης κακής λειτουργίας ή βλάβης πρέπει να απευθύνεστε αποκλειστικά στα κέντρα τεχνικής υποστήριξης Hoover, έτσι εξασφαλίζετε την ασφαλή και αποτελεσματική λειτουργία της συσκευής.

# Μη χρησιμοποιείτε τη συσκευή για να καθαρίζετε ζώα ή άτομα. Μην αντικαθιστάτε τις μπαταρίες με μη επαναφορτιζόμενες μπαταρίες.

## Για την προστασία του περιβάλλοντος:

Αυτή η συσκευή φέρει σήμανση σύμφωνα με την υπ' αριθμ 2011/65/EK, οδηγία για Απόβλητα Ηλεκτρικού και Ηλεκτρονικού Εξοπλισμού (WEEE). Η σωστή απόσυρση της συσκευής συμβάλλει στην αποφυγή αρνητικών επιπτώσεων για το περιβάλλον και τον άνθρωπο που μπορεί να προκληθούν από την λανθασμένη διαχείριση στην διαδικασία απόσυρσης της συσκευής. Η σήμανση του προϊόντος επισημαίνει ότι το συγκεκριμένο προϊόν δεν πρέπει να απορρίπτεται μαζί με τα οικιακά απορρίμματα. Η συσκευή αυτή πρέπει να αποσύρεται στα ειδικά σημεία συγκέντρωσης για ανακύκλωση ηλεκτρικού και ηλεκτρονικού εξοπλισμού. Η απόρριψη της συσκευής πρέπει να γίνει σύμφωνα με την ισχύουσα κατά τόπο νομοθεσία για την απόρριψη ηλεκτρονικών και ηλεκτρικών αποβλήτων. Για περισσότερες πληροφορίες σχετικά με τη διαχείριση, την ανάκτηση και την ανακύκλωση του προϊόντος, επικοινωνήστε με την αρμόδια τοπική υπηρεσία, ή την υπηρεσία αποκομιδής οικιακών απορριμμάτων ή το κατάστημα που το αγοράσατε.



Αυτή η συσκευή πληροί τις υπ' αριθμ.2014/35/EU, 2014/30/EU και 2011/65/EU Ευρωπαϊκές Οδηγίες.

CANDY HOOVER GROUP S.r.l. Via Privata Eden Fumagalli, 20861 Brugherio (MB) Italy

## ΕΞΑΡΤΗΜΑΤΑ ΠΡΟΪΟΝΤΟΣ

- |  |  |
|--|--|
| A. ΕΠΙΤΟΙΧΙΑ ΤΟΠΟΘΕΤΗΣΗ*               | P. Συστοιχία μπαταριών                             |
| B. Βίδες επιτοίχιας τοποθέτησης*       | Pa. Κουμπιά απελευθέρωσης μπαταρίας                |
| C. Κυρίως σώμα                         | Pb. Υποδοχή φόρτισης μπαταρίας                     |
| D. Πλήκτρο λειτουργίας Turbo           | Pc. Ενδειξη Led φόρτισης/εκφόρτισης μπαταρίας      |
| E. Κουμπί απελευθέρωσης κύριου σώματος | Q. Φορτιστής μπαταρίας                             |
| F. Σωλήνας                             | Ra. Διακόπτης on/off                               |
| G. Πλήκτρο Απασφάλισης Ακροφυσίου      | Rb. Μοχλός συνεχούς λειτουργίας                    |
| H. Ακροφύσιο                           | S. Κουμπιά απελευθέρωσης φίλτρου εξόδου            |
| I. Πτερύγιο απασφάλισης αναδευτήρα     | T. Φίλτρο απαγωγής                                 |
| J. LED εμπρός μέρους ακροφυσίου        | U. 2 σε 1 Μεγάλο εργαλείο ξεσκονίσματος & επίπλων* |
| K. Λεπίδα καθαριστή.                   | V. Εργαλείο 2 σε 1 ρύγχος ξεσκονίσματος*           |
| Ka. Intense Floor Roller               | W. Ακροφύσιο Mini Turbo*                           |
| Kb. Deep Care Roller                   | X. Προσαρμογέας αξεσουάρ*                          |
| Kc. Πίσω μαλακή λωρίδα                 | Y. Εργαλείο καλοριφέρ*                             |
| L. Κάδος σκόνης                        | Z. Βούρτσα για βαθύ καθαρισμό*                     |
| M. Κουμπί Καθαρισμού Δοχείου Σκόνης    | AA. Εργαλείο πολλαπλών λειτουργιών επάνω μέρους*   |
| N. Διαχωριστής μονού κυκλώνα           | AB. Μακρύ εύκαμπτο εργαλείων γωνιών*               |
| O. Μονός κυκλώνας                      |  |

## ΠΡΟΕΤΟΙΜΑΣΙΑ ΤΗΣ ΣΚΟΥΠΑΣ

- Κατά την πρώτη χρήση, φορτίστε πλήρως τη μπαταρία της συσκευής συνδέοντας το βύσμα του φορτιστή στη μπαταρία. Ο χρόνος φόρτισης είναι περίπου 5 ώρες. Η LED λυχνία της μπαταρίας θα ανάψει με ΚΟΚΚΙΝΟ χρώμα κατά τη διάρκεια της φόρτισης και θα γίνει ΛΕΥΚΟ όταν φορτιστεί πλήρως. **[1]**
- Συναρμολογήστε τον σωλήνα στο ακροφύσιο έως ότου ακούσετε το “κλικ” κουμπώματος. **[2a]**
- Συναρμολογήστε τη μονάδα του κύριου σώματος στο σωλήνα μέχρι να τον ακούσετε να “κουμπώνει” στη θέση του. **[2b]**

**ΣΗΜΕΙΩΣΗ:** Για να αφαιρέσετε το ακροφύσιο, πιέστε το πλήκτρο απασφάλισης του ακροφυσίου και τραβήξτε το από το κυρίως σώμα της σκούπας.

**ΣΗΜΕΙΩΣΗ:** Για να φορτίσετε τη συσκευή χρησιμοποιείτε αποκλειστικά το φορτιστή που διατίθεται με τη σκούπα σας.

**ΕΠΙΣΗΜΑΝΣΗ:** Όταν φορτίζετε την σκούπα ο μοχλός διακόπτη πρέπει να είναι στη θέση OFF. Μπορείτε επίσης να φορτίσετε την αποσπώμενη μπαταρία όταν απελευθερώνεται από το προϊόν.

Κατά τη φόρτιση, ο φορτιστής θερμαίνεται.

\* Μόνο ορισμένα μοντέλα

## ΟΔΗΓΙΕΣ ΧΡΗΣΕΩΣ

Υπάρχουν τρεις τρόποι λειτουργίας:

• **ΚΑΝΟΝΙΚΟΣ ΤΡΟΠΟΣ:** Όταν πιέξετε το διακόπτη ON-OFF, η σκούπα είναι έτοιμη να καθαρίσει με το κύριο μηχανοκίνητο ακροφύσιο. [3a]

**ΣΗΜΕΙΩΣΗ:** Συνιστάται η τυπική λειτουργία για τον καθαρισμό των σκληρών δαπέδων και επάνω από τα δάπεδα.

• **ΣΥΝΕΧΗΣ ΛΕΙΤΟΥΡΓΙΑ** Για να ενεργοποιήσετε την συνεχή λειτουργία μπορείτε να τραβήξετε πίσω το διακόπτη και θα κουμπιώσει στη θέση του. Για να απενεργοποιήσετε την συνεχή λειτουργία μπορείτε να σπρώξετε μπροστά το διακόπτη. [3b]

• **ΛΕΙΤΟΥΡΓΙΑ TURBO:** Πατήστε το κουμπί Turbo για πλήρη ισχύ σε απαιτητικές εργασίες καθαρισμού. [3c]

**ΕΠΙΣΗΜΑΝΣΗ:** Μετά από κάθε χρήση του προϊόντος, βεβαιωθείτε ότι γυρίσατε το διακόπτη προς την ξεκλειδωτή θέση.

Αν παραλείψετε να το κάνετε μπορεί να έχει ως αποτέλεσμα μειωμένη διάρκεια ζωής ή αστοχία της μπαταρίας.

## ΕΠΙΛΕΞΤΕ ΤΟΝ ΚΑΤΑΛΛΗΛΟ ΚΥΛΙΝΔΡΟ ΓΙΑ ΚΑΛΥΤΕΡΟ ΚΑΘΑΡΙΣΜΟ

**Intense Floor roller\*:** Συνιστάται η χρήση του σε χαλιά όπου μπορεί να διεισδύσει βαθιά στο χαλί για να καθαρίσει τη σκόνη.

**Deep Care roller\*:** συνιστάται η χρήση του σε σκληρά δάπεδα ή σε ευαίσθητα παρκέ Χάρη στις μαλακές τρίχες μπορείτε να καθαρίσετε απαλά αυτούς τους τύπους δαπέδων.

**ΕΠΙΣΗΜΑΝΣΗ:** Να κλείνετε πάντα τη σκούπα πριν από τη φόρτιση και τον καθαρισμό του αναδευτήρα.

**ΣΗΜΕΙΩΣΗ:** Για να συναρμολογήσετε το κύλινδρο θα θέλατε να χρησιμοποιήσετε: [17]

1. Απουσνδέστε το περύγιο απασφάλισης του αναδευτήρα. Βρίσκεται στο πλευρικό μέρος του ακροφυσίου.
2. Κρατήστε το περύγιο απασφάλισης του αναδευτήρα και τραβήξτε προς τα κάτω για να αφαιρέσετε τον αναδευτήρα.
3. Αντικαταστήστε με το Intense Floor Roller ή με το Deep Care Roller.
4. Βάλτε ξανά στη θέση του το περύγιο απασφάλισης του αναδευτήρα.

## ΜΠΑΤΑΡΙΑ

Όταν η μπαταρία εκφορτίζεται σε κανονική χρήση, το LED της μπαταρίας είναι λευκό. Όταν η χωρητικότητα της μπαταρίας είναι μικρότερη από 5%, το λευκό LED θα αρχίσει να αναβοσβήνει. [4]

Όταν συμβεί αυτό, θα πρέπει να σταματήσετε να καθαρίζετε και να επαναφορτίσετε αμέσως την μπαταρία σας, το LED θα είναι ΚΟΚΚΙΝΟ κατά τη διάρκεια της φόρτισης. [1]

Κατά τη φόρτιση του προϊόντος, ο μοχλός διακόπτη πρέπει να είναι στη θέση OFF, είναι επίσης δυνατή η φόρτιση της μπαταρίας όταν απελευθερώνεται από το προϊόν.

**ΣΗΜΕΙΩΣΗ:** Εάν δεν πρόκειται να χρησιμοποιήσετε τη σκούπα για μεγάλο χρονικό διάστημα, αφαιρέστε την μπαταρία από τη σκούπα για να διατηρήσετε τη διάρκεια ζωής της μπαταρίας.

## ΣΥΣΤΗΜΑ ΛΕΠΙΔΑΣ ΚΑΘΑΡΙΣΜΟΥ

Για να πετύχετε την καλύτερη απόδοση σε σχισμές και χαλιά συνιστάται να συναρμολογήσετε την λεπίδα του εμπρός και πίσω καθαριστή στην πλάκα του ακροφυσίου.

Για να το κάνετε, ανοίξτε το περύγιο απασφάλισης του αναδευτήρα και αφαιρέστε τη μαλακή λωρίδα. Πιάστε μια λεπίδα του καθαριστή και βάλτε την στην πίσω σχισμή, και σύρετε την μέχρι να μπει κουμπώσει πλήρως. Επαναλάβετε αυτές τις ενέργειες και για τη δεύτερη λεπίδα καθαριστή και σύρετε την στην εμπρός σχισμή. Ασφαλίστε το περύγιο απασφάλισης του αναδευτήρα. [5]

## ΣΥΣΤΗΜΑ ΑΣΦΑΛΕΙΑΣ ΓΙΑ ΠΡΟΣΤΑΣΙΑ

Για να διασφαλιστεί ότι η αξιοπιστία του προϊόντος δεν επηρεάζεται αν χρησιμοποιηθεί σε αντίξοες συνθήκες, το προϊόν διαθέτει ένα ολοκληρωμένο σύστημα ασφαλείας και προστασίας.

**ΣΗΜΕΙΩΣΗ:** Το Σύστημα ασφαλείας για προστασία θα ενεργήσει εάν ο αναδευτήρας έχει μπλοκαριστεί ή είναι κλειδωμένος. Μόλις ενεργοποιηθεί, ο αναδευτήρας θα σταματήσει να περιστρέφεται και τα λευκά φώτα Led στο μπροστινό μέρος του ακροφυσίου θα αναβοσβήσουν 5 φορές. [6] Αν συμβεί αυτό, απλώς κλείστε το προϊόν και αφαιρέστε το εμπόδιο από τον αναδευτήρα. Για να συνεχίσετε το καθάρισμα, πατήστε το κουμπί on/off και το προϊόν θα επανεκινήσει σε κανονική λειτουργία.



## ΕΞΑΡΤΗΜΑΤΑ\*

**ΕΡΓΑΛΕΙΟ 2 ΣΕ 1 ΡΥΓΧΟΣ ΓΩΝΙΩΝ ΚΑΙ ΒΟΥΡΤΣΑ ΞΕΣΚΟΝΙΣΜΑΤΟΣ\*, 2 ΣΕ 1 ΜΕΓΑΛΟ ΕΡΓΑΛΕΙΟ ΞΕΣΚΟΝΙΣΜΑΤΟΣ & ΕΠΙΠΛΩΝ\*, ΜΑΚΡΥ ΕΥΚΑΜΠΤΟ ΡΥΓΧΟΣ ΓΩΝΙΩΝ\*, ΕΡΓΑΛΕΙΟ ΠΟΛΛΑΠΛΩΝ ΛΕΙΤΟΥΡΓΙΩΝ\* ΚΑΙ ΑΚΡΟΦΥΣΙΟ ΜΙΝΙ TURBO\***

Τα παραπάνω εξαρτήματα μπορούν να τοποθετηθούν απευθείας στη μονάδα του κυρίως σώματος ή στον σωλήνα. [7]

**ΣΗΜΕΙΩΣΗ:** Για να αφαιρέσετε το ακροφύσιο ή τη μονάδα κύριου σώματος από τον σωλήνα, πατήστε το αντίστοιχο κουμπί απελευθέρωσης και τραβήξτε το προς τα έξω.

**ΕΡΓΑΛΕΙΟ ΚΑΛΟΡΙΦΕΡ\* / ΒΟΥΡΤΣΑ ΓΙΑ ΒΑΘΥ ΚΑΘΑΡΙΣΜΟ\***

Ο προσαρμογέας εξαρτήματος\* πρέπει να τοποθετηθεί όταν χρησιμοποιείτε αυτά τα 2 εξαρτήματα. [7]

**ΣΗΜΕΙΩΣΗ:** Το ακροφύσιο μίνι turbo είναι ιδανικό για βαθύ καθαρισμό υφασμάτων επιφανειών (π.χ. καναπέδες) και απομάκρυνση τριχώματος κατοικίδιων. Μετακινήστε το σταθερά εμπρός και πίσω. Μετά τη χρήση, αφαιρέστε τρίχες/κλωστές που μαζεύονται στη βούρτσα με ψαλίδι αν χρειαστεί.

**ΣΗΜΕΙΩΣΗ:** Το μακρύ εύκαμπτο εργαλείο για σχισμές είναι ιδανικό για καθαρισμό δύσκολων σημείων και κάτω από έπιπλα και για το αυτοκίνητο.

**ΣΗΜΕΙΩΣΗ:** Το εργαλείο για καλοριφέρ είναι ιδανικό για να καθαρίζετε μέσα και γύρω από ντουλάπια, καλοριφέρ, καναπέδες, στόρια και άλλα.

**ΣΗΜΕΙΩΣΗ:** Η βούρτσα για βαθύ καθαρισμό είναι χρήσιμη για να καθαρίζετε στενούς χώρους χωρίς να χαράξετε τις επιφάνειες και για το αυτοκίνητο.

**ΣΗΜΕΙΩΣΗ:** Το εργαλείο πολλαπλών λειτουργιών έχει σχεδιαστεί για να καθαρίζει εύκολα σημεία και ευαίσθητες επιφάνειες δύσκολης πρόσβασης χωρίς να χαράζει. Το εργαλείο πολλαπλών λειτουργιών αποτελείται από τρία κύρια μέρη:

1. Το εργαλείο για σχισμές είναι ιδανικό για στενούς χώρους.
2. Η βούρτσα ξεσκονίσματος είναι ιδανική για τον καθαρισμό επιφανειών χωρίς ζημιές και γδαρσίματα.
3. Το ακροφύσιο επίπλων είναι ιδανικό για τον καθαρισμό καναπέδων.

**ΤΣΑΝΤΑ ΑΞΕΣΟΥΑΡ\***

Πρόσθετα αξεσουάρ μπορείτε να τα αποθηκεύσετε στη τσάντα αξεσουάρ.

**Επιτοίχια Τοποθέτηση\***

Για αποθήκευση και εξοικονόμηση χώρου, η συσκευή σας μπορεί να στερεωθεί στον τοίχο σας χρησιμοποιώντας τις τρεις βίδες και τα βύσματα που περιλαμβάνονται.

Το προϊόν, το Εργαλείο Σχισμών και Ξεσκονίσματος 2σε1 και το Μεγάλο εργαλείο ξεσκονίσματος και επίπλων 2 σε 1 Large μπορούν να αποθηκευτούν στη βάση τοίχου. [8]

## ΣΥΝΤΗΡΗΣΗ ΚΑΙ ΚΑΘΑΡΙΣΜΟΣ

**Άδειασμα του δοχείου σκόνης**

1. Πατήστε το κουμπί απελευθέρωσης του κυρίως σώματος και αφαιρέστε τον σωλήνα. [9]
2. Πατήστε το κουμπί για το άδειασμα δοχείου σκόνης για να απελευθερώσετε το πτερύγιο κάδου και να αδειάσετε τα περιεχόμενα. [10]
3. Κλείστε το πτερύγιο δοχείου σκόνης, θα ακούσετε ένα κλικ όταν κλειδώσει καλά.

**ΣΗΜΕΙΩΣΗ:** Συνιστάται να αδειάζετε το δοχείο σκόνης μετά από κάθε χρήση ή όταν η σκόνη είναι μέχρι τη γραμμή μέγιστης πλήρωσης.

**Καθαρίστε το δοχείο σκόνης και το φίλτρο**

1. Πατήστε το κουμπί απελευθέρωσης του κυρίως σώματος και αφαιρέστε τον σωλήνα. [9]
2. Πατήστε το κουμπί για το άδειασμα δοχείου σκόνης για να απελευθερώσετε το πτερύγιο κάδου και να αδειάσετε τα περιεχόμενα. [10]
3. Κλείστε το πτερύγιο δοχείου σκόνης, θα ακούσετε ένα κλικ όταν κλειδώσει καλά.
4. Πιέστε τα δύο κουμπιά απελευθέρωσης της μπαταρίας και αφαιρέστε την μπαταρία από το κύριο σώμα. [11]
5. Γυρίστε το δοχείο σκόνης δεξιόστροφα, ευθυγραμμίστε τις ενδείξεις βέλους και βγάλτε το από το κύριο σώμα της σκούπας. [12]
6. Στρέψτε το διαχωριστικό μονού κυκλώνα δεξιόστροφα και αφαιρέστε το από τον μονό κυκλώνα. [13]
7. Πατήστε τα δύο κουμπιά απελευθέρωσης φίλτρου εξαγωγής και αφαιρέστε το φίλτρο εξαγωγής από το κύριο σώμα. [14]
8. Σκουπίστε τον μονό κυκλώνα με ένα στεγνό πανί. Πλύνετε το φίλτρο εξαγωγής, το δοχείο σκόνης και το διαχωριστικό μονού κυκλώνα σε χλιαρό νερό [15] και αφήστε το να στεγνώσει για 24 ώρες. [16] Βεβαιωθείτε ότι όλα τα εξαρτήματα είναι τελείως στεγνά πριν τα τοποθετήσετε ξανά στο κυρίως σώμα.

**ΣΗΜΕΙΩΣΗ:** Μην χρησιμοποιείτε ζεστό νερό ή απορρυπαντικά κατά τον καθαρισμό του φίλτρου εξαγωγής. Στην περίπτωση που το φίλτρο εξαγωγής έχει υποστεί ζημιά, τοποθετήστε γνήσιο ανταλλακτικό Hoover. Μην χρησιμοποιείτε το προϊόν χωρίς το φίλτρο.

\* Μόνο ορισμένα μοντέλα

**ΕΠΙΣΗΜΑΝΣΗ:** Για μέγιστη απόδοση, φροντίστε το σύστημα διαχωρισμού σας να είναι πάντα καθαρό. Συνιστούμε να καθαρίζετε το φίλτρο μια φορά το μήνα.

#### Αντικατάσταση και Καθαρισμός Αναδευτήρα

**ΕΠΙΣΗΜΑΝΣΗ:** Να κλείνετε πάντα τη σκούπα πριν από τη φόρτιση και τον καθαρισμό του αναδευτήρα.

1. Αποσυνδέστε το πτερύγιο απασφάλισης του αναδευτήρα. Βρίσκεται στο πλευρικό μέρος του ακροφυσίου. **[17a]**
2. Κρατήστε το πτερύγιο απελευθέρωσης του αναδευτήρα και αφαιρέστε τον έντονο κύλινδρο δαπέδων. **[17b]**
3. Για να καθαρίσετε το Intense Floor Roller, αφαιρέστε την περίσσεια υπολειμμάτων με ψαλίδι. **[17c]**
4. Για να καθαρίσετε τον κύλινδρο βαθιάς φροντίδας, ξεπλύνετε με νερό [17d] και αφήστε να στεγνώσει για 24 ώρες. **[17e]**
5. Τοποθετήστε ξανά τον κύλινδρο βαθιάς φροντίδας. **[17f]** Ο αναδευτήρας κουμπώνει μόνο προς μία κατεύθυνση.
6. Κλείστε το πτερύγιο απελευθέρωσης του αναδευτήρα για να στερεώσετε τον κύλινδρο βαθιάς φροντίδας στη θέση του. **[17g]**

#### Αντικατάσταση μπαταριών

Αυτή η σκούπα είναι εφοδιασμένη με επαναφορτιζόμενη μπαταρία ιόντων λιθίου, η οποία αντικαθίσταται.

**ΠΡΟΣΟΧΗ:** Χρησιμοποιείτε μόνο γνήσια ανταλλακτικά Hoover για τη σκούπα σας. Η χρήση μη γνήσιων αμταλλακτικών Hoover είναι επικίνδυνη και θα ακυρώσει την εγγύησή της συσκευής

**ΠΡΟΣΟΧΗ:** Μην αποπειραθείτε να ανοίξετε τις μπαταρίες για να τις επισκευάσετε μόνοι σας.

1. Πιέστε τα πλήκτρα απελευθέρωσης της μπαταρίας και σύρετε για να την αφαιρέσετε. **[11]**
2. Αντικαταστήστε την παλιά μπαταρία με τη νέα μπαταρία.
3. Απορρίψτε τις μπαταρίες με ασφαλή τρόπο. Οι χρησιμοποιημένες μπαταρίες πρέπει να προσκομίζονται σε σημείο ανακύκλωσης και δεν πρέπει να απορρίπτονται με τα οικιακά απορρίμματα.

#### ΑΝΤΙΜΕΤΩΠΙΣΗ ΠΡΟΒΛΗΜΑΤΩΝ

Εάν αντιμετωπίσετε οποιοδήποτε πρόβλημα με τη σκούπα σας, πριν καλέσετε το Κέντρο Τεχνικής Υποστήριξης Hoover ακολουθείστε τις οδηγίες που αναγράφονται στον πίνακα:

##### A. Η σκούπα δεν τίθεται σε λειτουργία

Ελέγξτε αν η μπαταρία είναι φορτισμένη.

Ελέγξτε αν η μπαταρία έχει τοποθετηθεί στη θέση της.

##### B. Απώλεια απορρόφησης ή καθόλου απορρόφηση.

Αδειάστε το δοχείο σκόνης και πλύνετε το φίλτρο εξαγωγής και το διαχωριστικό κυκλώνα.

Αφαιρέστε το ακροφύσιο και ελέγξτε για τυχόν εμπόδια στον αγωγό.

##### C. Οι μπαταρίες δεν φορτίζονται

Αυτό μπορεί να συμβεί εάν η συσκευή έχει να χρησιμοποιηθεί για μεγάλο διάστημα (πάνω από εξάμηνο).

Επικοινωνήστε με το Κέντρο Τεχνικής Υποστήριξης Hoover για να φροντίσετε για την αντικατάσταση των μπαταριών.

Εάν το πρόβλημα παραμένει επικοινωνήστε με το Κέντρο Τεχνικής Υποστήριξης Hoover.

#### ΑΝΤΑΛΛΑΚΤΙΚΑ ΚΑΙ ΑΝΑΛΩΣΙΜΑ HOOVER

Όταν παραστεί η ανάγκη χρησιμοποιείτε αποκλειστικά γνήσια ανταλλακτικά Hoover. Τα ανταλλακτικά Hoover διατίθενται από τον τοπικό αντιπρόσωπο Hoover ή απευθείας από τη Hoover. Κατά την παραγγελία εξαρτημάτων να αναφέρετε πάντα τον αριθμό μοντέλου.

#### Η ΕΓΓΥΗΣΗ ΣΑΣ

Οι όροι ισχύος της εγγύησης της συσκευής καθορίζονται από τον αντιπρόσωπο της χώρας στην οποία έχει πραγματοποιηθεί η πώληση. Περισσότερες πληροφορίες σχετικά με τους όρους εγγύησης μπορείτε να ζητήσετε από τον αντιπρόσωπο που αγόρασε τη συσκευή. Η προσκόμιση του τιμολογίου ή της απόδειξης αγοράς είναι βασική προϋπόθεση για την ισχύ της εγγύησης.

**ΕΠΙΣΗΜΑΝΣΗ:** Η μπαταρία σε αυτή τη συσκευή καθαρισμού καλύπτεται από την εγγύηση για 6 μήνες από την ημερομηνία αγοράς. Μετά από 6 μήνες ο πελάτης επιβαρύνεται με το κόστος της καινούργιας μπαταρίας.

Ο κατασκευαστής διατηρεί το δικαίωμα να επιφέρει αλλαγές χωρίς προγενέστερη ενημέρωση.

## ИНСТРУКЦИИ ПО БЕЗОПАСНОМУ ИСПОЛЬЗОВАНИЮ

Данный прибор предназначен только для домашнего использования в соответствии с описанием, приведенным в настоящем Руководстве пользователя. Использование этого устройства в условиях, отличных от домашних, или с функциями, отличными от обычных функций домашнего хозяйства, такое как коммерческое использование исключено. Ненадлежащее использование устройства приводит к снижению срока его службы и прекращает действие гарантии производителя. Производитель не несет ответственности за повреждение устройства, убыток или потери, вызванные использованием. Прежде чем приступить к эксплуатации данного бытового электроприбора, убедитесь в том, что вы понимаете настоящее руководство.

Перед очисткой или обслуживанием всегда вынимайте вилку из розетки. Данный прибор не предназначен для использования лицами (включая детей) с пониженными физическими, психическими или умственными способностями или при отсутствии у них опыта или знаний, если они не находятся под контролем или не проинструктированы об использовании прибора лицом, отвечающим за их безопасность. Дети должны находиться под присмотром для недопущения игры с прибором. Все упаковочные материалы должны храниться в недоступном для детей месте (риск удушья).

Если провод питания поврежден, немедленно отключите прибор. Во избежание несчастных случаев замену провода должен осуществлять только специалист авторизованного сервисного центра производителя. Не приближайте вращающиеся щетки к рукам, ногам, болтающейся одежде и волосам.

Пользуйтесь только оригинальным зарядным устройством, входящим в комплект поставки прибора.

Убедитесь, что напряжение источника питания соответствует параметрам зарядного устройства.

Это пылесос Hoover снабжен зарядным устройством с двойной изоляцией, которое подходит только для розетки 230В (240В в Великобритании).

Вставьте зарядное устройство в подходящую розетку и подсоедините разъем зарядного устройства к пылесосу.

При зарядке прибора кнопка выключения питания должна находиться в положении "Выключено".

Перед первым использованием зарядите пылесос в течение минимум 24 часов. Светодиодный индикатор аккумуляторной батареи будет гореть красным во время зарядки и станет белым, когда батарея полностью зарядится.

После использования всегда устанавливайте прибор на зарядное устройство с целью подзарядки аккумуляторной батареи.

Запрещается зарядка аккумуляторной батареи при температуре выше 37 С или ниже 0 С.

Совершенно нормально, если во время зарядки коснуться зарядного устройства, то оно будет теплым.

Никогда не отключайте зарядное устройство, потянув за провод.

Отключите зарядное устройство в случае длительного отсутствия (отпуск и т.д.) Зарядите пылесос снова перед использованием, так как аккумуляторная батарея может саморазрядиться за период хранения.

При необходимости утилизации прибора выньте из него аккумуляторную батарею. Перед тем, как достать батарею, отключите прибор от электросети. Соблюдайте правила техники безопасности при утилизации аккумуляторной батареи. Используйте прибор до тех пор, пока батарея полностью не разрядится. Использованные аккумуляторные батареи необходимо сдавать в специальный пункт приема и не выбрасывать с обычными бытовыми отходами. Чтобы извлечь батарею, свяжитесь с авторизованным сервисным центром или следуйте приведенным далее инструкциям

**ВНИМАНИЕ!** Перед тем как извлечь батарею из пылесоса, убедитесь, что она полностью разряжена.

Для этого используйте пылесос до полной разрядки аккумуляторной батареи.

Выньте вилку зарядного устройства из прибора.

Нажмите на кнопку извлечения аккумуляторной батареи и выньте ее из устройства. [11]

**ПРИМЕЧАНИЕ:** В случае возникновения каких-либо сложностей или при необходимости получения более подробной информации об обслуживании, утилизации и переработке данного прибора, обратитесь в местные органы власти или в местную службу по утилизации бытовых отходов.

Используйте только рекомендуемые производителем насадки, расходные материалы или запасные части.

**Статическое электричество:** Некоторые виды ковров могут накапливать небольшое количество статического электричества. Разряд статического электричества не представляет опасности для здоровья.

Не применяйте прибор вне помещений, на влажных поверхностях или для сбора жидкостей.

Не используйте прибор для сбора острых предметов, спичек, горячего пепла, окурков или аналогичных предметов. Не распыляйте или не собирайте горючие жидкости, чистящие средства, аэрозоли или прочие пары.

Не перевозите пылесос через провод питания и не тяните за провод, вынимая вилку из розетки. Не используйте прибор или зарядное устройство, если они неисправны.

**Сервисное обслуживание:** Для обеспечения продолжительной, безопасной и эффективной работы данного бытового электроприбора любой вид ремонта рекомендуется производить только специалистом авторизованного сервисного центра производителя.

Не используйте прибор для очистки животных или людей.  
Не используйте обычные неперезаряжаемые батареи вместо перезаряжаемых аккумуляторных батарей.

#### Окружающая среда:

Прибор маркируется согласно Европейской директиве 2011/65/EC по отходам электрического и электронного оборудования (WEEE). Соблюдая правила утилизации данного электроприбора, вы помогаете предотвратить возможные отрицательные последствия для окружающей среды и здоровья человека, которые могли бы иметь место при неправильной утилизации данного устройства. Символ на данном устройстве означает, что его нельзя утилизировать как бытовые отходы. Его необходимо доставить в соответствующий пункт утилизации электрического и электронного оборудования. Утилизация должна проводиться в соответствии с местными правилами по защите окружающей среды и утилизации отходов. Для получения более подробной информации по обращению и переработке данного устройства обратитесь к городским властям, в службу утилизации бытовых отходов или в магазин, в котором было куплено изделие.



Данный прибор отвечает требованиям Европейских Директив 2014/35/EU, 2014/30/EU и 2011/65/EU.

CANDY HOOVER GROUP S.r.l. Via Privata Eden Fumagalli, 20861 Brugherio (MB) Italy

### ПОЗНАКОМЬТЕСЬ С КОНСТРУКЦИЕЙ ВАШЕГО ПЫЛЕСОСА

- |   |  |
|---|--|
| A. Настенное крепление*                         | P. Аккумуляторная батарея  |
| B. Винт с дюбелем*                              | Pa. Кнопка извлечения аккумуляторной батареи                           |
| C. Основное устройство                          | Pb. Разъем зарядного устройства  |
| D. Кнопка включения режима ТУРБО                | Pc. Светодиодный индикатор зарядки/<br>разрядки аккумуляторной батареи |
| E. Кнопка отсоединения основного устройства     | Q. Зарядное устройство   |
| F. Труба  | Ra. Кнопка Вкл./Выкл.  |
| G. Кнопка отсоединения основной насадки         | Rb. Фиксатор режима непрерывной работы                                 |
| H. Основная насадка                             | S. Кнопка извлечения выходного фильтра                                 |
| I. Щелчка отсоединения вращающегося валика      | T. Выходной фильтр   |
| J. Светодиодная подсветка насадки               | U. Насадка 2-в-1 для удаления пыли и уборки мебели*                    |
| K. Прорезиненная накладка                       | V. 2-в-1 щелевая насадка и насадка для удаления пыли*                  |
| Ka. Вращающийся валик                           | W. Мини турбошетка*  |
| Kb. Ворсовый валик для деликатных поверхностей  | X. Переходник для насадок*   |
| Kc. Мягкая накладка для улавливания мелкой пыли | Y. Насадка для очистки радиаторов*                                     |
| L. Контейнер для сбора пыли                     | Z. Щетка для глубокой очистки*   |
| M. Кнопка открытия контейнера для сбора пыли    | AA. Насадка для уборки высоких поверхностей*                           |
| N. Циклонный сепаратор                          | AB. Удлиненная гибкая щелевая насадка*                                 |
| O. Циклоническая система                        |  |

### ПОДГОТОВКА ПЫЛЕСОСА К РАБОТЕ

1. Перед первым использованием полностью зарядите аккумуляторную батарею, подсоединив к ней зарядное устройство. Приблизительное время зарядки составляет около 5 часов. Светодиодный индикатор аккумуляторной батареи будет гореть красным во время зарядки и станет белым, когда батарея полностью зарядится. [1]
2. Установите насадку с одной стороны трубы до защелкивания. [2a]
3. Вставьте другую сторону трубы в основное устройство до щелчка. [2b]

**ПРИМЕЧАНИЕ:** Чтобы снять насадку, нажмите на кнопку отсоединения основной насадки и снимите ее.

**ПРИМЕЧАНИЕ:** Для зарядки используйте только зарядное устройство, поставляемое с пылесосом.

**ВНИМАНИЕ!** При зарядке пылесоса кнопка выключения питания должна находиться в положении "Выключено". Вы также можете зарядить аккумуляторную батарею отдельно, достав ее из пылесоса.

Совершенно нормально, если во время зарядки коснуться зарядного устройства, то оно будет теплым.

\* Только у некоторых моделей

## ЭКСПЛУАТАЦИЯ ПЫЛЕСОСА

Пылесос может работать в трех режимах:

• **СТАНДАРТНЫЙ РЕЖИМ** При нажатии кнопки Вкл./Выкл. на корпусе пылесоса включается режим уборки при помощи основной моторизованной насадки. [3а]

**ПРИМЕЧАНИЕ:** Мы рекомендуем использовать стандартный режим для уборки твердых полов, а также для уборки других поверхностей над полом.

• **РЕЖИМ НЕПРЕРЫВНОЙ РАБОТЫ:** Для включения режима непрерывной работы нужно оттянуть фиксатор назад до щелчка. Для выхода из непрерывного режима нужно передвинуть фиксатор вперед. [3б]

• **РЕЖИМ ТУРБО:** Нажмите кнопку включения режима Турбо, чтобы запустить пылесос на полную мощность для уборки сильно загрязненных участков. [3с]

**ВНИМАНИЕ!** После каждого использования пылесоса убедитесь, что фиксатор режима непрерывной работы перемещен вперед в положение разблокировки.

В противном случае сокращается срок службы аккумуляторной батареи вплоть до ее выхода из строя.

## ВЫБОР ВАЛИКА ДЛЯ РАЗНЫХ ВИДОВ УБОРКИ

**Вращающийся валик\*:** Рекомендуется использовать для уборки ковровых покрытий, так как он глубоко проникает в ковер и очищает его от пыли.

**Ворсовый валик для деликатных поверхностей\*:** рекомендуется для уборки паркета и твердых напольных покрытий, требующих деликатного обращения. Мягкие ворсинки аккуратно очищают полы такого типа.

**ВНИМАНИЕ!** Перед заменой или очисткой валика всегда отключайте прибор от сети.

**ПРИМЕЧАНИЕ:** Чтобы установить нужный вам валик: [17]

1. Отсоедините валик, нажав защелку отсоединения валика. Она расположена в боковой части насадки.
2. Придерживая защелку, потяните вращающийся валик вниз и снимите его.
3. Замените на нужный валик.
4. Установите валик в правильном положении и защелкните кнопку.

## АККУМУЛЯТОРНАЯ БАТАРЕЯ

При нормальной эксплуатации светодиодный индикатор зарядки будет гореть белым во время процесса разрядки. Светодиодный индикатор начинает мигать белым цветом, когда заряд аккумулятора падает ниже 5%. [4]

В этом случае следует прекратить уборку и немедленно зарядить аккумулятор; во время зарядки индикатор будет гореть красным цветом. [1]

Во время зарядки пылесоса кнопка выключения питания должна находиться в положении «Выкл.». Также возможно зарядить аккумуляторную батарею отдельно, достав ее из пылесоса.

**ПРИМЕЧАНИЕ:** Если вы не пользуетесь пылесосом в течение длительного времени, извлеките аккумуляторные батареи из пылесоса для продления срока их службы.

## УСТАНОВКА ПРОРЕЗИНЕННЫХ НАКЛАДОК

Для максимально эффективной уборки щелей и ковровых покрытий, рекомендуется установить передние и задние прорезиненные накладки на подошву насадки.

Для этого откройте защелку отсоединения вращающегося валика и снимите мягкую накладку для улавливания пыли. Затем прикрепите прорезиненную накладку, вставив ее в углубление на задней части насадки и задвинув до полной установки. Повторите эти операции для второй накладки и установите ее на переднюю часть насадки. Установите валик обратно и закройте защелку отсоединения вращающегося валика. [5]

## СИСТЕМА ЗАЩИТЫ

Для обеспечения надежной работы прибора в сложных условиях эксплуатации он оснащается встроенной системой защиты.

**ПРИМЕЧАНИЕ:** Система защиты сработает, если вращающийся валик имеет засорение или заблокирован. При срабатывании системы безопасности вращающийся валик перестает вращаться, белые светодиодные индикаторы на передней части насадки будут мигать 5 раз. [6] В этом случае нужно просто отключить прибор и устранить блокировку на вращающемся валике. Чтобы продолжить уборку, нажмите кнопку «Вкл./Выкл.», и прибор возобновит работу в обычном режиме.

\* Только у некоторых моделей

## ДОПОЛНИТЕЛЬНЫЕ АКСЕССУАРЫ\*

### 2-В-1 ЩЕЛЕВАЯ НАСАДКА И НАСАДКА ДЛЯ УДАЛЕНИЯ ПЫЛИ\*, НАСАДКА 2-В-1 ДЛЯ УДАЛЕНИЯ ПЫЛИ И УБОРКИ МЕБЕЛИ\*, УДЛИНЕННАЯ ГИБКАЯ ЩЕЛЕВАЯ НАСАДКА\*, МНОГОФУНКЦИОНАЛЬНАЯ НАСАДКА ДЛЯ ОЧИСТКИ ВЫСОКИХ ПОВЕРХНОСТЕЙ\* И МИНИ ТУРБОЩЕТКА\*

Эти аксессуары можно установить непосредственно на корпус или на трубу. [7]

**ПРИМЕЧАНИЕ:** Для отсоединения насадки или трубы от корпуса пылесоса, нажмите соответствующую кнопку отсоединения и потяните отсоединяемые части в разные стороны.

### НАСАДКА ДЛЯ ОЧИСТКИ РАДИАТОРОВ\* / ЩЕТКА ДЛЯ ГЛУБОКОЙ ОЧИСТКИ\*

При использовании этих двух насадок необходимо установить переходник для насадок\*. [7]

**ПРИМЕЧАНИЕ:** Мини турбощетка идеально подходит для очистки текстильных поверхностей (например, диванов) и удаления шерсти животных. Плавно перемещайте ее вперед и назад. После использования отрежьте ножницами наматывшиеся на щетку волосы или нитки.

**ПРИМЕЧАНИЕ:** Длинная гибкая щелевая насадка идеально подходит для очистки труднодоступных участков, в том числе под мебелью и в автомобиле.

**ПРИМЕЧАНИЕ:** Насадка для очистки радиаторов идеально подходит для очистки внутри и вокруг шкафов, радиаторных батарей, диванов, жалюзи и пр.

**ПРИМЕЧАНИЕ:** Щетка для глубокой очистки полезна при уборке в узких пространствах без риска поцарапать поверхности, а также при уборке внутри автомобиля.

**ПРИМЕЧАНИЕ:** Многофункциональная насадка предназначена для очистки деликатных поверхностей без царапин, а также для уборки в труднодоступных местах. Многофункциональная насадка состоит из трех частей:

1. Щелевая насадка идеально подходит для уборки узких пространств.
2. Щетка для уборки пыли идеальна для очистки поверхностей без риска повредить или поцарапать их.
3. Насадка для мебели идеальна для уборки таких поверхностей, как диван или кресло.

### СУМКА ДЛЯ АКСЕССУАРОВ\*

Дополнительные аксессуары можно хранить в специальной сумке.

### НАСТЕННОЕ КРЕПЛЕНИЕ\*

Для экономии места при хранении вы можете закрепить ваш пылесос на стене при помощи винтов с дюбелями, поставляемых в комплекте.

Пылесос, 2-в-1 щелевую насадку и насадку для удаления пыли, а также насадку 2-в-1 для удаления пыли и уборки мебели можно хранить на настенном креплении. [8]

## ТЕХНИЧЕСКОЕ ОБСЛУЖИВАНИЕ ПЫЛЕСОСА

### Очистка контейнера для сбора пыли

1. Нажмите на кнопку отсоединения основного устройства и снимите трубу. [9]
2. Нажмите на кнопку опустошения контейнера для пыли, чтобы открыть откидную крышку и опустошить контейнер. [10]
3. Закройте откидную крышку; при этом вы услышите щелчок, если крышка закрыта правильно.

**ПРИМЕЧАНИЕ:** Рекомендуется опустошать контейнер после каждого использования или при его заполнении до максимальной отметки.

### Очистка контейнера для сбора пыли и фильтра.

1. Нажмите на кнопку отсоединения основного устройства и снимите трубу. [9]
2. Нажмите на кнопку опустошения контейнера для пыли, чтобы открыть откидную крышку и опустошить контейнер. [10]
3. Закройте откидную крышку; при этом вы услышите щелчок, если крышка закрыта правильно.
4. Нажмите на две кнопки отсоединения аккумуляторной батареи и извлеките ее из корпуса. [11]
5. Поверните контейнер для сбора пыли по часовой стрелке, выровняйте по меткам и достаньте его из корпуса пылесоса. [12]
6. Поверните циклонный сепаратор по часовой стрелке и снимите его с моноциклона. [13]
7. Нажмите на две кнопки отсоединения выходного фильтра и извлеките его из корпуса пылесоса. [14]
8. Очистите циклоническую систему при помощи сухой ткани. Промойте выходной фильтр, контейнер для сбора пыли и циклонный сепаратор слегка теплой водой [15] и оставьте на 24 часа сохнуть. [16] Убедитесь, что все детали полностью высохли, прежде чем установить их обратно в корпус пылесоса.

**ПРИМЕЧАНИЕ:** Не используйте горячую воду или моющие средства при очистке выходного фильтра. В случае повреждения выходного фильтра используйте для замены только оригинальный фильтр Hoover. Не используйте прибор без установленного в него фильтра.

**ВНИМАНИЕ!** Для эффективной работы пылесоса следите за тем, чтобы система фильтрации всегда оставалась чистой. Мы рекомендуем промывать фильтр хотя бы раз в месяц.

\* Только у некоторых моделей

### Замена и очистка вращающегося валика

**ВНИМАНИЕ!** Перед заменой или очисткой валика всегда отключайте прибор от сети.

1. Отсоедините валик, нажав защелку отсоединения валика. Она расположена в боковой части насадки. **[17a]**
2. Снимите валик, удерживая защелку отсоединения вращающегося валика. **[17b]**
3. Для очистки вращающегося валика удалите излишний мусор при помощи ножицы. **[17c]**
4. Промойте ворсовый валик водой **[17d]** и оставьте сушиться на 24 часа. **[17e]**
5. Установите ворсовый валик обратно. **[17f]** Обратите внимание, что валик можно устанавливать только в одном направлении.
6. Закройте защелку вращающегося валика и зафиксируйте его в правильном положении. **[17g]**

### Замена аккумуляторной батареи

Пылесос идет в комплекте с заряжаемой литий-ионной аккумуляторной батареей, которая может быть заменена.

**ВНИМАНИЕ:** используйте только авторизованные запасные части для вашего пылесоса. Использование запасных частей, которые не одобрены компанией Hoover, является опасным и приводит к аннулированию вашей гарантии.

**ВНИМАНИЕ:** Не пытайтесь вскрывать аккумуляторную батарею и ремонтировать ее самостоятельно.

1. Нажмите на кнопку извлечения аккумуляторной батареи и выньте ее из устройства. **[11]**
2. Замените старую аккумуляторную батарею на новую.
3. Соблюдайте правила техники безопасности при утилизации аккумуляторной батареи. Использованные аккумуляторные батареи необходимо сдавать в специальный пункт приема и не выбрасывать с обычными бытовыми отходами.

## ПОИСК И УСТРАНЕНИЕ НЕИСПРАВНОСТЕЙ

Если у вас есть какие-либо проблемы с пылесосом, пожалуйста, выполните простую проверку перед звонком в авторизованный сервисный центр:

#### A. Пылесос не включается

Убедитесь, что аккумуляторная батарея заряжена.

Проверьте, правильно ли установлена аккумуляторная батарея.

#### B. Потеря или отсутствие мощности всасывания

Опорожните контейнер для сбора пыли и промойте выходной фильтр и циклонный сепаратор.

Снимите насадку и проверьте, нет ли засора в трубе.

#### C. Аккумуляторная батарея не заряжается

Такое может случиться в результате длительного хранения без работы (более полугода).

Свяжитесь с центром обслуживания клиентов для организации замены аккумуляторной батареи.

Если проблема не устранена, обратитесь в авторизованный сервисный центр.

## ЗАПАСНЫЕ ЧАСТИ И РАСХОДНЫЕ МАТЕРИАЛЫ

При замене частей используйте только оригинальные запасные части и расходные материалы компании Hoover. Их можно приобрести у вашего местного дилера компании Hoover или в официальном интернет-магазине [shop.hoover.ru](http://shop.hoover.ru) (кроме запасных частей). При оформлении заказа на запасные части обязательно указывайте номер модели пылесоса.

## УСЛОВИЯ ГАРАНТИИ

Условия гарантии для данного бытового электрического прибора определяются нашим представительством в стране, где этот электроприбор продан. Более подробную информацию об этих условиях вы можете получить у продавца или из гарантийного сертификата на данный прибор. В случае возникновения ситуации, покрываемой гарантийными обязательствами изготовителя, при обращении в уполномоченную сервисную организацию необходимо предъявить товарно-кассовый чек или иной документ, подтверждающий начало истечения гарантийного срока, предусмотренного условиями гарантии для данного прибора.

**ВНИМАНИЕ!** Производитель не берет на себя ответственность за ошибки в данной инструкции, возникшие в процессе печати. Производитель имеет право вносить в свои изделия изменения, которые он сочтет полезными для своих изделий, сохраняя при этом основные характеристики

Вся представленная в инструкции информация, касающаяся комплектации, технических характеристик, функций, цветовых сочетаний и т.д. носит информационный характер и ни при каких условиях не является публичной офертой. Изготовитель не устанавливает условия и положения покупки, они должны соответствовать требованиям регионального и/или национального законодательства страны продажи товаров.



## INSTRUKCJE BEZPIECZNEGO UŻYTKOWANIA

Urządzenie to jest przeznaczone wyłącznie do użytku domowego w sposób opisany w niniejszej instrukcji użytkownika. Prosimy o dokładne zapoznanie się z instrukcją przed rozpoczęciem używania odkurzacza.

Należy zawsze wyłączyć i wyjąć ładowarkę z gniazdka przed przystąpieniem do czyszczenia urządzenia lub wykonaniem jakichkolwiek czynności konserwacyjnych.

Urządzenie mogą obsługiwać dzieci w wieku co najmniej 8 lat, a osoby o ograniczonych zdolnościach fizycznych, sensorycznych lub mentalnych, a także osoby nieposiadające odpowiedniego doświadczenia oraz wiedzy, jedynie pod warunkiem że odbywać się będzie to pod nadzorem lub po przeszkoleniu na temat bezpiecznego użycia urządzenia oraz związanych z nim zagrożeń. Dzieci nie mogą bawić się urządzeniem. Urządzenia nie powinny czyścić ani konserwować dzieci bez nadzoru.

Jeśli przewód zasilający uległ uszkodzeniu, należy natychmiast zaprzestać korzystania z urządzenia. Ze względów bezpieczeństwa, przewód zasilający powinien zostać wymieniony przez serwisanta autoryzowanego punktu serwisowego firmy Hoover.

Nie zbliżać rąk, stóp, luźnej odzieży ani włosów do obracających się szczotek.

Należy stosować wyłącznie ładowarkę dostarczoną wraz z urządzeniem. Należy sprawdzić, czy napięcie zasilania w gniazdku jest zgodne z podanym na tabliczce znamionowej ładowarki.

Niniejsze urządzenie Candy zasilane jest podwójnie izolowaną ładowarką akumulatorów, która może być podłączana do gniazda 230V (UK 240V).

Podłączyć ładowarkę od odpowiedniego gniazdka, a przewód ładowarki do urządzenia.

Podczas ładowania urządzenia dźwignia wyłącznika zasilania musi być w pozycji wyłączonej.

Przed pierwszym użyciem urządzenie należy ładować przez co najmniej 24 godziny. Dioda LED akumulatora zaświeci się na CZERWONO podczas ładowania i zmieni kolor na BIAŁY po całkowitym naładowaniu.

Po użyciu ponownie podłączyć urządzenie do ładowarki, aby doładować akumulator.

Nigdy nie ładować akumulatorów w temperaturze powyżej 37°C lub poniżej 0°C.

Nieznaczne nagrzewanie się ładowarki podczas ładowania jest normalnym zjawiskiem.

NIE wyjmować wtyczki ładowarki z gniazdka, ciągnąc za przewód zasilający.

W razie dłuższej nieobecności (urlop itp.) odłączyć ładowarkę od zasilania. Po dłuższej przerwie w eksploatacji urządzenie należy doładować przed użyciem, ponieważ bezczynność powoduje rozładowanie akumulatorów.

Jeżeli urządzenie ma być złomowane, należy z niego najpierw usunąć akumulatory. Podczas wyjmowania akumulatora urządzenie musi być odłączone od zasilania. Akumulatory należy utylizować w sposób bezpieczny dla środowiska. Włączyć urządzenie i pozwolić, aby pracowało aż do całkowitego wyczerpania akumulatorów. Zużyte akumulatory należy przekazać do recyklingu. Nie należy ich wyrzucać ze śmieciami domowymi. W celu wyjęcia akumulatorów należy skontaktować się z Centrum Serwisowym Hoover lub postępować zgodnie z następującymi instrukcjami.

**WAŻNE:** Przed usunięciem należy całkowicie rozładować akumulatory.

Włączyć odkurzacz i pozwolić, aby pracował aż do pełnego wyczerpania akumulatorów.

Wyjąć wtyczkę przewodu ładowarki z urządzenia.

Naciśnij przyciski zwalniające zestaw baterii i wysuń go. [11]

**UWAGA:** W razie napotkania jakichkolwiek problemów z demontażem lub w razie konieczności uzyskania dodatkowych informacji na temat sposobu utylizacji, złomowania i recyklingu urządzenia należy skontaktować się z lokalnym urzędem gminy lub komunalnym zakładem utylizacji odpadów.

Należy korzystać wyłącznie z końcówek, materiałów eksploatacyjnych oraz części zamiennych zalecanych lub dostarczonych przez firmę Hoover.

**Ładunki elektrostatyczne:** Odkurzanie niektórych dywanów może powodować niewielkie naelektryzowanie się urządzenia. Tego rodzaju ładunki elektrostatyczne nie stanowią zagrożenia dla zdrowia.

Nie używać urządzenia na zewnątrz domu, do odkurzania mokrych powierzchni ani do zbierania wody.

Nie wolno wciągać twardych lub ostrych przedmiotów, zapalek, gorącego popiołu, niedopałków papierosów ani innych podobnych przedmiotów. Nie spryskiwać łatwopalnymi cieczami, środkami czyszczącymi w aerozolu ani parą.

Nie stąpać po przewodzie zasilającym podczas korzystania z urządzenia i nie wyjmować wtyczki, ciągnąc za przewód zasilający. Nie wolno kontynuować eksploatacji uszkodzonego urządzenia lub ładowarki.

**Serwis firmy Hoover:** Aby zapewnić bezpieczne i sprawne działanie tego urządzenia, zalecamy zlecenie prac serwisowych lub napraw wyłącznie

# serwisantom autoryzowanego punktu serwisowego firmy Hoover.

## Nie używać urządzenia do odkurzania ludzi lub zwierząt.

## Nie wolno stosować jednorazowych baterii zamiast akumulatorów.

### Ochrona środowiska:

Niniejsze urządzenie posiada oznaczenia zgodnie z Dyrektywą Europejską nr 2011/65/WE w sprawie zużytego sprzętu elektrycznego i elektrotechnicznego (WEEE). Zapewniając prawidłowe złomowanie niniejszego urządzenia, przyczyniają się Państwo do ograniczenia ryzyka wystąpienia negatywnego wpływu produktu na środowisko i zdrowie ludzi, które mogłoby zaistnieć w przypadku niewłaściwej utylizacji urządzenia. Symbol umieszczony na produkcie lub na dołączonych do niego dokumentach oznacza, że niniejszy produkt nie jest klasyfikowany jako odpad z gospodarstwa domowego. Urządzenie należy zdać w odpowiednim punkcie utylizacji w celu recyklingu komponentów elektrycznych i elektronicznych. Urządzenie należy złomować zgodnie z lokalnymi przepisami w sprawie utylizacji odpadów. Dodatkowe informacje na temat sposobu utylizacji, złomowania i recyklingu urządzenia można uzyskać w lokalnym urzędzie miejskim, w komunalnym zakładzie utylizacji odpadów lub w sklepie, w którym produkt został zakupiony.



Urządzenie spełnia wymogi dyrektyw europejskich 2014/35/WE, 2014/30/WE oraz 2011/65/WE.

CANDY HOOVER GROUP S.r.l. Via Privata Eden Fumagalli, 20861 Brugherio (MB) Italy

## KOMPONENTY URZĄDZENIA

- |   |  |
|---|--|
| A. Wspornik do montażu na ścianie*              | Q. Zestaw akumulatorów                               |
| B. Śruby wspornika do montażu na ścianie*       | Pa. Przyciski zwalniające akumulator                 |
| C. Obudowa                                      | Pb. Wejście do ładowania akumulatora                 |
| D. Przycisk Turbo                               | Pc. Dioda Led ładowania/rozładowania akumulatora     |
| E. Przycisk zwalniania korpusu odkurzacza       | R. Ładowarka akumulatora                             |
| F. Rura   | Ra. Wyłącznik  |
| G. Przycisk zwalniania końcówki                 | Rb. Dźwignia trybu ciągłego                          |
| H. Końcówka                                     | T. Przyciski zwalniające filtr wylotowy              |
| I. Pokrywa elementu zagarniającego              | T. Filtr wylotowy                                    |
| J. Przednia dioda LED szczotki                  | U. Narzędzie 2w1 Duża szczotka do czyszczenia mebli* |
| K. Pióra wycieraczki                            | V. Narzędzie 2 w 1 do czyszczenia szczelin*          |
| L. Ka.Wałek do intensywnego czyszczenia podłogi | W. Ssawka Miniturbo*                                 |
| Kb. Rolka do dywanów                            | X. Przejściówka do akcesoriów*                       |
| Kc. Miękki wałek                                | Y. Szczotka do kaloryferów*                          |
| M. Pojemnik na kurz                             | Z. Szczotka do głębokiego czyszczenia*               |
| N. Przycisk opróżniania pojemnika na kurz.      | AA.Narzędzie wielofunkcyjne*                         |
| O. Separator pojedynczego cyklonu               | AB.Długa elastyczna ssawka szczelinowa*              |
| P. Pojedynczy cyklon                            |  |

## PRZYGOTOWYWANIE ODKURZACZA

- Przy pierwszym użyciu należy w pełni naładować akumulator urządzenia, podłączając wtyczkę gniazda ładowarki do akumulatora. Czas ładowania wynosi około 5 godzin. Dioda LED akumulatora zaświeci się na CZERWONO podczas ładowania i zmieni kolor na BIAŁY po całkowitym naładowaniu. [1]
  - Zamocować rurę na szczotkę. Kliknięcie jest akustycznym potwierdzeniem właściwego montażu. [2a]
  - Połączyć korpus odkurzacza z rurą. Kliknięcie jest akustycznym potwierdzeniem właściwego montażu. [2b]
- UWAGA:** Aby wyjąć końcówkę, nacisnąć przycisk zwalnający końcówkę i wyciągnąć ją z obudowy odkurzacza.
- UWAGA:** Do ładowania należy stosować wyłącznie ładowarkę dostarczoną wraz z urządzeniem.
- WAŻNE:** Podczas ładowania odkurzacza dźwignia wyłącznika musi być w pozycji wyłączonej. Akumulator można naładować także po jego odłączeniu od produktu.
- Nieznaczne nagrzewanie się ładowarki podczas ładowania jest normalnym zjawiskiem.

\* Tylko w niektórych modelach

## KORZYSTANIE Z ODKURZACZA

Dostępne są trzy tryby pracy:

• **TRYB STANDARDOWY:** Po naciśnięciu przełącznika ON-OFF odkurzacz jest gotowy do dokładnego czyszczenia za pomocą głównej szczotki z napędem. [3a]

**UWAGA:** Tryb standardowy jest zalecany do czyszczenia twardych podłóg oraz powierzchni nad podłogą.

• **TRYB CIĄGŁY:** Aby włączyć tryb ciągły, należy przesunąć dźwignię wyłącznika do tyłu w taki sposób, aby zaskoczyła na miejsce. Aby wyłączyć tryb ciągły, należy przesunąć dźwignię wyłącznika do przodu. [3b]

• **TRYB TURBO:** Naciśnij przycisk Turbo, aby uzyskać pełną moc czyszczenia twardych powierzchni. [3c]

**WAŻNE:** Po każdym użyciu urządzenia należy zawsze przesunąć dźwignię wyłącznika do przodu do pozycji odblokowanej.

Niewykonanie tego zalecenia może skutkować skróceniem żywotności akumulatora lub awarią.

## WYBIERZ ROLKĘ ODPOWIEDNIĄ DO CZYSZCZENIA DANEGO RODZAJU POWIERZCHNI

**Walek do intensywnego czyszczenia podłogi\*:** Zaleca się do czyszczenia dywanów w celu usunięcia głęboko zalegającego kurzu.

**Rolka do dywanów\*:** Zaleca się do czyszczenia twardej podłogi lub delikatnego parkietu. Dzięki miękkiemu włosiu można delikatnie czyścić podłogi tego rodzaju.

**WAŻNE:** Zawsze wyłączaj odkurzacz przed wymianą lub czyszczeniem szczotki obrotowej.

**UWAGA:** Aby zamontować Rolkę potrzebujesz: [17]

1. Wyjmij blokadę zwalniając kłapkę. Jest ona umieszczona z boku ssawki.
2. Przytrzymaj kłapkę i pociągnij w dół element zagarniający.
3. Wymień na Rolkę do intensywnego czyszczenia podłogi lub Rolkę do głębokiej pielęgnacji.
4. Umieść w odpowiedniej pozycji i opuść kłapkę.

## AKUMULATOR

Gdy akumulator jest rozładowywany w normalnym użytkowaniu, dioda LED akumulatora jest biała. Gdy pojemność akumulatora będzie mniejsza niż 5%, biała dioda LED zacznie migać. [4]

W takim przypadku należy przerwać czyszczenie i natychmiast naładować akumulator. Podczas ładowania dioda LED będzie CZERWONA. [1]

Podczas ładowania produktu dźwignia ciągłego przełącznika musi znajdować się w pozycji OFF, możliwe jest również ładowanie akumulatora po jego wyjęciu.

**UWAGA:** Jeśli zamierzasz nie używać odkurzacza przez dłuższy czas, wyjmij akumulator z odkurzacza, aby zachować jego żywotność.

## MONTAŻ PIÓRA

Aby uzyskać najlepszą wydajność czyszczenia szczelin i i dywanów, załóż przednie i tylne pióro na stopie ssawki.

W tym celu otwórz kłapkę elementu blokady i wyjmij miękki walek. Chwyć pióro wycieraczki i wsuń jeden koniec do gniazda i wcisnij ją aż do oporu. Powtórz te operacje dla drugiego pióra wycieraczki, wsuwając ją do przedniego gniazda. Zamknij pokrywę elementu blokady. [5]

## SYSTEM BEZPIECZEŃSTWA

Produkt wyposażony jest zintegrowany system bezpieczeństwa, który gwarantuje niezawodność jego działania i chroni go przed użytkowaniem w zbyt trudnych warunkach.

**UWAGA:** System bezpieczeństwa włączy się, w przypadku zacięcia lub zablokowania szczotki obrotowej; kiedy system zadziała, szczotka przestanie się obracać, a białe diody led, które znajdują się na przodzie szczotki, zamigają 5-krotnie.

[6] W takim przypadku należy wyłączyć urządzenie i wyczyścić zator na szczotce obrotowej. Aby zakończyć czyszczenie, należy nacisnąć przycisk ON/OFF; urządzenie wznowi pracę w normalnym trybie.

\* Tylko w niektórych modelach

## DODATKOWE AKCESORIA\*

### NARZĘDZIE 2 W 1 DO CZYSZCZENIA SZCZELIN\*, NARZĘDZIE 2W1 DUŻA SZCZOTKA DO CZYSZCZENIA MEBLI\*, DŁUGA ELASTYCZNA SSAWKA SZCZELINOWA\*, NARZĘDZENIE WIELOFUNKCYJNE\* I SSAWKA MINITURBO\*

Aksesoria można zamocować do korpusu odkurzacza lub do rury. [7]

**UWAGA:** Aby odłączyć szczotkę lub korpus odkurzacza od rury, należy nacisnąć odpowiedni przycisk zwalniający.

### SZCZOTKA DO KALORYFERÓW\* / SZCZOTKA DO GŁĘBOKIEGO CZYSZCZENIA\*

W przypadku korzystania z tych 2 akcesoriów należy zamontować adapter akcesoriów\*. [7]

**UWAGA:** Szczotka miniturbo idealnie nadaje się do czyszczenia powierzchni tapicerowanych (np. sof) oraz do usuwania sierści zwierząt domowych. Miarowo przesuwaj do przodu i do tyłu. Po użyciu należy usunąć sierść/kłaczki ze szczotki. W razie potrzeby użyć do tego nożyczek.

**UWAGA:** Długie elastyczne narzędzie do czyszczenia w szczelinach idealnie nadaje się do czyszczenia trudno dostępnych miejsc oraz przestrzeni pod meblami.

**UWAGA:** Szczotka do kaloryferów jest idealna do czyszczenia wnętrza oraz okolic szaf, kaloryferów, sof, żaluzji itp.

**UWAGA:** Szczotka do głębokiego czyszczenia służy do czyszczenia wąskich przestrzeni z delikatną powierzchnią oraz do czyszczenia wnętrza samochodu.

**UWAGA:** Wielofunkcyjne narzędzie do czyszczenia doskonale nadaje się do czyszczenia delikatnych powierzchni oraz do czyszczenia miejsc trudno dostępnych. Nie rysuje. Narzędzie wielofunkcyjne składa się z 3 głównych części:

1. Ssawka szczelinowa idealnie nadaje się do czyszczenia trudno dostępnych miejsc.
2. Szczotka do czyszczenia służy do czyszczenia delikatnych powierzchni. Nie rysuje.
3. Szczotka do mebli idealnie nadaje się do czyszczenia powierzchni tapicerowanych, takich jak kanapa.

### WOREK NA AKCESORIA\*

Dodatkowe akcesoria można przechowywać w worku na akcesoria.

### WSPORNIK DO MONTAŻU NA ŚCIANIE\*

W celu przechowywania i oszczędzania miejsca, urządzenie można przymocować do ściany za pomocą trzech śrub i zaślepek gwintowanych dołączonych do zestawu.

Produkt, narzędzie 2w1 szczelinowe i do kurzu oraz narzędzie 2w1 duże narzędzie do kurzu i mebli można przechowywać na uchwycie ściennym. [8]

## KONSERWACJA URZĄDZENIA

### Opróżnianie pojemnika na kurz

1. Wciśnij główny przycisk zwalniający oraz wyjmij rurę. [9]
2. Nacisnąć przycisk opróżniania pojemnika na kurz, aby zwolnić kłapę pokrywy, aby opróżnić pojemniki. [10]
3. Zamknąć kłapę pojemnika na kurz. Kiedy zaskoczy, oznacza to, że jest prawidłowo zablokowana.

**UWAGA:** Zaleca się opróżnianie pojemnika na kurz po każdym użyciu oraz zawsze wtedy, kiedy kurz sięga linii poziomu maksymalnego napełnienia.

### Czyszczenie pojemnika na kurz i filtra

1. Wciśnij główny przycisk zwalniający oraz wyjmij rurę. [9]
2. Nacisnąć przycisk opróżniania pojemnika na kurz, aby zwolnić kłapę pokrywy, aby opróżnić pojemniki. [10]
3. Zamknąć kłapę pojemnika na kurz. Kiedy zaskoczy, oznacza to, że jest prawidłowo zablokowana.
4. Naciśnij dwa przyciski zwalniające akumulator i wyjmij akumulator z korpusu. [11]
5. Obróć pojemnik na kurz w kierunku zgodnym z ruchem wskazówek zegara, aby dopasować się do znaczników w kształcie strzałki, a następnie wyjmij pojemnik z korpusu odkurzacza. [12]
6. Obróć separator pojedynczego cyklonu w kierunku zgodnym z ruchem wskazówek zegara i wyjmij go z pojedynczego cyklonu. [13]
7. Nacisnąć dwa przyciski zwalniania filtra wylotowego, a następnie wyjąć filtr wylotowy z korpusu. [14]
8. Wytrzeć pojedynczy cyklon suchą szmatką. Umyć filtr wylotowy, pojemnik na kurz i separator pojedynczego cyklonu w letniej wodzie [15], pozostawić do wyschnięcia na 24 godziny. [16] Przed ponownym montażem elementów w korpusie upewnij się, że są one całkowicie suche.

**UWAGA:** Nie używać gorącej wody ani detergentów do czyszczenia filtra wylotowego. W mało prawdopodobnym przypadku uszkodzenia filtra wylotowego należy zamontować oryginalną wymianę Hoovera. Nie używaj urządzenia bez zamontowanego filtra.

**WAŻNE:** Aby zapewnić optymalną wydajność odkurzania, należy regularnie czyścić system separacji. Zalecamy mycie filtra co najmniej raz na miesiąc.

\* Tylko w niektórych modelach

### Wymiana i czyszczenie blokady

**WAŻNE:** Zawsze wyłączać odkurzacz przed wymianą oraz czyszczeniem szczotki obrotowej.

1. Wyjmij blokadę zwalniając kłapkę. Jest ona umieszczona z boku ssawki. [17a]
2. Przytrzymać kłapkę zwalniającą wirnika i zdjęć Rolkę do intensywnego czyszczenia podłogi [17b]
3. Aby wyczyścić Rolkę do intensywnego czyszczenia podłogi, usuń nagromadzone nieczystości za pomocą nożyczek. [17c]
4. Aby wyczyścić Rolkę do głębokiego czyszczenia, przepłucz ją wodą [17d] i pozostaw do wyschnięcia na 24 godziny. [17e]
5. Ponownie zamontuj Rolkę do głębokiego czyszczenia. [17f] Rolkę obrotową można mocować tylko w jednym kierunku.
6. Zamknij kłapkę zwalniającą wirnik, aby zablokować Rolkę do głębokiego czyszczenia w odpowiedniej pozycji [17g]

### Wymiana akumulatorów

Ten odkurzacz jest wyposażony w akumulator litowo-jonowy, który można wymieniać.

**Ostrzeżenie:** W odkurzaczu stosować wyłącznie zatwierdzone części zamienne. Używanie innych części niż te zatwierdzone przez firmę Hoover, jest niebezpieczne i powoduje utratę gwarancji urządzenia.

**Ostrzeżenie:** Nie próbować otwierać lub samodzielnie naprawiać zestawu akumulatorów.

1. Naciśnij przyciski zwalniające zestaw baterii i wysuń go. [11]
2. Wymień stary akumulator na nowy.
3. Akumulatory należy utylizować w sposób bezpieczny dla środowiska. Zużyte akumulatory należy przekazać do recyklingu. Nie należy ich wyrzucać ze śmieciami domowymi.

## ROZWIĄZYWANIE PROBLEMÓW

W razie wystąpienia jakiegokolwiek problemu z urządzeniem przed skontaktowaniem się z lokalnym serwisem firmy Hoover należy przeprowadzić proste kontrole zgodnie z poniższą listą:

#### A. Odkurzacz się nie włącza

Sprawdź, czy akumulator jest naładowany.

Upewnij się, że zestaw bateryjny jest poprawnie zamocowany.

#### B. Utrata mocy ssania lub brak ssania

Opróżnić pojemnik na kurz i umyć filtr wylotowy oraz separator cyklonu.

Zdjąć końcówkę i sprawdzić, czy wąż lub rura nie są zatkane.

#### C. Nie można naładować akumulatorów

Może to wynikać z bardzo długiego okresu bezczynności (ponad pół roku).

Skontaktować się z centrum serwisowym firmy Hoover, aby zlecić wymianę akumulatorów.

Jeżeli problem nie znika, skontaktować się z centrum serwisowym firmy Hoover.

## CZĘŚCI ZAPASOWE I MATERIAŁY EKSPLOATACYJNE MARKI HOOVER

Należy zawsze wymieniać części na oryginalne części zapasowe firmy Hoover. Można je nabyć w lokalnym serwisie firmy Hoover lub bezpośrednio w firmie Hoover. Przy zamawianiu części zawsze należy podać numer danego modelu.

## GWARANCJA

Warunki gwarancji na niniejsze urządzenie są określone przez naszego przedstawiciela w kraju, w którym urządzenie jest sprzedawane. Szczegółowe informacje na temat warunków gwarancji można uzyskać w punkcie, w którym urządzenie zostało nabyte. Przy zgłaszaniu wszelkich roszczeń w ramach gwarancji należy przedstawić dowód sprzedaży lub pokwitowanie.

**WAŻNE:** Bateria w tym odkurzaczu jest objęta gwarancją przez 6 miesięcy od daty zakupu. Po upływie 6 miesięcy klient ponosi koszt zakupu nowego akumulatora.

Zastrzegamy sobie możliwość wprowadzania zmian bez wcześniejszego powiadomienia.

## NÁVOD K BEZPEČNÉMU POUŽITÍ

Tento vysavač by měl být používán pouze pro úklid domácnosti a v souladu s touto uživatelskou příručkou. Než začnete vysavač používat, prosím, ujistěte se, že rozumíte tomuto návodu.

Po použití, před čištěním nebo jakoukoli údržbou zařízení vždy vypněte a síťový kabel vytáhněte ze zásuvky.

Tento přístroj smí používat děti od 8 let výše. Osoby se sníženými fyzickými, smyslovými nebo mentálními schopnostmi nebo s nedostatkem zkušeností a znalostí smí tento přístroj používat, pokud jsou pod dohledem nebo jim byly dány pokyny týkající se bezpečného používání a byly seznámeny s možnými riziky. S přístrojem si nesmí hrát děti. Čištění a údržbu nesmí provádět děti bez dohledu.

Jestliže je poškozen síťový kabel, okamžitě přestaňte vysavač používat. Síťový kabel musí vyměnit autorizovaný servisní technik společnosti Hoover, aby se předešlo ohrožení bezpečnosti.

Udržujte dostatečnou vzdálenost rukou, nohou, volného oděvu a vlasů z dosahu otočných kartáčů.

K dobíjení používejte pouze nabíječku dodanou se zařízením.

Zkontrolujte, zda údaje na štítku nabíječky odpovídají hodnotám napětí v místní síti.

Tento vysavač společnosti Hoover je vybaven dvojitě odizolovanou nabíjecí baterií, která je vhodná k zapojení pouze do zástrčky 230V (UK 240V).

Zapojte nabíječku do vhodné zásuvky a konektor nabíječky připojte k vhodnému vstupu na vysavači.

Při nabíjení musí být spínač vysavače v poloze vypnuto.

Před prvním použitím přístroj nabíjejte nejméně 24 hodin. Během nabíjení se rozsvítí LED dioda baterie ČERVENÉ a při plném nabití se rozsvítí BÍLE.

Po použití znovu připojte přístroj k nabíječce k dobíjení baterie.

Důležité: Nikdy nenabíjejte baterie při teplotě vyšší než 37°C nebo nižší než 0°C.

Je běžné, že se nabíječka při nabíjení zahřívá.

Nevytahujte nabíječku ze zásuvky taháním za síťový kabel.

V případě delší nepřítomnosti (dovolená apod.), nabíječku odpojte.

Vysavač před použitím znovu dobijte, protože baterie se mohou při delší době skladování vybit.

Před likvidací vysavače z něj nejprve vyjměte baterie. Před odstraněním baterie se ujistěte, že výrobek je odpojen od elektrické sítě. Zlikvidujte baterie bezpečně a ekologicky. Používejte zařízení dokud baterie nejsou naprosto vybité. Použité baterie by měly být přijaté do recyklační stanice a nesmějí být vyhazované dohromady s běžným odpadem. Pro vyjmutí baterií prosím kontaktujte Zákaznické servisní středisko Hoover, které najdete na internetových stránkách [www.hoover.cz/cs\\_CZ/servisni-strediska](http://www.hoover.cz/cs_CZ/servisni-strediska) nebo postupujte podle následujících pokynů:

**DŮLEŽITÉ:** Před vyjmutím je nutno baterii zcela vybit.

Nechte vysavač zapnutý, dokud nebudou baterie zcela vybité.

Odpojte nabíječku od spotřebiče.

Stiskněte tlačítko uvolnění baterie a posunutím jí vyndejte. [11]

**POZNÁMKA:** Budete-li mít při demontáži jednotky jakékoli problémy nebo budete-li požadovat podrobnější informace o manipulaci, využití a recyklaci tohoto výrobku, kontaktujte, prosím, místní úřad nebo středisko sběrných surovin.

Používejte výhradně příslušenství, spotřební materiály a náhradní díly doporučené nebo dodávané firmou Hoover.

**Statická elektřina:** Při čištění některých koberců vzniká malé množství statické elektřiny. Výboje statické elektřiny neohrožují zdraví.

Nepoužívejte Vaše zařízení venku, nebo na mokré povrchy a na mokrá vysávání.

Nevysávejte tvrdé nebo ostré předměty, zápalky, žhavý popel, cigaretové nedopalky a podobné předměty. Nestříkejte nebo nevysávejte hořlavé kapaliny, čisticí tekutiny, aerosoly nebo jejich výpary.

Během používání vysavače nepřejíždějte přes síťový kabel a nevytahujte síťový kabel ze zásuvky taháním za něj. Nepoužívejte zařízení nebo nabíječku, pokud vám připadají vadné.

**Autorizované servisní středisko Hoover najdete na internetových stránkách [www.bmk servis.cz/servis-candy-hoover.php](http://www.bmk servis.cz/servis-candy-hoover.php):**

Spolehlivý provoz a vysoká účinnost tohoto spotřebiče jsou zajištěny pouze v případě, že bude prováděn pravidelný servis a opravy, které musí zajišťovat autorizovaný servisní technik společnosti Hoover.



# Nepoužívejte vysavač k čištění zvířat a osob. Nenahrazujte baterie jinými, které nelze dobíjet.

## Životní prostředí:

Tento spotřebič je označen v souladu s Evropskou Směrnicí 2011/65/ES o omezení používání nebezpečných látek v elektrických a elektronických zařízeních (WEEE). Zajištěním správné likvidace tohoto výrobku pomůžete předcházet případným negativním důsledkům pro životní prostředí a lidské zdraví, které mohou být v opačném případě způsobeny nesprávnou likvidací tohoto výrobku. Symbol na výrobku označuje, že tento výrobek nesmí být likvidován jako domovní odpad. Měl by být předán na příslušné místo sběru pro recyklaci elektrických a elektronických zařízení. Likvidace musí proběhnout v souladu s místními ekologickými předpisy pro likvidaci odpadu. Další informace o manipulaci, novém využití a recyklaci tohoto výrobku získáte na místním obecním úřadě, u služby pro sběr domovního odpadu nebo v prodejně, kde jste výrobek zakoupili.



Tento výrobek je v souladu s Evropskými směrnici 2014/35/ES, 2014/30/ES a 2011/65/ES.

CANDY HOOVER GROUP S.r.l. Via Privata Eden Fumagalli, 20861 Brugherio (MB) Italy

## KOMPONENTY PRODUKTU

- |  |  |
|--|--|
| A. Úchytky na zed*                       | P. Baterie                                     |
| B. Nástěnné montážní šrouby*             | Pa. Tlačítko uvolnění baterie                  |
| C. Hlavní tělo vysavače                  | Pb. Vstup pro nabíjení baterie                 |
| D. Tlačítko Turbo                        | Pc. Kontrolka LED nabíjení/vybíjení baterie    |
| E. Tlačítko uvolnění hlavního těla       | Q. Nabíječka baterie                           |
| F. Trubice                               | Ra. Tlačítko zapnout/vypnout                   |
| G. Tlačítko pro uvolnění hubice          | Rb. Spínač průběžného režimu                   |
| H. Hubice                                | S. Tlačítka uvolnění výstupního filtru         |
| I. Uvolňovací klapka rotačního kartáče   | T. Výstupní filtr                              |
| J. Kontrolka LED na přední části hubice  | U. Velký prachový a nábytkový kartáč 2v1*      |
| K. Lišta stěrky                          | V. Štěrbínová hubice a prachový kartáč 2v1*    |
| Ka. Rotační kartáč                       | W. Mini Turbo hubice na zvířecí srst*          |
| Kb. Rotační kartáč pro hloubkové čištění | X. Držák na příslušenství*                     |
| Kc. Zadní měkký pásek                    | Y. Radiátorový nástavec*                       |
| L. Nádoba na prach                       | Z. Hloubkový kartáč*                           |
| M. Tlačítko uvolnění nádoby na prach     | AA. Multifunkční nástavec pro vysávání stropů* |
| N. Cyklónový separátor prachu            | AB. Dlouhá ohebná štěrbinová hubice*           |
| O. Samostatný cyklón                     |  |

## PŘÍPRAVA VYSAVAČE

- Při prvním použití baterii spotřebiče zcela nabijte připojením konektoru nabíječky k baterii. Doba nabíjení je přibližně 5 hodin. Během nabíjení se rozsvítí LED dioda baterie ČERVENĚ a při plném nabíjení se rozsvítí BÍLE. [1]
- Krouživým pohybem montujte trubici k hubici, dokud neuslyšíte, že zapadne na své místo. [2a]
- Krouživým pohybem montujte tělo vysavače na trubici, dokud neuslyšíte, že zapadlo na své místo. [2b]

**POZNÁMKA:** Abyste sundali hubici, stiskněte tlačítko pro uvolnění hubice a tahem ji sejmete z hlavního těla.

**POZNÁMKA:** Pro dobíjení používejte pouze nabíječku dodanou k vysavači.

**DŮLEŽITÉ:** Při nabíjení musí být spínač vysavače v poloze vypnuto. Vyjímatelemu baterii můžete nabíjet také samostatně po vyjmutí z výrobku.

Je běžné, že se nabíječka při nabíjení zahřívá.

\* Pouze u některých modelů

## JAK POUŽÍVAT VYSAVAČ

K dispozici jsou tři pracovní režimy:

• **STANDARDNÍ REŽIM:** Když stisknete tlačítko zap/vyp, je vysavač připraven důkladně vysávat hlavní motorizovanou hubicí. [3a]

**POZNÁMKA:** Standardní režim se doporučuje pro čištění tvrdých podlah a při vysávání nad podlahou.

• **NEPŘETRŽITÝ REŽIM:** Nepřetržitý režim zapnete tak, že posunete spínač směrem zpět, až zapadne na místo. Nepřetržitý režim ukončíte posunutím spínače zpět do původní polohy. [3b]

• **TURBO REŽIM:** Stisknete tlačítko Turbo pro plný výkon při náročném vysávání. [3c]

**DŮLEŽITÉ:** Po každém použití přepnete spínač vpřed do odjištěné polohy.

Pokud tak neučiníte, může dojít ke zkrácení životnosti baterie nebo k její poruše.

## ZVOLTE VHODNÝ NÁSTAVEC PRO NEJLEPŠÍ VÝSLEDKY

**Rotační kartáč pro intenzivní čištění\*:** Doporučujeme použít na koberce, dostane se hluboko do koberce a vyčistí prach

**Měkký kartáč na choulostivé tvrdé podlahy\*:** Doporučujeme používat na tvrdé podlahy nebo choulostivé parkety. Díky měkkým štětinám můžete tyto typy podlah jemně vyčistit.

**DŮLEŽITÉ:** Před výměnou rotačního kartáče vysavač vždy vypněte.

**POZNÁMKA:** Pro připojení kartáče, který chcete použít: [17]

1. Odpojte uvolňovací klapku rotačního kartáče. Je umístěna na boční straně hubice.
2. K odstranění rotačního kartáče držte uvolňovací klapku rotačního kartáče a zatáhněte dolů.
3. Zaměňte rotační kartáč pro intenzivní čištění za kartáč na choulostivé tvrdé podlahy nebo naopak.
4. Zajistěte zpět uvolňovací klapku rotačního kartáče.

## BATERIE

Když se baterie při normálním používání vybíjí, kontrolka LED akumulátoru svítí bíle. Pokud je kapacita baterie nižší než 5 %, začne LED dioda blikat. [4]

Pokud k tomu dojde, měli byste přestat vysávat a ihned dobít baterii, kontrolka LED bude během nabíjení svítit ČERVENĚ. [1] Při nabíjení vysavače musí být spínač nepřetržitěho režimu v poloze vypnuto. Baterii je také možné nabíjet po vyjmutí z vysavače.

**POZNÁMKA:** Pokud nebudete přístroj delší dobu používat, vyjměte baterii z vysavače, aby byla zachována její životnost.

## SESTAVA STÍRACÍCH PÁSKŮ:

Abyste dosáhli co nejlepšího výkonu u štěrbin a koberců, doporučujeme nasadit přední a zadní stírací pásy na základní plochu hubice.

K tomu je zapotřebí otevřít klapku pro uvolnění kartáče a vyjmout měkký proužek. Poté uchopte jeden stírací pásek a vložte jeden konec do zadní drážky. Následně skluzem posouvejte dovnitř, dokud zcela nezapadne. Zopakujte tuto operaci pro druhý stírací pásek a zasuňte jej do otvoru na přední straně hubice. Zajistěte uvolňovací klapku. [5]

## OCHRANNÝ BEZPEČNOSTNÍ SYSTÉM

Aby spolehlivost výrobku, při použití v náročných podmínkách, nebyla ovlivněna, je zde integrovaný ochranný bezpečnostní systém.

**POZNÁMKA:** Bezpečnostní ochranný systém se aktivuje, pokud je rotační kartáč ucpaný nebo zablokovaný. Jakmile se rotační kartáč přestane otáčet, bílá LED dioda na přední straně hubice 5 krát blikne. [6] V takovém případě zkrátka vypněte vysavač a vyčistěte rotační kartáč. Pro opětovné spuštění vysavače stisknete tlačítko zap/vyp a zařízení začne znovu pracovat v normálním režimu.

\* Pouze u některých modelů

## PŘÍSLUŠENSTVÍ\*

### ŠTĚRBINOVÁ HUBICE A PRACHOVÝ KARTÁČ 2v1\*, VELKÝ PRACHOVÝ A NÁBYTKOVÝ KARTÁČ 2V1\*, DLOUHÁ OHEBNÁ ŠTĚRBINOVÁ HUBICE\*, MULTIFUNKČNÍ NÁSTAVEC NA VYSÁVÁNÍ STROPŮ\* A MINI-TURBO HUBICE NA ZVÍŘECÍ SRST\*

Výše uvedené příslušenství lze namontovat přímo na tělo vysavače nebo na trubici. [7]

**POZNÁMKA:** Pro vyjmutí hubice nebo hlavního těla vysavače z trubice stiskněte příslušné uvolňovací tlačítko a vytáhněte.

### RADIÁTOROVÝ NÁSTAVEC\* / HLOUBKOVÝ KARTÁČ\*

Při použití těchto dvou příslušenství musí být namontován adaptér \*. [7]

**POZNÁMKA:** Mini Turbo hubice je ideální pro hloubkové čištění textilních povrchů (například pohovky) a odstranění zvířecích chlupů. Pohybuje jí neustále dopředu a dozadu. Po použití nůžkami odstraňte vlasy či vlákna namotané na kartáči.

**POZNÁMKA:** Dlouhá ohebná štěrbinová hubice je vhodná pro čištění v obtížně přístupných místech, pod nábytkem a v autě.

**POZNÁMKA:** Radiátorový nástavec je vhodný pro čištění uvnitř a v okolí skříněk, radiátorů, gaučů, žaluzií a podobně.

**POZNÁMKA:** Pomocí hloubkového kartáče lze čistit úzká místa bez rizika poškrábání povrchu a také interiér auta.

**POZNÁMKA:** Multifunkční nástavec slouží ke snadnému přístupu k jemným povrchům bez poškrábání a také ke všem těžko přístupným povrchům. Multifunkční nástavec se skládá ze tří hlavních částí:

1. Štěrbinové hubice, která je ideální pro úzké prostory.
2. Prachový kartáč je ideální pro čištění povrchů bez poškrábání nebo poničení.
3. Nábytkového kartáče, který je ideální pro čištění povrchů jako například gauč.

### SÁČEK NA PŘÍSLUŠENSTVÍ\*

V sáčku na příslušenství lze uskladnit dodatečné příslušenství.

### NÁSTĚNNÝ DRŽÁK\*

Pro uskladnění a úsporu místa lze přístroj upevnit ke zdi pomocí tří šroubů a šroubových krytek. Vysavač, štěrbinová hubice a prachový kartáč 2v1 a velký prachový a nábytkový kartáč 2v1 lze uložit do nástěnného držáku. [8]

## ÚDRŽBA VYSAVAČE

### Vyprázdnění nádoby na prach

1. Stiskněte tlačítko pro uvolnění trubice z hlavního těla vysavače a vyjměte ji. [9]
2. Stiskněte tlačítko vyprázdnění nádoby na prach, aby se uvolnila klapka, a vysypte obsah. [10]
3. Uzavřete klapku nádoby na prach, při úplném zajištění uslyšíte cvaknutí.

**POZNÁMKA:** Doporučujeme vyprazdňovat nádobu na prach po každém použití, nebo při naplnění po maximální úroveň.

### Čištění nádoby na prach a filtru

1. Stiskněte tlačítko pro uvolnění trubice z hlavního těla vysavače a vyjměte ji. [9]
2. Stiskněte tlačítko vyprázdnění nádoby na prach, aby se uvolnila klapka, a vysypte obsah. [10]
3. Uzavřete klapku nádoby na prach, při úplném zajištění uslyšíte cvaknutí.
4. Stiskněte dvě uvolňovací tlačítka baterie a vyjměte baterii z hlavního těla vysavače. [11]
5. Otočte nádobu na prach ve směru hodinových ručiček, zarovnejte šipky a vyjměte ji z hlavního těla vysavače. [12]
6. Otočte cyklónový separátor prachu ve směru hodinových ručiček a vyjměte jej z cyklónu. [13]
7. Stiskněte dvě uvolňovací tlačítka výstupového filtru a vyjměte jej z hlavní jednotky. [14]
8. Očistěte samostatný cyklón suchým hadříkem. Vypláchněte výstupní filtr, zásobník na prach a cyklónový separátor ve vlažné vodě [15] a nechte 24 hodin uschnout. [16] Před zasunutím zpět do těla vysavače se ujistěte, že jsou všechny součásti zcela suché.

**POZNÁMKA:** Při čištění výstupového filtru nepoužívejte horkou vodu ani čisticí prostředky. V nepravděpodobném případě, že by se výstupový filtr poškodil, namontujte originální náhradní díl Hoover. Nepoužívejte vysavač bez namontovaného filtru.

**DŮLEŽITÉ:** Pro optimální výkon udržujte separační systém vždy v čistotě. Doporučujeme, abyste filtr umývali alespoň jednou za měsíc.

### Výměna a čištění rotačního kartáče

**DŮLEŽITÉ:** Před výměnou rotačního kartáče vysavač vždy vypněte.

1. Odpojte uvolňovací klapku rotačního kartáče. Je umístěna na boční straně hubice. [17a]
2. Držte uvolňovací klapku rotačního kartáče a vyjměte kobercový rotační kartáč. [17b]

\* Pouze u některých modelů

3. Chcete-li vyčistit rotační kartáč, odstraňte přebytečné nečistoty pomocí nůžek. [17c]
4. Chcete-li vyčistit měkký kartáč pro šetrné vysávání, opláchněte ho vodou [17d] a nechte 24 hodin sušit. [17e]
5. Uložte zpět měkký kartáč pro šetrné vysávání. [17f] Kartáč může být uložen pouze v jednom směru.
6. Uzavřete klapku rotačního kartáče a zajistěte kartáč pro šetrné čištění na svém místě. [17g]

### Výměna baterií

Tento vysavač je vybaven dobíjecí lithium-iontovou baterií, která je vyměnitelná.

**VAROVÁNÍ:** Pro svůj vysavač používejte pouze schválené náhradní díly. Používání dílů neschválených firmou Hoover je nebezpečné a přicházíte tím o záruku.

**VAROVÁNÍ:** Nepokoušejte se sami rozmontovat nebo opravit baterii.

1. Stiskněte tlačítko uvolnění baterie a posunutím jí vyndejte. [11]
2. Vyměňte starou baterii za novou.
3. Zlikvidujte baterie bezpečně a ekologicky. Použité baterie by měly být přijaté do recyklační stanice a nesmějí být vyhazované dohromady s běžným odpadem.

### ŘEŠENÍ POTÍŽÍ

Budete-li mít s vysavačem nějaký problém, projděte, prosím, před zavoláním do Zákaznického servisního střediska Hoover tyto body:

#### A. Vysavač se nezapíná

Zkontrolujte, zda je baterie nabitá.

Zkontrolujte, jestli je baterie na svém místě.

#### B. Ztráta sacího výkonu nebo žádné sání

Vyprázdněte nádobu na prach a omyjte výstupní filtr a cyklónový separátor prachu.

Sundejte hubici a zkontrolujte, zda není průchod trubice zablokovaný.

#### C. Baterie nelze nabíjet

To může být následkem velmi dlouhé doby skladování bez nabíjení (více než půl roku).

Kontaktujte Zákaznické servisní středisko Hoover a dojednejte si výměnu baterií.

Pokud problém přetrvává, kontaktujte Zákaznické servisní středisko Hoover: [www.hoover.cz/cs\\_CZ/servis](http://www.hoover.cz/cs_CZ/servis)

### NÁHRADNÍ DÍLY A SPOTŘEBNÍ MATERIÁLY HOOVER

Vždy používejte originální náhradní díly společnosti Hoover. Získáte je u místního prodejce výrobků Hoover nebo u servisních partnerů. V objednávce dílů laskavě vždy uvádějte číslo modelu.

### VAŠE ZÁRUKA

Záruční podmínky pro tento vysavač stanovuje Váš zástupce v zemi, v níž je prodáván. Přesné znění podmínek vám poskytne prodejce, u něhož jste si zařízení zakoupili. Při reklamaci podle těchto záručních podmínek je nutné předložit doklad o koupi nebo účtenku.

**DŮLEŽITÉ:** Baterie tohoto vysavače má záruční lhůtu 6 měsíců od data zakoupení. Po 6 měsících nese zákazník náklady spojené s nákupem nové baterie.

Právo změny bez předchozího upozornění vyhrazeno.

## NAVODILA ZA VARNO UPORABO

Sesalnik lahko uporabljate le za čiščenje stanovanjskih prostorov, kot je opisano v tem priročniku. Prosimo, da se pred uporabo sesalnika temeljito seznanite s temi navodili.

Pred čiščenjem naprave ali kakršnimi koli vzdrževalnimi deli vedno izklopite sesalnik in odstranite polnilnik iz vtičnice.

To napravo lahko uporabljajo otroci, starejši od 8 let ter osebe z zmanjšanimi telesnimi, zaznavnimi in mentalnimi sposobnostmi ali osebe s pomanjkljivimi izkušnjami in znanjem, če so pod nadzorom ali so bile ustrezno podučene o varni uporabi naprave ter se zavedajo nevarnosti, ki so povezane z njegovo uporabo. Otroci se ne smejo igrati z aparatom. Otroci ne smejo čistiti ali vzdrževati aparata brez nadzora.

Če je napajalni električni kabel poškodovan, nemudoma prenehajte z uporabo sesalnika. Da bi se izognili nevarnosti, mora napajalni električni kabel zamenjati pooblaščen Hooverjev serviser.

Imejte roke, noge, ohlapna oblačila in lase proč od vrtljivih krtač.

Uporabljajte le originalni polnilnik, ki je priložen napravi.

Preverite, ali je napajalna napetost enaka tisti, ki je navedena na polnilniku.

Ta Candyjev aparat je dobavljen z dvojno izoliranim polnilcem baterij, ki je primeren samo za priključitev na 230-V (UK 240V) vtičnico.

Polnilnik priključite v ustrezno vtičnico in nato drugi del priključite še v napravo.

Med polnjenjem naprave mora biti gumb za vklop in izklop naprave v legi OFF.

Pred prvo uporabo baterijo naprave polnite vsaj 24 ur. Med polnjenjem bo LED luč za baterijo svetila RDEČE, BELO se bo obarvala, ko bo naprava popolnoma napolnjena.

Po uporabi naprave spet priključite polnilnik in tako vnovič napolnite baterijo.

Nikoli ne polnite baterij pri temperaturah višjih od 37 °C ali nižjih od 0 °C.

Normalno je, da se polnilnik med polnjenjem segreva.

Ne izklaplajte polnilnika tako, da povlečete za kabel.

Polnilec izklopite v primeru daljše odsotnosti (počitnice, itd.). Pred ponovno uporabo spet napolnite baterije, saj se lahko te izpraznijo samodejno, če sesalnika dlje časa ne uporabljate.

Če boste napravo odvrgli, morate najprej odstraniti baterije. Ko želite odstraniti baterije, mora biti naprava izključena iz električnega toka. Baterije odvrzite na varen način. Napravo pustite delovati dokler baterije niso popolnoma prazne. Uporabljene baterije je treba odnesti v enoto za recikliranje. Baterije se ne smejo odvreči v gospodinjске odpadke. Za odstranitev baterij vas prosimo, da se obrnete na Hooverjev center za kupce ali nadaljujete po sledečih navodilih.

**POMEMBNO:** Pred odstranjevanjem baterije vedno popolnoma izpraznite.

Sesalnik naj deluje toliko časa, da se baterije do konca izpraznijo.

Vtikač polnilca odstranite iz naprave.

Pritisnite na gumbe za odstranitev baterije in jo odstranite tako, da jo potegnete vstran. [11]

**OPOMBA:** V primeru težav z razstavljanjem naprave ali za podrobnejše informacije o ravnanju z izdelkom, obnovi ali recikliranju izdelka se obrnite na krajevni urad ali komunalno podjetje za odvoz gospodinjских odpadkov.

Uporabljajte le dodatke, potrošni material ali nadomestne dele, ki jih priporoča ali dobavi Hoover.

**Statična elektrika:** Določene vrste preprog lahko ustvarijo manjšo količino statične elektrike. Noben statični električni naboj ne ogroža zdravja.

Sesalnika ne smete uporabljati na prostem, na kakršni koli mokri površini ali za sesanje tekočin.

Ne smete sesati trdih ali ostrih predmetov, vžigalic, vročega pepela, cigaretnih ogorkov ali drugih podobnih snovi. Ne smete pršiti ali sesati vnetljivih tekočin, čistil, osvežilcev zraka ali njihovih hlapov.

Ne smete zapeljati prek napajalnega kabla med uporabo sesalnika ali izvleči vtikača tako, da bi vlekli za kabel. Ne smete uporabljati naprave ali polnilnika, če ne delujeta pravilno.

**Hooverjev servis:** Za zagotovitev nenehnega varnega in učinkovitega delovanja naprave priporočamo, da servis ali popravila izvrši le pooblaščen Hooverjev serviser.

Sesalnika ne smete uporabljati za sesanje na živalih ali ljudeh.

Polnljivih baterij ne smete zamenjati z navadnimi baterijami.

#### Okolje:

Ta naprava je označena v skladu z evropsko direktivo 2011/65/ES o odpadni električni in elektronski opremi (OEEEO). S pravilnim odstranjevanjem izdelka boste pripomogli k preprečevanju morebitnih negativnih vplivov na okolje in človekovo zdravje, do česar bi utegnilo priti ob neprimerni odstranitvi tega izdelka. Simbol na izdelku pomeni, da izdelka ne smete odstraniti kot gospodinjski odpadke. Oddati ga morate na zbirnem mestu za recikliranje električne in elektronske opreme. Odstranitev morate izvesti v skladu s krajevnimi okoljskimi predpisi glede odstranjevanja odpadkov. Za podrobnejše informacije o ravnanju z izdelkom, obnovi in recikliranju izdelka se obrnite na krajevni urad, komunalno podjetje za odvoz gospodinjskih odpadkov ali trgovino, kjer ste izdelek kupili.



Ta naprava je v skladu z evropskimi direktivami 2014/35/EU, 2014/30/EU in 2011/65/EU.

CANDY HOOVER GROUP S.r.l. Via Privata Eden Fumagalli, 20861 Brugherio (MB) Italy

### SESTAVNI DELI IZDELKA

- |                                       |   |
|---------------------------------------|---|
| A. Stenski nosilec*                   | P. Baterija   |
| B. Vijaki za pritrditev na steno*     | Pa. Gumbi za sprostitve baterije                      |
| C. Osnovni del                        | Pb. Vhod za polnjenje baterije                        |
| D. Turbo Gumb                         | Pc. Led luč za polnjenje/praznjenje baterije          |
| E. Gumb za sprostitve na glavnem delu | Q. Polnilnik za baterijo                              |
| F. Cev                                | Ra. Stikalo za vklop/izklop                           |
| G. Gumb za sproščanje nastavkov       | Rb. Ročica za neprekinjeni način                      |
| H. Nastavek                           | S. Gumbi za sprostitve izpušnega filtra               |
| I. Odpiralna loputa vrtljive krtače   | T. Izhodni filter                                     |
| J. Sprednje led luči krtače           | U. 2 v 1 velik nastavek za brisanje prahu in pohištv* |
| K. Metlica brisalca                   | V. Nastavek za reže in prah 2V1*                      |
| Ka. Intenzivni nastavek za tla        | W. Mini turbo krtača*                                 |
| Kb. Nastavek za globinsko nego        | X. Pomožni adapter*                                   |
| Kc. Zadnji mehki trak                 | Y. Krtača za čiščenje radiatorjev*                    |
| L. Posoda za prah                     | Z. Krtača za globinsko čiščenje*                      |
| M. Gumb za izpraznitev posode za prah | AA. Večfunkcijski pripomoček*                         |
| N. Enojni ciklonski separator         | AB. Dolg in ozek upogljivi nastavek*                  |
| O. Enojni ciklonski sistem            |   |

### PRIPRAVA VAŠEGA SESALNIKA

1. Pred prvo uporabo popolnoma napolnite baterijo naprave tako, da vtič za polnjenje vtaknete v baterijo. Čas polnjenja je približno 5 ur. Med polnjenjem bo LED luč za baterijo svetila RDEČE, BELO se bo obarvala, ko bo naprava popolnoma napolnjena. [1]
2. Nastavljajte cev na šobo, dokler ne zaslišite, da je "kliknila" na pravo mesto. [2a]
3. Nastavljajte glavni del na cev, dokler ne zaslišite, da je "kliknil" na pravo mesto. [2b]

**OPOMBA:** Nastavek snamete tako, da pritisnete gumb za sproščanje nastavka in ga izvlečete iz osnovnega dela.

**OPOMBA:** Pri ponovnem polnjenju uporabite samo polnilnik, ki je dobavljen z vašim sesalnikom.

**POMEMBNO:** Med polnjenjem naprave mora biti stikalna ročica v legi OFF. Odstranljivo baterijo lahko polnite tudi, ko ni na izdelku.

Normalno je, da se polnilnik med polnjenjem segreva.

\* Le pri določenih modelih

## UPORABA SESALNIKA

Obstajajo trije načini delovanja:

• **STANDARDNI NAČIN:** Ko pritisnete na stikalo za VKLOP/IZKLOP, je čistilni aparat pripravljen za temeljito čiščenje z glavnim motoriziranim nastavkom. [3a]

**OPOMBA:** Standardni način je priporočljiv za čiščenje trdih površin in dvignjenih površin.

• **NEPREKINJENI NAČIN:** Če želite vključiti neprekinjeni način, stikalno ročico povlecite nazaj in ta bo spet prešla v svojo lego. Če želite izključiti neprekinjeni način, stikalno ročico potisnite naprej. [3b]

• **NAČIN TURBO:** Za čiščenje zelo umazanih površin pritisnite na gumb za turbo delovanje. [3c]

**POMEMBNO:** Po vsaki uporabi sesalnika potisnite stikalno ročico naprej in jo tako namestite v zaklenjeno lego. Če tega ne storite, se lahko življenjska doba baterije skrajša ali se pojavi napaka.

## ZA NAJBOLJŠE ČIŠČENJE IZBERITE PRIMEREN NASTAVEK

**Intenzivni nastavek za tla\*:** Je priporočljiv za uporabo na preprogi, saj lahko sesa globoko v preprogo in očisti prah.

**Nastavek za globinsko nego\*:** je priporočljiv za uporabo na trdih tleh ali na občutljivem parketu. To vrsto tal lahko nežno očistite zahvaljujoč mehkim ščetinam.

**POMEMBNO:** Pred zamenjavo in čiščenjem vrtljive krtače vedno ugasnite sesalnik.

**OPOMBA:** Za sestavo nastavka, ki ga želite uporabiti: [17]

1. Odstranite odpiralno loputo vrtljive krtače. Ta se nahaja na stranskem delu krtače.
2. Držite odpiralno loputo vrtljive krtače in povlecite navzdol ter tako odstranite vrtljivo krtačo.
3. Zamenjajte z intenzivnim nastavkom za tla ali z nastavkom za globinsko nego.
4. Odpiralno loputo vrtljive krtače spet namestite v njeno prvotno lego.

## BATERIJA

Ko je baterija pri normalni uporabi prazna, je LED luč baterije bele barve. Ko je zmogljivost baterije pod 5 %, bo BELA LED luč začela utripati. [4]

Ko pride do tega, morate prenehati s čiščenjem in takoj napolniti baterijo, med polnjenjem pa se bo LED luč obarvala RDEČE. [1] Ko polnite izdelek, mora biti ročica za neprestani način na položaju IZKLOP, baterijo pa je možno polniti tudi takrat, ko ni nameščena na izdelek.

**OPOMBA:** Če naprave za čiščenje ne boste uporabljali dlje časa, prosimo, da odstranite baterijo iz naprave in na ta način ohranite daljšo življenjsko dobo baterije.

## NAMEŠČANJE BRISALCEV

Za doseganje najboljših rezultatov pri čiščenju preprog in razpok je priporočljivo, da namestite prednje in zadnje brisalce na podnožje šobe.

Da bi to naredili, morate odpreti loputo za odstranjevanje krtače in odstraniti mehki trak. Nato namestite enega od brisalcev tako, da vstavite en konec brisalca na zadnjo odprtino in ga potiskate, dokler ni popolnoma nameščen. Ponovite isti postopek še za drugi brisalec in ga namestite na prednjo odprtino. Zaprite loputo za odstranjevanje krtače. [5]

## VARNOSTNI SISTEM

Da se zanesljivost izdelka ne bi zmanjšala v primeru uporabe v zahtevnih pogojih, je na samem izdelku nameščen varnostni sistem.

**OPOMBA:** Varnostni sistem se bo sprožil, če bo v krtači blokada ali pa se bo zaklenila. Ko se sproži, se krtača neha vrteti in bela led luč na sprednji strani nastavka bo 5 krat utripnila. [6] Če se to zgodi, ugasnite napravo in iz krtače odstranite oviro. Če želite spet zagnati napravo, pritisnite tipko on/off in naprava bo spet začela delovati v normalnem načinu.

## DODATNI PRIKLJUČKI\*

**NASTAVEK ZA REŽE IN PRAH 2 V 1\*, 2 V 1 VELIK NASTAVEK ZA BRISANJE PRAHU IN POHIŠTVA\*, DOLG IN OZEK UPOGLJIV NASTAVEK\*, VEČFUNKCIJSKO ORODJE ZA DOSEGANJE DO VRHA\* IN MINI TURBO KRTAČA\*** Zgoraj navedene pripomočke lahko namestite neposredno na glavno enoto ali na cev. [7]

**OPOMBA:** Pritisnite na primeren gumb za sprostitev in potegnite stran, če želite odstraniti nastavek ali glavno enoto s cevi.

\* Le pri določenih modelih



**KRTAČA ZA ČIŠČENJE RADIATORJEV\* / KRTAČA ZA GLOBINSKO ČIŠČENJE\***

Adapter za pripomočke\* mora biti vedno nameščen, ko uporabljate ta 2 pripomočka. [7]

**OPOMBA:** Mini-turbo krtača je idealna za čiščenje tekstilnih površin (npr. naslanjačev) in za odstranjevanje živalske dlake. Enakomerno jo potiskajte naprej in nazaj. Po uporabi odstranite dlake/delce, ki so se nabrali na krtači, po potrebi pa za to uporabite škarje.

**OPOMBA:** Dolga in ozka prilagodljiva cev je idealna za čiščenje težje dostopnih predelov, površin pod pohištvo in avtomobila.

**OPOMBA:** Krtača za radiatorje je idealna za čiščenje notranjosti omar, radiatorjev, naslanjačev, žaluzij idr.

**OPOMBA:** Krtača za globinsko čiščenje je idealna za čiščenje težje dostopnih predelov tudi v avtomobilu, pri tem pa ne odrgne površin.

**OPOMBA:** Večfunkcijski pripomoček je namenjen preprostemu čiščenju občutljivih površin, saj jih ne odrgne, prav tako pa je idealen za čiščenje težje dostopnih predelov. Večfunkcijski pripomoček sestavljajo trije osnovni elementi:

1. Ozki nastavek je idealen za čiščenje težje dostopnih predelov.
2. Krtača za brisanje prahu je idealna za čiščenje občutljivih površin, saj jih ne poškoduje ali opraska.
3. Krtača za pohištvo je idealna za čiščenje elementov, kot je na primer zofa.

**TORBA ZA PRIPOMOČKE\***

Dodatne pripomočke lahko shranite v torbo za pripomočke.

**STENSKI NOSILEC\***

Za shranjevanje in prihranek prostora lahko vašo napravo pritrdite na steno s tremi priloženimi vijaki.

Izdelek, 2v1 nastavek za šobe in prah in 2v1 velik nastavek za prah in pohištvo lahko shranite na stenski nosilec. [8]

**VZDRŽEVANJE SESALNIKA****Praznjenje posode za prah**

1. Pritisnite gumb za sprostitev glavnega dela in odstranite cev. [9]
2. Gumb za izpraznitev posode za prah potisnite navzdol ter tako sprostite pokrov posode in zatem izpraznite vsebino. [10]
3. Zaprite pokrov posode za prah. Ko se pokrov povsem zapre, zaslišite "klik".

**OPOMBA:** Posodo za prah izpraznite po vsaki uporabi sesalnika ali ko prah doseže zgornjo oznako največje dovoljene količine prahu.

**Očistite posodo za prah in filter.**

1. Pritisnite gumb za sprostitev glavnega dela in odstranite cev. [9]
2. Gumb za izpraznitev posode za prah potisnite navzdol ter tako sprostite pokrov posode in zatem izpraznite vsebino. [10]
3. Zaprite pokrov posode za prah. Ko se pokrov povsem zapre, zaslišite "klik".
4. Pritisnite na gumba za odstranitev baterije in jo odstranite z glavne enote. [11]
5. Posodo za prah zavrtite v smeri urinega kazalca, uskladite narisane puščice in jo odstranite z osrednjega dela čistilne naprave. [12]
6. Enojni ciklonski separator obračajte v smeri urinega kazalca in ga odstranite z enojnega ciklona. [13]
7. Pritisnite na gumba za odstranitev izpušnega filtra in odstranite izpušni filter z glavne enote. [14]
8. Enojni ciklon očistite s suho krpo. Operite izpušni filter, posodo za prah in ciklonski separator v mlačni vodi [15]. Pustite, da se 24 ur suši. [16] Prepričajte se, da so vsi sestavni deli popolnoma suhi, preden jih ponovno namestite na glavno enoto.

**OPOMBA:** Izpušnega filtra nikoli ne čistite z vročo vodo ali detergenti. Če se izpušni filter poškoduje (kar je zelo redko), namestite originalno Hoover zamenjavo. Naprave ne uporabljajte, če filter ni nameščen.

**POMEMBNO:** Za optimalno učinkovitost naj bo ločevalni sistem vedno čist. Priporočamo, da filter operete enkrat na mesec.

**Menjava in čiščenje vrtljive krtače**

**POMEMBNO:** Pred zamenjavo in čiščenjem vrtljive krtače vedno ugasnite sesalnik.

1. Odstranite odpiralno loputo vrtljive krtače. Ta se nahaja na stranskem delu krtače. [17a]
2. Držite odpiralno loputo vrtljive krtače in odstranite krtačo za globinsko nego. [17b]
3. Pri čiščenju Intenzivne krtače za tla odstranite ostalo umazanijo s pomočjo škarij. [17c]
4. Za čiščenje Krtače za globinsko nego, sperite z vodo [17d] in pustite, da se suši 24 ur. [17e]
5. Ponovno namestite nastavek za globinsko nego. [17f] Krtačo lahko namestite samo na en način.
6. Zaprite odpiralno loputo krtače zato, da namestite nastavek za globinsko nego na pravi položaj. [17g]

**Menjava baterij**

Ta naprava za čiščenje je opremljena z litijsko baterijo, ki jo je mogoče ponovno napolniti in jo je mogoče zamenjati.

**OPOZORILO:** Za svoj sesalnik uporabljajte samo odobrene nadomestne dele. Uporaba delov, ki jih Hoover ne priporoča, je nevarna in bo razveljavila garancijo.

**OPOZORILO:** Ne poskušajte sami odpreti in popraviti baterije.

\* Le pri določenih modelih

1. Pritisnite na gube za odstranitev baterije in jo odstranite tako, da jo potegnete vstran. [11]
2. Zamenjajte staro baterijo z novo baterijo.
3. Baterije odvrzite na varen način. Uporabljene baterije je treba odnesti v enoto za recikliranje. Baterije se ne smejo odvreči v gospodinjske odpadke.

## ODPRAVLJANJE TEŽAV

Če boste imeli kakršne koli težave z vašim sesalnikom, preden pokličete Hooverjev servisni center za stranke s pomočjo enostavnega seznama v nadaljevanju preverite naslednje:

### A. Sesalnik se ne vklopi

Preverite, ali je baterija polna.

Preverite, ali je baterija pravilno nameščena.

### B. Sesalna moč je manjša ali pa sesalnik sploh ne vsesava

Izpraznite posodo za prah in operite izpušni filter in ciklonski separator.

Odstranite krtačo in preverite, ali se v cevi nahaja kakršenkoli predmet, ki onemogoča prehod.

### C. Baterij ne morete napolniti

To je morebitna posledica zelo dolgega obdobja shranjevanja (več kot pol leta).

Kontaktirajte Hooverjev servis za stranke, da se dogovorite za zamenjavo baterij.

Če se težava nadaljuje, kontaktirajte Hooverjev servisni center za stranke.

## NADOMESTNI DELI IN POTROŠNI MATERIAL HOOVER

Vedno uporabljajte originalne nadomestne dele Hoover. Dobite jih pri lokalnem prodajalcu Hooverjevih izdelkov. Pri naročanju delov vedno navedite številko modela.

## GARANCIJA

Garancijski pogoji za to napravo so taki, kot jih določi zastopnik v državi, kjer je naprava prodana. Podrobnosti glede garancijskih pogojev lahko dobite od prodajalca, pri katerem ste napravo kupili. Če želite uveljavljati kakršno koli garancijo, potrebujete potrdilo o nakupu ali račun.

**POMEMBNO:** Zagotovljena življenska in garancijska doba baterij tega sesalnika je 6 mesecev od časa nakupa. Po šestih mesecih mora uporabnik sam poravnati stroške nove baterije.

Garancija se lahko spreminja brez predhodnega obvestila.

## GÜVENLİ KULLANIM TALİMATLARI

Bu ürün kullanım kılavuzunda belirtildiği gibi yalnızca ev temizliği için kullanılmalıdır. Lütfen ürünü kullanmadan önce bu kılavuzun tam olarak anlaşıldığından emin olun.

Cihazı temizlemeden ya da herhangi bir bakım işlemi uygulamadan önce daima cihazı kapatın ve şarj aletini prizden çıkarın.

Bu cihaz 8 yaş ve üzeri çocuklar ve yetersiz fiziksel, duyuşsal veya zihinsel kabiliyete sahip kişiler ya da deneyim ve bilgi yoksunu kişiler tarafından bir yetişkinin gözetiminde veya cihazın güvenli bir şekilde kullanımı ile ilgili talimatı ve bulunan tehlikelerin açıkça anlatılması ile kullanılabilir. Çocuklar cihaz ile oynamamalıdır. Temizleme ve bakım işlemi denetimsiz şekilde çocuklar tarafından yapılmamalıdır.

Güç kablosu hasar görürse cihazı kullanmayı derhal bırakın. Herhangi bir yaralanmaya engel olmak için güç kablosunun mutlaka yetkili bir Hoover servisi tarafından değiştirilmesi gereklidir.

Ellerinizi, ayaklarınızı, bol giysileri ve saçlarınızı dönen fırçalardan uzak tutun.

Yalnızca cihazla birlikte verilen şarj aletini kullanın.

Besleme voltajının şarj aleti üzerinde belirtilen değerle aynı olup olmadığını kontrol edin.

Bu Hoover ev aleti sadece 230V (İngiltere: 240V) prize takılması uygun olan çift izolasyonlu bir batarya şarj cihazıyla verilmektedir.

Şarj cihazını uygun bir prize takın ve şarj aleti jakının prizini cihaza takın.

Aygıtı şarj ederken güç anahtarı kolu kapalı konumda olmalıdır.

İlk kullanımdan önce elektrikli süpürgeyi en az 24 saat şarj edin. Şarj sırasında pil şarj ünitesi KIRMIZI renkte yanar ve şarj tamamlandığında BEYAZA döner.

Pilleri yeniden şarj etmek için kullanım sonrasında cihazı yeniden şarj cihazına bağlayın.

Pilleri kesinlikle 37°C'nin üzerindeki veya 0°C'nin altındaki sıcaklıklarda şarj etmeyin.

Şarj aletinin şarj olurken ısınması doğaldır.

Şarj aletinin fişini kablodan çekerek çıkarmayın.

Uzun süre evde bulunmayacaksanız (tatil vs. gibi nedenlerle) şarj aletini prizden çekin. Uzun süre kullanılmayan elektrikli süpürge'nin şarjı kendi kendine bitebileceğinden, yeniden kullanmadan önce süpürgeyi iyice şarj edin.

Cihaz atılacağı zaman, öncelikle piller çıkartılmalıdır. Pil çıkartılırken, cihaz şebeke beslemesinden çıkartılmalıdır. Pilleri güvenli bir şekilde imha edin. Pillerin tamamen boşalması için cihazı durana kadar çalıştırın. Kullanılmış piller bir geri dönüştürme istasyonuna götürülmeli ve evsel atıklarla birlikte atılmamalıdır. Pilleri çıkarmak için, lütfen Hoover Müşteri Merkezi ile temasa geçin veya aşağıdaki talimatlara göre devam edin.

**ÖNEMLİ:** Çıkarmadan önce pilleri her zaman tamamendeşarj edin.

Süpürgeyi piller tamamen boşalana kadar çalıştırın.

Şarj cihazı jak fişini cihazdan çıkarın.

Pil takımı serbest bırakma düğmelerine basın ve çıkarmak için kaydırın. [11]

**NOT:** Birimin parçalarına ayrılması ile ilgili zorluk yaşarsanız ya da cihazın tamiri, onarımı ya da geri dönüşümü ile ilgili daha ayrıntılı bilgiye ihtiyaç duyarsanız lütfen belediyeniz ya da ev atıkları imha hizmetleri ile görüşün.

Yalnızca Hoover tarafından önerilen veya sağlanan aparatları, malzemeleri ve yedek parçaları kullanın.

**Statik elektrik:** Bazı halılar statik elektrik oluşuma neden olabilir. Statik elektrikdeşarjı sağlığa zararlı değildir.

Cihazınızı dış mekanlarda veya ıslak yüzeylerde ya da ıslak toplama için kullanmayın.

Sert veya keskin nesnelere, kibritleri, sıcak külleri, sigara izmaritleri veya diğer benzeri öğeleri toplamayın. Yanıcı sıvıları, temizleme sıvılarını, aerosollerini veya spreyleri püskürtmeyin ya da toplamayın.

Cihazı kullanırken güç kablosu üzerine basmayın veya güç kablosundan çekerek prizden çıkarmayın. Arıza görünürse cihazı veya şarj aletini kullanmayı bırakın.

**Hoover teknik servisi:** Cihazın uzun süre güvenli ve verimli kullanımını sağlamak için, servis ve bakımlarının yetkili Hoover servisinde yapılmasını tavsiye ederiz.

Cihazı hayvanları veya insanları temizlemek için kullanmayın.

## Pilleri şarj edilemeyen pillerle değiştirmeyin.

### Çevre:

Bu cihaz Atık Elektrikli ve Elektronik Teçhizat (WEEE) hakkında Avrupa direktifi 2011/65/EC'ye uygunluk işaretine sahiptir. Bu ürünün doğru bir şekilde atılmasını sağlayarak, yanlış atılmasından dolayı çevre ve insan sağlığında oluşabilecek olumsuz etkilerin önlenmesine katkıda bulunacaksınız. Ürünün üzerindeki sembol, bu ürünün ev atığı olarak değerlendirilmeyeceğini gösterir. Bunun yerine ürün, elektrikli ve elektronik cihazların geri dönüştürülmesi için oluşturulan geçerli bir toplama noktasına bırakılmalıdır. İmha, atık imhası için düzenlenen yerel çevre yönetmeliklerine uygun olarak yapılmalıdır. Ürünün nasıl elden çıkarılacağı konusunda daha detaylı bilgi için bağlı bulunduğunuz muhtarlığa, çöp toplama şirketine veya ürünü satın almış olduğunuz mağazaya müracaat edin.



Bu ürün 2014/35/EU, 2014/30/EU ve 2011/65/EU' Avrupa Direktiflerine göre uygundur.

CANDY HOOVER GROUP S.r.l. Via Privata Eden Fumagalli, 20861 Brugherio (MB) Italy

### ÜRÜN BİLEŞENLERİ

- |                                       |  |
|---------------------------------------|--|
| A. Duvara Montaj*                     | P. Batarya Grubu                                   |
| B. Duvara Montaj Vidaları*            | Pa. Pil Takımını Çıkarma Düğmeleri                 |
| C. Ana Gövde                          | Pb. Pil Takımı Şarj Girişi                         |
| D. Turbo düğmesi                      | Pc. Şarj Ünitesi LED Işığı                         |
| E. Ana Gövdeyi Çıkarma Düğmesi        | Q. Pil Takımı Şarj Aleti                           |
| F. Boru                               | Ra. On/Off (açma/kapama) Düğmesi                   |
| G. Başlık Çıkarma Düğmesi             | Rb. Sürekli Mod Kolu                               |
| H. Başlık                             | S. Egzoz Filtresi Açma Düğmeleri                   |
| I. Karıştırıcı Serbest Bırakma Kapağı | T. Çıkış Filtresi                                  |
| J. Başlık Ön LED'i                    | U. 2'si 1 Arada Büyük Toz Alma ve Mobilya Aparatı* |
| K. Silecek Kanadı                     | V. 2'SI 1 Arada kenar-köşe ve toz alma aparatı*    |
| Ka. Yoğun Zemin Rulosu                | W. Mini Turbo Başlık*                              |
| Kb. Derinlemesine Temizlik Rulosu     | X. Aksesuar Uyarlayıcı*                            |
| Kc. Arka Yumuşak Şerit                | Y. Radyatör Aparatı*                               |
| L. Toz haznesi                        | Z. Derin Temizleme Fırçası*                        |
| M. Toz Haznesi Boşaltma Düğmesi       | AA. Çok İşlevli Yüksek Yüzey Aparatı*              |
| N. Siklonik Ayırıcı                   | AB. Uzun esnek kenar-köşe aparatı*                 |
| O. Siklonik                           |  |

### SÜPÜRGENİZİN HAZIRLANMASI

1. İlk kullanımda şarj cihazı fişini pil takımına takarak cihaz pilini tamamen şarj edin. Şarj süresi yaklaşık 5 saattir. Şarj sırasında pil şarj ünitesi KIRMIZI renkte yanar ve şarj tamamlandığında BEYAZA döner. **[1]**
  2. Yerine oturduğunu gösteren 'tık' sesini duyana kadar boruyu başlığa takın. **[2a]**
  3. Yerine oturduğunu gösteren 'tık' sesini duyana kadar ana gövde ünitesini boruya takın. **[2b]**
- NOT:** Başlığı çıkarmak için başlık çıkarma düğmesine basın ve başlığı çekerek ana gövdeden çıkarın.
- NOT:** Sadece elektrikli süpürgeyle birlikte verilen şarj aletini kullanın.
- ÖNEMLİ:** Elektrik süpürgesini temizlerken anahtar kolu KAPALI konumda olmalıdır. Değiştirilebilir pil takımını üründen çıkarılmış halde de şarj edebilirsiniz.
- Şarj aletinin şarj olurken ısınması doğaldır.

\* Sadece bazı modeller için

## TEMİZLEYİCİNİN KULLANIMI

Üç çalışma modu vardır:

• **STANDART MOD:** AÇMA-KAPAMA düğmesine bastığınızda, süpürge ana motorlu başlık ile derinlemesine temizlik yapmaya hazır olacaktır. **[3a]**

**NOT:** Sert zeminlerin ve üst zeminlerin temizlenmesinde standart modun kullanılması önerilir.

• **SÜREKLİ MOD:** Sürekli modu etkinleştirmek için anahtar kolunu geri çekip, yerine oturtun. Sürekli modu devre dışı bırakmak için anahtar kolunu ileriye doğru itebilirsiniz. **[3b]**

• **TURBO MODU:** Zorlu temizlik görevlerinde tam güç kullanımı için Turbo Düğmesine basın. **[3c]**

**ÖNEMLİ:** Ürününüzün her kullanımından sonra lütfen anahtar kolunu ileriye kilitleti konuma ittiğinizden emin olun. Aksi takdirde batarya ömründe azalma veya arızaya neden olabilir.

## EN İYİ TEMİZLİK İÇİN UYGUN RULOYU SEÇİN

**Yoğun Zemin Rulosu\*:** Tozları temizlemek üzere halının derinliklerine inebildiğinden halı üzerinde kullanılması önerilir. **Derinlemesine Temizlik rulosu\*:** sert zeminler ya da hassas parkeler üzerinde kullanılması önerilir. Yumuşak fırçaları sayesinde bu tür zeminleri nazikçe temizleyebilirsiniz.

**ÖNEMLİ:** Döner fırçayı değiştirmeden veya temizlemeden önce daima cihazı kapatın.

**NOT:** Kullanmak istediğiniz ruloyu takmak için: **[17]**

1. Döner fırça serbest bırakma kapağını çıkarın. Bu kapak ağızlığın yan kısmında yer alır.
2. Döner fırçayı serbest bırakma kapağını tutun ve döner fırçayı aşağı çekerek çıkarın.
3. Yoğun Zemin Rulosunu Derinlemesine Temizlik Rulosu ile değiştirin.
4. Döner fırça serbest bırakma kapağını yeniden uygun konuma getirin.

## PİL

Cihaz normal kullanımda, şarj ünitesi LED ışığı beyaz renkte yanar. Pil kapasitesi %5'in altına düştüğünde, BEYAZ LED ışığı yanıp sönmeye başlayacaktır. **[4]**

Bu olduğunda, temizliği durdurmalı ve pilinizi derhal şarj etmelisiniz; şarj işlemi sırasında LED KIRMIZI renkte yanacaktır. **[1]**

Ürünü şarj ederken, sürekli değiştirme kolu KAPALI konumda olmalıdır, pil takımı, üründen çıkarılmış halde de şarj edilebilir.

**NOT:** Elektrik süpürgesini uzun süre kullanmayacasanız lütfen batarya ömrünü korumak için batarya grubunu elektrik süpürgesinden çıkarın.

## SİLECEK KANADI TERTİBATI

Kenarlarda, köşelerde ve halılarda en iyi performansın sağlanması için ön ve arka silecek kanadının başlığın taban plakasına monte edilmesi önerilir.

Bunu yapmak için, döner fırçayı serbest bırakma kapağını açın ve yumuşak şeridi çıkarın. Daha sonra, silecek kanadının birini, bir ucu arka yuvaya yerleştirerek kavrayın ve yerine oturana kadar itin. Bu işlemleri, ikinci silecek kanadı için yineleyin ve daha sonra ön yuvaya doğru kaydırın. Döner fırçayı serbest bırakma kapağını kilitleyin. **[5]**

## EMNİYETLİ KORUMA SİSTEMİ

Ürün, ağır koşullar altında kullanıldığında güvenilirliğinin sağlanması için emniyetli koruma sistemi ile donatılmıştır.

**NOT:** Döner başlık fırçası tıkalı veya kilitleti olduğunda emniyetli koruma sistemi çalışacaktır, çalıştırıldığında döner fırça dönmeyi bırakacak, başlığın önündeki beyaz LED ışıklar 5 kez yanıp sönecektir. **[6]** Bu durumun oluşması halinde, ürününüzü kapatın ve döner fırçadaki tıkanmayı giderin. Temizliğe devam etmek için açma/kapama düğmesine basın; ürün normal moda yeniden başlatılacaktır.

## AKSESUARLAR\*

**2'Sİ 1 ARADA KENAR-KÖŞE VE TOZ ALMA APARATI\*, 2'Sİ 2 ARADA BÜYÜK TOZ ALMA VE MOBİLYA APARATI\*, UZUN ESNEK KENAR-KÖŞE APARATI\*, ÇOK İŞLEVLİ YÜKSEK YÜZEY APARATI\* VE MINI TURBO BAŞLIK\***

Yukarıdaki aksesuarlar doğrudan ana gövde ünitesine veya boruya takılabilir. **[7]**

**NOT:** Başlığı veya ana gövde ünitesini buradan çıkarmak için ilgili çıkarma düğmesine basarak ayırın.

\* Sadece bazı modeller için

## RADYATÖR APARATI\* / DERİN TEMİZLEME FIRÇASI\*

Bu 2 aksesuar kullanıldığında aksesuar uyarlayıcısı\* takılmalıdır. [7]

**NOT:** Kumaş yüzeylerini derinlemesine temizlemek (örneğin kanepeler) ve evcil hayvan tüylerini temizlemek için mini turbo başlık idealdir. Düzgün bir şekilde ileri ve geri hareket ettirin. Kullandıktan sonra gerekirse bir makasla fırçada toplanan tüyleri/iplikleri lütfen temizleyin.

**NOT:** Uzun esnek köşe aparatı, mobilya altları ve araba gibi ulaşması zor alanların temizlenmesi için idealdir.

**NOT:** Radyatör parçası, dolap, radyatör, koltuk, perde ve daha fazlasının iç ve çevresinin temizlenmesi için idealdir.

**NOT:** Derin temizleme fırçası, dar alanlarda yüzeyleri çizmeden temizlik yapmak ve araba içini temizlemek için kullanılabilir.

**NOT:** Çok işlevli yüksek yüzey aparatı, hassas yüzeylerin çizilmeden temizlenebilmesi ve erişmesi veya ulaşması zor alanların temizliği için tasarlanmıştır. Çok işlevli aparat, üç ana parçadan oluşur:

1. Köşe aparatı dar alanlara erişim için idealdir.
2. Toz fırçası, yüzeyleri hasar vermeden veya çizmeden temizlemek için idealdir.
3. Mobilya başlığı, kanepeler gibi yüzeylerin temizliği için idealdir.

## AKSESUAR ÇANTASI\*

İlave aksesuarlar aksesuar çantasında saklanabilir.

## DUVARA MONTAJ\*

Depolamak ve alandan tasarruf sağlamak için cihazınız ürünle birlikte verilen üç vida ve vida tapası kullanılarak duvara sabitlenebilir.

Ürün, 2'si 1 Arada Kenar Köşe Aparatı ve 2'si 1 Arada Büyük Toz Alma ve Mobilya Aparatı duvara montaj parçası üzerinde saklanabilir. [8]

## TEMİZLEYİCİNİZİN BAKIMI

### Toz Haznesinin Boşaltılması

1. Ana gövdeyi çıkarma düğmesine basın ve boruyu çıkarın. [9]
2. Toz haznesini kapağını açıp içindekileri boşaltmak için toz haznesi boşaltma düğmesine basın. [10]
3. Toz haznesi kapağını kapatın, tam olarak kilitlendiğinde bir tık sesi duyacaksınız.

**NOT:** Toz haznesinin her kullanım sonrasında veya toz maksimum dolma çizgisine geldiğinde boşaltılması önerilir.

### Toz haznesini ve filtreyi temizleyiniz

1. Ana gövdeyi çıkarma düğmesine basın ve boruyu çıkarın. [9]
2. Toz haznesini kapağını açıp içindekileri boşaltmak için toz haznesi boşaltma düğmesine basın. [10]
3. Toz haznesi kapağını kapatın, tam olarak kilitlendiğinde bir tık sesi duyacaksınız.
4. İki pil takımını çıkarma düğmesine basın ve pil takımını ana gövdeden çıkarın. [11]
5. Toz haznesini saat yönünün tersine çevirin, ok işaretlerini hizalayın ve süpürge ana gövdesinden çıkarın. [12]
6. Siklonik ayırıcıyı saat yönünde çevirin ve siklonik üniteden çıkarın. [13]
7. İki egzoz filtresi çıkarma düğmesine basın ve egzoz filtresini ana gövdeden çıkarın. [14]
8. Siklonik üniteyi kuru bir bezle silin. Egzoz filtresini, toz haznesini ve siklonik ayırıcıyı ılık suda [15] yıkayın, 24 saat kurumaya bırakın. [16] Ana gövdeye geri takmadan önce tüm bileşenlerin tamamen kurduğundan emin olun.

**NOT:** Egzoz filtresini temizlerken sıcak su veya deterjan kullanmayın. Egzoz filtresinin hasar görmesi durumunda orijinal Hoover yedek parçası takın. Ürünü, filtreyi takmadan çalıştırmayın.

**ÖNEMLİ:** Optimum performans için, filtreleme sisteminizi daima temiz tutun. Filtrenin en az ayda bir kez yıkanmasını öneririz.

### Döner Fırçanın Değiştirilmesi ve Temizlenmesi

**ÖNEMLİ:** Döner fırçayı değiştirmeden veya temizlemeden önce daima cihazı kapatın.

1. Döner fırça serbest bırakma kapağını çıkarın. Bu kapak ağızlığın yan kısmında yer alır. [17a]
2. Döner fırçayı çıkarma kapağını tutun ve Yoğun Zemin Rulosunu çıkarın. [17b]
3. Yoğun Zemin Rulosunu temizlemek için, fazla kalıntıyı makasla çıkarın. [17c]
4. Deep Care Rulosunu temizlemek için, suyla durulayın [17d] ve 24 saat boyunca kurumaya bırakın. [17e]
5. Derin Temizlik Rulosunu geri takın. [17f] Döner fırça yalnızca tek yönde sabitlenebilir.
6. Döner fırçayı çıkarma kapağını kapatın ve Derin Temizlik Rulosunu yerine sabitleyin. [17g]

### Pillerin Değiştirilmesi

Bu süpürge, değiştirilebilir ve şarj edilebilir bir lityum iyon pil takımı ile donatılmıştır.

**UYARI:** Yalnızca elektrik süpürmeniz için onaylanmış yedek parçaları kullanın. Hoover tarafından onaylanmamış parçaların kullanılması tehlikelidir ve garantinizi geçersiz kılar.

**UYARI:** Batarya grubunu açmaya ve kendiniz onarmaya çalışmayın.

\* Sadece bazı modeller için

1. PİL takımı serbest bırakma düğmelerine basın ve çıkarmak için kaydırın. [11]
2. Eski pil takımını yeni pil takımını ile değiştirin.
3. Pilleri güvenli bir şekilde imha edin. Kullanılmış piller bir geri dönüştürme istasyonuna götürülmeli ve evsel atıklarla birlikte atılmamalıdır.

## SORUN GİDERME

Elektrikli süpürgeyle ilgili bir sorun yaşarsanız, Hoover Müşteri Hizmetleri Merkezi'ni aramadan önce aşağıdaki kontrol listesini inceleyin:

### A. Elektrikli süpürge açılmıyor

Pil takımının şarj olup olmadığını kontrol edin.

Batarya grubunun yerine monte edilmiş olup olmadığını kontrol edin.

### B. Emme zayıf veya emme yapılmıyor.

Toz haznesini boşaltın ve filtre ve siklonik ayırıcıyı yıkayın.

Başlığı çıkarın ve kanalda tıkanma olup olmadığını kontrol edin.

### C. Bataryalar şarj edilemiyor

Bu, çok uzun süre saklamadan dolayı olabilir (altı aydan fazla).

Batarya değişimi için Hoover müşteri hizmetlerine başvurun.

Sorun devam ederse Hoover Müşteri Hizmetleri Merkezi'ne başvurun.

## HOOVER YEDEK PARÇA VE SARF MALZEMELERİ

Parçaları daima orijinal Hoover parçaları ile değiştirin. Bu parçaları Hoover servislerinden tedarik edebilirsiniz. Parça siparişi verirken mutlaka cihazın model numarasını belirtin.

## GARANTİNİZ

Bu cihaz için garanti koşulları, cihazın satıldığı ülkedeki temsilcimiz tarafından tanımlanmaktadır. Bu koşullara ilişkin ayrıntılar cihazın satın alındığı bayiden edinilebilmektedir. Bu garanti koşulları altında yapılan talepte satış fişi(faturası) ve makbuzu ibraz edilmiş olmalıdır.

**ÖNEMLİ:** Bu süpürgeye pil satın alma tarihinden itibaren 6 ay için garantilidir. 6 ay sonra, yeni bataryanın maliyeti ile ilgili sorumluluk müşteriye ait olacaktır.

Haber verilmeksizin değişiklikler yapılabilir.