

IIF150

User Manual

Please read this guide carefully before use and keep it for future use.

1. For your safety

Please read this manual before using the cell phone to ensure your safety and proper use.



SWITCH OFF IN HOSPITALS

Please abide by relevant provisions or regulations. Please turn off your mobile phone near medical equipment.



SWITCH OFF WHEN REFUELING

Don't use the phone at a refueling point. Don't use near fuel or chemicals.



SIM CARDS AND TF CARD ARE PORTABLE

Keep your phone, phone parts and accessories out of children's reach.



BATTERY

Please do not destroy or damage the battery, it can be dangerous and cause fire. Please do not throw battery in fire to avoid hazard. When battery cannot be used, please dispose in safe environment. Do not try to dismantle the battery. If the battery or authorized charger is broken or old, please stop using them, and replace with certified genuine battery.



USE QUALITY EQUIPMENT

Use authorized equipment to avoid danger.



ROAD SAFETY COMES FIRST

Give full attention while driving, Park before using your phone. Please follow traffic rules of local city town.



INTERFERENCE

All wireless devices may be susceptible to cause interference, which could affect performance.

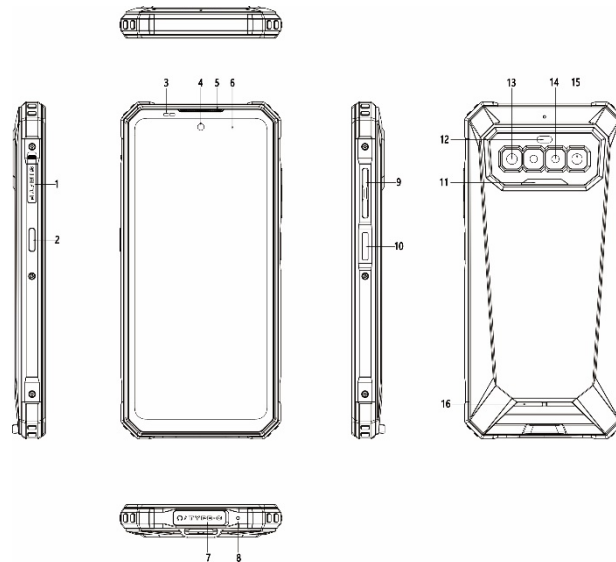


SWITCH OFF IN AIRCRAFT

Wireless devices can cause interference in aircraft. It's not only dangerous but also illegal to use mobile phone in an aircraft.

2. Learn about the phone

- Overview



- 1--Card Tray
- 2--F150 Key
- 3--Light Sensor
- 4--Front Camera(16M)
- 5--Receiver
- 6--Touch screen
- 7--Headset/USB interface
- 8--Microphone
- 9--Volume Key
- 10--Power Key/Fingerprint
- 11--Photo flash
- 12--Infrared lamp
- 13--Rear Camera(64M)
- 14--Macro camera(2M)
- 15--Night vision camera(20M)
- 16--Speaker

Function Keys

Keys	Functions
Power Key	<ul style="list-style-type: none"> • Press to turn on/off the screen. • Press and hold to reboot, power off the phone, and screenshot.
Volume Key	<ul style="list-style-type: none"> • Press to adjust the volume of device.
Home Key (on the screen)	<ul style="list-style-type: none"> • Tap to return to Home screen.
Back Key (on the screen)	<ul style="list-style-type: none"> • Tap to return to the previous screen.
Fingerprint key	<ul style="list-style-type: none"> • Press to unlock the phone.
F150 Key (SOS)	<ul style="list-style-type: none"> • Click 5 times to enter SOS mode.

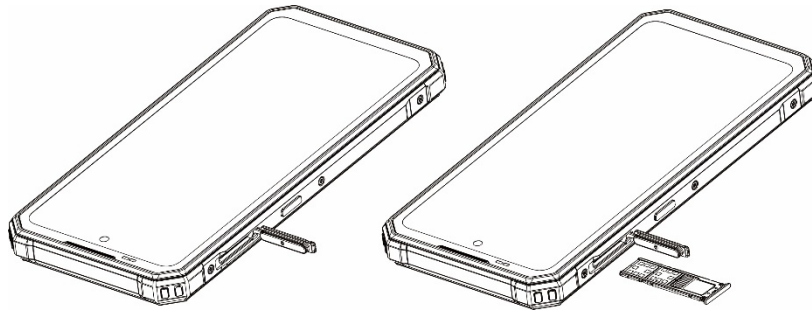
✓ **Note**

Multi Task Key and **Back Key** can be exchanged the layout in **Settings --> Navigation bar**. You can customize the navigation bar.

3. Before using

The phone is a Dual SIM mobile that allows you to use two mobile networks.

- **Insert SIM cards and TF card**
 - Stick into the pin hole with eject tool, and then card tray will be out of phone.
- 1) Insert the Nano SIM cards and TF card to the card slots correctly.
 - Card 1** supports Nano SIM1 card.
 - Card 2** supports Nano SIM2 card.
 - Card 3** supports TF card.



✓ **Note:**

- Do not remove the cards while the device is transferring data. Doing so may cause data to be lost or damage to the cards and device.
- The SIM cards and TF card are small parts. Please keep away from Children to avoid swallowing the card by accident.
- Please do not touch the metal surface of SIM and TF cards and keep them away from electromagnetic field to avoid damaged data.

● **Charge the Battery**

Charge the battery before using it.

4. Getting started

● **Basic Function**

• Turn on the phone

Press and hold the power key for a while to turn on the phone.

• Turn off the phone

Long press the power key until a menu shows. Choose “Power off” to turn off the phone.

• Restart the phone

Option 1: Long press the power key until a menu shows. Choose “Reboot” to restart the phone.

Option 2: Long press the power key till 13 seconds to auto restart the phone automatically.

• Lock the screen

Option 1: Press the power key to turn off the screen and lock it.

Option 2: The screen will auto lock if you don't use the phone for a while.

• Unlock the screen

Press the power key for unlocking.

5. Warnings and notes

Operational Warnings

Important information on safe and efficient operation. Read this information before using your phone. For the safe and efficient operation of your phone, observe these guidelines:

Potentially explosive at atmospheres: Turn off your phone when you are in any areas with a potentially explosive atmosphere, such as fueling areas (gas or petrol stations, below deck on boats), storage facilities for fuel or chemicals, blasting areas and areas near electrical blasting caps, and areas where there are chemicals or particles (Such as metal powders, grains, and dust) in the air.

Interference to medical and personal Electronic Devices: Most but not all electronic

equipment is shielded from RF signals and certain electronic equipment may not be shielded against the RF signals from your phone.

Audio Safety: This phone is capable of producing loud noises which may damage your hearing. When using the speaker phone feature, it is recommended that you place your phone at a safe distance from your ear.

Other Medical Devices, hospitals: If you use any other personal medical device, consult the manufacturer of your device to determine if it is adequately shielded from external RF energy. Your physician may be able to assist you in obtaining this information. Turn your phone OFF in health care facilities when any regulations posted in these areas instruct you to do so. Hospitals or health care facilities may be using equipment that could be sensitive to external RF energy.

Product statement on handling and use: You alone are responsible for how you use your phone and any consequences of its use.

You must always switch off your phone wherever the use of a phone is prohibited. Use of your phone is subject to safety measures designed to protect users and their environment. Always treat your phone and its accessories with care and keep it in a clean and dust-free place.

Do not expose your phone or its accessories to open flames or lit tobacco products.

Do not expose your phone or its accessories to liquid, moisture, or high humidity.

Do not drop, throw, or try to bend your phone or its accessories.

Do not use harsh chemicals, cleaning solvents, or aerosols to clean the device or its accessories.

Do not attempt to disassemble your phone or its accessories; only authorized personnel can do so.

Do not expose your phone or its accessories to extreme temperatures, minimum 32°F and maximum 104°F (0°C to 40°C).

Battery: Your phone includes an internal lithium-ion or lithium-ion polymer battery. Please note that use of certain data applications can result in heavy battery use and may require frequent battery charging. Any disposal of the phone or battery must comply with laws and regulations pertaining to lithium-ion or lithium-ion polymer batteries.

Faulty and damaged products: Do not attempt to disassemble the phone or its accessory. Only qualified personnel can service or repair the phone or its accessory. If your phone or its accessory has been submerged in water, Punctured, or subjected to a severe fall, do not use it until you have taken it to be checked at an authorized service center.

Safety information

Do not use the mobile phone in the environment at too high or too low temperature, never expose the mobile phone under strong sunshine or too wet environment.

The maximum operating ambient temperature of the equipment is 40°C.



Excessive sound pressure from earphones and headphones can cause hearing loss.

To prevent possible hearing damage, do not listen at high volume levels for long periods.



Waste Electrical and Electronic Equipment (WEEE)

This symbol means that according to local laws and regulations your product and/or its battery shall be disposed of separately from household waste. When this product reaches its end of life, take it to a collection point designated by local authorities. Proper recycling of your product will protect human health and the environment.

Accessory information

Charger: 9V/2A

Battery: 8300mAh

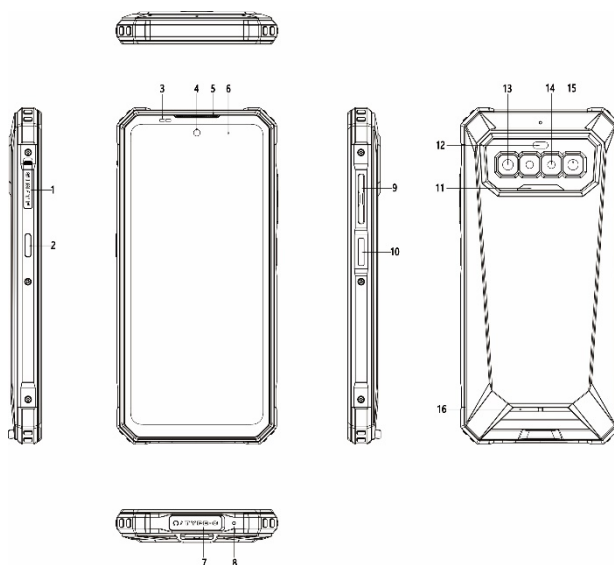
All software versions released by the manufacturer have been verified and are still compliant with the related rules.

Product specification

Frequency band	Supports Bands (MHz) :	Max Power:
	GSM:B2/B3	29.5±2dBm
	GSM:B5/B8	32.5±2dBm
	WCDMA:B1/B2/B4/B5/B8	23±2dBm
	TDD:B38/B40/B41	22±1dBm
FDD:B1/B2/B3/B4/B5/B7/B8/B12/B13/B17/B18/B19/B20/B25/B26/B28(A+8)/B66	22±1dBm	
WLAN	Frequency (MHz):	Max Power:
	2412~2472	17±2dBm(EIRP)
	5180~5240	16±2dBm(EIRP)
	5260~5320	16±2dBm(EIRP)
	5745~5825	16±2dBm(EIRP)
BT	Frequency (MHz):	Max Power:
	2402~2480	8±2dBm(EIRP)

1.Lernen Sie das Telefon kennen

Überblick



1-Kartenfach

4--Frontkamera(16M)

7--Headset/USB-Schnittstelle

10--Power-Taste/Fingerabdruck

13--Rückfahrkamera(64M)

2--F150-Taste

5--Empfänger

8--Mikrofon

11--Fotoblitz

14--Macro camera(2M)

3--Lichtsensor

6--Touch-Bildschirm

9--Lautstärke-Taste

12--Infrarotlicht

15--Nachtsichtkamera(20M)

● **Funktionstasten**

Tasten	Funktionen
Power-Taste	<ul style="list-style-type: none">• Drücken, um den Bildschirm ein-/auszuschalten.• Gedrückt halten, um die Optionen Neustart/Ausschalten/Screenshot einzublenden.
Lautstärke-Taste	<ul style="list-style-type: none">• Drücken, um die Lautstärke des Geräts einzustellen.
Home-Taste (auf Bildschirm)	<ul style="list-style-type: none">• Tippen, um zum Startbildschirm zurückzukehren.
Zurück-Taste (auf Bildschirm)	<ul style="list-style-type: none">• Tippen, um zum vorherigen Bildschirm zurückzukehren.
Fingerabdruck-Taste	<ul style="list-style-type: none">• Drücken, um das Telefon zu entsperren.
F150-Taste (SOS)	<ul style="list-style-type: none">• 5-mal drücken, um den SOS-Modus aufzurufen.

2. Vor dem Gebrauch

Das Telefon ist ein Dual-SIM-Handy, mit dem Sie zwei Mobilfunknetze nutzen können.

● **SIM-Karten und TF-Karte einlegen**

- Stechen Sie mit der Auswurf-Nadel in das Stiftloch hinein, um das Kartenfach aus dem Telefon heraus zu holen.

1) Setzen Sie die Nano-SIM-Karten und die TF-Karte richtig in die Kartensteckplätze ein.

Karte 1 unterstützt die Nano-SIM1-Karte.

Karte 2 unterstützt die Nano-SIM2-Karte.

Karte 3 unterstützt die TF-Karte.

● **Aufladen des Akkus**

Laden Sie den Akku auf, bevor Sie ihn verwenden.

3. Erste Schritte

● **Grundfunktion**

• Einschalten des Telefons

Drücken und halten Sie die Power-Taste für kurze Weile, um das Telefon einzuschalten.

• Ausschalten des Telefons

Drücken und halten Sie die Power-Taste so lange, bis ein Menü erscheint. Wählen Sie "Ausschalten", um das Telefon auszuschalten.

• Neustart des Telefons

Option 1: Drücken und halten Sie die Power-Taste so lange, bis ein Menü erscheint. Wählen Sie "Neustart", um das Telefon neu zu starten.

Option 2: Drücken und halten Sie die Power-Taste bis zu 13 Sekunden lang, um das Telefon automatisch neu zu starten.

• Sperren des Bildschirms

Option 1: Power-Taste kurz drücken, um den Bildschirm auszuschalten und zu sperren.

Option 2: Der Bildschirm wird automatisch gesperrt, wenn das Telefon eine Zeit lang nicht benutzt wird.

• Entsperren des Bildschirms

Power-Taste kurz drücken, um den Bildschirm zu entsperren.

Карта 2 поддерживается карта Nano SIM2.

Карта 3 поддерживается TF-карта.

- **Зарядите батарею**

Перед использованием зарядите батарею.

3.Начало работы

- **Базовые функции**

- Включение телефона

Нажмите и удерживайте кнопку питания некоторое время, чтобы включить телефон.

- Выключение телефона

Нажмите и удерживайте кнопку питания, пока не появится меню. Выберите «Выключить», чтобы выключить телефон.

- Перезагрузка телефона

Вариант 1: Нажмите и удерживайте кнопку питания, пока не появится меню. Выберите «Перезагрузить», чтобы перезагрузить телефон.

Вариант 2: нажмите и удерживайте кнопку питания до 13 секунд, чтобы телефон автоматически перезагрузился.

- Блокировка экрана

Вариант 1: Нажмите кнопку питания, чтобы выключить и заблокировать экран.

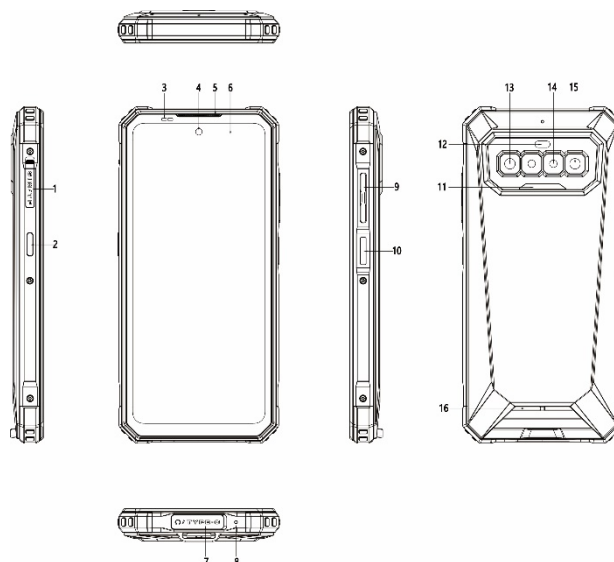
Вариант 2: Экран автоматически заблокируется, если вы не пользуетесь телефоном какое-то время.

- Разблокировка экрана

Нажмите кнопку включения для разблокировки.

1.Description

- **Aperçu**



1--Entrée Carte SIM / TF

2--Touche F150

3--Capteur de luminosité

4--Appareil photo avant(16M)

5--Sortie Audio

6--Ecran tactile

7--Prise Casque /Chargeur USB

8--Microphone

9--Touches Volume

10--Bouton Marche/Arrêt/Lecteur d'empreinte

11--Flash

12--Lampe infrarouge

13--Caméra arrière(64M)

14--Macro caméra(2M)

15--Caméra de vision nocturne(20M)

16--Haut parleur

- **Détails des touches physiques et tactiles**

Touche	Fonction
Bouton Marche/Arrêt	<ul style="list-style-type: none">• Appuyez sur cette touche pour allumer ou éteindre l'écran.• Appuyez et maintenez cette touche pour redémarrer, éteindre le téléphone et faire une capture d'écran.
Touches Volume	<ul style="list-style-type: none">• Appuyez sur cette touche pour régler le volume de l'appareil.
Ecran d'accueil (sur l'écran)	<ul style="list-style-type: none">• Appuyer sur cette touche pour revenir à l'écran d'accueil.
Touche Retour (sur l'écran)	<ul style="list-style-type: none">• Appuyer sur cette touche pour revenir à l'écran précédent.
Lecture d'empreinte digitale	<ul style="list-style-type: none">• Appuyez sur le lecteur pour déverrouiller le téléphone.
Touche F150 (SOS)	<ul style="list-style-type: none">• Cliquez 5 fois pour passer en mode SOS.

2. Avant utilisation

La fonction Dual SIM vous permet d'utiliser deux cartes SIM simultanément.

- **Insérez les cartes SIM et la carte TF**
- D'abord insérer l'épingle fournie dans le trou à cet effet, puis le support de la carte sortira du téléphone.
- 2) Insérez correctement les cartes Nano SIM et la carte TF dans les emplacements pour cartes
 - La carte 1** prend en charge la carte Nano SIM1.
 - La carte 2** prend en charge la carte Nano SIM2.
 - La carte 3** prend en charge la carte TF.

- **Charger la Batterie**

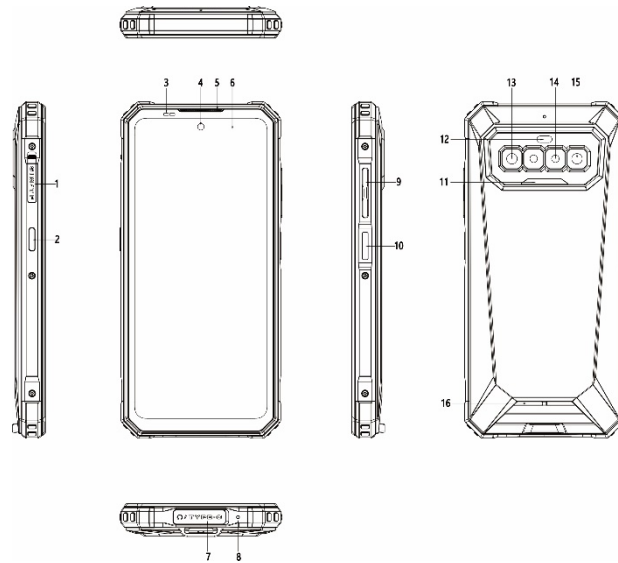
Charger la batterie avant utilisation.

3. Mise en marche

- **Fonctions de base**
 - Allumer le téléphone
Appuyer longuement sur la touche marche / arrêt jusqu'à ce que le téléphone s'allume
 - Eteindre le téléphone
Appuyez longuement sur la touche marche / arrêt jusqu'à affichage du menu. Choisissez «Eteindre ou Power Off» pour éteindre le téléphone.
 - Redémarrer le téléphone
Option 1: Appuyez longuement sur la touche marche / arrêt jusqu'à affichage du menu. Choisissez «Redémarrer» pour redémarrer le téléphone.
Option 2: Appuyez longuement sur la touche marche / arrêt pendant 13 secondes pour redémarrer le téléphone automatiquement
 - Verrouiller l'écran
Option 1: Appuyez sur la touche marche / arrêt pour éteindre l'écran et le verrouiller.
Option 2: L'écran se verrouille automatiquement si vous n'utilisez pas le téléphone pendant un certain temps.
 - Déverrouiller l'écran
Appuyez sur la touche marche / arrêt pour déverrouiller.

1.電話機の詳細

● 概要



- 1--カードトレイ
- 2--F150 キー
- 3--ライトセンサー
- 4--フロントカメラ(16M)
- 5--受信機
- 6--タッチパネル
- 7--ヘッドセット/USB インターフェース
- 8--マイク
- 9--ボリュームキー
- 10--電源キー/指紋
- 11--フラッシュ
- 12--赤外線ランプ
- 13--リアカメラ(64M)
- 14--マクロカメラ(2M)
- 15--暗視カメラ(20M)
- 16--スピーカ

● 機能キー

キー	機能
電源キー	<ul style="list-style-type: none"> • 押して画面をオン/オフにします。 • 長押しして電話を再起動、電源オフおよびスクリーンショットを撮ります。
ボリュームキー	<ul style="list-style-type: none"> • 押してデバイスのボリュームを調節します。
ホームキー (画面上)	<ul style="list-style-type: none"> • タップしてホーム画面に戻ります。
戻るキー (画面上)	<ul style="list-style-type: none"> • タップして前回の画面に戻ります。
Fingerprint key 指紋キー	<ul style="list-style-type: none"> • 押して電話をロック解除します。
F150 Key F150 キー (SOS)	<ul style="list-style-type: none"> • 5回押して SOS モードに入ります。

2.ご使用前に

本電話機は2つのモバイルネットワークを使用することができるデュアル SIM モバイルです。

- カードおよび TF カードを挿入する
 - イジェクトツールでピンホールに差し込むと、カードトレイが電話から出てきます。
- 3) カードおよび TF カードをカードスロットに 正しく挿入します。
- カード 1はNano SIM1 カードをサポートします。
- カード 2はNano SIM2 カードをサポートします。
- カード 3はTF カードをサポートします。

- **バッテリーの充電**

本機のご使用前にバッテリーを充電します。

3.はじめに

- **基本機能**

- 電話をオンにする

電源キーをしばらく長押しして電話をオンにします。

- 電話をオフにする

電源キーをメニューが表示されるまで長押しします。「電源オフ」を選択して電話をオフにします。

- 電話の再起動

オプション1: 電源キーをメニューに と表示されるまで長押しします。「再起動」を選択して電話を再起動します。

オプション2: 電源キーを 13 秒間まで長押しして 電話を自動的に再起動します。

- 画面をロックする

オプション1: 電源キーを押して画面をオフにしてロックします。

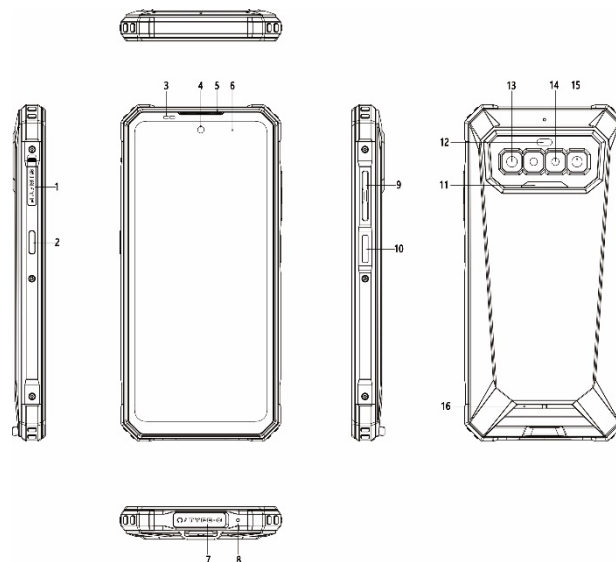
オプション2: 電話を長期間使用しないと画面は自動的にロックされます。

- 画面のロック解除

電源キーを押してロック解除します。

1.Información sobre el teléfono

- **Vista general**



1--Bandeja para tarjeta

2--Botón F150

3--Sensor de luz

4--Cámara frontal(16M)

5--Receptor

6--Pantalla táctil

7--HInterfaz auriculares/USB

8--Micrófono

9--Botón de volumen

10--Botón de encendido y apagado/Huella dactilar

11--Flash de foto

12--Lámpara de infrarrojos

13--Cámara trasera(64M)

14--Cámara macro(2M)

- **Botones de función**

Botones	Funciones
Botón de encendido y apagado	<ul style="list-style-type: none"> • Pulsar para encender/apagar la pantalla. • Pulsar y mantener pulsado para reiniciar, apagar el teléfono y hacer captura de pantalla.
Botón de volumen	<ul style="list-style-type: none"> • Pulsar para ajustar el volumen del dispositivo.
Tecla de inicio (en la pantalla)	<ul style="list-style-type: none"> • Pulsar para volver a la pantalla de Inicio.
Tecla Volver (en la pantalla)	<ul style="list-style-type: none"> • Pulsar para volver a la pantalla anterior.
Tecla de huella dactilar	<ul style="list-style-type: none"> • Pulsar para desbloquear el teléfono.
Botón F150 (SOS)	<ul style="list-style-type: none"> • Pulsar 5 veces para entrar en modo SOS.

2. Antes del uso

Este teléfono es un móvil con Dual SIM que le permite usar dos redes móviles.

- **Introduzca tarjetas SIM y tarjeta TF**

- Inserte un objeto puntiagudo en el orificio y la bandeja de la tarjeta se abrirá.

1) Inserte correctamente las tarjetas Nano SIM y la tarjeta TF en las ranuras para tarjetas.

Tarjeta 1: para tarjeta Nano SIM1.

Tarjeta 2: para tarjeta Nano SIM2.

Tarjeta 3: para tarjeta TF.

- **Carga de la batería**

Cargue la batería antes de usarla.

3. Para empezar

- **Funciones básicas**

- Encender el teléfono

Pulse y mantenga pulsado el botón de encendido durante unos segundos para encender el teléfono.

- Apagar el teléfono

Mantenga pulsado el botón de encendido hasta que aparezca el menú. Seleccione “Apagar” para apagar el teléfono.

- Reiniciar el teléfono

Opción 1: Mantenga pulsado el botón de encendido hasta que aparezca el menú. Seleccione “Reiniciar” para reiniciar el teléfono.

Opción 2: Mantenga pulsado el botón de encendido durante 13 segundos para reiniciar automáticamente el teléfono.

- Bloquear la pantalla

Opción 1: Pulse el botón de encendido para apagar la pantalla y bloquearla.

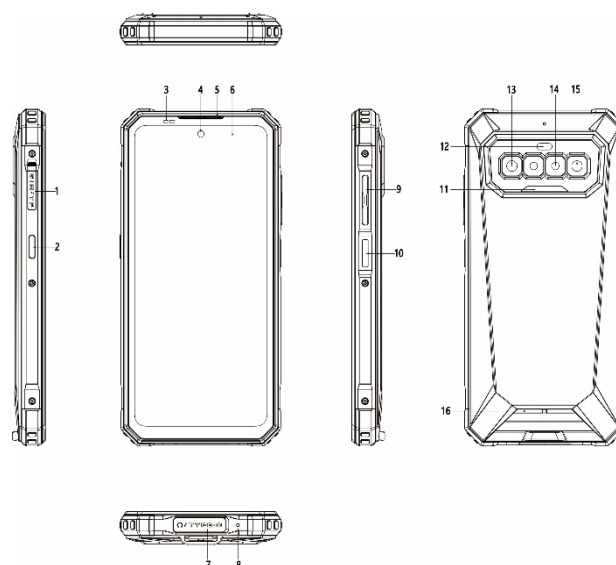
Opción 2: La pantalla se bloqueará automáticamente si usted está un rato sin usar el teléfono.

- Desbloquear la pantalla

Pulse el botón de encendido para desbloquear.

1. Informazioni sul telefono

- **Visione d'insieme**



- 1--Alloggiamento scheda
- 2--Tasto F150
- 3--Sensore di luce
- 4--Fotocamera frontale (16M)
- 5--Receiver
- 6--Schermo touch
- 7--Interfaccia cuffie/USB
- 8--Microfono
- 9--Tasto volume
- 10--Tasto di accensione/Impronta digitale
- 11--Flash
- 12--Lampada a infrarossi
- 13--Videocamera posteriore(64M)
- 14--Fotocamera Macro(2M)
- 15--Telecamera per la visione notturna(20M)
- 16--Altoparlante

● **Tasti funzione**

Tasti	Funzioni
Tasto di accensione	<ul style="list-style-type: none"> • tPremere per accendere/spegnere lo schermo. • Tenere premuto per riavviare, spegnere il telefono e per gli screenshot.
Tasto volume	<ul style="list-style-type: none"> • Premere per regolare il volume del dispositivo.
Tasto Home (sullo schermo)	<ul style="list-style-type: none"> • Tocca per tornare alla schermata Home.
Tasto indietro (sullo schermo)	<ul style="list-style-type: none"> • Tocca per tornare alla schermata precedente.
Tasto impronta digitale	<ul style="list-style-type: none"> • Premere per sbloccare il telefono.
Tasto F150 (SOS)	<ul style="list-style-type: none"> • Cliccare 5 volte per accedere alla modalità SOS.

2. Prima dell'uso

Il telefono è un cellulare Dual SIM che permette di utilizzare due reti mobili.

● **Inserimento delle schede SIM e della scheda TF**

- Inserire nel foro del perno lo strumento di estrazione e l'alloggiamento della scheda uscirà dal telefono.

4) Inserire correttamente le schede Nano SIM e la scheda TF nei relativi alloggiamenti.

Scheda 1 supporta la scheda Nano SIM1.

Scheda 2 supporta la scheda Nano SIM2.

Scheda 3 supporta la scheda TF.

● **Ricarica della batteria**

Ricaricare la batteria prima dell'uso.

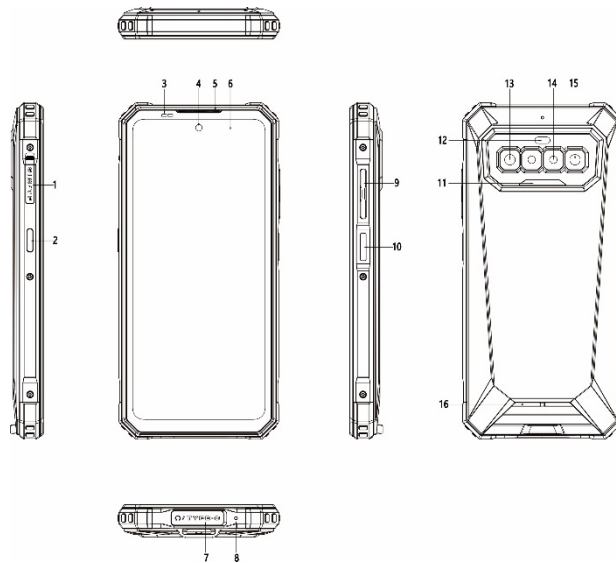
3. Iniziamo

● **Funzioni di base**

- Accensione del telefono
Tenere premuto brevemente il tasto di accensione per accendere il telefono.
- Spegnimento del telefono
Tenere premuto a lungo il tasto di accensione finché non compare un menù. Scegliere “Spegni” per spegnere il telefono.
- Riavvio del telefono
Opzione 1: Tenere premuto a lungo il tasto di accensione finché non compare un menù. Scegliere “Riavvia” per riavviare il telefono.
Opzione 2: Tenere premuto a lungo il tasto di accensione per 13 secondi per riavviare automaticamente il telefono.
- Blocco dello schermo
Opzione 1: Premere il tasto di accensione per spegnere lo schermo e bloccarlo.
Opzione 2: Lo schermo si bloccherà automaticamente se non si usa il telefono per un po’.
- Sblocco dello schermo
Premere il tasto di accensione per sbloccare.

1. التعرف على الهاتف

• نظره عامه



- | | | |
|--|----------------------------|---|
| 1- البطاقة | 2- مفتاح | 3- مستشعر الضوء |
| 16(سماعة الرأس /
7- USB واجهه توصيل
) بصره الإصبع/ مفتاح الطاقة (التشغيل)-10 | 5- المستقبل
8- ميكروفون | 6- الكاميرا (M)شاشته تعمل باللمس--
4- مفتاح الصوت--9 |
| (2M)2(64M) | 11- فلاش الصور-- | 12- ضوء الأشعة تحت الحمراء-- |
| 16- السماعه- | 15- الكاميرا الخفيه-- | 14- كاميرا ماكرو-- |

● مفاتيح الوظائف

المفاتيح	الوظائف
----------	---------

● اضغط لتشغيل/إيقاف الشاشة. ● اضغط باستمرار على إعادة التشغيل، وإيقاف تشغيل الهاتف، ولقطه شاشة.	مفتاح الطاقة (التشغيل)
● اضغط لضبط مستوى صوت الجهاز.	مفتاح الصوت
● اضغط للعودة إلى الشاشة الرئيسية.	مفتاح الشاشة الرئيسية (على الشاشة)
● اضغط للعودة إلى الشاشة السابقه.	مفتاح الرجوع (على الشاشة)
● اضغط لفتح الهاتف.	مفتاح بصمه الإصبع
● انقر 5 مرات لدخول على وضع SOS (الطوارئ).	مفتاح (SOS)F150

2. قبل الاستخدام

الهاتف عبارة عن هاتف ذات بطاقة مزدوجة SIM يسمح لك باستخدام شبكتين الهاتف المحمول.

- أدرج بطاقات SIM وبطاقة TF
- اغرز الدبوس في فتحه الدبوس باستخدام أداة الإخراج، ثم سوف تخرج درج البطاقة
- 1) أدرج بطاقات نانو SIM وبطاقة TF في فتحات البطاقات بشكل صحيح.
- بطاقة 1 تدعم بطاقة نانو SIM1.
- بطاقة 2 تدعم بطاقة نانو SIM2.
- بطاقة 3 تدعم بطاقة TF

● شحن البطارية

اشحن البطارية قبل استخدامها.

4. بدء التشغيل

● الوظيفة الأساسية

● قم بتشغيل الهاتف

اضغط باستمرار على مفتاح الطاقة (التشغيل) لفترة من الوقت لتشغيل الهاتف.

● قم بإيقاف تشغيل الهاتف

اضغط لفترة طويلة على مفتاح الطاقة (التشغيل) حتى تظهر قائمه اختر "إيقاف التشغيل" لإيقاف الهاتف.

● إعادة تشغيل الهاتف

الخيار 1: اضغط لفترة طويلة على مفتاح الطاقة (التشغيل) حتى تظهر قائمه، اختر "إعادة التشغيل" لإعادة تشغيل الهاتف.

الخيار 2: اضغط لفترة طويلة على مفتاح الطاقة (التشغيل) حتى 13 ثانيه لإعادة تشغيل الهاتف تلقائيًا.

● قفل الشاشة

الخيار 1: اضغط على مفتاح الطاقة (التشغيل) لإيقاف تشغيل الشاشة وإغلاقها.

الخيار 2: سوف تُقفل الشاشة تلقائيًا إذا كنت لا تستخدم الهاتف لفترة من الوقت.

● فتح الشاشة

اضغط على مفتاح الطاقة لفتح الشاشة.

