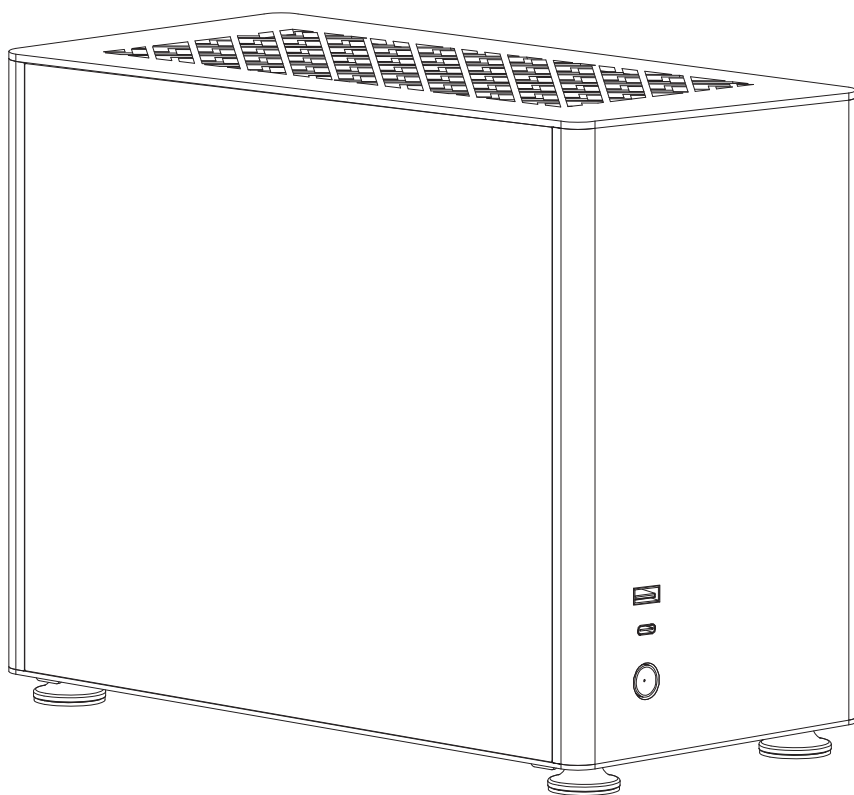


**J**ONSBØ  
For your real needs

# A4

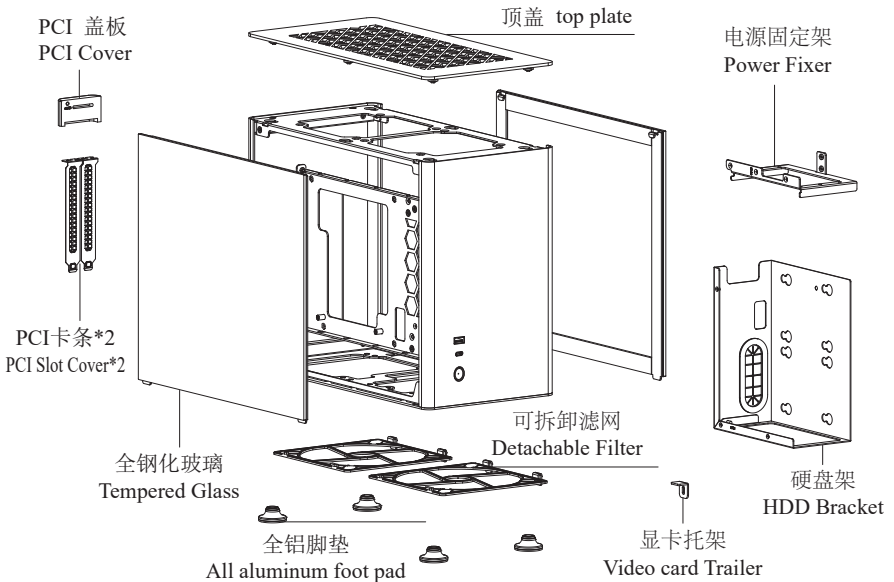
**Separated Cabinet Case**



# Product Overview

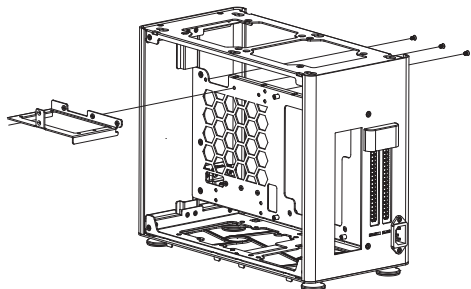
## SPECIFICATION

<b>Dimension</b>	169mm(W)*273mm(H)*340mm(D)
<b>Motherboard</b>	ITX
<b>Max. CPU Cooler Height</b>	71mm
<b>Max. Display Card Length</b>	325mm
<b>Material</b>	Top plate 3mm aluminum magnesium alloy Front plate/back plate/bottom plate 2mm aluminum magnesium alloy Hardware 1.5mm all black steel plate Side plate 3.00mm all tempered glass
<b>Drive Bay</b>	2*2.5+1*3.5
<b>Front I/O Port</b>	POWER*1 USB3.0*1 USB3.1 GEN2*1
<b>Cooling System</b>	Top: 120mm*2 (optional) Bottom: 120mm*2 (optional)
<b>PSU Support</b>	SFX/SFX-L
<b>PCI Expansion Slot</b>	2

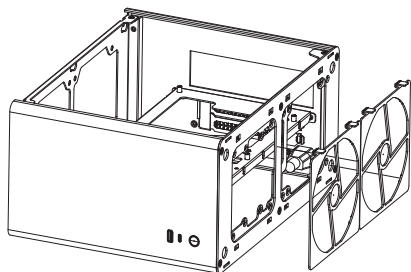




# Installation Guide



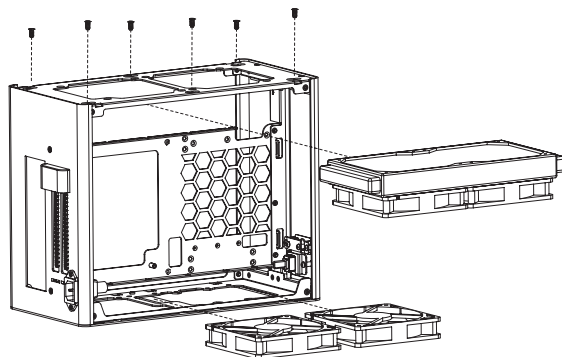
② 拆掉电源固定架  
Take out PSU rack



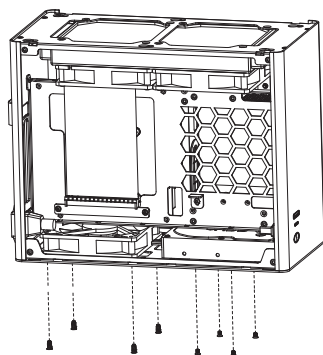
③ 拆掉底部防尘网  
Take out bottom dust filter

## 安装冷排/风扇

## Install Radiator/Fan



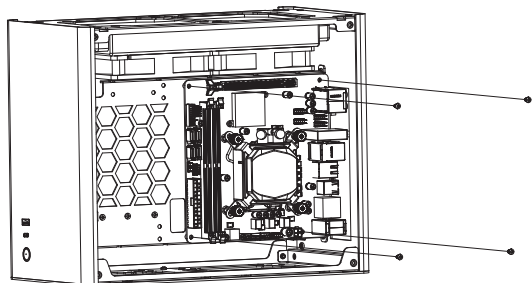
底板(Bottom): Fan 120mm\*2



底板(Bottom): Fan 120mm\*1 HDD\*1

## 安装主板

## Install motherboard

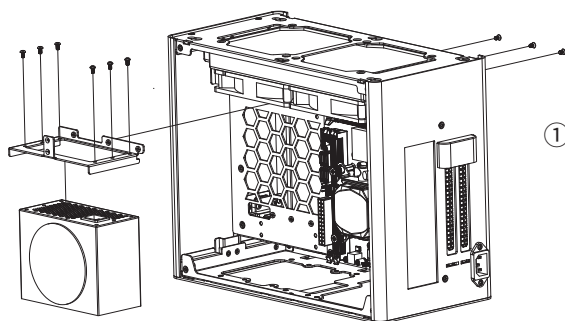


散热器安装完毕,  
固定主板螺丝

After installation of radiator,  
fixed with screws

## 安装电源

## Install PSU

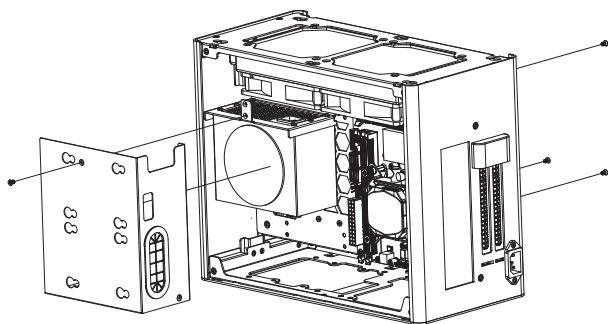


- ① 电源安装在电源支架上，装回机箱固定

Install PSU on PSU rack, then install into the case and fix it

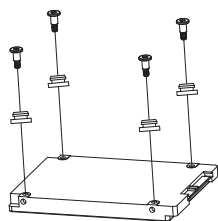
- ② 装回电源罩

Install PSU cover



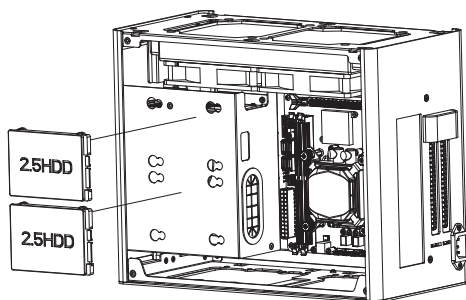
## 安装SSD

## Install SSD



- ① 螺丝穿过胶圈固定在SSD上

Screw pass through rubber gasket and fix into SSD

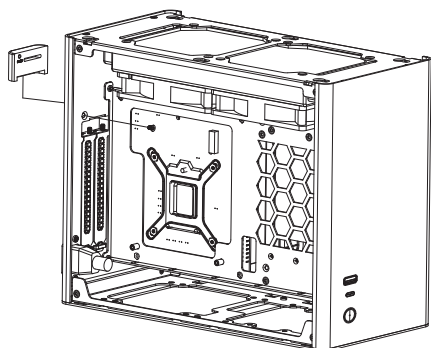


- ② 滑入葫芦孔固定

Slide into calabash holes to fix it

## 安装显卡

## Install display card

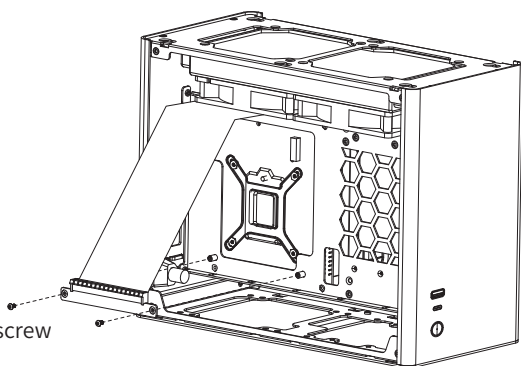


- ① 松开PCI盖板  
Take out PCI cover

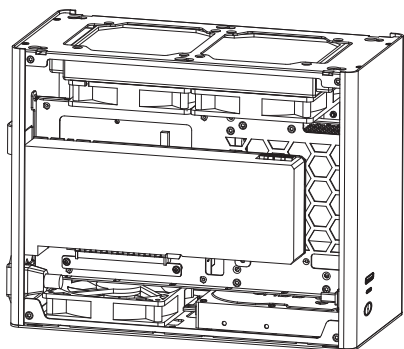
- ② 固定显卡转接线  
Fix display card cable

先插入主板PCI插槽，  
再固定螺丝

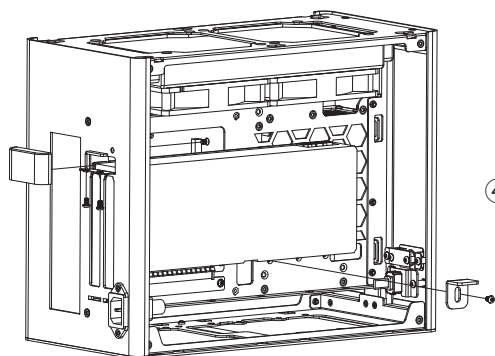
First insert the PCI slot of  
the motherboard, then fix the screw



- ③ 装入显卡固定  
Install display card and fix it



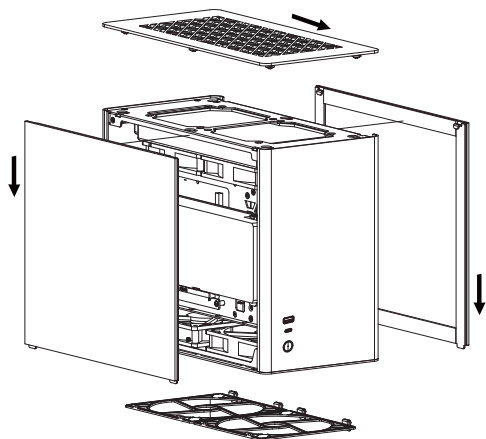
# Installation Guide



- ④ 固定PCI盖板, 调节显卡托架  
Fix PCI cover, adjust display card stand

## 装回侧板、顶盖、防尘网、脚垫

Install side plates, top plate,  
dust filter, feet pad



## 安装完成

Installation complete





■ [WWW.JONSBO.COM](http://WWW.JONSBO.COM)