

ECOSYS[®]

> PRINT

ECOSYS P5021cdn
ECOSYS P5021cdw
ECOSYS P5026cdn
ECOSYS P5026cdw

OPERATION GUIDE



Preface

Thank you for purchasing this machine.

This Operation Guide is intended to help you operate the machine correctly, perform routine maintenance, and take simple troubleshooting measures as needed so that the machine can always be used in the optimum condition.

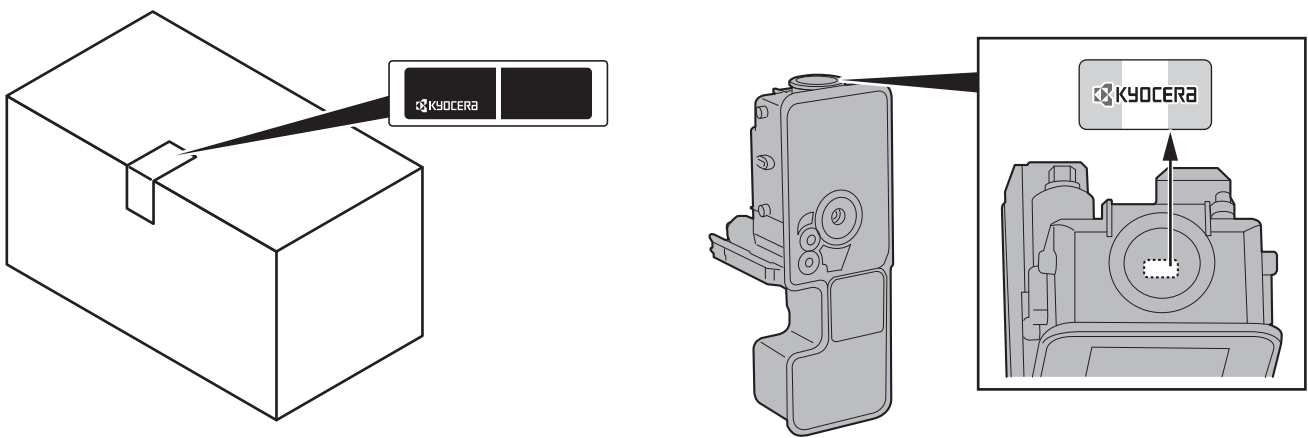
Please read this Operation Guide before using the machine.

To maintain quality, we recommend using genuine Kyocera toner containers, which must pass numerous quality inspections.

The use of non-genuine toner containers may cause failure.

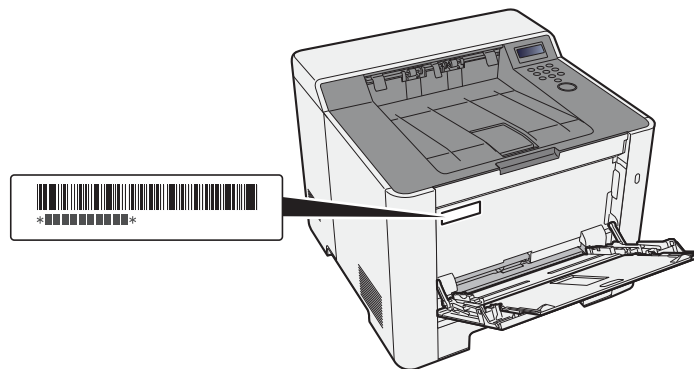
We will not be liable for any damages caused by the use of third party supplies in this machine.

A label is affixed to our genuine supplies, as shown below.



Checking the Equipment's Serial Number

The equipment's serial number is printed in the location shown in the figure.



You'll need the equipment's serial number when contacting your Service Representative. Please check the number before contacting your Service Representative.

Contents

Preface	i
Contents	ii
Machine Features	vi
Guides Provided with the Machine	viii
About the Operation Guide (this Guide)	ix
Structure of the guide	ix
Conventions Used in This Guide	x
Menu Map	xii
1	
Legal and Safety Information	1-1
Notice	1-2
Safety Conventions in This Guide	1-2
Environment	1-3
Precautions for Use	1-4
Laser Safety (Europe)	1-5
SAFETY OF LASER BEAM (USA)	1-6
Safety Instructions Regarding the Disconnection of Power	1-7
Compliance and Conformity	1-7
Other precautions (for users in California, the United States)	1-7
EN ISO 7779	1-7
EK1-ITB 2000	1-8
Wireless Connection (Mexico only)	1-8
Security Precautions when Using Wireless LAN (If equipped)	1-8
Limited Use of This Product (If equipped)	1-9
Legal Information	1-10
Energy Saving Control Function	1-14
Automatic 2-Sided Print Function	1-14
Resource Saving - Paper	1-14
Environmental benefits of "Power Management"	1-14
Energy Star (ENERGY STAR®) Program	1-14
2	
Installing and Setting up the Machine	2-1
Part Names (Machine Exterior)	2-2
Part Names (Connectors/Interior)	2-3
Part Names (With Optional Equipments Attached)	2-5
Connecting the Machine and Other Devices	2-6
Connecting Cables	2-7
Connecting LAN Cable	2-7
Connecting USB Cable	2-8
Connecting the Power Cable	2-8
Power On/Off	2-9
Power On	2-9
Power Off	2-9
Using the Operation Panel	2-10
Operation Panel Keys	2-10
Operation Method	2-11
Selecting a Menu	2-12
Setting a Menu	2-12
Cancelling Menu Selection	2-12
Help Screen	2-12
Login/Logout	2-13
Login	2-13
Logout	2-14
Default Settings of the Machine	2-15
Setting Date and Time	2-15

Network Setup	2-17
Configuring the Wired Network	2-17
Configuring the Wireless Network	2-19
Setting Wi-Fi Direct	2-24
Energy Saver function	2-28
Auto Sleep	2-28
Sleep Level Set.	2-29
Power Off Rule (models for Europe)	2-30
Quiet Mode	2-31
Installing Software	2-32
Software on DVD (Windows)	2-32
Installing Software in Windows	2-33
Uninstalling the Software	2-39
Installing Software in Mac Computer	2-40
Checking the Counter	2-42
Additional Preparations for the Administrator	2-43
Strengthening the Security	2-43
Command Center RX	2-44
Accessing Command Center RX	2-45
Changing Security Settings	2-46
Changing Device Information	2-48
E-mail Settings	2-50

3 Preparation before Use 3-1

Loading Paper	3-2
Precaution for Loading Paper	3-2
Selecting the Paper Feeder Units	3-3
Loading in the Cassette 1	3-4
Loading in the Cassette 2	3-7
Precautions for Outputting Paper	3-9
Paper Stopper	3-9

4 Printing from PC 4-1

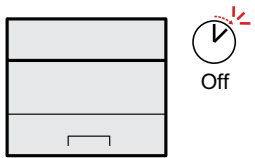
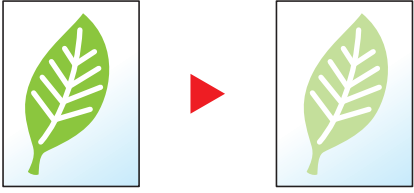
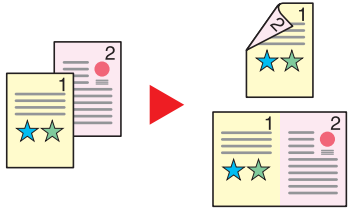
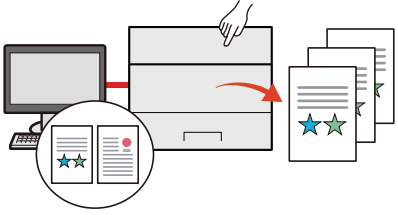
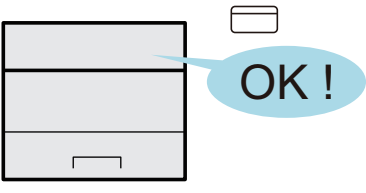
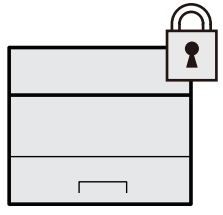
Printer Driver Properties Screen	4-2
Displaying the Printer Driver Help	4-3
Changing the Default Printer Driver Settings (Windows 8.1)	4-3
Printing from PC	4-4
Printing on Standard Sized Paper	4-4
Printing on Non-standard Sized Paper	4-6
Canceling Printing from a Computer	4-9
Printing from the Handheld Device	4-10
Printing by AirPrint	4-10
Printing by Google Cloud Print	4-10
Printing by Mopria	4-10
Printing with Wi-Fi Direct	4-10
Printing Data Saved in the Printer	4-11
Specifying the Job Box from a Computer and Storing the Job	4-11
Printing Document from Quick Copy Box	4-12
Deleting the Documents Stored in the Quick Copy Box	4-12
Printing Document from Proof and Hold Box	4-13
Deleting the Documents Stored in the Proof and Hold Box	4-13
Printing Documents from Private Print Box	4-14
Deleting the Documents Stored in the Private Print Box	4-14
Printing Document from Stored Job Box	4-15
Deleting the Documents Stored in the Stored Job Box	4-15
Job Box Setting	4-16
Monitoring the Printer Status (Status Monitor)	4-17
Accessing the Status Monitor	4-17

	Exiting the Status Monitor	4-17
	Quick View State	4-17
	Printing Progress Tab	4-18
	Paper Tray Status Tab	4-18
	Toner Status Tab	4-18
	Alert Tab	4-19
	Status Monitor Context Menu	4-19
	Status Monitor Notification Settings	4-20
5	Operation on the Machine	5-1
	Loading Paper in the Multipurpose Tray	5-2
	Canceling Jobs	5-5
	Using Document Boxes	5-6
	What is Job Box?	5-6
	What is Removable Memory Box?	5-6
	Operating using Removable USB Memory	5-7
	Printing Documents Stored in Removable USB Memory	5-7
	Print a file list	5-8
	Removing USB Memory	5-8
6	Setup and Registration (System Menu)	6-1
	System Menu	6-2
	Operation Method	6-2
	Menu Settings	6-3
	Report Print	6-4
	Paper Settings	6-6
	Print Settings	6-8
	Wi-Fi Direct Set	6-10
	Wi-Fi Settings	6-10
	Wired Network	6-12
	Network Settings	6-13
	Device Common	6-17
	Security	6-22
	User/Job Account	6-22
	Op functions	6-22
	Administrator	6-23
	Adjust/Maintenance	6-23
	Wired Status	6-23
	Wi-Fi Status	6-23
	Wi-Fi Direct	6-24
7	User Authentication and Accounting (User Login, Job Accounting) ...	7-1
	Overview of User Login Administration	7-2
	Enabling User Login Administration	7-3
	Key Login	7-4
	Using User Login Administration	7-5
	Login/Logout	7-5
	Overview of Job Accounting	7-6
	To Manage the Number of Sheets Used on Jobs Printed from a PC	7-6
	Enabling Job Accounting	7-7
	Job Accounting Access	7-8
	Job Accounting (Local)	7-9
	Adding an Account	7-9
	Restricting the Use of the Machine	7-11
	Editing an Account	7-13
	Deleting an Account	7-14
	Job Accounting for Printing	7-15

	Configuring Job Accounting	7-17
	Counting the Number of Pages Printed	7-17
	Print Accounting Report	7-17
	Using Job Accounting	7-19
	Login/Logout	7-19
	Apply Limit	7-20
	Unknown ID Job	7-21
	Administrator settings	7-22
8	Troubleshooting	8-1
	Regular Maintenance	8-2
	Cleaning	8-2
	Cleaning Paper Transfer Unit	8-2
	Toner Container Replacement	8-3
	Loading Paper	8-6
	Troubleshooting	8-7
	Solving Malfunctions	8-7
	Machine Operation Trouble	8-7
	Printed Image Trouble	8-9
	Color printing trouble	8-11
	Responding to Messages	8-12
	Adjustment/Maintenance	8-20
	Overview of Adjustment/Maintenance	8-20
	Color Calibration Procedure	8-20
	Registration Procedure	8-21
	Clearing Paper Jams	8-25
	Jam Location Indicators	8-25
	Remove any jammed paper in Cassette 1	8-26
	Remove any jammed paper in Cassette 2	8-27
	Remove any jammed paper in the Multipurpose Tray	8-29
	Remove any jammed paper in Rear Cover 1	8-32
9	Appendix	9-1
	Optional Equipment	9-2
	Overview of Optional Equipment	9-2
	Optional Applications	9-5
	Starting Application Use	9-5
	Checking Details of Application	9-6
	Paper	9-8
	Basic Paper Specifications	9-8
	Choosing the Appropriate Paper	9-9
	Special Paper	9-12
	Specifications	9-16
	Machine	9-16
	Printer Functions	9-18
	Paper Feeder	9-19
	Glossary	9-20
	Index	Index-1

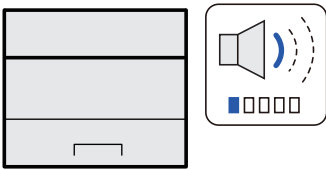
Machine Features

The machine is equipped with many useful functions.
Here are some examples.

Save energy and cost		
<p>Save energy as needed (Energy Saver function)</p>  <p>The machine is equipped with Energy Saver function that automatically switched into Sleep Mode.</p> <p>➔ Energy Saver function (page 2-28)</p>	<p>Use less toner for printing (EcoPrint)</p>  <p>You can save toner consumption with this function.</p> <p>When you only need to check the printed content, such as a trial print run or documents for internal confirmation, use this function to save toner.</p> <p>Use this function when a high-quality print is not required.</p> <p>➔ EcoPrint Mode (page 6-9)</p>	<p>Reduce paper use (Paper Saving Printing)</p>  <p>You can print originals on both sides of the paper. You can also print multiple originals onto one sheet.</p>
Strengthen security		
<p>Prevent loss of finished documents (Private Print)</p>  <p>You can temporarily save a printer document in the machine. By printing the document from the machine prevents someone takes your document.</p> <p>➔ Printing Data Saved in the Printer (page 4-11)</p>	<p>Log in by ID card (Card Authentication)</p>  <p>You can log in simply by touching an ID card. You don't need to enter the administrator name and password.</p> <p>➔ Card Authentication Kit(B) "Card Authentication Kit" (page 9-2)</p>	<p>Strengthen security (Settings for Administrator)</p>  <p>Various functions are available for administrators to strengthen security.</p> <p>➔ Strengthening the Security (page 2-43)</p>

Use functions more efficiently

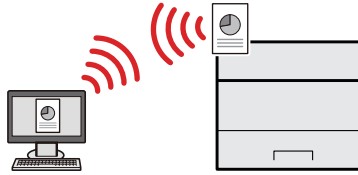
Make the machine quiet (Quiet Mode)



You can make the machine quiet by reducing its running noise. ON/OFF switching by one-touch is possible.

➔ [Quiet Mode \(page 2-31\)](#)

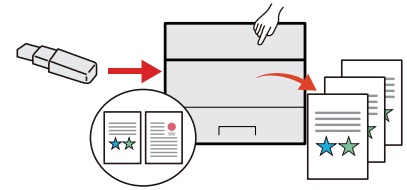
Install the machine without concerning the network cables (Wireless Network)



If there is a wireless LAN environment, it is possible to install the unit without worrying about the network wiring. In addition, Wi-Fi Direct, etc. are supported.

➔ [Configuring the Wireless Network \(page 2-19\)](#)
[Setting Wi-Fi Direct \(page 2-24\)](#)

Use USB memory (USB Memory)



It is useful when you need to print document outside your office or you cannot print document from your PC. You can print the document from the USB memory by plugging it directly into the machine.

➔ [Printing Documents Stored in Removable USB Memory \(page 5-7\)](#)

Use functions more efficiently

Perform remote operation (Command Center RX)



You can access to the machine remotely to print, send or download data.

Administrators can configure the machine behavior or management settings.

➔ [Command Center RX \(page 2-44\)](#)

Guides Provided with the Machine

The following guides are provided with the machine. Refer to each guide as needed.

The contents of the guides are subject to change without notice for the purpose of improvement of machine performance.

Printed guides

Start using the machine quickly



Quick Guide

Explains how to use basic functions of the machine, how to use convenient features, how to perform routine maintenance, and what to do when problems occur.

For safe use of the machine



Safety Guide

Provides safety and cautionary information for installation environment and use of the machine. Be sure to read this guide before using the machine.

Safety Guide (ECOSYS P5021cdn/ECOSYS P5021cdw/ ECOSYS P5026cdn/ECOSYS P5026cdw)

Indicates the space required for machine installation, and describes the cautionary labels and other safety information. Be sure to read this guide before using the machine.

Guides (PDF) on the DVD (Product Library)

Use the machine thoughtfully



Operation Guide (This Guide)

Explains how to load paper and perform basic operations, and indicates default settings and other information.

Use the ID card



Card Authentication Kit (B) Operation Guide

Explains how to perform authentication using the ID card.

Easily register machine information and configure settings



Command Center RX User Guide

Explains how to access the machine from a Web browser on your computer to check and change settings.

Print data from a computer



Printer Driver User Guide

Explains how to install the printer driver and use the printer function.

Directly print a PDF file



KYOCERA Net Direct Print Operation Guide

Explains how to print PDF files without launching Adobe Acrobat or Reader.

Monitor the machine and printers on the network



KYOCERA Net Viewer User Guide

Explains how to monitor your network printing system (the machine) with KYOCERA Net Viewer.

Print without using the printer driver



PRESCRIBE Commands Command Reference

Describes the native printer language (PRESCRIBE commands).

PRESCRIBE Commands Technical Reference

Describes the PRESCRIBE command functions and control for each type of emulation.

Adjust the print position



Maintenance Menu User Guide

Maintenance Menu provides the explanation on how to configure the print settings.

Install the following versions of Adobe Reader to view the manuals on the DVD.
Version 8.0 or later

About the Operation Guide (this Guide)

Structure of the guide

The Operation Guide contains the following chapters.

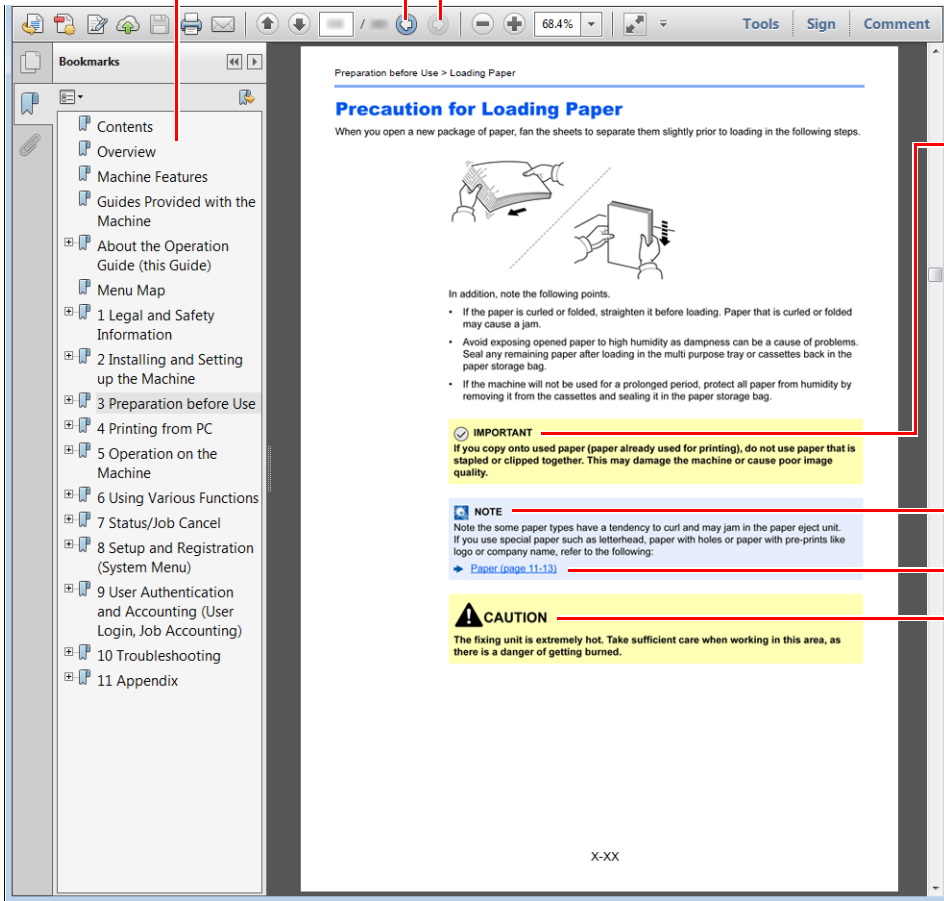
Chapter		Contents
1	Legal and Safety Information	Provides precautions regarding use of the machine and trademark information.
2	Installing and Setting up the Machine	Explains part names, cable connections, installation of the software, login, logout, and other matters related to administration of the machine.
3	Preparation before Use	Explains preparations and settings that are required in order to use the machine, such as how to load paper.
4	Printing from PC	Explains the basic steps for printing.
5	Operation on the Machine	Explains the basic procedures for using document boxes.
6	Setup and Registration (System Menu)	Explains System Menu and how it relates to the operation of the machine.
7	User Authentication and Accounting (User Login, Job Accounting)	Explains user login and job accounting.
8	Troubleshooting	Explains what to do when toner runs out, an error is displayed, or a paper jam or other problem occurs.
9	Appendix	Describes convenient options that are available for the machine. Provides information on media types and paper sizes, and gives a glossary of terms. Explains lists the specifications of the machine.


Conventions Used in This Guide


Adobe Reader XI is used as an example in the explanations below.

Click an item in the Table of Contents to jump to the corresponding page.


Click to move from the current page to the previously displayed page. This is convenient when you want to return to the page from which you jumped to the current page.



 **IMPORTANT**
Indicates operational requirements and restrictions to operate the machine correctly, and avoid damage to the machine or property.

 **NOTE**
Indicates supplemental explanations and reference information for operations.

Refer to
Click the underlined text to jump to the corresponding page.

 **CAUTION**
Indicates that personal injury or mechanical damage may result from insufficient attention to or incorrect compliance with the related points.

 **NOTE**

The items that appear in Adobe Reader vary depending on how it is used. If the Table of Contents or tools do not appear, refer to Adobe Reader Help.

Certain items are indicated in this guide by the conventions described below.

Convention	Description
[Bold]	Indicates keys and buttons.
"Regular"	Indicates a message or setting.

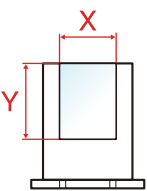
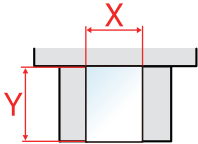
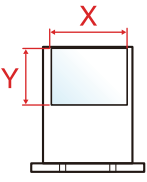
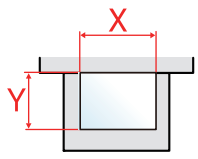
Conventions used in procedures for operating the machine

In this Operation Guide, continuous operation is as follows:

Actual procedure	Procedure indicated in this guide
Select the [Menu] key. ▼ Select the [▲] or [▼] key to select [Device Common]. ▼ Select the [▶] key.	[Menu] key > [▲] [▼] key > [Device Common] > [▶] key

Size and Orientation of Paper

Paper sizes such as A5 and Statement can be used in both the horizontal and vertical orientations. To distinguish the orientations when these sizes are used, "R" is added to sizes used in the vertical orientation.

Orientation		Setting Position (X=Length, Y=Width)	Indicated size in this Guide ^{*1}
Vertical orientation (-R)	Cassette		A5-R, Statement-R
	Multipurpose tray		A5-R, Statement-R
Horizontal orientation	Cassette		A5
	Multipurpose tray		A5, Statement

*1 Paper sizes that can be used vary depending on the function and source tray. For details, refer to the following.

➔ [Specifications \(page 9-16\)](#)

Menu Map

This is a list of menus displayed on the message display. Depending on the settings, some menus may not be displayed. Some menu names may differ from their reference titles.



Report Print	Print Menu Map (page 6-4)	
	Print Status Page (page 6-4)	
	Print Fonts List (page 6-5)	
	Print RAM Disk File List (page 6-5)	
	Print SD Card File List (page 6-5)	
USB Memory	Print File (page 5-7)	
	Copies (page 5-7)	
	Paper Source (page 5-7)	
	Remove Device (page 5-8)	
	Print File List (page 5-8)	
Job Box	Quick Copy (page 4-12)	
	Private/Stored (page 4-14)	
	Job Box	Quick Copy (page 4-16) Delete (page 4-16)
Counter (page 2-42)		
Paper Settings	MP Tray Size (page 6-6)	
	MP Tray Type (page 6-6)	
	Cassette1 Size (page 6-6)	
	Cassette2 Size (page 6-6)	
	Cassette 1 Type (page 6-6)	
	Cassette 2 Type (page 6-6)	
	Type Adjust	Paper Weight (page 6-7)
		Duplex Path (page 6-7)
	Reset Type Adjust (page 6-6)	
	Paper Setup Msg (page 6-6)	

Print Settings	Paper Source (page 6-8)	
	Auto Cass.Change (page 6-8)	
	MP Tray Priority (page 6-8)	
	Paper Feed Mode (page 6-8)	
	Duplex (page 6-8)	
	Override A4/LT (page 6-8)	
	Emulation	Error Report (page 6-8)
	Color Mode (page 6-8)	
	Print Quality	Gloss Mode (page 6-9)
		EcoPrint Mode (page 6-9)
		Resolution (page 6-9)
	Page Set	Copies (page 6-9)
		Orientation (page 6-9)
		Wide A4 (page 6-9)
		XPS FitTo Page (page 6-9)
	TIFF/JPEG Size (page 6-9)	
User Name (page 6-9)		
Job Name (page 6-9)		
Wi-Fi Direct Set	Wi-Fi Direct (page 6-10)	
	Auto Disconnect	Timer (Day:Hour:Min) (page 6-10)
Wi-Fi Settings	Wi-Fi (page 6-10)	
	Quick Setup (page 6-10)	
	TCP/IP	DHCP (page 6-11)
		Auto-IP (page 6-11)
		IP Address (page 6-11)
		Subnet Mask (page 6-11)
		Gateway (page 6-11)
	TCP/IP (IPv6)	RA(Stateless) (page 6-12)
		DHCPv6 (page 6-12)
	Restart Network (page 6-12)	

Wired Network	TCP/IP	
		DHCP (page 6-11)
		Auto-IP (page 6-11)
		IP Address (page 6-11)
		Subnet Mask (page 6-11)
		Gateway (page 6-11)
	TCP/IP (IPv6)	
		RA(Stateless) (page 6-12)
		DHCPv6 (page 6-12)
		LAN Interface (page 6-12)
	Restart Network (page 6-12)	
Network Settings	Communication (page 6-13)	
	SSL Server (page 6-13)	
	IPSec (page 6-13)	
	Bonjour (page 6-13)	
	NetBEUI (page 6-13)	
	SNMPv3 (page 6-13)	
	FTP(Server) (page 6-13)	
	SNMP (page 6-14)	
	SMTP (page 6-14)	
	POP3 (page 6-14)	
	RAW_Port (page 6-14)	
	LPD (page 6-14)	
	IPP (page 6-14)	
	IPP over SSL (page 6-14)	
	HTTP (page 6-15)	
	HTTPS (page 6-15)	
	ThinPrint (page 6-15)	
	ThinPrint over SSL (page 6-16)	
	WSD-PRINT (page 6-16)	
	Enhanced_WSD (page 6-16)	
EnhancedWSD(SSL) (page 6-16)		

Device Common	Message Language (page 6-17)	
	Date Setting	Date (Year/Mon/Day) (page 6-17)
		Time (Hour:Min:Sec) (page 6-17)
		Date Format (page 6-17)
		Time Zone (page 6-17)
		Summer Time (page 6-17)
	Buzzer	Key Confirmation (page 6-18)
		Job End (page 6-18)
		Ready (page 6-18)
		Error (page 6-18)
	RAM Disk Mode	
		RAM Disk Size (page 6-18)
	SD Card	Format (page 6-18)
	Error Handling	Duplex (page 6-19)
		Paper Mismatch (page 6-19)
		MP Tray Empty (page 6-19)
	ColorToner Empty (page 6-19)	
	Timer	Auto Panel Reset (page 6-19)
		Panel Reset Timer (page 6-19)
		Sleep Timer (page 6-20)
		Auto Error Clear (page 6-20)
		Error Clear Timer (page 6-20)
		Form Feed Time Out (page 6-20)
	Sleep Level Set.	Sleep Level (models except for Europe) (page 6-20)
		Network (page 6-20)
		Card Reader (page 6-20)
	Power Off Rule	Network (page 6-21)
USB Cable (page 6-21)		
USB Host (page 6-21)		
RAM Disk (page 6-21)		
Power Off Timer (page 6-21)		
Disp. Status/Log	JobsDetailStatus (page 6-21)	
	Jobs Log (page 6-21)	
Low Toner Alert (page 6-21)		
Security	I/F Block	USB Host (page 6-22)
		USB Device (page 6-22)
		USB Storage (page 6-22)
	Security Level (page 6-22)	

User/Job Account	User Login Set.	Login Type (page 7-3)
		Key Login (page 7-4)
	Job Accounting (page 7-7)	
	AccountingAccess (page 7-8)	
	Select Account	Counter (page 7-17)
		Color Counter (page 7-17)
		Restriction (page 7-11)
		Color Restriction (page 7-11)
		Maximum Output (page 7-11)
		Color Max. Output (page 7-11)
		Reset Counter (page 7-17)
	Add Account (page 7-9)	
	Delete Account (page 7-14)	
	Print Job Accounting List (page 7-17)	
Apply Limit (page 7-20)		
Unknown ID Job (page 7-21)		
Administrator	Change ID (page 7-23)	
	Change Password (page 7-23)	
Adjust/Maintenance	Color Calibration (page 6-23)	
	Registration Normal (page 6-23)	
	Registration Details (page 6-23)	
	Restart Printer (page 6-23)	
	Service (page 6-23)	
Op functions (page 6-22)		
Wired Status (page 6-23)		
Wi-Fi Status	NetwkName(SSID) (page 6-23)	
Wi-Fi Direct	PushButton Setup (page 6-24)	
	Device Name (page 6-24)	
	NetwkName (SSID) (page 6-24)	
	Password (page 6-24)	
	IP Address (page 6-24)	
	Netwk Authentic (page 6-24)	
	Data Encryption (page 6-24)	
	Disconnect All (page 6-24)	

1 Legal and Safety Information


Please read this information before using your machine. This chapter provides information on the following topics.


Notice	1-2
Safety Conventions in This Guide	1-2
Environment	1-3
Precautions for Use	1-4
Laser Safety (Europe)	1-5
SAFETY OF LASER BEAM (USA)	1-6
Safety Instructions Regarding the Disconnection of Power	1-7
Compliance and Conformity	1-7
Other precautions (for users in California, the United States)	1-7
EN ISO 7779	1-7
EK1-ITB 2000	1-8
Wireless Connection (Mexico only)	1-8
Security Precautions when Using Wireless LAN (If equipped)	1-8
Limited Use of This Product (If equipped)	1-9
Legal Information	1-10
Energy Saving Control Function	1-14
Automatic 2-Sided Print Function	1-14
Resource Saving - Paper	1-14
Environmental benefits of "Power Management"	1-14
Energy Star (ENERGY STAR®) Program	1-14

Notice

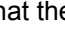
Safety Conventions in This Guide


The sections of this guide and parts of the machine marked with symbols are safety warnings meant to protect the user, other individuals and surrounding objects, and ensure correct and safe usage of the machine. The symbols and their meanings are indicated below.


 **WARNING:** Indicates that serious injury or even death may result from insufficient attention to or incorrect compliance with the related points.

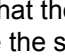
 **CAUTION:** Indicates that personal injury or mechanical damage may result from insufficient attention to or incorrect compliance with the related points.


Symbols


The  symbol indicates that the related section includes safety warnings. Specific points of attention are indicated inside the symbol.

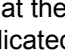
 ... [General warning]


 ... [Warning of high temperature]

The  symbol indicates that the related section includes information on prohibited actions. Specifics of the prohibited action are indicated inside the symbol.


 ... [Warning of prohibited action]

 ... [Disassembly prohibited]

The  symbol indicates that the related section includes information on actions which must be performed. Specifics of the required action are indicated inside the symbol.

 ... [Alert of required action]

 ... [Remove the power plug from the outlet]

 ... [Always connect the machine to an outlet with a ground connection]

Please contact your service representative to order a replacement if the safety warnings in this Operation Guide are illegible or if the guide itself is missing (fee required).

Environment

The service environmental conditions are as follows:

Temperature	50 to 90.5°F (10 to 32.5°C)
Humidity	10 to 80%

Avoid the following locations when selecting a site for the machine.

- Avoid locations near a window or with exposure to direct sunlight.
- Avoid locations with vibrations.
- Avoid locations with drastic temperature fluctuations.
- Avoid locations with direct exposure to hot or cold air.
- Avoid poorly ventilated locations.

If the floor is delicate against casters, when this machine is moved after installation, the floor material may be damaged.

During printing, some ozone is released, but the amount does not cause any ill effect to one's health. If, however, the machine is used over a long period of time in a poorly ventilated room or when making an extremely large number of prints, the smell may become unpleasant. To maintain the appropriate environment for print work, it is suggested that the room be properly ventilated.

Precautions for Use

Cautions when handling consumables

CAUTION

Do not attempt to incinerate parts which contain toner. Dangerous sparks may cause burns.

Keep parts which contain toner out of the reach of children.

If toner happens to spill from parts which contain toner, avoid inhalation and ingestion, as well as contact with your eyes and skin.

- If you do happen to inhale toner, move to a place with fresh air and gargle thoroughly with a large amount of water. If coughing develops, contact a physician.
- If you do happen to ingest toner, rinse your mouth with water and drink 1 or 2 cups of water to dilute the contents of your stomach. If necessary, contact a physician.
- If you do happen to get toner in your eyes, flush them thoroughly with water. If there is any remaining tenderness, contact a physician.
- If toner does happen to get on your skin, wash with soap and water.

Do not attempt to force open or destroy parts which contain toner.

Other precautions

Return the exhausted toner container to your dealer or service representative. The collected toner container will be recycled or disposed in accordance with the relevant regulations.

Store the machine while avoiding exposure to direct sunlight.

Store the machine in a place where the temperature stays below 40°C while avoiding sharp changes of temperature and humidity.

If the machine will not be used for an extended period of time, remove the paper from the cassette and the Multipurpose (MP) Tray, return it to its original package and reseal it.

Laser Safety (Europe)

Laser radiation could be hazardous to the human body. For this reason, laser radiation emitted inside this machine is hermetically sealed within the protective housing and external cover. In the normal operation of the product by user, no radiation can leak from the machine.

This machine is classified as Class 1 laser product under IEC/EN 60825-1:2014.

Regarding CLASS 1 laser products, information is provided on the rating label.



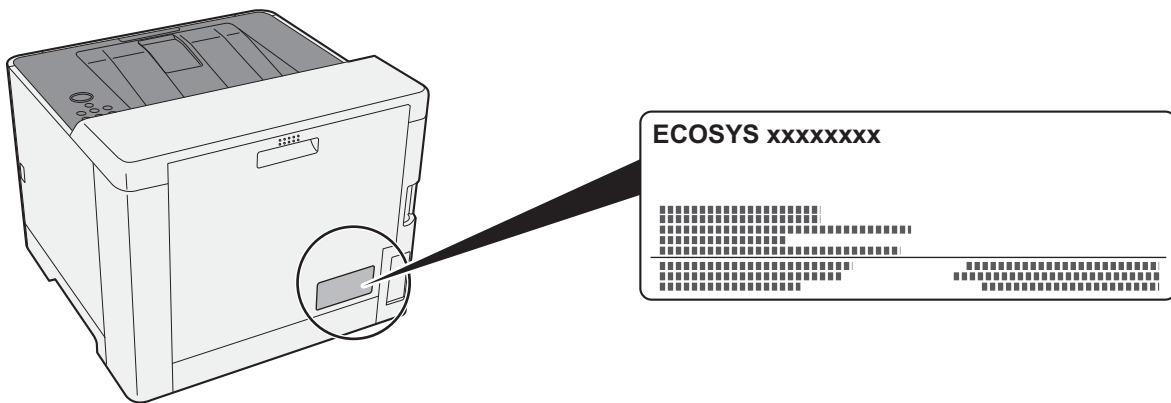
SAFETY OF LASER BEAM (USA)

1. Safety of laser beam

This machine has been certified by the manufacturer to Class 1 level under the radiation performance standards established by the U.S.DHHS (Department of Health and Human Services) in 1968. This indicates that the product is safe to use during normal operation and maintenance. The laser optical system, enclosed in a protective housing and sealed within the external covers, never permits the laser beam to escape.

2. The CDRH Act

A laser-product-related act was implemented on Aug. 2, 1976, by the Center for Devices and Radiological Health (CDRH) of the U.S. Food and Drug Administration (FDA). This act prohibits the sale of laser products in the U.S. without certification, and applies to laser products manufactured after Aug. 1, 1976. The label shown below indicates compliance with the CDRH regulations and must be attached to laser products marketed in the United States. The position of the rating label is show below.



3. Maintenance

For safety of the service personnel, follow the maintenance instructions in the other section of this manual.

4. Safety switch

The power to the laser unit is cut off when the front cover is opened.

Safety Instructions Regarding the Disconnection of Power

Caution: The power plug is the main isolation device! Other switches on the equipment are only functional switches and are not suitable for isolating the equipment from the power source.

Attention: Le débranchement de la fiche secteur est le seul moyen de mettre l'appareil hors tension. Les interrupteurs sur l'appareil ne sont que des interrupteurs de fonctionnement: ils ne mettent pas l'appareil hors tension.

Compliance and Conformity

This equipment has been tested and found to comply with the limits for a Class B digital device, pursuant to Part 15 of the FCC Rules.

These limits are designed to provide reasonable protection against harmful interference in a residential installation. This equipment generates, uses and can radiate radio frequency energy and, if not installed and used in accordance with the instructions, may cause harmful interference to radio communications. However, there is no guarantee that interference will not occur in a particular installation. If this equipment does cause harmful interference to radio or television reception, which can be determined by turning the equipment off and on, the user is encouraged to try to correct the interference by one or more of the following measures:

- Reorient or relocate the receiving antenna.
- Increase the separation between the equipment and receiver.
- Connect the equipment into an outlet on a circuit different from that to which the receiver is connected.
- Consult the dealer or an experienced radio/TV technician for help.
- The use of a non-shielded interface cable with the referenced device is prohibited.

CAUTION — The changes or modifications not expressly approved by the party responsible for compliance could void the user's authority to operate the equipment.

This device complies with Part 15 of FCC Rules.

Operation is subject to the following two conditions; (1) this device may not cause harmful interference, and (2) this device must accept any interference received, including interference that may cause undesired operation.

This device complies with Industry Canada licence-exempt RSS standard(s). Operation is subject to the following two conditions: (1) this device may not cause interference, and (2) this device must accept any interference, including interference that may cause undesired operation of the device.

The antenna(s) used for this transmitter must be installed to provide a separation distance of at least 20 cm from all persons and must not be co-located or operating in conjunction with any other transmitter.

* The above statements are valid only in the United States of America and Canada.

NOTE — Use shielded interface cables.

Other precautions (for users in California, the United States)

Perchlorate Material - special handling may apply. See www.dtsc.ca.gov/hazardouswaste/perchlorate.

EN ISO 7779

Maschinenlärminformations-Verordnung 3. GPSGV, 06.01.2004: Der höchste Schalldruckpegel beträgt 70 dB (A) oder weniger gemäß EN ISO 7779.

EK1-ITB 2000

Das Gerät ist nicht für die Benutzung im unmittelbaren Gesichtsfeld am Bildschirmarbeitsplatz vorgesehen. Um störende Reflexionen am Bildschirmarbeitsplatz zu vermeiden, darf dieses Produkt nicht im unmittelbaren Gesichtsfeld platziert werden.

Wireless Connection (Mexico only)

The operation of this equipment is subject to the following two conditions:

(1) it is possible that this equipment or device may not cause harmful interference, and (2) this equipment or device must accept any interference, including interference that may cause undesired operation.

La operación de este equipo está sujeta a las siguientes dos condiciones:

(1) es posible que este equipo o dispositivo no cause interferencia perjudicial y (2) este equipo o dispositivo debe aceptar cualquier interferencia, incluyendo la que pueda causar su operación no deseada.

Security Precautions when Using Wireless LAN (If equipped)

Wireless LAN allows information to be exchanged between wireless access points instead of using a network cable, which offers the advantage that a LAN connection can be established freely within an area in which radio waves can be transmitted.

On the other hand, the following problems may occur if security settings are not configured, because radio waves can pass through obstacles (including walls) and reach everywhere within a certain area.

Secretly Viewing Communication Contents

A third person with malicious objectives may intentionally monitor radio waves and gain unauthorized access to the following communication contents.

- Personal information including ID, passwords, and credit card numbers
- Contents of email messages

Illegal Intrusion

A third party with malicious intent may gain unauthorized access to personal or company networks and conduct the following illegal actions.

- Extracting personal and confidential information (information leak)
- Entering into communication while impersonating a specific person and distributing unauthorized information (spoofing)
- Modifying and retransmitting intercepted communications (falsification)
- Transmitting computer viruses and destroying data and systems (destruction)

Wireless LAN cards and wireless access points contain built-in security mechanisms to address these problems and to reduce the possibility of these problems occurring by configuring the security settings of wireless LAN products when the product is used.

We recommend that customers take responsibility and use their judgment when configuring the security settings and that they ensure that they fully understand the problems that can occur when the product is used without configuring the security settings.

Limited Use of This Product (If equipped)

- Radio waves transmitted from this product may affect medical equipment. When using this product in a medical institution or in the vicinity of medical instruments, either use this product according to the instructions and precautions provided by the administrator of the institution or those provided on the medical instruments.
- Radio waves transmitted from this product may affect automatic control equipment including automatic doors and fire alarms. When using this product in the vicinity of the automatic control equipment, use this product according to the instructions and precautions provided on the automatic control equipment.
- If this product is used in devices that are directly related to service including airplanes, trains, ships, and automobiles or this product is used in applications requiring high reliability and safety to function and in devices requiring accuracy including those used in disaster prevention and crime prevention and those used for various safety purposes, please use this product after considering the safety design of the entire system including adoption of a failsafe design and redundancy design for reliability and safety maintenance of the entire system. This product is not intended for use in applications requiring high reliability and safety including aerospace instruments, trunk communication equipment, nuclear power control equipment, and medical equipment; hence, the decision as to whether to use this product in these applications needs to be fully considered and determined.

Legal Information

Copying or other reproduction of all or part of this guide without the prior written consent of KYOCERA Document Solutions Inc. is prohibited.

Regarding Trade Names

- PRESCRIBE and ECOSYS are registered trademark of Kyocera Corporation.
- KPDL is a trademark of Kyocera Corporation.
- Microsoft, Windows, Windows XP, Windows Server 2003, Windows Vista, Windows Server 2008, Windows 7, Windows Server 2012, Windows 8, Windows 8.1, Windows 10 and Internet Explorer are registered trademarks or trademarks of Microsoft Corporation in the U.S.A. and/or other countries.
- PCL is a trademark of Hewlett-Packard Company.
- Adobe Acrobat, Adobe Reader and PostScript are trademarks of Adobe Systems Incorporated.
- Ethernet is a registered trademark of Xerox Corporation.
- Novell and NetWare are registered trademarks of Novell, Inc.
- IBM and IBM PC/AT are trademarks of International Business Machines Corporation.
- AppleTalk, Bonjour, Macintosh, and Mac OS are trademarks of Apple Inc., registered in the U.S. and other countries.
- All European language fonts installed in this machine are used under licensing agreement with Monotype Imaging Inc.
- Helvetica, Palatino and Times are registered trademarks of Linotype GmbH.
- ITC Avant Garde Gothic, ITC Bookman, ITC ZapfChancery and ITC ZapfDingbats are registered trademarks of International Typeface Corporation.
- ThinPrint is a trademark of Cortado AG in Germany and other countries.
- UFST™ MicroType® fonts by Monotype Imaging Inc. are installed in this machine.
- This machine contains the software having modules developed by Independent JPEG Group.
- iPad, iPhone and iPod touch are trademarks of Apple Inc., registered in the U.S. and other countries.
- AirPrint and the AirPrint logo are trademarks of Apple Inc.
- iOS is a trademark or registered trademark of Cisco in the U.S. and other countries and is used under license by Apple Inc.
- Google and Google Cloud Print™ are trademarks and/or registered trademarks of Google Inc.
- Mopria™ is registered trademarks of Mopria™ Alliance.
- Wi-Fi and Wi-Fi Direct are trademarks and/or registered trademarks of Wi-Fi Alliance.

All other brands and product names are registered trademarks or trademarks of their respective companies. The designations ™ and ® will not be used in this Operation Guide.

GPL/LGPL

This product contains GPL (<http://www.gnu.org/licenses/gpl.html>) and/or LGPL (<http://www.gnu.org/licenses/lgpl.html>) software as part of its firmware. You can get the source code, and you are permitted to copy, redistribute and modify it under the terms of GPL/LGPL. For further information including availability of the source code, visit <http://www.kyoceradocumentsolutions.com/gpl/>.

OpenSSL License

Copyright (c) 1998-2006 The OpenSSL Project. All rights reserved.

Redistribution and use in source and binary forms, with or without modification, are permitted provided that the following conditions are met:

1. Redistributions of source code must retain the above copyright notice, this list of conditions and the following disclaimer.
2. Redistributions in binary form must reproduce the above copyright notice, this list of conditions and the following disclaimer in the documentation and/or other materials provided with the distribution.
3. All advertising materials mentioning features or use of this software must display the following acknowledgment: "This product includes software developed by the OpenSSL Project for use in the OpenSSL Toolkit. (<http://www.openssl.org/>)"
4. The names "OpenSSL Toolkit" and "OpenSSL Project" must not be used to endorse or promote products derived from this software without prior written permission. For written permission, please contact openssl-core@openssl.org.
5. Products derived from this software may not be called "OpenSSL" nor may "OpenSSL" appear in their names without prior written permission of the OpenSSL Project.
6. Redistributions of any form whatsoever must retain the following acknowledgment: "This product includes software developed by the OpenSSL Project for use in the OpenSSL Toolkit (<http://www.openssl.org/>)"

THIS SOFTWARE IS PROVIDED BY THE OpenSSL PROJECT "AS IS" AND ANY EXPRESSED OR IMPLIED WARRANTIES, INCLUDING, BUT NOT LIMITED TO, THE IMPLIED WARRANTIES OF MERCHANTABILITY AND FITNESS FOR A PARTICULAR PURPOSE ARE DISCLAIMED. IN NO EVENT SHALL THE OpenSSL PROJECT OR ITS CONTRIBUTORS BE LIABLE FOR ANY DIRECT, INDIRECT, INCIDENTAL, SPECIAL, EXEMPLARY, OR CONSEQUENTIAL DAMAGES (INCLUDING, BUT NOT LIMITED TO, PROCUREMENT OF SUBSTITUTE GOODS OR SERVICES; LOSS OF USE, DATA, OR PROFITS; OR BUSINESS INTERRUPTION) HOWEVER CAUSED AND ON ANY THEORY OF LIABILITY, WHETHER IN CONTRACT, STRICT LIABILITY, OR TORT (INCLUDING NEGLIGENCE OR OTHERWISE) ARISING IN ANY WAY OUT OF THE USE OF THIS SOFTWARE, EVEN IF ADVISED OF THE POSSIBILITY OF SUCH DAMAGE.

Original SSLeay License

Copyright (C) 1995-1998 Eric Young (ey@cryptsoft.com) All rights reserved.

This package is an SSL implementation written by Eric Young (ey@cryptsoft.com). The implementation was written so as to conform with Netscapes SSL.

This library is free for commercial and non-commercial use as long as the following conditions are adhered to. The following conditions apply to all code found in this distribution, be it the RC4, RSA, lhash, DES, etc., code; not just the SSL code. The SSL documentation included with this distribution is covered by the same copyright terms except that the holder is Tim Hudson (tjh@cryptsoft.com).

Copyright remains Eric Young's, and as such any Copyright notices in the code are not to be removed.

If this package is used in a product, Eric Young should be given attribution as the author of the parts of the library used.

This can be in the form of a textual message at program startup or in documentation (online or textual) provided with the package.

Redistribution and use in source and binary forms, with or without modification, are permitted provided that the following conditions are met:

1. Redistributions of source code must retain the copyright notice, this list of conditions and the following disclaimer.
2. Redistributions in binary form must reproduce the above copyright notice, this list of conditions and the following disclaimer in the documentation and/or other materials provided with the distribution.
3. All advertising materials mentioning features or use of this software must display the following acknowledgement:
"This product includes cryptographic software written by Eric Young (eay@cryptsoft.com)"
The word 'cryptographic' can be left out if the routines from the library being used are not cryptographic related :-).
4. If you include any Windows specific code (or a derivative thereof) from the apps directory (application code) you must include an acknowledgement: "This product includes software written by Tim Hudson (tjh@cryptsoft.com)"

THIS SOFTWARE IS PROVIDED BY ERIC YOUNG "AS IS" AND ANY EXPRESS OR IMPLIED WARRANTIES, INCLUDING, BUT NOT LIMITED TO, THE IMPLIED WARRANTIES OF MERCHANTABILITY AND FITNESS FOR A PARTICULAR PURPOSE ARE DISCLAIMED. IN NO EVENT SHALL THE AUTHOR OR CONTRIBUTORS BE LIABLE FOR ANY DIRECT, INDIRECT, INCIDENTAL, SPECIAL, EXEMPLARY, OR CONSEQUENTIAL DAMAGES (INCLUDING, BUT NOT LIMITED TO, PROCUREMENT OF SUBSTITUTE GOODS OR SERVICES; LOSS OF USE, DATA, OR PROFITS; OR BUSINESS INTERRUPTION) HOWEVER CAUSED AND ON ANY THEORY OF LIABILITY, WHETHER IN CONTRACT, STRICT LIABILITY, OR TORT (INCLUDING NEGLIGENCE OR OTHERWISE) ARISING IN ANY WAY OUT OF THE USE OF THIS SOFTWARE, EVEN IF ADVISED OF THE POSSIBILITY OF SUCH DAMAGE.

The licence and distribution terms for any publically available version or derivative of this code cannot be changed. i.e. this code cannot simply be copied and put under another distribution licence [including the GNU Public Licence.]

Monotype Imaging License Agreement

- 1 *Software* shall mean the digitally encoded, machine readable, scalable outline data as encoded in a special format as well as the UFST Software.
- 2 You agree to accept a non-exclusive license to use the Software to reproduce and display weights, styles and versions of letters, numerals, characters and symbols (*Typefaces*) solely for your own customary business or personal purposes at the address stated on the registration card you return to Monotype Imaging. Under the terms of this License Agreement, you have the right to use the Fonts on up to three printers. If you need to have access to the fonts on more than three printers, you need to acquire a multiuser license agreement which can be obtained from Monotype Imaging. Monotype Imaging retains all rights, title and interest to the Software and Typefaces and no rights are granted to you other than a License to use the Software on the terms expressly set forth in this Agreement.
- 3 To protect proprietary rights of Monotype Imaging, you agree to maintain the Software and other proprietary information concerning the Typefaces in strict confidence and to establish reasonable procedures regulating access to and use of the Software and Typefaces.
- 4 You agree not to duplicate or copy the Software or Typefaces, except that you may make one backup copy. You agree that any such copy shall contain the same proprietary notices as those appearing on the original.
- 5 This License shall continue until the last use of the Software and Typefaces, unless sooner terminated. This License may be terminated by Monotype Imaging if you fail to comply with the terms of this License and such failure is not remedied within thirty (30) days after notice from Monotype Imaging. When this License expires or is terminated, you shall either return to Monotype Imaging or destroy all copies of the Software and Typefaces and documentation as requested.
- 6 You agree that you will not modify, alter, disassemble, decrypt, reverse engineer or decompile the Software.
- 7 Monotype Imaging warrants that for ninety (90) days after delivery, the Software will perform in accordance with Monotype Imaging-published specifications, and the diskette will be free from defects in material and workmanship. Monotype Imaging does not warrant that the Software is free from all bugs, errors and omissions.

The parties agree that all other warranties, expressed or implied, including warranties of fitness for a particular purpose and merchantability, are excluded.
- 8 Your exclusive remedy and the sole liability of Monotype Imaging in connection with the Software and Typefaces is repair or replacement of defective parts, upon their return to Monotype Imaging.

In no event will Monotype Imaging be liable for lost profits, lost data, or any other incidental or consequential damages, or any damages caused by abuse or misapplication of the Software and Typefaces.
- 9 Massachusetts U.S.A. law governs this Agreement.

- 10 You shall not sublicense, sell, lease, or otherwise transfer the Software and/or Typefaces without the prior written consent of Monotype Imaging.
- 11 Use, duplication or disclosure by the Government is subject to restrictions as set forth in the Rights in Technical Data and Computer Software clause at FAR 252-227-7013, subdivision (b)(3)(ii) or subparagraph (c)(1)(ii), as appropriate. Further use, duplication or disclosure is subject to restrictions applicable to restricted rights software as set forth in FAR 52.227-19 (c)(2).
- 12 You acknowledge that you have read this Agreement, understand it, and agree to be bound by its terms and conditions. Neither party shall be bound by any statement or representation not contained in this Agreement. No change in this Agreement is effective unless written and signed by properly authorized representatives of each party. By opening this diskette package, you agree to accept the terms and conditions of this Agreement.

Energy Saving Control Function

The device comes equipped with a Sleep where printer functions remain in a waiting state but power consumption is reduced to a minimum after a certain amount of time elapses since the device was last used. If the machine is not used while in sleep mode, the power automatically turns off.

➔ [Auto Sleep \(page 2-28\)](#)

[Power Off Rule \(models for Europe\) \(page 6-21\)](#)

Automatic 2-Sided Print Function

This device includes 2-sided printing as a standard function. For example, by printing two 1-sided originals onto a single sheet of paper as a 2-sided print, it is possible to lower the amount of paper used.

Printing in duplex mode reduces paper consumption and contributes to the conservation of forest resources. Duplex mode also reduces the amount of paper that must be purchased, and thereby reduces cost. It is recommended that machines capable of duplex printing be set to use duplex mode by default.

Resource Saving - Paper

For the preservation and sustainable use of forest resources, it is recommended that recycled as well as virgin paper certified under environmental stewardship initiatives or carrying recognised ecolabels, which meet EN 12281:2002* or an equivalent quality standard, be used.

This machine also supports printing on 64 g/m² paper. Using such paper containing less raw materials can lead to further saving of forest resources.

* : EN12281:2002 "Printing and business paper - Requirements for copy paper for dry toner imaging processes"

Your sales or service representative can provide information about recommended paper types.

Environmental benefits of "Power Management"

To reduce power consumption when idle, this machine is equipped with a power management function that automatically activates energy-saving mode when the machine is idle for a certain period of time.

Although it takes the machine a slight amount of time to return to READY mode when in energy-saving mode, a significant reduction in energy consumption is possible. It is recommended that the machine be used with the activation time for energy-saving mode set to the default setting.

Energy Star (ENERGY STAR®) Program



We have determined as a participating company in the International Energy Star Program that this product is compliant with the standards laid out in the International Energy Star Program.

ENERGY STAR® is a voluntary energy efficiency program with the goal of developing and promoting the use of products with high energy efficiency in order to help prevent global warming. By purchasing

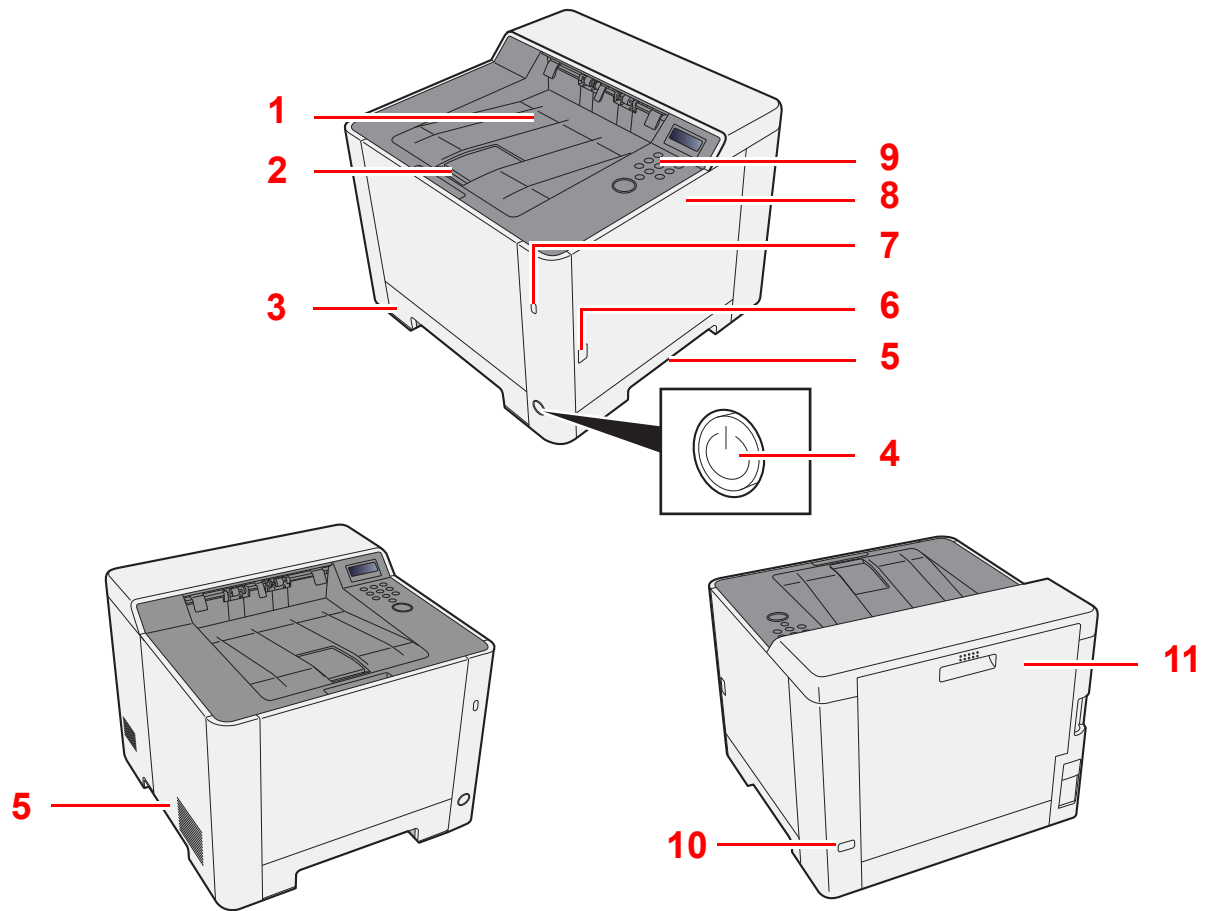
ENERGY STAR® qualified products, customers can help reduce emissions of greenhouse gases during product use and cut energy-related costs.

2 Installing and Setting up the Machine

This chapter provides information for the administrator of this machine, such as part names, cable connection, and software installation.

Part Names (Machine Exterior)	2-2
Part Names (Connectors/Interior)	2-3
Part Names (With Optional Equipments Attached)	2-5
Connecting the Machine and Other Devices	2-6
Connecting Cables	2-7
Connecting LAN Cable	2-7
Connecting USB Cable	2-8
Connecting the Power Cable	2-8
Power On/Off	2-9
Power On	2-9
Power Off	2-9
Using the Operation Panel	2-10
Operation Panel Keys	2-10
Operation Method	2-11
Selecting a Menu	2-12
Setting a Menu	2-12
Cancelling Menu Selection	2-12
Help Screen	2-12
Login/Logout	2-13
Login	2-13
Logout	2-14
Default Settings of the Machine	2-15
Setting Date and Time	2-15
Network Setup	2-17
Configuring the Wired Network	2-17
Configuring the Wireless Network	2-19
Setting Wi-Fi Direct	2-24
Energy Saver function	2-28
Auto Sleep	2-28
Sleep Level Set.	2-29
Power Off Rule (models for Europe)	2-30
Quiet Mode	2-31
Installing Software	2-32
Software on DVD (Windows)	2-32
Installing Software in Windows	2-33
Uninstalling the Software	2-39
Installing Software in Mac Computer	2-40
Checking the Counter	2-42
Additional Preparations for the Administrator	2-43
Strengthening the Security	2-43
Command Center RX	2-44
Accessing Command Center RX	2-45
Changing Security Settings	2-46
Changing Device Information	2-48
E-mail Settings	2-50

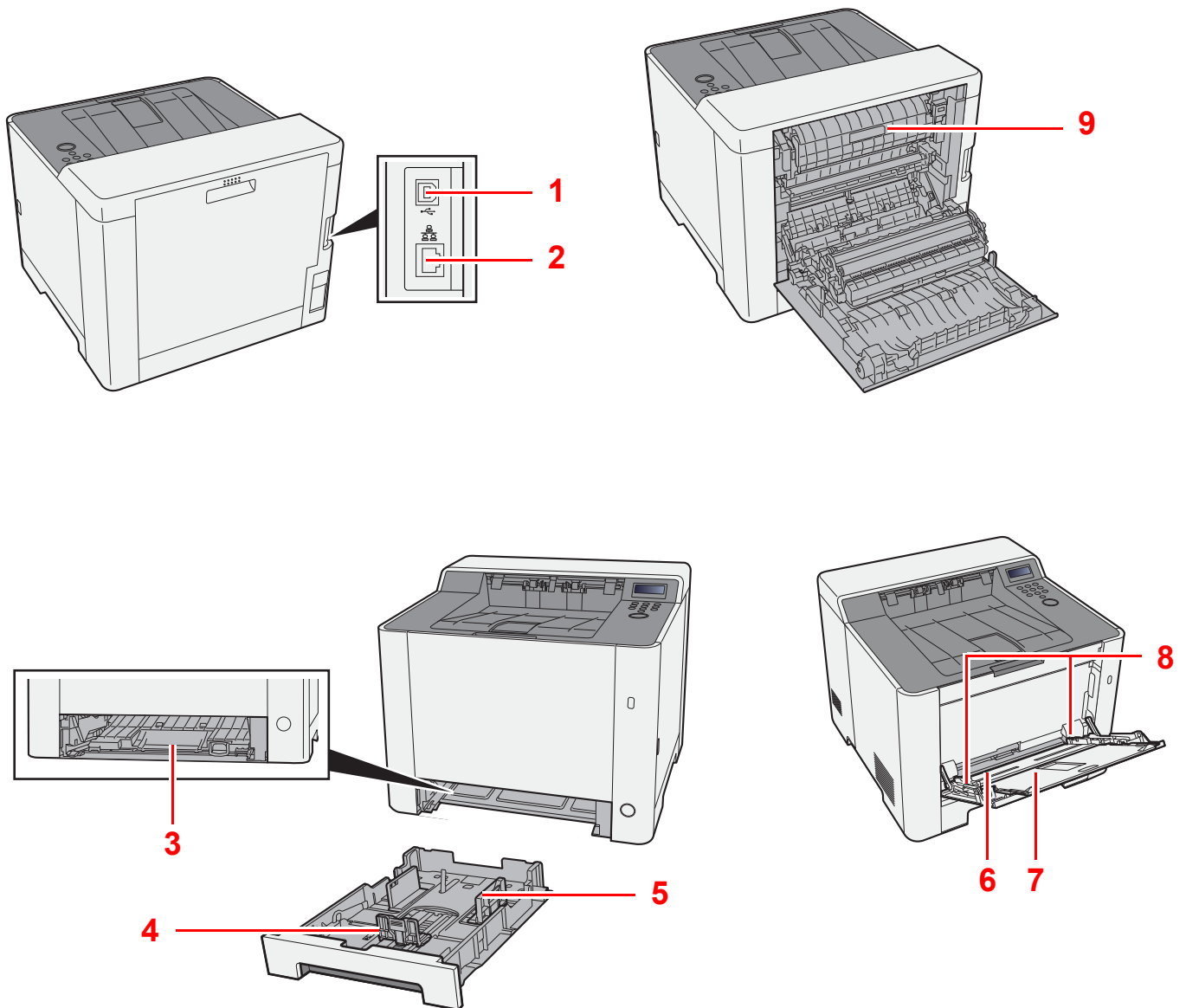
Part Names (Machine Exterior)



- 1 Top Tray
- 2 Paper Stopper
- 3 Cassette 1
- 4 Power Switch
- 5 Handles

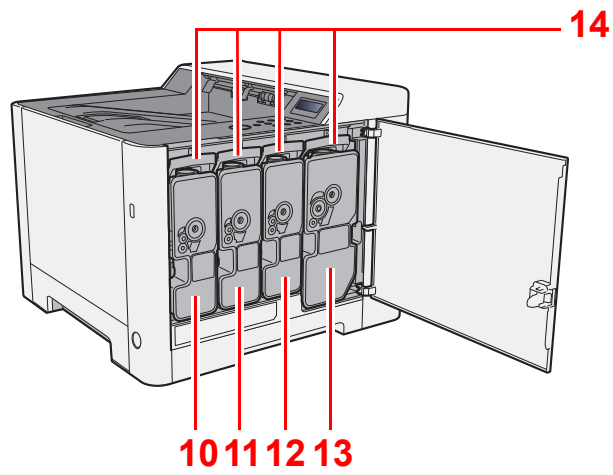
- 6 Button (Right Cover Open)
- 7 USB Memory Slot
- 8 Right Cover
- 9 Operation Panel
- 10 Anti-theft Lock Slot
- 11 Rear Cover 1

Part Names (Connectors/Interior)



- 1 USB Interface Connector
- 2 Network Interface Connector
- 3 Feed Cover
- 4 Paper Length Guide
- 5 Paper Width Guides

- 6 Multipurpose Tray
- 7 Tray Extension
- 8 Paper Width Guides
- 9 Fuser Cover



10 Toner Container (Yellow)

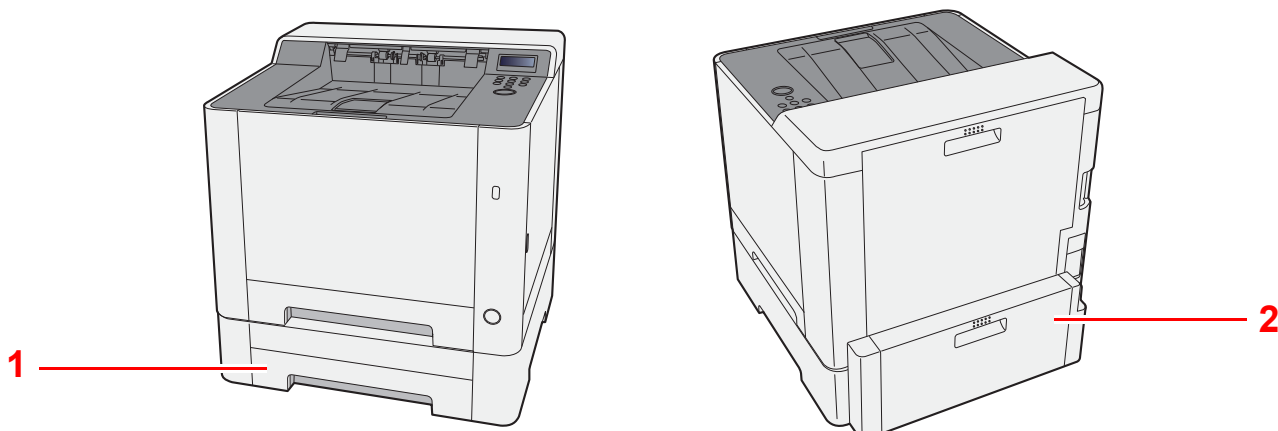
11 Toner Container (Cyan)

12 Toner Container (Magenta)

13 Toner Container (Black)

14 Toner Container Lock Lever

Part Names (With Optional Equipments Attached)



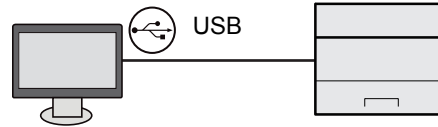
- 1 Cassette 2
- 2 Rear Cover 2

➔ [Optional Equipment \(page 9-2\)](#)

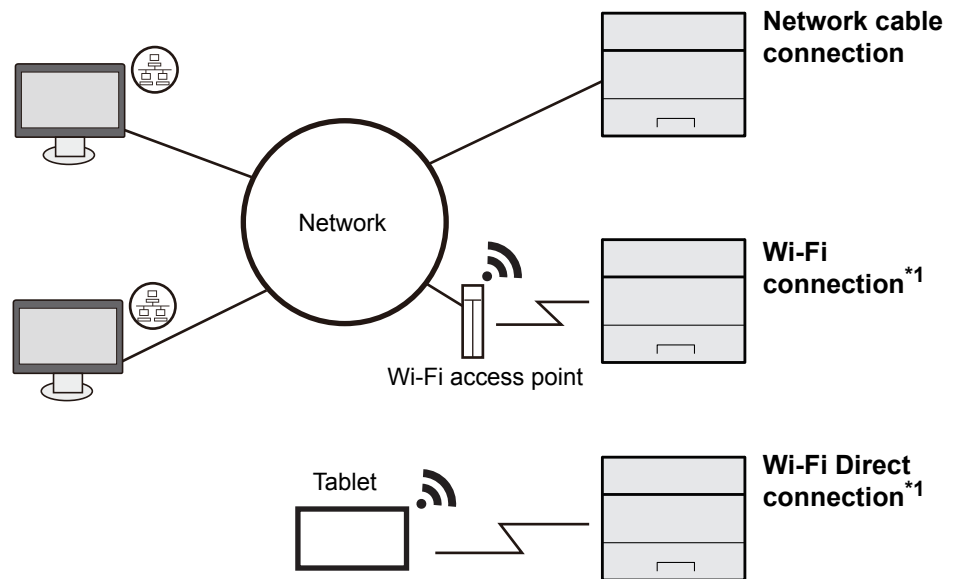
Connecting the Machine and Other Devices

Prepare the cables necessary to suit the environment and purpose of the machine use.

When Connecting the Machine to the PC via USB



When Connecting the Machine to the PC or Tablet by network cable, Wi-Fi, or Wi-Fi direct



*1 Only for models with Wi-Fi.

NOTE

If you are using wireless LAN, refer to the following.

➔ [Configuring the Wireless Network \(page 2-19\)](#)

Cables that Can Be Used

Connection Environment	Function	Necessary Cable
Connect a LAN cable to the machine.	Printer	LAN cable (10BASE-T, 100BASE-TX, 1000BASE-T)
Connect a USB cable to the machine.	Printer	USB 2.0 compatible cable (Hi-Speed USB compliant, max. 5.0 m, shielded)

IMPORTANT

Using a cable other than a USB 2.0 compatible cable may cause failure.

Connecting Cables

Connecting LAN Cable

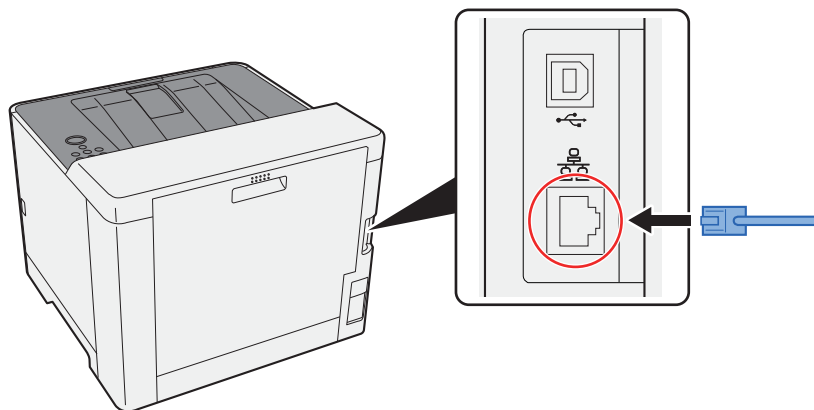
✔ **IMPORTANT**

Make sure that the power to the machine is turned off.

➔ [Power Off \(page 2-9\)](#)

1 Connect the cable to the machine.

- 1 Connect the LAN cable to the network interface connector.



- 2 Connect the other end of the cable to the hub or the PC.

2 Power on the machine and configure the network.

➔ [Network Setup \(page 2-17\)](#)

Connecting USB Cable

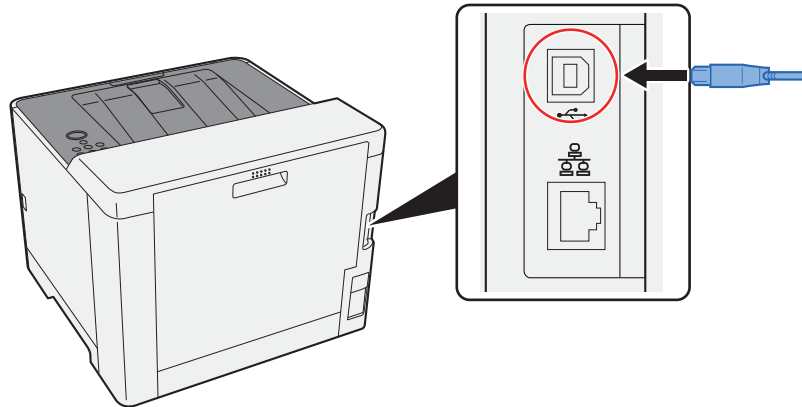
✔ **IMPORTANT**

Make sure that the power to the machine is turned off.

➔ [Power Off \(page 2-9\)](#)

1 Connect the cable to the machine.

- 1 Connect the USB cable to the USB interface connector.



- 2 Connect the other end of the cable to the PC.

2 Power on the machine.

Connecting the Power Cable

1 Connect the cable to the machine.

Connect one end of the supplied power cable to the machine and the other end to a power outlet.

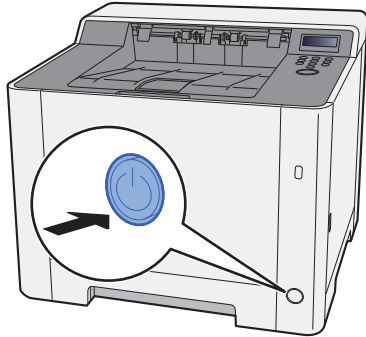
✔ **IMPORTANT**

Only use the power cable that comes with the machine.

Power On/Off

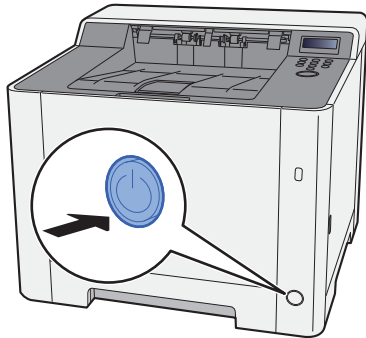
Power On

- 1 Turn the power switch on.



Power Off

- 1 Turn the power switch off.



It takes about 3 minutes for power off.



CAUTION

If this machine will be left unused for an extended period (e.g. overnight), turn it off at the power switch. If the machine will not be used for an even longer period of time (e.g. vacation), remove the power plug from the outlet as a safety precaution.

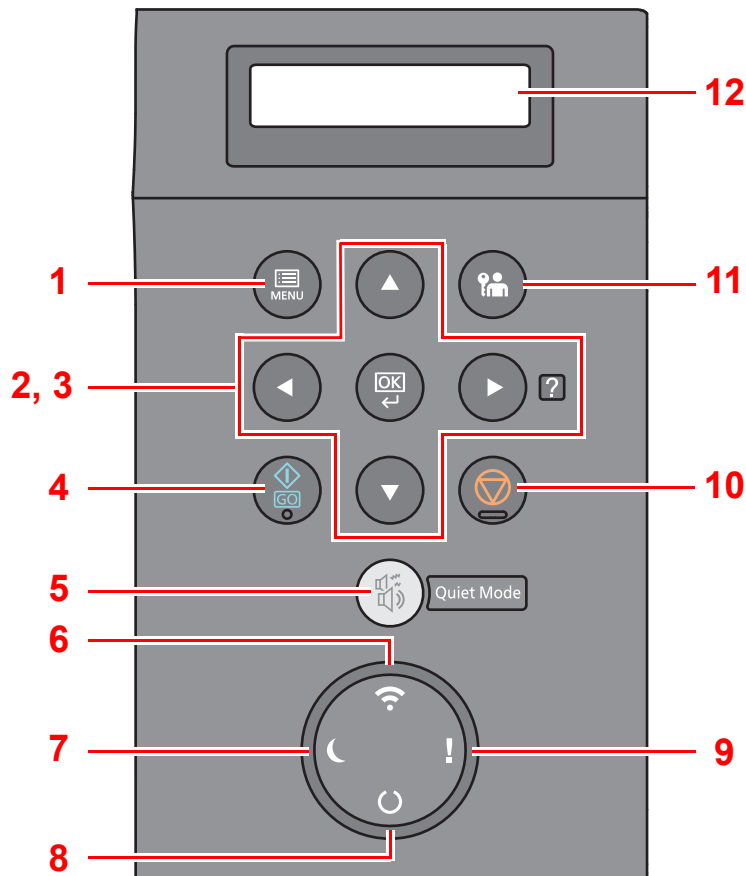


IMPORTANT

Remove paper from the cassettes and seal it in the paper storage bag to protect it from humidity.

Using the Operation Panel

Operation Panel Keys



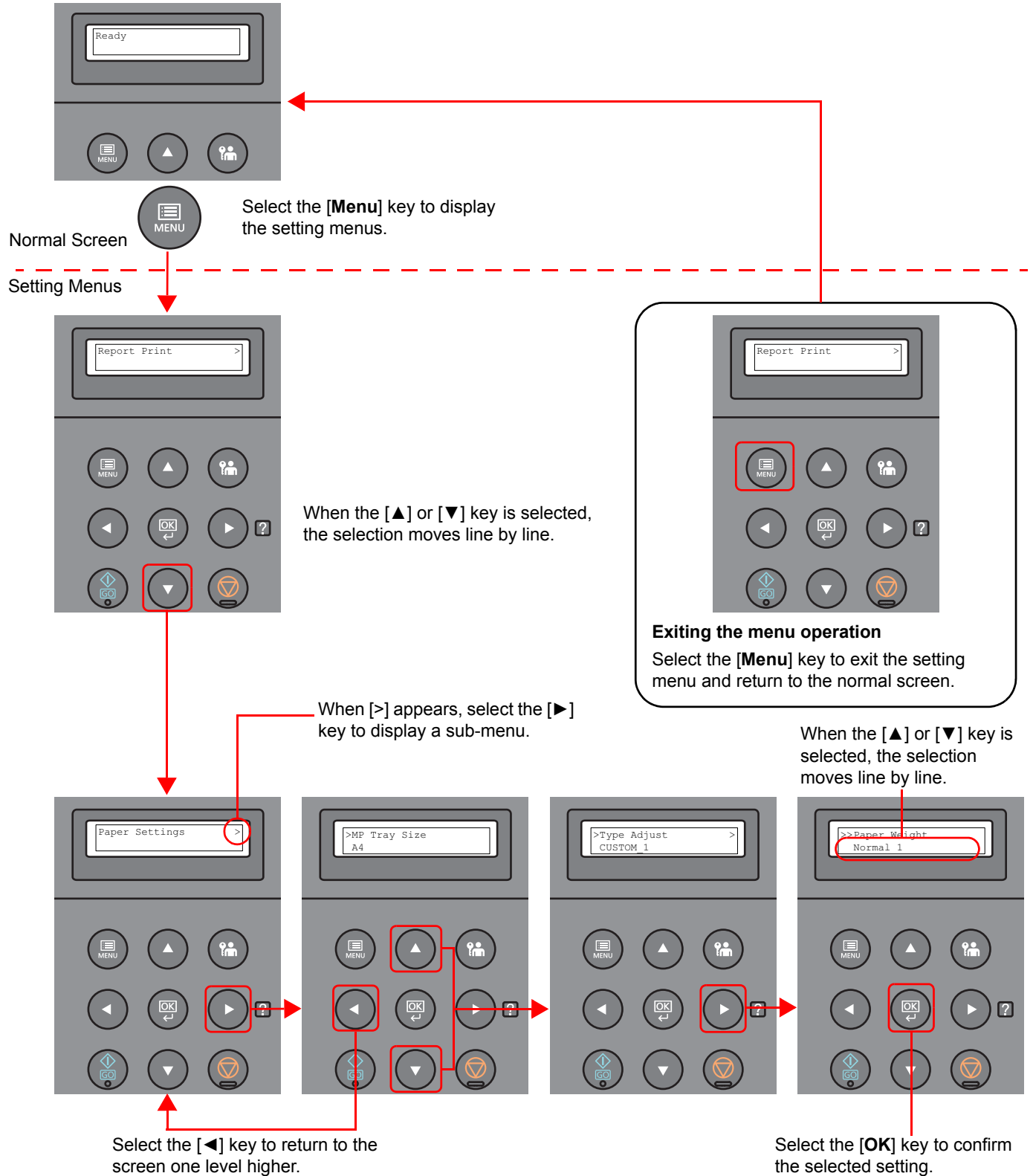
- 1 **[Menu]** key: Displays the Menu screen.
- 2 Arrow keys: Increments or decrements numbers, or selects menu in the message display. When a specific error occurs, select the [▶] (🔍) key to show the Help screen.
- 3 **[OK]** key: Finalizes a function or menu, and numbers that have been entered.
- 4 **[Go]** key: Clears a specific error, and wakes the machine from the sleep state.
- 5 **[Quiet Mode]** key: Lower print speed for quiet processing.
- 6 **[Wi-Fi]** indicator^{*1}: Blinks during Wi-Fi connection.
- 7 **[Energy Saver]** indicator: Lights up when the machine is in energy save mode.
- 8 **[Ready]** indicator: Lights up in the print ready state.
Blinks during print processing or when an error occurs.
- 9 **[Attention]** indicator: Lights or blinks when an error occurs and a job is stopped.
- 10 **[Cancel]** key: Cancel a printing job.
- 11 **[Logout]** key: Exits the operation for the current user (i.e. log out).
- 12 Message display: Displays the setting menu and error messages.

*1 Only for models with Wi-Fi.

Operation Method

Displaying the Menus and Configuring Settings

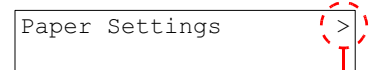
Select the **[Menu]** key to display the setting menus. Select the **[▲]** key, **[▼]** key, **[◀]** key, **[▶]** key, or **[OK]** key to select a menu, and perform settings.



Selecting a Menu

The setting menu is hierarchical. Select the [▲] or [▼] key to display the desired menu.

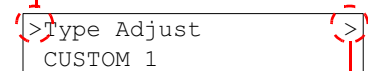
- If the selected menu has a sub-menu, ">" is displayed after the menu.



Indicates that there is a sub-menu

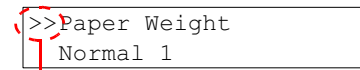
- ">" is displayed before the sub-menu.
When there is another sub-menu, ">" appears after the sub-menu name.
To move down a level to that sub-menu, select the [▶] key. To move back up to the next higher level, select the [◀] key.

Indicates that this is the sub-menu



Indicates that there is another sub-menu

">>" is displayed before the second sub-menu.



Indicates that this is the second sub-menu

Setting a Menu

Select the desired menu and then select the [OK] key. In the menu, select the desired item with the [▲] or [▼] key, and select the [OK] key. "?" will blink to the right of the selected item. Select the [OK] key to finalize the setting.

Cancelling Menu Selection

If you select the [Menu] key when a menu is selected, the message display returns to "Ready".

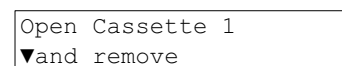
NOTE

Settings in an application or printer driver are given priority over operation panel settings.

Help Screen

If you have difficulty operating the machine, you can check how to operate it using the operation panel.

When "Press [?] key" is displayed on the message display, select the [▶] ([?]) key to display the Help screen. The Help screen shows machine operation.



Select the [▼] key to display the next step or select the [▲] key to display the previous step.

Select the [▶] ([?]) key to exit the Help screen.

Login/Logout

If you are setting a function that requires administrator rights, you must enter your administrator ID and administrator password.

NOTE

The factory default administrator ID and administrator password are set as shown below.

Model Name	Administrator ID	Administrator Password
ECOSYS P5021cdn/ECOSYS P5021cdw	2100	2100
ECOSYS P5026cdn/ECOSYS P5026cdw	2600	2600

Login

1 Enter the administrator ID.

If the administrator login screen appears while you are using the machine, enter the administrator ID and select the [OK] key.

NOTE

Enter an ID consisting of between 1 and 16 numbers.
Select the [▲] or [▼] key to enter a number.
Select the [◀] or [▶] key to move the cursor left or right.

2 Enter the administrator password.

Enter the administrator password and select [OK] key.

NOTE

Enter a password consisting of between 0 (no settings) and 16 numbers.
Select the [▲] or [▼] key to enter a number.
Select the [◀] or [▶] key to move the cursor left or right.

3 Select the [OK] key.

Logout



Select the **[Logout]** key to exit the setting menu screen and log out. You will return to the normal screen.

Users are automatically logged out in the following circumstances:

- When the machine enters the sleep state.
- When the auto panel reset function is activated.

Default Settings of the Machine

Before using this machine, configure such settings as date and time, network configuration, and energy saving functions as needed.

NOTE

The default settings of the machine can be changed in System Menu.
For settings that are configurable from System Menu, refer to the following:

➔ [Setup and Registration \(System Menu\) \(page 6-1\)](#)

Setting Date and Time

Follow the steps below to set the local date and time at the place of installation.

Set the date, time and time difference from GMT of the region where the machine is used.

NOTE

- The factory default administrator ID and administrator password are set as shown below.

Model Name	Administrator ID	Administrator Password
ECOSYS P5021cdn/ECOSYS P5021cdw	2100	2100
ECOSYS P5026cdn/ECOSYS P5026cdw	2600	2600

- Be sure to set the time difference before setting the date and time.
- The correct time can be periodically set by obtaining the time from the network time server.

➔ [Command Center RX User Guide](#)

1 Display the screen.

- 1 [Menu] key > [▲] [▼] key > [Device Common] > [▶] key > [▲] [▼] key > [Date Setting] > [▶] key
- 2 Enter the administrator ID and select the [OK] key.

NOTE

Enter an ID consisting of between 1 and 16 numbers.
Select the [▲] or [▼] key to enter a number.
Select the [◀] or [▶] key to move the cursor left or right.

- 3 Enter the administrator password and select the [OK] key.

NOTE

- Enter a password consisting of between 0 (no settings) and 16 numbers.
Select the [▲] or [▼] key to enter a number.
Select the [◀] or [▶] key to move the cursor left or right.
- If you enter the incorrect administrator ID or password, the message "Wrong ID" or "Wrong Password" appears and the input screen then reappears. Re-enter the ID or password correctly.

2 Configure the settings.

[▲] [▼] key > [Time Zone] > [OK] key > Select the time zone > [OK] key > [▲] [▼] key > [Date (Year/Mon/Day)] > [OK] key > Set the date > [OK] key > [▲] [▼] key > [Time (Hour:Min:Sec)] > Set the time > [OK] key > [▲] [▼] key > [Date Format] > [OK] key > Select the Date Format > [OK] key

Item	Description
Time Zone	Set the time difference from GMT. Choose the nearest listed location from the list. If you select a region that utilizes summer time, configure settings for summer time.
Date (Year/Mon/Day)	Set the date for the location where you use the machine. Value: Year (2000 to 2037), Month (1 to 12), Day (1 to 31)
Time (Hour:Min:Sec)	Set the time for the location where you use the machine. Value: Hour (00 to 23), Minute (00 to 59), Second (00 to 59)
Date Format	Select the display format of year, month, and date. The year is displayed in Western notation. Value: Month/Day/Year, Day/Month/Year, Year/Month/Day

Network Setup

Configuring the Wired Network

The machine is equipped with network interface, which is compatible with network protocols such as TCP/IP (IPv4), TCP/IP (IPv6), NetBEUI, and IPSec. It enables network printing on the Windows, Macintosh, UNIX and other platforms.

Set up TCP/IP (IPv4) to connect to the Windows network.

Be sure to connect the network cable before configuring the settings.

➔ [Connecting LAN Cable \(page 2-7\)](#)

For other network settings, refer to the following:

➔ [Network Settings \(page 6-13\)](#)

IPv4 setting

1 Display the screen.

[Menu] key > [▲][▼] key > [Wired Network] > [▶] key > [▲][▼] key > [TCP/IP] > [OK] key

2 Configure the settings.

1 [▲][▼] key > [On] > [OK] key

2 Select [▶] key while "TCP/IP On" is displayed.

3 [▲][▼] key > [DHCP] > [OK] key > [▲][▼] key > [Off] > [OK] key

4 [▲][▼] key > [IP Address] > [OK] key

5 Set the IP address.

NOTE

You can set any value between 000 and 255.
Select the [▲] or [▼] key to enter a number.
Select the [◀] or [▶] key to move the cursor left or right.

6 Select the [OK] key.

7 [▲][▼] key > [Subnet Mask] > [OK] key

8 Set the subnet mask.

NOTE

You can set any value between 000 and 255.
Select the [▲] or [▼] key to enter a number.
Select the [◀] or [▶] key to move the cursor left or right.

9 Select the [OK] key.

10 [▲][▼] key > [Default Gateway] > [OK] key

11 Set the default gateway.



NOTE

You can set any value between 000 and 255.
Select the [▲] or [▼] key to enter a number.
Select the [◀] or [▶] key to move the cursor left or right.

12 Select the [OK] key.

13 [▲] [▼] key > [Auto-IP] > [OK] key

14 [Off] > [OK] key



IMPORTANT

After changing the setting, restart the network from System Menu, or turn the machine OFF and then ON.

➔ [Restart Printer \(page 6-23\)](#)



NOTE

Ask your network administrator for the IP address in advance, and have it ready when you configure this setting.

In the following cases, set the IP address of DNS server on the Command Center RX.

- When using the host name with "DHCP" setting set to "Off"
- When using the DNS server with IP address that is not assigned by DHCP automatically.

Setting the IP Address of the DNS Server, refer to the following:

➔ **Command Center RX User Guide**

Configuring the Wireless Network

When the wireless network function is available on the machine and the connection settings are configured, it is possible to print in a wireless network (wireless LAN) environment. The configuration methods are as follows:

Configuration Method	Description	Reference Page
Configuring the Connection from the Operation Panel on This Machine	Use Wi-Fi Settings or Wireless Network to configure the network in details from System menu.	Wi-Fi Settings (page 6-10)
Setting the Connection by Using the Wi-Fi Setup Tool	This is the tool included in the Product Library. You can configure the connection according to the instructions provided by the wizard.	Setting the Connection by Using the Wi-Fi Setup Tool (page 2-19)
Configuring Connections on the Web Page	The connection can be set from the Command Center RX.	Command Center RX User Guide

NOTE

On a model with a Wi-Fi function, change the settings in "Communication" appropriately if you switch to other than a wired network interface.

➔ [Communication \(page 6-13\)](#)

Setting the Connection by Using the Wi-Fi Setup Tool

To send the Wi-Fi settings configured in the Wi-Fi Setup Tool to the machine, connect the computer or handheld device with the machine locally. The connection methods are wired connection via LAN cable and wireless LAN connection (Wi-Fi Direct).

NOTE

- Before using the Wi-Fi Setup Tool, connect your computer to this machine locally with wired LAN cable or Wi-Fi Direct.
- To use Wi-Fi Direct, confirm that the Wi-Fi Direct is enabled (Wi-Fi Direct is set to **[On]**) and Restart Network from the operation panel, before your computer will be connected to this machine with Wi-Fi Direct.
- To use a wired LAN cable directly connected to the machine, the Auto-IP (Link-local) address will be assigned to the machine and the computer. This machine applies Auto-IP as the default settings.
- Configure the settings on the operation panel if your computer supports WPS.

➔ [Wi-Fi Settings \(page 6-10\)](#)

Wired Connection by Using LAN Cable

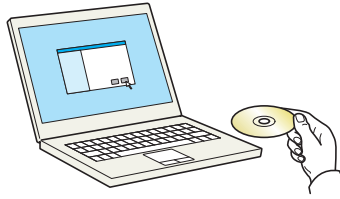
1 Connect the machine with a computer

1 Connect the machine with a computer via LAN cable when the machine is powered on.

2 Turn on the computer.

IP address (link local address) of the machine and computer is generated automatically.

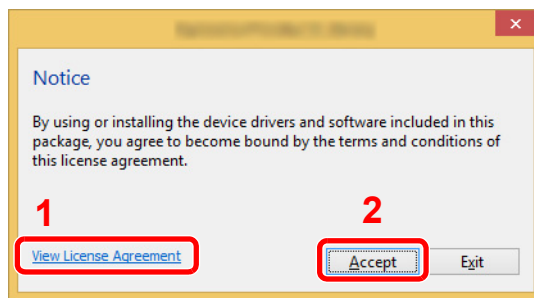
2 Insert the DVD.



NOTE

- Installation on Windows must be done by a user logged on with administrator privileges.
- If the "Welcome to the Found New Hardware Wizard" dialog box displays, select **[Cancel]**.
- If the autorun screen is displayed, click **[Run setup.exe]**.
- If the user account management window appears, click **[Yes]** (**[Allow]**).

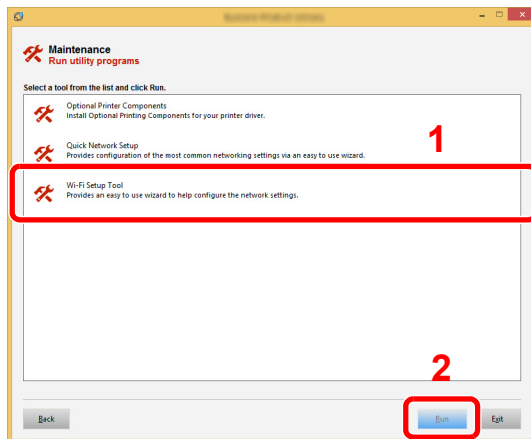
3 Display the screen.



- 1 Click **[View License Agreement]** and read the License Agreement.
- 2 Click **[Accept]**.

4 Select **[Maintenance]**.

5 **[Wi-Fi Setup Tool]** > **[OK]**




6 Configure the settings.

- 1 **[Do not use automatic configuration]** > **[Next]** > **[Next]**
- 2 **[Use LAN cable]** > **[Next]** > **[Next]**

3 [Easy setup] > [Next]

The machine is detected.

 **NOTE**

- Only one machine can be searched using Wi-Fi Setup Tool. It may take times to search the machine.
- If the machine is not detected, select **[Advanced setup] > [Next]**. Select **[Express]** or **[Custom]** as device discovery method and specify the IP address or host name to search the machine.


4 Select the machine > [Next]**5 Select [Use the device settings.] on [Authentication mode], and enter the login user name and password. Login user name and Password are both Admin.****6 Configure the communication settings > [Next]****7 Change the settings of access point as necessary > [Next]**

The network is configured.

Wireless LAN Connection by Using Wi-Fi Direct**1 Display the screen.****1 [Menu] key > [▲] [▼] key > [Wi-Fi Direct Set] > [▶] key****2 Enter the administrator ID and select the [OK] key.** **NOTE**

Enter an ID consisting of between 1 and 16 numbers.
Select the [▲] or [▼] key to enter a number.
Select the [◀] or [▶] key to move the cursor left or right.
The factory default settings for the administrator ID is set as shown below.

Model Name	Administrator ID
ECOSYS P5021cdn/ECOSYS P5021cdw	2100
ECOSYS P5026cdn/ECOSYS P5026cdw	2600

3 Enter the administrator password and select the [OK] key. **NOTE**

Enter a password consisting of between 0 (no settings) and 16 numbers.
Select the [▲] or [▼] key to enter a number.
Select the [◀] or [▶] key to move the cursor left or right.
The factory default settings for the administrator password is set as shown below.

Model Name	Administrator Password
ECOSYS P5021cdn/ECOSYS P5021cdw	2100
ECOSYS P5026cdn/ECOSYS P5026cdw	2600

4 [▲] [▼] key > [Wi-Fi Direct] > [OK] key

2 Configure the settings.

[▲] [▼] key > [On] > [OK] key

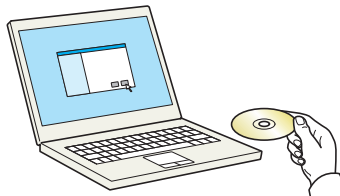
3 Restart the network.

[Menu] key > [▲] [▼] key > [Wi-Fi Settings] > [▶] key > [▲] [▼] key > [Restart Network] > [OK] key > [OK] key

4 Connect a computer or a handheld device with the machine.

➔ [Setting Wi-Fi Direct \(page 2-24\)](#)

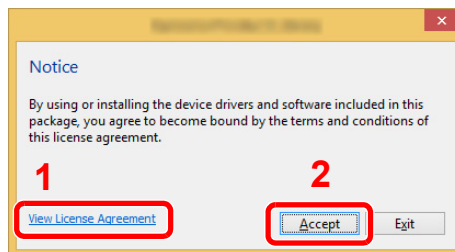
5 Insert the DVD.



NOTE

- Installation on Windows must be done by a user logged on with administrator privileges.
- If the "Welcome to the Found New Hardware Wizard" dialog box displays, select [Cancel].
- If the autorun screen is displayed, click [Run setup.exe].
- If the user account management window appears, click [Yes] ([Allow]).

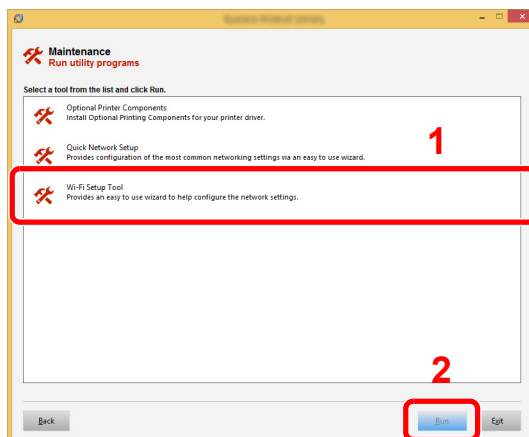
6 Display the screen.



- 1 Click [View License Agreement] and read the License Agreement.
- 2 Click [Accept].

7 Select [Maintenance].

8 [Wi-Fi Setup Tool] > [OK]



9 **Configure the settings.**

1 [Do not use automatic configuration] > [Next] > [Next]

2 [Wi-Fi Direct] > [Next] > [Next]

3 [Advanced setup] > [Next]

Select [Express] or [Custom] as device discovery method and specify the IP address or host name to search the machine.

4 Select the machine > [Next]

5 Select [Use the device settings.] on [Authentication mode], and enter the login user name and password. Login user name and Password are both Admin.

6 Configure the communication settings > [Next]

7 Change the settings of access point as necessary > [Next]

The network is configured.

Setting Wi-Fi Direct

When the wireless network function is available on the machine, setting Wi-Fi Direct enables you to print from the Wi-Fi Direct environment. The configuration methods are as follows:

Configuring the Connection from the Operation Panel on This Machine

Connecting to Computers or Handheld Devices that Support Wi-Fi Direct

1 Display the screen.

- 1 [Menu] key > [▲] [▼] key > [Wi-Fi Direct Set] > [▶] key
- 2 Enter the administrator ID and select the [OK] key.



NOTE

Enter an ID consisting of between 1 and 16 numbers.
 Select the [▲] or [▼] key to enter a number.
 Select the [◀] or [▶] key to move the cursor left or right.
 The factory default settings for the administrator ID is set as shown below.

Model Name	Administrator ID
ECOSYS P5021cdn/ECOSYS P5021cdw	2100
ECOSYS P5026cdn/ECOSYS P5026cdw	2600

- 3 Enter the administrator password and select the [OK] key.



NOTE

Enter a password consisting of between 0 (no settings) and 16 numbers.
 Select the [▲] or [▼] key to enter a number.
 Select the [◀] or [▶] key to move the cursor left or right.
 The factory default settings for the administrator password is set as shown below.

Model Name	Administrator Password
ECOSYS P5021cdn/ECOSYS P5021cdw	2100
ECOSYS P5026cdn/ECOSYS P5026cdw	2600

- 4 [▲] [▼] key > [Wi-Fi Direct] > [OK] key

2 Configure the settings.

[▲] [▼] key > [On] > [OK] key

3 Restart the network.

[Menu] key > [▲] [▼] key > [Wi-Fi Settings] > [▶] key > [▲] [▼] key > [Restart Network] > [OK] key > [OK] key

4 Specify the machine name from the computer or handheld device.

If a confirmation message appears on the operation panel of the machine, select **[Yes]**.

The network between this machine and the handheld device is configured.

Connecting to Computers or Handheld Devices Unsupported Wi-Fi Direct

Here, we'll explain the procedures for connecting to iOS handheld devices.

1 Display the screen.

- 1 **[Menu]** key > **[▲]** **[▼]** key > **[Wi-Fi Direct Set]** > **[▶]** key
- 2 Enter the administrator ID and select the **[OK]** key.

NOTE

Enter an ID consisting of between 1 and 16 numbers.

Select the **[▲]** or **[▼]** key to enter a number.

Select the **[◀]** or **[▶]** key to move the cursor left or right.

The factory default settings for the administrator ID is set as shown below.

Model Name	Administrator ID
ECOSYS P5021cdn/ECOSYS P5021cdw	2100
ECOSYS P5026cdn/ECOSYS P5026cdw	2600

- 3 Enter the administrator password and select the **[OK]** key.

NOTE

Enter a password consisting of between 0 (no settings) and 16 numbers.

Select the **[▲]** or **[▼]** key to enter a number.

Select the **[◀]** or **[▶]** key to move the cursor left or right.

The factory default settings for the administrator password is set as shown below.

Model Name	Administrator Password
ECOSYS P5021cdn/ECOSYS P5021cdw	2100
ECOSYS P5026cdn/ECOSYS P5026cdw	2600

- 4 **[▲]** **[▼]** key > **[Wi-Fi Direct]** > **[OK]** key

2 Configure the settings.

[▲] **[▼]** key > **[On]** > **[OK]** key

3 Restart the network.

[Menu] key > **[▲]** **[▼]** key > **[Wi-Fi Settings]** > **[▶]** key > **[▲]** **[▼]** key > **[Restart Network]** > **[OK]** key > **[OK]** key

4 [Menu] key > [▲] [▼] key > [Wi-Fi Direct Set] > [▶] key**5 Note the network name (SSID), IP address, and password.****6 Configure the handheld device.****1** [Settings] > [Wi-Fi]**2** Select the network name (SSID) appeared in step 5 from the list.**3** Enter the password that was provided in step 5 > [Connect]

The network between this machine and the handheld device is configured.

Configuring the Connection by Using Push Button

When your computer or handheld device does not support Wi-Fi Direct but supports WPS, you can configure the network using push button.

1 Display the screen.**1** [Menu] key > [▲] [▼] key > [Wi-Fi Direct Set] > [▶] key**2** Enter the administrator ID and select the [OK] key.**NOTE**

Enter an ID consisting of between 1 and 16 numbers.

Select the [▲] or [▼] key to enter a number.

Select the [◀] or [▶] key to move the cursor left or right.

The factory default settings for the administrator ID is set as shown below.

Model Name	Administrator ID
ECOSYS P5021cdn/ECOSYS P5021cdw	2100
ECOSYS P5026cdn/ECOSYS P5026cdw	2600

3 Enter the administrator password and select the [OK] key.**NOTE**

Enter a password consisting of between 0 (no settings) and 16 numbers.

Select the [▲] or [▼] key to enter a number.

Select the [◀] or [▶] key to move the cursor left or right.

The factory default settings for the administrator password is set as shown below.

Model Name	Administrator Password
ECOSYS P5021cdn/ECOSYS P5021cdw	2100
ECOSYS P5026cdn/ECOSYS P5026cdw	2600

4 [▲] [▼] key > [Wi-Fi Direct] > [OK] key**2 Configure the settings.**

[▲] [▼] key > [On] > [OK] key

3 Restart the network.

[Menu] key > [▲] [▼] key > [Wi-Fi Settings] > [▶] key > [▲] [▼] key > [Restart Network] > [OK] key > [OK] key

4 [Menu] key > [▲] [▼] key > [Wi-Fi Direct] > [▶] key > [▲] [▼] key > [PushButton Setup] > [OK] key > [OK] key

5 Press the push button on the computer or handheld device and select the [OK] key simultaneously.

The network between this machine and the computer or handheld device is configured.

IMPORTANT

You can connect up to three handheld devices at the same time using Wi-Fi Direct setting. When the devices that support Wi-Fi Direct are connected, if you want to connect other device, disconnect the already-connected devices from the network. The disconnection methods are as follows:

- Disconnect the network from the computer or handheld computer
- Disconnecting all devices from the network on the operation panel
Select [Menu] key > [▲] [▼] key > [Wi-Fi Direct] > [▶] key > [▲] [▼] key > [Disconnect All] > [OK] key > [OK] key
- Configuring auto disconnecting time from the System menu
➔ [Wi-Fi Direct Set \(page 6-10\)](#)
- Configuring auto disconnecting time from the Command Center RX
➔ [Command Center RX User Guide](#)

Energy Saver function

If a certain period of time elapses after the machine is last used, the machine automatically enters sleep mode, which minimizes power consumption. If the machine is not used while in sleep mode, the power automatically turns off.

Auto Sleep

Auto Sleep automatically switches the machine into Sleep if left idle for a preset time.

The amount of time before entering Sleep is as follows.

- 1 minute (default setting)

If print data is received during Sleep, the machine automatically wakes up and starts printing.

To resume, perform the following actions.

- Select the **[Go]** key.

Recovery time from Sleep Mode is as follows.

- ECOSYS P5021cdn/ECOSYS P5021cdw: Within 12 seconds
- ECOSYS P5026cdn/ECOSYS P5026cdw: Within 13 seconds

Note that ambient environmental conditions, such as ventilation, may cause the machine to respond more slowly.

1 Display the screen.

- 1 **[Menu]** key > **[▲]** **[▼]** key > **[Device Common]** > **[▶]** key > **[▲]** **[▼]** key > **[Timer]** > **[▶]** key
- 2 Enter the administrator ID and select the **[OK]** key.



NOTE

Enter an ID consisting of between 1 and 16 numbers.
 Select the **[▲]** or **[▼]** key to enter a number.
 Select the **[◀]** or **[▶]** key to move the cursor left or right.
 The factory default settings for the administrator ID is set as shown below.

Model Name	Administrator ID
ECOSYS P5021cdn/ECOSYS P5021cdw	2100
ECOSYS P5026cdn/ECOSYS P5026cdw	2600

- 3 Enter the administrator password and select the **[OK]** key.



NOTE

Enter a password consisting of between 0 (no settings) and 16 numbers.
 Select the **[▲]** or **[▼]** key to enter a number.
 Select the **[◀]** or **[▶]** key to move the cursor left or right.
 The factory default settings for the administrator password is set as shown below.

Model Name	Administrator Password
ECOSYS P5021cdn/ECOSYS P5021cdw	2100
ECOSYS P5026cdn/ECOSYS P5026cdw	2600

- 4 **[▲]** **[▼]** key > **[Sleep Timer]** > **[OK]** key

2 Set the Sleep time.

- 1 Enter the Sleep time.

NOTE

You can set any value below.

- For Europe: 1 to 60 minutes
- Except for Europe: 1 to 240 minutes

Select the [▲] or [▼] key to enter a number.

Select the [◀] or [▶] key to move the cursor left or right.

- 2 Select the [OK] key.

Sleep Level Set.

Network, Card Reader

You can set whether sleep mode operates for each function. When the machine enters sleep mode, the ID card cannot be recognized.

For more information on Sleep Level Set., refer to the following:

➔ [Sleep Level Set. \(page 6-20\)](#)

Sleep Level (models except for Europe)

For sleep level, you can toggle between the following two modes: Energy Saver mode and Quick Recovery mode. The default setting is Energy Saver mode.

Energy Saver mode reduces power consumption even more than Quick Recovery mode, and allows Sleep Mode to be set separately for each function. The ID card cannot be recognized.

To resume, select the [Go] key on the operation panel. If print data is received during Sleep, the machine automatically wakes up and starts printing.

1 Display the screen.

- 1 [Menu] key > [▲] [▼] key > [Device Common] > [▶] key > [▲] [▼] key > [Sleep Level Set.] > [▶] key
- 2 Enter the administrator ID and select the [OK] key.

NOTE

Enter an ID consisting of between 1 and 16 numbers.

Select the [▲] or [▼] key to enter a number.

Select the [◀] or [▶] key to move the cursor left or right.

The factory default settings for the administrator ID is set as shown below.

Model Name	Administrator ID
ECOSYS P5021cdn/ECOSYS P5021cdw	2100
ECOSYS P5026cdn/ECOSYS P5026cdw	2600

- 3 Enter the administrator password and select the **[OK]** key.

 **NOTE**

Enter a password consisting of between 0 (no settings) and 16 numbers.
 Select the **[▲]** or **[▼]** key to enter a number.
 Select the **[◀]** or **[▶]** key to move the cursor left or right.
 The factory default settings for the administrator password is set as shown below.

Model Name	Administrator Password
ECOSYS P5021cdn/ECOSYS P5021cdw	2100
ECOSYS P5026cdn/ECOSYS P5026cdw	2600

- 4 **[▲]** **[▼]** key > **[Sleep Level]** > **[OK]** key

2 Select the Sleep level.

- [▲]** **[▼]** key > **[Quick Recovery]** or **[Energy Saver]** > **[OK]** key

When **[Energy Saver]** is set, next go on to set whether or not to use Energy Saver mode for each function.

3 Set the Sleep rule.

- 1 **[▲]** **[▼]** key > **[Network]** or **[Card Reader]** > **[OK]** key

[Card Reader] is displayed when the optional Card Authentication Kit is activated.

- 2 **[▲]** **[▼]** key > **[Off]** or **[On]** > **[OK]** key

Power Off Rule (models for Europe)

The Power Off Rule is used to stop the power from automatically turning off.

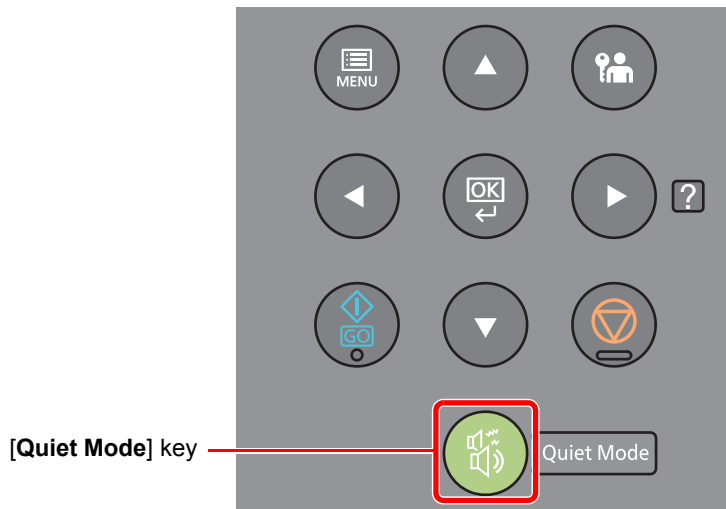
The default preset time is 3 days.

For more information on Power Off Rule settings, refer to the following:

➔ [Power Off Rule \(models for Europe\) \(page 6-21\)](#)

Quiet Mode

Lower print speed for quiet processing. Select this mode when the running noise is uncomfortable. When the [Quiet Mode] key is selected, the [Quiet Mode] key blinks and Quiet Mode is enabled.



 **NOTE**

The processing speed will be slower than normal when in Quiet Mode.

Installing Software

Install appropriate software on your PC from the included DVD (Product Library) if you want to use the printer function of this machine from your PC.

Software on DVD (Windows)

You can use either [**Express Install**] or [**Custom Install**] can be selected for the installation method. [**Express Install**] is the standard installation method. To install components that cannot be installed by [**Express Install**], use [**Custom Install**].

For details on Custom Installation, refer to the following:

➔ [Custom Install \(page 2-35\)](#)

Software	Description	Express Install
KX DRIVER	This driver enables files on a computer to be printed by the machine. Multiple page description languages (PCL XL, KPDL, etc.) are supported by a single driver. This printer driver allows you to take full advantage of the features of the machine. Use this driver to create PDF files.	<input type="radio"/>
KX XPS DRIVER	This printer driver supports the XPS (XML Paper Specification) format developed by Microsoft Corporation.	-
KPDL mini-driver/PCL mini-driver	This is a Microsoft MiniDriver that supports PCL and KPDL. There are some restrictions on the machine features and option features that can be used with this driver.	-
KYOCERA Net Viewer	This is a utility that enables monitoring of the machine on the network.	-
Status Monitor	This is a utility that monitors the printer status and provides an ongoing reporting function.	<input type="radio"/>
KYOCERA Net Direct Print	This makes it possible to print a PDF file without starting Adobe Acrobat/Reader.	-
FONTS	These are display fonts that enable the machine's built-in fonts to be used in a software application.	<input type="radio"/>



NOTE

- Installation on Windows must be done by a user logged on with administrator privileges.
- KX XPS DRIVER cannot be installed on Windows XP.

Installing Software in Windows

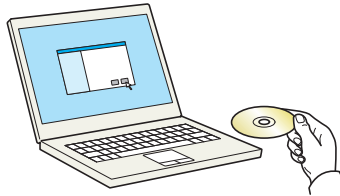
Express Install

The following procedure is an example for installing the software in Windows 8.1 using **[Express Install]**.

For details on Custom Installation, refer to the following:

➔ [Custom Install \(page 2-35\)](#)

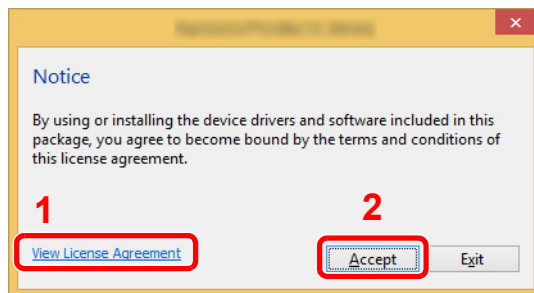
1 Insert the DVD.



NOTE

- Installation on Windows must be done by a user logged on with administrator privileges.
- If the "Welcome to the Found New Hardware Wizard" dialog box displays, select **[Cancel]**.
- If the autorun screen is displayed, click **[Run setup.exe]**.
- If the user account management window appears, click **[Yes]** (**[Allow]**).

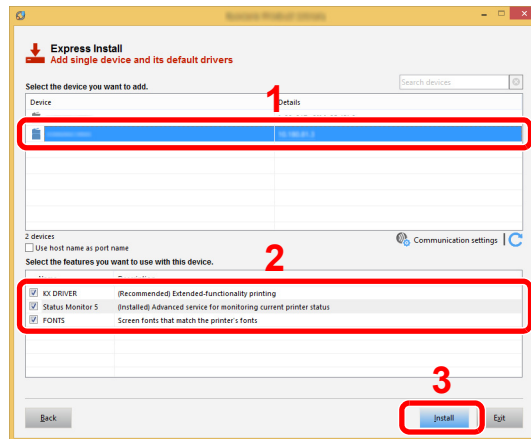
2 Display the screen.



- 1 Click **[View License Agreement]** and read the License Agreement.
- 2 Click **[Accept]**.

3 Select **[Express Install]**.

4 Install the software.



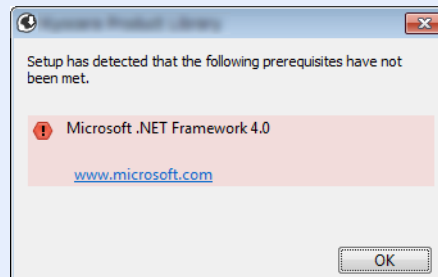
You can also select [**Use host name for port name**] and set to use the host name of the standard TCP/IP port. (A USB connection cannot be used.)

✔ IMPORTANT

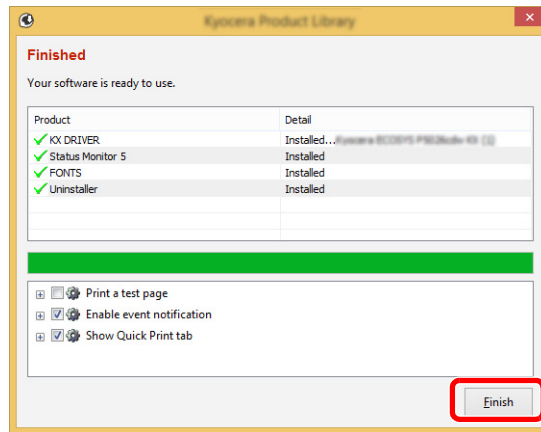
If Wi-Fi or Wi-Fi Direct is enabled, be sure to specify the IP address for the port name. Installation may fail if the host name is specified.

💡 NOTE

- The machine cannot be detected unless it is on. If the computer fails to detect the machine, verify that it is connected to the computer via a network or USB cable and that it is turned on and click **C** (Reload).
- If the Windows security window appears, click [**Install this driver software anyway**].
- To install Status Monitor on Windows versions preceding Windows 8, it is necessary to install Microsoft .NET Framework 4.0 beforehand.



5 Finish the installation.



When "**Your software is ready to use**" appears, you can use the software. To print a test page, click the "**Print a test page**" checkbox and select the machine.

Click [**Finish**] to exit the wizard.



NOTE

When you have selected [**Device settings**] in Windows XP, the dialog box for device setting will appear after [**Finish**] is clicked. Configure the settings for options installed on the machine. Device settings can be configured after the installation is completed.

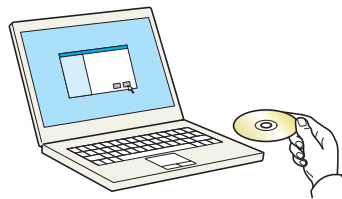
➔ [Printer Driver User Guide](#)

If a system restart message appears, restart the computer by following the screen prompts. This completes the printer driver installation procedure.

Custom Install

The following procedure is an example for installing the software in Windows 8.1 using [**Custom Install**].

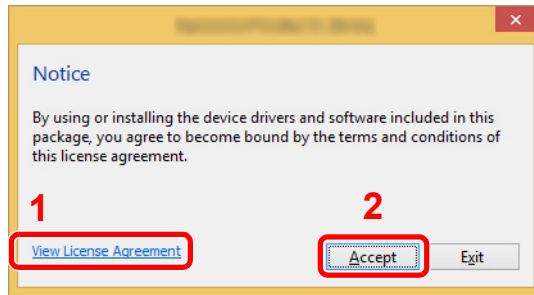
1 Insert the DVD.



NOTE

- Installation on Windows must be done by a user logged on with administrator privileges.
- If the "**Welcome to the Found New Hardware Wizard**" dialog box displays, select [**Cancel**].
- If the autorun screen is displayed, click [**Run setup.exe**].
- If the user account management window appears, click [**Yes**] ([**Allow**]).

2 Display the screen.

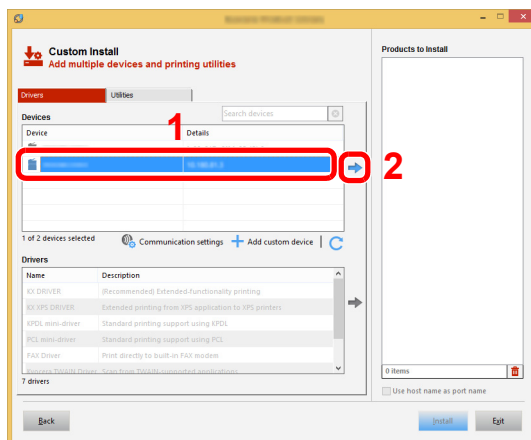


- 1 Click **[View License Agreement]** and read the License Agreement.
- 2 Click **[Accept]**.

3 Select **[Custom Install]**.

4 Install the software.

- 1 Select the device to be installed.



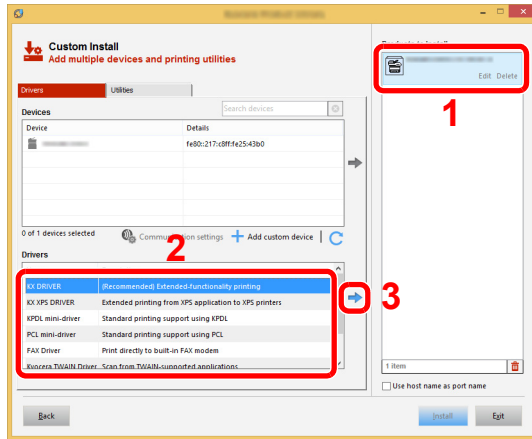
IMPORTANT

If Wi-Fi or Wi-Fi Direct is enabled, be sure to specify the IP address for the port name. Installation may fail if the host name is specified.

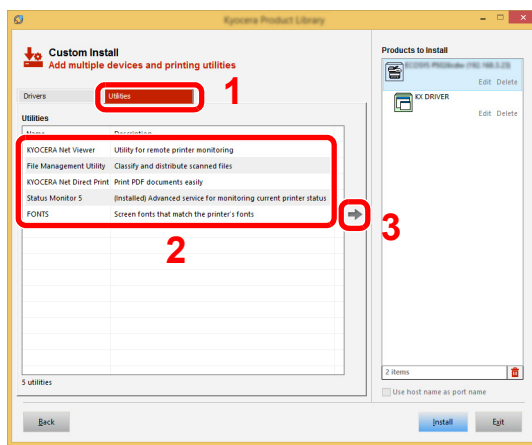
NOTE

- The machine cannot be detected unless it is on. If the computer fails to detect the machine, verify that it is connected to the computer via a network or USB cable and that it is turned on and click **C** (Reload).
- If the desired device does not appear, select **[Add custom device]** to directly select the device.

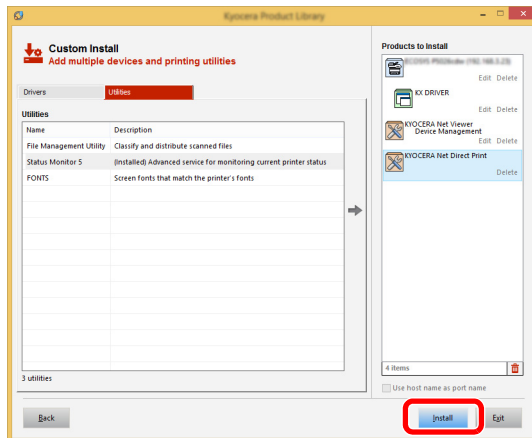
2 Select the driver to be installed.



3 Click [Utility] tab and select the utility to be installed.

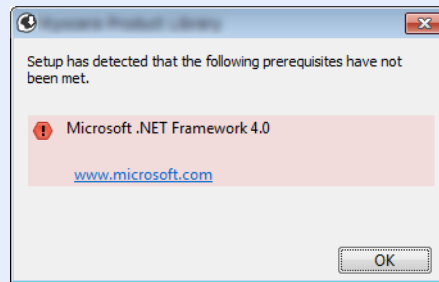
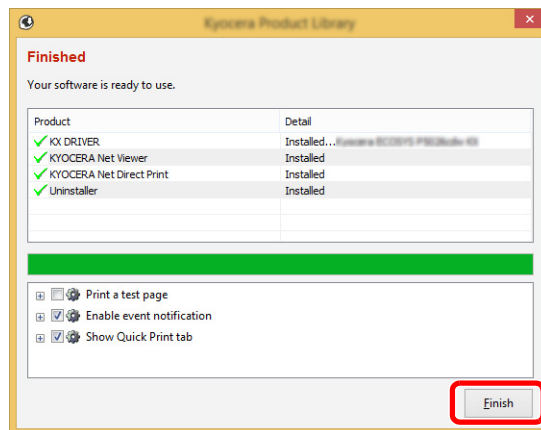


4 Click [Install].



NOTE

To install Status Monitor on Windows versions preceding Windows 8, it is necessary to install Microsoft .NET Framework 4.0 beforehand.

**5 Finish the installation.**

When "**Your software is ready to use**" appears, you can use the software. To print a test page, click the "**Print a test page**" checkbox and select the machine.

Click [**Finish**] to exit the wizard.

NOTE

When you have selected [**Device settings**] in Windows XP, the dialog box for device setting will appear after [**Finish**] is clicked. Configure the settings for options installed on the machine. Device settings can be configured after the installation is completed.

➔ **Printer Driver User Guide**

If a system restart message appears, restart the computer by following the screen prompts. This completes the printer driver installation procedure.

Uninstalling the Software

Perform the following procedure to delete the Software from your computer.

NOTE

Uninstallation on Windows must be done by a user logged on with administrator privileges.

1 Display the screen.

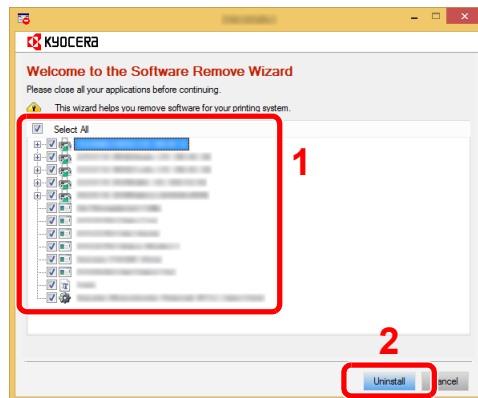
Click **[Search]** in charms, and enter "Uninstall Kyocera Product Library" in the search box. Select **[Uninstall Kyocera Product Library]** in the search list.

NOTE

In Windows 7, click **[Start]** button on the Windows and then select **[All Programs]**, **[Kyocera]**, and **[Uninstall Kyocera Product Library]** to display the Uninstall Wizard.

2 Uninstall the software.

Place a check in the check box of the software to be deleted.



3 Finish uninstalling.

If a system restart message appears, restart the computer by following the screen prompts. This completes the software uninstallation procedure.

NOTE

- The software can also be uninstalled using the Product Library.
- In the Product Library screen, click **[Uninstall]**, and follow the on-screen instructions to uninstall the software.

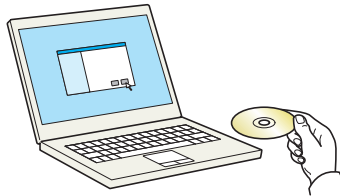
Installing Software in Mac Computer

The machine's printer functionality can be used by a Mac computer.

NOTE

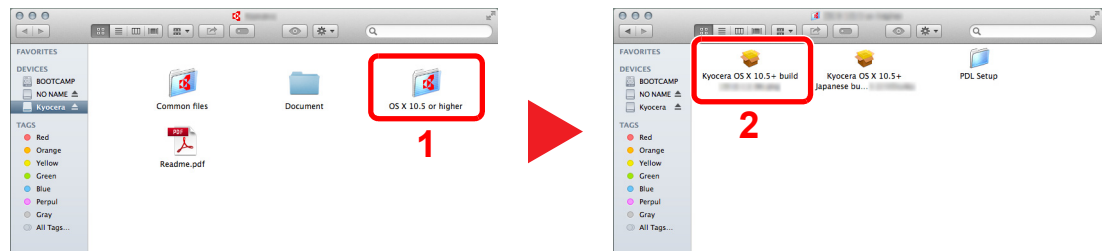
- Installation on Mac OS must be done by a user logged on with administrator privileges.
 - When printing from a Macintosh computer, set the machine's emulation to **[KPDL]** or **[KPDL(Auto)]**.
- ➔ [Emulation \(page 6-8\)](#)
- If connecting by Bonjour, enable Bonjour in the machine's network settings.
- ➔ [Bonjour \(page 6-13\)](#)
- In the Authenticate screen, enter the name and password used to log in to the operating system.
 - When printing via AirPrint, you do not have to install the software.

1 Insert the DVD.



Double-click the **[Kyocera]** icon.

2 Display the screen.



Double-click **[Kyocera OS X x.x]** depending on your Mac OS version.

3 Install the Printer Driver.



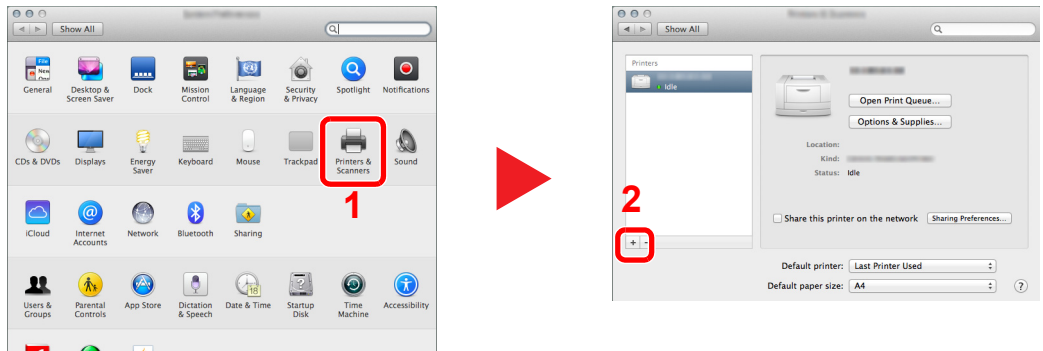
Install the printer driver as directed by the instructions in the installation software.

This completes the printer driver installation.

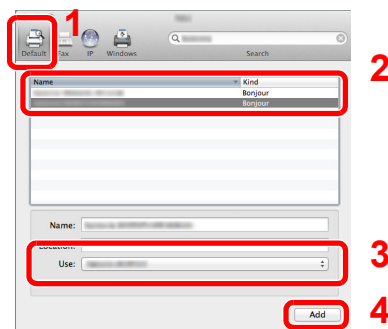
If a USB connection is used, the machine is automatically recognized and connected.
If an IP connection is used, the settings below are required.

4 Configure the printer.

- 1 Open System Preferences and add the printer.



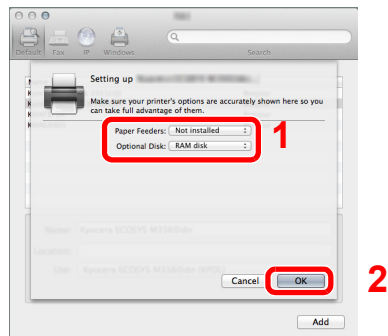
- 2 Select [Default] and click the item that appears in "Name" and then select the driver in "Use".



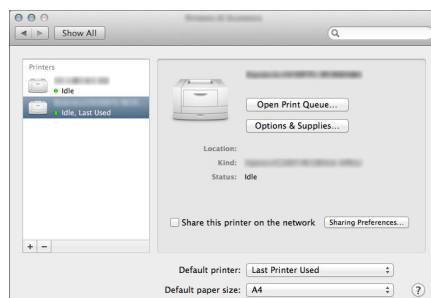
NOTE

When using an IP connection, click the IP icon for an IP connection and then enter the host name or IP address. The number entered in "Address" will automatically appear in "Name". Change if needed.

- 3 Select the options available for the machine.



- 4 The selected machine is added.



Checking the Counter

Check the number of sheets printed.

1 Display the screen.

[Menu] key > [▲] [▼] key > [Counter] > [▶] key

2 Check the counter.

Select the item you want to check.

Additional Preparations for the Administrator

In addition to the information provided in this chapter, the administrator of this machine should check the following, and configure the settings as needed.

Strengthening the Security

One user with administrator rights has been pre-registered in the machine. Logging in as this user will allow you to configure all settings; therefore, please change the login user name and password.

In addition, this machine is equipped with user authentication function, which can be configured to limit the access to this machine to only those who have a registered login name and password.

➔ [User Authentication and Accounting \(User Login, Job Accounting\) \(page 7-1\)](#)

I want to...	Function	Reference page
Restrict the users of the machine.	Auto Panel Reset	page 6-19
Protect the transmission from interception and wiretapping.	IPP over SSL	page 6-14
	HTTPS	page 6-15
	SMTP Security	Command Center RX User Guide
	POP3 Security	Command Center RX User Guide
	IPSec	page 6-13
	SNMPv3	page 6-13

Command Center RX

If the machine is connected to the network, you can configure various settings using Command Center RX.

This section explains how to access Command Center RX, and how to change security settings and the host name.

➔ Command Center RX User Guide

NOTE

To fully access the features of the Command Center RX pages, enter the User Name and Password and click **[Login]**. Entering the predefined administrator password allows the user to access all pages, including Document Box. The factory default setting for the default user with administrator privileges is shown below. (Upper case and lower case letters are distinguished (case sensitive).)

Login User Name: Admin

Login Password: Admin

Settings that the administrator and general users can configure in Command Center RX are as follows.

Setting	Description	Administ-rator	General User
Device Information	The machine's structure can be checked.	<input type="radio"/>	<input type="radio"/>
Job Status	Displays all device information, including print jobs, and job log history.	<input type="radio"/>	<input type="radio"/>
Document Box	Configures settings related to the Job Box.	<input type="radio"/>	-
Device Settings	Configure the advanced settings of the machine.	<input type="radio"/>	-
Function Settings	Configure the advanced function settings.	<input type="radio"/>	-
Network Settings	Configure the network advanced settings.	<input type="radio"/>	-
Security Settings	Configure the security advanced settings.	<input type="radio"/>	-
Management Settings	Configure the advanced management settings.	<input type="radio"/>	-

Accessing Command Center RX

1 Display the screen.

1 Launch your Web browser.

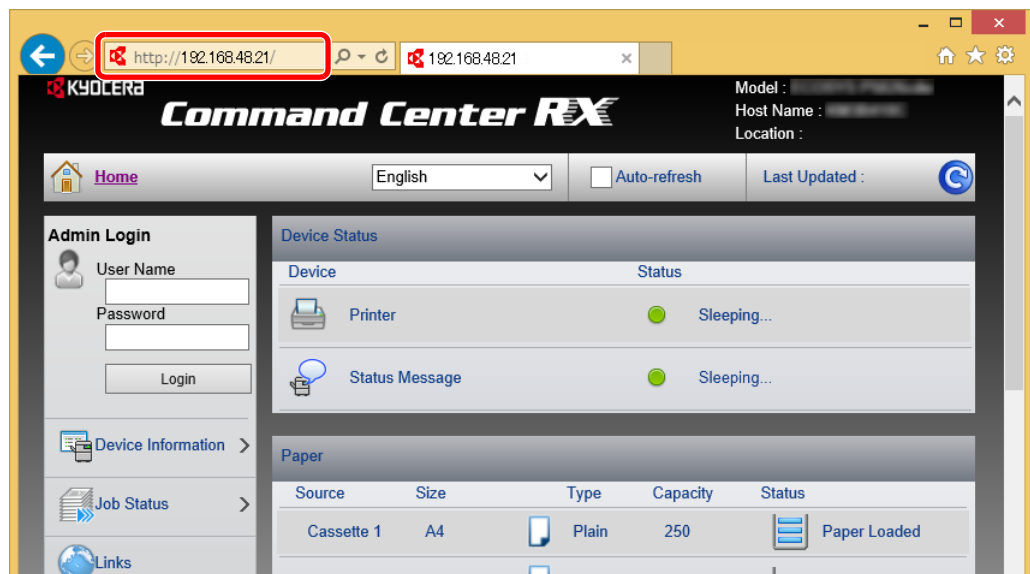
2 In the address or location bar, enter the machine's IP address or the host name.

Print the status page to check the machine's IP address and the host name.

[Menu] key > [▲] [▼] key > [Report Print] > [▶] key > [▲] [▼] key > [Print Status Page] > [OK] key > [OK] key

Examples: `https://192.168.48.21/` (for IP address)

`https://MFP001` (if the host name is "MFP001")



The web page displays basic information about the machine and Command Center RX as well as their current status.



NOTE

If the screen "There is a problem with this website's security certificate." is displayed, configure the certificate.

➔ [Command Center RX User Guide](#)

You can also continue the operation without configuring the certificate.

2 Configure the function.

Select a category from the navigation bar on the left of the screen.



NOTE

To fully access the features of the Command Center RX pages, enter the User Name and Password and click [Login]. Entering the predefined administrator password allows the user to access all pages, including Document Box. The factory default setting for the default user with administrator privileges is shown below. (Upper case and lower case letters are distinguished (case sensitive).)

Login User Name: Admin

Login Password: Admin

Changing Security Settings

1 Display the screen.

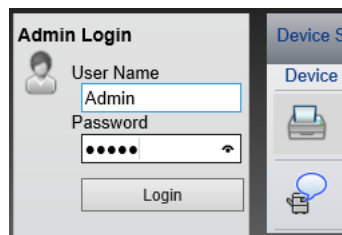
1 Launch your Web browser.

2 In the address or location bar, enter the machine's IP address or the host name.

Print the status page to check the machine's IP address and the host name.

[Menu] key > [▲] [▼] key > [Report Print] > [▶] key > [▲] [▼] key > [Print Status Page] > [OK] key > [OK] key

3 Log in with administrator privileges.



The factory default setting for the default user with administrator privileges is shown below. (Upper case and lower case letters are distinguished (case sensitive).)

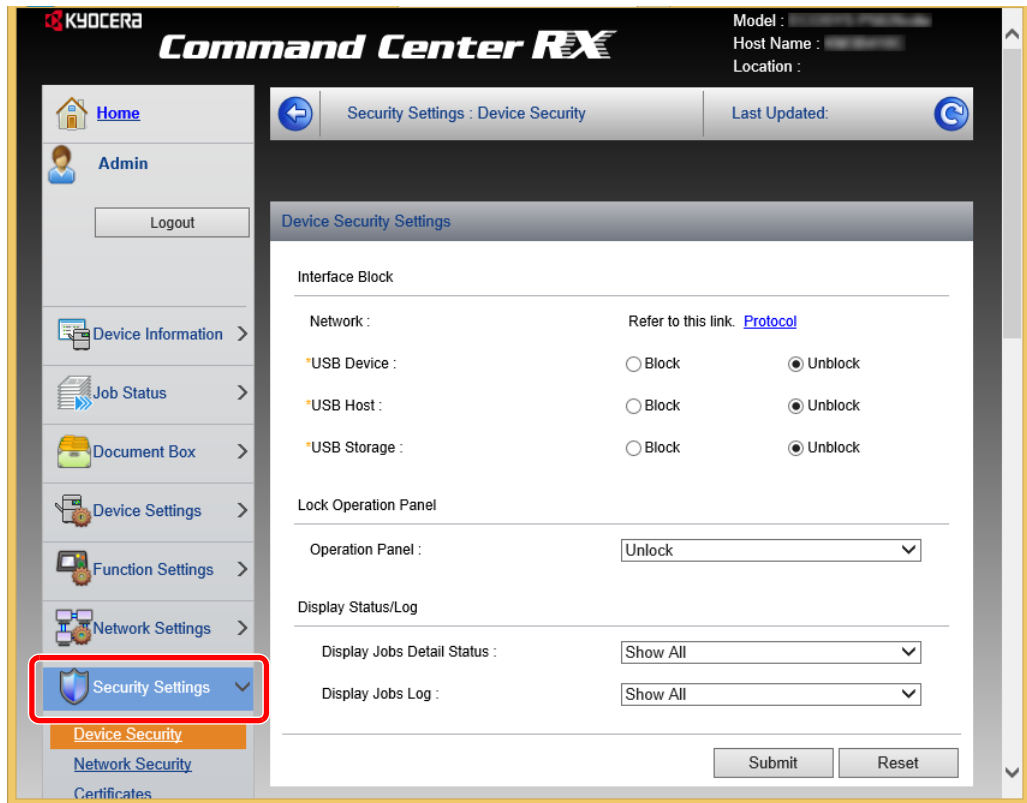
Login User Name: Admin

Login Password: Admin

4 Click [Security Settings].

2 Configure the Security Settings.

From the [Security Settings] menu, select the setting you want to configure.



NOTE

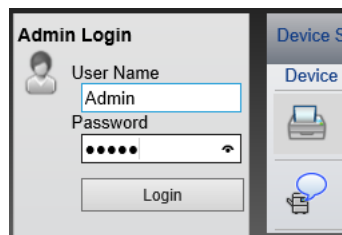
For details on settings related to certificates, refer to the following:

➔ **Command Center RX User Guide**

Changing Device Information

1 Display the screen.

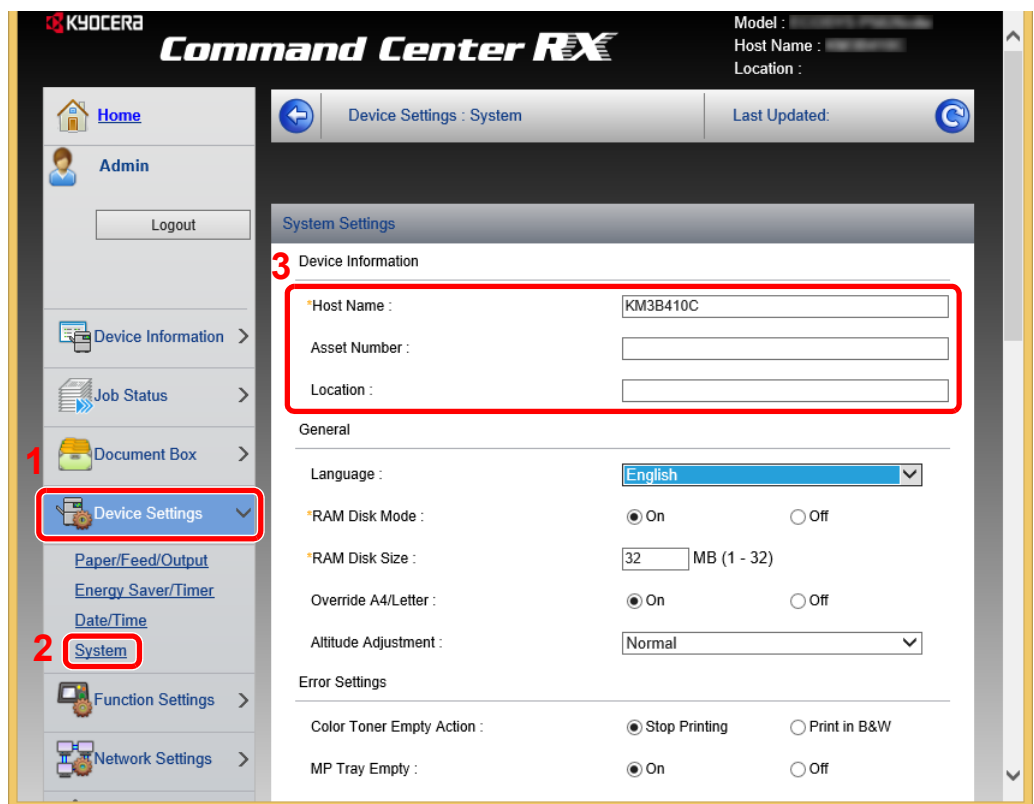
- 1 Launch your Web browser.
- 2 In the address or location bar, enter the machine's IP address or the host name.
Print the status page to check the machine's IP address and the host name.
[Menu] key > [▲] [▼] key > [Report Print] > [▶] key > [▲] [▼] key > [Print Status Page] > [OK] key > [OK] key
- 3 Log in with administrator privileges.



The factory default setting for the default user with administrator privileges is shown below. (Upper case and lower case letters are distinguished (case sensitive).)

Login User Name: Admin
Login Password: Admin

- 4 From the [Device Settings] menu, click [System].



2 Specify the host name.

Enter the device information, and then click **[Submit]**.

 **IMPORTANT**

After changing the setting, restart the network or turn the machine OFF and then ON.

To restart the network, click [Reset] in the [Management Settings] menu, and then click [Restart Network] in "Restart".

E-mail Settings

By configuring the SMTP settings, it is possible to send E-mail notices when jobs have been completed.

To use this function, this machine must be connected to a mail server using the SMTP protocol.

In addition, configure the following.

- SMTP settings
Item: "SMTP Protocol" and "SMTP Server Name" in "SMTP"
- The sender address when the machine sends E-mails
Item: "Sender Address" in "E-mail Send Settings"
- The setting to limit the size of E-mails
Item: "E-mail Size Limit" in "E-mail Send Settings"

The procedure for specifying the SMTP settings is explained below.

1 Display the screen.

Display the SMTP Protocol screen.

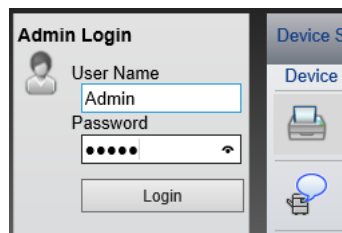
1 Launch your Web browser.

2 In the address or location bar, enter the machine's IP address or the host name.

Print the status page to check the machine's IP address and the host name.

[Menu] key > [▲] [▼] key > [Report Print] > [▶] key > [▲] [▼] key > [Print Status Page] > [OK] key > [OK] key

3 Log in with administrator privileges.

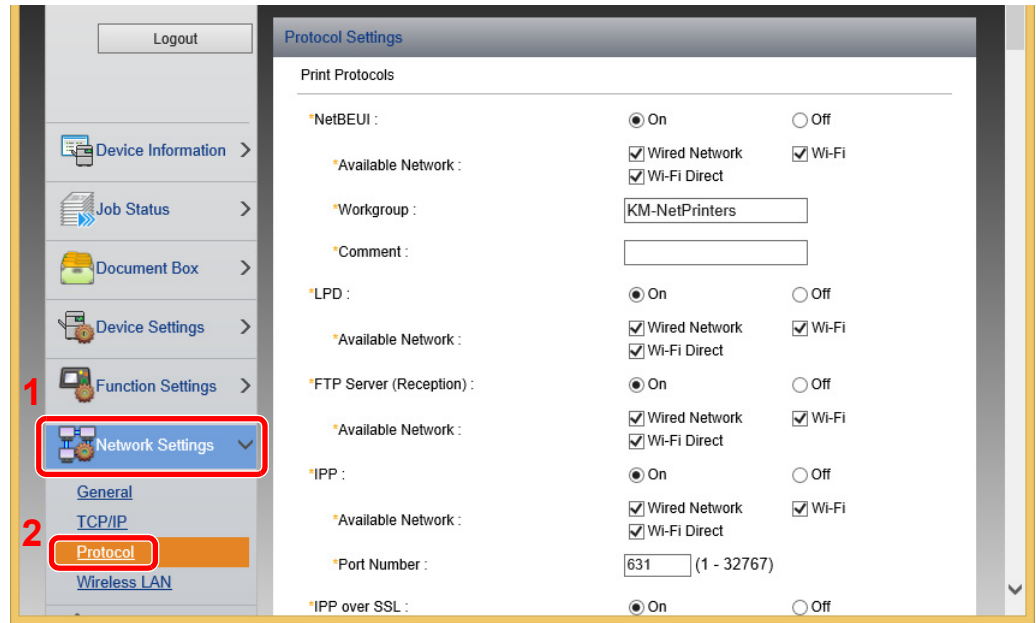


The factory default setting for the default user with administrator privileges is shown below. (Upper case and lower case letters are distinguished (case sensitive).)

Login User Name: Admin

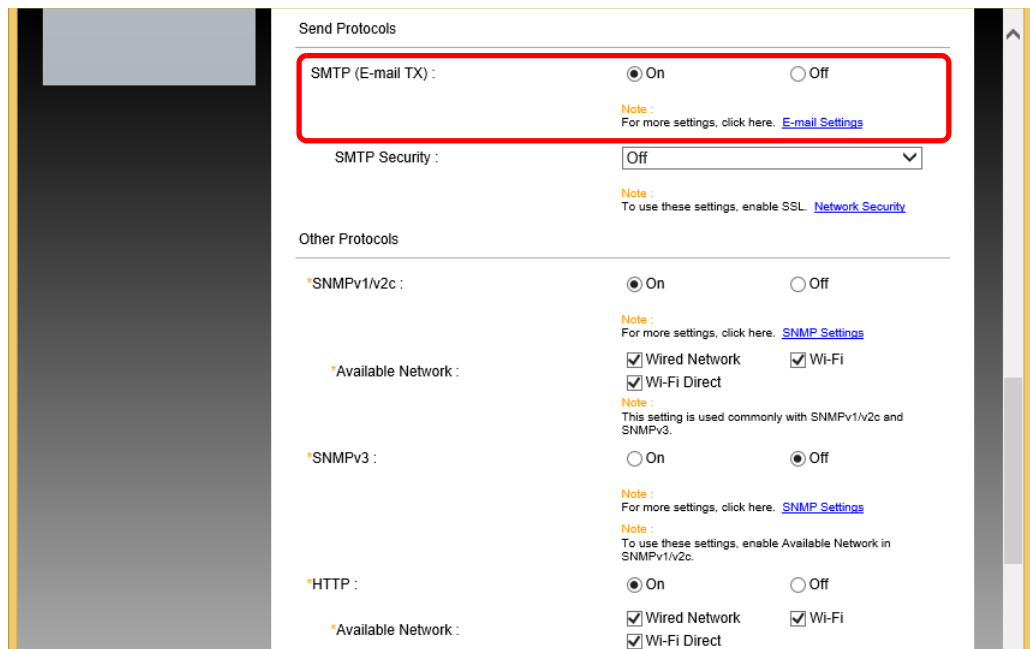
Login Password: Admin

4 From the [Network Settings] menu, click [Protocol].



2 **Configure the settings.**

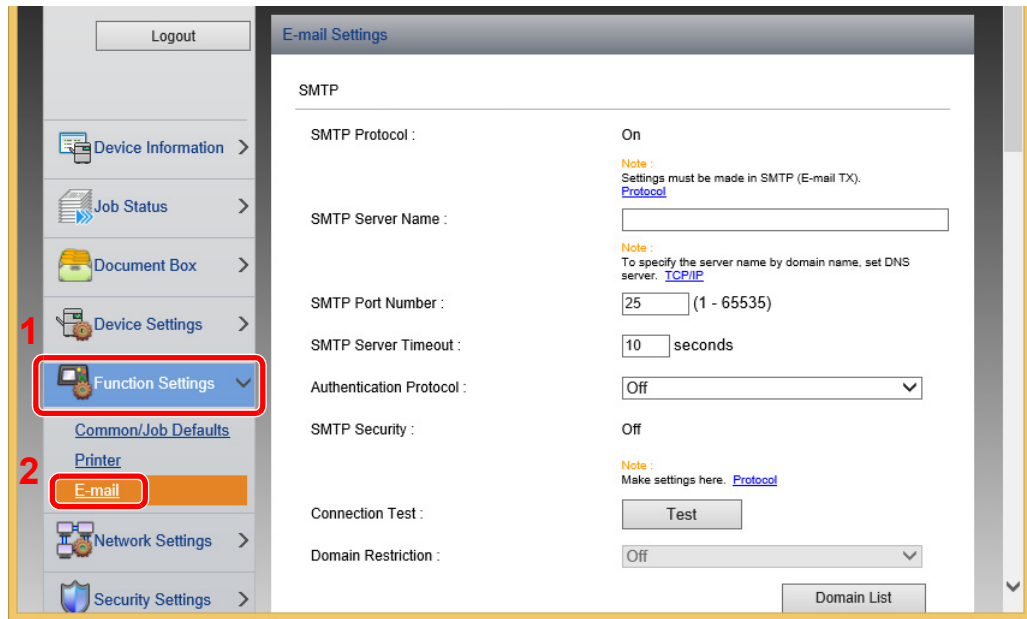
Set "SMTP (E-mail TX)" to [On] in the "Send Protocols".



3 Display the screen.

Display the E-mail Settings screen.

From the [Function Settings] menu, click [E-mail].



4 Configure the settings.

Enter "SMTP" and "E-mail Send Settings" items.

Setting	Description
SMTP	Set to send e-mail from the machine.
SMTP Protocol	Displays the SMTP protocol settings. Check that "SMTP Protocol" is set to [On]. If [Off] is set, click [Protocol] and set the SMTP protocol to [On].
SMTP Server Name^{*1}	Enter the host name or IP address of the SMTP server.
SMTP Port Number	Specify the port number to be used for SMTP. The default port number is 25.
SMTP Server Timeout	Set the amount of time to wait before time-out in seconds.
Authentication Protocol	To use SMTP authentication, enter the user information for authentication.
SMTP Security	Set SMTP security. Turn on "SMTP Security" in "SMTP (E-mail TX)" on the [Protocol Settings] page.
Connection Test	Tests to confirm that the E-mail function is operating under the settings without sending a mail.
Domain Restriction	To restrict the domains, click the [Domain List] and enter the domain names of addresses to be allowed or rejected. Restriction can also be specified by e-mail address.

Setting		Description
POP3	POP3 Protocol	<p>You don't need to set the following items when you only enable the function of sending e-mail from the machine. Set the following items if you want to enable the function of receiving e-mail on the machine.</p> <p>➔ Command Center RX User Guide</p>
	Check Interval	
	Run once now	
	Domain Restriction	
	POP3 User Settings	
E-mail Send Settings	E-mail Size Limit	Enter the maximum size of E-mail that can be sent in kilobytes. When E-mail size is greater than this value, an error message appears and E-mail sending is cancelled. Use this setting if you have set E-mail Size Limit for SMTP server. If not, enter a value of 0 (zero) to enable E-mail sending regardless of the size limit.
	Sender Address^{*1}	Specify the sender address for when the machine sends E-mails, such as the machine administrator, so that a reply or non-delivery report will go to a person rather than to the machine. The sender address must be entered correctly for SMTP authentication. The maximum length of the sender address is 128 characters.
	Signature	Enter the signature. The signature is free form text that will appear at the end of the E-mail body. It is often used for further identification of the machine. The maximum length of the signature is 512 characters.
	Function Defaults	Change the function default settings in [Common/Job Default Settings] page.

*1 Be sure to enter the items.

5 Click [Submit].

3 Preparation before Use

This chapter explains the following operations.

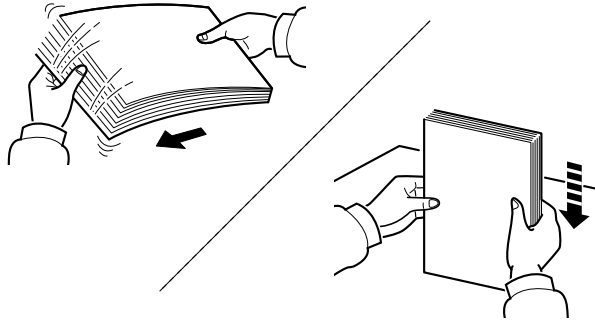
Loading Paper	3-2
Precaution for Loading Paper	3-2
Selecting the Paper Feeder Units	3-3
Loading in the Cassette 1	3-4
Loading in the Cassette 2	3-7
Precautions for Outputting Paper	3-9
Paper Stopper	3-9

Loading Paper

Load paper in the cassettes.

Precaution for Loading Paper

When you open a new package of paper, fan the sheets to separate them slightly prior to loading in the following steps.



Fan the paper, then tap it on a level surface.

In addition, note the following points.

- If the paper is curled or folded, straighten it before loading. Paper that is curled or folded may cause a jam.
- Avoid exposing opened paper to high humidity as dampness can be a cause of problems. Seal any remaining paper after loading in the multipurpose tray or cassettes back in the paper storage bag.
- If the machine will not be used for a prolonged period, protect all paper from humidity by removing it from the cassettes and sealing it in the paper storage bag.

✔ IMPORTANT

If you print onto used paper (paper already used for printing), do not use paper that is stapled or clipped together. This may damage the machine or cause poor image quality.

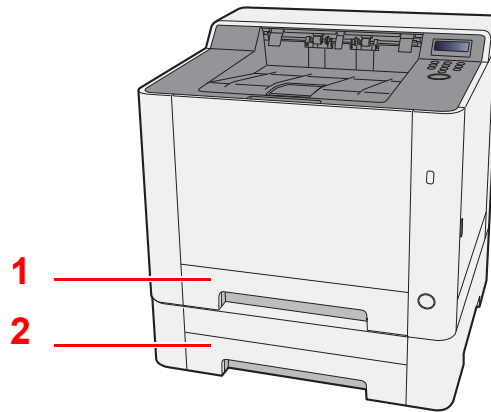
💡 NOTE

If you use special paper such as letterhead, paper with holes or paper with pre-prints like logo or company name, refer to the following:

➔ [Paper \(page 9-8\)](#)

Selecting the Paper Feeder Units

Select the paper feeder units according to the size and type of paper.



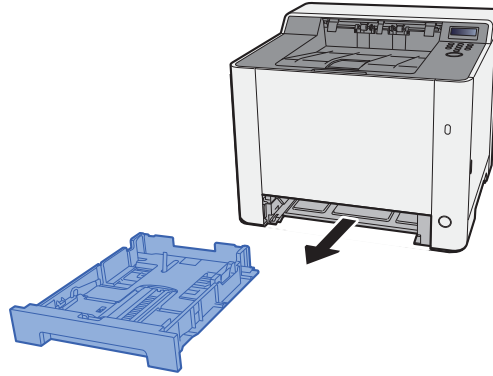
No.	Name	Paper Size	Paper Type	Capacity	Page
1	Cassette 1	A4, B5, A5-R, A5, A6, B6, Legal, Oficio II, Letter, Executive, Statement-R, Folio, 16K, 216×340mm, B5(ISO), Custom	Plain, Preprinted, Bond, Recycled, Rough, Letterhead, Color, Prepunched, Thick, High Quality, Custom 1 to 8	250 sheets (80 g/m ²)	page 3-4
2	Cassette 2				page 3-7

NOTE

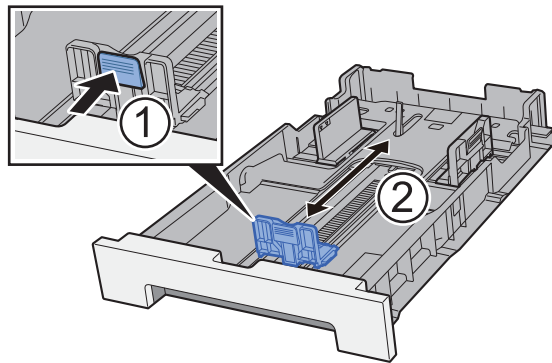
- The number of sheets that can be held varies depending on your environment and paper type.
- You should not use inkjet printer paper or any paper with a special surface coating. (Such paper may cause paper jams or other faults.)
- For higher quality color printing, use special color paper.

Loading in the Cassette 1

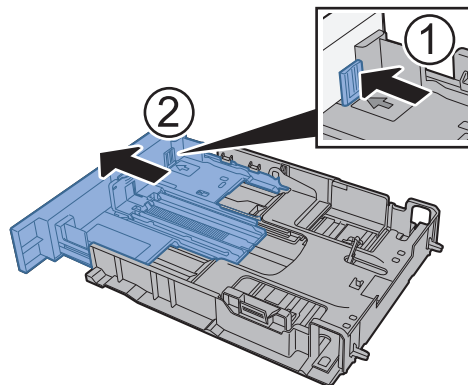
- 1 Pull the Cassette 1 completely out of the machine.**



- 2 Adjust the paper length guide to the paper size required.**

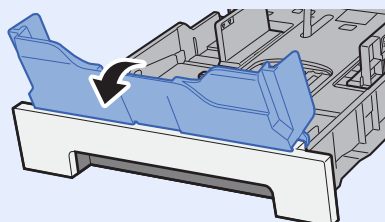


When using Folio, Oficio II or Legal

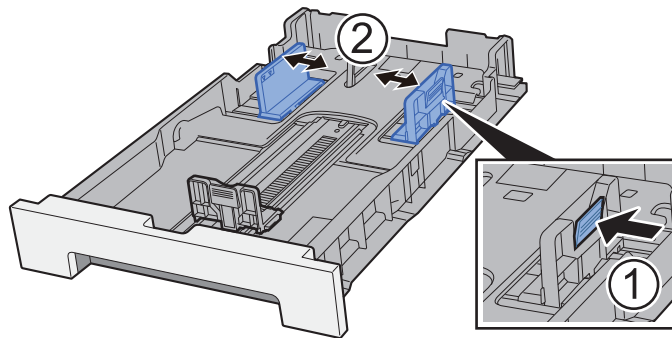


NOTE

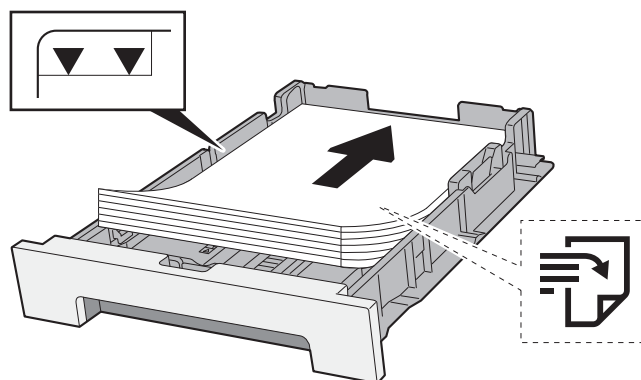
In some regions the cassette comes with a cover. If the cassette has a cover, open the cover to adjust the guide.



3 Adjust the position of the paper width guides located on the left and right sides of the Cassette 1.

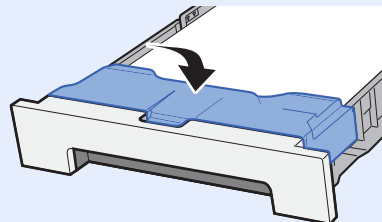


4 Load paper.



NOTE

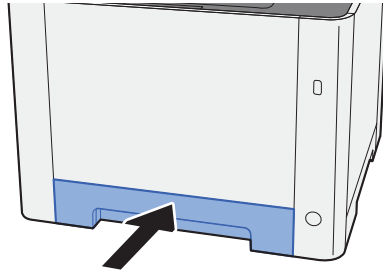
If the cassette has a cover, close the cover.



IMPORTANT

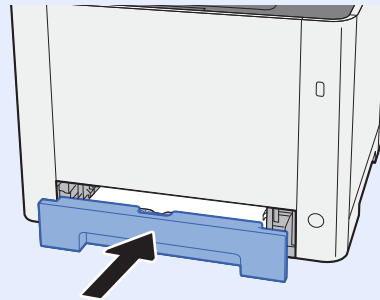
- Load the paper with the print side facing up.
- After removing new paper from its packaging, fan the paper before loading it in the multipurpose tray.
- ➔ [Precaution for Loading Paper \(page 3-2\)](#)
- Before loading the paper, be sure that it is not curled or folded. Paper that is curled or folded may cause paper jams.
- Ensure that the loaded paper does not exceed the level indicator (see illustration above).
- If paper is loaded without adjusting the paper length guide and paper width guide, the paper may skew or become jammed.

5 Gently push the Cassette 1 back in.



NOTE

When Folio, Oficio II, or Legal is used, the cassette will extend out from the machine.



6 Display the screen.

[Menu] key > [▲] [▼] key > [Paper Settings] > [▶] key > [▲] [▼] key > [Cassette1 Size] > [▶] key

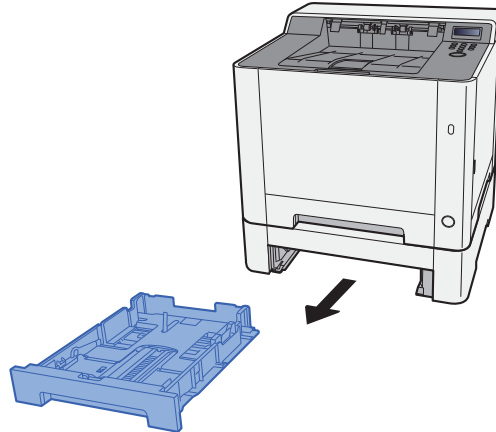
7 Configure the function.

Select the paper size and paper type.

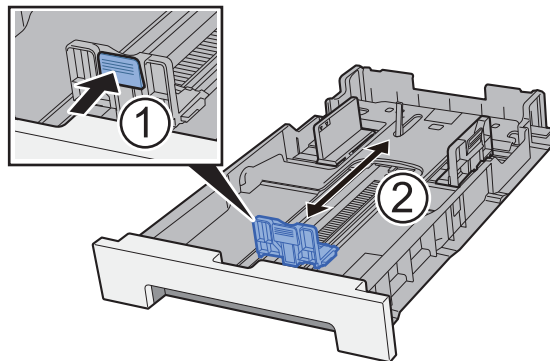
➔ [Paper Settings \(page 6-6\)](#)

Loading in the Cassette 2

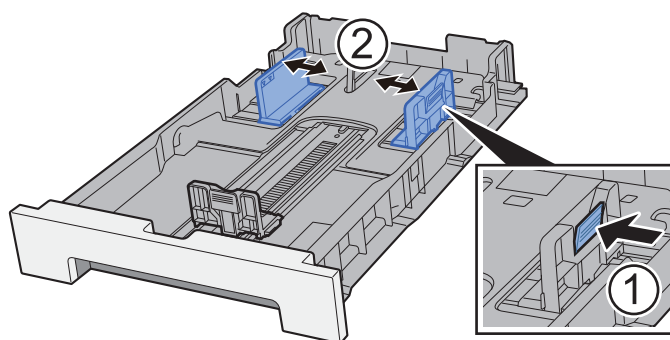
- 1 Pull the Cassette 2 completely out of the machine.**



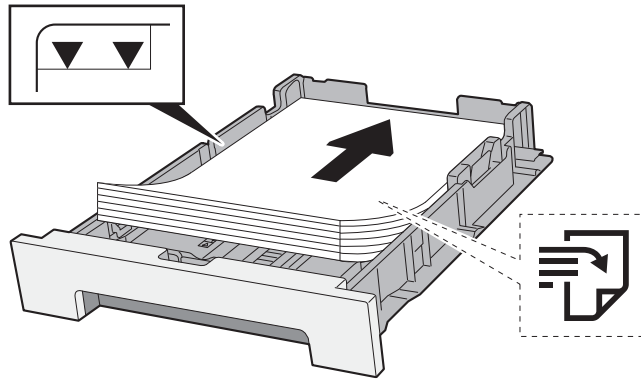
- 2 Adjust the paper length guide to the paper size required.**



- 3 Adjust the position of the paper width guides located on the left and right sides of the Cassette 2.**



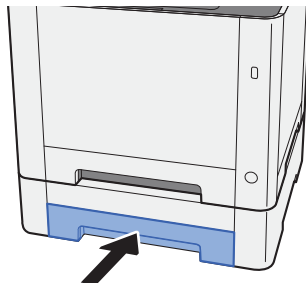
4 Load paper.



✔ IMPORTANT

- Load the paper with the print side facing up.
- After removing new paper from its packaging, fan the paper before loading it in the multipurpose tray.
- ➔ [Precaution for Loading Paper \(page 3-2\)](#)
- Before loading the paper, be sure that it is not curled or folded. Paper that is curled or folded may cause paper jams.
- Ensure that the loaded paper does not exceed the level indicator (see illustration above).
- If paper is loaded without adjusting the paper length guide and paper width guide, the paper may skew or become jammed.

5 Gently push the Cassette 2 back in.



6 Display the screen.

[Menu] key > [▲] [▼] key > [Paper Settings] > [▶] key > [▲] [▼] key > [Cassette2 Size] > [▶] key

7 Configure the function.

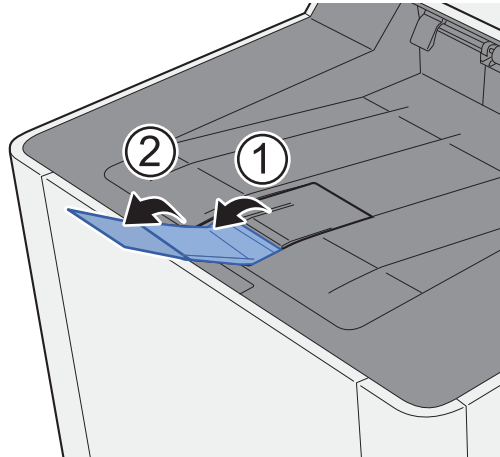
Select the paper size and paper type.

➔ [Paper Settings \(page 6-6\)](#)

Precautions for Outputting Paper

Paper Stopper

When using paper B5/letter or larger, open the paper stopper shown in the figure.



4 Printing from PC

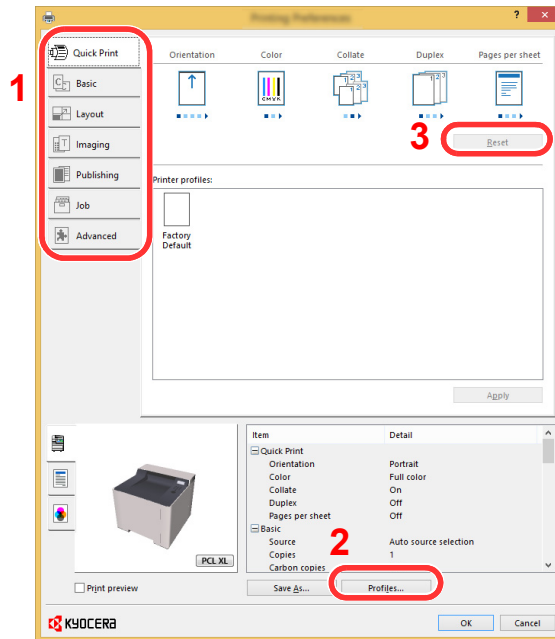
This chapter explains the following topics:

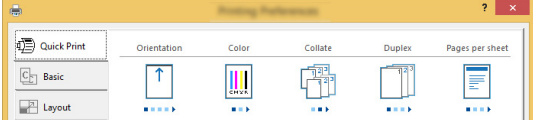
Printer Driver Properties Screen	4-2
Displaying the Printer Driver Help	4-3
Changing the Default Printer Driver Settings (Windows 8.1)	4-3
Printing from PC	4-4
Printing on Standard Sized Paper	4-4
Printing on Non-standard Sized Paper	4-6
Canceling Printing from a Computer	4-9
Printing from the Handheld Device	4-10
Printing by AirPrint	4-10
Printing by Google Cloud Print	4-10
Printing by Mopria	4-10
Printing with Wi-Fi Direct	4-10
Printing Data Saved in the Printer	4-11
Specifying the Job Box from a Computer and Storing the Job	4-11
Printing Document from Quick Copy Box	4-12
Deleting the Documents Stored in the Quick Copy Box	4-12
Printing Document from Proof and Hold Box	4-13
Deleting the Documents Stored in the Proof and Hold Box	4-13
Printing Documents from Private Print Box	4-14
Deleting the Documents Stored in the Private Print Box	4-14
Printing Document from Stored Job Box	4-15
Deleting the Documents Stored in the Stored Job Box	4-15
Job Box Setting	4-16
Monitoring the Printer Status (Status Monitor)	4-17
Accessing the Status Monitor	4-17
Exiting the Status Monitor	4-17
Quick View State	4-17
Printing Progress Tab	4-18
Paper Tray Status Tab	4-18
Toner Status Tab	4-18
Alert Tab	4-19
Status Monitor Context Menu	4-19
Status Monitor Notification Settings	4-20

Printer Driver Properties Screen

The printer driver Properties screen allows you to configure a variety of print-related settings.

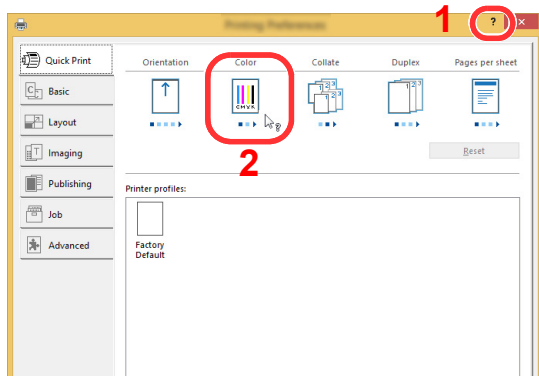
➔ **Printer Driver User Guide**




No.	Description
1	<p>[Quick Print] tab Provides icons that can be used to easily configure frequently used functions. Each time you click an icon, it changes to an image resembling the print results and applies the settings.</p>  <p>[Basic] tab This tab groups basic functions that are frequently used. You can use it to configure the paper size and duplex printing.</p> <p>[Layout] tab This tab lets you configure settings for printing various layouts, including booklet printing, combine mode, poster printing, and scaling.</p> <p>[Imaging] tab This tab lets you configure settings related to the quality of the print results.</p> <p>[Publishing] tab This tab lets you create covers and inserts for print jobs and put inserts between sheets of OHP film.</p> <p>[Job] tab This tab lets you configure settings for saving print data from the computer to the machine. Regularly used documents and other data can be saved to the machine for easy printing later. Since saved documents can be printed directly from the machine, this function is also convenient when you wish to print a document that you don't want others to see.</p> <p>[Advanced] tab This tab lets you configure settings for adding text pages or watermarks to print data.</p>
2	<p>[Profiles] Printer driver settings can be saved as a profile. Saved profiles can be recalled at any time, so it's a convenient practice to save frequently used settings.</p>
3	<p>[Reset] Click to revert settings to their initial values.</p>

Displaying the Printer Driver Help

The printer driver includes Help. To learn about print settings, open the printer driver print settings screen and display Help as explained below.



- 1 Click the [?] button in the upper right corner of the screen.
- 2 Click the item you want to know about.

 **NOTE**
The Help appears, even when you click the item you want to know about and press the [F1] key on your keyboard.

Changing the Default Printer Driver Settings (Windows 8.1)

The default printer driver settings can be changed. By selecting frequently used settings, you can omit steps when printing. For the settings, refer to the following:

➔ Printer Driver User Guide

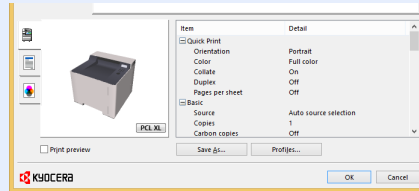
- 1 In charms on Desktop, click [Settings], [Control Panel], and then [Devices and Printers].**
- 2 Right-click the printer driver icon of the machine, and click the [Printer properties] menu of the printer driver.**
- 3 Click the [Basic] button on the [General] tab.**
- 4 Select the default settings and click the [OK] button.**

Printing from PC

This section provides the printing method using the KX DRIVER.

NOTE

- To print the document from applications, install the printer driver on your computer from the supplied DVD (Product Library).
- In some environments, the current settings are displayed at the bottom of the printer driver.



- When printing the cardstock or envelopes, load the cardstock or envelopes in the multipurpose tray before performing the following procedure.

➔ [Loading Paper in the Multipurpose Tray \(page 5-2\)](#)

Printing on Standard Sized Paper

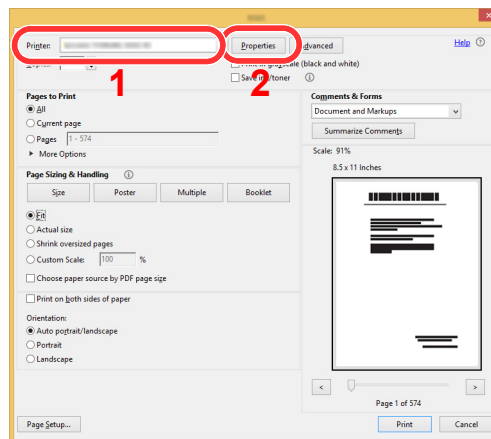
If you loaded a paper size that is included in the print sizes of the machine, select the paper size in the [Basic] tab of the print settings screen of the printer driver.

1 Display the screen.

Click [File] and select [Print] in the application.

2 Configure the settings.

- 1 Select the machine from the "Printer" menu and click the [Properties] button.



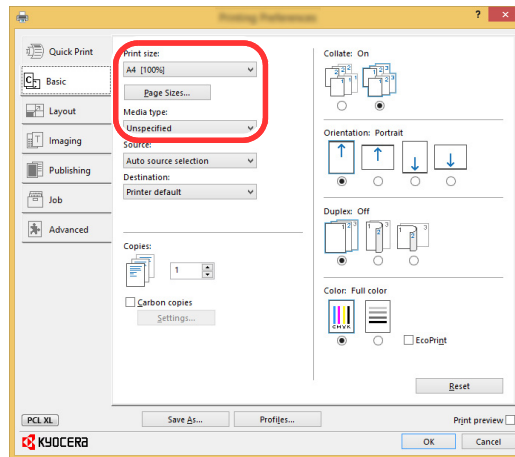
2 Select the **[Basic]** tab.

3 Click "Print size" menu and select the paper size to use for printing.

To load the paper of size that is not included in print sizes of the machine such as cardstock or envelopes, the paper size needs to be registered.

➔ [Printing on Non-standard Sized Paper \(page 4-6\)](#)

To print on the special paper such as thick paper or transparency, click "Media type" menu and select the media type.



4 Click **[OK]** button to return to the Print dialog box.

3 Start printing.

Click the **[OK]** button.

Printing on Non-standard Sized Paper

If you loaded a paper size that is not included in the print sizes of the machine, register the paper size in the **[Basic]** tab of the print settings screen of the printer driver.

The registered size can be selected from the "Print size" menu.

NOTE

To execute printing at the machine, set the paper size and type in the following:

➔ [Paper Settings \(page 6-6\)](#)

1 Display the screen.

- 1 In charms on Desktop, click **[Settings]**, **[Control Panel]**, and then **[Devices and Printers]**.

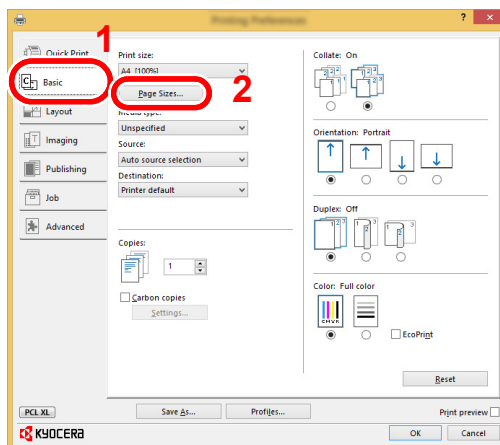
NOTE

In Windows 7, click **[Start]** button on the Windows, and then click **[Devices and Printers]**.

- 2 Right-click the printer driver icon of the machine, and click the **[Printer properties]** menu of the printer driver.
- 3 Click the **[Basic]** button on the **[General]** tab.

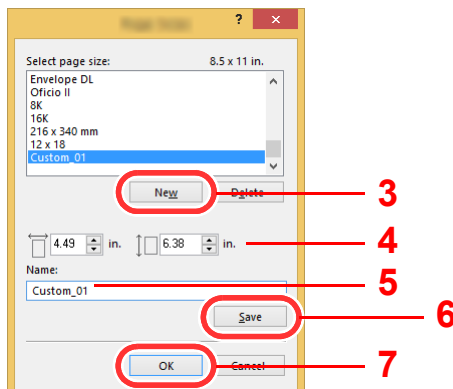
2 Register the paper size.

- 1 Click the **[Basic]** tab.

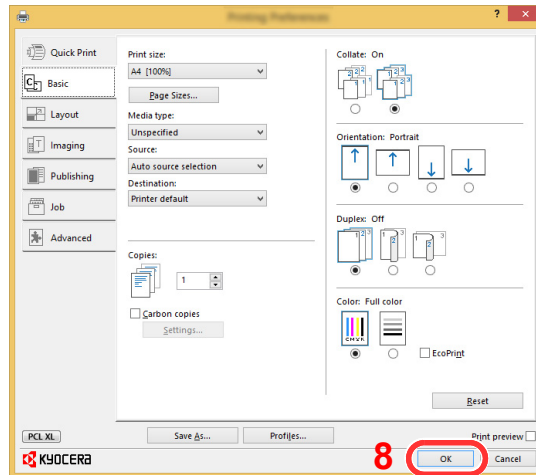


- 2 Click the **[Page Size...]** button.

- 3 Click the **[New]** button.



- 4 Enter the paper size.
- 5 Enter the name of the paper.
- 6 Click the **[Save]** button.
- 7 Click the **[OK]** button.
- 8 Click the **[OK]** button.

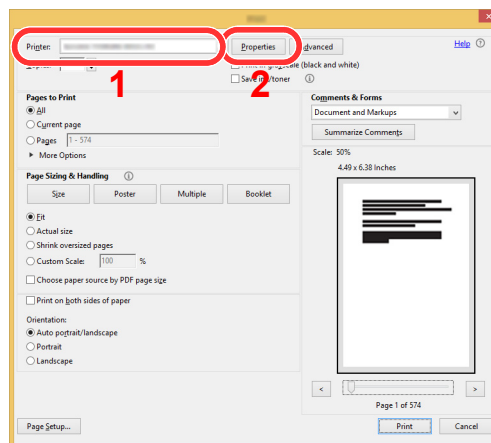


3 Display the print settings screen.

Click **[File]** and select **[Print]** in the application.

4 Select the paper size and type of non-standard size paper.

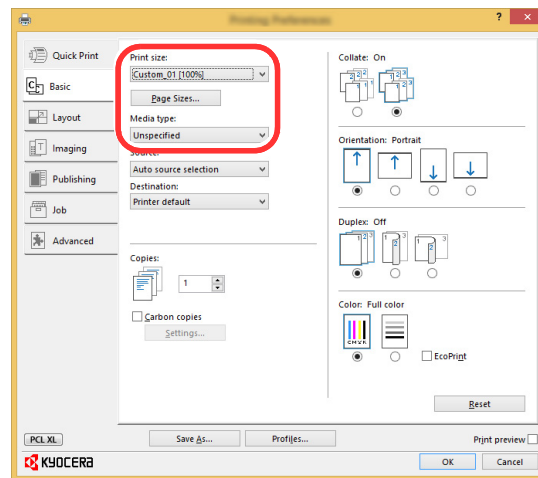
- 1 Select the machine from the "Printer" menu and click the **[Properties]** button.




- 2 Select the **[Basic]** tab.

- 3 Click "Print size" menu and select the paper size registered in step 2.

To print on the special paper such as thick paper or transparency, click "Media type" menu and select the media type.



 **NOTE**

If you loaded a postcard or envelope, select [**Cardstock**] or [**Envelope**] in the "Media type" menu.


- 4 Select the paper source in the "Source" menu.
- 5 Click [OK] button to return to the Print dialog box.

5 Start printing.

Click the [OK] button.


Canceling Printing from a Computer

To cancel a print job executed using the printer driver before the printer begins printing, do the following:

 **NOTE**

When canceling printing from this machine, refer to the following:

➔ [Canceling Jobs \(page 5-5\)](#)

- 1 Double-click the printer icon () displayed on the taskbar at the bottom right of the Windows desktop to display a dialog box for the printer.**
- 2 Click the file for which you wish to cancel printing and select [Cancel] from the "Document" menu.**

Printing from the Handheld Device

This machine supports the AirPrint, Google Cloud Print, Mopria and Wi-Fi Direct.

According to the supported OS and application, you can print the job from any handheld device or computer without installing a printer driver.

Printing by AirPrint

AirPrint is a printing function that is included standard in iOS 4.2 and later products, and Mac OS X 10.7 and later products.

To use the AirPrint, make sure that the AirPrint setting is enabled in the Command Center RX.

➔ **Command Center RX User Guide**



Printing by Google Cloud Print

Google Cloud Print is a printing service provided by Google. This service enables a user with a Google account to print from a machine connected to the Internet.

The machine can be configured in the Command Center RX.

➔ **Command Center RX User Guide**

NOTE

A Google account is necessary to use Google Cloud Print. Obtain a Google account if you do not have one.

It is also necessary to register the machine with the Google Cloud Print service in advance. The machine can be registered from a PC connected to the same network.

Printing by Mopria

Mopria is a standard on printing function included in Android 4.4 or later products. Mopria Print Service needs to be installed and enabled in advance.

For details on how to use, refer to a Web site of Mopria Alliance.

Printing with Wi-Fi Direct

Wi-Fi Direct is a wireless LAN standard that Wi-Fi Alliance has been established. This is one of the functions of the wireless LAN, without a wireless LAN access point or wireless LAN router, between devices can communicate directly on a peer to peer basis.

The printing procedure by the Wi-Fi Direct is the same as that from the normal handheld devices.

When you use a printer name or Bonjour name on the port settings of the printer property, you can print the job by specifying the name at Wi-Fi Direct connection.

When you use an IP address for the port, specify the IP address of this machine.

Printing Data Saved in the Printer

You can save the print job into the Job Box of this device and print it as necessary. To use the Stored Job Box and the Quick Copy Box, an SD/SDHC memory card must be installed in the device.

IMPORTANT

**Unencrypted data is saved on the SD/SDHC memory card.
Exercise caution when saving sensitive documents.**

NOTE

If you are using an SD/SDHC memory card to use a job box, set **[RAM Disk Mode]** to **[Off]**.

If you configure settings in the **[Job]** tab of the printer driver and then print, the print job will be saved in the Job Box (memory) and printing can be executed at the machine.

Follow the work flow below when using Job Box.

Specifying the Job Box from a computer and sending the print job. ([page 4-11](#))



Using the operation panel to specify a file within a Box and printing it.

You can print the documents from the following boxes.

- ➔ [Printing Document from Quick Copy Box \(page 4-12\)](#)
- ➔ [Printing Document from Proof and Hold Box \(page 4-13\)](#)
- ➔ [Printing Documents from Private Print Box \(page 4-14\)](#)
- ➔ [Printing Document from Stored Job Box \(page 4-15\)](#)

Specifying the Job Box from a Computer and Storing the Job

1 Click [File] and select [Print] in the application.

The Print dialog box displays.

2 Select the machine from the "Name" menu.

3 Click the [Properties] button.

The Properties dialog box displays.

4 Click the [Job] tab and select the [Job storage (e-MPS)] check box to set the function.

NOTE

For information on how to use the printer driver software, refer to the following:

- ➔ **Printer Driver User Guide**

Printing Document from Quick Copy Box

Quick Copy feature facilitates additional prints of a document already printed. Activating Quick Copy and printing a document using the printer driver allow the print data to be stored in the Quick Copy Job Box. When additional copies are required, you can reprint the required number of copies from the operation panel. By default, up to 32 documents can be stored. When power is turned off, all stored jobs will be deleted.

NOTE

- When the number of jobs reaches the limit, the oldest job will be overwritten by the new one.
- To maintain free space on the box, you can set the maximum number of stored jobs.

➔ [Quick Copy \(page 4-16\)](#)

1 Display the screen.

- 1 [Menu] key > [▲] [▼] key > [Job Box] > [▶] key > [▲] [▼] key > [Quick Copy] > [OK] key
- 2 Select the creator of the document, and select the [OK] key.

2 Print the document.

- 1 Select the document to print.
[All Files] > [▲] [▼] key > [OK] key
To apply this process to all documents in Quick Copy/Proof-and-Hold, select [All Files].
- 2 Specify the number of copies to print as desired, and select the [OK] key.
Printing starts.

NOTE

If you selected [All Files], select [▲] key to set the number of copies. When using the number of copies specified with print job, select "Copies ---".

Deleting the Documents Stored in the Quick Copy Box

1 Display the screen.

- 1 [Menu] key > [▲] [▼] key > [Job Box] > [▶] key > [▲] [▼] key > [Quick Copy] > [OK] key
- 2 Select the creator of the document, and select the [OK] key.

2 Delete the document.

- 1 Select the document to delete.
[All Files] > [▲] [▼] key > [OK] key
To apply this process to all documents in Quick Copy/Proof-and-Hold, select [All Files].
- 2 [Delete] appears.
If the [▼] key is selected when "Copies" appears, [Delete] will appear.
- 3 Select the [OK] key.
The document is deleted.

Printing Document from Proof and Hold Box

The Proof and Hold feature produces only a single proof print of multiple-print job and holds printing of the remaining copies. Printing a multiple-print job in Proof and Hold using the printer driver allows only a single copy to be printed while maintaining the document data in the Job Box. To continue to print the remaining copies, use the operation panel. You can change the number of copies to print.

1 Display the screen.

- 1 [Menu] key > [▲] [▼] key > [Job Box] > [▶] key > [▲] [▼] key > [Quick Copy] > [OK] key
- 2 Select the creator of the document, and select the [OK] key.

2 Print the document.

- 1 Select the document to print.
[All Files] > [▲] [▼] key > [OK] key
To apply this process to all documents in Quick Copy/Proof-and-Hold, select [All Files].
- 2 Specify the number of copies to print as desired, and select the [OK] key.
Printing starts.



NOTE

If you selected [All Files], select [▲] key to set the number of copies. When using the number of copies specified with print job, select "Copies ---".

Deleting the Documents Stored in the Proof and Hold Box

1 Display the screen.

- 1 [Menu] key > [▲] [▼] key > [Job Box] > [▶] key > [▲] [▼] key > [Quick Copy] > [OK] key
- 2 Select the creator of the document, and select the [OK] key.

2 Delete the document.

- 1 Select the document to delete.
[All Files] > [▲] [▼] key > [OK] key
To apply this process to all documents in Quick Copy/Proof-and-Hold, select [All Files].
- 2 [Delete] appears.
If the [▼] key is selected when "Copies" appears, [Delete] will appear.
- 3 Select the [OK] key.
The document is deleted.

Printing Documents from Private Print Box

In Private Printing, you can specify that a job is not to be printed until you operate the machine. When sending the job from the application software, specify a 4-digit access code in the printer driver. The job is released for printing by entering the access code on the operation panel, ensuring confidentiality of the print job. The data will be deleted upon completion of the print job or after the power switch is turned off.

1 Display the screen.

- 1 [Menu] key > [▲] [▼] key > [Job Box] > [▶] key > [▲] [▼] key > [Private/Stored] > [OK] key
- 2 Select the creator of the document, and select the [OK] key.

2 Print the document.

- 1 Select the document to print.
[▲] [▼] key > [OK] key > Enter the access code > [OK] key
To apply this process to all documents in Private/Stored Job, select [All Files].
- 2 Specify the number of copies to print as desired, and select the [OK] key.
Printing starts.
Upon completion of printing, the Private/Stored job is automatically deleted.



NOTE

- If you selected [All Files] and the access code does not match any of the documents, and in addition there are no documents without access codes, "ID error" is displayed.
- If you selected [All Files], select [▲] key after "Copies ---" is displayed to set the number of copies.

Deleting the Documents Stored in the Private Print Box

1 Display the screen.

- 1 [Menu] key > [▲] [▼] key > [Job Box] > [▶] key > [▲] [▼] key > [Private/Stored] > [OK] key
- 2 Select the creator of the document, and select the [OK] key.

2 Delete the document.

- 1 Select the document to delete.
[▲] [▼] key > [OK] key > Enter the access code > [OK] key
To apply this process to all documents in Private/Stored Job, select [All Files].
- 2 [Delete] appears.
If the [▼] key is selected when "Copies" appears, [Delete] will appear.
- 3 Select the [OK] key.
The document is deleted.



NOTE

- If you selected [All Files] and the access code does not match any of the documents, and in addition there are no documents without access codes, "ID error" is displayed.

Printing Document from Stored Job Box

In Stored Job, the print data sent from the application is saved to the machine. You can set up an access code as necessary. If you set up an access code, enter the access code when printing. Print data will be stored in the Stored Job Box after printing. This will allow printing of the same print data repeatedly.

1 Display the screen.

- 1 [Menu] key > [▲] [▼] key > [Job Box] > [▶] key > [▲] [▼] key > [Private/Stored] > [OK] key
- 2 Select the creator of the document, and select the [OK] key.

2 Print the document.

- 1 Select the document to print.
[▲] [▼] key > [OK] key > Enter the access code > [OK] key
To apply this process to all documents in Private/Stored Job, select [All Files].
- 2 Specify the number of copies to print as desired, and select the [OK] key.
Printing starts.

NOTE

- If you selected [All Files] and the access code does not match any of the documents, and in addition there are no documents without access codes, "ID error" is displayed.
- If you selected [All Files], select [▲] key after "Copies ---" is displayed to set the number of copies.

Deleting the Documents Stored in the Stored Job Box

1 Display the screen.

- 1 [Menu] key > [▲] [▼] key > [Job Box] > [▶] key > [▲] [▼] key > [Private/Stored] > [OK] key
- 2 Select the creator of the document, and select the [OK] key.

2 Print and delete the document.

- 1 Select the document to delete.
[▲] [▼] key > [OK] key > Enter the access code > [OK] key
To apply this process to all documents in Private/Stored Job, select [All Files].
- 2 [Delete] appears.
If the [▼] key is selected when "Copies" appears, [Delete] will appear.
- 3 Select the [OK] key.
The document is deleted.

NOTE

- If you selected [All Files] and the access code does not match any of the documents, and in addition there are no documents without access codes, "ID error" is displayed.

Job Box Setting



Configures settings for Job Box.

1 Display the screen.

[Menu] key > [▲] [▼] key > [Job Box] > [▶] key > [▲] [▼] key > [Job Box Configuration] > [▶] key

2 Configure the settings.

The available settings are shown below.

Item	Description
<p>Quick Copy</p>	<p>To maintain free space on the box, you can set the maximum number of stored jobs.</p> <p>Value: 0 to 300</p> <p> NOTE</p> <p>When 0 is set, Quick Copy cannot be used.</p>
<p>Delete</p>	<p>This setting specifies that documents, such as Private Printing, Quick Copying, or Proof and Hold Printing, saved temporarily in the job box are automatically deleted after they have been saved for a set time.</p> <p>Value: Off, 1 hour, 4 hours, 1 day, 1 week</p> <p> NOTE</p> <p>This function is valid for documents saved after the function is set. Regardless of this function setting, temporary documents are deleted when the main power switch is turned off.</p>

Monitoring the Printer Status (Status Monitor)

The Status Monitor monitors the machine status and provides an ongoing reporting function.

NOTE

When you activate Status Monitor, check the status below.

- KX DRIVER is installed.
- Either [Enhanced_WSD] or [Enhanced WSD(SSL)] is enabled.

➔ [Network Settings \(page 6-13\)](#)

Accessing the Status Monitor

The Status Monitor also starts up when printing is started.

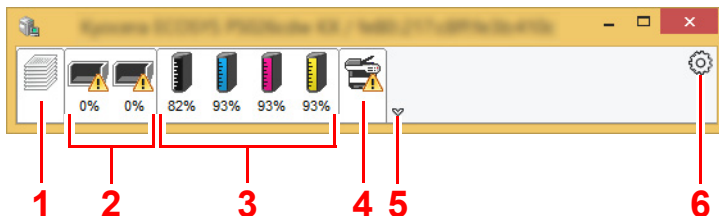
Exiting the Status Monitor

Use either of the methods listed below to exit the Status Monitor.

- Exit manually:
Click the settings icon and select Exit in the menu to exit the Status Monitor.
- Exit automatically:
The Status Monitor automatically shuts down after 7 minutes if it is not being used.

Quick View State

The status of the machine is displayed using icons. Detailed information is displayed when the Expand button is clicked.

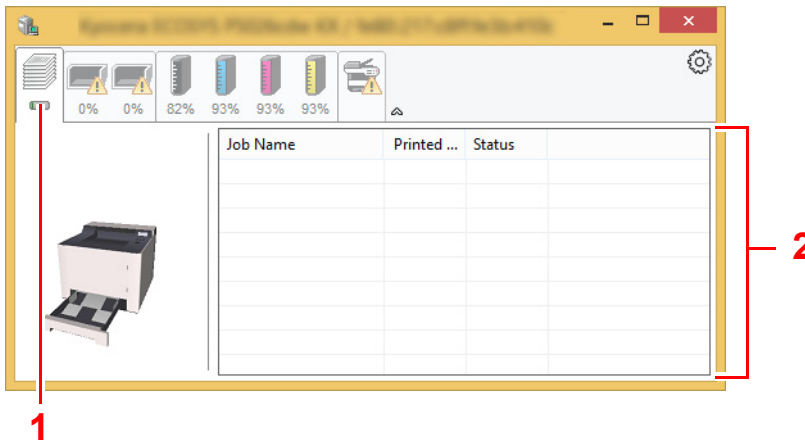


- 1 Printing progress tab
- 2 Paper tray status tab
- 3 Toner status tab
- 4 Alert tab
- 5 Expand button
- 6 Settings icon

Detailed information is displayed by clicking on each icon tab.

Printing Progress Tab

The status of the print jobs is displayed.

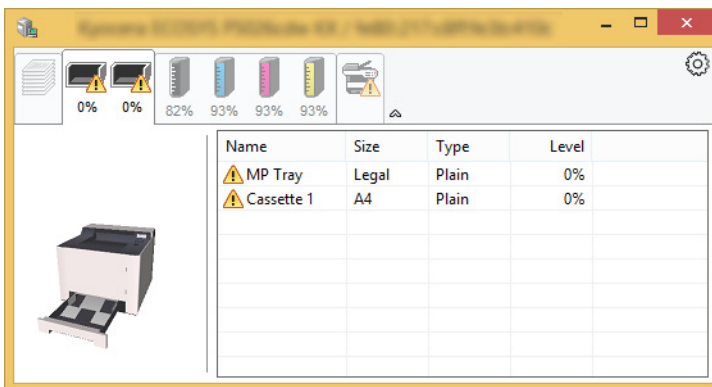


- 1 Status icon
- 2 Job list

Select a job on the job list and it can be canceled using the menu displayed with a right-click.

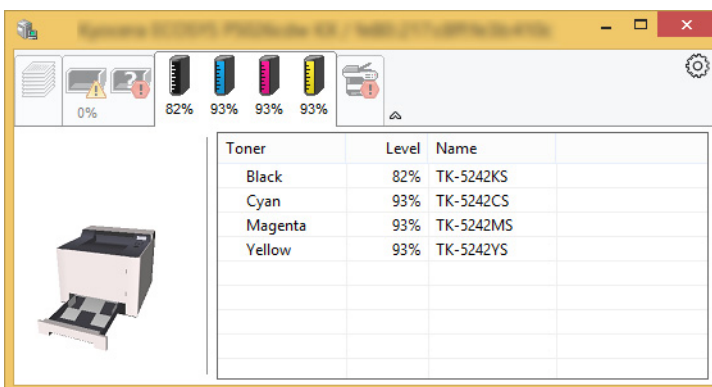
Paper Tray Status Tab

Information is displayed about the paper in the printer and about the amount of paper remaining.



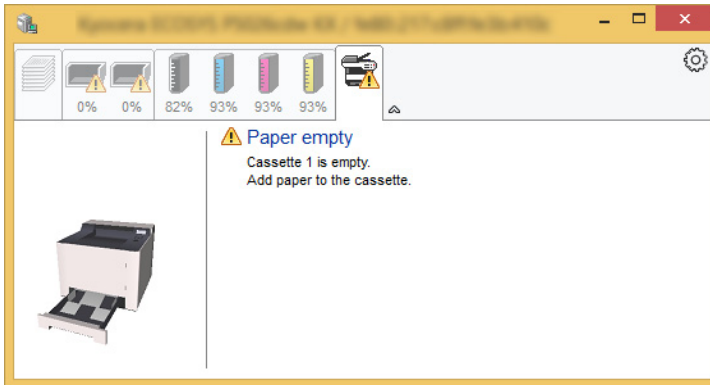
Toner Status Tab

The amount of toner remaining is displayed.



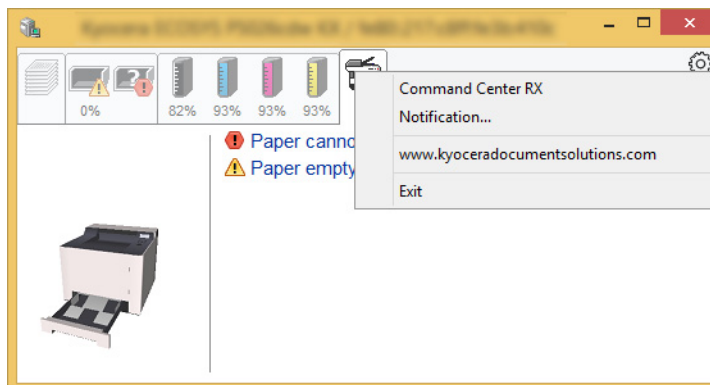
Alert Tab

If an error occurs, a notice is displayed using a 3D image and a message.



Status Monitor Context Menu

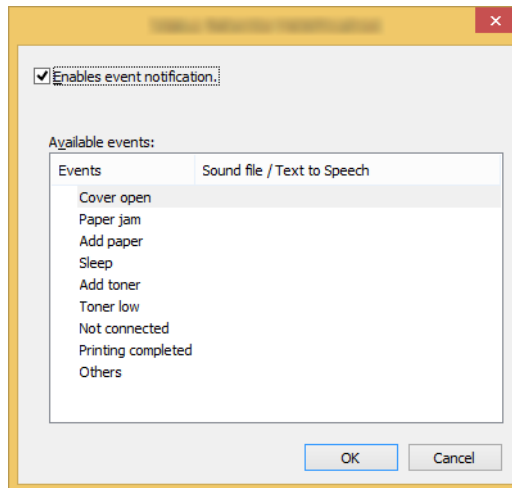
The following menu is displayed when the settings icon is clicked.



- **Command Center RX**
If the printer is connected to a TCP/IP network and has its own IP address, use a web browser to access the Command Center RX to modify or confirm the network settings. This menu is not displayed when using USB connection.
➔ **Command Center RX User Guide**
- **Notification...**
This sets the display of the Status Monitor.
➔ [Status Monitor Notification Settings \(page 4-20\)](#)
- **www.kyoceradocumentsolutions.com**
Open our website.
- **Exit**
Exits the Status Monitor.

Status Monitor Notification Settings

Click the setting icon to display valid events in the status monitor notification screen.



Select whether notification is performed when an error in the event list occurs.

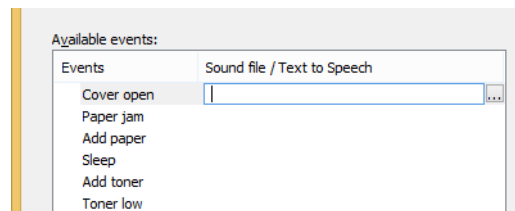
1 Select Enable event notification.

If this setting is set to Off, then the Status Monitor will not start up even when printing is executed.

2 Select an event to use with the text to speech function in Available events.

3 Click Sound file / Text to Speech column.

Click the browse (...) button to notify the event by sound file.



NOTE

The available file format is WAV.

When customizing the message texts to read on the screen aloud, enter the texts in the text box.

5 Operation on the Machine

This chapter explains the following topics:

Loading Paper in the Multipurpose Tray	5-2
Canceling Jobs	5-5
Using Document Boxes	5-6
What is Job Box?	5-6
What is Removable Memory Box?	5-6
Operating using Removable USB Memory	5-7
Printing Documents Stored in Removable USB Memory	5-7
Print a file list	5-8
Removing USB Memory	5-8

Loading Paper in the Multipurpose Tray

For details of the supported paper sizes, refer to the following:

➔ [Choosing the Appropriate Paper \(page 9-9\)](#)

For the paper type setting, refer to the following:

➔ [Type Adjust Setting \(page 6-7\)](#)

Be sure to use the multipurpose tray when you print on any special paper.

✔ IMPORTANT

- If you are using a paper weight of 106 g/m² or more, set the media type to Thick and set the weight of the paper you are using.
- Remove each transparency from the top tray as it is printed. Leaving transparencies in the top tray may cause a paper jam.

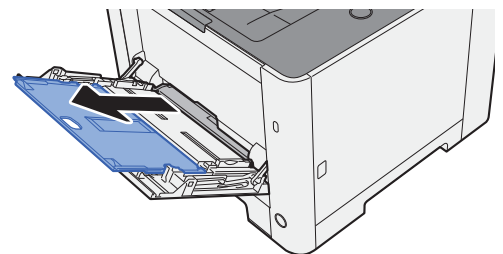
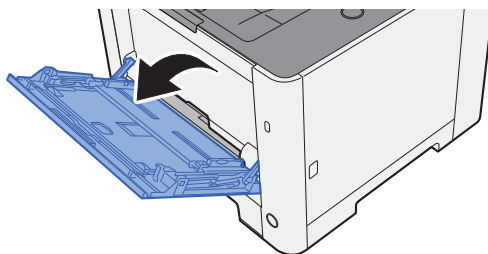
The capacity of the multipurpose tray is as follows.

- Plain paper (80 g/m²), recycled paper or color paper: 50 sheets
- Thick paper (209 g/m²): 15 sheets
- Thick paper (157 g/m²): 30 sheets
- Thick paper (104.7 g/m²): 50 sheets
- Hagaki (Cardstock): 15 sheets
- Envelope DL, Envelope C5, Envelope #10, Envelope #9, Envelope #6 3/4, Envelope Monarch, Youkei 4, Youkei 2: 5 sheets
- OHP film: 1 sheet
- Coated: 15 sheets

💡 NOTE

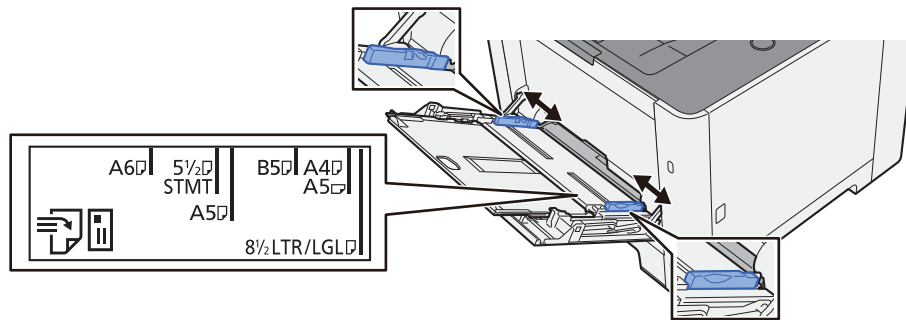
- When you load custom size paper, enter the paper size by referring to the following:
➔ [MP Tray Size \(page 6-6\)](#)
- When you use special paper such as transparencies or thick paper, select the media type by referring to the following:
➔ [MP Tray Type \(page 6-6\)](#)

1 Open the multipurpose tray.

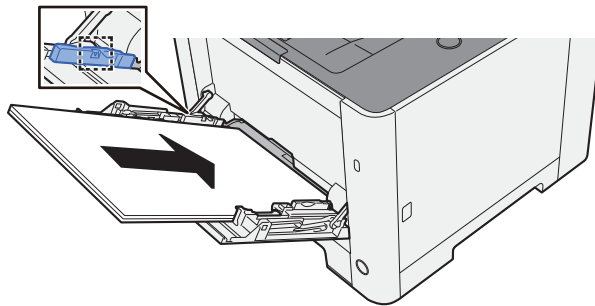


2 Adjust the multipurpose tray size.

Paper sizes are marked on the multipurpose tray.



3 Load paper.



Insert the paper along the paper width guides into the tray until it stops.

After removing new paper from its packaging, fan the paper before loading it in the multipurpose tray.

➔ [Precaution for Loading Paper \(page 3-2\)](#)

✔ IMPORTANT

- When loading the paper, keep the print side facing up.
- Curled paper must be uncurled before use.
- When loading paper into the multipurpose tray, check that there is no paper left over in the tray from a previous job before loading the paper. If there is just a small amount of paper left over in the multipurpose tray and you want to add more, first remove the left-over paper from the tray and include it with the new paper before loading the paper back into the tray.
- If there is a gap between the paper and the paper width guides, readjust the guides to fit the paper in order to prevent skewed feeding and paper jams.
- Ensure that the loaded paper does not exceed the load limits.

4 Specify the type of paper loaded in the multipurpose tray using the operation panel.

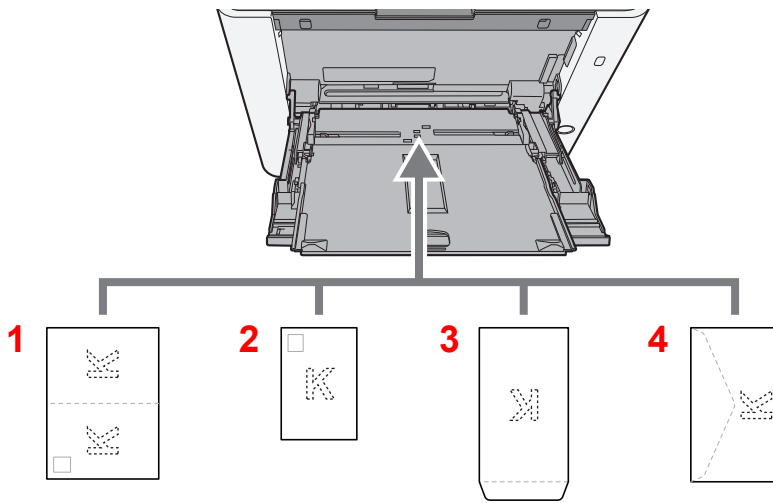
➔ [MP Tray Type \(page 6-6\)](#)

When you load envelopes or cardstock in the multipurpose tray

Load the paper with the print side facing up. For the procedure for printing, refer to the following:

➔ Printer Driver User Guide

Example: When printing the address.



- 1 Oufuku hagaki (Return postcard)
- 2 Hagaki (Cardstocks)
- 3 Portrait form envelopes
- 4 Landscape form envelopes

✔ IMPORTANT

- Use unfolded Oufuku hagaki (Return postcard).
- How to load envelopes (orientation and facing) will differ depending on the type of envelope. Be sure to load it in correctly, otherwise printing may be done in the wrong direction or on the wrong face.

💡 NOTE

When you load envelopes in the multipurpose tray, select the envelope type by referring to the following:

- ➔ [MP Tray Type \(page 6-6\)](#)

Canceling Jobs

- 1 While the printer displays "Processing", select [Cancel] key.**
"?" appears on the message display followed by the job name currently in progress.
- 2 Cancel a job.**
Select the job to cancel, and select the [OK] key.
The job is canceled.

Using Document Boxes

The available Document Boxes are as follows: Job Box and Removable Memory Box.

What is Job Box?

Job Box is a generic name for the "Private Print/Stored Job Box" and "Quick Copy/Proof and Hold Box". These Job Boxes cannot be created or deleted by a user.

NOTE

- To use the Stored Job Box and the Quick Copy Box, an SD/SDHC memory card must be installed in the device.
- You can set up the machine so that temporary documents in job boxes are automatically deleted.

➔ [Delete \(page 4-16\)](#)

- For details on operating the Job Box, refer to the following:

➔ [Printing Data Saved in the Printer \(page 4-11\)](#)

IMPORTANT

**Unencrypted data is saved on the SD/SDHC memory card.
Exercise caution when saving sensitive documents.**

What is Removable Memory Box?

A USB memory stick can be connected to the USB memory slot on the machine to print a saved file. You can print data directly from the USB memory without a PC.

Operating using Removable USB Memory

Plugging USB memory directly into the machine enables you to quickly and easily print the files stored in the USB memory without having to use a computer.

The following file types can be printed:

- PDF file (Version 1.7 or older)
- TIFF file (TIFF V6/TTN2 format)
- JPEG file
- XPS file
- OpenXPS file
- Encrypted PDF file

Printing Documents Stored in Removable USB Memory

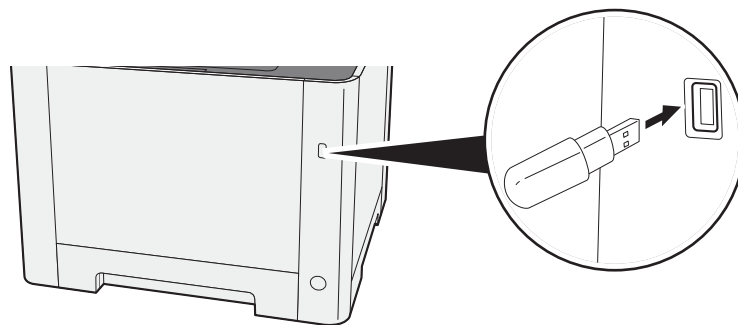


NOTE

- PDF files you wish to print should have an extension (.pdf).
- Files to be printed should be saved no further down than the top 3 folder levels, including the root folder.
- Plug the USB memory directly into the USB Memory Slot.

1 Plug the USB memory.

Plug the USB memory into the USB Memory Slot.



2 Display the screen.

[Menu] key > [▲] [▼] key > [USB Memory] > [▶] key

3 Print the document.

- 1 [▲] [▼] key > [Print File] > [OK] key > [OK] key
- 2 Select the document, and select the [OK] key.
- 3 Select the [OK] key.
- 4 Enter the print quantity, and select the [OK] key.
You can select a number between 001 and 999 as the number of copies.
- 5 Select the desired paper source and select the [OK] key.
Printing of the selected file begins.

Print a file list

1 Display the screen.

[Menu] key > [▲] [▼] key > [USB Memory] > [▶] key

2 Print a file list.

[▲] [▼] key > [Print File List] > [OK] key > [OK] key

You can print a list of the files in USB memory.

Removing USB Memory



IMPORTANT

Be sure to follow the proper procedure to avoid damaging the data or USB memory.

1 Display the screen.

[Menu] key > [▲] [▼] key > [USB Memory] > [▶] key

2 Select [Remove Device].

[▲] [▼] key > [Remove Device] > [OK] key > [OK] key

3 Remove the USB memory.

6 Setup and Registration (System Menu)

This chapter explains the following topics:

System Menu	6-2
Operation Method	6-2
Menu Settings	6-3
Report Print	6-4
Paper Settings	6-6
Print Settings	6-8
Wi-Fi Direct Set	6-10
Wi-Fi Settings	6-10
Wired Network	6-12
Network Settings	6-13
Device Common	6-17
Security	6-22
User/Job Account	6-22
Op functions	6-22
Administrator	6-23
Adjust/Maintenance	6-23
Wired Status	6-23
Wi-Fi Status	6-23
Wi-Fi Direct	6-24

System Menu

Configure settings related to overall machine operation.

Operation Method

Select the [**Menu**] key to show the settings on the message display. Then, select from the settings displayed.

➔ [Operation Method \(page 2-11\)](#)



NOTE

In order to change settings that require administrator privileges, you must log in with administrator privileges. The factory default administrator ID and administrator password are set as shown below.

Model Name	Administrator ID	Administrator Password
ECOSYS P5021cdn/ECOSYS P5021cdw	2100	2100
ECOSYS P5026cdn/ECOSYS P5026cdw	2600	2600

Refer to Menu Settings on the following page and configure as needed.

Menu Settings

This section explains the functions that can be configured in Menu. To configure the settings, select the item in System Menu and select the setting item. For details on each function, see the table below.

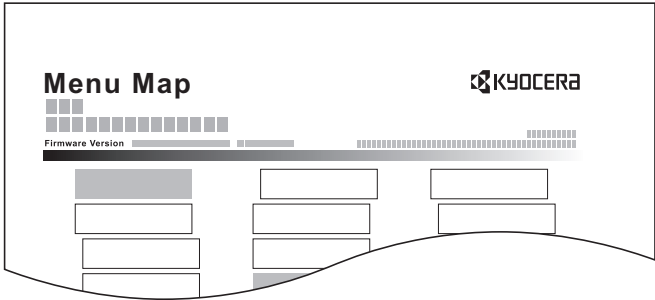
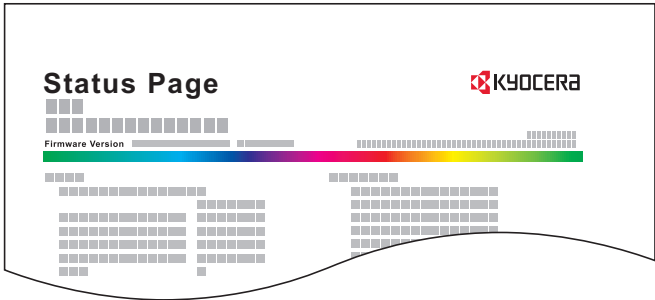
Item	Description	Reference Page
Print Report	Print reports to check the machine settings and status.	page 6-4
Counter	Check the number of sheets printed.	page 2-42
Paper Settings	Configure settings for paper.	page 6-6
Print Settings	Configure settings for printing.	page 6-8
Wi-Fi Direct Set	Set Wi-Fi Direct.	page 6-10
Wi-Fi Settings	Set Wi-Fi.	page 6-10
Wired Network	Configure wired network settings.	page 6-12
Network Settings	Configure network settings.	page 6-13
Message Language	Select the language displayed on the message display.	page 6-17
Date Setting	Configure settings related to the date and time.	page 6-17
Buzzer	Set options for buzzer sound during the machine operations.	page 6-18
RAM Disk Mode	A RAM disk can be created and its size can be set.	page 6-18
SD Card	Format an SD/SDHC memory card.	page 6-18
Error Handling	Select whether to cancel or continue the job when error has occurred.	page 6-19
ColorToner Empty	Select whether printing is prohibited or the Print in Black and White setting is used for printing once the color toner runs out.	page 6-19
Timer	Configure settings related to the time.	page 6-19
Sleep Level Set.	Select the Sleep level.	page 6-20
Power Off Rule (models for Europe)	Select whether or not the machine enters Power Off mode.	page 6-21
Power Off Timer (models for Europe)	Select whether to turn off the power automatically after a period of inactivity.	page 6-21
Disp. Status/Log	Set the display method of the Status/Log.	page 6-21
Low Toner Alert	Set the amount of remaining toner to notify the administrator when to order a toner when the toner is running low.	page 6-21
Security	The security functions can be set up to protect printer operation and the print data.	page 6-22
I/F Block	This allows you to protect this machine by blocking the interface with external devices such as USB hosts.	page 6-22
Security Level	The Security Level setting is primarily a menu option used by service personnel for maintenance work. There is no need for customers to use this menu.	—
User/Job Account	Configures settings related to machine management. User Login: ➔ Overview of User Login Administration (page 7-2) Job Accounting: ➔ Overview of Job Accounting (page 7-6)	—

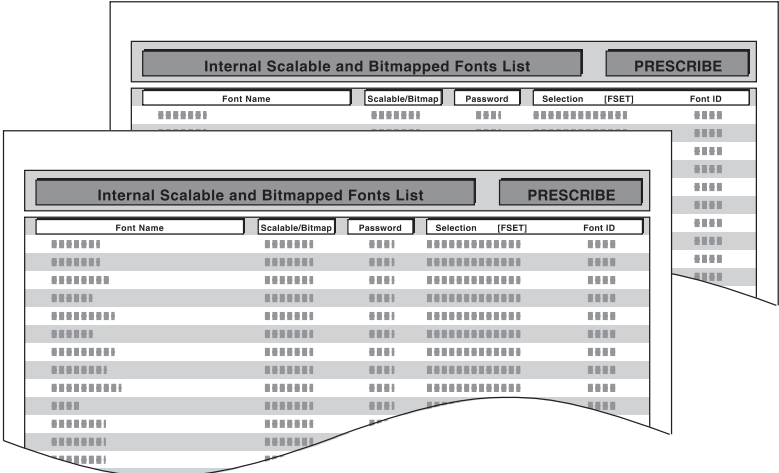


Item	Description	Reference Page
Administrator	The Administrator setting is a function that identifies a user who can use the printer and manage other users.	page 6-23
Adjust/Maintenance	Adjust printing quality and conduct machine maintenance.	page 6-23
Restart Printer	Restart the machine without turning the power switch off. Use this to deal with any unstable operation by the machine. (Same as the computer restart.)	page 6-23
Op functions	You can use the optional applications installed on this machine.	page 6-22
Wired Status	The wired network connection status appears.	page 6-23
Wi-Fi Status	The wireless LAN status appears.	page 6-23
Wi-Fi Direct	Information on the device that is connected by Wi-Fi Direct appears.	page 6-24

Report Print

Print reports to check the machine settings and status.

[Menu] key > [▲] [▼] key > [Report Print] > [▶] key

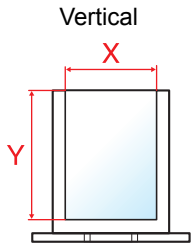

Item	Description
Print Menu Map	Prints Menu Map to check the settings of the machine. 
Print Status Page	Prints the status page, allowing you to check the information including current settings, memory capacity, and optional equipment installed. 

Item	Description
<p>Print Fonts List</p>	<p>Prints the font list, allowing you to check the font samples installed in the machine.</p> 
<p>Print RAM Disk File List</p>	<p>You can print a list of the files in the RAM disk.</p> <p> NOTE This setting is displayed when [RAM Disk Mode] is set to [On].</p>
<p>Print SD Card File List</p>	<p>You can print a list of the files in the SD Card.</p> <p> NOTE Displayed when the SD Card is installed.</p>

Paper Settings

[Menu] key > [▲] [▼] key > [Paper Settings] > [▶] key

Configure settings for paper.

Item	Description
MP Tray Size	Select the paper size to be used in the multipurpose tray. Values: Envelope Monarch, Envelope #10, Envelope DL, Envelope C5, Executive, Letter, Legal, A4, B5, A5-R, A5, A6, B6, Envelope #9, Envelope #6, ISO B5, Custom, Hagaki (Cardstock), OufukuHagaki (Return postcard), Oficio II, 216 × 340 mm, 16K, Statement-R, Statement, Folio, Youkei 2, Youkei 4
MP Tray Type* ¹	Select the media type of paper to be used in the multipurpose tray. Values: PLAIN (60 - 105 g/m ²), TRANSPARENCY, PREPRINTED, LABELS, BOND, RECYCLED, VELLUM (60 - 220 g/m ²), ROUGH, LETTERHEAD, COLOR, PREPUNCHED, ENVELOPE, CARDSTOCK, COATED, THICK (106 - 220 g/m ²), HIGH QUALITY, Custom 1 to 8
Cassette1 (2) Size* ²	Select the paper size to be used in Cassette 1 (2). Values: Executive, Letter, Legal, A4, B5, A5-R, A5, A6, B6, ISO B5, Custom, Oficio II, 216 × 340 mm, 16K, Statement-R, Folio If custom is selected, register the custom sizes used in cassette 1 (2). Values Metric X: 105 to 216 mm (in 1 mm increments) Y: 148 to 356 mm (in 1 mm increments) Inch X: 4.13 to 8.50" (in 0.01" increments) Y: 5.83 to 14.02" (in 0.01" increments) X=Length, Y=Width 
Cassette1 (2) Type* ³	Select the media type of paper to be used in Cassette 1 (2). Values: PLAIN (60 - 105 g/m ²), PREPRINTED, BOND, RECYCLED, ROUGH, LETTERHEAD, COLOR, PREPUNCHED, THICK (106 - 163 g/m ²), HIGH QUALITY, Custom 1 to 8
Type Adjust	Select weight for each media type. For Custom 1 to 8, settings for duplex printing and media type name can be changed. ➔ Type Adjust Setting (page 6-7)
Reset Type Adjust	Resets the attribute settings of all media types set in "Media Type Set". ➔ Type Adjust Setting (page 6-7)
Paper Setup Msg	Set whether to display the confirmation screen for the paper setting when a new paper is set for each cassette.
MP Tray	Values: On, Off
Cassette 1 (2)	 NOTE [Cassette 2] is displayed when the optional paper feeder is installed.

*1 To change to a media type other than "Plain".

➔ [Type Adjust Setting \(page 6-7\)](#)

*2 Only set this when the size dial on the cassette is set to "Other".

*3 To change to a media type other than "Plain".

➔ [Type Adjust Setting \(page 6-7\)](#)

When a paper weight that cannot be loaded in the cassette is set for a media type, that media type does not appear.

Type Adjust Setting

The following media type and paper weight combinations are available.

Paper Weight	Weight (g/m ²)	Paper Weight	Weight (g/m ²)
Light	52 g/m ² to 59 g/m ²	Heavy 1* ¹	106 g/m ² to 135 g/m ²
Normal 1	60 g/m ² to 74 g/m ²	Heavy 2* ¹	136 g/m ² to 163 g/m ²
Normal 2	75 g/m ² to 90 g/m ²	Heavy 3* ¹	164 g/m ² to 220 g/m ²
Normal 3	91 g/m ² to 105 g/m ²	Extra Heavy* ¹	Transparencies

*1 The processing speed will be slower than normal.

Each media type's default weight is indicated.

Media Type	Default	Media Type	Default
PLAIN	Normal 2	COLOR	Normal 2
ROUGH	Normal 3	PREPUNCHED	Normal 2
VELLUM	Heavy 1	LETTERHEAD	Normal 2
LABELS	Heavy 1	ENVELOPE	Heavy 2
RECYCLED	Normal 2	THICK	Heavy 2
PREPRINTED	Normal 2	HIGH QUALITY	Normal 2
BOND	Normal 3	COATED	Heavy 1
CARDSTOCK	Heavy 3	CUSTOM 1 to 8	Normal 2



For Custom 1 to 8, settings for duplex printing can be changed.



Item		Description
Duplex Path	Enable	Duplex printing allowed.
	Disable	Duplex printing not allowed.

Print Settings

[Menu] key > [▲] [▼] key > [Print Settings] > [▶] key

Configure settings for printing.

Item	Description
Paper Source	<p>Select the default paper source from Cassette 1 (2) and multipurpose tray. Values: MP Tray, Cassette 1 (2)</p> <p> NOTE [Cassette 2] is shown when the optional paper feeder is installed.</p>
Auto Cass.Change	<p>Select the following actions when the paper runs out in the paper source while printing. Values: On, Off</p> <p> NOTE When selecting [Off], the machine displays "Load Cassette #" (# is a cassette number) or "Load MP Tray", and stops printing. Load the paper according to the paper source displayed to resume printing. To print from the other paper cassette, select [▲] or [▼] key to display "Use alternative?", select [▲] or [▼] key to select the desired paper source, and then select the [OK] key. When selecting [On], the machine continues printing automatically when the other cassette contains the same paper as the currently-used cassette.</p>
MP Tray Priority	<p>If paper is set in the multipurpose tray then it is possible for priority to be given to that multipurpose tray in the paper feed. Values Off: The printer driver settings are followed. Auto Feed: If Auto is selected in the printer driver and there is paper in the multipurpose tray then the paper feed will be from the multipurpose tray. Always: If there is paper in the multipurpose tray then the paper feed will be from the multipurpose tray regardless of what is set in the printer driver.</p>
Paper Feed Mode	<p>While printing from the computer, select how to feed paper when the paper source and type are specified. Values Auto: Search the paper source that matches the selected paper size and type. Fixed: Print on paper loaded in the specified paper source.</p>
Duplex	<p>Select binding orientation for duplex mode. Values: Off, Short edge bind, Long edge bind</p>
Override A4/LT	<p>Select whether to treat A4 size and Letter, which are similar in size, as the same size when printing. Values Off: A4 and Letter are not regarded as the same in size. On: A4 and Letter are regarded as the same in size. The machine will use whichever size is in the paper source.</p>
Emulation	<p>Select the emulation for operating this machine by commands oriented to other types of printers. Values: PCL 6, KPDL, KPDL(Auto)</p>
Error Report	<p>When you have selected [KPDL] or [KPDL (Auto)], select the [▶] key to set "Error Report". Values: Off, On</p>
Color Mode	<p>You can choose whether reports are printed in color or black and white. Values: Black & White, Color</p>

Item	Description
Print Quality Gloss Mode EcoPrint Mode Resolution	<p>Set the Print Quality.</p> <p>Gloss Mode increases the effect of glossiness in printing. However, printing takes longer time. Values: Off, On</p> <p> IMPORTANT</p> <p>Gloss mode is not available when [LABELS] and [TRANSPARENCY] is selected as the paper type setting.</p> <p>➔ Cassette1 (2) Type (page 6-6) MP Tray Type (page 6-6)</p> <p>Depending on the paper used, printing in gloss mode may cause curl in paper. To reduce curl, try using thicker paper.</p> <p>EcoPrint conserves toner when printing. This is recommended for test copies where faded printing is not a problem. Values: Off, On</p> <p>Set the resolution used for printing. Value: 1200 dpi, 600 dpi</p> <p> NOTE</p> <p>Settings that are received from the printer driver have priority over the operation panel settings.</p>
Page Setting Copies Orientation Wide A4 XPS FitTo Page TIFF/JPEG Size	<p>You can set print preferences such as the number of pages and print orientation.</p> <p>Set the default number of copies, from 1 to 999. Value: 1 to 999 copies</p> <p>You can select portrait (upright) or landscape (sideways) page orientation. Value: Portrait, Landscape</p> <p>Turn this to on to increase the maximum number of characters that can be printed in a line for an A4 page (78 characters at 10 pitch) and Letter size page (80 characters at 10 pitch). This setting is only effective in PCL 6 emulation. Value: Off, On</p> <p>Set the default value for the XPS fit to page function. Value: Off, On</p> <p>Select the image size (resolution) when printing JPEG or TIFF file. Value: Paper Size, Image Resolution, Print Resolution</p>
User Name	<p>Set whether the user name set in the printer driver is displayed. Value: Off, On</p>
Job Name	<p>Set whether the job name set in the printer driver is displayed. Value: Off, Job Name, Job No.+Job Name, Job Name+Job No.</p>

Wi-Fi Direct Set

[Menu] key > [▲] [▼] key > [Wi-Fi Direct Set] > [▶] key

Set Wi-Fi Direct.



NOTE

This function is displayed when the wireless network function is available on the machine.

Wi-Fi Direct

Item	Description
Wi-Fi Direct	Select whether to use Wi-Fi Direct. Value: Off, On
Auto Disconnect	Automatically disconnect devices connected through Wi-Fi Direct. Value: Off, On NOTE This function is displayed when [Wi-Fi Direct] is set to [On].
Timer (Day:Hour:Min)	If you select [ON] to Auto Disconnect, set the waiting time for automatic disconnection. Value: Day (00 to 99), Hour (00 to 23), Minute (00 to 59)

Wi-Fi Settings

[Menu] key > [▲] [▼] key > [Wi-Fi Settings] > [▶] key

Set Wi-Fi.



NOTE

This function is displayed when the wireless network function is available on the machine.




Wi-Fi


Item	Description
Wi-Fi	Select whether to use Wi-Fi. Value: Off, On

Quick Setup

Item	Description
Quick Setup	If the machine will connect to an access point that supports the automatic wireless network setup, connection settings can be configured by Quick Setup.
Push Button	If the access point supports the push button method, wireless settings can be configured using the push button. This setting executes push button, and the connection is started by pressing the push button on the access point. NOTE The push button method supports only the WPS.
PIN(Device)	Starts connection using the machine's PIN code. Enter the PIN code into the access point. The PIN code of the machine is automatically generated.



TCP/IP


Item	Description
TCP/IP	Select whether to use TCP/IP (IPv4) Protocol. Value: Off, On
DHCP	Select whether to use the DHCP (IPv4) server. Value: Off, On
Auto-IP	Select whether to use Auto-IP. Value: Off, On
IP Address	Set the IP address. Value: ###.###.###.###  NOTE When DHCP is set to [On], this item is displayed only and cannot be entered.
Subnet Mask	Set the IP subnet mask. Value: ###.###.###.###  NOTE When DHCP is set to [On], this item is displayed only and cannot be entered.
Gateway	Set the IP gateway address. Value: ###.###.###.###  NOTE When DHCP is set to [On], this item is displayed only and cannot be entered.

 **IMPORTANT**

- When setting the Auto-IP, enter "0.0.0.0" in [IP Address].
- After changing the setting, restart the network or turn the machine OFF and then ON.

TCP/IP (IPv6)

Item	Description
TCP/IP (IPv6)	Select whether to use TCP/IP (IPv6). Value: Off, On
RA(Stateless)	Select whether to use RA (Stateless). Value: Off, On  NOTE This function is displayed when [TCP/IP (IPv6)] is set to [On].
DHCPv6	Select whether to use the DHCP (IPv6) server. Value: Off, On  NOTE This function is displayed when [TCP/IP (IPv6)] is set to [On].

 **IMPORTANT**

After changing the setting, restart the network or turn the machine OFF and then ON.

Restart Network


Item	Description
Restart Network	Restarts the network.

Wired Network

[Menu] key > [▲] [▼] key > [Wired Network] > [▶] key

Configure wired network settings.

Item	Description
TCP/IP	For details on setting value. ➔ TCP/IP (page 6-11)
TCP/IP (IPv6)	For details on setting value. ➔ TCP/IP (IPv6) (page 6-12)
LAN Interface	Specify the settings for the LAN interface to be used. Value: Auto, 10BASE-Half, 10BASE-Full, 100BASE-Half, 100BASE-Full, 1000BASE-T
Restart Network	Restarts the network.






 **IMPORTANT**







After changing the setting, restart the network or turn the machine OFF and then ON.





Network Settings






[Menu] key > [▲] [▼] key > [Network Settings] > [▶] key

Configure network settings.

Item	Description
Communication ^{*1}	Select the network to be used for the send function and the network authentication. Value: Wi-Fi, Wired Network
SSL Server	Select whether to use SSL. Value: Off, On
IPSec	Select whether to use IPSec. Value: Off, On
Bonjour	Select whether to use Bonjour. Value: Off, On  NOTE This function is displayed when TCP/IP is set to [On].
Wi-Fi Direct ^{*1}	Set whether to enable this function for each network. Value: Disable, Enable  NOTE This function is displayed when [Bonjour] is set to [On].
Wi-Fi ^{*1}	
Wired Network	
NetBEUI	Selects whether to receive documents using NetBEUI. ^{*2} Value: Off, On
Wi-Fi Direct ^{*1}	Set whether to enable this function for each network. Value: Disable, Enable  NOTE This function is displayed when [NetBEUI] is set to [On].
Wi-Fi ^{*1}	
Wired Network	
SNMPv3	Select whether to communicate using SNMPv3. ^{*2} Value: Off, On
Wi-Fi Direct ^{*1}	Set whether to enable this function for each network. Value: Disable, Enable  NOTE This function is displayed when [SNMPv3] is set to [On].
Wi-Fi ^{*1}	
Wired Network	
FTP(Server)	Select whether to receive documents using FTP. ^{*2} Value: Off, On
Wi-Fi Direct ^{*1}	Set whether to enable this function for each network. Value: Disable, Enable  NOTE This function is displayed when [FTP(Server)] is set to [On].
Wi-Fi ^{*1}	
Wired Network	

Item	Description
SNMP	Select whether to communicate using SNMP.* ² Value: Off, On
Wi-Fi Direct*¹	Set whether to enable this function for each network. Value: Disable, Enable
Wi-Fi*¹	
Wired Network	 NOTE This function is displayed when [SNMP] is set to [On].
SMTP	Select whether to send E-mail using SMTP. Value: Off, On
POP3	Select whether to receive E-mail using POP3. Value: Off, On
RAW_Port	Select whether to receive documents using Raw Port.* ² Value: Off, On
Wi-Fi Direct*¹	Set whether to enable this function for each network. Value: Disable, Enable
Wi-Fi*¹	
Wired Network	 NOTE This function is displayed when [RAW_Port] is set to [On].
LPD	Selects whether to receive documents using LPD.* ² Value: Off, On
Wi-Fi Direct*¹	Set whether to enable this function for each network. Value: Disable, Enable
Wi-Fi*¹	
Wired Network	 NOTE This function is displayed when [LPD] is set to [On].
IPP	Selects whether to receive documents using IPP. To use the IPP protocol, select [Not Secure (IPP&IPPS)] on IPP Security under Security Settings from the Command Center RX.* ^{2, *3} Value: Off, On
Wi-Fi Direct*¹	Set whether to enable this function for each network. Value: Disable, Enable
Wi-Fi*¹	
Wired Network	 NOTE This function is displayed when [IPP] is set to [On].
IPP over SSL	Select whether or not to use IPP over SSL.* ^{2, *3} Value: Off, On  NOTE When selecting [On], it also requires a certificate for SSL. the default certificate is the self-certificate of the machine. ➔ Command Center RX User Guide
Wi-Fi Direct*¹	Set whether to enable this function for each network. Value: Disable, Enable
Wi-Fi*¹	
Wired Network	 NOTE This function is displayed when [IPP over SSL] is set to [On].

Item	Description
HTTP	Select whether to communicate using HTTP. ^{*2} Value: Off, On
Wi-Fi Direct^{*1}	Set whether to enable this function for each network. Value: Disable, Enable
Wi-Fi^{*1}	
Wired Network	 NOTE This function is displayed when [HTTP] is set to [On].
HTTPS	Select whether to communicate using HTTPS. ^{*2, *3} Value: Off, On
Wi-Fi Direct^{*1}	Set whether to enable this function for each network. Value: Disable, Enable
Wi-Fi^{*1}	
Wired Network	 NOTE This function is displayed when [HTTPS] is set to [On].
ThinPrint	Select whether to use ThinPrint. ^{*2, *3} Value: Off, On  NOTE This function is displayed only when the optional ThinPrint Option is activated.
Wi-Fi Direct^{*1}	Set whether to enable this function for each network. Value: Disable, Enable
Wi-Fi^{*1}	
Wired Network	 NOTE This function is displayed when [ThinPrint] is set to [On].

Item	Description
ThinPrint over SSL	To use the Thin Print over SSL protocol, set [ThinPrint Over SSL] to [On] . ^{*2, *3} Value: Off, On  NOTE <ul style="list-style-type: none"> This function is displayed when [ThinPrint] is set to [On]. When selecting [On], it also requires a certificate for SSL. The default certificate is the self-certificate of the machine. ▶ Command Center RX User Guide
Wi-Fi Direct^{*1}	Set whether to enable this function for each network. Value: Disable, Enable
Wi-Fi^{*1}	
Wired Network	 NOTE This function is displayed when [ThinPrint over SSL] is set to [On] .
WSD-PRINT	Set whether to use our proprietary web services. ^{*2} Value: Off, On
Wi-Fi Direct^{*1}	Set whether to enable this function for each network. Value: Disable, Enable
Wi-Fi^{*1}	
Wired Network	 NOTE This function is displayed when [WSD-PRINT] is set to [On] .
Enhanced_WSD	Set whether to use our proprietary web services. ^{*2} Value: Off, On
Wi-Fi Direct^{*1}	Set whether to enable this function for each network. Value: Disable, Enable
Wi-Fi^{*1}	
Wired Network	 NOTE This function is displayed when [Enhanced_WSD] is set to [On] .
EnhancedWSD(SSL)	Set whether to use our proprietary web services over SSL. ^{*2, *3} Value: Off, On
Wi-Fi Direct^{*1}	Set whether to enable this function for each network. Value: Disable, Enable
Wi-Fi^{*1}	
Wired Network	 NOTE This function is displayed when [EnhancedWSD(SSL)] is set to [On] .

*1 Displayed only when wireless network function is available on the machine.

*2 The setting will be changed after restarting the device or network.

*3 Set **[SSL Server]** to **[On]** in Network Settings.

▶ [SSL Server \(page 6-13\)](#)



IMPORTANT

After changing the setting, restart the network or turn the machine OFF and then ON.

Device Common

Configures overall machine operation.

Message Language



[Menu] key > [▲][▼] key > [Device Common] > [▶] key > [▲][▼] key > [Message Language] > [OK] key

Item	Description
Message Language	Select the language displayed on the message display.

Date Setting

[Menu] key > [▲][▼] key > [Device Common] > [▶] key > [▲][▼] key > [Date Setting] > [▶] key

Configure settings related to the date and time.

Item	Description
Date (Year/Mon/Day)	<p>Set the date for the location where you use the machine. Value: Year (2000 to 2037), Month (01 to 12), Day (01 to 31)</p> <p>➔ Setting Date and Time (page 2-15)</p> <p> NOTE If you change the date while using the trial version of an application, you will no longer be able to use the application.</p>
Time (Hour:Min:Sec)	<p>Set the date and time for the location where you use the machine. Value: Hour (00 to 23), Minute (00 to 59), Second (00 to 59)</p> <p>➔ Setting Date and Time (page 2-15)</p> <p> NOTE If you change the time while using the trial version of an application, you will no longer be able to use the application.</p>
Date Format	<p>Select the display format of year, month, and date. The year is displayed in Western notation. Value: Month/Day/Year, Day/Month/Year, Year/Month/Day</p>
Time Zone	<p>Set the time difference from GMT. Choose the nearest listed location from the list. If you select a region that utilizes summer time, configure settings for summer time.</p>
Summer Time	<p>➔ Setting Date and Time (page 2-15)</p>

Buzzer

[Menu] key > [▲] [▼] key > [Device Common] > [▶] key > [▲] [▼] key > [Buzzer] > [▶] key

Set options for buzzer sound during the machine operations.

Item	Description
Key Confirmation	Emit a sound when a key is selected on the operation panel. Value: On, Off
Job End	Emit a sound when a print job is normally completed. Value: On, Off
Ready	Emit a sound when the warm-up is completed. Value: On, Off
Error	Emit a sound when errors occur. Value: On, Off

RAM Disk Mode

[Menu] key > [▲] [▼] key > [Device Common] > [▶] key > [▲] [▼] key > [RAM Disk Mode] > [OK] key

Item	Description
RAM Disk Mode	A RAM disk can be created and its size can be set. Creating a RAM disk makes it possible to print from a Job Box. Value RAM Disk Mode: On, Off RAM Disk Size: The setting range varies depending on the amount of memory installed and the option memory usage setting.



IMPORTANT

After changing the setting, restart the network or turn the machine OFF and then ON.

SD Card

[Menu] key > [▲] [▼] key > [Device Common] > [▶] key > [▲] [▼] key > [SD Card] > [▶] key

Format an SD/SDHC memory card.

A new SD card must be formatted before it can be used in the machine.



IMPORTANT

Formatting will destroy any existing data on a storage device including a used SD card.

Error Handling

[Menu] key > [▲] [▼] key > [Device Common] > [▶] key > [▲] [▼] key > [Error Handling] > [▶] key

Select whether to cancel or continue the job when error has occurred.

Item	Description
Duplex	Select what to do when duplex printing is not possible for the selected paper size and media type. Value Off: Printed in 1-sided On: Message to cancel printing is displayed.
Paper Mismatch	Select what to do when the selected paper size or type does not match paper size or type loaded in the specified paper source while printing from the computer by specifying the cassette or multipurpose tray. Value Off: The setting is ignored and the job is printed. On: Message to cancel printing is displayed.
MP Tray Empty	Turn this setting to [On] if you want the error displayed when the multipurpose tray is configured as the default paper source, and there is no paper in the multipurpose tray, or turn it to [Off] not to have the error displayed. Value: On, Off

ColorToner Empty



[Menu] key > [▲] [▼] key > [Device Common] > [▶] key > [▲] [▼] key > [ColorToner Empty] > [OK] key


Item	Description
ColorToner Empty	Select whether printing is prohibited or the Print in Black and White setting is used for printing once the color toner runs out. Value: Stop printing, Print in B & W

Timer

[Menu] key > [▲] [▼] key > [Device Common] > [▶] key > [▲] [▼] key > [Timer] > [▶] key


Configure settings related to the time.

Item	Description
Auto Panel Reset	If no jobs are run for a certain period of time, automatically reset settings and return to the default setting. Select to use Auto Panel Reset or not. Value: Off, On  NOTE The time allowed to elapse before the panel is reset is set with the following: ▶ Panel Reset Timer (page 6-19)
Panel Reset Timer	If you select [On] for Auto Panel Reset, set the amount of time to wait before Auto Panel Reset. Value: 5 to 495 seconds (in 5 second increments)  NOTE This function is displayed when [Auto Panel Reset] is set to [On].

Item	Description
Sleep Timer	<p>Set amount of time before entering Sleep.</p> <p>Value</p> <p>For Europe 1 to 60 minutes (1 minute increments)</p> <p>Except for Europe 1 to 240 minutes (1 minute increments)</p> <p>➔ Auto Sleep (page 2-28)</p>
Auto Error Clear	<p>If an error occurs during processing, processing stops to wait for the next step to be taken by the user. In the Auto Error Clear mode, automatically clear the error after a set amount of time elapses.</p> <p>Value: Off, On</p>
Error Clear Timer	<p>If you select [On] for Auto Error Clear, set the amount of time to wait before automatically clearing errors.</p> <p>Value: 5 to 495 seconds (in 5 second increments)</p> <p> NOTE</p> <p>This function is displayed when [Auto Err. Clear] is set to [On].</p>
FormFeed TimeOut	<p>Receiving print data from the computer, the machine may sometimes wait if there is no information signaling that the last page does not have any more data to be printed. When the preset timeout passes, the machine automatically prints paper. The options are between 5 and 495 seconds.</p> <p>Value: 5 to 495 seconds (in 5 second increments)</p>

Sleep Level Set.

[Menu] key > [▲] [▼] key > [Device Common] > [▶] key > [▲] [▼] key > [Sleep Level Set.] > [▶] key

Item	Description
Sleep Level (models except for Europe)	<p>Select the Sleep level.</p> <p>Set the Energy Saver mode to reduce power consumption even more than Quick Recovery mode.</p> <p>Value: Quick Recovery, Energy Saver</p>
Network	<p>Set whether to use the Energy Saver mode for Network.</p> <p>Value: Off, On</p>
Card Reader^{*1}	<p>Set whether to use the Energy Saver mode for Card Reader.</p> <p>Value: Off, On</p> <p> NOTE</p> <p>When the machine enters Energy Saver, the ID card cannot be recognized.</p>

*1 Displayed only when the optional Card Authentication Kit is activated.

Power Off Rule (models for Europe)

[Menu] key > [▲] [▼] key > [Device Common] > [▶] key > [▲] [▼] key > [Power Off Rule] > [▶] key

Select whether or not the machine enters Power Off mode.

Item	Description
Network	Set whether or not the machine enters Power Off mode for Network. Value: Off, On Even when [Network] is set to [Off], if the machine does not communicate with the other devices, the machine will enter Power Off Mode.
USB Cable	Set whether or not the machine enters Power Off mode for USB cable. Value: Off, On Even when [USB Cable] is set to [Off], if the machine does not communicate with the other devices, the machine will enter Power Off Mode.
USB Host	Set whether or not the machine enters Power Off mode for USB host. Value: Off, On
RAM Disk	Set whether or not the machine enters Power Off mode for RAM Disk. Value: Off, On

Power Off Timer (models for Europe)

[Menu] key > [▲] [▼] key > [Device Common] > [▶] key > [▲] [▼] key > [Power Off Timer] > [▶] key

Item	Description
Power Off Timer	Select whether to turn off the power automatically after a period of inactivity. Value: 1 hour, 2 hours, 3 hours, 4 hours, 5 hours, 6 hours, 9 hours, 12 hours, 1 day, 2 days, 3 days, 4 days, 5 days, 6 days, 1 week


Disp. Status/Log

[Menu] key > [▲] [▼] key > [Device Common] > [▶] key > [▲] [▼] key > [Disp. Status/Log] > [▶] key

Item	Description
Disp. Status/Log	Set the display method of the Status/Log. If the ID card authentication is enabled, this setting is applied when you refer to the print job or print job log from Command Center RX.
JobsDetailStatus	Value: Show All, My Jobs Only, Hide All
Jobs Log	Value: Show All, My Jobs Only, Hide All

Low Toner Alert

[Menu] key > [▲] [▼] key > [Device Common] > [▶] key > [▲] [▼] key > [Low Toner Alert] > [▶] key

Item	Description
Low Toner Alert	Set the amount of remaining toner to notify the administrator when to order a toner when the toner is running low. Value: Off, On Low Toner Alert: Set the toner level for notification of low toner. The setting range is 5 to 100% (in 1% increments). Displayed when [Off/On] is set to [On] and the [▼] key is selected.
	 NOTE Selecting [Off] alerts you low toner when the amount of remaining toner becomes 5%.


Security

The security functions can be set up to protect printer operation and the print data.

I/F Block

[Menu] key > [▲] [▼] key > [Security] > [▶] key > [▲] [▼] key > [I/F Block] > [▶] key

This allows you to protect this machine by blocking the interface with external devices such as USB hosts.

Item	Description
USB Host	This locks and protects the USB port (USB host). Value: Unblock, Block
USB Device	This locks and protects the USB interface connector (USB Device). Value: Unblock, Block
USB Storage	This locks and protects the USB memory slot. Value: Unblock, Block  NOTE This function is available when USB Host is set to [Unblock].

IMPORTANT

After changing the setting, restart the network or turn the machine OFF and then ON.

Security Level

[Menu] key > [▲] [▼] key > [Security] > [▶] key > [▲] [▼] key > [Security Level] > [OK] key

Item	Description
Security Level	Specify the security level. Value: Very High: In addition to [High] setting, this setting disables the machine settings to be changed from external command. High: This is the security setting we recommend. Use this setting normally. Low: This mode is used during maintenance. Do not use normally.

User/Job Account

[Menu] key > [▲] [▼] key > [User/Job Account] > [▶] key

Configure settings related to machine management.

- ➔ [Overview of User Login Administration \(page 7-2\)](#)
- [Overview of Job Accounting \(page 7-6\)](#)
- [Unknown ID Job \(page 7-21\)](#)

Op functions

[Menu] key > [▲] [▼] key > [Op functions] > [▶] key

Item	Description
Op functions	You can use the optional applications installed on this machine. ➔ Optional Applications (page 9-5)

Administrator

[Menu] key > [▲] [▼] key > [Administrator] > [▶] key

The Administrator setting is a function that identifies a user who can use the printer and manage other users.

➔ [Administrator settings \(page 7-22\)](#)

Adjust/Maintenance

[Menu] key > [▲] [▼] key > [Adjust/Maintenance] > [▶] key

Adjust printing quality and conduct machine maintenance.

Item	Description
ColorCalibration	<p>This machine contains a calibration function that automatically makes adjustments to compensate for changes that occur over time due to variations in the ambient temperature and humidity. This function can be used for fine adjustment of tone and color drift to print in the optimum color.</p> <p>➔ Color Calibration Procedure (page 8-20)</p> <p>If color tone does not improve or color drift does not improve after executing this color adjustment, refer to the following:</p> <p>➔ Registration Procedure (page 8-21)</p>
Registration Normal	<p>When first installing the machine or moving it to a new location, color drift during printing may occur. Use this function to correct the color position of each of cyan, magenta and yellow to resolve color drift.</p> <p>➔ Registration Procedure (page 8-21)</p>
Registration Details	
Restart Printer	Restart the machine without turning the power switch off. Use this to deal with any unstable operation by the machine. (Same as the computer restart.)
Service Setting	Settings for machine maintenance and inspection. This menu is primarily used by service technicians to perform maintenance.

Wired Status

[Menu] key > [▲] [▼] key > [Wired Status]

The wired network connection status appears.

Wi-Fi Status

[Menu] key > [▲] [▼] key > [Wi-Fi Status]

The wireless LAN status appears.



NOTE

This function is displayed when the wireless network function is available on the machine.

Item	Description
Wi-Fi Status	Check the wireless LAN status.
NetwkName(SSID)	<p>Check the SSID (Service Set Identifier) of the wireless LAN to which the machine connects.</p> <p> NOTE</p> <ul style="list-style-type: none"> • This function is displayed when [Wi-Fi] is set to [On]. • Detailed information is displayed when [▶] key is clicked.

Wi-Fi Direct

[Menu] key > [▲] [▼] key > [Wi-Fi Direct]

Information on the device that is connected by Wi-Fi Direct appears.



NOTE

This function is displayed when the wireless network function is available on the machine.

Item	Description
Wi-Fi Direct	Check the current number of connections.
PushButton Setup	Execute the push button of the device you want to connect to start the connection to the machine. NOTE This function is displayed when [Wi-Fi Direct] is set to [On].
Device Name	Check the device name. NOTE <ul style="list-style-type: none"> This function is displayed when [Wi-Fi Direct] is set to [On]. Detailed information is displayed when [▶] key is selected.
NetwkName (SSID)	Check the SSID (Service Set Identifier) of the wireless LAN to which the machine connects. NOTE <ul style="list-style-type: none"> This function is displayed when [Wi-Fi Direct] is set to [On]. Detailed information is displayed when [▶] key is selected.
Password	Check the password of the wireless LAN to which the machine connects. NOTE This function is displayed when [Wi-Fi Direct] is set to [On].
IP Address	Check the IP address of the machine. NOTE This function is displayed when [Wi-Fi Direct] is set to [On].
Netwk Authentic	Check network authentication type. NOTE This function is displayed when [Wi-Fi Direct] is set to [On].
Data Encryption	Check the encryption method. NOTE This function is displayed when [Wi-Fi Direct] is set to [On].
Disconnect All	Automatically disconnect devices connected through Wi-Fi Direct. NOTE This function is displayed when [Wi-Fi Direct] is set to [On].

7 User Authentication and Accounting (User Login, Job Accounting)

This chapter explains the following topics:

Overview of User Login Administration	7-2
Enabling User Login Administration	7-3
Key Login	7-4
Using User Login Administration	7-5
Login/Logout	7-5
Overview of Job Accounting	7-6
To Manage the Number of Sheets Used on Jobs Printed from a PC	7-6
Enabling Job Accounting	7-7
Job Accounting Access	7-8
Job Accounting (Local)	7-9
Adding an Account	7-9
Restricting the Use of the Machine	7-11
Editing an Account	7-13
Deleting an Account	7-14
Job Accounting for Printing	7-15
Configuring Job Accounting	7-17
Counting the Number of Pages Printed	7-17
Print Accounting Report	7-17
Using Job Accounting	7-19
Login/Logout	7-19
Apply Limit	7-20
Unknown ID Job	7-21
Administrator settings	7-22

Overview of User Login Administration

User login administration specifies how the user access is administered on this machine. An ID card is used for machine login.



NOTE

To use user authentication, the Card Authentication Kit is required.

➔ [Card Authentication Kit\(B\) "Card Authentication Kit" \(page 9-2\)](#)

Enabling User Login Administration

NOTE

This functions appears when the Card Authentication Kit is activated.

➔ [Card Authentication Kit\(B\) "Card Authentication Kit" \(page 9-2\)](#)

1 Display the screen.

- 1 [Menu] key > [▲] [▼] key > [User/Job Account] > [▶] key
- 2 Enter the administrator ID and select the [OK] key.

NOTE

Enter an ID consisting of between 1 and 16 numbers.

Select the [▲] or [▼] key to enter a number.

Select the [◀] or [▶] key to move the cursor left or right.

The factory default settings for the administrator ID is set as shown below.

Model Name	Administrator ID
ECOSYS P5021cdn/ECOSYS P5021cdw	2100
ECOSYS P5026cdn/ECOSYS P5026cdw	2600

- 3 Enter the administrator password and select the [OK] key.

NOTE

Enter a password consisting of between 0 (no settings) and 16 digits.

Select the [▲] or [▼] key to enter a number.

Select the [◀] or [▶] key to move the cursor left or right.

The factory default settings for the administrator password is set as shown below.

Model Name	Administrator Password
ECOSYS P5021cdn/ECOSYS P5021cdw	2100
ECOSYS P5026cdn/ECOSYS P5026cdw	2600

- 4 [▲] [▼] key > [User Login Set.] > [▶] key

2 Configure the settings.

- [▲] [▼] key > [Login Type] > [OK] key > [▲] [▼] key > [Netwk Authentic.] > [OK] key

NOTE

Select [Off] to disable user login administration.

Key Login

Set whether or not login by arrow keys is allowed when user authentication is enabled.

NOTE

- This functions appears when the Card Authentication Kit is activated.

➔ [Card Authentication Kit\(B\) "Card Authentication Kit" \(page 9-2\)](#)

- This function can only be used when the administrator logs in.

1 Display the screen.

- 1 [Menu] key > [▲] [▼] key > [User/Job Account] > [▶] key
- 2 Enter the administrator ID and select the [OK] key.

NOTE

Enter an ID consisting of between 1 and 16 numbers.

Select the [▲] or [▼] key to enter a number.

Select the [◀] or [▶] key to move the cursor left or right.

The factory default settings for the administrator ID is set as shown below.

Model Name	Administrator ID
ECOSYS P5021cdn/ECOSYS P5021cdw	2100
ECOSYS P5026cdn/ECOSYS P5026cdw	2600

- 3 Enter the administrator password and select the [OK] key.

NOTE

Enter a password consisting of between 0 (no settings) and 16 digits.

Select the [▲] or [▼] key to enter a number.

Select the [◀] or [▶] key to move the cursor left or right.

The factory default settings for the administrator password is set as shown below.

Model Name	Administrator Password
ECOSYS P5021cdn/ECOSYS P5021cdw	2100
ECOSYS P5026cdn/ECOSYS P5026cdw	2600

- 4 [▲] [▼] key > [User Login Set.] > [▶] key

2 Configure the settings.

- [▲] [▼] key > [Key Login] > [OK] key > [▲] [▼] key > [Prohibit] or [Permit] > [OK] key

Using User Login Administration

This section explains procedures while setting job accounting.

Login/Logout

When User Login is enabled, the ID card authentication screen will appear each time the machine is used.

Login

Place the ID card on the ID card reader.

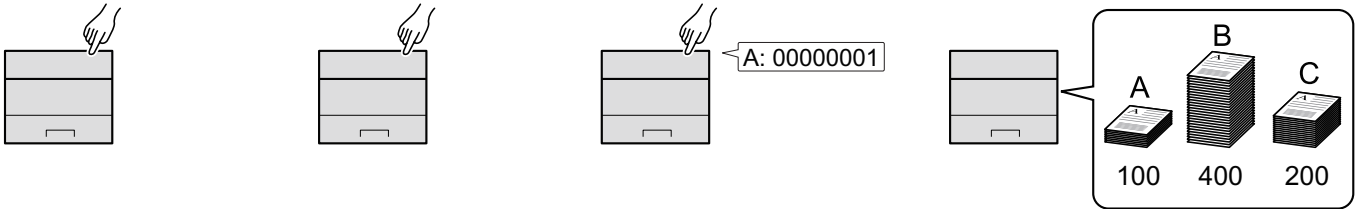
Logout

When the operations are complete, select the [**Logout**] key. You will return to the ID card authentication screen.

Overview of Job Accounting

Job accounting manages the print count accumulated by individual accounts by assigning an ID to each account.

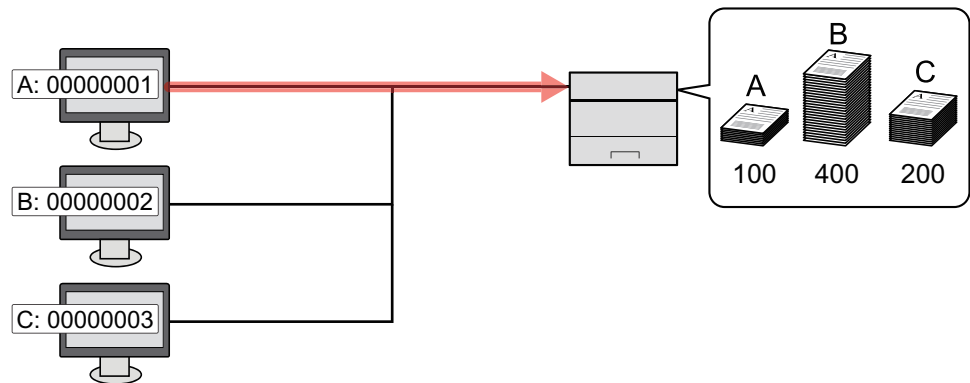
- 1** Enable job accounting. ([page 7-7](#))
- 2** Setting an account. ([page 7-9](#))
- 3** Enter the assigned account ID when performing the job. ([page 7-5](#))
- 4** Count the number of pages printed.



To Manage the Number of Sheets Used on Jobs Printed from a PC

To manage the number of jobs to be printed from the PC on the network, you need to configure settings by using the printer driver on the PC.

- 1** Set Job Accounting for the PC on the network by using the printer driver. ([page 7-15](#))
- 2** Execute printing.
- 3** Count the number of pages printed.



Enabling Job Accounting

1 Display the screen.

- 1 [Menu] key > [▲] [▼] key > [User/Job Account] > [▶] key
- 2 Enter the administrator ID and select the [OK] key.

NOTE

Enter an ID consisting of between 1 and 16 numbers.
 Select the [▲] or [▼] key to enter a number.
 Select the [◀] or [▶] key to move the cursor left or right.
 The factory default settings for the administrator ID is set as shown below.

Model Name	Administrator ID
ECOSYS P5021cdn/ECOSYS P5021cdw	2100
ECOSYS P5026cdn/ECOSYS P5026cdw	2600

- 3 Enter the administrator password and select the [OK] key.

NOTE

Enter a password consisting of between 0 (no settings) and 16 digits.
 Select the [▲] or [▼] key to enter a number.
 Select the [◀] or [▶] key to move the cursor left or right.
 The factory default settings for the administrator password is set as shown below.

Model Name	Administrator Password
ECOSYS P5021cdn/ECOSYS P5021cdw	2100
ECOSYS P5026cdn/ECOSYS P5026cdw	2600

2 Configure the settings.

- [▲] [▼] key > [Job Account] > [OK] key > [▲] [▼] key > [On] > [OK] key

NOTE

To disable job accounting, select [Off].

Job Accounting Access

1 Display the screen.

- 1 [Menu] key > [▲] [▼] key > [User/Job Account] > [▶] key
- 2 Enter the administrator ID and select the [OK] key.

NOTE

Enter an ID consisting of between 1 and 16 numbers.
 Select the [▲] or [▼] key to enter a number.
 Select the [◀] or [▶] key to move the cursor left or right.
 The factory default settings for the administrator ID is set as shown below.

Model Name	Administrator ID
ECOSYS P5021cdn/ECOSYS P5021cdw	2100
ECOSYS P5026cdn/ECOSYS P5026cdw	2600

- 3 Enter the administrator password and select the [OK] key.

NOTE

Enter a password consisting of between 0 (no settings) and 16 digits.
 Select the [▲] or [▼] key to enter a number.
 Select the [◀] or [▶] key to move the cursor left or right.
 The factory default settings for the administrator password is set as shown below.

Model Name	Administrator Password
ECOSYS P5021cdn/ECOSYS P5021cdw	2100
ECOSYS P5026cdn/ECOSYS P5026cdw	2600

2 Configure the settings.

- [▲] [▼] key > [AccountingAccess] > [OK] key > [▲] [▼] key > [Local] or [Network] > [OK] key

Job Accounting (Local)

You can add, change and delete an account and set the restriction for each account.

Adding an Account

Up to 20 individual accounts can be added.

NOTE

Because account IDs are managed as numeric strings, "1" and "001" are handled as different accounts. Also, once Job Accounting is enabled, no jobs are printed unless information is attached showing the accounts from which the jobs are being printed.

1 Display the screen.

- 1 [Menu] key > [▲] [▼] key > [User/Job Account] > [▶] key
- 2 Enter the administrator ID and select the [OK] key.

NOTE

Enter an ID consisting of between 1 and 16 numbers.
Select the [▲] or [▼] key to enter a number.
Select the [◀] or [▶] key to move the cursor left or right.
The factory default settings for the administrator ID is set as shown below.

Model Name	Administrator ID
ECOSYS P5021cdn/ECOSYS P5021cdw	2100
ECOSYS P5026cdn/ECOSYS P5026cdw	2600

- 3 Enter the administrator password and select the [OK] key.

NOTE

Enter a password consisting of between 0 (no settings) and 16 digits.
Select the [▲] or [▼] key to enter a number.
Select the [◀] or [▶] key to move the cursor left or right.
The factory default settings for the administrator password is set as shown below.

Model Name	Administrator Password
ECOSYS P5021cdn/ECOSYS P5021cdw	2100
ECOSYS P5026cdn/ECOSYS P5026cdw	2600

- 4 [▲] [▼] key > [Add Account] > [OK] key

2 Enter the account ID.

- 1 Enter the account name.



NOTE

You can set a number from 1 to 8 digits.

Select the [▲] or [▼] key to enter a number.

Select the [◀] or [▶] key to move the cursor left or right.

Any "Account ID" that has already registered cannot be used. Enter any other account ID.

- 2 Select the [OK] key.

A new account is added on the account list.

Restricting the Use of the Machine

This section explains how to restrict the use of the machine by account or the number of sheets available.

Restriction Items

Item	Descriptions
Restriction	Limits the total number of sheets used for printing.
Color Restriction	Limits the number of pages used for color printing.
Maximum Output	Limits the number of sheets used for printing. This setting is displayed when the "Restriction" is set to [Counter Limit] .
Color Max.Output	Limits the number of pages used for color printing. This setting is displayed when the "Color Restriction" is set to [Counter Limit] .

Applying Restriction

1 Display the screen.

- 1 [Menu] key > [▲] [▼] key > [User/Job Account] > [▶] key
- 2 Enter the administrator ID and select the [OK] key.

NOTE

Enter an ID consisting of between 1 and 16 numbers.
 Select the [▲] or [▼] key to enter a number.
 Select the [◀] or [▶] key to move the cursor left or right.
 The factory default settings for the administrator ID is set as shown below.

Model Name	Administrator ID
ECOSYS P5021cdn/ECOSYS P5021cdw	2100
ECOSYS P5026cdn/ECOSYS P5026cdw	2600

- 3 Enter the administrator password and select the [OK] key.

NOTE

Enter a password consisting of between 0 (no settings) and 16 digits.
 Select the [▲] or [▼] key to enter a number.
 Select the [◀] or [▶] key to move the cursor left or right.
 The factory default settings for the administrator password is set as shown below.

Model Name	Administrator Password
ECOSYS P5021cdn/ECOSYS P5021cdw	2100
ECOSYS P5026cdn/ECOSYS P5026cdw	2600

- 4 [▲] [▼] key > [Select Account] > [OK] key

2 Configure the settings.

- 1 Select the account you want to change and select the **[OK]** key.
- 2 Select the **[▶]** key.
- 3 **[▲]** **[▼]** key > **[Restriction]** or **[Color Restriction]** > **[OK]** key
- 4 **[▲]** **[▼]** key > **[Off]**, **[Counter Limit]** or **[Reject Usage]** > **[OK]** key
When **[Counter Limit]** is selected, proceed to next step.
- 5 **[▲]** **[▼]** key > **[Maximum Output]** or **[Color Max.Output]** > **[OK]** key
- 6 Enter a counter limit on pages > **[OK]** key



NOTE

You can set any value between 1 and 9,999,999.
Select the **[▲]** or **[▼]** key to enter a number.
Select the **[◀]** or **[▶]** key to move the cursor left or right.

Editing an Account

This changes the registered account information.

1 Display the screen.

- 1 [Menu] key > [▲] [▼] key > [User/Job Account] > [▶] key
- 2 Enter the administrator ID and select the [OK] key.

NOTE

Enter an ID consisting of between 1 and 16 numbers.
 Select the [▲] or [▼] key to enter a number.
 Select the [◀] or [▶] key to move the cursor left or right.
 The factory default settings for the administrator ID is set as shown below.

Model Name	Administrator ID
ECOSYS P5021cdn/ECOSYS P5021cdw	2100
ECOSYS P5026cdn/ECOSYS P5026cdw	2600

- 3 Enter the administrator password and select the [OK] key.

NOTE

Enter a password consisting of between 0 (no settings) and 16 digits.
 Select the [▲] or [▼] key to enter a number.
 Select the [◀] or [▶] key to move the cursor left or right.
 The factory default settings for the administrator password is set as shown below.

Model Name	Administrator Password
ECOSYS P5021cdn/ECOSYS P5021cdw	2100
ECOSYS P5026cdn/ECOSYS P5026cdw	2600

- 4 [▲] [▼] key > [Select Account] > [OK] key

2 Edit an account.

- 1 Select the account you want to change and select the [OK] key.
- 2 Select the [▶] key.
- 3 Select the item you want to change, and select the [OK] key.
- 4 Refer to "Restricting the Use of the Machine" to change account information.
 ➔ [Restricting the Use of the Machine \(page 7-11\)](#)

The account information is changed.

Deleting an Account

NOTE

Because account IDs are managed as numeric strings, "1" and "001" are handled as different accounts. Also, once Job Accounting is enabled, no jobs are printed unless information is attached showing the accounts from which the jobs are being printed.

1 Display the screen.

- 1 [Menu] key > [▲] [▼] key > [User/Job Account] > [▶] key
- 2 Enter the administrator ID and select the [OK] key.

NOTE

Enter an ID consisting of between 1 and 16 numbers.
Select the [▲] or [▼] key to enter a number.
Select the [◀] or [▶] key to move the cursor left or right.
The factory default settings for the administrator ID is set as shown below.

Model Name	Administrator ID
ECOSYS P5021cdn/ECOSYS P5021cdw	2100
ECOSYS P5026cdn/ECOSYS P5026cdw	2600

- 3 Enter the administrator password and select the [OK] key.

NOTE

Enter a password consisting of between 0 (no settings) and 16 digits.
Select the [▲] or [▼] key to enter a number.
Select the [◀] or [▶] key to move the cursor left or right.
The factory default settings for the administrator password is set as shown below.

Model Name	Administrator Password
ECOSYS P5021cdn/ECOSYS P5021cdw	2100
ECOSYS P5026cdn/ECOSYS P5026cdw	2600

- 4 [▲] [▼] key > [Delete Account] > [OK] key

2 Delete an account.

- Select the account you want to delete and select [OK] key.
The account is deleted.

Job Accounting for Printing

The number of jobs to be printed from the computer can be managed by Job Accounting.

Setting Printer Driver

To manage the number of jobs to be printed from the PC on the network, you need configure the following settings by using the printer driver on the PC. Instructions are based on interface elements as they appear in Windows 8.1.

1 Display the screen.

- 1 Select **[Settings]** in charms on Desktop, and select **[Control Panel]**, and then **[Devices and Printers]**.

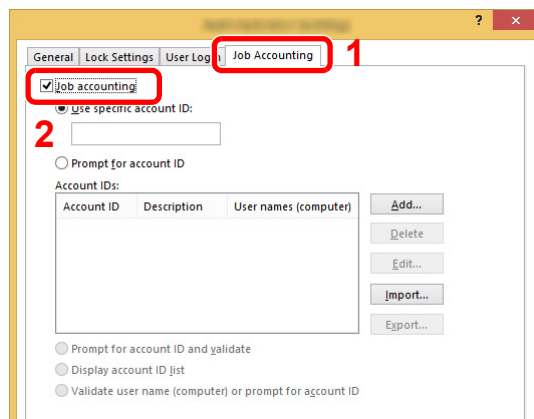
NOTE

In Windows 7, click **[Start]** button on the Windows, and then click **[Devices and Printers]**.

- 2 Right-click the printer driver icon of the machine, and click the **[Printer properties]** menu of the printer driver.
- 3 Click **[Administrator]** on the **[Device Settings]** tab.

2 Configure the settings.

- 1 Select **[Job accounting]** on the **[Job Accounting]** tab.



- 2 Set the Account ID.

[Use specific account ID]: Enter the Account ID. Printing will be performed using the entered Account ID. If this option is selected, the user does not have to enter the Account ID for each print job.

[Prompt for account ID]: A screen for entering the Account ID will be displayed when attempting a printing. The Account ID must be entered each time a printing is attempted.

[Prompt for account ID and validate]: A screen for entering the Account ID will be displayed when attempting a printing. The Account ID stored in the Account ID list needs to be entered. The Account ID must be entered each time a printing is attempted.

[Display account ID list]: The Account ID list is displayed when printing. The Account ID to be used needs to be selected from the list.

[Validate user name (computer) or prompt for account ID]: When printing, the Windows user name is searched in the "Login user names" and printing is possible if the name is registered. If the name is not registered, the printing will be canceled for users with only user authority. If the user has administrator privileges, the screen to enter the user name and password will appear.

3 Click **[OK]**.



NOTE

For other settings of job accounting, refer to the following:

➔ **Printer Driver User Guide**

Configuring Job Accounting

Counting the Number of Pages Printed

Counts are classified into Total Job Accounting and Each Job Accounting. A new count can also be started after resetting the count data which was stored for a certain period of time.

[Menu] key > [▲] [▼] key > [User/Job Account] > [▶] key > [▲] [▼] key > [Select Account] > [▶] key

Each Job Account

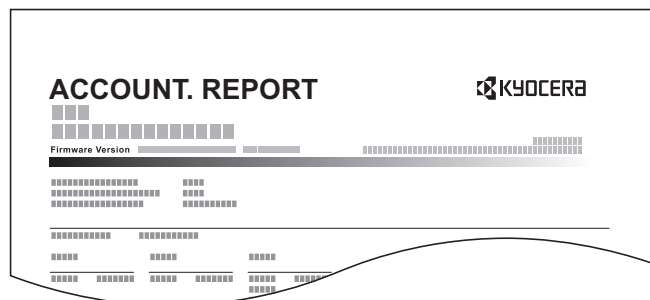
This counts the number of pages for each account and resets the counts by account. When checking Each Job Accounting, select the account for which you want to check the count.

Types of the counts are as follows.

Item	Descriptions
Counter	Displays the total number of sheets used for color and black & white printing.
Color Counter	Displays the number of pages used for color printing.
Reset Counter	Resets the counter. Select the [OK] key in the confirmation screen.

Print Accounting Report

The total pages counted of all relevant accounts can be printed as an accounting report.




1 Prepare paper.

Check that A4 or Letter paper is loaded in the cassette.

2 Display the screen.

1 [Menu] key > [▲] [▼] key > [User/Job Account] > [▶] key


- 2 Enter the administrator ID and select the **[OK]** key.

 **NOTE**

Enter an ID consisting of between 1 and 16 numbers.
 Select the **[▲]** or **[▼]** key to enter a number.
 Select the **[◀]** or **[▶]** key to move the cursor left or right.
 The factory default settings for the administrator ID is set as shown below.

Model Name	Administrator ID
ECOSYS P5021cdn/ECOSYS P5021cdw	2100
ECOSYS P5026cdn/ECOSYS P5026cdw	2600

- 3 Enter the administrator password and select the **[OK]** key.

 **NOTE**


Enter a password consisting of between 0 (no settings) and 16 digits.
 Select the **[▲]** or **[▼]** key to enter a number.
 Select the **[◀]** or **[▶]** key to move the cursor left or right.
 The factory default settings for the administrator password is set as shown below.

Model Name	Administrator Password
ECOSYS P5021cdn/ECOSYS P5021cdw	2100
ECOSYS P5026cdn/ECOSYS P5026cdw	2600

3 Print the report.

[▲] **[▼]** key > **[Print Job Accounting List]** > **[OK]** key > **[OK]** key

Select an account and then select the **[OK]** key, Job Accounting List is printed.

 **NOTE**

You can set a number from 1 to 8 digits.
 Select the **[▲]** or **[▼]** key to enter a number.
 Select the **[◀]** or **[▶]** key to move the cursor left or right.
 If the entered account ID does not match the registered ID, a warning beep will sound and login will fail. Enter the correct account ID.

Using Job Accounting

This section explains procedures while setting job accounting.

Login/Logout

If job accounting is enabled, an account ID entry screen appears each time you use this machine.

Login

When the screen for entry of account codes on the machine appears, perform the following.

1 Enter the account ID > [OK] key



NOTE

You can set a number from 1 to 8 digits.

Select the [▲] or [▼] key to enter a number.

Select the [◀] or [▶] key to move the cursor left or right.

If the entered account ID does not match the registered ID, a warning beep will sound and login will fail. Enter the correct account ID.

2 Proceed to complete the rest of the steps.

Logout

When the operations are complete, select the [Logout] key to return to the account ID entry screen.

Apply Limit

Use this to specify the action taken when a department exceeds its printing limits.

[Menu] key > [▲] [▼] key > [User/Job Account] > [▶] key > [▲] [▼] key > [Apply Limit] > [▶] key

For details on each function, see the table below.

Item	Description
Apply Limit	<p>This specifies how the machine behaves when the counter has reached the limit of restriction. The table below describes the action taken.</p> <p>Value</p> <p>Immediately: Job stops when the counter reaches its limit.</p> <p>Subsequently: Printing of the job continues but the subsequent job will be rejected.</p>

Unknown ID Job

This specifies the behavior for handling the jobs sent with unknown or unsend login user names or User ID. If the User Login is set to invalid and Job Accounting is set to valid, follow the procedure when the Account ID is unknown.

The setting items are as follows.

Item	Descriptions
Permit	The job is permitted to be printed.
Reject	The job is rejected (not printed).

1 Display the screen.

- 1 [Menu] key > [▲] [▼] key > [User/Job Account] > [▶] key
- 2 Enter the administrator ID and select the [OK] key.

NOTE

Enter an ID consisting of between 1 and 16 numbers.
 Select the [▲] or [▼] key to enter a number.
 Select the [◀] or [▶] key to move the cursor left or right.
 The factory default settings for the administrator ID is set as shown below.

Model Name	Administrator ID
ECOSYS P5021cdn/ECOSYS P5021cdw	2100
ECOSYS P5026cdn/ECOSYS P5026cdw	2600

- 3 Enter the administrator password and select the [OK] key.

NOTE

Enter a password consisting of between 0 (no settings) and 16 digits.
 Select the [▲] or [▼] key to enter a number.
 Select the [◀] or [▶] key to move the cursor left or right.
 The factory default settings for the administrator password is set as shown below.

Model Name	Administrator Password
ECOSYS P5021cdn/ECOSYS P5021cdw	2100
ECOSYS P5026cdn/ECOSYS P5026cdw	2600

2 Configure the settings.

- [▲] [▼] key > [Unknown ID Job] > [OK] key > [▲] [▼] key > [Reject] or [Permit] > [OK] key

Administrator settings

The Administrator setting is a function that identifies a user who can use the printer and manage other users.

When using the Security and Job Accounting functions, the administrator ID and password set here are authenticated, and settings can be specified after they are properly authenticated.

1 Display the screen.

- 1 [Menu] key > [▲] [▼] key > [Administrator] > [▶] key
- 2 Enter the administrator ID and select the [OK] key.



NOTE

Enter an ID consisting of between 1 and 16 numbers.

Select the [▲] or [▼] key to enter a number.

Select the [◀] or [▶] key to move the cursor left or right.

The factory default settings for the administrator ID is set as shown below.

Model Name	Administrator ID
ECOSYS P5021cdn/ECOSYS P5021cdw	2100
ECOSYS P5026cdn/ECOSYS P5026cdw	2600

- 3 Enter the administrator password and select the [OK] key.



NOTE

Enter a password consisting of between 0 (no settings) and 16 digits.

Select the [▲] or [▼] key to enter a number.


Select the [◀] or [▶] key to move the cursor left or right.

The factory default settings for the administrator password is set as shown below.

Model Name	Administrator Password
ECOSYS P5021cdn/ECOSYS P5021cdw	2100
ECOSYS P5026cdn/ECOSYS P5026cdw	2600

2 Configure the settings.

The setting items are as follows.

Item	Descriptions						
Change ID	<p>You can use this to set the administrator ID. The factory default settings for the administrator ID is set as shown below.</p> <table border="1" data-bbox="724 394 1485 546"> <thead> <tr> <th data-bbox="724 394 1219 443">Model Name</th> <th data-bbox="1219 394 1485 443">Administrator ID</th> </tr> </thead> <tbody> <tr> <td data-bbox="724 443 1219 492">ECOSYS P5021cdn/ECOSYS P5021cdw</td> <td data-bbox="1219 443 1485 492">2100</td> </tr> <tr> <td data-bbox="724 492 1219 542">ECOSYS P5026cdn/ECOSYS P5026cdw</td> <td data-bbox="1219 492 1485 542">2600</td> </tr> </tbody> </table> <p>Select the [▲] or [▼] key to increase or decrease, respectively, the value at the blinking cursor. Enter the specified ID. Select the [◀] and [▶] key to move the cursor right and left. Enter an ID consisting of between 1 and 16 numbers.</p>	Model Name	Administrator ID	ECOSYS P5021cdn/ECOSYS P5021cdw	2100	ECOSYS P5026cdn/ECOSYS P5026cdw	2600
Model Name	Administrator ID						
ECOSYS P5021cdn/ECOSYS P5021cdw	2100						
ECOSYS P5026cdn/ECOSYS P5026cdw	2600						
Change Password	<p>You can use this to set the administrator password. The factory default settings for the administrator password is set as shown below.</p> <table border="1" data-bbox="724 788 1485 972"> <thead> <tr> <th data-bbox="724 788 1219 869">Model Name</th> <th data-bbox="1219 788 1485 869">Administrator Password</th> </tr> </thead> <tbody> <tr> <td data-bbox="724 869 1219 918">ECOSYS P5021cdn/ECOSYS P5021cdw</td> <td data-bbox="1219 869 1485 918">2100</td> </tr> <tr> <td data-bbox="724 918 1219 967">ECOSYS P5026cdn/ECOSYS P5026cdw</td> <td data-bbox="1219 918 1485 967">2600</td> </tr> </tbody> </table> <p>Select the [▲] or [▼] key to increase or decrease, respectively, the value at the blinking cursor. Enter the password to be changed. Select the [◀] and [▶] key to move the cursor right and left. Enter a password consisting of between 0 and 16 numbers.</p> <p> NOTE The administrator password is not displayed.</p>	Model Name	Administrator Password	ECOSYS P5021cdn/ECOSYS P5021cdw	2100	ECOSYS P5026cdn/ECOSYS P5026cdw	2600
Model Name	Administrator Password						
ECOSYS P5021cdn/ECOSYS P5021cdw	2100						
ECOSYS P5026cdn/ECOSYS P5026cdw	2600						

8 Troubleshooting

This chapter explains the following topics:

Regular Maintenance	8-2
Cleaning	8-2
Cleaning Paper Transfer Unit	8-2
Toner Container Replacement	8-3
Loading Paper	8-6
Troubleshooting	8-7
Solving Malfunctions	8-7
Machine Operation Trouble	8-7
Printed Image Trouble	8-9
Color printing trouble	8-11
Responding to Messages	8-12
Adjustment/Maintenance	8-20
Overview of Adjustment/Maintenance	8-20
Color Calibration Procedure	8-20
Registration Procedure	8-21
Clearing Paper Jams	8-25
Jam Location Indicators	8-25
Remove any jammed paper in Cassette 1	8-26
Remove any jammed paper in Cassette 2	8-27
Remove any jammed paper in the Multipurpose Tray	8-29
Remove any jammed paper in Rear Cover 1	8-32

Regular Maintenance

Cleaning

Clean the machine regularly to ensure optimum printing quality.



CAUTION

For safety, always unplug the power cord before cleaning the machine.

Cleaning Paper Transfer Unit

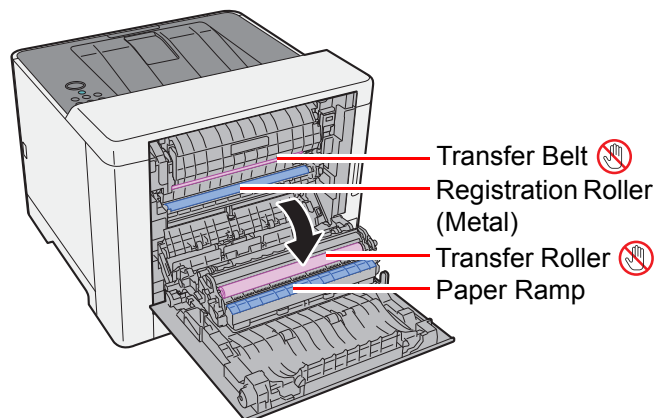
The paper transfer unit should be cleaned each time the toner container is replaced. To maintain optimum print quality, it is also recommended that the inside of the machine be cleaned once a month as well as when the toner container is replaced.

Print problems such as soiling of the reverse side of printed pages may occur if the paper transfer unit becomes dirty.



CAUTION

Some parts are very hot inside the machine. Exercise caution as there is a risk of burn injury.



Wipe away the paper dust on the registration roller and the paper ramp using the cloth.



IMPORTANT

Be careful not to touch the transfer roller and transfer belt during cleaning as this may adversely affect print quality.

Toner Container Replacement

When toner is empty, the following message will be displayed.

"Replace the toner. [C][M][Y][K]"

When toner runs low, the following message will be displayed. Make sure you have a new toner container available for replacement.

"Toner low [C][M][Y][K]"

Frequency of Toner Container Replacement

The life of the toner containers depends on the amount of toner required to accomplish your printing jobs. According to ISO/IEC 19798 and EcoPrint switched off the toner container can print as follows (A4/Letter paper is assumed):

ECOSYS P5021cdn/ECOSYS P5021cdw

There are two kinds of toner containers.

Toner Color	Life of the Toner Container (Printable pages)
Black	1,200 images / 2,600 images
Cyan	1,200 images / 2,200 images
Magenta	1,200 images / 2,200 images
Yellow	1,200 images / 2,200 images

ECOSYS P5026cdn/ECOSYS P5026cdw

Toner Color	Life of the Toner Container (Printable pages)
Black	4,000 images
Cyan	3,000 images
Magenta	3,000 images
Yellow	3,000 images



NOTE

- The average number of images that can be printed with each of the toner containers provided with the machine is 1,200 images.
- To maintain quality, we recommend using genuine Kyocera toner containers, which must pass numerous quality inspections.



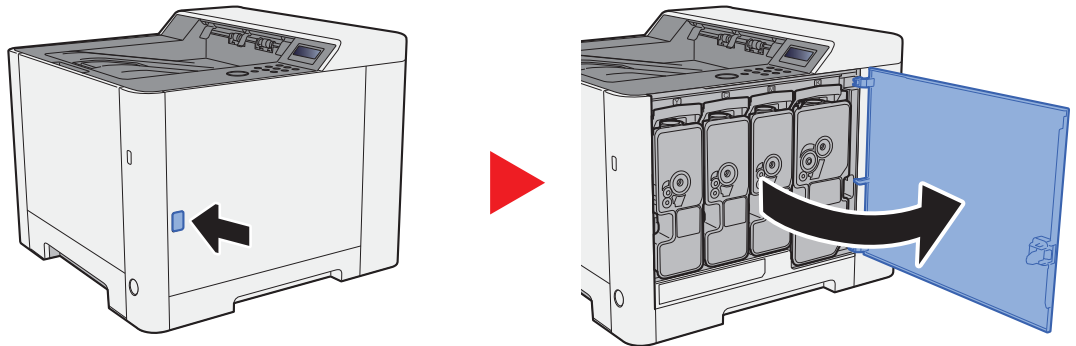
CAUTION

Do not attempt to incinerate parts which contain toner. Dangerous sparks may cause burns.

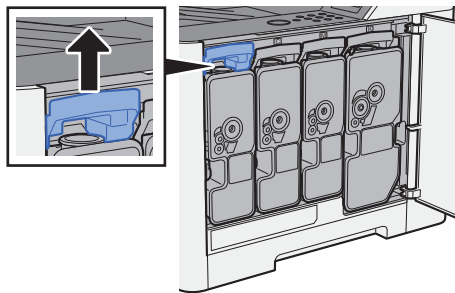
Replacing the Toner Container

Installation procedures of the toner container is same for every color. Here, we'll explain the procedures for the yellow toner container, as an example.

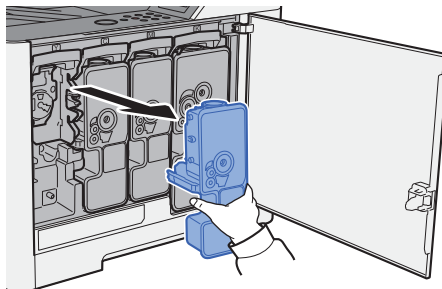
1 Open the right cover.



2 Unlock the toner container.



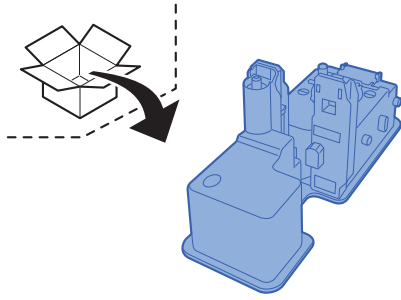
3 Remove the toner container.



4 Put used toner containers into the plastic waste bag.

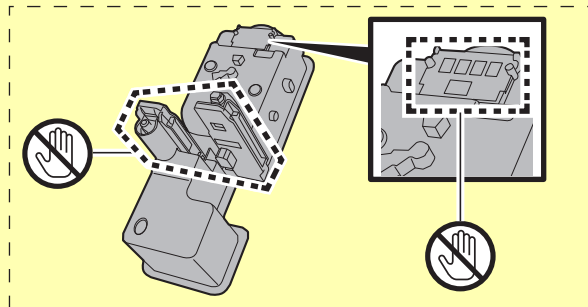


5 Remove the new toner container from the box.

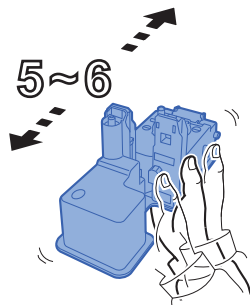


✔ IMPORTANT

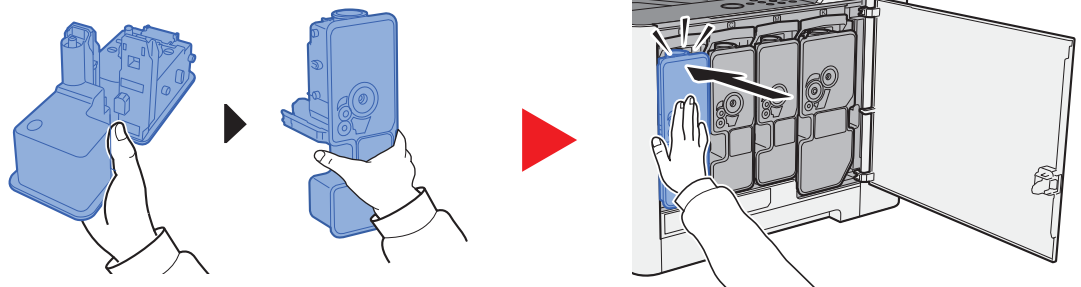
Do not touch the points shown below.



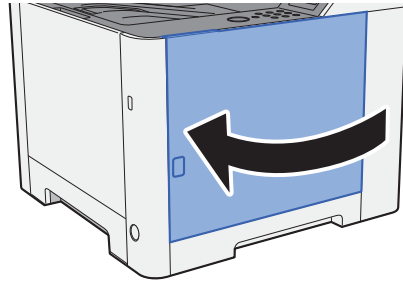
6 Shake the toner container.



7 Install the toner container.



8 Close the right cover.



NOTE

- If the right cover does not close, check that the new toner container is installed correctly.
- Return the exhausted toner container to your dealer or service representative. The collected toner container will be recycled or disposed in accordance with the relevant regulations.

Loading Paper

When Cassette # runs out of paper, the following messages will be displayed.

"Add paper Cassette #" (# is a cassette number)

"Add paper MP Tray"

➔ [Loading Paper \(page 3-2\)](#)

[Loading Paper in the Multipurpose Tray \(page 5-2\)](#)

NOTE

If [**Paper Setup Msg**] is set to [**On**], the confirmation screen for the paper setting will be displayed when a new paper is set. If a paper is changed, change the settings of the paper from System Menu.

The confirmation screen will be displayed for about 5 seconds.

➔ [Cassette 1 \(2\) \(page 6-6\)](#)


[MP Tray \(page 6-6\)](#)

Troubleshooting

Solving Malfunctions

The table below provides general guidelines for problem solving.

If a problem occurs with your machine, look into the checkpoints and perform procedures indicated on the following pages. If the problem persists, contact your Service Representative.


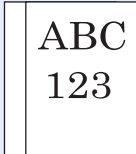
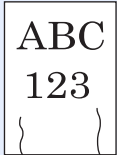
 **NOTE**


When contacting us, the serial number will be necessary. To check the serial number, refer to the following:

➔ [Checking the Equipment's Serial Number \(page i\)](#)

Machine Operation Trouble

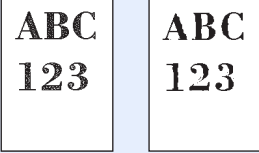



When the following machine operation troubles occur, implement appropriate procedures.



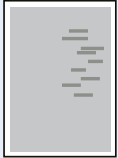
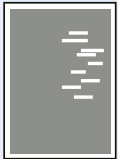
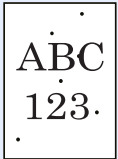
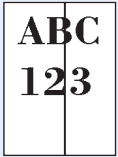
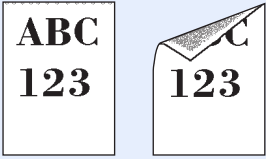
Symptom	Checkpoints	Corrective Actions	Reference Page
The screen does not respond when the power switch is turned on.	Check the power cord.	Connect both ends of the power cord securely.	page 2-8
Blank sheets are ejected. 	—	Check that the settings of the application software.	—
Paper often jams.	—	Turn the orientation 180 degrees around in which the paper is positioned.	page 3-2
	Is the paper of the supported type? Is it in good condition?	Remove the paper, turn it over, and reload it.	page 3-2
	Is the paper curled, folded or wrinkled?	Replace the paper with new paper.	page 3-2
	Are there any loose scraps or jammed paper in the machine?	Remove any jammed paper.	page 8-25
2 or more sheets are overlaps when ejected. (multi feed) 	—	Load the paper correctly.	page 3-2
Printouts are wrinkled. 	Is the paper loaded correctly?	Load the paper correctly.	page 3-2
	—	Turn the orientation 180 degrees around in which the paper is positioned.	page 3-2
	Is the paper damp?	Replace the paper with new paper.	page 3-2

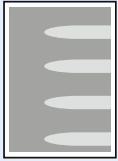

Symptom	Checkpoints	Corrective Actions	Reference Page
Printouts are curled. 	—	Turn the paper over in the cassette, or turn the orientation 180 degrees around in which the paper is positioned.	page 3-2
	Is the paper damp?	Replace the paper with new paper.	page 3-2
Cannot print.	Is the machine plugged in?	Plug the power cord into an AC outlet.	—
	Is the machine powered on?	Turn on the power switch.	page 2-9
	Are the USB cable and network cable connected?	Connect the correct USB cable and network cable securely.	page 2-7
Cannot print with USB memory. USB memory not recognized.	Is the USB host blocked?	Select [Unblock] in the USB host settings.	page 6-22
	—	Check that the USB memory is securely plugged into the machine.	—
While "Auto-IP" is set to [On], the IP address is not assigned automatically.	Is a value other than "0.0.0.0" entered for the IP address of TCP/IP(v4)?	Enter "0.0.0.0" for the IP address of TCP/IP(v4).	page 2-17
The machine is emitting steam in the area around the paper ejection slot.	Check the room temperature to see if it is low, or if damp paper was used.	Depending on the printing environment and the paper's condition, the heat generated during printing will cause the moisture in the paper to evaporate, and the steam emitted may look like smoke. This is not a problem, and you can continue printing. If the steam concerns you, raise the room temperature, or replace the paper with a newer, dryer paper.	—

Printed Image Trouble

When the following printed image trouble occurs, implement appropriate procedures.


Symptom	Checkpoints	Corrective Actions	Reference Page
<p>Printed images are totally too light.</p> 	Is the paper damp?	Replace the paper with new paper.	page 3-2
	Is the toner distributed evenly within the toner container?	Shake the toner container from side to side several times.	page 8-3
	Is EcoPrint mode enabled?	Disable [EcoPrint] mode.	page 6-9
	—	Make sure the paper type setting is correct for the paper being used.	page 6-6
	—	Select the [Menu] key > [Adjust/Maintenance] > [Service] > [Drum] > [OK] > [OK].	—
	—	Select the [Menu] key > [Adjust/Maintenance] > [Service] > [LSU] > [OK] > [OK].	—
	—	Select the [Menu] key > [Adjust/Maintenance] > [Service] > [DEV-CLN] > [OK] > [OK].	—
<p>White background parts of the image have a slight overall coloration.</p> 	—	Select the [Menu] key > [Adjust/Maintenance] > [Service] > [Drum] > [OK] > [OK].	—
	—	Select the [Menu] key > [Adjust/Maintenance] > [Service] > [MC] > [OK] > [OK] and increase the adjustment value. Increase the adjustment value 1 level at a time from the current value. If there is no improvement after the value is increased by 1 level, increase by 1 level again. If there is still no improvement, return the setting to the original value.	—
<p>Black or colored points appear in white background parts of the image.</p> 	—	Select the [Menu] key > [Adjust/Maintenance] > [Service] > [Drum] > [OK] > [OK].	—
	—	Select the [Menu] key > [Adjust/Maintenance] > [Service] > [MC] > [OK] > [OK] and increase the adjustment value. Increase the adjustment value 1 level at a time from the current value. If there is no improvement after the value is increased by 1 level, increase by 1 level again. If there is still no improvement, return the setting to the original value.	—
<p>White or color dots appear on the printed images.</p> 	—	Select the [Menu] key > [Adjust/Maintenance] > [Service] > [MC] and decrease the adjustment value. Decrease the adjustment value 1 level at a time from the current value. If there is no improvement after the value is decreased by 1 level, decrease by 1 level again. If there is still no improvement, return the setting to the original value.	—
	—	Select the [Menu] key > [Adjust/Maintenance] > [Service] > [DEV-CLN] > [OK] > [OK].	—

Symptom	Checkpoints	Corrective Actions	Reference Page
<p>Printed images are fuzzy.</p> 	<p>Is the device used in an environment with high humidity or where the temperature or humidity changes suddenly?</p>	<p>Use in an environment that has suitable humidity.</p>	—
—	—	<p>Select the [Menu] key > [Adjust/Maintenance] > [Service] > [Drum] > [OK] > [OK].</p>	—
<p>Printed images are skewed.</p> 	<p>Is the paper loaded correctly?</p>	<p>Check the position of the paper width guides.</p>	page 3-2
<p>Irregular horizontal lines appear in the image.</p> 	—	<p>Select the [Menu] key > [Adjust/Maintenance] > [Service] > [MC] > [OK] > [OK] and increase the adjustment value. Increase the adjustment value 1 level at a time from the current value. If there is no improvement after the value is increased by 1 level, increase by 1 level again. If there is still no improvement, return the setting to the original value.</p>	—
<p>The altitude is 1000 m or higher and irregular horizontal white lines appear in the image.</p> 	—	<p>Select the [Menu] key > [Adjust/Maintenance] > [Service] > [Altitude Adj.], and set to an elevation one level higher than the current setting.</p>	—
<p>The altitude is 1000 m or higher and dots appear in the image.</p> 	—	<p>Select the [Menu] key > [Adjust/Maintenance] > [Service] > [Altitude Adj.], and set to an elevation one level higher than the current setting.</p>	—
<p>Printouts have vertical lines.</p> 	—	<p>Select the [Menu] key > [Adjust/Maintenance] > [Service] > [LSU] > [OK] > [OK].</p>	—
<p>Dirt on the top edge or back of the paper.</p> 	<p>Is the interior of the machine dirty?</p>	<p>Clean the interior of the machine.</p>	page 8-2

Symptom	Checkpoints	Corrective Actions	Reference Page
Part of the image is periodically faint or shows white lines. 	—	Open and then close the rear cover.	—
	—	Select the [Menu] key > [Adjust/Maintenance] > [Service] > [Drum] > [OK] > [OK] .	—
	—	Select the [Menu] key > [Adjust/Maintenance] > [Service] > [MC] > [OK] > [OK] and decrease the adjustment value. Decrease the adjustment value 1 level at a time from the current value. If there is no improvement after the value is decreased by 1 level, decrease by 1 level again. If there is still no improvement, return the setting to the original value.	—
The previous image remains and lightly printed. 	—	Make sure the paper type setting is correct for the paper being used.	page 6-6
	—	Select the [Menu] key > [Adjust/Maintenance] > [Service] > [MC] > [OK] > [OK] and increase the adjustment value. Increase the adjustment value 1 level at a time from the current value. If there is no improvement after the value is increased by 1 level, increase by 1 level again. If there is still no improvement, return the setting to the original value.	—


Color printing trouble

When the following color printing trouble occurs, implement appropriate procedures.

Symptom	Checkpoints	Corrective Actions	Reference Page
Skewed-color printout. 	—	Run [ColorCalibration] .	page 8-20
	—	Run [Registration] .	page 8-21
Colors appear different than you anticipated.	—	Run [ColorCalibration] .	page 8-20
	—	When printing from a computer Adjust the color using the printer driver.	—
The color toner is empty.	Do you want to continue printing in black and white?	If the black toner is remained, the machine continues printing in black and white by selecting [Print in B & W] of [ColorToner Empty] .	page 6-19

Responding to Messages

If the message display or the computer displays any of these messages, follow the corresponding procedure.

 **NOTE**

When contacting us, the serial number will be necessary.

To check the serial number, refer to the following:

➔ [Checking the Equipment's Serial Number \(page i\)](#)

A

Message	Checkpoints	Corrective Actions	Reference Page
Access denied. You cannot login.	—	The Log in operation failed for the specified number of times so it is no longer possible to attempt to log in. Contact a system administrator.	—
Access point was not detected.	—	Check if the access point has been set correctly.	—
Account error Press GO	—	Failed to specify Job Accounting when processing the job externally. The job is canceled. Select the [GO] key.	—
Add paper Cassette #	Is the indicated cassette out of paper?	The paper has run out in the paper source displayed. Supply paper according to the paper source displayed (paper cassettes, multipurpose tray, or optional paper feeders).	page 3-2
Add paper MP Tray	Is the paper of the selected size loaded in the multipurpose tray?		page 3-9
Administrator only.	—	You can only change the settings selected when logged in as a user with administrator privileges.	—

C

Message	Checkpoints	Corrective Actions	Reference Page
Call service ####:0123456	—	#### represents a mechanical error (#=0, 1, 2, ...). Call for service. The printer does not operate when this message is displayed. The total number of pages printed is also indicated, e.g. 0123456.	—
Call service F###	—	An error occurred and caused the printer to stop. Record the indicated "###", and then turn off the printer power, remove the power plug from the outlet, and contact your service representative.	—
Canceling data	—	Displayed when data is being canceled.	—

Message	Checkpoints	Corrective Actions	Reference Page
Cannot connect server Press Go	—	The job is canceled. Select [Go] key. Check the connection status with the server.	—
Cannot connect to Authentication Server	—	Set machine time to match the server's time.	page 2-15
	—	Check the connection status with the server.	—
Cannot connect.	—	This appears when the Wi-Fi or Wi-Fi Direct connection did not complete. Check the settings, and check the signal conditions.	page 6-10
Cannot recognize.	—	Make sure your ID card has been registered.	—
Cannot start this job Press Go	—	You cannot use the specified box. Job is canceled. Select the [GO] key.	—
Cannot use this function.	—	This message is displayed when a user tries to use the restricted function.	—
Cassette # not loaded	—	The corresponding paper cassette is not installed. Install the cassette.	—
Check cassette #	—	Open and then close the indicated cassette.	—
Close rear cover #	Is there any cover which is open?	Close the cover indicated on the screen.	—
Close right cover.	Is there any cover which is open?	Close the cover indicated on the screen.	—
	Are the toner containers installed correctly? Is a toner container out of place?	Make sure all 4 colors of toner containers are installed correctly, and close the right cover.	page 8-4
Connection limit exceeded.	—	Cancel a connection to a portable device that is not being used, or set the machine's auto disconnect time to break portable device connections.	—

D

Message	Checkpoints	Corrective Actions	Reference Page
Device busy	—	This message is displayed when Remove Device was selected while a USB memory was being used. The previous screen is displayed again 1 or 2 seconds.	—
Duplex disabled Press GO	Did you select a paper size/type that cannot be duplex printed?	Select [Menu] to select the available paper. Select the [GO] key to print without using Duplex function.	—

E

Message	Checkpoints	Corrective Actions	Reference Page
Enter Account	—	An account code must be entered. This message is displayed if you try to print from the operation panel (e.g. printing a status page or using the Job Retention function) when the Job Accounting function is enabled.	—
Error.Power off F###	—	Turn the power switch off and then back on again. If this message still remains, turn the power switch off, and contact your service representative or authorized service center.	—
Error.Power off F000	—	The printer controller and operation panel cannot exchange data. Turn the power switch off and then back on again. If this message still remains, turn the printer off and unplug it from the mains power supply. Then contact your service representative or authorized service center. See the back page of this manual for the relevant phone numbers.	—
Exceeded Max. output Press GO	—	The printing count exceeded the acceptable count restricted by Job Accounting. Cannot print any more. This job is canceled. Select the [GO] key.	page 7-11

H

Message	Checkpoints	Corrective Actions	Reference Page
High temperature. Adjust room temp.	—	Adjust the temperature and the humidity of your room.	—

I

Message	Checkpoints	Corrective Actions	Reference Page
ID error	—	The user ID entered for a private job is not correct. Check the user ID that you specified on the printer driver.	page 4-14 page 4-15

Message	Checkpoints	Corrective Actions	Reference Page
Illegal Account Press GO	—	The account ID was incorrect when processing the job externally. The job is canceled. Select the [GO] key.	page 7-9
Incorrect login info.	—	The login user name or password was incorrect when processing the job externally. Enter the correct login user name or password. The job is canceled. Select the [GO] key.	—

J

Message	Checkpoints	Corrective Actions	Reference Page
Job not stored Press GO	—	Printing using the Job Box function failed because there was insufficient space available on the RAM disk. To print an error report and return the printer to the print-ready status, select the [GO] key.	—
Job restricted Press GO	—	This job is canceled because it is restricted by Job Accounting. Select the [GO] key.	page 7-11

K

Message	Checkpoints	Corrective Actions	Reference Page
KPDL error Press GO	—	PostScript error has occurred. The job is canceled. Select the [GO] key.	—

L

Message	Checkpoints	Corrective Actions	Reference Page
License Key is incorrect.	—	The entered license key is already used for a different function. Enter the correct key.	page 9-5
Load Cassette # (paper size) ↑↓ Load Cassette # (Media Type)	Is the paper of the selected size or type loaded in the cassettes or multipurpose tray?	Load paper and select the [GO] key to print on the paper in the currently selected paper source. Select [Menu] to select the other paper source.	page 6-8
Load MP Tray (paper size) ↑↓ Load MP Tray (Media Type)			page 6-8

Message	Checkpoints	Corrective Actions	Reference Page
Low security	—	This message is displayed when Low was selected in Security Level.	—
Low temperature. Adjust room temp.	—	Adjust the temperature and the humidity of your room	—

M

Message	Checkpoints	Corrective Actions	Reference Page
Memory overflow Press GO	—	Insufficient printer memory. To resume printing, select the [GO] key. To cancel printing, select the [Cancel] key.	—

N

Message	Checkpoints	Corrective Actions	Reference Page
No multi copies Press GO	—	Insufficient printer memory. Multiple copies cannot be printed. Select the [GO] key. Only one print is available. To print, remove the checkmarks from [RAM Disk] and [SD Card] on the "Device Settings" tab of the printer properties, or insert an SD card and turn off the machine's RAM Disk Mode.	—
Non-genuine Toner. Press_[Help].	Is the installed toner container our own brand?	We will not be liable for any damage caused by the use of third party supplies in this machine. When you want to use the toner container currently installed, select the [OK] key and the [Cancel] key Simultaneously for 3 seconds or more.	—

P

Message	Checkpoints	Corrective Actions	Reference Page
Paper jam #####	—	If a paper jam occurs, the machine will stop and the location of the jam will be indicated on the screen. Leave the machine on and select [Help] . Follow the instruction to remove the jammed paper.	page 8-25
Paper path error	—	There is no paper cassette in the printer, or the cassette is not inserted properly. After reinserting the paper cassette, you should be able to print. When two or more optional feeders are installed and the lowest one is selected, the same message will appear if any of the upper paper feeder and the printer cassette is improperly installed.	—
Please wait (Calibrating)	—	The machine is under the adjustment to maintain its quality. Please wait.	—
Please wait (Cooling)	—	The machine is under the adjustment to maintain its quality. Please wait.	—

R

Message	Checkpoints	Corrective Actions	Reference Page
RAM disk error Press GO	—	An error has occurred on the RAM disk. Job is canceled. Select the [GO] key. The error cord is as follows. 04: Insufficient space on the RAM disk. If the optional RAM disk is installed, increase the RAM disk size by changing RAM Disk Size in Menu.	page 6-18
Register with Google Cloud Print?	—	The message is displayed when the printer receives the register request for Google Cloud Print. Select the [OK] key to register the printer as a Google Cloud Print device. Select the [Cancel] key to cancel the registration.	—
Replace the toner. [C][M][Y][K]	—	Replace the toner container to our specified toner container. Select the [GO] key to print using the remaining black toner for a while.	page 8-3

S

Message	Checkpoints	Corrective Actions	Reference Page
SD card error. Press GO	—	An error has occurred on the SD card. Job is canceled. Select [GO]. The error cord is as follows. 04: Insufficient space on the SD card to complete this operation. Move data or delete unneeded data.	—
Shake the toner container. [C][M][Y][K]	—	Shake the toner container well and reinstall it.	page 8-3

T

Message	Checkpoints	Corrective Actions	Reference Page
Toner low [C][M][Y][K]	—	It is almost time to replace the toner container. Obtain a new toner container.	—

U

Message	Checkpoints	Corrective Actions	Reference Page
Unknown toner PC [C][M][Y][K]	Does the installed toner container's regional specification match the machine's?	Install the specified toner container.	—
USB memory error. Press GO	—	An error occurred in the removable memory. The job stopped. Select the [GO] key. The error cord is as follows. 01: The amount of data that can be saved at once has been exceeded. Turn the power OFF/ON. If the error still occurs, the removable memory is not compatible with the machine. Use the removable memory formatted by this machine. If the removable memory cannot be formatted, it is damaged. Connect a compatible removable memory.	—
Use alternative? #####	—	When the cassette does not contain any paper that matches the print data (paper size and type), this message allows you to specify an alternative cassette to use instead. Select the [▲] [▼] key to select alternative paper source and select the [OK] key to resume printing.	—

W

Message	Checkpoints	Corrective Actions	Reference Page
Wrong Account	—	Displayed when an attempt is made to register an account in the Job Accounting menu by entering an account code that already exists.	page 7-9
Wrong ID	—	Incorrect administrator ID. Enter the correct ID.	page 7-22
Wrong Password	—	The password does not match the password set. Enter the correct password.	page 7-22

Adjustment/Maintenance

Overview of Adjustment/Maintenance

If there is an image problem and the message to run adjustment or maintenance menu appears, run Adjustment/Maintenance in the system menu.

The table below lists the item you can carry out.

Item	Description	Reference Page
Color Calibration	Adjust color drift or hue of printed image in the most appropriate color.	page 8-20
Registration	Correct the color position to resolve color drift.	page 8-21

Color Calibration Procedure

This machine contains a calibration function that automatically makes adjustments to compensate for changes that occur over time due to variations in the ambient temperature and humidity. So that the highest quality color printing can be maintained, this color calibration operation is carried out automatically each time the power to the machine is turned on. If color tone does not improve or color drift does not improve after executing this color adjustment, perform color print position correction on the following:

➔ [Registration Procedure \(page 8-21\)](#)

1 Display the screen.

[Menu] key > [▲] [▼] key > [Adjust/Maintenance] > [▶] key

2 Perform the Color Calibration.

[▲] [▼] key > [ColorCalibration] > [OK] key > [OK] key

Color Calibration begins.

Registration Procedure

This function is available to resolve color drift. If it is not resolved by normal registration or to perform more detailed settings, use the detailed registration.

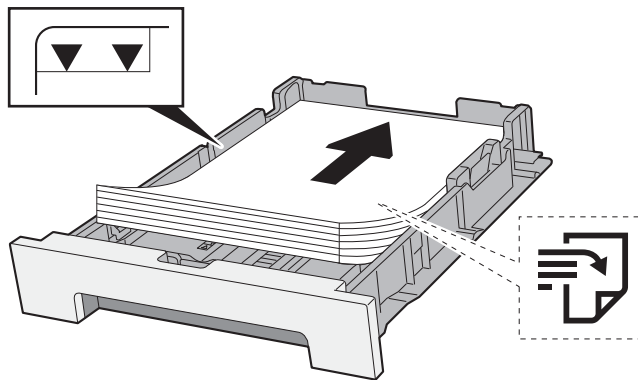
✔ IMPORTANT

Before performing registration, be sure to perform Color Calibration. If color drift remains, perform color registration. By performing registration without performing Color Calibration, the color drift will be resolved once, however, it may cause the serious color drift later.

➔ [Color Calibration Procedure \(page 8-20\)](#)

Normal Registration

1 Load paper.



✔ IMPORTANT

- Load the paper with the print side facing up.
- After removing new paper from its packaging, fan the paper before loading it in the cassettes.
- ➔ [Precaution for Loading Paper \(page 3-2\)](#)
- Before loading the paper, be sure that it is not curled or folded. Paper that is curled or folded may cause paper jams.
- Ensure that the loaded paper does not exceed the level indicator (see illustration above).
- If paper is loaded without adjusting the paper length guide and paper width guide, the paper may skew or become jammed.

2 Display the screen.

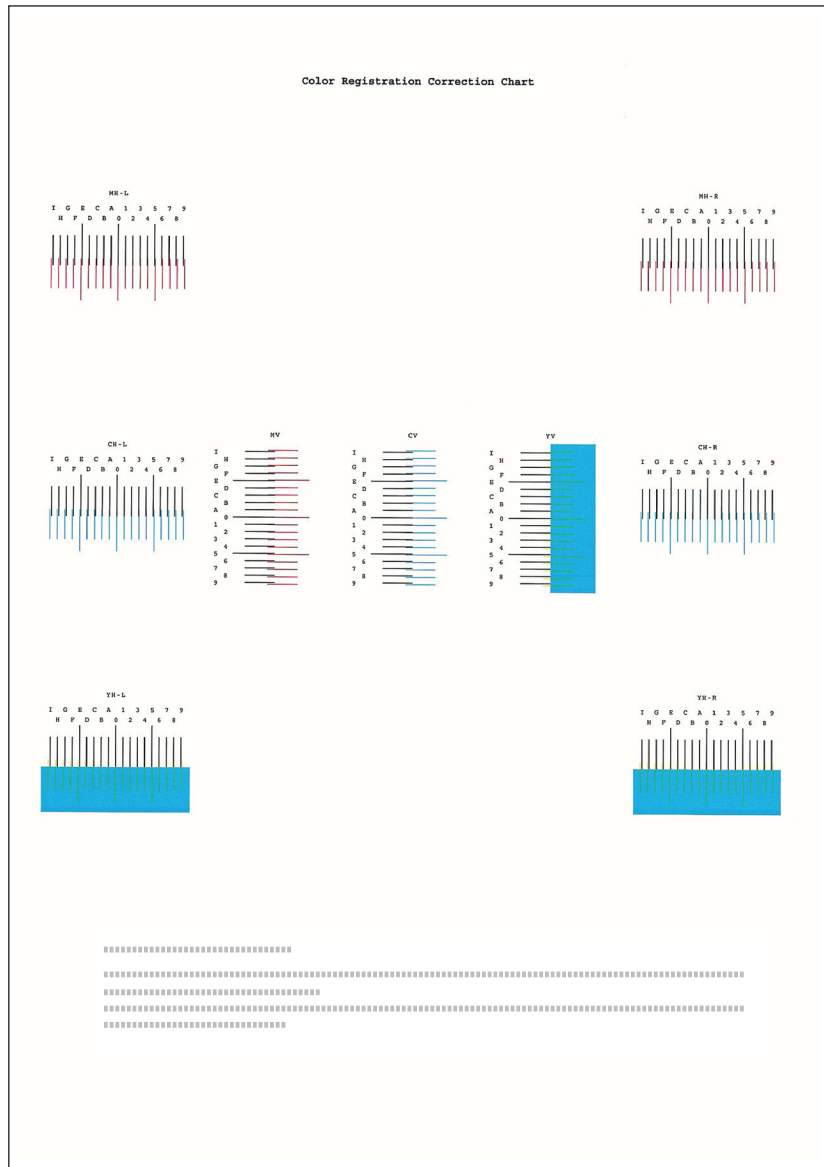
[Menu] key > [▲] [▼] key > [Adjust/Maintenance] > [▶] key > [▲] [▼] key > [Registration Normal] > [▶] key

3 Print the chart.

[Print Registration Chart] > [OK] key > [OK] key

A chart is printed. On the chart, for each of M (magenta), C (cyan) and Y (yellow), 3 chart types are printed on one sheet: H-L (left), V (vertical), H-R (right).

Chart Example



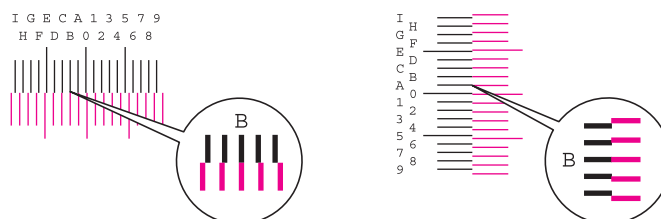
4 Display the correction menu

[Menu] key > [▲] [▼] key > [Adjust/Maintenance] > [▶] key > [▲] [▼] key > [Registration Normal] > [▶] key > [▲] [▼] key > [Adjust Magenta] > [OK] key

The magenta correction menu appears.

5 Enter the appropriate value.

1 Find the location on each chart where 2 lines most closely match. If this is the 0 position, registration for that color is not required. For the illustration, B is the appropriate value.



- 2 Select the [◀] or [▶] key to change the L, V, and R items, select the [▲] or [▼] key to enter the values read from the chart, and select the [OK] key.

To increase the value from 0 up to a maximum of 9, select the [▲] key. To decrease the value, select the [▼] key.

Select [▼] to change the value from 0 to an alphabetical letter. Continue selecting to change from A through I. To move in the opposite direction, select [▲].

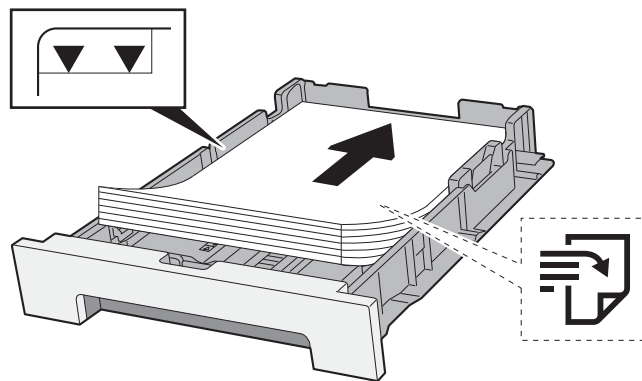
- 3 Select the [OK] key.

Magenta correction is completed.

- 4 Perform cyan and yellow correction as explained in steps 4 and 5.

Detailed Registration

1 Load paper.



✓ IMPORTANT

- Load the paper with the print side facing up.
- After removing new paper from its packaging, fan the paper before loading it in the cassettes.
- ➔ [Precaution for Loading Paper \(page 3-2\)](#)
- Before loading the paper, be sure that it is not curled or folded. Paper that is curled or folded may cause paper jams.
- Ensure that the loaded paper does not exceed the level indicator (see illustration above).
- If paper is loaded without adjusting the paper length guide and paper width guide, the paper may skew or become jammed.

2 Display the screen.

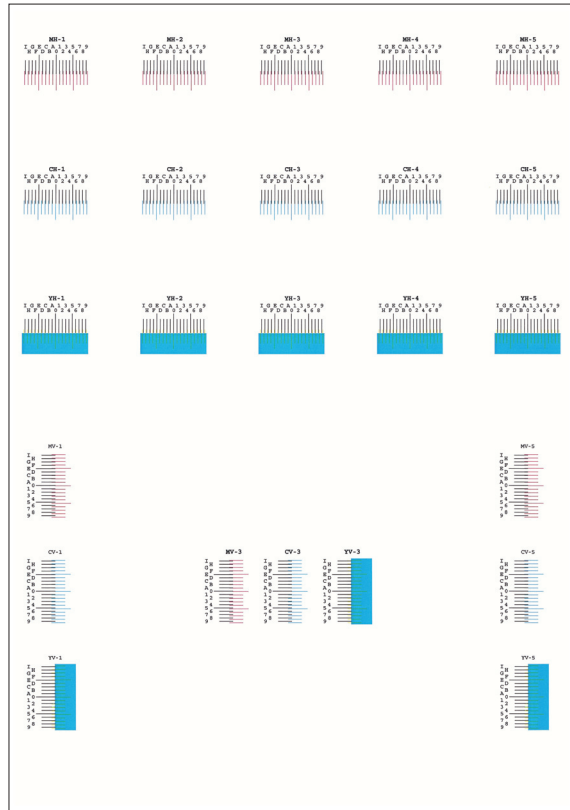
[Menu] key > [▲] [▼] key > [Adjust/Maintenance] > [▶] key > [▲] [▼] key > [Registration Details] > [▶] key

3 Print the chart.

[▲] [▼] key > [Print Registration Chart] > [OK] key > [OK] key

A chart is printed. On the chart, for each of M (magenta), C (cyan) and Y (yellow), charts for H-1 to 5 and V-1 to 5 are printed.

Chart Example

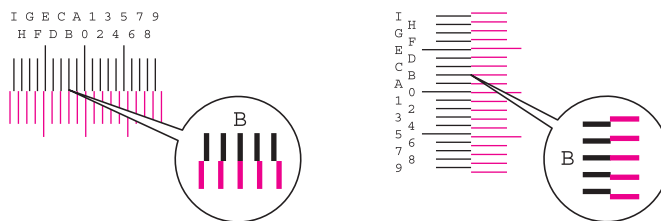


4 Display the correction menu.

[Menu] key > [▲] [▼] key > [Adjust/Maintenance] > [▶] key > [▲] [▼] key > [Registration Details] > [▶] key > [▲] [▼] key > [M 12345 3] > [OK] key
 The magenta correction menu appears.

5 Enter the appropriate value.

- 1 Find the location on each chart where 2 lines most closely match. If this is the 0 position, registration for that color is not required. For the illustration, B is the appropriate value.



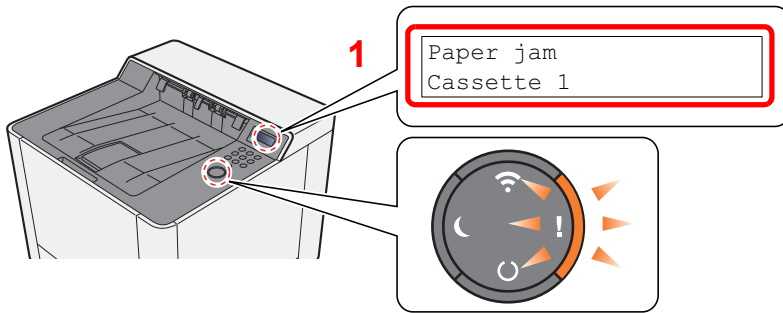
From charts H-1 to H-5, read the values from H-1 to H-5.
 From charts V-1 to V-5, read only the values from V-3 (center).

- 2 Select the [◀] or [▶] key to change the H and V items, select the [▲] or [▼] key to enter the values read from the chart, and select the [OK] key.
 To increase the value from 0 up to a maximum of 9, select the [▲] key. To decrease the value, select the [▼] key.
 Select [▼] to change the value from 0 to an alphabetical letter. Continue selecting to change from A through I. To move in the opposite direction, select [▲].
- 3 Select the [OK] key.
 Magenta correction is completed.
- 4 Repeat steps 3 to 4 to correct cyan and yellow.

Clearing Paper Jams

If a paper jam occurs, the message display will display "Paper Jam." and the machine will stop. Refer to these procedures to remove the jammed paper.

Jam Location Indicators



1 Shows the location of a paper jam.

NOTE

Online help messages are available in the printer's message display to provide simple instructions for clearing jams. Select [▶] (Help) key when the paper jam message has appeared. For details on Help Screen, refer to the following:

➔ [Help Screen \(page 2-12\)](#)

If a paper jam occurs, the location of the jam will be displayed on the message display as well as the clearing instructions.

Paper Jam Location Indicator	Paper Jam Location	Reference Page
Paper jam MP Tray	Multipurpose Tray	page 8-29
Paper jam Cassette 1 (2)	Cassettes 1 (2)	page 8-26 page 8-27
Paper jam Rear Cover	Rear Cover 1	page 8-32
Paper jam Duplex unit	Duplex Unit	page 8-32

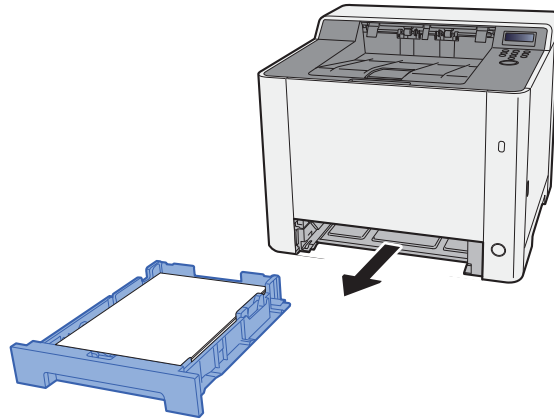
After you remove the jam, the machine will warm up again and the error message will be cleared. The machine resumes with the page that was printing when the jam occurred.

Remove any jammed paper in Cassette 1

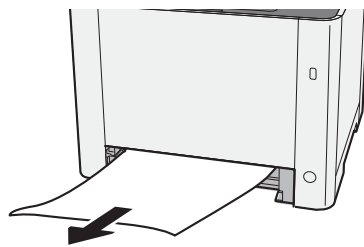
CAUTION

- Do not reuse jammed papers.
- If the paper tears during removal, be sure to remove any loose scraps of paper from inside the machine. Scraps of paper left in the machine could cause subsequent jamming.

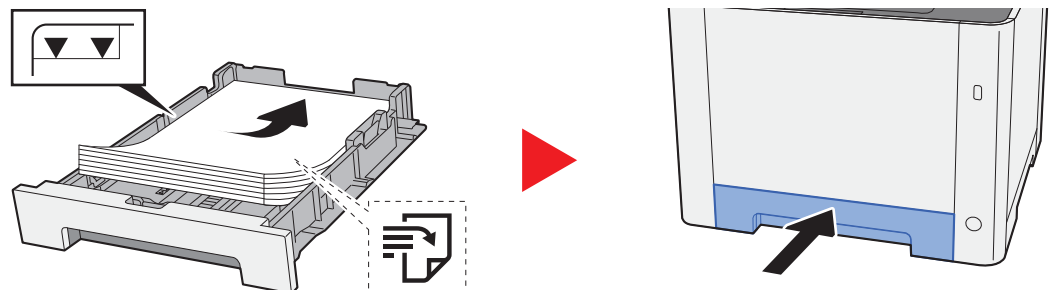
1 Pull Cassette 1 out toward you until it stops.



2 Remove any jammed paper.



3 Push Cassette 1 back in.

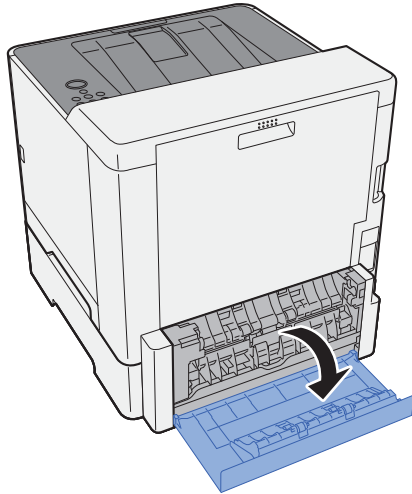


Remove any jammed paper in Cassette 2

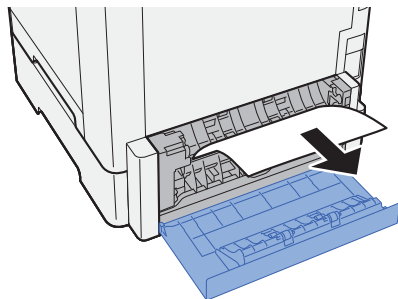
CAUTION

- Do not reuse jammed papers.
- If the paper tears during removal, be sure to remove any loose scraps of paper from inside the machine. Scraps of paper left in the machine could cause subsequent jamming.

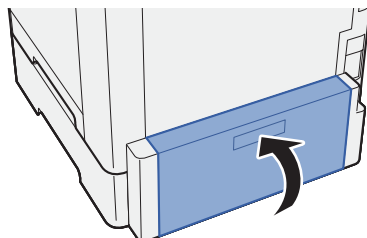
1 Open Rear Cover 2.



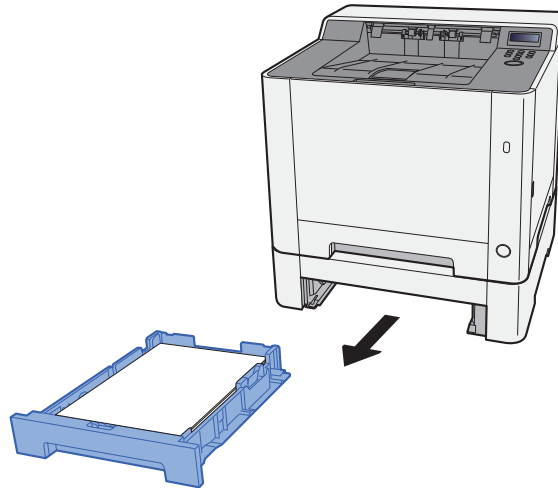
2 Remove any jammed paper.



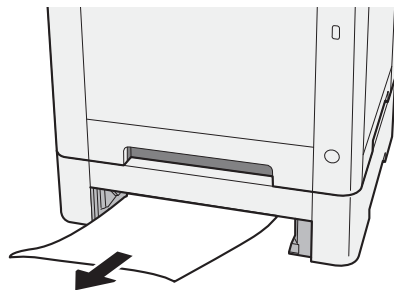
3 Push Rear Cover 2.



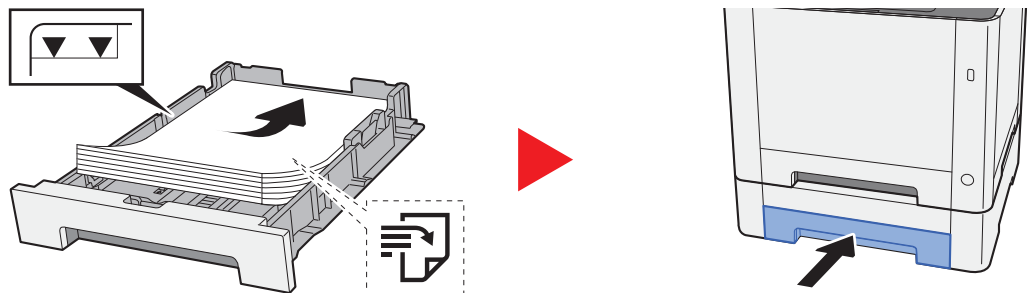
4 Pull Cassette 2 out toward you until it stops.



5 Remove any jammed paper.



6 Push Cassette 2 back in.

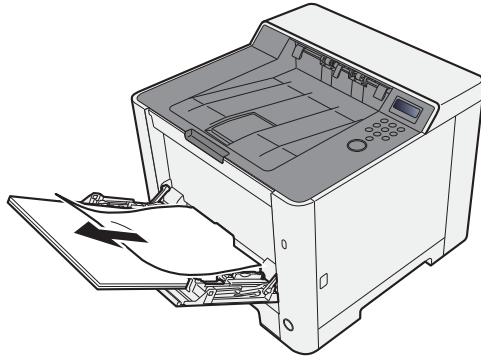


Remove any jammed paper in the Multipurpose Tray

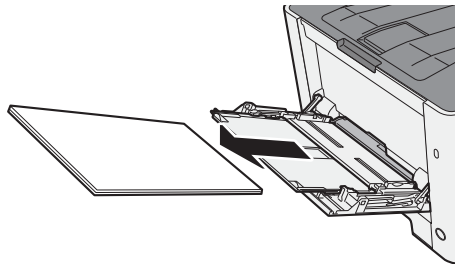
CAUTION

- Do not reuse jammed papers.
- If the paper tears during removal, be sure to remove any loose scraps of paper from inside the machine. Scraps of paper left in the machine could cause subsequent jamming.

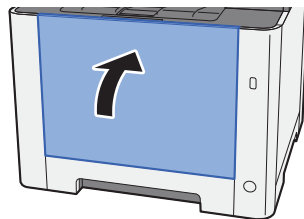
1 Remove any jammed paper.



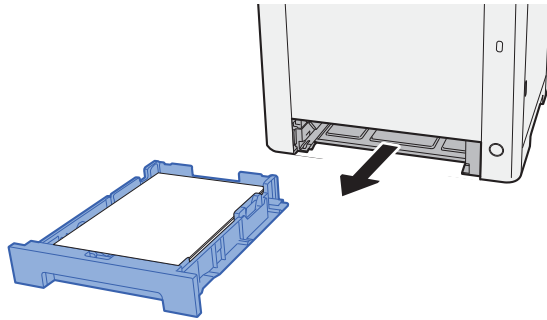
2 Remove all the paper.



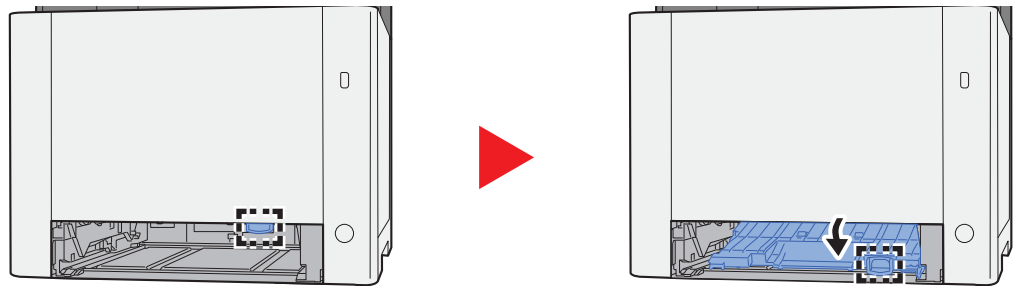
3 Push the multipurpose tray.



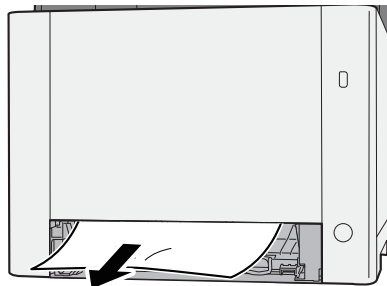
4 Pull Cassette 1 out toward you until it stops.



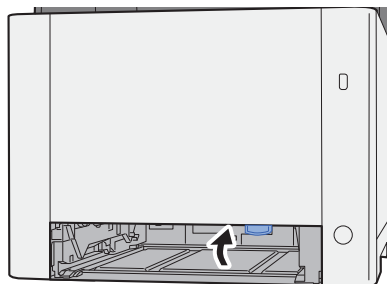
5 Open Feed Cover.



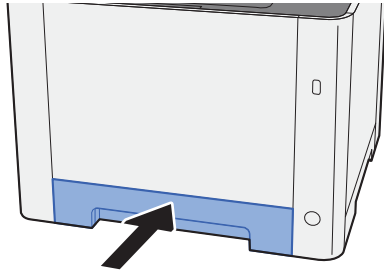
6 Remove any jammed paper.



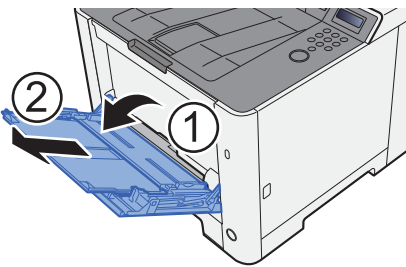
7 Push Feed Cover back in.



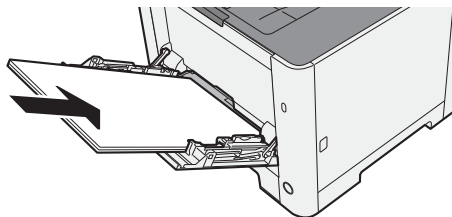
8 Push Cassette 1 back in.



9 Open the multipurpose tray.



10 Reload the paper.

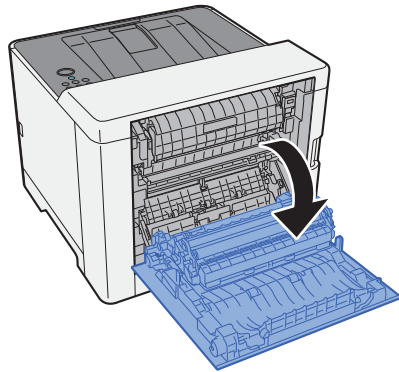


Remove any jammed paper in Rear Cover 1

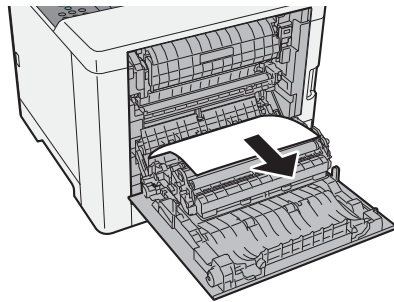
CAUTION

The fixing unit is extremely hot. Take sufficient care when working in this area, as there is a danger of getting burned.

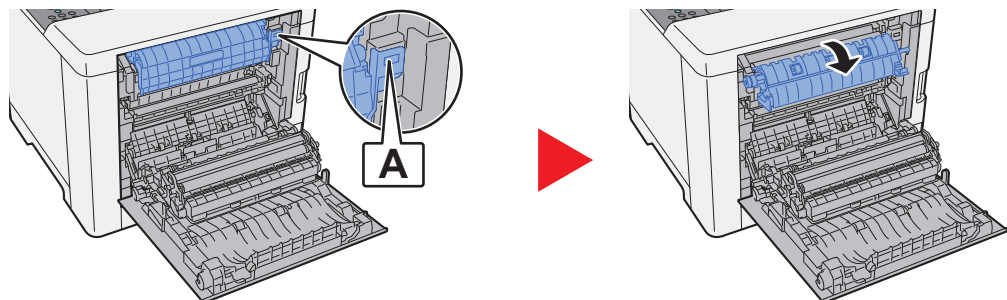
1 Open Rear Cover 1.



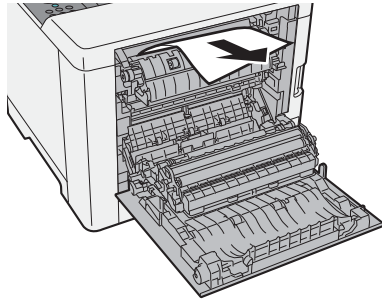
2 Remove any jammed paper.



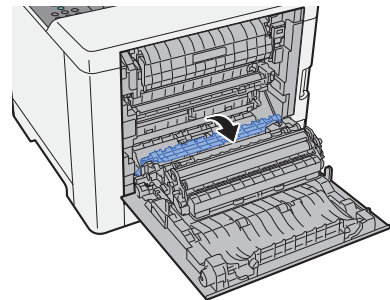
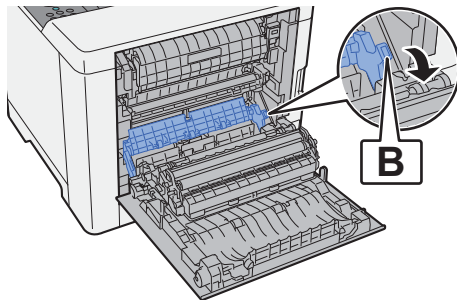
3 Open the cover (A).



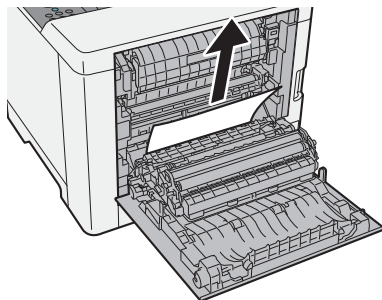
4 Remove any jammed paper.



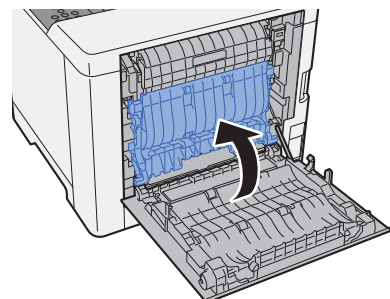
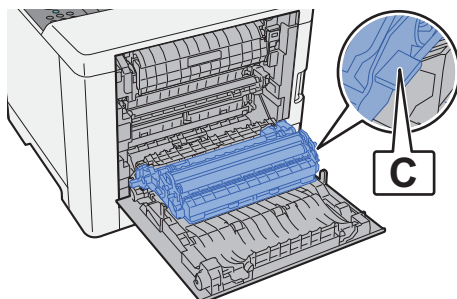
5 Open the feed cover (B).



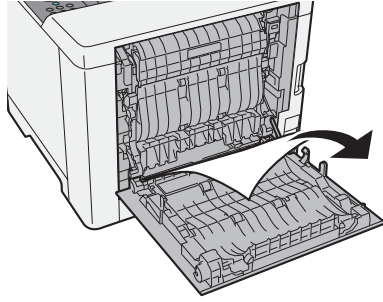
6 Remove any jammed paper.



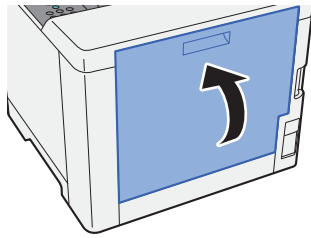
7 Open the duplex unit (C).



8 Remove any jammed paper.



9 Push Rear Cover 1.



9 Appendix

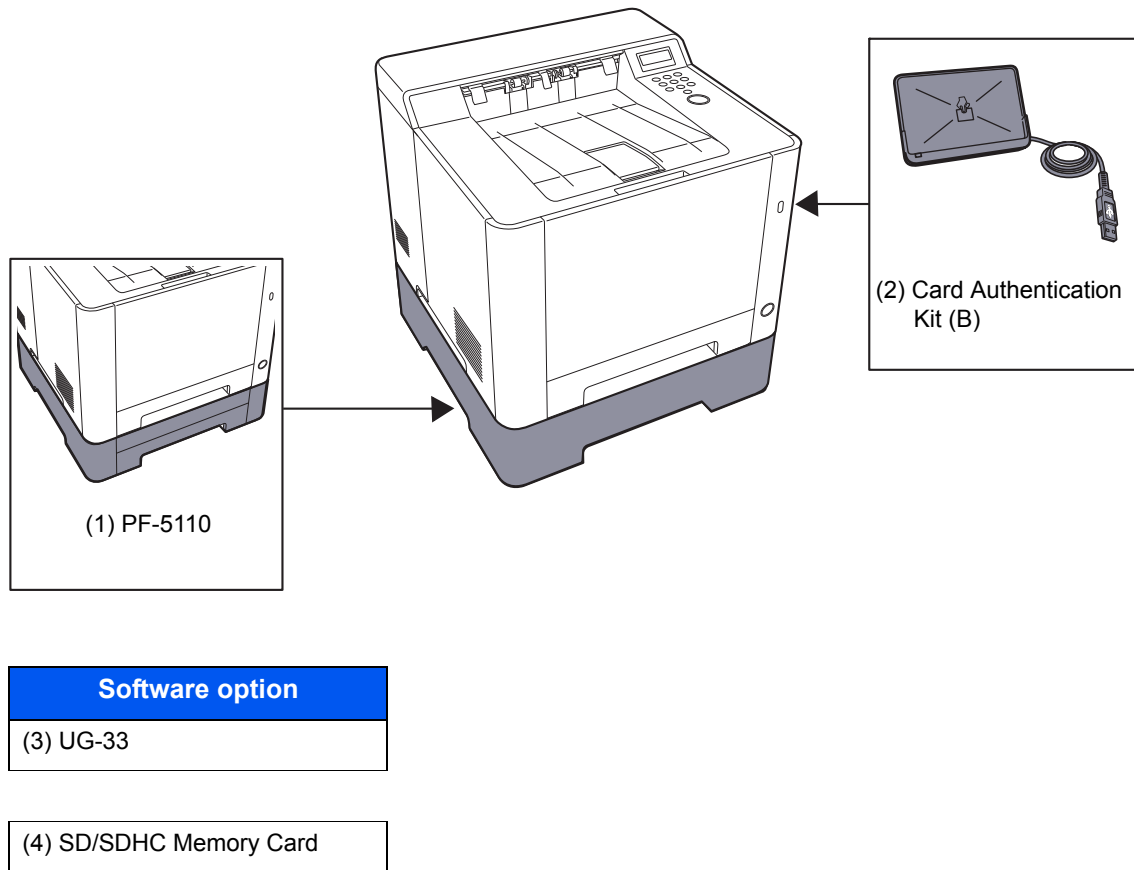
This chapter explains the following topics:

Optional Equipment	9-2
Overview of Optional Equipment	9-2
Optional Applications	9-5
Starting Application Use	9-5
Checking Details of Application	9-6
Paper	9-8
Basic Paper Specifications	9-8
Choosing the Appropriate Paper	9-9
Special Paper	9-12
Specifications	9-16
Machine	9-16
Printer Functions	9-18
Paper Feeder	9-19
Glossary	9-20

Optional Equipment

Overview of Optional Equipment

The following optional equipment is available for the machine.



(1) PF-5110 "Paper Feeder"

The paper feeder can be installed in the machine.

➔ [Loading in the Cassette 2 \(page 3-7\)](#)

(2) Card Authentication Kit(B) "Card Authentication Kit"

User login administration can be performed using ID cards. To do so, it is necessary to register ID card information on the previously registered local user list. For more information about how to register this information, refer to the following:

➔ [Card Authentication Kit\(B\) Operation Guide](#)

(3) UG-33 "ThinPrint Option"

This application allows print data to be printed directly without a print driver.

(4) "SD/SDHC Memory Card"

An SD/SDHC memory card is useful for storing fonts, macros, and overlays. The machine is equipped with a slot for an SDHC memory card with a maximum size of 32 GB, and an SD memory card with a maximum size of 2 GB.

✔ IMPORTANT

**Unencrypted data is saved on the SD/SDHC memory card.
Exercise caution when saving sensitive documents.**

Reading the SD/SDHC Memory Card

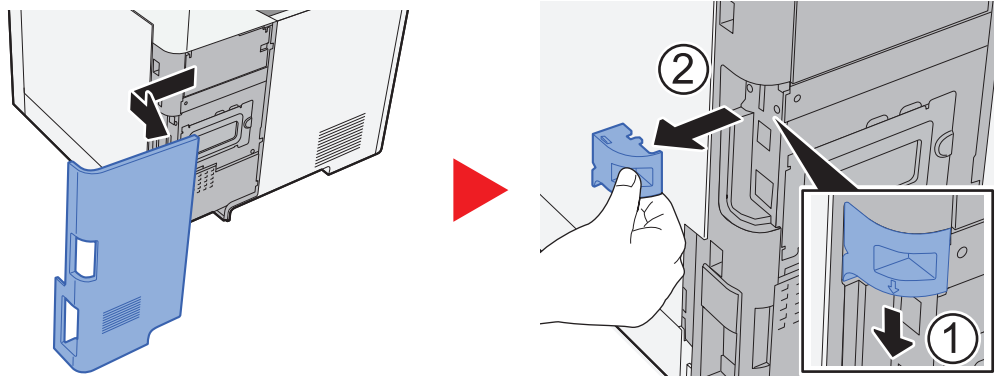
Once inserted in the machine's slot, the contents of the SD/SDHC memory card can be read from the operation panel or automatically when you power on or reset the machine.

Installing and Formatting the SD/SDHC Memory Card

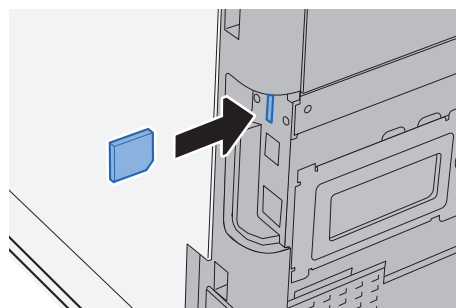
To use an unused SD/SDHC memory card, you must first use the machine to format the SD/SDHC memory card.

➔ [SD Card \(page 6-18\)](#)

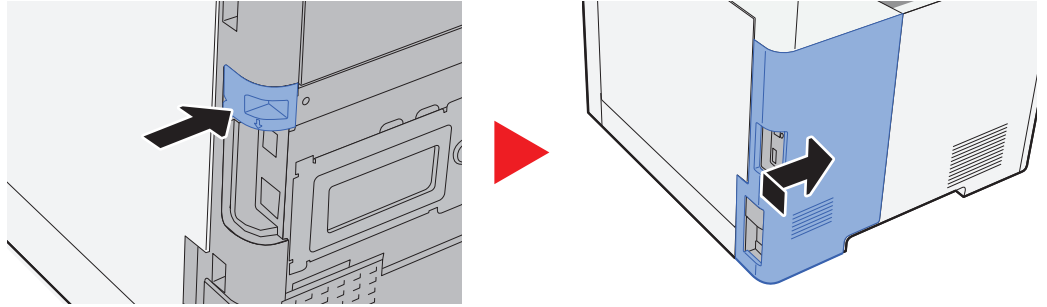
- 1 Power off the machine and unplug the power cord.
- 2 Remove the cover.



- 3 Insert the SD/SDHC memory card into the SD/SDHC memory card slot.



4 Replace the covers.



Optional Applications

The applications listed below are installed on this machine.

Application
Card Authentication Kit
ThinPrint Option ^{*1}

*1 This can be used on a trial basis for a limited time.

NOTE

- Restrictions such as the number of times the application can be used during the trial period differ depending on the application.
- If you change the date/time while using the trial version of an application, you will no longer be able to use the application.

Starting Application Use

1 Display the screen.

- 1 [Menu] > [▲] [▼] key > [Op functions] > [▶] key
- 2 Enter the administrator ID and select the [OK] key.

NOTE

Enter an ID consisting of between 1 and 16 numbers.
 Select the [▲] or [▼] key to enter a number.
 Select the [◀] or [▶] key to move the cursor left or right.
 The factory default settings for the administrator ID is set as shown below.

Model Name	Administrator ID
ECOSYS P5021cdn/ECOSYS P5021cdw	2100
ECOSYS P5026cdn/ECOSYS P5026cdw	2600

- 3 Enter the administrator password and select the [OK] key.

NOTE

Enter a password consisting of between 0 (no settings) and 16 numbers.
 Select the [▲] or [▼] key to enter a number.
 Select the [◀] or [▶] key to move the cursor left or right.
 The factory default settings for the administrator password is set as shown below.

Model Name	Administrator Password
ECOSYS P5021cdn/ECOSYS P5021cdw	2100
ECOSYS P5026cdn/ECOSYS P5026cdw	2600

2 Activate the application.

- 1 Select **[Details]** of the application you will start using, and select the **[▶]** key.
- 2 **[▲]** **[▼]** key > **[Official]** > **[OK]** key > **[OK]** key
To use the application as a trial, select **[Trial]** without entering the license key.
- 3 Enter the license key > **[OK]** key

NOTE

Select the **[▲]** or **[▼]** key to enter a number.
Select the **[◀]** or **[▶]** key to move the cursor left or right.

Some applications do not require you to enter a license key. If the license key entry screen does not appear, go to Step 7.

- 4 Select **[Yes]**.

NOTE

If you started the Thin Print option and entered the license key, turn the power OFF/ON.

Checking Details of Application

1 Display the screen.

- 1 **[Menu]** > **[▲]** **[▼]** key > **[Op functions]** > **[▶]** key
- 2 Enter the administrator ID and select the **[OK]** key.

NOTE

Enter an ID consisting of between 1 and 16 numbers.
Select the **[▲]** or **[▼]** key to enter a number.
Select the **[◀]** or **[▶]** key to move the cursor left or right.
The factory default settings for the administrator ID is set as shown below.

Model Name	Administrator ID
ECOSYS P5021cdn/ECOSYS P5021cdw	2100
ECOSYS P5026cdn/ECOSYS P5026cdw	2600

- 3 Enter the administrator password and select the **[OK]** key.

**NOTE**

Enter a password consisting of between 0 (no settings) and 16 numbers.
 Select the **[▲]** or **[▼]** key to enter a number.
 Select the **[◀]** or **[▶]** key to move the cursor left or right.
 The factory default settings for the administrator password is set as shown below.

Model Name	Administrator Password
ECOSYS P5021cdn/ECOSYS P5021cdw	2100
ECOSYS P5026cdn/ECOSYS P5026cdw	2600

2 Check details of application.

- 1 Select **[Details]** of the application you will start using, and select the **[▶]** key.

You can view detailed information on the selected application. Select the **[▲]** key to view the next screen. Select the **[▼]** key to return to the previous screen.

The table below lists the item you can view.

Item
Function Name
License
Trial Counts
Date of Trial
Extend Trial Period
Status

Extend the trial period.

[◀] [▶] key > **[Extend Trial Period]** > **[OK]** key > **[OK]** key

The trial period is extended.

Paper

This section explains the paper sizes and types that can be used in the paper source.

For details on the sizes, types, and number of sheets of paper that can be loaded in each paper tray, refer to the following:

➔ [Specifications \(page 9-16\)](#)

Basic Paper Specifications

This machine is designed to print on standard copy paper as used in regular ('dry') copiers and page printers such as laser printers. It also supports a variety of other types of paper that conform to the specifications given in this appendix.

Be careful when choosing paper. Paper unsuitable for the machine may cause jams or may be wrinkled.

Supported Paper

Use standard copy paper for regular copiers or laser printers. The printing quality will be affected by the quality of paper. Poor quality paper may result in unsatisfactory output.

Basic Paper Specifications that can be Used with This Machine

The following table lists the specifications of paper that is supported with this machine. Refer to the subsequent sections for further details.

Criteria	Specifications
Weight	Cassettes: 60 to 163 g/m ²
	Multipurpose tray: 60 to 220 g/m ² , 230 g/m ² (Cardstock)
Dimensional accuracy	±0.7 mm
Squareness of corners	90° ±0.2°
Moisture content	4 to 6%
Pulp content	80% or more



NOTE

Some recycled paper does not meet requirements for use with this machine as listed in the Basic Paper Specifications shown below, such as moisture or pulp content. For this reason, we recommend purchasing a small amount of recycled paper as a sample for testing prior to use. Choose recycled paper that gives the best printing results and contains low levels of paper dust.

We are not responsible for the problems occurred from the use of paper that does not conform to our specifications.

Choosing the Appropriate Paper

This section describes guidelines for choosing paper.

Condition

Avoid using paper with bent corners or that is curled, dirty, or torn. Do not use paper that has a rough surface or paper fiber lint, or that is especially delicate. Use of paper in any of these conditions will not only deliver poor copies but may also cause jams and shorten the useful life of the machine. Choose paper with a smooth and even surface; however, avoid coated paper or paper with a treated surface as it may damage the drum or fusing unit.

Ingredients

Do not use paper such as paper that has been coated or surface-treated or paper that contains plastic or carbon. Those types of paper may produce harmful fumes from the heat of printing and may damage the drum.

Be sure to use the standard paper that contains at least 80% pulp, i.e., not more than 20% of the total paper content consists of cotton or other fibers.

Smoothness

The paper surface should be smooth, but it must be uncoated. With paper that is too smooth and slippery, several sheets may accidentally be supplied at once, causing jams.

Basis Weight

In countries that use the metric system, basis weight is the weight in grams of one sheet of paper one square meter in area. In the United States, basis weight is the weight in pounds of one ream (500 sheets) of paper cut to the standard size (or trade size) for a specific grade of paper. Paper that is too heavy or too light may be supplied incorrectly or cause paper jams, which may cause excessive wear of the machine. Mixed paper weight (i.e., thickness) may cause several sheets to be supplied at once accidentally and may also cause blurring or other printing problems if the toner fails to adhere correctly.

Moisture Content

Paper moisture content is the ratio of moisture to dryness expressed as a percentage. Moisture affects how the paper is supplied, the electrostatic chargeability of the paper, and how the toner adheres.

Paper moisture content varies depending on the relative humidity in the room. High relative humidity causes paper to become damp, making the edges expand so it appears wavy. Low relative humidity causes paper to lose moisture, making the edges tighten and weakening print contrast.

Wavy or tight edges may cause the paper to slip when it is supplied. Try to keep the moisture content between 4 to 6%.

To maintain the right level of moisture content, bear in mind the following considerations.

- Store paper in a cool, well-ventilated place.
- Store paper flat and unopened in the package. Once the package is opened, reseal it if the paper is not to be used for a while.
- Store paper sealed in the original package and box. Put a pallet under the carton to keep it raised above the floor. Especially during rainy seasons keep the paper a sufficient distance away from wooden or concrete floors.
- Before using paper that has been stored, keep it at the proper moisture level for at least 48 hours.
- Do not store paper where it is exposed to heat, sunlight, or dampness.

Other Paper Specifications

Porosity: The density of the paper fibers.

Stiffness: Paper must be stiff enough or it may buckle in the machine, causing jams.

Curl: Most paper naturally tends to curl after the package is opened. When paper passes through the fixing unit, it curls upward slightly. To deliver flat printouts, load the paper so that the curl faces towards the bottom of the paper tray.

Static electricity: During printing, paper is electrostatically charged so that the toner adheres. Choose paper that can be discharged quickly so that copies do not cling together.

Whiteness: Paper whiteness affects print contrast. Use whiter paper for sharper, brighter copies.

Quality: Machine problems may occur if sheet sizes are not uniform or if corners are not square, edges are rough, sheets are uncut, or edges or corners are crushed. In order to prevent these problems, be especially careful when you cut the paper yourself.

Packaging: Choose paper that is properly packaged and stacked in boxes. Ideally, the packaging itself should have been treated with a coating to inhibit moisture.

Specially treated paper: We do not recommend printing onto the following types of paper, even if it conforms to the basic specifications. When you use these kinds of paper, purchase a small amount first as a sample to test.

- Glossy paper
- Watermarked paper
- Paper with an uneven surface
- Perforated paper

Paper Sizes that can be Used with This Machine

Paper of the following sizes is supported by the machine.

Measurements in the table take into account a ± 0.7 mm dimensional accuracy for length and width. Corner angles must be $90^\circ \pm 0.2^\circ$.

Multipurpose Tray

- Hagaki (Cardstock) (100 × 148 mm)
- Oufuku hagaki (Return postcard) (148 × 200 mm)
- Envelope Monarch (3-7/8 × 7-1/2")
- Envelope #10 (4-1/8 × 9-1/2")
- Envelope DL (110 × 220 mm)
- Envelope C5 (162 × 229 mm)
- Envelope #9 (3-7/8 × 8-7/8")
- Envelope #6 3/4 (3-5/8 × 6-1/2")
- Statement
- Youkei 4 (105 × 235 mm)
- Youkei 2 (114 × 162 mm)
- Custom (70 × 148 to 216 × 356 mm)

Cassettes or Multipurpose Tray

- Executive (7-1/4 × 10-1/2")
- Letter
- Legal
- A4 (297 × 210 mm)
- B5 (257 × 182 mm)
- A5-R (148 × 210 mm)
- A5 (210 × 148 mm)
- A6 (148 × 105 mm)
- B6 (182 × 128 mm)
- B5(ISO) (176 × 250 mm)
- Oficio II
- 216 × 340 mm
- 16K (273 × 197 mm)
- Statement-R
- Folio (210 × 330 mm)
- Custom (Cassette: 105 × 148 to 216 × 356 mm, Multipurpose Tray: 70 × 148 to 216 × 356 mm)

Special Paper

This section describes printing onto special paper and print media.

Special Paper that can be Used with This Machine

- Transparencies
- Preprinted paper
- Bond paper
- Recycled paper
- Thin paper
- Letterhead
- Colored paper
- Prepunched paper
- Envelopes
- Hagaki (Cardstock)
- Thick paper
- Labels
- Coated
- High-quality paper

When using these paper and media, choose those that are designed specifically for copiers or page printers (such as laser printers). Use the multipurpose tray for transparencies, thin paper, envelopes, cardstocks, label paper and coated.

Choosing Special Paper

Although special paper that meets the following requirements can be used with the machine, print quality will vary considerably due to differences in the construction and quality of special paper. Thus, special paper is more likely than regular paper to cause printing problems. Before purchasing special paper in volume, try testing a sample to ensure the print quality is satisfactory. General precautions when printing onto special paper are given below. Note that we are not responsible for any harm to the user or damage to the machine caused by moisture or specifications of special paper.

Select a cassette or multipurpose tray for special paper.

Transparencies

Transparencies must be able to withstand the heat of printing. Transparencies must meet the following conditions.

Heat resistance	Must withstand at least 190°C
Thickness	0.100 to 0.110 mm
Material	Polyester
Dimensional accuracy	±0.7 mm
Squareness of corners	90° ±0.2°

To avoid problems, use the multipurpose tray for transparencies and load transparencies with the long side facing the machine.

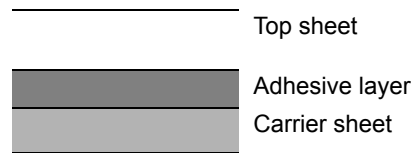
If transparencies jam frequently at output, try pulling the leading edge of sheets gently as they are ejected.

Label

Be sure to feed labels from the multipurpose tray.

For selecting labels, use extreme care so that the adhesive may not come in direct contact with any part of the machine and that the labels are not easily peeled from the carrier sheet. Adhesives that stick to the drum or rollers and peeled labels remaining in the machine may cause a failure.

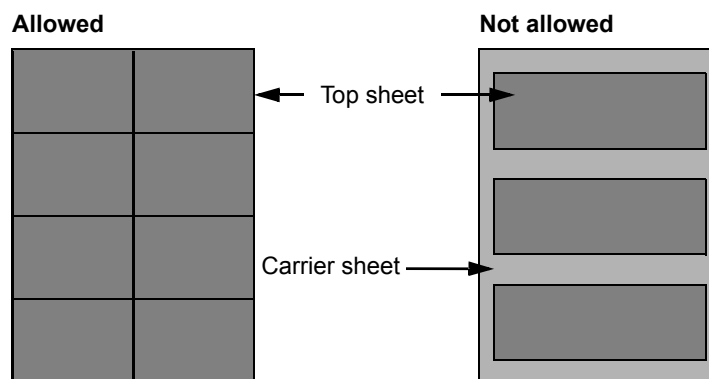
When printing onto labels, you must be liable for the print quality and possible trouble.



Labels consist of three layers as shown in the illustration. The adhesive layer contains materials that are easily affected by the force applied in the machine. The carrier sheet bears the top sheet until the label is used. This composition of labels may cause more problems.

The label surface must be covered completely with the top sheet. Gaps between labels may cause peeling of labels, resulting in a serious failure.

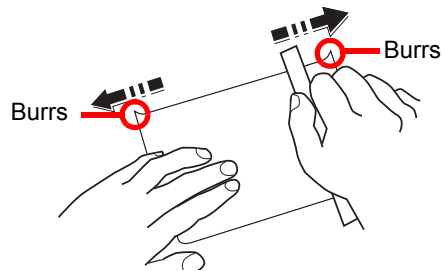
Some label paper has large margins on the top sheet. When using such paper, do not peel these margins from the carrier sheet before completing output.



Use label paper that conforms to the following specifications.

Top sheet weight	44 to 74 g/m ²
Basis weight (overall paper weight)	104 to 151 g/m ²
Top sheet thickness	0.086 to 0.107 mm
Overall paper thickness	0.115 to 0.145 mm
Moisture content	4 to 6 % (composite)

Hagaki (Cardstock)



Before loading Hagaki (Cardstock) into the multipurpose tray, fan them and align the edges. If the Hagaki (Cardstock) paper is curled, straighten it before loading. Printing onto curled Hagaki (Cardstock) may cause jams.

Use unfolded Oufuku hagaki (Return postcard) (available at post offices). Some Hagaki (Cardstock) may still have rough edges developed by a paper cutter on the back side. Remove any such rough edges by placing the Hagaki (Cardstock) on a flat surface and rubbing the edges gently a few times with a ruler.

Envelopes

Use the multipurpose tray for envelopes.

Due to the structure of envelopes, printing evenly over the entire surface may not be possible in some cases. Thin envelopes in particular may be wrinkled by the machine in some cases as they pass through. Before purchasing envelopes in volume, try testing a sample to ensure the print quality.

Storing envelopes for a long period may cause them to become wrinkled. Thus, keep the package sealed until you are ready to use them.

Keep the following points in mind.

- Do not use envelopes with exposed adhesive. In addition, do not use the type of envelope in which the adhesive is exposed after the top layer is peeled off. Serious damage may be caused if the paper covering the adhesive comes off in the machine.
- Do not use envelopes with certain special features. For example, do not use envelopes with a grommet for winding a string to close the flap or envelopes with an open or film-covered window.
- If paper jams occur, load fewer envelopes at once.

Thick Paper

Before loading thick paper, fan it and align the edges. Some thick paper may still have rough edges developed by a paper cutter on the back side. Remove any such rough edges just as with Hagaki (Cardstock) by placing the paper on a flat surface and rubbing the edges gently a few times with a ruler. Printing onto paper with rough edges may cause jams.



NOTE

If the paper is not supplied correctly even after it is smoothed, load the paper with the leading edge raised a few millimeters.

Colored Paper

Colored paper must conform to the specifications.

➔ [Basic Paper Specifications \(page 9-8\)](#)

In addition, the pigments in the paper must be able to withstand the heat of printing (up to 200°C or 392°F).

Preprinted Paper

Preprinted paper must conform to the specifications.

➔ [Basic Paper Specifications \(page 9-8\)](#)

The colored ink must be able to withstand the heat of printing. It must be resistant to silicone oil as well. Do not use paper with a treated surface such as glossy paper used for calendars.

Recycled Paper

Recycled paper must conform to the specifications; however, its whiteness may be considered separately.

➔ [Basic Paper Specifications \(page 9-8\)](#)



NOTE

Before purchasing recycled paper in volume, try testing a sample to ensure satisfactory print quality.

Coated Paper

Coated paper is created by treating the surface of the base paper with a coating that provides higher printing quality than plain paper. Coated paper is used for particularly high quality printing.


The surface of high-quality or medium-quality paper is coated with special agents that improve ink adhesion by making the paper surface smoother. These agents are used either to coat both sides of the paper or just one side. The coated side appears slightly glossy.



IMPORTANT

When printing on coated paper in very humid environments, ensure that the paper is kept dry as moisture may cause sheets to stick together when they are fed into the machine. If printing in very humid environments, set coated paper for one sheet each.

Specifications

 **IMPORTANT**

Specifications are subject to change without notice.

Machine

Item		Description
Type		Desktop
Printing Method		Electrophotography by semiconductor laser
Paper Weight	Cassette	60 to 163 g/m ²
	Multipurpose Tray	60 to 220 g/m ² , 230 g/m ² (Cardstock)
Paper Type	Cassette	Plain, Rough, Recycled, Preprinted, Bond, Color, Prepunched, Letterhead, Thick, High Quality, Custom (Duplex: Same as Simplex)
	Multipurpose Tray	Plain, Transparency (OHP film), Rough, Vellum, Labels, Recycled, Preprinted, Bond, Cardstock, Coated, Color, Prepunched, Letterhead, Envelope, Thick, High Quality, Custom 1 to 8
Paper Size	Cassette	A4, A5-R, A5, A6, B5, B6, Letter, Legal, Statement-R, Executive, Oficio II, Folio, 216 × 340 mm, 16K, B5(ISO), Custom (105 × 148 mm to 216 × 356 mm)
	Multipurpose Tray	A4, A5-R, A5, A6, B5, B6, Folio, 216 × 340 mm, Letter, Legal, Statement-R, Statement, Executive, Oficio II, 16K, B5(ISO), Envelope #10, Envelope #9, Envelope #6 3/4, Envelope Monarch, Envelope DL, Envelope C5, Hagaki (Cardstock), Oufuku Hagaki (Return postcard), Youkei 4, Youkei 2, Custom (70 × 148 mm to 216 × 356 mm)
Printable Area		Print margin for top, bottom and both sides is 4.2 mm
Warm-up Time (23°C/73.4°F, 60%)	Power on	29 seconds or less
	Sleep	ECOSYS P5021cdn/ECOSYS P5021cdw 12 seconds or less ECOSYS P5026cdn/ECOSYS P5026cdw 13 seconds or less
Paper Capacity	Cassette	250 sheets (80 g/m ²)* ¹
	Multipurpose Tray	50 sheets (A4/Letter or smaller) (80 g/m ²)
Output Tray Capacity	Top tray	150 sheets (80 g/m ²)
Image Write System		Semiconductor laser and electrophotography
Memory		512 MB
Interface		USB Interface Connector: 1 (Hi-Speed USB) Network interface: 1 (10 BASE-T/100 BASE-TX/1000 BASE-T) USB Port: 1 (Hi-Speed USB) Wireless LAN support* ²

*1 Up to upper limit height line in the cassette.

*2 Only ECOSYS P5021cdw/ECOSYS P5026cdw

Item		Description
Operating Environment	Temperature	10 to 32.5°C/50 to 90.5°F
	Humidity	10 to 80 %
	Altitude	3,500 m/11,482 ft maximum
	Brightness	1,500 lux maximum
Dimension (W × D × H)		16.15" × 16.15" × 12.96" 410 × 410 × 329 mm
Weight (without toner container)		Approx. 46.3 lb/Approx. 21 kg
Space Required (W × D) (Using multipurpose tray)		16.15" × 23.39" 410 × 594 mm
Power Source		ECOSYS P5021cdn/ECOSYS P5021cdw 120 V Specification Model: 120 V~60 Hz 8.6 A 230 V Specification Model: 220 to 240 V~50 Hz 4.5 A ECOSYS P5026cdn/ECOSYS P5026cdw 120 V Specification Model: 120 V~60 Hz 8.6 A 230 V Specification Model: 220 to 240 V~50 Hz 4.5 A
The power consumption of the product in networked standby (If all network ports are connected.)		2.0W
Options		➔ Optional Equipment (page 9-2)

Printer Functions

Item		Description		
Printing Speed	ECOSYS P5021cdn ECOSYS P5021cdw	A4/A5	Black and White Printing 21 sheets/min	Full Color Printing 21 sheets/min
		Letter	22 sheets/min	22 sheets/min
		Legal	18 sheets/min	18 sheets/min
		B5	22 sheets/min	22 sheets/min
		A5-R	22 sheets/min	22 sheets/min
		A6	22 sheets/min	22 sheets/min
		16K	22 sheets/min	22 sheets/min
	ECOSYS P5026cdn ECOSYS P5026cdw	A4/A5	Black and White Printing 26 sheets/min	Full Color Printing 26 sheets/min
		Letter	27 sheets/min	27 sheets/min
		Legal	22 sheets/min	22 sheets/min
		B5	27 sheets/min	27 sheets/min
		A5-R	27 sheets/min	27 sheets/min
		A6	27 sheets/min	27 sheets/min
		16K	27 sheets/min	27 sheets/min
First Print Time (A4, feed from Cassette)	Black and White	ECOSYS P5021cdn/ECOSYS P5021cdw 11 seconds or less ECOSYS P5026cdn/ECOSYS P5026cdw 9.5 seconds or less		
	Color	ECOSYS P5021cdn/ECOSYS P5021cdw 12.5 seconds or less ECOSYS P5026cdn/ECOSYS P5026cdw 10.5 seconds or less		
Resolution		9600 dpi equivalent × 600 dpi, 1200 dpi × 1200 dpi (Data resolution is 600 dpi.)* ¹		
Operating System		Windows XP, Windows Server 2003, Windows Vista, Windows 7, Windows 8, Windows 8.1, Windows 10, Windows Server 2008/R2, Windows Server 2012/R2, Mac OS 10.5 or later		
Interface		USB Interface Connector: 1 (Hi-Speed USB) Network interface: 1 (10 BASE-T/100 BASE-TX/1000 BASE-T) Wireless LAN support* ²		
Page Description Language		PRESCRIBE		
Emulations		PCL6 (PCL-XL, PCL5c), KPDL3 (PostScript3 compatible), PDF, XPS, OpenXPS		

*1 The processing speed will be slower than normal.

*2 Only ECOSYS P5021cdw/ECOSYS P5026cdw

Paper Feeder

Item	Description
Paper Supply Method	Friction retard feeder (No. Sheets: 250, 80 g/m ² , 1 cassette)
Paper Size	A4, B5, A5-R, A5, A6, B6, Letter, Legal, Folio, 216 × 340 mm, Statement-R, Executive, Oficio II, 16K, B5(ISO), Custom (105 × 148 to 216 × 356 mm)
Supported Paper	Paper weight: 60 to 163 g/m ² Media types: Plain, Recycled, Special Paper
Dimensions (W) × (D) × (H)	16.15" × 17.62" × 5.79" 410 × 447.5 × 147 mm
Weight	Approx. 7.94 lb/Approx. 3.6 kg



NOTE

Consult your dealer or service representative for recommended paper types.

Glossary

Accessibility

The machine is designed featuring good accessibility even for the elderly and those who are physically challenged or visually impaired.

Apple Talk

AppleTalk offers file sharing and printer sharing and it also enables you to utilize application software that is on another computer on the same AppleTalk network.

Auto Form Feed Timeout

During data transmission, the machine may sometimes have to wait until receiving the next data. This is the auto form feed timeout. When the preset timeout passes, the machine automatically prints output. However, no output is performed if the last page has no data to be printed.

Auto-IP

Auto-IP is a module that enables dynamic IPv4 addresses to be assigned to a device on startup. However, DHCP requires a DHCP server. Auto-IP is a server-less method of choosing an IP address. IP addresses between 169.254.0.0 to 169.254.255.255 are reserved for Auto-IP and assigned automatically.

Auto Paper Selection

A function to automatically select paper in the same size as originals when printing.

Auto Sleep

A mode designed for electrical power saving, activated when the machine is left unused or there is no data transfer for a specific period. In Sleep mode, power consumption is kept to a minimum.

Bonjour

Bonjour, also known as zero-configuration networking, is a service that automatically detects computers, devices and services on an IP network. Bonjour, because an industry-standard IP protocol is used, allows devices to automatically recognize each other without an IP address being specified or DNS server being set. Bonjour also sends and receives network packets by UDP port 5353. If a firewall is enabled, the user must check that UDP port 5353 is left open so that Bonjour will run correctly. Some firewalls are set up so as to reject only certain Bonjour packets. If Bonjour does not run stably, check the firewall settings and ensure that Bonjour is registered on the exceptions list and that Bonjour packets are accepted. If you install Bonjour on Windows XP Service Pack 2 or later, the Windows firewall will be set up correctly for Bonjour.

Default Gateway

This indicates the device, such as a computer or router, that serves as the entrance/exit (gateway) for accessing computers outside the network that you are on. When no specific gateway is designated for a destination IP address, data is sent to the host designated as the Default Gateway.

DHCP (Dynamic Host Configuration Protocol)

Dynamic Host Configuration Protocol (DHCP) that automatically resolves IP addresses, subnet masks, and gateway addresses on a TCP/IP network. DHCP minimizes the load of network management employing a large number of client computers because it relieves individual clients including printers from the IP address being assigned.

DHCP (IPv6)

DHCP (IPv6) is the next-generation of the Internet's Dynamic Host Configuration Protocol and supports IPv6. It extends the BOOTP startup protocol that defines the protocols used for transferring configuration information to hosts on the network. DHCP (IPv6) permits the DHCP server to use its expanded functionality to send configuration parameters to an IPv6 node. Because the network addresses that can be used are allocated automatically, the IPv6 node management workload is reduced in systems where the administrator has to exercise close control over IP address allocation.

dpi (dots per inch)

A unit for resolution, representing the number of dots printed per inch (25.4 mm).

EcoPrint Mode

A printing mode that helps save toner. Copies made in this mode are thus lighter than normal.

Emulation

The function to interpret and execute other printers' page description languages. The machine emulates operation of PCL6, KPDL3 (PostScript 3 compatible).

Enhanced WSD

Proprietary web services.

FTP (File Transfer Protocol)

A protocol to transfer files on the TCP/IP network, whether the Internet or an intranet. Along with HTTP and SMTP/POP, FTP is now frequently used on the Internet.

Grayscale

A computer color expression. Displayed images of this sort are typically composed of shades of gray, varying from black at the weakest intensity to white at the strongest, without any other colors. Gray levels are displayed in numerical levels: that is, white and black only for 1 bit; 256 gray levels (including white and black) for 8 bits; and 65,536 gray levels for 16 bits.

IP Address

An Internet protocol address is a unique number that represents a specific computer or related device on the network. The format of an IP address is four sets of numbers separated by dots, e.g. 192.168.110.171. Each number should be between 0 and 255.

IPP

IPP (Internet Printing Protocol) is a standard that uses TCP/IP networks such as the Internet to enable print jobs to be sent between remote computers and printers. IPP is an extension of the HTTP protocol used to view websites and enables printing to be carried out via routers on printers in remote locations. It also supports the HTTP authentication mechanisms along with SSL server and client authentication as well as encryption.

Job Box

The Job Box function stores print data on the printer and allows users to print single or multiple copies of the stored data later using the printer's operation panel.

KPDL (Kyocera Page Description Language)

Kyocera's PostScript page description language compatible with Adobe PostScript Level 3.

Multipurpose (MP) Tray

The paper supply tray on the front side of the machine. Use this tray instead of the cassettes when printing onto envelopes, Hagaki (Cardstock), transparencies, or labels.

NetBEUI (NetBIOS Extended User Interface)

An interface, developed by IBM in 1985, as an update from NetBIOS. It enables more advanced functions on smaller networks than other protocols such as TCP/IP, etc. It is not suitable for larger networks due to lack of routing capabilities to choose the most appropriate routes. NetBEUI has been adopted by IBM for its OS/2 and Microsoft for its Windows as a standard protocol for file sharing and printing services.

Outline font

With outline fonts, character outlines are represented with numerical expressions and fonts can be enlarged or reduced in different ways by changing the numeric values of those expressions. Printing remains clear even if you enlarge fonts, since the characters are defined with outlines represented with numerical expressions. You can specify the font size in steps of 0.25 points up to 999.75 points.

PDF/A

This is "ISO 19005-1. Document management - Electronic document file format for long-term preservation - Part 1: Use of PDF (PDF/A)", and is a file format based on PDF 1.4. It has been standardized as ISO 19005-1, and is a specialization of PDF, which has been mainly used for printing, for long-term storage. A new part, ISO 19005-2 (PDF/A-2), is currently being prepared.

POP3 (Post Office Protocol 3)

A standard protocol to receive E-mail from the server in which the mail is stored on the Internet or an intranet.

PostScript

A page description language developed by Adobe Systems. It enables flexible font functions and highly-functional graphics, allowing higher quality printing. The first version called Level 1 was launched in 1985, followed by Level 2 that enabled color printing and two-byte languages (e.g. Japanese) in 1990. In 1996, Level 3 was released as an update for the Internet access and PDF format as well as gradual improvements in implementation technologies.

PPM (prints per minute)

This indicates the number of A4 size printouts made in one minute.

Printer Driver

The software to enable you to print data created on any application software. The printer driver for the machine is contained in the DVD enclosed in the package. Install the printer driver on the computer connected to the machine.

RA(Stateless)

The IPv6 router communicates (transmits) information such as the global address prefix using ICMPv6. This information is the Router Advertisement (RA).

ICMPv6 stands for Internet Control Message Protocol, and is a IPv6 standard defined in the RFC 2463 "Internet Control Message Protocol (ICMPv6) for the Internet Protocol Version 6 (IPv6) Specification".

RAM Disk

Using part of the printer's memory as a virtual disk, you can set any amount of memory from overall printer memory as a RAM disk in order to use features such as electronic sorting (shortening print time).

SMTP (Simple Mail Transfer Protocol)

A protocol for E-mail transmission over the Internet or an intranet. It is used for transferring mail between mail servers as well as for sending mail from clients to their servers.

Status Page

The page lists machine conditions.

Subnet Mask

The subnet mask is a way of augmenting the network address section of an IP address.

A subnet mask represents all network address sections as 1 and all host address sections as 0. The number of bits in the prefix indicates the length of the network address. The term "prefix" refers to something added to the beginning and, in this context, indicates the first section of the IP address. When an IP address is written, the length of the network address is indicated by the prefix length after a forward slash (/). For example, "24" in the address "133.210.2.0/24". In this way, "133.210.2.0/24" denotes the IP address "133.210.2.0" with a 24-bit prefix (network section). This new network address section (originally part of the host address) made possible by the subnet mask is referred to as the subnet address. When you enter the subnet mask, be sure to set the "DHCP" setting to "Off".

TCP/IP (Transmission Control Protocol/Internet Protocol)

TCP/IP is a suite of protocols designed to define the way computers and other devices communicate with each other over a network.

TCP/IP (IPv6)

TCP/IP (IPv6) is based on the current Internet protocol, TCP/IP (IPv4). IPv6 is the next-generation Internet protocol and expands the available address space, which resolves the problem of the lack of addresses under IPv4, while also introducing other improvements such as additional security functionality and the capacity to prioritize data transmission.

USB (Universal Serial Bus) 2.0

A USB interface standard for Hi-Speed USB 2.0. The maximum transfer rate is 480 Mbps. This machine is equipped with USB 2.0 for high-speed data transfer.

WPS (Wi-Fi Protected Setup)

WPS is a network security standard created by Wi-Fi Alliance, to make it easy to connect with the wireless devices and set up the Wi-Fi Protected Access. The WPS-supported services can connect to the wireless access points by pushing a button or entering passphrases.

Index

A

- Accessibility 9-20
- Adjustment/Maintenance 6-23
- Administrator 6-23
- AirPrint 4-10
- Anti-theft Lock Slot 2-2
- AppleTalk 9-20
- Auto Error Clear 6-20
- Auto Form Feed Timeout 9-20
- Auto Panel Reset 6-19
- Auto Paper Selection 9-20
- Auto Sleep 9-20
- Auto-IP 9-20
 - Settings 6-11
- Automatic 2-Sided Print Function 1-14

B

- Bonjour 9-20
 - Network Settings 6-13
- Button (Right Cover Open) 2-2
- Buzzer 6-18

C

- Cables 2-6
- Card Authentication Kit 9-2
- Cassette
 - Loading Paper 3-4, 3-7
- Cassette 1 2-2
- Cassette 2 2-5
- Checking the Counter 2-42
- Cleaning 8-2
 - Paper Transfer Unit 8-2
- Coated Paper 9-15
- ColorCalibration 6-23
- Command Center RX 2-44
- Communication
 - Network Settings 6-13
- Connecting
 - LAN Cable 2-7
 - Power Cable 2-8
 - USB cable 2-8
- Connection Method 2-6
- Conventions Used in This Guide X
- Counting the Number of Pages Printed
 - Counter 2-42
 - Each Job Account 7-17
 - Print Accounting Report 7-17
 - Unknown ID Job 7-21

D

- Date 6-17
- Date Format 6-17

- Date Setting
 - Date 6-17
 - Date Format 6-17
 - Summer Time 6-17
 - Time 6-17
 - Time Zone 6-17
- Default Gateway 9-20
 - Settings 6-11
- Device Common 6-17
 - Buzzer 6-18
 - ColorToner Empty 6-19
 - Date Setting 6-17
 - Display Status/Log 6-21
 - Error Handling 6-19
 - Low Toner Alert 6-21
 - Message Language 6-17
 - Power Off Rule 6-21
 - Power Off Timer 6-21
 - RAM Disk Mode 6-18
 - SD Card 6-18
 - Sleep Level Set. 6-20
 - Timer 6-19
- DHCP 9-20
 - Settings 6-11
- DHCP (IPv6) 9-21
- DHCPv6
 - Settings 6-12
- Display Status/Log 6-21
- Document Box
 - Job Box 4-11, 5-6
- Document Processor
 - Part Names 2-2
- dpi 9-21

E

- EcoPrint 9-21
- E-mail Settings 2-50
- Emulation 9-21
- Energy Saving Control Function 1-14
- Energy Star (ENERGY STAR®) Program 1-14
- Enhanced_WSD 9-21
 - Network Settings 6-16
- EnhancedWSD(SSL)
 - Network Settings 6-16
- Environment 1-3
- Error Clear Timer 6-20
- Error Handling 6-19

F

- Feed Cover 2-3
- First Print Time 9-18
- FTP 9-21
- FTP(Server)
 - Network Settings 6-13
- Fuser Cover 2-3

G

- Glossary 9-20
- Google Cloud Print 4-10

GPL/LGPL 1-11
Grayscale 9-21
Guides Provided with the Machine viii

H

Handles 2-2
Help Screen 2-12
HTTP
 Network Settings 6-15
HTTPS
 Network Settings 6-15

I

I/F Block 6-22
Install
 Macintosh 2-40
 Software 2-32
 Uninstalling 2-39
 Windows 2-33
IP Address 9-21
 Settings 6-11
IPP 9-21
 Network Settings 6-14
IPP over SSL
 Network Settings 6-14
IPSec
 Network Settings 6-13

J

Job Accounting 7-6
 Adding an Account 7-9
 Counting the Number of Pages Printed 7-17
 Deleting an Account 7-14
 Editing an Account 7-13
 Enabling Job Accounting 7-7
 Job Accounting Access 7-8
 Login 7-19
 Logout 7-19
 Overview of Job Accounting 7-6
 Print Accounting Report 7-17
 Printing 7-15
 Restricting the Use of the Machine 7-11
Job Box 9-21
 Deletion of Job Retention 4-16
 Private Print Box 4-14
 Proof and Hold Box 4-13
 Quick Copy Box 4-12
 Quick Copy Job Retention 4-16
 Specifying the Job Box from a Computer and Storing
 the Job 4-11
 Stored Job Box 4-15

K

KPDL 9-21

L

Label 9-13
LAN Cable 2-6
 Connecting 2-7

Legal Information 1-10
Limited Use of This Product 1-9
Login 2-13
Logout 2-14
Low Toner Alert 6-21
LPD
 Network Settings 6-14

M

Management 7-1
Media Type Setting 6-7
Message Language 6-17
Monotype Imaging License Agreement 1-12
Mopria 4-10
Multipurpose Tray 2-3, 9-22

N

NetBEUI 9-22
 Network Settings 6-13
Network
 Preparation 2-17
Network Interface 2-6
Network Interface Connector 2-3
Notice 1-2

O

Op functions 6-22
OpenSSL License 1-11
Operation Panel 2-2
Option
 Card Authentication Kit 9-2
 Overview 9-2
 Paper Feeder 9-2
 SD Card 9-3
 ThinPrint Option 9-2
Optional Applications 9-5
Original
 Size xi
Original SSLeay License 1-11
Outline font 9-22

P

Panel Reset Timer 6-19
Paper
 Appropriate Paper 9-9
 Loading Cardstock 5-4
 Loading Envelopes 5-4
 Loading Paper 3-2
 Loading Paper in the Cassettes 3-4, 3-7
 Size and Media Type 9-8
 Special Paper 9-12
 Specifications 9-8
 Weight 6-7
Paper Feeder 9-2

- Paper Jams [8-25](#)
 - Cassette 1 [8-26](#)
 - Cassette 2 [8-26](#)
 - Jam Location Indicators [8-25](#)
 - Multipurpose Tray [8-29](#)
 - Rear Cover [8-32](#)
- Paper Length Guide [2-3, 3-4, 3-7](#)
- Paper Settings [6-6](#)
- Paper Stopper [2-2](#)
- Paper Width Guides [2-3, 3-4, 3-7](#)
- Part Names [2-2](#)
- PDF/A [9-22](#)
- POP3 [9-22](#)
 - Network Settings [6-14](#)
- PostScript [9-22](#)
- Power Cable
 - Connecting [2-8](#)
- Power Management [1-14](#)
- Power Off [2-9](#)
- Power Off Timer [6-21](#)
- Power On [2-9](#)
- Power Switch [2-2](#)
- PPM [9-22](#)
- Precaution for Loading Paper [3-4, 3-7](#)
- Precautions for Use [1-4](#)
- Print Settings [4-2, 4-9, 6-8](#)
 - Auto Cass.Change [6-8](#)
 - Color Mode [6-8](#)
 - Duplex [6-8](#)
 - Emulation [6-8](#)
 - Job Name [6-9](#)
 - MP Tray Priority [6-8](#)
 - Override A4/LT [6-8](#)
 - Page Setting [6-9](#)
 - Paper Feed Mode [6-8](#)
 - Paper Source [6-8](#)
 - Print Quality [6-9](#)
 - User Name [6-9](#)
- Printer
 - Print setting [4-2](#)
- Printer Driver [9-22](#)
 - Help [4-3](#)
- Printing Documents Stored in Removable USB Memory [5-7](#)
- Printing from PC [4-4](#)
- Printing Speed [9-18](#)
- Product Library [viii](#)

R

- RA (Stateless) [9-22](#)
 - Settings [6-12](#)
- RAM Disk [9-22](#)
- RAM Disk Mode [6-18](#)
- RAW_Port
 - Network Settings [6-14](#)
- Rear Cover 1 [2-2](#)
- Rear Cover 2 [2-5](#)
- Recycled Paper [9-15](#)
- Regarding Trade Names [1-10](#)
- Registration Details [6-23](#)

- Registration Normal [6-23](#)
- Regular Maintenance [8-2](#)
- Report Print [6-4](#)
 - Print Fonts List [6-5](#)
 - Print Menu Map [6-4](#)
 - Print RAM Disk File List [6-5](#)
 - Print SD Card File List [6-5](#)
 - Print Status Page [6-4](#)
- Resolution [9-18](#)
- Resource Saving - Paper [1-14](#)
- Responding to Messages [8-12](#)
- Restart Printer [6-23](#)
- Right Cover [2-2](#)

S

- Safety Conventions in This Guide [1-2](#)
- SD Card [9-3](#)
 - Format [6-18](#)
- Security [6-22](#)
 - Security Level [6-22](#)
 - Security Precautions when Using Wireless LAN [1-8](#)
- Service Setting [6-23](#)
- Setting Date and Time [2-15](#)
- Sleep Timer [6-20](#)
- SMTP [9-23](#)
 - Network Settings [6-14](#)
- SNMP
 - Network Settings [6-14](#)
- SNMPv3
 - Network Settings [6-13](#)
- Solving Malfunctions [8-7](#)
- Specifications [9-16](#)
 - Machine [9-16](#)
 - Paper Feeder (500-sheet) [9-19](#)
 - Printer Functions [9-18](#)
- SSL Server
 - Network Settings [6-13](#)
- Status Page [9-23](#)
- Subnet Mask [9-23](#)
 - Settings [6-11](#)
- Symbols [1-2](#)
- System Menu [6-2](#)
 - Adjustment/Maintenance [6-23](#)
 - Administrator [6-23](#)
 - Device Common [6-17](#)
 - Network Settings [6-13](#)
 - Op functions [6-22](#)
 - Operation Method [6-2](#)
 - Paper Settings [6-6](#)
 - Print Settings [6-8](#)
 - Report Print [6-4](#)
 - Security [6-22](#)
 - User Login/Job Accounting [6-22](#)
 - Wi-Fi Direct [6-24](#)
 - Wi-Fi Direct Set [6-10](#)
 - Wi-Fi Settings [6-10](#)
 - Wi-Fi Status [6-23](#)
 - Wired Network [6-12](#)
 - Wired Status [6-23](#)

-
- T**
- TCP/IP [9-23](#)
 - TCP/IP (IPv4)
 - Settings [2-17](#)
 - TCP/IP (IPv6) [9-21](#)
 - Settings [6-12](#)
 - ThinPrint
 - Network Settings [6-15](#)
 - ThinPrint Option [9-2](#)
 - ThinPrint over SSL
 - Network Settings [6-16](#)
 - TIFF/JPEG Size
 - Default [6-9](#)
 - Time [6-17](#)
 - Time Zone [6-17](#)
 - Timer
 - Auto Error Clear [6-20](#)
 - Auto Panel Reset [6-19](#)
 - Error Clear Timer [6-20](#)
 - FormFeed TimeOut [6-20](#)
 - Panel Reset Timer [6-19](#)
 - Power Off Timer [6-21](#)
 - Sleep Timer [6-20](#)
 - Toner Container (Black) [2-4](#)
 - Toner Container (Cyan) [2-4](#)
 - Toner Container (Magenta) [2-4](#)
 - Toner Container (Yellow) [2-4](#)
 - Toner Container Lock Lever [2-4](#)
 - Top Tray [1-i](#), [2-2](#)
 - Tray Extension [2-3](#)
 - Troubleshooting [8-7](#)
- U**
- USB [9-23](#)
 - USB Cable
 - Connecting [2-8](#)
 - USB Interface [2-6](#)
 - USB Interface Connector [2-3](#)
 - USB Memory
 - Printing [5-7](#)
 - Remove [5-8](#)
 - USB Memory Slot [2-2](#)
 - User Login Administration [7-2](#)
 - Enabling User Login Administration [7-3](#)
 - Key Login [7-4](#)
 - Login [2-13](#)
 - Logout [2-14](#)
 - Overview of User Login Administration [7-2](#)
 - User Login/Job Accounting [6-22](#)
 - Job Accounting [7-6](#)
 - Unknown ID Job [7-21](#)
 - User Login [7-2](#)
- W**
- Wi-Fi
 - Settings [2-19](#), [6-10](#)
 - Wi-Fi Direct [6-24](#)
 - Printing [4-10](#)
 - Settings [2-24](#), [6-10](#)
 - Wi-Fi Status [6-23](#)
- Wired Status [6-23](#)
 - Wireless Connection [1-8](#)
 - Wireless Network
 - Settings [2-19](#)
 - WSD-PRINT
 - Network Settings [6-16](#)

**QUALITY
CERTIFICATE**

This machine has passed
all quality controls and
final inspection

KYOCERA Document Solutions America, Inc.**Headquarters**

225 Sand Road,
Fairfield, New Jersey 07004-0008, USA
Phone: +1-973-808-8444
Fax: +1-973-882-6000

Latin America

8240 NW 52nd Terrace Dawson Building, Suite 100
Miami, Florida 33166, USA
Phone: +1-305-421-6640
Fax: +1-305-421-6666

KYOCERA Document Solutions Canada, Ltd.

6120 Kestrel Rd., Mississauga, ON L5T 1S8,
Canada
Phone: +1-905-670-4425
Fax: +1-905-670-8116

KYOCERA Document Solutions**Mexico, S.A. de C.V.**

Calle Arquimedes No. 130, 4 Piso, Colonia Polanco
Chapultepec, Delegacion Miguel Hidalgo,
Distrito Federal, C.P. 11560, México
Phone: +52-555-383-2741
Fax: +52-555-383-7804

KYOCERA Document Solutions Brazil, Ltda.

Alameda África, 545, Pólo Empresarial Consbrás,
Tamboré, Santana de Parnaíba, State of São Paulo, CEP
06543-306, Brazil
Phone: +55-11-2424-5353
Fax: +55-11-2424-5304

KYOCERA Document Solutions Chile SpA

Jose Ananias 505, Macul. Santiago, Chile
Phone: +562-2350-7000
Fax: +562-2350-7150

KYOCERA Document Solutions**Australia Pty. Ltd.**

Level 3, 6-10 Talavera Road North Ryde N.S.W, 2113,
Australia
Phone: +61-2-9888-9999
Fax: +61-2-9888-9588

KYOCERA Document Solutions**New Zealand Ltd.**

Ground Floor, 19 Byron Avenue, Takapuna, Auckland,
New Zealand
Phone: +64-9-415-4517
Fax: +64-9-415-4597

KYOCERA Document Solutions Asia Limited

Unit 3 & 5, 16/F., Mita Centre, 552-566, Castle Peak Road
Tsuen Wan, New Territories, Hong Kong
Phone: +852-2496-5678
Fax: +852-2610-2063

KYOCERA Document Solutions**(China) Corporation**

8F, No. 288 Nanjing Road West, Huangpu District,
Shanghai, 200003, China
Phone: +86-21-5301-1777
Fax: +86-21-5302-8300

KYOCERA Document Solutions**(Thailand) Corp., Ltd.**

335 Ratchadapisek Road, Wongsawang, Bangsue,
Bangkok 10800,
Thailand
Phone: +66-2-586-0333
Fax: +66-2-586-0278

KYOCERA Document Solutions**Singapore Pte. Ltd.**

12 Tai Seng Street #04-01A,
Luxasia Building, Singapore 534118
Phone: +65-6741-8733
Fax: +65-6748-3788

KYOCERA Document Solutions**Hong Kong Limited**

Unit 1,2,4,6,8 & 10, 16/F., Mita Centre, 552-566, Castle
Peak Road Tsuen Wan, New Territories, Hong Kong
Phone: +852-3582-4000
Fax: +852-3185-1399

KYOCERA Document Solutions**Taiwan Corporation**

6F., No.37, Sec. 3, Minquan E. Rd.,
Zhongshan Dist., Taipei 104, Taiwan R.O.C.
Phone: +886-2-2507-6709
Fax: +886-2-2507-8432

KYOCERA Document Solutions Korea Co., Ltd.

#3F Daewoo Foundation Bldg 18, Toegyero, Jung-gu,
Seoul, Korea
Phone: +822-6933-4050
Fax: +822-747-0084

KYOCERA Document Solutions**India Private Limited**

Second Floor, Centrum Plaza, Golf Course Road,
Sector-53, Gurgaon, Haryana 122002, India
Phone: +91-0124-4671000
Fax: +91-0124-4671001

KYOCERA Document Solutions Europe B.V.

Bloemlaan 4, 2132 NP Hoofddorp,
The Netherlands
Phone: +31-20-654-0000
Fax: +31-20-653-1256

KYOCERA Document Solutions Nederland B.V.

Beechavenue 25, 1119 RA Schiphol-Rijk,
The Netherlands
Phone: +31-20-5877200
Fax: +31-20-5877260

KYOCERA Document Solutions (U.K.) Limited

Eldon Court, 75-77 London Road,
Reading, Berkshire RG1 5BS,
United Kingdom
Phone: +44-118-931-1500
Fax: +44-118-931-1108

KYOCERA Document Solutions Italia S.p.A.

Via Monfalcone 15, 20132, Milano, Italy,
Phone: +39-02-921791
Fax: +39-02-92179-600

KYOCERA Document Solutions Belgium N.V.

Sint-Martinusweg 199-201 1930 Zaventem,
Belgium
Phone: +32-2-7209270
Fax: +32-2-7208748

KYOCERA Document Solutions France S.A.S.

Espace Technologique de St Aubin
Route de l'Orme 91195 Gif-sur-Yvette CEDEX,
France
Phone: +33-1-69852600
Fax: +33-1-69853409

KYOCERA Document Solutions Espana, S.A.

Edificio Kyocera, Avda. de Manacor No.2,
28290 Las Matas (Madrid), Spain
Phone: +34-91-6318392
Fax: +34-91-6318219

KYOCERA Document Solutions Finland Oy

Atomitie 5C, 00370 Helsinki,
Finland
Phone: +358-9-47805200
Fax: +358-9-47805390

KYOCERA Document Solutions**Europe B.V., Amsterdam (NL) Zürich Branch**

Hohlstrasse 614, 8048 Zürich,
Switzerland
Phone: +41-44-9084949
Fax: +41-44-9084950

**KYOCERA Bilgitas Document Solutions
Turkey A.S.**

Gülbahar Mahallesi Otello Kamil Sk. No:6 Mecidiyeköy
34394 Şişli İstanbul, Turkey
Phone: +90-212-356-7000
Fax: +90-212-356-6725

**KYOCERA Document Solutions
Deutschland GmbH**

Otto-Hahn-Strasse 12, 40670 Meerbusch,
Germany
Phone: +49-2159-9180
Fax: +49-2159-918100

KYOCERA Document Solutions Austria GmbH

Altmannsdorferstraße 91, Stiege 1, 2. OG, Top 1, 1120,
Wien, Austria
Phone: +43-1-863380
Fax: +43-1-86338-400

KYOCERA Document Solutions Nordic AB

Esbogatan 16B 164 75 Kista, Sweden
Phone: +46-8-546-550-00
Fax: +46-8-546-550-10

KYOCERA Document Solutions Norge Nuf

Olaf Helsetsv. 6, 0619 Oslo, Norway
Phone: +47-22-62-73-00
Fax: +47-22-62-72-00

KYOCERA Document Solutions Danmark A/S

Ejby Industrivej 60, DK-2600 Glostrup,
Denmark
Phone: +45-70223880
Fax: +45-45765850

KYOCERA Document Solutions Portugal Lda.

Rua do Centro Cultural, 41 (Alvalade) 1700-106 Lisboa,
Portugal
Phone: +351-21-843-6780
Fax: +351-21-849-3312

KYOCERA Document Solutions**South Africa (Pty) Ltd.**

KYOCERA House, Hertford Office Park,
90 Bekker Road (Cnr. Allandale), Midrand, South Africa
Phone: +27-11-540-2600
Fax: +27-11-466-3050

KYOCERA Document Solutions Russia LLC.

Building 2, 51/4, Schepkina St., 129110, Moscow,
Russia
Phone: +7(495)741-0004
Fax: +7(495)741-0018

KYOCERA Document Solutions Middle East

Dubai Internet City, Bldg. 17,
Office 157 P.O. Box 500817, Dubai,
United Arab Emirates
Phone: +971-04-433-0412

KYOCERA Document Solutions Inc.

2-28, 1-chome, Tamatsukuri, Chuo-ku
Osaka 540-8585, Japan
Phone: +81-6-6764-3555
<http://www.kyoceradocumentsolutions.com>

