



Harry Potter™



Booklet available in English on  
Heft in deutscher Sprache erhältlich auf  
Livret disponible en français sur  
Libretto disponibile in italiano su  
Folleto disponible en español en  
如需中文版手册, 请访问



LEGO.com/sustainable-packaging



 **FR**  
**DONNEZ**  
OU  
**RECYCLEZ**

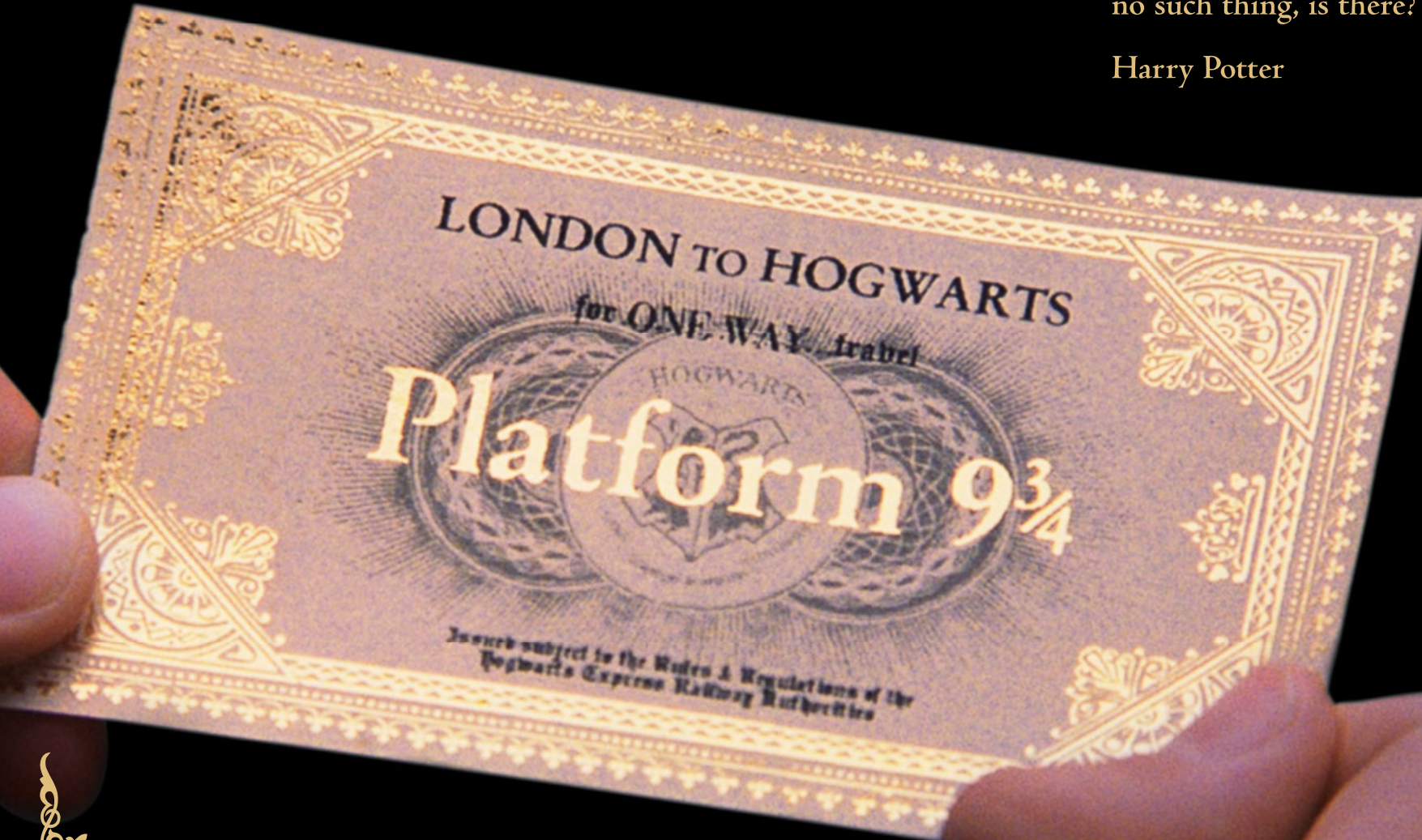
 OU  OU   
ASSOCIATION MAGASIN DÉCHÈTERIE

Adresses sur [quefairedemesdechets.fr](http://quefairedemesdechets.fr)



“This says ‘Platform nine and three quarters’ – there’s no such thing, is there?”

Harry Potter





## TICKETS, PLEASE

"As Muggle™ kids, we usually rode our bikes, walked, or took a bus to school. Few of us ever imagined that getting to school could be *this* magical. But we can still dream! Since the Collectors' Edition of the biggest ever LEGO® Hogwarts™ Castle (2018), our class of LEGO witches and wizards has worked its creative magic to conjure exclusive new sets and expand your Wizarding World. You can visit shops and get supplies in LEGO Diagon Alley™ (2020) and display your Hogwarts acceptance letter and school mementos with the Hogwarts Icons set (2021). And now, finally, you have a ticket to board the most elaborate LEGO Hogwarts Express™ released to date.

On your train building journey, you can recreate all the familiar details of four of the most iconic Hogwarts Express scenes, from Harry Potter's first train ride to his son's send-off from Platform 9¾ many years later. Welcome aboard!"

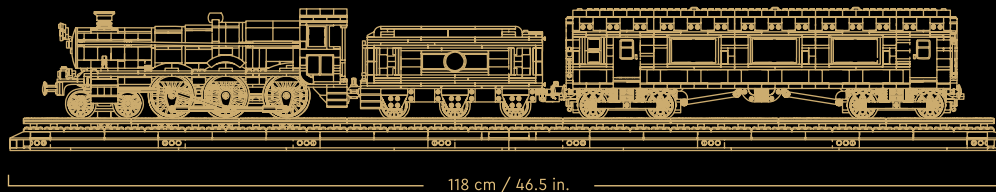
Marcos Bessa, LEGO® Design Master





## AN ENCHANTED MUGGLE™ CONTRAPTION

Allegedly, it took a record 167 Memory Charms and the biggest Concealment Charm in history to acquire and launch the Hogwarts Express™ in the early 19<sup>th</sup> century. Before then, students would get to Hogwarts by broomsticks, enchanted carts or magical creatures. All quite problematic if you're carrying luggage and pets while trying to avoid being seen by Muggles. A brief trial using Portkeys left many students Portkey-sick or late for the start of the school year. So, in the 1820s, Ottaline Gambol, Minister for Magic, came up with the idea of an enchanted Muggle™ contraption: a train. In the 1850s, the new King's Cross (Muggle) station opened in London and the Ministry of Magic added the concealed Platform 9¾.



The LEGO® Hogwarts Express™  
is approximately scale 1:32





HOGWARTS  
EXPRESS

5972

10  
A



*Harry Potter and the Philosopher's Stone*



## THE JOURNEY BEGINS

Harry, Ron and Hermione meet for the first time. Unfazed by Harry's fame in the Wizarding World, Ron and Hermione genuinely see him for who he is and become his lifelong friends and allies.



*Harry Potter and the Prisoner of Azkaban*



## CHARMS AND CHOCOLATE

Professor Remus Lupin™ saves Harry from his first spine-chilling encounter with a nightmarish Dementor, with a powerful Patronus Charm and chocolate, and becomes Harry's trusted mentor.







Harry Potter and the Half-Blood Prince



Harry Potter and the Deathly Hallows - Part 2



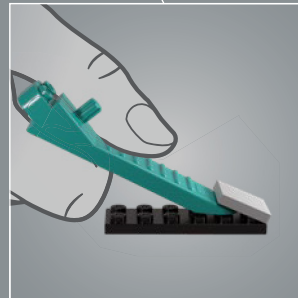
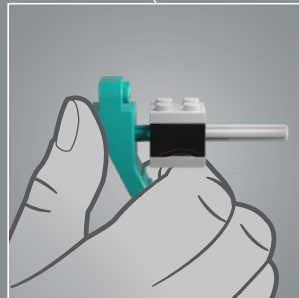
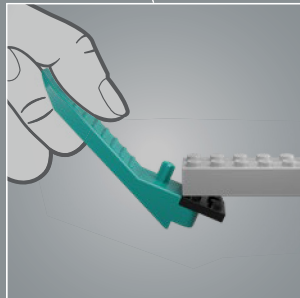
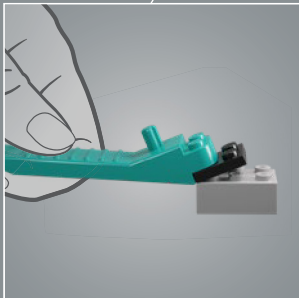
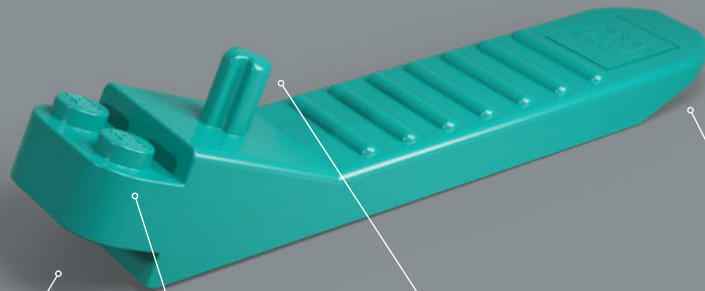
## WRACKSPURTS TO THE RESCUE

Draco Malfoy™ catches Harry eavesdropping and casts a *Petrificus Totalus* spell that leaves Harry helpless on the floor, covered by his Invisibility Cloak. Alerted by swarms of Wrackspurts, Luna Lovegood™ comes to the rescue.

## NEW BEGINNINGS

19 years after his final battle against Voldemort™, Harry's young son, Albus Severus, is ready to embark on his own spellbinding adventures at Hogwarts School of Witchcraft and Wizardry.





1



2

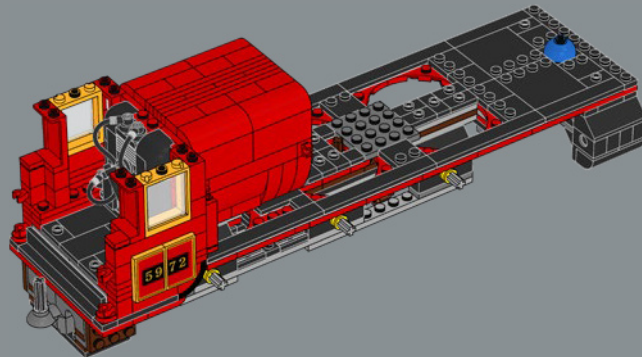
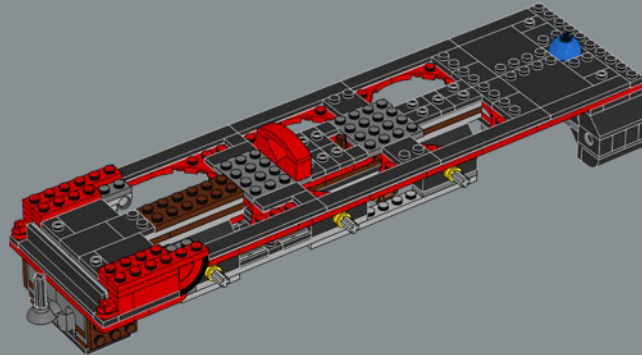
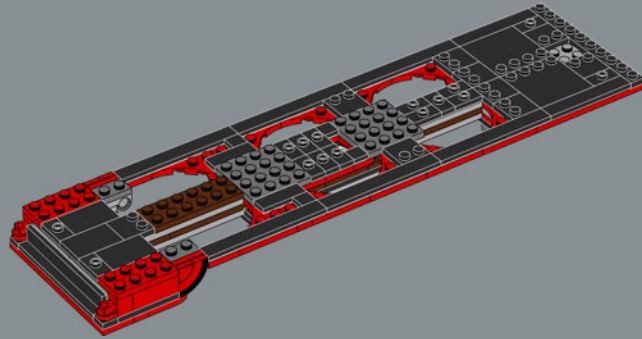


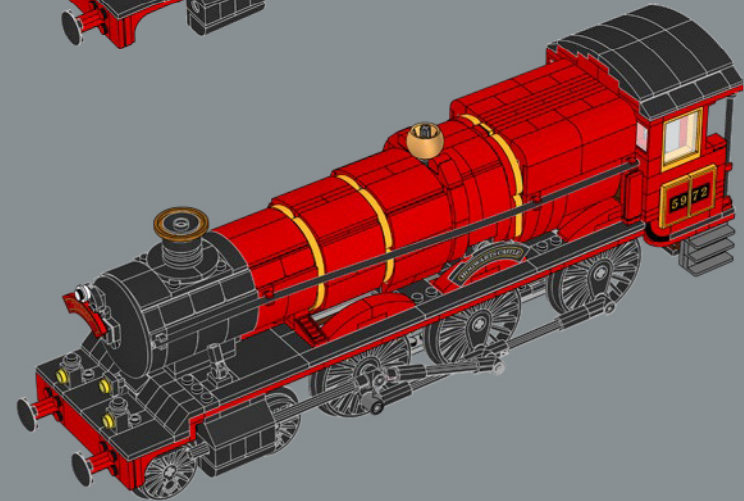
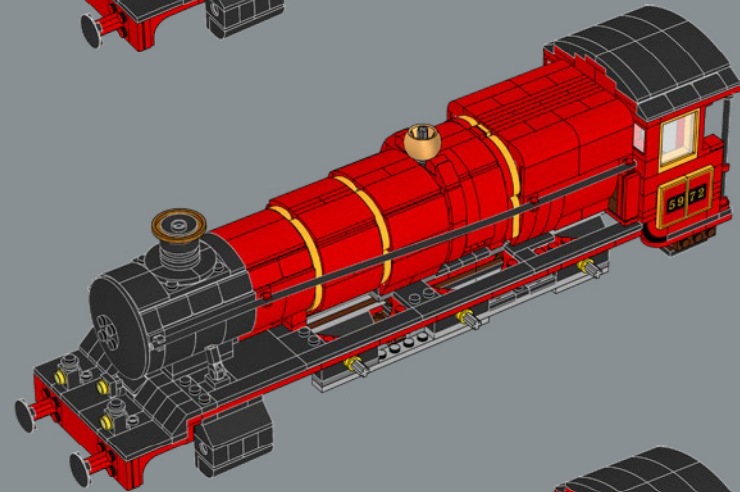
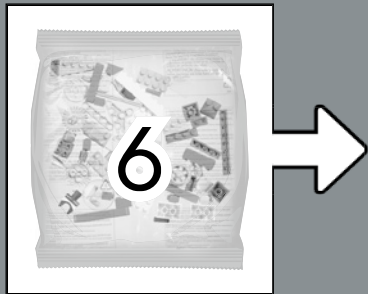
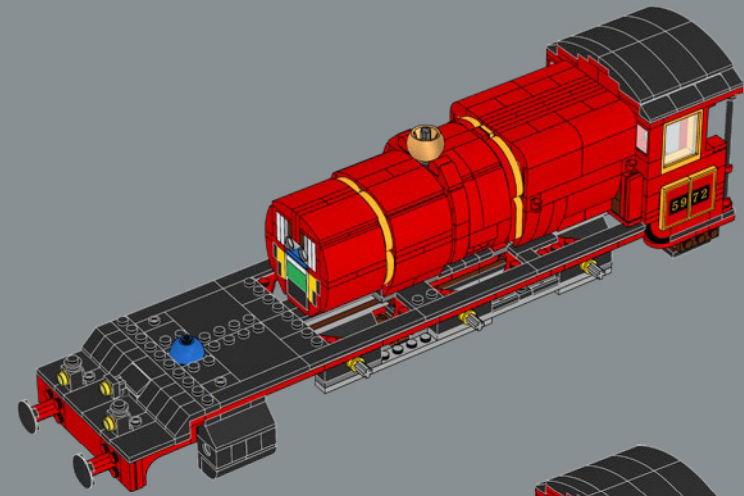
3



4







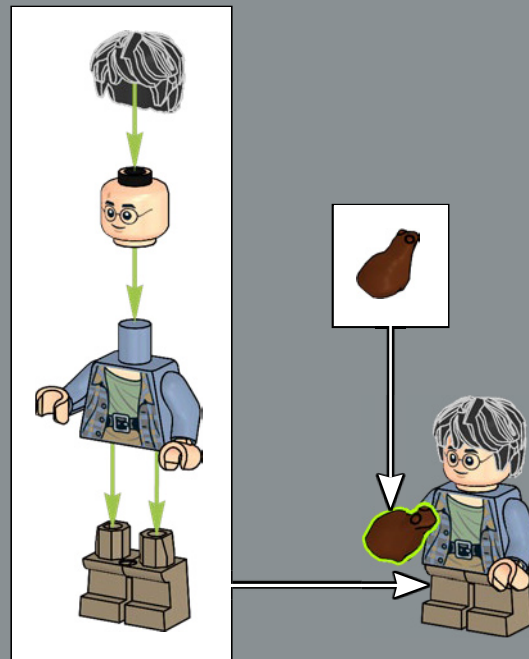


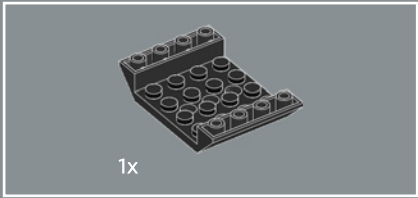
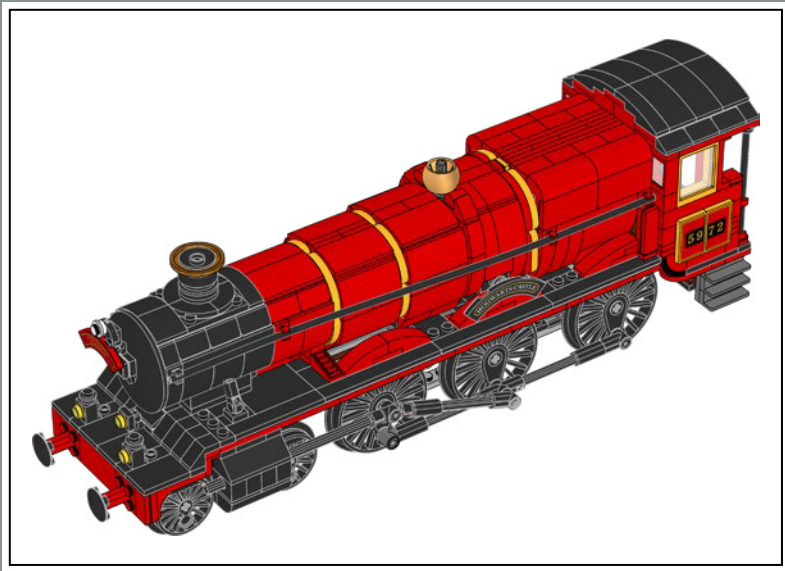
1x

**TIP:**

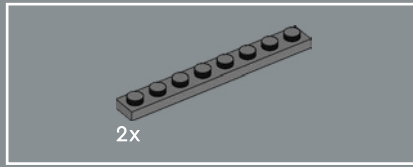
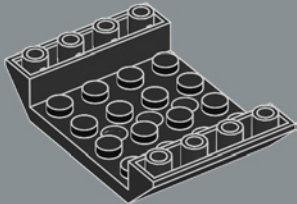
This element can also be added to your Hogwarts™ Icons model (76391) to add to your collection of iconic Hogwarts artifacts.



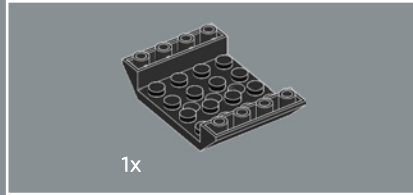
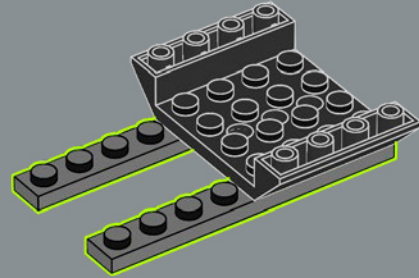




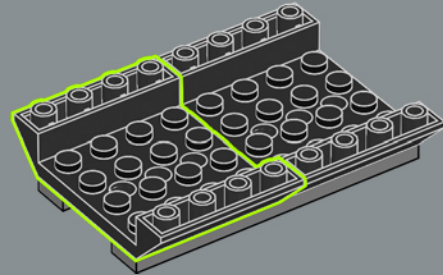
1



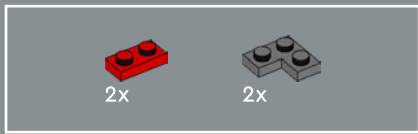
2



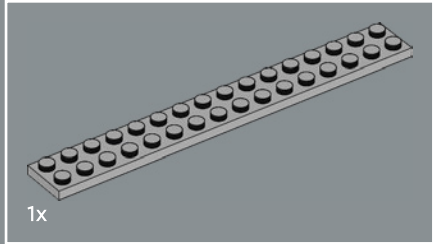
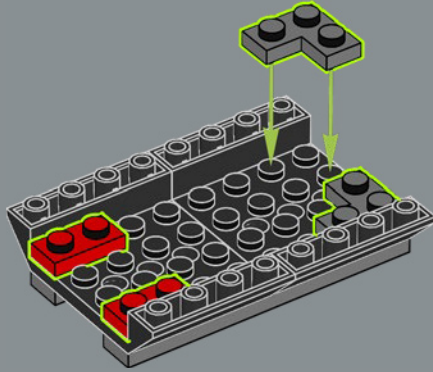
3



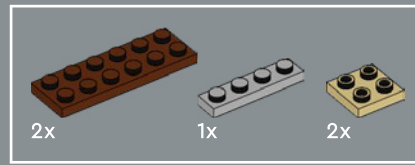
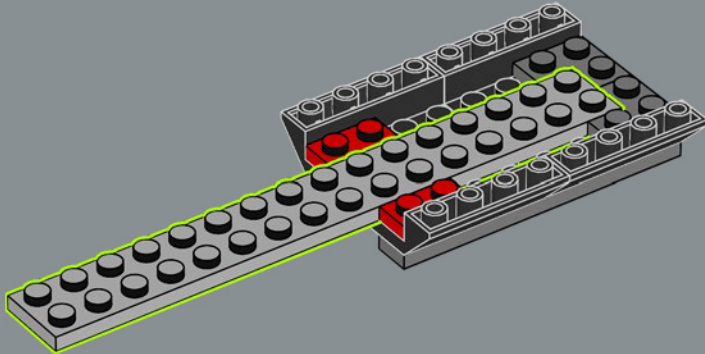




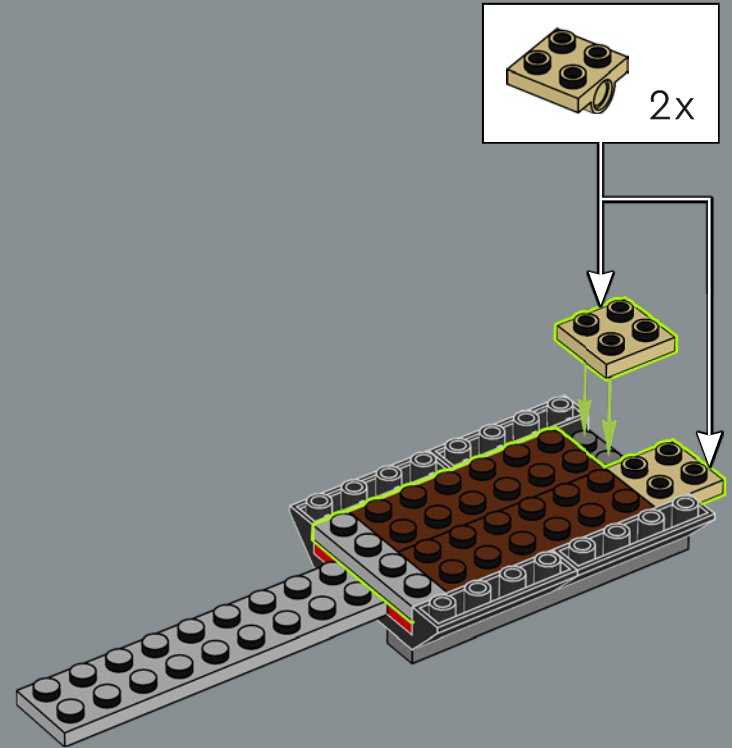
4

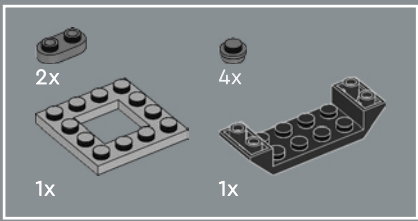


5



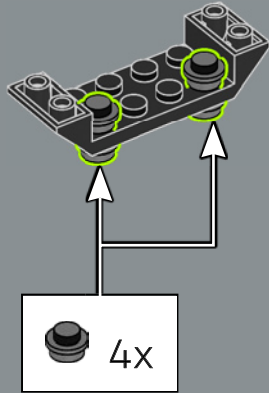
6



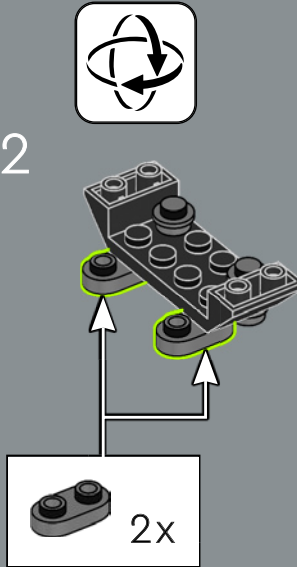


7

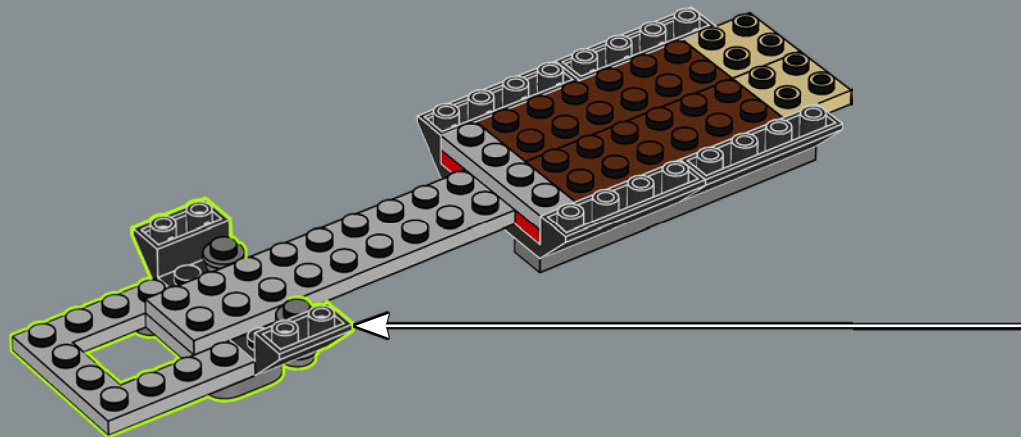
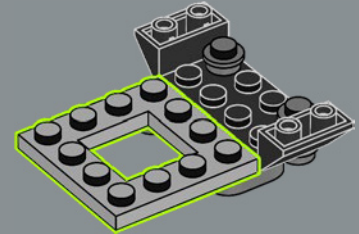
1

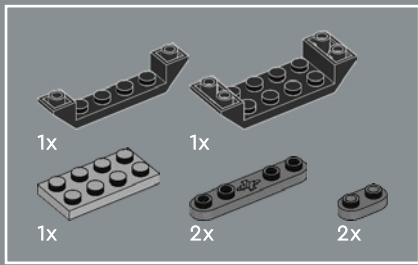


2



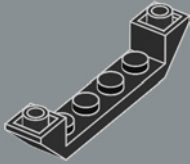
3



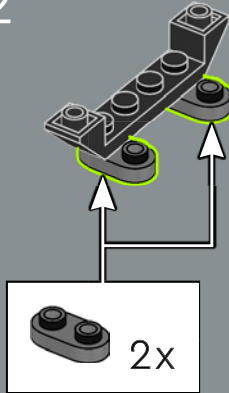


8

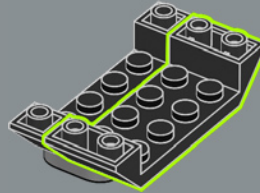
1



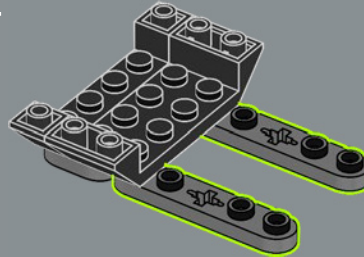
2



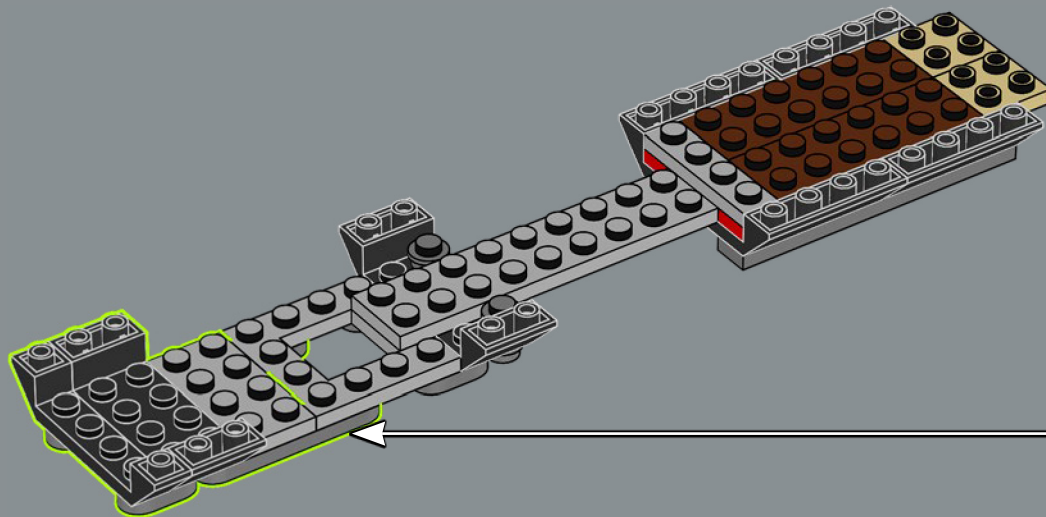
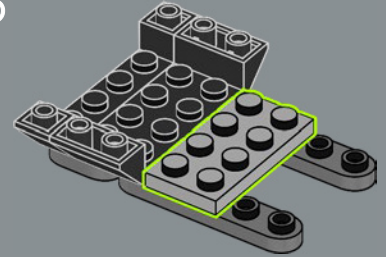
3

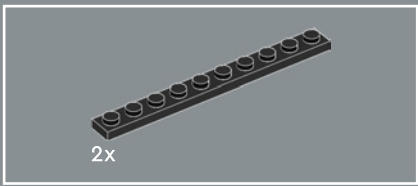


4

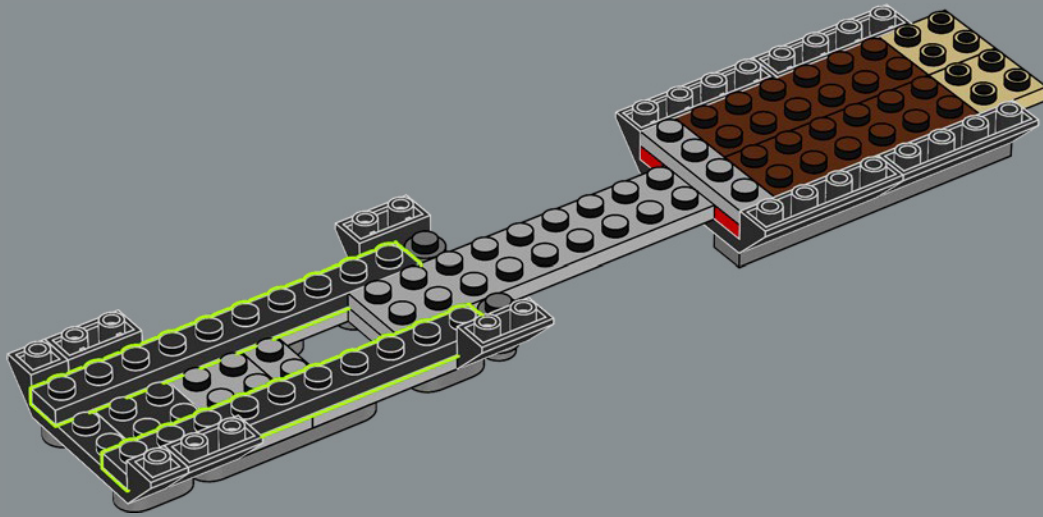


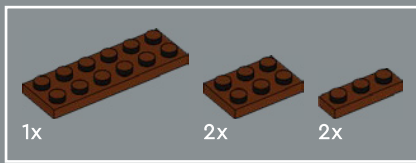
5



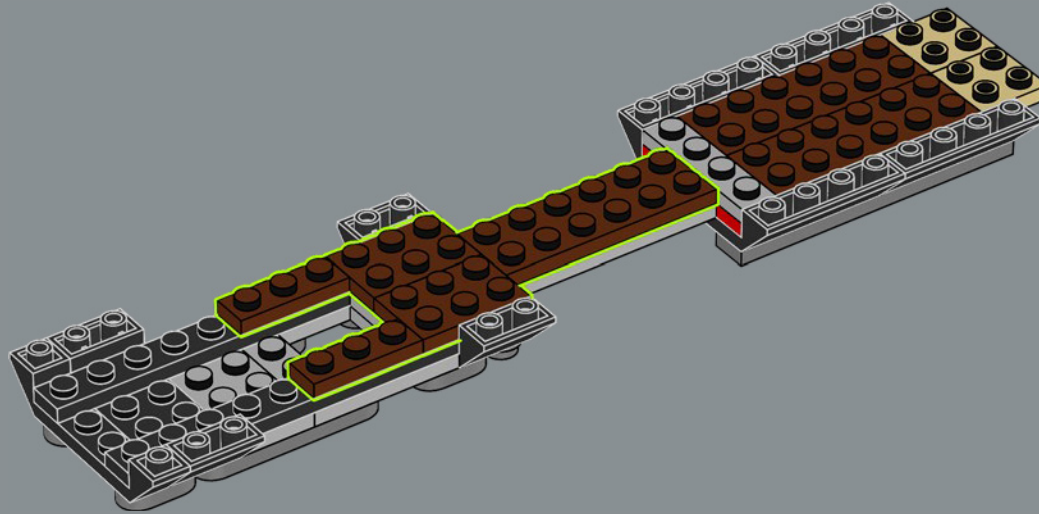


9

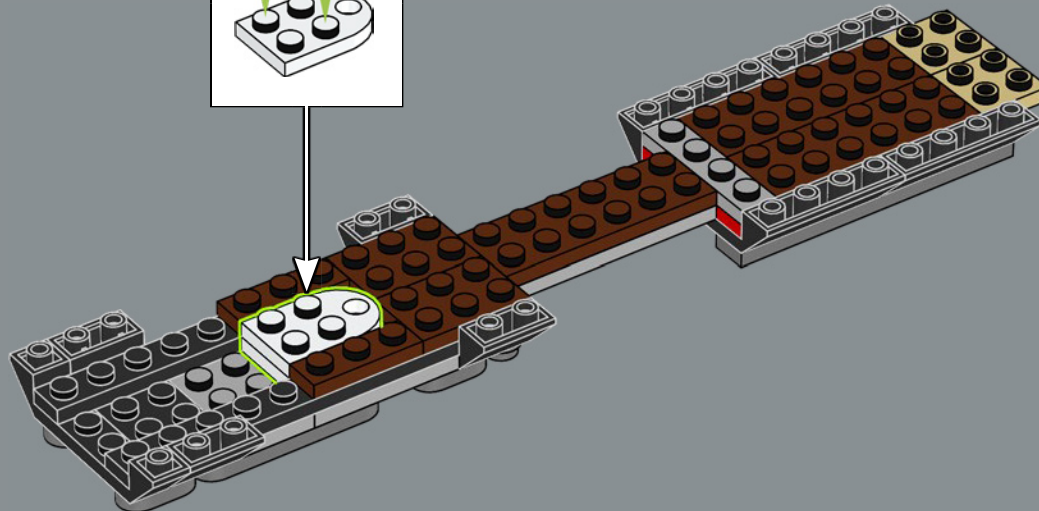
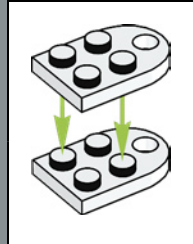


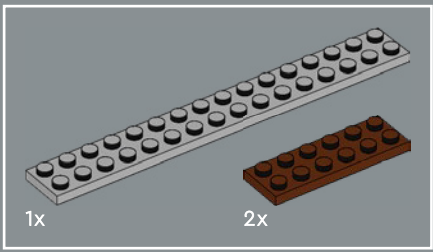


10

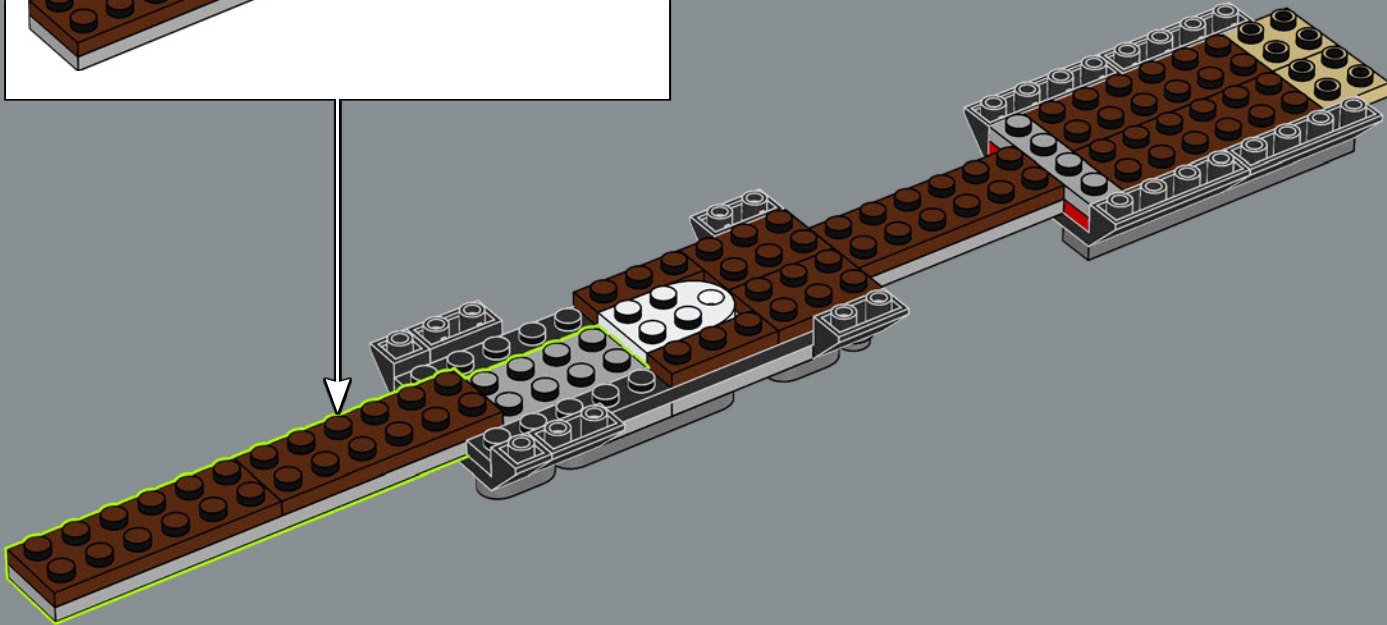
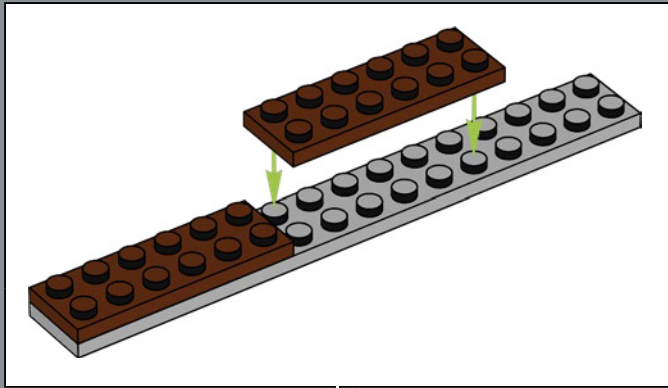


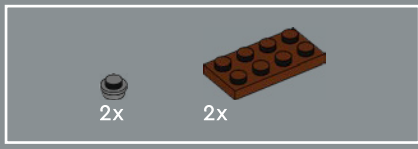
11



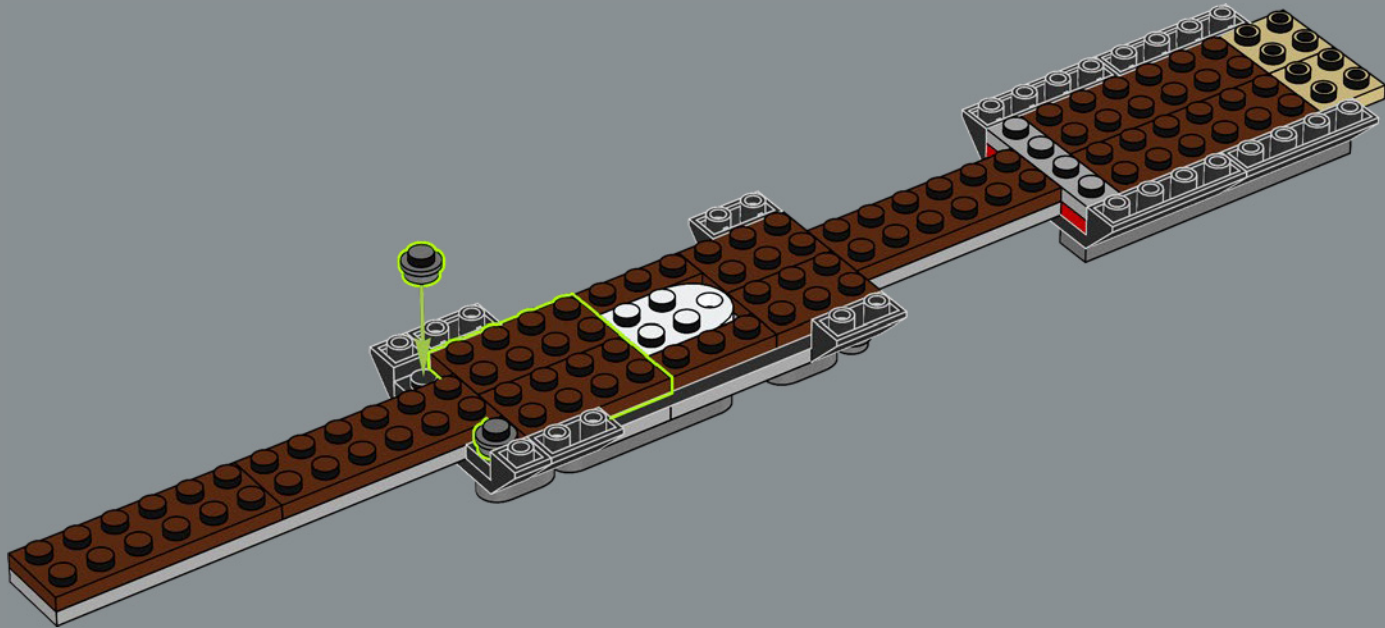


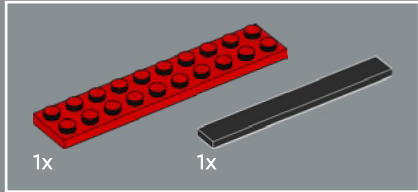
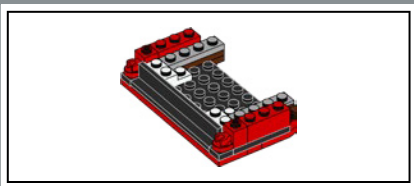
12



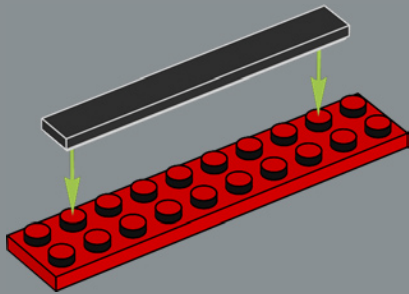


13

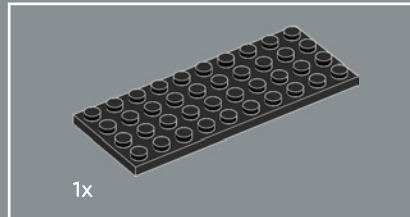
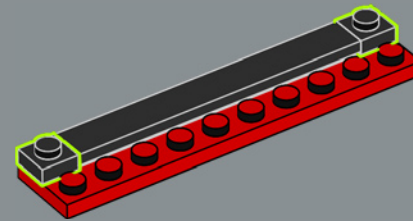




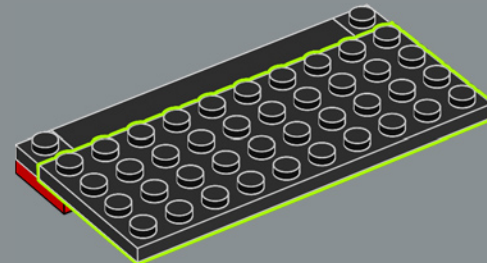
14



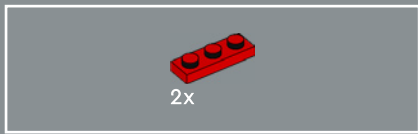
15



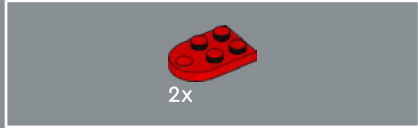
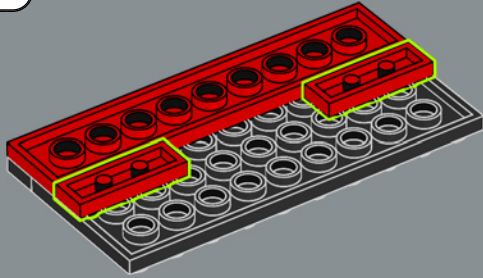
16



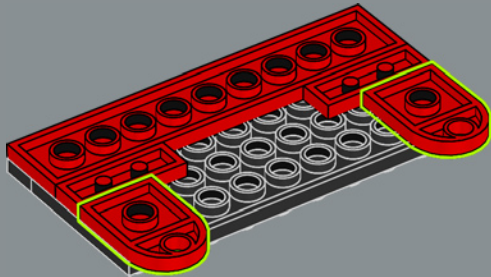




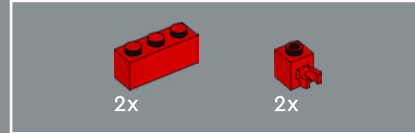
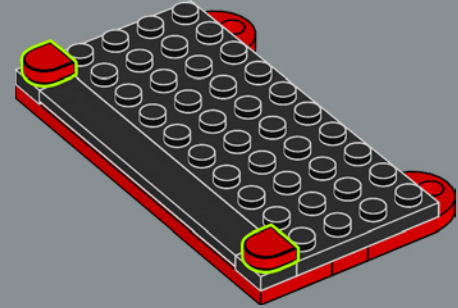
17



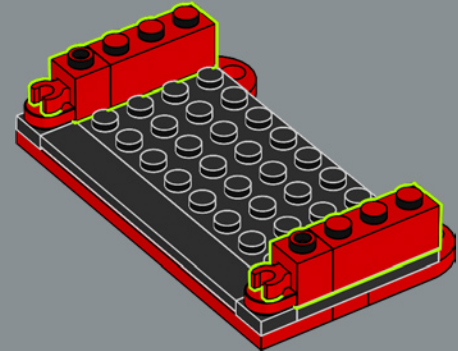
18

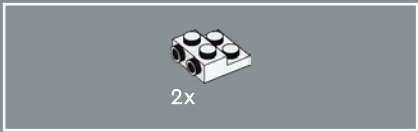


19

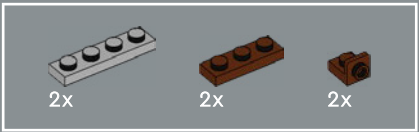
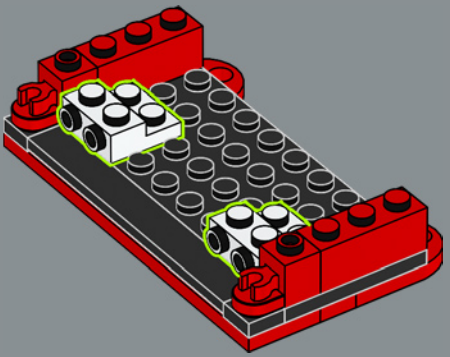


20

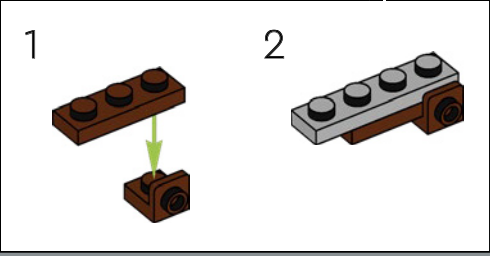
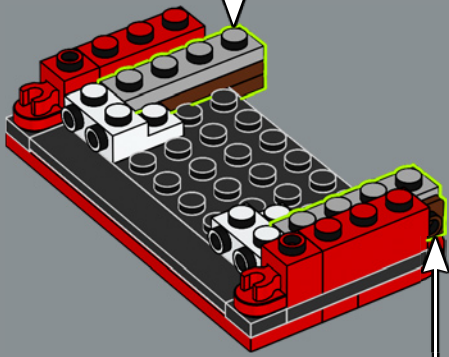
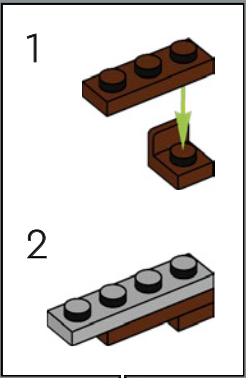


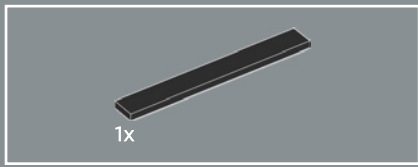


21

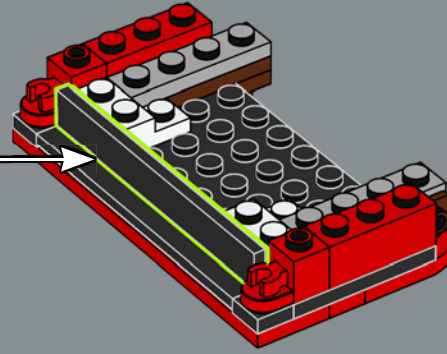
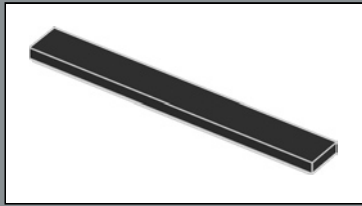


22

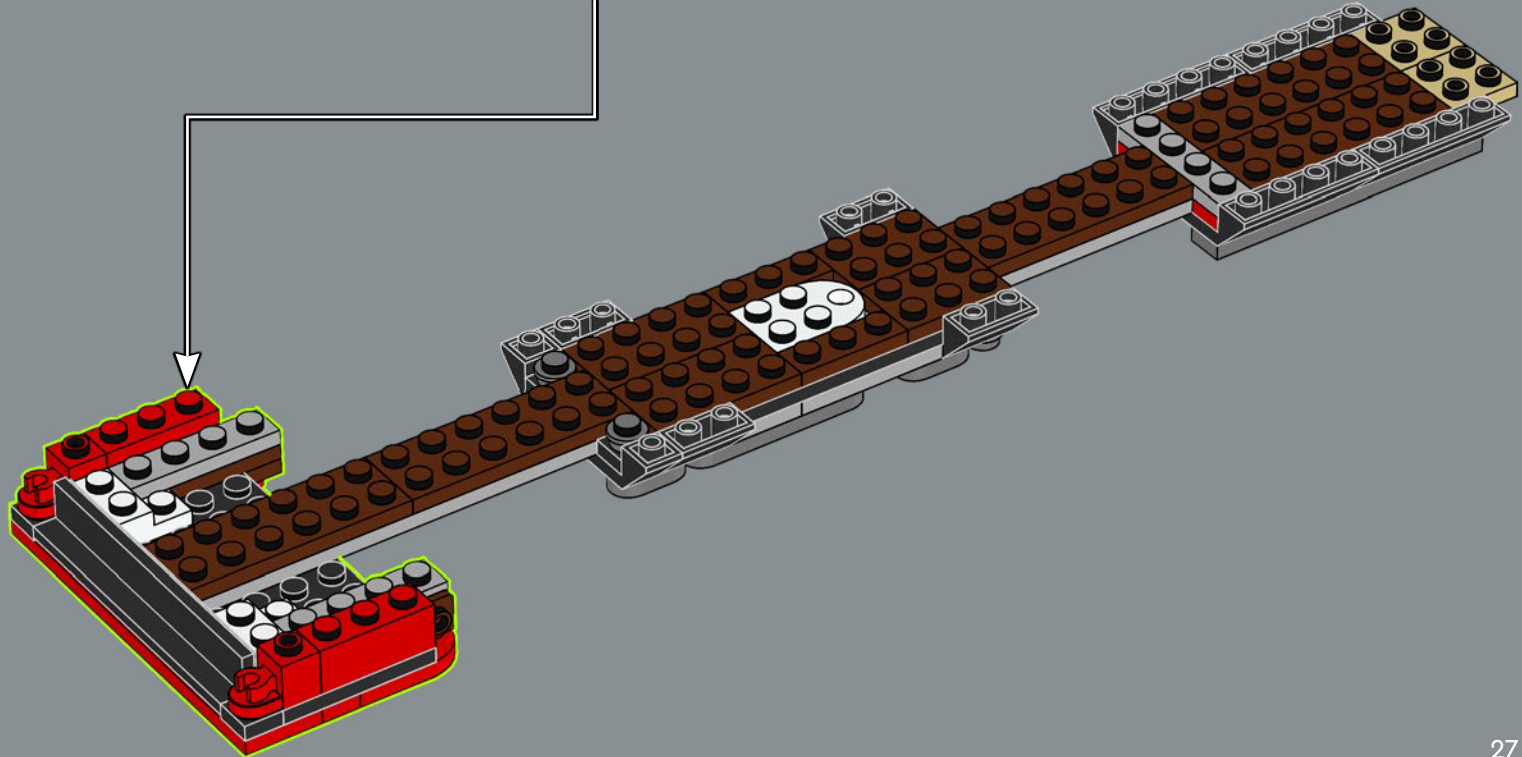


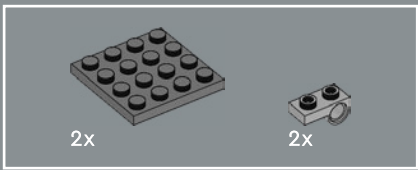


23

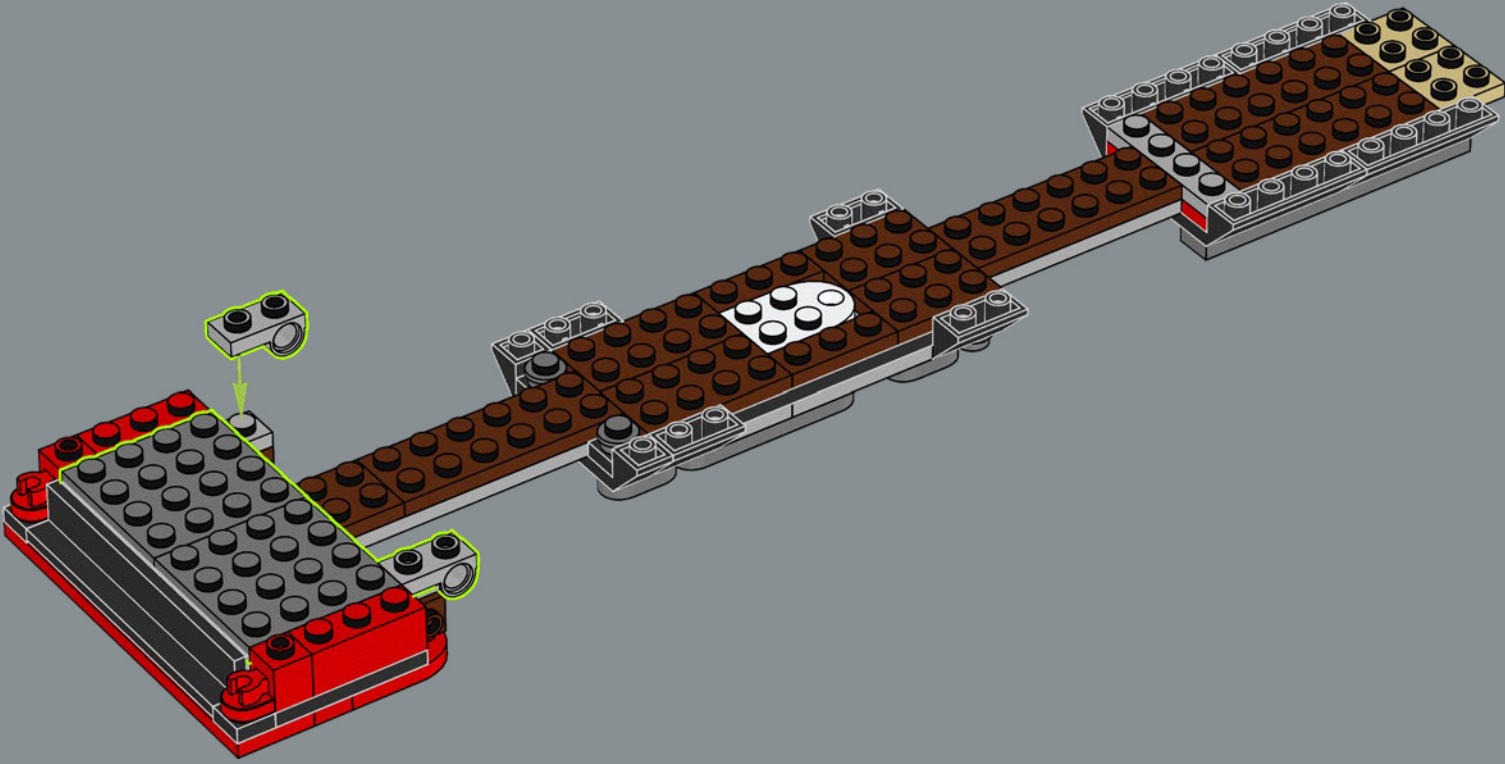


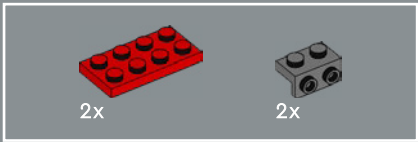
24



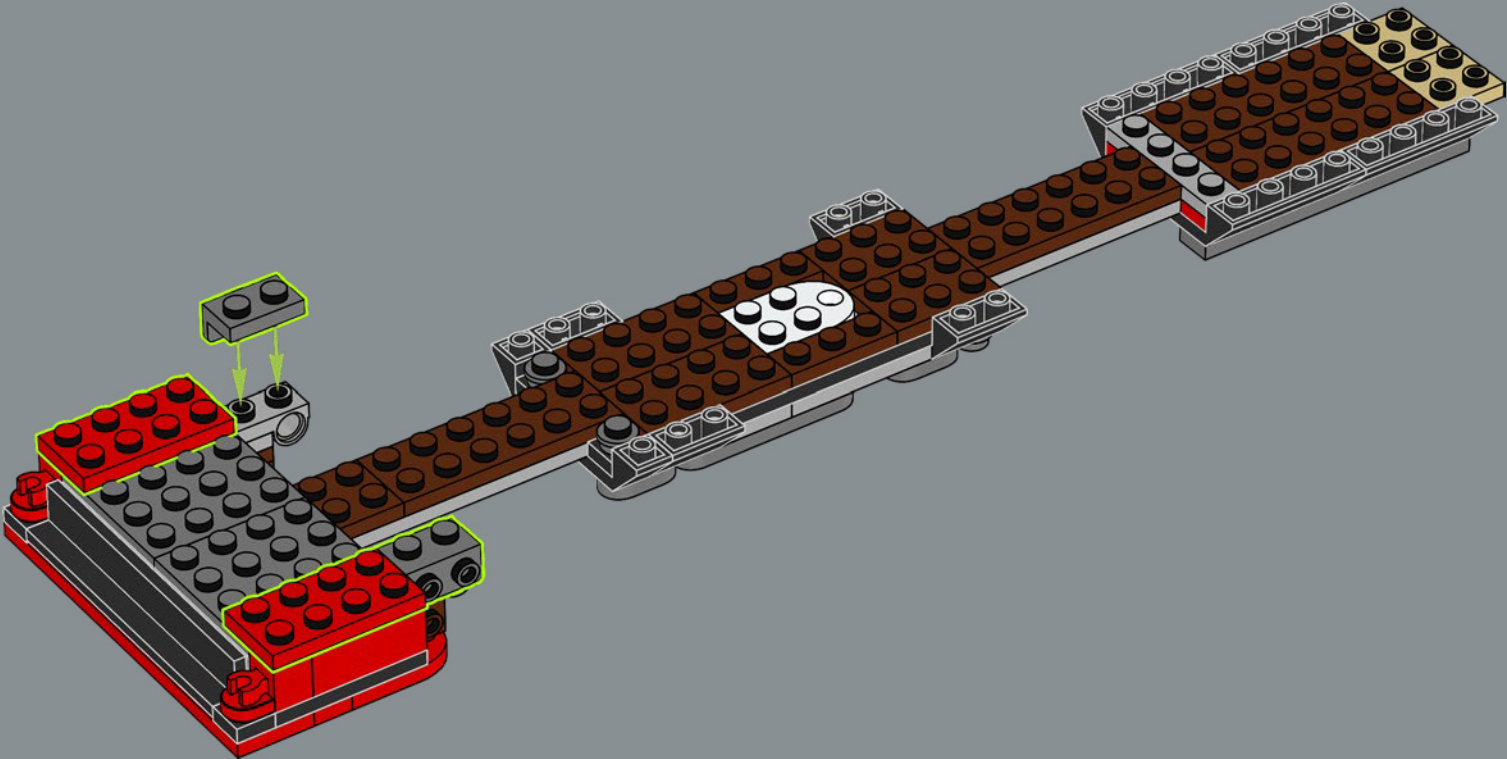


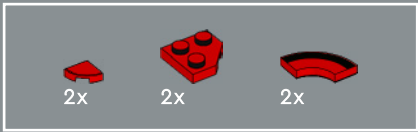
25



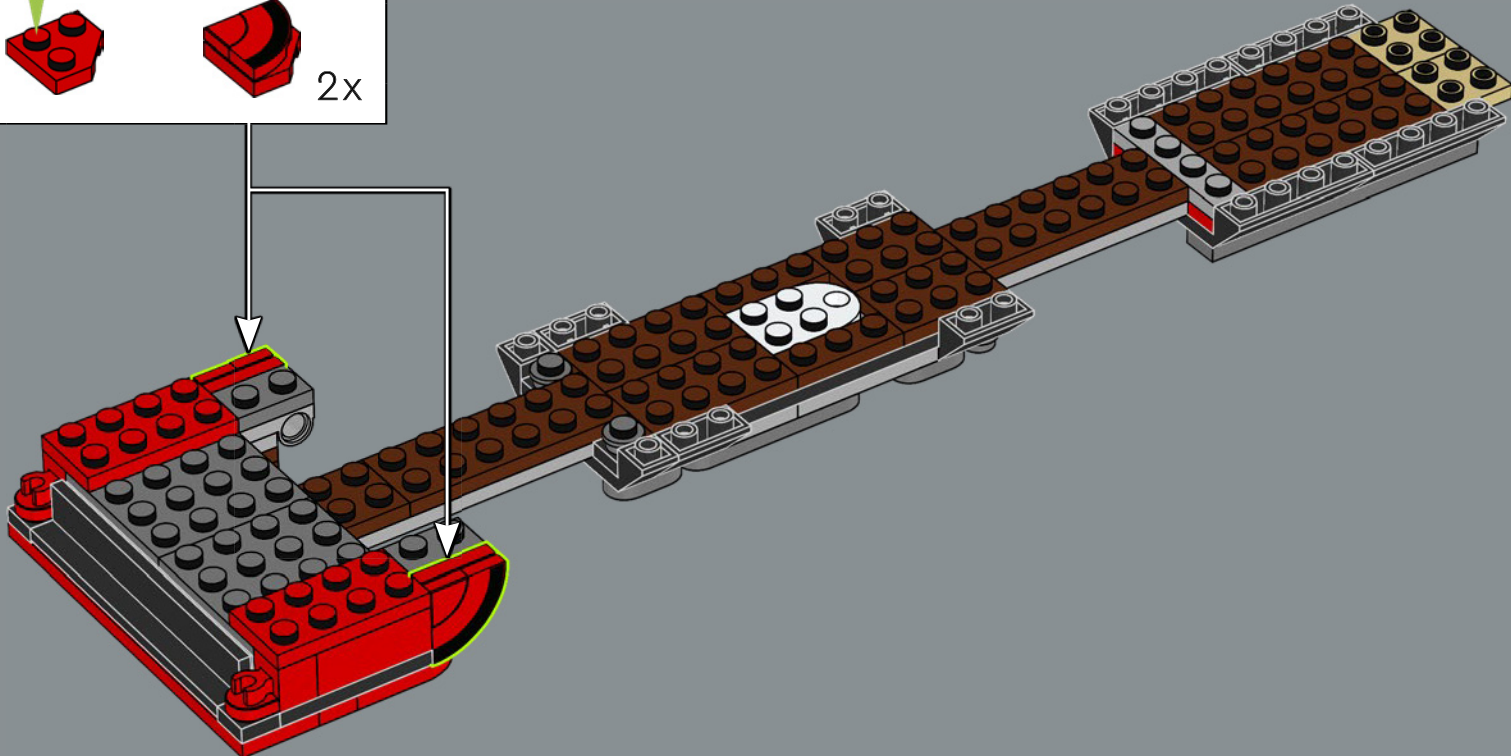
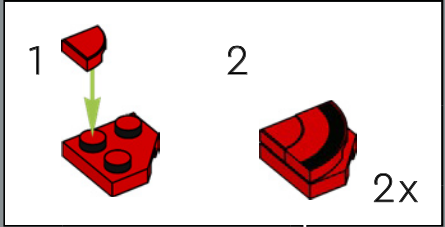


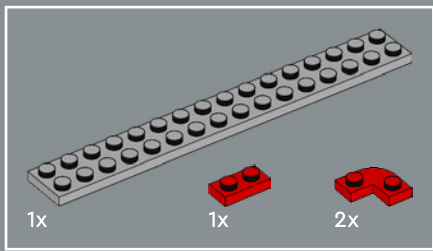
26



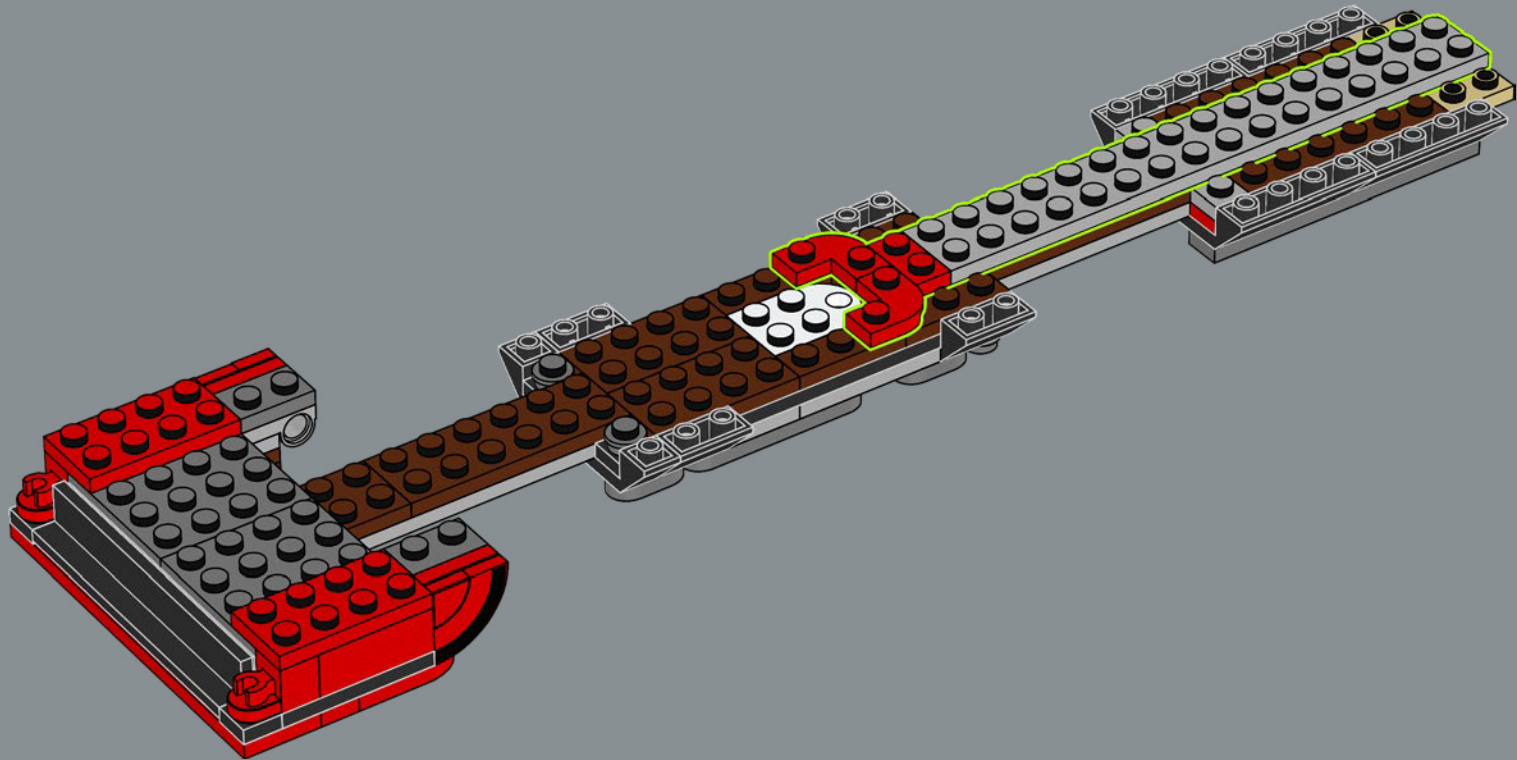


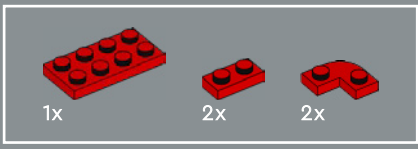
27



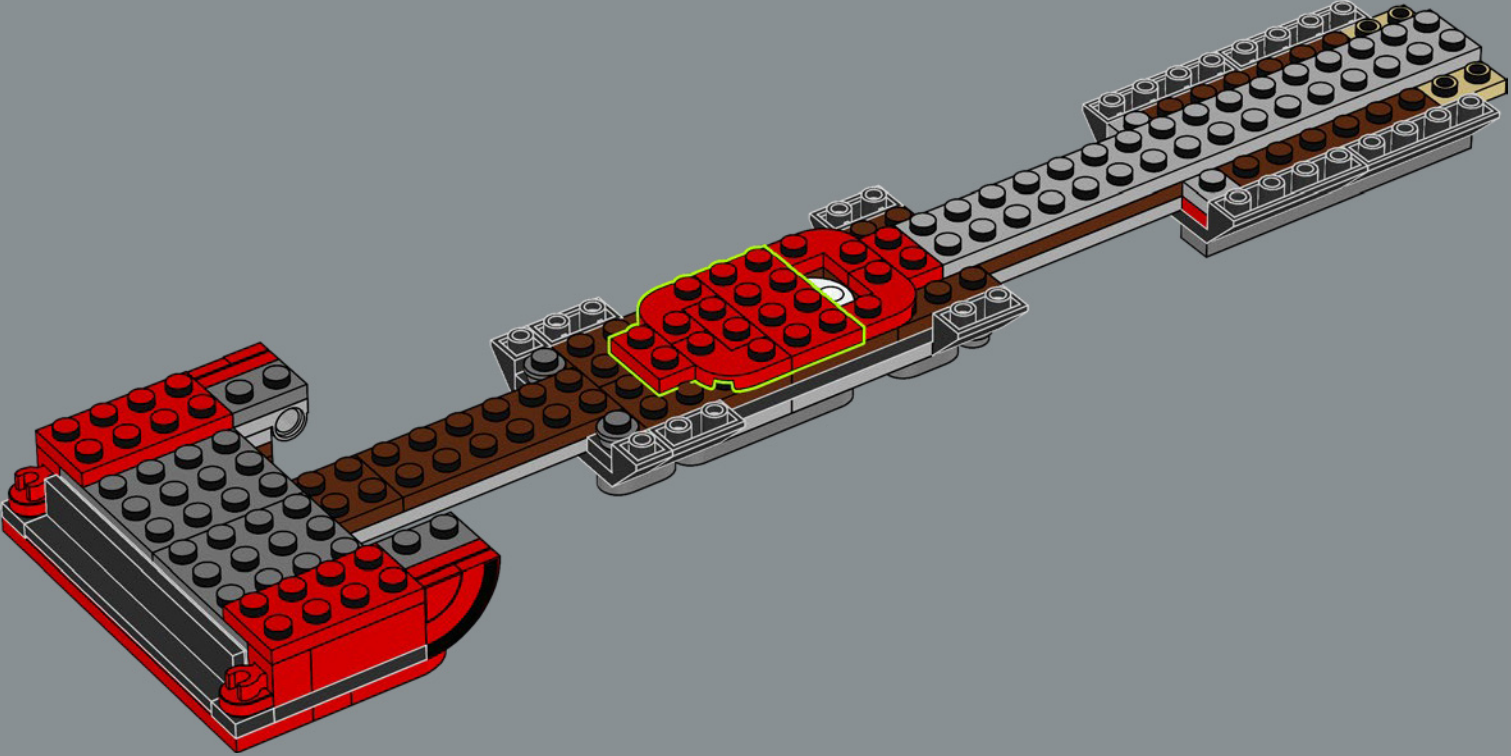


28

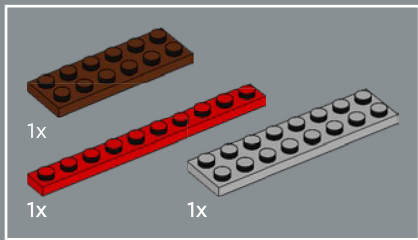




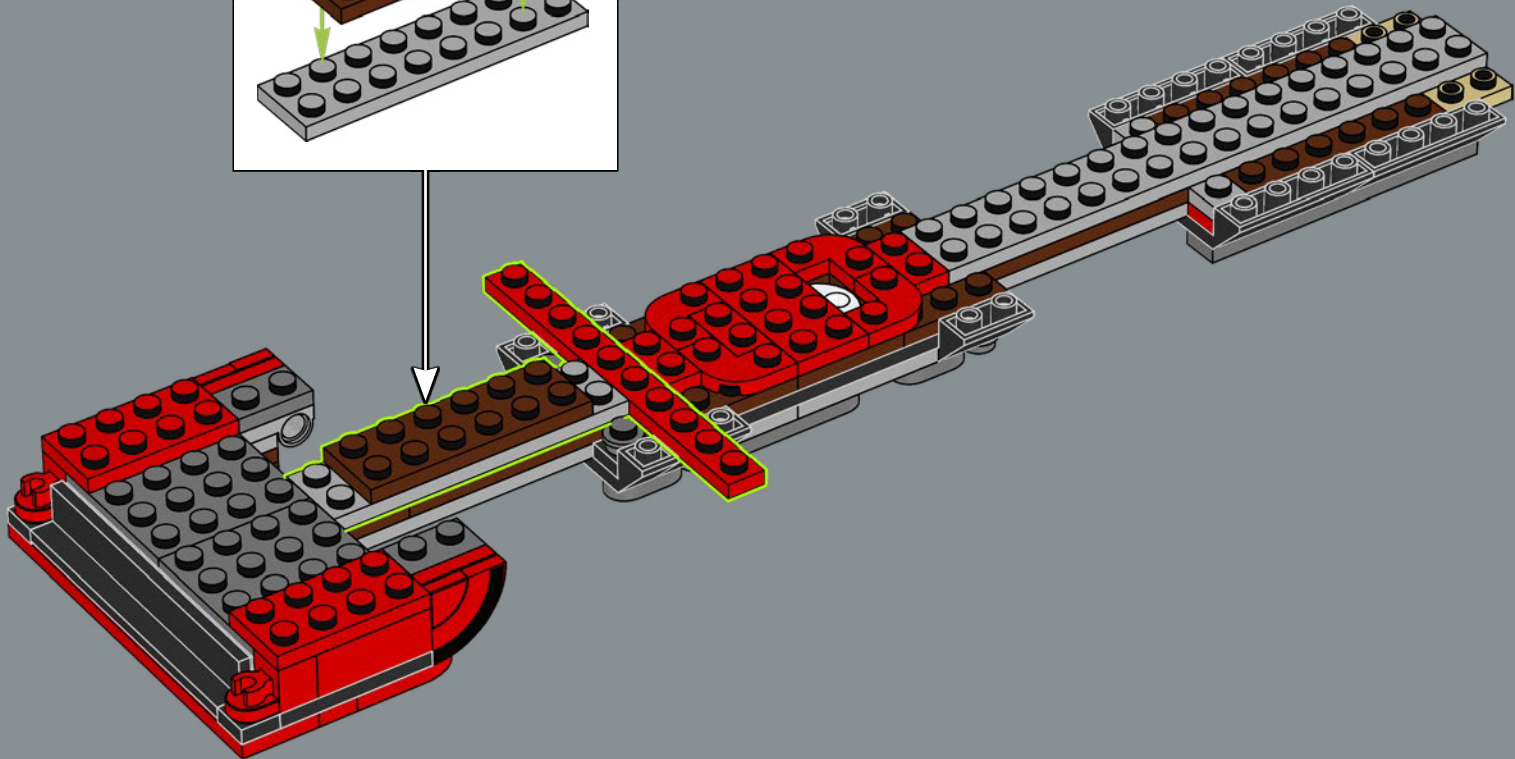
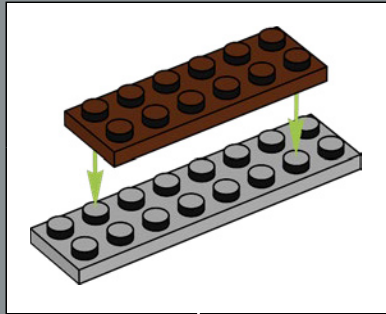
29

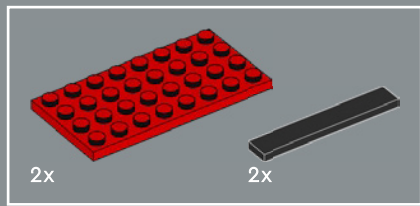




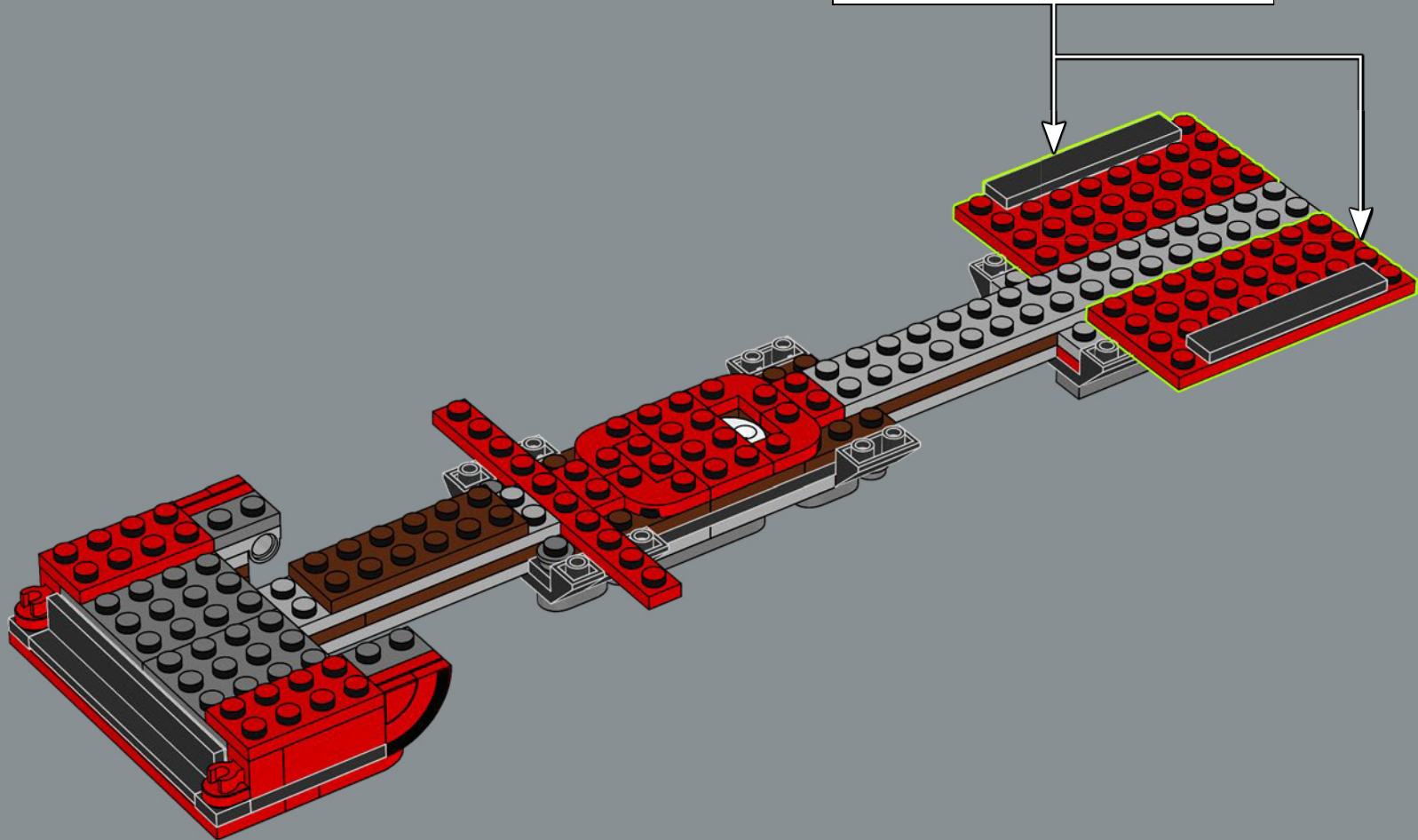
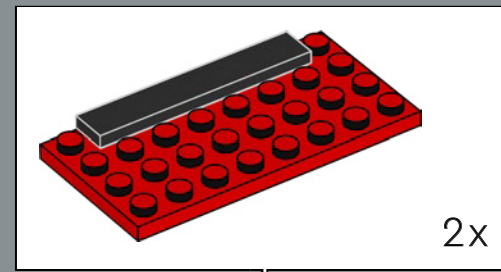


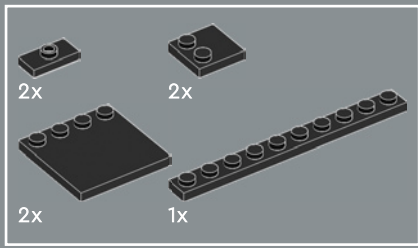
30



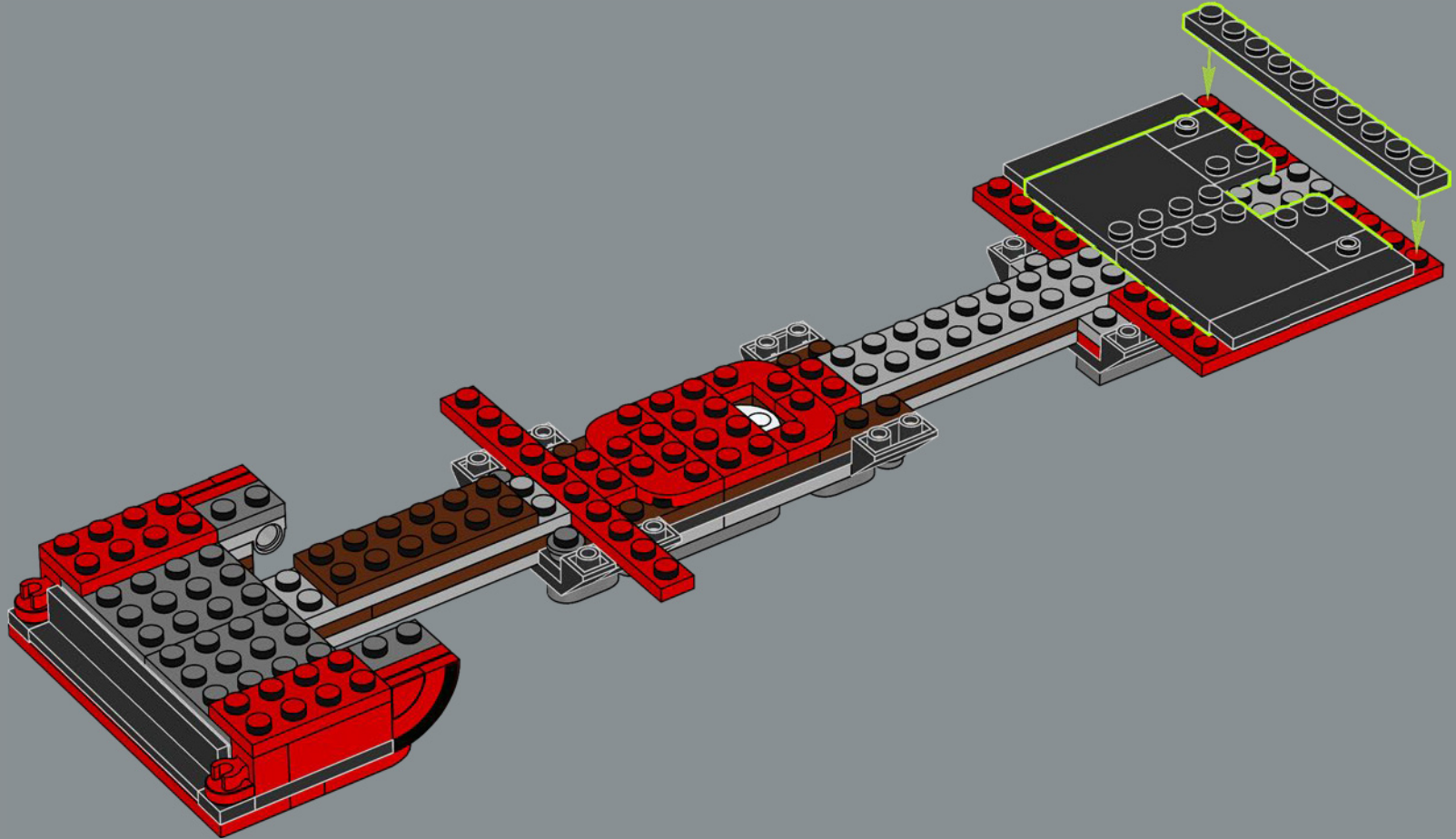


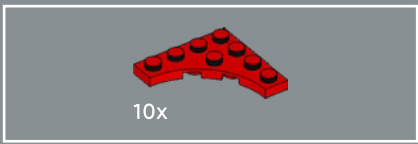
31



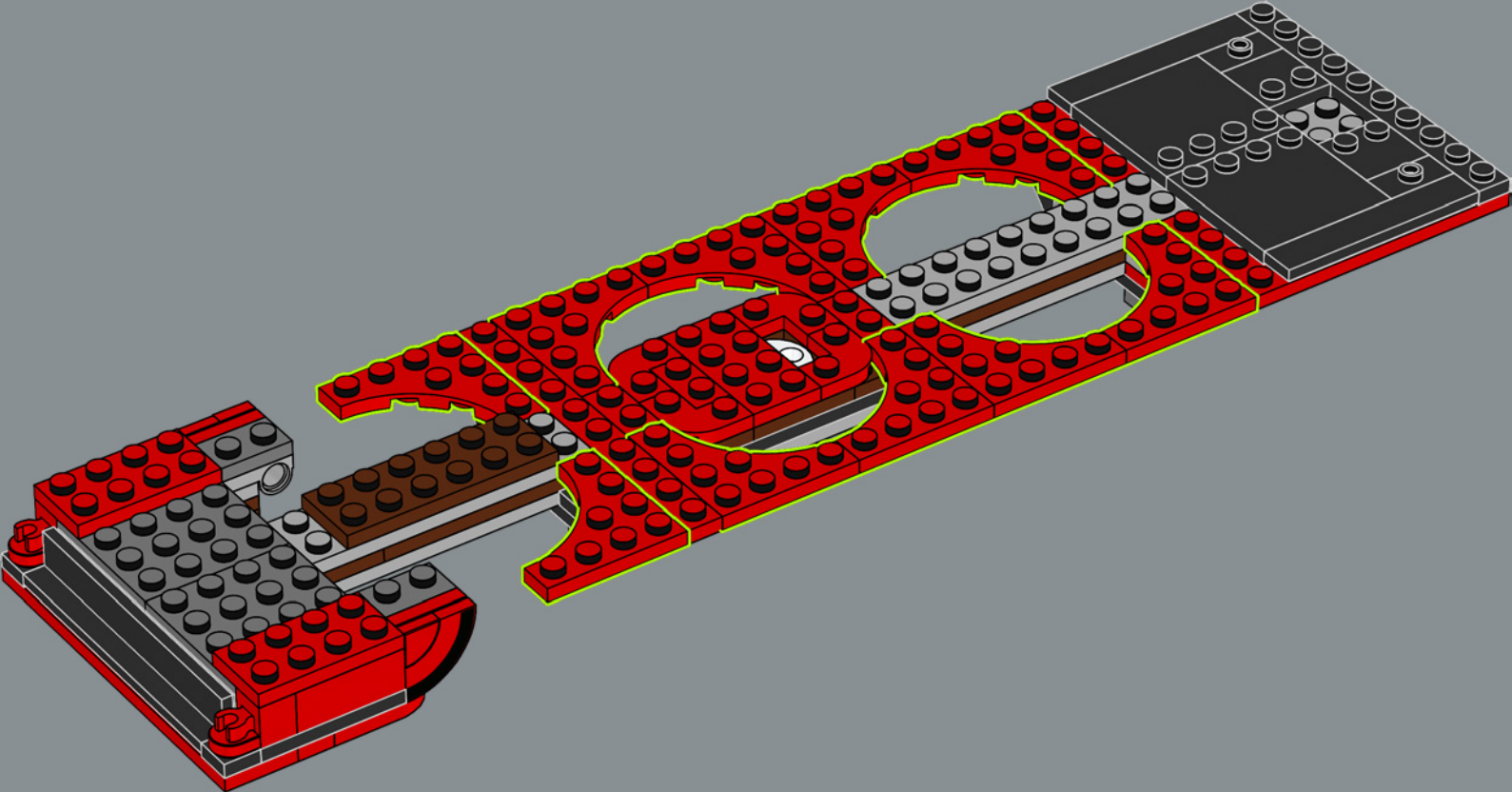


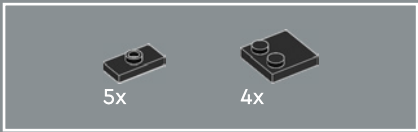
32



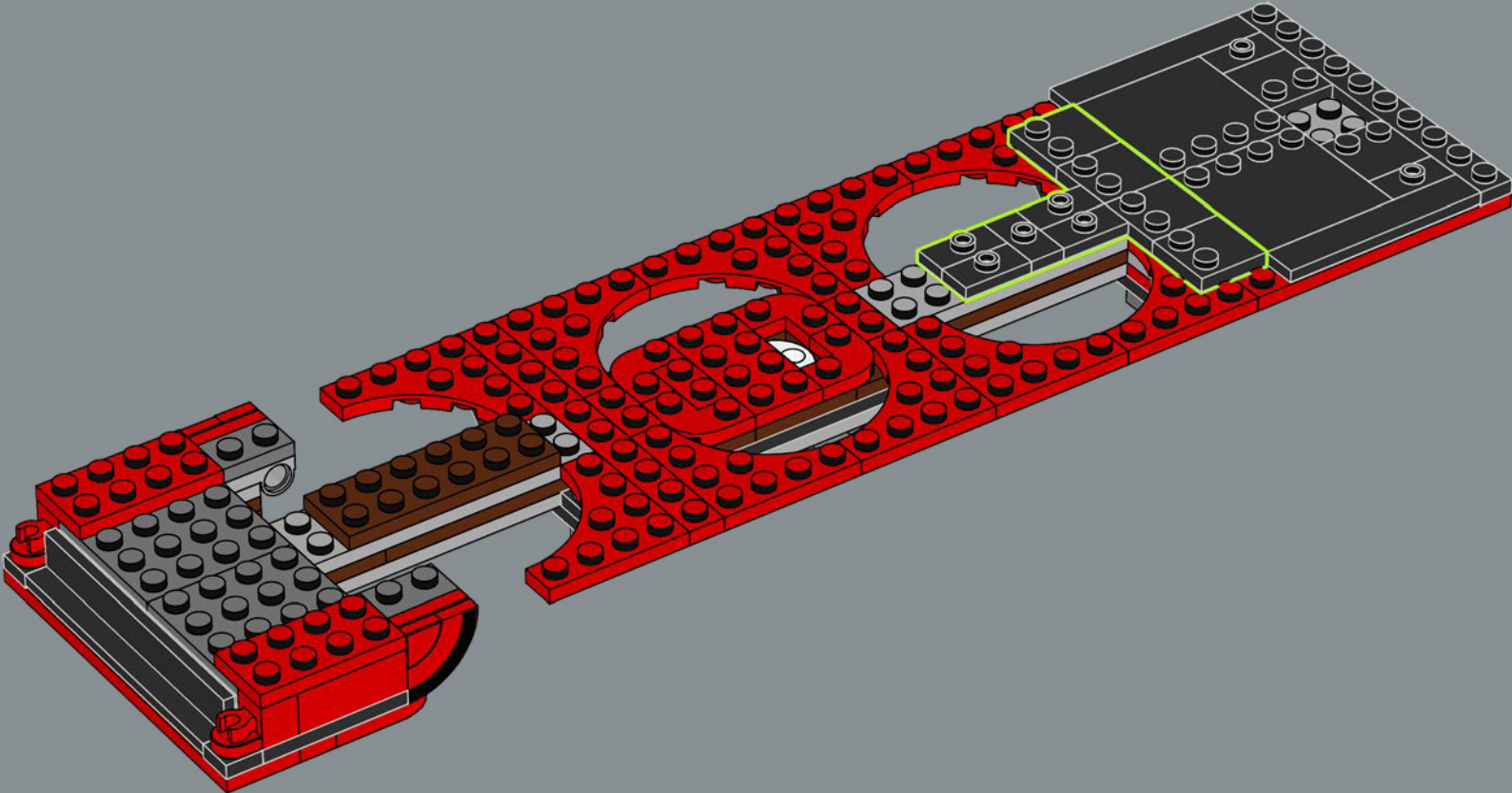


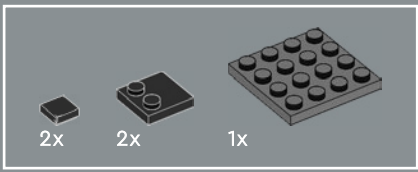
33



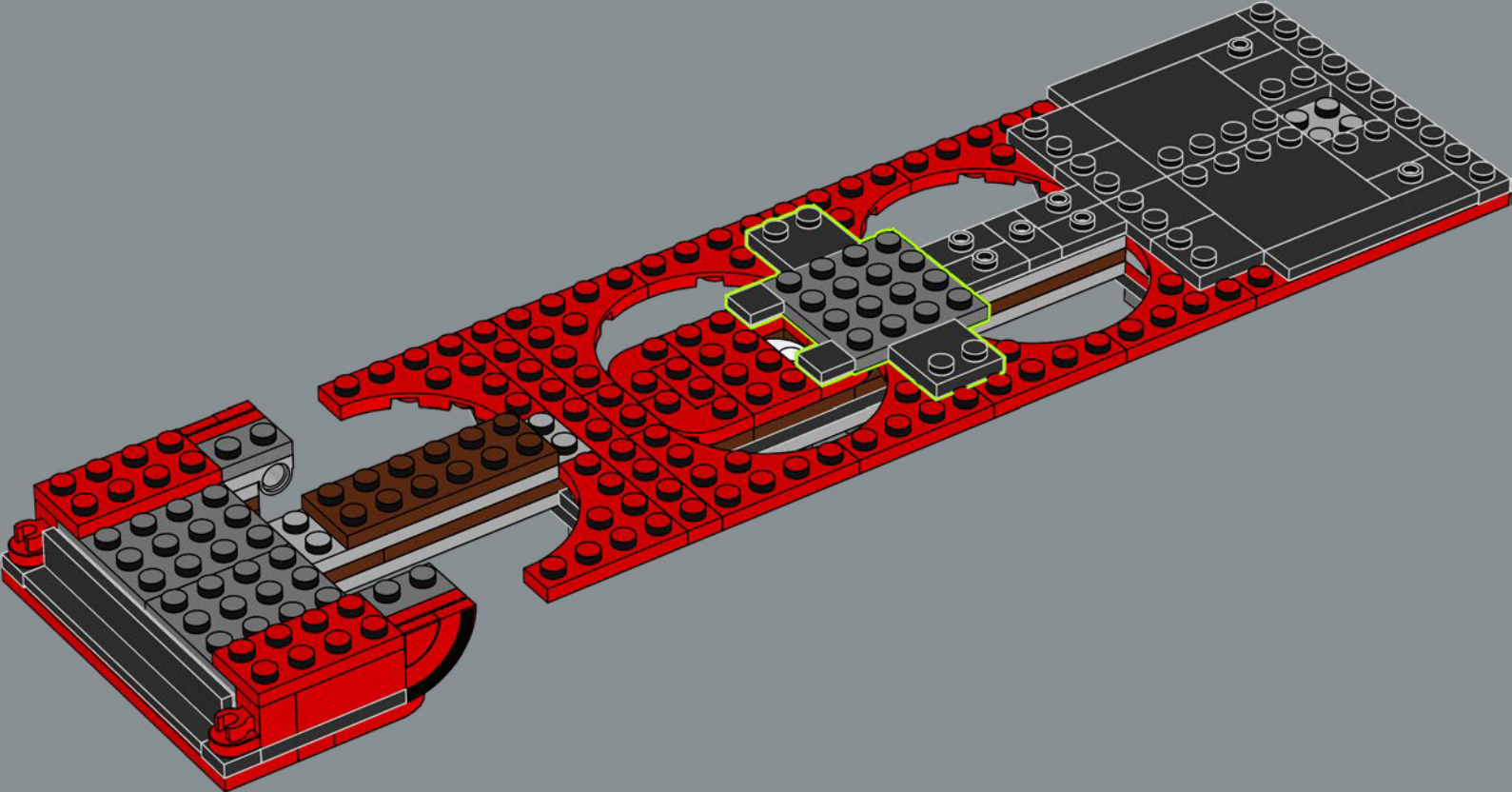


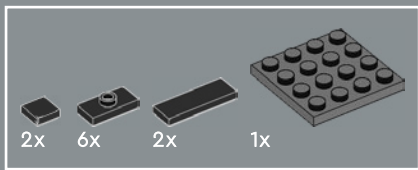
34



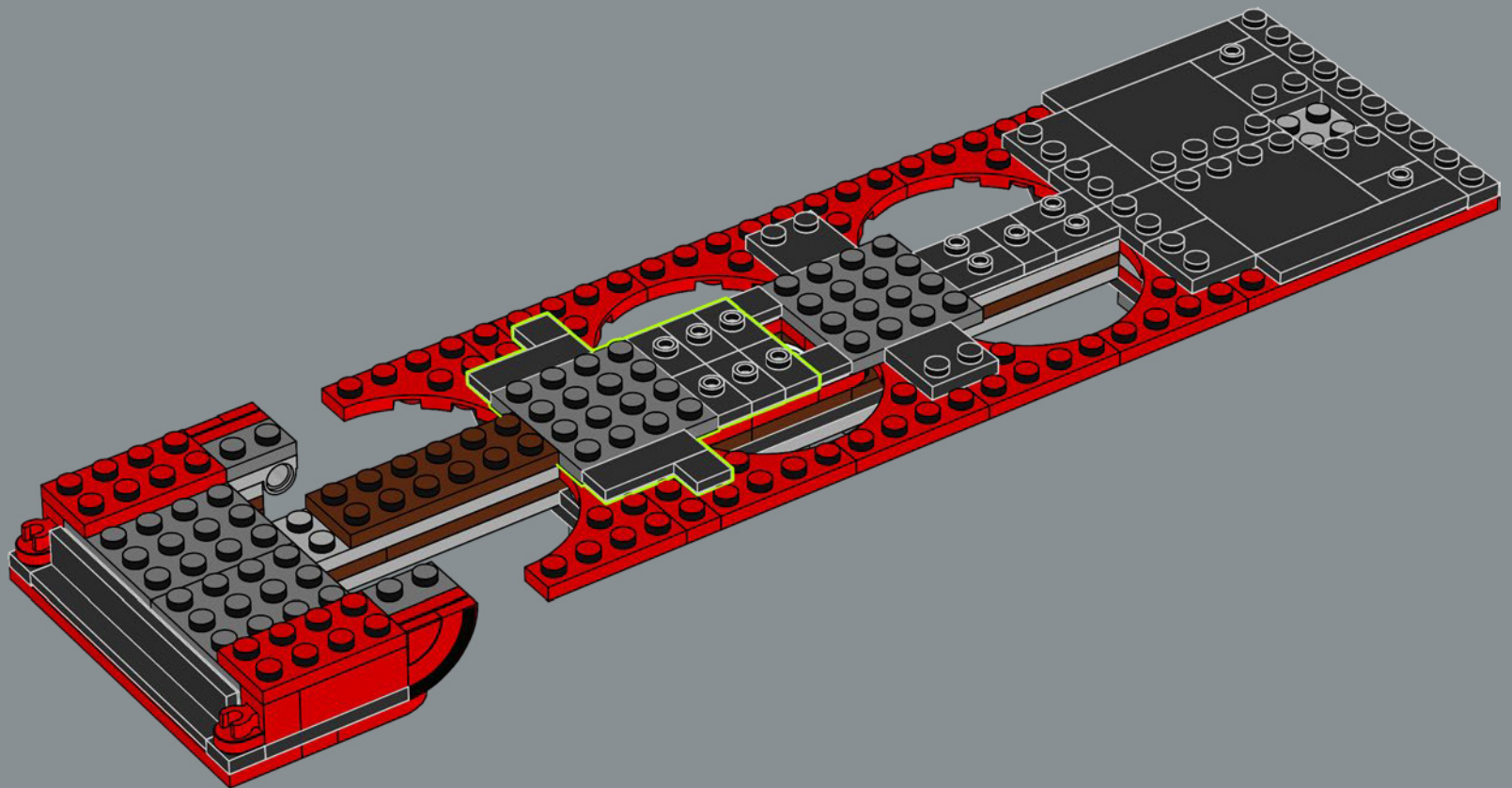


35



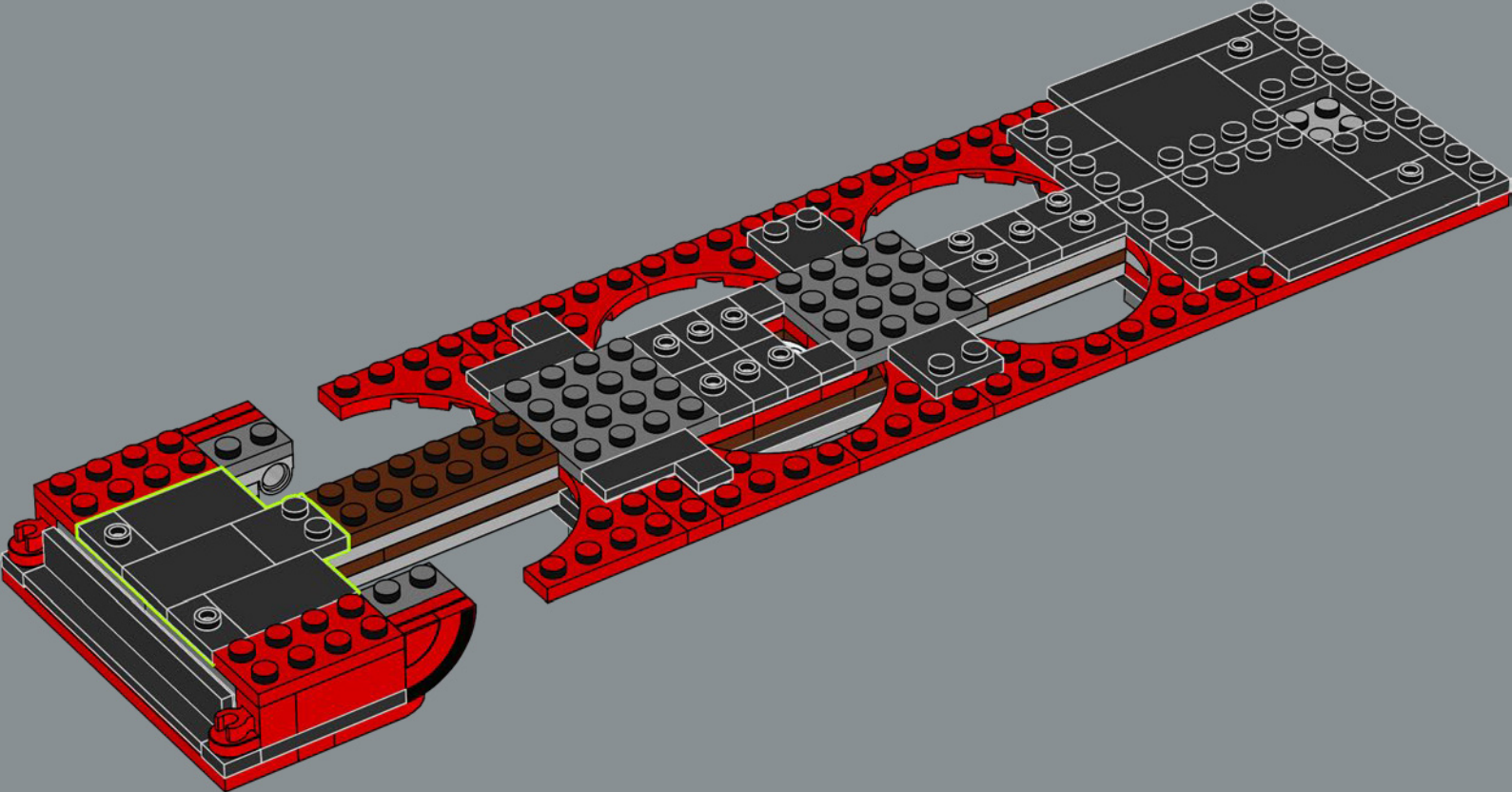


36

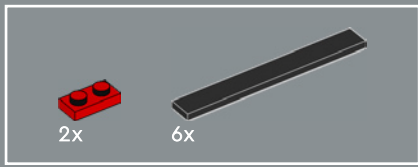




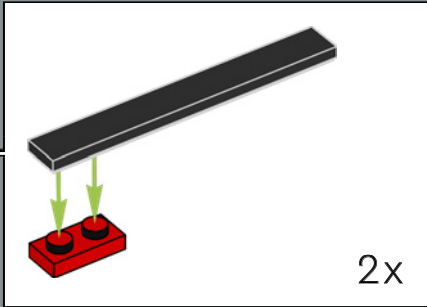
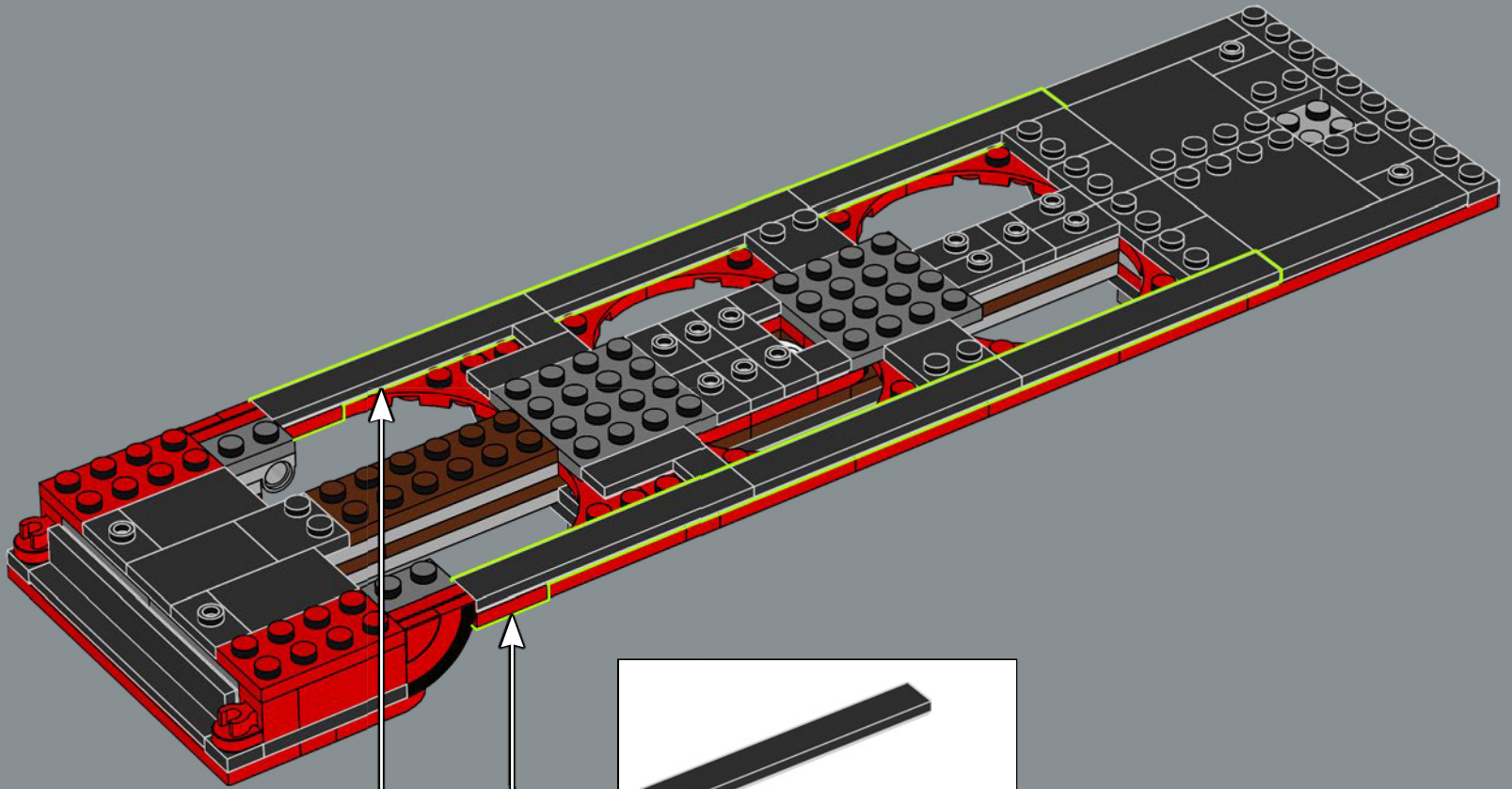
37

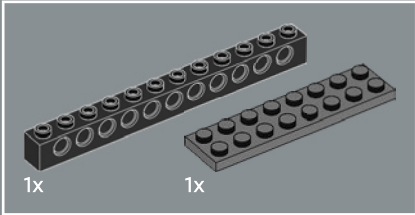
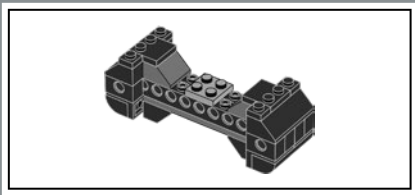




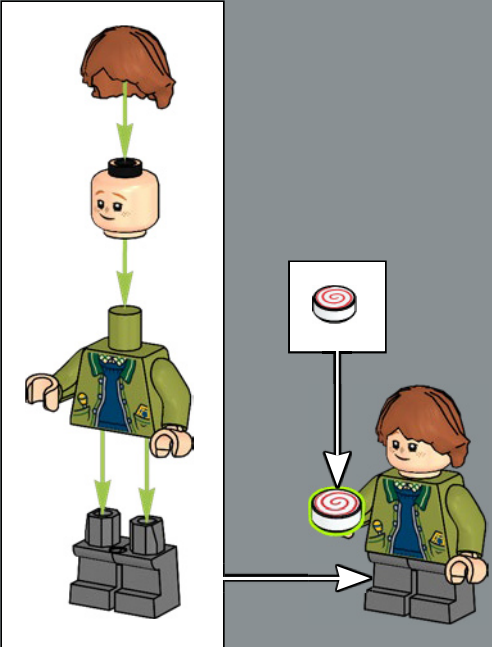
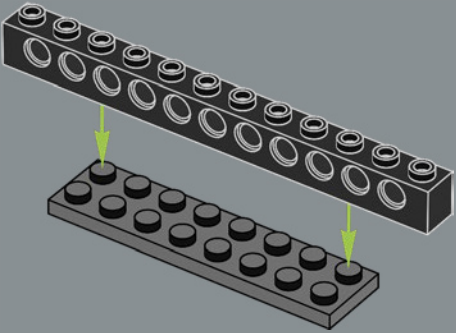


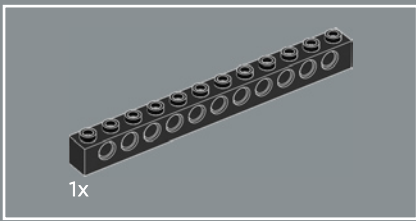
38



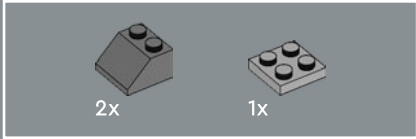
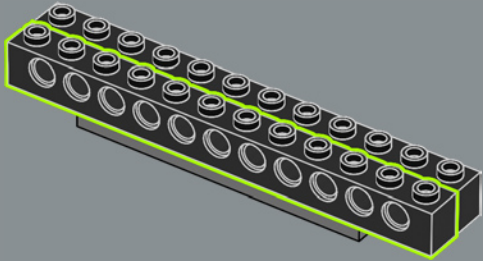


39

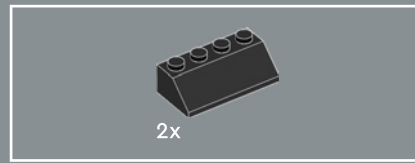
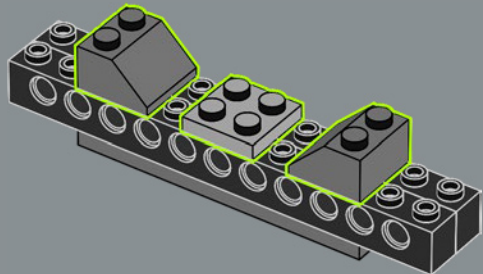




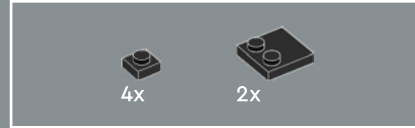
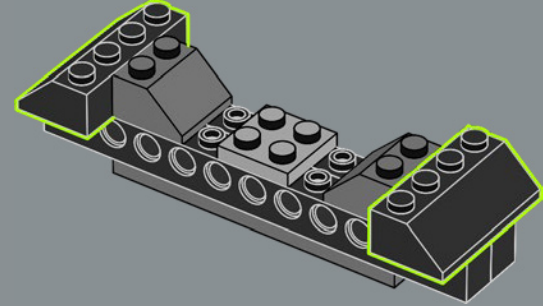
40



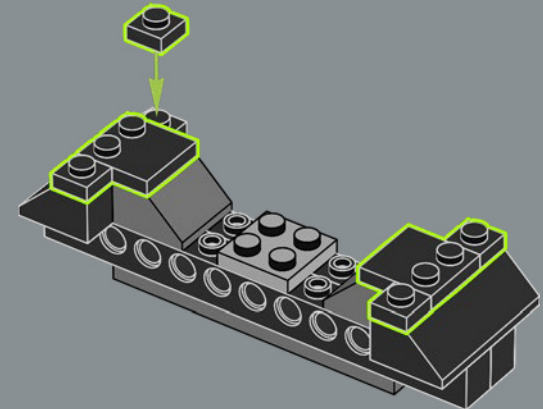
41



42



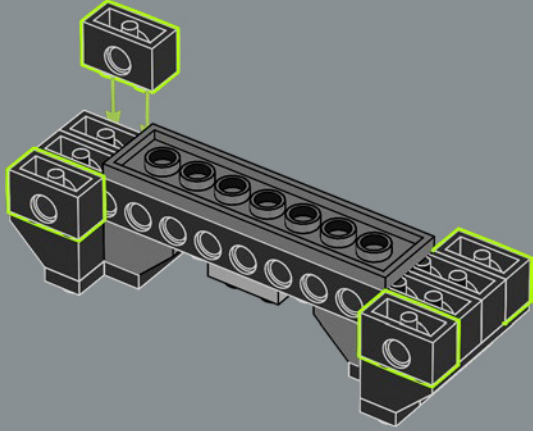
43



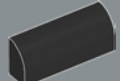


4x

44

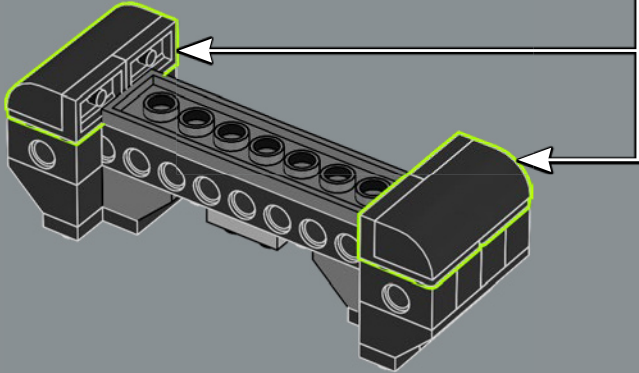
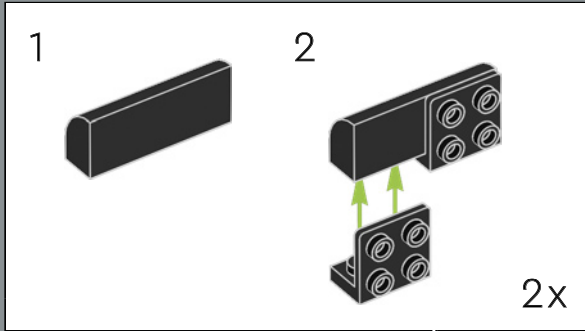


4x



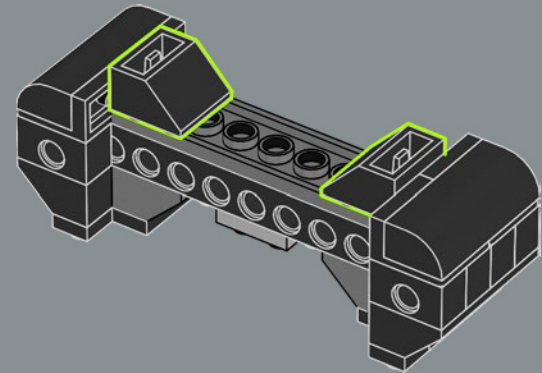
2x

45

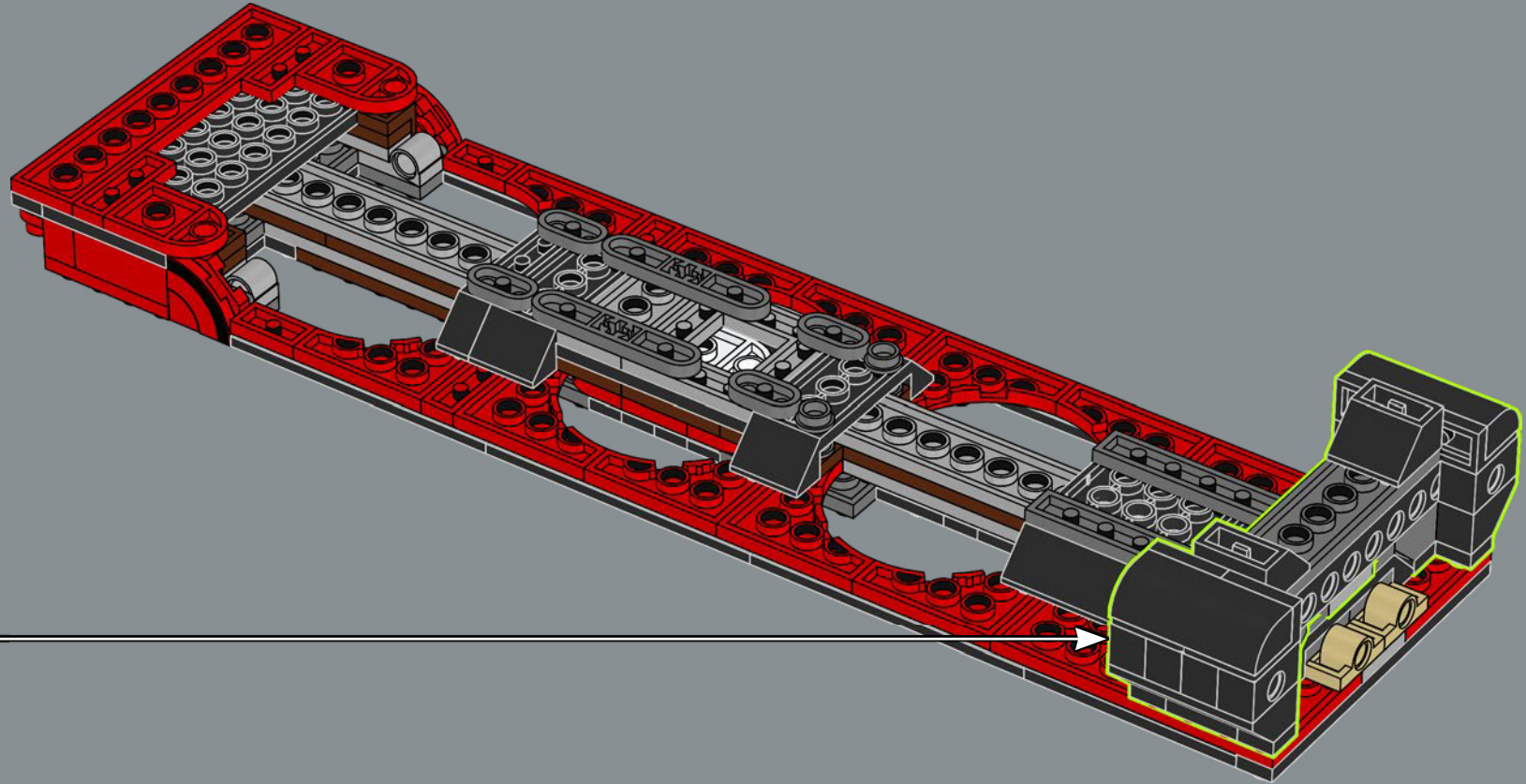


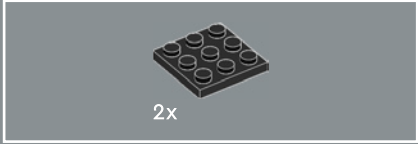
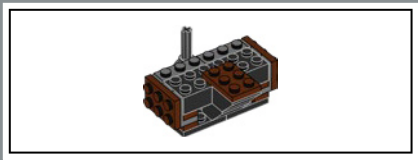
2x

46



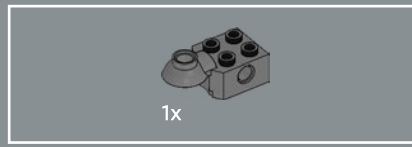
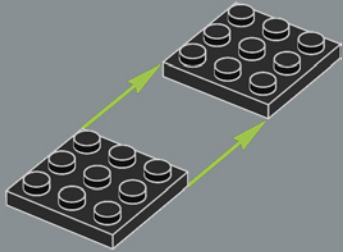
47





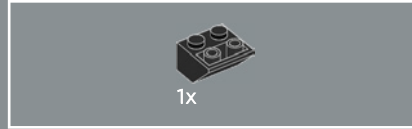
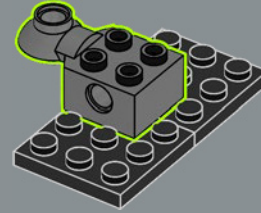
2x

48



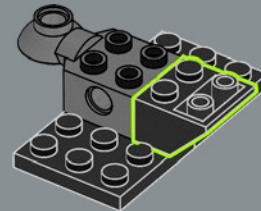
1x

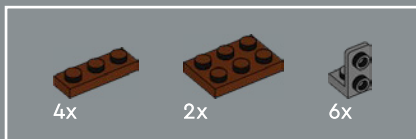
49



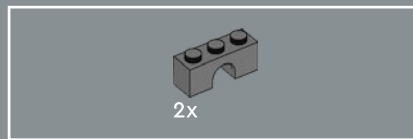
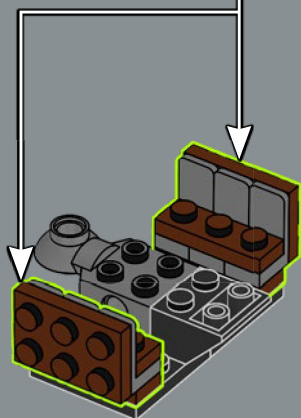
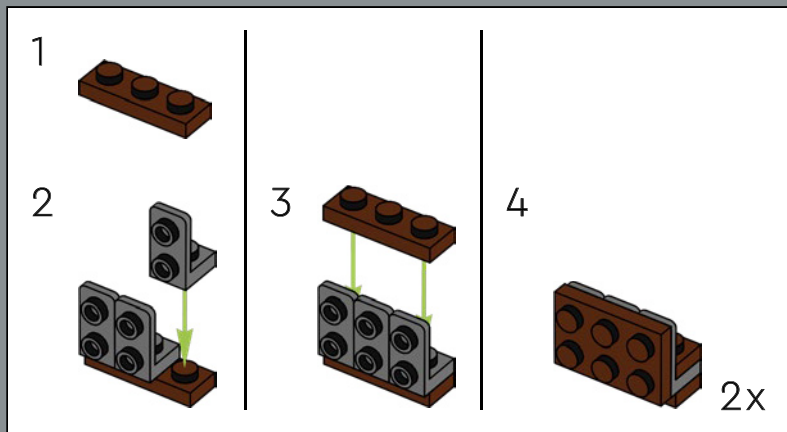
1x

50

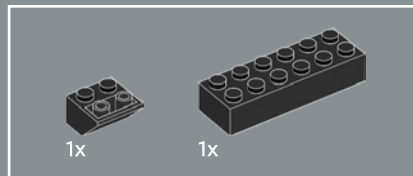
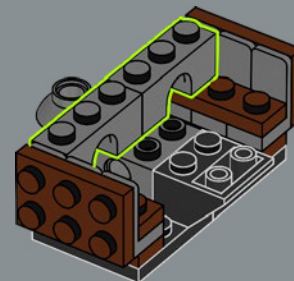




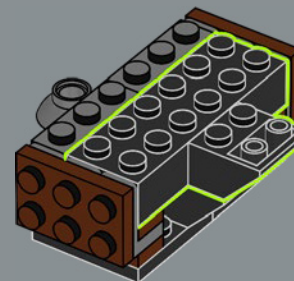
51



52

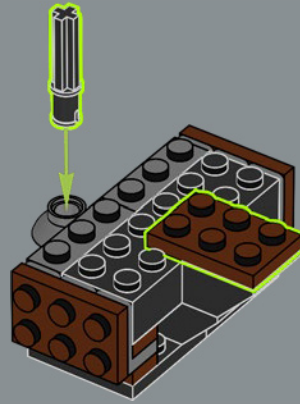


53

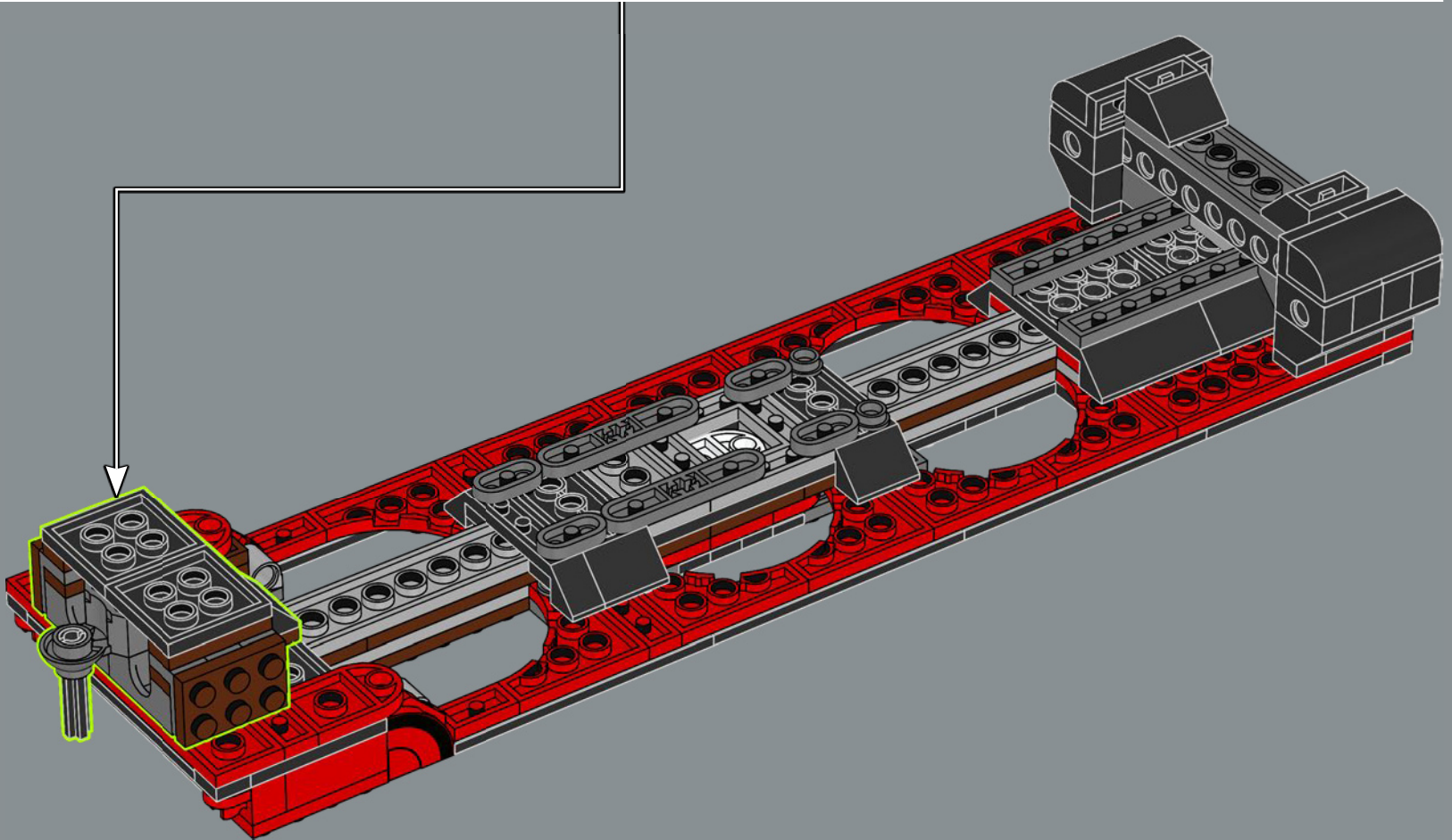




54



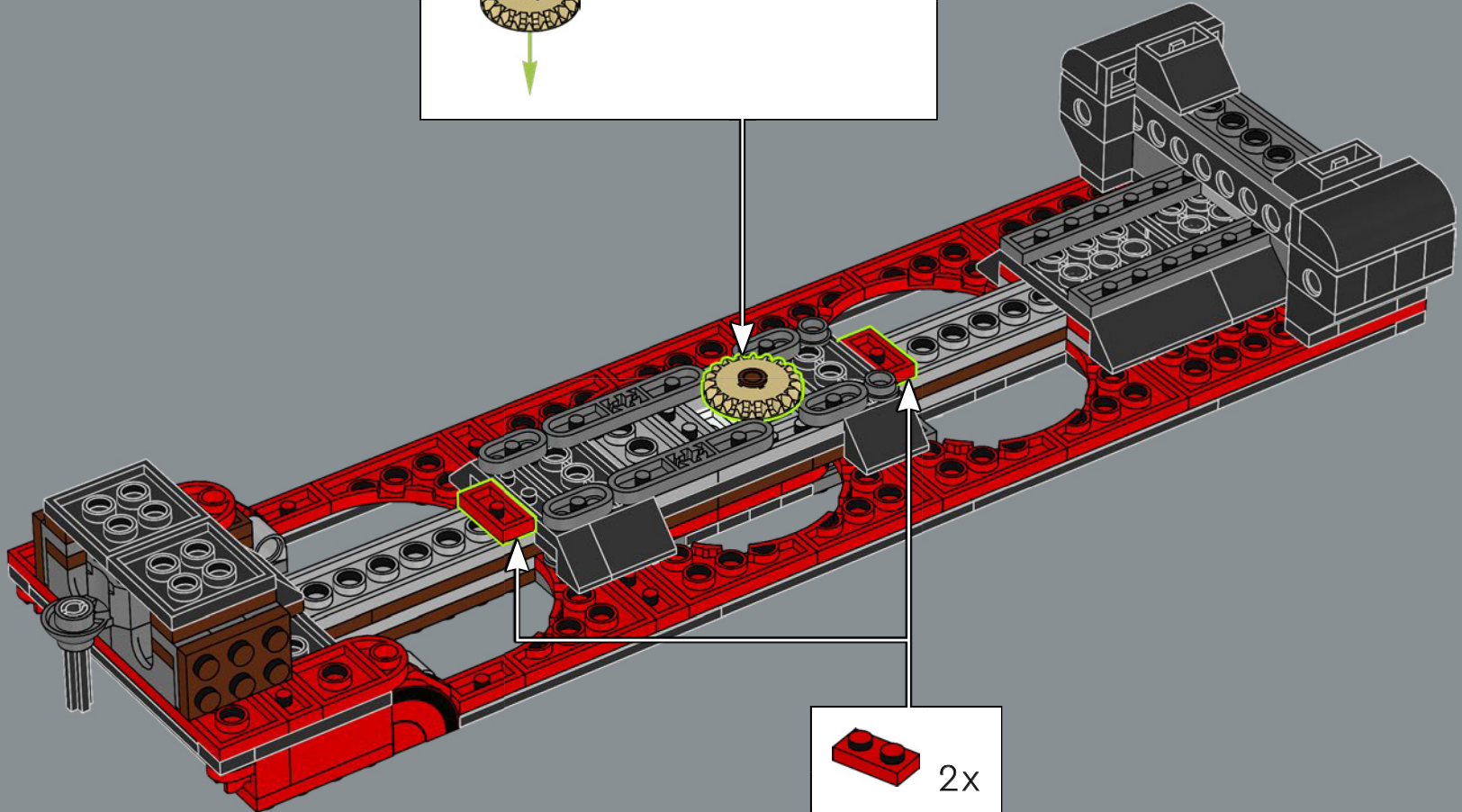
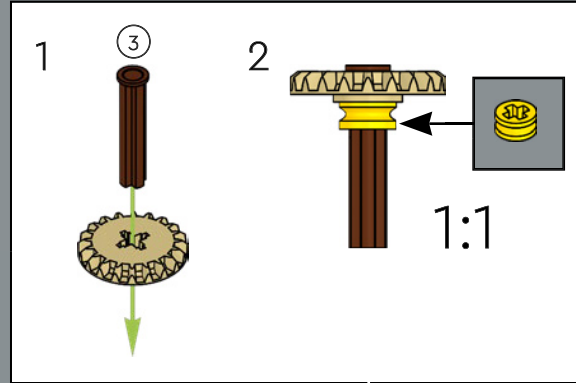
55

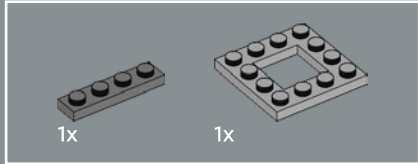
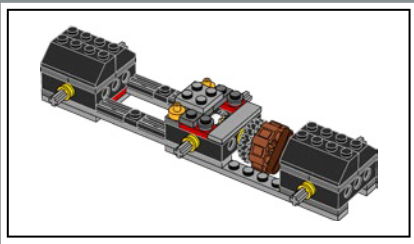




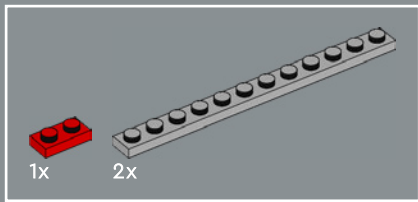
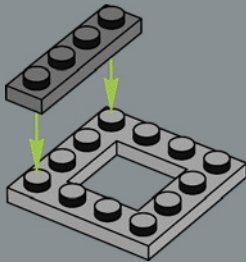


56

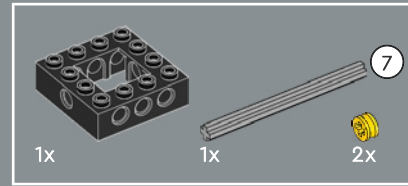
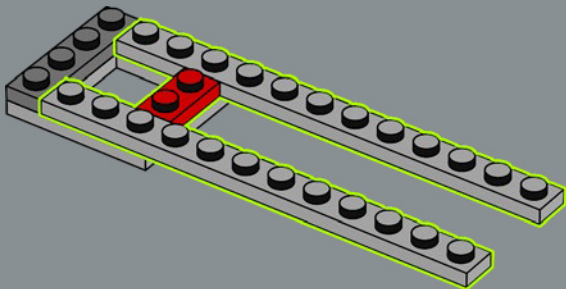




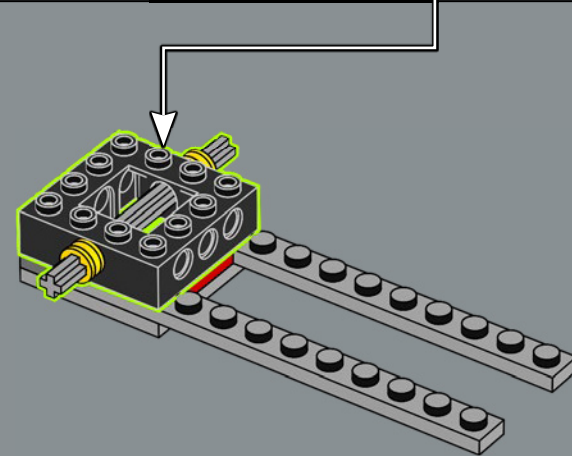
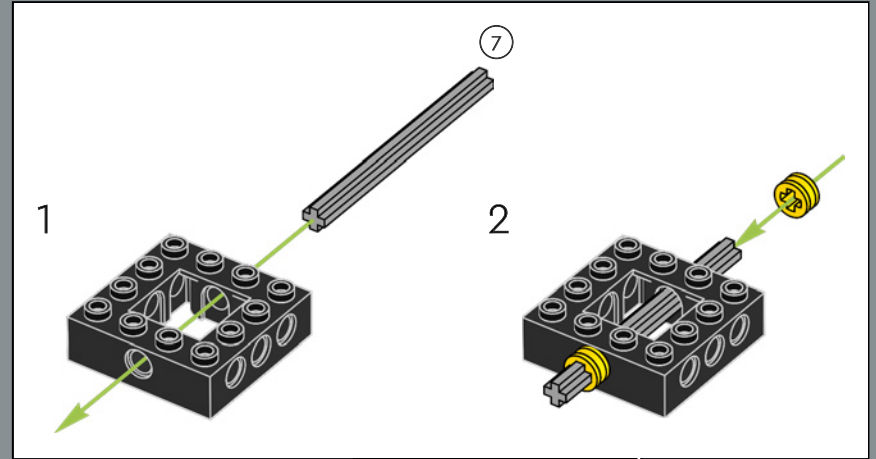
57



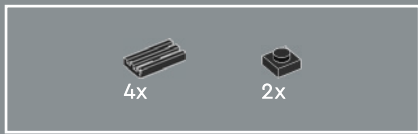
58



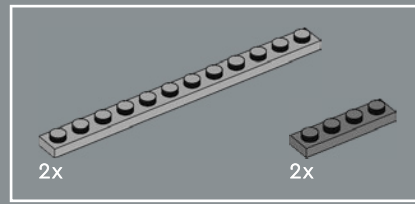
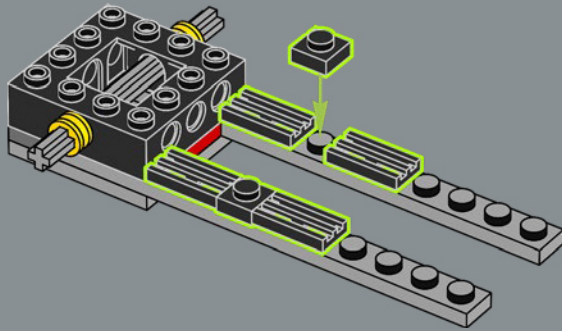
59



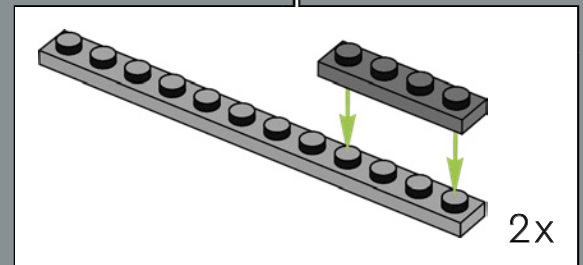
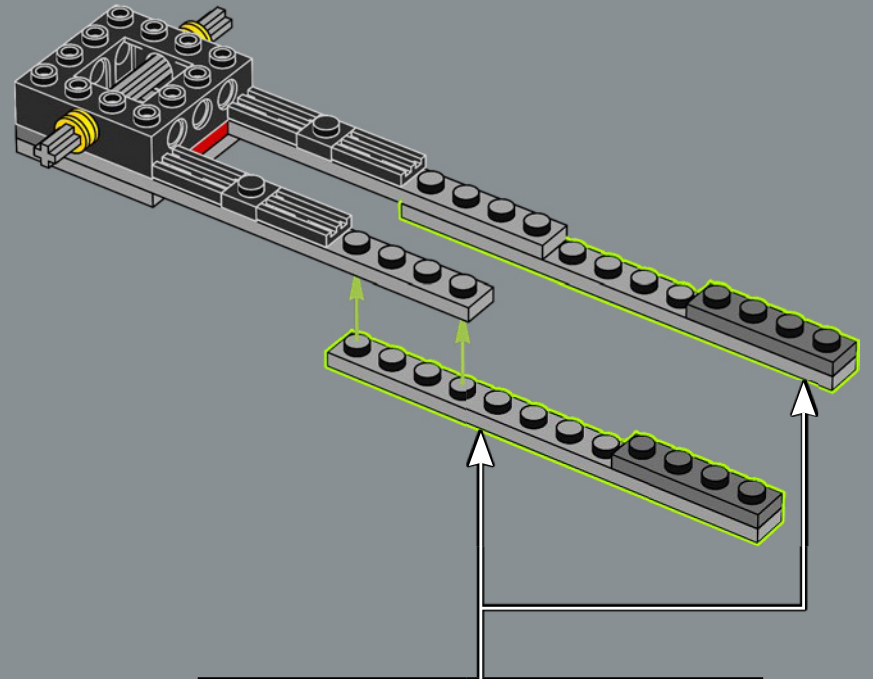
1:1

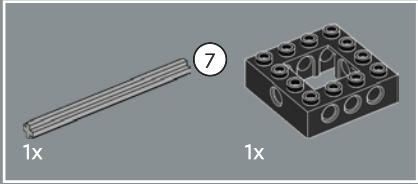
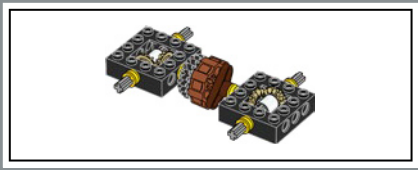


60

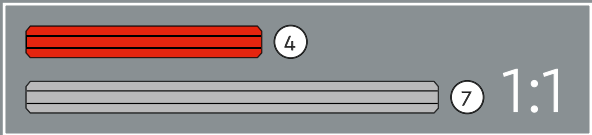
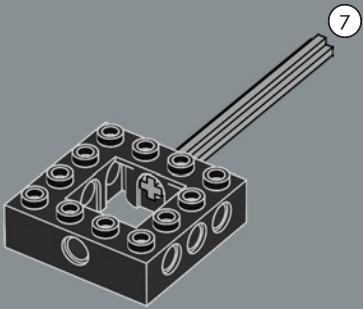


61

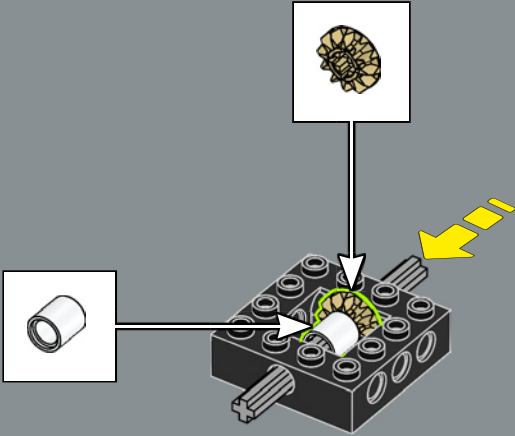




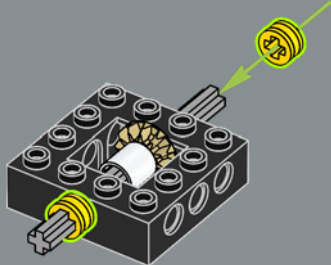
62

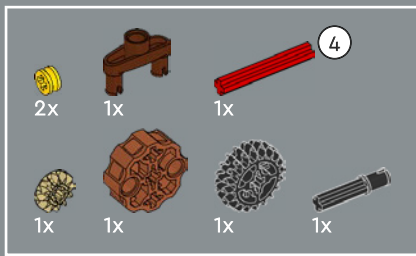


63

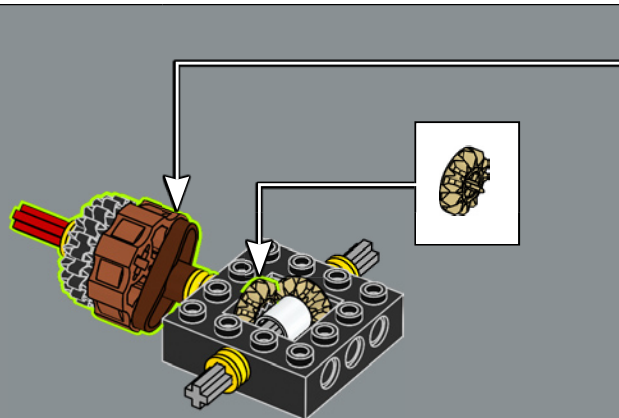
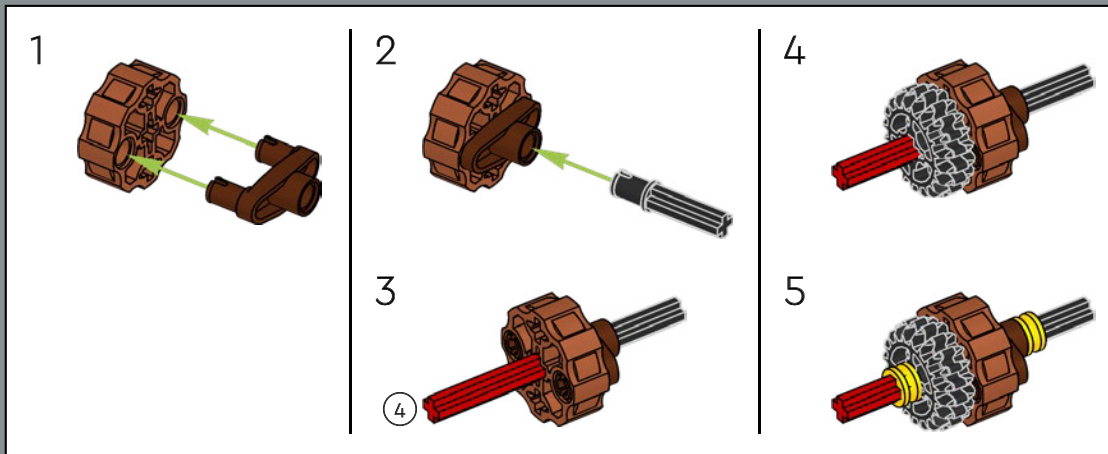


64



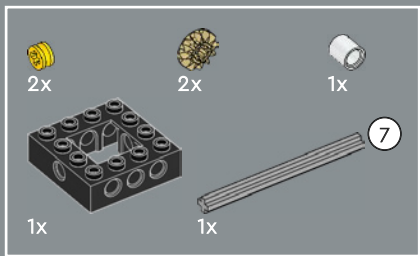


65

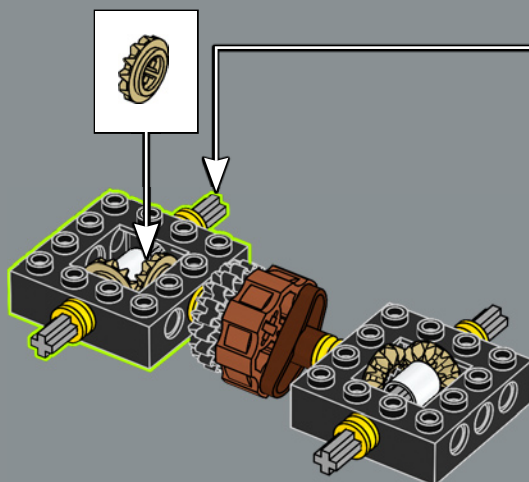
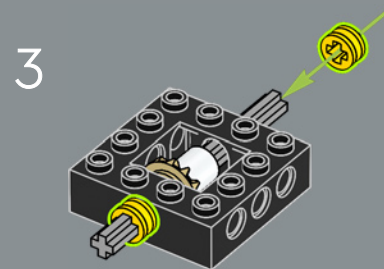
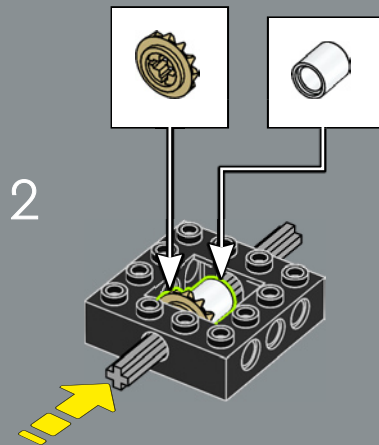
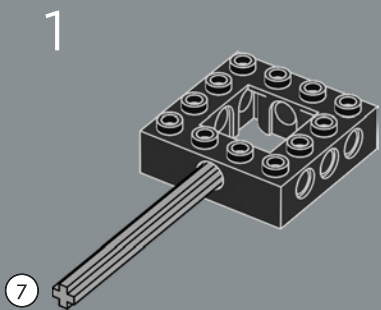


### THE TRICK TO THE TRANSMISSION

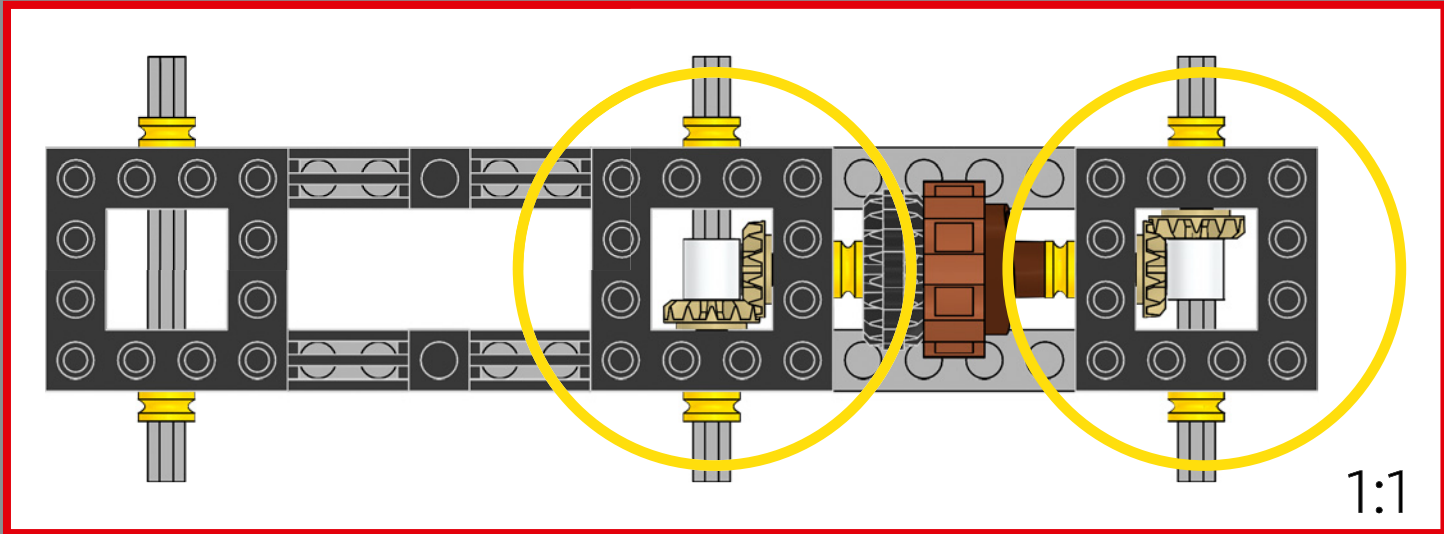
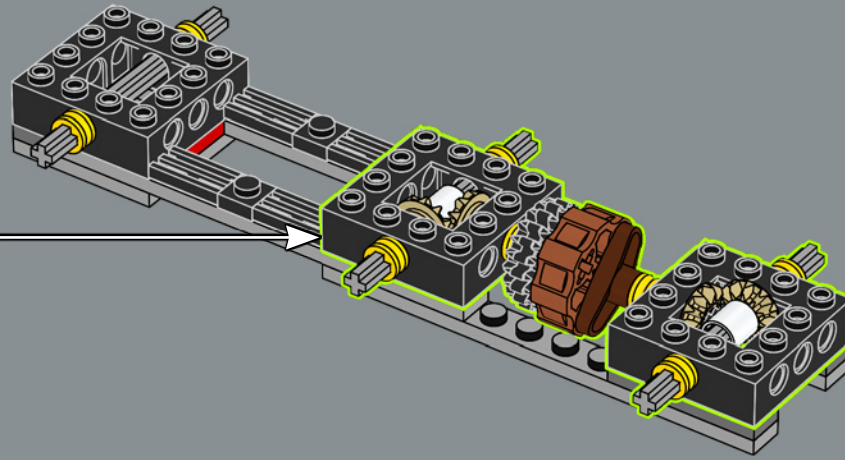
The transmission build between the engine wheels not only adds detail to the engine car, but it also helps you keep the middle wheels lined up properly for when you attach the connecting rods. This element combination lets you move and adjust each wheel axis independently. When you connect the wheels, the friction then allows the force applied to the gears to move between the wheels. That reduces overall tension and gives you a much smoother function.

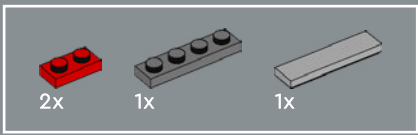


66

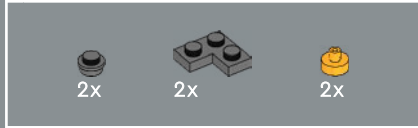
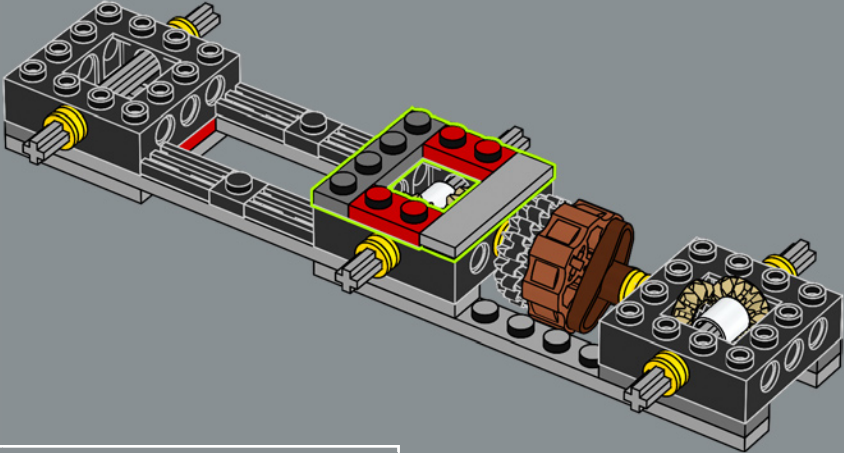


67

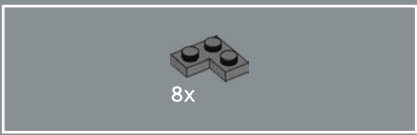
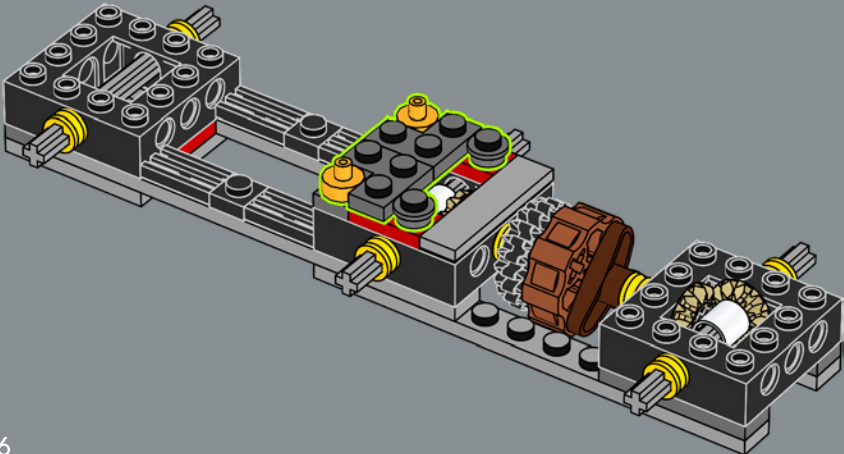




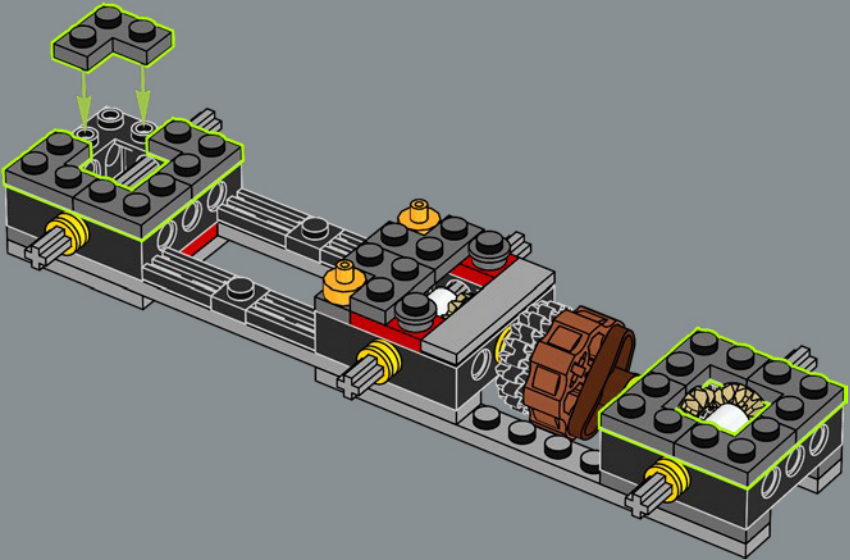
68



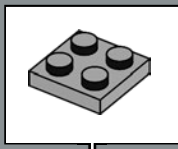
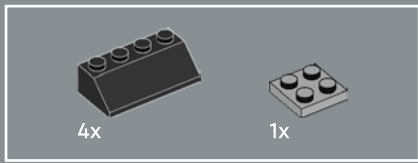
69



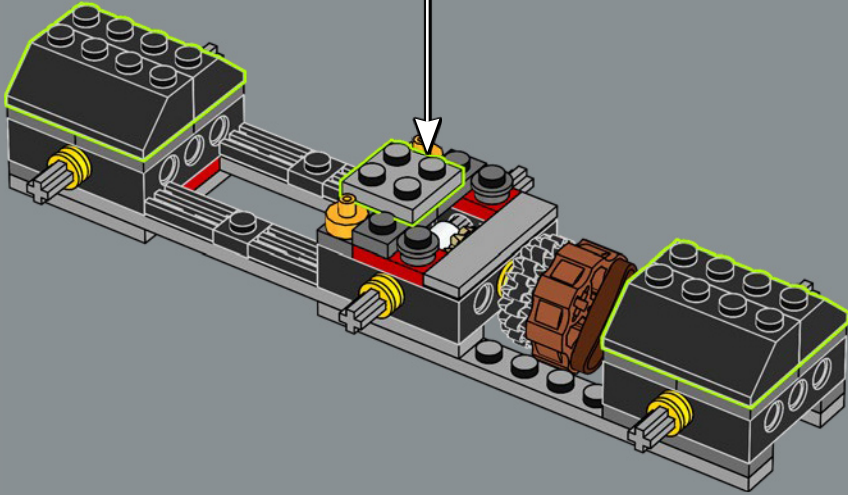
70



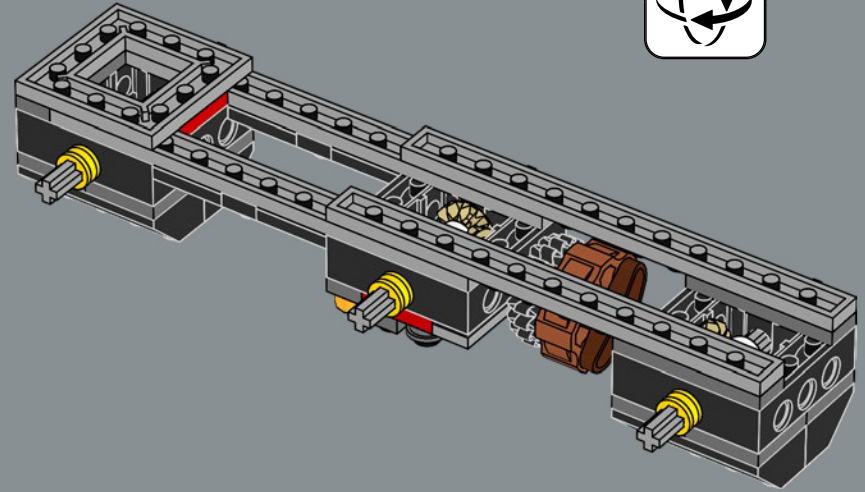




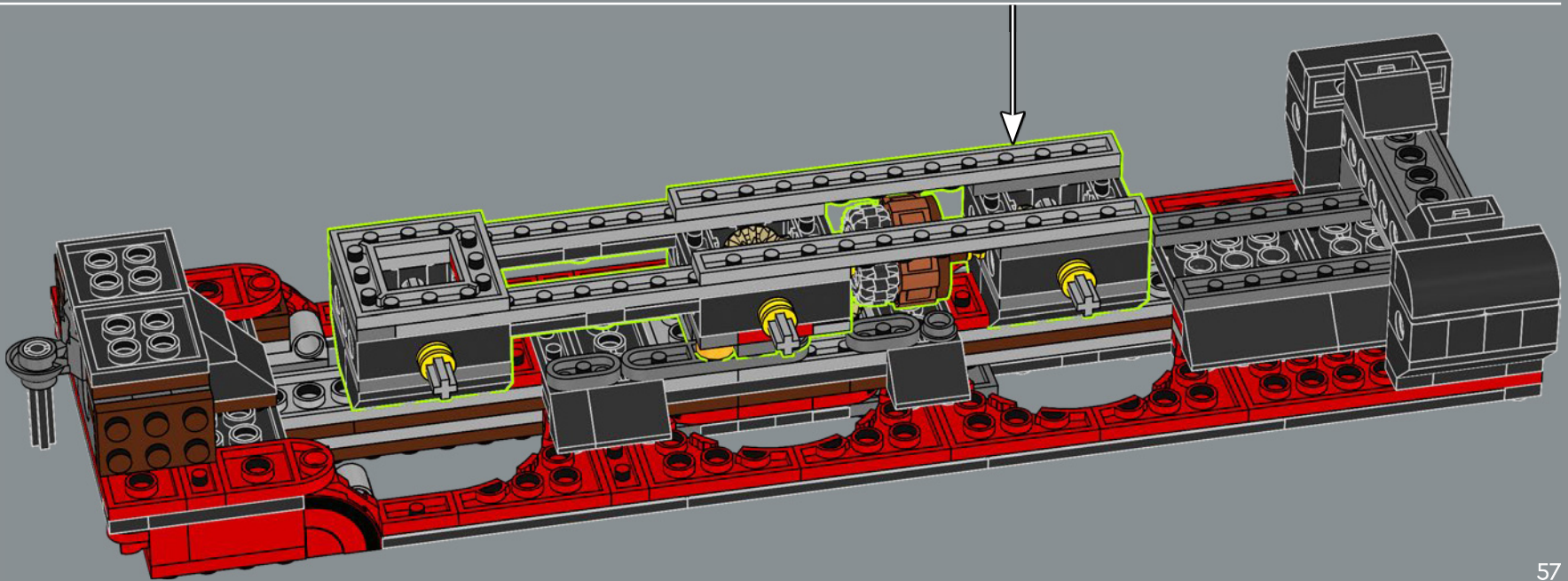
71

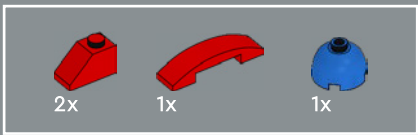


72

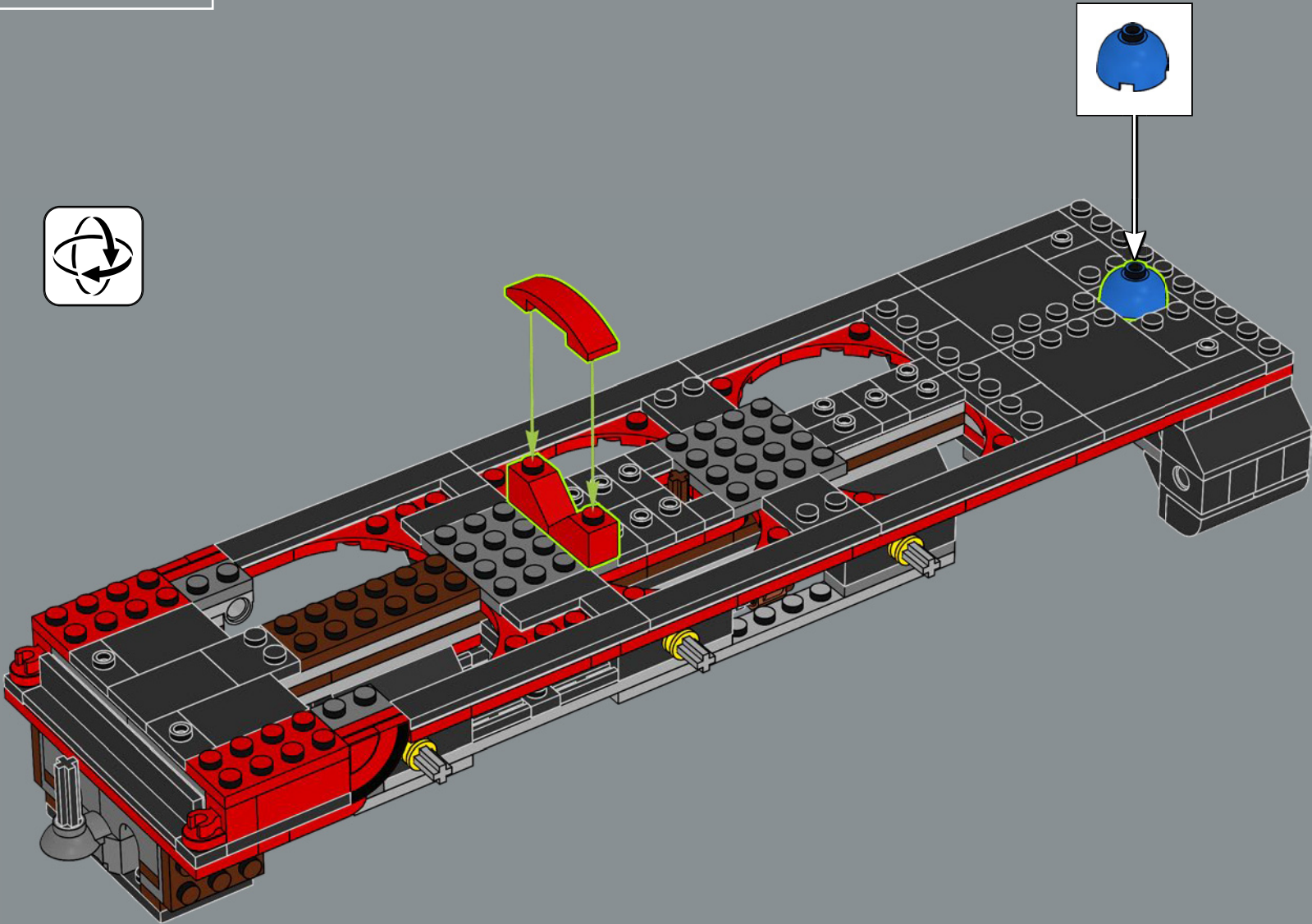


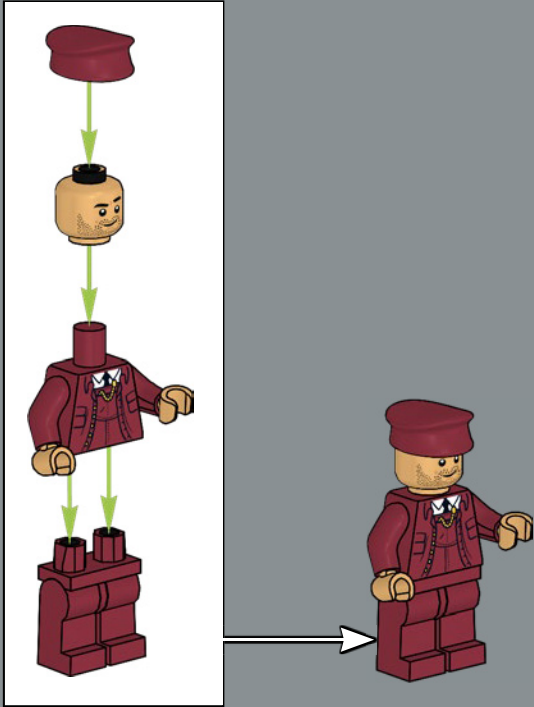
73

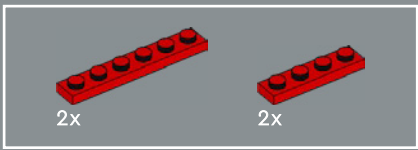




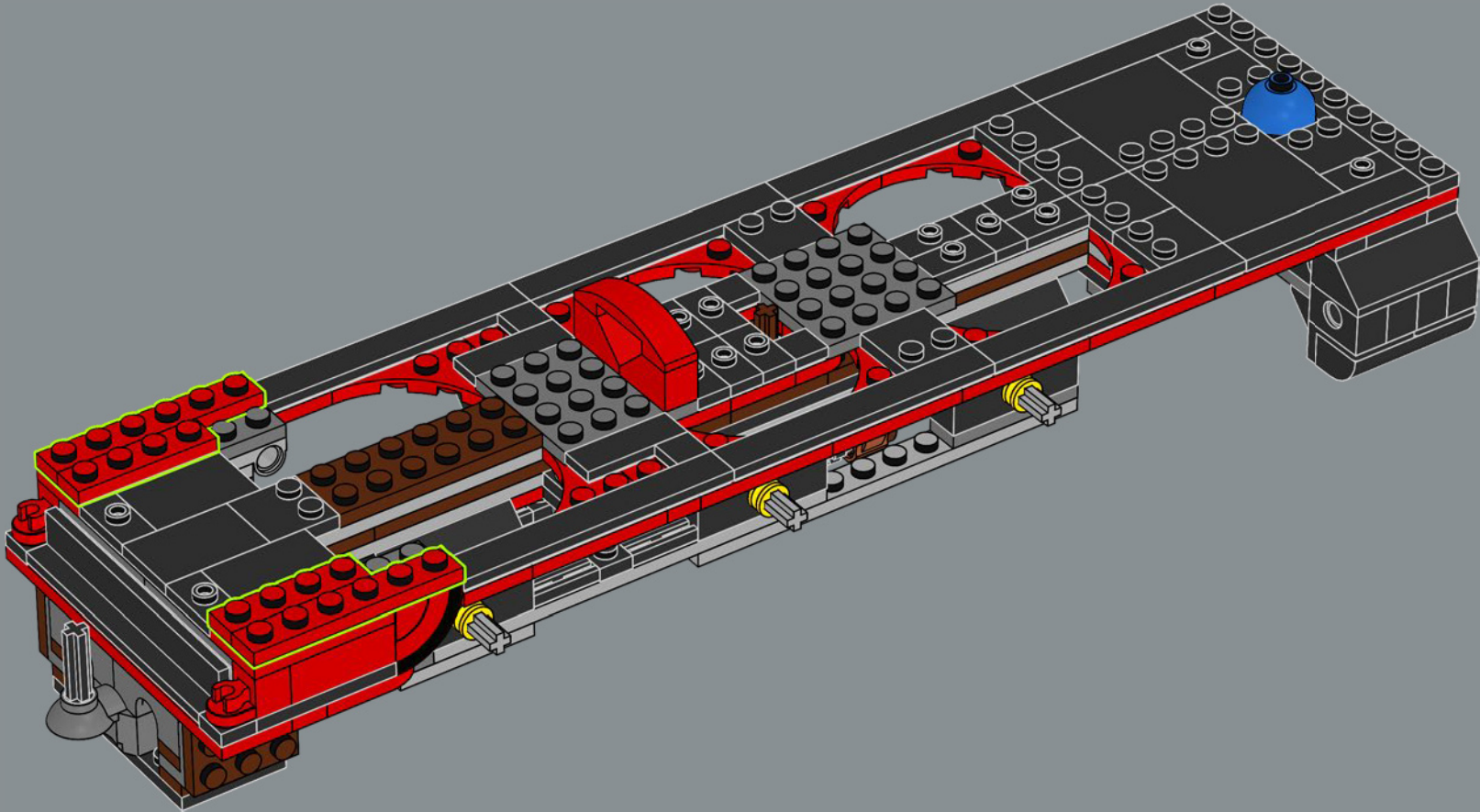
74

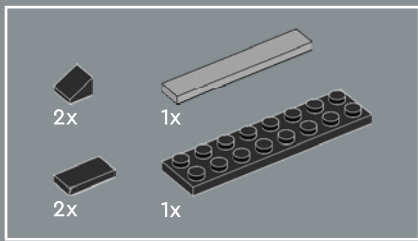




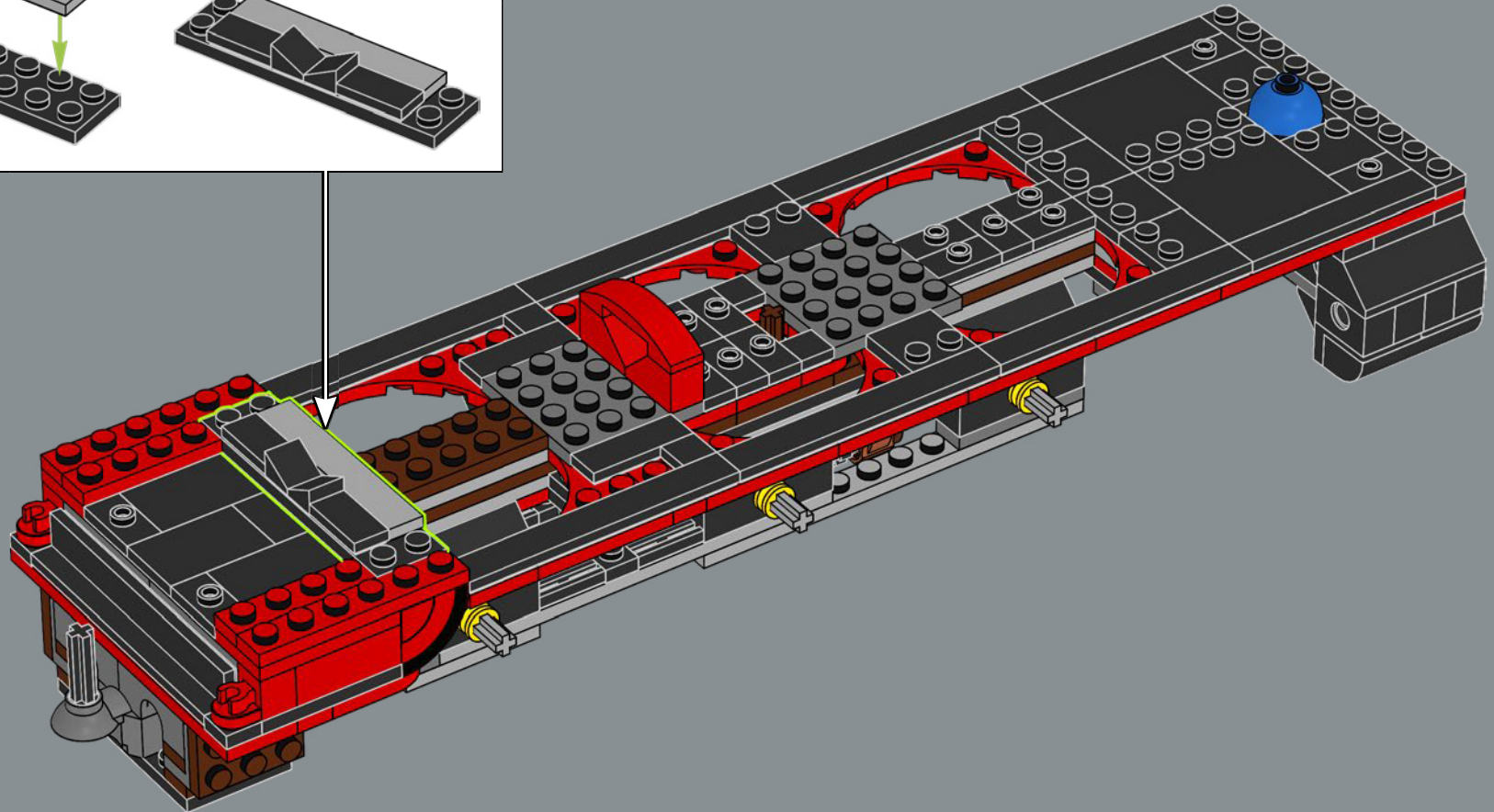
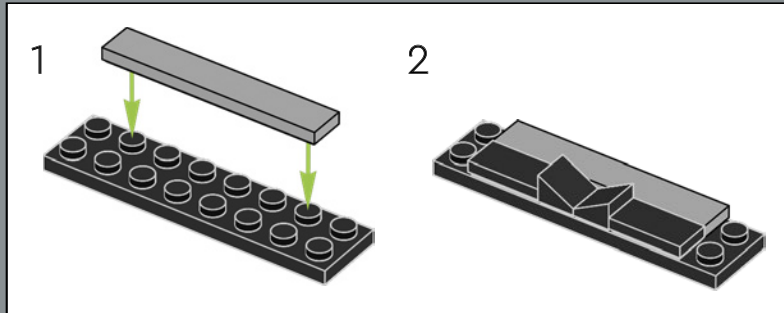


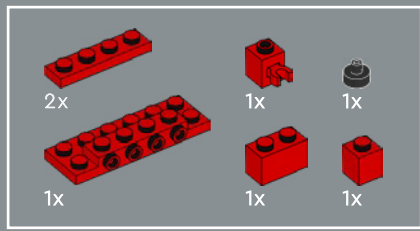
75



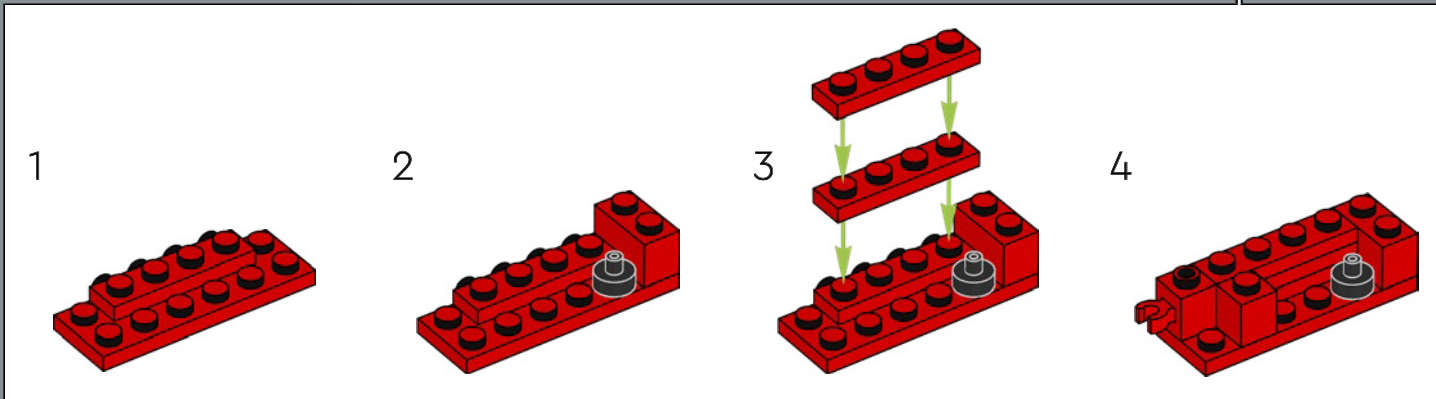
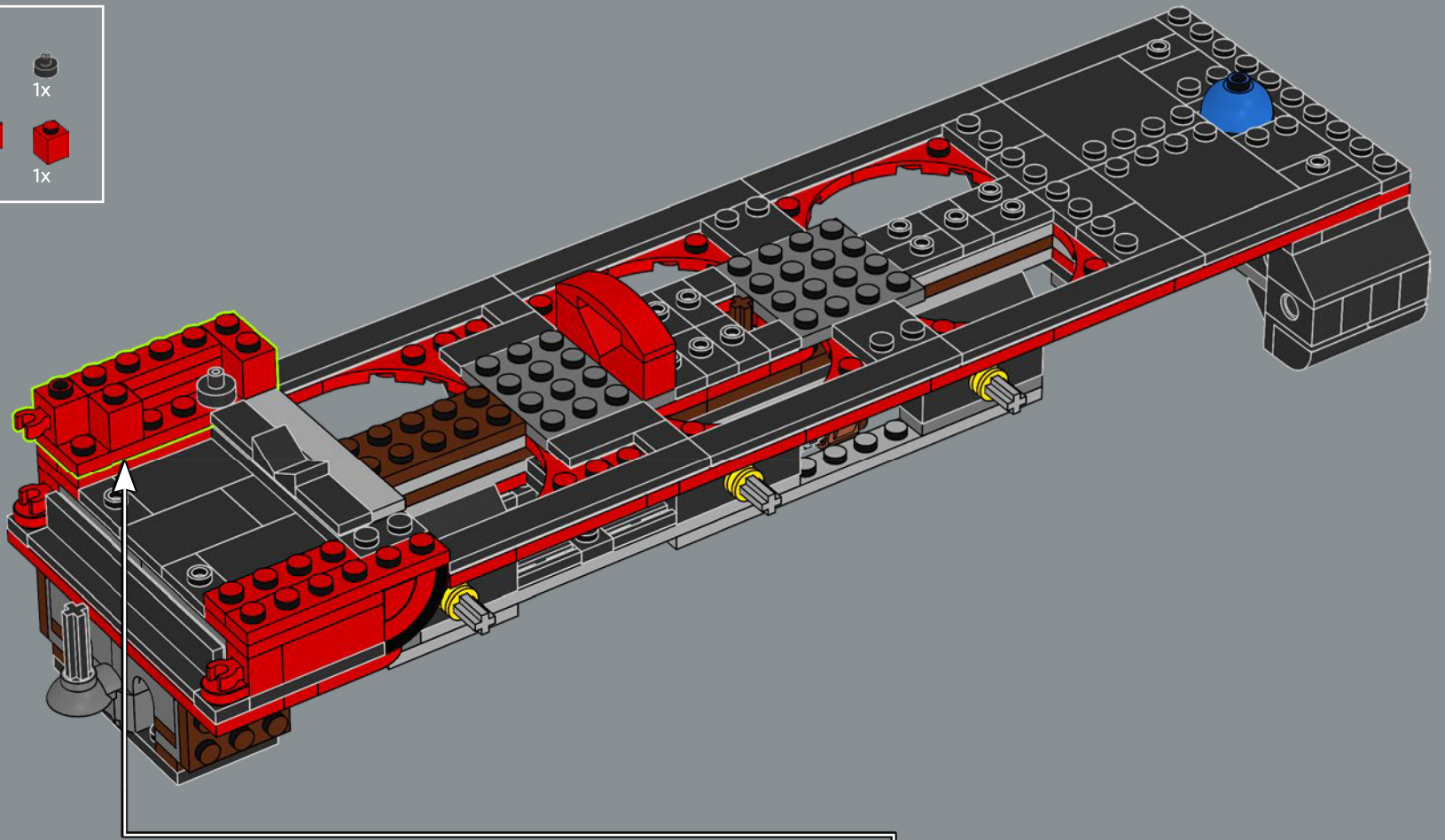


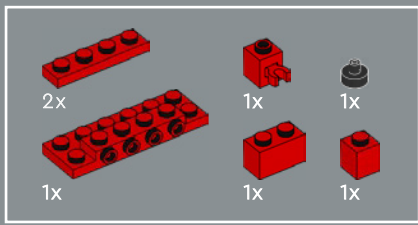
76



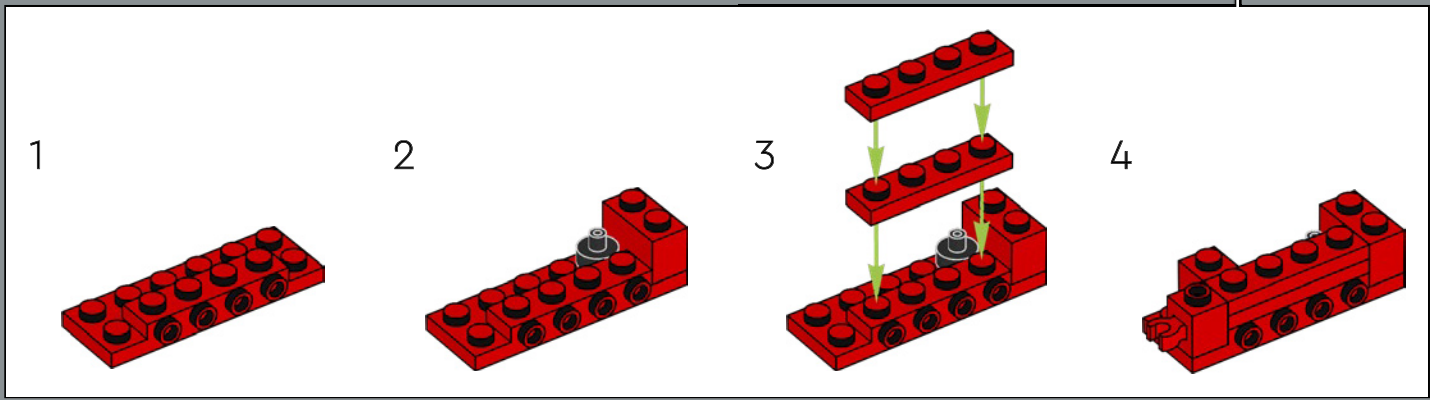
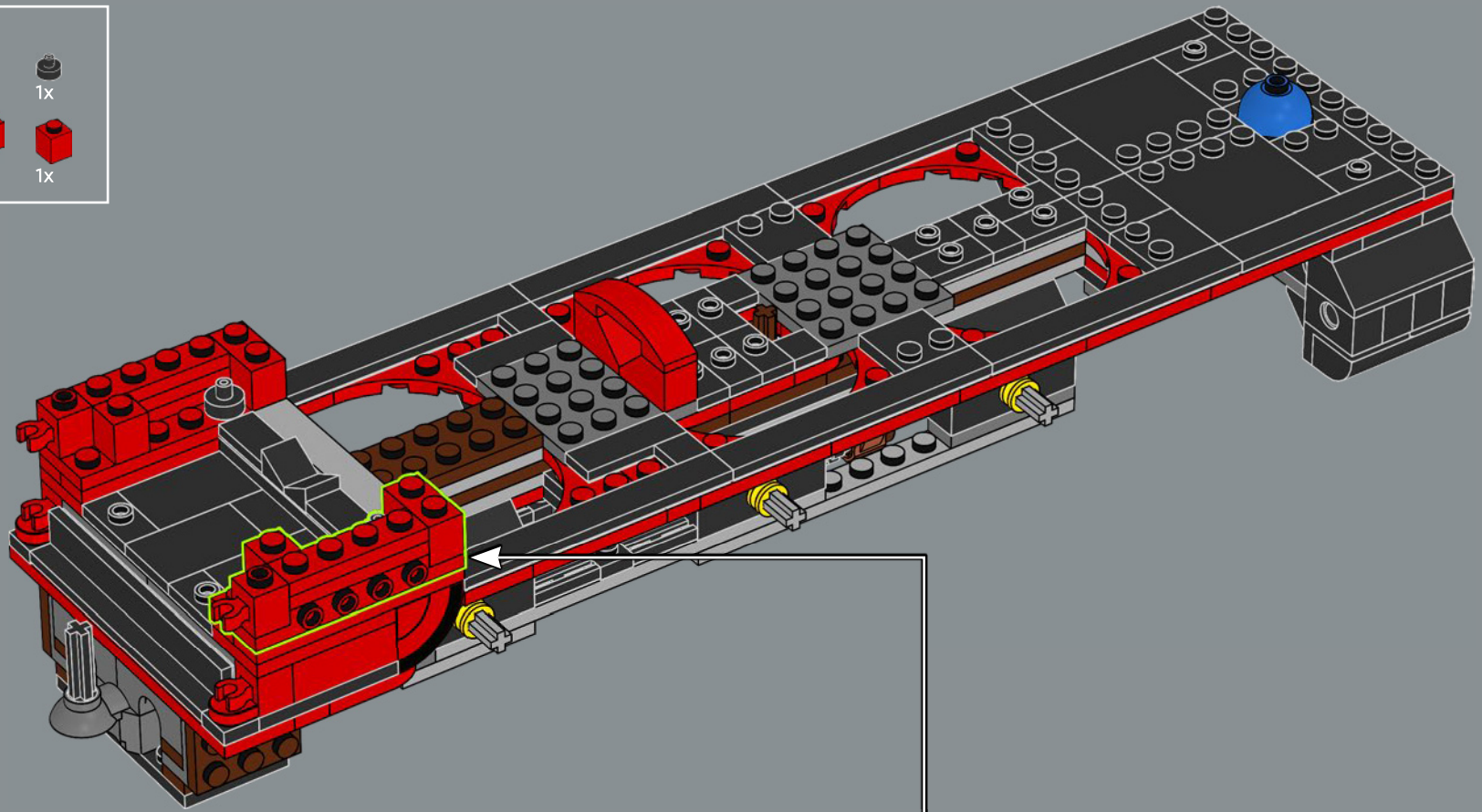


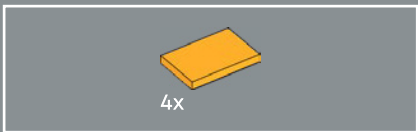
77



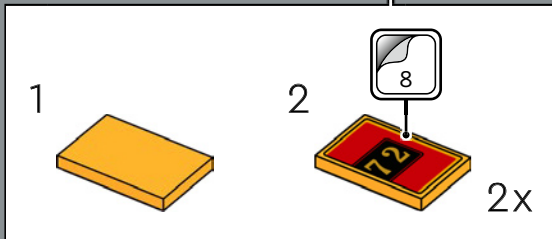
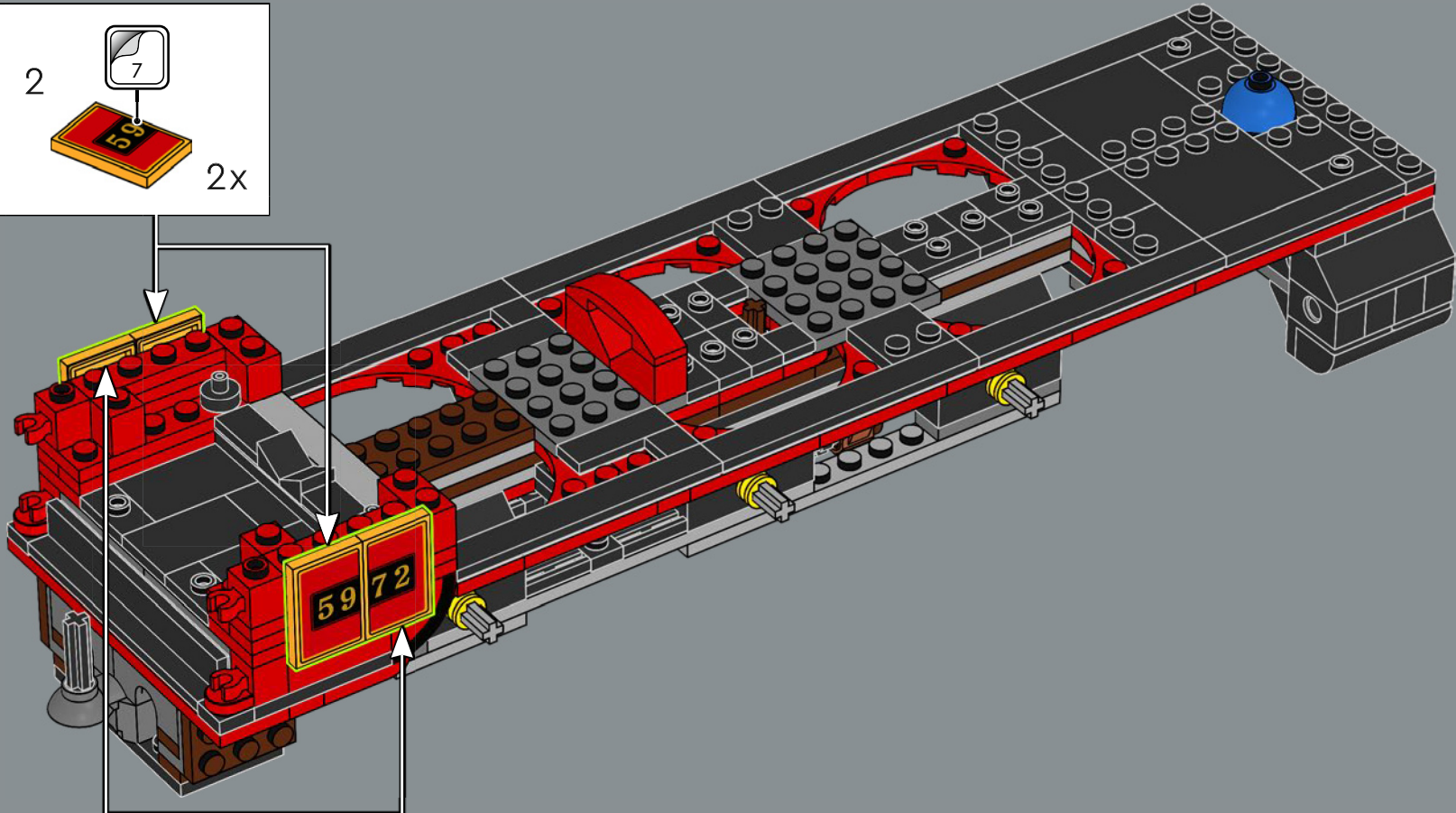
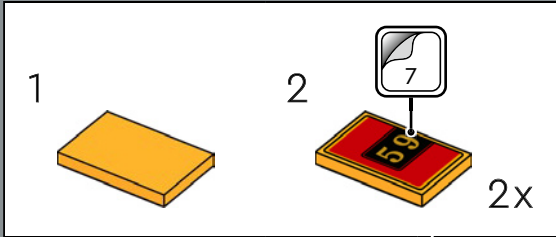


78

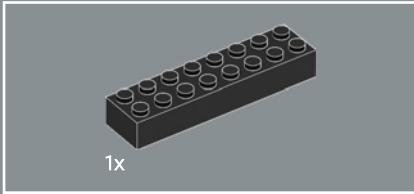
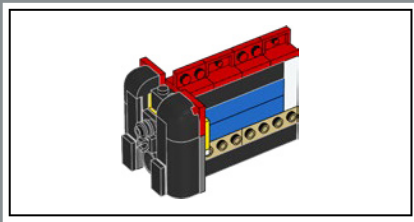




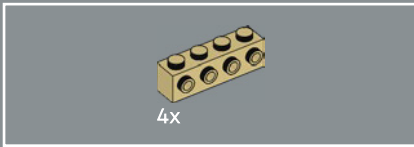
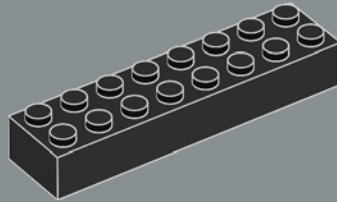
79



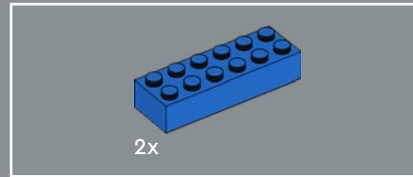
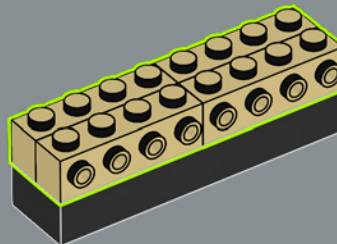




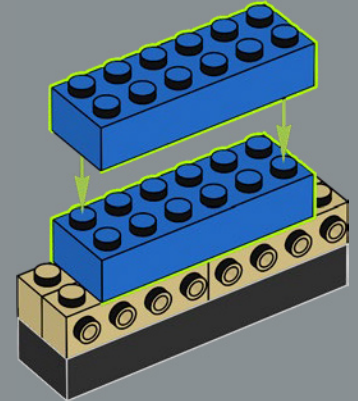
80



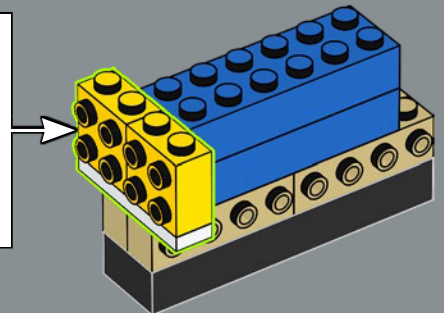
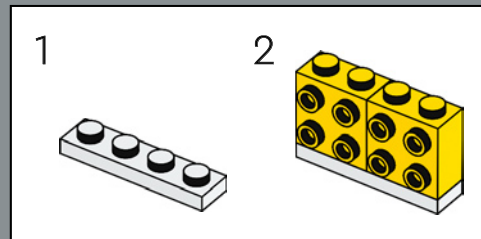
81

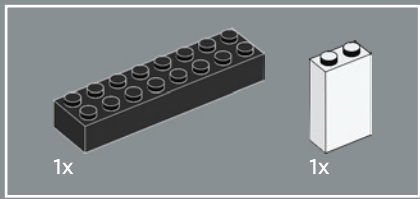


82

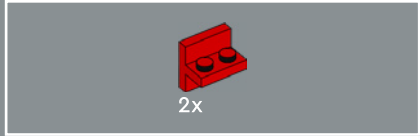
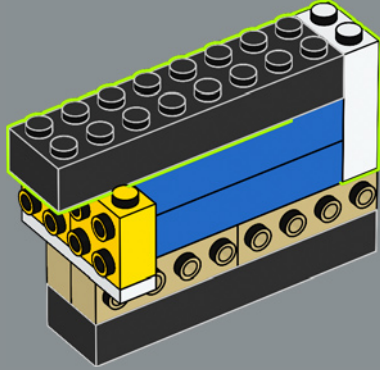


83

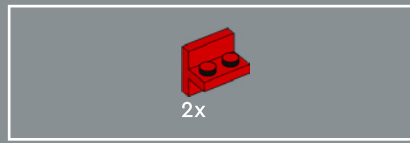
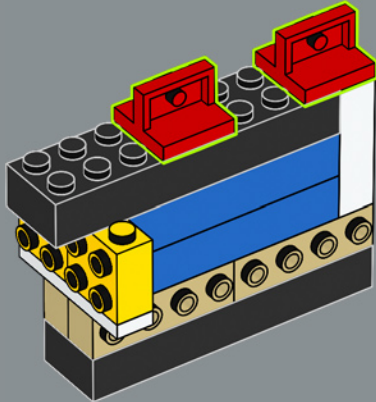




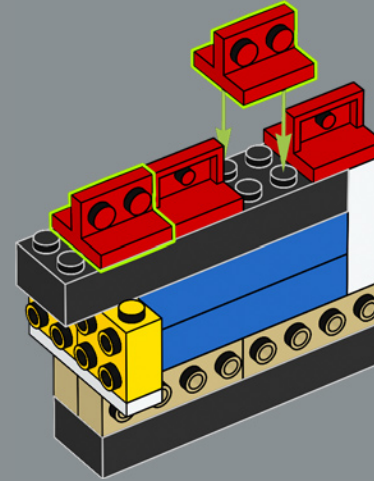
84

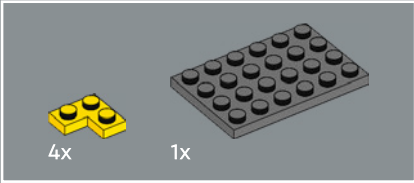
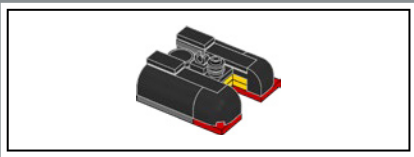


85

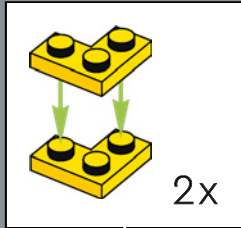


86

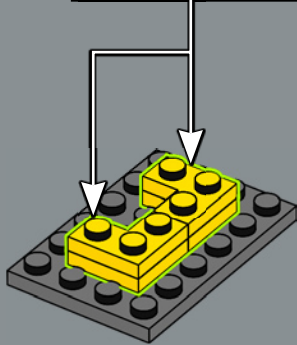




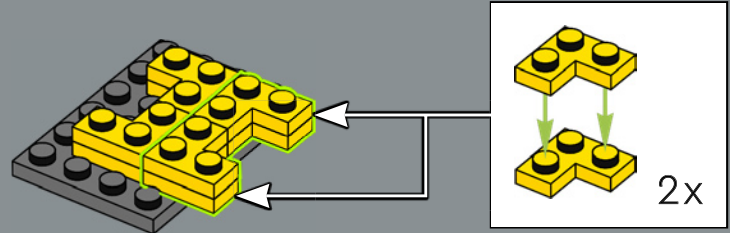
87



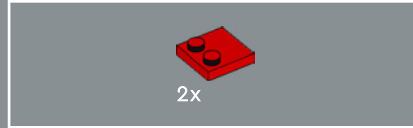
2x



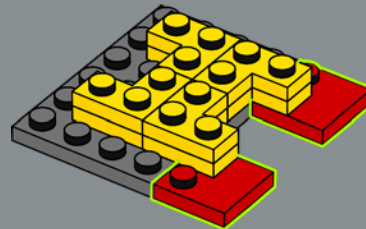
88



2x

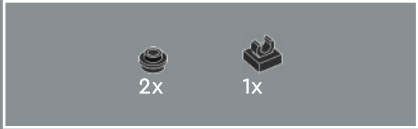
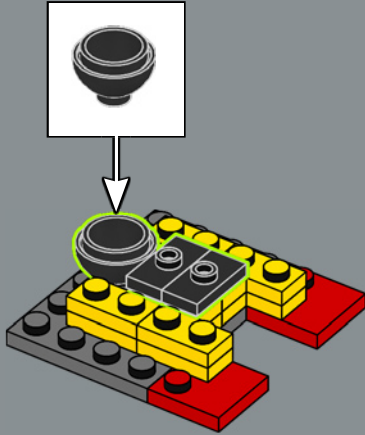


89

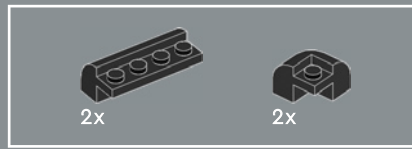
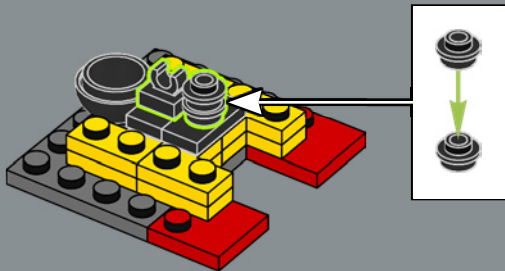
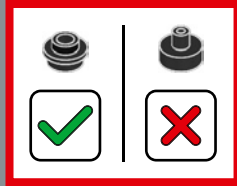




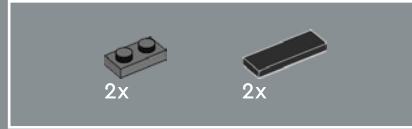
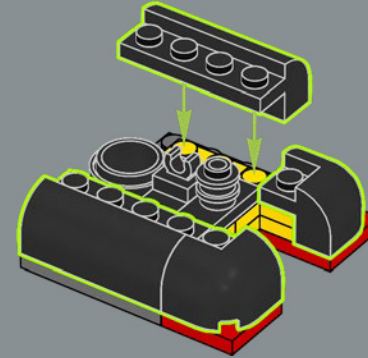
90



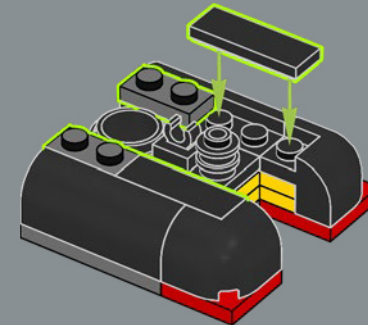
91

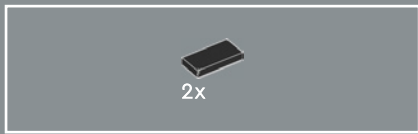


92

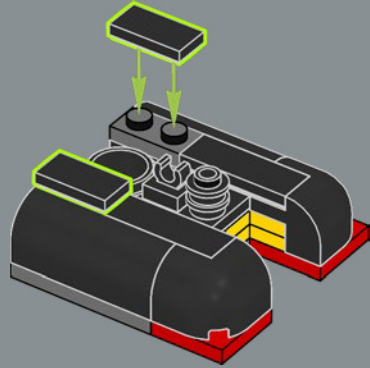


93

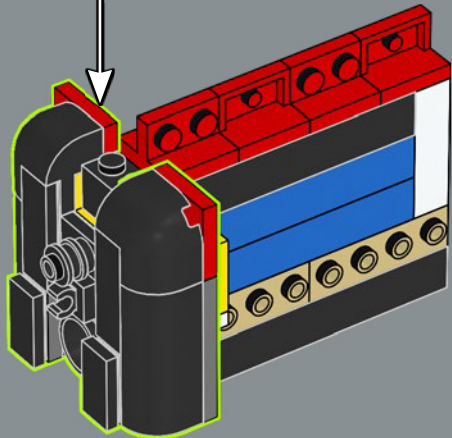




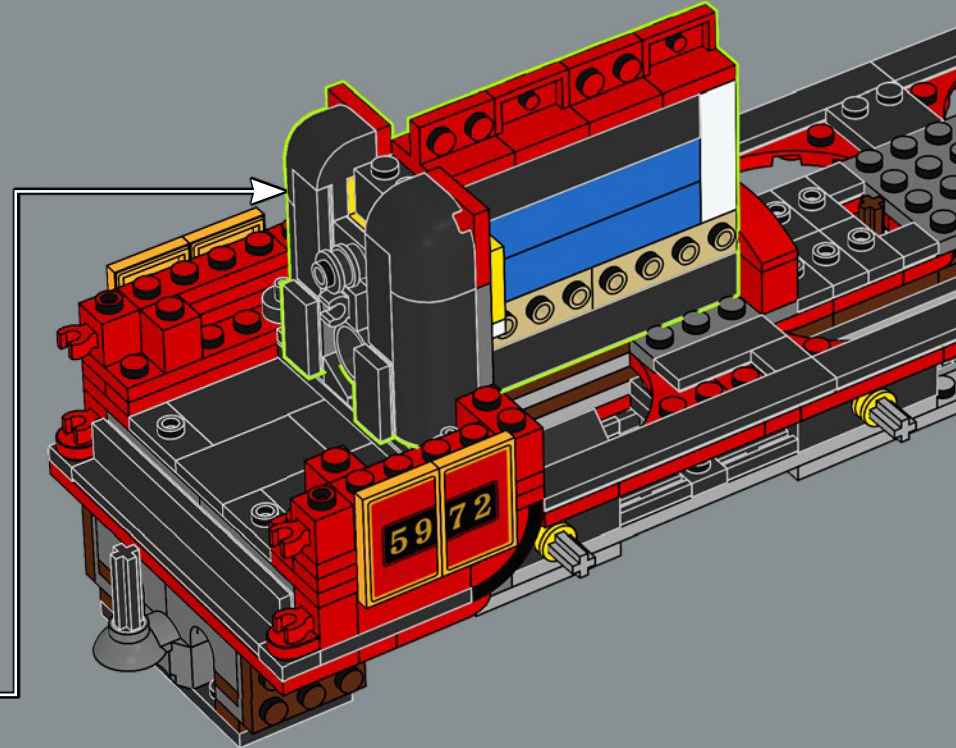
94

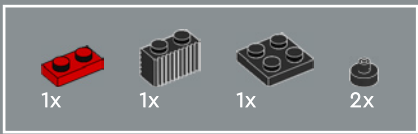


95

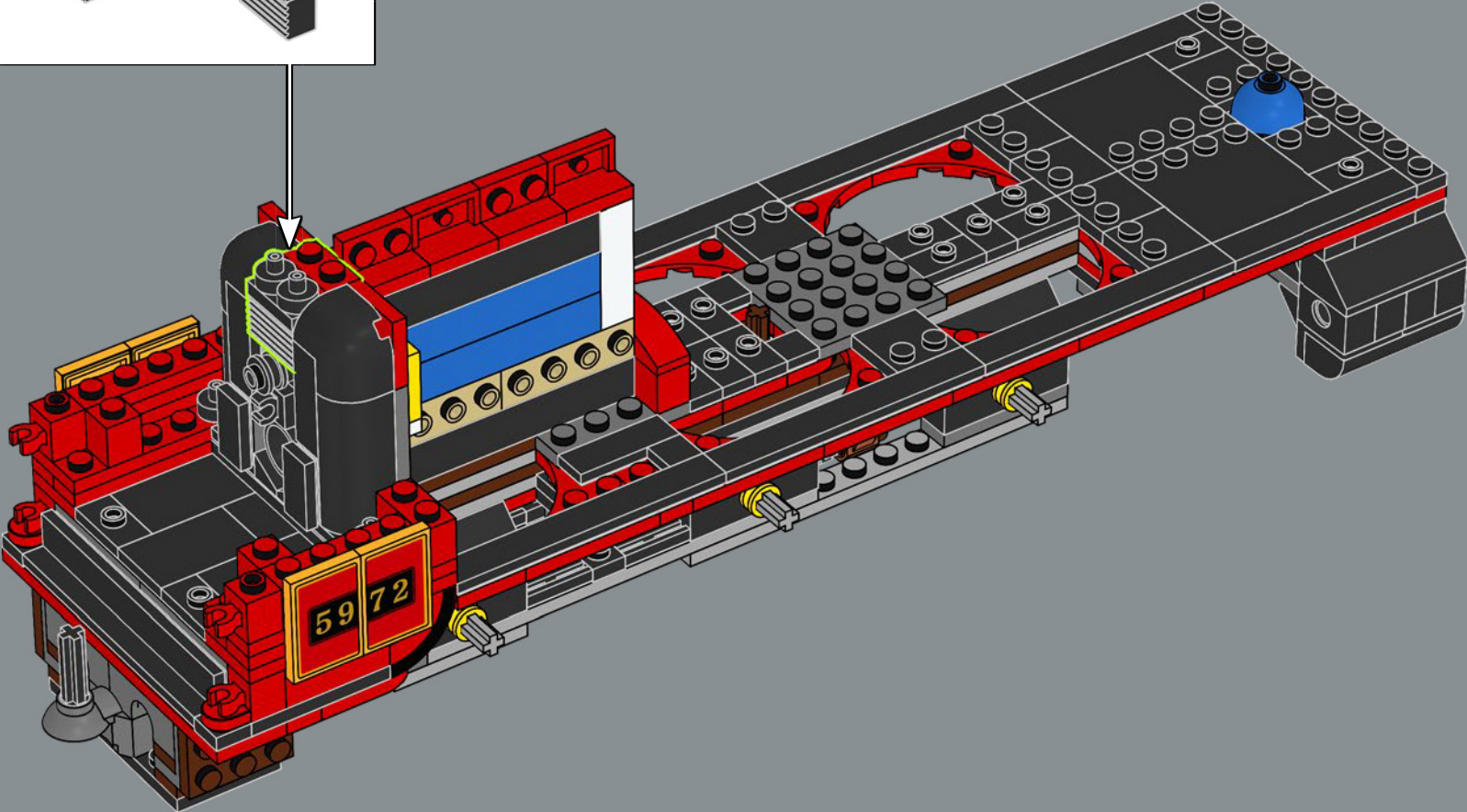
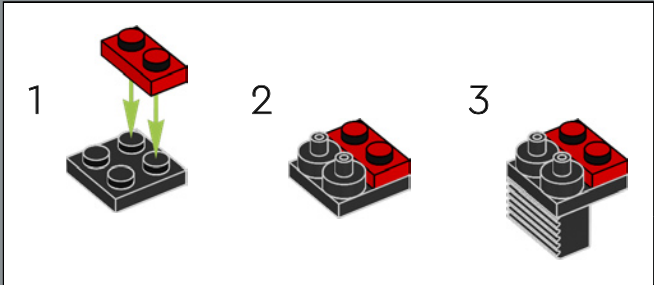


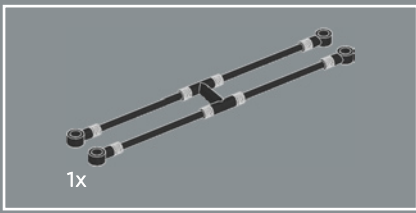
96



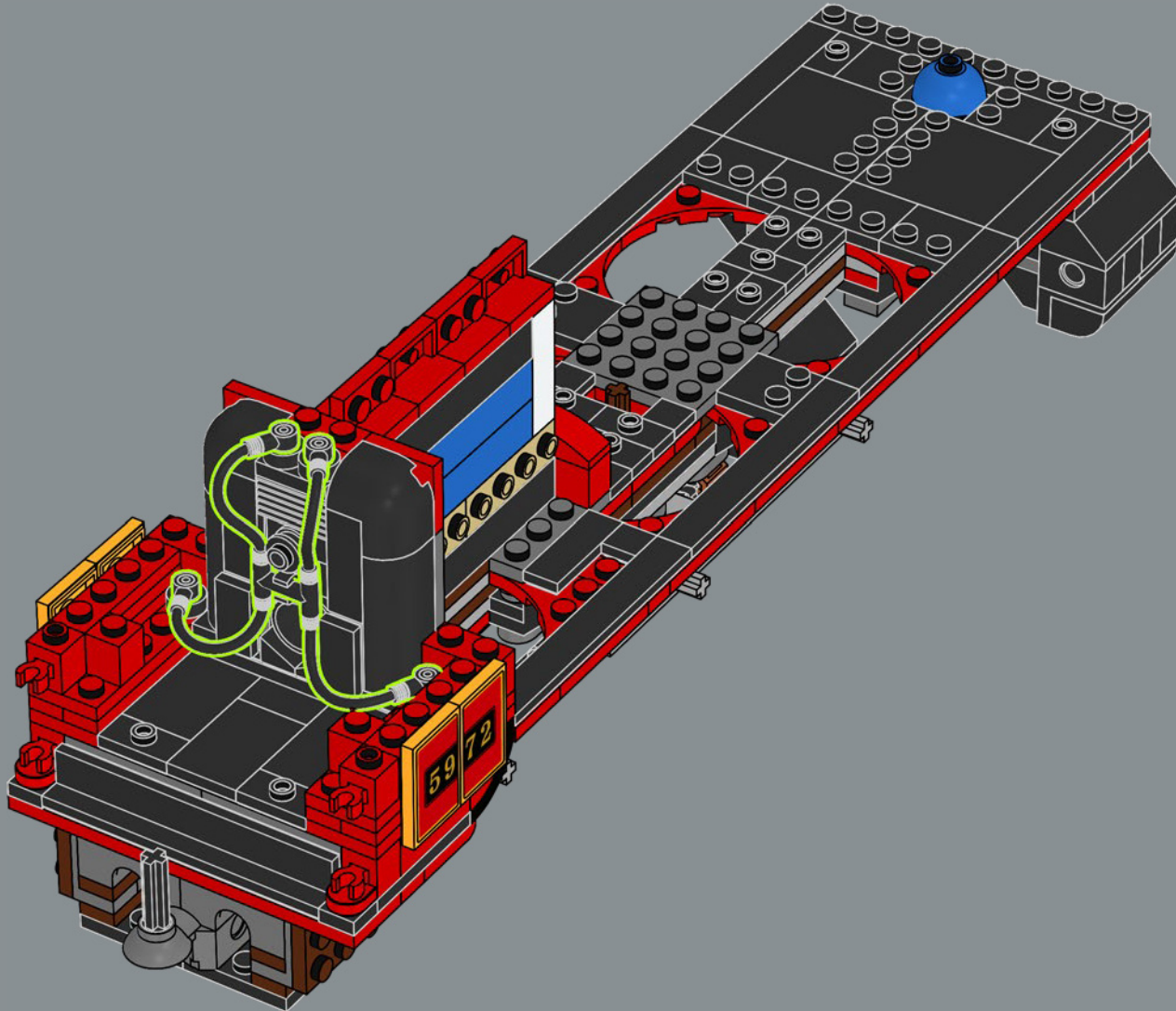


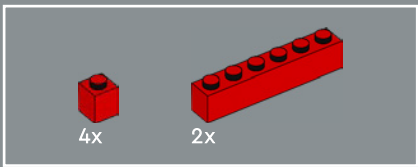
97



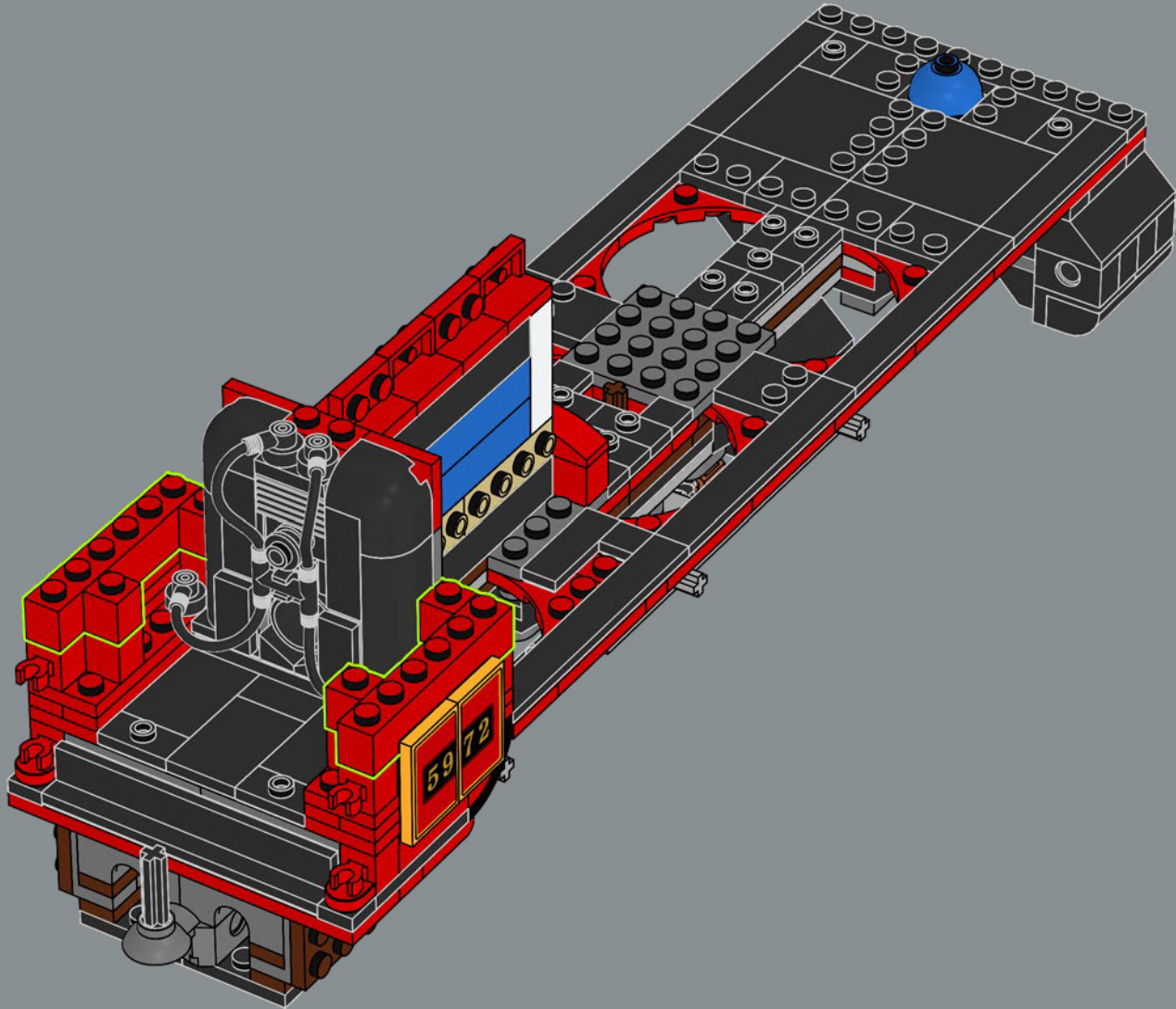


98





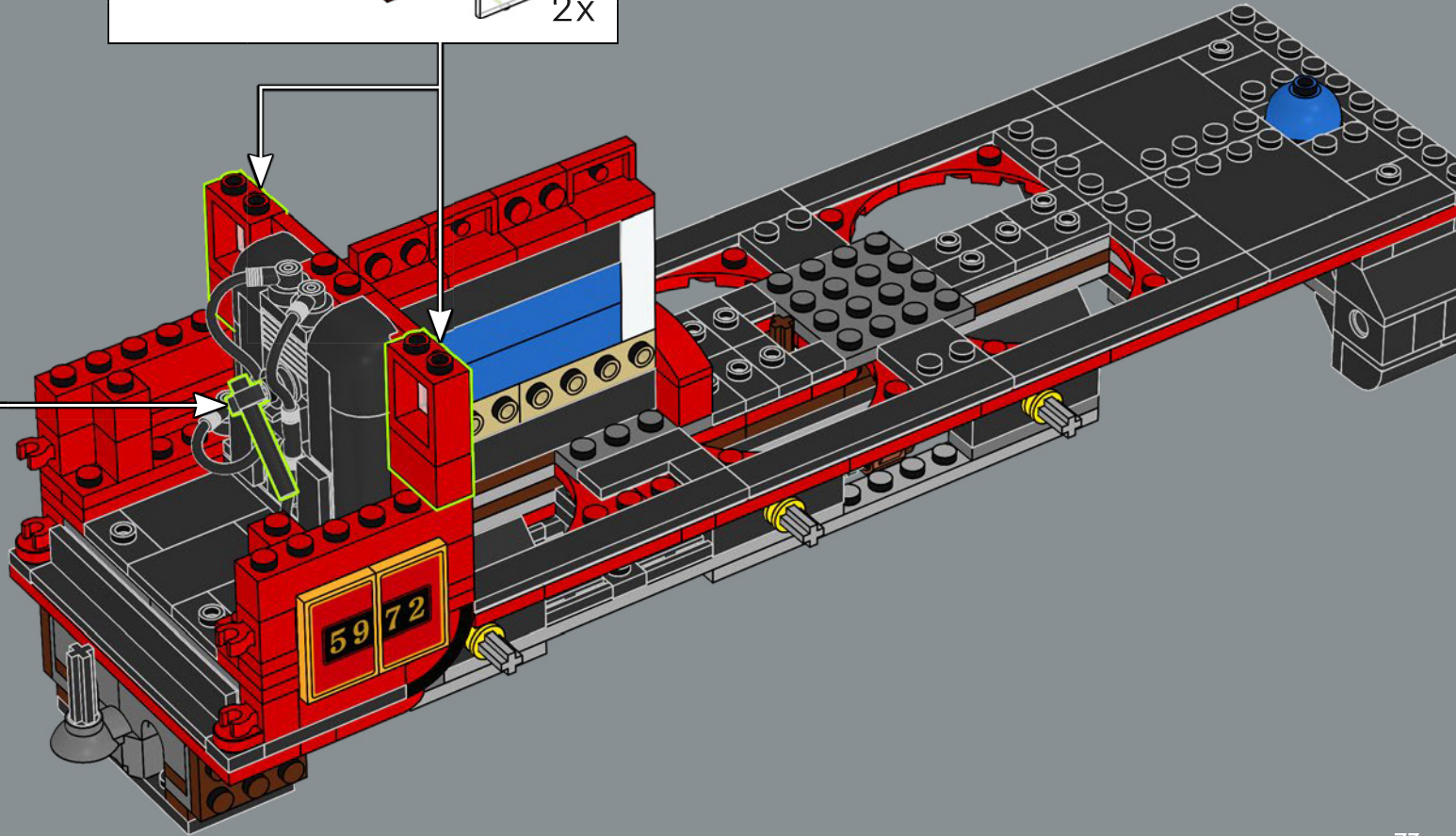
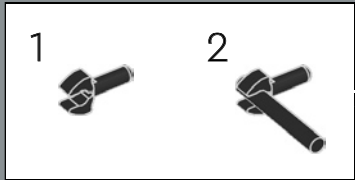
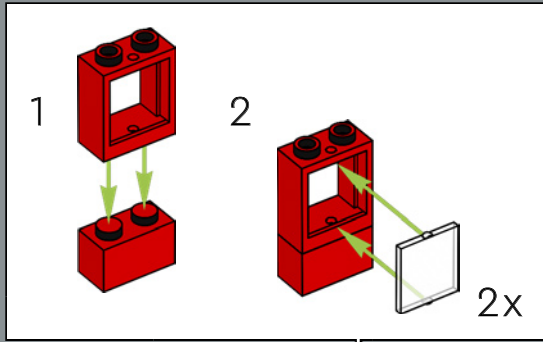
99

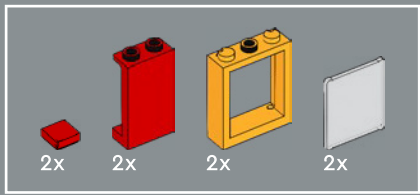




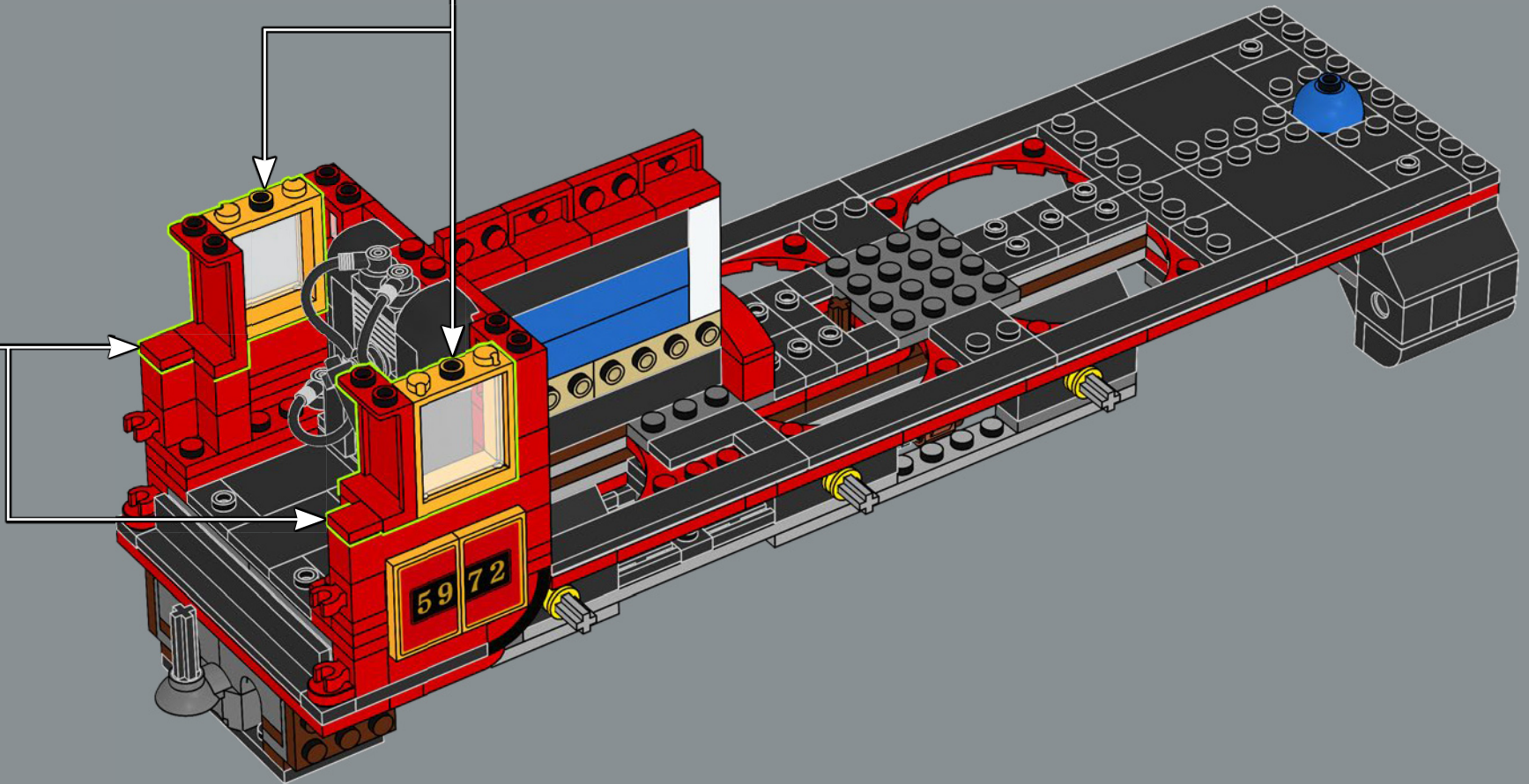
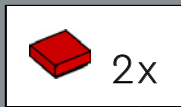
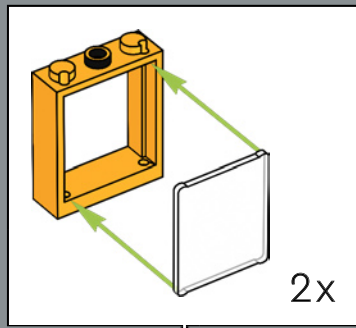


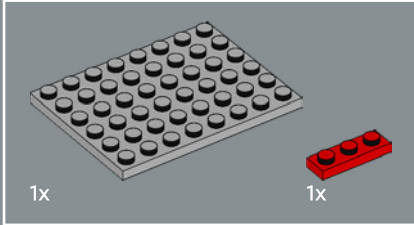
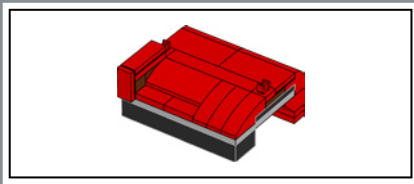
100



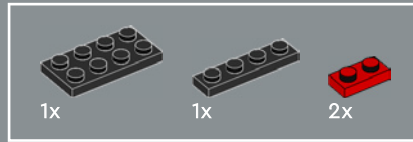
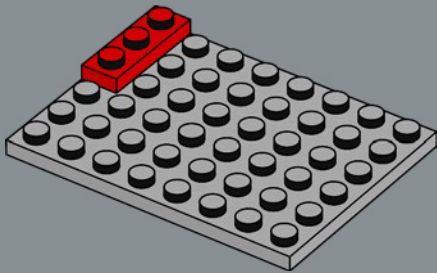


101

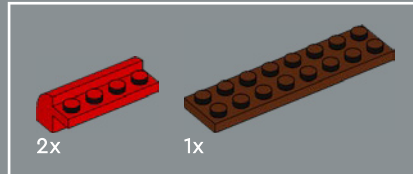
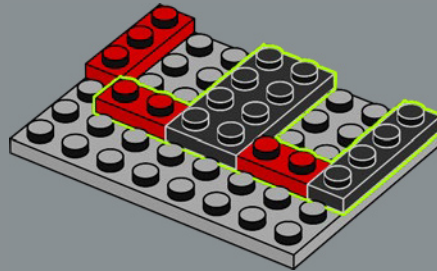




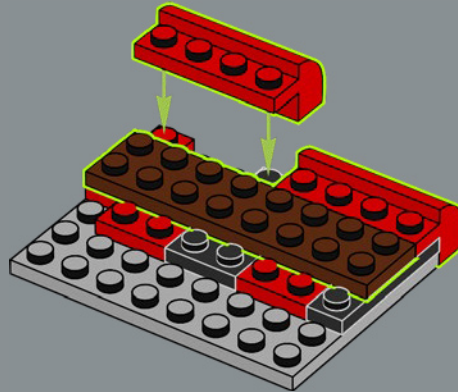
102

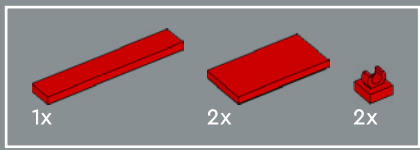


103

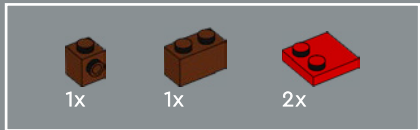
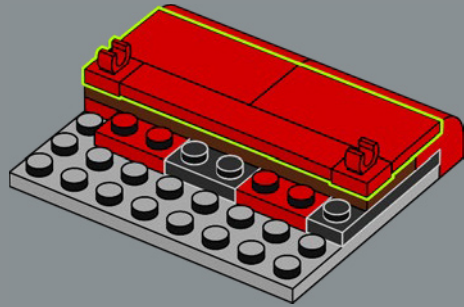


104

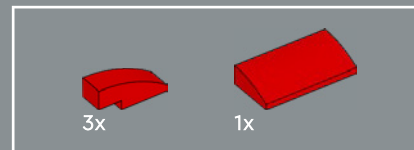
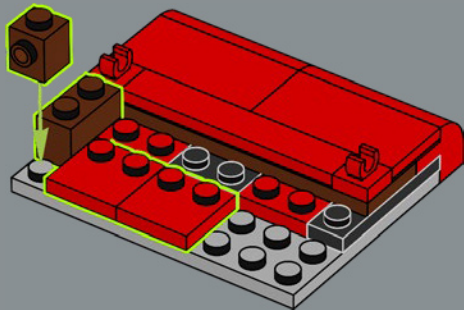




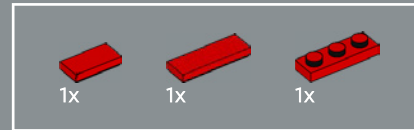
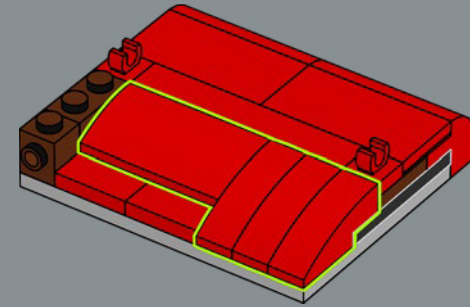
105



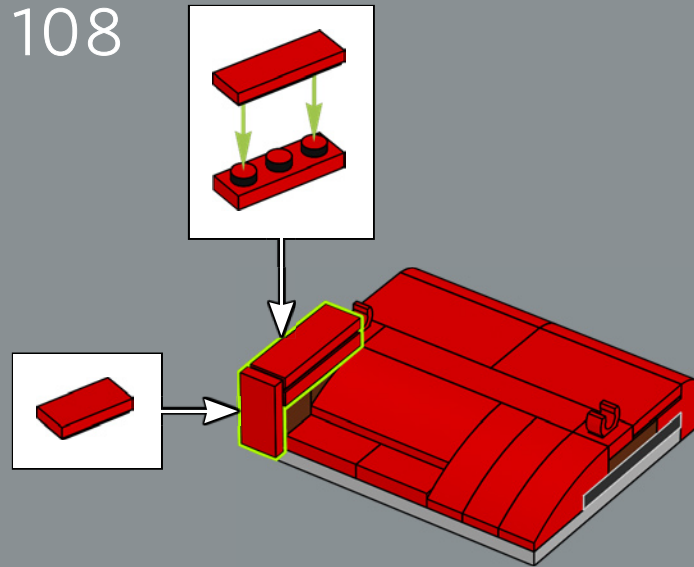
106

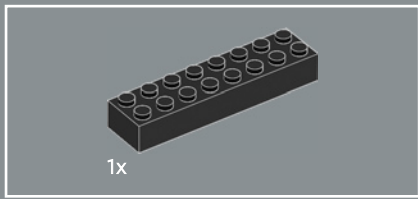


107

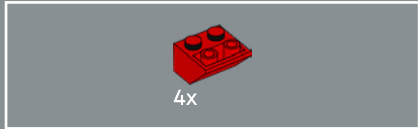
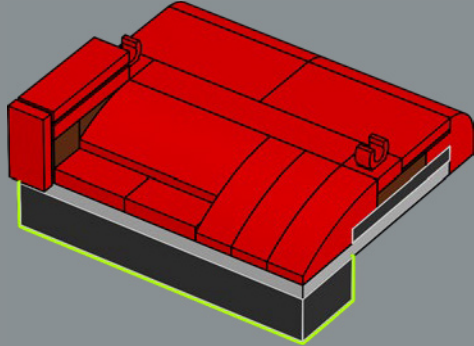


108

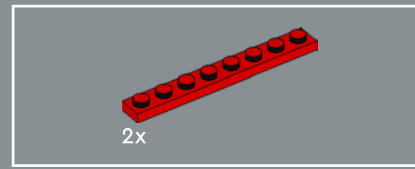
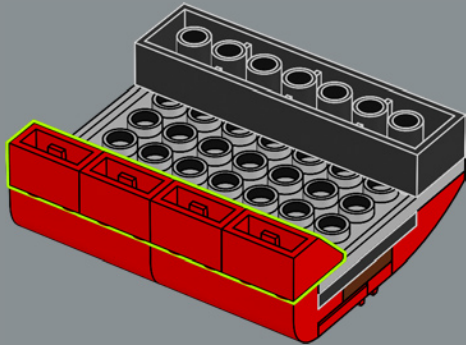




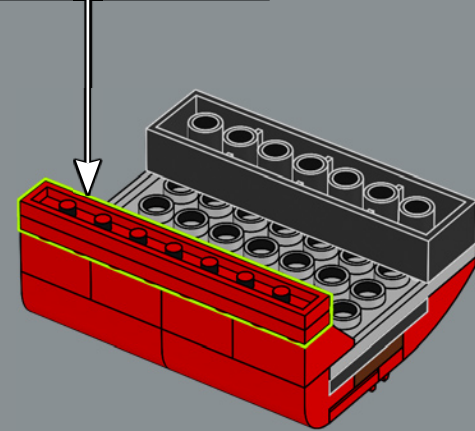
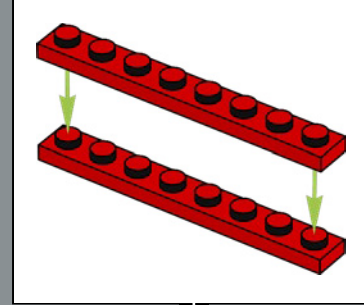
109



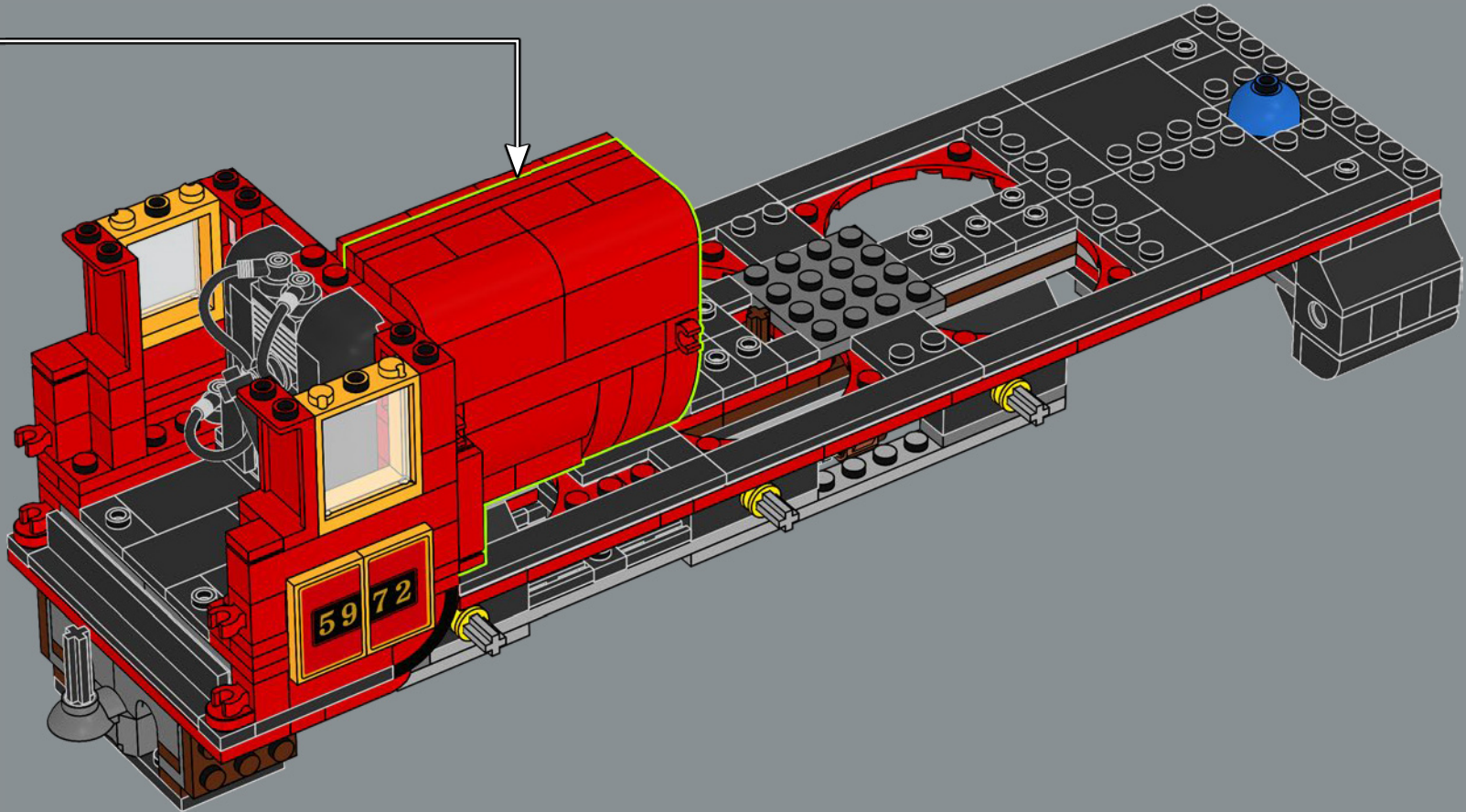
110

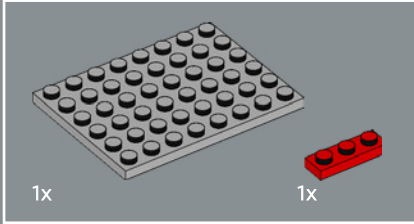
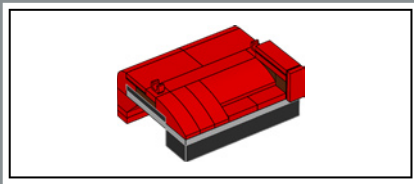


111

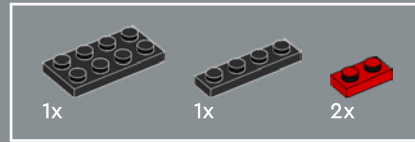
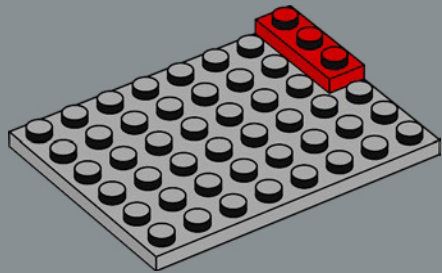


112

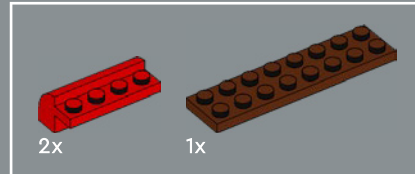
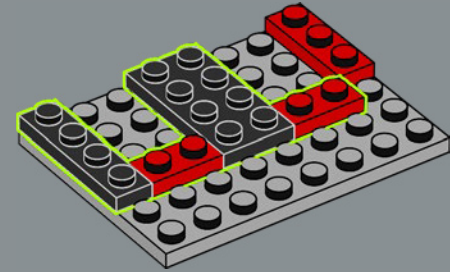




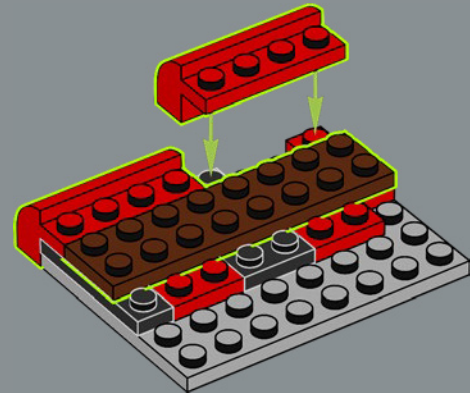
113

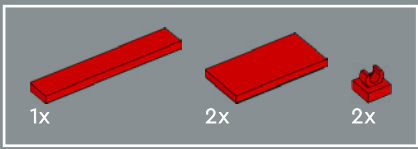


114

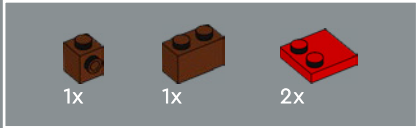
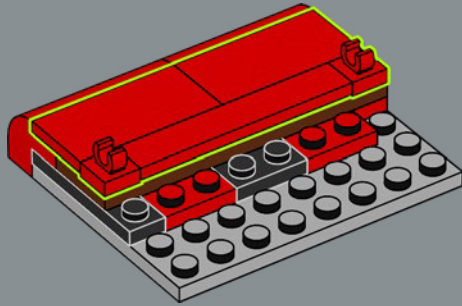


115

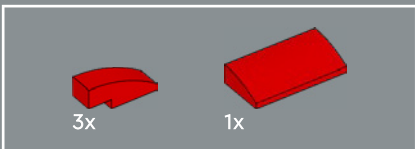
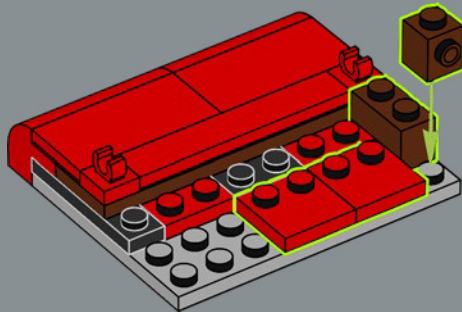




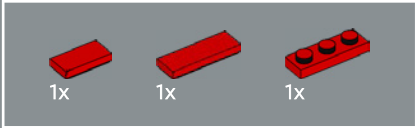
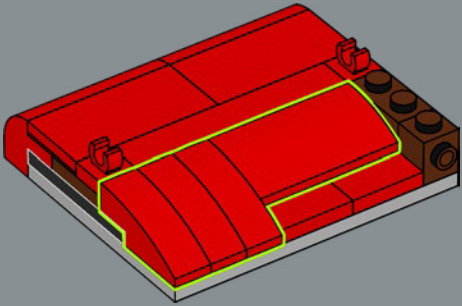
116



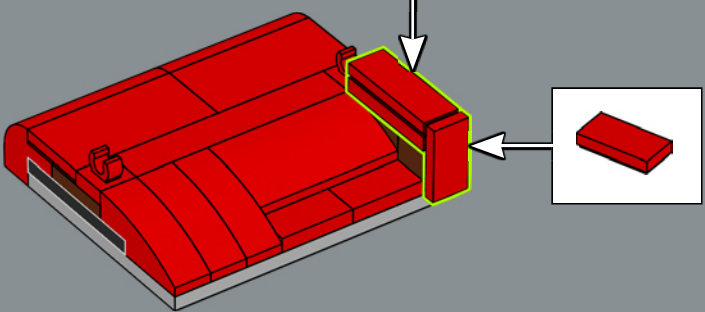
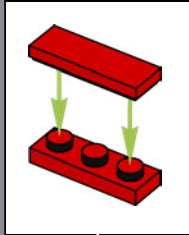
117



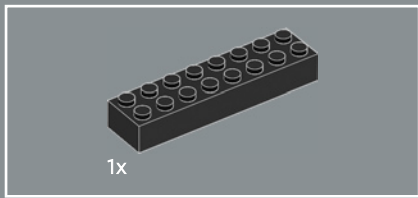
118



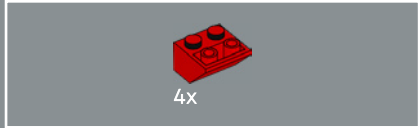
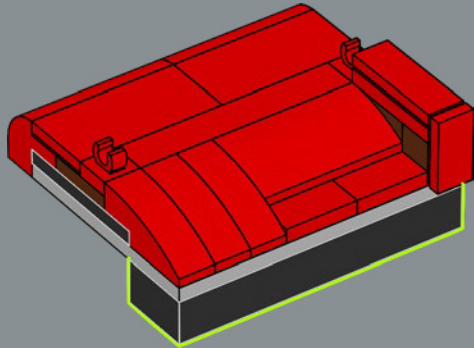
119



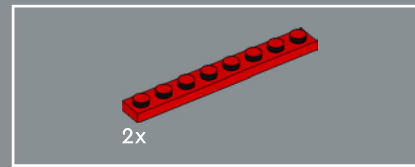
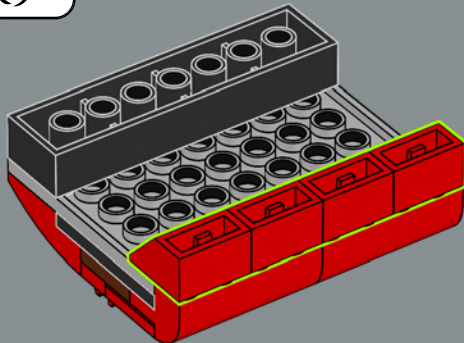




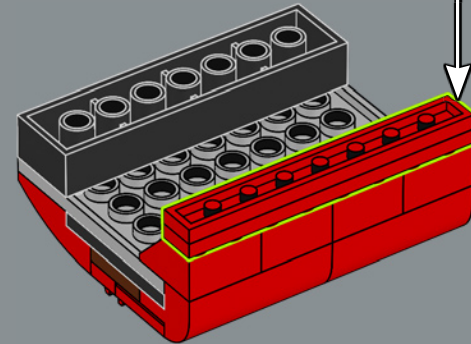
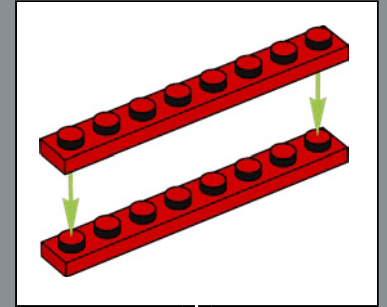
120

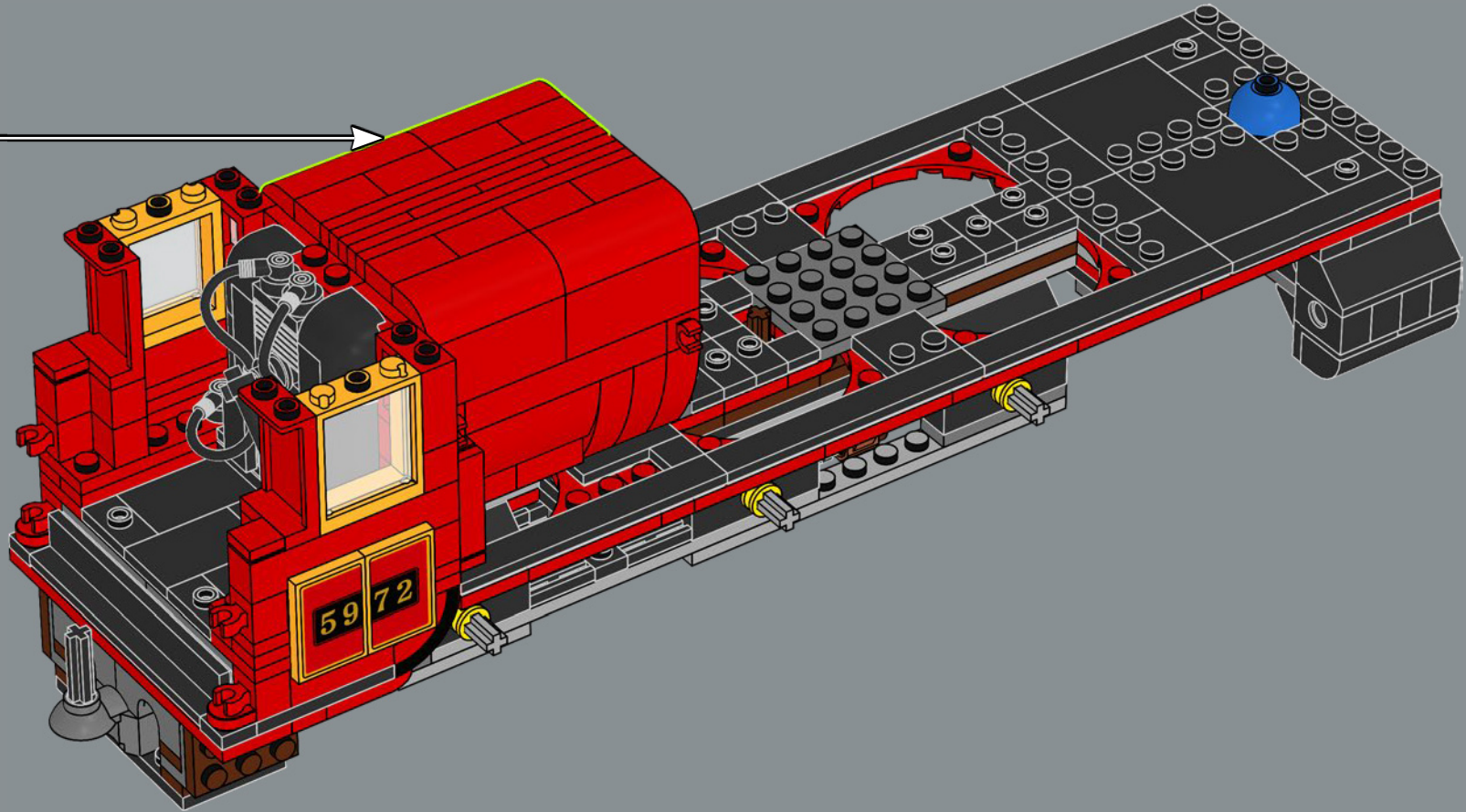


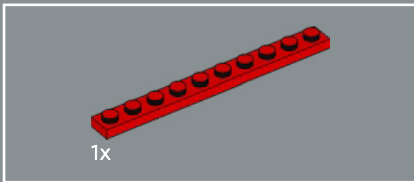
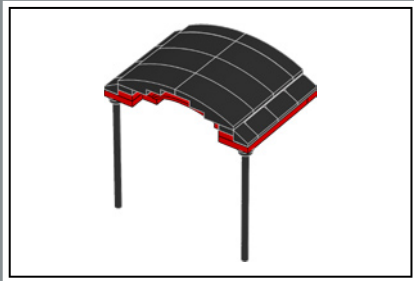
121



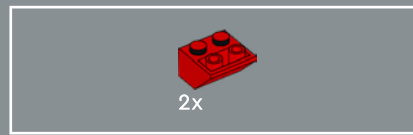
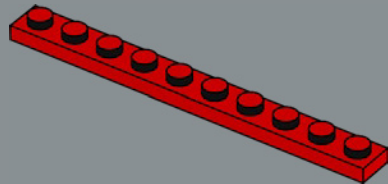
122



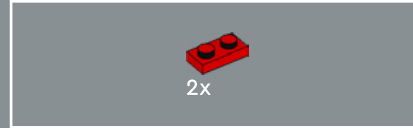
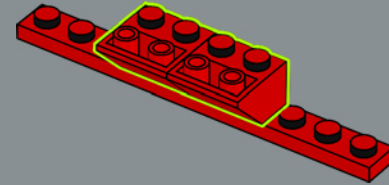




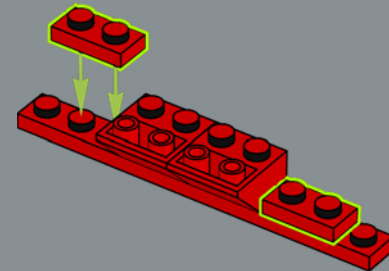
124



125



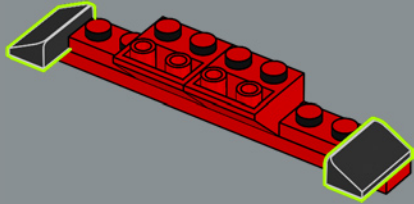
126





2x

127

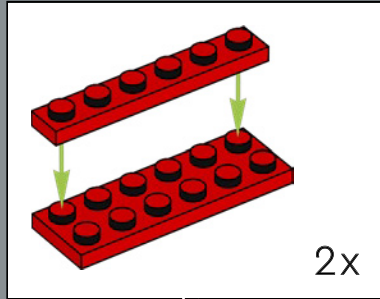


2x

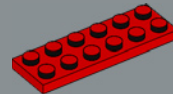
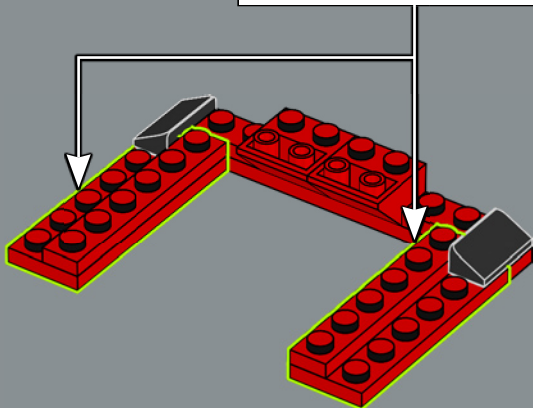


2x

128

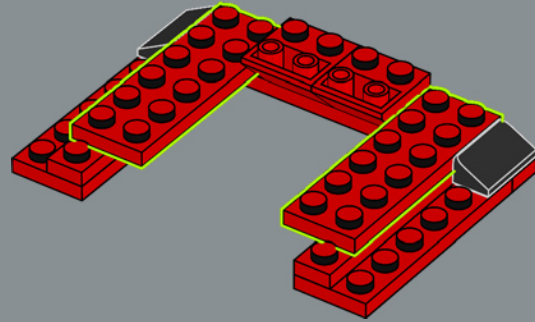


2x



2x

129

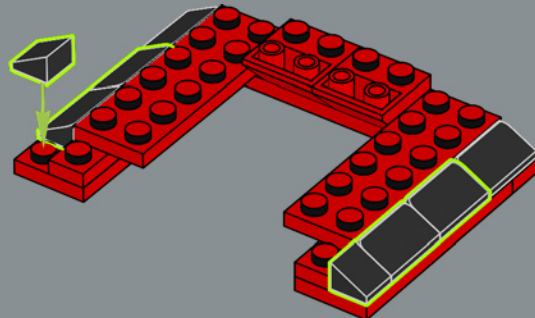


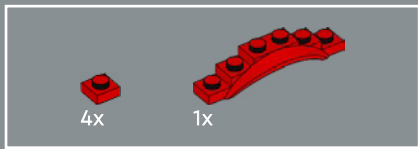
2x



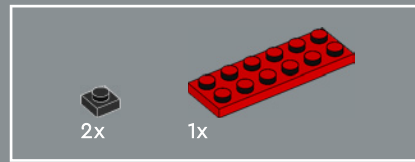
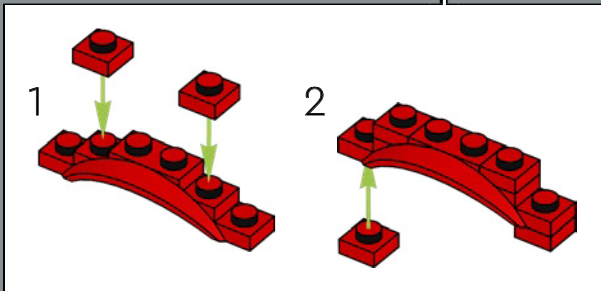
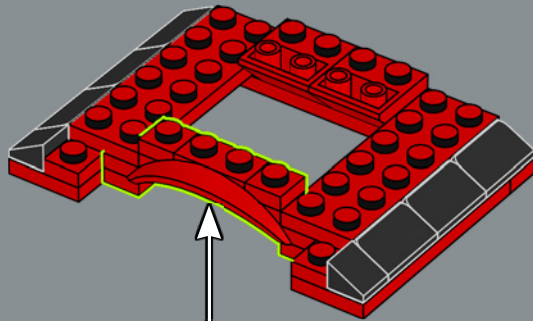
4x

130

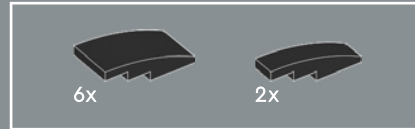
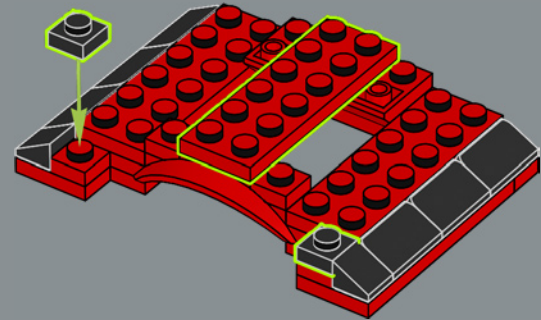




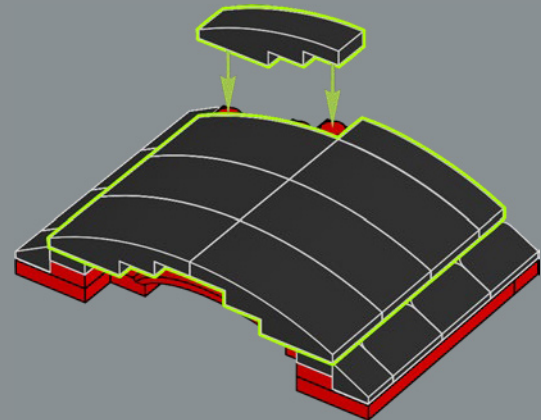
131



132



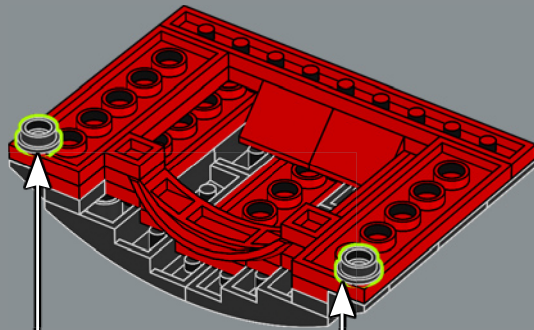
133





2x

134

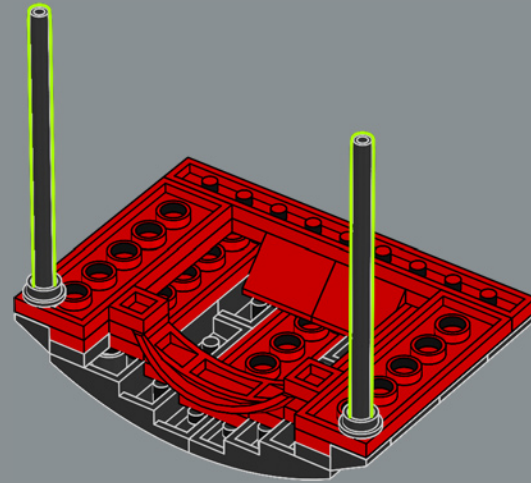


2x

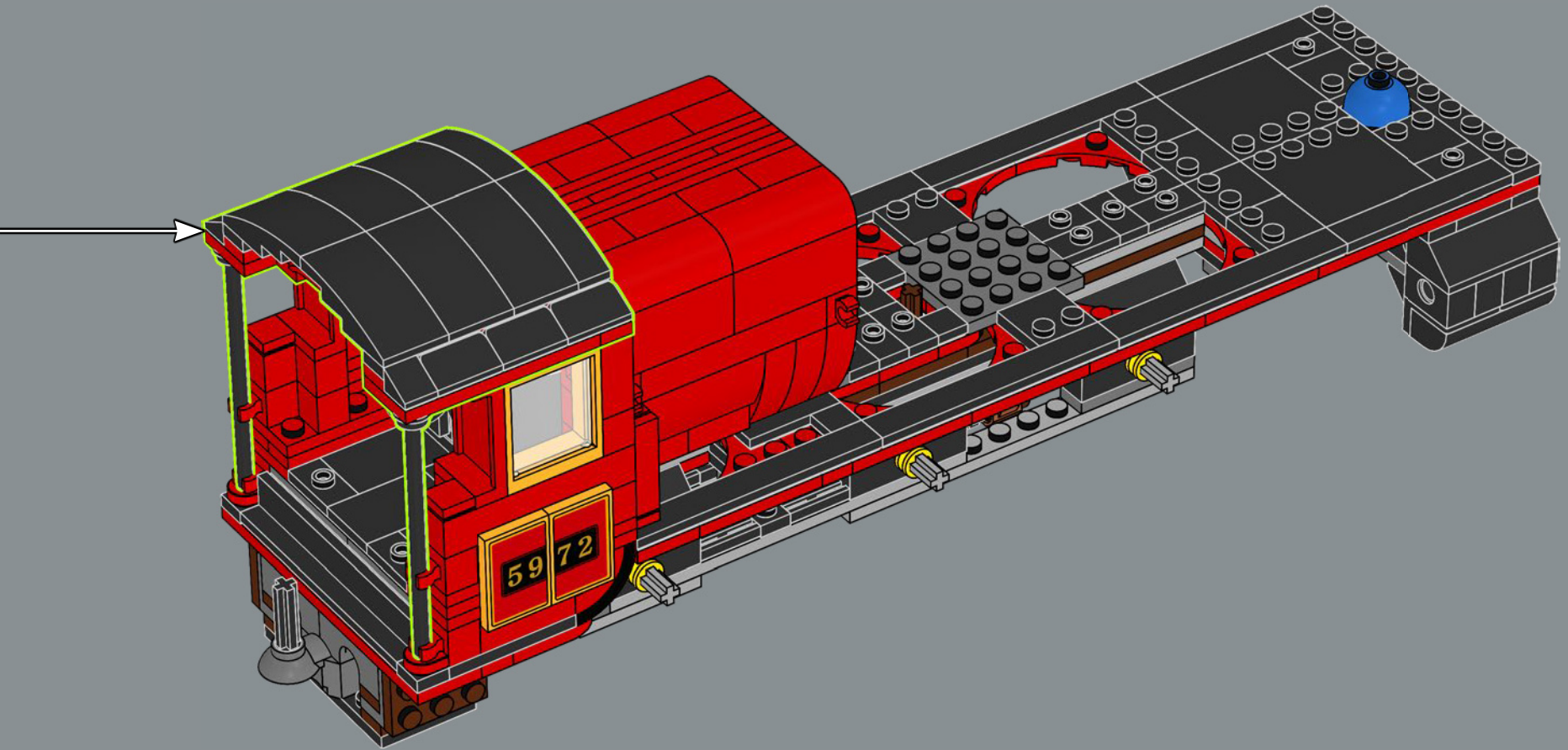


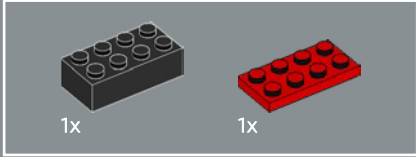
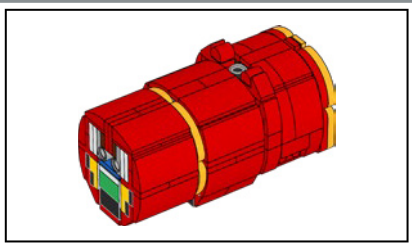
2x

135

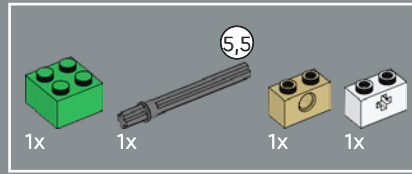
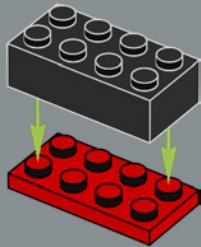


136

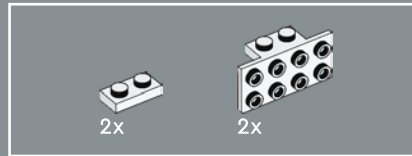
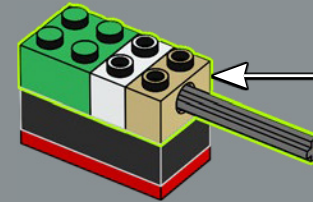
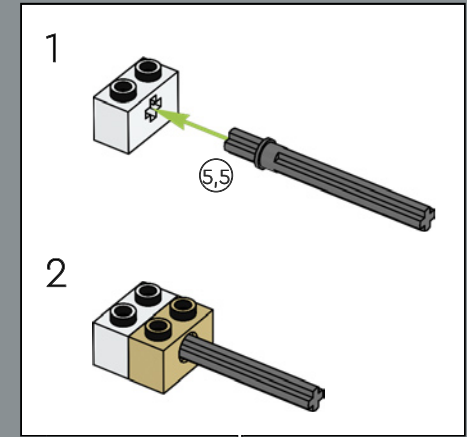




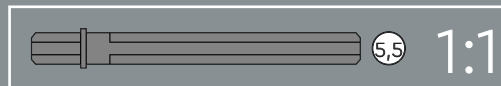
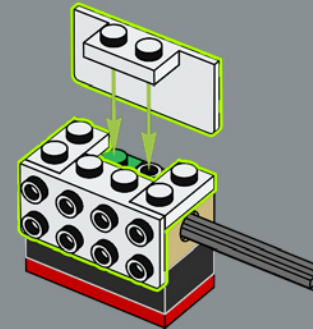
137



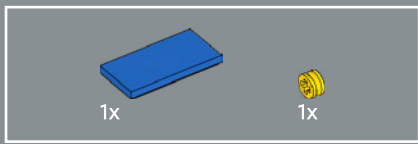
138



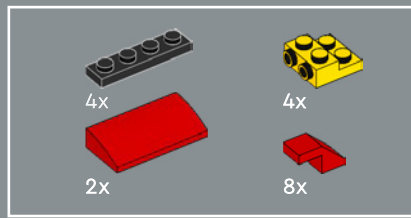
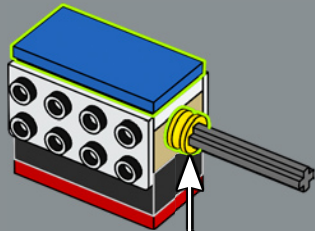
139



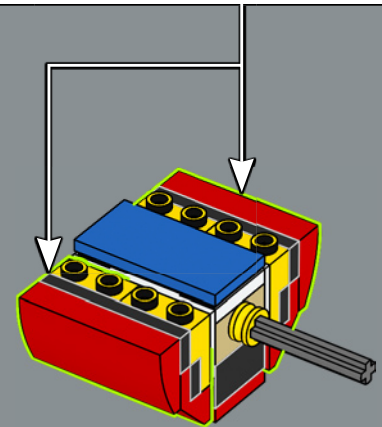
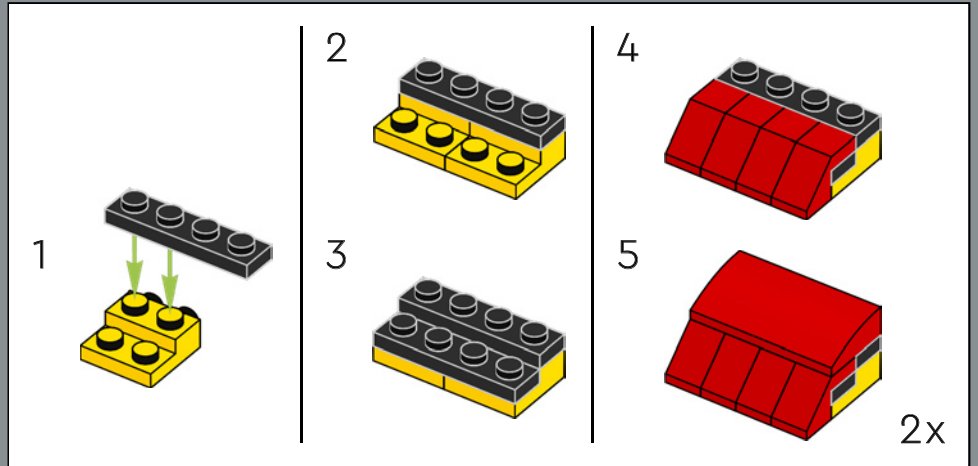


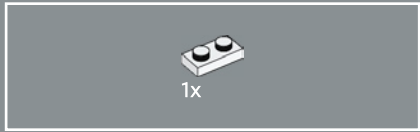
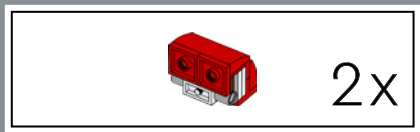


140

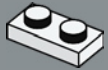


141

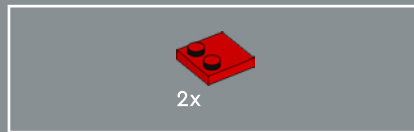
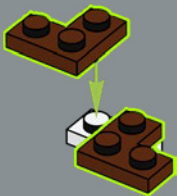




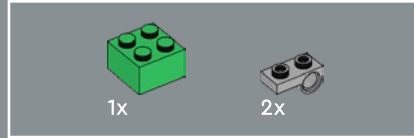
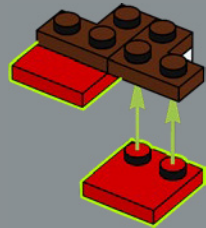
142



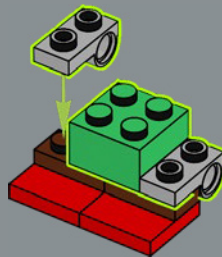
143



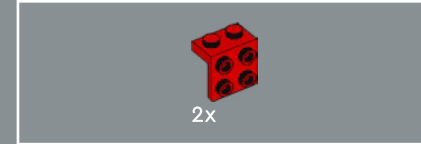
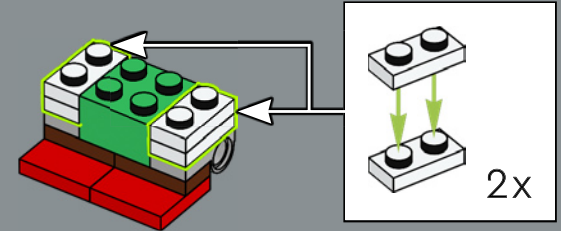
144



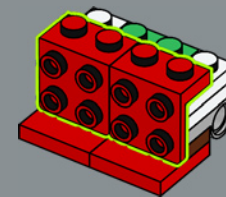
145

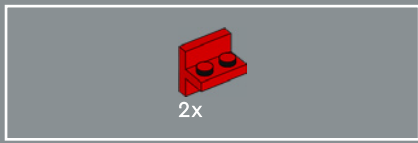


146

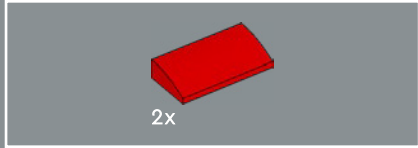
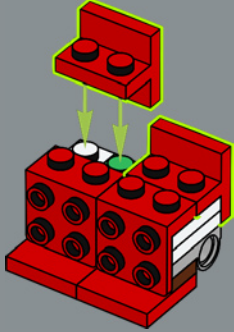


147

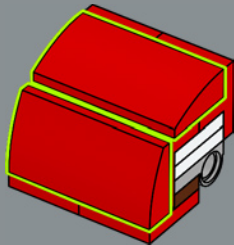




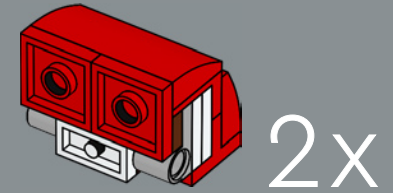
148



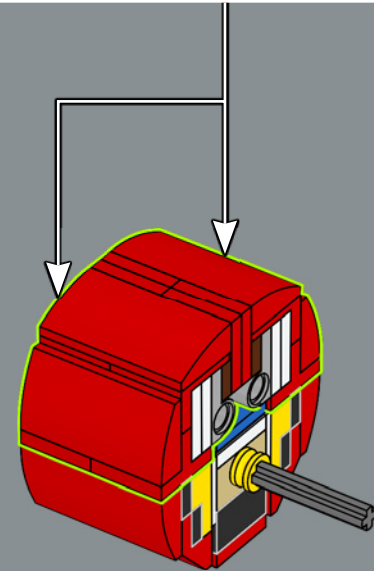
149

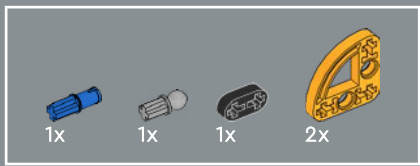


150

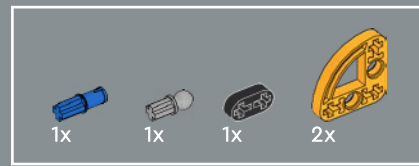
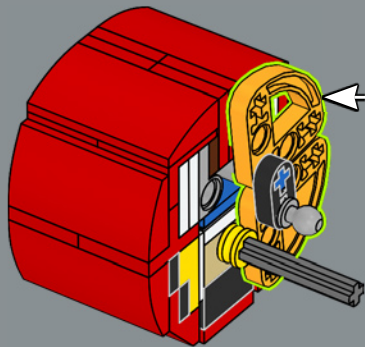
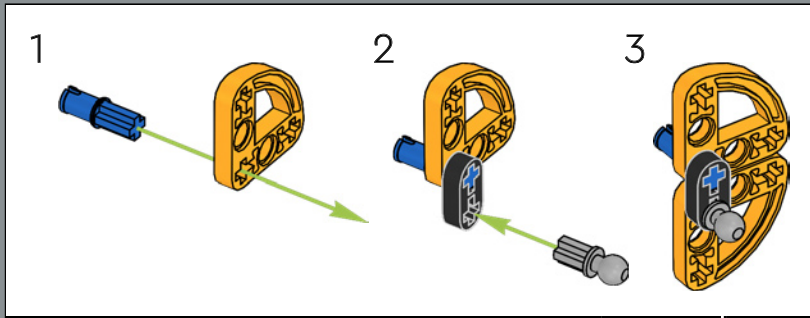


151

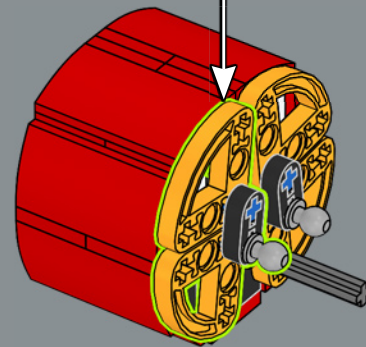
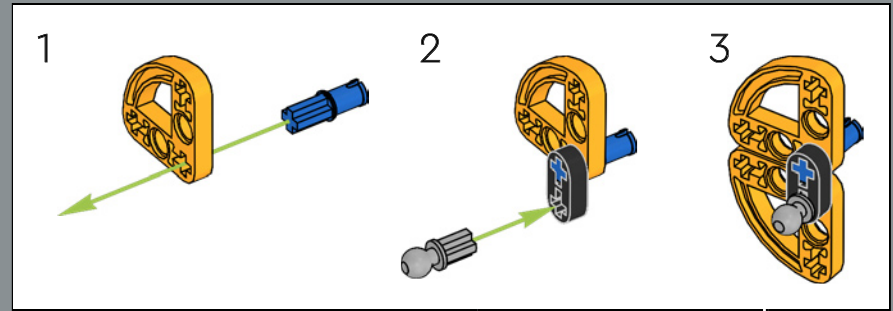


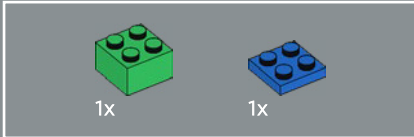
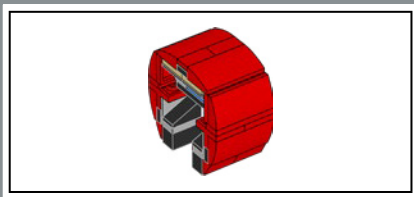


152

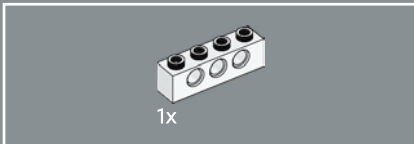
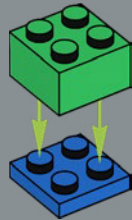


153

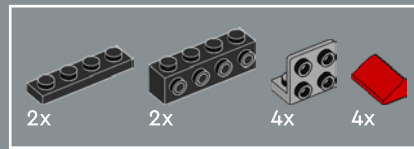
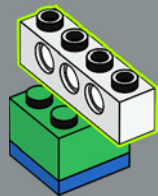




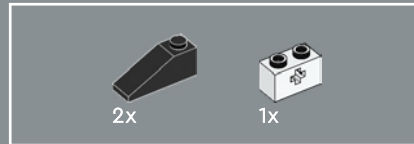
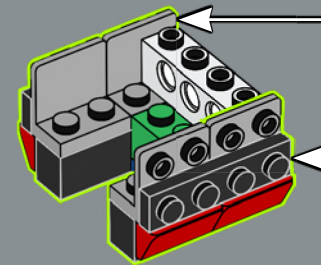
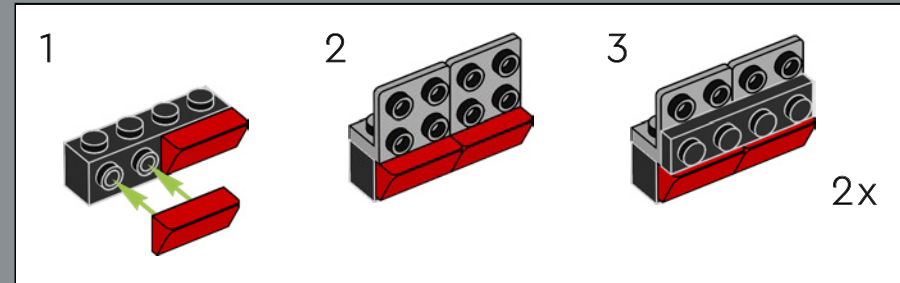
154



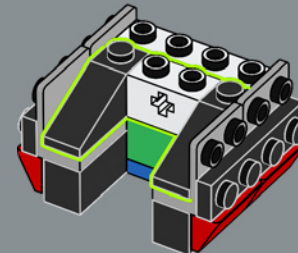
155

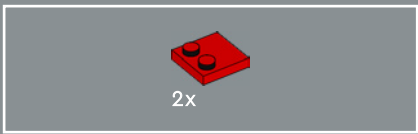


156

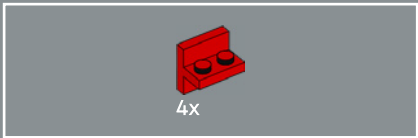
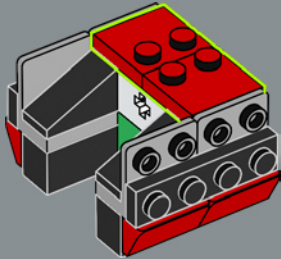


157

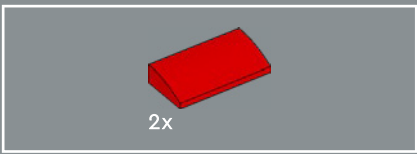
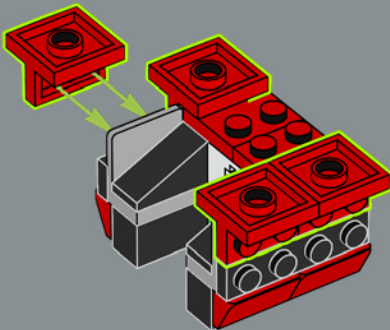




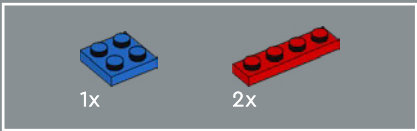
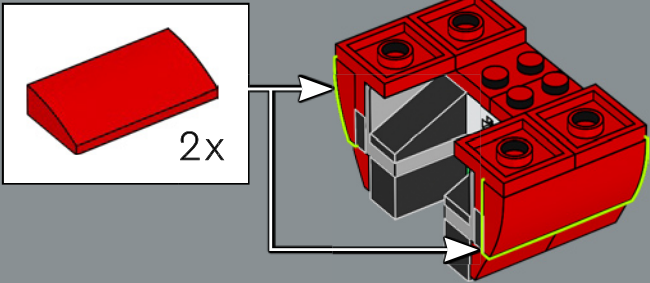
158



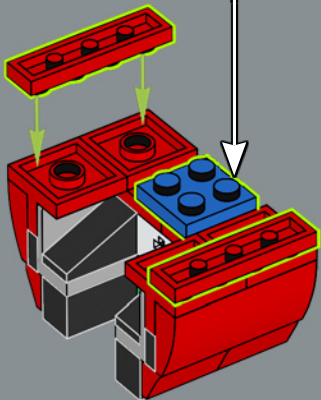
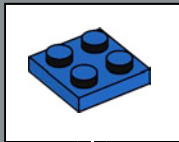
159

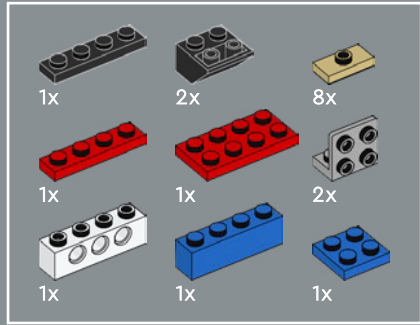


160

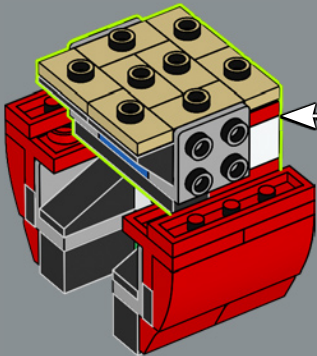
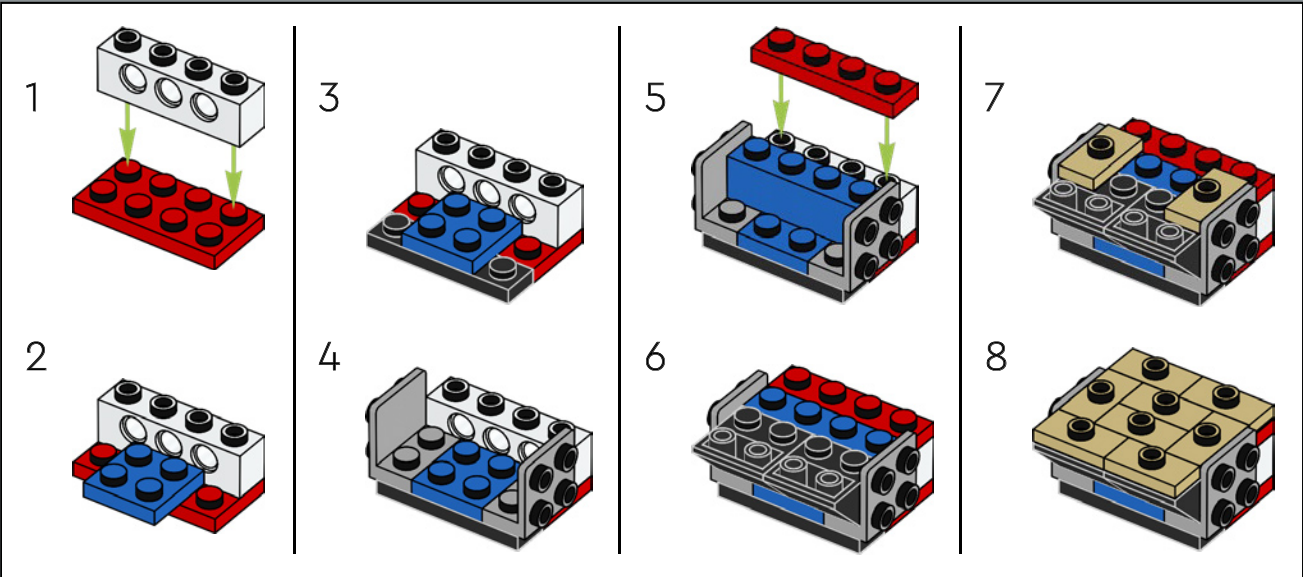


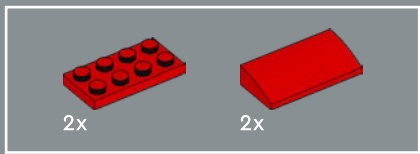
161



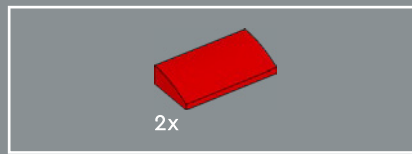
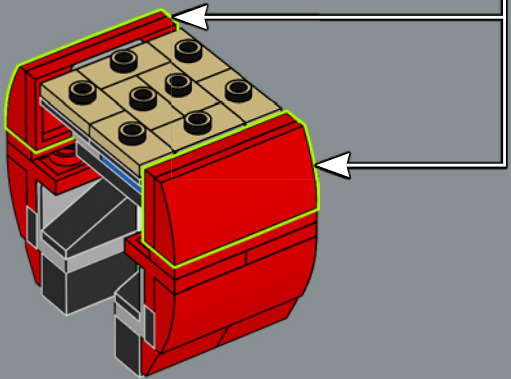
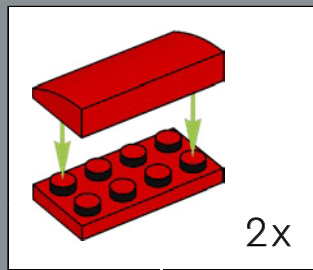


162

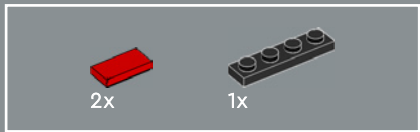
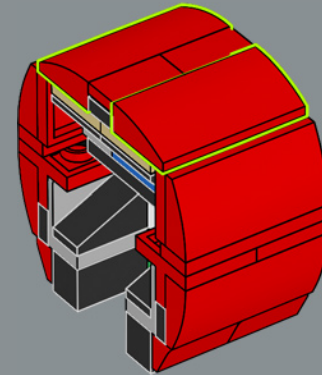




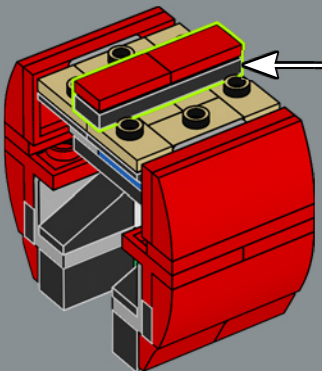
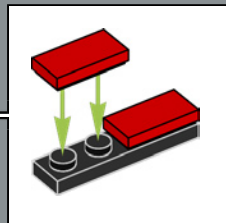
163



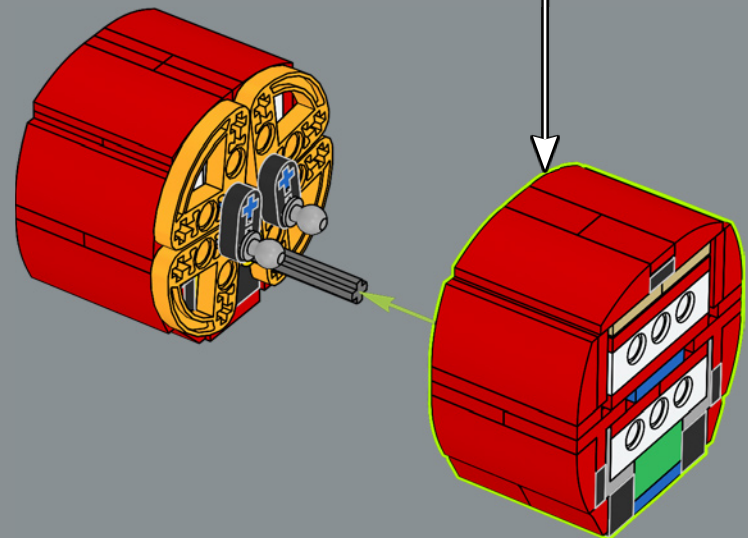
165



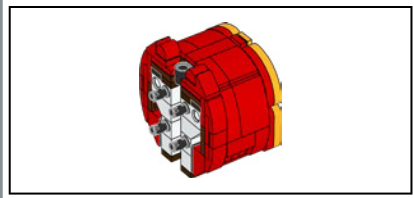
164



166

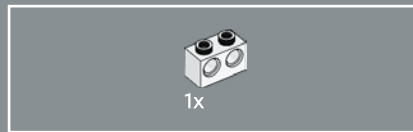
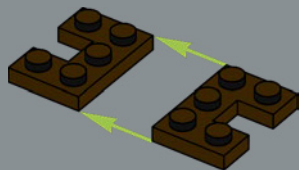






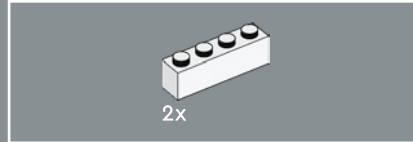
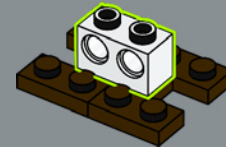
2x

167



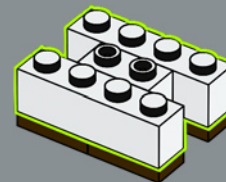
1x

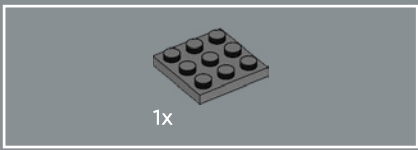
168



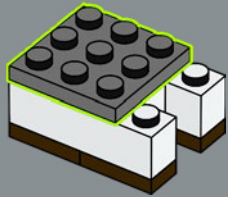
2x

169

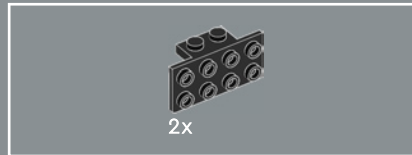
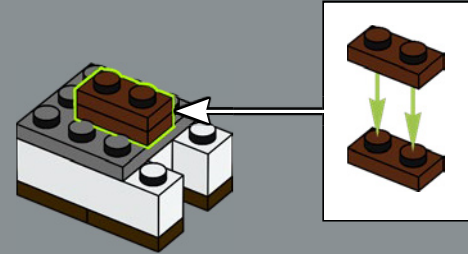




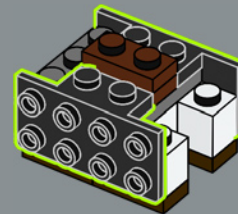
170

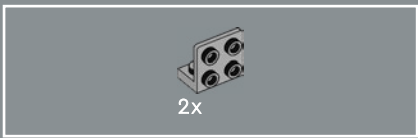


171

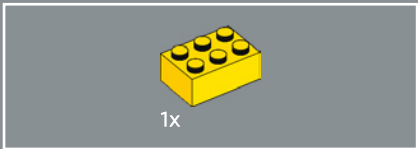
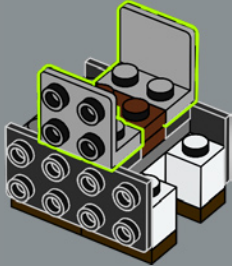


172

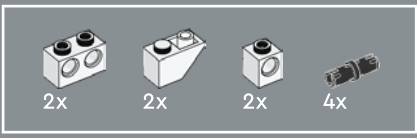
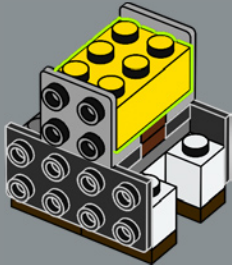




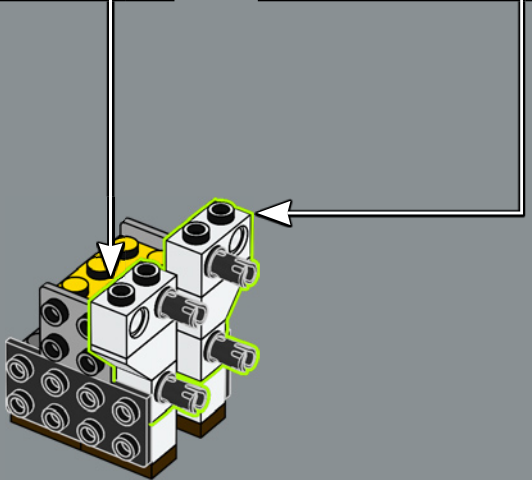
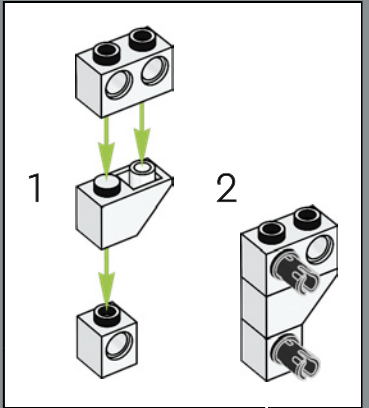
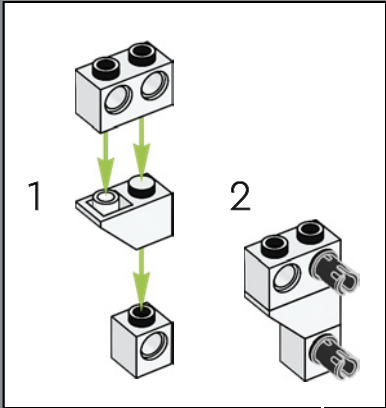
173

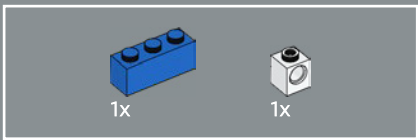


174

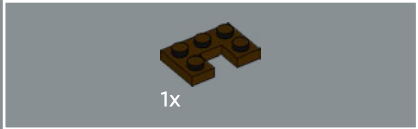
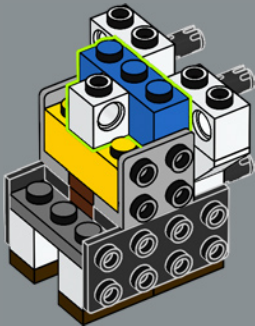


175

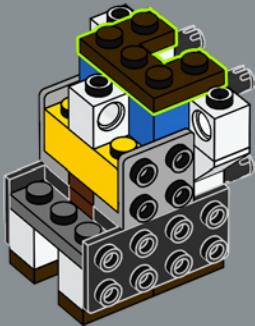




176

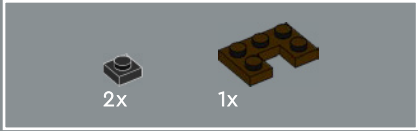
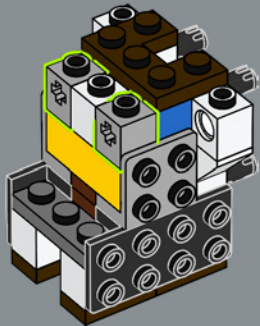


177

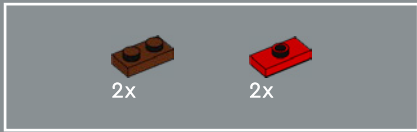
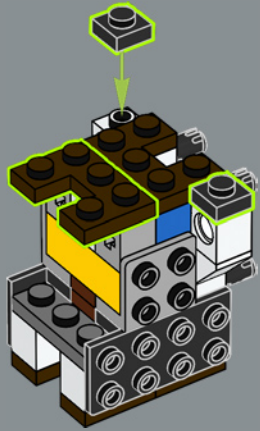




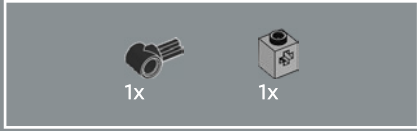
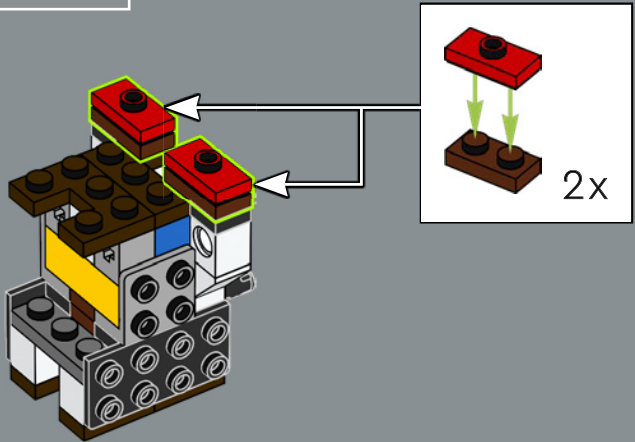
178



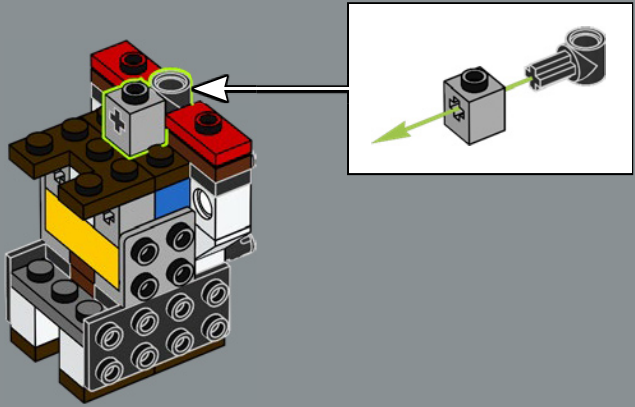
179



180

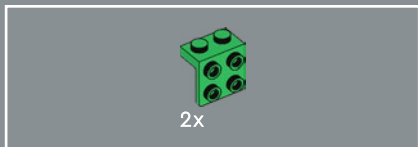
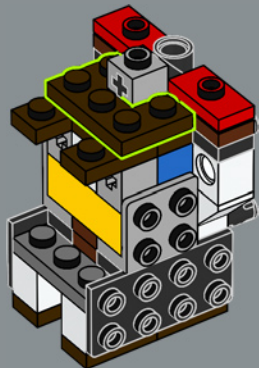


181

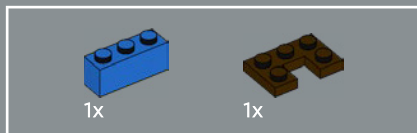
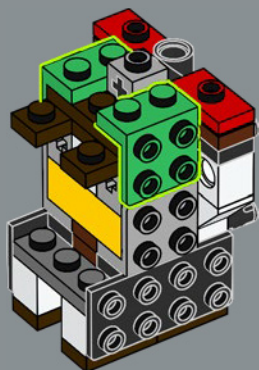




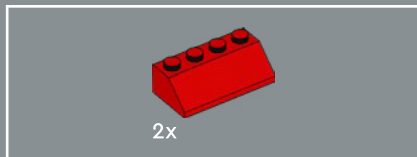
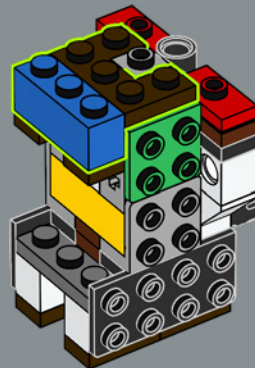
182



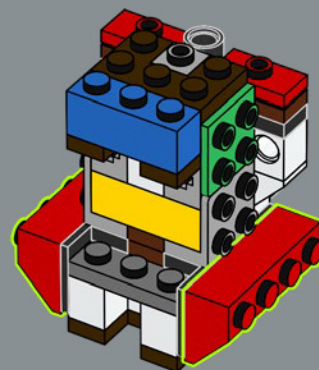
183



184

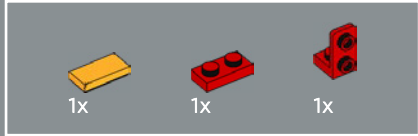
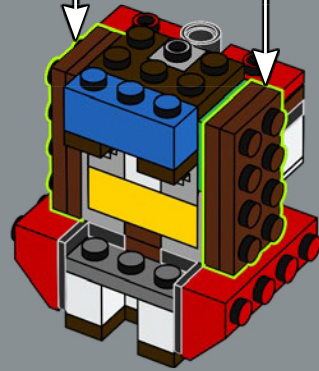
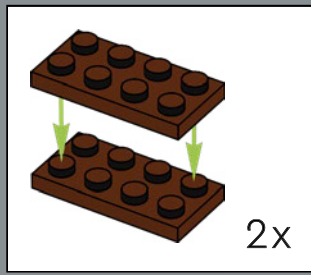


185

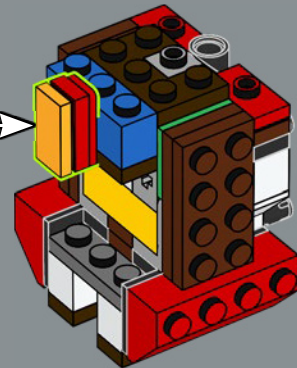
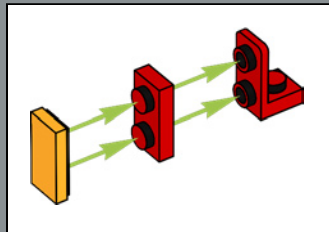




186

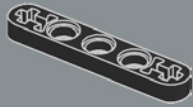


187

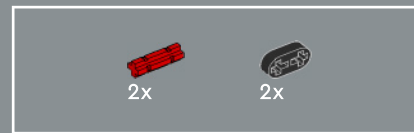
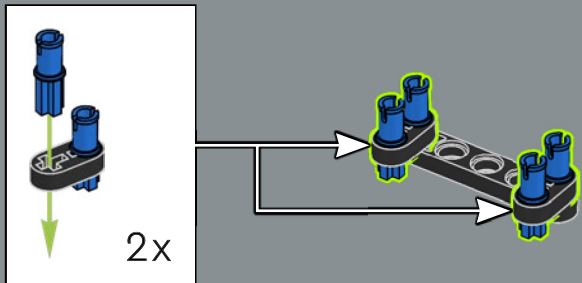




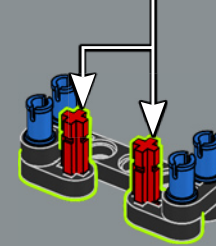
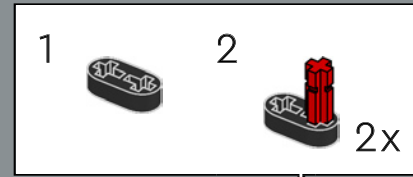
188



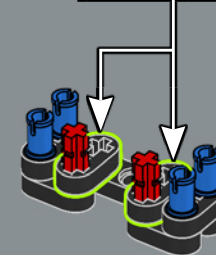
189



190



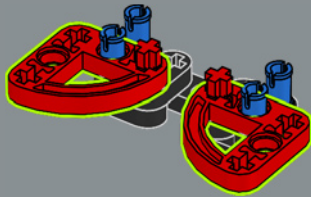
191



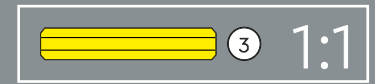
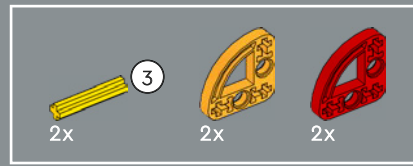
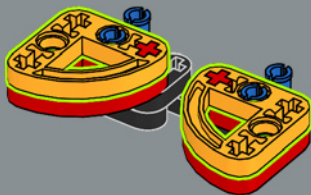




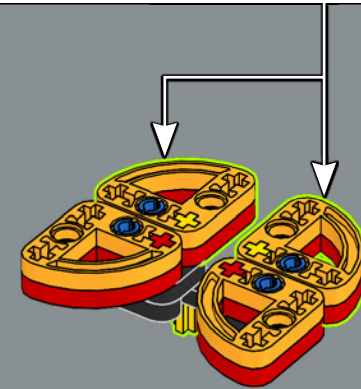
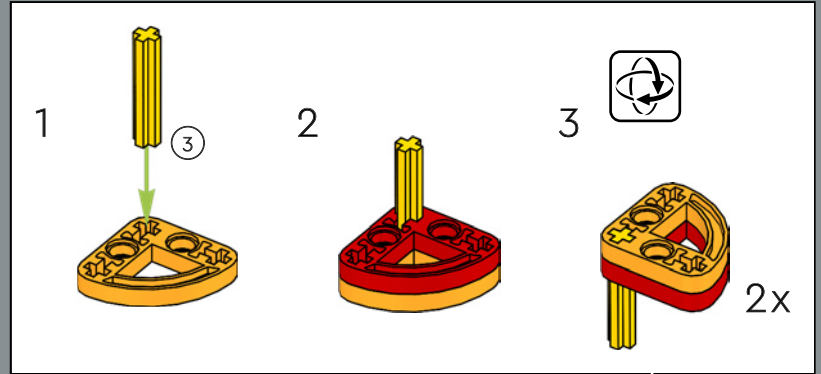
192



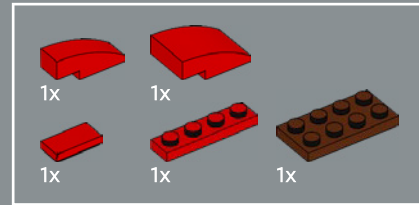
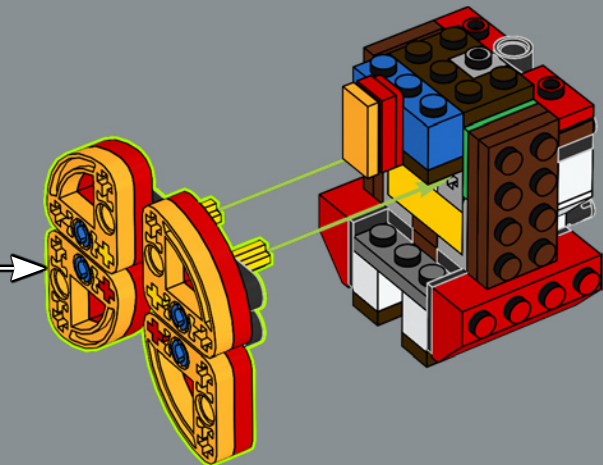
193



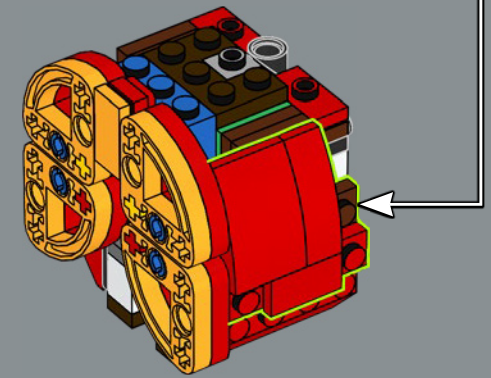
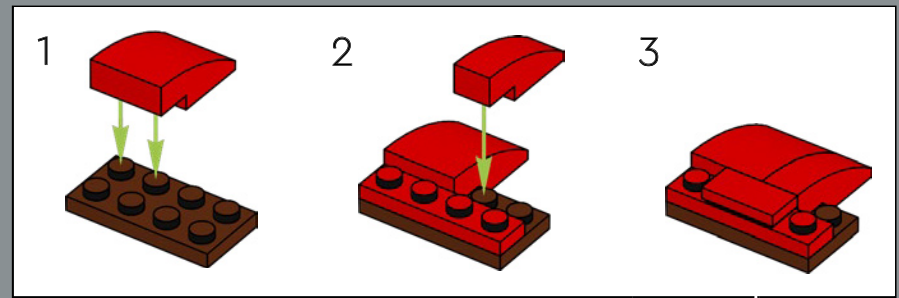
194



195

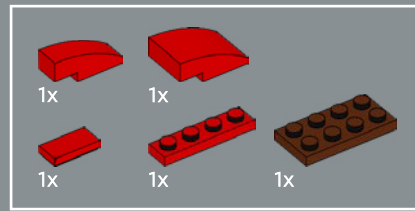
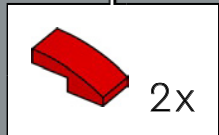
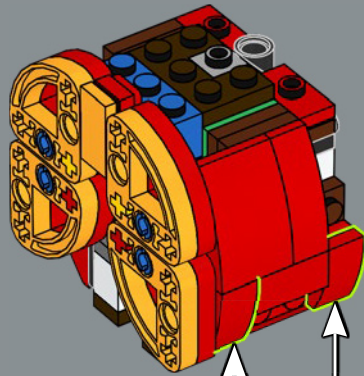


196

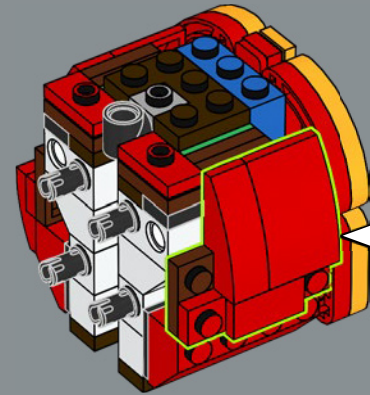
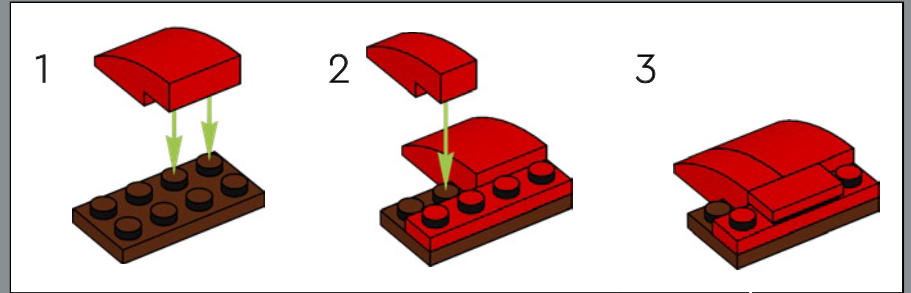




197

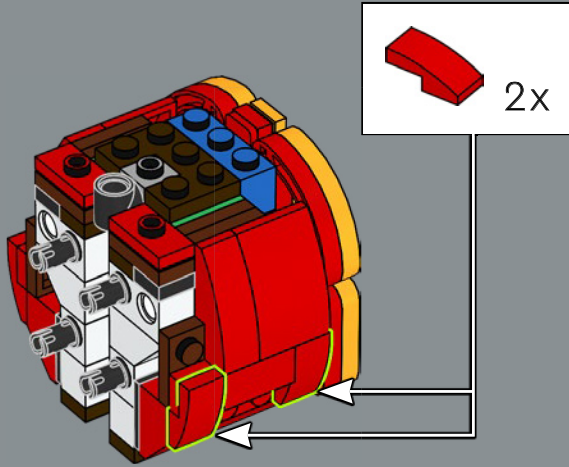


198



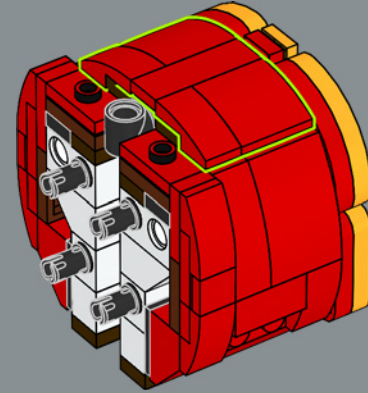
2x

199



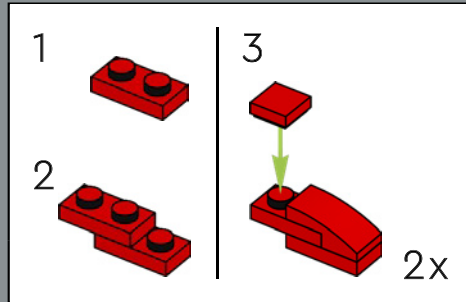
1x 2x 2x

201



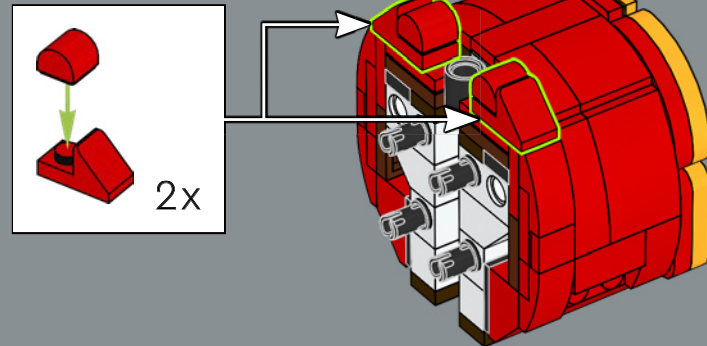
4x 2x 2x

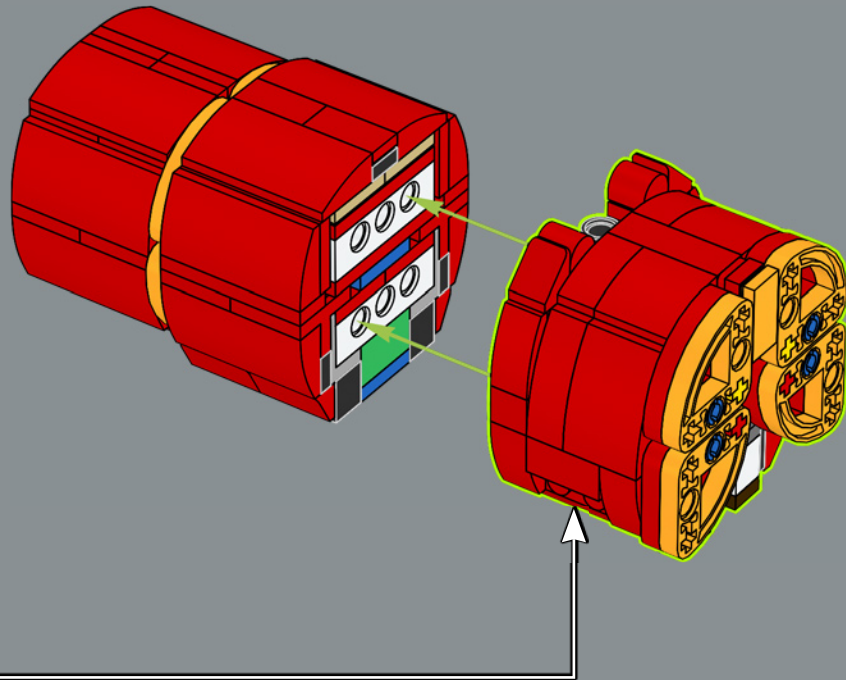
200



2x 2x

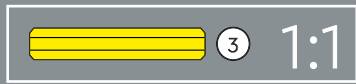
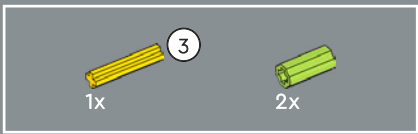
202



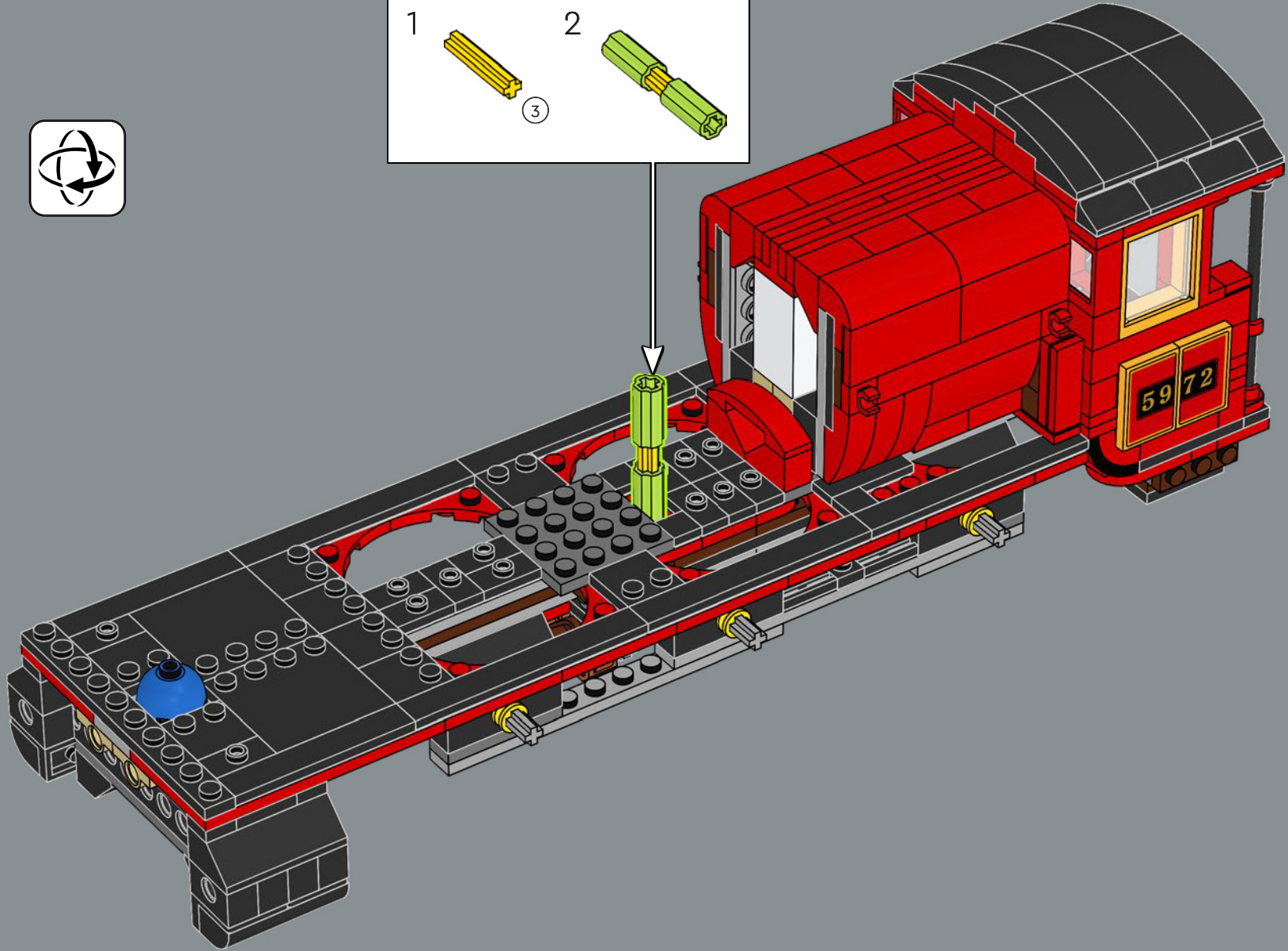
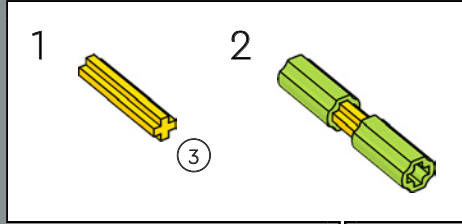


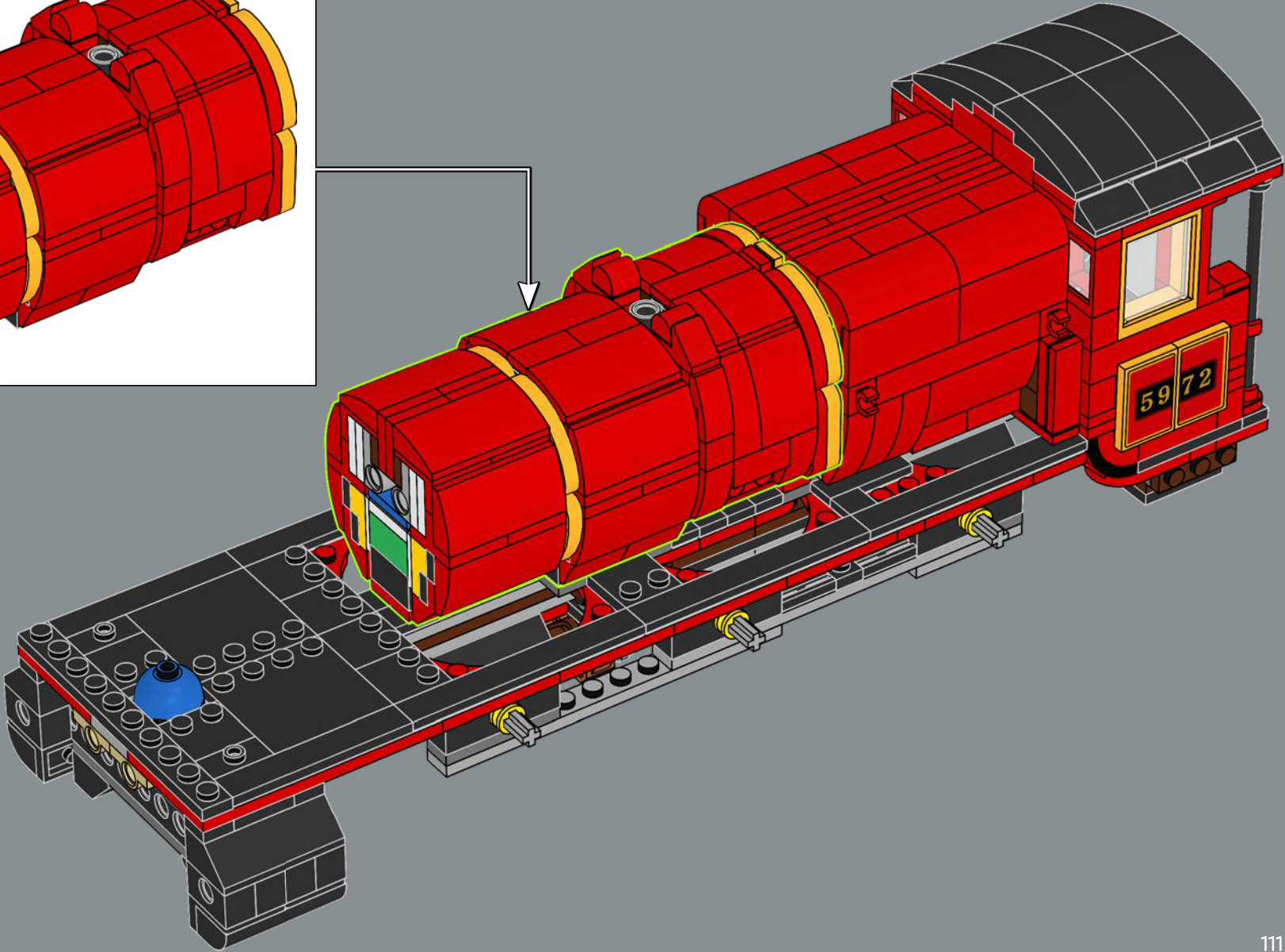
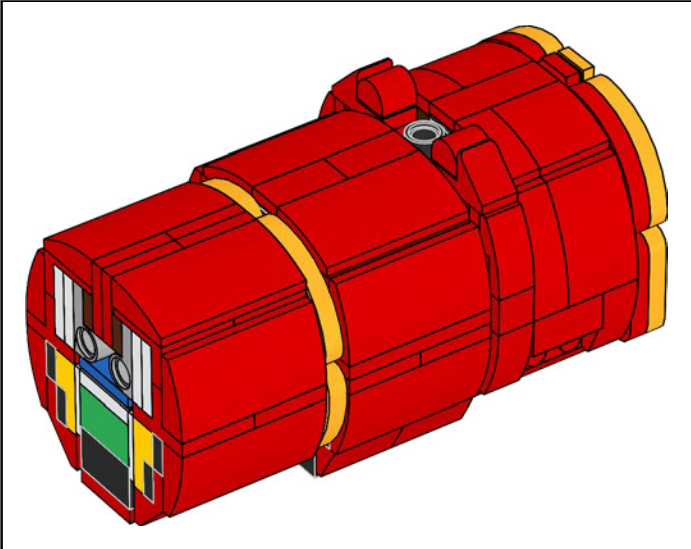
### ENGINEERING ILLUSION

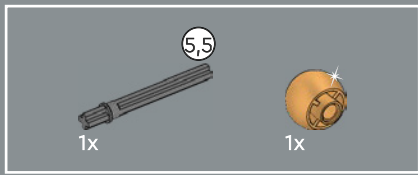
Inspired by the GWR 4900 Class 5972 Olton Hall steam engine used as the Hogwarts Express™ in the films, LEGO® model designer Marcos Bessa created a conical illusion of the smooth engine. The diameter of each module is gradually reduced, but in small enough steps that various combinations of brackets and special plates really bring out the subtleties of the LEGO building system.



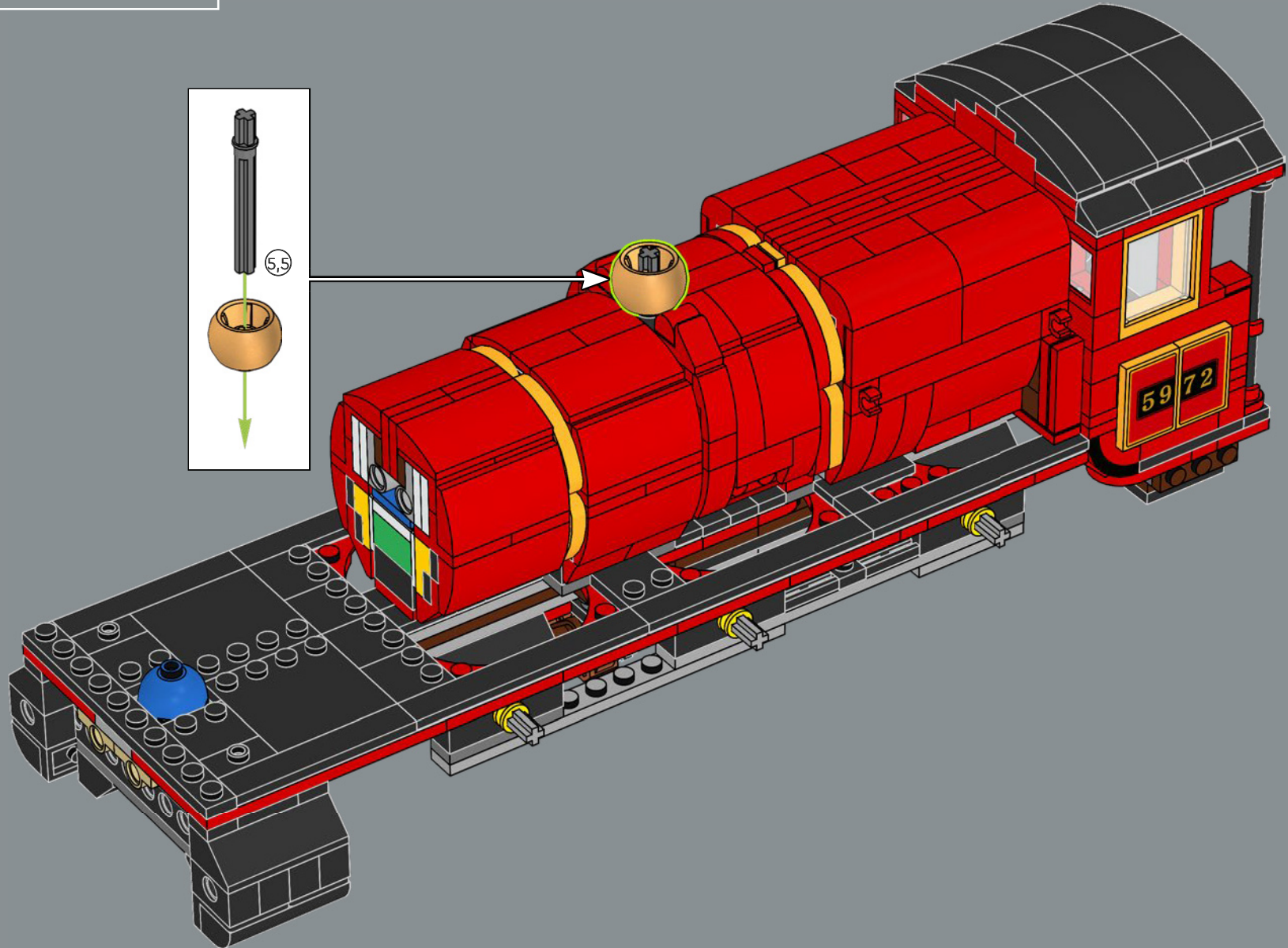
204



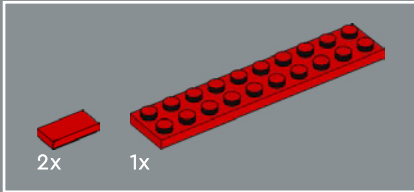
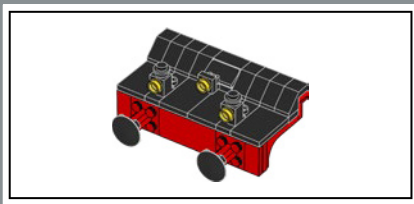




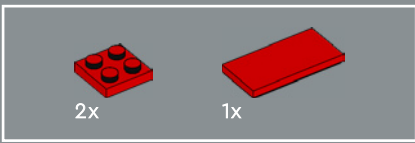
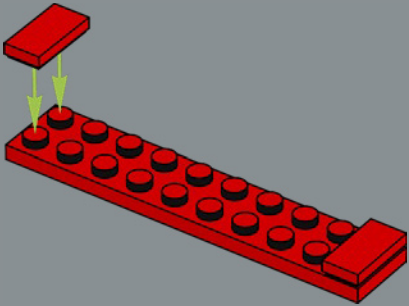
206



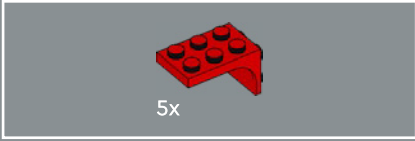
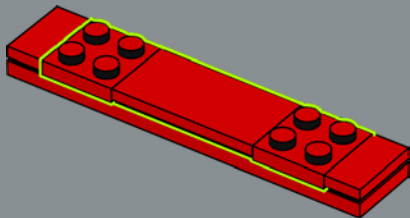




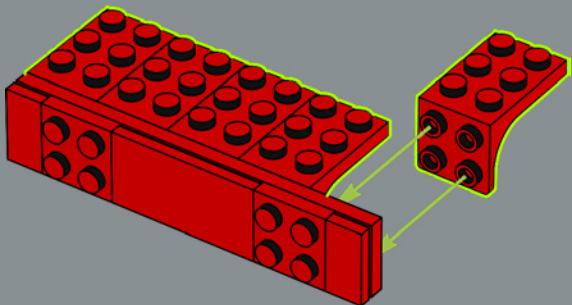
207

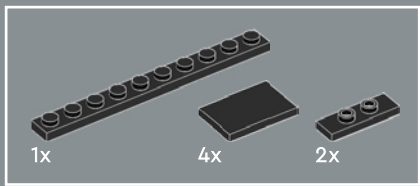


208

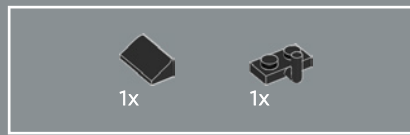
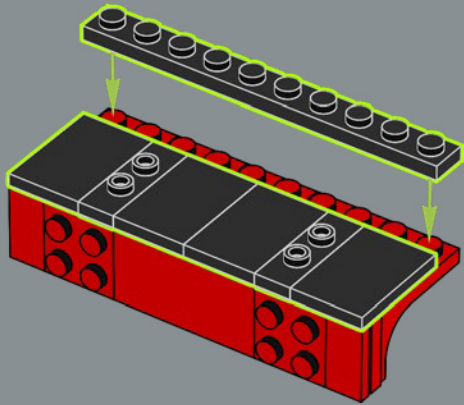


209

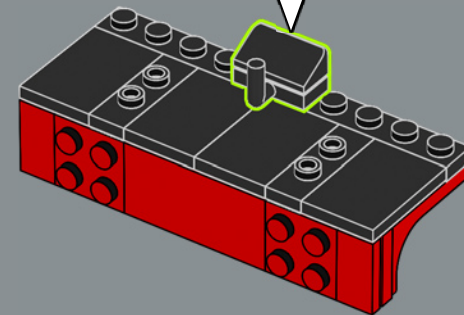
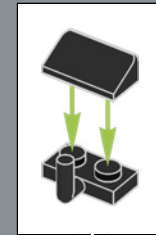


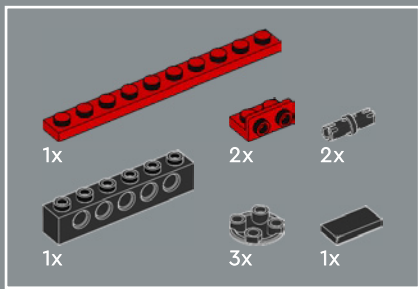


210

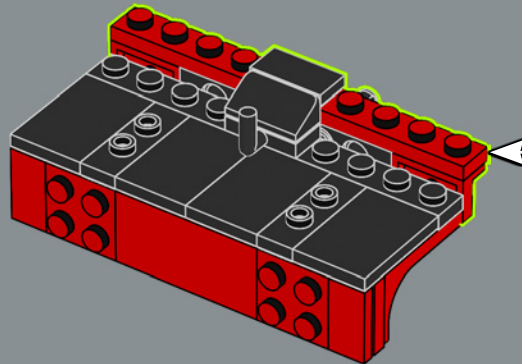
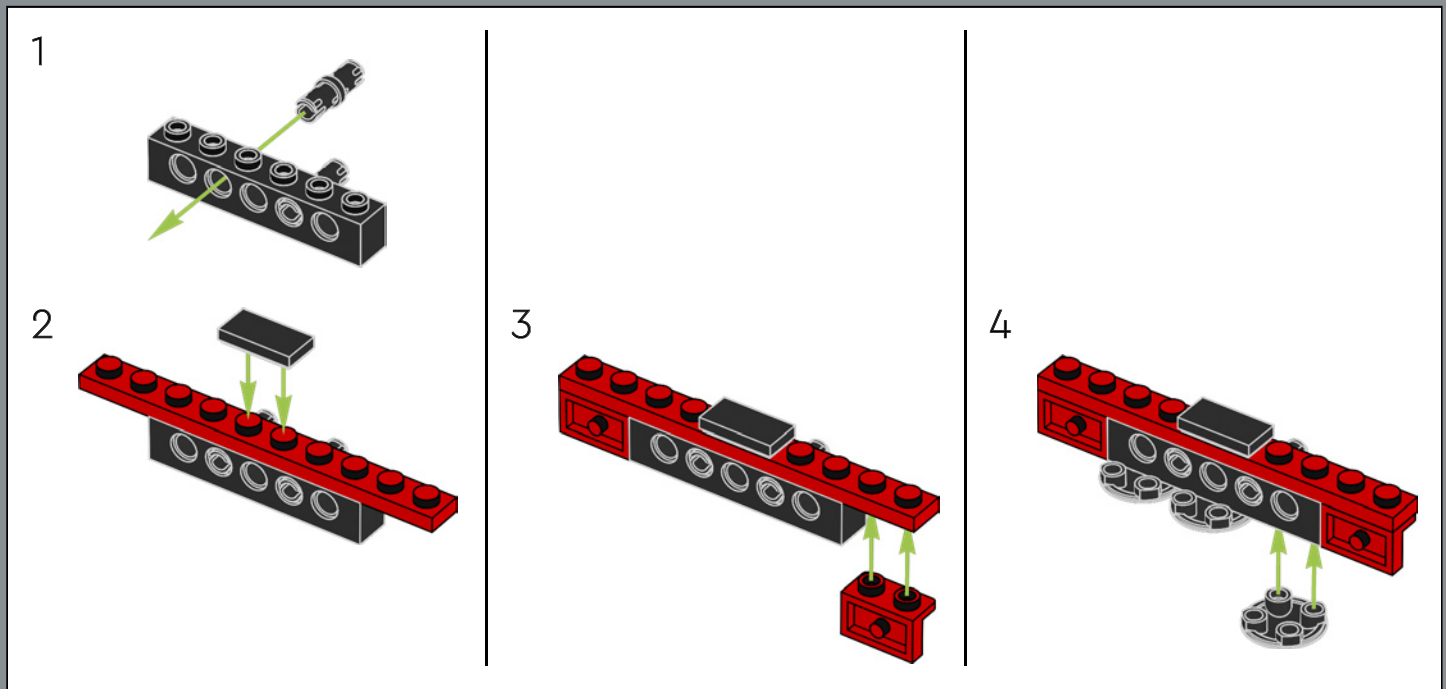


211





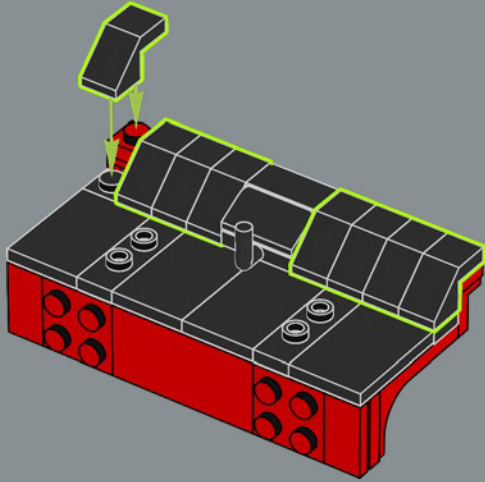
212



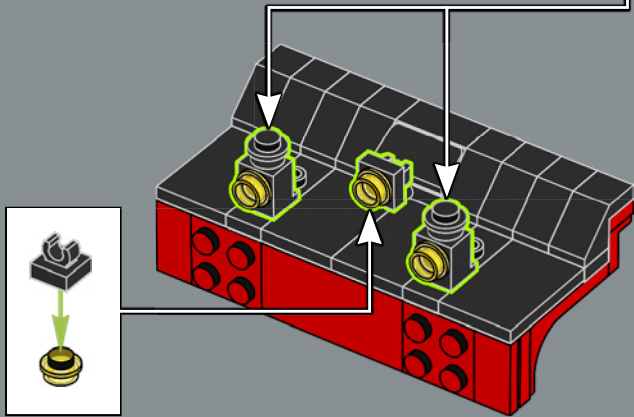
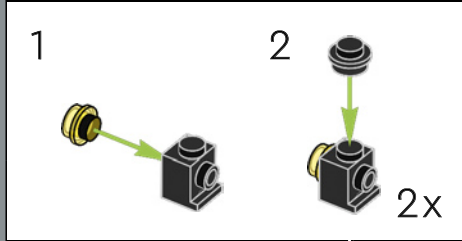


8x

213



214

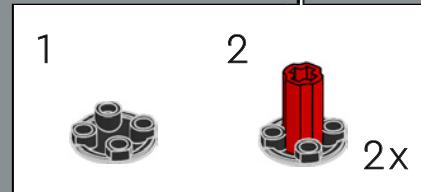
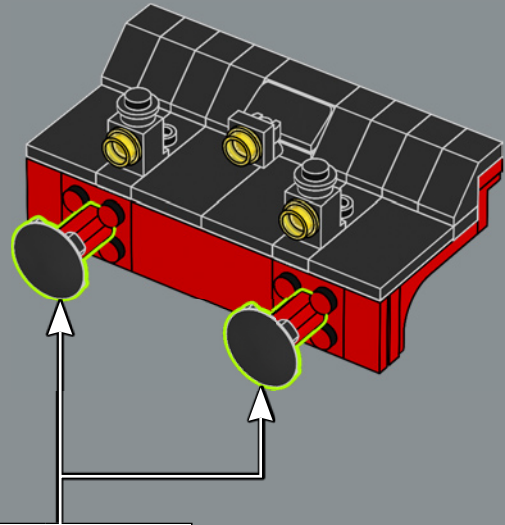


2x

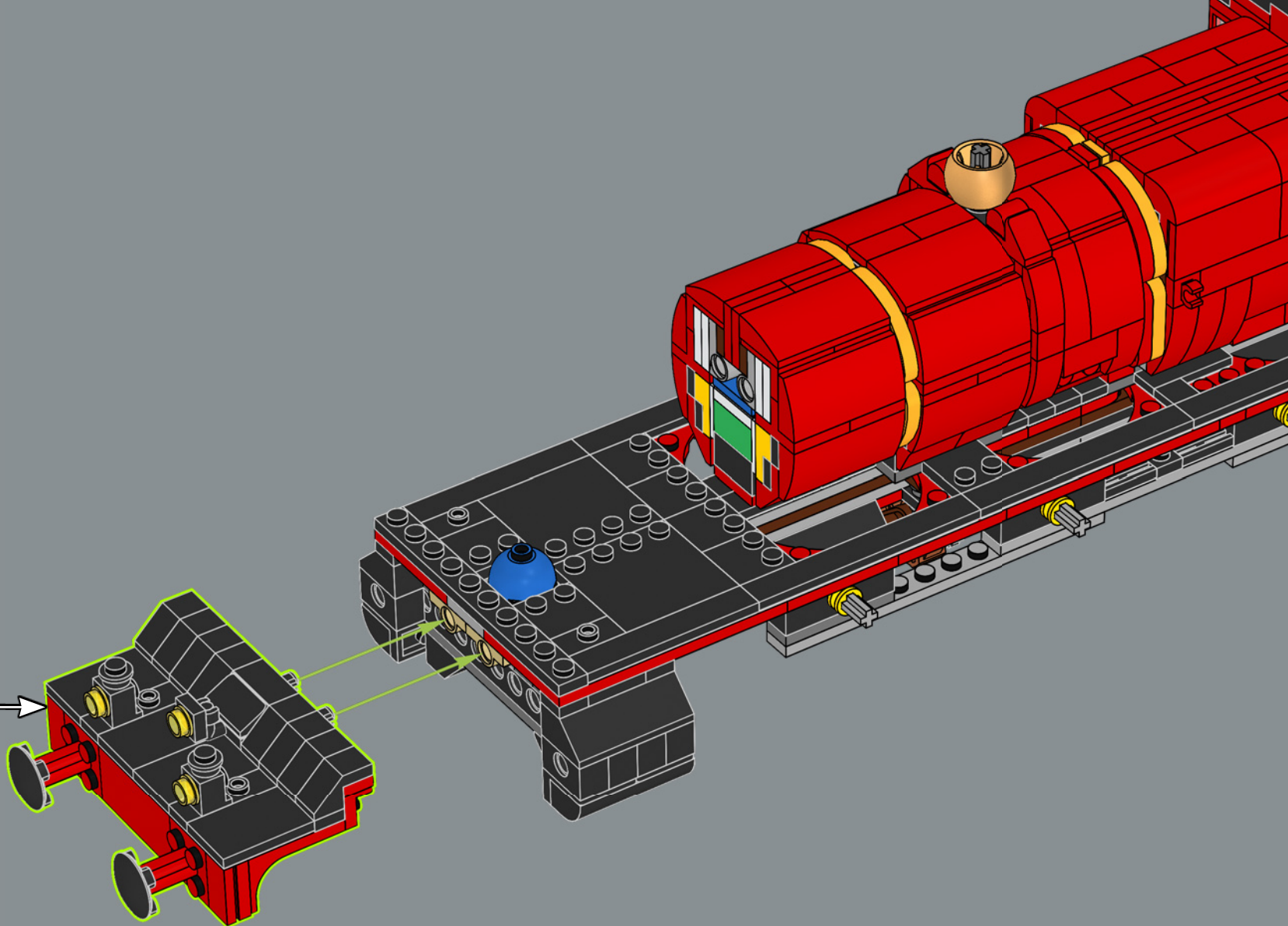


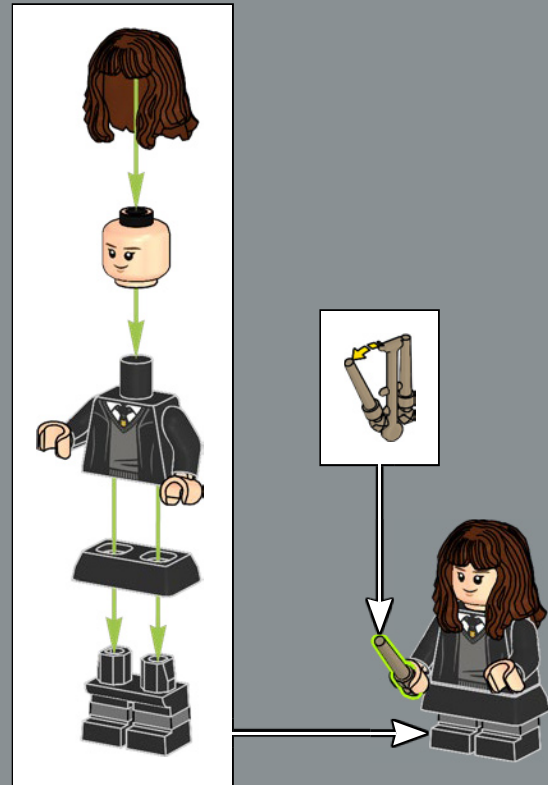
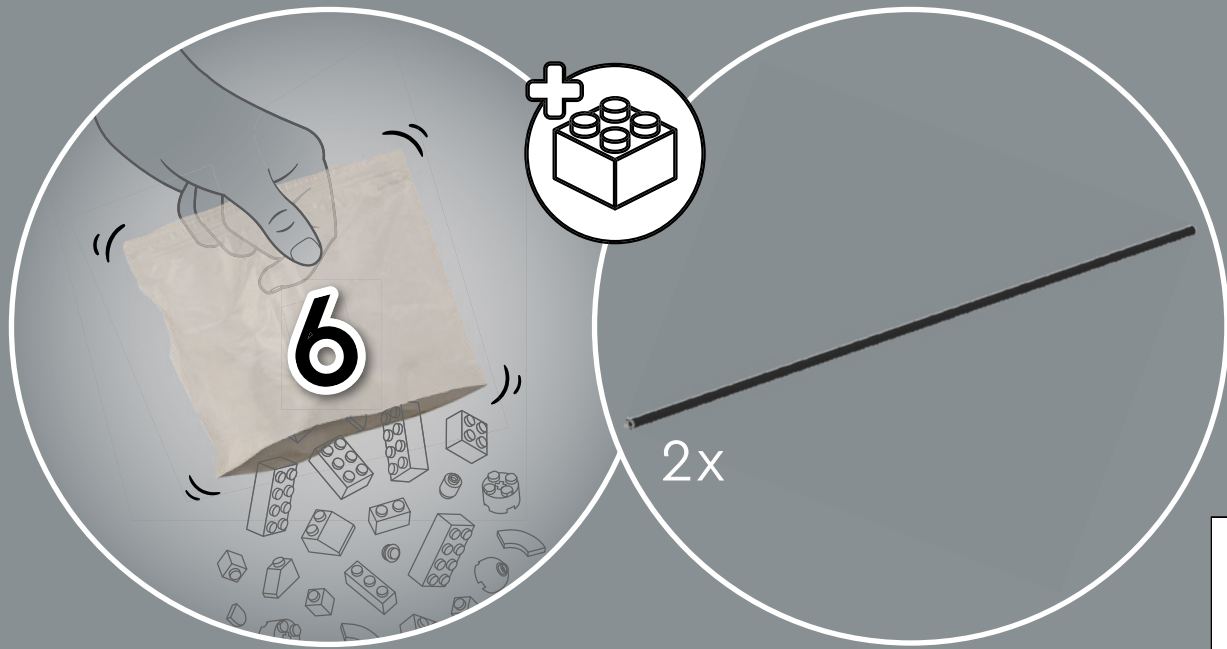
2x

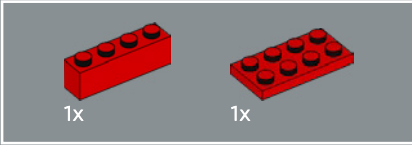
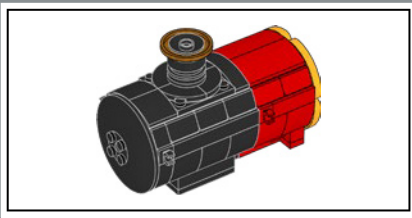
215



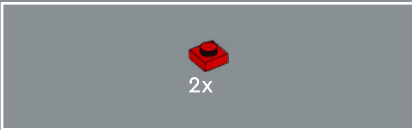
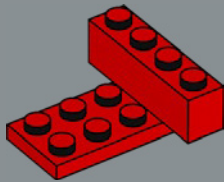
216



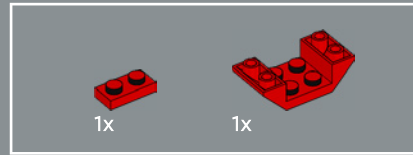
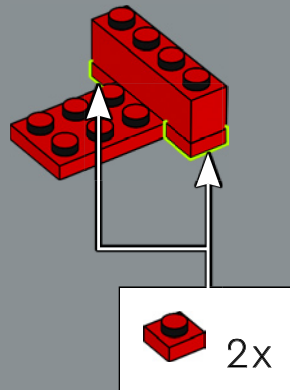




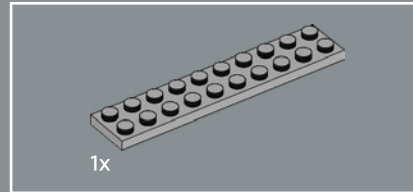
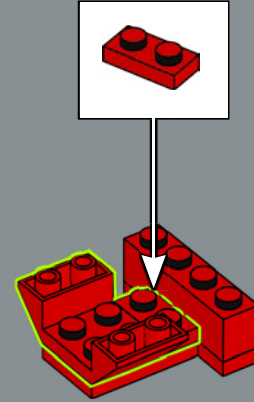
217



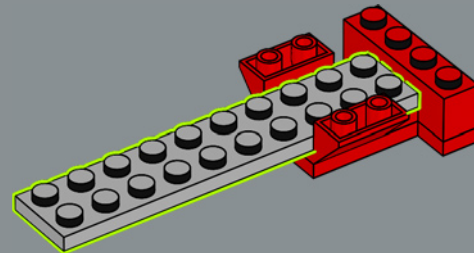
218

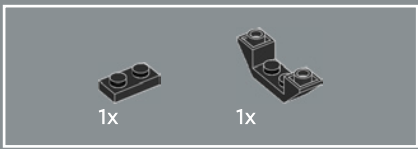


219

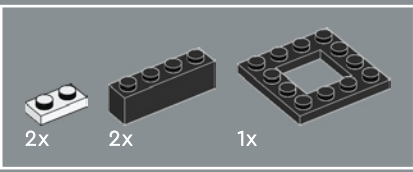
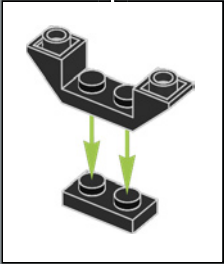
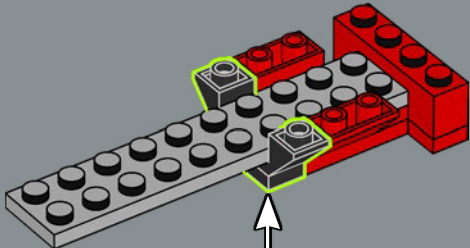


220

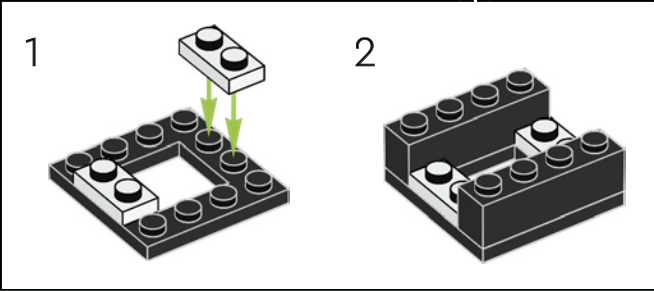
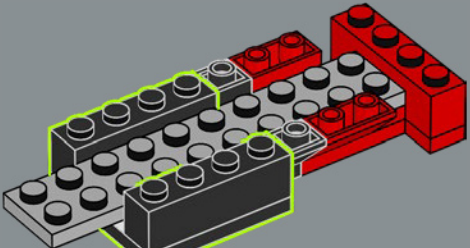




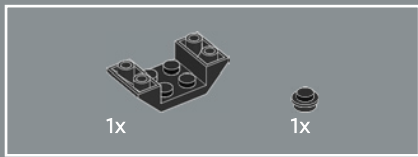
221



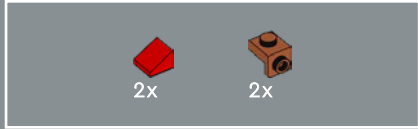
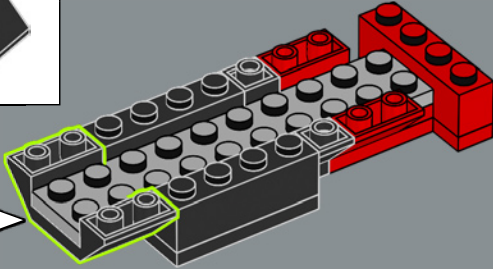
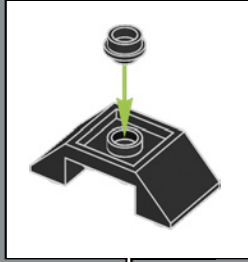
222



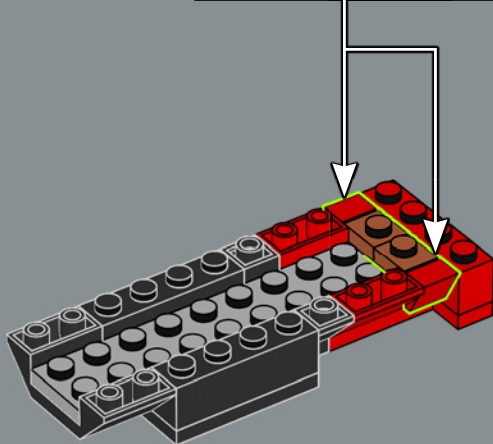
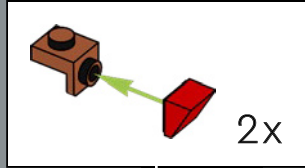




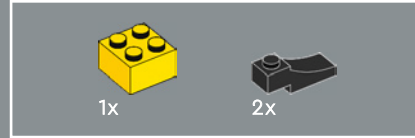
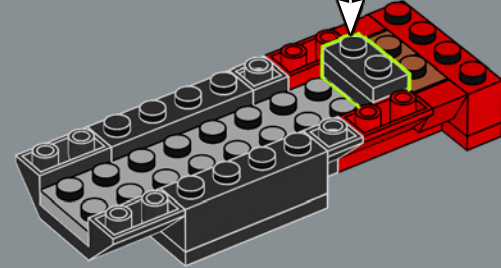
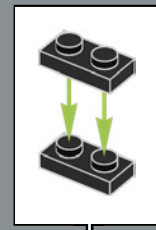
223



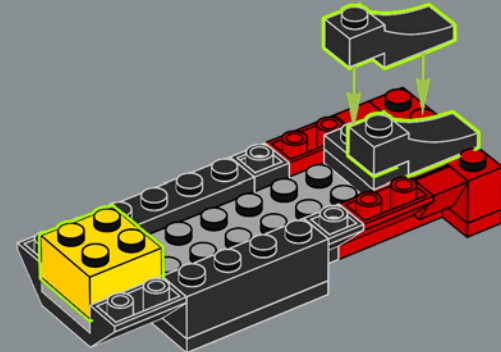
224

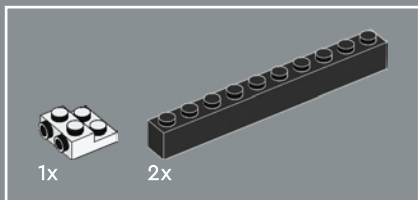


225

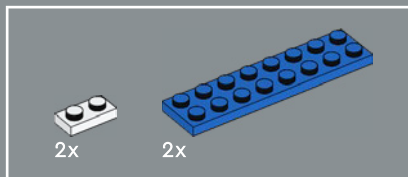
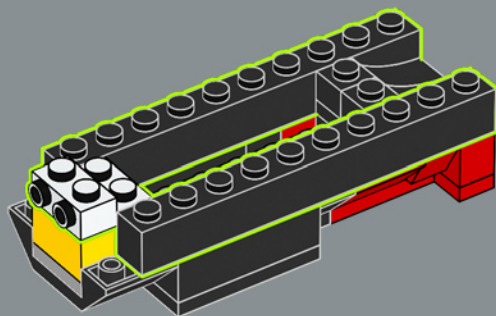


226

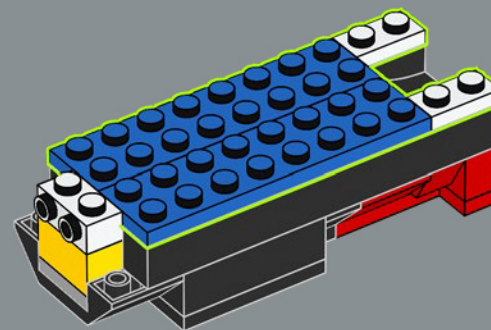


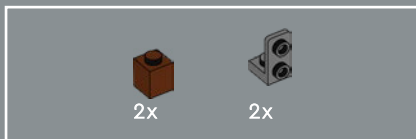


227

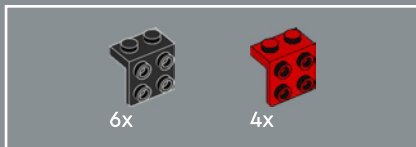
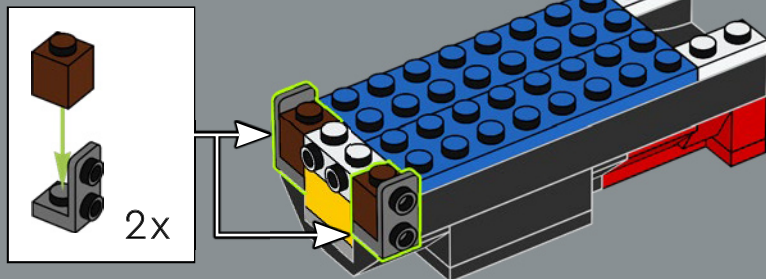


228

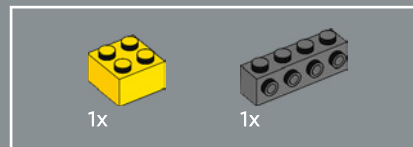
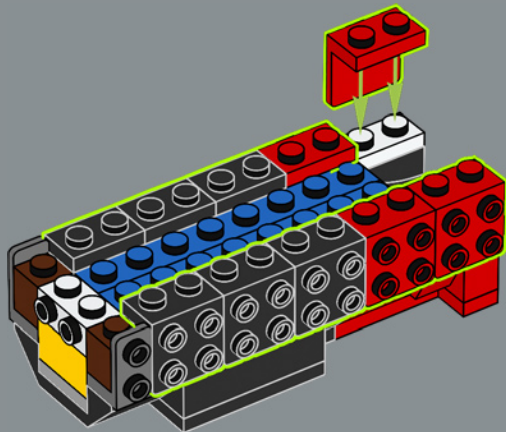




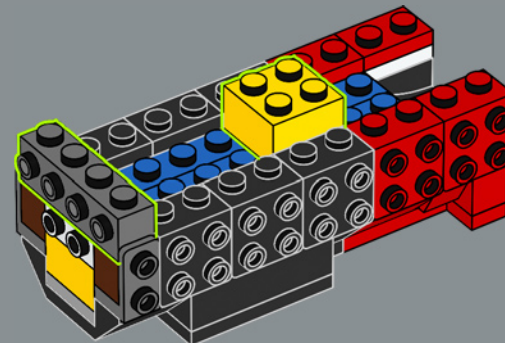
229



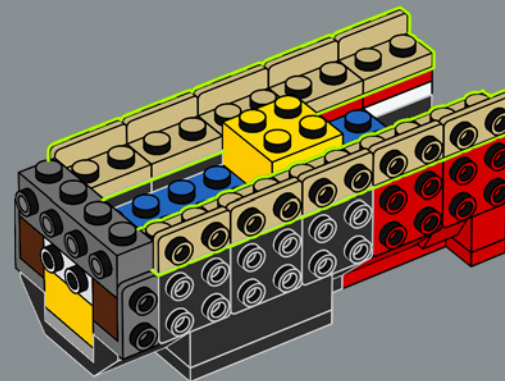
230

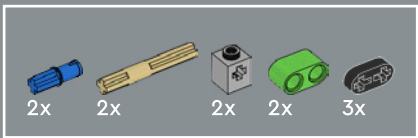


231

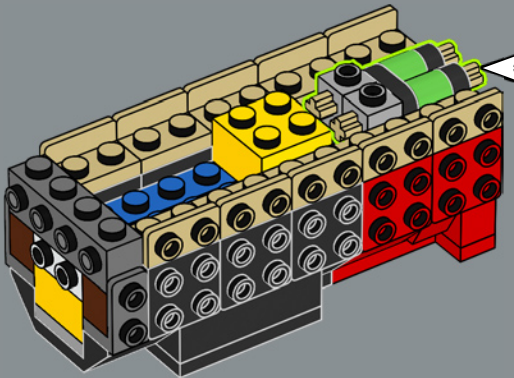
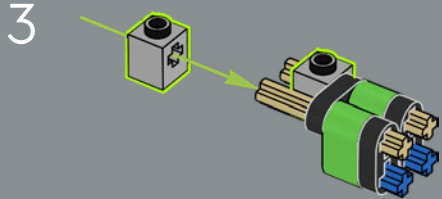
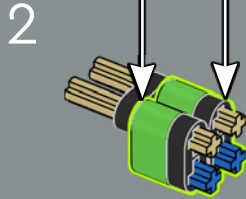
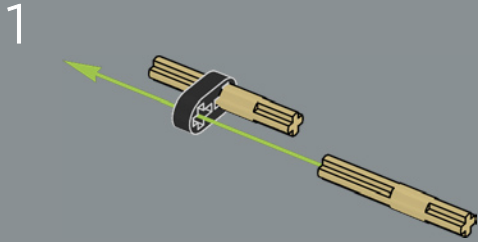


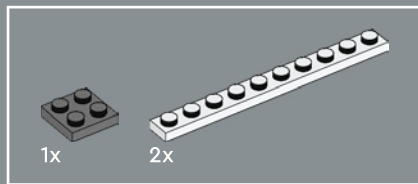
232



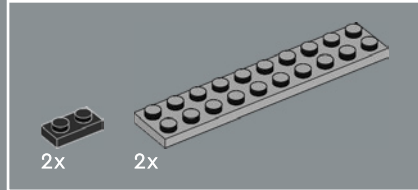
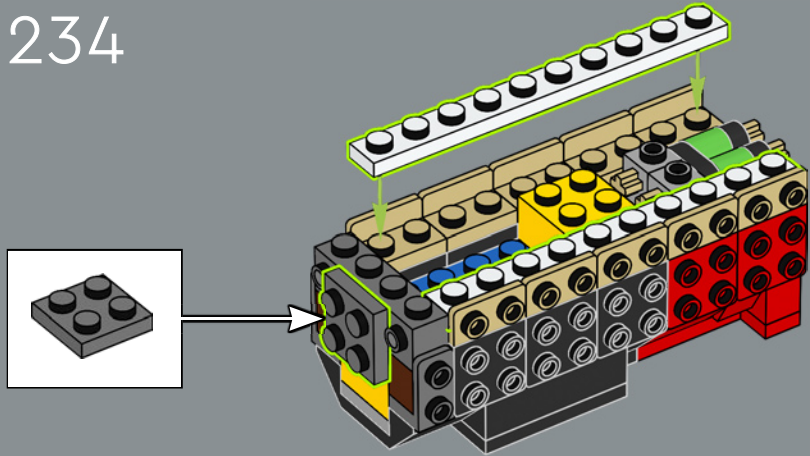


233

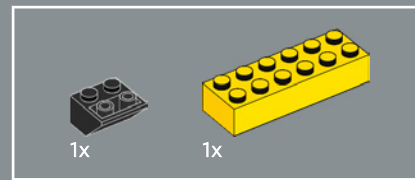
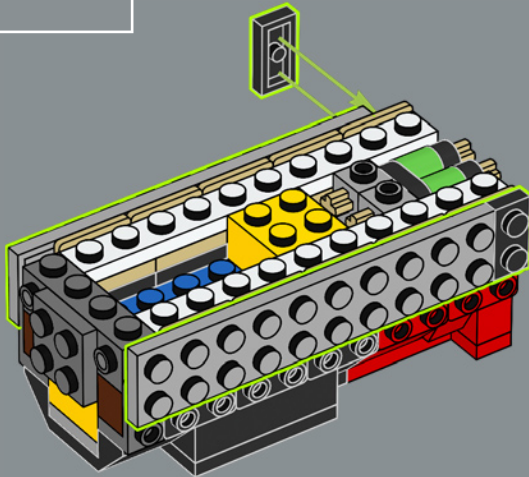




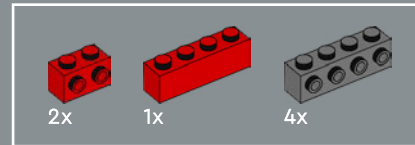
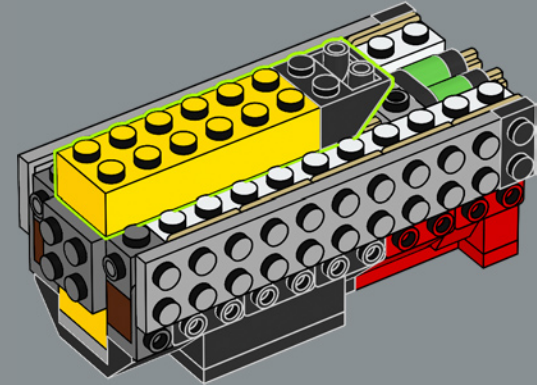
234



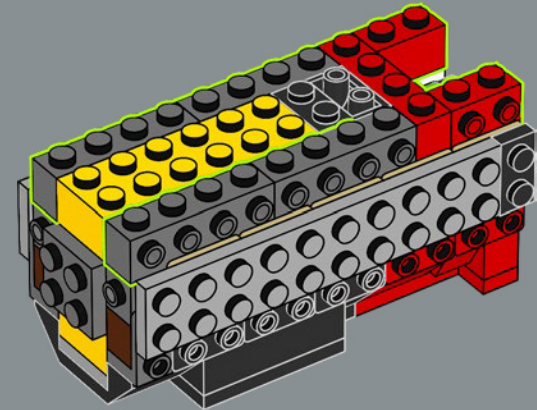
235

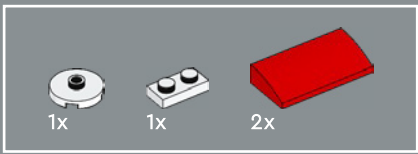


236

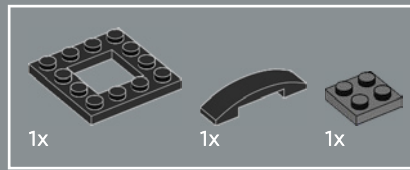
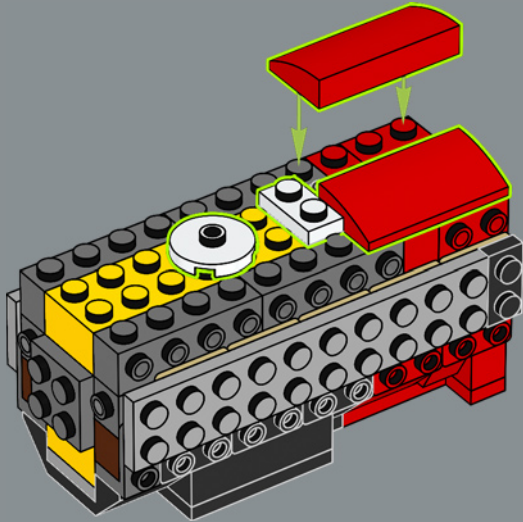


237

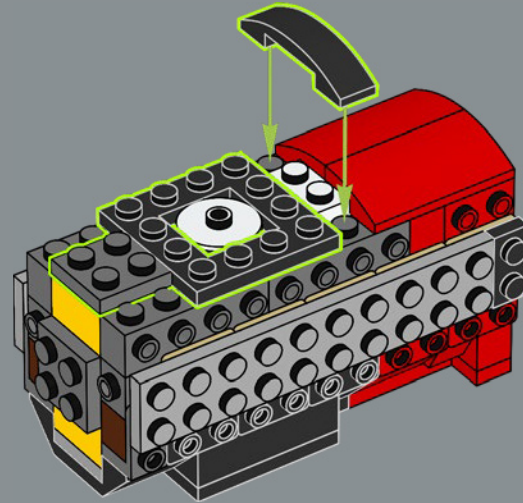


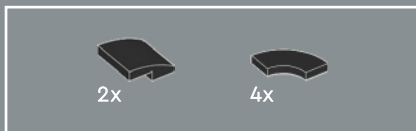


238

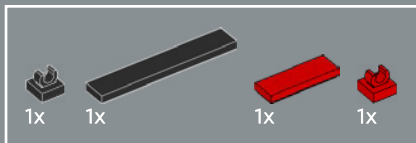
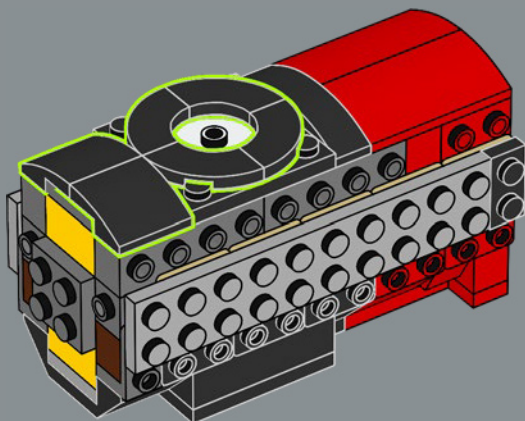


239

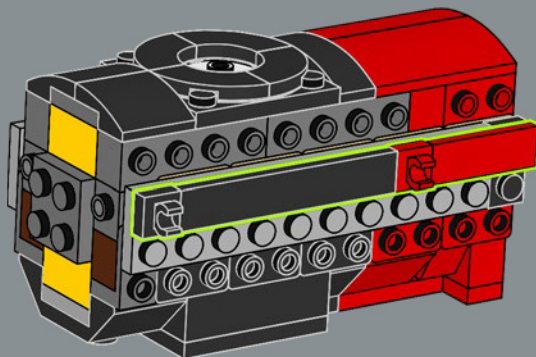




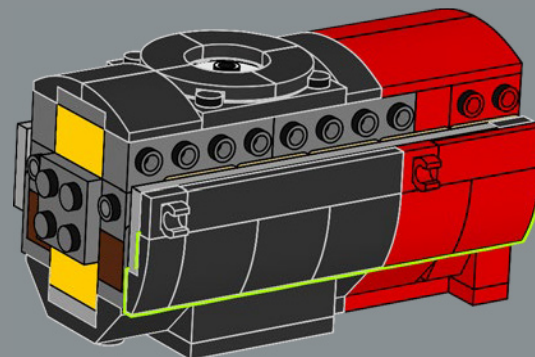
240



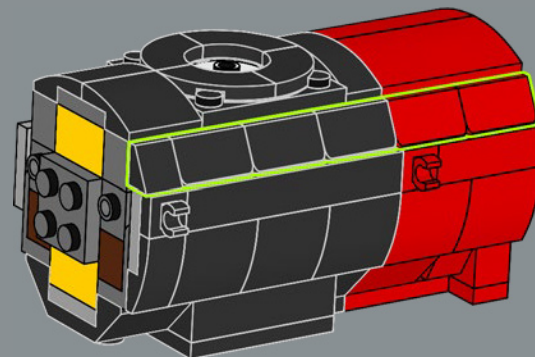
241

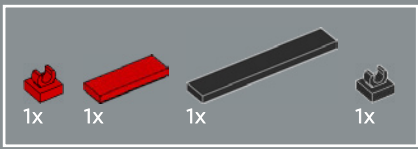


242

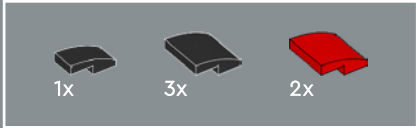
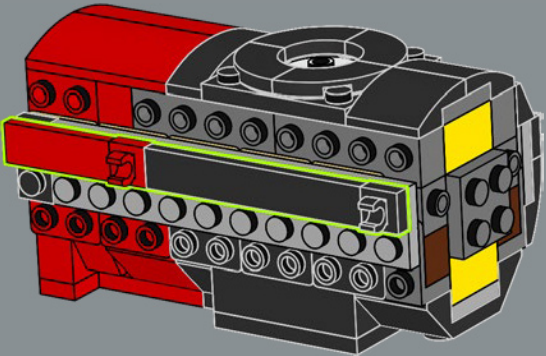


243

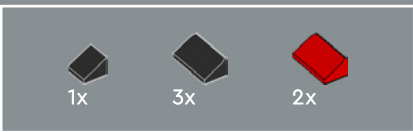
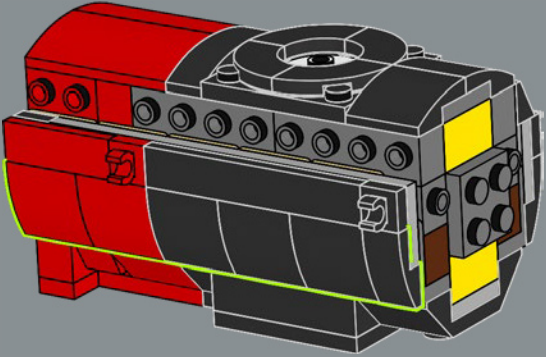




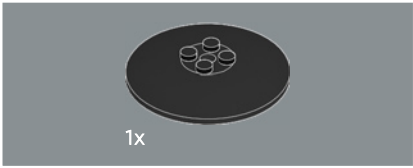
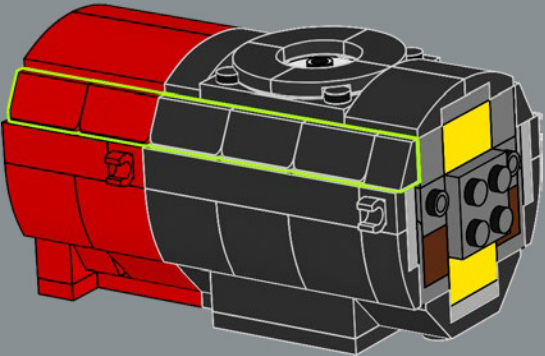
244



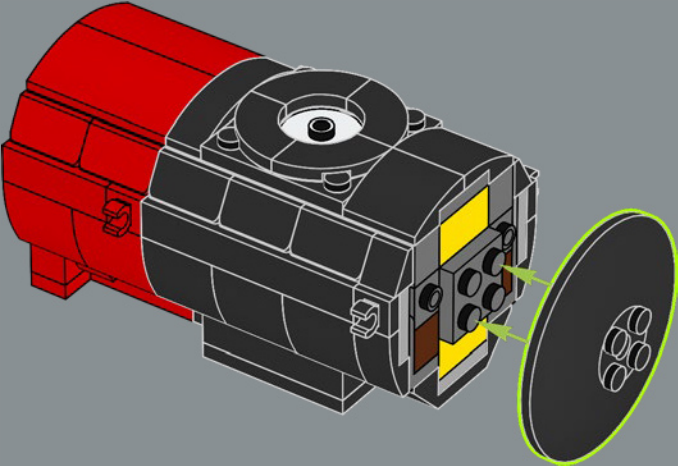
245



246



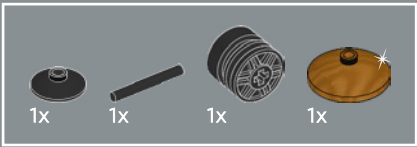
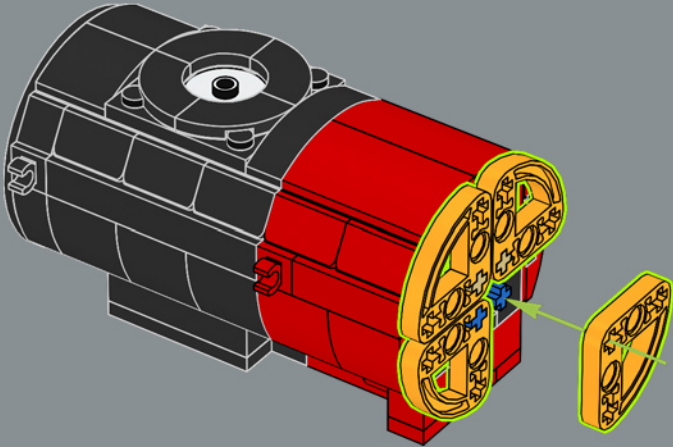
247



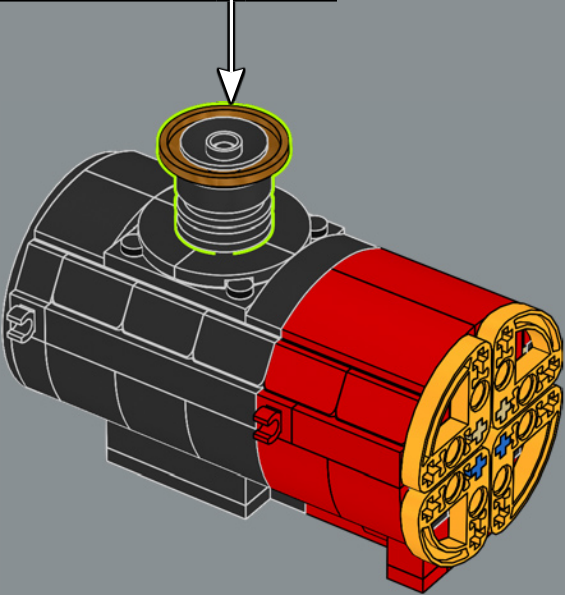
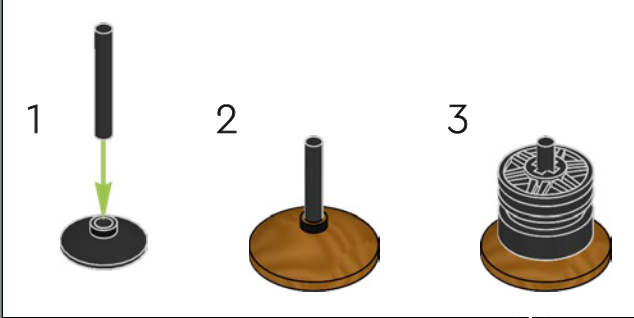




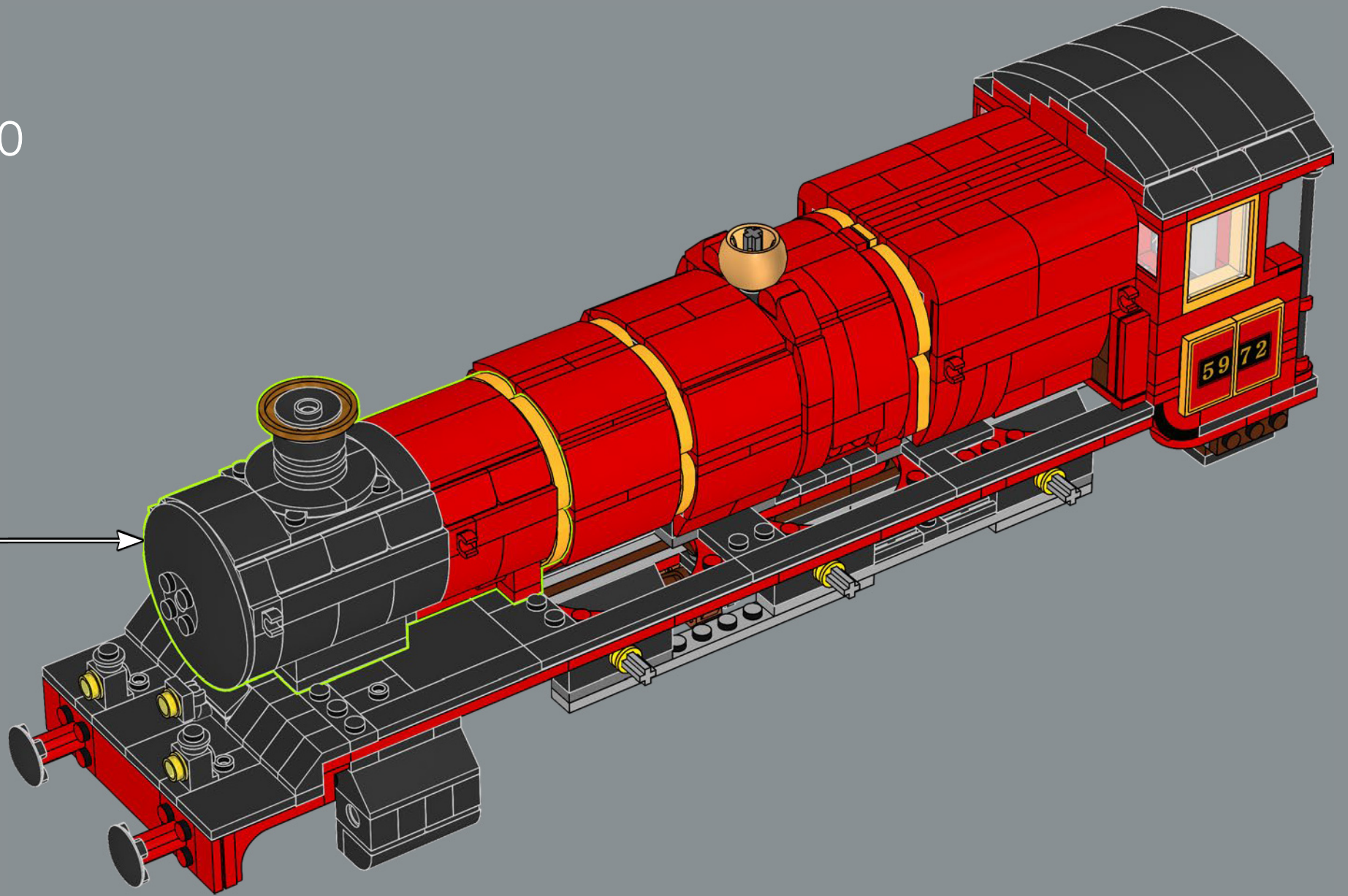
248



249



250



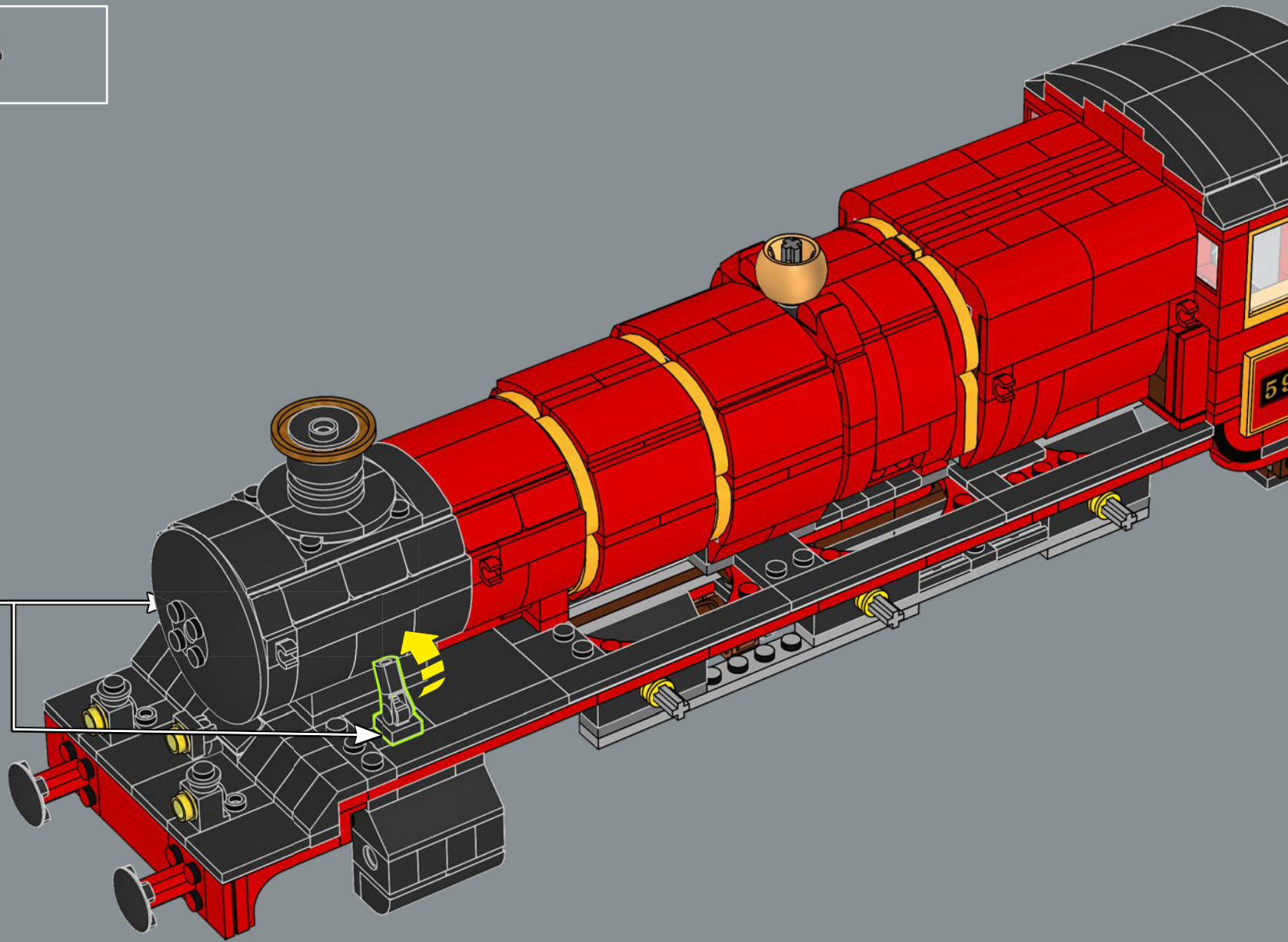
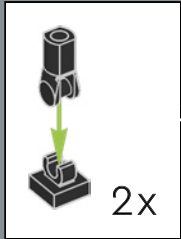


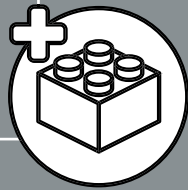
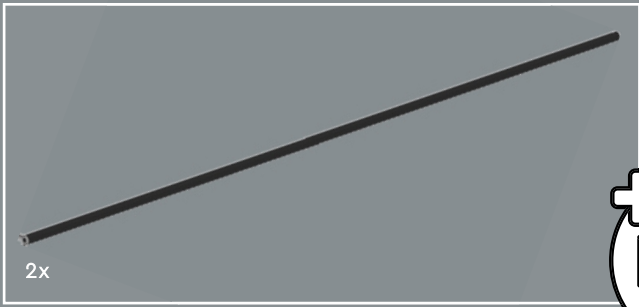
2x



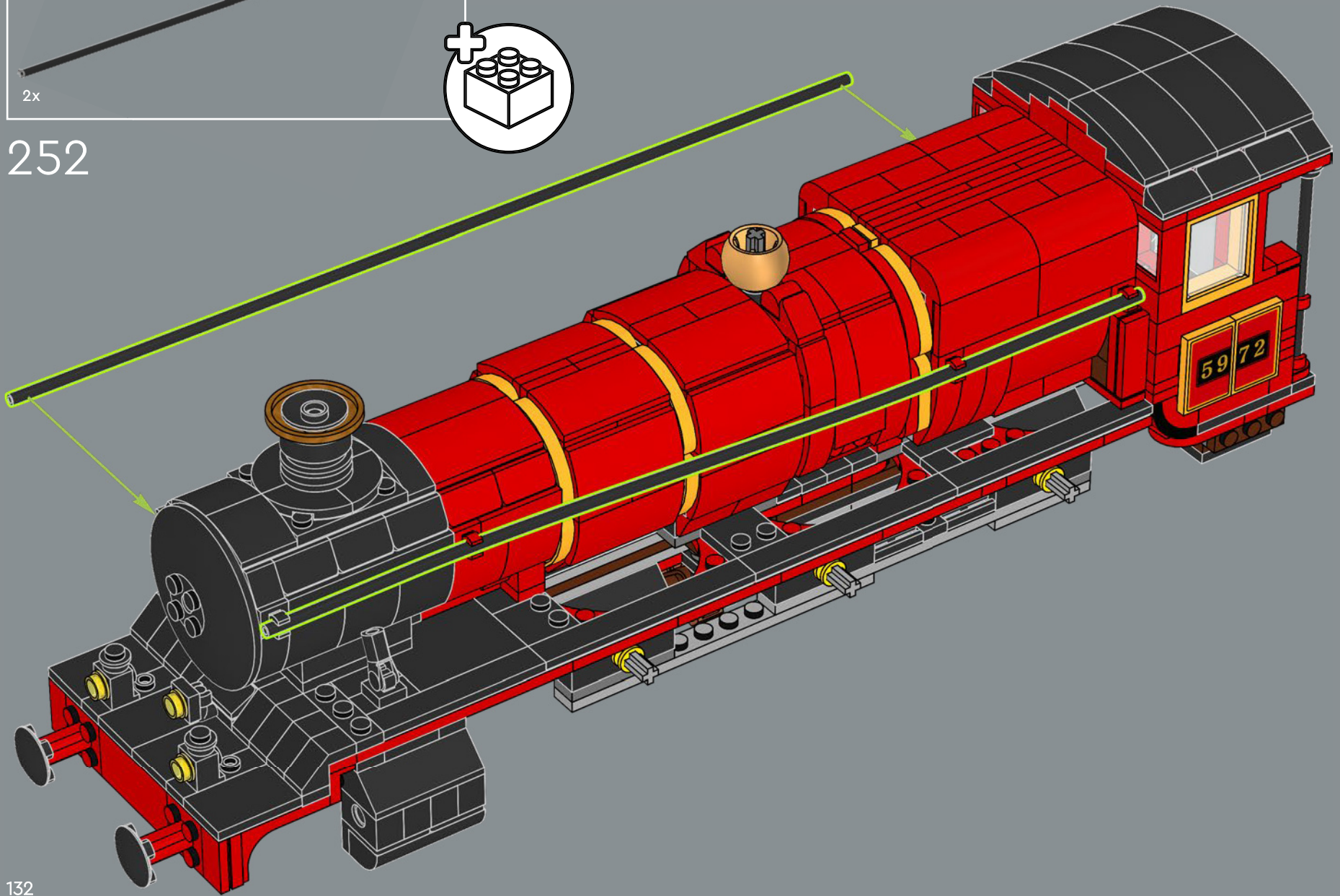
2x

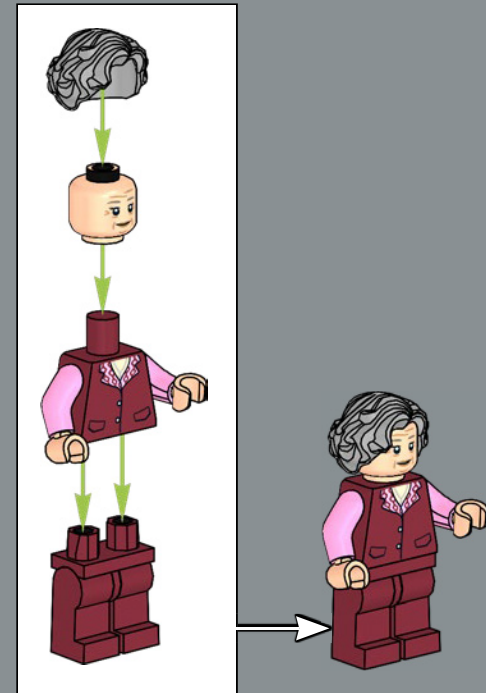
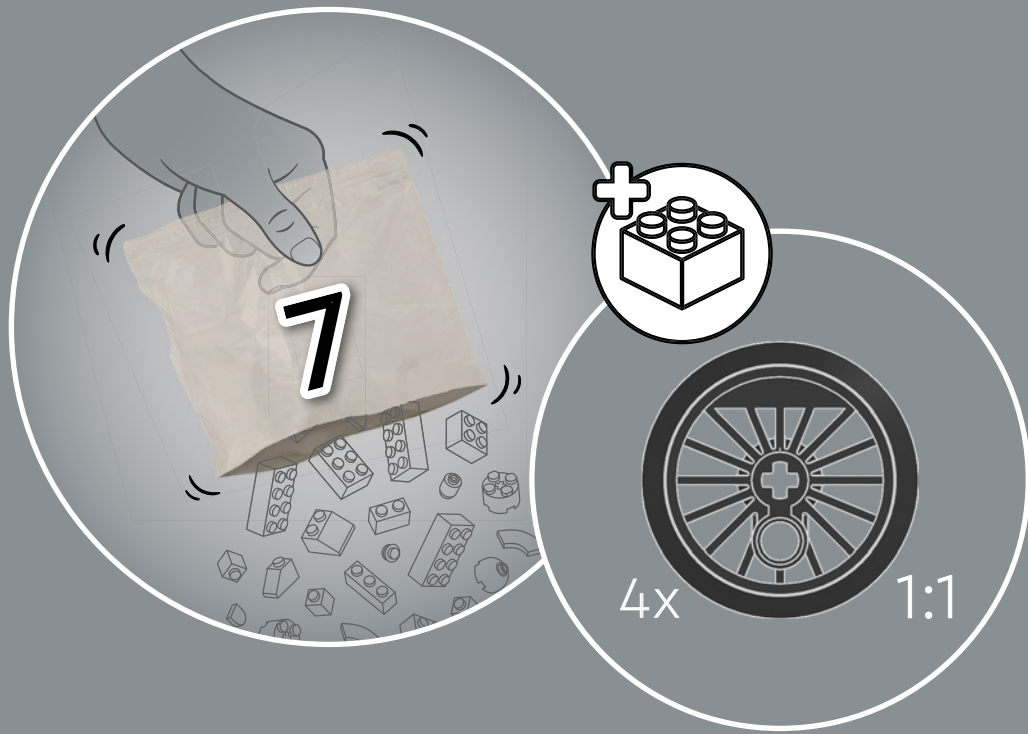
251





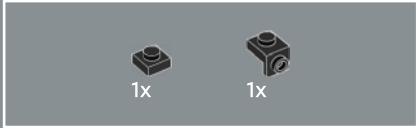
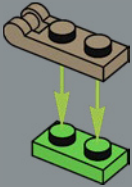
252



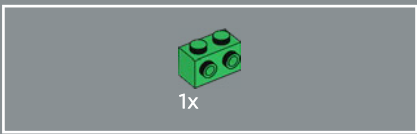
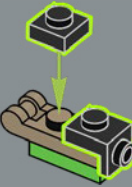




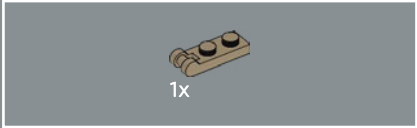
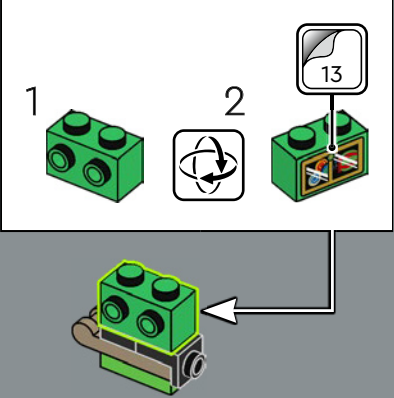
253



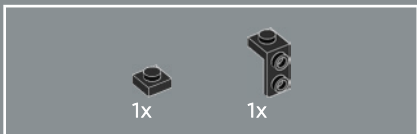
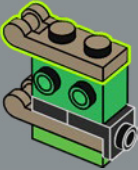
254



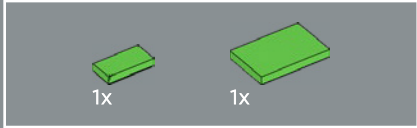
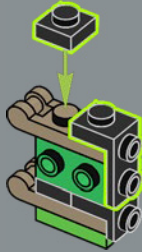
255



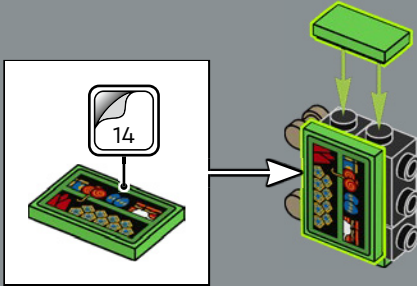
256



257

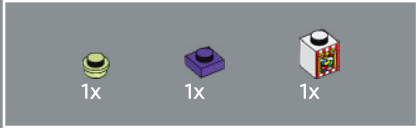
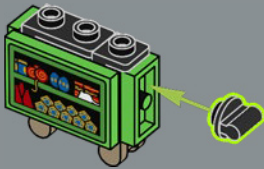


258





259

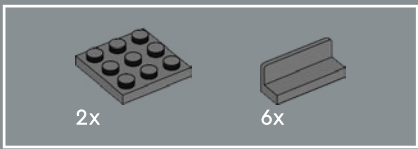


260

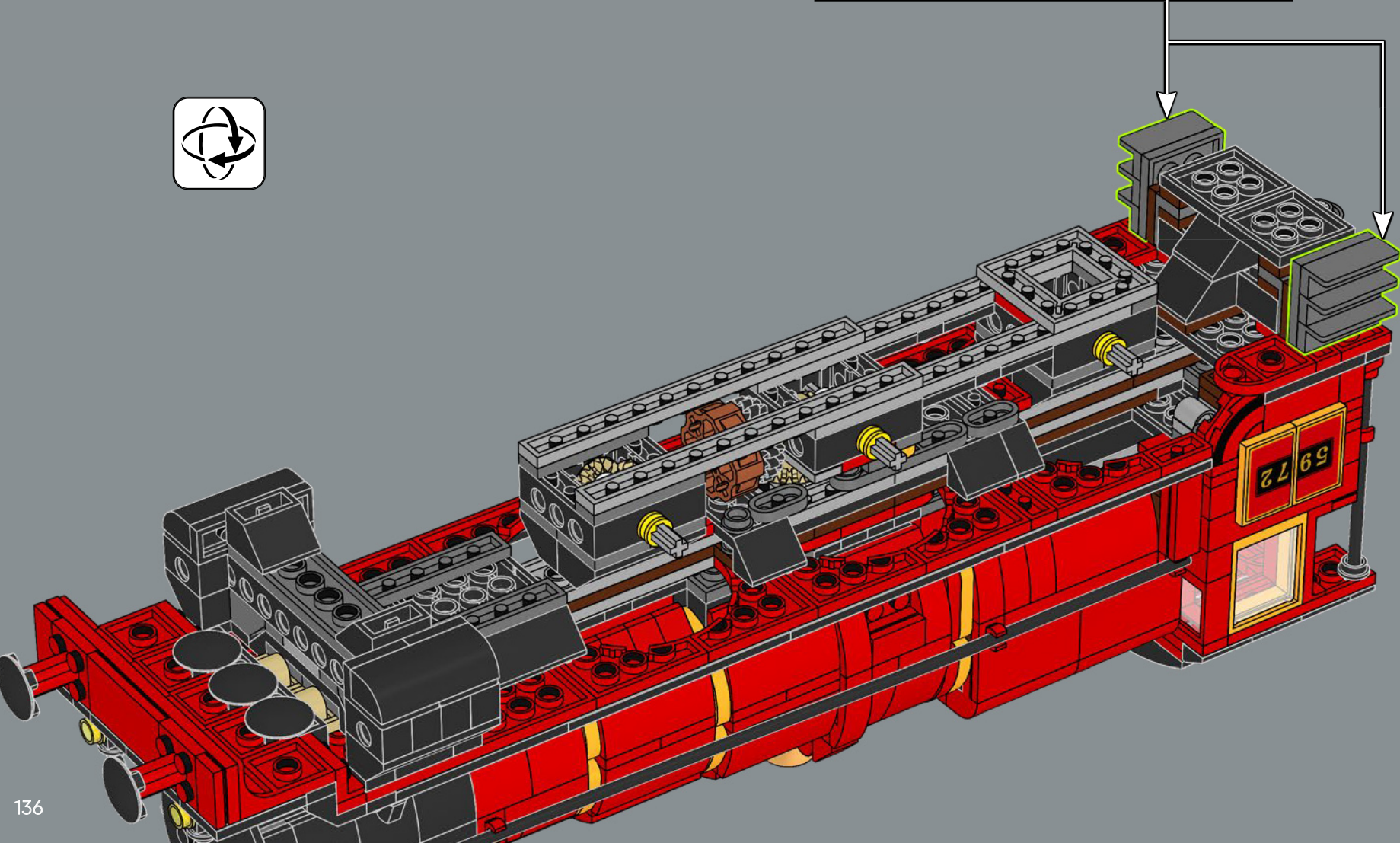
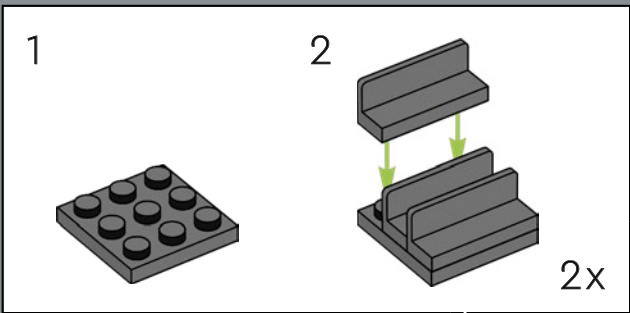


261

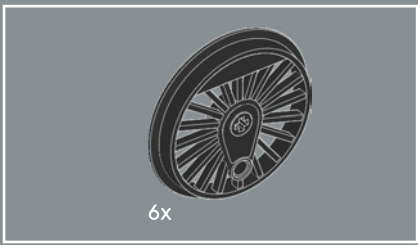




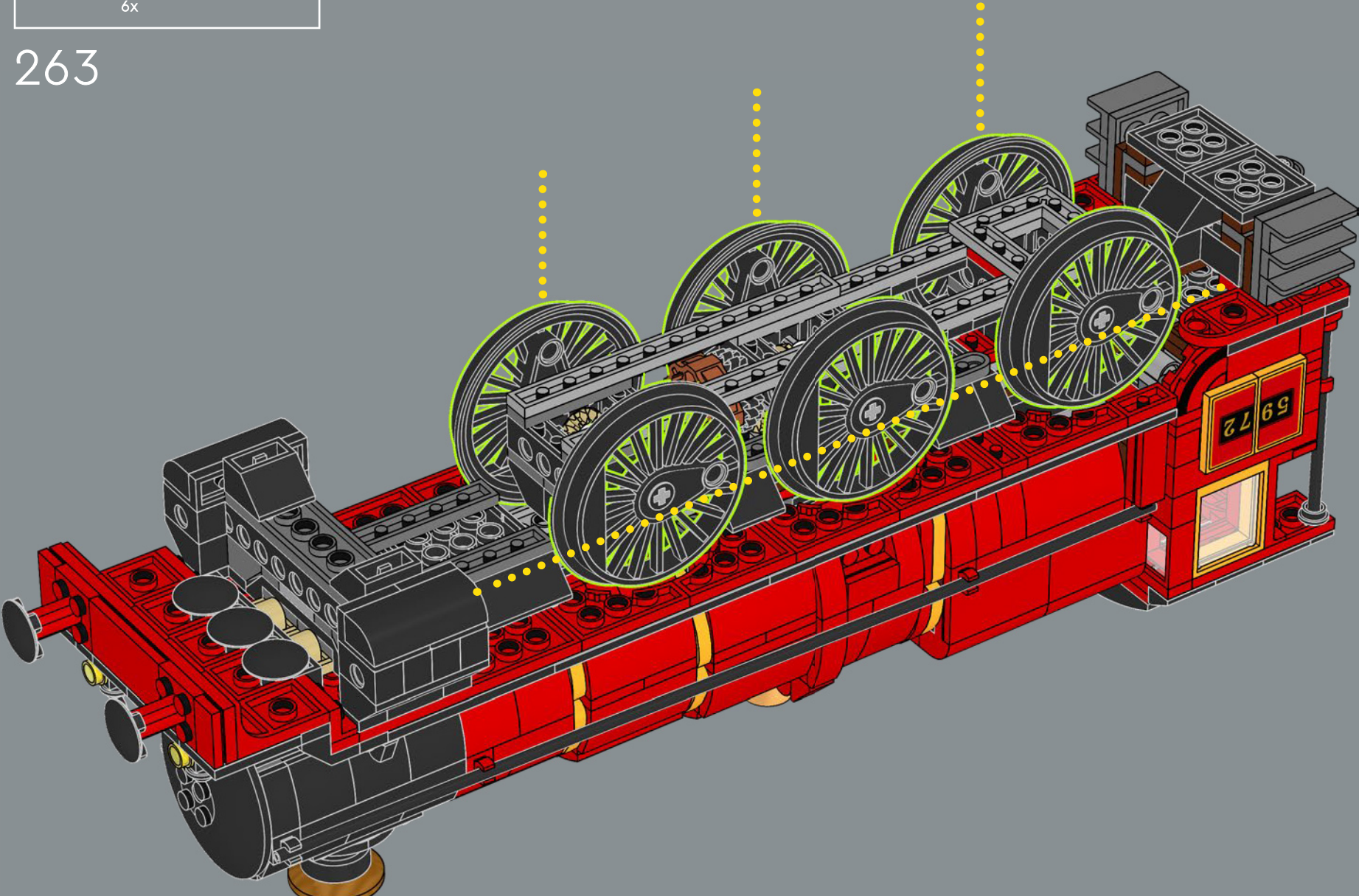
262

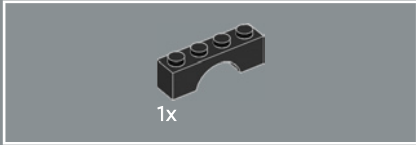
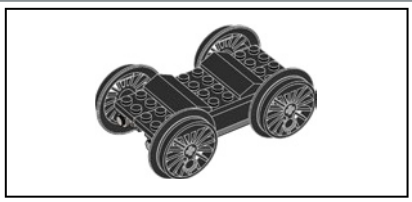




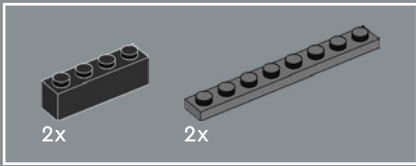
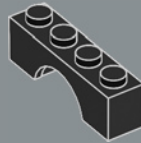


263

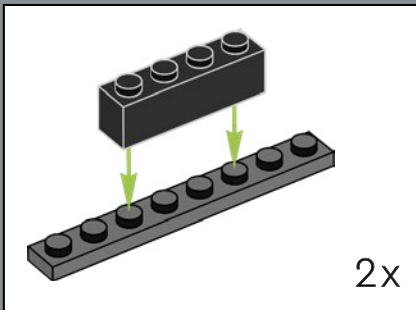




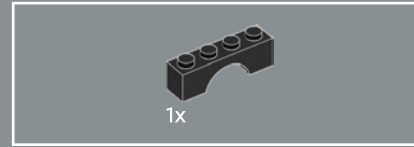
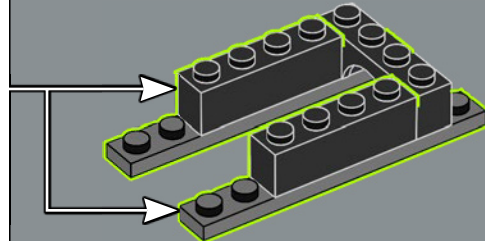
264



265

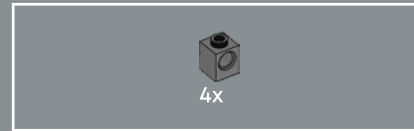
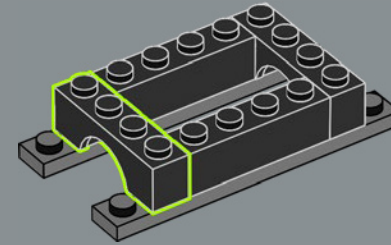


2x



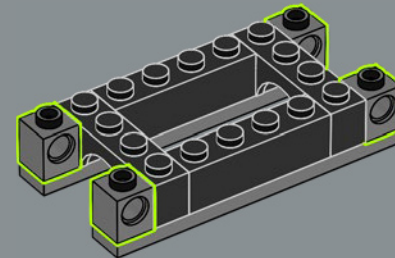
1x

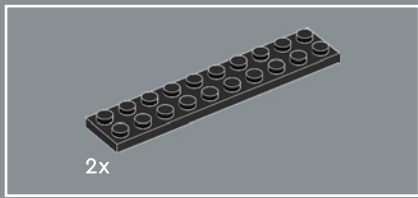
266



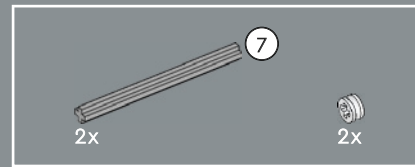
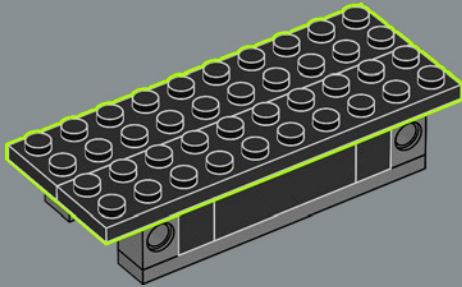
4x

267

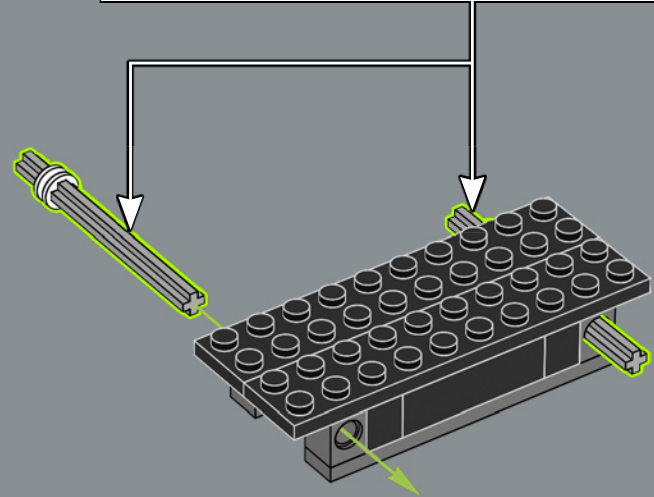
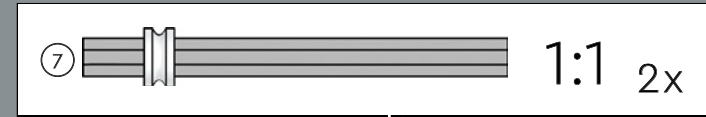




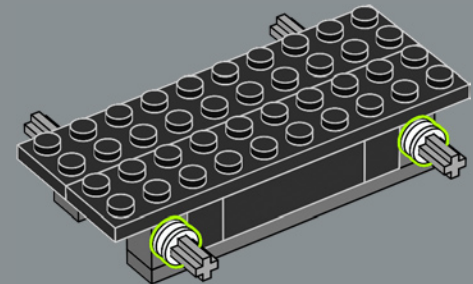
268



269

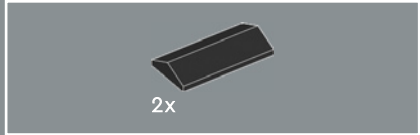
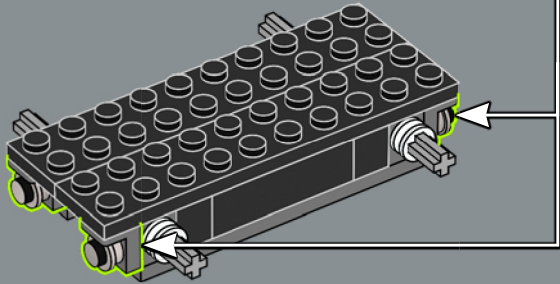
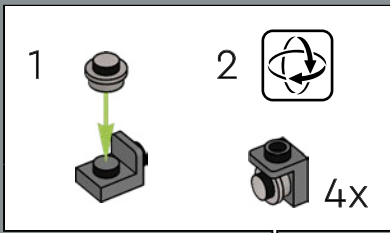


270

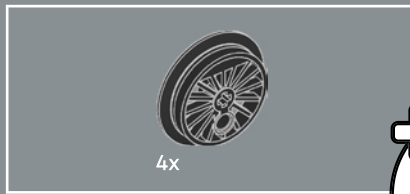
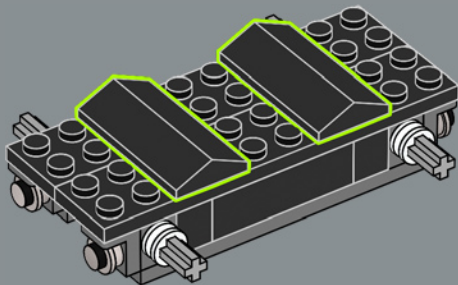




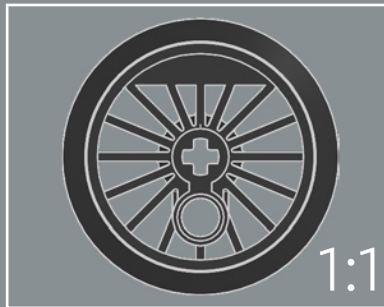
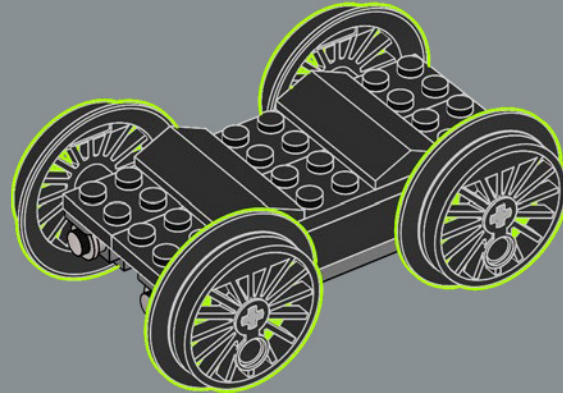
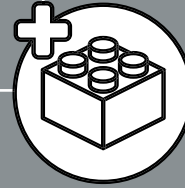
271



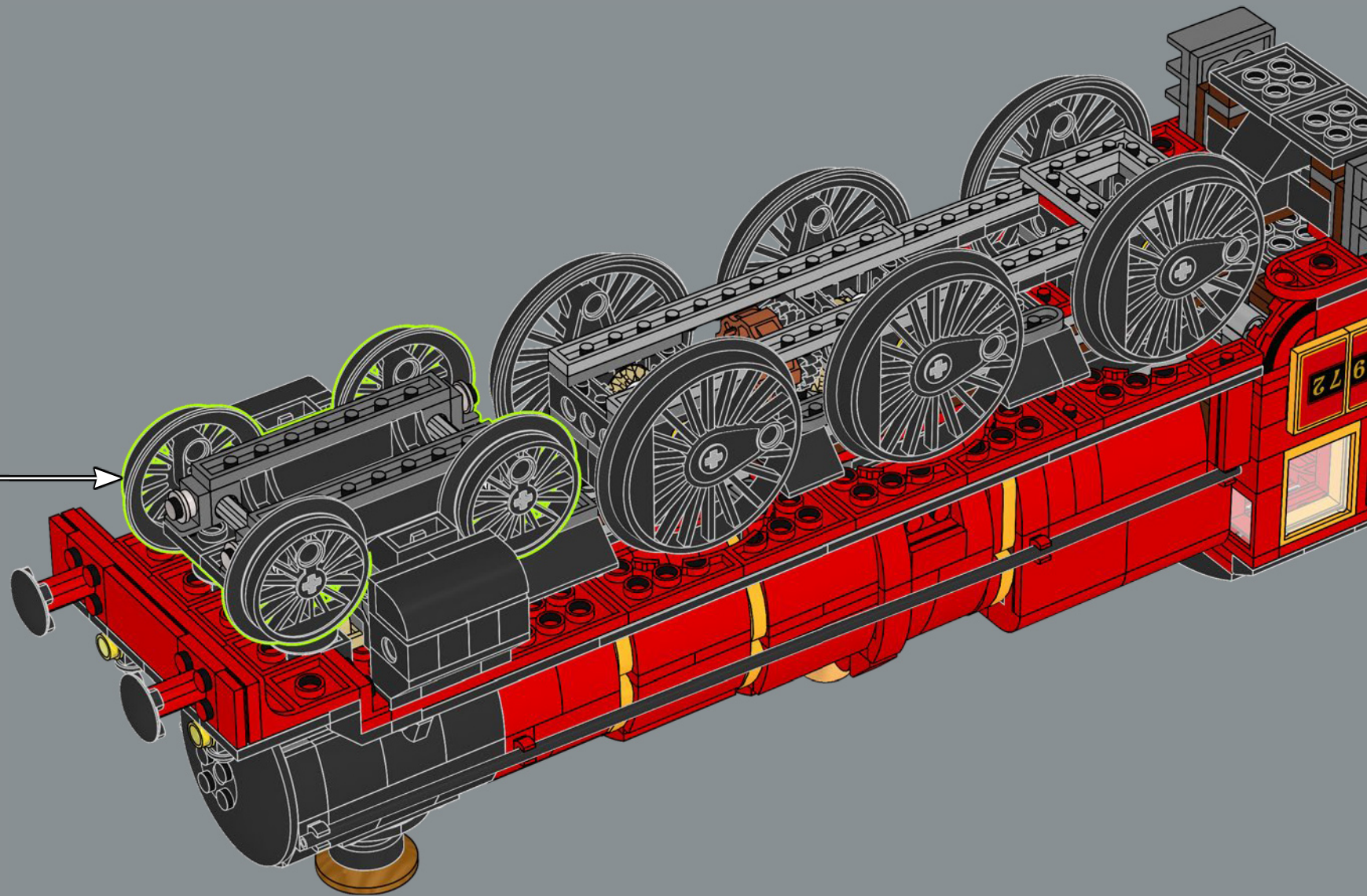
272

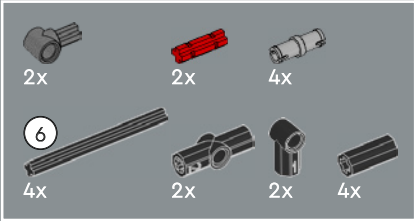


273

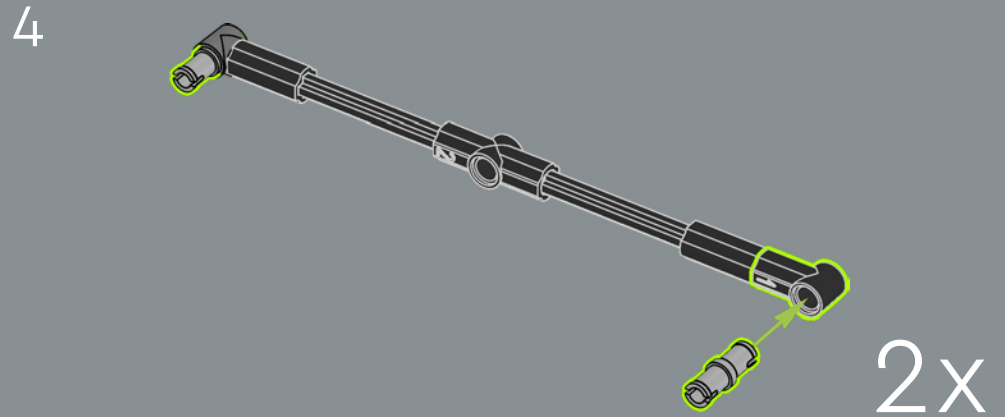
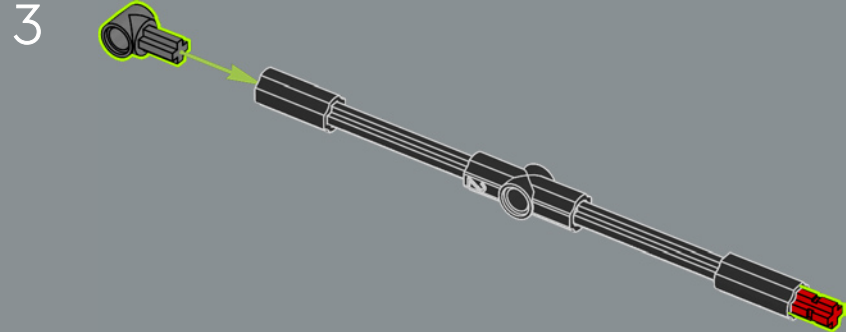
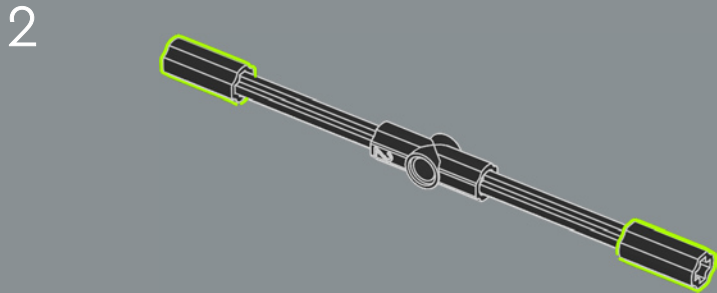
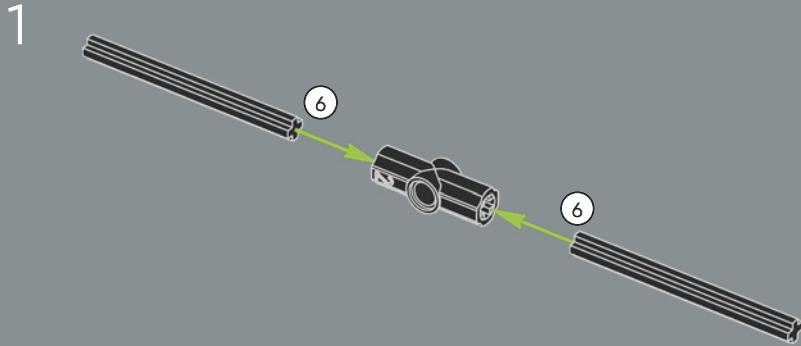


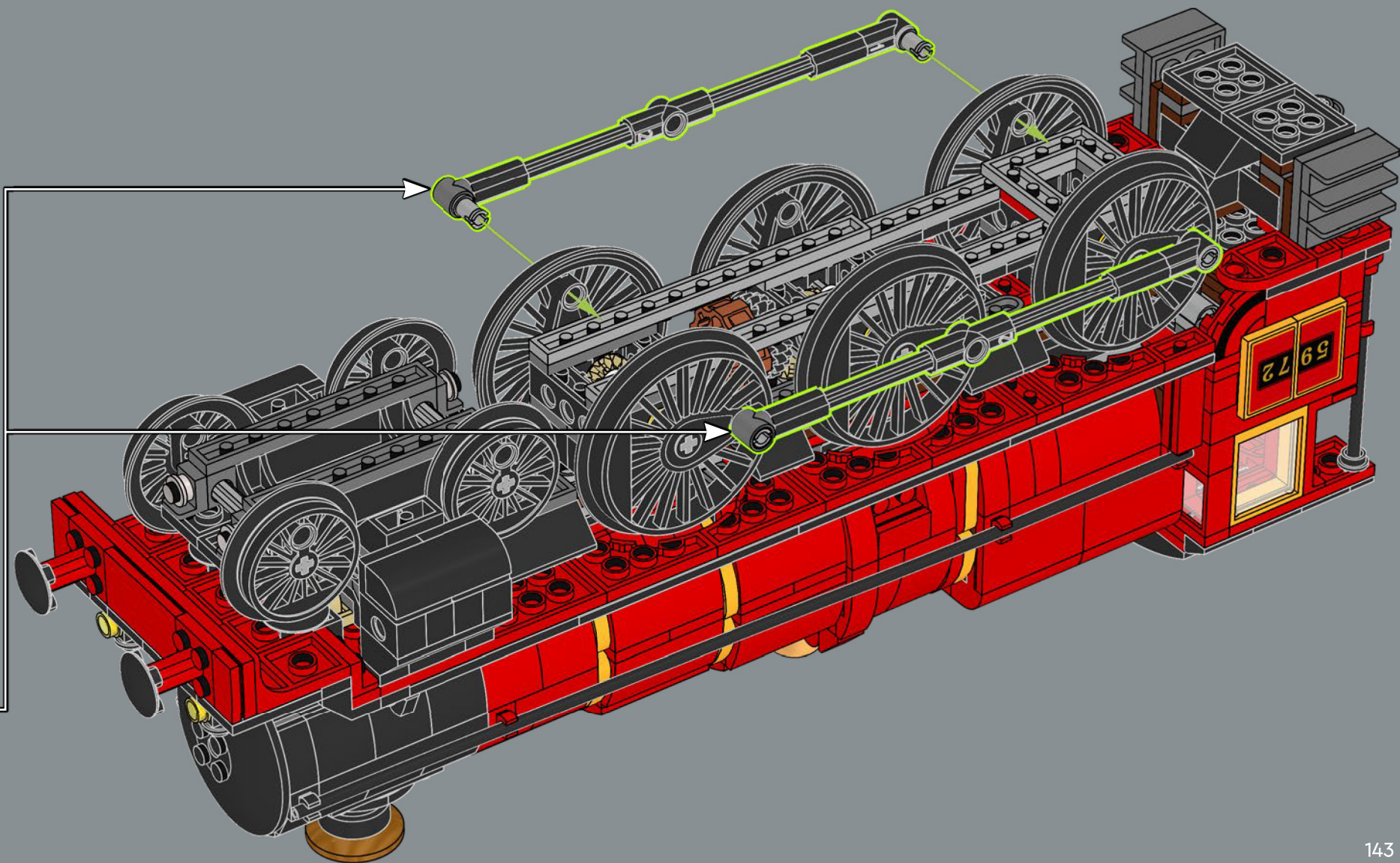
274

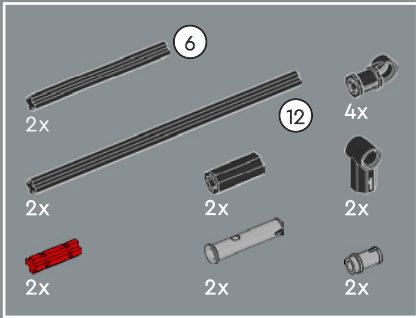
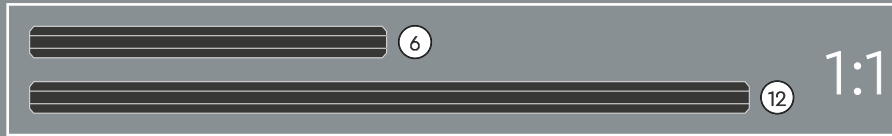
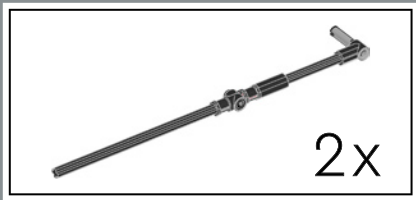




275

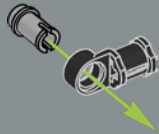




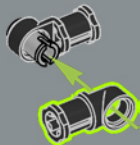


276

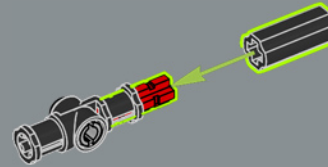
1



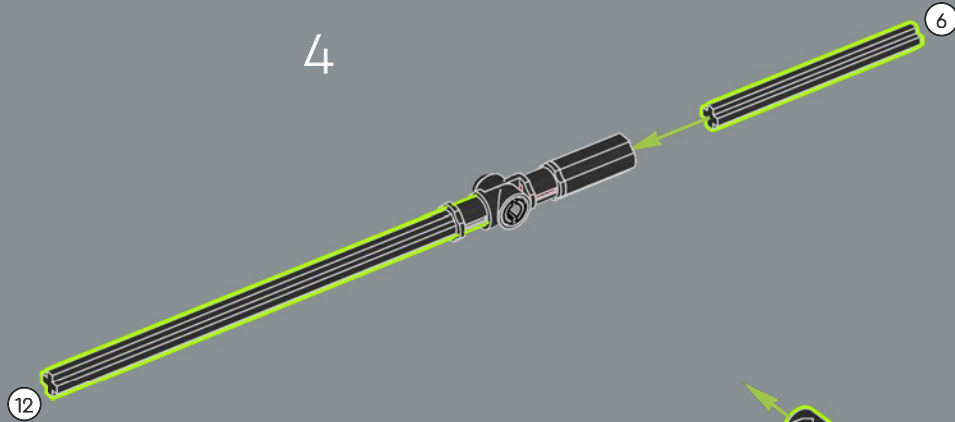
2



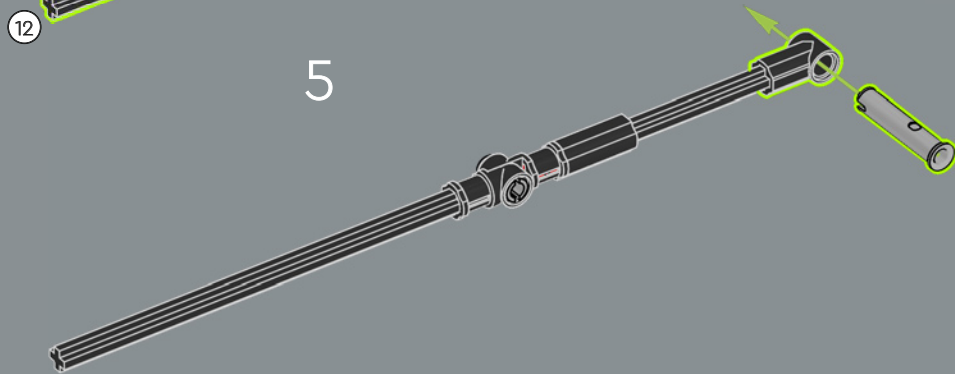
3



4

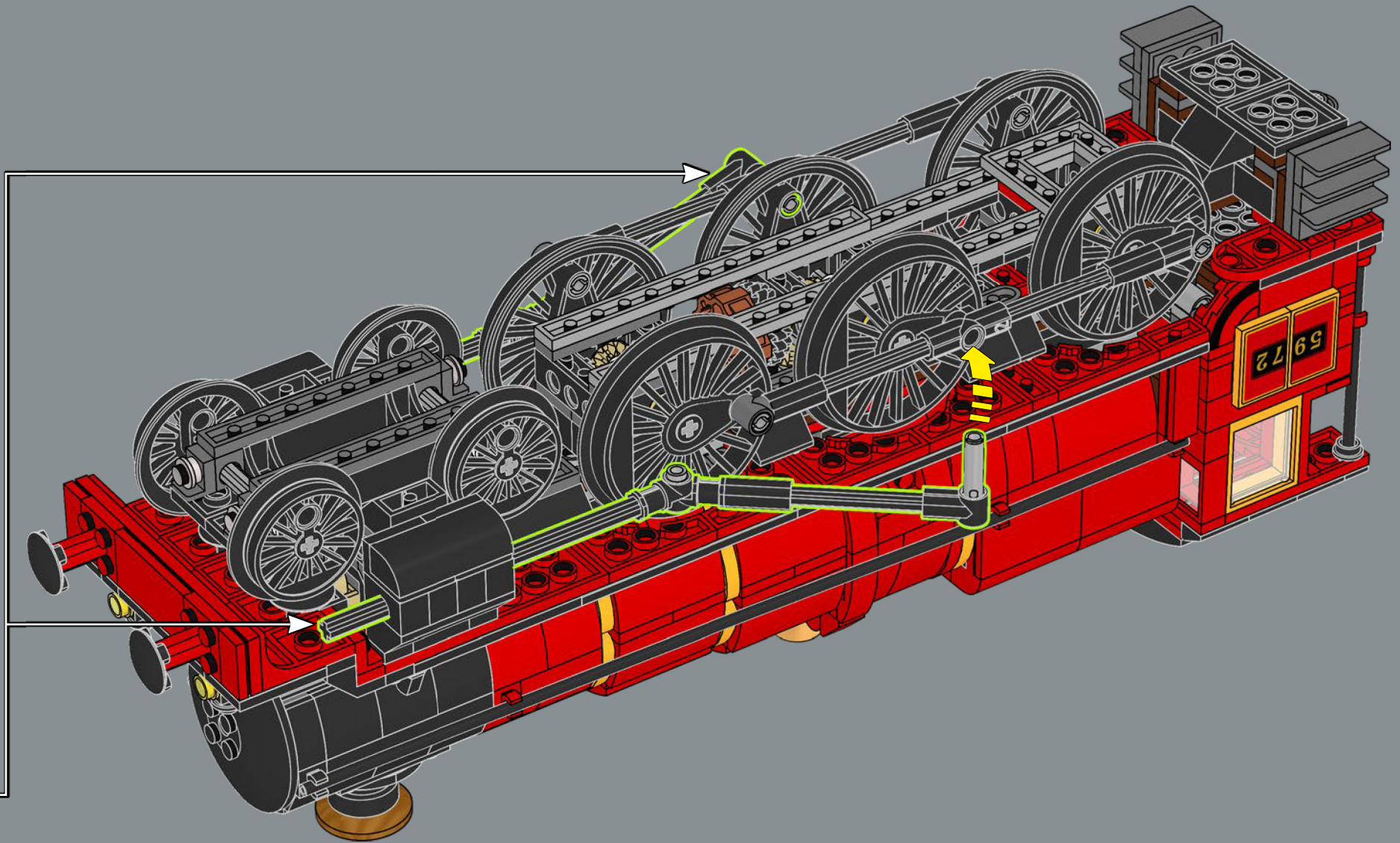


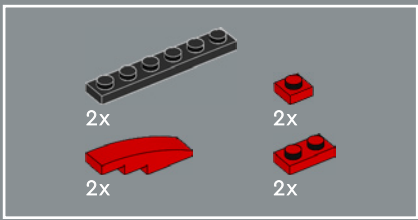
5



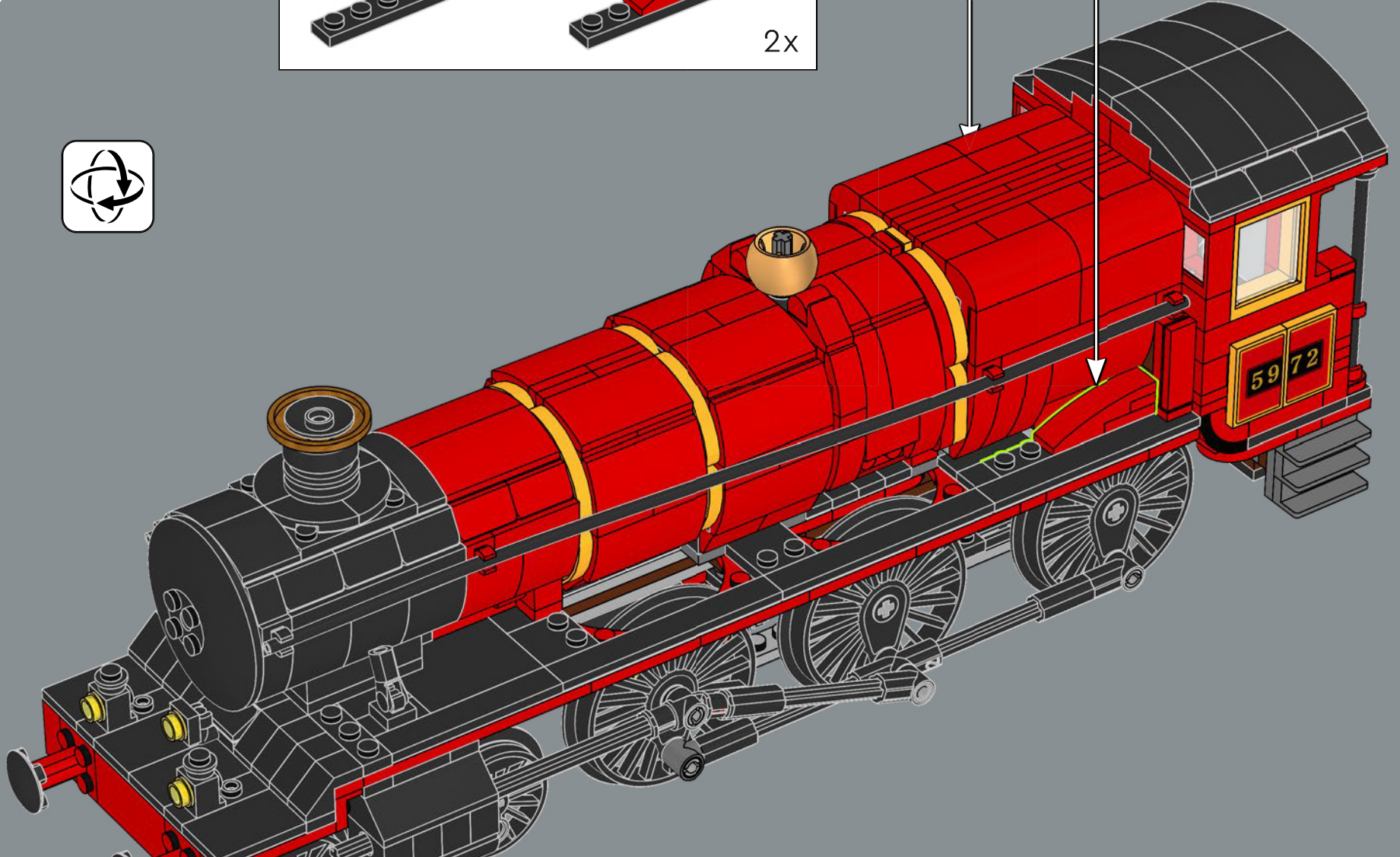
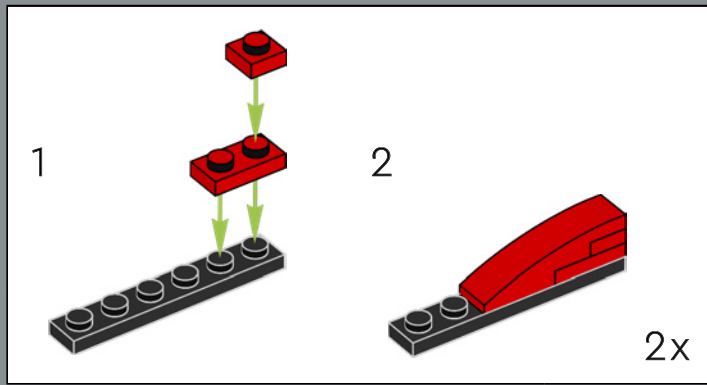
2x

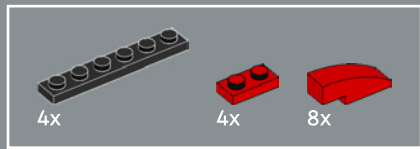




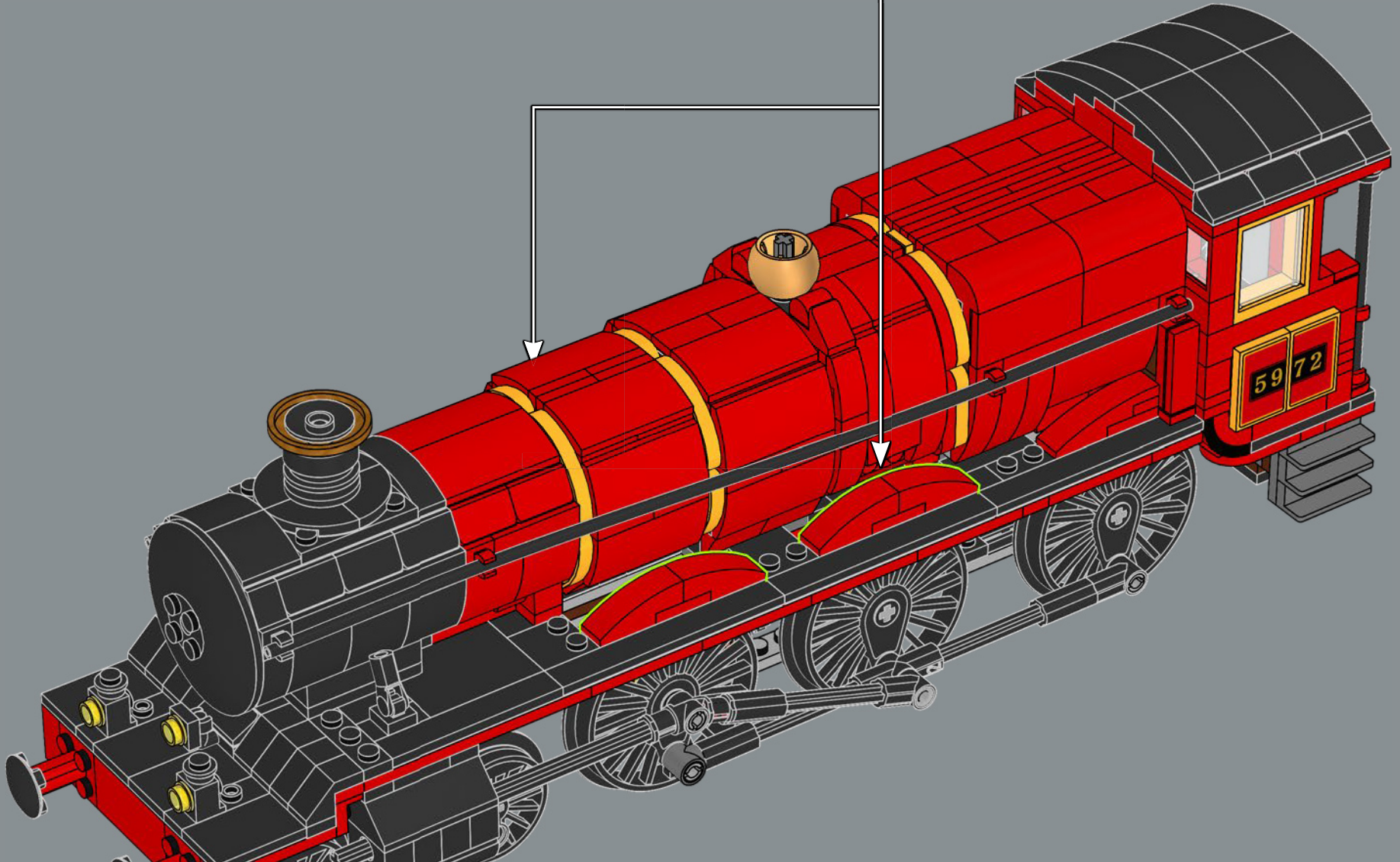
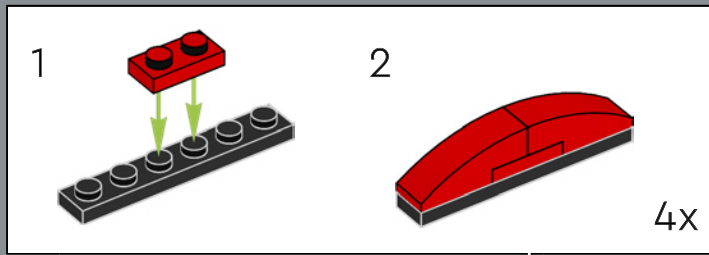


277



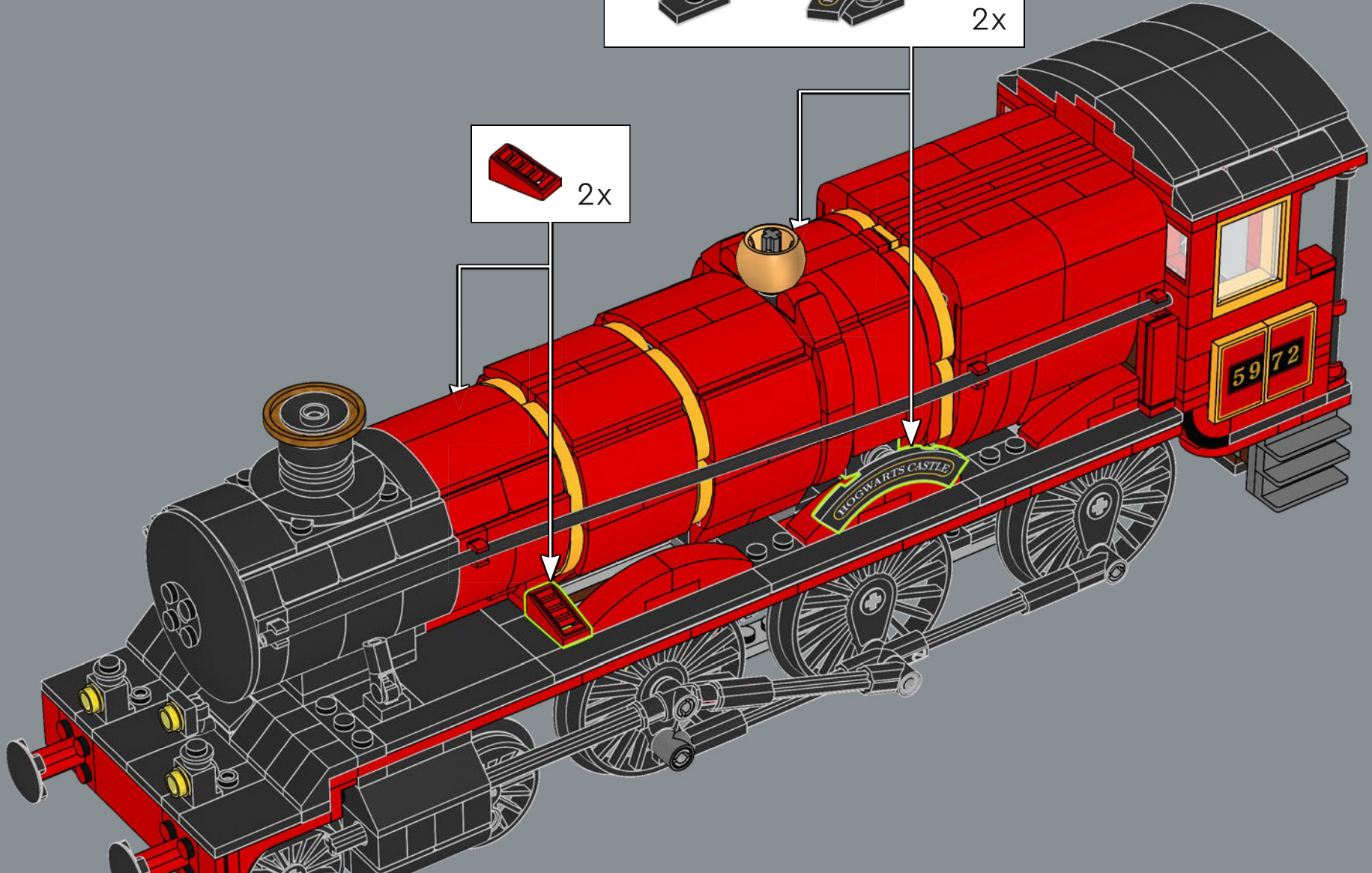
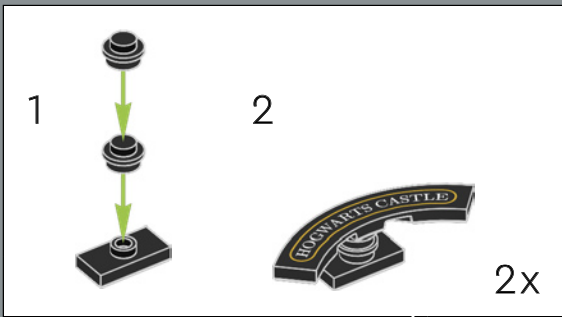


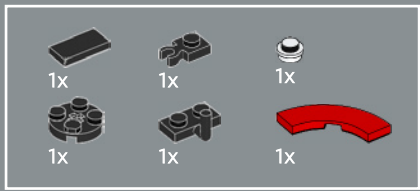
278



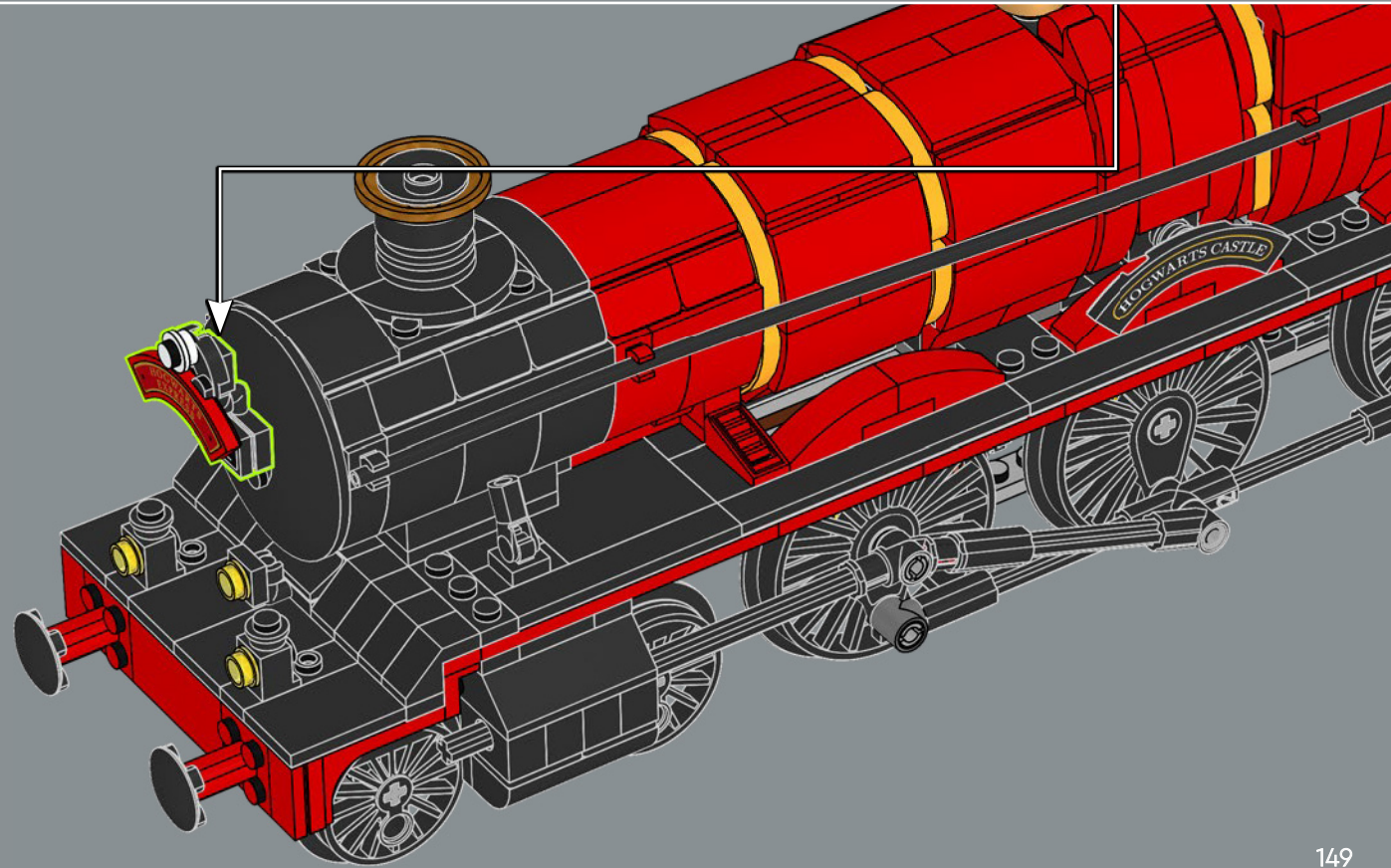


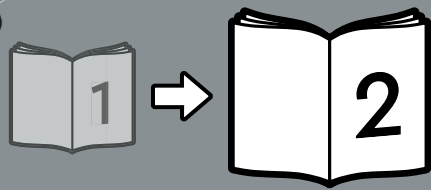
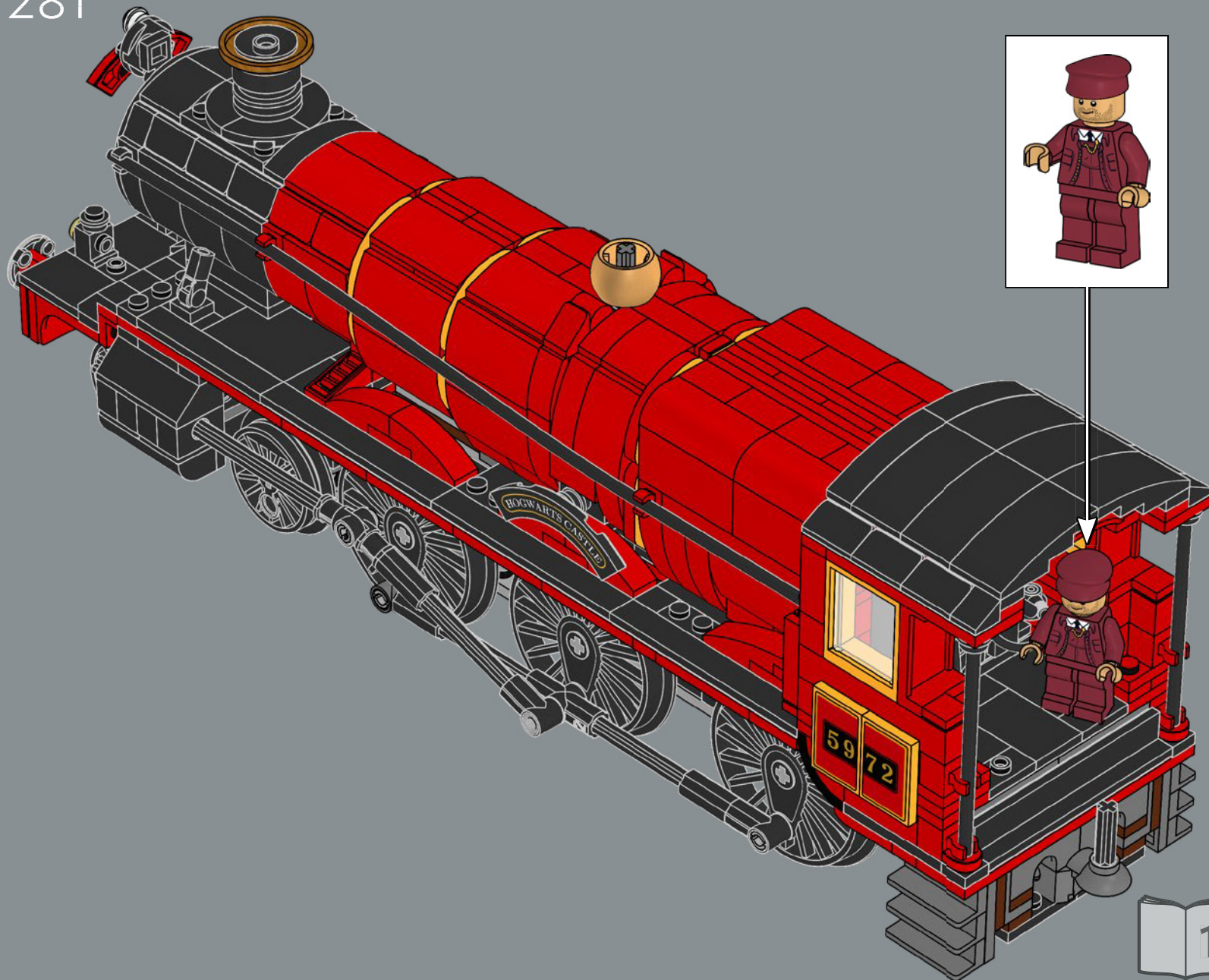
279





280







# FEEDBACK AND WIN



## FEEDBACK AND WIN

Your feedback will help shape the future development of this product series.

Please visit:

## FEEDBACK UND GEWINNEN

Dein Feedback trägt zur Weiterentwicklung dieser Produktreihe bei.

Geh auf:

## COMMENTEZ ET GAGNEZ

Vos commentaires nous aideront à concevoir les futurs produits de cette gamme.

Rendez-vous sur :

## COMENTA Y GANA

Tu opinión nos ayudará a dar forma al desarrollo de esta serie de productos en el futuro.

Visita:

## 反馈有奖

您的反馈将有助于我们在今后改进本系列产品。

请访问：

---

[LEGO.com/productfeedback](https://www.lego.com/productfeedback)

---

By completing, you will automatically enter a drawing to win a LEGO® set.

Terms & Conditions apply.

Durch Ausfüllen nimmst du automatisch an der Verlosung eines LEGO® Preises teil.

Es gelten die Teilnahmebedingungen.

En envoyant vos commentaires, vous serez automatiquement inscrit(e) à un tirage au sort qui vous permettra de remporter un prix LEGO®.

Offre soumise à conditions.

Al contestar, participarás automáticamente en el sorteo y podrás ganar un set LEGO®.

Sujeto a Términos y Condiciones.

完成我们的反馈调查，即可自动进入抽奖环节，赢取乐高®套装。

适用《条款和条件》。



LEGO and the LEGO logo are trademarks of the LEGO Group. ©2022 The LEGO Group.  
WIZARDING WORLD characters, names and related indicia are © & ™ Warner Bros. Entertainment Inc.  
WB SHIELD: © & ™ WBEI. Publishing Rights © JKR. (s22)