



76914





**FR**  
**DONNEZ**  
OU  
**RECYCLEZ**

 OU  OU 

ASSOCIATION MAGASIN DÉCHÈTERIE

Adresses sur [quefairedemesdechets.fr](http://quefairedemesdechets.fr)



[LEGO.com/sustainable-packaging](https://LEGO.com/sustainable-packaging)



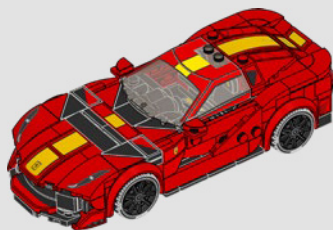
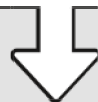
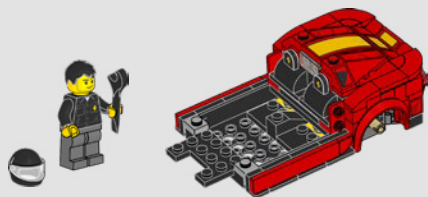
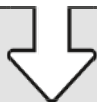
# BUILDER

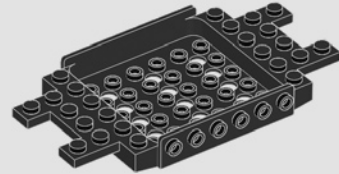
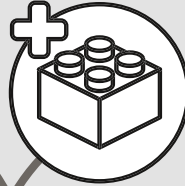


Apple and the Apple logo are trademarks of Apple Inc., registered in the U.S. and other countries and regions. App Store is a service mark of Apple Inc. Google Play and the Google Play logo are trademarks of Google LLC. Tencent and the Tencent logo are trademarks of Tencent Inc.

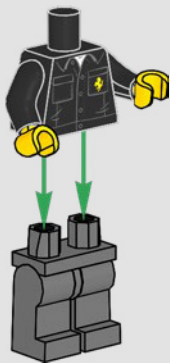
**EN** Ask parents' permission before going online | **DE** Eltern um Erlaubnis bitten, bevor du online gehst | **FR** Demande l'autorisation d'un parent avant d'aller en ligne | **IT** Chiedi il permesso ai tuoi genitori prima di andare online | **ES** Pídeles permiso a tus papás antes de conectarte a Internet | **PT** Pede autorização aos pais antes de acederes online | **JA** オンラインになる前に ほか者の方のきよかをもらおう | **ZH** 上网前应先征得父母的同意 | **KO** 온라인 접속 전에 보호자 동의가 필요합니다 | **RU** Спроси разрешения у родителей, прежде чем заходить в интернет | **PL** Poproś rodziców o zgodę, zanim wejdziesz do Internetu | **CS** Než půjdeš na internet, požádej rodiče o svolení | **SK** Skôr než pôjdeš na internet, vypýtaj si povolenie od rodičov | **HU** Kérj szülői engedélyt, mielőtt online csatlakoznál! | **RO** Cere permisiunea părinților înainte de a te conecta online | **BG** Поискайте разрешение от родител, преди да влезете онлайн | **LV** Pirms došanās tiešsaistē palūdz atļauju vecākiem | **ET** Enne Interneti kasutamist küsi vanematelt luba | **LT** Prieš prisijungdami prie interneto, atsklauskite tėvų

Q [LEGO.com/devicecheck](https://www.lego.com/devicecheck)





1



2

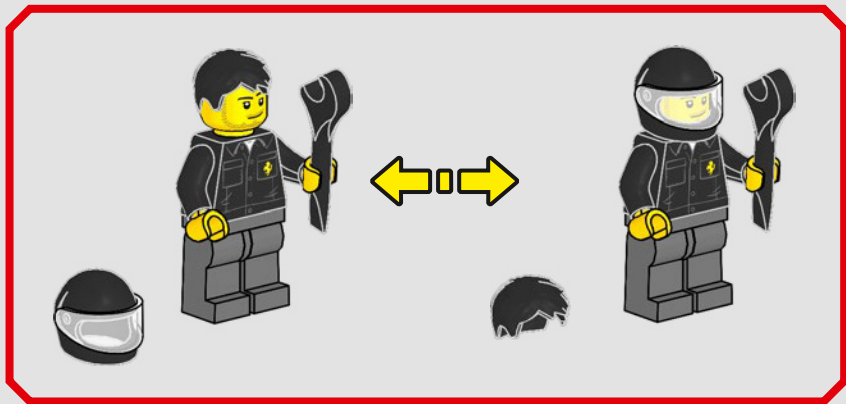
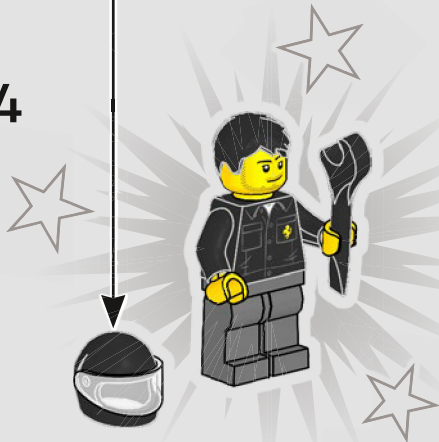


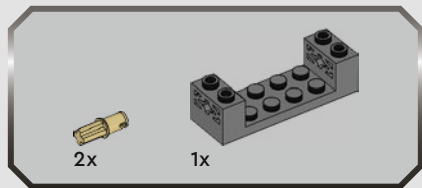
3



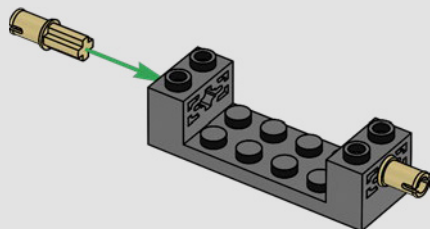


4

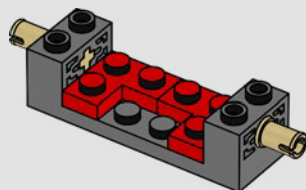




1



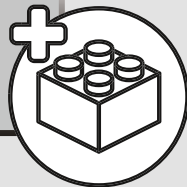
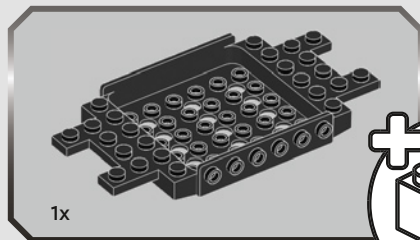
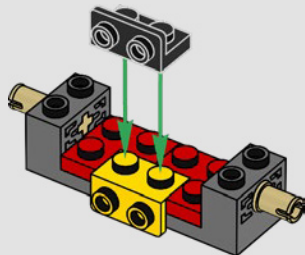
2



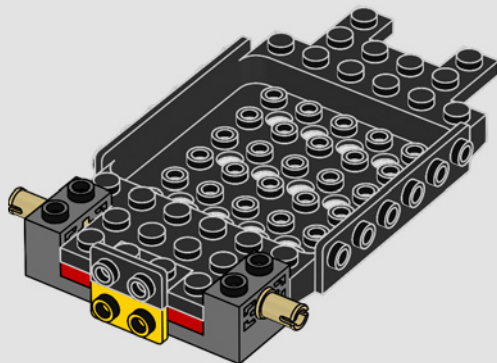




3

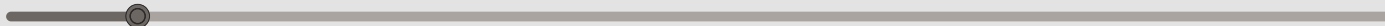
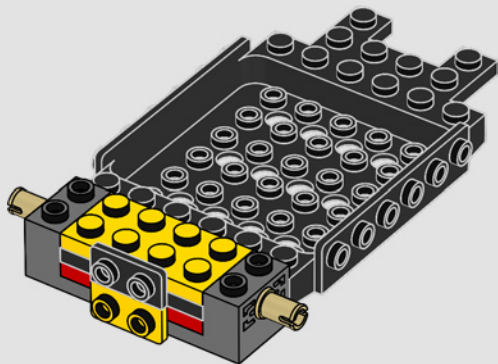


4



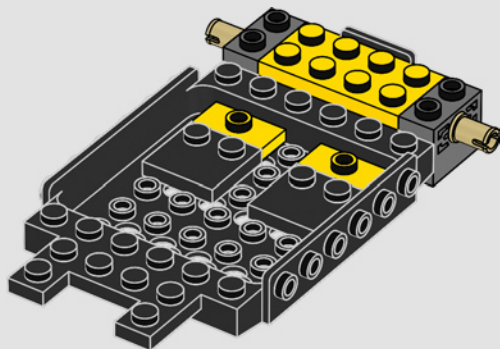


5

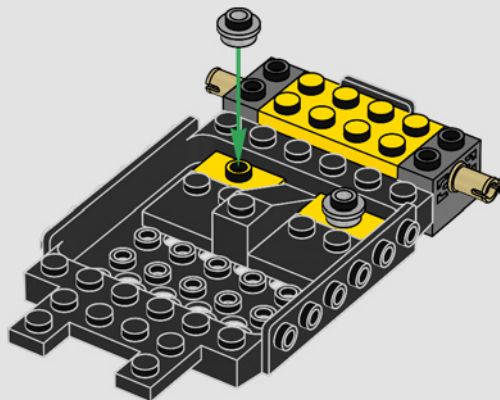


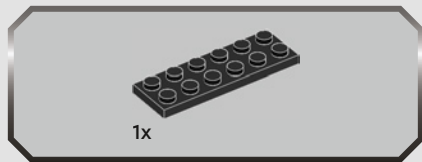


6

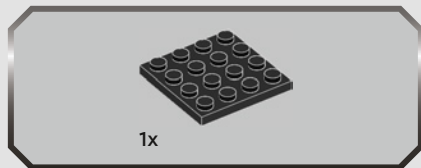
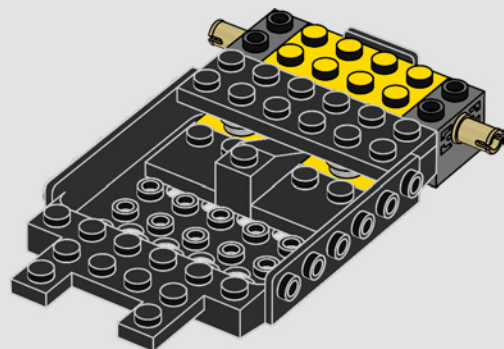


7

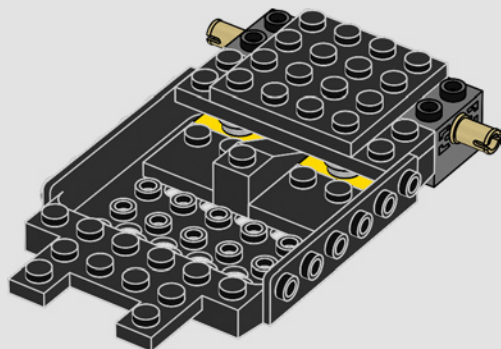




8

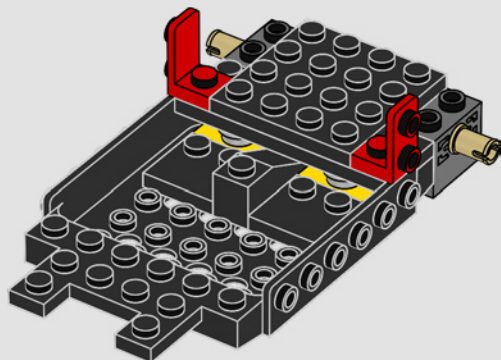


9

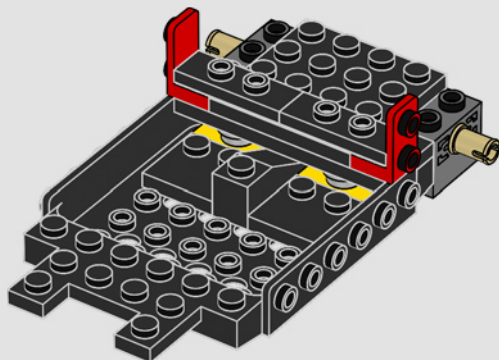




10

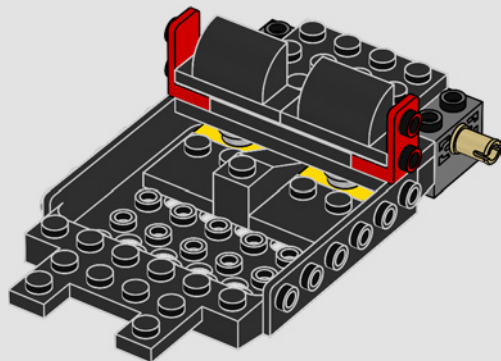


11

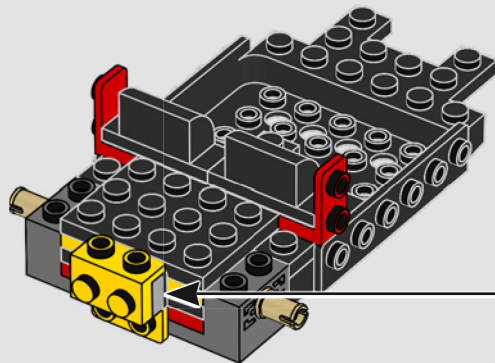
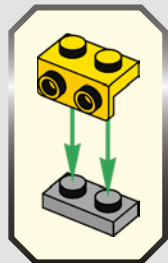


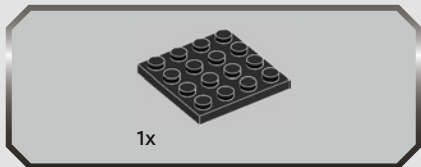


12

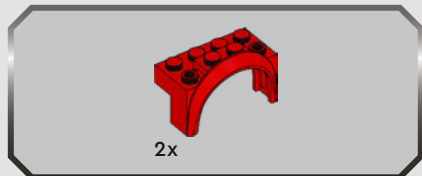
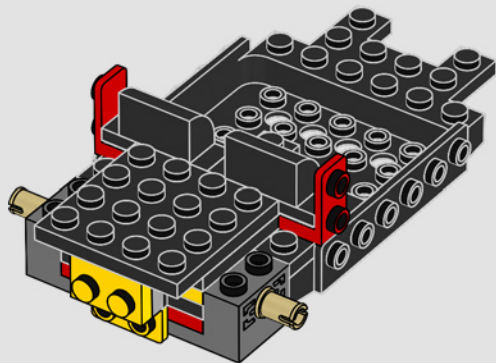


13

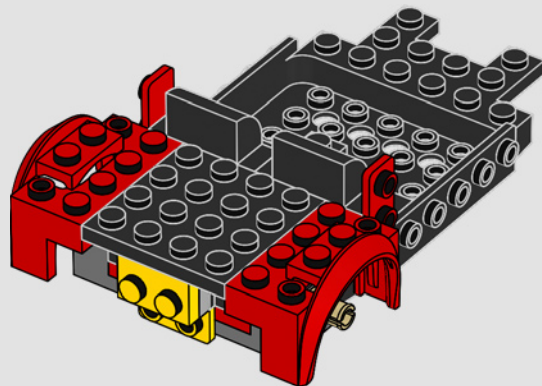




14



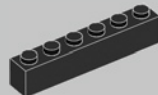
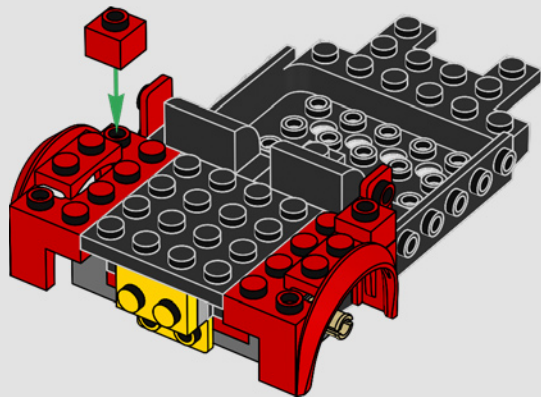
15





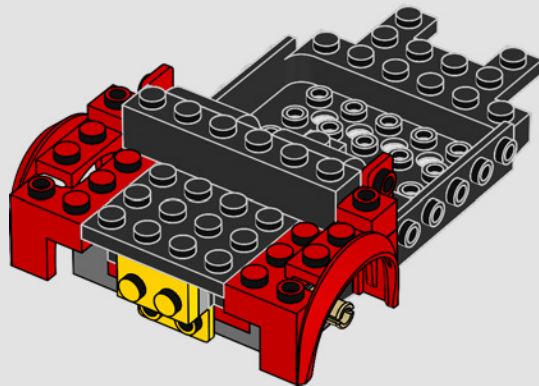
2x

16

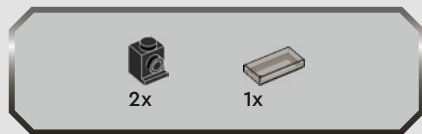


1x

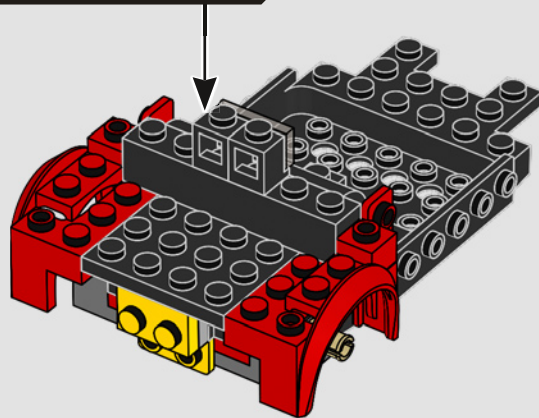
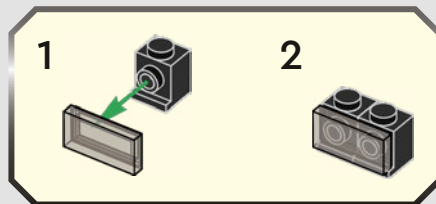
17





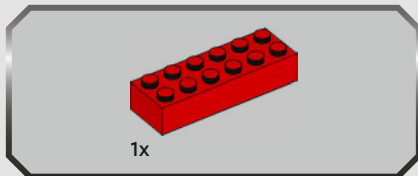
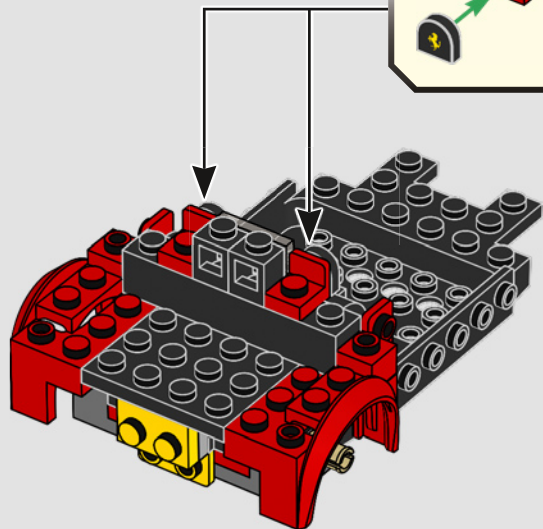


18

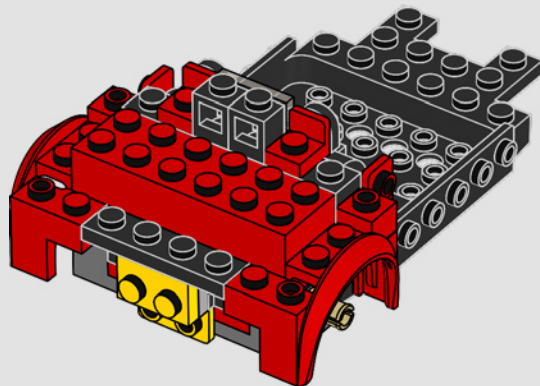




19



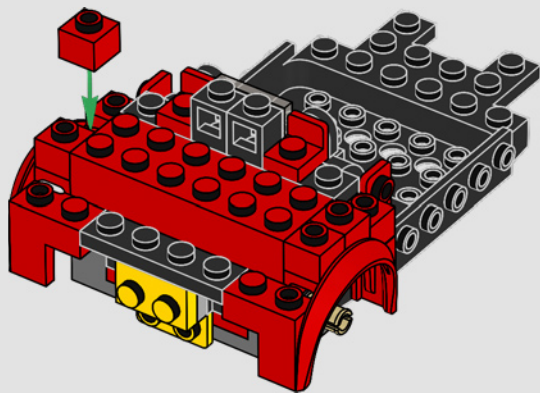
20





4x

21

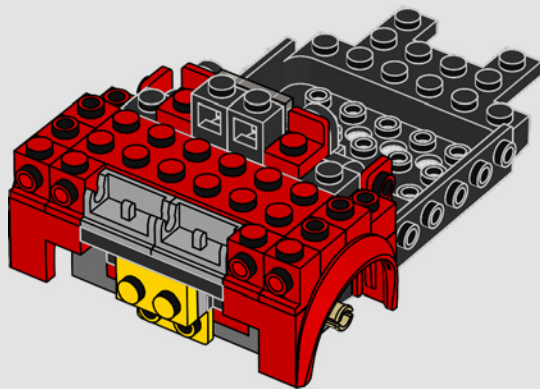


4x



2x

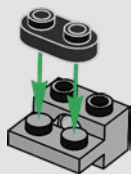
22



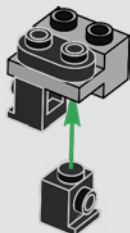


23

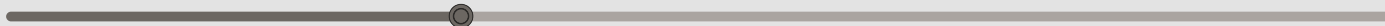
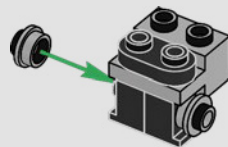
1



2

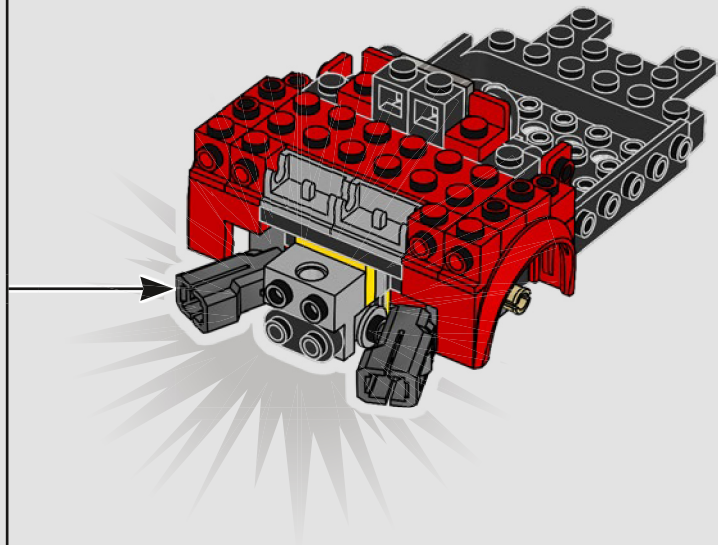
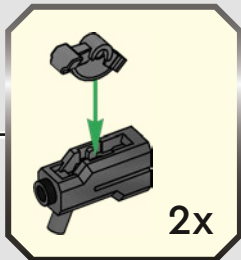
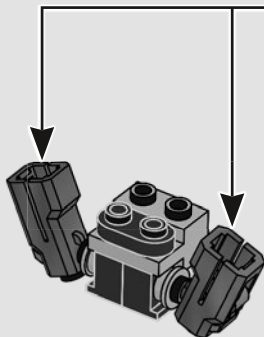


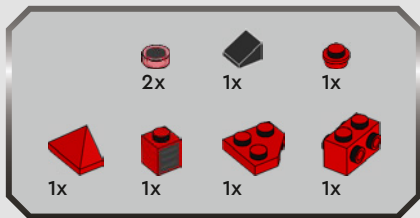
3



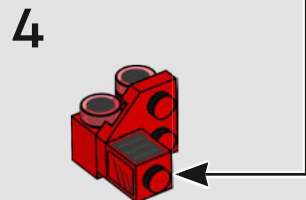
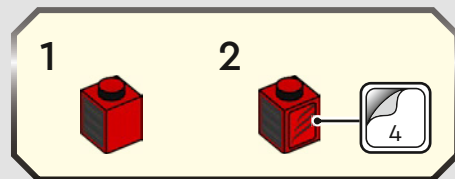
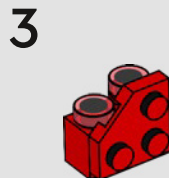
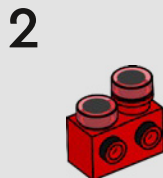
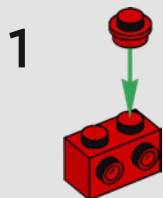


4



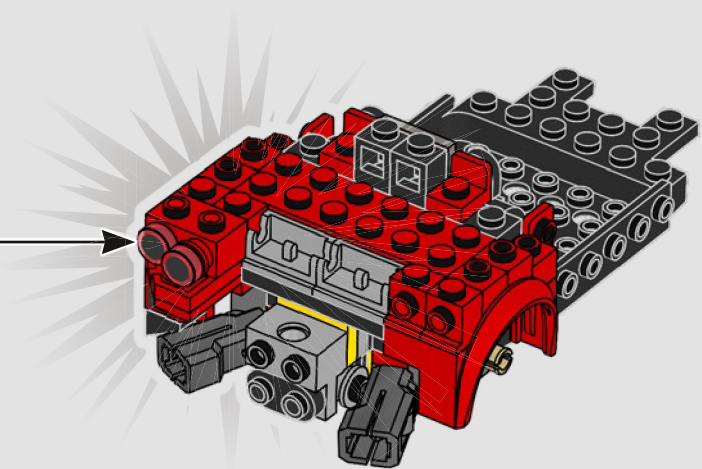


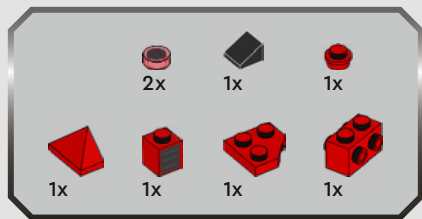
24



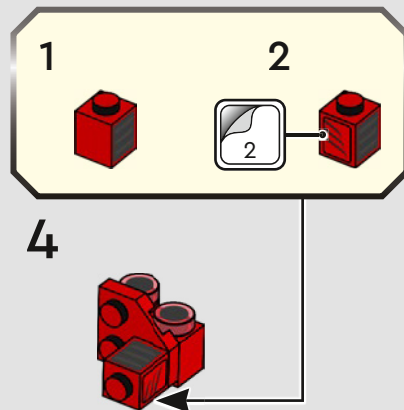
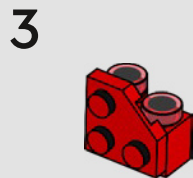
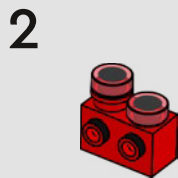
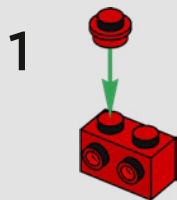


5





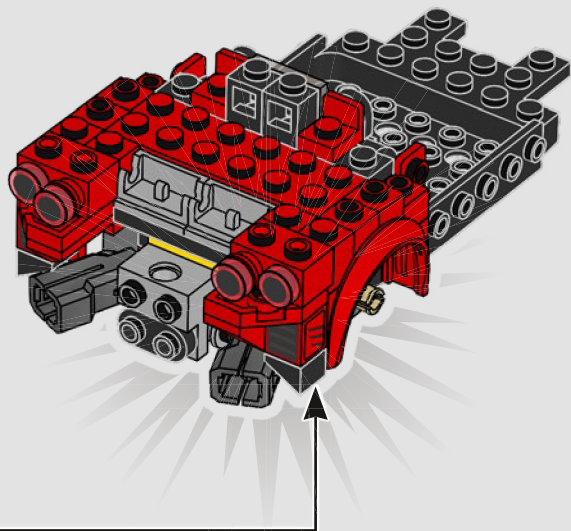
25





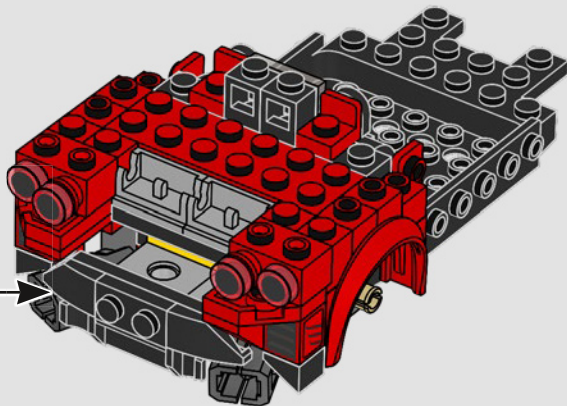
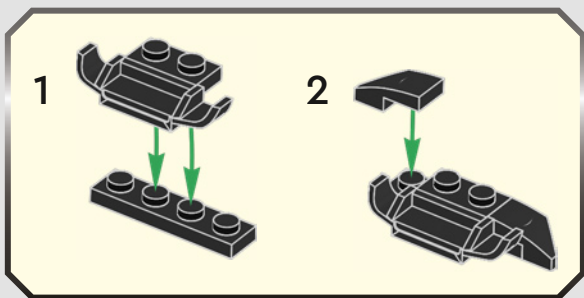


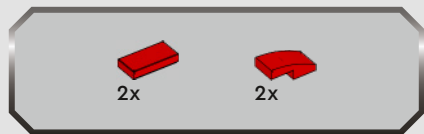
5



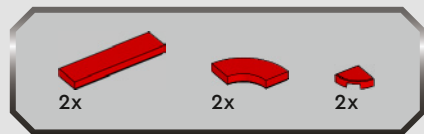
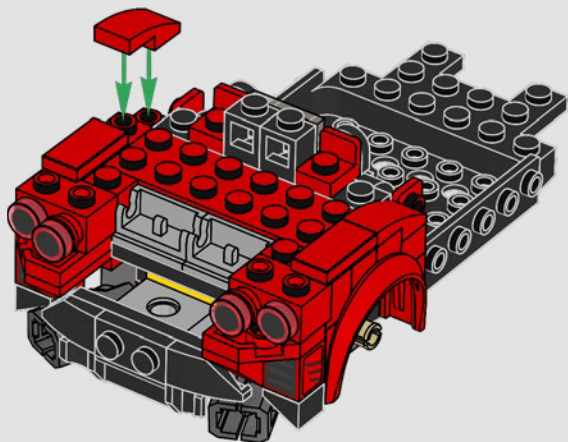


26

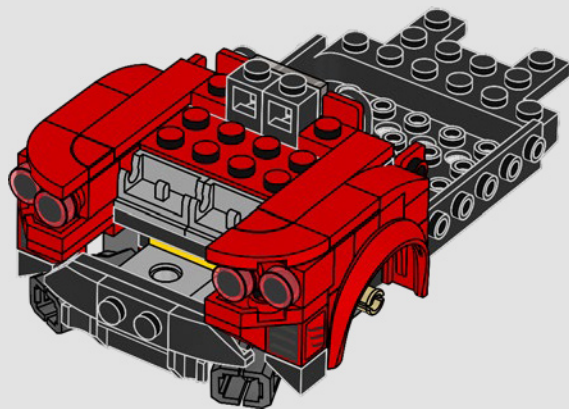




27

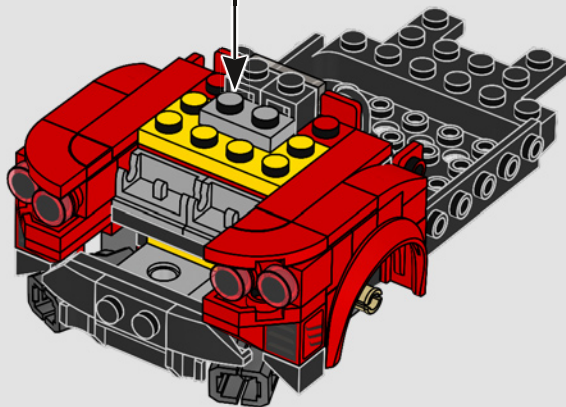
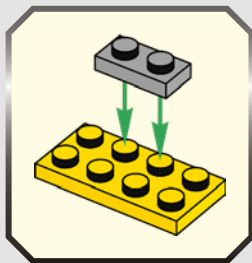


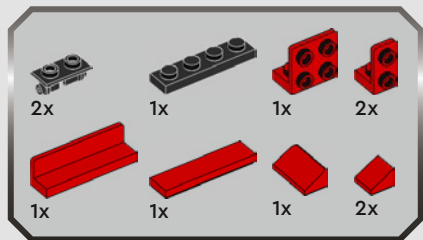
28



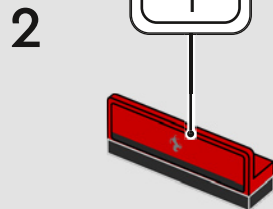
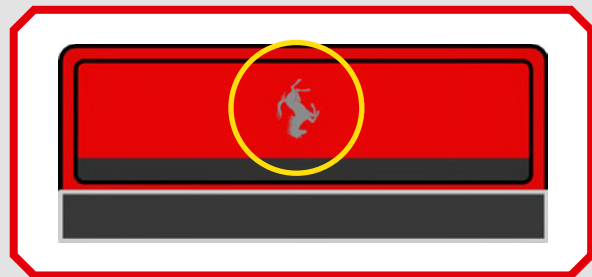
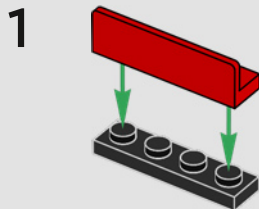


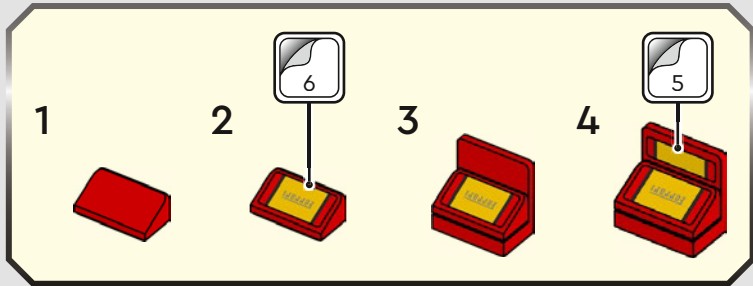
29



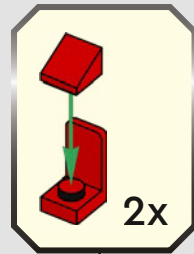
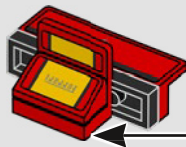


30

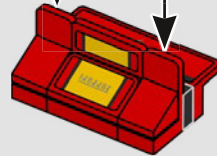


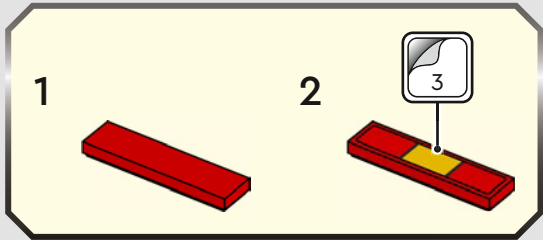


3

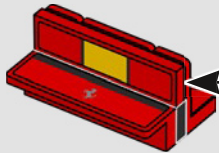


4

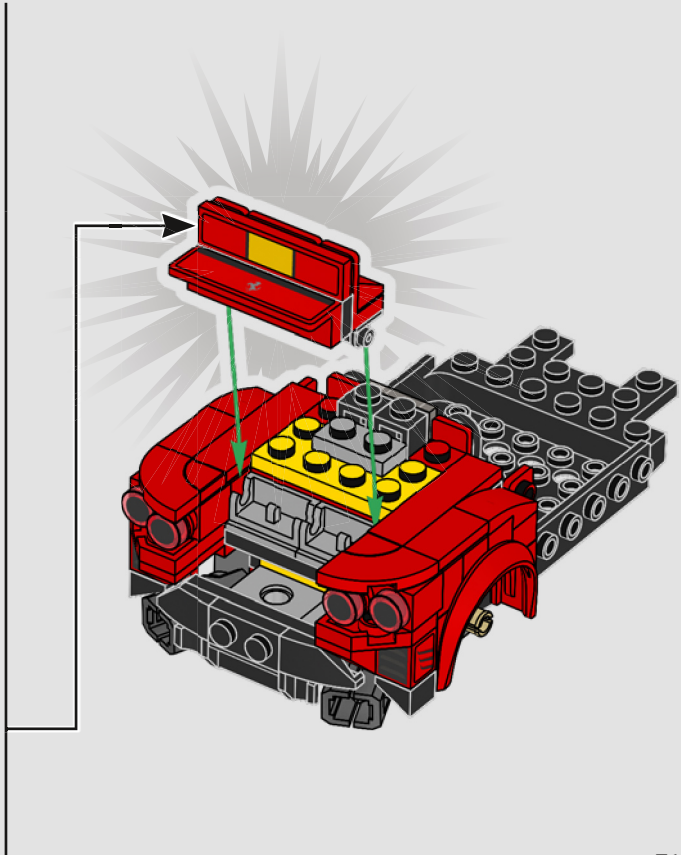
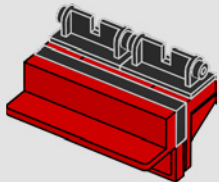


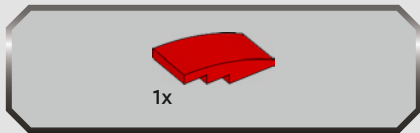


5

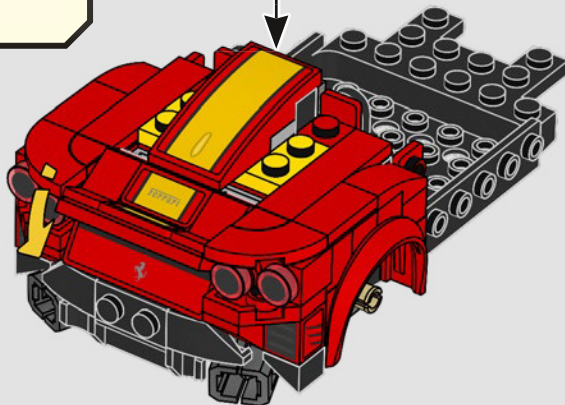
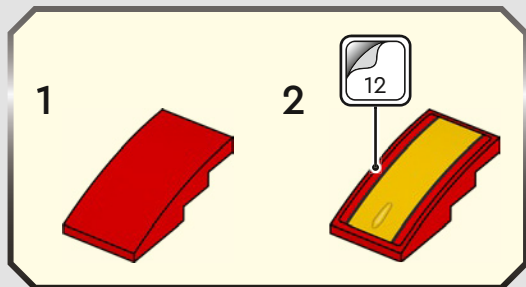


6

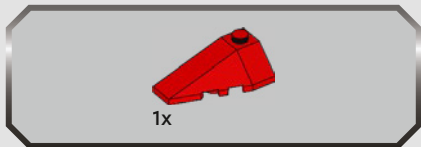




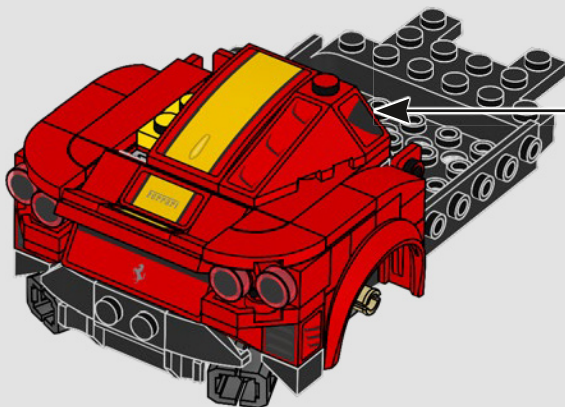
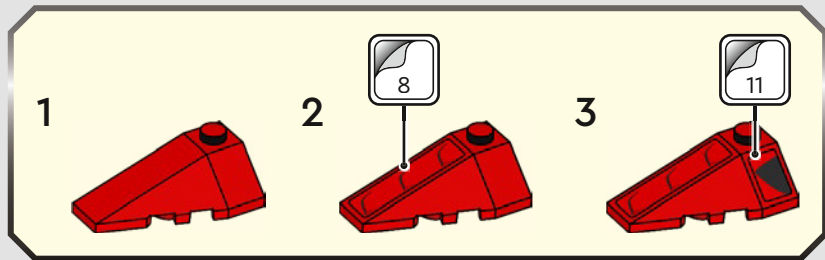
31

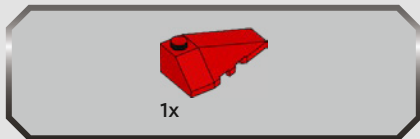




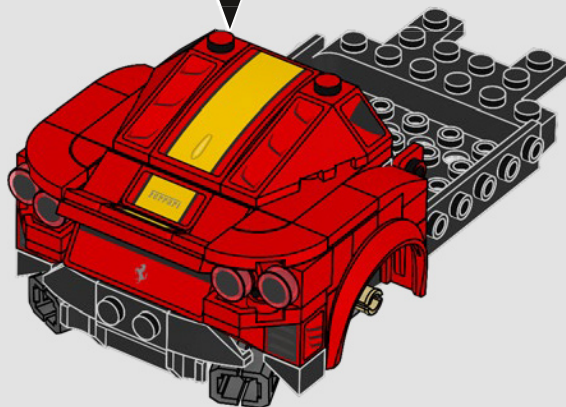
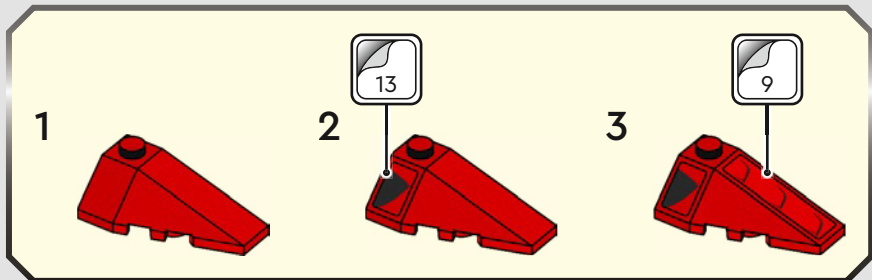


32





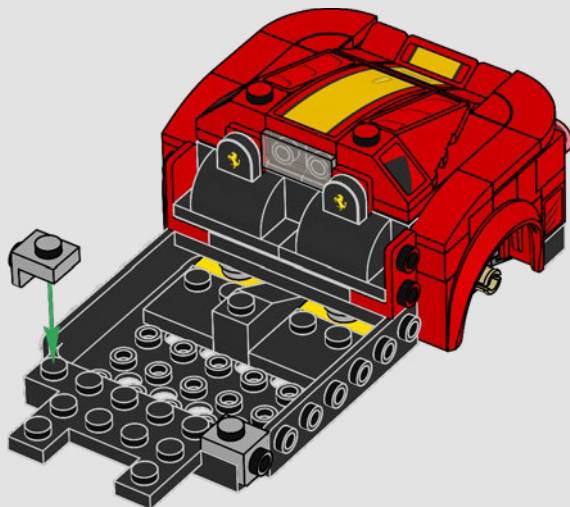
33

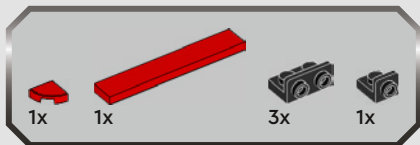




2x

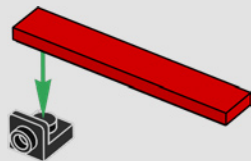
34



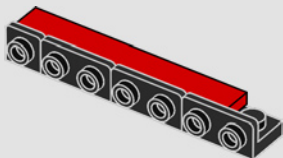


35

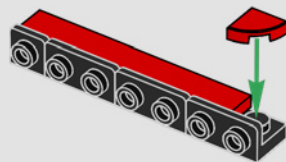
1

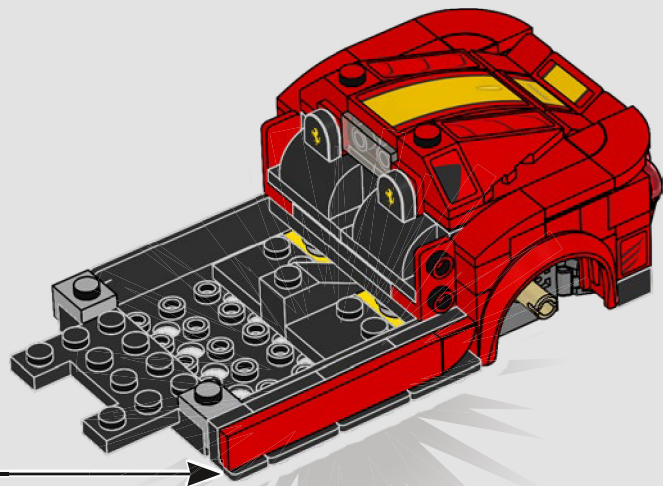


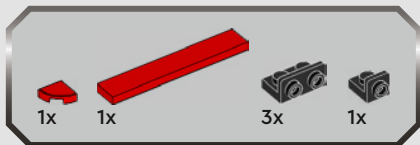
2



3

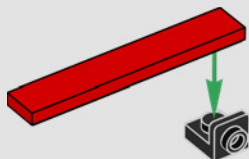




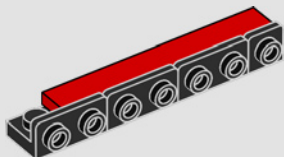


36

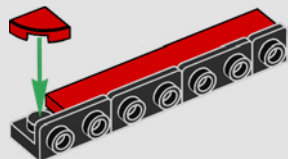
1

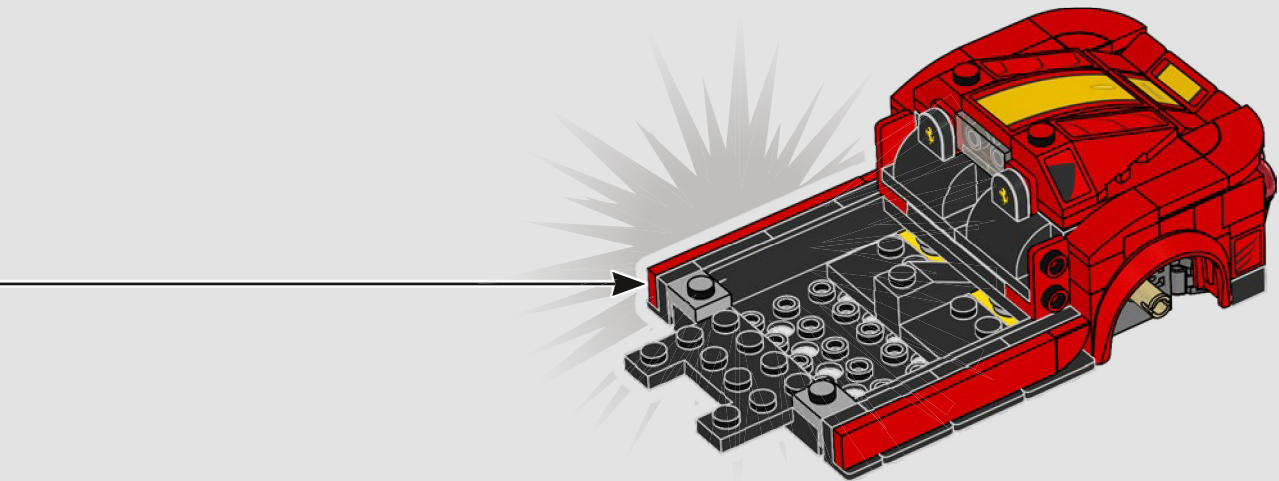


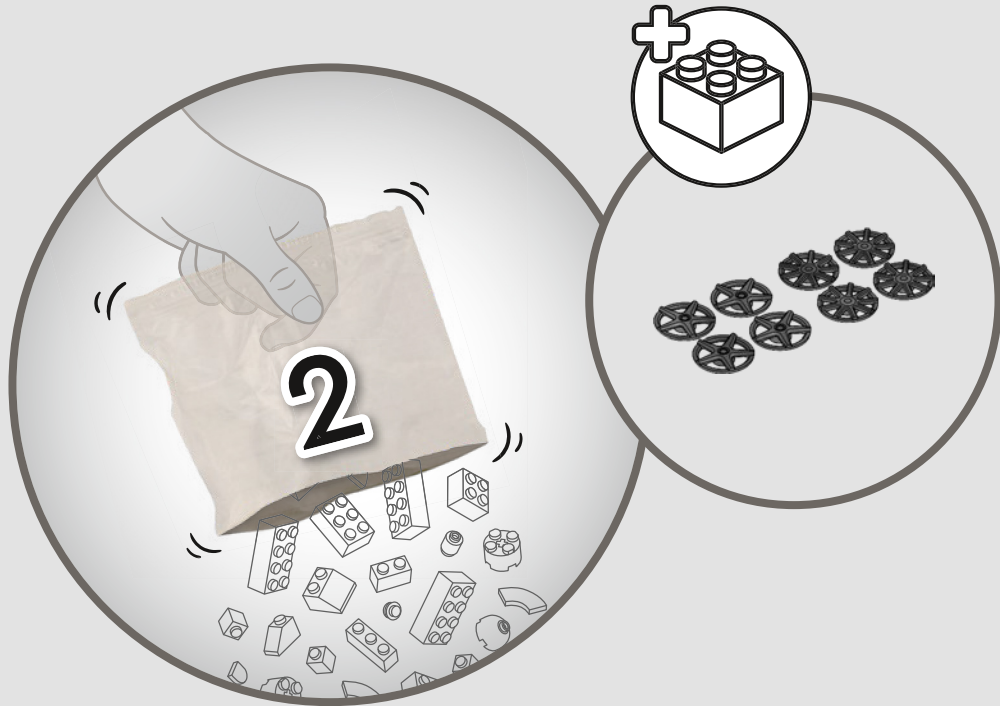
2



3



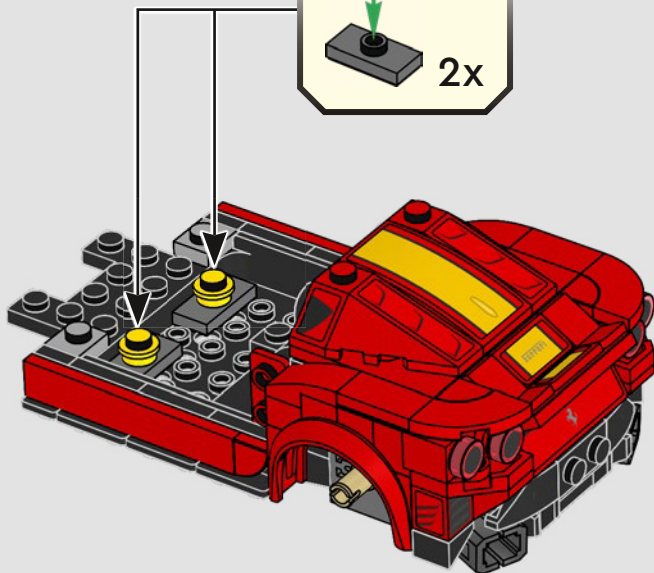
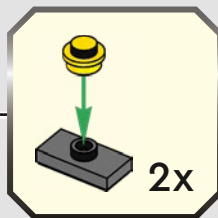


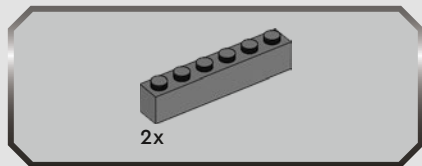




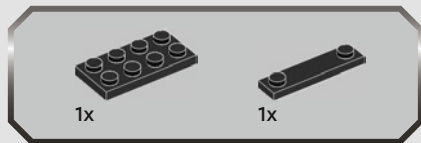
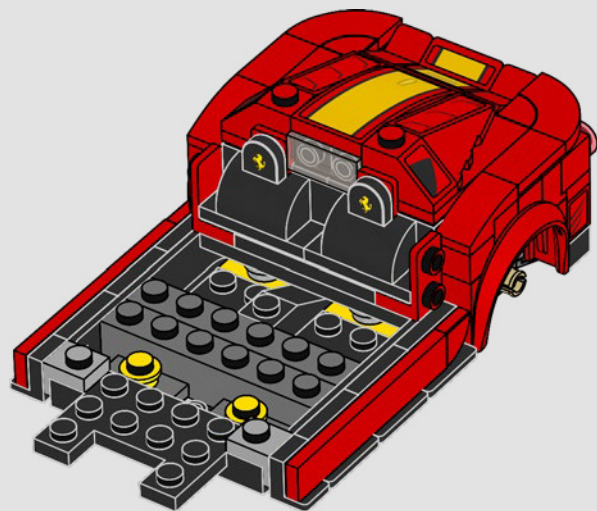


37

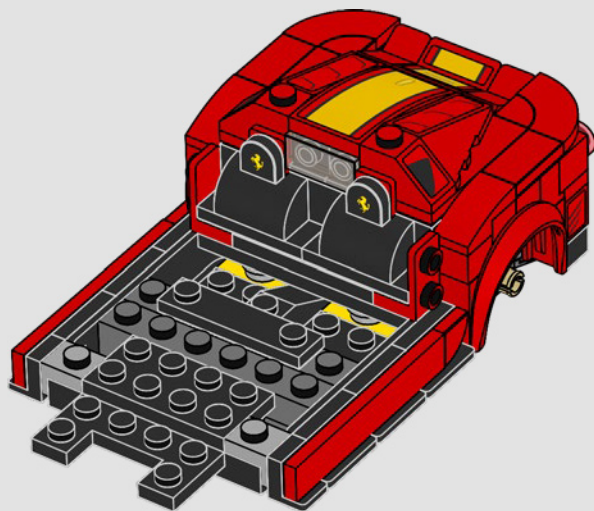


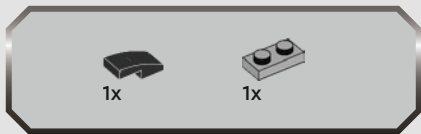


38

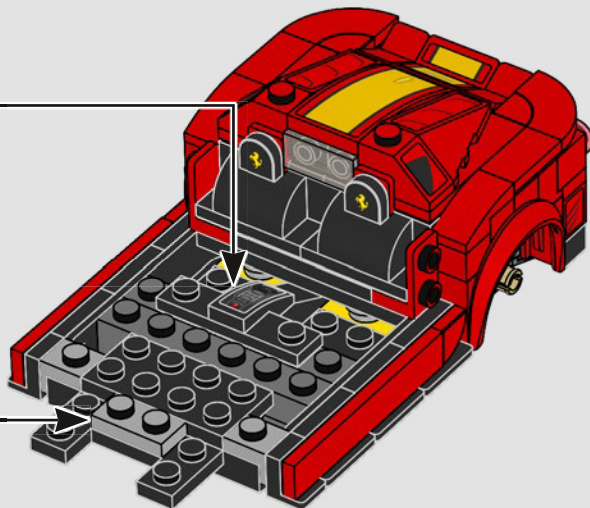
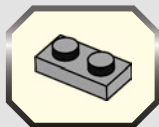
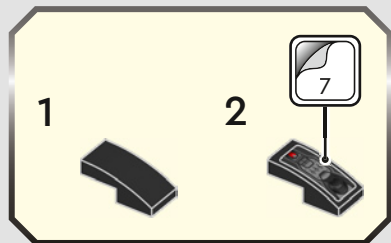


39





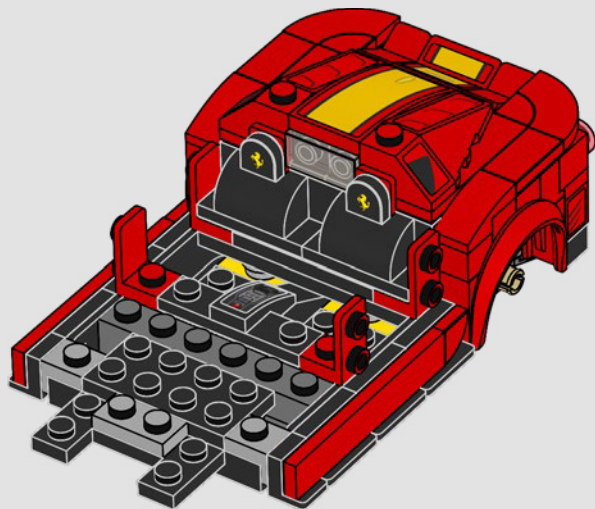
40

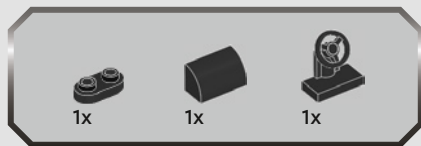




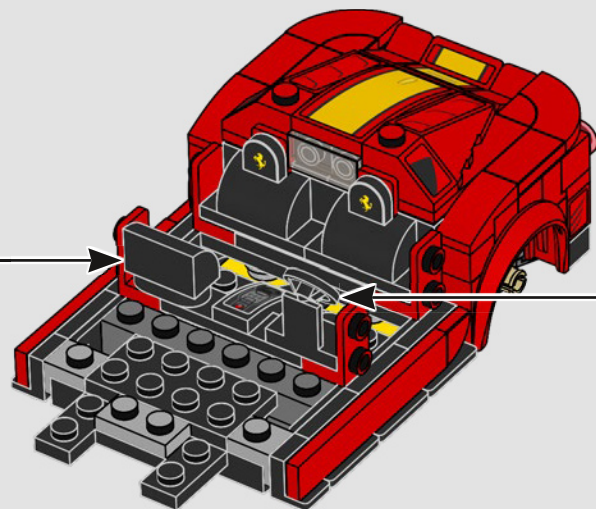
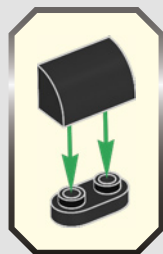
2x

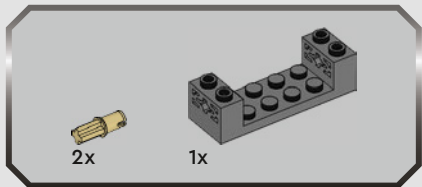
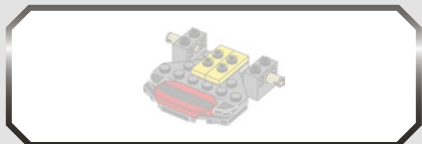
41



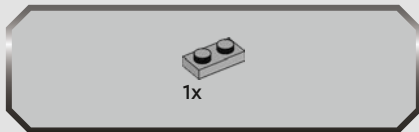
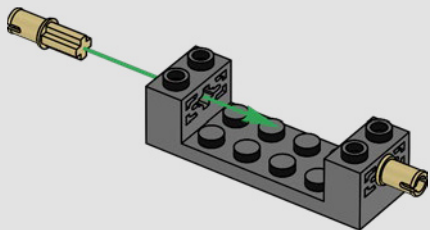


42

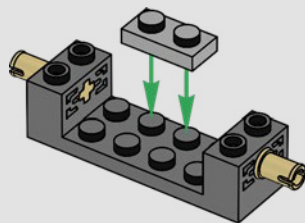


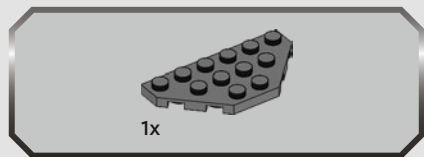


43

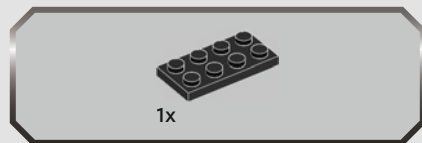
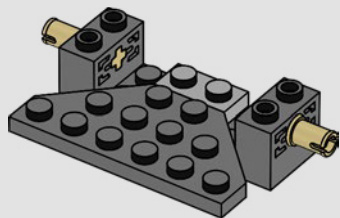


44

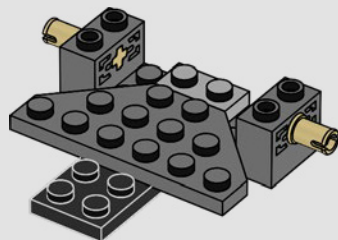


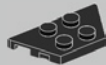


45



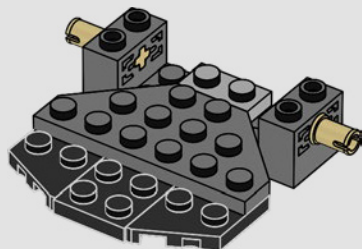
46





2x

47

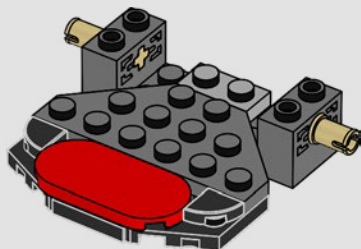


2x



1x

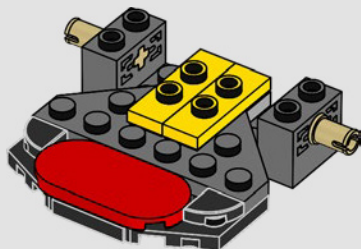
48



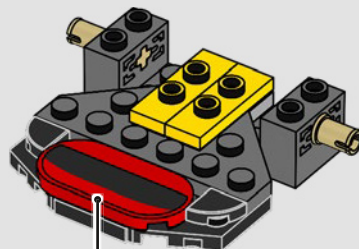




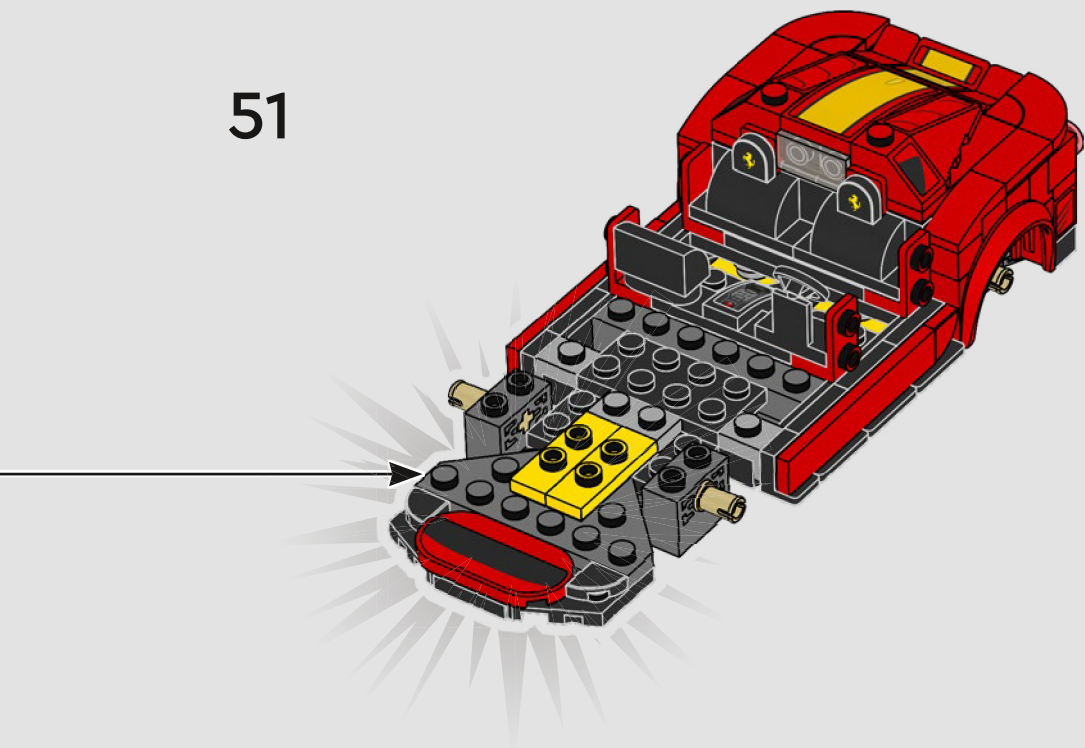
49

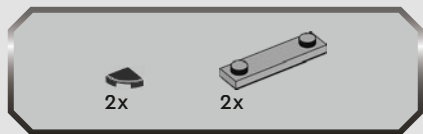


50

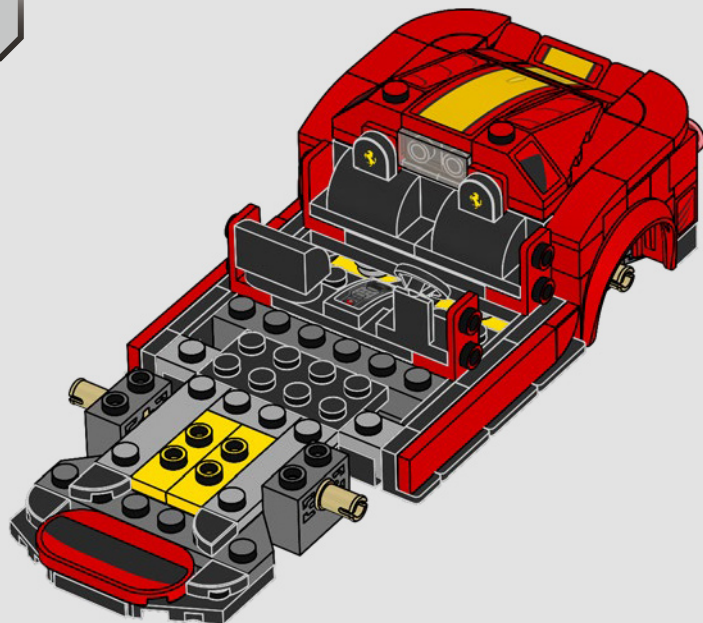


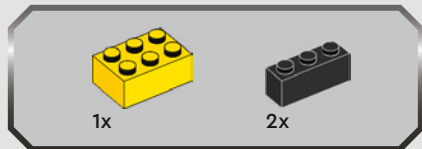
51



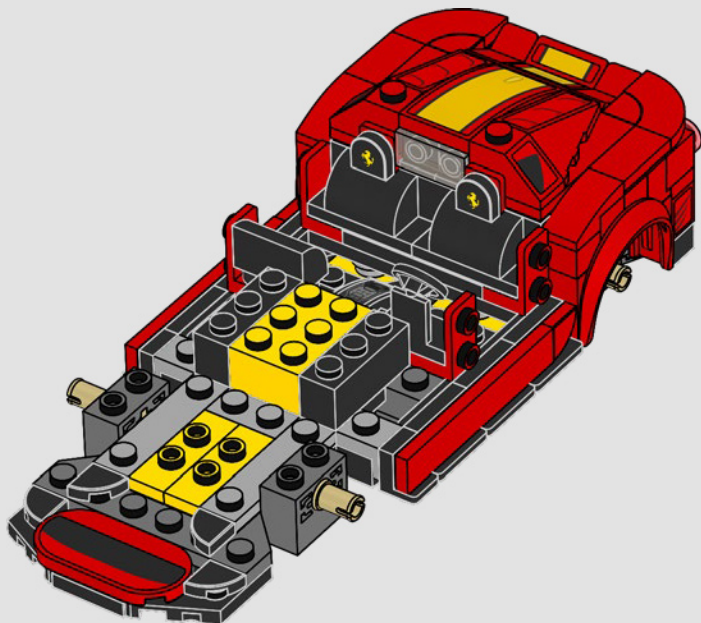


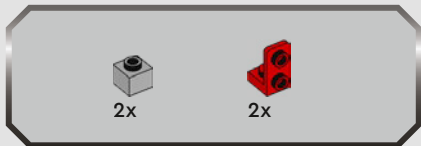
52



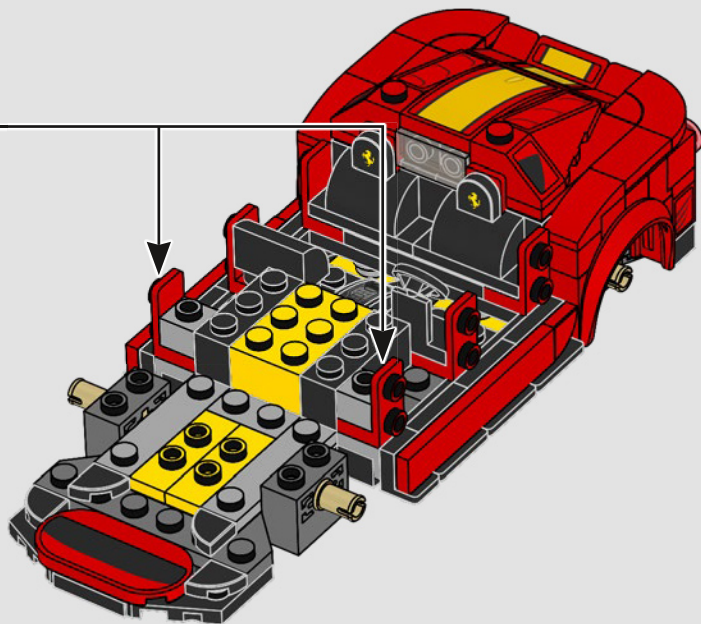
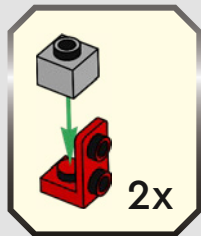


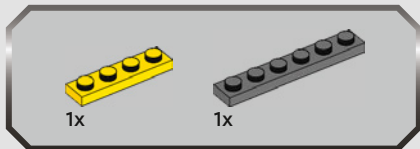
53



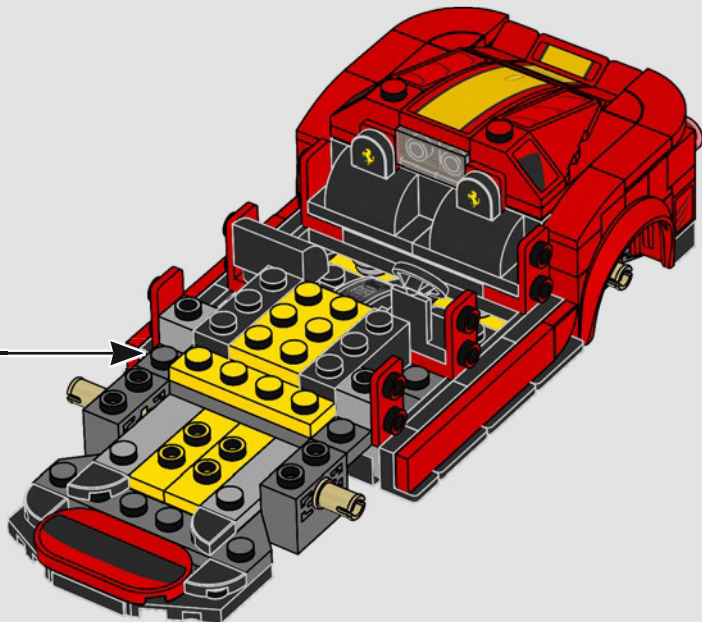
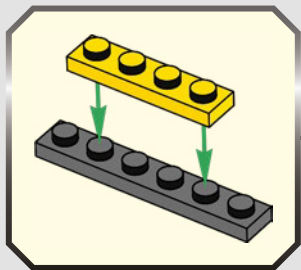


54



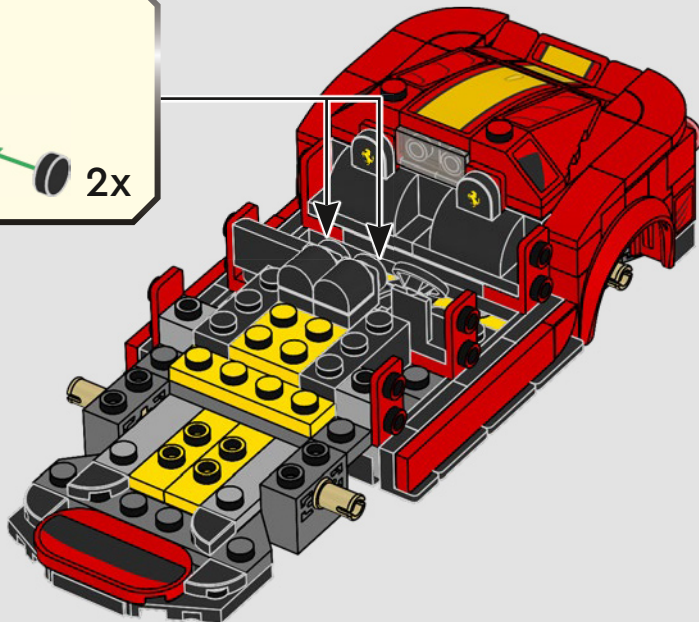
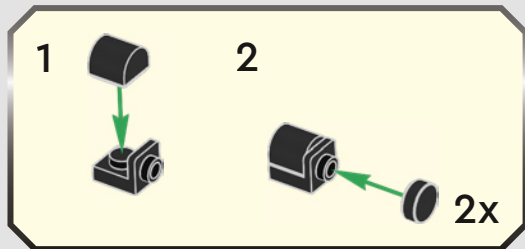


55



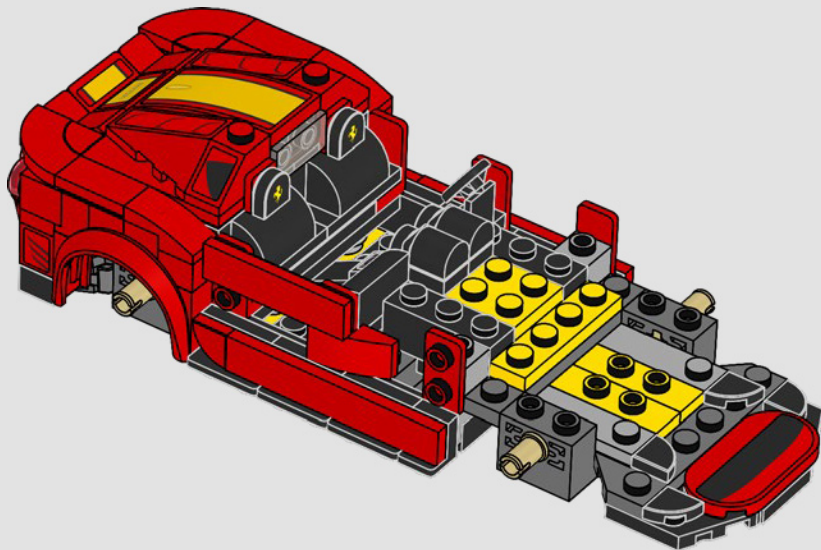


56

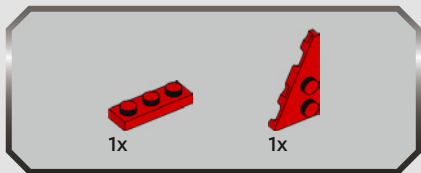




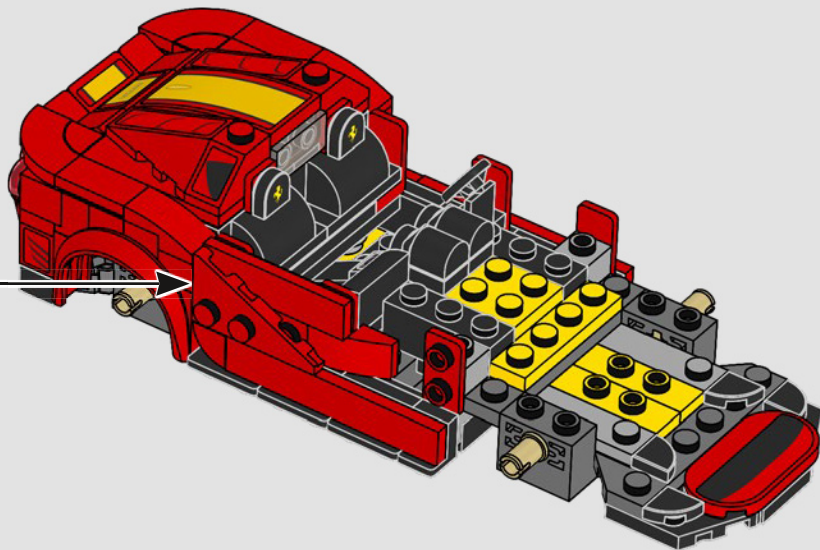
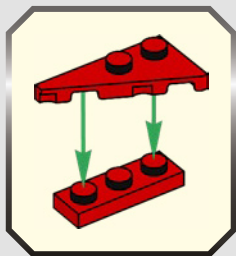
57





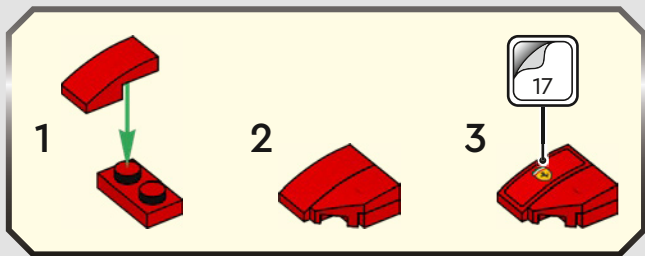
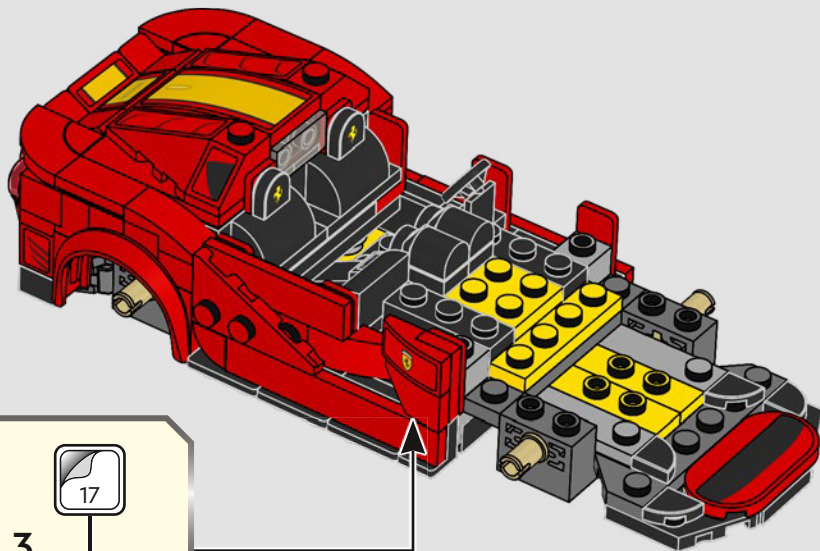


58



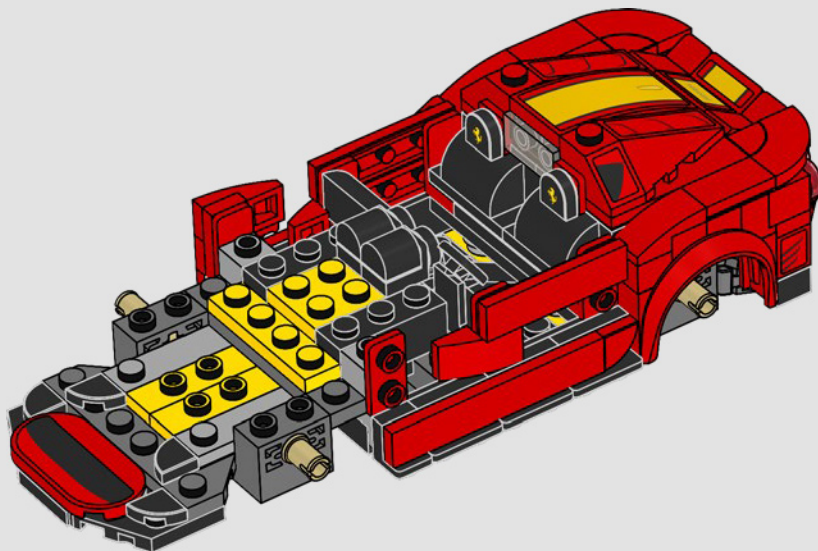


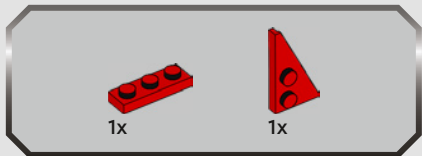
59



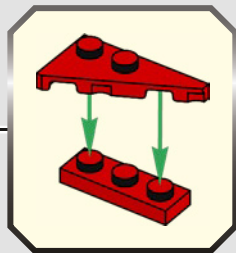
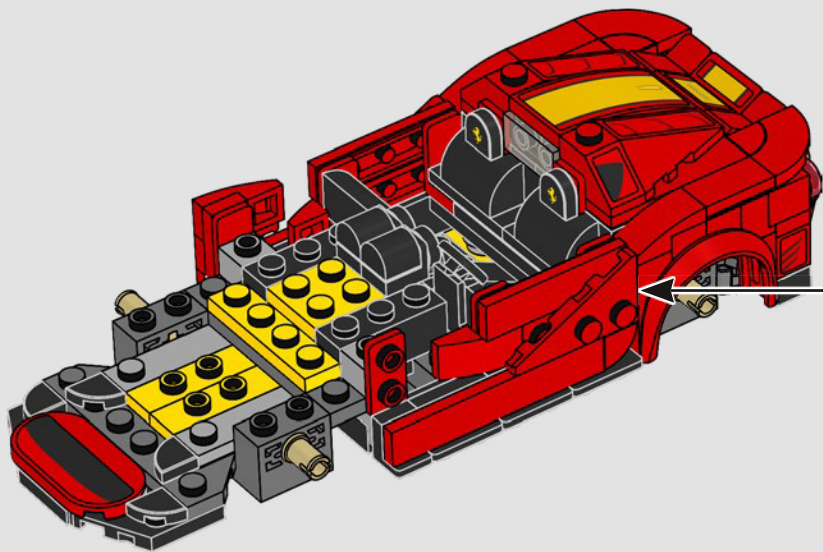


60



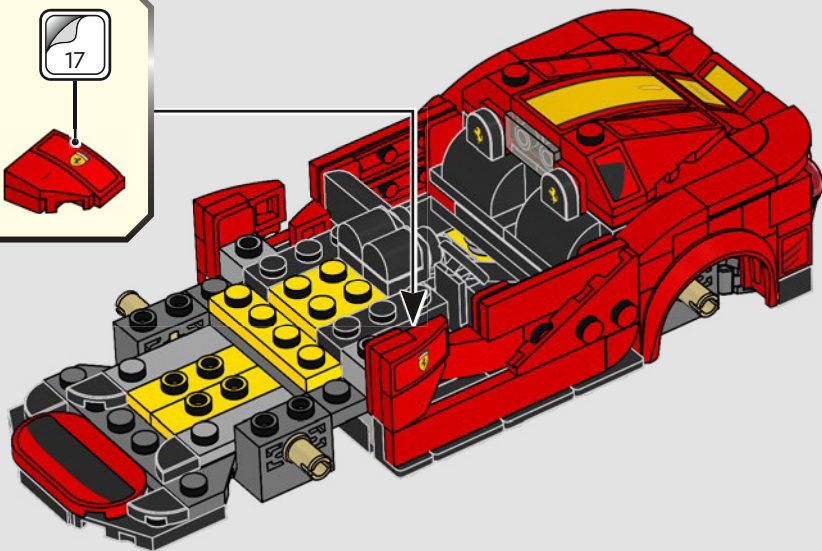
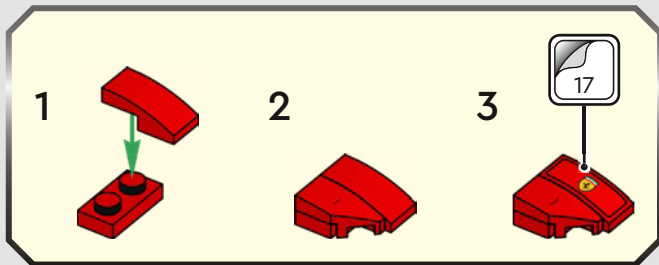


61





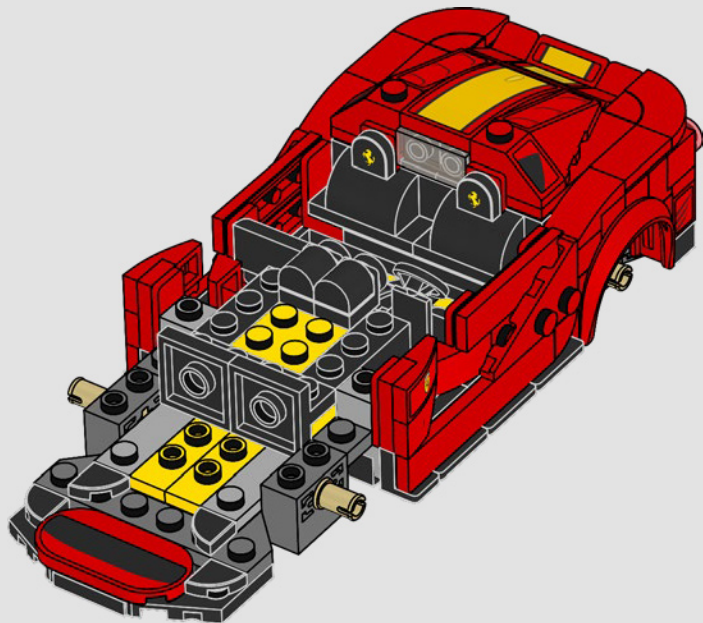
62





2x

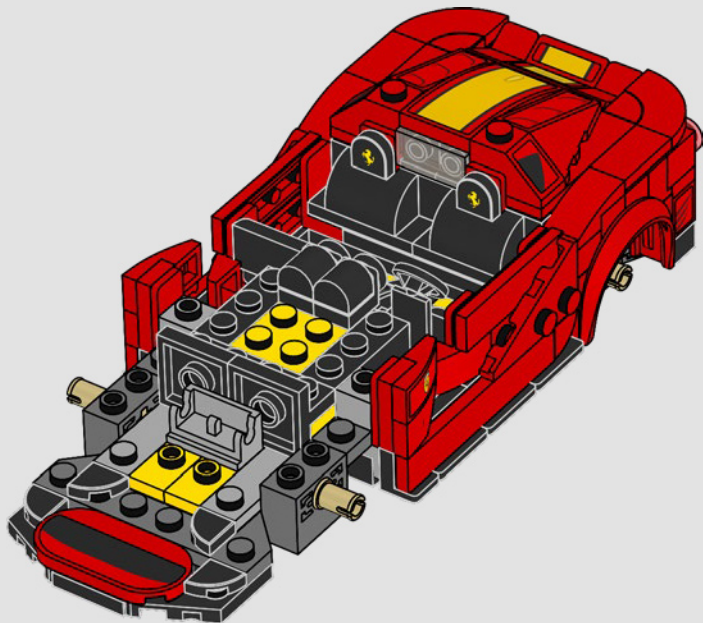
63

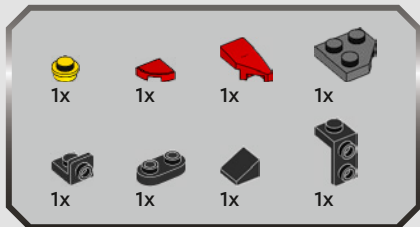




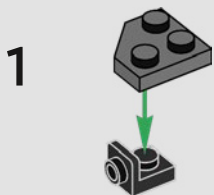
1x

64

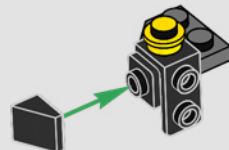




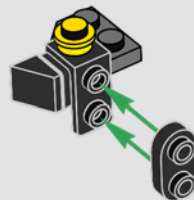
65



3

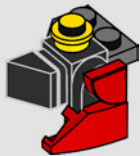


4

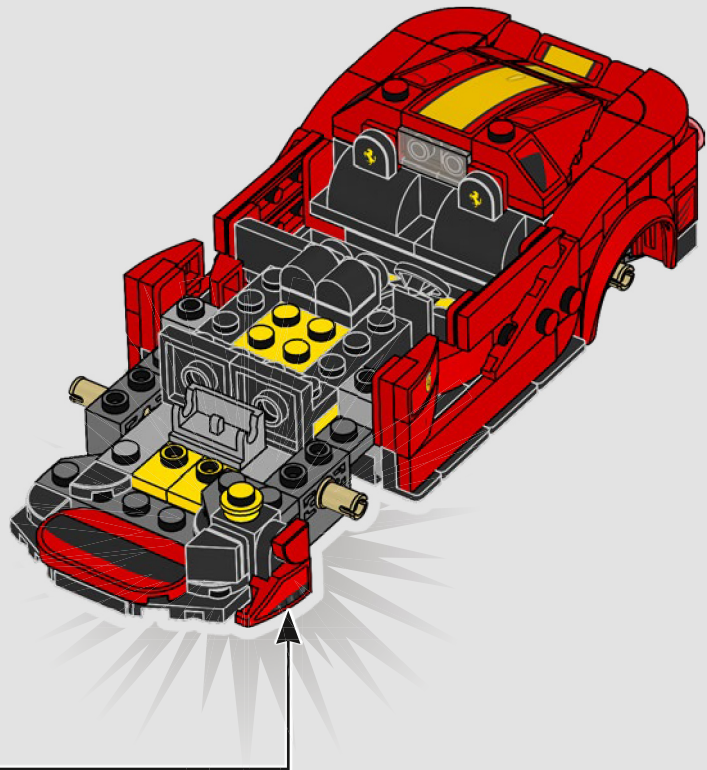


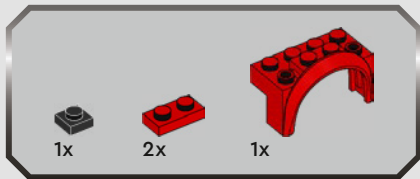


5

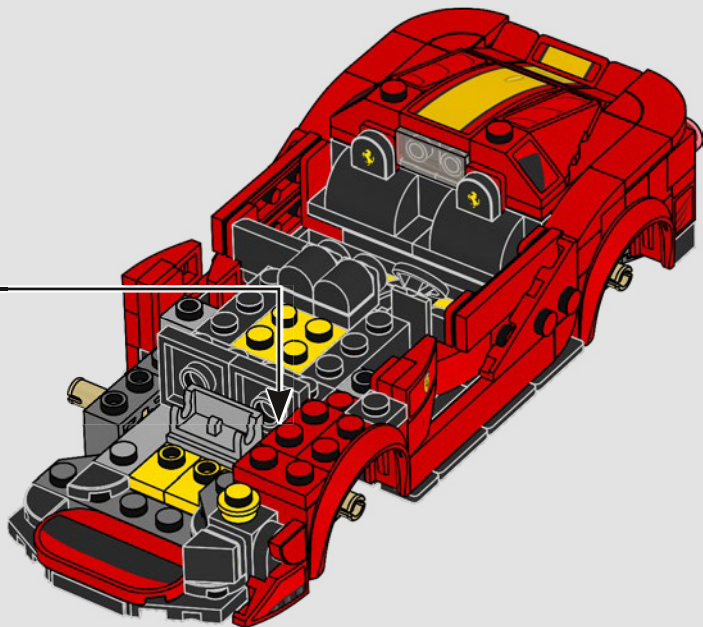
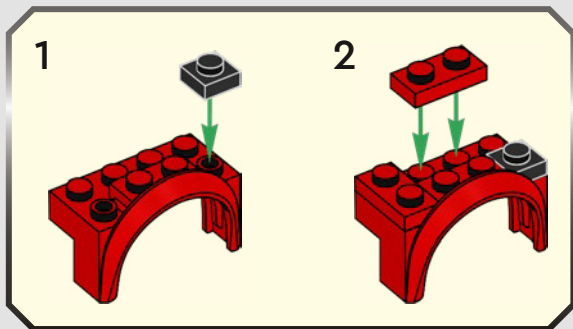


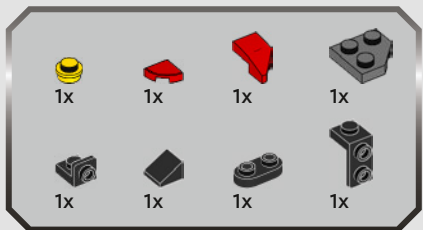
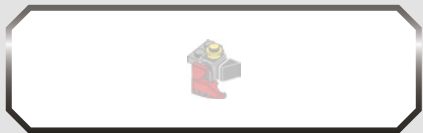
6



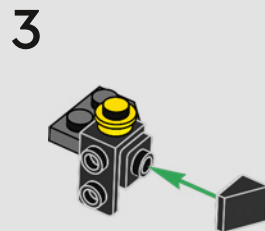
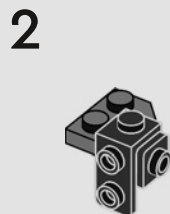
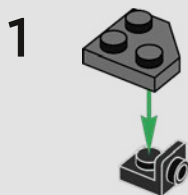


66

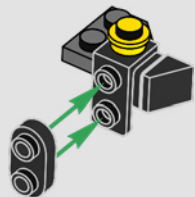




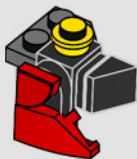
67



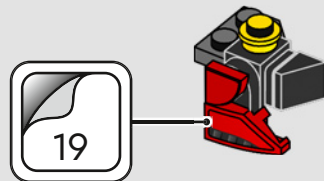
4

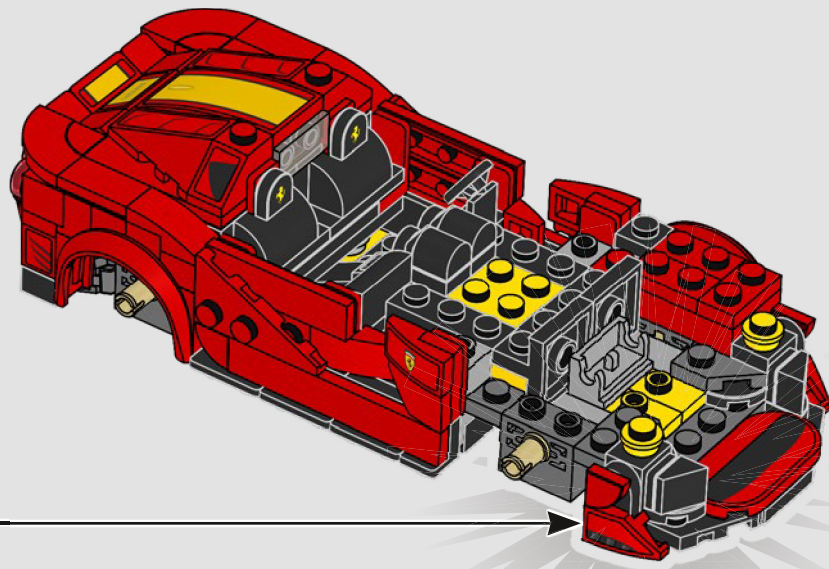


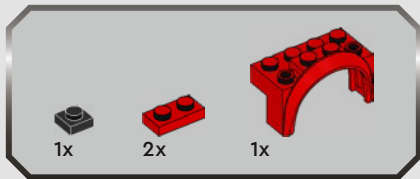
5



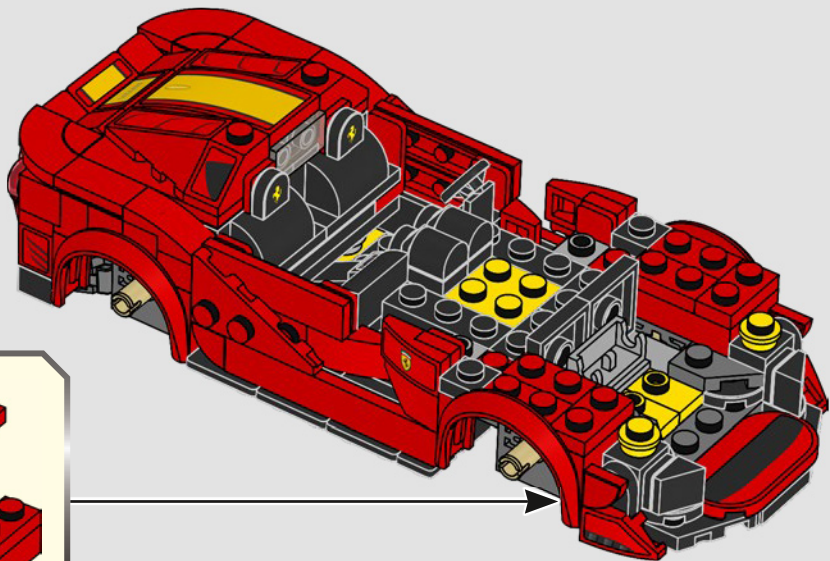
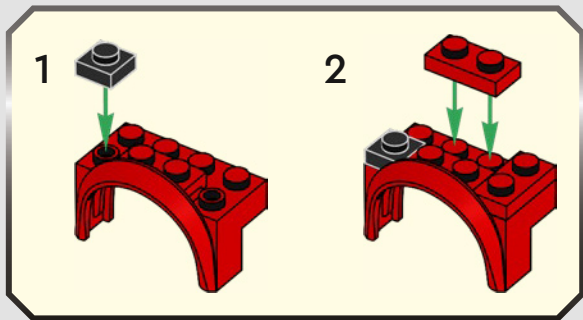
6





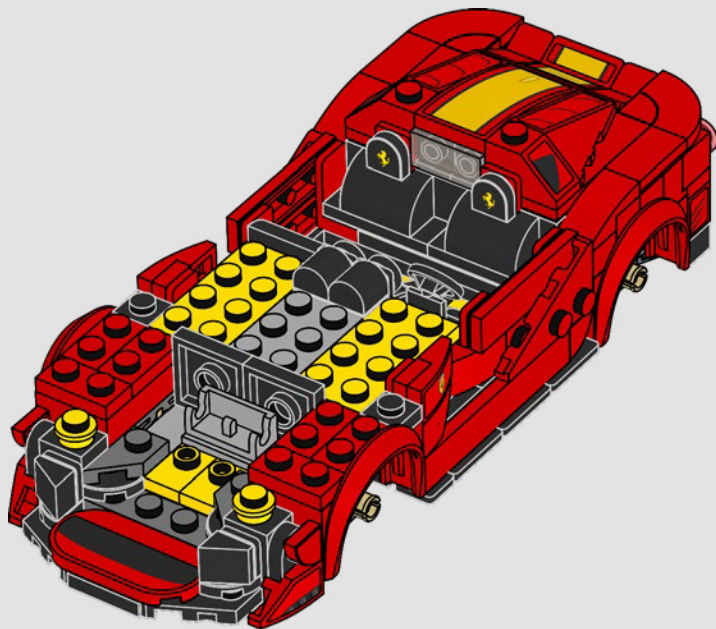


68



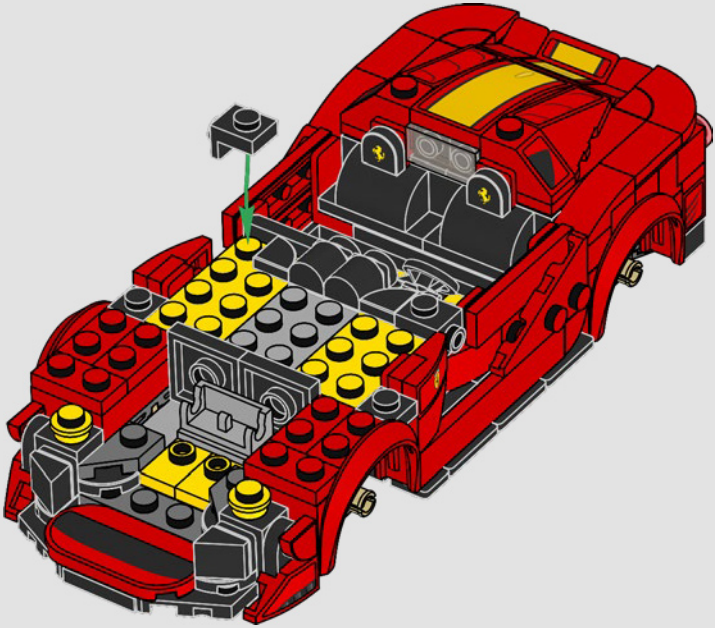


69





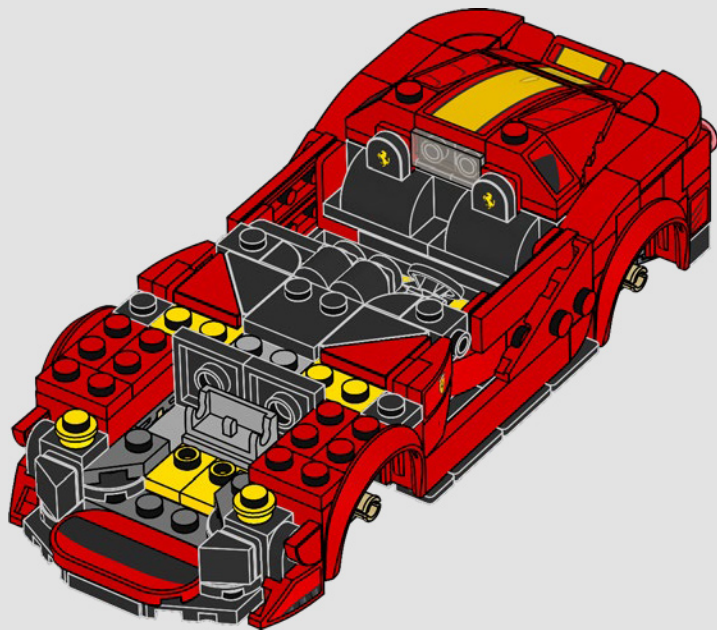
70

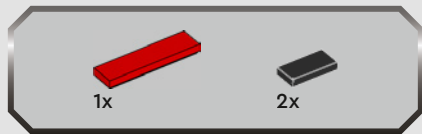




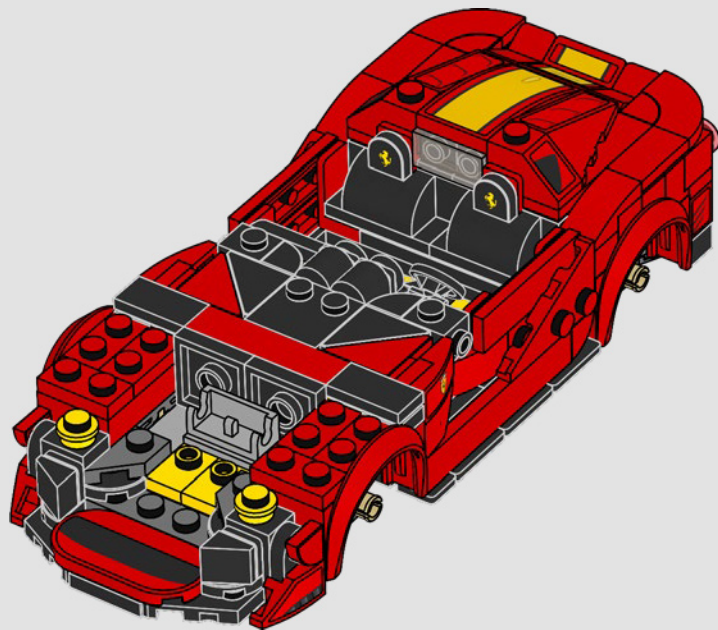


71



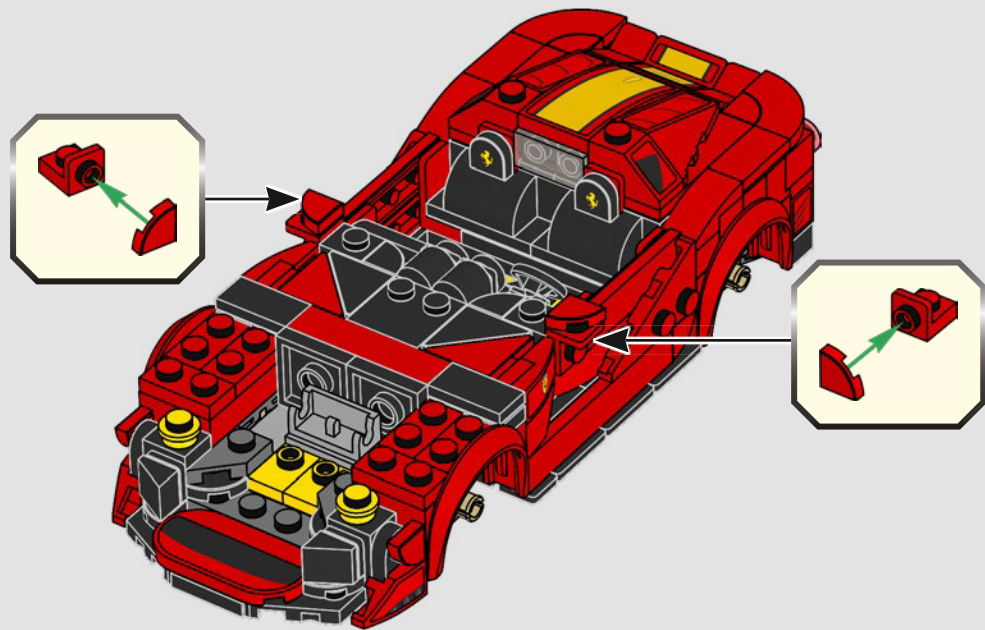


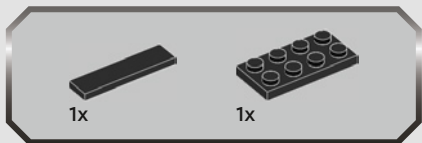
72



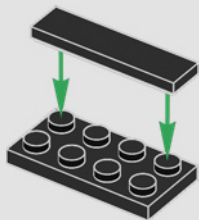


73

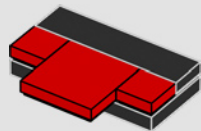


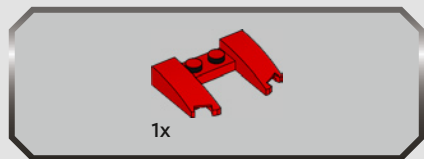


74

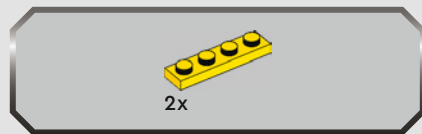
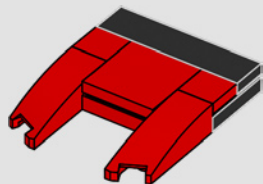


75

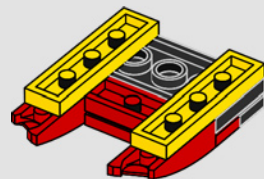




76



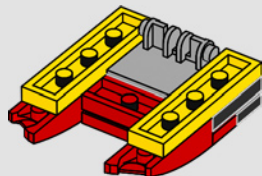
77





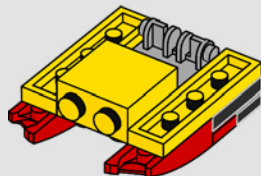
1x

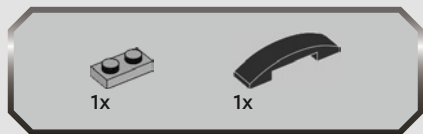
78



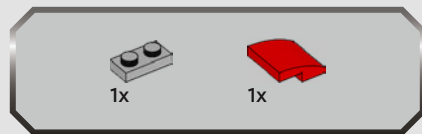
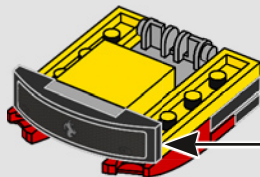
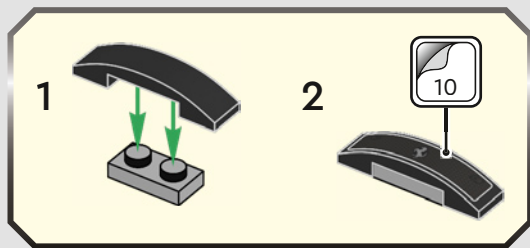
1x

79

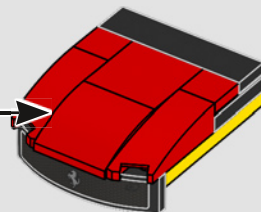
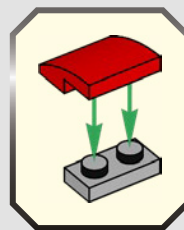




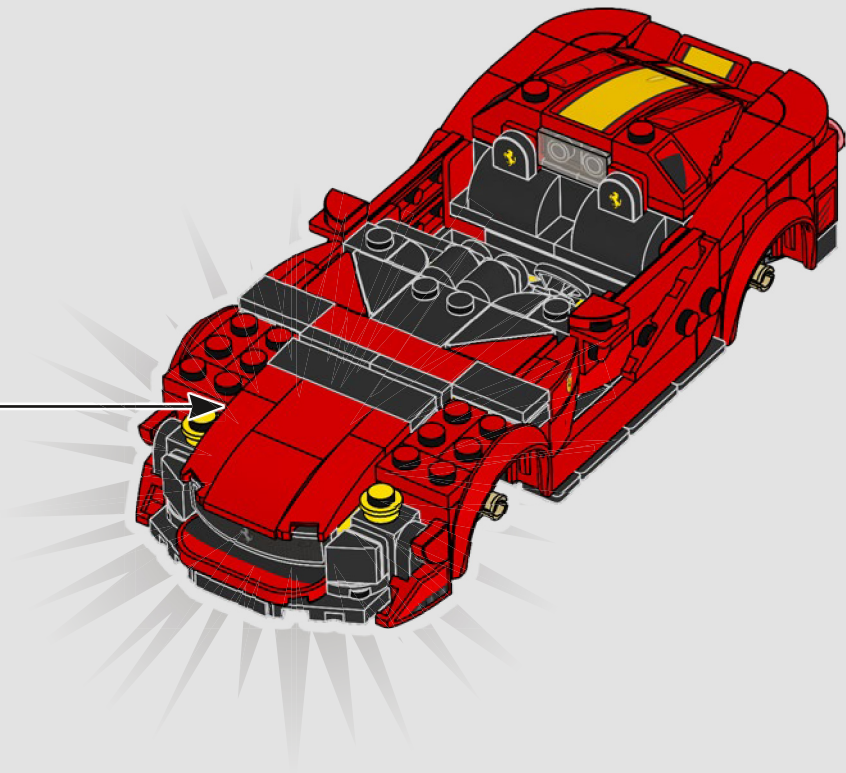
80



81



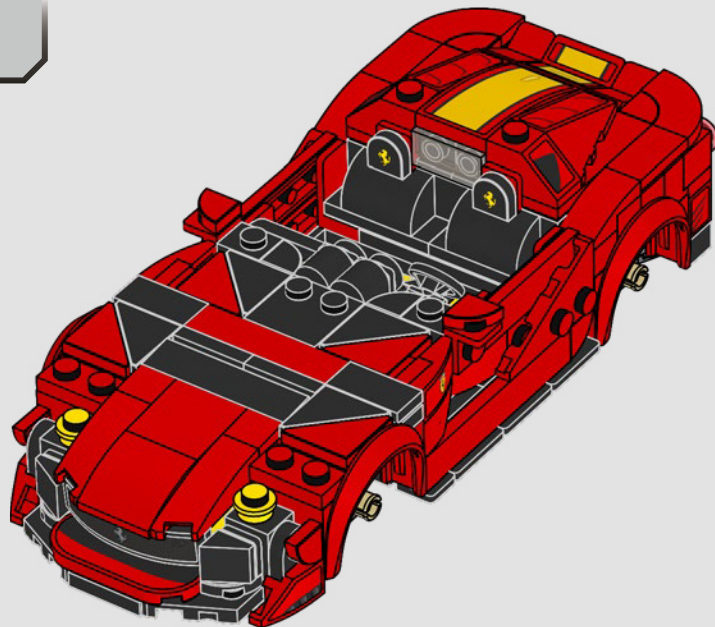
82

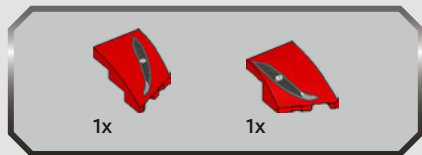




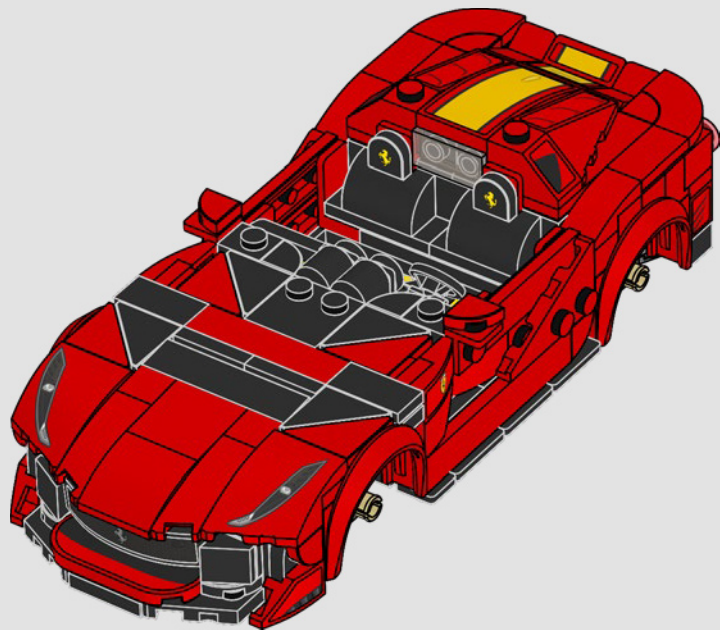


83

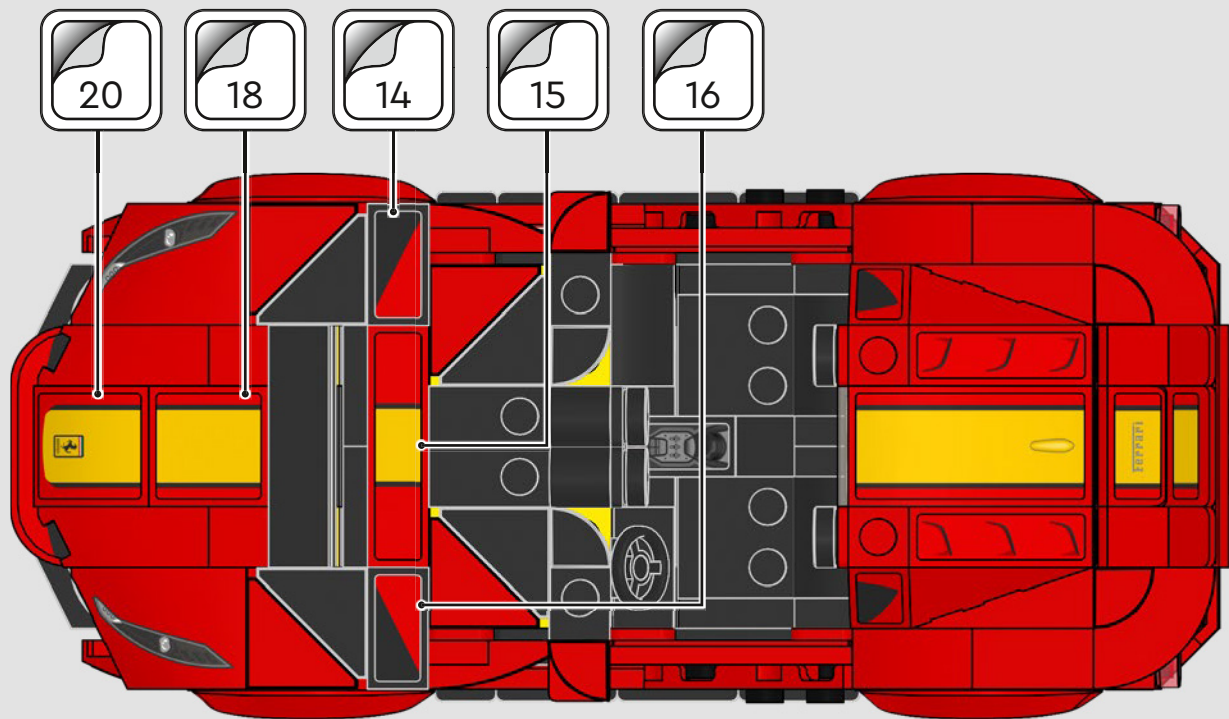


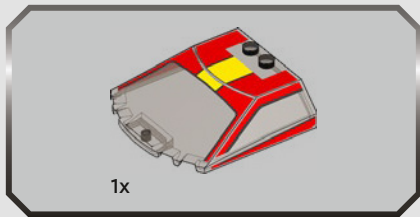


84

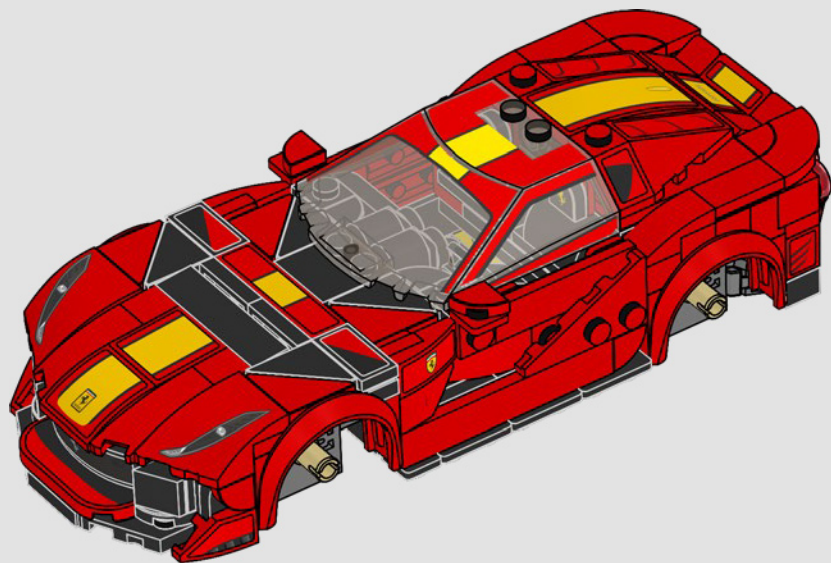


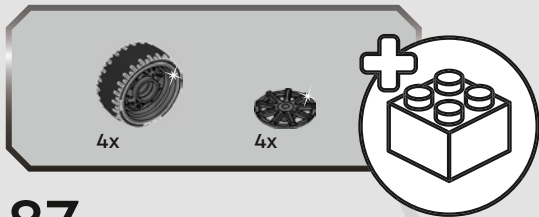
85



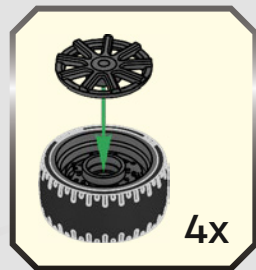
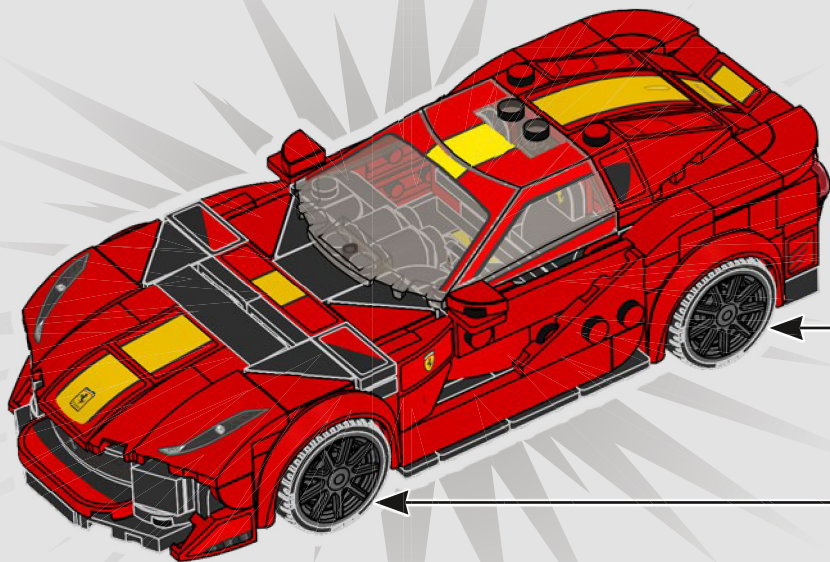


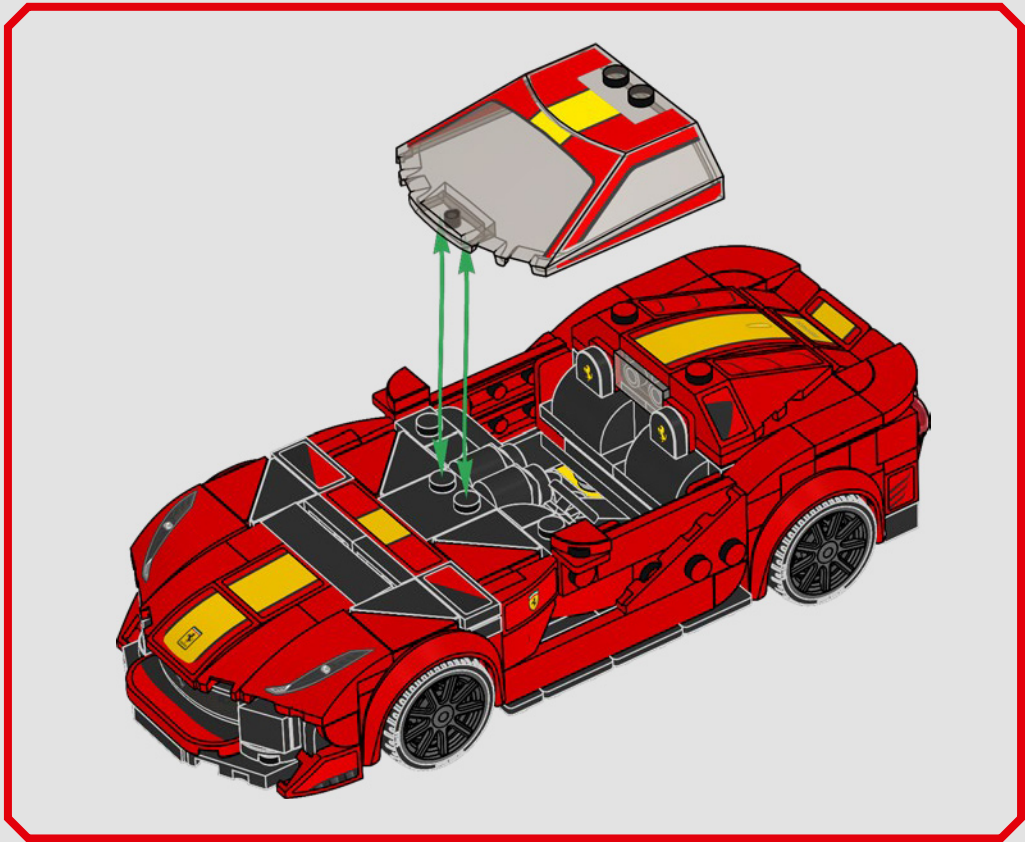
86

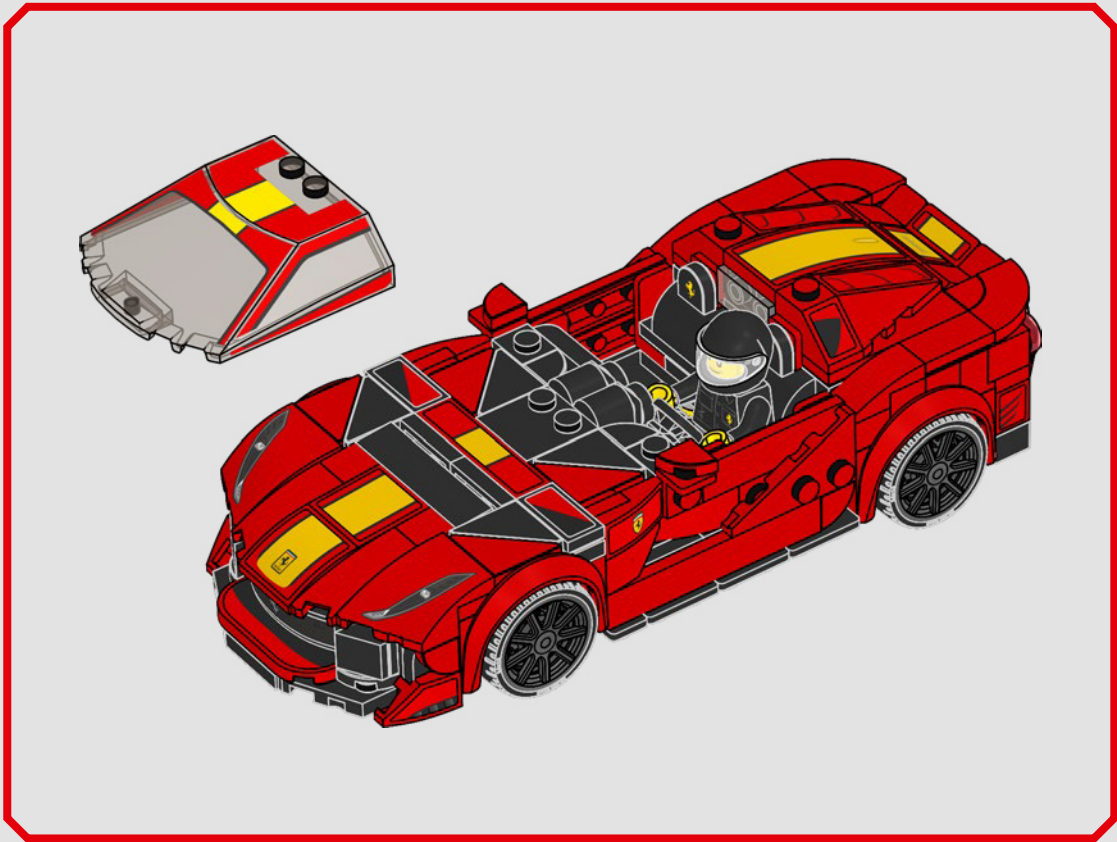


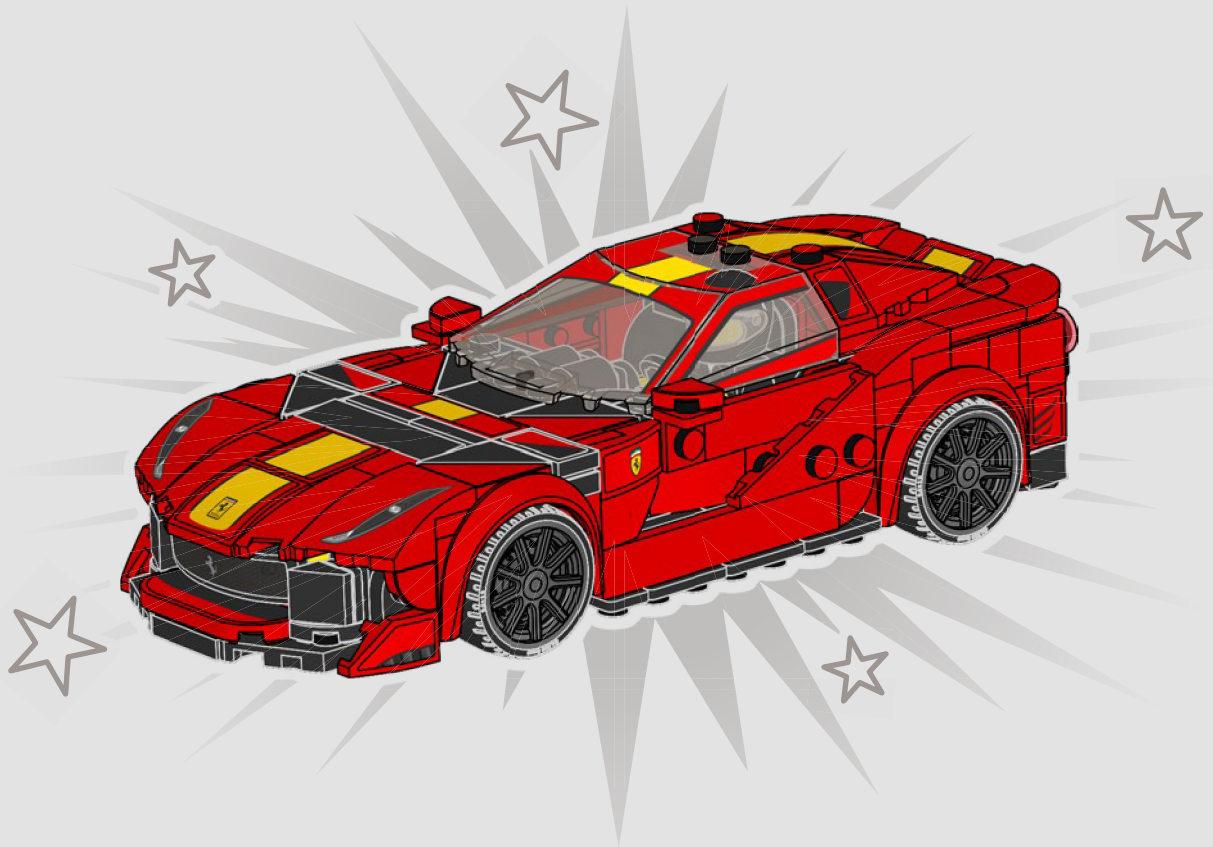


87













# SPEED CHAMPIONS

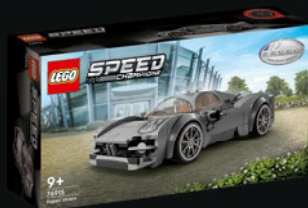


76918



76914

Produced under license of Ferrari S.p.A. The name FERRARI, the PRANCING HORSE device, all associated logos and distinctive designs are property of Ferrari S.p.A. The body designs of the Ferrari cars are protected as Ferrari S.p.A. property under design, trademark and trade dress regulations.



76915

The trademarks PAGANI and Pagani Automobili and Utopia are registered trademarks and used under license from HORACIO PAGANI S.P.A., Italy

Under license of Porsche AG.



76916

Nissan Motor Co., Ltd. trademarks, designs, copyrights and/or other intellectual property rights used under license.

Copyright © 24 Hours of Le Mans. « Le Mans », « 24 Hours of Le Mans » and the 24 Hours of Le Mans' logo are registered trademarks of the Automobile Club de l'Ouest and are used under license by the LEGO Group.



76917

Manufactured under license from McLaren Automotive Limited. The McLaren name and logo are registered trademarks of McLaren.

© Universal City Studios LLC. All Rights Reserved.

  
4x  
4666579

  
2x  
614121

  
4x  
407021

  
2x  
6437893

  
8x  
6170390

  
6x  
6397571

  
2x  
6177505

  
2x  
307021

  
2x  
4504379

  
4x  
6249907

90

  
2x  
6177507

  
2x  
6075074

  
1x  
4651524

  
2x  
306921

  
8x  
6345637

  
1x  
6286516

  
1x  
6286513

  
2x  
4569056

  
2x  
6173961

  
6x  
302321

  
6x  
6029946

  
1x  
6001806

  
4x  
6351892

  
2x  
242021

  
1x  
6437895

  
2x  
6310198

  
1x  
306821

  
1x  
6105976

  
2x  
362321

  
1x  
6437896

  
1x  
6438015

  
6x  
243121

  
1x  
6046379

  
1x  
6431123

  
1x  
4613174

  
1x  
6431121

  
4x  
6441691

  
1x  
6179656

  
2x  
4113858

  
1x  
4181138

  
4x  
6447377

  
4x  
6168647

  
2x  
6401023

  
2x  
6248078

  
6x  
4211398

  
3x  
4211469

  
1x  
6326478

  
1x  
4211881

  
1x  
4211396

  
2x  
6257593

  
4x  
614124

  
1x  
6218244

  
2x  
6092583

  
1x  
6313592

  
2x  
6185994

  
2x  
6228602

  
1x  
300224

  
3x  
371024

  
4x  
302024

  
2x  
6284070

  
2x  
6437897

  
4x  
407026

  
4x  
4504382

  
2x  
302426

  
2x  
6273589

  
6x  
6172383

1x  
6181720

1x  
4526110

2x  
6380236

2x  
6299338

6x  
6234695

1x  
4298619

4x  
6210270

1x  
6181713

3x  
6275732

2x  
306926

1x  
73081

1x  
6047276

2x  
393826

7x  
6020193

2x  
6250020

4x  
6214807

3x  
6192346

1x  
400626

2x  
6199908

1x  
428626

2x  
362226

1x  
6438003

2x  
4531412

1x  
4504187

2x  
371026

1x  
6254045

1x  
4613153

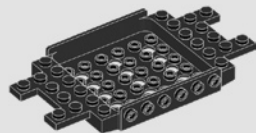
3x  
302026

2x  
4243819

1x  
243126

1x  
300926

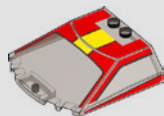
1x  
379526



1x  
6424673

1x  
6244787

1x  
6251292



1x  
6437891

2x  
6360675

2x  
6092572

2x  
6164073

1x  
4222693

1x  
4211056

2x  
4211100

1x  
4210984

2x  
6287680

2x  
6345880

4x  
6337780

1x  
6323457

 [LEGO.com/service](https://www.LEGO.com/service)



YOU COULD  
**WIN**



Scan this QR code or go to  
**LEGO.COM/PRODUCTFEEDBACK** and give us  
your short feedback about this LEGO® set for  
a chance to win a cool LEGO prize.

Terms and Conditions apply\*

**DE: Du könntest GEWINNEN.** Es gelten die Teilnahmebedingungen\* **FR: Tu pourrais GAGNER.** Des conditions s'appliquent\* **IT: Potresti VINCERE tu.** Termini e condizioni sono applicabili\* **ES: Puedes GANAR.** Aplican términos y condiciones\* **PT: Poderá GANHAR.** Aplicam-se termos e condições\* **JA: プレゼント付き! 利用規約が適用されます\*** **ZH: 轻松获奖. 条款和条件适用\*** **KO: 상품의 주인이 되어보세요. 소정의 약관이 적용됩니다\*** **RU: Вы можете ВЫИГРАТЬ.** Действуют положения и условия\* **PL: Szansa na WYGRANĄ.** Obowiązują warunki korzystania\* **CS: Máte šanci VYHRÁT.** Platí všeobecné smluvní podmínky\* **SK: Máte šancu VYHRAŤ.** Platia všeobecné zmluvné podmienky\* **HU: TE IS NYERHETSZ.** Felhasználási feltételek érvényesek\* **RO: Ai putea CÂȘTIGA.** Se aplică termenii și condiții\* **BG: Можете да СПЕЧЕЛИТЕ.** Има определени правила и условия\* **LV: Tu vari LAIMĒT.** Ir spēkā noteikumi un nosacījumi.\* **ET: Sul on võimalus VÕITA.** Kehtivad tingimused\* **LT: Jūs galite LAIMĖTI.** Taikomos sąlygos\*

\*[LEGO.com/productfeedback/terms](https://www.lego.com/productfeedback/terms)

LEGO and the LEGO logo are trademarks of the LEGO Group. ©2023 The LEGO Group.

Produced under license of Ferrari S.p.A. The name FERRARI, the PRANCING HORSE device, all associated logos and distinctive designs are property of Ferrari S.p.A. The body designs of the Ferrari cars are protected as Ferrari S.p.A. property under design, trademark and trade dress regulations.

6489901