



# Lenco

**Model: DAR-030**



<b>USER MANUAL</b>	Stereo DAB+ and FM radio with Bluetooth
<b>HANDLEIDING</b>	Stereo DAB+ en FM-radio met Bluetooth
<b>BEDIENUNGSANLEITUNG</b>	Stereo-DAB+/FM-Radio mit Bluetooth
<b>MODE D'EMPLOI</b>	Radio stéréo DAB+ et FM avec Bluetooth
<b>MANUAL DEL USUARIO</b>	Radio estéreo DAB+ y FM con Bluetooth

Index:

English .....	3
Nederlands .....	21
Deutsch .....	40
Français .....	60
Español.....	79

**CAUTION:**

Usage of controls or adjustments or performance of procedures other than those specified herein may result in hazardous radiation exposure.

**PRECAUTIONS BEFORE USE**

---

**KEEP THESE INSTRUCTIONS IN MIND:**

1. Do not cover or block any ventilation openings. When placing the device on a shelf, leave 5 cm (2") free space around the whole device.
2. Install in accordance with the supplied user manual.
3. Keep the device away from heat sources such as radiators, heaters, stoves, candles and other heat-generating products or naked flame. The device can only be used in moderate climates. Extremely cold or warm environments should be avoided. Working temperature between 0° and 35°C.
4. Avoid using the device near strong magnetic fields.
5. Electrostatic discharge can disturb normal usage of this device. If so, simply reset and restart the device following the instruction manual. During file transmission, please handle with care and operate in a static-free environment.
6. Warning! Never insert an object into the product through the vents or openings. High voltage flows through the product and inserting an object can cause electric shock and/or short circuit internal parts. For the same reason, do not spill water or liquid on the product.
7. Do not use in wet or moist areas such as bathrooms, steamy kitchens or near swimming pools.
8. The device shall not be exposed to dripping or splashing and make sure that no objects filled with liquids, such as vases, are placed on or near the apparatus.
9. Do not use this device when condensation may occur. When the unit is used in a warm wet room with damp, water droplets or condensation may occur inside the unit and the unit may not function properly; let the unit stand in power OFF for 1 or 2 hours before turning on the power: the unit should be dry before getting any power.
10. Although this device is manufactured with the utmost care and checked several times before leaving the factory, it is still possible that problems may occur, as with all electrical appliances. If you notice smoke, an excessive build-up of heat or any other unexpected phenomena, you should disconnect the plug from the main power socket immediately.
11. This device must operate on a power source as specified on the specification label. If you are not sure of the type of power supply used in your home, consult your dealer or local power company.
12. Keep away from animals. Some animals enjoy biting on power cords.
13. To clean the device, use a soft dry cloth. Do not use solvents or petrol based fluids. To remove severe stains, you may use a damp cloth with dilute detergent.
14. The supplier is not responsible for damage or lost data caused by malfunction, misuse, modification of the device or battery replacement.
15. Do not interrupt the connection when the device is formatting or transferring files. Otherwise, data may be corrupted or lost.
16. If the unit has USB playback function, the USB memory stick should be plugged into the unit directly. Don't use an USB extension cable because it can cause interference resulting in failing of data.
17. The rating label has been marked on the bottom or back panel of the device.
18. This device is not intended for use by people (including children) with physical, sensory or mental disabilities, or a lack of experience and knowledge, unless they're under supervision or have received instructions about the correct use of the device by the person who is responsible for their safety.
19. This product is intended for non professional use only and not for commercial or industrial use.

20. Make sure the unit is adjusted to a stable position. Damage caused by using this product in an unstable position vibrations or shocks or by failure to follow any other warning or precaution contained within this user manual will not be covered by warranty.
21. Never remove the casing of this device.
22. Never place this device on other electrical equipment.
23. Do not allow children access to plastic bags.
24. Only use attachments/accessories specified by the manufacturer.
25. Refer all servicing to qualified service personnel. Servicing is required when the device has been damaged in any way, such as the power supply cord or the plug, when liquid has been spilled or objects have fallen into the device, when the device has been exposed to rain or moisture, does not operate normally, or has been dropped.
26. Long exposure to loud sounds from personal music players may lead to temporary or permanent hearing loss.
27. If the product is delivered with power cable or AC power adaptor:
  - If any trouble occur, disconnect the AC power cord and refer servicing to qualified personnel.
  - Don't step on or pinch the power adaptor. Be very careful, particularly near the plugs and the cable's exit point. Do not place heavy items on the power adaptor, which may damage it. Keep the entire device out of children's reach! When playing with the power cable, they can seriously injure themselves.
  - Unplug this device during lightning storms or when unused for a long period.
  - The socket outlet must be installed near the equipment and must be easily accessible.
  - Do not overload ac outlets or extension cords. Overloading can cause fire or electric shock.
  - Devices with class 1 construction should be connected to a main socket outlet with a protective earthed connection.
  - Devices with class 2 construction do not require a earthed connection.
  - Always hold the plug when pulling it out of the main supply socket. Do not pull the power cord. This can cause a short circuit.
  - Do not use a damaged power cord or plug or a loose outlet. Doing so may result in fire or electric shock.
28. If the product contains or is delivered with a remote control containing coin/cell batteries:
 

Warning:

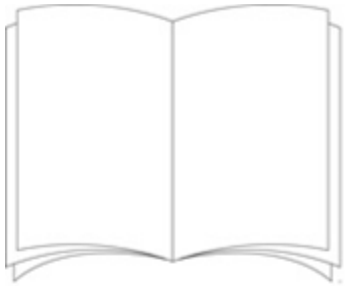
  - "Do not ingest battery, Chemical Burn Hazard" or equivalent warning.
  - [The remote control supplied with] This product contains a coin/button cell battery. If the battery is swallowed, it can cause severe internal burns in just 2 hours and can lead to death.
  - Keep new and used batteries away from children.
  - If the battery compartment does not close securely, stop using the product and keep it away from children.
  - If you think batteries might have been swallowed or placed inside any part of the body, seek immediate medical attention.
29. Caution about the use of Batteries:
  - Danger of explosion if battery is incorrectly replaced. Replace only with the same or equivalent type.
  - Battery cannot be subjected to high or low extreme temperatures, low air pressure at high altitude during use, storage or transportation.
  - Replacement of a battery with an incorrect type that can result in an explosion or the leakage of flammable liquid or gas.
  - Disposal of a battery into fire or a hot oven, or mechanically crushing or cutting of a battery, that can result in an explosion.
  - Leaving a battery in an extremely high temperature surrounding environment that can result in an explosion or that leakage of flammable liquid or gas.
  - A battery subjected to extremely low air pressure that may result in an explosion or the leakage of flammable liquid or gas.
  - Attention should be drawn to the environmental aspects of battery disposal.

## INSTALLATION

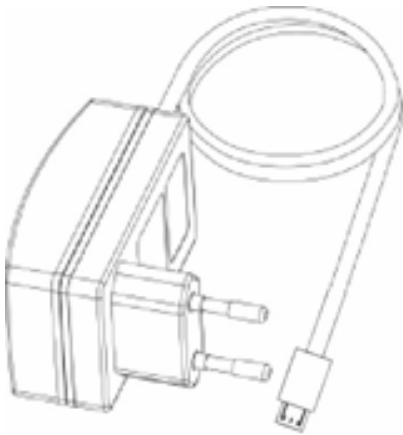
- Unpack all parts and remove protective material.
- Do not connect the unit to the mains before checking the mains voltage and before all other connections have been made.

**Accessories:**

1. User manual



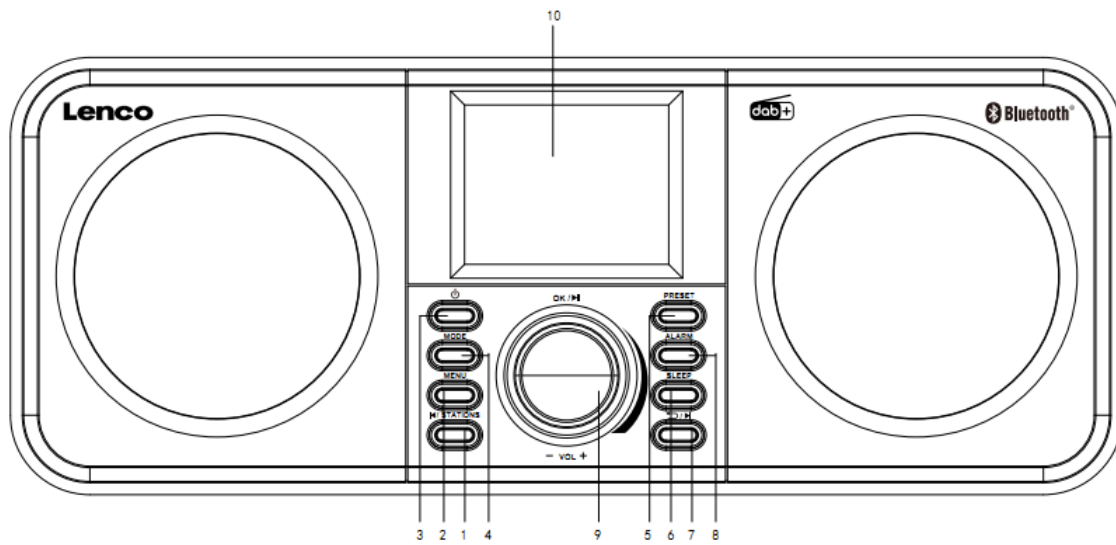
2. Power adaptor



3. Remote control

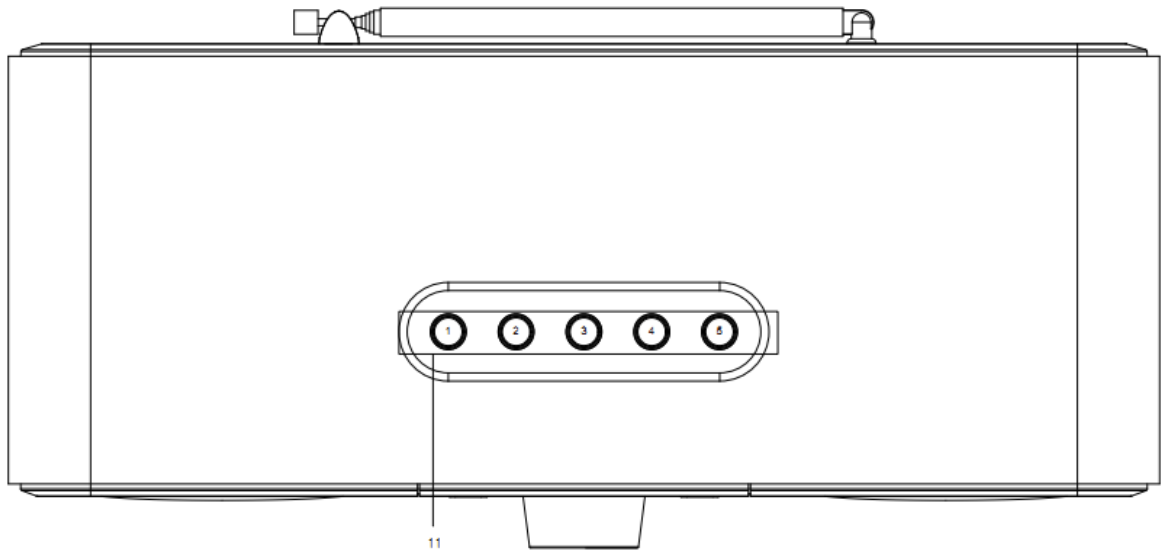


## Product Front Overview



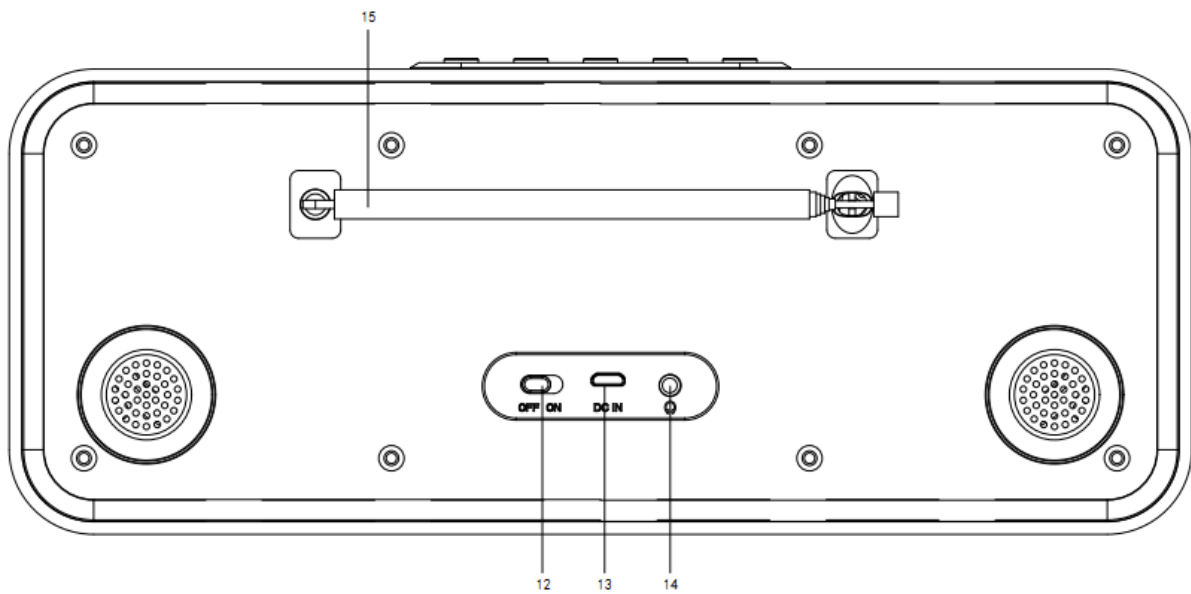
1. Left/Stations button
2. Menu button
3. Standby button
4. Mode button
5. Preset button
6. Sleep button
7. Back/Right button
8. Alarm button
9. OK/Vol+/Vol-/Nagivate/play/pause/Snooze/Info knob
10. Color display

## Product Top Overview



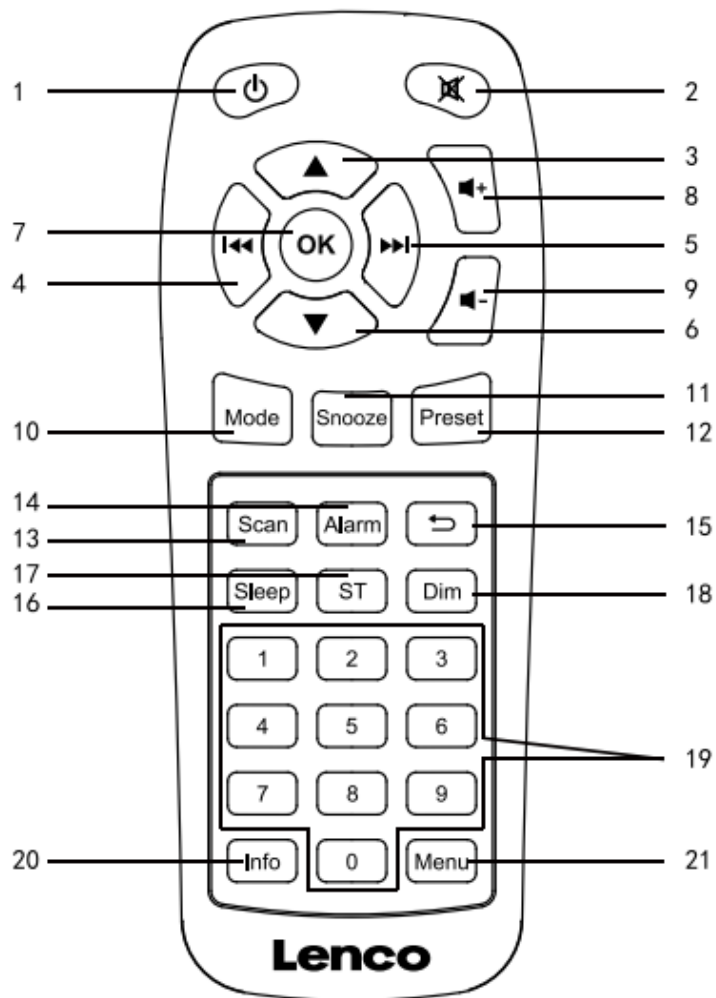
- 11. 5 preset buttons

## Product Rear Overview



- 12. On/off switch button
- 13. DC IN socket
- 14. Headphone out socket
- 15. Telescopic antenna

## Remote control Overview



1. Standby button
2. Mute button
3. Up button
4. Left button
5. Right button
6. Down button
7. OK/play/pause button
8. Vol+ button
9. Vol- button
10. Mode button
11. Snooze button
12. Preset button

13. Scan button
14. Alarm button
15. Back button
16. Sleep button
17. Stereo/Mono button
18. Dimmer button
19. Preset number buttons
20. Info button
21. Menu button

### **Initial use**

Before operation, please make sure that the VOLTAGE mentioned on the power supply is same as the voltage of your local area.

Use the supplied mains adaptor to connect the device to a household mains socket.

Switch the device on with the power switch on the rear.

## **Basic operation-getting started**

### **Basic operation-getting started**

1. Connect the mains adaptor to the micro USBjack, fully extend the telescopic antenna, plug in and switch on at the mains.
2. The display backlight will illuminate and the clock(00:00:00)(Time is not set) will flash
3. On the very first use The DAB mode will automatically be selected and the radio will perform a fullscan. The display will show 'Scanning' with a bar indicator showing the scan progress and the total number of stations found.
4. When the scan is finished the radio will play the first alphanumerically found station. If the radio does not find any stations, 'No DAB Station' will be displayed.
5. Adjust the volume to the desired level using the VOL(+/-) knob.
6. Press the stations button and use knob to scroll through the stations list. Press the OK knob on your favorite station.
7. Press the Mode button to switch between DAB, FM, Bluetooth and Aux input mode,
8. Press and hold the Standby button to go into 'Standby' mode.

9. Press Sleep to set the Set Sleep Timer: Use Volume knob and rotate to choose between Sleep off-15 minutes-30 minutes-45 minutes-60 minutes-90 minutes. The radio will go into standby when the selected minutes have been counted down.

## **Using the radio- DAB mode**

### **DAB Mode- Full scan**

This function will scan for all available DAB stations, Band III channels.

In DAB mode, press Menu button and rotate the ok knob to select 'Full Scan' then short press the ok knob to start the DAB full scan. When the scan is finished, the radio will return to the last played DAB radio station. All stations found will be listed in the station list, which is shown when pressing the 'stations' button.

**Please note that the available DAB+ radio stations differ per region/city**

### **DAB Mode- Manual tune**

This function allows a specific or new ensemble to be manually added to the stations already available on the radio.

In DAB mode, press the Menu button and use the ok knob to navigate until "Manual tune" is highlighted, press the ok knob to confirm.

Use the ok knob to navigate until the desired frequency is selected and then press the ok knob, the frequency and name of the ensemble and the signal strength will be displayed.

Press the ok knob again to add the ensemble and automatically tune to that station.

### **DAB Mode- Prune Invalid**

This function will remove unavailable stations from the station list. Press the Menu button. Use the ok knob to navigate to the "Prune Invalid" option and press the ok knob to confirm.

Rotate the ok knob to select (yes) to proceed to prune the invalid/unavailable stations. If (No) is selected the operation will be cancelled.

## **DAB Mode- DRC**

**DRC is dynamic range compression, and it is about increasing the loudness of the quieter parts of the audio signal, and decreasing the loudness of the louder parts.**

In DAB mode, press the Menu button, then use the ok knob to navigate until “DRC” is highlighted. Press the ok knob to confirm.

Now use the ok knob to cycle through off, high, low level. Press the ok knob to confirm your choice

## **DAB Mode- display mode**

This function will display various information about the current station.

Press the ok knob repeatedly to scroll through the following information:

**DLS(dynamic label segment)/ Radio text-** The radio station may include a scrolling message about the current program.

**Ensemble/Multiplex(Group name):** The ensemble/multiplex is a group of stations that are bundled and transmitted together in one single frequency. There are national and local multiplexes, local ones contain stations that are specific to the local area.

**Frequency:** The display will show the frequency of the station being broadcast.

**Signal strength:** The display will show a slide bar to indicate the strength of the signal. The stronger the signal, the longer the bar.

**Signal error:** This is displayed as number between 0-99. It would not be possible to satisfactorily listen to a radio station with a signal error rate of 30 or above.

**Audio bit rate:** The display will show the digital audio bit rate being received.

**Time and date:** the time and date will be automatically updated by the radio.

## **DAB mode- System settings**

**Equalizer:** Rotate the ok knob to choose between -Normal-Classic-Jazz-Pop-Rock-Speech, My EQ, My EQ set up(Treble, Bass)

**Time/Date:** Set Time/Date

Press the ok knob, the Date digit will flash, rotate the ok knob to choose correct date and press the ok knob to confirm.

The Month digit will start to flash. Rotate the ok knob to choose correct month and press the ok knob to confirm.

The Year digit will start to flash. Rotate the ok knob to choose correct year and press the ok knob to confirm.

The Hour digit will start to flash. Rotate the ok knob to choose correct hour and press the ok knob to confirm.

The Minute digit will start to flash. Rotate the ok knob to choose the correct minute and press the ok knob to confirm.

Now you have finished the time/date configuration.

**Auto update:** Choose from what source the radio will update the time automatically.

You can choose the following options:

- **Any:** updates the time from DAB or FM signal
- **From Digital Radio-update:** updates the time from the DAB signal
- **From FM:** updates the time from an RDS channel
- **No update:** If you want to set the time manually

**Set 12/24 hour:** Rotate the ok knob to choose to set 24 hour- or 12 hour time display

**Set date format:** Rotate the ok knob to choose DD-MM-YYYY or MM-DD-YYYY.

**Backlight:** Timeout: on-10 sec-20 sec-30 sec-45 sec-60 sec-90 sec-120 sec-180 sec

On level: High-Medium-Low

Dim level: High-Medium-Low

**Language:** English, Nederlands, Deutsch, Italiano, Francais, Dansk

**Factory reset:** Press the Ok knob and choose 'Yes' to start factory reset.

**Software update:** Press the ok knob and choose "yes" to update the software if needed. Updating can only be done with a micro usb cable.

**Remark:** only select the software update option if you have an update for this unit. (if you accidentally selected this option, use the power off/on the restart the radio)

**SW version:** Press OK to view system version.

### **Using the radio- FM MODE**

Turn the radio on, press the Mode button repeatedly and select the FM mode. The display will show 'FM' and the current station name or frequency if RDS is not available.

### **Manual search**

To search manually, first short press the stations button and then turn the ok knob right to scan upwards or turn the ok knob left to scan downwards.

### **Auto search**

To initiate auto search, press and hold the ok knob. The radio starts to scan the frequency band. It will stop automatically when a station has been found.

If you want the radio to auto search downwards or upwards then you have to do a manual search downwards or upwards prior to long pressing the ok button.

### **FM mode- Scan settings**

Press the menu button and rotate the ok knob to select 'Scan setting'. Short press the ok knob and choose between 'Strong stations only' or 'All stations' by turning the ok knob. Press the ok knob to confirm your choice. If choose 'Strong station only', the radio will only scan and play stations with a strong signal. If selecting 'All stations', the radio will also scan and play stations with a weak signal.

### **FM mode- Audio setting**

Press the menu button and rotate the ok knob. Choose 'Forced mono' 'Yes' or 'No' and short press the ok knob to confirm. If your favorite radio stations signal is weak, then choose 'Forced mono 'Yes''to get better sound quality.

**FM mode-System settings** (see DAB mode 'system settings)

### **FM Display Modes**

This function allows information relating to the current station to be shown in the display, short press the ok knob repeatedly to scroll through the following information screens

**RDS (scrolling text):** The current selected Radio station may include a scrolling message about the current program.

**Program type:** This describes the style of the program being broadcast.

**Station name:** such as BBC RD of the Frequency in Mhz

**Audio Mode:** The display will show if the station being received is stereo or mono

**Time/date:** the time and date will be automatically updated by the radio time signal (if RDS is available).

### **Using the radio- preset station function**

This radio allows you to store up to 10 DAB and 10 FM radio stations as preset. Presets are quickly selectable radio stations by using the 'preset' button on the Radio.

#### **Storing DAB station as preset**

Follow the instructions above to select a DAB radio station.

Press and hold the 'Preset' button. '1:(Empty)' is displayed. If no previous station has been stored.

Rotate the ok knob to scroll through the preset location that you would like to store the radio stations to (1-10).

Short press the Select knob to store the station. The message "Preset XX saved" will appear on the display.

Note: There are 5 separate preset buttons on top of the Radio. You can press and hold each button to store a station. You can also press and hold the number buttons on the remote control to store a station. (button 0 = preset 10)

### **Recalling DAB Preset stations**

You can quickly select your presets by pressing the Preset button, then rotate the ok knob to scroll through the stored presets. Short press the ok knob to choose the selected station.

If you choose an empty preset, then "Preset empty" will be displayed.

To quickly select preset 1 till 5, you can short press the buttons 1 – 5 on top of the radio but it's also possible to press the numbers 0-9 on the remote control to select a preset (where 0 = preset 10)

### **Alarm Setting**

Note: Check that the radio has the correct time and date before you set an alarm.

In DAB or FM mode:

Press the 'Alarm' button on the front of the radio, 'Alarm 1 off 6:00' is displayed. Short press the ok knob.

'Alarm 1 info' is displayed. Rotate the ok knob to "Alarm" and short press the ok knob to switch the alarm on- or off.

Rotate the ok knob to scroll to 'frequency'. You can choose Daily, Once, Weekends or Weekdays. Short press the ok knob to confirm your selection

Rotate the ok knob to scroll to 'Wake Up Time' and short press the ok knob. The Hour digits will start to flash.

Rotate the ok knob to set the desired hour and then short press the ok knob to confirm.

The minute digits will start to flash.

Rotate the ok knob to set the minutes and short press the ok knob to confirm.

Rotate the ok knob to scroll to the Alarm sound 'source'. You can choose between Buzzer, DAB+ Radio or FM. Short press the ok button to confirm.

Rotate the ok knob to scroll to 'duration'. You can choose 15, 30, 45, 60, 90 or 120 minutes. Short press the ok knob to confirm.

Rotate the ok knob and select 'Volume' to set the volume for your alarm. Rotate the ok knob to set the volume. (The minimum volume you can select is 4). Short press the ok knob to confirm. Your Alarm is now ready for use.

**Note:** The alarm volume will increase progressively until it reaches the alarm volume you have set.

**Repeat the above steps to set Alarm 2.**

### **Snooze Function**

When the alarm sounds, you can press the ok knob to snooze. The default snooze time is 9 minutes. To stop the alarm, press the 'on/off-Mode' button.

### **Bluetooth function**

Turn on the radio and short press the Mode button until Bluetooth mode is selected. Turn on the Bluetooth on your Bluetooth device, search for devices and then select "Lenco DAR-030". Click it to pair. When connected successfully you will hear a voice "connected".

You can press the Stations button to select previous track or the back button to go to the next track.

You can press the ok knob to play or pause the music playback.

The volume can be adjusted by turning the ok knob up- or downwards (note that the volume level is not synced with the Bluetooth device, meaning you have to turn up the volume of your Bluetooth device manually first)

To disconnect the existing pairing and pair with new device just press and hold the ok knob.

"This product has a bluetooth **reception** function, **you can't transmit any bluetooth sound with it**: this means that you can receive wirelessly a bluetooth sound signal from an external source like a smartphone."

## Technical Specifications

Connections	Micro usb for power adapter,3.5mm headphone out
Power adaptor Input	100-240V~50/60 Hz, 0.2A max
Pwer adaptor Output	5.0V/1.5A
Power consumption	10W (max)
Power consumption (standby)	<1W
Operating Temperature	0°C-35°C
Operating position	Horizontal

Power supply adaptor: (For EU only)

Manufacturer: Shenzhen Adition Audio Science and Technology Co., Ltd

Model Number: AD080A0501500EU-MICROUSB

Use only original AC adaptor

Use only the power supply listed in the user instructions.

Dim. unit 280 x 110 x 110 mm (WxDxH)

Weight 890g

NOTE: Only use the power supply listed in this manual.

Information	Value and and precision
Manufacturers name or trade mark, commercial registration and address	Adition
Model Identifier	AD080A0501500EU-MicroUSB
Input voltage	100-240V
Input AC frequency	50/60Hz
Output voltage	5.0V
Output current	1.5A
Output Power	7.5W
Average active efficiency	77.33%
Efficiency at low load (10%)	71.82%
No load Power consumption	0.04W

## **Guarantee**

Lenco offers service and warranty in accordance to European law, which means that in case of repairs (both during and after the warranty period) you should contact your local dealer.

Important note: It is not possible to send products that need repairs to Lenco directly.

Important note: If this unit is opened or accessed by a non-official service center in any way, the warranty expires.

This device is not suitable for professional use. In case of professional use, all warranty obligations of the manufacturer will be voided.

## Disclaimer

Updates to Firmware and/or hardware components are made regularly. Therefore some of the instruction, specifications and pictures in this documentation may differ slightly from your particular situation. All items described in this guide for illustration purposes only and may not apply to particular situation. No legal right or entitlements may be obtained from the description made in this manual.

## Disposal of the Old Device



This symbol indicates that the relevant electrical product or battery should not be disposed of as general household waste in Europe. To ensure the correct waste treatment of the product and battery, please dispose them in accordance to any applicable local laws of requirement for disposal of electrical equipment or batteries. In so doing, you will help to conserve natural resources and improve standards of environmental protection in treatment and disposal of electrical waste (Waste Electrical and Electronic Equipment Directive).

## CE Marking

Hereby, Commaxx B.V. Wiebachstraat 37, 6466 NG Kerkrade, The Netherlands, declares that this product is in compliance with the essential EU directive requirements.

The declaration of conformity may be consulted via [techdoc@commaxxgroup.com](mailto:techdoc@commaxxgroup.com)



## Service

For more information and helpdesk support, please visit [www.lenco.com](http://www.lenco.com)

Commaxx B.V. Wiebachstraat 37, 6466 NG Kerkrade, The Netherlands.

**LET OP:**

Het gebruik van afstandsbedieningen of aanpassingen of de uitvoering van procedures die niet in dit document zijn gespecificeerd, kan leiden tot gevaarlijke blootstelling aan straling.

**VOORZORGSMAATREGELEN VOOR GEBRUIK**

---

**ONTHOUD DE VOLGENDE INSTRUCTIES:**

30. Bedek of blokkeer de ventilatieopeningen niet. Wanneer u het apparaat op een schap plaatst, dient u 5 cm (2") vrije ruimte rondom het gehele apparaat te behouden.
31. Installeer het product volgens de meegeleverde gebruikershandleiding.
32. Houd het apparaat uit de buurt van hittebronnen, zoals radiatoren, verwarmingen, kachels, kaarsen en andere hittegenererende producten of open vuur. Het apparaat kan alleen worden gebruikt in een gematigd klimaat. Extreem koude of warme omgevingen dienen te worden vermeden. Het bedrijfstemperatuurbereik ligt tussen 0 °C en 35 °C.
33. Gebruik dit apparaat niet in de buurt van krachtige magnetische velden.
34. Elektrostatische ontlading kan normaal gebruik van dit apparaat verstoren. U hoeft het apparaat in dit geval slechts te resetten en opnieuw op te starten volgens de gebruikershandleiding. Wees voorzichtig tijdens bestandsoverdracht en gebruik het product in een omgeving zonder statische interferentie.
35. Waarschuwing! Steek nooit een voorwerp via de ventilatie- of andere openingen in het product. Er is hoogspanning in het product aanwezig en als u er een object insteekt, kan dat een elektrische schok veroorzaken en/of kortsluiting in de interne onderdelen. Mors om dezelfde reden geen water of vloeistof op het product.
36. Gebruik het toestel niet in vochtige ruimtes, zoals badkamers, stomende keukens of in de buurt van zwembaden.
37. Het apparaat mag niet worden blootgesteld aan druppels en spetters en zorg ervoor dat er geen met vloeistof gevulde voorwerpen, zoals vazen, op of in de buurt van het apparaat worden geplaatst.
38. Gebruik dit apparaat niet wanneer condensatie kan optreden. Wanneer het apparaat in een warme, natte ruimte wordt gebruikt, kunnen zich waterdruppels of condens vormen in het apparaat en kan het apparaat niet goed functioneren. Laat het apparaat 1 of 2 uur uit staan voordat u het inschakelt: het apparaat dient droog te zijn voordat deze stroom ontvangt.
39. Alhoewel dit apparaat met grote zorg gefabriceerd en verschillende keren geïnspecteerd is voordat het de fabriek verlaat, is het nog steeds mogelijk dat er problemen optreden, zoals met alle elektrische apparaten. Als u rook, een overmatige hitteontwikkeling of enig ander onverwacht verschijnsel opmerkt, moet u onmiddellijk de stekker van het netsnoer uit het stopcontact halen.
40. Dit apparaat moet worden gebruikt met een voedingsbron zoals gespecificeerd op het specificatielabel. Als u twijfelt over het type voeding dat gebruikt wordt in uw huis, raadpleeg dan uw dealer of plaatselijk energiebedrijf.
41. Buiten bereik van dieren houden. Sommige dieren kauwen graag op voedingskabels.
42. Gebruik een zacht, droog doekje om het apparaat te reinigen. Gebruik geen oplosmiddelen of op benzine gebaseerde vloeistoffen. U kunt een vochtig doekje met verdund schoonmaakmiddel gebruiken om hardnekkige vlekken te verwijderen.
43. De leverancier is niet verantwoordelijk voor schade of verloren gegevens veroorzaakt door storing, misbruik, modificatie van het apparaat of batterijvervanging.
44. Onderbreek nooit de verbinding wanneer het apparaat formatteert of bestanden overdraagt. De gegevens kunnen anders corrupt of verloren raken.
45. Indien het apparaat een USB-afspeelfunctie heeft, moet de USB-geheugenstick rechtstreeks op het apparaat worden aangesloten. Gebruik geen USB-verlengkabel, omdat die kan leiden tot storingen met foutieve gegevens als gevolg.

46. Het classificatielabel bevindt zich op de onderkant of het achterpaneel van het apparaat.
47. Dit hulpmiddel is niet bedoeld voor gebruik door mensen (inclusief kinderen) met een fysieke, zintuiglijke of mentale handicap, of een gebrek aan ervaring en kennis, tenzij zij toezicht of instructies hebben gekregen over het juiste gebruik van het hulpmiddel door een persoon die verantwoordelijk is voor hun veiligheid.
48. Dit product is alleen voor niet-professioneel gebruik bedoeld en niet voor commercieel of industrieel gebruik.
49. Verzekeer u ervan dat het apparaat in een stabiele positie staat opgesteld. Schade die wordt veroorzaakt door het gebruik van dit product in een onstabiele positie, trillingen of schokken of het niet opvolgen van de waarschuwingen of voorzorgsmaatregelen in deze gebruikershandleiding wordt niet gedekt door de garantie.
50. Verwijder nooit de behuizing van dit apparaat.
51. Plaats dit apparaat nooit op andere elektrische apparatuur.
52. Geef kinderen geen gelegenheid in aanraking met plastic zakken te komen.
53. Gebruik uitsluitend uitbreidingen/accessoires gespecificeerd door de fabrikant.
54. Laat alle reparaties over aan gekwalificeerd onderhoudspersoneel. Onderhoud is nodig als het apparaat is beschadigd, bijvoorbeeld als de voedingskabel of de stekker is beschadigd, als er vloeistof op het apparaat is gemorst, als er voorwerpen in het apparaat zijn gevallen, als het apparaat is blootgesteld aan regen of vocht, als het apparaat niet normaal werkt of als het is gevallen.
55. Langdurige blootstelling aan harde geluiden van persoonlijke muzikspelers kan leiden tot tijdelijk of permanent gehoorverlies.
56. Als het product wordt geleverd met voedingskabel of wisselstroomvoedingsadapter:
  - Als er zich problemen voordoen, moet u de voedingskabel loskoppelen en het ter onderhoud aanbieden aan gekwalificeerd personeel.
  - Nooit op de voedingsadapter stappen of deze indrukken. Wees zeer voorzichtig, vooral in het gebied rond de stekkers en de kabelansluitingen. Plaats geen zware voorwerpen op de voedingsadapter, om beschadiging ervan te voorkomen. Houd het gehele apparaat buiten bereik van kinderen! Wanneer kinderen met de voedingskabel spelen, kunnen zij ernstig letsel oplopen.
  - Haal de stekker uit het stopcontact tijdens onweer of wanneer u deze langere tijd niet gebruikt.
  - Het stopcontact moet in de buurt van de apparatuur zijn geïnstalleerd en eenvoudig te bereiken zijn.
  - Laat AC-stopcontacten of verlengsnoeren nooit overbelast raken. Overbelasting kan brand of een elektrische schok veroorzaken.
  - Apparaten met een Klasse 1 structuur dienen te worden aangesloten op een stopcontact met een beschermende aardverbinding.
  - Apparaten met een Klasse 2 structuur vereisen geen aardverbinding.
  - Houd altijd de stekker vast wanneer u deze uit het stopcontact trekt. Trek nooit aan de voedingskabel. Dit kan tot een kortsluiting leiden.
  - Gebruik nooit een beschadigde voedingskabel of stekker of een los stopcontact. Dit vormt namelijk een risico op brand of elektrische schokken.
57. Indien het product knoopcelbatterijen bevat of wordt geleverd met een afstandsbediening die knoopcelbatterijen bevat:  
 Waarschuwing:
  - “Batterij niet inslikken, chemisch brandgevaar” of gelijkwaardige werking.
  - De meegeleverde afstandsbediening bevat een knoopcelbatterij. Als de batterij wordt ingeslikt, kan deze in slechts 2 uur ernstige interne brandwonden veroorzaken en tot de dood leiden.
  - Houd nieuwe en gebruikte batterijen buiten bereik van kinderen.
  - Als de batterijhouder niet goed kan worden gesloten, dient u het product niet meer te gebruiken en buiten bereik van kinderen te houden.
  - Als u denkt dat batterijen zijn ingeslikt of binnenin een willekeurig lichaamsdeel terecht zijn gekomen, dient u onmiddellijk medische hulp te zoeken.
58. Waarschuwing m.b.t. het gebruik van batterijen:

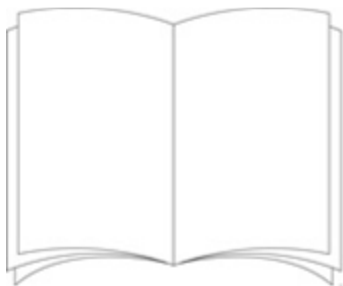
- Als de batterij onjuist wordt geplaatst, bestaat er explosiegevaar. Vervang de batterij alleen door een zelfde of vergelijkbare soort batterij.
- Stel de batterij niet bloot aan extreem hoge of lage temperaturen of een lage luchtdruk op grote hoogte tijdens gebruik, opslag of transport.
- Vervanging van een batterij door een incorrect type kan leiden tot een ontploffing of de lekkage van ontvlambare vloeistoffen of gas.
- Het weggooien van een batterij in het vuur of een hete oven, of het mechanisch verpletteren of insnijden van een batterij, kan leiden tot een explosie.
- Het achterlaten van een batterij in een omgeving met extreem hoge temperaturen kan leiden tot een explosie of het lekken van brandbare vloeistof of gas.
- Een batterij die aan een extreem lage luchtdruk wordt blootgesteld, kan leiden tot een explosie of het lekken van brandbare vloeistof of gas.
- Aandacht voor het milieu is nodig bij het verwijderen van de batterijen.

## INSTALLATIE

- Pak alle onderdelen uit en verwijder de beschermende materialen.
- Sluit het apparaat niet aan op het stopcontact, voordat u de netspanning hebt gecontroleerd en voordat alle andere aansluitingen zijn gemaakt.

### Accessoires:

1. Handleiding



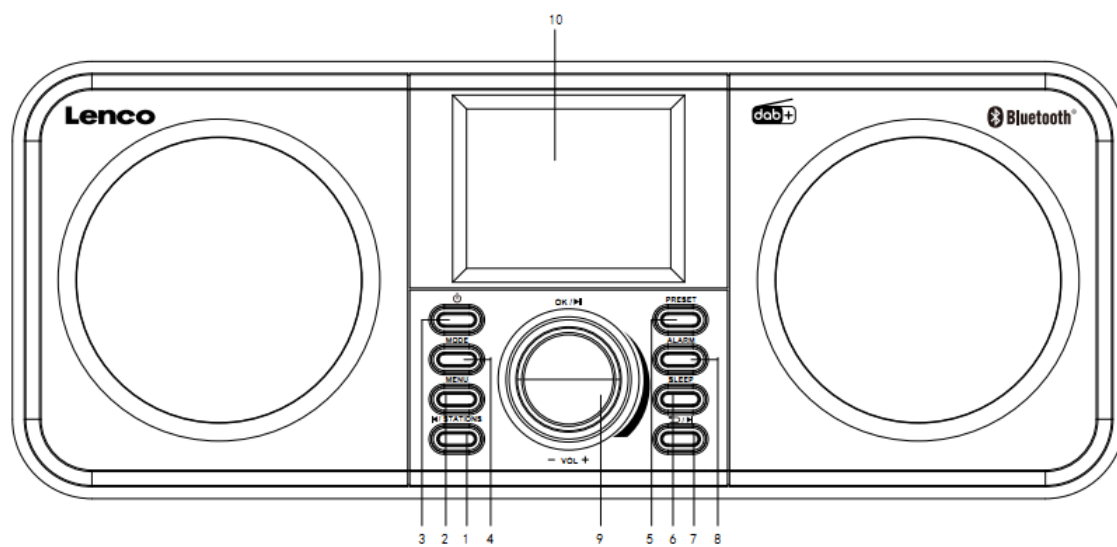
2. Voedingsadapter



### 3. Afstandsbediening

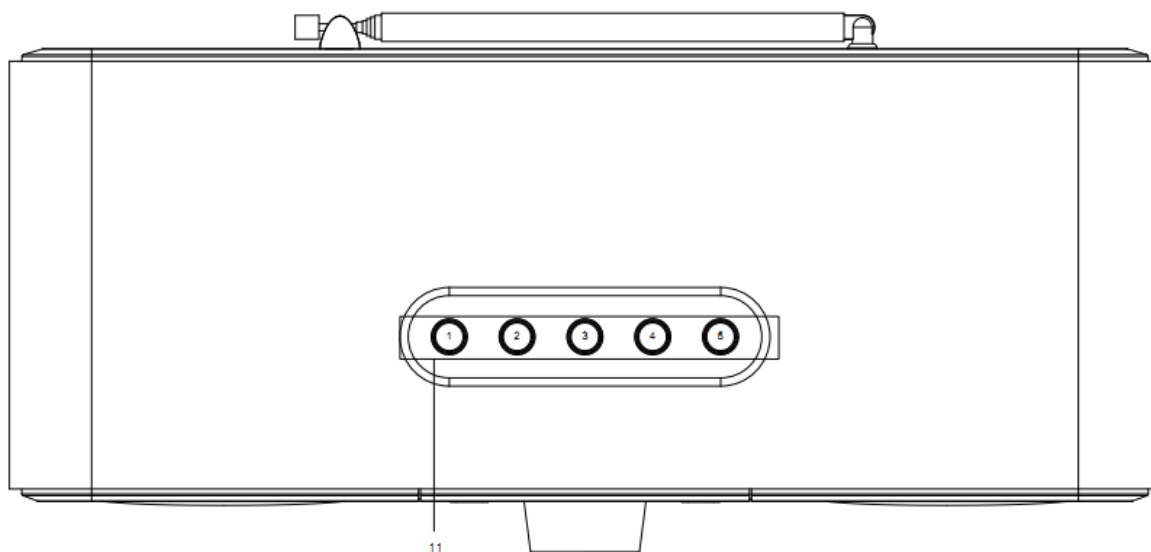


## Vooraanzicht van product



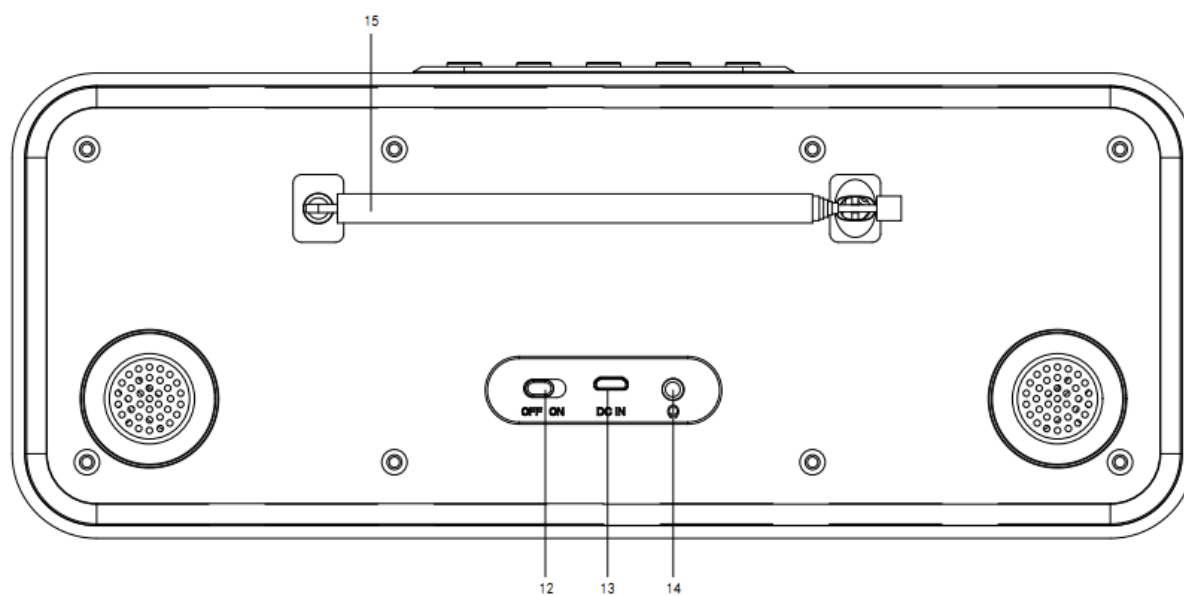
1. Toets Links/Stations
2. Menu-toets
3. Stand-by-toets
4. Modus-toets
5. Voorkeuzetoets
6. Slaap-toets
7. Toets Terug/Rechts
8. Alarmtoets
9. Knop OK/Vol+/Vol-/Nagivatie/Start/pauze/Sluimer/Info
10. Kleurenscherm

## Bovenaanzicht van product



- 11. 5 voorkeuzetoetsen

## Achteraanzicht van product



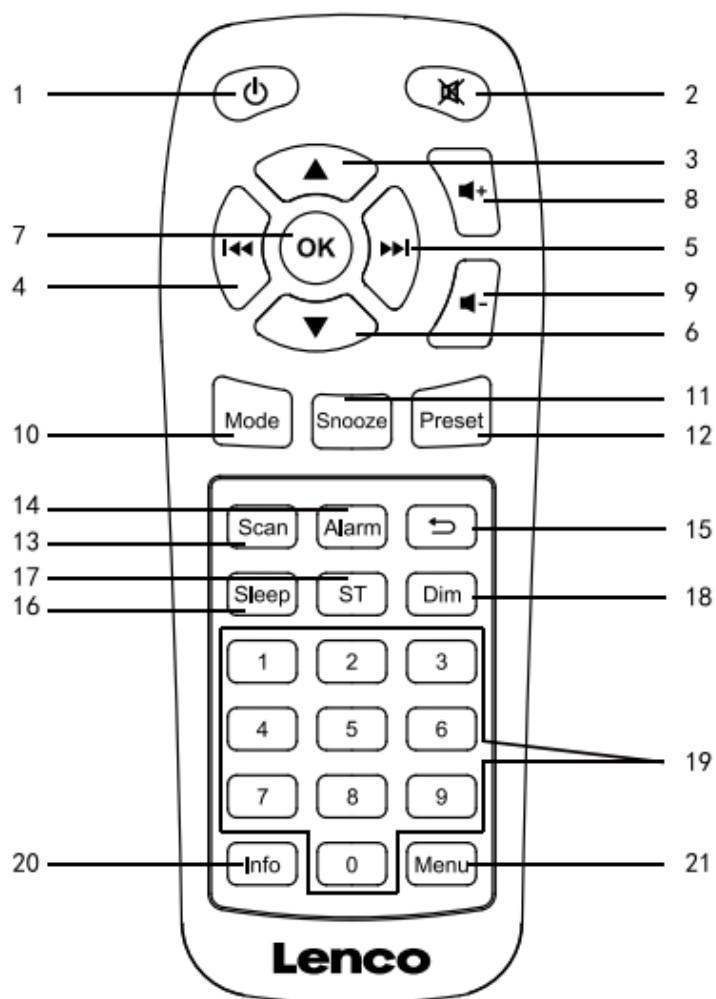
- 12. AAN-/UIT-schakelaartoets

- 13. DC-ingang

- 14. Hoofdtelefoonuitgang

- 15. Uitschuifbare antenne

## Overzicht van afstandsbediening



1. Stand-by-toets
2. Demptoets
3. Toets Omhoog
4. Toets Links
5. Toets Rechts
6. Toets Omlaag
7. Toets OK/Start/Pauze
8. Vol+ toets

9. Vol- toets
10. Modus-toets
11. Sluimertoets
12. Voorkeuzetoets
13. Scantoets
14. Alarmtoets
15. Terug-knop
16. Slaap-toets
17. Toets Stereo/Mono
18. Dimmertoets
19. Toetsen Voorkeuzenummer
20. Informatietoets
21. Menu-toets

### **Aanvankelijk gebruik**

Controleer a.u.b. voorafgaand aan gebruik dat de SPANNING aangegeven op de voedingsbron hetzelfde is als uw plaatselijke spanningstoevoer.

Gebruik de meegeleverde netadapter om het apparaat aan te sluiten op een huishoudelijk stopcontact.

Schakel het apparaat in met de aan-/uitschakelaar op de achterzijde.

### **Algemene bediening - Aan de slag**

#### **Algemene bediening - Aan de slag**

1. Sluit de netadapter aan op de microUSB-ingang, trek de uitschuifbare antenne volledig uit en sluit aan op het stopcontact.

2. Het achtergrondlicht van de display zal oplichten, terwijl de klok (00:00:00) (tijd is niet ingesteld) begint te knipperen.
3. Wanneer u het apparaat voor het eerst gebruikt, zal de DAB-modus automatisch worden geselecteerd en voert de radio een volledige scan uit. De display zal 'Scanning' (Scannen) en het totale aantal gevonden stations weergeven met een indicatiebalk die de voortgang van de scan aangeeft.
4. Als de scan is voltooid, zal de radio op alfanumerieke volgorde het eerst gevonden station gaan afspelen. Als de radio geen enkel station heeft gevonden, dan zal 'No DAB station' (Geen DAB-station) worden weergegeven.
5. Pas het volume aan tot het gewenste niveau met de knop VOL(+/-).
6. Druk op de stationstoets en gebruik de knop om de stationslijst te doorlopen. Druk op de OK-knop om het geselecteerde station te openen.
7. Druk op de toets Mode om de modus te wisselen tussen DAB, FM, Bluetooth en Aux-ingang.
8. Druk kort op de toets Stand-by om het apparaat op 'Stand-by' te schakelen.
9. Druk op Sleep om de slaaptimer in te stellen: Draai de Volumeknop om te kiezen uit Slaap uit-15 minuten-30 minuten-45 minuten-60 minuten-90 minuten. De radio zal op stand-by schakelen zodra het geselecteerde aantal minuten is afgeteld.

## **De radio gebruiken - DAB-modus**

### **DAB-modus - Volledige scan**

Deze functie zal naar alle beschikbare DAB-stations, Band III kanalen zoeken.

Druk in de DAB-modus op de Menu-toets, draai de OK-knop om 'Full Scan' (Volledige scan) te selecteren en druk vervolgens op de OK-knop om de volledige DAB-scan te starten. Wanneer de scan is voltooid, dan zal de radio terugkeren naar het laatst beluisterde DAB-radiostation. Alle gevonden stations zullen nu in de stationslijst staan, die u kunt oproepen met de Stationstoets.

**Houd er a.u.b. rekening mee dat de beschikbare DAB+-radiostations per regio/stad verschillen.**

#### **DAB-modus - Handmatig afstemmen**

Deze functie maakt het mogelijk dat u een specifiek of nieuw ensemble handmatig toevoegt aan de stations die reeds op de radio beschikbaar zijn.

Druk in de DAB-modus op de Menu-toets, draai de OK-knop totdat 'Manual tune' (Handmatig afstemmen) staat gemarkeerd en druk ter bevestiging op de OK-knop.

Gebruik de OK-knop om te navigeren totdat de gewenste frequentie is geselecteerd en druk vervolgens op de OK-knop; de frequentie, groepsnaam en signaalsterkte zullen nu worden weergegeven.

Druk nogmaals op de OK-knop om de groep toe te voegen en automatisch af te stemmen op dat station.

#### **DAB-modus - Opruimen**

Deze functie zal alle onbeschikbare stations uit de stationslijst verwijderen. Druk op de Menu-toets. Gebruik de OK-knop om naar de optie 'Prune Invalid' (Opruimen) te navigeren en druk ter bevestiging op de OK-knop.

Draai de OK-knop om 'Yes' (Ja) te selecteren en de ongeldige/onbeschikbare stations op te ruimen. Als u 'No' (Nee) selecteert, dan zal deze actie worden geannuleerd.

#### **DAB-modus - DRC**

**DRC staat voor dynamic range compression (dynamische bereikcompressie) en wordt gebruikt om de luidheid te verhogen van de zachtere delen van het audiosignaal en de luidheid van de luidere delen te verlagen.**

Druk in de DAB-modus op de Menu-toets en draai vervolgens de OK-knop totdat 'DRC' staat gemarkeerd. Druk ter bevestiging op de OK-knop.

Gebruik nu de OK-knop om te kiezen uit Uit, Hoog niveau of Laag niveau. Druk op de OK-knop om uw keuze te bevestigen.

#### **DAB-modus - Weergavemodus**

Deze functie zal verschillende informatie weergeven over het huidige station.

Druk meerdere keren op de OK-knop om de volgende informatie te doorlopen:

**DLS (dynamisch labelsegment)/Radiotekst-** Het radiostation zendt mogelijk een scollende melding uit m.b.t. het huidige programma.

**Samengesteld/multiplex (naam groep):** Samengesteld/multiplex is een gebundelde groep van stations die samen op een enkele frequentie worden uitgezonden. Er zijn nationale en lokale multiplexen. De lokale multiplexen hebben stations die specifiek op de regio zijn gericht.

**Frequency (Frequentie):** De display zal de frequentie van het uitgezonden station weergeven.

**Signal strength (Signaalsterkte):** De display zal een schuifbalk weergeven die de sterkte van het signaal vertegenwoordigt. Hoe sterker het signaal, hoe langer het balkje.

**Signal error (Signaalfout):** Dit wordt weergegeven als een nummer tussen 0-99. Het zal niet mogelijk zijn om met plezier naar een radiostation te luisteren die een signaalfout heeft van 30 of hoger.

**Audio bit rate (Audio bitrate):** De display zal de digitale audiobitrate weergeven die wordt ontvangen.

**Time and date (Tijd en datum):** de tijd en datum worden automatisch bijgewerkt door de radio.

### **DAB-modus - Systeeminstellingen**

**Equalizer (Equalizer):** Draai de OK-knop om te kiezen uit Normal-Classic-Jazz-Pop-Rock-Speech-My EQ-My EQ set up (Treble, Bass) (Normaal-Klassiek-Jazz-Pop-Rock-Gesproken woord, Mijn EQ, Mijn EQ-instelling (Hoge tonen, Lage tonen)).

**Time/Date (Tijd/datum):** Instellen tijd en datum

Druk op de OK-knop en de Datumaanduiding begint te knipperen. Draai de OK-knop om de juiste datum te selecteren en druk ter bevestiging op de OK-knop.

De Maandaanduiding zal beginnen te knipperen. Draai de OK-knop om de juiste maand te selecteren en druk ter bevestiging op de OK-knop.

De Jaaraanduiding zal beginnen te knipperen. Draai de OK-knop om het juiste jaar te selecteren en druk ter bevestiging op de OK-knop.

De Uuraanduiding zal beginnen te knipperen. Draai de OK-knop om de juiste uren te selecteren en druk ter bevestiging op de OK-knop.

De Minuutaanduiding zal beginnen te knipperen. Draai de OK-knop om de juiste minuten te selecteren en druk ter bevestiging op de OK-knop.

De tijd-/datum-configuratie is nu voltooid.

**Auto update (Automatisch bijwerken):** Kies via welke bron de tijd van de radio automatisch moet worden bijgewerkt.

U kunt uit de volgende opties kiezen:

- **Any (willekeurig):** de tijd updaten via het DAB- of FM-signaal
- **From Digital Radio-update (via digitale radio-update):** de tijd updaten via het DAB-signaal
- **From FM (via FM):** de tijd updaten via een RDS-kanaal
- **No update (Geen update):** Voor als u de tijd handmatig wilt instellen

**Set 12/24 hour (Stel 12/24 uur in):** Draai de OK-knop om te kiezen uit het tijdsformaat 24 uur en 12 uur

**Set date format (Datumformaat instellen):** Draai de knop om te kiezen uit DD-MM-YYYY or MM-DD-YYYY (DD-MM-JJJJ of MM-DD-JJJJ).

**Backlight (Achtergrondverlichting):** Time-out: aan-10 sec-20 sec-30 sec-45 sec-60 sec-90 sec-120 sec-180 sec

Inschakelniveau: Hoog-Gemiddeld-Laa

Dimniveau: Hoog-Gemiddeld-Laa

**Language (Taal):** English, Nederlands, Deutsch, Italiano, Francais, Dansk

**Factory reset (Fabrieksinstellingen terugzetten):** Druk op de OK-knop en selecteer 'Yes' (Ja) om de fabrieksinstellingen te herstellen.

**Software Update (Software-update):** Druk op de OK-knop en selecteer 'Yes' (Ja) om de software te updaten, indien nodig. De update kan alleen worden uitgevoerd via een microUSB-kabel.

**Remark:** selecteer de software-update alleen als u een update voor dit apparaat hebt. (als u deze optie onbedoeld hebt geselecteerd, schakel de radio dan opnieuw in met de aan-/uitschakelaar)

**SW version (SW-versie):** Druk op OK om de systeemversie te controleren.

### **De radio gebruiken FM-modus**

Schakel de radio in, druk meerdere keren op de toets Mode en selecteer de FM-modus.

De display zal 'FM' weergeven en de huidige stationsnaam of frequentie als RDS onbeschikbaar is.

### **Handmatig zoeken**

U kunt handmatig zoeken door eerst kort op de stationstoets te drukken en vervolgens de OK-knop rechtsom te draaien om in oplopende frequentie te scannen of linksom te draaien om in aflopende frequentie te scannen.

### **Automatisch zoeken**

Houd de OK-knop ingedrukt om de automatische scan te starten. De radio begint vervolgens de frequentieband te scannen. De radio stopt automatisch zodra er een station is gevonden.

Als u de radio automatisch in aflopende of oplopende frequentierichting wilt laten scannen, dan dient u een handmatige scan omlaag of omhoog uit te voeren voordat u de OK-knop ingedrukt houdt.

### **FM-modus - Scaninstellingen**

Druk op de Menutoets en draai de OK-knop om 'Scan setting' (Scaninstelling) te selecteren. Druk kort op de OK-knop en kies uit 'Strong stations only' (Alleen sterke stations) of 'All stations' (Alle stations) door de OK-knop te draaien. Druk op de OK-knop om uw keuze te bevestigen. Als u 'Strong stations only' (Alleen sterke stations) kiest, dan zal de radio alleen stations met een krachtig signaal scannen en afspelen. Als u 'All stations' (Alle stations) selecteert, dan zal de radio ook stations met een zwak signaal scannen en afspelen.

## **FM-modus - Audio-instellingen**

Druk op de Menutoets en draai de OK-knop. Kies 'Forced mono' 'Yes' of 'No' (Geforceerd mono, Ja of Nee) en druk ter bevestiging kort op de OK-knop. Als het signaal van uw favoriete radiostations zwak is, selecteer dan 'Forced mono' 'Yes' (Geforceerd mono, Ja) voor een betere geluidskwaliteit.

**FM-modus - Systeeminstellingen** (zie DAB-modus - Systeeminstellingen)

## **FM-weergavemodi**

U kunt met deze functie informatie over het huidige station weergeven op de display, druk kort op de OK-knop om de volgende informatieschermen te doorlopen:

**RDS (scrollende tekst):** Het momenteel geselecteerde radiostation bevat mogelijk een scrollende melding m.b.t. het huidige programma.

**Program type (Soort programma):** Dit beschrijft de stijl van het uitgezonden programma.

**Station Name (Stationsnaam):** bijvoorbeeld BBC RD van de frequentie in Mhz

**Audio Mode (Audiomodus):** De display zal aangeven of het station in stereo of mono wordt ontvangen

**Time/date (Tijd/datum):** de tijd en datum worden automatisch bijgewerkt door de radiotijdsignaal (als RDS beschikbaar is).

## **De radio gebruiken - Voorkeuzestations**

U kunt in deze radio tot 10 DAB-radiostations en 10 FM-radiostations opslaan als voorkeuzestations. Voorkeuzestations zijn radiostations die u snel kunt selecteren met de toets 'Preset' op de radio.

### **DAB-stations opslaan als voorkeuzestation**

Volg de bovengenoemde aanwijzingen om een DAB-radiostation te selecteren.

Houd de knop 'Preset' ingedrukt. '1: (Empty)' (Leeg) wordt weergegeven als er eerder nog geen station was opgeslagen.

Draai de OK-knop om de voorkeuzelocaties te doorlopen waar u de radiostations kunt opslaan (1-10).

Druk kort op de knop Select om het station op te slaan. De melding "Preset XX saved" (Voorkeuze XX opgeslagen) zal op de display verschijnen.

Opmerking: De bovenkant van de radio is voorzien van 5 afzonderlijke voorkeuzetoetsen. U kunt elk van deze toetsen ingedrukt houden om een station op te slaan. U kunt ook de cijfertoetsen op de afstandsbediening ingedrukt houden om een station op te slaan. (toets 0 = voorkeuze 10)

### **DAB-voorkeuzestations herroepen**

U kunt uw voorkeuzestations snel selecteren door op de toets Preset te drukken en vervolgens de OK-knop te draaien om de opgeslagen voorkeuzestations te doorlopen. Druk kort op de OK-knop om het geselecteerde station te kiezen.

Als u een lege voorkeuzelocatie kiest, dan zal 'Preset empty' (Voorkeuze leeg) worden weergegeven.

U kunt kort op de toetsen 1 - 5 bovenop de radio drukken om snel voorkeuzelocaties 1 tot 5 te selecteren, maar het is ook mogelijk om op de cijfertoetsen 0-9 op de afstandsbediening te drukken om een voorkeuzestation te selecteren (waar 0 = voorkeuze 10).

### **Alarminstelling**

Opmerking: Controleer of de juiste tijd en datum zijn opgeslagen in de radio voordat u een alarm instelt.

In DAB- of FM-modus:

Druk op de toets 'Alarm' op het voorpaneel van de radio en 'Alarm 1 off 6:00' (Alarm 1 uit 6:00) wordt weergegeven. Druk kort op de OK-knop.

'Alarm 1 info' wordt weergegeven. Draai de OK-knop om naar 'Alarm' te scrollen en druk kort op de OK-knop om het alarm in of uit te schakelen.

Draai de OK-knop om 'Frequency' (Frequentie) te selecteren. U kunt kiezen uit Daily, Once, Weekends of Weekdays (Dagelijks, Eenmaal, Weekends of Weekdagen). Druk kort op de OK-knop om uw selectie te bevestigen.

Draai de OK-knop om naar 'Wake Up Time' (Wektijd) te scrollen en druk kort op de OK-knop.  
De Uuraanduiding zal beginnen te knipperen.

Draai de OK-knop om de juiste uren in te stellen en druk ter bevestiging kort op de OK-knop.

De Minuutaanduiding zal beginnen te knipperen.

Draai de OK-knop om de juiste minuten in te stellen en druk ter bevestiging kort op de OK-knop.

Draai de OK-knop om naar het alarmgeluid 'Source' (Bron) te scrollen. U kunt kiezen uit Buzzer (Zoemer), DAB+ Radio of FM. Druk ter bevestiging kort op de knop OK.

Draai de OK-knop om naar 'Duration' (Tijdsduur) te scrollen. U kunt kiezen uit 15, 30, 45, 60, 90 of 120 minuten. Druk ter bevestiging kort op de knop OK.

Draai de OK-knop en selecteer 'Volume' om het volume voor uw alarm in te stellen.

Draai de OK-knop om het volume in te stellen. (Het minimale volume dat u kunt selecteren is 4).  
Druk ter bevestiging kort op de knop OK. Uw alarm is nu gereed voor gebruik.

**Opmerking:** Het alarmvolume zal geleidelijk aan verhogen totdat het alarmvolume is bereikt dat u hebt ingesteld.

**Herhaal de bovengenoemde stappen om Alarm 2 in te stellen.**

### **Sluimerfunctie**

Wanneer het alarm klinkt, dan kunt u op de OK-knop drukken om de sluimerfunctie te activeren.

De standaard sluimertijd is 9 minuten. Opmerking: Druk op de toets 'Standby' om de sluimerfunctie te stoppen.

### **Bluetooth-functie**

Schakel de radio in en druk kort op de toets Mode totdat de Bluetooth-modus is geselecteerd. Schakel de Bluetooth-functie in op uw Bluetooth-apparaat, zoek naar beschikbare apparatuur en selecteer vervolgens "Lenco DAR-030". Klik op deze naam om te koppelen. U zult na een geslaagde koppeling de gesproken melding "Connected" (Verbonden) horen.

U kunt op de Stationstoets drukken om de vorige track te selecteren of op de Terugtoets om naar de volgende track te gaan.

U kunt op de OK-knop drukken om de muziekweergave te starten of pauzeren.

Draai de OK-knop omhoog of omlaag om het volume aan te passen (houd er rekening mee dat het volumeniveau niet is gesynchroniseerd met het Bluetooth-apparaat, d.w.z. dat u het volume van uw Bluetooth-apparaat eerst handmatig dient te verhogen).

U hoeft de OK-knop slechts ingedrukt te houden om de huidige verbinding te verbreken en een nieuw apparaat te koppelen.

“Dit product is voorzien van een Bluetooth-**ontvangstfunctie, u kunt er geen Bluetooth-audio mee sturen**: dit betekent dat u van een externe bron zoals een smartphone draadloos een Bluetooth-audiosignaal kunt ontvangen.”

## Technische specificaties

Aansluitingen	MicroUSB voor stroomadapter, 3,5mm hoofdtelefoonuitgang
Ingang stroomadapter	100-240 V~50/60 Hz, max 0,2 A
Uitgang stroomadapter	<b>5.0 V</b> /1,5 A
Energieverbruik	10 W (max.)
Stroomverbruik (in stand-by)	< 1 W
Bedrijfstemperatuur	0 °C-35 °C
Werkingspositie	Horizontaal
Voedingsadapter: (Alleen voor EU)	
Fabrikant: Shenzhen Adition Audio Science and Technology Co., Ltd	
Modelnummer: AD080A0501500EU-MICROUSB	
Gebruik alleen de originele wisselstroomadapter	
Gebruik uitsluitend het voedingsapparaat dat in de gebruiksaanwijzingen staat vermeld.	
Afmetingen	280 x 110 x 110 mm (BxHxD)
Gewicht	890 g

OPMERKING: Gebruik uitsluitend de voedingsbron gespecificeerd in deze handleiding.

Informatie	Waarde en precisie
Naam of handelsmerk van de fabrikant, handelsregistratie en adres	Adition
Modelaanduiding	AD080A0501500EU-MicroUSB
Ingangsspanning	100-240V
Ingangsfrequentie AC	50/60Hz
Uitgangsspanning	<b>5.0V</b>

Uitgangsstroom	1.5A
Uitgang	7.5W
Gemiddelde actieve efficiëntie	77.33%
Efficiëntie bij lage belasting (10%)	71.82%
Verbruik onbelast vermogen	0.04W

## Garantie

Lenco biedt service en garantie aan overeenkomstig met de Europese wetgeving. Dit houdt in dat u, in het geval van reparaties (zowel tijdens als na de garantieperiode), uw lokale handelaar moet contacteren.

Belangrijke opmerking: Het is niet mogelijk om producten die moeten worden gerepareerd rechtstreeks naar Lenco te sturen.

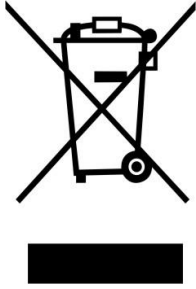
Belangrijke opmerking: De garantie verloopt als een onofficieel servicecenter het apparaat op wat voor manier dan ook heeft geopend, of er toegang toe heeft gekregen.

Het apparaat is niet geschikt voor professioneel gebruik. In het geval van professioneel gebruik worden alle garantieverplichtingen van de fabrikant nietig verklaard.

## Disclaimer

Er worden regelmatig updates in de firmware en/of hardwarecomponenten gemaakt. Daardoor kunnen gedeelten van de instructie, de specificaties en afbeeldingen in deze documentatie enigszins verschillen van uw eigen situatie. Alle onderwerpen die staan beschreven in deze handleiding zijn bedoeld als illustratie en zijn niet van toepassing op specifieke situaties. Aan de beschrijving in dit document kunnen geen rechten worden ontleend.

## Afvoer van het oude apparaat



Dit symbool geeft aan dat het betreffende elektrische product of de accu/batterij niet mag worden verwijderd als algemeen huishoudelijk afval in Europa. Zorg voor een juiste afvalverwerking door het product en de accu/batterij in overeenstemming met alle van toepassing zijnde lokale wetten voor het verwijderen van elektrische apparatuur of accu's/batterijen te verwijderen. Als u dit doet, helpt u de natuurlijke hulpbronnen te behouden en de standaard van milieubescherming te verbeteren bij de behandeling en verwijdering van elektrisch afval (Afgedankte Elektrische en Elektronische Apparatuur).

## CE-markering

Commaxx B.V. Wiebachstraat 37, 6466 NG Kerkrade, Nederland, verklaart hierbij dat dit product voldoet aan de vereisten van de essentiële EU-richtlijnen.

De verklaring van conformiteit kan worden aangevraagd via [techdoc@commaxxgroup.com](mailto:techdoc@commaxxgroup.com)



## Service

Bezoek voor meer informatie en helpdeskondersteuning [www.lenco.com](http://www.lenco.com)

Commaxx B.V. Wiebachstraat 37, 6466 NG Kerkrade, Nederland.

**ACHTUNG:**

Eine andere als die hier beschriebene Bedienung, Einstellung oder Verwendung der Funktionen kann zu gefährlicher Strahlenbelastung führen.

**VORSICHTSMASSNAHMEN VOR DER BENUTZUNG**

---

**BEFOLGEN SIE IMMER FOLGENDE ANWEISUNGEN:**

1. Blockieren oder bedecken Sie keine Lüftungsöffnungen. Wenn Sie das Gerät auf ein Regal stellen, lassen Sie um das gesamte Gerät 5 cm (2") freien Platz.
2. Stellen Sie das Gerät entsprechend den Anweisungen der mitgelieferten Bedienungsanleitung auf.
3. Halten Sie das Gerät von Hitzequellen wie Radiatoren, Heizern, Öfen, Kerzen oder anderen hitzeerzeugenden Produkten oder offenen Flammen fern. Das Gerät darf nur bei gemäßigttem Klima verwendet werden. Sehr kalte oder heiße Umgebungen sind zu vermeiden. Der Betriebstemperaturbereich liegt zwischen 0 °C und 35 °C.
4. Meiden Sie bei der Nutzung des Produkts die Nähe starker Magnetfelder.
5. Elektrostatische Entladungen können die normale Verwendung von diesem Gerät stören. Sollte dies geschehen, führen Sie einfach einen Reset aus und starten Sie dann das Gerät entsprechend den Anweisungen dieser Bedienungsanleitung neu. Gehen Sie besonders bei Datenübertragungen mit dem Gerät vorsichtig um und führen Sie diese nur in einer antielektrischen Umgebung aus.
6. Warnung! Niemals Gegenstände durch die Lüftungsschlitze oder Öffnungen in das Gerät stecken. In diesem Gerät fließt Hochspannung und das Hineinstecken von Gegenständen kann zu elektrischem Schock und/oder Kurzschluss interner elektrischer Bauteile führen. Aus dem gleichen Grund kein Wasser oder Flüssigkeiten in das Gerät geben.
7. Benutzen Sie das Gerät nicht in nasser oder feuchter Umgebung wie Bad, Dampfküche oder in der Nähe von Schwimmbecken.
8. Das Gerät darf weder Tropf- noch Spritzwasser ausgesetzt werden und es dürfen keine mit Flüssigkeit gefüllten Behälter wie z.B. Vasen auf das Gerät oder in der Nähe des Gerätes gestellt werden.
9. Benutzen Sie das Gerät nicht bei Kondensationsgefahr. Wenn Sie das Gerät in einem warmen feuchten Raum benutzen, dann können sich im Inneren des Geräts Wassertropfen oder Kondensationen bilden und zu Fehlfunktionen des Geräts führen. Schalten Sie in diesem Fall das Gerät für 1 – 2 Stunden aus, bevor Sie es erneut einschalten: Das Gerät sollte vollständig getrocknet sein, wenn Sie es wieder einschalten.
10. Obwohl dieses Gerät unter größter Sorgfalt und vor Auslieferung mehrmals überprüft wurde, können trotzdem wie bei jedem anderen elektrischen Gerät auch Probleme auftauchen. Trennen Sie das Gerät im Falle einer Rauchentwicklung, starker Hitzeentwicklung oder jeden anderen unnatürlichen Erscheinung sofort vom Netz.
11. Dieses Gerät ist durch eine Stromquelle wie auf dem Typenschild angegeben zu betreiben. Halten Sie bei Unsicherheiten über die Art Ihrer Stromversorgung in Ihrer Wohnung Rücksprache mit Ihrem Händler oder Ihrer Stromzuliefererfirma.
12. Halten Sie es von Haustieren fern. Einige Nagetiere lieben es, an Netzkabeln zu nagen.
13. Benutzen Sie für die Reinigung ein weiches und trockenes Tuch. Benutzen Sie niemals Lösungsmittel oder Flüssigkeiten auf Ölbasis. Benutzen Sie zum Entfernen hartnäckiger Flecken ein feuchtes Tuch mit mildem Reinigungsmittel.
14. Der Hersteller haftet nicht für Schäden oder Verluste durch Fehlfunktion, Zweckentfremdung oder Modifikation des Geräts oder durch Wechseln der Batterien.
15. Unterbrechen Sie die Verbindung nicht während einer Formatierung oder einer Datenübertragung. Bei Unterbrechung drohen Datenverlust und Datenbeschädigung.

16. Wenn das Gerät eine USB-Wiedergabefunktion besitzt, dann stecken Sie den USB-Stick direkt in das Gerät. Verwenden Sie kein USB-Verlängerungskabel, weil die erhöhte Störungsanfälligkeit zu Datenverlust führen könnte.
17. Das Typenschild befindet sich an der Unter- oder Rückseite des Geräts.
18. Dieses Gerät ist nicht zur Benutzung durch Personen (einschließlich Kinder) mit physischen, sensorischen oder mentalen Beeinträchtigungen oder ohne ausreichender Erfahrung vorgesehen, es sei denn, sie werden durch eine verantwortliche Person beaufsichtigt oder wurden in die ordnungsgemäße Bedienung des Gerätes durch eine für ihre Sicherheit verantwortliche Person eingewiesen.
19. Dieses Produkt ist nur für den nicht-professionellen Gebrauch und nicht für gewerbliche oder industrielle Zwecke bestimmt.
20. Stellen Sie sicher, dass das Gerät in einer stabilen Position aufgestellt ist. Schäden aufgrund Verwendung dieses Produkts in einer instabilen Position, Vibrationen, Stöße oder Nichtbeachtung der anderen in dieser Bedienungsanleitung enthaltenen Warnungen und Sicherheitshinweise werden nicht durch die Garantie abgedeckt.
21. Entfernen Sie niemals das Gehäuse dieses Produkts.
22. Stellen Sie das Produkt niemals auf andere elektrische Geräte.
23. Halten Sie Kinder von den Plastiktüten fern.
24. Benutzen Sie nur vom Hersteller spezifizierte Erweiterungen/Zubehörteile.
25. Lassen Sie alle Eingriffe von qualifiziertem Servicepersonal ausführen. Eingriffe werden notwendig, wenn das Gerät auf irgendeine Weise wie beispielsweise am Netzkabel oder am Netzstecker beschädigt wurde, Flüssigkeit in das Gerät eingedrungen ist, Gegenstände in das Gerät gefallen sind, das Gerät Regen oder Feuchtigkeit ausgesetzt war, es heruntergefallen ist oder nicht ordnungsgemäß funktioniert.
26. Langes Hören lauter Töne aus einem Musikgerät kann zum zeitweiligen oder permanenten Hörverlust führen.
27. Wenn zum Lieferumfang des Produkts ein Netzkabel oder ein Netzadapter gehört:
  - Wenn irgendwelche Probleme auftreten, dann ziehen Sie den Netzstecker aus der Netzsteckdose und setzen Sie sich anschließend mit einer qualifizierten Fachkraft in Verbindung.
  - Treten Sie nicht auf das Netzteil und klemmen Sie es auch nicht ein. Geben Sie besonders im näheren Bereich des Steckers und der Stelle acht, wo das Kabel aus dem Gerät herausgeführt wird. Stellen Sie keine schweren Gegenstände auf das Netzteil, weil es dadurch beschädigt werden könnte. Halten Sie das gesamte Gerät außerhalb der Reichweite von Kindern! Durch Spielen mit dem Netzkabel können sie sich ernsthafte Verletzungen zuziehen.
  - Trennen Sie das Gerät während eines Gewitters oder bei längerer Nichtbenutzung vom Netz.
  - Die Wandsteckdose muss sich in der Nähe des Geräts befinden und einfach zu erreichen sein.
  - Steckdosen und Verlängerungsleitungen nicht überlasten. Eine Überlastung kann zu Brandgefahr bzw. Stromschlag führen.
  - Geräte der Schutzklasse 1 sind an eine Netzsteckdose mit Schutzleiter anzuschließen.
  - Geräte der Schutzklasse 2 benötigen keinen Schutzleiteranschluss.
  - Halten Sie den Netzstecker in der Hand, wenn Sie ihn aus der Netzsteckdose ziehen. Ziehen Sie ihn nicht durch Zerren am Kabel heraus. Das kann zu einem Kurzschluss führen.
  - Verwenden Sie weder ein beschädigtes Netzkabel noch einen beschädigten Stecker oder eine lockere Steckdose. Es besteht Brand- und Stromschlaggefahr.
28. Wenn das Produkt mit einer Fernbedienung mit Batterien/Knopfzellen geliefert wird oder das Produkt eine derartige Fernbedienung umfasst:
 

Warnung:

  - „Die Batterie nicht einnehmen, er besteht Verätzungsgefahr“.
  - [Die mit diesem Produkt mitgelieferte Fernbedienung] enthält eine Knopfzelle. Das Verschlucken der Batterie kann innerhalb von nur 2 Stunden zu schwersten inneren Verbrennungen mit Todesfolge führen.
  - Halten Sie neue und gebrauchte Batterien von Kindern fern.

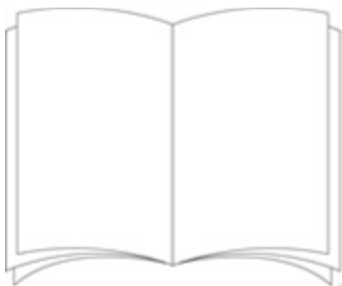
- Verwenden Sie dieses Produkt nicht weiter und halten Sie es von Kindern fern, wenn das Batteriefach nicht sicher schließt.
  - Suchen Sie umgehend ärztliche Hilfe auf, wenn Sie vermuten, dass Batterien verschluckt oder in Körperöffnungen eingeführt wurden.
29. Warnhinweise bzgl. der Verwendung von Batterien:
- Es besteht Explosionsgefahr, wenn die Batterien nicht korrekt eingelegt werden. Nur mit Batterien des gleichen oder entsprechenden Typs ersetzen.
  - Die Batterie darf während der Benutzung, Aufbewahrung oder des Transports weder sehr hohen oder sehr niedrigen Temperaturen noch niedrigem Luftdruck in großen Höhenlagen ausgesetzt werden.
  - Die Ersetzung der Batterie mit einem falschen Batterietyp kann zum Explodieren der Batterie oder dem Auslaufen von entflammbarem Gas oder entflammbarer Flüssigkeit aus der Batterie führen.
  - Die Entsorgung der Batterie in Feuer oder einem heißen Ofen oder das mechanische Zerkleinern oder Zerteilen der Batterie kann zu Explosionen führen.
  - Das Verbleiben der Batterie in einer Umgebung mit sehr hohen Temperaturen kann zum Explodieren der Batterie oder dem Auslaufen von entflammbarem Gas oder entflammbarer Flüssigkeit führen.
  - Eine einem sehr niedrigen Luftdruck ausgesetzte Batterie kann explodieren oder es kann aus einer einem sehr niedrigen Luftdruck ausgesetzten Batterie entflammbares Gas oder entflammbare Flüssigkeit auslaufen.
  - Augenmerk ist auf den ökologischen Aspekt der Batterieentsorgung zu legen.

## ANSCHLUSS

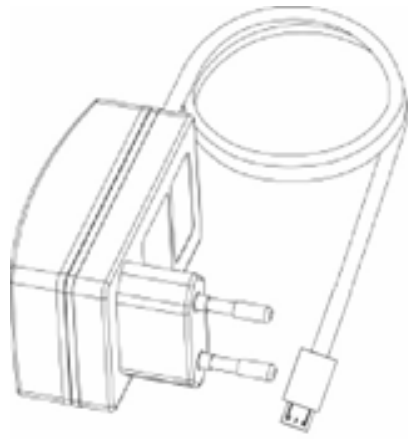
- Packen Sie alle Teile aus und entfernen Sie danach die Schutzmaterialien.
- Schließen Sie das Gerät nicht eher an das Netz an, bevor Sie die Netzspannung überprüft haben und alle anderen notwendigen Verbindungen hergestellt sind.

## Zubehör:

1. Bedienungsanleitung



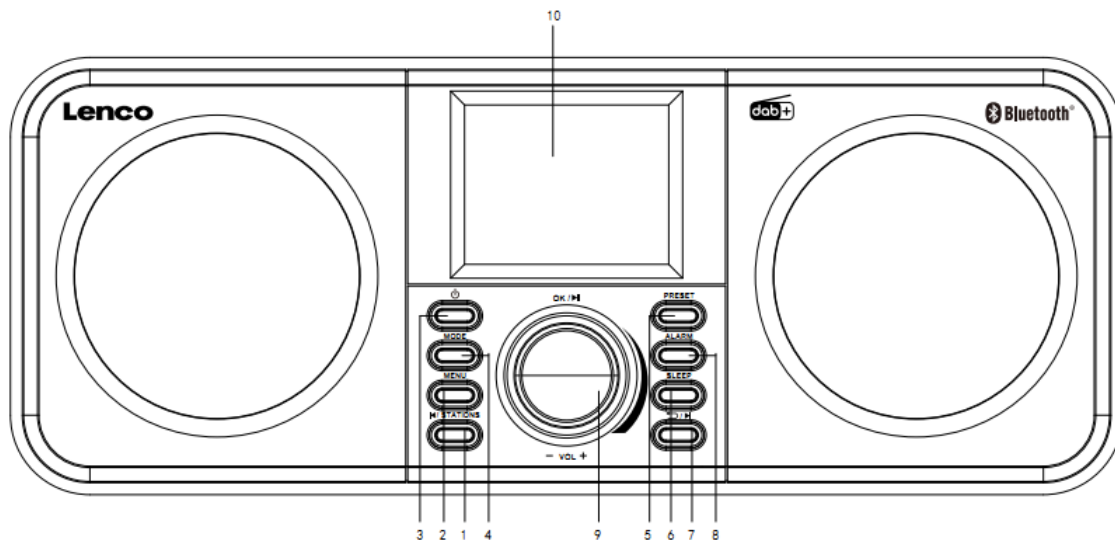
2. Netzadapter



### 3. Fernbedienung

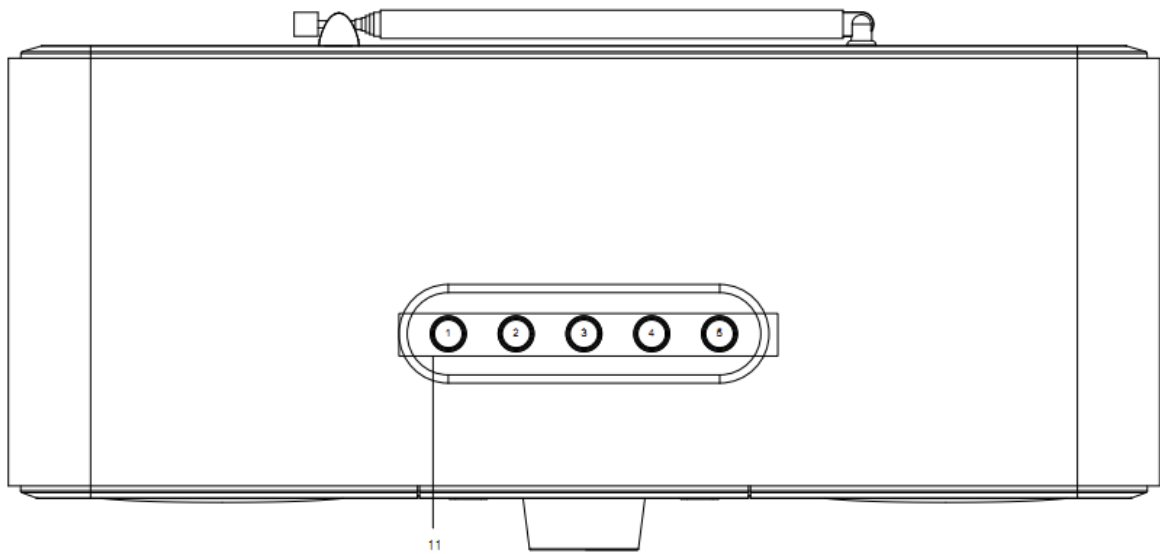


## Übersicht Produktvorderseite



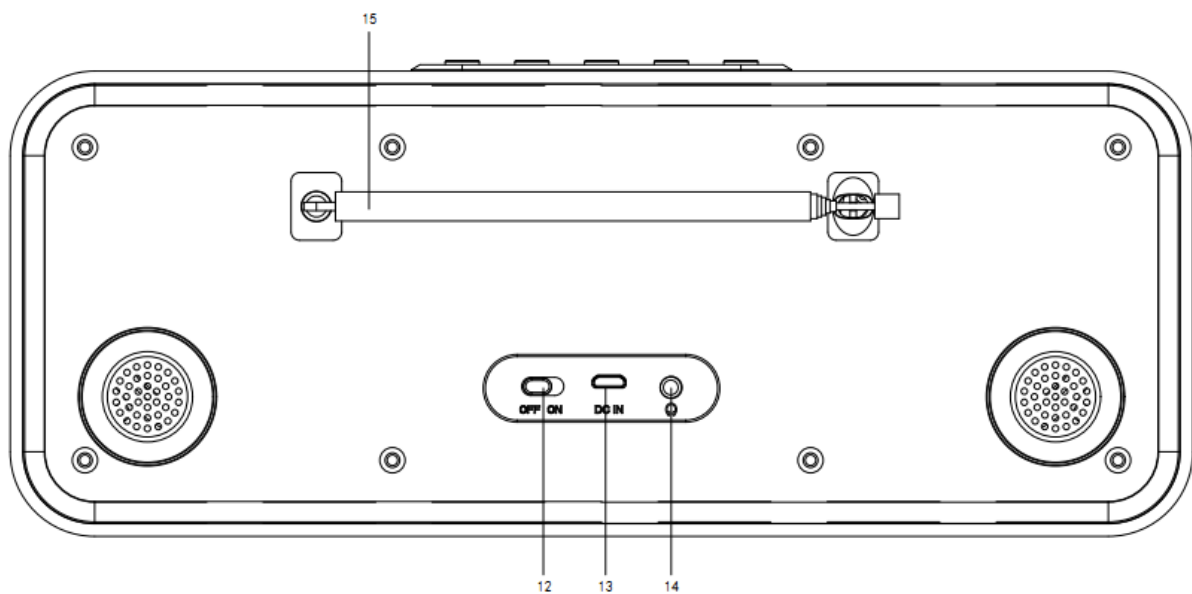
1. Nach-links-/Radiosender-Taste
2. Menü-Taste
3. Standby-Taste
4. Modus-Taste
5. Speicherplatz-Taste
6. Abschaltautomatik-Taste
7. Zurück-/Nach-rechts-Taste
8. Wecker-Taste
9. OK-/Lautstärkeregelungs-/Nagivations-/Wiedergabe-/Pause-/Schlummerautomatik-Drehdruckknopf
10. Farbdisplay

## Übersicht Produktoberseite



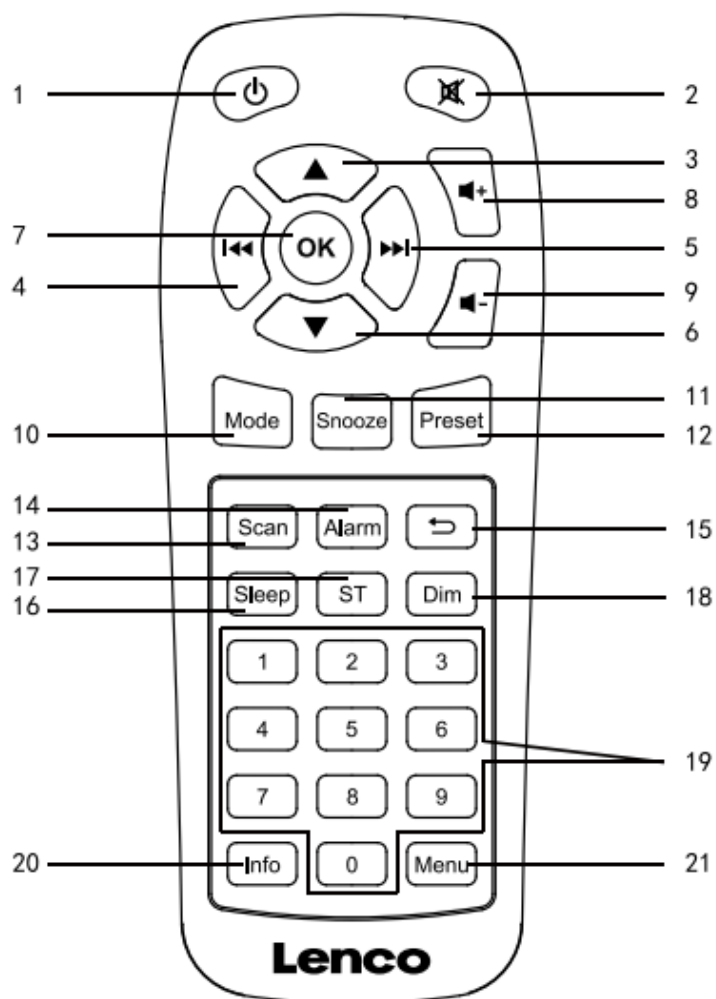
11. 5 Speicherplatztasten

## Übersicht Produktrückseite



12. EIN/AUS-Schalter  
13. DC-Eingangsbuchse  
14. Kopfhörerausgangsbuchse  
15. Teleskop-Antenne

## Übersicht Fernbedienung



1. Standby-Taste
2. Stummschaltungs-Taste
3. Nach-oben-Taste
4. Nach-links-Taste
5. Nach-rechts-Taste
6. Nach-unten-Taste
7. OK-/Wiedergabe-/Pause-Taste
8. Lautstärke+-Taste

9. Lautstärke—Taste
10. Modus-Taste
11. Schlummerautomatik-Taste
12. Speicherplatz-Taste
13. Scannen-Taste
14. Wecker-Taste
15. Zurück-Taste
16. Abschaltautomatik-Taste
17. Stereo/Mono-Umschalttaste
18. Dimmer-Taste
19. Speicherplatznummer-Taste
20. Info-Taste
21. Menü-Taste

### **Erstinbetriebnahme**

Versichern Sie sich vor Inbetriebnahme des Geräts, dass die auf dem Typenschild angegebene STROMSPANNUNG mit der Stromspannung vor Ort übereinstimmt.

Verwenden Sie zum Anschluss des Geräts an eine Haussteckdose das mitgelieferte Netzteil.

Schalten Sie das Gerät mit dem On/Off-Schalter auf der Rückseite des Geräts ein.

## **Erste Schritte – Grundlegende Bedienung**

### **Erste Schritte – Grundlegende Bedienung**

1. Schließen Sie den Netzadapter an der microUSB-Buchse an, ziehen Sie die Teleskopantenne vollständig heraus, stecken Sie den Netzadapter in eine Netzsteckdose und schalten Sie das Gerät anschließend ein.

2. Die Hintergrundbeleuchtung des Displays leuchtet und die Uhrzeit (00:00:00 – die Uhrzeit ist noch nicht eingestellt) blinkt.
3. Wenn Sie das Radio das erste Mal benutzen, dann wechselt es automatisch in den DAB-Modus und führt einen vollständigen Scan durch. Auf dem Display wird „Scanning“ (Scan läuft) zusammen mit einem Verlaufs balken für die Anzeige des Scanfortschritts und die Gesamtanzahl gefundener Radiosender angezeigt.
4. Wenn das Scannen beendet wurde, gibt das Radio den ersten Radiosender in der alphanumerischen Liste wieder. Wenn das Radio keinen Radiosender finden kann, dann wird auf dem Display „No DAB Station“ (Kein DAB-Sender) angezeigt.
5. Stellen Sie mit Hilfe des VOL(+/-)-Knopfes die gewünschte Lautstärke ein.
6. Drücken Sie die Taste STATIONS und bewegen Sie sich anschließend mit Hilfe des Druckdrehknopfes durch die Senderliste. Drücken Sie den OK-Knopf, wenn Sie den gewünschten Radiosender gefunden haben.
7. Drücken Sie die Taste MODE, um zwischen den Eingangsmodi DAB, FM, Bluetooth und AUX IN umzuschalten.
8. Drücken Sie die Standby-Taste kurz, um in den Standby-Modus zu wechseln.
9. Drücken Sie die Taste SLEEP, um die Abschaltautomatik einzustellen: Wählen Sie durch Drehen des VOL(+/-)-Knopfes zwischen Sleep off (Abschaltautomatik deaktiviert) – 15 minutes (15 min) – 30 minutes (30 min) – 45 minutes (45 min) – 60 minutes (60 min) – 90 minutes (90 min) aus. Das Radio wechselt in den Standby-Modus, wenn die ausgewählten Minuten abgelaufen sind.

## **Benutzung des Radios – DAB-Modus**

### **DAB-Modus – Vollständiger Scan**

Diese Funktion scannt nach allen verfügbaren DAB-Radiosendern auf dem VHF-Band III.

Drücken Sie im DAB-Modus die Taste MENU und drehen Sie dann den OK-Knopf, um „Full Scan“ (Vollständiger Scan) auszuwählen. Drücken Sie ihn anschließend kurz, um den vollständigen DAB-Senderscan zu starten. Wenn das Scannen beendet wurde, kehrt das Radio zur Wiedergabe des zuletzt wiedergegebenen DAB-Radiosenders zurück. Nach dem vollständigen Scan werden alle

gefundenen DAB-Radiosender in der Senderliste gespeichert, die Sie sich durch Drücken der Taste STATIONS anzeigen lassen können.

**Bitte beachten Sie, dass die verfügbaren DAB+-Radiosender je nach Region variieren**

#### **DAB-Modus – Manuelle Abstimmung**

Mit dieser Funktion können Sie per Hand ein bestimmtes oder ein neues Ensemble zu den auf dem Radio bereits vorhandenen Radiosendern hinzufügen.

Drücken Sie im DAB-Modus die Taste MENU und navigieren Sie mit Hilfe des OK-Knopfes bis zu „Manual tune“ (Manuelle Abstimmung). Drücken Sie ihn anschließend, um Ihre Auswahl zu bestätigen.

Navigieren Sie mit Hilfe des OK-Knopfes solange, bis Sie die gewünschte Frequenz ausgewählt haben und drücken Sie ihn anschließend. Daraufhin wird sowohl die Frequenz und der Name des Ensembles als auch die Signalstärke angezeigt.

Drücken Sie den OK-Knopf erneut, damit das Ensemble hinzugefügt und dieser Radiosender wiedergegeben wird.

#### **DAB-Modus – Senderbereinigung**

Diese Funktion entfernt nicht verfügbare Radiosender aus der Senderliste. Drücken Sie die Taste MUTE. Navigieren Sie mit dem OK-Knopf bis zur Option „Prune Invalid“ (Senderbereinigung) und drücken Sie ihn anschließend, um Ihre Auswahl zu bestätigen.

Drehen Sie den OK-Knopf, um „Yes“ (Ja) auszuwählen und die Bereinigung ungültiger/nicht verfügbarer Radiosender zu starten. Wenn Sie „No“ (Nein) auswählen, dann wird der Vorgang abgebrochen.

#### **DAB-Modus – DRC**

**DRC steht für Dynamic Range Compression (Dynamikbereichkompression).**

**Bei der Dynamikbereichkompression wird die Lautstärke leiserer Teile des Audiosignals angehoben und die Lautstärke lauterer Teile des Audiosignals verringert.**

Drücken Sie im DAB-Modus die Taste MENU und navigieren Sie mit Hilfe des OK-Knopfes bis zu „DRC“ (Dynamikbereichkompression). Drücken Sie anschließend den OK-Knopf, um Ihre Auswahl zu bestätigen.

Wählen Sie nun mit dem OK-Knopf zwischen „off“ (Aus), „high“ (Stark) und „low“ (Schwach) aus. Drücken Sie anschließend den OK-Knopf, um Ihre Auswahl zu bestätigen.

### **DAB-Modus – Anzeigemodus**

Diese Funktion zeigt Ihnen verschiedene Informationen über den aktuell ausgewählten Radiosender an.

Drücken Sie den OK-Knopf mehrmals, um nacheinander die nachstehenden Informationen anzeigen zu lassen:

**DLS (Dynamic Label Segment)/Radio text (Dynamischer Lauftext/Radiotext)** – Der Radiosender kann einige Lauftextinformationen über das aktuelle Programm in seine Ausstrahlung einbetten.

**Ensemble/Multiplex (Gruppenname):** Ensemble/Multiplex bezeichnet eine Gruppe von Radiosendern, die auf einer gemeinsamen Frequenz gebündelt und ausgestrahlt werden. Es gibt lokale und nationale Multiplexer, wobei die lokalen Multiplexer Radiosender enthalten, die speziell für eine bestimmte Region vorgesehen sind.

**Frequency (Frequenz):** Auf dem Display wird die Frequenz des ausgestrahlten Radiosenders angezeigt.

**Signal strength (Signalstärke):** Auf dem Display wird ein Schiebepalken angezeigt, um über ihn die Signalstärke abzubilden. Je stärker das Signal ist, umso länger ist dieser Schiebepalken.

**Signal error (Signalfehler):** Signalfehler werden als Zahlen zwischen 0 und 99 angezeigt. Die Wiedergabequalität von Radiosendern mit einer Signalfehlerrate von mehr als 30 ist nicht mehr zufriedenstellend.

**Audio bit rate (Audio-Bitrate):** Auf der Anzeige wird die digitale Audio-Bitrate des gegenwärtig empfangenen Radiosenders angezeigt.

**Time and Date (Datum und Uhrzeit):** Sowohl das Datum als auch die Uhrzeit werden durch das Radio automatisch aktualisiert.

## **DAB-Modus – Systemeinstellungen**

**Equalizer:** Drehen Sie den OK-Knopf, um zwischen Normal (Normal) – Classic (Klassik) – Jazz – Pop – Rock – Speech (Sprache) – My EQ (Benutzerdef. EQ) – My EQ set up (Treble, Bass) (Einstellungbenutzerdef. EQ (Höhen/Bässe)) auszuwählen.

### **Time/Date (Uhrzeit/Datum):** Uhrzeit/Datum einstellen

Wenn Sie den OK-Knopf drücken, dann blinkt die Tagesstelle. Drehen Sie anschließend den OK-Knopf, um den richtigen Tag auszuwählen und drücken Sie ihn anschließend, um Ihre Auswahl zu bestätigen.

Die Monatsstelle blinkt. Drehen Sie den OK-Knopf, um den richtigen Monat auszuwählen und drücken Sie ihn anschließend, um Ihre Auswahl zu bestätigen.

Die Jahresstelle blinkt. Drehen Sie den OK-Knopf, um das richtige Jahr auszuwählen und drücken Sie ihn anschließend, um Ihre Auswahl zu bestätigen.

Die Stundenstelle blinkt. Drehen Sie den OK-Knopf, um die richtige Stunde auszuwählen und drücken Sie ihn anschließend, um Ihre Auswahl zu bestätigen.

Die Minutenstelle blinkt. Drehen Sie den OK-Knopf, um die richtigen Minuten auszuwählen und drücken Sie ihn anschließend, um Ihre Auswahl zu bestätigen.

Hiermit ist die Einstellung von Datum und Uhrzeit abgeschlossen.

**Auto update (Automatische Aktualisierung):** Wählen Sie aus, über welche Quelle das Radio die Uhrzeit automatisch aktualisieren soll.

Sie können zwischen den nachfolgenden Optionen auswählen:

- **Any (Jede):** Aktualisierung der Uhrzeit über ein FM- oder DAB-Signal
- **From Digital Radio-update (Aktualisierung über Digitalradio):** Aktualisierung der Uhrzeit über ein DAB-Signal
- **From FM (Über FM):** Aktualisierung der Uhrzeit über einen RDS-Kanal
- **No update (Keine Aktualisierung):** Wenn Sie die Uhrzeit selbst einstellen möchten

**Set 12/24 hour (Auswahl 12/24-h-Anzeige):** Drehen Sie den OK-Knopf, um entweder die 12-Stunden- oder die 24-Stunden-Anzeige für die Uhrzeit auszuwählen

**Set date format (Auswahl Datumsformat):** Drehen Sie den OK-Knopf, um DD-MM-YYYY (TT/MM/JJJJ) oder MM-DD-YYYY (MM/TT/JJJJ) auszuwählen.

**Backlight (Hintergrundbeleuchtung):** Timeout (Zeitüberschreitung): On (Ein) – 10 sec (10 s) – 20 sec (20 s) – 30 sec (30 s) – 45 sec (45 s) – 60 sec (60 s) – 90 sec (90 s) – 120 sec (120 s) – 180 sec (180 s)

Leuchtstärke im Betriebsmodus: Hoch – Mittel – Niedrig

Leuchtstärke abgeblendet: Hoch – Mittel – Niedrig

**Language (Sprache):** English, Nederlands, Deutsch, Italiano, Francais, Dansk

**Factory reset (Zurücksetzen auf Werkseinstellungen):** Drücken Sie den OK-Knopf und wählen Sie dann „Yes“ (Ja) aus, um das Rücksetzen auf Werkseinstellung zu starten.

**Software Update (Softwareaktualisierung):** Drücken Sie den OK-Knopf und wählen Sie dann „Yes“ (Ja) aus, um die Software bei Bedarf zu aktualisieren. Die Aktualisierung kann nur über ein microUSB-Kabel durchgeführt werden.

**Remark (Hinweis):** Wählen Sie die Option Softwareaktualisierung nur dann aus, wenn Sie eine Aktualisierung für dieses Gerät besitzen. (Wenn Sie versehentlich diese Option ausgewählt haben, dann starten Sie das Radio mit Hilfe der Ein/Aus-Taste neu)

**SW-Version (Softwareversion):** Drücken Sie den OK-Knopf, um sich die Systemversion anzeigen zu lassen.

### **Benutzung des Radios – FM-Modus**

Drücken Sie bei eingeschaltetem Radio mehrmals die Taste MODE, um den FM-Modus auszuwählen. Auf dem Display wird „FM“ sowie der Name oder wenn kein RDS-Signal verfügbar ist die Frequenz des aktuell ausgewählten Radiosenders angezeigt.

## **Manuelle Suche**

Drücken Sie für die manuelle Suche zuerst die Taste STATIONS kurz und drehen Sie dann den OK-Knopf nach rechts, um aufwärts zu scannen oder nach links, um abwärts zu scannen.

## **Autom. Suche**

Halten Sie den OK-Knopf gedrückt, um die automatische Suche zu starten. Das Radio beginnt daraufhin, das Frequenzband zu scannen. Der Scan wird automatisch gestoppt, wenn ein Radiosender gefunden wurde.

Wenn Sie möchten, dass das Radio automatisch auf- oder abwärts sucht, dann müssen Sie eine manuelle Auf- oder Abwärtssuche durchführen, bevor Sie den OK-Knopf lange drücken.

## **FM-Modus – Scaneinstellungen**

Drücken Sie die Taste MENU und drehen Sie dann den OK-Knopf, um „Scan setting“ (Scaneinstellung) auszuwählen. Drücken Sie den OK-Knopf kurz und wählen Sie dann durch Drehen des OK-Knopfes zwischen „Strong stations only“ (Nur starke Sender) oder „All stations“ (Alle Sender) aus.

Drücken Sie anschließend den OK-Knopf, um Ihre Auswahl zu bestätigen. Wenn Sie „Strong station only“ (Nur starke Sender) auswählen, dann scannt das Radio nur nach Radiosendern mit starkem Signal und gibt auch nur diese wieder. Wenn Sie „All stations“ (Alle Sender) auswählen, dann scannt das Radio auch nach Radiosendern mit schwachem Signal und gibt auch diese wieder.

## **FM-Modus – Audioeinstellungen**

Drücken Sie die Taste MENU und drehen Sie den OK-Knopf. Wählen Sie „Forced mono“ (Mono erzwingen) „Yes“ (Ja) oder „No“ (Nein) aus und drücken Sie anschließend den OK-Knopf kurz, um Ihre Auswahl zu bestätigen. Wenn das Signal Ihres Lieblingsradiosenders schwach ist, dann wählen Sie „Forced mono Yes“ (Mono erzwingen Ja) aus, um eine bessere Klangqualität zu erhalten.

## **FM-Modus – Systemeinstellungen** (siehe DAB-Modus – Systemeinstellungen)

## **FM-Displaymodi**

Diese Funktion ermöglicht, dass Informationen bzgl. des aktuell ausgewählten Radiosenders im Display angezeigt werden können. Drücken Sie mehrmals den OK-Knopf, um durch die angezeigten Informationen zu scrollen, die nachstehend erläutert werden.

**RDS (Lauftext):** Der aktuell ausgewählte Radiosender kann einige Lauftextinformationen über das aktuelle Programm in seine Ausstrahlung einbetten.

**Program type (Programmart):** Die Programmart beschreibt den Stil des gesendeten Programms.

**Station name (Name des Radiosenders):** Wie beispielsweise BBC RD zusammen mit der Frequenz in MHz

**Audio Mode (Audiomodus):** Auf dem Display wird angezeigt, ob der empfangene Radiosender in Mono oder Stereo ausstrahlt.

**Time/date (Uhrzeit/Datum):** Sowohl das Datum als auch die Uhrzeit werden durch das Radiozeitsignal (wenn RDS verfügbar ist) automatisch aktualisiert.

### **Radiobedienung – Senderspeicherfunktion**

Dieses Radio ermöglicht Ihnen, auf den Speicherplätzen bis zu 10 DAB- und 10 FM-Radiosender zu speichern. Durch Drücken der sich auf der Oberseite des Radios befindlichen Speicherplatztasten können Sie die auf diesen Tasten gespeicherten Radiosender schnell auswählen.

#### **Speichern eines DAB-Radiosenders auf einem Speicherplatz**

Folgen Sie der obenerwähnten Anleitung für die Auswahl eines DAB-Radiosenders.

Halten Sie die Taste „Preset“ gedrückt. Auf dem Display wird „1: (Empty)“ (Speicherplatz 1: (Leer)) angezeigt, wenn Sie noch keinen Radiosender gespeichert haben.

Drehen Sie den OK-Knopf, um zu dem Speicherplatz (1 – 10) zu scrollen, auf dem Sie den Radiosender speichern möchten.

Drücken Sie den OK-Knopf kurz, um den Radiosender zu speichern. Auf dem Display wird die Mitteilung „Preset XX saved“ (Speicherplatz XX gespeichert) angezeigt.

Hinweis: Auf der Oberseite des Radios befinden sich 5 separate Speicherplatztasten. Sie können jede dieser Speicherplatztasten gedrückt halten, um einen Radiosender zu speichern. Alternativ können Sie auch eine der Zifferntasten auf der Fernbedienung gedrückt halten, um einen Radiosender zu speichern. (Zifferntaste 0 = Speicherplatz 10)

## **Abruf gespeicherter DAB-Radiosender**

Sie können Ihre gespeicherten Radiosender schnell abrufen, indem Sie die Taste PRESET drücken und anschließend durch Drehen des OK-Knopfes durch die Speicherplätze scrollen. Drücken Sie den OK-Knopf kurz, um den ausgewählten Radiosender wiederzugeben.

Wenn Sie einen leeren Speicherplatz auswählen sollten, dann wird im Display „Preset empty“ (Unbelegter Speicherplatz) angezeigt.

Sie können aber auch die Speicherplätze 1 bis 5 schnell auswählen, indem Sie eine der Speicherplatztasten 1 – 5 auf der Oberseite des Radios drücken. Alternativ können Sie auch die Zifferntasten (0 – 9) auf der Fernbedienung drücken, um einen Speicherplatz auszuwählen (0 = Speicherplatz 10).

## **Wecker einstellen**

Hinweis: Überprüfen Sie vor der Einstellung einer Weckzeit, dass am Radio die richtige Zeit und das richtige Datum angezeigt wird.

Im DAB- oder FM-Modus:

Drücken Sie die Taste ALARM auf der Vorderseite des Radios. Daraufhin wird „Alarm 1 off 6:00“ (Weckruf 1 aus 6:00) angezeigt. Drücken Sie den OK-Knopf kurz.

Auf dem Display wird „Alarm 1 info“ (Information Weckruf 1) angezeigt. Wählen Sie durch Drehen des OK-Knopfs „Alarm“ (Weckruf) aus und drücken Sie ihn anschließend, um den Weckruf ein- oder auszuschalten.

Drehen Sie den OK-Knopf, um zu „Frequency“ (Häufigkeit) zu scrollen. Sie können hier zwischen Daily (Täglich), Once (Einmal), Weekends (Am Wochenende) und Weekdays (Wochentags) auswählen. Drücken Sie den OK-Knopf kurz, um Ihre Auswahl zu bestätigen.

Drehen Sie den OK-Knopf, um zu „Wake Up Time“ (Weckzeit) zu scrollen und drücken Sie ihn anschließend kurz. Die Stundenstelle blinkt.

Drehen Sie den OK-Knopf, um die gewünschte Stunde einzustellen und drücken Sie ihn anschließend kurz, um Ihre Auswahl zu bestätigen.

Die Minutenstelle blinkt.

Drehen Sie den OK-Knopf, um die gewünschten Minuten einzustellen und drücken Sie ihn anschließend kurz, um Ihre Auswahl zu bestätigen.

Drehen Sie den OK-Knopf, um zu „Source“ (Wecktonquelle) zu scrollen. Sie können jetzt zwischen Buzzer (Summer), DAB+ Radio (DAB+-Radio) oder FM (FM-Radio) auswählen. Drücken Sie zum Bestätigen den OK-Knopf kurz.

Drehen Sie den OK-Knopf, um zu „Duration“ (Dauer) zu scrollen. Sie können zwischen 15, 30, 45, 60, 90 oder 120 Minuten auswählen. Drücken Sie zum Bestätigen den OK-Knopf kurz.

Drehen Sie den OK-Knopf und wählen Sie „Volume“ (Lautstärke) aus, um die Lautstärke für Ihren Weckruf einzustellen. Ändern Sie die Lautstärke durch Drehen des OK-Knopfes. (Die minimale durch Sie auswählbare Lautstärke ist 4). Drücken Sie zum Bestätigen den OK-Knopf kurz. Der Wecker ist nun einsatzbereit.

**Hinweis:** Die Wecktonlautstärke wird allmählich solange erhöht, bis sie die von Ihnen eingestellte Lautstärke erreicht hat.

**Wiederholen Sie die obenstehenden Schritte, um Alarm 2 (Weckruf 2) einzustellen.**

### **Schlummerfunktion**

Wenn der Weckruf ertönt, dann können Sie den OK-Knopf drücken, um die Schlummerfunktion zu aktivieren. Die Standardschlummerzeit beträgt 9 Minuten. Hinweis: Sie können die Standby-Taste drücken, um die Schlummerfunktion auszuschalten.

### **Bluetooth-Funktionen**

Schalten Sie das Radio ein und drücken Sie dann die Taste MODE solange kurz, bis der Modus Bluetooth ausgewählt ist. Aktivieren Sie dann die Bluetooth-Funktion Ihres Bluetooth-fähigen Geräts und starten Sie die Suche nach Bluetooth-Geräten. Wählen Sie aus der Liste gefundener Geräte „Lenco DAR-030“ aus. Tippen Sie es an, um zu koppeln. Wenn die Verbindung erfolgreich war, dann ertönt die Sprachmitteilung „Connected“ (Verbunden).

Sie können für die Auswahl des vorherigen Titels die Taste STATIONS und für den nächsten Titel die Zurücktaste drücken.

Sie können den OK-Knopf drücken, um die Wiedergabe zu pausieren oder zu starten/fortzusetzen.

Sie können die Lautstärke einstellen, indem Sie den OK-Knopf in oder gegen den Uhrzeigersinn drehen (beachten Sie dabei, dass der Lautstärkepegel nicht mit dem Bluetooth-Gerät synchronisiert wird, was bedeutet, dass Sie die Lautstärke Ihres Bluetooth-Geräts zuerst per Hand anheben müssen).

Halten Sie einfach den OK-Knopf gedrückt, wenn Sie die aktuelle Verbindung trennen und eine Verbindung mit einem anderen Gerät herstellen möchten.

„Dieses Produkt besitzt eine Bluetooth-Empfangsfunktion, mit der Sie jedoch keine Klänge über Bluetooth übertragen können: d. h. Sie können nur Bluetooth-Audiosignale von externen Quellen wie beispielsweise einem Smartphone kabellos empfangen.“

## Technische Daten

Anschlüsse	MicroUSB für den Netzadapter, 3,5-mm-Kopfhörerausgang
Netzadaptereingang	100 – 240 V~, 50/60 Hz, max. 0,2 A
Netzadapterausgang	5.0 V/1,5 A
Leistungsaufnahme	10 W (max.)
Leistungsaufnahme (Standby)	< 1 W
Betriebstemperatur	0 °C – 35 °C
Betriebslage	Horizontal
Netzteil: (Nur für EU)	
	Hersteller: Shenzhen Adition Audio Science and Technology Co., Ltd
	Modellnummer: AD080A0501500EU-MICROUSB
	Verwenden Sie nur den originalen AC-Adapter
	Verwenden Sie nur die im Handbuch angegebene Stromversorgung.
Geräteabmessung	280 x 110 x 110 mm (B x T x H)
Gewicht	890 g

HINWEIS: Nur die in dieser Bedienungsanleitung angegebene Stromversorgung benutzen.

Informationen	Wert und Genauigkeit
Name des Herstellers oder der Handelsmarke, kommerzielle Zulassung und Anschrift	Adition
Modellidentifikator	AD080A0501500EU-MicroUSB
Eingangsspannung	100-240V
Wechselstromfrequenz des AC-Eingangs	50/60Hz
Ausgangsspannung	5.0V
Ausgangsstrom	1.5A
Ausgangsleistung	7.5W

Durchschnittliche Effizienz bei Normallast	77.33%
Effizienz bei Niederlast (10 %)	71.82%
Leistungsaufnahme bei Nulllast	0.04W

## Garantie

Lenco bietet Leistungen und Garantien im Einklang mit Europäischem Recht. Im Falle von Reparaturen (sowohl während als auch nach Ablauf der Garantiezeit) sollten Sie deshalb Ihren Einzelhändler kontaktieren.

Wichtiger Hinweis: Es ist nicht möglich, Produkte für Reparaturen direkt an Lenco zu schicken.

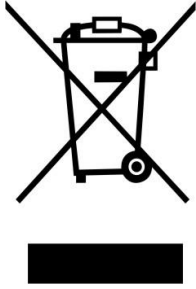
Wichtiger Hinweis: Wenn dieses Gerät für welchen Grund auch immer durch ein nicht offizielles Service-Center geöffnet wurde oder durch dieses Service-Center darauf zugegriffen wurde, erlischt die Garantie.

Dieses Gerät ist nicht für professionelle Zwecke geeignet. Falls das Gerät für professionelle Zwecke eingesetzt wird, erlöschen alle Garantieverpflichtungen seitens des Herstellers.

## Haftungsausschluss

Aktualisierungen der Firmware und/oder Hardware-Komponenten werden regelmäßig durchgeführt. Aus diesem Grund können einige der Anleitungen, Spezifikationen und Abbildungen in dieser Dokumentation zu dem Ihnen vorliegendem Gerät leicht abweichen. Alle in diesem Handbuch beschriebenen Elemente dienen nur zur Illustration und treffen auf Ihre individuelle Situation möglicherweise nicht zu. Aus der in diesem Handbuch getätigten Beschreibung können keine Rechtsansprüche oder Leistungsanforderungen geltend gemacht werden.

## Entsorgung des Altgeräts



Dieses Symbol zeigt an, dass das entsprechende Produkt oder dessen Akku/Batterie in Europa nicht mit dem normalen Hausmüll entsorgt werden darf. Um die ordnungsgemäße Abfallbehandlung des Produkts und dessen Akku/Batterie zu gewährleisten, müssen diese im Einklang mit allen anwendbaren örtlichen Vorschriften zur Entsorgung von Elektrogeräten und Akkus/Batterien entsorgt werden. Dabei helfen Sie, natürliche Ressourcen zu schonen und Umweltschutzstandards zur Verwertung und Entsorgung von Altgeräten aufrecht zu halten (Richtlinie über Entsorgung Elektrischer und Elektronischer Altgeräte).

## CE-Kennzeichen

Hiermit erklärt Commaxx B.V. Wiebachstraat 37, 6466 NG Kerkrade, Die Niederlande, dass dieses Produkt den grundsätzlichen Anforderungen der EU-Richtlinie entspricht.

Die Konformitätserklärung kann unter folgendem Link abgerufen werden:

[techdoc@commaxxgroup.com](mailto:techdoc@commaxxgroup.com)



## Service

Besuchen Sie bitte für weitere Informationen und unseren Kundendienst unsere Homepage

[www.lenco.com](http://www.lenco.com)

Commaxx B.V. Wiebachstraat 37, 6466 NG Kerkrade, Die Niederlande.

**ATTENTION :**

L'utilisation de commandes ou d'ajustements ou l'exécution de procédures autres que celles spécifiées dans le présent document peuvent entraîner une exposition dangereuse aux radiations.

**PRÉCAUTIONS AVANT UTILISATION**

---

**GARDEZ CES INSTRUCTIONS À L'ESPRIT :**

30. Ne couvrez pas et n'obturez pas les ouvertures de ventilation. Lorsque vous placez l'appareil sur une étagère, laissez 5 cm (2") d'espace libre tout autour de l'appareil.
31. Installez-le conformément au mode d'emploi fourni.
32. Gardez l'appareil à l'écart des sources de chaleur telles que des radiateurs, appareils de chauffage, fours, bougies et autres produits générant de la chaleur ou une flamme nue. L'appareil ne peut être utilisé que dans des climats modérés. Les environnements extrêmement froids ou chauds doivent être évités. La plage de température de fonctionnement se situe entre 0° et 35° C.
33. Évitez d'utiliser l'appareil à proximité de champs magnétiques puissants.
34. Des décharges électrostatiques peuvent perturber le fonctionnement de cet appareil. Dans ce cas, il suffit de réinitialiser et de redémarrer l'appareil en suivant le mode d'emploi. Pendant le transfert de fichiers, manipulez l'appareil avec précaution et faites-le fonctionner dans un environnement sans électricité statique.
35. Mise en garde ! N'introduisez jamais un objet dans l'appareil par les ouvertures et les fentes de ventilation. Étant donné que des tensions élevées sont présentes à l'intérieur du produit, l'insertion d'un objet peut entraîner une électrocution et/ou court-circuiter les composants internes. Pour les mêmes raisons, ne versez pas de l'eau ou un liquide sur le produit.
36. Ne l'utilisez pas dans des endroits humides tels qu'une salle de bain, une cuisine pleine de vapeur ou à proximité d'une piscine.
37. L'appareil ne doit pas être exposé à des écoulements ou des éclaboussures et aucun objet contenant un liquide, tel qu'un vase, ne doit être posé sur ou près de l'appareil.
38. N'utilisez pas cet appareil lorsque de la condensation est possible. Lorsque l'appareil est utilisé dans une pièce humide et chaude, des gouttelettes d'eau ou de la condensation peuvent se former à l'intérieur de l'appareil et affecter son fonctionnement. Laissez l'appareil hors tension pendant 1 ou 2 heures avant de le mettre en marche : l'appareil doit être sec avant sa mise sous tension.
39. Bien que ce dispositif soit fabriqué avec le plus grand soin et contrôlé à plusieurs reprises avant de quitter l'usine, des problèmes peuvent néanmoins survenir, comme avec tous les appareils électriques. Si l'appareil émet de la fumée ou en cas d'accumulation excessive de la chaleur ou d'un phénomène inattendu, débranchez immédiatement la fiche d'alimentation du secteur.
40. Cet appareil doit fonctionner avec la source d'alimentation indiquée sur la plaque signalétique. Si vous n'êtes pas sûr du type d'alimentation utilisé chez vous, contactez votre revendeur ou le fournisseur local d'électricité.
41. Tenez l'appareil à l'abri des animaux. Certains animaux aiment ronger les cordons électriques.
42. Pour nettoyer l'appareil, servez-vous d'un chiffon doux et sec. N'utilisez pas de solvant ni d'autre liquide à base de pétrole. Pour enlever les taches importantes, vous pouvez vous servir d'un chiffon humide imbibé d'une solution de détergent diluée.
43. Le fournisseur n'est pas responsable des dommages ou pertes de données causés par un dysfonctionnement, une utilisation abusive, une modification de l'appareil ou un remplacement de la batterie.
44. N'interrompez pas la connexion lorsque l'appareil formate ou transfère des fichiers. Dans le cas contraire, les données pourraient être endommagées ou perdues.

45. Si l'appareil a une fonction de lecture USB, il faut brancher la clé USB directement sur l'appareil. N'utilisez pas un câble d'extension USB, car cela peut causer des interférences entraînant des pertes de données.
46. L'étiquette de classification se trouve sur le panneau inférieur ou arrière de l'appareil.
47. Cet appareil ne doit pas être utilisé par des personnes (y compris les enfants) souffrant de déficiences physiques, sensorielles ou mentales, ou d'un manque d'expérience et de connaissances, à moins qu'elles n'aient été supervisées ou qu'une personne responsable de leur sécurité ne leur ait donné des instructions sur l'utilisation correcte de l'appareil.
48. Ce produit est réservé à un usage non professionnel, et non pas à un usage commercial ni industriel.
49. Vérifiez que l'appareil est en position stable. La garantie ne couvre pas les dégâts occasionnés par l'utilisation de cet appareil en position instable, par les vibrations, les chocs ou par la non-observation de tout autre avertissement ou précaution contenus dans ce mode d'emploi.
50. N'ouvrez jamais cet appareil.
51. Ne placez jamais cet appareil sur un autre appareil électrique.
52. Ne laissez pas les sacs en plastique à la portée des enfants.
53. Utilisez uniquement les accessoires recommandés par le fabricant.
54. Confiez l'entretien et les réparations à un personnel qualifié. Une réparation est nécessaire lorsque l'appareil a été endommagé de quelque façon que ce soit, par exemple lorsque le cordon d'alimentation ou la prise sont endommagés, lorsqu'un liquide s'est déversé ou des objets sont tombés sur l'appareil, lorsque l'appareil a été exposé à la pluie ou à l'humidité, lorsqu'il ne fonctionne pas correctement ou est tombé.
55. Une exposition prolongée à la musique avec un volume élevé peut entraîner une perte auditive temporaire ou permanente.
56. Si l'appareil est livré avec un câble d'alimentation ou un adaptateur secteur :
  - En cas de problème, débranchez le cordon d'alimentation CA et confiez l'entretien à un personnel qualifié.
  - Ne marchez pas sur l'adaptateur secteur ou ne le coincez pas. Faites très attention, en particulier à proximité des fiches et du point de sortie du câble. Ne placez pas d'objets lourds sur l'adaptateur secteur, car ils pourraient l'endommager. Gardez l'appareil hors de portée des enfants ! Ils pourraient se blesser gravement s'ils jouent avec le câble d'alimentation.
  - Débranchez cet appareil pendant les orages ou lorsqu'il n'est pas utilisé pendant une longue durée.
  - La prise secteur doit être installée près de l'appareil et doit être facilement accessible.
  - Ne surchargez pas les prises de courant ou les rallonges. Une surcharge peut entraîner un incendie ou une électrocution.
  - Les appareils de classe 1 doivent être branchés à une prise de courant disposant d'une connexion protectrice à la terre.
  - Les appareils à la norme de construction de classe 2 ne nécessitent pas de connexion à la terre.
  - Tirez toujours sur la fiche pour débrancher le cordon de la prise secteur. Ne tirez pas sur le cordon d'alimentation. Cela pourrait provoquer un court-circuit.
  - N'utilisez pas un cordon ou une fiche d'alimentation endommagé ni une prise desserrée. Vous courez un risque d'incendie ou de décharge électrique.
57. Si le produit contient ou est livré avec une télécommande contenant des piles boutons :
 

Avertissement :

  - « N'ingérez pas la pile, car vous risquez une brûlure chimique » ou une formule équivalente.
  - La télécommande fournie contient une pile bouton/pièce de monnaie. Si la pile est avalée, elle peut causer de graves brûlures internes en seulement 2 heures et peut entraîner la mort.
  - Tenez les piles neuves et usagées hors de portée des enfants.
  - Si le compartiment à piles ne se ferme pas correctement, cessez d'utiliser l'appareil et tenez-le hors de portée des enfants.
  - Si vous pensez que les piles ont été avalées ou placées à l'intérieur d'une partie du corps, consultez un médecin immédiatement.

58. Mise en garde relative à l'utilisation des piles :

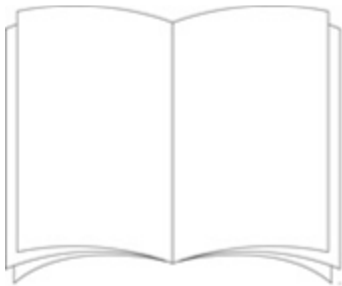
- Risque d'explosion si la pile est mal remplacée. Remplacez les piles par des piles d'un type identique ou équivalent.
- Pendant l'utilisation, le stockage ou le transport, la pile ne doit pas être soumise à des températures extrêmement élevées ou basses, à une faible pression d'air à haute altitude.
- Le remplacement d'une pile par une autre de type incorrect peut entraîner une explosion ou une fuite de liquide ou de gaz inflammable.
- L'introduction d'une pile dans le feu ou dans un four chaud, l'écrasement ou le découpage mécanique peut entraîner une explosion.
- L'exposition d'une pile dans un environnement à température extrêmement élevée peut entraîner une explosion ou une fuite de liquide ou de gaz inflammable.
- L'exposition d'une pile à une pression d'air extrêmement basse peut entraîner une explosion ou une fuite de liquide ou de gaz inflammable.
- Veuillez considérer les questions environnementales lors de la mise au rebut des piles.

## INSTALLATION

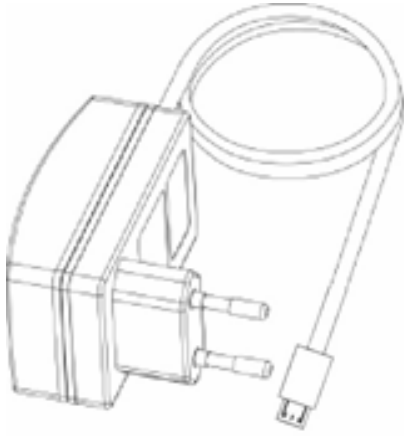
- Déballez toutes les pièces et enlevez le matériau de protection.
- Ne connectez pas l'unité au secteur avant d'avoir vérifié la tension du secteur et avant que toutes les autres connexions n'aient été effectuées.

### Accessoires :

1. Mode d'emploi



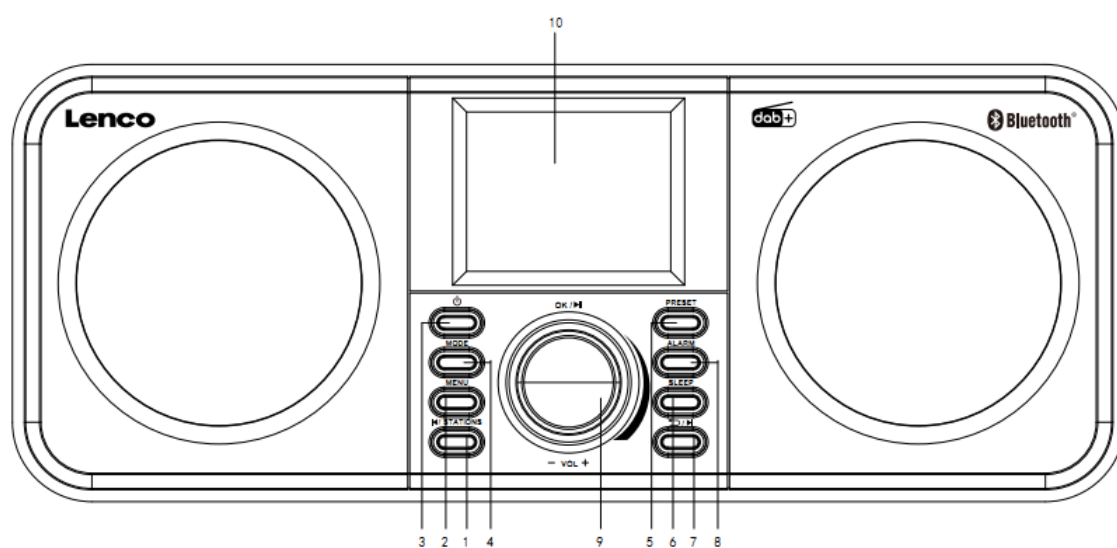
2. Adaptateur de puissance



### 3. Télécommande

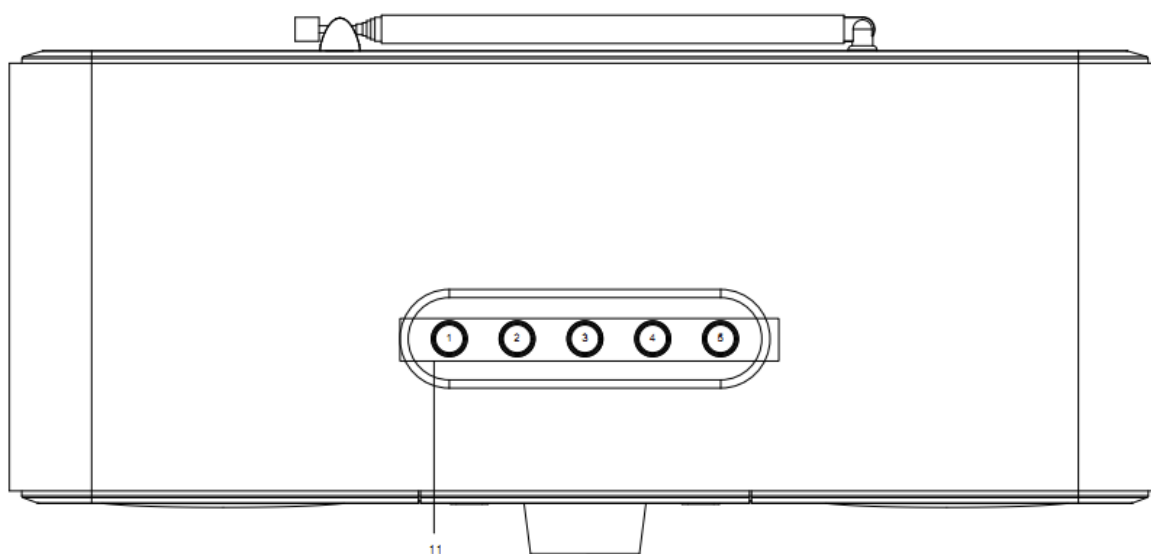


## Aperçu de la façade du produit



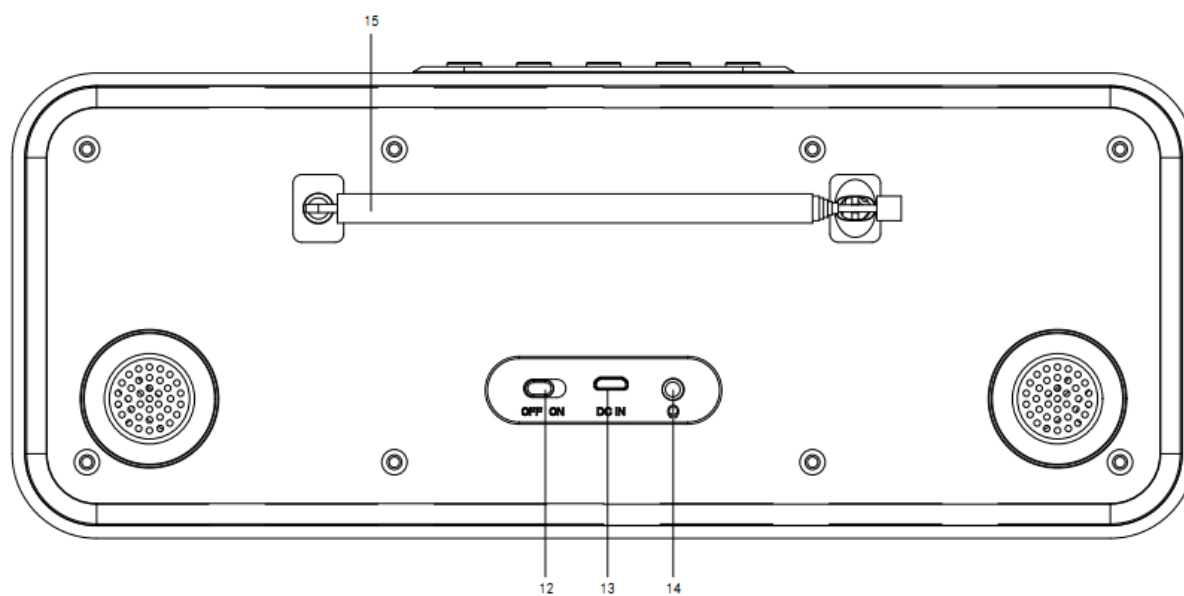
1. Bouton gauche/de stations
2. Bouton du menu
3. Bouton veille
4. Bouton Mode
5. Bouton Présélection
6. Bouton Veille
7. Bouton Arrière/Droit
8. Bouton Alarme
9. Touche OK/Vol+/Vol-/Nagivation/Lecture/pause/Répétition/Info
10. Affichage couleur

## Aperçu de la partie supérieure du produit



11. 5 boutons de présélection

## Aperçu de l'arrière du produit



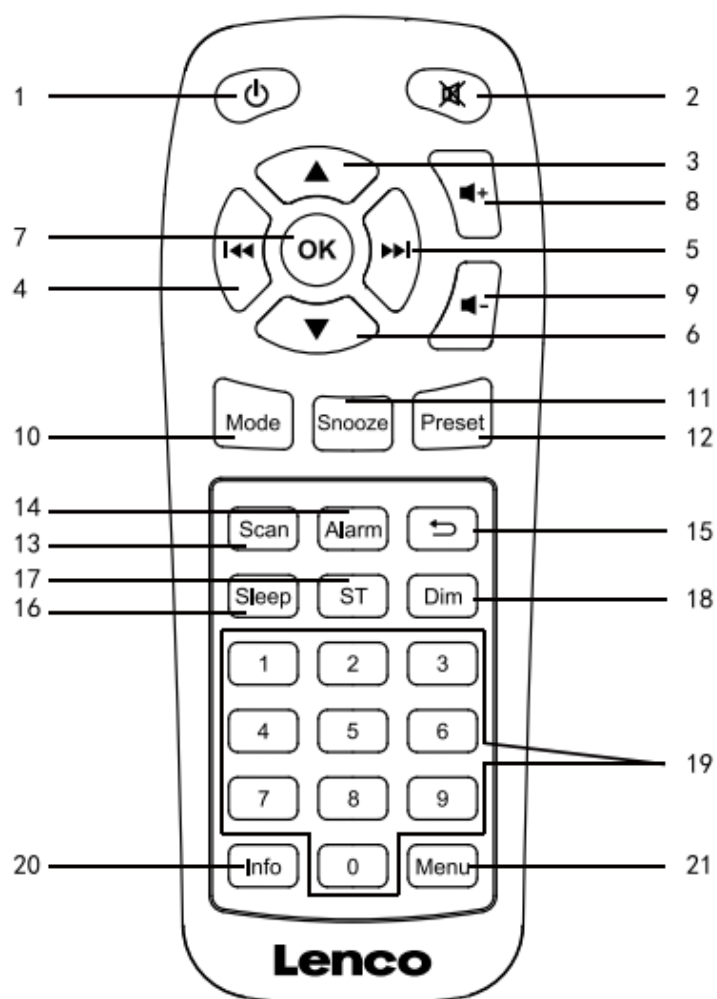
12. Interrupteur MARCHE/ARRÊT

13. Prise d'entrée CC

14. Prise de sortie pour casque

15. Antenne télescopique

## Aperçu de la télécommande



1. Bouton veille
2. Bouton Sourdine
3. Bouton Haut
4. Bouton Gauche
5. Bouton Droit
6. Bouton Bas
7. Bouton OK//Lecture/pause
8. Bouton Vol+

9. Bouton Vol-
10. Bouton Mode
11. Touche rappel d'alarme
12. Bouton Présélection
13. Bouton Recherche
14. Bouton Alarme
15. Bouton Retour
16. Bouton Veille
17. Bouton Stéréo/Mono
18. Bouton Variateur
19. Touches numériques pré-réglées
20. Bouton Info
21. Bouton du menu

### **Première utilisation**

Avant utilisation, vérifiez que la TENSION mentionnée sur l'étiquette de l'alimentation correspond à celle de votre secteur.

Utilisez l'adaptateur d'alimentation fourni pour brancher l'appareil à une prise secteur.

Mettez en marche l'appareil grâce à l'interrupteur d'alimentation à l'arrière.

## **Fonctionnement de base - Démarrage**

### **Fonctionnement de base - Démarrage**

1. Connectez l'adaptateur secteur à la prise micro USB, étendez complètement l'antenne télescopique, branchez l'appareil sur le secteur et allumez-le.
2. Le rétroéclairage de l'écran s'allume et l'horloge (00:00:00) (l'heure n'est pas réglée) clignote.

3. Lors de la toute première utilisation, le mode DAB est automatiquement sélectionné et la radio effectue un balayage complet. L'écran affiche « Scanning » (Balayage) avec un indicateur à barres indiquant la progression du balayage et le nombre total de stations trouvées.
4. Une fois que la recherche est terminée, la radio lira la première station trouvée dans l'ordre alphanumérique. Si la radio ne trouve aucune station, le message « No DAB Station » (Aucune station DAB) s'affiche.
5. Réglez le volume au niveau de votre choix à l'aide du bouton VOL(+/-).
6. Appuyez sur la touche des stations et utilisez le bouton pour faire défiler la liste des stations. Appuyez sur le bouton OK une fois sur votre station favorite.
7. Appuyez sur la touche Mode pour basculer entre les modes d'entrée DAB, FM, Bluetooth et Aux,
8. Appuyez sur la touche de mise en veille pour passer en mode Standby « Standby » (veille).
9. Appuyez sur Sleep pour régler la minuterie de mise en veille : Tournez le bouton Volume pour choisir entre Sleep off (Veille désactivée)-15 minutes-30 minutes-45 minutes-60 minutes-90 minutes. La radio se met en veille lorsque le décompte du temps sélectionné est achevé.

## **Utilisation du mode DAB de la radio**

### **Mode DAB - Plein écran**

Cette fonction permet de rechercher toutes les stations DAB disponibles et les canaux de la Bande III.

En mode DAB, appuyez sur la touche Menu et tournez le bouton ok pour sélectionner « Full Scan » (Plein écran), puis appuyez brièvement sur le bouton ok pour lancer le balayage complet des stations DAB. Une fois le balayage terminé, la radio revient à la dernière station de radio DAB lue. Toutes les stations trouvées seront répertoriées dans la liste des stations qui s'affiche par une pression sur la touche « stations ».

**Veillez noter que les stations de radio DAB+ disponibles diffèrent d'une région/ville à l'autre.**

### **Mode DAB - Recherche manuelle**

Cette fonction permet d'ajouter un ensemble spécifique ou nouveau aux stations déjà disponibles sur la radio.

En mode DAB, appuyez sur la touche Menu et utilisez le bouton ok pour défiler jusqu'à ce que « Manual tune » (Recherche manuelle) soit en surbrillance, appuyez sur le bouton ok pour confirmer.

Utilisez le bouton ok pour naviguer jusqu'à ce que la fréquence de votre choix soit sélectionnée, puis appuyez sur le bouton ok, la fréquence et le nom de l'ensemble ainsi que l'intensité du signal s'affichent.

Appuyez à nouveau sur le bouton ok pour ajouter l'ensemble et syntoniser automatiquement cette station.

### **Mode DAB- Prune Invalid**

Cette fonction supprime les stations indisponibles de la liste des stations. Appuyez sur le bouton Menu. Utilisez le bouton ok pour défiler jusqu'à l'option « Prune Invalid » (effacer les stations non valables) et appuyez sur le bouton ok pour confirmer.

Tournez le bouton ok pour sélectionner (yes) (oui) afin de trier les stations invalides/non disponibles. Si vous sélectionnez (No) (Non), l'opération sera annulée.

### **Mode DAB- DRC**

**DRC renvoie à la compression de plage dynamique, et il s'agit d'augmenter l'intensité sonore la plus faible du signal audio, et de diminuer l'intensité sonore la plus forte.**

En mode DAB, appuyez sur la touche Menu et utilisez le bouton ok pour défiler jusqu'à ce que « DRC » soit en surbrillance. Appuyez sur le bouton ok pour confirmer.

Maintenant, utilisez le bouton ok pour défiler entre les niveaux off, high, low (désactivé, élevé, bas). Appuyez sur le bouton ok pour confirmer votre choix.

### **Mode DAB- mode affichage**

Cette fonction affiche diverses informations sur la station actuelle.

Appuyez plusieurs fois sur le bouton ok pour faire défiler les informations suivantes :

**DLS (segment d'étiquette dynamique)/texte radio-** La station de radio peut inclure un message défilant sur le programme en cours.

**Ensemble/multiplexe (nom de groupe) :** L'ensemble/le multiplex est un groupe de stations qui sont regroupées et transmises ensemble en une seule fréquence. Il existe des multiplexes nationaux et locaux ; les locaux contiennent des stations qui sont spécifiques à votre zone locale.

**Frequency (Fréquence) :** L'écran affiche la fréquence de la station diffusée.

**Signal strength (Puissance du Signal) :** L'écran affiche une barre de défilement pour indiquer l'intensité du signal. Plus le signal est puissant, plus la barre est longue.

**Signal error (Erreur de signal) :** Elle s'affiche sous la forme d'un nombre compris entre 0 et 99. Il n'est pas possible d'écouter de façon satisfaisante une station de radio ayant un taux d'erreur de signal supérieur ou égal à 30.

**Audio bit rate (Débit binaire audio) :** L'écran affiche le débit binaire audio numérique du signal de réception en cours.

**Time and date (Heure et date) :** l'heure et la date seront automatiquement mises à jour par la radio.

#### **Mode DAB- Réglages du système**

**Equalizer (Égaliseur) :** Tournez le bouton ok pour choisir entre les réglages -Normal-Classic (Classique)-Jazz-Pop-Pop-Rock-Speech (Voix)-My EQ-My EQ set up (Réglez) (Treble, Bass) (Aigus, Graves).

**Time/Date (Heure/date) :** Réglage de l'heure/date

Appuyez sur le bouton ok, le chiffre de la date clignote, tournez le bouton ok pour choisir la date correcte et appuyez sur le bouton ok pour confirmer.

Le chiffre du mois commence à clignoter. Tournez le bouton ok pour choisir le mois approprié et appuyez sur le bouton ok pour confirmer.

Le chiffre de l'année commence à clignoter. Tournez le bouton ok pour choisir l'année appropriée et appuyez sur le bouton ok pour confirmer.

Le chiffre de l'heure commence à clignoter. Tournez le bouton ok pour choisir l'heure appropriée et appuyez sur le bouton ok pour confirmer.

Le chiffre de minute commence à clignoter. Tournez le bouton ok pour choisir la minute appropriée et appuyez sur le bouton ok pour confirmer.

La configuration heure/date est maintenant terminée.

**Auto update (mise à jour automatique)** : Choisissez la source à partir de laquelle la radio mettra l'heure à jour automatiquement.

Vous pouvez choisir parmi les options suivantes :

- **Any (Toutes)** : la mise à jour de l'heure sera effectuée à partir du signal DAB ou FM
- **From Digital Radio (Depuis la radio numérique)** : mise à jour de l'heure à partir du signal DAB
- **From FM (Depuis la radio FM)** : mise à jour de l'heure depuis un canal RDS
- **No update (Aucune mise à jour)** : si vous souhaitez régler l'heure manuellement

**Set 12/24 hour (Réglage du format de 12/24 heures)** : Tournez le bouton ok pour choisir de régler l'affichage de l'heure sur le format 24 heures ou 12 heures.

**Set date format (Réglage du format de la date)** : Tournez le bouton ok pour choisir DD-MM-YYYY or MM-DD-YYYY (JJ-MM-AAAA ou MM-JJ-AAAA).

**Backlight (Rétroéclairage)** : Délai d'attente : on (activé)-10 s-20 s-30 s-45 s-60 s-90 s-120 s-180 s

Niveau Activé : Élevé-Moyen-Bas

Niveau de luminosité : Élevé-Moyen-Bas

**Language (Langue)** : English, Nederlands, Deutsch, Italiano, Francais, Dansk

**Factory reset (réinitialisation des réglages d'usine)** : Appuyez sur le bouton Ok et choisissez « Yes » (Oui) pour démarrer la réinitialisation aux paramètres d'usine.

**Software Update (Mise à jour du logiciel)** : Appuyez sur le bouton ok et choisissez « Yes » (Oui) pour mettre à jour le logiciel si nécessaire. La mise à jour ne peut se faire qu'avec un câble micro usb.

**Remark (Remarque) :** ne sélectionnez l'option Software Update (Mise à jour du logiciel) que si vous avez une mise à jour pour cet appareil. (si vous avez accidentellement sélectionné cette option, utilisez l'option off/on (Marche/arrêt) pour réinitialiser la radio)

**SW version (version SW) :** Appuyez sur OK pour afficher la version du système.

### **Utilisation du mode FM de la radio**

Allumez la radio, appuyez plusieurs fois sur la touche Mode et sélectionnez le mode FM.

Si RDS n'est pas disponible, l'écran affiche « FM » et le nom ou la fréquence de la station en cours.

### **Rech manuelle**

Pour effectuer une recherche manuelle, appuyez d'abord sur le bouton des stations brièvement, puis tournez le bouton ok vers la droite pour effectuer une recherche vers le haut, ou vers la gauche pour effectuer une recherche vers le bas.

### **Rech. Auto**

Pour lancer la recherche automatique, appuyez sur le bouton ok et maintenez-le enfoncé.

La radio commence le balayage de la bande de fréquences. La recherche s'arrête automatiquement lorsqu'une station a été trouvée.

Si vous souhaitez que la radio recherche automatiquement vers le bas ou vers le haut, vous devez effectuer une recherche manuelle vers le bas ou vers le haut avant d'appuyer longuement sur la touche ok.

### **Mode FM- Réglages de la recherche**

Appuyez sur la touche Menu et tournez le bouton ok pour sélectionner « Scan setting » (Réglages de la recherche). Appuyez brièvement sur le bouton ok et choisissez entre « Strong stations only » (Stations fortes uniquement) ou « All stations » (Toutes les stations) en tournant le bouton ok. Appuyez sur le bouton ok pour confirmer votre choix. Si vous choisissez « Strong stations only » (Stations fortes uniquement), la radio ne balayera et ne jouera que les stations avec un signal fort. Si vous choisissez « All stations » (Toutes les stations), la radio balayera et jouera également les stations avec un signal faible.

## **Mode FM- Réglages audio**

Appuyez sur la touche Menu et tournez le bouton ok. Choisissez « Forced mono » (Mono forcé) « Yes » (Oui) ou « No » (Non) et appuyez brièvement sur le bouton ok pour confirmer. Si le signal de vos stations de radio préférées est faible, choisissez « Forced mono » (Mono forcé) « Yes » (Oui) pour obtenir une meilleure qualité sonore.

**Mode FM- Réglages du système** (Voir Mode DAB- Réglages du système)

## **Modes d'affichage FM**

Cette fonction permet d'afficher à l'écran les informations relatives à la station en cours, appuyez brièvement sur le bouton ok à plusieurs reprises pour faire défiler les écrans d'information suivants

**RDS (Texte défilant)** : La station de radio sélectionnée peut contenir un message défilant au sujet du programme en cours.

**Program type (Type de programme)** : Il décrit le type d'émission diffusée.

**Nom de la station** : comme BBC RD de la Fréquence en Mhz

**Audio Mode (Mode audio)** : L'afficheur indique si la station reçue est stéréo ou mono.

**Time/date (Heure/date)** : l'heure et la date seront automatiquement mises à jour par le signal horaire de la radio (si RDS est disponible).

## **Utilisation de la fonction de station radio pré réglée**

Cette radio vous permet de mémoriser jusqu'à 10 stations de radio DAB et 10 stations de radio FM comme pré réglées. Les stations de radio pré réglées peuvent être rapidement sélectionnées à l'aide de la touche « preset » (Pré réglage) de la radio.

## **Mémorisation des stations DAB comme pré réglées**

Suivez les instructions ci-dessus pour sélectionner une station radio DAB.

Maintenez enfoncé le bouton « preset » (pré réglage). « 1 : (Empty) » (Vide) s'affiche. Si aucune station précédente n'a été mémorisée.

Tournez le bouton ok pour faire défiler l'emplacement prédéfini sur lequel vous souhaitez stocker les stations radio (1-10).

Appuyez brièvement sur le bouton de sélection pour mémoriser la station. Le message « Preset XX saved » (Préréglage XX sauvegardé) s'affiche à l'écran.

Remarque : Il y a 5 boutons de préréglage séparés au-dessus de la radio. Vous pouvez appuyer sur chaque bouton et le maintenir enfoncé pour mémoriser une station. Vous pouvez également appuyer sur les touches numériques de la télécommande et les maintenir enfoncées pour mémoriser une station. (Touche 0 = préréglage 10)

### **Accès aux stations préréglées DAB**

Vous pouvez rapidement sélectionner vos préréglages en appuyant sur le bouton Préréglage, puis tournez le bouton ok pour faire défiler les préréglages enregistrés. Appuyez brièvement sur le bouton ok pour choisir la station sélectionnée.

Si vous choisissez un préréglage vide, « Preset empty » (préréglage vide) s'affiche.

Pour sélectionner rapidement les préréglages 1 à 5, vous pouvez appuyer brièvement sur les boutons 1 à 5 en haut de la radio ; vous pouvez également appuyer sur les chiffres 0-9 de la télécommande pour sélectionner un préréglage (où 0 = préréglage 10).

### **Réglage d'alarme**

Remarque : Vérifiez que l'heure et la date de la radio sont correctes avant de régler une alarme.

En mode DAB ou FM :

Appuyez sur la touche « Alarm » à l'avant de la radio, « Alarm 1 off 6:00 » (Alarme 1 désactivée 6:00) s'affiche. Appuyez brièvement sur le bouton ok.

« Alarm 1 info » (Info alarme 1) s'affiche. Tournez le bouton ok sur « Alarme » (Alarme) et appuyez brièvement sur le bouton ok pour activer ou désactiver l'alarme.

Tournez le bouton ok pour faire défiler jusqu'à « frequency » (fréquence). Vous pouvez choisir Daily, Once, Weekends or Weekdays (Quotidien, Une fois, Week-end ou Jours de semaine).

Appuyez brièvement sur le bouton ok pour confirmer votre sélection.

Tournez le bouton ok pour faire défiler jusqu'à « Wake Up Time » (Heure de réveil) et appuyez brièvement sur le bouton ok. Les chiffres de l'heure commencent à clignoter.

Tournez le bouton ok pour régler l'heure souhaitée et appuyez brièvement sur le bouton ok pour confirmer.

Les chiffres de minute commencent à clignoter.

Tournez le bouton ok pour régler les minutes souhaitées et appuyez brièvement sur le bouton ok pour confirmer.

Tournez le bouton ok pour faire défiler jusqu'au son de l'alarme « Source ». Vous avez le choix entre Buzzer, DAB+ Radio ou FM. Appuyez brièvement sur le bouton OK pour confirmer.

Tournez le bouton ok pour faire défiler jusqu'à « duration » (durée). Vous pouvez choisir entre 15, 30, 45, 60, 90 ou 120 minutes. Appuyez brièvement sur le bouton OK pour confirmer.

Tournez le bouton ok et sélectionnez « Volume » pour régler le volume de votre alarme. Tournez le bouton ok pour régler le volume. (Le volume minimum que vous pouvez sélectionner est 4). Appuyez brièvement sur le bouton OK pour confirmer. Votre alarme est maintenant prête à fonctionner.

**Remarque :** Le volume de l'alarme augmente progressivement jusqu'à atteindre le niveau que vous avez réglé.

**Répétez les étapes ci-dessus pour régler l'alarme 2.**

### **Fonction de rappel d'alarme**

Lorsque l'alarme retentit, vous pouvez appuyer sur le bouton ok pour répéter. Le temps de répétition par défaut est de 9 minutes. Remarque : Vous pouvez appuyer sur la touche de mise en veille pour désactiver la fonction de répétition.

### **Fonction Bluetooth**

Allumez la radio et appuyez brièvement sur le bouton Mode jusqu'à ce que le mode Bluetooth soit sélectionné. Activez le Bluetooth sur votre appareil Bluetooth, recherchez les appareils et sélectionnez « Lenco DAR-030 ». Cliquez dessus pour appairer. Une fois la connexion établie, vous entendrez une voix « connected ».

Vous pouvez appuyer sur le bouton des stations pour sélectionner la piste précédente ou sur le bouton Retour pour passer à la piste suivante.

Vous pouvez appuyer sur le bouton ok pour lire ou suspendre la lecture de la musique.

Le volume peut être réglé en tournant le bouton ok vers le haut ou vers le bas (notez que le niveau de volume n'est pas synchronisé avec le périphérique Bluetooth, ce qui signifie que vous devez d'abord augmenter manuellement le volume de votre périphérique Bluetooth).

Pour déconnecter l'appairage existant et appairer un nouvel appareil, il suffit d'appuyer sur le bouton ok et de le maintenir enfoncé.

Cet appareil est doté d'une fonction de **réception** Bluetooth. **Vous ne pourrez transmettre aucun son Bluetooth via la platine tourne-disque** : cela signifie que vous pouvez recevoir sans fil un signal sonore Bluetooth à partir d'une source externe, par ex. un smartphone.

## Caractéristiques techniques

Connexions	Micro usb pour adaptateur secteur, sortie casque 3,5 mm
Entrée de l'adaptateur secteur	100-240 V ~ 50/60 Hz, 0,2 A max.
Sortie de l'adaptateur secteur	<b>5.0 V</b> /1,5 A
Puissance absorbée	10 W max
Puissance consommée (veille)	< 1 W
Température de fonctionnement	0°C-35°C
Position de fonctionnement	Horizontal
Adaptateur d'alimentation : (pour l'Europe uniquement)	
Fabricant : Shenzhen Adition Audio Science and Technology Co., Ltd	
Numéro du modèle : AD080A0501500EU-MICROUSB	
Utilisez uniquement l'adaptateur CA d'origine	
Utilisez uniquement l'alimentation électrique indiquée dans le mode d'emploi.	
Dim. de l'unité	280 x 110 x 110 mm (LxPxH)
Poids	890 g

REMARQUE : Utilisez uniquement la tension d'alimentation indiquée dans ce manuel.

Informations	Valeur et précision
Nom ou marque du fabricant, enregistrement commercial et adresse	Adition
Référence du modèle	AD080A0501500EU-MicroUSB
Tension d'entrée	100-240V
Fréquence du CA d'entrée	50/60Hz

Tension de sortie	5.0V
Courant de sortie	1.5A
Puissance de sortie	7.5W
Rendement moyen en mode actif	77.33%
Rendement à faible charge (10 %)	71.82%
Consommation électrique sans charge	0.04W

## Garantie

Lenco propose un service et une garantie conformément à la législation européenne, ce qui signifie qu'en cas de besoin de réparation (aussi bien pendant et après la période de garantie), vous pouvez contacter votre revendeur le plus proche.

Remarque importante : Il n'est pas possible de renvoyer l'appareil pour réparation directement à Lenco.

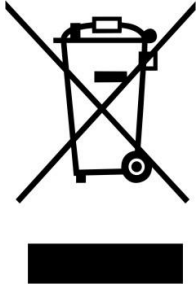
Remarque importante : Si l'appareil est ouvert ou modifié de quelque manière que ce soit par un réparateur non agréé, la garantie serait caduque.

Cet appareil ne convient pas à une utilisation professionnelle. En cas d'utilisation professionnelle, les obligations de garantie du fabricant seront annulées.

## Clause de non-responsabilité

Des mises à jour du logiciel et/ou des composants informatiques sont régulièrement effectuées. Il se peut donc que certaines instructions, caractéristiques et images présentes dans ce document diffèrent légèrement de votre configuration spécifique. Tous les articles décrits dans ce guide sont fournis uniquement à des fins d'illustration et peuvent ne pas s'appliquer à une configuration spécifique. Aucun droit légal ne peut être obtenu depuis les informations contenues dans ce manuel.

## Mise au rebut de l'appareil usagé



Ce symbole indique que le produit électrique concerné ainsi que les piles ne doivent pas être jetés avec les autres déchets ménagers en Europe. Pour garantir un traitement correct des piles et de l'appareil usagés, veuillez les mettre au rebut conformément aux réglementations locales en vigueur relatives aux appareils électriques et autres piles. En agissant de la sorte, vous contribuerez à la préservation des ressources naturelles et à l'amélioration des niveaux de protection environnementale concernant le traitement et la destruction des déchets électriques (directive sur les déchets des équipements électriques et électroniques).

## Marquage CE

Par la présente, Commaxx B.V. Wiebachstraat 37, 6466 NG Kerkrade, Pays-Bas, déclare que ce produit est conforme aux exigences principales des directives européennes.

La déclaration de conformité peut être consultée à l'adresse [techdoc@commaxxgroup.com](mailto:techdoc@commaxxgroup.com)



## Service après-vente

Pour en savoir plus et obtenir de l'assistance, visitez [www.lenco.com](http://www.lenco.com)

Commaxx B.V. Wiebachstraat 37, 6466 NG Kerkrade, Pays-Bas.

**PRECAUCIÓN:**

El uso de controles o ajustes o rendimiento de procedimientos excepto aquellos que los aquí especificados puede provocar una exposición peligrosa a la radiación.

**PRECAUCIONES PREVIAS AL USO**

---

**TENGA ESTAS INSTRUCCIONES EN MENTE:**

59. No cubra o bloquee ninguna apertura de ventilación. Cuando coloque el dispositivo en una estantería, deje 5 cm (2") de espacio libre alrededor de todo el dispositivo.
60. Instálelo conforme al manual de usuario que se adjunta.
61. Mantenga el aparato alejado de fuentes de calor, como radiadores, calentadores, estufas, velas u otros productos que generen calor o llamas vivas. El aparato solo puede usarse en climas moderados. Se deben evitar los ambientes extremadamente fríos o cálidos. La gama de temperatura de funcionamiento es de entre 0° y 35°C.
62. Evite usar el dispositivo cerca de campos magnéticos fuertes.
63. Una descarga electrostática puede entorpecer el uso normal de este dispositivo. En tal caso, simplemente reinicie los siguiendo el manual de instrucciones. Durante la transmisión de archivos, por favor manténgalo con cuidado y pégalo en un entorno libre de electricidad estática.
64. ¡Advertencia! Nunca inserte un objeto en el producto a través de las ventilaciones o aperturas. Alto voltaje fluye a través del producto e insertar un objeto puede provocar una descarga eléctrica y/o un cortocircuito de sus componentes internos. Por el mismo motivo, no derrame agua o líquidos en el producto.
65. No lo utilice en zonas húmedas, como cuartos de baño, cocinas en las que se forme vapor ni cerca de piscinas.
66. El aparato no debe exponerse a goteos o salpicaduras y asegúrese de que se colocan sobre o cerca del aparato objetos llenos de líquidos, como jarrones.
67. No use este dispositivo cuando se pueda producir condensación. Cuando la unidad se usa en una sala húmeda cálida, se pueden formar gotitas de agua o condensación en el interior de la unidad y esta puede no funcionar adecuadamente; deje que la unidad se apague durante 1 o 2 horas antes de volver a encender la unidad: el aparato debe estar seco antes de conectarse a una fuente de alimentación.
68. Aunque este dispositivo está fabricado con el máximo cuidado y comprobado varias veces antes de salir de fábrica, todavía es posible que se puedan producir problemas, al igual que con todos los aparatos eléctricos. Si observa la aparición de humo, una acumulación excesiva de calor o cualquier otro fenómeno inesperado, deberá desconectar inmediatamente el enchufe de la toma de corriente.
69. Este dispositivo debe funcionar con una fuente de alimentación que se especifica en la etiqueta de especificaciones. Si no está seguro del tipo de alimentación que se usa en su hogar, consulte con el distribuidor o una compañía eléctrica local.
70. Manténgalo alejado de los animales. A algunos animales les encanta morder los cables de alimentación.
71. Para limpiar el dispositivo use un paño seco y suave. No utilice líquidos disolventes ni con base de petróleo. Para eliminar manchas difíciles, puede usar un paño húmedo con detergente diluido.
72. El proveedor no asume ninguna responsabilidad por daños o datos perdidos provocados por un funcionamiento incorrecto, uso incorrecto, modificación del dispositivo o sustitución de la batería.
73. No interrumpa la conexión cuando el dispositivo esté formateando o transfiriendo archivos. En caso contrario, los datos se pueden estropear o perder.
74. Si la unidad dispone de función de reproducción USB, se debe conectar la memoria USB directamente en la unidad. No utilice un cable de extensión USB ya que pueden crear interferencias que causen una pérdida de datos.

75. La etiqueta calificativa se encuentra en la parte inferior o en el panel posterior del aparato.
76. Este dispositivo no está diseñado para su uso por parte de personas (incluyendo niños) con discapacidad física, sensorial o mental o con falta de experiencia o conocimientos, salvo que se les haya dado supervisión o instrucciones acerca del uso correcto del dispositivo por parte de una persona responsable de su seguridad.
77. Este producto está diseñado para un uso no profesional únicamente y no para un uso comercial o industrial.
78. Asegúrese de que la unidad esté fijada en una posición estable. La garantía no cubrirá los daños derivados de usar este producto en una posición inestable, vibraciones o golpes o por no seguir otras advertencias o precauciones que aparecen en este manual de usuario.
79. Nunca retire la carcasa del dispositivo.
80. Nunca coloque este dispositivo sobre otro equipo eléctrico.
81. Mantenga las bolsas de plástico fuera del alcance de los niños.
82. Use únicamente los dispositivos/accesorios especificados por el fabricante.
83. Remita todas las reparaciones al personal cualificado. Es necesario el mantenimiento cuando el aparato presenta cualquier tipo de daño, por ejemplo, el cable de alimentación o el enchufe presentan daños; se ha vertido líquido sobre el aparato; se han caído objetos en el aparato; el aparato se ha expuesto a la lluvia o humedad; el aparato no funciona normalmente o se ha caído.
84. Una larga exposición a sonidos elevados de reproductores de música personales puede provocar una pérdida de audición temporal o permanente.
85. Si el producto viene con un cable de alimentación o un adaptador de corriente de CA:
  - Si se produce cualquier problema, desconecte el cable de alimentación CA y remítalo a mantenimiento por parte de personal cualificado.
  - No pise o pince el adaptador de alimentación. Tenga mucho cuidado, en especial en las zonas alrededor de las tomas y el punto de salida del cable. No coloque objetos pesados en el adaptador de alimentación, ya que pueden dañarlo. ¡Mantenga el dispositivo fuera del alcance de los niños! Si juegan con el cable de alimentación, pueden sufrir lesiones graves.
  - Desconecte el dispositivo durante tormentas eléctricas o cuando no vaya a usarlo durante periodos prolongados de tiempo.
  - La salida de la toma debe instalarse cerca del equipo y debe ser fácilmente accesible.
  - No sobrecargue las tomas CA o los cables de extensión. La sobrecarga puede provocar un incendio o una descarga eléctrica.
  - Los dispositivos con construcción de Clase 1 deben estar conectados a una toma de corriente con una conexión a tierra protegida.
  - Los dispositivos con construcción de Clase 2 no requieren una conexión a tierra.
  - Sujete siempre el enchufe cuando lo extraiga de la toma de corriente. No tire del cable de alimentación. Esto puede provocar un cortocircuito.
  - No utilice un cable de alimentación o enchufe deteriorado o una toma suelta. Si lo hace, podría provocar un incendio o una descarga eléctrica.
86. Si el producto contiene o se entrega con un mando a distancia que contiene pilas de botón / celdas:
 

Advertencia:

  - “Ni ingiera la pila, riesgo de quemadura química” o frase equivalente.
  - [El mando a distancia que se suministra] Este producto contiene una pila de tipo botón/moneda. Si la pila se traga, puede provocar graves quemaduras internas en sólo 2 horas y podría ocasionar la muerte.
  - Mantenga las pilas nuevas o usadas fuera del alcance de los niños.
  - Si el compartimento de las pilas no se cierra correctamente, deje de usar el producto y no lo deje al alcance de los niños.
  - Si tiene la sospecha de que una pila ha sido ingerida o se encuentra en algún lugar del cuerpo, busque inmediatamente atención médica.
87. Precaución sobre el uso de las pilas:
  - Existe riesgo de explosión si la pila no se sustituye correctamente. Sustitúyala únicamente con otra del mismo tipo u otro equivalente.

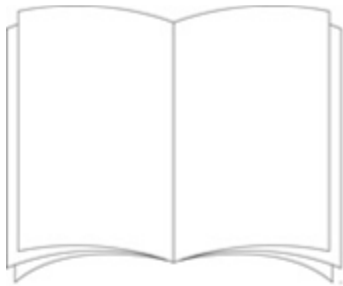
- No se pueden exponer las pilas a temperaturas extremadamente altas o bajas, baja presión de aire a gran altitud durante el uso, almacenamiento o transporte.
- Si cambia la pila por otra que no sea la correcta, se puede producir una explosión o la fuga de líquidos o gases inflamables.
- Si arroja la pila al fuego o a un horno caliente, o aplasta o corta mecánicamente una pila, podría provocar una explosión.
- Si deja una pila en un lugar con temperaturas extremadamente altas, se puede producir una explosión o una fuga de líquido o gas inflamable.
- Si se expone la pila a una presión de aire extremadamente baja, se puede producir una explosión o la fuga de líquidos o gases inflamables.
- Se debe prestar atención a los aspectos medioambientales sobre la eliminación de baterías.

## INSTALACIÓN

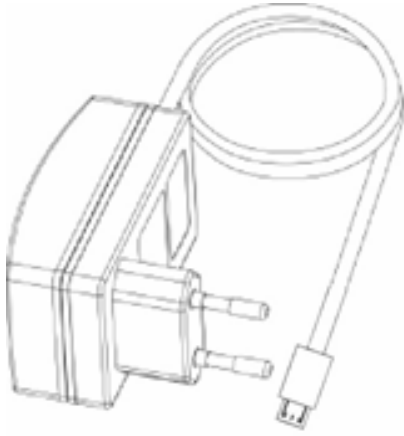
- Desembale todas las piezas y retire el material protector.
- No conecte la unidad a la corriente eléctrica antes de comprobar la tensión de la corriente y antes de que se hayan hecho todas las demás conexiones.

### Accesorios:

1. Manual del usuario



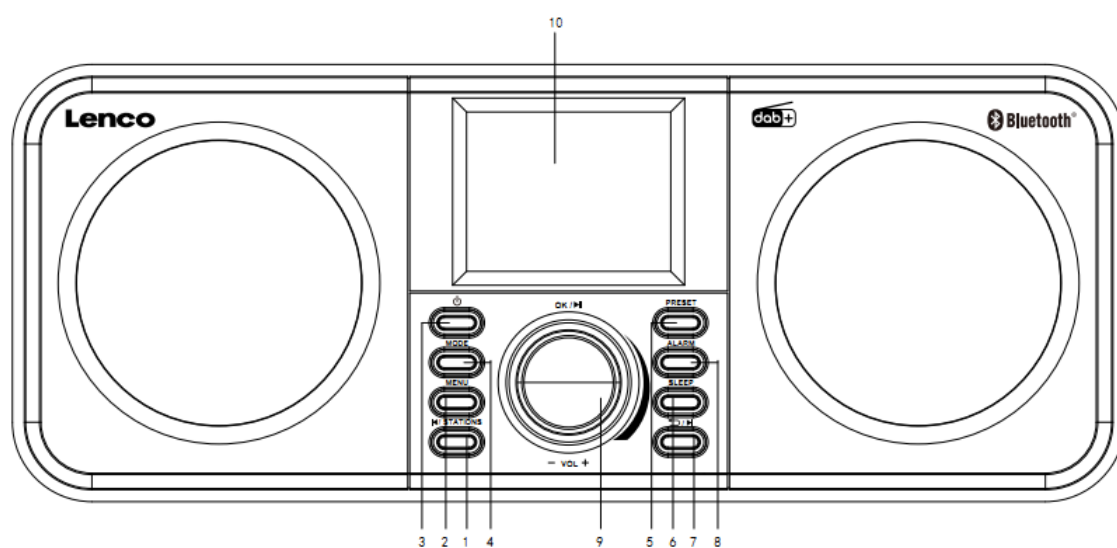
2. Adaptador de corriente



### 3. Mando a distancia

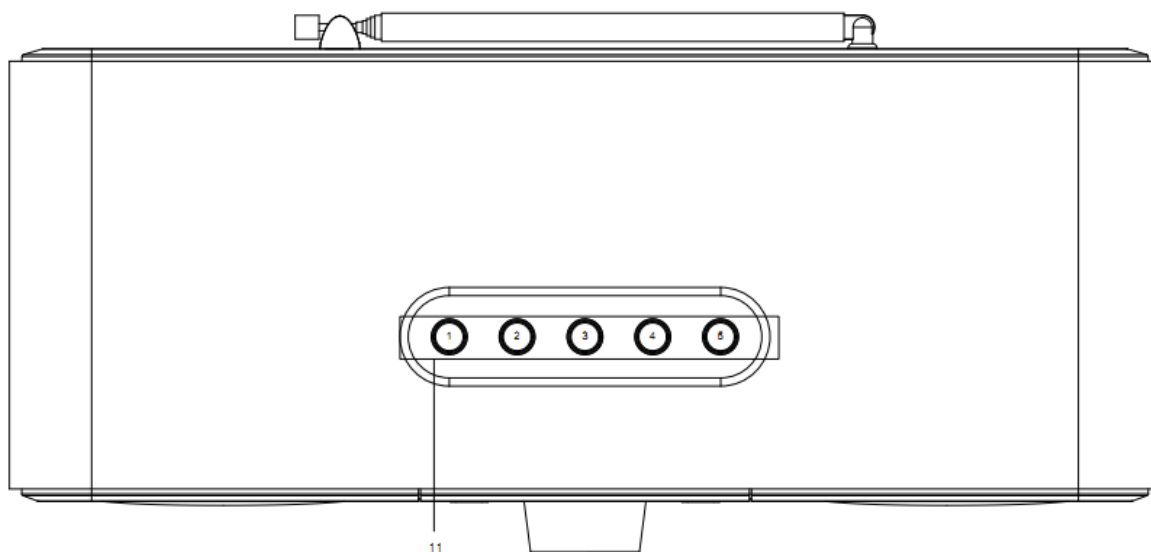


## Vista general delantera del producto



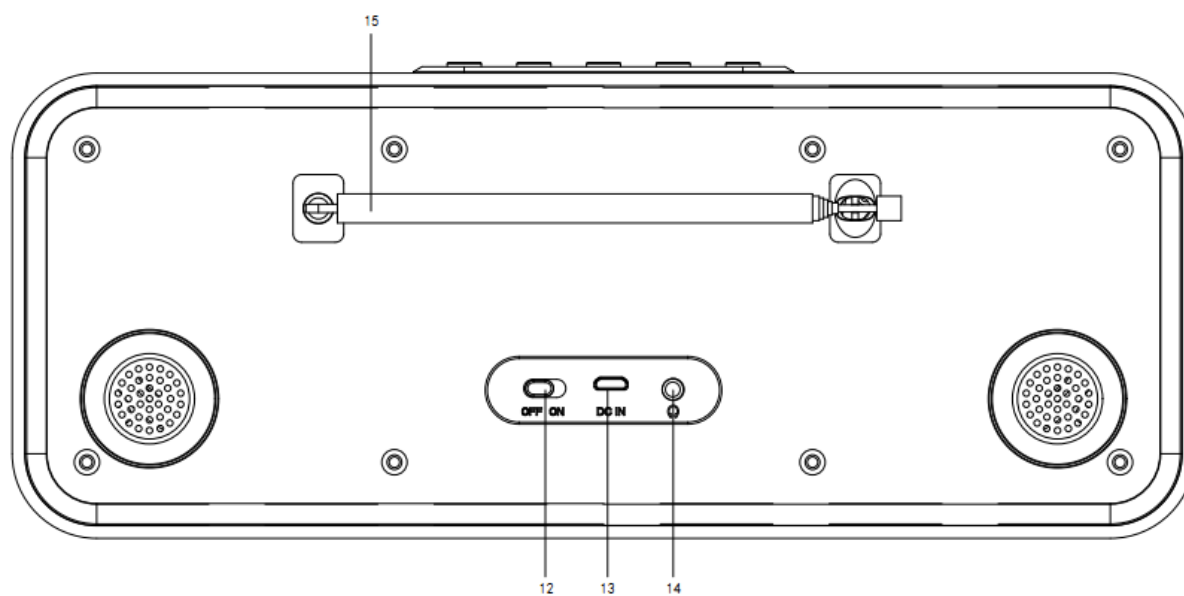
1. Botón izquierdo/emisoras
2. Botón de menú
3. Botón de modo de espera
4. Botón de Modo
5. Botón de Presintonía
6. Botón de apagado automático
7. Botón atrás / derecho
8. Botón alarma
9. Dial OK/Vol+/Vol-/Navegar/reproducción/pausa/retardo/Información
10. Pantalla a color

### Vista general de la parte superior del producto



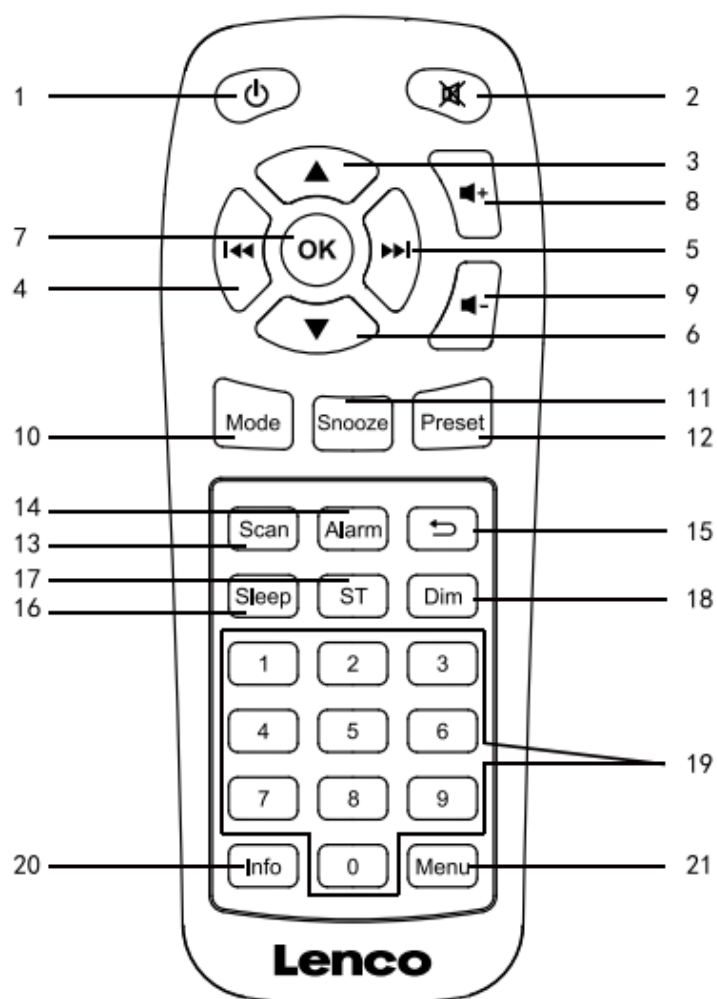
- 11. 5 botones de presintonización

### Vista general de la parte posterior del producto



- 12. Botón del interruptor ON/OFF
- 13. Toma de entrada de corriente CC
- 14. Toma de salida de auriculares
- 15. Antena telescópica

## Vista general del mando a distancia



1. Botón de modo de espera
2. Botón Silencio
3. Botón arriba
4. Botón izquierda
5. Botón derecha
6. Botón abajo
7. Botón OK/reproducción/pausa
8. Botón Volumen +

9. Botón Volumen -
10. Botón de Modo
11. Botón de posponer alarma
12. Botón de Presintonía
13. Botón de Búsqueda de emisoras
14. Botón alarma
15. Botón atrás
16. Botón de apagado automático
17. Botón estéreo/mono
18. Botón regulador de brillo
19. Botones de números de presintonías
20. Botón de información
21. Botón de menú

### **Uso inicial**

Antes de utilizarlo, asegúrese de que la TENSIÓN indicada en la alimentación eléctrica sea siempre la misma que la tensión de su red.

Utilice el adaptador de corriente incluido para conectar el dispositivo a la toma de corriente del hogar.

Encienda el dispositivo usando el interruptor de la parte trasera.

### **Funcionamiento básico - empezando**

#### **Funcionamiento básico - empezando**

1. Conecte el adaptador de corriente a la toma micro USB, extienda completamente la antena telescópica, y enchúfelo y enciéndalo con la corriente eléctrica.

2. La retroiluminación de la pantalla se iluminará y el reloj (00:00:00) parpadeará (la hora no está configurada).
3. En el primer uso se seleccionará automáticamente el modo DAB y la radio realizará una búsqueda completa. La pantalla mostrará "Scanning" (Buscando) con un indicador de barras que muestra el progreso de la búsqueda y el número total de emisoras encontradas.
4. Una vez haya terminado la búsqueda, la radio reproducirá la primera emisora encontrada en orden alfanumérico. Si la radio no encuentra ninguna emisora, se mostrará "No DAB station" (Sin emisoras DAB).
5. Ajuste el volumen al nivel que desee usando el dial VOL (+/-).
6. Pulse el botón de las emisoras y use el dial para desplazarse por la lista de emisoras. Pulse el dial OK en su emisora favorita.
7. Pulse el botón Mode para cambiar el modo entre DAB, FM, Bluetooth y entrada Auxiliar.
8. Pulse brevemente el botón de encendido para entrar en modo "En espera".
9. Pulse Sleep para configurar el temporizador de retardo: Use el dial Volume y gírelo para elegir entre Sleep Off (Retardo apagado)-15 minutos-30 minutos-45 minutos-60 minutos-90 minutos. La radio entrará en modo en espera cuando haya finalizado la cuenta atrás de los minutos seleccionados.

## **Uso de la radio - Modo DAB**

### **Modo DAB - Búsqueda completa**

Esta función buscará todas las emisoras DAB disponibles, canales de la Banda III.

En modo DAB, pulse el botón Menu y gire el dial OK para seleccionar "Full Scan" (Búsqueda completa) y después pulse brevemente el dial OK para iniciar la búsqueda completa DAB. Cuando haya finalizado la búsqueda, la radio volverá a la última emisora de radio DAB que se haya reproducido. Todas las emisoras encontradas se enumerarán en la lista de emisoras, que se muestra cuando se pulsa en botón "stations".

**Tenga en cuenta que las emisoras de radio DAB+ difieren según región/ciudad.**

#### **Modo DAB - Sintonización manual**

Esta función permite añadir manualmente un conjunto nuevo o específico a las emisoras ya disponibles en la radio.

En modo DAB, pulse el botón Menu y use el dial OK para navegar hasta que se resalte "Manual tune" (Sintonización manual); pulse el dial OK para confirmarlo.

Use el dial OK para navegar hasta que se seleccione la frecuencia que desee y posteriormente pulse el dial OK; se mostrarán la frecuencia el nombre del grupo y la fuerza de la señal.

Vuelva a pulsar el dial OK para añadir el grupo y sintonizar automáticamente esa emisora.

#### **Modo DAB - Recorte no válido**

Esta función eliminará emisoras no disponibles de la lista de emisoras. Pulse el botón Menu.

Use el dial OK para navegar a la opción "Prune Invalid" (Recorte no válido) y pulse el dial OK para confirmarlo.

Gire el dial OK para seleccionar [Yes (Sí)] y proceder al recorte de las emisoras no válidas/no disponibles. Si se selecciona (No) se cancelará la operación.

#### **Modo DAB - DRC**

**DRC significa compresión de alcance dinámico y trata de aumentar el volumen de las partes más silenciosas de la señal de audio y disminuir el volumen de las partes más ruidosas.**

En modo DAB, pulse el botón Menu y después use el dial OK para navegar hasta que se resalte "DRC". Pulse el dial OK para confirmarlo.

Ahora use el dial OK para cambiar entre apagado, nivel alto y bajo. Pulse el dial OK para confirmar su elección.

#### **Modo DAB - Modo pantalla**

Esta función mostrará información diversa sobre la emisora actual.

Pulse el dial OK de forma reiterada para desplazarse por la siguiente información:

**DLS (Segmento de etiqueta dinámica)/**Texto de radio: La emisora de radio puede incluir un mensaje que se desplaza sobre el programa actual.

**Conjunto/Multiplex (Nombre de grupo):** El conjunto/multiplex es un grupo de emisoras que están unidas y transmiten juntas en una única frecuencia. Existen multiplex nacionales y locales. Los locales contienen emisoras específicas de la zona local.

**Frequency (Frecuencia):** La pantalla mostrará la frecuencia de la emisora que se está retransmitiendo.

**Signal strength (Intensidad de señal):** La pantalla mostrará una barra de desplazamiento para indicar la fuerza de la señal. Cuanto mayor sea la intensidad, más larga será la barra.

**Signal error (Error de señal):** Esta se muestra como un número entre 0-99. No es posible escuchar de forma satisfactoria una emisora de radio con una tasa de error de señal de 30 o superior.

**Audio bit rate (Tasa de bits de audio):** La pantalla mostrará la velocidad de bits de audio digital que se reciben.

**Time and date (Fecha y hora):** La radio actualizará automáticamente la fecha y la hora.

#### **Modo DAB - Configuración del sistema**

**Equalizer (Ecuador):** Gire el dial OK para elegir entre Normal-Classic-Jazz-Pop-Rock-Speech-My EQ-My EQ set up (Treble, Bass) (Normal-Clásica-Jazz-Pop-Rock-Discurso-Mi EQ-Mi configuración de EQ (Agudos, bajos))

**Time/Date (Hora/Fecha):** Fecha/Hora

Pulse el dial OK, los dígitos de la fecha parpadearán; gire el dial OK para elegir la fecha correcta y pulse el dial OK para confirmarlo.

Los dígitos de los meses empezarán a parpadear. Gire el dial OK para elegir el mes correcto y pulse el dial OK para confirmarlo.

Los dígitos del año empezarán a parpadear. Gire el dial OK para elegir el año correcto y pulse el dial OK para confirmarlo.

Los dígitos de la hora empezarán a parpadear. Gire el dial OK para elegir la hora correcta y pulse el dial OK para confirmarlo.

Los dígitos de los minutos empezarán a parpadear. Gire el dial OK para elegir los minutos correctos y pulse el dial OK para confirmarlo.

Ahora ha terminado la configuración de la hora/fecha.

**Auto update (Actualización automática):** Elija de qué fuente actualizará automáticamente la radio la hora.

Puede elegir entre las siguientes opciones:

- **Any (Cualquiera):** Actualiza la hora desde la señal DAB o FM
- **From Digital Radio-update (De la actualización de radio digital):** Actualiza la hora de la señal DAB
- **From FM (De FM):** Actualiza la hora desde un canal RDS
- **No update (Sin actualización):** Si desea configurar la hora manualmente

**Set 12/24 hour (Ajustar 12/24 h):** Gire el dial OK para elegir la pantalla horaria de 24 horas o de 12 horas.

**Set date format (Formato fecha):** Gire el dial OK para elegir DD-MM-YYYY or MM-DD-YYYY (DD-MM-AAAA o MM-DD-AAAA).

**Backlight (Retroiluminación):** Receso: On (Encendido)-10 seg-20 seg-30 seg-45 seg-60 seg-90 seg-120 seg-180 seg

Nivel de encendido: Alto-Medio-Bajo

Nivel de atenuación: Alto-Medio-Bajo

**Language (Idioma):** English, Nederlands, Deutsch, Italiano, Francais, Dansk

**Factory reset (Restaurar valores de fábrica):** Pulse el dial OK y elija "Yes" (Sí) para iniciar el reinicio a fábrica.

**Software Update (Actualización del software):** Pulse el dial OK y elija "Yes" (sí) para actualizar el software si es necesario. La actualización puede hacerse con un cable Micro USB.

**Remark (Observación):** Seleccione la opción de actualización de software solo si dispone de una actualización para esta unidad. (si selecciona esta opción por accidente, use el botón de encendido/apagado para reiniciar la radio).

**SW version (Versión del software):** Pulse OK para ver la versión del sistema.

### **Uso de la radio - MODO FM**

Encienda la radio, pulse el botón Mode y seleccione el modo FM. La pantalla mostrará "FM" y el nombre de la emisora o frecuencia actual si no dispone de RDS.

### **Busq. manual**

Para buscar manualmente, primero pulse brevemente el botón Stations y después gire el dial OK a la derecha para buscar hacia arriba o gire OK a la izquierda para buscar hacia abajo.

### **Bus auto**

Para iniciar la búsqueda automática, mantenga pulsado el dial OK. La radio empieza a buscar la banda de frecuencia. Se detendrá automáticamente cuando se haya encontrado una emisora.

Si desea que la radio busque automáticamente hacia abajo o hacia arriba debe realizar una búsqueda manual hacia arriba o hacia abajo antes de pulsar durante un periodo prolongado de tiempo el botón OK.

### **Modo FM - Configuración de la búsqueda**

Pulse el botón Menu y gire el dial OK para seleccionar "Scan setting" (Configuración de la búsqueda). Pulse brevemente el dial OK y elija entre "Strong stations only" (Solo emisoras fuertes) o "All stations" (Todas las emisoras) girando el dial OK. Pulse el dial OK para confirmar su elección. Si elige "Strong stations only" (Solo emisoras fuertes), la radio solo buscará y reproducirá emisoras con una señal fuerte. Si selecciona "All stations" (Todas las emisoras), la radio asimismo buscará y reproducirá emisoras con una señal débil.

## **Modo FM - Configuración de audio**

Pulse el botón Menu y gire el dial OK. Elija "Forced mono" (Mono forzado) "Yes" (Sí) o "No" y pulse brevemente el dial OK para confirmarlo. Si la señal de sus emisoras de radio favoritas es débil, entonces elija "Forced mono" (Mono forzado) "Yes" (Sí) para conseguir una mejor calidad del sonido.

## **Modo FM - Configuración del sistema**(véase configuración del sistema modo DAB)

### **Modos de pantalla FM**

Esta función permite obtener información de la emisora actual y que se muestre en la pantalla; pulse el dial OK de forma reiterada para desplazarse a través de las siguientes pantallas de información.

**RDS (texto desplazado):** El sistema de radio actual seleccionado puede incluir un mensaje que se desplaza sobre el programa actual.

**Program type (Tipo de programa):** Esto describe el estilo del programa que se está emitiendo.

**Station name (Nombre de la emisora):** como BBC RD de la frecuencia en Mhz

**Audio Mode (Modo de audio):** La pantalla mostrará si la emisora que se recibe es estéreo o mono.

**Time/date (Hora/fecha):** se actualizarán automáticamente la fecha y la hora mediante la señal horaria de la radio (si dispone de RDS).

## **Uso de la radio - Función de emisoras presintonizadas**

Este radio le permite guardar hasta 10 emisoras de radio DAB y 10 emisoras de radio FM como presintonías. Las presintonías son emisoras de radio que se seleccionan rápidamente usando el botón "preset" de la radio.

### **Guardar emisoras DAB como presintonías**

Siga las instrucciones que aparecen arriba para seleccionar una emisora de radio DAB.

Mantenga pulsado el botón "preset". "1": se muestra "Empty" (Vacío). Si no se ha guardado una emisora anteriormente.

Gire el dial OK para desplazarse por la ubicación de presintonías que desee guardar como emisoras de radio (1-10).

Pulse brevemente el dial Select para guardar la emisora. Aparecerá en la pantalla el mensaje "Preset XX saved" (Presintonía XX guardada).

Nota: Existen 5 botones de presintonía separado en la parte superior de la radio. Puede mantener pulsado cada botón para guardar una emisora. Asimismo puede mantener pulsado los botones numéricos del mando a distancia para guardar una emisora. (botón 0 = presintonía 10)

### **Recordar las emisoras DAB prestintonizadas**

Puede seleccionar rápidamente las presintonías pulsando el botón Preset y después girando el dial OK para desplazarse por las presintonías guardadas. Pulse brevemente el dial OK para elegir la emisora seleccionada.

Si elige una presintonía vacía, se mostrará "Preset empty" (Presintonía vacía).

Para seleccionar rápidamente la presintonía del 1 al 5, puede pulsar brevemente los botones 1 – 5 situados en la parte superior de la radio pero también es posible pulsar los números 0-9 del mando a distancia para seleccionar una presintonía (donde 0 = presintonía 10)

### **Ajustar la alarma**

Nota: Compruebe que la radio tiene la fecha y hora correctas antes de configurar la alarma.

En modo DAB o FM:

Pulse el botón "Alarm" situado en la parte delantera de la radio; se muestra "Alarm 1 off 6:00" (Alarma 1 desconectada 6:00). Pulse brevemente el dial OK.

Se muestra "Alarm 1 info" (Información de Alarma 1). Gire el dial OK hasta "Alarm" y pulse brevemente el dial OK para encender o apagar la alarma.

Gire el dial OK para desplazarse hasta "Frequency" (Frecuencia). Puede elegir diariamente, una vez, fines de semana o días laborables. Pulse brevemente el dial OK para confirmar su selección.

Gire el dial OK para desplazarse hasta "Wake Up Time" (Hora de levantarse) y pulse brevemente el dial OK. Los dígitos de la hora empezarán a parpadear.

Gire el dial OK para configurar la hora que desee y después pulse brevemente el dial OK para confirmarlo.

Los dígitos de los minutos empezarán a parpadear.

Gire el dial OK para configurar los minutos que desee y después pulse brevemente el dial OK para confirmarlo.

Gire el dial OK para desplazarse al sonido de la alarma "source" (fuente). Puede elegir entre pitido, radio DAB+ o FM. Pulse brevemente el botón OK para confirmarlo.

Gire el dial OK para desplazarse a "duration (duración)". Puede elegir entre 15, 30, 45, 60, 90 o 120 minutos. Pulse brevemente el dial OK para confirmarlo.

Gire el dial OK y seleccione "Volume" (Volumen) para configurar el volumen de la alarma. Gire el dial OK para configurar el volumen. (El volumen mínimo que puede seleccionar es 4). Pulse brevemente el dial OK para confirmarlo. La alarma está lista para su uso.

**Nota:** El volumen de la alarma aumentará progresivamente hasta que alcance el volumen de la alarma que haya configurado.

**Repita los pasos que aparecen arriba para configurar la Alarma 2.**

### **Función de repetición**

Cuando suene la alarma, puede pulsar el dial OK para iniciar el retardo. El retardo predeterminado es de 9 minutos. Nota: Puede pulsar el botón "Standby" para detener la función retardo.

### **Función Bluetooth**

Encienda la radio y pulse brevemente el botón Mode hasta que se seleccione el modo Bluetooth. Conecte el Bluetooth de su dispositivo Bluetooth, busque dispositivos y seleccione "Lenco DAR-030". Haga clic en el mismo para emparejarlo. Cuando se haya conectado correctamente, oirá una voz que dice "connected" (conectado).

Puede pulsar el botón Stations para seleccionar la pista anterior o el botón atrás para ir a la pista siguiente.

Puede pulsar el dial OK para reproducir o hacer una pausa en la reproducción de música.

Se puede ajustar el volumen girando el dial OK hacia arriba o hacia abajo (tenga en cuenta que el nivel de volumen no está sincronizado con el dispositivo Bluetooth, lo que significa que tiene primero que subir manualmente el volumen de su dispositivo Bluetooth).

Para desconectar el emparejamiento existente y emparejarlo con un nuevo dispositivo, simplemente mantenga pulsado el dial OK.

«Este producto dispone de una función de **recepción** bluetooth, **no puede transmitir ningún sonido bluetooth con ella**: esto significa que puede recibir de forma inalámbrica una señal de sonido bluetooth desde una fuente externa como un smartphone».

## Especificaciones Técnicas

Conexiones	Micro USB para el adaptador de alimentación, salida de auriculares de 3.5 mm
Entrada del adaptador de alimentación	100-240 V~50/60 Hz, 0,2 A máx
Salida del adaptador de alimentación	<b>5.0 V/1,5 A</b>
Consumo de energía	10 W (max)
Consumo de energía (en espera)	<1 W
Temperatura de funcionamiento	0 °C-35 °C
Posición de funcionamiento	Horizontal
Adaptador de corriente: (sólo para la UE)	
Fabricante: Shenzhen Adition Audio Science and Technology Co., Ltd	
Número de modelo: AD080A0501500EU-MICROUSB	
Utilice únicamente el adaptador de CA original	
Utilice únicamente la fuente de alimentación indicada en las instrucciones de uso.	
Dim. unidad	280 x 110 x 110 mm (AxDxA)
Peso	890 g

NOTA: Use únicamente la alimentación que se enumera en este manual.

Información	Valor y precisión
Nombre de los fabricantes o marcas registradas, registro comercial y dirección	Adition
Identificador del modelo	AD080A0501500EU-MicroUSB
Tensión de entrada	100-240V
Frecuencia CA de entrada	50/60Hz
Tensión de salida	<b>5.0V</b>

Corriente de salida	1.5A
Potencia de salida	7.5W
Eficiencia activa media	77.33%
Eficiencia a carga baja (10%)	71.82%
Consumo energético sin carga	0.04W

## Garantía

Lenco ofrece servicio y garantía en cumplimiento con las leyes de la Unión Europea, lo cual implica que, en caso de que su producto precise ser reparado (tanto durante como después del periodo de garantía), deberá contactar directamente con su distribuidor.

Nota importante: No es posible enviar sus reparaciones directamente a Lenco.

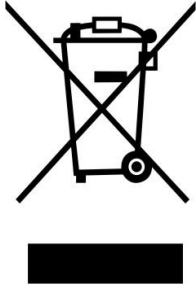
Nota importante: Si la unidad es abierta por un centro de servicio no oficial, la garantía quedará anulada.

Este aparato no es adecuado para el uso profesional. En caso de darle un uso profesional, todas las obligaciones de garantía del fabricante quedarán anuladas.

## Exención de responsabilidad

Regularmente se llevan a cabo actualizaciones en el Firmware y en los componentes del hardware. Por esta razón, algunas de las instrucciones, especificaciones e imágenes incluidas en este documento pueden diferir ligeramente respecto a su situación particular. Todos los elementos descritos en esta guía tienen un objetivo de mera ilustración, y pueden no ser de aplicación en su situación particular. No se puede obtener ningún derecho ni derecho legal a partir de la descripción hecha en este manual.

## Eliminación del antiguo dispositivo



Este símbolo indica que no deberá deshacerse del producto eléctrico o batería en cuestión junto con los residuos domésticos, en el ámbito de la UE. Para garantizar un tratamiento residual correcto del producto y su batería, por favor, elimínelos cumpliendo con las leyes locales aplicables sobre requisitos para el desecho de equipos eléctricos y baterías. De hacerlo, ayudará a conservar recursos naturales y mejorar los estándares de protección medioambiental en el tratamiento y eliminación de residuos eléctricos (Directiva sobre la Eliminación de Equipos Eléctricos y Electrónicos).

## Marca CE

Por la presente, Commaxx B.V. Wiebachstraat 37, 6466 NG Kerkrade, Países Bajos, declara que este producto cumple con las exigencias esenciales de la directiva de la UE.

Se puede consultar la declaración de conformidad a través de [techdoc@commaxxgroup.com](mailto:techdoc@commaxxgroup.com)



## Servicio

Para obtener más información y soporte del departamento técnico, por favor, visite la página web [www.lenco.com](http://www.lenco.com)

Commaxx B.V. Wiebachstraat 37, 6466 NG Kerkrade, Países Bajos.