

Lenco

Model No : LS-55



User Manual - Turntable with Bluetooth, USB MP3 player-encoder and built-in speakers

Handleiding - Platen-speler met Bluetooth, USB MP3-speler/-encoder en ingebouwde luidsprekers

Bedienungsanleitung - Plattenspieler mit Bluetooth, USB-MP3-Player-Encoder und integrierten Lautsprechern

Mode d'emploi - Platine vinyle avec Bluetooth, encodage et lecture USB et haut-parleurs intégrés

Manual del usuario - Tocadiscos con Bluetooth, reproductor-codificador USB MP3 con altavoces integrados

Manuale d'uso - Giradischi con Bluetooth, lettore-codificatore MP3 USB e altoparlanti integrati

Руководство пользователя - Виниловый проигрыватель с Bluetooth, проигрыванием и записью на USB в MP3 и динамиками

Index

English.....	3
Nederlands.....	12
Deutsch.....	25
Français.....	40
Español.....	55
Italiano.....	68
Русский.....	81

CAUTION:

Usage of controls or adjustments or performance of procedures other than those specified herein may result in hazardous radiation exposure.

PRECAUTIONS BEFORE USE

KEEP THESE INSTRUCTIONS IN MIND:

1. Do not cover or block any ventilation openings. When placing the device on a shelf, leave 5 cm (2") free space around the whole device.
2. Install in accordance with the supplied user manual.
3. Keep the device away from heat sources such as radiators, heaters, stoves, candles and other heat-generating products or naked flame. The device can only be used in moderate climates. Extremely cold or warm environments should be avoided. Working temperature between 0° and 35°C.
4. Avoid using the device near strong magnetic fields.
5. Electrostatic discharge can disturb normal usage of this device. If so, simply reset and restart the device following the instruction manual. During file transmission, please handle with care and operate in a static-free environment.
6. Warning! Never insert an object into the product through the vents or openings. High voltage flows through the product and inserting an object can cause electric shock and/or short circuit internal parts. For the same reason, do not spill water or liquid on the product.
7. Do not use in wet or moist areas such as bathrooms, steamy kitchens or near swimming pools.
8. The device shall not be exposed to dripping or splashing and make sure that no objects filled with liquids, such as vases, are placed on or near the apparatus.
9. Do not use this device when condensation may occur. When the unit is used in a warm wet room with damp, water droplets or condensation may occur inside the unit and the unit may not function properly; let the unit stand in power OFF for 1 or 2 hours before turning on the power: the unit should be dry before getting any power.
10. Although this device is manufactured with the utmost care and checked several times before leaving the factory, it is still possible that problems may occur, as with all electrical appliances. If you notice smoke, an excessive build-up of heat or any other unexpected phenomena, you should disconnect the plug from the main power socket immediately.
11. This device must operate on a power source as specified on the specification label. If you are not sure of the type of power supply used in your home, consult your dealer or local power company.
12. Keep away from animals. Some animals enjoy biting on power cords.
13. To clean the device, use a soft dry cloth. Do not use solvents or petrol based fluids. To remove severe stains, you may use a damp cloth with dilute detergent.
14. The supplier is not responsible for damage or lost data caused by malfunction, misuse, modification of the device or battery replacement.

15. Do not interrupt the connection when the device is formatting or transferring files. Otherwise, data may be corrupted or lost.
16. If the unit has USB playback function, the USB memory stick should be plugged into the unit directly. Don't use an USB extension cable because it can cause interference resulting in failing of data.
17. The rating label has been marked on the bottom or back panel of the device.
18. This device is not intended for use by people (including children) with physical, sensory or mental disabilities, or a lack of experience and knowledge, unless they're under supervision or have received instructions about the correct use of the device by the person who is responsible for their safety.
19. This product is intended for non professional use only and not for commercial or industrial use.
20. Make sure the unit is adjusted to a stable position. Damage caused by using this product in an unstable position vibrations or shocks or by failure to follow any other warning or precaution contained within this user manual will not be covered by warranty.
21. Never remove the casing of this device.
22. Never place this device on other electrical equipment.
23. Do not allow children access to plastic bags.
24. Only use attachments/accessories specified by the manufacturer.
25. Refer all servicing to qualified service personnel. Servicing is required when the device has been damaged in any way, such as the power supply cord or the plug, when liquid has been spilled or objects have fallen into the device, when the device has been exposed to rain or moisture, does not operate normally, or has been dropped.
26. Long exposure to loud sounds from personal music players may lead to temporary or permanent hearing loss.
27. If the product is delivered with power cable or AC power adaptor:
 - If any trouble occur, disconnect the AC power cord and refer servicing to qualified personnel.
 - Don't step on or pinch the power adaptor. Be very careful, particularly near the plugs and the cable's exit point. Do not place heavy items on the power adaptor, which may damage it. Keep the entire device out of children's reach! When playing with the power cable, they can seriously injure themselves.
 - Unplug this device during lightning storms or when unused for a long period.
 - The socket outlet must be installed near the equipment and must be easily accessible.
 - Do not overload ac outlets or extension cords. Overloading can cause fire or electric shock.
 - Devices with class 1 construction should be connected to a main socket outlet with a protective earthed connection.
 - Devices with class 2 construction do not require a earthed connection.
 - Always hold the plug when pulling it out of the main supply socket. Do not pull the power cord. This can cause a short circuit.
 - Do not use a damaged power cord or plug or a loose outlet. Doing so may result in fire or electric shock.

28. If the product contains or is delivered with a remote control containing coin/cell batteries:

Warning:

- “Do not ingest battery, Chemical Burn Hazard” or equivalent working.
- [The remote control supplied with] This product contains a coin/button cell battery. If the battery is swallowed, it can cause severe internal burns in just 2 hours and can lead to death.
- Keep new and used batteries away from children.
- If the battery compartment does not close securely, stop using the product and keep it away from children.
- If you think batteries might have been swallowed or placed inside any part of the body, seek immediate medical attention.

29. Caution about the use of Batteries:

- Danger of explosion if battery is incorrectly replaced. Replace only with the same or equivalent type.
- Battery cannot be subjected to high or low extreme temperatures, low air pressure at high altitude during use, storage or transportation.
- Replacement of a battery with an incorrect type that can result in an explosion or the leakage of flammable liquid or gas.
- Disposal of a battery into fire or a hot oven, or mechanically crushing or cutting of a battery, that can result in an explosion.
- Leaving a battery in an extremely high temperature surrounding environment that can result in an explosion or that leakage of flammable liquid or gas.
- A battery subjected to extremely low air pressure that may result in an explosion or the leakage of flammable liquid or gas.
- Attention should be drawn to the environmental aspects of battery disposal.

INSTALLATION

- Unpack all parts and remove protective material.
- Do not connect the unit to the mains before checking the mains voltage and before all other connections have been made.

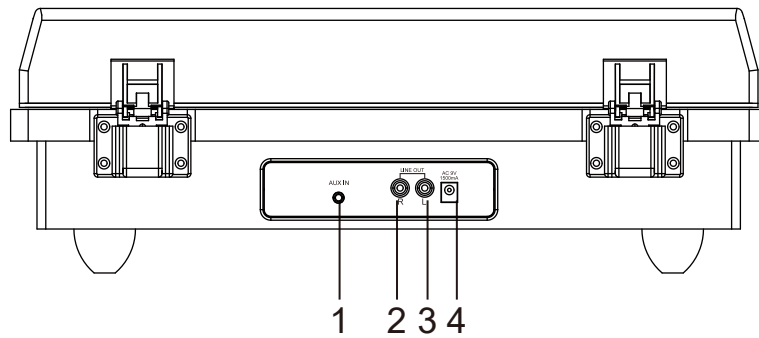
BOX CONTENTS

Make sure the items listed below are included in the box:

- ◆ Power Adapter
- ◆ 45 RPM Adapter

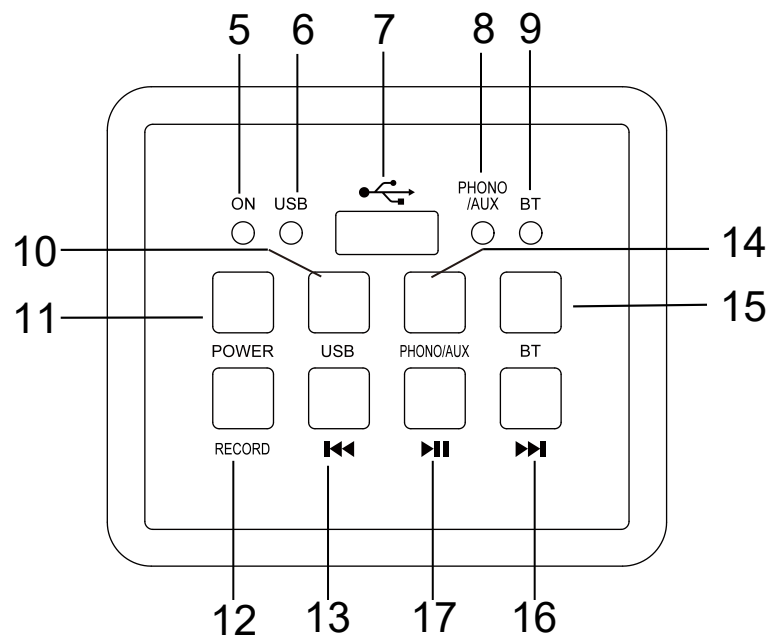
PLEASE READ THIS INSTRUCTION MANUAL BEFORE USING THE TURNTABLE

BACK PANEL



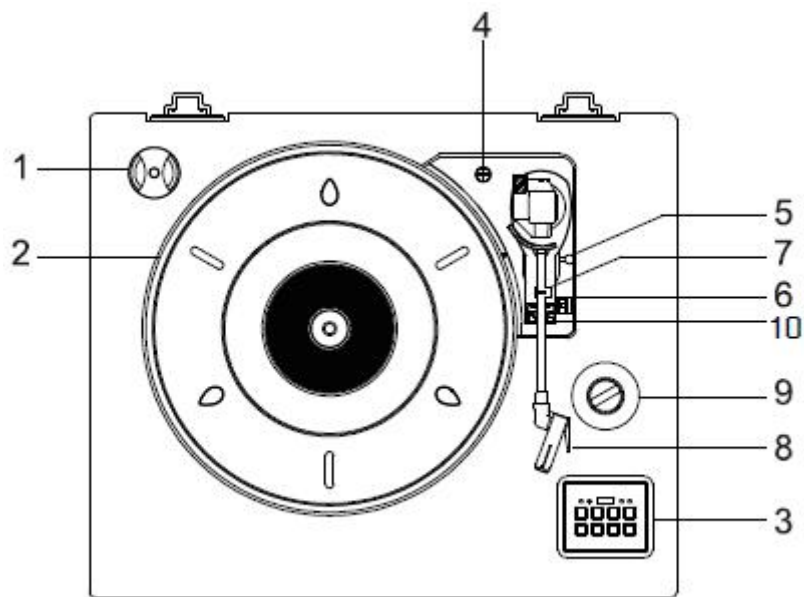
- | | |
|-----------------|-------------------|
| 1. AUX IN | 2. LINE OUT "R" |
| 3. LINE OUT "L" | 4. DC 9V/ 1500 mA |

FRONT RIGHT PANEL



- | | |
|------------------------------|-------------------------------|
| 5. POWER INDICATOR | 6. USB PLAYER INDICATOR |
| 7. USB SOCKET | 8. PHONO PLAYER/AUX INDICATOR |
| 9. BT INDICATOR | 10. USB-BUTTON |
| 11. POWER ON/OFF BUTTON | 12. Record BUTTON |
| 13. ◀◀ (previous) button | 14. PHONO/AUX BUTTON |
| 15. BT BUTTON | 16. ▶▶ (next) button |
| 17. ▶ (Play/ pause) button | |

TURNTABLE PANEL



- | | |
|-------------------|---------------------------------|
| 1. 45 RPM ADAPTER | 2. Platter |
| 3. CONTROL PANEL | 4. TRANSIT SCREW CROSSING |
| 5. LIFT LEVER | 6. SPEED SELECTOR(33/45/78 RPM) |
| 7. TONE ARM LOCK | 8. TONE ARM WITH STYLUS |
| 9. VOLUME DIAL | 10. Auto Stop Switch |

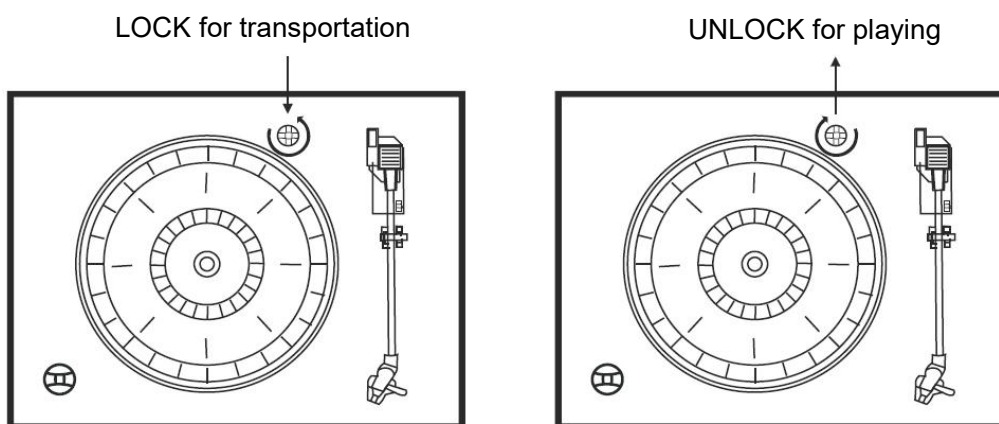
UNPACKING AND SETUP

1. Carefully remove the turntable from the display package and remove all packing material.
2. Unwind the AC adapter power cord and extend it to its full length.
3. Place the turntable on a stable, level surface in proximity to an AC outlet and away from any strong magnetic fields.
4. Plug the power cord into your AC outlet.
5. Remove the opaque white plastic stylus cover from the phonograph stylus by sliding it in the direction of the arrow.
6. Be cautious and gentle when removing this stylus cover, as damage to the stylus is not covered by warranty.
7. Remove the twist-tie securing the tone arm during the shipment.
8. Release the tone arm lever lock.

IMPORTANT!

TRANSPORTING THE SYSTEM

1. To protect the turntable from damage during transportation, a silver transit screw is located on the upper right of the turntable platform.
2. Before playing, please use a screwdriver to turn the transit screw in a clockwise direction (screw going down) completely to unlock the turntable.
3. To lock the turntable again for transportation, please turn screw in a counter-clockwise direction.



POWERING ON THE UNIT

1. Connect the AC Adapter to the AC POWER Socket on the back of the turntable.
2. Press the POWER button, the POWER indicator will turn on and PHONO LED indicator will Light.
3. When you have finished using the turntable, press the POWER button again

NOTE

To comply with CE energy saving rules (ERP2), if no music is played

The turntable will automatically turn off without further instruction or signal after 15 minutes. (Only applicable in European market)

AUX-IN OPERATION

1. This turntable includes an auxiliary audio signal input jack for connecting external audio devices like MP3 players, CD players, and older, non-dockable iPods so you can listen to your external source through the turntable's speakers.
2. Use an audio cable (not included) with one 3.5 mm stereo connection on each end of the cable.
3. Plug one end into the AUX-IN jack on the turntable and the other end to the Line Out jack of the audio device.
4. Power on the turntable and audio device.
5. The volume level can be controlled through the turntable. Operate all the functions on the auxiliary device as usual.
6. Please note that AUX-IN function is a first-priority function. Even if the indicator light for USB /PHONO/BT is on, these functions won't work while the AUX-IN function is in use. Please unplug the AUX-IN cable before using the USB / PHONO/BT functions.

NOTE

1. If the Line Out jack of your external device is connected, you only need to adjust the volume control of this system.
2. Make sure the tone arm is securely locked to avoid any damage.
3. Press POWER button to turn off the turntable when you are done. Don't forget to turn off the power on your external device as well.

PLAYING RECORDS

This turntable is full-sized, belt-driven, and plays 33, 45, and 78 RPM records.

1. To turn the turntable on, press the POWER button to set the volume to a low level.
2. Press the PHONO button to turn on phono mode. Please be sure that you have removed the stylus cover from the stylus and have released the Tone arm lock.
3. Set the turntable speed switch to the appropriate speed of 33, 45 or 78 RPM. Set the record on the turntable. If you are playing 45 RPM singles, place the 45 RPM adapter on the center spindle.
4. Slide the AUTO STOP Control switch to choose the auto stop function
5. Adjust the VOLUME control to set the volume as desired.
6. Press the POWER button to turn off the system when you are done.
7. Please keep the dust cover open when playing a record.

PHONOGRAPH RECORDING OPERATION

1. Place a phono record on the turntable.
2. Plug a USB disk into the USB socket. Press the record button, the RED LED indicator light will flash, meaning the recording has started.
3. Press the record button again when you are finished recording.
4. Press the USB button with the blue light and you will hear the recorded music from the USB.

NOTE

1. the record button is only for phonograph recording
2. the recording is for recording music from the phono record to a USB disk device(-FAT32 format only).

USB OPERATION

1. Press the USB button to turn on USB mode. The RED indicator light will turn on.
2. Insert the USB device into the USB input on the turntable and the music tracks on the USB device will start playing.
3. Press the **⏮** or **⏭** buttons to choose your desired track.
4. Press the **⏸** button to pause or play the track.
5. Press the POWER button to turn off the turntable when you are done.

NOTE

1. USB playing mode has a memory function. When reinserting the same USB device, the last played track will be resumed.
2. This turntable is equipped with a USB socket that can play MP3/WMA files stored on standard USB flash drives (compatible with USB version 2.0).
3. USB flash drives with more than 32GB memory may not be compatible
4. Although this product is fully compatible with the USB 2.0 standard format, a small percentage of USB flash drives might not be readable

REMOVING THE USB DRIVE

Please be sure the stop playback and turn the unit off before removing the USB drive to avoid damage to the USB and the turntable.

BLUETOOTH OPERATION

1. Press the BT on the front right panel to activate the function and the blue LED light will be flashing.
2. Set up the Bluetooth playback device so it searches for other Bluetooth devices.
3. Select the entry "Lenco LS-55" from the list of found devices on your Bluetooth Playback device. If pairing is the LED light will stop flashing and stay on blue.
4. Play your music through the connected device and enjoy.

LINE OUT OPERATION

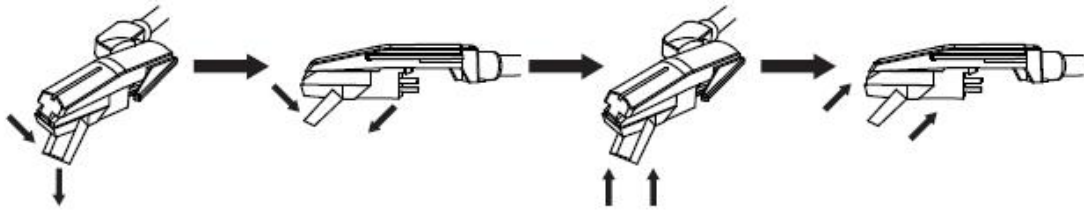
1. A set of Line Out jacks is included to allow audio from BT, USB, and PHONOGRAPH of this turntable to play on an external device.
2. Insert the audio cable (not included) into the turntable's Line Out socket.
3. Operate the turntable as usual.
4. In order to achieve the best sound, it is advised to set the turntable volume to a minimum level.
5. The turntable's audio will then be played back through the external device.

REPLACING THE STYLUS

It's suggested to replace the stylus after 400 hours of use.

Please follow the steps below to change the stylus:

1. Lift the tone arm off the tone arm lock.
2. At the front end of the tone arm, place the tip of your fingernail between the red stylus holder and the black cartridge housing as shown. Press down on the red stylus holder until it separates from the cartridge housing.
3. Completely remove the red stylus holder with worn stylus and discard it.
4. Place the new red stylus holder with stylus under the cartridge housing. First, press upward on the back side of the stylus holder, and then press up on the front edge of the stylus holder until it snaps into place on the cartridge housing.



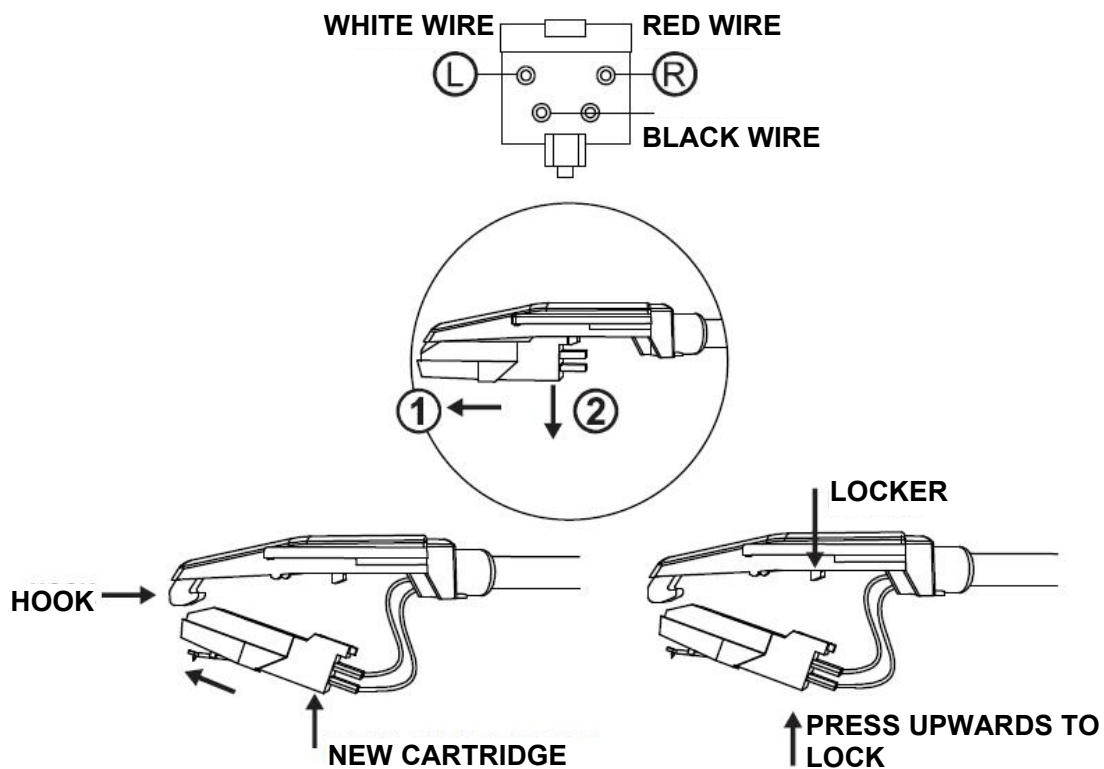
CARE OF THE WOOD PANEL AND DUST COVER

1. Care of the turntable is the same as any piece of furniture
2. When the dust cover is dusty, you may wipe it using a soft, non-abrasive dust cloth.
3. If the wood panel becomes smudged with fingerprints, you may use any good quality commercial dusting and polishing spray cleaner
4. We recommend spraying the cleaner on a cloth, not directly on the wooden panel.

CARE AND MAINTENANCE

TO REPLACE THE CARTRIDGE FROM THE TONE ARM PLEASE FOLLOW THE INSTRUCTIONS BELOW.

1. Gently lift off the tone arm from the tone arm lock.
2. Use your left hand to hold the tone arm and your right hand to hold the rear portion of the cartridge. Then push the cartridge backwards and downwards according to the direction as shown to separate the cartridge from the tone arm.
3. Using either a tweezer or your fingers, carefully unplug the terminals to the new cartridge.
4. Carefully connect the terminals to the new cartridge (not included).
5. To re-install the new cartridge to the tone arm, first lock the front end of the new cartridge on the hook of the tone arm.
6. Press the rear side of the new cartridge upwards to lock it on the tone arm.



CAUTION:

Please do not damage the stylus when installing the new cartridge.

SPECIFICATIONS

Operating voltage	9V1.5A
Bluetooth specification	Verison 4.2
Supported storage	USB
Output power	2 X 5W RMS
Dimensions (L*W*H)	436*360*140 mm
Unit weight	4.38 kg

Power Adaptor Information	Value and and precision
Manufacturers name or trade mark,	Dongguan Ang Chung
commercial registration and address	Electronic Technology Co, Ltd
Model Identifier	AC012W1-090150VX
Input voltage	100-240V
Input AC frequency	50-60HZ
Output voltage	9.0V
Output current	1.5A
Output Power	13.5W
Average active efficiency	83.76%
Efficiency at low load (10%)	89.54%
No load Power consumption	0.07W

Specifications and functions connected to the continual improvement of the device are subject to change without notice.

1. Guarantee

Lenco offers service and warranty in accordance to European law, which means that in case of repairs (both during and after the warranty period) you should contact your local dealer.

Important note: It is not possible to send products that need repairs to Lenco directly.

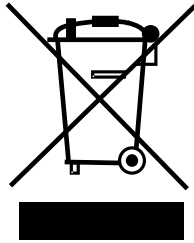
Important note: If this unit is opened or accessed by a non-official service center in any way, the warranty expires.

This device is not suitable for professional use. In case of professional use, all warranty obligations of the manufacturer will be voided.

2. Disclaimer

Updates to Firmware and/or hardware components are made regularly. Therefore some of the instruction, specifications and pictures in this documentation may differ slightly from your particular situation. All items described in this guide for illustration purposes only and may not apply to particular situation. No legal right or entitlements may be obtained from the description made in this manual.

3. Disposal of the Old Device



This symbol indicates that the relevant electrical product or battery should not be disposed of as general household waste in Europe. To ensure the correct waste treatment of the product and battery, please dispose them in accordance to any applicable local laws of requirement for disposal of electrical equipment or batteries. In so doing, you will help to conserve natural resources and improve standards of environmental protection in treatment and disposal of electrical waste (Waste Electrical and Electronic Equipment Directive).

4. CE Marking

Hereby, Lenco Benelux B.V., Thermiekstraat 1a. 6361 HB Nuth. The Netherlands, declares that this product is in compliance with the essential EU directive requirements. The declaration of conformity may be consulted via techdoc@commaxxgroup.com



5. Service

For more information and helpdesk support, please visit www.lenco.com
Lenco Benelux BV, Thermiekstraat 1a, 6361 HB, The Netherlands.

LET OP:

Gebruik van bedieningen of afstellingen of uitvoer van procedures anders dan gespecificeerd in deze documentatie kan leiden tot blootstelling aan schadelijke straling.

VOORZORGSMAATREGELEN VOOR GEBRUIK

ONTHOUD DE VOLGENDE INSTRUCTIES:

1. Bedek of blokkeer de ventilatieopeningen niet. Wanneer u het apparaat op een schap plaatst, dient u 5 cm (2") vrije ruimte rondom het gehele apparaat te behouden.
2. Installeer het product volgens de meegeleverde gebruikershandleiding.
3. Houd het apparaat uit de buurt van hittebronnen, zoals radiatoren, verwarmingen, kachels, kaarsen en andere hittegenererende producten of open vuur. Het apparaat kan alleen worden gebruikt in een gematigd klimaat. Extreem koude of warme omgevingen dienen te worden vermeden. Bedrijfstemperatuur tussen 0 °C en 35 °C.
4. Gebruik dit apparaat niet in de buurt van krachtige magnetische velden.
5. Elektrostatische ontlading kan normaal gebruik van dit apparaat verstoren. U hoeft het apparaat in dit geval slechts te resetten en opnieuw op te starten volgens de gebruikershandleiding. Wees voorzichtig tijdens bestandsoverdracht en gebruik het product in een omgeving zonder statische interferentie.
6. Waarschuwing! Steek nooit een voorwerp via de ventilatie- of andere openingen in het product. Er is hoogspanning in het product aanwezig en als u er een object insteekt, kan dat een elektrische schok veroorzaken en/of kortsluiting in de interne onderdelen. Mors om dezelfde reden geen water of vloeistof op het product.
7. Gebruik het toestel niet in vochtige ruimtes, zoals badkamers, stomende keukens of in de buurt van zwembaden.
8. Het apparaat mag niet worden blootgesteld aan druppels en spetters en zorg ervoor dat er geen met vloeistof gevulde voorwerpen, zoals vazen, op of in de buurt van het apparaat worden geplaatst.
9. Gebruik dit apparaat niet wanneer condensatie kan optreden. Wanneer het apparaat in een warme en vochtige kamer wordt gebruikt, dan kunnen er waterdruppeltjes of condensatie binnenin het apparaat worden gevormd waardoor het apparaat mogelijk niet meer goed werkt; houd een apparaat 1 of 2 uur op UIT staan voordat u de voeding weer inschakelt: het apparaat dient droog te zijn voordat deze stroom ontvangt.
10. Alhoewel dit apparaat met grote zorg gefabriceerd en verschillende keren geïnspecteerd is voordat het de fabriek verlaat, is het nog steeds mogelijk dat er problemen optreden, zoals met alle elektrische apparaten. Als u rook, een overmatige hitteontwikkeling of enig ander onverwacht verschijnsel, moet u onmiddellijk de stekker van het netsnoer uit het stopcontact halen.
11. Dit apparaat moet werken op een voedingsbron, zoals aangegeven op het specificatieplaatje. Als u twijfelt over het type voeding dat gebruikt wordt in uw huis, raadpleeg dan uw dealer of plaatselijk energiebedrijf.
12. Buiten bereik van dieren houden. Sommige dieren bijten graag op voedingskabels.
13. Gebruik een zacht, droog doekje om het apparaat te reinigen. Gebruik geen oplosmiddelen of op benzine gebaseerde vloeistoffen.

U kunt een vochtig doekje met verdund schoonmaakmiddel gebruiken om hardnekkige vlekken te verwijderen.

14. De leverancier is niet verantwoordelijk voor schade of verloren gegevens veroorzaakt door storing, misbruik, modificatie van het apparaat of batterijvervanging.
15. Onderbreek nooit de verbinding wanneer het apparaat formateert of bestanden overdraagt.
De gegevens kunnen anders corrupt of verloren raken.
16. Indien het apparaat een USB-afspeelfunctie heeft, moet de USB-geheugenstick rechtstreeks op het apparaat worden aangesloten. Gebruik geen USB-verlengkabel, omdat die kan leiden tot storingen met foutieve gegevens als gevolg.
17. Het nominale specificatielabel is te vinden op het paneel aan de onder- of achterkant van het apparaat.
18. Dit apparaat is niet bestemd voor gebruik door mensen (inclusief kinderen) met fysieke, zintuiglijke of geestelijke gebreken of gebrek aan kennis en ervaring, tenzij zij onder toezicht staan of instructies hebben over het juiste gebruik van het apparaat hebben gekregen van de persoon die verantwoordelijk is voor hun veiligheid.
19. Dit product is alleen voor niet-professioneel gebruik bedoeld en niet voor commercieel of industrieel gebruik.
20. Verzekeer u ervan dat het apparaat in een stabiele positie staat opgesteld.
Beschadigingen veroorzaakt door het gebruik van dit apparaat in een onstabiele positie, trillingen of schokken of door het niet opvolgen van andere waarschuwingen of voorzorgsmaatregelen beschreven in deze gebruikshandleiding worden niet gedekt door de garantie.
21. Verwijder nooit de behuizing van dit apparaat.
22. Plaats dit apparaat nooit op andere elektrische apparatuur.
23. Geef kinderen geen gelegenheid in aanraking met plastic zakken te komen.
24. Gebruik uitsluitend uitbreidingen/accessoires gespecificeerd door de fabrikant.
25. Laat alle reparaties over aan gekwalificeerd onderhoudspersoneel. Onderhoud is vereist als het toestel hoe dan ook is beschadigd, zoals bijvoorbeeld het netsnoer of de stekker, wanneer er vloeistof of een voorwerp in het apparaat is terechtgekomen, wanneer het apparaat is blootgesteld aan regen of vocht, als het niet normaal werkt of is gevallen.
26. Langdurige blootstelling aan harde geluiden van persoonlijke muzikspelers kan leiden tot tijdelijk of permanent gehoorverlies.
27. Als het product wordt geleverd met voedingskabel of AC-stroomadapter:
Als er problemen optreden, koppel de wisselstroomvoedingskaart dan los en laat reparaties over aan bevoegd personeel.
Nooit op de stroomadapter stappen of deze indrukken. Wees voornamelijk voorzichtig in de buurt van de stekkers en het punt waar de kabel uit het apparaat komt. Plaats geen zware voorwerpen op de stroomadapter, om beschadiging ervan te voorkomen. Houd het gehele apparaat buiten bereik van kinderen! Wanneer kinderen met de voedingskabel spelen, kunnen zij ernstig letsel oplopen.
Haal de stekker uit het stopcontact tijdens onweer of wanneer u deze langere tijd niet gebruikt.
Het stopcontact moet in de buurt van de apparatuur zijn geïnstalleerd en eenvoudig

te bereiken zijn.

Overbelast stopcontacten of verlengsnoeren niet. Overbelasting kan brand of een elektrische schok veroorzaken.

Apparaten met een Klasse 1 structuur dienen te worden aangesloten op een stopcontact met een beschermende aardverbinding.

Apparaten met een Klasse 2 structuur vereisen geen aardverbinding.

Houd altijd de stekker vast wanneer u deze uit het stopcontact trekt. Trek nooit aan de voedingskabel. Dit kan tot een kortsluiting leiden.

Gebruik nooit een beschadigde voedingskabel of stekker of een los stopcontact. Dit vormt namelijk een risico op brand of elektrische schokken.

28. Indien het product knoopcelbatterijen bevat of wordt geleverd met een afstandsbediening die knoopcelbatterijen bevat:

Waarschuwing:

"Batterij niet inslikken, chemisch brandgevaar" of gelijkwaardige werking.

[De afstandsbediening meegeleverd met] Dit product bevat een munt-/knoopcelbatterij. Als de batterij wordt ingeslikt, kan deze in slechts 2 uur ernstige interne brandwonden veroorzaken en tot de dood leiden.

Houd nieuwe en gebruikte batterijen buiten bereik van kinderen.

Als de batterijhouder niet goed kan worden gesloten, dient u het product niet meer te gebruiken en buiten bereik van kinderen te houden.

Als u denkt dat batterijen zijn ingeslikt of binnenin een willekeurig lichaamsdeel terecht zijn gekomen, dient u onmiddellijk medische hulp te zoeken.

29. Waarschuwing m.b.t. het gebruik van batterijen:

Als de batterij onjuist wordt geplaatst, bestaat er explosiegevaar. Vervang de batterij alleen door eenzelfde of vergelijkbare soort batterij.

Stel de batterij niet bloot aan extreem hoge of lage temperaturen of een lage luchtdruk op grote hoogte tijdens gebruik, opslag of transport.

Vervanging van een batterij door een incorrect type kan leiden tot een ontploffing of de lekkage van ontvlambare vloeistoffen of gas.

Verwijdering van een batterij in vuur of een hete oven of het mechanisch verpletteren of snijden van een batterij kan leiden tot een ontploffing.

Laat een batterij nooit achter in omgevingen met extreem hoge temperaturen, anders kan dit leiden tot een ontploffing of de lekkage van ontvlambare vloeistoffen of gas.

Stel een batterij nooit bloot aan een extreem lage luchtdruk, anders kan dit leiden tot een ontploffing of de lekkage van ontvlambare vloeistoffen of gas.

Aandacht voor het milieu is nodig bij het verwijderen van de batterijen.

INSTALLATIE

Pak alle onderdelen uit en verwijder de beschermende materialen.

Sluit het apparaat niet aan op het stopcontact, voordat u de netspanning hebt gecontroleerd en voordat alle andere aansluitingen zijn gemaakt.

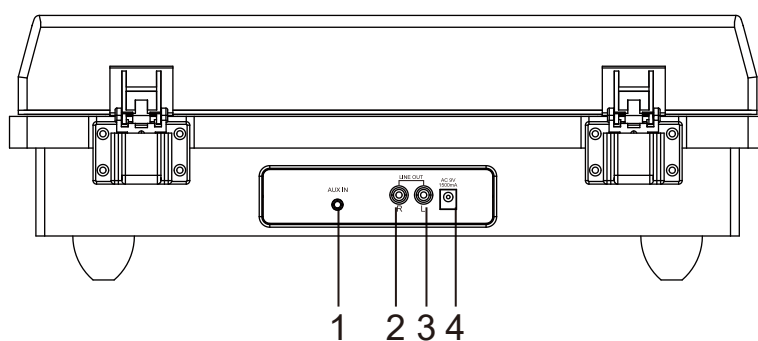
LEVERINGSOMVANG

Controleer of de hieronder vermelde items in de doos zijn inbegrepen:

Voedingsadapter
45 TPM-adapter

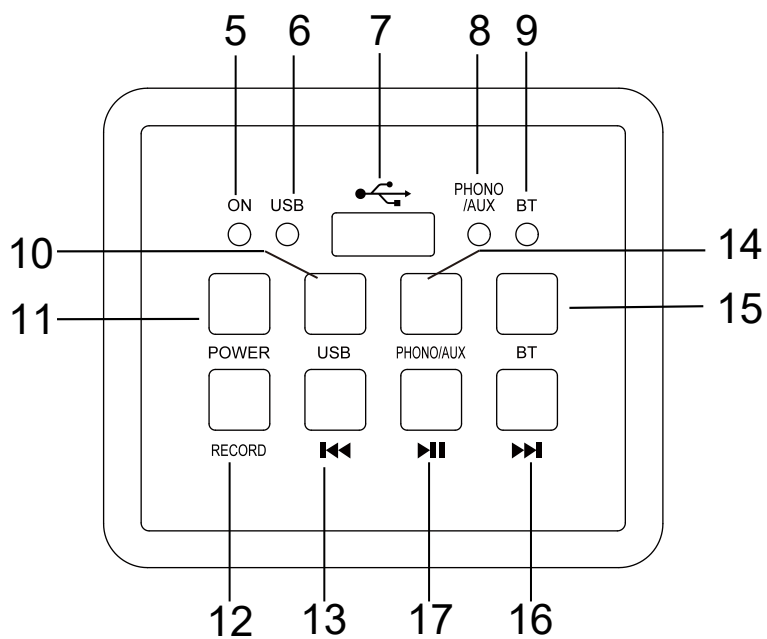
LEES DEZE GEBRUIKERSHANDLEIDING VOORDAT U DE PLATENSPELER IN GEBRUIK NEEMT

ACHTERPANEEL



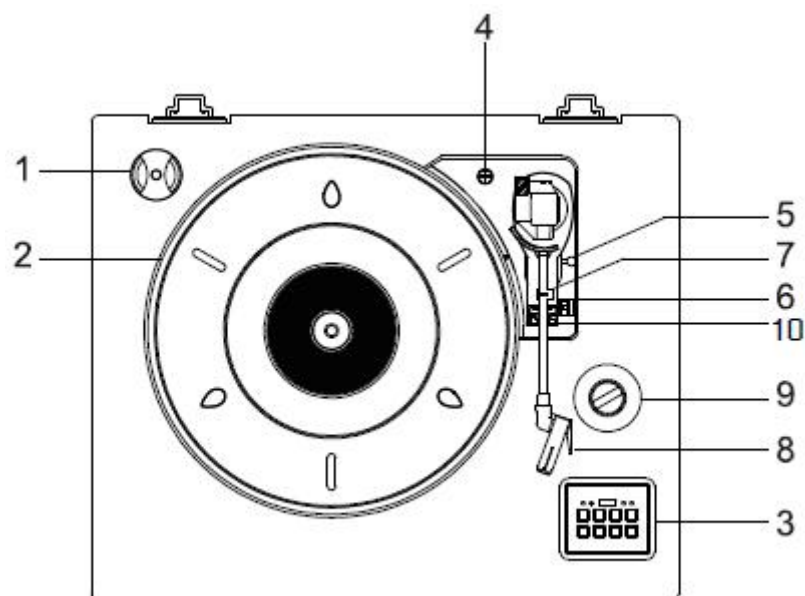
1. AUX IN
2. LIJNUITGANG "R"
3. LIJNUITGANG "L"
4. VOEDINGSAANSLUTING DC
9 V/1500 mA

PANEEL RECHTSVOOR



- | | |
|-----------------------------------|-------------------------------------|
| 5. AAN/UIT-INDICATIELAMPJE | 6. USB-SPELER-INDICATIELAMPJE |
| 7. USB-AANSLUITING | 8. PHONO SPELER/AUX-INDICATIELAMPJE |
| 9. BLUETOOTH-INDICATIELAMPJE | 10. USB-TOEST |
| 11. AAN/UIT-TOETS | 12. OPNAME-TOETS |
| 13. ◀◀-TOETS (VORIGE) | 14. PHONO/AUX-TOETS |
| 15. BLUETOOTH-TOETS | 16. ▶▶-TOETS (VOLGENDE) |
| 17. ▶ -TOETS (AFSPELEN/PAUZEREN) | |

PLATENSPELERPANEEL



- | | |
|-------------------------|---------------------------------------|
| 1. 45 TPM-ADAPTER | 2. Plateau |
| 3. BEDIENINGSPANEEL | 4. TRANSPORTSCHROEF |
| 5. LIFTMECHANISME | 6. SNELHEIDSSCHAKELAAR (33/45/78 TPM) |
| 7. TOONARMVERGRENDELING | 8. TOONARM MET NAALD |
| 9. VOLUME-KNOP | 10. AUTOMATISCHE STOP-SCHAKELAAR |

UITPAKKEN EN CONFIGURATIE

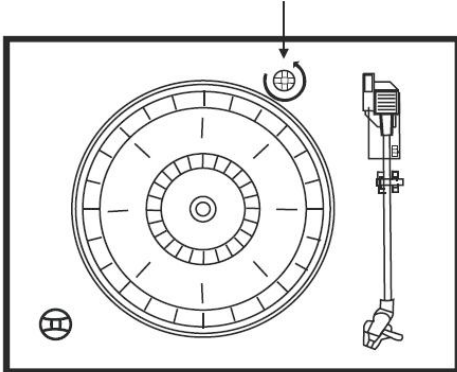
1. Haal de platenspeler voorzichtig uit de verpakking en verwijder al het verpakkingsmateriaal.
2. Wikkel de voedingskabel af.
3. Plaats de platenspeler op een stabiele, vlakke ondergrond in de nabijheid van een stopcontact en uit de buurt van sterke magnetische velden.
4. Steek de voedingskabel in het stopcontact.
5. Verwijder het ondoorzichtige witte kunststof naaldkap van de naald door het in de richting van de pijl te schuiven.
6. Wees voorzichtig en het verwijderen van de naaldkap, daar schade aan de naald niet wordt gedekt door de garantie.
7. Verwijder de wartel waarmee de toonarm tijdens de verzending is vergrendeld.
8. Maak de toonarmvergrendeling los.

BELANGRIJK!

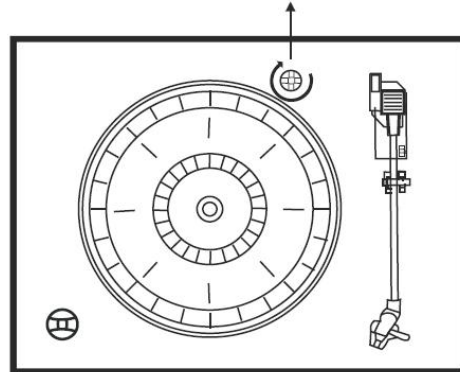
HET SYSTEEM TRANSPORTEREN

1. Om de platenspeler tijdens transport tegen beschadiging te beschermen, bevindt zich rechtsboven op het plateau van de platenspeler een zilveren transportschroef.
2. Draai voor het afspelen met een schroevendraaier de transportschroef rechtsom (schroef naar beneden) om de platenspeler te ontgrendelen.
3. Om de platenspeler weer te vergrendelen voor transport, draait u de schroef linksom.

VERGRENDELEN voor transport



ONTGRENDELEN om af te spelen



HET APPARAAT INSCHAKLEN

1. Sluit de voedingsadapter aan op de voedingsaansluiting op de achterkant van de platenspeler.
2. Druk op de POWER-toets, het AAN/UIT-indicatielampje en PHONO -indicatielampje zullen oplichten.
3. Druk nogmaals op de AAN/UIT-toets om de platenspeler uit te schakelen als u klaar bent.

OPMERKING

Om te voldoen aan de CE-energiebesparingsvoorschriften (ERP2), als er geen muziek wordt afgespeeld

De platenspeler schakelt na 15 minuten automatisch uit na inactiviteit en zonder aanwijzingen of signaal. (Alleen van toepassing op de Europese markt)

DE AUX-INGANG GEBRUIKEN

1. Deze platenspeler heeft een ingang voor een hulpaudiosignaal voor de aansluiting van externe audioapparatuur zoals MP3-spelers, cd-spelers en oudere, niet-dockable iPods, zodat u naar uw externe bron kunt luisteren via de luidsprekers van de platenspeler.
2. Gebruik een audiokabel (niet meegeleverd) met een 3,5 mm stereo-aansluiting aan elk uiteinde van de kabel.
3. Steek het ene uiteinde in de AUX-IN-aansluiting op de platenspeler en het andere uiteinde in de lijnuitgangaansluiting van het audioapparaat.
4. Schakel de platenspeler en het audioapparaat in.
5. Het volumeniveau kan via de platenspeler worden geregeld. Bedien alle functies op het audioapparaat zoals gewoonlijk.
6. Let op, de AUX-IN-functie is een functie met eerste prioriteit. Zelfs als het USB/PHONO/BLUETOOTH-indicatielampje oplicht, zullen deze functies niet werken als de AUX-IN-functie in gebruik is. Koppel de AUX-IN-kabel los voordat u de USB/PHONO/BLUETOOTH-functies gebruikt.

OPMERKING

1. Als de lijnuitgangaansluiting van uw externe apparaat is aangesloten, hoeft u alleen de volumeregeling van dit systeem te regelen.
2. Zorg dat de toonarm goed vergrendeld is om beschadiging te voorkomen.
3. Druk op de POWER-toets om de platenspeler uit te schakelen als u klaar bent. Vergeet niet uw externe apparaat ook uit te schakelen.

EEN PLAAT AFSPELEN

Deze platenspeler is van normaal formaat, wordt aangedreven door een riem en speelt platen op 33, 45 en 78 tpm af.

1. Om de platenspeler in te schakelen, drukt u op de POWER-toets om het volume op een laag niveau in te stellen.
2. Druk op de PHONO-toets om de phonomodus in te schakelen. Zorg dat u de naaldkap heeft verwijderd en de toonarmvergrendeling heeft ontgrendeld.
3. Stel de snelheidsschakelaar op de juiste snelheid in, 33, 45 of 78 tpm. Plaats de plaat op de platenspeler. Als u platen op 45 tpm afspeelt, plaatst u de 45 tpm-adaptor op de as.
4. Verschuif de AUTOMATISCHE STOP-schakelaar om de automatisch stop-functie te selecteren.
5. Stel met de VOLUME-knop het volume naar wens in.
6. Druk op de POWER-toets om de platenspeler uit te schakelen als u klaar bent.
7. Houd de stofkap open wanneer u een plaat afspeelt.

EEN PLAAT OPNEMEN

1. Plaats een plaat op de platenspeler.
2. Steek een USB-stick in de USB-aansluiting. Druk op de RECORD-toets, het RODE indicatielampje gaat knipperen, wat betekent dat de opname is gestart.
3. Druk nogmaals op de RECORD-toets wanneer u klaar bent met opnemen.
4. Druk op de USB-toets als het blauwe indicatielampje oplicht om de opgenomen muziek vanaf de USB-stick af te spelen.

OPMERKING

1. De RECORD-toets is alleen voor het opnemen van platen.
2. De opname-toets is voor het opnemen van muziek van de plaat op een USB-stick (alleen FAT32-formaat).

USB GEBRUIKEN

1. Druk op de USB-toets om de USB-modus in te schakelen. Het RODE indicatielampje zal oplichten.
2. Steek de USB-stick in de USB-aansluiting van de platenspeler. De nummers op de USB-stick worden vervolgens afgespeeld.
3. Druk op de ◀◀- of de ▶▶-toets om uw gewenste nummer te selecteren.
4. Druk op de ▶||-toets om het nummer te pauzeren of af te spelen.
5. Druk op de POWER-toets om de platenspeler uit te schakelen als u klaar bent.

OPMERKING

1. De USB-afspeelmodus heeft een geheugenfunctie. Het laatst afgespeelde nummer wordt hervat wanneer dezelfde USB-stick opnieuw wordt aangesloten.
2. Deze platenspeler is uitgerust met een USB-aansluiting waarmee MP3/WMA-bestanden kunnen worden afgespeeld die zijn opgeslagen op standaard USB-sticks (compatibel met USB 2.0).
3. USB-sticks met meer dan 32 GB capaciteit zijn mogelijk niet compatibel
4. Hoewel dit product volledig compatibel is met het standaardformaat USB 2.0, is het mogelijk dat een klein percentage van de USB-sticks niet compatibel is

DE USB-STICK VERWIJDEREN

Om schade aan de USB-stick en de platenspeler te voorkomen moet u het afspelen stoppen en het apparaat uitschakelen voordat u de USB-stick verwijdert.

BLUETOOTH GEBRUIKEN

1. Druk op de BLUETOOTH-toets op het paneel linksvoor om de bluetooth-functie te activeren. Het blauwe indicatielampje zal gaan knipperen.
2. Configureer het bluetooth-afspeelapparaat zo dat het naar andere bluetooth-apparaten zoekt.
3. Selecteer "Lenco LS-55" in de lijst met gevonden apparaten op uw bluetooth-afspeelapparaat. Als het koppelen gelukt is, zal het indicatielampje stoppen met knipperen en continu blijven branden.
4. Speel uw muziek af via het aangesloten apparaat en geniet.

DE LIJNUITGANG GEBRUIKEN

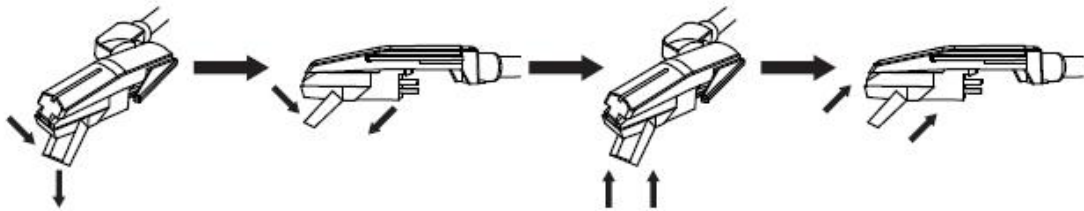
1. De platenspeler is uitgerust met een stel lijnuitgang-aansluitingen om audio van een plaat, USB en bluetooth af te spelen op een extern apparaat.
2. Steek de audiokabel (niet meegeleverd) in de lijnuitgang-aansluiting van de platenspeler.
3. Bedien de platenspeler zoals gewoonlijk.
4. Voor het beste geluid is het raadzaam het volume van de platenspeler op een minimaal niveau in te stellen.
5. De audio van de platenspeler wordt vervolgens afgespeeld via het externe apparaat.

DE NAALD VERVANGEN

Het wordt aanbevolen de naald na 400 uur gebruik te vervangen.

Volg de onderstaande stappen om de naald te vervangen:

1. Til de toonarm van de toonarmvergrendeling.
2. Aan de voorkant van de toonarm plaatst u de punt van uw vingernagel tussen de rode naaldhouder en de zwarte cartridgebehuizing, zoals afgebeeld. Druk de rode naaldhouder naar beneden totdat deze loskomt van de cartridgebehuizing.
3. Verwijder de rode naaldhouder met versleten naald volledig en gooi deze weg.
4. Plaats de nieuwe rode naaldhouder met naald in de cartridgebehuizing. Duw eerst de achterkant van naaldhouder omhoog en duw vervolgens de voorkant van de naaldhouder omhoog tot deze op zijn plaats klikt in de cartridgebehuizing.



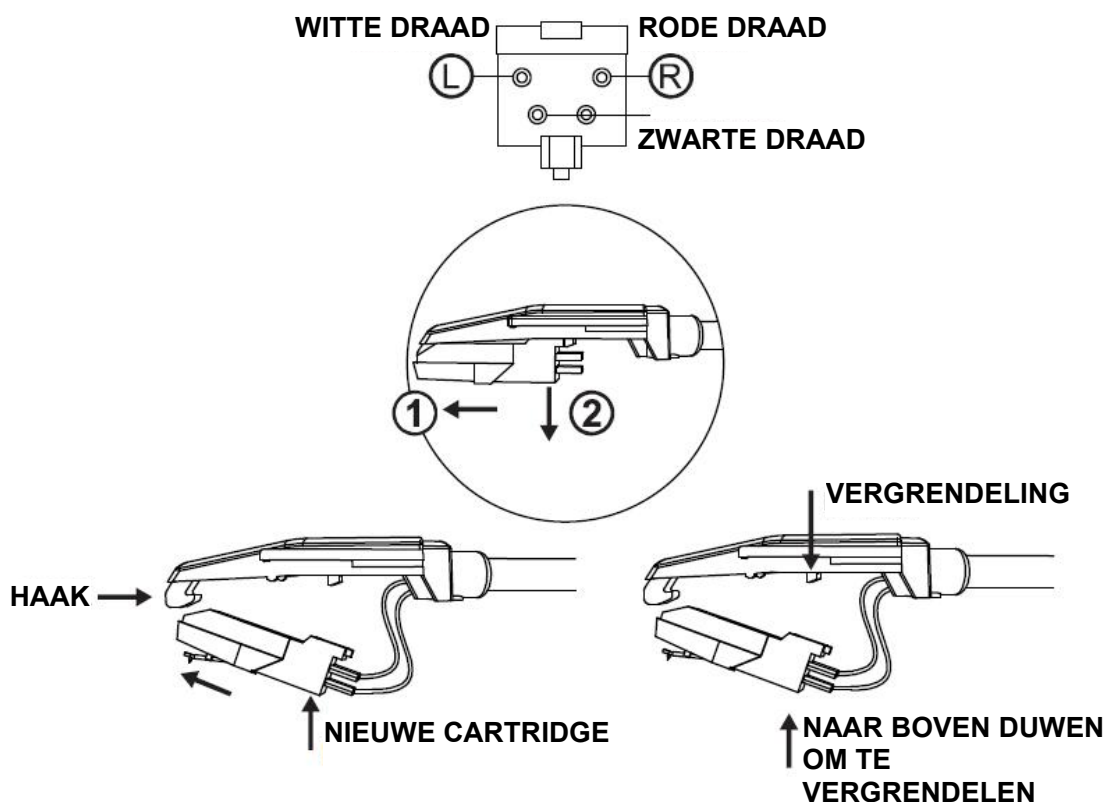
HET HOUTEN PANEEL EN DE STOFKAP ONDERHOUDEN

1. Het onderhoud van de platenspeler is hetzelfde als dat van elk ander meubelstuk.
2. Als de stofkap stoffig is, kunt u deze afnemen met een zachte, niet-schurende stofdoek.
3. Als er vingerafdrukken op het houten paneel zitten, kunt u een in de handel goed kwalitatief reinigingsmiddel gebruiken.
4. Wij raden aan het reinigingsmiddel op een doek te spuiten en niet rechtstreeks op het houten paneel.

ONDERHOUD EN REINIGING

VOLG DE ONDERSTAANDE INSTRUCTIES VOOR HET VERVANGEN VAN DE CARTRIDGE VAN DE TOONARM.

1. Til de toonarm voorzichtig van de toonarmvergrendeling.
2. Gebruik uw linkerhand om de toonarm vast te houden en uw rechterhand om het achterste gedeelte van de cartridge vast te houden. Duw de cartridge vervolgens naar achteren en naar beneden in de getoonde richting om de cartridge van de toonarm te scheiden.
3. Gebruik een pincet of uw vingers om de aansluitingen op de nieuwe cartridge voorzichtig los te maken.
4. Sluit de aansluitingen voorzichtig aan op de nieuwe cartridge (niet meegeleverd).
5. Om de nieuwe cartridge opnieuw op de toonarm te installeren, vergrendelt u eerst de voorkant van de nieuwe cartridge op de haak van de toonarm.
6. Duw de achterkant van de nieuwe cartridge naar boven om deze op de toonarm te vergrendelen.



LET OP:

Beschadig de naald niet bij het installeren van de nieuwe cartridge.

SPECIFICATIES

Bedrijfsspanning	9 V, 1,5 A
Specificaties bluetooth	Versie 4.2
Ondersteunde opslag	USB
Uitgangsvermogen	2x 5 W RMS
Afmetingen (LxBxH)	436x360x140 mm
Gewicht van het apparaat	4,38 kg

Informatie voedingsadapter	Waarde en precisie
Naam of handelsmerk van de fabrikant,	Dongguan Ang Chung
handelsregistratie en adres	Electronic Technology Co, Ltd
Modelaanduiding	AC012W1-090150VX
Ingangsspanning	100-240 V
Ingangsfrequentie wisselstroom	50-60 Hz
Uitgangsspanning	9,0 V
Uitgangsstroom	1,5 A
Uitgangsvermogen	13,5 W
Gemiddelde actieve efficiëntie	83,76%
Efficiëntie bij lage belasting (10%)	89,54%
Verbruik onbelast vermogen	0,07 W

Specificaties en functies in verband met de voortdurende verbetering van het apparaat kunnen zonder voorafgaande kennisgeving worden gewijzigd.

1. Garantie

Lenco biedt service en garantie aan overeenkomstig met de Europese wetgeving. Dit houdt in dat u, in het geval van reparaties (zowel tijdens als na de garantieperiode), uw lokale handelaar moet contacteren.

Belangrijke opmerking: Het is niet mogelijk om producten die moeten worden gerepareerd rechtstreeks naar Lenco te sturen.

Belangrijke opmerking: de garantie verloopt als een onofficieel servicecenter het apparaat op wat voor manier dan ook heeft geopend, of er toegang toe heeft gekregen.

Het apparaat is niet geschikt voor professioneel gebruik. In het geval van professioneel gebruik worden alle garantieverplichtingen van de fabrikant nietig verklaard.

2. Disclaimer

Er worden regelmatig updates in de firmware en/of hardwarecomponenten gemaakt. Daardoor kunnen gedeelten van de instructie, de specificaties en afbeeldingen in deze documentatie enigszins verschillen van uw eigen situatie. Alle onderwerpen die staan beschreven in deze handleiding zijn bedoeld als illustratie en zijn niet van toepassing op specifieke situaties. Aan de beschrijving in dit document kunnen geen rechten worden ontleend.

3. Afvoer van het oude apparaat



Dit symbool geeft aan dat het betreffende elektrische product of de accu/batterij niet mag worden verwijderd als algemeen huishoudelijk afval in Europa. Zorg voor een juiste afvalverwerking door het product en de accu/batterij in overeenstemming met alle van toepassing zijnde lokale wetten voor het verwijderen van elektrische apparatuur of accu's/batterijen te verwijderen. Als u dit doet, helpt u de natuurlijke bronnen te behouden en de standaard van milieubescherming te verbeteren bij de behandeling en verwijdering van elektrisch afval (Afgedankte Elektrische en Elektronische Apparatuur).

4. CE-markering

Hierbij verklaart, Lenco Benelux B.V., Thermiekstraat 1a. 6361 HB Nuth. Nederland, dat dit product in overeenstemming is met de essentiële eisen van de EU-richtlijn.

De verklaring van conformiteit kan worden aangevraagd via

techdoc@commaxxgroup.com



5. Service

Bezoek voor meer informatie en helpdeskondersteuning www.lenco.com

Lenco Benelux BV, Thermiekstraat 1a, 6361 HB, Nederland.

ACHTUNG:

Eine andere als die hier beschriebene Benutzung der Bedienelemente oder Einstellung oder Durchführung von Abläufen kann zu einer gefährlicher Strahlung ausgesetzt werden führen.

VORSICHTSMASSNAHMEN VOR DER BENUTZUNG

BEFOLGEN SIE IMMER FOLGENDE ANWEISUNGEN:

1. Blockieren oder bedecken Sie keine Lüftungsöffnungen. Wenn Sie das Gerät auf ein Regal stellen, lassen Sie um das gesamte Gerät 5 cm (2") freien Platz.
2. Stellen Sie das Gerät entsprechend den Anweisungen der mitgelieferten Bedienungsanleitung auf.
3. Halten Sie das Gerät von Hitzequellen wie Radiatoren, Heizern, Öfen, Kerzen oder anderen hitzeerzeugenden Produkten oder offenen Flammen fern. Das Gerät darf nur bei gemäßigttem Klima verwendet werden. Sehr kalte oder heiße Umgebungen sind zu vermeiden. Die Betriebstemperatur liegt zwischen 0 °C und 35 °C.
4. Meiden Sie bei der Benutzung des Produkts die Nähe starker Magnetfelder.
5. Elektrostatische Entladungen können die normale Benutzung dieses Geräts stören. Sollte dies geschehen, führen Sie einfach einen Reset aus und starten Sie dann das Gerät entsprechend den Anweisungen dieser Bedienungsanleitung neu. Gehen Sie besonders bei Datenübertragungen mit dem Gerät vorsichtig um und führen Sie diese nur in einer antielektrischen Umgebung aus.
6. Warnung! Niemals Gegenstände durch die Lüftungsschlitze oder Öffnungen in das Gerät stecken. In diesem Gerät fließt Hochspannung und das Hineinstecken von Gegenständen kann zu elektrischem Schock und/oder Kurzschluss interner elektrischer Bauteile führen. Spritzen/Gießen Sie aus dem gleichen Grund kein Wasser oder Flüssigkeiten auf das Gerät.
7. Benutzen Sie das Gerät nicht in nasser oder feuchter Umgebung wie Bad, Dampfküche oder in der Nähe von Schwimmbecken.
8. Das Gerät darf weder Tropf- noch Spritzwasser ausgesetzt werden und es dürfen keine mit Flüssigkeit gefüllten Behälter wie z. B. Vasen auf das Gerät oder in der Nähe des Gerätes gestellt werden.
9. Benutzen Sie das Gerät nicht, wenn Kondensation entstehen kann. Wenn Sie das Gerät in einem warmen feuchten Raum mit Dampf benutzen, dann können Wassertropfen oder Kondensation in das Gerät eindringen und u. U. zu Fehlfunktionen des Geräts führen. Schalten Sie in diesem Fall das Gerät für 1 – 2 Stunden aus, bevor Sie es erneut einschalten, wobei Sie darauf achten sollten, dass das Gerät vollständig getrocknet ist, bevor Sie es wieder einschalten.
10. Obwohl dieses Gerät unter größter Sorgfalt hergestellt und vor Auslieferung mehrmals überprüft wurde, können trotzdem wie bei jedem anderen elektrischen Gerät auch Probleme auftauchen. Trennen Sie das Gerät bei Rauchentwicklung, starker Hitzeentwicklung oder jeder anderen unnatürlichen Erscheinung sofort vom Stromnetz.

11. Dieses Gerät ist durch eine Stromquelle wie auf dem Typenschild angegeben zu betreiben. Halten Sie bei Unsicherheiten über die Art Ihrer Stromversorgung in Ihrer Wohnung Rücksprache mit Ihrem Händler oder Ihrer Stromzuliefererfirma.
12. Halten Sie das Gerät von Haustieren fern. Einige Nagetiere lieben es, an Netzkabeln zu nagen.
13. Benutzen Sie für die Reinigung ein weiches und trockenes Tuch. Benutzen Sie niemals Lösungsmittel oder Flüssigkeiten auf Ölbasis.
Benutzen Sie zum Entfernen hartnäckiger Flecken ein feuchtes Tuch mit mildem Reinigungsmittel.
14. Der Hersteller haftet nicht für Beschädigungen oder Datenverluste durch Fehlfunktion, Zweckentfremdung oder Modifikation des Geräts oder durch das Wechseln der Batterie.
15. Unterbrechen Sie die Verbindung nicht während einer Formatierung oder einer Datenübertragung.
Bei Unterbrechung drohen Datenverlust und Datenbeschädigung.
16. Wenn das Gerät eine USB-Wiedergabefunktion besitzt, dann stecken Sie den USB-Stick direkt in das Gerät. Verwenden Sie kein USB-Verlängerungskabel, weil die erhöhte Störungsanfälligkeit zu Datenverlust führen kann.
17. Das Typenschild befindet sich an der Unter- oder Rückseite des Gerätes.
18. Dieses Gerät ist nicht zur Benutzung durch Personen (einschließlich Kinder) mit physischen, sensorischen oder mentalen Beeinträchtigungen oder ohne ausreichender Erfahrung vorgesehen, es sei denn, sie werden durch eine verantwortliche Person beaufsichtigt oder wurden in die ordnungsgemäße Bedienung des Gerätes durch eine für ihre Sicherheit verantwortlichen Person eingewiesen.
19. Dieses Produkt ist nur für den nicht-professionellen Gebrauch und nicht für gewerbliche oder industrielle Zwecke bestimmt.
20. Stellen Sie sicher, dass das Gerät in einer stabilen Position aufgestellt ist. Schäden, die durch Verwendung dieses Produkts in einer instabilen Position, durch Vibrationen, Stöße oder Nichtbeachtung der anderen in diesem Handbuch enthaltenen Warnungen und Sicherheitsmaßnahmen entstehen, werden nicht durch die Garantie abgedeckt.
21. Entfernen Sie niemals das Gehäuse dieses Geräts.
22. Stellen Sie dieses Gerät niemals auf andere elektrische Geräte.
23. Halten Sie Kinder von den Plastiktüten fern.
24. Benutzen Sie nur vom Hersteller spezifizierte Erweiterungen/Zubehörteile.
25. Lassen Sie alle Wartungs-/Reparaturarbeiten von qualifiziertem Servicepersonal ausführen. Reparatur/Wartung wird notwendig, wenn das Gerät in irgendeiner Weise wie beispielsweise am Netzkabel oder am Netzstecker beschädigt wurde oder wenn Flüssigkeit in das Gerät gelangt ist bzw. Gegenstände in das Gerät gefallen sind, das Gerät Regen oder Feuchtigkeit ausgesetzt war, es heruntergefallen ist oder nicht ordnungsgemäß funktioniert.
26. Langes Hören lauter Töne aus einem Musikgerät kann zum zeitweiligen oder permanenten Hörverlust führen.
27. Wenn zum Lieferumfang des Produkts ein Netzkabel oder ein Netzadapter gehört:
Wenn irgendwelche Probleme auftreten, dann trennen Sie das Gerät vom Stromnetz und setzen Sie sich anschließend mit einer qualifizierten Fachkraft in

Verbindung.

Treten Sie nicht auf den Netzadapter und klemmen Sie ihn auch nicht ein. Seien Sie besonders im näheren Bereich des Netzsteckers und an der Stelle vorsichtig, an der das Netzkabel aus dem Gerät herausgeführt wird. Stellen Sie keine schweren Gegenstände auf den Netzadapter, weil er dadurch beschädigt werden kann. Halten Sie das gesamte Gerät außerhalb der Reichweite von Kindern! Durch Spielen mit dem Netzkabel können sie sich ernsthafte Verletzungen zuziehen.

Trennen Sie das Gerät während eines Gewitters oder bei längerer Nichtbenutzung vom Netz.

Die Netzsteckdose muss sich in der Nähe des Geräts befinden und einfach zu erreichen sein.

Überlasten Sie Steckdosen und Verlängerungsleitungen nicht. Eine Überlastung kann zu Brandgefahr bzw. Stromschlag führen.

Geräte der Schutzklasse 1 müssen Sie an eine Netzsteckdose mit Schutzleiter anschließen.

Geräte der Schutzklasse 2 benötigen keinen Schutzleiteranschluss.

Halten Sie den Netzstecker in der Hand, wenn Sie ihn aus der Netzsteckdose ziehen. Ziehen Sie ihn nicht durch Zerren am Kabel heraus. Das kann zu einem Kurzschluss führen.

Verwenden Sie weder ein beschädigtes Netzkabel noch einen beschädigten Netzstecker oder eine lockere Steckdose. Missachtung kann zu Brand oder Stromschlag führen.

28. Wenn das Produkt mit einer Fernbedienung mit Batterien/Knopfzellen geliefert wird oder das Produkt eine derartige Fernbedienung umfasst:

Warnung:

Die Batterie nicht einnehmen – Verätzungsgefahr!

Die mit diesem Produkt mitgelieferte Fernbedienung enthält eine Knopfzelle. Das Verschlucken der Batterie kann innerhalb von nur 2 Stunden zu schwersten inneren Verbrennungen mit Todesfolge führen.

Halten Sie neue und gebrauchte Batterien von Kindern fern.

Falls sich das Batteriefach nicht richtig schließen lässt, dann benutzen Sie das Gerät nicht mehr und halten Sie es von Kindern fern.

Wenn Sie vermuten, dass Batterien verschluckt oder in eine Körperöffnung eingeführt worden sind, dann suchen Sie umgehend eine/-n Ärztin/Arzt auf.

29. Warnhinweise bzgl. der Verwendung von Batterien:

Es besteht Explosionsgefahr, wenn die Batterien nicht ordnungsgemäß ersetzt werden. Tauschen Sie die Batterie nur gegen eine Batterie des gleichen Typs aus. Die Batterie darf während der Benutzung, Aufbewahrung oder des Transports weder sehr hohen oder sehr niedrigen Temperaturen noch niedrigem Luftdruck in großen Höhenlagen ausgesetzt werden.

Die Ersetzung der Batterie mit einem falschen Batterietyp kann zum Explodieren der Batterie oder zum Entweichen von entflammbarem Gas oder Auslaufen von entflammbarer Flüssigkeit aus der Batterie führen.

Die Entsorgung der Batterie in Feuer oder einem heißen Ofen oder das

mechanische Zerkleinern oder Zerteilen der Batterie kann zu Explosionen führen. Das Verbleiben der Batterie in einer Umgebung mit sehr hohen Temperaturen kann zum Explodieren der Batterie oder zum Entweichen von entflammbarem Gas oder Auslaufen von entflammbarer Flüssigkeit aus der Batterie führen. Eine einem sehr niedrigen Luftdruck ausgesetzte Batterie kann explodieren oder es kann aus einer einem sehr niedrigen Luftdruck ausgesetzten Batterie entflammbares Gas entweichen oder entflammbare Flüssigkeit auslaufen. Legen Sie besonderes Augenmerk auf den ökologischen Aspekt der Batterieentsorgung.

AUFSTELLEN

Packen Sie alle Teile aus und entfernen Sie danach die Schutzmaterialien. Schließen Sie das Gerät nicht eher an das Stromnetz an, bevor Sie die Netzspannung überprüft haben und alle anderen notwendigen Verbindungen hergestellt sind.

VERPACKUNGSGEHÄLT

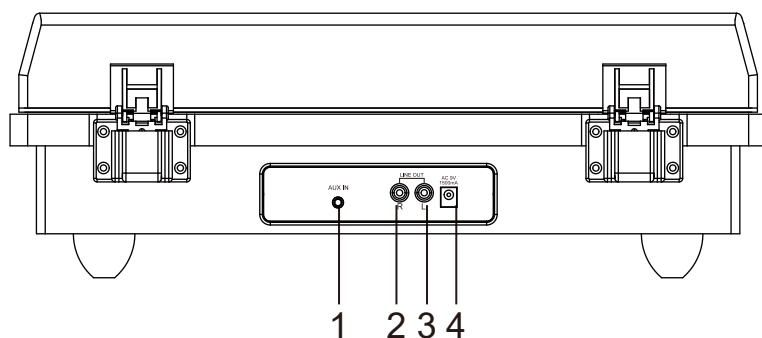
Bitte versichern Sie sich, dass sich alle nachstehenden Teile in der Verpackung befinden:

Netzadapter

45-U/min-Adapter

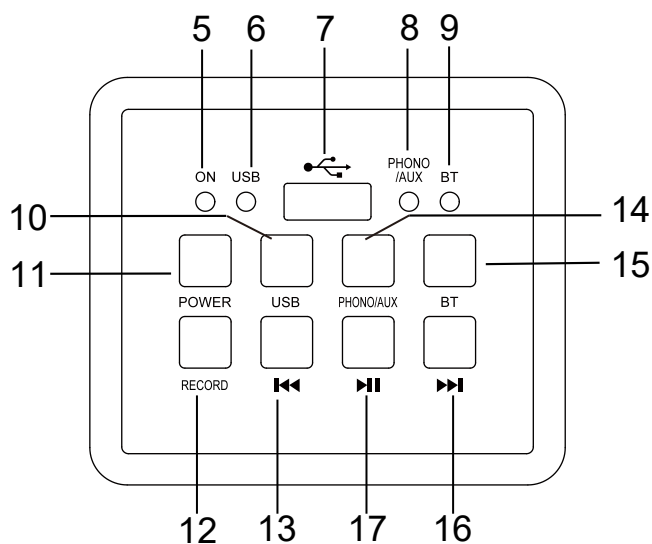
BITTE LESEN SIE DIESE BEDIENUNGSANLEITUNG, BEVOR SIE DEN PLATTENSPIELER BENUTZEN.

RÜCKSEITE



- | | |
|-----------------------|--|
| 1. AUX-EINGANG | 2. LINE-AUSGANG RECHTS |
| 3. LINE-AUSGANG LINKS | 4. NETZADAPTERBUCHSE 9 V
DC/1500 mA |

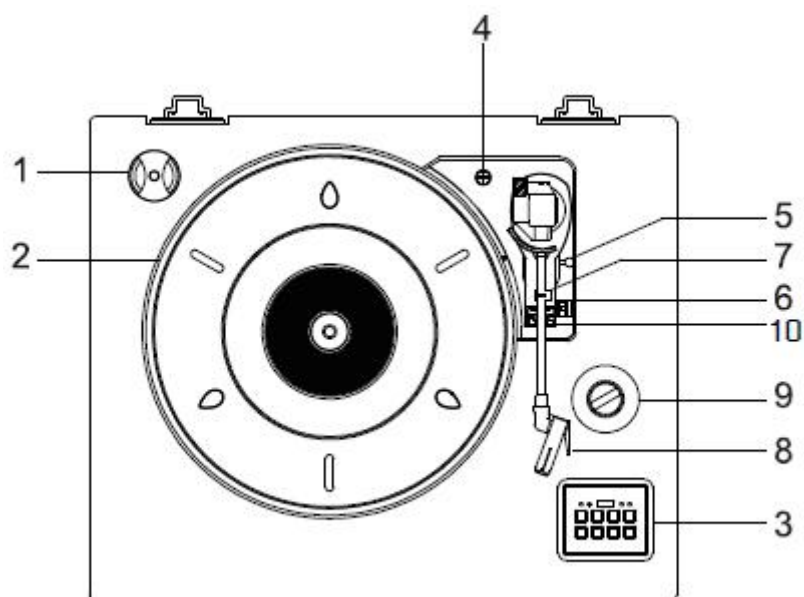
BEDIENFELD AUF DER OBERSEITE VORN RECHTS



- | | |
|--------------------------|--|
| 5. BETRIEBSANZEIGE | 6. ANZEIGE-LED USB-WIEDERGABE |
| 7. USB-PORT | 8. ANZEIGE-LED SCHALLPLATTENWIEDERGABE |
| 9. ANZEIGE-LED BLUETOOTH | 10. USB-Wahltaste |

- | | |
|----------------------------------|--------------------------------|
| 11. EIN/AUS-Taste | 12. AUFZEICHNUNG-Taste |
| 13. ◀◀-Taste (vorheriger Titel) | 14. SCHALLPLATTE/AUX-Wahltaste |
| 15. BLUETOOTH-Taste | 16. ▶▶-Taste (nächster Titel) |
| 17. ▶ -Taste (Wiedergabe/Pause) | |

OBERSEITE



- | | |
|--------------------------|---|
| 1. 45-RPM-ADAPTER | 2. PLATTENTELLER |
| 3. BEDIENFELD | 4. TRANSPORTSICHERUNGSSCHRAUBE |
| 5. TONARMLIFTHEBEL | 6. GESCHWINDIGKEITSWÄHLER
(33/45/78 U/min) |
| 7. TONARMARRETIERUNG | 8. TONARM MIT TONNADEL |
| 9. LAUTSTÄRKE-Drehregler | 10. Automatikabschaltung-Knopfschalter |

AUSPACKEN UND AUFSTELLEN

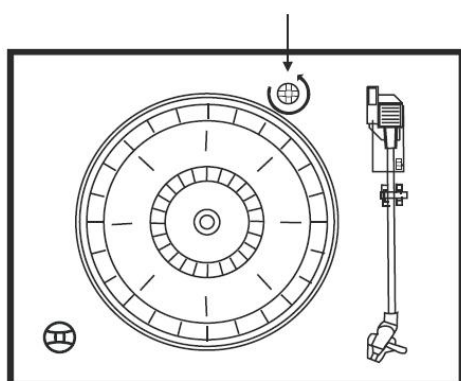
1. Nehmen Sie den Plattenspieler vorsichtig aus der Verpackung und entfernen Sie anschließend jegliches Verpackungsmaterial.
2. Wickeln Sie das Netzadapterkabel auf seine volle Länge ab.
3. Stellen Sie den Plattenspieler in der Nähe einer Netzsteckdose und fern jeglicher starker Magnetfelder auf eine stabile, ebene Oberfläche.
4. Stecken Sie den Netzstecker in eine Netzsteckdose.
5. Nehmen Sie den undurchsichtigen, weißen Plastikschatz der Tonnadel ab, indem Sie diesen Schutz in Richtung des Pfeiles schieben.
6. Seien Sie beim Entfernen des Plastikschatzes vorsichtig; eine Beschädigung der Tonnadel wird nicht von der Gewährleistung abgedeckt.
7. Entfernen Sie das Metallband vom Tonarm, das diesen während des Transportes geschützt hat.
8. Entriegeln Sie die Tonarmhebelsicherung.

WICHTIG!

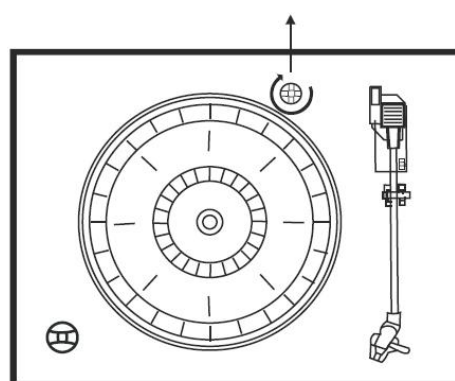
TRANSPORTIEREN DES SYSTEMS

1. Um den Plattenteller vor Beschädigungen während des Transports zu schützen, befindet sich auf der Oberseite des Plattenspielers rechts eine silberne Transportsicherungsschraube.
2. Drehen Sie diese Schraube mit Hilfe eines Schraubendrehers in Uhrzeigersinn (die Schraube wird hineingedreht), um den Plattenteller zu entriegeln, bevor Sie mit der Wiedergabe beginnen.
3. Drehen Sie diese Schraube gegen Uhrzeigersinn, um den Plattenteller für einen erneuten Transport wieder zu sichern.

SICHERN für den Transport



FREIGEBEN für die Wiedergabe



INBETRIEBNEHMEN DES GERÄTS

1. Schließen Sie den Netzadapter an der AC POWER-Buchse auf der Rückseite des Plattenspielers an.
2. Drücken Sie die POWER-Taste, woraufhin die POWER-LED sowie die PHONO-LED leuchten.
3. Wenn Sie die Benutzung des Plattenspielers beenden möchten, dann drücken Sie die POWER-Taste erneut.

HINWEIS

Um den CE-Energiesparrichtlinien (ERP2) bzgl. Nichtwiedergabe von Musik zu entsprechen

Der Plattenspieler schaltet sich automatisch ohne weitere Mitteilung aus, wenn 15 Minuten lang kein Audiosignal anliegt. (nur für den europäischen Markt)

AUX-IN-BETRIEB

1. Dieser Plattenspieler besitzt eine AUX-Audiosignaleingangsbuchse für den Anschluss externen Audiogeräte wie beispielsweise MP3-Player, CD-Player und ältere iPods ohne Bluetooth-Funktion, damit Sie das Audio Ihrer externen Quellen über die Lautsprecher des Plattenspielers genießen können.
2. Schließen Sie das externe Gerät mit Hilfe eines Audiokabels mit 3,5-mm-Stereoklinkensteckern (nicht im Lieferumfang enthalten) an.
3. Stecken Sie einen der Stecker in die AUX-IN-Buchse des Plattenspielers und den anderen Stecker in die Line Out-Buchse Ihres externen Audiogeräts.
4. Schalten Sie den Plattenspieler und das Audiogerät ein.
5. Den Lautstärkepegel können Sie über den Plattenspieler regeln. Bedienen Sie das externe Audiogerät wie gewohnt.
6. Bitte beachten Sie, dass der AUX-IN-Eingang die höchste Signaleingangspriorität besitzt. Selbst wenn die USB-, PHONO- oder BT-LED leuchtet, erfolgt die Wiedergabe der AUX-Audioquelle, solange sie angeschlossen ist. Ziehen Sie deshalb bitte das Audiokabel aus der AUX-Buchse, wenn Sie die USB-, PHONO- oder BT-Funktion benutzen möchten.

HINWEIS

1. Sobald Sie das von der LINE OUT-Buchse Ihres externen Audiowiedergabegeräts kommende Audiokabel angeschlossen haben, brauchen Sie nur noch den Lautstärkepegel am Plattenspieler einzustellen.
2. Vergewissern Sie sich, dass der Tonarm ordnungsgemäß gesichert ist, um Beschädigungen vorzubeugen.
3. Drücken Sie die POWER-Taste, um den Plattenspieler auszuschalten, wenn Sie ihn momentan nicht weiterbenutzen möchten. Vergessen Sie bitte nicht, auch Ihr externes Gerät auszuschalten.

PLATTENWIEDERGABE

Dieser Plattenspieler besitzt einen Plattenteller voller Größe, ist riemengetrieben und gibt 33-, 45- und 78-U/min-Schallplatten wieder.

1. Stellen Sie den Lautstärkeregler auf eine niedrige Lautstärke und drücken Sie dann die POWER-Taste, um den Plattenspieler einzuschalten.
2. Drücken Sie die PHONO-Taste, damit der Plattenspieler in den Schallplattenwiedergabemodus wechselt. Vergewissern Sie sich bitte, dass Sie die Schutzabdeckung der Tonnadel entfernt und die Tonarmverriegelung entriegelt haben.
3. Stellen Sie mit Hilfe des Geschwindigkeitswählers die passende Geschwindigkeit auf 33, 45 oder 78 U/min. Legen Sie eine Schallplatte auf den Plattenteller. Wenn Sie 45-U/min-Singles wiedergeben möchten, dann stecken Sie den 45-U/min-Adapter auf die Plattentellerspindel.
4. Wählen Sie durch Schieben des AUTO STOP-Steuerschalters die automatische Endabschaltung aus.
5. Stellen Sie mit Hilfe des VOLUME-Drehreglers die gewünschte Lautstärke ein.
6. Drücken Sie die POWER-Taste, um den Plattenspieler auszuschalten, wenn Sie ihn momentan nicht weiterbenutzen möchten.
7. Bitte lassen Sie die Staubschutzabdeckung während der Wiedergabe einer Schallplatte geöffnet.

AUFZEICHNEN EINER SCHALLPLATTE

1. Legen Sie eine Schallplatte auf den Plattenteller.
2. Schließen Sie am USB-Port einen USB-Datenträger an. Drücken Sie die RECORD-Taste, woraufhin die rote LED blinkt, was Ihnen mitteilt, dass die Aufzeichnung begonnen hat.
3. Drücken Sie die RECORD-Taste erneut, wenn Sie die Aufzeichnung beenden möchten.
4. Drücken Sie die blau leuchtende USB-Taste, woraufhin Sie die auf Ihrem USB-Datenträger aufgezeichnete Musik anhören können.

HINWEIS

1. Die RECORD-Taste ist nur für die Aufzeichnung von Schallplatten bestimmt.
2. Die Aufzeichnung kann nur Schallplatten auf einen USB-Datenträger (nur FAT32-Dateisystem) aufzeichnen.

USB-BETRIEB

1. Drücken Sie die USB-Taste, damit der Plattenspieler in den USB-Wiedergabemodus wechselt. Die rote LED leuchtet.
2. Schließen Sie das USB-Gerät am USB-Port des Plattenspielers an, woraufhin die Titelwiedergabe der auf dem USB-Gerät gespeicherten Titel beginnt.
3. Wählen Sie durch Drücken der ◀◀- oder ▶▶-Taste den gewünschten Titel aus.
4. Drücken Sie die ▶||-Taste, um die Wiedergabe zu pausieren oder fortzusetzen.
5. Drücken Sie die POWER-Taste, um den Plattenspieler auszuschalten, wenn Sie ihn momentan nicht weiterbenutzen möchten.

HINWEIS

1. Der USB-Wiedergabemodus besitzt eine Erinnerungsfunktion. Wenn Sie dasselbe USB-Gerät erneut anschließen, dann wird der Titel wiedergegeben, den Sie zuletzt angehört hatten.
2. Dieser Plattenspieler ist mit einem USB-Port ausgestattet, der MP3- und WMA-Audiodateien wiedergeben kann, die auf einem Standard-USB-Stick (USB 2.0-kompatibel) gespeichert sind.
3. USB-Sticks mit mehr als 32 GB Speicherkapazität werden nicht unterstützt.
4. Obwohl dieses Produkt mit dem USB 2.0-Standard kompatibel ist, kann ein sehr geringer Teil von USB-Sticks u. U. nicht gelesen werden.

ENTFERNEN DES USB-DATENTRÄGERS

Bitte vergewissern Sie sich, dass die Wiedergabe beendet und das Gerät ausgeschaltet ist, bevor Sie den USB-Datenträger entfernen, um Beschädigungen des USB-Datenträgers und/oder des Plattenspielers vorzubeugen.

BLUETOOTH-BETRIEB

1. Drücken Sie die BT-Taste des Bedienfeldes auf der Oberseite des Plattenspielers rechts, um die Bluetooth-Funktion zu aktivieren, woraufhin die blaue LED blinkt.
2. Suchen Sie mit Ihrem Bluetooth-Wiedergabegerät nach sich in der Nähe befindlichen Bluetooth-Geräten.
3. Wählen Sie aus der Liste gefundener Geräte Ihres Bluetooth-Gerätes „Lenco LS-55“ aus. Wenn das Koppeln erfolgreich war, dann leuchtet die blaue LED konstant.
4. Jetzt können Sie die Musik über Ihr Bluetooth-Gerät wiedergeben lassen und genießen.

LINE OUT-BETRIEB

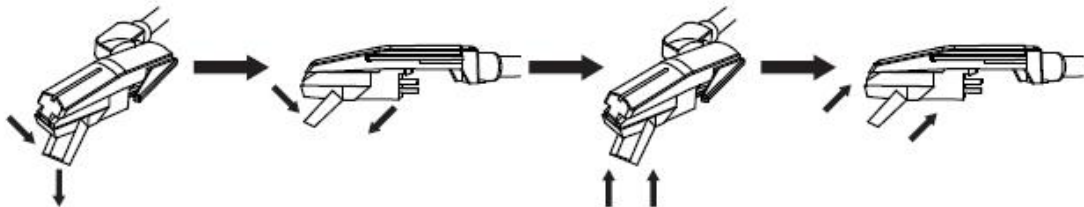
1. Das Gerät besitzt zwei LINE-Ausgangsbuchsen für die Audiowiedergabe der Bluetooth-, USB- oder PHONO-Signalquelle dieses Plattenspielers auf einem externen Gerät.
2. Schließen Sie das Audiokabel (nicht im Lieferumfang enthalten) an den LINE-Ausgangsbuchsen des Plattenspielers an.
3. Bedienen Sie den Plattenspieler wie gewohnt.
4. Damit Sie den besten Klang erhalten, ist es empfehlenswert, am Plattenspieler eine minimale Lautstärke einzustellen.
5. Die Plattenspieleraudiowiedergabe erfolgt nun über das angeschlossene externe Gerät.

WECHSELN DER TONNADEL

Es wird empfohlen, die Tonnadel alle 400 Nutzungsstunden zu wechseln.

Bitte folgen Sie für das Wechseln der Tonnadel den nachfolgenden Schritten:

1. Heben Sie den Tonarm aus der Tonarmverriegelung.
2. Drücken Sie mit Ihrer Fingernagelspitze wie in der Abbildung gezeigt am vorderen Ende des Tonkopfes zwischen den roten Tonnadelhalter und das schwarze Tonkopfgehäuse. Drücken Sie den roten Tonnadelhalter solange nach unten, bis er vom Tonkopf getrennt ist.
3. Entfernen Sie jetzt den roten Tonnadelhalter mit abgenutzter Tonnadel vollständig und entsorgen Sie ihn.
4. Setzen Sie den neuen roten Tonnadelhalter unter dem Tonkopf an. Drücken Sie den Tonnadelhalter zuerst am hinteren Ende und danach am vorderen Ende solange nach oben, bis er im Tonkopf einrastet.



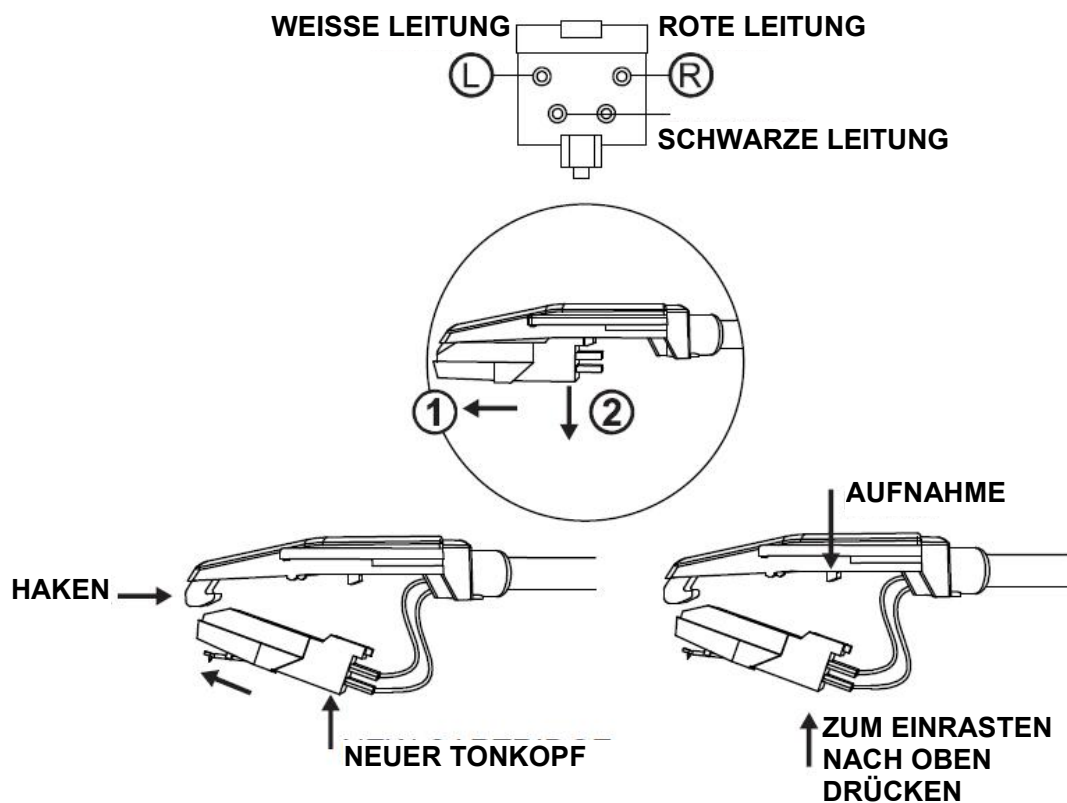
PFLEGE DER HOLZVERKLEIDUNG UND DER STAUBSCHUTZHAUBE

1. Pflegen Sie den Plattenspieler genauso wie Sie Ihre Möbel pflegen.
2. Wenn die Staubschutzhaube verstaubt ist, dann können Sie sie mit einem weichen, nicht scheuernden Staubtuch abwischen.
3. Wenn auf der Holzverkleidung Fingerabdrücke zu sehen sind, dann können Sie diese mit einer hochwertigen Möbelpolitur reinigen.
4. Wenn Sie ein Möbelpoliturspray benutzen, dann empfehlen wir, dies zuerst auf das Reinigungstuch und nicht direkt auf das Holz zu sprühen.

PFLEGE UND WARTUNG

FOLGEN SIE FÜR DAS WECHSELN DES TONKOPFES NACHSTEHENDER ANLEITUNG.

1. Heben Sie den Tonarm vorsichtig aus der Tonarmverriegelung.
2. Halten Sie mit Ihrer linken Hand den Tonarm und mit Ihrer rechten Hand den hinteren Teil des Tonkopfes. Drücken Sie anschließend den Tonkopf wie in der Abbildung gezeigt nach hinten unten, um Tonarm und Tonkopf voneinander zu trennen.
3. Ziehen Sie entweder mit Hilfe einer Pinzette oder ihrer Finger vorsichtig die Anschlussstifte aus dem Tonkopf.
4. Stecken Sie die Anschlussstifte vorsichtig in den neuen Tonkopf (nicht im Lieferumfang enthalten).
5. Setzen Sie nun den Tonkopf wieder im Tonarm ein, indem Sie zuerst den vorderen Teil des neuen Tonkopfes im Tonarm einzuhängen.
6. Drücken Sie nun den hinteren Teil des neuen Tonkopfes nach oben, um ihn im Tonarm einzurasten.



ACHTUNG:

Bitte beschädigen Sie während der Montage des neuen Tonkopfes die Tonnadel nicht.

TECHNISCHE DATEN

Betriebsspannung	9 V/1,5 A
Bluetooth-Spezifikation	Version 4.2
Unterstützter Speicher	USB
Ausgangsleistung	2 x 5 W RMS
Abmessung (L x B x H)	436 x 360 x 140 mm
Gerätengewicht	4,38 kg

Netzadapterinformation	Werte und detaillierte Angaben
Name des Herstellers oder der Handelsmarke,	Dongguan Ang Chung
Handelsregisternummer und Anschrift	Electronic Technology Co, Ltd
Modellidentifikator	AC012W1-090150VX
Eingangsspannung	100 – 240 V
Wechselstromfrequenz des AC-Eingangs	50 – 60 Hz
Ausgangsspannung	9,0 V
Ausgangsstrom	1,5 A
Ausgangsleistung	13,5 W
Durchschnittliche Effizienz bei Normallast	83,76 %
Effizienz bei Niederlast (10 %)	89,54 %
Leistungsaufnahme bei Nulllast	0,07 W

Aufgrund ständiger Verbesserungen des Geräts können Spezifikationen und zugehörige Funktionen stillschweigend geändert werden.

1. Garantie

Lenco bietet Leistungen und Garantien im Einklang mit Europäischem Recht. Setzen Sie sich deshalb im Falle von Reparaturen (sowohl während als auch nach Ablauf der Garantiezeit) mit Ihrem Fachhändler in Verbindung.

Wichtiger Hinweis: Es ist nicht möglich, Produkte für Reparaturen direkt an Lenco zu schicken.

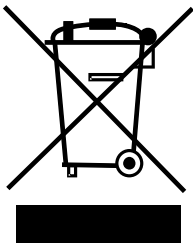
Wichtiger Hinweis: Wenn dieses Gerät für welchen Grund auch immer durch ein nicht offizielles Servicezentrum geöffnet wurde oder durch dieses Servicezentrum darauf zugegriffen wurde, erlischt die Garantie.

Dieses Gerät ist nicht für professionelle Zwecke geeignet. Falls das Gerät für professionelle Zwecke eingesetzt wird, erlöschen alle Garantieverpflichtungen seitens des Herstellers.

2. Haftungsausschluss

Aktualisierungen der Firmware und/oder Hardware-Komponenten werden regelmäßig durchgeführt. Aus diesem Grund können einige der Anleitungen, Spezifikationen und Abbildungen in dieser Dokumentation zu dem Ihnen vorliegenden Gerät leicht abweichen. Alle in diesem Handbuch beschriebenen Elemente dienen nur zur Illustration und treffen auf Ihre individuelle Situation möglicherweise nicht zu. Aus der in diesem Handbuch getätigten Beschreibung können keine Rechtsansprüche oder Leistungsanforderungen geltend gemacht werden.

3. Entsorgung des Altgeräts



Dieses Symbol zeigt an, dass das entsprechende Produkt oder dessen Akku/Batterie in Europa nicht mit dem normalen Hausmüll entsorgt werden darf. Um die ordnungsgemäße Abfallbehandlung des Produkts und dessen Akku/Batterie zu gewährleisten, müssen diese im Einklang mit allen anwendbaren örtlichen Vorschriften zur Entsorgung von Elektrogeräten und Akkus/Batterien entsorgt werden. Dabei helfen Sie, natürliche Ressourcen zu schonen und Umweltschutzstandards zur Verwertung und Entsorgung von Altgeräten aufrecht zu halten (Richtlinie über Entsorgung Elektrischer und Elektronischer Altgeräte).

4. CE-Kennzeichen

Hiermit erklärt Lenco Benelux B.V., Thermiekstraat 1a. 6361 HB Nuth. The Netherlands, dass dieses Produkt den grundsätzlichen Anforderungen der EU-Richtlinien entspricht. Die Konformitätserklärung kann unter folgendem Link abgerufen werden techdoc@commaxxgroup.com



5. Service

Besuchen Sie bitte für weitere Informationen und unseren Kundendienst unsere Homepage unter www.lenco.com

Lenco Benelux BV, Thermiekstraat 1a, 6361 HB, Die Niederlande.

ATTENTION :

L'utilisation de commandes ou de réglages ou l'exécution de procédures autres que ceux spécifiés dans ce manuel peut entraîner une exposition à des rayonnements dangereux.

PRÉCAUTIONS AVANT UTILISATION

GARDEZ CES INSTRUCTIONS À L'ESPRIT :

1. Ne couvrez pas et n'obturez pas les ouvertures de ventilation. Lorsque vous placez l'appareil sur une étagère, laissez 5 cm (2") d'espace libre tout autour de l'appareil.
2. Réalisez l'installation conformément au mode d'emploi fourni.
3. Gardez l'appareil à l'écart des sources de chaleur telles que radiateurs, appareils de chauffage, fours, bougies et autres produits générant de la chaleur ou une flamme nue. L'appareil ne peut être utilisé que dans des climats modérés. Les environnements extrêmement froids ou chauds doivent être évités. Température de fonctionnement entre 0 et 35 °C.
4. Évitez d'utiliser l'appareil à proximité de champs magnétiques puissants.
5. Des décharges électrostatiques peuvent perturber le fonctionnement normal de cet appareil. Dans ce cas, il suffit de réinitialiser et de redémarrer l'appareil en suivant le mode d'emploi. Pendant le transfert de fichiers, manipulez l'appareil avec précaution et faites-le fonctionner dans un environnement privé d'électricité statique.
6. Avertissement ! N'introduisez jamais d'objets dans l'appareil par les ouvertures et les fentes de ventilation. Étant donné que des tensions élevées sont présentes à l'intérieur du produit, l'insertion d'objets peut entraîner une électrocution ou court-circuiter les composants internes. Pour les mêmes raisons, ne versez pas de l'eau ou un liquide sur le produit.
7. Ne l'utilisez pas dans des endroits humides tels qu'une salle de bain, une cuisine pleine de vapeur ou à proximité d'une piscine.
8. L'appareil ne doit pas être exposé à des écoulements ou des éclaboussures et aucun objet contenant un liquide, tel qu'un vase, ne doit être posé sur ou près de l'appareil.
9. N'utilisez pas cet appareil lorsque de la condensation est possible. Lorsque vous utilisez l'appareil dans une pièce chaude et humide, des gouttelettes d'eau ou de la condensation peuvent se former à l'intérieur de l'appareil. Dans ce cas, l'appareil peut ne pas fonctionner correctement. Pour éviter tout risque, laissez l'appareil hors tension pendant 1 ou 2 heures avant de le mettre en marche : l'appareil doit être totalement sec avant de le mettre en marche.
10. Bien que ce dispositif soit fabriqué avec le plus grand soin et contrôlé à plusieurs reprises avant de quitter l'usine, il est toujours possible que des problèmes se produisent, comme avec tous les appareils électriques. Si l'appareil émet de la fumée ou en cas d'accumulation excessive de la chaleur ou d'un phénomène inattendu, débranchez immédiatement la fiche d'alimentation du secteur.
11. Cet appareil doit fonctionner avec la source d'alimentation indiquée sur la plaque signalétique. Si vous n'êtes pas sûr du type d'alimentation utilisé chez vous, contactez votre revendeur ou le fournisseur local d'électricité.

12. Tenez l'appareil à l'abri des animaux. Certains animaux adorent mordre les cordons d'alimentation.
13. Pour nettoyer l'appareil, servez-vous d'un chiffon doux et sec. N'utilisez pas de solvant ni d'autre liquide à base de pétrole.
Pour enlever les taches importantes, vous pouvez vous servir d'un chiffon humide imbibé d'une solution de détergent diluée.
14. Le fournisseur n'est pas responsable des dommages ou pertes de données causés par un dysfonctionnement, une utilisation abusive, une modification de l'appareil ou un remplacement de la batterie.
15. N'interrompez pas la connexion lorsque l'appareil formate ou transfère des fichiers. Dans le cas contraire, les données pourraient être endommagées ou perdues.
16. Si l'appareil dispose d'une fonction de lecture USB, il faut brancher la clé USB directement sur l'appareil. N'utilisez pas un câble d'extension USB, car cela peut causer des interférences entraînant des pertes de données.
17. La plaque signalétique se situe en dessous ou à l'arrière de l'appareil.
18. Cet appareil ne doit pas être utilisé par des personnes (enfants compris) souffrant de handicaps physiques, sensoriels ou mentaux, ou manquant d'expérience et de connaissances, sauf si elles sont sous surveillance ou ont reçu des instructions sur l'utilisation correcte de l'appareil par la personne qui est responsable de leur sécurité.
19. Ce produit est conçu pour un usage non professionnel, et non commercial ou industriel.
20. Vérifiez que l'appareil est en position stable. La garantie ne couvre pas les dégâts occasionnés par l'utilisation de cet appareil en position instable, par les vibrations, les chocs ou par la non-observation de tout autre avertissement ou précaution contenus dans ce mode d'emploi.
21. N'ouvrez jamais cet appareil.
22. Ne placez jamais cet appareil sur un autre appareil électrique.
23. Ne laissez pas les sacs en plastique à la portée des enfants.**
24. Utilisez uniquement les accessoires recommandés par le fabricant.
25. Confiez l'entretien et les réparations à un personnel qualifié. Une réparation est nécessaire lorsque l'appareil a été endommagé de quelque façon que ce soit, par exemple lorsque le cordon d'alimentation ou la prise sont endommagés, lorsqu'un liquide a été renversé ou des objets ont été introduits dans l'appareil, lorsque l'appareil a été exposé à la pluie ou à l'humidité, lorsqu'il ne fonctionne pas correctement ou lorsque l'appareil est tombé.
26. Une exposition prolongée à la musique avec un volume élevé peut entraîner une perte auditive temporaire ou permanente.
27. Si l'appareil est livré avec un câble d'alimentation ou un adaptateur secteur :
 - En cas de problème, débranchez le cordon d'alimentation secteur et confiez l'entretien à du personnel qualifié.
 - Ne marchez pas sur l'adaptateur secteur ni le coincez. Faites très attention, en particulier près des fiches et du point de sortie du câble. Ne placez pas d'objets lourds sur l'adaptateur secteur, car vous risquez de l'endommager. Gardez l'appareil hors de portée des enfants ! Ils pourraient se blesser gravement s'ils jouent avec le câble d'alimentation.

Débranchez cet appareil pendant les orages ou lorsqu'il n'est pas utilisé pendant une longue durée.

La prise secteur doit être installée près de l'appareil et doit être facilement accessible.

Ne surchargez pas les prises de courant ni les rallonges. Une surcharge peut entraîner un incendie ou une électrocution.

Les appareils de classe 1 doivent être branchés à une prise de courant disposant d'une connexion protectrice à la terre.

Les appareils de classe 2 ne nécessitent pas de connexion à la terre.

Tirez toujours sur la fiche pour débrancher le cordon de la prise secteur. Ne tirez pas sur le cordon d'alimentation. Cela pourrait provoquer un court-circuit.

N'utilisez pas un cordon ou une fiche d'alimentation endommagés ni une prise desserrée. Vous courez un risque d'incendie ou de décharge électrique.

28. Si le produit contient ou est livré avec une télécommande contenant des piles boutons :

Avertissement :

« N'ingérez pas la pile, car vous risquez une brûlure chimique » ou une formule équivalente.

[La télécommande fournie avec] Ce produit contient une pile bouton. Si la pile est avalée, elle peut causer de graves brûlures internes en seulement 2 heures et peut entraîner la mort.

Tenez les piles neuves et usagées hors de portée des enfants.

Si le compartiment à piles ne se ferme pas correctement, cessez d'utiliser l'appareil et tenez-le hors de portée des enfants.

Si vous pensez que les piles ont été avalées ou placées à l'intérieur d'une partie du corps, consultez un médecin immédiatement.

29. Mise en garde relative à l'utilisation des piles :

Risque d'explosion si la pile est mal remplacée. Remplacez les piles par des piles d'un type identique ou équivalent.

Pendant l'utilisation, le stockage ou le transport, la pile ne doit pas être soumise à des températures extrêmement élevées ou basses, à une faible pression d'air à haute altitude.

Le remplacement d'une pile par une autre de type incorrect peut entraîner une explosion ou une fuite de liquide ou de gaz inflammable.

L'introduction d'une pile dans le feu ou dans un four chaud, l'écrasement ou le découpage mécanique peut entraîner une explosion.

L'exposition d'une pile dans un environnement à température extrêmement élevée peut entraîner une explosion ou une fuite de liquide ou de gaz inflammable.

L'exposition d'une pile à une pression d'air extrêmement basse peut entraîner une explosion ou une fuite de liquide ou de gaz inflammable.

Veillez considérer les questions environnementales lors de la mise au rebut des piles.

INSTALLATION

Déballer toutes les pièces et enlever le matériau de protection.

Ne connectez pas l'appareil au secteur avant d'avoir vérifié la tension du secteur et

d'avoir effectué toutes les autres connexions.

CONTENU DU PRODUIT

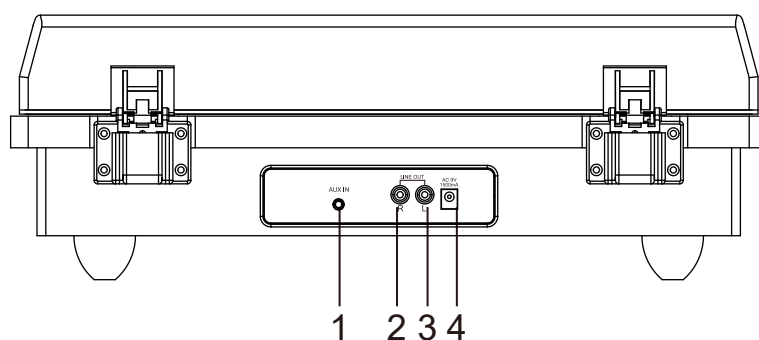
Vérifiez que tous les articles indiqués ci-après sont présents dans le carton :

Adaptateur d'alimentation

Adaptateur de disque 45 tours

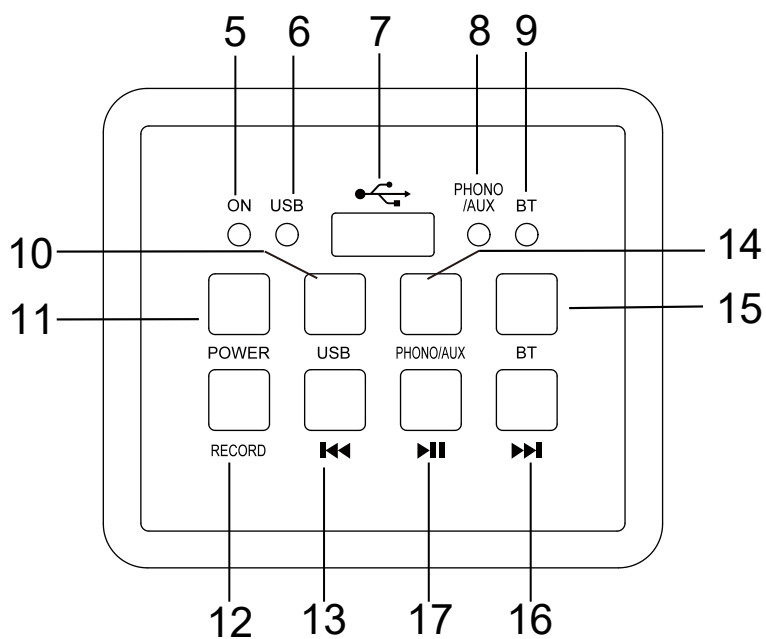
AVANT D'UTILISER LA PLATINE TOURNE-DISQUE, VEUILLEZ LIRE CE MODE D'EMPLOI.

PANNEAU ARRIÈRE



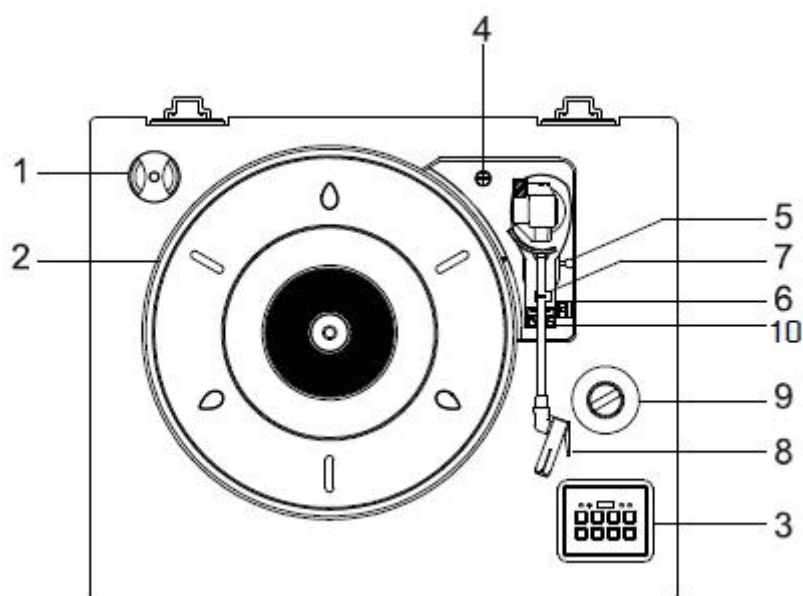
- | | |
|-------------------------------|-------------------------------|
| 1. Entrée auxiliaire | 2. SORTIE DE LIGNE « Droite » |
| 3. SORTIE DE LIGNE « Gauche » | 4. 9 V CC/1 500 mA |

PANNEAU FRONTAL DROIT



- | | |
|--------------------------------|-----------------------------|
| 5. TÉMOIN D'ALIMENTATION | 6. TÉMOIN DE LECTEUR USB |
| 7. CONNECTEUR USB | 8. TÉMOIN PHONO/AUXILIAIRE |
| 9. TÉMOIN BLUETOOTH | 10. TOUCHE USB |
| 11. TOUCHE MARCHÉ/ARRÊT | 12. TOUCHE D'ENREGISTREMENT |
| 13. Touche ◀◀ (précédent) | 14. TOUCHE PHONO/AUXILIAIRE |
| 15. TOUCHE BLUETOOTH | 16. Touche ▶▶ (suivant) |
| 17. Touche ▶ (lecture/pause) | |

PANNEAU DE LA PLATINE TOURNE-DISQUE



- | | |
|----------------------------------|---|
| 1. ADAPTATEUR DE DISQUE 45 TOURS | 2. Plateau |
| 3. PANNEAU DE COMMANDE | 4. VIS D'IMMOBILISATION DE LA TÊTE DE LECTURE |
| 5. RELÈVE-BRAS | 6. SÉLECTEUR DE VITESSE (33/45/78 TR/MIN) |
| 7. BLOCAGE DU BRAS DE LECTURE | 8. BRAS ET POINTE DE LECTURE |
| 9. MOLETTE DE VOLUME | 10. Commutateur automatique |

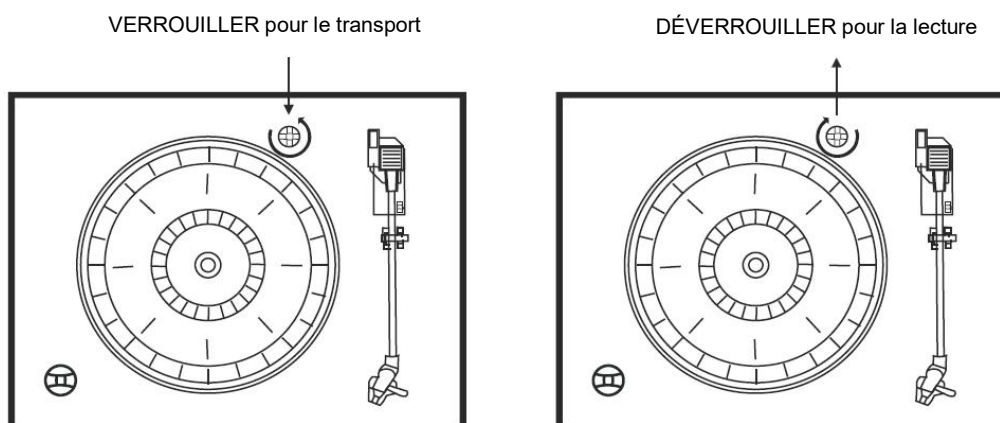
DÉBALLAGE ET INSTALLATION

1. Extrayez soigneusement la platine tourne-disque du carton de présentation et ôtez tous les matériels d'emballage.
2. Déroulez complètement le cordon d'alimentation de l'adaptateur secteur.
3. Placez la platine tourne-disque sur une surface à niveau et stable, près d'une prise de courant et loin de champs magnétiques puissants.
4. Branchez le cordon d'alimentation à votre prise de courant.
5. Retirez la protection en plastique blanc opaque de la pointe de lecture du tourne-disque en le faisant glisser dans le sens de la flèche.
6. Procédez au retrait de cette protection avec soin et délicatesse, car vous risquez d'endommager la pointe de lecture qui n'est pas couverte par la garantie.
7. Retirez le lien torsadé qui maintient le bras de lecture pendant le transport.
8. Libérez le levier du bras de lecture.

IMPORTANT !

TRANSPORT DE L'APPAREIL

1. Afin de protéger la platine tourne-disque contre les dommages pendant le transport, une vis d'immobilisation argentée est prévue sur la partie supérieure droite de la plateforme du tourne-disque.
2. Avant d'utiliser l'appareil, dévissez entièrement à l'aide d'un tournevis cette vis d'immobilisation en la tournant dans le sens horaire (vis qui descend) pour débloquer la platine tourne-disque.
3. Afin de bloquer à nouveau la platine tourne-disque pour le transport, revissez-la dans le sens antihoraire.



MISE SOUS TENSION DE L'APPAREIL

1. Branchez l'adaptateur secteur à la prise secteur (AC POWER) située à l'arrière de la platine tourne-disque.
2. Appuyez sur la touche POWER, les témoins d'alimentation et indicateur LED PHONO s'allument.
3. Une fois que vous avez terminé d'utiliser la platine tourne-disque, appuyez à nouveau sur la touche POWER.

REMARQUE

Pour la conformité avec la réglementation CE en matière d'économie d'énergie (ERP2), si aucune musique n'est jouée,

la platine tourne-disque s'arrête automatiquement sans autre avertissement ou en l'absence de signal après 15 minutes (uniquement pour les appareils destinés au marché européen).

FONCTIONNEMENT DE L'ENTRÉE AUXILIAIRE

1. Cette platine tourne-disque est équipée d'une prise d'entrée pour signal audio auxiliaire qui permet de connecter des dispositifs audio externes (par exemple des lecteurs MP3, des lecteurs CD et les vieux iPod qui ne disposent pas d'une station d'accueil) pour que vous puissiez écouter votre source externe à travers les haut-parleurs de la platine tourne-disque.
2. Effectuez le branchement à l'aide d'un câble audio (non fourni) équipé de fiches audio stéréo 3,5 mm à chaque extrémité.
3. Branchez l'une des extrémités à la prise de l'entrée auxiliaire de la platine tourne-disque et l'autre extrémité à la prise de sortie de ligne du dispositif audio.
4. Allumez la platine tourne-disque et le dispositif audio.
5. Réglez le volume à l'aide de la molette du tourne-disque. Exécutez normalement toutes les autres fonctions à partir du dispositif auxiliaire.
6. Veuillez noter que la source d'entrée auxiliaire est prioritaire. Même si le témoin USB/PHONO/BLUETOOTH est allumé, des sources audio ne fonctionneront pas alors que la source d'entrée auxiliaire est utilisée. Veuillez débrancher le câble de l'entrée auxiliaire avant d'utiliser les sources USB/PHONO/BLUETOOTH.

REMARQUE

1. Si la prise de sortie de ligne de votre dispositif externe est connectée, vous devez uniquement régler le volume sur cet appareil.
2. Assurez-vous que le bras de lecture est fermement bloqué pour éviter tout dommage.
3. Appuyez sur la touche POWER pour éteindre la platine tourne-disque une fois que vous avez terminé. N'oubliez pas d'éteindre également votre dispositif externe.

LECTURE DE DISQUES

Cette platine tourne-disque est de taille normale, entraînée par une courroie et peut lire les disques 33, 45 et 78 tours/minute.

1. Pour allumer la platine tourne-disque, appuyez sur la touche d'alimentation et réglez le volume à un niveau faible.
2. Appuyez sur la touche PHONO pour activer le mode phono (tourne-disque). Veuillez vous assurer d'avoir ôté la protection de la pointe de lecture et libérez le bras de lecture.
3. Réglez la vitesse de rotation du tourne-disque à une valeur appropriée 33, 45 ou 78 tr/min. Placez le disque sur le plateau du tourne-disque. Si vous lisez un « simple » 45 tours, placez l'adaptateur 45 tours sur la broche centrale.
4. Déplacez la commande d'ARRÊT AUTOMATIQUE sur la position correspondante pour activer cette fonction.
5. Réglez la commande de VOLUME au niveau désiré.
6. Appuyez sur la touche POWER pour éteindre l'appareil une fois que vous avez terminé.
7. Veuillez garder le couvercle antipoussière ouvert lors de la lecture des disques.

FONCTION D'ENREGISTREMENT DU TOURNE-DISQUE

1. Placez un disque vinyle sur le tourne-disque.
2. Insérez une clef USB dans le connecteur USB. Appuyez sur la touche RECORD, le témoin lumineux clignote en rouge pour indiquer que l'enregistrement a démarré.
3. Appuyez à nouveau sur la touche RECORD une fois que vous avez terminé l'enregistrement.
4. Appuyez sur la touche USB illuminé en bleu pour entendre la musique que vous avez enregistrée sur la clef USB.

REMARQUE

1. La touche RECORD ne permet que l'enregistrement de disque vinyle.
2. La musique du disque vinyle est enregistrée sur La clef USB (uniquement formaté en FAT32).

FONCTIONNEMENT PAR USB

1. Appuyez sur la touche USB pour activer le mode USB. Le témoin lumineux s'allume en rouge.
2. Insérez une clef USB dans l'entrée USB de la platine tourne-disque pour jouer les pistes musicales de la clef USB.
3. Appuyez sur les touches ◀◀ ou ▶▶ pour choisir la piste que vous souhaitez écouter.
4. Appuyez sur la touche ▶|| pour mettre en pause ou reprendre la lecture des pistes.
5. Appuyez sur la touche POWER pour éteindre la platine tourne-disque une fois que vous avez terminé.

REMARQUE

1. Le mode de lecture USB dispose d'une fonction de mémorisation. Lorsque vous réinsérez la même clef USB, l'appareil reprend la lecture de la dernière piste.
2. Cette platine tourne-disque est équipée d'un connecteur USB qui permet de lire des fichiers MP3/WMA stockés sur les clefs USB standard (compatible USB version 2.0).
3. Les clefs USB avec une capacité mémoire de plus de 32 Go peuvent ne pas être compatibles.
4. Bien que le produit est totalement compatible avec le format standard USB 2.0, un faible pourcentage de clefs USB ne sont pas lisibles.

RETRAIT de la clef USB

Veillez arrêter la lecture et éteindre l'appareil avant de retirer la clef USB pour éviter d'endommager la clef USB et la platine tourne-disque.

FONCTIONNEMENT DU BLUETOOTH

1. Appuyez sur la touche BLUETOOTH du panneau frontal droit pour activer la fonction correspondante. Le témoin clignotera en bleu.
2. Configurez le dispositif de lecture Bluetooth afin de rechercher les autres appareils Bluetooth.
3. Sélectionnez l'entrée « Lenco LS-55 » dans la liste des appareils trouvés sur votre dispositif de lecture Bluetooth. Si le couplage a réussi, le témoin lumineux cessera de clignoter et restera allumé en bleu.
4. Jouez et profitez de votre musique par l'intermédiaire de l'appareil connecté.

FONCTIONNEMENT DE LA SORTIE DE LIGNE

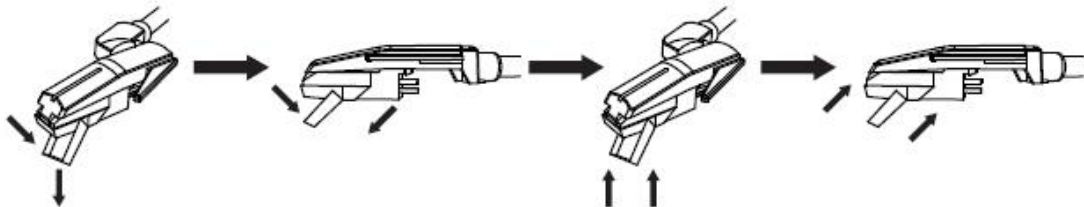
1. La platine est équipée à l'arrière de sorties RCA (ligne) pour permettre d'écouter la musique diffusée à partir des modes BLUETOOTH, USB et PHONO de cette platine tourne-disque sur un dispositif externe.
2. Insérez le câble audio (non fourni) dans le connecteur de sortie ligne de la platine tourne-disque.
3. Utilisez normalement la platine.
4. Afin d'obtenir le meilleur son, nous vous conseillons de régler le volume à un niveau minimal.
5. Le son de la platine du tourne-disque sera reproduit par le dispositif externe.

REMPACEMENT DE LA POINTE DE LECTURE

Nous vous conseillons de remplacer la pointe de lecture après 40 heures d'utilisation.

Veuillez suivre la procédure suivante pour remplacer la pointe de lecture :

1. Levez le bras de lecture pour le déverrouiller.
2. À l'extrémité avant du bras de lecture, placez le bout de votre ongle entre le porte-pointe rouge et le boîtier noir de la cellule de lecture, comme illustré. Appuyez sur le porte-pointe rouge jusqu'à ce qu'il se sépare du boîtier de la cellule de lecture.
3. Retirez complètement le porte-pointe rouge avec la pointe usée et jetez-le.
4. Placez le nouveau porte-pointe rouge avec la pointe sous le boîtier de la cellule de lecture. Tout d'abord, poussez vers le haut sur l'arrière du porte-pointe, puis poussez vers le haut sur le bord avant du porte-pointe jusqu'à ce qu'il se mette en place dans le boîtier de la cellule de lecture.



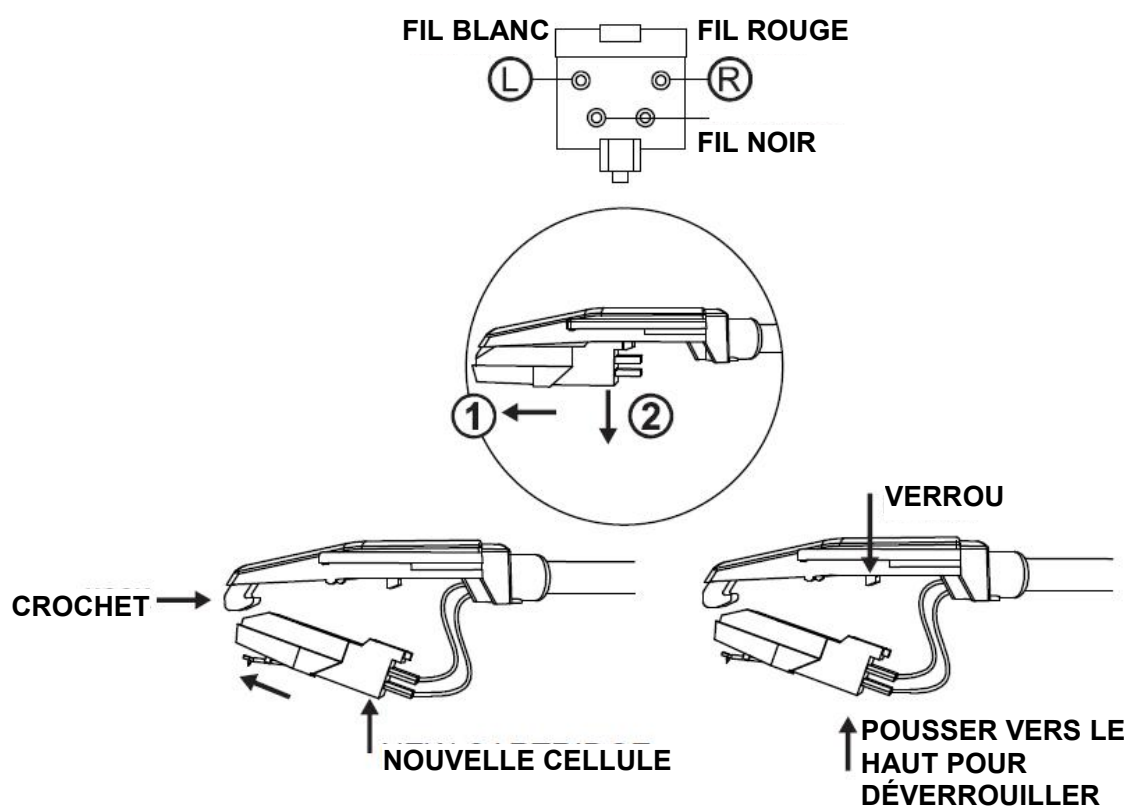
ENTRETIEN DU PANNEAU EN BOIS ET DU COUVERCLE ANTIPOUSSIÈRE

1. L'entretien de la platine tourne-disque est identique à celui de n'importe quel meuble.
2. Lorsque le couvercle antipoussière est recouvert de poussières, essuyez-le à l'aide d'un chiffon doux et non abrasif.
3. Si le panneau en bois est recouvert de traces de doigts, utilisez un nettoyant en spray disponible dans le commerce de bonne qualité pour dépolir et polir.
4. Nous vous recommandons de pulvériser le nettoyant sur le chiffon et non pas directement sur le panneau en bois

ENTRETIEN ET MAINTENANCE

POUR REMPLACER LA CELLULE DU BRAS DE LECTURE, VEUILLEZ SUIVRE LES INSTRUCTIONS CI-DESSOUS.

1. Levez doucement le bras de lecture pour le déverrouiller.
2. Utilisez votre main gauche pour ternir le bras et votre main droite pour tenir la partie arrière de la cellule. Ensuite, poussez la cellule vers le haut et vers le bas en fonction de la direction indiquée pour séparer la cellule du bras de lecture.
3. À l'aide d'une petite pince ou de vos doigts, déconnectez soigneusement les bornes de la nouvelle cartouche.
4. Connectez avec soin les bornes à la nouvelle cellule (non fournie).
5. Pour réinstaller la nouvelle cellule dans le bras, bloquez tout d'abord l'extrémité avant de la nouvelle cellule sur le crochet du bras de lecture.
6. Poussez vers le haut sur l'arrière de la nouvelle cellule pour la bloquer dans le bras de lecture.



ATTENTION :

Veillez ne pas endommager la pointe de lecture lorsque vous installez la nouvelle cellule.

CARACTÉRISTIQUES TECHNIQUES

Tension de fonctionnement	9 V 1,5 A
Spécification Bluetooth	Version 4.2
Stockage pris en charge	USB
Puissance de sortie	2 x 5 W RMS
Dimensions (L x l x H)	436 x 360 x 140 mm
Poids de l'appareil	4,38 kg

Informations sur l'adaptateur d'alimentation	Valeur et précision
Nom et marque déposée du fabricant,	Dongguan Ang Chung
Registre commercial et adresse	Electronic Technology Co, Ltd
Référence du modèle	AC012W1-090150VX
Tension d'entrée	100 à 240 V
Fréquence d'entrée CA	50 à 60 Hz
Tension de sortie	9 V
Courant de sortie	1,5 A
Puissance de sortie	13,5 W
Rendement moyen en mode actif	83,76 %
Rendement à faible charge (10 %)	89,54 %
Consommation électrique sans charge	0,07 W

Les caractéristiques et les fonctions sont susceptibles d'être modifiées sans préavis en raison des améliorations continues de l'appareil.

1. Garantie

Lenco propose un service et une garantie conformément à la législation européenne, ce qui signifie qu'en cas de besoin de réparation (aussi bien pendant et après la période de garantie), vous pouvez contacter votre revendeur le plus proche.

Remarque importante : il n'est pas possible de renvoyer l'appareil pour réparation directement à Lenco.

Remarque importante : si l'appareil est ouvert ou modifié de quelque manière que ce soit par un réparateur non agréé, la garantie sera caduque.

Cet appareil ne convient pas à une utilisation professionnelle. En cas d'utilisation professionnelle, les obligations de garantie du fabricant seront annulées.

2. Clause de non-responsabilité

Des mises à jour du logiciel ou des composants informatiques sont régulièrement effectuées. Il se peut donc que certaines instructions, caractéristiques et images présentes dans ce document diffèrent légèrement de votre configuration spécifique. Tous les articles décrits dans ce guide sont fournis uniquement à des fins d'illustration et peuvent ne pas s'appliquer à une configuration spécifique. Aucun droit légal ne peut être obtenu depuis les informations contenues dans ce manuel.

3. Mise au rebut de l'appareil usagé



Ce symbole indique que le produit électrique concerné ainsi que les piles ne doivent pas être jetés avec les autres déchets ménagers en Europe. Pour garantir un traitement correct des piles et de l'appareil usagés, veuillez les mettre au rebut conformément aux réglementations locales en vigueur relatives aux appareils électriques et autres piles. En agissant de la sorte, vous contribuerez à la préservation des ressources naturelles et à l'amélioration des niveaux de protection environnementale concernant le traitement et la destruction des déchets électriques (directive sur les déchets des équipements électriques et électroniques).

4. Marquage CE

Par la présente, Lenco Benelux B. V., Thermiekstraat 1a. 6361 HB Nuth, Pays-Bas, déclare que ce produit est conforme aux exigences principales des directives européennes.

La déclaration de conformité peut être consultée en envoyant un courriel à techdoc@commaxxgroup.com



5. Service après-vente

Pour en savoir plus et obtenir de l'assistance, visitez www.lenco.com

Lenco Benelux BV, Thermiekstraat 1a, 6361 HB, Pays-Bas.

PRECAUCIÓN:

el uso de controles o ajustes distintos, o llevar a cabo procedimientos distintos a aquéllos aquí especificados puede tener como consecuencia una exposición peligrosa a la radiación.

PRECAUCIONES PREVIAS AL USO

TENGA ESTAS INSTRUCCIONES EN MENTE:

1. No cubra o bloquee ninguna apertura de ventilación. Cuando coloque el dispositivo en una estantería, deje 5 cm (2") de espacio libre alrededor de todo el dispositivo.
2. Instálelo conforme al manual de usuario que se adjunta.
3. Mantenga el aparato alejado de fuentes de calor, como radiadores, calentadores, estufas, velas u otros productos que generen calor o llama viva. El aparato solo puede usarse en climas moderados. Se deben evitar los ambientes extremadamente fríos o cálidos. Temperatura de funcionamiento entre 0 ° y 35 °C.
4. Evite usar el dispositivo cerca de campos magnéticos fuertes.
5. Una descarga electrostática puede entorpecer el uso normal de este dispositivo. En tal caso, simplemente reinícielo siguiendo el manual de instrucciones. Durante la transmisión de archivos, por favor manéjelo con cuidado opérelo en un entorno libre de electricidad estática.
6. ¡Advertencia! Nunca inserte un objeto en el producto a través de las ventilaciones o aperturas. Alto voltaje fluye a través del producto e insertar un objeto puede provocar una descarga eléctrica y/o un cortocircuito de sus componentes internos. Por el mismo motivo, no derrame agua o líquidos en el producto.
7. No lo utilice en zonas húmedas, como cuartos de baño, cocinas en las que se forme vapor ni cerca de piscinas.
8. El aparato no debe exponerse a goteos o salpicaduras y asegúrese de que se colocan sobre o cerca del aparato objetos llenos de líquidos, como jarrones.
9. No use este dispositivo cuando se pueda producir condensación. Cuando utilice la unidad en una habitación húmeda y cálida con humedad, pueden generarse gotas de agua o condensación dentro de la unidad y es posible que no funcione correctamente; apague la unidad durante 1 o 2 horas antes de encenderla de nuevo: el aparato debe estar seco antes de conectarse a una fuente de alimentación.
10. Aunque este dispositivo está fabricado con el máximo cuidado y comprobado varias veces antes de salir de fábrica, todavía es posible que se puedan producir problemas, al igual que con todos los aparatos eléctricos. Si observa la aparición de humo, una acumulación excesiva de calor o cualquier otro fenómeno inesperado, deberá desconectar inmediatamente el enchufe de la toma de corriente.
11. Este dispositivo debe funcionar con una fuente de alimentación que se especifica en la etiqueta de especificaciones. Si no está seguro del tipo de alimentación que se usa en su hogar, consulte con el distribuidor o una compañía eléctrica local.
12. Manténgalo alejado de los animales. A algunos animales les gusta morder los cables de alimentación.
13. Para limpiar el dispositivo use un paño seco y suave. No utilice líquidos disolventes ni con base de petróleo.

- Para eliminar manchas difíciles, puede usar un paño húmedo con detergente diluido.
14. El proveedor no asume ninguna responsabilidad por daños o datos perdidos provocados por un funcionamiento incorrecto, uso incorrecto, modificación del dispositivo o sustitución de la batería.
 15. No interrumpa la conexión cuando el dispositivo esté formateando o transfiriendo archivos.
En caso contrario, los datos se pueden estropear o perder.
 16. Si la unidad dispone de función de reproducción USB, se debe conectar la memoria USB directamente en la unidad. No utilice cables de extensión USB ya que pueden crear interferencias que causen una pérdida de datos.
 17. La etiqueta de calificación aparece marcada en el panel inferior o posterior del dispositivo.
 18. Este aparato no está diseñado para su uso por personas (incluyendo niños) con discapacidades físicas, sensoriales o mentales o con falta de experiencia o conocimientos, salvo que estén bajo la supervisión o hayan recibido formación sobre el uso correcto del dispositivo por parte de una persona responsable de su seguridad.
 19. Este producto está diseñado para un uso no profesional únicamente y no para un uso comercial o industrial.
 20. Asegúrese de que la unidad esté fijada en una posición estable. La garantía no cubrirá los daños derivados de usar este producto en una posición inestable, vibraciones o golpes o por no seguir otras advertencias o precauciones que aparecen en este manual de usuario.
 21. Nunca retire la carcasa del dispositivo.
 22. Nunca coloque este dispositivo sobre otro equipo eléctrico.
 23. Mantenga las bolsas de plástico fuera del alcance de los niños.
 24. Use únicamente los dispositivos/accesorios especificados por el fabricante.
 25. Remita todas las reparaciones al personal cualificado. Es necesario el mantenimiento cuando el dispositivo presenta daños en cualesquiera manera, como el cable de alimentación o el enchufe, cuando se haya vertido líquido o se hayan caído objetos en el dispositivo, cuando el dispositivo se haya expuesto a la lluvia o humedad, cuando no funcione normalmente o cuando se haya caído.
 26. Una larga exposición a sonidos elevados de reproductores de música personales puede provocar una pérdida de audición temporal o permanente.
 27. Si el producto viene con un cable de alimentación o un adaptador de corriente de CA:
Si se produce cualquier problema, desconecte el cable de alimentación CA y remítase al mantenimiento de personal cualificado.
No pise o pince el adaptador de alimentación. Tenga mucho cuidado, en especial cerca de las tomas y el punto de salida del cable. No coloque objetos pesados en el adaptador de alimentación, ya que pueden dañarlo. ¡Mantenga el dispositivo fuera del alcance de los niños! Si juegan con el cable de alimentación, puede sufrir lesiones graves.
Desconecte el dispositivo durante tormentas eléctricas o cuando no vaya a usarse durante periodos prolongados de tiempo.
La salida de la toma debe instalarse cerca del equipo y debe ser fácilmente

accesible.

No sobrecargue las tomas CA o los cables de extensión. La sobrecarga puede provocar un incendio o una descarga eléctrica.

Los dispositivos con construcción de Clase 1 deben estar conectados a una toma de corriente con una conexión a tierra protegida.

* Los dispositivos con construcción Clase 2 no requieren una conexión a tierra.

Sujete siempre el enchufe cuando los extraiga de la toma de corriente. No tire del cable de alimentación. Esto puede provocar un cortocircuito.

No utilice un cable de alimentación o enchufe deteriorado o una toma suelta. Si lo hace, podría provocar un incendio o una descarga eléctrica.

28. Si el producto contiene o se entrega con un mando a distancia que contiene pilas de botón / celdas:

Advertencia:

“Ni ingiera la pila, riesgo de quemadura química” o frase equivalente.

[El mando a distancia que se suministra] Este producto contiene una pila de tipo botón/moneda. Si la pila se traga, puede provocar graves quemaduras internas en sólo 2 horas y podría ocasionar la muerte.

Mantenga las pilas nuevas o usadas fuera del alcance de los niños.

Si el compartimiento de las pilas no se cierra correctamente, deje de usar el producto y no lo deje al alcance los niños.

Si tiene la sospecha de que una pila ha sido ingerida o se encuentra en algún lugar del cuerpo, busque inmediatamente atención médica.

29. Precaución sobre el uso de las pilas:

Existe riesgo de explosión si la pila no se sustituye correctamente. Sustitúyala únicamente con otra del mismo tipo u otro equivalente.

No se pueden exponer las pilas a temperaturas extremadamente altas o bajas, baja presión de aire a gran altitud durante el uso, almacenamiento o transporte.

Si cambia las pilas por otras que no son las correctas, se puede producir una explosión o la fuga de líquidos o gases inflamables.

Si arroja las pilas al fuego o a un horno caliente, o aplasta o corta mecánicamente una pila, podría provocar una explosión.

Si deja las pilas en un lugar con temperaturas extremadamente altas, se puede producir una explosión o una fuga de líquido o gas inflamable.

Si se exponen las pilas a una presión de aire extremadamente baja, se puede producir una explosión o la fuga de líquidos o gases inflamables.

Se debe prestar atención a los aspectos medioambientales sobre la eliminación de baterías.

INSTALACIÓN

Desembale todas las piezas y retire el material protector.

No conecte la unidad a la corriente eléctrica antes de comprobar la tensión de la corriente y antes de que se hayan hecho todas las demás conexiones.

CONTENIDO DE LA CAJA

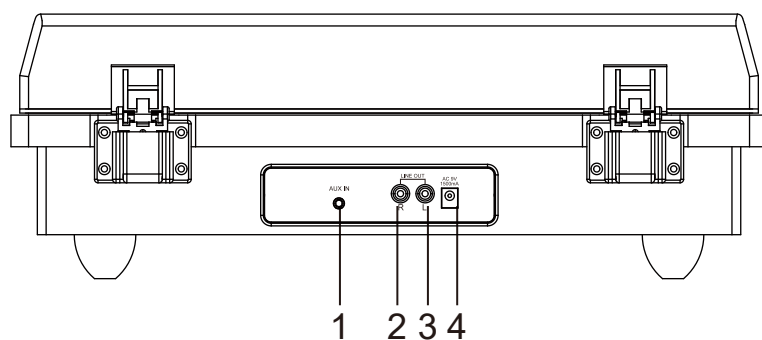
Asegúrese de que los elementos que se enumeran debajo se incluyen en el envase:

Adaptador eléctrico

Adaptador de 45 RPM

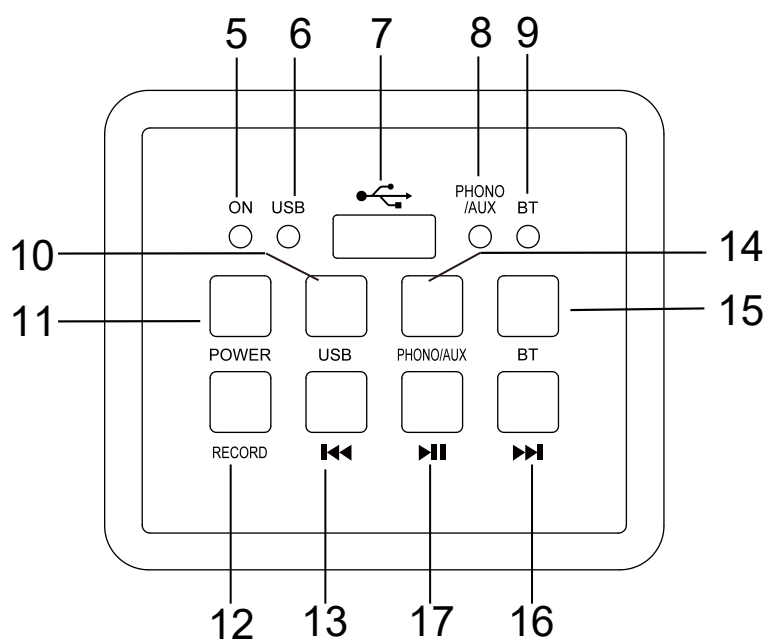
LEA ESTE MANUAL DE INSTRUCCIONES ANTES DE USAR EL TOCADISCOS

PANEL POSTERIOR



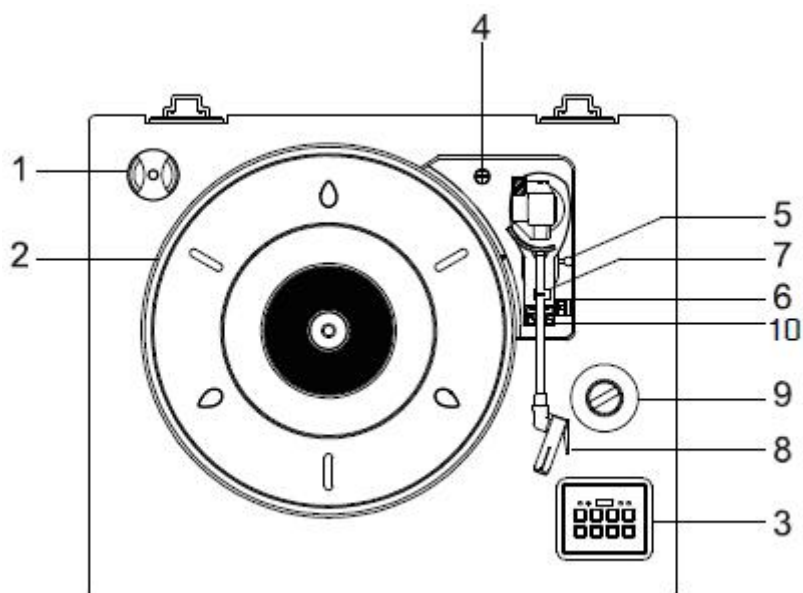
- | | |
|------------------------|------------------------|
| 1. Entrada auxiliar | 2. SALIDA DE LÍNEA "R" |
| 3. SALIDA DE LÍNEA "L" | 4. CC 9V/ 1500 mA |

PANEL DELANTERO DERECHO



- | | |
|------------------------------------|--|
| 5. INDICADOR DE ENCENDIDO | 6. INDICADOR DE REPRODUCTOR USB |
| 7. PUERTO USB | 8. REPRODUCTOR DE FONOS / INDICADOR AUXILIAR |
| 9. INDICADOR BT | 10. BOTÓN USB |
| 11. BOTÓN DE ENCENDIDO/APAGADO | 12. Botón de grabación |
| 13. Botón (anterior) ◀◀ | 14. BOTÓN FONOS/AUXILIAR |
| 15. BOTÓN BT | 16. Botón (siguiente) ▶▶ |
| 17. Botón (Reproducción / pausa) ▶ | |

PANEL DEL TOCADISCOS



- | | |
|---------------------------------|---|
| 1. ADAPTADOR DE 45 RPM | 2. Plato: |
| 3. PANEL DE CONTROL | 4. CRUCE DEL TORNILLOS DE TRÁNSITO |
| 5. PALANCA DE LEVANTAMIENTO | 6. SELECTOR DE VELOCIDAD (33/45/78 RPM) |
| 7. BLOQUEO DEL BRAZO DE LECTURA | 8. BRAZO CON AGUJA |
| 9. DIAL DE VOLUMEN | 10. Interruptor de parada automática |

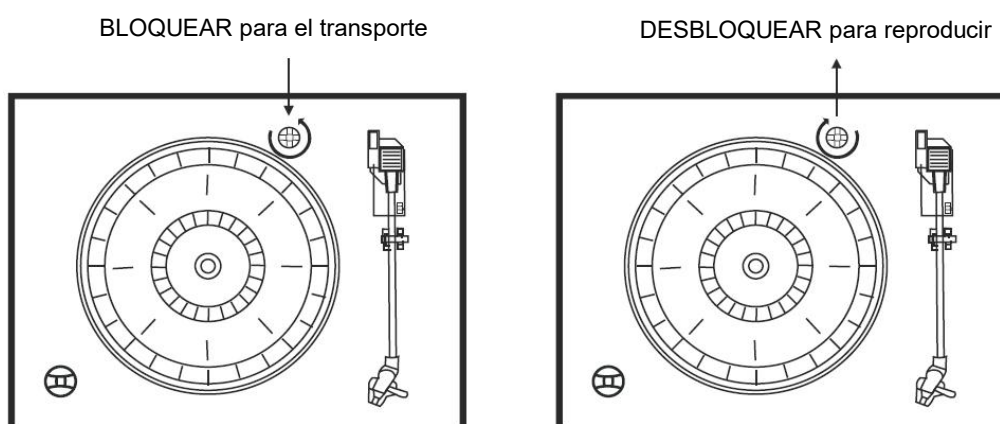
DESEMBALAJE Y CONFIGURACIÓN

1. Retire con cuidado el tocadiscos del embalaje y retire todo el material de embalaje.
2. Desenrolle el cable del adaptador CA y extiéndalo en toda su extensión.
3. Coloque el tocadiscos sobre una superficie estable y nivelada cerca de una toma CA y alejado de fuertes campos magnéticos.
4. Conecte el cable de alimentación a la toma CA.
5. Retire la cubierta de plástico opaco blanco de la aguja de la aguja del fonógrafo deslizándola en la dirección de la flecha.
6. Sea cauto y suave cuando retire la cubierta de la aguja, ya que la garantía no cubre el daño a la aguja.
7. Retire el alambre de seguridad que asegura el brazo durante el transporte.
8. Suelte el cierre de la palanca del brazo.

¡IMPORTANTE!

TRANSPORTE DEL SISTEMA

1. Para proteger el tocadiscos de daños durante el transporte, se haya situado un tornillo de tránsito de color plateado en la esquina superior derecha de la plataforma del tocadiscos.
2. Antes de reproducirlo, use un destornillador para girar el tornillo de tránsito en dirección horaria (el tornillo baja) completamente para desbloquear el tocadiscos.
3. Para volver a bloquear el tocadiscos para su transporte, gire el tornillo en dirección antihoraria.



ENCENDIDO DE LA UNIDAD

1. Conecte el adaptador CA a la toma AC POWER situada en la parte posterior del tocadiscos.
2. Pulse el botón POWER; se encenderá el indicador POWER y el indicador LED PHONO se iluminará.
3. Cuando haya acabado de usar el tocadiscos, vuelva a pulsar el botón POWER

NOTA

Para cumplir con las normas de ahorro energético de la UE (ERP2), si no se reproduce música

el tocadiscos se apagará automáticamente sin más instrucciones o señales después de 15 minutos. (Solo aplicable al mercado europeo)

OPERACIÓN AUX-IN

1. Este tocadiscos incluye una toma de entrada de señal de audio auxiliar para conectar dispositivos de audio externos como reproductores MP3, reproductores de CD y iPods antiguos no conectables de forma que puede escuchar su fuente externa a través de los altavoces del tocadiscos.
2. Use un cable de audio (no incluido) con una conexión estéreo de 3.5 mm en cada extremo del cable.
3. Conecte un extremo en la toma AUX-IN del tocadiscos y el otro extremo en la toma Line Out del dispositivo de audio.
4. Encienda el tocadiscos y el dispositivo de audio.
5. No se puede controlar el nivel de volumen a través del tocadiscos. Opere todas las funciones del dispositivo auxiliar como si fuera habitual.
6. Tenga en cuenta que la función AUX-IN es una función de primera prioridad. Incluso si la luz del indicador de USB /PHONO/BT está encendida, estas funciones no funcionarán mientras que la función AUX-IN esté en uso, Desconecte el cable AUX-IN antes de usar las funciones USB / PHONO/BT.

NOTA

1. Si la toma Line Out del dispositivo externo está conectada, solo es necesario que ajuste el control de volumen de este sistema.
2. Asegúrese de que el brazo está bloqueado con seguridad para evitar cualquier daño.
3. Pulse el botón POWER para apagar el tocadiscos cuando haya acabado. No se olvide de apagar la alimentación también del dispositivo externo.

REPRODUCIR DISCOS

Este tocadiscos tiene un tamaño completo, está propulsado por correas y reproduce discos a 33, 45, y 78 RPM.

1. Para encender el tocadiscos, pulse el botón POWER y fije el volumen a un nivel bajo.
2. Pulse el botón PHONO para encender el modo fono. Asegúrese de que retira la cubierta de la aguja de la misma y la soltado el cierre del brazo.
3. Fije el interruptor de velocidad del tocadiscos a la velocidad apropiada de 33, 45 o 78 RPM. Coloque el disco en el tocadiscos. Si reproduce discos de 45 RPM, coloque un adaptador de 45 RPM en el eje central.
4. Deslice el interruptor de control AUTO STOP para elegir la función de parada automática
5. Ajuste el control VOLUME para fijar el volumen tal y como desee.
6. Pulse el botón POWER para apagar el sistema cuando haya terminado.
7. Mantenga la cubierta del polvo abierta cuando reproduzca un disco.




FUNCIONAMIENTO DE GRABACIÓN DEL FONÓGRAFO

1. Coloque un disco en el tocadiscos.
2. Conecte un disco USB en la toma USB. Pulse el botón RECORD; el indicador LED ROJO parpadeará, lo que indica que se ha iniciado la grabación.
3. Vuelva a pulsar el botón RECORD cuando haya terminado la grabación.
4. Pulse el botón USB con la luz azul y oirá la música grabada del USB.

NOTA

1. el botón RECORD solo es para la grabación del fonógrafo
2. la grabación es para grabar música desde un disco del tocadiscos a un dispositivo de disco USB (solo formato -FAT32).

FUNCIONAMIENTO USB

1. Pulse el botón USB para conectar el modo USB. Se encenderá la luz del indicador ROJO.
2. Inserte el dispositivo USB en la entrada USB del tocadiscos y se empezarán a reproducir las pistas de música del dispositivo USB.
3. Pulse los botones  o  para elegir la pista que desee.
4. Pulse el botón  para hacer una pausa o reproducir la pista.
5. Pulse el botón POWER para apagar el tocadiscos cuando haya acabado.

NOTA

1. El modo de reproducción USB dispone de una función de memoria. Cuando se vuelve a insertar el mismo dispositivo USB, se reanuda la última pista reproducida.
2. Este tocadiscos está equipado con una toma USB que puede reproducir archivos MP3/WMA guardados en unidades USB estándares (compatibles con la versión USB 2.0).
3. Puede que no sean compatible unidades USB con más de 32GB de memoria.
4. Aunque este producto es completamente compatible con el formato estándar USB 2.0, puede que no pueda leerse un pequeño porcentaje de unidades USB.

RETIRADA DE LA UNIDAD USB

Asegúrese de detener la reproducción y de apagar la unidad antes de retirar la unidad USB para evitar daños al USB y al tocadiscos.

FUNCIONAMIENTO DEL BLUETOOTH

1. Pulse el botón BT situado en el panel delantero derecho para activar la función y la luz LED azul empezará a parpadear.
2. Configure el dispositivo de reproducción Bluetooth de forma que busque otros dispositivos Bluetooth.
3. Seleccione la entrada "Lenco LS-55" de la lista de dispositivos encontrados del dispositivo de reproducción Bluetooth. Si se empareja la luz LED deja de parpadear y permanece de color azul.
4. Reproduzca la música a través del dispositivo conectado y disfrute.

FUNCIONAMIENTO DE LA SALIDA DE LÍNEA

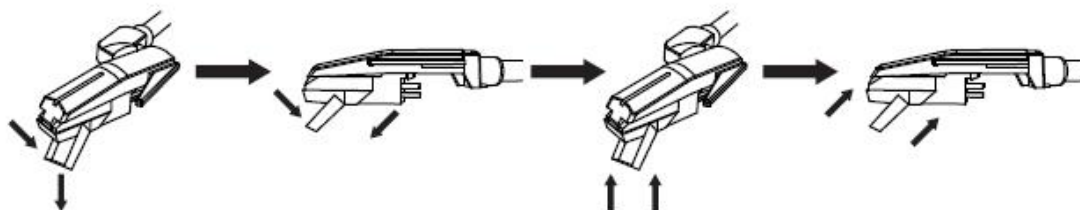
1. Se incluye un conjunto de tomas de salida de línea para permitir que se reproduzca el audio de BT, USB, y FONÓGRAFO de este tocadiscos en un dispositivo externo.
2. Inserte el cable de audio (no incluido) en la toma Line Out del tocadiscos.
3. Opere el tocadiscos como la hace habitualmente.
4. Para conseguir el mejor sonido, se aconseja configurar el volumen del tocadiscos al nivel mínimo.
5. Después, se reproducirá al audio del tocadiscos a través del dispositivo externo.

SUSTITUCIÓN DE LA AGUJA

Se sugiere sustituir la aguja tras 400 horas de uso.

Siga los pasos que aparecen debajo para cambiar la aguja:

1. Levante el brazo del cierre del brazo.
2. En el extremo delantero del brazo, coloque la punta del dedo entre el soporte rojo de la aguja y la carcasa del cartucho negro tal y como se muestra. Presione hacia abajo el soporte rojo de la aguja hasta que se separe de la carcasa del cartucho.
3. Retire completamente el soporte rojo de la aguja con la aguja gastada y deséchela.
4. Coloque el nuevo soporte rojo de la aguja con la aguja debajo de la carcasa del cartucho. Primero, presione hacia arriba en el lateral posterior del soporte de la aguja y después presione hacia arriba e4 extremo delantero del soporte de la aguja hasta que se ajuste en su lugar en la carcasa del cartucho.



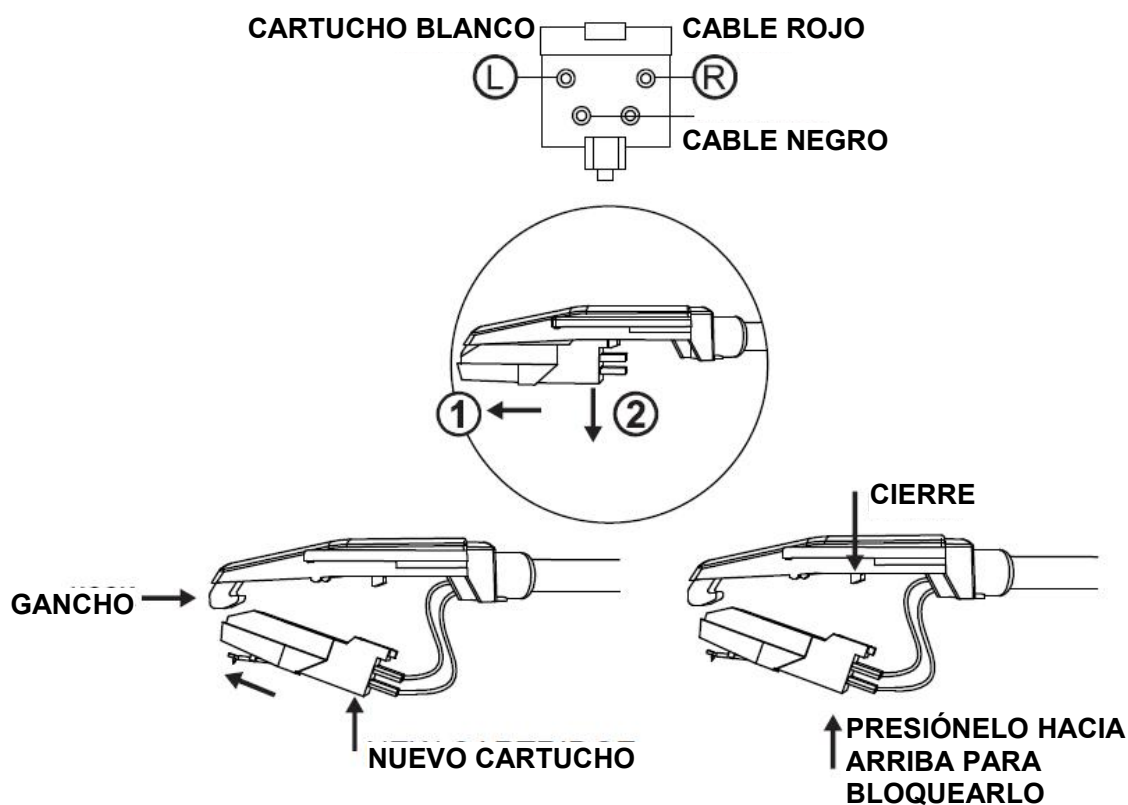
CUIDADO DEL PANEL DE MADERA Y CUBIERTA DEL POLVO

1. El cuidado del tocadiscos es el mismo que el de cualquier mueble
2. Cuando la cubierta del polvo presente polvo, puede limpiarla usando un paño antipolvo suave y no abrasivo.
3. Si el panel de madera se mancha con huellas dactilares, puede usar cualquier limpiador pulverizador antipolvo y abrillantador comercial de buena calidad
4. Recomendamos pulverizar el limpiador sobre el paño y no directamente sobre el panel de madera.

CUIDADO Y MANTENIMIENTO

PARA SUSTITUIR EL CARTUCHO DEL BRAZO SIGA LAS INSTRUCCIONES QUE APARECEN DEBAJO.

1. Levante suavemente el brazo del cierre del brazo.
2. Use la mano izquierda para sujetar el brazo y la derecha para sujetar la parte trasera del cartucho. Después, empuje el cartucho hacia atrás y hacia abajo según la dirección tal y como se muestra para separar el cartucho del brazo.
3. Usando una pinza o los dedos, desconecte con cuidado las terminales del nuevo cartucho.
4. Conecte con cuidado las terminales al nuevo cartucho (no incluido).
5. Para volver a instalar el nuevo cartucho al brazo, primero bloquee el extremo delantero del nuevo cartucho en el gancho del brazo.
6. Presione el lateral posterior del nuevo cartucho hacia arriba para bloquearlo en el brazo.



PRECAUCIÓN:

No dañe la aguja cuando instale el nuevo cartucho.

ESPECIFICACIONES

Tensión operativa	9V1.5A
Especificaciones Bluetooth	Versión 4.2
Almacenamiento compatible	USB
Potencia de salida	2 x RMS de 5 W
Dimensiones (L*A*A)	436*360*140 mm
Peso de la unidad	4.38 kg

Información del adaptador de alimentación	Valor y precisión
Nombre del fabricante o marca registrada,	Dongguan Ang Chung
registro comercial y dirección	Electronic Technology Co, Ltd
Identificador del modelo	AC012W1-090150VX
Tensión de entrada	100-240V
Frecuencia CA de entrada	50-60HZ
Tensión de salida	9.0V
Corriente de salida	1.5A
Potencia de salida	13.5W
Eficiencia activa media	83.76%
Eficiencia a carga baja (10%)	89.54%
Consumo energético sin carga	0.07W

Las especificaciones t funciones conectadas con la mejora continua del dispositivo están sujetas a cambio sin previo aviso.

1. Garantía

Lenco ofrece servicio y garantía en cumplimiento con las leyes de la Unión Europea, lo cual implica que, en caso de que su producto precise ser reparado (tanto durante como después del periodo de garantía), deberá contactar directamente con su distribuidor.

Nota importante: No es posible enviar sus reparaciones directamente a Lenco.

Nota importante: Si la unidad es abierta por un centro de servicio no oficial, la garantía quedará anulada.

Este aparato no es adecuado para el uso profesional. En caso de darle un uso profesional, todas las obligaciones de garantía del fabricante quedarán anuladas.

2. Exención de responsabilidad

Regularmente se llevan a cabo actualizaciones en el Firmware y en los componentes del hardware. Por esta razón, algunas de las instrucciones, especificaciones e imágenes incluidas en este documento pueden diferir ligeramente respecto a su situación particular. Todos los elementos descritos en esta guía tienen un objetivo de mera ilustración, y pueden no ser de aplicación en su situación particular. No se puede obtener ningún derecho ni derecho legal a partir de la descripción hecha en este manual.

3. Eliminación del antiguo dispositivo



Este símbolo indica que no deberá deshacerse del producto eléctrico o batería en cuestión junto con los residuos domésticos, en el ámbito de la UE. Para garantizar un tratamiento residual correcto del producto y su batería, por favor, elimínelos cumpliendo con las leyes locales aplicables sobre requisitos para el desecho de equipos eléctricos y baterías. De hacerlo, ayudará a conservar recursos naturales y mejorar los estándares de protección medioambiental en el tratamiento y eliminación de residuos eléctricos (Directiva sobre la Eliminación de Equipos Eléctricos y Electrónicos).

4. Marca CE

Por la presente, Lenco Benelux B.V., Thermiekstraat 1a. 6361 HB Nuth. Países Bajos, declara que este producto cumple con las exigencias esenciales de la directiva de la UE.

La declaración de conformidad puede consultarse mediante

techdoc@commaxxgroup.com



5. Servicio

Para obtener más información y soporte del departamento técnico, por favor, visite la página web www.lenco.com

Lenco Benelux BV, Thermiekstraat 1a, 6361 HB, Países Bajos

ATTENZIONE:

L'utilizzo di controlli o regolazioni o l'esecuzione di procedure diverse da quelle specificate può causare l'esposizione a radiazioni pericolose.

PRECAUZIONI PRIMA DELL'USO

CONSERVARE QUESTE ISTRUZIONI:

1. Non coprire o bloccare le aperture di ventilazione. Quando si posiziona il dispositivo su uno scaffale, lasciare uno spazio libero di 5 cm (2") attorno all'intero perimetro.
2. Installare secondo quanto riportato nel manuale fornito.
3. Tenere il dispositivo lontano da sorgenti termiche come radiatori, termosifoni, stufe, candele e altri prodotti che generano calore o fiamme libere. Il dispositivo può essere utilizzato solo in climi moderati. Evitare ambienti estremamente freddi o caldi. Temperatura operativa compresa tra 0° e 35°C.
4. Evitare l'uso del dispositivo in presenza di forti campi magnetici.
5. Le scariche elettrostatiche possono interferire con il normale utilizzo di questo dispositivo. In tal caso, è sufficiente ripristinare e riavviare il dispositivo seguendo il manuale di istruzioni. Durante la trasmissione di file, maneggiarlo con cura e operare in un ambiente privo di elettricità statica.
6. Avviso! Non inserire mai oggetti nel prodotto attraverso le prese d'aria o le aperture. All'interno del prodotto sono presenti tensioni elevate e l'inserimento di un oggetto può provocare scariche elettriche e/o cortocircuiti. Per lo stesso motivo, non versare acqua o liquidi sul prodotto.
7. Non utilizzare in aree umide o bagnate come bagni, cucine con vapore o piscine.
8. Non esporre il dispositivo a schizzi o gocciolamenti di liquidi; non poggiare sopra o accanto al dispositivo oggetti contenenti liquidi, ad esempio vasi.
9. Non utilizzare questo dispositivo in caso di condensa. Quando l'unità viene utilizzata in una stanza calda e umida, all'interno dell'unità possono formarsi goccioline d'acqua o condensa e l'unità potrebbe non funzionare correttamente; lasciare l'unità spenta per 1 o 2 ore prima di accenderla: l'unità deve essere asciutta prima di essere alimentata.
10. Sebbene questo dispositivo sia fabbricato con la massima cura e controllato più volte prima di lasciare la fabbrica, è comunque possibile che si verifichino problemi come per qualsiasi altra apparecchiatura elettrica. Se si nota fumo, eccessivo accumulo di calore o altri fenomeni imprevisti, scollegare immediatamente la spina dalla presa di alimentazione principale.
11. Questo dispositivo deve funzionare con una fonte di alimentazione con i valori indicati sull'etichetta delle specifiche. Se non si è sicuri del tipo di alimentazione utilizzata in casa, consultare il rivenditore o la compagnia elettrica locale.
12. Tenere fuori dalla portata degli animali domestici, Ad alcuni animali piace mordere i cavi di alimentazione.
13. Per pulire il dispositivo, utilizzare un panno morbido e asciutto. Non usare solventi o liquidi a base di benzina.
Per rimuovere le macchie persistenti, è possibile utilizzare un panno umido con detergente diluito.

14. Il fornitore non è responsabile per danni o perdita di dati causati da malfunzionamento, uso improprio, modifica del dispositivo o sostituzione della batteria.
15. Non interrompere la connessione quando il dispositivo sta formattando o trasferendo file.
In caso contrario, i dati potrebbero essere danneggiati o andare persi.
16. Se l'unità dispone della funzione di riproduzione USB, la chiavetta USB deve essere collegata direttamente all'unità. Non utilizzare una prolunga USB perché può causare interferenze con conseguenti anomalie dati.
17. L'etichetta di classificazione è stata contrassegnata sul pannello inferiore o posteriore del dispositivo.
18. Questo dispositivo non è destinato all'uso da parte di persone (compresi i bambini) con disabilità fisiche, sensoriali o mentali, o mancanti di esperienza e conoscenza, a meno che non siano sotto supervisione o abbiano ricevuto istruzioni circa l'uso corretto del dispositivo da parte di chi è responsabile per la loro sicurezza.
19. Questo prodotto è destinato esclusivamente all'uso non professionale e non commerciale o industriale.
20. Assicurarsi che l'unità sia collocata in una posizione stabile. I danni causati dall'uso di questo prodotto in una posizione instabile, vibrazioni o urti o la mancata osservanza di qualsiasi altro avvertimento o precauzione indicati in questo manuale utente non saranno coperti da garanzia.
21. Non rimuovere mai la carcassa di questo dispositivo.
22. Non posizionare mai questo dispositivo su altre apparecchiature elettriche.
23. Non permettere ai bambini di accedere ai sacchetti di plastica.
24. Utilizzare solo collegamenti/accessori specificati dal produttore.
25. Rivolgersi a personale qualificato per l'assistenza. L'assistenza è necessaria quando il dispositivo è stato in qualche modo danneggiato, come il cavo di alimentazione o la spina, quando è stato versato del liquido o sono caduti oggetti nel dispositivo, quando il dispositivo è stato esposto a pioggia o umidità, non funziona normalmente o è stato abbandonato.
26. L'esposizione prolungata ai suoni ad alto volume dei lettori musicali può causare una perdita temporanea o permanente dell'udito.
27. Se il prodotto viene consegnato con cavo di alimentazione o adattatore di alimentazione CA:
 - In caso di problemi, scollegare il cavo di alimentazione CA e rivolgersi a personale qualificato per l'assistenza.
 - Non calpestare o schiacciare l'alimentatore. Fare molta attenzione, in particolare vicino alle prese e al punto di uscita del cavo. Non posizionare oggetti pesanti sull'alimentatore in quanto potrebbero danneggiarlo. Tenere il dispositivo fuori dalla portata dei bambini. Giocando con il cavo di alimentazione possono infortunarsi seriamente.
 - Scollegare il dispositivo durante i temporali o quando non viene utilizzato per un lungo periodo.
 - La presa di corrente deve essere installata vicino all'apparecchio e deve essere facilmente accessibile.

Non sovraccaricare le prese CA né le prolunghe. Il sovraccarico può causare incendi o scariche elettriche.

I dispositivi con struttura di classe 1 devono essere collegati a una presa di rete con connessione di messa a terra di protezione.

I dispositivi con struttura di classe 2 non richiedono un collegamento a terra.

Tenere sempre la spina quando la si estrae dalla presa di rete. Non tirare il cavo di alimentazione. Ciò può causare un cortocircuito.

Non utilizzare un cavo o una presa di alimentazione danneggiati o una presa non fissata. Tale azione potrebbe provocare incendi o scariche elettriche.

28. Se il prodotto contiene o viene consegnato con un telecomando contenente batterie a pulsante/a bottone:

Avvertenza:

"Non ingerire la batteria, pericolo di ustioni chimiche" o funzionamento equivalente.

(Il telecomando in dotazione con) Il presente prodotto contiene una pila a bottone. Se ingerita, la batteria può causare gravi ustioni interne in sole 2 ore e portare alla morte.

Tenere le batterie, nuove o usate, fuori dalla portata dei bambini.

Se il vano batteria non si chiude completamente, interrompere l'uso del dispositivo e tenerlo fuori della portata dei bambini.

Se si teme che delle batterie possano essere state inghiottite o essere venute a contatto con qualsiasi parte interna del corpo, contattare immediatamente un medico.

29. Precauzioni sull'uso delle batterie:

Pericolo di esplosione se la batteria viene sostituita in modo errato. Sostituire solo con lo stesso tipo o equivalente.

Non sottoporre le batterie a temperature estreme alte o basse, bassa pressione dell'aria ad alta quota durante l'uso, lo stoccaggio o il trasporto.

La sostituzione con una batteria di tipo errato può provocare un'esplosione o la perdita di liquidi o gas infiammabili.

Lo smaltimento di una batteria nel fuoco o in un forno caldo o lo schiacciamento o il taglio meccanico di una batteria possono provocare un'esplosione.

Lasciare una batteria in un ambiente circostante a temperatura estremamente elevata può provocare un'esplosione o una perdita di liquidi o gas infiammabili.

Una batteria soggetta a una pressione dell'aria estremamente bassa può provocare un'esplosione o una perdita di liquidi o gas infiammabili.

È necessario prestare attenzione agli aspetti ambientali legati allo smaltimento delle batterie.

INSTALLAZIONE

Disimballare tutte le parti e rimuovere il materiale protettivo.

Non collegare l'unità alla rete elettrica prima di avere controllato la tensione di rete e prima che siano stati effettuati tutti gli altri collegamenti.

CONTENUTO DELLA CONFEZIONE

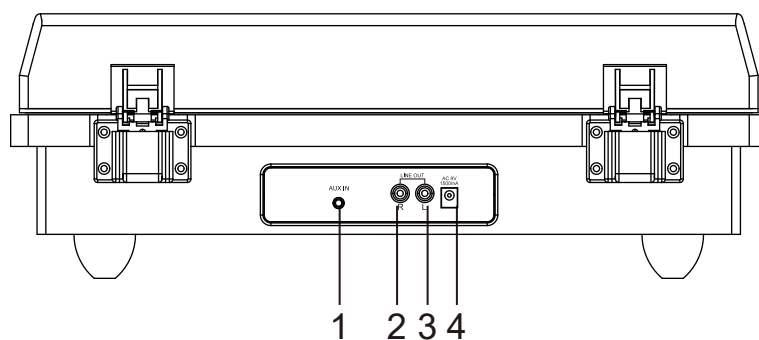
Assicurarsi che gli elementi elencati di seguito siano inclusi nella confezione:

Alimentatore

Adattatore 45 giri

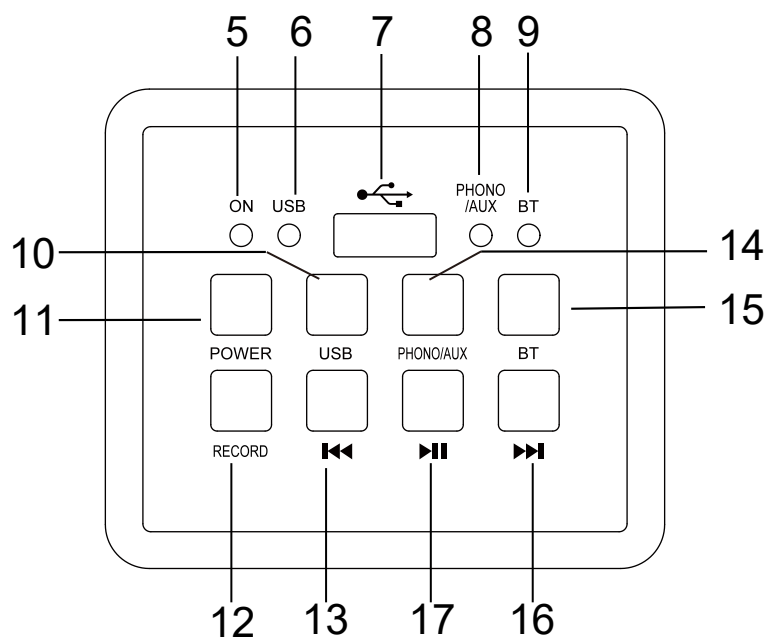
LEGGERE QUESTO MANUALE DI ISTRUZIONI PRIMA DI UTILIZZARE IL GIRADISCHI

PANNELLO POSTERIORE



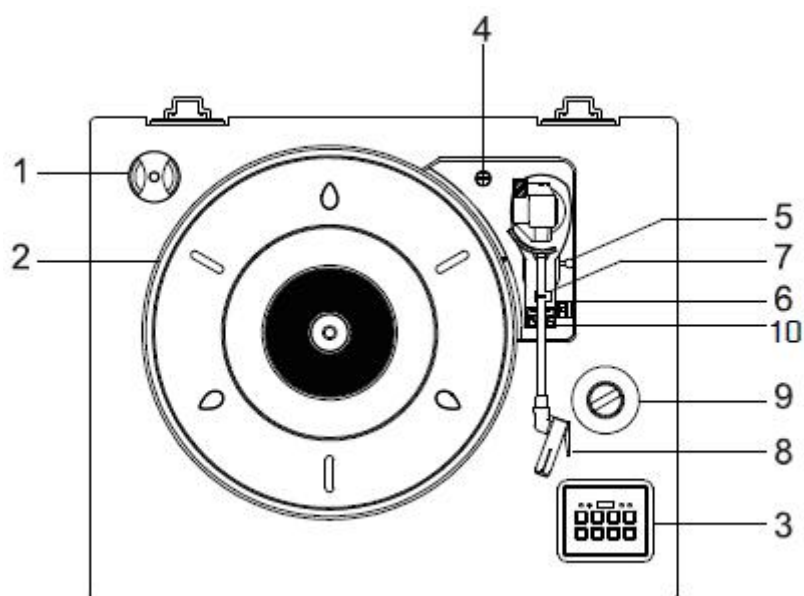
- | | |
|---------------------|---------------------|
| 1. AUXIN | 2. LINEA USCITA "R" |
| 3. LINEA USCITA "L" | 4. CC 9V/ 1500 mA |

PANNELLO ANTERIORE DESTRO



- | | |
|---|---------------------------------|
| 5. SPIA ALIMENTAZIONE | 6. INDICATORE LETTORE USB |
| 7. PRESA USB | 8. LETTORE PHONO/INDICATORE AUX |
| 9. INDICATORE BT | 10. PULSANTE USB |
| 11. PULSANTE
ACCENSIONE/SPEGNIMENTO | 12. PULSANTE Disco |
| 13. Pulsante ◀◀ (precedente) | 14. PULSANTE PHONO/AUX |
| 15. PULSANTE BT | 16. Pulsante ▶▶ (successivo) |
| 17. Pulsante ▶▶
(Riproduzione/Pausa) | |

PANNELLO GIRADISCHI



- | | |
|--------------------------|---------------------------------------|
| 1. ADATTATORE 45 GIRI | 2. Piatto |
| 3. PANNELLO DI CONTROLLO | 4. PASSAGGIO A VITE DI TRANSITO |
| 5. LEVA DI SOLLEVAMENTO | 6. SELETTORE VELOCITÀ (33/45/78 giri) |
| 7. BLOCCO BRACCIO | 8. BRACCIO CON PUNTINA |
| 9. MANOPOLA VOLUME | 10. Pulsante interruttore automatico |

DISIMBALLAGGIO E INSTALLAZIONE

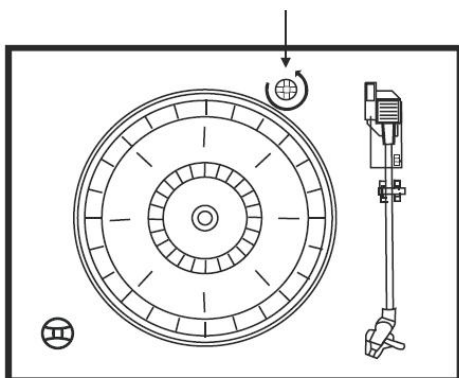
1. Rimuovere con attenzione il giradischi dalla confezione e rimuovere tutto il materiale di imballaggio.
2. Svolgere il cavo di alimentazione dell'adattatore CA ed estenderlo per tutta la sua lunghezza.
3. Posizionare il giradischi su una superficie stabile e piana in prossimità di una presa CA e lontano da forti campi magnetici.
4. Collegare il cavo di alimentazione alla presa CA.
5. Rimuovere il coperchio in plastica bianca opaca dalla puntina del fonografo facendolo scorrere nella direzione della freccia.
6. Prestare attenzione e delicatezza quando si rimuove questo coperchio, poiché i danni alla puntina non sono coperti da garanzia.
7. Rimuovere il laccetto che fissa il braccio durante la spedizione.
8. Rilasciare il blocco della leva del braccio.

IMPORTANTE!

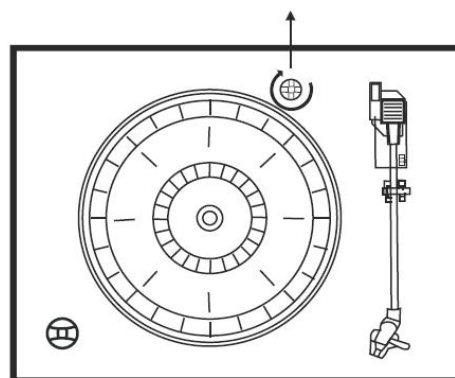
TRASPORTO DEL SISTEMA

1. Per proteggere il giradischi da danni durante il trasporto, una vite di trasporto argentata si trova in alto a destra sulla piattaforma del giradischi.
2. Prima di suonare, utilizzare un cacciavite per ruotare completamente la vite di trasporto in senso orario (vite che scende) per sbloccare il giradischi.
3. Per bloccare nuovamente il giradischi per il trasporto, ruotare la vite in senso antiorario.

BLOCCARE per il trasporto



SBLOCCARE per suonare



ACCENSIONE DELL'UNITÀ

1. Collegare l'adattatore CA alla presa di alimentazione CA sul retro del giradischi.
2. Premere il pulsante POWER, l'indicatore di alimentazione si accenderà e l'indicatore a LED PHONO si accenderà.
3. Una volta terminato di utilizzare il giradischi, premere nuovamente il pulsante POWER

NOTA

Rispettare le regole di risparmio energetico CE (ERP2), se non viene riprodotta musica

Il giradischi si spegnerà automaticamente senza ulteriori istruzioni o segnali dopo 15 minuti. (Applicabile solo nel mercato europeo)

MODALITÀ AUX-IN

1. Questo giradischi include un jack di ingresso del segnale audio ausiliario per il collegamento di dispositivi audio esterni come lettori MP3, lettori CD e iPod meno recenti non collegabili al dock in modo da poter ascoltare la sorgente esterna attraverso gli altoparlanti del giradischi.
2. Utilizzare un cavo audio (non incluso) con una connessione stereo da 3,5 mm su ciascuna estremità del cavo.
3. Collegare un'estremità al jack AUX-IN del giradischi e l'altra estremità al jack Line Out del dispositivo audio.
4. Accendere il giradischi e il dispositivo audio.
5. Il livello del volume può essere controllato tramite il giradischi. Azionare tutte le funzioni del dispositivo ausiliario come di consueto.
6. Notare che la funzione AUX-IN è una funzione prioritaria. Anche se la spia per USB/PHONO/BT è accesa, queste funzioni non funzioneranno mentre è in uso la funzione AUX-IN. Scollegare il cavo AUX-IN prima di utilizzare le funzioni USB/PHONO/BT.

NOTA

1. Se il jack Line Out del dispositivo esterno è collegato, è sufficiente regolare il controllo del volume di questo sistema.
2. Assicurarsi che il braccio sia ben bloccato per evitare danni.
3. Al termine, premere POWER per spegnere il giradischi. Non dimenticare di spegnere anche il tuo dispositivo esterno.

RIPRODUZIONE DISCHI

Questo giradischi è di dimensioni standard, a cinghia e riproduce dischi a 33, 45 e 78 giri/min.

1. Per accendere il giradischi, premere il pulsante POWER per impostare il volume a un livello basso.
2. Premere il pulsante PHONO per attivare la modalità fono. Assicurarsi di aver rimosso la copertura della puntina e di aver rilasciato il blocco del braccio.
3. Impostare l'interruttore della velocità del giradischi sulla velocità appropriata di 33, 45 o 78 giri/min. Posizionare il disco sul giradischi. Se si stano suonando singoli a 45 giri, posizionare l'adattatore da 45 giri sul perno centrale.
4. Far scorrere l'interruttore di controllo AUTO STOP per scegliere la funzione di arresto automatico
5. Regolare il controllo VOLUME per impostare il volume come desiderato.
6. Al termine, premere il pulsante POWER per spegnere il sistema.
7. Tenere aperto il coperchio antipolvere durante la riproduzione di un disco.




MODALITÀ REGISTRAZIONE FONOGRAFO

1. Posizionare un disco sul giradischi.
2. Collegare una chiavetta USB alla presa USB. Premere il pulsante RECORD, la spia LED ROSSA lampeggerà, il che significa che la registrazione è iniziata.
3. Al termine della registrazione, premere nuovamente il pulsante RECORD.
4. Premere il pulsante USB con la luce blu e si sentirà la musica registrata dall'USB.

NOTA

1. il pulsante RECORD è solo per la registrazione del fonografo
2. la registrazione serve per registrare musica dal disco a un dispositivo USB (solo formato -FAT32).

MODALITÀ USB

1. Premere il pulsante USB per attivare la modalità USB. La spia ROSSA si accenderà.
2. Inserire il dispositivo USB nell'ingresso USB del giradischi e inizierà la riproduzione dei brani musicali sul dispositivo USB.
3. Premere i pulsanti  o  per scegliere il brano desiderato.
4. Premere il pulsante  per mettere in pausa o riprodurre il brano.
5. Al termine, premere il pulsante POWER per spegnere il giradischi.

NOTA

1. La modalità di riproduzione USB ha una funzione di memoria. Quando si reinsertisce lo stesso dispositivo USB, verrà ripristinato l'ultimo brano riprodotto.
2. Questo giradischi è dotato di una presa USB in grado di riprodurre file MP3/WMA archiviati su unità flash USB standard (compatibile con la versione USB 2.0).
3. Le unità flash USB con più di 32 GB di memoria potrebbero non essere compatibili
4. Sebbene questo prodotto sia completamente compatibile con il formato standard USB 2.0, una piccola percentuale di unità flash USB potrebbe non essere leggibile

RIMOZIONE DELL'UNITÀ USB

Assicurarsi di interrompere la riproduzione e spegnere l'unità prima di rimuovere l'unità USB per evitare danni all'USB e al giradischi.

MODALITÀ BLUETOOTH

1. Premere il BT sul pannello anteriore destro per attivare la funzione e il LED blu lampeggerà.
2. Configurare il dispositivo di riproduzione Bluetooth in modo che cerchi altri dispositivi Bluetooth.
3. Selezionare la voce "Lenco LS-55" dall'elenco dei dispositivi trovati sul tuo dispositivo di riproduzione Bluetooth. Se l'accoppiamento avviene, la luce LED smetterà di lampeggiare e rimarrà accesa.
4. Riprodurre la propria musica tramite il dispositivo connesso e divertirsi.

MODALITÀ LINE OUT

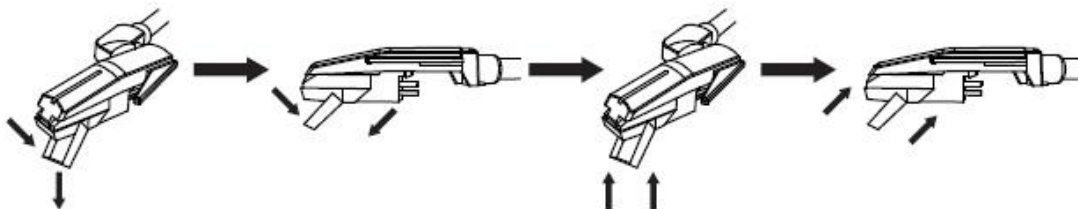
1. È incluso un set di jack Line Out per consentire la riproduzione dell'audio da BT, USB e PHONOGRAPH di questo giradischi su un dispositivo esterno.
2. Inserire il cavo audio (non incluso) nella presa Line Out del giradischi.
3. Azionare il giradischi come al solito.
4. Per ottenere il miglior suono, si consiglia di impostare il volume del giradischi al minimo.
5. L'audio del giradischi verrà quindi riprodotto tramite il dispositivo esterno.

SOSTITUZIONE DELLA PUNTINA

Si consiglia di sostituire la puntina dopo 400 ore di utilizzo.

Seguire i passaggi seguenti per cambiare la puntina:

1. Sollevare il braccio dal blocco del braccio.
2. All'estremità anteriore del braccio, posizionare la punta dell'unghia tra il supporto della puntina rosso e l'alloggiamento della cartuccia nera come mostrato. Premere verso il basso il supporto della puntina rosso finché non si separa dall'alloggiamento della cartuccia.
3. Rimuovere completamente il supporto della puntina rosso con la puntina usurata e gettarla.
4. Posizionare il nuovo supporto della puntina rosso con la puntina sotto l'alloggiamento della cartuccia. Per prima cosa, premere verso l'alto sul lato posteriore del supporto della puntina, quindi premere verso l'alto sul bordo anteriore del supporto della puntina finché non scatta in posizione sull'alloggiamento della cartuccia.



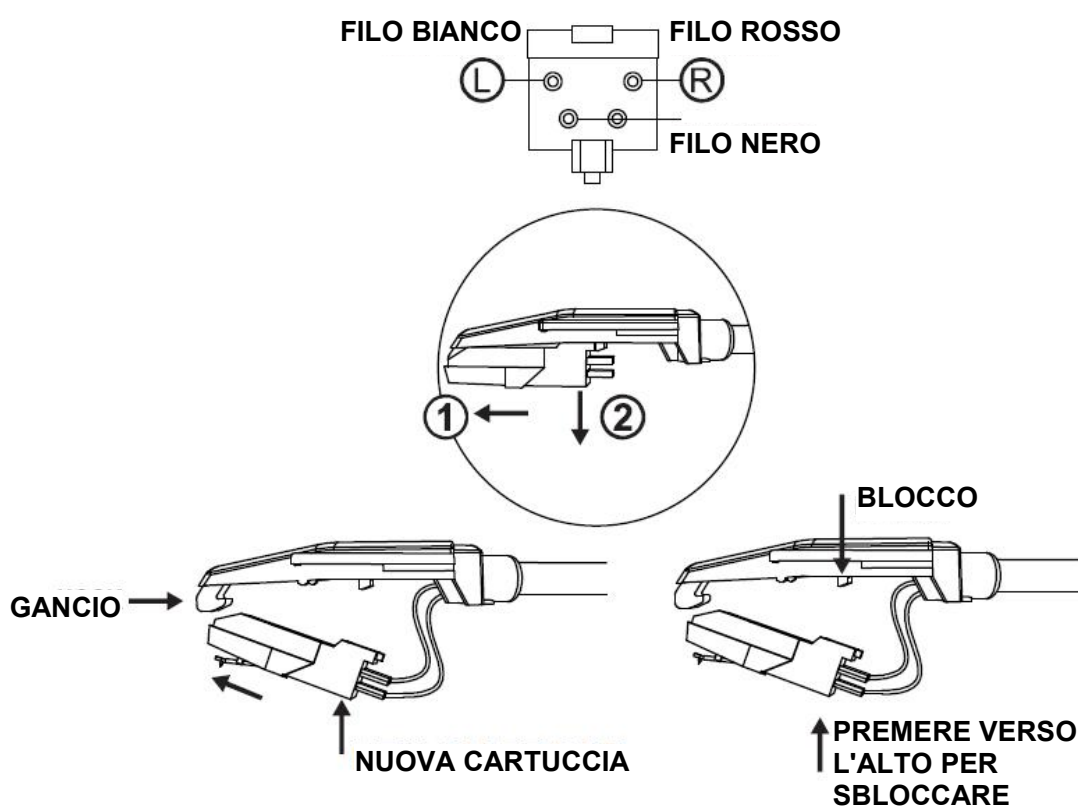
CURA DEL PANNELLO IN LEGNO E COPERCHIO POLVERE

1. La cura del giradischi è la stessa di qualsiasi mobile
2. Quando il coperchio antipolvere è impolverato, è possibile pulirlo utilizzando un panno antipolvere morbido e non abrasivo.
3. Se il pannello di legno si sporca di impronte digitali, è possibile utilizzare qualsiasi detergente spray per spolverare e lucidare commerciale di buona qualità
4. Si consiglia di spruzzare il detergente su un panno, non direttamente sul pannello di legno.

CURA E MANUTENZIONE

PER SOSTITUIRE LA CARTUCCIA DAL BRACCIO SEGUIRE LE ISTRUZIONI SEGUENTI.

1. Sollevare delicatamente il braccio dal blocco.
2. Usare la mano sinistra per tenere il braccio e la mano destra per tenere la parte posteriore della cartuccia. Quindi spingere la cartuccia indietro e verso il basso secondo la direzione mostrata per separare la cartuccia dal braccio.
3. Utilizzando una pinzetta o le dita, scollegare con attenzione i terminali dalla nuova cartuccia.
4. Collegare con attenzione i terminali alla nuova cartuccia (non inclusa).
5. Per reinstallare la nuova cartuccia sul braccio, prima bloccare l'estremità anteriore della nuova cartuccia sul gancio del braccio.
6. Premere il lato posteriore della nuova cartuccia verso l'alto per bloccarla sul braccio.



ATTENZIONE:

Si prega di non danneggiare la puntina durante l'installazione della nuova cartuccia.

SPECIFICHE

Tensione di esercizio	9V 1,5A
Specifiche Bluetooth	Versione 4.2
Memoria supportata	USB
Potenza in uscita	2 X 5W RMS
Dimensioni (L*L*A)	436*360*140 mm
Peso unità	4,38 kg

Informazioni sull'adattatore di alimentazione	Valore e precisione
Nome o marchio del produttore,	Dongguan Ang Chung
registrazione commerciale e indirizzo	Electronic Technology Co, Ltd
Identificatore del modello	AC012W1-090150VX
Tensione in ingresso	100-240V
Frequenza in ingresso CA	50-60 Hz
Tensione in uscita	9,0V
Corrente in uscita	1,5A
Potenza in uscita	13,5W
Efficienza media attiva	83,76%
Efficienza a basso carico (10%)	89,54%
Nessun carico Consumo energetico	0,07 W

Le specifiche e le funzioni legate al miglioramento continuo del dispositivo sono soggette a modifiche senza preavviso.

1. Garanzia

Lenco offre assistenza e garanzia in conformità con la legge europea, il che significa che in caso di riparazioni (sia durante che dopo il periodo di garanzia) è necessario contattare il rivenditore locale.

Nota importante: Non è possibile inviare direttamente a Lenco i prodotti da riparare.

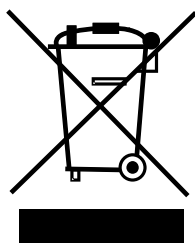
Nota importante: Qualora l'unità venga aperta o manomessa in qualsiasi modo da un centro di assistenza non riconosciuto, la garanzia decade.

Questo dispositivo non è adatto per l'uso professionale. Qualora l'unità venga utilizzata per scopi professionali, tutti gli obblighi del produttore derivanti dalla garanzia sono nulli.

2. Clausola di esclusione della responsabilità

Il firmware e/o i componenti hardware vengono aggiornati regolarmente. Pertanto, è possibile che alcune parti relative a istruzioni, specifiche e immagini contenute nella presente documentazione siano diverse da quanto riscontrato nel singolo caso. Tutte le descrizioni incluse in questa guida sono fornite a puro titolo illustrativo e non si applicano necessariamente alla specifica situazione. Nessun diritto legale o contrattuale può derivare dalle descrizioni contenute nel presente libretto di istruzioni.

3. Smaltimento a fine vita del dispositivo



Questo simbolo indica che in Europa è vietato gettare il relativo prodotto elettrico o batteria tra i rifiuti domestici. Per il corretto smaltimento a fine vita del prodotto e della batteria, attenersi alle vigenti normative locali per il trattamento dei rifiuti da apparecchiature elettriche ed elettroniche e delle batterie. In tal modo si contribuisce a salvaguardare le risorse naturali e a migliorare gli standard per la protezione dell'ambiente nel trattamento dei rifiuti da apparecchiature elettriche ed elettroniche (Direttiva RAEE).

4. Marchio CE

Con la presente, Lenco Benelux B.V., Thermiekstraat 1a, 6361 HB Nuth, The Netherlands, dichiara che questo prodotto è conforme ai requisiti essenziali della direttiva UE.

La dichiarazione di conformità può essere richiesta inviando un'e-mail a techdoc@commaxxgroup.com



5. Assistenza

Per ulteriori informazioni e accesso all'helpdesk, visitare il sito www.lenco.com
Lenco Benelux BV, Thermiekstraat 1a, 6361 HB, Paesi Bassi

ПРЕДОСТЕРЕЖЕНИЕ:

Использование органов управления или регулировки или выполнение процедур, отличных от указанных в данном документе, может привести к воздействию опасного облучения.

МЕРЫ ПРЕДОСТОРОЖНОСТИ ПЕРЕД ИСПОЛЬЗОВАНИЕМ

СОБЛЮДАЙТЕ ПРИВЕДЕННЫЕ НИЖЕ УКАЗАНИЯ:

1. Не накрывайте и не перекрывайте вентиляционные отверстия. При размещении устройства на полке оставьте 5 см (2 дюйма) свободного пространства вокруг всего устройства.
2. Осуществляйте установку в соответствии с идущим в комплекте руководством пользователя.
3. Храните устройство вдали от источников тепла, таких как радиаторы, обогреватели, печи, свечи и другие тепловыделяющие объекты или источники открытого огня. Устройство может использоваться только в среде с умеренной температурой. Следует избегать крайне холодной или теплой среды. Рабочая температура от 0° до 35°C.
4. Избегайте использования устройства вблизи сильных магнитных полей.
5. Электростатический разряд может нарушить нормальное использование данного устройства. Если это случилось, просто сбросьте и перезагрузите устройство в соответствии с руководством пользователя. Во время передачи файлов, обращайтесь с устройством осторожно и используйте его в среде, не содержащей статических помех.
6. Предупреждение! Никогда не вставляйте в устройство посторонние предметы через вентиляционные или иные отверстия. Через устройство проходит высокое напряжение, и вставка какого-либо предмета может привести к поражению электрическим током и/или короткому замыканию внутренних деталей. По этой же причине не проливайте воду или жидкость на устройство.
7. Не используйте устройство в мокрых или влажных помещениях, таких как ванные комнаты, кухни, насыщенные водяным паром, или вблизи плавательных бассейнов.
8. На устройство не должны попадать капли или брызги, также обеспечьте, чтобы никакие предметы, наполненные жидкостью, такие как вазы, не размещались на устройстве или рядом с ним.
9. Не используйте данное устройство в случаях вероятности образования в помещении конденсата. При использовании устройства в теплом влажном помещении внутри устройства могут образоваться капли воды или конденсат, и устройство может работать неправильно; перед включением питания дайте устройству постоять в выключенном состоянии в течение 1 или 2 часов: устройство должно быть сухим перед включением питания.
10. Несмотря на то, что данное устройство произведено с предельной осмотрительностью и несколько раз проверено перед выпуском с фабрики, есть вероятность возникновения проблем, как и с любыми электрическими приборами. Если вы заметили дым, чрезмерное накопление тепла или какие-либо другие неожиданные явления, вам следует немедленно отсоединить вилку от сетевой розетки питания.
11. Данное устройство должно работать от источника питания, указанного на этикетке с техническими характеристиками. Если вы не уверены в типе источника питания, используемого в вашем доме, обратитесь к вашему продавцу или местной энергетической компании.
12. Держите устройство вне доступа животных. Некоторые животные любят кусать шнуры питания.
13. Для очистки устройства используйте мягкую сухую ткань. Не используйте растворители или жидкости на основе бензина. Для удаления сильных пятен можно использовать влажную ткань с разведенным моющим средством.
14. Поставщик не несет ответственности за повреждение или потерю данных, вызванных

неисправностью, неправильным использованием, модификацией устройства или заменой аккумулятора.

15. Не прерывайте соединение, когда устройство осуществляет форматирование или передает файлы. В противном случае данные могут быть повреждены или потеряны.

16. Если устройство имеет функцию воспроизведения через USB, то USB-накопитель следует подключить непосредственно к устройству. Не используйте удлинительный USB-кабель, так как он может вызвать помехи, приводящие к сбою передачи данных.

17. На нижнюю или заднюю панель устройства нанесена метка рейтинга защиты.

18. Данное устройство не предназначено для использования людьми (включая детей) с физическими, сенсорными или умственными недостатками, а также с недостаточным опытом и знаниями, если только они не находятся под наблюдением или не были проинструктированы о правильном использовании устройства лицом, ответственным за их безопасность.

19. Данное устройство предназначено только для непрофессионального использования, и не для коммерческого или промышленного использования.

20. Обеспечьте, чтобы устройство было размещено в устойчивом положении. Гарантия не распространяется на повреждения, вызванные использованием данного устройства в неустойчивом положении, вибрациями или ударами, а также несоблюдением любых других предупреждений или мер предосторожности, содержащихся в данном руководстве пользователя.

21. Никогда не снимайте корпус данного устройства.

22. Никогда не размещайте данное устройство сверху другого электрического оборудования.

23. Исключите доступ детей к пластиковым пакетам.

24. Используйте только принадлежности/аксессуары, указанные производителем.

25. Обращайтесь по вопросам какого-либо обслуживания к квалифицированному сервисному персоналу. Обслуживание требуется, если устройство было каким-либо образом повреждено, например, случилось повреждение шнура питания или вилки, или если на устройство была пролита жидкость или в него упали предметы, когда устройство подверглось воздействию дождя или влаги, не работает нормально или падало.

26. Длительное прослушивание громкого звука от персональных музыкальных проигрывателей может привести к временной или постоянной потере слуха.

27. Если устройство поставляется со шнуром питания или адаптером переменного тока:

- При возникновении каких-либо неполадок отсоедините шнур питания переменного тока и обратитесь за обслуживанием к квалифицированному персоналу.

- Не наступайте на адаптер питания и не зажимайте его. Будьте особенно осмотрительны, особенно вблизи вилки и места выхода шнура питания. Не ставьте на адаптер питания тяжелые предметы, которые могут его повредить. Держите весь комплект устройства в недоступном для детей месте! Играя со шнуром питания, они могут серьезно травмироваться.

- Отключайте данное устройство от сети во время грозы или при длительном неиспользовании.

- Розетка должна быть установлена рядом с оборудованием и должна быть легкодоступна.

- Не перегружайте розетки переменного тока или удлинители. Перегрузка может привести к возгоранию или поражению электрическим током.

- Устройства с конструкцией класса 1 должны быть подключены к сетевой розетке с защитным заземлением.

- Устройства с конструкцией класса 2 не требуют заземления.

- Всегда держитесь за вилку, когда вынимаете ее из сетевой розетки. Не тяните за шнур питания. Это может привести к короткому замыканию.

- Не используйте поврежденный шнур питания, вилку или незакрепленную розетку. Это может привести к возгоранию или поражению электрическим током.

28. Если устройство содержит или идет в комплекте с пультом дистанционного управления, содержащим аккумулятор кнопочного типа:

Предупреждение:

- «Не глотайте аккумулятор, это представляет опасность химического ожога» или эквивалент.

- [В случае если в комплекте идет пульт дистанционного управления] Данное устройство содержит аккумулятор кнопочного типа. В случае проглатывания аккумулятора, он может вызвать сильные внутренние ожоги всего за 2 часа и может привести к смерти.

- Храните новые и использованные аккумуляторы вдали от детей.
- Если отсек для аккумуляторов не закрывается надежно, остановите использование устройства и держите его вдали от детей.
- Если вы считаете, что аккумуляторы могли быть проглочены или попали внутрь какой-либо части тела, немедленно обратитесь за медицинской помощью.

29. Предостережения в отношении использования аккумуляторов:

- Опасность взрыва при неправильной замене аккумулятора. Заменяйте аккумулятор только на такой же или эквивалентный тип.
- Аккумулятор не должен подвергаться воздействию чрезвычайно высоких или низких температур, низкому давлению воздуха при использовании на большой высоте, при хранении или транспортировке.
- Замена аккумулятора на неправильный тип может привести к взрыву или утечке легковоспламеняющейся жидкости или газа.
- Выбрасывание аккумулятора в огонь или горячую печь, его механическое дробление или разрезание могут привести к взрыву.
- Если оставить аккумулятор в среде с чрезвычайно высокой температурой, это может привести к взрыву или утечке легковоспламеняющейся жидкости или газа.
- Если аккумулятор подвергается воздействию чрезвычайно низкого давления воздуха, это может привести к взрыву или утечке легковоспламеняющейся жидкости или газа.

Следует учитывать экологические аспекты утилизации аккумуляторов.

УСТАНОВКА

- Распакуйте все детали и снимите защитный материал.
- Не подключайте устройство к сети до проверки напряжения сети и до выполнения всех других подключений.

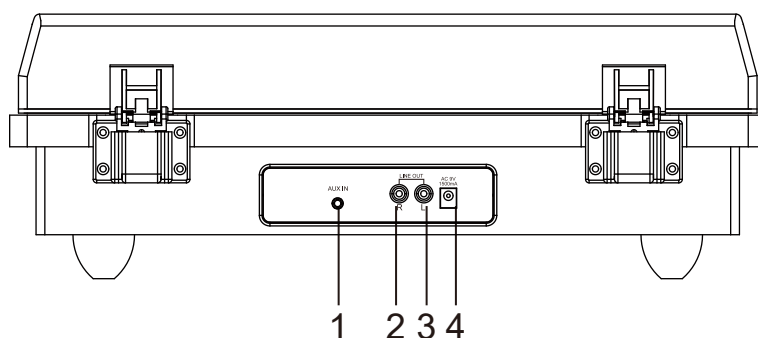
СОДЕРЖИМОЕ УПАКОВКИ

Проверьте, что перечисленные ниже предметы входят в комплект упаковки:

- ◆ Адаптер питания
- ◆ Адаптер на 45 об/мин

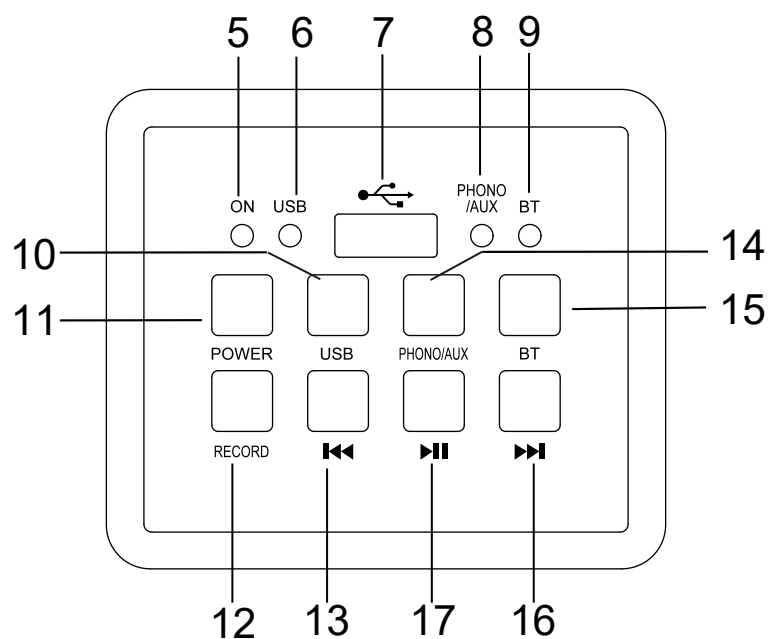
ПРОЧИТЕ ДАННОЕ РУКОВОДСТВО ПО ЭКСПЛУАТАЦИИ ПЕРЕД ИСПОЛЬЗОВАНИЕМ ПРОИГРЫВАТЕЛЯ

ЗАДНЯЯ ПАНЕЛЬ




1. AUX IN (ВХОД AUX)
2. LINE OUT «R» (ЛИНЕЙНЫЙ ВЫХОД ПРАВОГО КАНАЛА)
3. LINE OUT «L» (ЛИНЕЙНЫЙ ВЫХОД ЛЕВОГО КАНАЛА)
4. DC 9V/1500 mA (ВЫХОД ПИТАНИЯ 9 В ПОСТ. ТОКА/1500 МА)

ПЕРЕДНЯЯ ЛЕВАЯ ПАНЕЛЬ



5. ON (ИНДИКАТОР ПИТАНИЯ)


7.  (USB-РАЗЪЕМ)

9. BT (ИНДИКАТОР РАБОТЫ BLUETOOTH)

11. POWER (КНОПКА
ВКЛЮЧЕНИЯ/ВЫКЛЮЧЕНИЯ ПИТАНИЯ)

13.  (КНОПКА ПЕРЕХОДА НАЗАД)

15. BT (КНОПКА
ВКЛЮЧЕНИЯ/ВЫКЛЮЧЕНИЯ BLUETOOTH)

17.  (КНОПКА
ВОСПРОИЗВЕДЕНИЯ/ПАУЗЫ)


6. USB (ИНДИКАТОР ВОСПРОИЗВЕДЕНИЯ
ЧЕРЕЗ USB)

8. PHONO/AUX (ИНДИКАТОР РАБОТЫ
ПРОИГРЫВАТЕЛЯ
ПЛАСТИНОК/AUX-ВХОДА)

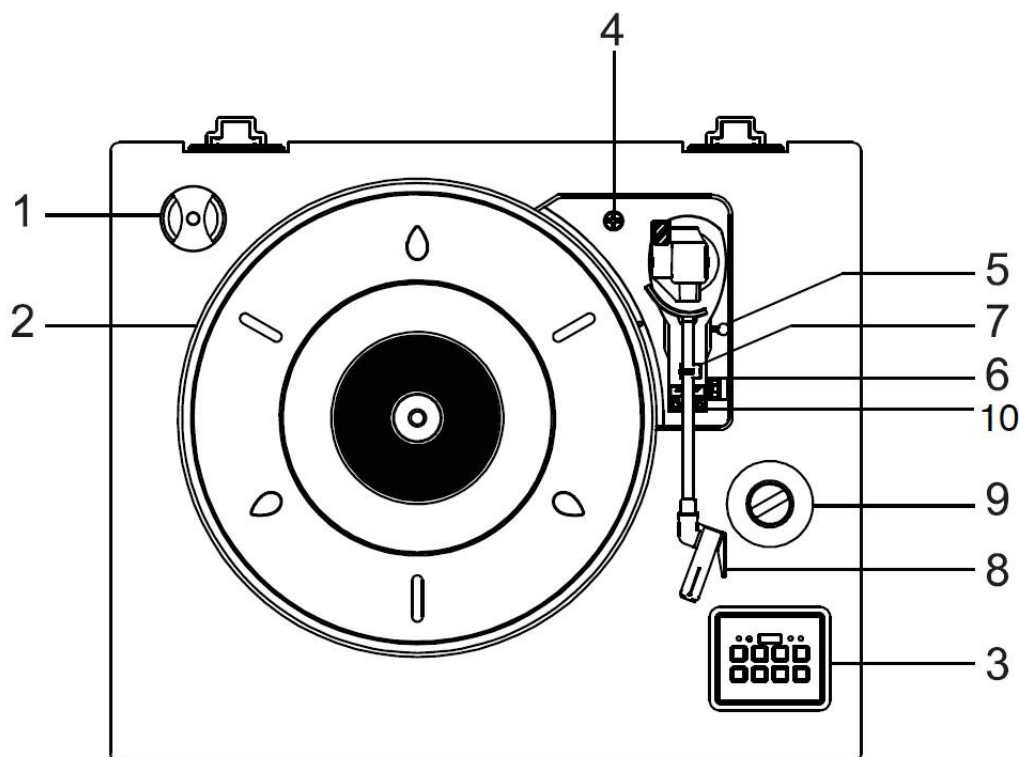
10. USB (КНОПКА
ВКЛЮЧЕНИЯ/ВЫКЛЮЧЕНИЯ USB)

12. RECORD (КНОПКА ЗАПИСИ)

14. PHONO/AUX (КНОПКА ПЕРЕКЛЮЧЕНИЯ
МЕЖДУ ПРОИГРЫВАТЕЛЕМ
ПЛАСТИНОК/AUX-ВХОДОМ)

16.  (КНОПКА ПЕРЕХОДА ВПЕРЕД)

ПАНЕЛЬ ПРОИГРЫВАТЕЛЯ ПЛАСТИНОК



1. АДАПТЕР НА 45 ОБ/МИН

3. ПАНЕЛЬ УПРАВЛЕНИЯ

5. РЫЧАГ ПОДЪЕМА/ОПУСКАНИЯ

7. ФИКСАТОР ТОНАРМА

9. РЕГУЛЯТОР ГРОМКОСТИ

2. ДИСК

4. КРЕСТОВОЙ ВИНТ БЛОКИРОВКИ ДИСКА
ДЛЯ ТРАНСПОРТИРОВКИ
ПРОИГРЫВАТЕЛЯ

6. РУЧКА ВЫБОРА СКОРОСТИ (33/45/78
ОБ/МИН)

8. ТОНАРМ С ГОЛОВКОЙ

10. КНОПКА АВТОМАТИЧЕСКОЙ

ОСТАНОВКИ

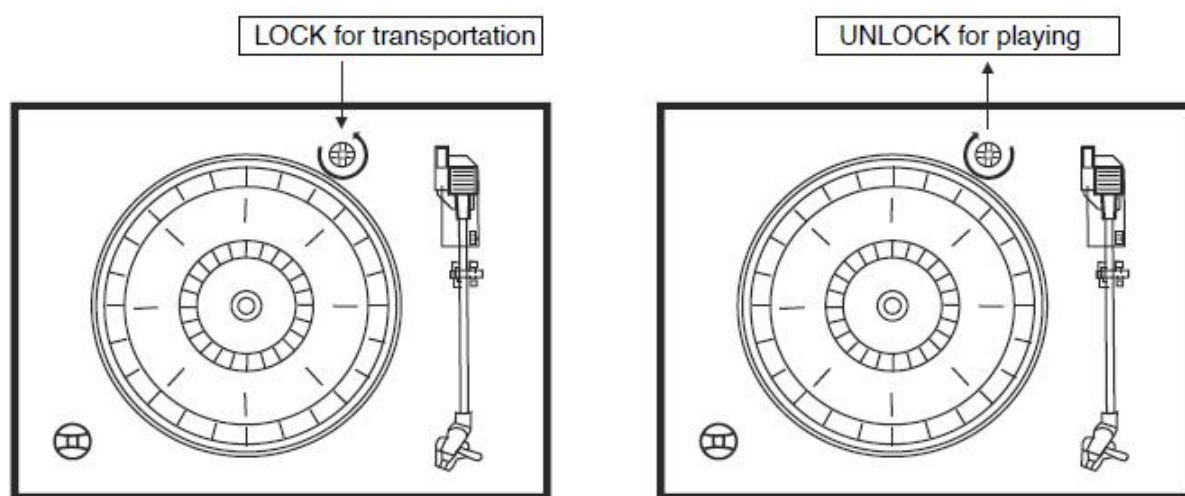
РАСПАКОВКА И НАСТРОЙКА

1. Аккуратно извлеките проигрыватель пластинок из коробки и снимите весь упаковочный материал.
2. Размотайте шнур питания адаптера пер. тока и растяните его на всю длину.
3. Разместите проигрыватель пластинок на устойчивой ровной поверхности рядом с розеткой пер. тока, вдали от сильных магнитных полей.
4. Подключите шнур питания к розетке пер. тока.
5. Снимите непрозрачную белую пластиковую крышку с головки проигрывателя пластинок, сдвинув ее в направлении, указанном стрелкой.
6. Будьте осторожны и аккуратны при снятии крышки головки, так как гарантия не покрывает повреждение головки.
7. Снимите дугообразный фиксатор, закрепляющий тонарм во время транспортировки проигрывателя пластинок.
8. Отпустите фиксатор рычага тонарма.

ВАЖНО!

ТРАНСПОРТИРОВКА СИСТЕМЫ

1. Чтобы защитить проигрыватель пластинок от повреждений во время транспортировки, открутите серебристый транспортировочный винт, расположенный в правом верхнем углу платформы проигрывателя пластинок.
2. Перед воспроизведением, используя отвертку, полностью поверните транспортировочный винт по часовой стрелке (винт будет идти вниз), чтобы разблокировать диск проигрывателя пластинок.
3. Чтобы снова зафиксировать диск для транспортировки проигрывателя пластинок, поверните винт против часовой стрелки.



LOCK for transportation	БЛОКИРОВКА – для транспортировки
UNLOCK for playing	РАЗБЛОКИРОВКА – для воспроизведения

ВКЛЮЧЕНИЕ УСТРОЙСТВА

1. Подключите адаптер пер. тока к разъему пер. тока на задней панели проигрывателя пластинок.
2. Нажмите кнопку питания (POWER), индикатор питания (POWER) включится и загорится светодиодный индикатор проигрывателя пластинок (PHONO).
3. Когда вы закончите использовать проигрыватель пластинок, повторно нажмите кнопку питания (POWER).

ПРИМЕЧАНИЕ

Соблюдайте правила энергосбережения ЕС (Директива ЕС «Об энергопотребляющей продукции» (ERP)), если вы не используете проигрыватель пластинок.

Проигрыватель пластинок автоматически выключится без дополнительных оповещений или сигналов через 15 минут. (Действует только на устройствах для европейского рынка)

ИСПОЛЬЗОВАНИЕ ВХОДА AUX

1. Данный проигрыватель пластинок оснащен вспомогательным входным аудиоразъемом для подключения внешних аудиоустройств, таких как MP3-плееры, CD-плееры и старые, неприсоединяемые проигрыватели, чтобы вы могли слушать музыку со своего внешнего источника через динамики проигрывателя пластинок.
2. Используйте аудиокабель (не входит в комплект) с одним 3,5-мм стереоштекером с каждого конца кабеля.
3. Подключите один конец к разъему входа AUX (AUX-IN) на проигрывателе пластинок, а другой – к разъему линейного выхода внешнего аудиоустройства.
4. Включите проигрыватель пластинок и аудиоустройство.
5. Уровень громкости можно настраивать регулятором на проигрывателе пластинок. Используйте все функции внешнего устройства в обычном режиме.
6. Обратите внимание, что функция входа AUX является приоритетной. Даже если индикаторы USB-MP3/PHONO/BT светятся, эти функции не будут работать, пока используется функция входа AUX (AUX-IN). Отсоедините кабель входа AUX перед использованием функций USB-MP3/PHONO/BT.

ПРИМЕЧАНИЕ

1. Если разъем линейного выхода вашего внешнего устройства подключен, вам нужно только задать громкость регулятором на этой системе.
2. Убедитесь, что тонарм надежно зафиксирован, чтобы избежать каких-либо повреждений.
3. Нажмите кнопку режима ожидания/включения (STANDBY/ON), чтобы выключить проигрыватель пластинок, когда вы завершите прослушивание. Не забудьте также выключить питание внешнего устройства.

ПРОИГРЫВАНИЕ ПЛАСТИНОК

Данный проигрыватель пластинок является полноразмерным, оснащен ременным приводом и воспроизводит пластинки на 33, 45 и 78 об/мин.

1. Чтобы включить проигрыватель пластинок, нажмите кнопку питания (POWER), чтобы установить низкий уровень громкости.
2. Нажмите кнопку проигрывателя пластинок (PHONO), чтобы включить режим прослушивания через проигрыватель пластинок. Обязательно снимите крышку с головки и откройте фиксатор тонарма.
3. Установите переключатель скорости проигрывателя пластинок на соответствующую скорость в 33, 45 или 78 об/мин. Установите пластинку на проигрыватель. Если вы проигрываете пластинки на 45 об/мин, установите адаптер на 45 об/мин на центральную ось.
4. Сдвиньте переключатель управления автоматической остановкой (AUTO STOP), чтобы выбрать функцию автоматической остановки
5. Используйте регулятор громкости, чтобы установить нужную громкость.
3. Нажмите кнопку питания (POWER), чтобы выключить систему, когда вы завершите использование.
7. Держите пылезащитную крышку открытой при проигрывании пластинки.




ИСПОЛЬЗОВАНИЕ ФУНКЦИИ ЗАПИСИ С ПЛАСТИНКИ

1. Установите пластинку на проигрыватель.
2. Подключите USB-накопитель к USB-разъему. Нажмите кнопку записи (RECORD), красный светодиодный индикатор начнет мигать, означая, что запись началась.
3. Когда вы завершите запись, нажмите кнопку записи (RECORD) еще раз.
4. Нажмите кнопку USB-MP3, загорится синий индикатор, и вы услышите записанную на USB-накопитель музыку.

ПРИМЕЧАНИЕ

1. Кнопка записи (RECORD) предназначена только для записи с пластинки.
2. Функция записи предназначена для записи музыки с пластинки на USB-носитель (только в формате FAT32).

ИСПОЛЬЗОВАНИЕ ФУНКЦИИ USB

1. Нажмите кнопку USB-MP3, чтобы включить режим USB. Загорится красный индикатор.
2. Вставьте USB-носитель в USB-разъем на проигрывателе, и музыкальные композиции с USB-носителя начнут воспроизводиться.
3. Нажимайте кнопки  или , чтобы выбрать нужную композицию.
4. Нажмите кнопку , чтобы остановить или воспроизвести композицию.
3. Нажмите кнопку режима включения (POWER/ON), чтобы выключить проигрыватель

пластинок, когда вы завершите прослушивание.

ПРИМЕЧАНИЕ

1. Режим воспроизведения USB-MP3 имеет функцию памяти. При повторной установке того же USB-носителя последняя воспроизведенная композиция будет возобновлена.
2. Данный проигрыватель пластинок оснащен USB-разъемом, через который можно воспроизводить файлы в форматах MP3/WMA, хранящиеся на стандартных флеш-накопителях USB (совместимых с USB 2.0).
3. Флеш-накопители USB с объемом памяти более 32 Гб могут быть несовместимы.
4. Несмотря на то, что данное устройство полностью совместимо со стандартным форматом USB 2.0, небольшой процент флеш-накопителей USB может не читаться.

ИЗВЛЕЧЕНИЕ USB-НАКОПИТЕЛЯ

Остановите воспроизведение и выключите устройство перед извлечением USB-накопителя, чтобы избежать повреждения USB-накопителя и проигрывателя пластинок.

ИСПОЛЬЗОВАНИЕ ФУНКЦИИ BLUETOOTH

1. Нажмите кнопку Bluetooth (BT) на передней правой панели, чтобы активировать функцию, после чего начнет мигать синий светодиод.
2. Выполните на Bluetooth-устройстве воспроизведения поиск других Bluetooth-устройств.
3. Выберите устройство «Lenco LS-55» из списка найденных на вашем Bluetooth-устройстве воспроизведения. Если сопряжение будет выполнено, светодиод перестанет мигать и будет непрерывно светиться синим.
4. Воспроизводите вашу музыку через подключенное устройство и наслаждайтесь.

ФУНКЦИЯ ЛИНЕЙНОГО ВЫХОДА

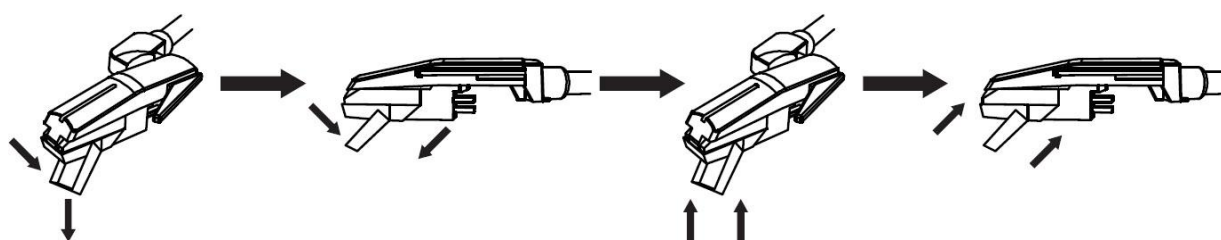
1. В комплект входит набор разъемов линейного выхода, позволяющих воспроизводить звук с Bluetooth-устройства, USB-накопителя и проигрывателя пластинок на внешнем устройстве.
2. Вставьте аудиокабель (не входит в комплект) в разъем линейного выхода проигрывателя пластинок.
3. Используйте проигрыватель пластинок в обычном режиме.
4. Для достижения наилучшего звучания рекомендуется установить громкость проигрывателя пластинок на минимальный уровень.
5. Затем звук с проигрывателя пластинок будет воспроизводиться через внешнее устройство.

ЗАМЕНА ГОЛОВКИ

Рекомендуется заменить головку после 400 часов использования.

Выполните следующие действия, чтобы заменить головку:

1. Поднимите тонарм с его фиксатора.
2. На переднем конце тонарма вставьте кончик ногтя между красным держателем головки и черным корпусом картриджа, как показано на рисунке. Тяните вниз красный держатель головки до тех пор, пока он не отсоединится от корпуса картриджа.
3. Полностью снимите красный держатель с изношенной головкой и выбросьте его.
4. Поместите новый красный держатель с головкой под корпус картриджа. Сначала нажмите вверх с задней стороны держателя головки, а затем нажмите вверх с переднего края держателя головки, пока он не защелкнется в корпусе картриджа.



УХОД ЗА ДЕРЕВЯННОЙ ПАНЕЛЬЮ И ПЫЛЕЗАЩИТНОЙ КРЫШКОЙ

1. Уход за проигрывателем пластинок такой же, как и за любым предметом мебели
2. Когда пылезащитная крышка запылена, вы можете протереть ее мягкой неабразивной тканью для вытирания пыли.
3. Если деревянная панель запачкается отпечатками пальцев, вы можете использовать любой качественный доступный в продаже очиститель для удаления пыли и полировки.
4. Мы рекомендуем распылять очиститель на ткань, а не непосредственно на деревянную панель.

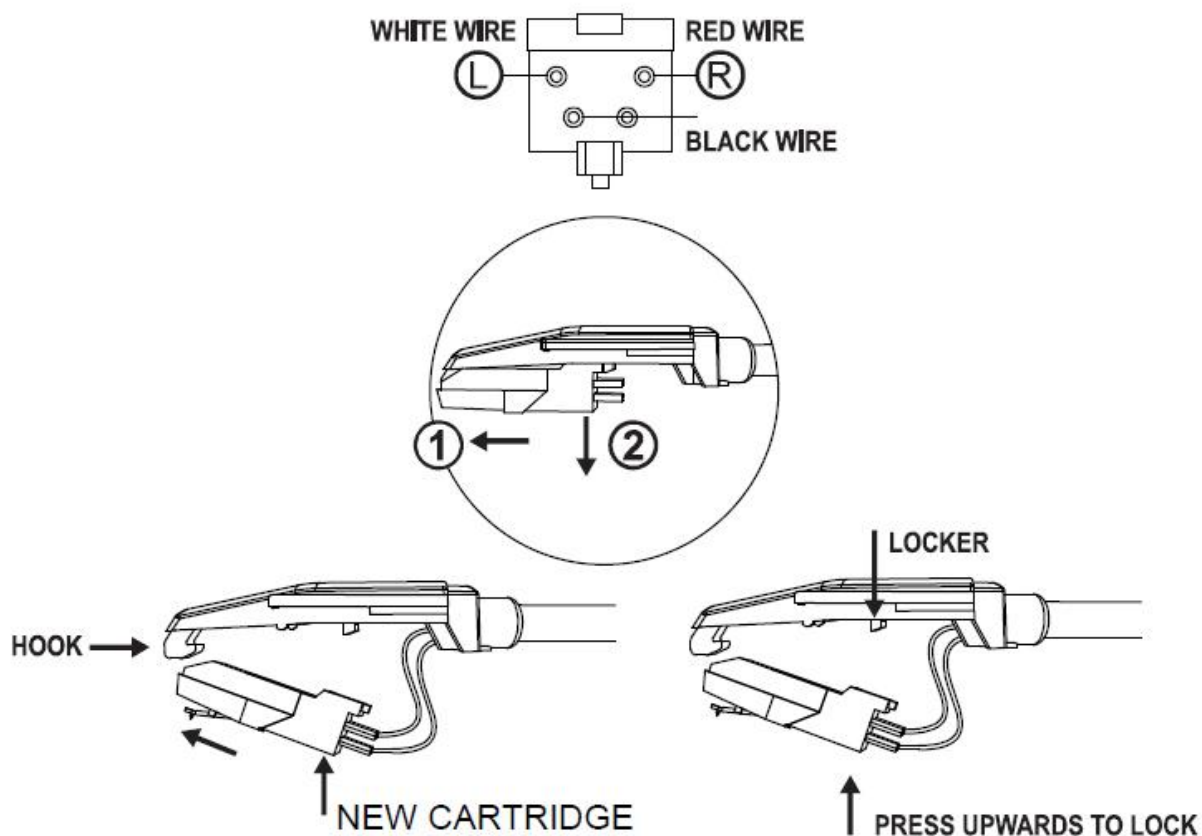
УХОД И ТЕХНИЧЕСКОЕ ОБСЛУЖИВАНИЕ

ЧТОБЫ ЗАМЕНИТЬ КАРТРИДЖ ТОНАРМА, СЛЕДУЙТЕ ПРИВЕДЕННОЙ НИЖЕ ИНСТРУКЦИИ:

1. Осторожно поднимите тонарм с его фиксатора.
2. левой рукой держите тонарм, а правой – заднюю часть картриджа. Затем потяните картридж назад и вниз в соответствии с направлением, показанным на рисунке, чтобы отсоединить картридж от тонарма.
3. Используя пинцет или пальцы, осторожно отсоедините клеммы для установки на новый картридж.
4. Осторожно подсоедините клеммы к новому картриджу (не входит в комплект поставки).
5. Чтобы установить новый картридж на место на тонарм, сначала зафиксируйте

передний конец нового картриджа на крючке тонарма.

6. Нажмите вверх с задней стороны нового картриджа, чтобы зафиксировать его на тонарме.



NEW CARTRIDGE	НОВЫЙ КАРТРИДЖ
HOOK	КРЮЧОК
WHITE WIRE	БЕЛЫЙ ПРОВОД
RED WIRE	КРАСНЫЙ ПРОВОД
BLACK WIRE	ЧЕРНЫЙ ПРОВОД
LOCKER	ФИКСАТОР
PRESS UPWARDS TO LOCK	НАЖМИТЕ ВВЕРХ ДЛЯ ФИКСАЦИИ

ПРЕДОСТЕРЕЖЕНИЕ:

Не повредите головку при установке нового картриджа.

ТЕХНИЧЕСКИЕ ХАРАКТЕРИСТИКИ

Рабочее напряжение	9 В, 1,5 А
Характеристики Bluetooth	Версия 4.2
Поддерживаемый тип накопителя	USB-накопитель
Выходная мощность	2 x 5 Вт RMS
Размеры (Д x Ш x В)	436 x 360 x 140 мм

Вес устройства	4,38 кг
----------------	---------

Характеристики адаптера питания	Значение и точность
Наименование производителя или торговая марка, коммерческая регистрация и адрес	«Дунгуань Энг Чонг Электроник Текнолоджи Ко., Лтд.»
Идентификатор модели	AC012W1-090150VX
Входное напряжение	100-240 В
Входная частота пер. тока	50-60 Гц
Выходное напряжение	9,0 В
Выходной ток	1,5 А
Выходная мощность	1,5 Вт
Средний активный КПД	83,76 %
КПД при низкой нагрузке (10%)	89,54 %
Потребляемая мощность без нагрузки	0,07

Технические характеристики и функции устройства непрерывно улучшаются, и поэтому могут быть изменены без предварительного уведомления.

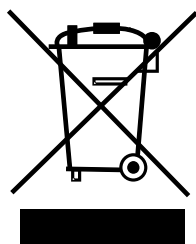
1. Гарантийные обязательства

Срок гарантии составляет 1 (один) год с даты продажи. Срок службы – до 5 (пяти) лет.
 Важное примечание: Компания Lenco не обеспечивает обслуживание оборудования в случае непосредственного обращения в головной офис компании.
 Важное примечание: Гарантия не действует, если устройство вскрывалось или подвергалось изменениям вне официального сервисного центра.
 Это устройство не предназначено для профессионального использования. В случае профессионального использования гарантийные обязательства производителя не будут выполняться.

2. Заявление об ограничении ответственности

Обновления микропрограмм и/или компонентов аппаратного обеспечения производятся регулярно. Поэтому некоторые инструкции, спецификации и изображения в этой документации могут незначительно отличаться от Вашей конкретной ситуации. Все элементы, описанные в данном руководстве, предназначены только для иллюстрации и могут не относиться к конкретной ситуации. Из описания, приведенного в этом руководстве, нельзя получить никаких юридических прав.

3. Утилизация старого устройства



Данный символ указывает на то, что соответствующее электрическое устройство или аккумулятор запрещается утилизировать в Европе как общие бытовые отходы. Чтобы обеспечить правильную обработку отходов от изделия и аккумулятора, утилизируйте их в соответствии с любыми применимыми местными законами о требованиях к утилизации электрического оборудования или аккумуляторов. Таким образом, вы сможете сохранить природные ресурсы и улучшить стандарты охраны окружающей среды при обработке и утилизации электрических отходов

(Директива ЕС «Об отходах электрического и электронного оборудования»).

4. Маркировка CE



Настоящим компания «Ленко Бенелюкс Б.В.», расположенная по адресу Термикстраат 1а, 6361 НВ Нют, Нидерланды, заявляет, что данное устройство соответствует основным требованиям Директивы ЕС.

С декларацией соответствия можно ознакомиться, написав на почту techdoc@commaxxgroup.com

4. Маркировка EAC



Товар сертифицирован для использования на территории Таможенного Союза без каких-либо ограничений. Соответствует требованиям ТР ТС 004/2011 «О безопасности низковольтного оборудования» и ТР ТС 020/2011 «Электромагнитная совместимость технических средств».

Импортер и организация, уполномоченная на принятие претензий: ООО "Бизнес-фабрика", 123458 г. Москва, ул. Маршала Прошлякова, д. 30, офис 503, +7 495 787 5900. Изготовитель: «Ленко Бенелюкс БВ», Термикстраат 1а, Нют, 6361 НВ, Нидерланды / Филиал: Эс.Ти.Ай. Электроникс Лтд., Юнит 903-907, 9/ЭФ, Лоз Коммершиал Плаза, 788 Чонг Ша Ван Роуд, Коулун, Гонконг. Сделано в Китае.

6. Обслуживание

Для получения дополнительной информации и обращения в службу поддержки клиентов посетите наш веб-сайт: www.lenco.ru. Дизайн и спецификация могут быть изменены производителем без предварительного информирования.

Дата изготовления продукции

Год и месяц изготовления продукции указаны в номере партии и серийном номере продукта. Ниже описаны способы уточнения этой даты.

- По номеру партии (номер партии указан либо на упаковке устройства, либо на транспортировочной упаковке).
 - Формат номера партии: AAAABDD**MY**
- По серийному номеру продукта (серийный номер указан на устройстве).
 - Формат серийного номера: AAAABDD**MYSSSSS**

Где М (восьмой символ слева) равен месяцу производства, а Y (девятый символ слева) равен году производства. Месяц производства указывается одной из букв латинского алфавита.

Соответствие буквенных обозначений месяца производства:

A	B	C	D	E	F
Январь	Февраль	Март	Апрель	Май	Июнь
G	H	I	J	K	L
Июль	Август	Сентябрь	Октябрь	Ноябрь	Декабрь

Год производства указывается одной цифрой, которая соответствует последней цифре года производства (цифра 1 равна 2021 году производства).

Пример расшифровки по номеру партии:

- Номер партии: 2461A05C0
- Где буква **C** это месяц (Март), а цифра **0** – последняя цифра года производства (2020 год).

Пример расшифровки по серийному номеру:

- 2461A05A1123456
- Где буква **A** это месяц (Январь), а цифра **1** – последняя цифра года производства (2021 год).

Гарантийный талон



Информация об устройстве

Модель:	
Серийный номер:	
Дата продажи: срок гарантии – 1 (один) год с даты продажи	

Информация о продавце

Название торговой организации:	
Телефон торговой организации:	

Адрес, e-mail:	
----------------	--

Подпись продавца _____

М.П.

Подпись покупателя _____

Изделие получил в исправном состоянии и в полной комплектации.

С условиями гарантии ознакомлен и согласен.

ВНИМАНИЕ! Гарантийный талон недействителен без печати продавца.

Поддержка: www.lenco.ru