

Lenco

Model LS-600



User Manual – Turntable with built-in amplifier, Bluetooth and speakers

Gebruikershandleiding – Platenspeler met ingebouwde versterker,
Bluetooth en luidsprekers

Bedienungsanleitung – Plattenspieler mit integriertem Verstärker, Bluetooth und
Lautsprechern

Mode d'emploi – Platine tourne-disque avec amplificateur intégré, Bluetooth et
haut-parleurs

Manual de usuario – Tocadiscos con amplificador incorporado, Bluetooth y altavoces

Manuale Utente – Giradischi con amplificatore, Bluetooth e altoparlanti integrati

Руководство пользователя – Виниловый проигрыватель со встроенным
усилителем, Bluetooth и внешними динамиками

Brugervejledning – Pladespiller med indbygget forstærker, Bluetooth og højttalere

Bruksanvisning – Skivspelare med inbyggd förstärkare, Bluetooth och högtalare

Index	
English.....	- 3 -
Nederlands	- 13 -
Deutsch.....	- 24 -
Français.....	- 36 -
Español	- 47 -
Italiano.....	- 59 -
Русский.....	- 70 -
Dansk	- 83 -
Svenska	- 94 -

Version: 2.0

CAUTION:

Usage of controls or adjustments or performance of procedures other than those specified herein may result in hazardous radiation exposure.

PRECAUTIONS BEFORE USE

KEEP THESE INSTRUCTIONS IN MIND:

1. Do not cover or block any ventilation openings. When placing the device on a shelf, leave 5 cm (2") free space around the whole device.
2. Install in accordance with the supplied user manual.
3. Keep the device away from heat sources such as radiators, heaters, stoves, candles and other heat-generating products or naked flame. The device can only be used in moderate climates. Extremely cold or warm environments should be avoided. Working temperature between 0° and 35°C.
4. Avoid using the device near strong magnetic fields.
5. Electrostatic discharge can disturb normal usage of this device. If so, simply reset and restart the device following the instruction manual. During file transmission, please handle with care and operate in a static-free environment.
6. Warning! Never insert an object into the product through the vents or openings. High voltage flows through the product and inserting an object can cause electric shock and/or short circuit internal parts. For the same reason, do not spill water or liquid on the product.
7. Do not use in wet or moist areas such as bathrooms, steamy kitchens or near swimming pools.
8. The device shall not be exposed to dripping or splashing and make sure that no objects filled with liquids, such as vases, are placed on or near the apparatus.
9. Do not use this device when condensation may occur. When the unit is used in a warm wet room with damp, water droplets or condensation may occur inside the unit and the unit may not function properly; let the unit stand in power OFF for 1 or 2 hours before turning on the power: the unit should be dry before getting any power.
10. Although this device is manufactured with the utmost care and checked several times before leaving the factory, it is still possible that problems may occur, as with all electrical appliances. If you notice smoke, an excessive build-up of heat or any other unexpected phenomena, you should disconnect the plug from the main power socket immediately.
11. This device must operate on a power source as specified on the specification label. If you are not sure of the type of power supply used in your home, consult your dealer or local power company.
12. Keep away from animals. Some animals enjoy biting on power cords.
13. To clean the device, use a soft dry cloth. Do not use solvents or petrol based fluids. To remove severe stains, you may use a damp cloth with dilute detergent.
14. The supplier is not responsible for damage or lost data caused by malfunction, misuse, modification of the device or battery replacement.
15. Do not interrupt the connection when the device is formatting or transferring files. Otherwise, data may be corrupted or lost.
16. If the unit has USB playback function, the USB memory stick should be plugged into the unit directly. Don't use an USB extension cable because it can cause interference resulting in failing of data.
17. The rating label has been marked on the bottom or back panel of the device.
18. This device is not intended for use by people (including children) with physical, sensory or mental disabilities, or a lack of experience and knowledge, unless they're under supervision or have received instructions about the correct use of the device by the person who is responsible for their safety.
19. This product is intended for non professional use only and not for commercial or industrial use.
20. Make sure the unit is adjusted to a stable position. Damage caused by using this product in an unstable position vibrations or shocks or by failure to follow any other warning or precaution contained within this user manual will not be covered by warranty.
21. Never remove the casing of this device.
22. Never place this device on other electrical equipment.
23. Do not allow children access to plastic bags.
24. Only use attachments/accessories specified by the manufacturer.
25. Refer all servicing to qualified service personnel. Servicing is required when the device has been damaged in any way, such as the power supply cord or the plug, when liquid has been spilled or objects have fallen into

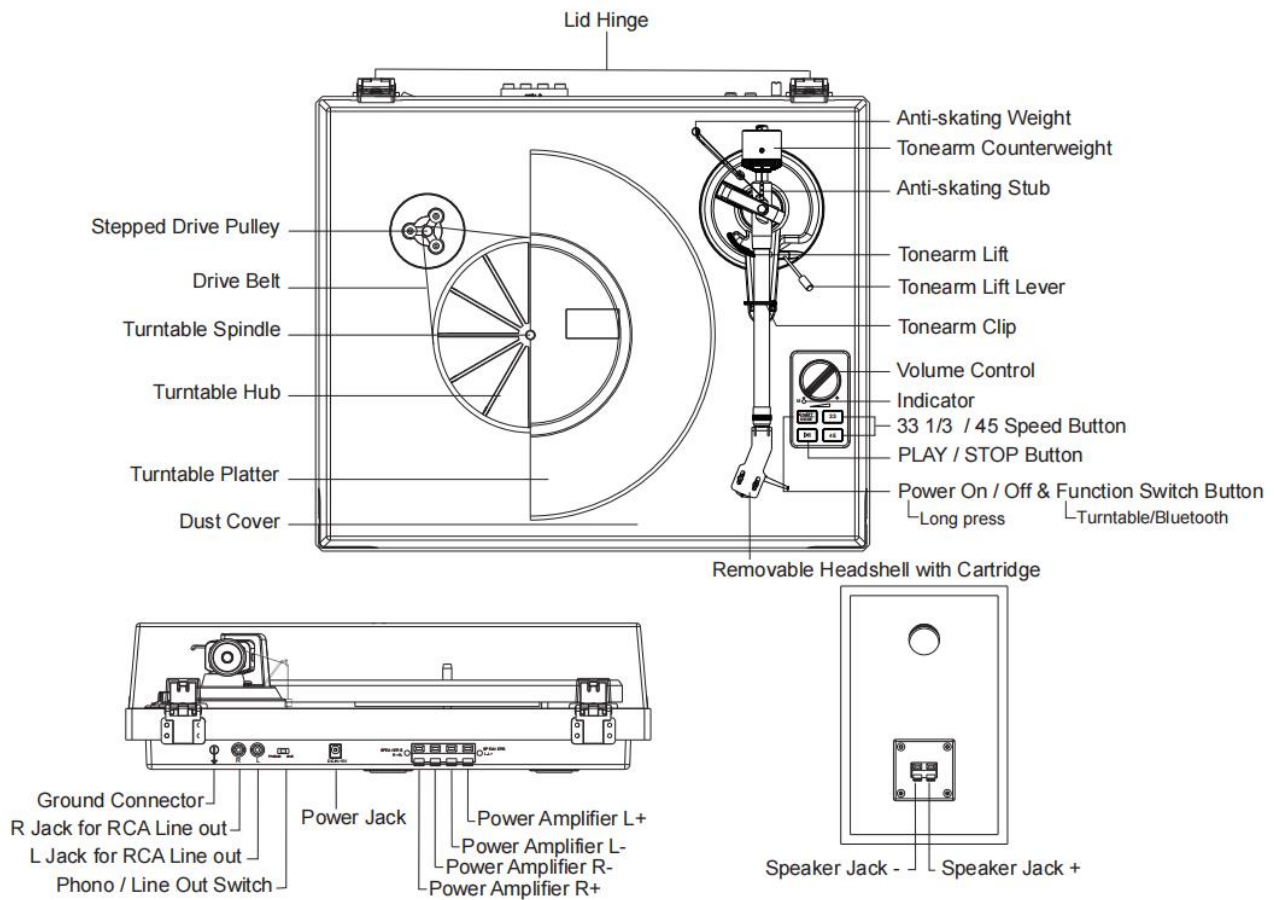
the device, when the device has been exposed to rain or moisture, does not operate normally, or has been dropped.

26. Long exposure to loud sounds from personal music players may lead to temporary or permanent hearing loss.
27. If the product is delivered with power cable or AC power adaptor:
 - If any trouble occur, disconnect the AC power cord and refer servicing to qualified personnel.
 - Don't step on or pinch the power adaptor. Be very careful, particularly near the plugs and the cable's exit point. Do not place heavy items on the power adaptor, which may damage it. Keep the entire device out of children's reach! When playing with the power cable, they can seriously injure themselves.
 - Unplug this device during lightning storms or when unused for a long period.
 - The socket outlet must be installed near the equipment and must be easily accessible.
 - Do not overload ac outlets or extension cords. Overloading can cause fire or electric shock.
 - Devices with class 1 construction should be connected to a main socket outlet with a protective earthed connection.
 - Devices with class 2 construction do not require a earthed connection.
 - Always hold the plug when pulling it out of the main supply socket. Do not pull the power cord. This can cause a short circuit.
 - Do not use a damaged power cord or plug or a loose outlet. Doing so may result in fire or electric shock.
28. If the product contains or is delivered with a remote control containing coin/cell batteries:
Warning:
 - "Do not ingest battery, Chemical Burn Hazard" or equivalent working.
 - [The remote control supplied with] This product contains a coin/button cell battery. If the battery is swallowed, it can cause severe internal burns in just 2 hours and can lead to death.
 - Keep new and used batteries away from children.
 - If the battery compartment does not close securely, stop using the product and keep it away from children.
 - If you think batteries might have been swallowed or placed inside any part of the body, seek immediate medical attention.
29. Caution about the use of Batteries:
 - Danger of explosion if battery is incorrectly replaced. Replace only with the same or equivalent type.
 - Battery cannot be subjected to high or low extreme temperatures, low air pressure at high altitude during use, storage or transportation.
 - Replacement of a battery with an incorrect type that can result in an explosion or the leakage of flammable liquid or gas.
 - Disposal of a battery into fire or a hot oven, or mechanically crushing or cutting of a battery, that can result in an explosion.
 - Leaving a battery in an extremely high temperature surrounding environment that can result in an explosion or that leakage of flammable liquid or gas.
 - A battery subjected to extremely low air pressure that may result in an explosion or the leakage of flammable liquid or gas.
 - Attention should be drawn to the environmental aspects of battery disposal.

INSTALLATION

- Unpack all parts and remove protective material.
- Do not connect the unit to the mains before checking the mains voltage and before all other connections have been made.

Product Description

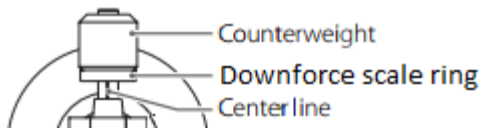


Initial Setup

1. Place the unit on a flat and level surface. The selected location should be stable and free from vibration.
2. Install the turntable lid to the hinges.
3. Remove the tie-wrap that is holding the tonearm.
4. Put the drive belt around the Turntable Hub, and then use the provided belt hook to help pull the belt to fit around the slot of motor pulley.
5. Place the turntable platter through the turntable spindle.
6. Place the slip mat on top of the turntable platter.
7. Slide **Tonearm Counterweight** onto tonearm and twist it lightly onto the rear shaft of the tonearm.
8. Adjust the counterweight to set proper stylus pressure.
9. Locate the anti-skating weight
10. Connect AC-DC adaptor to the **Power Jack** of the unit.

Note: Do not plug the AC power adaptor to power outlet before all the assembly is completed.

Cartridge Down force Adjustment



The Counterweight supplied is suitable for cartridges weighing between 6.0-8.0g.

Gently push and turn the Counterweight onto the rear of the tonearm (with the scale facing toward the front of the turntable).

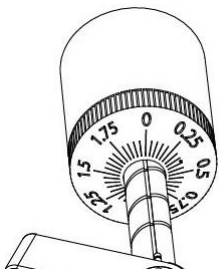
Remove the cartridge protection cap.

Lower the tonearm lift and position the cartridge in the space between tonearm rest and platter.

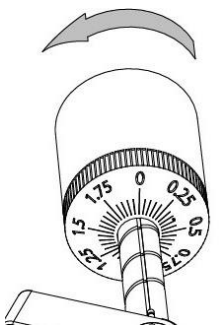
Carefully rotate the Counterweight until the tonearm balances out. The tonearm should return to the balanced position if it is moved up or down. This adjustment must be done carefully.



Once the tonearm is correctly balanced return it to its' rest. Hold the Counterweight without moving it, and gently rotate the Down force Scale ring until the zero is in line with black line on the rear of the tonearm. Check whether the arm still balances out.



Rotate the counterweight counter clockwise (seen from the front) to adjust the down force according to the cartridge manufacturer's recommendations. One mark on the scale represents 0.05g of down force.

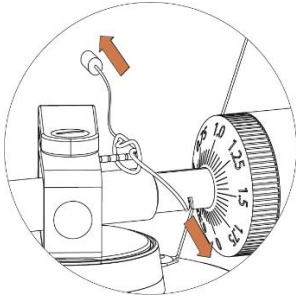


NOTE: The recommended down force for the factory fitted cartridge is $2.0 \pm 0.2g$.

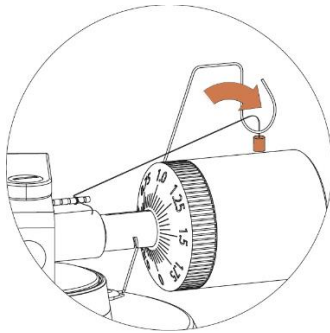
Locate the anti-skating weight

You will find a anti-skating weight with small fishing line from the package, please follow below steps to locate the anti-skating weight:

1. Slip the looped end of the fishing line over the anti-skating weight adjustment stub and into the 3rd groove (the correct anti-skating force for the factory-fitted cartridge).



2. Pull the anti-skating weight slightly to let the tie of the fishing line move to the stub.
3. Lift the anti-skating weight over the anti-skating weight wire support. The anti-skating weight should now be dangling in free space to the left of support.



The anti-skating force must be adjusted corresponding to the down force as follows:

Down force	Groove in the stub
0.51 - 1.02g	1 st from bearing rings
1.02 - 1.53g	2 nd " " "
1.53 – 2.00g	3 rd " " "
2.00g or more	4 th " " "



Stereo System Connection

RCA Jacks

- The RCA Jacks of this unit are shared as both the Phono output jacks and the Line output jacks. They are determined by the Phono/Line Switch.
- When used as a line output, the jacks output analog line-level signals and could be connected directly with a pair of active speakers or the appropriate input of your stereo system. When used as a Phono output, they should be connected to the phono pre-amplifier or the phono input of the stereo system.
- The Red plug connects with the Right channel and the White plug connects with the Left channel.

Note:

- If the Phono/Line switch is set at LINE position but RCA jacks connected to the stereo system's phono input, the sound might be distorted due to input overload and could damage your stereo system.
- If the Phono/Line switch is set at PHONO position but RCA jacks connected to the stereo system's line input, the volume will be very low due to lacking signal pre-amplification.

RCA Jack is not designed to be connected directly to the passive/unpowered speakers and if it does, the volume will be very low.

Speaker Connection

The spring clip speaker terminals deliver amplified, speaker-level signals as output and should be connected with the passive speakers.

Bluetooth Operation

1. Press and hold the ON/OFF& MODE button for 3 seconds to turn on the power.
2. Press the ON/OFF& MODE button again to choose Bluetooth mode, the indicator will light in blue. You will hear an activation sound from the unit.
Turn on the Bluetooth feature of your audio device, search for "Lenco LS-600" and pair.
3. Once your device is successfully paired with the unit, you will hear a short confirmation sound from the unit.
4. Play and stream music from your device to the unit.

Note: Bluetooth version - 5.0

This product has a bluetooth **reception** function, **you can not transmit any bluetooth sound with it**: this means that you can receive wirelessly a bluetooth sound signal from an external source like a smartphone

Turntable Operation

1. Press and hold the ON/OFF& MODE button for 3 seconds to turn on the power.
2. It's turntable mode by default after turning on the power, the indicator will light in red.
3. Place the record on the turntable. Use the 45 RPM Adapter if necessary.
4. Choose the right Anti-skating force.
5. Remove the stylus protector from the stylus assembly.

Note: To avoid stylus damage, make certain the included stylus guard is in place whenever the turntable is being moved or cleaned.

6. Open the tonearm clip from left to right.
7. Press the PLAY/STOP button once, the platter start turning.
8. Gently pull up the tonearm from its rest and move it over the record where play is desired to begin. Use the Tonearm Lift Lever to raise the Tonearm Lift and let the tonearm lay on it.
9. Set the Tonearm Lift Lever back to the down position, the tonearm will descend slowly onto the record and begin playback.
10. When the music has finished to play, use the Tonearm Lift Lever to raise the tonearm and then return it to the tonearm rest. To suspend the playback, repeat the same steps.
11. Press the PLAY/STOP button again, the platter stop turning.
12. Press and hold the ON/OFF& MODE button for 3 seconds to turn off the power.

Cartridge Replacement

1. Before replacement, put the stylus protector back on the stylus to prevent damage to the stylus during the replacement process.
2. Carefully remove the wire leads from the original cartridge.
3. Loosen the two screws on the headshell that are securing the cartridge and then remove the original cartridge.
4. Mount the new cartridge to the headshell and tighten it lightly. Do not completely tighten the screws at this moment.
5. Connect the wire leads to the new cartridge's terminals. The wire lead color are as below:

White	Left channel positive	(L+)
Blue	Left channel negative	(L-)
Red	Right channel positive	(R+)
Green	Right channel negative	(R-)

6. Adjust the cartridge's position to make sure it is precisely aligned on the headshell so that the stylus will be tracking the grooves in parallel perfectly.

To achieve this, place the included paper cartridge alignment protractor over the turntable spindle, carefully lift the tone arm and place the tip of the stylus on the points marked 130mm and 250mm respectively. Fine tune the cartridge's position on the headshell until the cartridge is perfectly in parallel with the reference lines at both posits.

7. Tighten the screws completely once the perfect alignment is achieved.

Specifications

Main Unit

Power	AC power adaptor, DC output 15V 2400mA
Power Consumption	36W
Output power	2x 30W RMS
Turntable Speed	33 1/3, 45 RPM
Speed Variance	±1.0%
Wow and Flutter	< 0.15%
Signal to Noise	72dB
Downforce Range	0-2.2g
Effective Tonearm Length	8.6" (218.5mm)
Overhang	0.73"
Turntable Dimensions (W X H X D)	418 X 123 X 346 mm, with lid open 420 X 410 X 420 mm
Weight	5.77kgs

Speaker

Tweeter	8Ω 10W X 2
Woofers	4Ω 30W X 2
Speaker Dimensions (W X H X D)	162 X 248 X 158 mm
Weight	3.76kgs

Needle: AT-VM95E

Frequency Response	20-20,000 Hz
Channel Balance	<2.0dB
Channel Separation	20 (dB at 1 kHz)
Output Voltage	4.0mV
Recommended Load Resistance	47k Ω
Amplifier connection	MM - input
Recommended Tracking Pressure	1.8-2.2g (2.0g standard)
Weight	6.1g

Note:

- Design and specifications are subject to change without notice.

Power supply adaptor:

Manufacturer: Brightpower Optoelectronic Technology Co., Ltd.

Model Number: SW1502400-IM/ S036A1502400M

Input voltage: 100-240V

Input AC frequency: 50/60Hz

Output voltage: DC 15V

Output current: 2.4A

Output Power: 36W

Average active efficiency: 87.58%

Efficiency at low load (10%): 84 %

No load Power consumption: 0.080W

Use only the power supply listed in the user instructions

Turntable Maintenance

1. Do not touch the stylus tip with your fingers. Avoid bumping the stylus on the turntable mat or a record's edge.
2. Clean the stylus frequently with a soft brush with a back-to-front motion only.
3. Clean the records to get rid of dust or grease with a record cleaning brush and record cleaning solution.
4. Clean the turntable lid and turntable cabinet with a slightly dampened microfiber cloth.

Note: Do not use cleanser other than that contains alcohol, benzene or any other harsh chemicals, which might damage the paint and finish of the turntable.

Troubleshooting

There is no power

- Power adaptor is not connected correctly.
- No power at the power outlet.

Power is on, but the platter does not turn

- This unit is not in turntable mode. Press the MODE button to turntable mode, the indicator light in red.
- Need to press the PLAY/STOP button once to start playing.
- Turntable's drive belt is not installed or has slipped off.

Turntable is spinning, but there is no sound, or sound not loud enough

- Stylus protector is still on.
- Tone arm is lift up by the lever.
- The Phono/Line switch is set at PHONO position but RCA jacks connected to the stereo system's line input.
- Forget to connect the speaker to the turntable.

Distorted or inconsistent sound from one or both channels:

- Turntable is connected to wrong input of amplifier.
- Needle or cantilever damaged.
- Drive belt overstretched or dirty.
- Platter bearing without oil, dirty or damaged.
- Dust on stylus.
- MM/MC switch on pre-amplifier set incorrectly.

Record sounds too fast or too slow

- Wrong speed selected for the record.

Strong hum on phono input

- The cable is not grounded correctly.
- Turntable too close to speakers.

Remark:

To protect the stylus, the platter will Stop automatically if no music has been playing for 1 min. For lowering the power consumption, the whole unit will switch to standby mode automatically if no music has been playing for about 20 minutes.

To restart the unit, press and hold the "ON/OFF, MODE" Button.

If your unit switches off regularly, this is no defect.

Guarantee

Lenco offers service and warranty in accordance to European law, which means that in case of repairs (both during and after the warranty period) you should contact your local dealer.

Important note: It is not possible to send products that need repairs to Lenco directly.

Important note: If this unit is opened or accessed by a non-official service center in any way, the warranty expires.

This device is not suitable for professional use. In case of professional use, all warranty obligations of the manufacturer will be voided.

Disclaimer

Updates to Firmware and/or hardware components are made regularly. Therefore some of the instruction, specifications and pictures in this documentation may differ slightly from your particular situation. All items described in this guide for illustration purposes only and may not apply to particular situation. No legal right or

entitlements may be obtained from the description made in this manual.



Disposal of the Old Device

This symbol indicates that the relevant electrical product or battery should not be disposed of as general household waste in Europe. To ensure the correct waste treatment of the product and battery, please dispose them in accordance to any applicable local laws of requirement for disposal of electrical equipment or batteries. In so doing, you will help to conserve natural resources and improve standards of environmental protection in treatment and disposal of electrical waste (Waste Electrical and Electronic Equipment Directive).

DECLARATION OF CONFORMITY

Hereby, Commaxx declares that the radio equipment type [Lenco LS-600] is in compliance with directive 2014/53/EU. The full text of the EU declaration of conformity is available at the following internet address:

https://commaxx-certificates.com/doc/ls-600_doc.pdf

Type RF	Frequency range (MHz)	Power (dBm)
Bluetooth	2402-2480	< 6

Service

For more information and helpdesk support, please visit <https://www.lenco.com>

Commaxx B.V. Wiebachstraat 37, 6466 NG Kerkrade, The Netherlands.

LET OP:

Het gebruik van afstandsbedieningen of aanpassingen of de uitvoering van procedures die niet in dit document zijn gespecificeerd, kan leiden tot gevaarlijke blootstelling aan straling.

VOORZORGSMAATREGELEN VOOR GEBRUIK

ONTHOUD DE VOLGENDE INSTRUCTIES:

1. Bedek of blokkeer de ventilatieopeningen niet. Wanneer u het apparaat op een schap plaatst, dient u 5 cm (2") vrije ruimte rondom het gehele apparaat te behouden.
2. Installeer het product volgens de meegeleverde gebruikershandleiding.
3. Houd het apparaat uit de buurt van hittebronnen, zoals radiatoren, verwarmingen, kachels, kaarsen en andere hittegenererende producten of open vuur. Het apparaat kan alleen worden gebruikt in een gematigd klimaat. Extreem koude of warme omgevingen dienen te worden vermeden. Het bedrijfstemperatuurbereik ligt tussen 0 °C en 35 °C.
4. Gebruik dit apparaat niet in de buurt van krachtige magnetische velden.
5. Elektrostatische ontlading kan normaal gebruik van dit apparaat verstoren. U hoeft het apparaat in dit geval slechts te resetten en opnieuw op te starten volgens de gebruikershandleiding. Wees voorzichtig tijdens bestandsoverdracht en gebruik het product in een omgeving zonder statische interferentie.
6. Waarschuwing! Steek nooit een voorwerp via de ventilatie- of andere openingen in het product. Er is hoogspanning in het product aanwezig en als u er een object insteekt, kan dat een elektrische schok veroorzaken en/of kortsluiting in de interne onderdelen. Mors om dezelfde reden geen water of vloeistof op het product.
7. Gebruik het toestel niet in vochtige ruimtes, zoals badkamers, stomende keukens of in de buurt van zwembaden.
8. Het apparaat mag niet worden blootgesteld aan druppels en spetters en zorg ervoor dat er geen met vloeistof gevulde voorwerpen, zoals vazen, op of in de buurt van het apparaat worden geplaatst.
9. Gebruik dit apparaat niet wanneer condensatie kan optreden. Wanneer het apparaat in een warme, natte ruimte wordt gebruikt, kunnen zich waterdruppels of condens vormen in het apparaat en kan het apparaat niet goed functioneren. Laat het apparaat 1 of 2 uur uit staan voordat u het inschakelt: het apparaat dient droog te zijn voordat deze stroom ontvangt.
10. Alhoewel dit apparaat met grote zorg gefabriceerd en verschillende keren geïnspecteerd is voordat het de fabriek verlaat, is het nog steeds mogelijk dat er problemen optreden, zoals met alle elektrische apparaten. Als u rook, een overmatige hitteontwikkeling of enig ander onverwacht verschijnsel opmerkt, moet u onmiddellijk de stekker van het netsnoer uit het stopcontact halen.
11. Dit apparaat moet worden gebruikt met een voedingsbron zoals gespecificeerd op het specificatielabel. Als u twijfelt over het type voeding dat gebruikt wordt in uw huis, raadpleeg dan uw dealer of plaatselijk energiebedrijf.
12. Buiten bereik van dieren houden. Sommige dieren kauwen graag op voedingskabels.
13. Gebruik een zacht, droog doekje om het apparaat te reinigen. Gebruik geen oplosmiddelen of op benzine gebaseerde vloeistoffen. U kunt een vochtig doekje met verdund schoonmaakmiddel gebruiken om hardnekkige vlekken te verwijderen.
14. De leverancier is niet verantwoordelijk voor schade of verloren gegevens veroorzaakt door storing, misbruik, modificatie van het apparaat of batterijvervanging.
15. Onderbreek nooit de verbinding wanneer het apparaat formatteert of bestanden overdraagt. De gegevens kunnen anders corrupt of verloren raken.
16. Indien het apparaat een USB-afspeelfunctie heeft, moet de USB-geheugenstick rechtstreeks op het apparaat worden aangesloten. Gebruik geen USB-verlengkabel, omdat die kan leiden tot storingen met foutieve gegevens als gevolg.
17. Het classificatielabel bevindt zich op de onderkant of het achterpaneel van het apparaat.
18. Dit hulpmiddel is niet bedoeld voor gebruik door mensen (inclusief kinderen) met een fysieke, zintuiglijke of mentale handicap, of een gebrek aan ervaring en kennis, tenzij zij toezicht of instructies hebben gekregen over het juiste gebruik van het hulpmiddel door een persoon die verantwoordelijk is voor hun veiligheid.
19. Dit product is alleen voor niet-professioneel gebruik bedoeld en niet voor commercieel of industrieel gebruik.
20. Verzeker u ervan dat het apparaat in een stabiele positie staat opgesteld. Schade die wordt veroorzaakt door het gebruik van dit product in een onstabiele positie, trillingen of schokken of het niet opvolgen van de

waarschuwingen of voorzorgsmaatregelen in deze gebruikershandleiding wordt niet gedekt door de garantie.

21. Verwijder nooit de behuizing van dit apparaat.
22. Plaats dit apparaat nooit op andere elektrische apparatuur.
23. Geef kinderen geen gelegenheid in aanraking met plastic zakken te komen.
24. Gebruik uitsluitend uitbreidingen/accessoires gespecificeerd door de fabrikant.
25. Laat alle reparaties over aan gekwalificeerd onderhoudspersoneel. Onderhoud is nodig als het apparaat is beschadigd, bijvoorbeeld als de voedingskabel of de stekker is beschadigd, als er vloeistof op het apparaat is gemorst, als er voorwerpen in het apparaat zijn gevallen, als het apparaat is blootgesteld aan regen of vocht, als het apparaat niet normaal werkt of als het is gevallen.
26. Langdurige blootstelling aan harde geluiden van persoonlijke muzikspelers kan leiden tot tijdelijk of permanent gehoorverlies.
27. Als het product wordt geleverd met voedingskabel of wisselstroomvoedingsadapter:
 - Als er zich problemen voordoen, moet u de voedingskabel loskoppelen en het ter onderhoud aanbieden aan gekwalificeerd personeel.
 - Nooit op de voedingsadapter stappen of deze indrukken. Wees zeer voorzichtig, vooral in het gebied rond de stekkers en de kabelaansluitingen. Plaats geen zware voorwerpen op de voedingsadapter, om beschadiging ervan te voorkomen. Houd het gehele apparaat buiten bereik van kinderen! Wanneer kinderen met de voedingskabel spelen, kunnen zij ernstig letsel oplopen.
 - Haal de stekker uit het stopcontact tijdens onweer of wanneer u deze langere tijd niet gebruikt.
 - Het stopcontact moet in de buurt van de apparatuur zijn geïnstalleerd en eenvoudig te bereiken zijn.
 - Laat AC-stopcontacten of verlengsnoeren nooit overbelast raken. Overbelasting kan brand of een elektrische schok veroorzaken.
 - Apparaten met een Klasse 1 structuur dienen te worden aangesloten op een stopcontact met een beschermende aardverbinding.
 - Apparaten met een Klasse 2 structuur vereisen geen aardverbinding.
 - Houd altijd de stekker vast wanneer u deze uit het stopcontact trekt. Trek nooit aan de voedingskabel. Dit kan tot een kortsluiting leiden.
 - Gebruik nooit een beschadigde voedingskabel of stekker of een los stopcontact. Dit vormt namelijk een risico op brand of elektrische schokken.
28. Indien het product knoopcelbatterijen bevat of wordt geleverd met een afstandsbediening die knoopcelbatterijen bevat:

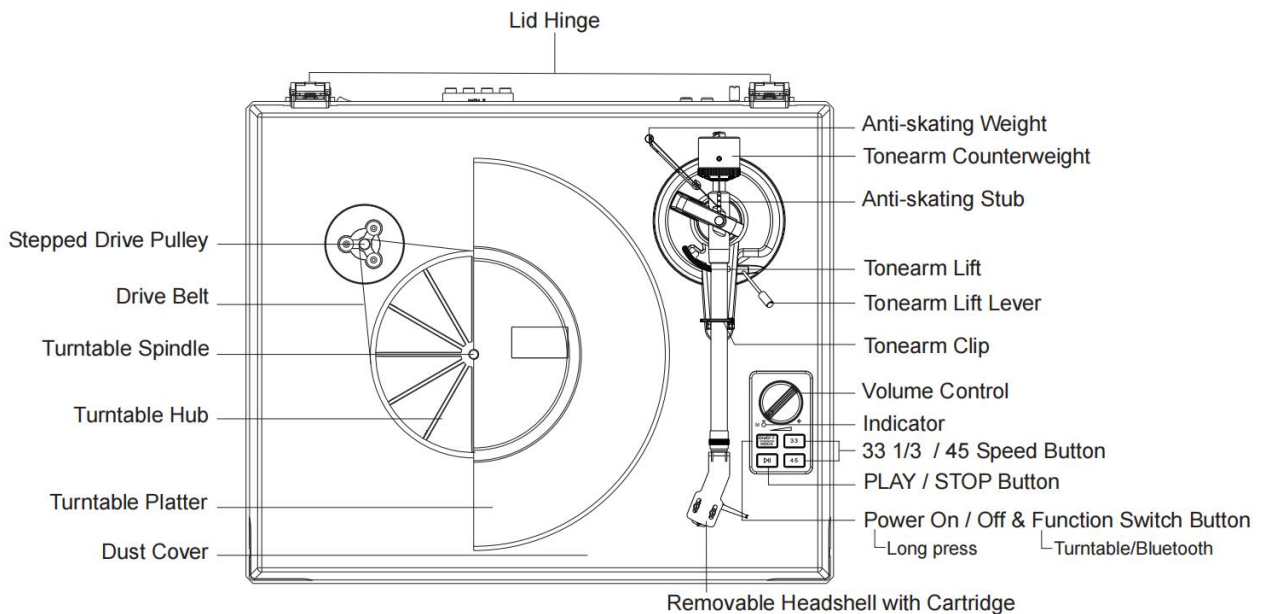
Waarschuwing:

 - “Batterij niet inslikken, chemisch brandgevaar” of gelijkwaardige werking.
 - De meegeleverde afstandsbediening bevat een knoopcelbatterij. Als de batterij wordt ingeslikt, kan deze in slechts 2 uur ernstige interne brandwonden veroorzaken en tot de dood leiden.
 - Houd nieuwe en gebruikte batterijen buiten bereik van kinderen.
 - Als de batterijhouder niet goed kan worden gesloten, dient u het product niet meer te gebruiken en buiten bereik van kinderen te houden.
 - Als u denkt dat batterijen zijn ingeslikt of binnenin een willekeurig lichaamsdeel terecht zijn gekomen, dient u onmiddellijk medische hulp te zoeken.
29. Waarschuwing m.b.t. het gebruik van batterijen:
 - Als de batterij onjuist wordt geplaatst, bestaat er explosiegevaar. Vervang de batterij alleen door een zelfde of vergelijkbare soort batterij.
 - Stel de batterij niet bloot aan extreem hoge of lage temperaturen of een lage luchtdruk op grote hoogte tijdens gebruik, opslag of transport.
 - Vervanging van een batterij door een incorrect type kan leiden tot een ontploffing of de lekkage van ontvlambare vloeistoffen of gas.
 - Het weggooien van een batterij in het vuur of een hete oven, of het mechanisch verpletteren of insnijden van een batterij, kan leiden tot een explosie.
 - Het achterlaten van een batterij in een omgeving met extreem hoge temperaturen kan leiden tot een explosie of het lekken van brandbare vloeistof of gas.
 - Een batterij die aan een extreem lage luchtdruk wordt blootgesteld, kan leiden tot een explosie of het lekken van brandbare vloeistof of gas.
 - Aandacht voor het milieu is nodig bij het verwijderen van de batterijen.

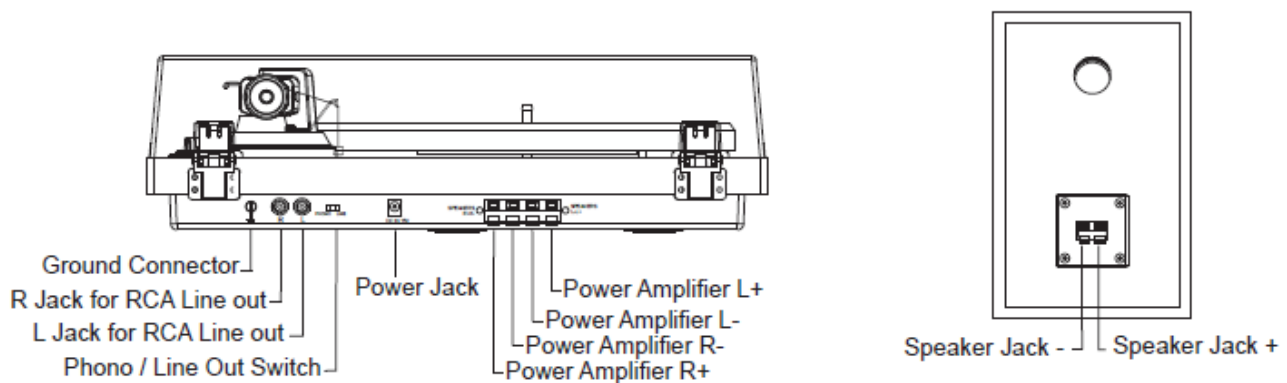
INSTALLATIE

- Pak alle onderdelen uit en verwijder de beschermende materialen.
- Sluit het apparaat niet aan op het stopcontact, voordat u de netspanning hebt gecontroleerd en voordat alle andere aansluitingen zijn gemaakt.

Productbeschrijving



EN	NL
Stepped Drive Pulley	Getrapte aandrijfpoelie
Drive Belt	Aandrijfriem
Turntable Spindle	As platenspeler
Turntable Hub	Naaf platenspeler
Turntable Platter	Plateau platenspeler
Dust Cover	Stofkap
Lid Hinge	Dekselscharnier
Anti-skating Weight	Antiskating-gewicht
Tonearm Counterweight	Tegengewicht toonarm
Anti skating Stub	Antiskating-mechanisme
Tonearm Lift	Hefmechanisme toonarm
Tonearm Lift Lever	Hefhendel toonarm
Tonearm Clip	Toonarmklem
Volume Control	Volumeregeling
Indicator	Indicator
Speed Button	Snelheidstoets
PLAY/STOP Button	Toets AF SPELEN/STOPPEN
Power ON/OFF/Function Switch Button	Aan/uit-schakelaar/functieschakeltoets
Turntable/Bluetooth	Platenspeler/Bluetooth
Restart the unit (long press)	Opnieuw opstarten van het apparaat (lang drukken)
Removable Headshell with Cartridge	Verwijderbare headshell met cartridge



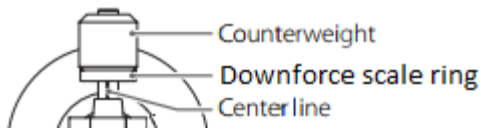
EN	NL
Ground Connector	Aarde-verbinding
R Jack for RCA Line out	R-aansluiting voor RCA-lijn-uit
L Jack for RCA Line out	L-aansluiting voor RCA-lijn-uit
Phono/Line Out Switch	Schakelaar Phono/Line-uit
Power Jack	Lichtnetaansluiting
Power Amplifier L+	Eindversterker L+
Power Amplifier L-	Eindversterker L-
Power Amplifier R-	Eindversterker R-
Power Amplifier R+	Eindversterker R+
Speaker Jack -	Luidsprekeraansluiting -
Speaker Jack +	Luidsprekeraansluiting +

Eerste installatie

1. Plaats het apparaat op een vlak en horizontaal oppervlak. De geselecteerde locatie moet stabiel en trillingsvrij zijn.
2. Installeer de kap van de platenspeler op de scharnieren.
3. Verwijder de tie-wrap die de toonarm vasthoudt.
4. Leg de aandrijfriem rond de naaf van de platenspeler en gebruik vervolgens de meegeleverde riemtakel om de riem te trekken zodat deze om de gleuf van de motorpoelie past.
5. Plaats het plateau van de platenspeler door de as van platenspeler.
6. Plaats de slipmat op het plateau van de platenspeler.
7. Schuif het **Tegengewicht van de toonarm** op de toonarm en draai het lichtjes op de achteras van de toonarm.
8. Pas het tegengewicht aan om de juiste naalddruk in te stellen.
9. Zoek het antiskating-gewicht
10. Sluit de AC-DC-adapter aan op de **voedingsaansluiting** van het apparaat.

Opmerking: Sluit de AC-voedingsadapter niet aan op een stopcontact voordat alle assemblage is voltooid.

De neerwaartse kracht van de Cartridge aanpassen



EN	NL
Counterweight	Tegengewicht
Downforce scale ring	Schaalring neerwaartse kracht
Center line	Middenlijn

Het meegeleverde tegengewicht is geschikt voor cartridges die tussen 6,0-8,0 g wegen.

Druk en draai het tegengewicht voorzichtig op de achterzijde van de toonarm (met de schaal richting de voorzijde van de platenspeler).

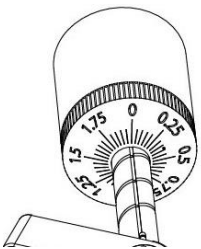
Verwijder de beschermkap van de cartridge.

Laat de het toonarmhendel zakken en plaats de cartridge in de speling tussen de toonarmsteun en het plateau.

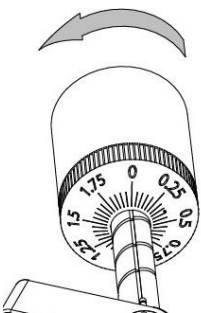
Draai het tegengewicht voorzichtig totdat de toonarm uitbalanceert. De toonarm dient terug te keren naar de gebalanceerde positie als deze omhoog of omlaag wordt bewogen. Deze afstelling moet voorzichtig worden uitgevoerd.



Nadat de toonarm eenmaal correct is gebalanceerd, plaats deze terug op zijn steun. Houd het tegengewicht vast zonder deze te bewegen en draai de schaalring neerwaartse kracht voorzichtig tot de nul is afgestemd op de zwarte lijn op de achterzijde van de toonarm. Controleer of de arm nog steeds uitbalanceert.



Draai het tegengewicht rechtsonder (gezien vanaf de voorzijde) om de neerwaartse kracht aan te passen volgens de aanbevelingen van de fabrikant van de cartridge. Eén markering op de schaal vertegenwoordigt 0,05g neerwaartse kracht.

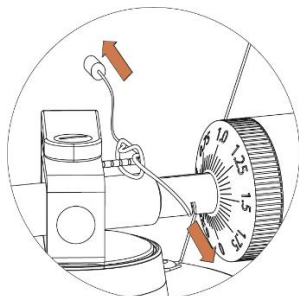


OPMERKING: De aanbevolen neerwaartse kracht voor de cartridge bevestigd in de fabriek is $2,0 \pm 0,2$ g.

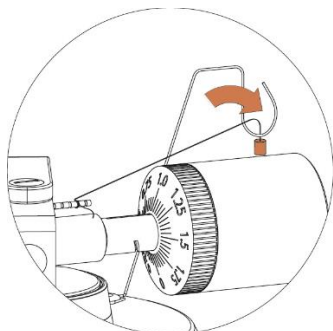
Zoek het antiskating-gewicht

U vindt een antiskating-gewicht met kleine vislijn in de verpakking, volg onderstaande stappen om het antiskating-gewicht te vinden:

1. Schuif het lusvormige uiteinde van de vislijn over de instellingsstomp van de antiskating-gewicht en in 3rd Groove (de juiste antiskating-kracht voor de in de fabriek aangebrachte cartridge).



2. Trek lichtjes aan het antiskating-gewicht om de lus van de vislijn naar de stomp te laten bewegen.
3. Til het antiskating-gewicht over de draadsteun van het antiskating-gewicht. Het antiskating-gewicht zou nu moeten bungelen in de vrije ruimte links van de steun.



De antiskating-kracht moet als volgt worden aangepast in overeenkomst met de neerwaartse kracht:

Neerwaartse kracht	Groef in het mechanisme
0.51 - 1.02 g	1e vanaf lagerringen
1.02 - 1.53 g	2e " " "
1.53 - 2.00 g	3e " " "
2.00g of meer	4e " " "



Een stereosysteem aansluiten

RCA-aansluitingen

- De RCA-aansluitingen van dit apparaat worden gedeeld als zowel de telefoonuitgang-aansluitingen als de lijnuitgang-aansluitingen. Ze worden bepaald door de schakelaar Phono/Line.
- Wanneer gebruikt als lijnuitgang, zenden de aansluitingen analoge lijnsignalen uit en kunnen ze rechtstreeks met een paar actieve luidsprekers of met de juiste ingang van uw stereosysteem worden verbonden. Wanneer gebruikt als Phono-uitgang, moeten ze worden verbonden met de phono-voorversterker of met de phono-ingang van het stereosysteem.
- De rode stekker wordt aangesloten op het rechter kanaal en de witte stekker op het linker kanaal.

Opmerking:

- Als de schakelaar Phono/Line op LINE staat, maar RCA-aansluitingen zijn aangesloten op de Phono-ingang van het stereosysteem, kan het geluid worden vervormd door overbelasting van de ingang en kan uw stereosysteem worden beschadigd.

- Als de schakelaar Phono/Line op PHONO staat, maar RCA-aansluitingen zijn aangesloten op de lijningang van het stereosysteem, is het volume erg laag vanwege een gebrek aan voorversterking van het signaal.

De RCA-aansluiting is niet ontworpen om rechtstreeks met de passieve/niet-gevoede luidsprekers te worden verbonden en als dit het geval is, is het volume erg laag.

Luidsprekeraansluiting

De veerklem van de luidsprekeraansluitingen leveren versterkte niveausignalen van de luidspreker als uitvoer en moeten worden verbonden met de passieve luidsprekers.

Het gebruik van Bluetooth

1. Houd de AAN/UIT/MODUS-knop 3 seconden ingedrukt om het apparaat in te schakelen.
2. Druk nogmaals op de AAN/UIT/MODUS-knop om de bluetooth-modus te selecteren, de indicator licht blauw op. U hoort een activeringsgeluid uit het apparaat.
Schakel de bluetooth-functie van uw audio-apparaat in, zoek naar "Lenco LS-600" en koppel.
3. Zodra uw audio-apparaat met het apparaat is gekoppeld, hoort u een kort bevestigingsgeluid van het apparaat.
4. Speel en stream muziek van uw audio-apparaat naar het apparaat.

Opmerking: Bluetooth-versie - 5.0

Dit product heeft een Bluetooth-**ontvangst** functie, **u kunt er geen Bluetooth-geluid mee verzenden**: dit betekent dat u draadloos een Bluetooth-geluidssignaal kunt ontvangen van een externe bron zoals een smartphone.

De platenspeler bedienen

1. Houd de AAN/UIT/MODUS-knop 3 seconden ingedrukt om het apparaat in te schakelen.
2. Het apparaat staat standaard in de platenspelermodus als u het apparaat inschakelt, de indicator licht rood op.
3. Plaats de plaat op de platenspeler. Gebruik indien nodig de 45-toeren-adapter.
4. Kies de juiste antiskating-kracht.
5. Verwijder de naaldbeschermer van de naald.

Opmerking: Zorg ervoor dat de naaldbeschermer op zijn plaats zit wanneer de platenspeler wordt verplaatst of gereinigd om schade aan de naald te voorkomen.

6. Open de toonarmklem van links naar rechts.
7. Druk eenmaal op de toets PLAY/STOP, het plateau begint te draaien.
8. Til de toonarm voorzichtig omhoog uit de steun en beweeg deze over de plaat waar het afspelen moet beginnen. Gebruik de hefhendel van de toonarm om de arm op te tillen en de toonarm erop te laten liggen.
9. Zet de hefhendel van de toonarm terug naar beneden, de toonarm zakt langzaam op de plaat en begint met afspelen.
10. Wanneer de muziek klaar is met afspelen, gebruikt u de hefhendel van de toonarm om de toonarm omhoog te brengen en vervolgens terug te brengen naar de toonarmsteun. Herhaal dezelfde stappen om het afspelen te onderbreken.
11. Druk nogmaals op de toets PLAY/STOP, het plateau stopt met draaien.
12. Houd de AAN/UIT/MODUS-knop 3 seconden ingedrukt om het apparaat uit te schakelen.

De cartridge vervangen

1. Voordat u de cartridge vervangt, plaats de naaldbescherming terug op de naald om beschadiging van de naald tijdens de vervanging te voorkomen.
2. Verwijder de draden voorzichtig van de originele cartridge.
3. Draai de twee schroeven los op de behuizing die de cartridge vasthouden en verwijder vervolgens de originele cartridge.
4. Monteer de nieuwe cartridge op de behuizing en draai lichtjes vast. Draai de schroeven op dit moment nog niet volledig vast.
5. Sluit de draden aan op de klemmen van de nieuwe cartridge. De draadkleur is als volgt:

Wit	Linker kanaal positief	(L+)
Blauw	Linker kanaal negatief	(L-)
Rood	Rechter kanaal positief	(R+)
Groen	Rechter kanaal negatief	(R-)

6. Pas de positie van de cartridge aan en zorg er hierbij voor dat deze nauwkeurig is uitgelijnd op de behuizing zodat de naald perfect in parallel in de groeven past.

Plaats de meegeleverde papieren gradenboog hiertoe over de as van de platenspeler, til de toonarm voorzichtig op en plaats de tip van de naald op de punten gemarkeerd 130 mm en 250 mm. Stem de positie van de cartridge op de behuizing nauwkeurig af totdat de cartridge perfect in parallel zit met de referentielijnen op beide punten.

7. Draai de schroeven volledig vast nadat de naald eenmaal perfect is uitgelijnd.

Specificaties

Hoofdtoetsel

Aan/Uit	AC-voedings-adapter, DC-uitgang 15 V 2400 mA
Stroomverbruik	36 W
Totaal vermogen	2x 30 W RMS
Snelheid van platenspeler	33 1/3, 45-toeren
Snelheidsvariantie	± 1,0 %
Zweving	< 0,15 %
Signaal/ruisverhouding	72 dB
Bereik neerwaartse kracht	0-2,2 g
Effectieve toonarm lengte	8,6" (218,5 mm)
Overhang	0,73"
Afmetingen platenspeler (B X H X D)	418 X 123 X 346 mm, met deksel open 420 X 410 X 420 mm
Gewicht	5,77 kg

Luidspreker

Tweeter	8 Ω 10 W X 2
Woofler	4 Ω 30 W X 2

Afmetingen luidspreker (B X H X D)	162 X 248 X 158 mm
Gewicht	3,76 kg

Naald: AT-VM95E

Frequentiebereik	20-20,000 Hz
Kanaalbalans	< 2,0 dB
Kanaalscheiding	20 (dB at 1 kHz)
Uitgangsspanning	4,0 mV
Aanbevolen belastingsweerstand	47 kΩ
Versterkeraansluiting	MM – ingang
Aanbevolen trackingdruk	1,8-2,2g (2,0g standaard)
Gewicht	6,1 g

Opmerking:

- Ontwerp en specificaties kunnen zonder kennisgeving worden gewijzigd.

Voedingsadapter:

Fabrikant: Brightpower Optoelectronic Technonlgy Co., Ltd.

Modelnummer: SW1502400-IM/ S036A1502400M

Input voltage: 100-240V

Input AC frequency: 50/60Hz

Output voltage: DC 15V

Output current: 2.4A

Output Power: 36W

Average active efficiency: 87.58%

Efficiency at low load (10%): 84 %

No load Power consumption: 0.080W

Gebruik uitsluitend de lichtnetdapter die in de gebruiksaanwijzing wordt vermeld

Onderhoud platenspeler

1. Raak de naaldpunt niet met uw vingers aan. Stoot niet met de naald tegen de draaitafelmat of tegen de rand van een plaat.
2. Reinig de naald regelmatig met een zachte borstel met alleen een beweging van achter naar voren.
3. Reinig de platen om stof of vet te verwijderen met een platenreinigingsborstel en platenreinigingsoplossing.
4. Reinig het deksel behuizing van de platenspeler met een licht bevochtigde microvezeldoek.

Opmerking: Gebruik geen ander reinigingsmiddel dat alcohol, benzeen of andere agressieve chemicaliën bevat, omdat dit de verf en de afwerking van de platenspeler kan beschadigen.

Probleemoplossing

Er is geen voeding

- Voedingsadapter is niet correct aangesloten.
- Geen voeding op het stopcontact.

De voeding is ingeschakeld, maar het plateau draait niet

- Dit toestel staat niet in de platenspeler-modus. Druk de MODE-toets naar de platenspeler-modus te kiezen, de indicator licht rood op.
- Moet eenmaal op de toets PLAY/STOP drukken om te beginnen met afspelen.
- De aandrijfriem van de platenspeler is niet geïnstalleerd of is afgegliden.

De platenspeler draait, maar er is geen geluid of het geluid is niet luid genoeg

- Naaldbeschermer is nog aan.
- De toonarm wordt opgetild door de hendel.
- De schakelaar Phono/Line staat op PHONO, maar de RCA-aansluitingen zijn verbonden met de lijningang van het stereosysteem.
- Vergeten om de luidspreker met de platenspeler te verbinden.

Vervormd of inconsistent geluid uit één of beide kanalen:

- De platenspeler is op de verkeerde ingang van de versterker aangesloten.
- Naald of stabilisator is beschadigd.
- De aandrijfriem is teveel uitgerekt of vuil.
- Lager van draaiplateau zonder olie, vuil of beschadigd.
- Stof op de naald.
- MM/MC-schakelaar op de voorversterker is verkeerd ingesteld.

Geluiden van de plaat te snel of te langzaam

- Verkeerde snelheid geselecteerd voor de plaat.

Er klinkt een luid gezoem uit de phono-ingang

- De kabel is niet correct geaard.
- De platenspeler staat te dicht bij de luidsprekers.

Opmerking:

Het plateau stopt automatisch als er gedurende 1 minuut geen muziek is afgespeeld om de naald te beschermen. Het hele toestel schakelt automatisch naar de stand-bymodus als er gedurende 20 minuten geen muziek wordt afgespeeld om het stroomverbruik te verminderen.

Om het apparaat opnieuw op te starten, houdt u de knop AAN/UIT/MODUS-knop ingedrukt.

Dit is geen defect als uw apparaat regelmatig uitschakelt.

Garantie

Lenco biedt service en garantie aan overeenkomstig met de Europese wetgeving. Dit houdt in dat u, in het geval van reparaties (zowel tijdens als na de garantieperiode), uw lokale handelaar moet contacteren.

Belangrijke opmerking: Het is niet mogelijk om producten die moeten worden gerepareerd rechtstreeks naar Lenco te sturen.

Belangrijke opmerking: De garantie verloopt als een onofficieel servicecenter het apparaat op wat voor manier dan ook heeft geopend, of er toegang toe heeft gekregen.

Het apparaat is niet geschikt voor professioneel gebruik. In het geval van professioneel gebruik worden alle garantieverplichtingen van de fabrikant nietig verklaard.

Disclaimer

Er worden regelmatig updates in de firmware en/of hardwarecomponenten gemaakt. Daardoor kunnen gedeelten van de instructie, de specificaties en afbeeldingen in deze documentatie enigszins verschillen van uw eigen situatie. Alle onderwerpen die staan beschreven in deze handleiding zijn bedoeld als illustratie en zijn niet van toepassing op specifieke situaties. Aan de beschrijving in dit document kunnen geen rechten worden ontleend.



Afvoer van het oude apparaat

Dit symbool geeft aan dat het betreffende elektrische product of de accu/batterij niet mag worden verwijderd als algemeen huishoudelijk afval in Europa. Zorg voor een juiste afvalverwerking door het product en de accu/batterij in overeenstemming met alle van toepassing zijnde lokale wetten voor het verwijderen van elektrische apparatuur of accu's/batterijen te verwijderen. Als u dit doet, helpt u de natuurlijke hulpbronnen te behouden en de standaard van milieubescherming te verbeteren bij de behandeling en verwijdering van elektrisch afval (Afgedankte Elektrische en Elektronische Apparatuur).

VERKLARING VAN CONFORMITEIT

Hierbij verklaar ik, Commaxx, dat het type radioapparatuur [Lenco LS-600] conform is met Richtlijn 2014/53/EU. De volledige tekst van de EU-conformiteitsverklaring kan worden geraadpleegd op het volgende internetadres: https://commaxx-certificates.com/doc/ls-600_doc.pdf

Type RF	Frequentiebereik (MHz)	Vermogen (dBm)
Bluetooth	2402-2480	< 6

Service

Bezoek voor meer informatie en helpdeskondersteuning <https://www.lenco.com>

Commaxx B.V. Wiebachstraat 37, 6466 NG Kerkrade, Nederland.

ACHTUNG:

Eine andere als die hier beschriebene Bedienung, Einstellung oder Verwendung der Funktionen kann zu gefährlicher Strahlenbelastung führen.

VORSICHTSMASSNAHMEN VOR DER BENUTZUNG

BEFOLGEN SIE IMMER FOLGENDE ANWEISUNGEN:

1. Blockieren oder bedecken Sie keine Lüftungsöffnungen. Wenn Sie das Gerät auf ein Regal stellen, lassen Sie um das gesamte Gerät 5 cm (2") freien Platz.
2. Stellen Sie das Gerät entsprechend den Anweisungen der mitgelieferten Bedienungsanleitung auf.
3. Halten Sie das Gerät von Hitzequellen wie Radiatoren, Heizern, Öfen, Kerzen oder anderen hitzeerzeugenden Produkten oder offenen Flammen fern. Das Gerät darf nur bei gemäßigttem Klima verwendet werden. Sehr kalte oder heiße Umgebungen sind zu vermeiden. Der Betriebstemperaturbereich liegt zwischen 0 °C und 35 °C.
4. Meiden Sie bei der Nutzung des Produkts die Nähe starker Magnetfelder.
5. Elektrostatische Entladungen können die normale Verwendung von diesem Gerät stören. Sollte dies geschehen, führen Sie einfach einen Reset aus und starten Sie dann das Gerät entsprechend den Anweisungen dieser Bedienungsanleitung neu. Gehen Sie besonders bei Datenübertragungen mit dem Gerät vorsichtig um und führen Sie diese nur in einer antielektrostatischen Umgebung aus.
6. Warnung! Niemals Gegenstände durch die Lüftungsschlitze oder Öffnungen in das Gerät stecken. In diesem Gerät fließt Hochspannung und das Hineinstecken von Gegenständen kann zu elektrischem Schock und/oder Kurzschluss interner elektrischer Bauteile führen. Aus dem gleichen Grund kein Wasser oder Flüssigkeiten in das Gerät geben.
7. Benutzen Sie das Gerät nicht in nasser oder feuchter Umgebung wie Bad, Dampfküche oder in der Nähe von Schwimmbädern.
8. Das Gerät darf weder Tropf- noch Spritzwasser ausgesetzt werden und es dürfen keine mit Flüssigkeit gefüllten Behälter wie z.B. Vasen auf das Gerät oder in der Nähe des Gerätes gestellt werden.
9. Benutzen Sie das Gerät nicht bei Kondensationsgefahr. Wenn Sie das Gerät in einem warmen feuchten Raum benutzen, dann können sich im Inneren des Geräts Wassertropfen oder Kondensationen bilden und zu Fehlfunktionen des Geräts führen. Schalten Sie in diesem Fall das Gerät für 1 – 2 Stunden aus, bevor Sie es erneut einschalten: Das Gerät sollte vollständig getrocknet sein, wenn Sie es wieder einschalten.
10. Obwohl dieses Gerät unter größter Sorgfalt und vor Auslieferung mehrmals überprüft wurde, können trotzdem wie bei jedem anderen elektrischen Gerät auch Probleme auftauchen. Trennen Sie das Gerät im Falle einer Rauchentwicklung, starker Hitzeentwicklung oder jeder anderen unnatürlichen Erscheinung sofort vom Netz.
11. Dieses Gerät ist durch eine Stromquelle wie auf dem Typenschild angegeben zu betreiben. Halten Sie bei Unsicherheiten über die Art Ihrer Stromversorgung in Ihrer Wohnung Rücksprache mit Ihrem Händler oder Ihrer Stromzuliefererfirma.
12. Halten Sie es von Haustieren fern. Einige Nagetiere lieben es, an Netzkabeln zu nagen.
13. Benutzen Sie für die Reinigung ein weiches und trockenes Tuch. Benutzen Sie niemals Lösungsmittel oder Flüssigkeiten auf Ölbasis. Benutzen Sie zum Entfernen hartnäckiger Flecken ein feuchtes Tuch mit mildem Reinigungsmittel.
14. Der Hersteller haftet nicht für Schäden oder Verluste durch Fehlfunktion, Zweckentfremdung oder Modifikation des Geräts oder durch Wechseln der Batterien.
15. Unterbrechen Sie die Verbindung nicht während einer Formatierung oder einer Datenübertragung. Bei Unterbrechung drohen Datenverlust und Datenbeschädigung.
16. Wenn das Gerät eine USB-Wiedergabefunktion besitzt, dann stecken Sie den USB-Stick direkt in das Gerät. Verwenden Sie kein USB-Verlängerungskabel, weil die erhöhte Störungsanfälligkeit zu Datenverlust führen könnte.
17. Das Typenschild befindet sich an der Unter- oder Rückseite des Geräts.
18. Dieses Gerät ist nicht zur Benutzung durch Personen (einschließlich Kinder) mit physischen, sensorischen oder mentalen Beeinträchtigungen oder ohne ausreichender Erfahrung vorgesehen, es sei denn, sie werden durch eine verantwortliche Person beaufsichtigt oder wurden in die ordnungsgemäße Bedienung des Gerätes durch eine für ihre Sicherheit verantwortliche Person eingewiesen.
19. Dieses Produkt ist nur für den nicht-professionellen Gebrauch und nicht für gewerbliche oder industrielle Zwecke bestimmt.

20. Stellen Sie sicher, dass das Gerät in einer stabilen Position aufgestellt ist. Schäden aufgrund Verwendung dieses Produkts in einer instabilen Position, Vibrationen, Stöße oder Nichtbeachtung der anderen in dieser Bedienungsanleitung enthaltenen Warnungen und Sicherheitshinweise werden nicht durch die Garantie abgedeckt.
21. Entfernen Sie niemals das Gehäuse dieses Produkts.
22. Stellen Sie das Produkt niemals auf andere elektrische Geräte.
23. Halten Sie Kinder von den Plastiktüten fern.
24. Benutzen Sie nur vom Hersteller spezifizierte Erweiterungen/Zubehörteile.
25. Lassen Sie alle Eingriffe von qualifiziertem Servicepersonal ausführen. Eingriffe werden notwendig, wenn das Gerät auf irgendeine Weise wie beispielsweise am Netzkabel oder am Netzstecker beschädigt wurde, Flüssigkeit in das Gerät eingedrungen ist, Gegenstände in das Gerät gefallen sind, das Gerät Regen oder Feuchtigkeit ausgesetzt war, es heruntergefallen ist oder nicht ordnungsgemäß funktioniert.
26. Langes Hören lauter Töne aus einem Musikgerät kann zum zeitweiligen oder permanenten Hörverlust führen.
27. Wenn zum Lieferumfang des Produkts ein Netzkabel oder ein Netzadapter gehört:
 - Wenn irgendwelche Probleme auftreten, dann ziehen Sie den Netzstecker aus der Netzsteckdose und setzen Sie sich anschließend mit einer qualifizierten Fachkraft in Verbindung.
 - Treten Sie nicht auf das Netzteil und klemmen Sie es auch nicht ein. Geben Sie besonders im näheren Bereich des Steckers und der Stelle acht, wo das Kabel aus dem Gerät herausgeführt wird. Stellen Sie keine schweren Gegenstände auf das Netzteil, weil es dadurch beschädigt werden könnte. Halten Sie das gesamte Gerät außerhalb der Reichweite von Kindern! Durch Spielen mit dem Netzkabel können sie sich ernsthafte Verletzungen zuziehen.
 - Trennen Sie das Gerät während eines Gewitters oder bei längerer Nichtbenutzung vom Netz.
 - Die Wandsteckdose muss sich in der Nähe des Geräts befinden und einfach zu erreichen sein.
 - Steckdosen und Verlängerungsleitungen nicht überlasten. Eine Überlastung kann zu Brandgefahr bzw. Stromschlag führen.
 - Geräte der Schutzklasse 1 sind an eine Netzsteckdose mit Schutzleiter anzuschließen.
 - Geräte der Schutzklasse 2 benötigen keinen Schutzleiteranschluss.
 - Halten Sie den Netzstecker in der Hand, wenn Sie ihn aus der Netzsteckdose ziehen. Ziehen Sie ihn nicht durch Zerren am Kabel heraus. Das kann zu einem Kurzschluss führen.
 - Verwenden Sie weder ein beschädigtes Netzkabel noch einen beschädigten Stecker oder eine lockere Steckdose. Es besteht Brand- und Stromschlaggefahr.
28. Wenn das Produkt mit einer Fernbedienung mit Batterien/Knopfzellen geliefert wird oder das Produkt eine derartige Fernbedienung umfasst:

Warnung:

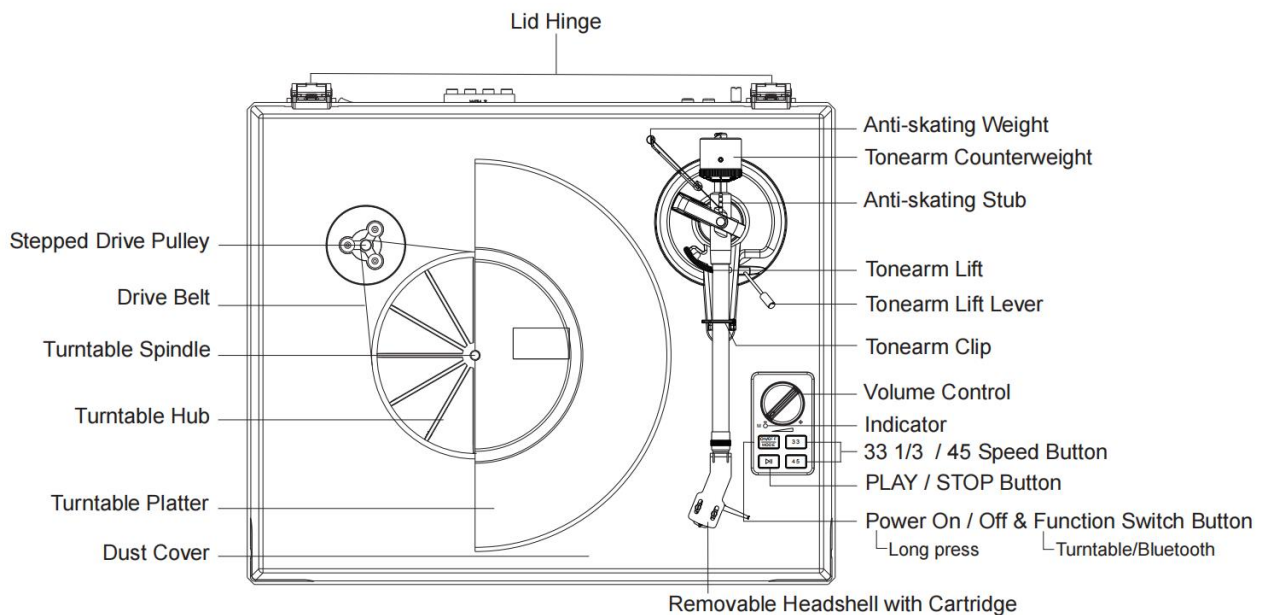
 - „Die Batterie nicht einnehmen, er besteht Verätzungsgefahr“.
 - [Die mit diesem Produkt mitgelieferte Fernbedienung] enthält eine Knopfzelle. Das Verschlucken der Batterie kann innerhalb von nur 2 Stunden zu schwersten inneren Verbrennungen mit Todesfolge führen.
 - Halten Sie neue und gebrauchte Batterien von Kindern fern.
 - Verwenden Sie dieses Produkt nicht weiter und halten Sie es von Kindern fern, wenn das Batteriefach nicht sicher schließt.
 - Suchen Sie umgehend ärztliche Hilfe auf, wenn Sie vermuten, dass Batterien verschluckt oder in Körperöffnungen eingeführt wurden.
29. Warnhinweise bzgl. der Verwendung von Batterien:
 - Es besteht Explosionsgefahr, wenn die Batterien nicht korrekt eingelegt werden. Nur mit Batterien des gleichen oder entsprechenden Typs ersetzen.
 - Die Batterie darf während der Benutzung, Aufbewahrung oder des Transports weder sehr hohen oder sehr niedrigen Temperaturen noch niedrigem Luftdruck in großen Höhenlagen ausgesetzt werden.
 - Die Ersetzung der Batterie mit einem falschen Batterietyp kann zum Explodieren der Batterie oder dem Auslaufen von entflammbarem Gas oder entflammbarer Flüssigkeit aus der Batterie führen.
 - Die Entsorgung der Batterie in Feuer oder einem heißen Ofen oder das mechanische Zerkleinern oder Zerteilen der Batterie kann zu Explosionen führen.
 - Das Verbleiben der Batterie in einer Umgebung mit sehr hohen Temperaturen kann zum Explodieren der Batterie oder dem Auslaufen von entflammbarem Gas oder entflammbarer Flüssigkeit führen.
 - Eine in einem sehr niedrigen Luftdruck ausgesetzte Batterie kann explodieren oder es kann aus einer in einem sehr niedrigen Luftdruck ausgesetzten Batterie entflammbares Gas oder entflammbare Flüssigkeit auslaufen.

- Augenmerk ist auf den ökologischen Aspekt der Batterieentsorgung zu legen.

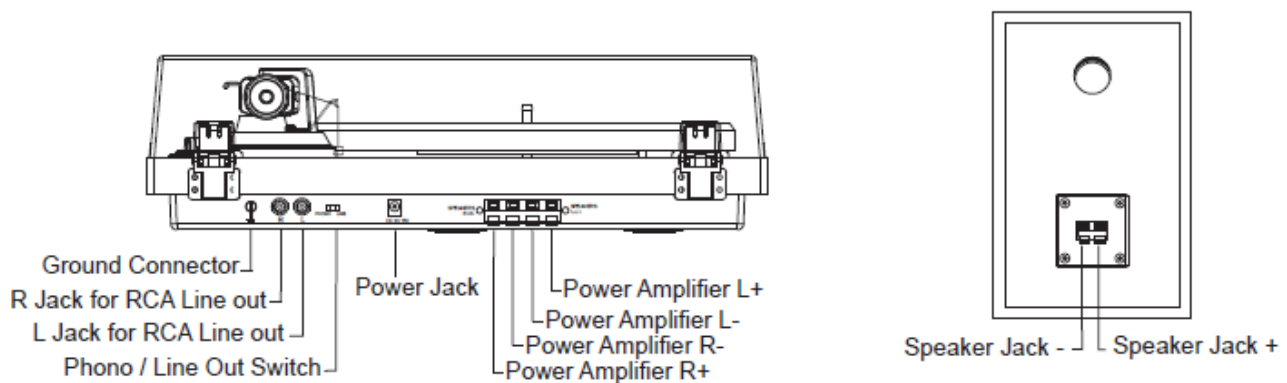
ANSCHLUSS

- Packen Sie alle Teile aus und entfernen Sie danach die Schutzmaterialien.
- Schließen Sie das Gerät nicht eher an das Netz an, bevor Sie die Netzspannung überprüft haben und alle anderen notwendigen Verbindungen hergestellt sind.

Produktbeschreibung



EN	DE
Stepped Drive Pulley	Gestufte Antriebsriemenscheibe
Drive Belt	Antriebsriemen
Turntable Spindle	Plattentellerspindel
Turntable Hub	Plattentellerdrehzscheibe
Turntable Platter	Plattenteller
Dust Cover	Staubschutzabdeckung
Lid Hinge	Abdeckhaubenscharnier
Anti-skating Weight	Antiskating-Gewicht
Tonearm Counterweight	Tonarm-Gegengewicht
Anti skating Stub	Antiskating-Bolzen
Tonearm Lift	Tonarmlift
Tonearm Lift Lever	Tonarm-Lifthebel
Tonearm Clip	Tonarmklammer
Volume Control	Lautstärkeregelung
Indicator	Anzeige
Speed Button	Geschwindigkeitstaste
PLAY/STOP Button	WIEDERGABE/STOPP-Taste
Power ON/OFF/Function Switch Button	Ein/Aus-Schalter/Funktionsumschalttaste
Turntable/Bluetooth	Plattenspieler/Bluetooth
Restart the unit (long press)	Neustart des Geräts (lang drücken)
Removable Headshell with Cartridge	Abnehmbare Headshell mit elliptischer Nadel



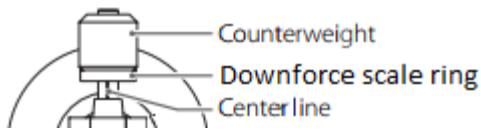
EN	DE
Ground Connector	Masseverbinder / Erdungsanschluss (GND)
R Jack for RCA Line out	Cinch-Buchse rechter Kanal des LINE-Ausgangs
L Jack for RCA Line out	Cinch-Buchse linker Kanal des LINE-Ausgangs
Phono/Line Out Switch	Umschalter PHONO/LINE-Ausgang
Power Jack	Netzadapterbuchse
Power Amplifier L+	Positiver Endstufenausgang für den linken Lautsprecher
Power Amplifier L-	Negativer Endstufenausgang für den linken Lautsprecher
Power Amplifier R-	Negativer Endstufenausgang für den rechten Lautsprecher
Power Amplifier R+	Positiver Endstufenausgang für den rechten Lautsprecher
Speaker Jack -	Negative Lautsprecheranschlussklemme
Speaker Jack +	Positive Lautsprecheranschlussklemme

Inbetriebnahme

1. Stellen Sie das Gerät auf eine ebene und stabile Oberfläche. Der gewählte Aufstellort sollte stabil und schwingungsfrei sein.
2. Befestigen Sie den Plattenspielerdeckel an den Scharnieren.
3. Entfernen Sie den Kabelbinder, der den Tonarm sichert.
4. Legen Sie den Antriebsriemen um die Plattentellerdrehzscheibe und ziehen Sie ihn mit Hilfe des mitgelieferten Riemenziehers um die Einkerbung der Antriebsriemenscheibe.
5. Setzen Sie den Plattenteller auf und führen Sie dabei die Plattentellerspindel durch den Plattenteller.
6. Setzen Sie die Antirutschmatte auf den Plattenteller.
7. Schieben Sie das **Tonarm-Gegengewicht** auf den Tonarm und drehen Sie ihn leicht auf die hintere Welle des Tonarms.
8. Gleichen Sie das Gegengewicht ab, um den richtigen Nadelaufdruck einzustellen.
9. Bringen Sie das Anti-Skating-Gewicht an.
10. Schließen Sie den Netzadapter an der **Netzadapterbuchse** des Geräts an.

Hinweis: Schließen Sie den Netzadapter erst dann an der Netzsteckdose an, wenn der Zusammenbau abgeschlossen ist.

Einstellung der Auflagekraft des Tonabnehmers



EN	DE
Counterweight	Gegengewicht
Downforce scale ring	Skalenring der Auflagekraft
Center line	Mittellinie

Das mitgelieferte Gegengewicht ist für Tonabnehmer mit einem Gewicht zwischen 6,0-8,0 g geeignet. Drücken und drehen Sie das Gegengewicht vorsichtig auf die Rückseite des Tonarms (mit der Skala zur Vorderseite des Plattenspielers gerichtet).

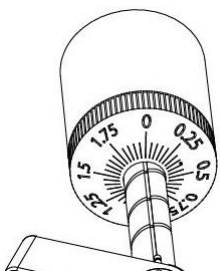
Entfernen Sie die Tonabnehmerschutzkappe.

Senken Sie den Tonarmlifthebel und positionieren Sie den Tonabnehmer im Raum zwischen Tonarmstütze und Plattenteller.

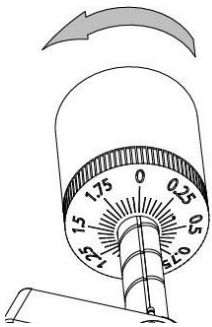
Drehen Sie das Gegengewicht vorsichtig, bis der Tonarm ausbalanciert ist. Der Tonarm sollte in die balancierte Position zurückkehren, wenn er nach oben oder unten bewegt wird. Diese Einstellung muss sorgfältig vorgenommen werden.



Sobald der Tonarm richtig ausbalanciert ist, bringen Sie ihn in seine Ruheposition zurück. Halten Sie das Gegengewicht fest, ohne es zu bewegen, und drehen Sie den Auflegeskalenring, bis die Null mit der schwarzen Linie auf der Rückseite des Tonarms übereinstimmt. Überprüfen Sie, ob der Arm noch ausbalanciert ist.



Drehen Sie das Gegengewicht gegen den Uhrzeigersinn (von vorne gesehen), um die Auflagekraft gemäß den Empfehlungen des Tonabnehmerherstellers einzustellen. Eine Markierung auf der Skala entspricht 0,05 g Auflagekraft.

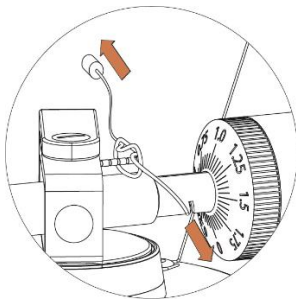


HINWEIS: Die empfohlene Auflagekraft für den werksseitig montierten Tonabnehmer beträgt $2,0 \pm 0,2$ g.

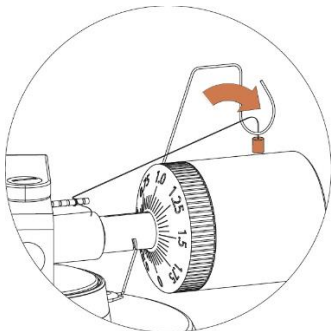
Bringen Sie das Anti-Skating-Gewicht an.

In der Verpackung befindet sich das Anti-Skating-Gewicht mit dünner Angelschnur. Bitte folgen Sie den nachstehenden Schritten, um das Anti-Skating-Gewicht anzubringen:

1. Schieben Sie das geschlungene Ende der Angelschnur über den Einstellstift des Anti-Skating-Gewichts in die 3. Einkerbung (die richtige Anti-Skating-Kraft für werksmontierte Tonabnehmer).



2. Ziehen Sie leicht am Anti-Skating-Gewicht, damit die Schlaufe der Angelschnur in die Einkerbung hineingleitet.
3. Heben Sie nun das Anti-Skating-Gewicht über die Klemmenhalterung des Anti-Skating-Gewichts. Das Anti-Skating-Gewicht sollte nun im Freiraum linkerhand der Halterung hängen.



Die Antiskating-Kraft muss wie folgt entsprechend der Auflagekraft eingestellt werden:

Auflagekraft	Nut im Stift
0.51 – 1.02 g	1. der Lagerringe
1.02 – 1.53 g	2. " " "
1.53 – 2.00 g	3. " " "
2.00g oder mehr	4. " " "



Verbindung des Stereosystems

Cinch-Buchsen

- Die Cinch-Buchsen dieses Geräts werden sowohl als PHONO- als auch als LINE-Ausgangsbuchsen verwendet. Der aktive Ausgang wird durch den Umschalter PHONO/LINE bestimmt.
- Wenn Sie die Buchsen als LINE-Ausgang benutzen, dann führen die Ausgangsbuchsen ein hochpegeliges Signal, das direkt zu zwei Aktivlautsprechern oder einen geeigneten Eingang Ihres Stereosystems geführt werden kann. Wenn Sie die Buchsen als PHONO-Ausgang benutzen, dann sollte das Signal zuerst zu einem PHONO-Vorverstärker oder den PHONO-Eingang Ihres Stereosystems geführt werden.
- Der rote Stecker verbindet sich mit dem rechten Kanal und der weiße Stecker mit dem linken Kanal.

Hinweis:

- Wenn Sie den Umschalter PHONO/LINE auf LINE gestellt, jedoch die Cinch-Buchsen mit den PHONO-Eingangsbuchsen Ihres Stereosystems verbunden haben, dann kann es zu Klangverzerrungen aufgrund der Signalübersteuerung kommen, die auch zur Beschädigung Ihres Stereosystems führen können.
- Wenn Sie den Umschalter PHONO/LINE auf PHONO gestellt, jedoch die Cinch-Buchsen mit den LINE-Eingangsbuchsen Ihres Stereosystems verbunden haben, dann ist der Lautstärkepegel aufgrund der fehlenden Vorverstärkung sehr gering.

Die Cinch-Buchsen sind nicht dafür vorgesehen, direkt an Passivlautsprecher angeschlossen zu werden. Wenn Sie dennoch Passivlautsprecher anschließen, dann ist der Lautstärkepegel sehr gering.

Lautsprecheranschluss

Die Lautsprecher-Federklemmen stellen ein endverstärktes Lautsprechersignal bereit, an die Passivlautsprecher angeschlossen werden können.

Bluetooth-Betrieb

1. Halten Sie die Taste EIN/AUS & MODUS drei Sekunden lang gedrückt, um das Gerät einzuschalten.
2. Drücken Sie die Taste EIN/AUS & MODUS erneut, um den Bluetooth-Modus auszuwählen. Die Anzeige beginnt dann blau zu leuchten. Sie hören einen Aktivierungston vom Gerät. Schalten Sie die Bluetooth-Funktion an Ihrem Audiogerät ein, suchen Sie nach „Lenco LS-600“ und koppeln Sie es.
3. Sobald Ihr Mobiltelefon erfolgreich mit dem Gerät gekoppelt ist, hören Sie einen kurzen Bestätigungston.
4. Spielen Sie Musik von Ihrem Mobiltelefon ab und streamen Sie diese auf das Gerät.

Hinweis: Bluetooth Version - 5.0

Dieses Produkt besitzt eine Bluetooth-Empfangsfunktion, **mit der Sie jedoch keine Klänge über Bluetooth übertragen können**, d. h. Sie können nur Bluetooth-Audiosignale von externen Quellen wie beispielsweise einem Smartphone kabellos empfangen.

Betrieb des Plattenspielers

1. Halten Sie die Taste EIN/AUS & MODUS drei Sekunden lang gedrückt, um das Gerät einzuschalten.
2. Nach dem Einschalten des Geräts leuchtet die Anzeige rot, wenn das Gerät im Plattenspielermodus ist.
3. Legen Sie eine Schallplatte auf den Plattenteller. Benutzen Sie bei Bedarf den 45-U/min-Adapter.

4. Wählen Sie die richtige Anti-Skating-Kraft aus.
5. Entfernen Sie den Tonnadelschutz vom Tonabnehmer.
Hinweis: Vergewissern Sie sich immer dann, wenn Sie den Plattenspieler umstellen oder ihn reinigen, dass der Tonnadelschutz ordnungsgemäß auf der Tonnadel sitzt, um Schäden an der Tonnadel vorzubeugen.
6. Öffnen Sie die Tonarmklammer von links nach rechts.
7. Wenn Sie die PLAY/STOP-Taste einmal drücken, dann beginnt sich der Plattenteller zu drehen.
8. Heben Sie nun den Tonarm vorsichtig aus seiner Auflage und bewegen Sie ihn dann über die Platte zu der Stelle, ab der wiedergegeben werden soll. Benutzen Sie den Tonarmlifthebel, um den Tonarm anzuheben und auch wieder abzusenken.
9. Wenn Sie den Tonarmlifthebel wieder in seine Absenkstellung drücken, dann bewegt sich der Tonarm langsam abwärts, bis er auf der Schallplatte aufliegt. Danach beginnt die Wiedergabe.
10. Wenn die Musikwiedergabe beendet ist, dann heben Sie den Tonarm mit Hilfe des Tonarmlifthebels an und bewegen Sie ihn anschließend zurück zur Tonarmauflage. Wiederholen Sie dieselben Schritte, wenn Sie die Wiedergabe unterbrechen möchten.
11. Wenn Sie die PLAY/STOP-Taste erneut drücken, dann stoppt die Drehung des Plattentellers.
12. Halten Sie die Taste EIN/AUS & MODUS drei Sekunden lang gedrückt, um das Gerät auszuschalten.

Austausch des Tonabnehmers

1. Legen Sie vor dem Austausch den Nadelschutz wieder auf die Nadel, um eine Beschädigung der Nadel während des Austauschvorgangs zu vermeiden.
2. Entfernen Sie vorsichtig die Anschlussleitungen vom Originaltonabnehmer.
3. Lösen Sie die beiden Schrauben am Tonkopf, die den Tonabnehmer sichern, und entfernen Sie dann den Originaltonabnehmer.
4. Montieren Sie den neuen Tonabnehmer am Tonkopf und ziehen Sie sie leicht an. Ziehen Sie die Schrauben in diesem Moment nicht vollständig an.
5. Schließen Sie die Anschlussleitungen an die Anschlüsse des neuen Tonabnehmers an. Nachstehend finden Sie die Zuordnung der Belegung zu den Kabelfarben:

Weiß	Linker Kanal positiv	(L+)
Blau	Linker Kanal negativ	(L-)
Rot	Rechter Kanal positiv	(R+)
Grün	Rechter Kanal negativ	(R-)

6. Stellen Sie die Position des Tonabnehmers so ein, dass sie genau auf dem Tonkopf ausgerichtet ist, so dass die Nadel die Rillen parallel perfekt verfolgt.

Um dies zu erreichen, legen Sie den mitgelieferten Papierausrichtungswinkel für den Tonabnehmer über die Drehtischspindel, heben Sie den Tonarm vorsichtig an und setzen Sie die Spitze der Nadel auf die mit 130 mm bzw. 250 mm markierten Punkte. Feinjustieren Sie die Position des Tonabnehmers auf dem Tonkopf, bis der Tonabnehmer an beiden Punkten perfekt parallel zu den Referenzlinien ist.

7. Ziehen Sie die Schrauben vollständig an, wenn die perfekte Ausrichtung erreicht ist.

Technische Daten

Haupteinheit

Stromversorgung	Netzadapter, DC-Ausgang 15 V/2400 mA
Leistungsaufnahme	36W
Ausgangsleistung	2 x 30 W RMS
Geschwindigkeit Plattenteller:	33 $\frac{1}{3}$ und 45 U/min
Gleichlaufschwankungen	$\pm 1,0$ %
Tonhöschwankungen	< 0,15 %
Signal-Rausch-Verhältnis	72 dB
Anpresskraftbereich	0 – 2,2 g
Effektive Länge des Tonarms	8,6" (218,5 mm)
Überhang	0,73"
Abmessung Plattenspieler (B x H x T)	418 x 123 x 346 mm; mit geöffnetem Deckel 420 x 410 x 420 mm
Gewicht	5,77 kg

Lautsprecher

Tweeter	2 x 8 Ω /10 W
Tieftonlautsprecher	2 x 4 Ω /30 W
Abmessung Lautsprecher (B x H x T)	162 x 248 x 158 mm
Gewicht	3,76 kg

Tonnadel: AT-VM95E

Frequenzgang	20-20,000 Hz
Kanalabgleich	< 2,0 dB
Kanaltrennung	20 (dB at 1 kHz)
Ausgangsspannung	4,0 mV
Empfohlener Lastwiderstand	47 k Ω
Anschluss einen Verstärker	MM – Eingang
Empfohlene Auflagekraft	1,8-2,2g (2,0g-Standard)
Gewicht	6,1 g

Hinweis:

- Design und technische Daten können stillschweigend geändert werden.

Netzteil:

Hersteller: Brightpower Optoelectronic Technonlgy Co., Ltd.

Modellnummer: SW1502400-IM/ S036A1502400M

Input voltage: 100-240V

Input AC frequency: 50/60Hz

Output voltage: DC 15V

Output current: 2.4A

Output Power: 36W

Average active efficiency: 87.58%

Efficiency at low load (10%): 84 %

No load Power consumption: 0.080W

Verwenden Sie nur die im Handbuch angegebene Stromversorgung

Wartung des Plattenspielers

1. Berühren Sie die Nadelspitze nicht mit Ihren Fingern. Vermeiden Sie ein Aufschlagen des Tonabnehmers auf der Plattentellermatte oder einer Schallplattenkante.
2. Reinigen Sie den Tonabnehmer regelmäßig mit einem weichen Pinsel in einer Von-hinten-nach-vorn-Bewegung.
3. Reinigen Sie die Schallplatte mit einem Reinigungspinsel für Schallplatten und einer Schallplattenreinigungslösung, um die Schallplatte von Staub- oder Schmutzansammlungen zu befreien.
4. Reinigen Sie den Plattenspielerdeckel und das Plattenspielergehäuse mit einem leicht angefeuchteten Mikrofasertuch.

Hinweis: Verwenden Sie keine anderen Reinigungsmittel, die Alkohol, Benzen oder andere scharfe Chemikalien enthalten, weil dies zu Farb- und Oberflächenbeschädigungen des Plattenspielers führen kann.

Fehlerdiagnose

Kein Strom

- Der Netzadapter ist nicht ordnungsgemäß angeschlossen.
- Die Netzsteckdose führt keinen Strom.

Strom ist vorhanden, jedoch dreht sich der Plattenteller nicht

- Das Gerät befindet sich nicht im Plattenspielermodus. Drücken Sie die MODE taste, um den Plattenspielermodus auszuwählen, der durch Leuchten der LED in Rot angezeigt wird.
- Sie müssen die PLAY/STOP-Taste einmal drücken, damit die Wiedergabe beginnt.
- Der Antriebsriemen des Plattenspielers wurde nicht eingebaut oder rutscht.

Der Plattenteller dreht sich, jedoch ertönt kein Klang oder der Klang ist nicht laut genug

- Der Tonnadelschutz befindet sich noch auf der Tonnadel.
- Der Tonarm befindet sich aufgrund der Tonarmlifthebelposition noch im angehobenen Zustand.
- Der Umschalter PHONO/LINE ist auf PHONO gestellt, jedoch sind die Cinch-Buchsen mit den LINE-Eingangsbuchsen Ihres Stereosystems verbunden.
- Die Lautsprecher sind noch nicht am Plattenspieler angeschlossen worden.

Verzerrter oder inkonsistenter Ton von einem oder beiden Kanälen:

- Der Plattenspieler ist an den falschen Eingang des Verstärkers angeschlossen.
- Nadel oder Kragarm beschädigt.
- Antriebsriemen überdehnt oder verschmutzt.
- Plattenlager ohne Öl, verschmutzt oder beschädigt.
- Staub auf der Nadel.
- MM/MC-Schalter am Vorverstärker falsch eingestellt.

Die Plattenwiedergabe ist zu schnell oder zu langsam

- Es ist die falsche Schallplattengeschwindigkeit eingestellt.

Starkes Brummen am Phonoeingang

- Das Kabel ist nicht ordnungsgemäß geerdet.

- Plattenspieler zu nah an den Lautsprechern.

Hinweis:

Zum Schutz der Tonnadel stoppt der Plattenteller automatisch, wenn 1 Minute lang keine Musik wiedergegeben wurde. Zum Senken des Stromverbrauchs wechselt das gesamte Gerät automatisch in den Standby-Modus, wenn für mehr als 20 Minuten keine Musik wiedergegeben wurde.

**Um das Gerät neu zu starten, halten Sie die „EIN/AUS, MODUS“-Taste gedrückt.
Wenn sich Ihr Gerät regelmäßig ausschaltet, ist dies kein Defekt.**

Garantie

Lenco bietet Leistungen und Garantien im Einklang mit Europäischem Recht. Im Falle von Reparaturen (sowohl während als auch nach Ablauf der Garantiezeit) sollten Sie deshalb Ihren Einzelhändler kontaktieren.

Wichtiger Hinweis: Es ist nicht möglich, Produkte für Reparaturen direkt an Lenco zu schicken.

Wichtiger Hinweis: Wenn dieses Gerät für welchen Grund auch immer durch ein nicht offizielles Service-Center geöffnet wurde oder durch dieses Service-Center darauf zugegriffen wurde, erlischt die Garantie.

Dieses Gerät ist nicht für professionelle Zwecke geeignet. Falls das Gerät für professionelle Zwecke eingesetzt wird, erlöschen alle Garantieverpflichtungen seitens des Herstellers.

Haftungsausschluss

Aktualisierungen der Firmware und/oder Hardware-Komponenten werden regelmäßig durchgeführt. Aus diesem Grund können einige der Anleitungen, Spezifikationen und Abbildungen in dieser Dokumentation zu dem Ihnen vorliegendem Gerät leicht abweichen. Alle in diesem Handbuch beschriebenen Elemente dienen nur zur Illustration und treffen auf Ihre individuelle Situation möglicherweise nicht zu. Aus der in diesem Handbuch getätigten Beschreibung können keine Rechtsansprüche oder Leistungsanforderungen geltend gemacht werden.



Entsorgung des Altgeräts

Dieses Symbol zeigt an, dass das entsprechende Produkt oder dessen Akku/Batterie in Europa nicht mit dem normalen Hausmüll entsorgt werden darf. Um die ordnungsgemäße Abfallbehandlung des Produkts und dessen Akku/Batterie zu gewährleisten, müssen diese im Einklang mit allen anwendbaren örtlichen Vorschriften zur Entsorgung von Elektrogeräten und Akkus/Batterien entsorgt werden. Dabei helfen Sie, natürliche Ressourcen zu schonen und Umweltschutzstandards zur Verwertung und Entsorgung von Altgeräten aufrecht zu halten (Richtlinie über Entsorgung Elektrischer und Elektronischer Altgeräte).

ÜBEREINSTIMMUNGSERKLÄRUNG

Hiermit erklärt Commaxx, dass der Funkanlagentyp [Lenco LS-600] der Richtlinie 2014/53/EU entspricht. Der vollständige Text der EU-Konformitätserklärung ist unter der folgenden Internetadresse verfügbar:

https://commaxx-certificates.com/doc/ls-600_doc.pdf

Typ HF	Frequenzbereich (MHz)	Sendeleistung (dBm)
Bluetooth	2402-2480	< 6

Service

Besuchen Sie bitte für weitere Informationen und unseren Kundendienst unsere Homepage

<https://www.lenco.com>

Commaxx B.V. Wiebachstraat 37, 6466 NG Kerkrade, Die Niederlande.

ATTENTION :

L'utilisation de commandes ou d'ajustements ou l'exécution de procédures autres que celles spécifiées dans le présent document peuvent entraîner une exposition dangereuse aux radiations.

PRÉCAUTIONS AVANT UTILISATION

GARDEZ CES INSTRUCTIONS À L'ESPRIT :

1. Ne couvrez pas et n'obtenez pas les ouvertures de ventilation. Lorsque vous placez l'appareil sur une étagère, laissez 5 cm (2") d'espace libre tout autour de l'appareil.
2. Installez-le conformément au mode d'emploi fourni.
3. Gardez l'appareil à l'écart des sources de chaleur telles que des radiateurs, appareils de chauffage, fours, bougies et autres produits générant de la chaleur ou une flamme nue. L'appareil ne peut être utilisé que dans des climats modérés. Les environnements extrêmement froids ou chauds doivent être évités. La plage de température de fonctionnement se situe entre 0° et 35° C.
4. Évitez d'utiliser l'appareil à proximité de champs magnétiques puissants.
5. Des décharges électrostatiques peuvent perturber le fonctionnement de cet appareil. Dans ce cas, il suffit de réinitialiser et de redémarrer l'appareil en suivant le mode d'emploi. Pendant le transfert de fichiers, manipulez l'appareil avec précaution et faites-le fonctionner dans un environnement sans électricité statique.
6. Mise en garde ! N'introduisez jamais un objet dans l'appareil par les ouvertures et les fentes de ventilation. Étant donné que des tensions élevées sont présentes à l'intérieur du produit, l'insertion d'un objet peut entraîner une électrocution et/ou court-circuiter les composants internes. Pour les mêmes raisons, ne versez pas de l'eau ou un liquide sur le produit.
7. Ne l'utilisez pas dans des endroits humides tels qu'une salle de bain, une cuisine pleine de vapeur ou à proximité d'une piscine.
8. L'appareil ne doit pas être exposé à des écoulements ou des éclaboussures et aucun objet contenant un liquide, tel qu'un vase, ne doit être posé sur ou près de l'appareil.
9. N'utilisez pas cet appareil lorsque de la condensation est possible. Lorsque l'appareil est utilisé dans une pièce humide et chaude, des gouttelettes d'eau ou de la condensation peuvent se former à l'intérieur de l'appareil et affecter son fonctionnement. Laissez l'appareil hors tension pendant 1 ou 2 heures avant de le mettre en marche : l'appareil doit être sec avant sa mise sous tension.
10. Bien que ce dispositif soit fabriqué avec le plus grand soin et contrôlé à plusieurs reprises avant de quitter l'usine, des problèmes peuvent néanmoins survenir, comme avec tous les appareils électriques. Si l'appareil émet de la fumée ou en cas d'accumulation excessive de la chaleur ou d'un phénomène inattendu, débranchez immédiatement la fiche d'alimentation du secteur.
11. Cet appareil doit fonctionner avec la source d'alimentation indiquée sur la plaque signalétique. Si vous n'êtes pas sûr du type d'alimentation utilisé chez vous, contactez votre revendeur ou le fournisseur local d'électricité.
12. Tenez l'appareil à l'abri des animaux. Certains animaux aiment ronger les cordons électriques.
13. Pour nettoyer l'appareil, servez-vous d'un chiffon doux et sec. N'utilisez pas de solvant ni d'autre liquide à base de pétrole. Pour enlever les taches importantes, vous pouvez vous servir d'un chiffon humide imbibé d'une solution de détergent diluée.
14. Le fournisseur n'est pas responsable des dommages ou pertes de données causés par un dysfonctionnement, une utilisation abusive, une modification de l'appareil ou un remplacement de la batterie.
15. N'interrompez pas la connexion lorsque l'appareil formate ou transfère des fichiers. Dans le cas contraire, les données pourraient être endommagées ou perdues.
16. Si l'appareil a une fonction de lecture USB, il faut brancher la clé USB directement sur l'appareil. N'utilisez pas un câble d'extension USB, car cela peut causer des interférences entraînant des pertes de données.
17. L'étiquette de classification se trouve sur le panneau inférieur ou arrière de l'appareil.
18. Cet appareil ne doit pas être utilisé par des personnes (y compris les enfants) souffrant de déficiences physiques, sensorielles ou mentales, ou d'un manque d'expérience et de connaissances, à moins qu'elles n'aient été supervisées ou qu'une personne responsable de leur sécurité ne leur ait donné des instructions sur l'utilisation correcte de l'appareil.
19. Ce produit est réservé à un usage non professionnel, et non pas à un usage commercial ni industriel.
20. Vérifiez que l'appareil est en position stable. La garantie ne couvre pas les dégâts occasionnés par l'utilisation de cet appareil en position instable, par les vibrations, les chocs ou par la non-observation de tout autre avertissement ou précaution contenus dans ce mode d'emploi.

21. N'ouvrez jamais cet appareil.
22. Ne placez jamais cet appareil sur un autre appareil électrique.
23. Ne laissez pas les sacs en plastique à la portée des enfants.
24. Utilisez uniquement les accessoires recommandés par le fabricant.
25. Confiez l'entretien et les réparations à un personnel qualifié. Une réparation est nécessaire lorsque l'appareil a été endommagé de quelque façon que ce soit, par exemple lorsque le cordon d'alimentation ou la prise sont endommagés, lorsqu'un liquide s'est déversé ou des objets sont tombés sur l'appareil, lorsque l'appareil a été exposé à la pluie ou à l'humidité, lorsqu'il ne fonctionne pas correctement ou est tombé.
26. Une exposition prolongée à la musique avec un volume élevé peut entraîner une perte auditive temporaire ou permanente.
27. Si l'appareil est livré avec un câble d'alimentation ou un adaptateur secteur :
 - En cas de problème, débranchez le cordon d'alimentation CA et confiez l'entretien à un personnel qualifié.
 - Ne marchez pas sur l'adaptateur secteur ou ne le coincez pas. Faites très attention, en particulier à proximité des fiches et du point de sortie du câble. Ne placez pas d'objets lourds sur l'adaptateur secteur, car ils pourraient l'endommager. Gardez l'appareil hors de portée des enfants ! Ils pourraient se blesser gravement s'ils jouent avec le câble d'alimentation.
 - Débranchez cet appareil pendant les orages ou lorsqu'il n'est pas utilisé pendant une longue durée.
 - La prise secteur doit être installée près de l'appareil et doit être facilement accessible.
 - Ne surchargez pas les prises de courant ou les rallonges. Une surcharge peut entraîner un incendie ou une électrocution.
 - Les appareils de classe 1 doivent être branchés à une prise de courant disposant d'une connexion protectrice à la terre.
 - Les appareils à la norme de construction de classe 2 ne nécessitent pas de connexion à la terre.
 - Tirez toujours sur la fiche pour débrancher le cordon de la prise secteur. Ne tirez pas sur le cordon d'alimentation. Cela pourrait provoquer un court-circuit.
 - N'utilisez pas un cordon ou une fiche d'alimentation endommagé ni une prise desserrée. Vous courez un risque d'incendie ou de décharge électrique.
28. Si le produit contient ou est livré avec une télécommande contenant des piles boutons :

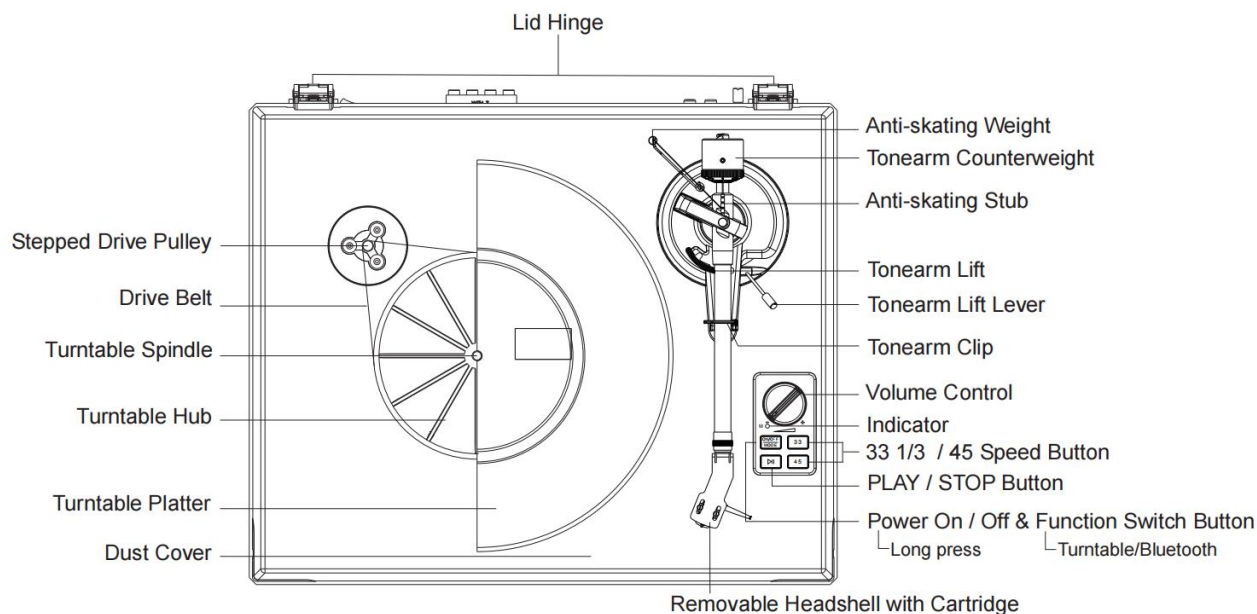
Avertissement :

 - « N'ingérez pas la pile, car vous risquez une brûlure chimique » ou une formule équivalente.
 - La télécommande fournie contient une pile bouton/pièce de monnaie. Si la pile est avalée, elle peut causer de graves brûlures internes en seulement 2 heures et peut entraîner la mort.
 - Tenez les piles neuves et usagées hors de portée des enfants.
 - Si le compartiment à piles ne se ferme pas correctement, cessez d'utiliser l'appareil et tenez-le hors de portée des enfants.
 - Si vous pensez que les piles ont été avalées ou placées à l'intérieur d'une partie du corps, consultez un médecin immédiatement.
29. Mise en garde relative à l'utilisation des piles :
 - Risque d'explosion si la pile est mal remplacée. Remplacez les piles par des piles d'un type identique ou équivalent.
 - Pendant l'utilisation, le stockage ou le transport, la pile ne doit pas être soumise à des températures extrêmement élevées ou basses, à une faible pression d'air à haute altitude.
 - Le remplacement d'une pile par une autre de type incorrect peut entraîner une explosion ou une fuite de liquide ou de gaz inflammable.
 - L'introduction d'une pile dans le feu ou dans un four chaud, l'écrasement ou le découpage mécanique peut entraîner une explosion.
 - L'exposition d'une pile dans un environnement à température extrêmement élevée peut entraîner une explosion ou une fuite de liquide ou de gaz inflammable.
 - L'exposition d'une pile à une pression d'air extrêmement basse peut entraîner une explosion ou une fuite de liquide ou de gaz inflammable.
 - Veuillez considérer les questions environnementales lors de la mise au rebut des piles.

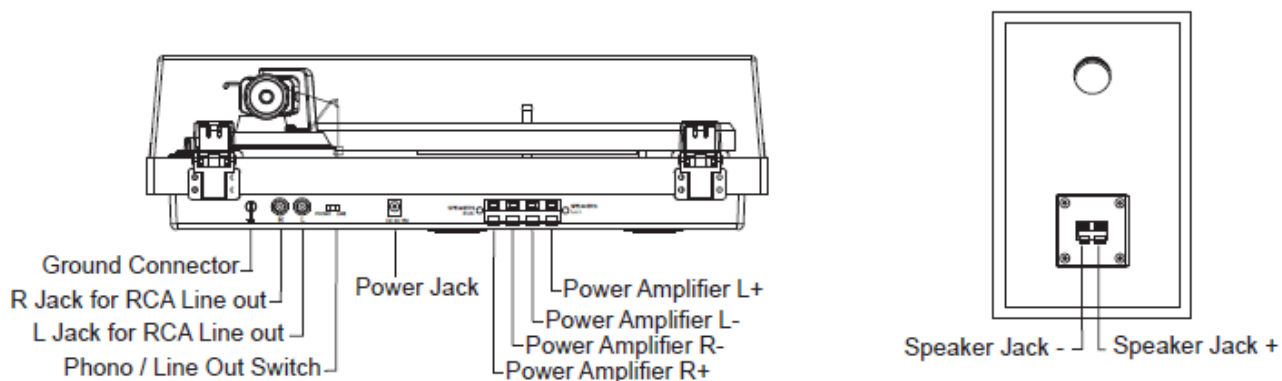
INSTALLATION

- Déballez toutes les pièces et enlevez le matériau de protection.
- Ne connectez pas l'unité au secteur avant d'avoir vérifié la tension du secteur et avant que toutes les autres connexions n'aient été effectuées.

Description du produit



EN	FR
Stepped Drive Pulley	Poulie d'entraînement étagée
Drive Belt	Courroie d'entraînement
Turntable Spindle	Broche
Turntable Hub	Contre-plateau
Turntable Platter	Plateau
Dust Cover	Couvercle à poussière
Lid Hinge	Charnière du couvercle
Anti-skating Weight	Poids antipatinage
Tonearm Counterweight	Contrepoids du bras de lecture
Anti skating Stub	Doigt annelé de l'antipatinage
Tonearm Lift	Bras de lecture
Tonearm Lift Lever	Lève-bras
Tonearm Clip	Repose-bras avec fermoir
Volume Control	Réglage du volume
Indicator	Indicateur
Speed Button	Sélecteur de la vitesse de rotation
PLAY/STOP Button	Bouton de lecture/stop
Power ON/OFF/Function Switch Button	Interrupteur marche/arrêt/Sélecteur de fonction
Turntable/Bluetooth	Tourne-disque/Bluetooth
Restart the unit (long press)	Redémarrage de l'appareil (appui prolongé)
Removable Headshell with Cartridge	Porte-cellule amovible avec cartouche



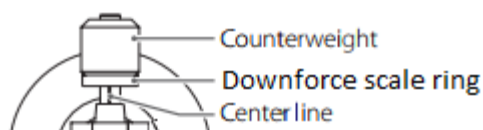
EN	FR
Ground Connector	Connecteur de terre
R Jack for RCA Line out	Prise droite (R) de sortie de ligne RCA
L Jack for RCA Line out	Prise gauche (L) de sortie de ligne RCA
Phono/Line Out Switch	Commutateur phono/sortie de ligne
Power Jack	Prise d'alimentation
Power Amplifier L+	Borne positive du canal de gauche (L+) de l'amplificateur de puissance
Power Amplifier L-	Borne négative du canal de gauche (L-) de l'amplificateur de puissance
Power Amplifier R-	Borne positive du canal de droite (R-) de l'amplificateur de puissance
Power Amplifier R+	Borne négative du canal de gauche (R+) de l'amplificateur de puissance
Speaker Jack -	Prise de haut-parleur -
Speaker Jack +	Prise de haut-parleur +

Installation initiale

1. Placez l'appareil sur une surface stable et plane. L'emplacement choisi doit être ferme et ne subir aucune vibration.
2. Installez le couvercle de la platine tourne-disque sur les charnières.
3. Retirez l'attache autobloquante qui retient le bras de lecture.
4. Mettez la courroie d'entraînement autour du contre-plateau à l'aide de l'outil d'installation de courroie afin de bien faire entrer la courroie dans la fente de la poulie du moteur.
5. Insérez le plateau dans la broche du tourne-disque.
6. Placez le tapis antidérapant sur le plateau du tourne-disque.
7. Faites glisser le **contrepoids du bras de lecture** sur le bras de lecture et faites-le tourner légèrement sur la tige arrière du bras de lecture.
8. Ajustez le contrepoids afin de régler correctement la pression de l'aiguille.
9. Identifiez le poids antipatinage.
10. Branchez l'adaptateur d'alimentation CA-CC à la **prise d'alimentation** de l'appareil.

Remarque : ne branchez pas l'adaptateur d'alimentation à la prise électrique avant d'avoir terminé l'assemblage.

Réglage de la force d'appui du porte-pointe de lecture



EN	FR
Counterweight	Contrepoids
Downforce scale ring	Bague de réglage de la force d'appui
Center line	Axe

Le contrepoids fourni convient aux portes-pointe de lecture de 6 à 8 g.

Poussez doucement le contrepoids vers l'arrière du bras en le tournant (la graduation étant orientée vers l'avant de la platine).

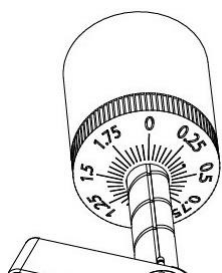
Retirez le capuchon de protection du porte-pointe de lecture

Abaissez le bras de lecture et placez le porte-pointe de lecture dans l'espace entre le repose-bras et le plateau.

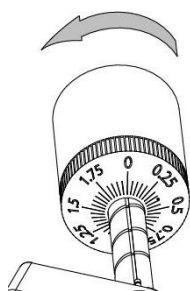
Tournez avec précaution le contrepoids jusqu'à ce que le bras de lecture soit équilibré. Le bras de lecture doit retourner à la position d'équilibre s'il est déplacé vers le haut ou le bas. Ce réglage doit être effectué avec précaution.



Une fois que le bras de lecture est correctement équilibré, le ramener vers le repose-bras. Tenez le contrepoids sans le déplacer et faites tourner doucement l'anneau gradué jusqu'à ce que le zéro soit aligné avec la ligne noire à l'arrière du bras de lecture. Vérifiez si le bras est toujours en équilibre.



Faites pivoter le contrepoids dans le sens antihoraire (vu de l'avant) pour régler la force d'appui conformément aux recommandations du fabricant du porte-pointe de lecture. Une graduation représente 0,05 g de la force d'appui.

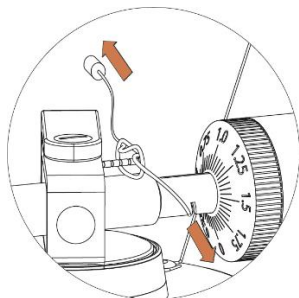


REMARQUE : la force d'appui recommandée pour le porte-pointe de lecture montée en usine est de $2,0 \pm 0,2$ g.

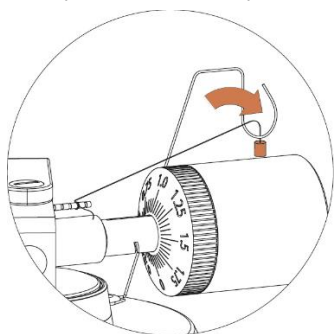
Identifiez le poids antipatinage.

Vous trouverez un poids antipatinage sur une petite ligne de pêche dans l'emballage. Veuillez suivre la procédure suivante pour identifier le poids antipatinage :

1. Faites glisser l'extrémité en boucle de la ligne de pêche sur l'embout de réglage du poids antipatinage et dans la 3^e rainure (la force antipatinage correcte pour le porte-pointe).



2. Tirez doucement sur le poids antipatinage pour laisser le nœud de la ligne de pêche se déplacer sur l'embout.
3. Soulevez le poids antipatinage par-dessus le support de fil du poids antipatinage. Le poids antipatinage doit être suspendu dans l'espace libre à gauche du support.



La force antipatinage doit être ajustée en fonction de la force d'appui, comme suit :

Force d'appui	Rainure dans l'embout
0.51 à 1.02 g	1 ^{re} à partir des bagues de roulement
1.02 à 1.53 g	2 ^e " " "
1.53 à 2.00 g	3 ^e " " "
2.00g à ou plus	4 ^e " " "



Connexion du système stéréo

Prises RCA

- Les prises RCA de cet appareil sont partagées par les prises de sortie phono et les prises de sortie de ligne. La sélection se fait par le commutateur « PHONO/LINE ».
- Lors de l'utilisation en sortie de ligne, les prises délivrent les signaux de niveau de ligne analogiques et peuvent être connectées directement à une paire d'enceintes actives ou à l'entrée appropriée de votre chaîne stéréo. Lors de l'utilisation en sortie phono, elles doivent être connectées au préamplificateur phono ou à l'entrée phono de votre chaîne stéréo.
- La fiche rouge se connecte au canal droit et la fiche blanche se connecte au canal gauche.

Remarque :

- si le commutateur « PHONO/LINE » est placé sur la position « LINE » mais que les prises RCA sont connectées à l'entrée phono de la chaîne stéréo, le son pourra être déformé en raison de la surcharge de l'entrée et la

chaîne stéréo risque de s'endommager.

- Si le commutateur « PHONO/LINE » est placé sur la position « PHONO » mais que les prises RCA sont connectées à l'entrée de ligne de la chaîne stéréo, le volume sera très faible en raison de l'absence de préamplification du signal.

La prise RCA n'a pas été conçue pour être directement connectée à des enceintes passives/sans amplification. Si c'est le cas, le volume sera très faible.

Connexion à des enceintes

Les bornes à attache à ressort pour enceintes délivrent des signaux de niveau d'enceinte en sortie et doivent être connectées à des enceintes passives.

Fonctionnement par Bluetooth

1. Maintenez le bouton MARCHE/ARRÊT ET MODE pendant 3 secondes pour allumer l'appareil.
2. Appuyez à nouveau sur le bouton MARCHE/ARRÊT ET MODE pour choisir le mode Bluetooth, l'indicateur s'allumera en bleu. Vous entendrez l'appareil émettre un son d'activation.
Activez la fonction Bluetooth de votre appareil audio, recherchez « Lenco LS-600 » et appairez-le.
3. Une fois votre appareil appairé avec succès à la platine, vous l'entendrez émettre un bref son de confirmation.
4. Lisez et diffusez de la musique de votre appareil vers la platine.
Remarque : Version Bluetooth : 5.0

Cet appareil est doté d'une fonction de **réception** Bluetooth. **Vous ne pourrez transmettre aucun son Bluetooth via la platine tourne-disque** : cela signifie que vous pouvez recevoir sans fil un signal sonore Bluetooth à partir d'une source externe, par ex. un smartphone.

Utilisation du tourne-disque

1. Maintenez le bouton MARCHE/ARRÊT ET MODE pendant 3 secondes pour allumer l'appareil.
2. C'est le mode par défaut de la platine après qu'elle a été allumée, l'indicateur deviendra rouge.
3. Mettez le disque sur le tourne-disque. Si nécessaire, utilisez l'adaptateur 45 tours.
4. Choisissez la force antipatinage correcte.
5. Retirez le capuchon de protection de l'aiguille de l'ensemble porte-pointe.
Remarque : pour éviter d'endommager l'aiguille, veillez à ce que le capuchon de protection de la pointe fournie est en place chaque fois que la platine tourne-disque est déplacée ou nettoyée.
6. Ouvrez le fermoir du repose-bras de gauche à droite.
7. Appuyez brièvement sur le bouton de PLAY/STOP et le plateau se mettra à tourner.
8. Extrayez doucement le bras du repose-bras, puis placez-le sur le disque où vous souhaitez commencer la lecture. Utilisez le lève-bras pour lever le bras de lecture et placez le bras au-dessus du disque.
9. Remplacez le lève-bras en position basse, le bras de lecture descendra lentement sur le disque et la lecture commencera.
10. Une fois la musique terminée, utilisez le lève-bras pour lever le bras de lecture, puis remplacez le bras sur le repose-bras. Pour suspendre la lecture, répétez cette procédure.
11. Réappuyez sur le bouton de PLAY/STOP et le plateau se cessera de tourner.

12. Maintenez le bouton MARCHE/ARRÊT ET MODE pendant 3 secondes pour éteindre l'appareil.

Remplacement du porte-pointe de lecture

1. Avant le remplacement, placez le capuchon de protection de l'aiguille pour éviter de l'endommager pendant le remplacement.
2. Retirez délicatement les fils du porte-pointe de lecture d'origine.
3. Desserrez les deux vis sur la tête qui fixent le porte-pointe de lecture, puis retirez le porte-pointe de lecture d'origine.
4. Installez le nouveau porte-pointe de lecture sur la coquille et le serrer légèrement. Ne serrez pas complètement les vis pour le moment.
5. Connectez les fils aux bornes du nouveau porte-pointe de lecture. Les couleurs de fils sont les suivantes :

Blanc	Borne positive du canal de gauche	(L+)
Bleu	Borne négative du canal de gauche	(L-)
Rouge	Borne positive du canal de droite	(R+)
Vert	Borne négative du canal de droite	(R-)

6. Ajustez la position du porte-pointe de lecture pour qu'il soit aligné avec précision sur la tête afin que l'aiguille puisse suivre parfaitement les rainures en parallèle.

Pour cela, placez le rapporteur d'alignement de porte-pointe de lecture en papier fourni sur l'axe du tourne-disque, soulevez délicatement le bras de lecture et placez l'aiguille sur les points marqués respectivement à 130 mm et 250 mm. Ajustez la position du porte-pointe de lecture sur la tête jusqu'à ce qu'il soit parfaitement parallèle aux lignes de référence aux deux points.

7. Serrez complètement les vis une fois l'alignement parfait atteint.

Caractéristiques

Unité principale

Alimentation	Adaptateur d'alimentation secteur, sortie 15 V CC 2 400 mA
Puissance consommée	36 W
Puissance de sortie	2 x 30 W RMS
Vitesse de rotation du tourne-disque	33 1/3 et 45 tours/mn
Écart de vitesse	± 1,0 %
Pleurage et scintillement	< 0,15 %
Signal sur bruit	72 dB
Plage de la force d'appui	0 à 2,2 g
Longueur effective du bras de lecture	218,5 mm (8,6 pouces)
Porte-à-faux	18 mm (0,73 pouce)
Dimensions de la platine (L x H x P)	418 x 123 x 346 mm, avec le couvercle ouvert 420 x 410 x 420 mm
Poids	5,77 kg

Enceinte acoustique

Haut-parleur d'aigus	8 Ω 10 W x 2
----------------------	--------------

Caisson des graves	4 Ω 30 W X 2
Dimensions de l'enceinte (L x H x P)	162 x 248 x 158 mm
Poids	3,76 kg

Aiguille : AT-VM95E

Réponse en fréquence	20-20,000 Hz
Équilibre de canal	< 2,0 dB
Séparation de canal	20 (dB at 1 kHz)
Tension de sortie	4,0 mV
Impédance de charge recommandée	47 kΩ
Connexion de l'amplificateur	MM (aimant mobile) - Entrée
Force d'appui recommandée	1,8-2,2g (2,0g standard)
Poids	6,1 g

Remarque :

- La conception et les spécifications sont sujettes à changement sans préavis.

Adaptateur d'alimentation :

Fabricant : Brightpower Optoelectronic Technonlgy Co., Ltd.

Numéro du modèle : SW1502400-IM/ S036A1502400M

Input voltage: 100-240V

Input AC frequency: 50/60Hz

Output voltage: DC 15V

Output current: 2.4A

Output Power: 36W

Average active efficiency: 87.58%

Efficiency at low load (10%): 84 %

No load Power consumption: 0.080W

Utilisez uniquement l'alimentation électrique indiquée dans le mode d'emploi.

Entretien de la platine tourne-disque

1. Ne touchez pas la pointe de l'aiguille avec vos doigts. Évitez de faire tomber l'aiguille sur le tapis du tourne-disque ou sur le bord du disque.
2. Nettoyez fréquemment l'aiguille avec une brosse souple en effectuant uniquement des mouvements de l'arrière vers l'avant.
3. Nettoyez les disques pour éliminer la poussière ou les résidus de graisse à l'aide d'une brosse et une solution de nettoyage de disque.
4. Nettoyez le couvercle et le boîtier de la platine tourne-disque avec un chiffon en microfibre humidifié.

Remarque : n'utilisez pas des nettoyeurs contenant de l'alcool, du benzène ou d'autres produits chimiques agressifs, qui pourraient endommager la peinture et la finition de la platine tourne-disque.

Dépannage

Absence d'alimentation

- L'adaptateur d'alimentation n'est pas correctement branché.
- La prise électrique n'est pas alimentée.

L'appareil est sous tension, mais le plateau ne tourne pas

- L'appareil n'est pas en mode tourne-disque. Appuyez sur le bouton « MODE » pour activer le mode tourne-disque. L'indicateur s'allumera en rouge.
- Il faut appuyer brièvement sur le bouton de PLAY/STOP pour démarrer la lecture.
- La courroie d'entraînement de la platine n'est pas installée ou s'est délogée.

La platine tourne, mais il n'y a aucun son ou le son est trop faible

- Le capuchon de protection de l'aiguille est toujours en place.
- Le bras de lecture est mis en position haute par le levier.
- Le commutateur « PHONO/LINE » est placé en position « PHONO », mais les prises RCA sont connectées à l'entrée de ligne de la chaîne stéréo.
- Vous avez oublié de brancher l'enceinte acoustique à la platine tourne-disque.

Son déformé ou incohérent provenant d'un ou des deux canaux :

- La platine tourne-disque est connectée à une mauvaise entrée de l'amplificateur.
- Aiguille ou porte-aiguille endommagé.
- La courroie d'entraînement est trop tendue ou sale.
- Roulement non lubrifié, sale ou endommagé.
- Poussière sur l'aiguille.
- Le commutateur MM/MC du préamplificateur est mal positionné.

Le son du disque est reproduit trop rapidement ou trop lentement

- Une vitesse de rotation du disque incorrecte a été sélectionnée.

Fort bourdonnement au niveau de l'entrée phono

- Le câble n'est pas correctement mis à la terre.
- Le tourne-disque est trop proche des enceintes.

Remarque :

Afin de protéger l'aiguille, le plateau s'arrêtera de tourner automatiquement si aucune musique n'est jouée pendant 1 minute. Pour réduire la consommation électrique, l'appareil est intégralement mis en mode veille si aucune musique n'est jouée pendant environ 20 minutes.

Pour redémarrer l'appareil, appuyez sur et maintenez enfoncé le bouton « MODE ».

Pour redémarrer la platine, appuyez sur le bouton « MARCHÉ/ARRÊT, MODE » et maintenez-le enfoncé. Si votre platine s'éteint régulièrement, il ne s'agit pas d'un défaut.

Garantie

Lenco propose un service et une garantie conformément à la législation européenne, ce qui signifie qu'en cas de

besoin de réparation (aussi bien pendant et après la période de garantie), vous pouvez contacter votre revendeur le plus proche.

Remarque importante : il n'est pas possible de renvoyer l'appareil pour réparation directement à Lenco.

Remarque importante : si l'appareil est ouvert ou modifié de quelque manière que ce soit par un réparateur non agréé, la garantie serait caduque.

Cet appareil ne convient pas à une utilisation professionnelle. En cas d'utilisation professionnelle, les obligations de garantie du fabricant seront annulées.

Clause de non-responsabilité

Des mises à jour du logiciel ou des composants informatiques sont régulièrement effectuées. Il se peut donc que certaines instructions, caractéristiques et images présentes dans ce document diffèrent légèrement de votre configuration spécifique. Tous les articles décrits dans ce guide sont fournis uniquement à des fins d'illustration et peuvent ne pas s'appliquer à une configuration spécifique. Aucun droit légal ne peut être obtenu depuis les informations contenues dans ce manuel.



Mise au rebut de l'appareil usagé

Ce symbole indique que le produit électrique concerné ainsi que les piles ne doivent pas être jetés avec les autres déchets ménagers en Europe. Pour garantir un traitement correct des piles et de l'appareil usagés, veuillez les mettre au rebut conformément aux réglementations locales en vigueur relatives aux appareils électriques et aux piles. En agissant de la sorte, vous contribuerez à la préservation des ressources naturelles et à l'amélioration des niveaux de protection environnementale concernant le traitement et la destruction des déchets électriques (directive sur les déchets des équipements électriques et électroniques).

DECLARATION DE CONFORMITE

Le soussigné, Commaxx, déclare que l'équipement radioélectrique du type [Lenco LS-600] est conforme à la directive 2014/53/UE. Le texte complet de la déclaration UE de conformité est disponible à l'adresse internet suivante:

https://commaxx-certificates.com/doc/ls-600_doc.pdf

Type RF	Bande de fréquences (MHz)	Puissance (dBm)
Bluetooth	2402-2480	< 6

Service après-vente

Pour en savoir plus et obtenir de l'assistance, visitez <https://www.lenco.com>

Commaxx B.V. Wiebachstraat 37, 6466 NG Kerkrade, Pays-Bas.

PRECAUCIÓN:

El uso de controles o ajustes o rendimiento de procedimientos excepto aquellos que los aquí especificados puede provocar una exposición peligrosa a la radiación.

PRECAUCIONES PREVIAS AL USO

TENGA ESTAS INSTRUCCIONES EN MENTE:

1. No cubra o bloquee ninguna apertura de ventilación. Cuando coloque el dispositivo en una estantería, deje 5 cm (2") de espacio libre alrededor de todo el dispositivo.
2. Instálelo conforme al manual de usuario que se adjunta.
3. Mantenga el aparato alejado de fuentes de calor, como radiadores, calentadores, estufas, velas u otros productos que generen calor o llama viva. El aparato solo puede usarse en climas moderados. Se deben evitar los ambientes extremadamente fríos o cálidos. La gama de temperatura de funcionamiento es de entre 0° y 35°C.
4. Evite usar el dispositivo cerca de campos magnéticos fuertes.
5. Una descarga electrostática puede entorpecer el uso normal de este dispositivo. En tal caso, simplemente reinicielo siguiendo el manual de instrucciones. Durante la transmisión de archivos, por favor manéjelo con cuidado opérelolo en un entorno libre de electricidad estática.
6. ¡Advertencia! Nunca inserte un objeto en el producto a través de las ventilaciones o aperturas. Alto voltaje fluye a través del producto e insertar un objeto puede provocar una descarga eléctrica y/o un cortocircuito de sus componentes internos. Por el mismo motivo, no derrame agua o líquidos en el producto.
7. No lo utilice en zonas húmedas, como cuartos de baño, cocinas en las que se forme vapor ni cerca de piscinas.
8. El aparato no debe exponerse a goteos o salpicaduras y asegúrese de que se colocan sobre o cerca del aparato objetos llenos de líquidos, como jarrones.
9. No use este dispositivo cuando se pueda producir condensación. Cuando la unidad se usa en una sala húmeda cálida, se pueden formar gotitas de agua o condensación en el interior de la unidad y esta puede no funcionar adecuadamente; deje que la unidad se apague durante 1 o 2 horas antes de volver a encender la unidad: el aparato debe estar seco antes de conectarse a una fuente de alimentación.
10. Aunque este dispositivo está fabricado con el máximo cuidado y comprobado varias veces antes de salir de fábrica, todavía es posible que se puedan producir problemas, al igual que con todos los aparatos eléctricos. Si observa la aparición de humo, una acumulación excesiva de calor o cualquier otro fenómeno inesperado, deberá desconectar inmediatamente el enchufe de la toma de corriente.
11. Este dispositivo debe funcionar con una fuente de alimentación que se especifica en la etiqueta de especificaciones. Si no está seguro del tipo de alimentación que se usa en su hogar, consulte con el distribuidor o una compañía eléctrica local.
12. Manténgalo alejado de los animales. A algunos animales les encanta morder los cables de alimentación.
13. Para limpiar el dispositivo use un paño seco y suave. No utilice líquidos disolventes ni con base de petróleo. Para eliminar manchas difíciles, puede usar un paño húmedo con detergente diluido.
14. El proveedor no asume ninguna responsabilidad por daños o datos perdidos provocados por un funcionamiento incorrecto, uso incorrecto, modificación del dispositivo o sustitución de la batería.
15. No interrumpa la conexión cuando el dispositivo esté formateando o transfiriendo archivos. En caso contrario, los datos se pueden estropear o perder.
16. Si la unidad dispone de función de reproducción USB, se debe conectar la memoria USB directamente en la unidad. No utilice un cable de extensión USB ya que pueden crear interferencias que causen una pérdida de datos.
17. La etiqueta calificativa se encuentra en la parte inferior o en el panel posterior del aparato.
18. Este dispositivo no está diseñado para su uso por parte de personas (incluyendo niños) con discapacidad física, sensorial o mental o con falta de experiencia o conocimientos, salvo que se les haya dado supervisión o instrucciones acerca del uso correcto del dispositivo por parte de una persona responsable de su seguridad.
19. Este producto está diseñado para un uso no profesional únicamente y no para un uso comercial o industrial.
20. Asegúrese de que la unidad esté fijada en una posición estable. La garantía no cubrirá los daños derivados de usar este producto en una posición inestable, vibraciones o golpes o por no seguir otras advertencias o precauciones que aparecen en este manual de usuario.
21. Nunca retire la carcasa del dispositivo.
22. Nunca coloque este dispositivo sobre otro equipo eléctrico.

23. Mantenga las bolsas de plástico fuera del alcance de los niños.
24. Use únicamente los dispositivos/accesorios especificados por el fabricante.
25. Remita todas las reparaciones al personal cualificado. Es necesario el mantenimiento cuando el aparato presenta cualquier tipo de daño, por ejemplo, el cable de alimentación o el enchufe presentan daños; se ha vertido líquido sobre el aparato; se han caído objetos en el aparato; el aparato se ha expuesto a la lluvia o humedad; el aparato no funciona normalmente o se ha caído.
26. Una larga exposición a sonidos elevados de reproductores de música personales puede provocar una pérdida de audición temporal o permanente.
27. Si el producto viene con un cable de alimentación o un adaptador de corriente de CA:
 - Si se produce cualquier problema, desconecte el cable de alimentación CA y remítalo a mantenimiento por parte de personal cualificado.
 - No pise o pince el adaptador de alimentación. Tenga mucho cuidado, en especial en las zonas alrededor de las tomas y el punto de salida del cable. No coloque objetos pesados en el adaptador de alimentación, ya que pueden dañarlo. ¡Mantenga el dispositivo fuera del alcance de los niños! Si juegan con el cable de alimentación, puede sufrir lesiones graves.
 - Desconecte el dispositivo durante tormentas eléctricas o cuando no vaya a usarse durante periodos prolongados de tiempo.
 - La salida de la toma debe instalarse cerca del equipo y debe ser fácilmente accesible.
 - No sobrecargue las tomas CA o los cables de extensión. La sobrecarga puede provocar un incendio o una descarga eléctrica.
 - Los dispositivos con construcción de Clase 1 deben estar conectados a una toma de corriente con una conexión a tierra protegida.
 - Los dispositivos con construcción de Clase 2 no requieren una conexión a tierra.
 - Sujete siempre el enchufe cuando los extraiga de la toma de corriente. No tire del cable de alimentación. Esto puede provocar un cortocircuito.
 - No utilice un cable de alimentación o enchufe deteriorado o una toma suelta. Si lo hace, podría provocar un incendio o una descarga eléctrica.
28. Si el producto contiene o se entrega con un mando a distancia que contiene pilas de botón / celdas:

Advertencia:

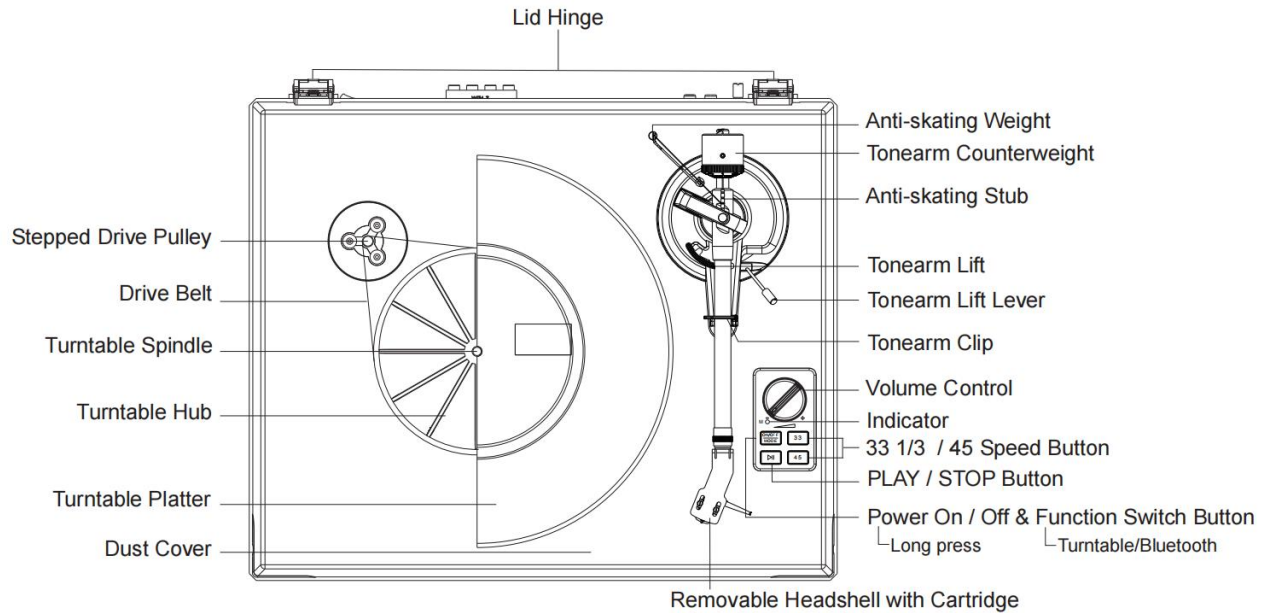
 - “Ni ingiera la pila, riesgo de quemadura química” o frase equivalente.
 - [El mando a distancia que se suministra] Este producto contiene una pila de tipo botón/moneda. Si la pila se traga, puede provocar graves quemaduras internas en sólo 2 horas y podría ocasionar la muerte.
 - Mantenga las pilas nuevas o usadas fuera del alcance de los niños.
 - Si el compartimiento de las pilas no se cierra correctamente, deje de usar el producto y no lo deje al alcance los niños.
 - Si tiene la sospecha de que una pila ha sido ingerida o se encuentra en algún lugar del cuerpo, busque inmediatamente atención médica.
29. Precaución sobre el uso de las pilas:
 - Existe riesgo de explosión si la pila no se sustituye correctamente. Sustitúyala únicamente con otra del mismo tipo u otro equivalente.
 - No se pueden exponer las pilas a temperaturas extremadamente altas o bajas, baja presión de aire a gran altitud durante el uso, almacenamiento o transporte.
 - Si cambia la pila por otra que no sea la correcta, se puede producir una explosión o la fuga de líquidos o gases inflamables.
 - Si arroja la pila al fuego o a un horno caliente, o aplasta o corta mecánicamente una pila, podría provocar una explosión.
 - Si deja una pila en un lugar con temperaturas extremadamente altas, se puede producir una explosión o una fuga de líquido o gas inflamable.
 - Si se expone la pila a una presión de aire extremadamente baja, se puede producir una explosión o la fuga de líquidos o gases inflamables.
 - Se debe prestar atención a los aspectos medioambientales sobre la eliminación de baterías.

INSTALACIÓN

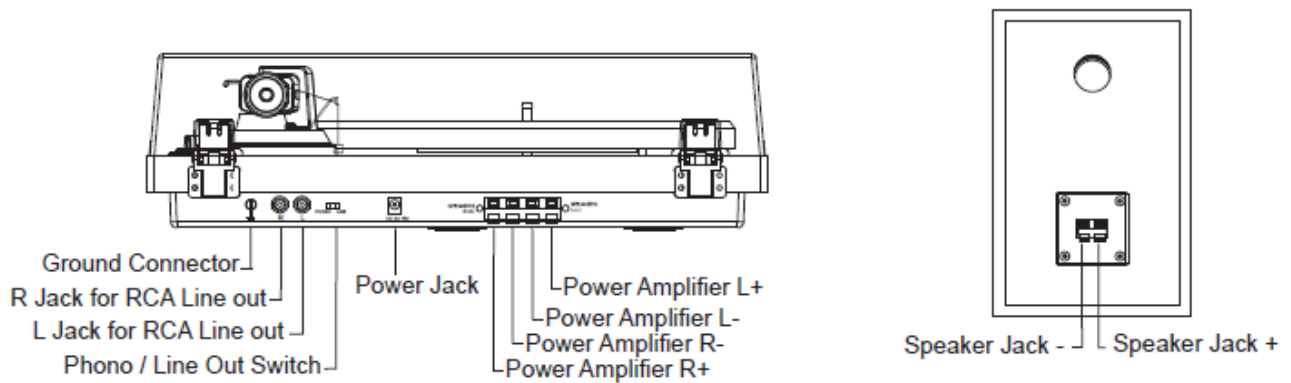
- Desembale todas las piezas y retire el material protector.

- No conecte la unidad a la corriente eléctrica antes de comprobar la tensión de la corriente y antes de que se hayan hecho todas las demás conexiones.

Descripción del producto



EN	ES
Stepped Drive Pulley	Polea de transmisión escalonada
Drive Belt	Correa de transmisión
Turntable Spindle	Cabezal del tocadiscos
Turntable Hub	Eje del tocadiscos
Turntable Platter	Plato de tocadiscos
Dust Cover	Cubierta para el polvo
Lid Hinge	Bisagra de la tapa
Anti-skating Weight	Peso antideslizamiento
Tonearm Counterweight	Contrapeso del brazo de lectura
Anti skating Stub	Pitillo antideslizamiento
Tonearm Lift	Elevador del brazo de lectura
Tonearm Lift Lever	Palanca del brazo
Tonearm Clip	Clip del brazo de lectura
Volume Control	Control de volumen
Indicator	Indicador
Speed Button	Botón de velocidad
PLAY/STOP Button	Botón de REPRODUCIR/DETENER
Power ON/OFF/Function Switch Button	Interruptor de encendido/Botón de cambio de función
Turntable/Bluetooth	Tocadiscos/Bluetooth
Restart the unit (long press)	Reiniciar la unidad (pulsación larga)
Removable Headshell with Cartridge	Cabezal extraíble con cartucho



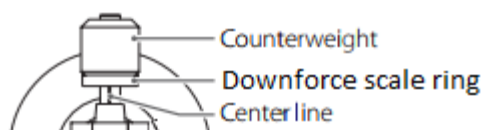
EN	ES
Ground Connector	Conector a tierra
R Jack for RCA Line out	Clavija R para RCA Line out
L Jack for RCA Line out	Clavija L para RCA Line out
Phono/Line Out Switch	Conmutador de Phono/Line Out
Power Jack	Conector de alimentación de entrada
Power Amplifier L+	Amplificador de potencia L+
Power Amplifier L-	Amplificador de potencia L-
Power Amplifier R-	Amplificador de potencia R-
Power Amplifier R+	Amplificador de potencia R+
Speaker Jack -	Clavija de altavoz -
Speaker Jack +	Clavija de altavoz +

Instalación inicial

1. Coloque la unidad sobre una superficie limpia y nivelada. El lugar seleccionado debe ser estable y no tener vibraciones.
2. Instale la tapa del tocadiscos en las bisagras.
3. Quite la tira que sujeta el brazo de lectura.
4. Coloque la correa de transmisión alrededor del eje del tocadiscos y a continuación con el accesorio de la correa provisto tire de la correa para se ajuste alrededor de la ranura de la polea del motor.
5. Coloque el plato del tocadiscos a través del eje del cabezal del tocadiscos.
6. Coloque la alfombrilla encima del plato del tocadiscos.
7. Deslice el **contrapeso del brazo de lectura** sobre el brazo de lectura y gírelo levemente sobre el eje posterior del brazo de lectura.
8. Ajuste el contrapeso para establecer la presión correcta de la aguja.
9. Coloque el peso antideslizamiento
10. Conecte el adaptador CA-CC a la **clavija de alimentación** de la unidad.

Nota: No enchufe el adaptador de alimentación de CA a la toma de corriente antes de que haya terminado de instalar la unidad.

Ajuste de fuerza descendente del cartucho



EN	ES
Counterweight	Contrapeso
Downforce scale ring	Anillo de escala de fuerza descendente
Center line	Línea central

El Contrapeso que se suministra es apto para cartuchos que pesen entre 6,0-8,0 g.

Empuje suavemente y gire el contrapeso hacia la parte posterior del brazo (con la escala dando hacia la parte delantera del tocadiscos).

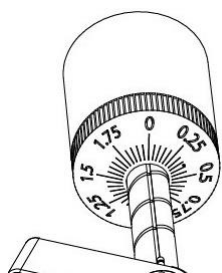
Retire el tapón de protección del cartucho.

Baje el brazo y coloque el cartucho en el espacio entre el soporte del brazo y el plato.

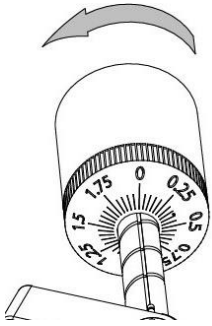
Gire con cuidado el contrapeso hasta que el brazo se equilibre. El brazo debe volver a la posición equilibrada si se mueve hacia arriba o hacia abajo. Este ajuste debe hacerse con cuidado.



Una vez que el brazo está correctamente equilibrado devuélvalo a su soporte. Sujete el contrapeso sin moverlo y suavemente gire el anillo de la escala de fuerza descendente hasta que el cero esté en línea con la línea negra situada en la parte posterior brazo. Compruebe si el brazo todavía está nivelado.



Gire el contrapeso hacia la izquierda (visto desde el frente) para ajustar la fuerza descendente conforme a las recomendaciones del fabricante del cartucho. Una marca en la escala representa 0,05 g de fuerza descendente.

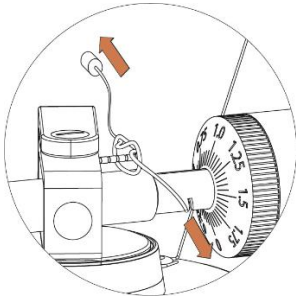


NOTA: La fuerza descendente recomendada para el cartucho instalado en fábrica es de $2,0 \pm 0,2$ g.

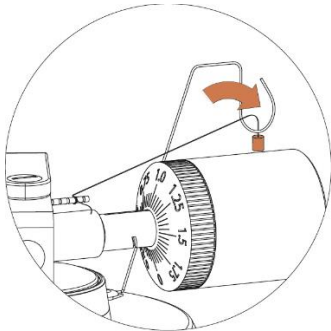
Coloque el peso antideslizamiento

Encontrará un peso antideslizamiento con un pequeño estrobo de sujeción del paquete, siga los pasos que se indican a continuación para colocar el peso antideslizamiento:

1. Deslice el extremo enrollado del estrobo de sujeción sobre la tornamesa de ajuste de peso antideslizamiento y en la 3ª ranura (la fuerza antideslizamiento correcta para el cartucho equipado de fábrica).



2. Tire levemente del peso antideslizamiento para que la tira del estrobo de sujeción pueda moverse hacia la tornamesa.
3. Levante el peso antideslizamiento sobre el soporte del cable del peso antideslizamiento. En este momento el peso antideslizamiento debe colgar en el espacio libre que hay a la izquierda del soporte.



Debe ajustarse la fuerza antideslizamiento en correspondencia con la fuerza descendente de la manera siguiente:

Fuerza descendente	Ranura en la tornamesa
0.51 - 1.02 g	1º desde los anillos del cojinete
1.02 - 1.53 g	2ª " " "
1.53 - 2.00 g	3ª " " "
2.00 g O más	4ª " " "



Conexión del sistema estéreo

Clavijas RCA

- Ambas clavijas RCA de esta unidad se utilizan como clavijas de salida Phone y clavijas de salida Line. Se determinan por medio del interruptor Phono/Line.
- Cuando se utilizan como salida Line, las clavijas emiten señales analógicas de nivel de línea y se pueden conectar directamente con un par de altavoces activos o a la entrada correcta de su sistema estéreo. Cuando se utilizan como salida Phono, se deben conectar al preamplificador Phono o la entrada Phono del sistema estéreo.
- La toma Roja se conecta con el canal derecho y la toma Blanca se conecta con el canal izquierdo.

Nota:

- Si se establece el interruptor Phono/Line a la posición LINE pero se conectan las clavijas RCA a la entrada Phono del sistema estéreo, es posible que se distorsione el sonido debido a una sobrecarga de entrada y su sistema estéreo se podría averiar.
- Si se establece el interruptor Phono/Line a la posición PHONO pero conecta las clavijas RCA a la entrada Line del sistema estéreo, el volumen será muy bajo debido a la falta de preamplificación de señal.

La clavija RCA no está diseñada para poderse conectar directamente a altavoces pasivos/sin alimentación y, si lo hace, el volumen será muy bajo.

Conexión de altavoz

Los terminales de altavoz con abrazadera de resorte emiten señales amplificadas de nivel de altavoz como salida y se deben conectar con los altavoces pasivos.

Funcionamiento Bluetooth

1. Mantenga pulsado el botón de encendido/apagado y modo durante 3 segundos para encender el aparato.
2. Pulse el botón de encendido/apagado y modo otra vez para elegir el modo Bluetooth; el indicador se encenderá en azul. Escuchará un sonido de activación.
Encienda el Bluetooth en su dispositivo de audio, busque «Lenco LS-600» y emparejelo.
3. Cuando el dispositivo esté emparejado con la unidad, escuchará un corto sonido de confirmación.
4. Reproduzca y transmita música de su dispositivo a la unidad.

Nota: Versión de Bluetooth, 5.0

Este producto dispone de una función de **recepción** bluetooth, **no puede transmitir ningún sonido bluetooth con ella**: esto significa que puede recibir de forma inalámbrica una señal de sonido bluetooth desde una fuente externa como un smartphone

Funcionamiento del tocadiscos

1. Mantenga pulsado el botón de encendido/apagado y modo durante 3 segundos para encender el aparato.
2. El modo tocadiscos está activo por defecto al encender el aparato; el indicador se encenderá en rojo.
3. Coloque el disco en el tocadiscos. Use el adaptador de 45 RPM si es necesario.
4. Seleccione la fuerza antideslizamiento correcta.

5. Retire el protector de la aguja del conjunto de la aguja.
- Nota: Para evitar que se rompa la aguja, no olvide colocar el protector de la aguja que viene incluido en su lugar siempre que mueva o limpie el tocadiscos.
6. Abra el clip de brazo de lectura de izquierda a derecha.
 7. Pulse el botón PLAY/STOP una vez, el plato comenzará a girar.
 8. Levante con cuidado el brazo de lectura de su soporte y muévelo sobre la parte del disco donde quiere que comience la reproducción. Utilice la palanca de elevación del brazo de lectura para elevarlo y deje se apoye sobre él.
 9. Vuelva a colocar la palanca de elevación del brazo de lectura en posición bajada, el brazo de lectura descenderá lentamente sobre el disco y comenzará la reproducción.
 10. Cuando la música haya terminado, use la palanca de elevación del brazo para levantar el brazo de lectura y devolverlo al soporte. Para suspender la reproducción, repita los mismos pasos.
 11. Pulse de nuevo el botón PLAY/STOP, el plato dejará a girar.
 12. Mantenga pulsado el botón de encendido/apagado y modo durante 3 segundos para apagar el aparato.

Sustitución del cartucho

1. Antes de la sustitución, vuelva a colocar el protector en la aguja para evitar que se dañe la aguja durante el proceso de sustitución.
2. Retire con cuidado los cables del cartucho original.
3. Afloje los dos tornillos de la cubierta que aseguran el cartucho y retire el cartucho original.
4. Monte el nuevo cartucho en la cubierta y apriételo ligeramente. No apriete completamente los tornillos en este punto.
5. Conecte los cables a las terminales del nuevo cartucho. A continuación se especifican los colores del cable:

Blanco	Canal izquierdo positivo	(L+)
Azul	Canal izquierdo negativo	(L-)
Rojo	Canal derecho positivo	(R+)
Verde	Canal derecho negativo	(R-)

6. Ajuste la posición del cartucho para asegurarse de que está alineado con precisión a la cubierta de forma que la aguja realizará un seguimiento de los surcos en paralelo a la perfección.

Para conseguirlo, coloque el transportador de alineación del cartucho sobre el eje del tocadiscos; levante con cuidado el brazo y coloque la punta de la aguja sobre los puntos marcados 130 mm y 250 mm respectivamente. Ajuste bien la posición del cartucho en la cubierta hasta que el cartucho se encuentre perfectamente en paralelo con las líneas de referencia en ambos puntos.

7. Apriete completamente los tornillos una vez que se consiga la alineación perfecta.

Especificaciones

Unidad principal

Alimentación	Adaptador de CA, salida CC 15 V 2400 mA
Consumo de energía	36 W
Potencia de salida	2 x 30 W RMS
Velocidad del tocadiscos	33 1/3, 45 RPM
Variación de velocidad	± 1,0 %
Loro y fluctuación	< 0,15 %
Señal a ruido	72 dB
Rango de carga	0-2,2 g
Longitud efectiva del brazo	8,6" (218,5 mm)
Saliente	0,73"
Dimensiones del tocadiscos (Anch. X Alt. X Pro.)	418 x 123 x 346 mm, con la tapa abierta 420 x 410 x 420 mm
Peso	5,77 kgs

Altavoz

Altavoz de agudos	8 Ω 10 W x 2
Woofers	4 Ω 30 W x 2
Dimensiones del altavoz (Anch. x Alt. x Pro.)	162 x 248 x 158 mm
Peso	3,76 kgs

Aguja: AT-VM95E

Respuesta de frecuencia	20-20,000 Hz
Balance de canal	< 2,0 dB
Separación de canal	20 (dB at 1 kHz)
Tensión de salida	4,0 mV
Resistencia de carga recomendada	47 kΩ
Conexión del amplificador	Entrada MM
Presión de seguimiento recomendada	1,8-2,2g (2,0g de serie)
Peso	6,1 g

Nota:

- El diseño y las especificaciones podrían modificarse sin previo aviso.

Adaptador de corriente:

Fabricante: Brightpower Optoelectronic Technology Co., Ltd.

Número de modelo: SW1502400-IM/ S036A1502400M

Input voltage: 100-240V

Input AC frequency: 50/60Hz

Output voltage: DC 15V

Output current: 2.4A

Output Power: 36W

Average active efficiency: 87.58%

Efficiency at low load (10%): 84 %

No load Power consumption: 0.080W

Utilice únicamente la fuente de alimentación indicada en las instrucciones de uso

Mantenimiento del tocadiscos

1. No toque la punta de la aguja con los dedos. Tenga cuidado de que la aguja no golpee la alfombrilla del tocadiscos o el borde de un disco.
2. Limpie la aguja de forma regular con un cepillo de cerdas blandas con un movimiento de adentro hacia afuera.
3. Limpie los discos para quitar el polvo o la grasa con un cepillo de limpieza de discos y una solución de limpieza de discos.
4. Limpie la tapa y la caja del tocadiscos con un paño de microfibra ligeramente humedecido.

Nota: No utilice un limpiador que contenga alcohol, benceno cualquier otro producto químico agresivo, ya que se podría dañar la pintura y el acabado del tocadiscos.

Solución de problemas

No hay alimentación

- El adaptador de corriente no está conectado correctamente.
- No hay alimentación en la toma de corriente.

La alimentación está encendida, pero el plato no gira

- Esta unidad no está en modo tocadiscos. Pulse el botón MODE para el modo tocadiscos, el indicador se iluminará en azul.
- Tiene que pulsar botón PLAY/STOP una vez para que comience la reproducción.
- No está instalada la correa de transmisión del tocadiscos o se ha salido.

El tocadiscos gira, pero no hay sonido o el sonido no es lo suficientemente alto

- El protector de la aguja todavía está puesto.
- El brazo de lectura se levanta con la palanca.
- El interruptor Phono/Line se ha establecido a la posición PHONO pero las clavijas RCA están conectadas a la entrada Line del sistema estéreo.
- Ha olvidado conectar el altavoz al altavoz.

Sonido distorsionado o inconsistente desde uno o ambos canales:

- El tocadiscos está conectado a una toma errónea del amplificador.
- Aguja o soporte dañados.
- Correa sobreestirada o sucia.
- Cojinete del plato sin aceite, sucio o con daños.
- Polvo en la aguja.
- Interruptor MM/MC del preamplificador configurado incorrectamente.

El disco suena demasiado rápido o demasiado lento

- Ha seleccionado una velocidad incorrecta para el disco.

Fuerte zumbido en la entrada Phono

- No se ha conectado el cable a tierra correctamente.
- Tocabiscos demasiado cerca de los altavoces.

Observación:

Para proteger la aguja, el plato se detendrá automáticamente si no ha estado reproduciendo música durante 1 minuto. Para reducir el consumo de energía, la unidad completa cambiará a modo de espera de forma automática si no se ha reproducido música durante 20 minutos aproximadamente.

Para reiniciar el aparato, mantenga pulsado el botón de encendido/apagado y modo. Si su unidad se apaga regularmente, no es un defecto.

Garantía

Lenco ofrece servicio y garantía en cumplimiento con las leyes de la Unión Europea, lo cual implica que, en caso de que su producto precise ser reparado (tanto durante como después del periodo de garantía), deberá contactar directamente con su distribuidor.

Nota importante: No es posible enviar sus reparaciones directamente a Lenco.

Nota importante: Si la unidad es abierta por un centro de servicio no oficial, la garantía quedará anulada.

Este aparato no es adecuado para el uso profesional. En caso de darle un uso profesional, todas las obligaciones de garantía del fabricante quedarán anuladas.

Exención de responsabilidad

Regularmente se llevan a cabo actualizaciones en el Firmware y en los componentes del hardware. Por esta razón, algunas de las instrucciones, especificaciones e imágenes incluidas en este documento pueden diferir ligeramente respecto a su situación particular. Todos los elementos descritos en esta guía tienen un objetivo de mera ilustración, y pueden no ser de aplicación en su situación particular. No se puede obtener ningún derecho ni derecho legal a partir de la descripción hecha en este manual.



Eliminación del antiguo dispositivo

Este símbolo indica que no deberá deshacerse del producto eléctrico o batería en cuestión junto con los residuos domésticos, en el ámbito de la UE. Para garantizar un tratamiento residual correcto del producto y su batería, por favor, elimínelos cumpliendo con las leyes locales aplicables sobre requisitos para el desechado de equipos eléctricos y baterías. De hacerlo, ayudará a conservar recursos naturales y mejorar los estándares de protección medioambiental en el tratamiento y eliminación de residuos eléctricos (Directiva sobre la Eliminación de Equipos Eléctricos y Electrónicos).

DECLARACIÓN DE CONFORMIDAD

Por la presente, Commaxx declara que el tipo de equipo radioeléctrico [Lenco LS-600] es conforme con la Directiva 2014/53/UE. El texto completo de la declaración UE de conformidad está disponible en la dirección Internet siguiente:

https://commaxx-certificates.com/doc/ls-600_doc.pdf

Tipo de radiofrecuencia	Rango de frecuencia (MHz)	Potencia (dBm)
Bluetooth	2402-2480	< 6

Servicio

Para obtener más información y soporte del departamento técnico, por favor, visite la página web

<https://www.lenco.com>

Commaxx B.V. Wiebachstraat 37, 6466 NG Kerkrade, Países Bajos.

ATTENZIONE:

L'utilizzo di controlli o regolazioni o l'esecuzione di procedure diverse da quelle specificate può causare l'esposizione a radiazioni pericolose.

PRECAUZIONI PRIMA DELL'USO

CONSERVARE QUESTE ISTRUZIONI:

1. Non coprire o bloccare le aperture di ventilazione. Quando si posiziona il dispositivo su uno scaffale, lasciare uno spazio libero di 5 cm (2") attorno all'intero perimetro.
2. Installare secondo quanto riportato nel manuale fornito.
3. Tenere il dispositivo lontano da sorgenti termiche come radiatori, termosifoni, stufe, candele e altri prodotti che generano calore o fiamme libere. Il dispositivo può essere utilizzato solo in climi moderati. Evitare ambienti estremamente freddi o caldi. Temperatura operativa compresa tra 0° e 35°C.
4. Evitare l'uso del dispositivo in presenza di forti campi magnetici.
5. Le scariche elettrostatiche possono interferire con il normale utilizzo di questo dispositivo. In tal caso, è sufficiente ripristinare e riavviare il dispositivo seguendo il manuale di istruzioni. Durante la trasmissione di file, maneggiarlo con cura e operare in un ambiente privo di elettricità statica.
6. **Avviso!** Non inserire mai oggetti nel prodotto attraverso le prese d'aria o le aperture. All'interno del prodotto sono presenti tensioni elevate e l'inserimento di un oggetto può provocare scariche elettriche e/o cortocircuiti. Per lo stesso motivo, non versare acqua o liquidi sul prodotto.
7. Non utilizzare in aree umide o bagnate come bagni, cucine con vapore o piscine.
8. Non esporre il dispositivo a schizzi o gocciolamenti di liquidi; non poggiare sopra o accanto al dispositivo oggetti contenenti liquidi, ad esempio vasi.
9. Non utilizzare questo dispositivo in caso di condensa. Quando l'unità viene utilizzata in una stanza calda e umida, all'interno dell'unità possono formarsi goccioline d'acqua o condensa e l'unità potrebbe non funzionare correttamente; lasciare l'unità spenta per 1 o 2 ore prima di accenderla: l'unità deve essere asciutta prima di essere alimentata.
10. Sebbene questo dispositivo sia fabbricato con la massima cura e controllato più volte prima di lasciare la fabbrica, è comunque possibile che si verifichino problemi come per qualsiasi altra apparecchiatura elettrica. Se si nota fumo, eccessivo accumulo di calore o altri fenomeni imprevisti, scollegare immediatamente la spina dalla presa di alimentazione principale.
11. Questo dispositivo deve funzionare con una fonte di alimentazione con i valori indicati sull'etichetta delle specifiche. Se non si è sicuri del tipo di alimentazione utilizzata in casa, consultare il rivenditore o la compagnia elettrica locale.
12. Tenere fuori dalla portata degli animali domestici, Ad alcuni animali piace mordere i cavi di alimentazione.
13. Per pulire il dispositivo, utilizzare un panno morbido e asciutto. Non usare solventi o liquidi a base di benzina.
Per rimuovere le macchie persistenti, è possibile utilizzare un panno umido con detergente diluito.
14. Il fornitore non è responsabile per danni o perdita di dati causati da malfunzionamento, uso improprio, modifica del dispositivo o sostituzione della batteria.
15. Non interrompere la connessione quando il dispositivo sta formattando o trasferendo file. In caso contrario, i dati potrebbero essere danneggiati o andare persi.
16. Se l'unità dispone della funzione di riproduzione USB, la chiavetta USB deve essere collegata direttamente all'unità. Non utilizzare una prolunga USB perché può causare interferenze con conseguenti anomalie dati.
17. L'etichetta di classificazione è stata contrassegnata sul pannello inferiore o posteriore del dispositivo.
18. Questo dispositivo non è destinato all'uso da parte di persone (compresi i bambini) con disabilità fisiche, sensoriali o mentali, o mancanti di esperienza e conoscenza, a meno che non siano sotto supervisione o abbiano ricevuto istruzioni circa l'uso corretto del dispositivo da parte di chi è responsabile per la loro sicurezza.
19. Questo prodotto è destinato esclusivamente all'uso non professionale e non commerciale o industriale.
20. Assicurarsi che l'unità sia collocata in una posizione stabile. I danni causati dall'uso di questo prodotto in una posizione instabile, vibrazioni o urti o la mancata osservanza di qualsiasi altro avvertimento o precauzione indicati in questo manuale utente non saranno coperti da garanzia.
21. Non rimuovere mai la carcassa di questo dispositivo.
22. Non posizionare mai questo dispositivo su altre apparecchiature elettriche.
23. Non permettere ai bambini di accedere ai sacchetti di plastica.
24. Utilizzare solo collegamenti/accessori specificati dal produttore.

25. Rivolgersi a personale qualificato per l'assistenza. L'assistenza è necessaria quando il dispositivo è stato in qualche modo danneggiato, come il cavo di alimentazione o la spina, quando è stato versato del liquido o sono caduti oggetti nel dispositivo, quando il dispositivo è stato esposto a pioggia o umidità, non funziona normalmente o è stato abbandonato.
26. L'esposizione prolungata ai suoni ad alto volume dei lettori musicali può causare una perdita temporanea o permanente dell'udito.
27. Se il prodotto viene consegnato con cavo di alimentazione o adattatore di alimentazione CA:
 - In caso di problemi, scollegare il cavo di alimentazione CA e rivolgersi a personale qualificato per l'assistenza.
 - Non calpestare o schiacciare l'alimentatore. Fare molta attenzione, in particolare vicino alle prese e al punto di uscita del cavo. Non posizionare oggetti pesanti sull'alimentatore in quanto potrebbero danneggiarlo. Tenere il dispositivo fuori dalla portata dei bambini. Giocando con il cavo di alimentazione possono infortunarsi seriamente.
 - Scollegare il dispositivo durante i temporali o quando non viene utilizzato per un lungo periodo.
 - La presa di corrente deve essere installata vicino all'apparecchio e deve essere facilmente accessibile.
 - Non sovraccaricare le prese CA né le prolunghie. Il sovraccarico può causare incendi o scariche elettriche.
 - I dispositivi con struttura di classe 1 devono essere collegati a una presa di rete con connessione di messa a terra di protezione.
 - I dispositivi con struttura di classe 2 non richiedono un collegamento a terra.
 - Tenere sempre la spina quando la si estrae dalla presa di rete. Non tirare il cavo di alimentazione. Ciò può causare un cortocircuito.
 - Non utilizzare un cavo o una presa di alimentazione danneggiati o una presa non fissata. Tale azione potrebbe provocare incendi o scariche elettriche.
28. Se il prodotto contiene o viene consegnato con un telecomando contenente batterie a pulsante/a bottone:

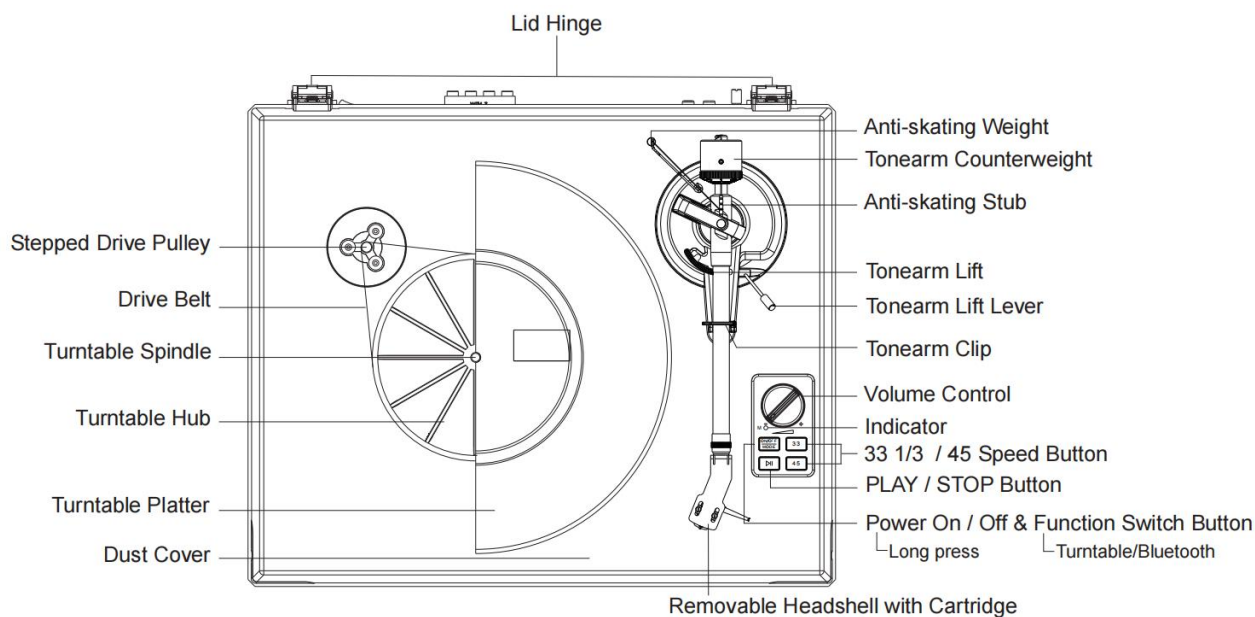
Avvertenza:

 - "Non ingerire la batteria, pericolo di ustioni chimiche" o funzionamento equivalente.
 - (Il telecomando in dotazione con) Il presente prodotto contiene una pila a bottone. Se ingerita, la batteria può causare gravi ustioni interne in sole 2 ore e portare alla morte.
 - Tenere le batterie, nuove o usate, fuori dalla portata dei bambini.
 - Se il vano batteria non si chiude completamente, interrompere l'uso del dispositivo e tenerlo fuori dalla portata dei bambini.
 - Se si teme che delle batterie possano essere state inghiottite o essere venute a contatto con qualsiasi parte interna del corpo, contattare immediatamente un medico.
29. Precauzioni sull'uso delle batterie:
 - Pericolo di esplosione se la batteria viene sostituita in modo errato. Sostituire solo con lo stesso tipo o equivalente.
 - Non sottoporre le batterie a temperature estreme alte o basse, bassa pressione dell'aria ad alta quota durante l'uso, lo stoccaggio o il trasporto.
 - La sostituzione con una batteria di tipo errato può provocare un'esplosione o la perdita di liquidi o gas infiammabili.
 - Lo smaltimento di una batteria nel fuoco o in un forno caldo o lo schiacciamento o il taglio meccanico di una batteria possono provocare un'esplosione.
 - Lasciare una batteria in un ambiente circostante a temperatura estremamente elevata può provocare un'esplosione o una perdita di liquidi o gas infiammabili.
 - Una batteria soggetta a una pressione dell'aria estremamente bassa può provocare un'esplosione o una perdita di liquidi o gas infiammabili.
 - È necessario prestare attenzione agli aspetti ambientali legati allo smaltimento delle batterie.

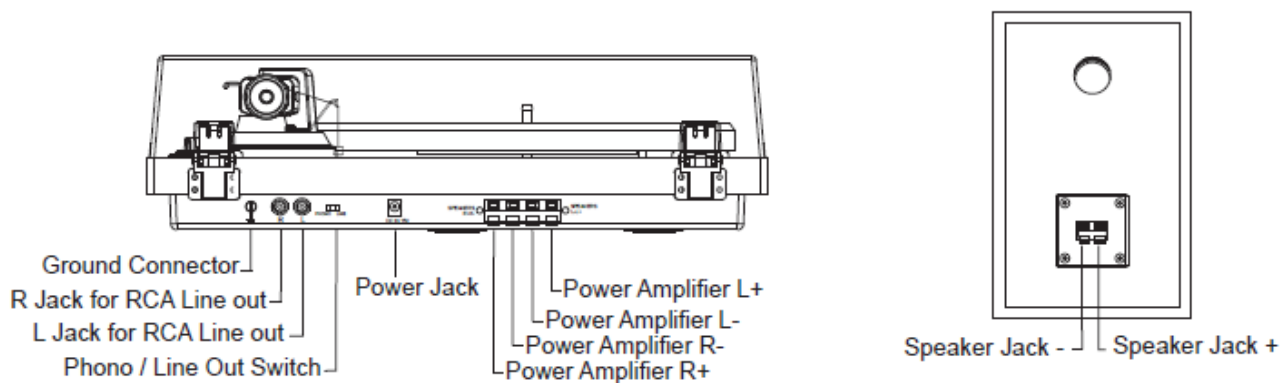
INSTALLAZIONE

- Disimballare tutte le parti e rimuovere il materiale protettivo.
- Non collegare l'unità alla rete elettrica prima di avere controllato la tensione di rete e prima che siano stati effettuati tutti gli altri collegamenti.

Descrizione del prodotto



EN	IT
Stepped Drive Pulley	Puleggia motrice a gradini
Drive Belt	Cinghia di trasmissione
Turntable Spindle	Alberino del giradischi
Turntable Hub	Mozzo del giradischi
Turntable Platter	Piatto girevole
Dust Cover	Copertura antipolvere
Lid Hinge	Cardini del coperchio
Anti-skating Weight	Peso anti-skating
Tonearm Counterweight	Contrappeso braccio
Anti skating Stub	Mozzo anti-skating
Tonearm Lift	Sollevamento braccio
Tonearm Lift Lever	Leva di sollevamento del braccio
Tonearm Clip	Clip braccio
Volume Control	Controllo volume
Indicator	Indicatore
Speed Button	Pulsante velocità 33 1/3 / 45
PLAY/STOP Button	Pulsante PLAY/STOP
Power ON/OFF/Function Switch Button	Interruttore/ Selettore funzione
Turntable/Bluetooth	Giradischi/Bluetooth
Restart the unit (long press)	Riavviare l'unità (pressione prolungata)
Removable Headshell with Cartridge	Conchiglia rimovibile con testina



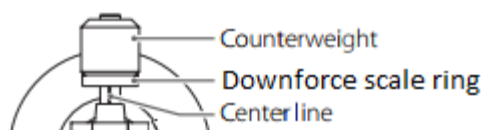
EN	IT
Ground Connector	Connettore di terra
R Jack for RCA Line out	Jack R per uscita RCA
L Jack for RCA Line out	Jack L per uscita RCA
Phono/Line Out Switch	Selettore Phono/Linea uscita
Power Jack	Jack alimentazione
Power Amplifier L+	Amplificatore di potenza L+
Power Amplifier L-	Amplificatore di potenza L-
Power Amplifier R-	Amplificatore di potenza R-
Power Amplifier R+	Amplificatore di potenza R+
Speaker Jack -	Jack altoparlante -
Speaker Jack +	Jack altoparlante +

Configurazione iniziale

1. Porre l'unità su una superficie piana e a livello. La posizione selezionata dovrebbe essere stabile e priva di vibrazioni.
2. Montare il coperchio del giradischi sui cardini.
3. Rimuovere la fascetta che tiene il braccio.
4. Mettere la cinghia di trasmissione attorno al mozzo del giradischi, quindi utilizzare il gancio della cinghia fornito per aiutare a tirare la cinghia per adattarla alla scanalatura della puleggia del motore.
5. Porre il piatto del giradischi attraverso l'alberino del giradischi.
6. Porre il tappetino antiscivolo sul piatto del giradischi.
7. Far scorrere il **contrappeso del braccio** sul braccio e ruotarlo leggermente sull'asta posteriore del braccio.
8. Regolare il contrappeso per impostare la pressione corretta della puntina.
9. Individuare il peso anti-skating
10. Collegare l'adattatore CA-CC al **jack di alimentazione** dell'unità.

Nota: Non collegare l'adattatore di alimentazione CA alla presa di corrente prima che tutto l'assemblaggio sia completato.

Regolazione della pressione della testina



EN	IT
Counterweight	Contrappeso
Downforce scale ring	Anello della scala di deportanza
Center line	Linea centrale

Il contrappeso fornito è adatto a testine con peso compreso tra 6,0 e 8,0 g.

Premere con delicatezza il contrappeso dal retro del braccio in avanti e ruotarlo (la ghiera deve essere rivolta verso la parte frontale del giradischi).

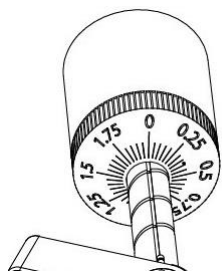
Togliere il cappuccio protettivo della testina.

Abbassare il sollevamento del braccio e posizionare la testina nello spazio tra il supporto del braccio e il piatto.

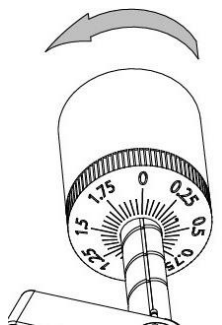
Con attenzione ruotare il contrappeso finché il braccio non è bilanciato. Il braccio dovrebbe tornare alla posizione bilanciata se viene spostato su o giù. Questa regolazione deve essere eseguita con attenzione.



Una volta che il braccio è correttamente bilanciato, rimetterlo sul supporto. Tenere il contrappeso senza spostarlo, e ruotare con attenzione l'anello Scala di forza verso il basso finché lo zero non è in linea con la linea nera sul retro del braccio. Controllare se il braccio è ancora in equilibrio.



Ruotare il contrappeso in senso antiorario (visto dalla parte anteriore) per regolare la forza verso il basso in base alle raccomandazioni del produttore della testina. Un segno sulla scala rappresenta 0,05 g di forza verso il basso.

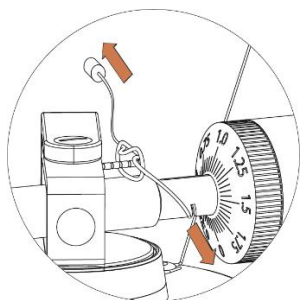


NOTA: La forza verso il basso consigliata per la cartuccia montata in fabbrica è di $2,0 \pm 0,2$ g.

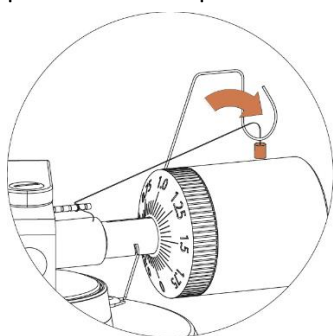
Individuare il peso anti-skating

Troverai un peso anti-skating con una piccola lenza dalla confezione, seguire i passaggi seguenti per individuare il peso anti-skating:

1. Infilare l'estremità ad anello della lenza sopra il mozzo di regolazione del peso anti-skating e nella scanalatura 3a (la forza anti-skating corretta per la testina montata in fabbrica).



2. Tirare leggermente il peso anti-skating per lasciare che il nodo della lenza si sposti sul mozzo.
3. Sollevare il peso anti-skating sul supporto del filo del peso anti-skating. Il peso anti-skating dovrebbe ora penzolare nello spazio libero a sinistra del supporto.



La forza anti-skating deve essere regolata in base alla forza verso il basso come segue:

Forza verso il basso	Scanalatura nel mozzo
0.51 - 1.02 g	1° dagli anelli dei cuscinetti
1.02 - 1.53 g	2° " " "
1.53 - 2.00 g	3a " " "
2.00 g O più	4° " " "



Collegamento del sistema stereo

Jack RCA

- I jack RCA di questa unità sono condivisi sia come jack di uscita Phone che come jack di uscita di linea. Sono determinati dall'interruttore Phono/Line.
- Quando vengono utilizzati come uscita di linea, i jack emettono segnali analogici a livello di linea e possono essere collegati direttamente con una coppia di altoparlanti attivi o l'ingresso appropriato del sistema stereo. Quando vengono utilizzati come uscita Phono, devono essere collegati al preamplificatore fono o all'ingresso fono dell'impianto stereo.
- Lo spinotto rosso si collega al canale destro e lo spinotto bianco si collega al canale sinistro.

Nota:

- Se l'interruttore Phono/Line è impostato sulla posizione LINE ma i jack RCA sono collegati all'ingresso fono del sistema stereo, il suono potrebbe essere distorto a causa del sovraccarico di ingresso e potrebbe danneggiare il sistema stereo.
- Se l'interruttore Phono/Line è impostato sulla posizione PHONO ma i jack RCA sono collegati all'ingresso di linea del sistema stereo, il volume sarà molto basso a causa della mancanza di preamplificazione del segnale. Il jack RCA non è progettato per essere collegato direttamente agli altoparlanti passivi / non alimentati e, in tal caso, il volume sarà molto basso.

Connessione altoparlante

I terminali dell'altoparlante con clip a molla forniscono segnali amplificati a livello di altoparlante come uscita e devono essere collegati agli altoparlanti passivi.

Funzione Bluetooth

1. Tenere premuto il pulsante ACCENSIONE/SPEGNIMENTO& MODALITÀ per 3 secondi per accendere l'unità.
2. Premere nuovamente il pulsante ACCENSIONE/SPEGNIMENTO& MODALITÀ per selezionare la modalità Bluetooth; la spia si illuminerà in blu. L'unità emetterà un suono di attivazione.
Attivare la funzione Bluetooth del dispositivo audio, cercare "Lenco LS-600" ed effettuare l'associazione.
3. Dopo che il dispositivo è stato associato correttamente all'unità, quest'ultima emetterà un breve segnale acustico di conferma.
4. Ora è possibile riprodurre e trasmettere la musica dal dispositivo all'unità.

Nota: Bluetooth versione 5.0

"Questo prodotto ha una funzione di **ricezione** bluetooth, **non puoi trasmettere alcun suono bluetooth con esso**: questo significa che puoi ricevere in modalità wireless un segnale audio bluetooth da una fonte esterna come uno smartphone."

Funzionamento del giradischi

1. Tenere premuto il pulsante ACCENSIONE/SPEGNIMENTO& MODALITÀ per 3 secondi per accendere l'unità.
 2. Per impostazione predefinita, l'unità si accende in modalità giradischi e la spia si illumina in rosso.
 3. Posizionare il disco sul giradischi. Se necessario, utilizzare l'adattatore 45 rpm.
 4. Scegliere la forza anti-skating giusta.
 5. Rimuovere la protezione della puntina dal gruppo puntina.
- Nota: Per evitare danni alla puntina, assicurarsi che la protezione della puntina inclusa sia in posizione ogni volta che il giradischi viene spostato o pulito.
6. Aprire la clip del braccio da sinistra a destra.
 7. Premere una volta il pulsante PLAY/STOP, il piatto inizia a ruotare.
 8. Sollevare delicatamente il braccio dal suo supporto e spostarlo sul disco dove si desidera iniziare la riproduzione. Utilizzare la leva di sollevamento del braccio per sollevare il sollevamento del braccio e lasciare che il braccio poggi su di esso.
 9. Riportare la leva di sollevamento del braccio in posizione abbassata, il braccio scenderà lentamente sul disco e inizierà la riproduzione.
 10. Quando la musica ha finito di suonare, utilizzare la leva di sollevamento del braccio per sollevare il braccio e poi riportarlo sul supporto del braccio. Per sospendere la riproduzione, ripetere gli stessi passaggi.
 11. Premere una volta il pulsante PLAY/STOP, il piatto smette di ruotare.

12. Tenere premuto il pulsante ACCENSIONE/SPEGNIMENTO& MODALITÀ per 3 secondi per spegnere l'unità.

Sostituzione testina

1. prima della sostituzione, riposizionare la protezione della puntina sulla puntina per evitare danni alla puntina durante il processo di sostituzione.
2. Rimuovere con attenzione i fili conduttori dalla testina originale.
3. Allentare le due viti sul guscio della testina che fissano la testina e quindi rimuovere la testina originale.
4. Montare la nuova testina sul portatestina e serrarla leggermente. Non stringere completamente le viti in questo momento.
5. Collegare i conduttori dei cavi ai nuovi terminali delle testine. Il colore del cavo è il seguente:

Bianco	Canale sinistro positivo	(L+)
Blu	Canale sinistro negativo	(L-)
Rosso	Canale destro positivo	(R+)
Verde	Canale destro negativo	(R-)

6. Regolare la posizione della testina per assicurarsi che sia allineata con precisione sul portatestina in modo che la puntina segua perfettamente le scanalature in parallelo.

Per ottenere ciò, posizionare la prolunga di allineamento della testina di carta inclusa sul perno del giradischi, sollevare con cautela il braccio e posizionare la punta della puntina sui punti contrassegnati rispettivamente da 130 mm e 250 mm. Regolare con precisione la posizione della testina sul portatestina fino a quando la testina è perfettamente parallela alle linee di riferimento in entrambi i punti.

7. Serrare completamente le viti una volta ottenuto l'allineamento perfetto.

Specifiche

Unità principale

Alimentazione	Alimentatore CA, uscita CC 15V 2400mA
Consumo di energia	36W
Potenza di uscita	2x 30W RMS
Velocità giradischi	33 1/3, 45 rpm
Varianza di velocità	±1,0%
Wow and Flutter	< 0,15%
Segnale a rumore	72dB
Gamma di deportanza	0-2,2g
Lunghezza del braccio effettiva	8.6" (218,5 mm)
Sporgenza	0,73"
Dimensioni giradischi (L X A X P)	418 X 123 X 346 mm, con coperchio aperto 420 X 410 X 420 mm
Peso	5,77kg

Altoparlante

Tweeter	8Ω 10W X 2
Woofers	4Ω 30W X 2
Dimensioni altoparlante (L X A X P)	162 X 248 X 158 mm
Peso	3,76kg

Puntina: AT-VM95E

Risposta in frequenza	20-20,000 Hz
Bilanciamento canale	<2,0dB
Separazione canale	20 (dB at 1 kHz)
Tensione in uscita	4,0mV
Resistenza di carico raccomandata	47kΩ
Connessione amplificatore	Ingresso – MM
Pressione di tracciamento raccomandata	1,8-2,2g (Standard 2.0g)
Peso	6,1g

Nota:

- Design e specifiche sono soggetti a modifica senza preavviso.

Alimentatore:

Produttore: Brightpower Optoelectronic Technonlgy Co., Ltd.

Numero di modello: SW1502400-IM/ S036A1502400M

Tensione in ingresso: 100-240V

Frequenza in ingresso CA: 50/60 Hz

Tensione in uscita: CC 15V

Corrente in uscita: 2,4A

Potenza in uscita: 36W

Efficienza media attiva: 87,58%

Efficienza a basso carico (10%): 84 %

Nessun carico Consumo energetico: 0,080W

Utilizzare solo l'alimentazione indicata nel presente manuale.

Manutenzione giradischi

1. Non toccare la punta della puntina con le dita. Evitare di urtare la puntina sul tappetino del giradischi o sul bordo di un disco.
2. Pulire spesso la puntina con una spazzola morbida solo con un movimento da dietro a davanti.
3. Pulire i dischi per eliminare polvere o grasso con una spazzola per la pulizia dei dischi e una soluzione per la pulizia dei dischi.
4. Pulire il coperchio del giradischi e l'alloggiamento del giradischi con un panno in microfibra leggermente inumidito.

Nota: Non utilizzare detergenti che contengano alcol, benzene o altri prodotti chimici aggressivi, poiché potrebbero danneggiare la vernice e la finitura del giradischi.

Risoluzione dei problemi

Mancanza di alimentazione

- L'alimentatore non è collegato correttamente.
- Non c'è alimentazione in uscita.

Alimentazione presente, ma il giradischi non gira

- Questa unità non è in modalità giradischi. Premere il pulsante Modalità per la modalità giradischi, la spia è rossa.
- È necessario premere il pulsante PLAY/STOP una volta per avviare la riproduzione.
- La cinghia di trasmissione del giradischi non è montata o è scivolata via.

Il giradischi sta girando, ma non c'è suono, o il suono non è troppo forte

- La protezione della puntina è ancora su.
- Il braccio è sollevato con la leva.
- Il selettore Phono/Line è impostato sulla posizione PHONO ma i jack RCA sono collegati all'ingresso della linea del sistema stereo.
- Dimenticato di collegare l'altoparlante al giradischi.

Suono distorto o assente da uno o da entrambi i canali:

- Il giradischi è collegato all'ingresso sbagliato dell'amplificatore.
- La puntina o il cantilever sono danneggiati.
- La cinghia è troppo tesa o sporca.
- Il cuscinetto del piatto non è lubrificato, è sporco o danneggiato.
- Polvere sulla puntina.
- L'interruttore MM/MC sul preamplificatore è impostato in modo errato.

Il disco suona troppo veloce o troppo piano

- Velocità errata selezionata per il disco.

Forte ronzio dall'ingresso phono

- Il cavo non è collegato correttamente alla terra.
- Il giradischi è troppo vicino agli altoparlanti.

Osservazioni:

Per proteggere la puntina, il piatto si arresta automaticamente se non è riprodotta musica per 1 min. Per ridurre il consumo di corrente, l'intera unità passerà automaticamente in modalità standby se non è riprodotta musica per circa 20 minuti.

**Per riavviare l'unità, tenere premuto il pulsante "ACCENSIONE/SPEGNIMENTO, MODALITÀ".
Se l'unità si spegne regolarmente, ciò non è un difetto.**

Garanzia

Lenco offre assistenza e garanzia in conformità con la legge europea, il che significa che in caso di riparazioni (sia durante che dopo il periodo di garanzia) è necessario contattare il rivenditore locale.

Nota importante: Non è possibile inviare direttamente a Lenco i prodotti da riparare.

Nota importante: Qualora l'unità venga aperta o manomessa in qualsiasi modo da un centro di assistenza non riconosciuto, la garanzia decade.

Questo dispositivo non è adatto per l'uso professionale. Qualora l'unità venga utilizzata per scopi professionali, tutti gli obblighi del produttore derivanti dalla garanzia sono nulli.

Clausola di esclusione della responsabilità

Il firmware e/o i componenti hardware vengono aggiornati regolarmente. Pertanto, è possibile che alcune parti relative a istruzioni, specifiche e immagini contenute nella presente documentazione siano diverse da quanto riscontrato nel singolo caso. Tutte le descrizioni incluse in questa guida sono fornite a puro titolo illustrativo e non si applicano necessariamente alla specifica situazione. Nessun diritto legale o contrattuale può derivare dalle descrizioni contenute nel presente libretto di istruzioni.



Smaltimento a fine vita del dispositivo

Questo simbolo indica che in Europa è vietato gettare il relativo prodotto elettrico o batteria tra i rifiuti domestici. Per il corretto smaltimento a fine vita del prodotto e della batteria, attenersi alle vigenti normative locali per il trattamento dei rifiuti da apparecchiature elettriche ed elettroniche e delle batterie. In tal modo si contribuisce a salvaguardare le risorse naturali e a migliorare gli standard per la protezione dell'ambiente nel trattamento dei rifiuti da apparecchiature elettriche ed elettroniche (Direttiva RAEE).

DICHIARAZIONE DI CONFORMITÀ

Il fabbricante, Commaxx, dichiara che il tipo di apparecchiatura radio [Lenco LS-600] è conforme alla direttiva 2014/53/UE. Il testo completo della dichiarazione di conformità UE è disponibile al seguente indirizzo Internet:

https://commaxx-certificates.com/doc/ls-600_doc.pdf

Tipo RF	Intervallo di frequenze (MHz)	Potenza (dBm)
Bluetooth	2402-2480	< 6

Assistenza

Per ulteriori informazioni e accesso all'helpdesk, visitare il sito <https://www.lenco.com>

Commaxx B.V. Wiebachstraat 37, 6466 NG Kerkrade, Paesi Bassi

ВНИМАНИЕ:

Использование элементов управления или регулирования или выполнение процедур, отличных от указанных в данном документе, может привести к опасному радиационному облучению.

МЕРЫ ПРЕДОСТОРОЖНОСТИ ПЕРЕД ЭКСПЛУАТАЦИЕЙ**СОБЛЮДАЙТЕ СЛЕДУЮЩИЕ ИНСТРУКЦИИ:**

1. Не закрывайте и не блокируйте вентиляционные отверстия. При размещении устройства на полке оставьте вокруг него 5 см (2 дюйма) свободного пространства.
2. Установите устройство в соответствии с руководством пользователя, входящим в комплект поставки.
3. Устройство должно находиться вдали от источников тепла, таких как батареи, обогреватели, нагревательные печи, свечи и другие изделия, выделяющие тепло, или открытое пламя. Устройство можно использовать только в условиях умеренного климата. Следует избегать чрезмерно высоких или низких температур окружающей среды. Рабочая температура составляет от 0 ° до 35 °С.
4. Не используйте устройство вблизи сильных магнитных полей.
5. Электростатический разряд может помешать нормальной эксплуатации устройства. Если это так, просто перезагрузите и перезапустите устройство, следуя инструкции по эксплуатации. Соблюдайте осторожность при передаче файлов и эксплуатируйте устройство в среде, свободной от атмосферных помех.
6. Предупреждение! Не вставляйте какие-либо предметы в изделие через вентиляционные отверстия или проемы. Через изделие проходит высокое напряжение, и вставленный предмет может вызвать поражение электрическим током и/или короткое замыкание внутренних частей. По той же причине не проливайте на изделие воду или любую другую жидкость.
7. Не используйте устройство в помещениях с повышенной влажностью, таких как ванные комнаты, кухни, насыщенные паром, или около бассейнов.
8. Не допускайте попадания на устройство капель или брызг. Следите за тем, чтобы на устройство или рядом с ним не ставились предметы, наполненные жидкостью, например вазы.
9. Не используйте это устройство в среде, где возможно образование конденсата. Когда устройство используется в теплом влажном помещении с повышенной влажностью, внутри устройства могут образовываться капли воды или конденсат, и устройство может работать неправильно; дайте устройству постоять в выключенном состоянии в течение 1 или 2 часов перед включением питания: устройство должно быть сухим, прежде чем подключать питание.
10. Несмотря на то, что это устройство изготовлено с особой тщательностью и несколько раз проверено перед выпуском с завода, возникновение проблем все же возможно, как и со всеми электрическими приборами. Если Вы заметили дым, чрезмерное нагревание или любые другие неожиданные явления, Вам следует немедленно отключить вилку от розетки электропитания.
11. Это устройство должно работать от такого источника питания, как указано на заводской табличке со спецификациями. Если Вы не уверены в том, какой тип источника питания используется в Вашем доме, проконсультируйтесь с Вашим торговым посредником или местной электроэнергетической компанией.
12. Размещайте устройство подальше от животных. Некоторым животным нравится кусать шнур питания.
13. Для очистки устройства используйте мягкую сухую ткань. Не используйте растворители или жидкости на основе бензина. Чтобы удалить устойчивые пятна, Вы можете использовать влажную ткань с разбавленным моющим средством.
14. Поставщик не несет ответственности за повреждение или потерю данных, вызванные неисправностью, неправильным использованием, реконструкцией устройства или заменой батареи.
15. Не прерывайте соединение, когда устройство форматирует или передает файлы. В противном случае данные могут быть повреждены или утеряны.
16. Если в устройстве есть функция воспроизведения через USB, карту памяти USB следует подключать напрямую к устройству. Не используйте удлинительный кабель USB, так как он может вызывать помехи, что приведет к потере данных.
17. Табличка с техническими данными находится на нижней или задней панели устройства.
18. Это устройство не предназначено для использования людьми (включая детей) с физическими, умственными расстройствами, расстройствами чувственного восприятия или с недостатком опыта и

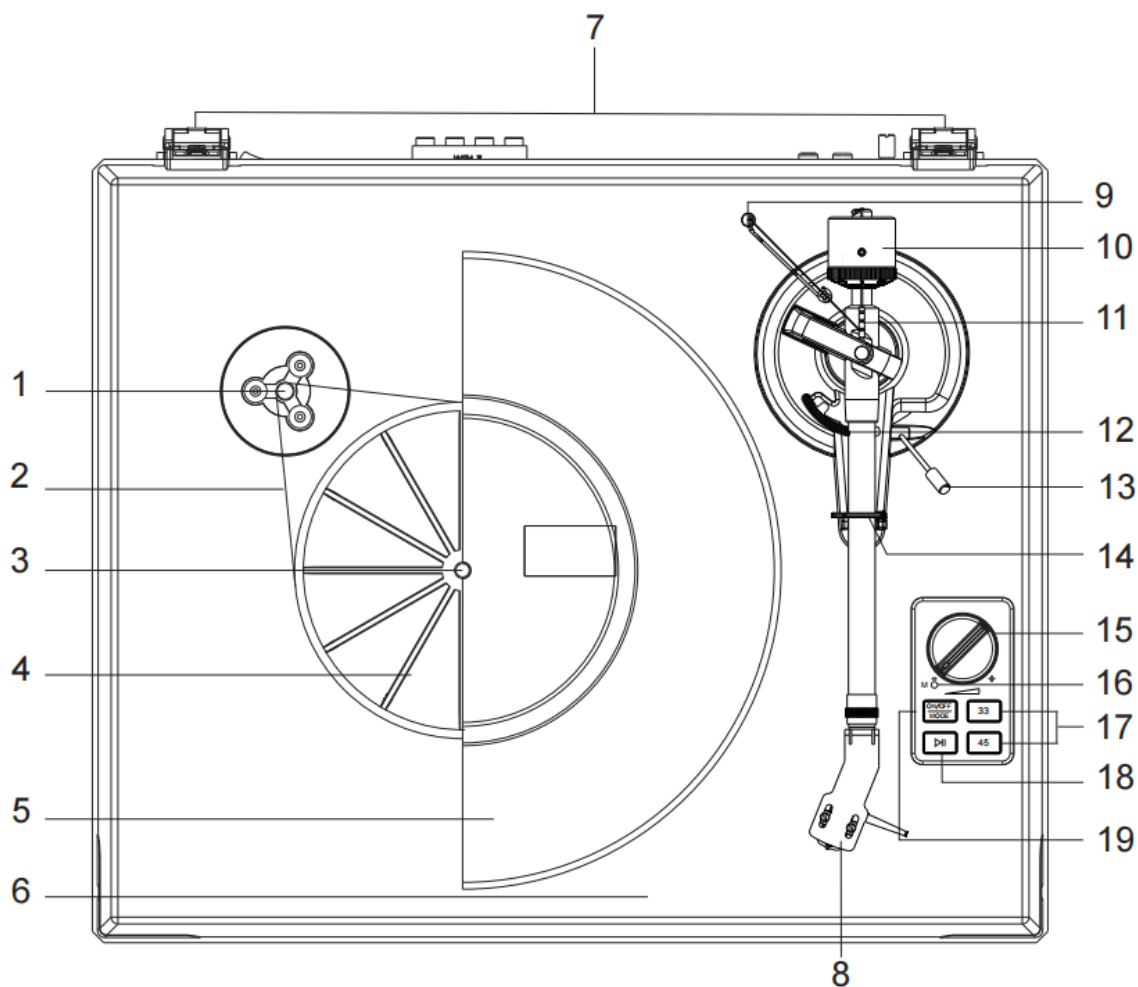
- знаний, если они не находятся под наблюдением или не получили инструкции по правильному использованию устройства со стороны лица, отвечающего за их безопасность.
19. Это изделие не предназначено для профессионального, коммерческого или промышленного использования.
 20. Убедитесь, что устройство установлено в устойчивое положение. Гарантия не распространяется на повреждения, вызванные эксплуатацией этого изделия в нестабильном положении, вибрациями или ударами, либо несоблюдением любых других предупреждений или мер предосторожности, содержащихся в данном руководстве пользователя.
 21. Никогда не снимайте корпус этого устройства.
 22. Никогда не помещайте это устройство на другое электрическое оборудование.
 23. Не допускайте игр детей с пластиковыми пакетами, используемыми для упаковки устройства
 24. Используйте только приспособления/принадлежности, указанные производителем.
 25. Поручите все обслуживание квалифицированному обслуживающему персоналу. Обслуживание требуется, когда устройство было повреждено, например, его шнур электропитания или вилка, когда была пролита жидкость или какие-либо предметы упали на устройство, когда устройство подверглось воздействию дождя или влаги, когда устройство работает ненормально, или когда произошло падение устройства.
 26. Длительное воздействие громких звуков личных музыкальных проигрывателей может привести к временной или постоянной потере слуха.
 27. Если изделие поставляется с кабелем электропитания или адаптером переменного тока:
 - В случае возникновения каких-либо проблем отключите шнур питания переменного тока и обратитесь за обслуживанием к квалифицированному персоналу.
 - Не наступайте на адаптер питания и не зажимайте его. Будьте очень осторожны, особенно возле штекеров и кабельного вывода. Не размещайте на адаптере электропитания тяжелые предметы, так как они могут повредить его. Храните устройство в недоступном для детей месте! Играя с кабелем электропитания, они могут серьезно пораниться.
 - Отключайте это устройство от сети во время грозы или если не используете в течение длительного времени.
 - Штепсельная розетка должна быть установлена рядом с оборудованием и быть в непосредственном доступе.
 - Не перегружайте розетки переменного тока или удлинительные шнуры. Перегрузка может вызвать возгорание или поражение электрическим током.
 - Устройства, спроектированные в соответствии с первым классом электрооборудования по европейским стандартам, «class 1», необходимо подключать к заземленным розеткам электропитания.
 - Устройства, спроектированные в соответствии со вторым классом электрооборудования по европейским стандартам, «class 2», не требуют наличия заземления в сети электропитания.
 - Вынимая вилку из штепсельной розетки, всегда держитесь за вилку. Не тяните за шнур питания. Это может вызвать короткое замыкание.
 - Не используйте поврежденный шнур электропитания, вилку или незакрепленную, ослабленную розетку. Это может привести к возгоранию или поражению электрическим током.
 28. Если продукт содержит или поставляется с пультом дистанционного управления с батареей типа «таблетка»/ «монетка»:
 - Предупреждение:
 - «Не проглатывать батарею, опасность химического ожога» или аналогичные действия.
 - [Пульт дистанционного управления, входящий в комплект] Этот продукт содержит батарейку типа «таблетка»/ «монетка». Если проглотить батарейку, это может вызвать серьезные внутренние ожоги всего за 2 часа и привести к смерти.
 - Храните новые и использованные батареи в недоступном для детей месте.
 - Если батарейный отсек закрывается ненадежно, прекратите использование продукта и храните его в недоступном для детей месте.
 - Если Вы считаете, что батарейки могли быть проглотить или они могли попасть в какую-либо часть тела, немедленно обратитесь за медицинской помощью.
 29. Меры предосторожности при использовании батарей:
 - При неправильной замене батареи существует опасность взрыва. Заменяйте только на такую же батарею или аналогичного типа.

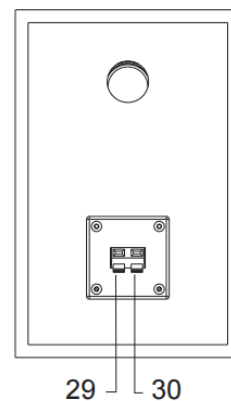
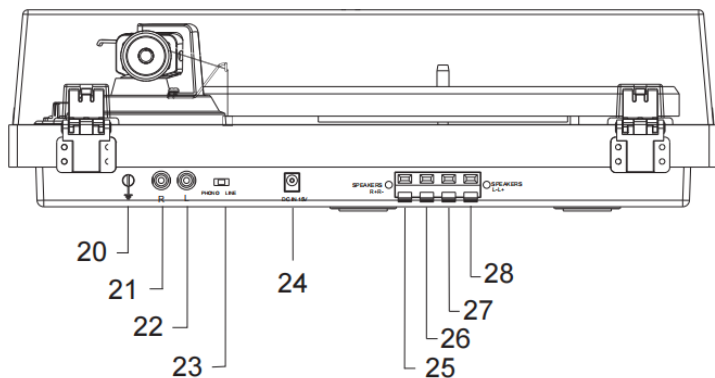
- Аккумулятор нельзя подвергать воздействию чрезмерно высоких или низких температур, низкого давления воздуха на большой высоте во время использования, хранения или транспортировки.
- Замена батареи неподходящего типа может привести к взрыву или утечке воспламеняющейся жидкости или газа.
- Утилизация аккумулятора в огне или в горячей духовке, механическое раздавливание или разрезание аккумулятора может привести к взрыву.
- Нахождение батареи в окружающей среде с очень высокой температурой может привести к взрыву или утечке воспламеняющейся жидкости или газа.
- Батарея, находящаяся под воздействием чрезмерно низкого давления воздуха может привести к взрыву или утечке воспламеняющейся жидкости или газа.
- Следует обратить внимание на экологические аспекты утилизации батарей.

УСТАНОВКА

- Распакуйте все компоненты проигрывателя и снимите защитные материалы.
- Не подключайте устройство к электросети до проверки сетевого напряжения и до выполнения всех остальных подключений.

Описание продукта





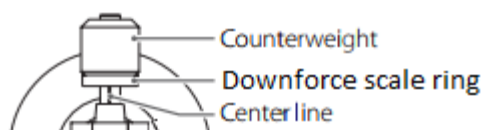
- | | |
|---|--------------------|
| 1. Ступенчатый шкив | 24. Разъем питания |
| 2. Ремень привода | 25. Усилитель R+ |
| 3. Шпиндель | 26. Усилитель R- |
| 4. Ступица поворотного стола | 27. Усилитель L- |
| 5. Тарелка | 28. Усилитель L+ |
| 6. Защитная крышка | 29. Разъем джек – |
| 7. Петли | 30. Разъем джек |
| 8. Картридж | |
| 9. Анти-скейтинговый вес | |
| 10. Противовес тонарма | |
| 11. Регулировка анти-скейтинга | |
| 12. Механизм поднятия тонарма | |
| 13. Рычаг установки тонарма | |
| 14. Фиксирующее кольцо | |
| 15. Регулировка громкости | |
| 16. Индикатор питания | |
| 17. Переключатель скоростей | |
| 18. Кнопка PLAY / STOP | |
| 19. Кнопка включения / Переключение режимов (винил/Bluetooth) (перезапуск проигрывателя – долгое нажатие) | |
| 20. Заземление | |
| 21. Правый джек RCA line out | |
| 22. Левый джек RCA line out | |
| 23. Переключение phono/line | |

Установка

1. Установите устройство на ровную поверхность. Место установки должно исключать появление вибраций и движений поверхности.
2. Установите защитную крышку в петли устройства.
3. Удалите мягкий транспортировочный держатель с тонарма.
4. Оберните приводной ремень вокруг ступицы поворотного стола, а затем используйте прилагаемую застежку, чтобы натянуть ремень и разместить его в пазе шкива двигателя.
5. Наденьте тарелку на шпиндель.
6. Разместите слипмат на тарелке.
7. Наденьте противовес тонарма на сам тонарм и слегка закрутите на заднем валу.
8. Настройте противовес так, чтобы он соответствовал прижимной силе иглы.
9. Подберите вес антискейтинга.
10. Подключите адаптер питания в соответствующий разъем на корпусе проигрывателя.

ПРИМЕЧАНИЕ: Не подключайте адаптер питания до полной сборки и настройки проигрывателя.

Регулировка прижимной силы картриджа



Противовес проигрывателя подходит для картриджей 6.0-8.0г.

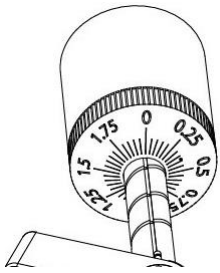
Аккуратно подвиньте и поверните противовес к задней части тонарма (шкала должна быть обращена к передней части проигрывателя).

Снимите защитный колпачок с картриджа.

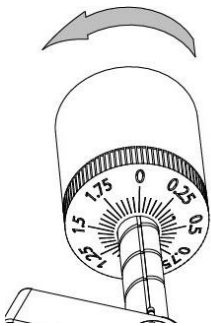
Опустите рычаг регулировки тонарма и разместите сам тонарм между тарелкой и местом покоя тонарма. Аккуратно крутите противовес до полной балансировки тонарма. Тонарм должен вернуться в отбалансированное положение, если его сдвинуть вверх или вниз. Настройку необходимо производить максимально аккуратно.



После балансировки тонарма верните его на место покоя. Держите противовес, но не двигайте его, и плавно крутите кольцо регулировки прижимной силы, пока ноль не окажется наравне с черной линией задней части тонарма. Убедитесь, что тонарм все еще сбалансирован.



Прокрутите противовес в противоположную сторону (против часовой стрелки) и отрегулируйте прижимную силу согласно рекомендациям производителя картриджа. Одно деление на шкале обозначает 0.05г прижимной силы.

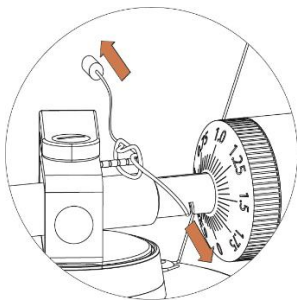


ПРИМЕЧАНИЕ: рекомендуемая прижимная сила для картриджа, идущего в комплекте равна 2.0 ± 0.2 г

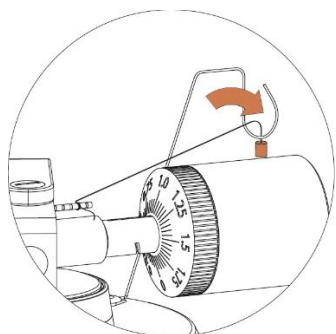
Регулировка антискейтинга

Антискейтинг находится в упаковке вместе с небольшой леской. Следуйте данным шагам, чтобы подобрать вес антискейтинга:

1. Завяжите леску на регулировке анти-скейтинга – на третьей бороздке (корректное положение для идущего в комплекте картриджа).



2. Слегка потяните за леску, чтобы узел немного подвинул регулировку.
3. Перекиньте вес анти-скейтинга поверх поддержки. Вес анти-скейтинга должен свободно располагаться слева от поддержки.



Сила анти-скейтинга должна соответствовать прижимной силе, согласно следующей схеме:

Прижимная сила	Бороздка регулировки
0.51 - 1.02 g	1-я от тонарма
1.53 g	2-я " " "
2.00 g	3-я " " "
2.00 g или больше	4-я " " "



Подключение стерео системы

Выход RCA (тюльпаны)

- RCA выходы данного проигрывателя используются как в режиме Phono, так и в режиме Line. Выбор режима производится с помощью переключателя Phono/Line.
- При использовании в режиме Line выводится аналоговый сигнал и появляется возможность подключения к активным динамикам или корректному входу вашей стерео системы.
- Красный штекер соответствует правому каналу, белый штекер соответствует левому каналу.

Примечание:

- Если переключатель Phono/Line установлен в положение LINE, но тюльпаны RCA подключены к PHONO входу стереосистемы, воспроизводимый звук может звучать с дополнительными шумами и перегрузками, что может привести к повреждению стерео системы.
- Если переключатель Phono/Line установлен в положение PHONO, но тюльпаны RCA подключены к LINE входу стерео системы, громкость может быть очень низкой из-за недостатка предусиления.

RCA входы не предназначены для подключения к пассивным (без питания) спикерам. В таком случае уровень звука будет очень низким.

Подключение динамиков

Терминалы с защелками обеспечивают усиление и должны подключаться к пассивным динамикам.

Подключение по Bluetooth

1. Нажмите и удерживайте кнопку ВКЛЮЧИТЬ/ВЫКЛЮЧИТЬ И РЕЖИМ в течение 3 секунд, чтобы включить питание.
2. Нажмите на кнопку ВКЛЮЧИТЬ/ВЫКЛЮЧИТЬ И РЕЖИМ еще раз, чтобы выбрать режим Bluetooth. Индикатор загорится синим цветом. Прозвучит звуковой сигнал активации устройства. Включите функцию Bluetooth на аудиоустройстве, найдите Lenco LS-600 и выполните сопряжение.
3. После удачного подключения проигрыватель воспроизведет звук подтверждения.

4. Включите музыку на своем аудио устройстве.

Примечание: Версия Bluetooth - 5.0

Автоматический переход в режим ожидания для энергосбережения: LS-600 автоматически переходит в режим ожидания, если в течение +/- 20 минут отсутствует аудиосигнал (запись или через Bluetooth-соединение) или аудиосигнал Bluetooth-устройства слишком слабый.

Обратите внимание, что проигрыватель может только принимать сигнал Bluetooth и не может транслировать его на другие устройства.

Проигрывание пластинок

1. Нажмите и удерживайте кнопку ВКЛЮЧИТЬ/ВЫКЛЮЧИТЬ И РЕЖИМ в течение 3 секунд, чтобы включить питание.
2. Режим проигрывателя активируется по умолчанию после включения питания. Индикатор загорится красным цветом.
3. Разместите пластинку на проигрывателе. При необходимости используйте адаптер на 45 об/мин.
4. Выберите корректную силу антискейтинга.
5. Снимете защитный колпачок с иглы.

Примечание: Чтобы избежать повреждений иглы при очистке или перемещении проигрывателя, всегда надевайте защитный колпачок.

6. Откройте защелчку тонарма слева направо.
7. Нажмите кнопку PLAY/STOP один раз, чтобы начать раскрутку диска.
8. Слегка поднимите тонарм и разместите над пластинкой в том месте, где необходимо начать прослушивание. Используя рычаг тонарама поднимите его.
9. Переведите рычаг тонарама в нижнее положение – тонарм медленно поустится на пластинку и начнется проигрывание записи.
10. После завершения проигрывания музыки поднимите тонарм с помощью рычага и верните его на место стоянки. Используя рычаг тонарма опустите тонарм.
11. Нажмите кнопку PLAY/STOP, чтобы прекратить вращение диска.
12. Нажмите и удерживайте кнопку ВКЛЮЧИТЬ/ВЫКЛЮЧИТЬ И РЕЖИМ в течение 3 секунд, чтобы выключить питание.

Замена картриджа

1. Перед заменой наденьте на иглу пластиковый колпачок, чтобы избежать ее повреждения.
2. Аккуратно отсоедините провода от комплектного картриджа.
3. Открутите два винта, которые держат картридж, после чего снимите сам картридж.
4. Вставьте новый картридж, слегка закрутив винты. Не закручивайте винты до конца!
5. Подключите провода к терминалам картриджа, согласно таблице:

Белый	Левый канал, +	(L+)
синий	Левый канал, -	(L-)
Красный	Правый канал, +	(R+)
зелёный	Правый канал, -	(R-)

6. Убедитесь, что картридж размещен ровно, иначе игла не будет попадать в бороздки винила. Чтобы добиться точного размещения, необходимо положить на тарелку шаблон для настройки, слегка поднять тонарм и разместить иглу на точках 130мм и 250мм. Подстройте катридж так, чтобы он был идеально параллелен обеим линиям.
7. Закрутите винты после точного размещения картриджа.

Спецификации

проигрыватель

Питание	AC-DC, 15 В 2400mA
Потребляемая мощность	36 Вт
Выходная мощность	2x 30 Вт RMS
Скорости вращения диска	33 1/3, 45 RPM
Расхождение в скорости	±1.0%
Нестабильность вращения	< 0.15%
Соотношение сигнал/шум	72 дБ
Прижимная сила	0-2.2 г
Длина тонарма	8.6" (218.5 мм)
Навес	0.73"
Размеры (Ш X В X Г)	346 мм, с открытой крышкой 420 X 410 X 420 мм
Вес	5.77 кг

динамики

Твитер	8Ω 10 Вт X 2
Вуфер	4Ω 30 Вт X 2
Размеры (Ш X В X Г)	162 X 248 X 158 мм
Вес	3.76 кг

Картридж: AT-VM95E

Частотный диапазон	20-20,000 Гц
Баланс каналов	<2.0 дБ
Разделение каналов	>20 дБ
Выходное напряжение	4.0mV
Рекомендуемое сопротивление	47kΩ
Подключение усилителя	MM - input
Рекомендуемая прижимная сила	1.8-2.2г (стандарт 2.0г)
Вес	6.1г

Примечание:

- Внешний вид устройства и его характеристики могут быть изменены без предварительного уведомления.

Адаптер питания:

Производитель: Брайтпауэр Оптоэлектроник Текнолоджи Ко. Лтд. (Brightpower Optoelectronic Technonlgy Co., Ltd.)

Номер модели: SW1502400-IM/ S036A1502400M

■ В

■ Гц

■ В

■ А

■ Вт

■

■

■ Вт

Используйте только тот адаптер питания, который указан в руководстве пользователя.

Обслуживание проигрывателя

1. Не трогайте наконечник иглы пальцами. Избегайте ударов стилуса о слепмат или пластинку.
2. Периодически очищайте иглу мягкой щеткой, выполняя движения от основания к окончанию.
3. Очищайте записи от пыли и загрязнений с помощью специальной щетки и ткани для очистки записей.
4. Очищайте защитную крышку и корпус проигрывателя с помощью ткани из микрофибры.

ПРИМЕЧАНИЕ: Не используйте растворители или жидкости на основе бензина, спирта и другие абразивные очистители, которые могут повредить отделку проигрывателя.

Устранение неисправностей

Нет питания

- Проверьте корректность подключения адаптера питания.
- Отсутствует напряжение в сети. Обратитесь в энергетическую или управляющую компанию.

Питание включено, но тарелка не вращается

- Устройство не в режиме проигрывателя. Выберите режим проигрывателя с помощью кнопки MODE, индикатор загорится красным.
- Необходимо нажать кнопку PLAY/STOP один раз, чтобы начать проигрывание.
- Ремень проигрывателя слетел или не установлен.

Проигрыватель работает, но нет звука или он очень тихий

- Убедитесь, что снят защитный колпачок.
- Поднят тонарм – проверьте рычаг тонарма.
- Переключатель Phono/Line стоит в положении PHONO, но кабель RCA подключен к Line выходу стереосистемы.
- Убедитесь, что колонки подключены к проигрывателю.

Искаженный звук в одном или обоих каналах:

- Проигрыватель подключен к неправильному входу усилителя.
- Повреждение иглы или кантилевера.
- Ремень привода растянулся или загрязнился.
- Подшипник тарелки сухой, поврежден или загрязнен.
- Пыль на игле.

- Переключатель ММ/МС на прдусилителе устанволен в некорректном положении.

Звук слишком быстрый или слишком медленный

- Некорректно выбрана скорость проигрывания записей.

Сильный гул

- Кабель питания не заземлен.
- Проигрыватель стоит слишком близко к динамикам.

Примечание:

Для защиты иглы тарелка автоматически остановится после проигрывания записи и если музыка не будет проигрываться в течение одной минуты. Для снижения энергопотребления устройство перейдет в режим ожидания, если музыка не будет проигрываться в течение 20 минут.

Чтобы перезапустить устройство, нажмите и удерживайте кнопку **ВКЛЮЧИТЬ/ВЫКЛЮЧИТЬ, РЕЖИМ. Регулярные отключения устройства не являются дефектом.**

Гарантийные обязательства

Срок гарантии составляет 1 (один) год с даты продажи. **Срок службы** – до 5 (пяти) лет.

Важное примечание: Компания Lenco не обеспечивает обслуживание оборудования в случае непосредственного обращения в головной офис компании.

Важное примечание: Гарантия не действует, если устройство вскрывалось или подвергалось изменениям вне официального сервисного центра.

Это устройство не предназначено для профессионального использования. В случае профессионального использования гарантийные обязательства производителя не будут выполняться.

Заявление об ограничении ответственности

Обновления микропрограмм и/или компонентов аппаратного обеспечения производятся регулярно. Поэтому некоторые инструкции, спецификации и изображения в этой документации могут незначительно отличаться от Вашей конкретной ситуации. Все элементы, описанные в данном руководстве, предназначены только для иллюстрации и могут не относиться к конкретной ситуации. Из описания, приведенного в этом руководстве, нельзя получить никаких юридических прав.

Утилизация оборудования



Этот символ означает, что соответствующее электрооборудование или батарея не может быть утилизирована как обычные бытовые отходы в Европе. Чтобы обеспечить корректную утилизацию данного оборудования руководствуйтесь местными законами или требованиями по утилизации электронного оборудования и батарей. Поступая таким образом, Вы поможете сохранить природные ресурсы и улучшить стандарты защиты окружающей среды при обработке и утилизации электрических отходов

(Директива ЕС об отходах электрического и электронного оборудования).

ДЕКЛАРАЦИЯ СООТВЕТСТВИЯ

Настоящим компания Commax заявляет, что тип радиооборудования [Lenco LS-600] соответствует требованиям директивы 2014/53/ЕС. Полный текст декларации о соответствии нормативным требованиям ЕС доступен по следующей ссылке:

■

Н

Тип РЧ	Диапазон частот	Мощность
Bluetooth	2402-2480	< 6

Е

Р

Маркировка «ЕАС»

І

№

К

„

h

t

Ф

и

л

у

о

с

Обслуживание

/

/

г

р

едварительного информирования.

m

Дата изготовления продукции

a

год и месяц изготовления продукции указаны в номере партии и серийном номере продукта. Ниже

описаны способы уточнения этой даты.

-

с

е

r

t

i

f

• По номеру партии (номер партии указан либо на упаковке устройства, либо на

транспортной упаковке).

• По серийному номеру продукта (серийный номер указан на устройстве).

• По номеру партии (номер партии указан либо на упаковке устройства, либо на

транспортной упаковке).

• По серийному номеру продукта (серийный номер указан на устройстве).

• По номеру партии (номер партии указан либо на упаковке устройства, либо на

транспортной упаковке).

• По серийному номеру продукта (серийный номер указан на устройстве).

• По номеру партии (номер партии указан либо на упаковке устройства, либо на

транспортной упаковке).

• По серийному номеру продукта (серийный номер указан на устройстве).

• По номеру партии (номер партии указан либо на упаковке устройства, либо на

транспортной упаковке).

• По серийному номеру продукта (серийный номер указан на устройстве).

• По номеру партии (номер партии указан либо на упаковке устройства, либо на

Товар сертифицирован для использования на территории Таможенного Союза без каких-либо ограничений. Соответствует требованиям ТР ТС 004/2011 «О безопасности низковольтного оборудования» и ТР ТС 020/2011 «Электромагнитная совместимость технических средств». **Импортер и организация, уполномоченная на принятие**

претензий: ООО "Бизнес-фабрика", 123458 г. Москва, ул. Маршала Прошлякова, д. 30, офис 503, +7 495 787 5900. **Изготовитель** Коммакс Б.В., Вибахштраат 37, 6466НГ, Керкраде, Нидерланды

Филиал: Эс.Ти.Ай. Электроникс Лтд., Юнит 903-907, 9/ЭФ, Лоз Коммершиал Плаза, 788 Чонг Ша Ван Роуд, Коулун, Гонконг. Сделано в Китае

s

Обслуживание

.

/

/

Для получения дополнительной информации и обращения в службу поддержки клиентов посетите наш

веб-сайт: <https://www.lenco.ru>. Дизайн и спецификация могут быть изменены производителем без

предварительного информирования.

m

Дата изготовления продукции

a

год и месяц изготовления продукции указаны в номере партии и серийном номере продукта. Ниже

описаны способы уточнения этой даты.

-

с

е

r

t

i

f

• По номеру партии (номер партии указан либо на упаковке устройства, либо на

транспортной упаковке).

• По серийному номеру продукта (серийный номер указан на устройстве).

• По номеру партии (номер партии указан либо на упаковке устройства, либо на

транспортной упаковке).

• По серийному номеру продукта (серийный номер указан на устройстве).

• По номеру партии (номер партии указан либо на упаковке устройства, либо на

транспортной упаковке).

• По серийному номеру продукта (серийный номер указан на устройстве).

• По номеру партии (номер партии указан либо на упаковке устройства, либо на

транспортной упаковке).

• По серийному номеру продукта (серийный номер указан на устройстве).

• По номеру партии (номер партии указан либо на упаковке устройства, либо на

транспортной упаковке).

• По серийному номеру продукта (серийный номер указан на устройстве).

• По номеру партии (номер партии указан либо на упаковке устройства, либо на

A	B	C	D	E	F
Январь	Февраль	Март	Апрель	Май	Июнь

G	H	I	J	K	L
Июль	Август	Сентябрь	Октябрь	Ноябрь	Декабрь

Год производства указывается одной цифрой, которая соответствует последней цифре года производства (цифра 1 равна 2021 году производства).

Пример расшифровки по номеру партии:

- Номер партии: 2461A05C0
- Где буква **C** это месяц (Март), а цифра **0** – последняя цифра года производства (2020 год).

Пример расшифровки по серийному номеру:

- 2461A05A1123456
- Где буква **A** это месяц (Январь), а цифра **1** – последняя цифра года производства (2021 год).

Гарантийный талон



Информация об устройстве

Модель:	
Серийный номер:	
Дата продажи:	срок гарантии – 1 (один) год с даты продажи

Информация о продавце

Название торговой организации:	
Телефон торговой организации:	
Адрес, e-mail:	

Подпись продавца _____

М.П.

Подпись покупателя _____ *Изделие получил в исправном состоянии и в полной комплектации. С условиями гарантии ознакомлен и согласен.*

ВНИМАНИЕ! Гарантийный талон недействителен без печати продавца.

Поддержка: www.lenco.ru

FORSIGTIG:

Hvis apparatet ikke anvendes, justeres og behandles i overensstemmelse med vejledningen i denne manual, kan det resultere i farlig stråling.

FORHOLDSREGLER FØR IBRUGTAGNING

HUSK DISSE INSTRUKSER:

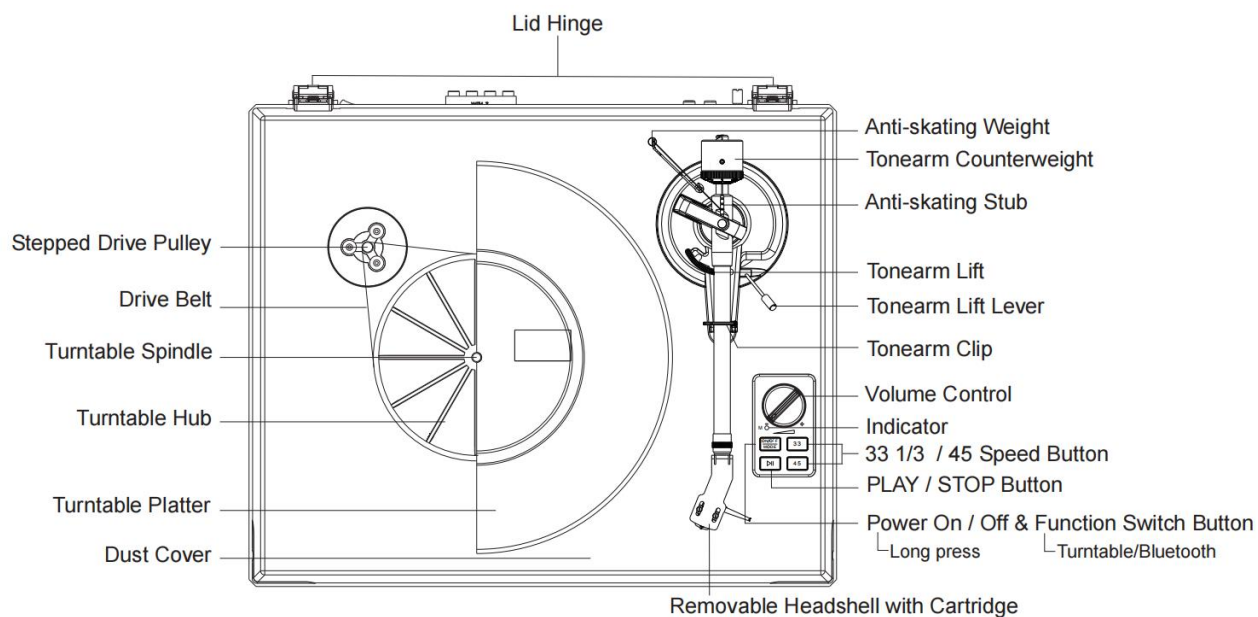
1. Tildæk eller blokér ikke ventilationsåbningerne. Hvis enheden placeres på en hylde, skal der altid være 5 cm frirum på alle sider af enheden.
2. Installér enheden iht. anvisningerne i den medfølgende betjeningsvejledning.
3. Hold enheden på afstand af varmekilder som fx radiatorer, varmeapparater, ovne, stearinlys og andre varmegenererende produkter samt åben ild. Enheden er udelukkende til brug i tempererede klimazoner. Undgå stærk varme og kulde. Driftstemperatur mellem 0° og 35°C.
4. Undlad at anvende enheden nær stærke magnetfelter.
5. Elektrostatisk udladning kan forstyrre denne enheds normale drift. Sker det, skal du blot nulstille og genstarte enheden iht. anvisningerne i betjeningsvejledningen. Under filoverførsel skal du handle med omhu og betjene enheden i et område fri for statisk elektricitet.
6. Advarsel! Stik aldrig genstande ind i enheden gennem ventilationsåbninger eller sprækker. Produktet indeholder strømførende dele, og hvis du stikker en genstand ind i enheden, kan det medføre elektrisk stød og/eller kortslutning af de indre dele. Af samme grund må du ikke spilde vand eller væske på produktet.
7. Benyt ikke enheden på våde eller fugtige steder som fx på et badeværelse, i et dampfyldt køkken eller nær en swimmingpool.
8. Enheden må ikke udsættes for dryp eller stænk. Der må ikke anbringes genstande fyldt med væske, som fx vaser, på eller i nærheden af apparatet.
9. Brug ikke enheden på steder, hvor der kan opstå kondens. Hvis enheden placeres i et varmt og fugtigt rum, kan der danne sig vanddråber eller kondens inde i den, og den kan muligvis ikke fungere korrekt. Lad enheden stå slukket i 1-2 timer, inden du tænder den. Enheden skal være tør, når der tændes for strømmen.
10. Trods det, at enheden er fremstillet med yderste omhu og kontrolleret flere gange før afsendelse fra fabrikken, kan det stadig forekomme, som med alle elektriske apparater, at der opstår problemer. Hvis du oplever røg eller overdreven varmeudvikling eller andre uventede fænomener, bør du omgående tage stikket ud af stikkontakten.
11. Denne enhed skal drives af en strømkilde som den, der er angivet på mærkepladen. Hvis du ikke er sikker på, hvilken forsyningsspænding, der anvendes i dit hjem, bør du søge vejledning hos din forhandler eller det lokale elselskab.
12. Hold enheden udenfor dyrs rækkevidde. Nogle kæledyr kan finde på at bide i strømførende ledninger.
13. Rengør enheden med en blød, tør klud. Brug ikke opløsningsmidler eller benzinbaserede væsker. Hårdnakkede pletter kan fjernes med en let fugtet klud med en mild sæbeopløsning.
14. Producenten er ikke ansvarlig for skade eller mistede data, der skyldes fejlfunktion, misbrug, ændringer af enheden eller udskiftning af batterier.
15. Undlad at afbryde forbindelsen, mens enheden formateres, eller der overføres filer. I modsat fald kan data blive beskadiget eller gå tabt.
16. Hvis enheden er udstyret med funktion til USB-afspilning, skal USB-sticken sættes direkte i apparatet. Brug ikke et USB-forlænger-kabel, da et sådant kan skabe interferens og føre til tab af data.
17. Mærkepladen findes i bunden eller på bagsiden af enheden.
18. Denne enhed må ikke bruges af personer (inkl. børn) med nedsatte fysiske motoriske eller mentale evner eller manglende erfaring, medmindre de er blevet instrueret i brugen af en person, der er ansvarlig for deres sikkerhed, og er under dennes opsyn.
19. Dette produkt er ikke beregnet til professionel eller industriel brug, det er udelukkende beregnet til privat brug.
20. Sørg for, at enheden er placeret stabilt. Skade, der skyldes anvendelse af produktet i en ustabil position, vibrationer, stød eller manglende overholdelse af de retningslinjer og andre advarsler, der er udstukket i denne brugervejledning, dækkes ikke af garantien.
21. Åbn aldrig enhedens kabinet.
22. Placér aldrig denne enhed ovenpå andet elektrisk udstyr.
23. Lad ikke børn få adgang til plastposer.
24. Brug kun tilslutninger/tilbehør, der er angivet af producenten.

25. Overlad alt servicearbejde til et kvalificeret serviceværksted. Service er påkrævet, hvis enheden på nogen måde er blevet beskadiget; hvis fx netledningen eller stikket er beskadiget, hvis der er spildt væske på enheden, eller hvis en genstand er faldet ned i den, hvis enheden har været udsat for regn eller fugt, ikke fungerer korrekt eller er blevet tabt.
26. Langvarig lytning for musik ved høj lydstyrke kan medføre midlertidigt eller permanent høretab.
27. Hvis produktet leveres med strømkabel eller strømforsyning til vekselstrøm:
- Hvis der opstår problemer, skal du tage stikket ud af kontakten og overlade al service til kvalificeret tekniker.
 - Undlad at træde på eller klemme strømforsyningen. Vær forsigtig, især nær de steder, hvor stik og kabler er fastgjort. Undlad at placere tunge genstande på strømforsyningen, da dette vil kunne beskadige den. Hold hele enheden udenfor børns rækkevidde! Hvis børn leger med strømkabler, kan de komme slemt til skade.
 - Tag stikket ud af stikkontakten i tordenvejr, samt hvis du ikke skal bruge enheden i længere tid.
 - Enheden skal placeres nær stikkontakten, og der skal altid være let adgang til den stikkontakt, enheden er tilsluttet.
 - Undlad at overbelaste stikkontakter eller forlængerledninger. Overbelastning kan medføre brand eller elektrisk stød.
 - Enheder med klasse 1-opbygning bør forbindes til en stikkontakt med jord.
 - Enheder med klasse 2-opbygning kræver ikke jordforbindelse.
 - Hold altid i stikket, når du tager det ud af stikkontakten. Træk ikke i netledningen. Dette kan medføre kortslutning.
 - Brug ikke en beskadiget ledning eller stik eller en løs stikkontakt. Gør du det, kan det medføre brand eller elektrisk stød.
28. Hvis produktet indeholder eller leveres med en fjernbetjening indeholdende knapcellebatterier:
Advarsel:
- "Slug ikke batteriet, der er risiko for kemisk forbrænding" eller tilsvarende.
 - Fjernbetjeningen leveret med dette produkt indeholder et knapcellebatteri. Hvis batteriet sluges, kan det medføre alvorlige indre forbrændinger på blot 2 timer, hvilket kan medføre dødsfald.
 - Hold nye og brugte batterier udenfor børns rækkevidde.
 - Hvis batterirummet ikke kan lukkes sikkert, skal du holde op med at bruge produktet og holde det udenfor børns rækkevidde.
 - Hvis du tror, et batteri kan være blevet slugt eller placeret inden i nogen del af kroppen, skal du omgående søge lægehjælp.
29. Advarsler omkring brug af batterier:
- Eksplosionsfare, hvis batteriet udskiftes med et andet af forkert type. Udskift udelukkende med samme eller tilsvarende type.
 - Batteriet må ikke udsættes for ekstremt høje eller lave temperaturer eller lavt lufttryk ved stor højde under brug, opbevaring eller transport.
 - Udskiftning af et batteri med et andet af forkert type kan medføre eksplosion eller lækage af brændbar væske eller gas.
 - Bortskaffelse af batterier ved afbrænding eller i en varm ovn eller ved mekanisk knusning eller opskæring af et batteri kan medføre en eksplosion.
 - Hvis et batteri efterlades i omgivelser med ekstremt høje temperaturer, kan det medføre eksplosion eller lækage af brændbar væske eller gas.
 - Hvis et batteri udsættes for ekstremt lavt lufttryk, kan det medføre eksplosion eller lækage af brændbar væske eller gas.
 - Tænk på miljøet ved bortskaffelse af brugte batterier.

INSTALLATION

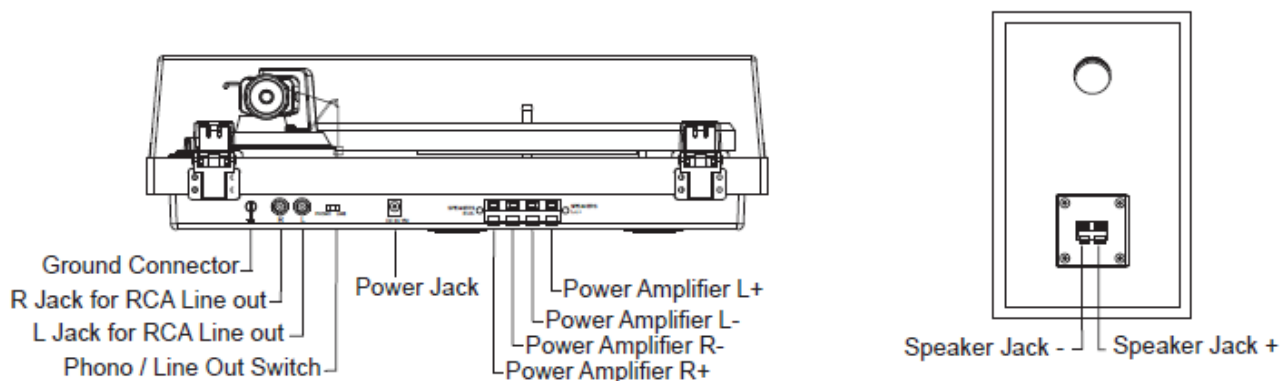
- Udpak alle dele, og fjern beskyttelsesmaterialerne.
- Slut ikke enheden til lysnettet, før du har kontrolleret forsyningsspændingen og foretaget alle nødvendige tilslutninger.

Produktoversigt



Removable Headshell with Cartridge

EN	DA
Stepped Drive Pulley	Trinvis motortrisse
Drive Belt	Drivrem
Turntable Spindle	Spindel
Turntable Hub	Pladetallerkennav
Turntable Platter	Pladetallerken
Dust Cover	Støvlåg
Lid Hinge	Hængsel til støvlåg
Anti-skating Weight	Anti-skating-vægt
Tonearm Counterweight	Kontravægt til tonearm
Anti skating Stub	Anti-skating-stub
Tonearm Lift	Tonearmslift
Tonearm Lift Lever	Håndtag til tonearmslift
Tonearm Clip	Tonearmslås
Volume Control	Lydstyrkeknop
Indicator	Kontrollampe
Speed Button	Hastighedsvælgerknop
PLAY/STOP Button	Knappen AFSPIL/STOP
Power ON/OFF/Function Switch Button	Knappen ON/OFF/Mode (Tænd/Sluk/Funktionsvælger)
Turntable/Bluetooth	Pladespiller/Bluetooth
Restart the unit (long press)	Genstart enheden (hold inde)
Removable Headshell with Cartridge	Aftageligt pickup-hus med pickup



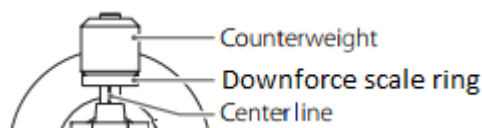
EN	DA
Ground Connector	Jordforbindelsesstik
R Jack for RCA Line out	R Højre RCA-linjeudgang
L Jack for RCA Line out	L Venstre RCA-linjeudgang
Phono/Line Out Switch	Omskifter for Phono/Linjeudgang
Power Jack	Strømstik
Power Amplifier L+	Forstærker L+
Power Amplifier L-	Forstærker L-
Power Amplifier R-	Forstærker R-
Power Amplifier R+	Forstærker R+
Speaker Jack -	Højttalerstik -
Speaker Jack +	Højttalerstik +

Grundlæggende opsætning

1. Placér enheden på et plant, fladt underlag. Den valgte placering skal være stabil og vibrationsfri.
2. Sæt støvlåget på hængslerne.
3. Fjern den twister, der holder tonearmen.
4. Placér drivremmen omkring pladetallerkennavet, og brug derefter det medfølgende remværktøj til at trække remmen ud og placere den omkring rillen i motortrissen.
5. Placér pladetallerkenen på spindlen.
6. Placér glidemåtten på pladetallerkenen.
7. Skub **kontravægten til tonearmen** ind over tonearmen, og drej den let for at sætte den fast på bagenden af tonearmen.
8. Justér kontravægten for at indstille det korrekte nåletryk.
9. Find anti-skating vægten
10. Slut AC/DC-strømforsyningen til enhedens **strømstik**.

Bemærk: Slut ikke AC/DC-strømforsyningen til lysnettet, før pladespilleren er fuldt samlet.

Justering af nåletryk



EN	DA
Counterweight	Kontravægt

Downforce scale ring	Nåletryksskalaring
Center line	Centerlinje

Den medfølgende kontravægt er velegnet til en pickup med en vægt på 6,0-8,0 g.

Skub og drej forsigtigt kontravægten ind over bagenden af tonearmen (med skalaen vendende fremad mod forsiden af pladespilleren).

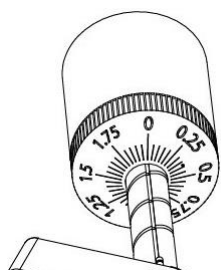
Fjern nålebeskytteren.

Sænk tonearmsliften, og placér nålen i rummet mellem tonearmsholderen og pladetallerkenen.

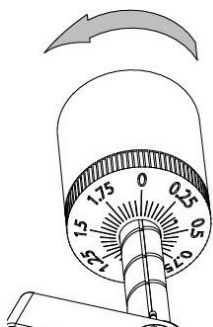
Drej forsigtigt kontravægten, indtil tonearmen balancerer. Tonearmen skal vende tilbage til den afbalancerede position, hvis den bevæges op eller ned. Denne justering kræver nøjagtighed.



Når tonearmen er korrekt afbalanceret, skal du føre den tilbage til holderen. Hold i kontravægten uden at flytte den, og drej forsigtigt nåletryksskalaringen, indtil nullet flugter med den sorte linje på bagsiden af tonearmen. Kontrollér, om tonearmen stadig balancerer.



Drej kontravægten mod uret (set forfra) for at justere nåletrykket iht. anbefalingerne fra producenten af pickuppen. Én streg på skalaen repræsenterer 0,05 g nåletryk.

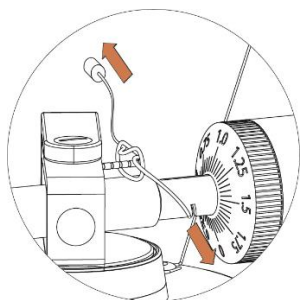


BEMÆRK: Det anbefalede nåletryk for en pickup monteret fra fabrikken er $2,0 \pm 0,2$ g.

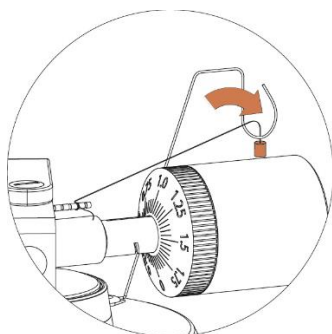
Find anti-skating vægten

Du vil finde en anti-skating-vægt med en lille nylontråd i pakken. Følg vejledningen herunder for at indstille anti-skating-vægten:

1. Før den løkkede ende af nylontråden over anti-skating-stubben til vægtjustering og ind i 3. rille (den korrekte vægt til en fabriksmonteret pickup).



2. Træk let i anti-skating-vægten for at føre fæstet på nylontråden til stubben.
3. Løft anti-skating-vægten over anti-skating-trådstøtten. Anti-skating-vægten skal nu hænge frit til venstre for støtten.



Anti-skating-kraften skal justeres i forhold til nåletrykket som følger:

Nåletryk	Rille i stubben
0,51 - 1,02 g	1. fra lejet
1,02 - 1,53 g	2. " "
1,53 - 2,00 g	3. " "
2,00 g eller derover	4. " "



Tilslutning til stereoanlæg

RCA-stik

- RCA-stikkene på denne enhed deles af både Phono-udgangen og linjeudgangen. Det afgøres med omskifteren for phono/linjeudgang.
- Når de anvendes som linjeudgang, sender stikkene analoge linjeudgangssignaler, der kan forbindes direkte til et par aktive højttalere eller den passende indgang på dit stereoanlæg. Når de anvendes som phonoudgang, skal de være forbundet til phono-forforstærkeren eller phonoindgangen på stereoanlægget.
- Det røde stik går til højre kanal, og det hvide stik går til venstre kanal.

Bemærk:

- Hvis omskifteren for phono/linjeudgang er indstillet til LINE, men RCA-stikkene er forbundet til stereoanlæggets phonoindgang, kan lyden være forvrænget pga. overbelastning af indgangen, hvilket kan beskadige dit stereoanlæg.

- Hvis omskifteren for phono/linjeudgang er indstillet til PHONO, men RCA-stikkene er forbundet til stereoanlæggets linjeindgang, vil lydstyrken være meget lav, da forforstærkningen mangler.

RCA-stik er ikke designet til at være direkte forbundet til en passiv højttaler uden strømforsyning, og hvis det sker, vil lydstyrken være meget lav.

Tilslutning til højttaler

Højttalerterminalernes fjederclips leverer forstærkede signaler på højttalerniveau som output og skal forbindes til passive højttalere.

Bluetooth

1. Hold knappen ON/OFF/MODE inde i 3 sekunder for at tænde enheden.
2. Tryk på knappen ON/OFF/MODE igen for at vælge Bluetooth. Kontrollampen lyser blå. Du hører en aktiveringsbekræftelse fra enheden.
Slå Bluetooth til på din lydenhed, søg efter "Lenco LS-600", og opret forbindelse.
3. Når din lydenhed er parret med enheden, hører du en kort bekræftelseslyd fra enheden.
4. Afspil og stream musik fra din lydenhed til enheden.

Bemærk: Bluetooth version - 5.0

"Dette produkt har en Bluetooth **modtagefunktion, men du kan ikke overføre lyd via Bluetooth fra den**: Det betyder, at du kan modtage trådløs lyd via Bluetooth fra en ekstern kilde som fx en smartphone."

Betjening af pladespilleren

1. Hold knappen ON/OFF/MODE inde i 3 sekunder for at tænde enheden.
2. Som standard starter enheden op i pladespillertilstand, når du tænder den, og kontrollampen lyser rødt.
3. Placér pladen på pladetallerkenen. Brug om nødvendigt singleadapteren.
4. Vælg den korrekte anti-skating-styrke.
5. Fjern nålebeskytteren fra pickuppen.
Bemærk: Sæt altid nålebeskytteren på pickuppen inden du flytter eller rengør pladespilleren, så du ikke beskadiger den.
6. Åbn tonearmslåsen fra venstre mod højre.
7. Tryk én gang på knappen AFSPIL/STOP for at starte pladetallerkenen.
8. Løft forsigtigt tonearmen fra tonearmholderen, og før den ind over pladen til det ønskede sted. Brug håndtaget til tonearmsliften til at hæve tonearmen, og lad den holde tonearmen.
9. Sænk håndtaget til tonearmsliften for at sænke pickuppen langsomt ned på pladen og starte afspilningen.
10. Når pladen er spillet færdig, skal du bruge tonearmsliften til at hæve tonearmen og dernæst føre den tilbage til tonearmholderen. Hvis du vil afbryde afspilningen, skal du gentage samme trin.
11. Tryk på knappen AFSPIL/STOP igen for at standse pladetallerkenen.
12. Hold knappen ON/OFF/MODE inde i 3 sekunder for at slukke enheden.

Udskiftning af pickup

1. Inden udskiftning skal du sætte nålebeskytteren på pickuppen, så du ikke beskadiger nålen under udskiftningen.
2. Fjern forsigtigt kablerne fra den oprindelige pickup.

- Løsn de to skruer på pickup-huset, der holder pickuppen på plads, og fjern den gamle pickup.
- Sæt den nye pickup på pickup-huset, og spænd skruerne let. Stram ikke skruerne helt på dette tidspunkt.
- Forbind kablerne til terminalerne på den nye pickup. Kablernes farvekoder er som følger:

Hvid	Venstre kanal positiv	(L+)
Blå	Venstre kanal negativ	(L-)
Rød	Højre kanal positiv	(R+)
Grøn	Højre kanal negativ	(R-)

- Justér pickuppens position for at sikre, at den sidder nøjagtigt på pickup-huset, så nålen kører fuldstændig parallelt i rillerne.

For at opnå dette skal du bruge den medfølgende protractor af papir til justeringen. Placér protractoren over spindlen, før forsigtigt tonearmen ind, og placér spidsen af pickuppen på de punkter, der er markeret hhv. 130 mm og 250 mm. Finindstil pickuppens placering på pickup-huset, indtil pickuppen er fuldstændig parallel med referencelinjerne i begge sider.

- Stram skruerne helt, når du har fundet den perfekte justering.

Specifikationer

Hovedenhed

Strømforsyning	AC-strømforsyning, DC-udgangseffekt 15 V 2.400 mA
Strømforbrug	36 W
Udgangseffekt	2 x 30 W RMS
Omdrejningshastighed	33 1/3, 45 o/min.
Hastighedsvarians	±1,0 %
Wow og flutter	< 0,15 %
Signal-/støjforhold	72 dB
Nåletryksområde	0-2,2 g
Tonearmens effektive længde	8,6" (218,5 mm)
Overhæng	0,73"
Pladespillerens mål (B X H X D)	418 x 123 x 346 mm, med åbent låg 420 x 410 x 420 mm
Vægt	5,77 kg

Højtaler

Tweeter	8Ω 10 W x 2
Woofers	4Ω 30 W x 2
Højtalermål (B x H x D)	162 x 248 x 158 mm
Vægt	3,76 kg

Nål: AT-VM95E

Frekvensgang	20-20.000 Hz
Kanalbalance	<2,0 dB
Kanaladskillelse	20 (dB ved 1 kHz)
Udgangsspænding	4,0 mV
Anbefalet belastningsmodstand	47 kΩ
Forstærkertilslutning	MM - indgang

Anbefalet nåletryk	1,8-2,2 g (2,0 g standard)
Vægt	6,1 g

Bemærk:

- Ret til uvarslet ændring i design og specifikationer forbeholdes.

Strømforsyning:

Producent: Brightpower Optoelectronic Technonlgy Co., Ltd.

Modelnr.: SW1502400-IM/ S036A1502400M

Indgangsspænding: 100-240 V

AC-indgangsfrekvens: 50/60 Hz

Udgangsspænding: Jævnstrøm 15 V

Udgangsstrøm: 2,4 A

Udgangseffekt: 36 W

Gns. aktiv effektivitet: 87,58 %

Effektivitet ved lav belastning (10 %): 84 %

Strømforbrug ved ingen belastning: 0,080 W

Brug kun den strømforsyning, der er angivet i betjeningsvejledningen.

Vedligeholdelse af pladespiller

1. Berør ikke nålen med fingrene. Undgå at støde nålen mod måtten på pladetallerkenen eller kanten af en plade.
2. Rengør nålen regelmæssigt med en blød børste. Børst altid kun fra bagsiden og fremad.
3. Rengør plader for at fjerne støv eller fingeraftryk med en rengøringsbørste og rensesvæske til vinylplader.
4. Tør pladespillerens låg og kabinet over med en letfugtet mikrofiberklud.

Bemærk: Brug ikke rengøringsmidler, der indeholder alkohol, benzen eller andre skrappe kemikalier, da disse kan beskadige pladespillerens maling og finish.

Fejlfinding

Der er ingen strøm

- AC/DC-strømforsyningen er ikke forbundet korrekt.
- Ingen strøm i stikkontakten.

Der er tændt for strømmen, men pladetallerkenen drejer ikke

- Denne enhed er ikke i pladespillertilstand. Tryk på knappen MODE for at vælge pladespillertilstand. Kontrollampen lyser rødt.
- Du skal trykke én gang på knappen AFSPIL/STOP for at starte afspilningen.
- Pladespillerens drivrem er ikke sat på, eller den er faldet af.

Pladetallerkenen drejer, men der er ingen lyd, eller lyden er for svag

- Nålebeskytteren sidder stadig på nålen.
- Tonearmen er løftet med håndtaget.
- Omskifteren for Phono/Linjeudgang er indstillet til PHONO, men RCA-stikkene er forbundet til stereoanlæggets linjeindgang.

- Du har glemt at slutte højttaleren til pladespilleren.

Forvrænget eller afbrudt lyd fra en eller begge kanaler:

- Pladespilleren er forbundet til den forkerte indgang på forstærkeren.
- Nålen eller pickuppen er beskadiget.
- Drivremmen er overstrakt eller snavset.
- Lejet på pladetallerken mangler smøring, er snavset eller beskadiget.
- Støv på nålen.
- Omskifteren for MM/MC på forforstærkeren er indstillet forkert.

Pladen kører for hurtigt eller for langsomt

- Du har indstillet hastighedsvælgeren forkert.

Stærk brummen i phonoindgangen

- Kablet har ikke korrekt jordledning.
- Pladespilleren befinder sig for tæt på højttaleren.

Bemærk:

For at beskytte nålen stopper pladetallerkenen automatisk, hvis ingen musik er blevet afspillet i 1 minut. For at mindske strømforbruget går enheden automatisk på standby, hvis ingen musik er afspillet i ca. 20 minutter.

Genstart enheden ved at holde knappen "ON/OFF/MODE" inde.

Hvis din enhed slukker med jævne mellemrum, er det ikke en fejl.

Garanti

Lenco tilbyder service og garanti i overensstemmelse med europæisk lovgivning, hvilket betyder, at i tilfælde af reparation (både under og efter garantiperiodens udløb) bør du kontakte din lokale forhandler.

Vigtig meddelelse: Det er ikke muligt at sende produktet direkte til Lenco, hvis det kræver reparation.

Vigtig meddelelse: Hvis enheden åbnes eller på nogen måde tilgås af et ikke-godkendt servicecenter, bortfalder garantien.

Denne enhed er ikke egnet til professionel brug. I tilfælde af professionel brug bortfalder alle garantiforpligtelser fra producentens side.

Ansvarsfraskrivelse

Opdateringer i firmware og/eller hardwarekomponenter forekommer regelmæssigt. Derfor kan visse dele af vejledning, specifikationer og illustrationer i denne manual variere en smule fra dit faktiske produkt. Alle elementer, der beskrives i denne vejledning, er kun til illustration og gælder måske ikke i den givne situation. Ingen juridisk ret eller rettighed kan opnås fra beskrivelsen i denne vejledning.



Bortskaffelse af udtjente enheder

Dette symbol angiver, at det relevante elektriske produkt eller batteri indenfor Europa ikke bør bortskaffes med det almindelige husholdningsaffald. For at sikre korrekt affaldsbehandling af produktet og batteriet skal du bortskaffe dem i overensstemmelse med gældende lokal lovgivning om bortskaffelse af elektrisk udstyr eller batterier. På den måde hjælper du med at bevare naturressourcer og forbedre miljøbeskyttelsen indenfor behandling og bortskaffelse af elektrisk affald (Direktiv om affald af elektrisk og elektronisk udstyr).

OVERENSSTEMMELSESERKLÆRING

Hermed erklærer Commaxx, at radioudstyrstypen [Lenco LS-600] er i overensstemmelse med direktiv 2014/53/EU. EU-overensstemmelseserklæringens fulde tekst kan findes på følgende internetadresse:

https://commaxx-certificates.com/doc/ls-600_doc.pdf

Type RF	Frekvensområde (MHz)	Effekt (dBm)
Bluetooth	2402-2480	< 6

Service

For yderligere oplysninger og hjælp, gå ind på <https://www.lenco.com>

Commaxx B.V. Wiebachstraat 37, 6466 NG Kerkrade, Nederlandene.

VAR FÖRSIKTIG:

Att använda kontroller eller justeringar eller utföra andra förfaranden än de som anges häri kan leda till att du utsätts för farlig strålning.

FÖRSIKTIGHETSÅTGÄRDER INNAN ANVÄNDNING

HA DESSA INSTRUKTIONER I ÅTANKE:

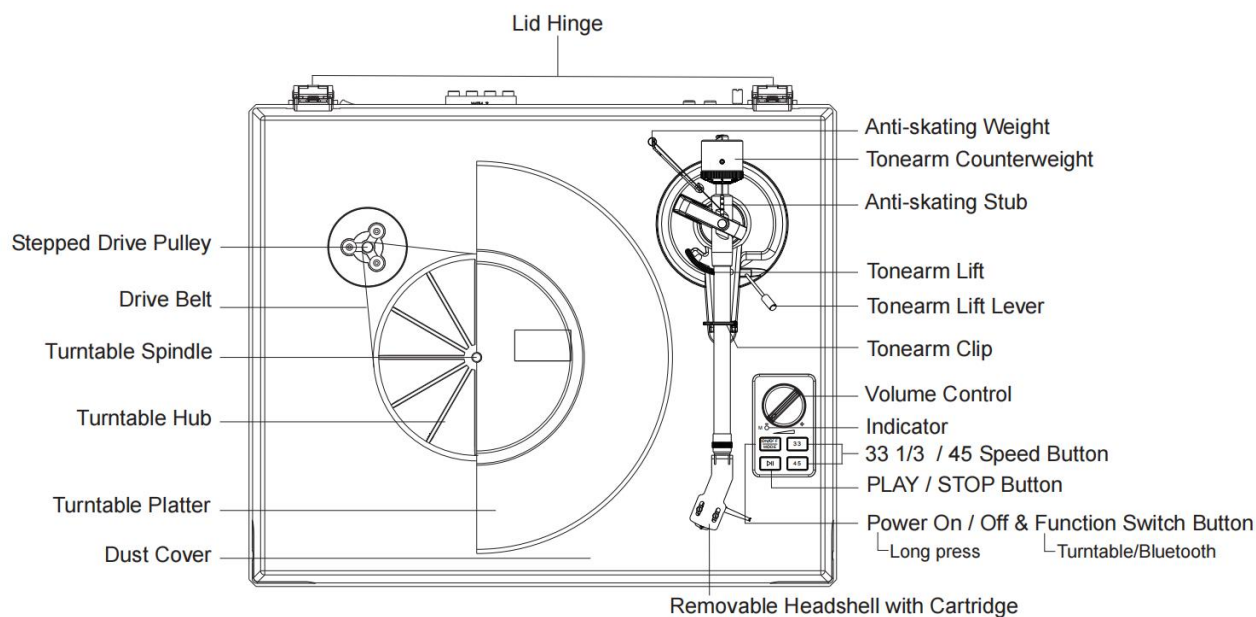
1. Täck inte över eller blockera några ventilationsöppningar. När enheten placeras på en hylla bör det lämnas 5 cm (2 tum) ledigt utrymme runt hela enheten.
2. Montera i enlighet med den medföljande användarmanualen.
3. Håll enheten borta från värmekällor såsom radiatorer, värmare, spisar, ljus och andra värmegenererande produkter eller öppen eld. Enheten kan endast användas i måttliga klimat. Extremt kalla eller varma omgivningar bör undvikas. Drifttemperatur mellan 0 och 35 °C.
4. Undvik att använda enheten nära starka magnetfält.
5. Elektrostatisk urladdning kan störa den normala användningen av den här enheten. Återställ och starta om enheten enligt instruktionsboken om så är fallet. Hantera försiktigt och använd i en statiskt fri miljö vid filöverföring.
6. Varning! För aldrig in ett föremål i produkten genom ventilerna eller öppningarna. Högspänning flödar genom produkten och om du för in ett föremål kan det orsaka elektriska stötar och/eller kortslutning av interna komponenter. Spill inte vatten eller vätska på produkten av samma anledning.
7. Använd inte i våta eller fuktiga områden såsom badrum, ångfyllda kök eller i närheten av simbassänger.
8. Enheten får inte utsättas för dropp eller stänk och se till att inga föremål fyllda med vätskor såsom vaser placeras på eller i närheten av den.
9. Använd inte den här enheten när kondens kan uppstå. När enheten används i ett varmt och fuktigt rum kan vattendroppar eller kondens uppstå inuti enheten och enheten kanske inte fungerar som den ska. Låt enheten vara avstängd i en eller två timmar innan du slår på strömmen igen. Enheten ska vara torr innan strömmen slås på.
10. Även om denna enhet tillverkas med största omsorg och kontrolleras flera gånger innan den lämnar fabriken är det fortfarande möjligt att problem kan uppstå vilket gäller alla elektriska apparater. Om du märker rök, kraftig uppbyggnad av värme eller andra oväntade fenomen ska du omedelbart dra ur kontakten ur eluttaget.
11. Enheten måste drivas med en strömkälla såsom anges på de särskilda märkningskraven. Kontakta din återförsäljare eller lokala elbolag om du är osäker på vilken typ av strömförsörjning som används i ditt hem.
12. Håll på säkert avstånd från husdjur. Vissa djur kan bita på elkablar.
13. Använd en mjuk och torr trasa för att rengöra enheten. Använd inte lösningsmedel eller bensinbaserade vätskor.
För att ta bort allvarliga fläckar kan du använda en fuktig trasa med utspätt rengöringsmedel.
14. Leverantören ansvarar inte för skador eller förlorade data orsakade av fel, missbruk, modifiering av enheten eller batteribyte.
15. Avbryt inte anslutningen när enheten formaterar eller överför filer. Data kan då bli skadade eller förloras.
16. Om enheten har en funktion med USB-uppspelning bör USB-minnet anslutas direkt till enheten. Använd inte en USB-förlängningskabel eftersom den kan orsaka störningar som kan leda till dataförlust.
17. Klassificeringsetiketten är placerad på enhetens undersida eller baksida.
18. Den här enheten är inte avsedd för att användas av personer (inklusive barn) med fysiska, sensoriska eller psykiska funktionshinder eller brist på erfarenhet och kunskap såvida de inte är under övervakning av eller har fått instruktioner om korrekt användning av enheten av den person som ansvarar för deras säkerhet.
19. Den här produkten är endast avsedd för icke-professionell användning och inte för kommersiellt eller industriellt bruk.
20. Se till att enheten är justerad till en stabil position. Skador orsakade av att använda den här produkten i ett instabilt läge med vibrationer eller stötar eller av att inte följa någon annan varning eller försiktighetsåtgärd i denna användarmanual täcks inte av garantin.
21. Ta aldrig bort enhetens hölje.
22. Placera aldrig enheten på annan elektrisk utrustning.
23. Låt inte barn ha tillgång till plastpåsar.
24. Använd endast tillbehör som anges av tillverkaren.

25. Överlåt all service till kvalificerad servicepersonal. Service krävs när enheten har skadats på något sätt, exempelvis på strömkabeln eller strömkontakten, när vätska har spillts eller föremål fallit in i den, när den har utsatts för regn eller fukt och inte fungerar normalt eller har tappats.
26. Lång exponering för höga ljud från musikspelare kan leda till tillfällig eller permanent hörselnedsättning.
27. Om produkten levereras med strömkabel eller nätadapter:
- Dra ur strömkabeln och kontakta behörig personal för service om ett problem uppstår.
 - Trampa inte på nätadaptern och kläm den inte. Var mycket försiktig och då särskilt nära kontakter och kabelns uttag. Placera inte tunga föremål på nätadaptern då detta kan skada den. Håll hela enheten utom räckhåll för barn! När de leker med strömkabeln kan de skada sig själva.
 - Koppla ur denna enhet under åskväder eller när den inte används under en längre period.
 - Eluttaget måste finnas nära utrustningen och måste vara lättillgängligt.
 - Överbelasta inte eluttaget eller förlängningssladdar. Överbelastning kan orsaka brand eller elektriska stötar.
 - Enheter med klass 1-konstruktion bör anslutas till ett vägguttag med skyddsjord.
 - Enheter med klass 2-konstruktion kräver ingen jordad anslutning.
 - Håll alltid i kontakten när du drar ut den ur vägguttaget. Dra inte i strömkabeln. Detta kan orsaka en kortslutning.
 - Använd inte en skadad strömkabel, strömkontakt eller ett löst vägguttag. Om du gör detta kan det orsaka brand eller elektriska stötar.
28. Om produkten innehåller eller levereras med en fjärrkontroll som innehåller mynt/cellbatterier:
Varning:
- "Svälj inte batterier då kemiska brännskador" eller motsvarande kan uppstå.
 - [Den medföljande fjärrkontrollen] Denna produkt innehåller ett knappcells batteri. Om batteriet sväljs kan det orsaka allvarliga inre brännskador på bara två timmar och vara livshotande.
 - Håll nya och använda batterier borta från barn.
 - Om batterifacket inte går att stänga ordentligt bör du sluta använda produkten och hålla den borta från barn.
 - Om du tror att batterier har svalts eller finns någonstans i kroppen ska du omedelbart söka läkarvård.
29. Varning om användning av batterier:
- Explosionsrisk om batteriet byts ut felaktigt. Byt endast ut mot samma eller motsvarande typ.
 - Batteriet får inte vid användning, förvaring eller transport utsättas för extremt höga eller låga temperaturer samt lågt lufttryck vid hög höjd.
 - Att byta ut ett batteri mot en felaktig typ kan leda till en explosion eller läckage av brandfarlig vätska eller gas.
 - Kassering av ett batteri i eld, en varm ugn, mekaniskt krossning eller skärning av det kan resultera i en explosion.
 - Att lämna ett batteri i en omgivning med extremt hög temperatur kan resultera i en explosion eller läckage av brandfarlig vätska eller gas.
 - Ett batteri som utsätts för extremt lågt lufttryck kan leda till en explosion eller läckage av brandfarlig vätska eller gas.
 - Miljöaspekterna bör uppmärksammas när det gäller kassering av batterier.

MONTERING

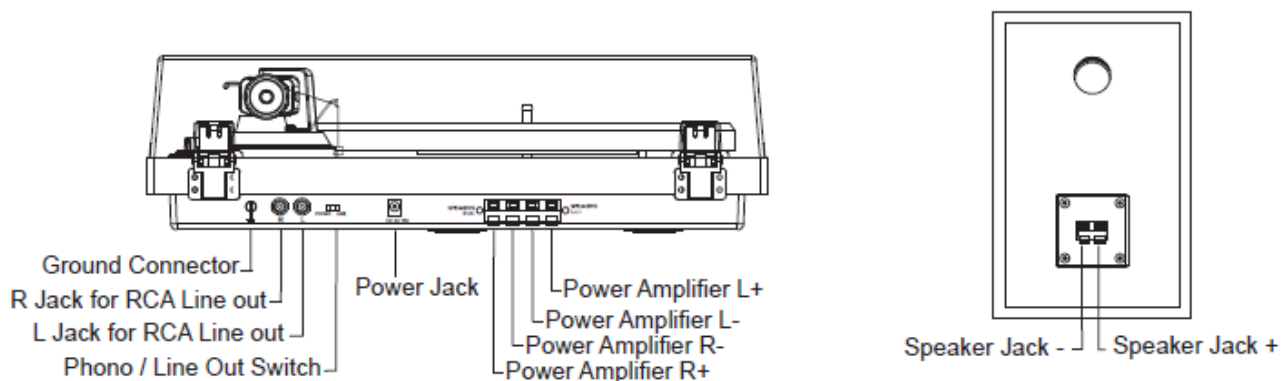
- Packa upp alla delar och ta bort skyddsmaterialet.
- Anslut inte enheten till elnätet innan du kontrollerar nätspänningen och att alla andra anslutningar har gjorts.

Produktbeskrivning



Removable Headshell with Cartridge

EN	SV
Stepped Drive Pulley	Stegformad drivremskiva
Drive Belt	Drivrem
Turntable Spindle	Skivtallriksaxel
Turntable Hub	Skivspelarnav
Turntable Platter	Skivtallrik
Dust Cover	Dammkåpa
Lid Hinge	Gångjärn till lock
Anti-skating Weight	Antiskating-vikt
Tonearm Counterweight	Tonarmsmotvikt
Anti skating Stub	Antiskating-tapp
Tonearm Lift	Tonearmslyft
Tonearm Lift Lever	Spak för tonarmslyft
Tonearm Clip	Klämma för tonarm
Volume Control	Volymkontroll
Indicator	Indikator
Speed Button	Hastighetsknapp
PLAY/STOP Button	SPELA/STOPP-knapp
Power ON/OFF/Function Switch Button	Ström PÅ/AV/Funktionsknapp
Turntable/Bluetooth	Skivspelare/Bluetooth
Restart the unit (long press)	Starta om enheten (håll intryckt)
Removable Headshell with Cartridge	Löstagbart tonarmsskal med pickup



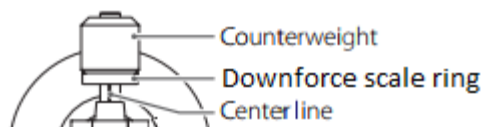
EN	SV
Ground Connector	Jordanslutning
R Jack for RCA Line out	H uttag för RCA-linjeutgång
L Jack for RCA Line out	V uttag för RCA-linjeutgång
Phono/Line Out Switch	Omkopplare för phono/linjeutgång
Power Jack	Strömuttag
Power Amplifier L+	Effektförstärkare V+
Power Amplifier L-	Effektförstärkare V-
Power Amplifier R-	Effektförstärkare H+
Power Amplifier R+	Effektförstärkare H-
Speaker Jack -	Högtalaruttag -
Speaker Jack +	Högtalaruttag +

Första installationen

1. Placera enheten på ett plant och jämnt underlag. Den valda platsen ska vara stabil och fri från vibrationer.
2. Montera skivspelarens lock på gångjärnen.
3. Ta bort buntbandet som håller fast tonarmen.
4. Placera drivremmen runt skivtallriken och använd sedan den medföljande remskivan för att göra det enklare att dra i remmen så att den passar runt spåret på motorremskivan.
5. Placera skivtallriken genom skivtallriksaxeln.
6. Placera skivspelarmattan ovanpå skivtallriken.
7. Skjut **tonarmsmotvikten** på tonarmen och vrid den lätt på tonarmens bakre del.
8. Justera motvikten för att ställa in korrekt stiftryck.
9. Lokalisera antiskating-vikten
10. Anslut AC/DC-adaptorn till enhetens **strömuttag**.

Obs: Anslut inte nätadaptorn till eluttaget förrän all montering är klar.

Justering av pickupens tryck



EN	SV
Counterweight	Motvikt
Downforce scale ring	Ring för nåltrycksskala

Den medföljande motvikten är lämplig för pickuper som väger mellan 6,0–8,0 g.

Tryck försiktigt på motvikten och vrid den på plats på tonarmens baksida (med skalan vänd mot skivspelarens framsida).

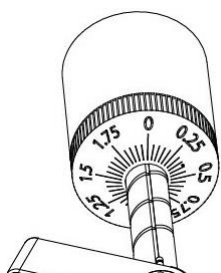
Ta bort pickupens skyddskåpa.

Sänk tonarmslyften och placera pickupen i utrymmet mellan tonarmsstödet och skivtallriken.

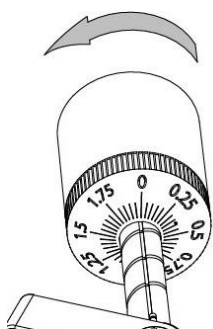
Vrid försiktigt motvikten tills tonarmen är balanserad. Tonarmen ska återgå till balanserat läge om den flyttas upp eller ner. Denna justering måste göras försiktigt.



När tonarmen är korrekt balanserad sätter du tillbaka den i stödet. Håll motvikten utan att flytta den och vrid försiktigt ringen för nåltrycksskalan tills nollan är i linje med den svarta linjen på tonarmens baksida. Kontrollera om armen fortfarande är i balans.



Vrid motvikten moturs (sett framifrån) för att justera trycket enligt pickup-tillverkarens rekommendationer. En markering på skalan motsvarar 0,05 g tryck.

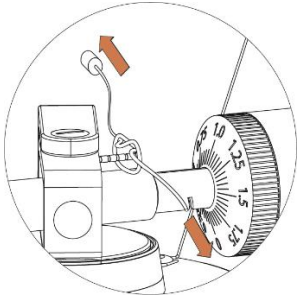


OBS: Rekommenderat tryck för den fabriksmonterade pickupen är $2,0 \pm 0,2$ g.

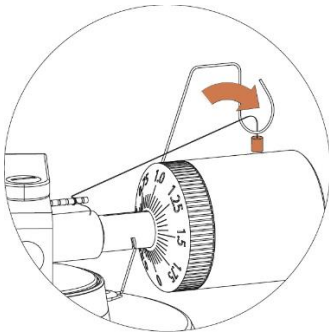
Lokalisera antiskating-vikten

Det finns en antiskating-vikt med liten fiskelina i förpackningen. Följ stegen nedan så hittar du antiskating-vikten:

1. Trä fiskelinans ögelförsedda ände över antiskating-viktens justeringstapp och in i det tredje spåret (korrekt antiskating-tryck för den fabriksmonterade pickupen).



2. Dra lätt i antiskating-vikten så att linans ögla kan flyttas till tappen.
3. Lyft antiskating-vikten över dess stödtråd. Antiskating-vikten ska nu dingla fritt i utrymmet till vänster om stödet.



Antiskating-kraften måste justeras så att den motsvarar trycket enligt följande:

Tryck	Spår i tappen
0,51–1,02 g	1:a från lagerringarna
1,02–1,53 g	2:a " " "
1,53–2,00 g	3:e " " "
2,00 g eller mer	4:e " " "



Anslutning till stereosystem

RCA-uttag

- RCA-uttagen på denna enhet är delade och de är både phono- och linjeutgångar. Funktionen bestäms med Phono/Line-omkopplaren.
- När de används som linjeutgång matar uttagen ut analoga linjenivåsignaler och kan anslutas direkt till ett par aktiva högtalare eller lämplig ingång i ditt stereosystem. När de används som Phono-utgång ska de anslutas till stereosystemets phono-förförstärkare eller phono-ingång.
- Den röda kontakten ansluter till den högra kanalen och den vita kontakten ansluter till den vänstra kanalen.

Obs:

- Om Phono/Line-omkopplaren är inställd på linjeläge (LINE) men RCA-uttagen är anslutna till stereosystemets phono-ingång, kan ljudet förvrängas på grund av överbelastning av ingångarna och skada stereoanläggningen.
- Om Phono/Line-omkopplaren är inställd på PHONO-läge men RCA-uttagen är anslutna till stereosystemets linjeingång blir volymen mycket låg på grund av bristande signalförförstärkning.

RCA-jacket är inte avsedda att anslutas direkt till passiva/effektlösa högtalarna. Om detta görs blir volymen väldigt

låg.

Anslutning till högtalare

Högtalaruttagen med fjäderklämma levererar förstärkta signaler på högtalarnivå som utsignal och bör anslutas till passiva högtalarna.

Användning med Bluetooth

1. Håll knappen för PÅ/AV och LÄGE intryckt i tre sekunder för att slå på strömmen.
2. Tryck på knappen för PÅ/AV och LÄGE igen för att välja Bluetooth-läge. Indikatorn börjar då lysa blått. Ett aktiveringsljud hörs från enheten.
Slå på Bluetooth-funktionen på din ljudapparat, sök efter "Lenco LS-600" och para ihop.
3. När din apparat har parats ihop med enheten hör du ett kort bekräftelseljud från enheten.
4. Nu kan du spela upp och streama musik från din apparat till enheten.

Obs: Bluetooth-version – 5.0

Denna produkt har en funktion för **mottagning** av Bluetooth, **men det går inte att överföra något bluetooth-ljud med den**. Detta betyder att du trådlöst kan ta emot en bluetooth-ljudsignal från en extern källa som till exempel en smartphone

Använda skivspelaren

1. Håll knappen för PÅ/AV och LÄGE intryckt i tre sekunder för att slå på strömmen.
2. Detta är skivspelarens standardläge efter att strömmen slagits på. Indikatorn lyser rött.
3. Placera skivan på skivtallriken. Använd 45-varvsadaptorn vid behov.
4. Välj rätt antiskating-tryck.
5. Ta bort stiftskyddet från stiftet.

Obs: För att undvika skador på stiftet ska du se till att det medföljande stiftskyddet sitter på plats när skivspelaren flyttas eller rengörs.

6. Öppna tonearmsklämman från vänster till höger.
7. Tryck på SPELA/STOPP-knappen en gång. Skivtallriken börjar snurra.
8. Dra försiktigt upp tonarmen från dess stöd och flytta den över skivan där uppspelningen ska börja. Använd spaken för tonarmslyften för att höja tonarmslyften och låt tonarmen vila på den.
9. Sätt tillbaka spaken för tonarmslyften i nedre position. Tonarmen sjunker långsamt ner på skivan och börjar uppspelningen.
10. När uppspelningen är klar använder du spaken till tonarmslyften för att höja tonarmen och återför den sedan till tonarmsstödet. Upprepa samma steg för att avbryta uppspelningen.
11. Tryck på SPELA/STOPP-knappen igen. Skivtallriken slutar snurra.
12. Håll knappen för PÅ/AV och LÄGE intryckt i tre sekunder för att slå av strömmen.

Byte av pickup

1. Sätt tillbaka pickupskyddet på pickupen för att förhindra skador på stiftet när bytet utförs.
2. Ta försiktigt bort ledningarna från originalpickupen.
3. Lossa de två skruvarna på tonarmsskalet som håller fast pickupen och ta sedan bort originalpickupen.
4. Montera den nya pickupen på tonarmsskalet och dra åt det lätt. Dra inte åt skruvarna helt ännu.

5. Anslut ledningarna till den nya pickupens uttag. Ledningarnas färg är följande:

Vit	Vänster kanal positiv	(V+)
Blå	Vänster kanal negativ	(V-)
Röd	Höger kanal positiv	(H+)
Grön	Höger kanal negativ	(H-)

6. Justera pickupens position så att den är exakt i linje med tonarmsskalet och stiftet följer spåren parallellt. För att uppnå detta placerar du den medföljande inriktningsgradienten av papper över skivtallriksaxeln, lyfter försiktigt tonarmen och placerar stiftet spets på punkterna märkta 130 mm respektive 250 mm. Finjustera pickupens position på tonarmsskalet tills pickupen är helt parallell med referenslinjerna vid båda positionerna.

7. Dra åt skruvarna helt när perfekt inriktning har uppnåtts.

Specifikationer

Huvudenhet

Effekt	AC-nätadapter, DC-utgång 15 V 2 400 mA
Energiförbrukning	36 W
Uteffekt	2 x 30 W RMS
Skivspelarens hastigheter	33 1/3, 45 varv/min
Hastighetsvarians	± 1,0 %
Wow och flutter (svaj)	< 0,15 %
Signal-brusförhållande	72 dB
Tryckintervall	0–2,2 g
Tonarmens effektiva längd	8,6 tum (218,5 mm)
Överhäng	0,73 tum (18,5 mm)
Skivspelarens mått (B x H x D)	418 x 123 x 346 mm, med öppet lock 420 x 410 x 420 mm
Vikt	5,77 kg

Högtalare

Tweeter	8 Ω 10 W x 2
Woofers	4 Ω 30 W x 2
Högtalarmått (B x H x D)	162 x 248 x 158 mm
Vikt	3,76 kg

Stift: AT-VM95E

Frekvensåtergivning	20–20 000 Hz
Kanalbalans	< 2,0 dB
Kanalseparation	20 (dB vid 1 kHz)
Utgångsspänning	4,0 mV
Rekommenderat belastningsmotstånd	47 kΩ
Förstärkaranslutning	MM – ingång
Rekommenderat spårtryck	1,8–2,2 g (2,0 g standard)
Vikt	6,1 g

Obs:

- Utformning och specifikationer kan ändras utan föregående meddelande.

Nätadapter:

Tillverkare: Brightpower Optoelectronic Technonlgy Co., Ltd.

Modellnummer: SW1502400-IM/ S036A1502400M

Ingångsspänning: 100–240 V

Ingående AC-frekvens: 50/60 Hz

Utgångsspänning: DC 15 V

Utgående ström: 2,4 A

Uteffekt: 36 W

Genomsnittlig verkningsgrad i aktivt läge: 87,58 %

Effektförbrukning vid låg belastning (10 %): 84 %

Effektförbrukning vid noll-last: 0,080 W

Använd endast den strömförsörjning som anges i bruksanvisningen

Underhåll av skivspelaren

1. Rör inte skivspelarens stift med fingrarna. Undvik att stöta stiftet mot skivspelarmattan eller skivans kant.
2. Rengör stiftet regelbundet, med en mjuk borste och endast bakifrån och framåt.
3. Rengör skivorna med en skivrengöringsborste och skivrengöringslösning för att bli av med damm eller fett.
4. Rengör skivspelarens lock och musikmöbelen med en lätt fuktad mikrofiberduk.

Obs: Använd inte rengöringsmedel som innehåller alkohol, bensen eller andra starka kemikalier, eftersom det kan skada skivspelarens lack och yta.

Felsökning

Det finns ingen ström

- Strömadaptern är inte ansluten på rätt sätt.
- Ingen ström i eluttaget.

Strömmen är på, men skivtallriken snurrar inte

- Enheten är inte i skivspelaresläge. Tryck på MODE-knappen för att ändra skivspelarens läge. Indikatorlampan lyser rött.
- Tryck på SPELA/STOPP-knappen en gång för att påbörja uppspelningen.
- Skivspelarens drivrem är inte monterad eller har lossnat.

Skivspelaren snurrar, men det finns inget ljud, eller ljudet är inte tillräckligt högt

- Stiftskyddet är fortfarande på.
- Tonarmen lyfts upp av spaken.
- Phono/linje-omkopplaren är inställd på PHONO-läget men RCA-uttag har anslutits till stereosystemets linjeingång.
- Du har glömt att ansluta högtalarna till skivspelaren.

Förvrängt eller inkonsekvent ljud från en eller båda kanalerna:

- Skivspelaren är ansluten till fel ingång på förstärkaren.
- Stiftet eller stiftarmen är skadad.

- Drivremmen är översträckt eller smutsig.
- Skivtallriken saknar olja, är smutsigt eller skadat.
- Damm på stiftet.
- MM/MC-omkopplaren på förförstärkaren är felaktigt inställd.

Skivan spelas för snabbt eller för långsamt

- Fel hastighet har valts för skivan.

Kraftigt brum vid phonoingång

- Kabeln är inte korrekt jordad.
- Skivspelaren är för nära högtalarna.

Anmärkning:

För att skydda stiftet stannar skivtallriken automatiskt om ingen musik har spelats upp på en minut. För att sänka energiförbrukningen går hela enheten automatiskt till standbyläge om ingen musik har spelats upp på cirka 20 minuter.

För att starta om enheten håller du knappen "PÅ/AV, LÄGE" intryckt.

Om enheten stängs av regelbundet är detta inget fel.

Garanti

Lenco erbjuder service och garanti i enlighet med europeisk lagstiftning, vilket innebär vid fall av reparationer (både under och efter garantins giltighetsperiod) ska du kontakta din lokala återförsäljare.

Viktig anmärkning: Det finns inga möjligheter att skicka produkter som är i behov av reparation direkt till Lenco.

Viktig anmärkning: Om denna enhet öppnas eller görs åtkomlig av ett icke officiellt servicecenter på något sätt, anses garantin vara utan laga kraft.

Denna enhet är inte lämplig för yrkesmässig användning. Vid yrkesmässig användning, upphör samtliga garantier från tillverkaren att gälla.

Friskrivningsklausul

Uppdateringar av hård mjukvara och/eller hårdvarukomponenter görs regelbundet. Därmed kan vissa anvisningar, specifikationer och bilder i denna dokumentation skilja sig något från din särskilda situation. Alla artiklar beskrivna i denna guide är endast för illustration och kan inte tillämpas på någon speciell situation. Inga juridiska rättigheter eller anspråk kan erhållas från beskrivningen i denna manual.



Bortskaffande av gammal enhet

Denna symbol anger att den relevanta elektriska produkten eller batteriet ska inte kasseras i det allmänna hushållsavfallet i Europa. När den korrekta avfallsbehandlingen för produkten och batteriet ska säkerställas, ska elektrisk utrustning eller batterier kasseras i enlighet med varje krav på tillämplig lokal lagstiftning. Genom detta handlande, bidrar du till att återvinna naturresurser och förbättra normer för miljöskydd och kassering av elektrisk avfall (elektrisk och elektronisk utrustning).

FÖRSÄKRAN OM ÖVERSTÄMMELSE

Härmed intygar Commaxx att radioutrustningen av typen [Lenco LS-600] överensstämmer med direktiv 2014/53/EU. Den fullständiga texten gällande EU-försäkran om överensstämmelse finns på följande internetadress:

https://commaxx-certificates.com/doc/ls-600_doc.pdf

RF-typ	Frekvensområde (MHz)	Effekt (dBm)
Bluetooth	2 402–2 480	< 6

Service

För mer information och support via vår helpdesk går du till <https://www.lenco.com>

Commaxx B.V. Wiebachstraat 37, 6466 NG Kerkrade, Nederländerna.