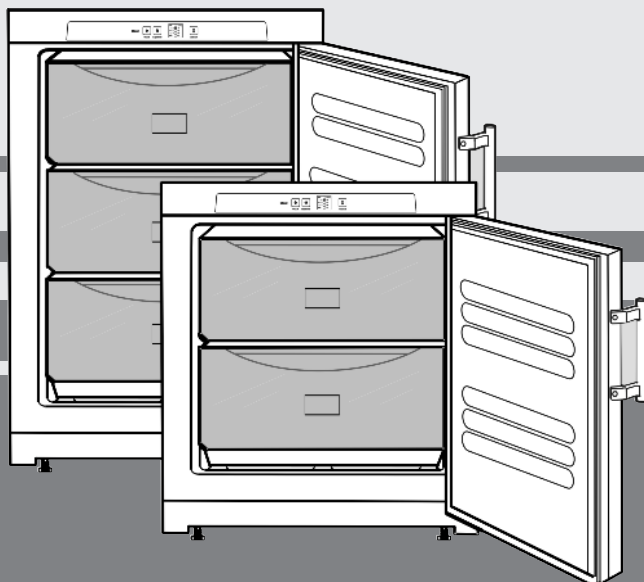


Operating instructions

Table-height freezer

EN



150318 **7081998 - 03**

G(P)(sl)(be)12../GX823 ... 3

LIEBHERR

Appliance at a glance

Contents

1	Appliance at a glance	2
1.1	Description of appliance and equipment.....	2
1.2	Appliance range of use.....	2
1.3	Conformity.....	3
1.4	Product data.....	3
1.5	External dimensions of the appliance.....	3
1.6	Saving energy.....	3
2	General safety information	3
3	Controls and displays	4
3.1	Operating and control elements.....	4
3.2	Temperature display.....	4
4	Putting into operation	4
4.1	Transporting the appliance.....	4
4.2	Installing the appliance.....	5
4.3	Changing over the door hinge.....	5
4.4	Insertion into a row of kitchen units.....	6
4.5	Disposing of packaging.....	6
4.6	Connecting the appliance.....	7
4.7	Switching on the appliance.....	7
5	Control	7
5.1	Brightness of the temperature display.....	7
5.2	Child proofing.....	7
5.3	Temperature alarm.....	7
5.4	Freezing food.....	8
5.5	Storage life.....	8
5.6	Thawing food.....	8
5.7	Setting the temperature.....	8
5.8	SuperFrost.....	8
5.9	Drawers.....	9
5.10	Shelves.....	9
5.11	VarioSpace.....	9
6	Maintenance	9
6.1	Manual defrosting.....	9
6.2	Cleaning the appliance.....	9
6.3	Customer service.....	9
7	Malfunctions	10
8	Decommissioning	10
8.1	Switching off the appliance.....	10
8.2	Taking the appliance out of service.....	10
9	Disposing of the appliance	11

The manufacturer works constantly on the further development of all the types and models. Therefore please understand that we have to reserve the right to make design, equipment and technical modifications.

To get to know all the benefits of your new appliance, please read the information contained in these instructions carefully.

The instructions apply to several models. Differences may occur. Text relating only to specific appliances is marked with an asterisk (*).

Instructions for action are marked with a ►, the results of action are marked with a ▷.

1 Appliance at a glance

1.1 Description of appliance and equipment

Note

► Shelves, drawers and baskets are arranged for optimum energy efficiency on delivery.

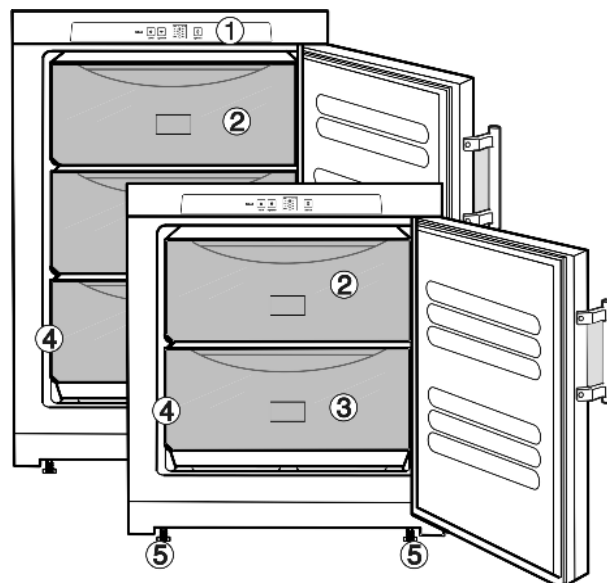


Fig. 1

- (1) Operating controls
- (2) VarioSpace
- (3) Drawer
- (4) Type plate
- (5) Adjustable feet

1.2 Appliance range of use

Intended use

The appliance is only suitable for refrigerating food in a domestic or domestic-like environment. This includes, for example, using

- in staff kitchens, bed and breakfast establishments,
- by guests in country houses, hotels, motels and other accommodation,
- for catering and similar services in the wholesale trade.

All other types of use are not permitted.

Foreseeable misuse

The following applications are expressly forbidden:

- Storing and refrigerating medicines, blood plasma, laboratory preparations or similar substances and products based on the Medical Device Directive 2007/47/EC
- Use in areas at risk of explosions

Misusing the appliance may lead to damage to the goods stored or they may spoil.

Climate classifications

Depending on the climate classification the appliance is designed to operate in restricted ambient temperatures. The climate classification applying to your appliance is printed on the rating plate.

Note

► Keep to the specified ambient temperatures in order to guarantee that the appliance works properly.

Climate classification	for ambient temperatures
SN, N	to 32 °C
ST	to 38 °C
T	to 43 °C

The appliance will work properly down to a lower ambient temperature of -15 °C.

1.3 Conformity

The refrigerant circuit has been tested for leaks. This appliance complies with the applicable safety stipulations and with directives 2014/35/EU, 2014/30/EU, 2009/125/EG, 2011/65/EU and 2010/30/EU.

1.4 Product data

Product data is included with the appliance, as per Directive (EU) 2017/1369. The complete product data sheet is available on the Liebherr website under Downloads.

1.5 External dimensions of the appliance

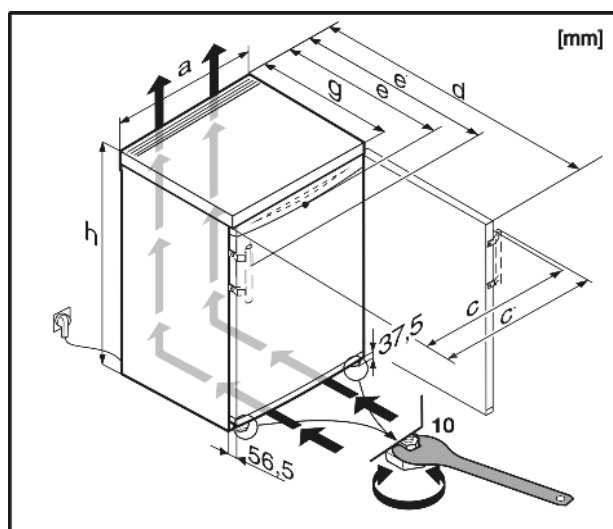


Fig. 2

	h	a	g	e	e'	d	c	c'
G1223	851	553	611	624	653	1129	563	592
Gsl1223	851	553	611	624	653	1129	563	594
G(be)1213	851	553	611	624	—	1129	563	—
GP1213	851	553	611 ^x	624 ^x	653 ^x	1129 ^x	563	592
GX823	631	553	611	624	653	1129	563	592

^x For appliances supplied with wall spacers, the measurement increases by 35 mm (see 4.2) .

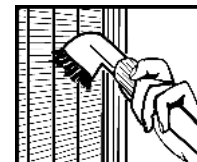
1.6 Saving energy

- Pay attention to good ventilation. Do not cover ventilation holes or grids.
- Do not install the appliance in direct sunlight, next to an oven, radiator or similar.
- Energy consumption is dependent on the installation conditions, e.g. ambient temperature (see 1.2) . If the ambient

temperature deviates from the standard temperature of 25°C, the energy consumption may differ.

- Open the appliance for as short a time as possible.
- The lower the temperature is set the higher the energy consumption.
- Store all food well packaged and covered. A build up of frost is avoided.
- If there is a thick layer of frost in the appliance: defrost the appliance.

Dust deposits increase energy consumption:



- For refrigerators with heat exchangers dust the metal grid on the back of the appliance once a year.

2 General safety information

Danger for the user:

- This device can be used by children and people with impaired physical, sensory or mental abilities or with a lack of experience and knowledge provided that they are supervised or have received instruction in the safe use of this device, and about the resulting hazards. Children must not play with this appliance. Cleaning and user maintenance work must not be carried out by children without adult supervision. Children aged between 3 and 8 are allowed to load and unload the appliance. Children below the age of 3 must be kept away from the appliance unless they are under continuous adult supervision.
- When disconnecting the appliance from the supply, always take hold of the plug. Do not pull the cable.
- In the event of a fault pull out the mains plug or deactivate the fuse.
- Do not damage the mains power cable. Do not operate the appliance with a defective mains power cable.
- Have any repairs to or intervention in the appliance, and any change of the mains power cable, carried out by the customer service only or by other specialised personnel trained for the purpose.
- Only assemble, connect and dispose of the appliance according to the instructions.
- Please keep these instructions in a safe place and pass them on to any subsequent owners.

Fire hazard:

- The refrigerant R 600a is environmentally friendly but flammable. Escaping refrigerant may ignite.
 - Do not damage the refrigerant circuit pipes.
 - Do not allow naked flames or ignition sources to enter the appliance.

Controls and displays

- Do not use any electrical appliances in the interior (e.g. steam cleaners, heaters, ice cream maker etc.).
- If refrigerant escapes: remove any naked flames or sources of ignition from the leakage area. Ventilate the room well. Notify the after-sales service.
- Do not store explosives or sprays using combustible propellants such as butane, propane, pentane, etc. in the appliance. To identify these spray cans, look for the list of contents printed on the can, or a flame symbol. Gases possibly escaping may ignite due to electrical components.
- Keep burning candles, lamps and other items with naked flames away from the appliance so that they do not set the appliance on fire.
- Please be sure to store alcoholic drinks or other packaging containing alcohol in tightly closed containers. Any alcohol that leaks out may be ignited by electrical components.

Danger of tipping and falling:

- Do not misuse the plinth, drawers, doors etc. as a step or for support. This applies particularly to children.

Danger of food poisoning:

- Do not consume food which has been stored too long.

Danger of frostbite, numbness and pain:

- Avoid lasting skin contact with cold surfaces or refrigerated/frozen food or take protective steps, e.g. wear gloves. Do not consume ice cream, water ice or ice cubes immediately and do not consume them too cold.

Danger of injury and damage:

- Hot steam can lead to injury. Do not use electrical heating or steam cleaning equipment, open flames or defrosting sprays to defrost.
- Do not use sharp implements to remove the ice.

Danger of crushing:

- Do not hold the hinge when opening and closing the door. Fingers may get caught.

Symbols on the appliance:



The symbol can be located on the compressor. It refers to the oil in the compressor and indicates the following danger: Swallowing or inhaling can be fatal. This is only relevant for recycling. There is no danger in normal operation.

Please observe the specific information in the other sections:



DANGER

identifies a situation involving direct danger which, if not obviated, may

		result in death or severe bodily injury.
	WARNING	identifies a dangerous situation which, if not obviated, may result in death or severe bodily injury.
	CAUTION	identifies a dangerous situation which, if not obviated, may result in minor or medium bodily injury.
	NOTICE	identifies a dangerous situation which, if not obviated, may result in damage to property.
	Note	identifies useful information and tips.

3 Controls and displays

3.1 Operating and control elements

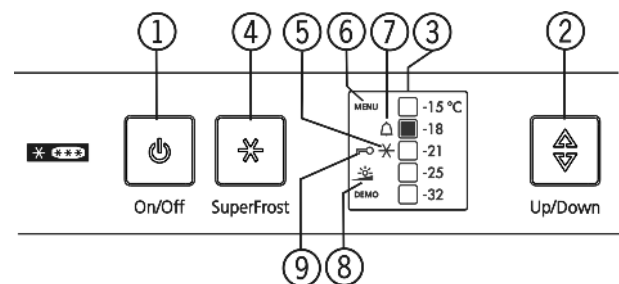


Fig. 3

- | | |
|-------------------------|-----------------------|
| (1) On/Off button | (6) Menu symbol |
| (2) Setting button | (7) Alarm symbol |
| (3) Temperature display | (8) Brightness symbol |
| (4) SuperFrost button | (9) Child lock symbol |
| (5) SuperFrost symbol | |

3.2 Temperature display

During normal operation, the display shows:

- the freezer temperature setting

The temperature display flashes if/when:

- You change the temperature setting
- The appliance is not cold enough after switching on
- The temperature rises by several degrees

4 Putting into operation

4.1 Transporting the appliance



CAUTION

Risk of injury and danger of damage as a result of incorrect transport!

- ▶ Transport the appliance in a packed condition.
- ▶ Transport the appliance upright.
- ▶ Do not transport the appliance without assistance.

4.2 Installing the appliance



WARNING

Fire hazard due to dampness!

If live parts or the mains lead become damp this may cause short circuits.

- ▶ The appliance is designed for use in enclosed areas. Do not operate the appliance outdoors or in areas where it is exposed to splash water or damp conditions.



WARNING

Risk of fire due to short circuit!

If the mains cable/connector of the appliance or of another appliance touch the rear of the appliance, the mains cable/connector may be damaged by the appliance vibrations, leading to a short circuit.

- ▶ Stand the appliance so that it is not touched by connectors or main cables.
- ▶ Do not plug the appliance or any others into sockets located near the rear of the appliance.



WARNING

Fire hazard due to refrigerant!

The refrigerant R 600a is environmentally friendly but flammable. Escaping refrigerant may ignite.

- ▶ Do not damage the piping of the refrigeration circuit.



WARNING

Fire hazard and danger of damage!

- ▶ Do not place appliances emitting heat e.g. microwaves, toasters etc. on the appliance!



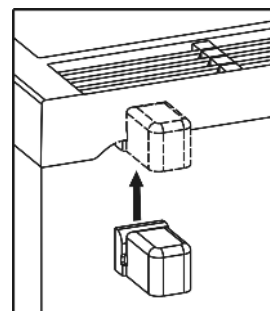
WARNING

Blocked ventilation openings pose a risk of fire and damage!

- ▶ Always keep the ventilation openings clear. Always ensure that the appliance is properly ventilated!
- In the event that the appliance is damaged, contact the supplier immediately before connecting to the mains.
- The floor at the site must be flat and level.
- Do not install the appliance in a location where it is exposed to direct radiation of the sun, next to a cooker, heater and similar.
- The ideal installation site is a dry, well ventilated room.
- Always stand the appliance backed directly to the wall using the enclosed wall spacers (see below).
- The appliance may be moved only when it is empty.
- The surface supporting the appliance must be at the same level as the surrounding floor.
- Do not install the appliance without assistance.
- The more R 600a refrigerant there is in the appliance, the larger the room in which the appliance is standing needs to be. In rooms that are too small, a flammable mix of gas and air may be created if there is a leak. According to the EN 378 standard, every 11 g of R 600a refrigerant requires at least 1 m³ space in the room for the appliance. The amount of refrigerant in your appliance is on the type plate inside the appliance.
- ▶ Detach the connecting cable from the rear of the appliance, removing the cable holder at the same time because otherwise there will be vibratory noise!
- ▶ Remove all transit supports.

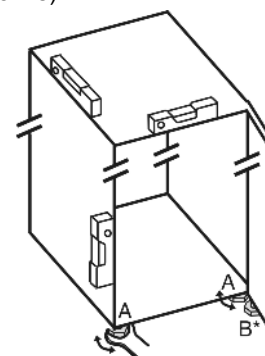
The spacers supplied with some appliances must be used to achieve the stated energy consumption. These will extend the depth of the appliance by approx. 35 mm. The appliance is fully functional if the spacers are not used, but does have a slightly higher energy consumption.

- ▶ In the case of an appliance with enclosed wall spacers, mount the wall spacers on the back of the appliance at the top left and right.



- ▶ Dispose of packaging material (see 4.5).

- ▶ Align the appliance so that it stands firmly and on a level by applying the accompanying spanner to the adjustable-height feet (A) and using a spirit level.



Note

- ▶ Clean the appliance (see 6.2).

If the appliance is installed in a very damp environment, condensate may form on the outside of the appliance.

- ▶ Always see to good ventilation at the installation site.

4.3 Changing over the door hinge*

You can change over the door hinges if necessary.

Make sure that the following tools are at hand:

- Torx® 25
- Torx® 15
- Supplied open-ended wrench
- If necessary, a second person to assist with installation



CAUTION

Risk of injury if the door tips!

- ▶ Take good hold of the door.
- ▶ Set down the door carefully.

Putting into operation

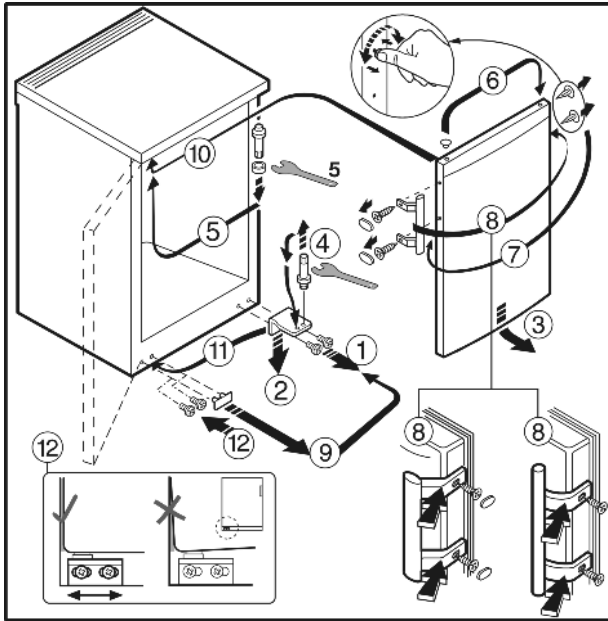


Fig. 4 On appliances with a door handle

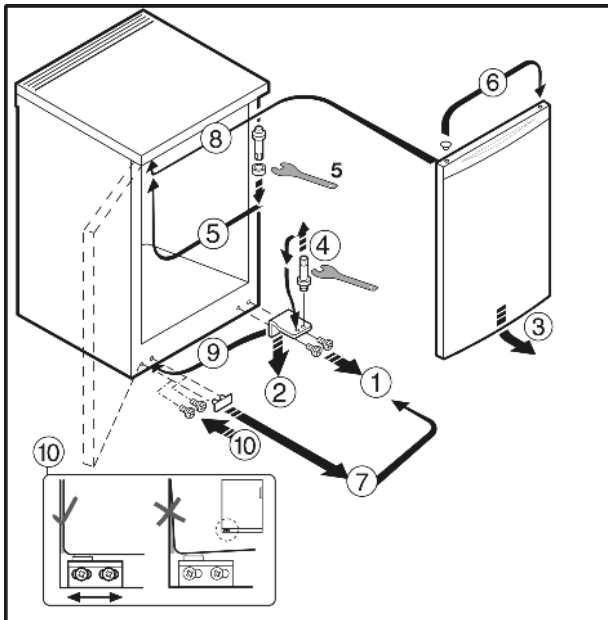


Fig. 5 On appliances without a door handle

► Follow the sequence of the item numbers in the diagram.



WARNING

Risk of injury due to the door dropping out!

If the bearing parts are not screwed into place firmly enough, the door may drop out. This may lead to severe injuries. What is more, the door may not close and therefore the appliance may fail to cool properly.

- Screw on the bearing brackets/bearing pins tightly (4 Nm).
- Check all of the screws and retighten if necessary.

4.4 Insertion into a row of kitchen units

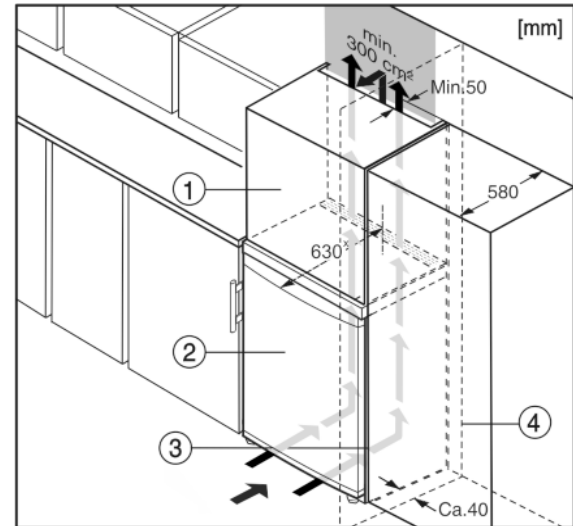


Fig. 6

- (1) Stack cabinet
- (2) Appliance
- (3) Kitchen cabinet
- (4) Wall

* For appliances supplied with wall spacers, the measurement increases by 35 mm (see 4.2).

The appliance can be built into kitchen units. A top cupboard Fig. 6 (2) can be added above the appliance in order to bring the appliance Fig. 6 (1) up to the height of the fitted kitchen units.*

When installing with kitchen units (max. depth 580 mm), the appliance can be positioned directly next to the kitchen cabinet Fig. 6 (3). The appliance will project by 34 mm* at the sides and 50 mm* in the centre of the appliance in relation to the kitchen cabinet front.*

Ventilation requirements:

- At the back of the stack cabinet there has to be a ventilation duct of at least 50 mm depth throughout the width of the stack cabinet.
- The cross section of the ventilation gap below the ceiling must be at least 300 cm².
- the larger the ventilation space, the more energy-saving the appliance is in operation.

If the appliance is installed with the hinges next to a wall Fig. 6 (4), the distance between appliance and wall has to be at least 40 mm. This corresponds to the projection of the handle when the door is open.

4.5 Disposing of packaging



WARNING

Danger of suffocation due to packing material and plastic film!

- Do not allow children to play with packing material.

The packaging is made of recyclable materials:

- corrugated board/cardboard
- expanded polystyrene parts
- polythene bags and sheets
- polypropylene straps
- nailed wooden frame with polyethylene panel*

- Take the packaging material to an official collecting point.



4.6 Connecting the appliance

NOTICE

Failure to connect properly
Damage to the electronics.

- ▶ Do not use a standalone inverter.
- ▶ Do not use an energy saving plug.



WARNING

Failure to connect properly
Fire hazard.

- ▶ Do not use an extension cable.
- ▶ Do not use distributor blocks.

The type of current (alternating current) and voltage at the installation site have to conform with the data on the type plate (see Appliance at a glance).

The socket must be properly earthed and fused. The tripping current for the fuse must be between 10 A and 16 A.

The socket must be easily accessible so that the appliance can be quickly disconnected from the supply in an emergency. It must be outside the area of the rear of the appliance.

- ▶ Check the electrical connection.
- ▶ Plug in the power plug.



4.7 Switching on the appliance

- ▶ Press the On/Off button *Fig. 3 (1)*.
- ▷ The appliance is switched on. The temperature display and Alarm symbol *Fig. 3 (7)* flash until the temperature is cold enough.
- ▷ If "DEMO" is displayed, demo mode is activated. Please contact the after sales service.

5 Control

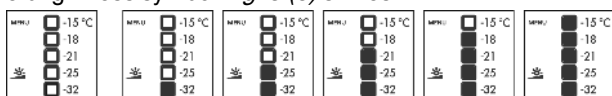
5.1 Brightness of the temperature display

You can adjust the brightness of the temperature display to the light conditions of the room in which the appliance is installed.

5.1.1 Adjusting the brightness

The backlight can either be switched off or set to one of 5 levels. The backlight is switched off ex works.

- ▶ To activate the setting mode: Press the SuperFrost button *Fig. 3 (4)* for about 5 seconds.
- ▷ The menu symbol *Fig. 3 (6)* shines and the child lock symbol *Fig. 3 (9)* flashes.
- ▶ Press the setting button *Fig. 3 (2)* to select the brightness function.
- ▷ The child lock symbol *Fig. 3 (9)* goes out and the brightness symbol *Fig. 3 (8)* flashes.
- ▶ To confirm: Briefly press the SuperFrost button *Fig. 3 (4)*.
- ▷ The brightness symbol *Fig. 3 (8)* shines.



- ▶ Using the setting button *Fig. 3 (2)*, select either "off" or the brightness wanted. The more display fields of the temperature display that light up, the brighter it is. If no field is lit up, it means "off".
- ▶ To confirm: Press the SuperFrost button *Fig. 3 (4)*.
- ▷ The brightness symbol *Fig. 3 (8)* flashes.
- ▷ The brightness is adjusted to the new value.

- ▶ To deactivate the setting mode: Press the On/Off button *Fig. 3 (1)*.

-or-

- ▶ Wait for 5 minutes.

- ▷ The brightness symbol *Fig. 3 (8)* and the menu symbol *Fig. 3 (6)* go out.

- ▷ The temperature is indicated again in the temperature display.

5.2 Child proofing

The child-proofing function enables you to make sure that the appliance is not inadvertently switched off by playing children.



5.2.1 To activate child lock

- ▶ To activate the setting mode: Press the SuperFrost button *Fig. 3 (4)* for about 5 seconds.
- ▷ The menu symbol *Fig. 3 (6)* shines and the child lock symbol *Fig. 3 (9)* flashes.
- ▶ Briefly press the SuperFrost button *Fig. 3 (4)* to select the child lock function.
- ▷ The child lock symbol *Fig. 3 (9)* shines. The -15 °C and -21 °C LEDs shine in the temperature display.



- ▶ Briefly press the SuperFrost button *Fig. 3 (4)* to activate the child lock.
- ▷ The child lock symbol *Fig. 3 (9)* flashes. The -15 °C and -21 °C LEDs go out.
- ▶ To deactivate the setting mode: Press the On/Off button *Fig. 3 (1)*.

-or-

- ▶ Wait for 5 minutes.

- ▷ The menu symbol *Fig. 3 (6)* goes out and the temperature is displayed again in the temperature display. The child lock symbol *Fig. 3 (9)* shines.

5.2.2 To deactivate child lock

- ▶ To activate the setting mode: Press the SuperFrost button *Fig. 3 (4)* for about 5 seconds.
- ▷ The menu symbol *Fig. 3 (6)* shines and the child lock symbol *Fig. 3 (9)* flashes.
- ▶ Briefly press the SuperFrost button *Fig. 3 (4)* to select the child lock function.
- ▷ The child lock symbol *Fig. 3 (9)* shines. The -18 °C LED shines in the temperature display.



- ▶ Briefly press the SuperFrost button *Fig. 3 (4)* to deactivate the child lock.
- ▷ The child lock symbol *Fig. 3 (9)* flashes.
- ▶ To deactivate the setting mode: Press the On/Off button *Fig. 3 (1)*.

-or-

- ▶ Wait for 5 minutes.

- ▷ The menu symbol *Fig. 3 (6)* goes out and the temperature is displayed again in the temperature display. The child lock symbol *Fig. 3 (9)* no longer shines.

5.3 Temperature alarm

The temperature display and the alarm symbol *Fig. 3 (7)* flash at the same time.



The cause of the temperature being too high may be:

- warm fresh food was placed inside

Control

- too much warm ambient air flowed in when rearranging and removing food
- Prolonged power outage
- the appliance is faulty

The Alarm symbol *Fig. 3 (7)* goes out and the temperature display stops flashing, once the temperature has reached the appropriate level of coldness again.

5.4 Freezing food

The rating plate indicates the maximum quantity of fresh food you can freeze within 24 hours (see Appliance at a glance) under "Freezing capacity ... kg/24h".

The maximum load of frozen food for the drawers is 25 kg each and for the shelves 35 kg each.



CAUTION

Risk of injury due to broken glass!

Bottles and cans containing drinks may burst when being frozen. This applies particularly to sparkling drinks.

- ▶ Do not freeze bottles and cans containing drinks!

In order that the food is rapidly frozen through to the core, do not exceed the following quantities per pack:

- Fruit, vegetables up to 1 kg
- Meat up to 2.5 kg
- ▶ Pack the food in portions in freezer bags, reusable plastic, metal or aluminium containers.

5.5 Storage life

Standard values for the storage life of various types of food:	
Ice-cream	2 to 6 months
Sausage, ham	2 to 6 months
Bread, bakery products	2 to 6 months
Game, pork	6 to 10 months
Fatty fish	2 to 6 months
Lean fish	6 to 12 months
Cheese	2 to 6 months
Poultry, beef	6 to 12 months
Vegetables, fruit	6 to 12 months

The values indicated for storage life are standard ones.

5.6 Thawing food

- in the refrigerator compartment
- in a microwave oven
- in a conventional or fan oven
- at room temperature
- ▶ Remove only as much food as is required. Use thawed food as quickly as possible.
- ▶ Food once thawed should be re-frozen only in exceptional cases.

5.7 Setting the temperature

Temperature setting to be recommended: -18 °C

The temperature can be changed continuously. Once the -32 °C setting is reached, it starts again with -15 °C.

- ▶ To access temperature adjustment: press setting button *Fig. 3 (2)* once.

- ▷ The LED of the current temperature flashes in the temperature display.
- ▶ Press the setting button *Fig. 3 (2)* the number of times needed until the required temperature shines in the LED display.

Note

- ▶ Long pressing of the setting button sets a slightly colder value within a small temperature range (e.g.: between -15 °C and -18 °C). The LED of the next lower temperature range then shines in the temperature display.

5.8 SuperFrost

In addition, frozen food already in storage is given a "cold reserve". The food stays frozen longer as a result when you defrost the appliance.

The maximum amount of fresh food which can be frozen in 24 h is indicated on the type plate under "freezing capacity ... kg/24h". This amount varies according to the model and climate rating.

You have to activate SuperFrost in good time, depending on how much fresh food is to be frozen: about 6 hours before placing the food inside in case of small amounts and about 24 hours in advance in case of the maximum amount of food to be frozen.

You do not have to activate SuperFrost in the following cases:

- when placing frozen food in the freezer
- when freezing up to approx. 1 kg fresh food daily

5.8.1 Freezing with SuperFrost

- ▶ Briefly press the SuperFrost button *Fig. 3 (4)*.
- ▷ The SuperFrost symbol *Fig. 3 (5)* shines.
- ▷ The freezer temperature drops, the appliance operates with the maximum refrigerating capacity.

Note

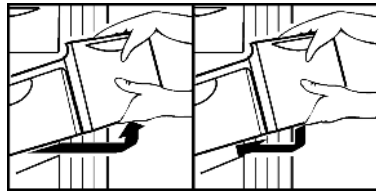
- ▶ Pressing the SuperFrost button can cause the compressor to switch on up to 8 minutes later, thanks to the integrated switch-on delay. This delay increases the service life of the compressor.

In case of a small amount of food to be frozen:

- ▶ wait approx. 6 h.
- ▶ Place wrapped produce in the bottom drawers. In case of the maximum amount of food to be frozen (see type plate):
- ▶ wait about 24 h.
- ▶ Remove bottom drawer and place produce directly in the appliance so that it touches the base or sides.
- ▷ SuperFrost is automatically deactivated after about 65 h.
- ▷ The SuperFrost button *Fig. 3 (5)* extinguishes once freezing is completed.
- ▷ The temperature range set for the normal mode shines in the temperature display.
- ▶ Place produce in the drawer and then push the drawer back in again.
- ▷ The appliance continues to operate in the energy-saving, normal mode.

To save energy SuperFrost can switch switched off, even before the full 65 hours of freezing time has elapsed, by pressing the SuperFrost button *Fig. 3 (4)* again. Only switch off SuperFrost once the temperature is -18 °C or colder.

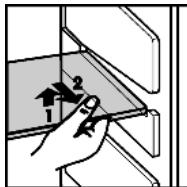
5.9 Drawers



- ▶ To store frozen food directly on the shelves: pull the drawer forwards and lift it out.

5.10 Shelves

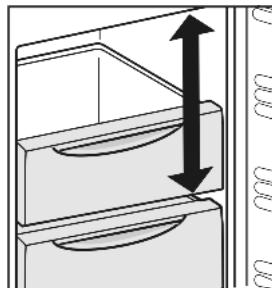
- ▶ To remove the shelf: lift up at the front and pull out.
- ▶ To put the shelf back: simply push in as far as it will go.



5.11 VarioSpace

You can remove the shelves and drawers. This leaves more room for larger food items such as poultry, meat, large game and tall baked goods, which can be frozen whole before further preparation.

- ▶ The maximum load of frozen food for the drawers is 25 kg each and for the shelves 35 kg each.



6 Maintenance

6.1 Manual defrosting

The layer of frost or ice builds up faster if the appliance is opened often or if the food is warm when placed inside. However, a thick layer of ice will increase the appliance's energy consumption. You should therefore defrost the appliance regularly.

Remove ice from inside surface at top of appliance:

A layer of ice forms inside at the centre of the top of the device. This ice forms as a result of physical properties.

- ▶ Regularly remove the ice with a scraper tool. The appliance does not need to be thawed for that reason.



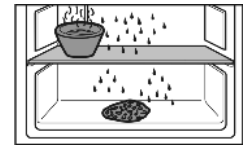
WARNING

Danger of injury and damage

- ▶ Do not use any mechanical aids or other means not recommended by the manufacturer in order to accelerate the defrosting process.
- ▶ Do not use electrical heating or steam cleaning equipment, open flames or defrosting sprays to defrost.
- ▶ Do not use sharp implements to remove the ice.
- ▶ Do not damage the pipework in the refrigerant circuit.

- ▶ Switch on SuperFrost one day before defrosting.
- ▶ The frozen goods are provided with a "cold reserve".
- ▶ Switch off the appliance.
- ▶ The temperature display goes out.
- ▶ Pull out the power plug or switch off the fuse.
- ▶ If possible, put the frozen goods in the freezer drawer, wrapped in newspaper or a blanket, and store in a cool place.

- ▶ Place a pan with hot, not boiling water on a middle shelf.



- ▷ Defrosting is speeded up.
- ▷ Defrost water is collected in the drawers.
- ▶ Leave the door of the appliance open while defrosting.
- ▶ Remove detached pieces of ice.
- ▶ If necessary, pick up defrost water several times, using a sponge or cloth.
- ▶ Clean the appliance (see 6.2).

6.2 Cleaning the appliance



WARNING

Risk of injury and damage as a result of hot steam! Hot steam can lead to burns and can damage the surfaces.

- ▶ Do not use any steam cleaners!

NOTICE

Incorrect cleaning damages the appliance!

- ▶ Do not use cleaning agents in concentrated form.
- ▶ Do not use any scouring or abrasive sponges or steel wool.
- ▶ Do not use any sharp or abrasive cleaning agents, nor any that contain sand, chloride or acid.
- ▶ Do not use chemical solvents.
- ▶ Do not damage or remove the type plate on the inside of the appliance. It is important for the customer service.
- ▶ Do not pull off, bend or damage cables or other components.
- ▶ Do not allow any cleaning water to enter the drain channel, ventilation grille or electrical parts.
- ▶ Please use soft cleaning cloths and a universal pH-neutral cleaning agent.
- ▶ Please use cleaning and care products suitable for contact with foodstuffs in the appliance interior.

- ▶ **Empty appliance.**
- ▶ **Pull out the power plug.**



- ▶ Clean **plastic outer and inner surfaces** with lukewarm water and a little washing-up liquid.
- ▶ Only use a soft clean cloth to wipe **side walls with a paint finish**. In the case of heavy soiling, use lukewarm water with neutral cleaning agent.
- ▶ Use only a soft clean cloth to wipe **door surfaces** with a paint finish. In the case of heavy soiling, use a little water or neutral cleaning agent. A micro-fibre cloth can be used optionally.

After cleaning:

- ▶ Wipe dry the appliance and items of equipment.
- ▶ Connect the appliance and switch it on again.

6.3 Customer service

First check whether you can correct the fault yourself by reference to the list (see Malfunction). If this is not the case, please contact the customer service whose address is given in the enclosed customer service list.



WARNING

Risk of injury if repair work is not carried out professionally!

- ▶ Have any repairs and action - not expressly specified - on the appliance and mains cable carried out by service personnel only. (see Maintenance)

Malfunctions

- ▶ Read the appliance designation *Fig. 7 (1)*, service No. *Fig. 7 (2)* and serial No. *Fig. 7 (3)* off the type plate located inside the appliance on the left-hand side.

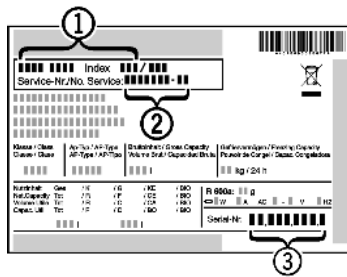


Fig. 7

- ▶ Notify the customer service, specifying the fault, appliance designation *Fig. 7 (1)*, service No. *Fig. 7 (2)* and serial No. *Fig. 7 (3)*.
- ▷ This will help us to provide you with a faster and more accurate service.
- ▶ Keep the appliance closed until the customer service arrives.
- ▷ The food will stay cool longer.
- ▶ Pull out the mains plug (not by pulling the connecting cable) or switch off the fuse.

7 Malfunctions

Your appliance is designed and manufactured for a long life span and reliable operation. If a malfunction nonetheless occurs during operation, check whether it is due to a handling error. In this case you will have to be charged for the costs incurred, even during the warranty period. You may be able to rectify the following faults yourself:

Appliance does not work.

- The appliance is not switched on.
- ▶ Switch on the appliance.
- The power plug is not properly inserted in the wall socket.
- ▶ Check power plug.
- The fuse of the wall socket is not in order.
- ▶ Check fuse.

The compressor runs for a long time.

- The compressor switches to a low speed when little cold is needed. Although the running time is increased as a result, energy is saved.
- ▶ This is normal in energy-saving models.
- SuperFrost is activated.
- ▶ The compressor runs for longer in order to rapidly cool the food. This is normal.

A LED on the bottom rear of the appliance (at the compressor) flashes regularly every 15 seconds*.

- The inverter is equipped with a diagnostic LED.
- ▶ The flashing is normal.

Excessive noise.

- Due to the various speed steps, speed-regulated* compressors can generate different running noises.
- ▶ The sound is normal.

A bubbling and gurgling noise.

- This noise comes from the refrigerant flowing in the refrigeration circuit.
- ▶ The sound is normal.

A quiet clicking noise.

- The noise is produced whenever the refrigeration unit (motor) automatically switches on or off.
- ▶ The sound is normal.

A hum. It is briefly a little louder when the refrigeration unit (the motor) switches on.

- The refrigeration increases automatically when the SuperFrost, function is activated, fresh food has just been placed in the appliance or the door has been left open for a while.

- ▶ The sound is normal.
- The ambient temperature is too high.
- ▶ Solution: (see 1.2)

Vibratory noise.

- The appliance is not fixed to the ground. The running of the cooling unit therefore makes objects and adjacent furniture vibrate.
- ▶ Adjust appliance via the height-adjustable feet.
- ▶ Move bottles and containers apart.

The SuperFrost symbol *Fig. 3 (5)* flashes together with the temperature display.

- There is a fault.
- ▶ Please contact the after-sales service (see Maintenance).

DEMO shines in the temperature display.

- The demo mode is activated.
- ▶ Please contact the after-sales service (see Maintenance).

The outer surfaces of the appliance are warm*.

- The heat of the refrigeration circuit is used to prevent condensate from forming.
- ▶ This is normal.

The temperature is not cold enough.

- The door of the appliance is not properly closed.
- ▶ Close the door of the appliance.
- Insufficient ventilation.
- ▶ Keep ventilation grille clear, and clean it.
- The ambient temperature is too high.
- ▶ Solution: (see 1.2) .
- The appliance was opened too frequently or for too long.
- ▶ Wait to see whether the appliance reaches the required temperature by itself. If not, please contact the after sales service (see Maintenance).
- Too much fresh food was placed inside without SuperFrost.
- ▶ Solution: (see 5.8)
- The temperature is incorrectly set.
- ▶ Set the temperature to a colder setting and check after 24 hours.
- The appliance is too close to a source of heat (stove, heater etc).
- ▶ Change the position of the appliance or the source of heat.

Concentrated collection of ice on inside face at centre of appliance cover.

- This build-up of ice is normal. Due to physical properties, ice concentrates inside the top of the appliance.
- ▶ Remove the ice with a scraper tool.

8 Decommissioning

8.1 Switching off the appliance

- ▶ Press the On/Off button *Fig. 3 (1)* until the display goes dark. Release button.
- ▷ If the appliance cannot be switched off, the child lock function is active (see 5.2) .

8.2 Taking the appliance out of service

- ▶ Empty the appliance.
- ▶ Switch off the appliance (see Decommissioning).
- ▶ Remove mains connector.
- ▶ Clean the appliance (see 6.2) .

- ▶ Leave the door open to prevent odour.



9 Disposing of the appliance

The appliance contains some reusable materials and should be disposed of properly - not simply with unsorted household refuse. Appliances which are no longer needed must be disposed of in a professional and appropriate way, in accordance with the current local regulations and laws.



When disposing of the appliance, ensure that the refrigeration circuit is not damaged to prevent uncontrolled escape of the refrigerant it contains (data on type plate) and oil.

- ▶ Disable the appliance.
- ▶ Pull out the plug.
- ▶ Cut through the connecting cable.



Liebherr-Hausgeräte Marica EOOD

4202 Radinovo

Bezirk Plovdiv

Bulgarien

home.liebherr.com