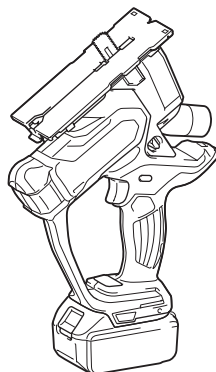




<b>EN</b>	<b>Cordless Drywall Saw</b>	<b>INSTRUCTION MANUAL</b>	<b>5</b>
<b>FR</b>	<b>Scie plaque de plâtre sans fil</b>	<b>MANUEL D'INSTRUCTIONS</b>	<b>10</b>
<b>DE</b>	<b>Akku-Gipskartonsäge</b>	<b>BETRIEBSANLEITUNG</b>	<b>16</b>
<b>IT</b>	<b>Seghetto per cartongesso a batteria</b>	<b>ISTRUZIONI PER L'USO</b>	<b>22</b>
<b>NL</b>	<b>Accugipsplaatzaag</b>	<b>GEBRUIKSAANWIJZING</b>	<b>28</b>
<b>ES</b>	<b>Cortadora de Tabla Roca</b>	<b>MANUAL DE INSTRUCCIONES</b>	<b>34</b>
<b>PT</b>	<b>Cortadora de Gesso a Bateria</b>	<b>MANUAL DE INSTRUÇÕES</b>	<b>40</b>
<b>DA</b>	<b>Akku gipspladesav</b>	<b>BRUGSANVISNING</b>	<b>46</b>
<b>EL</b>	<b>Φορητό πριόνι για γυψοσανίδα</b>	<b>ΕΓΧΕΙΡΙΔΙΟ ΟΔΗΓΙΩΝ</b>	<b>51</b>
<b>TR</b>	<b>Akülü alçı panel testeresi</b>	<b>KULLANMA KILAVUZU</b>	<b>57</b>

## DSD180



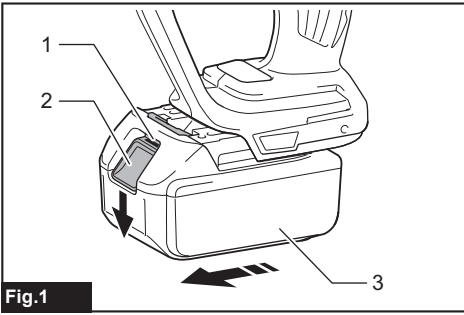


Fig.1

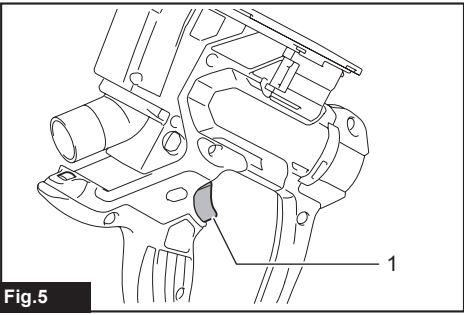


Fig.5

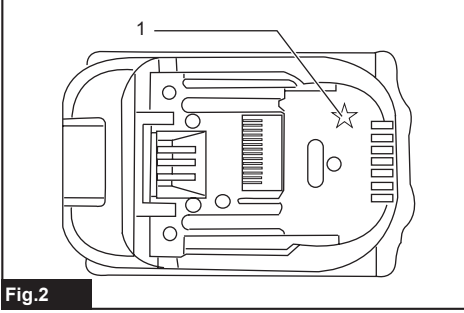


Fig.2

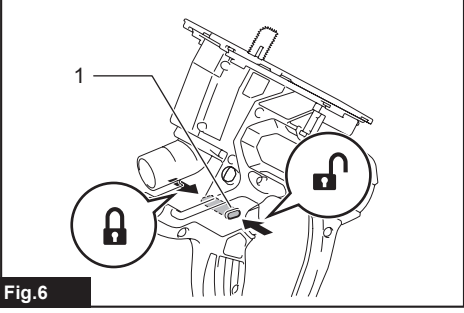


Fig.6

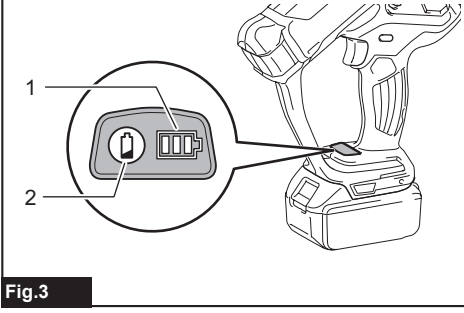


Fig.3

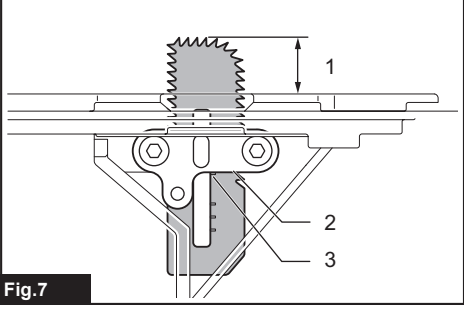


Fig.7

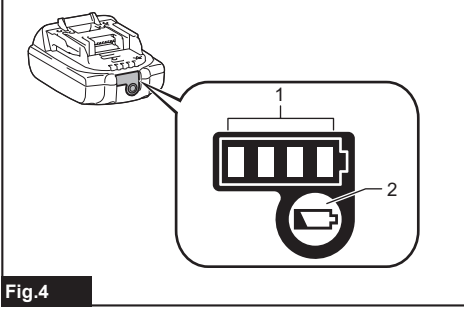


Fig.4

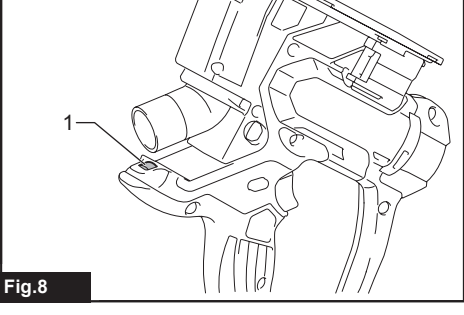
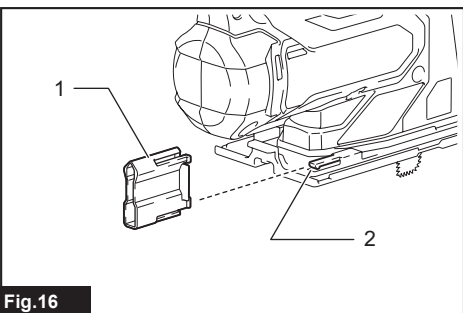
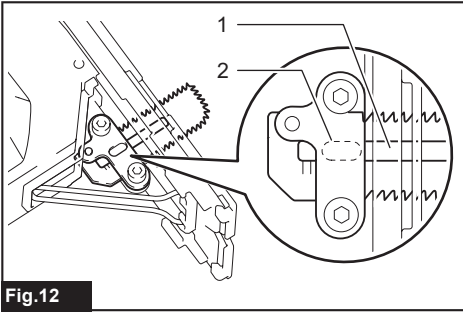
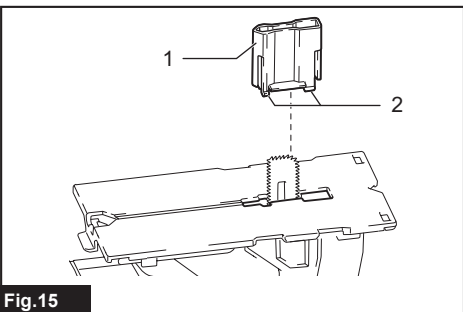
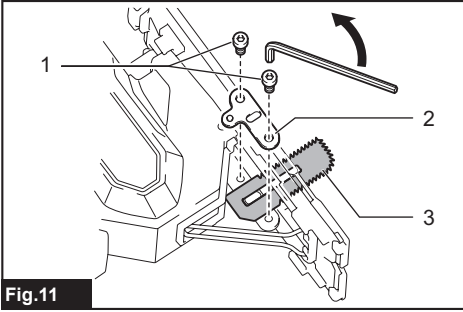
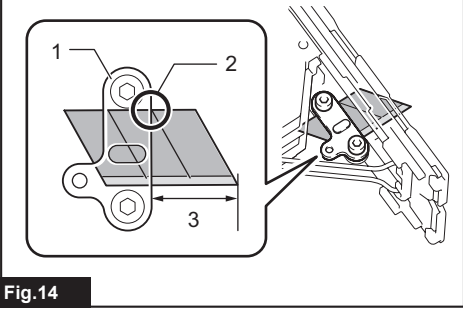
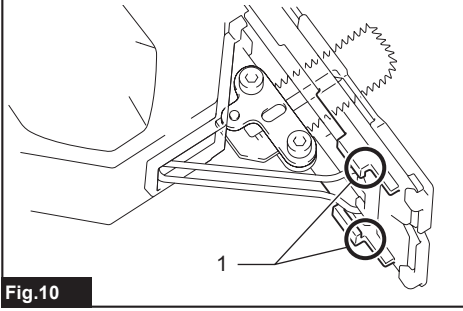
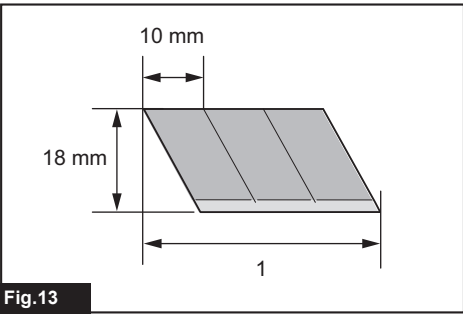
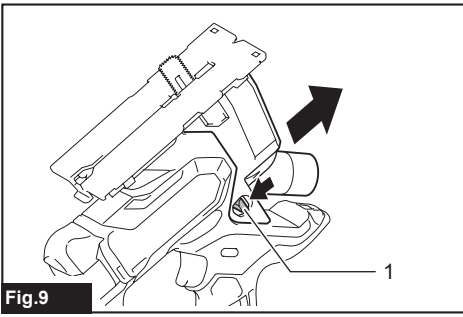


Fig.8



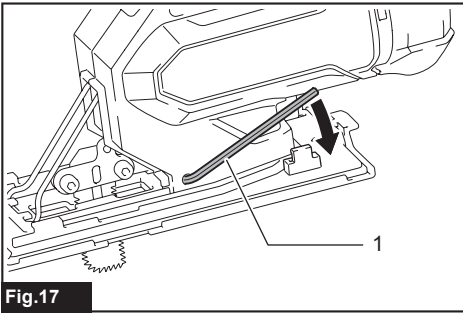


Fig.17

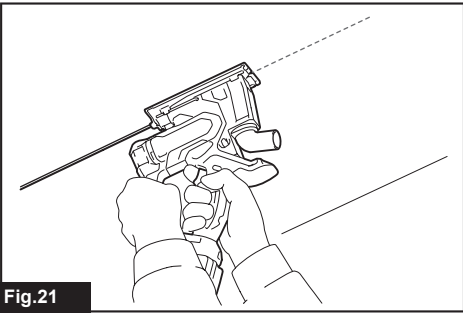


Fig.21

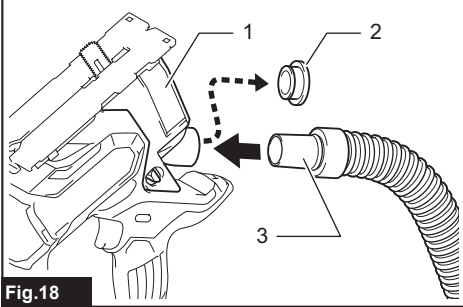


Fig.18

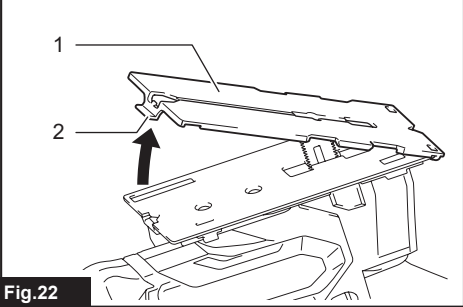


Fig.22

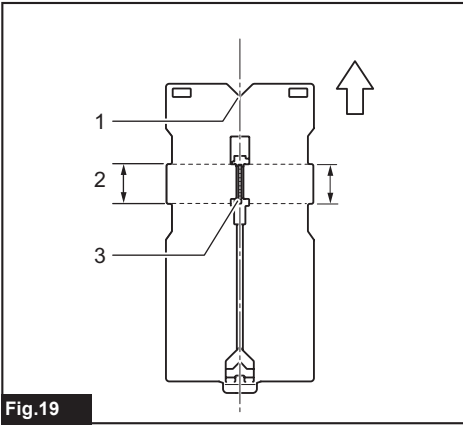


Fig.19

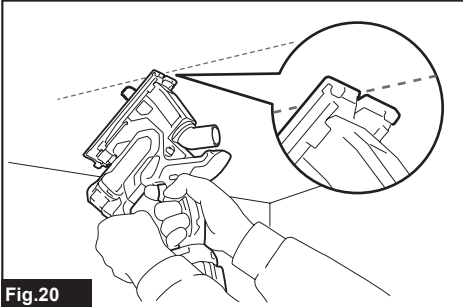


Fig.20

# SPECIFICATIONS

<b>Model:</b>		<b>DSD180</b>	
Length of stroke		6 mm	
Strokes per minute		0 - 6,000 min <sup>-1</sup>	
Maximum cutting capacities	Drywall	30 mm	
	Wood	15 mm	
Rated voltage		D.C. 18 V	
Standard battery cartridges		BL1815N, BL1820, BL1820B	BL1830, BL1830B, BL1840, BL1840B, BL1850, BL1850B, BL1860B
Overall length		258 mm	263 mm
Net weight		1.7 kg	1.9 kg

- Due to our continuing program of research and development, the specifications herein are subject to change without notice.
- Specifications and battery cartridge may differ from country to country.
- Weight, with battery cartridge, according to EPTA-Procedure 01/2003

## Intended use

This tool is intended for plunge-cutting of a drywall. Wood can also be cut by installing a suitable saw blade.

## Noise

The typical A-weighted noise level determined according to EN60745-2-11:

Sound pressure level ( $L_{pA}$ ) : 79 dB(A)

Uncertainty (K) : 3 dB(A)

The noise level under working may exceed 80 dB (A).

**⚠ WARNING: Wear ear protection.**

## Vibration

The vibration total value (tri-axial vector sum) determined according to EN60745-2-11:

Work mode: cutting drywall (thickness 30 mm)

Vibration emission ( $a_h$ ) : 2.5 m/s<sup>2</sup>

Uncertainty (K) : 1.5 m/s<sup>2</sup>

Work mode: cutting chip board (thickness 15 mm)

Vibration emission ( $a_h$ ) : 5.0 m/s<sup>2</sup>

Uncertainty (K) : 1.5 m/s<sup>2</sup>

**NOTE:** The declared vibration emission value has been measured in accordance with the standard test method and may be used for comparing one tool with another.

**NOTE:** The declared vibration emission value may also be used in a preliminary assessment of exposure.

**⚠ WARNING:** The vibration emission during actual use of the power tool can differ from the declared emission value depending on the ways in which the tool is used.

**⚠ WARNING:** Be sure to identify safety measures to protect the operator that are based on an estimation of exposure in the actual conditions of use (taking account of all parts of the operating cycle such as the times when the tool is switched off and when it is running idle in addition to the trigger time).

## EC Declaration of Conformity

*For European countries only*

The EU declaration of conformity is included as Annex A to this instruction manual.

# SAFETY WARNINGS

## General power tool safety warnings

**⚠ WARNING:** Read all safety warnings and all instructions. Failure to follow the warnings and instructions may result in electric shock, fire and/or serious injury.

## Save all warnings and instructions for future reference.

The term "power tool" in the warnings refers to your mains-operated (corded) power tool or battery-operated (cordless) power tool.

## Cordless drywall saw safety warnings

1. Hold power tool by insulated gripping surfaces, when performing an operation where the cutting accessory may contact hidden wiring. Cutting accessory contacting a "live" wire may make exposed metal parts of the power tool "live" and could give the operator an electric shock.
2. Use clamps or another practical way to secure and support the workpiece to a stable platform. Holding the work by hand or against your body leaves it unstable and may lead to loss of control.
3. Always use safety glasses or goggles. Ordinary eye or sun glasses are NOT safety glasses.
4. Avoid cutting nails. Inspect workpiece for any nails and remove them before operation.
5. Do not cut oversize workpiece.
6. Check for the proper clearance beyond the workpiece before cutting so that the blade will not strike the floor, workbench, etc.
7. Hold the tool firmly.
8. Make sure the blade is not contacting the workpiece before the switch is turned on.
9. Keep hands away from moving parts.
10. Do not leave the tool running. Operate the tool only when hand-held.
11. Always switch off and wait for the blade to come to a complete stop before removing the blade from the workpiece.
12. Do not touch the blade or the workpiece immediately after operation; they may be extremely hot and could burn your skin.
13. Do not operate the tool at no-load unnecessarily.
14. Some material contains chemicals which may be toxic. Take caution to prevent dust inhalation and skin contact. Follow material supplier safety data.
15. Always use the correct dust mask/respirator for the material and application you are working with.

## SAVE THESE INSTRUCTIONS.

**⚠ WARNING:** DO NOT let comfort or familiarity with product (gained from repeated use) replace strict adherence to safety rules for the subject product. MISUSE or failure to follow the safety rules stated in this instruction manual may cause serious personal injury.

## Important safety instructions for battery cartridge

1. Before using battery cartridge, read all instructions and cautionary markings on (1) battery charger, (2) battery, and (3) product using battery.
2. Do not disassemble battery cartridge.

3. If operating time has become excessively shorter, stop operating immediately. It may result in a risk of overheating, possible burns and even an explosion.
4. If electrolyte gets into your eyes, rinse them out with clear water and seek medical attention right away. It may result in loss of your eyesight.
5. Do not short the battery cartridge:

- (1) Do not touch the terminals with any conductive material.
- (2) Avoid storing battery cartridge in a container with other metal objects such as nails, coins, etc.
- (3) Do not expose battery cartridge to water or rain.

A battery short can cause a large current flow, overheating, possible burns and even a breakdown.

6. Do not store the tool and battery cartridge in locations where the temperature may reach or exceed 50 °C (122 °F).
7. Do not incinerate the battery cartridge even if it is severely damaged or is completely worn out. The battery cartridge can explode in a fire.
8. Be careful not to drop or strike battery.
9. Do not use a damaged battery.
10. The contained lithium-ion batteries are subject to the Dangerous Goods Legislation requirements.  
For commercial transports e.g. by third parties, forwarding agents, special requirement on packaging and labeling must be observed.  
For preparation of the item being shipped, consulting an expert for hazardous material is required. Please also observe possibly more detailed national regulations.  
Tape or mask off open contacts and pack up the battery in such a manner that it cannot move around in the packaging.
11. Follow your local regulations relating to disposal of battery.

## SAVE THESE INSTRUCTIONS.

**⚠ CAUTION:** Only use genuine Makita batteries. Use of non-genuine Makita batteries, or batteries that have been altered, may result in the battery bursting causing fires, personal injury and damage. It will also void the Makita warranty for the Makita tool and charger.

## Tips for maintaining maximum battery life

1. Charge the battery cartridge before completely discharged. Always stop tool operation and charge the battery cartridge when you notice less tool power.
2. Never recharge a fully charged battery cartridge. Overcharging shortens the battery service life.
3. Charge the battery cartridge with room temperature at 10 °C - 40 °C (50 °F - 104 °F). Let a hot battery cartridge cool down before

charging it.

4. Charge the battery cartridge if you do not use it for a long period (more than six months).

## FUNCTIONAL DESCRIPTION

**CAUTION:** Always be sure that the tool is switched off and the battery cartridge is removed before adjusting or checking function on the tool.

### Installing or removing battery cartridge

**CAUTION:** Always switch off the tool before installing or removing of the battery cartridge.

**CAUTION:** Hold the tool and the battery cartridge firmly when installing or removing battery cartridge. Failure to hold the tool and the battery cartridge firmly may cause them to slip off your hands and result in damage to the tool and battery cartridge and a personal injury.

► Fig.1: 1. Red indicator 2. Button 3. Battery cartridge

To remove the battery cartridge, slide it from the tool while sliding the button on the front of the cartridge.

To install the battery cartridge, align the tongue on the battery cartridge with the groove in the housing and slip it into place. Insert it all the way until it locks in place with a little click. If you can see the red indicator on the upper side of the button, it is not locked completely.

**CAUTION:** Always install the battery cartridge fully until the red indicator cannot be seen. If not, it may accidentally fall out of the tool, causing injury to you or someone around you.

**CAUTION:** Do not install the battery cartridge forcibly. If the cartridge does not slide in easily, it is not being inserted correctly.

### Battery protection system

#### Lithium-ion battery with star marking

► Fig.2: 1. Star marking

Lithium-ion batteries with a star marking are equipped with a protection system. This system automatically cuts off power to the tool to extend battery life. The tool will automatically stop during operation if the tool and/or battery are placed under one of the following conditions:

#### Overloaded:

The tool is operated in a manner that causes it to draw an abnormally high current.

In this situation, turn the tool off and stop the application that caused the tool to become overloaded. Then turn the tool on to restart.

If the tool does not start, the battery is overheated. In this situation, let the battery cool before turning the tool on again.



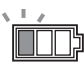
#### Low battery voltage:

The remaining battery capacity is too low and the tool will not operate. In this situation, remove and recharge the battery.

### Indicating the remaining battery capacity

► Fig.3: 1. Battery indicator 2. Check button

Press the check button to indicate the remaining battery capacities. The battery indicators correspond to each battery.

Battery indicator status		Remaining battery capacity
On	Off	
		50% or more
		20% - 50%
		Less than 20%

### Indicating the remaining battery capacity

**Only for battery cartridges with "B" at the end of the model number**

► Fig.4: 1. Indicator lamps 2. Check button

Press the check button on the battery cartridge to indicate the remaining battery capacity. The indicator lamps light up for few seconds.

Indicator lamps			Remaining capacity
Lighted	Off	Blinking	
■ ■ ■ ■			75% to 100%
■ ■ ■ □			50% to 75%
■ ■ □ □			25% to 50%
■ □ □ □			0% to 25%
◻ □ □ □			Charge the battery.
■ ■ □ □			The battery may have malfunctioned.
□ □ ■ ■			



**NOTE:** Depending on the conditions of use and the ambient temperature, the indication may differ slightly from the actual capacity.

## Switch action

► **Fig.5:** 1. Switch trigger

**CAUTION:** Before installing the battery cartridge into the tool, always check to see that the switch trigger actuates properly and returns to the "OFF" position when released.

To start the tool, simply pull the switch trigger. Tool speed is increased by increasing pressure on the switch trigger. Release the switch trigger to stop.

The trigger can be locked off to prevent it from being pulled accidentally. To lock the trigger off, press the button from the side with  marking. To unlock, press the button from the side with  marking.

► **Fig.6:** 1. Lock-off button

**CAUTION:** Always lock the tool off when carrying or suspending the operation.

## Adjusting depth of cut

The cutting depth corresponds with the scale on the blade. Loosen the screw on the blade holder until the blade can move freely. Align the scale on the blade with the bottom line of the blade holder. Then tighten the screws.

► **Fig.7:** 1. Cutting depth 2. Bottom line of the blade holder 3. Scale on the blade

The maximum cutting depth depends on the type of the saw blade. Always use the saw blade designed for cutting the working material.

Type of saw blade	Max. cutting depth
For drywall	30 mm
For wood	15 mm

## LED light

**CAUTION:** Do not look in the light or see the source of light directly.

Pull the switch trigger to light up the lamp. The lamp keeps on lighting while the switch trigger is being pulled. The lamp goes out approximately 10 seconds after releasing the trigger.

► **Fig.8:** 1. Lamp

**NOTE:** Use a dry cloth to wipe the dirt off the lens of the lamp. Be careful not to scratch the lens of lamp, or it may lower the illumination.

## ASSEMBLY

**CAUTION:** Always be sure that the tool is switched off and the battery cartridge is removed before carrying out any work on the tool.

## Removing the dust collector

**CAUTION:** Never operate the tool without the dust collector. Dust may come into your eyes and cause eye injury.

To remove the dust collector, hold the tool handle and pull back the tabs on the tool. Be sure to pull the tabs on the both sides at the same time.

► **Fig.9:** 1. Tab

When installing, align the dust collector's edge with the groove on the base.

► **Fig.10:** 1. Groove

## Replacing drywall saw blade

**CAUTION:** Always clean out all chips or foreign matter adhering to the blade and/or blade holder. Failure to do so may cause insufficient tightening of the blade, resulting in a serious personal injury.

**CAUTION:** Do not touch the blade or the workpiece immediately after operation. They may be extremely hot and could burn your skin.

**CAUTION:** Make sure that the blade is properly secured. Insufficient tightening of the blade may cause blade breakage or serious personal injury.

1. Remove the dust collector.
2. Remove the bolts on the blade holder with the hex wrench.

► **Fig.11:** 1. Bolts 2. Blade holder 3. Blade

3. Set a new blade as shown in the figure. Make sure that the curved edge of the blade points forward. Fit the protrusion of the blade holder into the slot on the blade.

► **Fig.12:** 1. Slot 2. Protruded portion (opposite side)

4. Adjust the cutting depth then tighten the bolts.
5. Attach the dust collector.

## Installing snap-off blade

**CAUTION:** Always use the snap-off blade with designated length, width, and thickness. An inappropriately installed snap-off blade can be broken. A broken blade can fly off and cause a personal injury.

A snap-off blade can also be used with this tool. Use 3 segments of 18 mm wide snap-off blade with 0.5 mm thickness. The maximum cutting depth is 12.5 mm when cutting a drywall.

► **Fig.13:** 1. Three segments of snap-off blade

1. Loosen the bolts on the blade holder. Turn the blade holder so that its protrusion faces outward.
2. Insert the snap-off blade so that the sharp edge faces forward.
3. Secure the snap-off blade at the position where the end of the first segment comes to the edge of blade holder as illustrated.

► **Fig.14:** 1. Blade holder 2. End of the first segment of snap-off blade 3. Allowable cutting length



## Attaching blade cap

**CAUTION:** Always attach the blade cap when tool is not used. A bare blade may cause personal injury or damage to the blade itself.

Pass the blade cap through the blade until the hook catches the base cover. Note the direction of the blade cap when attaching; the wider hook comes front side. When removing the blade cap, lift it while pinching the both sides.

► **Fig.15:** 1. Blade cap 2. Hook

During operation, insert the blade cap to the hook on the base as illustrated until it clicks.

► **Fig.16:** 1. Blade cap 2. Hook

## Hex wrench storage

When not in use, store the hex wrench as shown in the figure to keep it from being lost.

► **Fig.17:** 1. Hex wrench

## Connecting a vacuum cleaner

Connect a Makita vacuum cleaner for clean operation. Remove the rubber cap on the dust collector and connect the vacuum cleaner's hose to the nozzle of the dust collector.

► **Fig.18:** 1. Dust collector 2. Rubber cap 3. Vacuum cleaner hose

## OPERATION

**CAUTION:** Hold the tool firmly.

**CAUTION:** Always hold the base flush with the workpiece during cutting. Never perform a curved cut. Failure to do so may cause blade breakage, resulting in a serious injury.

The V-notch and convex portion in the base cover of the tool indicate the position of the blade. Always check the blade position when cutting.

### The base cover of the tool

► **Fig.19:** 1. V-notch 2. Convex portion 3. Blade

**NOTE:** For accurate cutting, it is recommended to draw cutting lines on the workpiece beforehand.

1. Place the tip of the blade on the start line. Tilt the tool so that the front edge of the base touches the workpiece. Align the bottom of the V-notch in the front edge with the cutting line.

► **Fig.20**

2. Slowly pull the trigger without the blade making any contact with the workpiece. When the blade attains full speed, push the tool toward the workpiece. As the blade pierces the workpiece, make the whole surface of the base cover contact with the workpiece.

► **Fig.21**

3. Move the tool straight forward until the cutting finishes.

## MAINTENANCE

**CAUTION:** Always be sure that the tool is switched off and the battery cartridge is removed before attempting to perform inspection or maintenance.

**NOTICE:** Never use gasoline, benzine, thinner, alcohol or the like. Discoloration, deformation or cracks may result.

## Cleaning the base cover

Clean off the cutting chips and dust accumulated on the base cover. Lift the base cover while pulling the hook on the back end to remove. Follow the removal procedure in reverse when installing.

► **Fig.22:** 1. Base cover 2. Hook

**CAUTION:** Pay attention to the tip of the blade and cutting chips when removing the base cover.

**NOTICE:** Perform the cleaning periodically. Dirty base cover may damage or deface the working surface.

To maintain product SAFETY and RELIABILITY, repairs, any other maintenance or adjustment should be performed by Makita Authorized or Factory Service Centers, always using Makita replacement parts.

## OPTIONAL ACCESSORIES

**CAUTION:** These accessories or attachments are recommended for use with your Makita tool specified in this manual. The use of any other accessories or attachments might present a risk of injury to persons. Only use accessory or attachment for its stated purpose.

If you need any assistance for more details regarding these accessories, ask your local Makita Service Center.

- Drywall saw blade
- Wood saw blade
- Dust box
- Dust collector
- Hex wrench
- Hook
- Makita genuine battery and charger

**NOTE:** Some items in the list may be included in the tool package as standard accessories. They may differ from country to country.

# SPÉCIFICATIONS

<b>Modèle :</b>		<b>DSD180</b>	
Longueur de la course		6 mm	
Nombre de courses par minute		0 à 6 000 min <sup>-1</sup>	
Capacités de coupe maximales	Plaque de plâtre	30 mm	
	Bois	15 mm	
Tension nominale		18 V c.c.	
Batteries standard		BL1815N, BL1820, BL1820B	BL1830, BL1830B, BL1840, BL1840B, BL1850, BL1850B, BL1860B
Longueur totale		258 mm	263 mm
Poids net		1,7 kg	1,9 kg

- Étant donné l'évolution constante de notre programme de recherche et de développement, les spécifications contenues dans ce manuel sont sujettes à modification sans préavis.
- Les spécifications et la batterie peuvent être différentes suivant les pays.
- Poids, avec la batterie, conformément à la procédure EPTA-01/2003

## Utilisations

Cet outil est conçu pour le sciage en plongée de plaque de plâtre. Le bois peut également être coupé en installant une lame de scie adéquate.

## Bruit

Niveau de bruit pondéré A typique, déterminé selon EN60745-2-11 :  
Niveau de pression sonore ( $L_{pA}$ ) : 79 dB (A)  
Incertitude (K) : 3 dB (A)

Le niveau de bruit en fonctionnement peut dépasser 80 dB (A).

**AVERTISSEMENT** : Portez un serre-tête antibruit.

## Vibrations

Valeur totale de vibrations (somme de vecteur triaxial) déterminée selon EN60745-2-11 :

Mode de travail : coupe de plaque de plâtre (épaisseur 30 mm)

Emission de vibrations ( $a_h$ ) : 2,5 m/s<sup>2</sup>

Incertitude (K) : 1,5 m/s<sup>2</sup>

Mode de travail : coupe de panneau de particules (épaisseur 15 mm)

Émission de vibrations ( $a_h$ ) : 5,0 m/s<sup>2</sup>

Incertitude (K) : 1,5 m/s<sup>2</sup>

**NOTE** : La valeur d'émission de vibrations déclarée a été mesurée conformément à la méthode de test standard et peut être utilisée pour comparer les outils entre eux.

**NOTE** : La valeur d'émission de vibrations déclarée peut aussi être utilisée pour l'évaluation préliminaire de l'exposition.

**AVERTISSEMENT** : L'émission de vibrations lors de l'usage réel de l'outil électrique peut être différente de la valeur d'émission déclarée, suivant la façon dont l'outil est utilisé.

**AVERTISSEMENT** : Les mesures de sécurité à prendre pour protéger l'utilisateur doivent être basées sur une estimation de l'exposition dans des conditions réelles d'utilisation (en tenant compte de toutes les composantes du cycle d'utilisation, comme par exemple le moment de sa mise hors tension, lorsqu'il tourne à vide et le moment de son déclenchement).

## Déclaration de conformité CE

*Pour les pays européens uniquement*

La déclaration de conformité UE est fournie en Annexe A à ce mode d'emploi.

## CONSIGNES DE SÉCURITÉ

### Consignes de sécurité générales pour outils électriques

**AVERTISSEMENT** : Lisez toutes les consignes de sécurité et toutes les instructions. Il y a risque d'électrocution, d'incendie et/ou de graves blessures si les mises en garde et les instructions ne sont pas respectées.

## Conservez toutes les mises en garde et instructions pour référence ultérieure.

Le terme « outil électrique » dans les avertissements fait référence à l'outil électrique alimenté par le secteur (avec cordon d'alimentation) ou à l'outil électrique fonctionnant sur batterie (sans cordon d'alimentation).

### Consignes de sécurité pour scie plaquée de plâtre sans fil

1. **Tenez l'outil électrique par des surfaces de prise isolées lorsque vous effectuez une tâche au cours de laquelle l'accessoire de coupe peut entrer en contact avec des fils cachés.**  
Le contact de l'accessoire de découpe avec un fil sous tension peut transmettre du courant dans les pièces métalliques exposées de l'outil électrique et électrocuter l'utilisateur.
2. **Utilisez des dispositifs de serrage ou un autre moyen pratique pour fixer et soutenir la pièce sur une surface de travail stable.** La pièce sera instable et vous risquez d'en perdre la maîtrise si vous la tenez dans vos mains ou l'appuyez contre votre corps.
3. **Portez toujours des lunettes de sécurité ou des lunettes à coques.** Les lunettes ordinaires et les lunettes de soleil NE sont PAS des lunettes de sécurité.
4. **Prenez garde aux clous pendant la coupe.** Avant de commencer le travail, inspectez la pièce et retirez tous les clous.
5. **Ne coupez pas des pièces trop grandes.**
6. **Avant d'effectuer la coupe, assurez-vous que le dégagement sous la pièce est suffisant pour que la lame ne heurte pas une surface dure (sol, établi, etc.).**
7. **Tenez l'outil fermement.**
8. **Assurez-vous que la lame n'est pas en contact avec la pièce avant de mettre l'outil en marche.**
9. **Gardez vos mains à l'écart des pièces en mouvement.**
10. **N'abandonnez pas l'outil alors qu'il tourne.** Ne faites fonctionner l'outil qu'une fois que vous l'avez bien en main.
11. **Avant de retirer la lame de la pièce, mettez toujours l'outil hors tension et attendez que la lame soit complètement immobilisée.**
12. **Ne touchez ni la lame ni la pièce immédiatement après la coupe ; elles peuvent être très chaudes et vous risquez de vous brûler.**
13. **Ne faites pas tourner l'outil à vide inutilement.**
14. **Certains matériaux contiennent des produits chimiques susceptibles d'être toxiques.** Prenez garde de ne pas avaler la poussière et évitez tout contact avec la peau. Suivez les données de sécurité du fournisseur du matériau.
15. **Portez toujours un masque antipoussières/un masque filtrant adapté au matériau travaillé et à l'application utilisée.**

## CONSERVEZ CES INSTRUCTIONS.

**AVERTISSEMENT** : NE vous laissez PAS tromper (au fil d'une utilisation répétée) par un sentiment d'aisance et de familiarité avec le produit, en négligeant le respect rigoureux des consignes de sécurité qui accompagnent le produit en question. La MAUVAISE UTILISATION de l'outil ou l'ignorance des consignes de sécurité indiquées dans ce mode d'emploi peut entraîner de graves blessures.

### Consignes de sécurité importantes pour la batterie

1. **Avant d'utiliser la batterie, lisez toutes les instructions et précautions relatives (1) au chargeur de batterie, (2) à la batterie, et (3) au produit utilisant la batterie.**
2. **Ne démontez pas la batterie.**
3. **Cessez immédiatement l'utilisation si le temps de fonctionnement devient excessivement court.** Il y a risque de surchauffe, de brûlures, voire d'explosion.
4. **Si l'électrolyte pénètre dans vos yeux, rincez-les à l'eau claire et consultez immédiatement un médecin.** Il y a risque de perte de la vue.
5. **Ne court-circuitez pas la batterie :**
  - (1) **Ne touchez les bornes avec aucun matériau conducteur.**
  - (2) **Évitez de ranger la batterie dans un conteneur avec d'autres objets métalliques, par exemple des clous, des pièces de monnaie, etc.**
  - (3) **N'exposez pas la batterie à l'eau ou à la pluie.**Un court-circuit de la batterie peut provoquer une intensité de courant élevée, une surchauffe, parfois des brûlures et même une panne.
6. **Ne rangez pas l'outil et la batterie dans un endroit où la température risque d'atteindre ou de dépasser 50 °C.**
7. **Ne jetez pas la batterie au feu même si elle est sérieusement endommagée ou complètement épuisée.** La batterie peut exploser au contact du feu.
8. **Évitez de laisser tomber ou de cogner la batterie.**
9. **N'utilisez pas la batterie si elle est endommagée.**
10. **Les batteries au lithium-ion contenues sont soumises aux exigences de la législation sur les marchandises dangereuses.**  
Lors du transport commercial par des tierces parties ou des transitaires par exemple, des exigences spécifiques en matière d'étiquetage et d'emballage doivent être respectées.  
Pour la préparation de l'article expédié, il est nécessaire de consulter un expert en matériau dangereux. Veuillez également respecter les réglementations nationales susceptibles d'être plus détaillées.  
Recouvrez les contacts exposés avec du ruban adhésif ou du ruban de masquage et emballez la batterie de telle sorte qu'elle ne puisse pas bouger dans l'emballage.

- Suivez les réglementations locales en matière de mise au rebut des batteries.

## CONSERVEZ CES INSTRUCTIONS.

**⚠ATTENTION** : N'utilisez que des batteries Makita d'origine. L'utilisation de batteries de marque autre que Makita ou de batteries modifiées peut provoquer l'explosion des batteries, ce qui présente un risque d'incendie, de dommages matériels et corporels. Cela annulera également la garantie Makita pour l'outil et le chargeur Makita.

## Conseils pour assurer la durée de vie optimale de la batterie

- Chargez la batterie avant qu'elle ne soit complètement déchargée. Arrêtez toujours l'outil et rechargez la batterie quand vous remarquez que la puissance de l'outil diminue.
- Ne rechargez jamais une batterie complètement chargée. La surcharge réduit la durée de service de la batterie.
- Chargez la batterie à une température ambiante comprise entre 10 °C et 40 °C. Avant de charger une batterie chaude, laissez-la refroidir.
- Rechargez la batterie si elle est restée inutilisée pendant une période prolongée (plus de six mois).

## DESCRIPTION DU FONCTIONNEMENT

**⚠ATTENTION** : Assurez-vous toujours que l'outil est hors tension et que sa batterie est retirée avant de l'ajuster ou de vérifier son fonctionnement.

### Insertion ou retrait de la batterie

**⚠ATTENTION** : Éteignez toujours l'outil avant de mettre en place ou de retirer la batterie.

**⚠ATTENTION** : Tenez fermement l'outil et la batterie lors de la mise en place ou du retrait de la batterie. Si vous ne tenez pas fermement l'outil et la batterie, ils peuvent vous glisser des mains, et s'abîmer ou vous blesser.

► Fig.1: 1. Voyant rouge 2. Bouton 3. Batterie

Pour retirer la batterie, faites-la glisser hors de l'outil tout en faisant glisser le bouton à l'avant de la batterie. Pour mettre en place la batterie, alignez la languette sur la batterie avec la rainure sur le compartiment et insérez-la. Insérez-la à fond jusqu'à ce qu'un léger déclic se fasse entendre. Si le voyant rouge sur le dessus du bouton est visible, cela signifie qu'elle n'est pas bien verrouillée.

**⚠ATTENTION** : Insérez toujours complètement la batterie jusqu'à ce que le voyant rouge ne soit plus visible. Sinon, elle pourrait tomber accidentellement de l'outil, au risque de vous blesser ou de blesser quelqu'un se trouvant près de vous.

**⚠ATTENTION** : N'insérez pas la batterie de force. Si elle ne glisse pas facilement, c'est que vous ne l'insérez pas correctement.

## Système de protection de la batterie

### Batterie au lithium-ion avec repère étoilé

► Fig.2: 1. Repère étoilé

Les batteries au lithium-ion avec un repère étoilé sont pourvues d'un système de protection. Ce système coupe automatiquement l'alimentation vers l'outil pour prolonger l'autonomie de la batterie. L'outil s'arrêtera automatiquement en cours d'utilisation si l'outil et/ou la batterie se trouve dans l'une ou l'autre des situations suivantes :

#### Surcharge :

L'outil est utilisé de manière telle qu'il consomme un courant anormalement élevé.

Dans ce cas, éteignez l'outil et arrêtez la tâche ayant provoqué la surcharge de l'outil. Puis rallumez l'outil pour reprendre la tâche.

Si l'outil ne démarre pas, c'est que la batterie a surchauffé. Dans ce cas, laissez la batterie refroidir avant de rallumer l'outil.





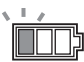

#### Faible tension de la batterie :

La capacité restante de la batterie est trop faible et l'outil ne fonctionne pas. Le cas échéant, retirez et rechargez la batterie.

## Indication de la charge restante de la batterie

► Fig.3: 1. Témoin de la batterie 2. Bouton de vérification

Appuyez sur le bouton de vérification pour indiquer la charge restante de la batterie. Les témoins de batterie correspondent à chaque batterie.

Statut du témoin de la batterie		Charge restante de la batterie
Allumé	Éteint	
		50 % ou plus
		20 % à 50 %
		Moins de 20 %

## Indication de la charge restante de la batterie

Uniquement pour les batteries dont le numéro de modèle se termine par « B »

► Fig.4: 1. Témoins 2. Bouton de vérification

Appuyez sur le bouton de vérification sur la batterie pour indiquer la charge restante de la batterie. Les témoins s'allument pendant quelques secondes.

Témoins			Charge restante
Allumé	Éteint	Clignotant	
			75 % à 100 %
			50 % à 75 %
			25 % à 50 %
			0 % à 25 %
			Chargez la batterie.
			Anomalie possible de la batterie.

**NOTE :** Selon les conditions d'utilisation et la température ambiante, l'indication peut être légèrement différente de la capacité réelle.

## Fonctionnement de la gâchette

► Fig.5: 1. Gâchette

**ATTENTION :** Avant d'insérer la batterie dans l'outil, vérifiez toujours que la gâchette fonctionne bien et revient en position d'arrêt lorsque vous la relâchez.

Il suffit d'enclencher la gâchette pour démarrer l'outil. La vitesse de l'outil augmente à mesure que l'on accroît la pression exercée sur la gâchette. Pour l'arrêter, relâchez la gâchette.

La gâchette est verrouillable afin d'empêcher son déclenchement accidentel. Pour verrouiller la gâchette, appuyez sur le bouton du côté marqué de . Pour déverrouiller la gâchette, appuyez sur le bouton du côté marqué de .

► Fig.6: 1. Bouton de sécurité

**ATTENTION :** Verrouillez toujours l'outil lorsque vous le transportez ou arrêtez de l'utiliser.

## Réglage de la profondeur de coupe

La profondeur de coupe correspond à la gradation sur la lame. Desserrez la vis sur le porte-lame jusqu'à ce que la lame puisse bouger librement. Alignez la gradation sur la lame avec la ligne inférieure du porte-lame. Serrez ensuite les vis.

► Fig.7: 1. Profondeur de coupe 2. Ligne inférieure du porte-lame 3. Gradation sur la lame

La profondeur de coupe maximum dépend du type de lame de scie. Utilisez toujours la lame de scie conçue pour la coupe du matériau travaillé.

Type de lame de scie	Profondeur de coupe max.
Pour les plaques de plâtre	30 mm
Pour le bois	15 mm

## DEL d'éclairage

**ATTENTION :** Évitez de regarder directement le faisceau lumineux ou sa source.

Enclenchez la gâchette pour allumer la lampe. La lampe reste allumée tant que la gâchette est enclenchée. La lampe s'éteint environ 10 secondes après avoir relâché la gâchette.

► Fig.8: 1. Lampe

**NOTE :** Retirez la saleté sur la lentille de la lampe avec un chiffon sec. Prenez soin de ne pas érafler la lentille de la lampe sous peine de diminuer son éclairage.

## ASSEMBLAGE

**ATTENTION :** Assurez-vous toujours que l'outil est hors tension et que sa batterie est retirée avant d'effectuer toute tâche dessus.

## Retrait du collecteur de poussières

**ATTENTION :** Ne faites jamais fonctionner l'outil sans le collecteur de poussières. Des poussières pourraient pénétrer dans vos yeux entraînant des blessures oculaires.

Pour retirer le collecteur de poussières, tenez la poignée de l'outil et appuyez sur les taquets de l'outil. Veillez à appuyer sur les taquets de chaque côté simultanément.

► Fig.9: 1. Taquet

Pour l'installer, alignez le bord du collecteur de poussières avec la rainure sur la base.

► Fig.10: 1. Rainure

## Remplacement de la lame de scie plaque de plâtre

**⚠ ATTENTION :** Enlevez toujours tous les copeaux ou les corps étrangers qui adhèrent à la lame et/ou au porte-lame. Sinon, la lame risque de ne pas être assez serrée, ce qui pourrait entraîner de graves blessures corporelles.

**⚠ ATTENTION :** Ne touchez pas la lame ou la pièce immédiatement après le fonctionnement. Elles peuvent être extrêmement chaudes et brûler votre peau.

**⚠ ATTENTION :** Assurez-vous que la lame est correctement fixée. Si vous ne serrez pas assez la lame, elle risque de se briser ou vous pourriez gravement vous blesser.

1. Retirez le collecteur de poussières.
2. Retirez les boulons sur le porte-lame avec la clé hexagonale.  
► Fig.11: 1. Boulons 2. Porte-lame 3. Lame
3. Posez une lame neuve comme illustré sur la figure. Assurez-vous que le bord incurvé de la lame soit dirigé vers l'avant. Engagez la partie saillante du porte-lame dans la fente sur la lame.  
► Fig.12: 1. Fente 2. Partie saillante (côté opposé)
4. Réglez la profondeur de coupe, puis serrez les boulons.
5. Fixez le collecteur de poussières.

## Mise en place de la lame cassable

**⚠ ATTENTION :** Utilisez toujours la lame cassable avec la longueur, largeur et épaisseur désignées. Une lame cassable mise en place de manière inappropriée peut casser. Une lame cassée peut voler en éclats et provoquer des blessures corporelles.

Une lame cassable peut également être utilisée avec cet outil. Utilisez 3 segments de lame cassable de 18 mm de large et d'une épaisseur de 0,5 mm. La profondeur de coupe maximum est de 12,5 mm lors de la coupe de plaque de plâtre.

► Fig.13: 1. Trois segments de lame cassable

1. Desserrez les boulons sur le porte-lame. Tournez le porte-lame de sorte que sa partie saillante soit tournée vers l'extérieur.
2. Insérez la lame cassable de sorte que le bord tranchant soit tourné vers l'avant.
3. Fixez la lame cassable en place là où la fin du premier segment arrive au bord du porte-lame comme illustré.

► Fig.14: 1. Porte-lame 2. Fin du premier segment de la lame cassable 3. Longueur de coupe permise

## Fixation du capuchon de lame

**⚠ ATTENTION :** Fixez toujours le capuchon de lame si vous n'utilisez pas l'outil. Une lame nue peut provoquer des blessures corporelles ou endommager la lame elle-même.

Faites passer le capuchon de lame à travers la lame jusqu'à ce que le crochet s'accroche au couvercle de la base. Veuillez noter le sens du capuchon de lame lors de la fixation. Le crochet le plus large se place sur le côté avant. Lors du retrait du capuchon de lame, soulevez-le tout en pinçant les deux côtés.

► Fig.15: 1. Capuchon de lame 2. Crochet

Pendant le fonctionnement, insérez le capuchon de lame sur le crochet sur la base comme illustré jusqu'au dé clic.

► Fig.16: 1. Capuchon de lame 2. Crochet

## Rangement de la clé hexagonale

Après utilisation, rangez la clé hexagonale comme indiqué sur la figure pour éviter de l'égarer.

► Fig.17: 1. Clé hexagonale

## Raccordement à un aspirateur

Raccordez un aspirateur Makita pour une utilisation propre. Retirez le capuchon en caoutchouc du collecteur de poussières et raccordez le tuyau d'aspirateur au raccord du collecteur de poussières.

► Fig.18: 1. Collecteur de poussières 2. Capuchon en caoutchouc 3. Tuyau d'aspirateur

## UTILISATION

**⚠ ATTENTION :** Tenez l'outil fermement.

**⚠ ATTENTION :** Tenez toujours la base au ras de la pièce pendant la coupe. Ne réalisez jamais de coupe incurvée. Sinon, la lame risque de se briser, ce qui pourrait entraîner de graves blessures.

L'entaille en V et la partie convexe dans le couvercle de la base de l'outil indiquent la position de la lame. Vérifiez toujours la position de la lame pendant la coupe.

**Le couvercle de la base de l'outil**

► Fig.19: 1. Entaille en V 2. Partie convexe 3. Lame

**NOTE :** Pour une coupe précise, il est recommandé de dessiner au préalable des traits de coupe sur la pièce.

1. Placez la pointe de la lame sur le trait de départ. Inclinez l'outil de sorte que le bord avant de la base touche la pièce. Alignez le bas de l'entaille en V sur le bord avant avec le trait de coupe.

► Fig.20

2. Endenchez lentement la gâchette sans que la lame entre en contact avec la pièce. Lorsque la lame atteint sa pleine vitesse, poussez l'outil vers la pièce. À mesure que la lame perce la pièce, mettez en contact l'ensemble de la surface du couvercle de la base avec la pièce.

► Fig.21

3. Déplacez l'outil tout droit en avant jusqu'à la fin de la coupe.

- Lame de scie plaque de plâtre
- Lame de scie à bois
- Boîte à poussière
- Collecteur de poussières
- Clé hexagonale
- Crochet
- Batterie et chargeur Makita d'origine

**NOTE** : Il se peut que certains éléments de la liste soient compris dans l'emballage de l'outil en tant qu'accessoires standard. Ils peuvent varier d'un pays à l'autre.

## ENTRETIEN

**⚠ ATTENTION** : Assurez-vous toujours que l'outil est hors tension et que la batterie est retirée avant d'y effectuer tout travail d'inspection ou d'entretien.

**REMARQUE** : N'utilisez jamais d'essence, benzine, diluant, alcool ou autre produit similaire. Cela risquerait de provoquer la décoloration, la déformation ou la fissuration de l'outil.

### Nettoyage du couvercle de la base

Nettoyez les copeaux et la poussière accumulés sur le couvercle de la base. Soulevez le couvercle de la base tout en tirant le crochet à l'arrière pour le retirer. Procédez dans le sens inverse de la dépose pour la pose.

► Fig.22: 1. Couvercle de la base 2. Crochet

**⚠ ATTENTION** : Faites attention à la pointe de la lame et aux copeaux lorsque vous retirez le couvercle de la base.

**REMARQUE** : Effectuez régulièrement le nettoyage. Un couvercle de la base sale peut endommager ou dégrader la surface de travail.

Pour assurer la SÉCURITÉ et la FIABILITÉ du produit, toute réparation, tout travail d'entretien ou de réglage doivent être effectués par un centre d'entretien Makita agréé, avec des pièces de rechange Makita.

## ACCESSOIRES EN OPTION

**⚠ ATTENTION** : Ces accessoires ou pièces complémentaires sont recommandés pour l'utilisation avec l'outil Makita spécifié dans ce mode d'emploi. L'utilisation de tout autre accessoire ou pièce complémentaire peut comporter un risque de blessure. N'utilisez les accessoires ou pièces complémentaires qu'aux fins auxquelles ils ont été conçus.

Pour obtenir plus de détails sur ces accessoires, contactez votre centre d'entretien local Makita.

## TECHNISCHE DATEN

<b>Modell:</b>		<b>DSD180</b>	
Hublänge		6 mm	
Hubzahl pro Minute		0 - 6.000 min <sup>-1</sup>	
Maximale Schnittleistung	Gipskartonplatte	30 mm	
	Holz	15 mm	
Nennspannung		18 V Gleichstrom	
Standard-Akkus		BL1815N, BL1820, BL1820B	BL1830, BL1830B, BL1840, BL1840B, BL1850, BL1850B, BL1860B
Gesamtlänge		258 mm	263 mm
Nettogewicht		1,7 kg	1,9 kg

- Wir behalten uns vor, Änderungen der technischen Daten im Zuge der Entwicklung und des technischen Fortschritts ohne vorherige Ankündigung vorzunehmen.
- Die technischen Daten und der Akku können von Land zu Land unterschiedlich sein.
- Gewicht mit Akku nach EPTA-Verfahren 01/2003

### Vorgesehene Verwendung

Dieses Werkzeug ist nur für Tauchschnitten von Gipskartonplatten vorgesehen. Durch Montieren eines geeigneten Sägeblatts kann auch Holz geschnitten werden.

### Geräusch

Typischer A-bewerteter Geräuschpegel ermittelt gemäß EN60745-2-11:

Schalldruckpegel (L<sub>pA</sub>): 79 dB (A)

Messunsicherheit (K): 3 dB (A)

Der Geräuschpegel kann während des Betriebs 80 dB (A) überschreiten.

**⚠️ WARNUNG: Einen Gehörschutz tragen.**

### Schwingungen

Schwingungsgesamtwert (Drei-Achsen-Vektorsumme) ermittelt gemäß EN60745-2-11:

Arbeitsmodus: Schneiden von Gipskartonplatten (Dicke 30 mm)

Schwingungsemission (a<sub>n</sub>): 2,5 m/s<sup>2</sup>

Messunsicherheit (K): 1,5 m/s<sup>2</sup>

Arbeitsmodus: Schneiden von Pressspanplatten (Dicke 15 mm)

Schwingungsemission (a<sub>n</sub>): 5,0 m/s<sup>2</sup>

Messunsicherheit (K): 1,5 m/s<sup>2</sup>

**HINWEIS:** Der angegebene Schwingungsemissionswert wurde im Einklang mit der Standardprüfmethode gemessen und kann für den Vergleich zwischen Werkzeugen herangezogen werden.

**HINWEIS:** Der angegebene Schwingungsemissionswert kann auch für eine Vorbewertung des Gefährdungsgrads verwendet werden.

**⚠️ WARNUNG:** Die Schwingungsemission während der tatsächlichen Benutzung des Elektrowerkzeugs kann je nach der Benutzungsweise des Werkzeugs vom angegebenen Emissionswert abweichen.

**⚠️ WARNUNG:** Identifizieren Sie Sicherheitsmaßnahmen zum Schutz des Benutzers anhand einer Schätzung des Gefährdungsgrads unter den tatsächlichen Benutzungsbedingungen (unter Berücksichtigung aller Phasen des Arbeitszyklus, wie z. B. Ausschalt- und Leerlaufzeiten des Werkzeugs zusätzlich zur Betriebszeit).

### EG-Konformitätserklärung

*Nur für europäische Länder*

Die EU-Konformitätserklärung ist als Anhang A in dieser Bedienungsanleitung enthalten.

## SICHERHEITSWARNUNGEN

### Allgemeine Sicherheitswarnungen für Elektrowerkzeuge

**⚠️ WARNUNG:** Lesen Sie alle **Sicherheitswarnungen und Anweisungen** durch. Eine Missachtung der unten aufgeführten Warnungen und Anweisungen kann zu einem elektrischen Schlag, Brand und/oder schweren Verletzungen führen.

### Bewahren Sie alle Warnungen und Anweisungen für spätere Bezugnahme auf.

Der Ausdruck „Elektrowerkzeug“ in den Warnhinweisen bezieht sich auf Ihr mit Netzstrom (mit Kabel) oder Akku (ohne Kabel) betriebenes Elektrowerkzeug.



## Sicherheitswarnungen für Akku-Gipskartonsäge

1. Halten Sie das Elektrowerkzeug an den isolierten Griffflächen, wenn Sie Arbeiten ausführen, bei denen die Gefahr besteht, dass das Schneidwerkzeug verborgene Kabel kontaktiert. Bei Kontakt mit einem Strom führenden Kabel können die freiliegenden Metallteile des Elektrowerkzeugs ebenfalls Strom führend werden, so dass der Benutzer einen elektrischen Schlag erleiden kann.
2. Verwenden Sie Klemmen oder eine andere praktische Methode, um das Werkstück auf einer stabilen Unterlage zu sichern und abzustützen. Wenn Sie das Werkstück nur von Hand oder gegen Ihren Körper halten, befindet es sich in einer instabilen Lage, die zum Verlust der Kontrolle führen kann.
3. Tragen Sie stets eine Sicherheits- oder Schutzbrille. Eine gewöhnliche Brille oder Sonnenbrille ist KEIN Ersatz für eine Schutzbrille.
4. Vermeiden Sie das Schneiden von Nägeln. Untersuchen Sie das Werkstück auf Nägel, und entfernen Sie diese vor der Bearbeitung.
5. Schneiden Sie keine übergroßen Werkstücke.
6. Vergewissern Sie sich vor dem Schneiden, dass genügend Platz hinter dem Werkstück vorhanden ist, damit das Sägeblatt nicht auf den Boden, die Werkbank usw. trifft.
7. Halten Sie das Werkzeug mit festem Griff.
8. Vergewissern Sie sich vor dem Einschalten des Werkzeugs, dass das Sägeblatt nicht das Werkstück berührt.
9. Halten Sie die Hände von beweglichen Teilen fern.
10. Lassen Sie das Werkzeug nicht unbeaufsichtigt laufen. Benutzen Sie das Werkzeug nur im handgeführten Einsatz.
11. Schalten Sie das Werkzeug stets aus, und warten Sie, bis das Sägeblatt zum vollständigen Stillstand kommt, bevor Sie das Sägeblatt aus dem Werkstück entfernen.
12. Vermeiden Sie eine Berührung des Sägeblatts oder des Werkstücks unmittelbar nach der Bearbeitung, weil die Teile dann möglicherweise noch sehr heiß sind und Hautverbrennungen verursachen können.
13. Lassen Sie das Werkzeug nicht unnötig im Leerlauf laufen.
14. Manche Materialien können giftige Chemikalien enthalten. Treffen Sie Vorsichtsmaßnahmen, um das Einatmen von Arbeitsstaub und Hautkontakt zu verhindern. Befolgen Sie die Sicherheitsdaten des Materiallieferanten.
15. Verwenden Sie stets die korrekte Staubschutz-/Atemmaske für das jeweilige Material und die Anwendung.

## DIESE ANWEISUNGEN AUFBEWAHREN.

**⚠️ WARNUNG:** Lassen Sie sich NICHT durch Bequemlichkeit oder Vertrautheit mit dem Produkt (durch wiederholten Gebrauch erworben) von der strikten Einhaltung der Sicherheitsregeln für das vorliegende Produkt abhalten. MISSBRAUCH oder Missachtung der Sicherheitsvorschriften in dieser Anleitung können schwere Verletzungen verursachen.

## Wichtige Sicherheitsanweisungen für Akku

1. Lesen Sie vor der Benutzung des Akkus alle Anweisungen und Warnhinweise, die an (1) Ladegerät, (2) Akku und (3) Akkuwerkzeug angebracht sind.
2. Unterlassen Sie ein Zerlegen des Akkus.
3. Falls die Betriebszeit beträchtlich kürzer geworden ist, stellen Sie den Betrieb sofort ein. Anderenfalls besteht die Gefahr von Überhitzung, möglichen Verbrennungen und sogar einer Explosion.
4. Falls Elektrolyt in Ihre Augen gelangt, waschen Sie sie mit sauberem Wasser aus, und begeben Sie sich unverzüglich in ärztliche Behandlung. Anderenfalls können Sie Ihre Sehkraft verlieren.
5. Der Akku darf nicht kurzgeschlossen werden:
  - (1) Die Kontakte dürfen nicht mit leitfähigem Material berührt werden.
  - (2) Lagern Sie den Akku nicht in einem Behälter zusammen mit anderen Metallgegenständen, wie z. B. Nägel, Münzen usw.
  - (3) Setzen Sie den Akku weder Wasser noch Regen aus.Ein Kurzschluss des Akkus verursacht starken Stromfluss, der Überhitzung, mögliche Verbrennungen und einen Defekt zur Folge haben kann.
6. Lagern Sie das Werkzeug und den Akku nicht an Orten, an denen die Temperatur 50 °C erreichen oder überschreiten kann.
7. Versuchen Sie niemals, den Akku zu verbrennen, selbst wenn er stark beschädigt oder vollkommen verbraucht ist. Der Akku kann im Feuer explodieren.
8. Achten Sie darauf, dass der Akku nicht fallen gelassen oder Stößen ausgesetzt wird.
9. Benutzen Sie keine beschädigten Akkus.
10. Die enthaltenen Lithium-Ionen-Akkus unterliegen den Anforderungen der Gefahrgut-Gesetzgebung.

Für kommerzielle Transporte, z. B. durch Dritte oder Spediteure, müssen besondere Anforderungen zu Verpackung und Etikettierung beachtet werden.

Zur Vorbereitung des zu transportierenden Artikels ist eine Beratung durch einen Experten für Gefahrgut erforderlich. Bitte beachten Sie möglicherweise ausführlichere nationale Vorschriften. Überkleben oder verdecken Sie offene Kontakte, und verpacken Sie den Akku so, dass er sich in der Verpackung nicht umher bewegen kann.

11. Befolgen Sie die örtlichen Bestimmungen bezüglich der Entsorgung von Akkus.

## DIESE ANWEISUNGEN AUFBEWAHREN.

**⚠ VORSICHT:** Verwenden Sie nur Original-Makita-Akkus. Die Verwendung von Nicht-Original-Makita-Akkus oder von Akkus, die abgeändert worden sind, kann zum Bersten des Akkus und daraus resultierenden Bränden, Personenschäden und Beschädigung führen. Außerdem wird dadurch die Makita-Garantie für das Makita-Werkzeug und -Ladegerät ungültig.

## Hinweise zur Aufrechterhaltung der maximalen Akku-Nutzungsdauer

1. Laden Sie den Akku, bevor er vollkommen erschöpft ist. Schalten Sie das Werkzeug stets aus, und laden Sie den Akku, wenn Sie ein Nachlassen der Werkzeugleistung feststellen.
2. Unterlassen Sie erneutes Laden eines voll aufgeladenen Akkus. Überladen führt zu einer Verkürzung der Nutzungsdauer des Akkus.
3. Laden Sie den Akku bei Raumtemperatur zwischen 10 – 40 °C. Lassen Sie einen heißen Akku abkühlen, bevor Sie ihn laden.
4. Der Akku muss geladen werden, wenn er lange Zeit (länger als sechs Monate) nicht benutzt wird.

## FUNKTIONSBESCHREIBUNG

**⚠ VORSICHT:** Vergewissern Sie sich vor der Durchführung von Einstellungen oder Funktionsprüfungen des Werkzeugs stets, dass das Werkzeug ausgeschaltet und der Akku abgenommen ist.

## Anbringen und Abnehmen des Akkus

**⚠ VORSICHT:** Schalten Sie das Werkzeug stets aus, bevor Sie den Akku anbringen oder abnehmen.

**⚠ VORSICHT:** Halten Sie das Werkzeug und den Akku beim Anbringen oder Abnehmen des Akkus sicher fest. Wenn Sie das Werkzeug und den Akku nicht sicher festhalten, können sie Ihnen aus der Hand rutschen, was zu einer Beschädigung des Werkzeugs und des Akkus und zu Körperverletzungen führen kann.

► **Abb.1:** 1. Rote Anzeige 2. Knopf 3. Akku

Ziehen Sie den Akku zum Abnehmen vom Werkzeug ab, während Sie den Knopf an der Vorderseite des Akkus verschieben.

Richten Sie zum Anbringen des Akkus dessen Führungsfeder auf die Nut im Gehäuse aus, und schieben Sie den Akku hinein. Schieben Sie ihn vollständig ein, bis er mit einem hörbaren Klicken einrastet. Falls die rote Anzeige an der Oberseite des Knopfes sichtbar ist, ist der Akku nicht vollständig verriegelt.

**⚠ VORSICHT:** Schieben Sie den Akku stets bis zum Anschlag ein, bis die rote Anzeige nicht mehr sichtbar ist. Anderenfalls kann er aus dem Werkzeug herausfallen und Sie oder umstehende Personen verletzen.

**⚠ VORSICHT:** Unterlassen Sie Gewaltanwendung beim Anbringen des Akkus. Falls der Akku nicht reibungslos hineingleitet, ist er nicht richtig ausgerichtet.

## Akku-Schutzsystem

### Lithium-Ionen-Akku mit Sternsymbol

► **Abb.2:** 1. Sternsymbol

Lithium-Ionen-Akkus mit Sternsymbol sind mit einem Schutzsystem ausgestattet. Dieses System schaltet die Stromversorgung des Werkzeugs automatisch ab, um die Akku-Lebensdauer zu verlängern.

Das Werkzeug schaltet sich während des Betriebs automatisch ab, wenn Werkzeug und/oder Akku einer der folgenden Bedingungen unterliegen:

#### Überlastung:

Das Werkzeug wird auf eine Weise benutzt, die eine ungewöhnlich hohe Stromaufnahme bewirkt. Schalten Sie in dieser Situation das Werkzeug aus, und brechen Sie die Arbeit ab, die eine Überlastung des Werkzeugs verursacht hat. Schalten Sie dann das Werkzeug wieder ein, um neu zu starten. Falls das Werkzeug nicht startet, ist der Akku überhitzt. Lassen Sie den Akku in dieser Situation abkühlen, bevor Sie das Werkzeug wieder einschalten.



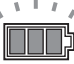
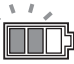
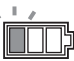
#### Niedrige Akkuspannung:

Die Akku-Restkapazität ist zu niedrig, und das Werkzeug funktioniert nicht. Nehmen Sie in dieser Situation den Akku ab, und laden Sie ihn auf.

## Anzeigen der Akku-Restkapazität

► **Abb.3:** 1. Akku-Anzeige 2. Prüftaste

Drücken Sie die Prüftaste, um die Akku-Restkapazität anzuzeigen. Jedem Akku sind eigene Akku-Anzeigen zugeordnet.

Status der Akku-Anzeige		Akku-Restkapazität
 Ein	 Aus	
		50% oder mehr
		20% - 50%
		Weniger als 20%

## Anzeigen der Akku-Restkapazität

Nur für Akkus mit „B“ am Ende der Modellnummer

► **Abb.4:** 1. Anzeigelampen 2. Prüftaste

Drücken Sie die Prüftaste am Akku, um die Akku-Restkapazität anzuzeigen. Die Anzeigelampen leuchten wenige Sekunden lang auf.

Anzeigelampen			Restkapazität
Erleuchtet	Aus	Blinkend	
			75 % bis 100 %
			50% bis 75%
			25% bis 50%
			0% bis 25%
			Den Akku aufladen.
			Möglicherweise liegt eine Funktionsstörung im Akku vor.

**HINWEIS:** Abhängig von den Benutzungsbedingungen und der Umgebungstemperatur kann die Anzeige geringfügig von der tatsächlichen Kapazität abweichen.

## Schalterfunktion

► **Abb.5:** 1. Ein-Aus-Schalter

**VORSICHT:** Vergewissern Sie sich vor dem Einsetzen des Akkus in das Werkzeug stets, dass der Ein-Aus-Schalter ordnungsgemäß funktioniert und beim Loslassen in die AUS-Stellung zurückkehrt.

Drücken Sie zum Einschalten des Werkzeugs einfach den Ein-Aus-Schalter. Die Drehzahl erhöht sich durch verstärkte Druckausübung auf den Ein-Aus-Schalter. Lassen Sie den Ein-Aus-Schalter zum Anhalten los.

Der Ein-Aus-Schalter kann verriegelt werden, um versehentliche Betätigung zu verhindern. Um den Ein-Aus-Schalter zu verriegeln, drücken Sie den Knopf von der mit markierten Seite. Zum Entriegeln drücken Sie den Knopf von der mit markierten Seite.

► **Abb.6:** 1. Einschaltsperrknopf

**VORSICHT:** Verriegeln Sie das Werkzeug immer, wenn Sie es tragen oder die Arbeit unterbrechen.

## Einstellen der Schnitttiefe

Die Schnitttiefe entspricht der Skala am Sägeblatt. Lösen Sie die Schraube am Sägeblatthalter, bis das Sägeblatt frei bewegt werden kann. Richten Sie die Skala am Sägeblatt auf die Unterkante des Sägeblatthalters aus. Ziehen Sie dann die Schrauben an.

► **Abb.7:** 1. Schnitttiefe 2. Unterkante des Sägeblatthalters 3. Skala am Sägeblatt

Die maximale Schnitttiefe hängt vom Sägeblatttyp ab. Verwenden Sie immer das zum Schneiden des jeweiligen Arbeitsmaterials vorgesehene Sägeblatt.

Sägeblatttyp	Max. Schnitttiefe
Für Gipskartonplatte	30 mm
Für Holz	15 mm

## LED-Leuchte

**VORSICHT:** Blicken Sie nicht direkt in die Lampe oder die Lichtquelle.

Betätigen Sie den Ein-Aus-Schalter, um die Lampe einzuschalten. Die Lampe bleibt erleuchtet, solange der Ein-Aus-Schalter gedrückt gehalten wird. Die Lampe erlischt ca. 10 Sekunden nach dem Loslassen des Ein-Aus-Schalters.

► **Abb.8:** 1. Lampe

**HINWEIS:** Wischen Sie Schmutz auf der Lampenlinse mit einem trockenen Tuch ab. Achten Sie sorgfältig darauf, dass Sie die Lampenlinse nicht verkratzen, weil sich sonst die Lichtstärke verringert.

## MONTAGE

**VORSICHT:** Vergewissern Sie sich vor der Ausführung von Arbeiten am Werkzeug stets, dass das Werkzeug ausgeschaltet und der Akku abgenommen ist.

## Abnehmen des Staubsammlers

**VORSICHT:** Betreiben Sie das Werkzeug niemals ohne den Staubsammler. Anderenfalls kann Staub in Ihre Augen gelangen und Augenverletzungen verursachen.

Um den Staubsammler abzunehmen, halten Sie den Werkzeuggriff, und ziehen Sie die Laschen am Werkzeug zurück. Ziehen Sie unbedingt die Laschen auf beiden Seiten gleichzeitig.

► **Abb.9:** 1. Lasche

Richten Sie beim Montieren die Kante des Staubsammlers auf die Nut in der Grundplatte aus.

► **Abb.10:** 1. Nut

## Auswechseln des Gipskartonplatten-Sägeblatts

**⚠ VORSICHT:** Säubern Sie das Sägeblatt und/oder den Sägeblatthalter stets von anhaftenden Spänen oder Fremdkörpern. Anderenfalls lässt sich das Sägeblatt möglicherweise nicht fest genug einspannen, was schwere Personenschäden zur Folge haben kann.

**⚠ VORSICHT:** Berühren Sie das Sägeblatt oder das Werkstück nicht unmittelbar nach dem Arbeitsvorgang. Die Teile können sehr heiß sein und Hautverbrennungen verursachen.

**⚠ VORSICHT:** Vergewissern Sie sich, dass das Sägeblatt ordnungsgemäß gesichert ist. Unzureichendes Anziehen des Sägeblatts kann zu Sägeblattbruch oder schweren Personenschäden führen.

1. Entfernen Sie den Staubsammler.
2. Entfernen Sie die Schrauben am Sägeblatthalter mit dem Inbusschlüssel.

► **Abb.11:** 1. Schrauben 2. Sägeblatthalter 3. Sägeblatt

3. Setzen Sie ein neues Sägeblatt ein, wie in der Abbildung gezeigt. Vergewissern Sie sich, dass die gekrümmte Kante des Sägeblatts nach vorn zeigt. Führen Sie den Vorsprung des Sägeblatthalters in den Schlitz des Sägeblatts ein.

► **Abb.12:** 1. Schlitz 2. Vorsprung (gegenüberliegende Seite)

4. Stellen Sie die Schnitttiefe ein, und ziehen Sie dann die Schrauben an.
5. Bringen Sie den Staubsammler an.

## Montieren einer Abbrechklinge

**⚠ VORSICHT:** Verwenden Sie stets eine Abbrechklinge der vorgeschriebenen Länge, Breite und Dicke. Eine unsachgemäß montierte Abbrechklinge kann abgebrochen werden. Eine beschädigte Klinge kann herausgeschleudert werden und Personenschäden verursachen.

Eine Abbrechklinge kann ebenfalls mit diesem Werkzeug verwendet werden. Verwenden Sie 3 Segmente einer 18 mm breiten Abbrechklinge mit 0,5 mm Dicke. Die maximale Schnitttiefe beträgt 12,5 mm beim Schneiden einer Gipskartonplatte.

► **Abb.13:** 1. Drei Segmente einer Abbrechklinge

1. Lösen Sie die Schrauben am Sägeblatthalter. Drehen Sie den Sägeblatthalter so, dass sein Vorsprung nach außen weist.
2. Führen Sie die Abbrechklinge so ein, dass die Schneide nach vorn weist.
3. Sichern Sie die Abbrechklinge an der Position, wo das Ende des ersten Segments die Kante des Sägeblatthalters erreicht, wie in der Abbildung dargestellt.

► **Abb.14:** 1. Sägeblatthalter 2. Ende des ersten Segments der Abbrechklinge 3. Zulässige Schnittlänge

## Anbringen der Sägeblattkappe

**⚠ VORSICHT:** Bringen Sie immer die Sägeblattkappe an, wenn das Werkzeug nicht benutzt wird. Ein ungeschütztes Sägeblatt kann Personenschäden oder Beschädigung des Sägeblatts selbst verursachen.

Schieben Sie die Sägeblattkappe auf das Sägeblatt, bis der Haken in die Grundplattenabdeckung einrastet. Beachten Sie die Richtung der Sägeblattkappe beim Anbringen; der breitere Haken muss vorn liegen. Ziehen Sie die Sägeblattkappe zum Entfernen ab, während Sie beide Seiten zusammendrücken.

► **Abb.15:** 1. Sägeblattkappe 2. Haken

Zur Aufbewahrung während der Arbeit schieben Sie die Sägeblattkappe auf den Haken an der Grundplatte, bis sie mit einem Klicken einrastet.

► **Abb.16:** 1. Sägeblattkappe 2. Haken

## Aufbewahrung des Inbusschlüssels

Wenn der Inbusschlüssel nicht benutzt wird, kann er an der in der Abbildung gezeigten Stelle aufbewahrt werden, damit er nicht verloren geht.

► **Abb.17:** 1. Inbusschlüssel

## Anschließen eines Sauggeräts

Schließen Sie ein Makita-Sauggerät für sauberes Arbeiten an. Nehmen Sie die Gummikappe vom Staubsammler ab, und schließen Sie den Schlauch des Sauggeräts an die Düse des Staubsammlers an.

► **Abb.18:** 1. Staubsammler 2. Gummikappe 3. Sauggeräteschlauch

## BETRIEB

**⚠ VORSICHT:** Halten Sie das Werkzeug mit festem Griff.

**⚠ VORSICHT:** Halten Sie die Grundplatte während des Schneidvorgangs stets bündig mit dem Werkstück. Führen Sie keinesfalls gebogene Schnitte aus. Anderenfalls kann es zu einem Bruch des Sägeblatts kommen, was eine schwere Verletzung zur Folge haben kann.

Die Spitzkerbe und der gewölbte Teil der Grundplattenabdeckung des Werkzeugs kennzeichnen die Position des Sägeblatts. Überprüfen Sie stets die Sägeblattposition beim Schneiden.

### Grundplattenabdeckung des Werkzeugs

► **Abb.19:** 1. Spitzkerbe 2. Gewölbter Teil 3. Sägeblatt

**HINWEIS:** Um akkurates Schneiden zu gewährleisten, wird empfohlen, zuvor Schnittlinien auf dem Werkstück anzuzeichnen.

1. Setzen Sie die Spitze des Sägeblatts auf die Startlinie. Neigen Sie das Werkzeug, so dass die Vorderkante der Grundplatte das Werkstück berührt. Richten Sie den Winkel der Spitzkerbe in der Vorderkante auf die Schnittlinie aus.

► **Abb.20**

2. Betätigen Sie den Ein-Aus-Schalter sanft, ohne dass das Sägeblatt irgend einen Kontakt mit dem Werkstück hat. Wenn das Sägeblatt die volle Hubzahl erreicht, drücken Sie das Werkzeug auf das Werkstück zu. Sobald das Sägeblatt in das Werkstück eindringt, bringen Sie die ganze Oberfläche der Grundplattenabdeckung mit dem Werkstück in Kontakt.

► **Abb.21**

3. Schieben Sie das Werkzeug gerade vorwärts, bis der Schnitt beendet ist.

## WARTUNG

**VORSICHT:** Vergewissern Sie sich vor der Durchführung von Inspektions- oder Wartungsarbeiten stets, dass das Werkzeug ausgeschaltet und der Akku abgenommen ist.

**ANMERKUNG:** Verwenden Sie auf keinen Fall Benzin, Waschbenzin, Verdünnern, Alkohol oder dergleichen. Solche Mittel können Verfärbung, Verformung oder Rissbildung verursachen.

## Reinigen der Grundplattenabdeckung

Beseitigen Sie die auf der Grundplattenabdeckung angesammelten Späne und Staubpartikel. Heben Sie die Grundplattenabdeckung an, während Sie den Haken am hinteren Ende zum Entfernen ziehen. Wenden Sie das Demonteverfahren zum Montieren umgekehrt an.

► **Abb.22:** 1. Grundplattenabdeckung 2. Haken

**VORSICHT:** Achten Sie beim Abnehmen der Grundplattenabdeckung auf die Spitze des Sägeblatts und Späne.

**ANMERKUNG:** Führen Sie die Reinigung regelmäßig durch. Eine schmutzige Grundplattenabdeckung kann die Arbeitsoberfläche beschädigen oder entstellen.

Um die SICHERHEIT und ZUVERLÄSSIGKEIT dieses Produkts zu gewährleisten, sollten Reparaturen und andere Wartungs- oder Einstellarbeiten nur von Makita-Vertragswerkstätten oder Makita-Kundendienstzentren unter ausschließlicher Verwendung von Makita-Originalersatzteilen ausgeführt werden.

## SONDERZUBEHÖR

**VORSICHT:** Die folgenden Zubehörteile oder Vorrichtungen werden für den Einsatz mit dem in dieser Anleitung beschriebenen Makita-Werkzeug empfohlen. Die Verwendung anderer Zubehörteile oder Vorrichtungen kann eine Verletzungsgefahr darstellen. Verwenden Sie Zubehörteile oder Vorrichtungen nur für ihren vorgesehenen Zweck.

Wenn Sie weitere Einzelheiten bezüglich dieser Zubehörteile benötigen, wenden Sie sich bitte an Ihre Makita-Kundendienststelle.

- Gipskartonplatten-Sägeblatt
- Holzsägeblatt
- Staubsammelbehälter
- Staubsammler
- Inbusschlüssel
- Aufhänger
- Original-Makita-Akku und -Ladegerät

**HINWEIS:** Manche Teile in der Liste können als Standardzubehör im Werkzeugsatz enthalten sein. Sie können von Land zu Land unterschiedlich sein.

## DATI TECNICI

<b>Modello:</b>		<b>DSD180</b>	
Lunghezza della corsa		6 mm	
Corse al minuto		0 - 6.000 min <sup>-1</sup>	
Capacità massime di taglio	Cartongesso	30 mm	
	Legno	15 mm	
Tensione nominale		18 V CC	
Cartucce delle batterie standard		BL1815N, BL1820, BL1820B	BL1830, BL1830B, BL1840, BL1840B, BL1850, BL1850B, BL1860B
Lunghezza complessiva		258 mm	263 mm
Peso netto		1,7 kg	1,9 kg

- A causa del nostro programma continuativo di ricerca e sviluppo, i dati tecnici sono soggetti a modifiche senza preavviso.
- I dati tecnici e la cartuccia della batteria potrebbero differire da nazione a nazione.
- Peso, con cartuccia della batteria, secondo la Procedura EPTA 01/2003

### Utilizzo previsto

Il presente utensile è destinato al taglio a tuffo del cartongesso. È anche possibile tagliare il legno installando una lama appropriata.

### Rumore

Livello tipico di rumore pesato A determinato in base allo standard EN60745-2-11:

Livello di pressione sonora ( $L_{pA}$ ): 79 dB (A)

Incertezza (K): 3 dB (A)

Il livello del rumore nelle condizioni di lavoro può superare gli 80 dB (A).

**AVVERTIMENTO:** Indossare protezioni per le orecchie.

### Vibrazioni

Valore totale delle vibrazioni (somma vettoriale triassiale) determinato in base allo standard EN60745-2-11: Modalità di lavoro: taglio di cartongesso (spessore 30 mm)

Emissione di vibrazioni ( $a_h$ ): 2,5 m/s<sup>2</sup>

Incertezza (K): 1,5 m/s<sup>2</sup>

Modalità di lavoro: taglio di truciolato (spessore 15 mm)

Emissione di vibrazioni ( $a_h$ ): 5,0 m/s<sup>2</sup>

Incertezza (K): 1,5 m/s<sup>2</sup>

**NOTA:** Il valore di emissione delle vibrazioni dichiarato è stato misurato in conformità al metodo standard di verifica, e può essere utilizzato per confrontare un utensile con un altro.

**NOTA:** Il valore di emissione delle vibrazioni dichiarato può venire utilizzato anche per una valutazione preliminare dell'esposizione.

**AVVERTIMENTO:** L'emissione delle vibrazioni durante l'utilizzo effettivo dell'utensile elettrico può variare rispetto al valore di emissione dichiarato, a seconda dei modi in cui viene utilizzato l'utensile.

**AVVERTIMENTO:** Accertarsi di identificare le misure di sicurezza per la protezione dell'operatore basate sulla stima dell'esposizione nelle condizioni effettive di utilizzo (tenendo presente tutte le parti del ciclo operativo, ad esempio le volte in cui l'utensile viene spento e quando gira a vuoto, oltre al tempo di attivazione).

### Dichiarazione di conformità CE

*Solo per i paesi europei*

La dichiarazione di conformità UE è inclusa nell'Allegato A al presente manuale di istruzioni.

## AVVERTENZE DI SICUREZZA

### Avvertenze generali relative alla sicurezza dell'utensile elettrico

**AVVERTIMENTO:** Leggere tutte le avvertenze relative alla sicurezza e tutte le istruzioni. La mancata osservanza delle avvertenze e delle istruzioni può risultare in scosse elettriche, incendi e/o gravi lesioni personali.

## Conservare tutte le avvertenze e le istruzioni come riferimento futuro.

Il termine "utensile elettrico" nelle avvertenze si riferisce sia all'utensile elettrico (cablato) nel funzionamento alimentato da rete elettrica che all'utensile elettrico (a batteria) nel funzionamento alimentato a batteria.

### Avvertenze relative alla sicurezza del seghetto per cartongesso a batteria

1. Tenere l'utensile elettrico per le superfici di impugnatura isolate, quando si esegue un'operazione in cui l'accessorio da taglio potrebbe entrare in contatto con fili elettrici nascosti. Un accessorio da taglio che entri in contatto con un filo elettrico sotto tensione potrebbe mettere sotto tensione le parti metalliche esposte dell'utensile elettrico e causare una scossa elettrica all'operatore.
2. Utilizzare delle morse o un altro sistema pratico per fissare e supportare il pezzo in lavorazione su un piano stabile. Il pezzo mantenuto con la mano o contro il corpo resta instabile, e potrebbe causare una perdita di controllo.
3. Utilizzare sempre occhiali oppure occhiali di protezione. I comuni occhiali da vista o da sole NON sono occhiali di protezione.
4. Evitare di tagliare chiodi. Ispezionare il pezzo in lavorazione e, in presenza di eventuali chiodi, rimuoverli prima di procedere.
5. Non tagliare pezzi eccessivamente grandi.
6. Verificare che sia presente uno spazio sufficiente al di là del pezzo in lavorazione, prima di tagliarlo, in modo che la lama non colpisca il pavimento, il banco da lavoro, e così via.
7. Mantenere saldamente l'utensile.
8. Accertarsi che la lama non sia in contatto con il pezzo in lavorazione, prima di attivare l'interruttore.
9. Tenere le mani lontane dalle parti mobili.
10. Non lasciare l'utensile mentre è in funzione. Far funzionare l'utensile solo mentre viene tenuto in mano.
11. Spegnerne sempre l'utensile e attendere che la lama si sia arrestata completamente, prima di rimuoverla dal pezzo in lavorazione.
12. Non toccare la lama o il pezzo in lavorazione subito dopo l'operazione; la loro temperatura potrebbe essere estremamente elevata e potrebbero causare ustioni.
13. Non far funzionare inutilmente l'utensile a vuoto.
14. Alcuni materiali contengono sostanze chimiche che potrebbero essere tossiche. Fare attenzione a evitare l'inalazione delle polveri e il loro contatto con la pelle. Attenersi ai dati sulla sicurezza del fornitore dei materiali.
15. Utilizzare sempre la maschera antipolvere o il respiratore adatti al materiale e all'applicazione con cui si intende lavorare.

## CONSERVARE LE PRESENTI ISTRUZIONI.

**AVVERTIMENTO:** NON lasciare che la comodità o la familiarità d'uso con il prodotto (acquisita con l'uso ripetuto) sostituiscano la stretta osservanza delle norme di sicurezza. L'USO IMPROPRIO o la mancata osservanza delle norme di sicurezza riportate nel presente manuale manuale di istruzioni potrebbero causare lesioni personali gravi.

### Istruzioni di sicurezza importanti per la cartuccia della batteria

1. Prima di utilizzare la cartuccia della batteria, leggere tutte le istruzioni e le avvertenze riportate (1) sul caricabatteria, (2) sulla batteria e (3) sul prodotto che utilizza la batteria.
2. Non smontare la cartuccia della batteria.
3. Qualora il tempo di utilizzo si riduca eccessivamente, interrompere immediatamente l'utilizzo dell'utensile. In caso contrario, si può incorrere nel rischio di surriscaldamento, possibili ustioni e persino un'esplosione.
4. Qualora l'elettrolita entri in contatto con gli occhi, sciacquarli con acqua pulita e richiedere immediatamente assistenza medica. Questa eventualità può risultare nella perdita della vista.
5. Non cortocircuitare la cartuccia della batteria:
  - (1) Non toccare i terminali con alcun materiale conduttivo.
  - (2) Evitare di conservare la cartuccia della batteria in un contenitore insieme ad altri oggetti metallici quali chiodi, monete, e così via.
  - (3) Non esporre la cartuccia della batteria all'acqua o alla pioggia.Un cortocircuito della batteria può causare un grande flusso di corrente, un surriscaldamento, possibili ustioni e persino un guasto.
6. Non conservare l'utensile e la cartuccia della batteria in ubicazioni in cui la temperatura possa raggiungere o superare i 50°C.
7. Non incenerire la cartuccia della batteria anche qualora sia gravemente danneggiata o completamente esaurita. La cartuccia della batteria può esplodere se a contatto con il fuoco.
8. Fare attenzione a non far cadere e a non colpire la batteria.
9. Non utilizzare una batteria danneggiata.
10. Le batterie a ioni di litio contenute sono soggette ai requisiti del regolamento sul trasporto di merci pericolose (Dangerous Goods Legislation). Per trasporti commerciali, ad esempio da parte di terzi o spedizionieri, è necessario osservare dei requisiti speciali sull'imballaggio e sull'etichetta. Per la preparazione dell'articolo da spedire, è richiesta la consulenza di un esperto in materiali pericolosi. Attenersi anche alle normative nazionali, che potrebbero essere più dettagliate. Nastrare o coprire i contatti aperti e imballare la batteria in modo tale che non si possa muovere liberamente all'interno dell'imballaggio.

11. **Attenersi alle normative locali relative allo smaltimento della batteria.**

## CONSERVARE LE PRESENTI ISTRUZIONI.

**⚠ATTENZIONE:** Utilizzare solo batterie originali Makita. L'utilizzo di batterie Makita non originali, o di batterie che siano state alterate, potrebbe risultare nello scoppio della batteria, causando incendi, lesioni personali e danni. Inoltre, ciò potrebbe invalidare la garanzia Makita per l'utensile e il caricabatterie Makita.

## Suggerimenti per preservare la durata massima della batteria

1. **Caricare la cartuccia della batteria prima che si scarichi completamente. Smettere sempre di utilizzare l'utensile e caricare la cartuccia della batteria quando si nota che la potenza dell'utensile è diminuita.**
2. **Non ricaricare mai una cartuccia della batteria completamente carica. La sovraccarica riduce la vita utile della batteria.**
3. **Caricare la cartuccia della batteria a una temperatura ambiente compresa tra 10°C e 40°C. Lasciar raffreddare una cartuccia della batteria prima di caricarla.**
4. **Caricare la cartuccia della batteria se non la si è utilizzata per un periodo di tempo prolungato (più di sei mesi).**

## DESCRIZIONE DELLE FUNZIONI

**⚠ATTENZIONE:** Accertarsi sempre che l'utensile sia spento e che la cartuccia della batteria sia stata rimossa prima di regolare o di controllare il funzionamento dell'utensile.

## Installazione o rimozione della cartuccia della batteria

**⚠ATTENZIONE:** Spegner sempre l'utensile prima di installare o rimuovere la cartuccia della batteria.

**⚠ATTENZIONE:** Mantenere saldamente lo strumento e la batteria quando si intende installare o rimuovere la cartuccia della batteria. Qualora non si mantengano saldamente lo strumento e la cartuccia della batteria, questi ultimi potrebbero scivolare dalle mani, con la possibilità di causare un danneggiamento dello strumento e della cartuccia della batteria, nonché una lesione personale.

- **Fig.1:** 1. Indicatore rosso 2. Pulsante 3. Cartuccia della batteria

Per rimuovere la cartuccia della batteria, farla scorrere via dall'utensile mentre si fa scorrere allo stesso tempo il pulsante sulla parte anteriore della cartuccia.

Per installare la cartuccia della batteria, allineare l'appendice della batteria con la scanalatura nell'alloggiamento e farla scivolare in sede. Inserirla completamente fino al suo blocco in sede con un leggero scatto. Se è possibile vedere l'indicatore rosso sul lato superiore del pulsante, la batteria non è bloccata completamente.

**⚠ATTENZIONE:** Installare sempre fino in fondo la cartuccia della batteria, fino a quando l'indicatore rosso non è più visibile. In caso contrario, la batteria potrebbe cadere accidentalmente dall'utensile, causando lesioni personali all'operatore o a chi gli è vicino.

**⚠ATTENZIONE:** Non installare forzatamente la cartuccia della batteria. Qualora la batteria non si inserisca scorrendo agevolmente, vuol dire che non viene inserita correttamente.

## Sistema di protezione della batteria

### Batteria a ioni di litio con marcatura a stella

- **Fig.2:** 1. Marcatura a stella

Le batterie a ioni di litio con marcatura a stella sono dotate di un sistema di protezione. Questo sistema interrompe automaticamente l'alimentazione all'utensile per prolungare la vita utile della batteria.

L'utensile si arresta automaticamente durante il funzionamento qualora l'utensile stesso e/o la batteria vengano a trovarsi in una delle condizioni seguenti:

#### Sovraccarico:

L'utensile viene utilizzato in modo tale da causare un assorbimento di corrente elevato in modo anomalo da parte dell'utensile stesso.

In questa situazione, spegnere l'utensile e interrompere l'applicazione che ha causato il sovraccarico dell'utensile. Quindi, accendere l'utensile per ricominciare. Qualora l'utensile non si avvii, la batteria è surriscaldata. In questa situazione, lasciar raffreddare la batteria prima di riaccendere l'utensile.

#### Bassa tensione della batteria:

La carica residua della batteria è troppo bassa e non è possibile utilizzare l'utensile. In tal caso, rimuovere e ricaricare la batteria.

## Indicazione della carica residua della batteria

- **Fig.3:** 1. Indicatore della batteria 2. Pulsante di controllo

Premere il pulsante di controllo per indicare le cariche residue delle batterie. Gli indicatori delle batterie corrispondono alle rispettive batterie.



Stato dell'indicatore della batteria		Carica residua della batteria
Acceso	Spento	
		50% o superiore
		Dal 20% al 50%
		Inferiore al 20%

## Indicazione della carica residua della batteria

*Solo per le cartucce delle batterie con una "B" alla fine del numero del modello*

► Fig.4: 1. Indicatori luminosi 2. Pulsante di controllo

Premere il pulsante di controllo sulla cartuccia della batteria per indicare la carica residua della batteria. Gli indicatori luminosi si illuminano per alcuni secondi.

Indicatori luminosi			Carica residua
Illuminato	Spento	Lampeggiante	
			Dal 75% al 100%
			Dal 50% al 75%
			Dal 25% al 50%
			Dallo 0% al 25%
			Caricare la batteria.
			La batteria potrebbe essersi guastata.

**NOTA:** A seconda delle condizioni d'uso e della temperatura ambiente, l'indicazione potrebbe variare leggermente rispetto alla carica effettiva.

## Funzionamento dell'interruttore

► Fig.5: 1. Interruttore a grilletto

**ATTENZIONE:** Prima di inserire la cartuccia della batteria nell'utensile, controllare sempre che l'interruttore a grilletto funzioni correttamente e torni sulla posizione "OFF" quando viene rilasciato.

Per avviare l'utensile, è sufficiente premere l'interruttore a grilletto. La velocità dell'utensile viene aumentata incrementando la pressione sull'interruttore a grilletto. Rilasciare l'interruttore a grilletto per arrestare l'utensile.

È possibile bloccare il grilletto per evitare che venga premuto accidentalmente. Per bloccare il grilletto, premere il pulsante dal lato con il simbolo . Per sbloccarlo, premere il pulsante dal lato con il simbolo .

► Fig.6: 1. Pulsante di sblocco

**ATTENZIONE:** Bloccare sempre l'utensile quando si intende trasportarlo o sospendere l'operazione.

## Regolazione della profondità di taglio

La profondità di taglio corrisponde alla scala sulla lama. Allentare le vite sul portalama fino a quando la lama può muoversi liberamente. Allineare la scala sulla lama con la linea di fondo del portalama. Quindi, serrare le viti.

► Fig.7: 1. Profondità di taglio 2. Linea di fondo del portalama 3. Scala sulla lama

La profondità di taglio massima dipende dal tipo di lama. Utilizzare sempre una lama progettata per tagliare il materiale in lavorazione.

Tipo di lama	Profondità massima di taglio
Per il cartongesso	30 mm
Per il legno	15 mm

## Lampada a LED

**ATTENZIONE:** Non osservare né guardare direttamente la fonte di luce.

Per illuminare la lampadina, premere l'interruttore a grilletto. La lampadina resta illuminata mentre l'interruttore a grilletto è premuto. La lampadina si spegne circa 10 secondi dopo aver rilasciato il grilletto.

► Fig.8: 1. Lampadina

**NOTA:** Per pulire la sporcizia dalla lente della lampadina, utilizzare un panno asciutto. Fare attenzione a non graffiare la lente della lampadina, altrimenti si potrebbe ridurre l'illuminazione.

## MONTAGGIO

**ATTENZIONE:** Accertarsi sempre che l'utensile sia spento e che la cartuccia della batteria sia stata rimossa, prima di effettuare qualsiasi intervento sull'utensile.

## Rimozione del collettore polveri

**ATTENZIONE:** Non far funzionare mai l'utensile senza il collettore polveri. In caso contrario, le polveri potrebbero finire negli occhi e causare lesioni oculari.

Per rimuovere il collettore polveri, mantenere l'utensile per la maniglia e tirare all'indietro le linguette sull'utensile. Accertarsi di tirare le linguette su entrambi i lati contemporaneamente.

► Fig.9: 1. Linguetta

Durante l'installazione, allineare il bordo del collettore polveri con la scanalatura sulla base.

► Fig.10: 1. Scanalatura

## Sostituzione della lama per cartongesso

**⚠ATTENZIONE:** Rimuovere sempre tutti i trucioli o il materiale estraneo che restino attaccati alla lama e/o al portalama. In caso contrario, si potrebbe causare un serraggio insufficiente della lama, e di conseguenza gravi lesioni personali.

**⚠ATTENZIONE:** Non toccare la lama o il pezzo in lavorazione subito dopo l'operazione. La loro temperatura potrebbe essere estremamente elevata e potrebbero causare ustioni.

**⚠ATTENZIONE:** Accertarsi che la lama sia fissata saldamente. Un serraggio insufficiente della lama potrebbe causarne la rottura o provocare gravi lesioni personali.

1. Rimuovere il collettore polveri.
2. Rimuovere i bulloni sul portalama con la chiave esagonale.

► Fig.11: 1. Bulloni 2. Portalama 3. Lama

3. Inserire una nuova lama come indicato nella figura. Accertarsi che il bordo curvo della lama punti in avanti. Inserire la sporgenza del portalama nella fessura presente sulla lama.

► Fig.12: 1. Fessura 2. Parte sporgente (lato opposto)

4. Regolare la profondità di taglio, quindi serrare i bulloni.
5. Montare il collettore polveri.

## Installazione della lama a spezzare

**⚠ATTENZIONE:** Utilizzare sempre una lama a spezzare di lunghezza, larghezza e spessore designati. È possibile che una lama a spezzare installata in modo errato si rompa. Una lama rotta può volare via e causare lesioni personali.

Con il presente utensile è anche possibile utilizzare una lama a spezzare. Utilizzare 3 segmenti di una lama a spezzare di larghezza pari a 18 mm e di spessore pari a 0,5 mm. La profondità di taglio massima è di 12,5 mm quando si taglia il cartongesso.

► Fig.13: 1. Tre segmenti della lama a spezzare

1. Allentare i bulloni sul portalama. Ruotare il portalama in modo che la sporgenza sia rivolta verso l'esterno.
  2. Inserire la lama a spezzare in modo che il lato affilato sia rivolto in avanti.
  3. Fissare la lama a spezzare nella posizione in cui l'estremità del primo segmento si trovi in prossimità del bordo del portalama, come illustrato nella figura.
- Fig.14: 1. Portalama 2. Estremità del primo segmento della lama a spezzare 3. Lunghezza di taglio consentita

## Montaggio del cappuccio della lama

**⚠ATTENZIONE:** Montare sempre il cappuccio della lama quando l'utensile non è in uso. Una lama scoperta potrebbe causare lesioni personali o danni alla lama stessa.

Far passare il cappuccio della lama attraverso la lama fino a quando il gancio si innesta nella copertura della base. Tenere presente la direzione del cappuccio della lama durante il montaggio; il gancio più largo deve trovarsi sul lato anteriore. Quando si intende rimuovere il cappuccio della lama, sollevarlo premendone al tempo stesso entrambi i lati.

► Fig.15: 1. Cappuccio della lama 2. Gancio

Durante l'uso dell'utensile, inserire il cappuccio della lama sul gancio presente nella base, come indicato nella figura, fino al suo arresto con uno scatto.

► Fig.16: 1. Cappuccio della lama 2. Gancio

## Conservazione della chiave esagonale

Quando non si utilizza la chiave esagonale, conservarla come indicato nella figura per evitare di perderla.

► Fig.17: 1. Chiave esagonale

## Collegamento di un aspiratore

Per il funzionamento pulito, collegare un aspirapolvere Makita. Rimuovere il cappuccio in gomma sul collettore polveri e collegare il tubo flessibile dell'aspirapolvere alla bocchetta del collettore polveri.

► Fig.18: 1. Collettore polveri 2. Cappuccio in gomma 3. Tubo flessibile per aspirapolvere

## FUNZIONAMENTO

**⚠ATTENZIONE:** Mantenere saldamente l'utensile.

**⚠ATTENZIONE:** Mantenere sempre la base a filo con il pezzo in lavorazione durante il taglio. Non eseguire mai un taglio curvo. In caso contrario, si potrebbe causare la rottura della lama, causando gravi lesioni personali.

La tacca a V e la parte convessa nella copertura della base dell'utensile indicano la posizione della lama. Controllare sempre la posizione della lama durante il taglio.

### La copertura della base dell'utensile

► Fig.19: 1. Tacca a V 2. Parte convessa 3. Lama

**NOTA:** Per un taglio accurato, si consiglia di disegnare anticipatamente le linee di taglio sul pezzo in lavorazione.

1. Posizionare la punta della lama sulla linea di inizio. Inclinare l'utensile in modo che il bordo anteriore della base tocchi il pezzo in lavorazione. Allineare con la linea di taglio la parte inferiore della tacca a V presente nel bordo anteriore.

### ► Fig.20

2. Premere lentamente il grilletto evitando che la lama entri in contatto con il pezzo in lavorazione. Quando la lama raggiunge la piena velocità, spingere in avanti l'utensile verso il pezzo in lavorazione. Mentre la lama perfora il pezzo in lavorazione, fare in modo che l'intera superficie della copertura della base entri in contatto con il pezzo in lavorazione.

### ► Fig.21

3. Muovere l'utensile in linea retta in avanti fino al termine del taglio.

Per ottenere ulteriori dettagli relativamente a questi accessori, rivolgersi a un centro di assistenza Makita.

- Lama per cartongesso
- Lama per legno
- Contenitore polveri
- Collettore polveri
- Chiave esagonale
- Gancio
- Batteria e caricabatterie originali Makita

**NOTA:** Alcuni articoli nell'elenco potrebbero essere inclusi nell'imballaggio dell'utensile come accessori standard. Tali articoli potrebbero variare da nazione a nazione.

## MANUTENZIONE

**⚠ATTENZIONE:** Accertarsi sempre che l'utensile sia spento e che la cartuccia della batteria sia stata rimossa prima di tentare di eseguire interventi di ispezione o manutenzione.

**AVVISO:** Non utilizzare mai benzina, benzene, solventi, alcol o altre sostanze simili. In caso contrario, si potrebbero causare scolorimenti, deformazioni o crepe.

### Pulizia della copertura della base

Pulire i trucioli tagliati e le polveri che si sono accumulati sulla copertura della base. Sollevare la copertura della base tirando al tempo stesso il gancio sull'estremità posteriore per rimuoverla. Per installarla, eseguire la procedura di rimozione al contrario.

► Fig.22: 1. Copertura della base 2. Gancio

**⚠ATTENZIONE:** Fare attenzione alla punta della lama e ai trucioli tagliati quando si rimuove la copertura della base.

**AVVISO:** Eseguire la pulizia a intervalli regolari. Una copertura della base sporca potrebbe danneggiare o rovinare la superficie di lavoro.

Per preservare la SICUREZZA e l'AFFIDABILITÀ del prodotto, le riparazioni e qualsiasi altro intervento di manutenzione e di regolazione devono essere eseguiti da un centro di assistenza autorizzato Makita, utilizzando sempre ricambi Makita.

## ACCESSORI OPZIONALI

**⚠ATTENZIONE:** Questi accessori o componenti aggiuntivi sono consigliati per l'uso con l'utensile Makita specificato nel presente manuale. L'impiego di altri accessori o componenti aggiuntivi può costituire un rischio di lesioni alle persone. Utilizzare gli accessori o i componenti aggiuntivi solo per il loro scopo prefissato.

## TECHNISCHE GEGEVENS

<b>Model:</b>		<b>DSD180</b>	
Slaglengte		6 mm	
Slagen per minuut		0 - 6.000 min <sup>-1</sup>	
Maximale zaagdikten	Gipsplaat	30 mm	
	Hout	15 mm	
Nominale spanning		18 V gelijkspanning	
Standaardaccu's		BL1815N, BL1820, BL1820B	BL1830, BL1830B, BL1840, BL1840B, BL1850, BL1850B, BL1860B
Totale lengte		258 mm	263 mm
Nettogewicht		1,7 kg	1,9 kg

- In verband met ononderbroken research en ontwikkeling, behouden wij ons het recht voor de bovenstaande technische gegevens zonder voorafgaande kennisgeving te wijzigen.
- De technische gegevens van de accu kunnen van land tot land verschillen.
- Gewicht, inclusief accu, volgens de EPTA-procedure 01/2003

### Gebruiksdoeleinden

Dit gereedschap is bedoeld voor invalzagen in een gipsplaat. Door een geschikt zaagblad aan te brengen kan ook in hout worden gezaagd.

### Geluidsniveau

De typische, A-gewogen geluidsniveaus zijn gemeten volgens EN60745-2-11:  
 Geluidsdrukniveau (L<sub>PA</sub>): 79 dB (A)  
 Onzekerheid (K): 3 dB (A)

Het geluidsniveau kan tijdens gebruik hoger worden dan 80 dB (A).

**⚠ WAARSCHUWING:** Draag gehoorbescherming.

### Trilling

De totale trillingswaarde (triaxiale vectorsom) zoals vastgesteld volgens EN60745-2-11:  
 Gebruikstoepassing: zagen in gipsplaat (dikte 30 mm)  
 Trillingsemisatie (a<sub>h</sub>): 2,5 m/s<sup>2</sup>  
 Onzekerheid (K): 1,5 m/s<sup>2</sup>  
 Gebruikstoepassing: zagen in spaanplaat (dikte 15 mm)  
 Trillingsemisatie (a<sub>h</sub>): 5,0 m/s<sup>2</sup>  
 Onzekerheid (K): 1,5 m/s<sup>2</sup>

**OPMERKING:** De opgegeven trillingsemisiewaarde is gemeten volgens de standaardtestmethode en kan worden gebruikt om dit gereedschap te vergelijken met andere gereedschappen.

**OPMERKING:** De opgegeven trillingsemisiewaarde kan ook worden gebruikt voor een beoordeling vooraf van de blootstelling.

**⚠ WAARSCHUWING:** De trillingsemisatie tijdens het gebruik van het elektrisch gereedschap in de praktijk kan verschillen van de opgegeven trillingsemisiewaarde afhankelijk van de manier waarop het gereedschap wordt gebruikt.

**⚠ WAARSCHUWING:** Zorg ervoor dat veiligheidsmaatregelen worden getroffen ter bescherming van de operator die zijn gebaseerd op een schatting van de blootstelling onder praktijkomstandigheden (rekening houdend met alle fasen van de bedrijfscyclus, zoals de tijdsduur gedurende welke het gereedschap is uitgeschakeld en stationair draait, naast de ingeschakelde tijdsduur).

### EG-verklaring van conformiteit

*Alleen voor Europese landen*

De EU-verklaring van conformiteit is bijgevoegd als Bijlage A bij deze gebruiksaanwijzing.

## VEILIGHEIDSWAARSCHUWINGEN

### Algemene veiligheids waarschuwingen voor elektrisch gereedschap

**⚠ WAARSCHUWING:** Lees alle veiligheids waarschuwingen en alle instructies. Het niet volgen van de waarschuwingen en instructies kan leiden tot elektrische schokken, brand en/of ernstig letsel.

# Bewaar alle waarschuwingen en instructies om in de toekomst te kunnen raadplegen.

De term "elektrisch gereedschap" in de veiligheidsvoorschriften duidt op gereedschappen die op stroom van het lichtnet werken (met snoer) of gereedschappen met een accu (snoerloos).

## Veiligheidswaarschuwingen voor een accugripsplaatzaag

1. Houd het elektrisch gereedschap vast aan het geïsoleerde oppervlak van de handgrepen wanneer u werkt op plaatsen waar het accessoire met verborgen bedrading in aanraking kan komen. Wanneer het accessoire in aanraking komt met onder spanning staande draden, zullen de niet-geïsoleerde metalen delen van het gereedschap onder spanning komen te staan zodat de gebruiker een elektrische schok kan krijgen.
2. Gebruik klemmen of andere bevestigingsmiddelen om het werkstuk op een stabiel platform te bevestigen en te ondersteunen. Als u het werkstuk in uw hand of tegen uw lichaam geklemd houdt, is het onvoldoende stabiel en kunt u de controle erover verliezen.
3. Draag altijd een veiligheidsbril of een beschermbril. Een gewone bril of een zonnebril is GEEN veiligheidsbril.
4. Voorkom dat u spijkers raakt. Inspecteer het werkstuk op eventuele spijkers en verwijder ze voordat u begint.
5. Zaag geen werkstukken die te groot zijn.
6. Controleer vooraf of er voldoende ruimte voorbij het werkstuk is, zodat het zaagblad niet tegen de vloer, een werkbank e.d. zal stoten.
7. Houd het gereedschap stevig vast.
8. Zorg dat het zaagblad het werkstuk niet raakt voordat u de trekkerschakelaar inknipt.
9. Houd uw handen uit de buurt van bewegende delen.
10. Laat het gereedschap niet onnodig ingeschakeld. Bedien het gereedschap alleen terwijl u het vasthoudt.
11. Schakel het gereedschap uit en wacht totdat het zaagblad volledig tot stilstand is gekomen alvorens het zaagblad van het werkstuk te verwijderen.
12. Raak het zaagblad of het werkstuk niet aan onmiddellijk na het werk; deze kunnen gloeiend heet zijn en brandwonden veroorzaken.
13. Laat het gereedschap niet onnodig onbelast draaien.
14. Sommige materialen bevatten chemische stoffen die giftig kunnen zijn. Wees voorzichtig dat u geen stof inademt en het stof niet op uw huid komt. Volg de veiligheidsinstructies van de leverancier van het materiaal op.
15. Draag altijd een stofmasker/ademhalingsapparaat dat geschikt is voor het materiaal en de toepassing waarmee u werkt.

## BEWAAR DEZE INSTRUCTIES.

**⚠WAARSCHUWING:** Laat u NIET misleiden door een vals gevoel van comfort en bekendheid met het gereedschap (na veelvuldig gebruik) en neem alle veiligheidsvoorschriften van het betreffende gereedschap altijd strikt in acht. **VERKEERD GEBRUIK** of het niet naleven van de veiligheidsvoorschriften in deze gebruiksaanwijzing kan leiden tot ernstig letsel.

## Belangrijke veiligheidsinstructies voor een accu

1. Lees alle voorschriften en waarschuwingen op (1) de acculader, (2) de accu, en (3) het product waarvoor de accu wordt gebruikt, alvorens de accu in gebruik te nemen.
2. Neem de accu niet uit elkaar.
3. Als de gebruikstijd van een opgeladen accu aanzienlijk korter is geworden, moet u het gebruik ervan onmiddellijk stopzetten. Voortgezet gebruik kan oververhitting, brandwonden en zelfs een ontploffing veroorzaken.
4. Als elektrolyt in uw ogen is terechtgekomen, spoelt u uw ogen met schoon water en roept u onmiddellijk de hulp van een dokter in. Elektrolyt in de ogen kan blindheid veroorzaken.
5. Voorkom kortsluiting van de accu:
  - (1) Raak de accuklemmen nooit aan met een geleidend materiaal.
  - (2) Bewaar de accu niet in een bak waarin andere metalen voorwerpen zoals spijkers, munten e.d. worden bewaard.
  - (3) Stel de accu niet bloot aan water of regen. Kortsluiting van de accu kan oorzaak zijn van een grote stroomafgifte, oververhitting, brandwonden, en zelfs defecten.
6. Bewaar het gereedschap en de accu niet op plaatsen waar de temperatuur kan oplopen tot 50°C of hoger.
7. Werp de accu nooit in het vuur, ook niet wanneer hij zwaar beschadigd of volledig versleten is. De accu kan ontploffen in het vuur.
8. Wees voorzichtig dat u de accu niet laat vallen en hem niet blootstelt aan schokken of stoten.
9. Gebruik nooit een beschadigde accu.
10. De bijgeleverde lithium-ionbatterijen zijn onderhevig aan de vereisten in de wetgeving omtrent gevaarlijke stoffen.

Voor commercieel transport en dergelijke door derden en transporteurs moeten speciale vereisten ten aanzien van verpakking en etikettering worden nageleefd.

Als voorbereiding van het artikel dat wordt getransporteerd is het noodzakelijk een expert op het gebied van gevaarlijke stoffen te raadplegen. Houd u tevens aan mogelijk strengere nationale regelgeving.

Blootliggende contactpunten moeten worden afgedekt met tape en de accu moet zodanig worden verpakt dat deze niet kan bewegen in de verpakking.

11. Volg bij het weggooiën van de accu de plaatselijke voorschriften.

## BEWAAR DEZE INSTRUCTIES.

**⚠ LET OP:** Gebruik uitsluitend originele Makita accu's. Het gebruik van niet-originele accu's, of accu's die zijn gewijzigd, kan ertoe leiden dat de accu ontploft en brand, persoonlijk letsel en schade veroorzaakt. Ook vervalt daarmee de garantie van Makita op het gereedschap en de lader van Makita.

**⚠ LET OP:** Breng de accu altijd helemaal aan totdat het rode deel niet meer zichtbaar is. Als u dit niet doet, kan de accu per ongeluk uit het gereedschap vallen en u of anderen in uw omgeving verwonden.

**⚠ LET OP:** Breng de accu niet met kracht aan. Als de accu niet gemakkelijk in het gereedschap kan worden geschoven, wordt deze niet goed aangebracht.

## Tips voor een maximale levensduur van de accu

1. Laad de accu op voordat hij volledig ontladen is. Stop het gebruik van het gereedschap en laad de accu op telkens wanneer u vaststelt dat het vermogen van het gereedschap is afgenomen.
2. Laad een volledig opgeladen accu nooit opnieuw op. Te lang opladen verkort de levensduur van de accu.
3. Laad de accu op bij een omgevingstemperatuur tussen 10°C en 40°C. Laat een warme accu afkoelen alvorens hem op te laden.
4. Laad de accu op als u deze gedurende een lange tijd (meer dan zes maanden) niet gaat gebruiken.

## BESCHRIJVING VAN DE FUNCTIES

**⚠ LET OP:** Zorg altijd dat het gereedschap is uitgeschakeld en de accu ervan is verwijderd alvorens de functies op het gereedschap af te stellen of te controleren.

### De accu aanbrengen en verwijderen

**⚠ LET OP:** Schakel het gereedschap altijd uit voordat u de accu aanbrengt of verwijdert.

**⚠ LET OP:** Houd het gereedschap en de accu stevig vast tijdens het aanbrengen of verwijderen van de accu. Als u het gereedschap en de accu niet stevig vasthoudt, kunnen deze uit uw handen glijpen en het gereedschap of de accu beschadigen, of kan persoonlijk letsel worden veroorzaakt.

► Fig.1: 1. Rood deel 2. Knop 3. Accu

Om de accu te verwijderen verschuift u de knop aan de voorkant van de accu en schuift u tegelijkertijd de accu uit het gereedschap.

Om de accu aan te brengen lijnt u de lip op de accu uit met de groef in de behuizing en duwt u de accu op zijn plaats. Steek de accu zo ver mogelijk in het gereedschap tot u een klikgeluid hoort. Als u het rode deel aan de bovenkant van de knop kunt zien, is de accu niet goed aangebracht.

## Accubeveiligingssysteem

### Lithiumionaccu met ster-merkteken

► Fig.2: 1. Ster-merkteken

Lithiumionaccu's met een ster-merkteken zijn voorzien van een beveiligingssysteem. Dit systeem sluit automatisch de voeding naar het gereedschap af om de levensduur van de accu te verlengen.

Het gereedschap kan tijdens gebruik automatisch stoppen wanneer het gereedschap en/of de accu aan één van de volgende omstandigheden wordt blootgesteld:

#### Overbelasting:

Als het gereedschap wordt gebruikt op een manier die een abnormaal hoge stroomsterkte vergt.

Schakel in dat geval het gereedschap uit en stopt u met de toepassing waardoor het gereedschap overbelast raakte. Schakel vervolgens het gereedschap in om het weer te starten.

Als het gereedschap niet start, kan de accu oververhit zijn. In die situatie laat u de accu eerst afkoelen voordat u het gereedschap opnieuw inschakelt.








#### Onvoldoende accuspanning:

De resterende acculading is te laag en het gereedschap start niet. In dat geval verwijdert u de accu en laadt u die opnieuw op.

## De resterende acculading controleren

► Fig.3: 1. Accu-indicatorlampje 2. Testknop

Druk op de testknop om de resterende acculadingen te zien. De accu-indicatorlampjes geven per accu de resterende acculading aan.

Toestand van accu-indicator		Resterende acculading
Aan	Uit	
		
		
		
		50% of meer
		20% - 50%
		Minder dan 20%

## De resterende acculading controleren

**Alleen voor accu's waarvan het modelnummer eindigt op "B".**

► Fig.4: 1. Indicatorlampjes 2. Testknop

Druk op de testknop op de accu om de resterende acculading te zien. De indicatorlampjes branden gedurende enkele seconden.

Indicatorlampjes			Resterende acculading
Brandt	Uit	Knippert	
■	□	▧	75% tot 100%
■	■	■	
■	■	□	50% tot 75%
■	□	□	25% tot 50%
■	□	□	0% tot 25%
▧	□	□	Laad de accu op.
■	■	□	Er kan een storing zijn opgetreden in de accu.
□	□	■	


**OPMERKING:** Afhankelijk van de gebruiksomstandigheden en de omgevingstemperatuur, is het mogelijk dat de aangegeven acculading verschilt van de werkelijke acculading.

## De trekkerschakelaar gebruiken

► Fig.5: 1. Trekkerschakelaar

**⚠ LET OP:** Alvorens de accu in het gereedschap te plaatsen, moet u altijd controleren of de trekkerschakelaar goed werkt en bij het loslaten terugkeert naar de stand "OFF".

Om het gereedschap te starten, knijpt u gewoon de trekkerschakelaar in. Hoe harder u de trekkerschakelaar inknijpt, hoe sneller het gereedschap draait. Laat de trekkerschakelaar los om het gereedschap te stoppen.

De trekkerschakelaar kan in de uit-stand worden vergrendeld om te voorkomen dat deze per ongeluk wordt bediend. Om de trekkerschakelaar in de uit-stand te vergrendelen, duwt u tegen de knop vanaf de zijkant met de  markering. Om de trekkerschakelaar te ontgrendelen, duwt u tegen de knop vanaf de zijkant met de  markering.

► Fig.6: 1. Uit-vergrendelknop

**⚠ LET OP:** Vergrendel het gereedschap altijd in de uit-stand wanneer u het gereedschap draagt of het werk onderbreekt.

## De zaagdiepte instellen

De zaagdiepte wordt aangegeven door de schaalverdeling op het zaagblad. Draai de bouten van de zaagbladhouder los tot het zaagblad vrij kan bewegen. Lijn de schaalverdeling op het zaagblad uit met de onderrand van de zaagbladhouder. Draai vervolgens de bouten vast.

► Fig.7: 1. Zaagdiepte 2. Onderrand van de zaagbladhouder 3. Schaalverdeling op het zaagblad

De maximale zaagdiepte is afhankelijk van het type zaagblad. Gebruik altijd het type zaagblad dat bedoeld is voor het zagen van het materiaal waarmee u werkt.

Type zaagblad	Max. zaagdiepte
Voor gipsplaat	30 mm
Voor hout	15 mm

## LED-lamp

**⚠ LET OP:** Kijk niet direct in het lamplicht of in de lichtbron.

Knijp de trekkerschakelaar in om de lamp in te schakelen. De lamp blijft branden zolang de trekkerschakelaar ingeknepen wordt gehouden. De lamp gaat ongeveer 10 seconden nadat de trekkerschakelaar is losgelaten uit.

► Fig.8: 1. Lamp

**OPMERKING:** Gebruik een droge doek om vuil van de lens van de lamp af te vegen. Wees voorzichtig dat u de lens van de lamp niet bekrast omdat dan de verlichting minder wordt.

## MONTAGE

**⚠ LET OP:** Zorg altijd dat het gereedschap is uitgeschakeld en de accu ervan is verwijderd alvorens enig werk aan het gereedschap uit te voeren.

## De stofvanger verwijderen

**⚠ LET OP:** Gebruik het gereedschap nooit zonder stofvanger. Het stof kan in uw ogen komen en oogletsel veroorzaken.

Om de stofvanger te verwijderen, houdt u de handgreep van het gereedschap vast en trekt u de vergrendellippen op het gereedschap naar achteren. Zorg ervoor dat u tegelijk aan de vergrendellippen aan beide kanten trekt.

► Fig.9: 1. Vergrendellip

Lijn bij het aanbrengen van de stofvanger de rand ervan uit met de groef in de zool van het gereedschap.

► Fig.10: 1. Groef

## Het gipsplaatzaagblad vervangen

**⚠ALLET OP:** Verwijder altijd eerst alle houtsnippers en vreemde stoffen die aan het zaagblad en/of de zaagbladhouder kleven. Als u dat niet doet is het mogelijk dat het zaagblad onvoldoende wordt vastgeklemd, wat kan leiden tot ernstig persoonlijk letsel.

**⚠ALLET OP:** Raak het zaagblad of het werkstuk niet onmiddellijk na gebruik aan. Deze kunnen bijzonder heet zijn en brandwonden op uw huid veroorzaken.

**⚠ALLET OP:** Verzeker u ervan dat het zaagblad goed is vastgezet. Als het zaagblad onvoldoende goed is vastgezet, kan het zaagblad breken en ernstig persoonlijk letsel ontstaan.

1. Verwijder de stofvanger.
2. Verwijder de bouten van de zaagbladhouder met behulp van de inbussleutel.  
► **Fig.11:** 1. Bouten 2. Zaagbladhouder 3. Zaagblad
3. Plaats een nieuw zaagblad zoals aangegeven in de afbeelding. Zorg ervoor dat de afgeronde kant van het zaagblad naar voren wijst. Zorg ervoor dat het uitstekende deel op de zaagbladhouder in de sleuf van het zaagblad valt.  
► **Fig.12:** 1. Sleuf 2. Uitstekende deel (tegenovergestelde zijde)
4. Stel de zaagdiepte in en draai daarna de bouten vast.
5. Breng de stofvanger aan.

## Het afbreekmes aanbrengen

**⚠ALLET OP:** Gebruik altijd een afbreekmes van de voorgeschreven lengte, breedte en dikte. Een verkeerd aangebracht afbreekmes kan afbreken. Een afgebroken mes kan wegspringen en persoonlijk letsel veroorzaken.

Een afbreekmes kan ook worden gebruikt met dit gereedschap. Gebruik 3 segmenten van het afbreekmes met een breedte van 18 mm en een dikte van 0,5 mm. De maximale zaagdiepte in een gipsplaat is 12,5 mm.

► **Fig.13:** 1. Drie segmenten van een afbreekmes

1. Draai de bouten van de zaagbladhouder los. Draai de zaagbladhouder om zodat het uitstekende deel naar buiten wijst.
2. Steek het afbreekmes erin zodat de scherpe rand naar voren wijst.
3. Zet het afbreekmes vast in de positie waarin het uiteinde van het eerste segment ter hoogte ligt van de rand van de zaagbladhouder, zoals aangegeven in de afbeelding.

► **Fig.14:** 1. Zaagbladhouder 2. Uiteinde van het eerste segment van het afbreekmes  
3. Toegestane zaaglengte

## De zaagbladkap aanbrengen

**⚠ALLET OP:** Breng altijd de zaagbladkap aan wanneer het gereedschap niet wordt gebruikt. Een blootliggend zaagblad kan persoonlijk letsel veroorzaken of het zaagblad zelf kan beschadigd raken.

Plaats de zaagbladkap over het zaagblad tot de haken aangrijpen in de dekplaat van de zool. Let bij het aanbrengen op de richting van de zaagbladkap: de brede haak zit aan de voorkant. Bij het verwijderen van de zaagbladkap, knijpt u beide zijkanten in en trekt u hem tegelijkertijd eraf.

► **Fig.15:** 1. Zaagbladkap 2. Haak

Tijdens gebruik schuift u de zaagbladkap op de haak van de zool totdat hij vastklikt, zoals aangegeven in de afbeelding.

► **Fig.16:** 1. Zaagbladkap 2. Haak

## Opbergen van de inbussleutel

Wanneer de inbussleutel niet wordt gebruikt, bergt u hem op zoals aangegeven in de afbeelding zodat u hem niet verliest.

► **Fig.17:** 1. Inbussleutel

## Een stofzuiger aansluiten

Sluit een Makita-stofzuiger aan om schoon te werken. Verwijder de rubber dop vanaf de stofvanger en sluit de slang van de stofzuiger aan op het mondstuk van de stofvanger.

► **Fig.18:** 1. Stofvanger 2. Rubber dop  
3. Stofzuigerslang

## BEDIENING

**⚠ALLET OP:** Houd het gereedschap stevig vast.

**⚠ALLET OP:** Houd tijdens gebruik altijd de zool vlak met het werkstuk. Zaag nooit in een bocht. Als u dat niet doet bestaat de kans dat het zaagblad breekt, wat kan leiden tot ernstig persoonlijk letsel.

De V-inkeping en het bolle deel van de dekplaat van de zool van het gereedschap geven de plaats van het zaagblad aan. Controleer tijdens het zagen altijd de plaats van het zaagblad.

**De dekplaat van de zool van het gereedschap**

► **Fig.19:** 1. V-inkeping 2. Bolle deel 3. Zaagblad

**OPMERKING:** Voor nauwkeurig zagen adviseren wij vooraf zaaglijnen te tekenen op het werkstuk.

1. Plaats de punt van het zaagblad op het beginpunt op de zaaglijn. Kantel het gereedschap zodat de voorrand van de zool het oppervlak van het werkstuk raakt. Lijn de punt van de V-inkeping in de voorrand uit met de zaaglijn.

► **Fig.20**



2. Knijp langzaam de trekkerschakelaar in zonder dat de punt van het zaagblad het werkstuk raakt. Wanneer het zaagblad op maximale snelheid beweegt, duwt u het gereedschap in de richting van het werkstuk. Naarmate het zaagblad het werkstuk doorboort, raakt het volledige oppervlak van de dekplaat van de zool het werkstuk.

► Fig.21

3. Beweeg het gereedschap recht vooruit tot het zagen is voltooid.

- Gipsplaatzaagblad
- Houtzaagblad
- Stofopvangdoos
- Stofvanger
- Inbussleutel
- Haak
- Originele Makita accu's en acculaders

**OPMERKING:** Sommige items op de lijst kunnen zijn inbegrepen in de doos van het gereedschap als standaard toebehoren. Deze kunnen van land tot land verschillen.

## ONDERHOUD

**⚠ LET OP:** Zorg altijd dat het gereedschap is uitgeschakeld en de accu ervan is verwijderd alvorens te beginnen met onderhoud of inspectie.

**KENNISGEVING:** Gebruik nooit benzine, wasbenzine, thinner, alcohol en dergelijke. Hierdoor kunnen verkleuring, vervormingen en barsten worden veroorzaakt.

### De dekplaat van de zool reinigen

Verwijder de houtsnippers en het stof vanaf de dekplaat van de zool. Trek aan de haak op de achterrand van de dekplaat van de zool en til de dekplaat op om hem te verwijderen. Voor het aanbrengen volgt u de verwijderingsprocedure in omgekeerde volgorde.

► Fig.22: 1. Dekplaat van de zool 2. Haak

**⚠ LET OP:** Let bij het verwijderen van de dekplaat van de zool op de punt van het zaagblad en de houtsnippers.

**KENNISGEVING:** Voer het reinigen regelmatig uit. Een vuile dekplaat van de zool kan het oppervlak van het werkstuk beschadigen of verontreinigen.

Om de VEILIGHEID en BETROUWBAARHEID van het gereedschap te handhaven, dienen alle reparaties, onderhoud of afstellingen te worden uitgevoerd bij een erkend Makita-servicecentrum of de Makita-fabriek, en altijd met gebruik van Makita-vervangingsonderdelen.

## OPTIONELE ACCESSOIRES

**⚠ LET OP:** Deze accessoires of hulpstukken worden aanbevolen voor gebruik met het Makita gereedschap dat in deze gebruiksaanwijzing is beschreven. Bij gebruik van andere accessoires of hulpstukken bestaat het gevaar van persoonlijke letsel. Gebruik de accessoires of hulpstukken uitsluitend voor hun bestemde doel.

Wenst u meer bijzonderheden over deze accessoires, neem dan contact op met het plaatselijke Makita-servicecentrum.

## ESPECIFICACIONES

<b>Modelo:</b>		<b>DSD180</b>
Longitud de carrera		6 mm
Carreras por minuto		0 - 6.000 min <sup>-1</sup>
Capacidades máximas de corte	Placa de yeso	30 mm
	Madera	15 mm
Tensión nominal		18 V CC
Cartuchos de batería estándar		BL1815N, BL1820, BL1820B      BL1830, BL1830B, BL1840, BL1840B, BL1850, BL1850B, BL1860B
Longitud total		258 mm      263 mm
Peso neto		1,7 kg      1,9 kg

- Debido a nuestro continuado programa de investigación y desarrollo, las especificaciones aquí dadas están sujetas a cambios sin previo aviso.
- Las especificaciones y el cartucho de batería pueden diferir de país a país.
- Peso, con cartucho de batería, de acuerdo con el procedimiento EPTA 01/2003

### Uso previsto

Esta herramienta ha sido prevista para cortar placas de yeso por hundimiento. También se puede cortar madera instalando una hoja de sierra apropiada.

### Ruido

El nivel de ruido A-ponderado típico determinado de acuerdo con la norma EN60745-2-11:

Nivel de presión sonora ( $L_{pA}$ ): 79 dB (A)

Error (K): 3 dB (A)

El nivel de ruido en situación de trabajo puede exceder 80 dB (A).

**⚠ ADVERTENCIA:** Póngase protectores para oídos.

### Vibración

El valor total de la vibración (suma de vectores triaxiales) determinado de acuerdo con la norma EN60745-2-11:

Modo de trabajo: corte de placas de yeso (grosor 30 mm)

Emisión de vibración ( $a_{rh}$ ): 2,5 m/s<sup>2</sup>

Error (K): 1,5 m/s<sup>2</sup>

Modo tarea: corte de tableros aglomerados (grosor 15 mm)

Emisión de vibración ( $a_{rh}$ ): 5,0 m/s<sup>2</sup>

Error (K): 1,5 m/s<sup>2</sup>

**NOTA:** El valor de emisión de vibración declarado ha sido medido de acuerdo con el método de prueba estándar y se puede utilizar para comparar una herramienta con otra.

**NOTA:** El valor de emisión de vibración declarado también se puede utilizar en una valoración preliminar de exposición.

**⚠ ADVERTENCIA:** La emisión de vibración durante la utilización real de la herramienta eléctrica puede variar del valor de emisión declarado dependiendo de las formas en las que la herramienta sea utilizada.

**⚠ ADVERTENCIA:** Asegúrese de identificar medidas de seguridad para proteger al operario que estén basadas en una estimación de la exposición en las condiciones reales de utilización (teniendo en cuenta todas las partes del ciclo operativo como las veces cuando la herramienta está apagada y cuando está funcionando en vacío además del tiempo de gatillo).

### Declaración CE de conformidad

*Para países europeos solamente*

La declaración UE de conformidad está incluida como Anexo A de esta manual de instrucciones.

## ADVERTENCIAS DE SEGURIDAD

### Advertencias de seguridad para herramientas eléctricas en general

**⚠ ADVERTENCIA:** Lea todas las advertencias de seguridad y todas las instrucciones. Si no sigue las advertencias e instrucciones podrá resultar en una descarga eléctrica, un incendio y/o heridas graves.

## Guarde todas las advertencias e instrucciones para futuras referencias.

El término "herramienta eléctrica" en las advertencias se refiere a su herramienta eléctrica de funcionamiento con conexión a la red eléctrica (con cable) o herramienta eléctrica de funcionamiento a batería (sin cable).

### Advertencias de seguridad para la cortadora de tabla roca

1. Cuando realice una operación en la que el accesorio de corte pueda entrar en contacto con cableado oculto, sujete la herramienta eléctrica por las superficies de aislamiento aisladas. El contacto del accesorio de corte con un cable con corriente puede hacer que la corriente circule por las partes metálicas expuestas de la herramienta eléctrica y soltar una descarga eléctrica al operario.
2. Utilice mordazas u otros medios de sujeción prácticos para sujetar y apoyar la pieza de trabajo en una plataforma estable. Sujetada con la mano o contra su cuerpo, la pieza de trabajo estará inestable y podrá ocasionar la pérdida del control.
3. Utilice siempre gafas de seguridad o gafas de protección. Las gafas normales o de sol NO son gafas de seguridad.
4. Evite cortar clavos. Inspeccione la pieza de trabajo por si tiene algún clavo y retírelos antes de empezar la operación.
5. No corte piezas de trabajo sobredimensionadas.
6. Compruebe que hay espacio suficiente debajo de la pieza de trabajo antes de cortar, de forma que la hoja de sierra no golpee contra el suelo, el banco de trabajo, etc.
7. Sujete la herramienta firmemente.
8. Asegúrese de que la hoja de sierra no está tocando la pieza de trabajo antes de activar el interruptor.
9. Mantenga las manos alejadas de las partes en movimiento.
10. No deje la herramienta en marcha. Opere la herramienta solamente cuando la tenga sujeta con las manos.
11. Apague siempre la herramienta y espere hasta que la hoja de sierra se haya parado completamente antes de retirar la hoja de sierra de la pieza de trabajo.
12. No toque la hoja de sierra o la pieza de trabajo inmediatamente después de la operación; podrán estar muy calientes y quemarle la piel.
13. No utilice la herramienta sin carga innecesariamente.
14. Algunos materiales contienen sustancias químicas que pueden ser tóxicas. Tenga precaución para evitar la inhalación de polvo y el contacto con la piel. Siga los datos de seguridad del abastecedor del material.

15. Utilice siempre la mascarilla contra el polvo/respirador correcto para el material y la aplicación con que esté trabajando.

## GUARDE ESTAS INSTRUCCIONES.

**⚠️ ADVERTENCIA:** NO deje que la comodidad o familiaridad con el producto (a base de utilizarlo repetidamente) sustituya la estricta observancia de las normas de seguridad para el producto en cuestión. El MAL USO o el no seguir las normas de seguridad establecidas en este manual de instrucciones podrá ocasionar heridas personales graves.

### Instrucciones de seguridad importantes para el cartucho de batería

1. Antes de utilizar el cartucho de batería, lea todas las instrucciones e indicaciones de precaución sobre (1) el cargador de baterías, (2) la batería, y (3) el producto con el que se utiliza la batería.
2. No desarme el cartucho de batería.
3. Si el tiempo de uso se acorta demasiado, cese la operación inmediatamente. Podría resultar en un riesgo de recalentamiento, posibles quemaduras e incluso una explosión.
4. Si entra electrólito en sus ojos, aclárelos con agua limpia y acuda a un médico inmediatamente. Existe el riesgo de poder perder la vista.
5. No cortocircuite el cartucho de batería:
  - (1) No toque los terminales con ningún material conductor.
  - (2) Evite guardar el cartucho de batería en un cajón junto con otros objetos metálicos, como clavos, monedas, etc.
  - (3) No exponga el cartucho de batería al agua ni a la lluvia.Un cortocircuito en la batería puede producir una gran circulación de corriente, un recalentamiento, posibles quemaduras e incluso una rotura de la misma.
6. No guarde la herramienta y el cartucho de batería en lugares donde la temperatura pueda alcanzar o exceder los 50 °C.
7. Nunca incinere el cartucho de batería incluso en el caso de que esté dañado seriamente o ya no sirva en absoluto. El cartucho de batería puede explotar si se tira al fuego.
8. Tenga cuidado de no dejar caer ni golpear el cartucho de batería.
9. No utilice una batería dañada.
10. Las baterías de litio-ion contenidas están sujetas a los requisitos de la Legislación para Materiales Peligrosos. Para transportes comerciales, p.ej., por terceras personas y agentes de transportes, se deberán observar requisitos especiales para el empaquetado y etiquetado. Para la preparación del artículo que se va a enviar, se requiere consultar con un experto en materiales peligrosos. Por favor, observe también la posibilidad de reglamentos nacionales más detallados.

Cubra con cinta aislante o enmascare los contactos expuestos y empaquete la batería de tal manera que no se pueda mover alrededor dentro del embalaje.

11. **Siga los reglamentos locales referentes al desecho de la batería.**

## GUARDE ESTAS INSTRUCCIONES.

**⚠PRECAUCIÓN:** Utilice solamente baterías genuinas de Makita. La utilización de baterías no genuinas de Makita, o baterías que han sido alteradas, puede resultar en una explosión de la batería ocasionando incendios, heridas personales y daños. También anulará la garantía de Makita para la herramienta y el cargador de Makita.

## Consejos para alargar al máximo la vida de servicio de la batería

1. **Cargue el cartucho de batería antes de que se descargue completamente. Detenga siempre la operación y cargue el cartucho de batería cuando note menos potencia en la herramienta.**
2. **No cargue nunca un cartucho de batería que esté completamente cargado. La sobrecarga acortará la vida de servicio de la batería.**
3. **Cargue el cartucho de batería a temperatura ambiente de 10 °C - 40 °C. Si un cartucho de batería está caliente, déjelo enfriar antes de cargarlo.**
4. **Cargue el cartucho de batería si no lo utiliza durante un periodo de tiempo prolongado (más de seis meses).**

## DESCRIPCIÓN DEL FUNCIONAMIENTO

**⚠PRECAUCIÓN:** Asegúrese siempre de que la herramienta está apagada y el cartucho de batería retirado antes de realizar cualquier ajuste o comprobación en la herramienta.

### Instalación o extracción del cartucho de batería

**⚠PRECAUCIÓN:** Apague siempre la herramienta antes de instalar o retirar el cartucho de batería.

**⚠PRECAUCIÓN:** Sujete la herramienta y el cartucho de batería firmemente cuando instale o retire el cartucho de batería. Si no sujeta la herramienta y el cartucho de batería firmemente podrán caérsele de las manos y resultar en daños a la herramienta y al cartucho de batería y heridas personales.

- **Fig.1:** 1. Indicador rojo 2. Botón 3. Cartucho de batería

Para retirar el cartucho de batería, deslícelo de la herramienta mientras desliza el botón de la parte frontal del cartucho.

Para instalar el cartucho de batería, alinee la lengüeta del cartucho de batería con la ranura de la carcasa y deslícelo hasta que encaje en su sitio. Insértelo a tope hasta que se bloquee en su sitio produciendo un pequeño chasquido. Si puede ver el indicador rojo en el lado superior del botón, no estará bloqueado completamente.

**⚠PRECAUCIÓN:** Instale siempre el cartucho de batería completamente hasta que no pueda verse el indicador rojo. En caso contrario, podrá caerse accidentalmente de la herramienta y ocasionarle heridas a usted o a alguien que esté cerca de usted.

**⚠PRECAUCIÓN:** No instale el cartucho de batería empleando fuerza. Si el cartucho no se desliza al interior fácilmente, será porque no está siendo insertado correctamente.

## Sistema de protección de la batería

### Batería de litio-ión con marca de estrella

► **Fig.2:** 1. Marca de estrella

Las baterías de litio-ión con marca de estrella están equipadas con un sistema de protección. Este sistema corta automáticamente la alimentación de la herramienta para alargar la vida útil de la batería.

La herramienta se detendrá automáticamente durante la operación si la herramienta y/o la batería son puestas en una de las condiciones siguientes:

#### Sobrecargada:

La herramienta es utilizada de una manera que da lugar a que tenga que absorber una corriente anormalmente alta.

En esta situación, apague la herramienta y detenga la aplicación que ocasiona que la herramienta se sobrecargue. Después encienda la herramienta para volver a empezar.

Si la herramienta no se pone en marcha, la batería estará recalentada. En esta situación, deje que la batería se enfríe antes de encender la herramienta otra vez.

#### Tensión baja en la batería:

La capacidad de batería restante es muy baja y la herramienta no funcionará. En esta situación, retire la batería y vuelva a cargarla.

## Modo de indicar la capacidad de batería restante

► **Fig.3:** 1. Indicador de batería 2. Botón de comprobación

Presione el botón de comprobación para indicar las capacidades de batería restantes. Los indicadores de batería corresponden a cada batería.

Estado del indicador de batería		Capacidad de batería restante
Encendido	Apagado	
		50% o más
		20% - 50%
		Menos del 20%

## Modo de indicar la capacidad de batería restante

**Solamente para cartuchos de batería con "B" al final del número de modelo**

► Fig.4: 1. Lámparas indicadoras 2. Botón de comprobación

Presione el botón de comprobación en el cartucho de batería para indicar la capacidad de batería restante. Las lámparas indicadoras se iluminan durante unos pocos segundos.

Lámparas indicadoras			Capacidad restante
Iluminada	Apagada	Parpadeando	
			75% a 100%
			50% a 75%
			25% a 50%
			0% a 25%
			Cargue la batería.
			Puede que la batería no esté funcionando bien.

**NOTA:** Dependiendo de las condiciones de utilización y de la temperatura ambiente, la indicación podrá variar ligeramente de la capacidad real.

## Accionamiento del interruptor

► Fig.5: 1. Gatillo interruptor

**PRECAUCIÓN:** Antes de insertar el cartucho de batería en la herramienta, compruebe siempre para cerciorarse de que el gatillo interruptor se acciona debidamente y que vuelve a la posición "OFF" cuando lo suelta.

Para poner en marcha la herramienta, simplemente apriete el gatillo interruptor. La velocidad de la herramienta aumenta incrementando la presión en el gatillo interruptor. Suelte el gatillo interruptor para parar.

El gatillo se puede bloquear para evitar que sea apretado accidentalmente. Para bloquear el gatillo, presione el botón desde el lado con la marca . Para desbloquear, presione el botón desde el lado con la marca .

► Fig.6: 1. Botón de desbloqueo

**PRECAUCIÓN:** Bloquee siempre la herramienta cuando la transporte o suspenda la operación.

## Ajuste de la profundidad de corte

La profundidad de corte corresponde con la escala en la hoja de sierra. Afloje el tornillo del porta hoja de sierra hasta que la hoja de sierra se pueda mover libremente. Alinee la escala en la hoja de sierra con la línea inferior del porta hoja de sierra. Después apriete los tornillos.

► Fig.7: 1. Profundidad de corte 2. Línea inferior del porta hoja de sierra 3. Escala en la hoja de sierra

La profundidad de corte máxima depende del tipo de hoja de sierra. Utilice siempre la hoja de sierra designada para cortar el material con el que trabaja.

Tipo de hoja de sierra	Profundidad de corte máxima
Para placa de yeso	30 mm
Para madera	15 mm

## Luz LED

**PRECAUCIÓN:** No mire a la luz ni vea la fuente de luz directamente.

Apriete el gatillo interruptor para encender la lámpara. La lámpara seguirá encendida mientras el gatillo interruptor esté siendo apretado. La lámpara se apagará aproximadamente 10 segundos después de soltar el gatillo interruptor.

► Fig.8: 1. Lámpara

**NOTA:** Utilice un paño seco para quitar la suciedad de la lente de la lámpara. Tenga cuidado de no rayar la lente de la lámpara, porque podrá disminuir la iluminación.

## MONTAJE

**PRECAUCIÓN:** Asegúrese siempre de que la herramienta está apagada y el cartucho de batería retirado antes de realizar cualquier trabajo en la herramienta.

## Para retirar el colector de polvo

**⚠ PRECAUCIÓN:** No utilice nunca la herramienta sin el colector de polvo. Podrá entrar polvo en sus ojos y ocasionarle heridas en los ojos.

Para retirar el colector de polvo, sujete el mango de la herramienta y tire hacia atrás de las lengüetas en la herramienta. Asegúrese de tirar de las lengüetas en ambos lados al mismo tiempo.

► **Fig.9:** 1. Lengüeta

Cuando lo instale, alinee el borde del colector de polvo con la ranura en la base.

► **Fig.10:** 1. Ranura

## Reemplazo de la hoja de sierra para placa de yeso

**⚠ PRECAUCIÓN:** Retire siempre todas las virutas y materias extrañas adheridas a la hoja de sierra y/o el porta hoja de sierra. En caso contrario, la hoja de sierra podrá quedar insuficientemente apretada, pudiendo resultar en heridas personales graves.

**⚠ PRECAUCIÓN:** No toque la hoja de sierra o la pieza de trabajo inmediatamente después de la operación. Podrán estar muy calientes y quemarle la piel.

**⚠ PRECAUCIÓN:** Asegúrese de que la hoja de sierra está sujeta debidamente. Un apretado insuficiente de la hoja de sierra podrá ocasionar la rotura de la hoja de sierra o heridas personales graves.

1. Retire el colector de polvo.

2. Retire los pernos en el porta hoja de sierra con la llave hexagonal.

► **Fig.11:** 1. Pernos 2. Porta hoja de sierra 3. Hoja de sierra

3. Coloque una hoja de sierra nueva como se muestra en la figura. Asegúrese de que el borde curvado de la hoja de sierra apunta hacia adelante. Encaje la protuberancia del porta hoja de sierra en la ranura en la hoja de sierra.

► **Fig.12:** 1. Ranura 2. Porción protuberante (lado opuesto)

4. Ajuste la profundidad de corte y después apriete los pernos.

5. Coloque el colector de polvo.

## Instalación de una cuchilla segmentada

**⚠ PRECAUCIÓN:** Utilice siempre una cuchilla segmentada de longitud, anchura y grosor designados. Una cuchilla segmentada mal instalada se puede romper. Una cuchilla rota puede salir despedida y ocasionar heridas personales.

Con esta herramienta también se puede utilizar una cuchilla segmentada. Utilice 3 segmentos de una cuchilla segmentada de 18 mm de anchura y 0,5 mm de grosor. La profundidad de corte máxima es de 12,5 mm cuando se corta una placa de yeso.

► **Fig.13:** 1. Tres segmentos de cuchilla segmentada

1. Afloje los pernos en el porta hoja de sierra. Gire el porta hoja de sierra de forma que su protuberancia quede orientada hacia afuera.

2. Inserte la cuchilla segmentada de forma que el borde cortante quede orientado hacia adelante.

3. Sujete la cuchilla segmentada en la posición donde el extremo del primer segmento quede en el borde del porta hoja de sierra como se muestra en la ilustración.

► **Fig.14:** 1. Porta hoja de sierra 2. Extremo del primer segmento de la cuchilla segmentada 3. Longitud de corte permitida

## Colocación de la tapa de hoja de sierra

**⚠ PRECAUCIÓN:** Coloque siempre la tapa de hoja de sierra cuando la herramienta no esté siendo utilizada. Una hoja de sierra al descubierto puede ocasionar heridas personales o daños a la propia hoja de sierra.

Pase la tapa de hoja de sierra a lo largo de la hoja de sierra hasta que el gancho se enganche en la cubierta de la base. Tenga en cuenta la dirección de la tapa de hoja de sierra cuando la coloque; el gancho más ancho va en el lado delantero. Cuando vaya a retirar la tapa de hoja de sierra, levántela mientras aprieta en ambos lados.

► **Fig.15:** 1. Tapa de hoja de sierra 2. Gancho

Durante la operación, inserte la tapa de hoja de sierra hasta el gancho en la base como se muestra en la ilustración hasta que produzca un chasquido.

► **Fig.16:** 1. Tapa de hoja de sierra 2. Gancho

## Para guardar la llave hexagonal

Cuando no la esté utilizando, guarde la llave hexagonal como se muestra en la figura para evitar perderla.

► **Fig.17:** 1. Llave hexagonal

## Conexión de un aspirador

Conecte un aspirador Makita para realizar una operación limpia. Retire la tapa de goma en el colector de polvo y conecte la manguera del aspirador a la boquilla del colector de polvo.

► **Fig.18:** 1. Colector de polvo 2. Tapa de goma 3. Manguera del aspirador

# OPERACIÓN

**⚠PRECAUCIÓN:** Sujete la herramienta firmemente.

**⚠PRECAUCIÓN:** Sujete siempre la base a ras con la pieza de trabajo durante el corte. No realice nunca un corte curvo. En caso contrario podrá ocasionar la rotura de la hoja de sierra, resultando en heridas graves.

La muesca en V y la porción abombada en la cubierta de la base de la herramienta indican la posición de la hoja de sierra. Compruebe siempre la posición de la hoja de sierra cuando corte.

## La cubierta de la base de la herramienta

► Fig.19: 1. Muesca en V 2. Porción abombada  
3. Hoja de sierra

**NOTA:** Para hacer un corte preciso, se recomienda trazar de antemano líneas de corte en la pieza de trabajo.

1. Coloque la punta de la hoja de sierra sobre la línea de inicio. Incline la herramienta de manera que el borde delantero de la base toque la pieza de trabajo. Alinee la parte inferior de la muesca en V en el borde frontal con la línea de corte.

► Fig.20

2. Apriete despacio el gatillo interruptor sin que la hoja de sierra esté haciendo ningún contacto con la pieza de trabajo. Cuando la hoja de sierra alcance plena velocidad, empuje la herramienta hacia la pieza de trabajo. A medida que la hoja de sierra penetre la pieza de trabajo, haga que toda la superficie de la cubierta de la base haga contacto con la pieza de trabajo.

► Fig.21

3. Mueva la herramienta hacia adelante en línea recta hasta terminar el corte.

# MANTENIMIENTO

**⚠PRECAUCIÓN:** Asegúrese siempre de que la herramienta está apagada y de que el cartucho de batería está retirado antes de intentar hacer una inspección o mantenimiento.

**AVISO:** No utilice nunca gasolina, bencina, disolvente, alcohol o similares. Podría producir descoloración, deformación o grietas.

## Limpieza de la cubierta de la base

Retire las virutas de corte y el polvo acumulados en la cubierta de la base. Levante la cubierta de la base mientras tira del gancho en el extremo trasero para retirarla. Siga el procedimiento de desmontaje en el orden inverso cuando la instale.

► Fig.22: 1. Cubierta de la base 2. Gancho

**⚠PRECAUCIÓN:** Preste atención a la punta de la hoja de sierra y las virutas de corte cuando vaya a retirar la cubierta de la base.

**AVISO:** Realice la limpieza periódicamente. Una cubierta de la base sucia puede dañar o desfigurar la superficie de trabajo.

Para mantener la SEGURIDAD y FIABILIDAD del producto, las reparaciones, y cualquier otra tarea de mantenimiento o ajuste deberán ser realizadas en centros de servicio o de fábrica autorizados por Makita, empleando siempre repuestos Makita.

# ACCESORIOS OPCIONALES

**⚠PRECAUCIÓN:** Estos accesorios o aditamentos están recomendados para su uso con la herramienta Makita especificada en este manual. El uso de cualquier otro accesorio o aditamento puede suponer un riesgo de heridas personales. Utilice el accesorio o aditamento solamente con la finalidad indicada para el mismo.

Si necesita cualquier ayuda para más detalles en relación con estos accesorios, pregunte al centro de servicio Makita local.

- Hoja de sierra para placa de yeso
- Hoja de sierra para madera
- Caja de polvo
- Colector de polvo
- Llave hexagonal
- Gancho
- Batería y cargador genuinos de Makita

**NOTA:** Algunos elementos de la lista podrán estar incluidos en el paquete de la herramienta como accesorios estándar. Pueden variar de un país a otro.

## ESPECIFICAÇÕES

<b>Modelo:</b>		<b>DSD180</b>
Comprimento de corte		6 mm
Golpes por minuto		0 - 6.000 min <sup>-1</sup>
Capacidades máximas de corte	Gesso	30 mm
	Madeira	15 mm
Tensão nominal		CC 18 V
Baterias padrão		BL1815N, BL1820, BL1820B      BL1830, BL1830B, BL1840, BL1840B, BL1850, BL1850B, BL1860B
Comprimento geral		258 mm      263 mm
Peso líquido		1,7 kg      1,9 kg

- Devido a um programa contínuo de pesquisa e desenvolvimento, estas especificações estão sujeitas a alteração sem aviso prévio.
- As especificações e a bateria podem variar de país para país.
- Peso, com a bateria, de acordo com o Procedimento 01/2003 da EPTA (European Power Tool Association)

### Utilização a que se destina

Esta ferramenta foi concebida para o corte penetrante de gesso. Também é possível cortar madeira instalando uma serra de corte adequada.

### Ruído

A característica do nível de ruído A determinado de acordo com a EN60745-2-11:  
Nível de pressão acústica ( $L_{pA}$ ) : 79 dB (A)  
Variabilidade (K): 3 dB (A)

O nível de ruído durante o funcionamento pode exceder 80 dB (A).

**AVISO:** Utilize protetores auriculares.

### Vibração

Valor total da vibração (soma vetorial tri-axial) determinado de acordo com a EN60745-2-11:  
Modo de trabalho: cortar gesso (30 mm de espessura)  
Emissão de vibração ( $a_{hv}$ ) : 2,5 m/s<sup>2</sup>  
Variabilidade (K): 1,5 m/s<sup>2</sup>  
Modo de trabalho: cortar aglomerado (15 mm de espessura)  
Emissão de vibração ( $a_{hv}$ ) : 5,0 m/s<sup>2</sup>  
Variabilidade (K): 1,5 m/s<sup>2</sup>

**NOTA:** O valor da emissão de vibração indicado foi medido de acordo com o método de teste padrão e pode ser utilizado para comparar duas ferramentas.

**NOTA:** O valor da emissão de vibração indicado pode também ser utilizado na avaliação preliminar da exposição.

**AVISO:** A emissão de vibração durante a utilização real da ferramenta elétrica pode diferir do valor de emissão indicado, dependendo das formas como a ferramenta é utilizada.

**AVISO:** Certifique-se de identificar as medidas de segurança para proteção do operador que sejam baseadas em uma estimativa de exposição em condições reais de utilização (considerando todas as partes do ciclo de operação, tal como quando a ferramenta está desligada e quando está a funcionar em marcha lenta além do tempo de acionamento).

### Declaração de conformidade da CE

*Apenas para os países europeus*

A declaração de conformidade da UE está incluída como Anexo A neste manual de instruções.

## AVISOS DE SEGURANÇA

### Avisos gerais de segurança para ferramentas elétricas

**AVISO:** Leia todos os avisos de segurança e todas as instruções. O não cumprimento de todos os avisos e instruções pode originar choque elétrico, incêndio e/ou ferimentos graves.

### Guarde todos os avisos e instruções para futuras referências.

O termo "ferramenta elétrica" nos avisos refere-se às ferramentas elétricas ligadas à corrente elétrica (com cabo) ou às ferramentas elétricas operadas por meio de bateria (sem cabo).



## Avisos de segurança da cortadora de gesso a bateria

1. **Segure na ferramenta elétrica pelas superfícies de aderência isoladas quando executar uma operação em que o acessório de corte possa entrar em contacto com fios ocultos.** O contacto do acessório de corte com um fio elétrico “sob tensão” pode tornar as partes metálicas expostas da ferramenta elétrica “sob tensão” e pode causar um choque elétrico ao operador.
2. **Utilize grampos ou qualquer outro modo prático para prender e suportar a peça de trabalho numa superfície estável.** Segurar na peça de trabalho com a mão ou contra o corpo deixa-a instável e pode levar à perda de controlo.
3. **Utilize sempre óculos de segurança ou óculos de proteção.** Os óculos normais ou de sol **NÃO** são óculos de segurança.
4. **Evite cortar pregos.** Inspeccione a peça de trabalho e se tiver pregos, tire-os antes da operação.
5. **Não corte peças de trabalho de tamanho muito grande.**
6. **Verifique se tem a folga adequada sob a peça de trabalho antes de cortar, de modo a que a serra não bata no chão, bancada, etc.**
7. **Segure firmemente a ferramenta.**
8. **Certifique-se de que a serra não está em contacto com a peça de trabalho antes de ligar o interruptor.**
9. **Mantenha as mãos afastadas das partes em movimento.**
10. **Não deixe a ferramenta a funcionar.** Utilize a ferramenta apenas quando estiver na sua mão.
11. **Desligue sempre e espere que a serra pare completamente antes de retirar a serra da peça de trabalho.**
12. **Não toque na serra ou na peça de trabalho imediatamente a seguir à operação pois podem estar extremamente quentes e provocar queimaduras.**
13. **Não utilize com a ferramenta em vazio desnecessariamente.**
14. **Alguns materiais contêm químicos que podem ser tóxicos.** Tome todas as precauções para impedir a inalação de poeiras e o contacto com a pele. Siga os dados de segurança do fornecedor do material.
15. **Utilize sempre a máscara de pó/respirador correto para o material e a aplicação com que está a trabalhar.**

## GUARDE ESTAS INSTRUÇÕES.

**⚠️ AVISO:** NÃO permita que conforto ou familiaridade com o produto (adquirido com o uso repetido) substitua a aderência estrita às regras de segurança da ferramenta. **MÁ INTERPRETAÇÃO** ou não seguimento das regras de segurança estabelecidas neste manual de instruções pode causar danos pessoais sérios.

## Instruções de segurança importantes para a bateria

1. **Antes de utilizar a bateria, leia todas as instruções e etiquetas de precaução no (1) carregador de bateria (2) bateria e (3) produto que utiliza a bateria.**
2. **Não abra a bateria.**
3. **Se o tempo de funcionamento se tornar excessivamente curto, pare o funcionamento imediatamente.** Pode resultar em sobreaquecimento, possíveis queimaduras e mesmo explosão.
4. **Se entrar eletrólito nos seus olhos, lave-os com água e consulte imediatamente um médico.** Pode resultar em perda de visão.
5. **Não coloque a bateria em curto-circuito:**
  - (1) **Não toque nos terminais com qualquer material condutor.**
  - (2) **Evite guardar a bateria juntamente com outros objetos metálicos tais como pregos, moedas, etc.**
  - (3) **Não exponha a bateria à água ou chuva.** Um curto-circuito pode ocasionar um enorme fluxo de corrente, sobreaquecimento, possíveis queimaduras e mesmo estragar-se.
6. **Não guarde a ferramenta e a bateria em locais onde a temperatura pode atingir ou exceder 50°C.**
7. **Não queime a bateria mesmo que esteja estragada ou completamente gasta.** A bateria pode explodir no fogo.
8. **Tenha cuidado para não deixar cair ou dar pancadas na bateria.**
9. **Não utilize uma bateria danificada.**
10. **As baterias de íões de lítio contidas na ferramenta são sujeitas aos requisitos da DGL (Dangerous Goods Legislation - Legislação de bens perigosos).**

Para o transporte comercial, por exemplo, por terceiros ou agentes de expedição, têm de ser observados os requisitos referentes à embalagem e etiquetagem.

Para preparação do artigo a ser expedido, é necessário consultar um perito em materiais perigosos. Tenha ainda em conta a possibilidade de existirem regulamentos nacionais mais detalhados.

Coloque fita-cola ou tape os contactos abertos e embale a bateria de tal forma que não possa mover-se dentro da embalagem.
11. **Siga os regulamentos locais relacionados com a eliminação de baterias.**

## GUARDE ESTAS INSTRUÇÕES.

**⚠️ PRECAUÇÃO:** Utilize apenas baterias genuínas da Makita. A utilização de baterias não genuínas da Makita ou de baterias que foram alteradas, pode resultar no rebentamento da bateria provocando incêndios, ferimentos pessoais e danos. Além disso, anulará da garantia da Makita no que se refere à ferramenta e ao carregador Makita.

## Conselhos para manter a máxima vida útil da bateria

1. Carregue a bateria antes que esteja completamente descarregada. Pare sempre o funcionamento da ferramenta e carregue a bateria quando notar menos poder na ferramenta.
2. Nunca carregue uma bateria completamente carregada. Carregamento excessivo diminui a vida útil da bateria.
3. Carregue a bateria à temperatura ambiente de 10°C – 40°C. Deixe que uma bateria quente arrefeça antes de a carregar.
4. Carregue a bateria se não a utilizar durante um longo período de tempo (mais de seis meses).

## DESCRIÇÃO FUNCIONAL

**⚠️ PRECAUÇÃO:** Certifique-se sempre de que a ferramenta está desligada e a bateria foi retirada antes de regular ou verificar qualquer função na ferramenta.

## Instalação ou remoção da bateria

**⚠️ PRECAUÇÃO:** Desligue sempre a ferramenta antes de colocar ou retirar a bateria.

**⚠️ PRECAUÇÃO:** Segure firmemente a ferramenta e a bateria quando instalar ou remover a bateria. Se não segurar firmemente a ferramenta e a bateria pode fazer com que escorreguem das suas mãos resultando em danos na ferramenta e na bateria e ferimentos pessoais.

► Fig.1: 1. Indicador vermelho 2. Botão 3. Bateria

Para retirar a bateria, deslize-a para fora da ferramenta enquanto desliza o botão na frente da bateria.

Para instalar a bateria, alinhe a lingueta da bateria com a ranhura no compartimento e deslize-a no lugar. Empurre-a até o fim para que a mesma encaixe no lugar com um clique. Se puder ver a parte vermelha no lado superior do botão, significa que não está completamente bloqueada.

**⚠️ PRECAUÇÃO:** Instale sempre a bateria até ao fim, até deixar de ver o indicador vermelho. Caso contrário, a bateria poderá cair da ferramenta acidentalmente e provocar ferimentos em si mesmo ou em alguém próximo.

**⚠️ PRECAUÇÃO:** Não instale a bateria à força. Se a bateria não deslizar facilmente é porque não foi colocada corretamente.

## Sistema de proteção da bateria

**Bateria de íões de lítio com marca de estrela**

► Fig.2: 1. Marca de estrela

As baterias de íões de lítio com a marca de estrela estão equipadas com um sistema de proteção. Este sistema corta automaticamente a energia para a ferramenta a fim de prolongar a vida útil da bateria.

A ferramenta para automaticamente durante o funcionamento se a mesma e/ou a bateria estiver numa das seguintes circunstâncias:

### Sobrecarga:

A ferramenta é utilizada de tal forma que puxa uma corrente elevada demais.

Neste caso, desligue a ferramenta e pare a aplicação que fez com que a ferramenta ficasse sobrecarregada. Depois, ligue a ferramenta para a reiniciar.

Se a ferramenta não reiniciar, a bateria está sobreaquecida. Nesta situação, deixe a bateria arrefecer antes de voltar a ligar a ferramenta.

### Baixa tensão da bateria:

A carga restante da bateria está baixa demais e a ferramenta não funciona. Nesse caso, retire a bateria e recarregue-a.

## Indicação da capacidade restante da bateria

► Fig.3: 1. Indicador da bateria 2. Botão de verificação

Prima o botão de verificação para indicar a capacidade restante das baterias. Os indicadores da bateria correspondem a cada bateria.

Estado dos indicadores da bateria		Capacidade restante da bateria
Aceso	Apagado	
		50% ou mais
		20% - 50%
		Menos de 20%





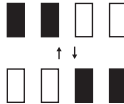
## Indicação da capacidade restante da bateria

**Apenas as baterias com a indicação "B" no final do número do modelo**

► Fig.4: 1. Luzes indicadoras 2. Botão de verificação

Prima o botão de verificação na bateria para indicar a capacidade restante da bateria. As luzes indicadoras acendem durante alguns segundos.

Luzes indicadoras			Capacidade restante
Aceso	Apagado	A piscar	
■	■ ■ ■ ■		75% a 100%
■	■ ■ ■ □		50% a 75%
■	■ ■ □ □		25% a 50%
■	□ □ □ □		0% a 25%

Luzes indicadoras			Capacidade restante
 Aceso	 Apagado	 A piscar	
			Carregar a bateria.
			A bateria pode estar avariada.



**NOTA:** Dependendo das condições de utilização e da temperatura ambiente, a indicação pode ser ligeiramente diferente da capacidade real.

## Ação do interruptor

► **Fig.5:** 1. Gatilho do interruptor

**⚠PRECAUÇÃO:** Antes de colocar a bateria na ferramenta, verifique sempre se o gatilho do interruptor funciona corretamente e volta para a posição “OFF” quando libertado.

Para iniciar a ferramenta, carregue simplesmente no gatilho do interruptor. A velocidade da ferramenta aumenta quando aumenta a pressão no gatilho. Liberte o gatilho do interruptor para parar.

O gatilho pode ser bloqueado para evitar que seja puxado acidentalmente. Para bloquear o gatilho, prima o botão do lado com a marca . Para desbloquear, prima o botão do lado com a marca .

► **Fig.6:** 1. Botão de desbloquear

**⚠PRECAUÇÃO:** Bloqueie sempre a ferramenta quando efetuar ou suspender a operação.

## Regulação da profundidade do corte

A profundidade de corte corresponde à régua na serra. Solte o parafuso no suporte da serra até a serra poder mover-se livremente. Alinhe a régua na serra com a linha do fundo do suporte da serra. Depois, aperte os parafusos.

► **Fig.7:** 1. Profundidade de corte 2. Linha do fundo do suporte da serra 3. Régua na serra

A profundidade máxima de corte depende do tipo de serra de corte. Utilize sempre a serra de corte desenhada para cortar o material de trabalho.

Tipo de serra de corte	Profundidade máxima de corte
Para gesso	30 mm
Para madeira	15 mm

## Luz LED

**⚠PRECAUÇÃO:** Não olhe para a luz ou para a fonte de iluminação diretamente.

Puxe o gatilho para acender a luz. A luz mantém-se acesa enquanto estiver a puxar o gatilho. A luz apaga-se aproximadamente 10 segundos depois de soltar o gatilho.

► **Fig.8:** 1. Lâmpada

**NOTA:** Utilize um pano seco para limpar a sujidade da lente da lâmpada. Tenha cuidado para não riscar a lente da lâmpada ou a iluminação pode ficar enfraquecida.

## MONTAGEM

**⚠PRECAUÇÃO:** Certifique-se sempre de que a ferramenta está desligada e a bateria retirada antes de executar qualquer trabalho na ferramenta.

## Remover o coletor de poeira

**⚠PRECAUÇÃO:** Nunca utilize a ferramenta sem o coletor de poeira. A poeira pode entrar em contacto com os olhos e provocar ferimentos oculares.

Para remover o coletor de poeira, segure a pega da ferramenta e puxe para trás as patilhas na ferramenta. Certifique-se de que puxa as patilhas de ambos os lados ao mesmo tempo.

► **Fig.9:** 1. Patilha

Quando instalar, alinhe a extremidade do coletor de poeira com a ranhura na base.

► **Fig.10:** 1. Ranhura

## Substituir a serra para corte de gesso

**⚠PRECAUÇÃO:** Limpe sempre todas as aparas ou matérias estranhas que se tenham colado à serra e/ou ao suporte da serra. O não cumprimento desta recomendação pode causar aperto insuficiente da serra resultando em ferimentos pessoais graves.

**⚠PRECAUÇÃO:** Não toque na serra nem na peça de trabalho imediatamente a seguir à operação. Podem estar extremamente quentes e provocar queimaduras na pele.

**⚠PRECAUÇÃO:** Certifique-se de que a serra está corretamente fixa. Um aperto insuficiente da serra pode provocar a quebra da serra ou ferimentos pessoais graves.

1. Remova o coletor de poeira.
2. Retire os pernos no suporte da serra com a chave hexagonal.

► **Fig.11:** 1. Pernos 2. Suporte da serra 3. Serra

3. Coloque uma serra nova como apresentado na figura. Certifique-se de que a extremidade curva da serra está virada para a frente. Encaixe a saliência do suporte da serra dentro da ranhura na serra.

► **Fig.12:** 1. Ranhura 2. Parte saliente (lado oposto)

4. Ajuste a profundidade de corte, depois, aperte os pernos.
5. Prenda o coletor de poeira.

## Instalação da serra com partição

**⚠PRECAUÇÃO:** Utilize sempre a serra com partição com o comprimento, largura e espessura designados. Uma serra com partição incorretamente instalada pode partir-se. A serra partida pode ser projetada e provocar ferimentos pessoais.

Também é possível utilizar uma serra com partição com esta ferramenta. Utilize 3 segmentos de uma serra com partição com 18 mm de largura com 0,5 mm de espessura. A profundidade máxima de corte é de 12,5 mm durante o corte de gesso.

► **Fig.13:** 1. Três segmentos da serra com partição

1. Solte os pernos no suporte da serra. Rode o suporte da serra de forma a que a sua saliência fique voltada para fora.
2. Insira a serra com partição de modo a que a extremidade afiada fique voltada para frente.
3. Fixe a serra com partição de tal forma que a extremidade do primeiro segmento chegue até à extremidade do suporte da serra, como ilustrado.

► **Fig.14:** 1. Suporte da serra 2. Extremidade do primeiro segmento da serra com partição 3. Comprimento de corte permitido

## Instalar a tampa da serra

**⚠PRECAUÇÃO:** Instale sempre a tampa da serra quando não estiver a utilizar a ferramenta. Uma serra nua pode provocar ferimentos pessoais ou danos na própria serra.

Passe a tampa da serra através da serra até o gancho prender na cobertura da base. Observe a direção da tampa da serra quando a fixar; o gancho maior fica na parte da frente. Quando remover a tampa da serra, levante-a enquanto aperta ambos os lados.

► **Fig.15:** 1. Tampa da serra 2. Gancho

Durante a operação, insira a tampa da serra no gancho na base, como ilustrado, até ouvir um estalido.

► **Fig.16:** 1. Tampa da serra 2. Gancho

## Armazenamento da chave hexagonal

Quando não estiver a ser usada, guarde a chave hexagonal como indicado na figura, para evitar que se perca.

► **Fig.17:** 1. Chave hexagonal

## Ligar um aspirador

Ligue um aspirador Makita para conseguir uma operação mais limpa. Retire a tampa de borracha no coletor de poeira e ligue a mangueira do aspirador ao bocal do coletor de poeira.

► **Fig.18:** 1. Coletor de poeira 2. Tampa de borracha 3. Mangueira do aspirador

## OPERAÇÃO

**⚠PRECAUÇÃO:** Segure firmemente a ferramenta.

**⚠PRECAUÇÃO:** Segure sempre a base à face da peça de trabalho durante o corte. Nunca realize um corte em curva. O não cumprimento desta recomendação pode provocar a quebra da serra, resultando em ferimentos graves.

O entalhe em V e a parte convexa na cobertura da base da ferramenta indicam a posição da serra. Verifique sempre a posição da serra durante o corte.

### A cobertura da base da ferramenta

► **Fig.19:** 1. Entalhe em V 2. Parte convexa 3. Serra

**NOTA:** Para obter um corte preciso, recomendamos que desenhe de antemão as linhas de corte na peça de trabalho.

1. Coloque a ponta da serra na linha de início. Incline a ferramenta de forma a que a extremidade dianteira da base toque na peça de trabalho. Alinhe o fundo do entalhe em V na extremidade dianteira com a linha de corte.

► **Fig.20**

2. Puxe lentamente o gatilho sem que a serra entre em contacto com a peça de trabalho. Quando a serra atingir a velocidade máxima, empurre a ferramenta em direção à peça de trabalho. À medida que a serra fura a peça de trabalho, faça com que toda a superfície da cobertura da base entre em contacto com a peça de trabalho.

► **Fig.21**

3. Mova a ferramenta a direito para a frente até o corte estar terminado.

## MANUTENÇÃO

**⚠PRECAUÇÃO:** Certifique-se sempre de que a ferramenta se encontra desligada e de que a bateria foi retirada antes de executar qualquer inspeção ou manutenção.

**OBSERVAÇÃO:** Nunca utilize gasolina, benzina, diluente, álcool ou produtos semelhantes. Pode ocorrer a descoloração, deformação ou rachaduras.

## Limpar a cobertura da base

Limpe as aparas de corte e a poeira acumuladas na cobertura da base. Levante a cobertura da base ao mesmo tempo que puxa o gancho na extremidade traseira para retirar. Siga o procedimento de remoção pela ordem inversa, quando instalar.

► **Fig.22:** 1. Cobertura da base 2. Gancho

**⚠️ PRECAUÇÃO:** Tome atenção com a ponta da serra e as aparas de corte quando remover a cobertura da base.

**OBSERVAÇÃO:** Realize a limpeza periodicamente. Uma cobertura da base suja pode danificar ou deformar a superfície de trabalho.

Para manter a SEGURANÇA e a FIABILIDADE do produto, as reparações e qualquer outra manutenção ou ajuste devem ser levados a cabo pelos centros de assistência Makita autorizados ou pelos centros de assistência de fábrica, utilizando sempre peças de substituição Makita.

## ACESSÓRIOS OPCIONAIS

**⚠️ PRECAUÇÃO:** Estes acessórios ou peças são recomendados para utilização com a ferramenta Makita especificada neste manual. A utilização de outros acessórios ou peças pode ser perigosa para as pessoas. Utilize apenas acessórios ou peças para os fins indicados.

Se necessitar de informações adicionais relativas a estes acessórios, solicite-as ao seu centro de assistência Makita.

- Serra para corte de gesso
- Serra para corte de madeira
- Caixa de poeira
- Coletor de poeira
- Chave sextavada
- Gancho
- Bateria e carregador genuínos da Makita

**NOTA:** Alguns itens da lista podem estar incluídos na embalagem da ferramenta como acessórios padrão. Eles podem variar de país para país.

## SPECIFIKATIONER

<b>Model:</b>		<b>DSD180</b>	
Slaglængde		6 mm	
Antal slag pr. minut		0 - 6.000 min <sup>-1</sup>	
Maksimal skærekapaciteter	Gipsplade	30 mm	
	Træ	15 mm	
Mærkespænding		D.C. 18 V	
Standardakkuer		BL1815N, BL1820, BL1820B	BL1830, BL1830B, BL1840, BL1840B, BL1850, BL1850B, BL1860B
Længde i alt		258 mm	263 mm
Nettovægt		1,7 kg	1,9 kg

- På grund af vores kontinuerlige forsknings- og udviklingsprogrammer kan hosstående specifikationer blive ændret uden varsel.
- Specifikationer og akku kan variere fra land til land.
- Vægt inklusive akku, i henhold til EPTA-Procedure 01/2003

### Tilsigtet anvendelse

Denne maskine er beregnet til stikskæring i gipsplader. Der kan også skæres i træ ved at montere en egnet savklinge.

### Lyd

Det typiske A-vægtede støjniveau bestemt i overensstemmelse med EN60745-2-11:  
 Lydtryksniveau ( $L_{pA}$ ): 79 dB (A)  
 Usikkerhed (K): 3 dB (A)

Støjniveauet under arbejdet kan overskride 80 dB (A).

**⚠ ADVARSEL: Bær høreværn.**

### Vibration

Vibrationens totalværdi (tre-aksial vektorsum) bestemt i overensstemmelse med EN60745-2-11:

Arbejdstilstand: skæring i gipsplader (tykkelse: 30 mm)

Vibrationsemission ( $a_{h1}$ ): 2,5 m/s<sup>2</sup>

Usikkerhed (K): 1,5 m/s<sup>2</sup>

Arbejdstilstand: skæring i spånplader (tykkelse: 15 mm)

Vibrationsemission ( $a_{h1}$ ): 5,0 m/s<sup>2</sup>

Usikkerhed (K): 1,5 m/s<sup>2</sup>

**BEMÆRK:** Den angivne vibrationsemissionsværdier blevet målt i overensstemmelse med standardtestmetoden og kan anvendes til at sammenligne et værktøj med et andet.

**BEMÆRK:** Den angivne vibrationsemissionsværdien kan også anvendes i en præliminær eksponeringsvurdering.

**⚠ ADVARSEL:** Vibrationsemissionen under den faktiske anvendelse af værktøjet kan være forskellig fra den erklærede emissionsværdi, afhængigt af den måde, hvorpå værktøjet anvendes.

**⚠ ADVARSEL:** Sørg for at identificere de sikkerhedsforskrifter til beskyttelse af operatøren, som er baseret på en vurdering af eksponering under de faktiske brugsforhold (med hensyntagen til alle dele i brugscyklussen, f.eks. de gange, hvor værktøjet er slukket, og når det kører i tomgang i tilgift til afbrydertiden).

### EU-overensstemmelseserklæring

#### Kun for lande i Europa

EU-overensstemmelseserklæringen er inkluderet som Bilag A i denne brugsanvisning.

## SIKKERHEDSADVARSLER

### Almindelige sikkerhedsregler for el-værktøj

**⚠ ADVARSEL: Læs alle sikkerhedsadvarsler og alle sikkerhedsinstruktioner.** Hvis nedenstående advarsler og instruktioner ikke overholdes, kan det medføre elektrisk stød, brand og/eller alvorlig personskade.

### Gem alle advarsler og instruktioner til fremtidig reference.

Ordet "el-værktøj" i advarslerne henviser til det netforsyede (netledning) el-værktøj eller batteriforsyede (akku) el-værktøj.

## Sikkerhedsadvarsler for akku gipspladesav

1. Hold maskinen i de isolerede håndtagsflader, når der udføres et arbejde, hvor det skærende tilbehør kan komme i kontakt med skjulte ledninger. Skærende tilbehør, som kommer i kontakt med en strømførende ledning, kan bevirke, at udsatte metaldele på maskinen bliver strømførende, hvorved operatøren kan få elektrisk stød.
  2. Anvend skruetvinger eller en anden praktisk måde til at fastspænde og støtte arbejdsemnet til en stabil flade. Hvis arbejdsemnet holdes med hånden eller støttes mod kroppen, vil det være ustabil, hvilket kan medføre, at du mister kontrollen over det.
  3. Anvend altid sikkerhedsbriller eller beskyttelsesbriller. Almindelige briller eller solbriller er IKKE sikkerhedsbriller.
  4. Undgå at skære i søm. Tjek arbejdsemnet for søm, og fjern dem, før arbejdet påbegyndes.
  5. Skær ikke i for store arbejdsemner.
  6. Tjek for tilstrækkelig frigang under arbejdsemnet, før der skæres, så klingens ikke rammer gulvet, arbejdsbænken eller lignende.
  7. Hold godt fast i maskinen.
  8. Sørg for, at klingens ikke er i kontakt med arbejdsemnet, før der trykkes på afbryderen.
  9. Hold hænderne væk fra bevægelige dele.
  10. Lad ikke maskinen ligge og køre. Anvend kun maskinen, når den holdes i hænderne.
  11. Sluk altid, og vent, indtil klingens står helt stille, før klingens fjernes fra arbejdsemnet.
  12. Rør ikke ved klingens eller arbejdsemnet umiddelbart efter anvendelse. De kan begge være meget varme og forårsage forbrænding af huden.
  13. Anvend ikke maskinen unødigt uden belastning.
  14. Nogle materialer indeholder kemikalier, der kan være giftige. Sørg for at undgå at indånde støv samt kontakt med huden. Overhold materialeleverandørens sikkerhedsdata.
  15. Anvend altid korrekt støvmaske/ånde-drætsværn i henhold til det materiale og den anvendelse, du arbejder med.
3. Hold straks op med anvendelsen, hvis brugstiden er blevet stærkt afkortet. Fortsat anvendelse kan resultere i risiko for overophedning, forbrændinger og endog eksplosion.
  4. Hvis De har fået elektrolytvæske i øjnene, skal De straks skylle den ud med rent vand og derefter øjeblikkeligt søge lægehjælp. I modsat fald kan De miste synet.
  5. Vær påpasselig med ikke at komme til at kortslutte akkuen:
    - (1) Rør ikke ved terminalerne med noget ledende materiale.
    - (2) Undgå at opbevare akkuen i en beholder sammen med andre genstande af metal, for eksempel søm, mønter og lignende.
    - (3) Udsæt ikke akkuen for vand eller regn. Kortslutning af akkuen kan forårsage en kraftig øgning af strømmen, overophedning, mulige forbrændinger og endog værktøjstop.
  6. Opbevar ikke værktøjet og akkuen på et sted, hvor temperaturen kan nå eller overstige 50 °C.
  7. Lad være med at brænde akkuen, selv ikke i tilfælde, hvor den har lidt alvorlig skade eller er fuldstændig udtjent. Akkuen kan eksplodere, hvis man forsøger at brænde den.
  8. Lad være med at brænde akkuen eller udsætte den for stød.
  9. Anvend ikke en beskadiget akku.
  10. De indbyggede litium-ion-batterier er underlagt lovkrav vedrørende farligt gods. Ved kommerciel transport, f.eks. af tredjeparts transportselskaber, skal særlige krav til forpakning og mærkning overholdes. Ved forberedelse af udstyret til forsendelse skal du kontakte en ekspert i farligt gods. Overhold også eventuel mere detaljeret national lovgivning. Tape eller tildæk åbne kontakter, og pak batteriet på en måde, så det ikke kan flytte sig rundt i pakningen.
  11. Følg de lokale love vedrørende bortskaffelsen af batterier.

## GEM DISSE INSTRUKTIONER.

**⚠ ADVARSEL:** LAD IKKE bekvemmelighed eller kendskab til produktet (opnået gennem gentagen brug) forhindre, at sikkerhedsforskrifterne for produktet nøje overholdes. MISBRUG eller forsømmelse af at følge de i denne brugsvejledning givne sikkerhedsforskrifter kan føre til, at De kommer alvorligt til skade.

## Vigtige sikkerhedsinstruktioner for akkuen

1. Læs alle instruktioner og advarselmærkater på (1) akku-opladeren, (2) akkuen og (3) produktet, som anvender akku.
2. Lad være med at skille akkuen ad.

## GEM DENNE BRUGSANVISNING.

**⚠ FORSIGTIG:** Brug kun originale batterier fra Makita. Brug af uoriginale Makita-batterier, eller batterier som er blevet ændret, kan muligvis medføre brud på batteriet, hvilket kan forårsage brand, personskade eller beskadigelse. Det ugyldiggør også Makita-garantien for Makita-maskinen og opladeren.

## Tips til opnåelse af maksimal akku-levetid

1. Oplad akkuen, inden den er helt afladet. Stop altid værktøjet, og oplad akkuen, hvis De bemærker, at værktøjeffekten er aftagende.
2. Genoplad aldrig en fuldt opladet akku. Overopladning vil afkorte akkuens levetid.
3. Oplad akkuen ved stuetemperatur ved 10 °C - 40 °C. Lad altid en varm akku få tid til at køle af, inden den oplades.
4. Oplad akkuen, hvis De ikke skal bruge den i længere tid (mere end seks måneder).

## FUNKTIONSBESKRIVELSE

**⚠️FORSIGTIG:** Sørg altid for at maskinen er slukket, og at akkuen er taget ud, før der udføres justering eller kontrol af funktioner på maskinen.

### Isætning eller fjernelse af akkuen

**⚠️FORSIGTIG:** Sluk altid for værktøjet, før De monterer eller fjerner akkuen.

**⚠️FORSIGTIG:** Hold værktøjet og akkuen fast ved montering eller fjernelse af akkuen. Hvis De ikke holder værktøjet og akkuen fast, kan de glide ud af hænderne på Dem og forårsage beskadigelse af værktøjet og akkuen eller personskade.

► Fig.1: 1. Rød indikator 2. Knap 3. Akku

Akkuen fjernes ved, at De trækker den ud af værktøjet, idet De skyder knappen på forsiden af akkuen i stilling.

Akkuen monteres ved, at De sætter tungen på akkuen ud for noten i kabinettet og lader den glide på plads. Sæt den hele vejen ind, så den låses på plads med et lille klik. Hvis den røde indikator på oversiden af knappen er synlig, betyder det, at den ikke er tilstrækkeligt låst.

**⚠️FORSIGTIG:** Monter altid akkuen helt, indtil den røde indikator ikke længere er synlig. Hvis dette ikke gøres, kan den falde ud af værktøjet ved et uheld, hvorved De selv eller personer i nærheden kan komme til skade.

**⚠️FORSIGTIG:** Brug ikke magt ved montering af akkuen. Hvis akkuen ikke glider på plads uden problemer, betyder det, at den ikke sættes i på korrekt vis.

### Batteribeskyttelsessystem

#### Litium-ion-akku med stjernemærkning

► Fig.2: 1. Stjernemærkning

Litium-ion-akkuer med stjernemærkning er udstyret med beskyttelsessystem. Dette system afbryder automatisk strømmen til maskinen for at forlænge akkulevetiden.

Maskinen stopper automatisk under anvendelsen, hvis maskinen og/eller akkuen udsættes for en af de følgende situationer:

#### Overbelastet:

Maskinen anvendes på en sådan måde, at den bruger unormalt meget strøm.

Sluk i så fald for maskinen, og stop den anvendelse, der medførte, at maskinen blev overbelastet. Tænd derefter for maskinen for at starte igen.

Hvis maskinen ikke starter, er akkuen overophedet. Lad i så fald akkuen køle af, før du tænder for maskinen igen.

#### Lav spænding på akkuen:

Den resterende batteriladning er for lav, og maskinen vil ikke fungere. I denne situation skal De fjerne og oplade akkuen.

### Indikation af den resterende batteriladning

► Fig.3: 1. Batteriindikator 2. Kontrolknap

Tryk på kontrolknappen for at få vist de resterende batteriladning. Batteriindikatorerne svarer til hvert enkelt batteri.

Status på batteriindikator		Resterende batteriladning
Tændt	Slukket	
		50 % eller mere
		20 % - 50 %
		Mindre end 20 %

### Indikation af den resterende batteriladning

*Kun akkuer, hvor modelnummeret slutter med "B"*

► Fig.4: 1. Indikatorlamper 2. Kontrolknap

Tryk på kontrolknappen på akkuen for at få vist den resterende batteriladning. Indikatorlampen lyser i nogle sekunder.

Indikatorlamper			Resterende ladning
Tændt	Slukket	Blinker	
			75% til 100%
			50% til 75%
			25% til 50%
			0% til 25%
			Genoplad batteriet.
			Der er muligvis fejl i batteriet.

**BEMÆRK:** Afhængigt af brugsforholdene og den omgivende temperatur kan indikationen afvige en smule fra den faktiske ladning.


### Afbryderbetjening

► Fig.5: 1. Afbryderknap

**⚠️FORSIGTIG:** Inden akkuen sættes i maskinen, bør De altid kontrollere, at afbryderknappen fungerer korrekt, og returnerer til "OFF"-positionen, når den slippes.



For at starte maskinen trykkes der blot på afbryderknappen. Maskinens hastighed øges ved at øge trykket på afbryderknappen. Slip afbryderknappen for at stoppe.

Afbryderknappen kan låses for at forhindre, at der trykkes på den ved et uheld. Hvis du vil låse afbryderknappen, skal du trykke på knappen fra siden med mærket . For at låse den op skal du trykke på knappen fra siden med mærket .

► **Fig.6:** 1. Aflåseknep

**⚠FORSIGTIG:** Lås altid maskinen, når du bærer den eller holder pause i brugen.

## Justering af skæredybde

Skæredybden svarer til skalaen på klingens. Løsn skruen på klingeholderen, indtil klingens kan bevæges frit. Juster skalaen på klingens i forhold til klingeholderens bundlinje. Tilspænd derefter skrueerne.

► **Fig.7:** 1. Skæredybde 2. Klingeholderens bundlinje 3. Skala på klingens

Den maksimale skæredybde afhænger af savklingsens type. Brug altid den savklinge, der er beregnet til at skære i arbejds materialet.

Type af savklinge	Maks. skæredybde
For gipsplader	30 mm
For træ	15 mm

## LED-lampe

**⚠FORSIGTIG:** Kig aldrig direkte på lyskilden. Lad ikke lyset falde i Deres øjne.

Tryk på afbryderknappen for at tænde lampen. Lampen lyser, så længe der trykkes på afbryderknappen. Lampen slukkes ca. 10 sekunder efter, at afbryderknappen slippes.

► **Fig.8:** 1. Lampe

**BEMÆRK:** Brug en tør klud til at tørre snavset af lampens linse. Pas på ikke at ridse lampens linse, da dette muligvis kan dæmpe belysningen.

## SAMLING

**⚠FORSIGTIG:** Sørg altid for at maskinen er slukket, og at akkuen er taget ud, før der udføres noget arbejde på maskinen.

## Fjernelse af støvsamleren

**⚠FORSIGTIG:** Betjen aldrig maskinen uden støvsamleren. Du kan få støv i øjnene, hvilket kan forårsage en øjenskade.

Hvis du vil fjerne støvsamleren, skal du holde i maskinens håndtag og trække tapperne på maskinen tilbage. Sørg for at trække i tapperne på begge sider samtidigt.

► **Fig.9:** 1. Tap

Ved montering skal du justere kanten på støvsamleren i forhold til rillen på sålen.

► **Fig.10:** 1. Rille

## Udskiftning af gipspladesavklinge

**⚠FORSIGTIG:** Fjern altid alle spåner eller fremmedlegemer, der måtte klæbe til klingens og/eller klingeholderen. Forsømmelse af dette kan resultere i utilstrækkelig tilspænding af klingens, hvilket kan medføre alvorlig personskade.

**⚠FORSIGTIG:** Undlad at berøre klingens eller arbejdsområdet umiddelbart efter anvendelse. De kan være meget varme og forårsage forbrænding af huden.

**⚠FORSIGTIG:** Kontroller, at klingens sidder forsvarligt fast. Utilstrækkelig tilspænding af klingens kan medføre, at klingens knækker, eller alvorlig personskade.

1. Fjern støvsamleren.
2. Fjern boltene på klingeholderen ved hjælp af sekskantnøglen.  
► **Fig.11:** 1. Bolte 2. Klingeholder 3. Klingens
3. Indsæt en ny klinge som vist på illustrationen. Sørg for, at den buede kant på klingens vender fremad. Sæt fremspringet på klingeholderen ind i åbningen på klingens.  
► **Fig.12:** 1. Åbning 2. Fremspringende del (modsatte side)
4. Juster skæredybden, og tilspænd derefter boltene.
5. Monter støvsamleren.

## Installation af afbrækningsklinge

**⚠FORSIGTIG:** Brug altid en afbrækningsklinge med den korrekte længde, bredde og tykkelse. En forkert monteret afbrækningsklinge kan brække. En brækket klinge kan flyve bort og forårsage personskade.

Der kan også benyttes en afbrækningsklinge med denne maskine. Brug 3 segmenter af en 18 mm bred afbrækningsklinge med en tykkelse på 0,5 mm. Den maksimale skæredybde er 12,5 mm ved skæring i gipsplader.

► **Fig.13:** 1. Tre segmenter af afbrækningsklinge

1. Løsn boltene på klingeholderen. Drej klingeholderen, så fremspringet på den vender udad.
2. Indsæt afbrækningsklingen, så den skarpe kant vender fremad.
3. Fastgør afbrækningsklingen på den position, hvor enden af det første segment når kanten af klingeholderen som vist.

► **Fig.14:** 1. Klingeholder 2. Enden på afbrækningsklingens første segment 3. Tilladt skærelængde

## Montering af klingedæksel

**⚠FORSIGTIG:** Monter altid klingedækslet, når maskinen ikke anvendes. En blottet klinge kan forårsage personskade eller beskadigelse af selve klingen.

Før klingedækslet gennem klingens krog, indtil kroen griber fat i såldækslet. Bemærk klingedækslets retning ved monteringen. Den brede krog sidder på forsiden. Ved fjernelse af klingedækslet skal du løfte det, mens der klemmes på begge sider.

► **Fig.15:** 1. Klingedæksel 2. Krog

Under brug indsættes klingedækslet på kroen på sålen som vist, indtil der høres et klik.

► **Fig.16:** 1. Klingedæksel 2. Krog

## Opbevaring af unbrakonøgle

Når sekskantnøglen ikke bruges, opbevares den som vist i figuren for at forhindre, at den bliver væk.

► **Fig.17:** 1. Unbrakonøgle

## Tilslutning af en støvsuger

Tilslut en Makita støvsuger for ren anvendelse. Fjern gummihætten på støvsamleren, og tilslut støvsugerslangen til støvsamlerens mundstykke.

► **Fig.18:** 1. Støvsamler 2. Gummihætte  
3. Støvsugerslange

## ANVENDELSE

**⚠FORSIGTIG:** Hold godt fast i maskinen.

**⚠FORSIGTIG:** Hold altid sålen, så den flugter med arbejdsemnet under skæringen. Udfør aldrig et buet snit. Forsømmelse af dette kan resultere i, at klingens knækker, hvilket kan medføre alvorlig personskade.

V-indsnittet og den konvekse del i maskinens såldækslet viser klingens position. Kontroller altid klingens position under skæring.

### Maskinens såldæksel

► **Fig.19:** 1. V-indsnit 2. Konvekse del 3. Klinge

**BEMÆRK:** For at opnå nøjagtig skæring anbefales det at tegne skærelinjer på arbejdsemnet, før der skæres.

1. Sæt spidsen af klingens krog på startlinjen. Vip maskinen, så forkanten af sålen berører arbejdsemnet. Juster bunden af V-indsnittet på forkanten i forhold til skærelinjen.

► **Fig.20**

2. Tryk langsomt på afbryderknappen, uden at klingens krog berører arbejdsemnet. Skub maskinen mod arbejdsemnet, når klingens krog har nået fuld hastighed. Når klingens trænger ind i arbejdsemnet, føres hele overfladen af såldækslet ned, så det berører arbejdsemnets overflade.

► **Fig.21**

3. Flyt maskinen fremad i en lige linje, indtil skæringen er færdig.

## VEDLIGEHOLDELSE

**⚠FORSIGTIG:** Vær altid sikker på, at værktøjet er slukket, og at akkuen er taget ud, inden De begynder at udføre inspektion eller vedligeholdelse.

**BEMÆRKNING:** Anvend aldrig benzin, rensebenzin, fortynder, alkohol og lignende. Det kan medføre misfarvning, deformation eller revner.

## Rengøring af såldækslet

Fjern spåner og støv, der har samlet sig på såldækslet. Løft såldækslet, mens der trækkes i kroen i bagenden, for at fjerne det. Følg fremgangsmåden for fjernelse i omvendt rækkefølge ved monteringen.

► **Fig.22:** 1. Såldæksel 2. Krog

**⚠FORSIGTIG:** Vær opmærksom på klingespidsen og spåner, når såldækslet fjernes.

**BEMÆRKNING:** Udfør rengøring regelmæssigt. Et snavset såldæksel kan beskadige eller skæmme overfladen på arbejdsemnet.

For at opretholde produktets SIKKERHED og PÅLIDELIGHED må reparation, vedligeholdelse eller justering kun udføres af et autoriseret Makita servicecenter eller fabrikkens servicecenter med anvendelse af Makita reservedele.

## EKSTRAUDSTYR

**⚠FORSIGTIG:** Det følgende tilbehør og ekstraudstyr er anbefalet til brug med Deres Makita maskine, der er beskrevet i denne brugsanvisning. Anvendelse af andet tilbehør eller ekstraudstyr kan udgøre en risiko for personskade. Anvend kun tilbehør og ekstraudstyr til det beskrevne formål.

Hvis De behøver hjælp ved valg af tilbehør eller ønsker yderligere informationer, bedes De kontakte Deres lokale Makita servicecenter.

- Gipspladesavklinge
- Træsavklinge
- Støvkasse
- Støvsamler
- Unbrakonøgle
- Krog
- Original Makita-akku og oplader

**BEMÆRK:** Nogle ting på denne liste kan være inkluderet i værktøjssækkens standardtilbehør. Det kan være forskellige fra land til land.

## ΠΡΟΔΙΑΓΡΑΦΕΣ

Μοντέλο:		DSD180	
Μήκος διαδρομής		6 mm	
Διαδρομές ανά λεπτό		0 - 6.000 min <sup>-1</sup>	
Μέγιστες ικανότητες κοπής	Γυψοσανίδα	30 mm	
	Ξύλο	15 mm	
Ονομαστική τάση		D.C. 18 V	
Στάνταρ κασέτες μπαταριών		BL1815N, BL1820, BL1820B	BL1830, BL1830B, BL1840, BL1840B, BL1850, BL1850B, BL1860B
Συνολικό μήκος		258 mm	263 mm
Καθαρό βάρος		1,7 kg	1,9 kg

- Λόγω του συνεχιζόμενου προγράμματος έρευνας και ανάπτυξης, οι προδιαγραφές αυτές υπόκεινται σε αλλαγές χωρίς προειδοποίηση.
- Οι προδιαγραφές και η κασέτα μπαταριών μπορεί να διαφέρουν ανάλογα με τη χώρα.
- Βάρος, με κασέτα μπαταριών, σύμφωνα με τη διαδικασία ΕΡΤΑ 01/2003

### Προοριζόμενη χρήση

Αυτό το εργαλείο προορίζεται για τη βαθιά κοπή γυψοσανίδας. Μπορεί, επίσης, να κοπεί ξύλο αν εγκατασταθεί μια κατάλληλη λάμα πριονιού.

### Θόρυβος

Το τυπικό Α επίπεδο καταμετρημένου θορύβου καθορίζεται σύμφωνα με το EN60745-2-11: Στάθμη ηχητικής πίεσης (L<sub>PA</sub>): 79 dB (A) Αβεβαιότητα (K): 3 dB (A)

Η ένταση θορύβου υπό συνθήκες εργασίας μπορεί να υπερβεί τα 80 dB (A).

**ΠΡΟΕΙΔΟΠΟΙΗΣΗ:** Να φοράτε ωτοασπίδες.

### Κραδασμός

Η ολική τιμή δόνησης (άθροισμα τρι-αξονικού διανύσματος) καθορίζεται σύμφωνα με το EN60745-2-11:

Είδος εργασίας: κοπή γυψοσανίδας (πάχος 30 mm)

Εκπομπή δόνησης (a<sub>n</sub>): 2,5 m/s<sup>2</sup>

Αβεβαιότητα (K): 1,5 m/s<sup>2</sup>

Είδος εργασίας: κοπή πετρωμένου ξύλου (πάχος 15 mm)

Εκπομπή δόνησης (a<sub>n</sub>): 5,0m/s<sup>2</sup>

Αβεβαιότητα (K): 1,5 m/s<sup>2</sup>

**ΠΑΡΑΤΗΡΗΣΗ:** Η δηλωμένη τιμή εκπομπής κραδασμών έχει μετρηθεί σύμφωνα με την πρότυπη μέθοδο δοκιμής και μπορεί να χρησιμοποιηθεί για τη σύγκριση ενός εργαλείου με άλλο.

**ΠΑΡΑΤΗΡΗΣΗ:** Η δηλωμένη τιμή εκπομπής κραδασμών μπορεί να χρησιμοποιηθεί και στην προκαταρκτική αξιολόγηση έκθεσης.

**ΠΡΟΕΙΔΟΠΟΙΗΣΗ:** Η εκπομπή κραδασμών κατά τη χρήση του ηλεκτρικού εργαλείου σε πραγματικές συνθήκες μπορεί να διαφέρει από τη δηλωμένη τιμή εκπομπής ανάλογα με τον τρόπο χρήσης του εργαλείου.

**ΠΡΟΕΙΔΟΠΟΙΗΣΗ:** Φροντίστε να λάβετε τα κατάλληλα μέτρα προστασίας του χειριστή βάσει ενός υπολογισμού της έκθεσης σε πραγματικές συνθήκες χρήσης (λαμβάνοντας υπόψη όλες τις συνιστώσες του κύκλου λειτουργίας όπως τους χρόνους που το εργαλείο είναι εκτός λειτουργίας και όταν βρίσκεται σε αδρανή λειτουργία πέραν του χρόνου ενεργοποίησης).

### Δήλωση συμμόρφωσης ΕΚ

*Μόνο για χώρες της Ευρώπης*

Η δήλωση συμμόρφωσης ΕΕ περιλαμβάνεται ως Παράρτημα Α στο παρόν εγχειρίδιο οδηγιών.

## ΠΡΟΕΙΔΟΠΟΙΗΣΕΙΣ ΑΣΦΑΛΕΙΑΣ

### Γενικές προειδοποιήσεις ασφαλείας για το ηλεκτρικό εργαλείο

**ΠΡΟΕΙΔΟΠΟΙΗΣΗ:** Διαβάστε όλες τις προειδοποιήσεις για την ασφάλεια και όλες τις οδηγίες. Η μη τήρηση των προειδοποιήσεων και οδηγιών μπορεί να καταλήξει σε ηλεκτροπληξία, πυρκαγιά ή/και σοβαρό τραυματισμό.

## Φυλάξτε όλες τις προειδοποιήσεις και τις οδηγίες για μελλοντική παραπομπή.

Στις προειδοποιήσεις, ο όρος «ηλεκτρικό εργαλείο» αναφέρεται σε ηλεκτρικό εργαλείο που τροφοδοτείται από την κύρια παροχή ηλεκτρικού ρεύματος (με ηλεκτρικό καλώδιο) ή σε ηλεκτρικό εργαλείο που τροφοδοτείται από μπαταρία (χωρίς ηλεκτρικό καλώδιο).

### Προειδοποιήσεις ασφάλειας για το φορητό πριόνι για γυψοσανίδα

1. Να κρατάτε το ηλεκτρικό εργαλείο από τις μονωμένες επιφάνειες λαβής όταν εκτελείτε εργασίες κατά τις οποίες το εξάρτημα κοπής μπορεί να έρθει σε επαφή με κρυμμένα καλώδια. Σε περίπτωση επαφής του εξαρτήματος κοπής με ηλεκτροφόρο καλώδιο, μπορεί τα εκθειμένα μεταλλικά εξαρτήματα του ηλεκτρικού εργαλείου να καταστούν τα ίδια ηλεκτροφόρα και να προκαλέσουν ηλεκτροπληξία στο χειριστή.
2. Να χρησιμοποιείτε σφινγκτήρες ή κάποιο άλλο πρακτικό μέσο για να ασφαλίσετε και να στηρίξετε το τεμάχιο εργασίας σε μια σταθερή πλατφόρμα. Αν κρατάτε το τεμάχιο εργασίας με το χέρι σας ή επάνω στο σώμα σας, θα είναι ασταθές και μπορεί να χάσετε τον έλεγχο.
3. Να χρησιμοποιείτε πάντα γυαλιά ασφαλείας ή προστατευτικά γυαλιά. Τα συνηθισμένα γυαλιά οράσεως ή γυαλιά ηλίου ΔΕΝ είναι γυαλιά ασφαλείας.
4. Να αποφεύγετε την κοπή καρφιών. Να επιθεωρείτε το τεμάχιο εργασίας για καρφιά και αφαιρέστε τα πριν από τη λειτουργία.
5. Μην κόβετε υπερμεγέθη τεμάχια εργασίας.
6. Πριν από την κοπή, να ελέγχετε ότι υπάρχει επαρκής απόσταση πίσω από το τεμάχιο εργασίας ώστε η λάμα να μη χτυπήσει το δάπεδο, τον πάγκο εργασίας, κτλ.
7. Κρατάτε το εργαλείο σταθερά.
8. Να βεβαιώνετε ότι η λάμα δεν ακουμπάει το τεμάχιο εργασίας πριν ενεργοποιήσετε το διακόπτη.
9. Μην πλησιάζετε τα χέρια σας σε κινούμενα μέρη.
10. Μην αφήνετε το εργαλείο αναμμένο. Να χτυπάζετε το εργαλείο μόνο όταν το κρατάτε στο χέρι.
11. Να σβήνετε πάντα το εργαλείο και να περιμένετε να σταματήσει να κινείται εντελώς η λάμα πριν τη βγάλετε από το τεμάχιο εργασίας.
12. Μην αγγίζετε τη λάμα ή το τεμάχιο εργασίας αμέσως μετά τη λειτουργία. Μπορεί να είναι εξαιρετικά ζεστά και να σας προκαλέσουν εγκαύματα.
13. Μη θέτετε το εργαλείο σε λειτουργία χωρίς φορτίο όταν αυτό δεν είναι απαραίτητο.
14. Μερικά υλικά περιέχουν χημικά που μπορεί να είναι τοξικά. Να προσέχετε ώστε να αποφεύγετε την εισπνοή σκόνης και την επαφή με το δέρμα. Να ακολουθείτε τα δεδομένα ασφαλείας του προμηθευτή υλικού.

15. Να χρησιμοποιείτε πάντα προσωπία κατά της σκόνης/αναπνευστήρα που είναι κατάλληλα για το υλικό και την εφαρμογή σας.

## ΦΥΛΑΞΕΤΕ ΑΥΤΕΣ ΤΙΣ ΟΔΗΓΙΕΣ.

**▲ΠΡΟΕΙΔΟΠΟΙΗΣΗ:** ΜΗΝ επιτρέψετε το βαθμό άνεσης ή εξοικείωσης με το προϊόν (λόγω επανειλημμένης χρήσης) να αντικαταστήσει την αυστηρή τήρηση των κανόνων ασφαλείας του παρόντος εργαλείου. Η ΛΑΘΩΣΜΕΝΗ ΧΡΗΣΗ ή η αμέλεια να ακολουθείτε τους κανόνες ασφαλείας που διατυπώνονται στο παρόν εγχειρίδιο οδηγιών μπορεί να προκαλέσει σοβαρό προσωπικό τραυματισμό.

### Σημαντικές οδηγίες ασφάλειας για κασέτα μπαταριών

1. Πριν χρησιμοποιήσετε την κασέτα μπαταριών, διαβάστε όλες τις οδηγίες και σημειώσεις προφύλαξης (1) στον φορτιστή μπαταριών, (2) στην μπαταρία και (3) στο προϊόν που χρησιμοποιείτε την μπαταρία.
2. Μην αποσυναρμολογήσετε την κασέτα μπαταριών.
3. Εάν ο χρόνος λειτουργίας έχει γίνει υπερβολικά βραχύς, σταματήστε τη λειτουργία αμέσως. Αλλιώς, μπορεί να έχει ως αποτέλεσμα κίνδυνο υπερθέρμανσης, πιθανά εγκαύματα ή ακόμη και έκρηξη.
4. Εάν ηλεκτρολύτης μπει στα μάτια σας, ξεπλύνετε τα με καθαρό νερό και ζητήστε ιατρική φροντίδα αμέσως. Αλλιώς, μπορεί να έχει ως αποτέλεσμα απώλεια της όρασης σας.
5. Μη βραχυκυκλώνετε την κασέτα μπαταριών:
  - (1) Μην αγγίζετε τους πόλους με οτιδήποτε αγώγιμο υλικό.
  - (2) Αποφεύγετε να αποθηκεύετε την κασέτα μπαταριών μέσα σε ένα δοχείο μαζί με άλλα μεταλλικά αντικείμενα όπως καρφιά, νομίσματα, κλπ.
  - (3) Μην εκθέτετε την κασέτα μπαταριών στο νερό ή στη βροχή.Ένα βραχυκύκλωμα μπαταρίας μπορεί να προκαλέσει μεγάλη ροή ρεύματος, υπερθέρμανση, πιθανά εγκαύματα ακόμη και σοβαρή βλάβη.
6. Μην αποθηκεύετε το εργαλείο και την κασέτα μπαταριών σε τοποθεσίες όπου η θερμοκρασία μπορεί να φτάσει ή να ξεπεράσει τους 50°C.
7. Μην καίτε την κασέτα μπαταριών ακόμη και εάν έχει σοβαρή ζημιά ή είναι εντελώς φθαρμένη. Η κασέτα μπαταριών μπορεί να εκραγεί στη φωτιά.
8. Προσέχετε να μη ρίξετε κάτω ούτε να χτυπήσετε την μπαταρία.
9. Μη χρησιμοποιείτε μπαταρία που έχει υποστεί ζημιά.
10. Οι μπαταρίες ιόντων λιθίου που περιέχονται υπόκεινται στις απαιτήσεις της νομοθεσίας για επικίνδυνα αγαθά.  
Για εμπορικές μεταφορές, για παράδειγμα από τρίτα μέρη, πρέπει να τηρούνται οι διαμεταφορές, οι ειδικές απαιτήσεις στη συσκευασία και η επισήμανση.

Για προετοιμασία του στοιχείου που αποστέλλεται, είναι απαραίτητο να συμβουλευτείτε έναν ειδικό για επικίνδυνα υλικά. Επίσης, τηρήστε τους πιθανούς, πιο αναλυτικούς ενδικούς κανονισμούς. Καλύψτε με αυτοκόλλητη ταινία ή κρύψτε τις ανοικτές επαφές και συσκευάστε την μπαταρία με τρόπο που να μην μπορεί να μετακινείται μέσα στη συσκευασία.

11. Τηρήστε τους τοπικούς κανονισμούς που σχετίζονται με τη διάθεση της μπαταρίας.

## ΦΥΛΑΞΤΕ ΤΙΣ ΟΔΗΓΙΕΣ ΑΥΤΕΣ.

**▲ΠΡΟΣΟΧΗ:** Να χρησιμοποιείτε μόνο γνήσιες μπαταρίες της Makita. Η χρήση μη γνήσιων μπαταριών Makita, ή μπαταριών που έχουν τροποποιηθεί, μπορεί να έχει ως αποτέλεσμα τη ρήξη της μπαταρίας, προκαλώντας πυρκαγιά, προσωπικό τραυματισμό και βλάβη. Επίσης, θα ακυρωθεί η εγγύηση της Makita για το εργαλείο και φορτιστή Makita.

## Συμβουλές για τη διατήρηση της μέγιστης ζωής μπαταρίας

1. Φορτίζετε την κασέτα μπαταριών πριν από την πλήρη αποφόρτιση της. Πάντοτε να σταματάτε τη λειτουργία του εργαλείου και να φορτίζετε την κασέτα μπαταριών όταν παρατηρείτε μειωμένη ισχύ εργαλείου.
2. Ποτέ μην επαναφορτίζετε μια πλήρως φορτισμένη κασέτα μπαταριών. Η υπερφόρτιση μειώνει την ωφέλιμη ζωή της μπαταρίας.
3. Να φορτίζετε την κασέτα μπαταριών σε θερμοκρασία δωματίου, δηλαδή στους 10°C έως 40°C. Αφήστε μια θερμή κασέτα μπαταριών να κρυώσει πριν την φορτίσετε.
4. Να φορτίζετε την κασέτα μπαταριών εάν δεν τη χρησιμοποιείτε για μεγάλη χρονική περίοδο (περισσότερο από έξι μήνες).

## ΠΕΡΙΓΡΑΦΗ ΛΕΙΤΟΥΡΓΙΑΣ

**▲ΠΡΟΣΟΧΗ:** Να φροντίζετε πάντα για την απενεργοποίηση του εργαλείου και την αφαίρεση της κασέτας μπαταρίας, πριν από οποιαδήποτε ρύθμιση ή έλεγχο της λειτουργίας του.

## Τοποθέτηση ή αφαίρεση της κασέτας μπαταριών

**▲ΠΡΟΣΟΧΗ:** Να σβήνετε πάντα το εργαλείο πριν τοποθετήσετε ή αφαιρέσετε την κασέτα μπαταριών.

**▲ΠΡΟΣΟΧΗ:** Κρατήστε το εργαλείο και την κασέτα μπαταριών σταθερά κατά την τοποθέτηση ή αφαίρεση της κασέτας μπαταριών. Εάν δεν κρατάτε το εργαλείο και την κασέτα μπαταριών σταθερά μπορεί να γλιστρήσουν από τα χέρια σας και να προκληθεί βλάβη στο εργαλείο και την κασέτα μπαταριών και προσωπικός τραυματισμός.

## ► Εικ.1: 1. Κόκκινη ένδειξη 2. Κουμπί 3. Κασέτα μπαταριών

Για να αφαιρέσετε την κασέτα μπαταριών, ολισθήστε την από το εργαλείο ενώ σύρετε το κουμπί στο μπροστινό μέρος της κασέτας.

Για να τοποθετήσετε την κασέτα μπαταριών, ευθυγραμμίστε τη γλώσσα στην κασέτα μπαταριών με την αύλακα στην υποδοχή και ολισθήστε τη στη θέση της. Να την τοποθετείτε πλήρως μέχρι να ασφαλίσει στη θέση της, γεγονός που υποδεικνύεται με ένα χαρακτηριστικό ήχο. Εάν μπορείτε να δείτε την κόκκινη ένδειξη στην επάνω πλευρά του κουμπιού, δεν έχει κλειδώσει τελείως.

**▲ΠΡΟΣΟΧΗ:** Να τοποθετείτε πάντα την κασέτα μπαταριών πλήρως μέχρι να μη βλέπετε την κόκκινη ένδειξη. Εάν δεν ασφαλίσει, μπορεί να πέσει από το εργαλείο τυχαία, προκαλώντας σωματική βλάβη σε εσάς ή κάποιον άλλο γύρω σας.

**▲ΠΡΟΣΟΧΗ:** Μην τοποθετείτε την κασέτα μπαταριών με βία. Εάν η κασέτα δεν ολισθαίνει με ευκολία, τότε δεν έχει τοποθετηθεί κατάλληλα.

## Σύστημα προστασίας μπαταρίας

### Μπαταρία ιόντων λιθίου με ένδειξη αστεριού

#### ► Εικ.2: 1. Ένδειξη αστεριού

Οι μπαταρίες ιόντων λιθίου με ένδειξη αστεριού είναι εξοπλισμένες με σύστημα προστασίας. Αυτό το σύστημα αποκόπτει αυτόματα την ισχύ προς το εργαλείο για να παραταθεί η διάρκεια λειτουργίας της μπαταρίας.

Το εργαλείο σταματάει αυτόματα κατά τη διάρκεια της λειτουργίας αν το εργαλείο ή/και η μπαταρία βρεθούν κάτω από τις παρακάτω συνθήκες:

#### Υπερφόρτωση:

Το εργαλείο λειτουργεί με τρόπο ώστε να αναγκάζεται να καταναλώνει ασυνήθιστα υψηλό ρεύμα.

Σε αυτή την κατάσταση, σβήστε το εργαλείο και διακόψτε την εφαρμογή που προκαλεί την υπερφόρτωση του εργαλείου. Μετά, ενεργοποιήστε το εργαλείο για επανεκκίνηση.

Αν το εργαλείο δεν ξεκινάει, η μπαταρία έχει υπερθερμανθεί. Σε αυτή την κατάσταση, αφήστε την μπαταρία να κρυώσει πριν ενεργοποιήσετε ξανά το εργαλείο.

#### Χαμηλή τάση μπαταρίας:

Η υπόλοιπη χωρητικότητα μπαταρίας είναι πολύ χαμηλή και το εργαλείο δεν λειτουργεί. Σε αυτή την περίπτωση, αφαιρέστε και επαναφορτίστε την μπαταρία.

## Υπόδειξη υπόλοιπης χωρητικότητας μπαταρίας

#### ► Εικ.3: 1. Ένδειξη μπαταρίας 2. Κουμπί ελέγχου

Πιέστε το κουμπί ελέγχου για να εμφανιστεί η υπόλοιπη χωρητικότητα της μπαταρίας. Οι ενδείξεις μπαταριών αντιστοιχούν σε κάθε μπαταρία.

Κατάσταση ένδειξης μπαταρίας		Υπολειπόμενη χωρητικότητα μπαταρίας
Αναμμένες	Σβηστές	
		50% ή περισσότερο
		20% - 50%
		Λιγότερο από 20%

## Εμφάνιση υπολειπόμενης χωρητικότητας μπαταρίας

Μόνο για κασέτες μπαταριών «B» στο τέλος του αριθμού μοντέλου

► **Εικ.4:** 1. Ενδεικτικές λυχνίες 2. Κομπτί ελέγχου

Πιέστε το κομπτί ελέγχου στην κασέτα μπαταριών για να υποδείξετε την υπολειπόμενη χωρητικότητα μπαταρίας. Οι ενδεικτικές λυχνίες ανάβουν για λίγα δευτερόλεπτα.

Ενδεικτικές λυχνίες			Υπολειπόμενη χωρητικότητα
Αναμμένες	Σβηστές	Αναβοσβήνουν	
			75% έως 100%
			50% έως 75%
			25% έως 50%
			0% έως 25%
			Φορτίστε την μπαταρία.
			Μπορεί να προέκυψε δυσλειτουργία στην μπαταρία.

**ΠΑΡΑΤΗΡΗΣΗ:** Ανάλογα με τις συνθήκες χρήσης και τη θερμοκρασία περιβάλλοντος, η ένδειξη μπορεί να διαφέρει λίγο από την πραγματική χωρητικότητα.

## Δράση διακόπτη

► **Εικ.5:** 1. Σκανδάλη διακόπτης

**ΠΡΟΣΟΧΗ:** Πριν βάλετε την κασέτα μπαταρίας μέσα στο εργαλείο, να ελέγχετε πάντα να δείτε αν η σκανδάλη διακόπτης ενεργοποιείται κανονικά και επιστρέφει στη θέση «OFF» όταν ελευθερώνεται.

Για να ξεκινήσετε το εργαλείο, απλώς τραβήξτε την σκανδάλη διακόπτη. Η ταχύτητα του εργαλείου αυξάνει αν αυξήσετε την πίεση στη σκανδάλη διακόπτη. Ελευθερώστε τη σκανδάλη διακόπτη για να σταματήσει.

Η σκανδάλη μπορεί να ασφαλιστεί για να μην τραβηχτεί κατά λάθος. Για να ασφαλίσετε τη σκανδάλη, πιέστε το κομπτί από την πλευρά με το σημάδι . Για απασφάλιση, πιέστε το κομπτί από την πλευρά με το σημάδι . ► **Εικ.6:** 1. Κομπτί απασφάλισης

**ΠΡΟΣΟΧΗ:** Να ασφαρίζετε πάντα το εργαλείο όταν το μεταφέρετε ή όταν διακόπτετε τη λειτουργία.

## Ρύθμιση του βάθους κοπής

Το βάθος κοπής αντιστοιχεί με την κλίμακα στη λάμα. Ξεσφίξτε τη βίδα στη θήκη λάμας μέχρι η λάμα να μπορεί να κινείται ελεύθερα. Ευθυγραμμίστε την κλίμακα στη λάμα με την κάτω γραμμή της θήκης λάμας. Μετά, σφίξτε τις βίδες.

► **Εικ.7:** 1. Βάθος κοπής 2. Κάτω γραμμή της θήκης λάμας 3. Κλίμακα στο λάμα

Το μέγιστο βάθος κοπής εξαρτάται από το είδος της λάμας πριονιού. Να χρησιμοποιείτε πάντα τη λάμα πριονιού που έχει σχεδιαστεί για την κοπή του υλικού εργασίας.

Είδος λάμας πριονιού	Μέγιστο βάθος κοπής
Για γυψοσανίδα	30 mm
Για ξύλο	15 mm

## Φως LED

**ΠΡΟΣΟΧΗ:** Μην κοιτάζετε κατευθείαν μέσα στο φως ή στην πηγή φωτός.

Τραβήξτε τη σκανδάλη διακόπτη για να ανάψετε τη λάμπα. Η λάμπα εξακολουθεί να είναι αναμμένη όσο τραβάτε τη σκανδάλη διακόπτη. Η λάμπα σβήνει περίπου 10 δευτερόλεπτα αφού αφήσετε τη σκανδάλη.

► **Εικ.8:** 1. Λάμπα

**ΠΑΡΑΤΗΡΗΣΗ:** Χρησιμοποιήστε ένα στεγνό πανί για να σκουπίσετε τη σκόνη από το φακό της λάμπας. Προσέχετε να μη γρατζουνίσετε το φακό της λάμπας, επειδή μπορεί να μειωθεί η ένταση του φωτισμού.

## ΣΥΝΑΡΜΟΛΟΓΗΣΗ

**ΠΡΟΣΟΧΗ:** Να βεβαιώνετε πάντα ότι το εργαλείο είναι σβηστό και η κασέτα μπαταρίας έχει αφαιρεθεί πριν εκτελέσετε κάποια εργασία στο εργαλείο.

## Αφαίρεση του συλλέκτη σκόνης

**ΠΡΟΣΟΧΗ:** Μη θέτετε ποτέ το εργαλείο σε λειτουργία χωρίς το συλλέκτη σκόνης. Μπορεί να μπει σκόνη στα μάτια σας και να προκαλέσει τραυματισμό των ματιών.

Για να αφαιρέσετε το συλλέκτη σκόνης, κρατήστε τη χειρολαβή εργαλείου και τραβήξτε πίσω τις γλωττίδες στο εργαλείο. Βεβαιωθείτε να τραβήξετε ταυτόχρονα τις γλωττίδες και στις δύο πλευρές.

► **Εικ.9:** 1. Γλωττίδα

Κατά την τοποθέτηση, ευθυγραμμίστε το άκρο του συλλέκτη σκόνης με την εγκοπή στη βάση.

► **Εικ.10:** 1. Εγκοπή

## Αντικατάσταση της λάμας πριονιού για γυφωσανίδα

**▲ ΠΡΟΣΟΧΗ:** Να καθαρίζετε πάντα όλα τα θραύσματα και τα ξένα σώματα που έχουν προσκολληθεί στη λάμα ή/και στη θήκη λάμας. Αν δεν το κάνετε αυτό, μπορεί να μην είναι αρκετά σφιγμένη η λάμα και να προκληθεί σοβαρός ατομικός τραυματισμός.

**▲ ΠΡΟΣΟΧΗ:** Μην αγγίζετε τη λάμα ή το τεμάχιο εργασίας αμέσως μετά τη λειτουργία. Μπορεί να είναι εξαιρετικά καυτά και να προκαλέσει έγκαυμα στο δέρμα σας.

**▲ ΠΡΟΣΟΧΗ:** Βεβαιωθείτε ότι η λάμα είναι καλά ασφαλισμένη. Αν δεν σφίξετε καλά τη λάμα, μπορεί να προκληθεί σπάσιμο της λάμας ή σοβαρός ατομικός τραυματισμός.

1. Αφαιρέστε το συλλέκτη σκόνης.
2. Αφαιρέστε τα μπουλόνια στη θήκη λάμας με το εξεργωνικό κλειδί.

► **Εικ.11:** 1. Μπουλόνια 2. Θήκη λάμας 3. Λάμα

3. Τοποθετήστε την καινούρια λάμα όπως απεικονίζεται στην εικόνα. Βεβαιωθείτε ότι το κυρτό άκρο της λάμας είναι στραμμένο προς τα μπροστά. Προσαρμόστε την προεξοχή της θήκης λάμας μέσα στη σχισμή στη λάμα.

► **Εικ.12:** 1. Σχισμή 2. Προεξοχή τμήμα (αντίθεση πλευρά)

4. Ρυθμίστε το βάθος κοπής και μετά σφίξτε τα μπουλόνια.
5. Συνδέστε το συλλέκτη σκόνης.

## Τοποθέτηση αποσπώμενης λάμας

**▲ ΠΡΟΣΟΧΗ:** Να χρησιμοποιείτε πάντα την αποσπώμενη λάμα με το μήκος, πλάτος και πάχος που προσδιορίζεται. Μια ακατάλληλα τοποθετημένη αποσπώμενη λάμα μπορεί να σπάσει. Μια σπασμένη λάμα μπορεί να εκτοξευτεί και να προκαλέσει ατομικό τραυματισμό.

Μια αποσπώμενη λάμα μπορεί επίσης να χρησιμοποιηθεί με αυτό το εργαλείο. Χρησιμοποιήστε 3 τμήματα αποσπώμενης λάμας με πλάτος 18 mm και πάχος 0,5 mm. Το μέγιστο βάθος κοπής είναι 12,5 mm κατά την κοπή γυφωσανίδας.

► **Εικ.13:** 1. Τρία τμήματα μιας αποσπώμενης λάμας

1. Χαλαρώστε τα μπουλόνια στη θήκη λάμας. Στρέψτε τη θήκη λάμας ώστε η προεξοχή να είναι στραμμένη προς τα έξω.
2. Εισαγάγετε την αποσπώμενη λάμα ώστε το αιχμηρό άκρο να είναι στραμμένο προς τα μπροστά.
3. Ασφαλίστε την αποσπώμενη λάμα στη θέση όπου το τέλος του πρώτου τμήματος έρχεται σε επαφή με το άκρο της θήκης λάμας όπως απεικονίζεται.

► **Εικ.14:** 1. Θήκη λάμας 2. Τέλος του πρώτου τμήματος της αποσπώμενης λάμας 3. Επιτρεπτό μήκος κοπής

## Σύνδεση κατακτιού λάμας

**▲ ΠΡΟΣΟΧΗ:** Να προσαρτάτε πάντα το καπάκι λάμας όταν το εργαλείο δεν χρησιμοποιείται. Μια γυμνή λάμα μπορεί να προκαλέσει ατομικό τραυματισμό ή να προκαλέσει ζημιά στην ίδια τη λάμα.

Περάστε το καπάκι λάμας μέσα από τη λάμα μέχρι ο γάντζος να ασφαλίσει το κάλυμμα βάσης. Σημειώστε την κατεύθυνση του κατακτιού λάμας κατά τη σύνδεση. Ο πιο πλατύς γάντζος μπαίνει μπροστά. Όταν αφαιρείτε το καπάκι λάμας, σηκώστε το ενώ πιέζετε και τις δύο πλευρές.

► **Εικ.15:** 1. Καπάκι λάμας 2. Γάντζος

Κατά τη λειτουργία, εισαγάγετε το καπάκι λάμας στο γάντζο στη βάση, όπως απεικονίζεται, μέχρι να ασφαλίσει.

► **Εικ.16:** 1. Καπάκι λάμας 2. Γάντζος

## Φύλαξη εξεργωνικού κλειδιού

Όταν δεν χρησιμοποιείται, φυλάξτε το εξεργωνικό κλειδί όπως απεικονίζεται στην εικόνα, για να μην το χάσετε.

► **Εικ.17:** 1. Εξεργωνικό κλειδί

## Σύνδεση με ηλεκτρική σκούπα

Για καθαρή λειτουργία, συνδέστε μια μηχανή αναρρόφησης Makita. Αφαιρέστε το λαστιχένιο καπάκι στο συλλέκτη σκόνης και συνδέστε τον εύκαμπτο σωλήνα της μηχανής αναρρόφησης με το ακροφύσιο του συλλέκτη σκόνης.

► **Εικ.18:** 1. Συλλέκτης σκόνης 2. Λαστιχένιο καπάκι 3. Εύκαμπτος σωλήνας μηχανής αναρρόφησης

## ΛΕΙΤΟΥΡΓΙΑ

**▲ ΠΡΟΣΟΧΗ:** Κρατάτε το εργαλείο σταθερά.

**▲ ΠΡΟΣΟΧΗ:** Κρατήστε πάντα τη βάση ευθύγραμμα με το τεμάχιο εργασίας κατά την κοπή. Μην εκτελέσετε ποτέ μια καμπύλη κοπή. Αν δεν το κάνετε αυτό, μπορεί να σπάσει η λάμα, έχοντας ως αποτέλεσμα σοβαρό τραυματισμό.

Η εγκοπή σχήματος V και το κυρτό τμήμα στο κάλυμμα βάσης του εργαλείου υποδεικνύουν τη θέση της λάμας. Να ελέγχετε πάντα τη θέση λάμας κατά την κοπή.

### Κάλυμμα βάσης του εργαλείου

► **Εικ.19:** 1. Εγκοπή σχήματος V 2. Κυρτό τμήμα 3. Λάμα

**ΠΑΡΑΤΗΡΗΣΗ:** Για ακριβή κοπή, συνιστάται να σχεδιάσετε τις γραμμές κοπής επάνω στο τεμάχιο εργασίας εκ των προτέρων.

1. Τοποθετήστε τη μύτη της λάμας στη γραμμή έναρξης. Γείρτε το εργαλείο με τρόπο ώστε το μπροστινό άκρο της βάσης να αγγίζει το τεμάχιο εργασίας. Ευθυγραμμίστε το κάτω μέρος της εγκοπής σχήματος V στο μπροστινό άκρο με τη γραμμή κοπής.

► **Εικ.20**

2. Τραβήξτε αργά τη σκανδάλη χωρίς η λάμα να έρθει σε επαφή με το τεμάχιο εργασίας. Όταν η λάμα αποκτήσει πλήρη ταχύτητα, ωθήστε το εργαλείο προς το τεμάχιο εργασίας. Καθώς η λάμα διατρυπά το τεμάχιο εργασίας, φέρετε ολόκληρη την επιφάνεια του καλύμματος βάσης σε επαφή με το τεμάχιο εργασίας.

► **Εικ.21**

3. Μετακινήστε το εργαλείο ευθεία μπροστά μέχρι να τελειώσει η κοπή.

## ΣΥΝΤΗΡΗΣΗ

**ΠΡΟΣΟΧΗ:** Πριν την εκτέλεση εργασιών επιθεώρησης ή συντήρησης, πάντοτε να βεβαιώνετε ότι η συσκευή απενεργοποιήθηκε και η κασέτα μπαταριών έχει αφαιρεθεί.

**ΕΙΔΟΠΟΙΗΣΗ:** Μην χρησιμοποιείτε ποτέ βενζίνη, πετρελαϊκό αιθέρα, διαλυτικό, αλκοόλη ή παρόμοιες ουσίες. Μπορεί να προκληθεί αποχρωματισμός, παραμόρφωση ή ρωγμές.

## Καθαρισμός του καλύμματος βάσης

Καθαρίστε τα ρινίσματα και τη σκόνη κοπής που έχουν συσσωρευτεί στο κάλυμμα βάσης. Σηκώστε το κάλυμμα βάσης ενώ τραβάτε το γάντζο στο πίσω άκρο για να τον αφαιρέσετε. Κατά την τοποθέτηση, ακολουθήστε τη διαδικασία αφαίρεσης με αντίστροφη σειρά.

► **Εικ.22:** 1. Κάλυμμα βάσης 2. Γάντζος

**ΠΡΟΣΟΧΗ:** Προσέχετε τη μύτη της λάμας και τα ρινίσματα κοπής όταν αφαιρείτε το κάλυμμα βάσης.

**ΕΙΔΟΠΟΙΗΣΗ:** Εκτελέστε καθαρίσμα περιοδικά. Το βρόμικο κάλυμμα βάσης μπορεί να προκαλέσει ζημιά ή να παραμορφώσει την επιφάνεια εργασίας.

Για τη διατήρηση της ΑΣΦΑΛΕΙΑΣ και ΑΞΙΟΠΙΣΤΙΑΣ του προϊόντος, οι επισκευές και οποιαδήποτε άλλη εργασία συντήρησης ή ρύθμισης πρέπει να εκτελούνται από εξουσιοδοτημένα ή εργοστασιακά κέντρα εξυπηρέτησης της Makita, χρησιμοποιώντας πάντοτε ανταλλακτικά της Makita.

## ΠΡΟΑΙΡΕΤΙΚΑ ΕΞΑΡΤΗΜΑΤΑ

**ΠΡΟΣΟΧΗ:** Αυτά τα εξαρτήματα ή προσαρτήματα συνιστώνται για χρήση με το εργαλείο Makita που περιγράφηκε στις οδηγίες αυτές. Η χρήση οποιονδήποτε άλλων εξαρτημάτων ή προσαρτημάτων μπορεί να προκαλέσει κίνδυνο τραυματισμού σε άτομα. Να χρησιμοποιείτε τα εξαρτήματα ή προσαρτήματα μόνο για την χρήση που προορίζονται.

Εάν χρειάζεστε οποιαδήποτε βοήθεια για περισσότερες πληροφορίες σε σχέση με αυτά τα εξαρτήματα, απευθυνθείτε στο τοπικό σας κέντρο εξυπηρέτησης Makita.

- Λάμα πριονιού για γυψοσανίδα
- Λάμα πριονιού για ξύλο
- Κουτί σκόνης
- Συλλέκτης σκόνης
- Εξαγωνικό κλειδί
- Γάντζος
- Γνήσια μπαταρία και φορτιστής της Makita

**ΠΑΡΑΤΗΡΗΣΗ:** Μερικά στοιχεία στη λίστα μπορεί να συμπεριλαμβάνονται στη συσκευασία εργαλείου ως στάνταρ εξαρτήματα. Μπορεί να διαφέρουν ανάλογα με τη χώρα.



## TEKNİK ÖZELLİKLER

Model:	DSD180	
Vuruş uzunluğu	6 mm	
Dakikadaki darbe sayısı	0 - 6.000 min <sup>-1</sup>	
Maksimum kesme kapasiteleri	Alçı panel	30 mm
	Ahşap	15 mm
Anma voltajı	D.C. 18 V	
Standart batarya kartuşları	BL1815N, BL1820, BL1820B	BL1830, BL1830B, BL1840, BL1840B, BL1850, BL1850B, BL1860B
Toplam uzunluk	258 mm	263 mm
Net ağırlık	1,7 kg	1,9 kg

- Sürekli yapılan araştırma ve geliştirmelerden dolayı, burada belirtilen özellikler önceden bildirilmeksizin değiştirilebilir.
- Özellikler ve batarya kartuşu ülkeden ülkeye değişebilir.
- EPTA-Prosedürü 01/2003 uyarınca batarya kartuşu ile birlikte ağırlık

### Kullanım amacı

Bu alet alçı paneli dik kesmek için tasarlanmıştır. Uygun bir testere bıçağı takarak ahşap da kesilebilir.

### Gürültü

Tipik A-ağırlıklı gürültü düzeyi (EN60745-2-11 standardına göre belirlenen):

Ses basınç seviyesi (L<sub>pa</sub>): 79 dB (A)

Belirsizlik (K): 3 dB (A)

İşlem sırasında gürültü seviyesi 80 dB (A)'yi geçebilir.

**UYARI:** Kulak koruyucuları takın.

### Titreşim

Titreşim toplam değeri (Üç eksenli vektör toplamı) (EN60745-2-11 standardına göre hesaplanan):

Çalışma modu: alçı panel kesme (kalınlık 30 mm)

Titreşim emisyonu (a<sub>h</sub>): 2,5 m/s<sup>2</sup>

Belirsizlik (K): 1,5 m/s<sup>2</sup>

Çalışma modu: mukavva kesme (kalınlık 15 mm)

Titreşim emisyonu (a<sub>h</sub>): 5,0 m/s<sup>2</sup>

Belirsizlik (K): 1,5 m/s<sup>2</sup>

**NOT:** Beyan edilen titreşim emisyon değeri standart test yöntemine uygun şekilde ölçülmüştür ve bir aleti bir başkasıyla karşılaştırmak için kullanılabilir.

**NOT:** Beyan edilen titreşim emisyon değeri bir ön maruz kalma değerlendirmesi olarak da kullanılabilir.

**UYARI:** Bu elektrikli aletin gerçek kullanımı sırasındaki titreşim emisyonu aletin kullanım biçimlerine bağlı olarak beyan edilen emisyon değerinden farklı olabilir.

**UYARI:** Gerçek kullanım koşullarındaki maruz kalmanın bir tahmini hesaplaması temelinde operatörü koruyacak güvenlik önlemlerini mutlaka belirleyin (çalışma döngüsü içerisinde aletin kapalı olduğu ve aktif durumda olmasının yanı sıra boşta çalıştığı zamanlar gibi, bütün zaman dilimleri göz önünde bulundurulurak değerlendirilmelidir).

### EC Uygunluk Beyanı

**Sadece Avrupa ülkeleri için**

AB uygunluk beyanı bu kullanım kılavuzuna Ek A olarak eklenmiştir.

## GÜVENLİK UYARILARI

### Genel elektrikli alet güvenliği uyarıları

**UYARI:** Tüm güvenlik uyarılarını ve tüm talimatları okuyun. Uyarılara ve talimatlara uyulmaması elektrik şoku, yangın ve/veya ciddi yaralanmalar ile sonuçlanabilir.

### Tüm uyarıları ve talimatları iletiride başvurmak için saklayın.

Uyarılardaki "elektrikli alet" terimi ile ya prizden çalışan (kordonlu) elektrikli aletinizi ya da kendi aküsü ile çalışan (kordonsuz) elektrikli aletinizi kasteditilmektedir.

## Akülü alçı panel testeresi için güvenlik uyarıları

1. Kesici aksesuarın görünmeyen kablolarla temas etme olasılığı bulunan yerlerde çalışırken elektrikli aleti yalıtımlı kavrama yüzeylerinden tutun. Kesici aksesuarın "akımlı" bir telle temas etmesi elektrikli aletin yalıtımsız metal kısımlarını "akımlı" hale getirebilir ve kullanıcıyı elektrik şokuna maruz bırakabilir.
2. İş parçasını sabit bir platforma bağlamak ve desteklemek için mengene veya başka bir pratik yol kullanın. İş parçasını elle veya vücudunuza dayayarak tutma onu dengesiz bırakır ve kontrol kaybına yol açabilir.
3. Daima koruyucu gözlükler kullanın. Normal gözlükler veya güneş gözlükleri koruyucu gözlük DEĞİLDİR.
4. Çivi kesmekten kaçının. İşleme başlamadan önce iş parçasını kontrol edip çivi varsa çıkarın.
5. Çok büyük parçalar kesmeyin.
6. Kesmeye başlamadan önce iş parçasının gerisinde bıçağın zemine, çalışma tezgahına vs. çarpmaması için yeterli boşluk bulunduğundan emin olun.
7. Aleti sıkı tutun.
8. Anahtarı açmadan önce bıçağın iş parçasına değmediğinden emin olun.
9. Ellerinizi hareketli parçalardan uzak tutun.
10. Aleti çalışır durumda bırakmayın. Aleti sadece elinizde tutarken çalıştırın.
11. Aleti iş parçasından çıkarmadan önce daima anahtarı kapatın ve bıçağın tamamen durmasını bekleyin.
12. Çalıştıktan hemen sonra bıçağa ya da iş parçasına dokunmayın; çok sıcak olabilir ve cildinizi yakabilirler.
13. Bu aleti gereksiz yere yüksüz çalıştırmayın.
14. Bazı malzemeler zehirli olabilen kimyasallar içerir. Toz yutmayı ve cilt temasını önlemek için tedbir alın. Malzeme sağlayıcısının güvenlik bilgilerine uyun.
15. Daima çalıştığınız malzeme ve yaptığınız işe uygun maske/respiratör kullanın.

## BU TALİMATLARI SAKLAYIN.

**⚠UYARI:** Ürünü kullanırken (defalarca kullanınca kazanılan) rahatlık ve tanıdıklık duygusunun ilgili ürünün güvenlik kurallarına sıkı sıkıya bağlı kalmanın yerine geçmesine İZİN VERMEYİN. YANLIŞ KULLANIM veya bu kullanma kılavuzunda belirtilen emniyet kurallarına uymama ciddi yaralanmaya neden olabilir.

## Batarya kartuşu hakkında önemli güvenlik talimatları

1. Batarya kartuşunu kullanmadan önce, tüm talimatları ve (1) batarya kartuşu, (2) batarya ve (3) ürün üzerindeki tüm uyarı işaretlerini okuyun.
2. Batarya kartuşunu demonte etmeyin.
3. Çalışma süresi aşırı derecede kısalmışsa kullanmayı derhal bırakın. Aşırı ısınma, yanma riski hatta patlamaya neden olabilir.

4. Gözünüze elektrolit kaçarsa, gözlerinizi temiz suyla durulayın ve hemen tıbbi yardım alın. Görme kaybına yol açabilir.
5. Batarya kartuşuna kısa devre yaptırmayın:
  - (1) Terminallere herhangi bir iletken madde deydirmeyin.
  - (2) Batarya kartuşunu çiviler, madeni paralar, vb. gibi başka metal nesnelere aynı kaba koymaktan kaçının.
  - (3) Batarya kartuşunu yağmura ya da suya maruz bırakmayın.Kısa devre, büyük bir akım akışına, aşırı ısınmaya, olası yangınlara hatta bataryanın bozulmasına yol açabilir.
6. Aleti ve batarya kartuşunu sıcaklığın 50°C ya da daha yükseğe ulaştığı yerlerde saklamayın.
7. Aşırı derecede hasar görmüş ya da tamamen kullanılamaz durumda olsa bile batarya kartuşunu yakmayın. Batarya kartuşu ateşe atılırsa patlayabilir.
8. Bataryayı düşürmemeye ve çarpmamaya dikkat edin.
9. Hasarlı bataryayı kullanmayın.
10. Aletin içerdiği lityum-iyon bataryalar Tehlikeli Eşyalar Yönetmeliğinin gereksinimlerine tabidir. Ticari nakliye işlemleri için, örneğin üçüncü taraflar, nakliye acenteleri tarafından yapılan nakliyelerde, paketleme ve etiketleme gereksinimlerine uyulmalıdır. Nakliyesi yapılacak ürünün hazırlanması için, tehlikeli maddeler konusunda uzman bir kişiye danışın. Lütfen muhtemelen daha ayrıntılı olan ulusal yönetmeliklere de uyun. Açık kontakları bantlayın ya da maskeleyin ve bataryayı paketin içinde hareket etmeyecek şekilde paketleyin.
11. Bataryanın elden çıkarılması ile ilgili yerel düzenlemelere uyunuz.

## BU TALİMATLARI MUHAFAZA EDİNİZ.

**⚠DİKKAT:** Sadece orijinal Makita bataryalarını kullanın. Orijinal olmayan Makita bataryaları ya da üzerine değişiklik yapılmış bataryaların kullanımı bataryanın patlamasına ve sonuç olarak yangın, kişisel yaralanma ve hasara neden olabilir. Ayrıca Makita aleti ve şarj aletinin Makita tarafından sunulan garantisi de geçersiz olur.

## Maksimum batarya ömrü için ipuçları

1. Batarya kartuşunu tamamen boşalmadan önce şarj edin. Aletin gücünün zayıflamaya başladığını fark ettiğinizde aleti durdurun ve batarya kartuşunu şarj edin.
2. Tam dolu bir batarya kartuşunu asla yeniden şarj etmeyin. Aşırı şarj etme bataryanın hizmet ömrünü kısaltır.
3. Batarya kartuşunu 10°C - 40°C oda sıcaklığında şarj edin. Sıcak bir batarya kartuşunu şarj etmeden önce soğumasını bekleyin.
4. Uzun bir süre (altı aydan daha fazla) kullanmadığınız durumlarda batarya kartuşunu şarj edin.

## İŞLEVSEL NİTELİKLER

**⚠ DİKKAT:** Alet üzerinde ayarlama veya işleyiş kontrolü yapmadan önce aletin kapalı ve batarya kartuşunun ayrılmış olduğundan daima emin olun.

## Batarya kartuşunun takılması ve çıkarılması

**⚠ DİKKAT:** Batarya kartuşunu takmadan ya da çıkarmadan önce aleti daima kapatın.

**⚠ DİKKAT:** Batarya kartuşunu takarken veya çıkarırken aleti ve batarya kartuşunu sıkıca tutun. Aletin ve batarya kartuşunun sıkıca tutulmaması bunların düşürülmesine sebep olabilir ve alet ve batarya kartuşunun zarar görmesine ya da ciddi yaralanmasına yol açabilir.

► **Şek.1:** 1. Kırmızı gösterge 2. Düğme 3. Batarya kartuşu

Batarya kartuşunu çıkarmak için, kartuşun ön tarafındaki düğmeyi kaydırarak kartuşu aletten çıkarın.

Batarya kartuşunu takmak için, batarya kartuşu üzerindeki dili yuvanın çentiği ile hizalayın ve yerine oturtun. Hafif bir tık sesi duyulana kadar itip yerine tam oturmasını sağlayın. Düğmenin üst tarafındaki kırmızı göstergesi görünüyorsa tam yerine kilitlenmemiş demektir.

**⚠ DİKKAT:** Batarya kartuşunu daima kırmızı göstergesi görünmeyecek şekilde tam olarak takın. Yerine tam oturmazsa, aletten yanlışlıkla düşebilir, sizin ya da çevrenizdeki kişilerin yaralanmasına neden olabilir.

**⚠ DİKKAT:** Batarya kartuşunu zorlayarak takmayın. Kartuş kolay bir şekilde kaymıyorsa doğru yerleştirilmemiş demektir.

## Batarya koruma sistemi

**Yıldız işaretli Lityum-ion batarya**

► **Şek.2:** 1. Yıldız işareti

Yıldız işaretli lityum-ion bataryalar bir koruma sistemi ile donatılmıştır. Bu sistem alete giden gücü otomatik olarak keserek uzun hizmet ömrü sağlar. Alet ve/veya batarya için aşağıdaki durumlardan biri söz konusu olduğunda aletin işleyişi otomatik olarak durur:

### Aşırı yüklenme:

Alet, anormal derecede yüksek akım çekmesine neden olacak şekilde kullanılmaktadır. Bu durumda, aleti kapatın ve aletin aşırı yüklenmesine neden olan uygulamayı durdurun. Daha sonra aleti yeniden başlaması için çalıştırın. Alet çalışmaya başlamazsa, batarya aşırı ısınmış demektir. Bu durumda, aleti yeniden çalıştırmadan önce bataryanın soğumasını bekleyin.

### Düşük batarya voltajı:

Kalan batarya kapasitesi çok düşüktür ve alet çalışmaz. Bu durum söz konusuysa, bataryayı çıkarıp şarj edin.

## Kalan batarya kapasitesinin gösterilmesi

► **Şek.3:** 1. Batarya göstergesi 2. Kontrol düğmesi

Kalan batarya kapasitesini göstermesi için kontrol düğmesine basın. Batarya göstergelerinin her biri bir bataryaya karşılık gelir.

Batarya göstergesi durumu		Kalan pil kapasitesi
Açık	Kapalı	
		%50 veya daha fazla
		%20 - %50
		%20'den daha az

## Kalan batarya kapasitesinin gösterilmesi

**Sadece model numarasının sonunda "B" yazan batarya kartuşları için**

► **Şek.4:** 1. Göstergeler lambaları 2. Kontrol düğmesi

Kalan batarya kapasitesini göstermesi için batarya kartuşu üzerindeki kontrol düğmesine basın. Göstergeler lambaları birkaç saniye yanar.

Göstergeler lambaları			Kalan kapasite
Yanıyor	Kapalı	Yanıp sönüyor	
			%75 ila %100
			%50 ila %75
			%25 ila %50
			%0 ila %25
			Bataryayı şarj edin.
			Batarya arızalanmış olabilir.



**NOT:** Kullanım koşullarına ve ortam sıcaklığına bağlı olarak, gösterilen değer gerçek kapasiteden biraz farklılık gösterebilir.

## Anahtar işlemleri

► **Şek.5:** 1. Anahtar tetik

**⚠DİKKAT:** Batarya kartuşunu alete takmadan önce anahtar tetiğinin doğru çalıştığından ve bira-kıldığında "OFF" (kapalı) konumuna döndüğün-den emin olun.

Aleti çalıştırmak için, sadece anahtar tetiği çekin. Aletin çalışma hızı anahtar tetik üstüne daha fazla baskı yapılarak artırılır. Durdurmak için anahtar tetiği serbest bırakın.

Tetiğinin kazara çekilmesini önlemek için tetik kilitlenebilir. Tetiği kilitlemek için yan tarafta bulunan  işaretli düğmeye basın. Kilitli açmak için, yan tarafta bulunan  işaretli düğmeye basın.

► **Şek.6:** 1. Kilitleme düğmesi

**⚠DİKKAT:** Taşırken veya çalışmaya ara verdiğinizde aleti daima kilitleyin.

## Kesim derinliğini ayarlamak

Kesim derinliği bıçak üzerindeki ölçeğe karşılık gelir. Bıçak tutucu üzerindeki vidayı bıçak rahat bir şekilde hareket edene kadar gevşetin. Bıçak üzerindeki ölçeği bıçak tutucunun alt çizgisiyle aynı hizaya getirin. Ardından vidaları sıkın.

► **Şek.7:** 1. Kesim derinliği 2. Bıçak tutucunun alt çizgisi 3. Bıçak üzerindeki ölçek

Maksimum kesim derinliği testere bıçağının tipine bağlı olarak değişir. Her zaman çalışılan malzemeyi kesmek için tasarlanmış testere bıçağını kullanın.

Testere bıçağı tipi	Maks. kesim derinliği
Alçı panel için	30 mm
Ahşap için	15 mm

## LED lamba

**⚠DİKKAT:** Işığa bakmayın ya da ışık kaynağını doğrudan görmeyin.

Lambayı yakmak için anahtar tetiği çekin. Anahtar tetik çekilirken lamba yanmaya devam eder. Tetik bırakıldıktan yaklaşık 10 saniye sonra lamba söner.

► **Şek.8:** 1. Lamba

**NOT:** Lamba lensini temizlemek için kuru bir bez kullanın. Aydınlatmayı azaltacağı için lamba lensinin çizilmemesine dikkat edin.

## MONTAJ

**⚠DİKKAT:** Alet üzerinde herhangi bir iş yapmadan önce aletin kapalı ve batarya kartuşunun ayrılmış olduğundan daima emin olun.

## Toz toplayıcının çıkarılması

**⚠DİKKAT:** Aleti asla toz toplayıcı olmadan çalıştırmayın. Gözünüze toz kaçabilir ve göz yaralanmalarına neden olabilir.

Toz toplayıcıyı çıkarmak için, alet kolunu tutun ve alet üzerindeki tırnakları geri çekin. Aynı anda her iki taraftaki tırnakları çektiğinizden emin olun.

► **Şek.9:** 1. Tırnak

Takariken, toz toplayıcının kenarını kaide üzerindeki olukla hizalayın.

► **Şek.10:** 1. Oluk

## Alçı panel testere bıçağının değiştirilmesi

**⚠DİKKAT:** Her zaman bıçağa ve/veya bıçak tutucuya yapışmış olan yonga veya yabancı maddeleri temizleyin. Böyle yapılmaması bıçağın gevşek kalmasına neden olarak, ciddi kişisel yaralanmalara yol açabilir.

**⚠DİKKAT:** İşlemin hemen ardından bıçağa ya da iş parçasına dokunmayın. Bu parçalar aşırı derecede sıcak olabilir ve cilt yanıklarına yol açabilir.

**⚠DİKKAT:** Bıçağın düzgün bir şekilde sabitlendiğinden emin olun. Bıçağın yeterince sıkılmaması bıçağın kırılmasına ya da ciddi kişisel yaralanmalara neden olabilir.

1. Toz toplayıcının çıkarılması.
2. Bıçak tutucu üzerindeki civataları altıgen anahtarla çıkarın.  
► **Şek.11:** 1. Civatalar 2. Bıçak tutucu 3. Bıçak
3. Şekilde gösterildiği gibi yeni bir bıçak takın. Bıçağın eğimli kenarının ileri doğru baktığından emin olun. Bıçak tutucunun çıkıntılı kısmını bıçağın yuvasına takın.  
► **Şek.12:** 1. Yuva 2. Çıkıntılı kısım (karşı taraf)
4. Kesim derinliğini ayarlayın, ardından civataları sıkılayın.
5. Toz toplayıcıyı bağlayın.

## Maket bıçağını takma

**⚠DİKKAT:** Her zaman belirtilen uzunluk, genişlik ve kalınlıkta maket bıçağı kullanın. Düzgün takılmamış bir maket bıçağı kırılabilir. Kırılan bir bıçak fırlayabilir ve kişisel yaralanmaya neden olabilir.

Bu aletle maket bıçağı da kullanılabilir. 18 mm genişlik ve 0,5 mm kalınlıktaki maket bıçağının 3 segmentini kullanın. Bir alçı paneli keserken maksimum kesim derinliği 12,5 mm'dir.

► **Şek.13:** 1. Maket bıçağının üç segmenti

1. Bıçak tutucu üzerindeki civataları gevşetin. Bıçak tutucuyu, çıkıntılı kısmı dışarı bakacak şekilde döndürün.
2. Maket bıçağını keskin kenarı ileri doğru bakacak şekilde takın.
3. Şekilde gösterildiği gibi, ilk segmentin ucunun bıçak tutucunun kenarına geldiği konumda maket bıçağını sabitleyin.  
► **Şek.14:** 1. Bıçak tutucu 2. Maket bıçağının ilk segmentinin ucunu 3. İzin verilen kesim uzunluğu

## Bıçak kapağının takılması

**⚠ DİKKAT:** Alet kullanımında değilken daima bıçak kapağını takın. Açık bir bıçak kişisel yaralanmaya veya bıçağa hasar gelmesine neden olabilir.

Bıçak kapağını, kanca kaide kapağına oturana kadar bıçağın üzerine geçirin. Takarken bıçak kapağının yönüne dikkat edin; geniş olan kanca ön tarafa gelmelidir. Bıçak kapağını çıkarırken her iki taraftan bastırarak kaldırın.

► **Şek.15:** 1. Bıçak kapağı 2. Kanca

Çalışma sırasında, bıçak kapağını şekilde gösterildiği gibi tık sesi gelene kadar kaide üzerindeki kancaya takın.

► **Şek.16:** 1. Bıçak kapağı 2. Kanca

## Altıgen anahtarın saklanması

Kullanılmadığı zamanlarda, altıgen anahtarın kaybolmasını önlemek için anahtarı şekilde gösterildiği gibi saklayın.

► **Şek.17:** 1. Altıgen anahtar

## Bir elektrikli süpürge bağlanması

Temiz bir çalışma için Makita marka bir süpürge bağlayın. Toz toplayıcı üzerindeki kauçuk kapağı çıkarın ve süpürge hortumunu toz toplayıcının ağzına bağlayın.

► **Şek.18:** 1. Toz toplayıcı 2. Kauçuk kapak  
3. Süpürge hortumu

## KULLANIM

**⚠ DİKKAT:** Aleti sıkı tutun.

**⚠ DİKKAT:** Kesme işlemi sırasında kaideyi daima iş parçasına dayalı tutun. Asla eğimli kesim yapmayın. Buna uyulmaması, bıçağın kırılmasına neden olarak, ciddi bir yaralanmaya yol açabilir.

Aletin kaide kapağı üzerindeki dışbükey kısım ve V şeklindeki çentik bıçağın konumunu gösterir. Kesme işlemi sırasında her zaman bıçak konumunu kontrol edin.

**Aletin kaide kapağı**

► **Şek.19:** 1. V şeklindeki çentik 2. Dışbükey kısım  
3. Bıçak

**NOT:** Hassas kesim için, iş parçasının üzerinde kesim çizgilerinin önceden çizilmesi tavsiye edilir.

1. Bıçağın ucunu başlangıç çizgisine yerleştirin. Aleti, kaidenin ön kenarı iş parçasına değecek şekilde eğin. Ön kenardaki V şeklindeki çentiğin alt kısmını kesme çizgisiyle hizalayın.

► **Şek.20**

2. Tetiği yavaşça, bıçak iş parçasına temas etmeyecek şekilde çekin. Bıçak tam hıza ulaştığında, aleti iş parçasına doğru itin. Bıçak iş parçasını delerken kaide kapağının tüm yüzeyinin iş parçası ile temas etmesini sağlayın.

► **Şek.21**

3. Kesme işlemi bitene kadar aleti düz bir şekilde ileri doğru hareket ettirin.

## BAKIM

**⚠ DİKKAT:** Muayene ya da bakım yapmadan önce aletin kapalı ve batarya kartuşunun çıkartılmış olduğundan daima emin olun.

**ÖNEMLİ NOT:** Benzin, tiner, alkol ve benzeri maddeleri kesinlikle kullanmayın. Renk değişimi, deformasyon veya çatlaklar oluşabilir.

## Kaide kapağının temizlenmesi

Kaide kapağında biriken tozu ve kesim sonucu oluşan yongaları temizleyin. Arka uçtaki kancayı çekerken kaide kapağını kaldırıp çıkarın. Takmak için, çıkarma prosedürünü tersten izleyin.

► **Şek.22:** 1. Kaide kapağı 2. Kanca

**⚠ DİKKAT:** Kaide kapağını çıkarırken bıçağın ucuna ve kesim sonucu oluşan yongalara dikkat edin.

**ÖNEMLİ NOT:** Periyodik olarak temizlik yapın. Kirlenmiş kaide kapağı çalışma yüzeyine hasar verebilir veya çalışma yüzeyinin görünüşünü bozabilir.

Aleti EMNİYETLİ ve ÇALIŞMAYA HAZIR durumda tutmak için onarımlar, başka her türlü bakım ve ayarlamalar daima Makita yedek parçaları kullanılarak Makita yetkili servis merkezleri veya Fabrikamızın Servis Merkezleri tarafından yapılmalıdır.

## İSTEĞE BAĞLI AKSESUARLAR

**⚠ DİKKAT:** Bu aksesuarlar ve ek parçalar bu el kitabında belirtilen Makita aletinin ile kullanılmak için tavsiye edilmektedir. Herhangi başka bir aksesuar ya da ek parça kullanılması insanlar için bir yaralanma riski getirebilir. Aksesuarları ya da ek parçaları yalnızca belirtilmiş olan kullanım amaçlarına uygun olarak kullanın.

Bu aksesuarlarla ilgili daha fazla bilgiye ihtiyaç duyar sansanız bulunduğunuz yerdeki yetkili Makita servisine başvurun.

- Alıcı panel testeresi bıçağı
- Ahşap için testere bıçağı
- Toz kutusu
- Toz toplayıcı
- Altıgen anahtar
- Kanca
- Orijinal Makita batarya ve şarj aleti

**NOT:** Listedeki parçaların bazıları alet paketi içerisinde standart aksesuar olarak dahil edilmiş olabilir. Bunlar ülkeden ülkeye farklılık gösterebilir.





**Makita Europe N.V.** Jan-Baptist Vinkstraat 2,  
3070 Kortenberg, Belgium

**Makita Corporation** 3-11-8, Sumiyoshi-cho,  
Anjo, Aichi 446-8502 Japan

[www.makita.com](http://www.makita.com)

885512-999  
EN, FR, DE, IT,  
NL, ES, PT, DA,  
EL, TR  
20160208