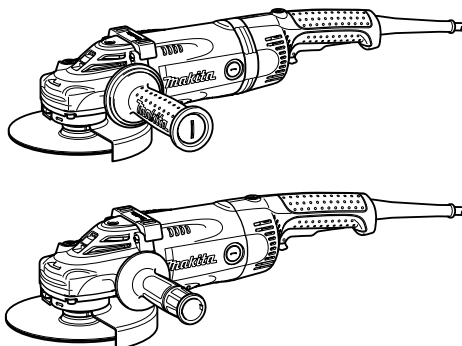
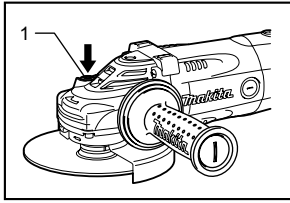




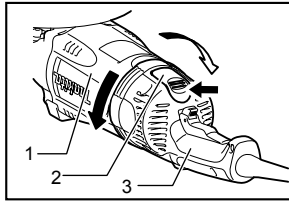
GB	Angle Grinder	INSTRUCTION MANUAL
UA	Кутова шліфувальна машина	ІНСТРУКЦІЯ З ЕКСПЛУАТАЦІЇ
PL	Szlifierka kątowna	INSTRUKCJA OBSŁUGI
RO	Polizor unghiular	MANUAL DE INSTRUCȚIUNI
DE	Winkelschleifer	BEDIENUNGSANLEITUNG
HU	Sarokcsiszoló	HASZNÁLATI KÉZIKÖNYV
SK	Uhlová brúska	NÁVOD NA OBSLUHU
CZ	Úhlová bruska	NÁVOD K OBSLUZE

GA7020R
GA7030R
GA7040R
GA9020R
GA9030R
GA9040R

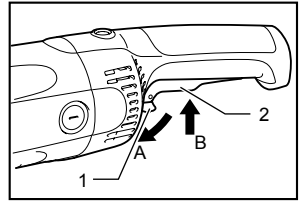




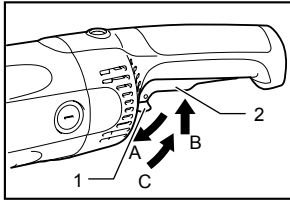
1 010677



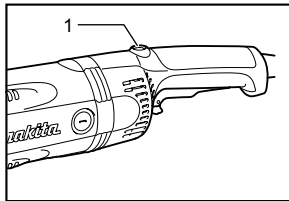
2 010626



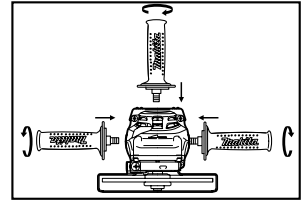
3 010665



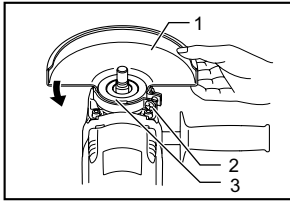
4 010614



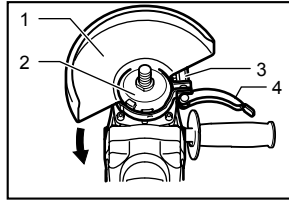
5 010678



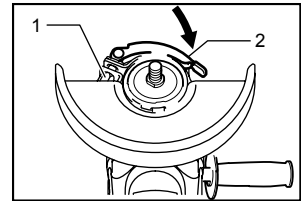
6 010679



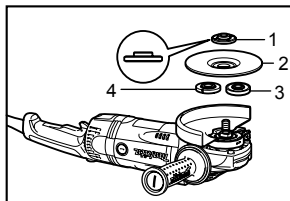
7 006736



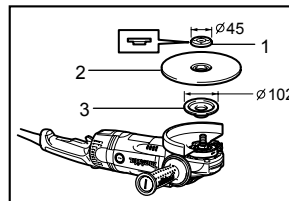
8 010644



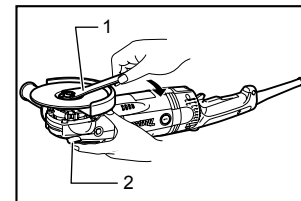
9 010645



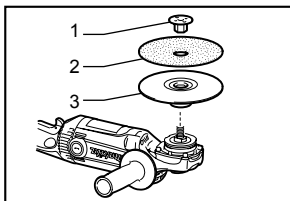
10 010682



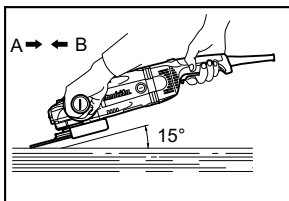
11 010687



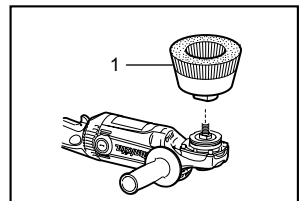
12 010683



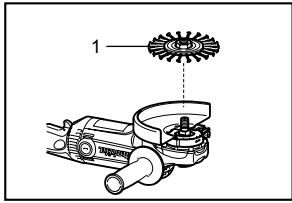
13 010658



14 010684

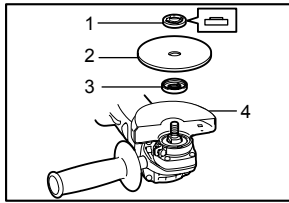


15 010862



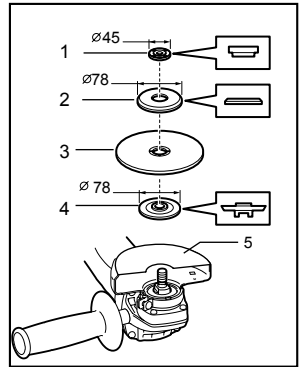
16

010659



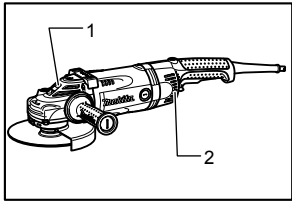
17

010828



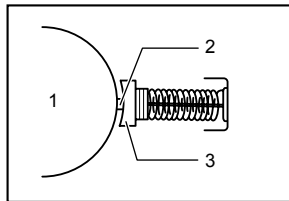
18

010946



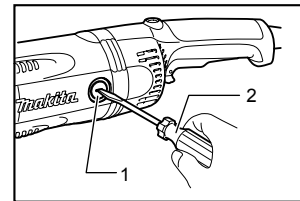
19

010688



20

001146



21

010685

ENGLISH (Original instructions)

Explanation of general view

1-1. Shaft lock	10-1. Lock nut	17-4. Wheel guard for abrasive cut-off wheel/diamond wheel
2-1. Motor housing	10-2. Depressed center wheel	18-1. Lock nut
2-2. Lock button	10-3. Super flange	18-2. Outer flange 78
2-3. Handle	10-4. Inner flange	18-3. Abrasive cut-off wheel/diamond wheel
3-1. Lock lever	11-1. Lock nut	18-4. Inner flange 78
3-2. Switch trigger	11-2. Depressed center wheel	18-5. Wheel guard for abrasive cut-off wheel/diamond wheel
4-1. Lock lever	11-3. Inner flange	19-1. Exhaust vent
4-2. Switch trigger	12-1. Lock nut wrench	19-2. Inhalation vent
5-1. Indication lamp	12-2. Shaft lock	20-1. Commutator
7-1. Wheel guard	13-1. Lock nut	20-2. Insulating tip
7-2. Screw	13-2. Abrasive disc	20-3. Carbon brush
7-3. Bearing box	13-3. Rubber pad	21-1. Brush holder cap
8-1. Wheel guard	15-1. Wire cup brush	21-2. Screwdriver
8-2. Bearing box	16-1. Wire wheel brush	
8-3. Nut	17-1. Lock nut	
8-4. Lever	17-2. Abrasive cut-off wheel/diamond wheel	
9-1. Nut	17-3. Inner flange	
9-2. Lever		

SPECIFICATIONS

Model	GA7020R	GA7030R	GA7040R	GA9020R	GA9030R	GA9040R
Depressed center wheel diameter	180 mm			230 mm		
Spindle thread	M14					
Rated speed (n) / No load speed (n ₀)	8,500(min ⁻¹)			6,600(min ⁻¹)		
Overall length	473 mm	503 mm		473 mm	503 mm	
Net weight	5.6 kg	6.3 kg	6.6 kg	5.8 kg	6.5 kg	6.9 kg
Safety class	□/II					

- Due to our continuing programme of research and development, the specifications herein are subject to change without notice.
- Specifications may differ from country to country.
- Weight according to EPTA-Procedure 01/2003

ENE048-1

ENG208-4

Intended use

The tool is intended for grinding, sanding and cutting of metal and stone materials without the use of water.

ENF002-1

Power supply

The tool should be connected only to a power supply of the same voltage as indicated on the nameplate, and can only be operated on single-phase AC supply. They are double-insulated in accordance with European Standard and can, therefore, also be used from sockets without earth wire.

Vibration

The vibration total value (tri-axial vector sum) determined according to EN60745:

Work mode : surface grinding

Vibration emission (a_{h,AG}) : 8.0 m/s²

Uncertainty (K) : 1.5 m/s²

If the tool is used for other applications, the vibration values may be different.

ENG313-2

Work mode: disc sanding

Vibration emission (a_{h,DS}) : 3.0m/s²

Uncertainty (K) : 1.5 m/s²

For Model GA7020R

ENG102-3

Noise

The typical A-weighted noise level determined according to EN60745:

Sound pressure level (L_{pA}) : 90 dB(A)

Sound power level (L_{WA}) : 101 dB(A)

Uncertainty (K) : 3 dB(A)

Wear ear protection

For Model GA7030R

ENG102-3

Noise

The typical A-weighted noise level determined according to EN60745:

Sound pressure level (L_{pA}) : 90 dB(A)

Sound power level (L_{WA}) : 101 dB(A)

Uncertainty (K) : 3 dB(A)

Wear ear protection

ENG208-4

Vibration

The vibration total value (tri-axial vector sum) determined according to EN60745:

Work mode : surface grinding

Vibration emission ($a_{h,AG}$) : 6.5 m/s²

Uncertainty (K) : 1.5 m/s²

If the tool is used for other applications, the vibration values may be different.

ENG313-2

Work mode: disc sanding

Vibration emission ($a_{h,DS}$) : 3.5m/s²

Uncertainty (K) : 1.5 m/s²

For Model GA7040R

ENG102-3

Noise

The typical A-weighted noise level determined according to EN60745:

Sound pressure level (L_{pA}) : 90 dB(A)

Sound power level (L_{WA}) : 101 dB(A)

Uncertainty (K) : 3 dB(A)

Wear ear protection

ENG208-4

Vibration

The vibration total value (tri-axial vector sum) determined according to EN60745:

Work mode : surface grinding

Vibration emission ($a_{h,AG}$) : 7.0 m/s²

Uncertainty (K) : 1.5 m/s²

If the tool is used for other applications, the vibration values may be different.

ENG313-2

Work mode: disc sanding

Vibration emission ($a_{h,DS}$) : 3.0m/s²

Uncertainty (K) : 1.5 m/s²

For Model GA9020R, GA9040R

ENG102-3

Noise

The typical A-weighted noise level determined according to EN60745:

Sound pressure level (L_{pA}) : 90 dB(A)

Sound power level (L_{WA}) : 101 dB(A)

Uncertainty (K) : 3 dB(A)

Wear ear protection

ENG208-4

Vibration

The vibration total value (tri-axial vector sum) determined according to EN60745:

Work mode : surface grinding

Vibration emission ($a_{h,AG}$) : 6.0 m/s²

Uncertainty (K) : 1.5 m/s²

If the tool is used for other applications, the vibration values may be different.

ENG313-2

Work mode: disc sanding

Vibration emission ($a_{h,DS}$) : 2.5m/s²

Uncertainty (K) : 1.5 m/s²

For Model GA9030R

ENG102-3

Noise

The typical A-weighted noise level determined according to EN60745:

Sound pressure level (L_{pA}) : 90 dB(A)

Sound power level (L_{WA}) : 101 dB(A)

Uncertainty (K) : 3 dB(A)

Wear ear protection

ENG208-4

Vibration

The vibration total value (tri-axial vector sum) determined according to EN60745:

Work mode : surface grinding

Vibration emission ($a_{h,AG}$) : 5.5 m/s²

Uncertainty (K) : 1.5 m/s²

If the tool is used for other applications, the vibration values may be different.

ENG313-2

Work mode: disc sanding

Vibration emission ($a_{h,DS}$) : 2.5m/s²

Uncertainty (K) : 1.5 m/s²

ENG901-1

- The declared vibration emission value has been measured in accordance with the standard test method and may be used for comparing one tool with another.
- The declared vibration emission value may also be used in a preliminary assessment of exposure.

WARNING:

- The vibration emission during actual use of the power tool can differ from the declared emission value depending on the ways in which the tool is used.
- Be sure to identify safety measures to protect the operator that are based on an estimation of exposure in the actual conditions of use (taking account of all parts of the operating cycle such as the times when the tool is switched off and when it is running idle in addition to the trigger time).

ENH101-13

For European countries only

EC Declaration of Conformity

We Makita Corporation as the responsible manufacturer declare that the following Makita machine(s):

Designation of Machine:

Angle Grinder

Model No./ Type: GA7020R, GA7030R, GA7040R, GA9020R, GA9030R, GA9040R
are of series production and

Conforms to the following European Directives:

98/37/EC until 28th December 2009 and then with 2006/42/EC from 29th December 2009

And are manufactured in accordance with the following standards or standardised documents:

EN60745

The technical documentation is kept by our authorised representative in Europe who is:

Makita International Europe Ltd,
Michigan, Drive, Tongwell,
Milton Keynes, MK15 8JD, England

19th June 2009



Tomoyasu Kato
Director

000230

Makita Corporation
3-11-8, Sumiyoshi-cho,
Anjo, Aichi, JAPAN

GEA010-1

General Power Tool Safety

Warnings

⚠ WARNING Read all safety warnings and all instructions. Failure to follow the warnings and instructions may result in electric shock, fire and/or serious injury.

Save all warnings and instructions for future reference.

GEB033-3

GRINDER SAFETY WARNINGS

Safety Warnings Common for Grinding, Sanding, Wire Brushing, or Abrasive Cutting-Off Operations:

1. **This power tool is intended to function as a grinder, sander, wire brush or cut-off tool. Read all safety warnings, instructions, illustrations and specifications provided with this power tool.** Failure to follow all instructions listed below may result in electric shock, fire and/or serious injury.
2. **Operations such as polishing are not recommended to be performed with this power tool.** Operations for which the power tool was not designed may create a hazard and cause personal injury.
3. **Do not use accessories which are not specifically designed and recommended by the tool manufacturer.** Just because the accessory can be attached to your power tool, it does not assure safe operation.

4. **The rated speed of the accessory must be at least equal to the maximum speed marked on the power tool.** Accessories running faster than their rated speed can break and fly apart.
5. **The outside diameter and the thickness of your accessory must be within the capacity rating of your power tool.** Incorrectly sized accessories cannot be adequately guarded or controlled.
6. **The arbour size of wheels, flanges, backing pads or any other accessory must properly fit the spindle of the power tool.** Accessories with arbour holes that do not match the mounting hardware of the power tool will run out of balance, vibrate excessively and may cause loss of control.
7. **Do not use a damaged accessory. Before each use inspect the accessory such as abrasive wheels for chips and cracks, backing pad for cracks, tear or excess wear, wire brush for loose or cracked wires. If power tool or accessory is dropped, inspect for damage or install an undamaged accessory. After inspecting and installing an accessory, position yourself and bystanders away from the plane of the rotating accessory and run the power tool at maximum no-load speed for one minute.** Damaged accessories will normally break apart during this test time.
8. **Wear personal protective equipment. Depending on application, use face shield, safety goggles or safety glasses. As appropriate, wear dust mask, hearing protectors, gloves and workshop apron capable of stopping small abrasive or workpiece fragments.** The eye protection must be capable of stopping flying debris generated by various operations. The dust mask or respirator must be capable of filtering particles generated by your operation. Prolonged exposure to high intensity noise may cause hearing loss.
9. **Keep bystanders a safe distance away from work area. Anyone entering the work area must wear personal protective equipment.** Fragments of workpiece or of a broken accessory may fly away and cause injury beyond immediate area of operation.
10. **Hold power tool by insulated gripping surfaces only, when performing an operation where the cutting accessory may contact hidden wiring or its own cord.** Cutting accessory contacting a "live" wire may make exposed metal parts of the power tool "live" and shock the operator.
11. **Position the cord clear of the spinning accessory.** If you lose control, the cord may be cut or snagged and your hand or arm may be pulled into the spinning accessory.

12. **Never lay the power tool down until the accessory has come to a complete stop.** The spinning accessory may grab the surface and pull the power tool out of your control.
13. **Do not run the power tool while carrying it at your side.** Accidental contact with the spinning accessory could snag your clothing, pulling the accessory into your body.
14. **Regularly clean the power tool's air vents.** The motor's fan will draw the dust inside the housing and excessive accumulation of powdered metal may cause electrical hazards.
15. **Do not operate the power tool near flammable materials.** Sparks could ignite these materials.
16. **Do not use accessories that require liquid coolants.** Using water or other liquid coolants may result in electrocution or shock.

Kickback and Related Warnings

Kickback is a sudden reaction to a pinched or snagged rotating wheel, backing pad, brush or any other accessory. Pinching or snagging causes rapid stalling of the rotating accessory which in turn causes the uncontrolled power tool to be forced in the direction opposite of the accessory's rotation at the point of the binding.

For example, if an abrasive wheel is snagged or pinched by the workpiece, the edge of the wheel that is entering into the pinch point can dig into the surface of the material causing the wheel to climb out or kick out. The wheel may either jump toward or away from the operator, depending on direction of the wheel's movement at the point of pinching. Abrasive wheels may also break under these conditions.

Kickback is the result of power tool misuse and/or incorrect operating procedures or conditions and can be avoided by taking proper precautions as given below.

- a) **Maintain a firm grip on the power tool and position your body and arm to allow you to resist kickback forces. Always use auxiliary handle, if provided, for maximum control over kickback or torque reaction during start-up.** The operator can control torque reactions or kickback forces, if proper precautions are taken.
- b) **Never place your hand near the rotating accessory.** Accessory may kickback over your hand.
- c) **Do not position your body in the area where power tool will move if kickback occurs.** Kickback will propel the tool in direction opposite to the wheel's movement at the point of snagging.
- d) **Use special care when working corners, sharp edges etc. Avoid bouncing and snagging the accessory.** Corners, sharp edges or bouncing have a tendency to snag the rotating accessory and cause loss of control or kickback.
- e) **Do not attach a saw chain woodcarving blade or toothed saw blade.** Such blades create frequent kickback and loss of control

Safety Warnings Specific for Grinding and Abrasive Cutting-Off Operations:

- a) **Use only wheel types that are recommended for your power tool and the specific guard designed for the selected wheel.** Wheels for which the power tool was not designed cannot be adequately guarded and are unsafe.
- b) **The guard must be securely attached to the power tool and positioned for maximum safety, so the least amount of wheel is exposed towards the operator.** The guard helps to protect operator from broken wheel fragments and accidental contact with wheel.
- c) **Wheels must be used only for recommended applications. For example: do not grind with the side of cut-off wheel.** Abrasive cut-off wheels are intended for peripheral grinding, side forces applied to these wheels may cause them to shatter.
- d) **Always use undamaged wheel flanges that are of correct size and shape for your selected wheel.** Proper wheel flanges support the wheel thus reducing the possibility of wheel breakage. Flanges for cut-off wheels may be different from grinding wheel flanges.
- e) **Do not use worn down wheels from larger power tools.** Wheel intended for larger power tool is not suitable for the higher speed of a smaller tool and may burst.

Additional Safety Warnings Specific for Abrasive Cutting-Off Operations:

- a) **Do not "jam" the cut-off wheel or apply excessive pressure. Do not attempt to make an excessive depth of cut.** Overstressing the wheel increases the loading and susceptibility to twisting or binding of the wheel in the cut and the possibility of kickback or wheel breakage.
- b) **Do not position your body in line with and behind the rotating wheel.** When the wheel, at the point of operation, is moving away from your body, the possible kickback may propel the spinning wheel and the power tool directly at you.
- c) **When wheel is binding or when interrupting a cut for any reason, switch off the power tool and hold the power tool motionless until the wheel comes to a complete stop. Never attempt to remove the cut-off wheel from the cut while the wheel is in motion otherwise kickback may occur.** Investigate and take corrective action to eliminate the cause of wheel binding
- d) **Do not restart the cutting operation in the workpiece. Let the wheel reach full speed and carefully reenter the cut.** The wheel may bind, walk up or kickback if the power tool is restarted in the workpiece.
- e) **Support panels or any oversized workpiece to minimize the risk of wheel pinching and kickback.** Large workpieces tend to sag under

their own weight. Supports must be placed under the workpiece near the line of cut and near the edge of the workpiece on both sides of the wheel.

f) **Use extra caution when making a “pocket cut” into existing walls or other blind areas.** The protruding wheel may cut gas or water pipes, electrical wiring or objects that can cause kickback.

Safety Warnings Specific for Sanding Operations:

a) **Do not use excessively oversized sanding disc paper. Follow manufacturers recommendations, when selecting sanding paper.** Larger sanding paper extending beyond the sanding pad presents a laceration hazard and may cause snagging, tearing of the disc or kickback.

Safety Warnings Specific for Wire Brushing Operations:

a) **Be aware that wire bristles are thrown by the brush even during ordinary operation. Do not overstress the wires by applying excessive load to the brush.** The wire bristles can easily penetrate light clothing and/or skin.

b) **If the use of a guard is recommended for wire brushing, do not allow interference of the wire wheel or brush with the guard.** Wire wheel or brush may expand in diameter due to work load and centrifugal forces.

Additional safety warnings:

17. **When using depressed centre grinding wheels, be sure to use only fiberglass-reinforced wheels.**
18. **Be careful not to damage the spindle, the flange (especially the installing surface) or the lock nut. Damage to these parts could result in wheel breakage.**
19. **Make sure the wheel is not contacting the workpiece before the switch is turned on.**
20. **Before using the tool on an actual workpiece, let it run for a while. Watch for vibration or wobbling that could indicate poor installation or a poorly balanced wheel.**
21. **Use the specified surface of the wheel to perform the grinding.**
22. **Watch out for flying sparks. Hold the tool so that sparks fly away from you and other persons or flammable materials.**
23. **Do not leave the tool running. Operate the tool only when hand-held.**
24. **Do not touch the workpiece immediately after operation; it may be extremely hot and could burn your skin.**
25. **Always be sure that the tool is switched off and unplugged or that the battery cartridge is removed before carrying out any work on the tool.**
26. **Observe the instructions of the manufacturer for correct mounting and use of wheels. Handle and store wheels with care.**

27. **Do not use separate reducing bushings or adaptors to adapt large hole abrasive wheels.**
28. **Use only flanges specified for this tool.**
29. **For tools intended to be fitted with threaded hole wheel, ensure that the thread in the wheel is long enough to accept the spindle length.**
30. **Check that the workpiece is properly supported.**
31. **Pay attention that the wheel continues to rotate after the tool is switched off.**
32. **If working place is extremely hot and humid, or badly polluted by conductive dust, use a short-circuit breaker (30 mA) to assure operator safety.**
33. **Do not use the tool on any materials containing asbestos.**
34. **Do not use water or grinding lubricant.**
35. **Ensure that ventilation openings are kept clear when working in dusty conditions. If it should become necessary to clear dust, first disconnect the tool from the mains supply (use non metallic objects) and avoid damaging internal parts.**
36. **When use cut-off wheel, always work with the dust collecting wheel guard required by domestic regulation.**
37. **Cutting discs must not be subjected to any lateral pressure.**

SAVE THESE INSTRUCTIONS.

⚠WARNING:

DO NOT let comfort or familiarity with product (gained from repeated use) replace strict adherence to safety rules for the subject product. **MISUSE** or failure to follow the safety rules stated in this instruction manual may cause serious personal injury.

FUNCTIONAL DESCRIPTION

⚠CAUTION:

- Always be sure that the tool is switched off and unplugged before adjusting or checking function on the tool.

Shaft lock

⚠CAUTION:

- Never actuate the shaft lock when the spindle is moving. The tool may be damaged.

Fig.1

Press the shaft lock to prevent spindle rotation when installing or removing accessories.

Switch handle mounting positions (For Models GA7030R, GA7040R, GA9030R and GA9040R)

Fig.2

The switch handle can be rotated to either 90° left or right to fit your work needs. First, unplug the tool. Press the lock button and rotate the switch handle to left or right fully. The switch handle will be locked in that position.

⚠CAUTION:

- Always make sure that the switch handle is locked in the desired position before operation.

Switch action

⚠CAUTION:

- Before plugging in the tool, always check to see that the switch trigger actuates properly and returns to the "OFF" position when released.

Fig.3

For tool with the lock-on switch

To start the tool, simply pull the switch trigger (in the B direction). Release the switch trigger to stop. For continuous operation, pull the switch trigger (in the B direction) and then push in the lock lever (in the A direction). To stop the tool from the locked position, pull the switch trigger fully (in the B direction), then release it.

For tool with the lock on and lock-off switch

Fig.4

To prevent the switch trigger from accidentally pulled, a lock lever is provided.

To start the tool, push in the lock lever (in the A direction) and then pull the switch trigger (in the B direction). Release the switch trigger to stop.

For continuous operation, push in the lock lever (in the A direction), pull the switch trigger (in the B direction) and then pull the lock lever (in the C direction).

To stop the tool from the locked position, pull the switch trigger fully (in the B direction), then release it.

Indication lamp

Fig.5

The indication lamp lights up green when the tool is plugged. If the indication lamp does not light up, the mains cord or the controller may be defective. The indication lamp is lit but the tool does not start even if the tool is switched on, the carbon brushes may be worn out, or the controller, the motor or the ON/OFF switch may be defective.

Unintentional restart proof

Even locking lever keeping the switch trigger depressed (Lock-on position) does not allow the tool to restart even when the tool is plugged.

At this time, the indication lamp flickers red and shows the unintentional restart proof device is on function.

To cancel the unintentional restart proof, pull the switch trigger fully, then release it.

Soft start feature

These models begin to run slowly when they are turned on. This soft start feature assures smoother operation.

ASSEMBLY

⚠CAUTION:

- Always be sure that the tool is switched off and unplugged before carrying out any work on the tool.

Installing side grip (handle)

⚠CAUTION:

- Always be sure that the side grip is installed securely before operation.

Fig.6

Screw the side grip securely on the position of the tool as shown in the figure.

Installing or removing wheel guard (For depressed center wheel , multi disc , wire wheel brush / abrasive cut-off wheel , diamond wheel)

⚠WARNING:

- When using a depressed center grinding wheel/Multi-disc, flex wheel or wire wheel brush, the wheel guard must be fitted on the tool so that the closed side of the guard always points toward the operator.
- When using an abrasive cut-off / diamond wheel, be sure to use only the special wheel guard designed for use with cut-off wheels.

For tool with locking screw type wheel guard

Fig.7

Mount the wheel guard with the protrusion on the wheel guard band aligned with the notch on the bearing box. Then rotate the wheel guard around 180 degrees counterclockwise. Be sure to tighten the screw securely. To remove wheel guard, follow the installation procedure in reverse.

For tool with clamp lever type wheel guard

Fig.8

Fig.9

Loosen the lever on the wheel guard. Mount the wheel guard with the protrusion on the wheel guard band aligned with the notch on the bearing box. Then rotate the wheel guard around to the position shown in the figure. Tighten the lever to fasten the wheel guard. If the lever is too tight or too loose to fasten the wheel guard, loosen or tighten the nut to adjust the tightening of the wheel guard band.

To remove wheel guard, follow the installation procedure in reverse.

Installing or removing depressed center grinding wheel/Multi-disc (accessory)

⚠WARNING:

- Always use supplied guard when depressed center grinding wheel/Multi-disc is on tool. Wheel can shatter during use and guard helps to reduce chances of personal injury.

Fig.10

Mount the inner flange onto the spindle. Fit the wheel/disc on the inner flange and screw the lock nut onto the spindle.

NOTE:

When using a more than 7 mm thick depressed center grinding wheel, overturn the lock nut and screw it onto the spindle.

Super flange

Models with the letter F are standard-equipped with a super flange. Only 1/3 of efforts needed to undo lock nut, compared with conventional type.

For Australia and New Zealand

Fig.11

Mount the inner flange onto the spindle. Fit the wheel/disc on the inner flange and screw the lock nut with its protrusion facing downward (facing toward the wheel).

Fig.12

To tighten the lock nut, press the shaft lock firmly so that the spindle cannot revolve, then use the lock nut wrench and securely tighten clockwise.

To remove the wheel, follow the installation procedure in reverse.

Installing or removing abrasive disc (optional accessory)

NOTE:

- Use sander accessories specified in this manual. These must be purchased separately.

Fig.13

Mount the rubber pad onto the spindle. Fit the disc on the rubber pad and screw the lock nut onto the spindle. To tighten the lock nut, press the shaft lock firmly so that the spindle cannot revolve, then use the lock nut wrench and securely tighten clockwise.

To remove the disc, follow the installation procedure in reverse.

OPERATION

⚠WARNING:

- It should never be necessary to force the tool. The weight of the tool applies adequate pressure. Forcing and excessive pressure could cause dangerous wheel breakage.

- ALWAYS replace wheel if tool is dropped while grinding.
- NEVER bang or hit grinding disc or wheel onto work.
- Avoid bouncing and snagging the wheel, especially when working corners, sharp edges etc. This can cause loss of control and kickback.
- NEVER use tool with wood cutting blades and other sawblades. Such blades when used on a grinder frequently kick and cause loss of control leading to personal injury.

⚠CAUTION:

- Never switch on the tool when it is in contact with the workpiece, it may cause an injury to operator.
- Always wear safety goggles or a face shield during operation.
- After operation, always switch off the tool and wait until the wheel has come to a complete stop before putting the tool down.

Grinding and sanding operation

Fig.14

ALWAYS hold the tool firmly with one hand on rear handle and the other on the side handle. Turn the tool on and then apply the wheel or disc to the workpiece.

In general, keep the edge of the wheel or disc at an angle of about 15 degrees to the workpiece surface.

During the break-in period with a new wheel, do not work the grinder in the B direction or it will cut into the workpiece. Once the edge of the wheel has been rounded off by use, the wheel may be worked in both A and B direction.

Operation with wire cup brush (optional accessory)

⚠CAUTION:

- Check operation of brush by running tool with no load, insuring that no one is in front of or in line with brush.
- Do not use brush that is damaged, or which is out of balance. Use of damaged brush could increase potential for injury from contact with broken brush wires.

Fig.15

Unplug tool and place it upside down allowing easy access to spindle. Remove any accessories on spindle. Mount wire cup brush onto spindle and tighten with supplied wrench. When using brush, avoid applying too much pressure which causes over bending of wires, leading to premature breakage.

Operation with wire wheel brush (optional accessory)

⚠CAUTION:

- Check operation of wire wheel brush by running tool with no load, insuring that no one is in front of or in line with the wire wheel brush.

- Do not use wire wheel brush that is damaged, or which is out of balance. Use of damaged wire wheel brush could increase potential for injury from contact with broken wires.
- ALWAYS use guard with wire wheel brushes, assuring diameter of wheel fits inside guard. Wheel can shatter during use and guard helps to reduce chances of personal injury.

Fig.16

Unplug tool and place it upside down allowing easy access to spindle. Remove any accessories on spindle. Thread wire wheel brush onto spindle and tighten with the wrenches.

When using wire wheel brush, avoid applying too much pressure which causes over bending of wires, leading to premature breakage.

Operation with abrasive cut-off / diamond wheel (optional accessory)

⚠WARNING:

- When using an abrasive cut-off / diamond wheel, be sure to use only the special wheel guard designed for use with cut-off wheels.
- NEVER use cut-off wheel for side grinding.
- Do not "jam" the wheel or apply excessive pressure. Do not attempt to make an excessive depth of cut. Overstressing the wheel increases the loading and susceptibility to twisting or binding of the wheel in the cut and the possibility of kickback, wheel breakage and overheating of the motor may occur.
- Do not start the cutting operation in the workpiece. Let the wheel reach full speed and carefully enter into the cut moving the tool forward over the workpiece surface. The wheel may bind, walk up or kickback if the power tool is started in the workpiece.
- During cutting operations, never change the angle of the wheel. Placing side pressure on the cut-off wheel (as in grinding) will cause the wheel to crack and break, causing serious personal injury.
- A diamond wheel shall be operated perpendicular to the material being cut.

Mount the inner flange onto the spindle. Fit the wheel/disc on the inner flange and screw the lock nut onto the spindle.

Fig.17

When installing a diamond wheel or a abrasive cut-off wheel with its 7mm or more thick wheel body, mount the lock nut with its pilot circular part (protrusion) for wheel bore facing the wheel.

For Australia and New Zealand

Installing or removing abrasive cut-off wheel / diamond wheel (optional accessory)

Fig.18

MAINTENANCE

⚠CAUTION:

- Always be sure that the tool is switched off and unplugged before attempting to perform inspection or maintenance.

NOTICE:

- Never use gasoline, benzine, thinner, alcohol or the like. Discoloration, deformation or cracks may result.

Fig.19

The tool and its air vents have to be kept clean. Regularly clean the tool's air vents or whenever the vents start to become obstructed.

Replacing carbon brushes

Fig.20

When the resin insulating tip inside the carbon brush is exposed to contact the commutator, it will automatically shut off the motor. When this occurs, both carbon brushes should be replaced. Keep the carbon brushes clean and free to slip in the holders. Both carbon brushes should be replaced at the same time. Use only identical carbon brushes.

Fig.21

Use a screwdriver to remove the brush holder caps. Take out the worn carbon brushes, insert the new ones and secure the brush holder caps.

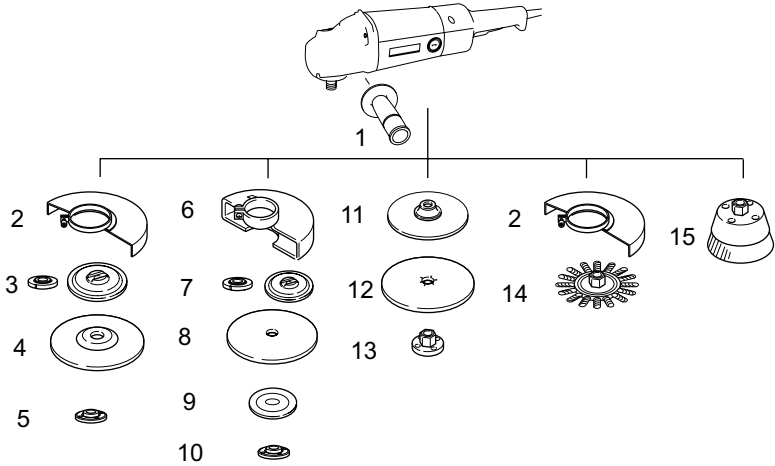
To maintain product SAFETY and RELIABILITY, repairs, any other maintenance or adjustment should be performed by Makita Authorized Service Centers, always using Makita replacement parts.

ACCESSORIES

⚠CAUTION:

- These accessories or attachments are recommended for use with your Makita tool specified in this manual. The use of any other accessories or attachments might present a risk of injury to persons. Only use accessory or attachment for its stated purpose.

If you need any assistance for more details regarding these accessories, ask your local Makita Service Center.



1	Side grip
2	Wheel guard for Depressed center grinding wheel / Multi disc / Wire wheel brush
3	Inner flange / Super flange / Inner flange 102 (Australia and New Zealand only)
4	Depressed center grinding wheel/Multi-disc
5	Lock nut / Ezynut*1
6	Wheel guard for Abrasive cut off wheel / Diamond wheel
7	Inner flange / Super flange / Inner flange 78 (Australia and New Zealand only)
8	Abrasive cut off wheel / Diamond wheel
9	Outer flange 78 (Australia and New Zealand only)*2
10	Lock nut / Ezynut*1
11	Rubber pad
12	Abrasive disc
13	Sanding lock nut
14	Wire wheel brush
15	Wire cup brush
—	Lock nut wrench
—	Dust cover attachment

*1 Do not use Supper flange and Ezynut together.

*2 Use Inner flange 78 and Outer flange 78 together. (Australia and New Zealand only)

УКРАЇНСЬКА (Оригінальні інструкції)

Пояснення до загального виду

1-1. Фіксатор	10-1. Контргайка	17-4. Кожух диска для абразивного відрізного диска/алмазного диска
2-1. Корпус двигуна	10-2. Диск з увігнутим центром	18-1. Контргайка
2-2. Фіксатор	10-3. Супер фланець	18-2. Зовнішній фланець 78
2-3. Ручка	10-4. Внутрішній фланець	18-3. Абразивний відрізний диск/алмазний диск
3-1. Стопорний важіль	11-1. Контргайка	18-4. Внутрішній фланець 78
3-2. Кнопка вимикача	11-2. Диск з увігнутим центром	18-5. Кожух диска для абразивного відрізного диска/алмазного диска
4-1. Стопорний важіль	11-3. Внутрішній фланець	19-1. Повітровідвід
4-2. Кнопка вимикача	12-1. Ключ для контргайки	19-2. Вдихальний клапан
5-1. Лампочка індикатора	12-2. Фіксатор	20-1. Комутатор
7-1. Кожух диска	13-1. Контргайка	20-2. Ізольючий наконечник
7-2. Гвинт	13-2. Абразивний диск	20-3. Графітова щітка
7-3. Коробка підшипника	13-3. Гумова підкладка	21-1. Ковпачок щіткотримача
8-1. Кожух диска	15-1. Чашоподібна дротяна щітка	21-2. Вирутка
8-2. Коробка підшипника	16-1. Дискова дротяна щітка	
8-3. Гайка	17-1. Контргайка	
8-4. Важіль	17-2. Абразивний відрізний диск/алмазний диск	
9-1. Гайка	17-3. Внутрішній фланець	
9-2. Важіль		

ТЕХНІЧНІ ХАРАКТЕРИСТИКИ

Модель	GA7020R	GA7030R	GA7040R	GA9020R	GA9030R	GA9040R
Діаметр диска з увігнутим центром	180 мм			230 мм		
Різьба шпинделя	M14					
Номінальна швидкість (n) / Швидкість без навантаження (n ₀)	8500(хв. ⁻¹)			6600(хв. ⁻¹)		
Загальна довжина	473 мм	503 мм		473 мм	503 мм	
Чиста вага	5,6 кг	6,3 кг	6,6 кг	5,8 кг	6,5 кг	6,9 кг
Клас безпеки	II					

• Через те, що ми не припиняємо програми досліджень і розвитку, наведені тут технічні характеристики можуть бути змінені без попередження.

• У різних країнах технічні характеристики можуть бути різними.

• Вага відповідно до EPTA-Procedure 01/2003

ENE048-1

Призначення

Інструмент призначений для шліфування, обробка піском та різання металу та каміння без використання води.

ENF002-1

Джерело живлення

Інструмент можна підключати лише до джерела струму, що має напругу, зазначену в таблиці з заводськими характеристиками, і він може працювати лише від однофазного джерела перемінного струму. Інструмент має подвійну ізоляцію згідно з європейським стандартом і, отже, може підключатися до розеток без клеми заземлення.

Для моделі GA7020R

ENG102-3

Шум

Рівень шуму за шкалою А у типовому виконанні, визначений відповідно до EN60745:

Рівень звукового тиску (L_{PA}): 90 дБ(А)

Рівень звукової потужності (L_{WA}): 101 дБ(А)

Погрішність (K): 3 дБ(А)

Обов'язково використовуйте протишумові засоби

ENG208-4

Вібрація

Загальна величина вібрації (сума трьох векторів), визначена згідно з EN60745:

Режим роботи: полірування поверхні

Вібрація (a_{red,AG}): 8,0 м/с²

Похибка (K): 1,5 м/с²

У разі використання інструменту за іншим призначенням величина вібрації може відрізнятись.

ENG313-2

Режим роботи: шліфування за допомогою диску

Вібрація (a_{h,DS}): 3,0 м/с²

Похибка (K): 1,5 м/с²

Для моделі GA7030R

ENG102-3

Шум

Рівень шуму за шкалою А у типовому виконанні, визначений відповідно до EN60745:

Рівень звукового тиску (L_{pA}): 90 дБ(А)

Рівень звукової потужності (L_{WA}): 101 дБ(А)

Погрішність (К): 3 дБ(А)

Обов'язково використовуйте протишумові засоби

ENG208-4

Вібрація

Загальна величина вібрації (сума трьох векторів), визначена згідно з EN60745:

Режим роботи: полірування поверхні

Вібрація ($a_{rod,AG}$): 6,5 м/с²

Похибка (К): 1,5 м/с²

У разі використання інструменту за іншим призначенням величина вібрації може відрізнятись.

ENG313-2

Режим роботи: шліфування за допомогою диску

Вібрація ($a_{h,DS}$): 3,5 м/с²

Похибка (К): 1,5 м/с²

Для моделі GA7040R

ENG102-3

Шум

Рівень шуму за шкалою А у типовому виконанні, визначений відповідно до EN60745:

Рівень звукового тиску (L_{pA}): 90 дБ(А)

Рівень звукової потужності (L_{WA}): 101 дБ(А)

Погрішність (К): 3 дБ(А)

Обов'язково використовуйте протишумові засоби

ENG208-4

Вібрація

Загальна величина вібрації (сума трьох векторів), визначена згідно з EN60745:

Режим роботи: полірування поверхні

Вібрація ($a_{rod,AG}$): 7,0 м/с²

Похибка (К): 1,5 м/с²

У разі використання інструменту за іншим призначенням величина вібрації може відрізнятись.

ENG313-2

Режим роботи: шліфування за допомогою диску

Вібрація ($a_{h,DS}$): 3,0 м/с²

Похибка (К): 1,5 м/с²

Для моделі GA9020R, GA9040R

ENG102-3

Шум

Рівень шуму за шкалою А у типовому виконанні, визначений відповідно до EN60745:

Рівень звукового тиску (L_{pA}): 90 дБ(А)

Рівень звукової потужності (L_{WA}): 101 дБ(А)

Погрішність (К): 3 дБ(А)

Обов'язково використовуйте протишумові засоби

Вібрація

Загальна величина вібрації (сума трьох векторів), визначена згідно з EN60745:

Режим роботи: полірування поверхні

Вібрація ($a_{rod,AG}$): 6,0 м/с²

Похибка (К): 1,5 м/с²

У разі використання інструменту за іншим призначенням величина вібрації може відрізнятись.

ENG313-2

Режим роботи: шліфування за допомогою диску

Вібрація ($a_{h,DS}$): 2,5 м/с²

Похибка (К): 1,5 м/с²

Для моделі GA9030R

ENG102-3

Шум

Рівень шуму за шкалою А у типовому виконанні, визначений відповідно до EN60745:

Рівень звукового тиску (L_{pA}): 90 дБ(А)

Рівень звукової потужності (L_{WA}): 101 дБ(А)

Погрішність (К): 3 дБ(А)

Обов'язково використовуйте протишумові засоби

ENG208-4

Вібрація

Загальна величина вібрації (сума трьох векторів), визначена згідно з EN60745:

Режим роботи: полірування поверхні

Вібрація ($a_{rod,AG}$): 5,5 м/с²

Похибка (К): 1,5 м/с²

У разі використання інструменту за іншим призначенням величина вібрації може відрізнятись.

ENG313-2

Режим роботи: шліфування за допомогою диску

Вібрація ($a_{h,DS}$): 2,5 м/с²

Похибка (К): 1,5 м/с²

ENG901-1

- Заявлене значення вібрації було виміряно у відповідності до стандартних методів тестування та може використовуватися для порівняння одного інструмента з іншим.
- Заявлене значення вібрації може також використовуватися для попередньої оцінки впливу.

⚠УВАГА:

- Залежно від умов використання вібрація під час фактичної роботи інструмента може відрізнятись від заявленого значення вібрації.
- Забезпечте належні запобіжні заходи для захисту оператора, що відповідатимуть умовам використання інструмента (слід брати до уваги всі складові робочого циклу, такі як час, коли інструмент вимкнено та коли він починає працювати на холостому ході під час запуску).

Тільки для країн Європи

Декларація про відповідність стандартам ЄС

Наша компанія, **Makita Corporation**, як відповідальний виробник, наголошує на тому, що обладнання **Makita**:

Позначення обладнання:
Кутова шліфувальна машина

№ моделі/ тип: GA7020R, GA7030R, GA7040R, GA9020R, GA9030R, GA9040R

є серійним виробництвом та

Відповідає таким Європейським Директивам:

98/37/ЕС до 28 грудня 2009 року, а потім
2006/42/ЕС з 29 грудня 2009 року

Та вироблені у відповідності до таких стандартів та стандартизованих документів:

EN60745

Технічна документація знаходиться у нашого уповноваженого представника в Європі, а саме:

Makita International Europe Ltd,
Michigan, Drive, Tongwell,
Milton Keynes, MK15 8JD, Англія

19 червня 2009



000230

Томоязу Като
Директор

Makita Corporation
3-11-8, Sumiyoshi-cho,
Anjo, Aichi, ЯПОНІЯ

GEA010-1

Застереження стосовно техніки безпеки при роботі з електроприладами

⚠ УВАГА! Прочитайте усі застереження стосовно техніки безпеки та всі інструкції. Недотримання даних застережень та інструкцій може призвести до ураження струмом та виникнення пожежі та/або серйозних травм.

Збережіть усі інструкції з техніки безпеки та експлуатації на майбутнє.

GEB033-3

ПОПЕРЕДЖЕННЯ ПРО НЕОБХІДНУ ОБЕРЕЖНІСТЬ ПІД ЧАС РОБОТИ З КУТОВОЮ ШЛІФУВАЛЬНОЮ МАШИНОЮ

Попередження про небезпеку загальні для операцій полірування, шліфування, зачищення металевою щіткою або абразивного різання:

1. Цей інструмент призначений для використання у якості машини для шліфування, полірування, зачищення металевою щіткою або відрізання. Уважно ознайомся з усіма попередженнями про безпеку, інструкціями, ілюстраціями та технічними характеристиками цього електроінструменту. Невиконання цих інструкцій може призвести до ураження електричним струмом, пожежі та/або серйозного поранення.
2. За допомогою цього інструменту не рекомендовано виконувати такі операції як шліфування, чищення металу за допомогою металевої щітки, полірування або відрізання. Використання інструменту не за призначенням може утворити небезпечно становище та призвести до поранення.
3. Не слід використовувати допоміжні приналежності, які спеціально не призначені та не рекомендовані для цього інструменту виробником. Навіть якщо вони добре приєднуються до інструменту, це не гарантує небезпечної експлуатації.
4. Номінальна швидкість допоміжних пристроїв повинна щонайменш дорівнюватися максимальній швидкості, що відзначена на електроінструменті. Допоміжні пристрої, що працюють швидше своєї номінальної швидкості можуть поламатися та відскочити.
5. Зовнішній діаметр та товщина вашого допоміжного приладу повинні бути у межах паспортної потужності вашого електроінструменту. Приладдя неналежних розмірів не можна захистити або контролювати належним чином.
6. Розмір штока дисків, фланців, підкладок або будь-яких інших при належностей повинен підходити для шпинделя інструмента. Приналежності із отворами під шпindel, що не підходять під кріплення інструмента будуть розбалансовані, матимуть надмірну вібрацію та можуть призвести до втрати контролю.
7. Не слід користуватися пошкодженим приладдям Перед кожним використанням слід перевірити приналежність, таку як абразивні диски, на наявність сколів або тріщин, зносу, а металеві щітки - на наявність послабленого або тріснутого дроту. У разі падіння інструменту або приладдя, слід оглянути їх на наявність пошкоджень або встановити неушкожене приладдя. Після огляду та встановлення приналежності, слід зайняти таке положення, коли ви та ваші сусіди знаходяться на відстані від площини

приладу, що обертається, запустить інструмент та дайте йому попрацювати на максимальній швидкості без навантаження протягом однієї хвилини. Під час цього пробного прогону приналежності прилади, як правило, розбиваються.

8. **Слід одягати засоби індивідуального захисту. Слід користуватися щитком-маскою, захисними окулярами або захисними лінзами відповідно до області застосування. Це означає, що слід одягати пилозахисну маску, засоби захисту органів слуху, рукавиці та фартух, які здатні затримувати дрібні частки деталі та наждаку.** Засоби захисту органів зору повинні бути здатними затримувати сміття, що утворюється під час виконання різних операцій. Пилозахисна маска або респіратор повинні бути здатними фільтрувати часточки, що утворюються під час роботи. Тривалий вплив сильного шуму може призвести до втрати слуху.
9. **Спостерігачі повинні знаходитися на небезпечному відстані від місця роботи. Кожний, хто приходить в робочу зону повинен одягати засоби індивідуального захисту.** Частки деталі або уламки приладдя може відлетіти за межі безпосередньої зони роботи та поранити.
10. **Під час різання, коли ріжучий інструмент може торкнутися схованої електропроводки або свого шнуру, інструмент слід тримати за ізольовані поверхні держака.** Торкання ріжучим приладом струмоведучої проводки може призвести до передання напруги до металевих частин інструменту та ураженню електричним струмом оператора.
11. **Шнур слід розміщувати без змотуючого пристрою.** Якщо ви втратите контроль, шнур може бути перерізаним або пошкодженим та ваша рука може потрапити до змотуючого пристрою.
12. **Не слід класти інструмент доки прилад повністю не зупиниться.** Змотуючий пристрій може захопити шнур та вирвати його з-під контролю.
13. **Не слід запускати інструмент, коли ви його тримаєте збоку себе.** Випадкове стикання зі змотуючим пристроєм може захопити ваш одяг, що в свою чергу може призвести до штовхання приладу до вас.
14. **Слід регулярно чистити вентиляційні отвори інструменту.** Вентилятор двигуна втягує пил усередину кожуха та надмірне скучення металевого порошку створює ризик ураження електричним струмом.
15. **Не слід працювати біля займистих матеріалів.** Вони можуть спалахнути від іскри.

16. **Не слід застосовувати допоміжне приладдя, що потребує рідких охолоджувачів.** Використання води, або рідких охолоджувачів може призвести по ураження електричним струмом або смерті.

Віддача та відповідні попереджувальні заходи

Віддача це несподівана реакція на защемлення, чіплення поворотного кола, підкладки, щітки або яогось іншої приналежності. Защемлення або чіплення призводять до швидкої зупинки поворотної приналежності, що в свою чергу спричиняє до неконтрольованого спонукання інструменту у протилежному напрямку від обертання приналежності у місці заїдання.

Наприклад, якщо абразивне коло защемлене або зачеплене деталлю, край кола, що входить до місця защемлення може зануритися в поверхню матеріалу, що призведе до зіскок кола та віддачі. Коло може відскочити до або від оператора, це залежить від напрямку руху кола в місці защемлення. За таких умов абразивні кола можуть поламатися.

Причинами віддачі є неправильне користування інструментом та/або неправильний порядок експлуатації або умови експлуатації, та їх можна уникнути дотримуючись запобіжних заходів, що наведені нижче:

- a) **Міцно тримай держак на інструменті та займи таке положення, при якому зможеш протистояти зусиллям віддачі.** Завжди користайся допоміжною ручкою. Також, якщо є, щоб збільшити до максимуму контроль над віддачею або реакцією крутного моменту під час пуску. Якщо додержуватися усіх запобіжних заходів, оператор зможе контролювати реакції крутного моменту або зусилля віддачі.
- b) **Ніколи не слід розміщувати руку біля приналежності, що обертається.** Вона може відскочити на руку.
- c) **Не слід стояти в зоні, куди посунеться інструмент під час віддачі.** Віддача спонукатиме інструмент у протилежному напрямку до напрямку руху кола в місці защемлення.
- d) **Слід бути особливо пильним під час обробки кутів, гострих країв і т.д. Уникайте коливання та чіплення приналежності.** Кути, гострі краї або коливання мають тенденцію до чіплення приналежності, що обертається, що в свою чергу призводить до втрати контролю та віддачі.
- e) **Заборонено встановлювати пильний ланцюг, полотно для різби по дереву або полотно зубчастої пили.** такі полотна створюють часту віддачу та призводять до втрати контролю

Попередження про небезпеку загальні для операцій полірування та абразивного різання:

а) Використовуйте тільки типи дисків, які рекомендовані для вашого інструмента, а також спеціальний кожух під обраний диск. Диски, на які інструмент не розрахований, не можуть бути надійно закріплені та є небезпечними.

б) Кожух повинен бути надійно закріплений на інструменті та розташований максимально безпечно, щоб для оператора диск був якомога менше відкритим. Кожух допомагає захищати оператора від осколків зламаного диска та від випадкового контакту з диском.

с) Диски слід використовувати тільки за їх рекомендованим призначенням. Наприклад: **Не слід шліфувати бічною стороною відрізного диска.** Абразивні відрізни диски призначені для шліфування периферією диска, при прикладанні бічних зусиль до цих дисків, вони можуть розбитися.

д) Слід завжди використовувати неушкоджені фланці диска, розмір та форми яких відповідають обраному диску. Належні фланці добре утримують диск, й таким чином зменшують ймовірність поломки диска. Фланці для відрізних дисків можуть відрізнятись від фланців шліфувальних дисків.

е) **Не слід використовувати зношені диски більших інструментів.** Диск, що призначений для більшого інструменту не підходить до вищої швидкості меншого інструменту та може розірватися.

Додаткові попередження про небезпеку загальні для операцій полірування та абразивного різання:

а) **Не можна «заклинювати» відрізний диск або прикладати надмірний тиск. Не слід намагатись зробити проріз надмірної глибини.** Перенапруга диска збільшує навантаження та схильність до перекошування або застрявання диска в прорізі, а також створює можливість віддачі або поломки диска.

б) **Неможна розташовуватись на одній лінії та позадо диска, що обертається.** Коли під час роботи диск рухається від вас, то можлива віддача може відкинути диск, що обертається, та інструмент прямо у вас.

с) **Коли диск застряє або коли різання з будь-яких причин переривається, слід вимкнути інструмент та тримати його на одному місці, доки диск повністю не зупиниться.** Неможна намагатись вийняти відрізний диск з прорізу, коли він рухається, тому що це може призвести до віддачі. Слід перевірити та вжити належних заходів, щоб усунути причину застрявання диска

д) **Заборонено заново запускати операцію різання, коли диск знаходиться в деталі.** Спочатку диск повинен набрати повної швидкості, а потім його слід обережно повернути в проріз. Якщо інструмент перезапустити, коли диск знаходиться в деталі, диск може застряти, підкинутись або спричинити віддачу.

е) **Слід великі панелі або деталі великого розміру для того, щоб мінімізувати ризик заземлення полотна або віддачі.** Великі деталі прогинаються під своєю вагою. Опори слід встановити під деталь біля лінії різання та біля краю деталі панелі з обох сторін диска.

ф) **З особливою обережністю слід виконувати "врізання" в існуючі стіни або інші невидимі зони.** Виступаючий диск може зіткнутись з предметами, що спричиняють віддачу.

Спеціальні Запобіжні засоби під час шліфування:

а) **Заборонено використовувати папір для шліфувального диска занадто великого розміру.** Вибираючи наждачний папір слід виконувати рекомендації виробника. Наждачний папір, що виступає за межі шліфувальної підкладки, створює небезпеку завдання рваної рани та може призвести до провисання, розриву диска або до віддачі.

Спеціальні застереження для операцій зачищення металевою щіткою:

а) **Слід бути обережним, оскільки від щітки відлітають осколки дроту, навіть під час звичайної роботи.** Заборонено перенапружувати дріт, прикладаючи завелике навантаження на щітку. Осколки дроту пробивають легку одягу та/або шкіру.

б) **Якщо для роботи із металевою щіткою рекомендовано використовувати кожух, слід запобігти контактів між щіткою та кожухом.** Металевий диск або щітка можуть розширитись в діаметрі від робочого навантаження та відцентрових сил.

Додаткові попередження про безпеку:

17. У разі використання шліфувальних дисків із увігнутим центом слід завжди використовувати диски, армовані скловолокном.
18. **Не пошкоджуйте шпindel, фланець (особливо поверхню встановлення) або контргайку.** Пошкодження цих частин може призвести до поломки диска.
19. Перевірте, щоб коло не торкалося деталі перед увімкненням.
20. **Перед початком різання деталі, запустіть інструмент та дайте попрацювати йому деякий час.** Перевірте чи не коливає або не виляє він, що може вказувати на неправильне встановлення або балансування кола.

21. Слід застосовувати зазначену поверхню кола для шліфування.
22. Остерігайтесь іскри. Тримайте інструмент таким чином, щоб іскри відлітали від вас та інших людей або займистих матеріалів.
23. Не залишайте інструмент працюючим. Працюйте з інструментом тільки тоді, коли тримаєте його в руках.
24. Не торкайтесь деталі одразу після різання, вона може бути дуже гарячою та призвести до опіку шкіри.
25. Перед здійсненням будь-яких робіт з інструментом, завжди перевіряйте, щоб інструмент було вимкнено та відключено від мережі або витягнуто касету із акумулятором.
26. Для того, щоб правильно встановити та використовувати кола, слід дотримуватись інструкцій виробника. Слід дбайливо поводитися та зберігати кола.
27. Не слід використовувати окремі перехідні втулки або адаптери для пристосування шліфувальних кіл великого діаметру.
28. Слід застосовувати тільки фланці зазначені для цього інструменту.
29. При використанні інструментів призначених для кіл з різьбовим отвором, обов'язково перевірте, щоб довжина різьби кола відповідала довжині шпинделя.
30. Перевірте надійність опори деталі
31. Слід звернути увагу, що коло продовжує обертатися після вимкнення інструменту
32. Для забезпечення безпеки оператора слід застосовувати автоматичний вимикач (30mA), якщо робоче місце надмірно гаряче та вологе, або дуже забруднюється пилом.
33. Не слід застосовувати інструмент для роботи з матеріалом, що містить азбест.
34. Не слід застосовувати воду або мастильний матеріал для шліфування.
35. Під час роботи в умовах запиленого приміщення обов'язково відкривайте вентиляційні отвори. Якщо необхідно почистити пил, спочатку відключить інструмент від мережі (користуйтеся неметалевими предметами) та будьте обережними, щоб не пошкодити внутрішні частини.
36. Якщо ви використовуєте відрізне шліфувальне коло, завжди слід працювати з пилозахисним кожухом кола, необхідним за місцевими нормами.
37. Не слід надавати бокового тиску на ріжучі диски

ЗБЕРІГАЙТЕ ЦІ ВКАЗІВКИ

⚠УВАГА:

НИКОЛИ НЕ СЛІД втрачати пильності та розслаблятися під час користування виробом (що приходить при частому використанні); слід завжди строго дотримуватися правил безпеки під час використання цього пристрою. **НЕНАЛЕЖНЕ ВИКОРИСТАННЯ** або недотримання правил безпеки, викладених в цьому документі, може призвести до серйозних травм.

ІНСТРУКЦІЯ З ВИКОРИСТАННЯ

⚠ОБЕРЕЖНО:

- Перед регулюванням та перевіркою справності інструменту, переконайтеся в тому, що він вимкнений та відключений від мережі.

Фіксатор

⚠ОБЕРЕЖНО:

- Заборонено використовувати блокування вала, коли шпindelь обертається. Інструмент може пошкодитись.

Fig.1

Натисніть на блокування вала для того, щоб заблокувати обертання шпинделя під час встановлення або зняття принадлежностей.

Положення встановлення ручки перемикача
(Для моделей GA7030R, GA7040R, GA9030R та GA9040R)

Fig.2

Ручку перемикача можна обертати на 90° вліво або вправо для зручності під час роботи. Спочатку вимкніть інструмент з сіті. Натисніть на кнопку блокування та поверніть ручку перемикача вліво або вправо. Ручка перемикача буде заблокована в такому положенні.

⚠ОБЕРЕЖНО:

- Перед початком роботи слід завжди перевіряти, щоб ручка перемикача була заблокована в необхідному положенні.

Дія вимикача.

⚠ОБЕРЕЖНО:

- Перед вмиканням інструменту у мережу обов'язково перевірте, чи кнопка вимикача нормально спрацьовує і після відпускання повертається в положення "вимкнено".

Fig.3

Для інструмента із перемикачем блокування увімкненого положення

Для того, щоб запустити інструмент, слід просто натиснути на курок вмикача (напрямок "В"). Для зупинення роботи курок слід відпустити. Для

безперервної роботи слід натиснути на курок вмикача (в напрямку "В"), а потім - на важіль блокування (в напрямку "А"). Для того, щоб зупинити інструмент із заблокованого положення, слід повністю натиснути на курок вмикача (в напрямку "В"), а потім відпустити його.

Для інструмента із перемикачем блокування увімкненого та вимкненого положення

Fig.4

Для запобігання раптовому натисканню курка вмикача передбачено важіль блокування.

Щоб запустити інструмент спочатку слід пересунути важіль блокування (у напрямку А), а потім натиснути на курок вмикача (у напрямку В). Для зупинення роботи курок слід відпустити.

Для безперервної роботи слід пересунути важіль блокування (у напрямку А), натиснути на курок вмикача (у напрямку В), а потім пересунути важіль блокування (у напрямку С). Для того щоб зупинити інструмент із зафіксованого положення, слід повністю натиснути на курок вмикача (у напрямку В), а потім відпустити його.

Лампочка індикатора

Fig.5

Коли інструмент вмикають до сіті, загоряється зелена індикаторна лампочка. Якщо лампочка індикатора не загоряється, то шнур живлення або контролер можуть бути дефектними. Якщо індикаторна лампа горить, але інструмент не запускається, навіть якщо він увімкнений, то це може означати, що зношені графітові щітки або є дефект в контролері, моторі або вмикачеві.

Захист від випадкового запуску

Навіть якщо важіль блокування утримує курок в натиснутому положенні (заблоковане увімкнене положення), інструмент не буде запускатись, коли його увімкнуть до мережі.

В цей момент почне мигати індикаторна лампочка, що вказуватиме, що спрацював пристрій захисту від випадкового запуску.

Для відключення захисту від випадкового запуску слід повністю натиснути на курок, а потім відпустити його.

Функція плавного запуску

Ці моделі запускаються повільно при увімкненні. Такий повільний пуск забезпечує більш плавну роботу.

КОМПЛЕКТУВАННЯ

⚠ОБЕРЕЖНО:

- Перед тим, як зайнятись комплектуванням інструменту, переконайтеся в тому, що він вимкнений та відключений від мережі.

Установка бокової рукоятки

⚠ОБЕРЕЖНО:

- Перед початком роботи необхідно перевірити надійність кріплення бокової рукоятки.

Fig.6

Надійно пригвинтіть ручку к інструменту, як показано на малюнку.

Встановлення або зняття захисного кожуха (для диска з поглибленим центром, універсального диска, дискової дротяної щітки / абразивного відрізного диска, алмазного диска)

⚠УВАГА:

- При використанні шліфувального диска з поглибленим центром / універсального диска, гнучкого диска або дискової дротяної щітки встановіть захисний кожух таким чином, щоб закрита сторона кожуха була спрямована до оператора.
- У разі використання абразивного відрізного диска / алмазного диска слід використовувати виключно спеціальний захисний кожух для відрізних дисків.

Для інструмента із захисним кожухом диска із стопорним гвинтом.

Fig.7

Встановіть кожух диска, сумістивши виступ на ободі кожуха із прорізю на корпусі підшипника. Потім прокрутіть кожух диска приблизно на 180 градусів проти годинникової стрілки. Перевірте, щоб гвинт був надійно затягнутий.

Для того, щоб зняти кожух диска, виконайте процедуру його встановлення у зворотному порядку.

Для інструмента з кожухом диска із затискним важелем.

Fig.8

Fig.9

Послабте важіль на кожусі диска. Встановіть кожух диска, сумістивши виступ на ободі кожуха із прорізю на корпусі підшипника. Потім поверніть кожух диска в положення, як показано на малюнку. Затягніть важіль для закріплення кожуха диска. Якщо важіль фіксації кожуха затягнутий занадто сильно або слабко, слід послабити або затягнути гайку, щоб відрегулювати затягування ободу кожуха диска.

Для того, щоб зняти кожух диска, виконайте процедуру його встановлення у зворотному порядку.

Встановлення або зняття абразивного диска з увігнутих центром / багатоцільового диска (приналежність)

⚠УВАГА:

- Слід завжди користуватися кожухом, що поставляється в комплекті, коли використовується абразивний диск з увігнутих центром / багатоцільовий диска. Під час використання диск може розколотись, а кожух зменшує ризик поранення.

Fig.10

Встановіть внутрішній фланець на шпindel. Встановіть диск на внутрішній фланець та наверніть контргайку на шпindel.

ПРИМІТКА:

При використанні шліфувального диска з поглибленим центром товщиною більше 7 мм переверніть стопорну гайку та накрутіть її на шпindel.

Супер фланець

Моделі з літерою F стандартно обладнані суперфланцем. У порівнянні зі стандартним типом тільки 1/3 від зусиль необхідно, щоб відпустити контргайку.

Для Австралії та Нової Зеландії

Fig.11

Встановіть внутрішній фланець на шпindel. Встановіть диск на внутрішній фланець та закрутіть контргайку виступом вниз (у напрямку диска).

Fig.12

Для того, щоб затягнути контргайку, слід міцно натиснути на блокування вала, щоб шпindel не міг обертатись, а потім скористатись ключем для контргайки та надійно її затягнути по годинниковій стрілці.

Для того, щоб зняти диск, виконайте процедуру його встановлення у зворотному порядку.

Встановлення або зняття абразивного диска (додаткове приладдя)

ПРИМІТКА:

- Використовуйте принадлежності для шліфувальної машини, які описані в цій інструкції. Їх треба купувати окремо.

Fig.13

Встановіть гумову підкладку на шпindel. Встановіть диск на гумову підкладку та наверніть контргайку на шпindel. Для того, щоб затягнути контргайку, слід міцно натиснути на блокування вала, щоб шпindel не міг обертатись, а потім скористатись ключем для контргайки та надійно її затягнути по годинниковій стрілці.

Для того, щоб зняти диск, виконайте процедуру встановлення у зворотному порядку.

ЗАСТОСУВАННЯ

⚠УВАГА:

- До інструмента ніколи не треба прикладати силу. Маса інструмента забезпечує достатній тиск. Прикладання сили та надмірний тиск можуть призвести до небезпечної поломки диска.
- ЗАВЖДИ замінійте диск, якщо інструмент був упущений під час роботи.
- НІКОЛИ не стукайте та не бийте диском по деталі, що оброблюється.
- Уникайте биття та чіпання диска, особливо під час обробки кутів, гострих країв та ін. Це може призвести до втрати контролю та віддачі.
- НІКОЛИ не використовуйте інструмент із відрізним диском для деревини та іншими полотнами для пил. У разі використання на шліфувальних машинах такі полотна часто дають віддачу та призводять до втрати контролю та пораненням.

⚠ОБЕРЕЖНО:

- Заборонено вмикати інструмент, коли він торкається деталі, оскільки це може призвести до поранення оператора.
- Для роботи слід завжди вдягати захисні окуляри або захисний щиток для обличчя.
- Після закінчення роботи слід завжди вимикати інструмент та зачекати, доки диск не зупиниться повністю, перед тим, як його класти.

Операції з шліфування та зачищення

Fig.14

ЗАВЖДИ міцно тримайте інструмент однією рукою за задню ручку, а другою - за бокову. Увімкніть інструмент та притуліть диск до деталі.

Взагалі край диска слід тримати під кутом біля 15 градусів до поверхні деталі.

Під час притирання нового диска, не треба пересувати шліфувальну машину у напрямку В, оскільки він уріжецься в деталь. Як тільки край диска був закруглений протягом використання, диск можна пересувати як в напрямку "А", так і в напрямку "В".

Виконання робіт із чашоподібною дротяною щіткою (додаткове приладдя)

⚠ОБЕРЕЖНО:

- Перевірте роботу щітки шляхом запуску інструмента на холостому ході, попередньо переконавшись, що нікого немає перед щіткою або поряд з нею.
- Не використовуйте пошкоджену або розбалансовану щітку. Використання пошкодженої щітки може збільшити ризик отримання травм через контакт з дротами пошкодженої щітки.

Fig.15

Вимкніть інструмент та розташуйте його шпинделем догори, щоб забезпечити доступ до шпинделя. Зніміть будь-яке приладдя зі шпинделя. Встановіть чашоподібну дротяну щітку на шпиндель та затягніть за допомогою гайкового ключа, що входить до комплекту постачання. Під час використання щітки не натискайте на неї занадто сильно, тому що це може призвести до згинання дротів і, як наслідок, до передчасного пошкодження.

Виконання робіт із дисковою дротяною щіткою (додаткове приладдя)

⚠ОБЕРЕЖНО:

- Перевірте роботу дискової дротяної щітки шляхом запуску інструмента на холостому ході, попередньо переконавшись, що нікого немає перед дисковою дротяною щіткою або поряд з нею.
- Не використовуйте пошкоджену або розбалансовану дискову дротяну щітку. Використання пошкодженої дискової дротяної щітки може збільшити ризик отримання травм через контакт з пошкодженими дротами.
- Із дисковою дротяною щіткою ЗАВЖДИ використовуйте захисний кожух, діаметр якого дозволяє вставити щітку. Під час використання щітка може зламатися, захисний кожух в цьому випадку зменшує ризик поранення.

Fig.16

Вимкніть інструмент та розташуйте його шпинделем догори, щоб забезпечити доступ до шпинделя. Зніміть будь-яке приладдя зі шпинделя. Накрутіть дискову дротяну щітку на шпиндель та затягніть за допомогою ключа.

Під час використання дискової дротяної щітки не натискайте на неї занадто сильно, тому що це може призвести до згинання дротів і, як наслідок, до передчасного пошкодження.

Виконання робіт із абразивним відрізним диском / алмазним диском (додаткове приладдя)

⚠УВАГА:

- У разі використання абразивного відрізного диска / алмазного диска слід використовувати виключно спеціальний захисний кожух для відрізнених дисків.
- ЗАБОРОНЕНО використовувати відрізнений диск для бокового шліфування.
- Не можна «заклинювати» диск або прикладати до нього надмірний тиск. Не слід намагатись зробити проріз надмірної глибини. Перенапруження диска збільшує навантаження та схильність до перекошування або застрягання диска в прорізі, а також створює можливість віддачі або поломки диска, при цьому може

перегрітись мотор.

- Заборонено заново запускати операцію різання, коли диск знаходиться в деталі. Спочатку диск повинен набрати повної швидкості, а потім його слід обережно повернути в проріз, пересуваючи інструмент по поверхні деталі. Якщо інструмент перезапустити, коли диск знаходиться в деталі, диск може застрягти, підкинутись або спричинити віддачу.
- Під час різання заборонено міняти кут диска. Прикладання бокового тиску до відрізного диска (як під час шліфування) призведе до розтріскування та поломки диска та серйозних поранень.
- Алмазний диск під час роботи потрібно перпендикулярно прикладати до робочої поверхні.

Встановіть внутрішній фланець на шпиндель. Встановіть диск на внутрішній фланець та наверніть контргайку на шпиндель.

Fig.17

При встановленні алмазного диска або абразивного відрізного диска товщиною 7 мм або більше встановлюйте стопорну гайку таким чином, щоб її напрямна кругла частина (виступ) для отвору диска була зі сторони диска.

Для Австралії та Нової Зеландії

Встановлення або зняття абразивного відрізного диска / алмазного диска (додаткове приладдя)

Fig.18

ТЕХНІЧНЕ ОБСЛУГОВУВАННЯ

⚠ОБЕРЕЖНО:

- Перед тим, як оглянути інструмент, або виконати ремонт, переконайтеся, що він вимкнений та відключений від мережі.

ПРИМІТКА:

- Ніколи не використовуйте газолін, бензин, розріджувач, спирт та подібні речовини. Їх використання може призвести до зміни кольору, деформації та появи тріщин.

Fig.19

Інструмент та його вентиляційні отвори слід тримати в чистоті. Треба регулярно чистити вентиляційні отвори інструмента, або коли вони забиваються.

Заміна вугільних щіток

Fig.20

Коли ізолюючий смольний наконечник всередині графітової щітки контактує з комутатором, він автоматично зупиняє мотор. Якщо таке трапилось, слід замінити обидві графітові щітки. Графітові щітки слід тримати чистими та незаблокованими, щоб вони могли заходити в держак. Обидві графітові щітки

слід заміняти разом. Можна використовувати тільки такі ж щітки.

Fig.21

Для видалення ковпачків щіткотримачів користуйтеся викруткою. Видаліть зношені вугільні щітки, вставте нові та закріпіть ковпачки щіткотримачів.

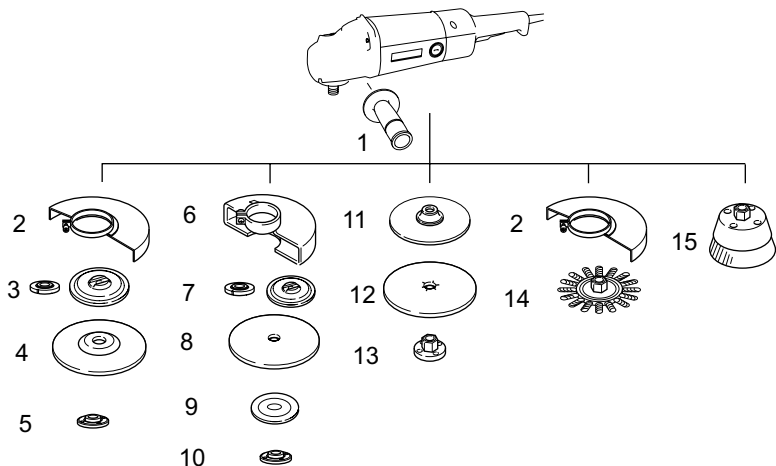
Для того, щоб підтримувати **БЕЗПЕКУ** та **НАДІЙНІСТЬ**, ремонт, технічне обслуговування або регулювання мають виконувати уповноважені центри обслуговування "Макіта", де використовуються лише стандартні запчастини "Макіта".

ОСНАЩЕННЯ

⚠ОБЕРЕЖНО:

- Це оснащення або приладдя рекомендовано для використання з інструментами "Макіта", що описані в інструкції з експлуатації. Використання якогось іншого оснащення або приладдя може спричинити травмування. Оснащення або приладдя слід використовувати лише за призначенням.

У разі необхідності, отримати допомогу в більш детальному ознайомленні з оснащенням звертайтеся до місцевого Сервісного центру "Макіта".



1	Бокова рукоятка
2	Захисний кожух для шліфувального диска з поглибленим центром / універсального диска / дискової дротяної щітки
3	Внутрішній фланець / Суперфланець / Внутрішній фланець 102 (тільки для Австралії та Нової Зеландії)
4	Абразивний диск з увігнутим центром / Багатоцільовий диск
5	Стопорна гайка / Ezypnut*1
6	Захисний кожух для абразивного відрізного диска / алмазного диска
7	Внутрішній фланець / Суперфланець / Внутрішній фланець 78 (тільки для Австралії та Нової Зеландії)
8	Абразивний відрізний диск / Алмазний диск
9	Внутрішній фланець 78 (тільки для Австралії та Нової Зеландії)*2
10	Стопорна гайка / Ezypnut*1
11	Гумова підкладка
12	Абразивний диск
13	Шліфувальна стопорна гайка
14	Дискова дротяна щітка
15	Чашоподібна дротяна щітка
—	Ключ для контргайки
—	Пилозахисна кришка

*1 Не використовуйте суперфланець із гайкою Ezypnut.

*2 Використовуйте внутрішній фланець 78 з зовнішнім фланцем 78. (тільки для Австралії та Нової Зеландії)

010947

Objaśnienia do widoku ogólnego

1-1. Blokada wału	10-1. Nakrętka zabezpieczająca	17-3. Kołnierz wewnętrzny
2-1. Obudowa silnika	10-2. Tarcza z obniżonym środkiem	17-4. Osłona do ścierniej tarczy tnącej/ściernicy diamentowej
2-2. Przycisk blokujący	10-3. Super kołnierz	18-1. Nakrętka zabezpieczająca
2-3. Rękojeść	10-4. Kołnierz wewnętrzny	18-2. Kołnierz zewnętrzny 78
3-1. Dźwignia blokady	11-1. Nakrętka zabezpieczająca	18-3. Ścierna tarcza tnąca/ściernica diamentowa
3-2. Spust przełącznika	11-2. Tarcza z obniżonym środkiem	18-4. Kołnierz wewnętrzny 78
4-1. Dźwignia blokady	11-3. Kołnierz wewnętrzny	18-5. Osłona do ścierniej tarczy tnącej/ściernicy diamentowej
4-2. Spust przełącznika	12-1. Klucz do nakrętki zabezpieczającej	19-1. Wylot powietrza
5-1. Kontrolka	12-2. Blokada wału	19-2. Wlot powietrza
7-1. Osłona tarczy	13-1. Nakrętka zabezpieczająca	20-1. Komutator
7-2. Śruba	13-2. Ściernica	20-2. Końcówka izolacyjna
7-3. Obudowa łożyska	13-3. Gumowa tarcza	20-3. Szczotka węglowa
8-1. Osłona tarczy	15-1. Szczotka drucziana doczołowa	21-1. Pokrywa uchwytu szczotki
8-2. Obudowa łożyska	16-1. Szczotka tarczowa	21-2. Śrubokręt
8-3. Nakrętka	17-1. Nakrętka zabezpieczająca	
8-4. Dźwignia	17-2. Ścierna tarcza tnąca/ściernica diamentowa	
9-1. Nakrętka		
9-2. Dźwignia		

SPECYFIKACJE

Model	GA7020R	GA7030R	GA7040R	GA9020R	GA9030R	GA9040R
Średnica tarczy z obniżonym środkiem	180 mm			230 mm		
Gwint wrzeciona	M14					
Prędkość znamionowa (n) / Prędkość bez obciążenia (n ₀)	8 500 (min ⁻¹)			6 600 (min ⁻¹)		
Długość całkowita	473 mm	503 mm		473 mm	503 mm	
Ciężar netto	5,6 kg	6,3 kg	6,6 kg	5,8 kg	6,5 kg	6,9 kg
Klasa bezpieczeństwa	□/II					

- W związku ze stałe prowadzonym przez naszą firmę programem badawczo-rozwojowym, niniejsze specyfikacje mogą ulec zmianom bez wcześniejszego powiadomienia.
- Specyfikacje mogą różnić się w zależności od kraju.
- Waga obliczona zgodnie z procedurą EPTA 01/2003

ENE048-1

Przeznaczenie

Omawiane narzędzie przeznaczone jest do szlifowania i cięcia materiałów z metalu i kamienia bez użycia wody.

ENF002-1

Zasilanie

Elektronarzędzie może być podłączane jedynie do zasilania o takim samym napięciu jakie określa tabliczka znamionowa i może być uruchamiane wyłącznie przy zasilaniu jednofazowym prądem zmiennym. Przewody są podwójnie izolowane zgodnie z Normami Europejskimi i dlatego mogą być podłączone do gniazdek bez przewodu uziemiającego.

Niepewność (K): 3 dB(A)

Należy stosować ochroniacze słuchu

ENG208-4

Drgania

Całkowita wartość poziomu drgań (suma wektorów w 3 osiach) określona zgodnie z normą EN60745:

Tryb pracy: szlifowanie powierzchni

Emisja drgań (a_{h,AG}): 8,0 m/s²

Niepewność (K) : 1,5 m/s²

Wartość emisji drgań może być inna, jeżeli narzędzie będzie wykorzystywane do innych zastosowań.

ENG313-2

Tryb pracy: szlifowanie tarczowe

Emisja drgań (a_{h,DS}): 3,0m/s²

Niepewność (K) : 1,5 m/s²

Dla modelu GA7020R

ENG102-3

Poziom hałasu i drgań

Typowy równoważny poziom dźwięku A określony w oparciu o EN60745:

Poziom ciśnienia akustycznego (L_{pA}) : 90 dB (A)

Poziom mocy akustycznej (L_{WA}): 101 dB (A)

Dla modelu GA7030R

ENG102-3

Poziom hałasu i drgań

Typowy równoważny poziom dźwięku A określony w oparciu o EN60745:

Poziom ciśnienia akustycznego (L_{pA}): 90 dB (A)
Poziom mocy akustycznej (L_{WA}): 101 dB (A)
Niepewność (K): 3 dB(A)

Należy stosować ochraniacze słuchu

ENG208-4

Drgania

Całkowita wartość poziomu drgań (suma wektorów w 3 osiach) określona zgodnie z normą EN60745:

Tryb pracy: szlifowanie powierzchni

Emisja drgań ($a_{h,AG}$): 6,5 m/s²

Niepewność (K): 1,5 m/s²

Wartość emisji drgań może być inna, jeżeli narzędzie będzie wykorzystywane do innych zastosowań.

ENG313-2

Tryb pracy: szlifowanie tarczowe

Emisja drgań ($a_{h,DS}$): 3,5m/s²

Niepewność (K): 1,5 m/s²

Dla modelu GA7040R

ENG102-3

Poziom hałasu i drgań

Typowy równoważny poziom dźwięku A określony w oparciu o EN60745:

Poziom ciśnienia akustycznego (L_{pA}): 90 dB (A)

Poziom mocy akustycznej (L_{WA}): 101 dB (A)

Niepewność (K): 3 dB(A)

Należy stosować ochraniacze słuchu

ENG208-4

Drgania

Całkowita wartość poziomu drgań (suma wektorów w 3 osiach) określona zgodnie z normą EN60745:

Tryb pracy: szlifowanie powierzchni

Emisja drgań ($a_{h,AG}$): 7,0 m/s²

Niepewność (K): 1,5 m/s²

Wartość emisji drgań może być inna, jeżeli narzędzie będzie wykorzystywane do innych zastosowań.

ENG313-2

Tryb pracy: szlifowanie tarczowe

Emisja drgań ($a_{h,DS}$): 3,0m/s²

Niepewność (K): 1,5 m/s²

Dla modelu GA9020R, GA9040R

ENG102-3

Poziom hałasu i drgań

Typowy równoważny poziom dźwięku A określony w oparciu o EN60745:

Poziom ciśnienia akustycznego (L_{pA}): 90 dB (A)

Poziom mocy akustycznej (L_{WA}): 101 dB (A)

Niepewność (K): 3 dB(A)

Należy stosować ochraniacze słuchu

ENG208-4

Drgania

Całkowita wartość poziomu drgań (suma wektorów w 3 osiach) określona zgodnie z normą EN60745:

Tryb pracy: szlifowanie powierzchni

Emisja drgań ($a_{h,AG}$): 6,0 m/s²

Niepewność (K): 1,5 m/s²

Wartość emisji drgań może być inna, jeżeli narzędzie będzie wykorzystywane do innych zastosowań.

ENG313-2

Tryb pracy: szlifowanie tarczowe

Emisja drgań ($a_{h,DS}$): 2,5m/s²

Niepewność (K): 1,5 m/s²

Dla modelu GA9030R

ENG102-3

Poziom hałasu i drgań

Typowy równoważny poziom dźwięku A określony w oparciu o EN60745:

Poziom ciśnienia akustycznego (L_{pA}): 90 dB (A)

Poziom mocy akustycznej (L_{WA}): 101 dB (A)

Niepewność (K): 3 dB(A)

Należy stosować ochraniacze słuchu

ENG208-4

Drgania

Całkowita wartość poziomu drgań (suma wektorów w 3 osiach) określona zgodnie z normą EN60745:

Tryb pracy: szlifowanie powierzchni

Emisja drgań ($a_{h,AG}$): 5,5 m/s²

Niepewność (K): 1,5 m/s²

Wartość emisji drgań może być inna, jeżeli narzędzie będzie wykorzystywane do innych zastosowań.

ENG313-2

Tryb pracy: szlifowanie tarczowe

Emisja drgań ($a_{h,DS}$): 2,5m/s²

Niepewność (K): 1,5 m/s²

ENG901-1

- Deklarowana wartość wytwarzanych drgań została zmierzona zgodnie ze standardową metodą testową i można ją wykorzystać do porównywania narzędzi.
- Deklarowaną wartość wytwarzanych drgań można także wykorzystać we wstępnej ocenie narażenia.

⚠OSTRZEŻENIE:

- Drgania wytwarzane podczas rzeczywistego użytkowania elektronarzędzia mogą się różnić od wartości deklarowanej, w zależności od sposobu jego użytkowania.
- W oparciu o szacowane narażenie w rzeczywistych warunkach użytkowania należy określić środki bezpieczeństwa w celu ochrony operatora (uwzględniając wszystkie elementy cyklu działania, tj. czas, kiedy narzędzie jest wyłączone i kiedy pracuje na biegu jałowym, a także czas, kiedy jest włączone).

ENH101-13

Dotyczy tylko krajów europejskich

Deklaracja zgodności UE

Niniejszym firma Makita Corporation jako odpowiedzialny producent oświadcza, iż opisywane urządzenie marki Makita:

Opis maszyny:
Szlifierka kątowa

Model nr/ Typ: GA7020R, GA7030R, GA7040R, GA9020R, GA9030R, GA9040R

jest produkowane seryjnie oraz

jest zgodne z wymogami określonymi w następujących dyrektywach europejskich:

98/37/WE do dnia 28 grudnia 2009, a począwszy od dnia 29 grudnia 2009 - 2006/42/WE

Jest produkowane zgodnie z następującymi normami lub dokumentami normalizacyjnymi:

EN60745

Dokumentacja techniczna przechowywana jest przez naszego autoryzowanego przedstawiciela na Europę, którym jest:

Makita International Europe Ltd,
Michigan, Drive, Tongwell,
Milton Keynes, MK15 8JD, Anglia

19 czerwca 2009



000230

Tomoyasu Kato
Dyrektor
Makita Corporation
3-11-8, Sumiyoshi-cho,
Anjo, Aichi, JAPONIA

GEA010-1

Ogólne zasady bezpieczeństwa obsługi elektronarzędzi

⚠ OSTRZEŻENIE Przeczytaj wszystkie ostrzeżenia i instrukcje. Nie przestrzeganie ich może prowadzić do porażeń prądem, pożarów i/lub poważnych obrażeń ciała.

Wszystkie ostrzeżenia i instrukcje należy zachować do późniejszego wykorzystania.

GEB033-3

OSTRZEŻENIA DOTYCZĄCE BEZPIECZNEJ EKSPLOATACJI NARZĘDZIA

Ostrzeżenia dotyczące bezpieczeństwa podczas operacji szlifowania, oczyszczania powierzchni lub cięcia przy użyciu tarczy ścierniej:

1. Opisywane elektronarzędzie jest przeznaczone do szlifowania, oczyszczania powierzchni szcztoką drucianą i cięcia. Należy zapoznać się z wszystkimi zasadami bezpieczeństwa, instrukcjami, ilustracjami i danymi technicznymi dołączonymi do opisywanego narzędzia. Niezastosowanie się do podanych poniżej instrukcji może prowadzić do porażenia prądem elektrycznym, pożaru i/lub

poważnych obrażeń ciała.

2. **Nie jest wskazane szlifowanie drewna, oczyszczanie powierzchni szcztoką drucianą, polerowanie lub cięcie z użyciem tego elektronarzędzia.** Operacje, do których nie jest ono przeznaczone, mogą stwarzać zagrożenie i spowodować obrażenia.
3. **Używaj jedynie osprzętu, który został specjalnie zaprojektowany i jest zalecany przez producenta narzędzia.** Fakt, że osprzęt można zamocować do posiadanego elektronarzędzia, wcale nie gwarantuje bezpiecznej obsługi.
4. **Prędkość znamionowa osprzętu powinna być przynajmniej równa maksymalnej prędkości podanej na elektronarzędziu.** Osprzęt pracujący przy większej prędkości od znamionowej może pęknąć i rozpaść się na kawałki.
5. **Zewnętrzna średnica i grubość osprzętu musi mieścić się w zakresie dopuszczalnym dla tego elektronarzędzia.** Nie można zapewnić prawidłowej osłony i kontroli akcesoriów o niewłaściwym rozmiarze.
6. **Średnica otworu ściernicy, kołnierzy, tarcz mocujących lub innych akcesoriów powinna być właściwie dopasowana do wrzeciona narzędzia.** Akcesoria z otworami, które nie są dopasowane do osprzętu w narzędziu przeznaczonym do ich zamocowania, będą obracać się mimośrodkowo, wywołując silne drgania i grożąc utratą panowania.
7. **Nie wolno używać uszkodzonych akcesoriów.** Przed każdorazowym użyciem należy skontrolować osprzęt; ściernice pod kątem ubytków lub pęknięć, tarcze mocujące pod kątem pęknięć, rozdarć lub nadmiernego zużycia, a szcztoki druciane pod kątem luźnych lub popękanych drutów. W przypadku upuszczenia elektronarzędzia lub osprzętu należy sprawdzić, czy nie doszło do uszkodzenia, i ewentualnie zamontować nieuszkodzony osprzęt. Po sprawdzeniu bądź zamontowaniu osprzętu należy stanąć w taki sposób i tak ustawić narzędzie, aby nikt nie znajdował się w płaszczyźnie obrotu osprzętu, po czym na jedną minutę uruchomić elektronarzędzie z maksymalną prędkością bez obciążenia. Uszkodzone akcesoria zwykle rozpadną się podczas takiej próby.
8. **Zakładając sprzęt ochrony osobistej. W zależności od wykonywanej operacji używać osłony twarzy, gogli lub okularów ochronnych. W miarę potrzeb zakładać maskę przeciwpyłową, ochraniacze na uszy, rękawice i fartuch, który zatrzyma drobiny materiału ściernego i obrabianego przedmiotu.** Ochrona oczu powinna zatrzymywać unoszące się w powietrzu drobiny materiału, które powstają

podczas różnych operacji. Maski przeciwpyłowa lub oddechowa powinna filtrować cząsteczki wytwarzane podczas pracy. Przebywanie przez dłuższy czas w hałasie o dużym natężeniu może spowodować utratę słuchu.

9. **Osoby postronne powinny znajdować się w bezpiecznej odległości od miejsca pracy. Każdy, kto wchodzi do strefy roboczej, powinien mieć na sobie sprzęt ochrony osobistej.** Fragmenty materiału z obrabianego przedmiotu lub pękniętego osprzętu mogą polecieć na dużą odległość i spowodować obrażenia poza bezpośrednim obszarem roboczym.
10. **Gdy narzędzie tnące podczas pracy może zetknąć się z ukrytymi przewodami elektrycznymi bądź własnym przewodem zasilającym, należy trzymać urządzenie za izolowane uchwyty.** Zetknięcie z przewodem elektrycznym pod napięciem powoduje, że również odsłonięte elementy metalowe narzędzia znajdują się pod napięciem, grożąc porażeniem operatorem prądem elektrycznym.
11. **Przewód należy trzymać w bezpiecznej odległości od wirującego osprzętu.** W przypadku utraty panowania przewód może zostać przecięty lub wkręcony, wciągając dłoń lub rękę w wirujący osprzęt.
12. **Nie wolno odkładać elektronarzędzia dopóki zainstalowany osprzęt nie zatrzyma się całkowicie.** Wirujący osprzęt może zahaczyć o powierzchnię i elektronarzędzie zacznie się zachowywać w sposób niekontrolowany.
13. **Uruchomionego elektronarzędzia nie wolno przenosić z miejsca na miejsce.** Wirujący osprzęt może przypadkowo pochwycić ubranie i spowodować obrażenia ciała.
14. **Otwory wentylacyjne elektronarzędzia należy regularnie czyścić.** Wentylator silnika wciąga do wnętrza obudowy pył. Zbyt duże nagromadzenie metalowych drobin stwarza zagrożenia elektryczne.
15. **Nie wolno używać elektronarzędzia w pobliżu materiałów łatwopalnych.** Mogą one zapalić się od iskier.
16. **Nie wolno używać osprzętu wymagającego cieczy chłodzących.** Używanie wody lub innych cieczy chłodzących grozi porażeniem lub uderem elektrycznym.

Odrzut i związane z nim ostrzeżenia

Odrzut to nagła reakcja w momencie zakleszczenia lub wyszczerbienia obracającej się ściernicy, tarczy mocującej, szrotki lub innego rodzaju osprzętu. Zakleszczenie lub wyszczerbienie powoduje nagłe zatrzymanie się obracającego osprzętu, co z kolei prowadzi do niekontrolowanego odrzutu elektronarzędzia w miejscu zablokowania w kierunku przeciwnym do kierunku obrotu osprzętu.

Przykładowo, jeżeli ściernica wyszczerbi się lub zakleszczy w obrabianym elemencie, trąc o powierzchnię materiału jej krawędź prowadząca może wypchnąć ściernicę w górę lub spowodować jej odrzut. Ściernica może odskokić w stronę operatora lub w kierunku przeciwnym w zależności od kierunku obrotów w punkcie zakleszczenia. W takich warunkach może również dojść do pęknięcia ściernicy.

Odrzut jest wynikiem nieprawidłowej eksploatacji elektronarzędzia i/lub niewłaściwych procedur albo warunków jego obsługi. Można go uniknąć podejmując podane poniżej, odpowiednie środki ostrożności.

a) **Przeznaczony czas należy narzędzie mocno trzymać, ustawiając się w taki sposób, aby przeciwdziałać siłom odrzutu. Zawsze należy korzystać z rękawiczki pomocniczej, jeżeli jest w zestawie, aby móc w pełni kontrolować odrzut lub przeciwdziałać momentowi obrotowemu podczas rozruchu.** Operator może kontrolować reakcje na zwiększający się moment obrotowy lub siły odrzutu, jeżeli zastosuje się odpowiednie środki ostrożności.

b) **Nie wolno trzymać ręki w pobliżu obracającego się osprzętu.** Może bowiem nastąpić odrzut w kierunku ręki.

c) **Nie należy stawać na linii ewentualnego odrzutu narzędzia.** Odrzut spowoduje wyrzucenie narzędzia w kierunku przeciwnym do ruchu tarczy w punkcie wyszczerbienia.

d) **Podczas obróbki narożników, ostrych krawędzi itp. należy zachować szczególną ostrożność. Nie dopuszczaj do podskakiwania i wyszczerbienia osprzętu.** Narożniki, ostre krawędzie lub podskakiwanie sprzyjają wyszczerbieniu obracającego się osprzętu i mogą spowodować utratę panowania lub odrzut.

e) **Nie wolno montować rzeźbiarskich tarcz łańcuchowych ani tarcz zębatych do pilarek.** Tego typu tarcze często powodują odrzut i utratę panowania.

Szczegółowe zasady bezpieczeństwa podczas operacji szlifowania i cięcia przy użyciu tarczy ścierniej:

a) **Używać wyłącznie ściernic zalecanych do posiadanego elektronarzędzia oraz specjalnych osłon przeznaczonych do wybranego rodzaju tarczy.** Nie można właściwie zabezpieczyć ściernic, do których elektronarzędzie nie jest przeznaczone. Takie ściernice są niebezpieczne.

b) **Oslona powinna być dobrze przymocowana do elektronarzędzia i ustawiona w sposób zapewniający maksimum bezpieczeństwa - w stronę operatora powinien być skierowany jak najmniejszy fragment odsłoniętej tarczy.** Oslona chroni operatora przed wykruszonymi odłamkami ściernicy i przypadkowym kontaktem z tarczą.

c) Ściernice należy wykorzystywać tylko zgodnie z przeznaczeniem. Na przykład: nie wolno szlifować boczną powierzchnią ściernicy tnącej. Ściernice tnące są przeznaczone do szlifowania obwodowego. Siły boczne przyłożone do tych tarcz mogą wywoływać drgania.

d) Zawsze używać nieuszkodzonych kołnierzy mocujących o rozmiarze i kształcie właściwie dobranych do wybranze rodzaju ściernic. Odpowiednie kołnierze mocujące podtrzymują tarczę, zmniejszając tym samym prawdopodobieństwo jej pęknięcia. Kołnierze do ściernic tnących mogą różnić się od kołnierzy do tarcz szlifierskich.

e) Nie wolno używać zużytych ściernic przeznaczonych do większych elektronarzędzi. Tarcze przeznaczone do większych elektronarzędzi nie nadają się do wyższych prędkości stosowanych w mniejszych narzędziach i mogą rozpaść się.

Dodatkowe zasady bezpieczeństwa podczas operacji cięcia przy użyciu tarczy ścierniej:

a) Nie wolno doprowadzać do zakleszczenia tarczy tnącej ani stosować zbyt dużego nacisku. Unikać cięć o zbyt dużej głębokości. Przeciążona ściernica jest bardziej podatna na skręcenia lub wyginanie w szczelinie i wzrasta prawdopodobieństwo odrzutu lub pęknięcia tarczy.

b) Nie stawać na linii obracającej się ściernicy ani za nią. Gdy tarcza przesuwa się od operatora, ewentualny odrzut może wypchnąć ściernicę i elektronarzędzie w jego kierunku.

c) W przypadku zakleszczenia się tarczy lub wrznięcia operacji cięcia z jakiegokolwiek powodu, należy wyłączyć elektronarzędzie, trzymając je w bezruchu do momentu całkowitego zatrzymania się ściernicy. Nie wolno wyciągać tarczy tnącej z przecinanego elementu, gdy tarcza znajduje się w ruchu, w przeciwnym razie może wystąpić odrzut. Zbadać przyczynę zakleszczenia się ściernicy i podjąć stosowne działanie w celu wyeliminowania problemu.

d) Nie wolno wznawiać operacji cięcia, gdy tarcza znajduje się w przecinanym elemencie. Ściernicę można ponownie włożyć do naciętej szczeliny, dopiero gdy osiągnie pełną prędkość. Jeżeli elektronarzędzie zostanie ponownie uruchomione, gdy ściernica znajduje się w przecinanym elemencie, tarcza może zakleszczyć się, wędrować po materiale, albo może wystąpić odrzut.

e) Duże płyty należy podierać, aby zminimalizować ryzyko zakleszczenia tarczy i odrzutu. Duże płyty mają tendencję do wyginania się pod własnym ciężarem. Podpory należy ustawiać pod przecinanym elementem w sąsiedztwie linii cięcia i na krawędziach elementu

po obu stronach ściernicy.

f) Należy zachować szczególną ostrożność w przypadku wykonywania „cięć wgłębnych” w istniejących ścinkach bądź innych pustych przestrzeniach. Wystająca tarcza tnąca może zagłębić się w niewidoczne elementy, które z kolei mogą wywołać odrzut.

Zasady bezpieczeństwa podczas operacji szlifowania:

a) Nie używać zbyt dużego papieru ściernego. Przy doborze papieru ściernego kierować się zaleceniami producenta. Zbyt duży papier ścierny wystający poza obręb tarczy szlifierskiej grozi pokaleczeniem i może spowodować wyszczerbienie lub rozerwanie tarczy albo odrzut.

Zasady bezpieczeństwa podczas oczyszczania powierzchni szczotką drucianą:

a) Należy pamiętać, że nawet podczas zwykłej pracy ze szczotki mogą wylatywać druty. Nie wolno ich nadwierać wywierając zbyt duży nacisk na szczotkę. Druty ze szczotki mogą z łatwością przebić lekkie ubranie i skórę.

b) Jeżeli podczas operacji oczyszczania powierzchni szczotką drucianą wskazane jest używanie osłony, należy uważać, aby szczotka nie ocierała o nią. Średnica szczotki drucianej może ulec zwiększeniu pod wpływem obciążenia lub sił odśrodkowych podczas pracy.

Dodatkowe ostrzeżenia dotyczące bezpieczeństwa:

17. Nie wolno używać innych tarcz szlifierskich z obniżonym środkiem niż tarcze wzmacniane włóknem szklanym.
18. Uważać, aby nie uszkodzić wrzeczona, kołnierza (zwłaszcza powierzchni odpowiedzialnych za prawidłowy montaż) albo nakrętki zabezpieczającej. Uszkodzenie tych części może być przyczyną pęknięcia tarczy.
19. Przed włączeniem urządzenia upewnić się, czy tarcza nie dotyka obrabianego elementu.
20. Przed przystąpieniem do obróbki danego elementu pozwolić, aby narzędzie obracało się przez chwilę bez obciążenia. Zwracając uwagę na ewentualne drgania lub bicie osiowe, które mogą wskazywać na nieprawidłowe zamocowanie lub niedokładne wyważenie tarczy.
21. Podczas szlifowania używać określonej powierzchni tarczy.
22. Uważać na wylatujące iskry. Narzędzie trzymać w taki sposób, aby iskry nie były skierowane w stronę operatora, innych osób stojących w pobliżu lub łatwopalnych materiałów.
23. Nie pozostawiać załączonego elektronarzędzia. Można uruchomić elektronarzędzie tylko wtedy, gdy jest trzymane w rękach.
24. Zaraz po zakończeniu pracy nie wolno dotykać obrabianego elementu. Może on bowiem być

- bardzo gorący, co grozi poparzeniem skóry.
25. Przed przystąpieniem do jakichkolwiek czynności związanych z obsługą narzędzia należy koniecznie upewnić się, czy zostało wyłączone i czy odłączono go od zasilania lub wyjęto z niego akumulator.
 26. Przestrzegać instrukcji producenta w zakresie montażu i eksploatacji tarcz. Tarcze przechowywać i obchodzić się z nimi z dbałością.
 27. Nie wolno stosować oddzielnych tulei redukcyjnych ani elementów pośrednich, aby dopasować tarcze ściernie o dużym otworze wewnętrznym.
 28. Używać wyłącznie kołnierzy przeznaczonych do tego urządzenia.
 29. W przypadku narzędzi współpracujących z tarczami z nagwintowanym otworem należy upewnić się, czy długość gwintu w tarczy jest wystarczająca, aby wkręcić wrzeciono na całą długość.
 30. Sprawdzić, czy obrabiany element jest dobrze podparty.
 31. Po wyłączeniu narzędzia tarcza nadal obraca się.
 32. Jeżeli w miejscu pracy panuje wyjątkowo wysoka temperatura i wilgotność, albo występuje silnie zanieczyszczone przewodzącym pyłem, należy zastosować bezpiecznik zwarciovowy (30 mA), aby zapewnić operatorowi bezpieczeństwo.
 33. Nie wolno używać opisywanego narzędzia do obróbki materiałów zawierających azbest.
 34. Nie wolno używać wody ani płynów do szlifowania.
 35. W przypadku pracy w warunkach zapylenia upewnić się, czy otwory wentylacyjne są drożne. Jeżeli zachodzi potrzeba usunięcia pyłu, najpierw należy odłączyć narzędzie od zasilania, a następnie oczyścić je (przy użyciu niemetalowych przedmiotów), uważając przy tym, aby nie uszkodzić elementów wewnątrz narzędzia).
 36. Przepisy krajowe wymagają stosowania osłony zbierającej pył, gdy używana jest tarcza tnąca.
 37. Na tarcze tnące nie wolno wywierać nacisku poprzecznego.

ZACHOWAĆ INSTRUKCJE

⚠OSTRZEŻENIE:

NIE WOLNO pozwolić, aby wygodą lub rutyną (nabyta w wyniku wielokrotnego używania narzędzia) zastąpiły ścisłe przestrzeganie zasad bezpieczeństwa obsługi. **NIEWŁAŚCIWE UŻYTKOWANIE** narzędzia lub niestosowanie się do zasad bezpieczeństwa podanych w niniejszej

instrukcji obsługi może prowadzić do poważnych obrażeń ciała.

OPIS DZIAŁANIA

⚠UWAGA:

- Przed rozpoczęciem regulacji i sprawdzania działania elektronarzędzia, należy upewnić się, czy jest ono wyłączone i nie podłączone do sieci.

Blokada wału

⚠UWAGA:

- Nie wolno załączać blokady wału, gdy wrzeciono obraca się. Narzędzie może bowiem ulec uszkodzeniu.

Rys.1

Przed przystąpieniem do montażu bądź demontażu osprzętu nacisnąć blokadę wału, aby unieruchomić wrzeciono.

Ustawienia uchwytu wielopozycyjnego

(W przypadku modeli GA7030R, GA7040R, GA9030R i GA9040R)

Rys.2

Wielopozycyjny uchwyt można obrócić o 90° w lewo albo w prawo, dopasowując jego położenie do potrzeb podczas pracy. Najpierw należy wyjąć wtyczkę narzędzia z gniazda zasilającego. Nacisnąć przycisk blokady i obrócić uchwyt do oporu w lewo bądź w prawo. Uchwyt wielopozycyjny zostanie zablokowany w tym położeniu.

⚠UWAGA:

- Przed uruchomieniem narzędzia należy się koniecznie upewnić, czy uchwyt wielopozycyjny jest zablokowany w wybranym położeniu.

Włączanie

⚠UWAGA:

- Przed podłączeniem elektronarzędzia do sieci zawsze sprawdzać czy spust włącznika działa poprawnie i wraca do pozycji "OFF" po zwolnieniu.

Rys.3

W przypadku narzędzia z blokadą przełącznika w pozycji włączenia

Aby uruchomić narzędzie, należy pociągnąć za język spustowy przełącznika (w kierunku B). W celu zatrzymania urządzenia wystarczy zwolnić język spustowy przełącznika. Aby uruchomić narzędzie w trybie pracy ciągłej, należy pociągnąć za język spustowy przełącznika (w kierunku B), a następnie wcisnąć dźwignię blokady (w kierunku A). Aby zatrzymać narzędzie z włączoną blokadą, wystarczy pociągnąć do oporu język spustowy przełącznika (w kierunku B), a następnie zwolnić go.

W przypadku narzędzia z blokadą przełącznika w pozycji włączenia i wyłączenia

Rys.4

Aby zapobiec przypadkowemu pociągnięciu za język spustowy przełącznika, narzędzie zostało wyposażone w dźwignię blokady.

Aby je uruchomić, należy wcisnąć dźwignię blokady (w kierunku A), a następnie pociągnąć za język spustowy przełącznika (w kierunku B). W celu zatrzymania urządzenia wystarczy zwolnić język spustowy przełącznika.

Aby uruchomić narzędzie w trybie pracy ciągłej, należy wcisnąć dźwignię blokady (w kierunku A), pociągnąć za język spustowy przełącznika (w kierunku B), a następnie pociągnąć za dźwignię blokady (w kierunku C).

Aby zatrzymać narzędzie z włączoną blokadą, wystarczy pociągnąć do oporu język spustowy przełącznika (w kierunku B), a następnie zwolnić go.

Kontrolka

Rys.5

Zielona kontrolka zasilania zapala się w momencie podłączenia narzędzia do zasilania. Jeżeli kontrolka nie zapala się, uszkodzony jest przewód zasilający albo regulator uległ awarii. Jeżeli kontrolka jest zapalona, ale narzędzia nie można uruchomić, wówczas mamy do czynienia z zużyciem szczotek węglowych bądź uszkodzeniem silnika, przełącznika lub regulatora.

Zabezpieczenie przed przypadkowym włączeniem

Nawet dźwignia blokady, trzymająca język spustowy przełącznika wciśnięty (w pozycji włączenia) nie powoduje ponownego uruchomienia narzędzia i to nawet wtedy, gdy jest ono podłączone do zasilania.

Miga wtedy czerwona kontrolka, wskazująca, że zabezpieczenie przed przypadkowym włączeniem jest aktywne.

Aby anulować zabezpieczenie przed przypadkowym uruchomieniem, należy pociągnąć do oporu język spustowy przełącznika i zwolnić go.

Funkcja miękkiego rozruchu

Te modele pracują z niską prędkością po włączeniu. Funkcja miękkiego rozruchu gwarantuje płynniejszą pracę.

MONTAŻ

⚠️ UWAGA:

- Przed wykonywaniem jakichkolwiek czynności na elektronarzędziu należy upewnić się, czy jest ono wyłączone i nie podłączone do sieci.

Instalowanie uchwytu bocznego (rękojeść)

⚠️ UWAGA:

- Przed uruchomieniem, zawsze upewnić się, czy uchwyt boczny zamontowano bezpiecznie.

Rys.6

Uchwyt boczny należy mocno przykręcić w odpowiednim miejscu narzędzia zgodnie z rysunkiem.

Montaż lub demontaż osłony tarczy (tarczy z obniżonym środkiem/ściernicy lamelowej, szczotki tarczowej/ściernicy tnącej, ściernicy diamentowej)

⚠️ OSTRZEŻENIE:

- W przypadku używania tarczy szlifierskiej z obniżonym środkiem/ściernicy lamelowej, tarczy flex lub szczotki tarczowej, osłonę tarczy należy przykręcić do narzędzia w taki sposób, aby jej zamknięta część była zawsze zwrócona w stronę operatora.
- W przypadku korzystania ze ściernicy tnącej/ściernicy diamentowej należy używać wyłącznie specjalnej osłony tarczy przeznaczonej do tego typu ściernic.

Dla narzędzia z osłoną tarczy ze śrubą blokującą

Rys.7

Należy osłone tarczy i wyrównać wystający element na jej kołnierzu z nacięciem w obudowie. Następnie obrócić osłonę tarczy o kąt 180 stopni przeciwnie do ruchu wskazówek zegara. Pamiętaj o solidnym dokręceniu śruby.

Aby zdemontować osłonę tarczy, procedurę montażu należy wykonać w odwrotnej kolejności.

Dla narzędzia z osłoną tarczy z dźwignią zacisku

Rys.8

Rys.9

Poluzować dźwignię na osłonie tarczy. Należy osłonę tarczy i wyrównać wystający element na jej kołnierzu z nacięciem w obudowie. Następnie obrócić osłonę tarczy w położenie pokazane na rysunku. Docisnąć dźwignię, aby zablokować osłonę tarczy. Jeżeli dźwignia jest za luźna lub obraca się z trudem, aby unieruchomić osłonę tarczy, wówczas należy dokręcić lub poluzować nakrętkę regulując naciąg opaski osłony tarczy.

Aby zdemontować osłonę tarczy, procedurę montażu należy wykonać w odwrotnej kolejności.

Montaż i demontaż tarczy z obniżonym środkiem lub ściernicy lamelowej (osprzęt)

⚠️ OSTRZEŻENIE:

- Ze znajdującej się w zestawie osłony należy zawsze korzystać, gdy zamontowana jest tarcza szlifierska z obniżonym środkiem lub ściernica lamelowa. Podczas eksploatacji tarcza może drgać, a osłona pomaga zmniejszyć ryzyko wypadku.

Rys.10

Należy kołnierz wewnętrzny wrzeciono. Dopasować tarczę/ściernicę do kształtu kołnierza i dokręcić nakrętką zabezpieczającą osadzoną na wrzeciono.

UWAGA:

Używając tarczy z obniżonym środkiem o grubości powyżej 7 mm, należy odwrócić nakrętkę zabezpieczającą i nakręcić ją na wrzeciono.

Super kołnierz

Modele oznaczone literą F są standardowo wyposażone w super kołnierz. W porównaniu z typowym kołnierzem odkręcenie nakrętki zabezpieczającej wymaga tylko 1/3 siły.

W przypadku Australii i Nowej Zelandii

Rys.11

Należy kołnierz wewnętrzny na wrzeciono. Dopasować tarczę/ściernicę do kształtu kołnierza i założyć nakrętkę zabezpieczającą w taki sposób, aby wystająca część nakrętki była skierowana ku dołowi (w stronę tarczy).

Rys.12

W celu dokręcenia nakrętki zabezpieczającej mocno docisnąć blokadę wału, aby unieruchomić wrzeciono, a następnie dociągnąć nakrętkę zabezpieczającą kluczem zgodnie z ruchem wskazówek zegara.

Aby zdemontować tarczę, wystarczy procedurę montażu wykonać w odwrotnej kolejności.

Montaż lub demontaż ściernicy (osprzęt dodatkowy)

UWAGA:

- Wolno używać tylko akcesoriów określonych w tej instrukcji. Należy je nabyć oddzielnie.

Rys.13

Należy gumową podkładkę na wrzeciono. Dopasować tarczę do podkładki gumowej dokręcić nakrętkę zabezpieczającą osadzoną na wrzecionie. W celu dokręcenia nakrętki zabezpieczającej mocno docisnąć blokadę wału, aby unieruchomić wrzeciono, a następnie dociągnąć nakrętkę zabezpieczającą kluczem zgodnie z ruchem wskazówek zegara.

Aby zdemontować tarczę, wystarczy procedurę montażu wykonać w odwrotnej kolejności.

DZIAŁANIE

⚠OSTRZEŻENIE:

- Nie ma potrzeby dociskania narzędzia podczas pracy. Sam ciężar narzędzia wywiera wystarczający nacisk. Stosowanie siły i nadmiernego docisku może prowadzić do groźnego pęknięcia tarczy.
- Jeżeli podczas szlifowania narzędzie upadnie, tarczę należy KONIECZNIE wymienić.
- NIE WOLNO w żadnym wypadku uderzać tarczą o obrabiany element.
- Uważać, aby tarcza nie podskakiwała i aby nie doszło do jej wyszczerbienia, zwłaszcza podczas obróbki narożników, ostrych krawędzi itp. Może bowiem wystąpić odrzut i dojść do utraty panowania nad narzędziem.

- NIE WOLNO używać narzędzia z tarczami do cięcia drewna. Wspomniane tarcze używane w szlifierce, często powodują odrzut i utratę panowania, a w konsekwencji mogą doprowadzić do wypadku.

⚠UWAGA:

- Nie wolno włączać narzędzia, gdy dotyka ono obrabianego przedmiotu, może bowiem spowodować obrażenia ciała u operatora.
- Do pracy zawsze zakładać gogle ochronne lub osłonę na twarz.
- Po zakończeniu pracy koniecznie wyłączyć narzędzie i przed jego odłożeniem odczekać, aż tarcza całkowicie się zatrzyma.

Szlifowanie

Rys.14

Narzędzie należy ZAWSZE trzymać mocno jedną ręką za tylną rękojeść, a drugą za uchwyt boczny. Włączyć narzędzie, a następnie przyłożyć tarczę do obrabianego elementu.

Zwykle krawędź tarczy powinno się trzymać pod kątem mniej więcej 15 stopni względem powierzchni obrabianego elementu.

W okresie docierania nowej tarczy nie należy prowadzić narzędzia w kierunku B, ponieważ tarcza zacznie się wcinać w element. Gdy krawędź tarczy, w miarę jej eksploatacji, zostanie zaokrąglona, można prowadzić narzędzie zarówno w kierunku A jak i B.

Praca ze szczotką drucianą doczołową (osprzęt dodatkowy)

⚠UWAGA:

- Sprawdzić działanie szczotki, uruchamiając narzędzie bez obciążenia po uprzednim upewnieniu się, że przed szczotką ani w płaszczyźnie jej obrotu nikogo nie ma.
- Nie wolno używać szczotki, która jest uszkodzona lub niewyważona. Używanie uszkodzonej szczotki mogłoby zwiększyć ryzyko odniesienia obrażeń w kontakcie z połamanymi drutami szczotki.

Rys.15

Odłączyć narzędzie i odwrócić do góry nogami, ułatwiając dostęp do wrzeciona. Zdjąć ewentualne akcesoria z wrzeciona. Zamocować szczotkę drucianą doczołową na wrzecionie i dokręcić dołączonym kluczem. Używając szczotki nie wolno nadmiernie jej dociskać, ponieważ powoduje to wyginanie drutów, prowadząc do ich przedwczesnego połamania.

Praca ze szczotką tarczową (osprzęt dodatkowy)

⚠UWAGA:

- Sprawdzić działanie szczotki tarczowej, uruchamiając narzędzie bez obciążenia po uprzednim upewnieniu się, że przed szczotką ani w płaszczyźnie jej obrotu nikogo nie ma.

- Nie wolno używać szczotki tarczowej, która jest uszkodzona lub niewyważona. Używanie uszkodzonej szczotki tarczowej mogłoby zwiększyć ryzyko odniesienia obrażeń w kontakcie z połamanymi drutami szczotki.
- ZAWSZE należy stosować osłonę ze szczotką tarczową, upewniając się, że jej średnica mieści się w osłonie. Podczas eksploatacji tarcza może drgać, a osłona pomaga zmniejszyć ryzyko wypadku.

Rys.16

Odłączyć narzędzie i odwrócić do góry nogami, ułatwiając dostęp do wrzeciona. Zdjąć ewentualne akcesoria z wrzeciona. Nakręcić szczotkę tarczową na wrzeciono i dokręcić za pomocą kluczy. Używając szczotki tarczowej nie wolno nadmiernie jej dociskać, ponieważ powoduje to wyginanie drutów, prowadząc do ich przedwczesnego połamania.

Cięcie z użyciem ściernicy tnącej/ściernicy diamentowej (osprzęt opcjonalny)

⚠OSTRZEŻENIE:

- W przypadku korzystania ze ściernicy tnącej/ściernicy diamentowej należy używać wyłącznie specjalnej osłony tarczy przeznaczonej do tego typu ściernic.
- Tarcz tnących NIE WOLNO używać do szlifowania bocznego.
- Nie wolno doprowadzać do zakleszczenia tarczy ani stosować zbyt dużego nacisku. Unikać cięć o zbyt dużej głębokości. Przeciążona ściernica jest bardziej podatna na skręcenia lub wyginanie w szczelinie i wzrasta prawdopodobieństwo odrzutu lub pęknięcia tarczy. Może również dojść do przegrzania silnika.
- Nie wolno rozpoczynać operacji cięcia, gdy tarcza znajduje się w przecinanym elemencie. Należy poczekać, aż ściernica uzyska pełną prędkość i dopiero wówczas ostrożnie wprowadzić ją do nacięcia, przesuując narzędzie do przodu nad powierzchnią obrabianego elementu. Tarcza może zakleszczyć się, wędrować po materiale, albo może wystąpić odrzut, jeżeli elektronarzędzie zostanie uruchomione, gdy ściernica znajduje się w przecinanym elemencie.
- Podczas operacji cięcia nie wolno zmieniać kąta prowadzenia tarczy. Pod wpływem nacisku bocznego na tarczę tnącą (jak to ma miejsce w przypadku szlifowania) ściernica może pęknąć lub złamać się, grożąc poważnymi obrażeniami ciała.
- Ściernica diamentowa powinna być umieszczona prostopadle do ciętego materiału.

Należy użyć kołnierza wewnętrzny na wrzeciono. Dopasować tarczę/ściernicę do kształtu kołnierza i dokręcić nakrętką zabezpieczającą osadzoną na wrzecionie.

Rys.17

Zakładając ściernicę tnącą lub diamentową o grubości 7 mm lub większej, należy założyć nakrętkę

zabezpieczającą stroną prowadzącą (występem) do otworu skierowaną w stronę ściernicy.

W przypadku Australii i Nowej Zelandii

Montaż lub demontaż ściernicy tnącej/ściernicy diamentowej (osprzęt opcjonalny)

Rys.18

KONSERWACJA

⚠UWAGA:

- Przed wykonywaniem kontroli i konserwacji należy się zawsze upewnić, czy elektronarzędzie jest wyłączone i nie podłączone do sieci.

UWAGA!

- Nie wolno używać benzyny, benzenu, rozpuszczalnika, alkoholu itp. Substancje takie mogą spowodować odbarwienia, odkształcenia lub pęknięcia.

Rys.19

Narzędzie i jego otwory wentylacyjne powinny być utrzymywane w czystości. Otwory wentylacyjne należy czyścić w regularnych odstępach czasu i za każdym razem, gdy są przytkane.

Wymiana szczotek węglowych

Rys.20

Gdy końcówka izolacyjna z żywicy, znajdująca się wewnątrz szczotki węglowej, zostanie odsłonięta i zetknie się z komutatorem, nastąpi automatyczne odłączenie silnika. W takim przypadku należy wymienić obie szczotki węglowe. Szczotki węglowe powinny być czyste, aby można je było swobodnie wsunąć do opraw. Obie szczotki węglowe wymienić równocześnie. Używać wyłącznie identycznych szczotek węglowych.

Rys.21

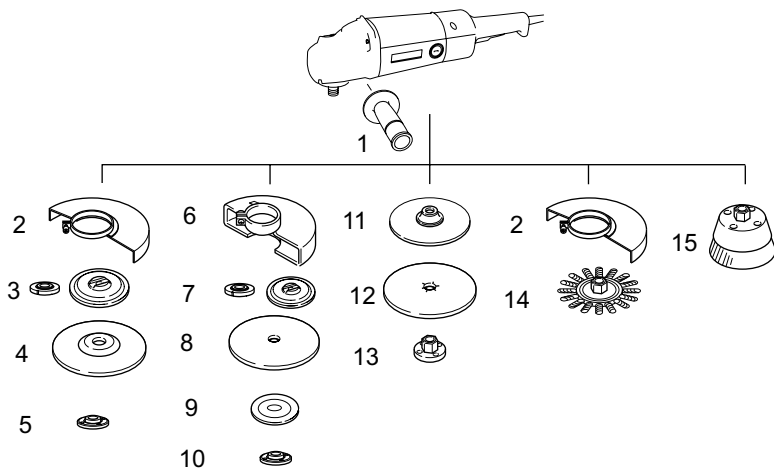
Do wyjęcia pokrywek uchwytów szczotek używać śrubokrętu. Wyjąć zużyte szczotki węglowe, włożyć nowe i zabezpieczyć pokrywkami uchwytów szczotek. Dla zachowania BEZPIECZENSTWA i NIEZAWODNOŚCI wyrobu, naprawy oraz inne prace konserwacyjne i regulacyjne powinny być wykonywane przez Autoryzowane Centra Serwisowe Makita, wyłącznie przy użyciu części zamiennych Makita.

AKCESORIA (WYPOSAŻENIE DODATKOWE)

⚠UWAGA:

- Zaleca się stosowanie wymienionych akcesoriów i dodatków razem z elektronarzędziem Makita opisanym w niniejszej instrukcji. Stosowanie jakichkolwiek innych akcesoriów i dodatków może stanowić ryzyko uszkodzenia ciała. Stosować akcesoria i dodatki w celach wyłącznie zgodnych z ich przeznaczeniem.

W razie potrzeby, wszelkiej pomocy i szczegółowych informacji na temat niniejszych akcesoriów udzieli Państwu lokalne Centra Serwisowe Makita.



1	Uchwyt boczny
2	Osłona do tarczy z obniżonym środkiem / ściernicy lamelowej / szczotki tarczowej
3	Kołnierz wewnętrzny / super kołnierz / kołnierz wewnętrzny 102 (tylko Australia i Nowa Zelandia)
4	Tarcza z obniżonym środkiem / ściernica lamelowa
5	Nakrętka zabezpieczająca / mocowanie Ezynut*1
6	Osłona do ściernicy tnącej / ściernicy diamentowej
7	Kołnierz wewnętrzny / super kołnierz / kołnierz wewnętrzny 78 (tylko Australia i Nowa Zelandia)
8	Ściernica tnąca / ściernica diamentowa
9	Kołnierz zewnętrzny 78 (tylko Australia i Nowa Zelandia)*2
10	Nakrętka zabezpieczająca / mocowanie Ezynut*1
11	Gumowa tarcza
12	Ściernica
13	Nakrętka zabezpieczająca do szlifowania
14	Szczotka tarczowa
15	Szczotka druciana doczołowa
—	Klucz do nakrętki zabezpieczającej
—	Osłona przeciwpyłowa

*1 Super kołnierza i mocowania Ezynut nie należy stosować razem.

*2 Kołnierz wewnętrzny 78 i kołnierz zewnętrzny 78 należy stosować razem. (tylko Australia i Nowa Zelandia)

ROMÂNĂ (Instrucțiuni originale)

Explicitarea vederii de ansamblu

1-1. Pârghie de blocare a axului	10-1. Contrapiuliță	17-4. Apărătoare pentru disc abraziv pentru retezat/disc de diamant
2-1. Carcasa motorului	10-2. Disc cu centru depresat	18-1. Contrapiuliță
2-2. Buton de blocare	10-3. Flanșă super	18-2. Flanșă exterioară 78
2-3. Mâner	10-4. Flanșă interioară	18-3. Disc abraziv pentru retezat/disc de diamant
3-1. Levier de blocare	11-1. Contrapiuliță	18-4. Flanșă interioară 78
3-2. Trăgaciul întrerupătorului	11-2. Disc cu centru depresat	18-5. Apărătoare pentru disc abraziv pentru retezat/disc de diamant
4-1. Levier de blocare	11-3. Flanșă interioară	19-1. Fantă de evacuare
4-2. Trăgaciul întrerupătorului	12-1. Cheie pentru contrapiuliță	19-2. Fantă de aspirație
5-1. Lampă indicatoare	12-2. Pârghie de blocare a axului	20-1. Comutator
7-1. Apărătoarea discului	13-1. Contrapiuliță	20-2. Vârf izolator
7-2. Șurub	13-2. Disc abraziv	20-3. Perie de cărbune
7-3. Lagăr	13-3. Taler de cauciuc	21-1. Capacul suportului pentru perii
8-1. Apărătoarea discului	15-1. Perie oală de sârmă	21-2. Șurubelniță
8-2. Lagăr	16-1. Perie de disc din sârmă	
8-3. Piuliță	17-1. Contrapiuliță	
8-4. Pârghie	17-2. Disc abraziv pentru retezat/disc de diamant	
9-1. Piuliță	17-3. Flanșă interioară	
9-2. Pârghie		

SPECIFICAȚII

Model	GA7020R	GA7030R	GA7040R	GA9020R	GA9030R	GA9040R
Diametrul discului cu centru depresat	180 mm			230 mm		
Filetul arborelui	M14					
Viteză nominală (n) / Viteză de rotație în gol (n ₀)	8.500(min ⁻¹)			6.600(min ⁻¹)		
Lungime totală	473 mm	503 mm		473 mm	503 mm	
Greutate netă	5,6 kg	6,3 kg	6,6 kg	5,8 kg	6,5 kg	6,9 kg
Clasa de siguranță	□/II					

- Datorită programului nostru continuu de cercetare și dezvoltare, caracteristicile pot fi modificate fără o notificare prealabilă.
- Specificațiile pot varia în funcție de țară.
- Greutatea este specificată conform procedurii EPTA-01/2003

ENE048-1

ENG208-4

Destinația de utilizare

Mașina este destinată polizării, șlefuirii și tăierii materialelor de metal și piatră fără utilizarea apei.

ENF002-1

Sursă de alimentare

Mașina se va alimenta de la o sursă de curent alternativ monofazat, cu tensiunea egală de cea indicată pe plăcuța de identificare a mașinii. Având dublă izolație, conform cu Standardele Europene, se poate conecta la o priză de curent fără contacte de împământare.

Pentru modelul GA7020R

ENG102-3

Emisie de zgomot

Nivelul de zgomot normal ponderat A determinat în conformitate cu EN60745:

Nivel de presiune acustică (L_{pA}): 90 dB (A)

Nivel de putere acustică (L_{WA}): 101 dB(A)

Eroare (K): 3 dB(A)

Purtați mijloace de protecție a auzului

Vibrații

Valoarea totală a vibrațiilor (suma vectorilor tri-axiali) determinată conform EN60745:

Mod de funcționare: polizare suprafață

Nivel de vibrații (a_{h,HD}): 8,0 m/s²

Incertitudine (K): 1,5 m/s²

Dacă mașina este utilizată pentru alte aplicații, valoarea vibrațiilor emise poate fi diferită.

ENG313-2

Mod de funcționare: șlefuire cu disc

Nivel de vibrații (a_{h,DS}): 3,0 m/s²

Incertitudine (K): 1,5 m/s²

Pentru modelul GA7030R

ENG102-3

Emisie de zgomot

Nivelul de zgomot normal ponderat A determinat în conformitate cu EN60745:

Nivel de presiune acustică (L_{pA}): 90 dB (A)

Nivel de putere acustică (L_{WA}): 101 dB(A)

Eroare (K): 3 dB(A)

Purtați mijloace de protecție a auzului

ENG208-4

Vibrații

Valoarea totală a vibrațiilor (suma vectorilor tri-axiali) determinată conform EN60745:

Mod de funcționare: polizare suprafață

Nivel de vibrații ($a_{h,HD}$): $6,5 \text{ m/s}^2$

Incertitudine (K): $1,5 \text{ m/s}^2$

Dacă mașina este utilizată pentru alte aplicații, valoarea vibrațiilor emise poate fi diferită.

ENG313-2

Mod de funcționare: șlefuire cu disc

Nivel de vibrații ($a_{h,DS}$): $3,5 \text{ m/s}^2$

Incertitudine (K): $1,5 \text{ m/s}^2$

Pentru modelul GA7040R

ENG102-3

Emisie de zgomot

Nivelul de zgomot normal ponderat A determinat în conformitate cu EN60745:

Nivel de presiune acustică (L_{pA}): 90 dB (A)

Nivel de putere acustică (L_{WA}): 101 dB(A)

Eroare (K): 3 dB(A)

Purtați mijloace de protecție a auzului

ENG208-4

Vibrații

Valoarea totală a vibrațiilor (suma vectorilor tri-axiali) determinată conform EN60745:

Mod de funcționare: polizare suprafață

Nivel de vibrații ($a_{h,HD}$): $7,0 \text{ m/s}^2$

Incertitudine (K): $1,5 \text{ m/s}^2$

Dacă mașina este utilizată pentru alte aplicații, valoarea vibrațiilor emise poate fi diferită.

ENG313-2

Mod de funcționare: șlefuire cu disc

Nivel de vibrații ($a_{h,DS}$): $3,0 \text{ m/s}^2$

Incertitudine (K): $1,5 \text{ m/s}^2$

Pentru modelul GA9020R, GA9040R

ENG102-3

Emisie de zgomot

Nivelul de zgomot normal ponderat A determinat în conformitate cu EN60745:

Nivel de presiune acustică (L_{pA}): 90 dB (A)

Nivel de putere acustică (L_{WA}): 101 dB(A)

Eroare (K): 3 dB(A)

Purtați mijloace de protecție a auzului

ENG208-4

Vibrații

Valoarea totală a vibrațiilor (suma vectorilor tri-axiali) determinată conform EN60745:

Mod de funcționare: polizare suprafață

Nivel de vibrații ($a_{h,HD}$): $6,0 \text{ m/s}^2$

Incertitudine (K): $1,5 \text{ m/s}^2$

Dacă mașina este utilizată pentru alte aplicații, valoarea vibrațiilor emise poate fi diferită.

ENG313-2

Mod de funcționare: șlefuire cu disc

Nivel de vibrații ($a_{h,DS}$): $2,5 \text{ m/s}^2$

Incertitudine (K): $1,5 \text{ m/s}^2$

Pentru modelul GA9030R

ENG102-3

Emisie de zgomot

Nivelul de zgomot normal ponderat A determinat în conformitate cu EN60745:

Nivel de presiune acustică (L_{pA}): 90 dB (A)

Nivel de putere acustică (L_{WA}): 101 dB(A)

Eroare (K): 3 dB(A)

Purtați mijloace de protecție a auzului

ENG208-4

Vibrații

Valoarea totală a vibrațiilor (suma vectorilor tri-axiali) determinată conform EN60745:

Mod de funcționare: polizare suprafață

Nivel de vibrații ($a_{h,HD}$): $5,5 \text{ m/s}^2$

Incertitudine (K): $1,5 \text{ m/s}^2$

Dacă mașina este utilizată pentru alte aplicații, valoarea vibrațiilor emise poate fi diferită.

ENG313-2

Mod de funcționare: șlefuire cu disc

Nivel de vibrații ($a_{h,DS}$): $2,5 \text{ m/s}^2$

Incertitudine (K): $1,5 \text{ m/s}^2$

ENG901-1

- Nivelul de vibrații declarat a fost măsurat în conformitate cu metoda de test standard și poate fi utilizat pentru compararea unei uneelte cu alta.
- Nivelul de vibrații declarat poate fi, de asemenea, utilizat într-o evaluare preliminară a expunerii.

⚠️ AVERTISMENT:

- Nivelul de vibrații în timpul utilizării reale a unelei electrice poate diferi de valoarea nivelului declarat, în funcție de modul în care unealta este utilizată.
- Asigurați-vă că identificați măsurile de siguranță pentru a proteja operatorul, acestea fiind bazate pe o estimare a expunerii în condiții reale de utilizare (luând în considerare toate părțile ciclului de operare, precum timpii în care unealta a fost oprită, sau a funcționat în gol, pe lângă timpul de declanșare).

ENH101-13

Numai pentru țările europene

Declarație de conformitate CE

Noi, Makita Corporation ca producător responsabil, declarăm că următorul(oarele) utilaj(e):

Destinația utilajului:

Polizor unghiular

Modelul nr. / Tipul: GA7020R, GA7030R, GA7040R, GA9020R, GA9030R, GA9040R este în producție de serie și

Este în conformitate cu următoarele directive europene:

98/37/CE până la 28 decembrie 2009 și în continuare cu 2006/42/CE de la 29 decembrie 2009

Și este fabricat în conformitate cu următoarele standarde sau documente standardizate:

EN60745

Documentațiile tehnice sunt păstrate de reprezentantul nostru autorizat în Europa care este:

Makita International Europe Ltd,
Michigan, Drive, Tongwell,
Milton Keynes, MK15 8JD, Anglia

19 iunie 2009



Tomoyasu Kato
Director

Makita Corporation
3-11-8, Sumiyoshi-cho,
Anjo, Aichi, JAPONIA

000230

GEA010-1

Avertismente generale de siguranță pentru unelte electrice

⚠️ **AVERTIZARE** Citiți toate avertizările de siguranță și toate instrucțiunile. Nerespectarea acestor avertizări și instrucțiuni poate avea ca rezultat electrocutarea, incendiul și/sau rănirea gravă.

Păstrați toate avertismentele și instrucțiunile pentru consultări ulterioare.

GEB033-3

AVERTISMENTEA PRIVIND SIGURANȚA PENTRU POLIZOR

Avertismente privind siguranța comună operațiunilor de polizare, de șlefuire, periere sau operațiunilor de tăiere abrazivă:

1. Această sculă electrică este destinată să funcționeze ca polizor, șlefuitor, perie de sârmă sau mașină de tăiat. Citiți toate avertismentele privind siguranța, instrucțiunile, ilustrațiile și specificațiile furnizate cu această sculă electrică. Nerespectarea integrală a instrucțiunilor de mai jos poate cauza electrocutări, incendii și/sau vătămări corporale grave.
2. Nu este recomandată executarea operațiilor cum ar fi lustruirea cu această sculă electrică. Operațiile pentru care această sculă electrică nu a fost concepută pot fi periculoase și pot provoca vătămări corporale.

3. Nu folosiți accesorii care nu sunt special concepute și recomandate de producătorul mașinii. Simplul fapt că accesoriul poate fi atașat la mașina dumneavoastră electrică nu asigură funcționarea în condiții de siguranță.
4. Viteza nominală a accesoriului trebuie să fie cel puțin egală cu viteza maximă indicată pe mașina electrică. Accesorii utilizați la o viteză superioară celei nominale se pot sparge și împrăștia.
5. Diametrul exterior și grosimea accesoriului dumneavoastră trebuie să se înscrie în capacitatea nominală a mașinii dumneavoastră electrice. Accesoriile incorect dimensionate nu pot fi protejate sau controlate în mod adecvat.
6. Dimensiunea pentru ax a discurilor, flanșelor, discurilor de fixare sau orice alt accesoriu trebuie să se potrivească corespunzător arborelui sculei electrice. Accesoriile cu găuri pentru ax care nu se potriveșc cu prinderile de montaj ale sculei electrice vor funcționa dezechilibrat, vor vibra excesiv și pot cauza pierderea controlului.
7. Nu folosiți un accesoriu deteriorat. Înaintea fiecărei utilizări inspectați accesoriul cum ar fi discurile abrazive în privința sfărâmăturilor și fisurilor, discurile de fixare în privința fisurilor, ruptură sau uzură excesivă, peria de sârmă în privința lipsei firelor și a firelor plesnite. Dacă scăpați pe jos mașina sau accesoriul, inspectați-le cu privire la deteriorări sau instalați un accesoriu intact. După inspectarea și instalarea unui accesoriu, poziționați-vă împreună cu spectatorii la depărtare de planul accesoriului rotativ și porniți mașina la viteză maximă de mers în gol timp de un minut. Accesoriile deteriorate se vor sparge în mod normal pe durata acestui test.
8. Purtați echipamentul personal de protecție. În funcție de aplicație, folosiți o mască de protecție, ochelari de protecție sau viziere de protecție. Dacă este cazul, purtați o mască de protecție contra prafului, mijloace de protecție a auzului, mănuși și un șorț de lucru capabil să oprească fragmentele mici abrazive sau fragmentele piesei. Mijloacele de protecție a vederii trebuie să fie capabile să oprească resturile proiectate în aer generate la diverse operații. Maska de protecție contra prafului sau masca respiratoare trebuie să fie capabilă să filtreze particulele generate în timpul operației respective. Expunerea prelungită la zgomot foarte puternic poate provoca pierderea auzului.
9. Țineți spectatorii la o distanță sigură față de zona de lucru. Orice persoană care pătrunde în zona de lucru trebuie să poarte echipament personal de protecție. Fragmentele piesei

prelucrate sau ale unui accesoriu spart pot fi proiectate în jur cauzând vătămări corporale în zona imediat adiacentă zonei de lucru.

10. **Țineți mașina electrică numai de suprafețele de apucare izolate atunci când efectuați o operație la care accesoriul așchietor poate intra în contact cu cabluri ascunse sau cu propriul cablu.** Contactul accesoriului așchietor cu un cablu aflat sub tensiune poate pune sub tensiune piesele metalice expuse ale mașinii electrice, rezultând în electrocutarea utilizatorului.
11. **Poziționați cablul la distanță de accesoriul aflat în rotație.** Dacă pierdeți controlul, cablul poate fi tăiat sau agățat și mâna sau brațul dumneavoastră pot fi trase în accesoriul aflat în rotație.
12. **Nu așezați niciodată mașina electrică înainte de oprirea completă a accesoriului.** Accesoriul aflat în rotație ar putea apuca suprafața și trage de mașina electrică fără a o putea controla.
13. **Nu lăsați mașina electrică în funcțiune în timp ce o transportați lângă corpul dumneavoastră.** Contactul accidental cu accesoriul aflat în rotație vă poate agăța îmbrăcămintea, trăgând accesoriul spre corpul dumneavoastră.
14. **Curățați în mod regulat fanțele de ventilație ale mașinii electrice.** Ventilatorul motorului va aspira praful în interiorul carcasei, iar acumulările excesive de pulberi metalice pot prezenta pericol de electrocutare.
15. **Nu folosiți mașina electrică în apropierea materialelor inflamabile.** Scântelele pot aprinde aceste materiale.
16. **Nu folosiți accesorii care necesită agenți de răcire lichizi.** Folosirea apei sau a lichidelor de răcire poate cauza electrocutări sau șocuri de tensiune.

Reculul și avertismente aferente

Reculul este o reacție bruscă la înțepenirea sau agățarea unui disc, unui taler suport, unei perii sau unui alt accesoriu aflat în rotație. Înțepenirea sau agățarea provoacă o oprire bruscă a accesoriului aflat în rotație, ceea ce forțează mașina scăpată de sub control în direcția opusă celei de rotire a accesoriului în punctul de contact.

De exemplu, dacă un disc abraziv se înțepenește sau se agăță în piesa de prelucrat, muchia discului care pătrunde în punctul de blocare poate "mușca" din suprafața materialului cauzând urcarea sau proiectarea înapoi a discului. Discul poate sări sau nu către utilizator, în funcție de direcția de mișcare a discului în punctul de blocare. De asemenea, discurile abrazive se pot rupe în aceste condiții.

Reculul este rezultatul utilizării incorecte a mașinii electrice și/sau al procedurilor sau condițiilor de lucru necorespunzătoare, putând fi evitat prin adoptarea unor măsuri de precauție adecvate prezentate în continuare.

a) **Mențineți o priză fermă pe mașina electrică și poziționați-vă corpul și brațele astfel încât să contracarați forțele de recul.** Folosiți întotdeauna mânerul auxiliar, dacă există, pentru a contracara în mod optim reculurile sau momentul de torsiune reactiv din faza de pornire. Utilizatorul poate contracara momentele de torsiune reactive sau forțele de recul, dacă își ia măsurile de precauție adecvate.

b) **Nu vă poziționați niciodată mâna în apropierea accesoriului aflat în rotație.** Accesoriul poate recula peste mâna dumneavoastră.

c) **Nu vă poziționați corpul în zona în care se va deplasa mașina electrică în cazul unui recul.** Reculul va propulsa mașina în direcția opusă celei de mișcare a discului în punctul de blocare.

d) **Procedați cu deosebită atenție atunci când prelucrați colțuri, muchii ascuțite etc.** Evitați izbiturile și salturile accesoriului. Colțurile, muchiile ascuțite sau salturile au tendința de a agăța accesoriul aflat în rotație și conduc la pierderea controlului sau apariția reculerilor.

e) **Nu atașați o lamă de ferăstrău cu lanț pentru scobirea lemnului sau o lamă de fierăstrău dințată.** Astfel de lame pot crea reculeri frecvente și pierderea controlului.

Avertismente privind siguranța comune operațiilor de polizare și tăiere abrazivă:

a) **Utilizați numai tipurile de discuri care sunt recomandate pentru scula dumneavoastră electrică și apărătorile specifice proiectate pentru discul selectat.** Discurile pentru care scula electrică nu a fost proiectată nu pot fi protejate adecvat și sunt nesigure.

b) **Apărătoarea trebuie atașată ferm la scula electrică și poziționată pentru siguranță maximă, astfel cea mai mică porțiune a discului este expusă în direcția operatorului.** Apărătoarea ajută la protejarea operatorului de fragmentele discului spart și de contactul accidental cu discul.

c) **Discurile trebuie utilizate numai pentru aplicațiile recomandate. De exemplu: nu polizați cu fața laterală a discului pentru retezat.** Discurile abrazive pentru retezat sunt concepute pentru polizarea periferică, iar aplicarea unor forțe laterale asupra acestor discuri poate provoca spargerea lor.

d) **Folosiți întotdeauna flanșe de disc intacte, cu dimensiuni și formă adecvate pentru discul folosit.** Flanșele de disc adecvate fixează discul reducând astfel posibilitatea de rupere a acestuia. Flanșele pentru discurile de retezare pot fi diferite de flanșele discului pentru polizare.

e) **Nu folosiți discuri parțial uzate de la scule electrice mai mari.** Discurile destinate unei scule electrice mai mari nu sunt adecvate pentru viteza

mai mare a unei mașini mici și se pot sparge.

Avertismente suplimentare specifice privind siguranța operațiunilor de rețezare abrazivă:

a) Nu „blocați” discul de rețezare și nici nu aplicați o presiune excesivă. Nu încercați să executați o adâncime excesivă a tăieturii. Supratensionarea discului mărește sarcina și susceptibilitatea de a torsiona sau a de a înțepeni discul în tăietură și posibilitatea de recul sau de spargere a discului.

b) Nu vă poziționați cu corpul în linie cu și în spatele discului care se rotește. Atunci când discul, la punctul de operare, se mișcă departe de corpul dumneavoastră, reculul posibil poate împinge discul care se învârteste și scula electrică direct spre dumneavoastră.

c) Atunci când discul este înțepenit sau când este întrerupt o tăiere din orice motiv, opriți scula electrică și țineți-o nemișcată până când discul se oprește complet. Nu încercați niciodată să scoateți discul de rețezare din tăietură în timp ce discul este în mișcare altfel poate apărea reculul. Investigați și efectuați acțiunile corective pentru a elimina cauza înțepenirii discului.

d) Nu reporniți operația de rețezare în piesa de prelucrat. Lăsați discul să ajungă la viteza maximă și repătrundeți cu atenție în tăietură. Discul poate înțepeni, de poate deplasa în sus sau provoca recul, dacă unealta electrică este repornită în piesa de prelucrat.

e) Sprijiniți panourile sau orice piesă de prelucrat de dimensiuni mari pentru a minimiza riscul de ciupire și recul al discului. Piese de prelucrat mari tind să se încovoieze sub propria greutate. Sub piesa de prelucrat trebuie amplasate suporturi pe ambele laturi, lângă linia de tăiere și lângă marginea piesei de prelucrat pe ambele părți ale discului.

f) Aveți deosebită grijă atunci când executați o „decupare prin plonjare” în pereții existenți sau în alte zone mascate. Discul poate tăia conducte de gaz sau de apă, cabluri electrice sau obiecte care pot provoca un recul.

Avertismente specifice privind siguranța operațiunilor de șlefuire:

a) Nu utilizați disc de șlefuire din șmirghel supradimensionat excesiv. Respectați recomandările producătorilor, atunci când selectați hârtia pentru șlefuit. Hârtia de șlefuit prea mare extinsă în afara plăcii de șlefuire prezintă pericolul de sfâșiere și poate cauza înțepenirea, sfâșierea discului sau reculul.

Avertismente specifice privind siguranța operațiunilor de periere:

a) Fiți atent că firele de sârmă sunt aruncate de perie chiar și în timpul unei operațiuni obișnuite. Nu supratensionați firele prin

aplicarea unei sarcini excesive periei. Firele de sârmă pot penetra ușor îmbrăcămintea subțire sau pielea.

b) Dacă utilizarea unei apărători este recomandată pentru periere, nu permiteți contactul discului de sârmă sau periei cu apărătoarea. Discul de sârmă sau peria pot crește în diametru datorită sarcinii de lucru sau forțelor centrifuge.

Avertizări suplimentare de siguranță:

17. Atunci când folosiți discuri cu centru adâncit, asigurați-vă că folosiți numai discuri armate cu fibră de sticlă.
18. Fiți atenți să nu deteriorați arborele, flanșa (în special suprafața de montaj) sau contrapiulița. Deteriorarea acestor piese poate conduce la ruperea discului.
19. Asigurați-vă că discul nu intră în contact cu piesa de prelucrat înainte de a conecta comutatorul.
20. Înainte de utilizarea mașinii pe piesa propriu-zisă, lăsați-o să funcționeze în gol pentru un timp. Încercați să identificați orice vibrație sau oscilație care ar putea indica o instalare inadecvată sau un disc neechilibrat.
21. Folosiți fața specificată a discului pentru a executa polizarea.
22. Aveți grijă la scânteie. Țineți mașina astfel încât scânteile să nu se îndrepte către dumneavoastră și alte persoane, sau către materiale inflamabile.
23. Nu lăsați mașina în funcțiune. Folosiți mașina numai când o țineți cu mâinile
24. Nu atingeți piesa prelucrată imediat după executarea lucrării; aceasta poate fi extrem de fierbinte și poate provoca arsuri ale pielii.
25. Asigurați-vă întotdeauna că scula este oprită și deconectată sau că acumulatorii sunt scoase înainte de a executa orice lucrări la mașină.
26. Respectați instrucțiunile producătorului cu privire la montarea și utilizarea corectă a discurilor. Manipulați și depozitați cu atenție discurile.
27. Nu folosiți reducții cu mufă sau adaptoare separate pentru a adapta discuri abrazive cu gaură mare.
28. Folosiți numai flanșele specificate pentru această mașină.
29. Pentru mașinile destinate a fi echipate cu disc cu gaură filetată, asigurați-vă că filetul discului este suficient de lung pentru lungimea arborelui.
30. Verificați ca piesa de prelucrat să fie sprijinită corect.
31. Rețineți că discul continuă să se rotească după oprirea mașinii.

32. Dacă locul de muncă este extrem de călduros și umed, sau foarte poluat cu pulbere conductoare, folosiți un întrerupător de scurtcircuitare (30 mA) pentru a asigura protecția utilizatorului.
33. Nu folosiți mașina pe materiale care conțin azbest.
34. Nu folosiți apă sau lubrifiant pentru polizare.
35. Aveți grijă ca orificiile de ventilație să nu fie acoperite când lucrați în condiții de degajare de praf. Dacă este necesară îndepărtarea prafului, deconectați întâi mașina de la rețeaua de alimentare electrică (folosiți obiecte nemetalice) și evitați deteriorarea componentelor interne.
36. Când folosiți discuri de retezat, lucrați întotdeauna cu apărătoarea colectoare de praf a discului, impusă de reglementările naționale.
37. Discurile de retezat nu trebuie supuse nici unei presiuni laterale.

PĂSTRAȚI ACESTE INSTRUCȚIUNI

⚠️ AVERTISMENT:

NU permiteți comodității și familiarizării cu produsul (obținute prin utilizare repetată) să înlocuiască respectarea strictă a normelor de securitate pentru acest produs. **FOLOSIREA INCORECTĂ** sau nerespectarea normelor de securitate din acest manual de instrucțiuni poate provoca vătămări corporale grave.

DESCRIERE FUNCȚIONALĂ

⚠️ ATENȚIE:

- Asigurați-vă că ați oprit mașina și că ați debransat-o de la rețea înainte de a o regla sau de a verifica starea sa de funcționare.

Pârghie de blocare a axului

⚠️ ATENȚIE:

- Nu acționați niciodată pârghia de blocare a axului în timpul mișcării arborelui. Mașina poate fi avariată.

Fig.1

Apăsați pârghia de blocare a axului pentru a preveni rotirea arborelui atunci când montați sau demontați accesorii.

Pozițiile de montare a mânerului comutator (Pentru modelele GA7030R, GA7040R, GA9030R și GA9040R)

Fig.2

Mânerul comutator poate fi rotit cu câte 90° spre stânga sau spre dreapta, după necesități. Mai întâi, deconectați mașina. Apăsați butonul de blocare și rotiți mânerul

comutator complet spre stânga sau spre dreapta. Mânerul comutator va fi blocat în poziția respectivă.

⚠️ ATENȚIE:

- Asigurați-vă întotdeauna că mânerul comutator este blocat în poziția dorită înainte de utilizare.

Acționarea întrerupătorului

⚠️ ATENȚIE:

- Înainte de a branșa mașina la rețea, verificați dacă trăgaciul întrerupătorului funcționează corect și dacă revine la poziția "OFF" (oprit) atunci când este eliberat.

Fig.3

Pentru mașinile cu buton de blocare

Pentru a porni mașina, apăsați pur și simplu butonul declanșator (în direcția B). Eliberați butonul declanșator pentru a opri mașina. Pentru operare continuă, apăsați butonul declanșator (în direcția B) și apoi apăsați pârghia de blocare (în direcția A). Pentru a opri mașina din poziția blocată, apăsați complet butonul declanșator (în direcția B) și apoi eliberați-l.

Pentru mașinile cu buton de blocare și buton de deblocare

Fig.4

Pentru a preveni tragerea accidentală a butonului declanșator, este prevăzută o pârghie de blocare. Pentru a porni mașina, apăsați pârghia de blocare (în direcția A) și apoi trageți butonul declanșator (în direcția B). Eliberați butonul declanșator pentru a opri mașina. Pentru operare continuă, apăsați pârghia de blocare (în direcția A), trageți butonul declanșator (în direcția B) și apoi trageți pârghia de blocare (în direcția C). Pentru a opri mașina din poziția blocată, trageți complet butonul declanșator (în direcția B) și apoi eliberați-l.

Lampă indicatoare

Fig.5

Lampa indicatoare este aprinsă verde atunci când scula este conectată. Dacă lampa indicatoare nu se aprinde, cablul de alimentare sau controlerul ar putea fi defecte. Dacă lampa indicatoare este aprinsă, dar scula nu pomește chiar dacă este pornită, perile de cărbune ar putea fi consumate sau controlerul, motorul sau comutatorul PORNIT/OPRIT ar putea fi defecte.

Protecția împotriva repornirii accidentale

Chiar dacă pârghia de blocare menține butonul declanșator apăsat (blocat în poziție), aceasta nu permite sculei să repornească chiar dacă aceasta este conectată.

În acest timp, lampa indicatoare luminează intermitent în roșu și arată că dispozitivul de protecție împotriva repornirii accidentale este în funcțiune.

Pentru a anula protecția împotriva repornirii accidentale, trageți complet pârghia de blocare, apoi eliberați-o.

Funcție de pornire lină

Când sunt pornite, aceste modele încep să opereze la un ritm redus. Această funcție de pornire lentă asigură o

operare mult mai fiabilă.

MONTARE

⚠️ATENȚIE:

- Asigurați-vă că ați oprit mașina și că ați deconectat-o de la rețea înainte de a efectua vreo intervenție asupra mașinii.

Instalarea mânerului lateral (mâner)

⚠️ATENȚIE:

- Asigurați-vă că mânerul lateral este bine montat înainte de a pune mașina în funcțiune.

Fig.6

Înșurubați ferm mânerul lateral la mașină în poziția prezentată în figură.

Instalarea sau demontarea apărătoarei pentru disc (Pentru disc cu centru depresat, disc multiplu, perie de disc din sârmă/disc abraziv pentru retezat, disc de diamant)

⚠️AVERTISMENT:

- Atunci când utilizați un disc abraziv cu centru depresat/disc multiplu, un disc flexibil sau o perie de disc din sârmă, apărătoarea discului trebuie montată pe mașină astfel încât partea închisă a apărătoarei să fie întotdeauna orientată către operator.
- Atunci când utilizați un disc abraziv pentru retezat/disc de diamant, asigurați-vă că utilizați doar apărătoarele pentru disc proiectate pentru a fi utilizate împreună cu discuri abrazive pentru retezat.

Pentru mașinile cu apărătoare de disc cu șurub de blocare

Fig.7

Montați apărătoarea discului cu protuberanța de pe brățara apărătoarei discului aliniată cu canelura de pe lagăr. Apoi rotiți apărătoarea discului cu 180 de grade în sens anti-orar. Aveți grijă să strângeți ferm șurubul.

Pentru a demonta apărătoarea discului, executați în ordine inversă operațiile de montare.

Pentru mașinile cu apărătoare de disc cu pârghie de strângere

Fig.8

Fig.9

Slăbiți pârghia de pe apărătoarea discului. Montați apărătoarea discului cu protuberanța de pe brățara apărătoarei discului aliniată cu canelura de pe lagăr. Apoi rotiți apărătoarea discului până în poziția prezentată în figură. Strângeți pârghia pentru a fixa apărătoarea discului. Dacă pârghia este prea strânsă sau prea slăbită pentru a fixa apărătoarea discului, slăbiți sau strângeți piulița pentru a regla tensionarea brățării apărătoarei discului.

Pentru a demonta apărătoarea discului, executați în

ordine inversă operațiile de montare.

Montarea sau demontarea discului abraziv cu centru depresat/discului multiplu (accesoriu)

⚠️AVERTISMENT:

- Folosiți întotdeauna apărătoarea livrată atunci când pe mașină este montat un disc abraziv cu centru depresat/disc multiplu. Discul se poate sparge în timpul utilizării, iar apărătoarea ajută la reducerea riscului de vătămare.

Fig.10

Montați flanșa interioară pe arbore. Instalați discul pe flanșa interioară și înșurubați contrapiulița pe arbore.

NOTĂ:

Atunci când utilizați un disc abraziv cu centru depresat cu o grosime mai mare de 7 mm, supra-roțiți piulița și înșurubați-o pe arbore.

Flanșă super

Modelele cu litera F sunt dotate standard cu o flanșă super. În comparație cu tipul uzual, este necesar doar 1/3 din efort pentru a desface contrapiulița.

Pentru Australia și Noua Zeelandă

Fig.11

Montați flanșa interioară pe arbore. Instalați discul pe flanșa interioară și înșurubați contrapiulița cu protuberanța orientată în jos (îndreptată către disc).

Fig.12

Pentru a strânge contrapiulița, apăsați puternic pârghia de blocare a axului astfel încât arborele să nu se poată roti, apoi folosiți cheia pentru contrapiuliță și strângeți ferm în sens orar.

Pentru a demonta discul, executați în ordine inversă operațiile de montare.

Montarea sau demontarea discului abraziv (accesoriu opțional)

NOTĂ:

- Folosiți accesoriile pentru șlefuitor specificate în acest manual. Acestea trebuie achiziționate separat.

Fig.13

Montați talerul de cauciuc pe arbore. Instalați discul pe talerul de cauciuc și înșurubați contrapiulița pe arbore. Pentru a strânge contrapiulița, apăsați puternic pârghia de blocare a axului astfel încât arborele să nu se poată roti, apoi folosiți cheia pentru contrapiuliță și strângeți ferm în sens orar.

Pentru a demonta discul, executați în ordine inversă operațiile de instalare.

FUNȚIONARE

⚠️ AVERTISMENT:

- Nu este niciodată necesară forțarea mașinii. Greutatea mașinii exercită o presiune adecvată. Forțarea și exercitarea unei presiuni excesive pot provoca ruperea periculoasă a discului.
- Înlocuiți ÎNTOTDEAUNA discul dacă scăpați mașina pe jos în timpul rectificării.
- Nu loviți NICIODATĂ discul abraziv de piesa prelucrată.
- Evitați izbiturile și salturile discului, în special când prelucrați colțuri, muchii ascuțite etc. Acestea pot provoca pierderea controlului și reculuri.
- Nu folosiți NICIODATĂ mașina cu pânze de tăiat lemn sau alte pânze de ferăstrău. Astfel de pânze reculează frecvent când sunt folosite cu un polizor și provoacă pierderea controlului cauzând vătămări corporale.

⚠️ ATENȚIE:

- Nu porniți niciodată mașina atunci când aceasta se află în contact cu piesa de prelucrat, deoarece poate vătăma operatorul.
- Purtați întotdeauna ochelari de protecție și o mască de protecție în timpul lucrului.
- După terminarea operației, opriți întotdeauna mașina și așteptați ca discul să se oprească complet înainte de a așeza mașina.

Operația de rectificare și șlefuire

Fig.14

Țineți ÎNTOTDEAUNA mașina ferm cu o mână de mânerul posterior și cu cealaltă de mânerul lateral. Porniți mașina și apoi aplicați discul pe piesa de prelucrat. În principiu, mențineți muchia discului la un unghi de circa 15 grade față de suprafața piesei de prelucrat. Pe durata perioadei de rodare a unui disc nou, nu prelucrați cu polizorul în direcția B deoarece acesta va tăia în piesa de prelucrat. După ce muchia discului a fost rotunjită prin utilizare, se poate prelucra cu discul în ambele direcții A și B.

Operare cu peria oală de sârmă (Accesoriu opțional)

⚠️ ATENȚIE:

- Verificați operarea periei prin rotirea unelei fără sarcină, asigurându-vă că nu se află nimeni în față sau în linie cu peria.
- Nu utilizați o perie care este deteriorată, sau neechilibrată. Utilizarea unei perii deteriorate poate crește potențialul de accidentare prin contact cu sârmele periei deteriorate.

Fig.15

Deconectați unealta și amplasați-o în poziție inversă pentru a permite accesul ușor la arbore. Îndepărtați orice accesorii de pe arbore. Montați peria oală de sârmă pe

arbore și strângeți cu cheia furnizată. La utilizarea periei, evitați aplicarea unei presiuni prea mari care ar putea duce la îndoirea firelor, ducând la defectare prematură.

Operare cu peria de disc din sârmă (Accesoriu opțional)

⚠️ ATENȚIE:

- Verificați operarea periei de disc din sârmă prin rotirea unelei fără sarcină, asigurându-vă că nu se află nimeni în față sau în linie cu peria de disc din sârmă.
- Nu utilizați o perie de disc din sârmă care este deteriorată, sau neechilibrată. Utilizarea unei perii de disc din sârmă deteriorate poate crește potențialul de accidentare prin contact cu sârmele deteriorate.
- Protejați-vă ÎNTOTDEAUNA față de periele de disc din sârmă, asigurându-vă că diametrul discului se încadrează în interiorul apărătoarei. Discul se poate sparge în timpul utilizării, iar apărătoarea ajută la reducerea riscului de vătămare.

Fig.16

Deconectați unealta și amplasați-o în poziție inversă pentru a permite accesul ușor la arbore. Îndepărtați orice accesorii de pe arbore. Înfășurați peria de disc din sârmă pe arbore și strângeți cu cheia furnizată.

La utilizarea periei de disc din sârmă, evitați aplicarea unei presiuni prea mari care ar putea duce la îndoirea firelor, ducând la defectare prematură.

Operarea cu disc de rețezare abraziv/disc de diamant (accesoriu opțional)

⚠️ AVERTISMENT:

- Atunci când utilizați un disc abraziv pentru rețezat/disc de diamant, asigurați-vă că utilizați doar apărătoarele pentru disc proiectate pentru a fi utilizate împreună cu discuri abrazive pentru rețezat.
- NU utilizați niciodată discul pentru rețezat la polizarea laterală.
- Nu „înțepeniți” discul și nici nu aplicați o presiune excesivă. Nu încercați să executați o adâncime excesivă a tăieturii. Supratensionarea discului mărește sarcina și susceptibilitatea de a torsiona sau a de a înțepeni discul în tăietură și posibilitatea de recul, spargerea discului și supraîncălzirea motorului.
- Nu porniți operația de rețezare în piesa de prelucrat. Lăsați discul să ajungă la viteza maximă și pătrundeți cu atenție în tăietură prin mutarea sculei spre înainte pe suprafața piesei de prelucrat. Discul poate înțepeni, de poate deplasa în sus sau provoca recul, dacă scula electrică este repornită în piesa de prelucrat.
- În timpul operațiilor de rețezare, nu schimbați niciodată unghiul discului. Aplicarea unei presiuni laterale asupra discului de rețezare (ca la polizare)

va cauza fisurarea și spargerea discului, producând rănirea personală gravă.

- Discul de diamant va fi operat perpendicular cu materialul de tăiat.

Montați flanșa interioară pe arbore. Instalați discul pe flanșa interioară și înșurubați contrapiulița pe arbore.

Fig.17

La montarea unui disc de diamant sau a unui disc abraziv de retezat cu o grosime de 7 mm sau mai mare, montați contrapiulița cu partea circulară pilot (proeminență) pentru alezajul discului orientat spre disc.

Pentru Australia și Noua Zeelandă

Montarea sau demontarea discului de retezare abraziv/disc de diamant (accesoriu opțional)

Fig.18

ÎNTREȚINERE

⚠ATENȚIE:

- Asigurați-vă că ați oprit mașina și că ați debransat-o de la rețea înainte de a efectua operațiuni de verificare sau întreținere.

NOTĂ:

- Nu utilizați niciodată gazolină, benzină, diluant, alcool sau alte substanțe asemănătoare. În caz contrar, pot rezulta decolorări, deformări sau fisuri.

Fig.19

Mașina și fantele sale de ventilație trebuie păstrate curate. Curățați fantele de ventilație ale mașinii în mod regulat sau ori de câte ori devin îmbăcșite.

Înlocuirea periiilor de carbon

Fig.20

Atunci când vârful izolator de rășină din interiorul periei de cărbune este expus și intră în contact cu comutatorul, acesta va opri automat motorul. În acest caz, trebuie să înlocuiți ambele perii de cărbune. Păstrați periiile de cărbune curate și libere pentru a aluneca în suporturi. Ambele perii de cărbune trebuie înlocuite concomitent. Folosiți numai perii de cărbune identice.

Fig.21

Folosiți o șurubelniță pentru a îndepărta capacul suportului periiilor de carbon. Scoateți periiile de carbon uzate și fixați capacul pentru periiile de carbon.

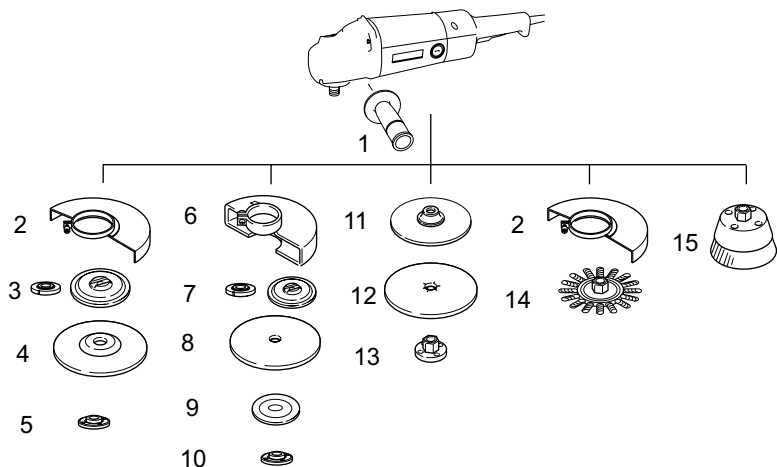
Pentru a menține siguranța și fiabilitatea mașinii, reparațiile și reglajele trebuie să fie efectuate numai la Centrele de service autorizat Makita, folosindu-se piese de schimb Makita.

ACCESORII

⚠ATENȚIE:

- Folosiți accesoriile sau piesele auxiliare recomandate pentru mașina dumneavoastră în acest manual. Utilizarea oricăror alte accesorii sau piese auxiliare poate cauza vătămări. Folosiți accesorii pentru operațiunea pentru care au fost concepute.

Dacă aveți nevoie de asistență sau de mai multe detalii referitoare la aceste accesorii, adresați-vă centrului local de service Makita.



1	Măner lateral
2	Apărătoare de disc pentru discul cu centru depresat / disc multiplu / Perie de disc din sârmă
3	Flanșă interioară / Supra flanșă / Flanșă interioară 102 (Doar Australia și Noua Zeelandă)
4	Disc abraziv cu centru depresat/disc multiplu
5	Contrapiuliță / Ezynut*1
6	Apărătoare pentru disc abraziv pentru retezat / Disc de diamant
7	Flanșă interioară / Supra flanșă / Flanșă interioară 78 (Doar Australia și Noua Zeelandă)
8	Disc abraziv pentru retezat / Disc de diamant
9	Flanșă exterioră 78 (Doar Australia și Noua Zeelandă)*2
10	Contrapiuliță / Ezynut*1
11	Taler de cauciuc
12	Disc abraziv
13	Contrapiuliță de presare
14	Perie de disc din sârmă
15	Perie oală de sârmă
—	Cheie pentru contrapiuliță
—	Capac accesoriu de protecție contra prafului

*1 Nu utilizați supraflanșa și Ezynut împreună.

*2 Utilizați flanșa interioară 78 și flanșa exterioră 78 împreună. (Doar Australia și Noua Zeelandă)

010947

DEUTSCH (Originalanweisungen)

Erklärung der Gesamtdarstellung

1-1. Spindelarretierung	9-2. Hebel	17-3. Innenflansch
2-1. Motorgehäuse	10-1. Sicherungsmutter	17-4. Schutzhaube für Trennschleifscheibe/Diamantscheibe
2-2. Blockierungstaste	10-2. Gekröpfte Trennschleifscheibe	18-1. Sicherungsmutter
2-3. Griff	10-3. Super-Flansch	18-2. Außenflansch 78
3-1. Blockierungshebel	10-4. Innenflansch	18-3. Trennschleifscheibe/Diamantscheibe
3-2. Schalter	11-1. Sicherungsmutter	18-4. Innenflansch 78
4-1. Blockierungshebel	11-2. Gekröpfte Trennschleifscheibe	18-5. Schutzhaube für Trennschleifscheibe/Diamantscheibe
4-2. Schalter	11-3. Innenflansch	19-1. Auslassöffnung
5-1. Anzeigenleuchte	12-1. Sicherungsmutterschlüssel	19-2. Einlassöffnung
7-1. Schutzhaube	12-2. Spindelarretierung	20-1. Kommutator
7-2. Schraube	13-1. Sicherungsmutter	20-2. Isolierspitze
7-3. Lagergehäuse	13-2. Schleifscheibe	20-3. Kohlebürste
8-1. Schutzhaube	13-3. Gummiteller	21-1. Kohlenhalterdeckel
8-2. Lagergehäuse	15-1. Topfdrahtbürste	21-2. Schraubendreher
8-3. Mutter	16-1. Drahrundbürste	
8-4. Hebel	17-1. Sicherungsmutter	
9-1. Mutter	17-2. Trennschleifscheibe/Diamantscheibe	

TECHNISCHE DATEN

Modell	GA7020R	GA7030R	GA7040R	GA9020R	GA9030R	GA9040R
Durchmesser der gekröpften Trennschleifscheibe	180 mm			230 mm		
Spindelgewinde	M14					
Nenn Drehzahl (n) / Leerlaufdrehzahl (n ₀)	8.500(min ⁻¹)			6.600(min ⁻¹)		
Gesamtlänge	473 mm	503 mm		473 mm	503 mm	
Netto-Gewicht	5,6 kg	6,3 kg	6,6 kg	5,8 kg	6,5 kg	6,9 kg
Sicherheitsklasse	II					

- Aufgrund der laufenden Forschung und Entwicklung unterliegen die hier aufgeführten technischen Daten Veränderungen ohne Hinweis
- Die technischen Daten können für verschiedene Länder unterschiedlich sein.
- Gewicht entsprechend der EPTA-Vorgehensweise 01/2003

ENE048-1

Verwendungszweck

Das Werkzeug wurde für das Schmirgeln, Schleifen und Schneiden von Metall- und Steinmaterial ohne Verwendung von Wasser entwickelt.

ENF002-1

Speisung

Das Werkzeug darf nur an eine entsprechende Quelle mit der gleichen Spannung angeschlossen werden, wie sie auf dem Typenschild aufgeführt wird, und es kann nur mit Einphasen-Wechselstrom arbeiten. Es besitzt in Übereinstimmung mit den europäischen Normen eine Zweifach-Isolierung, aufgrund dessen kann es aus Steckdosen ohne Erdungsleiter gespeist werden.

ENG102-3

Geräuschpegel

Die typischen A-bewerteten Geräuschpegel, bestimmt gemäß EN60745:

Schalldruckpegel (L_{pA}): 90 dB (A)

Schallleistungspegel (L_{WA}): 101 dB(A)

Abweichung (K): 3 dB(A)

Tragen Sie einen Gehörschutz.

ENG208-4

Schwingung

Schwingungsgesamtwerte (Vektorsumme dreier Achsen) nach EN60745:

Arbeitsmodus: Flächenschleifen

Schwingungsbelastung (a_{h,AG}): 8,0 m/s²

Abweichung (K): 1,5 m/s²

Wenn das Werkzeug für andere Zwecke genutzt wird, können die Werte für die Schwingungsbelastung von den hier aufgeführten Werten abweichen.

ENG313-2

Arbeitsweise: Schleifen mit Scheibenschleifer

Schwingungsbelastung (a_{h,DS}): 3,0m/s²

Abweichung (K): 1,5 m/s²

Für Modell GA7020R

ENG102-3

Geräuschpegel

Die typischen A-bewerteten Geräuschpegel, bestimmt gemäß EN60745:

Schalldruckpegel (L_{pA}): 90 dB (A)

Schallleistungspegel (L_{WA}): 101 dB(A)

Für Modell GA7030R

ENG102-3

Geräuschpegel

Die typischen A-bewerteten Geräuschpegel, bestimmt gemäß EN60745:

Schalldruckpegel (L_{pA}): 90 dB (A)
Schalleistungspegel (L_{WA}): 101 dB(A)
Abweichung (K): 3 dB(A)

Tragen Sie einen Gehörschutz.

ENG208-4

Schwungung

Schwingungsgesamtwerte (Vektorsumme dreier Achsen) nach EN60745:

Arbeitsmodus: Flächenschleifen
Schwingungsbelastung ($a_{h,AG}$): 6,5 m/s²
Abweichung (K): 1,5 m/s²

Wenn das Werkzeug für andere Zwecke genutzt wird, können die Werte für die Schwingungsbelastung von den hier aufgeführten Werten abweichen.

ENG313-2

Arbeitsweise: Schleifen mit Scheibenschleifer
Schwingungsbelastung ($a_{h,DS}$): 3,5m/s²
Abweichung (K): 1,5 m/s²

Für Modell GA7040R

ENG102-3

Geräuschpegel

Die typischen A-bewerteten Geräuschpegel, bestimmt gemäß EN60745:

Schalldruckpegel (L_{pA}): 90 dB (A)
Schalleistungspegel (L_{WA}): 101 dB(A)
Abweichung (K): 3 dB(A)

Tragen Sie einen Gehörschutz.

ENG208-4

Schwungung

Schwingungsgesamtwerte (Vektorsumme dreier Achsen) nach EN60745:

Arbeitsmodus: Flächenschleifen
Schwingungsbelastung ($a_{h,AG}$): 7,0 m/s²
Abweichung (K): 1,5 m/s²

Wenn das Werkzeug für andere Zwecke genutzt wird, können die Werte für die Schwingungsbelastung von den hier aufgeführten Werten abweichen.

ENG313-2

Arbeitsweise: Schleifen mit Scheibenschleifer
Schwingungsbelastung ($a_{h,DS}$): 3,0m/s²
Abweichung (K): 1,5 m/s²

Für Modell GA9020R, GA9040R

ENG102-3

Geräuschpegel

Die typischen A-bewerteten Geräuschpegel, bestimmt gemäß EN60745:

Schalldruckpegel (L_{pA}): 90 dB (A)
Schalleistungspegel (L_{WA}): 101 dB(A)
Abweichung (K): 3 dB(A)

Tragen Sie einen Gehörschutz.

ENG208-4

Schwungung

Schwingungsgesamtwerte (Vektorsumme dreier Achsen) nach EN60745:

Arbeitsmodus: Flächenschleifen
Schwingungsbelastung ($a_{h,AG}$): 6,0 m/s²

Abweichung (K): 1,5 m/s²

Wenn das Werkzeug für andere Zwecke genutzt wird, können die Werte für die Schwingungsbelastung von den hier aufgeführten Werten abweichen.

ENG313-2

Arbeitsweise: Schleifen mit Scheibenschleifer
Schwingungsbelastung ($a_{h,DS}$): 2,5m/s²
Abweichung (K): 1,5 m/s²

Für Modell GA9030R

ENG102-3

Geräuschpegel

Die typischen A-bewerteten Geräuschpegel, bestimmt gemäß EN60745:

Schalldruckpegel (L_{pA}): 90 dB (A)
Schalleistungspegel (L_{WA}): 101 dB(A)
Abweichung (K): 3 dB(A)

Tragen Sie einen Gehörschutz.

ENG208-4

Schwungung

Schwingungsgesamtwerte (Vektorsumme dreier Achsen) nach EN60745:

Arbeitsmodus: Flächenschleifen
Schwingungsbelastung ($a_{h,AG}$): 5,5 m/s²
Abweichung (K): 1,5 m/s²

Wenn das Werkzeug für andere Zwecke genutzt wird, können die Werte für die Schwingungsbelastung von den hier aufgeführten Werten abweichen.

ENG313-2

Arbeitsweise: Schleifen mit Scheibenschleifer
Schwingungsbelastung ($a_{h,DS}$): 2,5m/s²
Abweichung (K): 1,5 m/s²

ENG901-1

- Die deklarierte Schwingungsbelastung wurde gemäß der Standardtestmethode gemessen und kann für den Vergleich von Werkzeugen untereinander verwendet werden.
- Die deklarierte Schwingungsbelastung kann auch in einer vorläufigen Bewertung der Gefährdung verwendet werden.

WARNUNG:

- Die Schwingungsbelastung während der tatsächlichen Anwendung des Elektrowerkzeugs kann in Abhängigkeit von der Art und Weise der Verwendung des Werkzeugs vom deklarierten Belastungswert abweichen.
- Stellen Sie sicher, dass Schutzmaßnahmen für den Bediener getroffen werden, die auf den unter den tatsächlichen Arbeitsbedingungen zu erwartenden Belastungen beruhen (beziehen Sie alle Bestandteile des Arbeitsablaufs ein, also zusätzlich zu den Arbeitszeiten auch Zeiten, in denen das Werkzeug ausgeschaltet ist oder ohne Last läuft).

Nur für europäische Länder

EG-Konformitätserklärung

Wir, **Makita Corporation** als verantwortlicher Hersteller, erklären, dass die folgenden Geräte der Marke **Makita**:

Bezeichnung des Geräts:
Winkelschleifer

Modelnr./ -typ: GA7020R, GA7030R, GA7040R, GA9020R, GA9030R, GA9040R

in Serie gefertigt werden und

den folgenden EG-Richtlinien entspricht:

98/37/EC bis 28. Dezember 2009 und 2006/42/EC ab dem 29. Dezember 2009

Außerdem werden die Geräte gemäß den folgenden Standards oder Normen gefertigt:

EN60745

Die technische Dokumentation erfolgt durch unseren Bevollmächtigten in Europa:

Makita International Europe Ltd,
Michigan, Drive, Tongwell,
Milton Keynes, MK15 8JD, England

19. Juni 2009



Tomoyasu Kato
Direktor

Makita Corporation
3-11-8, Sumiyoshi-cho,
Anjo, Aichi, JAPAN

000230

GEA010-1

Allgemeine Sicherheitshinweise für Elektrowerkzeuge

⚠ WARNUNG Lesen Sie alle Sicherheitswarnungen und -anweisungen sorgfältig durch. Werden die Warnungen und Anweisungen ignoriert, besteht die Gefahr eines Stromschlags, Brands und/oder schweren Verletzungen.

Bewahren Sie alle Warnhinweise und Anweisungen zur späteren Referenz gut auf.

GEB033-3

SICHERHEITSHINWEISE FÜR SCHLEIFER

Allgemeine Sicherheitshinweise für das Schleifen, Schmirgeln, Drahtbürsten oder Trennschleifen:

1. Dieses Elektrowerkzeug ist vorgesehen für die Verwendung als Schleif-, Schmirgel-, Drahtbürst- oder Trennschleifwerkzeug. Lesen Sie alle mit diesem Elektrowerkzeug mitgelieferten Sicherheitshinweise,

Anweisungen, Abbildungen und Technischen Daten aufmerksam durch. Werden nicht alle der unten aufgeführten Anweisungen befolgt, besteht die Gefahr eines Stromschlags, Brands und/oder das Risiko eines schwerer Verletzungen.

2. **Arbeiten, wie z.B. Polieren, sollten nicht mit diesem Elektrowerkzeug durchgeführt werden.** Arbeiten, für die das Elektrowerkzeug nicht vorgesehen ist, führen möglicherweise zu einer Gefahr und verursachen Verletzungen.
3. **Verwenden Sie ausschließlich Zubehörteile, die vom Hersteller des Werkzeugs entwickelt und empfohlen wurden.** Nur weil sich Zubehörteil an dem Elektrowerkzeug befestigen lässt, garantiert das keine sichere Verwendung.
4. **Die Nenndrehzahl des Zubehörs muss mindestens der Höchstdrehzahl entsprechen, die auf dem Elektrowerkzeug vermerkt ist.** Zubehör, das mit einer höheren als der Nenndrehzahl betrieben wird, kann abbrechen und herumgeschleudert werden.
5. **Außendurchmesser und Dicke des Zubehörs müssen innerhalb der Nennleistung des Elektrowerkzeugs liegen.** Zubehör mit der falschen Größe kann nicht angemessen abgeschirmt oder kontrolliert werden.
6. **Die Spindelgröße der Scheiben, Flansche, Stützlager oder anderer Zubehörteile muss genau der Spindelgröße des Elektrowerkzeugs entsprechen.** Zubehörteile mit Spindellöchern, die nicht den Montageteilen des Elektrowerkzeugs entsprechen, laufen exzentrisch, schwingen stark und führen zum Kontrollverlust.
7. **Verwenden Sie kein beschädigtes Zubehör.** Überprüfen Sie vor jeder Verwendung das Zubehör, beispielsweise die Schleifscheiben auf Splitter und Risse, die Stützlager auf Risse, Abrisse oder übermäßigen Verschleiß, Drahtbürsten auf lose oder gebrochene Borsten. Falls das Elektrowerkzeug oder das Zubehör runtergefallen ist, überprüfen Sie es auf Beschädigungen und bauen Sie ein unbeschädigtes Zubehörteil ein. Positionieren Sie sich selbst und Zuschauer nach dem Überprüfen und Einbauen eines Zubehörteils außerhalb der Rotationsebene des Zubehörs und betreiben Sie das Elektrowerkzeug bei maximaler Leerlaufdrehzahl für 1 Minute. Beschädigtes Zubehör zerbricht üblicherweise in dieser Testzeit.
8. **Tragen Sie eine persönliche Schutzausrüstung. Verwenden Sie je nach Anwendung Vollgesichtsschutz, Augenschutz oder Schutzbrille. Tragen Sie soweit erforderlich Staubmaske, Hörschutz, Handschuhe und Arbeitsschürze, die kleine Schleifteile oder Splitter abhält.** Der

Augenschutz muss umherfliegende Fremdkörper abhalten können, die bei verschiedenen Arbeiten entstehen. Staub- oder Atemschutzmaske müssen den bei der Arbeit entstehenden Staub filtern. Wenn Sie lange lautem Lärm ausgesetzt sind, können Sie einen Hörverlust erleiden.

9. **Achten Sie bei anderen Personen auf sicheren Abstand zu Ihrem Arbeitsbereich. Jeder, der den Arbeitsbereich betritt, muss eine persönliche Schutzausrüstung tragen.** Splitter des Werkstücks oder eines zerbrochenen Zubehörs können umherfliegen und zu Verletzungen auch außerhalb des eigentlichen Arbeitsbereichs führen.
10. **Halten Sie das Elektrowerkzeug nur an den isolierten Griffflächen, wenn Sie einen Vorgang ausführen, bei dem das Schnitzzubehör verborgene Kabel oder das eigene Stromkabel berühren kann.** Der Kontakt mit einem Strom führenden Kabel setzt hervorstehende Metallteile des Werkzeugs unter Strom und führt zu einem Stromschlag beim Bediener.
11. **Halten Sie das Netzkabel von sich drehendem Zubehör fern.** Wenn Sie die Kontrolle über das Elektrowerkzeug verlieren, kann das Netzkabel durchtrennt oder erfasst werden und Ihre Hand oder Ihr Arm in das sich drehende Zubehör geraten.
12. **Legen Sie das Elektrowerkzeug niemals ab, bevor das Zubehör völlig zum Stillstand gekommen ist.** Das sich drehende Zubehör kann in Kontakt mit der Ablagefläche geraten, wodurch Sie die Kontrolle über das Elektrowerkzeug verlieren können.
13. **Lassen Sie das Elektrowerkzeug nicht laufen, während Sie es tragen.** Ihre Kleidung kann durch zufälligen Kontakt mit dem sich drehenden Zubehör erfasst werden, und das Zubehör kann sich in Ihren Körper bohren.
14. **Reinigen Sie regelmäßig die Ventilationsöffnungen des Elektrowerkzeugs.** Der Motorventilator zieht Staub in das Gehäuse hinein und eine übermäßige Ansammlung von Metallspänen kann elektrische Schläge verursachen.
15. **Verwenden Sie das Elektrowerkzeug nicht in der Nähe brennbarer Materialien.** Funken können diese Materialien entzünden.
16. **Verwenden Sie kein Zubehör, für das flüssiges Kühlmittel erforderlich ist.** Die Verwendung von Wasser oder anderen flüssigen Kühlmitteln kann zu einem elektrischen Schlag führen.

Rückschläge und zugehörige Warnhinweise

Ein Rückschlag ist eine plötzliche Reaktion einer verklemmten oder verfangenen rotierenden Schleifscheibe, des Stützlagers, der Bürste oder anderen Zubehörs. Durch Verklemmen oder Verfangen kommt es

zu einem plötzlichen Stillstand des rotierenden Zubehörs, sodass das Elektrowerkzeug in entgegengesetzter Rotationsrichtung des Zubehörs am Punkt des Festlaufens gezwungen wird.

Wird eine Trennscheibe beispielsweise durch das Werkstück verklemmt, kann die Kante, die in den Punkt des Verklemmens eindringt, in die Oberfläche des Materials eindringen, sodass die Scheibe ausschlägt. Die Scheibe springt entweder in Ihre Richtung oder vom Bediener weg, dies hängt von der Richtung der Scheibenbewegung am Punkt des Verklemmens ab. Unter diesen Umständen können Trennscheiben auch brechen.

Rückschläge werden durch eine falsche Handhabung des Elektrowerkzeugs und/oder unsachgemäße Bedienschritte oder -umstände verursacht und können durch die unten aufgeführten Maßnahmen vermieden werden.

- a) **Halten Sie das Elektrowerkzeug gut fest und bringen Sie Ihren Körper und Ihre Arme in eine Position, in der Sie die Rückschlagkräfte abfangen können. Verwenden Sie, falls vorhanden, immer den Hilfsgriff, um während des Anlaufens die beste Kontrolle bei Rückschlägen oder Drehmomentreaktionen zu haben.** Der Bediener kann Drehmomentreaktionen oder Rückschlagkräfte am besten mit den geeigneten Vorsichtsmaßnahmen steuern.
- b) **Halten Sie Ihre Hand niemals in der Nähe des rotierenden Zubehörs.** Das Zubehör könnte über Ihre Hand zurückschlagen.
- c) **Halten Sie Ihren Körper nicht in dem Bereich auf, in dem sich das Elektrowerkzeug im Fall eines Rückschlags bewegen würde.** Ein Rückschlag treibt das Werkzeug in die entgegengesetzte Richtung der Scheibenbewegung am Punkt der Verfangens.
- d) **Arbeiten Sie besonders vorsichtig im Bereich von Ecken, scharfen Kanten usw. Verhindern Sie, dass das Zubehör vom Werkstück zurückprallt und verklemmt.** Das rotierende Zubehör neigt bei Ecken, scharfen Kanten oder wenn es abprallt dazu, sich zu verklemmen. Dies verursacht einen Verlust der Kontrolle oder Rückschlag.
- e) **Verwenden Sie kein Ketten- oder gezähntes Sägeblatt.** Solche Werkzeuge verursachen häufig einen Rückschlag oder den Verlust der Kontrolle über das Elektrowerkzeug.

Spezifische Sicherheitshinweise für das Schleifen und Trennschleifen:

- a) **Verwenden Sie ausschließlich die für dieses Elektrowerkzeug zugelassenen Schleifkörper und die für diese Schleifkörper vorgesehene Schutzhaube.** Schleifkörper, die nicht für das Elektrowerkzeug vorgesehen sind, können nicht ausreichend abgeschirmt werden und sind unsicher.

- b) **Zur optimalen Sicherheit muss die Schutzhaube sicher am Elektrowerkzeug angebracht und positioniert sein, sodass der kleinstmögliche Teil des Schleifkörpers zur Bedienperson frei liegt.** Die Schutzabdeckung soll die Bedienperson vor Bruchstücken und zufälligem Kontakt mit dem Schleifkörper schützen.
- c) **Die Schleifscheiben dürfen nur für die empfohlenen Arbeiten verwendet werden. Beispiel: Schleifen Sie nicht mit der Seite der Trennscheibe.** Trennschleifscheiben sind für ein Umfangsschleifen vorgesehen; wirken auf diese Schleifscheiben seitliche Kräfte, können diese zerbrechen.
- d) **Verwenden Sie immer unbeschädigte Spannflansche in der richtigen Größe und Form für die von Ihnen gewählte Schleifscheibe.** Geeignete Flansche stützen die Schleifscheibe und verringern so die Gefahr eines Schleifscheibenbruchs. Flansche für Trennscheiben unterscheiden sich möglicherweise von Flanschen für Schleifscheiben.
- e) **Verwenden Sie keine abgenutzten Scheiben von größeren Elektrowerkzeugen.** Eine Scheibe für ein größeres Elektrowerkzeug ist nicht für höhere Drehzahlen eines kleineren Werkzeugs geeignet und kann zerbrechen.

Weitere spezifische Sicherheitshinweise für das Trennschleifen:

- a) **Klemmen Sie die Schleifscheibe nicht fest und üben Sie keinen übermäßigen Druck aus. Führen Sie keine übermäßig tiefen Schnitte aus.** Eine Überlastung der Scheibe erhöht deren Beanspruchung und die Anfälligkeit zum Verkanten oder Blockieren und damit die Möglichkeit eines Rückschlags oder Schleifkörperbruchs.
- b) **Meiden Sie den Bereich vor und hinter der rotierenden Scheibe.** Wenn sich die Scheibe während des Betriebs von Ihrem Körper wegbewegt, kann im Falle eines Rückschlags das Elektrowerkzeug mit der sich drehenden Scheibe direkt auf Sie zugeschleudert werden.
- c) **Wenn die Scheibe sich verkantet oder Sie den Schnitt aus irgendeinem Grund unterbrechen, schalten Sie das Elektrowerkzeug aus, und halten Sie das Werkzeug bis zum kompletten Stillstand der Scheibe im Material, ohne es dabei zu bewegen. Versuchen Sie niemals, die laufende Scheibe aus dem Schnitt zu ziehen, da dies zu einem Rückschlag führen kann.** Überprüfen Sie die Ursache für das Verkanten der Scheibe und ergreifen Sie Korrekturmaßnahmen.
- d) **Starten Sie den Schnittvorgang nicht im Werkstück. Warten Sie, bis die Scheibe mit voller Drehzahl rotiert und führen Sie die Scheibe vorsichtig wieder in den Schnitt ein.** Die Scheibe kann sich verkantet, hochspringen

oder zurückschlagen, wenn das Werkzeug im Werkstück eingeschaltet wird.

e) **Stützen Sie Platten oder große Werkstücke ab, um das Risiko eines Rückschlags durch eine eingeklemmte Scheibe zu vermindern.** Große Werkstücke neigen dazu, sich unter ihrem Eigengewicht durchzubiegen. Stützen müssen nahe der Schnittlinie und der Werkstückkante unter dem Werkstück zu beiden Seiten der Scheibe angebracht werden.

f) **Seien Sie besonders vorsichtig, wenn Sie einen „Tauschnschnitt“ in Wänden oder anderen abgestimmten Bereichen ausführen.** Die vorstehende Scheibe kann sonst Gas- oder Wasserleitungen, Elektrokabel oder sonstige Gegenstände ansägen, die einen Rückschlag verursachen können.

Spezifische Sicherheitshinweise für das Schleifen:

a) **Verwenden Sie kein zu großes Schleifscheibenpapier. Befolgen Sie bei der Auswahl des Schleifpapiers die Empfehlungen der Hersteller.** Großes Schmirgelpapier, das über den Schleifteller hinausreicht, stellt eine Verletzungsgefahr dar und kann zum Verfangen, Abriss der Scheibe oder zum Rückschlagen führen.

Spezifische Sicherheitshinweise für das Drahtbürsten:

a) **Beachten Sie, dass Drahtborsten auch während des normalen Betriebs aus der Bürste fallen. Belasten Sie die Drähte nicht übermäßige durch Anwenden einer großen Kraft auf die Bürste.** Die Drahtborsten können leicht in lockere Kleidung und/oder die Haut eindringen.

b) **Falls die Verwendung der Schutzabdeckung für das Drahtbürsten empfohlen wird, müssen Sie sicherstellen, dass die Drahtbürste nicht durch die Schutzabdeckung behindert wird.** Auf Grund der Last und der Zentrifugalkräfte kann sich der Durchmesser der Drahtbürste vergrößern.

Zusätzliche Sicherheitshinweise:

17. **Verwenden Sie als gekröpfte Trennschleifscheiben nur glasfaserverstärkte Scheiben.**
18. **Achten Sie sorgfältig darauf, dass Spindel, Flansch (insbesondere die Ansatzfläche) oder Sicherungsmutter nicht beschädigt werden. Eine Beschädigung dieser Teile kann zu einem Scheibenbruch führen.**
19. **Stellen Sie sicher, dass die Trennscheibe das Werkstück nicht berührt, bevor das Werkzeug eingeschaltet wurde.**
20. **Bevor Sie das Werkzeug auf das zu bearbeitende Werkstück ansetzen, lassen Sie es einige Zeit ohne Last laufen. Achten Sie auf Vibrationen und Schlägen. Beides gibt Aufschluss über eine schlecht ausgewuchtete Scheibe oder kann auf einen nicht**

fachgerechten Einbau deuten.

21. Verwenden Sie nur die vorgeschriebene Fläche der Schleifscheibe für Schleifarbeiten.
22. Nehmen Sie sich vor Funkenflug in Acht. Halten Sie das Werkzeug so, dass Sie, umstehende Personen oder leicht entzündliche Materialien nicht von den Funken getroffen werden.
23. Lassen Sie das Werkzeug nicht unbeaufsichtigt laufen. Arbeiten Sie nur mit ihm, wenn Sie es in der Hand halten.
24. Vermeiden Sie eine Berührung des Werkstücks unmittelbar nach der Bearbeitung, weil es dann noch sehr heiß ist und Hautverbrennungen verursachen kann.
25. Schalten Sie das Werkzeug stets aus, ziehen Sie den Netzstecker heraus oder entfernen Sie den Akkublock, bevor Sie Arbeiten am Werkzeug ausführen.
26. Befolgen Sie die Anweisungen des Herstellers zur korrekten Montage und Verwendung der Scheiben. Behandeln und lagern Sie die Scheiben mit Sorgfalt.
27. Verwenden Sie keine separaten Reduzierbuchsen oder Adapter zur Anpassung von Schleifscheiben mit großem Durchmesser.
28. Verwenden Sie nur die für dieses Werkzeug vorgeschriebenen Flansche.
29. Wenn eine Trennscheibe mit Gewindebohrung am Werkzeug montiert werden soll, achten Sie darauf, dass ihr Gewinde tief genug für die Spindellänge ist.
30. Achten Sie auf eine korrekte Abstützung des Werkstücks.
31. Beachten Sie, dass sich die Scheibe nach dem Ausschalten der Maschine noch weiterdreht.
32. Falls der Arbeitsplatz sehr heiß ist, feucht oder durch leitfähigen Staub stark verschmutzt ist, verwenden Sie einen Kurzschlusschalter (30 mA) zum Schutz des Bedieners.
33. Verwenden Sie dieses Werkzeug nicht zum Schneiden von asbesthaltigen Materialien.
34. Verwenden Sie kein Wasser oder Schleifschmiermittel.
35. Achten Sie beim Arbeiten unter staubigen Bedingungen darauf, dass die Ventilationsöffnungen nicht verstopfen. Sollte die Beseitigung von Staub notwendig sein, trennen Sie das Werkzeug zuerst vom Stromnetz (nichtmetallische Gegenstände verwenden), und vermeiden Sie eine Beschädigung der Innenteile.
36. Verwenden Sie bei Arbeiten mit der Trennscheibe immer eine gesetzlich vorgeschriebene Staubsammelhaube.
37. Die Trennscheiben dürfen keinem seitlichen Druck ausgesetzt werden.

BEWAHREN SIE DIESE ANWEISUNGEN AUF.

⚠️**WARNUNG:**

Lassen Sie sich **NIE** durch Bequemlichkeit oder (aus fortwährendem Gebrauch gewonnener) Vertrautheit mit dem Werkzeug dazu verleiten, die Sicherheitsregeln für das Werkzeug zu missachten. Bei **MISSBRÄUCLICHER** Verwendung des Werkzeugs oder Missachtung der in diesem Handbuch enthaltenen Sicherheitshinweise kann es zu schweren Verletzungen kommen.

FUNKTIONSBESCHREIBUNG

⚠️**ACHTUNG:**

- Überzeugen Sie sich immer vor dem Einstellen des Werkzeugs oder der Kontrolle seiner Funktion, dass es abgeschaltet und der Stecker aus der Dose gezogen ist.

Spindelarretierung

⚠️**ACHTUNG:**

- Betätigen Sie die Spindelarretierung niemals bei rotierender Spindel. Andernfalls kann das Werkzeug beschädigt werden.

Abb.1

Drücken Sie die Spindelarretierung, um die Spindel beim Montieren oder Demontieren von Zubehör zu blockieren.

Befestigungspositionen des Schaltergriffs (Für Modelle GA7030R, GA7040R, GA9030R und GA9040R)

Abb.2

Der Schaltergriff kann bis zu 90° nach links oder rechts gedreht werden, damit Sie bequem arbeiten können. Zunächst muss das Werkzeug ausgesteckt werden. Drücken Sie die Arretiertaste, und drehen Sie den Schaltergriff ganz nach links oder rechts. Der Schaltergriff wird in dieser Position arretiert.

⚠️**ACHTUNG:**

- Überprüfen Sie vor der Verwendung des Werkzeugs stets, ob der Schaltergriff in der gewünschten Position arretiert ist.

Einschalten

⚠️**ACHTUNG:**

- Kontrollieren Sie immer vor dem Anschluss des Werkzeugs in die Steckdose, ob der Schalter richtig funktioniert und nach dem Loslassen in die ausgeschaltete Position zurückkehrt.

Abb.3

Für Maschine mit Einschaltsperr

Zum Einschalten der Maschine einfach den Auslöseschalter (in Richtung B) betätigen. Lassen Sie

zum Ausschalten des Werkzeugs den Auslöseschalter los. Zum Einschalten des Dauerbetriebs den Auslöseschalter (in Richtung B) betätigen und den Entsperrungshebel (in Richtung A) eindrücken. Zur Aufhebung der Arretierung müssen Sie den Auslöseschalter bis zum Anschlag betätigen (in Richtung B) und anschließend loslassen.

Für Maschine mit Ein- und Ausschaltsperre

Abb.4

Um eine versehentliche Betätigung des Ein/Aus- bzw. Auslöseschalters zu verhindern, kann das Werkzeug mit einer Schaltsperre ausgestattet sein.

Drücken Sie zum Starten des Werkzeugs die Arretiertaste (in Richtung A) und betätigen Sie den Ein/Ausschalter (in Richtung B). Lassen Sie zum Ausschalten des Werkzeugs den Ein/Aus-Schalter los. Drücken Sie für den Dauerbetrieb des Werkzeugs die Arretiertaste (in Richtung A), betätigen Sie den Ein/Ausschalter (in Richtung B) und ziehen Sie dann die Arretiertaste (in Richtung C).

Zur Aufhebung der Arretierung müssen Sie den Ein/Aus-Schalter bis zum Anschlag betätigen (in Richtung B) und anschließend loslassen.

Anzeigenleuchte

Abb.5

Die Anzeigen leuchtet grün, sobald das Werkzeug an die Stromversorgung angeschlossen ist. Wenn die Anzeige nicht leuchtet, können das Stromkabel oder der Regler defekt sein. Wenn die Anzeige leuchtet und das Werkzeug nicht startet, obwohl es eingeschaltet wird, können die Kohlebürsten verbraucht sein, oder der Motor oder der Schalter sind defekt.

Sicherung vor unbeabsichtigtem Neustart

Auch wenn die Arretiertaste den Auslöseschalter gedrückt hält (Einschaltposition), wird das Werkzeug nicht erneut gestartet, wenn das Werkzeug an die Stromversorgung angeschlossen wird.

Zu diesem Zeitpunkt flackert die Anzeige rot und zeigt die Aktivierung des Schutzgeräts zur Verhinderung eines unbeabsichtigten Neustarts an.

Zum Aufheben der Sicherung vor unbeabsichtigtem Neustart betätigen Sie den Auslöseschalter bis zum Anschlag und lassen Sie ihn anschließend los.

Soft-Start-Funktion

Diese Modelle laufen nach dem Einschalten langsam an. Diese Soft-Start-Funktion gewährleistet einen konstanteren Betrieb und weniger Anstrengung für den Bediener.

MONTAGE

⚠️ACHTUNG:

- Ehe Sie am Werkzeug irgendwelche Arbeiten beginnen, überzeugen Sie sich immer vorher, dass es abgeschaltet und der Stecker aus der Dose gezogen ist.

Anbau des seitlichen Griffes (Halter)

⚠️ACHTUNG:

- Achten Sie darauf, dass der seitliche Griff immer vor der Arbeit fest installiert ist.

Abb.6

Schrauben Sie den Seitengriff an der in der Abbildung gezeigten Position fest an die Maschine.

Montage und Demontage der Schutzhaube (für gekröpfte Scheiben, Multi-Scheiben, Drahrundbürste/Trennschleifscheiben, Diamantscheiben)

⚠️WARNUNG:

- Bei Verwendung einer gekröpfen Trennschleifscheibe/Multis Scheibe, Flexscheibe oder Drahrundbürste muss die Schutzhaube so am Werkzeug angebracht werden, dass die geschlossene Seite stets in Richtung Bediener zeigt.
- Vergewissern Sie sich bei Verwendung einer Trennschleifscheibe/Diamantscheibe, dass Sie die spezielle Schutzhaube für diese Trennscheiben verwenden.

Für Werkzeug mit

Sicherungsschrauben-Schutzhaube

Abb.7

Montieren Sie die Schutzhaube so, dass der Vorsprung am Schutzhaubenring auf die Nut im Lagergehäuse ausgerichtet ist. Drehen Sie dann die Schutzhaube um 180 Grad gegen den Uhrzeigersinn. Achten Sie darauf, die Schraube fest anzuziehen.

Zum Demontieren der Schutzhaube müssen Sie die Einbauprozedur in umgekehrter Reihenfolge ausführen.

Für Werkzeug mit Klemmhebel-Schutzhaube

Abb.8

Abb.9

Lösen Sie den Hebel an der Schutzhaube. Montieren Sie die Schutzhaube so, dass der Vorsprung am Schutzhaubenring auf die Nut im Lagergehäuse ausgerichtet ist. Drehen Sie dann die Schutzhaube wie in der Abbildung dargestellt gegen den Uhrzeigersinn. Ziehen Sie den Hebel an, um die Schutzhaube zu befestigen. Falls der Hebel zu fest oder zu lose ist, um die Schutzhaube zu sichern, lösen oder ziehen Sie die Mutter fest an, um die Spannung des Schutzhaubenrings einzustellen.

Zum Demontieren der Schutzhaube müssen Sie die Einbauprozedur in umgekehrter Reihenfolge ausführen.

Montage und Demontage der gekröpfen Trennschleifscheibe/Multis Scheibe (Zubehörteil)

⚠️WARNUNG:

- Wenn die gekröpfte Trennschleifscheibe/Multis Scheibe am Werkzeug

befestigt ist, muss stets die mitgelieferte Schutzhaube verwendet werden. Die Scheibe kann während ihres Einsatzes zerbrechen. Durch die Schutzhaube wird das Risiko von Verletzungen verringert.

Abb.10

Setzen Sie den Innenflansch auf die Spindel. Setzen Sie die Trenn-/Schleifscheibe auf den Innenflansch, und schrauben Sie die Sicherungsmutter auf die Spindel.

ANMERKUNG:

Bei Verwendung einer gekröpften Trennschleifscheibe mit einer Dicke von mehr als 7 mm drehen Sie die Sicherungsmutter um und schrauben Sie diese auf die Spindel.

Super-Flansch

Die Modelle mit der Kennzeichnung F sind serienmäßig mit einem Super-Flansch ausgestattet. Zum Lösen der Flanschmutter benötigen Sie ca. 1/3 weniger Kraftaufwand als bei der Verwendung eines Standard-Innenflansches.

Für Australien und Neuseeland

Abb.11

Setzen Sie den Innenflansch auf die Spindel. Setzen Sie die Trenn-/Schleifscheibe auf den Innenflansch und ziehen Sie die Sicherungsmutter so an, dass ihr Vorsprung nach unten zeigt (in Richtung der Trennscheibe).

Abb.12

Zum Anziehen der Sicherungsmutter drücken Sie die Spindelarretierung, um die Spindel zu blockieren. Dann ziehen Sie die Mutter mit dem Sicherungsmutterschlüssel im Uhrzeigersinn an.

Zum Entnehmen der Trennscheibe befolgen Sie die Einbauprozedur rückwärts.

Montage und Demontage der Schleifscheibe (optionales Zubehör)

ANMERKUNG:

- Verwenden Sie nur das in diesem Handbuch angegebene Schleifzubehör. Es muss separat erstanden werden.

Abb.13

Setzen Sie den Gummiteller auf die Spindel. Setzen Sie die Scheibe auf den Teller, und schrauben Sie die Sicherungsmutter auf die Spindel. Zum Anziehen der Sicherungsmutter die Spindelarretierung fest drücken, um die Spindel zu blockieren; dann die Mutter mit dem Sicherungsmutterschlüssel im Uhrzeigersinn anziehen. Zum Entnehmen der Scheibe befolgen Sie die Einbauprozedur rückwärts.

ARBEIT

⚠️ WARNUNG:

- Die Maschine darf auf keinen Fall gewaltsam angedrückt werden. Das Eigengewicht der Maschine übt ausreichenden Druck aus. Gewaltanwendung und übermäßiger Druck können zu einem gefährlichen Schleifscheibenbruch führen.
- Wechseln Sie die Schleifscheibe IMMER aus, falls die Maschine während der Arbeit fallen gelassen wurde.
- Eine Schleif- oder Trennscheibe darf NIEMALS gegen das Werkstück geschlagen oder gestoßen werden.
- Achten Sie besonders beim Bearbeiten von Ecken, scharfen Kanten usw. darauf, dass die Schleifscheibe nicht springt oder hängen bleibt. Dies könnte den Verlust der Kontrolle und Rückschläge verursachen.
- Verwenden Sie die Maschine NIEMALS mit Holz- oder anderen Sägeblättern. Solche Sägeblätter verursachen bei Verwendung an einer Schleifmaschine häufiges Rückschlagen und Verlust der Kontrolle, was zu Verletzungen führen kann.

⚠️ ACHTUNG:

- Schalten Sie das Werkzeug niemals ein, wenn sie mit dem Werkstück in Berührung ist, weil sonst Verletzungsgefahr für den Bediener besteht.
- Tragen Sie bei der Arbeit stets eine Schutzbrille und einen Gesichtsschutz.
- Schalten Sie die Maschine nach der Arbeit stets aus, und warten Sie, bis die Scheibe zum völligen Stillstand gekommen ist, bevor Sie die Maschine ablegen.

Schleifen und Schmirgeln

Abb.14

Halten Sie die Maschine IMMER mit einer Hand am hinteren Griff und mit der anderen am Seitengriff fest. Schalten Sie das Werkzeug ein und bringen Sie die Trenn- oder Schleifscheibe an das Werkstück.

Allgemein gilt, dass sich die Kante der Trenn- oder Schleifscheibe in einem Winkel von 15 Grad zur Werkstückoberfläche befinden soll.

Bewegen Sie die Schleifmaschine beim Einschleifen einer neuen Schleifscheibe nicht in Richtung B, weil die Schleifscheibe sonst in das Werkstück einschneidet. Sobald die Schleifscheibenkante durch Gebrauch abgerundet ist, kann die Schleifscheibe sowohl in Richtung A als auch in Richtung B bewegt werden.

Betrieb mit einer Topfdrahtbürste (optionales Zubehör)

⚠ACHTUNG:

- Überprüfen Sie die Funktionstüchtigkeit der Bürste, indem Sie das Werkzeug ohne Last laufen lassen. Stellen Sie sicher, dass sich niemand vor oder in einer Linie mit der Bürste befindet.
- Verwenden Sie niemals eine Bürste, die beschädigt oder aus dem Gleichgewicht ist. Die Verwendung einer beschädigten Bürste erhöht das Verletzungsrisiko durch den Kontakt mit gebrochenen Bürstendrähten.

Abb.15

Trennen Sie das Werkzeug von der Stromversorgung und drehen Sie es um, um einen einfachen Zugang zur Spindel zu ermöglichen. Bauen Sie alle Zubehörteile von der Spindel ab. Montieren Sie die Topfdrahtbürste auf die Spindel und ziehen Sie diese mit dem mitgelieferten Schlüssel fest. Vermeiden Sie bei Verwendung der Bürste, übermäßigen Druck anzuwenden, denn dadurch werden die Drähte verbogen und können vorzeitig brechen.

Betrieb mit einer Drahrundbürste (optionales Zubehör)

⚠ACHTUNG:

- Überprüfen Sie die Funktionstüchtigkeit der Drahrundbürste, indem Sie das Werkzeug ohne Last laufen lassen. Stellen Sie sicher, dass sich niemand vor oder in einer Linie mit der Drahrundbürste befindet.
- Verwenden Sie niemals eine Drahrundbürste, die beschädigt oder aus dem Gleichgewicht ist. Die Verwendung einer beschädigten Drahrundbürste erhöht das Verletzungsrisiko durch den Kontakt mit gebrochenen Bürstendrähten.
- Verwenden Sie mit Drahrundbürsten STETS einen Schutz, wobei der Scheibendurchmesser in den Schutz hineinpassen muss. Die Scheibe kann während ihres Gebrauchs zerbrechen. Durch die Schutzhaube wird das Risiko von Verletzungen verringert.

Abb.16

Trennen Sie das Werkzeug von der Stromversorgung und drehen Sie es um, um einen einfachen Zugang zur Spindel zu ermöglichen. Bauen Sie alle Zubehörteile von der Spindel ab. Drehen Sie die Drahrundbürste auf die Spindel und ziehen Sie diese mit den Schlüsseln fest. Vermeiden Sie bei Verwendung der Drahrundbürste, übermäßigen Druck anzuwenden, denn dadurch werden die Drähte verbogen und können vorzeitig brechen.

Betrieb mit einer Trennschleifscheibe/Diamantscheibe (optionales Zubehör)

⚠WARNUNG:

- Vergewissern Sie sich bei Verwendung einer Trennschleifscheibe/Diamantscheibe, dass Sie die spezielle Schutzhaube für diese Trennscheiben verwenden.
- Verwenden Sie eine Trennscheibe NIEMALS zum Seitenschleifen.
- Klemmen Sie die Scheibe nicht fest und üben Sie keinen übermäßigen Druck aus. Führen Sie keine übermäßig tiefen Schnitte aus. Eine Überlastung der Scheibe erhöht die Belastung und Anfälligkeit zum Verwinden oder Verklemmen der Scheibe im Schnitt, aber auch die Möglichkeit des Rückschlagens oder eines Scheibenbruchs oder führt zur Überhitzung des Motors.
- Starten Sie den Schnittvorgang nicht im Werkstück. Warten Sie, bis die Scheibe mit voller Drehzahl rotiert und führen Sie die Scheibe vorsichtig in den Schnitt ein, indem Sie das Werkzeug über die Werkstückoberfläche führen. Die Scheibe kann sich verkantet, hochspringen oder zurückschlagen, wenn das Werkzeug im Werkstück eingeschaltet wird.
- Ändern Sie während des Schnittvorgangs niemals den Winkel der Scheibe. Das Anwenden eines Seitendrucks auf die Trennscheibe (wie beim Schleifen) führt zum Splintern und Brechen der Scheibe und zu ernsthaften Personenschäden.
- Eine Diamantscheibe muss senkrecht zum zu schneidenden Material geführt werden.

Setzen Sie den Innenflansch auf die Spindel. Setzen Sie die Trenn-/Schleifscheibe auf den Innenflansch, und schrauben Sie die Sicherungsmutter auf die Spindel.

Abb.17

Wenn Sie eine Diamantscheibe oder eine Trennschleifscheibe mit einer Dicke von 7 mm oder mehr verwenden, montieren Sie die Sicherungsmutter mit der Zapfenmitte (Vorsprung) für das Scheibenbohrloch in Richtung der Scheibe.

Für Australien und Neuseeland

Montieren oder Demontieren einer Trennschleifscheibe/Diamantscheibe (optionales Zubehör)

Abb.18

WARTUNG

⚠ACHTUNG:

- Bevor Sie mit der Kontrolle oder Wartung des Werkzeugs beginnen, überzeugen Sie sich immer, dass es ausgeschaltet und der Stecker aus der Steckdose herausgezogen ist.

HINWEIS:

- Verwenden Sie zum Reinigen niemals Kraftstoffe, Benzin, Verdünnern, Alkohol oder ähnliches. Dies kann zu Verfärbungen, Verformungen oder Rissen führen.

Abb.19

Halten Sie die Maschine und ihre Ventilationsöffnungen stets sauber. Reinigen Sie die Ventilationsöffnungen der Maschine regelmäßig oder im Anfangsstadium einer Verstopfung.

Kohlenwechsel**Abb.20**

Wenn die Isolierspitze aus Kunstharz innerhalb der Kohlebürste mit dem Kommutator in Kontakt gerät, wird der Motor automatisch ausgeschaltet. Wenn dies der Fall ist, sollten beide Kohlebürsten ersetzt werden. Halten Sie die Kohlebürsten sauber und sorgen Sie dafür, dass sie locker in den Halterungen liegen. Beide Kohlebürsten sollten gleichzeitig ersetzt werden. Verwenden Sie nur identische Kohlebürsten.

Abb.21

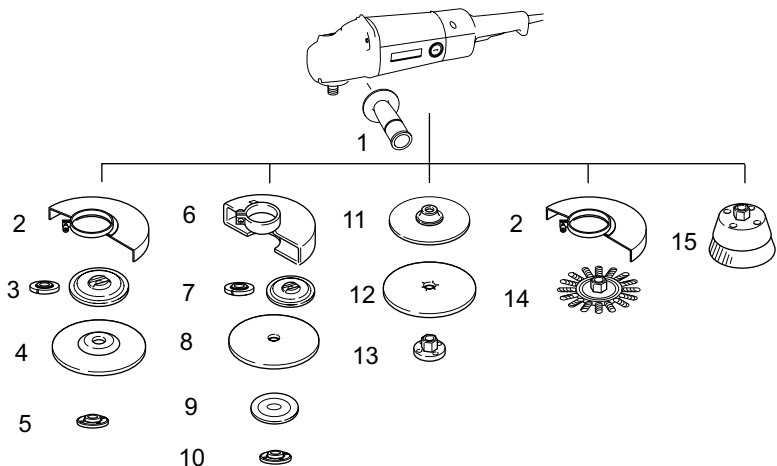
Schrauben Sie mit einem Schraubenzieher den Kohlenhalterdeckel ab. Wechseln Sie die verschlissenen Kohlen, legen Sie neue ein und schrauben Sie den Deckel wieder auf.

Zur Aufrechterhaltung der SICHERHEIT und ZUVERLÄSSIGKEIT des Produkts müssen die Reparaturen und alle Wartungen und Einstellungen von den autorisierten Servicestellen der Firma Makita und unter Verwendung der Ersatzteile von Makita durchgeführt werden.

ZUBEHÖR**⚠️ACHTUNG:**

- Für Ihr Werkzeug Makita, das in dieser Anleitung beschrieben ist, empfehlen wir folgende Zubehörteile und Aufsätze zu verwenden. Bei der Verwendung anderer Zubehörteile oder Aufsätze kann die Verletzungsgefahr für Personen drohen. Die Zubehörteile und Aufsätze dürfen nur für ihre festgelegten Zwecke verwendet werden.

Wenn Sie nähere Informationen bezüglich dieses Zubehörs benötigen, wenden Sie sich bitte an Ihre örtliche Servicestelle der Firma Makita.



1	Seitlicher Griff
2	Schutzhaube für gekröpfte Trennschleifscheibe / Multi-Scheibe / Drahrundbürste
3	Innenflansch / Super-Flansch / Innenflansch 102 (nur Australien und Neuseeland)
4	Gekröpfte Trennschleifscheibe/Multischeibe
5	Sicherungsmutter / Ezynut-Flansch*1
6	Schutzhaube für Trennschleifscheibe / Diamantscheibe
7	Innenflansch / Super-Flansch / Innenflansch 78 (nur Australien und Neuseeland)
8	Trennschleifscheibe / Diamantscheibe
9	Außenflansch 78 (nur Australien und Neuseeland)*2
10	Sicherungsmutter / Ezynut-Flansch*1
11	Gummiteller
12	Schleifscheibe
13	Schmirgel-Sicherungsmutter
14	Drahrundbürste
15	Topfdrahtbürste
—	Sicherungsmutterschlüssel
—	Staubfänger

*1 Verwenden Sie Super- und Ezynut-Flansch nicht zusammen.

*2 Verwenden Sie Innenflansch 78 und Außenflansch 78 zusammen. (Nur Australien und Neuseeland)

010947

MAGYAR (Eredeti útmutató)

Az általános nézet magyarázata

1-1. Tengelyretesz	10-1. Rögztítőanya	17-4. Tárcsavédő daraboló köszörütárcsához/gyémánttárcsához
2-1. Motor burkolata	10-2. Sülylesztett középfuratú tárcsa	18-1. Rögztítőanya
2-2. Zárógomb	10-3. Extra illesztőperem	18-2. Külső illesztőperem, 78
2-3. Fogantyú	10-4. Belső illesztőperem	18-3. Daraboló köszörütárcsa/gyémánttárcsa
3-1. Zárretesz	11-1. Rögztítőanya	18-4. Belső illesztőperem, 78
3-2. Kapcsoló kioldógomb	11-2. Sülylesztett középfuratú tárcsa	18-5. Tárcsavédő daraboló köszörütárcsához/gyémánttárcsához
4-1. Zárretesz	11-3. Belső illesztőperem	19-1. Elszívó nyílás
4-2. Kapcsoló kioldógomb	12-1. Rögztítőanya kulcsa	19-2. Beszívó nyílás
5-1. Jelzőlámpa	12-2. Tengelyretesz	20-1. Kommutátor
7-1. Tárcsavédő	13-1. Rögztítőanya	20-2. Szigetelő tű
7-2. Csavar	13-2. Csiszolókorong	20-3. Szénkefe
7-3. Csapágyház	13-3. Gumitalp	21-1. Kefetartó sapka
8-1. Tárcsavédő	15-1. Drótkefecsésze	21-2. Csavarhúzó
8-2. Csapágyház	16-1. Drótkorong	
8-3. Anya	17-1. Rögztítőanya	
8-4. Kar	17-2. Daraboló	
9-1. Anya	köszörütárcsa/gyémánttárcsa	
9-2. Kar	17-3. Belső illesztőperem	

RÉSZLETES LEÍRÁS

Modell	GA7020R	GA7030R	GA7040R	GA9020R	GA9030R	GA9040R
Sülylesztett középfuratú tárcsa átmérője	180 mm			230 mm		
Orsómenet	M14					
Névleges fordulatszám (n) / Üresjáratú fordulatszám (n ₀)	8500(min ⁻¹)			6600(min ⁻¹)		
Teljes hossz	473 mm	503 mm		473 mm	503 mm	
Tiszta tömeg	5,6 kg	6,3 kg	6,6 kg	5,8 kg	6,5 kg	6,9 kg
Biztonsági osztály	II/II					

- Folyamatos kutató- és fejlesztőprogramunk eredményeként az itt felsorolt tulajdonságok figyelmeztetés nélkül megváltozhatnak.
- A tulajdonságok országról országra különbözhetnek.
- Súly, az EPTA 01/2003 eljárás szerint

ENE048-1

ENG208-4

Rendeltetésszerű használat

A szerszám fém és kő csiszolására és vágására szolgál, víz használata nélkül.

ENF002-1

Tápegység

A szerszám csak a névtáblán feltüntetett feszültségű, egyfázisú váltakozófeszültségű hálózathoz csatlakoztatható. A szerszám az európai szabványok szerinti kettős szigeteléssel van ellátva, így táplálható földelővezeték nélküli csatlakozóaljzatból is.

Vibráció

A vibráció teljes értéke (háromtengelyű vektorösszeg), az EN60745 szerint meghatározva:

Működési mód : felületcsiszolás
Vibráció kibocsátás (a_{h,AG}) : 8,0 m/s²
Bizonytalanság (K): 1,5 m/s²

Ha a szerszámot más célra használják, a vibráció értéke eltérő lehet.

ENG313-2

Működési mód: korongcsiszolás
Vibráció-kibocsátás (a_{h,DS}): 3,0m/s²
Bizonytalanság (K): 1,5 m/s²

A modellhez GA7020R

ENG102-3

Zaj

A tipikus A-súlyozású zajszint, a EN60745szerint meghatározva:

Hangnyomásszint (L_{pA}) : 90 dB (A)
Hangteljesítményszint (L_{WA}) : 101 dB(A)
Bizonytalanság (K): 3 dB(A)

Viseljen fülvédőt.

A modellhez GA7030R

ENG102-3

Zaj

A tipikus A-súlyozású zajszint, a EN60745szerint meghatározva:

Hangnyomásszint (L_{pA}) : 90 dB (A)
Hangteljesítményszint (L_{WA}) : 101 dB(A)
Bizonytalanság (K): 3 dB(A)

Viseljen fülvédőt.

ENG208-4

ENG313-2

Vibráció

A vibráció teljes értéke (háromtengelyű vektorösszeg), az EN60745 szerint meghatározva:

Működési mód : felületcsiszolás

Vibráció kibocsátás ($a_{h,AG}$) : 6,5 m/s²

Bizonytalanság (K): 1,5 m/s²

Ha a szerszámot más célra használják, a vibráció értéke eltérő lehet.

ENG313-2

Működési mód: korongcsiszolás

Vibráció-kibocsátás ($a_{h,DS}$): 3,5m/s²

Bizonytalanság (K): 1,5 m/s²

A modellhez GA7040R

ENG102-3

Zaj

A tipikus A-súlyozású zajszint, a EN60745szerint meghatározva:

Hangnyomásszint (L_{pA}) : 90 dB (A)

Hangteljesítményszint (L_{WA}) : 101 dB(A)

Bizonytalanság (K): 3 dB(A)

Viseljen fülvédőt.

ENG208-4

Vibráció

A vibráció teljes értéke (háromtengelyű vektorösszeg), az EN60745 szerint meghatározva:

Működési mód : felületcsiszolás

Vibráció kibocsátás ($a_{h,AG}$) : 7,0 m/s²

Bizonytalanság (K): 1,5 m/s²

Ha a szerszámot más célra használják, a vibráció értéke eltérő lehet.

ENG313-2

Működési mód: korongcsiszolás

Vibráció-kibocsátás ($a_{h,DS}$): 3,0m/s²

Bizonytalanság (K): 1,5 m/s²

A modellhez GA9020R, GA9040R

ENG102-3

Zaj

A tipikus A-súlyozású zajszint, a EN60745szerint meghatározva:

Hangnyomásszint (L_{pA}) : 90 dB (A)

Hangteljesítményszint (L_{WA}) : 101 dB(A)

Bizonytalanság (K): 3 dB(A)

Viseljen fülvédőt.

ENG208-4

Vibráció

A vibráció teljes értéke (háromtengelyű vektorösszeg), az EN60745 szerint meghatározva:

Működési mód : felületcsiszolás

Vibráció kibocsátás ($a_{h,AG}$) : 6,0 m/s²

Bizonytalanság (K): 1,5 m/s²

Ha a szerszámot más célra használják, a vibráció értéke eltérő lehet.

Működési mód: korongcsiszolás

Vibráció-kibocsátás ($a_{h,DS}$): 2,5m/s²

Bizonytalanság (K): 1,5 m/s²

A modellhez GA9030R

ENG102-3

Zaj

A tipikus A-súlyozású zajszint, a EN60745szerint meghatározva:

Hangnyomásszint (L_{pA}) : 90 dB (A)

Hangteljesítményszint (L_{WA}) : 101 dB(A)

Bizonytalanság (K): 3 dB(A)

Viseljen fülvédőt.

ENG208-4

Vibráció

A vibráció teljes értéke (háromtengelyű vektorösszeg), az EN60745 szerint meghatározva:

Működési mód : felületcsiszolás

Vibráció kibocsátás ($a_{h,AG}$) : 5,5 m/s²

Bizonytalanság (K): 1,5 m/s²

Ha a szerszámot más célra használják, a vibráció értéke eltérő lehet.

ENG313-2

Működési mód: korongcsiszolás

Vibráció-kibocsátás ($a_{h,DS}$): 2,5m/s²

Bizonytalanság (K): 1,5 m/s²

ENG901-1

- A rezgés-kibocsátás értéke a szabványos vizsgálati eljárásnak megfelelően lett mérve, és segítségével az elektromos kéziszerszámok összehasonlíthatók egymással.
- A rezgés-kibocsátás értékének segítségével előzetesen megbecsülhető a rezgésnek való kitettség mértéke.

⚠ FIGYELMEZTETÉS:

- A szerszám rezgés-kibocsátása egy adott alkalmazásnál eltérhet a megadott értéktől a használat módjától függően.
- Határozza meg a kezelő védelmét szolgáló munkavédelmi lépéseket, melyek az adott munkafeltételek melletti vibrációs hatás becsült mértékén alapulnak (figyelembe véve a munkaciklus elemeit, mint például a gép leállításának és üresjáratának mennyiségét az elindítások száma mellett).

Csak európai országokra vonatkozóan

ENH101-13

EK Megfeleléségi nyilatkozat

Mi, a Makita Corporation, mint a termék felelős gyártója kijelentjük, hogy a következő Makita gép(ek):

Gép megnevezése:

Sarokcsiszoló

Típus sz./ Típus: GA7020R, GA7030R, GA7040R, GA9020R, GA9030R, GA9040R

sorozatgyártásban készül és

Megfelel a következő Európai direktíváknak:

98/37/EC (2009. december 28-ig) majd
2006/42/EC (2009. december 29-től)

És gyártása a következő szabványoknak valamint szabványosított dokumentumoknak megfelelően történik:

EN60745

A műszaki dokumentáció Európában a következő hivatalos képviselőnkél található:

Makita International Europe Ltd,
Michigan, Drive, Tongwell,
Milton Keynes, MK15 8JD, Anglia

2009. június 19.



Tomoyasu Kato
Igazgató

Makita Corporation
3-11-8, Sumiyoshi-cho,
Anjo, Aichi, JAPAN

GEA010-1

A szerszámgépekre vonatkozó általános biztonsági figyelmeztetések

⚠ FIGYELEM Olvassa el az összes biztonsági figyelmeztetést és utasítást. Ha nem tartja be a figyelmeztetéseket és utasításokat, akkor áramütést, tüzet és/vagy súlyos sérülést okozhat.

Őrizzen meg minden figyelmeztetést és utasítást a későbbi tájékozódás érdekében.

GEB033-3

CSISZOLÓ BIZTONSÁGI FIGYELMEZTETÉSEK

A biztonsági figyelmeztetések megegyeznek a köszörlési, csiszolási, drótkéfé vagy köszörlési daraboló műveletek esetében:

1. Ez az elektromos szerszám működhet köszörlő, csiszoló, drótkéfe vagy daraboló szerszámként. Olvassa el az összes, ezen elektromos szerszámhoz mellékelt biztonsági figyelmeztetést, utasítást, illusztrációt és specifikációt. A következőkben leírt utasítások figyelmen kívül hagyása elektromos áramütést, tüzet és/vagy komoly sérülést eredményezhet.
2. **Polírozási műveletek végzése nem javasolt ezzel az elektromos szerszámmal.** Az olyan műveletek végzése, amelyekre az elektromos

szerszám nem lett tervezve, veszélyhelyzeteket és személyi sérüléseket eredményezhet.

3. **Ne használjon olyan kiegészítőket, amelyeket nem speciálisan erre a célra lettek tervezve és a szerszám gyártója nem javasolta azok használatát.** Az, hogy a kiegészítő hozzákapcsolható a szerszámhoz, még nem biztosítja a biztonságos működést.
4. **A kiegészítő névleges sebessége legalább akkora kell legyen, mint a szerszámon megadott legmagasabb sebességérték.** A névleges sebességüknél magasabb sebéségen működő kiegészítők összetörhetnek és szétrepülhetnek.
5. **A kiegészítő külső átmérője és vastagsága a szerszám kapacitásának határain belül kell legyenek.** A nem megfelelő méretű kiegészítőket nem lehet megfelelően védeni és irányítani.
6. **A tárcsák, az illesztőperemek, alátélapok vagy bármely más kiegészítő tengely méretének megfelelően kell találnia az elektromos szerszám orsójára.** Azok a kiegészítők, amelyek tengelynyílása nem talál az elektromos szerszámmra felszerelésekör, az elektromos szerszám egyensúlyvesztését, túlságos rezgését és az ellenőrzés elvesztését okozhatják.
7. **Ne használjon sérült kiegészítőket.** Minden használat előtt ellenőrizze az adott kiegészítőt, a csiszoló tárcsákat, hogy nem-e csorbultak vagy repedtek, az alátélapokat, hogy nem-e repedtek, szakadtak vagy kopottak, a drótkéféket, hogy a drótok nem-e feslettek vagy törtek el. Ha az elektromos szerszám kiegészítője leesett, vizsgálja át azt a sérülések tekintetében, vagy szereljen fel egy sérülésmentes kiegészítőt. A kiegészítő átvizsgálása és felszerelése után Ön és a közelben állók menjenek távol a forgó kiegészítő síkjától, majd működtesse a szerszámot a maximális terhelés nélküli sebességen egy percen át. A sérült kiegészítők általában összetörnek ezen tesztidőtartam alatt.
8. **Viseljen személyi védelmi eszközöket.** A megmunkálás függvényében vegyen fel arcvédőt, szemvédőt vagy védőszemüveget. Ha szükséges, vegyen fel pormaszkot, fűlvédőt, kesztyűt és olyan kötényt, amely képes megfogni a csiszolóanyagból vagy a munkadarabból származó kisméretű darabokat. A szemvédőnek képesnek kell lennie megfogni a különböző műveletek során keletkező repülő törmelékdarabokat. A pormaszknak vagy a légzőkészüléknek képesnek kell lennie a művelet során keletkező részecskék kiszűrésére. A hosszabb ideig tartó nagyteljesítményű zaj halláskárosodást okozhat.
9. **A környezetében tartózkodók álljanak biztonságos távolságra a munkaterülettől.**

Bárkinek, aki a munkaterületre lép, személyi védelmi eszközöket kell felvennie. A munkadarabból vagy egy szétbontott kiegészítőből származó darabok szétrepülhetnek és sérüléseket okozhatnak a szerszám használati helye mögötti területen.

10. **Tartsa az elektromos szerszámot a szigetelt markolási felületeinél fogva amikor olyan műveletet végez, amelyben fennáll a veszélye, hogy a vágószerszám rejtett vezetékekbe vagy saját csatlakozózsínórába ütközhet.** "Élő" vezetékekkel való érintkezéskor a szerszám fém alkatrészei is áram alá kerülnek és megrázhatók a kezelőt.
11. **A csatlakozózsínórt úgy vezesse, hogy ne legyen a forgó szerszám közelében.** Ha elveszíti az irányítást a szerszám felett, a zsínór behúzhatja a kezét vagy a karját a forgó szerszámba.
12. **Soha ne fektesse le az elektromos gépet addig, amíg az teljesen meg nem állt.** A forgó szerszám beakadhat a felületbe, és irányíthatatlanná válhat.
13. **Ne működtesse a szerszámot amikor az oldalánál viszi.** Ha a szerszám véletlenül Önhöz ér, elkaphatja a ruháját, és a szerszám a testébe hatolhat.
14. **Rendszeresen tisztítsa meg az elektromos szerszám szellőzőnyílásait.** A motor ventilátora beszívja a port a készülék belsejébe, és a fémport túlzott felhalmozódása veszélyes elektromos körülményeket teremthet.
15. **Ne működtesse az elektromos szerszámot gyúlékony anyagok közelében.** A szikrák felgyújthatják ezeket az anyagokat.
16. **Ne használjon olyan kiegészítőket, amelyekhez folyékony hűtőközeg szükséges.** Víz vagy más folyadék használata rövidzárlatot vagy áramütést okozhat.

A visszarúgásra és hasonló jelenségekre vonatkozó figyelmeztetések

A visszarúgás a szerszám hirtelen reakciója a beszorult vagy elakadt forgótárcsára, alátétlappra, kefére vagy más kiegészítőre. A beszorulás vagy az elakadás a forgó kiegészítő hirtelen megállását okozza, amely ahhoz vezet, hogy az irányíthatatlanná vált elektromos szerszám a forgási irányval ellentétes irányba mozdul el a megakadási pontban.

Például ha a csiszolókorong beakad vagy beszorul a munkadarabra, a tárcsa széle a beszorulás pontjában bevághatja magát az anyag felszínébe, miáltal a tárcsa kimászik vagy kiugrik. A tárcsa a kezelő felé az ellenkező irányba is ugorhat, a tárcsa mozgásának irányától függően a beszorulási pontban. A csiszolótárcsák össze is törhetnek ilyen körülmények között.

A visszarúgás az elektromos szerszám helytelen használatának és/vagy a hibás megmunkálási eljárásnak az eredménye és az alább leírt óvintézkedések betartásával elkerülhető.

- a) **Fogja stabilan az elektromos szerszámot mindkét kezével és irányítsa úgy a karjait, hogy ellen tudjon állni a visszarúgáskor fellépő erőnek. Mindig használja a kiegészítő fogantyút, ha van, hogy maximálisan ura legyen a gépnek visszarúgáskor, vagy a bekapcsoláskor fellépő nyomatóreakciókór.** A kezelő uralhatja a nyomatóreakciókat és visszarúgáskor fellépő erőket, ha megteszi a megfelelő óvintézkedéseket.
- b) **Soha ne tegye a kezét a forgó kiegészítő közelébe.** A kiegészítő visszarúghat a kezein át.
- c) **Ne irányítsa a testét arra a területre, amerre az elektromos szerszám visszarúgáskor mozoghat.** A visszarúgás a szerszámot a tárcsa beszorulási pontbeli mozgásának irányával ellentétesen fogja forgatni.
- d) **Legyen különösen óvatos sarkok, éles szélek, stb. megmunkálásakor. Kerülje el a kiegészítő pattogását vagy megugrását.** A sarkok, éles szélek vagy a pattogás hatására a forgó kiegészítő kiugorhat, az irányítás elvesztését vagy visszarúgást okozva.
- e) **Ne szereljen fel fafaragó fűrészlapot vagy fogazott fűrészlapot.** Ezek a lapok gyakran a szerszám visszarúgását és az irányítás elvesztését okozzák.

Speciális biztonsági figyelmeztetések a köszőrülési és csiszolási vágóműveletekhez:

- a) **Csak az elektromos szerszámához javasolt csiszolótárcsát használja és a kiválasztott tárcsához járó tárcsavédőt.** Azok a tárcsák, amelyek nem találhatók az elektromos szerszámhoz, nem védhetők megfelelően és nem biztonságosak.
- b) **A tárcsavédőt biztonságosan kell felszerelni az elektromos szerszámra, úgy helyezvén el, hogy a kezelő a legkevésbé legyen kitéve a tárcsának.** A tárcsavédő megvédi a kezelőt a letéredezett tárcsadaraboktól és a tárcsával való esedékes érintkezéstől.
- c) **A tárcsákat csak a javasolt alkalmazásokra lehet használni. Például: ne csiszoljon a vágótárcsa oldalával.** A daraboló köszőrütárcsáknak csak az élével lehet csiszolni, az oldalirányú erők hatására ezek a tárcsák összetörhetnek.
- d) **Mindig csak sérülésmentes illesztőperemet használjon a tárcsához, melynek mérete és alakja megfelelő a kiválasztott tárcsához.** A megfelelő illesztőperemek megtámasztják a korongot, ezzel csökkentve a tárcsa törésének valószínűségét. A daraboló tárcsák illesztőperemei különbözhetnek a köszőrütárcsa illesztőperemeitől.
- e) **Ne használjon a nagyobb méretű szerszámokkal kisebbre kopotott tárcsákat.** A nagyobb elektromos szerszámokhoz tervezett tárcsa nem használható a kisebb szerszám nagyobb forgási sebessége miatt és szétrobbanhat.

További speciális biztonsági figyelmeztetések a daraboló köszőrülési műveletekhez:

a) Ne „akassza be” a daraboló tárcsát vagy ne nyomja meg túlságosan. Ne próbáljon túl mély vágást végezni. A tárcsa túlságosan igénybevétele növeli a terhelést, és a tárcsa kifordulhat, vagy szorulhat a vágásban, és nő a visszarúgási vagy tárcsa eltörési lehetősége.

b) Ne helyezkedjen el egyvonalban, vagy a forgótárcsa mögé. Ha a tárcsa a művelet egyik pontjában a teste irányából elmozdul, a lehetséges visszarúgás közvetlenül Ön fele hajthatja az orsós tárcsát és az elektromos szerszámot.

c) Ha a tárcsa szorul, vagy ha megáll a vágással bármilyen okból kifolyólag, kapcsolja ki az elektromos szerszámot és tartsa mozdulatlanul a szerszámot mindaddig, amíg a tárcsa teljesen leáll. Soha ne próbálja kivenni a vágásból a daraboló tárcsát, miközben az mozgásban van, mivel visszarúgást okozhat. Figyelje meg és intézkedjen a tárcsa szorulási okának kiküszöbölésére.

d) Ne kezdje újra a vágást a munkadarabban. Hagyja a tárcsát elérni a teljes sebességét, majd óvatosan vigye a vágatba. Ha az elektromos szerszámot a munkadarabon indítja újra, a tárcsa szorulhat, kiléphet vagy visszarúghat.

e) A nagyméretű falapokat vagy bármely nagy munkadarabot támassza alá a tárcsa beszorulását és a visszarúgást elkerülendő. A nagyméretű munkadarabok meghajolhatnak saját súlyuk alatt. Támasztékot a munkadarab alá kell tenni, a vágóvonal közelében és a munkadarab szélétől nem messze, a tárcsa mindkét oldalára.

f) Különösen figyeljen oda amikor "zsebvágást" végez falakba vagy más nem belátható területekre. A kiemelkedő tárcsalap elvághat gáz vagy vízvezetéseket, elektromos vezetékeket vagy tárgyakat, ami visszarúgást okozhat.

Biztonsági figyelmeztetések speciálisan a köszőrülési műveletre vonatkozóan:

a) Ne alkalmazzon különösen túlméretezett csiszolópapírt. Kövesse a gyártó javaslatait a csiszolópapír kiválasztásakor. A csiszolópadról leelőző csiszolópapír szakítási veszélyt jelent, és a tárcsa kiugrását, repedését vagy visszarúgását okozhatja.

Biztonsági figyelmeztetések speciálisan a drótkéféli műveletre vonatkozóan:

a) Vigyázzon a drótsörték ledobására akár a megszkott művelet közben is. Ne vegye túlságosan igénybe a drótkat a kefe túlterhelésével. A drótsörték könnyen átmehetnek a könnyű ruházaton keresztül és / vagy a bőrön.

b) Ha a drótkéféleshez javasolt a védő használata, ne engedje érintkezni a dróttárcsát vagy kését a védőtárcsával. A terhelés és a centrifugális erő következtében a dróttárcsa vagy

kefe átmérője növekedhet.

Kiegészítő biztonsági figyelmeztetések:

17. Süllyesztett középfuratú csiszoló tárcsák használatakor ügyeljen rá, hogy csak üvegszálas erősítési tárcsákat használjon.
18. Legyen óvatos, ne rongálja meg az orsót, az illesztőperemet (különösen annak szerelési felületét) vagy a rögzítőanyagát. Ezen alkatrészek károsodása a tárcsa törését okozhatja.
19. Ellenőrizze, hogy a tárcsa nem ér a munkadarabhoz, mielőtt bekapcsolja a szerszámot.
20. Mielőtt használja a szerszámot a tényleges munkadarabon, hagyja jární egy kicsit. Figyelje a rezgéseket vagy imbolygást, amelyek rosszul felszerelt vagy rosszul kiegyensúlyozott tárcsára utalhatnak.
21. Csiszoláshoz használja a tárcsa erre kijelölt felületét.
22. Figyeljen oda a repülő szikrára. Tartsa úgy a szerszámot, hogy a szikrák Öntől, más személyektől vagy gyúlékony anyagoktól elfelé repüljenek.
23. Ne hagyja a szerszámot bekapcsolva. Csak kézben tartva használja a szerszámot.
24. Ne érjen a munkadarabhoz közvetlenül a munkavégzést követően; az rendkívül forró lehet és megégetheti a bőrét.
25. Minden esetben ellenőrizze, hogy a szerszám ki van kapcsolva és az akkumulátor eltávolításra került, mielőtt bármilyen műveletet végez a szerszámon.
26. Kövesse a gyártó útmutatásait a tárcsák helyes felszerelését és használatát illetően. Körültekintően kezelje és tárolja a tárcsákat.
27. Ne használjon külön szűkítőhüvelyekeket vagy adaptereket a nagy furattal rendelkező tárcsák illesztéséhez.
28. Csak a szerszámhoz engedélyezett illesztőperemet használja.
29. A menetes furatú tárcsákkal felszerelhető szerszámok esetében ellenőrizze, hogy a tárcsa menete elég hosszú, hogy befogadja az orsó menetét.
30. Ellenőrizze, hogy a munkadarab megfelelően alá van támasztva.
31. Figyeljen oda arra, hogy a tárcsa tovább forog a szerszám kikapcsolása után.
32. Ha a munkahely különösen meleg és párás, vagy elektromosan vezető porral szennyezett, használjon rövidzárlati megszakítót (30 mA) a biztonságos működés érdekében.
33. Ne használja a szerszámot azbesztt tartalmazó anyagokon.
34. Ne használjon vizet vagy csiszolási kenőanyagot.

35. Ügyeljen rá, hogy a szellőzőnyílások tiszták legyenek, ha poros környezetben dolgozik. Ha el kell távolítania a port, előbb húzza ki a szerszámot a fali csatlakozóból (ehhez ne használjon fémből készült tárgyakat) és kerülje el a belső alkatrészek sérülését.
36. Kivágótárcsa használatakor mindig a helyi szabályozás által előírt porgyűjtő tárcsavédőt felszerelve dolgozzon.
37. A vágókorongokat nem szabad laterális irányú nyomásnak kiténni.

megfelelően mozog és visszatér a kikapcsolt (OFF) állapotba elengedése után.

Fig.3

Reteszkapcsolóval felszerelt szerszám

A szerszám bekapcsolásához egyszerűen húzza meg a kioldókapcsolót (a B irányba). Engedje fel a kioldókapcsolót a leállításhoz. A folyamatos működtetéshez húzza meg a kioldókapcsolót (a B irányba), majd nyomja be a reteszelőkart (az A irányba). A szerszám kikapcsolásához reteszelt állásból teljesen húzza be a kioldókapcsolót (a B irányba), majd engedje fel.

Reteszkapcsolóval és kireteszelőkapcsolóval felszerelt szerszám

Fig.4

A kioldókapcsoló véletlenszerű meghúzásának megakadályozása érdekében a gép egy reteszelőkarral rendelkezik.

A gép elindításához nyomja be a reteszelőkart (A irányba), majd húzza meg a kioldókapcsolót (B irányba). Leállításhoz engedje el a kioldókapcsolót.

A folyamatos működtetéshez nyomja be a reteszelőkart (A irányba), húzza meg a kioldókapcsolót (B irányba), majd húzza meg a reteszelőkart (C irányba).

A gép reteszelt helyzetből való leállításához húzza meg teljesen a kioldókapcsolót (B irányba), majd engedje el.

Jelzőlámpa

Fig.5

A zöld jelzőlámpa kigyullad, amikor a szerszám csatlakoztatva van az áramforráshoz. Ha jelzőlámpa nem gyullad ki, akkor a hálózati kábel vagy a vezérlő meghibásodhatott. Ha a jelzőlámpa világít, de a szerszám mégsem indul be, még akkor sem, ha a szerszámot bekapcsolja, akkor a szénkefék elhasználódhattak vagy az elektromos áramkör, a motor, vagy a KI-BE kapcsoló meghibásodhatott.

Nem szándékos újraindítási megfigyelés

Ha a reteszelő kar lenyomva tarja az indítókapcsolót (záró pozíció), akkor nem engedélyezi a szerszám újraindítását, akkor se, ha azt áramra csatlakoztatja.

Ekkor a jelzőlámpa pirosan villog, jelezvén, hogy a nem szándékos újraindítási megfigyelő szerkezet be van kapcsolva.

A nem szándékos újraindítási megfigyelő kikapcsolására, teljesen húzza be az indítókapcsolót, majd engedje el.

Lágyindítás

Ezek a típusok lassan kezdenek el működni bekapcsoláskor. Ez a fokozatos indítási funkció megkönnyíti a művelet végrehajtását.

ÖSSZESZERELÉS

△VIGYÁZAT:

- Mindig bizonyosodjon meg a szerszám kikapcsolt és a hálózathoz nem csatlakoztatott állapotáról mielőtt bármilyen munkálatot végezne rajta.

ŐRIZZE MEG EZEKET AZ UTASÍTÁSOKAT

△FIGYELMEZTETÉS:

NE HAGYJA, hogy a kényelem vagy a termék (többszörői használatból adódó) mind alaposabb ismerete váltsa fel az adott termékre vonatkozó biztonsági előírások szigorú betartását. A **HELYTELEN HASZNÁLAT** és a használati útmutatóban szereplő biztonsági előírások megszegése súlyos személyi sérülésekhez vezethet.

MŰKÖDÉSI LEÍRÁS

△VIGYÁZAT:

- Mindig bizonyosodjon meg a szerszám kikapcsolt és a hálózathoz nem csatlakoztatott állapotáról mielőtt ellenőrzi vagy beállítja azt.

Tengelyretesz

△VIGYÁZAT:

- Soha ne hozza működésbe a tengelyreteszt ha az orsó még forog. A szerszám károsodhat.

Fig.1

Nyomja le a tengelyreteszt az orsó forgásának megakadályozásához amikor a tartozékokat felszereli vagy leszereli.

A kapcsolókar felszerelési pozíciói (GA7030R, GA7040R, GA9030R és GA9040R típus)

Fig.2

A kapcsolókart 90°-ban elforgathatja jobbra vagy balra a munkának megfelelően. Először áramtalanítsa a szerszámot. Nyomja le a reteszelőgombot és forgassa el a kapcsolókart teljesen balra vagy jobbra. A kapcsolókar abban a pozícióban lesz elreteszelve.

△VIGYÁZAT:

- A használat előtt mindig ellenőrizze, hogy a kapcsolókar a kívánt pozícióban el van reteszelve.

A kapcsoló használata

△VIGYÁZAT:

- A szerszám hálózatra csatlakoztatása előtt mindig ellenőrizze hogy a kapcsoló kioldógombja

Az oldalsó markolat (nyél) felszerelése

⚠VIGYÁZAT:

- Használat előtt mindig bizonyosodjon meg az oldalsó markolat szilárd felszereltségéről.

Fig.6

Rögzítse az oldalsó fogantyút a helyére a szerszámon az ábrának megfelelően.

A tárcsavédő fel- és leszerelése (süllyesztett középfuratú tárcsa, többfunkciós tárcsa, drótkorong/daraboló köszörútárcsa, gyémánttárcsa esetén)

⚠FIGYELMEZTETÉS:

- Süllyesztett középfuratú csiszolótárcsa/többfunkciós tárcsa, flexkorong vagy drótkorong használatakor a korongvédőt úgy kell felszerelni a szerszámmra, hogy zárt oldalával mindig a kezelő felé nézzen.
- Daraboló köszörútárcsa/gyémánttárcsa használatakor ügyeljen arra, hogy csak daraboló köszörútárcsákhoz készített tárcsavédőt alkalmazzon.

A csavarreteszes tárcsavédő esetén

Fig.7

Szerelje fel a tárcsavédőt úgy, hogy a szorítóbilincsen található kiemelkedés illeszkedjen a csapágyházon levő bevágáshoz. Ezután forgassa el a tárcsavédőt körülbelül 180 fokkal az óramutató járásával ellentétesen. Ügyeljen rá, hogy a csavart meghúzza.

A tárcsavédő eltávolításához kövesse a felszerelési eljárást fordított sorrendben.

A rögzítőkáros tárcsavédő esetén

Fig.8

Fig.9

Lazítsa meg a tárcsavédőn található kart. Szerelje fel a tárcsavédőt úgy, hogy a szorítóbilincsen található kiemelkedés illeszkedjen a csapágyházon levő bevágáshoz. Ezután forgassa el a tárcsavédőt az ábrán látható helyzetbe. Húzza meg a kart a tárcsavédő rögzítéséhez. Ha a kar túl szoros vagy túl laza a tárcsavédő rögzítéséhez, akkor lazítsa meg vagy húzza meg az anyát a tárcsavédő bilincsenek beállításához.

A tárcsavédő eltávolításához kövesse a felszerelési eljárást fordított sorrendben.

A süllyesztett középfuratú csiszolótárcsa/legyezős korong (tartozék) felszerelése vagy eltávolítása

⚠FIGYELMEZTETÉS:

- Mindig használja a mellékelt védőt, ha a süllyesztett középfuratú csiszolótárcsa/legyezős korong van a szerszámon. A korong széttörhet a használat során és a védő segít a személyi sérülések esélyének csökkentésében.

Fig.10

Helyezze a belső illesztőperemet az orsóra. Illesse a tárcsát/korongot a belső illesztőperemre és csavarja fel a biztosítóanyát az orsóra.

MEGJEGYZÉS:

7 mm-nél vastagabb süllyesztett középfuratú csiszolókorong használata esetén fordítsa át a rögzítőanyát, és így csavarja fel a tengelyre.

Extra illesztőperem

Az F jelű típusok standard felszereltsége az extra illesztőperem. A szokásos típusozh képest csak 1/3-nyi erőfeszítésre van szükség a biztosítóanya kilazításához.

Ausztrália és Új-Zéland

Fig.11

Helyezze a belső illesztőperemet az orsóra. Illesse a tárcsát/korongot a belső illesztőperemre és csavarja fel a biztosítóanyát úgy, hogy a kiemelkedő felülete lefelé nézzen (a korong irányába).

Fig.12

A rögzítőanya meghúzásához nyomja le a tengelyreteszt, hogy a tengely ne tudjon forogni, majd a rögzítőanya kulcsával szorosan húzza meg az anyát az óramutató járásának irányába.

A tárcsa eltávolításához kövesse a felszerelési eljárást fordított sorrendben.

Csiszolókorong (opcionális kiegészítő) felhelyezése és eltávolítása

MEGJEGYZÉS:

- Csak az ebben a kézikönyvben leírt kiegészítőket használja a csiszolóhoz. Ezeket külön meg kell vásárolni.

Fig.13

Szerelje a gumitalpat az orsóra. Illesse a korongot a gumitalpra és csavarja a rögzítőanyát az orsóra. A rögzítőanya meghúzásához nyomja le a tengelyreteszt, hogy a tengely ne tudjon forogni, majd a rögzítőanya kulcsával szorosan húzza meg az anyát az óramutató járásának irányába.

A korong eltávolításához kövesse a felhelyezési eljárást fordított sorrendben.

ÜZEMELTETÉS

⚠FIGYELMEZTETÉS:

- Soha nem szabad erőltetni a szerszámot. A szerszám súlya elegendő nyomóerőt biztosít. Az erőltetés és a túlzott nyomáskifejtés a tárcsa töréséhez vezethet, ami veszélyes.
- MINDIG cserélje ki a tárcsát, ha a szerszám leesett csiszolás közben.
- SOHA ne csapja vagy üsse oda a csiszolókorongot vagy a tárcsát a munka során.
- Kerülje el a tárcsa visszaugrását és kiugrását, különösen sarkok, éles szélek, stb.

megmunkálásakor. Ekkor a szerszám irányíthatatlanná válik és visszarúghat.

- SOHA ne használja a szerszámot favágó tárcsákkal és más fűrészlapokkal. Az ilyen fűrészlapok a csiszolóknak gyakran megugranak és a szerszám irányíthatatlanná válik, ami személyi sérülésekhez vezethet.

⚠VIGYÁZAT:

- Soha ne kapcsolja be a szerszámot, ha az érintkezik a munkadarabbal, mert ez a kezelő sérülését okozhatja.
- A használat alatt mindig viseljen védőszemüveget vagy arcvédőt.
- A használat végén mindig kapcsolja ki a szerszámot és várja meg amíg a tárcsa teljesen megáll, ezután tegye le a szerszámot.

Köszörlés és csiszolás

Fig.14

MINDIG szilárdan fogja a szerszámot egyik kezével a hátsó fogantyúnál, a másikkal pedig az oldalsó fogantyújánál fogva. Kapcsolja be a szerszámot majd vigye a tárcsát vagy a korongot a munkadarabhoz.

Általában úgy kell tartani a szerszámot, hogy a korong vagy tárcsa széle 15 fokos szöget zárjon be a munkadarab felületével.

Egy új tárcsa bejáratásakor ne használja a csiszolót a B irányban, mert akkor belevág a munkadarabba. Miután a tárcsa szélét lekerekedett a használat során, a tárcsával az A és a B irányokban is végezhető megmunkálás.

Fazékkéfével (opcionális kiegészítő) végzett műveletek

⚠VIGYÁZAT:

- Ellenőrizze a kefe működését a gép terhelés nélküli beindításával, és ügyeljen arra, hogy senki ne legyen a kefe előtt, illetve annak vonalában.
- Ne használjon sérült vagy kiegyensúlyozatlan kefét. A sérült kefe használata megnöveli a sérülés veszélyét, mely a törött drótszalakkal való érintkezéskor következhet be.

Fig.15

Húzza ki a gép a hálózati csatlakozóját és fordítsa a hátával lefelé, hogy könnyen hozzá tudjon férni az orsóhoz. Szerelje le az orsról a kiegészítőket. Csavarja fel a fazékkorongot az orsóra, és húzza meg a mellékelt villáskulccsal. Kefe használatakor ne fejtessen ki túl nagy nyomást a munkadarabra, mivel ekkor a kefe drótszájai meghajolhatnak, és ez korai törésükhöz vezet.

Drótkoronggal (opcionális kiegészítő) végzett műveletek

⚠VIGYÁZAT:

- Ellenőrizze a drótkorong működését a gép terhelés nélküli beindításával, és ügyeljen arra, hogy senki ne legyen a drótkorong előtt, illetve annak vonalában.

- Ne használjon sérült vagy kiegyensúlyozatlan drótkorongot. A sérült drótkorong használata megnöveli a sérülés veszélyét, mely a törött drótszalakkal való érintkezéskor következhet be.
- Drótkorong használatakor MINDIG használjon olyan átmérőjű védőburkolatot, amelyben megfelelően elfér a drótkorong. A korong széttörhet a használat során, és a védőburkolat csökkenti a személyi sérülések kockázatát.

Fig.16

Húzza ki a gép hálózati csatlakozóját és fordítsa a gépet hátával lefelé, hogy könnyen hozzá tudjon férni az orsóhoz. Szerelje le az orsról a kiegészítőket. Csavarja fel a drótkorongot az orsóra, és húzza meg a villáskulccsal.

Drótkorong használatakor ne fejtessen ki túl nagy nyomást a munkadarabra, mivel ekkor a kefe drótszájai meghajolhatnak, és ez korai törésükhöz vezet.

Műveletek daraboló

köszörlőtárcsával/gyémánttárcsával (választható kiegészítő)

⚠FIGYELMEZTETÉS:

- Daraboló köszörlőtárcsa/gyémánttárcsa használatakor ügyeljen arra, hogy csak daraboló köszörlőtárcsákhoz készített tárcsavédőt alkalmazzon.
- SOHA ne használjon daraboló tárcsát oldalköszörlőre.
- Ne „akassza be” a tárcsát vagy ne nyomja túl meg. Ne próbáljon túlságosan mély vágást végezni. A tárcsa túl nagy igénybevétele növeli a terhelést és a tárcsa kifordulhat vagy szorulhat a vágásban, és nő a visszarúgási vagy tárcsa eltérési, a motor túlhevülési lehetősége.
- A vágást ne kezdje a munkadarabon. Hagyja a tárcsát elérni a teljes sebességet, majd óvatosan vigye a vágásba, előre mozdítván a szerszámot a munkafelületen. A tárcsa beszorulhat, kiléphet vagy kirúghat, ha a munkadarabon kezd dolgozni vele.
- Vágási műveletek alatt soha ne változtasson a tárcsa szögén. A daraboló tárcsa oldalnyomása miatt (köszörlülésnél is) a tárcsa repedését és törését okozza, veszélyes sérülést okozván.
- A gyémánttárcsát tartsa a darabolandó anyagra merőlegesen.

Helyezze a belső illesztőperemet az orsóra. Illesse a tárcsát/korongot a belső illesztőperemre és csavarja fel a biztosítóanyát az orsóra.

Fig.17

Amikor 7 mm-nél vastagabb gyémánttárcsát vagy darabolókorongot szerel a sarokcsiszolóra, a záróanyát úgy szerelje fel, hogy annak körkörös része (kiemelkedése) a tárcsa felé nézzen.

Ausztrália és Új-Zéland

Daraboló kőszőrútárcsa/gyémánttárcsa (választható kiegészítő) fel- és leszerelése

Fig.18

KARBANTARTÁS

⚠VIGYÁZAT:

- Mindig bizonyosodjék meg arról hogy a szerszám kikapcsolt és a hálózatra nem csatlakoztatott állapotban van mielőtt a vizsgálatához vagy karbantartásához kezdene.

MEGJEGYZÉS:

- Soha ne használjon gázolajt, benzint, higítót, alkoholt vagy hasonló anyagokat. Ezek elszineződést, alakvesztést vagy repedést okozhatnak.

Fig.19

A szerszámot és szellőzőnyílásait tisztán kell tartani. Rendszeresen tisztítsa meg a szerszám szellőzőnyílásait és akkor is ha kezdenek eltömődni.

A szénkefék cseréje

Fig.20

Amikor a szénkefe belsejében levő tű gyanta szigetelőanyaga elkopik és a tű hozzáér a kommutátorhoz, a motor automatikusan leáll. Amikor ez bekövetkezik, mindkét szénkefét ki kell cserélni. A szénkefákat tartsa tisztán, és azok szabadon csússzanak a tartókban. Mindkét szénkefét egyszerre kell cserélni. Csak azonos szénkefákat használjon.

Fig.21

Csavarhúzó segítségével távolítsa el a kefetartó sapkákat. Vegye ki a kopott szénkefákat, tegye be az újakat és helyezze vissza a kefetartó sapkákat.

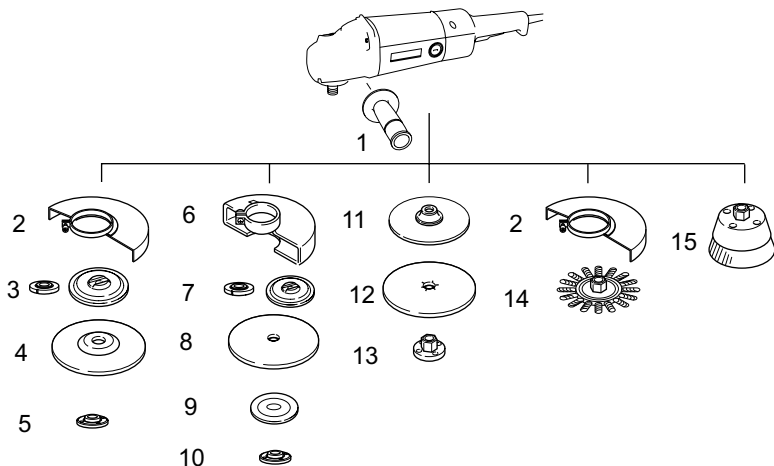
A termék BIZTONSÁGÁNAK és MEGBIZHATÓSÁGÁNAK fenntartásához, a javításokat, bármilyen egyéb karbantartást vagy beszállítást a Makita Autorizált Szervizközpontoknak kell végrehajtatniuk, mindig Makita pótalkatrészek használatával.

TARTOZÉKOK

⚠VIGYÁZAT:

- Ezek a tartozékok vagy kellékek ajánlottak az Önnek ebben a kézikönyvben leírt Makita szerszámához. Bármely más tartozék vagy kellék használata személyes veszélyt vagy sérülést jelenthet. A tartozékot vagy kelléket használja csupán annak kifejezett rendeltetésére.

Ha bármilyen segítségre vagy további információkra van szüksége ezekkel a tartozékokkal kapcsolatban, keresse fel a helyi Makita Szervizközpontot.



1	Oldalmarkolat
2	Süllyesztett középfuratú tárcsa / többfunkciós tárcsa / drótkorong
3	Belső illesztőperem / extra illesztőperem / 102-as belső illesztőperem (Csak Ausztrália és Új-Zéland)
4	Süllyesztett középfuratú tárcsa/legyezős korong
5	Rögzítőanya / Ezynut rögzítőanya*1
6	Tárcsavédő daraboló köszörűtárcsához / gyémánttárcsához
7	Belső illesztőperem / extra illesztőperem / 78-as belső illesztőperem (Csak Ausztrália és Új-Zéland)
8	Daraboló köszörűtárcsa / gyémánttárcsa
9	78-as belső illesztőperem (Csak Ausztrália és Új-Zéland)*2
10	Rögzítőanya / Ezynut rögzítőanya*1
11	Gumitalp
12	Csiszolókorong
13	Csiszoló rögzítőanya
14	Drótkorong
15	Drótkefecsésze
—	Rögzítőanya kulcsa
—	Porvédő toldalék

*1 Ne használja együtt az extra illesztőperemet és az Ezynut rögzítőanyát.

*2 A 78-as belső és a 78-as külső illesztőperemet együtt kell használni. (Csak Ausztrália és Új-Zéland)

010947

SLOVENSKÝ (Pôvodné pokyny)

Vysvetlenie všeobecného zobrazenia

1-1. Posúvačový uzáver	10-1. Uzamykacia matica	17-4. Ochranný kryt rozbrusovacieho kotúča/diamantového kotúča
2-1. Kryt motora	10-2. Ploský kotúč	18-1. Uzamykacia matica
2-2. Blokovacie tlačidlo	10-3. Super príruha	18-2. Vonkajšia príruha 78
2-3. Rúčka	10-4. Vnútorňa obruba	18-3. Rozbrusovací kotúč/diamantový kotúč
3-1. Blokovacia páčka	11-1. Uzamykacia matica	18-4. Vnútorňa príruha 78
3-2. Spúšť	11-2. Ploský kotúč	18-5. Ochranný kryt rozbrusovacieho kotúča/diamantového kotúča
4-1. Blokovacia páčka	11-3. Vnútorňa obruba	19-1. Odsávací prieduch
4-2. Spúšť	12-1. Kľúč na uzamykaciu maticu	19-2. Nasávací prieduch
5-1. Kontrolka	12-2. Posúvačový uzáver	20-1. Komutátor
7-1. Kryt kotúča	13-1. Uzamykacia matica	20-2. Izolačný koniec
7-2. Šrauba (Skrutka)	13-2. Brúsny kotúč	20-3. Uhlíková kefka
7-3. Skriňa ložiska	13-3. Gumová podložka	21-1. Veko držiaka uhlíka
8-1. Kryt kotúča	15-1. Drôtená kalichová kefka	21-2. Skrutkovač
8-2. Skriňa ložiska	16-1. Drôtená kotúčová kefka	
8-3. Matica	17-1. Uzamykacia matica	
8-4. Páčka	17-2. Rozbrusovací kotúč/diamantový kotúč	
9-1. Matica	17-3. Vnútorňa obruba	
9-2. Páčka		

TECHNICKÉ ÚDAJE

Model	GA7020R	GA7030R	GA7040R	GA9020R	GA9030R	GA9040R
Priemer ploského kotúča	180 mm			230 mm		
Závit vretena	M14					
Menovité otáčky (n) / Otáčky pri voľnobehu (n ₀)	8500(min ⁻¹)			6600(min ⁻¹)		
Celková dĺžka	473 mm	503 mm		473 mm	503 mm	
Hmotnosť netto	5,6 kg	6,3 kg	6,6 kg	5,8 kg	6,5 kg	6,9 kg
Trieda bezpečnosti	II/II					

- Vzhľadom k neustálemu výskumu a vývoju tu uvedené technické údaje podliehajú zmenám bez upozornenia.
- Technické údaje sa môžu pre rozne krajiny líšiť.
- Hmotnosť podľa postupu EPTA 01/2003

ENE048-1

Určené použitie

Tento nástroj je určený na brúsenie, pieskovanie a rezanie kovových a kamenných materiálov bez použitia vody.

ENF002-1

Napájanie

Nástroj sa môže pripojiť len k odpovedajúcemu zdroju s napätím rovnakým, aké je uvedené na typovom štítku, a môže pracovať len s jednofázovým striedavým napätím. V súlade s európskymi normami má dvojitú izoláciu a môže byť preto napájaný zo zásuviek bez uzemňovacieho vodiča.

Pro Model GA7020R

ENG102-3

Hluk

Typická hladina akustického tlaku pri záťaži A určená podľa EN60745:

- Hladina akustického tlaku (L_{pA}): 90 dB (A)
- Hladina akustického výkonu (L_{WA}): 101 dB(A)
- Odchýlka (K): 3 dB(A)

Používajte chrániče sluchu.

ENG208-4

Vibrácie

Celková hodnota vibrácií (trojosový vektorový súčet) určená podľa normy EN60745:

- Pracovný režim: brúsenie povrchu
- Výžarovanie vibrácií (a_{h,AG}): 8,0 m/s²
- Neurčitost' (K): 1,5 m/s²

Pokiaľ sa náradie používa na iné účely, hodnota vibrácií môže byť iná.

ENG313-2

- Pracovný režim: kotúčové brúsenie
- Emisie vibrácií (a_{h,DS}): 3,0m/s²
- Neurčitost' (K): 1,5 m/s²

Pro Model GA7030R

ENG102-3

Hluk

Typická hladina akustického tlaku pri záťaži A určená podľa EN60745:

- Hladina akustického tlaku (L_{pA}): 90 dB (A)
- Hladina akustického výkonu (L_{WA}): 101 dB(A)

Odchýlka (K): 3 dB(A)

Používajte chrániče sluchu.

ENG208-4

Vibrácie

Celková hodnota vibrácií (trojosový vektorový súčet) určená podľa normy EN60745:

Pracovný režim: brúsenie povrchu
Vyžarovanie vibrácií ($a_{h,AG}$): 6,5 m/s²
Neurčitost' (K) : 1,5 m/s²

Pokiaľ sa náradie používa na iné účely, hodnota vibrácií môže byť iná.

ENG313-2

Pracovný režim: kotúčové brúsenie
Emisie vibrácií ($a_{h,DS}$): 3,5m/s²
Neurčitost' (K) : 1,5 m/s²

Pro Model GA7040R

ENG102-3

Hluk

Typická hladina akustického tlaku pri záťaži A určená podľa EN60745:

Hladina akustického tlaku (L_{pA}): 90 dB (A)
Hladina akustického výkonu (L_{WA}): 101 dB(A)
Odchýlka (K): 3 dB(A)

Používajte chrániče sluchu.

ENG208-4

Vibrácie

Celková hodnota vibrácií (trojosový vektorový súčet) určená podľa normy EN60745:

Pracovný režim: brúsenie povrchu
Vyžarovanie vibrácií ($a_{h,AG}$): 7,0 m/s²
Neurčitost' (K) : 1,5 m/s²

Pokiaľ sa náradie používa na iné účely, hodnota vibrácií môže byť iná.

ENG313-2

Pracovný režim: kotúčové brúsenie
Emisie vibrácií ($a_{h,DS}$): 3,0m/s²
Neurčitost' (K) : 1,5 m/s²

Pro Model GA9020R, GA9040R

ENG102-3

Hluk

Typická hladina akustického tlaku pri záťaži A určená podľa EN60745:

Hladina akustického tlaku (L_{pA}): 90 dB (A)
Hladina akustického výkonu (L_{WA}): 101 dB(A)
Odchýlka (K): 3 dB(A)

Používajte chrániče sluchu.

ENG208-4

Vibrácie

Celková hodnota vibrácií (trojosový vektorový súčet) určená podľa normy EN60745:

Pracovný režim: brúsenie povrchu
Vyžarovanie vibrácií ($a_{h,AG}$): 6,0 m/s²
Neurčitost' (K) : 1,5 m/s²

Pokiaľ sa náradie používa na iné účely, hodnota vibrácií môže byť iná.

ENG313-2

Pracovný režim: kotúčové brúsenie

Emisie vibrácií ($a_{h,DS}$): 2,5m/s²

Neurčitost' (K) : 1,5 m/s²

Pro Model GA9030R

ENG102-3

Hluk

Typická hladina akustického tlaku pri záťaži A určená podľa EN60745:

Hladina akustického tlaku (L_{pA}): 90 dB (A)
Hladina akustického výkonu (L_{WA}): 101 dB(A)
Odchýlka (K): 3 dB(A)

Používajte chrániče sluchu.

ENG208-4

Vibrácie

Celková hodnota vibrácií (trojosový vektorový súčet) určená podľa normy EN60745:

Pracovný režim: brúsenie povrchu
Vyžarovanie vibrácií ($a_{h,AG}$): 5,5 m/s²
Neurčitost' (K) : 1,5 m/s²

Pokiaľ sa náradie používa na iné účely, hodnota vibrácií môže byť iná.

ENG313-2

Pracovný režim: kotúčové brúsenie
Emisie vibrácií ($a_{h,DS}$): 2,5m/s²
Neurčitost' (K) : 1,5 m/s²

ENG901-1

- Deklarovaná hodnota emisií vibrácií bola meraná podľa štandardnej skúšobnej metódy a môže sa použiť na porovnanie jedného náradia s druhým.
- Deklarovaná hodnota emisií vibrácií sa môže použiť aj na predbežné posúdenie vystavenia ich účinkom.

VAROVANIE:

- Emisie vibrácií počas skutočného používania elektrického náradia sa môžu odlišovať od deklarovanej hodnoty emisií vibrácií, a to v závislosti na spôsoboch používania náradia.
- Nezabudnite označiť bezpečnostné opatrenia s cieľom chrániť obsluhu, a to tie, ktoré sa zakladajú na odhade vystavenia účinkom v rámci reálnych podmienok používania (berúc do úvahy všetky súčasti prevádzkového cyklu, ako sú doby, kedy je náradie vypnuté a kedy beží bez zataženia, ako dodatok k dobe zapnutia).

ENH101-13

Len pre európske krajiny

Vyhlasenie o zhode so smernicami

Európskeho spoločenstva

Naša spoločnosť Makita, ako zodpovedný výrobca prehlasuje, že nasledujúce zariadenie(a) značky Makita:

Označenie zariadenia:
Uhľová brúska

Číslo modelu/ Typ: GA7020R, GA7030R, GA7040R, GA9020R, GA9030R, GA9040R

je z výrobnéj série a

Je v zhode s nasledujúcimi európskymi smernicami:
98/37/ES do 28. decembra 2009 a následne so smernicou 2006/42/ES od 29. decembra 2009

A sú vyrobené podľa nasledujúcich noriem a štandardizovaných dokumentov:

EN60745

Technická dokumentácia sa nachádza u nášho autorizovaného zástupcu v Európe, ktorým je spoločnosť:

Makita International Europe Ltd,
Michigan, Drive, Tongwell,
Milton Keynes, MK15 8JD, Anglicko

19. jún 2009



000230

Tomoyasu Kato
Riaditeľ
Makita Corporation
3-11-8, Sumiyoshi-cho,
Anjo, Aichi, JAPONSKO

GEA010-1

Všeobecné bezpečnostné predpisy pre elektronáradie

⚠ UPOZORNENIE Prečítajte si všetky upozornenia a inštrukcie. Nedodržiavanie pokynov a inštrukcií môže mať za následok úraz elektrickým prúdom, požiar alebo vážne zranenie.

Všetky pokyny a inštrukcie si odložte pre prípad potreby v budúcnosti.

GEB033-3

BEZPEČNOSTNÉ VÝSTRAHY PRE BRÚSKU

Spoločné bezpečnostné výstrahy pre operácie brúsenia, pieskovania, brúsenia drôteným kotúčom alebo abrazívneho rozbrusovania:

1. Tento elektrický nástroj funguje ako brúska, pieskovač, drôtená kefa alebo rozbrusovací nástroj. Prečítajte si všetky bezpečnostné výstrahy, pokyny, vyobrazenia a špecifikácie určené pre tento elektrický nástroj. Pri nedodržaní všetkých doleuvedených pokynov môže dôjsť k úrazu elektrickým prúdom, požiaru a/alebo vážnemu poraneniu.
2. S týmto elektrickým nástrojom sa neodporúča vykonávať operácie ako leštenie. Operácie, na ktoré tento nástroj nie je určený, môžu spôsobiť riziko a spôsobiť telesné poranenie.

3. **Nepoužívajte príslušenstvo, ktoré nie je výslovne určené a odporúčané výrobcom nástroja.** To, že príslušenstvo možno pripojiť k vášmu elektrickému nástroju, nezaisťuje bezpečnú prevádzku.
4. **Menovitá rýchlosť príslušenstva musí byť minimálne rovná maximálnej rýchlosti vyznačenej na elektrickom nástroji.** Príslušenstvo pracujúce vyššou rýchlosťou ako jeho menovitá rýchlosť môže prasknúť a rozpadnúť sa.
5. **Vonkajší priemer a hrúbka vášho príslušenstva musí byť v rozmedzí menovitej kapacity elektrického nástroja.** Príslušenstvo nepravnej veľkosti nie je možné primerane viesť a ovládať.
6. **Veľkosť upínacieho trňa kotúčov, prírub, podkladových podložiek a akéhokoľvek iného príslušenstva musí presne padnúť na vreteno tohto elektrického nástroja.** Príslušenstvo s otvormi upínacieho trňa, ktoré sa nehodia na montážne vybavenie tohto elektrického nástroja bude nevyvážené, bude nadmerne vibrovať a môže spôsobiť stratu kontroly nad nástrojom.
7. **Nepoužívajte poškodené príslušenstvo. Pred každým použitím skontrolujte príslušenstvo, napríklad brúsne kotúče, či na nich nie sú úlomky a praskliny, podkladové podložky, či na nich nie sú praskliny, trhliny alebo nie sú nadmerne opotrebované, drôtenú kefu, či nemá uvoľnené alebo popraskané drôty. Ak elektrický nástroj alebo nástroj spadne, skontrolujte, či nie sú poškodené alebo namontujte nepoškodené príslušenstvo. Po kontrole a namontovaní príslušenstva sa postavte vy aj okolostojáci mimo roviny otáčajúceho sa príslušenstva a spustite elektrický nástroj na maximálnu rýchlosť bez záťaže na jednu minútu. Poškodené príslušenstvo sa za normálnych okolností počas doby tohto testu rozpadne.**
8. **Používajte osobné ochranné prostriedky. V závislosti od aplikácie používajte štít na tvár, ochranné okuliare alebo bezpečnostné okuliare. Podľa potreby použite protiprachovú masku, chrániče sluchu, rukavice a pracovnú zásteru schopnú zastaviť malé úlomky brusiva alebo obrobku. Chránič zraku musí byť schopný zastaviť odletujúce úlomky vytvárané pri rôznych úkonoch. Protiprachová maska alebo respirátor musia byť schopné filtrovať častičky vytvárané pri vašej činnosti. Dlhodobé vystavenie intenzívnemu huku môže spôsobiť stratu sluchu.**
9. **Okolostojacich udržiavajte v bezpečnej vzdialenosti od pracovného miesta. Každý, kto vstúpi na miesto práce, musí mať osobné ochranné prostriedky. Úlomky obrobku alebo poškodené príslušenstvo môže odletieť a spôsobiť**

- poranenie aj mimo bezprostredného miesta práce.
10. **Elektrický nástroj pri práci držte len za izolované úchopné povrchy, lebo rezacie príslušenstvo sa môže dostať do kontaktu so skrytými vodičmi alebo vlastným káblom.** Kontakt príslušenstva so "živým" vodičom vystaví kovové časti elektrického nástroja "živému" prúdu a spôsobí obsluhu úder elektrickým prúdom.
 11. **Kábel umiestnite ďalej od otáčajúceho sa príslušenstva.** Ak stratíte kontrolu, kábel sa môže prerezať alebo zachytiť a vašu ruku alebo rameno môže vtiahnuť do otáčajúceho sa príslušenstva.
 12. **Nikdy elektrický nástroj neodkladajte, kým sa príslušenstvo úplne nezastavilo.** Otáčajúce sa príslušenstvo môže zachytiť a stiahnuť elektrický nástroj mimo vašu kontrolu.
 13. **Nikdy nespúšťajte elektrický nástroj, keď ho nosíte na boku.** Pri náhodnom kontakte s otáčajúcim sa príslušenstvom by vám mohlo zachytiť odev a stiahnuť príslušenstvo smerom na vaše telo.
 14. **Pravidelne čistite priechody elektrický nástroja.** Ventilátor motora vťahuje prach dovnútra a nadmerné nashromáždenie práškoveho kovu môže spôsobiť ohrozenie elektrickým prúdom.
 15. **Nepoužívajte nástroj v blízkosti horľavých materiálov.** Iskry mohli spôsobiť vznietenie týchto materiálov.
 16. **Nepoužívajte príslušenstvo, ktoré vyžadujú tekuté chladivá.** Pri použití vody alebo iného tekutého chladiva by mohlo dôjsť k usmrteniu alebo úderu elektrickým prúdom.

Spätný náraz a príslušné výstrahy

Spätný náraz je náhla reakcia na zovretý alebo pritlačený rotujúci kotúč, opornú podložku, kefku alebo iné príslušenstvo. Zoškrtenie alebo pritlačenie spôsobí náhle spomalenie otáčajúceho sa príslušenstva, čo zase spôsobí nekontrolované uskočenie elektrického nástroja v opačnom smere ako otáčanie príslušenstva v momente zovretia.

Napríklad, ak obrobok priškrtil alebo pritlačí rozbrusovací kotúč, okraj kotúča vstupujúceho do bodu priškrtenia môže spôsobiť vrytie sa do povrchu materiálu, čo spôsobí vytiahnutie alebo vykopnutie kotúča. Kotúč môže byť vyskočiť dopredu alebo dozadu od obsluhujúcej osoby, v závislosti od smeru pohybu kotúča v momente priškrtenia. Rozbrusovacie kotúče sa za týchto okolností môžu aj prelomiť.

Spätný náraz je výsledok nesprávneho používania elektrického nástroja a/alebo nesprávnych prevádzkových postupov alebo podmienok a možno sa mu vyhnúť vykonaním príslušných protopatrení uvedených nižšie.

- a) **Elektrický nástroj stále pevne držte oboma rukami a telo a rameno držte tak, aby ste odolali silám spätného nárazu. Vždy používajte aj pomocnú rúčku, ak je namontovaná, čím**

dosiahnete maximálnu kontrolu nad spätným nárazom alebo momentovou reakciou pri spustení. Sily spätného nárazu alebo momentových reakcií môže obsluhujúca osoba ovládnuť, ak vykoná príslušné protopatrenia.

- b) **Nikdy nedávajte ruku do blízkosti otáčajúceho sa príslušenstva.** Príslušenstvo môže vykonať spätný náraz ponad vašu ruku.

- c) **Nepribližujte sa telom do oblasti, kam sa pohne elektrický nástroj, keď nastane spätný náraz.** Spätný náraz poženie nástroj do opačného smeru ako smer pohybu kotúča v momente privretia.

- d) **Pri opracovávaní rohov, ostrých hrán a pod. buďte zvlášť opatrní. Zabráňte odsakovaniu a zadrhávaniu príslušenstva.** Rohy, ostré hrany alebo odsakovanie majú tendenciu zadrhnúť príslušenstvo a spôsobiť stratu kontroly alebo spätný náraz.

- e) **Nepripájajte rezbárske ostrie reťazovej píly ani zúbkované pilové ostrie.** Takéto ostria často spôsobujú spätný náraz a stratu kontroly

Špecifické bezpečnostné výstrahy pre operácie brúsenia a abrazívneho rozbrusovania:

- a) **Používajte len typy kotúčov, ktoré sú odporúčané pre váš elektrický nástroj a špecifický ochranný kryt určený pre zvolený kotúč.** Kotúče, ktoré nie sú určené pre tento elektrický nástroj, nemôžu byť dostatočne chránené a nie sú bezpečné.

- b) **Ochranný kryt sa musí byť bezpečne upevnený na elektrický nástroj a nastavený na maximálnu bezpečnosť, aby bola obsluha vystavená čo najmenej časti kotúča.** Ochranný kryt pomáha chrániť obsluhu pred úlomkami z kotúča a náhodným kontaktom s kotúčom.

- c) **Kotúče možno používať len pre odporúčané aplikácie.** Napríklad: **nebrúste s bočnou stranou zabrusovacieho kotúča.** Abrazívne rozbrusovacie kotúče sú určené pre periférne brúsenie. Bočné sily aplikované na tieto kotúče by mohli zapríčiniť ich rozločenie.

- d) **Vždy používajte nepoškodené príruby kotúčov správnej veľkosti a tvaru pre váš zvolený kotúč.** Správne príruby kotúčov podopierajú kotúč, a tým znižujú pravdepodobnosť zlomenia kotúča. Príruby pre rozbrusovacie kotúče sa môžu líšiť od prírub pre brúsne kotúče.

- e) **Nepoužívajte vydraté kotúče z väčších elektrických nástrojov.** Kotúče určené pre väčšie elektrické nástroje nie sú vhodné pre vyššie rýchlosti menších nástrojov a môžu prasknúť.

Ďalšie bezpečnostné výstrahy pre operácie brúsenia a abrazívneho rozbrusovania:

- a) **Rozbrusovací kotúč nestláčajte ani naň nevyvíjate nadmerný tlak. Nepokúšajte sa rezať príliš hlboko.** Prílišné namáhanie kotúča zvyšuje zaťaženie a náchylnosť k stočeniu alebo zovretiu

kotúča v reze a pravdepodobnosť spätného nárazu alebo zlomenia kotúča.

b) **Nestavajte sa do jednej línie a za rotujúci kotúč.** Keď sa kotúč počas činnosti pohybuje smerom od vás, možný spätný náraz môže vrhnúť rotujúci kotúč a elektrický nástroj priamo na vás.

c) **Keď sa kotúč zovrie alebo z nejakého dôvodu preruší rez, vypnite elektrický nástroj a držte ho bez pohybu, kým sa kotúč úplne nezastaví.** Nikdy sa nepokúšajte odstrániť rozbrusovací kotúč z rezu, kým sa kotúč pohybuje, inak môže dôjsť k spätnému nárazu. Zistite príčinu zvierania kotúča a vykonajte kroky na jej odstránenie

d) **Nezačínajte opätovne rezanie v obrobkoch.** Nechajte kotúč dosiahnuť plnú rýchlosť a opatrne ho znovu vložte do rezu. Kotúč sa môže zovrieť, vystúpiť nahor alebo naraziť späť, ak elektrický nástroj znovu spustíte v obrobkoch.

e) **Panely a každý obrobok nadmernej veľkosti podoprite, aby sa minimalizovalo riziko zovretia alebo spätného nárazu.** Veľké panely sa zvyknú prehýbať vlastnou váhou. Podpory treba umiestniť pod obrobok na oboch stranách do blízkosti línie rezu a do blízkosti okraja obrobku po oboch stranách kotúča.

f) **Buďte zvlášť opatrní pri vytváraní "dutinového rezu" do existujúcich stien či iných neprehľadných povrchov.** Prečnievajúci kotúč môže zarezat' do plynových alebo vodovodných potrubí, elektrického vedenia alebo objektov, ktoré môžu zapríčiniť spätný náraz.

Bezpečnostné výstrahy špecifické pre operácie pieskovania:

a) **Nepoužívajte brúsne kotúčové papiere nadmernej veľkosti.** Pri výbere brúsnych papierov dodržiavajte odporúčania výrobcov. Väčšie brúsne papiere prečnievajúce mimo brúsnu podložku predstavuje riziko rozdrapania a môže zapríčiniť zadrhnutie, roztrhnutie disku alebo spätný náraz.

Bezpečnostné výstrahy špecifické pre brúsenie drôtenou kefou:

a) **Myslite na to, že aj pri bežnej činnosti z kedy vyletujú drôtené štetiny.** Drôty nadmerne nenamáhajte prílišným zaťažovaním na kefu. Drôtené štetiny ľahko preniknú šatstvom a/alebo kožou.

b) **Ak sa pre brúsenie drôtenou kefou odporúča ochranný kryt, dbajte na to, aby drôtený kotúč alebo kefa nezasahovali do ochranného krytu.** Drôtený kotúč alebo kefa sa vďaka pracovnému zaťaženiu a odstredivým silám môžu vo svojom priemere rozliahnuť.

Ďalšie bezpečnostné výstrahy:

17. **Pri použití brúsnych kotúčov so stlačeným stredom vždy používajte len kotúče vystužené sklenenými vláknami.**

18. **Nepoškodzujte vreteno, prírubu (najmä montážnu plochu) alebo uzamykaciu maticu.** Poškodenie týchto dielov by mohlo spôsobiť narušenie kotúča.
19. **Skôr, ako zapnete spínač, skontrolujte, či sa kotúč nedotýka obrobku.**
20. **Predtým, ako použijete nástroj na konkrétnom obrodku, nechajte ho chvíľu bežať.** Sledujte, či nedochádza k vibráciám alebo hádzaniu, ktoré by mohlo naznačovať nesprávnu montáž alebo nesprávne vyvážený kotúč.
21. **Na brúsenie používajte určený povrch kotúča.**
22. **Dávajte pozor na odlietavajúce iskry.** Držte nástroj tak, aby iskry odlietavali smerom od vás a iných osôb alebo horľavých materiálov.
23. **Nenechávajte nástroj bežať bez dozoru.** Pracujte s ním, len keď ho držíte v rukách.
24. **Nedotýkajte sa obrobku hneď po úkone; môže byť extrémne horúci a môže popáliť vašu pokožku.**
25. **Pred vykonávaním akýchkoľvek úprav na nástroj vždy skontrolujte, či je nástroj vypnutý a odpojený a či sú vybraté akumulátorové jednotky.**
26. **Dodržiavajte pokyny výrobcu pre správnu montáž a používanie kotúčov.** Kotúče používajte a skladujte s opatrnosťou.
27. **Nepoužívajte samostatné redukčné zdiery alebo adaptéry na prispôbenie brúsnym kotúčom s veľkým otvorom.**
28. **Používajte len príruby určené pre tento nástroj.**
29. **Pri nástrojoch určených na upevnenie pomocou kotúča so závitovým otvorom skontrolujte, či závit v kotúči je dostatočne dlhý pre dĺžku vretena.**
30. **Skontrolujte, či je obrobok správne podoprený.**
31. **Dávajte pozor na to, že kotúč sa ďalej točí aj po vypnutí nástroja.**
32. **Pri práci v extrémne horúcom a vlhkom prostredí alebo prostredí silne znečistenom vodivým prachom používajte skratový istič (30 mA) na zaistenie bezpečnosti obsluhy.**
33. **Nepoužívajte nástroj na materiáloch obsahujúcich azbest.**
34. **Nepoužívajte vodu alebo brúsne mazivo.**
35. **Zaisťte, aby pri práci v prašnom prostredí vetracie otvory neboli zakryté.** Ak je potrebné vyčistiť prach, najskôr odpojte nástroj z elektrickej siete (použite nekovové predmety) a dbajte na to, aby ste nepoškodili vnútorné súčiastky.
36. **Pri použití rozbrusovacieho kotúča vždy pracujte s krytom kotúča na zber prachu podľa miestnych predpisov.**
37. **Kotúčové nože sa nesmú vystavovať priečnemu tlaku.**

TIETO POKYNY USCHOVAJTE.

⚠VAROVANIE:

NIKDY nepripustíte, aby pohodlie a dobrá znalosť výrobku (získané opakovaným používaním) nahradili presné dodržiavanie bezpečnostných pravidiel pre náradie. **NESPRÁVNE POUŽÍVANIE** alebo nedodržiavanie bezpečnostných pokynov uvedených v tomto návode na obsluhu môže spôsobiť vážne poranenia osôb.

POPIS FUNKCIE

⚠POZOR:

- Pred nastavovaním nástroja alebo kontrolou jeho funkcie sa vždy presvedčte, že je vypnutý a vytiahnutý zo zásuvky.

Posúvačový uzáver

⚠POZOR:

- Nikdy neuvádzajte posúvačový uzáver do činnosti, keď sa vreteno pohybuje. Nástroj sa môže poškodiť.

Fig.1

Otáčaniu vretena pri montáži alebo demontáži príslušenstva zabránite stlačením posúvačového uzáveru.

Montážne polohy prepínacej páčky (Pre modely GA7030R, GA7040R, GA9030R a GA9040R)

Fig.2

Prepínicu páčku možno otočiť na 90° vľavo alebo vpravo, aby vyhovovala vašim pracovným potrebám. Najprv prístroj odpojte. Stlačte poistné tlačidlo a prepínicu páčku otočte úplne vľavo alebo vpravo. Prepínicia páčka sa v tejto polohe zablokuje.

⚠POZOR:

- Pred činnosťou sa vždy uistite, že prepínicia páčka je zablokovaná v zvolenej polohe.

Zapínanie

⚠POZOR:

- Pred pripojením nástroja do zásuvky vždy skontrolujte, či spúšť funguje správne a po uvoľnení sa vracia do vypnutej polohy.

Fig.3

Pre prístroje s poistným prepínačom

Prístroj sa spúšťa jednoduchým potiahnutím prepínača (smer B). Zastavuje sa uvoľnením spínača. Plynulú prevádzku dosiahnete potiahnutím prepínača (smer B) a následným stlačením poistnej páky (smer A). Prístroj sa zo zaistenej polohy zastavuje úplným potiahnutím prepínača (smer B) a jeho následným uvoľnením.

Pre prístroj s poistným prepínačom

Fig.4

Aby ste predišli náhodnému potiahnutiu spúšťacieho vypínača, k dispozícii je blokovacia páčka.

Pre spustenie náradia potiahnite blokovaciu páčku (v smere A) a následne potiahnite spúšťací vypínač (v smere B). Náradie zastavíte uvoľnením spúšťacieho vypínača.

V prípade potreby nepretržitej prevádzky stlačte blokovaciu páčku (v smere A), potiahnite spúšťací vypínač (v smere B) a následne potiahnite blokovaciu páčku (v smere C).

Pokiaľ chcete zastaviť náradie v rámci zablokovanej polohy, úplne potiahnite spúšťací vypínač (v polohe B) a následne ho uvoľnite.

Kontrolka

Fig.5

Pri zapojení nástroja sa rozsvieti indikátor zelenej farby. Ak sa indikátor nerozsvieti, porucha môže byť v napájačom kábli alebo kontrolke. Indikátor sa rozsvieti, ale nástroj sa nespustí ani po zapnutí, môžu byť opotrebované uhlíkové kefy alebo sa pokazil elektrický obvod alebo motor, alebo môže byť pokazený hlavný spínač.

Zabezpečenie pred neúmyselným opätovným spustením

Dokonca ani poistná páka pridržavajúca spínač stlačený (zaistená pozícia) nespôsobí opätovné spustenie nástroja, ani keď je nástroj zapojený.

V tomto momente indikátor bliká červenou farbou a signalizuje, že je aktivované zabezpečovacie zariadenie pred neúmyselným opätovným spustením.

Zabezpečenie pred neúmyselným opätovným spustením zrušíte úplným potiahnutím spínača a jeho následným uvoľnením.

Funkcia reštartovania

Tieto modely začnú bežať po zapnutí pomaly. Táto funkcia mákkého štartu zabezpečuje hladšiu prevádzku.

MONTÁŽ

⚠POZOR:

- Než začnete na nástroji robiť akékoľvek práce, vždy sa predtým presvedčte, že je vypnutý a vytiahnutý zo zásuvky.

Inštalácia bočnej rukoväti (držadla)

⚠POZOR:

- Dávajte pozor, aby bočná rukoväť bola vždy pred prácou pevne nainštalovaná.

Fig.6

Bočnú rukoväť bezpečne priskrutkujte na nástroj, ako znázorňuje obrázok.

Inštalácia alebo demontáž ochranného krytu (pre plošký kotúč, multi disk, drôtenú kotúčovú kefku/rozbrusovací kotúč, diamantový kotúč)

⚠VAROVANIE:

- Pri použití ploškého kotúča brúsneho kotúča/multidisku, rozbrusovacieho kotúča alebo drôtenej kotúčovej kefky je potrebné na náradie namontovať ochranný kryt kotúča tak, aby uzatvorená strana krytu vždy smerovala k obsluhu.
- Pri použití brúsneho rozbrusovacieho kotúča/diamantového kotúča vždy používajte len špeciálny ochranný kryt kotúča určený na použitie s rozbrusovacími kotúčmi.

Pre prístroje s krytom kotúča s poistnou skrutkou

Fig.7

Namontujte kryt kotúča s prečnievaním na pás krytu kotúča vyrovnaného so zárezom na skríni ložiska. Potom otočte kryt kotúča proti smeru hodinových ručičiek o 180°. Skrutku bezpečne dotiahnite.

Kryt kotúča vyberajte opačným postupom ako pri vkladaní.

Pre prístroj s krytom kotúča s upínacou pákou

Fig.8

Fig.9

Uvoľnite páku na kryte kotúča. Namontujte kryt kotúča s prečnievaním na pás krytu kotúča vyrovnaného so zárezom na skríni ložiska. Potom otočte kryt kotúča do polohy znázornenej na obrázku. Dotiahnutím páky upevníte kryt kotúča. Ak je páka príliš pevne dotiahnutá alebo príliš voľná, kryt kotúča upevníte tak, že uvoľníte alebo dotiahnete maticu na nastavenie dotiahnutia pásu krytu kotúča.

Kryt kotúča vyberajte opačným postupom ako pri vkladaní.

Montáž alebo demontáž plošného kotúča na brúsenie hrotov/multidisku (príslušenstvo)

⚠VAROVANIE:

- Ak je na prístroji plošný brúsny kotúč na brúsenie hrotov/multidisk, vždy používajte dodaný kryt. Kotúč sa môže počas používania roztrieštiť a kryt prispeje k zníženiu možnosti zranenia osôb.

Fig.10

Na vreteno namontujte vnútornú prírubu. Kotúč/disk pripevnite na vnútornú prírubu a na vreteno priskrutkujte závernú maticu.

POZNÁMKA:

Pokiaľ sa používa plošný rozbrusovací kotúč hrubý viac ako 7 mm, na vreteno naskrutkujte uzamykaciu maticu a skrutku.

Super príruha

Modely označené písmenom F sú štandardne vybavené super prírubou. V porovnaní s bežnými typmi je na uvoľnenie poistnej matice potrebná iba 1/3 námahy.

Pre Austráliu a Nový Zéland

Fig.11

Na vreteno namontujte vnútornú prírubu. Kotúč/disk pripevnite na vnútornú prírubu a priskrutkujte závernú maticu výčnelkom smerom nadol (ku kotúču).

Fig.12

Uzamykaciu maticu dotiahnete pevným stlačením posúvačového uzáveru tak, aby sa vreteno neotáčalo, potom ju kľúčom na uzamykaciu maticu bezpečne dotiahnite v smere hodinových ručičiek.

Kotúč vyberajte opačným postupom ako pri vkladaní.

Montáž alebo demontáž brúsneho kotúča (voliteľné príslušenstvo)

POZNÁMKA:

- Použite príslušenstvo brúsky, popísané v tejto príručke. Toto si musíte zakúpiť zvlášť.

Fig.13

Na vreteno namontujte gumenú podložku. Kotúč pripevnite na gumovú podložku a na vreteno priskrutkujte poistnú maticu. Závernú maticu dotiahnete pevným stlačením posúvačového uzáveru tak, aby sa vreteno neotáčalo, potom ju kľúčom na závernú maticu bezpečne dotiahnite v smere hodinových ručičiek.

Kotúč vyberajte opačným postupom ako pri vkladaní.

PRÁCA

⚠VAROVANIE:

- Na prístroj sa nikdy nemá tlačiť. Váha prístroja vyvíja dostatočný tlak. Tlačenie a nadmerný tlak môžu spôsobiť nebezpečné narušenie kotúča.
- Kotúč vymeňte VŽDY keď prístroj počas brúsenia spadne.
- Pri práci brúsny disk alebo kotúčom NIKDY nevrážajte ani neudierajte.
- Zabráňte odsakovaniu a zadrhávaniu kotúča, predovšetkým pri práci na rohoch, ostrých hranách atď. To môže spôsobiť stratu kontroly a nárazy.
- Prístroj nikdy nepoužívajte s rezacími čepeľami ani inými pílovými listami. Ak sa takéto čepele používajú na brúske, spôsobujú nárazy vedúce k zraneniu osôb.

⚠POZOR:

- Nástroj nikdy nezapínajte ak je v styku s obrobkom, mohlo by prísť k zraneniu obsluhujúceho.
- Pri práci vždy používajte ochranné okuliare alebo ochranný štít.
- Po prevádzke prístroj vždy vypnite a počkajte, kým sa kotúč úplne zastaví, potom prístroj odložte.

Brúsenie a pieskovanie

Fig.14

Prístroj držte VŽDY pevne jednou rukou za prednú a druhou za bočnú rukoväť. Prístroj zapnite a potom priložte kotúč alebo disk k obrobru.

Všeobecne, hranu kotúča alebo disku držte približne v 15° uhle k povrchu obrobru.

Počas zapracovávanía nového kotúča brúska nesmie pracovať v smere B, pretože zareže do obrobru. Ak sa hrana kotúča zaobliha používaním, kotúčom sa môže pracovať v smere A aj B.

Prevádzka s drôtenou kalichovou kefkou (voliteľné príslušenstvo)

⚠POZOR:

- Činnosť kefy skontrolujte spustením náradia bez zaťaženia a zabezpečte pri tom, aby nikto nebol pred alebo v línii s kefkou.
- Kefku nepoužívajte pokiaľ je poškodená alebo pokiaľ nie je vyvážená. Používanie poškodenej kefy môže zvýšiť možnosť poranenia v dôsledku kontaktu so zlomenými drôti kefy.

Fig.15

Náradie odpojte od prívodu energie a položte ho naopak, čím sa umožní prístup k hriadeľu. Z hriadeľa demontujte všetko príslušenstvo. Na hriadeľ namontujte drôtenú kalichovú kefkou a utiahnite dodávaným kľúčom. Pokiaľ používate kefkou, vyhnite sa vyvíjaniu nadmerného tlaku, ktorý spôsobuje ohnutie drôtov, čo vedie k predčasnému zlomeniu.

Prevádzka s drôtenou kotúčovou kefkou (voliteľné príslušenstvo)

⚠POZOR:

- Činnosť drôtenej kotúčovej kefy skontrolujte spustením náradia bez zaťaženia a zabezpečte pri tom, aby nikto nebol pred alebo v línii s drôtenou kotúčovou kefkou.
- Drôtenú kotúčovú kefkou nepoužívajte pokiaľ je poškodená alebo pokiaľ nie je vyvážená. Používanie poškodenej drôtenej kotúčovej kefy môže zvýšiť možnosť poranenia v dôsledku kontaktu so zlomenými drôti.
- V spojení s drôtenými kotúčovými kefkami VŽDY používajte ochranný kryt, a to taký, aby kotúč zapadol do ochranného krytu. Kotúč sa môže počas používania roztriešťať a kryt prispieje k zníženiu možnosti zranenia osôb.

Fig.16

Náradie odpojte od prívodu energie a položte ho naopak, čím sa umožní prístup k hriadeľu. Z hriadeľa demontujte všetko príslušenstvo. Drôtenú kotúčovú kefkou naskrutkujte na vreteno a utiahnite pomocou kľúčov. Pokiaľ používate drôtenú kotúčovú kefkou, nevyvíjajte nadmerný tlak, ktorý spôsobuje nadmerné ohnutie drôtov s dôsledkom predčasného zlomenia.

Práca s rozbrusovacím kotúčom/diamantovým kotúčom (voliteľné príslušenstvo)

⚠VAROVANIE:

- Pri použití brúsneho rozbrusovacieho kotúča/diamantového kotúča vždy používajte len špeciálny ochranný kryt kotúča určený na použitie s rozbrusovacími kotúčmi.
- Nikdy NEPOUŽÍVAJTE rozbrusovací kotúč na priečne brúsenie.
- Kotúč nestláčajte ani naň nevyvíjajte nadmerný tlak. Nepokúšajte sa rezať príliš hlboko. Prílišné namáhanie kotúča zvyšuje zaťaženie a náchylnosť k stočeniu alebo zovretiu kotúča v reze a pravdepodobnosť spätného nárazu, zlomenia kotúča alebo prehriatia motora.
- Nezačínajte rezanie v obrobru. Nechajte kotúč dosiahnuť plnú rýchlosť a opatrne vstúpte do rezu, pričom pohybujte nástrojom dopredu nad povrchu obrobru. Kotúč sa môže zovrieť, vystúpiť nahor alebo naraziť späť, ak elektrický nástroj spustíte v obrobru.
- Počas operácie rezania nikdy nemeňte uhol kotúča. Pri vyvíjaní bočného tlaku na rozbrusovací kotúč (ako pri brúsení) spôsobí prasknutie a zlomenie kotúča a následné vážne telesné poranenie.
- Diamantový kotúč bude používaný v smere kolmo na rezaný materiál.

Na vreteno namontujte vnútornú prírubu. Kotúč/disk pripevnite na vnútornú prírubu a na vreteno priskrutkujte závernú maticu.

Fig.17

Pri inštalácii diamantového kotúča alebo brúsneho rozbrusovacieho kotúča, ktorého hlavná časť kotúča je hrubá 7 mm a viac, uzamykaciu maticu namontujte tak, aby jej riadiaca časť (vyčnievajúca) pre otvor kotúča smerovala ku kotúču.

Pre Austráliu a Nový Zéland

Inštalácia alebo demontáž rozbrusovacieho kotúča/diamantového kotúča (voliteľné príslušenstvo)

Fig.18

ÚDRŽBA

⚠POZOR:

- Než začnete robiť kontrolu alebo údržbu nástroja, vždy se presvedčte, že je vypnutý a vytiahnutý zo zásuvky.

UPOZORNENIE:

- Nepoužívajte benzín, riedidlo, alkohol ani nič podobné. Mohlo by to spôsobiť zmenu farby, deformácie alebo praskliny.

Fig.19

Nástroj a jeho prieduchy sa musia udržiavať čisté. Vzduchové prieduchy nástroja čistíte pravidelne alebo vždy, keď je prieduch trochu upchatý.

Výmena uhlíkov**Fig.20**

Keď sa izolačná špička vo vnútri uhlíkovej kefky dostane do kontaktu s komutátorom, motor sa automaticky zastaví. V takomto prípade je potrebné vymeniť obe uhlíkové kefky. Uhlíkové kefky udržiavajte čisté a mali byť voľne sklzať do držiakov. Obe uhlíkové kefky sa musia vymieňať naraz. Používajte len identické uhlíkové kefky.

Fig.21

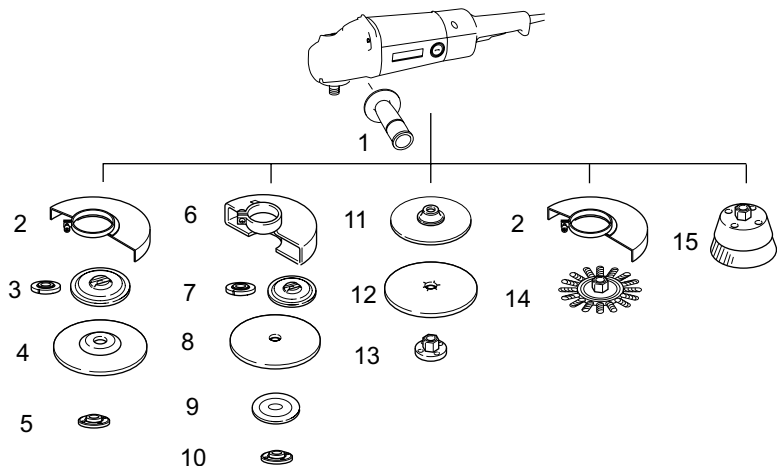
Pomocou šraubováka odskrutkujte veká uhlíkov. Vymite opotrebované uhlíky, vložte nové a zaskrutkujte veká naspäť.

Kvôli zachovaniu BEZPEČNOSTI a SPOLAHLIVOSTI výrobkov musia byť opravy a akákoľvek ďalšia údržba či nastavovanie robené autorizovanými servisnými strediskami firmy Makita a s použitím náhradných dielov Makita.

PRÍSLUŠENSTVO**⚠POZOR:**

- Pre váš nástroj Makita, opísaný v tomto návode, doporučujeme používať toto príslušenstvo a nástavce. Pri použití iného príslušenstva či nástavcov môže hroziť nebezpečenstvo zranenia osôb. Príslušenstvo a nástavce sa môžu používať len na účely pre ne stanovené.

Ak potrebujete bližšie informácie týkajúce sa tohoto príslušenstva, obráťte sa na vaše miestne servisné stredisko firmy Makita.



1	Bočná rukoväť
2	Ochranný kryt pre plochého brúsneho kotúča / multi disku / drôtenej kotúčovej kefy
3	Vnútna príruha / Super príruha / Vnútna príruha 102 (iba pre Austráliu a Nový Zéland)
4	Plošný kotúč na brúsenie hrotov/multi disk
5	Poistná matica/Ezynut*1
6	Ochranný kryt rozbrusovacieho kotúča / diamantového kotúča
7	Vnútna príruha / Super príruha / Vnútna príruha 78 (iba pre Austráliu a Nový Zéland)
8	Rozbrusovací kotúč / Diamantový kotúč
9	Vonkajšia príruha 78 (iba pre Austráliu a Nový Zéland)*2
10	Poistná matica/Ezynut*1
11	Gumová podložka
12	Brúsny kotúč
13	Poistná matica pre pieskovanie
14	Drôtená kotúčová kefa
15	Drôtená kalichová kefa
—	Kľúč na uzamykaciu maticu
—	Kryt proti prachu

*1 Spolu naraz nepoužívajte super príruhu a Ezynut.

*2 Použite spolu vnútornú príruhu 78 a vonkajšiu príruhu 78. (iba pre Austráliu a Nový Zéland)

010947

ČESKÝ (originální návod k obsluze)

Legenda všeobecného vyobrazení

1-1. Zámek hřídele	10-1. Pojistná matice	17-4. Chránič kotouče pro rozbrušovací kotouče/diamantové kotouče
2-1. Skříň motoru	10-2. Kotouč s vypouklým středem	18-1. Pojistná matice
2-2. Blokovací tlačítko	10-3. Příruba Super	18-2. Vnější příruba 78
2-3. Držadlo	10-4. Vnitřní příruba	18-3. Rozbrušovací kotouč/diamantový kotouč
3-1. Blokovací páčka	11-1. Pojistná matice	18-4. Vnitřní příruba 78
3-2. Spoušť	11-2. Kotouč s vypouklým středem	18-5. Chránič kotouče pro rozbrušovací kotouče/diamantové kotouče
4-1. Blokovací páčka	11-3. Vnitřní příruba	19-1. Výfukový otvor
4-2. Spoušť	12-1. Klíč na pojistné matice	19-2. Sací otvor
5-1. Kontrolka	12-2. Zámek hřídele	20-1. Komutátor
7-1. Chránič kotouče	13-1. Pojistná matice	20-2. Izolační hrot
7-2. Šroub	13-2. Brusný kotouč	20-3. Uhlík
7-3. Ložisková skříň	13-3. Pryžová podložka	21-1. Víčko držáku uhlíku
8-1. Chránič kotouče	15-1. Hrnčový drátěný kartáč	21-2. Šroubovák
8-2. Ložisková skříň	16-1. Kotoučový drátěný kartáč	
8-3. Matice	17-1. Pojistná matice	
8-4. Páčka	17-2. Rozbrušovací kotouč/diamantový kotouč	
9-1. Matice	17-3. Vnitřní příruba	
9-2. Páčka		

TECHNICKÉ ÚDAJE

Model	GA7020R	GA7030R	GA7040R	GA9020R	GA9030R	GA9040R
Průměr kotouče s vypouklým středem	180 mm			230 mm		
Závít vřetena	M14					
Jmenovité otáčky (n) / otáčky bez zátěže (n ₀)	8 500(min ⁻¹)			6 600(min ⁻¹)		
Celková délka	473 mm	503 mm		473 mm	503 mm	
Hmotnost netto	5,6 kg	6,3 kg	6,6 kg	5,8 kg	6,5 kg	6,9 kg
Třída bezpečnosti	□/II					

- Vzhledem k neustálému výzkumu a vývoji zde uvedené technické údaje podléhají změnám bez upozornění.
- Technické údaje se mohou pro různé země lišit.
- Hmotnost podle EPTA – Procedure 01/2003

ENE048-1

ENG208-4

Určení nástroje

Nástroj je určen k broušení, jemnému broušení a řezání kovových materiálů a kamene bez použití vody.

ENF002-1

Napájení

Nástroj lze připojit pouze k odpovídajícímu zdroji s napětím stejným, jaké je uvedeno na typovém štítku, a může pracovat pouze s jednofázovým střídavým napětím. V souladu s evropskými normami má dvojitou izolaci a může být proto napájen ze zásuvek bez zemnicího vodiče.

ENG102-3

Pro Model GA7020R

Hlučnost

Typická vážená hladina hluku (A) určená podle normy EN60745:

- Hladina akustického tlaku (L_{pA}): 90 dB(A)
- Hladina akustického výkonu (L_{WA}): 101 dB(A)
- Nejistota (K): 3 dB(A)

Noste ochranu sluchu

Vibrace

Celková hodnota vibrací (vektorový součet tří os) určená podle normy EN60745:

- Pracovní režim: povrchové broušení
- Emise vibrací (a_{h,AG}): 8,0 m/s²
- Nejistota (K): 1,5 m/s²

Při použití nářadí k jiným účelům mohou být hodnoty vibrací jiné.

ENG313-2

- Pracovní režim: broušení kotoučem
- Emise vibrací (a_{h,DS}): 3,0 m/s²
- Nejistota (K): 1,5 m/s²

Pro Model GA7030R

ENG102-3

Hlučnost

Typická vážená hladina hluku (A) určená podle normy EN60745:

- Hladina akustického tlaku (L_{pA}): 90 dB(A)
- Hladina akustického výkonu (L_{WA}): 101 dB(A)
- Nejistota (K): 3 dB(A)

Noste ochranu sluchu

ENG208-4

ENG313-2

Vibrace

Celková hodnota vibrací (vektorový součet tří os) určená podle normy EN60745:

Pracovní režim: povrchové broušení

Emise vibrací ($a_{h,AG}$): 6,5 m/s²

Nejistota (K): 1,5 m/s²

Při použití nářadí k jiným účelům mohou být hodnoty vibrací jiné.

ENG313-2

Pracovní režim: broušení kotoučem

Emise vibrací ($a_{h,DS}$): 3,5 m/s²

Nejistota (K): 1,5 m/s²

Pro Model GA7040R

ENG102-3

Hlučnost

Typická vážená hladina hluku (A) určená podle normy EN60745:

Hladina akustického tlaku (L_{pA}): 90 dB(A)

Hladina akustického výkonu (L_{WA}): 101 dB(A)

Nejistota (K): 3 dB(A)

Noste ochranu sluchu

ENG208-4

Vibrace

Celková hodnota vibrací (vektorový součet tří os) určená podle normy EN60745:

Pracovní režim: povrchové broušení

Emise vibrací ($a_{h,AG}$): 7,0 m/s²

Nejistota (K): 1,5 m/s²

Při použití nářadí k jiným účelům mohou být hodnoty vibrací jiné.

ENG313-2

Pracovní režim: broušení kotoučem

Emise vibrací ($a_{h,DS}$): 3,0 m/s²

Nejistota (K): 1,5 m/s²

Pro Model GA9020R, GA9040R

ENG102-3

Hlučnost

Typická vážená hladina hluku (A) určená podle normy EN60745:

Hladina akustického tlaku (L_{pA}): 90 dB(A)

Hladina akustického výkonu (L_{WA}): 101 dB(A)

Nejistota (K): 3 dB(A)

Noste ochranu sluchu

ENG208-4

Vibrace

Celková hodnota vibrací (vektorový součet tří os) určená podle normy EN60745:

Pracovní režim: povrchové broušení

Emise vibrací ($a_{h,AG}$): 6,0 m/s²

Nejistota (K): 1,5 m/s²

Při použití nářadí k jiným účelům mohou být hodnoty vibrací jiné.

Pracovní režim: broušení kotoučem

Emise vibrací ($a_{h,DS}$): 2,5 m/s²

Nejistota (K): 1,5 m/s²

Pro Model GA9030R

ENG102-3

Hlučnost

Typická vážená hladina hluku (A) určená podle normy EN60745:

Hladina akustického tlaku (L_{pA}): 90 dB(A)

Hladina akustického výkonu (L_{WA}): 101 dB(A)

Nejistota (K): 3 dB(A)

Noste ochranu sluchu

ENG208-4

Vibrace

Celková hodnota vibrací (vektorový součet tří os) určená podle normy EN60745:

Pracovní režim: povrchové broušení

Emise vibrací ($a_{h,AG}$): 5,5 m/s²

Nejistota (K): 1,5 m/s²

Při použití nářadí k jiným účelům mohou být hodnoty vibrací jiné.

ENG313-2

Pracovní režim: broušení kotoučem

Emise vibrací ($a_{h,DS}$): 2,5 m/s²

Nejistota (K): 1,5 m/s²

ENG901-1

- Deklarovaná hodnota emisí vibrací byla změřena v souladu se standardní testovací metodou a může být využita ke srovnávání nářadí mezi sebou.
- Deklarovaná hodnota emisí vibrací lze rovněž využít k předběžnému posouzení vystavení jejich vlivu.

VAROVÁNÍ:

- Emise vibrací během skutečného používání elektrického nářadí se mohou od deklarované hodnoty emisí vibrací lišit v závislosti na způsobu použití nářadí.
- Na základě odhadu vystavení účinkům vibrací v aktuálních podmínkách zajistěte bezpečnostní opatření k ochraně obsluhy (vezměte v úvahu všechny části pracovního cyklu, mezi něž patří kromě doby pracovního nasazení i doba, kdy je nářadí vypnuto nebo pracuje ve volnoběhu).

ENH101-13

Pouze pro země Evropy

Prohlášení ES o shodě

Společnost Makita Corporation jako odpovědný výrobce prohlašuje, že následující zařízení Makita:

popis zařízení:

Úhlová bruska

č. modelu/ typ: GA7020R, GA7030R, GA7040R, GA9020R, GA9030R, GA9040R

vychází ze sériové výroby

a vyhovuje následujícím evropským směrnicím:

98/37/ES do 28. prosince 2009 a 2006/42/ES do 29.

prosine 2009

Zařízení bylo rovněž vyrobeno v souladu s následujícími normami či normativními dokumenty:

EN60745

Technická dokumentace je k dispozici u našeho autorizovaného zástupce v Evropě:

Makita International Europe Ltd,
Michigan, Drive, Tongwell,
Milton Keynes, MK15 8JD, England

19. června 2009

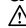


000230

Tomoyasu Kato
ředitel
Makita Corporation
3-11-8, Sumiyoshi-cho,
Anjo, Aichi, JAPAN

GEA010-1

Obecná bezpečnostní upozornění k elektrickému nářadí

 **UPOZORNĚNÍ** Přečtěte si všechna bezpečnostní upozornění a pokyny. Při nedodržení upozornění a pokynů může dojít k úrazu elektrickým proudem, požáru nebo vážnému zranění.

Všechna upozornění a pokyny si uschovejte pro budoucí potřebu.

GEB033-3

BEZPEČNOSTNÍ UPOZORNĚNÍ K BRUSCE

Obecné bezpečnostní výstrahy pro broušení, smirkování kartáčování a rozbrušování:

1. Tento elektrický nástroj je určen k broušení, jemnému broušení, kartáčování a rozbrušování. Přečtěte si bezpečnostní výstrahy, pokyny, ilustrace a technické údaje dodané s tímto elektrickým nástrojem. Nedodržení všech pokynů uvedených níže může způsobit úraz elektrickým proudem, požár a/nebo vážné poranění.
2. Tento elektrický nástroj se nedoporučuje používat k operacím, jako je leštění. Budete-li pomocí tohoto nástroje provádět práce, pro které není nástroj určen, můžete se vystavit rizikům a možnostem poranění.
3. Nepoužívejte příslušenství, které není speciálně určeno pro nástroj a doporučeno jeho výrobcem. Pouhá možnost upevnění příslušenství na elektrický nástroj nezaručuje jeho bezpečnou funkci.
4. Jmenovité otáčky příslušenství nesmí překročit maximální otáčky vyznačené na

elektrickém nástroji. Příslušenství pracující při vyšších než jmenovitých otáčkách se může roztrhnout a rozlétnout.

5. Vnější průměr a tloušťka příslušenství musí odpovídat jmenovitým hodnotám určeným pro tento elektrický nástroj. Příslušenství nesprávné velikosti nelze řádně chránit či kontrolovat.
6. Velikosti otvoru kotoučů, přírub, opěrných podložek a libovolného dalšího příslušenství musí přesně odpovídat vřetenu elektrického nástroje. Příslušenství, jehož velikost otvoru neodpovídá montážnímu hardwaru nástroje způsobí poruchu vyvážení, bude nadměrně vibrovat a může vést ke ztrátě kontroly na nástrojem.
7. Nepoužívejte poškozené příslušenství. Před každým použitím zkontrolujte příslušenství; např. brusné kotouče, zda nevykazují trhliny nebo znečištění třískami, opěrnou podložku, zda nevykazuje trhliny, natržení nebo nadměrné opotřebení, nebo drátěný kartáč, zda neobsahuje uvolněné či popraskané dráty. Pokud jste nástroj nebo příslušenství upustili, ověřte, zda nedošlo ke škodám a případné poškozené příslušenství vyměňte. Po kontrole a instalaci příslušenství se postavte mimo rovinu otáčejícího se příslušenství (tento požadavek platí také pro jakékoliv okolostojící osoby) a nechejte elektrický nástroj jednu minutu běžet při maximálních otáčkách bez zatížení. Poškozené příslušenství se obvykle během této zkušební doby roztrhne.
8. Používejte osobní ochranné prostředky. Pouze typu prováděné práce použijte obličejový štít nebo ochranné brýle. Podle potřeby používejte protiprachovou masku, ochranu sluchu, rukavice a pracovní zástěru, která je schopna zastavit malé kousky brusiva nebo části zpracovávaného dílu. Ochrana zraku musí odolávat odletujícímu materiálu vznikajícímu při různých činnostech. Protiprachová maska nebo respirátor musí filtrovat částice vznikající při prováděné práci. Prodloužené vystavení hluku vysoké intenzity může způsobit ztrátu sluchu.
9. Zajistěte, aby okolostojící osoby dodržovaly bezpečnou vzdálenost od místa provádění práce. Všechny osoby vstupující na pracoviště musí používat osobní ochranné prostředky. Úlomky dílu nebo roztrženého příslušenství mohou odletovat a způsobit zranění i ve větší vzdálenosti od pracoviště.
10. Při provádění operací, kdy se může řezné příslušenství dotknout skrytého vedení nebo vlastního napájecího kabelu, držte elektrický nástroj pouze za izolovaná místa. V případě styku s vodičem pod napětím se dostanou pod napětí také obnažené kovové díly elektrického nástroje a tyto mohou způsobit zranění

elektrickým proudem.

11. **Napájecí kabel ved'te mimo otáčející se příslušenství.** Při ztrátě kontroly nad nástrojem může dojít k přezhnutí nebo zachycení kabelu a vtažení ruky či paže do otáčejícího se příslušenství.
12. **Elektrický nástroj nikdy nepokládejte před tím, než příslušenství dosáhne úplného klidu.** Otáčející se příslušenství se může zachytit o povrch a způsobit ztrátu kontroly nad elektrickým nástrojem.
13. **Nikdy nástroj neuvádějte do chodu, pokud jej přenášíte po svém boku.** Náhodný kontakt s otáčejícím se příslušenstvím by mohl zachytit váš oděv a vtáhnout vás do nástroje.
14. **Pravidelně čistěte větrací otvory elektrického nástroje.** Ventilátor motoru nasává dovnitř skříňné prach. Dojde-li k nadměrnému nahromadění kovového prachu, mohou vzniknout elektrická rizika.
15. **Neprovozujte elektrický nástroj v blízkosti hořlavých materiálů.** Odletující jiskry by mohly tyto materiály zapálit.
16. **Nepoužívejte příslušenství vyžadující použití chladících kapalin.** Použití vody nebo jiné chladící kapaliny může vést k úmrtí nebo úrazu elektrickým proudem.

Zpětný ráz a odpovídající výstrahy

Zpětný ráz je náhlá reakce na skřípnutí či zaseknutí otáčejícího se kotouče, opěrné podložky, kartáče nebo jiného příslušenství. Skřípnutí nebo zaseknutí způsobuje náhlé zastavení otáčejícího se příslušenství, což vede k nekontrolovanému vrhnutí elektrického nástroje ve směru opačném ke směru otáčení příslušenství v místě zachycení.

Pokud například dojde k zaseknutí nebo skřípnutí brusného kotouče v dílu, hrana kotouče vstupující do místa skřípnutí se může zakousnout do povrchu materiálu a to způsobí zvednutí kotouče nebo jeho vyhození. Kotouč může vyskočit buď směrem k pracovníkovi nebo od něj podle toho, v jakém směru se kotouč pohybuje v místě skřípnutí. Za těchto podmínek může také dojít k roztržení brusných kotoučů.

Zpětný ráz je důsledkem špatného použití a/nebo nesprávných pracovních postupů či podmínek. Lze se mu vyhnout přijetím odpovídajících opatření, která jsou uvedena níže.

a) **Elektrický nástroj pevně držte a své tělo a paže umístěte tak, abyste byli schopni odolat silám vznikajícím při zpětném rázu. Vždy používejte pomocné držadlo, je-li k dispozici, abyste získali maximální kontrolu nad zpětným rázem nebo reakcí na točivý moment během uvádění do chodu.** Pracovník je schopen kontrolovat reakce na točivý moment a síly vznikající při zpětném rázu, pokud přijme odpovídající opatření.

b) **Nikdy nedávejte ruce do blízkosti otáčejícího se příslušenství.** Příslušenství může odskočit zpět přes vaše ruce.

c) **Nemějte tělo na místě, na které se elektrický nástroj přesune v případě zpětného rázu.** Zpětný ráz nástroj vystřelí ve směru opačném k pohybu kotouče v místě zachycení.

d) **Zvláštní opatrnost zachovávejte při opracování rohů, ostrých hran, atd. Vyvarujte se narážení a skřípnutí příslušenství.** Rohy a ostré hrany mají tendenci zachycovat otáčející se příslušenství, což vede ke ztrátě kontroly nebo zpětnému rázu.

e) **Nepřipojujte článkový nebo ozubený pilový kotouč.** Takové kotouče často způsobují zpětné rázy a ztrátu kontroly.

Konkrétní bezpečnostní výstrahy pro broušení a rozbrušování:

a) **Používejte pouze kotouče doporučené pro váš elektrický nástroj a specifický kryt určený pro vybraný kotouč.** Kotouče, pro které nebyl elektrický nástroj určen, nelze odpovídajícím způsobem zabezpečit a představují proto riziko.

b) **Kryt musí být vždy bezpečně připevněn k elektrickému nástroji a ustaven tak, aby zajišťoval maximální bezpečnost, a aby směrem k obsluze byla otevřena co nejmenší část kotouče.** Kryt pomáhá chránit obsluhu před odletujícími úlomky kotouče a nechtěnému kontaktu s kotoučem.

c) **Kotouče je povoleno používat pouze k doporučeným účelům. Příklad: Neprovádějte broušení bokem rozbrušovacího kotouče.** Rozbrušovací kotouče jsou určeny k obvodovému broušení. Působení bočních sil na tyto kotouče může způsobit jejich roztržení.

d) **Vždy používejte nepoškozené příruby, které mají správnou velikost a tvar odpovídající vybranému kotouči.** Správné příruby zajišťují podepření kotouče a omezují tak možnost jeho roztržení. Příruby pro rozbrušovací kotouče se mohou lišit od přírub určených pro brusné kotouče.

e) **Nepoužívejte opotřebené kotouče z větších elektrických nástrojů.** Kotouč určený pro větší elektrický nástroj není vhodný pro vyšší otáčky menšího nástroje a může se roztrhnout.

Doplňkové bezpečnostní výstrahy pro broušení a rozbrušování:

a) **Zamezte „zaseknutí“ rozbrušovacího kotouče a nevyvíjejte na něj příliš velký tlak. Nepokoušejte se o provedení řezu s příliš velkou hloubkou.** Vyvinete-li na kotouč příliš velký tlak, zvyšuje se jeho zatížení a náchylnost ke kroucení nebo ohybu v řezu a tudíž možnost zpětného rázu nebo roztržení kotouče.

b) **Nestavějte se přímo za otáčející se kotouč.** Pokud se kotouč v místě operace posune směrem od vašeho těla, může potenciálně zpětný

ráz vystřelil otáčející se kotouč spolu s elektrickým nástrojem přímo na vás.

c) Pokud kotouč vážne nebo z jakéhokoliv důvodu chcete přerušit řezání, vypněte nástroj a držte jej bez pohybu, dokud se kotouč úplně nezastaví. Nikdy se nepokoušejte vytahovat rozbrušovací kotouč z řezu, je-li kotouč v pohybu, protože by mohlo dojít ke zpětnému rázu. Zjistěte příčinu váznutí kotouče a přijměte odpovídající nápravná opatření.

d) Neobnovujte řezání přímo v dílu. Nechejte kotouč dosáhnout plné rychlosti a poté jej opatrně zasuňte do řezu. Pokud kotouč uvedete do chodu v dílu, může dojít k jeho uváznutí, zvednutí nebo zpětnému rázu.

e) Desky a jakékoliv díly nadměrné velikosti podepřete, abyste omezili na minimum riziko skřípnutí kotouče a zpětného rázu. Velké díly mají tendenci prověšovat se svojí vlastní vahou. Podpěry je nutno umístit pod díl v blízkosti rysky řezu a u okrajů dílu, a to na obou stranách od kotouče.

f) Při provádění „kapsovitého řezu“ do stávajících stěn nebo jiných uzavřených míst zachovávejte zvýšenou opatrnost. Vyčnívající kotouč může při zařiznutí do plynových, vodovodních či elektrických vedení nebo jiných objektů způsobit zpětný ráz.

Zvláštní bezpečnostní výstrahy pro smirkování:

a) **Nepoužívejte smirkový papír nadměrné velikosti. Při výběru smirkového papíru dodržujte údaje výrobce.** Smirkový papír přecházející přes brusný talíř může způsobit poranění a rovněž zablkování, roztržení kotouče a zpětný ráz.

Zvláštní bezpečnostní výstrahy pro práci s drátěnými kartáči:

a) **Nezapomeňte, že drátěný kartáč i během běžného používání ztrácí kousky drátu. Nepřetěžujte dráty příliš vysokým tlakem na kartáč.** Odlétající kousky drátu mohou velmi lehce proniknout skrz tenký oděv a/nebo pokožku.

b) **Je-li při kartáčování doporučen ochranný kryt, zabraňte vzájemnému kontaktu ochranného krytu a drátěného kotouče či kartáče.** Drátěný kotouč nebo kartáč může díky přitlaku a odstředivým silám zvětšit svůj průměr.

Dodatečná bezpečnostní upozornění:

17. Při používání brusných kotoučů s vypouklým středem používejte pouze kotouče vyztužené sklolaminátem.
18. Dávejte pozor, aby nedošlo k poškození vřetene, příruby (zejména instalačního povrchu) a pojistné matice. Poškození těchto dílů může vést k roztržení kotouče.
19. Před zapnutím spínače se přesvědčte, zda se kotouč nedotýká dílu.

20. Před použitím nástroje na skutečném dílu jej nechejte na chvíli běžet. Sledujte, zda nevznikají vibrace nebo viklání, které by mohly signalizovat špatně nainstalovaný nebo nedostatečně vyvážený kotouč.
21. Při broušení používejte stanovený povrch kotouče.
22. Dávejte pozor na odletující jiskry. Držte nástroj tak, aby jiskry odletovaly mimo vás či jiné osoby a mimo hořlavé materiály.
23. Nenechávejte nástroj běžet bez dozoru. Pracujte s ním, jen když jej držíte v ruce.
24. Bezprostředně po ukončení práce se nedotýkejte nástroje; může dosahovat velmi vysokých teplot a popálit pokožku.
25. Než začnete na nástroji provádět jakékoliv práce, vždy se předtím přesvědčte, že je vypnutý a odpojený od zdroje napájení nebo je demontován akumulátor.
26. Dodržujte pokyny výrobce týkající se správné montáže a použití kotoučů. Při manipulaci a skladování kotoučů je nutno zachovávat opatrnost.
27. Nepoužívejte samostatná redukční pouzdra ani adaptéry k přizpůsobení brusných kotoučů s velkým otvorem.
28. Používejte pouze příruby určené pro tento nástroj.
29. U nástrojů, které jsou určeny k montáži kotoučů se závitovaným otvorem dbejte, aby byl závit kotouče dostatečně dlouhý vzhledem k délce vřetene.
30. Zkontrolujte, zda je díl řádně podepřen.
31. Nezapomeňte, že kotouč pokračuje v otáčení i po vypnutí nástroje.
32. Pokud se na pracovišti vyskytují velice vysoké teploty či vlhkost nebo je pracoviště znečištěno vodivým prachem, použijte k zajištění bezpečnosti obsluhy zkratový jistič (30 mA).
33. Nepoužívejte nástroj ke zpracovávání materiálů obsahujících azbest.
34. Nepoužívejte vodu ani brusnou kapalinu.
35. Při práci v prašném prostředí dbejte, aby nedošlo k zablkování větracích otvorů. Vznikne-li potřeba očištění prachu, nejdříve odpojte nástroj od elektrické sítě (použijte nekovové předměty) a vyvarujte se poškození vnitřních dílů.
36. Používáte-li rozbrušovací kotouč, vždy pracujte s chráničem kotouče se sběrem prachu, který je požadován směrnicemi.
37. Rozbrušovací kotouče nesmí být vystaveny žádnému příčnému tlaku.

TYTO POKYNY USCHOVEJTE.

⚠VAROVÁNÍ:

NEDOVOLTE, aby pohodlnost nebo pocit znalosti výrobku (získaný na základě opakovaného používání) vedly k zanedbání dodržování bezpečnostních pravidel platných pro tento výrobek. NESPRÁVNÉ POUŽÍVÁNÍ nebo nedodržení bezpečnostních pravidel uvedených v tomto návodu k obsluze může způsobit vážné zranění.

POPIS FUNKCE

⚠POZOR:

- Před nastavováním nástroje nebo kontrolou jeho funkce se vždy přesvědčte, že je vypnutý a vtažený ze zásuvky.

Zámek hřídele

⚠POZOR:

- Nikdy neaktivujte zámek hřídele, pokud se pohybuje vřetenem. Může dojít k poškození nástroje.

Fig.1

Při instalaci a demontáži příslušenství lze zámek hřídele použít jako prevenci otáčení vřetenem.

Montážní polohy držadla se spínačem (Platí pro modely GA7030R, GA7040R, GA9030R a GA9040R)

Fig.2

Držadlo se spínačem lze podle potřeby otočit buď o 90° doleva nebo doprava. Nejprve odpojte nástroj od zdroje napájení. Stiskněte zajišťovací tlačítko a otočte držadlo se spínačem úplně doleva nebo doprava. Držák se spínačem bude zajištěn v této poloze.

⚠POZOR:

- Před zahájením práce se vždy přesvědčte, zda je držadlo se spínačem zajištěno v požadované poloze.

Zapínání

⚠POZOR:

- Před připojením nástroje do zásuvky vždy zkontrolujte, zda spoušť funguje správně a po uvolnění se vrátí do vypnuté polohy.

Fig.3

Nástroj se zajišťovacím spínačem

Chcete-li nástroj uvést do chodu, stačí stisknout spoušť (ve směru B). Chcete-li nástroj vypnout, uvolněte spoušť. Chcete-li pracovat nepřetržitě, stiskněte spoušť (ve směru B) a poté zamáčkněte blokovací páčku (ve směru A). Chcete-li nástroj vypnout ze zablokované polohy, stiskněte naplnu spoušť (ve směru B) a poté ji uvolněte.

Nástroj se zajišťovacím a odjišťovacím spínačem

Fig.4

Nechtění aktivaci spouště zabraňuje blokovací páčka. Chcete-li zapnout nástroj, zamáčkněte blokovací páčku

(ve směru A) a poté stiskněte spoušť (ve směru B). Zastavit nástroj můžete uvolněním spouště.

Chcete-li pracovat nepřetržitě, zamáčkněte blokovací páčku (ve směru A), stiskněte spoušť (ve směru B) a poté zatáhněte blokovací páčku (ve směru C).

Chcete-li nástroj vypnout ze zablokované polohy, stiskněte naplnu spoušť (ve směru B) a poté ji uvolněte.

Kontrolka

Fig.5

Kontrolka se rozsvítí zeleně při připojení nástroje k elektrické síti. Pokud se kontrolka nerozsvítí, může být vadný napájecí kabel nebo ovladač. Pokud kontrolka svítí, ale nástroj se neuvěde do chodu ani když je zapnut, mohou být opotřebené uhliky nebo může být vadný ovladač, motor nebo hlavní vypínač (ON/OFF) .

Ochrana proti nechtěnému opakovanému spuštění

Nástroj nelze opakovaně spustit i když je připojen k elektrické síti, přestože blokovací páčka udržuje spoušť stisknutou (uzamčená poloha).

V této situaci bude kontrolka červeně blikat a signalizuje tak, že je aktivní zařízení zabraňující nechtěnému opakovanému spuštění.

Chcete-li tuto funkci zrušit, stiskněte úplně spoušť a poté ji uvolněte.

Funkce měkkého spuštění

Tyto modely se po zapnutí začínají pomalu rozbíhat. Funkce měkkého spuštění zajišťuje klidnější provoz.

MONTÁŽ

⚠POZOR:

- Než začnete na nástroji provádět jakékoli práce, vždy se předtím přesvědčte, že je vypnutý a vtažený ze zásuvky.

Instalace boční rukojeti (držadla)

⚠POZOR:

- Dávejte pozor, aby boční rukojeť byla vždy před prací pevně nainstalovaná.

Fig.6

Pevně našroubujte boční rukojeť na místo nástroje, které je ilustrováno na obrázku.

Nasazení či sejmutí krytu kotouče (pro kotouče s vypouklým středem, lamelové brusné kotouče/kotoučové drátěné kartáče / rozbrušovací kotouče, diamantové kotouče)

⚠VAROVÁNÍ:

- Při použití brusného kotouče s vypouklým středem/lamelového brusného kotouče, vypouklého kotouče nebo kotoučového drátěného kartáče musí být na nářadí nasazen kryt kotouče tak, aby byla uzavřená strana vždy nasměrována k obsluze.
- Při použití rozbrušovacího/diamantového kotouče se ujistěte, zda používáte pouze speciální kryt

kotouče zkonstruovaný k použití s rozbrušovacími kotouči.

Nástroj s chráničem kotouče a závěrným šroubem

Fig.7

Namontujte chránič kotouče tak, aby byl výstupek na obou stranách chrániče kotouče vyrovnán se zářezem na ložiskové skříni. Poté chránič kotouče otočte o 180° proti směru hodinových ručiček. Dbejte, aby byl pevně dotažen šroub.

Při demontáži chrániče kotouče použijte opačný postup montáže.

Nástroj s chráničem kotouče a upínací páčkou

Fig.8

Fig.9

Uvolněte páčku na chrániči kotouče. Namontujte chránič kotouče tak, aby byl výstupek na obou stranách chrániče kotouče vyrovnán se zářezem na ložiskové skříni. Poté chránič kotouče otočte do polohy ilustrované na obrázku. Dotažením páčky chránič kotouče zajistíte. Pokud je páčka příliš dotažená nebo příliš volná k utažení chrániče kotouče, upravte utažení obou chrániče kotouče povolením nebo utažením matice.

Při demontáži chrániče kotouče použijte opačný postup montáže.

Instalace a demontáž kotouče s vypouklým středem/kotouče Multi-disk (příslušenství)

⚠VAROVÁNÍ:

- Je-li na nástroji namontován brusný kotouč s vypouklým středem/Multi-disk, vždy používejte dodaný chránič. Kotouč se může během provozu roztržít a chránič pomáhá omezit riziko zranění.

Fig.10

Namontujte na vřeteno vnitřní přírubu. Umístěte kotouč/disk na vnitřní přírubu a našroubujte na vřeteno pojistnou matici.

POZNÁMKA:

Při použití silnějšího než 7 mm kotouče s vypouklým středem obraťte pojistnou matici a našroubujte ji na vřeteno.

Super příruba

Modely s písmenem F jsou standardně vybaveny super přírubou. V porovnání s konvenčním typem je na odšroubování pojistné matice potřeba jen 1/3 síly.

Austrálie a Nový Zéland

Fig.11

Namontujte na vřeteno vnitřní přírubu. Umístěte kotouč/disk na vnitřní přírubu a našroubujte pojistnou matici tak, aby její výstupek směřoval nahoru (směrem ke kotouči).

Fig.12

Při utahování pojistné matice pevně stiskněte zámek hřídele tak, aby se vřeteno nemohlo otáčet, a poté ji pomocí klíče na pojistné matice pevně utáhněte ve

směru hodinových ručiček.

Při demontáži kotouče použijte opačný postup montáže.

Montáž a demontáž brusného kotouče (volitelné příslušenství)

POZNÁMKA:

- Používejte příslušenství brusky uvedené v této příručce. Příslušenství je nutno zakoupit samostatně.

Fig.13

Namontujte na vřeteno pryžovou podložku. Umístěte kotouč na pryžovou podložku a našroubujte na vřeteno pojistnou matici. Při utahování pojistné matice pevně stiskněte zámek hřídele tak, aby se vřeteno nemohlo otáčet, a poté ji pomocí klíče na pojistné matice pevně utáhněte ve směru hodinových ručiček.

Při demontáži kotouče použijte opačný postup montáže.

PRÁCE

⚠VAROVÁNÍ:

- Nikdy by neměla nastat potřeba vyvíjet na nástroj příliš velkou sílu. Dostatečný tlak je zajištěn hmotností samotného nástroje. Příliš velký tlak by mohl vést k nebezpečnému roztržení kotouče.
- Pokud nástroj při broušení upustíte, VŽDY vyměňte kotouč.
- NIKDY s brusným kotoučem nenarážejte do zpracovávaného materiálu.
- Vyvarujte se narážení a zaseknutí kotouče, a to zejména při opracování rohů, ostrých hran, apod. Mohlo by dojít ke ztrátě kontroly a zpětnému rázu.
- NIKDY nástroj nepoužívejte s řeznými kotouči určenými pro dřevo ani jinými plovými listy. Při použití takových kotoučů na brusce často dochází k rázům: a ztrátě kontroly, ze které vyplývají zranění.

⚠POZOR:

- Nikdy nástroj nezapínejte, pokud je v kontaktu se zpracovávaným dílem. Mohlo by dojít ke zranění.
- Při práci vždy používejte ochranné brýle nebo obličejový štít.
- Po ukončení práce vždy nástroj vypněte a před položením vždy vyčkejte, dokud se kotouč úplně nezastaví.

Hrubé a jemné broušení

Fig.14

Nástroj VŽDY pevně držte jednou rukou na zadním držadle a druhou rukou na bočním držadle. Zapněte nástroj a přiložte kotouč nebo disk na zpracovávaný díl. Obecně udržujte okraj kotouče nebo disku pod úhlem přibližně 15° k povrchu dílu.

Při záběhu nového kotouče nepracujte s bruskou ve směru B. V opačném případě se bruska zařízne do zpracovávaného materiálu. Jakmile dojde provozem k zaoblení okraje kotouče, lze s kotoučem pracovat ve směru A i B.

Provoz s hrncovým drátěným kartáčem (volitelné příslušenství)

⚠POZOR:

- Spuštěním nářadí naprázdno zkontrolujte funkci kartáče a ujistěte se přitom, zda před kartáčem nebo v jeho blízkosti nejsou žádné osoby.
- Nepoužívejte poškozené a nevyvážené kartáče. Používání poškozeného kartáče může zvýšit nebezpečí zranění kontaktem s drátý roztrženého kartáče.

Fig.15

Nářadí odpojte ze zásuvky a položte jej kotoučem nahoru, abyste získali snadný přístup k vřetenu. Z nářadí sejměte veškeré příslušenství. Na vřeteno nasadte hrncový drátěný kartáč a dotáhněte jej dodaným klíčem. Při použití kartáče netlačte příliš silně, abyste dráty kartáče neohnuli, což by vedlo k jeho předčasnému zničení.

Provoz s kotoučovým drátěným kartáčem (volitelné příslušenství)

⚠POZOR:

- Spuštěním nářadí naprázdno zkontrolujte funkci kotoučového drátěného kartáče a ujistěte se přitom, zda před ním či v jeho blízkosti nejsou žádné osoby.
- Nepoužívejte poškozené a nevyvážené kotoučové drátěné kartáče. Používání poškozeného kotoučového drátěného kartáče může zvýšit nebezpečí zranění kontaktem s roztrženým kartáčem.
- Při práci s kotoučovým drátěným kartáčem VŽDY používejte kryt - ujistěte se přitom, zda se průměr kotouče do krytu vejde. Kotouč se může během provozu rozlétnout a kryt tak napomáhá omezit nebezpečí zranění.

Fig.16

Nářadí odpojte ze zásuvky a položte jej kotoučem nahoru, abyste získali snadný přístup k vřetenu. Z nářadí sejměte veškeré příslušenství. Na vřeteno navlékněte kotoučový drátěný kartáč a dotáhněte jej klíčem. Při použití kotoučového drátěného kartáče netlačte příliš silně, abyste dráty kartáče neohnuli, což by vedlo k jeho předčasnému zničení.

Provoz s rozbrušovacím/diamantovým kotoučem (volitelné příslušenství)

⚠VAROVÁNÍ:

- Při použití rozbrušovacího/diamantového kotouče se ujistěte, zda používáte pouze speciální kryt kotouče zkonstruovaný k použití s rozbrušovacími kotouči.
- NIKDY nepoužívejte rozbrušovací kotouč k bočnímu broušení.

- Zamezte „zaseknutí“ kotouče a nevyvíjejte na něj příliš velký tlak. Nepokoušejte se o provedení řezu s příliš velkou hloubkou. Vyvinete-li na kotouč příliš velký tlak, zvyšuje se jeho zatížení a náchylnost ke kroucení nebo ohybu v řezu a tudíž možnost zpětného rázu nebo roztržení kotouče.
- Neobnovujte řezání přímo v dílu. Nechejte kotouč dosáhnout plné rychlosti a poté jej opatrně zasuňte do řezu; posunujte nástroj směrem dopředu po povrchu zpracovávaného dílu. Pokud kotouč uvedete do chodu v dílu, může dojít k jeho uváznutí, zvednutí nebo zpětnému rázu.
- Během práce nikdy neměňte úhel kotouče. Vyvinete-li na rozbrušovací kotouč boční tlak (jako při broušení), dojde k popraskání a roztržení kotouče a vážnému zranění.
- S diamantovým kotoučem je třeba řezat do opracovávaného materiálu svísele.

Namontujte na vřeteno vnitřní přírubu. Umístěte kotouč/disk na vnitřní přírubu a našroubujte na vřeteno pojistnou matici.

Fig.17

Při nasazování diamantového kotouče nebo rozbrušovacího kotouče silného 7 mm či více namontujte pojistnou matici vodící okrouhlou částí (výstupkem) pro otvor kotouče směrem ke kotouči.

Austrálie a Nový Zéland

Montáž a demontáž rozbrušovacího/diamantového kotouče (volitelné příslušenství)

Fig.18

ÚDRŽBA

⚠POZOR:

- Než začnete provádět kontrolu nebo údržbu nástroje, vždy se přesvědčte, že je vypnutý a vytážený ze zásuvky.

POZNÁMKA:

- Nikdy nepoužívejte benzin, benzen, ředidlo, alkohol či podobné prostředky. Mohlo by tak dojít ke změnám barvy, deformacím či vzniku prasklin.

Fig.19

Nástroj a větrací otvory je nutno udržovat v čistotě. Větrací otvory nástroje čistěte pravidelně nebo kdykoliv dojde k jejich zablokování.

Výměna uhlíků

Fig.20

Dojde-li k obnažení izolačního hrotu z pryskyřice uvnitř uhlíku a kontaktu s komutátorem, motor se automaticky zastaví. V této situaci je třeba vyměnit uhlíky. Uhlíky musí být čisté a musí volně zapadat do svých držáků. Oba uhlíky je třeba vyměňovat současně. Používejte výhradně stejné uhlíky.

Fig.21

Pomocí šroubováku odšroubujte víčka uhlíků. Vyměte opotřebené uhlíky, vložte nové a zašroubujte víčka nazpět.

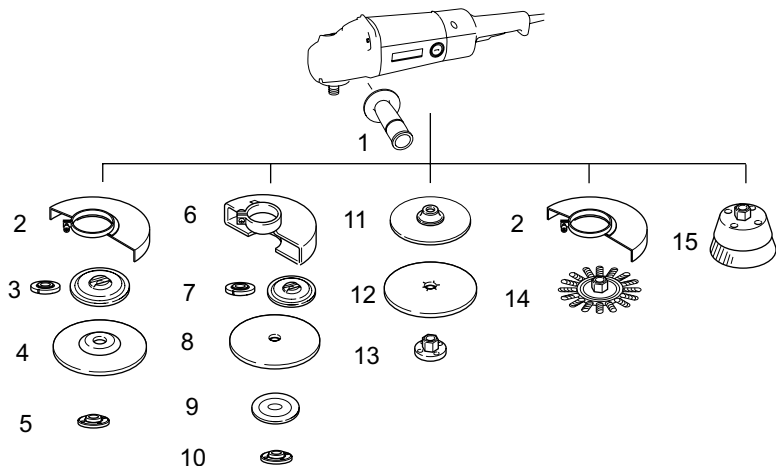
Kvůli zachování **BEZPEČNOSTI** a **SPOLEHLIVOSTI** výrobku musí být opravy a veškerá další údržba či seřizování prováděny autorizovanými servisními středisky firmy Makita a s použitím náhradních dílů Makita.

PŘÍSLUŠENSTVÍ

POZOR:

- Pro váš nástroj Makita, popsáný v tomto návodu, doporučujeme používat toto příslušenství a nástavce. Při použití jiného příslušenství či nástavců může hrozit nebezpečí zranění osob. Příslušenství a nástavce lze používat pouze pro jejich stanovené účely.

Potřebujete-li bližší informace ohledně tohoto příslušenství, obraťte se na vaše místní servisní středisko firmy Makita.



1	Boční rukojeť
2	Kryt kotouče pro brusný kotouč s vypouklým středem / lamelový brusný kotouč / kotoučový drátěný kartáč
3	Vnitřní příruba / Super příruba / vnitřní příruba 102 (pouze Austrálie a Nový Zéland)
4	Brusný kotouč s vypouklým středem/Multi-disk
5	Pojistná matice / Ezynut*1
6	Kryt kotouče pro rozbrušovací / diamantové kotouče
7	Vnitřní příruba/Super příruba / vnitřní příruba 78 (pouze Austrálie a Nový Zéland)
8	Rozbrušovací kotouč / diamantový kotouč
9	Vnější příruba 78 (pouze Austrálie a Nový Zéland)*2
10	Pojistná matice / Ezynut*1
11	Pryžová podložka
12	Brusný kotouč
13	Pojistná matice pro smirkování
14	Kotoučový drátěný kartáč
15	Hrnčový drátěný kartáč
—	Klíč na pojistné matice
—	Nástavec protiprachového krytu

*1 Nepoužívejte současně Super přírubu a matici Ezynut.

*2 Použijte současně vnitřní přírubu 78 a vnější přírubu 78. (pouze Austrálie a Nový Zéland)

010947

Makita Corporation Anjo, Aichi, Japan