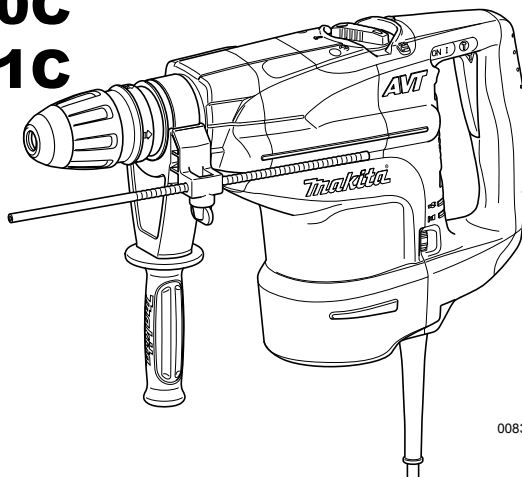




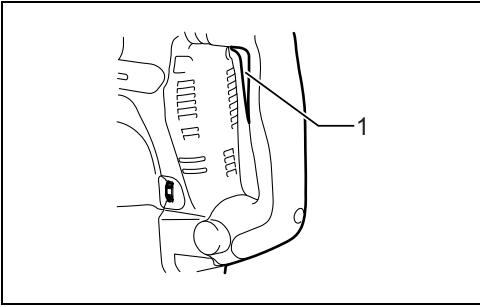
GB	Rotary Hammer	Instruction manual
F	Marteau rotatif	Manuel d'instructions
D	Bohrhammer	Betriebsanleitung
I	Martello rotativo	Istruzioni per l'uso
NL	Drilboor	Gebruiksaanwijzing
E	Martillo rotativo	Manual de instrucciones
P	Martelo rotativo	Manual de instruções
DK	Borehammer	Brugsanvisning
GR	Περιστροφικό δράπανο	Οδηγίες χρήσης

HR4501C
HR4510C
HR4511C



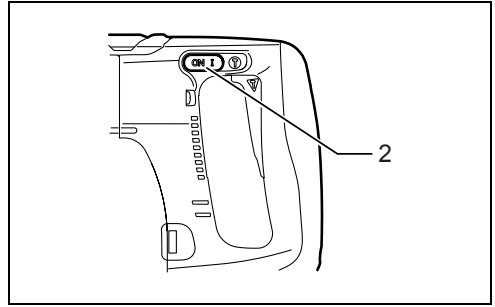
008364





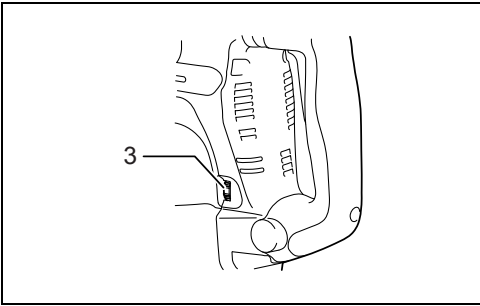
1

006307



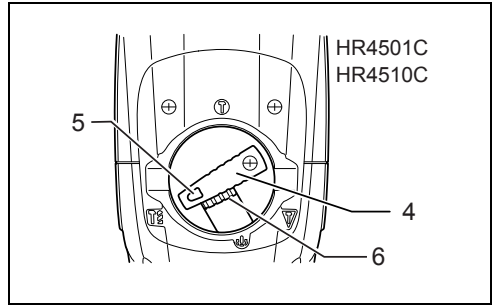
2

006308



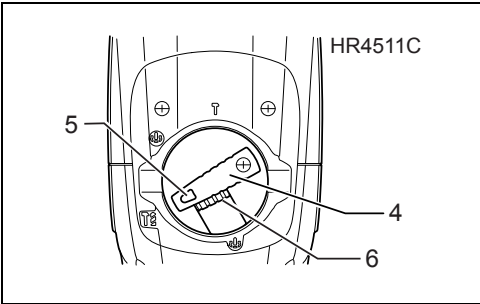
3

006334



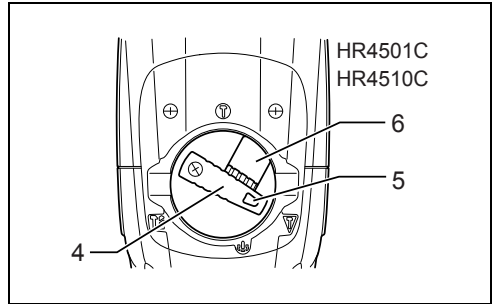
4

008359



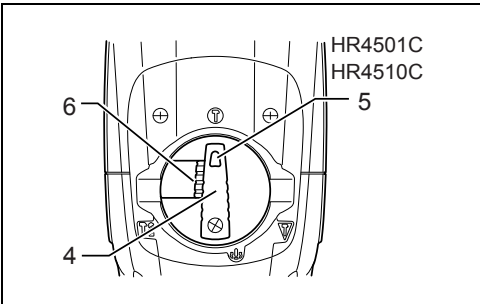
5

008365



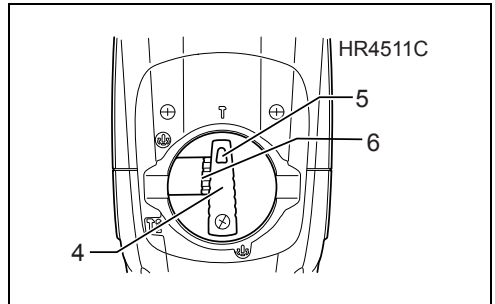
6

008360



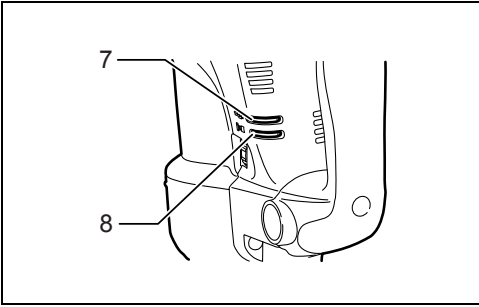
7

008361



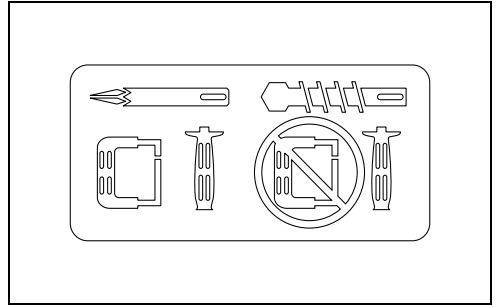
8

008366



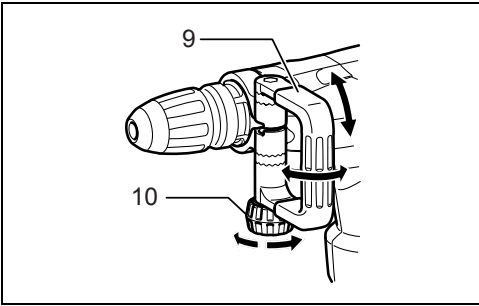
9

006314



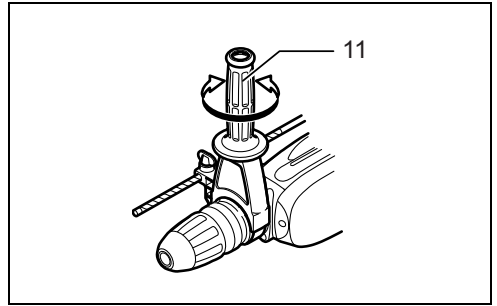
10

003139



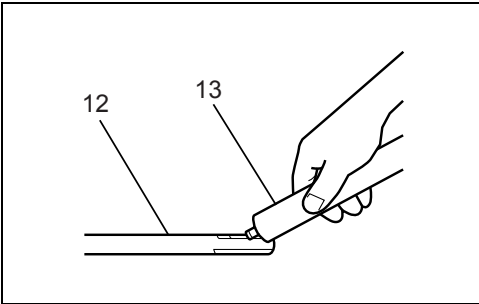
11

006315



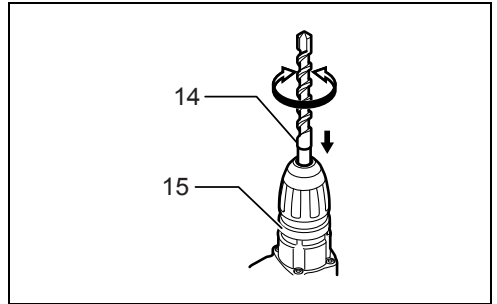
12

006316



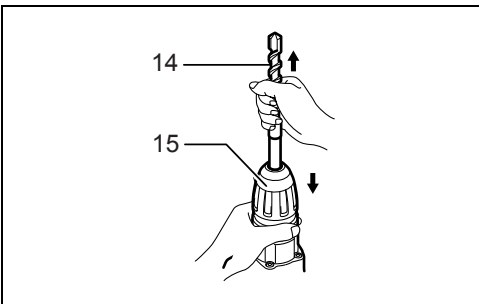
13

003150



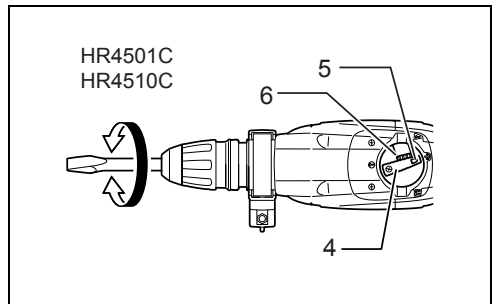
14

006318



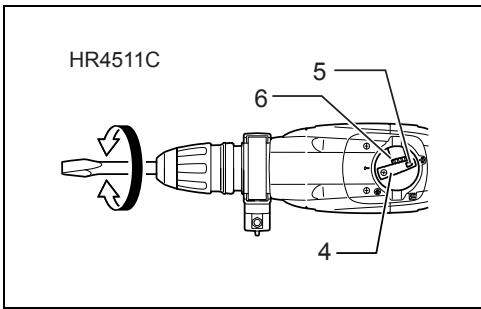
15

006333



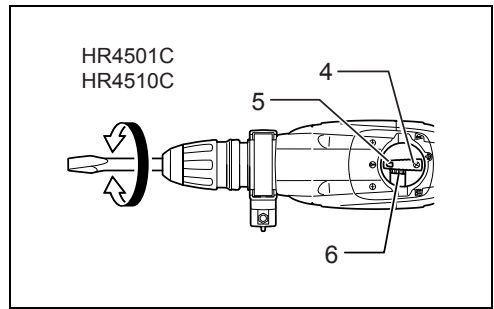
16

008362



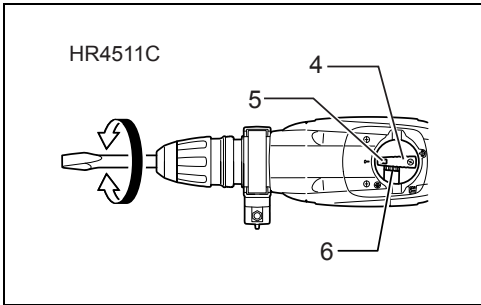
17

008367



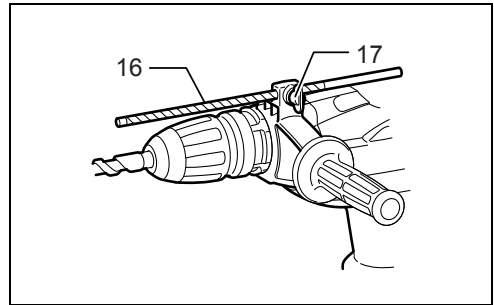
18

008363



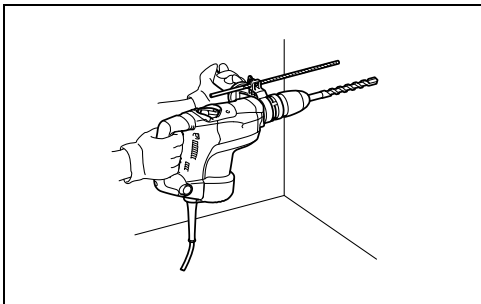
19

008368



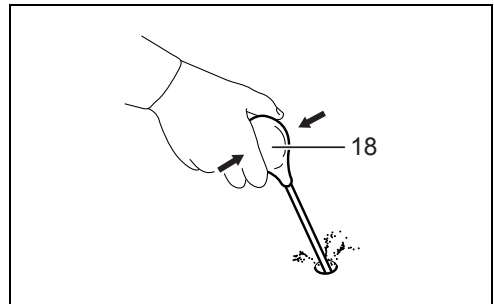
20

006323



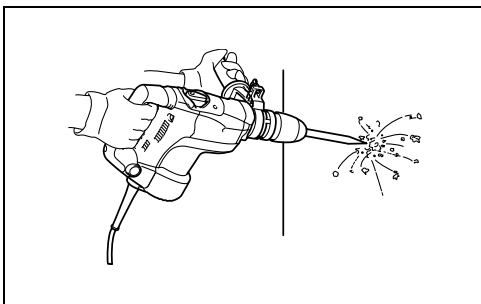
21

006324



22

002449



23

006325

ENGLISH (Original instructions)

Explanation of general view

- | | | |
|-------------------|------------------------------------|-------------------|
| 1. Switch trigger | 7. Power-ON indicator lamp (green) | 13. Bit grease |
| 2. Switch lever | 8. Service indicator lamp (red) | 14. Bit |
| 3. Adjusting dial | 9. Side handle | 15. Chuck cover |
| 4. Change lever | 10. Clamp nut | 16. Depth gauge |
| 5. Pointer | 11. Side grip | 17. Clamp screw |
| 6. Lock button | 12. Bit shank | 18. Blow-out bulb |

SPECIFICATIONS

Model		HR4501C	HR4510C	HR4511C
Capacities	Carbide-tipped bit	45 mm		
	Core bit	125 mm		
No load speed (min ⁻¹)		130 - 280		
Blows per minute		1,250 – 2,750		
Overall length		458 mm		
Net weight		8.2 kg	8.9 kg	9.0 kg
Safety class		□/II		

- Due to our continuing program of research and development, the specifications herein are subject to change without notice.
- Specifications may differ from country to country.
- Weight according to EPTA-Procedure 01/2003

Intended use

ENE044-1

The tool is intended for hammer drilling in brick, concrete and stone as well as for chiselling work.

Power supply

ENF002-2

The tool should be connected only to a power supply of the same voltage as indicated on the nameplate, and can only be operated on single-phase AC supply. They are double-insulated and can, therefore, also be used from sockets without earth wire.

General Power Tool Safety Warnings

GEA010-1

⚠ WARNING Read all safety warnings and all instructions. Failure to follow the warnings and instructions may result in electric shock, fire and/or serious injury.

Save all warnings and instructions for future reference.

ROTARY HAMMER SAFETY WARNINGS

GEB007-7

1. **Wear ear protectors.** Exposure to noise can cause hearing loss.
2. **Use auxiliary handle(s), if supplied with the tool.** Loss of control can cause personal injury.
3. **Hold power tool by insulated gripping surfaces, when performing an operation where the cutting accessory may contact hidden wiring or its own cord.** Cutting accessory contacting a "live" wire may make exposed metal parts of the power tool "live" and could give the operator an electric shock.
4. **Wear a hard hat (safety helmet), safety glasses and/or face shield. Ordinary eye or sun glasses are NOT safety glasses. It is also highly recommended that you wear a dust mask and thickly padded gloves.**
5. **Be sure the bit is secured in place before operation.**
6. **Under normal operation, the tool is designed to produce vibration. The screws can come loose easily, causing a breakdown or accident. Check tightness of screws carefully before operation.**
7. **In cold weather or when the tool has not been used for a long time, let the tool warm up for a while by operating it under no load. This will loosen up the lubrication. Without proper warm-up, hammering operation is difficult.**
8. **Always be sure you have a firm footing. Be sure no one is below when using the tool in high locations.**
9. **Hold the tool firmly with both hands.**
10. **Keep hands away from moving parts.**
11. **Do not leave the tool running. Operate the tool only when hand-held.**
12. **Do not point the tool at any one in the area when operating. The bit could fly out and injure someone seriously.**
13. **Do not touch the bit or parts close to the bit immediately after operation; they may be extremely hot and could burn your skin.**
14. **Some material contains chemicals which may be toxic. Take caution to prevent dust inhalation and skin contact. Follow material supplier safety data.**

SAVE THESE INSTRUCTIONS.

WARNING:

DO NOT let comfort or familiarity with product (gained from repeated use) replace strict adherence to safety rules for the subject product. **MISUSE** or failure to follow the safety rules stated in this instruction manual may cause serious personal injury.

FUNCTIONAL DESCRIPTION

CAUTION:

- Always be sure that the tool is switched off and unplugged before adjusting or checking function on the tool.

Switch action (Fig. 1)

FOR MODEL HR4511C

CAUTION:



- Before plugging in the tool, always check to see that the switch trigger actuates properly and returns to the "OFF" position when released.

To start the tool, simply pull the switch trigger. Release the switch trigger to stop.

FOR MODELS HR4510C/ HR4501C

Trigger switch


CAUTION:

- Before plugging in the tool, always check to see that the switch trigger actuates properly and returns to the "OFF" position when released.
- This switch functions when setting the tool in  symbol and  symbol modes.

To start the tool, simply pull the switch trigger. Release the switch trigger to stop.

Slide switch

CAUTION:

- Before plugging in the tool, always check to see that the tool is switched off.
- This switch functions only when setting the tool in  symbol action mode.

When using the tool in the hammering mode for a long time, the slide switch is available. To start the tool, push the "I (ON)" side of the switch lever. To stop the tool, push the "O (OFF)" side of the switch lever. (Fig. 2)

Speed change (Fig. 3)

The revolutions and blows per minute can be adjusted just by turning the adjusting dial. The dial is marked 1 (lowest speed) to 5 (full speed).

Refer to the table below for the relationship between the number settings on the adjusting dial and the revolutions/blows per minute.

Number on adjusting dial	Revolutions per minute	Blows per minute
5	280	2,750
4	260	2,550
3	200	1,950
2	150	1,450
1	130	1,250


008417

CAUTION:

- If the tool is operated continuously at low speeds for a long time, the motor will get overloaded, resulting in tool malfunction.
- The speed adjusting dial can be turned only as far as 5 and back to 1. Do not force it past 5 or 1, or the speed adjusting function may no longer work.


Selecting the action mode

Rotation with hammering (Fig. 4 & 5)

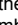
For drilling in concrete, masonry, etc., depress the lock button and rotate the change lever so that the pointer points to the  symbol. Use a tungsten-carbide tipped bit.

Hammering only


FOR MODEL HR4501C AND HR4510C (Fig. 6)

For chipping, scaling or demolition operations, depress the lock button and rotate the change lever so that the pointer points to the  symbol. Use a bull point, cold chisel, scaling chisel, etc.


FOR long time hammering (FOR MODELS HR4501C AND HR4510C ONLY) (Fig. 7)

For chipping, scaling or demolition operations, depress the lock button and rotate the change lever so that the pointer points to the  symbol. Use a bull point, cold chisel, scaling chisel, etc.

CAUTION:

- When using the tool in the  symbol mode, the switch trigger does not work and only the slide switch works.

FOR MODEL HR4511C (Fig. 8)

For chipping, scaling or demolition operations, depress the lock button and rotate the change lever so that the pointer points to the  symbol. Use a bull point, cold chisel, scaling chisel, etc.

CAUTION:

- Do not rotate the change lever when the tool is running under load. The tool will be damaged.
- To avoid rapid wear on the mode change mechanism, be sure that the change lever is always positively located in one of the two or three action mode positions.

Torque limiter

The torque limiter will actuate when a certain torque level is reached. The motor will disengage from the output shaft. When this happens, the bit will stop turning.

CAUTION:

- As soon as the torque limiter actuates, switch off the tool immediately. This will help prevent premature wear of the tool.

Indicator lamp (Fig. 9)

The green power-ON indicator lamp lights up when the tool is plugged. If the indicator lamp does not light up, the mains cord or the controller may be defective. The indicator lamp is lit but the tool does not start even if the tool is switched on, the carbon brushes may be worn out, or the controller, the motor or the ON/OFF switch may be defective.

The red service indicator lamp lights up when the carbon brushes are nearly worn out to indicate that the tool needs servicing. After approx. 8 hours of use, the motor will automatically be shut off.

ASSEMBLY

CAUTION:

- Always be sure that the tool is switched off and unplugged before carrying out any work on the tool.

Side handle (Fig. 10)

CAUTION:

- Use the side handle only when chipping, scaling or demolishing. Do not use it when drilling in concrete, masonry, etc. The tool cannot be held properly with this side handle when drilling.

The side handle can be swung 360° on the vertical and secured at any desired position. It also secures at eight different positions back and forth on the horizontal. Just loosen the clamp nut to swing the side handle to a desired position. Then tighten the clamp nut securely. (Fig. 11)

Side grip (Fig. 12)

CAUTION:

- Always use the side grip to ensure operating safety when drilling in concrete, masonry, etc.

The side grip swings around to either side, allowing easy handling of the tool in any position. Loosen the side grip by turning it counterclockwise, swing it to the desired position and then tighten it by turning clockwise.

Installing or removing the bit (Fig. 13)

Clean the bit shank and apply bit grease before installing the bit.


Insert the bit into the tool. Turn the bit and push it in until it engages. (Fig. 14)

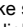
If the bit cannot be pushed in, remove the bit. Pull the chuck cover down a couple of times. Then insert the bit again. Turn the bit and push it in until it engages.

After installing, always make sure that the bit is securely held in place by trying to pull it out.

To remove the bit, pull the chuck cover down all the way and pull the bit out. (Fig. 15)

Bit angle (when chipping, scaling or demolishing) (Fig. 16 & 17)

The bit can be secured at 12 different angles. To change the bit angle, depress the lock button and rotate the change lever so that the pointer points to the  symbol. Turn the bit to the desired angle.

Depress the lock button and rotate the change lever so that the pointer points to the  symbol. Then make sure that the bit is securely held in place by turning it slightly. (Fig. 18 & 19)

Depth gauge (Fig. 20)


The depth gauge is convenient for drilling holes of uniform depth. Loosen the clamp screw and adjust the depth gauge to the desired depth. After adjusting, tighten the clamp screw firmly.

NOTE:

- The depth gauge cannot be used at the position where the depth gauge strikes against the gear housing/motor housing.

OPERATION

Hammer drilling operation (Fig. 21)

Set the change lever to the  symbol.

Position the bit at the desired location for the hole, then pull the switch trigger. Do not force the tool. Light pressure gives best results. Keep the tool in position and prevent it from slipping away from the hole.

Do not apply more pressure when the hole becomes clogged with chips or particles. Instead, run the tool at an idle, then remove the bit partially from the hole. By repeating this several times, the hole will be cleaned out and normal drilling may be resumed.

CAUTION:

- When the bit begins to break through concrete or if the bit strikes reinforcing rods embedded in concrete, the tool may react dangerously. Maintain good balance and safe footing while holding the tool firmly with both hands to prevent dangerous reaction.

Blow-out bulb (optional accessory) (Fig. 22)

After drilling the hole, use the blow-out bulb to clean the dust out of the hole.

Chipping/Scaling/Demolition (Fig. 23)

Set the change lever to the  symbol.

Hold the tool firmly with both hands. Turn the tool on and apply slight pressure on the tool so that the tool will not bounce around, uncontrolled. Pressing very hard on the tool will not increase the efficiency.

MAINTENANCE

CAUTION:

- Always be sure that the tool is switched off and unplugged before attempting to perform inspection or maintenance.
- Never use gasoline, benzine, thinner, alcohol or the like. Discoloration, deformation or cracks may result.

CAUTION:

- This servicing should be performed by Makita Authorized Service Centers only.

This tool requires no hourly or daily lubrication because it has a grease-packed lubrication system. It should be lubricated every time the carbon brushes are replaced. Send the complete tool to Makita Authorized Service Center for this lubrication service.

To maintain product SAFETY and RELIABILITY, repairs, any other maintenance or adjustment should be performed by Makita Authorized Service Centers, always using Makita replacement parts.

OPTIONAL ACCESSORIES

CAUTION:

- These accessories or attachments are recommended for use with your Makita tool specified in this manual. The use of any other accessories or attachments might present a risk of injury to persons. Only use accessory or attachment for its stated purpose.

If you need any assistance for more details regarding these accessories, ask your local Makita Service Center.

- SDS-Max Carbide-tipped bits
- SDS-Max bull point
- SDS-MAX cold chisel
- SDS-MAX scaling chisel
- SDS-MAX tile chisel
- SDS-MAX clay spade
- Hammer grease
- Bit grease
- Side handle
- Side grip
- Depth gauge
- Blow-out bulb
- Safety goggles
- Carrying case

NOTE:

- Some items in the list may be included in the tool package as standard accessories. They may differ from country to country.

Noise

ENG905-1

The typical A-weighted noise level determined according to EN60745:

Model HR4501C, HR4511C

Sound pressure level (L_{pA}): 94 dB (A)

Sound power level (L_{WA}): 105 dB (A)

Uncertainty (K): 3 dB (A)

Model HR4510C

Sound pressure level (L_{pA}): 93 dB (A)

Sound power level (L_{WA}): 104 dB (A)

Uncertainty (K): 3 dB (A)

Wear ear protection.

Vibration

ENG900-1

The vibration total value (tri-axial vector sum) determined according to EN60745:

Model HR4501C

Work mode: hammer drilling into concrete

Vibration emission ($a_{h,HD}$): 16.0 m/s²

Uncertainty (K): 1.5 m/s²

Work mode: chiselling

Vibration emission ($a_{h,CHeq}$): 12.5 m/s²

Uncertainty (K): 1.5 m/s²

Work mode: chiselling function with side grip

Vibration emission ($a_{h,CHeq}$): 12.5 m/s²

Uncertainty (K): 1.5 m/s²

Model HR4510C

Work mode: hammer drilling into concrete

Vibration emission ($a_{h,HD}$): 9.5 m/s²

Uncertainty (K): 2.0 m/s²

Work mode: chiselling

Vibration emission ($a_{h,CHeq}$): 8.5 m/s²

Uncertainty (K): 1.5 m/s²

Work mode: chiselling function with side grip

Vibration emission ($a_{h,CHeq}$): 8.5 m/s²

Uncertainty (K): 1.5 m/s²

Model HR4511C

Work mode: hammer drilling into concrete

Vibration emission ($a_{h,HD}$): 7.5 m/s²

Uncertainty (K): 1.5 m/s²

Work mode: chiselling

Vibration emission ($a_{h,CHeq}$): 7.0 m/s²

Uncertainty (K): 1.5 m/s²

Work mode: chiselling function with side grip

Vibration emission ($a_{h,CHeq}$): 7.5 m/s²

Uncertainty (K): 1.5 m/s²

ENG901-1

- The declared vibration emission value has been measured in accordance with the standard test method and may be used for comparing one tool with another.
- The declared vibration emission value may also be used in a preliminary assessment of exposure.

WARNING:

- The vibration emission during actual use of the power tool can differ from the declared emission value depending on the ways in which the tool is used.
- Be sure to identify safety measures to protect the operator that are based on an estimation of exposure in the actual conditions of use (taking account of all parts of the operating cycle such as the times when the tool is switched off and when it is running idle in addition to the trigger time).

For European countries only

ENH101-16

EC Declaration of Conformity

We Makita Corporation as the responsible manufacturer declare that the following Makita machine(s):

Designation of Machine: Rotary Hammer

Model No./Type: HR4501C, HR4510C, HR4511C

are of series production and

Conforms to the following European Directives:

2006/42/EC

And are manufactured in accordance with the following standards or standardised documents:

EN60745

The technical documentation is kept by:

Makita International Europe Ltd.

Technical Department,

Michigan Drive, Tongwell,

Milton Keynes, Bucks MK15 8JD, England

30. 1. 2009



Tomoyasu Kato

Director

Makita Corporation

3-11-8, Sumiyoshi-cho,

Anjo, Aichi, 446-8502, JAPAN

FRANÇAIS (Instructions d'origine)

Descriptif

- | | | |
|---|------------------------------------|-------------------------|
| 1. Gâchette | 8. Lampe témoin de service (rouge) | 16. Jauge de profondeur |
| 2. Levier de l'interrupteur | 9. Manche latéral | 17. Vis de serrage |
| 3. Cadran de réglage | 10. Écrou de serrage de collier | 18. Poire soufflante |
| 4. Levier de changement | 11. Poignée latérale | |
| 5. Index | 12. Arbre du foret | |
| 6. Bouton de verrouillage | 13. Graisse à foret | |
| 7. Lampe témoin d'alimentation
ACTIVE (vert) | 14. Foret | |
| | 15. Couvercle du mandrin | |

SPÉCIFICATIONS

Modèle		HR4501C	HR4510C	HR4511C
Capacités	Foret à pointe de carbure	45 mm		
	Trépan carottier	125 mm		
Vitesse à vide (min ⁻¹)		130 - 280		
Frappes par minute		1 250 - 2 750		
Longueur totale		458 mm		
Poids net		8,2 kg	8,9 kg	9,0 kg
Niveau de sécurité		☐/II		

- Étant donné l'évolution constante de notre programme de recherche et de développement, les spécifications contenues dans ce manuel sont sujettes à des modifications sans préavis.
- Les spécifications peuvent varier suivant les pays.
- Poids conforme à la procédure EPTA 01/2003

Utilisations

ENE044-1

L'outil est conçu pour le perçage avec impacts et le perçage dans la brique, le béton et la pierre, ainsi que pour les travaux de défoncement.

Alimentation

ENF002-2

L'outil ne doit être raccordé qu'à une alimentation de la même tension que celle qui figure sur la plaque signalétique, et il ne peut fonctionner que sur un courant secteur monophasé. Réalisé avec une double isolation, il peut de ce fait être alimenté sans mise à la terre.

Consignes de sécurité générales des outils électriques

GEA010-1

⚠ AVERTISSEMENT Veuillez lire toutes les consignes de sécurité et les instructions. Il y a un risque de choc électrique, d'incendie et/ou de blessure grave si les consignes et les instructions ne sont pas toutes respectées.

Conservez toutes les consignes et instructions pour référence ultérieure.

CONSIGNES DE SÉCURITÉ RELATIVES AU MARTEAU ROTATIF

GEB007-7

1. **Portez des protections auditives.** L'exposition au bruit peut entraîner une perte de l'ouïe.
2. **Utilisez la/les poignée(s) auxiliaire(s) qui équipent éventuellement l'outil.** La perte de maîtrise comporte un risque de blessure.
3. **Tenez l'outil à l'aide des surfaces de prise isolées lorsque vous exécutez une opération susceptible de mettre en contact l'accessoire de coupe et les fils cachés ou le propre cordon de l'outil.** Il est possible que le contact avec un fil sous tension mette les parties métalliques exposées de l'outil sous tension, risquant ainsi de provoquer un choc électrique chez l'utilisateur.
4. **Portez une coiffure résistante (un casque de sécurité), des lunettes de sécurité et/ou une visière.** Les lunettes ordinaires et les lunettes de soleil ne sont **PAS** des lunettes de sécurité. Nous vous recommandons également de porter un masque anti-poussières et des gants très épais.
5. **Assurez-vous que le foret est bien serré avant d'utiliser l'outil.**
6. **Même en conditions normales d'utilisation, l'outil produit des vibrations. Les vis peuvent ainsi se relâcher facilement, ce qui risque d'entraîner une rupture de pièce ou un accident.** Avant l'utilisation, vérifiez avec soin que les vis sont bien serrées.
7. **À basse température ou lorsque l'outil est resté inutilisé pour une période prolongée, laissez-le réchauffer un instant en le faisant fonctionner à vide.** Cela permettra au lubrifiant de réchauffer. Le martèlement sera difficile si l'outil n'est pas bien réchauffé.
8. **Assurez-vous toujours d'une bonne position d'équilibre.**

Assurez-vous que personne ne se trouve dessous lorsque vous utilisez l'outil en position élevée.

9. Tenez l'outil fermement à deux mains.
10. Gardez les mains éloignées des pièces en mouvement.
11. N'abandonnez pas l'outil alors qu'il tourne. Ne faites fonctionner l'outil qu'une fois que vous l'avez bien en main.
12. Pendant l'utilisation de l'outil, ne le pointez vers personne dans la zone de travail. Vous risqueriez de blesser gravement quelqu'un en cas d'éjection du foret.
13. Ne touchez ni le foret ni les pièces adjacentes immédiatement après l'utilisation de l'outil. Ils risquent d'être extrêmement chauds et de vous brûler gravement la peau.
14. Certains matériaux contiennent des produits chimiques qui peuvent être toxiques. Prenez les précautions nécessaires pour ne pas inhaler les poussières qu'ils dégagent et pour éviter tout contact avec la peau. Conformez-vous aux consignes de sécurité du fabricant du matériau.

CONSERVEZ CES INSTRUCTIONS.

⚠ AVERTISSEMENT :

NE vous laissez PAS tromper (au fil d'une utilisation répétée) par un sentiment d'aisance et de familiarité avec le produit, en négligeant le respect rigoureux des consignes de sécurité qui accompagnent l'outil. Une UTILISATION INCORRECTE de l'outil ou un non-respect des consignes de sécurité indiquées dans ce manuel d'instructions peuvent causer des blessures graves.

DESCRIPTION DU FONCTIONNEMENT

ATTENTION :

- Assurez-vous toujours que l'outil est éteint et débranché avant de l'ajuster ou de vérifier son fonctionnement.

Interrupteur (Fig. 1)

POUR LE MODÈLE HR4511C

ATTENTION :



- Avant de brancher l'outil, vérifiez toujours que la gâchette fonctionne correctement et revient en position d'arrêt (« OFF ») lorsqu'elle est relâchée.

Pour mettre l'outil en marche, appuyez simplement sur la gâchette. Pour l'arrêter, relâchez la gâchette.

POUR LES MODÈLES HR4510C/ HR4501C

Gâchette


ATTENTION :

- Avant de brancher l'outil, vérifiez toujours que la gâchette fonctionne correctement et revient en position d'arrêt (« OFF ») lorsqu'elle est relâchée.
- Ce commutateur fonctionne quand l'outil est paramétré sur les modes  symbole et  symbole.

Pour mettre l'outil en marche, appuyez simplement sur la gâchette. Pour l'arrêter, relâchez la gâchette.

Interrupteur à glissière

ATTENTION :

- Avant de brancher l'appareil, vérifiez toujours qu'il est éteint.
- Ce commutateur ne fonctionne que quand l'outil est paramétré sur le mode  symbole.

Lorsque vous utilisez l'outil en mode martèlement pendant longtemps, l'interrupteur à glissière est disponible. Pour démarrer l'outil, poussez le côté « I (ON - ALLUMÉ) » du levier de l'interrupteur. Pour arrêter l'outil, poussez le côté « O (OFF - ÉTEINT) » du levier de l'interrupteur. (Fig. 2)

Changement de vitesse (Fig. 3)

Il est possible d'ajuster les révolutions et les frappes par minute en tournant simplement le cadran de réglage. Le cadran comporte les marquages 1 (vitesse la plus lente) à 5 (vitesse pleine).

Référez-vous au tableau ci-dessous pour connaître la relation entre les paramètres des numéros sur le cadran de réglage et les révolutions/frappes par minute.

Numéro sur le cadran de réglage	Révolutions par minute	Frappes par minute
5	280	2 750
4	260	2 550
3	200	1 950
2	150	1 450
1	130	1 250


008417

ATTENTION :

- Si l'outil est continuellement opéré à des vitesses lentes pendant longtemps, le moteur sera surchargé, ce qui entraînera un dysfonctionnement de l'outil.
- Le cadran de réglage de la vitesse ne peut être tourné que jusqu'aux positions 5 et 1. Ne le forcez pas au-delà des positions 5 ou 1, sinon la fonction du réglage de la vitesse risque de ne plus fonctionner.


Sélection du mode de fonctionnement

Rotation avec martèlement (Fig. 4 et 5)


Pour percer dans le béton, la maçonnerie, etc., enfoncez le bouton de verrouillage et tournez le levier de changement de mode jusqu'au symbole . Utilisez un foret à pointe de carbure de tungstène.

Impacts seulement

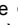
POUR LES MODÈLES HR4501C ET HR4510C (Fig. 6)

Pour des opérations de burinage, d'écaillage ou de démolition, enfoncez le bouton de verrouillage et tournez le levier de changement de mode jusqu'au symbole . Utilisez un pic, un ciseau à froid, un ciseau à écailler, etc.


Pour le martelage prolongé (POUR LES MODÈLES HR4501C ET HR4510C UNIQUEMENT) (Fig. 7)

Pour des opérations de burinage, d'écaillage ou de démolition, enfoncez le bouton de verrouillage et tournez le levier de changement de mode jusqu'au symbole . Utilisez un pic, un ciseau à froid, un ciseau à écailler, etc.

ATTENTION :

- Quand vous utilisez l'outil en mode de symbole  , la gâchette ne marche pas et seule l'interrupteur à glissière fonctionne.

POUR LE MODÈLE HR4511C (Fig. 8)

Pour des opérations de burinage, d'écaillage ou de démolition, enfoncez le bouton de verrouillage et tournez le levier de changement de mode jusqu'au symbole  . Utilisez un pic, un ciseau à froid, un ciseau à écailler, etc.

ATTENTION :

- Ne tournez pas le levier de changement de mode quand l'outil fonctionne sous charge. Cela endommagera l'outil.
- Pour éviter l'usure rapide du mécanisme de changement de mode, assurez-vous que le levier de changement de mode est toujours placé avec exactitude sur les deux ou trois positions de mode.

Limiteur de couple

Le limiteur de couple s'active lorsqu'un niveau de couple donné est atteint. Le moteur débrayera alors de l'arbre de sortie. Lorsque cela se produit, le foret cesse de tourner.

ATTENTION :

- Éteignez l'outil immédiatement lorsque le limiteur de couple s'active. Cela aidera à prévenir l'usure trop rapide de l'outil.

Voyant (Fig. 9)

Le voyant vert de mise sous tension s'allume lorsque l'outil est branché. Si le voyant ne s'allume pas, il se peut que le cordon d'alimentation ou le contrôleur soit défectueux. Si le voyant est allumé, mais que l'outil ne démarre pas même si vous activez la gâchette, il se peut que les charbons soient usés ou que le contrôleur, le moteur ou l'interrupteur MARCHE/ARRÊT soit défectueux.

Le voyant rouge de service s'allume quand les charbons sont presque totalement usés pour indiquer que l'outil a besoin d'une opération d'entretien. Au bout d'environ 8 heures d'utilisation, le moteur s'éteindra automatiquement.

ASSEMBLAGE

ATTENTION :

- Avant d'effectuer toute intervention sur l'outil, assurez-vous toujours qu'il est éteint et débranché.

Manche latéral (Fig. 10)

ATTENTION :

- N'utilisez le manche latéral que lors d'une opération de burinage, d'écaillage ou de démolition. Ne l'utilisez pas pour percer dans le béton, maçonner, etc. Il est impossible de tenir l'outil correctement par ce manche latéral lors d'une opération de perçage.

Il est possible de faire pivoter le manche latéral de 360° à la verticale et de le sécuriser dans la position souhaitée. Il se verrouille également sur huit positions différentes en avant et en retrait sur l'horizontale. Il vous suffit de desserrer l'écrou de serrage de collier pour faire pivoter le manche latéral à la position souhaitée. Serrez ensuite fermement l'écrou de serrage de collier. (Fig. 11)

Poignée latérale (Fig. 12)

ATTENTION :

- Utilisez toujours la poignée latérale pour assurer une opération sécurisée lorsque vous percez du béton, maçonnez, etc.

La poignée latérale peut pivoter dans un sens comme dans l'autre, permettant ainsi de manipuler l'outil avec aisance dans n'importe quelle position. Desserrez la poignée latérale en la faisant tourner dans le sens inverse des aiguilles d'une montre, faites-la pivoter jusqu'à la position désirée puis resserrez-la en tournant dans le sens des aiguilles d'une montre.

Installation et retrait du foret (Fig. 13)

Nettoyez l'arbre du foret et appliquez de la graisse à foret avant d'installer le foret.


Insérez le foret dans l'outil. Tournez le foret et enfoncez-le jusqu'à ce qu'il s'engage. (Fig. 14)

S'il n'est pas possible d'enfoncer le foret, retirez-le. Tirez le couvercle du mandrin vers le bas à quelques reprises. Réinsérez ensuite le foret. Tournez le foret et enfoncez-le jusqu'à ce qu'il s'engage.


Après l'installation, tirez toujours sur le foret pour vous assurer qu'il demeure fermement en place.

Pour retirer le foret, tirez le couvercle du mandrin complètement vers le bas puis tirez sur le foret. (Fig. 15)

Angle du foret (lors du burinage, de l'écaillage ou de la démolition) (Fig. 16 et 17)

Vous pouvez fixer le foret sur 12 angles différents. Pour changer l'angle du foret, enfoncez le bouton de verrouillage et tournez le levier de changement de mode jusqu'au symbole  .

Tournez le foret jusqu'à l'angle désiré.

Enfoncez le bouton de verrouillage et tournez le levier de changement de mode jusqu'au symbole  . Assurez-vous ensuite que le foret est solidement maintenu en place en le tournant légèrement. (Fig. 18 et 19)

Jauge de profondeur (Fig. 20)


La tige de profondeur est pratique pour percer des trous de même profondeur. Desserrez la vis de serrage et ajustez la tige de profondeur à la profondeur souhaitée. Après le réglage, serrez fermement la vis de serrage.

REMARQUE :

- Il n'est pas possible d'utiliser la jauge de profondeur sur la position où elle frappe contre le carter d'engrenages/logement du moteur.

UTILISATION

Perçage avec impacts (Fig. 21)

Réglez le levier de changement de mode sur le symbole  .

Placez le foret au point où vous désirez percer le trou, puis appuyez sur la gâchette. Ne forcez pas l'outil. Vous obtiendrez de meilleurs résultats avec une légère pression. Gardez l'outil dans cette position et évitez qu'il ne glisse à l'extérieur du trou.

N'appliquez pas plus de pression lorsque le trou se bouche de copeaux ou particules. Faites plutôt tourner

l'outil au ralenti, puis retirez partiellement le foret du trou. Vous pourrez poursuivre le perçage de façon normale après avoir répété quelques fois cette opération.


ATTENTION :

- Quand le foret commence à percer le béton ou s'il frappe des fers à béton incorporés dans le béton, l'outil peut réagir dangereusement. Maintenez un bon équilibre et un appui sûr lorsque vous tenez fermement l'outil à deux mains pour éviter une réaction dangereuse.

Poire soufflante (accessoire en option) (Fig. 22)

Une fois le trou percé, utilisez la poire soufflante pour retirer la poussière du trou.

Burinage/Écaillage/Démolition (Fig. 23)

Régalez le levier de changement de mode sur le symbole .

Tenez l'outil fermement à deux mains. Mettez le contact et appliquez une légère pression sur l'outil de façon à en garder la maîtrise et éviter qu'il ne saute d'un côté et de l'autre. L'application d'une très grande pression sur l'outil n'augmentera pas l'efficacité de l'opération.

MAINTENANCE

ATTENTION :

- Assurez-vous toujours que l'outil est éteint et débranché avant d'effectuer tout travail d'inspection ou de maintenance.
- N'utilisez jamais d'essence, de benzine, de diluant, d'alcool ou de produit similaire. Ces produits risquent de provoquer des décolorations, des déformations ou des fissures.

ATTENTION :

• Seuls des centres de service agréés par Makita sont habilités à effectuer les réparations. Grâce à son système de lubrification à la graisse, il n'est pas nécessaire de graisser cet outil après quelques heures d'utilisation ou chaque jour. Il doit toutefois être graissé lors du remplacement des charbons. Pour le faire graisser, envoyez l'outil complet à un centre de service après-vente Makita agréé. Pour assurer la SÉCURITÉ et la FIABILITÉ du produit, toute réparation et tout travail d'entretien ou de réglage doivent être effectués par un Centre de service après-vente agréé Makita, avec des pièces de rechange Makita.

ACCESSOIRES FOURNIS EN OPTION

ATTENTION :

- Ces accessoires ou pièces complémentaires sont recommandés pour être utilisés avec l'outil Makita spécifié dans ce mode d'emploi. L'utilisation de tout autre accessoire ou pièce complémentaire peut comporter un risque de blessure. N'utilisez les accessoires ou pièces qu'aux fins auxquelles ils ont été conçus.

Pour obtenir plus de détails sur ces accessoires, contactez votre Centre de service local Makita.

- Forets à pointe de carbure SDS-Max

- Pic SDS-Max
- Ciseau à froid SDS-MAX
- Ciseau à écailler SDS-MAX
- Ciseau de carreleur SDS-MAX
- Marteau-bêche SDS-MAX
- Graisse à marteau
- Graisse à foret
- Manche latéral
- Poignée latérale
- Jauge de profondeur
- Poire soufflante
- Lunettes de sécurité
- Mallette de transport

REMARQUE :

- Certains éléments de la liste peuvent être inclus en tant qu'accessoires standard dans le coffret de l'outil envoyé. Ils peuvent varier suivant les pays.

Bruit

ENG905-1

Les niveaux de bruit pondéré A typiques ont été mesurés selon la norme EN60745 :

Modèles HR4501C, HR4511C

Niveau de pression sonore (L_{pA}) : 94 dB (A)

Niveau de puissance sonore (L_{WA}) : 105 dB (A)

Incertitude (K) : 3 dB (A)

Modèle HR4510C

Niveau de pression sonore (L_{pA}) : 93 dB (A)

Niveau de puissance sonore (L_{WA}) : 104 dB (A)

Incertitude (K) : 3 dB (A)

Portez des protections auditives.

Vibration

ENG900-1

La valeur totale de vibration (somme du vecteur triaxial) déterminée selon la norme EN60745 :

Modèle HR4501C

Mode de fonctionnement : perçage à percussion dans le béton

Émission de vibrations ($a_{h,HD}$) : 16,0 m/s²

Incertitude (K) : 1,5 m/s²

Mode de fonctionnement : ciselage

Émission de vibrations ($a_{h,CHeg}$) : 12,5 m/s²

Incertitude (K) : 1,5 m/s²

Mode de fonctionnement : fonction de ciselure avec la poignée latérale

Émission de vibrations ($a_{h,CHeg}$) : 12,5 m/s²

Incertitude (K) : 1,5 m/s²

Modèle HR4510C

Mode de fonctionnement : perçage à percussion dans le béton

Émission de vibrations ($a_{h,HD}$) : 9,5 m/s²

Incertitude (K) : 2,0 m/s²

Mode de fonctionnement : ciselage

Émission de vibrations ($a_{h,CHeg}$) : 8,5 m/s²

Incertitude (K) : 1,5 m/s²

Mode de fonctionnement : fonction de ciselure avec la poignée latérale

Émission de vibrations ($a_{h,CHeg}$) : 8,5 m/s²

Incertitude (K) : 1,5 m/s²

Modèle HR4511C

Mode de fonctionnement : perçage à percussion dans le béton

Émission de vibrations ($a_{h,HD}$) : 7,5 m/s²

Incertitude (K) : 1,5 m/s²

Mode de fonctionnement : ciselage

Émission de vibrations ($a_{h,CHeq}$) : 7,0 m/s²

Incertitude (K) : 1,5 m/s²

Mode de fonctionnement : fonction de ciselure avec la poignée latérale

Émission de vibrations ($a_{h,CHeq}$) : 7,5 m/s²

Incertitude (K) : 1,5 m/s²

ENG901-1

- La valeur de l'émission des vibrations déclarée a été mesurée conformément à la méthode de test standard et peut être utilisée afin de comparer des outils entre eux.
- La valeur de l'émission des vibrations déclarée peut également être utilisée lors d'une évaluation préliminaire de l'exposition.

AVERTISSEMENT :

- Selon la manière dont l'outil est utilisé, il est possible que l'émission des vibrations pendant l'utilisation réelle de l'outil électrique diffère de la valeur de l'émission déclarée.
- Veuillez à identifier les mesures de sécurité destinées à protéger l'opérateur et établies en fonction de l'estimation de l'exposition dans les conditions réelles d'utilisation (en prenant en compte toutes les étapes du cycle de fonctionnement, telles que les périodes de mise hors tension de l'outil, les périodes de fonctionnement au ralenti et les périodes de mise en route).

Pour les pays européens uniquement ENH101-16

Déclaration de conformité CE

Nous, Makita Corporation, en tant que fabricant responsable, déclarons que les machines Makita suivantes :

Nom de la machine : Marteau rotatif

N° de modèle/Type : HR4501C, HR4510C, HR4511C

sont fabriquées en série et

sont conformes aux directives européennes suivantes :

2006/42/CE

et sont produites conformément aux normes ou documents de normalisation suivants :

EN60745

La documentation technique est disponible auprès de :

Makita International Europe Ltd.

Technical Department,

Michigan Drive, Tongwell,

Milton Keynes, Bucks MK15 8JD, Angleterre

30. 1. 2009



Tomoyasu Kato

Directeur

Makita Corporation

3-11-8, Sumiyoshi-cho,

Anjo, Aichi, 446-8502, JAPAN

DEUTSCH (Originalanweisungen)

Erklärung der Gesamtdarstellung

- | | | |
|---------------------|-------------------------------------|--------------------------|
| 1. Ein/Aus-Schalter | 7. Anzeigenleuchte für Strom (grün) | 13. Bohrer-/Meißelfett |
| 2. Hebelschalter | 8. Service-Anzeigenleuchte (rot) | 14. Einsatz |
| 3. Einstellrad | 9. Seitengriff | 15. Werkzeugverriegelung |
| 4. Umschalthebel | 10. Befestigungsmutter | 16. Tiefenanschlag |
| 5. Zeiger | 11. Seitenzusatzgriff | 17. Klemmschraube |
| 6. Arretiertaste | 12. Aufnahmeschaft | 18. Ausblasvorrichtung |

TECHNISCHE ANGABEN

Modell		HR4501C	HR4510C	HR4511C
Kapazität	Einsatz mit Hartmetallspitze	45 mm		
	Bohrkrone	125 mm		
Leerlaufgeschwindigkeit (min ⁻¹)		130 - 280		
Schläge pro Minute		1.250 – 2.750		
Gesamtlänge		458 mm		
Nettogewicht		8,2 kg	8,9 kg	9,0 kg
Sicherheitsklasse		□/II		

- Aufgrund unserer beständigen Forschungen und Weiterentwicklungen sind Änderungen an den hier angegebenen Technischen Daten ohne Vorankündigung vorbehalten.
- Die Technischen Daten können in den einzelnen Ländern voneinander abweichen.
- Gewicht entsprechend EPTA-Verfahren 01/2003

Verwendungszweck ENE044-1

Das Werkzeug ist für Schlagbohren in Ziegel, Beton und Stein sowie für Meißelarbeiten vorgesehen.

Stromversorgung ENF002-2

Das Werkzeug darf nur an eine Stromversorgung mit Einphasen-Wechselstrom mit der auf dem Typenschild angegebenen Spannung angeschlossen werden. Das Werkzeug verfügt über ein doppelt isoliertes Gehäuse und kann daher auch an einer Stromversorgung ohne Schutzkontakt betrieben werden.

Allgemeine Sicherheitshinweise für Elektrowerkzeuge GEA010-1

⚠️ WARNUNG Lesen Sie alle Sicherheitshinweise und Anweisungen sorgfältig durch. Wenn die Hinweise und Anweisungen nicht beachtet werden, besteht die Gefahr eines Stromschlags, Brands und/oder das Risiko von ernsthaften Verletzungen.

Bewahren Sie alle Hinweise und Anweisungen zur späteren Referenz gut auf.

SICHERHEITSGESAMTREGELN FÜR BOHRHAMMER GEB007-7

1. **Tragen Sie Gehörschutz.** Lärm kann Gehörschäden verursachen.
2. **Verwenden Sie die ggf. mit dem Werkzeug gelieferten Zusatzgriffe.** Ein Verlust der Kontrolle über das Werkzeug kann zu Verletzungen führen.

3. **Halten Sie das Elektrowerkzeug an den isolierten Griffflächen, wenn Sie unter Bedingungen arbeiten, bei denen das Schneidwerkzeug verborgene Kabel oder das eigene Kabel berühren kann.** Bei Kontakt des Werkzeugs mit einem stromführenden Kabel wird der Strom an die Metallteile des Elektrowerkzeugs und dadurch an den Bediener weitergeleitet, und der Bediener erleidet einen Stromschlag.
4. **Tragen Sie einen Sicherheitshelm, Sicherheitsbrille und/oder Gesichtsschutz. Eine gewöhnliche Brille oder Sonnenbrille ist KEINE Sicherheitsbrille. Zusätzlich wird das Tragen dick gefütterter Handschuhe und einer Staubmaske empfohlen.**
5. **Überprüfen Sie vor der Inbetriebnahme, ob der Werkzeugeinsatz fest sitzt.**
6. **Unter normalen Betriebsbedingungen erzeugt das Werkzeug Vibrationen. Dadurch können sich Schrauben lösen, wodurch es zu Defekten und Unfällen kommen kann. Überprüfen Sie vor der Arbeit sorgfältig den Sitz der Schrauben.**
7. **Bei kaltem Wetter oder wenn das Werkzeug längere Zeit nicht benutzt wurde, lassen Sie das Gerät eine Zeit lang ohne Last warmlaufen. Dadurch wird das Schmiermittel wieder gangbar. Ohne ordnungsgemäßes Aufwärmen ist der Betrieb des Hammers schwierig.**
8. **Achten Sie jederzeit auf einen festen Stand. Achten Sie darauf, dass sich niemand unter Ihnen befindet, wenn Sie das Werkzeug an erhöhten Orten verwenden.**
9. **Halten Sie das Werkzeug mit beiden Händen fest.**
10. **Halten Sie Ihre Hände von den beweglichen Teilen fern.**

11. Lassen Sie das Werkzeug nicht unbeaufsichtigt eingeschaltet. Das Werkzeug darf nur dann eingeschaltet sein, wenn es festgehalten wird.
12. Zeigen Sie mit dem Werkzeug während des Betriebs nicht auf Personen in Ihrer Umgebung. Der Einsatz könnte sich lösen und zu schweren Verletzungen führen.
13. Berühren Sie kurz nach dem Betrieb den Einsatz oder Teile in der Nähe des Einsatzes nicht. Diese können extrem heiß sein und zu Verbrennungen führen.
14. Einige Materialien enthalten Chemikalien, die giftig sein können. Vermeiden Sie das Einatmen von Staub und den Kontakt mit der Haut. Befolgen Sie die Sicherheitshinweise des Materialherstellers.

BEWAHREN SIE DIESE ANWEISUNGEN SORGFÄLTIG AUF.

WARNUNG:

Lassen Sie sich **NIE** durch Bequemlichkeit oder (aus fortwährendem Gebrauch gewonnener) Vertrautheit mit dem Werkzeug dazu verleiten, die Sicherheitsregeln für das Werkzeug zu missachten. Bei **MISSBRÄUCLICHER** Verwendung des Werkzeugs oder Missachtung der in diesem Handbuch enthaltenen Sicherheitshinweise kann es zu schweren Verletzungen kommen.

FUNKTIONSBESCHREIBUNG

ACHTUNG:

- Schalten Sie das Werkzeug stets aus und ziehen Sie den Stecker, bevor Sie Einstellungen oder eine Funktionsprüfung des Werkzeugs vornehmen.

Bedienung des Schalters (Abb. 1)

MODELL HR4511C

ACHTUNG:



- Achten Sie vor dem Einstecken des Werkzeug-Netzsteckers darauf, dass sich der Ein/Aus-Schalter korrekt bedienen lässt und beim Loslassen in die Position „OFF“ (AUS) zurückkehrt.

Betätigen Sie zum Starten des Werkzeugs einfach den Ein/Aus-Schalter. Lassen Sie zum Ausschalten des Werkzeugs den Ein/Aus-Schalter los.

MODELLE HR4510C/ HR4501C

Auslöseschaltung


ACHTUNG:

- Achten Sie vor dem Einstecken des Werkzeug-Netzsteckers darauf, dass sich der Ein/Aus-Schalter korrekt bedienen lässt und beim Loslassen in die Position „OFF“ (AUS) zurückkehrt.
- Dieser Schalter kann genutzt werden, wenn das Werkzeug auf die durch die entsprechenden Symbole gekennzeichneten Modi  und  gestellt ist.

Betätigen Sie zum Starten des Werkzeugs einfach den Ein/Aus-Schalter. Lassen Sie zum Ausschalten des Werkzeugs den Ein/Aus-Schalter los.

Schiebeschalter

ACHTUNG:

- Achten Sie vor dem Einstecken des Werkzeugs stets darauf, dass dieses ausgeschaltet ist.
- Dieser Schalter kann nur genutzt werden, wenn das Werkzeug auf den durch das entsprechende Symbol gekennzeichneten Aktionsmodus  gestellt ist.

Wenn das Werkzeug über einen längeren Zeitraum im Schlagmodus verwendet wird, kann der Schiebescalter verwendet werden. Drücken Sie zum Starten des Werkzeugs die Seite „I (ON)“ des Hebelschalters. Drücken Sie zum Stoppen des Werkzeugs die Seite „O (OFF)“ des Hebelschalters. (Abb. 2)

Änderung der Geschwindigkeit (Abb. 3)

Die Umdrehungen und Schläge pro Minute können einfach durch Drehen am Einstellrad geändert werden. Das Rad hat Markierungen von 1 (niedrigste Geschwindigkeit) bis 5 (Höchstgeschwindigkeit). In der folgenden Tabelle ist die Beziehung zwischen der Zahleneinstellung am Einstellrad und den Umdrehungen/Schlägen pro Minute angegeben.

Zahl am Einstellrad	Umdrehungen pro Minute	Schläge pro Minute
5	280	2.750
4	260	2.550
3	200	1.950
2	150	1.450
1	130	1.250


008417

ACHTUNG:

- Wenn das Werkzeug längere Zeit dauerhaft bei niedriger Drehzahl betrieben wird, wird der Motor überlastet, und es treten Fehlfunktionen beim Werkzeug auf.
- Das Drehzahl-Einstellrad lässt sich nur bis 5 und zurück auf 1 drehen. Wird es gewaltsam über 5 oder 1 hinaus gedreht, lässt sich die Drehzahl möglicherweise nicht mehr einstellen.

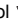
Auswahl des Aktionsmodus

Schlagbohren (Abb. 4 und 5)


Drücken Sie für Bohrarbeiten in Beton, Mauerwerk usw. die Arretiertaste nach unten, und drehen Sie den Zeiger des Umschalthebels auf das Symbol . Verwenden Sie einen Einsatz mit einer Hartmetallspitze.

Nur Schlag

MODELLE HR4501C UND HR4510 (Abb. 6)


Drücken Sie zum Splittern, Abblättern oder für Abbrucharbeiten die Arretiertaste nach unten, und drehen Sie den Zeiger des Umschalthebels auf das Symbol . Verwenden Sie einen Punkthammer, Kaltmeißel, Verzunderungsmeißel usw.

Für Schlag im Dauerbetrieb (NUR MODELLE HR4501C UND HR4510C) (Abb. 7)


Drücken Sie zum Splittern, Abblättern oder für Abbrucharbeiten die Arretiertaste nach unten, und drehen Sie den Zeiger des Umschalthebels auf das Symbol .

Verwenden Sie einen Punkthammer, Kaltmeißel, Verzunderungsmeißel usw.

ACHTUNG:

- Wird das Werkzeug im Modus  eingesetzt, funktioniert der Ein/Aus-Schalter nicht, sondern nur der Schiebescalter.

MODELL HR4511C (Abb. 8)

Drücken Sie zum Splittern, Abblättern oder für Abbrucharbeiten die Arretiertaste nach unten, und drehen Sie den Zeiger des Umschalthebels auf das Symbol . Verwenden Sie einen Punkthammer, Kaltmeißel, Verzunderungsmeißel usw.

ACHTUNG:

- Der Umschalthebel darf nicht gedreht werden, solange das Werkzeug unter Last betrieben wird. Andernfalls wird das Werkzeug beschädigt.
- Zur Vermeidung eines vorzeitigen Verschleißes des Mechanismus zum Wechsel des Modus müssen Sie darauf achten, dass der Umschalthebel immer richtig an einer der zwei bzw. drei Positionen des Aktionsmodus sitzt.

Drehmomentbegrenzung

Die Drehmomentbegrenzung schaltet sich ein, wenn eine bestimmte Drehmomentstufe erreicht ist. Der Motor wird von der Antriebswelle ausgekuppelt. In diesem Fall kommt der Einsatz zum Stillstand.

ACHTUNG:

- Wenn sich die Drehmomentbegrenzung einschaltet, muss das Werkzeug sofort ausgeschaltet werden. Auf diese Weise wird ein vorzeitiger Verschleiß des Werkzeugs vermieden.

Anzeigenleuchte (Abb. 9)

Die grüne Anzeigenleuchte „Power-ON“ für den Strom leuchtet auf, sobald das Werkzeug eingesteckt wird. Wenn die Anzeigenleuchte nicht aufleuchtet, können das Stromkabel oder die Steuerungseinheit defekt sein. Wenn die Anzeigenleuchte leuchtet und das Werkzeug nicht startet, obwohl es eingeschaltet wird, können die Kohlebürsten verbraucht sein, oder die Steuerungseinheit, der Motor oder ON/OFF-Schalter ist defekt.

Die rote Service-Anzeigenleuchte leuchtet auf, wenn die Kohlebürsten fast verbraucht sind. Somit wissen Sie, dass das Werkzeug gewartet werden muss. Nach etwa 8 Stunden Betriebsdauer schaltet sich der Motor automatisch aus.

MONTAGE

ACHTUNG:

- Schalten Sie das Werkzeug stets aus und ziehen Sie den Stecker, bevor Sie irgendwelche Arbeiten am Werkzeug durchführen.

Seitengriff (Abb. 10)

ACHTUNG:

- Verwenden Sie den Seitengriff nur beim Splittern, Abblättern oder für Abbrucharbeiten. Verwenden Sie ihn nicht für Bohrarbeiten in Beton, Mauerwerk usw.

Beim Bohren kann das Werkzeug nicht richtig an diesem Seitengriff gehalten werden.

Der Seitengriff kann vertikal um 360° gedreht und an jeder gewünschten Position festgestellt werden. Außerdem kann er horizontal an acht verschiedenen Positionen vor- und zurückgestellt werden. Sie müssen lediglich die Befestigungsmutter lockern, um den Seitengriff an die gewünschte Position drehen zu können. Ziehen Sie anschließend die Befestigungsmutter fest an. **(Abb. 11)**

Seitenzusatzgriff (Abb. 12)

ACHTUNG:

- Verwenden Sie bei Bohrarbeiten in Beton, Mauerwerk usw. stets den Seitenzusatzgriff, damit die Betriebssicherheit gewährleistet ist.

Da der Seitenzusatzgriff auf jede Seite schwingt, kann das Werkzeug in jeder Position bequem bedient werden. Lockern Sie den Seitenzusatzgriff durch Drehen gegen den Uhrzeigersinn, stellen Sie ihn in die gewünschte Position, und befestigen Sie ihn dann wieder durch Drehen im Uhrzeigersinn.


Montage und Demontage des Einsatzes (Abb. 13)


Reinigen Sie den Aufnahmeschaft, und schmieren Sie ihn vor der Montage des Einsatzes mit ein wenig Fett. Montieren Sie den Einsatz am Werkzeug. Drehen Sie den Einsatz und drücken Sie ihn hinein, bis er einrastet. **(Abb. 14)**

Wenn der Einsatz nicht hineingedrückt werden kann, entfernen Sie ihn. Ziehen Sie die Werkzeugverriegelung einige Male nach unten. Montieren Sie dann den Einsatz erneut. Drehen Sie den Einsatz und drücken Sie ihn hinein, bis er einrastet.

Überprüfen Sie nach der Montage stets, ob der Einsatz einwandfrei sitzt, indem Sie versuchen, ihn herausziehen. Ziehen Sie die Werkzeugverriegelung zum Entfernen des Einsatzes ganz nach unten, und ziehen Sie den Einsatz heraus. **(Abb. 15)**

Winkel des Einsatzes (beim Splittern, Abblättern oder Abbruch) (Abb. 16 und 17)

Der Einsatz kann in 12 verschiedenen Winkeln festgestellt werden. Drücken Sie zur Änderung des Einsatzwinkels die Arretiertaste nach unten, und drehen Sie den Umschalthebel auf das Symbol .

Drehen Sie den Einsatz bis zum gewünschten Winkel. Drücken Sie die Arretiertaste nach unten, und drehen Sie den Umschalthebel auf das Symbol . Überprüfen Sie anschließend durch leichtes Drehen am Einsatz, ob er fest sitzt. **(Abb. 18 und 19)**

Tiefenanschlag (Abb. 20)


Der Tiefenanschlag ist beim Bohren von Löchern mit einer einheitlichen Bohrtiefe hilfreich. Lockern Sie die Klemmschraube, und stellen Sie den Tiefenanschlag auf die gewünschte Tiefe ein. Ziehen Sie die Klemmschraube nach der Einstellung fest an.

HINWEIS:

- Der Tiefenanschlag kann nicht an der Stelle verwendet werden, an der er gegen das Getriebe-/Motorgehäuse schlägt.

BETRIEB

Schlagbohrbetrieb (Abb. 21)

Stellen Sie den Umschalthebel auf das Symbol . Setzen Sie den Einsatz auf die gewünschte Position für die Bohrung, und betätigen Sie dann den Ein/Aus-Schalter. Üben Sie keinen übermäßigen Druck auf das Werkzeug aus. Wenn Sie nur leichten Druck ausüben, erzielen Sie die besten Ergebnisse. Halten Sie das Werkzeug in Position, und achten Sie darauf, dass es nicht von der Bohrung abrutscht. Verstärken Sie den Druck nicht, wenn die Bohrung durch Holzspäne oder -partikel verstopft ist. Führen Sie stattdessen das Werkzeug im Leerlauf aus, und entfernen Sie dann den Einsatz teilweise aus der Bohrung. Wenn Sie diesen Vorgang mehrmals wiederholen, wird die Bohrung gesäubert, und Sie können den normalen Bohrvorgang fortsetzen.


ACHTUNG:

- Beim Durchschlag des Einsatzes in Beton oder wenn der Einsatz auf Verstärkungsstangen im Beton trifft, kann das Werkzeug gefährlich reagieren. Achten Sie auf eine gute Balance und einen sicheren Stand, während Sie das Werkzeug fest mit beiden Händen halten. Auf diese Weise können Sie gefährliche Reaktionen abfangen.

Ausblasvorrichtung (optionales Zubehör) (Abb. 22)

Wenn Sie das Loch gebohrt haben, entfernen Sie mit Hilfe der Ausblasvorrichtung den Staub aus der Bohrung.

Splittern/Abblättern/Abbruch (Abb. 23)

Stellen Sie den Umschalthebel auf das Symbol . Halten Sie das Werkzeug mit beiden Händen fest. Schalten Sie das Werkzeug ein und üben Sie leichten Druck darauf aus, so dass es nicht unkontrolliert herumspringt. Ein stärkerer Druck auf das Werkzeug erhöht nicht dessen Wirkungsgrad.

WARTUNG

ACHTUNG:

- Schalten Sie das Werkzeug stets aus und ziehen Sie den Stecker, bevor Sie Prüfungen oder Wartungsarbeiten am Werkzeug durchführen.
- Verwenden Sie zum Reinigen niemals Kraftstoffe, Benzin, Verdünner, Alkohol oder ähnliches. Dies kann zu Verfärbungen, Verformungen oder Rissen führen.

ACHTUNG:

- Diese Wartungsarbeit sollte nur von autorisierten Makita-Servicecentern durchgeführt werden. Dieses Werkzeug braucht nicht stündlich oder täglich gefettet zu werden, da es über ein fettgeschmiertes Schmiermittelsystem verfügt. Schmieren Sie das Werkzeug bei jedem Wechsel der Kohlebürsten. Senden Sie für diesen Schmierdienst das Werkzeug an ein von Makita autorisiertes Service Center. Um die SICHERHEIT und ZUVERLÄSSIGKEIT des Produkts zu gewährleisten, sollten Reparaturen, Wartungsarbeiten und Einstellungen nur durch von Makita autorisierte Servicecenter durchgeführt und immer Makita-Ersatzteile verwendet werden.

SONDERZUBEHÖR

ACHTUNG:

- Für das in diesem Handbuch beschriebene Makita-Gerät werden die folgenden Zubehör- und Zusatzteile empfohlen. Bei Verwendung anderer Zubehör- und Zusatzteile kann es zu Verletzungen kommen. Verwenden Sie Zubehör- und Zusatzteile nur für den vorgesehenen Zweck.

Informationen zu diesem Zubehör erhalten Sie von Ihrem Makita-Servicecenter.

- SDS-Max-Hartmetallspitzen
- SDS-Max-Punkthammer
- SDS-MAX-Kaltmeißel
- SDS-MAX-Verzunderungsmeißel
- SDS-MAX-Fließeisenmeißel
- SDS-MAX-Lehm spatzen
- Hammerfett
- Bohrer-/Meißelfett
- Seitengriff
- Seitenzusatzgriff
- Tiefenanschlag
- Ausblasvorrichtung
- Schutzbrille
- Transportkoffer

HINWEIS:

- Einige der in der Liste aufgeführten Elemente sind dem Werkzeuggesamtpaket als Standardzubehör beigelegt. Diese können in den einzelnen Ländern voneinander abweichen.

Schallpegel

ENG905-1

Typischer A-bewerteter Schallpegel nach EN60745:

Modell HR4501C, HR4511C

Schalldruckpegel (L_{pA}): 94 dB (A)
Schallleistungspegel (L_{WA}): 105 dB (A)
Abweichung (K): 3 dB (A)

Modell HR4510C

Schalldruckpegel (L_{pA}): 93 dB (A)
Schallleistungspegel (L_{WA}): 104 dB (A)
Abweichung (K): 3 dB (A)

Tragen Sie Gehörschutz.

Schwingung

ENG900-1

Schwingungsgesamtwerte (Vektorsumme dreier Achsen) nach EN60745:

Modell HR4501C

Arbeitsmodus: Schlagbohren in Beton
Schwingungsbelastung ($a_{h, HD}$): 16,0 m/s²
Abweichung (K): 1,5 m/s²

Arbeitsmodus: Meißeln
Schwingungsbelastung ($a_{h, Cheq}$): 12,5 m/s²
Abweichung (K): 1,5 m/s²

Arbeitsmodus: Meißelfunktion mit Seitenzusatzgriff
Schwingungsbelastung ($a_{h, Cheq}$): 12,5 m/s²
Abweichung (K): 1,5 m/s²

Modell HR4510C

Arbeitsmodus: Schlagbohren in Beton
Schwingsbelastung ($a_{h, HD}$): 9,5 m/s²
Abweichung (K): 2,0 m/s²

Arbeitsmodus: Meißeln
Schwingsbelastung ($a_{h, CHeg}$): 8,5 m/s²
Abweichung (K): 1,5 m/s²

Arbeitsmodus: Meißelfunktion mit Seitenzusatzgriff
Schwingsbelastung ($a_{h, CHeg}$): 8,5 m/s²
Abweichung (K): 1,5 m/s²

Modell HR4511C

Arbeitsmodus: Schlagbohren in Beton
Schwingsbelastung ($a_{h, HD}$): 7,5 m/s²
Abweichung (K): 1,5 m/s²

Arbeitsmodus: Meißeln
Schwingsbelastung ($a_{h, CHeg}$): 7,0 m/s²
Abweichung (K): 1,5 m/s²

Arbeitsmodus: Meißelfunktion mit Seitenzusatzgriff
Schwingsbelastung ($a_{h, CHeg}$): 7,5 m/s²
Abweichung (K): 1,5 m/s²

Die technische Dokumentation erfolgt durch:
Makita International Europe Ltd.
Technical Department,
Michigan Drive, Tongwell,
Milton Keynes, Bucks MK15 8JD, England

30. 1. 2009


Tomoyasu Kato
Direktor

Makita Corporation
3-11-8, Sumiyoshi-cho,
Anjo, Aichi, 446-8502, JAPAN

ENG901-1

- Der hier angegebene Wert für die erzeugten Schwingungen wurde gemäß dem genormten Testverfahren ermittelt und kann als Vergleich zu anderen Werkzeugen herangezogen werden.
- Der angegebene Wert für die erzeugten Schwingungen ist außerdem für eine vorbeugende Bewertung der Belastung zu verwenden.

WARNUNG:

- Die Schwingsbelastung kann bei tatsächlichem Gebrauch des Elektrowerkzeugs in Abhängigkeit von der Handhabung des Elektrowerkzeugs von dem hier aufgeführten Wert abweichen.
- Stellen Sie sicher, dass Schutzmaßnahmen für den Bediener getroffen werden, die auf den unter den tatsächlichen Arbeitsbedingungen zu erwartenden Belastungen beruhen (beziehen Sie alle Bestandteile des Arbeitsablaufs ein, also zusätzlich zu den Arbeitszeiten auch Zeiten, in denen das Werkzeug ausgeschaltet ist oder ohne Last läuft).

Nur für europäische Länder

ENH101-16

EG-Konformitätserklärung

Wir, Makita Corporation als verantwortlicher Hersteller, erklären, dass die folgenden Geräte der Marke Makita:

Bezeichnung des Geräts: Bohrhammer
Nummer / Typ des Modells: HR4501C, HR4510C, HR4511C

in Serienfertigung hergestellt werden und **den folgenden Richtlinien der Europäischen Union genügen:**

2006/42/EG

Außerdem werden die Geräte gemäß den folgenden Standards oder Normen gefertigt:

EN60745

ITALIANO (Istruzioni originali)

Spiegazione della vista generale

- | | | |
|--|-----------------------------|---------------------------|
| 1. Interruttore | 8. Spia di servizio (rossa) | 16. Calibro di profondità |
| 2. Leva dell'interruttore | 9. Impugnatura laterale | 17. Vite di serraggio |
| 3. Ghiera di regolazione | 10. Dado di serraggio | 18. Soffietto a peretta |
| 4. Leva di selezione della modalità | 11. Impugnatura laterale | |
| 5. Indicatore | 12. Gambo della punta | |
| 6. Pulsante di blocco | 13. Grasso per punte | |
| 7. Spia indicazione accensione (verde) | 14. Punta | |
| | 15. Copertura del mandrino | |

CARATTERISTICHE TECNICHE

Modello		HR4501C	HR4510C	HR4511C
Capacità di foratura	Punta al carburo di tungsteno	45 mm		
	Punta centrale	125 mm		
Velocità a vuoto (min ⁻¹)		130 - 280		
Colpi al minuto		1.250 - 2.750		
Lunghezza totale		458 mm		
Peso netto		8,2 kg	8,9 kg	9,0 kg
Classe di sicurezza		□/II		

- Le caratteristiche tecniche riportate di seguito sono soggette a modifiche senza preavviso in virtù del nostro programma continuo di ricerca e sviluppo.
- Le caratteristiche tecniche possono differire da paese a paese.
- Peso determinato in conformità con la EPTA-Procedure 01/2003

Uso previsto

ENE044-1

L'utensile è progettato per la foratura a percussione di mattoni, cemento e pietra, e per lavori di scalpellatura.

Alimentazione

ENF002-2

L'utensile deve essere collegato a una presa di corrente con la stessa tensione di quella indicata sulla targhetta e può funzionare soltanto con corrente alternata monofase. L'utensile è dotato di doppio isolamento, pertanto può essere usato anche con prese di corrente sprovviste della messa a terra.

Avvertenze generali di sicurezza per l'uso dell'utensile

GEA010-1

⚠ AVVERTENZA Leggere attentamente tutte le avvertenze di sicurezza e le istruzioni. La mancata osservanza delle istruzioni e delle avvertenze riportate di seguito potrebbe provocare scosse elettriche, incendi e/o lesioni gravi.


Conservare le avvertenze e le istruzioni per riferimenti futuri.

AVVERTENZE DI SICUREZZA PER IL MARTELLO ROTATIVO

GEB007-7

1. **Indossare protezioni acustiche.** L'esposizione al rumore può causare la perdita della capacità uditiva.
2. **Utilizzare le maniglie ausiliarie, se fornite con l'utensile.** La perdita di controllo può provocare lesioni personali.
3. **Se vengono eseguite operazioni in cui l'accessorio di taglio può toccare fili nascosti o il cavo di alimentazione dell'utensile, impugnare l'utensile utilizzando i punti di presa isolati.** Se l'accessorio da taglio entra a contatto con un filo percorso da corrente, le parti metalliche esposte dell'utensile si troveranno anch'esse sotto tensione e potrebbero provocare scosse elettriche all'operatore.
4. **Indossare un elmetto (casco di sicurezza), occhiali di sicurezza e/o visiere protettive.** I comuni occhiali da vista o da sole NON sono occhiali di sicurezza. Si consiglia anche di indossare una maschera antipolvere e guanti imbottiti.
5. **Prima di azionare l'utensile, verificare che la punta sia fissata nella posizione corretta.**
6. **In condizioni d'uso normali, l'utensile è progettato per produrre vibrazioni.** Le viti si possono allentare facilmente, causando rotture o incidenti. **Prima di azionare l'utensile, controllare che le viti siano serrate.**
7. **Con clima freddo o se l'utensile non è stato utilizzato per molto tempo, lasciare riscaldare l'utensile per qualche istante azionandolo senza carico.** Questo renderà più efficace la lubrificazione. Le operazioni con percussione risultano più difficoltose senza un preriscaldamento adeguato.
8. **Accertarsi sempre di avere un equilibrio stabile.** Controllare che nessuno si trovi sotto all'utensile quando lo si utilizza in posizioni elevate.
9. **Tenere saldamente l'utensile con entrambe le mani.**
10. **Mantenere le mani lontano dalle parti in movimento.**

11. **Non lasciare l'utensile acceso. Azionare l'utensile solo dopo averlo impugnato.**
12. **Non puntare l'utensile verso persone presenti nell'area di lavoro. Un'eventuale fuoriuscita della punta potrebbe provocare lesioni gravi.**
13. **Non toccare la punta o le parti vicino alla punta subito dopo aver utilizzato l'utensile in quanto possono raggiungere temperature elevate e provocare ustioni.**
14. **Alcuni materiali contengono prodotti chimici che possono essere tossici. Evitare l'inalazione della polvere e il contatto con la pelle. Attenersi alle istruzioni per la sicurezza del fornitore dei materiali.**

- Questo interruttore funziona solo quando l'utensile è impostato per la modalità d'uso indicata dal simbolo .

L'interruttore a scorrimento è comodo quando si utilizza l'utensile per tempi prolungati. Per avviare l'utensile, premere il lato "I (ON)" della leva dell'interruttore. Per fermare l'utensile, premere il lato "O (OFF)" della leva dell'interruttore. (Fig. 2)

Modifica della velocità (Fig. 3)

Il numero di giri e di colpi al minuto possono essere regolati ruotando la ghiera di regolazione. I segni sulla ghiera vanno da 1 (velocità minima) a 5 (velocità massima).

Fare riferimento alla tabella seguente per quanto riguarda la relazione fra la posizione della ghiera e il numero di giri e di colpi al minuto.

Numero sulla ghiera di regolazione	Giri al minuto	Colpi al minuto
5	280	2.750
4	260	2.550
3	200	1.950
2	150	1.450
1	130	1.250


008417

ATTENZIONE:

- Se l'utensile è usato per molto tempo a basse velocità, in modo continuativo, il motore risulterà sovraccaricato, con il risultato di un cattivo funzionamento.
- La ghiera di regolazione della velocità può essere ruotata soltanto fino a 5 o indietro fino a 1. Non forzarla oltre 5 o 1: potrebbe non funzionare più correttamente.


Selezione della modalità operativa

Foratura con percussione (Fig. 4 e 5)


Per la foratura di cemento, muratura, eccetera, rilasciare il pulsante di blocco e ruotare la leva di selezione della modalità operativa fino al simbolo . Utilizzare una punta a carburo di tungsteno.

Solo percussione

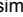
PER I MODELLI HR4501C E HR4510C (Fig. 6)

Per scalpellare, scagliare o demolire, rilasciare il pulsante di blocco e ruotare la leva di selezione della modalità operativa fino al simbolo . Utilizzare una punta gigante, uno scalpello a freddo, uno scalpello per scagliatura, eccetera.

Per un'operazione di percussione prolungata (SOLO PER I MODELLI HR4501C E HR4510C) (Fig. 7)

Per scalpellare, scagliare o demolire, rilasciare il pulsante di blocco e ruotare la leva di selezione della modalità operativa fino al simbolo . Utilizzare una punta gigante, uno scalpello a freddo, uno scalpello per scagliatura, eccetera.

ATTENZIONE:

- Quando si usa l'utensile nella modalità indicata dal simbolo , l'interruttore ordinario è disattivato: funziona solo l'interruttore a scorrimento.

CONSERVARE QUESTE ISTRUZIONI.

AVVERTENZA:

NON lasciare che la familiarità acquisita con il prodotto (dovuta all'uso ripetuto) provochi l'inosservanza delle regole di sicurezza per il presente utensile. L'USO IMPROPRIO o la mancata osservanza delle norme di sicurezza contenute in questo manuale può provocare lesioni personali gravi.

DESCRIZIONE FUNZIONALE

ATTENZIONE:

- Prima di regolare o controllare le funzioni dell'utensile, verificare sempre di averlo spento e scollegato dall'alimentazione.

Azionamento dell'interruttore (Fig. 1)

PER IL MODELLO HR4511C

ATTENZIONE:



- Prima di collegare l'utensile, controllare che l'interruttore funzioni correttamente e ritorni alla posizione "OFF" una volta rilasciato.

Per accendere l'utensile è sufficiente premere l'interruttore. Per spegnere l'utensile, rilasciare l'interruttore.

PER I MODELLI HR4510C/HR4501C

Interruttore

ATTENZIONE:

- Prima di collegare l'utensile, controllare che l'interruttore funzioni correttamente e ritorni alla posizione "OFF" una volta rilasciato.
- Questo interruttore funziona quando l'utensile è impostato per le modalità d'uso indicate dai simboli  o .


Per accendere l'utensile è sufficiente premere l'interruttore. Per spegnere l'utensile, rilasciare l'interruttore.

Interruttore a scorrimento

ATTENZIONE:

- Prima di collegare l'utensile all'alimentazione elettrica, verificare che sia spento.

PER IL MODELLO HR4511C (Fig. 8)

Per scalpellare, scagliare o demolire, rilasciare il pulsante di blocco e ruotare la leva di selezione della modalità operativa fino al simbolo . Utilizzare una punta gigante, uno scalpello a freddo, uno scalpello per scagliatura, eccetera.

ATTENZIONE:

- Non ruotare la leva di selezione della modalità operativa mentre l'utensile è acceso e sotto carico. L'utensile potrebbe essere danneggiato.
- Per evitare una rapida usura del meccanismo di modifica della modalità, accettarsi che la leva di selezione della modalità operativa sia sempre posizionata correttamente su una delle tre posizioni previste.

Limitatore di coppia

Il limitatore di coppia si attiva quando viene raggiunto un certo livello di coppia. Il motore si disinnesta dall'albero motore. In tal caso, la punta smette di girare.

ATTENZIONE:

- Non appena il limitatore di coppia si attiva, spegnere immediatamente l'utensile. Questo previene l'usura prematura dell'utensile.

Spia luminosa (Fig. 9)

La spia verde dell'alimentazione si accende quando l'utensile è collegato alla presa di corrente. Se la spia non si accende, il cavo di alimentazione o il controller potrebbero essere difettosi. Se la spia si accende ma l'utensile non si avvia nonostante sia acceso, potrebbero essersi usurate le spazzole di carbone oppure il controller, il motore o l'interruttore potrebbero essere difettosi.

La spia di servizio rossa si accende quando le spazzole di carbone sono quasi del tutto usurate, per indicare che l'utensile ha bisogno di manutenzione. Il motore viene automaticamente disattivato dopo circa 8 ore di utilizzo.

MONTAGGIO

ATTENZIONE:

- Accertarsi sempre che l'utensile sia spento e scollegato dalla presa di corrente prima di iniziare qualsiasi operazione su di esso.

Impugnatura laterale (Fig. 10)

ATTENZIONE:

- Usare l'impugnatura laterale solo per scalpellare, scagliare o demolire. Non utilizzarla per forare cemento, murature, eccetera. Non è possibile sorreggere correttamente l'utensile mediante questa impugnatura durante la perforazione.

L'impugnatura laterale può essere girata a 360° in verticale e fissata in qualunque posizione desiderata. Si può anche fissare orizzontalmente, avanti e indietro, in otto diverse posizioni. Per girare l'impugnatura nella posizione desiderata è sufficiente allentare il dado di serraggio. Dopo l'operazione, stringere completamente il dado di serraggio. (Fig. 11)

Impugnatura laterale (Fig. 12)

ATTENZIONE:

- Usare sempre il manico laterale per lavorare con sicurezza durante le operazioni di foratura in cemento, muratura, eccetera.

Il manico laterale può essere collocato su entrambi i lati dell'utensile per consentire una presa sicura in qualsiasi posizione di lavoro. Allentare il manico laterale ruotandolo in senso antiorario, collocarlo nella posizione desiderata e fissarlo, ruotandolo in senso orario.

Installazione o rimozione della punta (Fig. 13)

Pulire il gambo della punta e applicare il grasso prima di installare la punta.

Inserire la punta nell'utensile. Ruotare la punta e spingere fino ad agganciarla. (Fig. 14)

Se non è possibile inserire la punta, rimuoverla.


Abbassare la copertura del mandrino un paio di volte.

Quindi inserire nuovamente la punta. Ruotare la punta e spingere fino ad agganciarla.

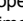
Dopo l'installazione, verificare sempre che la punta rimanga saldamente in posizione, provando ad estrarla.

Per rimuovere la punta, abbassare completamente la copertura del mandrino ed estrarre la punta. (Fig. 15)

Angolo della punta (durante la scappellatura, la scagliatura o la demolizione) (Fig. 16 e 17)

È possibile fissare la punta secondo 12 angoli diversi. Per modificare l'angolo della punta, rilasciare il pulsante di blocco e ruotare la leva di selezione della modalità operativa fino al simbolo .

Ruotare la punta fino all'angolo desiderato.

Rilasciare il pulsante di blocco e ruotare la leva per la modifica della modalità operativa fino al simbolo . Quindi verificare che la punta rimanga saldamente in posizione ruotandola leggermente. (Fig. 18 e 19)

Calibro di profondità (Fig. 20)


Il calibro di profondità è utile per praticare fori della stessa profondità. Allentare le viti di serraggio e regolare il calibro di profondità alla profondità desiderata. Al termine della regolazione, stringere saldamente le viti di serraggio.

NOTA:

- Non è possibile utilizzare il calibro di profondità quando tocca l'alloggiamento degli ingranaggi o del motore.

USO

Foratura con percussione (Fig. 21)

Impostare la leva di selezione della modalità sul simbolo .

Collocare la punta nella posizione desiderata per il foro, quindi premere l'interruttore. Non forzare l'utensile. Una pressione lieve produce i risultati migliori. Mantenere l'utensile in posizione e impedire che la punta fuoriesca dal foro.

Non aumentare la pressione quando il foro è ostruito da frammenti o schegge. Al contrario, azionare l'utensile alla velocità minima, quindi rimuovere parzialmente la punta

dal foro. Ripetere l'operazione più volte fino a quando il foro risulta sgombro ed è possibile riprendere la foratura.


ATTENZIONE:

- Se la punta comincia a sfondare il cemento, o se urta contro barre di rinforzo all'interno del cemento, l'utensile può avere una reazione pericolosa. Mantenere un buon bilanciamento e una buona presa a terra e sorreggere fermamente l'utensile con entrambe le mani per evitare reazioni pericolose.

Soffietto a peretta (accessorio opzionale) (Fig. 22)

Al termine della foratura, utilizzare il soffietto a peretta per ripulire il foro dalla polvere.

Scalpellatura/scagliatura/demolizione (Fig. 23)

Impostare la leva di selezione della modalità sul simbolo .

Tenere saldamente l'utensile con entrambe le mani. Accendere l'utensile e applicare una leggera pressione in modo da evitare rimbalzi non controllati. L'efficienza dell'utensile non aumenta se si applica una pressione più forte.

MANUTENZIONE

ATTENZIONE:

- Prima di effettuare controlli e operazioni di manutenzione, verificare sempre che l'utensile sia spento e scollegato.
- Evitare assolutamente di usare benzina, diluenti, solventi, alcol o sostanze simili. In caso contrario, potrebbero verificarsi scoloriture, deformazioni o incrinature.

ATTENZIONE:

- Questa manutenzione deve essere effettuata solo da centri di assistenza autorizzati Makita.
- Questo utensile non richiede una lubrificazione quotidiana o regolare, perché dispone di un sistema di lubrificazione con grasso. È necessario lubrificarlo a ogni sostituzione delle spazzole di carbone. Per il servizio di lubrificazione, inviare l'utensile completo a un centro di assistenza autorizzato Makita.
- Per mantenere la SICUREZZA e l'AFFIDABILITÀ del prodotto, le riparazioni e qualsiasi altra operazione di manutenzione o regolazione devono essere eseguiti dai centri di assistenza autorizzati Makita utilizzando sempre parti di ricambio Makita.

ACCESSORI OPZIONALI

ATTENZIONE:

- Si consiglia l'uso dei seguenti accessori per l'utensile Makita descritto in questo manuale. L'uso di qualsiasi altro accessorio potrebbe provocare lesioni personali. Utilizzare gli accessori esclusivamente per l'uso dichiarato.

Per l'assistenza e per ulteriori informazioni su tali accessori, rivolgersi al centro assistenza Makita di zona.

- Punta SDS Max al carburo di tungsteno
- Punta gigante SDS Max
- Scalpello a freddo SDS Max

- Scalpello per scagliatura SDS Max
- Scalpello per piastrelle SDS Max
- Paletta per argilla SDS Max
- Grasso per martello
- Grasso per punte
- Manico laterale
- Impugnatura laterale
- Calibro di profondità
- Soffietto a peretta
- Occhiali di protezione
- Valigetta

NOTA:

- Alcuni degli accessori elencati potrebbero essere inclusi nella confezione dell'utensile come accessori standard. Gli accessori standard possono differire da paese a paese.

Rumore

ENG905-1

Il tipico livello di rumore ponderato "A" è determinato in conformità con la norma EN60745:

Modello HR4501C, HR4511C

Livello di pressione sonora (L_{pA}): 94 dB (A)
Livello di potenza sonora (L_{WA}): 105 dB (A)
Variazione (K): 3 dB (A)

Modello HR4510C

Livello di pressione sonora (L_{pA}): 93 dB (A)
Livello di potenza sonora (L_{WA}): 104 dB (A)
Variazione (K): 3 dB (A)

Indossare una protezione acustica.

Vibrazione

ENG900-1

Il valore totale della vibrazione (somma vettoriale triassiale) è determinato in conformità con la norma EN60745:

Modello HR4501C

Modalità di lavoro: foratura con martellamento del cemento
Emissione di vibrazioni ($a_{h,HD}$): 16,0 m/s²
Variazione (K): 1,5 m/s²

Modalità di lavoro: scalpellatura
Emissione di vibrazioni ($a_{h,CHeq}$): 12,5 m/s²
Variazione (K): 1,5 m/s²

Modalità di lavoro: scalpellatura con impugnatura laterale
Emissione di vibrazioni ($a_{h,CHeq}$): 12,5 m/s²
Variazione (K): 1,5 m/s²

Modello HR4510C

Modalità di lavoro: foratura con martellamento del cemento
Emissione di vibrazioni ($a_{h,HD}$): 9,5 m/s²
Variazione (K): 2,0 m/s²

Modalità di lavoro: scalpellatura
Emissione di vibrazioni ($a_{h,CHeq}$): 8,5 m/s²
Variazione (K): 1,5 m/s²

Modalità di lavoro: scalpellatura con impugnatura laterale
Emissione di vibrazioni ($a_{h,CHeq}$): 8,5 m/s²
Variazione (K): 1,5 m/s²

Modello HR4511C

Modalità di lavoro: foratura con martellamento del cemento

Emissione di vibrazioni ($a_{h,HD}$): 7,5 m/s²

Variazione (K): 1,5 m/s²

Modalità di lavoro: scalpellatura

Emissione di vibrazioni ($a_{h,CHeq}$): 7,0 m/s²

Variazione (K): 1,5 m/s²

Modalità di lavoro: scalpellatura con impugnatura laterale

Emissione di vibrazioni ($a_{h,CHeq}$): 7,5 m/s²

Variazione (K): 1,5 m/s²

ENG901-1

- Il valore di emissione delle vibrazioni dichiarato è stato misurato in conformità con il metodo di test standard e può essere utilizzato per confrontare tra loro diversi utensili.
- Il valore dell'emissione delle vibrazioni dichiarato può anche essere usato per stime preliminari dell'esposizione.

AVVERTENZA:

- L'emissione delle vibrazioni durante l'uso effettivo dell'utensile elettrico può risultare diversa rispetto al valore dichiarato, in base alla modalità d'uso dell'utensile.
- Assicurarsi di individuare le necessarie misure di sicurezza per proteggere l'operatore in base a una stima dell'esposizione nelle condizioni reali di utilizzo (prendendo in considerazione tutte le fasi del ciclo operativo, come quante volte l'utensile viene spento e i periodi in cui rimane inattivo, oltre al tempo di avviamento).

Solo per i paesi europei

ENH101-16

Dichiarazione di conformità CE

Makita Corporation, in qualità di produttore responsabile, dichiara che gli utensili Makita indicati di seguito:

Denominazione dell'utensile: Martello rotativo
N. modello /Tipo: HR4501C, HR4510C, HR4511C
appartengono a una produzione in serie e

sono conformi alle seguenti direttive europee:

2006/42/EC

Sono inoltre prodotti in conformità con gli standard o i documenti standardizzati riportati di seguito:

EN60745

La documentazione tecnica viene conservata da:

Makita International Europe Ltd.

Technical Department,

Michigan Drive, Tongwell,

Milton Keynes, Bucks MK15 8JD, Inghilterra

30. 1. 2009



Tomoyasu Kato

Direttore

Makita Corporation

3-11-8, Sumiyoshi-cho,

Anjo, Aichi, 446-8502, JAPAN

NEDERLANDS (Originele instructies)

Verklaring van algemene gegevens

1. Aan/uit-schakelaar	7. AAN indicatielamp (groen)	13. Bitvet
2. Aan/uit-schakelaar	8. Bedrijfsindicatielamp (rood)	14. Bit
3. Stelknop	9. Zijhandgreep	15. Bitkopdeksel
4. Instelhefboom	10. Moer klem	16. Diepteaanslag
5. Aanwijspunt	11. Zijhandgreep	17. Klemschroef
6. Vastzetknop	12. Bitschacht	18. Blaasbalgie

TECHNISCHE GEGEVENS

Model		HR4501C	HR4510C	HR4511C
Vermogen	Hardmetalen bit	45 mm		
	Kroonbit	125 mm		
Nullaasttoerental (min ⁻¹)		130 - 280		
Aantal slagen/minuut		1.250 – 2.750		
Totale lengte		458 mm		
Netto gewicht		8,2 kg	8,9 kg	9,0 kg
Veiligheidsklasse		□/II		

- Als gevolg van ons doorlopende onderzoeks- en ontwikkelingsprogramma, zijn de technische gegevens van dit gereedschap onderhevig aan veranderingen zonder voorafgaande kennisgeving.
- De technische gegevens kunnen van land tot land verschillen.
- Gewicht volgens EPTA-procedure 01/2003

Gebruiksdoelstellingen ENE044-1

Het gereedschap is bedoeld voor hamerboren in baksteen, beton en steen, en tevens voor beetelwerk.

Voeding ENF002-2

Het gereedschap mag uitsluitend worden aangesloten op een voeding met dezelfde spanning als aangegeven op het typeplaatje en werkt alleen op enkele-fase wisselstroom. Het gereedschap is dubbel geïsoleerd en mag derhalve ook op een niet-geaard stopcontact worden aangesloten.

Algemene veiligheidswaarschuwingen voor elektrisch gereedschap

GEA010-1

⚠ WAARSCHUWING Lees alle veiligheidswaarschuwingen en alle instructies. Het niet volgen van de waarschuwingen en instructies kan leiden tot elektrische schokken, brand en/of ernstig letsel.

Bewaar alle waarschuwingen en instructies om in de toekomst te kunnen raadplegen.

VEILIGHEIDSWAARSCHUWINGEN VOOR DRILBOOR

GEB007-7

1. **Draag gehoorbescherming.** Blootstelling aan harde geluiden kan leiden tot gehoorbeschadiging.
2. **Gebruik de hulphandgrepen, als deze bij het gereedschap werden geleverd.** Als u de controle over het gereedschap verliest, kan dit leiden tot ernstig persoonlijk letsel.
3. **Houd elektrisch gereedschap vast aan het geïsoleerde oppervlak van de handgrepen wanneer u werkt op plaatsen waar het bitaccessoire met verborgen bedrading of zijn eigen snoer in aanraking kan komen.** Wanneer het booraccessoire in aanraking komen met onder spanning staande draden, zullen de niet-geïsoleerde metalen delen van het gereedschap onder spanning komen te staan zodat de gebruiker een elektrische schok kan krijgen.
4. **Draag een veiligheidshelm, veiligheidsbril en/of gezichtsbescherming. Een gewone bril of een zonnebril is GEEN veiligheidsbril. Het wordt tevens sterk aanbevolen een stofmasker en dik gevoerde handschoenen te dragen.**
5. **Controleer dat het boortje stevig op zijn plaats is vastgezet voordat u het gereedschap gebruikt.**
6. **Bij normale bediening behoort het gereedschap te trillen. De schroeven kunnen gemakkelijk losraken, waardoor een defect of ongeluk kan ontstaan.**
Controleer of de schroeven goed zijn aangedraaid, alvorens het gereedschap te gebruiken.
7. **In koude weersomstandigheden of wanneer het gereedschap gedurende een lange tijd niet is gebruikt, laat u het gereedschap eerst opwarmen door het onbelast te laten werken. Hierdoor zal de smering worden verbeterd. Zonder degelijk opwarmen, zal de hamerwerking moeilijk zijn.**
8. **Zorg er altijd voor dat u stevig staat.**
9. **Zorg ervoor dat er niemand zich onder u bevindt wanneer u het gereedschap op een hoge plaats gebruikt.**
9. **Houd het gereedschap met beide handen stevig vast.**

10. **Houd uw handen uit de buurt van bewegende delen.**
11. **Laat het gereedschap niet ingeschakeld liggen. Bedien het gereedschap alleen wanneer u het vasthoudt.**
12. **Richt het gereedschap niet op iemand in de buurt terwijl het is ingeschakeld. Het boortje zou eruit kunnen vliegen en iemand ernstig verwonden.**
13. **Raak het boortje en onderdelen in de buurt van het boortje niet onmiddellijk na gebruik aan. Zij kunnen bijzonder heet zijn en brandwonden op uw huid veroorzaken.**
14. **Sommige materialen bevatten chemische stoffen die giftig kunnen zijn. Neem voorzorgsmaatregelen tegen het inademen van stof en contact met de huid. Volg de veiligheidsinstructies van de leverancier van het materiaal op.**

BEWAAR DEZE INSTRUCTIES.

WAARSCHUWING:

Laat u **NIET** misleiden door een vals gevoel van comfort en bekendheid met het gereedschap (na veelvuldig gebruik) en neem alle veiligheidsvoorschriften van het betreffende product altijd strikt in acht. **VERKEERD GEBRUIK** of het niet volgen van de veiligheidsinstructies in deze gebruiksaanwijzing kan leiden tot ernstig persoonlijk letsel.

BESCHRIJVING VAN DE FUNCTIES

LET OP:

- Controleer altijd of het gereedschap is uitgeschakeld en de stekker uit het stopcontact is getrokken alvorens de functies van het gereedschap te controleren of af te stellen.

Aan/uit-schakelaar (zie afb. 1)

VOOR MODEL HR4511C

LET OP:



- Controleer altijd, voordat u de stekker in het stopcontact steekt, of de aan/uit-schakelaar op de juiste manier schakelt en weer terugkeert naar de uitstand nadat deze is losgelaten.

Om het gereedschap in te schakelen, knijpt u gewoon de aan/uit-schakelaar in. Laat de aan/uit-schakelaar los om het gereedschap te stoppen

VOOR DE MODELLEN HR4510C/HR4501C

Aan/uit-schakelaar


LET OP:

- Controleer altijd, voordat u de stekker in het stopcontact steekt, of de aan/uit-schakelaar op de juiste manier schakelt en weer terugkeert naar de uitstand nadat deze is losgelaten.
- Deze schakelaar werkt als de machine in de  symbool en  symbool modes staat.

Om het gereedschap in te schakelen, knijpt u gewoon de aan/uit-schakelaar in. Laat de aan/uit-schakelaar los om het gereedschap te stoppen

Schuifknop

LET OP:

- Controleer voor u de stekker in het stopcontact steekt altijd of de machine uitgeschakeld is.
- Deze schakelaar werkt alleen als de machine in de  symbool werkingsmodus staat.

Voor het gedurende langere tijd gebruiken van de machine in de hamermodus is de schuifschakelaar beschikbaar. Druk om de machine te starten op de zijde "I (ON)" van de schakelaar. Druk om de machine te stoppen op de zijde "O (OFF)" van de schakelaar (zie afb. 2).

De draaisnelheid veranderen (zie afb. 3)

Het toerental en het aantal slagen per minuut kan worden ingesteld door de instelschaal te verdraaien. Deze schaal is gemerkt van 1 (de laagste snelheid) tot 5 (volle snelheid).

Zie de tabel hieronder voor het verband tussen het op de schaal ingestelde cijfer en het aantal omwentelingen/ slagen per minuut.

Cijfer op de schaal	Omwentelingen per minuut	Aantal slagen/ minuut
5	280	2.750
4	260	2.550
3	200	1.950
2	150	1.450
1	130	1.250

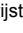
008417

LET OP:

- Indien de machine gedurende lange tijd aan een laag toerental wordt gebruikt, geraakt de motor overbelast, wat leidt tot een storing van de machine.
- U kunt de snelheidsregelaar alleen tot aan het cijfer 5 draaien en terug naar 1. Forceer de schijf niet voorbij de 5 of de 1 omdat de snelheidsregeling daardoor onklaar raakt.

De werkingfunctie selecteren

Roteren met hameren (zie afb. 4 en 5)


Voor het boren in beton, metselwerk, enz., drukt u de vastzetknop in en draait u de instelhefboom zo dat de wijzer naar het  symbool wijst. Gebruik een bit met een hardmetalen punt.

Alleen hameren


VOOR MODEL HR4501C EN HR4510 (zie afb. 6)

Voor kappen of afbraakwerkzaamheden drukt u de vastzetknop in en draait u de instelhefboom zo dat de wijzer naar het  symbool wijst. Gebruik een rond boor, koudbeitel, bikbeitel, enz.

VOOR langdurig hamerboren (ALLEEN VOOR DE MODELLEN HR4501C EN HR4510C) (zie afb. 7)

Voor kappen of afbraakwerkzaamheden drukt u de vastzetknop in en draait u de instelhefboom zo dat de wijzer naar het  symbool wijst. Gebruik een rond boor, koudbeitel, bikbeitel, enz.

LET OP:

- Bij gebruik van de machine in de  symboolmodus, werkt de drukschakelaar niet – alleen de schuifschakelaar werkt.

VOOR MODEL HR4511C (zie afb. 8)

Voor kappen of afbraakwerkzaamheden drukt u de vastzetknop in en draait u de instelhefboom zo dat de wijzer naar het  symbool wijst. Gebruik een rond boor, koudbeitel, bikbeitel, enz.

LET OP:

- Draai niet aan de instelhefboom terwijl de machine loopt onder belasting. Het gereedschap zal hierdoor worden beschadigd.
- Om snelle slijtage van het omschakelmechanisme te voorkomen, zorgt u ervoor dat de instelhefboom altijd precies in een van de twee of drie standen staat.

Koppelbegrenzer

De koppelbegrenzer treedt in werking wanneer de motor een bepaald koppel bereikt. De motor wordt dan ontkoppeld van de uitgasas. Wanneer dit gebeurt, zal de boor ophouden met draaien.

LET OP:

- Schakel het gereedschap onmiddellijk uit wanneer de koppelbegrenzer in werking treedt. Hiermee helpt u vroegtijdige slijtage van het gereedschap voorkomen.

Indicatielampje (zie afb. 9)

Het groene lampje licht op wanneer het gereedschap op het lichtnet is aangesloten. Als het lampje niet brandt, kan het netsnoer beschadigd zijn of de sturing defect. Als het lampje brandt, maar het gereedschap niet start, zelfs niet wanneer de schakelaar in de aan-stand wordt gezet, kunnen de koolborstels versleten zijn, of kunnen de motor, de sturing, of de schakelaar defect zijn.

Het rode lampje gaat branden zodra de koolborstels bijna versleten zijn, om aan te geven dat de machine moet worden onderhouden. Na ong. 8 uren gebruik, stopt de motor automatisch.

ONDERDELEN AANBRENGEN/ VERWIJDEREN

LET OP:

- Controleer altijd of het gereedschap is uitgeschakeld en de stekker uit het stopcontact is getrokken alvorens enige werk aan het gereedschap uit te voeren.

Zijhandgreep (zie afb. 10)

LET OP:

- Gebruik de zijhandgreep alleen bij kappen, afkappen of afbreken. Gebruik hem niet om te boren in beton, metselwerk, enz. De machine kan tijdens het boren niet correct worden vastgehouden bij de zijhandgreep. De zijhandgreep kan over 360° om de verticale as worden verdraaid in om het even welke gewenste stand. Verder zijn er ook acht verschillende standen naar voor en naar achter op de horizontale. Los de klemmoer om de handgreep in de gewenste stand te brengen. Draai daarna de klemmoer stevig terug aan (zie afb. 11).

Zijgreep (zie afb. 12)

LET OP:

- Gebruik altijd de zijgreep om veilig te werken bij het boren in beton, metselwerk, enz.

De zijhandgreep kan worden gedraaid en op iedere zijkant worden gemonteerd zodat het gereedschap eenvoudig kan worden gehanteerd vanuit iedere positie. Draai de zijhandgreep los door deze linksom te draaien, verdraai deze naar de gewenste positie en zet hem weer vast door hem rechtsom te draaien.

De bit aanbrengen en verwijderen (zie afb. 13)

Reinig de bitschacht en smeer er bitvet op alvorens de bit te installeren.

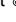
Steek de bit in het gereedschap. Draai het boortje en duw hem naar binnen tot hij vergrendelt. (zie afb. 14)

Als de bit niet naar binnen kan worden geduwd, haalt u de bit eruit. Trek het verwisselring enkel keren omlaag. Steek de bit daarna opnieuw naar binnen. Draai de bit en duw hem naar binnen tot hij vergrendelt.


Controleer na het aanbrengen altijd of de bit stevig in het gereedschap is bevestigd door te proberen het eruit te trekken.

Om de bit te verwijderen, trekt u de verwisselring helemaal omlaag en vervolgens de bit eruit. (zie afb. 15)

Bithoek (bij kappen, bikken of slopen) (zie afb. 16 en 17)

De bit kan onder 12 verschillende hoeken worden vastgezet. Om de bithoek te veranderen, drukt u de vastzetknop in en draait u de omschakelknop naar het  symbool.

Draai de bit naar de gewenste hoek.

Druk op de vergrendelknop en draai de instelhefboom zo dat de indicatie naar het  symbool wijst. Controleer daarna of de bit stevig op zijn plaats vastzit door deze iets te verdraaien (zie afb. 18 en 19).

Diepteanslag (zie afb. 20)

De diepteanslag is handig voor het boren van gaten van gelijke diepte. Los de klemschroef en stel de diepteanslag in op de gewenste diepte. Draai na het instellen de klemschroef stevig vast.

OPMERKING:

- De diepteanslag kan niet worden gebruikt in de positie waarbij deze tegen het tandwiel- of het motorhuis aanstoot.

BEDIENING

Gebruik als boorhamer (zie afb. 21)

Plaats de instelhefboom op  symbool.

Plaats de punt van de boor op de gewenste plaats waar geboord moet worden en trek vervolgens de schakelaar in. Forceer het gereedschap niet. Een lichte druk geeft de beste resultaten. Houd het gereedschap stevig vast en zorg dat het niet uitglijdt.

Oefen geen grotere druk uit wanneer het boorgat verstopt raakt met schilfertjes of metaaldeeltjes. Laat in zo'n geval het gereedschap langzaam lopen en verwijder de boor gedeeltelijk uit het boorgat. Wanneer dit verschillende

keren wordt herhaald, zal het boorgat schoon worden en kunt u normaal verder boren.

LET OP:

- Zodra de bit door het beton begint te breken of hij betonijzer raakt, kan de machine gevaarlijk reageren. Zorg voor een goed evenwicht en plast uw voeten veilig terwyl u de machine stevig met beide handen vasthoudt om een gevaarlijke reactie te vermijden.

Luchtblazer (los verkrijgbaar) (zie afb. 22)

Gebruik na het boren het blaasbalgje om het stof uit het boorgat te blazen.

Beitelen, bikken en slopen (zie afb. 23)

Plaats de instelhefboom op  symbool.

Houd het gereedschap met beide handen stevig vast.

Schakel het gereedschap in en oefen er enige kracht op uit zodat het gereedschap niet oncontroleerbaar in het rond springt. Het gereedschap werkt niet efficiënter als u grote druk op het gereedschap uitoefent.

ONDERHOUD

LET OP:

- Zorg er altijd voor dat de machine is uitgeschakeld en de stekker uit het stopcontact is getrokken, voordat u een inspectie of onderhoud uitvoert.
- Gebruik nooit benzine, wasbenzine, thinner, alcohol, enz. Dit kan leiden tot verkleuren, vervormen of barsten.

LET OP:

- Dit onderhoud mag alleen worden uitgevoerd door een door Makita erkend servicecentrum.

Het is niet nodig dit gereedschap iedere uur of iedere dag te smeren omdat het is uitgerust met een gesloten smeersysteem. U moet het gereedschap iedere keer na het vervangen van de koelborstels smeren. Stuur het hele gereedschap naar een erkend Makita-servicecentrum om te worden gesmeerd.

Om de VEILIGHEID en BETROUWBAARHEID van het gereedschap te handhaven, dienen alle reparaties, onderhoud en afstellingen te worden uitgevoerd door een erkend Makita-servicecentrum, en altijd met gebruikmaking van originele Makita-ervangingsonderdelen.

VERKRIJGBARE ACCESSOIRES

LET OP:

- Deze accessoires of hulpstukken worden aanbevolen voor gebruik met het Makita-gereedschap dat in deze gebruiksaanwijzing wordt beschreven. Het gebruik van andere accessoires of hulpstukken kan gevaar voor persoonlijk letsel opleveren. Gebruik de accessoires of hulpstukken uitsluitend voor de aangegeven gebruiksdoeleinden.

Mocht u meer informatie willen hebben over deze accessoires, dan kunt u contact opnemen met uw plaatselijke Makita-servicecentrum.

- SDS-Max bits met een carbidepunt
- SDS-Max bull punt
- SDS-MAX koude beitel
- SDS-MAX afkapbeitel
- SDS-MAX tegelbeitel

- SDS-MAX kleischop
- Hamervet
- Bitvet
- Zijhandgreep
- Zijhandgreep
- Diepteaanslag
- Blaasbalgje
- Veiligheidsbril
- Draagtas

OPMERKING:

- Sommige items op de lijst kunnen zijn inbegrepen in de doos van het gereedschap als standaard toebehoren. Zij kunnen van land tot land verschillen.

Geluid

ENG905-1

De typische, A-gewogen geluidsniveaus zijn gemeten volgens EN60745:

Modellen HR4501C en HR4511C

Geluidsdrukniveau (L_{pA}): 94 dB (A)

Geluidsvermogeniveau (L_{wA}): 105 dB (A)

Onzekerheid (K): 3 dB (A)

Model HR4510C

Geluidsdrukniveau (L_{pA}): 93 dB (A)

Geluidsvermogeniveau (L_{wA}): 104 dB (A)

Onzekerheid (K): 3 dB (A)

Draag gehoorbescherming.

Trilling

ENG900-1

De totale trillingswaarde (triaxiale vectorsom) zoals vastgesteld volgens EN60745:

Model HR4501C

Gebruikstoepassing: hamerboren in beton

Trillingsemismissie ($a_{h, HD}$): 16,0 m/s²

Onzekerheid (K): 1,5 m/s²

Gebruikstoepassing: beitelen

Trillingsemismissie ($a_{h, CHEq}$): 12,5 m/s²

Onzekerheid (K): 1,5 m/s²

Gebruikstoepassing: beitelfunctie met zijhandgreep

Trillingsemismissie ($a_{h, CHEq}$): 12,5 m/s²

Onzekerheid (K): 1,5 m/s²

Model HR4510C

Gebruikstoepassing: hamerboren in beton

Trillingsemismissie ($a_{h, HD}$): 9,5 m/s²

Onzekerheid (K): 2,0 m/s²

Gebruikstoepassing: beitelen

Trillingsemismissie ($a_{h, CHEq}$): 8,5 m/s²

Onzekerheid (K): 1,5 m/s²

Gebruikstoepassing: beitelfunctie met zijhandgreep

Trillingsemismissie ($a_{h, CHEq}$): 8,5 m/s²

Onzekerheid (K): 1,5 m/s²

Model HR4511C

Gebruikstoepassing: hamerboren in beton

Trillingsemismissie ($a_{h, HD}$): 7,5 m/s²

Onzekerheid (K): 1,5 m/s²

Gebruikstoepassing: beitelen

Trillingsemismissie ($a_{h, CHEq}$): 7,0 m/s²

Onzekerheid (K): 1,5 m/s²

Gebruikstoepassing: beitelfunctie met zijhandgreep
Trillingsemisatie ($a_{h, CHeg}$): 7,5 m/s²
Onzekerheid (K): 1,5 m/s²

ENG901-1

- De opgegeven trillingsemisatie waarde is gemeten volgens de standaardtestmethode en kan worden gebruikt om dit gereedschap te vergelijken met andere gereedschappen.
- De opgegeven trillingsemisatie waarde kan ook worden gebruikt voor een beoordeling vooraf van de blootstelling.

⚠ WAARSCHUWING:

- De trillingsemisatie tijdens het gebruik van het elektrisch gereedschap in de praktijk kan verschillen van de opgegeven trillingsemisatie waarde afhankelijk van de manier waarop het gereedschap wordt gebruikt.
- Zorg ervoor dat veiligheidsmaatregelen worden getroffen ter bescherming van de operator die zijn gebaseerd op een schatting van de blootstelling onder praktijkomstandigheden (rekening houdend met alle fasen van de bedrijfscyclus, zoals de tijdsduur gedurende welke het gereedschap is uitgeschakeld en stationair draait, naast de ingeschakelde tijdsduur).

Alleen voor Europese landen

ENH101-16

EU-verklaring van conformiteit

Wij, Makita Corporation, als de verantwoordelijke fabrikant, verklaren dat de volgende Makita-machine(s):

Aanduiding van de machine: Drillboor
Modelnr./Type: HR4501C, HR4510C en HR4511C
in serie zijn geproduceerd en

Voldoen aan de volgende Europese richtlijnen:
2006/42/EC

En zijn gefabriceerd in overeenstemming met de volgende normen of genormaliseerde documenten:
EN60745

De technische documentatie wordt bewaard door:
Makita International Europe Ltd.
Technical Department,
Michigan Drive, Tongwell,
Milton Keynes, Bucks MK15 8JD, Engeland

30. 1. 2009



Tomoyasu Kato
Directeur

Makita Corporation
3-11-8, Sumiyoshi-cho,
Anjo, Aichi, 446-8502, JAPAN

ESPAÑOL (Instrucciones originales)

Descripción y visión general

- | | | |
|--|--------------------------------------|----------------------------|
| 1. Interruptor disparador | 8. Luz indicadora de servicio (roja) | 16. Calibre de profundidad |
| 2. Palanca del interruptor | 9. Empuñadura lateral | 17. Tornillo de apriete |
| 3. Dial de ajuste | 10. Tuerca de fijación | 18. Bulbo de extracción |
| 4. Palanca de cambio | 11. Mango lateral | |
| 5. Puntero | 12. Espiga de la broca | |
| 6. Botón de bloqueo | 13. Grasa para brocas | |
| 7. Luz indicadora de encendido (verde) | 14. Broca | |
| | 15. Cubierta del mandril | |

ESPECIFICACIONES

Modelo		HR4501C	HR4510C	HR4511C
Capacidades	Broca con punta de carburo	45 mm		
	Broca	125 mm		
Velocidad en vacío (min ⁻¹)		130 - 280		
Golpes por minuto		1.250 – 2.750		
Longitud total		458 mm		
Peso neto		8,2 kg	8,9 kg	9,0 kg
Clase de seguridad		□/II		

- Debido a nuestro programa continuo de investigación y desarrollo, las especificaciones aquí descritas están sujetas a cambios sin previo aviso.
- Las especificaciones pueden ser diferentes de un país a otro.
- Peso de acuerdo con el procedimiento EPTA 01/2003

Uso previsto

ENE044-1

Esta herramienta está diseñada para perforar con percusión ladrillo, hormigón y piedra, así como para trabajos de cincelado.

Alimentación

ENF002-2

La herramienta debe conectarse solamente a una fuente de alimentación de la misma tensión que la indicada en la placa de características, y sólo puede funcionar con corriente alterna monofásica. La herramienta cuenta con un doble aislamiento y puede, por lo tanto, usarse también en tomacorrientes sin conductor de tierra.

Advertencias de seguridad generales para herramientas eléctricas

GEA010-1

⚠ ADVERTENCIA Lea todas las advertencias de seguridad y todas las instrucciones. La no observancia de las advertencias y las instrucciones puede provocar descargas eléctricas, incendios y/o lesiones graves.

Guarde todas las advertencias e instrucciones para futuras consultas.

ADVERTENCIAS DE SEGURIDAD DEL MARTILLO ROTATIVO

GEB007-7

1. **Utilice protectores para los oídos.** La exposición al ruido puede producir pérdida auditiva.
2. **Utilice las empuñaduras auxiliares proporcionadas con la herramienta.** La pérdida de control puede ocasionar daños corporales.
3. **Sujete la herramienta eléctrica por las superficies de agarre aisladas al realizar una operación en que el accesorio de corte pueda entrar en contacto con cables ocultos o con su propio cable.** Si entra en contacto con un cable con corriente, puede que las piezas metálicas expuestas de la herramienta eléctrica se carguen también de corriente y que el operario reciba una descarga.
4. **Póngase un casco de seguridad, gafas de seguridad y/o una careta protectora.** Las gafas normales o de sol NO son gafas de seguridad. También se recomienda encarecidamente que utilice una mascarilla antipolvo y guantes gruesos acolchados.
5. **Asegúrese de que la broca esté firmemente sujeta en su lugar antes del uso.**
6. **En condiciones normales de funcionamiento, la herramienta está diseñada para producir vibraciones.** Los tornillos pueden aflojarse fácilmente, con lo cual se puede averiar la herramienta o puede producirse un accidente. Compruebe que los tornillos estén bien apretados antes del uso.
7. **Si hace frío o la herramienta no se ha utilizado durante un período prolongado, deje que se caliente la herramienta poniéndola en marcha en vacío.** De este modo se facilitará la lubricación. Si no se calienta adecuadamente, se dificultará el martilleo.
8. **Colóquese siempre en una posición bien equilibrada.**

Si utiliza la herramienta en una ubicación elevada, asegúrese de que nadie se encuentre debajo.

- Sujete firmemente la herramienta con ambas manos.
- Mantenga las manos alejadas de las piezas móviles.
- No deje la herramienta encendida. Póngala en marcha solamente cuando la tenga en las manos.
- No apunte la herramienta hacia ninguna persona que se encuentre en la zona durante su uso. La broca podría salir disparada y herir gravemente a alguien.
- No toque la broca ni las piezas cercanas a ésta inmediatamente después de que hayan estado en funcionamiento; pueden estar extremadamente calientes y producir quemaduras en la piel.
- Algunos materiales contienen sustancias químicas que pueden ser tóxicas. Procure evitar la inhalación de polvo y el contacto con la piel. Consulte la información de seguridad del proveedor del material.

GUARDE ESTAS INSTRUCCIONES.

ADVERTENCIA:

No deje que la comodidad o la familiaridad con el producto (a base de utilizarlo repetidamente) sustituya la estricta observancia de las normas de seguridad del producto en cuestión. El MAL USO o la no observancia de las normas de seguridad expuestas en este manual de instrucciones pueden ocasionar graves daños corporales.

DESCRIPCIÓN DEL FUNCIONAMIENTO

PRECAUCIÓN:

- Asegúrese siempre de que la herramienta esté apagada y desenchufada antes de intentar realizar cualquier tipo de ajuste o comprobación en ella.

Funcionamiento del interruptor (Fig. 1)

MODELO HR4511C

PRECAUCIÓN:

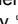
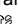
- Antes de enchufar la herramienta, asegúrese siempre de que el interruptor disparador funcione como es debido y de que vuelva a la posición "OFF" (apagado) al soltarlo.

Para poner en marcha la herramienta, simplemente accione el interruptor disparador. Suelte el interruptor disparador para detener la herramienta.

MODELOS HR4510C/ HR4501C

Interruptor disparador


PRECAUCIÓN:

- Antes de enchufar la herramienta, asegúrese siempre de que el interruptor disparador funcione como es debido y de que vuelva a la posición "OFF" (apagado) al soltarlo.
- Este interruptor funciona cuando la herramienta se encuentra ajustada en los modos  y .

Para poner en marcha la herramienta, simplemente accione el interruptor disparador. Suelte el interruptor disparador para detener la herramienta.

Interruptor deslizante

PRECAUCIÓN:

- Antes de enchufar la herramienta, asegúrese de que está desconectada.
- Este interruptor solo funciona cuando la herramienta se encuentra ajustada en el modo .

El interruptor deslizante puede utilizarse cuando la herramienta se usa en el modo de percusión de forma prolongada. Para poner en marcha la herramienta, presione el lado "I (ON)" de la palanca del interruptor. Para detener la herramienta, presione el lado "O (ON)" de la palanca del interruptor. (Fig. 2)

Cambio de velocidad (Fig. 3)

El número de revoluciones y golpes por minuto puede ajustarse girando el dial de regulación. El dial está marcado del 1 (velocidad mínima) al 5 (velocidad máxima).

Consulte la siguiente tabla para obtener información sobre la relación entre los números del dial y el número de revoluciones / golpes por minuto.

Número del dial	Revoluciones por minuto	Golpes por minuto
5	280	2.750
4	260	2.550
3	200	1.950
2	150	1.450
1	130	1.250


008417

PRECAUCIÓN:

- Si la herramienta se utiliza constantemente a baja velocidad durante un tiempo prolongado, el motor se sobrecargará y la herramienta dejará de funcionar correctamente.
- El dial de regulación de la velocidad puede girarse hasta 5 y de vuelta hasta 1 solamente. No lo fuerce más allá de 5 ó 1, o la función de ajuste de velocidad podrá dejar de funcionar.


Selección del modo de acción

Giro con percusión (Fig. 4 y 5)

Para taladrar hormigón, ladrillo, etc. apriete el botón de bloqueo y gire la palanca de cambio hasta que el puntero señale al símbolo . Utilice una broca con punta de carburo de tungsteno.

Sólo percusión

MODELOS HR4501C Y HR4510 (Fig. 6)

Para trabajos de cincelado, desincrustación o demolición, apriete el botón de bloqueo y gire la palanca de cambio hasta que el puntero señale al símbolo . Utilice un puntero, un cortafío, un cincel de desincrustación, etc.

Para martilleo prolongado (MODELOS HR4501C Y HR4510C SOLAMENTE) (Fig. 7)

Para trabajos de cincelado, desincrustación o demolición, apriete el botón de bloqueo y gire la palanca de cambio

hasta que el puntero señale al símbolo . Utilice un puntero, un cortafío, un cincel de desincrustación, etc.

PRECAUCIÓN:

- Cuando se utiliza la herramienta en el modo el interruptor disparador deja de funcionar, de forma que solo funciona el interruptor deslizante.

MODELO HR4511C (Fig. 8)

Para trabajos de cincelado, desincrustación o demolición, apriete el botón de bloqueo y gire la palanca de cambio hasta que el puntero señale al símbolo . Utilice un puntero, un cortafío, un cincel de desincrustación, etc.

PRECAUCIÓN:

- No gire la palanca de cambio cuando la herramienta esté en marcha con carga ya que, de lo contrario, la herramienta se averiará.
- Para evitar el desgaste prematuro del mecanismo de cambio de modo, asegúrese siempre de que la palanca de cambio queda bien colocada en una de las tres posiciones de modo de acción.

Limitador de par de apriete

El limitador de par de apriete entra en acción cuando se alcanza un cierto nivel de par. El motor se desacoplará del eje de salida. Cuando esto suceda, la broca dejará de girar.

PRECAUCIÓN:

- Desconecte la herramienta tan pronto como actúe el limitador de par de apriete. Ello evitará que la herramienta se desgaste prematuramente.

Luz indicadora (Fig. 9)

La luz indicadora verde de encendido (ON) se enciende cuando se enchufa la herramienta. Si la luz indicadora no se enciende, puede que el cable de la corriente o el controlador estén averiados. Si la luz indicadora está encendida, pero la herramienta no se pone en marcha aunque esté encendida, puede que las escobillas de carbón estén desgastadas o que el controlador, el motor o el interruptor de encendido y apagado estén averiados. Cuando las escobillas están a punto de desgastarse por completo, la luz indicadora de servicio roja se ilumina para indicar que es necesario revisar la herramienta. Al cabo de aproximadamente 8 horas de servicio, el motor se apagará automáticamente.

MONTAJE

PRECAUCIÓN:

- Asegúrese siempre de que la herramienta esté apagada y desenchufada antes de intentar realizar cualquier trabajo en ella.

Empuñadura lateral (Fig. 10)

PRECAUCIÓN:

- Utilice la empuñadura lateral solo para trabajos de cincelado, desincrustación o demolición. No la utilice para taladrar hormigón, ladrillo, etc. Durante los trabajos de taladrado la herramienta no puede cogerse correctamente si está montada la empuñadura lateral.

La empuñadura lateral puede girarse 360° en el plano vertical y fijarse en cualquier posición. También puede fijarse en ocho posiciones hacia delante y atrás en el

plano horizontal. Para colocar la empuñadura a la posición deseada, afloje la tuerca de fijación. A continuación vuelva a apretar la tuerca de fijación con firmeza. (Fig. 11)

Mango lateral (Fig. 12)

PRECAUCIÓN:

- Utilice siempre el mango lateral para garantizar la seguridad cuando taladre en hormigón, ladrillos, etc. El mango lateral se puede girar a cualquier lado, lo que posibilita un cómodo agarre de la herramienta en cualquier posición. Afloje el mango lateral girándolo en el sentido contrario a las agujas del reloj, colóquelo en la posición deseada y después apriételo girándolo en el sentido de las agujas del reloj.

Instalación o extracción de la barrena (Fig. 13)

Limpie la espiga de la broca y engrásela antes de montarla.

Introduzca la broca en la herramienta. Gírela y empújela hasta que se enclave. (Fig. 14)

Si la broca no entra, extráigala. Desplace la cubierta del mandril un par de veces hacia abajo. Vuelva a introducir la broca. Gírela y empújela hasta que se enclave.

Después de la instalación, asegúrese siempre de que la broca está bien sujeta en su lugar; para ello, intente sacarla.

Para extraer la broca, desplace la cubierta del mandril la máximo hacia abajo y tire de la broca hacia fuera.

(Fig. 15)

Ángulo de la broca (cincelado, desincrustación o demolición) (Fig. 16 y 17)

La broca puede fijarse en 12 ángulos diferentes. Para cambiarlo, apriete el botón de bloqueo y coloque la palanca de cambio de forma que el puntero señale al símbolo .

Gire la broca al ángulo requerido.

Apriete el botón de bloqueo y coloque la palanca de cambio de forma que el puntero señale al símbolo . Compruebe que la broca ha quedado bien sujeta; para ello, gírela ligeramente. (Fig. 18 y 19)

Calibre de profundidad (Fig. 20)

El calibre de profundidad es muy útil para realizar agujeros de profundidad uniforme. Afloje el tornillo de apriete y ajuste el calibre de profundidad en la profundidad deseada. Tras el ajuste, apriete firmemente el tornillo de apriete.

NOTA:

- No se puede usar el calibre de profundidad en la posición en la que golpea contra el alojamiento del engranaje / motor.

MANEJO

Función de perforación con percusión (Fig. 21)

Coloque la palanca de cambio al símbolo .

Coloque la broca en el lugar donde desee practicar el orificio y, a continuación, presione el interruptor disparador. No fuerce la herramienta. Los mejores resultados se obtienen cuando se ejerce una presión suave. Mantenga la herramienta en posición y evite que se desplace fuera del orificio.

No ejerza más presión cuando el orificio se obstruya con restos o partículas de materiales. Pare la herramienta y, a continuación, extraiga la broca parcialmente del orificio. Repita esta operación varias veces hasta que el orificio se limpie y pueda reanudar la perforación.


PRECAUCIÓN:

- Cuando la broca empieza a romper el hormigón o cuando entra en contacto con las barras de refuerzo del hormigón la herramienta podría reaccionar peligrosamente. A fin de evitar reacciones peligrosas, colóquese en una posición que le permita mantener bien el equilibrio con los pies bien colocados y sujete la herramienta firmemente con ambas manos.

Bulbo de extracción (accesorio opcional) (Fig. 22)

Tras perforar el orificio, utilice el bulbo de extracción para quitar el polvo y los restos de materiales del orificio.

Cinzelado/desincrustación/demolición (Fig. 23)

Coloque la palanca de cambio al símbolo . Sujete firmemente la herramienta con ambas manos. Encienda la herramienta y aplique una ligera presión sobre ella para evitar que rebote sin control. Apretar demasiado la herramienta no aumenta la eficacia.

MANTENIMIENTO

PRECAUCIÓN:

- Asegúrese siempre de que la herramienta esté apagada y desenchufada antes de intentar realizar cualquier trabajo de inspección o mantenimiento en ella.
- Nunca utilice gasolina, benceno, disolvente, alcohol o un producto similar. Se puede provocar una decoloración, una deformación o grietas.

PRECAUCIÓN:

• Las intervenciones deben ser realizadas únicamente por un centro de servicio técnico autorizado de Makita. Esta herramienta no requiere lubricación por horas ni diaria, porque tiene un sistema de lubricación constante con grasa. Se debe lubricar cada vez que se reemplacen las escobillas de carbón. Deberá enviar la herramienta completa a un centro de servicio autorizado de Makita para que lubriquen la herramienta. Para conservar la SEGURIDAD y la FIABILIDAD del producto, los trabajos de reparación y otros trabajos de mantenimiento y ajuste deberán ser realizados en centros de servicio autorizados de Makita, utilizando siempre repuestos Makita.

ACCESORIOS OPCIONALES

PRECAUCIÓN:

- Se recomienda el uso de estos accesorios o complementos con la herramienta Makita especificada

en este manual. El uso de otros accesorios o complementos puede conllevar el riesgo de ocasionar daños corporales. Utilice los accesorios o complementos solamente para su fin establecido.

Si necesita cualquier ayuda para obtener más información relativa a estos accesorios, pregunte a su centro de servicio Makita local.

- Brocas con punta de carburo SDS-Max
- Puntero SDS-Max
- Cortafío SDS-MAX
- Cíncel de desincrustación SDS-MAX
- Cíncel de baldosar SDS-MAX
- Pala de arcilla SDS-MAX
- Grasa para martillo
- Grasa para brocas
- Empuñadura lateral
- Mango lateral
- Calibre de profundidad
- Bulbo de extracción
- Gafas de seguridad
- Maletín de transporte

NOTA:

- Algunos elementos de la lista se pueden incluir en el paquete de la herramienta como accesorios estándar. Pueden ser diferentes de un país a otro.

Ruido

ENG905-1

Nivel típico de ruido ponderado A determinado conforme a EN60745:

Modelo HR4501C, HR4511C

Nivel de presión de sonido (L_{pA}): 94 dB (A)

Nivel de potencia de sonido (L_{WA}): 105 dB (A)

Incertidumbre (K): 3 dB (A)

Modelo HR4510C

Nivel de presión de sonido (L_{pA}): 93 dB (A)

Nivel de potencia de sonido (L_{WA}): 104 dB (A)

Incertidumbre (K): 3 dB (A)

Utilice protección para los oídos.

Vibración

ENG900-1

Valor total de la vibración (suma de vectores triaxiales) determinada según el estándar EN60745:

Modelo HR4501C

Modo de trabajo: taladrado de percusión en hormigón

Emisión de vibraciones ($a_{h,HD}$): 16,0 m/s²

Incertidumbre (K): 1,5 m/s²

Modo de trabajo: cinzelado

Emisión de vibraciones ($a_{h,CHeq}$): 12,5 m/s²

Incertidumbre (K): 1,5 m/s²

Modo de trabajo: función de cinzelado con mango lateral

Emisión de vibraciones ($a_{h,CHeq}$): 12,5 m/s²

Incertidumbre (K): 1,5 m/s²

Modelo HR4510C

Modo de trabajo: taladrado de percusión en hormigón

Emisión de vibraciones ($a_{h,HD}$): 9,5 m/s²

Incertidumbre (K): 2,0 m/s²

Modo de trabajo: cincelado

Emisión de vibraciones ($a_{h,CHeq}$): 8,5 m/s²

Incertidumbre (K): 1,5 m/s²

Modo de trabajo: función de cincelado con mango lateral

Emisión de vibraciones ($a_{h,CHeq}$): 8,5 m/s²

Incertidumbre (K): 1,5 m/s²

Modelo HR4511C

Modo de trabajo: taladrado de percusión en hormigón

Emisión de vibraciones ($a_{h,HD}$): 7,5 m/s²

Incertidumbre (K): 1,5 m/s²

Modo de trabajo: cincelado

Emisión de vibraciones ($a_{h,CHeq}$): 7,0 m/s²

Incertidumbre (K): 1,5 m/s²

Modo de trabajo: función de cincelado con mango lateral

Emisión de vibraciones ($a_{h,CHeq}$): 7,5 m/s²

Incertidumbre (K): 1,5 m/s²

ENG901-1

- El valor de emisión de vibraciones se ha medido de acuerdo con el método de prueba estándar y se puede utilizar para comparar herramientas.
- El valor de emisión de vibraciones declarado también se puede usar en una evaluación preliminar de la exposición.

ADVERTENCIA:

- La emisión de vibraciones durante el uso de la herramienta eléctrica puede diferir del valor de emisiones declarado, dependiendo de las formas en que se utiliza la herramienta.
- Asegúrese de identificar las mediciones correctas para proteger al operario, que se basan en una estimación de la exposición en condiciones de uso reales (teniendo en cuenta todas las partes del ciclo de operaciones, como los momentos en los que la herramienta está apagada y cuando funciona al ralentí además del tiempo en que está activado el interruptor).

Sólo para los países europeos

ENH101-16

Declaración de conformidad de la CE

Nosotros, Makita Corporation, en calidad de fabricante responsable, declaramos que las siguientes máquinas Makita:

Designación de la máquina: Martillo rotativo

Nº de modelo/ Tipo: HR4501C, HR4510C, HR4511C

son de producción serie y

Cumplen con las siguientes Directivas europeas:

2006/42/CE

Y se han fabricado de acuerdo con los siguientes estándares o documentos estandarizados:

EN60745

La documentación técnica la conserva:

Makita International Europe Ltd.
Technical Department,
Michigan Drive, Tongwell,
Milton Keynes, Bucks MK15 8JD, Inglaterra

30. 1. 2009



Tomoyasu Kato

Director

Makita Corporation

3-11-8, Sumiyoshi-cho,
Anjo, Aichi, 446-8502, JAPAN

PORTUGUÊS (Instruções de origem)

Descrição geral

- | | | |
|---|---|-----------------------------|
| 1. Gatilho | 8. Lâmpada de indicação de serviço (vermelho) | 15. Tampa do mandril |
| 2. Alavanca do interruptor | 9. Pega lateral | 16. Medidor de profundidade |
| 3. Manípulo de ajuste | 10. Porca de fixação | 17. Parafuso de fixação |
| 4. Alavanca de comutação | 11. Apoio lateral | 18. Fole |
| 5. Ponteiro | 12. Haste da broca | |
| 6. Botão de bloqueio | 13. Lubrificador da broca | |
| 7. Lâmpada de indicação de ligado (verde) | 14. Broca | |

ESPECIFICAÇÕES

Modelo		HR4501C	HR4510C	HR4511C
Capacidades	Broca com ponta de carbido	45 mm		
	Broca de coroa	125 mm		
Sem velocidade de rotação em carga (min. ⁻¹)		130 - 280		
Sopros por minuto		1.250 – 2.750		
Comprimento total		458 mm		
Peso líquido		8,2 kg	8,9 kg	9,0 kg
Classe de segurança		II/II		

- Devido à pesquisa e desenvolvimento constantes, estas especificações estão sujeitas a alteração sem aviso prévio.
- Estas especificações podem diferir de país para país.
- Peso de acordo com procedimento EPTA de 01/2003

Utilização prevista ENE044-1

Esta ferramenta é para perfuração com martelo e perfuração em tijolo, cimento ou pedra assim como para trabalhos de acabamento.

Fonte de alimentação ENF002-2

A ferramenta apenas deve ser ligada a uma fonte de alimentação da mesma tensão que a indicada na chapa de especificações, e apenas pode funcionar com uma alimentação CA monofásica. Estão blindadas duplamente e podem, assim, ser igualmente ligadas a tomadas sem fio terra.

Avisos gerais de segurança para ferramentas eléctricas GEA010-1

⚠ AVISO Leia todos os avisos de segurança e todas as instruções. O não cumprimento dos avisos e instruções pode resultar na ocorrência de choques eléctricos, incêndios e/ou ferimentos graves.

Guarde todos os avisos e instruções para referência futura.

AVISOS DE SEGURANÇA DO MARTELO ROTATIVO GEB007-7

1. Use protecção para os ouvidos. A exposição ao ruído pode provocar a perda de audição.
2. Utilize a(s) pega(s) auxiliar(es) fornecida(s) com a ferramenta. A perda de controlo pode provocar ferimentos pessoais.
3. Quando executar operações em que acessórios de corte possam entrar em contacto com fios eléctricos ocultos ou com próprio cabo eléctrico da ferramenta, tenha o cuidado de tocar apenas nas superfícies isoladas desses acessórios. O acessório de corte em contacto com um fio eléctrico ligado à corrente pode electrificar as peças de metal da ferramenta e provocar um choque.
4. Use um capacete de segurança, óculos de protecção e/ou visor de protecção. Os óculos normais de visão ou os óculos escuros NÃO são óculos de segurança. É igualmente recomendável que use uma máscara de pó e luvas forradas grossas.
5. Certifique-se que a broca fixa no lugar antes de a utilizar.
6. Em funcionamento normal, a ferramenta está concebida para produzir vibrações. Os parafusos podem soltar-se facilmente, podendo provocar danos ou um acidente. Verifique se os parafusos estão bem apertados antes de utilizar o aparelho.
7. Em tempo frio ou quando a ferramenta não for usada durante muito tempo, deixe-a arrefecer durante um bocado antes de a utilizar sem carga. Isto melhora a lubrificação. Sem um arrefecimento correcto, o processo de martelagem pode tornar-se difícil.
8. Procure uma posição em pé estável e firme. Se utilizar a ferramenta em locais altos, verifique se não há ninguém por baixo.
9. Segure a ferramenta com firmeza, com as duas mãos.
10. Afaste as mãos das peças em movimento.
11. Não abandone a ferramenta a funcionar. Ponha-a a funcionar apenas quando estiver a segurá-la.

12. **Não aponte a ferramenta a ninguém quando a estiver a utilizar. A broca pode soltar-se e ferir alguém seriamente.**
13. **Não toque numa broca nem nos seus componentes logo após a operação porque podem estar demasiado quentes.**
14. **Alguns materiais contêm produtos químicos que podem ser tóxicos. Tenha cuidado para evitar a inalação de pó e contacto com a pele. Siga as instruções de segurança do fornecedor do material.**

GUARDE ESTAS INSTRUÇÕES.

AVISO:

NÃO deixe que o conforto ou a familiaridade com o produto (adquirida de uma utilização frequente) substitua o respeito total pelas regras de segurança para utilização do produto. A UTILIZAÇÃO INCORRECTA ou o não cumprimento das regras de segurança fornecidas neste manual de instruções podem provocar ferimentos graves.

DESCRIÇÃO DO FUNCIONAMENTO

PRECAUÇÃO:

- Certifique-se sempre de que a ferramenta está desligada no interruptor e da tomada antes de proceder a ajustes ou testes à mesma.

O gatilho/interruptor (Fig. 1)

PARA O MODELO HR4511C

PRECAUÇÃO:



- Antes de inserir a ficha da ferramenta na tomada, verifique se o gatilho está a funcionar correctamente e se volta à posição "OFF" quando o solta.

Para colocar a ferramenta em funcionamento prima o gatilho. Para parar a ferramenta, solte o gatilho.

PARA OS MODELOS HR4510C/ HR4501C

Gatilho


PRECAUÇÃO:

- Antes de inserir a ficha da ferramenta na tomada, verifique se o gatilho está a funcionar correctamente e se volta à posição "OFF" quando o solta.
- Este interruptor funciona apenas a ferramenta ajusta a os modos símbolos  e .

Para colocar a ferramenta em funcionamento prima o gatilho. Para parar a ferramenta, solte o gatilho.

Interruptor deslizante

PRECAUÇÃO:

- Antes de inserir a ficha da ferramenta na tomada, nunca se esqueça de verificar se a ferramenta está desligada.
- Este interruptor funciona só quando ajusta a ferramenta para o modo de símbolo de acção .

Quando usa a ferramenta no modo martelo por um período de tempo longo, o interruptor deslizante está disponível. Para ligar a ferramenta, carregue no lado "I (ON)" da alavanca do interruptor. Para desligar a

ferramenta, carregue no lado "O (OFF)" da alavanca do interruptor. (Fig. 2)

Alteração da velocidade (Fig. 3)

As rotações e sopros por minuto podem ser ajustadas rodando o manípulo de ajuste. O manípulo está marcado de 1 (velocidade mínima) a 5 (velocidade máxima). Consulte a tabela em baixo para a verificar a relação entre a definição dos números no manípulo de regulação e as rotações/sopros por minuto.

Número no manípulo de ajuste	Rotações por minuto	Sopros por minuto
5	280	2.750
4	260	2.550
3	200	1.950
2	150	1.450
1	130	1.250

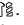
008417

PRECAUÇÃO:

- Se a ferramenta fica em funcionamento contínuo a velocidades baixas por muito tempo, o motor fica sobrecarregado causando avaria no equipamento.
- O manípulo de regulação da velocidade apenas pode ser rodado até 5 ou 1. Não o force para lá de 5 ou 1, caso contrário a função de regulação da velocidade poderá deixar de funcionar.


Seleccionar o modo de funcionamento

Rotação com martelo (Fig. 4 e 5)

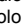
Para perfurar em cimento, pedra, etc., prima o botão de bloqueio e rode o manípulo de mudança do modo de funcionamento para o símbolo . Utilize uma broca com ponta de carboneto de tungsténio.

Apenas martelo


PARA O MODELO HR4501C E HR4510 (Fig. 6)

Para desbastar, desencrostar ou demolir, prima o botão de bloqueio e rode o manípulo de mudança do modo de funcionamento para o símbolo . Utilize uma ponta de cinzel, buril, cinzel de desbaste, etc.

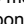
Para martelar durante longos períodos (APENAS PARA OS MODELOS HR4501 E HR4510C) (Fig. 7)

Para desbastar, desencrostar ou demolir, prima o botão de bloqueio e rode o manípulo de mudança do modo de funcionamento para o símbolo . Utilize uma ponta de cinzel, buril, cinzel de desbaste, etc.

PRECAUÇÃO:

- Quando utiliza a ferramenta no  modo símbolo, o gatilho não funciona; apenas funciona o interruptor deslizante.

PARA O MODELO HR4511C (Fig. 8)

Para desbastar, desencrostar ou demolir, prima o botão de bloqueio e rode o manípulo de mudança do modo de funcionamento para o símbolo . Utilize uma ponta de cinzel, buril, cinzel de desbaste, etc.

PRECAUÇÃO:

- Não rode o manípulo de mudança quando a ferramenta está em funcionamento sobre carga. Pode avariar a ferramenta.
- Para evitar uma rápida deterioração no mecanismo de mudança de modo, certifique-se de que o manípulo de mudança do modo de funcionamento está sempre correctamente posicionado numa das três posições do modo de funcionamento.

Limitador de binário

O limitador de binário actua quando um denominado nível de binário é atingido. O motor desengata do veio de saída. Quando isto acontecer, a broca pára de girar.

PRECAUÇÃO:

- Assim que o limitador de binário actuar, desligue a ferramenta imediatamente. Isto ajuda a evitar uma deterioração prematura da ferramenta.

Lâmpada indicadora (Fig. 9)

A lâmpada indicadora verde de alimentação ligada, acende-se quando a ferramenta é ligada à tomada. Se a lâmpada indicadora não se acender, o cabo de alimentação ou a lâmpada indicadora podem estar avariados. Se a lâmpada indicadora se acender mas a ferramenta não se iniciar, mesmo que a ferramenta seja ligada, as escovas de carvão poderão estar gastas ou o motor ou interruptor podem estar avariados.

A lâmpada vermelha indicadora de serviço acende quando as escovas de carvão estão quase gastas, para indicar que a ferramenta precisa de manutenção. Depois de aproximadamente 8 horas de uso, o motor desliga-se automaticamente.

MONTAGEM

PRECAUÇÃO:

- Certifique-se sempre de que a ferramenta está desligada no interruptor e da tomada antes de efectuar qualquer trabalho na mesma.

Pega lateral (Fig. 10)

PRECAUÇÃO:

- Use a pega lateral apenas quando desbastar, desencrostar ou demolir. Não a use quando perfurar em cimento, pedra, etc. A ferramenta não pode ser segurada correctamente com esta pega lateral quando faz perfuração.

A pega lateral pode ser movimentada a 360° na vertical e assegurar qualquer posição desejada. Também assegura oito posições diferentes para a frente e para trás na horizontal. Solte a porca de fixação para movimentar a pega lateral para a posição que pretender. Depois aperte a porca de fixação com segurança. (Fig. 11)

Apoio lateral (Fig. 12)

PRECAUÇÃO:

- Use sempre o apoio lateral para assegurar uma operação segura quando perfurar em cimento, pedra, etc.

O apoio lateral move-se para o outro lado, permitindo um fácil manuseamento da ferramenta em qualquer posição. Solte a pega lateral rodando-a no sentido contrário aos

ponteiros do relógio, mova-a para a posição desejada e depois aperte-a rodando-a no sentido dos ponteiros do relógio

Instalar ou retirar a broca (Fig. 13)

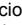
Limpe a haste da broca e aplique lubrificante na broca antes de a instalar.

Introduza a broca na ferramenta. Gire a broca e empurre-a até encaixar. (Fig. 14)

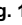
Se não a conseguir empurrar, retire-a. Puxe a tampa do mandril para baixo várias vezes. E introduza a broca novamente. Gire a broca e empurre-a até encaixar. Após instalar, certifique-se sempre de que a broca está bem fixa, tentando puxá-la para fora.

Para retirar a broca, puxe a tampa do mandril para baixo completamente e retire a broca. (Fig. 15)

Ângulo da broca (quando desbastar, desencrostar ou demolir) (Fig. 16 e 17)

A broca pode ser encaixada em 12 ângulos diferentes. Para alterar o ângulo da broca, prima o botão de bloqueio e rode o manípulo de mudança do modo de funcionamento para o símbolo .

Rode a broca para o ângulo desejado.

Prima o botão de bloqueio e rode o manípulo de mudança até apontar para o símbolo . Certifique-se de que a broca está bem encaixada girando-a ligeiramente.

(Fig. 18 e 19)

Medidor de profundidade (Fig. 20)


O medidor de profundidade é conveniente para perfurar buracos de profundidade uniforme. Solte a porca de fixação e ajuste o medidor de profundidade para a profundidade desejada. Após o ajuste, aperte a porca de fixação firmemente.

NOTA:

- O medidor de profundidade não pode ser usado na posição em que o medidor de profundidade fique contra o compartimento de velocidade/compartimento do motor.

FUNCIONAMENTO

Perfuração com percussão (Fig. 21)

Ajuste o manípulo de mudança para o símbolo . Posicione a broca no ponto onde deseja efectuar a perfuração e prima o gatilho. Não force a ferramenta. Se aplicar uma leve pressão obterá melhores resultados. Concentre-se em manter a ferramenta na posição correcta e não deixar que a broca saia do orifício. Não aplique mais pressão quando o orifício começar a ficar entupido com partículas do material perfurado. Em vez disso, coloque a ferramenta em compasso de espera e retire parcialmente a broca do orifício. Repetindo este processo várias vezes, manterá o orifício limpo e uma perfuração normal.


PRECAUÇÃO:

- Quando a broca começa a perfurar betão ou se a broca fulminar com muita força contra o cimento, a ferramenta pode tornar-se perigosa. Mantenha um bom equilíbrio com os pés firmes e em segurança enquanto segura a ferramenta firmemente com as duas mãos para evitar situações perigosas.

Fole (acessório opcional) (Fig. 22)

Depois de perfurado o orifício, utilize o fole para retirar o entulho e partículas.

Desbastar/Desencrostar/Demolir (Fig. 23)

Ajuste o manípulo de mudança para o símbolo . Segure a ferramenta com firmeza, com as duas mãos. Ligue a ferramenta e aplique uma ligeira pressão na ferramenta, de forma a que a ferramenta não salte descontrolada. Premir a ferramenta com muita força não aumentará a eficiência.

MANUTENÇÃO

PRECAUÇÃO:

- Certifique-se sempre de que a ferramenta está desligada no interruptor e da tomada antes de inspecionar ou fazer a manutenção da ferramenta.
- Nunca utilize gasolina, benzina, diluente, álcool ou semelhante. Podem formar-se descolorações, deformações ou fissuras.

PRECAUÇÃO:

- Este serviço deve ser realizado apenas pelos Centros de Serviço Autorizados da Makita.

Esta ferramenta não necessita de lubrificação constante ou diária pois tem um sistema de lubrificação integrado. Deve ser lubrificado sempre que as escovas de carvão sejam substituídas. Envie a ferramenta completa para um centro de assistência autorizado Makita para efectuar este serviço de lubrificação.

Para manter os níveis de SEGURANÇA e FIABILIDADE definidos para este produto, reparações, operações de manutenção ou ajustes devem ser executados por centros de assistência Makita autorizados e, no caso de substituição de peças, estas devem ser igualmente Makita.

ACESSÓRIOS OPCIONAIS

PRECAUÇÃO:

- Os seguintes acessórios ou extensões são os recomendados para utilizar com a ferramenta Makita especificada neste manual. A utilização de quaisquer outros acessórios poderá representar um risco de ferimento para as pessoas. Apenas utilize o acessório para o fim indicado.

Se precisar de informações adicionais relativas aos acessórios, contacte o centro local de assistência Makita.

- Brocas com ponta de carbono SDS-Max
- Ponta de cinzel SDS-Max
- Butil SDS-MAX
- Cinzel de desbaste SDS-MAX
- Cinzel de telha SDS-MAX
- Pá de barro SDS-MAX
- Lubrificante para o martelo
- Lubrificante para brocas
- Pega lateral
- Apoio lateral
- Medidor de profundidade
- Fole
- Óculos protectores
- Mala de transporte

NOTA:

- Alguns itens na lista podem estar incluídos no pacote de ferramentas como acessórios de série. Podem diferir de país para país.

Ruído

ENG905-1

Os níveis acústicos ponderados A típicos foram determinados segundo a EN60745:

Modelos HR4501C e HR4511C

Nível de pressão sonora (L_{pA}): 94 dB (A)

Nível de potência sonora (L_{WA}): 105 dB (A)

Imprecisão (K): 3 dB (A)

Modelo HR4510C

Nível de pressão sonora (L_{pA}): 93 dB (A)

Nível de potência sonora (L_{WA}): 104 dB (A)

Imprecisão (K): 3 dB (A)

Use protecção para os ouvidos.

Vibração

ENG900-1

O valor total da vibração (soma triaxial de vectores) foi determinado segundo a EN60745:

Modelo HR4501C

Modo de trabalho: martelagem de percussão em cimento

Emissão de vibração ($a_{h,HD}$): 16,0 m/s²

Imprecisão (K): 1,5 m/s²

Modo de trabalho: burilagem

Emissão de vibração ($a_{h,CHeq}$): 12,5 m/s²

Imprecisão (K): 1,5 m/s²

Modo de trabalho: função de burilagem com pega lateral

Emissão de vibração ($a_{h,CHeq}$): 12,5 m/s²

Imprecisão (K): 1,5 m/s²

Modelo HR4510C

Modo de trabalho: martelagem de percussão em cimento

Emissão de vibração ($a_{h,HD}$): 9,5 m/s²

Imprecisão (K): 2,0 m/s²

Modo de trabalho: burilagem

Emissão de vibração ($a_{h,CHeq}$): 8,5 m/s²

Imprecisão (K): 1,5 m/s²

Modo de trabalho: função de burilagem com pega lateral

Emissão de vibração ($a_{h,CHeq}$): 8,5 m/s²

Imprecisão (K): 1,5 m/s²

Modelo HR4511C

Modo de trabalho: martelagem de percussão em cimento

Emissão de vibração ($a_{h,HD}$): 7,5 m/s²

Imprecisão (K): 1,5 m/s²

Modo de trabalho: burilagem

Emissão de vibração ($a_{h,CHeq}$): 7,0 m/s²

Imprecisão (K): 1,5 m/s²

Modo de trabalho: função de burilagem com pega lateral

Emissão de vibração ($a_{h,CHeq}$): 7,5 m/s²

Imprecisão (K): 1,5 m/s²

- O valor da emissão de vibração declarado foi medido de acordo com o método de teste padrão e pode ser utilizado para comparar uma ferramenta com outra.
- O valor da emissão de vibração declarado pode também ser utilizado numa avaliação preliminar de exposição.

⚠ AVISO:

- A emissão de vibração durante a utilização real da ferramenta eléctrica pode ser diferente do valor de emissão declarado, dependendo da forma como a ferramenta é utilizada.
- Certifique-se de que identifica medidas de segurança, para proteger o operador, que são baseadas numa estimativa de exposição nas condições reais de utilização (tendo em conta todas as partes do ciclo de funcionamento, como as vezes que a ferramenta é desligada e quando está a trabalhar ao ralenti, além do tempo de utilização).

Apenas para os países europeus ENH101-16

Declaração de conformidade CE

A Makita Corporation, na qualidade do fabricante responsável, declara que a(s) máquina(s) Makita seguinte(s):

Designação da máquina: Martelo rotativo

N.º de modelo/Tipo: HR4501C, HR4510C, HR4511C
são produzidas em série e

estão em conformidade com as Directivas Europeias seguintes:

2006/42/EC

E são fabricadas de acordo com as normas ou os documentos padronizados seguintes:

EN60745

A documentação técnica é mantida por:

Makita International Europe Ltd.

Technical Department,

Michigan Drive, Tongwell,

Milton Keynes, Bucks MK15 8JD, Inglaterra

30. 1. 2009



Tomoyasu Kato

Director

Makita Corporation

3-11-8, Sumiyoshi-cho,

Anjo, Aichi, 446-8502, JAPAN

DANSK (Originalvejledning)

Forklaring til generel oversigt

- | | | |
|----------------------------|-------------------------------------|------------------------|
| 1. Kontaktagreb | 7. Indikatorlampe for strøm (grøn) | 13. Smørelse til spids |
| 2. Kontakthåndtag | 8. Indikatorlampe for service (rød) | 14. Spids |
| 3. Drejeknap til justering | 9. Sidehåndtag | 15. Værktøjsholder |
| 4. Skiftearm | 10. Tilspændingsmøtrik | 16. Dybdemåler |
| 5. Pil | 11. Sidegreb | 17. Tilspændingsskrue |
| 6. Låseknop | 12. Værktøjsskaft | 18. Udblæsningskolbe |

SPECIFIKATIONER

Model		HR4501C	HR4510C	HR4511C
Kapaciteter	Karbidforstærket spids	45 mm		
	Kernebor	125 mm		
Hastighed uden belastning (min ⁻¹)		130 - 280		
Slag pr. minut		1.250 – 2.750		
Længde i alt		458 mm		
Nettovægt		8,2 kg	8,9 kg	9,0 kg
Sikkerhedsklasse		□/II		

- På grund af vores løbende forsknings- og udviklingsprogram kan specifikationerne heri ændres uden forudgående varsel.
- Specifikationerne kan variere fra land til land.
- Vægt i henhold til EPTA-Procedure 01/2003

Tilsigtet brug ENE044-1

Den tilsigtede brug af dette værktøj er slagboring i mursten, beton og sten samt mejslingsarbejde.

Strømforsyning ENF002-2

Værktøjet bør kun sluttes til en strømforsyning med den spænding, der er angivet på mærkepladen, og det kan kun benyttes med enkeltfaset vekselstrøm. Det er dobbelt isoleret og kan derfor også sluttes til stikkontakter uden jordforbindelse.

Generelle sikkerhedsadvarsler for maskiner GEA010-1

⚠ ADVARSEL Læs alle sikkerhedsadvarsler og alle instruktioner. Hvis De ikke følger alle advarsler og instruktioner, kan det medføre elektrisk stød, brand og/eller alvorlig personskade.

Gem alle advarsler og instruktioner til senere reference.

SIKKERHEDSADVARSLER FOR BRUG AF BOREHAMMER GEB007-7

1. **Bær høreværn.** Udsættelse for støj kan medføre høreskader.
2. **Benyt de ekstra håndtag, der eventuelt leveres med værktøjet.** Hvis du mister kontrollen, kan du komme til skade.
3. **Hold maskinen på de isolerede grebflader, når du udfører arbejde, hvor det skærende tilbehør kan komme i kontakt med skjulte ledninger eller maskinens egen ledning.** Hvis det skærende tilbehør kommer i kontakt med en strømførende

ledning, kan udsatte metaldele på maskinen blive strømførende, hvorved operatøren kan få elektrisk stød.

4. **Bær hård hovedbeklædning (sikkerhedshjelm), beskyttelsesbriller og/eller ansigtsmaske. Almindelige briller eller solbriller er IKKE beskyttelsesbriller. Det anbefales desuden kraftigt at bære støvmaske og kraftigt polstrede handsker.**
5. **Kontroller, at bittens spids sidder godt fast før brug.**
6. **Værktøjet er designet til at forårsage vibration ved normal brug. Skrue kan nemt løsne sig og medføre et nedbrud eller en ulykke.**
7. **Kontroller før brug, at skrue sidder stramt. Under kolde forhold, eller når værktøjet ikke har været anvendt i længere tid, skal De lade værktøjet varme op et stykke tid ved at lade det køre uden nogen belastning. Derved løsnes smøremidlet. Uden korrekt opvarmning kan betjening af hammeren være vanskelig.**
8. **Sørg altid for at have et solidt fodfæste. Sørg for, at der ikke er nogen under Dem, når De benytter værktøjet på højtliggende steder.**
9. **Hold godt fast i værktøjet med begge hænder.**
10. **Hold hænderne på afstand af bevægelige dele.**
11. **Gå ikke fra værktøjet, mens det kører. Lad kun værktøjet køre, mens De holder det i hænderne.**
12. **Ret ikke værktøjet mod personer i nærheden, mens det kører. Bittens spids kan flyve ud og forårsage alvorlig personskade.**
13. **Berør ikke bittens spids eller dele i nærheden af bittens spids umiddelbart efter brugen. De kan være meget varme og kan forårsage forbrændinger af huden.**
14. **Nogle materialer indeholder kemikalier, som kan være giftige. Undgå at indånde støv eller at få det på huden. Følg sikkerhedsinstruktionerne fra leverandøren af materialerne.**

GEM DISSE INSTRUKTIONER.

⚠ ADVARSEL:

LAD IKKE tryghed eller kendskab til produktet (fra gentagen brug) føre til, at du ikke strengt overholder sikkerhedsreglerne for det gældende produkt. MISBRUG eller manglende overholdelse af sikkerhedsreglerne i denne brugsanvisning kan medføre alvorlig personskade.

FUNKTIONSBESKRIVELSE

FORSIGTIG:

- Sørg altid for, at værktøjet er slukket, og at stikket er taget ud af stikkontakten, før De justerer værktøjet eller kontrollerer dets funktion.

Betjening af kontakt (Fig. 1)

FOR MODEL HR4511C



FORSIGTIG:

- Før værktøjet tilsluttes, skal De altid kontrollere, at kontaktrebet reagerer korrekt og vender tilbage til "OFF"-stillingen, når De slipper det.

For at starte værktøjet skal De blot trykke på kontaktrebet. Slip kontaktrebet for at stoppe.

FOR MODELLERNE HR4510C/ HR4501C Udløserkontakt


FORSIGTIG:

- Før værktøjet tilsluttes, skal De altid kontrollere, at kontaktrebet reagerer korrekt og vender tilbage til "OFF"-stillingen, når De slipper det.
- Kontakten fungerer, når værktøjet sættes i tilstandene angivet ved mærket  og mærket .

For at starte værktøjet skal De blot trykke på kontaktrebet. Slip kontaktrebet for at stoppe.

Glidekontakt

FORSIGTIG:

- Kontroller altid, at der er slukket for værktøjet, før det sluttes til stikkontakten.
- Kontakten fungerer, når værktøjet sættes i tilstanden angivet ved mærket .

Glidekontakten er tilgængelig, når værktøjet anvendes i hammerstilstand i længere tid ad gangen. Tryk på "I (ON)"-siden af kontakthåndtaget for at starte værktøjet. Tryk på "O (OFF)"-siden af kontaktrebet for at stoppe værktøjet. (Fig. 2)

Ændring af hastigheden (Fig. 3)

Omdrejningstallet og antallet af slag pr. minut kan ændres ved at dreje på drejeknappen. Drejeknappen har mærker fra 1 (laveste hastighed) til 5 (fuld hastighed).

Se i tabellen nedenfor for sammenhængen mellem talindstillingerne på drejeknappen og antallet af omdrejninger/slag pr. minut.

Nummer på drejeknappen	Omdrejninger pr. minut	Slag pr. minut
5	280	2.750
4	260	2.550
3	200	1.950
2	150	1.450
1	130	1.250


008417

FORSIGTIG:

- Hvis værktøjet anvendes i længere tid ved lav hastighed, bliver motoren overbelastet, og værktøjet kan gå i stykker.
- Drejeknappen til hastighedsjustering kan kun drejes op til 5 og tilbage til 1. Prøv ikke at tvinge den forbi 5 eller 1, da hastighedsjusteringen ellers kan gå i stykker.


Valg af funktionstilstand

Rotation med slag (Fig. 4 og 5)


Ved boring i beton, murværk osv. skal låseknappen trykkes ned, og skiftearmen skal drejes, så pilen peger på -mærket. Brug en bit med wolframkarbidforstærkning.

Kun slag


FOR MODEL HR4501C OG HR4510 (Fig. 6)

Ved mejsling, afbankning eller nedrivning skal låseknappen trykkes ned, og skiftearmen skal drejes, så pilen peger på -mærket. Brug en spidshammer, koldmejsel, afbankningsmejsel osv.


Til længere tids brug af slagbor (KUN FOR MODELLERNE HR4501C OG HR4510C) (Fig. 7)

Ved mejsling, afbankning eller nedrivning skal låseknappen trykkes ned, og skiftearmen skal drejes, så pilen peger på -mærket. Brug en spidshammer, koldmejsel, afbankningsmejsel osv.

FORSIGTIG:

- Når værktøjet bruges i -tilstanden, fungerer kontaktrebet ikke, og kun glidekontakten virker.

FOR MODEL HR5211C (Fig. 8)

Ved mejsling, afbankning eller nedrivning skal låseknappen trykkes ned, og skiftearmen skal drejes, så pilen peger på -mærket. Brug en spidshammer, koldmejsel, afbankningsmejsel osv.

FORSIGTIG:

- Undlad at dreje skiftearmen, mens værktøjet kører under belastning. Dette vil beskadige værktøjet.
- For at undgå hurtigt slid på mekanismen til funktionsskift skal De sikre Dem, at skiftearmen altid er sikkert placeret i en af de to eller tre funktionspositioner.

Skridkoblingen

Skridkoblingen vil udløses, når et vist momentniveau nås. Motoren vil koble fra drivakslen. Når dette sker, holder spidsen op med at dreje rundt.

FORSIGTIG:

- Så snart skridkoblingen udløses, skal værktøjet slukkes med det samme. Dette vil hjælpe med til at forhindre, at værktøjet nedslides for tidligt.

Indikatorlampe (Fig. 9)

Den grønne indikatorlampe for strøm lyser, når værktøjet er sat i stikkontakten. Hvis indikatorlampen ikke tændes, er netledningen eller kontrollen muligvis defekte. Hvis indikatorlampen lyser, men værktøjet ikke tændes, selvom der er tændt for værktøjet, er kulbørsterne muligvis slidt ned, eller motoren eller kontakten kan være defekte.

Den røde indikatorlampe for service tænder, når kulbørsterne er ved at være slidt ned, for at angive, at der skal udføres service på værktøjet. Der slukkes automatisk for motoren efter cirka 8 timers brug.

MONTERING

FORSIGTIG:

- Sørg altid for, at værktøjet er slukket og taget ud af stikkontakten, før De udfører nogen form for arbejde på værktøjet.

Sidehåndtag (Fig. 10)

FORSIGTIG:

- Brug kun sidehåndtaget ved mejsling, afbankning eller nedrivning. Undlad at bruge det ved boring i beton, murværk osv. Værktøjet kan ikke holdes korrekt med dette sidehåndtag ved boring.

Sidehåndtaget kan drejes 360° om den lodrette akse og fastgøres i den ønskede position. Det kan også fastgøres i otte forskellige positioner bagud og fremad om den vandrette akse. Løsn tilspændingsmøtrikken for at dreje sidehåndtaget til den ønskede position. Stram derefter tilspændingsmøtrikken godt. (Fig. 11)

Sidegreb (Fig. 12)

FORSIGTIG:

- Brug altid sidegrebet til at sikre betjenings sikkerheden ved boring i beton, murværk osv.

Sidegrebet kan svinges til begge sider, så det er let at betjene værktøjet i enhver stilling. Løsn sidegrebet ved at dreje det mod uret, vende det til den ønskede position og derefter stramme det ved at dreje det med uret.

Montering eller afmontering af spidsen (Fig. 13)

Rengør værktøjsskafet, og smør fedtstof på det, før monteringen af spidsen.

Sæt spidsen i værktøjet. Drej spidsen, og tryk den ind, indtil den går i indgreb. (Fig. 14)

Hvis spidsen ikke kan trykkes ind, skal den tages ud. Træk patrondækslet ned et antal gange. Sæt derefter spidsen i igen. Drej spidsen, og tryk den ind, indtil den går i indgreb.

Efter montering skal De altid sikre Dem, at spidsen sidder godt fast, ved at forsøge at trække den ud.

For at tage spidsen ud skal patrondækslet trækkes helt ned, hvorefter spidsen fjernes. (Fig. 15)

Vinkel på spids (under mejsling, afbankning eller nedrivning) (Fig. 16 og 17)

Spidsen kan fastgøres i 12 forskellige vinkler. For at ændre vinklen på spidsen skal De trykke låseknappen ned og dreje skiftearmen, så pilen peger mod ☁-mærket. Drej spidsen til den ønskede vinkel.

Tryk låseknappen ned, og drej skiftearmen, så pilen peger mod ☁-mærket. Sørg derefter for, at spidsen holdes sikkert på plads, ved at dreje den en smule. (Fig. 18 og 19)

Dybdemåler (Fig. 20)

Dybdemåleren kan bruges til at bore huller, som har samme dybde. Løsn tilspændingsskruen, og juster dybdemåleren til den ønskede dybde. Stram skruen godt fast efter justeringen.

BEMÆRK:

- Dybdemåleren kan ikke bruges i den position, hvor dybdemåleren rammer gearhuset/motorhuset.

BETJENING

Betjening ved slagboring (Fig. 21)

Indstil skiftearmen ved ☁-mærket.

Placer spidsen på det sted, hvor hullet skal bores, og træk i kontaktgrebet. Brug ikke magt på værktøjet. Et let tryk giver det bedste resultat. Hold værktøjet på positionen, og undgå, at det glider væk fra hullet.

Anvend ikke mere tryk, når hullet bliver tilstoppet med spåner eller partikler. Lad i stedet værktøjet køre i tomgang, og tag spidsen delvist ud af hullet. Når De gentager denne fremgangsmåde flere gange, tømmes hullet, og De kan fortsætte med at bore.

FORSIGTIG:

- Når spidsen begynder at bryde gennem beton, eller hvis spidsen rammer armeringsjern i beton, kan værktøjet reagere på en farlig måde. Bevar en god balance og god fodfæste, og hold godt fast i værktøjet med begge hænder for at forhindre farlige reaktioner.

Udblæsningskolbe (fås som tilbehør) (Fig. 22)

Når hullet er boret, kan De bruge udblæsningskolben til at fjerne støv fra hullet.

Mejsling/afbankning/nedrivning (Fig. 23)

Indstil skiftearmen ved ☁-mærket.

Hold godt fast i værktøjet med begge hænder. Tænd for værktøjet, og tryk let på værktøjet, så det ikke kommer ud af kontrol. Effektiviteten forøges ikke ved at trykke meget hårdt på værktøjet.

VEDLIGEHOLDELSE

FORSIGTIG:

- Sørg altid for, at værktøjet er slukket, og at stikket er taget ud, før De forsøger at udføre inspektion eller vedligeholdelse.
- Brug aldrig benzin, benzen, fortynder, alkohol eller lignende. Det kan muligvis medføre misfarvning, deformation eller revner.

FORSIGTIG:

- Denne service bør kun udføres af autoriserede Makita-servicecentre.

Værktøjet kræver ikke smøring hver time eller hver dag, da det har et indbygget smøringssystem. Det skal smøres hver gang kulbørsterne udskiftes. Send hele værktøjet til et autoriseret Makita-servicecenter for at få det smurt.

For at holde produktet SIKKERT og PÅLIDELIGT skal reparationer samt al anden vedligeholdelse eller justering udføres af autoriserede Makita-servicecentre, og der skal altid benyttes Makita-reservedele.

EKSTRAUDSTYR

FORSIGTIG:

- Dette tilbehør eller ekstraudstyr anbefales til brug med det Makita-værktøj, som er beskrevet i denne brugsanvisning. Brug af andet tilbehør eller ekstraudstyr kan forårsage personskade. Brug kun tilbehør eller ekstraudstyr til det formål, det er beregnet til.

Henvend dig til dit lokale Makita-servicecenter, hvis du har brug for hjælp eller yderligere oplysninger vedrørende tilbehøret.

- SDS-Max karbidforstærkede spidser
- SDS-Max spidshammer
- SDS-MAX koldmejsel
- SDS-MAX afbankningsmejsel
- SDS-MAX teglmejsel
- SDS-MAX lerspade
- Hammerfedtstof
- Smørelse til spids
- Sidehåndtag
- Sidegreb
- Dybdemåler
- Udblæsningskolbe
- Sikkerhedsbriller
- Bæretaske

BEMÆRK:

- Visse dele på listen er muligvis indeholdt maskinindpakningen som standardtilbehør. De kan variere fra land til land.

Støj

Det typiske A-vægtede støjniveau bestemt i overensstemmelse med EN60745:

ENG905-1

Model HR4501C, HR4511C

Lydtrykniveau (L_{pA}): 94 dB (A)
Lydeffektniveau (L_{WA}): 105 dB (A)
Usikkerhed (K): 3 dB (A)

Model HR4510C

Lydtrykniveau (L_{pA}): 93 dB (A)
Lydeffektniveau (L_{WA}): 104 dB (A)
Usikkerhed (K): 3 dB (A)

Bær høreværn.

Vibration

Den samlede vibrationsværdi (treaksiel vektorsum) bestemt i overensstemmelse med EN60745:

ENG900-1

Model HR4501C

Arbejdstilstand: hammerboring i beton
Vibrationsemission ($a_{h,HD}$): 16,0 m/s²
Usikkerhed (K): 1,5 m/s²

Arbejdstilstand: mejsling

Vibrationsemission ($a_{h,CHeq}$): 12,5 m/s²
Usikkerhed (K): 1,5 m/s²

Arbejdstilstand: mejslingsfunktion med sidegreb

Vibrationsemission ($a_{h,CHeq}$): 12,5 m/s²
Usikkerhed (K): 1,5 m/s²

Model HR4510C

Arbejdstilstand: hammerboring i beton
Vibrationsemission ($a_{h,HD}$): 9,5 m/s²
Usikkerhed (K): 2,0 m/s²

Arbejdstilstand: mejsling

Vibrationsemission ($a_{h,CHeq}$): 8,5 m/s²
Usikkerhed (K): 1,5 m/s²

Arbejdstilstand: mejslingsfunktion med sidegreb

Vibrationsemission ($a_{h,CHeq}$): 8,5 m/s²
Usikkerhed (K): 1,5 m/s²

Model HR4511C

Arbejdstilstand: hammerboring i beton
Vibrationsemission ($a_{h,HD}$): 7,5 m/s²
Usikkerhed (K): 1,5 m/s²

Arbejdstilstand: mejsling

Vibrationsemission ($a_{h,CHeq}$): 7,0 m/s²
Usikkerhed (K): 1,5 m/s²

Arbejdstilstand: mejslingsfunktion med sidegreb

Vibrationsemission ($a_{h,CHeq}$): 7,5 m/s²
Usikkerhed (K): 1,5 m/s²

ENG901-1

- Den opgivne vibrationsemissionsværdi er målt i overensstemmelse med standardtestmetoden og kan bruges til at sammenligne et værktøj med et andet.
- Den opgivne vibrationsemissionsværdi kan muligvis også bruges til en indledende eksponeringsvurdering.

ADVARSEL:

- Vibrationsemissionen under den faktiske brug af maskinen kan afvige fra den opgivne emissionsværdi afhængigt af den måde, maskinen anvendes på.
- Sørg for at bestemme sikkerhedsforanstaltninger for beskyttelse af operatøren, som er baseret på en eksponeringsvurdering for brug under faktiske forhold (hvor alle anvendelsescyklussens dele inddrages, som f.eks. antal gange maskinen slukkes, og når den kører i tomgang ud over triggertiden).

Kun for lande i Europa

ENH101-16

EF-overensstemmelseserklæring

Vi, Makita Corporation, erklærer som ansvarlig producent at følgende Makita-maskine(r):

Maskinens betegnelse: Borehammer
Modelnummer/ type: HR4501C, HR4510C, HR4511C
er en produktionsserie og

Overholder følgende europæiske direktiver:
2006/42/EF

Op er produceret i overensstemmelse med følgende standarder eller standardiserede dokumenter:
EN60745

Den tekniske dokumentation findes hos:
Makita International Europe Ltd.
Technical Department,
Michigan Drive, Tongwell,
Milton Keynes, Bucks MK15 8JD, England

30. 1. 2009



Tomoyasu Kato
Direktør
Makita Corporation
3-11-8, Sumiyoshi-cho,
Anjo, Aichi, 446-8502, JAPAN

ΕΛΛΗΝΙΚΑ (Πρωτογενείς οδηγίες)

Περιγραφή γενικής όψης

- | | | |
|--|--|---------------------|
| 1. Σκανδάλη-διακόπτης | 8. Ενδεικτική λυχνίες συντήρησης (κόκκινη) | 15. Κάλυμμα κεφαλής |
| 2. Μοχλός-διακόπτης | 9. Πλαϊνή λαβή | 16. Μετρητής βάθους |
| 3. Επιλογέας ρύθμισης | 10. Παξιμάδι σφιγκτήρα | 17. Βίδα σύσφιξης |
| 4. Μοχλός αλλαγής | 11. Πλαϊνή λαβή | 18. Φυσητήρι |
| 5. Δείκτης | 12. Κολάρο μύτης | |
| 6. Κουμπί κλειδώματος | 13. Γράσο για μύτες | |
| 7. Ενδεικτική λυχνία ANAMMENOY (πράσινη) | 14. Μύτη | |

ΠΡΟΔΙΑΓΡΑΦΕΣ

Μοντέλο		HR4501C	HR4510C	HR4511C
Χωρητικότητα	Μύτη με άκρο καρβιδίου	45 mm		
	Πυρηνοληπτική μύτη	125 mm		
Ταχύτητα χωρίς φορτίο (min ⁻¹)		130 - 280		
Κρούσεις το λεπτό		1.250 – 2.750		
Ολικό μήκος		458 mm		
Καθαρό βάρος		8,2 kg	8,9 kg	9,0 kg
Τάξη ασφάλειας		□/II		

- Λόγω του συνεχόμενου προγράμματος που εφαρμόζουμε για έρευνα και ανάπτυξη, τα τεχνικά χαρακτηριστικά στο παρόν έντυπο υπόκεινται σε αλλαγή χωρίς προειδοποίηση.
- Τα τεχνικά χαρακτηριστικά ενδέχεται να διαφέρουν ανάλογα με τη χώρα.
- Βάρος σύμφωνα με τη διαδικασία EPTA 01/2003

Προοριζόμενη χρήση ENE044-1

Το εργαλείο προορίζεται για κρουστικό τρυπάνισμα σε τούβλα, τσιμέντο και πέτρα, καθώς και για καλέμισμα.

Ηλεκτρική παροχή ENF002-2

Το εργαλείο πρέπει να συνδέεται μόνο σε ηλεκτρική παροχή της ίδιας τάσης με αυτήν που αναγράφεται στην πινακίδα ονομαστικών τιμών και μπορεί να λειτουργήσει μόνο με εναλλασσόμενο μονοφασικό ρεύμα. Τα εργαλεία αυτά διαθέτουν διπλή μόνωση και συνεπώς μπορούν να συνδεθούν με πρίζες χωρίς γείωση.

Γενικές Προειδοποιήσεις Ασφαλείας Του Ηλεκτρικού Εργαλείου

GEA010-1

⚠ ΠΡΟΕΙΔΟΠΟΙΗΣΗ Διαβάστε όλες τις προειδοποιήσεις ασφαλείας και όλες τις οδηγίες. Αν δεν ακολουθήσετε όλες τις προειδοποιήσεις και τις οδηγίες, υπάρχει κίνδυνος ηλεκτροπληξίας, πυρκαγιάς ή/και σοβαρού τραυματισμού.

Φυλάξτε όλες τις προειδοποιήσεις και τις οδηγίες για μελλοντική αναφορά.

ΠΡΟΕΙΔΟΠΟΙΗΣΕΙΣ ΑΣΦΑΛΕΙΑΣ ΠΕΡΙΣΤΡΟΦΙΚΟΥ ΔΡΑΠΑΝΟΥ


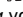
GEB007-7

1. **Να φοράτε ωτοασπίδες.** Η έκθεση σε θόρυβο μπορεί να προκαλέσει απώλεια ακοής.

2. **Να χρησιμοποιείτε τη βοηθητική χειρολαβή(ες), εάν παρέχονται με το εργαλείο.** Η απώλεια του ελέγχου μπορεί να προκαλέσει προσωπικό τραυματισμό.
3. **Να κρατάτε το ηλεκτρικό εργαλείο από τις μονωμένες λαβές όταν εκτελείτε εργασίες κατά τις οποίες το κοπτικό εξάρτημα μπορεί να έρθει σε επαφή με μη ορατά καλώδια ή με το δικό του καλώδιο τροφοδοσίας.** Αν το κοπτικό εξάρτημα έρθει σε επαφή με κάποιο ηλεκτροφόρο καλώδιο, τα εκτεθειμένα μεταλλικά μέρη του ηλεκτρικού εργαλείου θα γίνουν κι αυτά ηλεκτροφόρα και μπορεί να προκληθεί ηλεκτροπληξία στο χειριστή.
4. **Να φοράτε ένα σκληρό καπέλο (κράνος ασφαλείας), γυαλιά ασφαλείας ή/και προσωπίδα.** Τα συνηθισμένα γυαλιά ηλίου ΔΕΝ αποτελούν γυαλιά ασφαλείας. Συνιστάται επίσης ένθερμα να φοράτε προσωπίδα κατά της σκόνης και γάντια με παχιά επένδυση.
5. **Πριν θέσετε το εργαλείο σε λειτουργία, βεβαιωθείτε ότι η μύτη είναι ασφαλισμένη στη θέση της.**
6. **Σε κανονικές συνθήκες λειτουργίας, το εργαλείο είναι σχεδιασμένο να παράγει κραδασμούς.** Οι βιβές μπορούν εύκολα να ξεβιδωθούν και να προκληθεί καταστροφή του εργαλείου ή ατύχημα. Πριν θέσετε το εργαλείο σε λειτουργία, ελέγξτε αν οι βίδες είναι σφιγμένες.
7. **Όταν έχει κρύο καιρό ή όταν δεν έχετε χρησιμοποιήσει το εργαλείο για μεγάλη χρονική περίοδο, αφήστε το εργαλείο να λειτουργήσει για λίγη ώρα χωρίς φόρτο. Με αυτό το τρόπο θα κυκλοφορήσει η λίπανση. Αν δεν γίνει σωστό**

ζέσταμα, θα υπάρχει δυσκολία στη λειτουργία σφρηλάττησης.


8. Να βεβαιώνετε πάντοτε ότι στέκεστε σταθερά. Όταν χρησιμοποιείτε το εργαλείο σε υψηλές τοποθεσίες, να βεβαιώνετε ότι δεν βρίσκεται κανένας από κάτω.
9. Να κρατάτε το εργαλείο γερά και με τα δύο χέρια.
10. Μην πλησιάζετε τα χέρια σας σε κινούμενα μέρη.
11. Μην αφήνετε το εργαλείο σε λειτουργία. Το εργαλείο πρέπει να βρίσκεται σε λειτουργία μόνο όταν το κρατάτε.
12. Όταν το εργαλείο βρίσκεται σε λειτουργία, μην το στρέψετε προς την κατεύθυνση κανενός ατόμου που βρίσκεται στην περιοχή. Η μύτη μπορεί να εκτοξευτεί και να προκληθεί σοβαρός τραυματισμός σε άλλο άτομο.
13. Μην αγγίζετε τη μύτη ή τα μέρη που βρίσκονται κοντά στη μύτη αμέσως μετά τη λειτουργία του εργαλείου. Μπορεί να είναι εξαιρετικά θερμά και να προκληθεί έγκαυμα στο δέρμα σας.
14. Μερικά υλικά περιέχουν χημικά που μπορεί να είναι τοξικά. Προσέχετε ώστε να αποφεύγετε την εισπνοή σκόνης και την επαφή με το δέρμα. Ακολουθείτε τις οδηγίες ασφαλείας υλικού που παρέχονται από τον προμηθευτή.

- Αυτός ο διακόπτης λειτουργεί κατά τη ρύθμιση του εργαλείου σε λειτουργίες συμβόλου  και συμβόλου .

Για να ξεκινήσετε το εργαλείο, απλά πιέστε τη σκανδάλη-διακόπτη. Για να σταματήσετε, αφήστε τη σκανδάλη-διακόπτη.

Κυλιόμενος διακόπτης

ΠΡΟΣΟΧΗ:

- Πριν να συνδέσετε το εργαλείο, ελέγχετε πάντα να δείτε αν είναι σβηστό το εργαλείο.
- Αυτός ο διακόπτης λειτουργεί μόνο κατά τη ρύθμιση του εργαλείου σε λειτουργίες δράσης συμβόλου . Όταν χρησιμοποιείτε το εργαλείο για μεγάλο χρονικό διάστημα στην κρουστική λειτουργία, είναι διαθέσιμος ο κυλιόμενος διακόπτης. Για να ξεκινήσετε τη λειτουργία του εργαλείου, πατήστε την πλευρά "I (ON)" του μοχλοδιακόπτη. Για να σταματήσετε τη λειτουργία του εργαλείου, πατήστε την πλευρά "O (OFF)" του μοχλοδιακόπτη. **(Εικ. 2)**

Αλλαγή ταχύτητας (Εικ. 3)

Μπορείτε να ρυθμίσετε τις περιστροφές και τις κρούσεις ανά λεπτό, αν περιστρέψετε απλά τον επιλογέα ρύθμισης. Ο επιλογέας είναι σημειωμένος από 1 (χαμηλότερη ταχύτητα) έως 5 (τελική ταχύτητα). Για τη σχέση μεταξύ των αριθμημένων ρυθμίσεων στον επιλογέα ρύθμισης και των περιστροφών/κρούσεων ανά λεπτό, ανατρέξτε στον παρακάτω πίνακα.

Αρίθμηση στον επιλογέα ρύθμισης	Περιστροφές ανά λεπτό	Κρούσεις το λεπτό
5	280	2.750
4	260	2.550
3	200	1.950
2	150	1.450
1	130	1.250


008417

ΠΡΟΣΟΧΗ:

- Αν το εργαλείο λειτουργεί συνεχόμενα σε χαμηλές ταχύτητες για μεγάλο χρονικό διάστημα, το μοτέρ θα υπερφορτωθεί και θα προκαλέσει δυσλειτουργία του εργαλείου.
- Ο επιλογέας ρύθμισης ταχύτητας έχει τη δυνατότητα να περιστρέφεται έως το 5 και ξανά στο 1. Μην τον εξαναγκάσετε πέρα από το 5 ή το 1, αλλιώς μπορεί να μη λειτουργεί πλέον η ρύθμιση ταχύτητας.

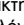
Επιλογή του τρόπου δράσης

Περιστροφή με κρούση (Εικ. 4 και 5)

Για τρυπάνισμα σε τιμμένο, τοιχοποιία, κτλ., πιέστε το κουμπί ασφάλισης και περιστρέψτε το μοχλό αλλαγής ώστε ο δείκτης να δείχνει στο σύμβολο . Χρησιμοποιήστε μύτη με άκρο βολφραμίου-καρβιδίου.

Κρούση μόνο

ΓΙΑ ΤΑ ΜΟΝΤΕΛΑ HR4501C ΚΑΙ HR4510 (Εικ. 6)

Για καλξίωμα, ξύσιμο ή ζήλωμα, πιέστε το κουμπί ασφάλισης και περιστρέψτε το μοχλό αλλαγής ώστε ο δείκτης να δείχνει στο σύμβολο . Χρησιμοποιήστε βελόνι, ψυχρό καλέμι, καλέμι σφυροκοπήματος, κτλ.

ΦΥΛΑΞΤΕ ΑΥΤΕΣ ΤΙΣ ΟΔΗΓΙΕΣ.

ΠΡΟΕΙΔΟΠΟΙΗΣΗ:

ΜΗΝ επιτρέψετε στη βολικότητα ή στην εξοικειωσή σας με το προϊόν (που αποκτήθηκε από επανειλημμένη χρήση) να αντικαταστήσει την αυστηρή προσήλωση στους κανόνες ασφαλείας του εν λόγω προϊόντος. Η ΛΑΝΘΑΣΜΕΝΗ ΧΡΗΣΗ ή η μη τήρηση των κανόνων ασφαλείας που διατυπώνονται στο παρόν εγχειρίδιο οδηγιών μπορεί να προκαλέσει σοβαρό τραυματισμό.

ΠΕΡΙΓΡΑΦΗ ΛΕΙΤΟΥΡΓΙΑΣ

ΠΡΟΣΟΧΗ:

- Να βεβαιώνετε πάντοτε ότι το εργαλείο είναι σβηστό και αποσυνδεδεμένο από το ηλεκτρικό ρεύμα πριν ρυθμίσετε ή ελέγχετε κάποια λειτουργία του.

Δράση διακόπτη (Εικ. 1)

ΓΙΑ ΤΟ ΜΟΝΤΕΛΟ HR4511C

ΠΡΟΣΟΧΗ:

- Πριν συνδέετε το εργαλείο, πάντοτε να ελέγχετε ότι η σκανδάλη-διακόπτης ενεργοποιείται κανονικά και επιστρέφει στη θέση OFF όταν την αφήνετε.

Για να ξεκινήσετε το εργαλείο, απλά πιέστε τη σκανδάλη-διακόπτη. Για να σταματήσετε, αφήστε τη σκανδάλη-διακόπτη.

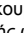
ΓΙΑ ΤΑ ΜΟΝΤΕΛΑ HR4510C/ HR4501C

Σκανδάλη διακόπτης

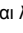
ΠΡΟΣΟΧΗ:

- Πριν συνδέετε το εργαλείο, πάντοτε να ελέγχετε ότι η σκανδάλη-διακόπτης ενεργοποιείται κανονικά και επιστρέφει στη θέση OFF όταν την αφήνετε.

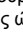
Για κρούση μεγάλης χρονικής διάρκειας (ΓΙΑ ΤΑ ΜΟΝΤΕΛΑ HR4501C ΚΑΙ HR4510C ΜΟΝΟ) (Εικ. 7)

Για καλέμισμα, ξύσιμο ή ξήλωμα, πιέστε το κουμπί ασφαλείας και περιστρέψτε το μοχλό αλλαγής ώστε ο δείκτης να δείχνει στο σύμβολο . Χρησιμοποιήστε βελόνι, ψυχρό καλέμι, καλέμι σφυροκοπήματος, κτλ.

ΠΡΟΣΟΧΗ:

- Κατά τη χρήση του εργαλείου στη λειτουργία συμβόλου , η σκανδάλη-διακόπτης δε λειτουργεί και λειτουργεί μόνο ο κυλιόμενος διακόπτης.

ΓΙΑ ΤΟ ΜΟΝΤΕΛΟ HR4511C (Εικ. 8)

Για καλέμισμα, ξύσιμο ή ξήλωμα, πιέστε το κουμπί ασφαλείας και περιστρέψτε το μοχλό αλλαγής ώστε ο δείκτης να δείχνει στο σύμβολο . Χρησιμοποιήστε βελόνι, ψυχρό καλέμι, καλέμι σφυροκοπήματος, κτλ.

ΠΡΟΣΟΧΗ:

- Μην περιστρέψετε το μοχλό αλλαγής όταν το εργαλείο λειτουργεί με φορτίο. Θα προκληθεί βλάβη στο εργαλείο.
- Για να αποφεύγετε την ταχεία φθορά του μηχανισμού αλλαγής τρόπου λειτουργίας, βεβαιωθείτε ότι ο μοχλός αλλαγής βρίσκεται πάντα σε μία από τις τρεις θέσεις τρόπου δράσης.

Περιοριστής ροπής

Ο περιοριστής ροπής θα ενεργοποιηθεί όταν επιτευχθεί ένα ορισμένο επίπεδο ροπής. Το μοτέρ θα αποδεσμευτεί από τον άξονα εξόδου. Όταν συμβεί αυτό, η μύτη θα σταματήσει να περιστρέφεται.

ΠΡΟΣΟΧΗ:

- Μόλις ενεργοποιηθεί ο περιοριστής ροπής, απενεργοποιήστε αμέσως το εργαλείο. Έτσι, θα προληφθεί η πρόωρη φθορά του εργαλείου.

Ενδεικτική λυχνία (Εικ. 9)

Όταν συνδέετε το εργαλείο, ανάβει η πράσινη ενδεικτική λυχνία ενεργής θέσης (ON). Αν δεν ανάβει η ενδεικτική λυχνία, μπορεί να είναι ελαττωματικό το ηλεκτρικό καλώδιο ή ο ελεγκτής. Η ενδεικτική λυχνία είναι αναμμένη, αλλά το εργαλείο δεν ξεκινάει, ακόμα και αν είναι αναμμένο, μπορεί να έχουν φθαρεί τα καρβουνάκια, ή να είναι ελαττωματικός ο ελεγκτής, το μοτέρ ή ο διακόπτης ON/OFF.

Η κόκκινη ενδεικτική λυχνία συντήρησης ανάβει όταν τα καρβουνάκια έχουν φθαρεί σχεδόν τελείως για να δηλώσει πως το εργαλείο χρειάζεται συντήρηση. Μετά από περίπου 8 ώρες χρήσης, το μοτέρ θα σβήσει αυτόματα.

ΣΥΝΑΡΜΟΛΟΓΗΣΗ

ΠΡΟΣΟΧΗ:

- Να βεβαιώνετε πάντοτε ότι το εργαλείο είναι σβηστό και αποσυνδεδεμένο από το ηλεκτρικό ρεύμα πριν εκτελέσετε οποιαδήποτε εργασία σε αυτό.

Πλαϊνή λαβή (Εικ. 10)

ΠΡΟΣΟΧΗ:

- Χρησιμοποιείτε την πλαϊνή λαβή μόνο κατά το καλέμισμα, ξύσιμο ή ξήλωμα. Μη τη χρησιμοποιείτε για τρυπάνισμα σε τσιμέντο, τοιχοποιία, κτλ. Δεν μπορεί να κρατηθεί σωστά το εργαλείο από αυτήν την πλαϊνή λαβή κατά το τρυπάνισμα.

Η πλαϊνή λαβή μπορεί να περιστραφεί 360° καθέτως και να ασφαλίσει σε όποια θέση θέλετε. Ασφαλίζει επίσης σε οκτώ διαφορετικές θέσεις πίσω και μπροστά οριζοντίως. Απλά χαλαρώστε το παξιμάδι σφικτήρα για να περιστρέψετε την πλαϊνή λαβή στη θέση που θέλετε. Έπειτα, σφίξτε καλά το παξιμάδι σφικτήρα. (Εικ. 11)

Πλαϊνή λαβή (Εικ. 12)

ΠΡΟΣΟΧΗ:

- Να χρησιμοποιείτε πάντα την πλαϊνή λαβή για να εξασφαλίσετε την ασφάλεια κατά το τρυπάνισμα σε τσιμέντο, τοιχοποιία, κτλ.

Η πλευρική λαβή αιωρείται γύρω από κάθε πλευρά ώστε να επιτρέπει τον εύκολο χειρισμό του εργαλείου σε οποιαδήποτε θέση. Χαλαρώστε την πλευρική λαβή στρέφοντάς την αριστερόστροφα, περιστρέψτε τη στην επιθυμητή θέση και κατόπιν σφίξτε τη στρέφοντάς τη δεξιόστροφα.

Τοποθέτηση ή αφαίρεση της μύτης (Εικ. 13)


Καθαρίστε το κολάρο μύτης και τοποθετήστε γράσο για μύτες πριν τοποθετήσετε τη μύτη. Τοποθετήστε τη μύτη στο εργαλείο. Περιστρέψτε τη μύτη και σπρώξτε την προς τα μέσα έως ότου ασφαλίσει. (Εικ. 14)

Εάν δεν μπορείτε να σπρώξετε τη μύτη προς τα μέσα, αφαιρέστε την. Τραβήξτε το κάλυμμα κεφαλής προς τα κάτω μερικές φορές. Κατόπιν, τοποθετήστε ξανά τη μύτη. Περιστρέψτε τη μύτη και σπρώξτε τη προς τα μέσα έως ότου ασφαλίσει.

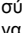
Μετά την τοποθέτηση, να προσπαθείτε πάντοτε να τραβήξετε τη μύτη για να βεβαιωθείτε ότι αυτή είναι ασφαλισμένη στη θέση της.

Για να αφαιρέσετε τη μύτη, τραβήξτε προς τα κάτω το κάλυμμα κεφαλής έως το τέρμα και τραβήξτε τη μύτη προς τα έξω. (Εικ. 15)

Κλίση μύτης (κατά το καλέμισμα, ξύσιμο ή ξήλωμα) (Εικ. 16 και 17)

Μπορείτε να ασφαλίσετε τη μύτη σε 12 διαφορετικές γωνίες. Για να αλλάξετε την κλίση της μύτης, πιέστε το κουμπί ασφάλισης και περιστρέψτε το μοχλό αλλαγής ώστε ο δείκτης να δείχνει στο σύμβολο .

Περιστρέψτε τη μύτη στην επιθυμητή κλίση.

Πατήστε το κουμπί ασφάλισης και περιστρέψτε το μοχλό αλλαγής ώστε ο δείκτης να δείχνει στο σύμβολο .

Κατόπιν, περιστρέψτε λίγο τη μύτη για να βεβαιωθείτε ότι είναι καλά ασφαλισμένη στη θέση της. (Εικ. 18 και 19)

Μετρητής βάθους (Εικ. 20)

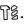
Ο μετρητής βάθους είναι χρήσιμος για το τρυπάνισμα σπών με μοιόμορφο βάθος. Χαλαρώστε τη βίδα σύσφιξης και ρυθμίστε το ρυθμιστή βάθους στο επιθυμητό βάθος. Μετά τη ρύθμιση, σφίξτε καλά τη βίδα σύσφιξης.

ΣΗΜΕΙΩΣΗ:

- Ο μετρητής βάθους δεν μπορεί να χρησιμοποιηθεί στη θέση όπου ο μετρητής βάθους χτυπάει επάνω στο περίβλημα γρανάζιού/στο περίβλημα του μοτέρ.

ΛΕΙΤΟΥΡΓΙΑ

Λειτουργία τρυπανίσματος με κρούση (Εικ. 21)

Ρυθμίστε το μοχλό αλλαγής στο σύμβολο . Τοποθετήστε τη μύτη στη θέση που επιθυμείτε να τρυπανίσετε και κατόπιν τραβήξτε τη σκανδάλη-διακόπτη. Μην ασκείτε δύναμη στο εργαλείο. Θα έχετε καλύτερα αποτελέσματα με ελαφριά πίεση. Να διατηρείτε το εργαλείο στη θέση του και να αποφεύγετε την ολίσθησή του από την οπή. Μην ασκείτε περισσότερη πίεση σε περίπτωση που η οπή φράξει με θραύσματα ή σωματίδια. Αντ' αυτού, σταματήστε αργά τη λειτουργία του εργαλείου και κατόπιν βγάλτε τη μύτη μερικώς από την οπή. Αν επαναλάβετε τη διαδικασία αυτή μερικές φορές, η οπή θα καθαρίσει και θα μπορείτε να συνεχίσετε κανονικά το τρυπάνισμα.


ΠΡΟΣΟΧΗ:

- Όταν η μύτη αρχίσει να σπάει το τσιμέντο ή η μύτη χτυπήσει ενισχυμένες ράβδους που βρίσκονται μέσα στο τσιμέντο, το εργαλείο μπορεί να αντιδράσει με επικίνδυνο τρόπο. Διατηρήστε καλή ισορροπία και ασφαλή στήριξη όσο κρατάτε καλά το εργαλείο και με τα δύο χέρια για να αποτρέψετε επικίνδυνες αντιδράσεις.

Φυσητήρι (προαιρετικό αξεσουάρ) (Εικ. 22)

Μετά από το τρυπάνισμα της οπής, χρησιμοποιήστε το φυσητήρι για να καθαρίσετε τη σκόνη από την οπή.

Καλέμισμα/Ξύσιμο/Ξήλωμα (Εικ. 23)

Ρυθμίστε το μοχλό αλλαγής στο σύμβολο . Να κρατάτε το εργαλείο γερά και με τα δύο χέρια. Θέστε το εργαλείο σε λειτουργία και ασκήστε ελαφριά πίεση σε αυτό για να μην αναπηδά ανεξέλεγκτα. Δεν θα αυξηθεί η αποδοτικότητα του εργαλείου αν το πιέξετε πιο δυνατά.

ΣΥΝΤΗΡΗΣΗ

ΠΡΟΣΟΧΗ:

- Να βεβαιώνετε πάντοτε ότι το εργαλείο είναι σβηστό και αποσυνδεδεμένο από το ηλεκτρικό ρεύμα πριν εκτελέσετε οποιαδήποτε εργασία ελέγχου ή συντήρησης σε αυτό.
- Μην χρησιμοποιήσετε βενζίνη, βενζόλη, διαλυτικό, αλκοόλη ή κάτι παρόμοιο. Μπορεί να προκληθεί αποχρωματισμός, παραμόρφωση ή ρωγμές.

ΠΡΟΣΟΧΗ:

- Αυτές οι εργασίες συντήρησης θα πρέπει να εκτελούνται μόνο σε Εξουσιοδοτημένο Κέντρο Εξυπηρέτησης της Makita.

Το εργαλείο αυτό δεν απαιτεί ωριαία ή καθημερινή λίπανση επειδή διαθέτει σύστημα λίπανσης με γράσο. Όμως θα πρέπει να λιπαίνεται κάθε φορά που αντικαθίστανται τα καρβουνάκια. Για αυτήν την εργασία συντήρησης που αφορά τη λίπανση, αποστειλέτε ολόκληρο το εργαλείο σε Εξουσιοδοτημένο Κέντρο Εξυπηρέτησης της Makita.

Για να διατηρείται η ΑΣΦΑΛΕΙΑ και η ΑΞΙΟΠΙΣΤΙΑ του προϊόντος, οι εργασίες επισκευής, καθώς και οποιαδήποτε άλλη εργασία συντήρησης ή ρύθμισης, θα πρέπει να εκτελούνται σε εξουσιοδοτημένα κέντρα

εξυπηρέτησης της Makita, και πάντοτε με τη χρήση ανταλλακτικών της Makita.

ΠΡΟΑΙΡΕΤΙΚΑ ΑΞΕΣΟΥΑΡ

⚠ ΠΡΟΣΟΧΗ:

- Συνιστάται η χρήση αυτών των αξεσουάρ ή εξαρτημάτων με το εργαλείο της Makita, όπως περιγράφεται στο παρόν εγχειρίδιο. Αν χρησιμοποιήσετε άλλα αξεσουάρ ή εξαρτήματα μπορεί να παρουσιαστεί κίνδυνος για πρόκληση τραυματισμού προσώπων. Να χρησιμοποιείτε τα αξεσουάρ και τα εξαρτήματα μόνο για το σκοπό για τον οποίο προορίζονται.

Αν χρειάζεστε κάποια βοήθεια ή περισσότερες πληροφορίες σχετικά με τα αξεσουάρ αυτά, απευθυνθείτε στο πλησιέστερο κέντρο εξυπηρέτησης της Makita.

- Μύτες με άκρο SDS-Max καρβιδίου
- Βελόνι SDS-Max
- Ψυχρό καλέμι SDS-Max
- Καλέμι σφυροκοπήματος SDS-Max
- Καλέμι για πλακάκια SDS-Max
- Τσάπα SDS-Max
- Γράσο για σκαπτικά
- Γράσο για μύτες
- Πλαϊνή λαβή
- Πλαϊνή λαβή
- Μετρητής βάθους
- Φυσητήρι
- Γυαλιά προστασίας
- Θήκη μεταφοράς

ΣΗΜΕΙΩΣΗ:

- Ορισμένα από τα στοιχεία της λίστα μπορεί να περιέχονται στην συσκευασία του εργαλείου ως κανονικά αξεσουάρ. Αυτά ενδέχεται να διαφέρουν από χώρα σε χώρα.

Θόρυβος

ENG905-1

Το σύνθετος σταθμισμένο επίπεδο θορύβου που έχει καθοριστεί σύμφωνα με την EN60745:

Μοντέλα HR4501C, HR4511C

Επίπεδο ηχητικής πίεσης (L_{pA}): 94 dB (A)
Επίπεδο ηχητικής ισχύος (L_{WA}): 105 dB (A)
Αβεβαιότητα (K): 3 dB (A)

Μοντέλα HR4510C

Επίπεδο ηχητικής πίεσης (L_{pA}): 93 dB (A)
Επίπεδο ηχητικής ισχύος (L_{WA}): 104 dB (A)
Αβεβαιότητα (K): 3 dB (A)

Να φοράτε ωτοασπίδες.

Δόνηση

ENG900-1

Η συνολική τιμή δόνησης (διανυσματικό άθροισμα τριών αξόνων) που έχει καθοριστεί σύμφωνα με την EN60745:

Μοντέλα HR4501C

Κατάσταση λειτουργίας: κρουστική διάτρηση σε τσιμέντο
Εκπομπή δόνησης ($a_{h,HD}$): 16,0 m/s²
Αβεβαιότητα (K): 1,5 m/s²

Κατάσταση λειτουργίας: καλέμισμα
Εκπομπή δόνησης ($a_{h,CH&EQ}$): 12,5 m/s²
Αβεβαιότητα (K): 1,5 m/s²

Κατάσταση λειτουργίας: λειτουργία καλεμίσματος με πλευρική λαβή
Εκπομπή δόνησης ($a_{h,CHeq}$): 12,5 m/s²
Αβεβαιότητα (K): 1,5 m/s²

Μοντέλα HR4510C

Κατάσταση λειτουργίας: κρουστική διάτρηση σε τσιμέντο
Εκπομπή δόνησης ($a_{h,HD}$): 9,5 m/s²
Αβεβαιότητα (K): 2,0 m/s²

Κατάσταση λειτουργίας: καλέμισμα
Εκπομπή δόνησης ($a_{h,CHeq}$): 8,5 m/s²
Αβεβαιότητα (K): 1,5 m/s²

Κατάσταση λειτουργίας: λειτουργία καλεμίσματος με πλευρική λαβή
Εκπομπή δόνησης ($a_{h,CHeq}$): 8,5 m/s²
Αβεβαιότητα (K): 1,5 m/s²

Μοντέλα HR4511C

Κατάσταση λειτουργίας: κρουστική διάτρηση σε τσιμέντο
Εκπομπή δόνησης ($a_{h,HD}$): 7,5 m/s²
Αβεβαιότητα (K): 1,5 m/s²

Κατάσταση λειτουργίας: καλέμισμα
Εκπομπή δόνησης ($a_{h,CHeq}$): 7,0 m/s²
Αβεβαιότητα (K): 1,5 m/s²

Κατάσταση λειτουργίας: λειτουργία καλεμίσματος με πλευρική λαβή
Εκπομπή δόνησης ($a_{h,CHeq}$): 7,5 m/s²
Αβεβαιότητα (K): 1,5 m/s²

ENG901-1

- Η δηλωθείσα τιμή των παραγομένων κραδασμών έχει καταμετρηθεί σύμφωνα με την τυποποιημένη μέθοδο δοκιμασίας και μπορεί να χρησιμοποιηθεί για την σύγκριση ενός εργαλείου με ένα άλλο.
- Η δηλωθείσα τιμή των παραγομένων κραδασμών μπορεί επίσης να χρησιμοποιηθεί για μια προκαταρκτική αξιολόγηση της έκθεσης στους κραδασμούς.

ΠΡΟΕΙΔΟΠΟΙΗΣΗ:

- Η εκπομπή κραδασμών κατά τη διάρκεια της πραγματικής χρήσης του ηλεκτρικού εργαλείου μπορεί να διαφέρει από τη δηλωθείσα τιμή των εκπομπών, ανάλογα με τον τρόπο με τον οποίο χρησιμοποιείται το εργαλείο.
- Φροντίστε να λάβετε τα μέτρα ασφαλείας που απαιτούνται για την προστασία του χρήστη που βασίζονται σε μια εκτίμηση της έκθεσης σε πραγματικές συνθήκες χρήσης (λαμβάνοντας υπόψη όλα τα μέρη του κύκλου λειτουργίας, όπως είναι οι περιπτώσεις κατά τις οποίες το εργαλείο είναι απενεργοποιημένο και όταν λειτουργεί στο ρελαντί επιπρόσθετως του χρόνου κατά τον οποίο το εργαλείο βρίσκεται σε χρήση).

ENH101-16
Για τις ευρωπαϊκές χώρες μόνο
EK – Δήλωση συμμόρφωσης
Η Εταιρία Makita ως υπεύθυνος κατασκευαστής,
δηλώνει ότι το παρακάτω μηχάνημα ή μηχανήματα της Makita:

Όνομασία Μηχανήματος: Περιστροφικό δράπανο
Αρ. Μοντέλου/ Τύπος: HR4501C, HR4510C, HR4511C
αποτελούν παραγωγή σε σειρά και
Συμμορφώνονται με τις ακόλουθες Ευρωπαϊκές Οδηγίες:

2006/42/EK

Και κατασκευάζονται σύμφωνα με τα παρακάτω πρότυπα ή τυποποιημένα έγγραφα:

EN60745

Τα τεχνικά έγγραφα διατηρούνται από το:

Makita International Europe Ltd.
Technical Department,
Michigan Drive, Tongwell,
Milton Keynes, Bucks MK15 8JD, England

30. 1. 2009



Tomoyasu Kato

Διευθυντής
Makita Corporation

3-11-8, Sumiyoshi-cho,
Anjo, Aichi, 446-8502, JAPAN

Makita Corporation
Anjo, Aichi, Japan

www.makita.com

884742E999

ALA