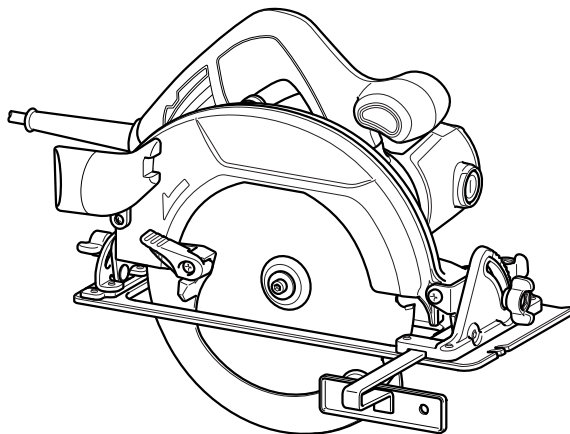




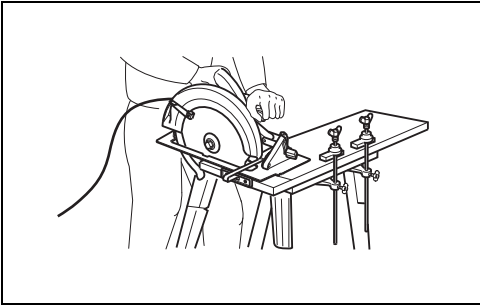
GB	Circular Saw	Instruction manual
F	Scie Circulaire	Manuel d'instructions
D	Handkreissäge	Betriebsanleitung
I	Sega circolare	Istruzioni per l'uso
NL	Handcirkelzaag	Gebruiksaanwijzing
E	Sierra Circular	Manual de instrucciones
P	Serra Circular	Manual de instruções
DK	Rundsav	Brugsanvisning
GR	Δισκοπρίνο	Οδηγίες χρήσης
TR	Sunta Kesme	Kullanım kılavuzu

HS7601



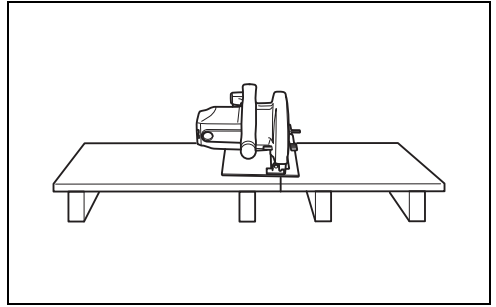
015318





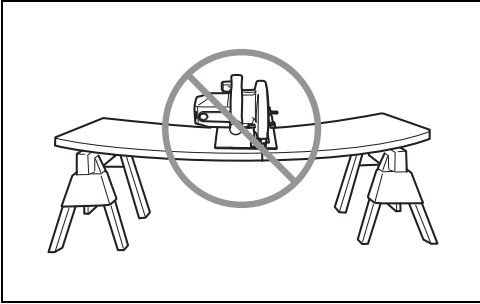
1

000157



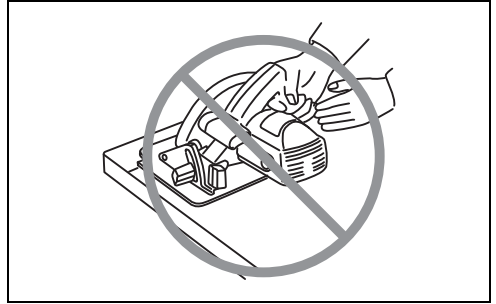
2

000154



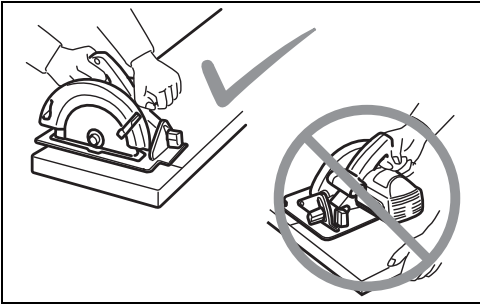
3

000156



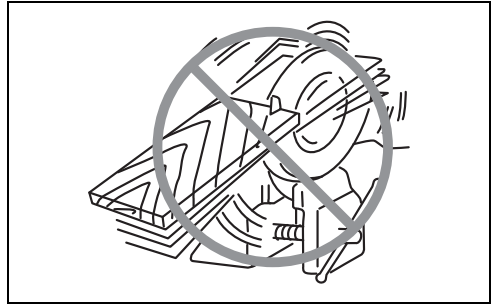
4

000194



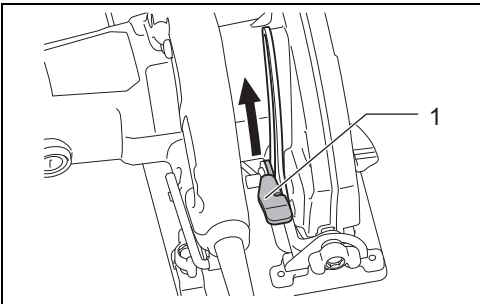
5

000147



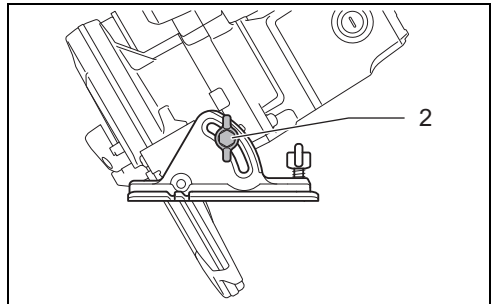
6

000029



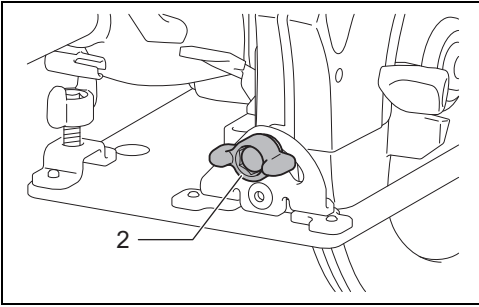
7

015319



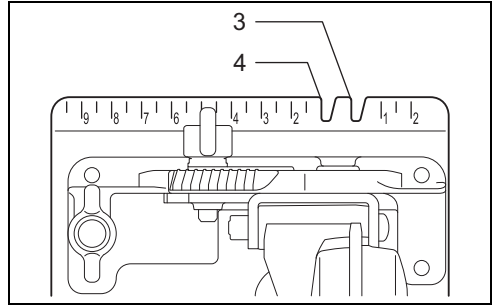
8

015320



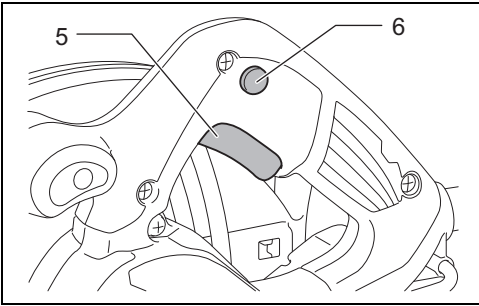
9

015321



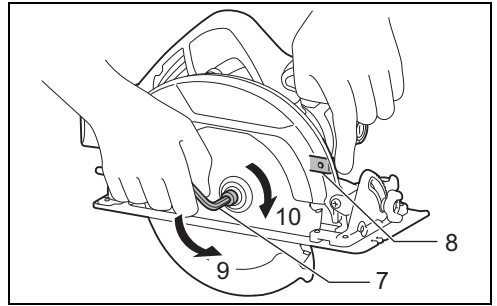
10

015322



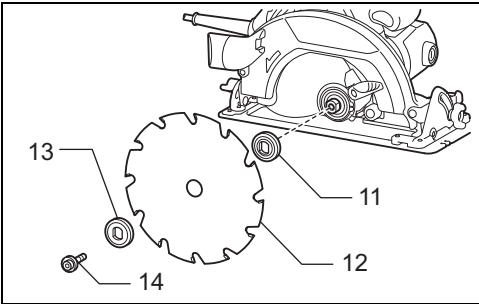
11

015323



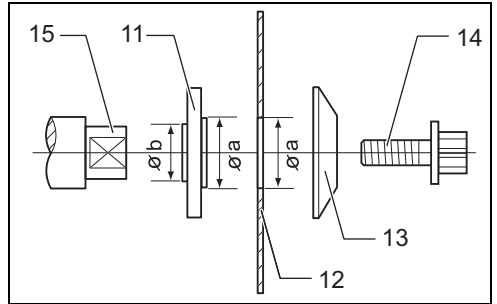
12

015324



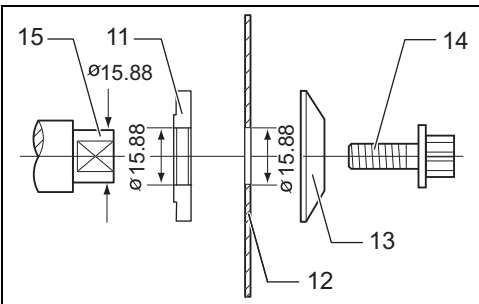
13

015328



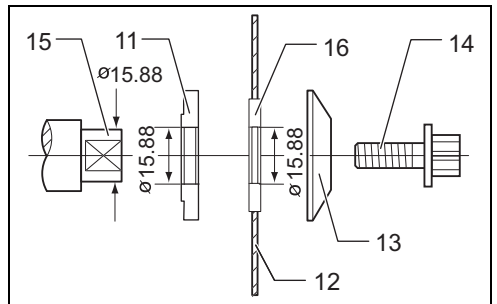
14

011230



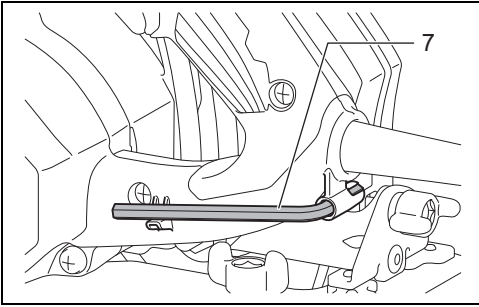
15

011231



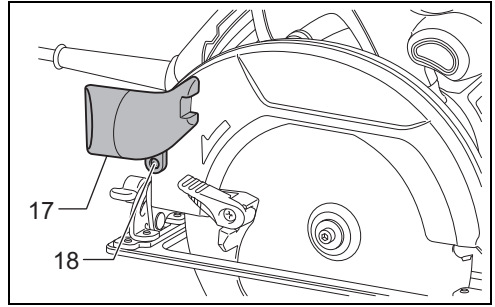
16

014598



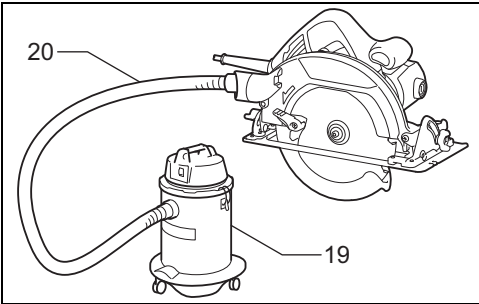
17

015325



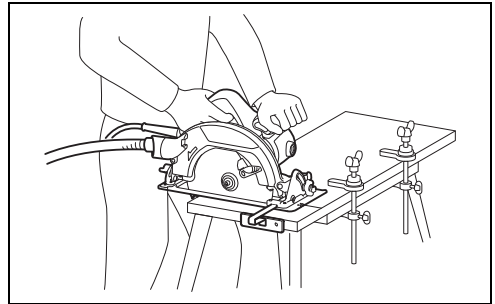
18

015326



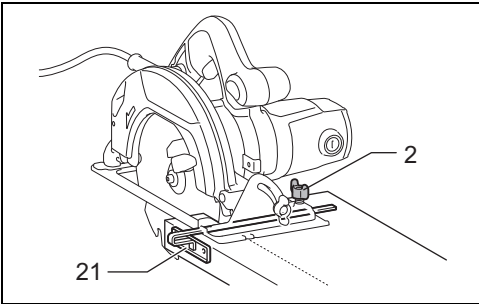
19

015327



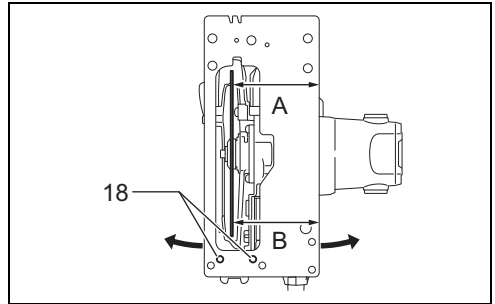
20

015329



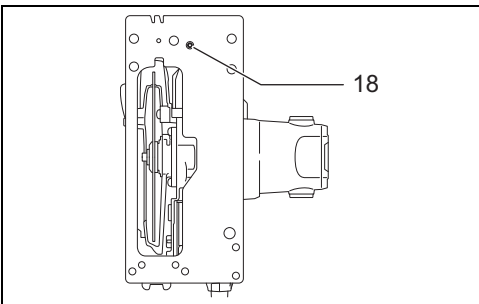
21

015330



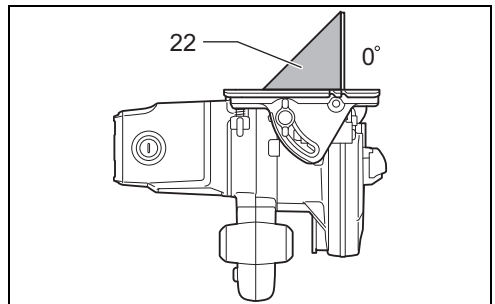
22

015333



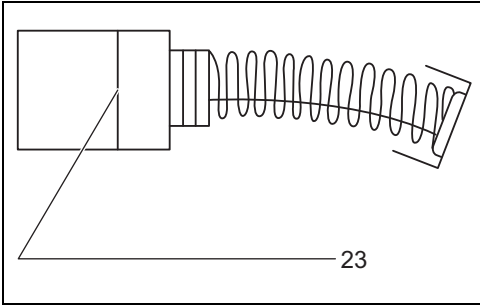
23

015331



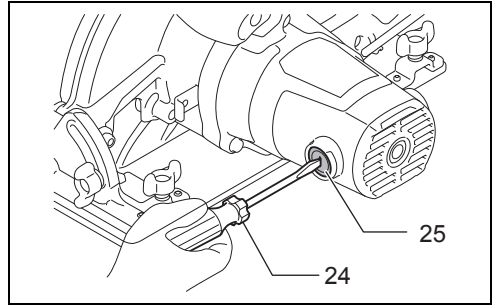
24

015332



25

001145



26

015334

ENGLISH (Original instructions)

Explanation of general view

- | | | |
|--------------------------------|--------------------|----------------------|
| 1. Lever | 10. Tighten | 19. Vacuum cleaner |
| 2. Clamping screw | 11. Inner flange | 20. Hose |
| 3. Cutting line (0° position) | 12. Saw blade | 21. Rip fence |
| 4. Cutting line (45° position) | 13. Outer flange | 22. Triangular rule |
| 5. Switch trigger | 14. Hex bolt | 23. Limit mark |
| 6. Lock-off button | 15. Mounting shaft | 24. Screwdriver |
| 7. Hex wrench | 16. Ring | 25. Brush holder cap |
| 8. Shaft lock | 17. Dust nozzle | |
| 9. Loosen | 18. Screw | |

SPECIFICATIONS

Model	HS7601	
Blade diameter	190 mm	
Max. cutting depth	at 0°	66 mm
	at 45°	46 mm
No load speed	5,200 min ⁻¹	
Overall length	309 mm	
Net weight	3.7 kg	
Safety class	□/II	

- Due to our continuing program of research and development, the specifications herein are subject to change without notice.
- Specifications may differ from country to country.
- Weight according to EPTA-Procedure 01/2014

Intended use ENE078-2

The tool is intended for performing lengthways and crossways straight cuts and mitre cuts with angles in wood while in firm contact with the workpiece. With appropriate Makita genuine saw blades, other materials can also be sawed.

Power supply ENF002-2

The tool should be connected only to a power supply of the same voltage as indicated on the nameplate, and can only be operated on single-phase AC supply. They are double-insulated and can, therefore, also be used from sockets without earth wire.

General power tool safety warnings

GEA010-2

⚠ WARNING: Read all safety warnings, instructions, illustrations and specifications provided with this power tool. Failure to follow all instructions listed below may result in electric shock, fire and/or serious injury.

Save all warnings and instructions for future reference.

The term "power tool" in the warnings refers to your mains-operated (corded) power tool or battery-operated (cordless) power tool.

CIRCULAR SAW SAFETY WARNINGS

GEB133-2

Cutting procedures

1. **⚠ DANGER: Keep hands away from cutting area and the blade. Keep your second hand on auxiliary handle, or motor housing.** If both hands are holding the saw, they cannot be cut by the blade.
2. **Do not reach underneath the workpiece.** The guard cannot protect you from the blade below the workpiece.
3. **Adjust the cutting depth to the thickness of the workpiece.** Less than a full tooth of the blade teeth should be visible below the workpiece.
4. **Never hold the workpiece in your hands or across your leg while cutting. Secure the workpiece to a stable platform.** It is important to support the work properly to minimise body exposure, blade binding, or loss of control. (Fig. 1)
5. **Hold the power tool by insulated gripping surfaces, when performing an operation where the cutting tool may contact hidden wiring or its own cord.** Contact with a "live" wire will also make exposed metal parts of the power tool "live" and could give the operator an electric shock.
6. **When ripping, always use a rip fence or straight edge guide.** This improves the accuracy of cut and reduces the chance of blade binding.
7. **Always use blades with correct size and shape (diamond versus round) of arbour holes.** Blades that do not match the mounting hardware of the saw will run off-centre, causing loss of control.

8. **Never use damaged or incorrect blade washers or bolt.** The blade washers and bolt were specially designed for your saw, for optimum performance and safety of operation.

Kickback causes and related warnings

- kickback is a sudden reaction to a pinched, jammed or misaligned saw blade, causing an uncontrolled saw to lift up and out of the workpiece toward the operator;
- when the blade is pinched or jammed tightly by the kerf closing down, the blade stalls and the motor reaction drives the unit rapidly back toward the operator;
- if the blade becomes twisted or misaligned in the cut, the teeth at the back edge of the blade can dig into the top surface of the wood causing the blade to climb out of the kerf and jump back toward the operator.

Kickback is the result of saw misuse and/or incorrect operating procedures or conditions and can be avoided by taking proper precautions as given below.

1. **Maintain a firm grip with both hands on the saw and position your arms to resist kickback forces. Position your body to either side of the blade, but not in line with the blade.** Kickback could cause the saw to jump backwards, but kickback forces can be controlled by the operator, if proper precautions are taken.
2. **When blade is binding, or when interrupting a cut for any reason, release the trigger and hold the saw motionless in the material until the blade comes to a complete stop. Never attempt to remove the saw from the work or pull the saw backward while the blade is in motion or kickback may occur.** Investigate and take corrective actions to eliminate the cause of blade binding.
3. **When restarting a saw in the workpiece, centre the saw blade in the kerf so that the saw teeth are not engaged into the material.** If a saw blade binds, it may walk up or kickback from the workpiece as the saw is restarted.
4. **Support large panels to minimise the risk of blade pinching and kickback.** Large panels tend to sag under their own weight. Supports must be placed under the panel on both sides, near the line of cut and near the edge of the panel. (Fig. 2 & 3)
5. **Do not use dull or damaged blades.** Unsharpened or improperly set blades produce narrow kerf causing excessive friction, blade binding and kickback.
6. **Blade depth and bevel adjusting locking levers must be tight and secure before making the cut.** If blade adjustment shifts while cutting, it may cause binding and kickback.
7. **Use extra caution when sawing into existing walls or other blind areas.** The protruding blade may cut objects that can cause kickback.
8. **ALWAYS hold the tool firmly with both hands. NEVER place your hand, leg or any part of your body under the tool base or behind the saw, especially when making cross-cuts.** If kickback occurs, the saw could easily jump backwards over your hand, leading to serious personal injury. (Fig. 4)
9. **Never force the saw. Push the saw forward at a speed so that the blade cuts without slowing.** Forcing the saw can cause uneven cuts, loss of accuracy, and possible kickback.

Lower guard function

1. **Check the lower guard for proper closing before each use. Do not operate the saw if the lower guard does not move freely and close instantly. Never clamp or tie the lower guard into the open position.** If the saw is accidentally dropped, the lower guard may be bent. Raise the lower guard with the retracting handle and make sure it moves freely and does not touch the blade or any other part, in all angles and depths of cut.
2. **Check the operation of the lower guard spring. If the guard and the spring are not operating properly, they must be serviced before use.** Lower guard may operate sluggishly due to damaged parts, gummy deposits, or a build-up of debris.
3. **The lower guard may be retracted manually only for special cuts such as “plunge cuts” and “compound cuts”.** Raise the lower guard by the retracting handle and as soon as the blade enters the material, the lower guard must be released. For all other sawing, the lower guard should operate automatically.
4. **Always observe that the lower guard is covering the blade before placing the saw down on bench or floor.** An unprotected, coasting blade will cause the saw to walk backwards, cutting whatever is in its path. Be aware of the time it takes for the blade to stop after switch is released.
5. **To check lower guard, open lower guard by hand, then release and watch guard closure. Also check to see that retracting handle does not touch tool housing.** Leaving blade exposed is VERY DANGEROUS and can lead to serious personal injury.

Additional safety warnings

1. **Use extra caution when cutting damp wood, pressure treated lumber, or wood containing knots.** Maintain smooth advancement of tool without decrease in blade speed to avoid overheating the blade tips.
2. **Do not attempt to remove cut material when blade is moving. Wait until blade stops before grasping cut material.** Blades coast after turn off.
3. **Avoid cutting nails. Inspect for and remove all nails from lumber before cutting.**
4. **Place the wider portion of the saw base on that part of the workpiece which is solidly supported, not on the section that will fall off when the cut is made. If the workpiece is short or small, clamp it down. DO NOT TRY TO HOLD SHORT PIECES BY HAND! (Fig. 5)**
5. **Before setting the tool down after completing a cut, be sure that the guard has closed and the blade has come to a complete stop.**
6. **Never attempt to saw with the circular saw held upside down in a vise. This is extremely dangerous and can lead to serious accidents. (Fig. 6)**
7. **Some material contains chemicals which may be toxic. Take caution to prevent dust inhalation and skin contact. Follow material supplier safety data.**
8. **Do not stop the blades by lateral pressure on the saw blade.**
9. **Do not use any abrasive wheels.**

10. **Only use the saw blade with the diameter that is marked on the tool or specified in the manual.** Use of an incorrectly sized blade may affect the proper guarding of the blade or guard operation which could result in serious personal injury.
11. **Keep blade sharp and clean.** Gum and wood pitch hardened on blades slows saw and increases potential for kickback. Keep blade clean by first removing it from tool, then cleaning it with gum and pitch remover, hot water or kerosene. Never use gasoline.
12. **Wear a dust mask and hearing protection when use the tool.**
13. **Always use the saw blade intended for cutting the material that you are going to cut.**
14. **Only use the saw blades that are marked with a speed equal or higher than the speed marked on the tool.**
15. **(For European countries only)**
Always use the blade which conforms to EN847-1.

SAVE THESE INSTRUCTIONS.

⚠ WARNING:
DO NOT let comfort or familiarity with product (gained from repeated use) replace strict adherence to safety rules for the subject product. MISUSE or failure to follow the safety rules stated in this instruction manual may cause serious personal injury.

FUNCTIONAL DESCRIPTION

⚠ CAUTION:

- Always be sure that the tool is switched off and unplugged before adjusting or checking function on the tool.

Adjusting depth of cut

⚠ CAUTION:

- After adjusting the depth of cut, always tighten the lever securely. (Fig. 7)

Loosen the lever on the depth guide and move the base up or down. At the desired depth of cut, secure the base by tightening the lever.

For cleaner, safer cuts, set cut depth so that no more than one blade tooth projects below workpiece. Using proper cut depth helps to reduce potential for dangerous KICKBACKS which can cause personal injury.

Bevel cutting (Fig. 8 & 9)

Loosen the clamping screws. Set for the desired angle (0° - 45°) by tilting accordingly, then tighten the clamping screws securely.

Sighting (Fig. 10)

For straight cuts, align the 0° position on the front of the base with your cutting line. For 45° bevel cuts, align the 45° position with it.

Switch action

- ⚠ CAUTION:**
- Before plugging in the tool, always check to see that the switch trigger actuates properly and returns to the "OFF" position when released.
 - Do not pull the switch trigger hard without pressing in the lock-off button. This can cause switch breakage. (Fig. 11)

To prevent the switch trigger from being accidentally pulled, a lock-off button is provided.

To start the tool, depress the lock-off button and pull the switch trigger. Release the switch trigger to stop.

- ⚠ WARNING:**
- For your safety, this tool is equipped with a lock-off button which prevents the tool from unintended starting. NEVER use the tool if it runs when you simply pull the switch trigger without pressing the lock-off button. Return tool to a Makita service center for proper repairs BEFORE further usage.
 - NEVER tape down or defeat purpose and function of lock-off button.

ASSEMBLY

- ⚠ CAUTION:**
- Always be sure that the tool is switched off and unplugged before adjusting or checking function on the tool.

Removing or installing saw blade

- ⚠ CAUTION:**
- Be sure the blade is installed with teeth pointing up at the front of the tool.
 - Use only the Makita wrench to install or remove the blade.

To remove the blade, press the shaft lock so that the blade cannot revolve and use the wrench to loosen the hex bolt counterclockwise. Then remove the hex bolt, outer flange and blade. (Fig. 12)

When changing blade, make sure to also clean upper and lower blade guards of accumulated sawdust. Such efforts do not, however, replace the need to check lower guard operation before each use. (Fig. 13)

For tool with the inner flange for other than 15.88 mm hole-diameter saw blade (Fig. 14)

The inner flange has a certain diameter protrusion on one side of it and a different diameter protrusion on the other side. Choose a correct side on which protrusion fits into the saw blade hole perfectly.

Next, mount the inner flange onto the mounting shaft so that the correct side of protrusion on the inner flange faces outward and then place saw blade and outer flange. **BE SURE TO TIGHTEN THE HEX BOLT CLOCKWISE SECURELY.**

- ⚠ CAUTION:**
- **Make sure that the protrusion "a" on the inner flange that is positioned outside fits into the saw blade hole "a" perfectly.** Mounting the blade on the wrong side can result in the dangerous vibration.

For tool with the inner flange for a 15.88 mm hole-diameter saw blade (country specific) (Fig. 15 & 16)

Mount the inner flange with its recessed side facing outward onto the mounting shaft and then place saw blade (with the ring attached if needed), outer flange and hex bolt.

BE SURE TO TIGHTEN THE HEX BOLT CLOCKWISE SECURELY.

⚠ WARNING:

- **Before mounting the blade onto the spindle, always be sure that the correct ring for the blade's arbor hole you intend to use is installed between the inner and the outer flanges.** Use of the incorrect arbor hole ring may result in the improper mounting of the blade causing blade movement and severe vibration resulting in possible loss of control during operation and in serious personal injury.

Hex wrench storage (Fig. 17)

When not in use, store the hex wrench as shown in the figure to keep it from being lost.

Connecting a vacuum cleaner (optional accessory) (Fig. 18 & 19)

When you wish to perform clean cutting operation, connect a Makita vacuum cleaner to your tool. Install the dust nozzle on the tool using the screw. Then connect a hose of the vacuum cleaner to the dust nozzle as shown in the figure.

OPERATION

⚠ CAUTION:

- Be sure to move the tool forward in a straight line gently. Forcing or twisting the tool will result in overheating the motor and dangerous kickback, possibly causing severe injury.
- Always use a front grip and rear handle and firmly hold the tool by both front grip and rear handle during operations. (Fig. 20)

Hold the tool firmly. The tool is provided with both a front grip and rear handle. Use both to best grasp the tool. If both hands are holding saw, they cannot be cut by the blade. Set the base on the workpiece to be cut without the blade making any contact. Then turn the tool on and wait until the blade attains full speed. Now simply move the tool forward over the workpiece surface, keeping it flat and advancing smoothly until the sawing is completed. To get clean cuts, keep your sawing line straight and your speed of advance uniform. If the cut fails to properly follow your intended cut line, do not attempt to turn or force the tool back to the cut line. Doing so may bind the blade and lead to dangerous kickback and possible serious injury. Release switch, wait for blade to stop and then withdraw tool. Realign tool on new cut line, and start cut again. Attempt to avoid positioning which exposes operator to chips and wood dust being ejected from saw. Use eye protection to help avoid injury.

Rip fence (Guide rule) (optional accessory) (Fig. 21)

The handy rip fence allows you to do extra-accurate straight cuts. Simply slide the rip fence up snugly against

the side of the workpiece and secure it in position with the clamping screw on the front of the base. It also makes repeated cuts of uniform width possible.

MAINTENANCE

⚠ CAUTION:

- Always be sure that the tool is switched off and unplugged before attempting to perform inspection or maintenance.
- **Clean out the upper and lower guards to ensure there is no accumulated sawdust which may impede the operation of the lower guarding system.** A dirty guarding system may limit the proper operation which could result in serious personal injury. The most effective way to accomplish this cleaning is with compressed air. **If the dust is being blown out of the guards, be sure the proper eye and breathing protection is used.**
- Never use gasoline, benzene, thinner, alcohol or the like. Discoloration, deformation or cracks may result.

Adjusting for parallelism (Fig. 22)

The parallelism between the blade and the base has been factory adjusted. But if it is off, you can adjust it as the following procedure.

Make sure all levers and screws are tightened. Slightly loosen the screw as illustrated. While opening the lower guard, move the rear of base so that the distance A and B are equal. After adjusting, tighten the screw. Make a test cut to get a correct parallelism.

Adjusting for accuracy of 0° cut (Fig. 23 & 24)

This adjustment has been made at the factory. But if it is off, adjust the adjusting screws with a hex wrench while inspecting 0° the blade with the base using a triangular rule or square rule, etc.

Replacing carbon brushes (Fig. 25)

Remove and check the carbon brushes regularly. Replace when they wear down to the limit mark. Keep the carbon brushes clean and free to slip in the holders. Both carbon brushes should be replaced at the same time. Use only identical carbon brushes.

Use a screwdriver to remove the brush holder caps. Take out the worn carbon brushes, insert the new ones and secure the brush holder caps. (Fig. 26)

To maintain product SAFETY and RELIABILITY, repairs, any other maintenance or adjustment should be performed by Makita Authorized Service Centers, always using Makita replacement parts.

OPTIONAL ACCESSORIES

⚠ CAUTION:

- These accessories or attachments are recommended for use with your Makita tool specified in this manual. The use of any other accessories or attachments might present a risk of injury to persons. Only use accessory or attachment for its stated purpose.

If you need any assistance for more details regarding these accessories, ask your local Makita Service Center.

- Saw blades
- Rip fence (Guide rule)
- Guide rail
- Guide rail adapter
- Rule bar
- Dust nozzle
- Hex wrench

NOTE:

- Some items in the list may be included in the tool package as standard accessories. They may differ from country to country.

Noise

ENG905-1

The typical A-weighted noise level determined according to EN62841:

Sound pressure level (L_{pA}): 92 dB (A)

Sound power level (L_{WA}): 103 dB (A)

Uncertainty (K): 3 dB (A)

ENG907-1

- The declared noise emission value(s) has been measured in accordance with a standard test method and may be used for comparing one tool with another.
- The declared noise emission value(s) may also be used in a preliminary assessment of exposure.

⚠ WARNING:

- **Wear ear protection.**
- **The noise emission during actual use of the power tool can differ from the declared value(s) depending on the ways in which the tool is used especially what kind of workpiece is processed.**
- **Be sure to identify safety measures to protect the operator that are based on an estimation of exposure in the actual conditions of use (taking account of all parts of the operating cycle such as the times when the tool is switched off and when it is running idle in addition to the trigger time).**

Vibration

ENG900-1

The vibration total value (tri-axial vector sum) determined according to EN62841:

Work mode: cutting wood

Vibration emission ($a_{h,W}$): 2.5 m/s² or less

Uncertainty (K): 1.5 m/s²

ENG901-2

- The declared vibration total value(s) has been measured in accordance with a standard test method and may be used for comparing one tool with another.
- The declared vibration total value(s) may also be used in a preliminary assessment of exposure.

⚠ WARNING:

- **The vibration emission during actual use of the power tool can differ from the declared value(s) depending on the ways in which the tool is used especially what kind of workpiece is processed.**
- **Be sure to identify safety measures to protect the operator that are based on an estimation of exposure in the actual conditions of use (taking account of all parts of the operating cycle such as**

the times when the tool is switched off and when it is running idle in addition to the trigger time).

**EC Declaration of Conformity
For European countries only**

The EC declaration of conformity is included as Annex A to this instruction manual.

1. Levier	10. Serrer	19. Aspirateur
2. Vis de serrage	11. Flasque intérieur	20. Tuyau
3. Ligne de coupe (position sur 0°)	12. Lame	21. Garde parallèle
4. Ligne de coupe (position sur 45°)	13. Flasque extérieur	22. Règle triangulaire
5. Gâchette	14. Boulon hexagonal	23. Repère d'usage
6. Bouton de sécurité	15. Arbre de montage	24. Tournevis
7. Clé hexagonale	16. Bague	25. Bouchon de porte-charbon
8. Blocage de l'arbre	17. Raccord à poussières	
9. Desserrer	18. Vis	

SPÉCIFICATIONS

Modèle		HS7601
Diamètre de la lame		190 mm
Profondeur de coupe max.	à 0°	66 mm
	à 45°	46 mm
Vitesse à vide		5 200 min ⁻¹
Longueur totale		309 mm
Poids net		3,7 kg
Niveau de sécurité		□/II

- Étant donné l'évolution constante de notre programme de recherche et de développement, les spécifications contenues dans ce manuel sont sujettes à des modifications sans préavis.
- Les spécifications peuvent varier suivant les pays.
- Poids conforme à la procédure EPTA 01/2014

Utilisations

ENE078-2

L'outil est conçu pour réaliser des coupes en longueur, des coupes transversales et des coupes d'onglet angulaires dans le bois en maintenant un contact ferme avec la pièce à travailler. Avec des lames d'origine Makita adaptées, il est également possible de couper d'autres matériaux.

Alimentation

ENF002-2

L'outil ne doit être raccordé qu'à une alimentation de la même tension que celle qui figure sur la plaque signalétique, et il ne peut fonctionner que sur un courant secteur monophasé. Réalisé avec une double isolation, il peut de ce fait être alimenté sans mise à la terre.

Consignes de sécurité générales pour outils électriques

GEA010-2

⚠ AVERTISSEMENT : Veuillez lire les consignes de sécurité, instructions, illustrations et spécifications qui accompagnent cet outil électrique. Le non-respect de toutes les instructions indiquées ci-dessous peut entraîner une électrocution, un incendie et/ou de graves blessures.

Conservez toutes les mises en garde et instructions pour référence ultérieure.

Le terme « outil électrique » dans les avertissements fait référence à l'outil électrique alimenté par le secteur (avec

cordons d'alimentation) ou à l'outil électrique fonctionnant sur batterie (sans cordon d'alimentation).

CONSIGNES DE SECURITE POUR SCIE CIRCULAIRE

GE133-2

Procédures de coupe

1. **⚠ DANGER : Gardez vos mains à l'écart de la zone de coupe et de la lame. Laissez votre deuxième main sur la poignée auxiliaire ou le carter du moteur.** La lame ne risquera pas de vous couper les mains si vous les utilisez toutes les deux pour tenir la scie.
2. **Ne placez aucune partie de votre corps sous la pièce à travailler.** Le carter de protection ne peut pas protéger l'utilisateur de la lame sous la pièce.
3. **Réglez la profondeur de coupe suivant l'épaisseur de la pièce à travailler.** La partie de la lame visible sous la pièce à travailler doit être moindre qu'une dent de lame complète.
4. **Ne tenez jamais la pièce avec les mains ou contre la jambe pendant la coupe. Fixez la pièce sur une plate-forme stable.** Il est important que la pièce soit soutenue convenablement, afin de minimiser l'exposition du corps, le grippage de la lame ou la perte de contrôle. (Fig. 1)
5. **Tenez l'outil électrique par une surface de prise isolée, lorsque vous effectuez une tâche où l'outil de coupe pourrait toucher un câblage caché ou son propre cordon d'alimentation.** Le contact avec un fil « sous tension » mettra également « sous tension » les parties métalliques exposées de l'outil

électrique, pouvant ainsi causer un choc électrique chez l'utilisateur.

6. **Lors du sciage en long, utilisez toujours un guide longitudinal ou un guide de chant.** La coupe sera plus précise et cela réduira les risques de pincement de la lame.
7. **Utilisez toujours des lames dont l'orifice central est de taille et de forme (diamantée ou circulaire) appropriée.** Les lames qui ne correspondent pas aux éléments de montage de la scie fonctionneront de manière décentrée, provoquant une perte de contrôle.
8. **N'utilisez jamais de rondelles ou boulons de la lame endommagés ou inadéquats.** Les rondelles et le boulon de la lame ont été conçus exclusivement pour votre scie, afin d'assurer une performance optimale et une utilisation sûre.

Causes des chocs en retour et avertissements concernant ces derniers

- le choc en retour est une réaction soudaine de l'outil lorsque la lame de scie est coincée, pincée ou désalignée, et la scie, hors de contrôle, se soulève alors et quitte la pièce en se dirigeant vers l'utilisateur ;
- lorsque la lame se coince ou est pincée fermement par le trait de scie qui se referme sur elle, la lame se bloque et la réaction du moteur entraîne la projection de l'outil à grande vitesse vers l'utilisateur ;
- si la lame se tord ou se désaligne par rapport à la ligne de coupe, les dents arrière risquent de s'enfoncer dans la surface du bois et la lame de quitter le trait de scie en reculant brusquement vers l'utilisateur.

Le choc en retour est le résultat d'une mauvaise utilisation de la scie et/ou de procédures ou conditions d'utilisation incorrectes. On peut l'éviter en prenant des précautions adéquates, comme indiqué ci-dessous :

1. **Maintenez une poigne ferme à deux mains sur la scie, et placez vos bras de sorte qu'ils puissent résister à la force du choc en retour. Placez-vous d'un côté ou de l'autre de la lame, jamais dans sa ligne de coupe.** Le choc en retour peut faire bondir la scie vers l'arrière, mais la force du choc en retour peut être maîtrisée par l'utilisateur en prenant les précautions adéquates.
2. **Si la lame se pince ou si vous interrompez la coupe pour une raison quelconque, libérez la gâchette et maintenez la scie immobile dans le matériau jusqu'à l'arrêt complet de la lame. N'essayez jamais de retirer la scie de la pièce ou de la faire reculer alors que la lame tourne encore, sous peine de provoquer un choc en retour.** Identifiez la cause du pincement de la lame et prenez les mesures correctives pour y remédier.
3. **Avant de redémarrer la scie dans la pièce, centrez la lame de scie dans le trait de scie de sorte que les dents ne pénètrent pas dans le matériau.** Si une lame de scie coince, elle risque de remonter ou de reculer brutalement au moment du redémarrage de la scie.
4. **Placez un dispositif de soutien sous les grands panneaux pour réduire les risques de pincement de la lame et de choc en retour.** Les panneaux de grande dimension ont tendance à s'affaisser sous leur propre poids. Des supports doivent être installés sous le panneau, des deux côtés, près de la ligne de coupe et près du bord du panneau. (Fig. 2 et 3)

5. **N'utilisez pas des lames émoussées ou endommagées.** Les lames mal affûtées ou mal posées produisent un trait de scie étroit, entraînant une friction excessive, le pincement de la lame et un choc en retour.
6. **Les leviers de verrouillage de la profondeur de coupe et du réglage de coupe en biseau doivent être serrés de manière ferme et sûre avant de procéder à la coupe.** Il y a risque de pincement et de choc en retour si les réglages de la lame changent pendant la coupe.
7. **Soyez tout particulièrement prudent lorsque vous sciez dans un mur ou autre surface derrière laquelle peuvent se trouver des objets non visibles.** La lame peut causer un choc en retour en entrant en contact avec ces objets.
8. **Tenez TOUJOURS l'outil fermement à deux mains. Ne placez JAMAIS la main, la jambe ou toute autre partie du corps sous la base de l'outil ou derrière la scie, particulièrement lors de coupes transversales.** En cas de choc en retour, la scie pourrait facilement bondir vers l'arrière et passer sur votre main, vous infligeant une blessure grave. (Fig. 4)
9. **Ne forcez jamais la scie. Faites avancer la scie à une vitesse permettant à la lame de tourner sans perte de vitesse.** Le fait de forcer la scie peut résulter en des coupes inégales, une perte de précision et un choc en retour.

Fonctionnement du carter de protection

1. **Avant chaque utilisation, assurez-vous que le carter de protection inférieur ferme bien. N'utilisez pas la scie si le carter de protection inférieur ne se déplace pas librement et ne se referme pas immédiatement. Évitez d'immobiliser ou fixer le carter de protection inférieur en position ouverte.** Si la scie tombe accidentellement, le carter de protection inférieur peut se tordre. Soulevez le carter de protection inférieur à l'aide de la poignée rétractable et assurez-vous qu'il se déplace librement sans entrer en contact avec la lame ou toute autre partie de la scie, et ce quel que soit l'angle ou la profondeur de coupe.
2. **Vérifiez le fonctionnement du ressort du carter de protection inférieur. Le carter de protection et le ressort doivent être réparés avant l'utilisation s'ils ne fonctionnent pas correctement.** Le fonctionnement du carter de protection inférieur peut être ralenti par des pièces endommagées, des dépôts gluants ou l'accumulation de débris.
3. **Le carter de protection inférieur ne doit être rétracté manuellement que lors des coupes spéciales, comme les « coupes en plongée » et les « coupes mixtes ».** Soulevez le carter de protection inférieur à l'aide de la poignée rétractable et libérez-le dès que la lame entre en contact avec le matériau. Pour tout autre type de coupe, il faut laisser le carter de protection inférieur fonctionner automatiquement.
4. **Assurez-vous toujours que le carter de protection inférieur recouvre la lame avant de poser la scie sur l'établi ou le plancher.** Une lame non protégée et continuant à fonctionner par inertie entraînera la scie en arrière coupant tout ce qui se trouve sur sa

trajectoire. N'oubliez pas qu'il faut un certain temps avant que la lame ne s'arrête une fois la gâchette libérée.

5. **Pour vérifier que le carter de protection inférieur se referme bien, ouvrez-le manuellement et relâchez-le. Assurez-vous également que la poignée rétractable ne touche pas le carter de l'outil.** Une lame exposée est TRÈS DANGEREUSE et peut causer de graves blessures.

Consignes de sécurité supplémentaires

1. **Soyez encore plus prudent pour couper du bois mouillé, du bois traité sous pression ou du bois qui contient des nœuds.** Pour éviter que le tranchant de la lame ne surchauffe, faites avancer l'outil à une vitesse régulière sans ralentissement de la vitesse de rotation de la lame.
2. **N'essayez pas de retirer le matériau coupé pendant que la lame tourne. Attendez l'arrêt total de la lame avant de saisir le bout de matériau coupé.** La lame continue de tourner même une fois le contact coupé.
3. **Prenez garde aux clous pendant la coupe. Avant de couper dans le bois de construction, inspectez-le et retirez-en tous les clous.**
4. **Placez la partie la plus grande du socle de la scie sur la partie de la pièce qui est solidement soutenue, non sur celle qui tombera une fois la coupe terminée. Si la pièce est courte ou petite, placez-la dans un dispositif de serrage. N'ESSAYEZ PAS DE TENIR LES COURTES PIÈCES UNIQUEMENT AVEC LA MAIN ! (Fig. 5)**
5. **Avant de déposer l'outil une fois la coupe terminée, assurez-vous que le carter de protection est fermé et que la lame est parfaitement immobile.**
6. **N'essayez jamais de scier en plaçant la scie circulaire à l'envers dans un étai. Cela est très dangereux et peut entraîner un accident grave. (Fig. 6)**
7. **Certains matériaux contiennent des substances chimiques qui peuvent être toxiques. Prenez les précautions nécessaires pour ne pas inhaler les poussières qu'ils dégagent et pour éviter tout contact avec la peau. Respectez les données de sécurité du fabricant du matériau.**
8. **N'appliquez jamais de pression latérale sur la lame de scie pour l'arrêter.**
9. **N'utilisez pas de disques abrasifs.**
10. **Utilisez uniquement une lame de scie ayant le diamètre indiqué sur l'outil ou spécifié dans le mode d'emploi.** L'utilisation d'une taille incorrecte de lame peut affecter la protection de la lame ou le fonctionnement du carter de protection, ce qui pourrait provoquer de graves blessures.
11. **Maintenez la lame bien affûtée et propre.** Les dépôts de colle et les copeaux de bois qui durcissent contre la lame ralentissent la scie et entraînent une augmentation des risques de choc en retour. Pour nettoyer la lame, retirez-la d'abord de l'outil, puis nettoyez-la avec un décapant, de l'eau chaude ou du kérosène. N'utilisez jamais d'essence.
12. **Portez un masque antipoussières et des protections d'oreilles lorsque vous utilisez l'outil.**

13. **Utilisez toujours la lame de scie conçue pour la coupe du matériau de travail.**
14. **Utilisez uniquement des lames de scie sur lesquelles est indiquée une vitesse égale ou supérieure à la vitesse figurant sur l'outil.**
15. **(Pour les pays européens uniquement) Utilisez toujours une lame conforme à la norme EN847-1.**

CONSERVEZ CES INSTRUCTIONS.

⚠ AVERTISSEMENT :
NE vous laissez PAS tromper (au fil d'une utilisation répétée) par un sentiment d'aisance et de familiarité avec le produit, en négligeant le respect rigoureux des consignes de sécurité qui accompagnent le produit en question. La MAUVAISE UTILISATION de l'outil ou l'ignorance des consignes de sécurité indiquées dans ce mode d'emploi peut entraîner de graves blessures.

DESCRIPTION DU FONCTIONNEMENT

⚠ ATTENTION :
• Assurez-vous toujours que l'outil est éteint et débranché avant de le régler ou vérifier son fonctionnement.

Réglage de la profondeur de coupe

⚠ ATTENTION :
• Après avoir réglé la profondeur de coupe, serrez toujours fermement le levier. (Fig. 7)
Desserrez le levier sur le guide de profondeur et déplacez le socle vers le haut ou le bas. Lorsque vous avez obtenu la profondeur de coupe souhaitée, fixez le socle en serrant le levier.
Pour obtenir des coupes plus propres et les effectuer de manière plus sûre, réglez la profondeur de coupe de sorte qu'une dent de lame au maximum dépasse sous la pièce. Une profondeur de coupe adéquate permet de réduire les risques de CHOCS EN RETOUR dangereux susceptibles de provoquer des blessures.

Coupe en biseau (Fig. 8 et 9)

Desserrez les vis de serrage. Réglez selon l'angle désiré (0° à 45°) en inclinant l'outil, puis serrez fermement les vis de serrage.

Visée (Fig. 10)

Pour les coupes rectilignes, alignez la position à 0° à l'avant du socle sur la ligne de coupe. Pour les coupes en biseau à 45°, alignez la position à 45° sur la ligne de coupe.

Fonctionnement de la gâchette

⚠ ATTENTION :
• Avant de brancher l'outil, vérifiez toujours que la gâchette fonctionne correctement et revient en position d'arrêt (OFF) lorsqu'elle est relâchée.

- N'appuyez pas fortement sur la gâchette sans avoir d'abord enfoncé le bouton de sécurité. Vous risqueriez de casser la gâchette. (Fig. 11)

Pour éviter tout déclenchement accidentel de la gâchette, l'outil est muni d'un bouton de sécurité.

Pour démarrer l'outil, enfoncez le bouton de sécurité, puis appuyez sur la gâchette. Pour l'arrêter, relâchez la gâchette.

⚠ AVERTISSEMENT :

- Pour assurer votre sécurité, cet outil est doté d'un bouton de sécurité qui empêche le démarrage accidentel de l'outil. N'utilisez JAMAIS l'outil s'il se met en marche lorsque vous appuyez simplement sur la gâchette sans avoir appuyé sur le bouton de sécurité. Renvoyez l'outil à un centre de service après-vente Makita pour le faire réparer AVANT toute autre utilisation.
- Le bouton de sécurité NE doit JAMAIS être immobilisé avec du ruban adhésif, ni condamné.

MONTAGE

⚠ ATTENTION :

- Assurez-vous toujours que l'outil est éteint et débranché avant de le régler ou vérifier son fonctionnement.

Retrait ou installation de la lame

⚠ ATTENTION :

- Assurez-vous que la lame est installée avec les dents orientées vers le haut à l'avant de l'outil.
- Utilisez exclusivement une clé Makita pour installer ou retirer la lame.

Pour retirer la lame, appuyez sur le blocage de l'arbre, de sorte que la lame ne puisse pas tourner, et desserrez le boulon hexagonal à l'aide de la clé hexagonale, en tournant dans le sens inverse des aiguilles d'une montre. Retirez ensuite le boulon hexagonal, le flasque extérieur et la lame. (Fig. 12)

Lorsque vous changez de lame, veillez également à retirer la sciure de bois accumulée sur les carters de protection supérieur et inférieur. Vous devez également vérifier le bon fonctionnement du carter de protection inférieur avant chaque utilisation. (Fig. 13)

Pour les outils comportant un flasque intérieur adapté à une lame dont l'orifice du diamètre est différent de 15,88 mm (Fig. 14)

Le flasque intérieur possède une partie saillante d'un certain diamètre sur l'un de ses côtés et une partie saillante d'un diamètre différent sur l'autre côté. Choisissez un côté sur lequel la partie saillante s'adapte parfaitement dans l'orifice de la lame. Ensuite, installez le flasque intérieur sur l'arbre de montage, de sorte que le côté de la partie saillante sur le flasque intérieur soit orienté vers l'extérieur, puis installez la lame et le flasque extérieur.

ASSUREZ-VOUS D'AVOIR FERMEMENT SERRÉ LE BOULON HEXAGONAL EN TOURNANT DANS LE SENS DES AIGUILLES D'UNE MONTRE.

⚠ ATTENTION :

- Vérifiez que la partie saillante « a » sur le flasque intérieur situé à l'extérieur s'adapte parfaitement

dans l'orifice « a » de la lame. Le montage de la lame du mauvais côté peut provoquer des vibrations dangereuses.

Pour les outils comportant un flasque intérieur adapté à une lame dont l'orifice du diamètre est de 15,88 mm (selon les pays) (Fig. 15 et 16)

Installez le flasque intérieur en orientant son côté creux vers l'extérieur sur l'arbre de montage, puis installez la lame (après avoir fixé la bague au besoin), le flasque extérieur et le boulon hexagonal.

ASSUREZ-VOUS D'AVOIR FERMEMENT SERRÉ LE BOULON HEXAGONAL EN TOURNANT DANS LE SENS DES AIGUILLES D'UNE MONTRE.

⚠ AVERTISSEMENT :

- **Avant de monter la lame sur l'axe, assurez-vous toujours d'avoir installé, entre les flasques intérieur et extérieur, la bonne bague pour l'alésage central de la lame que vous prévoyez d'utiliser.** L'utilisation d'une bague d'alésage incorrecte peut entraîner un montage incorrect de la lame, provoquant un mouvement de la lame ainsi que d'importantes vibrations susceptibles d'entraîner une perte de contrôle pendant le fonctionnement ainsi que de graves blessures corporelles.

Rangement de la clé hexagonale (Fig. 17)

Lorsque vous n'utilisez pas la clé hexagonale, rangez-la comme illustré sur la figure pour éviter de la perdre.

Raccordement à un aspirateur (accessoire en option) (Fig. 18 et 19)

Pour effectuer un travail plus propre, raccordez un aspirateur Makita à votre outil. Installez le raccord à poussières sur l'outil à l'aide de la vis. Connectez ensuite le tuyau de l'aspirateur au raccord à poussières, comme illustré sur la figure.

FONCTIONNEMENT

⚠ ATTENTION :

- Vous devez faire avancer l'outil doucement, en ligne droite. Le fait de forcer ou de tordre l'outil entraîne une surchauffe du moteur et un dangereux choc en retour, susceptibles de causer de graves blessures.
 - Utilisez toujours la poignée avant et la poignée arrière et tenez fermement l'outil par la poignée avant et la poignée arrière pendant l'utilisation. (Fig. 20)
- Tenez l'outil fermement. L'outil est doté d'une poignée avant et d'une poignée arrière. Tenez l'outil par ses deux poignées. Vous ne risquez pas de vous couper les mains si vous les utilisez toutes les deux pour tenir la scie. Placez le socle de l'outil sur la pièce à travailler, de sorte que la lame n'entre en contact avec aucun objet. Mettez ensuite l'outil sous tension et attendez que la lame ait atteint sa pleine vitesse. Ensuite, déplacez simplement l'outil vers l'avant sur la surface de la pièce à travailler, en le maintenant bien à plat et en le faisant avancer doucement, jusqu'à ce que la coupe soit terminée. Pour des coupes propres, évitez de dévier de la ligne de coupe et faites avancer l'outil à une vitesse régulière. Si la lame dévie de la ligne de coupe prévue, ne tentez pas de modifier la course de l'outil pour le forcer à revenir sur la ligne de coupe. Vous risqueriez de plier la lame et de

provoquer un dangereux choc en retour, voire des blessures graves. Relâchez la gâchette, attendez l'arrêt complet de la lame, puis retirez l'outil. Réalignez l'outil sur une nouvelle ligne de coupe, puis poursuivez la coupe. Évitez de vous exposer aux copeaux et sciures de bois projetés par la scie. Portez des lunettes de protection pour réduire les risques de blessure.

Garde parallèle (règle de guidage) (accessoire en option) (Fig. 21)

Le garde parallèle est pratique pour effectuer des coupes droites avec une très grande précision. Faites simplement glisser le garde parallèle le long du bord de la pièce en le maintenant en position à l'aide de la vis de serrage qui se trouve à l'avant du socle. Cela permet également d'effectuer plusieurs coupes d'une largeur uniforme.

ENTRETIEN

⚠ ATTENTION :

- Assurez-vous toujours que l'appareil est éteint et débranché avant d'effectuer tout travail d'inspection ou d'entretien.
- Nettoyez les carters de protection supérieur et inférieur afin de vous assurer que de la sciure de bois ne s'est pas accumulée et ne risque pas d'empêcher le fonctionnement du système de protection inférieur.** Un système de protection sale peut perturber le fonctionnement et provoquer de graves blessures corporelles. Le nettoyage le plus efficace doit être réalisé avec de l'air comprimé. **En cas de projection de poussière au niveau des carters de protection, veillez à utiliser des lunettes et un masque adaptés.**
- N'utilisez jamais d'essence, de benzine, de diluant, d'alcool ou de produit similaire. Ces produits risquent de provoquer des décolorations, des déformations ou des fissures.

Réglage du parallélisme (Fig. 22)

Le parallélisme entre la lame et le socle a été réglé en usine. Mais s'il est incorrect, vous pouvez le régler en procédant comme suit.

Assurez-vous que tous les leviers et toutes les vis sont serrés. Desserrez légèrement la vis, comme illustré. Tout en ouvrant le carter de protection inférieur, déplacez l'arrière du socle, de sorte que la distance entre A et B soit identique. Après avoir procédé au réglage, serrez la vis. Effectuez une coupe test pour obtenir un parallélisme correct.

Réglage de la précision de coupe à 0° (Fig. 23 et 24)

Ce réglage est effectué en usine. S'il est incorrect, ajustez les vis de réglage au moyen d'une clé hexagonale, en vous assurant que la lame est sur un angle de 0° par rapport au socle, avec une règle triangulaire, une équerre de menuisier, etc.

Remplacement des charbons (Fig. 25)

Retirez et vérifiez les charbons régulièrement. Remplacez-les lorsqu'ils atteignent le repère d'usure. Maintenez les charbons propres et en état de glisser

aisément dans les porte-charbons. Les deux charbons doivent être remplacés en même temps. N'utilisez que des charbons identiques.

Retirez les bouchons des porte-charbons à l'aide d'un tournevis. Enlevez les charbons usés, insérez-en de nouveaux et revissez solidement les bouchons des porte-charbons. (Fig. 26)

Pour garantir la SÉCURITÉ et la FIABILITÉ du produit, les réparations ainsi que tout autre travail d'entretien ou de réglage doivent être effectués dans un centre d'entretien Makita agréé, exclusivement avec des pièces de rechange Makita.

ACCESSOIRES FOURNIS EN OPTION

⚠ ATTENTION :

- Ces accessoires ou pièces complémentaires sont recommandés pour être utilisés avec l'outil Makita spécifié dans ce mode d'emploi. L'utilisation de tout autre accessoire ou pièce complémentaire peut comporter un risque de blessure. N'utilisez les accessoires ou pièces qu'aux fins auxquelles ils ont été conçus.

Pour obtenir plus de détails sur ces accessoires, contactez votre Centre de service local Makita.

- Lames
- Garde parallèle (règle de guidage)
- Rail de guidage
- Adaptateur pour rail de guidage
- Tige graduée
- Raccord à poussières
- Clé hexagonale

REMARQUE :

- Certains éléments de la liste peuvent être inclus en tant qu'accessoires standard dans le coffret de l'outil envoyé. Ils peuvent varier suivant les pays.

Bruit

ENG905-1

Les niveaux de bruit pondéré A typiques ont été mesurés selon la norme EN62841 :

Niveau de pression sonore (L_{pA}) : 92 dB (A)

Niveau de puissance sonore (L_{WA}) : 103 dB (A)

Incertitude (K) : 3 dB (A)

ENG907-1

- La ou les valeurs d'émission de bruit déclarées ont été mesurées conformément à la méthode de test standard et peuvent être utilisées pour comparer les outils entre eux.
- La ou les valeurs d'émission de bruit déclarées peuvent aussi être utilisées pour l'évaluation préliminaire de l'exposition.

⚠ AVERTISSEMENT :

- Portez un serre-tête antibruit.
- L'émission de bruit lors de l'usage réel de l'outil électrique peut être différente de la ou des valeurs déclarées, suivant la façon dont l'outil est utilisé, particulièrement selon le type de pièce usinée.
- Les mesures de sécurité à prendre pour protéger l'utilisateur doivent être basées sur une estimation de l'exposition dans des conditions réelles d'utilisation (en tenant compte de toutes les composantes du cycle d'utilisation, comme par

exemple le moment de sa mise hors tension, lorsqu'il tourne à vide et le moment de son déclenchement).

Vibrations

ENG900-1

La valeur totale de vibration (somme du vecteur triaxial) a été déterminée selon la norme EN62841 :

Mode de fonctionnement : découpe de bois

Émission des vibrations ($a_{h,w}$) : 2,5 m/s² au maximum

Incertitude (K) : 1,5 m/s²

ENG901-2

- La ou les valeurs de vibration totales déclarées ont été mesurées conformément à la méthode de test standard et peuvent être utilisées pour comparer les outils entre eux.
- La ou les valeurs de vibration totales déclarées peuvent aussi être utilisées pour l'évaluation préliminaire de l'exposition.

AVERTISSEMENT :

- **L'émission de vibrations lors de l'usage réel de l'outil électrique peut être différente de la ou des valeurs déclarées, suivant la façon dont l'outil est utilisé, particulièrement selon le type de pièce usinée.**
- **Les mesures de sécurité à prendre pour protéger l'utilisateur doivent être basées sur une estimation de l'exposition dans des conditions réelles d'utilisation (en tenant compte de toutes les composantes du cycle d'utilisation, comme par exemple le moment de sa mise hors tension, lorsqu'il tourne à vide et le moment de son déclenchement).**

Déclaration de conformité CE

Pour les pays d'Europe uniquement

La Déclaration de conformité CE figure en Annexe A du présent mode d'emploi.

DEUTSCH (Originalanweisungen)

Erklärung der Gesamtdarstellung

- | | | |
|--------------------------------|-----------------------|------------------------|
| 1. Hebel | 10. Festziehen | 19. Absauggerät |
| 2. Klemmschraube | 11. Innenflansch | 20. Schlauch |
| 3. Schnittlinie (0°-Position) | 12. Sägeblatt | 21. Parallelenschlag |
| 4. Schnittlinie (45°-Position) | 13. Außenflansch | 22. Einstelldreieck |
| 5. Ein/Aus-Schalter | 14. Sechskantschraube | 23. Verschleißgrenze |
| 6. Entriegelungsknopf | 15. Montageschافت | 24. Schraubendreher |
| 7. Innensechskantschlüssel | 16. Ring | 25. Bürstenhalterkappe |
| 8. Spindelarreterung | 17. Absaugstutzen | |
| 9. Lösen | 18. Schraube | |

TECHNISCHE DATEN

Modell		HS7601
Sägeblatt-Durchmesser		190 mm
Max. Schnitttiefe	bei 0°	66 mm
	bei 45°	46 mm
Leerlaufdrehzahl		5.200 min ⁻¹
Gesamtlänge		309 mm
Nettogewicht		3,7 kg
Schutzklasse		□/II

- Aufgrund unserer beständigen Forschungen und Weiterentwicklungen sind Änderungen an den hier angegebenen Technischen Daten ohne Vorankündigung vorbehalten.
- Die Technischen Daten können in den einzelnen Ländern voneinander abweichen.
- Gewicht entsprechend EPTA-Verfahren 01/2014

Verwendungszweck ENE078-2

Das Werkzeug eignet sich für Längs- und Querschnitte sowie Gehrungsschnitte mit Winkeln, die in Holz bei engem Kontakt zum Werkstück durchgeführt werden. Mit geeigneten Original-Sägeblättern von Makita können auch andere Materialien gesägt werden.

Stromversorgung ENF002-2

Das Werkzeug darf nur an eine Stromversorgung mit Einphasen-Wechselstrom mit der auf dem Typenschild angegebenen Spannung angeschlossen werden. Das Werkzeug verfügt über ein doppelt isoliertes Gehäuse und kann daher auch an einer Stromversorgung ohne Schutzkontakt betrieben werden.

Allgemeine Sicherheitswarnungen für Elektrowerkzeuge

GEA010-2

⚠️ WARNUNG: Lesen Sie alle mit diesem Elektrowerkzeug gelieferten Sicherheitswarnungen, Anweisungen, Abbildungen und technischen Daten durch. Eine Missachtung der unten aufgeführten Anweisungen kann zu einem elektrischen Schlag, Brand und/oder schweren Verletzungen führen.

Bewahren Sie alle Warnungen und Anweisungen für spätere Bezugnahme auf.

Der Ausdruck „Elektrowerkzeug“ in den Warnhinweisen bezieht sich auf Ihr mit Netzstrom (mit Kabel) oder Akku (ohne Kabel) betriebenes Elektrowerkzeug.

SICHERHEITSWARNUNGEN FÜR KREISSÄGE GEB133-2

Schneidverfahren

1. **⚠️ GEFAHR: Halten Sie Ihre Hände vom Schnittbereich und vom Sägeblatt fern. Halten Sie mit der zweiten Hand den Zusatzgriff oder das Motorgehäuse.** Wenn beide Hände die Säge halten, können sie nicht durch das Sägeblatt verletzt werden.
2. **Fassen Sie nicht unter das Werkstück.** Die Schutzhaube bietet keinen Schutz auf der Unterseite des Werkstücks.
3. **Stellen Sie die Schnitttiefe auf die Dicke des Werkstücks ein.** Das Sägeblatt darf nicht mehr als eine Zahnlänge auf der Unterseite des Werkstücks überstehen.
4. **Halten Sie das Werkstück beim Schneiden niemals in Ihren Händen oder auf den Beinen. Sichern Sie das Werkstück auf einer stabilen Plattform.** Es ist wichtig, das Werkstück sachgemäß abzustützen, um Körperaussetzung, Klemmen des Sägeblatts oder Verlust der Kontrolle auf ein Minimum zu reduzieren. (Abb. 1)

5. **Halten Sie das Elektrowerkzeug an den isolierten Griffflächen, wenn Sie Arbeiten ausführen, bei denen die Gefahr besteht, dass das Schneidwerkzeug verborgene Kabel oder das eigene Kabel kontaktiert.** Bei Kontakt mit einem Strom führenden Kabel können die freiliegenden Metallteile des Elektrowerkzeugs ebenfalls Strom führend werden, so dass der Benutzer einen elektrischen Schlag erleiden kann.
6. **Verwenden Sie beim Längssägen stets einen Parallelanschlag oder ein Richtlineal.** Dadurch wird die Schnittgenauigkeit verbessert und die Gefahr von Sägeblatt-Klemmen reduziert.
7. **Verwenden Sie stets Sägeblätter, deren Spindelbohrung die korrekte Größe und Form (rautenförmig oder rund) hat.** Sägeblätter, die nicht genau auf den Montageflansch der Säge passen, rotieren exzentrisch und verursachen den Verlust der Kontrolle.
8. **Verwenden Sie niemals beschädigte oder falsche Sägeblattscheiben oder -schrauben.** Die Sägeblattscheiben und -schrauben sind speziell für Ihre Säge vorgesehen, um optimale Leistung und Betriebssicherheit zu gewährleisten.

Rückschlagursachen und damit zusammenhängende Warnungen

- Ein Rückschlag ist eine plötzliche Reaktion auf ein eingeklemmtes, blockiertes oder falsch ausgerichtetes Sägeblatt, der ein unkontrolliertes Anheben und Herausspringen der Säge aus dem Werkstück in Richtung der Bedienungsperson verursacht.
- Wenn das Sägeblatt durch den sich schließenden Sägeschlitz eingeklemmt oder blockiert wird, bleibt das Sägeblatt stehen, und die Motorreaktion drückt die Säge plötzlich in Richtung der Bedienungsperson zurück.
- Falls das Sägeblatt im Schnitt verdreht oder versetzt wird, können sich die Zähne an der Hinterkante des Sägeblatts in die Oberfläche des Holzstücks bohren, so dass sich das Sägeblatt aus dem Sägeschlitz heraushebt und in Richtung der Bedienungsperson zurückspringt.

Rückschlag ist das Resultat falscher Handhabung der Säge und/oder falscher Arbeitsverfahren oder -bedingungen und kann durch Anwendung der nachstehenden Vorsichtsmaßnahmen vermieden werden.

1. **Halten Sie die Säge mit beiden Händen fest, und positionieren Sie Ihre Arme so, dass sie die Rückschlagkräfte auffangen. Stellen Sie sich so, dass sich Ihr Körper seitlich vom Sägeblatt befindet, nicht auf gleicher Linie mit dem Sägeblatt.** Rückschlag kann Zurückspringen der Säge verursachen; doch wenn geeignete Vorkehrungen getroffen werden, können die Rückschlagkräfte von der Bedienungsperson unter Kontrolle gehalten werden.
2. **Falls das Sägeblatt klemmt oder der Schnitt aus irgendeinem Grund unterbrochen wird, lassen Sie den Ein-Aus-Schalter los, und halten Sie die Säge bewegungslos im Werkstück, bis das Sägeblatt zum völligen Stillstand kommt. Versuchen Sie niemals, die Säge bei noch rotierendem Sägeblatt vom Werkstück abzunehmen oder zurückzuziehen, weil es sonst zu einem**

Rückschlag kommen kann. Nehmen Sie eine Überprüfung vor, und treffen Sie Abhilfemaßnahmen, um die Ursache von Sägeblatt-Klemmen zu beseitigen.

3. **Wenn Sie die Säge bei im Werkstück befindlichem Sägeblatt wieder einschalten, zentrieren Sie das Sägeblatt im Sägeschlitz, und vergewissern Sie sich, dass die Sägezähne nicht mit dem Werkstück im Eingriff sind.** Falls ein Sägeblatt klemmt, kann es beim Wiedereinschalten der Säge aus dem Werkstück herauschnellen oder zurückspringen.
4. **Stützen Sie große Platten ab, um die Gefahr von Klemmen und Rückschlägen des Sägeblatts auf ein Minimum zu reduzieren.** Große Platten neigen dazu, unter ihrem Eigengewicht durchzuhängen. Die Stützen müssen beidseitig der Schnittlinie und in der Nähe der Plattenkante unter der Platte platziert werden. **(Abb. 2 und 3)**
5. **Verwenden Sie keine stumpfen oder beschädigten Sägeblätter.** Unschärfe oder falsch angebrachte Sägeblätter erzeugen einen schmalen Sägeschlitz, der übermäßige Reibung, Sägeblatt-Klemmen und Rückschlag verursacht.
6. **Die Sägeblathtiefen- und Neigungseinstellungs-Arretierhebel müssen fest angezogen und gesichert sein, bevor der Schnitt ausgeführt wird.** Falls sich die Sägeblatteinstellung während des Sägens verstellt, kann es zu Klemmen und Rückschlag kommen.
7. **Lassen Sie beim Sägen in vorhandene Wände oder andere tote Winkel besondere Vorsicht walten.** Das vorstehende Sägeblatt kann Objekte durchschneiden, die Rückschlag verursachen können.
8. **Halten Sie das Werkzeug IMMER mit beiden Händen fest. Halten Sie NIEMALS Ihre Hand, Ihr Bein oder irgendeinen Körperteil unter die Werkzeugbasis oder hinter die Säge, insbesondere bei der Ausführung von Querschnitten.** Falls Rückschlag auftritt, besteht die Gefahr, dass die Säge über Ihre Hand zurückspringt und schwere Personenschäden verursacht. **(Abb. 4)**
9. **Wenden Sie keine Gewalt auf die Säge an. Schieben Sie die Säge mit einer Geschwindigkeit vor, dass das Sägeblatt nicht abgebremst wird.** Gewaltanwendung kann ungleichmäßige Schnitte, Verlust der Genauigkeit und möglichen Rückschlag verursachen.

Funktion der Schutzhaube

1. **Überprüfen Sie die untere Schutzhaube vor jeder Benutzung auf einwandfreies Schließen. Betreiben Sie die Säge nicht, falls sich die untere Schutzhaube nicht ungehindert bewegt und sofort schließt. Die untere Schutzhaube darf auf keinen Fall in der geöffneten Stellung festgeklemmt oder festgebunden werden.** Wird die Säge versehentlich fallen gelassen, kann die untere Schutzhaube verbogen werden. Heben Sie die untere Schutzhaube mit dem Rückzuggriff an, und vergewissern Sie sich, dass sie sich ungehindert bewegt und bei allen Winkel- und Schnitttiefe-Einstellungen nicht mit dem Sägeblatt oder irgendeinem anderen Teil in Berührung kommt.

2. **Überprüfen Sie die Funktion der Feder der unteren Schutzhaube.** Falls Schutzhaube und Feder nicht einwandfrei funktionieren, müssen die Teile vor der Benutzung gewartet werden. Falls beschädigte Teile, klebrige Ablagerungen oder Schmutzansammlung vorhanden sind, kann die untere Schutzhaube schwergängig werden.
 3. **Die untere Schutzhaube sollte nur für spezielle Schnitte, wie „Tauschnitte“ und „Doppelwinkelschnitte“, manuell zurückgezogen werden. Heben Sie die untere Schutzhaube mit dem Rückzuggriff an, und sobald das Sägeblatt in das Werkstück eindringt, muss die untere Schutzhaube losgelassen werden.** Für alle anderen Sägearbeiten sollte die untere Schutzhaube automatisch betätigt werden.
 4. **Vergewissern Sie sich stets, dass die untere Schutzhaube das Sägeblatt verdeckt, bevor Sie die Säge auf der Werkbank oder dem Boden ablegen.** Ein ungeschützt auslaufendes Sägeblatt bewirkt Rückwärtskriechen der Säge und schneidet alles, was sich in seinem Weg befindet. Berücksichtigen Sie die Auslaufzeit des Sägeblatts bis zum Stillstand nach dem Loslassen des Schalters.
 5. **Öffnen Sie die untere Schutzhaube probeweise von Hand, und achten Sie beim Loslassen darauf, dass sie sich einwandfrei schließt. Vergewissern Sie sich auch, dass der Rückzuggriff nicht mit dem Werkzeuggehäuse in Berührung kommt.** Die Bloßstellung des Sägeblatts ist SEHR GEFÄHRLICH und kann zu schweren Verletzungen führen.
- Zusätzliche Sicherheitswarnungen**
1. **Lassen Sie beim Schneiden von feuchtem Holz, druckbehandeltem Bauholz oder Astholz besondere Vorsicht walten.** Behalten Sie einen gleichmäßigen Vorschub des Werkzeugs bei, ohne dass sich die Sägeblattdrehzahl verringert, um Überhitzen der Sägeblatzzähne zu vermeiden.
 2. **Versuchen Sie nicht, abgeschnittenes Material bei rotierendem Sägeblatt zu entfernen. Warten Sie, bis das Sägeblatt zum Stillstand kommt, bevor Sie abgeschnittenes Material wegnehmen.** Das Sägeblatt läuft nach dem Ausschalten noch nach.
 3. **Vermeiden Sie das Schneiden von Nägeln.** Überprüfen Sie Bauholz vor dem Schneiden auf Nägel, und entfernen Sie etwaige Nägel.
 4. **Setzen Sie den breiteren Teil der Grundplatte auf den fest abgestützten Teil des Werkstücks, nicht auf den Teil, der nach dem Schnitt herunterfällt. Kurze oder kleine Werkstücke müssen eingespannt werden. VERSUCHEN SIE NICHT, KURZE WERKSTÜCKE MIT DER HAND ZU HALTEN! (Abb. 5)**
 5. **Bevor Sie das Werkzeug nach Ausföhrung eines Schnitts absetzen, vergewissern Sie sich, dass sich die Schutzhaube geschlossen hat und das Sägeblatt zu vollständigem Stillstand gekommen ist.**
 6. **Versuchen Sie niemals, die Kreissäge zum Sägen verkehrt herum in einen Schraubstock einzuspannen. Dies ist sehr gefährlich und kann zu schweren Unfällen führen. (Abb. 6)**
 7. **Manche Materialien können giftige Chemikalien enthalten. Treffen Sie Vorsichtsmaßnahmen, um das Einatmen von Arbeitsstaub und Hautkontakt zu verhüten. Befolgen Sie die Sicherheitsdaten des Materiallieferanten.**
 8. **Bremsen Sie die Säge nicht durch seitlichen Druck auf das Sägeblatt ab.**
 9. **Verwenden Sie keine Schleifscheiben.**
 10. **Verwenden Sie nur Sägeblätter mit einem Durchmesser, der am Werkzeug markiert oder im Handbuch angegeben ist.** Die Verwendung eines Sägeblatts mit falscher Größe kann den einwandfreien Schutz des Sägeblatts oder den Schutzbetrieb beeinträchtigen, was ernsthaften Personenschaden zur Folge haben kann.
 11. **Halten Sie das Sägeblatt scharf und sauber.** An den Sägeblättern haftendes und verhärtetes Gummi und Harz verlangsamen die Säge und erhöhen die Rückschlaggefahr. Halten Sie das Sägeblatt sauber, indem Sie es vom Werkzeug abmontieren und dann mit Gummi- und Harzentferner, heißem Wasser oder Petroleum reinigen. Verwenden Sie niemals Benzin.
 12. **Tragen Sie bei der Benutzung des Werkzeugs eine Staubmaske und einen Gehörschutz.**
 13. **Verwenden Sie immer das zum Schneiden des jeweiligen Arbeitsmaterials vorgesehene Sägeblatt.**
 14. **Verwenden Sie nur Sägeblätter, die mit einer Drehzahl markiert sind, die der am Werkzeug angegebenen Drehzahl entspricht oder diese übertrifft.**
 15. **(Nur für europäische Länder) Verwenden Sie immer ein Sägeblatt, das EN847-1 entspricht.**

DIESE ANWEISUNGEN AUFBEWAHREN.

⚠️ WARNUNG:

Lassen Sie sich NICHT durch Bequemlichkeit oder Vertrautheit mit dem Produkt (durch wiederholten Gebrauch erworben) von der strikten Einhaltung der Sicherheitsregeln für das vorliegende Produkt abhalten. MISSBRAUCH oder Missachtung der Sicherheitsvorschriften in dieser Anleitung können schwere Personenschäden verursachen.

FUNKTIONSBESCHREIBUNG

⚠️ ACHTUNG:

- Schalten Sie das Werkzeug stets aus und ziehen Sie den Netzstecker, bevor Sie Einstellungen oder eine Funktionsprüfung am Werkzeug vornehmen.

Einstellen der Schnitttiefe

⚠️ ACHTUNG:

- Ziehen Sie den Hebel nach der Einstellung der Schnitttiefe stets fest an. (Abb. 7)

Lösen Sie den Hebel an der Tiefenföhrung und bewegen Sie den Gleitschuh nach oben oder unten. Arretieren Sie den Gleitschuh durch Festziehen des Hebels an der gewünschten Schnitttiefe. Stellen Sie für einen sauberen, sicheren Schnitt die Schnitttiefe so ein, dass nur maximal ein Sägeblatzzahn unter dem Werkstück herausragt. Die Verwendung der

richtigen Schnitttiefe minimiert die Gefahr von RÜCKSCHLÄGEN, die zu Verletzungen führen können.

Gehrungsschnitte (Abb. 8 und 9)

Lösen Sie die Klemmschrauben. Stellen Sie den gewünschten Werkzeugwinkel (0° bis 45°) ein und ziehen Sie anschließend die Klemmschrauben fest an.

Schnittausrichtung (Abb. 10)

Für Geradschnitte richten Sie die an der Vorderseite des Gleitschuhs befindliche Position 0° auf Ihre Schnittlinie aus. Für 45°-Gehrungsschnitte richten Sie die an der Vorderseite des Gleitschuhs befindliche Position 45° auf Ihre Schnittlinie aus.

Einschalten

⚠ ACHTUNG:

- Achten Sie vor dem Einstecken des Werkzeugnetzsteckers in die Steckdose darauf, dass sich der Ein/Aus-Schalter korrekt bedienen lässt und beim Loslassen in die Position „OFF“ (AUS) zurückkehrt.
- Drücken Sie niemals (mit Gewalt) den Ein/Aus-Schalter, ohne dabei den Entriegelungsknopf zu betätigen. Dadurch kann der Schalter beschädigt werden. (Abb. 11)

Damit der Ein/Aus-Schalter nicht versehentlich betätigt werden kann, ist das Werkzeug mit einem Entriegelungsknopf ausgestattet.

Um das Werkzeug zu starten, müssen Sie zuerst den Entriegelungsknopf drücken und anschließend den Ein-/Aus-Schalter. Lassen Sie zum Ausschalten des Werkzeugs den Ein/Aus-Schalter los.

⚠ WARNUNG:

- Zu Ihrer Sicherheit ist dieses Werkzeug mit einem Entriegelungsknopf ausgestattet, der einen versehentlichen Werkzeugstart verhindert. Verwenden Sie NIEMALS das Werkzeug, wenn es sich durch einfaches Betätigen des EIN/AUS-Schalters starten lässt, ohne dass Sie vorher den Entriegelungsknopf drücken müssen. Geben Sie VOR dem weiteren Gebrauch das Werkzeug an ein Makita-Servicecenter, um es dort ordnungsgemäß reparieren zu lassen.
- Verkleben oder verändern Sie NIEMALS den Entriegelungsknopf, um dessen Zweck und Funktion zu umgehen.

MONTAGE

⚠ ACHTUNG:

- Schalten Sie das Werkzeug stets aus und ziehen Sie den Netzstecker, bevor Sie Einstellungen oder eine Funktionsprüfung am Werkzeug vornehmen.

Montieren und Demontieren des Sägeblatts

⚠ ACHTUNG:

- Montieren Sie das Sägeblatt so, dass die Zähne an der Vorderseite der Maschine nach oben gerichtet sind.
- Verwenden Sie zum Demontieren oder Montieren des Sägeblatts ausschließlich Schraubenschlüssel von Makita.

Drücken Sie für zum Demontieren des Sägeblatts die Spindelarretierung, um ein Drehen des Sägeblatts zu verhindern. Lösen Sie anschließend die Sechskantschraube durch Drehen des Innensechskantschlüssels gegen den Uhrzeigersinn. Entfernen Sie dann Sechskantschraube, Außenflansch und Sägeblatt. (Abb. 12)

Vergessen Sie beim Austausch des Sägeblatts nicht, das angefallene Sägemehl vom oberen und unteren Blattschutz zu entfernen. Trotzdem müssen Sie die bewegliche Schutzhaube vor jeder Verwendung auf Funktion überprüfen. (Abb. 13)

Für Werkzeuge mit Innenflansch für Sägeblätter eines Lochdurchmessers ungleich 15,88 mm (Abb. 14)

Der Innenflansch hat einen speziellen Durchmesser Vorsprung auf einer Seite und einen dazu unterschiedlichen Durchmesser Vorsprung auf der anderen Seite. Wählen Sie die richtige Seite, bei welcher der Vorsprung perfekt in das Sägeblattloch passt. Befestigen Sie nun den Innenflansch auf den Montageschraube, so dass die richtige Seite mit dem Vorsprung am Innenflansch nach außen gerichtet ist; setzen Sie anschließend Sägeblatt und Außenflansch auf. ZIEHEN SIE DIE SECHSKANTSCHRAUBE IM UHRZEIGERSINN FEST AN.

⚠ ACHTUNG:

- Stellen Sie sicher, dass der auf der Außenseite befindliche Vorsprung „a“ des Innenflansches genau in die Sägeblatt-Öffnung „a“ passt. Eine Montage des Sägeblatts auf der falschen Seite kann zu gefährlichen Vibrationen führen.

Für Werkzeuge mit Innenflansch für Sägeblätter eines Lochdurchmessers von 15,88 mm (länderspezifisch) (Abb. 15 und 16)

Befestigen Sie den Innenflansch mit dem nach außen gerichteten abgestuften Bereich auf den Montageschraube (mit dem befestigten Ring - falls erforderlich); setzen Sie anschließend Sägeblatt, Außenflansch und Sechskantschraube auf.

ZIEHEN SIE DIE SECHSKANTSCHRAUBE IM UHRZEIGERSINN FEST AN.

⚠ WARNUNG:

- Bevor Sie das Sägeblatt auf der Welle anbringen, sollten Sie immer sicherstellen, dass der richtige Ring für das Wellenloch des Sägeblatts, das Sie verwenden möchten, zwischen dem Innen- und dem Außenflansch angebracht ist. Die Verwendung eines Wellenlochrings falscher Größe führt zu einer fehlerhaften Montage des Sägeblatts und kann so eine Verschiebung des Sägeblatts und heftige Schwingungen verursachen, die zu einem möglichen Kontrollverlust während des Betriebs und zu schweren Verletzungen führen.

Aufbewahren des Innensechskantschlüssels (Abb. 17)

Wenn Sie den Innensechskantschlüssel nicht verwenden, bewahren Sie ihn wie in der Abbildung dargestellt auf, damit er nicht verloren geht.

Anschließen eines Absauggeräts (Sonderzubehör) (Abb. 18 und 19)

Für größere Sauberkeit bei der Arbeit können Sie an Ihr Werkzeug ein Makita-Absauggerät anschließen.
Montieren Sie den Absaugstutzen mit der Schraube an der Maschine. Schließen Sie dann den Schlauch des Absauggerätes, wie in der Abbildung dargestellt, am Absaugstutzen an.

BETRIEB

⚠️ ACHTUNG:

- Schieben Sie das Werkzeug beim Schneiden stets behutsam in einer geraden Linie vor. Übermäßige Druckausübung oder Verdrehen des Werkzeugs bewirken eine Überhitzung des Motors und gefährliche Rückschläge, die möglicherweise zu schweren Verletzungen führen können.
- Halten Sie das Werkzeug während des Betriebs immer sowohl am vorderen als auch am hinteren Griff fest. (Abb. 20)

Führen Sie das Werkzeug mit festem Griff. Das Werkzeug verfügt sowohl über einen vorderen als auch über einen hinteren Griff. Verwenden Sie beide Griffe, um so das Werkzeug bestmöglich festzuhalten. Wenn Sie die Säge mit beiden Händen festhalten, vermeiden Sie Verletzungen durch das Sägeblatt. Setzen Sie den Gleitschuh auf das zu schneidende Werkstück auf, ohne dass das Sägeblatt mit dem Werkstück in Berührung kommt. Schalten Sie anschließend das Werkzeug ein und warten Sie, bis das Sägeblatt die volle Drehzahl erreicht hat. Schieben Sie nun das Werkzeug flach und gleichmäßig über die Oberfläche des Werkstücks vor, bis der Schnitt beendet ist.

Halten Sie für saubere Schnitte eine gerade Schnittlinie und eine gleichmäßige Vorschubgeschwindigkeit ein. Wenn der Schnitt nicht genau der beabsichtigten Schnittlinie folgt, versuchen Sie nicht, das Werkzeug zurück zur Schnittlinie zu drehen oder mit Gewalt zu schieben. Dies kann zum Einklemmen des Sägeblatts führen und somit zu einem gefährlichen Rückschlag und möglicherweise zu schweren Verletzungen. Lassen Sie den Schalter los, warten Sie den Stillstand des Sägeblatts ab und ziehen Sie dann das Werkzeug zurück. Setzen Sie das Werkzeug an der neuen Schnittlinie an und starten Sie erneut den Sägevorgang. Versuchen Sie dabei, Positionen zu vermeiden, in denen der Bediener den vom Sägeblatt ausgestoßenen Sägespänen und dem Sägestaub ausgesetzt ist. Tragen Sie eine Schutzbrille, um Verletzungen zu vermeiden.

Parallelanschlag (Führungslinial) (Sonderzubehör) (Abb. 21)

Der praktische Parallelanschlag ermöglicht die Ausführung besonders genauer Geradschnitte. Schieben Sie den Parallelanschlag einfach satt anliegend gegen die Werkstückkante, und sichern Sie ihn mit der Klemmschraube an der Vorderseite des Gleitschuhs. Damit sind auch wiederholte Schnitte gleicher Breite möglich.

WARTUNG

⚠️ ACHTUNG:

- Schalten Sie das Werkzeug aus und ziehen Sie immer den Netzstecker, bevor Sie am Werkzeug Inspektionen oder Wartungsarbeiten vornehmen.
- Reinigen Sie die oberen und unteren Schutzhauben, um sicherzustellen, dass sich kein Sägemehl ansammelt, das die Funktion der unteren Schutzeinrichtung beeinträchtigen könnte.** Eine verschmutzte Schutzeinrichtung kann in ihrer ordnungsgemäßen Funktion eingeschränkt sein, was zu schweren Verletzungen führen kann. Druckluft hat sich als effektivste Methode zur Reinigung erwiesen. **Wenn das Sägemehl aus den Schutzhauben geblasen wird, müssen Sie entsprechenden Augen- und Atemschutz tragen.**
- Verwenden Sie zum Reinigen niemals Kraftstoffe, Benzin, Verdünnern, Alkohol oder ähnliches. Dies kann zu Verfärbungen, Verformungen oder Rissen führen.

Einstellen auf Parallelität (Abb. 22)

Die Parallelität zwischen Gleitschuh und Sägeblatt wurde werkseitig eingestellt. Sollte die Parallelität jedoch nicht mehr gegeben sein, können Sie die Parallelität wie folgt einstellen.

Stellen Sie sicher, dass alle Hebel und Schrauben festgezogen sind. Lösen Sie die Schrauben etwas, wie dargestellt. Öffnen Sie die untere Schutzhaube und verschieben Sie die hintere Seite des Gleitschuhs so, dass die Abstände A und B gleich sind. Ziehen Sie nach dem Ausrichten die Schrauben fest. Führen Sie einen Probeschnitt aus, um die Parallelität zu überprüfen.

Einstellen der 0°-Schnittgenauigkeit (Abb. 23 und 24)

Diese Einstellung wurde bereits werkseitig vorgenommen. Sollte sie verstellt sein, müssen Sie die Einstellschrauben mit einem Innensechskantschlüssel nachjustieren, während Sie das Sägeblatt mit Hilfe eines Einstelldreiecks, Anschlagwinkels, usw. auf einen Winkel von 0° einstellen.

Ersetzen der Kohlebürsten (Abb. 25)

Entnehmen und überprüfen Sie in regelmäßigen Abständen die Kohlebürsten. Wenn die Kohlebürsten bis zur Verschleißgrenze abgenutzt sind, müssen die Kohlebürsten ausgetauscht werden. Halten Sie die Kohlebürsten sauber und achten Sie darauf, dass die Bürsten locker in den Halterungen gleiten. Ersetzen Sie immer beide Kohlebürsten gleichzeitig. Verwenden Sie ausschließlich identische Kohlebürsten.

Nehmen Sie die Bürstenhalterkappen mit Hilfe eines Schraubendrehers ab. Entnehmen Sie die verbrauchten Kohlebürsten, setzen Sie neue Bürsten ein und sichern Sie die Bürstenhalterkappen. (Abb. 26)

Zur Gewährleistung von SICHERHEIT und ZUVERLÄSSIGKEIT des Produkts dürfen Reparaturen, Wartungsarbeiten und Einstellungen nur durch von Makita autorisierte Servicecenter durchgeführt und ausschließlich Makita-Ersatzteile verwendet werden.

SONDERZUBEHÖR

ACHTUNG:

- Für das in diesem Handbuch beschriebene Makita-Gerät werden die folgenden Zubehör- und Zusatzteile empfohlen. Bei Verwendung anderer Zubehör- und Zusatzteile kann es zu Verletzungen kommen. Verwenden Sie Zubehör- und Zusatzteile nur für den vorgesehenen Zweck.

Informationen zu diesem Zubehör erhalten Sie von Ihrem Makita-Servicecenter.

- Sägeblätter
- Parallelschlag (Führungslinial)
- Führungsschiene
- Führungsschienenadapter
- Messleiste
- Absaugstutzen
- Innensechskantschlüssel

HINWEIS:

- Einige der in der Liste aufgeführten Elemente sind dem Werkzeugpaket als Standardzubehör beigelegt. Diese können in den einzelnen Ländern voneinander abweichen.

Schallpegel

ENG905-1

Typischer A-bewerteter Schallpegel nach EN62841:

Schalldruckpegel (L_{pA}): 92 dB (A)

Schalleistungspegel (L_{WA}): 103 dB (A)

Abweichung (K): 3 dB (A)

ENG907-1

- Der (Die) angegebene(n) Schallemissionswert(e) wurde(n) im Einklang mit der Standardprüfmethode gemessen und kann (können) für den Vergleich zwischen Werkzeugen herangezogen werden.
- Der (Die) angegebene(n) Schallemissionswert(e) kann (können) auch für eine Vorbewertung des Gefährdungsgrads verwendet werden.

WARNUNG:

- **Einen Gehörschutz tragen.**
- **Die Schallemission während der tatsächlichen Benutzung des Elektrowerkzeugs kann je nach der Benutzungsweise des Werkzeugs, und speziell je nach der Art des bearbeiteten Werkstücks, von dem (den) angegebenen Wert(en) abweichen.**
- **Identifizieren Sie Sicherheitsmaßnahmen zum Schutz des Benutzers anhand einer Schätzung des Gefährdungsgrads unter den tatsächlichen Benutzungsbedingungen (unter Berücksichtigung aller Phasen des Arbeitszyklus, wie z. B. Ausschalt- und Leerlaufzeiten des Werkzeugs zusätzlich zur Betriebszeit).**

Schwingung

ENG900-1

Schwingungsgesamtwerte (Vektorsumme dreier Achsen) nach EN62841:

Betriebsmodus: Sägen von Holz

Schwingungsemission ($a_{h,w}$): 2,5 m/s² oder weniger

Abweichung (K): 1,5 m/s²

ENG901-2

- Der (Die) angegebene(n) Vibrationsgesamtwert(e) wurde(n) im Einklang mit der Standardprüfmethode gemessen und kann (können) für den Vergleich zwischen Werkzeugen herangezogen werden.

- Der (Die) angegebene(n) Vibrationsgesamtwert(e) kann (können) auch für eine Vorbewertung des Gefährdungsgrads verwendet werden.

WARNUNG:

- **Die Vibrationsemission während der tatsächlichen Benutzung des Elektrowerkzeugs kann je nach der Benutzungsweise des Werkzeugs, und speziell je nach der Art des bearbeiteten Werkstücks, von dem (den) angegebenen Emissionswert(en) abweichen.**
- **Identifizieren Sie Sicherheitsmaßnahmen zum Schutz des Benutzers anhand einer Schätzung des Gefährdungsgrads unter den tatsächlichen Benutzungsbedingungen (unter Berücksichtigung aller Phasen des Arbeitszyklus, wie z. B. Ausschalt- und Leerlaufzeiten des Werkzeugs zusätzlich zur Betriebszeit).**

EG-Konformitätserklärung

Nur für europäische Länder

Die EG-Konformitätserklärung liegt dieser Betriebsanleitung als Anhang A bei.

ITALIANO (Istruzioni originali)

Spiegazione della vista generale

- | | | |
|------------------------------------|-------------------------|---------------------------------|
| 1. Leva | 10. Serrare | 19. Aspiratore |
| 2. Vite di serraggio | 11. Flangia interna | 20. Tubo |
| 3. Linea di taglio (posizione 0°) | 12. Lama della sega | 21. Guida di taglio |
| 4. Linea di taglio (posizione 45°) | 13. Flangia esterna | 22. Squadra triangolare |
| 5. Interruttore di accensione | 14. Bullone esagonale | 23. Indicatore di limite |
| 6. Sicura di accensione | 15. Albero di montaggio | 24. Cacciavite |
| 7. Chiave esagonale | 16. Anello | 25. Coperchio del portaspazzola |
| 8. Blocco dell'albero | 17. Ugello antipolvere | |
| 9. Allentare | 18. Vite | |

CARATTERISTICHE TECNICHE

Modello		HS7601
Diametro della lama		190 mm
Profondità massima di taglio	a 0°	66 mm
	a 45°	46 mm
Velocità a vuoto		5.200 min ⁻¹
Lunghezza complessiva		309 mm
Peso netto		3,7 kg
Classe di sicurezza		□/II

- Le caratteristiche tecniche riportate di seguito sono soggette a modifiche senza preavviso in virtù del nostro programma continuo di ricerca e sviluppo.
- Le caratteristiche tecniche possono differire da paese a paese.
- Peso determinato in conformità con la EPTA-Procedure 01/2014

Uso previsto

ENE078-2

L'utensile è progettato per l'esecuzione di tagli nel legno, sia dritti (in senso longitudinale e trasversale) sia obliqui, mantenendo un saldo contatto con il pezzo in lavorazione. Con le lame della sega originali Makita appropriate, si possono segare anche altri materiali.

Alimentazione

ENF002-2

L'utensile deve essere collegato a una presa di corrente con la stessa tensione di quella indicata sulla targhetta e può funzionare soltanto con corrente alternata monofase. L'utensile è dotato di doppio isolamento, pertanto può essere usato anche con prese di corrente sprovviste della messa a terra.

Avvertenze generali relative alla sicurezza dell'utensile elettrico

GEA010-2

⚠ AVVERTENZA: Leggere tutte le avvertenze di sicurezza, le istruzioni, le illustrazioni e i dati tecnici forniti con il presente utensile elettrico. La mancata osservanza di tutte le istruzioni elencate di seguito potrebbe risultare in scosse elettriche, incendi e/o gravi lesioni personali.

Conservare tutte le avvertenze e le istruzioni come riferimento futuro.

Il termine "utensile elettrico" nelle avvertenze si riferisce sia all'utensile elettrico (cablato) nel funzionamento alimentato da rete elettrica che all'utensile elettrico (a batteria) nel funzionamento alimentato a batteria.

AVVERTENZE PER LA SICUREZZA DELLA SEGA CIRCOLARE

GEB133-2

Procedure di taglio

1. **⚠ PERICOLO:** Tenere le mani lontane dall'area di taglio e dalla lama. Tenere la mano che non impugna l'utensile sul manico ausiliario o sull'alloggiamento del motore. Se si mantiene la sega con entrambe le mani, queste ultime non possono venire tagliate dalla lama.
2. **Non mettere le mani sotto il pezzo.** La protezione non può proteggere l'operatore dalla lama al di sotto del pezzo.
3. **Regolare la profondità di taglio in base allo spessore del pezzo.** Sotto il pezzo i denti della lama dovrebbero essere visibili per una lunghezza inferiore a un intero dente.
4. **Non mantenere mai tra le mani o appoggiato di traverso sulla gamba il pezzo in lavorazione durante il taglio.** Fissare il pezzo in lavorazione su una piattaforma stabile. È importante sostenere

correttamente il pezzo in lavorazione per ridurre al minimo l'esposizione del corpo, gli inceppamenti della lama o la perdita di controllo. (Fig. 1)

5. **Mantenere l'utensile elettrico per le superfici di impugnatura isolate quando si intende eseguire un'operazione in cui l'utensile da taglio potrebbe entrare in contatto con fili elettrici nascosti o con il proprio cavo di alimentazione.** Il contatto con un filo elettrico sotto tensione mette sotto tensione anche le parti metalliche esposte dell'utensile elettrico, e potrebbe causare una scossa elettrica all'operatore.
6. **Quando si intende eseguire tagli longitudinali, utilizzare sempre una guida di taglio o una guida per bordi dritti.** In tal modo si migliora la precisione del taglio e si riduce il rischio che la lama si blocchi.
7. **Utilizzare sempre lame con dimensione e forma corretta (a diamante rispetto a quella circolare) dei fori per l'albero.** Le lame che non corrispondono all'attacco di montaggio della sega girano decentrate, causando la perdita di controllo.
8. **Non utilizzare mai rondelle o bulloni per la lama danneggiati o errati.** Le rondelle e i bulloni per la lama sono stati progettati appositamente per le prestazioni ottimali e per la sicurezza d'uso della sega.

Cause dei contraccolpi e avvertenze correlate

- il contraccolpo è una reazione improvvisa dovuta a una lama incastrata, inceppata o disallineata, che causa il sollevamento fuori dal pezzo in lavorazione e verso l'operatore di una sega fuori controllo;
- quando la lama è incastrata o inceppata con forza dal taglio che si chiude, la lama entra in stallo e la reazione del motore spinge rapidamente all'indietro l'unità verso l'operatore;
- qualora la lama si deformi o si disallinei nel taglio, i denti sul bordo posteriore della lama possono scavare nella superficie superiore del legno facendola fuoriuscire dal taglio e rimbalzare all'indietro verso l'operatore.

Il contraccolpo è il risultato dell'uso improprio della sega e/o di procedure o condizioni operative errate, e può essere evitato adottando le precauzioni appropriate indicate di seguito.

1. **Mantenere una presa solida con entrambe le mani sulla sega, e posizionare le braccia in modo da resistere alle forze del contraccolpo. Posizionare il corpo da un lato o dall'altro della lama, e non allineato con quest'ultima.** Un contraccolpo potrebbe far saltare all'indietro la sega, ma le sue forze possono essere controllate dall'operatore, se vengono adottate le precauzioni appropriate.
2. **Quando la lama si sta bloccando, oppure se per un qualsiasi motivo si intende interrompere il taglio, rilasciare l'interruttore e tenere la sega immobile nel materiale fino al suo arresto completo. Non cercare mai di rimuovere la sega dal pezzo o di tirarla all'indietro mentre la lama è in movimento, oppure si potrebbe verificare un contraccolpo.** Indagare e adottare delle misure correttive per eliminare la causa del blocco della lama.
3. **Quando si riavvia una sega all'interno di un pezzo in lavorazione, centrare la lama nel taglio in modo che i denti della sega non siano in contatto con il materiale.** Qualora la lama si inceppi, potrebbe

risalire o produrre un contraccolpo dal pezzo in lavorazione quando la sega viene riavviata.

4. **Supportare i pannelli di grandi dimensioni per ridurre al minimo il rischio che la lama resti incastrata e i contraccolpi.** I pannelli di grandi dimensioni tendono a flettersi sotto il loro stesso peso. È necessario sistemare dei sostegni sotto il pannello su entrambi i lati, vicino alla linea di taglio e in prossimità dei bordi del pannello. (Fig. 2 e 3)
5. **Non utilizzare lame smussate o danneggiate.** Le lame non affilate o non applicate correttamente producono un taglio stretto che può causare frizione eccessiva, blocchi della lama e contraccolpi.
6. **Le leve di blocco della profondità della lama e di regolazione del taglio a unghia devono essere fissate saldamente prima del taglio.** Qualora la regolazione della lama si sposti durante il taglio, potrebbe causare un blocco o un contraccolpo della lama.
7. **Fare particolarmente attenzione quando si intende segare in pareti esistenti o altre aree cieche.** La lama che sporge potrebbe tagliare oggetti che possono causare contraccolpi.
8. **Tenere SEMPRE saldamente l'utensile con entrambe le mani. Non posizionare MAI una mano, una gamba o qualsiasi altra parte del corpo sotto la base dell'utensile o dietro la sega, specialmente quando si intende eseguire tagli di testa.** Qualora si verifici un contraccolpo, la sega potrebbe facilmente saltare all'indietro sulla mano, causando gravi lesioni personali. (Fig. 4)
9. **Non forzare mai la sega. Spingere in avanti la sega a una velocità tale che la lama tagli senza rallentare.** Qualora si forzi la sega, si potrebbero causare tagli irregolari, perdita di precisione e possibili contraccolpi.

Funzione della protezione

1. **Controllare sempre che la protezione inferiore si chiuda correttamente prima dell'uso. Non utilizzare la sega qualora la protezione inferiore non si muova liberamente e non si chiuda istantaneamente. Non bloccare o legare mai la protezione inferiore in posizione di apertura.** Qualora la sega venga fatta cadere accidentalmente, la protezione inferiore potrebbe deformarsi. Sollevare la protezione inferiore con il manico retrattile e accertarsi che si muova liberamente e che non tocchi la lama o alcuna altra parte, a tutti gli angoli e a tutte le profondità di taglio.
2. **Controllare il funzionamento della molla della protezione inferiore. Qualora la protezione e la molla non funzionino correttamente, è necessario sottoporle a interventi di assistenza prima dell'uso.** La protezione inferiore potrebbe funzionare lentamente a causa di parti danneggiate, depositi gommosi o accumulazione di detriti.
3. **La protezione inferiore può essere fatta rientrare manualmente solo per tagli speciali quali i "tagli a immersione" e i "tagli compositi". Sollevare la protezione inferiore facendo rientrare il manico retrattile e rilasciarla non appena la lama penetra nel materiale.** Per tutti gli altri tagli, la protezione inferiore dovrebbe funzionare automaticamente.

4. **Accertarsi sempre che la protezione inferiore copra la lama prima di posare la sega sul banco di lavoro o sul pavimento.** Una lama non protetta in rotazione inerziale fa muovere all'indietro la sega, tagliando tutto ciò che incontra sul suo percorso. Tenere presente il tempo necessario alla lama per arrestarsi dopo il rilascio dell'interruttore.
5. **Per controllare la protezione inferiore, aprirla manualmente, quindi rilasciarla e osservarla mentre si chiude. Controllare anche che il manico retrattile non tocchi il corpo dell'utensile.** Lasciare la lama esposta È MOLTO PERICOLOSO e può causare gravi lesioni personali.
13. **Utilizzare sempre una lama destinata al taglio del materiale che si intende tagliare.**
14. **Utilizzare solo lame che siano contrassegnate con una velocità pari o superiore a quella contrassegnata sull'utensile.**
15. **(Solo per le nazioni europee) Utilizzare sempre una lama conforme allo standard EN847-1.**

Avvertenze aggiuntive per la sicurezza

1. **Fare particolarmente attenzione quando si intende tagliare legno umido, legname trattato a pressione o legno contenenti nodi.** Mantenere un avanzamento uniforme dell'utensile senza ridurre la velocità della lama, per evitare il surriscaldamento delle punte della lama.
2. **Non cercare di rimuovere il materiale tagliato quando la lama è in movimento. Attendere che la lama si sia arrestata prima di afferrare il materiale tagliato.** Le lame continuano a girare per inerzia dopo lo spegnimento.
3. **Evitare di tagliare i chiodi. Ispezionare il legname e rimuovere tutti i chiodi prima di eseguire tagli.**
4. **Collocare la porzione più ampia della base della sega sulla parte del pezzo supportata saldamente, e non sulla sezione destinata a cadere una volta eseguito il taglio. Qualora il pezzo sia corto o piccolo, bloccarlo con una morsa. NON TENTARE DI TENERE IN MANO I PEZZI CORTI! (Fig. 5)**
5. **Prima di posare l'utensile dopo aver completato un taglio, accertarsi che la protezione si sia chiusa e che la lama si sia arrestata completamente.**
6. **Non tentare mai di segare con la sega circolare tenuta capovolta in una morsa. Ciò è estremamente pericoloso e può causare incidenti gravi. (Fig. 6)**
7. **Alcuni materiali contengono sostanze chimiche che possono essere tossiche. Fare attenzione per evitare l'inalazione della polvere e il contatto con la pelle. Attenersi ai dati sulla sicurezza del fornitore del materiale.**
8. **Non arrestare la lama esercitando una pressione laterale sulla lama stessa.**
9. **Non utilizzare alcun tipo di dischi abrasivi.**
10. **Utilizzare esclusivamente una lama che abbia il diametro indicato sull'utensile o specificato nel manuale.** L'uso di una lama di dimensioni errate potrebbe influire sulla corretta protezione della lama o sul funzionamento della protezione, il che potrebbe risultare in gravi lesioni personali.
11. **Mantenere la lama affilata e pulita.** Collanti e pece di legno induriti sulle lame rallentano la sega e aumentano la possibilità dei contraccolpi. Mantenere pulita la lama, innanzitutto rimuovendola dall'utensile e quindi pulendola con un solvente per collanti e pece di legno, quali acqua calda o cherosene. Non utilizzare mai benzina.
12. **Quando si utilizza l'utensile, indossare una mascherina antipolvere e protezioni acustiche.**

CONSERVARE LE PRESENTI ISTRUZIONI.

⚠ AVVERTENZA:

NON lasciare che comodità o la familiarità d'utilizzo con il prodotto (acquisita con l'uso ripetuto) sostituisca la stretta osservanza delle norme di sicurezza per il prodotto in questione. L'USO IMPROPRIO o la mancata osservanza delle norme di sicurezza indicate nel presente manuale di istruzioni potrebbero causare gravi lesioni personali.

DESCRIZIONE FUNZIONALE

⚠ ATTENZIONE:

- Prima di regolare o controllare le funzioni dell'utensile, verificare sempre di averlo spento e scollegato dall'alimentazione.

Regolazione della profondità di taglio

⚠ ATTENZIONE:

- Dopo aver regolato la profondità di taglio, serrare accuratamente la leva. (Fig. 7)

Allentare la leva sulla guida di profondità e sollevare o abbassare la base. Dopo aver raggiunto la profondità di taglio desiderata, fissare la base serrando la leva. Per garantire la massima sicurezza e accuratezza, impostare la profondità di taglio in modo che dal pezzo in lavorazione fuoriesca solo un dente della lama. Una regolazione corretta della profondità di taglio consente di ridurre l'eventualità di pericolosi contraccolpi che possono provocare danni alla persona.

Taglio obliquo (Fig. 8 e 9)

Allentare le viti di serraggio. Impostare l'angolo desiderato (0° - 45°) inclinando l'utensile, quindi serrare saldamente le viti di serraggio.

Allineamento (Fig. 10)

Per tagli dritti, allineare la linea di taglio con la posizione 0° sulla parte anteriore della base. Per tagli obliqui a 45°, allineare la linea di taglio alla posizione 45°.

Azionamento dell'interruttore

⚠ ATTENZIONE:

- Prima di collegare l'utensile, controllare se l'interruttore di accensione funziona correttamente e ritorna in posizione "OFF" una volta rilasciato.
 - Non tirare con forza l'interruttore di accensione senza aver prima premuto la sicura di accensione. In caso contrario, l'interruttore potrebbe rompersi. (Fig. 11)
- La sicura di accensione consente di evitare l'azionamento involontario dell'interruttore di accensione.

Per avviare l'utensile, premere la sicura di accensione e tirare l'interruttore di accensione. Rilasciare l'interruttore di accensione per spegnerlo.

⚠ AVVERTENZA:

- Per la sicurezza personale, questo utensile è dotato di una sicura di accensione che impedisce azionamenti accidentali. NON utilizzare l'utensile se è possibile azionarlo premendo semplicemente l'interruttore di accensione senza premere contemporaneamente la sicura di accensione. PRIMA DI utilizzare nuovamente l'utensile, rivolgersi a un centro di assistenza Makita per le necessarie riparazioni.
- NON tentare di manomettere o impedire il corretto funzionamento della sicura di accensione.

MONTAGGIO

⚠ ATTENZIONE:

- Prima di regolare o controllare le funzioni dell'utensile, verificare sempre di averlo spento e scollegato dall'alimentazione.

Installazione o rimozione della lama della sega

⚠ ATTENZIONE:

- Assicurarsi che la lama sia installata in modo che i denti siano rivolti verso la parte anteriore dell'utensile.
- Per installare o rimuovere la lama, utilizzare solo la chiave fornita da Makita.

Per rimuovere la lama, premere il blocco dell'albero in modo che la lama non possa ruotare e utilizzare la chiave per allentare il bullone esagonale in senso antiorario. Rimuovere il bullone esagonale, la flangia esterna e la lama. (Fig. 12)

Quando si sostituisce la lama, rimuovere gli accumuli di segatura dai coprilama superiore e inferiore. Queste operazioni di pulizia non sostituiscono la procedura di controllo del funzionamento del coprilama inferiore, che deve comunque essere eseguita prima di ogni utilizzo. (Fig. 13)

Per gli utensili con flangia interna per una lama della sega con diametro del foro diverso da 15,88 mm (Fig. 14)

La flangia interna presenta una sporgenza di un certo diametro su un lato e una sporgenza di diametro differente sull'altro. Scegliere il lato corretto in cui la sporgenza si inserisce perfettamente nel foro della lama della sega.

Successivamente, montare la flangia interna sull'albero di montaggio in modo che il lato corretto della sporgenza sulla flangia interna sia rivolto verso l'esterno, quindi posizionare la lama della sega e la flangia esterna. ACCERTARSI DI AVER FISSATO SALDAMENTE IL BULLONE ESAGONALE RUOTANDOLO IN SENSO ORARIO.

⚠ ATTENZIONE:

- Assicurarsi che la sporgenza "a" sulla flangia interna posizionata all'esterno si inserisca perfettamente nel foro della lama della sega "a". Il montaggio della lama sul lato sbagliato potrebbe causare vibrazioni pericolose.

Per gli utensili con flangia interna per una lama della sega con diametro del foro di 15,88 mm (specifico in base al Paese) (Fig. 15 e 16)

Montare la flangia interna con il lato incavato rivolto verso l'esterno sull'albero di montaggio, quindi posizionare la lama della sega (con l'anello attaccato se necessario), la flangia esterna e il bullone esagonale.

ACCERTARSI DI AVER FISSATO SALDAMENTE IL BULLONE ESAGONALE RUOTANDOLO IN SENSO ORARIO.

⚠ AVVERTENZA:

- Prima di montare la lama sul mandrino, assicurarsi che sullo stesso, tra le flange interna ed esterna, sia installato l'anello corretto per il foro dell'asta della lama che si intende utilizzare. L'utilizzo dell'anello errato per il foro dell'asta potrebbe causare il montaggio inadeguato della lama con la possibilità di causare movimenti e vibrazioni pericolose della lama, con conseguenti perdite di controllo durante l'uso e infortuni gravi.

Alloggiamento della chiave esagonale (Fig. 17)

Quando non è in uso, riporre la chiave esagonale come mostrato nella figura, evitando così di perderla.

Collegamento di un aspiratore (accessorio opzionale) (Fig. 18 e 19)

Se si desidera eseguire tagli senza produrre polvere, collegare all'utensile un aspiratore Makita. Installare l'ugello antipolvere sull'utensile utilizzando la vite. Collegare quindi il tubo dell'aspiratore all'ugello antipolvere secondo quanto illustrato nella figura.

USO

⚠ ATTENZIONE:

- Accertarsi di spostare in avanti l'utensile procedendo in linea retta con regolarità e senza esercitare una pressione eccessiva. Se si forza o si sposta dalla linea di taglio l'utensile, il motore può surriscaldarsi e si possono verificare pericolosi contraccolpi che possono determinare lesioni personali gravi.
- Durante il funzionamento, afferrare sempre l'utensile utilizzando sia l'impugnatura anteriore sia l'impugnatura posteriore. (Fig. 20)

Tenere l'utensile in modo saldo. L'utensile viene fornito con un'impugnatura anteriore e una maniglia posteriore. Utilizzarle entrambe per garantire la presa più sicura. Se entrambe le mani vengono utilizzate per tenere la sega, non potranno essere colpite dalla lama. Collocare la base sul pezzo in lavorazione senza che la lama entri in contatto con il materiale da tagliare. Accendere l'utensile e attendere che la lama raggiunga la massima velocità. Far avanzare l'utensile sulla superficie del pezzo in lavorazione, procedendo in piano e con regolarità fino al completamento del taglio.

Per ottenere tagli netti e accurati, avanzare in linea retta e con velocità costante. Se durante il taglio si devia dalla linea prevista, evitare di ruotare o forzare l'utensile in modo da ritornare sulla linea di taglio, perché la lama potrebbe bloccarsi e provocare pericolosi contraccolpi e lesioni personali. Rilasciare l'interruttore, attendere che la

lama si arresti e rimuovere l'utensile. Riallineare l'utensile con la nuova linea di taglio e riprendere la lavorazione. Evitare le posizioni che espongono l'operatore ai trucioli e alla polvere espulsi dalla sega. Per una maggiore sicurezza, indossare una protezione per gli occhi.

Guida di taglio (regolo guida) (accessorio opzionale) (Fig. 21)

La pratica guida di taglio consente di realizzare tagli dritti accuratissimi. Far scorrere la guida di taglio mantenendola aderente a un lato del pezzo in lavorazione e fissarla in posizione con la vite di serraggio sulla parte anteriore della base. La guida consente inoltre di realizzare tagli ripetuti mantenendo uniforme la larghezza del taglio.

MANUTENZIONE

⚠ ATTENZIONE:

- Prima di effettuare controlli e operazioni di manutenzione, verificare sempre che l'utensile sia spento e scollegato.
- **Pulire i coprilama superiore e inferiore assicurandosi che non siano presenti accumuli di segatura che potrebbero impedire il funzionamento del sistema di protezione inferiore.** Un sistema di protezione sporco potrebbe influire sul corretto funzionamento, causando gravi danni alla persona. Il modo più efficace per eseguire la pulizia è quello di utilizzare aria compressa. **Se la polvere viene soffiata fuori dai coprilama, assicurarsi di utilizzare un'adeguata protezione per gli occhi e le vie respiratorie.**
- Evitare assolutamente di usare benzina, diluenti, solventi, alcol o sostanze simili. In caso contrario, potrebbero verificarsi scoloriture, deformazioni o incrinature.

Regolazione per il parallelismo (Fig. 22)

Il parallelismo tra la lama e la base è stato regolato in fabbrica. Qualora si verificano deviazioni, è possibile procedere come segue per la regolazione. Assicurarsi che tutte le leve e le viti siano serrate. Allentare leggermente la vite, come mostrato nella figura. Mentre si apre il coprilama inferiore, spostare il retro della base in modo che le distanze A e B siano identiche. Al termine della regolazione, stringere la vite. Effettuare un taglio di prova per verificare il parallelismo.

Regolazione dell'accuratezza di taglio a 0° (Fig. 23 e 24)

Questa regolazione è stata effettuata in fabbrica. In caso fosse necessario correggerla, mettere a punto l'impostazione con le viti di regolazione utilizzando una chiave esagonale e controllando che la lama formi un angolo di 0° con la base mediante una squadra triangolare o ad angolo retto.

Sostituzione delle spazzole in carbonio (Fig. 25)

Rimuovere e controllare periodicamente le spazzole in carbonio. Sostituire le spazzole quando sono consumate fino all'indicatore di limite. Mantenere le spazzole in

carbonio pulite e in grado di scivolare liberamente nei supporti. Entrambe le spazzole in carbonio devono essere sostituite contemporaneamente. Utilizzare solo spazzole in carbonio identiche.

Utilizzare un cacciavite per rimuovere i coperchi dei portaspazzola. Estrarre le spazzole in carbonio consumate, inserire le nuove spazzole e fissare i coperchi dei portaspazzola. (Fig. 26)

Per preservare la sicurezza e l'affidabilità del prodotto, qualsiasi riparazione o intervento di manutenzione e regolazione deve essere eseguito dai centri assistenza autorizzati Makita utilizzando sempre ricambi Makita.

ACCESSORI OPZIONALI

⚠ ATTENZIONE:

- Si consiglia l'uso dei seguenti accessori per l'utensile Makita descritto in questo manuale. L'uso di qualsiasi altro accessorio potrebbe provocare lesioni personali. Utilizzare gli accessori esclusivamente per l'uso dichiarato.

Per l'assistenza e per ulteriori informazioni su tali accessori, rivolgersi al centro assistenza Makita di zona.

- Lama della sega
- Guida di taglio (regolo guida)
- Binario guida
- Adattatore per binario guida
- Righello
- Ugello antipolvere
- Chiave esagonale

NOTA:

- Alcuni degli accessori elencati potrebbero essere inclusi nella confezione dell'utensile come accessori standard. Gli accessori standard possono differire da paese a paese.

Rumore

ENG905-1

Il tipico livello di rumore ponderato A è determinato in conformità alla norma EN62841:

Livello di pressione sonora (L_{pA}): 92 dB (A)

Livello di potenza sonora (L_{WA}): 103 dB (A)

Variation (K): 3 dB (A)

ENG907-1

- Il valore o i valori dichiarati delle emissioni di rumori sono stati misurati in conformità a un metodo standard di verifica, e possono essere utilizzati per confrontare un utensile con un altro.
- Il valore o i valori dichiarati delle emissioni di rumori possono venire utilizzati anche per una valutazione preliminare dell'esposizione.

⚠ AVVERTENZA:

- **Indossare protezioni per le orecchie.**
- **L'emissione di rumori durante l'utilizzo effettivo dell'utensile elettrico può variare rispetto al valore o ai valori dichiarati, a seconda dei modi in cui viene utilizzato l'utensile e specialmente a seconda di che tipo di pezzo venga lavorato.**
- **Accertarsi di identificare misure di sicurezza per la protezione dell'operatore che siano basate su una stima dell'esposizione nelle condizioni effettive di utilizzo (tenendo conto di tutte le parti del ciclo operativo, ad esempio del numero di spegnimenti**

dell'utensile e di quando giri a vuoto, oltre al tempo di attivazione).

Vibrazioni

ENG900-1

Il valore totale delle vibrazioni (somma vettoriale triassiale) è determinato in conformità alla norma EN62841:

Modalità di lavoro: taglio del legno

Emissione di vibrazioni ($a_{h,w}$): 2,5 m/s² o inferiore

Variazione (K): 1,5 m/s²

ENG901-2

- Il valore o i valori complessivi delle vibrazioni dichiarati sono stati misurati in conformità a un metodo standard di verifica, e possono essere utilizzati per confrontare un utensile con un altro.
- Il valore o i valori complessivi delle vibrazioni dichiarati possono venire utilizzati anche per una valutazione preliminare dell'esposizione.

AVVERTENZA:

- **L'emissione delle vibrazioni durante l'utilizzo effettivo dell'utensile elettrico può variare rispetto al valore o ai valori dichiarati, a seconda dei modi in cui viene utilizzato l'utensile, specialmente a seconda di che tipo di pezzo venga lavorato.**
- **Accertarsi di identificare misure di sicurezza per la protezione dell'operatore che siano basate su una stima dell'esposizione nelle condizioni effettive di utilizzo (tenendo conto di tutte le parti del ciclo operativo, ad esempio del numero di spegnimenti dell'utensile e di quando giri a vuoto, oltre al tempo di attivazione).**

Dichiarazione di conformità CE

Solo per i paesi europei

La dichiarazione di conformità CE è inclusa nell'Allegato A di questo manuale di istruzioni.

NEDERLANDS (Originele instructies)

Verklaring van het onderdelenoverzicht

1. Hendel	10. Vastdraaien	19. Stofzuiger
2. Klembout	11. Binnenflens	20. Slang
3. Zaaglijn (0°-stand)	12. Zaagblad	21. Breedtegeleider
4. Zaaglijn (45°-stand)	13. Buitenflens	22. Geodriehoek
5. Aan-uitschakelaar	14. Inbusbout	23. Slijtgrensmarkering
6. Uit-vergrendelknop	15. Montageas	24. Schroevendraaier
7. Inbusseutel	16. Ring	25. Koolborsteldop
8. Asvergrendeling	17. Stofafzuigaansluitmond	
9. Losdraaien	18. Bout	

TECHNISCHE GEGEVENS

Model		HS7601
Diameter van zaagblad		190 mm
Max. zaagdiepte	bij 0°	66 mm
	bij 45°	46 mm
Onbelast toerental		5.200 min ⁻¹
Totale lengte		309 mm
Nettogewicht		3,7 kg
Veiligheidsklasse		□/II

- Als gevolg van ons doorlopende onderzoeks- en ontwikkelingsprogramma, zijn de technische gegevens van dit gereedschap onderhevig aan veranderingen zonder voorafgaande kennisgeving.
- De technische gegevens kunnen van land tot land verschillen.
- Gewicht volgens EPTA-procedure 01/2014

Gebruiksdoelinden ENE078-2

Het gereedschap is bedoeld voor het recht zagen in de lengte- en breedterichting, en verstekzagen onder een hoek in hout, waarbij het gereedschap stevig in contact staat met het werkstuk. Met geschikte, originele Makita-zaagbladen kunnen ook andere materialen worden gezaagd.

Voeding ENF002-2

Het gereedschap mag uitsluitend worden aangesloten op een voeding met dezelfde spanning als aangegeven op het typeplaatje en werkt alleen op enkele-fase wisselstroom. Het gereedschap is dubbel geïsoleerd en mag derhalve ook op een niet-geaard stopcontact worden aangesloten.

Algemene GEA010-2

⚠ WAARSCHUWING: Lees alle veiligheidswaarschuwingen, aanwijzingen, afbeeldingen en technische gegevens behorend bij dit elektrische gereedschap aandachtig door. Als u niet alle onderstaande aanwijzingen naleeft, kan dat resulteren in brand, elektrische schokken en/of ernstig letsel.

Bewaar alle waarschuwingen en instructies om in de toekomst te kunnen raadplegen.

De term "elektrisch gereedschap" in de veiligheidsvoorschriften duidt op gereedschappen die op stroom van het lichtnet werken (met snoer) of gereedschappen met een accu (snoerloos).

VEILIGHEIDSWAARSCHUWINGEN VOOR EEN CIRKELZAAG GEB133-2

Werkwijze bij het zagen

1. **⚠ GEVAAR: Houd uw handen uit de buurt van het zaaggebied en het zaagblad. Houd met uw andere hand de voorhandgreep of de behuizing van het gereedschap vast.** Als u de zaag met beide handen vasthoudt, kunt u nooit in uw handen zagen.
2. **Reik nooit met uw handen onder het werkstuk.** De beschermkap kan u niet beschermen tegen het zaagblad onder het werkstuk.
3. **Stel de zaagdiepte in overeenkomstig de dikte van het werkstuk.** Minder dan een volledige tandhoogte dient onder het werkstuk uit te komen.
4. **Houd tijdens het zagen het werkstuk nooit vast met uw handen of benen. Zorg dat het werkstuk stabiel is ten opzichte van de ondergrond.** Het is belangrijk het werkstuk goed te ondersteunen om de kans te minimaliseren dat uw lichaam eraan blootgesteld wordt, het zaagblad vastloopt of u de controle over het gereedschap verliest (**zie afb. 1**).

5. **Houd elektrisch gereedschap vast aan het geïsoleerde oppervlak van de handgrepen wanneer u werkt op plaatsen waar het snijgarnituur met verborgen bedrading of zijn eigen snoer in aanraking kan komen.** Door contact met onder spanning staande draden, zullen ook de niet-geïsoleerde metalen delen van het elektrisch gereedschap onder spanning komen te staan zodat de gebruiker een elektrische schok kan krijgen.
6. **Gebruik bij het schulpen altijd de breedtegeleider of de langseleider.** Hierdoor wordt de nauwkeurigheid van het zagen vergroot en de kans op vastlopen van het zaagblad verkleind.
7. **Gebruik altijd zaagbladen met een middengat van de juiste afmetingen en vorm (diamant versus rond).** Zaagbladen die niet goed passen op de bevestigingsmiddelen van de zaag, zullen uit-het-midden draaien waardoor u de controle over het gereedschap verliest.
8. **Gebruik nooit een beschadigde of verkeerde bouten en ringen om het zaagblad te bevestigen.** De bouten en ringen voor de bevestiging van het zaagblad zijn speciaal ontworpen voor gebruik met uw zaag voor optimale prestaties en veilig gebruik.

Oorzaken van terugslag en aanverwante waarschuwingen

- Terugslag is een plotselinge reactie op een bekneld, vastgelopen of niet-uitgelijnd zaagblad, waardoor de oncontroleerbare zaag omhoog, uit het werkstuk en in de richting van de gebruiker gaat.
 - Wanneer het zaagblad bekneld raakt of vastloopt doordat de zaagsnede naar beneden toe smaller wordt, komt het zaagblad tot stilstand en komt als reactie de motor snel omhoog in de richting van de gebruiker.
 - Als het zaagblad gebogen of niet-uitgelijnd raakt in de zaagsnede, kunnen de tanden aan de achterrand van het zaagblad zich in het bovenoppervlak van het hout vreten, waardoor het zaagblad uit de zaagsnede klimt en omhoog springt in de richting van de gebruiker.
- Terugslag is het gevolg van misgebruik van de zaag en/of onjuiste gebruiksprocedures of -omstandigheden, en kan worden voorkomen door goede voorzorgsmaatregelen te treffen, zoals hieronder vermeld.

1. **Houd de zaag stevig vast met beide handen en houd uw armen zodanig dat een terugslag wordt opgevangen. Plaats uw lichaam zijwaarts versprongen van het zaagblad en niet in een rechte lijn erachter.** Door terugslag kan de zaag achterwaarts springen, maar de kracht van de terugslag kan met de juiste voorzorgsmaatregelen door de gebruiker worden opgevangen.
2. **Wanneer het zaagblad vastloopt, of wanneer u om een of andere reden het zagen onderbreekt, laat u de aan-uitschakelaar los en houdt u de zaag stil in het materiaal totdat het zaagblad volledig tot stilstand is gekomen. Probeer nooit de zaag uit het werkstuk te halen of de zaag naar achteren te trekken, terwijl het zaagblad nog draait omdat hierdoor een terugslag kan optreden.** Onderzoek waarom het zaagblad is vastgelopen en tref afdoende maatregelen om de oorzaak ervan op te heffen.
3. **Wanneer u de zaag weer inschakelt terwijl het zaagblad in het werkstuk zit, plaatst u het**

- zaagblad in het midden van de zaagsnede zodat de tanden niet in het materiaal grijpen.** Als het zaagblad is vastgelopen, kan wanneer de zaag wordt ingeschakeld het zaagblad uit het werkstuk lopen of terugslaan.
4. **Ondersteun grote platen om de kans te minimaliseren dat het zaagblad bekneld raakt of terugslaat.** Grote platen neigen door te zakken onder hun eigen gewicht. U moet de plaat ondersteunen aan beide zijden, vlakbij de zaaglijn en vlakbij de rand van de plaat (zie afb. 2 en 3).
5. **Gebruik een bot of beschadigd zaagblad niet meer.** Niet-geslepen of verkeerd gezette tanden maken een smalle zaagsnede wat leidt tot grote wrijving, vastlopen en terugslag.
6. **De vergrendelhendels voor het instellen van de zaagbladdiepte en verstekhoek moeten vastgezet zijn alvorens te beginnen met zagen.** Als de afstellingen van het zaagblad tijdens het zagen verlopen, kan dit leiden tot vastlopen of terugslag.
7. **Wees extra voorzichtig wanneer u een invalzaagsnede maakt in een bestaande wand of een andere plaats waarvan u de onderkant niet kunt zien.** Het zaagblad zou een hard voorwerp kunnen raken, met als gevolg een gevaarlijke terugslag.
8. **Houd het gereedschap ALTIJD met beide handen stevig vast. Plaats NOOIT een hand, been of een ander lichaamsdeel onder zoolplaat of achter de zaag, speciaal bij het afkorten.** Als een terugslag optreedt, kan de zaag gemakkelijk achteruit en over uw hand springen waardoor ernstig persoonlijk letsel ontstaat (zie afb. 4).
9. **Dwing de zaag nooit. Duw de zaag vooruit met een snelheid waarbij het zaagblad niet vertraagt.** Als u de zaag dwingt, kan dat leiden tot een ongelijkmatige zaagsnede, verminderde nauwkeurigheid en mogelijke terugslag.

Functie van de beschermkap

1. **Controleer voor ieder gebruik of de onderste beschermkap goed sluit. Gebruik de zaag niet als de onderste beschermkap niet vrij kan bewegen en onmiddellijk sluit. Zet de onderste beschermkap nooit vast in de geopende stand.** Als u de zaag per ongeluk laat vallen, kan de onderste beschermkap worden verbogen. Til de onderste beschermkap op aan de terugtrekhandel en controleer dat deze vrij kan bewegen en niet het zaagblad of enig ander onderdeel raakt, onder alle verstekhoeken en op alle zaagdiepten.
2. **Controleer de werking van de veer van de onderste beschermkap. Als de beschermkap en de veer niet goed werken, dienen deze vóór gebruik te worden gerepareerd.** De onderste beschermkap kan traag werken als gevolg van beschadigde onderdelen, gom- of harsafzetting, of opeenhoping van vuil.
3. **De onderste beschermkap mag alleen met de hand worden geopend voor het maken van speciale zaagsneden, zoals een invalzaagsnede en gecombineerde zaagsnede. Til de onderste beschermkap op aan de terugtrekhandel en laat deze los zodra het zaagblad in het materiaal gaat.**

Bij alle andere typen zaagsneden, dient de onderste beschermkap automatisch te werken.

4. **Let er altijd op dat de onderste beschermkap het zaagblad bedekt voordat u de zaag op een werkbank of vloer neerlegt.** Een onbeschermd zaagblad dat nog nadraait, zal de zaag achteruit doen lopen waarbij alles op zijn weg wordt gezaagd. Denk aan de tijd die het duurt nadat de schakelaar is losgelaten voordat het zaagblad stilstaat.
5. **U kunt de onderste beschermkap controleren, door deze met de hand te openen, los te laten en te kijken of hij goed sluit. Controleer tevens of de terugtrekhandel de behuizing van het gereedschap niet raakt.** Het zaagblad onbeschermd laten is UITERST GEVAARLIJK en kan leiden tot ernstig persoonlijk letsel.

Aanvullende veiligheidsvoorschriften

1. **Wees extra voorzichtig bij het zagen in nat hout, druk-behandeld timmerhout en hout met knoesten.** Zorg dat het gereedschap steeds soepel vooruit beweegt zonder dat de snelheid van het zaagblad lager wordt, om oververhitting van de zaagtanden te voorkomen.
2. **Probeer niet afgezaagd materiaal te verwijderen terwijl het zaagblad nog draait. Wacht totdat het zaagblad volledig tot stilstand is gekomen voordat u het afgezaagde materiaal vastpakt.** Het zaagblad draait nog na nadat het gereedschap is uitgeschakeld.
3. **Voorkom dat u in spijkers zaagt. Inspecteer het hout op spijkers en verwijder deze zo nodig voordat u begint te zagen.**
4. **Plaats het bredere deel van de zool van de zaag op het deel van het werkstuk dat goed is ondersteund, en niet op het deel dat omlaag valt nadat de zaagsnede gemaakt is. Als het werkstuk kort of smal is, klemt u het vast. PROBEER NOOIT EEN KORT WERKSTUK IN UW HANDEN VAST TE HOUDEN!** (zie afb. 5)
5. **Voordat u het gereedschap neerlegt na het voltooiën van een zaagsnede, controleert u dat de beschermkap gesloten is en het zaagblad volledig tot stilstand is gekomen.**
6. **Probeer nooit te zagen waarbij de zaag ondersteboven in een bankschroef is geklemd. Dit is uiterst gevaarlijk en kan leiden tot ernstig persoonlijk letsel (zie afb. 6).**
7. **Sommige materialen bevatten chemische stoffen die giftig kunnen zijn. Neem voorzorgsmaatregelen tegen het inademen van stof en contact met de huid. Volg de veiligheidsinstructies van de leverancier van het materiaal op.**
8. **Breng het zaagblad niet tot stilstand door zijdelings op het zaagblad te drukken.**
9. **Gebruik geen slijpschijven.**
10. **Gebruik uitsluitend een zaagblad met een diameter die is aangegeven op het gereedschap of vermeld in de gebruiksaanwijzing.** Het gebruik van een zaagblad met een verkeerde afmeting kan de goede bescherming van het zaagblad of de werking van de beschermkap negatief beïnvloeden, waardoor ernstig persoonlijk letsel kan ontstaan.
11. **Houd het zaagblad scherp en schoon.** Gom of hars dat op het zaagblad is opgedroogd vertraagt het

zaagblad en verhoogt de kans op terugslag. Houd het zaagblad schoon door dit eerst van het gereedschap te demonteren en het vervolgens schoon te maken met een reinigingsmiddel voor gom en hars, heet water of kerosine. Gebruik nooit benzine.

12. **Draag een stofmasker en gehoorbescherming tijdens gebruik van het gereedschap.**
13. **Gebruik altijd het zaagblad dat is bedoeld voor zagen in het materiaal waarin u gaat zagen.**
14. **Gebruik altijd een zaagblad dat is gemarkeerd met een toerental dat gelijk is aan of hoger is dan het toerental dat is aangegeven op het gereedschap.**
15. **(Alleen voor Europese landen)
Gebruik altijd een zaagblad dat voldoet aan EN847-1.**

BEWAAR DEZE INSTRUCTIES.

⚠ WAARSCHUWING:

Laat u NIET misleiden door een vals gevoel van comfort en bekendheid met het gereedschap (na veelvuldig gebruik) en neem alle veiligheidsvoorschriften van het betreffende gereedschap altijd strikt in acht. VERKEERD GEBRUIK of het niet naleven van de veiligheidsvoorschriften in deze gebruiksaanwijzing kan leiden tot ernstig persoonlijk letsel.

BESCHRIJVING VAN DE FUNCTIES

⚠ LET OP:

- Controleer altijd of het gereedschap is uitgeschakeld en de stekker uit het stopcontact is getrokken alvorens de functies van het gereedschap te controleren of af te stellen.

De zaagdiepte instellen

⚠ LET OP:

- Nadat u de zaagdiepte hebt ingesteld, zet u de hendel altijd stevig vast (zie afb. 7).

Draai de hendel van de dieptegeleider los en beweeg de zool omhoog of omlaag. Zet de zool vast op de gewenste zaagdiepte door de hendel vast te zetten.

Voor een schonere, veiligere zaagsnede, stelt u de zaagdiepte zodanig in dat niet meer dan een tandhoogte door het werkstuk heen steekt. Door de zaagdiepte goed in te stellen, verkleint u de kans op een potentieel gevaarlijke TERUGSLAG, en daarmee op persoonlijk letsel.

Verticaal verstekzagen (zie afb. 8 en 9)

Maak de klembouten los. Stel de gewenste verstekhoek in (0° tot 45°) door dienovereenkomstig te kantelen, en draai vervolgens de klembouten weer stevig vast.

Zichtlijn (zie afb. 10)

Voor recht zagen lijnt u de stand 0° op de voorkant van de zool uit met de zaaglijn. Voor verstekzagen onder een hoek van 45°, gebruikt u lijnt u uit met de stand 45°.

Werking van de aan-uitschakelaar

LET OP:

- Controleer altijd, voordat u de stekker in het stopcontact steekt, of de aan-uitschakelaar op de juiste manier schakelt en weer terugkeert naar de "UIT"-stand nadat deze is losgelaten.
- Knijp de aan-uitschakelaar niet hard in zonder de uitvergrendelknop te bedienen. Hierdoor kan de aan-uitschakelaar kapot gaan (zie afb. 11).

Om te voorkomen dat de aan-uitschakelaar per ongeluk wordt bediend, is een uit-vergrendelknop aangebracht. Om het gereedschap te starten, drukt u de uit-vergrendelknop in en knijpt u de aan-uitschakelaar in. Laat de aan-uitschakelaar los om het gereedschap te stoppen.

WAARSCHUWING:

- Omwille van uw veiligheid is dit gereedschap uitgerust met een uit-vergrendelknop die voorkomt dat het gereedschap onbedoeld wordt ingeschakeld. Gebruik het gereedschap NOOIT wanneer het kan worden ingeschakeld door alleen de aan-uitschakelaar in te knijpen zonder de uit-vergrendelknop in te drukken. Stuur het gereedschap voor deugdelijke reparatie terug naar een Makita-servicecentrum ALVORENS het verder te gebruiken.
- U mag NOOIT de uit-vergrendelknop met plakband vastzetten of anderszins de werking en functie ervan te niet doen.

DE ONDERDELEN MONTEREN

LET OP:

- Controleer altijd of het gereedschap is uitgeschakeld en de stekker uit het stopcontact is getrokken alvorens de functies van het gereedschap te controleren of af te stellen.

Het zaagblad aanbrengen en verwijderen

LET OP:

- Verzeker u ervan dat het zaagblad zodanig wordt aangebracht dat de tanden aan de voorkant van het gereedschap omhoog wijzen.
- Gebruik uitsluitend de Makita-inbussleutel voor het aanbrengen en verwijderen van het zaagblad.

Als u het zaagblad wilt verwijderen, drukt u eerst de asvergrendeling in zodat het zaagblad niet meer kan draaien, en gebruikt u vervolgens de inbussleutel om de inbusbout linksom los te draaien. Verwijder daarna de inbusbout, de buitenflens en het zaagblad (zie afb. 12). Vergeet niet tijdens het verwisselen van het zaagblad ook de bovenste en onderste beschermkappen te ontdoen van opgehoopt zaagsel. Ondanks dergelijk onderhoud blijft het noodzakelijk de werking van de onderste beschermkap voor ieder gebruik te controleren (zie afb. 13).

Voor gereedschap met een binnenflens voor een zaagblad met een middengatdiameter anders dan 15,88 mm (zie afb. 14)

De binnenflens heeft een uitstulping met een zekere diameter aan één zijde en een uitstulping met een andere diameter aan de andere zijde. Kies de juiste zijde

waarvan de uitstulping perfect in het middengat van het zaagblad past.

Plaats vervolgens de binnenflens zodanig op de montageas dat de zijde van de binnenflens met de juiste uitstulping naar buiten wijst, en breng daarna het zaagblad, de buitenflens en de inbusbout aan. ZORG ERVOOR DAT U DE INBUSBOUT RECHTSOM STEVIG VASTDRAAIT.

LET OP:

- **Zorg ervoor dat de uitstulping "a" van de binnenflens die naar buiten wijst, perfect past in het middengat "a" van het zaagblad.** Als u het zaagblad op de verkeerde kant van de binnenflens aanbrengt, kunnen gevaarlijke trillingen het gevolg zijn.

Voor gereedschap met een binnenflens voor een zaagblad met een middengatdiameter van 15,88 mm (afhankelijk van het land) (zie afb. 15 en 16)

Plaats de binnenflens met de verzonken kant naar buiten gericht op de montageas en breng daarna het zaagblad (met daarop zo nodig de ring bevestigd), de buitenflens en de inbusbout aan. ZORG ERVOOR DAT U DE INBUSBOUT RECHTSOM STEVIG VASTDRAAIT.

WAARSCHUWING:

- **Voordat het zaagblad op de as wordt geplaatst, moet u ervoor zorgen dat de juiste ring, passend voor het asgat van het zaagblad, is aangebracht tussen de binnen- en buitenflens.** Het gebruik van een verkeerde asgating kan resulteren in een gebrekkige montage van het zaagblad waardoor dit kan bewegen en sterk trillen met mogelijk controleverlies en ernstige verwondingen tot gevolg.

Opbergplaats van de inbussleutel (zie afb. 17)

Wanneer u de inbussleutel niet gebruikt, bergt u deze op de plaats aangegeven in de afbeelding op, om te voorkomen dat deze wordt verloren.

Aansluiten op een stofzuiger (optioneel accessoire) (zie afb. 18 en 19)

Wanneer u tijdens het zagen schoon wilt werken, sluit u een Makita-stofzuiger aan op uw gereedschap. Monteer de stofafzuigaansluitmond op het gereedschap met behulp van de bout. Sluit vervolgens de stofzuigerslang aan op de stofafzuigaansluitmond, zoals aangegeven in de afbeelding.

BEDIENING

LET OP:

- Duw het gereedschap voorzichtig in een rechte lijn naar voren. Als u het gereedschap dwing of verdraait, zal de motor oververhit raken en het gereedschap gevaarlijk terugslaan waardoor ernstig letsel kan worden veroorzaakt.
- Gebruik altijd de voorhandgreep en achterhandgreep, en houd het gereedschap tijdens gebruik stevig vast aan zowel de voorhandgreep als de achterhandgreep (zie afb. 20).

Houd het gereedschap stevig vast. Het gereedschap is voorzien van zowel een voorhandgreep als een

achterhandgreep. Gebruik beide om het gereedschap zo goed mogelijk vast te houden. Als u de cirkelzaag met beide handen vasthoudt, kunt u nooit in uw handen zagen. Plaats eerst de zool op het werkstuk dat u wilt zagen, zonder dat het zaagblad het werkstuk raakt. Schakel vervolgens het gereedschap in en wacht totdat het zaagblad op volle snelheid draait. Duw het gereedschap nu gewoon naar voren over het oppervlak van het werkstuk, houd het daarbij vlak, en duw gelijkmatig totdat het zagen klaar is.

Zorg voor een schone zaagsnede door een rechte zaaglijn en een constante voortgaande snelheid. Als de zaagsnede niet verloopt volgens de voorgenomen zaaglijn, mag u niet proberen het gereedschap iets te draaien of te dwingen terug te keren naar de zaaglijn. Als u dit doet, kan het zaagblad vastlopen en een gevaarlijke terugslag optreden met mogelijk ernstig persoonlijk letsel tot gevolg. Laat de aan-uitschakelaar los, wacht tot het zaagblad tot stilstand is gekomen en trek vervolgens het gereedschap terug. Lijn het gereedschap opnieuw uit met een nieuwe zaaglijn en begin weer te zagen. Probeer te vermijden dat door de positie van het gereedschap de gebruiker wordt blootgesteld aan zaagsel en spaanders die door het gereedschap worden uitgeworpen. Gebruik oogbescherming om verwonding te voorkomen.

Breedtegeleider (liniaal) (optioneel accessoire) (zie afb. 21)

Met de handige breedtegeleider kunt u extra nauwkeurig recht zagen. Schuif gewoon de breedtegeleider strak tegen de zijkant van het werkstuk en zet deze op zijn plaats vast met behulp van de klembout op de voorkant van de zool van het gereedschap. Op deze manier is het tevens mogelijk een zaagbeweging te herhalen met identieke breedte.

ONDERHOUD

LET OP:

- Zorg er altijd voor dat het gereedschap is uitgeschakeld en de stekker uit het stopcontact is getrokken, voordat u een inspectie of onderhoud uitvoert.
- **Reinig de bovenste en onderste beschermkappen om er zeker van te zijn dat er geen opgehoopt zaagsel in zit dat de werking van het onderste beschermkapmechanisme kan hinderen.** Een vuil beschermkapmechanisme kan de goede werking hinderen, waardoor ernstig persoonlijk letsel kan ontstaan. De meest effectieve manier om dit reinigen uit te voeren is met perslucht. **Als het vuil uit de beschermkappen wordt geblazen, dient u geschikte oog- en ademhalingsbescherming te gebruiken.**
- Gebruik nooit benzine, wasbenzine, thinner, alcohol, enz. Dit kan leiden tot verkleuren, vervormen of barsten.

Het zaagblad parallel stellen aan de zool (zie afb. 22)

In de fabriek is het zaagblad parallel gesteld aan de zool van de cirkelzaag. Maar als dit niet meer juist is, kunt u dit afstellen met de volgende procedure.

Controleer of alle hendels, bouten en schroeven vastgedraaid zijn. Draai de bout iets los, zoals afgebeeld. Terwijl u de onderste beschermkap geopend houdt, verplaatst u de achterkant van de zool zodanig dat de afstanden A en B gelijk zijn. Draai na het afstellen de bout vast. Maak een proefzaagsnede om te controleren of het zaagblad parallel staat aan de zool van de cirkelzaag.

Het zaagblad nauwkeurig instellen op 0° (zie afb. 23 en 24)

Deze instelling is reeds in de fabriek gemaakt. Maar als dit niet meer juist is, draait u de instelbouten met een inbussleutel terwijl u de zaaghoek van 0° tussen het zaagblad en de zool van het gereedschap controleert met behulp van een winkelhaak, geodriehoek, enz.

De koolborstels vervangen (zie afb. 25)

Verwijder en controleer de koolborstels regelmatig. Vervang deze wanneer ze tot aan de slijtgrensmarkering zijn afgesleten. Houd de koolborstels schoon en zorg ervoor dat ze vrij kunnen bewegen in de houders. Beide koolborstels dienen tegelijkertijd te worden vervangen. Gebruik alleen identieke koolborstels. Gebruik een schroevendraaier om de koolborsteldoppen te verwijderen. Haal de versleten koolborstels eruit, plaats de nieuwe erin, en zet de koolborsteldoppen goed vast (zie afb. 26).

Om de VEILIGHEID en BETROUWBAARHEID van het gereedschap te handhaven, dienen alle reparaties, onderhoud en afstellingen te worden uitgevoerd door een erkend Makita-servicecentrum, en altijd met gebruikmaking van originele Makita-vervangingsonderdelen.

VERKRIJGBARE ACCESSOIRES

LET OP:

- Deze accessoires of hulpstukken worden aanbevolen voor gebruik met het Makita-gereedschap als in deze gebruiksaanwijzing wordt beschreven. Het gebruik van andere accessoires of hulpstukken kan gevaar voor persoonlijk letsel opleveren. Gebruik de accessoires of hulpstukken uitsluitend voor de aangegeven gebruiksdoeleinden.

Mocht u meer informatie willen hebben over deze accessoires, dan kunt u contact opnemen met uw plaatselijke Makita-servicecentrum.

- Zaagblad
- Breedtegeleider (liniaal)
- Geleiderail
- Geleiderailadapter
- Liniaal
- Stofafzuigaansluitmond
- Inbussleutel

OPMERKING:

- Sommige items op de lijst kunnen zijn inbegrepen in de doos van het gereedschap als standaard toebehoren. Zij kunnen van land tot land verschillen.

Geluid

ENG905-1

De typische, A-gewogen geluidsniveaus zijn gemeten volgens EN62841:

Geluidsdrukniveau (L_{pA}): 92 dB (A)

Geluidsvermogeniveau (L_{WA}): 103 dB (A)

Onzekerheid (K): 3 dB (A)

ENG907-1

- De opgegeven geluidsemisiewaarde(n) is/zijn gemeten volgens een standaardtestmethode en kan/kunnen worden gebruikt om dit gereedschap te vergelijken met andere gereedschappen.
- De opgegeven geluidsemisiewaarde(n) kan/kunnen ook worden gebruikt voor een beoordeling vooraf van de blootstelling.

WAARSCHUWING:

- **Draag gehoorbescherming.**
- **De geluidsemisie tijdens het gebruik van het elektrisch gereedschap in de praktijk kan verschillen van de opgegeven waarde(n) afhankelijk van de manier waarop het gereedschap wordt gebruikt, met name van het soort werkstuk waarmee wordt gewerkt.**
- **Zorg ervoor dat veiligheidsmaatregelen worden getroffen ter bescherming van de gebruiker die zijn gebaseerd op een schatting van de blootstelling onder praktijkomstandigheden (rekening houdend met alle fasen van de bedrijfscyclus, zoals de tijdsduur gedurende welke het gereedschap is uitgeschakeld en stationair draait, naast de ingeschakelde tijdsduur).**

Trillingen

ENG900-1

De totale trillingswaarde (triaxiale vectorsom) zoals vastgesteld volgens EN62841:

Gebruikstoepassing: zagen van hout

Trillingsemisie ($a_{h,w}$): 2,5 m/s² of lager

Onzekerheid (K): 1,5 m/s²

ENG901-2

- De totale trillingswaarde(n) is/zijn gemeten volgens een standaardtestmethode en kan/kunnen worden gebruikt om dit gereedschap te vergelijken met andere gereedschappen.
- De opgegeven totale trillingswaarde(n) kan/kunnen ook worden gebruikt voor een beoordeling vooraf van de blootstelling.

WAARSCHUWING:

- **De trillingsemisie tijdens het gebruik van het elektrisch gereedschap in de praktijk kan verschillen van de opgegeven waarde(n) afhankelijk van de manier waarop het gereedschap wordt gebruikt, met name van het soort werkstuk waarmee wordt gewerkt.**
- **Zorg ervoor dat veiligheidsmaatregelen worden getroffen ter bescherming van de gebruiker die zijn gebaseerd op een schatting van de blootstelling onder praktijkomstandigheden (rekening houdend met alle fasen van de bedrijfscyclus, zoals de tijdsduur gedurende welke het gereedschap is uitgeschakeld en stationair draait, naast de ingeschakelde tijdsduur).**

EU-verklaring van conformiteit

Alleen voor Europese landen

De EU-verklaring van conformiteit is opgenomen als Bijlage A in deze instructiehandleiding.

ESPAÑOL (Instrucciones originales)

Explicación de los dibujos

- | | | |
|-------------------------------------|----------------------------|------------------------------|
| 1. Palanca | 10. Apretar | 19. Aspiradora |
| 2. Tornillo de sujeción | 11. Brida interior | 20. Manguera |
| 3. Línea de corte (posición de 0°) | 12. Disco de sierra | 21. Tope lateral |
| 4. Línea de corte (posición de 45°) | 13. Brida exterior | 22. Escuadra |
| 5. Interruptor disparador | 14. Perno hexagonal | 23. Marca de límite |
| 6. Botón de desbloqueo | 15. Eje de montaje | 24. Destornillador |
| 7. Llave hexagonal | 16. Anillo | 25. Tapa del portaescobillas |
| 8. Bloqueo del eje | 17. Boquilla para el polvo | |
| 9. Aflojar | 18. Tornillo | |

ESPECIFICACIONES

Modelo	HS7601	
Diámetro del disco	190 mm	
Profundidad de corte máxima	a 0°	66 mm
	a 45°	46 mm
Velocidad en vacío	5.200 min ⁻¹	
Longitud total	309 mm	
Peso neto	3,7 kg	
Clase de seguridad	□/II	

- Debido a nuestro programa continuo de investigación y desarrollo, las especificaciones aquí descritas están sujetas a cambios sin previo aviso.
- Las especificaciones pueden ser diferentes de un país a otro.
- Peso de acuerdo con el procedimiento EPTA 01/2014

Uso previsto

ENE078-2

La herramienta está diseñada para realizar cortes rectos y cortes a inglete longitudinal y transversalmente en madera mientras mantiene un firme contacto con la pieza de trabajo. Con discos de sierra originales de Makita adecuados también se pueden serrar otros materiales.

Alimentación

ENF002-2

La herramienta debe conectarse solamente a una fuente de alimentación de la misma tensión que la indicada en la placa de características, y sólo puede funcionar con corriente alterna monofásica. La herramienta cuenta con un doble aislamiento y puede, por lo tanto, usarse también en tomacorrientes sin conductor de tierra.

Advertencias de seguridad para herramientas eléctricas en general

GEA010-2

⚠ ADVERTENCIA: Lea todas las advertencias de seguridad, instrucciones, ilustraciones y especificaciones provistas con esta herramienta eléctrica. Si no sigue todas las instrucciones indicadas abajo podrá resultar en una descarga eléctrica, un incendio y/o heridas graves.

Guarde todas las advertencias e instrucciones para futuras referencias.

El término "herramienta eléctrica" en las advertencias se refiere a su herramienta eléctrica de funcionamiento con conexión a la red eléctrica (con cable) o herramienta eléctrica de funcionamiento a batería (sin cable).

ADVERTENCIAS DE SEGURIDAD PARA SIERRA CIRCULAR

GEB133-2

Procedimientos de corte

1. **⚠ PELIGRO:** Mantenga las manos alejadas del área de corte y del disco. Mantenga su segunda mano en el mango auxiliar, o en el alojamiento del motor. Si ambas manos están sujetando la sierra, no podrán ser cortadas por el disco.
2. **No se ponga debajo de pieza de trabajo.** Debajo de la pieza de trabajo el protector no le puede proteger del disco.
3. **Ajuste la profundidad de corte al grosor de la pieza de trabajo.** Por debajo de la pieza de trabajo deberá verse menos de un diente entero de los dientes del disco.
4. **No sujete nunca con las manos o sobre su pierna la pieza de trabajo durante el corte. Sujete la pieza de trabajo en una plataforma estable.** Es importante apoyar la pieza de trabajo debidamente para

minimizar la exposición del cuerpo, el estancamiento del disco, o la pérdida de control. (Fig. 1)

5. **Cuando realice una operación en la que el implemento de corte pueda entrar en contacto con cableado oculto o con su propio cable, sujete la herramienta eléctrica por las superficies de asimiento aisladas.** El contacto con un cable con corriente también hará que la corriente circule por las partes metálicas expuestas de la herramienta eléctrica y podrá soltar una descarga eléctrica al operario.
6. **Cuando haga cortes al hilo, utilice siempre una guía lateral o guía de borde recto.** Esto mejora la precisión del corte y reduce la posibilidad de que el disco se estanque.
7. **Utilice siempre discos con agujero para eje del tamaño y forma correctos (diamante en oposición a redondo).** Los discos que no correspondan con el mecanismo de montaje de la sierra se descentrarán, ocasionando la pérdida de control.
8. **No utilice nunca arandelas o perno de disco dañados o incorrectos.** Las arandelas y el perno de disco han sido diseñados especialmente para su sierra, y con ellos se logran un rendimiento y seguridad de operación óptimos.

Causas de los retrocesos bruscos y advertencias relacionadas

- el retroceso brusco es una reacción repentina al estancamiento, atasco o desalineación del disco, que ocasiona que la sierra descontrolada se levante y salga de la pieza de trabajo hacia el operario;
- cuando el disco queda aprisionado o atascado firmemente debido al cierre de la hendidura, el disco se inmoviliza y la reacción del motor empuja la sierra bruscamente hacia atrás contra el operario;
- si el disco se retuerce o desalinea en el corte, los dientes del borde trasero del disco pueden morder la superficie superior de la madera haciendo que el disco se salga de la hendidura y salte hacia atrás contra el operario.

Los retrocesos bruscos se deben a un mal uso de la sierra y/o a procedimientos o condiciones de trabajo incorrectos y pueden evitarse tomando las precauciones indicadas abajo.

1. **Sujete la sierra firmemente con ambas manos y posicione los brazos de forma que pueda resistir las fuerzas de un retroceso brusco. Posicione su cuerpo a uno de los costados del disco, pero no en línea con el disco.** Los retrocesos bruscos pueden hacer que la sierra salte hacia atrás, pero las fuerzas de los retrocesos bruscos las puede controlar el operario, si toma las precauciones apropiadas.
2. **Cuando note que el disco se estanca, o cuando quiera interrumpir un corte por cualquier razón, suelte el gatillo y mantenga la sierra inmóvil en el material hasta que el disco se pare completamente. No intente nunca extraer el disco de la pieza de trabajo o tirar de la sierra hacia atrás mientras el disco está moviéndose porque podrá ocasionar un retroceso brusco.** Investigue y tome medidas correctivas para eliminar la causa del estancamiento del disco.
3. **Cuando vuelva a poner en marcha la sierra en la pieza de trabajo, centre el disco en la hendidura**

de forma que los dientes del mismo no estén enganchados en el material. Si un disco se estanca, podrá saltar o retroceder bruscamente desde la pieza de trabajo al volver a poner en marcha la sierra.

4. **Apoye los paneles grandes para minimizar el riesgo de que el disco se estanque y retroceda bruscamente.** Los paneles grandes tienden a combarse con su propio peso. Deberá poner apoyos debajo del panel a ambos lados, cerca de la línea de corte y cerca del borde del panel. (Fig. 2 y 3)
5. **No utilice discos mellados o dañados.** Los discos desafilados o mal ajustados producen una hendidura estrecha que ocasiona excesiva fricción, estancamiento del disco y retrocesos bruscos.
6. **Las palancas de bloqueo de los ajustes de profundidad y de bisel del disco deben estar apretadas y sujetadas antes de realizar el corte.** Si el ajuste del disco cambia durante el corte, podrá ocasionar un estancamiento y retroceso brusco.
7. **Extreme las precauciones cuando siere en paredes existentes u otras áreas ciegas.** La parte sobresaliente del disco podrá cortar objetos que pueden ocasionar un retroceso brusco.
8. **Sujete SIEMPRE la herramienta firmemente con ambas manos. No ponga NUNCA sus manos, piernas o cualquier otra parte de su cuerpo debajo de la base de la herramienta o detrás de la sierra, especialmente cuando haga cortes transversales.** Si se produce un retroceso brusco, la sierra podrá saltar fácilmente hacia atrás sobre su mano, causándole graves heridas personales. (Fig. 4)
9. **No fuerce nunca la sierra. Empuje la sierra hacia delante a una velocidad a la que el disco corte sin frenarse.** Si fuerza la sierra podrá ocasionar cortes irregulares, pérdida de precisión, y posibles retrocesos bruscos.

Función del protector

1. **Compruebe el protector inferior para confirmar que se cierra debidamente antes de cada uso. No utilice la sierra si el protector inferior no se mueve libremente y se cierra instantáneamente. No sujete ni ate nunca el protector inferior en la posición abierta.** Si deja caer accidentalmente la sierra, el protector inferior podrá doblarse. Levante el protector inferior con la manivela retráctil y asegúrese de que se mueve libremente y que no toca el disco o cualquier otra parte, en todos los ángulos y profundidades de corte.
2. **Compruebe la operación del resorte del protector inferior. Si el protector y el resorte no funcionan debidamente, deberán ser servidos antes de la utilización.** El protector inferior podrá funcionar lentamente debido a partes dañadas, sedimentos pegajosos, o una acumulación de residuos.
3. **El protector inferior puede retraerse manualmente sólo para cortes especiales, como “cortes por hundimiento” y “cortes compuestos”.** Levante el protector inferior con la manivela retráctil y tan pronto como el disco entre en el material, deberá liberar el protector inferior. Para todos los demás cortes, el protector inferior deberá funcionar automáticamente.
4. **Antes de dejar la sierra en el banco o en el suelo, observe siempre que el protector inferior está**

cubriendo el disco. Un disco desprotegido, girando por inercia, hará que la sierra se desplace hacia atrás, cortando todo lo que encuentre a su paso. Tenga presente el tiempo que el disco tarda en pararse después de soltar el interruptor.

5. **Para comprobar el protector inferior, abra el protector inferior con la mano, después suéltelo y observe que se cierra. Compruebe también para asegurarse de que la manivela retráctil no toca la carcasa de la herramienta.** Dejar el disco expuesto es MUY PELIGROSO y puede acarrear heridas personales graves.

Advertencias de seguridad adicionales

1. **Preste precaución especial cuando corte madera húmeda, madera tratada a presión, o madera que tenga nudos.** Mantenga uniforme el avance de la herramienta sin que disminuya la velocidad del disco para evitar recalentar los dientes del disco.
2. **No intente retirar material cortado cuando el disco esté moviéndose. Espere hasta que el disco se pare antes de agarrar el material cortado.** Los discos siguen girando por inercia después de apagar la herramienta.
3. **Evite cortar clavos. Inspeccione la madera y quite todos los clavos antes de cortar.**
4. **Ponga la porción más ancha de la base de la sierra en la parte de la pieza de trabajo que está sólidamente apoyada, no en la sección que caerá cuando se haga el corte. Si la pieza de trabajo es corta o pequeña, amordácela. ¡NO INTENTE SUJETAR PIEZAS PEQUEÑAS CON LA MANO!** (Fig. 5)
5. **Antes de dejar la herramienta después de completar un corte, asegúrese de que el protector se ha cerrado y que el disco se ha parado completamente.**
6. **No intente nunca serrar con la sierra circular sujeta al revés en un tornillo de banco. Es sumamente peligroso y puede ocasionar graves accidentes.** (Fig. 6)
7. **Algunos materiales contienen sustancias químicas que pueden ser tóxicas. Tenga precaución para evitar la inhalación de polvo y el contacto con la piel. siga los datos de seguridad del abastecedor del material.**
8. **No pare los discos haciendo presión lateral en el disco.**
9. **No utilice ningún disco abrasivo.**
10. **Utilice solamente el disco con el diámetro que hay marcado en la herramienta o especificado en el manual.** La utilización de un disco dimensionado incorrectamente puede afectar a la protección del disco o a la operación del protector lo que puede resultar en heridas personales graves.
11. **Mantenga el disco afilado y limpio.** La cola y la resina de madera endurecidas en los discos frenan la sierra y aumentan la posibilidad de que se produzcan retrocesos bruscos. Mantenga el disco limpio desmontándolo primero de la herramienta, y limpiándolo después con un producto para quitar colas y resina, agua caliente o queroseno. No utilice nunca gasolina.
12. **Póngase máscara y protección para los oídos cuando utilice la herramienta.**

13. **Utilice siempre el disco que ha sido previsto para cortar el material que usted va a cortar.**
14. **Utilice solamente discos que tengan marcada una velocidad igual o mayor que la velocidad marcada en la herramienta.**
15. **(Para países europeos solamente)**
Utilice siempre el disco que cumpla con EN847-1.

GUARDE ESTAS INSTRUCCIONES.

⚠ ADVERTENCIA:

NO deje que la comodidad o familiaridad con el producto (a base de utilizarlo repetidamente) sustituya la estricta observancia de las normas de seguridad para el producto en cuestión. El MAL USO o el no seguir las normas de seguridad establecidas en este manual de instrucciones podrá ocasionar graves heridas personales.

DESCRIPCIÓN DEL FUNCIONAMIENTO

⚠ PRECAUCIÓN:

- Asegúrese siempre de que la herramienta esté apagada y desenchufada antes de intentar realizar cualquier tipo de ajuste o comprobación en ella.

Ajuste de la profundidad de corte

⚠ PRECAUCIÓN:

- Después de ajustar la profundidad de corte, apriete siempre la palanca con firmeza. (Fig. 7)
- Afloje la palanca de la guía de profundidad y suba o baje la base. Cuando haya alcanzado la profundidad de corte deseada, fije la base apretando la palanca. Para lograr cortes más limpios y seguros, fije la profundidad de corte de forma que no sobresalga más de un diente del disco por debajo de la pieza de trabajo. El uso de una profundidad de corte correcta ayuda a reducir la posibilidad de peligrosos CONTRAGOLPES que pueden provocar lesiones personales.

Corte en bisel (Fig. 8 y 9)

Afloje los tornillos de sujeción. Ajuste el ángulo deseado (0° - 45°) mediante la inclinación que corresponda y apriete firmemente los tornillos de sujeción.

Visor (Fig. 10)

Para cortes rectos, alinee la posición de 0° en la parte delantera de la base con la línea de corte. Para cortes en bisel de 45°, alinee la posición de 45° con la línea de corte.

Acción del interruptor

⚠ PRECAUCIÓN:

- Antes de enchufar la herramienta, asegúrese siempre de que el interruptor disparador funcione como es debido y de que vuelva a la posición "OFF" (apagado) al soltarlo.
- No apriete con fuerza el interruptor disparador sin presionar hacia dentro el botón de desbloqueo. Podría romper el interruptor. (Fig. 11)

Para evitar que el interruptor disparador pueda ser apretado accidentalmente, se ha provisto un botón de desbloqueo.

Para poner en marcha la herramienta, presione el botón de desbloqueo y tire del interruptor disparador. Suelte el interruptor disparador para detener la herramienta.

⚠ ADVERTENCIA:

- Por su propia seguridad, esta herramienta está equipada con un botón de desbloqueo que impide que la herramienta se pueda poner en marcha sin querer. No utilice NUNCA la herramienta si se pone en marcha cuando usted simplemente aprieta el interruptor disparador sin presionar el botón de desbloqueo. Lleve la herramienta a un centro de servicio Makita ANTES de seguir utilizándola.
- No sujete NUNCA con cinta adhesiva ni anule el propósito y la función del botón de desbloqueo.

MONTAJE

⚠ PRECAUCIÓN:

- Asegúrese siempre de que la herramienta esté apagada y desenchufada antes de intentar realizar cualquier tipo de ajuste o comprobación en ella.

Extracción o instalación del disco de sierra

⚠ PRECAUCIÓN:

- Asegúrese de que el disco esté instalado con los dientes apuntando hacia la parte delantera de la herramienta.
- Utilice solo la llave de Makita para instalar o extraer el disco.

Para extraer el disco, ejerza presión sobre el bloqueo del eje para que el disco no pueda girar y utilice la llave para aflojar el perno hexagonal en el sentido contrario a las agujas del reloj. A continuación, quite el perno hexagonal, la brida exterior y el disco. (Fig. 12)

Cuando cambie el disco, asegúrese de limpiar también el serrín acumulado en los protectores superior e inferior del disco. No obstante, tales esfuerzos no sustituyen la necesidad de comprobar el funcionamiento del protector inferior antes de cada uso. (Fig. 13)

Para la herramienta con la brida interna para un disco de sierra de diámetro de orificio diferente de 15,88 mm (Fig. 14)

La brida interior tiene un saliente de cierto diámetro en un lado y un saliente de diferente diámetro en el otro lado. Elija el lado correcto en el que el saliente encaje de forma perfecta en el orificio del disco de sierra.

A continuación, monte la brida interior en el eje de montaje de forma que el lado correcto del saliente de la brida interior mire hacia fuera y después coloque el disco de sierra y la brida exterior.

ASEGÚRESE DE APRETAR FIRMEMENTE EL PERNO HEXAGONAL EN EL SENTIDO DE LAS AGUJAS DEL RELOJ.

⚠ PRECAUCIÓN:

- Asegúrese de que el saliente "a" de la brida interior que se coloca fuera encaje perfectamente en el orificio "a" del disco de sierra. Si monta el disco en

el lado incorrecto pueden producirse vibraciones peligrosas.

Para la herramienta con la brida interior para disco de sierra con un diámetro de orificio de 15,88 mm (específico del país) (Fig. 15 y 16)

Monte la brida interior con el saliente hacia fuera en el eje de montaje y después coloque el disco de sierra (con el anillo acoplado si es necesario), la brida exterior y el perno hexagonal.

ASEGÚRESE DE APRETAR FIRMEMENTE EL PERNO HEXAGONAL EN EL SENTIDO DE LAS AGUJAS DEL RELOJ.

⚠ ADVERTENCIA:

- Antes de montar el disco en el eje, asegúrese siempre de que esté instalado entre las bridas interior y exterior el anillo correcto para el agujero del disco que vaya a utilizar. El uso del anillo incorrecto para el agujero del disco puede provocar el montaje incorrecto del disco, causando el movimiento del disco, y las fuertes vibraciones pueden provocar una pérdida de control durante el uso y graves lesiones personales.

Almacenamiento de la llave hexagonal (Fig. 17)

Cuando no la utilice, guarde la llave hexagonal como se muestra en la figura para evitar que se pierda.

Conexión de un aspirador (accesorio opcional) (Fig. 18 y 19)

Si desea realizar una operación de corte limpio, conecte un aspirador Makita a la herramienta. Instale la boquilla para el polvo en la herramienta utilizando el tornillo. A continuación, conecte una manguera del aspirador a la boquilla para el polvo como se muestra en la figura.

FUNCIONAMIENTO

⚠ PRECAUCIÓN:

- Asegúrese de desplazar la herramienta suavemente hacia delante en línea recta. Si se fuerza o se retuerce la herramienta se provocará un sobrecalentamiento del motor y un peligroso contragolpe, que puede causar graves lesiones personales.
- Utilice siempre la empuñadura delantera y sujete firmemente la herramienta por la empuñadura delantera y por el mango trasero durante el funcionamiento. (Fig. 20)

Sujete con fuerza la herramienta. La herramienta se suministra con una empuñadura delantera y un mango trasero. Utilice ambos elementos para sujetar mejor la herramienta. Si sujeta la sierra con las dos manos, no podrá sufrir cortes del disco. Coloque la base sobre la pieza de trabajo que debe cortarse sin que el disco realice ningún contacto. A continuación, encienda la herramienta y espere hasta que el disco alcance la velocidad máxima. Ahora solo tiene que empujar la herramienta hacia delante sobre la superficie de la pieza de trabajo, manteniéndola plana y avanzando suavemente hasta que el proceso de serrado se haya completado.

Para obtener cortes limpios, mantenga la línea de serrado recta y la velocidad de avance uniforme. Si el corte no sigue correctamente la línea de corte prevista, no intente girar la herramienta ni la fuerza para volver a la línea de corte. El disco puede agarrarse y provocar peligrosos contragolpes y posibles lesiones graves. Suelte el interruptor, espere a que el disco se pare y retire la herramienta. Vuelva a alinear la herramienta sobre la línea de corte y reinicie el corte. Intente no colocarse en una postura que exponga al operario a astillas y serrín que se expulsan desde la sierra. Utilice protección ocular para evitar lesiones.

Topo lateral (regla de guía) (acesorio opcional) (Fig. 21)

El útil topo lateral permite realizar cortes rectos de gran precisión. Solo tiene que deslizar el topo lateral cómodamente hasta el lateral de la pieza de trabajo y fijarlo en posición con el tornillo de sujeción de la parte delantera de la base. También hace que los cortes repetidos sean del ancho más uniforme posible.

MANTENIMIENTO

⚠ PRECAUCIÓN:

- Asegúrese siempre de que la herramienta esté apagada y desenchufada antes de intentar realizar cualquier trabajo de inspección o mantenimiento en ella.
- **Limpie los protectores superior e inferior para asegurarse de que no se haya acumulado serrín, lo que podría impedir el funcionamiento del sistema de protección inferior.** Un sistema de protección sucio puede limitar el funcionamiento correcto, lo que podría provocar graves lesiones personales. La forma más efectiva de realizar la limpieza es utilizar aire comprimido. **Si está soplando el polvo para retirarlo de los protectores, asegúrese de utilizar una protección adecuada para los ojos y el sistema respiratorio.**
- Nunca utilice gasolina, benceno, disolvente, alcohol o un producto similar. Se puede provocar una decoloración, una deformación o grietas.

Ajuste del paralelismo (Fig. 22)

El paralelismo entre el disco y la base se ha ajustado en fábrica. Sin embargo, si está desajustado, puede ajustarlo siguiendo este procedimiento.

Asegúrese de que todas las palancas y los tornillos estén ajustados. Afloje el tornillo ligeramente de acuerdo con la ilustración. Mientras está abierto el protector inferior, mueva la parte posterior de la base de forma que la distancia entre A y B sea la misma. Tras el ajuste, apriete el tornillo. Realice un corte de prueba para obtener un paralelismo correcto.

Ajustar la precisión para obtener un corte de 0° (corte vertical) (Fig. 23 y 24)

Este ajuste se ha realizado en fábrica. No obstante, si está desactivado, ajuste la posición de los tornillos del disco con una llave hexagonal mientras realiza una inspección a 0° respecto a la base, mediante una escuadra o una regla, etc.

Sustitución de las escobillas de carbón (Fig. 25)

Extraiga y compruebe periódicamente las escobillas de carbón. Cámbielas cuando el desgaste alcance la marca de límite. Mantenga las escobillas de carbón limpias y de forma que entren libremente en el portaescobillas. Ambas escobillas de carbón deberán ser sustituidas al mismo tiempo. Utilice únicamente escobillas de carbón idénticas. Utilice un destornillador para extraer las tapas del portaescobillas. Extraiga las escobillas de carbón gastadas, inserte las nuevas y vuelva a fijar las tapas del portaescobillas. (Fig. 26)

Para mantener la SEGURIDAD y la FIABILIDAD del producto, las reparaciones y cualquier otra tarea de mantenimiento o ajuste deberán ser realizadas en centros de servicio autorizados por Makita, utilizando siempre repuestos Makita.

ACCESORIOS OPCIONALES

⚠ PRECAUCIÓN:

- Se recomienda el uso de estos accesorios o complementos con la herramienta Makita especificada en este manual. El uso de otros accesorios o complementos puede conllevar el riesgo de ocasionar daños corporales. Utilice los accesorios o complementos solamente para su fin establecido.

Si necesita cualquier ayuda para obtener más información relativa a estos accesorios, pregunte a su centro de servicio Makita local.

- Discos de sierra
- Topo lateral (Regla de guía)
- Carril de guía
- Adaptador para carril de guía
- Barra de regla
- Boquilla para el polvo
- Llave hexagonal

NOTA:

- Algunos elementos de la lista se pueden incluir en el paquete de la herramienta como accesorios estándar. Pueden ser diferentes de un país a otro.

Ruido

ENG905-1

Niveles típicos de ruido ponderado A determinados conforme a EN62841:

Nivel de presión de sonido (L_{pA}): 92 dB (A)

Nivel de potencia sonora (L_{WA}): 103 dB (A)

Incertidumbre (K): 3 dB (A)

ENG907-1

- El valor (o los valores) de emisión de ruido declarado ha sido medido de acuerdo con un método de prueba estándar y se puede utilizar para comparar una herramienta con otra.
- El valor (o valores) de emisión de ruido declarado también se puede utilizar en una valoración preliminar de exposición.

⚠ ADVERTENCIA:

- **Póngase protectores para oídos.**
- **La emisión de ruido durante la utilización real de la herramienta eléctrica puede variar del valor (o los valores) de emisión declarado dependiendo de las formas en las que la herramienta sea utilizada,**

especialmente qué tipo de pieza de trabajo se procesa.

- **Asegúrese de identificar medidas de seguridad para proteger al operario que estén basadas en una estimación de la exposición en las condiciones reales de utilización (teniendo en cuenta todas las partes del ciclo operativo como las veces cuando la herramienta está apagada y cuando está funcionando en vacío además del tiempo de gatillo).**

Vibración

ENG900-1

Valor total de la vibración (suma de vectores triaxiales) determinado según el estándar EN62841:

Modo de trabajo: corte de madera

Emisión de vibraciones ($a_{h,w}$): 2,5 m/s² o menos

Incertidumbre (K): 1,5 m/s²

ENG901-2

- El valor (o los valores) total de emisión de vibración declarado ha sido medido de acuerdo con un método de prueba estándar y se puede utilizar para comparar una herramienta con otra.
- El valor (o los valores) total de emisión de vibración declarado también se puede utilizar en una valoración preliminar de exposición.

⚠ ADVERTENCIA:

- **La emisión de vibración durante la utilización real de la herramienta eléctrica puede variar del valor (o los valores) de emisión declarado dependiendo de las formas en las que la herramienta sea utilizada, especialmente qué tipo de pieza de trabajo se procesa.**
- **Asegúrese de identificar medidas de seguridad para proteger al operario que estén basadas en una estimación de la exposición en las condiciones reales de utilización (teniendo en cuenta todas las partes del ciclo operativo como las veces cuando la herramienta está apagada y cuando está funcionando en vacío además del tiempo de gatillo).**

Declaración de conformidad de la CE

Solo para países europeos

La Declaración de conformidad de la CE se incluye como Anexo A en este manual de instrucciones.

PORTUGUÊS (Instruções de origem)

Descrição geral

- | | | |
|---------------------------------|------------------------|--------------------------------|
| 1. Alavanca | 10. Apertar | 19. Aspirador de pó |
| 2. Parafuso de fixação | 11. Flange interior | 20. Tubo flexível |
| 3. Linha de corte (Posição 0°) | 12. Lâmina da serra | 21. Vedação para escarificação |
| 4. Linha de corte (Posição 45°) | 13. Flange exterior | 22. Guia triangular |
| 5. Gatilho | 14. Parafuso sextavado | 23. Marca limite |
| 6. Botão de bloqueio | 15. Veio de montagem | 24. Chave de parafusos |
| 7. Chave sextavada | 16. Anel | 25. Tampa do porta-escovas |
| 8. Bloqueio do veio | 17. Bocal do pó | |
| 9. Desapertar | 18. Parafuso | |

ESPECIFICAÇÕES

Modelo	HS7601	
Diâmetro da lâmina	190 mm	
Profundidade máxima de corte	a 0°	66 mm
	a 45°	46 mm
Velocidade sem carga	5.200 min ⁻¹	
Comprimento total	309 mm	
Peso líquido	3,7 kg	
Classe de segurança	□/II	

- Devido à pesquisa e desenvolvimento constantes, estas especificações estão sujeitas a alteração sem aviso prévio.
- Estas especificações podem diferir de país para país.
- Peso de acordo com procedimento EPTA de 01/2014

Utilização prevista ENE078-2

Esta ferramenta destina-se a efectuar cortes rectos ao comprido e laterais e cortes angulares em madeira, mantendo um contacto firme com a peça de trabalho. Com lâminas de serra genuínas da Makita adequadas, também podem ser serrados outros materiais.

Fonte de alimentação ENF002-2

A ferramenta apenas deve ser ligada a uma fonte de alimentação da mesma tensão que a indicada na chapa de especificações, e apenas pode funcionar com uma alimentação CA monofásica. Estão blindadas duplamente e podem, assim, ser igualmente ligadas a tomadas sem fio terra.

Avisos gerais de segurança para ferramentas elétricas GEA010-2

⚠ AVISO: Leia todos os avisos de segurança, instruções, ilustrações e especificações fornecidos com esta ferramenta elétrica. O não cumprimento de todas as instruções indicadas em baixo pode resultar em choque elétrico, incêndio e/ou ferimentos graves.

Guarde todos os avisos e instruções para futuras referências.

O termo “ferramenta elétrica” nos avisos refere-se às ferramentas elétricas ligadas à corrente elétrica (com cabo) ou às ferramentas elétricas operadas por meio de bateria (sem cabo).

AVISOS DE SEGURANÇA DA SERRA CIRCULAR

GEB133-2

Procedimentos de corte

1. **⚠ PERIGO: Mantenha as mãos afastadas da área de corte e da lâmina. Mantenha a outra mão na pega auxiliar ou na caixa do motor.** Se as duas mãos estiverem a pegar na serra, não podem ser cortadas pela lâmina.
2. **Não toque na superfície inferior da peça de trabalho.** O resguardo não o protege da lâmina debaixo da peça de trabalho.
3. **Regule a profundidade do corte em relação à espessura da peça de trabalho.** Só deve ser possível ver menos de um dente completo da lâmina sob a peça de trabalho.
4. **Nunca segure a peça de trabalho nas mãos ou apoiada em sua perna enquanto efetua o corte. Fixe a peça de trabalho numa plataforma estável.** É importante apoiar a peça de trabalho de forma apropriada para minimizar a exposição do corpo, a abragem da lâmina ou a perda de controlo. (Fig. 1)
5. **Agarre na ferramenta elétrica pelas superfícies isoladas preparadas para esse fim quando executar uma operação em que a ferramenta de corte possa entrar em contacto com cablagem escondida ou o próprio cabo.** O contacto com um fio “sob tensão” também fará com que as partes de metal expostas da ferramenta elétrica fiquem “sob tensão”, provocando um choque elétrico ao operador.
6. **Em escarificação use sempre uma guia paralela ou uma guia reta.** Melhora a precisão do corte e reduz a possibilidade de a lâmina encravar.

7. **Use sempre lâminas com o tamanho e forma (diamante versus redonda) corretos de orifícios do eixo.** As lâminas que não correspondem ao equipamento de montagem da serra desviar-se-ão do centro, causando perda de controlo.
8. **Nunca utilize arruelas ou pernos de lâmina estragados ou incorretos.** As arruelas e pernos da lâmina foram concebidos para a sua serra, para maior rendimento e segurança na operação.

Causas e avisos sobre recuos

- o recuo é uma reação súbita a uma lâmina de serra apertada, encravada ou desalinhada, fazendo com que uma serra descontrolada se eleve e saia da peça de trabalho em direção ao operador;
- quando a lâmina é apertada ou encravada pelo fecho do corte, a lâmina para e a reação do motor aciona a unidade rapidamente para trás em direção ao operador;
- se a lâmina ficar torta ou mal alinhada no corte, os dentes na extremidade traseira da lâmina podem perfurar a superfície superior da madeira fazendo com que a lâmina suba no corte e salte em direção ao operador.

O recuo é o resultado de má utilização da serra e/ou de procedimentos ou condições de funcionamento incorretos e pode ser evitado tomando as precauções adequadas como indicado abaixo.

1. **Mantenha a serra bem agarrada com as duas mãos e posicione os braços para resistir às forças de recuo. Posicione o seu corpo num dos lados da lâmina, mas nunca alinhado com a lâmina.** O recuo pode fazer com que a serra salte para trás, mas as forças de recuo podem ser controladas pelo operador se forem tomadas as precauções apropriadas.
2. **Se a lâmina está presa ou se, por qualquer razão, interromper o corte, solte o gatilho e agarre na serra parada no material até que a lâmina pare completamente. Nunca tente retirar a serra da peça de trabalho nem puxar a serra para trás enquanto a lâmina está em movimento, pois pode ocorrer recuo.** Investigue e execute as ações corretivas para eliminar as causas de a lâmina encravar.
3. **Quando efetuar o rearranque de uma serra na peça de trabalho, centre a lâmina da serra no corte, de modo a que os dentes da serra não fiquem engatados no material.** Se uma lâmina de serra dobrar, poderá levantar ou recuar da peça de trabalho à medida que é efetuado o rearranque da serra.
4. **Suporte os painéis grandes para minimizar o risco de a lâmina prender e recuar.** Os painéis grandes tendem a ceder sob o próprio peso. Os suportes devem ser colocados sob o painel, nos dois lados, perto da linha de corte e perto da extremidade do painel. (Fig. 2 e 3)
5. **Não utilize lâminas rombas ou estragadas.** As lâminas não afiadas ou mal colocadas produzem um corte estreito causando fricção excessiva, encravamento da lâmina e recuo.
6. **As alavancas de bloqueio de regulação de profundidade e ângulo de corte devem estar apertadas e presas antes de fazer o corte.** Se a

regulação da lâmina se alterar durante o corte, pode causar encravamento e recuo.

7. **Tenha cuidado especialmente ao serrar em paredes existentes ou outras áreas ocultas.** A lâmina saliente pode cortar objetos que podem originar recuo.
8. **Agarre SEMPRE na ferramenta firmemente com as duas mãos. NUNCA coloque as mãos, pernas ou outra parte do corpo por baixo da base da ferramenta ou por trás da serra, especialmente quando executar cortes cruzados.** Se ocorrer recuo, a serra pode facilmente saltar para trás sobre a sua mão, ocasionando ferimentos pessoais graves. (Fig. 4)
9. **Nunca force a serra. Empurre a serra para a frente a uma velocidade tal em que a lâmina corte sem perder velocidade.** Forçar a serra pode causar cortes desiguais, perda de precisão e possível recuo.

Função do resguardo

1. **Verifique se o resguardo inferior fecha bem antes de cada utilização. Não utilize a serra se o resguardo inferior não se movimentar livremente e fechar instantaneamente. Nunca fixe nem prenda o resguardo inferior na posição de aberto.** Se deixar cair a serra acidentalmente, o resguardo inferior pode ficar dobrado. Levante o resguardo inferior com a pega retratora e certifique-se de que se movimentam livremente e não toca na lâmina ou em qualquer outra parte, em todos os ângulos e profundidades de corte.
2. **Verifique o funcionamento da mola do resguardo inferior. Se o resguardo e a mola não estiverem a funcionar corretamente, devem ser reparados antes da utilização.** O resguardo inferior pode funcionar mal devido a peças danificadas, depósitos pegajosos ou acumulação de resíduos.
3. **O resguardo inferior pode ser retraído manualmente só para cortes especiais como “cortes penetrantes” e “cortes compostos”.** Levante o resguardo inferior pela pega retratora e assim que a lâmina entrar no material, deve libertar o resguardo inferior. Para todos os restantes tipos de corte, o resguardo inferior deve funcionar automaticamente.
4. **Certifique-se sempre de que o resguardo inferior está a cobrir a lâmina antes de colocar a serra sobre a bancada ou no chão.** Uma lâmina sem proteção, a rodar por inércia, fará com que a serra recue cortando tudo o que estiver no seu caminho. Preste atenção ao tempo que a lâmina leva a parar depois de soltar o gatilho.
5. **Para verificar o resguardo inferior, abra-o à mão, depois solte-o e observe se o resguardo se fecha. Certifique-se também de que a pega retratora não toca na caixa da ferramenta.** Deixar a lâmina exposta é MUITO PERIGOSO e pode originar ferimentos pessoais graves.

Avisos adicionais de segurança

1. **Tenha extremo cuidado quando cortar madeira húmida, madeira prensada ou madeira que contenha nós.** Mantenha o avanço suave da ferramenta sem diminuir a velocidade da lâmina para evitar o superaquecimento das pontas da lâmina.

2. **Não tente retirar material cortado quando a lâmina está em movimento. Espere até que a lâmina esteja completamente parada antes de pegar no material cortado.** A lâmina continua a rodar depois de desligar a ferramenta.
3. **Evite cortar pregos. Inspeccione e retire todos os pregos da madeira antes de cortar.**
4. **Coloque a parte mais larga da base da serra na parte da peça de trabalho que está firmemente suportada e não na secção que cairá quando faz o corte. Se a peça de trabalho for curta ou pequena, prenda-a com grampos de fixação. NÃO TENHA AGARRAR PEÇAS PEQUENAS COM A MÃO!** (Fig. 5)
5. **Antes de colocar a ferramenta de lado depois de terminar um corte, certifique-se de que o resguardo fechou e que a lâmina está completamente parada.**
6. **Nunca tente serrar com a serra circular presa ao contrário num torno. É extremamente perigoso e pode originar acidentes graves.** (Fig. 6)
7. **Alguns materiais contêm químicos que podem ser tóxicos. Tenha cuidado para evitar a inalação de pó e o contacto com a pele. Siga os dados de segurança do fornecedor.**
8. **Não pare as lâminas por meio de pressão lateral na lâmina de serra.**
9. **Não utilize discos abrasivos.**
10. **Utilize apenas uma lâmina de serra que tenha o diâmetro marcado na ferramenta ou especificado no manual.** A utilização de uma lâmina de tamanho incorreto pode afetar a proteção adequada da lâmina ou a operação de resguardo, o que pode resultar em ferimentos pessoais graves.
11. **Mantenha a lâmina afiada e limpa.** Os resíduos acumulados e pastosos tornam a serra mais lenta e aumentam a possibilidade de recuo. Mantenha a lâmina limpa retirando-a primeiro da ferramenta e limpando-a com um produto para remoção de resíduos pastosos, água quente ou querosene. Nunca utilize gasolina.
12. **Use uma máscara contra o pó e proteção auricular quando utilizar a ferramenta.**
13. **Use sempre a lâmina de serra prevista para cortar o material que vai cortar.**
14. **Apenas use lâminas de serra marcadas com uma velocidade igual ou superior à velocidade marcada na ferramenta.**
15. **(Apenas para países europeus)**
Use sempre a lâmina que possui conformidade com a EN847-1.

GUARDE ESTAS INSTRUÇÕES.

AVISO:

NÃO permita que o conforto ou familiaridade com o produto (adquirido com o uso repetido) substitua o cumprimento estrito das regras de segurança da ferramenta. A MÁ INTERPRETAÇÃO ou o não seguimento das regras de segurança estabelecidas neste manual de instruções pode provocar ferimentos pessoais graves.

DESCRIÇÃO DO FUNCIONAMENTO

PRECAUÇÃO:

- Certifique-se sempre de que a ferramenta está desligada no interruptor e da tomada antes de proceder a ajustes ou testes à mesma.

Ajustar a profundidade de corte

PRECAUÇÃO:

- Após regular a profundidade de corte, aperte sempre bem a alavanca. (Fig. 7)
- Solte a alavanca na guia de profundidade e mova a base para cima ou para baixo. Na profundidade de corte pretendida, fixe a base apertando a alavanca. Para cortes mais limpos e seguros, defina a profundidade de corte de forma a que não mais de um dente de uma lâmina seja projectado abaixo da peça de trabalho. Utilizar uma profundidade de corte correcta reduz o potencial para RECUOS perigosos que podem causar ferimentos pessoais.

Corte em bisel (Fig. 8 e 9)

Desaperte os parafusos de fixação. Regule para o ângulo pretendido (0° - 45°) inclinando de forma correcta e aperte bem os parafusos de fixação.

Alinhamento (Fig. 10)

Para cortes a direito, alinhe a posição 0° na frente da base com a linha de corte. Para cortes de bisel de 45°, alinhe-a com a posição 45°.

Ação do interruptor

PRECAUÇÃO:

- Antes de inserir a ficha da ferramenta na tomada, verifique se o gatilho está a funcionar correctamente e se volta à posição "OFF" quando o solta.
 - Não puxe com força o gatilho sem premir o botão de bloqueio. Isto poderá quebrar o interruptor. (Fig. 11)
- Para evitar que o gatilho seja acidentalmente puxado, é fornecido botão de bloqueio.
- Para iniciar a ferramenta, pressione o botão de bloqueio e puxe o gatilho. Para parar a ferramenta, solte o gatilho.

AVISO:

- Para a sua segurança, esta ferramenta está equipada com um botão de bloqueio, o que evita que a ferramenta se ligue acidentalmente. NUNCA utilize a ferramenta se esta funcionar quando premir o gatilho sem premir o botão de bloqueio. Devolva a ferramenta a um centro de assistência Makita para que seja correctamente reparada ANTES de utilizar.
- NUNCA coloque fita-cola ou desactive o objectivo e função do botão de bloqueio.

MONTAGEM

PRECAUÇÃO:

- Certifique-se sempre de que a ferramenta está desligada no interruptor e da tomada antes de proceder a ajustes ou testes à mesma.

Remover ou instalar a lâmina da serra

PRECAUÇÃO:

- Certifique-se de que a lâmina está instalada com os dentes a apontar para a frente da ferramenta.
- Utilize apenas uma chave Makita para instalar ou remover a lâmina.

Para remover a lâmina, prima o bloqueio do veio de forma a que a lâmina não possa voltar-se e utilize a chave para desapertar o parafuso sextavado no sentido contrário ao dos ponteiros do relógio. De seguida, remova o parafuso sextavado, flange exterior e lâmina. (Fig. 12)

Quando mudar a lâmina, certifique-se de que limpa igualmente o serrim acumulado dos resguardos superior e inferior da lâmina. No entanto, tais esforços não substituem a necessidade de verificar o funcionamento do resguardo inferior antes de cada utilização. (Fig. 13)

Para ferramentas com uma flange interior para lâminas de serra com um diâmetro que não 15,88 mm (Fig. 14)

A flange interior possui uma saliência de determinado diâmetro num lado e uma saliência de diâmetro diferente no outro lado. Escolha um lado correcto no qual a saliência encaixa perfeitamente no orifício da lâmina de serra.

De seguida, monte a flange interior no veio de montagem para que o lado correcto da saliência na flange interior esteja virado para fora e, de seguida, coloque a lâmina de serra e a flange exterior.

CERTIFIQUE-SE DE QUE APERTA BEM O PARAFUSO SEXTAVADO NO SENTIDO DOS PONTEIROS DO RELÓGIO.

PRECAUÇÃO:

- **Certifique-se de que a saliência “a” na flange interior que está posicionada de fora, encaixa perfeitamente no orifício “a” da lâmina de serra.** Montar a lâmina no lado errado pode resultar em vibrações perigosas.

Para ferramentas com uma flange interior para lâminas de serra com um diâmetro de 15,88 mm (consoante o país) (Fig. 15 e 16)

Monte a flange interior com o lado encastrado virado para fora no veio de montagem e, de seguida, coloque a lâmina da serra (com o anel instalado, se necessário), flange exterior e parafuso sextavado.

CERTIFIQUE-SE DE QUE APERTA BEM O PARAFUSO SEXTAVADO NO SENTIDO DOS PONTEIROS DO RELÓGIO.

AVISO:

- **Antes de montar a lâmina no fuso, certifique-se sempre que foi instalado entre as flanges interior e exterior o anel correcto para o orifício do mandril da lâmina que pretende utilizar.** A utilização de um anel de orifício do mandril incorrecto pode resultar na montagem incorrecta da lâmina, provocando movimento da lâmina e grandes vibrações, resultando numa possível perda de controlo durante a utilização em ferimentos pessoais graves.

Armazenamento da chave sextavada (Fig. 17)

Quando não estiver a ser utilizada, guarde a chave sextavada tal como indicado na ilustração, para evitar que se perca.

Ligar a um aspirador de pó (acessório opcional) (Fig. 18 e 19)

Quando pretender efectuar uma operação de corte limpo, ligue um aspirador de pó Makita à sua ferramenta. Instale o bocal do pó na ferramenta utilizando o parafuso. De seguida, ligue um tubo flexível do aspirador de pó ao bocal do pó, tal como indicado na ilustração.

FUNCIONAMENTO

PRECAUÇÃO:

- Certifique-se de que move suavemente a ferramenta para a frente numa linha recta. Forçar ou torcer a ferramenta resultará num sobreaquecimento do motor e recuos perigosos, causando possivelmente ferimentos graves.
- Utilize sempre um apoio dianteiro e a pega traseira para segurar firmemente a ferramenta enquanto trabalha. (Fig. 20)

Segure bem na ferramenta. A ferramenta é fornecida com um apoio dianteiro e pega traseira. Utilize ambos para agarrar bem a ferramenta. Se ambas as mãos estiverem a segurar a serra, não podem ser cortadas pela lâmina. Defina a base na peça de trabalho a cortar, sem que a lâmina faça qualquer contacto. De seguida, ligue a ferramenta e a guarde até que a lâmina atinja a velocidade máxima. Agora, basta mover a ferramenta para a frente na superfície da peça de trabalho, mantendo-a nivelada e avançando suavemente até que termine de serrar.

Para obter cortes limpos, mantenha a linha de serra a direito e a velocidade de avanço uniforme. Se o corte não seguir de forma adequada a linha de corte pretendida, não tente rodar ou forçar a ferramenta novamente para a linha de corte. Ao fazê-lo poderá dobrar a lâmina e levar a recuos perigosos e possíveis ferimentos graves. Solte o interruptor, aguarde que a lâmina pare e retire a ferramenta. Realinhe a ferramenta numa nova linha de corte e comece outra vez a cortar. Tente evitar um posicionamento que exponha o operador a farpas e serrim que são ejectados da serra. Use protecção para os olhos para ajudar a evitar ferimentos.

Vedação para escarificação (guia paralela) (acessório opcional) (Fig. 21)

A vedação para escarificação permite que faça cortes a direito bastante precisos. Basta deslizar a vedação para escarificação ao longo da peça de trabalho e fixá-la com o parafuso de fixação na frente da base. Possibilita igualmente que faça cortes repetidos com larguras uniformes.

MANUTENÇÃO

PRECAUÇÃO:

- Certifique-se sempre de que a ferramenta está desligada no interruptor e da tomada antes de inspeccionar ou fazer a manutenção da ferramenta.
- **Limpe o resguardo superior e inferior para garantir que não existe serrim acumulado que possa impedir o funcionamento do sistema de protecção inferior.** Um sistema de protecção sujo pode limitar o funcionamento adequado, o que pode resultar em ferimentos pessoais graves. A forma mais eficiente de efectuar esta limpeza é com ar comprimido. **Se estiver a limpar o pó dos resguardos, certifique-se de que utiliza protecção ocular e respiratória adequada.**
- Nunca utilize gasolina, benzina, diluente, álcool ou semelhante. Podem formar-se descolorações, deformações ou fissuras.

Ajustar o paralelismo (Fig. 22)

O paralelismo entre a lâmina e a base foi ajustado de fábrica. Mas, se estiver incorrecto, pode ajustá-lo seguindo o procedimento seguinte. Certifique-se de que todas as alavancas e os parafusos estão apertados. Solte ligeiramente o parafuso, como ilustrado. Ao abrir o resguardo inferior, mova a parte traseira da base de forma a que a distância entre A e B seja igual. Após o ajuste, aperte o parafuso. Faça um corte de teste para obter o paralelismo correcto.

Regular para precisão de cortes a 0° (Fig. 23 e 24)

Esta regulação foi feita na fábrica. Mas se estiver incorrecta, ajuste os parafusos de regulação com uma chave sextavada enquanto inspecciona 0° da lâmina com a base, utilizando uma régua guia triangular ou guia quadrada, etc.

Substituir as escovas de carvão (Fig. 25)

Remova e verifique regularmente as escovas de carvão. Substitua-as quando o desgaste atingir a marca limite. Mantenha-as limpas para poderem deslizar no porta-escovas. Substitua as duas ao mesmo tempo. Utilize unicamente escovas de carvão idênticas.

Utilize uma chave de parafusos para remover as tampas do porta-escovas. Retire as escovas de carvão usadas, coloque umas novas e fixe as tampas do porta-escovas.

(Fig. 26)

Para manter os níveis de SEGURANÇA e FIABILIDADE definidos para este produto, as reparações e os procedimentos de manutenção ou ajustes devem ser executados por centros de assistência Makita autorizados, utilizando sempre peças de substituição Makita.

ACESSÓRIOS OPCIONAIS

PRECAUÇÃO:

- Os seguintes acessórios ou extensões são os recomendados para utilizar com a ferramenta Makita especificada neste manual. A utilização de quaisquer outros acessórios poderá representar um risco de ferimento para as pessoas. Apenas utilize o acessório para o fim indicado.

Se precisar de informações adicionais relativas aos acessórios, contacte o centro local de assistência Makita.

- Lâminas da serra
- Vedação para escarificação (guia paralela)
- Carril de guia
- Adaptador do carril de guia
- Barra paralela
- Bocal do pó
- Chave sextavada

NOTA:

- Alguns itens na lista podem estar incluídos no pacote de ferramentas como acessórios de série. Podem diferir de país para país.

Ruído

ENG905-1

O nível de ruído ponderado A típico determinado, de acordo com EN62841:

Nível de pressão sonora (L_{pA}): 92 dB (A)

Nível de potência (L_{WA}): 103 dB (A)

Incerteza (K): 3 dB (A)

ENG907-1

- O(s) valor(es) da emissão de ruído indicado(s) foi medido de acordo com um método de teste padrão e pode ser utilizado para comparar duas ferramentas.
- O(s) valor(es) da emissão de ruído indicado(s) pode também ser utilizado na avaliação preliminar da exposição.

AVISO:

- **Utilize protetores auriculares.**
- **A emissão de ruído durante a utilização real da ferramenta elétrica pode diferir do(s) valor(es) indicado(s), dependendo das formas como a ferramenta é utilizada, especialmente o tipo de peça de trabalho que é processada.**
- **Certifique-se de identificar as medidas de segurança para protecção do operador que sejam baseadas em uma estimativa de exposição em condições reais de utilização (considerando todas as partes do ciclo de operação, tal como quando a ferramenta está desligada e quando está a funcionar em marcha lenta além do tempo de acionamento).**

Vibração

ENG900-1

O valor total de vibração (soma vector triaxial) determinado, de acordo com EN62841:

Modo de trabalho: cortar madeira

Emissão de vibrações ($a_{h,W}$): 2,5 m/s² ou menos

Incerteza (K): 1,5 m/s²

ENG901-2

- O(s) valor(es) total(ais) de vibração indicado(s) foi medido de acordo com um método de teste padrão e pode ser utilizado para comparar duas ferramentas.
- O(s) valor(es) total(ais) de vibração indicado(s) pode também ser utilizado na avaliação preliminar da exposição.

AVISO:

- **A emissão de vibração durante a utilização real da ferramenta elétrica pode diferir do(s) valor(es) indicado(s), dependendo das formas como a ferramenta é utilizada, especialmente o tipo de peça de trabalho que é processada.**

- **Certifique-se de identificar as medidas de segurança para proteção do operador que sejam baseadas em uma estimativa de exposição em condições reais de utilização (considerando todas as partes do ciclo de operação, tal como quando a ferramenta está desligada e quando está a funcionar em marcha lenta além do tempo de acionamento).**

Declaração de conformidade CE

Apenas para países europeus

A declaração de conformidade CE está incluída como Anexo A neste manual de instruções.

DANSK (Originalvejledning)

Forklaring til generel oversigt

1. Håndtag	10. Stram	19. Støvsuger
2. Tilspændingsskrue	11. Indre flange	20. Slange
3. Skærelinje (0° position)	12. Savklinge	21. Parallelanslag
4. Skærelinje (45° position)	13. Ydre flange	22. Trekantlineal
5. Afbryderkontakt	14. Sekskantbolt	23. Slidgrænse
6. Sikringsknap	15. Monteringsspindel	24. Skruetrækker
7. Unbrakonøgle	16. Ring	25. Kulholderdæksel
8. Aksellås	17. Mundstykke	
9. Løsn	18. Skrue	

SPECIFIKATIONER

Model	HS7601	
Klingediameter	190 mm	
Maks. skæredybde	ved 0°	66 mm
	ved 45°	46 mm
Hastighed uden belastning	5.200 min ⁻¹	
Længde i alt	309 mm	
Nettovægt	3,7 kg	
Sikkerhedsklasse	□/II	

- På grund af vores løbende forsknings- og udviklingsprogram kan specifikationerne heri ændres uden forudgående varsel.
- Specifikationerne kan variere fra land til land.
- Vægt i henhold til EPTA-procedure 01/2014

Tilsigtet brug

ENE078-2

Maskinen er beregnet til lige snit og vinklede geringssnit på langs og på tværs i træ ved fast kontakt med arbejdsemnet. Der kan også saves i andre materialer ved brug af dertil egnede originale Makita-savklinger.

Strømforsyning

ENF002-2

Værktøjet bør kun slutes til en strømforsyning med den spænding, der er angivet på mærkepladen, og det kan kun benyttes med enkeltfaset vekselstrøm. Det er dobbelt isoleret og kan derfor også slutes til stikkontakter uden jordforbindelse.

Almindelige sikkerhedsregler for el-værktøj

GEA010-2

⚠ ADVARSEL: Læs alle de sikkerhedsadvarsler, instruktioner, illustrationer og specifikationer, der følger med denne maskine. Forsømmelse af at overholde alle nedenstående instruktioner kan medføre elektrisk stød, brand og/eller alvorlig personskade.

Gem alle advarsler og instruktioner til fremtidig reference.

Ordet "el-værktøj" i advarslerne henviser til det netforsynede (netledning) el-værktøj eller batteriforsynede (akku) el-værktøj.

SIKKERHEDSREGLER FOR RUNDSAV

GEB133-2

Fremgangsmåder for skæring

1. **⚠ FARE: Hold hænderne på god afstand af skæreamrådet og klingens. Hold den anden hånd på hjælpehåndtaget eller motorhuset.** Hvis De holder saven med begge hænder, kan klingens ikke komme til at skære i dem.
2. **Ræk ikke ned under arbejdsemnet.** Beskyttelsesskærmen kan ikke beskytte Dem mod klingens nedden under arbejdsemnet.
3. **Justér skæredybden efter tykkelsen af arbejdsemnet.** Mindre end en hel tand i klingetænderne bør være synlig under arbejdsemnet.
4. **Hold aldrig arbejdsemnet i hænderne eller hen over benet, mens der skæres. Fastgør arbejdsemnet til en stabil platform.** Det er vigtigt at understøtte arbejdsemnet korrekt for at minimere risikoen for udsættelse af kroppen, binding af klingens eller tab af kontrollen. (Fig. 1)
5. **Hold maskinen i de isolerede håndtagsflader, når der udføres et arbejde, hvor den skærende maskine kan komme i kontakt med skjulte ledninger eller maskinens egen ledning.** Kontakt med en strømførende ledning vil bevirke, at synlige metaldele på maskinen også bliver strømførende, hvorved operatøren kan få elektrisk stød.
6. **Ved kløvning skal der altid anvendes et parallelanslag eller en lige styreskinne.** Dette vil forbedre nøjagtigheden af snittet og mindske risikoen for, at klingens binder.

7. **Brug altid klinger med akselhuller af den korrekte størrelse og form (kantede eller runde).** Klinger, der ikke svarer til savens monteringsdele, vil rotere skævt, så du mister kontrollen.
8. **Anvend aldrig beskadigede eller forkerte spændeskiver og bolte til klingen.** Klingens spændeskiver og bolte er specielt fremstillede til Deres sav og til optimal ydelse og sikker anvendelse.

Årsager til tilbageslag og relaterede advarsler

- Tilbageslag er en pludselig reaktion på en fastklemt, fastsiddende eller forkert justeret savklinge, som kan medføre, at en ukontrolleret sav løftes opad og ud af arbejdsemnet i retning mod operatøren.
- Når klingens kommer i klemme eller sidder fast, fordi savsnittet lukkes sammen, stopper klingens, og motorreaktionen skubber apparatet hurtigt tilbage mod operatøren.
- Hvis klingens bliver bøjet eller fejjusteret i snittet, kan tænderne på bagkanten af klingens grave sig ind i træets øverste overflade, hvorved klingens kan smutte ud af savsnittet og springe tilbage i retning mod operatøren.

Tilbageslag skyldes forkert anvendelse af savens og/eller forkert fremgangsmåde for anvendelse eller forkerte forhold og kan undgås ved, at der træffes de rigtige forholdsregler som vist herunder.

1. **Oprethold et fast greb med begge hænder på savens, og hold armene således, at tilbageslagskraften modvirkes. Stil Dem på siden af klingens, men ikke på linje med den.** Tilbageslag kan bevirke, at savens springer bagud, men tilbageslagskraften kan kontrolleres af operatøren, hvis denne træffer de fornødne forholdsregler.
2. **Hvis klingens binder, eller hvis skæringen af en eller anden årsag afbrydes, skal De slippe afbryderknappen og holde savens stille i materialet, indtil klingens er standstøt helt. Forsøg aldrig at fjerne savens fra arbejdsemnet eller at trække savens bagud, mens klingens er i bevægelse, da dette kan medføre tilbageslag.** Undersøg situationen, og træf afhjælpningsforanstaltninger for at eliminere årsagen til, at klingens binder.
3. **Når savens startes igen i arbejdsemnet, skal du centrere savklingens i savsnittet, så savtænderne ikke sidder fast i emnet.** Hvis savklingens binder, kan den bevæge sig opad eller slå tilbage fra arbejdsemnet, når savens startes igen.
4. **Anvend store støtteplader til at minimere risikoen for fastklemning af klingens og tilbageslag.** Store plader har tendens til at synke under deres egen vægt. Der skal anbringes støtter under pladerne i begge sider, i nærheden af skærelinjen og nær kanten af pladen. (Fig. 2 og 3)
5. **Anvend ikke sløve eller beskadigede klingers.** Uskarpe eller forkert monterede klingers frembringer et snævert savsnit, som medfører kraftig friktion, binding af klingens og tilbageslag.
6. **Låsegrebene til klingedybde og skrånsindstilling skal være stramme og sikre, inden skæringen påbegyndes.** Hvis klingeindstillingen ændrer sig under skæringen, kan der opstå binding og tilbageslag.
7. **Vær særlig forsigtig, når der saves ind i eksisterende vægge eller andre skjulte områder.**

Savklingens, som stikker frem, kan komme til at skære i genstande, der kan medføre tilbageslag.

8. **Hold ALTID fast i maskinen med begge hænder. Placer ALDRIG Deres hånd, ben eller nogen del af kroppen under maskinens grundplade eller bag ved savens, især når De foretager krydssnit.** Hvis der opstår tilbageslag, kan savens nemt springe bagud over Deres hånd, hvorved der kan ske alvorlig personskade. (Fig. 4)
9. **Pres aldrig savens. Tryk savens fremad med en hastighed, så klingens skærer, uden at hastigheden sænkes.** Hvis De presser savens, kan der opstå uensartede skæringer, tab af præcision og mulig tilbageslag.

Beskyttelsesskærmens funktion

1. **Kontroller, at den nederste beskyttelsesskærm lukker korrekt inden hver brug. Anvend ikke savens, hvis den nederste beskyttelsesskærm ikke bevæger sig frit og lukker med det samme. Den nederste beskyttelsesskærm må aldrig fastspændes eller fastbindes i den åbne stilling.** Hvis savens ved et uheld tabes, kan den nederste beskyttelsesskærm blive bøjet. Hæv den nederste beskyttelsesskærm med tilbagetrækningshåndtaget og kontroller, at den bevæger sig frit og ikke kommer i berøring med klingens eller andre dele i alle vinkler og skæredybder.
2. **Kontroller den nederste beskyttelsesskærmfjeders funktion. Hvis beskyttelsesskærmen og fjederen ikke fungerer korrekt, skal de serviceres inden brugen.** Den nederste beskyttelsesskærm kan fungere trægt på grund af beskadigede dele, gummiarfjederer eller ansamling af affaldsstoffer.
3. **Den nederste beskyttelsesskærm må kun trækkes tilbage manuelt i tilfælde af specielle snit som for eksempel "stikssnit" eller "kombinerede snit". Hæv den nederste beskyttelsesskærm ved at trække håndtaget tilbage, og så snart klingens går ind i materialet, bør den nederste beskyttelsesskærm slippes.** Ved alle andre former for savning skal den nederste beskyttelsesskærm have lov at bevæge sig automatisk.
4. **Sørg altid for, at den nederste beskyttelsesskærm dækker klingens, inden savens anbringes på bæk eller gulv.** En ubeskyttet, roterende klinge vil bevirke, at savens bevæger sig bagud og skærer i alt, hvad der er i dens bane. Vær opmærksom på den tid, det tager for klingens at stoppe, efter at afbryderen er sluppet.
5. **For at kontrollere den nederste beskyttelsesskærm, skal man åbne den med hånden og derefter slippe den og bekræfte lukningen af skærmen. Kontroller ligeledes, at tilbagetrækningshåndtaget ikke kommer i berøring med maskinhuset.** At efterlade klingens synlig er MEGET FARLIGT og kan føre til alvorlig personskade.

Supplerende sikkerhedsforskrifter

1. **Vær ekstra forsigtig, hvis De skærer i fugtigt træ, trykbehandlet tømmer eller træ, som har knaster.** Før maskinen jævnt frem uden at mindske klingens hastighed, således at overophedning af klingens takker undgås.

2. **Forsøg ikke at fjerne afskåret materiale, mens klingen roterer. Vent, indtil klingen er standset, inden De fjerner afskåret materiale.** Klingen fortsætter med at rotere, efter at der er slukket for maskinen.
3. **Undgå at skære i søm. Se efter, om der er søm i tømmeret, og fjern alle søm, inden skæringen påbegyndes.**
4. **Anbring den bredeste del af savgrundpladen på den del af arbejdsemnet, som er solidt understøttet, ikke på den del, som vil falde af, når skæringen er fuldført. Hvis arbejdsemnet er kort eller lille, skal det spændes fast. FORSØG IKKE AT HOLDE KORTE ARBEJDSEMNER FAST MED HÅNDEN! (Fig. 5)**
5. **Inden De lægger maskinen fra Dem efter at have fuldført en skæring, skal De sikre Dem, at beskyttelseskærmen er lukket, og at klingen er standset fuldstændigt.**
6. **Forsøg aldrig at save med rundsaven holdt på hovedet i en skruetvinge. Dette er yderst farligt og kan føre til alvorlige ulykker. (Fig. 6)**
7. **Nøget materiale indeholder kemikalier, som kan være giftige. Vær påpasselig med ikke at indånde støv, og undgå hudkontakt. Følg fabrikantens sikkerhedsdata.**
8. **Stop ikke klingerne ved hjælp af lateralt tryk på savklingen.**
9. **Anvend ikke slibeskiver.**
10. **Anvend kun savklinger med den diameter, der er markeret på maskinen eller specificeret i manualen.** Brug af en klinge med en forkert størrelse kan hindre korrekt afskærmning af klingene eller beskyttelseskærmens funktion, hvilket kan medføre alvorlig personskade.
11. **Hold altid klingen skarp og ren.** Gummi og træbæg, som er stærket på klingene, gør saven langsommere og øger risikoen for tilbageslag. Hold altid klingene rene ved først at tage dem af maskinen og derefter rengøre dem med en gummi- og begfjerner, varmt vand eller petroleum. Anvend aldrig benzin.
12. **Bær altid støvmaske og høreværn, når De anvender maskinen.**
13. **Brug altid en savklinge, der er beregnet til at skære i det materiale, du skal skære i.**
14. **Brug kun savklinger, der er mærket med en hastighed svarende til eller større end den hastighed, der er angivet på maskinen.**
15. **(Kun for lande i Europa)
Brug altid en klinge, der overholder EN847-1.**

GEM DISSE FORSKRIFTER.

⚠ ADVARSEL:
LAD IKKE bekvemmelighed eller kendskab til produktet (opnået gennem gentagen brug) forhindre, at sikkerhedsforskrifterne for produktet nøje overholdes. MISBRUG eller forsømmelse af at følge de i denne brugsvejledning givne sikkerhedsforskrifter kan medføre alvorlig personskade.

FUNKTIONSBESKRIVELSE

⚠ FORSIGTIG:

- Sørg altid for, at maskinen er slukket, og at stikket er taget ud af stikkontakten, før du justerer maskinen eller kontrollerer dens funktion.

Justering af skæredybden

⚠ FORSIGTIG:

- Skru håndtaget godt fast, når skæredybden er indstillet. (Fig. 7)

Løsn håndtaget på dybdeguiden og flyt basen op eller ned. Fastgør basis ved at stramme håndtaget på den ønskede skæredybde.

Du opnår renere og sikrere snit ved at indstille skæredybden, så der ikke stikker mere end én klingetand ud under arbejdsemnet. Anvendelse af den korrekte skæredybde hjælper med at reducere risikoen for farlige TILBAGESLAG, som kan forårsage personskade.

Skråsnit (Fig. 8 og 9)

Løsn tilspændingsskruerne. Indstil den ønskede vinkel (0°–45°) ved at dreje tilsvarende, og stram derefter tilspændingsskruerne godt fast.

Indstilling (Fig. 10)

Ved lige snit justeres 0°-positionen forrest på basen ind med skærelinjen. For skråsnit på 45° justeres 45°-positionen med den.

Betjening af kontakt

⚠ FORSIGTIG:

- Før maskinen tilsluttes, skal du altid kontrollere, at afbryderkontakten fungerer korrekt og vender tilbage til "OFF"-stillingen, når du slipper den.
- Træk ikke hårdt i afbryderkontakten uden at trykke sikringsknappen ind. Dette kan ødelægge kontakten. (Fig. 11)

En sikringsknap forhindrer, at afbryderkontakten trykkes ind ved et uheld.

Maskinen startes ved at trykke sikringsknappen ind og trække i afbryderkontakten. Slip afbryderkontakten for at stoppe.

⚠ ADVARSEL:

- Af hensyn til din sikkerhed er maskinen forsynet med en sikringsknap, der forhindrer, at maskinen starter ved et uheld. Brug ALDRIG maskinen, hvis den kører, når du trækker i afbryderkontakten uden at trykke på sikringsknappen. Indlever maskinen til et Makita-servicecenter til reparation, FØR den benyttes igen.
- Du må ALDRIG fastgøre sikringsknappen med tape eller omgå dens funktion.

MONTERING

⚠ FORSIGTIG:

- Sørg altid for, at maskinen er slukket, og at stikket er taget ud af stikkontakten, før du justerer maskinen eller kontrollerer dens funktion.

Afmontering eller montering af savklingen

⚠ FORSIGTIG:

- Sørg for, at klingen er monteret, så tænderne peger opad foran på maskinen.
- Anvend kun den medfølgende Makita-skruenøgle til at montere eller afmontere klingen.

For at afmontere klingens skal du trykke på aksellåsen, så klingens ikke kan dreje, og anvende skruenøglen til at løsne sekskantbolten mod urets retning. Fjern derefter sekskantbolten, den ydre flange og klingens. (Fig. 12) Ved skift af klinger skal du sørge for også at fjerne opsamlet savsmuld fra den øverste og nederste klingebeskytter. Du skal dog stadig kontrollere den nederste klingebeskytters funktion, hver gang maskinen skal anvendes. (Fig. 13)

For en maskine med en indre flange til andet end en savklinge med en hul diameter på 15,88 mm (Fig. 14)

Den indre flange har et særligt diameterfremspring på den ene side af den, og et andet diameterfremspring på den anden side. Vælg den korrekte side, hvor fremspringet passer perfekt ind i savklingegehullet.

Monter derefter den indre flange på monteringsspindlen så den korrekte side af fremspringet på den indre flange vender udad, og placer derefter savklingen på den ydre flange.

SØRG FOR AT SPÆNDE SEKSKANTBOLTEN
ORDENTLIGT TIL I URETS RETNING.

⚠ FORSIGTIG:

- **Sørg for at fremspringet "a" på den indre flange, som er placeret udvendigt, passer perfekt ind i savklingegehullet "a".** Monteres klingens på den forkerte side kan det medføre farlige vibrationer.

For en maskine med en indre flange til en savklinge med en hul diameter på 15,88 mm (landespecifik) (Fig. 15 og 16)

Monter den indre flange med dens forsænkede side vendende ud mod monteringsspindlen og placer derefter savklingen (med ringen monteret om nødvendigt), den ydre flange og sekskantbolten.

SØRG FOR AT SPÆNDE SEKSKANTBOLTEN
ORDENTLIGT TIL I URETS RETNING.

⚠ ADVARSEL:

- **Inden savklingen monteres på spindlen, skal du altid sikre dig at den korrekte ring, der passer til akselhullet i den savklinge, som du agter at anvende, er monteret mellem den indre og ydre flange.** Anvendelse af det forkerte akselhul kan medføre forkert montering af savklingen, hvilket forårsager klingebevægelse og alvorlig vibration med muligt tab af kontrol under anvendelsen og alvorlig personskade som følge.

Opbevaring af unbrakonøgle (Fig. 17)

Opbevar unbrakonøglen som vist i figuren, når den ikke anvendes, for at forhindre, at den bliver væk.

Tilslutning til en støvsuger (fås som tilbehør) (Fig. 18 og 19)

Hvis du ønsker at holde arbejdsområdet rent under savning, kan du tilslutte en Makita-støvsuger til maskinen.

Monter støvmundstykket på maskinen ved hjælp af skruen. Slut derefter støvsugerlangens til støvmundstykket som vist på figuren.

BETJENING

⚠ FORSIGTIG:

- Sørg for at flytte maskinen lige fremad uden at bruge magt. Hvis maskinen tvinges eller vrides, kan det medføre overophedning af motoren og farligt tilbageslag, som kan føre til alvorlig personskade.
- Anvend altid et frontgreb og baghåndtag og hold godt fast i maskinen i både frontgrebet og baghåndtaget under anvendelse. (Fig. 20)

Hold godt fast i maskinen. Maskinen har både et frontgreb og et baghåndtag. Hold maskinen med begge hænder. Hvis begge hænder holder på savens, kan du ikke blive skåret af klingens. Placer basen på det arbejdsområde, der skal skæres i, uden at klingens berører arbejdsområdet. Tænd derefter for maskinen, og vent, indtil klingens når fuld hastighed. Flyt maskinen fremad hen over arbejdsområdet, idet maskinen holdes fladt og flyttes jævnt frem, indtil savningen er færdig.

Du opnår rene snit ved at holde savelinjen lige og flytte maskinen med jævn hastighed. Forsøg ikke at dreje eller tvinge maskinen tilbage til skæringslinjen, hvis snittet ikke følger den ønskede skæringslinje. Hvis du gør dette, kan klingens komme i klemme, hvilket kan medføre farligt tilbageslag med risiko for alvorlig personskade. Slip kontakten, vent, til klingens er stoppet, og tag derefter maskinen ud. Juster maskinen med den nye skæringslinje, og start skæringen igen. Sørg for at placere dig, så du ikke bliver udsat for de spåner og træsmuld, der udstødes fra savens. Bær øjenbeskyttelse for at undgå personskade.

Parallelanslag (styrepind) (fås som tilbehør) (Fig. 21)

Med det praktiske parallelanslag kan du udføre ekstremt præcise lige skæringer. Skub blot parallelanslaget op mod siden af arbejdsområdet og fastgør det med tilspændingsskruen forrest på maskinens base. Det gør det også muligt at foretage flere skæringer med ens bredde.

VEDLIGEHOLDELSE

⚠ FORSIGTIG:

- Sørg altid for, at maskinen er slukket, og at stikket er taget ud, før du udfører inspektion eller vedligeholdelse.
- **Rengør de øverste og nederste skærme for at sikre, at der ikke har ophobet sig savsmuld, som muligvis kan være til hindring for funktionen af det nederste beskyttelsessystem.** Et beskidt beskyttelsessystem kan begrænse den korrekte funktion, hvilket kan medføre alvorlig personskade. Den mest effektive måde at foretage denne rengøring på, er at anvende trykluft. **Hvis støvet blæses ud af skærmene, skal du sørge for at anvende ordentlig øjen- og åndedrætsbeskyttelse.**
- Brug aldrig benzin, benzen, fortynder, alkohol eller lignende. Det kan muligvis medføre misfarvning, deformation eller revner.

Parallelismejustering (Fig. 22)

Parallelismen mellem klingen og basis er blevet justeret på fabrikken. Men hvis den ikke passer, kan du justere den vha. følgende procedure.

Sørg for at alle håndtag og skruer er strammet. Løsn skruen en smule som illustreret. Mens du åbner den nederste klingebeskytter, flyttes det bagerste af basis, så afstanden A og B er lige store. Stram skruen fast efter justeringen. Foretag et testsnit for at opnå en korrekt parallelisme.

Nøjagtighedsjustering af et 0° snit (Fig. 23 og 24)

Denne justering er udført på fabrikken. Hvis justeringen er unøjagtig, skal du indstille justeringsskruerne med en unbrakonøgle, mens de 0° kontrolleres med klingens og basis ved hjælp af en trekantlineal, en firkantlineal e.l.

Udskiftning af kulbørsterne (Fig. 25)

Tag regelmæssigt kulbørsterne af, og efterse dem. Udskift dem, når de er nedslidte til slidgrænsen. Hold kulbørsterne rene og frie til at glide i holderne. Begge kulbørster skal udskiftes samtidig. Brug altid identiske kulbørster.

Brug en skruetrækker til at fjerne kulholderdækslerne. Tag de udslidte kulbørster ud, monter de nye, og fastgør kulholderdækslerne. (Fig. 26)

For at holde produktet SIKKERT og PÅLIDELIGT skal reparationer samt al anden vedligeholdelse eller justering udføres af autoriserede Makita-servicecentre, og der skal altid benyttes Makita-reservedele.

EKSTRAUDSTYR

⚠ FORSIGTIG:

- Dette tilbehør eller ekstraudstyr anbefales til brug med det Makita-værktøj, som er beskrevet i denne brugsanvisning. Brug af andet tilbehør eller ekstraudstyr kan forårsage personskade. Brug kun tilbehør eller ekstraudstyr til det formål, det er beregnet til.

Henvend dig til dit lokale Makita-servicecenter, hvis du har brug for hjælp eller yderligere oplysninger vedrørende tilbehøret.

- Savklinger
- Parallellanslag (styrepind)
- Støtteskinne
- Støtteskinneadapter
- Linealbjelke
- Mundstykke
- Unbrakonøgle

BEMÆRK:

- Visse dele på listen er muligvis indeholdt maskinindpakningen som standardtilbehør. De kan variere fra land til land.

Støj

ENG905-1

Det typiske A-vægtede støjniveau bestemt i overensstemmelse med EN62841:

- Lydtryksniveau (L_{pA}): 92 dB (A)
- Lydteffektniveau (L_{WA}): 103 dB (A)
- Usikkerhed (K): 3 dB (A)

- De(n) angivne støjemissionsværdi(er) er målt i overensstemmelse med en standardtestmetode og kan anvendes til at sammenligne en maskine med en anden.
- De(n) angivne støjemissionsværdi(er) kan også anvendes i en præliminær eksponeringsvurdering.

⚠ ADVARSEL:

- **Bær høreværn.**
- **Støjemissionen under den faktiske anvendelse af maskinen kan være forskellig fra de(n) angivne værdi(er), afhængigt af den måde hvorpå maskinen anvendes, især den type arbejdsemne der behandles.**
- **Sørg for at identificere de sikkerhedsforskrifter til beskyttelse af operatøren, som er baseret på en vurdering af eksponering under de faktiske brugsforhold (med hensyntagen til alle dele i brugscyklussen, f.eks. de gange, hvor maskinen er slukket, og når den kører i tomgang i tilgift til afbrydertiden).**

Vibration

ENG900-1

Den samlede vibrationsværdi (treaksiel vektorsum) bestemt i overensstemmelse med EN62841:

- Arbejdstilstand: træskæring
- Vibrationsemission ($a_{h,W}$): 2,5 m/s² eller mindre
- Usikkerhed (K): 1,5 m/s²

ENG901-2

- De(n) angivne totalværdi(er) for vibration er målt i overensstemmelse med en standardtestmetode og kan anvendes til at sammenligne en maskine med en anden.
- De(n) angivne totalværdi(er) for vibration kan også anvendes i en præliminær eksponeringsvurdering.

⚠ ADVARSEL:

- **Vibrationsemissionen under den faktiske anvendelse af maskinen kan være forskellig fra de(n) angivne værdi(er), afhængigt af den måde hvorpå maskinen anvendes, især den type arbejdsemne der behandles.**
- **Sørg for at identificere de sikkerhedsforskrifter til beskyttelse af operatøren, som er baseret på en vurdering af eksponering under de faktiske brugsforhold (med hensyntagen til alle dele i brugscyklussen, f.eks. de gange, hvor maskinen er slukket, og når den kører i tomgang i tilgift til afbrydertiden).**

EF-overensstemmelseserklæring

Kun for europæiske lande

EF-overensstemmelseserklæringen er inkluderet som appendiks A til denne betjeningsvejledning.

ΕΛΛΗΝΙΚΑ (Πρωτογενείς οδηγίες)

Περιγραφή γενικής όψης

- | | | |
|----------------------------|-----------------------|--------------------------------------|
| 1. Μοχλός | 10. Σφίξτε | 19. Ηλεκτρική σκούπα |
| 2. Βίδα σύσφιξης | 11. Εσωτερική φλάντζα | 20. Εύκαμπτος σωλήνας |
| 3. Γραμμή κοπής (θέση 0°) | 12. Πριονόδισκος | 21. Οδηγός κοπής |
| 4. Γραμμή κοπής (θέση 45°) | 13. Εξωτερική φλάντζα | 22. Τριγωνικός κανόνας |
| 5. Σκανδάλη-διακόπτης | 14. Εξάγωνο μπουλόνι | 23. Ένδειξη ορίου |
| 6. Κουμπί ασφαλίσης | 15. Άξονας στερέωσης | 24. Κατσαβίδι |
| 7. Εξάγωνο κλειδί | 16. Δακτύλιος | 25. Καπάκι υποδοχής των καρβουνακίων |
| 8. Ασφάλεια άξονα | 17. Στόμιο σκόνης | |
| 9. Ξεσφίξτε | 18. Βίδα | |

ΠΡΟΔΙΑΓΡΑΦΕΣ

Μοντέλο	HS7601	
Διάμετρος δίσκου	190 mm	
Μέγιστο βάθος κοπής	στις 0°	66 mm
	στις 45°	46 mm
Ταχύτητα χωρίς φορτίο	5.200 min ⁻¹	
Ολικό μήκος	309 mm	
Καθαρό βάρος	3,7 kg	
Τάξη ασφαλείας	□/II	

- Λόγω του συνεχόμενου προγράμματος που εφαρμόζουμε για έρευνα και ανάπτυξη, τα τεχνικά χαρακτηριστικά στο παρόν έντυπο υπόκεινται σε αλλαγή χωρίς προειδοποίηση.
- Τα τεχνικά χαρακτηριστικά ενδέχεται να διαφέρουν ανάλογα με τη χώρα.
- Βάρος σύμφωνα με τη διαδικασία ΕΡΤΑ 01/2014

Προοριζόμενη χρήση ENE078-2

Το εργαλείο αυτό προορίζεται για την εκτέλεση ευθειών κοπών κατά μήκος και εγκκαρσίων και λοξών κοπών υπό κλίση σε ξύλο, όταν βρίσκεται σε σταθερή επαφή με το τεμάχιο εργασίας. Άλλα υλικά μπορούν επίσης να πριονιστούν με κατάλληλους γνήσιους πριονόδισκους της Makita.

Ηλεκτρική παροχή ENF002-2

Το εργαλείο πρέπει να συνδέεται μόνο σε ηλεκτρική παροχή της ίδιας τάσης με αυτήν που αναγράφεται στην πινακίδα ονομαστικών τιμών και μπορεί να λειτουργήσει μόνο με εναλλασσόμενο μονοφασικό ρεύμα. Τα εργαλεία αυτά διαθέτουν διπλή μόνωση και συνεπώς μπορούν να συνδεθούν με πρίζες χωρίς γείωση.

Γενικές προειδοποιήσεις ασφαλείας για το ηλεκτρικό εργαλείο

GEA010-2

⚠ ΠΡΟΕΙΔΟΠΟΙΗΣΗ: Διαβάστε όλες τις προειδοποιήσεις ασφαλείας, οδηγίες, εικονογραφίες και προδιαγραφές που παρέχονται με αυτό το ηλεκτρικό εργαλείο. Η μη τήρηση όλων των οδηγιών που αναγράφονται κατωτέρω μπορεί να καταλήξει σε ηλεκτροπληξία, πυρκαγιά ή/και σοβαρό τραυματισμό.

Φυλάξτε όλες τις προειδοποιήσεις και τις οδηγίες για μελλοντική παραπομπή.

Στις προειδοποιήσεις, ο όρος “ηλεκτρικό εργαλείο” αναφέρεται σε ηλεκτρικό εργαλείο που τροφοδοτείται από την κύρια παροχή ηλεκτρικού ρεύματος (με ηλεκτρικό καλώδιο) ή σε ηλεκτρικό εργαλείο που τροφοδοτείται από μπαταρία (χωρίς ηλεκτρικό καλώδιο).

ΠΡΟΕΙΔΟΠΟΙΗΣΕΙΣ ΑΣΦΑΛΕΙΑΣ ΓΙΑ ΤΟ ΔΙΣΚΟΠΡΙΟΝΟ

GEB133-2

Διαδικασίες κοπής

1. **⚠ ΚΙΝΔΥΝΟΣ:** Κρατάτε τα χέρια σας μακριά από την περιοχή κοπής και τη λάμα. Κρατάτε το άλλο σας χέρι πάνω στη βοηθητική λαβή, ή στο περίβλημα μοτέρ. Αν κρατάτε το πριόνι και με τα δύο χέρια, δεν είναι δυνατό να κοπούν από τη λάμα.
2. **Μην απλώνετε τα χέρια σας κάτω από το τεμάχιο εργασίας.** Το προστατευτικό δεν σας παρέχει προστασία από τη λάμα κάτω από το τεμάχιο εργασίας.
3. **Ρυθμίστε το βάθος κοπής σύμφωνα με το πάχος του τεμαχίου εργασίας.** Λιγότερο από ένα ολόκληρο δόντι από τα δόντια της λάμας πρέπει να φαίνεται κάτω από το τεμάχιο εργασίας.
4. **Μην κρατάτε ποτέ το τεμάχιο εργασίας στα χέρια σας ή πάνω στο πόδι σας ενώ το κόβετε. Ασφαλίστε το τεμάχιο εργασίας σε μια σταθερή πλατφόρμα.** Είναι σημαντικό να στηρίζετε το τεμάχιο

εργασίας κατάλληλα για να ελαχιστοποιήσετε την έκθεση του σώματός σας, την εμπλοκή της λάμας ή την απώλεια ελέγχου. (Εικ. 1)

5. **Κρατάτε το ηλεκτρικό εργαλείο από τις μονωμένες επιφάνειες χειρολαβής όταν εκτελείτε μια εργασία κατά την οποία το κοπτικό εργαλείο μπορεί να έρθει σε επαφή με κρυμμένα καλώδια ή με το καλώδιό του.** Αν γίνει επαφή με κάποιο ηλεκτροφόρο καλώδιο, τα εκτεθειμένα μεταλλικά μέρη του ηλεκτρικού εργαλείου θα γίνουν και αυτά ηλεκτροφόρα και μπορεί να προκληθεί ηλεκτροπληξία στο χειριστή.
6. **Όταν τεμαχίζετε, να χρησιμοποιείτε πάντα οδηγό κομματιού ή άλλο οδηγό με ευθύγραμμη ακμή.** Αυτό βελτιώνει την ακρίβεια της κοπής και μειώνει την πιθανότητα εμπλοκής της λάμας.
7. **Να χρησιμοποιείτε πάντα λάμες με το σωστό μέγεθος και το σωστό σχήμα (σχήμα διαμαντιού έναντι στρογγυλού σχήματος) όπών στερέωσης.** Οι λάμες που δεν ταιριάζουν με τον εξοπλισμό στερέωσης του πριονιού θα λειτουργούν έκκεντρα, προκαλώντας απώλεια ελέγχου.
8. **Μη χρησιμοποιείτε ποτέ στη λάμα ροδέλες ή μπουλόνια που είναι κατεστραμμένα ή λανθασμένου μεγέθους.** Οι ροδέλες και μπουλόνια λάμας έχουν σχεδιαστεί ειδικά για το πριόνι σας, για βέλτιστη απόδοση και ασφάλεια λειτουργίας.

Αιτίες κλοστήματος και σχετικές προειδοποιήσεις

- Το κλόστημα είναι μια φυσική αντίδραση όταν η λάμα πριονιού είναι αποκομμένη, μπλοκαρισμένη ή ευθυγραμμισμένη λανθασμένα, και προκαλεί την ανεξέλεγκτη ανύψωση του πριονιού έξω από το τεμάχιο εργασίας και προς τη μεριά του χειριστή.
- Όταν η λάμα είναι αποκομμένη ή μπλοκαρισμένη σφίχτα από την εγκοπή, αυτή ακινητοποιείται και η αντίδραση του μοτέρ οδηγεί το εργαλείο με ταχύτητα προς τη μεριά του χειριστή.
- Αν η λάμα παραμορφωθεί ή ευθυγραμμιστεί λανθασμένα κατά την κοπή, τα δόντια στο πίσω μέρος της λάμας μπορεί να σκάψουν μέσα στην άνω επιφάνεια του ξύλου και έτσι η λάμα να βγει από την εγκοπή και να αναπηδήσει προς τη μεριά του χειριστή. Το κλόστημα προκαλείται όταν το πριόνι χρησιμοποιείται λανθασμένα ή/και όταν οι διαδικασίες ή οι συνθήκες λειτουργίας είναι λανθασμένες. Μπορεί να αποφευχθεί αν ληφθούν οι κατάλληλες προφυλάξεις που αναφέρονται παρακάτω.

1. **Να κρατάτε το πριόνι γερά και με τα δύο χέρια και να τοποθετείτε τους βραχιόνες σας με τρόπο ώστε να αντιστέκονται στη δύναμη του κλοστήματος. Να τοποθετείτε το σώμα σας πλευρικά της λάμας, αλλά όχι στην ίδια ευθεία με τη λάμα.** Το κλόστημα μπορεί να προκαλέσει την αναπήδηση του πριονιού προς τα πίσω, αλλά ο χειριστής μπορεί να ελέγξει το κλόστημα αν λάβει τις κατάλληλες προφυλάξεις.
2. **Όταν εμποδίζεται η κίνηση της λάμας ή όταν διακόπτεται η κοπή για οποιοδήποτε λόγο, αφήστε τη σκανδάλη και κρατήστε ακίνητο το πριόνι μέσα στο υλικό έως ότου ακινητοποιηθεί η λάμα. Μη δοκιμάσετε ποτέ να βγάλετε το πριόνι από το τεμάχιο εργασίας ούτε να το τραβήξετε προς τα πίσω όταν η λάμα κινείται, επειδή μπορεί να κλοστήσει.** Ελέγξτε και πάρτε διορθωτικά μέτρα για να εξαλείψετε την αιτία πιασίματος της λάμας.

3. **Όταν ξεκινάτε ξανά την κοπή ενός τεμαχίου εργασίας, κεντράρετε τη λάμα πριονιού στην εγκοπή με τρόπο ώστε τα δόντια της λάμας να μην έχουν πιαστεί μέσα στο υλικό.** Αν εμποδίζεται μια λάμα πριονιού, το εργαλείο μπορεί να αναπηδήσει από το τεμάχιο εργασίας ή να κλοστήσει όταν το θέσετε ξανά σε λειτουργία.
4. **Πράξετε να στηρίζετε τις μεγάλες πλάκες για να ελαχιστοποιείτε τον κίνδυνο να πιαστεί η λάμα, αλλά και να κλοστήσει.** Μεγάλα τεμάχια τείνουν να λυγίζουν κάτω από το βάρος τους. Πρέπει να τοποθετείτε στηρίγματα κάτω από τις πλάκες, και στις δύο πλευρές, κοντά στη γραμμή κοπής και κοντά στην άκρη της πλάκας. (Εικ. 2 και 3)
5. **Μη χρησιμοποιείτε λάμες αμβλυμένες ή με ζημιές.** Ατρωχιστές λάμες ή ακατάλληλα τοποθετημένες λάμες δημιουργούν στενή τομή προκαλώντας υπερβολική τριβή, πιάσιμο της λάμας και κλόστημα.
6. **Οι μοχλοί ασφάλισης του βάθους λάμας και της ρύθμισης λοξοτομής πρέπει να είναι σφικτοί και ασφαλισμένοι πριν από την κοπή.** Αν η ρύθμιση λάμας μετακινείται κατά την κοπή, μπορεί να προκληθεί πιάσιμο και κλόστημα.
7. **Δώστε μεγάλη προσοχή όταν πριονίζετε σε υπάρχοντες τοίχους ή άλλες τυφλές περιοχές.** Αν η λάμα προεξέχει, μπορεί να κόψει αντικείμενα που θα προκαλέσουν κλόστημα.
8. **Κρατήστε ΠΑΝΤΑ το εργαλείο σταθερά με τα δύο χέρια. Μην τοποθετείτε ΠΟΤΕ το χέρι, το πόδι ή οποιοδήποτε μέρος του σώματός σας κάτω από τη βάση του εργαλείου ή πίσω από το πριόνι, ειδικά όταν δημιουργείται εγκάρσιες κοπές.** Αν συμβεί κλόστημα, το πριόνι μπορεί εύκολα να πιηδήξει προς τα πίσω πάνω από το χέρι σας, οδηγώντας σε σοβαρό προσωπικό τραυματισμό. (Εικ. 4)
9. **Ποτέ μην ξεαναγκάσετε το πριόνι. Να σπρώχνετε το πριόνι προς τα μπροστά με τέτοια ταχύτητα ώστε η λάμα να κόβει χωρίς να επιβραδύνει.** Αν ζορίζετε το πριόνι μπορεί να προκληθούν ανομοιόμορφες κοπές, απώλεια της ακρίβειας και πιθανώς κλόστημα.

Λειτουργία προστατευτικού

1. **Ελέγξτε τον κάτω προφυλακτήρα για κατάλληλο κλείσιμο πριν από κάθε χρήση. Μη θέτετε σε λειτουργία το πριόνι αν ο κάτω προφυλακτήρας δεν κινείται ελεύθερα και δεν κλείνει αμέσως. Μη συγκρατείτε και μη δένετε ποτέ τον κάτω προφυλακτήρα στην ανοιχτή θέση.** Αν το πριόνι πέσει τυχαίως, ο κάτω προφυλακτήρας μπορεί να λυγίσει. Σηκώστε τον κάτω προφυλακτήρα με τη βοήθεια της ανασυρόμενης λαβής και βεβαιωθείτε ότι κινείται ελεύθερα και δεν ακουμπά τη λάμα ή κάποιο άλλο μέρος, σε όλες τις γωνίες και βάθη κοπής.
2. **Ελέγξτε τη λειτουργία του ελατηρίου του κάτω προφυλακτήρα. Αν ο προφυλακτήρας και το ελατήριο δεν λειτουργούν κατάλληλα, πρέπει να συντηρηθούν πριν από τη χρήση.** Ο κάτω προφυλακτήρας μπορεί να λειτουργεί αργά λόγω τμημάτων με ζημιές, αποθέματα κόλλας ή συσσώρευσης απορριμμάτων.
3. **Ο κάτω προφυλακτήρας μπορεί να αποσυρθεί χειροκίνητα μόνο για ειδικές κοπές όπως “κοπές βύθισης” και “σύνθετες κοπές”.** Σηκώστε τον κάτω προφυλακτήρα αποσύροντας τη λαβή και

μόλις η λάμα εισέλθει στο υλικό, ο κάτω προφυλακτήρας πρέπει να ελευθερωθεί. Για όλα τα άλλα πριονίσματα, ο κάτω προφυλακτήρας πρέπει να λειτουργεί αυτόματα.

- 4. Να παρατηρείτε πάντα ότι ο κάτω προφυλακτήρας καλύπτει τη λάμα πριν τοποθετήσετε το πριόνι σε πάγκο ή στο πάτωμα.** Αν η λάμα δεν προστατεύεται και κινείται ελεύθερα, το πριόνι θα κινηθεί προς τα πίσω, κόβοντας ότι βρεθεί στο δρόμο του. Να είστε ενήμεροι για τον χρόνο που χρειάζεται για τη λάμα να σταματήσει αφού ο διακόπτης έχει απελευθερωθεί.
- 5. Για να ελέγξετε τον κάτω προφυλακτήρα, ανοίξτε τον κάτω προφυλακτήρα με το χέρι και, στη συνέχεια, αφήστε και παρακολουθήστε το κλείσιμο του προφυλακτήρα. Επίσης, ελέγξτε να δείτε ότι η λαβή απόσυρσης δεν αγγίζει το περιβλήμα του εργαλείου.** Είναι ΠΟΛΥ ΕΠΙΚΙΝΔΥΝΟ να αφήνετε τη λάμα εκτεθειμένη και μπορεί να οδηγήσει σε σοβαρό προσωπικό τραυματισμό.

Πρόσθετες προειδοποιήσεις ασφάλειας

- 1. Δώστε μεγάλη προσοχή όταν κόβετε νωπό ξύλο, ξυλεία επεξεργασμένη με πίεση ή ξύλο που περιέχει κόμπους.** Διατηρήστε ομαλή προώθηση του εργαλείου χωρίς να μειώνετε την ταχύτητα της λάμας, προκειμένου να αποφύγετε την υπερθέρμανση των άκρων της λάμας.
- 2. Μην επιχειρήσετε να αφαιρέσετε κομμένο υλικό όταν η λάμα κινείται.** Περιμένετε μέχρι να σταματήσει η λάμα πριν πιέσετε κομμένο υλικό. Οι λάμες περιστρέφονται και μετά το σβήσιμο.
- 3. Αποφεύγετε την κοπή καρφιών.** Ελέγξτε και αφαιρέστε όλα τα καρφιά από την ξυλεία πριν από την κοπή.
- 4. Τοποθετήστε το πλατύτερο τμήμα της βάσης του πριονιού σε εκείνο το τμήμα του τεμαχίου εργασίας που στηρίζεται σταθερά, και όχι στο τμήμα εκείνο που θα πέσει όταν θα γίνει η κοπή.** Αν το τεμάχιο εργασίας είναι κοντό ή μικρό, συγκρατήστε το. **ΜΗ ΠΡΟΣΠΑΘΕΙΤΕ ΝΑ ΚΡΑΤΑΤΕ ΜΙΚΡΑ ΤΕΜΑΧΙΑ ΜΕ ΤΟ ΧΕΡΙ!** (Εικ. 5)
- 5. Πριν τοποθετήσετε το εργαλείο κάτω μετά το τέλος της κοπής, βεβαιωθείτε ότι έκλεισε το προστατευτικό και ακινητοποιήθηκε τελείως η λάμα.**
- 6. Μη δοκιμάσετε ποτέ να πριονίσετε όταν το δίσκοπριονό είναι στερεωμένο ανάποδο σε μια μέγκεν.** Αυτό είναι εξαιρετικά επικίνδυνο και μπορεί να οδηγήσει σε σοβαρά ατυχήματα. (Εικ. 6)
- 7. Μερικά υλικά περιέχουν χημικά που μπορεί να είναι τοξικά.** Προσέχετε ώστε να αποφεύγετε την εισπνοή σκόνης και την επαφή με το δέρμα. Ακολουθείτε τα δεδομένα ασφάλειας υλικού που παρέχονται από τον προμηθευτή.
- 8. Μη σταματάτε τις λάμες με πλευρική πίεση στη λάμα πριονιού.**
- 9. Μη χρησιμοποιείτε αποξεστικούς τροχούς.**
- 10. Χρησιμοποιείτε μόνο τη λάμα πριονιού με τη διάμετρο που είναι επισημασμένη στο εργαλείο ή που καθορίζεται στο εγχειρίδιο.** Η χρήση μιας λάμας λανθασμένου μεγέθους μπορεί να επηρεάσει τη σωστή προστασία της λάμας ή τη λειτουργία του

προστατευτικού, γεγονός που μπορεί να έχει ως αποτέλεσμα σοβαρό προσωπικό τραυματισμό.

- 11. Κρατάτε τη λάμα κοφτερή και καθαρή.** Η κόλλα και τα πριονίσματα ξύλου που έχουν ξεραθεί επάνω στις λάμες επιβραδύνουν το πριόνι και αυξάνουν την πιθανότητα κλοστήματος. Διατηρείτε τη λάμα καθαρή αφού πρώτα τη βγάλετε από το εργαλείο και μετά την καθαρίσετε με καθαριστικό για κόλλα και πριονίσματα, ζεστό νερό ή κηροζίνη. Μη χρησιμοποιήσετε ποτέ βενζίνη.
- 12. Να φοράτε προσωπίδα κατά της σκόνης και αυτοσπίδες όταν χρησιμοποιείτε το εργαλείο.**
- 13. Να χρησιμοποιείτε πάντα τη λάμα πριονιού που προορίζεται για την κοπή του υλικού που θα κόψετε.**
- 14. Να χρησιμοποιείτε μόνο λάμες πριονιού που είναι επισημασμένες με ταχύτητα ίση με ή υψηλότερη από την ταχύτητα που είναι επισημασμένη στο εργαλείο.**
- 15. (Για ευρωπαϊκές χώρες μόνο)**
Να χρησιμοποιείτε πάντα λάμα που συμμορφώνεται με το πρότυπο EN847-1.

ΦΥΛΑΞΤΕ ΑΥΤΕΣ ΤΙΣ ΟΔΗΓΙΕΣ.

⚠️ ΠΡΟΕΙΔΟΠΟΙΗΣΗ:

ΜΗΝ επιτρέψετε στην άνεση ή στην εξοικειώσή σας με το προϊόν (που αποκτήθηκε από επανειλημμένη χρήση) να αντικαταστήσει την αυστηρή τήρηση των κανόνων ασφαλείας του παρόντος εργαλείου. Η ΛΑΝΘΑΣΜΕΝΗ ΧΡΗΣΗ ή η αμέλεια να ακολουθήσετε τους κανόνες ασφαλείας που διατυπώνονται στο παρόν εγχειρίδιο οδηγούν μπορεί να προκαλέσει σοβαρό προσωπικό τραυματισμό.

ΠΕΡΙΓΡΑΦΗ ΛΕΙΤΟΥΡΓΙΑΣ

⚠️ ΠΡΟΣΟΧΗ:

- Να βεβαιώνσετε πάντοτε ότι το εργαλείο είναι σβηστό και αποσυνδεδεμένο από το ηλεκτρικό ρεύμα πριν ρυθμίσετε ή ελέγξετε κάποια λειτουργία του.

Ρύθμιση του βάθους κοπής

⚠️ ΠΡΟΣΟΧΗ:

- Μετά τη ρύθμιση του βάθους κοπής, πάντοτε να σφίγγετε καλά το μοχλό. (Εικ. 7)
Χαλαρώστε το μοχλό στον οδηγό βάθους και μετακινήστε τη βάση πάνω ή κάτω. Στο επιθυμητό βάθος κοπής, ασφαλίστε τη βάση σφίγγοντας τον μοχλό. Για ακρίβεια και ασφάλεια κατά την κοπή, ρυθμίστε το βάθος κοπής ώστε μόνο ένα δόντι του δίσκου να προεξέχει κάτω από το τεμάχιο εργασίας. Η χρήση κατάλληλου βάθους κοπής συμβάλλει στη μείωση της πιθανότητας επικίνδυνου ΚΛΩΤΣΗΜΑΤΟΣ που μπορεί να προκαλέσει τραυματισμό.

Λοξοτομή (Εικ. 8 και 9)

Ξεσφίξτε τις βίδες σύσφιξης. Ρυθμίστε την επιθυμητή γωνία (0° - 45°) δίνοντας την κατάλληλη κλίση και έπειτα σφίξτε καλά τις βίδες σύσφιξης.

Στόχευση (Εικ. 10)

Για ευθείες κοπές, ευθυγραμμίστε τη θέση 0° στο μπροστινό μέρος της βάσης με τη γραμμή κοπής. Για λοξοτομές 45°, ευθυγραμμίστε τη θέση 45° με αυτήν.

Δράση διακόπτη

⚠ ΠΡΟΣΟΧΗ:

- Πριν συνδέετε το εργαλείο, πάντοτε να ελέγχετε ότι η σκανδάλη-διακόπτης ενεργοποιείται κανονικά και επιστρέφει στη θέση "OFF" όταν την αφήνετε.
- Μην τραβάτε τη σκανδάλη-διακόπτη με βία χωρίς να πατάτε το κουμπί απασφάλισης. Αυτό μπορεί να προκαλέσει το στάσιμο του διακόπτη. (Εικ. 11)

Για να μην τραβιέται η σκανδάλη-διακόπτης κατά λάθος, παρέχεται ένα κουμπί απασφάλισης.

Για να ξεκινήσετε τη λειτουργία του εργαλείου, πιέστε το κουμπί απασφάλισης και τραβήξτε τη σκανδάλη-διακόπτη. Για να σταματήσετε το εργαλείο, αφήστε τη σκανδάλη-διακόπτη.

⚠ ΠΡΟΕΙΔΟΠΟΙΗΣΗ:

- Για την ασφάλεια σας, το εργαλείο αυτό παρέχεται με κουμπί απασφάλισης το οποίο αποτρέπει την ενεργοποίηση του εργαλείου κατά λάθος. Μη χρησιμοποιείτε ΠΟΤΕ το εργαλείο αν μπορείτε να το θέσετε σε λειτουργία πιέζοντας απλά τη σκανδάλη-διακόπτη, χωρίς να πιέζετε και το κουμπί απασφάλισης. Στείλτε το εργαλείο σε κέντρο σέρβις της Makita για να επισκευαστεί σωστά ΠΡΙΝ το χρησιμοποιήσετε ξανά.
- ΠΟΤΕ μην κολλήσετε με ταινία το κουμπί απασφάλισης ή ακυρώσετε το λόγο ύπαρξης και τη λειτουργία του.

ΣΥΝΑΡΜΟΛΟΓΗΣΗ

⚠ ΠΡΟΣΟΧΗ:

- Να βεβαιώνετε πάντοτε ότι το εργαλείο είναι σβηστό και αποσυνδεδεμένο από το ηλεκτρικό ρεύμα πριν ρυθμίσετε ή ελέγξετε κάποια λειτουργία του.

Αφαίρεση ή τοποθέτηση πριονόδισκου

⚠ ΠΡΟΣΟΧΗ:

- Βεβαιωθείτε ότι ο δίσκος είναι τοποθετημένος με τα δόντια στραμμένα προς τα πάνω στο μπροστινό μέρος του εργαλείου.
- Να χρησιμοποιείτε μόνο το κλειδί της Makita για να τοποθετήσετε ή για να αφαιρέσετε τον δίσκο.

Για να αφαιρέσετε το δίσκο, πιέστε την ασφάλεια άξονα ώστε να μην μπορεί να περιστραφεί ο δίσκος και χρησιμοποιήστε το κλειδί για να χαλαρώσετε το εξάγωνο μπουλόνι γυρίζοντας το αριστερόστροφα. Κατόπιν, αφαιρέστε το εξάγωνο μπουλόνι, την εξωτερική φλάντζα και τον δίσκο. (Εικ. 12)

Όταν αλλάζετε δίσκους, φροντίστε να καθαρίσετε επίσης το πάνω και κάτω προστατευτικό του δίσκου από τη συσσωρευμένη πριονόσκονη. Ωστόσο, οι ενέργειες αυτές δεν αντικαθιστούν την ανάγκη για έλεγχο της λειτουργίας του κάτω προστατευτικού πριν από κάθε χρήση. (Εικ. 13)

Για εργαλείο με εσωτερική φλάντζα για πριονόδισκο διαμέτρου σπής διαφορετικής των 15,88 mm (Εικ. 14)
Η εσωτερική φλάντζα έχει μια προεξοχή με συγκεκριμένη διάμετρο στη μια πλευρά της και μια προεξοχή με διαφορετική διάμετρο στην άλλη πλευρά. Επιλέξτε τη

σωστή πλευρά με την οποία η προεξοχή ταιριάζει τέλεια μέσα στην τρύπα του πριονόδισκου. Κατόπιν, τοποθετήστε την εσωτερική φλάντζα πάνω στον άξονα στερέωσης, έτσι ώστε η σωστή πλευρά της προεξοχής της εσωτερικής φλάντζα να βλέπεται προς τα έξω και στη συνέχεια τοποθετήστε τον πριονόδισκο και την εξωτερική φλάντζα.
ΒΕΒΑΙΩΘΕΙΤΕ ΝΑ ΣΦΙΞΕΤΕ ΚΑΛΑ ΤΟ ΕΞΑΓΩΝΟ ΜΠΟΥΛΟΝΙ ΓΥΡΙΖΟΝΤΑΣ ΤΟ ΔΕΞΙΟΣΤΡΟΦΑ.

⚠ ΠΡΟΣΟΧΗ:

- **Βεβαιωθείτε ότι η προεξοχή "α" στην εσωτερική φλάντζα, που τοποθετείται εξωτερικά, ταιριάζει τέλεια στην τρύπα "α" του πριονόδισκου.** Η τοποθέτηση του δίσκου στη λάθος πλευρά μπορεί να οδηγήσει σε επικίνδυνες δονήσεις.

Για εργαλείο με εσωτερική φλάντζα για πριονόδισκο με τρύπα διαμέτρου 15,88 mm (ανάλογα με τη χώρα) (Εικ. 15 και 16)

Στερεώστε την εσωτερική φλάντζα, με την πλευρά της εσοχής της στραμμένη προς τα έξω, πάνω στον άξονα στερέωσης και στη συνέχεια τοποθετήστε τον πριονόδισκο (με συνδεδεμένο τον δακτύλιο αν απαιτείται), την εξωτερική φλάντζα και το εξάγωνο μπουλόνι. **ΒΕΒΑΙΩΘΕΙΤΕ ΝΑ ΣΦΙΞΕΤΕ ΚΑΛΑ ΤΟ ΕΞΑΓΩΝΟ ΜΠΟΥΛΟΝΙ ΓΥΡΙΖΟΝΤΑΣ ΤΟ ΔΕΞΙΟΣΤΡΟΦΑ.**

⚠ ΠΡΟΕΙΔΟΠΟΙΗΣΗ:

- **Πριν στερεώσετε τον δίσκο επάνω στην άτρακτο, να βεβαιώνετε πάντοτε ότι είναι τοποθετημένος στην άτρακτο ο σωστός δακτύλιος ανάμεσα στην εσωτερική και στην εξωτερική φλάντζα για την τρύπα του άξονα του δίσκου που σκοπεύετε να χρησιμοποιήσετε.** Ο λανθασμένος δακτύλιος της τρύπας της άτρακτου μπορεί να προκαλέσει την εσφαλμένη στερέωση του δίσκου προκαλώντας την κίνηση του δίσκου και την έντονη δόνηση επιφέροντας την πιθανή απώλεια του ελέγχου κατά τη λειτουργία και το σοβαρό προσωπικό τραυματισμό.

Αποθήκευση εξάγωνου κλειδιού (Εικ. 17)

Όταν δεν χρησιμοποιείτε το εξάγωνο κλειδί, αποθηκεύστε το, όπως δείχνεται, για να μην το χάσετε.

Σύνδεση ηλεκτρικής σκούπας (προαιρετικό εξάρτημα) (Εικ. 18 και 19)

Εάν θέλετε να εκτελέσετε κοπές καθαρά, συνδέστε την ηλεκτρική σκούπα της Makita στο εργαλείο σας. Τοποθετήστε το στόμιο σκόνης στο εργαλείο χρησιμοποιώντας τη βίδα. Κατόπιν συνδέστε τον εύκαμπτο σωλήνα της ηλεκτρικής σκούπας στο στόμιο σκόνης όπως δείχνεται στην εικόνα.

ΛΕΙΤΟΥΡΓΙΑ

⚠ ΠΡΟΣΟΧΗ:

- Φροντίστε να μετακινείτε ομαλά το εργαλείο προς τα εμπρός, σε ευθεία γραμμή. Αν πιέσετε ή περιστρέψετε το εργαλείο, ενδέχεται να υπερθερμανθεί το μοτέρ και να προκληθεί επικίνδυνος κλώσημα, που πιθανώς να προκαλέσει σοβαρό τραυματισμό.
- Να χρησιμοποιείτε πάντα την μπροστινή λαβή και το πίσω χερούλι και κατά τη λειτουργία να κρατάτε το

εργαλείο καλά και από την μπροστινή λαβή και από το πίσω χερούλι. (Εικ. 20)

Να κρατάτε το εργαλείο σταθερά. Το εργαλείο είναι εξοπλισμένο με μπροστινή λαβή και με πίσω χερούλι. Να χρησιμοποιείτε και τα δύο για να έχετε καλύτερο κράτημα του εργαλείου. Αν κρατάτε το δισκοπρίονο και με τα δύο χέρια, δεν είναι δυνατό να κοπούν από το δίσκο. Τοποθετήστε τη βάση στο τεμάχιο εργασίας που πρόκειται να κοπεί χωρίς ο δίσκος να το ακουμπά. Κατόπιν, ενεργοποιήστε το εργαλείο και περιμένετε έως ότου ο δίσκος αποκτήσει την πλήρη ταχύτητά του. Τότε, απλά μετακινήστε το εργαλείο προς τα εμπρός πάνω στην επιφάνεια του τεμαχίου εργασίας, κρατώντας το επίπεδο και προωθώντας το ομαλά μέχρι να ολοκληρωθεί η κοπή. Για να πετύχετε ακριβείς κοπές, κρατήστε τη γραμμική κοπή ευθεία και την ταχύτητα προώθησης σταθερή. Εάν η κοπή δεν ακολουθήσει σωστά την προοριζόμενη γραμμική κοπή, μην επιχειρήσετε να γυρίσετε ή να πιέσετε το εργαλείο ξανά στη γραμμική κοπή. Αυτό ενδοχομένως να προκαλέσει την παρεμπόδιση της κίνησης του δίσκου και να οδηγήσει σε ένα επικίνδυνο κλώτσιμα και πιθανώς στο σοβαρό τραυματισμό. Αφήστε τον διακόπτη, περιμένετε να ακινητοποιηθεί ο δίσκος και κατόπιν αποσύρετε το εργαλείο. Ευθυγραμμίστε ξανά το εργαλείο σε καινούργια γραμμική κοπή και ξεκινήστε ξανά την κοπή. Προσταθήστε να αποφύγετε τη θέση η οποία αφήνει εκτεθειμένο το χειριστή σε θραύσματα και πριονίδια που εκτοξεύονται από το δισκοπρίονο. Χρησιμοποιήστε προστατευτικά ματιών για την αποφυγή τραυματισμού.

Οδηγός κοπής (Οδηγός κανόνας) (προαιρετικό εξάρτημα) (Εικ. 21)

Ο πρακτικός οδηγός κοπής σας επιτρέπει να κάνετε ευθείες κοπές με μεγάλη ακρίβεια. Απλά ολισθήστε τον οδηγό κοπής μέχρι να ακουμπήσει στην πλευρά του τεμαχίου εργασίας και ασφαλίστε τον στην θέση του με τη βίδα σύσφιξης στο μπροστινό μέρος της βάσης. Έτσι είναι επίσης δυνατή η επαναλαμβανόμενη κοπή κομματιών σταθερού πλάτους.

ΣΥΝΤΗΡΗΣΗ

⚠ ΠΡΟΣΟΧΗ:

- Να βεβαιώνετε πάντοτε ότι το εργαλείο είναι σβηστό και αποσυνδεδεμένο από το ηλεκτρικό ρεύμα πριν εκτελέσετε οποιαδήποτε εργασία ελέγχου ή συντήρησης σε αυτό.
- **Καθαρίστε το πάνω και κάτω προστατευτικό για να εξασφαλίσετε ότι δεν υπάρχει συσσωρευμένη πριονόσκονη, που ενδέχεται να παρεμποδίσει τη λειτουργία του κάτω προστατευτικού συστήματος.** Ένα βρώμικο προστατευτικό σύστημα μπορεί να μειώσει την εύρυθμη λειτουργία, πράγμα που θα μπορούσε να οδηγήσει σε σοβαρό τραυματισμό. Ο πιο αποτελεσματικός τρόπος για να επιτευχθεί αυτός ο καθαρισμός είναι η χρήση πεπιεσμένου αέρα. **Αν πετάγεται η σκόνη με τον αέρα έξω από τα προστατευτικά φροντίστε να χρησιμοποιήσετε τα κατάλληλα προστατευτικά μέσα για την αναπνοή και τα μάτια.**
- Μην χρησιμοποιήσετε βενζίνη, βενζόλη, διαλυτικό, αλκοόλη ή κάτι παρόμοιο. Μπορεί να προκληθεί αποχρωματισμός, παραμόρφωση ή ρωγμές.

Ρύθμιση παραλληλισμού (Εικ. 22)

Η ρύθμιση του παραλληλισμού μεταξύ του δίσκου και της βάσης έχει γίνει στο εργοστάσιο. Εντούτοις αν υπάρχει εκτροπή, μπορείτε να τον ρυθμίσετε ακολουθώντας την παρακάτω διαδικασία.

Βεβαιωθείτε ότι είναι σφιγμένοι όλοι οι μοχλοί και οι βίδες. Ξεσφίξτε ελαφρώς τις βίδες όπως δείχνεται στο διάγραμμα. Έχοντας ανοικτό τον κάτω προφυλακτήρα, μετακινήστε το πίσω μέρος της βάσης έτσι ώστε να είναι ίσες οι αποστάσεις Α και Β. Μετά τη ρύθμιση, σφίξτε καλά τη βίδα. Κάνετε ένα δοκιμαστικό κόψιμο για να αποκτήσετε τον σωστό παραλληλισμό.

Ρύθμιση για ακρίβεια κοπής 0° (Εικ. 23 και 24)

Αυτή η ρύθμιση έχει γίνει στο εργοστάσιο. Εάν όμως απορρυθμιστεί, μετακινήστε τις βίδες ρύθμισης με τη βοήθεια εξάγωνα κλειδιού καθώς ελέγχετε ότι η γωνία μεταξύ της βάσης και του δίσκου είναι 0° με τη χρήση τριγωνικού κανόνα, τετραγωνικού κανόνα κτλ.

Αλλαγή καρβουνακίων (Εικ. 25)

Να αφαιρείτε και να ελέγχετε τακτικά τα καρβουνάκια. Να αντικαθιστάτε τα καρβουνάκια όταν έχουν φθαρεί έως την ένδειξη ορίου. Να διατηρείτε τα καρβουνάκια καθαρά και ελεύθερα για να γλιστρούν στις υποδοχές. Πρέπει να αλλάζετε ταυτόχρονα και τα δύο καρβουνάκια. Να χρησιμοποιείτε μόνο καρβουνάκια ίδιου τύπου.

Με τη βοήθεια ενός κατσαβιδιού, βγάλτε τα καπάκια υποδοχής των καρβουνακίων. Βγάλτε τα φθαρμένα καρβουνάκια, τοποθετήστε τα καινούργια και ασφαλίστε τα καπάκια υποδοχής των καρβουνακίων. (Εικ. 26) Για να διατηρείται η ΑΣΦΑΛΕΙΑ και η ΑΞΙΟΠΙΣΤΙΑ του προϊόντος, οι εργασίες επισκευής, καθώς και οποιαδήποτε άλλη εργασία συντήρησης ή ρύθμισης, θα πρέπει να εκτελούνται σε εξουσιοδοτημένα κέντρα εξυπηρέτησης της Makita, και πάντοτε με τη χρήση ανταλλακτικών της Makita.

ΠΡΟΑΙΡΕΤΙΚΑ ΑΞΕΣΟΥΑΡ

⚠ ΠΡΟΣΟΧΗ:

- Συνιστάται η χρήση αυτών των αξεσουάρ ή εξαρτημάτων με το εργαλείο της Makita, όπως περιγράφεται στο παρόν εγχειρίδιο. Αν χρησιμοποιήσετε άλλα αξεσουάρ ή εξαρτήματα μπορεί να παρουσιαστεί κίνδυνος για πρόκληση τραυματισμού προσώπων. Να χρησιμοποιείτε τα αξεσουάρ και τα εξαρτήματα μόνο για το σκοπό για τον οποίο προορίζονται.
- Αν χρειάζεστε κάποια βοήθεια ή περισσότερες πληροφορίες σχετικά με τα αξεσουάρ αυτά, απευθυνθείτε στο πλησιέστερο κέντρο εξυπηρέτησης της Makita.
- Πριονόδισκοι
- Οδηγός κοπής (Οδηγός κανόνας)
- Οδηγητική ράγα
- Προσαρμογέας οδηγητικής ράγας
- Ράβδος χάρακα
- Στόμιο σκόνης
- Εξάγωνο κλειδί

ΣΗΜΕΙΩΣΗ:

- Ορισμένα από τα στοιχεία της λίστας μπορεί να περιέχονται στη συσκευασία του εργαλείου ως

κανονικά αξεσουάρ. Αυτά ενδέχεται να διαφέρουν από χώρα σε χώρα.

Θόρυβος

ENG905-1

Το σύνθετος σταθμισμένο επίπεδο θορύβου που έχει καθοριστεί σύμφωνα με την EN62841:

Επίπεδο ηχητικής πίεσης (L_{pA}): 92 dB (A)

Επίπεδο ηχητικής ισχύος (L_{WA}): 103 dB (A)

Αβεβαιότητα (K): 3 dB (A)

ENG907-1

- Η δηλωμένη τιμή(ές) εκπομπής θορύβου έχει μετρηθεί σύμφωνα με την πρότυπη μέθοδο δοκιμής και μπορεί να χρησιμοποιηθεί για τη σύγκριση ενός εργαλείου με κάποιο άλλο.
- Η δηλωμένη τιμή(ές) εκπομπής θορύβου μπορεί να χρησιμοποιηθεί και στην προκαταρκτική αξιολόγηση της έκθεσης.

ΠΡΟΕΙΔΟΠΟΙΗΣΗ:

- **Να φοράτε ωτοασπίδες.**
- **Η εκπομπή θορύβου κατά τη χρήση του ηλεκτρικού εργαλείου σε πραγματικές συνθήκες μπορεί να διαφέρει από τη δηλωμένη τιμή(ές) ανάλογα με τους τρόπους χρήσης του εργαλείου, ιδιαίτερα το είδος του τεμαχίου εργασίας που υπόκειται επεξεργασία.**
- **Φροντίστε να λάβετε τα κατάλληλα μέτρα προστασίας του χειριστή βάσει ενός υπολογισμού της έκθεσης σε πραγματικές συνθήκες χρήσης (λαμβάνοντας υπόψη όλες τις συνιστώσες του κύκλου λειτουργίας όπως τους χρόνους που το εργαλείο είναι εκτός λειτουργίας και όταν βρίσκεται σε αδρανή λειτουργία πέραν του χρόνου ενεργοποίησης).**

Δόνηση

ENG900-1

Η συνολική τιμή δόνησης (διανυσματικό άθροισμα τριών αξόνων) που έχει καθοριστεί σύμφωνα με την EN62841:

Λειτουργία: κοπή ξυλείας

Εκπομπή δόνησης ($a_{h,w}$): 2,5 m/s² ή λιγότερο

Αβεβαιότητα (K): 1,5 m/s²

ENG901-2

- Η δηλωμένη τιμή(ές) συνολικών κραδασμών έχει μετρηθεί σύμφωνα με την πρότυπη μέθοδο δοκιμής και μπορεί να χρησιμοποιηθεί για τη σύγκριση ενός εργαλείου με κάποιο άλλο.
- Η δηλωμένη τιμή(ές) συνολικών κραδασμών μπορεί να χρησιμοποιηθεί και στην προκαταρκτική αξιολόγηση της έκθεσης.

ΠΡΟΕΙΔΟΠΟΙΗΣΗ:

- **Η εκπομπή κραδασμών κατά τη χρήση του ηλεκτρικού εργαλείου σε πραγματικές συνθήκες μπορεί να διαφέρει από τη δηλωμένη τιμή(ές) εκπομπής ανάλογα με τους τρόπους χρήσης του εργαλείου, ιδιαίτερα το είδος του τεμαχίου εργασίας που υπόκειται επεξεργασία.**
- **Φροντίστε να λάβετε τα κατάλληλα μέτρα προστασίας του χειριστή βάσει ενός υπολογισμού της έκθεσης σε πραγματικές συνθήκες χρήσης (λαμβάνοντας υπόψη όλες τις συνιστώσες του κύκλου λειτουργίας όπως τους χρόνους που το εργαλείο είναι εκτός λειτουργίας και όταν βρίσκεται**

σε αδρανή λειτουργία πέραν του χρόνου ενεργοποίησης).

ΕΚ – Δήλωση συμμόρφωσης

Για τις ευρωπαϊκές χώρες μόνο

Η δήλωση συμμόρφωσης ΕΚ περιλαμβάνεται ως παράρτημα Α σε αυτό το χειρίδιο οδηγιών.

TÜRKÇE (Orijinal talimatlar)

Genel görünüm

- | | | |
|-----------------------------|--------------------|-------------------------|
| 1. Mandal | 10. Sıkılır | 19. Elektrik süpürgesi |
| 2. Sıkıştırma vidası | 11. İç flanş | 20. Hortum |
| 3. Kesim hattı (0° konumu) | 12. Testere bıçağı | 21. Kılavuz mesnedi |
| 4. Kesim hattı (45° konumu) | 13. Dış flanş | 22. Üçgen gönye |
| 5. Açma/kapama düğmesi | 14. Cıvata | 23. Sınır çizgisi |
| 6. Kilitleme düğmesi | 15. Montaj şaftı | 24. Tornavida |
| 7. Alyan anahtarı | 16. Halka | 25. Fırça yuvası kapağı |
| 8. Şaft kilidi | 17. Toz nozülü | |
| 9. Gevşer | 18. Vida | |

ÖZELLİKLER

Model	HS7601	
Bıçak çapı	190 mm	
Maks. kesim derinliği	0°'de	66 mm
	45°'de	46 mm
Yüksüz hız	5.200 dak ⁻¹	
Toplam uzunluk	309 mm	
Net ağırlık	3,7 kg	
Güvenlik sınıfı	□/II	

- Sürekli yapılan araştırma ve geliştirmelerden dolayı, burada belirtilen özellikler önceden bildirilmeksizin değiştirilebilir.
- Özellikler ülkeden ülkeye farklılıklar gösterebilir.
- EPTA Prosedürü 01/2014 uyarınca ağırlık

Kullanım amacı

ENE078-2

Bu makine ahşap malzemelerde tam temas sağlayarak enlemesine ve çaprazlamasına ve ayrıca köşe bentlerde düz kesimler yapılması için tasarlanmıştır. Uygun orijinal Makita testere bıçakları kullanılarak başka malzemeler de kesilebilir.

Güç kaynağı

ENF002-2

Makine yalnızca üzerindeki etikette belirtilen voltaj değerlerine sahip, tek fazlı AC güç kaynaklarına bağlanmalıdır. Çift yalıtımlıdır ve bu nedenle topraksız prizlerle de kullanılabilir.

Genel elektrikli alet güvenliği uyarıları

GEA010-2

⚠ UYARI: Bu elektrikli aletle birlikte sunulan tüm güvenlik uyarılarını, talimatları, çizimleri ve teknik özellikleri okuyun. Aşağıda verilen talimatlara uyulmaması elektrik şoku, yangın ve/veya ciddi yaralanmalar ile sonuçlanabilir.

Tüm uyarıları ve talimatları ileride başvurmak için saklayın.

Uyarılardaki "elektrikli alet" terimi ile ya prizden çalışan (kordonlu) elektrikli aletiniz ya da kendi aküsü ile çalışan (kordonsuz) elektrikli aletiniz kastedilmektedir.

DAİRESEL TESTERE GÜVENLİK UYARILARI

GEB133-2

Kesim prosedürleri

1. **⚠ TEHLİKE:** Ellerinizi kesme alanından ve bıçaktan uzak tutun. Diğer elinizi yardımcı tutamak veya motor mahfazası üstünde tutun. Her iki el de testereyi tutarsa, bıçaklar tarafından kesilemez.
2. **İş parçasının altına uzanmayın.** Siper iş parçasının altında sizi bıçaktan koruyamaz.
3. **Kesme derinliğini iş parçasının kalınlığına göre ayarlayın.** İş parçasının altında bıçak dişlerinin bir tam dişinden daha azı görülmelidir.
4. **Kesim sırasında iş parçasını asla elinizle ya da bacaklarınızla tutmayın. İş parçasını sabit bir platforma oturtun.** Bedensel zarar gelmesini, bıçağın iş parçasına saplanıp kalmasını ya da kontrolün kaybedilmesini önlemek için yapılan işi uygun şekilde desteklemek oldukça önemlidir. (Şekil 1)
5. **Kesici aletin görünmeyen kabloları ya da aletin kendi kordonuna temas etme olasılığı bulunan yerlerde çalışırken elektrikli aletleri yalıtımlı kavrama yüzeylerinden tutun.** "Akımlı" bir telle temas da elektrikli aletin yalıtımsız metal kısımlarını "akımlı" hale getirir ve kullanıcıyı elektrik şokuna maruz bırakabilir.
6. **Biçme yaparken daima bir bıçkı kenarlığı veya düz kenar kılavuzu kullanın.** Bu daha hassas bir kesim sağlar ve bıçağın sıkışması riskini azaltır.
7. **Her zaman doğru mil delik şekline (elmas ya da yuvarlak) ve boyutuna sahip bıçaklar kullanın.** Testerenin montaj donanımına uymayan bıçaklar eksenden çıkar ve kontrolün kaybedilmesine neden olur.

8. **Asla hasarlı ya da yanlış bıçak rondelalarını veya civatasını kullanmayın.** Bıçak rondelaları ve civatası testereniz için, optimum performans ve çalışma güvenliği sağlamak amacıyla özel olarak tasarlanmıştır.

Geri tepme nedenleri ve ilgili uyarılar

- geri tepme, sıkışan, takılan ya da yanlış hizalanan testere bıçağına karşı gösterilen ani bir tepkidir ve kontrol edilemeyen testerenin iş parçasından çıkıp operatöre doğru yukarı kalkmasına neden olur;
- kesik kapanarak bıçağın takılmasına ya da sıkışmasına neden olduğunda bıçak durur ve motorun tepkisi sonucu ünite hızlı bir şekilde kullanıcıya doğru geri teper;
- Eğer bıçak kesik içinde bükülür veya yanlış hizalanırsa, bıçağın arka kenarındaki dişler ahşabın üst yüzeyine batarak, kertik dışına tırmanıp, operatöre doğru geri zıplamasına neden olabilir.

Geri tepme testerenin yanlış kullanılmasının ve/veya yanlış kullanım usulleri veya koşullarının bir sonucudur ve aşağıda verildiği gibi doğru önlemlerle önlenbilir.

1. **Testereyi iki elinizle sıkıca kavramayı sürdürün ve kollarınızı geri tepme kuvvetlerine karşı koyacak bir konumda tutun. Vücudunuzu bıçak ile aynı hatta değil, bıçağın herhangi bir yanında tutun.** Geri tepme testerenin geriye sıçramasına neden olabilir ama geri tepme kuvvetleri, eğer uygun önlemler alınırsa, operatör tarafından kontrol edilebilir.
2. **Bıçak takıldığı veya herhangi bir nedenle kesmeyi durdurduğu zaman, tetiği serbest bırakın ve testereyi bıçak tamamen duruncaya kadar malzeme içinde hareketsiz olarak tutun. Bıçak hareket halindeyken asla testereyi işten çıkarmaya veya geriye çekmeye çalışmayın, aksi takdirde geri tepme meydana gelebilir.** Bıçağın takılma nedenini araştırıp, ortadan kaldırmak için düzeltici işlemleri yapın.
3. **Testereyi iş parçasının içinde yeniden başlatırken, testere bıçağını kesiğe ortalarak testere dişlerinin malzemenin içine girmemiş olduğundan emin olun.** Testere bıçağı takılırsa, testere yeniden başlatıldığında yukarı kalkabilir ya da geri tepebilir.
4. **Bıçağın sıkışması ve geri tepmesi riskini en aza indirmek için büyük panelleri destekleyin.** Büyük paneller kendi ağırlıkları altında bel vermeye meyillidirler. Destekler, kesme hattına ve panelin kenarına yakın olarak, panelin her iki tarafının altına yerleştirilmelidirler. (Şekil 2 ve 3)
5. **Kör veya hasarlı bıçakları kullanmayın.** Keskin olmayan veya yanlış ayarlanmış bıçaklar dar kertikler açarak, aşırı sürtünmeye, bıçak takılmasına ve geri tepmeye neden olurlar.
6. **Kesme yapmadan önce bıçak derinliği ve şev ayarı kilitleme levheleri sıkılı ve sabitlenmiş olmalıdır.** Eğer bıçak ayarı kesme sırasında kayarsa, takılmaya ve geri tepmeye neden olabilir.
7. **Mevcut duvarların veya diğer kör alanların içine biçme yaparken daha fazla dikkat gösterin.** Çıkıntı yapan bıçak geri tepmeye neden olabilecek cisimleri kesebilir.
8. **Aleti DAİMA her iki elinizin sıkıca tutun. Özellikle enine kesim yaparken elinizi, bacağıınızı ve vücudunuzun hiçbir kısmını ASLA alet tabanının altına ya da testerenin arkasına koymayın.** Geri

tepmeye olursa, testere kolayca geriye elinizin üstüne sıçrayarak ciddi yaralanmalara neden olabilir.

(Şekil 4)

9. **Testereyi asla zorlamayın. Testereyi bıçağın yavaşlamadan keseceği bir hızda ileri doğru itin.** Testereyi zorlamak düzgün olmayan kesmelere, hassaslık kaybına ve olası geri tepmeye neden olabilir.

Siper işlevi

1. **Her kullandıktan önce alt koruma parçasının doğru bir şekilde kapatılıp kapatılmadığını kontrol edin. Alt koruma parçası serbest bir şekilde hareket etmiyor ve anında kapanıyorsa sunta kesme aletini kullanmayın. Alt koruma parçasını asla açık konumda kalacak şekilde sıkıştırmayın ve bağlamayın.** Sunta kesme aleti kazayla düşerse, alt koruma parçası bükülebilir. Alt koruma parçasını geri çekme kolu ile kaldırın ve tüm açılarda ve tüm kesme derinliklerinde serbest bir şekilde hareket ettiğinden, bıçağa ya da diğer parçalara temas etmediğinden emin olun.
2. **Alt koruma parçasına ait yayın işleyişini kontrol edin. Koruma parçası ve yay düzgün işlemiyorsa, kullanmadan önce tamir edilmelidir.** Hasarlı parçalar, yapışkan nitelikli artıklar ya da talaş birikmesi alt koruma parçasının yavaş çalışmasına neden olabilir.
3. **Sadece “dalmalı tip kesme” ya da “birleşik kesme” gibi özel kesimlerde alt koruma parçası elle geri çekilebilir. Alt koruma parçasını geri çekme kolu ile kaldırın, bıçak malzemeye girer girmez alt koruma parçası serbest kalmalıdır. Diğer tüm kesme işlemlerinde alt koruma parçası otomatik olarak çalışmalıdır.**
4. **Sunta kesme aletini tezgahın ya da zeminin üstüne yerleştirmeden önce alt koruma parçasının bıçağı örtüğünden emin olun.** Korumasız, boşta kalan bir bıçak, sunta kesme aletinin geri hareket ederek önünde ne varsa kesmesine neden olur. Anahtar bırakıldıktan sonra bıçağın durması için gereken zamana dikkat edin.
5. **Alt koruma parçasını kontrol etmek için, alt koruma parçasını elle açın ve ardından koruma parçasını serbest bırakın ve kapanmasını izleyin. Ayrıca geri çekme kolunun alet muhafazasına temas edip etmediğini kontrol edin.** Bıçağı açıkta bırakmak ÇOK TEHLİKELİDİR ve ciddi kişisel yaralanmalara neden olabilir.

Ek güvenlik uyarıları

1. **Islak tahtaları, basınçla işlenmiş keresteleri veya budaklı ağaçları keserken daha fazla dikkat gösterin.** Bıçak uçlarının aşırı ısınmasını önlemek için, aletin bıçak hızı düşmeden düzgün ilerlemesini sağlayın.
2. **Bıçak hareket halindeyken kesilen malzemeyi çıkarmaya çalışmayın. Kesilen materyale ellemeyen önce bıçağın durmasını bekleyin.** Kapatıldıktan sonra bıçaklar bir müddet boşta hareket edebilir.
3. **Çivileri kesmekten kaçının. Kesmeden önce tahtadaki tüm çivileri bulun ve çıkarın.**
4. **Kesme yaparken, testere tabanının daha geniş bölümünü iş parçasının düşecek kısmının değil**

- altı sağlam şekilde desteklenen kısmının üstüne yerleştirin. İş parçası kısa ya da küçükse, mengeneyle sıkıştırın. **KISA PARÇALARI ELLE TUTMAYA ÇALIŞMAYIN!** (Şekil 5)
5. Bir kesimi gerçekleştirdikten sonra aleti bırakırken, siperin kapalı olduğundan ve bıçağın tam olarak durduğundan emin olun.
 6. Daire testereyi mengeneyle baş aşağı tutarak kesme yapmaya asla çalışmayın. Bu son derece tehlikelidir ve ciddi kazalara yol açabilir. (Şekil 6)
 7. Bazı malzemeler zehirli olabilen kimyasallar içerirler. Toz yutmayı ve cilt temasını önlemek için tedbir alın. Malzeme sağlayıcısının güvenlik bilgilerine uyun.
 8. Bıçakları testere bıçağına yanal basınç uygulayarak durdurmayın.
 9. Aşındırıcı diskleri kullanmayın.
 10. Sadece alet üzerine basılmış olan ya da kılavuzda belirtilmiş olan çapta bir testere bıçağı kullanın. Yanlış boyuttaki bir bıçağın kullanılması bıçağa karşı doğru bir şekilde siperle koruma yapılmasını veya siperin işleyişini etkileyebilir, bu da ciddi kişisel yaralanmalara neden olabilir.
 11. Bıçağı keskin ve temiz tutun. Bıçakların üzerinde sertleşen sakız veya zambak, testereyi yavaşlatır ve geri tepme riskini artırır. Bıçağı önce aletten çıkarıp ardından sakız ve zambak çözücü bir madde, sıcak su veya gaz yağı ile temizleyin. Asla benzin kullanmayın.
 12. Bu aleti kullanırken bir toz maskesi ve kulak koruması takın.
 13. Her zaman keseceğiniz malzeme için tasarlanmış testere bıçağını kullanın.
 14. Sadece hızı alet üzerinde işaretli olan hıza eşit ya da ondan daha yüksek olan testere bıçaklarını kullanın.
 15. (Yalnızca Avrupa ülkeleri için)
Her zaman EN847-1 standartına uygun bir bıçak kullanın.

BU TALİMATLARI MUHAFAZA EDİNİZ.

UYARI:
Ürünü kullanırken (defalarca kullanınca kazanılan) rahatlık ve tanıdıklık duygusunun ilgili ürünün güvenlik kurallarına sıkı sıkıya bağlı kalmanın yerine geçmesine İZİN VERMEYİN. YANLIŞ KULLANIM veya bu kullanma kılavuzunda belirtilen emniyet kurallarına uymama ciddi yaralanmaya neden olabilir.

KULLANIMA İLİŞKİN TANIMLAR

⚠ DİKKAT:

- Makine üzerinde herhangi bir ayar veya çalışma kontrolü yapmadan önce mutlaka makinenin kapalı ve fişinin çekili olduğundan emin olun.

Kesim derinliğinin ayarlanması

⚠ DİKKAT:

- Kesim derinliğini ayarladıktan sonra mandalı mutlaka iyice sıkın. (Şekil 7)

Derinlik kılavuzundaki mandalı gevşetin ve tabanı yukarı veya aşağı doğru hareket ettirin. İstenilen kesim derinliğine gelince, mandalı sıkarak tabanı sabitleyin. Daha temiz ve daha güvenli kesimler için kesim derinliğini bıçak dişlerinden yalnızca bir tanesi iş parçasının altından çıkacak şekilde ayarlayın. Doğru kesim derinliklerinin kullanılması, yaralanmalara neden olabilecek potansiyel GERİ TEPME risklerini azaltır.

Eğimli kesim (Şekil 8 ve 9)

Sıkıştırma vidasını gevşetin. Uygun biçimde eğerek istediğiniz açıya (0° - 45°) getirin ve ardından sıkıştırma vidasını iyice sıkın.

Hizalama (Şekil 10)

Düz kesimlerde, tabanın ön kısmındaki 0° konumunu kesim hattınıza ayarlayın. 45°'lik eğimli kesimlerde 45° konumunu ayarlayın.

Açma/kapama işlemi

⚠ DİKKAT:

- Makineyi fişe takmadan önce, açma/kapama düğmesinin doğru şekilde çalışıp çalışmadığını ve serbest bırakıldığında "KAPALI" konumuna dönüp dönmediğini mutlaka kontrol edin.
- Kilitleme düğmesine basmadan önce açma/kapama düğmesini zorlamayın. Aksi takdirde, açma/kapama düğmesi kırılabilir. (Şekil 11)

Açma/kapama düğmesine yanlışlıkla basılmasını önlemek için makinede bir kilitleme düğmesi bulunur. Makineyi çalıştırmak için kilitleme düğmesini basarak açın ve açma/kapama düğmesine basın. Makineyi durdurmak için parmağınızı açma/kapama düğmesinden çekin.

⚠ UYARI:

- Güvenliğiniz için yanlışlıkla çalıştırmayı önlemek amacıyla, makinede bir kilitleme düğmesi mevcuttur. Kilitleme düğmesine basmadığınız halde açma/kapama düğmesine bastığınızda makine çalışıyorsa, makineyi KESİNLİKLE kullanmayın. Makineyi kullanmadan ÖNCE bir Makita servis merkezine götürerek gerekli onarımları yaptırın.
- Kilitleme düğmesini KESİNLİKLE bantlamayın veya amaç ve işlevini engellemeyin.

MONTAJ

⚠ DİKKAT:

- Makine üzerinde herhangi bir ayar veya çalışma kontrolü yapmadan önce mutlaka makinenin kapalı ve fişinin çekili olduğundan emin olun.

Testere bıçağının sökülmesi ve takılması

⚠ DİKKAT:

- Bıçağın, makinenin ön tarafından bakıldığında dişler yukarıyı gösterecek şekilde takıldığından emin olun.
- Bıçağın takılması ve sökülmesi için yalnızca ürünle verilen Makita anahtarları kullanılmalıdır.

Bıçağı sökmek için şaft kilidini sıkıca bastrarak bıçağın dönmelerini önleyin, daha sonra anahtar kullanarak civatayı saat yönünün tersine gevşetin. Civatayı, dış flanşı ve bıçağı çıkartın. (Şekil 12)

Bıçağı değiştirirken üst ve alt bıçak muhafazalarında biriken talaşları da temizlemeyi unutmayın. Ancak bu işlemi yapmış olmanız alt muhafazanın her kullanımdan önce mutlaka kontrol edilmesi şartını ortadan kaldırmaz. (Şekil 13)

15,88 mm'lik delik çapına sahip testere bıçakları dışındaki bıçaklara uygun iç flanşlı makineler için (Şekil 14)

İç flanş her iki tarafında farklı açılarda çıkıntılara sahiptir. Çıkıntı, testere bıçağı deliğine tam olarak uyacak şekilde doğru tarafı seçin.

Ardından, iç flanşı, iç flanş üzerindeki doğru çıkıntı tarafı dışarı bakacak şekilde montaj şaftına takın ve testere bıçağını ve dış flanşı yerleştirin.

CIVATAYI SAAT YÖNÜNDE İYİCE SIKTIĞINIZDAN EMİN OLUN.

⚠ DİKKAT:

- Dışarı doğru konumlandırılan iç flanşın “a” çıkıntısının, “a” testere bıçağı deliğine tam olarak oturduğundan emin olun. Bıçağın yanlış tarafa takılması tehlikeli titreşimlere neden olabilir.

15,88 mm'lik delik çapına sahip testere bıçakları için uygun iç flanşlı makineler için (ülkeye özel) (Şekil 15 ve 16)

İç flanşı boşluklu tarafı dışarı, montaj şaftına bakacak şekilde yerleştirin ve ardından testere bıçağını (varsa, halkası takılı şekilde), dış flanşı ve civatayı takın.

CIVATAYI SAAT YÖNÜNDE İYİCE SIKTIĞINIZDAN EMİN OLUN.

⚠ UYARI:

- Bıçağı mil üzerine takmadan önce mutlaka kullanmayı planladığınız bıçağın mil deliğine uygun halkanın, iç ve dış flanşlar arasına takıldığından emin olun. Yanlış bir mil deliği halkasının kullanılması, bıçağın yanlış takılmasına ve böylece bıçağın hareket ederek ve ciddi titreşimlere neden olarak çalışma sırasında kontrolün kaybedilmesine ve ciddi yaralanmalara yol açabilir.

Alyan anahtarının saklanması (Şekil 17)

Alyan anahtar kullanılmadığında, kaybolmaması için şekilde gösterildiği gibi saklanmalıdır.

Elektrik süpürgesinin bağlanması (opsiyonel aksesuar) (Şekil 18 ve 19)

Temiz bir kesim işlemi yapmak istiyorsanız, makineye bir Makita elektrik süpürgesi bağlayın. Vidayı kullanarak toz nozulünü makinenin üzerine takın. Ardından, elektrik süpürgesinin hortumunu şekilde gösterildiği gibi toz nozulüne takın.

ÇALIŞTIRMA

⚠ DİKKAT:

- Makineyi düz bir çizgi üzerinde ve yumuşak bir şekilde ileriye ittiğinizden emin olun. Makinenin zorlanması ve bükülmesi, motorun aşırı ısınmasına ve tehlikeli geri tepmelere neden olarak, ciddi yaralanmalara yol açabilir.
- Makineyi çalıştırırken mutlaka ön sapı ve arka kolu kullanın ve makineyi hem ön saptan hem de arka koldan tutarak, sıkı bir şekilde kavrayın. (Şekil 20)

Makineyi sıkıca kavrayın. Makinede hem ön sap, hem de arka kol bulunmaktadır. Makineyi en iyi şekilde tutabilmek için her ikisini de kullanın. Makineyi iki elinizle tutarsanız, bıçak ellerinizi kesemez. Gövde tabanını, bıçak hiçbir yere temas etmeyecek şekilde kesilecek iş parçasının üzerine yerleştirin. Ardından, makineyi çalıştırın ve bıçak tam hızına ulaşıncaya kadar bekleyin. Makineyi düz tutarak ve kesim işlemi bitinceye kadar yavaşça ilerleyecek şekilde iş parçasının üzerine doğru yürütün. Temiz kesimler elde edebilmek için kesim hattınızı düz ve kesim hızınızı sabit tutun. Kesim işlemi istediğiniz hat üzerinde düzgün şekilde yapamıyorsanız, makineyi kesim çizgisini üzerine getirmek için çevirmeyin ve zorlamayın. Bu durum bıçağın sıkışmasına neden olarak tehlikeli geri tepmeye ve dolayısıyla yaralanma riskinin artmasına yol açacaktır. Açma/kapama düğmesini serbest bırakın, bıçağın durmasını bekleyin ve sonra makineyi geri çekin. Makineyi yeni bir kesim çizgisine ayarlayın ve yeniden kesmeye başlayın. Operatör, makineden çıkan çapaklara ve talaş tozuna maruz kalabileceği şekilde durmamalıdır. Olası yaralanmaların önüne geçmek için göz koruyucu kullanın.

Kılavuz mesnedi (Kılavuz cetveli) (opsiyonel aksesuar) (Şekil 21)

Elle kolayca tutulabilen kılavuz mesnedi ekstra düzgün kesimler yapmanızı sağlar. Kılavuz mesnedini iş parçasının kenarına sıkıca kaydırarak tabanın ön kısmında bulunan sıkıştırma vidası yardımıyla yerine sabitleyin. Bu işlem ayrıca mümkün olduğunca sabit genişlikte çok sayıda kesim yapmanızı sağlar.

BAKIM

⚠ DİKKAT:

- Makine üzerinde kontrol veya bakım işlemlerine başlamadan önce mutlaka makinenin kapalı ve fişinin çekildi olduğundan emin olun.
- Alt muhafaza sisteminin çalışmasını etkileyebilecek testere talaşı kalmadığından emin olmak için, üst ve alt muhafazaları temizleyin. Kirliliği bir muhafaza sistemi, doğru çalışmayı engelleyebilir ve ciddi yaralanmalara yol açabilir. En etkili yöntem, basınçlı hava kullanılarak temizlenmesidir. Toz, muhafazalardan dışarı üfleniyorsa, uygun göz ve solunum koruyucu ekipmanları kullandığınızdan emin olun.
- Kesinlikle gazolin, benzin, tiner, alkol veya benzeri bir madde kullanmayın. Aksi takdirde renk bozulması, deformasyon veya çatlaklar meydana gelebilir.

Paralellik ayarı (Şekil 22)

Bıçak ile taban arasındaki paralellik fabrikada ayarlanır. Bu ayarın bozulması durumunda, aşağıda açıklanan prosedürü takip ederek tekrar ayarlayabilirsiniz. Tüm mandalların ve vidaların sıkıldığından emin olun. Vidayı gösterildiği gibi hafifçe gevşetin. Alt muhafazayı açarken, tabanın arka tarafını A ve B mesafeleri eşit olacak şekilde hareket ettirin. Ayar işleminden sonra vidayı sıkın. Paralellığın doğru şekilde ayarlandığını kontrol etmek için bir deneme kesimi gerçekleştirin.

0° kesim için hassasiyet ayarı (Şekil 23 ve 24)

Bu ayar fabrika çıkışında yapılmıştır. Ancak, yapılmış olan bu ayarın bozulması durumunda, bıçak ile gövde tabanı arasında 0° açığı ayarını yapmak için bir üçgen veya kare gönye ve bir Alyan anahtarı yardımıyla ayar vidalarını ayarlayın.

Karbon fırçaların değiştirilmesi (Şekil 25)

Karbon fırçaları düzenli olarak çıkartın ve kontrol edin. Sınır çizgisine kadar aşınan karbon fırçaları değiştirin. Karbon fırçaları yuvanın içinde kayabileceği şekilde temiz tutun. Her iki karbon fırça aynı anda değiştirilmelidir. Aşınan karbon fırçaları mutlaka aynı tipte fırçalar ile değiştirin.

Fırça yuvası kapaklarını açmak için bir tornavida kullanın. Aşınmış karbon fırçaları çıkartın ve yenilerini taktıktan sonra fırça yuvası kapağı geri vidalayın. (Şekil 26) Ürünün EMNİYETLİ ve GÜVENİLİR durumda kalmasını sağlamak için tüm onarımlar, bakım ve ayarlar Makita yetkili servisleri veya fabrika servis merkezleri tarafından Makita yedek parçaları kullanılarak yapılmalıdır.

OPSİYONEL AKSESUARLAR

⚠ DİKKAT:

- Bu kullanım kılavuzunda tanımlanan Makita marka makineyle aşağıdaki aksesuarların ve parçaların kullanılması önerilir. Bunların dışında başka aksesuarların veya parçaların kullanılması yaralanmalara yol açabilir. Aksesuarlar ve parçalar doğru şekilde ve öngörüldükleri işlevler için kullanılmalıdır.

Aksesuarlara ilişkin daha ayrıntılı bilgi almak için size en yakın yetkili Makita servisine başvurabilirsiniz.

- Testere bıçakları
- Kılavuz mesnedi (Kılavuz cetveli)
- Kılavuz rayı
- Kılavuz ray adaptörü
- Ölçek çubuğu
- Toz nozülü
- Alyan anahtarı

NOT:

- Listedeki bazı parçalar makineyle birlikte standart aksesuar olarak verilebilir. Ürünle verilen aksesuarlar ülkeden ülkeye farklılıklar gösterebilir.

Gürültü

ENG905-1

EN62841 uyarınca belirlenen tipik A ağırlıklı gürültü seviyesi:

Ses basıncı seviyesi (L_{pA}): 92 dB (A)

Ses gücü seviyesi (L_{WA}): 103 dB (A)

Belirsizlik (K): 3 dB (A)

ENG907-1

- Beyan edilen gürültü emisyonu değer(ler)i bir standart test yöntemine uygun şekilde ölçülmüştür ve bir aleti bir başkasıyla karşılaştırmak için kullanılabilir.
- Beyan edilen gürültü emisyonu değer(ler)i bir ön maruz kalma değerlendirmesi olarak kullanılabilir.

⚠ UYARI:

- Kulak koruyucuları takın.**

- Elektrikli aletin gerçek kullanımı sırasındaki gürültü emisyonu, aletin kullanım biçimlerine, özellikle işlenen iş parçasının türüne bağlı olarak beyan edilen değer(ler)den farklı olabilir.
- Gerçek kullanım koşullarındaki tahmini maruziyeti baz alan, operatörü koruyacak güvenlik önlemlerini mutlaka belirleyin (çalışma döngüsü içerisinde aletin kapalı olduğu ve aktif durumda olmasının yanı sıra boşta çalıştığı zamanlar gibi, bütün zaman dilimleri göz önünde bulundurarak).

Titreşim

ENG900-1

EN62841'e göre belirlenen toplam titreşim değeri (üç eksenli vektörel toplam):

Çalışma modu: ahşap kesme

Titreşim emisyonu ($a_{h,W}$): 2,5 m/s² veya altı

Belirsizlik (K): 1,5 m/s²

ENG901-2

- Beyan edilen titreşim toplam değer(ler)i bir standart test yöntemine uygun şekilde ölçülmüştür ve bir aleti bir başkasıyla karşılaştırmak için kullanılabilir.
- Beyan edilen titreşim toplam değer(ler)i bir ön maruz kalma değerlendirmesi olarak kullanılabilir.

⚠ UYARI:

- Elektrikli aletin gerçek kullanımı sırasındaki titreşim emisyonu, aletin kullanım biçimlerine, özellikle işlenen iş parçasının türüne bağlı olarak beyan edilen değer(ler)den farklı olabilir.
- Gerçek kullanım koşullarındaki tahmini maruziyeti baz alan, operatörü koruyacak güvenlik önlemlerini mutlaka belirleyin (çalışma döngüsü içerisinde aletin kapalı olduğu ve aktif durumda olmasının yanı sıra boşta çalıştığı zamanlar gibi, bütün zaman dilimleri göz önünde bulundurarak).

AT Uygunluk Beyanı

Yalnızca Avrupa ülkeleri için

AT uygunluk beyanı bu kullanım kılavuzunun Ek A'sında verilmiştir.

Makita Europe N.V. Jan-Baptist Vinkstraat 2,
3070 Kortenberg, Belgium

Makita Corporation 3-11-8, Sumiyoshi-cho,
Anjo, Aichi 446-8502 Japan