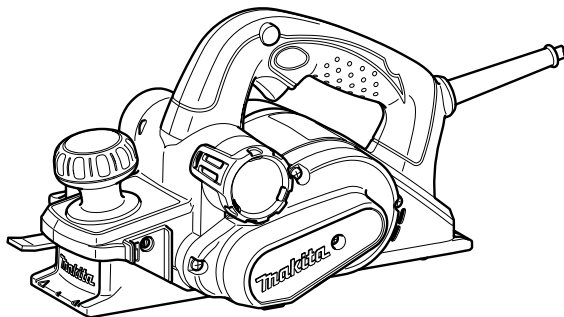




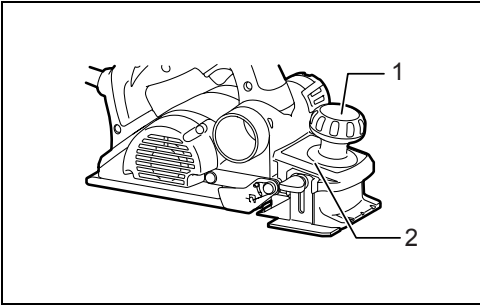
<b>GB</b>	<b>Power Planer</b>	<b>Instruction manual</b>
<b>F</b>	<b>Rabot électrique</b>	<b>Manuel d'instructions</b>
<b>D</b>	<b>Elektrohobel</b>	<b>Betriebsanleitung</b>
<b>I</b>	<b>Pialla elettrica</b>	<b>Istruzioni per l'uso</b>
<b>NL</b>	<b>Elektrische schaaf</b>	<b>Gebruiksaanwijzing</b>
<b>E</b>	<b>Cepilladora eléctrica</b>	<b>Manual de instrucciones</b>
<b>P</b>	<b>Plaina eléctrica</b>	<b>Manual de instruções</b>
<b>DK</b>	<b>Elhøvl</b>	<b>Brugsanvisning</b>
<b>GR</b>	<b>Ηλεκτρική πλάνη</b>	<b>Οδηγίες χρήσης</b>

# KP0810 KP0810C



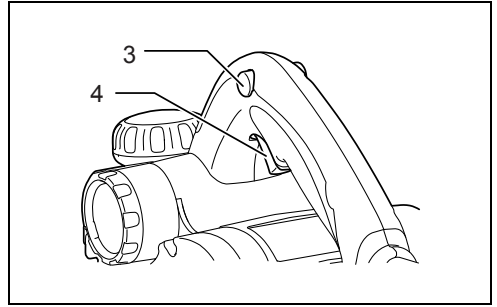
007638





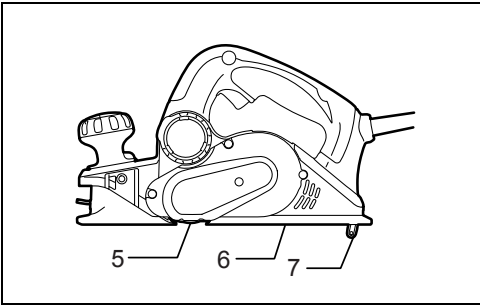
1

007639



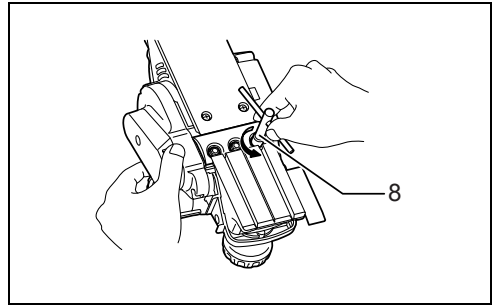
2

007640



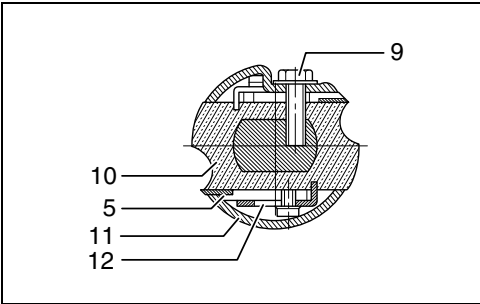
3

007688



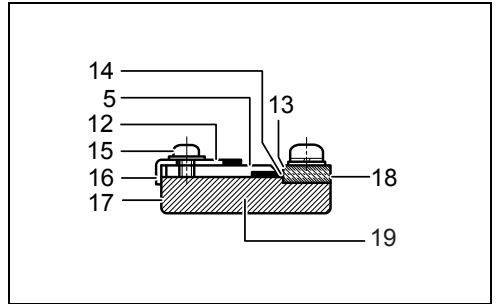
4

007641



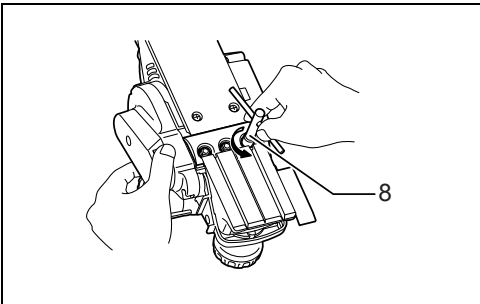
5

002555



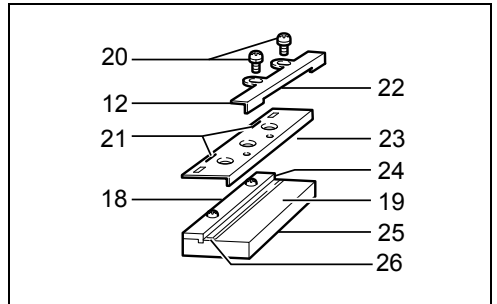
6

002556



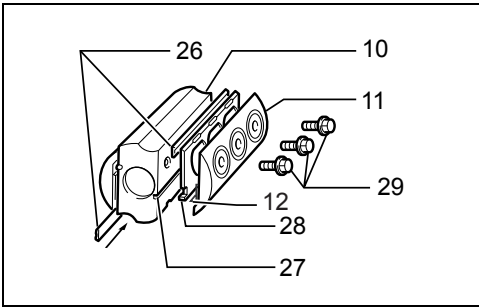
7

007641



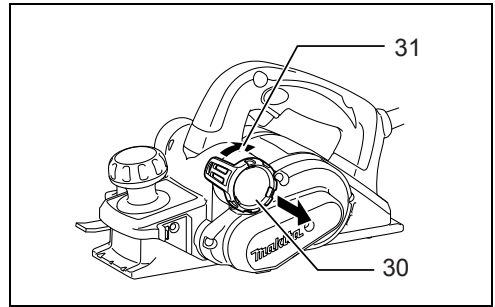
8

002565



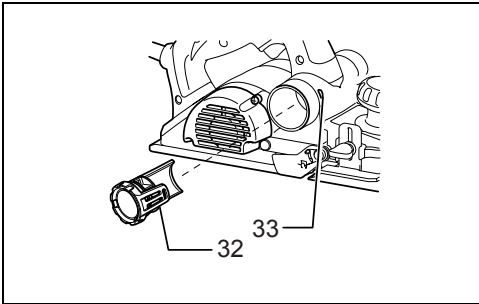
**9**

002566



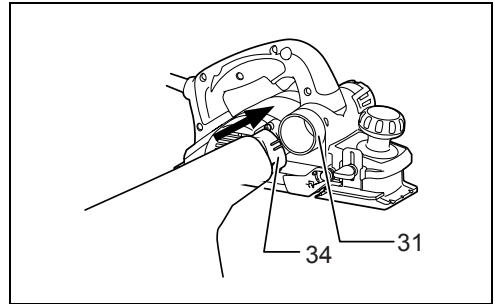
**10**

007643



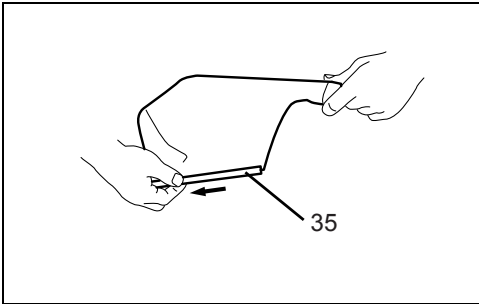
**11**

007801



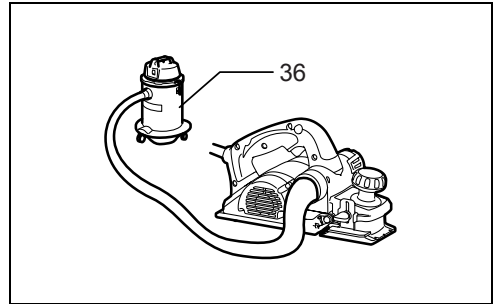
**12**

007687



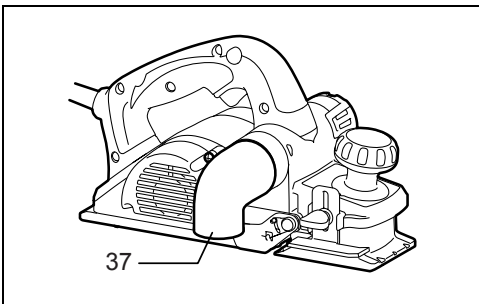
**13**

007802



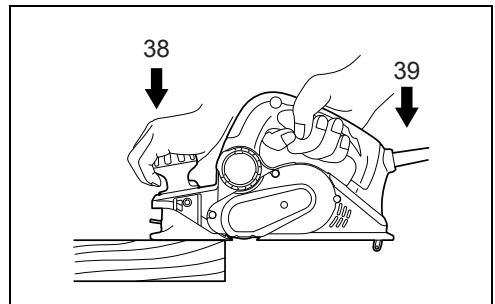
**14**

007644



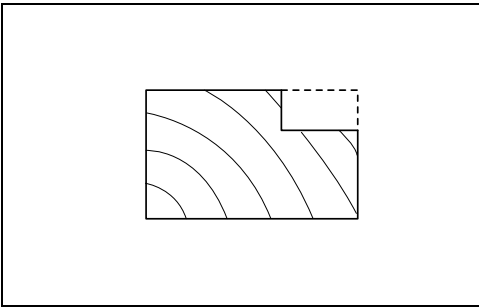
**15**

007645



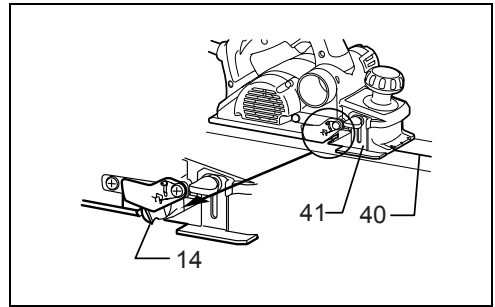
**16**

007646



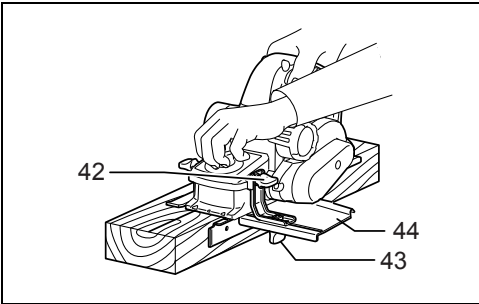
17

002580



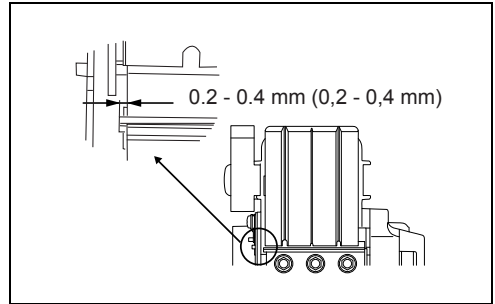
18

007647



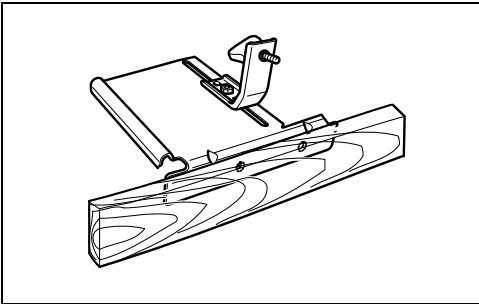
19

010794



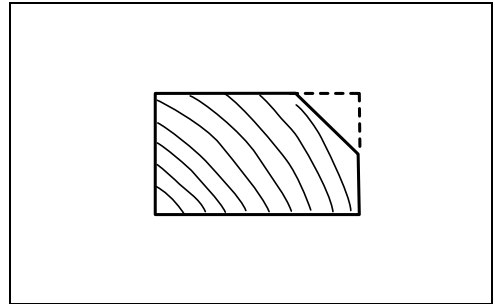
20

007649



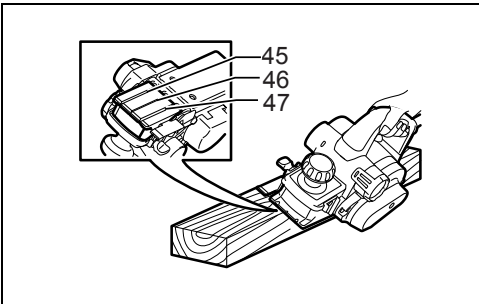
21

010795



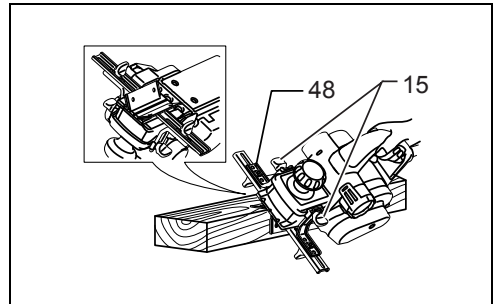
22

003634



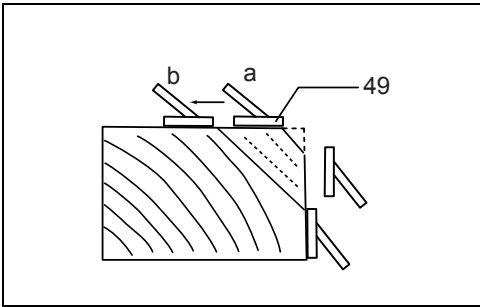
23

007650



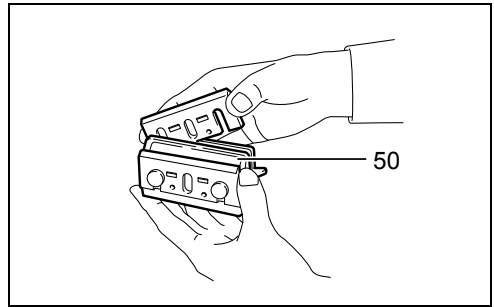
24

007653



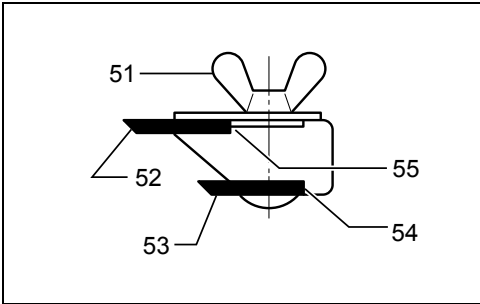
**25**

007828



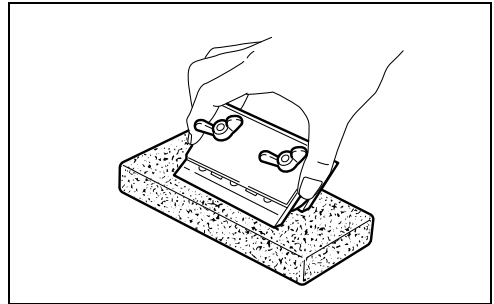
**26**

002588



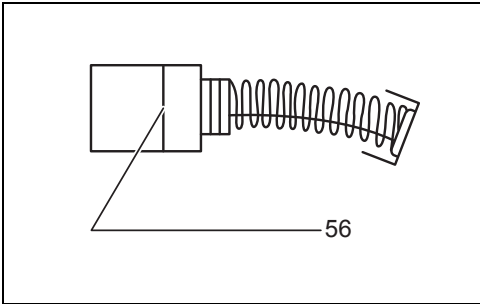
**27**

002589



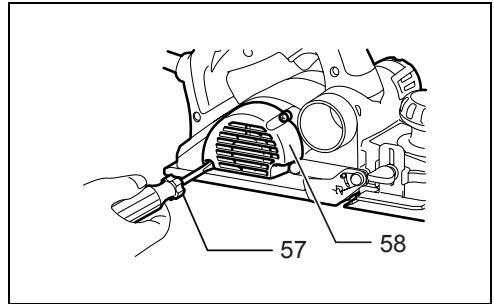
**28**

002590



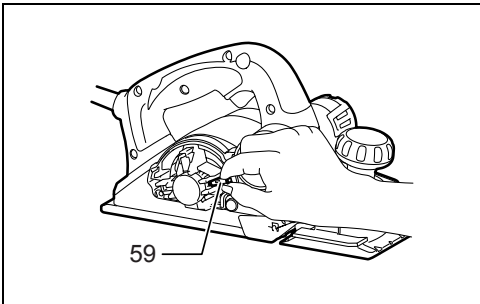
**29**

001145



**30**

007651



**31**

007652

## ENGLISH (Original instructions)

### Explanation of general view

- |                                  |                                 |                                            |
|----------------------------------|---------------------------------|--------------------------------------------|
| 1. Knob                          | 22. Heel of adjusting plate     | 43. Screw (B)                              |
| 2. Pointer                       | 23. Set plate                   | 44. Edge fence                             |
| 3. Lock button / Lock-off button | 24. Inside flank of gauge plate | 45. V groove (medium amount of chamfering) |
| 4. Switch trigger                | 25. Back side of gauge base     | 46. V groove (small amount of chamfering)  |
| 5. Planer blade                  | 26. Mini planer blade           | 47. V groove (great amount of chamfering)  |
| 6. Rear base                     | 27. Groove                      | 48. Chamfering rule                        |
| 7. Foot                          | 28. Set plate                   | 49. Edge of chamfering rule                |
| 8. Socket wrench                 | 29. Hex. flange head bolts      | 50. Sharpening holder                      |
| 9. Bolts                         | 30. Stopper                     | 51. Wing nut                               |
| 10. Drum                         | 31. Chip discharge opening      | 52. Blade (A)                              |
| 11. Drum cover                   | 32. Recessed part               | 53. Blade (B)                              |
| 12. Adjusting plate              | 33. Protrusion                  | 54. Side (D)                               |
| 13. Inside edge of gauge plate   | 34. Dust bag                    | 55. Side (C)                               |
| 14. Blade edge                   | 35. Fastener                    | 56. Limit mark                             |
| 15. Screws                       | 36. Vacuum cleaner              | 57. Screwdriver                            |
| 16. Heel                         | 37. Elbow                       | 58. Rear cover                             |
| 17. Back side of gauge base      | 38. Start                       | 59. Carbon brushes                         |
| 18. Gauge plate                  | 39. End                         |                                            |
| 19. Gauge base                   | 40. Cutting line                |                                            |
| 20. Pan head screw               | 41. Depth guide                 |                                            |
| 21. Planer blade locating lugs   | 42. Screw (A)                   |                                            |

## SPECIFICATIONS

Model	KP0810	KP0810C
Planing width	82 mm	
Planing depth	4 mm	
Shiplapping depth	25 mm	
No load speed (min <sup>-1</sup> )	16,000	12,000
Overall length	290 mm	
Net weight	3.3 kg	3.4 kg
Safety class	II/III	

- Due to our continuing program of research and development, the specifications herein are subject to change without notice.
- Specifications may differ from country to country.
- Weight according to EPTA-Procedure 01/2003

### Intended use

ENE001-1

The tool is intended for planing wood.


### Power supply

ENF002-2

The tool should be connected only to a power supply of the same voltage as indicated on the nameplate, and can only be operated on single-phase AC supply. They are double-insulated and can, therefore, also be used from sockets without earth wire.

## General Power Tool Safety Warnings

GEA010-1

 **WARNING** Read all safety warnings and all instructions. Failure to follow the warnings and instructions may result in electric shock, fire and/or serious injury.

**Save all warnings and instructions for future reference.**

## PLANER SAFETY WARNINGS

GEB010-5

1. **Wait for the cutter to stop before setting the tool down.** An exposed rotating cutter may engage the surface leading to possible loss of control and serious injury.
2. **Hold the power tool by insulated gripping surfaces only, because the cutter may contact its own cord.** Cutting a "live" wire may make exposed metal parts of the power tool "live" and could give the operator an electric shock.
3. **Use clamps or another practical way to secure and support the workpiece to a stable platform.** Holding the work by your hand or against the body leaves it unstable and may lead to loss of control.
4. **Rags, cloth, cord, string and the like should never be left around the work area.**
5. **Avoid cutting nails. Inspect for and remove all nails from the workpiece before operation.**
6. **Use only sharp blades. Handle the blades very carefully.**

7. **Be sure the blade installation bolts are securely tightened before operation.**
8. **Hold the tool firmly with both hands.**
9. **Keep hands away from rotating parts.**
10. **Before using the tool on an actual workpiece, let it run for a while. Watch for vibration or wobbling that could indicate poor installation or a poorly balanced blade.**
11. **Make sure the blade is not contacting the workpiece before the switch is turned on.**
12. **Wait until the blade attains full speed before cutting.**
13. **Always switch off and wait for the blades to come to a complete stop before any adjusting.**
14. **Never stick your finger into the chip chute. Chute may jam when cutting damp wood. Clean out chips with a stick.**
15. **Do not leave the tool running. Operate the tool only when hand-held.**
16. **Always change both blades or covers on the drum, otherwise the resulting imbalance will cause vibration and shorten tool life.**
17. **Use only Makita blades specified in this manual.**
18. **Always use the correct dust mask/respirator for the material and application you are working with.**

## SAVE THESE INSTRUCTIONS.

### **WARNING:**

**DO NOT** let comfort or familiarity with product (gained from repeated use) replace strict adherence to safety rules for the subject product. **MISUSE** or failure to follow the safety rules stated in this instruction manual may cause serious personal injury.

## FUNCTIONAL DESCRIPTION

### **CAUTION:**

- Always be sure that the tool is switched off and unplugged before adjusting or checking function on the tool.

### **Adjusting depth of cut (Fig. 1)**

Depth of cut may be adjusted by simply turning the knob on the front of the tool so that the pointer points the desired depth of cut.

### **Switch action (Fig. 2)**

#### **CAUTION:**

- Before plugging in the tool, always check to see that the switch trigger actuates properly and returns to the "OFF" position when released.

#### **For tool with lock button**

To start the tool, simply pull the switch trigger. Release the switch trigger to stop.

For continuous operation, pull the switch trigger and then push in the lock button from either side.

To stop the tool from the locked position, pull the switch trigger fully, then release it.

#### **For tool with lock-off button**

To prevent the switch trigger from being accidentally pulled, a lock-off button is provided.

To start the tool, depress the lock-off button from either side and pull the switch trigger. Release the switch trigger to stop.

## Electronic function

### **For Model KP0810C only**

The tool equipped with electronic function are easy to operate because of the following features.

#### **Constant speed control**

Electronic speed control for obtaining constant speed. Possible to get fine finish, because the rotating speed is kept constant even under load condition.

#### **Soft start**

Soft-start feature minimizes start-up shock, and makes the tool start smoothly.

### **Foot (Fig. 3)**

After a cutting operation, raise the back side of the tool and a foot comes under the level of the rear base. This prevents the tool blades to be damaged.

## ASSEMBLY

### **CAUTION:**

- Always be sure that the tool is switched off and unplugged before carrying out any work on the tool.

### **Removing or installing planer blades**

#### **CAUTION:**

- Tighten the blade installation bolts carefully when attaching the blades to the tool. A loose installation bolt can be dangerous. Always check to see they are tightened securely.
- Handle the blades very carefully. Use gloves or rags to protect your fingers or hands when removing or installing the blades.
- Use only the Makita wrench provided to remove or install the blades. Failure to do so may result in overtightening or insufficient tightening of the installation bolts. This could cause an injury.

#### **For tool with standard planer blades (Fig. 4 - 6)**

To remove the blades on the drum, unscrew the installation bolts with the socket wrench. The drum cover comes off together with the blades.

To install the blades, first clean out all chips or foreign matter adhering to the drum or blades. Use blades of the same dimensions and weight, or drum oscillation/vibration will result, causing poor planing action and, eventually, tool breakdown.

Place the blade on the gauge base so that the blade edge is perfectly flush with the inside edge of the gauge plate. Place the adjusting plate on the blade, then simply press in the heel of the adjusting plate flush with the back side of the gauge base and tighten two screws on the adjusting plate. Now slip the heel of the adjusting plate into the drum groove, then fit the drum cover on it.

Tighten all the installation bolts evenly and alternately with the socket wrench.

#### **For tool with mini planer blades**

1. Remove the existing blade, if the tool has been in use, carefully clean the drum surfaces and the drum cover. To remove the blades on the drum, unscrew the three

installation bolts with the socket wrench. The drum cover comes off together with the blades. (Fig. 7)

2. To install the blades, loosely attach the adjusting plate to the set plate with the pan head screws and set the mini planer blade on the gauge base so that the cutting edge of the blade is perfectly flush with the inside flank of the gauge plate. (Fig. 8)
3. Set the adjusting plate/set plate on the gauge base so that the planer blade locating lugs on the set plate rest in the mini planer blade groove, then press in the heel of the adjusting plate flush with the back side of the gauge base and tighten the pan head screws.
4. It is important that the blade sits flush with the inside flank of the gauge plate, the planer blade locating lugs sit in the blade groove and the heel of the adjusting plate is flush with the back side of the gauge base. Check this alignment carefully to ensure uniform cutting.
5. Slip the heel of the adjusting plate into the groove of the drum.
6. Set the drum cover over the adjusting plate/set plate and screw in the three hex flange head bolts so that a

gap exists between the drum and the set plate to slide the mini planer blade into position. The blade will be positioned by the planer blade locating lugs on the set plate. (Fig. 9)

7. The blade's lengthwise adjustment will need to be manually positioned so that the blade ends are clear and equidistant from the housing on one side and the metal bracket on the other.
8. Tighten the three hex flange head bolts (with the socket wrench provided) and rotate the drum to check clearances between the blade ends and the tool body.
9. Check the three hex flange head bolts for final tightness.
10. Repeat procedures 1 - 9 for other blade.

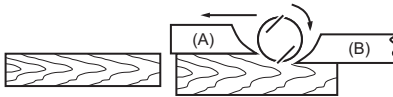
#### For the correct planer blade setting

Your planing surface will end up rough and uneven, unless the blade is set properly and securely. The blade must be mounted so that the cutting edge is absolutely level, that is, parallel to the surface of the rear base. Refer to some examples below for proper and improper settings.

(A) Front base (Movable shoe)

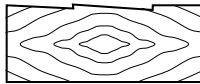
(B) Rear base (Stationary shoe)

Correct setting



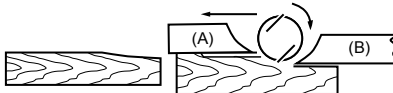
Although this side view cannot show it, the edges of the blades run perfectly parallel to the rear base surface.

Nicks in surface



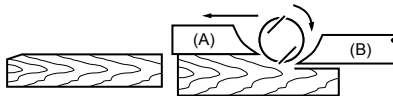
Cause: One or both blades fails to have edge parallel to rear base line.

Gouging at start



Cause: One or both blade edges fails to protrude enough in relation to rear base line.

Gouging at end



Cause: One or both blade edges protrudes too far in relation to rear base line.

EN0004-1

### Change of chip discharge direction (Fig. 10)

Chip discharge direction can be changed to the right or left. To change the direction, pull out the stopper while turning it slightly backward and fit it in one of two openings on the opposite side of chip discharge so that the recessed part fits to protrusion. (Fig. 11)

### Dust bag (accessory) (Fig. 12)

Attach the dust bag onto the chip discharge opening. The chip discharge opening is tapered. When attaching the dust bag, push it onto the chip discharge opening firmly as far as it will go to prevent it from coming off during operation.

When the dust bag is about half full, remove the dust bag from the tool and pull the fastener out. Empty the dust bag

of its contents, tapping it lightly so as to remove particles adhering to the insides which might hamper further collection. (Fig. 13)

#### NOTE:

- If you connect a Makita vacuum cleaner to this tool, more efficient and cleaner operations can be performed.

### Connecting a vacuum cleaner (Fig. 14)

When you wish to perform clean planing operation, connect a Makita vacuum cleaner to your tool. Then connect a hose of the vacuum cleaner to the chip discharge opening as shown in the figures.



## Elbow (optional accessory) (Fig. 15)

Use of elbow allows change of chip discharge direction to perform cleaner work.

Install the elbow (optional accessory) on the tool by just slipping on it. To remove it, just pull it out.

## OPERATION

Hold the tool firmly with one hand on the knob and the other hand on the switch handle when performing the tool.

### Planing operation (Fig. 16)

First, rest the tool front base flat upon the workpiece surface without the blades making any contact. Switch on and wait until the blades attain full speed. Then move the tool gently forward. Apply pressure on the front of tool at the start of planing, and at the back at the end of planing. Planing will be easier if you incline the workpiece in stationary fashion, so that you can plane somewhat downhill.

The speed and depth of cut determine the kind of finish. The power planer keeps cutting at a speed that will not result in jamming by chips. For rough cutting, the depth of cut can be increased, while for a good finish you should reduce the depth of cut and advance the tool more slowly.

### Shiplapping (Rabbeting) (Fig. 17)

To make a stepped cut as shown in the figure, use the edge fence (guide rule).

Adjust the shiplapping depth using a depth guide (accessory).

Draw a cutting line on the workpiece. Insert the edge fence into the hole in the front of the tool. Align the blade edge with the cutting line. (Fig. 18)

Install the edge fence on the tool and secure it with the washer and thumb screw (A). Loosen the thumb screw (B) and adjust the edge fence until it comes in contact with the side of the workpiece. Then tighten the thumb screw (B) securely. (Fig. 19)

When planing, move the tool with the edge fence flush with the side of the workpiece. Otherwise uneven planing may result.

#### CAUTION:

- The blade edge should be made to protrude outside slightly (0.2 mm - 0.4 mm) for shiplapping. (Fig. 20)
- You may wish to add to the length of the fence by attaching an extra piece of wood. Convenient holes are provided in the fence for this purpose, and also for attaching an extension guide (optional accessory). (Fig. 21)

### Chamfering (Fig. 22)

To make a chamfering cut as shown in the figure, align one of three "V" grooves in the front base with the edge of the workpiece and plane it. (Fig. 23)

Use of chamfering rule (optional accessory) assures more tool stability when shiplapping. (Fig. 24)

To install the chamfering rule, remove two screws on both sides of the front of the tool and set the depth of cut to 4 mm. And then install it on the front base of the tool and secure it the screws as shown in the figure.

When doing a great amount of chamfering, place an edge of chamfering rule so that it contacts workpiece and make many passes of planing as shown in the figure. (Fig. 25)

## MAINTENANCE

#### CAUTION:

- Always be sure that the tool is switched off and unplugged before attempting to perform inspection or maintenance.
- Never use gasoline, benzine, thinner, alcohol or the like. Discoloration, deformation or cracks may result.

### Sharpening the planer blades

#### For standard blades only

Always keep your blades sharp for the best performance possible. Use the sharpening holder to remove nicks and produce a fine edge. (Fig. 26)

First, loosen the two wing nuts on the holder and insert the blades (A) and (B), so that they contact the sides (C) and (D). Then tighten the wing nuts. (Fig. 27)

Immerse the dressing stone in water for 2 or 3 minutes before sharpening. Hold the holder so that the both blades contact the dressing stone for simultaneous sharpening at the same angle. (Fig. 28)

### Replacing carbon brushes (Fig. 29)

Remove and check the carbon brushes regularly. Replace when they wear down to the limit mark. Keep the carbon brushes clean and free to slip in the holders.

Both carbon brushes should be replaced at the same time. Use only identical carbon brushes.

Use a screwdriver to remove the rear cover. (Fig. 30)

Take out the worn carbon brushes, insert the new ones and secure the rear cover. (Fig. 31)

To maintain product SAFETY and RELIABILITY, repairs, any other maintenance or adjustment should be performed by Makita Authorized Service Centers, always using Makita replacement parts.

## OPTIONAL ACCESSORIES

#### ⚠ CAUTION:

- These accessories or attachments are recommended for use with your Makita tool specified in this manual. The use of any other accessories or attachments might present a risk of injury to persons. Only use accessory or attachment for its stated purpose.

If you need any assistance for more details regarding these accessories, ask your local Makita Service Center.

- High-speed steel Planer blade
- Tungsten-carbide Planer blade (For longer blade life)
- Mini planer blade
- Sharpening holder assembly
- Blade gauge
- Set plate set
- Edge fence (Guide rule)
- Dressing stone
- Dust bag assembly
- Elbow
- Socket wrench
- Chamfering rule assembly

#### NOTE:

- Some items in the list may be included in the tool package as standard accessories. They may differ from country to country.

**Noise**

ENG905-1

The typical A-weighted noise level determined according to EN60745:

**Model KP0810**Sound pressure level ( $L_{pA}$ ): 88 dB (A)Sound power level ( $L_{WA}$ ): 99 dB (A)

Uncertainty (K): 3 dB (A)

**Model KP0810C**Sound pressure level ( $L_{pA}$ ): 82 dB (A)Sound power level ( $L_{WA}$ ): 93 dB (A)

Uncertainty (K): 3 dB (A)

**Wear ear protection.****Vibration**

ENG900-1

The vibration total value (tri-axial vector sum) determined according to EN60745:

**Model KP0810**

Work mode: planing softwood

Vibration emission ( $a_h$ ): 3.0 m/s<sup>2</sup>Uncertainty (K): 1.5 m/s<sup>2</sup>**Model KP0810C**

Work mode: planing softwood

Vibration emission ( $a_h$ ): 3.5 m/s<sup>2</sup>Uncertainty (K): 1.5 m/s<sup>2</sup>

ENG901-1

- The declared vibration emission value has been measured in accordance with the standard test method and may be used for comparing one tool with another.
- The declared vibration emission value may also be used in a preliminary assessment of exposure.

**⚠ WARNING:**

- The vibration emission during actual use of the power tool can differ from the declared emission value depending on the ways in which the tool is used.
- Be sure to identify safety measures to protect the operator that are based on an estimation of exposure in the actual conditions of use (taking account of all parts of the operating cycle such as the times when the tool is switched off and when it is running idle in addition to the trigger time).

**For European countries only**

ENH101-15

**EC Declaration of Conformity**

**We Makita Corporation as the responsible manufacturer declare that the following Makita machine(s):**

Designation of Machine:

Power Planer

Model No./ Type: KP0810, KP0810C

are of series production and

**Conforms to the following European Directives:**

2006/42/EC

And are manufactured in accordance with the following standards or standardised documents:

EN60745

The technical documentation is kept by our authorised representative in Europe who is:

Makita International Europe Ltd.

Michigan Drive, Tongwell,

Milton Keynes, Bucks MK15 8JD, England

30. 1. 2009



Tomoyasu Kato

Director

Makita Corporation

3-11-8, Sumiyoshi-cho,  
Anjo, Aichi, 446-8502, JAPAN

## FRANÇAIS (Instructions d'origine)

### Descriptif

1. Bouton	22. Talon de la plaque de réglage	44. Garde parallèle
2. Index	23. Plaque de fixation	45. Rainure en V (quantité moyenne de chanfreinage)
3. Bouton de verrouillage / Bouton de sécurité	24. Surface intérieure de la plaque gabarit	46. Rainure en V (petite quantité de chanfreinage)
4. Gâchette	25. Côté arrière de la base du gabarit	47. Rainure en V (grande quantité de chanfreinage)
5. Fer de rabot	26. Mini-fer de rabot	48. Règle de chanfreinage
6. Socle arrière	27. Rainure	49. Bord de la règle de chanfreinage
7. Pied	28. Plaque de fixation	50. Porte-affûteur
8. Clé à douille	29. Boulons à tête cylindrique large	51. Écrou à oreilles
9. Boulons	30. Butée	52. Fer (A)
10. Tambour	31. Ouverture de sortie des copeaux	53. Fer (B)
11. Couvercle du tambour	32. Partie encastrée	54. Côté (D)
12. Plaque de réglage	33. Partie saillante	55. Côté (C)
13. Bord intérieur de la plaque gabarit	34. Sac à poussières	56. Repère d'usure
14. Tranchant du fer	35. Fermeture à glissière	57. Tournevis
15. Vis	36. Aspirateur	58. Couvercle arrière
16. Talon	37. Coude	59. Charbons
17. Côté arrière de la base du gabarit	38. Début	
18. Plaque gabarit	39. Fin	
19. Base du gabarit	40. Ligne de coupe	
20. Vis à tête cylindrique large	41. Guide de profondeur	
21. Ergots de positionnement du fer de rabot	42. Vis (A)	
	43. Vis (B)	

## SPÉCIFICATIONS

Modèle	KP0810	KP0810C
Largeur de rabotage	82 mm	
Profondeur de rabotage	4 mm	
Profondeur de polissage d'angle	25 mm	
Vitesse à vide (min <sup>-1</sup> )	16 000	12 000
Longueur totale	290 mm	
Poids net	3,3 kg	3,4 kg
Niveau de sécurité	II/III	

- Étant donné l'évolution constante de notre programme de recherche et de développement, les spécifications contenues dans ce manuel sont sujettes à des modifications sans préavis.
- Les spécifications peuvent varier suivant les pays.
- Poids conforme à la procédure EPTA 01/2003

### Utilisations ENE001-1

L'outil est conçu pour le rabotage du bois.

### Alimentation ENF002-2

L'outil ne doit être raccordé qu'à une alimentation de la même tension que celle qui figure sur la plaque signalétique, et il ne peut fonctionner que sur un courant secteur monophasé. Réalisé avec une double isolation, il peut de ce fait être alimenté sans mise à la terre.

## Consignes de sécurité générales des outils électriques GEA010-1

**⚠ AVERTISSEMENT** Veuillez lire toutes les consignes de sécurité et les instructions. Il y a un risque de choc électrique, d'incendie et/ou de blessure grave si les consignes et les instructions ne sont pas toutes respectées.

## Conservez toutes les consignes et instructions pour référence ultérieure.

## AVERTISSEMENTS DE SÉCURITÉ CONCERNANT LE RABOT GEB010-5

1. **Attendez l'arrêt de l'outil tranchant avant de déposer l'outil.** Un outil tranchant rotatif exposé pourrait entraîner la surface et causer une perte de contrôle ou de graves blessures.
2. **Tenez l'outil par ses surfaces de prise isolées uniquement car l'outil tranchant risque d'entrer en contact avec son propre cordon.** Le fait de couper un fil sous tension risque de mettre les parties métalliques exposées de l'outil sous tension et de provoquer un choc électrique chez l'utilisateur.

3. **Utilisez des dispositifs de serrage ou un autre moyen pratique pour immobiliser et soutenir la pièce sur une surface stable.** Il serait instable de maintenir votre travail à la main ou contre votre corps, cela pourrait causer une perte de contrôle ou de graves blessures.
4. **Ne laissez jamais traîner d'objets tels que des vieux tissus, chiffons, cordes et ficelles dans la zone de travail.**
5. **Prenez garde aux clous pendant la coupe. Avant de travailler votre pièce, inspectez-la et retirez-en tous les clous.**
6. **Utilisez uniquement des fers bien affûtés. Manipulez les fers avec une grande prudence.**
7. **Avant l'utilisation, assurez-vous que les boulons qui retiennent le fer sont solidement serrés.**
8. **Tenez l'outil fermement à deux mains.**
9. **Gardez les mains éloignées des pièces en rotation.**
10. **Avant d'utiliser l'outil sur la pièce elle-même, laissez-le tourner un instant. Soyez attentif à toute vibration ou sautellement pouvant indiquer que le fer n'est pas bien installé ou qu'il est mal équilibré.**
11. **Assurez-vous que la lame ne touche pas la pièce à travailler avant de mettre le contact.**
12. **Attendez que la lame atteigne sa pleine vitesse avant de procéder à la coupe.**
13. **Coupez toujours le contact et attendez l'arrêt complet des fers avant d'effectuer tout réglage.**
14. **Ne mettez jamais les doigts dans la goulotte à copeaux. Le goulotte peut se boucher lorsque vous coupez du bois humide. Enlevez les copeaux avec un bâton.**
15. **N'abandonnez pas l'outil alors qu'il tourne. Ne faites fonctionner l'outil qu'une fois que vous l'avez bien en main.**
16. **Changez toujours les deux fers ou couvercles sur le tambour, autrement le déséquilibre engendré causera des vibrations et réduira la durée de service de l'outil.**
17. **N'utilisez que les fers Makita spécifiés dans le présent manuel.**
18. **Utilisez toujours un masque antipoussières ou un masque filtrant approprié au matériau à travailler et à l'outil utilisé.**

## CONSERVEZ CES INSTRUCTIONS.

### AVERTISSEMENT :

**NE vous laissez PAS tromper (au fil d'une utilisation répétée) par un sentiment d'aisance et de familiarité avec le produit, en négligeant le respect rigoureux des consignes de sécurité qui accompagnent l'outil. Une UTILISATION INCORRECTE de l'outil ou un non-respect des consignes de sécurité indiquées dans ce manuel d'instructions peuvent causer des blessures graves.**

## DESCRIPTION DU FONCTIONNEMENT

### ATTENTION :

- Assurez-vous toujours que l'outil est éteint et débranché avant de l'ajuster ou de vérifier son fonctionnement.

### Ajuster la profondeur de coupe (Fig. 1)

Le réglage de la profondeur de coupe s'effectue simplement en tournant le bouton qui se trouve à l'avant de l'outil de sorte que l'index pointe sur la profondeur désirée.

### Interrupteur (Fig. 2)

#### ATTENTION :

- Avant de brancher l'outil, vérifiez toujours que la gâchette fonctionne correctement et revient en position d'arrêt (« OFF ») lorsqu'elle est relâchée.

#### Pour les outils avec bouton de verrouillage

Pour mettre l'outil en marche, appuyez simplement sur la gâchette. Pour l'arrêter, relâchez la gâchette. Pour un fonctionnement continu, appuyez sur la gâchette puis enfoncez le bouton de verrouillage des deux côtés. Pour arrêter l'outil alors qu'il est en position verrouillée, appuyez à fond sur la gâchette puis relâchez-la.

#### Pour les outils avec bouton de sécurité

Pour éviter tout déclenchement accidentel de la gâchette, l'outil est muni d'un bouton de sécurité.

Pour démarrer l'outil, enfoncez le bouton de sécurité des deux côtés puis appuyez sur la gâchette. Pour l'arrêter, relâchez la gâchette.

## Fonction électronique

### Pour le modèle KP0810C uniquement

Les outils équipés d'une fonction électronique sont faciles à utiliser à cause des caractéristiques suivantes.

#### Contrôle de vitesse constante

Contrôle de vitesse électronique pour obtenir une vitesse constante. Possibilité d'obtenir une très bonne finition, parce que la vitesse de rotation reste constante même sous des conditions de charge.

#### Démarrage en douceur

La fonction de démarrage en douceur réduit le choc de démarrage et fait démarrer l'outil doucement.

### Pied (Fig. 3)

Après la coupe, soulevez l'outil par l'arrière pour faire sortir le pied du socle arrière. Cela prévient l'endommagement des fers de l'outil.

## ASSEMBLAGE

### ATTENTION :

- Avant d'effectuer toute intervention sur l'outil, assurez-vous toujours qu'il est éteint et débranché.

### Retrait ou pose des fers de rabot

#### ATTENTION :

- Serrez solidement les boulons de pose des fers lorsque vous fixez les fers à l'outil. Un boulon mal serré

- peut être dangereux. Vérifiez toujours qu'ils sont bien serrés.
- Manipulez les fers avec une grande prudence. Portez des gants ou utilisez des chiffons pour protéger vos doigts ou vos mains lors du retrait ou de la pose des fers.
  - Utilisez exclusivement la clé Makita fournie pour retirer ou poser les fers. Autrement vous risquez d'effectuer un serrage excessif ou insuffisant des boulons. Cela comporte un risque de blessure.

#### **Pour l'outil à fers de rabot ordinaires (Fig. 4 à 6)**

Pour retirer les fers du tambour, dévissez les boulons à l'aide de la clé à douille. Le couvercle du tambour se détachera avec les fers.

Pour poser les fers, enlevez d'abord tous les copeaux ou corps étrangers qui adhèrent au tambour et aux fers.

Utilisez des fers de dimensions et de poids identiques pour éviter que le tambour n'oscille ou ne vibre, ce qui causerait un rabotage médiocre et risquerait d'endommager l'outil.

Placez le fer sur la base du gabarit de sorte que le tranchant du fer soit parfaitement aligné sur le bord intérieur de la plaque gabarit. Posez la plaque de réglage sur le fer, puis enfoncez simplement le talon de la plaque de réglage pour qu'il s'aligne parfaitement sur l'arrière de la base du gabarit, et serrez les deux vis sur la plaque de réglage. Glissez ensuite le talon de la plaque de réglage dans la rainure du tambour, puis posez le couvercle sur ce dernier.

Serrez tous les boulons à l'aide de la clé à douille, en alternant d'un boulon à l'autre pour assurer un serrage égal.

#### **Pour l'outil à mini-fers de rabot**

1. Retirez le fer existant, et si vous venez d'utiliser l'outil nettoyez soigneusement la surface et le couvercle du tambour. Pour retirer les fers du tambour, dévissez les trois boulons à l'aide de la clé à douille. Le couvercle du tambour se détachera avec les fers. **(Fig. 7)**
2. Pour poser les fers, fixez légèrement la plaque de réglage à la plaque de fixation à l'aide des vis à tête cylindrique large, et réglez le mini-fer de rabot sur la base du gabarit de sorte que le tranchant du fer soit parfaitement aligné sur la surface intérieure de la plaque gabarit. **(Fig. 8)**

3. Réglez la plaque de réglage/plaque de fixation sur la base du gabarit de sorte que les ergots de positionnement du fer de rabot, sur la plaque de fixation, reposent dans la rainure du mini-fer de rabot, puis enfoncez le talon de la plaque de réglage pour l'aligner parfaitement sur l'arrière de la base du gabarit, et serrez les vis à tête cylindrique large.
4. Il est important que le fer se trouve parfaitement aligné sur la surface intérieure de la plaque gabarit, que les ergots de positionnement du fer de rabot se trouvent dans la rainure du fer, et que le talon de la plaque de réglage soit parfaitement aligné sur l'arrière de la base du gabarit. Vérifiez soigneusement l'alignement pour assurer une coupe uniforme.
5. Glissez le talon de la plaque de réglage dans la rainure du tambour.
6. Posez le couvercle du tambour sur la plaque de réglage/plaque de fixation, et vissez les trois boulons à tête cylindrique large de sorte qu'il y ait un espace libre entre le tambour et la plaque de réglage pour glisser en position le mini-fer de rabot. Le fer sera mis en position par les ergots de positionnement du fer de rabot sur la plaque de fixation. **(Fig. 9)**
7. Il faut effectuer manuellement la mise en position du fer sur la longueur, de sorte que les extrémités ne touchent pas le carter d'un côté ni le support métallique de l'autre, et qu'elles se trouvent à la même distance de ces derniers.
8. Serrez les trois boulons à tête cylindrique large (à l'aide de la clé à douille fournie) et faites tourner le tambour pour vous assurer que les extrémités du fer ne touchent pas le corps de l'outil.
9. Vérifiez les boulons à tête cylindrique large en effectuant un dernier serrage.
10. Répétez les étapes 1 à 9 pour l'autre fer.

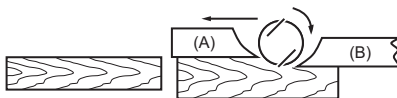
#### **Pour régler correctement le fer de rabot**

La surface rabotée sera grossière et inégale si le fer n'est pas réglé de manière adéquate et sûre. Le fer doit être monté de sorte que le tranchant soit parfaitement de niveau, c'est-à-dire parallèle à la surface de la base arrière.

Reportez-vous aux quelques exemples ci-dessous de réglages adéquats et inadéquats.

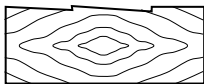
- (A) Base avant (talon mobile)  
 (B) Base arrière (talon immobile)

Réglage correct



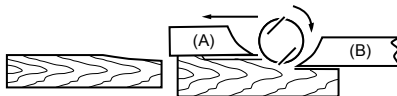
Bien que cela ne soit pas visible sur cette vue latérale, les tranchants de fer sont parfaitement parallèles à la surface de la base arrière.

Crantage à la surface



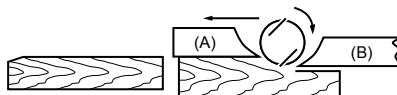
Cause : Le tranchant d'un des fers (ou des deux) n'est pas parallèle à la ligne de la base arrière.

Gougeage au début



Cause : Le tranchant d'un des fers (ou des deux) ne dépasse pas assez par rapport à la ligne de la base arrière.

Gougeage à la fin



Cause : Le tranchant d'un des fers (ou des deux) dépasse trop par rapport à la ligne de la base arrière.

EN0004-1

## Changement du sens de sortie des copeaux (Fig. 10)

Il est possible de changer le sens de sortie des copeaux pour qu'elle s'effectue sur la droite ou sur la gauche. Pour changer le sens, tirez sur la butée tout en la tournant légèrement vers l'arrière, puis introduisez-la dans l'une ou l'autre des deux ouvertures du côté opposé de la sortie des copeaux, de sorte que la partie encastrée s'adapte à la partie saillante. (Fig. 11)

## Sac à poussières (accessoire) (Fig. 12)

Fixez le cas à poussières dans l'ouverture de sortie des copeaux.

L'ouverture de sortie des copeaux est conique. Pour fixer le sac à poussières, poussez-le fermement dans l'ouverture de sortie des copeaux pour l'insérer à fond, afin d'éviter qu'il ne se détache en cours d'utilisation. Lorsque le sac à poussières est environ à moitié plein, retirez-le de l'outil et ouvrez la fermeture-éclair. Videz le sac en le tapotant pour détacher les particules qui adhèrent à l'intérieur et peuvent empêcher la collecte des poussières. (Fig. 13)

### REMARQUE :

- Si vous raccordez un aspirateur Makita à cet outil, vous effectuerez votre travail de façon plus efficace et plus propre.

## Raccordement à un aspirateur (Fig. 14)

Pour effectuer un rabotage plus propre, raccordez un aspirateur Makita à votre outil. Connectez ensuite le tuyau de l'aspirateur à l'ouverture de sortie des poussières, tel qu'illustré sur la figure.

## Coude (accessoire) (Fig. 15)

L'utilisation du coude permet de changer le sens de sortie des copeaux pour effectuer un travail plus propre.

Posez le coude (accessoire en option) sur l'outil, simplement en l'y glissant. Pour le retirer, tirez simplement dessus.

## UTILISATION

Maintenez fermement l'outil avec une main sur le bouton et l'autre main sur la poignée-gâchette lorsque vous testez l'outil.

### Rabotage (Fig. 16)

Tout d'abord, déposez la base arrière de l'outil à plat sur la pièce à travailler, sans que les fers n'entrent en contact avec quoi que ce soit. Mettez le contact et attendez que les fers aient atteint leur pleine vitesse. Déplacez ensuite l'outil doucement vers l'avant. Appliquez une pression sur l'avant de l'outil au début du rabotage, et une pression à l'arrière à la fin du rabotage. Le rabotage sera plus facile si vous inclinez la pièce et l'immobilisez dans cette position, de façon à raboter quelque peu en descendant. Le type de finition dépend de la vitesse et de la profondeur de coupe.

Le rabot électrique maintient une vitesse de coupe constante prévue pour éviter les bourrages de copeaux. Pour une coupe grossière vous pouvez augmenter la profondeur de coupe, tandis que pour obtenir une bonne finition vous devez réduire la profondeur de coupe et faire avancer l'outil plus lentement.

### Polissage d'angle (feuillure) (Fig. 17)

Pour effectuer une coupe dégradée, tel qu'indiqué sur la figure, utilisez le garde parallèle (règle de guidage). Ajustez la profondeur de polissage d'angle à l'aide du guide de profondeur (accessoire).

Tracez une ligne de coupe sur la pièce. Insérez le garde parallèle dans l'orifice à l'avant de l'outil. Alignez le tranchant du fer sur la ligne de coupe. (Fig. 18)

Posez le garde parallèle sur l'outil et fixez-le à l'aide de la rondelle et de la vis à oreilles (A). Desserrez la vis à

oreilles (B) et réglez le garde parallèle jusqu'à ce qu'il entre en contact avec le côté de la pièce à travailler. Serrez ensuite fermement la vis à oreilles (B). (Fig. 19) Lorsque vous rabotez, déplacez l'outil en gardant le garde parallèle parfaitement appuyé contre le côté de la pièce. Autrement vous risquez d'effectuer un rabotage inégal.

#### ATTENTION :

- Le tranchant du fer doit sortir légèrement (0,2 mm à 0,4 mm) pour le recouvrement à feuillure. (Fig. 20)

Vous voudrez peut-être allonger le garde parallèle en lui ajoutant une pièce de bois. Des orifices pratiques ont été prévus à cet effet, ainsi que pour fixer un guide prolongateur (accessoire en option). (Fig. 21)

### Chanfreinage (Fig. 22)

Pour effectuer une coupe de chanfreinage comme celle indiquée sur la figure, alignez une des trois rainures en « V » sur le bord de la pièce puis rabotez. (Fig. 23)

L'utilisation de la règle de chanfreinage (accessoire en option) assure une plus grande stabilité de l'outil lors du polissage d'angle. (Fig. 24)

Pour poser la règle de chanfreinage, retirez deux vis de chaque côté à l'avant de l'outil, et réglez la profondeur de coupe sur 4 mm. Posez-la ensuite sur la base avant de l'outil et fixez-la à l'aide des vis, tel qu'indiqué sur la figure.

Lorsque vous effectuez une grande quantité de chanfreinage, placez un bord de la règle de chanfreinage de sorte qu'il touche la pièce, et rabotez en plusieurs passes tel qu'indiqué sur la figure. (Fig. 25)

## MAINTENANCE

#### ATTENTION :

- Assurez-vous toujours que l'outil est éteint et débranché avant d'effectuer tout travail d'inspection ou de maintenance.
- N'utilisez jamais d'essence, de benzine, de diluant, d'alcool ou de produit similaire. Ces produits risquent de provoquer des décolorations, des déformations ou des fissures.

### Affûtage des fers de rabot

#### Pour les fers ordinaires uniquement

Gardez toujours vos fers bien affûtés pour assurer une coupe optimale. Utilisez le porte-affûteur pour enlever le crantage et obtenir un tranchant fin. (Fig. 26)

Tout d'abord, desserrez les deux écrous à oreilles du porte-affûteur, et insérez les fers (A) et (B) de sorte qu'ils touchent les côtés (C) et (D). Serrez ensuite les écrous à oreilles. (Fig. 27)

Plongez la pierre à dresser 2 à 3 minutes dans l'eau avant d'affûter. Tenez le porte-affûteur de sorte que les deux fers touchent la pierre à dresser pour que l'affûtage s'effectue en même temps et avec le même angle. (Fig. 28)

### Remplacement des charbons (Fig. 29)

Retirez et vérifiez les charbons régulièrement. Remplacez-les lorsqu'ils atteignent le repère d'usure. Gardez les charbons propres et libres de glisser dans les porte-charbons.

Les deux charbons doivent être remplacés en même temps. Utilisez uniquement des charbons identiques. Retirez le couvercle arrière à l'aide d'un tournevis.

#### (Fig. 30)

Enlevez les charbons usés, insérez les neufs et fixez le couvercle arrière. (Fig. 31)

Pour assurer la SÛRETÉ et la FIABILITÉ du produit, les réparations, ou tout autres travaux de maintenance ou de réglage doivent être effectués par un Centre de service après-vente agréé Makita, avec des pièces de rechange Makita.

## ACCESSOIRES FOURNIS EN OPTION

#### ⚠ ATTENTION :

- Ces accessoires ou pièces complémentaires sont recommandés pour être utilisés avec l'outil Makita spécifié dans ce mode d'emploi. L'utilisation de tout autre accessoire ou pièce complémentaire peut comporter un risque de blessure. N'utilisez les accessoires ou pièces qu'aux fins auxquelles ils ont été conçus.

Pour obtenir plus de détails sur ces accessoires, contactez votre Centre de service local Makita.

- Fer de rabot en acier haute vitesse
- Fer de rabot en carbure de tungstène (fer longue durée)
- Mini-fer de rabot
- Ensemble de porte-affûteur
- Gabarit de fer
- Jeun de plaque de fixation
- Garde parallèle (règle de guidage)
- Pierre à dresser
- Ensemble de sac à poussières
- Coude
- Clé à douille
- Ensemble de règle de chanfreinage

#### REMARQUE :

- Certains éléments de la liste peuvent être inclus en tant qu'accessoires standard dans le coffret de l'outil envoyé. Ils peuvent varier suivant les pays.

#### Bruit

ENG905-1

Les niveaux de bruit pondéré A typiques ont été mesurés selon la norme EN60745 :

##### Modèle KP0810

Niveau de pression sonore ( $L_{pA}$ ) : 88 dB (A)

Niveau de puissance sonore ( $L_{WA}$ ) : 99 dB (A)

Incertitude (K) : 3 dB (A)

##### Modèle KP0810C

Niveau de pression sonore ( $L_{pA}$ ) : 82 dB (A)

Niveau de puissance sonore ( $L_{WA}$ ) : 93 dB (A)

Incertitude (K) : 3 dB (A)

#### Portez des protections auditives.

#### Vibrations

ENG900-1

La valeur totale de vibration (somme du vecteur triaxial) a été déterminée selon la norme EN60745 :

##### Modèle KP0810

Mode de fonctionnement : rabotage de conifères

Emission des vibrations ( $a_{h1}$ ) : 3,0 m/s<sup>2</sup>

Incertitude (K) : 1,5 m/s<sup>2</sup>

## Modèle KP0810C

Mode de fonctionnement : rabotage de conifères

Émission des vibrations ( $a_{h1}$ ) : 3,5 m/s<sup>2</sup>

Incertitude (K) : 1,5 m/s<sup>2</sup>

ENG901-1

- La valeur de l'émission des vibrations déclarée a été mesurée conformément à la méthode de test standard et peut être utilisée afin de comparer des outils entre eux.
- La valeur de l'émission des vibrations déclarée peut également être utilisée lors d'une évaluation préliminaire de l'exposition.

### AVERTISSEMENT :

- Selon la manière dont l'outil est utilisé, il est possible que l'émission des vibrations pendant l'utilisation réelle de l'outil électrique diffère de la valeur de l'émission déclarée.
- Veuillez à identifier les mesures de sécurité destinées à protéger l'opérateur et établies en fonction de l'estimation de l'exposition dans les conditions réelles d'utilisation (en prenant en compte toutes les étapes du cycle de fonctionnement, telles que les périodes de mise hors tension de l'outil, les périodes de fonctionnement au ralenti et les périodes de mise en route).

**Pour les pays d'Europe uniquement**

ENH101-15

### Déclaration de conformité CE

**Nous, Makita Corporation, en tant que fabricant responsable, déclarons que les machines Makita suivantes :**

Nom de la machine :

Rabot électrique

N° de modèle/Type : KP0810, KP0810C

sont fabriquées en série et

**sont conformes aux directives européennes**

**suivantes :**

2006/42/CE

et sont produites conformément aux normes ou

documents de normalisation suivants :

EN60745

La documentation technique est disponible auprès de

notre représentant en Europe qui est :

Makita International Europe Ltd.

Michigan Drive, Tongwell,

Milton Keynes, Bucks MK15 8JD, Angleterre

30. 1. 2009



Tomoyasu Kato

Directeur

Makita Corporation

3-11-8, Sumiyoshi-cho,

Anjo, Aichi, 446-8502, JAPAN



# DEUTSCH (Originalanweisungen)

## Erklärung der Gesamtdarstellung

- |                                      |                                       |                                     |
|--------------------------------------|---------------------------------------|-------------------------------------|
| 1. Knopf                             | 21. Positionierhilfen für Hobelmesser | 41. Tiefenführung                   |
| 2. Zeiger                            | 22. Absatz der Einstellplatte         | 42. Schraube (A)                    |
| 3. Arretiertaste / Entsperrungstaste | 23. Feststellplatte                   | 43. Schraube (B)                    |
| 4. Ein/Aus-Schalter                  | 24. Innenflanke der Messplatte        | 44. Parallelanschlag                |
| 5. Hobelmesser                       | 25. Rückseite des Messsockels         | 45. V-Nut (mittlerer Anfasungsgrad) |
| 6. Hintere Sohle                     | 26. Wendemesser                       | 46. V-Nut (geringer Anfasungsgrad)  |
| 7. Fuß                               | 27. Rille                             | 47. V-Nut (hoher Anfasungsgrad)     |
| 8. Steckschlüssel                    | 28. Feststellplatte                   | 48. Anfasungsführung                |
| 9. Schrauben                         | 29. Sechskantflanschschrauben         | 49. Kante der Anfasungsführung      |
| 10. Hobelwelle                       | 30. Anschlag                          | 50. Schleifvorrichtung              |
| 11. Druckplatte                      | 31. Öffnung für Spanauswurf           | 51. Flügelmutter                    |
| 12. Einstellplatte                   | 32. Abgestufter Bereich               | 52. Messer (A)                      |
| 13. Innenkante der Messplatte        | 33. Vorsprung                         | 53. Messer (B)                      |
| 14. Messerkante                      | 34. Staubbeutel                       | 54. Seite (D)                       |
| 15. Schrauben                        | 35. Verschluss                        | 55. Seite (C)                       |
| 16. Absatz                           | 36. Staubsauger                       | 56. Verschleißmarkierung            |
| 17. Rückseite des Messsockels        | 37. Bogenrohr                         | 57. Schraubendreher                 |
| 18. Messplatte                       | 38. Anfang                            | 58. Hintere Abdeckung               |
| 19. Messsockel                       | 39. Ende                              | 59. Kohlebürsten                    |
| 20. Flachkopfschraube                | 40. Schnittlinie                      |                                     |

## TECHNISCHE ANGABEN

Modell	KP0810	KP0810C
Hobelbreite	82 mm	
Hobeltiefe	4 mm	
Falztiefe	25 mm	
Leerlaufgeschwindigkeit (min <sup>-1</sup> )	16.000	12.000
Gesamtlänge	290 mm	
Nettogewicht	3,3 kg	3,4 kg
Sicherheitsklasse	II	

- Aufgrund unserer beständigen Forschungen und Weiterentwicklungen sind Änderungen an den hier angegebenen Technischen Daten ohne Vorankündigung vorbehalten.
- Die Technischen Daten können in den einzelnen Ländern voneinander abweichen.
- Gewicht entsprechend EPTA-Verfahren 01/2003

### Verwendungszweck

ENE001-1

Dieses Werkzeug wurde für das Hobeln von Holz entwickelt.

### Stromversorgung

ENF002-2

Das Werkzeug darf nur an eine Stromversorgung mit Einphasen-Wechselstrom mit der auf dem Typenschild angegebenen Spannung angeschlossen werden. Das Werkzeug verfügt über ein doppelt isoliertes Gehäuse und kann daher auch an einer Stromversorgung ohne Schutzkontakt betrieben werden.

## Allgemeine Sicherheitshinweise für Elektrowerkzeuge

GEA010-1

**⚠️ WARNUNG Lesen Sie alle Sicherheitshinweise und Anweisungen sorgfältig durch.** Wenn die Hinweise und Anweisungen nicht beachtet werden, besteht die Gefahr eines Stromschlags, Brands und/oder das Risiko von ernsthaften Verletzungen.

## Bewahren Sie alle Hinweise und Anweisungen zur späteren Referenz gut auf.

## SICHERHEITSHINWEISE FÜR DAS HOBELN

GEB010-5

1. **Warten Sie, bis die Schneidvorrichtung zum Stillstand gekommen ist, bevor Sie das Werkzeug ablegen.** Ein ungeschütztes rotierendes Hobelmesser kann in die Oberfläche eingreifen und zu einem möglichen Kontrollverlust und schweren Verletzungen führen.
2. **Halten Sie das Werkzeug ausschließlich an den isolierten Griffflächen, da die Schneidmesser das Kabel des Werkzeugs berühren können.** Bei Kontakt des Werkzeugs mit einem stromführenden Kabel wird der Strom an die Metallteile des Elektrowerkzeugs und dadurch an den Bediener weitergeleitet, und der Bediener erleidet einen Stromschlag.

3. **Verwenden Sie Klammern oder andere geeignete Geräte, um das Werkstück an einer stabilen Unterlage zu sichern.** Wenn Sie das Werkstück von Hand halten oder gegen Ihren Körper pressen, kann dies zu Instabilität und Kontrollverlust führen.
4. **Lassen Sie niemals Lappen, Tücher, Seile, Schnüre usw. im Arbeitsbereich liegen.**
5. **Vermeiden Sie es, in Nägel zu schneiden. Untersuchen Sie das Werkstück auf Nägel, und entfernen Sie diese ggf. vor Arbeitsbeginn.**
6. **Verwenden Sie ausschließlich scharfe Messer. Gehen Sie sehr sorgfältig mit den Messern um.**
7. **Achten Sie darauf, dass die Bolzen zur Befestigung der Messer vor dem Betrieb fest angezogen sind.**
8. **Halten Sie das Werkzeug mit beiden Händen fest.**
9. **Halten Sie Ihre Hände von beweglichen Teilen fern.**
10. **Bevor Sie das Werkzeug auf das zu bearbeitende Werkstück ansetzen, lassen Sie es einige Zeit ohne Last laufen. Achten Sie auf Vibrationen und Schlägen; beides gibt Aufschluss über ein schlecht ausgewuchtetes Messer oder kann auf einen nicht fachgerechten Einbau deuten.**
11. **Achten Sie vor dem Einschalten des Werkzeugs darauf, dass das Messer das Werkstück nicht berührt.**
12. **Warten Sie mit der Arbeit, bis das Messer seine volle Drehzahl erreicht hat.**
13. **Schalten Sie das Werkzeug stets aus und warten Sie, bis die Messer zum Stillstand gekommen sind, bevor Sie Einstellungen vornehmen.**
14. **Stecken Sie niemals den Finger in die Rinne des Spanauswurfs. Bei der Bearbeitung von feuchtem Holz kann die Rinne verstopft werden. Säubern Sie die Rinne mit einem Stock von den Spänen.**
15. **Lassen Sie das Werkzeug nicht laufen. Das Werkzeug darf nur dann in Betrieb sein, wenn es festgehalten wird.**
16. **Wechseln Sie stets Hobelmesser oder Messerklemmplatten paarweise aus, um eine Unwucht der Messerwelle zu vermeiden, die Vibrationen erzeugt und die Lebensdauer der Maschine verkürzt.**
17. **Verwenden Sie nur die in dieser Anleitung angegebenen Messer von Makita.**
18. **Verwenden Sie bei der Arbeit stets eine für das Material geeignete Staubmaske bzw. ein Atemgerät.**

## BEWAHREN SIE DIESE ANWEISUNGEN SORGFÄLTIG AUF.

### **WARNUNG:**

Lassen Sie sich **NIE** durch Bequemlichkeit oder (aus fortwährendem Gebrauch gewonnener) Vertrautheit mit dem Werkzeug dazu verleiten, die Sicherheitsregeln für das Werkzeug zu missachten. **MISSBRAUCH** oder Missachtung der in diesem Handbuch enthaltenen Sicherheitshinweise kann zu schweren Personenschäden führen.

## FUNKTIONSBESCHREIBUNG

### **ACHTUNG:**

- Schalten Sie das Werkzeug stets aus, und ziehen Sie den Stecker, bevor Sie Einstellungen oder eine Funktionsprüfung des Werkzeugs vornehmen.

### **Einstellen der Schnitttiefe (Abb. 1)**

Die Schnitttiefe kann einfach durch Drehen des Knopfes an der Vorderseite des Werkzeugs eingestellt werden, bis der Zeiger auf der gewünschten Schnitttiefe steht.

### **Bedienung des Schalters (Abb. 2)**

#### **ACHTUNG:**

- Achten Sie vor dem Einstecken des Werkzeug-Netzsteckers darauf, dass sich der Ein/Aus-Schalter korrekt bedienen lässt und beim Loslassen in die Position „OFF“ (AUS) zurückkehrt.

#### **Werkzeuge mit Arretiertaste**

Betätigen Sie zum Starten des Werkzeugs einfach den Ein/Aus-Schalter. Lassen Sie zum Ausschalten des Werkzeugs den Ein/Aus-Schalter los.

Betätigen Sie für einen Dauerbetrieb den Ein/Aus-Schalter, und drücken Sie dann die Arretiertaste von der Seite hinein.

Zur Aufhebung der Arretierung müssen Sie den Ein/Aus-Schalter bis zum Anschlag betätigen und anschließend loslassen.

#### **Werkzeuge mit Entsperrungstaste**

Damit die Auslöseschaltung nicht versehentlich gezogen wird, befindet sich am Werkzeug eine Entsperrungstaste. Um das Werkzeug zu starten, drücken Sie Entsperrungstaste von der Seite nach unten und betätigen den Ein-/Aus-Schalter. Lassen Sie zum Ausschalten des Werkzeugs den Ein/Aus-Schalter los.

## Elektronische Funktion

### **Nur für Modell KP0810C**

Das Werkzeug verfügt über elektronische Funktionen und ist auf Grund der folgenden Merkmale einfach zu bedienen.

#### **Regelung einer konstanten Drehzahl**

Die elektronische Drehzahlregelung erreicht eine konstante Drehzahl. Dadurch wird auch bei Belastung eine saubere Schnittfläche erreicht.

#### **Sanftstart**

Durch die Sanftstart-Funktion wird die Erschütterung beim Start minimiert, sodass das Werkzeug sanft gestartet wird.

### **Fuß (Abb. 3)**

Wenn Sie nach einem Schnittvorgang die hintere Seite des Werkzeugs anheben, schiebt sich ein Fuß unter die Fläche der hinteren Sohle. Auf diese Weise wird eine Beschädigung der Werkzeugschneide verhindert.

## MONTAGE

### **ACHTUNG:**

- Schalten Sie das Werkzeug stets aus, und ziehen Sie den Stecker, bevor Sie irgendwelche Arbeiten am Werkzeug durchführen.

## Montage und Demontage der Hobelmesser

### ACHTUNG:

- Ziehen Sie die Bolzen zur Messerbefestigung beim Anbringen der Messer am Werkzeug fest an. Ein locker sitzender Befestigungsbolzen kann gefährlich sein. Überprüfen Sie stets, ob die Bolzen fest sitzen.
- Gehen Sie sehr sorgfältig mit den Messern um. Schützen Sie Ihre Finger bzw. Hände beim Demontieren oder Montieren der Messer mit Handschuhen oder Lappen.
- Verwenden Sie nur den Schraubenschlüssel von Makita zum Demontieren oder Montieren der Messer. Andernfalls kann es vorkommen, dass Sie die Befestigungsbolzen zu fest oder zu locker anziehen. Dies kann zu Verletzungen führen.

### Werkzeuge mit Standardhobelmessern (Abb. 4 - 6)

Lösen Sie zur Demontage der Messer an der Hobelwelle die Befestigungsbolzen mit dem Steckschlüssel. Die Druckplatte löst sich gemeinsam mit den Messern. Säubern Sie vor der Montage der Messer zunächst die Hobelwelle und Messer von anhaftenden Spänen und sonstigem Fremdmaterial. Verwenden Sie Messer mit identischen Maßen und Gewichten, da andernfalls Schwingungen/Vibrationen bei der Hobelwelle auftreten, die zu einer mangelhaften Hobelleistung und letztendlich zu einem Ausfall des Werkzeugs führen.

Positionieren Sie das Messer so auf dem Messsockel, dass die Messerkante mit der Innenkante der Messplatte bündig ist. Positionieren Sie die Einstellplatte am Messer, und drücken Sie dann einfach den Absatz der Einstellplatte eng an die Rückseite des Messsockels an, und ziehen Sie die beiden Schrauben an der Einstellplatte an. Schieben Sie jetzt den Absatz der Einstellplatte in die Nut der Hobelwelle, und montieren Sie dann die Druckplatte darauf.

Ziehen Sie alle Befestigungsbolzen gleichmäßig und wechselweise mit dem Steckschlüssel an.

### Werkzeuge mit Wendemesser

1. Entfernen Sie das vorhandene Messer. Falls das Werkzeug im Betrieb war, reinigen Sie die Oberflächen der Hobelwelle sowie die Druckplatte sorgfältig. Lösen Sie zur Demontage der Messer an der Hobelwelle die drei Befestigungsbolzen mit dem Steckschlüssel. Die Druckplatte löst sich gemeinsam mit den Messern. **(Abb. 7)**
2. Zur Montage der Messer müssen Sie die Einstellplatte mit den Flachkopfschrauben lose an der Feststellplatte befestigen und das Wendemesser so auf den Messsockel setzen, dass die Schnittkante des Messers mit der Innenflanke der Messplatte bündig ist. **(Abb. 8)**
3. Setzen Sie die Einstell-/Feststellplatte so auf den Messsockel, dass die Positionierhilfen für das Hobelmesser auf der Feststellplatte in der Rille des Wendemessers sitzen, und drücken Sie dann den Absatz der Einstellplatte bündig an die Rückseite des Messsockels, und ziehen Sie die Flachkopfschrauben an.
4. Das Messer muss unbedingt bündig an der Innenflanke der Messplatte ausgerichtet sein. Außerdem ist es wichtig, dass die Positionierhilfen für

das Hobelmesser in der Messerrille sitzen und der Absatz der Einstellplatte bündig an der Rückseite des Messsockels ausgerichtet ist. Überprüfen Sie diese Positionen sorgfältig, damit ein gleichmäßiger Schnittvorgang gewährleistet ist.

5. Schieben Sie den Absatz der Einstellplatte in die Rille der Hobelwelle.
6. Setzen Sie die Druckplatte über die Einstell-/Feststellplatte, und schrauben Sie die drei Sechskantflanschschrauben so fest, dass zwischen Hobelwelle und Feststellplatte ein Abstand besteht, um das Wendemesser in die richtige Position zu bringen. Das Messer wird über die Positionierhilfen für das Hobelmesser auf der Feststellplatte positioniert. **(Abb. 9)**
7. Die Längeneinstellung des Messers muss manuell erfolgen, dass die Messerkanten frei liegen und jeweils den gleichen Abstand zum Gehäuse auf der einen Seite und der Metallklammer auf der anderen Seite haben.
8. Ziehen Sie (mit dem mitgelieferten Steckschlüssel) die drei Sechskantflanschschrauben an, und drehen Sie die Hobelwelle, um die Abstände zwischen den Messerkanten und dem Werkzeugkörper zu überprüfen.
9. Überprüfen Sie noch einmal, ob die drei Sechskantflanschschrauben fest sitzen.
10. Wiederholen Sie die Schritte 1 - 9 für weitere Messer.

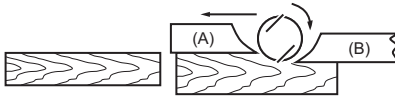
### Richtige Einstellung des Hobelmessers

Wenn das Messer nicht richtig und fest sitzt, ist Ihre Hobelfläche nach der Bearbeitung rau und uneben. Das Messer muss so montiert werden, dass die Schnittkante absolut gleich verläuft, also parallel zur Fläche der hinteren Sohle.

Nachfolgend finden Sie einige Beispiele für richtige und falsche Einstellungen.

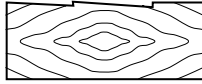
- (A) Vordere Sohle (Beweglicher Schuh)
- (B) Hintere Sohle (Unbeweglicher Schuh)

Richtige Einstellung



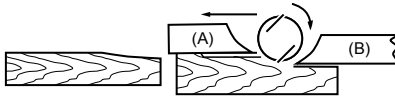
In dieser Seitenansicht ist es zwar nicht ersichtlich, die Kanten der Messer verlaufen jedoch genau parallel zur Fläche der hinteren Sohle.

Kerben in der Oberfläche



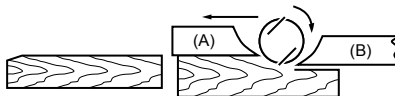
Ursache: Die Kanten eines oder beider Messer verlaufen nicht parallel zur Führung der hinteren Sohle.

Furchen am Anfang



Ursache: Die Kanten eines oder beider Messer stehen nicht weit genug über die Führung der hinteren Sohle.

Furchen am Ende



Ursache: Die Kanten eines oder beider Messer stehen zu weit über die Führung der hinteren Sohle.

EN0004-1

## Änderung der Richtung des Spanauswurfs (Abb. 10)

Die Änderung der Richtung des Spanauswurfs kann in rechts oder links geändert werden. Wenn Sie die Richtung ändern möchten, ziehen Sie den Anschlag heraus, während Sie ihn gleichzeitig leicht zurückdrehen, und setzen Sie ihn in eine der beiden Öffnungen auf der gegenüber liegenden Seite des Spanauswurfs ein, und zwar so, dass der abgestufte Bereich auf dem Vorsprung sitzt. (Abb. 11)

## Staubbeutel (Zubehör) (Abb. 12)

Schließen Sie den Staubbeutel an die Öffnung für den Spanauswurf an.

Die Öffnung für den Spanauswurf verjüngt sich. Drücken Sie den Staubbeutel beim Anschließen bis zum Anschlag in die Öffnung für den Spanauswurf, damit er sich während des Betriebs nicht löst.

Wenn der Staubbeutel etwa halb voll ist, sollten Sie ihn vom Werkzeug entfernen und den Verschluss herausziehen. Leeren Sie den Inhalt des Staubbeutels, und schnippen Sie leicht dagegen, damit sich Partikel lösen, die möglicherweise an der Innenseite haften und eine weitere Sammlung behindern können. (Abb. 13)

### HINWEIS:

- Wenn Sie einen Makita-Staubsauger an das Werkzeug anschließen, können Sie effizienter und sauberer arbeiten.

## Anschließen eines Staubsaugers (Abb. 14)

Um größere Sauberkeit bei der Hobelarbeit zu erzielen, schließen Sie einen Makita-Staubsauger an Ihr Werkzeug an. Schließen Sie dann den Schlauch des Staubsaugers an die Öffnung für den Spanauswurf wie in der Abbildung dargestellt an.

## Bogenrohr (optionales Zubehör) (Abb. 15)

Mit Hilfe eines Bogenrohrs kann die Richtung des Spanauswurfs geändert und somit eine erhöhte Sauberkeit bei der Arbeit erzielt werden.

Befestigen Sie das Bogenrohr (optionales Zubehör) am Werkzeug, indem Sie es einfach aufstecken. Zur Entfernung muss es lediglich herausgezogen werden.

## BETRIEB

Halten Sie das Werkzeug mit einer Hand am Knauf und mit der anderen am Schaltergriff fest, wenn Sie mit dem Werkzeug arbeiten.

## Hobelbetrieb (Abb. 16)

Setzen Sie zuerst die vordere Hobelsohle flach auf das Werkstück, ohne dass die Hobelmesser irgendwelchen Kontakt haben. Schalten Sie das Werkzeug ein, und warten Sie, bis die Messer ihre volle Drehzahl erreicht haben. Schieben Sie dann das Werkzeug langsam vorwärts. Üben Sie am Anfang des Hobelvorgangs Druck auf die vordere Hobelsohle, und am Ende des Hobelvorgangs Druck auf die hintere Hobelsohle aus. Das Hobeln kann durch schräges Einspannen des Werkstücks erleichtert werden, so dass Sie leicht abwärts hobeln können.

Vorschubgeschwindigkeit und Schnitttiefe bestimmen die Oberflächengüte.

Der Elektrohobel hält eine Messerdrehzahl aufrecht, die gewährleistet, dass Holzspäne keine Blockierung verursachen. Für einen Grobschnitt kann die Schnitttiefe vergrößert werden, während für eine hohe Oberflächengüte die Schnitttiefe reduziert und das Werkzeug langsamer vorgeschoben werden sollte.

## Falzen (Abb. 17)

Um einen Stufenschnitt wie in der Abbildung auszuführen, verwenden Sie den Parallelanschlag (Führungslinie).

Stellen Sie die Falztiefe mit Hilfe einer Tiefenführung (Zubehör) ein.

Zeichnen Sie eine Schnittlinie auf dem Werkstück an. Setzen Sie den Parallelanschlag in die Öffnung an der Vorderseite des Werkzeugs ein. Richten Sie die Messerkante an der Schnittlinie aus. **(Abb. 18)**

Bringen Sie den Parallelanschlag am Werkzeug an, und befestigen Sie diesen mit der Unterlegscheibe und der Flügelschraube (A). Lösen Sie die Flügelschraube (B), und stellen Sie den Parallelanschlag ein, bis er an der Seitenkante des Werkstücks anliegt. Ziehen Sie anschließend die Flügelschraube (B) fest an. **(Abb. 19)**  
Achten Sie beim Hobeln darauf, dass der Parallelanschlag eng an der Seitenkante des Werkstücks anliegt. Andernfalls erhalten Sie möglicherweise ein ungleichmäßiges Bearbeitungsergebnis.

#### **ACHTUNG:**

- Für Falzverbindungen ist die Messerschneide so einzustellen, dass sie leicht vorsteht (0,2 – 0,4 mm). **(Abb. 20)**

Der Parallelanschlag lässt sich durch eine Holzleiste verlängern. Zur Befestigung dieser Holzleiste bzw. einer (separat erhältlichen) Verlängerungsführung dienen die im Parallelanschlag vorhandenen Bohrungen. **(Abb. 21)**

### **Anfasen (Abb. 22)**

Um einen Anfangsschnitt wie in der Abbildung auszuführen, richten Sie eine der drei V-Nuten in der vorderen Sohle an der Werkstückkante aus, und führen Sie den Hobel. **(Abb. 23)**

Durch die Verwendung einer (separat erhältlichen) Anfängsführung wird die Werkzeugstabilität beim Falzvorgang erhöht. **(Abb. 24)**

Entfernen Sie zur Anbringung der Anfängsführung die beiden Schrauben auf den beiden Seiten vorne am Werkzeug, und stellen Sie die Schnitttiefe auf 4 mm. Bringen Sie die Führung anschließend an der vorderen Sohle des Werkzeugs an, und befestigen Sie diese mit den Schrauben wie in der Abbildung dargestellt. Platzieren Sie bei einem hohen Anfängsgrad eine Kante der Anfängsführung so, dass sie das Werkstück berührt, und führen Sie viele Hobeldurchgänge aus (siehe Abbildung). **(Abb. 25)**

## **WARTUNG**

#### **ACHTUNG:**

- Schalten Sie das Werkzeug stets aus und ziehen Sie den Stecker, bevor Sie Prüfungen oder Wartungsarbeiten am Werkzeug durchführen.
- Verwenden Sie zum Reinigen niemals Kraftstoffe, Benzin, Verdünnern, Alkohol oder ähnliches. Dies kann zu Verfärbungen, Verformungen oder Rissen führen.

### **Schleifen der Hobelmesser**

#### **Nur bei Standardmessern**

Achten Sie stets auf scharfe Messer, damit ein optimales Ergebnis erzielt werden kann. Entfernen Sie mit Hilfe der Schleifvorrichtung Kerben, und schleifen Sie eine feine Kante. **(Abb. 26)**

Lösen Sie zunächst die beiden Flügelmutter an der Haltevorrichtung, und setzen Sie die Messer (A) und (B)

so ein, dass sie die Seiten (C) und (D) berühren. Ziehen Sie dann die Flügelmutter an. **(Abb. 27)**

Tauchen Sie den Schleifstein vor dem Schleifen 2 oder 3 Minuten in Wasser. Halten Sie die Vorrichtung so, dass beide Messer den Schleifstein berühren. So werden die Messer gleichzeitig im gleichen Winkel geschliffen. **(Abb. 28)**

### **Ersetzen der Kohlebürsten (Abb. 29)**

Entfernen und überprüfen Sie die Kohlebürsten in regelmäßigen Abständen.

Ersetzen Sie diese, wenn sie bis zur Verschleißgrenze abgenutzt sind. Halten Sie die Kohlebürsten sauber und sorgen Sie dafür, dass sie locker in den Halterungen liegen.

Beide Kohlebürsten sollten gleichzeitig ersetzt werden. Verwenden Sie nur identische Kohlebürsten.

Entfernen Sie die hintere Abdeckung mit Hilfe eines Schraubendrehers. **(Abb. 30)**

Entnehmen Sie die verbrauchten Kohlebürsten, legen Sie die neuen ein und bringen Sie die hintere Abdeckung wieder fest an. **(Abb. 31)**

Um die SICHERHEIT und ZUVERLÄSSIGKEIT des Produkts zu gewährleisten, sollten Reparaturen, wartungsarbeiten und Einstellungen nur durch von Makita autorisierte Servicecenter durchgeführt und immer Makita-Ersatzteile verwendet werden.

## **SONDERZUBEHÖR**

#### **⚠ ACHTUNG:**

- Für das in diesem Handbuch beschriebene Makita-Gerät werden die folgenden Zubehör- und Zusatzteile empfohlen. Bei Verwendung anderer Zubehör- und Zusatzteile kann es zu Verletzungen kommen. Verwenden Sie Zubehör- und Zusatzteile nur für den vorgesehenen Zweck.

Informationen zu diesem Zubehör erhalten Sie von Ihrem Makita-Servicecenter.

- Hobelmesser aus Hochgeschwindigkeitsstahl
- Hobelmesser aus Wolframkarbid (für eine längere Lebensdauer des Messers)
- Wendemesser
- Schleifvorrichtungssset
- Messerstärken-Set
- Feststellplatten-Set
- Parallelanschlag (Führungslineal)
- Schleifstein
- Staubbeutel-Set
- Bogenrohr
- Steckschlüssel
- Set für Anfängsführung

#### **HINWEIS:**

- Einige der in der Liste aufgeführten Elemente sind dem Werkzeugpaket als Standardzubehör beigelegt. Diese können in den einzelnen Ländern voneinander abweichen.

## Schallpegel

ENG905-1

Typischer A-bewerteter Schallpegel nach EN60745:

### Modell KP0810

Schalldruckpegel ( $L_{pA}$ ): 88 dB (A)

Schalleistungspegel ( $L_{WA}$ ): 99 dB (A)

Abweichung (K): 3 dB (A)

### Modell KP0810C

Schalldruckpegel ( $L_{pA}$ ): 82 dB (A)

Schalleistungspegel ( $L_{WA}$ ): 93 dB (A)

Abweichung (K): 3 dB (A)

### Tragen Sie Gehörschutz.

## Schwingung

ENG900-1

Schwingungsgesamtwerte (Vektorsumme dreier Achsen) nach EN60745:

### Modell KP0810

Arbeitsmodus: Hobeln von Weichholz

Schwingungsbelastung ( $a_h$ ): 3,0 m/s<sup>2</sup>

Abweichung (K): 1,5 m/s<sup>2</sup>

### Modell KP0810C

Arbeitsmodus: Hobeln von Weichholz

Schwingungsbelastung ( $a_h$ ): 3,5 m/s<sup>2</sup>

Abweichung (K): 1,5 m/s<sup>2</sup>

ENG901-1

- Der hier angegebene Wert für die erzeugten Schwingungen wurde gemäß dem genormten Testverfahren ermittelt und kann als Vergleich zu anderen Werkzeugen herangezogen werden.
- Der angegebene Wert für die erzeugten Schwingungen ist außerdem für eine vorbeugende Bewertung der Belastung zu verwenden.

## WARNUNG:

- Die Schwingungsbelastung kann bei tatsächlichem Gebrauch des Elektrowerkzeugs in Abhängigkeit von der Handhabung des Elektrowerkzeugs von dem hier aufgeführten Wert abweichen.
- Stellen Sie sicher, dass Schutzmaßnahmen für den Bediener getroffen werden, die auf den unter den tatsächlichen Arbeitsbedingungen zu erwartenden Belastungen beruhen (beziehen Sie alle Bestandteile des Arbeitsablaufs ein, also zusätzlich zu den Arbeitszeiten auch Zeiten, in denen das Werkzeug ausgeschaltet ist oder ohne Last läuft).

## Nur für europäische Länder

ENH101-15

## EG-Konformitätserklärung

**Wir, Makita Corporation als verantwortlicher Hersteller, erklären, dass die folgenden Geräte der Marke Makita:**

Bezeichnung des Geräts:

Elektrohobel

Nummer / Typ des Modells: KP0810, KP0810C

in Serienfertigung hergestellt werden und

**den folgenden Richtlinien der Europäischen Union genügen:**

2006/42/EG

Außerdem werden die Geräte gemäß den folgenden Standards oder Normen gefertigt:

EN60745

Die technische Dokumentation erfolgt durch unseren Bevollmächtigten in Europa:

Makita International Europe Ltd.

Michigan Drive, Tongwell,

Milton Keynes, Bucks MK15 8JD, England

30. 1. 2009



Tomoyasu Kato

Direktor

Makita Corporation

3-11-8, Sumiyoshi-cho,  
Anjo, Aichi, 446-8502, JAPAN

## ITALIANO (Istruzioni originali)

### Spiegazione della vista generale

1. Manopola	21. Alette di posizionamento della lama	40. Linea di taglio
2. Indicatore	22. Fermo della piastra di regolazione	41. Guida di profondità
3. Blocco / Sicura	23. Piastra di chiusura	42. Vite (A)
4. Interruttore	24. Lato interno della piastra di calibratura	43. Vite (B)
5. Lama	25. Base di calibratura - lato posteriore	44. Guida di allineamento
6. Base posteriore	26. Mini lama	45. Scanalatura a V (smussatura media)
7. Piede	27. Scanalatura	46. Scanalatura a V (smussatura piccola)
8. Chiave a bussola	28. Piastra di chiusura	47. Scanalatura a V (smussatura grande)
9. Bulloni	29. Bulloni a testa esagonale flangiata	48. Guida per smussatura
10. Tamburo	30. Fermo	49. Bordo della guida per smussatura
11. Coperchio del tamburo	31. Scarico trucioli	50. Affilatore
12. Piastra di regolazione	32. Parte incavata	51. Dado ad alette
13. Lato interno della piastra di calibratura	33. Sporgenza	52. Lama (A)
14. Bordo della lama	34. Sacchetto per la polvere	53. Lama (B)
15. Viti	35. Fermaglio	54. Lato (D)
16. Fermo	36. Aspiratore	55. Lato (C)
17. Base di calibratura - lato posteriore	37. Gomito	56. Indicatore di limite
18. Piastra di calibratura	38. Inizio	57. Cacciavite
19. Base di calibratura	39. Fine	58. Coperchio posteriore
20. Viti di fissaggio		59. Spazzole di carbone

## CARATTERISTICHE TECNICHE

Modello	KP0810	KP0810C
Larghezza di lavoro	82 mm	
Profondità di lavoro	4 mm	
Profondità di scanalatura	25 mm	
Velocità a vuoto (min <sup>-1</sup> )	16.000	12.000
Lunghezza totale	290 mm	
Peso netto	3,3 kg	3,4 kg
Classe di sicurezza	II/III	

- Le caratteristiche tecniche riportate di seguito sono soggette a modifiche senza preavviso in virtù del nostro programma continuo di ricerca e sviluppo.
- Le caratteristiche tecniche possono differire da paese a paese.
- Peso determinato in conformità con la EPTA-Procedure 01/2003

### Uso previsto

ENE050-1

L'utensile è progettato per la piallatura del legno.

### Alimentazione

ENF002-2

L'utensile deve essere collegato a una presa di corrente con la stessa tensione di quella indicata sulla targhetta e può funzionare soltanto con corrente alternata monofase. L'utensile è dotato di doppio isolamento, pertanto può essere usato anche con prese di corrente sprovviste della messa a terra.

## Avvertenze generali di sicurezza per l'uso dell'utensile

GEA010-1

**⚠ AVVERTENZA** Leggere attentamente tutte le avvertenze di sicurezza e le istruzioni. La mancata osservanza delle istruzioni e delle avvertenze riportate di seguito potrebbe provocare scosse elettriche, incendi e/o lesioni gravi.

## Conservare le avvertenze e le istruzioni per riferimenti futuri.

## AVVERTENZE DI SICUREZZA PER LA PIALLA

GEB010-5

- Attendere l'arresto della lama prima di riporre l'utensile.** Una lama da taglio rotante esposta potrebbe agganciare la superficie, con potenziale perdita di controllo dell'utensile e gravi lesioni personali.
- Impugnare l'utensile esclusivamente dalle superfici di presa isolate, poiché la lama potrebbe venire a contatto con il proprio cavo.** Se viene tagliato un filo percorso da corrente, le parti metalliche esposte dell'utensile si troveranno anch'esse sotto tensione e potrebbero provocare scosse elettriche all'operatore.

3. **Fissare il pezzo in lavorazione a un piano stabile utilizzando morsetti o metodi analoghi.** Tenere fermo il pezzo da lavoro con le mani o premendolo contro il corpo ne favorisce l'instabilità, con potenziale perdita di controllo.
4. **Liberare l'area di lavoro da tappeti, tessuti, corde e simili.**
5. **Evitare di tagliare chiodi.** Prima della sessione di lavoro, controllare e rimuovere tutti i chiodi dal pezzo in lavorazione.
6. **Utilizzare solo lame affilate.** Maneggiare le lame con estrema cautela.
7. **Prima di iniziare il lavoro assicurarsi che i bulloni di fissaggio della lama siano ben stretti.**
8. **Tenere saldamente l'utensile con entrambe le mani.**
9. **Tenere le mani lontano dalle parti rotanti.**
10. **Prima di usare l'utensile, lasciarlo funzionare a vuoto per qualche minuto.** Prestare attenzione a vibrazioni o oscillazioni, che potrebbero indicare difetti di installazione o che la lama è mal bilanciata.
11. **Verificare che la lama non tocchi il pezzo in lavorazione prima che l'interruttore sia attivato.**
12. **Attendere che il disco raggiunga la velocità massima prima di iniziare le operazioni di piallatura.**
13. **Prima di qualunque operazione di manutenzione spegnere l'utensile e attendere che le lame si siano arrestate completamente.**
14. **Non inserire le dita nell'apertura di scarico dei trucioli.** I trucioli si possono ammassare nelle lavorazioni con legno umido. Eliminare i trucioli servendosi di un bastoncino.
15. **Non lasciare l'attrezzo acceso.** Azionare l'utensile solo dopo averlo impugnato.
16. **Sostituire sempre entrambe le lame o le coperture del tamburo, per evitare sbilanciamenti che possono causare vibrazioni e una minore durata dell'utensile.**
17. **Usare soltanto le lame Makita specificate in questo manuale.**
18. **Usare sempre una maschera antipolvere e/o il respiratore appropriati al materiale e all'applicazione.**

## CONSERVARE LE PRESENTI ISTRUZIONI.

### AVVERTENZA:

**NON lasciare che la familiarità acquisita con il prodotto (dovuta all'uso ripetuto) provochi l'inosservanza delle regole di sicurezza per il presente utensile.**

**L'USO IMPROPRIO o la mancata osservanza delle norme di sicurezza contenute in questo manuale può provocare lesioni personali gravi.**

## DESCRIZIONE FUNZIONALE

### ATTENZIONE:

- Prima di regolare o controllare le funzioni dell'utensile, verificare sempre di averlo spento e scollegato dall'alimentazione.

## Regolazione della profondità di taglio (Fig. 1)

La profondità di taglio può essere regolata semplicemente ruotando la manopola posta nella parte anteriore dell'utensile, posizionando l'indicatore alla profondità di taglio desiderata.

## Azionamento dell'interruttore (Fig. 2)

### ATTENZIONE:

- Prima di collegare l'utensile, controllare se l'interruttore funziona correttamente e ritorna alla posizione "OFF" una volta rilasciato.

### Per utensili con pulsante di blocco

Per avviare l'utensile è sufficiente premere l'interruttore.

Per spegnere l'utensile, rilasciare l'interruttore.

Per il funzionamento continuo, premere l'interruttore e, successivamente, il pulsante di blocco.

Per arrestare l'utensile in funzionamento continuo premere a fondo l'interruttore e, quindi, rilasciarlo.

### Per utensili con sicura

La sicura previene l'azione involontario dell'interruttore di accensione.

Per accendere l'utensile sollevare la sicura da qualunque lato e azionare l'interruttore di accensione. Per spegnere l'utensile, rilasciare l'interruttore.

## Funzione elettronica

### Solo per il modello KP0810C

Gli utensili dotati di azione elettronica sono di facile utilizzo grazie alle seguenti caratteristiche.

### Controllo costante della velocità

Il controllo elettronico della velocità permette di ottenere una velocità costante. Consente finiture precise grazie alla costanza della velocità di rotazione anche in condizioni di carico.

### Avviamento graduale

La caratteristica di avviamento graduale minimizza il contraccolpo iniziale, grazie ad un avvio più scorrevole.

## Piede (Fig. 3)

Dopo una operazione di taglio, sollevare il lato posteriore dell'utensile, in modo da far sporgere il piede dalla base posteriore. Questo evita il danneggiamento delle lame.

## MONTAGGIO

### ATTENZIONE:

- Accertarsi sempre che l'utensile sia spento e scollegato dalla presa di corrente prima di iniziare qualsiasi operazione su di esso.

## Installazione o rimozione delle lame

### ATTENZIONE:

- Stringere con attenzione i bulloni di fissaggio delle lame quando queste vengono montate nell'utensile. L'allentamento dei bulloni può essere pericoloso. Controllare spesso che siano stretti correttamente.
- Maneggiare le lame con estrema cautela. Utilizzare guanti o stracci per proteggere mani e dita durante la rimozione o l'installazione delle lame.



- Per installare o rimuovere le lame utilizzare solo la chiave fornita da Makita. In caso contrario i bulloni di fissaggio potrebbero risultare troppo stretti oppure allentati. Questo può essere causa di incidenti.

#### Per utensili con lame standard (Fig. 4 - 6)

Per rimuovere le lame dal tamburo, svitare i bulloni di fissaggio con la chiave a bussola. Si può così estrarre il tamburo, insieme alle lame.

Per installare le lame, eliminare prima tutti i trucioli o il materiale estraneo presente sul tamburo o sulle lame. Utilizzare lame della stessa dimensione e dello stesso peso, per evitare vibrazioni e oscillazioni del tamburo che potrebbero compromettere la qualità del lavoro e portare al danneggiamento dell'utensile.

Posizionare la lama sulla base di calibrazione, in modo che il bordo della lama sia perfettamente a filo con il bordo interno della piastra di calibrazione. Posizionare la piastra di regolazione sulla lama, quindi premere semplicemente il fermo della piastra sul lato posteriore della base di calibrazione e stringere le due viti poste sulla piastra stessa. Infilare ora il fermo della piastra di regolazione nella scanalatura del tamburo e collocare il coperchio di quest'ultimo.

Stringere tutti i bulloni di fissaggio in modo alternato e con la stessa forza, mediante la chiave a bussola.

#### Per utensili con mini lame

1. Rimuovere la lama presente. Se si è usato l'utensile, pulire accuratamente la superficie del tamburo e il suo coperchio. Per rimuovere le lame dal tamburo, svitare i bulloni di fissaggio con la chiave a bussola. Si può così estrarre il tamburo, insieme alle lame. **(Fig. 7)**
2. Per installare le lame collegare, senza stringere, la piastra di regolazione a quella di chiusura mediante le apposite viti, e sistemare la mini lama sulla base di calibratura in modo che il bordo tagliente della lama sia perfettamente a filo con il lato interno della piastra di calibratura. **(Fig. 8)**
3. Sistemare la piastra di regolazione e quella di chiusura sulla base di calibratura, in modo che le

alette della piastra di chiusura entrino nella scanalatura della mini lama. Premere quindi il fermo della piastra di regolazione sul bordo posteriore della base di calibratura e fissare mediante le apposite viti.

4. È importante che la lama sia a filo con il lato interno della piastra di calibratura, che le alette siano inserite nella scanalatura della lama e che il fermo della piastra di regolazione sia a filo con il lato posteriore della base di calibratura. Controllare attentamente l'allineamento per ottenere un taglio uniforme.
5. Inserire il fermo della piastra di regolazione nella scanalatura del cilindro.
6. Sistemare il coperchio del tamburo sopra la piastra di regolazione e quella di chiusura, e avvitare i tre bulloni a testa esagonale in modo da lasciare lo spazio necessario fra il tamburo e la piastra per inserirvi la mini lama. La lama andrà messa in posizione tramite le alette poste sulla piastra di chiusura. **(Fig. 9)**
7. La regolazione della lama nel senso della lunghezza andrà fatto manualmente, in modo che le estremità della lama siano libere ed equidistanti dall'alloggiamento su un lato, e dalla staffa metallica sull'altro.
8. Stringere i tre bulloni a testa esagonale (usando la chiave a bussola fornita insieme all'utensile) e ruotare il tamburo per verificare che vi sia spazio fra le lame e il corpo dell'utensile.
9. Controllare che i tre bulloni a testa esagonale siano stretti correttamente.
10. Ripetere i passi 1 - 9 per l'altra lama.

#### Per il corretto assetto della lama

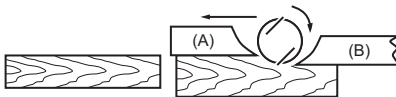
Se la lama non è fissata in modo corretto la superficie lavorata risulterà ruvida e irregolare. La lama deve essere montata in modo che il lato tagliente sia assolutamente livellato, cioè parallelo alla superficie della base posteriore.

Più avanti sono riportati alcuni esempi di montaggi corretti ed errati.

(A) Base anteriore (Pattino regolabile)

(B) Base posteriore (pattino fisso)

Montaggio corretto



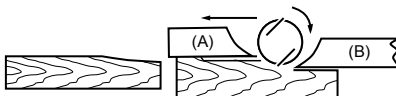
Sebbene non visibili in questa vista laterale, i bordi delle lame sono perfettamente paralleli alla superficie della base posteriore.

Tacche sulla superficie



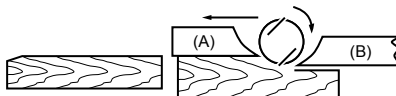
Causa: Una o entrambe le lame non hanno i bordi paralleli alla base posteriore.

Irregolarità all'inizio



Causa: I bordi di una o di entrambe le lame non fuoriescono abbastanza rispetto alla base posteriore.

Incavo alla fine



Causa: I bordi di una o di entrambe le lame fuoriescono troppo rispetto alla base posteriore.

## Modifica della direzione di fuoriuscita dei trucioli (Fig. 10)

La direzione di fuoriuscita dei trucioli può essere modificata verso sinistra o verso destra. Per modificare la direzione, tirare il fermo verso l'esterno e ruotarlo leggermente indietro, per farlo corrispondere ad una delle due aperture sul lato opposto dello scarico dei trucioli, in modo che la sporgenza posteriore entri nel corpo cilindrico. (Fig. 11)

## Sacchetto per la polvere (accessorio) (Fig. 12)

Collegare il sacchetto per la polvere allo scarico dei trucioli.

Lo scarico dei trucioli è affusolato. Per collegare il sacchetto per la polvere, spingerlo con forza sullo scarico dei trucioli fino in fondo, in modo che non fuoriesca durante il lavoro.

Rimuovere il sacchetto quando è pieno per metà, tirando il fermo verso l'esterno. Svuotare il sacchetto scuotendolo leggermente, in modo da eliminare particelle che possano aver aderito all'interno e che potrebbero ostacolare il corretto funzionamento. (Fig. 13)

### NOTA:

- Se si collega all'utensile un aspiratore Makita, è possibile effettuare operazioni di pulizia più efficaci.

## Collegamento di un aspiratore (Fig. 14)

Se si desidera eseguire tagli senza produrre polvere, collegare all'utensile un aspiratore Makita. Collegare quindi il tubo dell'aspiratore allo scarico dei trucioli secondo quanto illustrato nelle figure.

## Gomito (accessorio) (Fig. 15)

Il gomito permette di cambiare la direzione di fuoriuscita dei trucioli, per un lavoro più pulito.

Il gomito (accessorio opzionale) si monta semplicemente infilandolo sull'utensile. Per rimuoverlo, è sufficiente tirarlo verso l'esterno.

## FUNZIONAMENTO

Quando si utilizza l'utensile, tenerlo saldamente posizionando una mano sulla manopola e l'altra sulla maniglia con l'interruttore.

## Piallatura (Fig. 16)

Posare la base anteriore dell'utensile sulla superficie del pezzo in lavorazione, senza che le lame vengano a contatto con essa. Accendere e attendere che le lame ruotino a piena velocità. Muovere lentamente l'utensile lentamente in avanti. Premere sul davanti dell'utensile all'inizio dell'operazione, e sul retro alla fine del passaggio. L'operazione sarà più agevole se il pezzo in lavorazione sarà fissato in modo che la piallatura avvenga in leggera pendenza.

La qualità della finitura è determinata dalla velocità e dalla profondità di taglio.

La velocità del lavoro deve essere tale da non provocare accumuli di trucioli. La profondità di taglio può essere aumentata per lavori poco accurati, mentre per una finitura migliore occorre ridurre la profondità di taglio, e procedere più lentamente.

## Scanalature (Fig. 17)

Utilizzare la guida per effettuare scanalature come quelle mostrate nella figura.

La profondità della scanalatura può essere regolata usando l'apposita guida (opzionale).

Tracciare la linea di taglio sul pezzo in lavorazione. Inserire la guida nell'apposito foro sulla parte anteriore dell'utensile. Allineare il bordo della lama con la linea di taglio. (Fig. 18)

Installare la guida sull'utensile e fissarla mediante la rondella e l'apposita vite a mano (A). Allentare la vite a mano (B) e regolare la guida per porla a contatto con il lato del pezzo in lavorazione. Stringere la vite a mano (B) con forza. (Fig. 19)

Durante il taglio spostare l'utensile con la guida di allineamento in modo che sia a filo con il lato del pezzo in lavorazione. In caso contrario si potrebbe ottenere un taglio non uniforme.

### ATTENZIONE:

- Il bordo della lama deve fuoriuscire leggermente (0,2 mm – 0,4 mm) per consentire la giunzione per sovrapposizione. (Fig. 20)

La guida può essere prolungata collegandole un ulteriore tratto di legno. In essa sono predisposti dei fori a questo scopo, utilizzabili anche per il collegamento di una estensione (accessorio opzionale). (Fig. 21)

## Smussatura (Fig. 22)

Per ottenere una smussatura, come mostrato nella figura, allineare con il pezzo in lavorazione una delle tre scanalature a "V" sulla base anteriore e iniziare il taglio. (Fig. 23)

L'utilizzo della guida per smussatura (accessorio opzionale) assicura maggiore stabilità durante l'operazione. (Fig. 24)

Per installare la guida per smussatura, rimuovere due viti su entrambi i lati della parte anteriore dell'utensile e regolare la profondità di taglio a 4 mm. Installare la guida sulla base frontale e fissarla con le viti, come mostrato in figura.

Quando è necessario eseguire una smussatura consistente, l'applicazione di un bordino sulla guida, che si appoggi al pezzo, permette di fare facilmente più passate, come mostrato in figura. (Fig. 25)

## MANUTENZIONE

### ATTENZIONE:

- Prima di effettuare controlli e operazioni di manutenzione, verificare sempre che l'utensile sia spento e scollegato.
- Evitare assolutamente di usare benzina, diluenti, solventi, alcol o sostanze simili. In caso contrario, potrebbero verificarsi scoloriture, deformazioni o incrinature.

## Affilatura delle lame

### Solo per lame standard

Per prestazioni ottimali, le lame devono sempre essere mantenute affilate. Usare l'affilatore per rimuovere eventuali smussature e mantenere il bordo tagliente. (Fig. 26)

Allentare i due bulloni ad alette sull'affilatore e inserire le lame (A) e (B), in modo che esse siano a contatto con i bordi (C) e (D). Quindi stringere i bulloni ad alette.

(Fig. 27)

Immergere la mola in acqua per 2 o 3 minuti prima di iniziare l'affilatura. Tenere l'affilatore in modo che entrambe le lame siano a contatto con la mola, in modo da ottenere una affilatura simultanea, con lo stesso angolo. (Fig. 28)

## Sostituzione delle spazzole di carbone

(Fig. 29)

Rimuovere e controllare periodicamente le spazzole di carbone.

Sostituire le spazzole quando sono consumate fino all'indicatore di limite. Mantenere le spazzole di carbone pulite e libere di scorrere nei supporti.

Entrambe le spazzole di carbone devono essere sostituite contemporaneamente. Utilizzare solo spazzole di carbone dello stesso tipo.

Rimuovere il coperchio posteriore con un cacciavite.

(Fig. 30)

Estrarre le spazzole di carbone consumate, inserire le nuove spazzole e fissare il coperchio posteriore. (Fig. 31)

Per mantenere la SICUREZZA e l'AFFIDABILITÀ del prodotto, le riparazioni, qualunque intervento di manutenzione o di regolazione deve essere effettuato da un Centro Servizi Autorizzato Makita, usando sempre ricambi originali Makita.

## ACCESSORI OPZIONALI

### ⚠ ATTENZIONE:

- Si consiglia l'uso dei seguenti accessori per l'utensile Makita descritto in questo manuale. L'uso di qualsiasi altro accessorio potrebbe provocare lesioni personali. Utilizzare gli accessori esclusivamente per l'uso dichiarato.

Per l'assistenza e per ulteriori informazioni su tali accessori, rivolgersi al centro assistenza Makita di zona.

- Lama in acciaio ad alta velocità
- Lama al carburo di tungsteno (per una maggiore durata)
- Mini lama
- Affilatore
- Calibro per lame
- Set di piastre di chiusura
- Guida di taglio (regolo guida)
- Mola
- Sacchetto per polvere
- Gomito
- Chiave a bussola
- Guida per smussatura

### NOTA:

- Alcuni degli accessori elencati potrebbero essere inclusi nella confezione dell'utensile come accessori standard. Gli accessori standard possono differire da paese a paese.

## Rumore

ENG905-1

Il tipico livello di rumore ponderato "A" è determinato in conformità con la norma EN60745:

### Modello KP0810

Livello di pressione sonora ( $L_{pA}$ ): 88 dB (A)

Livello di potenza sonora ( $L_{WA}$ ): 99 dB (A)

Variazione (K): 3 dB (A)

### Modello KP0810C

Livello di pressione sonora ( $L_{pA}$ ): 82 dB (A)

Livello di potenza sonora ( $L_{WA}$ ): 93 dB (A)

Variazione (K): 3 dB (A)

### Indossare una protezione acustica.

## Vibrazioni

ENG900-1

Il valore totale delle vibrazioni (somma vettoriale triassiale) è determinato in conformità con la norma EN60745:

### Modello KP0810

Modalità di lavoro: piallatura legno dolce

Emissioni delle vibrazioni ( $a_h$ ): 3,0 m/s<sup>2</sup>

Variazione (K): 1,5 m/s<sup>2</sup>

### Modello KP0810C

Modalità di lavoro: piallatura legno dolce

Emissioni delle vibrazioni ( $a_h$ ): 3,5 m/s<sup>2</sup>

Variazione (K): 1,5 m/s<sup>2</sup>

ENG901-1

- Il valore di emissione delle vibrazioni dichiarato è stato misurato in conformità con il metodo di test standard e può essere utilizzato per confrontare tra loro diversi utensili.
- Il valore dell'emissione delle vibrazioni dichiarato può anche essere usato per stime preliminari dell'esposizione.

### ⚠ AVVERTENZA:

- L'emissione delle vibrazioni durante l'uso effettivo dell'utensile elettrico può risultare diversa rispetto al valore dichiarato, in base alla modalità d'uso dell'utensile.
- Assicurarsi di individuare le necessarie misure di sicurezza per proteggere l'operatore in base a una stima dell'esposizione nelle condizioni reali di utilizzo (prendendo in considerazione tutte le fasi del ciclo operativo, come quante volte l'utensile viene spento e i periodi in cui rimane inattivo, oltre al tempo di avviamento).

## Solo per i paesi europei

ENH101-15

### Dichiarazione di conformità CE

**Makita Corporation, in qualità di produttore responsabile, dichiara che gli utensili Makita indicati di seguito:**

Denominazione dell'utensile:

Pialla elettrica

N. modello/Tipo: KP0810, KP0810C

appartengono a una produzione in serie e

**sono conformi alle seguenti direttive europee:**

2006/42/EC

Sono inoltre prodotti in conformità con gli standard o i documenti standardizzati riportati di seguito:

EN60745

La documentazione tecnica viene conservata dal  
rappresentante autorizzato Makita in Europa, ovvero:  
Makita International Europe Ltd.  
Michigan Drive, Tongwell,  
Milton Keynes, Bucks MK15 8JD, Inghilterra

30. 1. 2009



Tomoyasu Kato  
Direttore  
Makita Corporation  
3-11-8, Sumiyoshi-cho,  
Anjo, Aichi, 446-8502, JAPAN

## NEDERLANDS (Originele instructies)

### Verklaring van algemene gegevens

1. Knop	21. Positioneerlippen van schaaftmes	42. Vingerschroef (A)
2. Aanwijspunt	22. Hiel van afstelplaat	43. Vingerschroef (B)
3. Vergrendelknop/uitvergrendelknop	23. Aanzetplaat	44. Zijkantgeleider
4. Aan/uit-schakelaar	24. Binnenzijde van meetplaat	45. V-groef (gemiddelde mate van afschuining)
5. Schaaftmes	25. Achterkant van meetblok	46. V-groef (geringe mate van afschuining)
6. Achterzool	26. Minischaaftmes	47. V-groef (hoge mate van afschuining)
7. Pootje	27. Groef	48. Afschuinliniaal
8. Dopsleutel	28. Aanzetplaat	49. Steunkant van afschuinliniaal
9. Bouten	29. Zeskantflensbouten	50. Aanscherphouder
10. Cilinder	30. Stop	51. Vleugelmoer
11. Cilinderdekplaat	31. Houtsnippers-uitwerpopening	52. Schaaftmes (A)
12. Afstelplaat	32. Gat	53. Schaaftmes (B)
13. Binnenzijde van meetplaat	33. Uitsteeksel	54. Zijkant (D)
14. Rand van het schaaftmes	34. Stofzak	55. Zijkant (C)
15. Schroeven	35. Sluiting	56. Slijtgrensmarkering
16. Hiel	36. Stofzuiger	57. Schroevendraaier
17. Achterkant van meetblok	37. Kniestuk	58. Achterkap
18. Meetplaat	38. Begin	59. Koolborstel
19. Meetblok	39. Einde	
20. Bolkopschroef	40. Schaaftlijn	
	41. Dieptegeleider	

## TECHNISCHE GEGEVENS


Model	KP0810	KP0810C
Schaaftbreedte	82 mm	
Schaaftdiepte	4 mm	
Rabatdiepte	25 mm	
Nullasttoerental (min <sup>-1</sup> )	16.000	12.000
Totale lengte	290 mm	
Netto gewicht	3,3 kg	3,4 kg
Veiligheidsklasse	II/III	

- Als gevolg van ons doorlopende onderzoeks- en ontwikkelingsprogramma, zijn de technische gegevens van dit gereedschap onderhevig aan veranderingen zonder voorafgaande kennisgeving.
- De technische gegevens kunnen van land tot land verschillen.
- Gewicht volgens EPTA-procedure 01/2003

**Gebruiksdoeleinden** ENE001-1  
Het gereedschap is bedoeld om hout te schaven.

**Voeding** ENF002-2  
Het gereedschap mag uitsluitend worden aangesloten op een voeding met dezelfde spanning als aangegeven op het typeplaatje en werkt alleen op enkele-fase wisselstroom. Het gereedschap is dubbel geïsoleerd en mag derhalve ook op een niet-geaard stopcontact worden aangesloten.

**Algemene veiligheids waarschuwingen voor elektrisch gereedschap** GEA010-1

 **WAARSCHUWING** Lees alle veiligheids waarschuwingen en alle instructies. Het niet volgen van de waarschuwingen en instructies kan leiden tot elektrische schokken, brand en/of ernstig letsel.

**Bewaar alle waarschuwingen en instructies om in de toekomst te kunnen raadplegen.**

**VEILIGHEIDSWAARSCHUWINGEN SPECIFIEK VOOR SCHAAFWERKZAAMHEDEN**

GEB010-5

1. **Wacht totdat de schaaftmessen stilstaan alvorens het gereedschap neer te leggen.** De blootliggende, ronddraaiende schaaftmessen kunnen de ondergrond raken waardoor u de controle over het gereedschap kunt verliezen en ernstig letsel het gevolg kan zijn.
2. **Houd het elektrisch gereedschap alleen vast bij het geïsoleerde oppervlak omdat de messenbladen met hun eigen snoer in aanraking kunnen komen.** Door onder spanning staande draden te raken, zullen de niet-geïsoleerde metalen delen van het gereedschap onder spanning komen te

staan zodat de gebruiker een elektrische schok kan krijgen.

3. **Gebruik klemmen of een andere praktische methode om het werkstuk op een stabiele ondergrond te bevestigen en ondersteunen.** Als u het werkstuk in uw hand of tegen uw lichaam geklemd houdt, is het onvoldoende stabiel en kunt u de controle erover verliezen.
4. **Poetsdoeken, lappen, snoeren, touwen en dergelijke mogen nooit rondslingeren op de werkplek.**
5. **Voorkom dat u spijkers raakt. Inspecteer het werkstuk op spijkers en verwijder deze zodanig voordat u ermee begint te werken.**
6. **Gebruik uitsluitend scherpe schaafmessen. Behandel de schaafmessen voorzichtig.**
7. **Controleer dat de bevestigingsbouten van de schaafmessen stevig vastgedraaid zijn voordat u het gereedschap bedient.**
8. **Houd het gereedschap met beide handen stevig vast.**
9. **Houd uw handen uit de buurt van draaiende delen.**
10. **Laat het gereedschap een tijdje draaien voordat u het op het werkstuk gebruikt. Controleer op trillingen of schommelingen die op onjuiste bevestiging of een slecht uitgebalanceerd schaafmess kunnen wijzen.**
11. **Zorg ervoor dat het schaafmess het werkstuk niet raakt voordat u het gereedschap hebt ingeschakeld.**
12. **Wacht totdat het schaafmess op volle snelheid draait voordat u begint te schaven.**
13. **Wacht na het uitschakelen altijd totdat de schaafmessen volledig stilstaan voordat u iets afstelt.**
14. **Steek nooit uw vinger in de houtsnippers-uitwerpopening. De houtsnippers-uitwerpopening kan verstopt raken bij het schaven van vochtig hout. Verwijder de houtsnippers met een stokje.**
15. **Laat het gereedschap niet ingeschakeld liggen. Bedien het gereedschap alleen wanneer u het vasthoudt.**
16. **Vervang altijd beide schaafmessen of cilinderdekplaten tegelijk omdat anders de resulterende onbalans tot trillingen zal leiden en de levensduur van het gereedschap zal verkorten.**
17. **Gebruik uitsluitend schaafmessen van Makita die in deze gebruiksaanwijzing worden aangegeven.**
18. **Gebruik altijd het juiste stofmasker/ademhalingsapparaat voor het materiaal en de toepassing waarmee u werkt.**

## BEWAAR DEZE INSTRUCTIES.

### WAARSCHUWING:

Laat u NIET misleiden door een vals gevoel van comfort en bekendheid met het gereedschap (na veelvuldig gebruik) en neem alle veiligheidsvoorschriften van het betreffende product altijd strikt in acht.

**VERKEERD GEBRUIK** of het niet volgen van de veiligheidsinstructies in deze gebruiksaanwijzing kan leiden tot ernstig persoonlijk letsel.

## BESCHRIJVING VAN DE FUNCTIES

### LET OP:

- Controleer altijd of het gereedschap is uitgeschakeld en de stekker uit het stopcontact is getrokken alvorens de functies van het gereedschap te controleren of af te stellen.

### Schaafdiepte instellen (zie afb. 1)

De schaaftdiepte kan worden ingesteld door de knop op de voorkant van het gereedschap te draaien zodat de aanwijspunt de gewenste schaaftdiepte aanwijst.

### In- en uitschakelen (zie afb. 2)

#### LET OP:

- Controleer altijd, voordat u de stekker in het stopcontact steekt, of de aan/uit-schakelaar op de juiste manier schakelt en weer terugkeert naar de uitstand nadat deze is losgelaten.

### Voor gereedschappen met een vergrendelknop

Om het gereedschap in te schakelen, knijpt u gewoon de aan/uit-schakelaar in. Laat de aan/uit-schakelaar los om het gereedschap te stoppen.

Om het gereedschap continu te laten werken, knijpt u de aan/uit-schakelaar in en drukt u vervolgens vanaf een van beide zijden op de vergrendelknop.

Om vanuit de vergrendelde werking het gereedschap te stoppen, knijpt u de aan/uit-schakelaar helemaal in en laat u deze vervolgens weer los.

### Voor gereedschappen met een uit-vergrendelknop

Om te voorkomen dat de aan/uit-schakelaar per ongeluk wordt bediend, is een uit-vergrendelknop aangebracht.

Om het gereedschap te starten, drukt u vanaf een van beide zijden op de uit-vergrendelknop in en knijpt u de aan/uit-schakelaar in. Laat de aan/uit-schakelaar los om het gereedschap te stoppen.

## Elektronische aansturing

### Alleen voor model KP0810C

Een gereedschap met elektronische aansturing is dankzij de volgende eigenschappen gemakkelijk te bedienen.

### Constante-snelheidsregeling

Elektronische snelheidsregeling waardoor een constante snelheid wordt verkregen. Maakt een onberispelijke afwerking mogelijk omdat de draaisnelheid zelfs onder belasting constant blijft.

### Langzaam opstarten

Deze langzame-opstartfunctie minimaliseert de opstartschok en zorgt ervoor dat het gereedschap soepel opstart.

### Pootje (zie afb. 3)

Na het schaven tilt u de achterkant van het gereedschap op zodat een pootje onder de achterzool uitkomt. Dit voorkomt dat de schaafmessen van het gereedschap beschadigd worden.

# ONDERDELEN AANBRENGEN/ VERWIJDEREN

## LET OP:

- Controleer altijd of het gereedschap is uitgeschakeld en de stekker uit het stopcontact is getrokken alvorens enige werk aan het gereedschap uit te voeren.

## De schaafmessen aanbrengen en verwijderen

### LET OP:

- Draai de bevestigingsbouten van het schaafmess stevig vast wanneer u de schaafmessen op het gereedschap bevestigt. Een losse bevestigingsbout kan gevaarlijk zijn. Controleer altijd of ze stevig vastgedraaid zijn.
- Behandel de schaafmessen voorzichtig. Gebruik handschoenen of doeken om uw vingers en handen te beschermen tijdens het aanbrengen en verwijderen van de schaafmessen.
- Gebruik uitsluitend de bijgeleverde Makita-sleutel bij het aanbrengen of verwijderen van de schaafmessen. Als u dit nalaat, loopt u het risico dat de bevestigingsbouten te vast of onvoldoende vast aangedraaid worden. Hierdoor kan letsel worden veroorzaakt.

### Voor een gereedschap met de standaardschaafmessen (zie afb. 4 t/m 6)

Om de schaafmessen van de cilinder te verwijderen, draait u de bevestigingsbouten los met de dopsleutel. De cilinderdekplaat komt los tezamen met de schaafmessen. Om nieuwe schaafmessen aan te brengen, verwijdert u eerst alle houtsnippers en vreemde materialen vanaf de cilinder en de schaafmessen. Gebruik nieuwe schaafmessen met dezelfde afmetingen en hetzelfde gewicht omdat anders slingeren en trillingen in de cilinder kunnen optreden waardoor op den duur het gereedschap kapot zal gaan.

Leg het schaafmess zodanig op het meetblok dat de rand van het schaafmess precies tegen de binnenzijde van de meetplaat aanligt. Leg de afstelplaat op het schaafmess en duw daarna gewoon de hiel van de afstelplaat strak tegen de achterkant van het meetblok, en draai de twee schroeven van de afstelplaat vast. Plaats nu de hiel van de afstelplaat in de groef van de cilinder en bevestig de cilinderdekplaat erop.

Draai de bevestigingsbouten gelijkmatig en beurtelings aan met behulp van de dopsleutel.

### Voor een gereedschap met een minischaafmes

1. Verwijder het bestaande minischaafmes, als het gereedschap gebruikt is, en reinig voorzichtig de cilinderoppervlakken en de cilinderdekplaat. Om de minischaafmessen van de cilinder af te halen, draait u de drie bevestigingsbouten los met de dopsleutel. De cilinderdekplaat komt los tezamen met de minischaafmessen. **(zie afb. 7)**
2. Om de nieuwe minischaafmessen aan te brengen, bevestigt u eerst de afstelplaat losjes op de aanzetplaat met de bolkop Schroeven, en plaatst u het minischaafmes zodanig op het meetblok dat de snijrand van het minischaafmes precies tegen de binnenzijde van de meetplaat aanligt. **(zie afb. 8)**
3. Leg de afstelplaat/aanzetplaat zodanig op het meetblok dat de schaafmess-positioneringslippen op

de afstelplaat in de gleuf van het minischaafmes vallen, duw daarna de hiel van de afstelplaat strak tegen de achterkant van het meetblok, en draai tenslotte de bolkop Schroeven vast.

4. Het is belangrijk dat het minischaafmes precies tegen de binnenzijde van de meetplaat aanligt, dat de schaafmess-positioneringslippen in de gleuf van het minischaafmes vallen, en dat de hiel van de afstelplaat tegen de achterkant van het meetblok aanligt. Controleer zorgvuldig dat deze uitlijning correct is voor uniform schaafmesswerk.
5. Plaats de hiel van de afstelplaat in de groef van de cilinder.
6. Plaats de cilinderdekplaat op de afstelplaat/aanzetplaat en draai de drie zeskantflensbouten zodanig erin dat een opening overblijft tussen de cilinder en de afstelplaat om het minischaafmes op zijn plaats te schuiven. Het minischaafmes wordt op zijn plaats gehouden door de schaafmess-positioneringslippen op de afstelplaat. **(zie afb. 9)**
7. Het afstellen van het minischaafmes in de lengterichting moet handmatig worden uitgevoerd zodat de uiteinden van het minischaafmes zichtbaar zijn en dezelfde afstand heeft tot de behuizing aan één kant en de metalen steun aan de andere kant.
8. Draai de drie zeskantflensbouten vast (met de bijgeleverde dopsleutel) en draai de cilinder rond om de speling te controleren tussen de rand van het minischaafmes en de behuizing van het gereedschap.
9. Controleer tenslotte of de drie zeskantflensbouten stevig zijn aangedraaid.
10. Herhaal de stappen 1 t/m 9 voor het andere schaafmess.

### Voor de juiste afstelling van het schaafmess

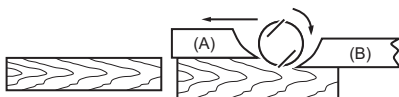
Uw schaafmess zal ruw en ongelijkmatig worden als het schaafmess niet goed en stevig is aangebracht. Het schaafmess moet worden bevestigd zodat de rand absoluut recht is, dat wil zeggen: parallel aan de rand van de achterzool.

Raadpleeg de onderstaande voorbeelden van juiste en onjuiste afstellingen.

(A) Voorzool (beweegbare schoen)

(B) Achterzool (vaste schoen)

Juiste afstelling



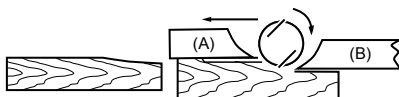
Ondanks dat het niet zichtbaar is op dit zijaanzicht, lopen de randen van de schaafmessen perfect parallel aan de rand van de achterzool.

Inkepingen in het oppervlak



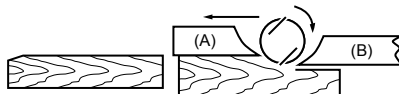
Oorzaak: Een of beide schaafmessen loopt niet parallel aan de rand van de achterzool.

Uithollen aan het begin



Oorzaak: Een of beide schaafmessen steekt niet ver genoeg uit ten opzichte van het achterzooloppervlak.

Uithollen aan het einde



Oorzaak: Een of beide schaafmessen steekt te ver uit ten opzichte van het achterzooloppervlak.

EN0004-1

## De houtsnippers-uitwerprichting veranderen (zie afb. 10)

De richting waarin de houtsnippers worden uitgeworpen kan worden veranderd van links naar rechts. Om de richting te veranderen, draait u de stop iets naar achteren en trekt u deze eruit. Plaats de stop in de houtsnippers-uitwerpopening aan de andere zijkant van het gereedschap zodanig dat het gat over het uitsteeksel valt. (zie afb. 11)

## Stofzak (los verkrijgbaar) (zie afb. 12)

Bevestig de stofzak aan de houtsnippers-uitwerpopening. De houtsnippers-uitwerpopening is taps. Bij het bevestigen van de stofzak, duwt u deze met kracht zo ver mogelijk op de houtsnippers-uitwerpopening om te voorkomen dat deze tijdens gebruik los raakt. Wanneer de stofzak ongeveer halfvol is, haalt u de stofzak van het gereedschap af en trekt u de sluiting eraf. Gooi de houtsnippers in de stofzak weg en tik zacht tegen de stofzak zodat ook het stof dat tegen de binnenkant kleef, en verdere afzuiging kunnen hinderen, eruit valt. (zie afb. 13)

### OPMERKING:

- Als u een Makita-stofzuiger aansluit op uw gereedschap, kunt u nog efficiënter en schoner werken.

## Een stofzuiger aansluiten (zie afb. 14)

Wanneer u tijdens het schaven schoon wilt werken, sluit u een Makita-stofzuiger aan op uw gereedschap. Sluit vervolgens de stofzuigerslang aan op de houtsnippers-uitwerpopening, zoals aangegeven in de afbeeldingen.

## Kniestuk (los verkrijgbaar) (zie afb. 15)

Door een kniestuk te gebruiken kunt u de richting waarin de houtsnippers worden uitgeworpen veranderen om schoner te werken.

Bevestig het kniestuk (los verkrijgbaar) op het gereedschap door het erop te schuiven. Verwijder het door het er eenvoudig af te trekken.

## BEDIENING

Houd het gereedschap stevig vast met één hand aan de knop en de andere aan het schakelaarhandvat tijdens het gebruik van het gereedschap.

## Gebruik als schaar (zie afb. 16)

Plaats eerst de voorzool van het gereedschap plat op het werkstuk zonder dat de schaafmessen ermee in aanraking komen. Schakel het gereedschap in en wacht totdat de schaafmessen op volle snelheid draaien. Beweeg het gereedschap vervolgens voorzichtig naar voren. Oefen aan het begin van het schaven druk uit op de voorkant van het gereedschap en aan het einde van het schaven op de achterkant van het gereedschap. Het schaven gaat gemakkelijker als u het werkstuk iets aflopend opstelt zodat u iets 'bergafwaarts' schaaft. De snelheid en diepte van het schaven bepalen het eindresultaat.

De elektrische schaar blijft schaven op een snelheid die niet zal leiden tot verstopping met houtsnippers. Voor prof schaven kan de schaafdiepte groter zijn, maar voor een mooi resultaat moet u de schaafdiepte verkleinen en het gereedschap langzamer vooruit bewegen.

## Rabatten (zie afb. 17)

Om een haakse verdieping aan te brengen, zoals aangegeven in de afbeelding, gebruikt u de zijkantgeleider (liniaal).

Stel de rabatdiepte in met behulp van de dieptegeleider (los verkrijgbaar).

Teken een schaaflijn op het werkstuk. Steek de randgeleider in het gat aan de voorkant van het gereedschap. Lijn de rand van het schaaftmes uit met de schaaflijn. (zie afb. 18)



Bevestig de randgeleider aan het gereedschap en zet deze vast met de ring en vingerschroef (A). Draai de vingerschroef (B) los en stel de randgeleider af totdat deze de zijkant van het werkstuk raakt. Draai vervolgens vingerschroef (B) stevig vast. **(zie afb. 19)**  
Beweeg tijdens het schaven het gereedschap met de randgeleider strak langs de zijkant van het werkstuk. Als u dat niet doet, kan ongelijkmatig schaafwerk het gevolg zijn.

#### LET OP:

- De rand van het schaafmes moet iets eruit steken (0,2 mm - 0,4 mm) voor het rabat. **(zie afb. 20)**

U kunt de lengte van de randgeleider vergroten door er een stuk hout aan te bevestigen. Voor dit doel zijn reeds gaten aangebracht in de randgeleider, en tevens voor het bevestigen van een verlengstuk (los verkrijgbaar). **(zie afb. 21)**

## Afschuinen (zie afb. 22)

Om een schuine kant te schaven zoals aangegeven in de afbeelding, lijnt u een van de drie "V"-groeven in de voorzool uit met de hoek van het werkstuk en schaaft u het. **(zie afb. 23)**

Door een afschuinliniaal (los verkrijgbaar) te gebruiken, kunt u stabielere werken tijdens het afschuinen. **(zie afb. 24)**

Om de afschuinliniaal te bevestigen, verwijdert u de twee schroeven aan beide zijden op de voorkant van het gereedschap en stelt u de schaafdiepte in op 4 mm.

Plaats het vervolgens op de voorzool van het gereedschap en zet het vast met de vingerschroeven, zoals aangegeven in de afbeelding.

Wanneer u erg veel moet afschuinen, plaatst u één steunkant van de afschuinliniaal tegen het werkstuk en schaaft u meerdere malen tot de gewenste mate van afschuining is bereikt, zoals aangegeven in de afbeelding. **(zie afb. 25)**

## ONDERHOUD

#### LET OP:

- Zorg er altijd voor dat de machine is uitgeschakeld en de stekker uit het stopcontact is getrokken, voordat u een inspectie of onderhoud uitvoert.
- Gebruik nooit benzine, wasbenzine, thinner, alcohol, enz. Dit kan leiden tot verkleuren, vervormen of barsten.

## De schaafmessen slijpen

### Alleen voor standaardmessen

Zorg ervoor dat de messen altijd scherp zijn voor de beste prestaties. Gebruik de aanscherphouder om inkepingen te verwijderen en een scherpe snede te maken. **(zie afb. 26)**

Draai eerst de twee vleugelmoeren op de houder los en steek de messen (A) en (B) erin zodat ze de zijkanten (C) en (D) raken. Draai vervolgens de vleugelmoeren vast. **(zie afb. 27)**

Houd de wetsteen gedurende 2 of 3 minuten onder water alvorens te slijpen. Houd de houder zodanig vast dat beide messen de wetsteen raken om ze gelijktijdig te slijpen onder dezelfde hoek. **(zie afb. 28)**

## De koolborstels vervangen (zie afb. 29)

Verwijder en controleer de koolborstels regelmatig. Vervang deze wanneer ze tot aan de slijtgrensmarkering zijn afgesleten. Houd de koolborstels schoon en zorg ervoor dat ze vrij kunnen bewegen in de houders. Beide koolborstels dienen tegelijkertijd te worden vervangen. Gebruik alleen identieke koolborstels. Verwijder het achterdeksel met behulp van een schroevendraaier. **(zie afb. 30)**

Haal de versleten koolborstels eruit, plaats de nieuwe erin, en bevestig het achterdeksel weer. **(zie afb. 31)**  
Om de VEILIGHEID en BETROUWBAARHEID van het gereedschap te handhaven, dienen alle reparaties, onderhoud en afstellingen te worden uitgevoerd door een erkend Makita-servicecentrum, en altijd met gebruikmaking van originele Makita-ervangingsonderdelen.

## VERKRIJGBARE ACCESSOIRES

#### ⚠ LET OP:

- Deze accessoires of hulpstukken worden aanbevolen voor gebruik met het Makita-gereedschap dat in deze gebruiksaanwijzing wordt beschreven. Het gebruik van andere accessoires of hulpstukken kan gevaar voor persoonlijk letsel opleveren. Gebruik de accessoires of hulpstukken uitsluitend voor de aangegeven gebruiksdoeleinden.

Mocht u meer informatie willen hebben over deze accessoires, dan kunt u contact opnemen met uw plaatselijke Makita-servicecentrum.

- Snelstalen schaafmes
- Hardstalen schaafmes (voor een langere levensduur)
- Minischaafmes
- Aanscherphouder
- Mesmeter
- Stel aanzetplaten
- Zijkantgeleider (liniaal)
- Wetsteen
- Stofzak
- Kniestuk
- Dopsleutel
- Afschuinliniaal

#### OPMERKING:

- Sommige items op de lijst kunnen zijn inbegrepen in de doos van het gereedschap als standaard toebehoren. Zij kunnen van land tot land verschillen.

#### Geluid

ENG905-1

De typische, A-gewogen geluidsniveaus zijn gemeten volgens EN60745:

##### Modellen KP0810

Geluidsdrukniveau ( $L_{pA}$ ): 88 dB (A)  
Geluidsvermogeniveau ( $L_{wA}$ ): 99 dB (A)  
Onzekerheid (K): 3 dB (A)

##### Modellen KP0810C

Geluidsdrukniveau ( $L_{pA}$ ): 82 dB (A)  
Geluidsvermogeniveau ( $L_{wA}$ ): 93 dB (A)  
Onzekerheid (K): 3 dB (A)

#### Draag gehoorbescherming.

## Trilling

ENG900-1

De totale trillingswaarde (triaxiale vectorsom) zoals vastgesteld volgens EN60745:

### Modellen KP0810

Gebruikstoepassing: schaven van zachthout

Trillingsemissie ( $a_h$ ): 3,0 m/s<sup>2</sup>

Onzekerheid (K): 1,5 m/s<sup>2</sup>

### Modellen KP0810C

Gebruikstoepassing: schaven van zachthout

Trillingsemissie ( $a_h$ ): 3,5 m/s<sup>2</sup>

Onzekerheid (K): 1,5 m/s<sup>2</sup>

ENG901-1

- De opgegeven trillingsemissiewaarde is gemeten volgens de standaardtestmethode en kan worden gebruikt om dit gereedschap te vergelijken met andere gereedschappen.
- De opgegeven trillingsemissiewaarde kan ook worden gebruikt voor een beoordeling vooraf van de blootstelling.

### WAARSCHUWING:

- De trillingsemissie tijdens het gebruik van het elektrisch gereedschap in de praktijk kan verschillen van de opgegeven trillingsemissiewaarde afhankelijk van de manier waarop het gereedschap wordt gebruikt.
- Zorg ervoor dat veiligheidsmaatregelen worden getroffen ter bescherming van de operator die zijn gebaseerd op een schatting van de blootstelling onder praktijkomstandigheden (rekening houdend met alle fasen van de bedrijfscyclus, zoals de tijdsduur gedurende welke het gereedschap is uitgeschakeld en stationair draait, naast de ingeschakelde tijdsduur).

## Alleen voor Europese landen

ENH101-15

### EU-verklaring van conformiteit

**Wij, Makita Corporation, als de verantwoordelijke fabrikant, verklaren dat de volgende Makita-machine(s):**

Aanduiding van de machine:

Elektrische schaaaf

Modelnr./Type: KP0810 en KP0810C

in serie zijn geproduceerd en

### **Voldoen aan de volgende Europese richtlijnen:**

2006/42/EC

En zijn gefabriceerd in overeenstemming met de volgende normen of genormaliseerde documenten:

EN60745

De technische documentatie wordt bewaard door onze erkende vertegenwoordiger in Europa, te weten:

Makita International Europe Ltd.

Michigan Drive, Tongwell,

Milton Keynes, Bucks MK15 8JD, Engeland

30. 1. 2009



Tomoyasu Kato

Directeur

Makita Corporation

3-11-8, Sumiyoshi-cho,

Anjo, Aichi, 446-8502, JAPAN

# ESPAÑOL (Instrucciones originales)

## Explicación de los dibujos

- |                                                                   |                                            |                                                |
|-------------------------------------------------------------------|--------------------------------------------|------------------------------------------------|
| 1. Pomo                                                           | 22. Talón de la placa de ajuste            | 42. Tornillo (A)                               |
| 2. Puntero                                                        | 23. Placa de ajuste                        | 43. Tornillo (B)                               |
| 3. Botón de bloqueo/desbloqueo                                    | 24. Lado interior de la placa del calibre  | 44. Tope de borde                              |
| 4. Interruptor disparador                                         | 25. Parte posterior de la base del calibre | 45. Ranura V (longitud de achaflanado mediana) |
| 5. Cuchilla de la cepilladora                                     | 26. Cuchilla pequeña de la cepilladora     | 46. Ranura V (longitud de achaflanado pequeña) |
| 6. Base trasera                                                   | 27. Canal de guía                          | 47. Ranura V (longitud de achaflanado grande)  |
| 7. Pie                                                            | 28. Placa de ajuste                        | 48. Regla de achaflanado                       |
| 8. Llave de cubo                                                  | 29. Pernos de cabeza de arandela hexagonal | 49. Borde de regla de achaflanado              |
| 9. Pernos                                                         | 30. Tope                                   | 50. Soporte de afilado                         |
| 10. Tambor                                                        | 31. Abertura de descarga de virutas        | 51. Tuerca de mariposa                         |
| 11. Cubierta del tambor                                           | 32. Parte cóncava                          | 52. Cuchilla (A)                               |
| 12. Placa de ajuste                                               | 33. Saliente                               | 53. Cuchilla (B)                               |
| 13. Borde interior de la placa del calibre                        | 34. Bolsa colectora de polvo               | 54. Lado (D)                                   |
| 14. Borde de la cuchilla                                          | 35. Cierre                                 | 55. Lado (C)                                   |
| 15. Tornillos                                                     | 36. Aspirador                              | 56. Marca de límite                            |
| 16. Talón                                                         | 37. Codo                                   | 57. Destornillador                             |
| 17. Parte posterior de la base del calibre                        | 38. Inicio                                 | 58. Cubierta trasera                           |
| 18. Placa del calibre                                             | 39. Final                                  | 59. Escobillas de carbón                       |
| 19. Base del calibre                                              | 40. Línea de corte                         |                                                |
| 20. Tornillo de cabezal giratorio                                 | 41. Guía de profundidad                    |                                                |
| 21. Lengüetas de posicionamiento de la cuchilla de la cepilladora |                                            |                                                |

## ESPECIFICACIONES

Modelo	KP0810	KP0810C
Anchura de cepillado	82 mm	
Profundidad de cepillado	4 mm	
Profundidad de galce	25 mm	
Velocidad en vacío (mín <sup>-1</sup> )	16.000	12.000
Longitud total	290 mm	
Peso neto	3,3 kg	3,4 kg
Clase de seguridad	II/III	

- Debido a nuestro programa continuo de investigación y desarrollo, las especificaciones aquí descritas están sujetas a cambios sin previo aviso.
- Las especificaciones pueden ser diferentes de un país a otro.
- Peso de acuerdo con el procedimiento EPTA 01/2003

### Uso previsto

ENE001-1

La herramienta está diseñada para cepillar madera.

### Alimentación

ENF002-2

La herramienta debe conectarse solamente a una fuente de alimentación de la misma tensión que la indicada en la placa de características, y sólo puede funcionar con corriente alterna monofásica. La herramienta cuenta con un doble aislamiento y puede, por lo tanto, usarse también en tomacorrientes sin conductor de tierra.

## Advertencias de seguridad generales para herramientas eléctricas

GEA010-1

**⚠ ADVERTENCIA** Lea todas las advertencias de seguridad y todas las instrucciones. La no observancia de las advertencias y las instrucciones puede provocar descargas eléctricas, incendios y/o lesiones graves.

## Guarde todas las advertencias e instrucciones para futuras consultas.

## ADVERTENCIAS DE SEGURIDAD DE LA CEPILLADORA

GEB010-5

1. **Espera a que se detenga la cuchilla antes de dejar la herramienta.** Una cuchilla expuesta que esté girando puede entrar en contacto con una superficie y provocar una posible pérdida de control y graves lesiones.
2. **Sujete la herramienta eléctrica solamente por las superficies de agarre aisladas, ya que la cuchilla puede entrar en contacto con su propio cable.** Si se corta un cable con corriente, puede que las piezas metálicas expuestas de la herramienta se carguen

también de corriente y el operario reciba una descarga eléctrica.

3. **Utilice mordazas u otros medios de sujeción prácticos para sujetar y apoyar la pieza de trabajo en una plataforma estable.** La sujeción de la pieza con la que trabaja con la mano o contra el cuerpo la deja en un estado inestable y puede provocar la pérdida de control.
4. **Nunca deben dejarse trapos, trozos de tela, cables, cuerdas y elementos similares en el área de trabajo.**
5. **Evite cortar clavos. Antes de trabajar, inspeccione la pieza de trabajo y extraiga todos los clavos.**
6. **Utilice sólo cuchillas afiladas. Manipule las cuchillas con mucho cuidado.**
7. **Asegúrese de que los pernos de montaje de la cuchilla estén firmemente apretados antes de su uso.**
8. **Sujete firmemente la herramienta con ambas manos.**
9. **Mantenga las manos alejadas de las partes giratorias.**
10. **Antes de utilizar la herramienta en una pieza de trabajo, déjela en marcha durante unos instantes. Esté atento por si se producen vibraciones u oscilaciones, lo que indicaría que la hoja no se ha instalado correctamente o que está mal equilibrada.**
11. **Asegúrese de que la hoja de sierra no esté tocando la pieza de trabajo antes de activar el interruptor.**
12. **Espere a que la hoja alcance la velocidad máxima antes de cortar.**
13. **Apague la herramienta y espere siempre a que la cuchilla se haya parado antes de realizar cualquier ajuste.**
14. **Nunca introduzca un dedo en el conducto para virutas. El conducto puede atascarse al cepillar madera húmeda. Limpie las virutas con un palo.**
15. **No deje la herramienta encendida. Póngala en marcha solamente cuando la tenga en las manos.**
16. **Cambie siempre ambas cuchillas o cubiertas del tambor; de lo contrario, el desequilibrio resultante provocará vibraciones y acortará la vida de la herramienta.**
17. **Utilice solamente cuchillas Makita especificadas en este manual.**
18. **Utilice siempre la mascarilla antipolvo o la mascarilla de respiración adecuada para el material y la aplicación con que esté trabajando.**

## GUARDE ESTAS INSTRUCCIONES.

### ADVERTENCIA:

**NO** deje que la comodidad o la familiaridad con el producto (a base de utilizarlo repetidamente) sustituya la estricta observancia de las normas de seguridad del producto en cuestión. El MAL USO o la no observancia de las normas de seguridad expuestas en este manual de instrucciones pueden ocasionar graves daños corporales.

## DESCRIPCIÓN DEL FUNCIONAMIENTO

### PRECAUCIÓN:

- Asegúrese siempre de que la herramienta esté apagada y desenchufada antes de intentar realizar cualquier tipo de ajuste o comprobación en ella.

### Ajuste de la profundidad de corte (Fig. 1)

La profundidad de corte se puede ajustar con sólo girar el pomo de la parte delantera de la herramienta de forma que el puntero señale la profundidad de corte deseada.

### Funcionamiento del interruptor (Fig. 2)

#### PRECAUCIÓN:

- Antes de enchufar la herramienta, asegúrese siempre de que el interruptor disparador funcione como es debido y de que vuelva a la posición "OFF" (apagado) al soltarlo.

#### Para herramientas con botón de bloqueo

Para poner en marcha la herramienta, simplemente accione el interruptor disparador. Suelte el interruptor disparador para detener la herramienta. Para un uso continuo, tire del interruptor disparador y después pulse el botón de bloqueo desde ambos lados. Para detener la herramienta desde la posición de bloqueo, tire totalmente del interruptor disparador y suéltelo.

#### Para herramientas con botón de desbloqueo

Para evitar que el interruptor disparador se accione accidentalmente se proporciona un botón de desbloqueo. Para poner en marcha la herramienta, presione el botón de desbloqueo desde ambos lados y tire del interruptor disparador. Suelte el interruptor disparador para detener la herramienta.

## Función electrónica

### Sólo en el modelo KP0810C

Las herramientas que disponen de función electrónica son fáciles de manejar porque cuentan con las características siguientes.

#### Control de velocidad constante

Se trata de un control electrónico de la velocidad para lograr una velocidad constante. Permite obtener un acabado preciso, porque la velocidad de rotación se mantiene a un nivel constante incluso en caso de que haya carga.

#### Inicio lento

La característica de inicio lento minimiza la sacudida inicial y permite que la herramienta se ponga en marcha suavemente.

### Pie (Fig. 3)

Tras realizar una operación de corte, levante la parte posterior de la herramienta para que aparezca un pie bajo el nivel de la base posterior. De esta forma se evita que se dañen las cuchillas de la herramienta.

# MONTAJE

## PRECAUCIÓN:

- Asegúrese siempre de que la herramienta esté apagada y desenchufada antes de intentar realizar cualquier trabajo en ella.

## Extracción o instalación de las cuchillas de la cepilladora

### PRECAUCIÓN:

- Apriete los pernos de montaje de las cuchillas con cuidado cuando coloque las cuchillas en la herramienta. Un perno de montaje suelto puede ser peligroso. Compruebe siempre si están apretados firmemente.
- Manipule las cuchillas con mucho cuidado. Utilice guantes o trapos para proteger sus dedos o manos cuando retire o monte las cuchillas.
- Utilice sólo la llave de Makita para instalar o extraer las cuchillas. De lo contrario, podría apretar demasiado o de forma insuficiente los pernos de montaje y provocar lesiones.

### Para herramientas con cuchillas estándar de cepilladora (Fig. 4 - 6)

Para extraer las cuchillas del tambor, desatornille los pernos de montaje con la llave de cubo. La cubierta del tambor se soltará con las cuchillas.

Para montar las cuchillas, primero limpie todas las virutas o materias extrañas que estén adheridas al tambor o a las cuchillas. Utilice cuchillas de iguales dimensiones y peso o el tambor oscilará/vibrará, lo que provocará pobres resultados de cepillado y, en última instancia, la avería de la herramienta.

Coloque la cuchilla en la base del calibre para que el borde de la cuchilla esté perfectamente asentado en el borde interior de la placa del calibre. Coloque la placa de ajuste en la cuchilla y después presione el talón de la placa de ajuste asentada sobre el lado posterior de la base del calibre con dos tornillos en la placa de ajuste. Ahora deslice el talón de la placa de ajuste en la ranura del tambor y después encaje la cubierta del tambor en él. Apriete todos los pernos de montaje uniformemente y de forma alternativa con la llave de tubo.

### Para herramientas con cuchillas pequeñas de cepilladora

1. Si la herramienta se ha utilizado, extraiga la cuchilla existente, y limpie con cuidado las superficies del tambor y la cubierta del tambor. Para extraer las cuchillas del tambor, desatornille los tres pernos de montaje con la llave de cubo. La cubierta del tambor se soltará con las cuchillas. (Fig. 7)
2. Para montar las cuchillas, coloque de forma holgada la placa de ajuste en la placa de posicionamiento con los tornillos de cabezal giratorio y fije la cuchilla pequeña de la cepilladora en la base del calibre para que el borde de corte de la cuchilla se asiente perfectamente con el lado interior de la placa del calibre. (Fig. 8)
3. Coloque la placa de ajuste/placa de posicionamiento en la base del calibre para que las lengüetas de posicionamiento de la cuchilla de la cepilladora en la placa de posicionamiento descansen sobre la ranura de la cuchilla pequeña de la cepilladora y, a

continuación, presione el talón de la placa de ajuste con la parte posterior de la base del calibre y apriete los tornillos de cabezal giratorio.

4. Es importante que la cuchilla se asiente completamente en el lado interior de la placa del calibre, que las lengüetas de posicionamiento de la cuchilla se asienten en la ranura de la cuchilla y que el talón de la placa de ajuste esté asentado en la parte posterior de la base del calibre. Compruebe esta alineación cuidadosamente para garantizar un corte uniforme.
5. Deslice el talón de la placa de ajuste en la ranura del tambor.
6. Coloque la cubierta del tambor sobre la placa de ajuste/placa de posicionamiento y atornille los tres pernos de cabeza de arandela hexagonal de forma que haya un espacio entre el tambor y la placa de posicionamiento para deslizar la cuchilla pequeña de la cepilladora hasta su posición. La cuchilla será colocada por las lengüetas de posicionamiento de la cuchilla de la cepilladora en la placa de posicionamiento. (Fig. 9)
7. El ajuste longitudinal de la cuchilla deberá realizarse manualmente para que los extremos de la cuchilla estén limpios y equidistantes del alojamiento en un lado y del soporte metálico en el otro.
8. Apriete los tres pernos de cabeza de arandela hexagonal (con la llave de tubo proporcionada) y gire el tambor para comprobar las holguras entre los extremos de la cuchilla y el cuerpo de la herramienta.
9. Compruebe que los tres pernos de cabeza de arandela hexagonal estén bien apretados.
10. Repita los procedimientos 1 - 9 para otra cuchilla.

### Para el correcto ajuste de la cuchilla de la cepilladora

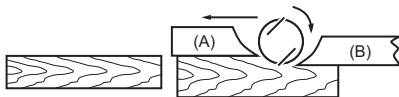
La superficie de cepillado tendrá un acabado rugoso y desigual, a menos que la cuchilla se coloque de forma correcta y fija. La cuchilla debe montarse de modo que el borde de corte esté absolutamente nivelado, es decir, paralelo a la superficie de la base posterior.

A continuación se muestran algunos ejemplos de ajustes correctos e incorrectos.

(A) Base delantera (zapata móvil)

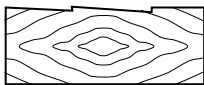
(B) Base trasera (zapata fija)

Ajuste correcto



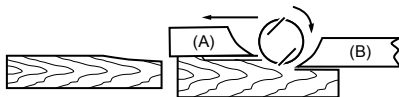
Aunque esta vista lateral no puede mostrarlo, los bordes de las cuchillas están perfectamente paralelos a la superficie de la base posterior.

Muestras en la superficie



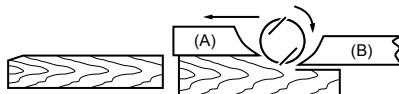
Causa: una o ambas cuchillas no tienen bordes paralelos a la línea de base posterior.

Ranurado al principio



Causa: uno o ambos bordes no sobresalen lo suficiente en relación con la línea de base posterior.

Ranurado al final



Causa: uno o ambos bordes sobresalen demasiado en relación con la línea de base posterior.

EN0004-1

## Cambio de dirección de la descarga de virutas (Fig. 10)

La dirección de descarga de virutas puede cambiarse a la derecha o a la izquierda. Para cambiar la dirección, tire del tope mientras lo gira ligeramente hacia atrás y ajústelo en una o dos aberturas del lado opuesto de descarga de virutas de modo que la parte cóncava quede ajustada al saliente. (Fig. 11)

## Bolsa colectora de polvo (accesorio) (Fig. 12)

Acople la bolsa colectora de polvo a la abertura de descarga de virutas.

La abertura de descarga de virutas tiene forma cónica. Cuando acople la bolsa colectora de polvo, empújela hasta el fondo de la abertura de descarga de virutas para evitar que se desprenda durante el funcionamiento de la herramienta.

Cuando la bolsa colectora de polvo esté medio llena, extráigala de la herramienta y tire del cierre. Vacíe la bolsa colectora de polvo y golpéela ligeramente para retirar las partículas adheridas al interior que podrían dificultar la posterior recolección. (Fig. 13)

### NOTA:

- Si conecta un aspirador Makita a esta herramienta se puede lograr un rendimiento más eficaz y un funcionamiento más limpio.

## Conexión del aspirador (Fig. 14)

Si desea realizar una operación de cepillado limpio, conecte un aspirador Makita a la herramienta. A continuación, conecte una manguera de la aspiradora a la abertura de descarga de virutas como se muestra en la figura.

## Codo (accesorio opcional) (Fig. 15)

El uso de un codo permite cambiar la dirección de descarga de virutas para trabajar con mayor limpieza.

Para montar el codo (accesorio opcional) en la herramienta, simplemente haga que resbale sobre ella. Para extraerlo, tire de él.

## MANEJO

Sujete firmemente el pomo de la herramienta con una mano y ponga la otra mano en la empuñadura del interruptor para utilizar la herramienta.

## Función de cepillado (Fig. 16)

En primer lugar deje descansar la base delantera de la herramienta plana sobre la superficie de la pieza de trabajo sin que las cuchillas tengan ningún contacto. Encienda y espere hasta que las cuchillas alcancen la velocidad completa. Mueva la herramienta suavemente hacia delante. Ejercer presión en la parte delantera de la herramienta al principio del cepillado y en la parte posterior al final del cepillado. El cepillado será más fácil si inclina la pieza de trabajo de forma fija, para que pueda deslizarse por una ligera pendiente.

La velocidad y la profundidad de corte determinan el tipo de acabado.

La cepilladora eléctrica sigue cortando a una velocidad que no provoca un atasco por virutas. Se puede aumentar la profundidad de corte para cortes rugosos, mientras que para un buen acabado debe reducirse la profundidad de corte y se debe avanzar más lentamente.

## Galce (rebajado) (Fig. 17)

Para realizar un corte por pasos como se muestra en la figura, utilice el tope de borde (regla de guía).

Ajuste la profundidad de galce con la ayuda de una guía de profundidad (accesorio).

Trace una línea de corte en la pieza de trabajo. Inserte el tope de borde en el orificio en la parte delantera de la herramienta. Alinee el borde de la cuchilla con la línea de corte. (Fig. 18)

Monte el tope de borde en la herramienta y fijelo con la arandela y el tornillo de mano (A). Afloje el tornillo de mano (B) y ajuste el tope de borde hasta que entre en contacto con el lateral de la pieza de trabajo. A continuación, apriete firmemente el tornillo de mano (B). (Fig. 19)

Cuando realice un cepillado, mueva la herramienta con el tope de borde bien asentado en el lateral de la pieza de trabajo. De lo contrario, el cepillado puede ser desigual.

#### PRECAUCIÓN:

- El borde de la cuchilla debe sobresalir ligeramente (0,2 mm – 0,4 mm) para los galces. (Fig. 20)
- Quizás desea aumentar la longitud del tope colocando una pieza de madera adicional. Se proporcionan unos cómodos orificios en el borde con este propósito, así como para acoplar una guía de extensión (accesorio opcional). (Fig. 21)

### Achaflanado (Fig. 22)

Para realizar un corte de achaflanado como se muestra en la figura, alinee una de las tres ranuras "V" en la base delantera con el borde de la pieza de trabajo y cepillela. (Fig. 23)

El uso de una regla de achaflanado (accesorio opcional) aporta una mayor estabilidad a la herramienta durante el galce. (Fig. 24)

Para montar la regla de achaflanado, extraiga dos tornillos de ambos lados de la parte delantera de la herramienta y ajuste la profundidad de corte en 4 mm. A continuación, móntela en la base delantera de la herramienta y fijela con los tornillos, como se muestra en la figura.

Cuando trabaje con una longitud de achaflanado grande, coloque un borde de la regla de achaflanado de forma que entre en contacto con la pieza de trabajo y realice numerosas pasadas de cepillado, como se muestra en la figura. (Fig. 25)

## MANTENIMIENTO

#### PRECAUCIÓN:

- Asegúrese siempre de que la herramienta esté apagada y desenchufada antes de intentar realizar cualquier trabajo de inspección o mantenimiento en ella.
- Nunca utilice gasolina, benceno, disolvente, alcohol o un producto similar. Se puede provocar una decoloración, una deformación o grietas.

### Afilado de las cuchillas de la cepilladora

#### Sólo para cuchillas estándar

Mantenga siempre las cuchillas afiladas para el mejor rendimiento posible. Utilice el soporte de afilado para eliminar muescas y lograr un borde fino. (Fig. 26)

Primero afloje las dos tuercas de mariposa en el soporte e inserte las cuchillas (A) y (B), para que entren en contacto con los lados (C) y (D). A continuación, apriete las tuercas de mariposa. (Fig. 27)

Sumerja la piedra de afilado en agua durante 2 ó 3 minutos antes del afilado. Sujete el soporte para que ambas cuchillas entren en contacto con la piedra de afilado para el afilado simultáneo en el mismo ángulo. (Fig. 28)

### Reemplazo de las escobillas de carbón (Fig. 29)

Extraiga y compruebe las escobillas de carbón regularmente.

Cámbielas cuando el desgaste alcance la marca de límite. Mantenga las escobillas de carbón limpias y de forma que entren libremente en los portaescobillas.

Ambas escobillas de carbón deberán ser sustituidas al mismo tiempo. Utilice únicamente escobillas de carbón idénticas.

Utilice un destornillador para extraer la cubierta trasera. (Fig. 30)

Saque las escobillas de carbón desgastadas, introduzca las nuevas y cierre la cubierta trasera. (Fig. 31)

Para conservar la SEGURIDAD y la FIABILIDAD del producto, los trabajos de reparación y otros trabajos de mantenimiento y ajuste deberán ser realizados en centros de servicio autorizados de Makita, utilizando siempre repuestos Makita.

## ACCESORIOS OPCIONALES

#### ⚠ PRECAUCIÓN:

- Se recomienda el uso de estos accesorios o complementos con la herramienta Makita especificada en este manual. El uso de otros accesorios o complementos puede conllevar el riesgo de ocasionar daños corporales. Utilice los accesorios o complementos solamente para su fin establecido.

Si necesita cualquier ayuda para obtener más información relativa a estos accesorios, pregunte a su centro de servicio Makita local.

- Cuchilla de cepilladora fabricada de acero de corte rápido
- Cuchilla de cepilladora de carburo de tungsteno (para prolongar la vida de la cuchilla)
- Cuchilla pequeña de la cepilladora
- Conjunto de soporte de afilado
- Calibre de cuchilla
- Conjunto de placa de posicionamiento
- Tope de borde (regla de guía)
- Piedra de afilado
- Conjunto de bolsa colectora de polvo
- Codo
- Llave de cubo
- Conjunto de regla de achaflanado

#### NOTA:

- Algunos elementos de la lista se pueden incluir en el paquete de la herramienta como accesorios estándar. Pueden ser diferentes de un país a otro.

#### Ruido

ENG905-1

Niveles típicos de ruido ponderado A determinados conforme a EN60745:

##### Modelo KP0810

Nivel de presión de sonido ( $L_{pA}$ ): 88 dB (A)

Nivel de potencia de sonido ( $L_{WA}$ ): 99 dB (A)

Incertidumbre (K): 3 dB (A)

##### Modelo KP0810C

Nivel de presión de sonido ( $L_{pA}$ ): 82 dB (A)

Nivel de potencia de sonido ( $L_{WA}$ ): 93 dB (A)

Incertidumbre (K): 3 dB (A)

Utilice protección para los oídos.

## Vibración

ENG900-1

Valor total de la vibración (suma de vectores triaxiales) determinado según el estándar EN60745:

### Modelo KP0810

Modo de trabajo: cepillado de madera blanda

Emisión de vibraciones ( $a_h$ ): 3,0 m/s<sup>2</sup>

Incertidumbre (K): 1,5 m/s<sup>2</sup>

### Modelo KP0810C

Modo de trabajo: cepillado de madera blanda

Emisión de vibraciones ( $a_h$ ): 3,5 m/s<sup>2</sup>

Incertidumbre (K): 1,5 m/s<sup>2</sup>

ENG901-1

- El valor de emisión de vibraciones se ha medido de acuerdo con el método de prueba estándar y se puede utilizar para comparar herramientas.
- El valor de emisión de vibraciones declarado también se puede usar en una evaluación preliminar de la exposición.

### ADVERTENCIA:

- La emisión de vibraciones durante el uso de la herramienta eléctrica puede diferir del valor de emisiones declarado, dependiendo de las formas en que se utiliza la herramienta.
- Asegúrese de identificar las mediciones correctas para proteger al operario, que se basan en una estimación de la exposición en condiciones de uso reales (teniendo en cuenta todas las partes del ciclo de operaciones, como los momentos en los que la herramienta está apagada y cuando funciona al ralentí además del tiempo en que está activado el interruptor).

## Sólo para países europeos

ENH101-15

### Declaración de conformidad de la CE

**Nosotros, Makita Corporation, en calidad de fabricante responsable, declaramos que las siguientes máquinas Makita:**

Designación de la máquina:

Cepilladora eléctrica

Nº de modelo/ Tipo: KP0810, KP0810C

son de producción serie y

### Cumplen con las siguientes Directivas europeas:

2006/42/CE

Y se han fabricado de acuerdo con los siguientes estándares o documentos estandarizados:

EN60745

La documentación técnica la conserva nuestro representante autorizado en Europa, que es:

Makita International Europe Ltd.

Michigan Drive, Tongwell,

Milton Keynes, Bucks MK15 8JD, Inglaterra

30. 1. 2009



Tomoyasu Kato

Director

Makita Corporation

3-11-8, Sumiyoshi-cho,

Anjo, Aichi, 446-8502, JAPAN



## PORTUGUÊS (Instruções de origem)

### Descrição geral

1. Manípulo	20. Parafuso de cabeça plana	39. Fim
2. Ponteiro	21. Engates de posicionamento da lâmina da plaina	40. Linha de corte
3. Botão de bloqueio / Botão de desbloqueio	22. Calcanhar da chapa de ajuste	41. Guia de profundidade
4. Gatilho	23. Chapa de acerto	42. Parafuso (A)
5. Lâmina da plaina	24. Flanco interior da chapa de medição	43. Parafuso (B)
6. Base traseira	25. Lado posterior da base de medição	44. Protecção de escarificação
7. Pé	26. Lâmina da mini-plaina	45. Encaixe V (chanfradura média)
8. Chave de bocas	27. Encaixe	46. Encaixe V (chanfradura pequena)
9. Parafusos	28. Chapa de acerto	47. Encaixe V (chanfradura grande)
10. Tambor	29. Parafusos de flange sextavados	48. Guia de chanfradura
11. Tampa do tambor	30. Batente	49. Extremidade do guia de chanfradura
12. Chapa de afinação	31. Abertura da descarga de farpas	50. Suporte de afiamento
13. Extremidade interior da chapa de medição	32. Interior	51. Porca de orelhas
14. Extremidade da lâmina	33. Saliência	52. Lâmina (A)
15. Parafusos	34. Saco de pó	53. Lâmina (B)
16. Calcanhar	35. Fixador	54. Lado (D)
17. Lado posterior da base de medição	36. Aspirador	55. Lado (C)
18. Chapa de medição	37. Cotovelo	56. Marca limite
19. Base de medição	38. Início	57. Chave de parafusos
		58. Tampa posterior
		59. Escovas de carvão

## ESPECIFICAÇÕES

Modelo	KP0810	KP0810C
Largura de plainagem	82 mm	
Profundidade de plainagem	4 mm	
Profundidade de encaixe flutuante	25 mm	
Velocidade de rotação sem carga (min. <sup>-1</sup> )	16.000	12.000
Comprimento total	290 mm	
Peso líquido	3,3 kg	3,4 kg
Classe de segurança	II/II	

- Devido à pesquisa e desenvolvimento constantes, estas especificações estão sujeitas a alteração sem aviso prévio.
- Estas especificações podem diferir de país para país.
- Peso de acordo com procedimento EPTA de 01/2003

### Utilização prevista

ENE001-1

A ferramenta destina-se a plainar madeira.

### Fonte de alimentação

ENF002-2

A ferramenta apenas deve ser ligada a uma fonte de alimentação da mesma tensão que a indicada na chapa de especificações, e apenas pode funcionar com uma alimentação CA monofásica. Estão blindadas duplamente e podem, assim, ser igualmente ligadas a tomadas sem fio terra.

## Avisos gerais de segurança para ferramentas eléctricas

GEA010-1

**⚠ AVISO** Leia todos os avisos de segurança e todas as instruções. O não cumprimento dos avisos e instruções pode resultar na ocorrência de choques eléctricos, incêndios e/ou ferimentos graves.

## Guarde todos os avisos e instruções para referência futura.

## AVISOS DE SEGURANÇA DA PLAINA

GEB010-5

1. **Aguarde que o cortador pare antes de pousar a ferramenta.** Um cortador rotativo exposto pode engatar na superfície, levando a possíveis perdas de controlo e ferimentos graves.
2. **Apenas segure na ferramenta eléctrica pelas superfícies de pega isoladas, uma vez que o cortador pode tocar no seu próprio cabo.** Cortar um cabo sob tensão, as partes metálicas expostas da ferramenta eléctrica podem ficar igualmente sob tensão, podendo provocar um choque eléctrico no operador.
3. **Utilize grampos ou outra forma prática de fixar e suportar a peça de trabalho a uma plataforma estável.** Segurar na peça de trabalho com a mão ou

contra o corpo deixa-o instável e pode levar à perda de controlo.

4. **Panos, tecidos, cabos, fios e semelhantes nunca devem ser deixados perto da zona de trabalho.**
5. **Evite cortar pregos. Verifique a existência e retire todos os pregos da peça de trabalho, antes de utilizar.**
6. **Utilize apenas lâminas afiadas. Manuseie as lâminas com muito cuidado.**
7. **Certifique-se de que os parafusos de fixação da lâmina estão bem apertados antes de utilizar.**
8. **Segure a ferramenta com firmeza, com as duas mãos.**
9. **Afaste as mãos das peças em movimento.**
10. **Antes de utilizar a ferramenta numa peça de trabalho, deixe-a a trabalhar durante algum tempo. Procure a existência de vibrações ou abanamentos que possam indicar uma má fixação ou uma lâmina mal equilibrada.**
11. **Certifique-se de que a lâmina não está em contacto com a peça de trabalho antes de ligar o interruptor.**
12. **Aguarde até que a lâmina atinja a velocidade máxima antes de cortar.**
13. **Desligue sempre e aguarde que as lâminas parem completamente antes de efectuar qualquer ajuste.**
14. **Nunca coloque o dedo na saída das farpas. A saída poderá encravar quando cortar madeira húmida. Limpe as farpas com um pau.**
15. **Não abandone a ferramenta a funcionar. Ponha-a a funcionar apenas quando estiver a segurá-la.**
16. **Mude sempre ambas as lâminas ou tampas no tambor, caso contrário o desequilíbrio resultante causará vibrações e diminuirá a longevidade da ferramenta.**
17. **Utilize apenas lâminas Makita especificadas neste manual.**
18. **Use sempre a máscara contra o pó/respirador correctos para o material e aplicação em que está a trabalhar.**

## GUARDE ESTAS INSTRUÇÕES.

### AVISO:

**NÃO** deixe que o progressivo à vontade com o produto (resultante de uma utilização frequente) o faça esquecer o estrito cumprimento das regras de segurança de utilização do produto.  
**A UTILIZAÇÃO INCORRECTA** ou o não cumprimento das regras de segurança fornecidas neste manual de instruções podem provocar ferimentos graves.

## DESCRIÇÃO DO FUNCIONAMENTO

### PRECAUÇÃO:

- Certifique-se sempre de que a ferramenta está desligada e com o fio desligado da corrente antes de proceder a ajustamentos ou testar a ferramenta.

### Regular a profundidade de corte (Fig. 1)

A profundidade de corte poderá ser ajustada rodando o manípulo na frente da ferramenta, para que o ponteiro aponte para a profundidade de corte pretendida.

## Acção do interruptor (Fig. 2)

### PRECAUÇÃO:

- Antes de inserir a ficha da ferramenta na tomada, verifique se o gatilho está a funcionar correctamente e se volta à posição “OFF” quando o solta.

### Para as ferramentas com botão de bloqueio

Para pôr a ferramenta a funcionar, prima o gatilho. Para parar a ferramenta, solte o gatilho.

Para um funcionamento contínuo, puxe o gatilho e pressione o botão de bloqueio em ambos os lados.

Para parar a ferramenta da posição de bloqueada, puxe totalmente o gatilho e solte-o.

### Para as ferramentas com botão de desbloqueio

Para evitar que o gatilho seja acidentalmente puxado, é fornecido botão de bloqueio.

Para iniciar a ferramenta, pressione o botão de bloqueio em qualquer dos lados e puxe o gatilho. Para parar a ferramenta, solte o gatilho.

## Função electrónica

### Apenas para o modelo KP0810C

As ferramentas equipadas com funções electrónicas são fáceis de utilizar devido às seguintes funcionalidades.

### Controlo de velocidade constante

Controlo electrónico de velocidade para obter uma velocidade constante. É possível obter um acabamento fino, uma vez que a velocidade de rotação é mantida constante, mesmo em condições de carga.

### Arranque suave

A funcionalidade de arranque suave minimiza o choque do arranque e faz com que a ferramenta arranque suavemente.

## Pé (Fig. 3)

Após uma operação de corte, levante o lado posterior da ferramenta, saindo um pé debaixo da parte nivelada da base traseira. Isto evita danificar as lâminas da ferramenta.

## MONTAGEM

### PRECAUÇÃO:

- Certifique-se sempre de que a ferramenta está desligada e com o fio desligado da corrente antes de efectuar qualquer trabalho com a ferramenta.

## Remover ou instalar as lâminas da plaina

### PRECAUÇÃO:

- Aperte bem os parafusos de fixação da lâmina quando fixar as lâminas à ferramenta. Um parafuso de fixação solto pode ser perigoso. Verifique sempre se estão bem apertados.
- Manuseie as lâminas com muito cuidado. Utilize luvas ou panos para proteger os dedos ou mãos quando retirar ou instalar as lâminas.
- Utilize apenas a chave Makita fornecida para instalar ou remover as lâminas. Caso contrário, poderá apertar em demasia ou insuficientemente os parafusos de fixação. Isto poderá causar ferimentos.

### Para as ferramentas com as lâminas de plaina padrão (Fig. 4 - 6)

Para remover as lâminas no tambor, desaperte os parafusos de fixação com a chave de bocas. A tampa do tambor sai juntamente com as lâminas.

Para montar as lâminas, limpe primeiro todas as farpas ou material estranho que esteja colado ao tambor ou lâminas. Utilize lâminas das mesmas dimensões e peso, caso contrário resultará em oscilação/vibração do tambor, o que causará uma fraca acção de plainagem e, por fim, a avaria da ferramenta.

Coloque a lâmina na base de medição, para que a extremidade da lâmina esteja perfeitamente encaixada com a extremidade interior da chapa de medição. Coloque a chapa de ajuste na lâmina e pressione o calcanhar da chapa de ajuste até encaixar com o lado posterior da base de medição e aperte os dois parafusos na chapa de ajuste. Agora, deslize o calcanhar a chapa de ajuste para a ranhura do tambor e coloque a tampa do tambor por cima.

Aperte todos os parafusos de fixação de forma uniforme e alternada com a chave de bocas.

### Para ferramentas com as lâminas de mini-plaina

1. Retire a lâmina existente, se a ferramenta tiver estado em utilização, limpe cuidadosamente as superfícies do tambor e a tampa do tambor. Para remover as lâminas no tambor, desaperte os três parafusos de fixação com a chave de bocas. A tampa do tambor sai juntamente com as lâminas. (Fig. 7)
2. Para montar as lâminas, coloque a chapa de ajuste sem prender na chapa de acerto com os parafusos de cabeça plana e coloque a lâmina da mini-plaina na base de medição, para que a extremidade de corte da lâmina esteja perfeitamente encaixada com o flanco interior da chapa de medição. (Fig. 8)
3. Coloque a chapa de acerto/chapa de ajuste na base de medição, de forma a que os engates de posicionamento da lâmina da plaina na chapa de acerto assentem no encaixe da lâmina da mini-plaina, de seguida pressione o calcanhar da chapa de ajuste

até encaixar com o lado posterior da base de medição e aperte os parafusos de cabeça plana.

4. É importante que a lâmina encaixe totalmente com o flanco interior da chapa de medição, que os encaixes de posicionamento da lâmina da plaina assentem no encaixe da lâmina e que o calcanhar da chapa de ajuste esteja totalmente encaixada com o lado posterior da base de medição. Verifique cuidadosamente este alinhamento para garantir um corte uniforme.
5. Deslize o calcanhar da chapa de ajuste no encaixe do tambor.
6. Coloque a tampa do tambor por cima da chapa de acerto/chapa de ajuste e aparafuse os três parafusos de flange sextavados, de forma exista uma folga entre o tambor e a chapa de acerto para deslizar a lâmina da mini-plaina para a posição adequada. A lâmina será posicionada pelos engates de posicionamento da lâmina da plaina na chapa de acerto. (Fig. 9)
7. O ajuste da lâmina ao comprimento terá de ser posicionado manualmente, de forma a que as extremidades da lâmina estejam afastadas e equidistantes do alojamento num dos lados e o suporte de metal no outro.
8. Aperte os três parafusos de flange sextavados (com a chave de bocas fornecida) e rode o tambor para verificar a existência de folgas entre as extremidades da lâmina e o corpo da ferramenta.
9. Verifique os três parafusos de flange sextavados para o aperto final.
10. Repita os procedimentos 1 - 9 para a outra lâmina.

### Para a definição correcta da lâmina da plaina

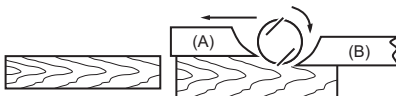
A superfície de plainagem ficará áspera e irregular, a não ser que a lâmina esteja acertada correcta e fixamente. A lâmina deve ser montada de forma a que a extremidade de corte esteja absolutamente nivelada, ou seja, paralela à superfície da base traseira.

Consulte em baixo alguns exemplos de acertos adequados e incorrectos.

(A) Base frontal (sapata móvel)

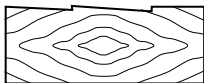
(B) Base traseira (sapata fixa)

Acerto correcto



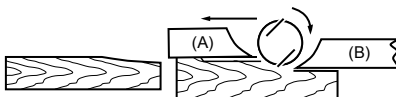
Embora esta vista de lado não a possa mostrar, as extremidades das lâminas deslizam perfeitamente em paralelo com a superfície da base traseira.

Imperfeições na superfície



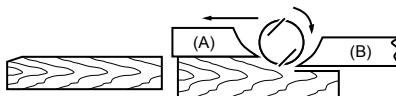
Causa: Uma ou ambas as lâminas não possuem uma extremidade paralela à linha da base traseira.

Ranhas no início



Causa: Uma ou ambas as extremidades das lâminas não estão suficientemente salientes em relação à linha da base traseira.

Ranhas no fim



Causa: Uma ou ambas as extremidades das lâminas estão demasiado salientes em relação à linha da base traseira.

## Mudança da direcção de saída das farpas (Fig. 10)

A direcção de saída das farpas pode ser mudada para a direita ou esquerda. Para mudar a direcção, puxe o batente para fora enquanto o roda ligeiramente para trás e encaixe-o numa das duas aberturas no lado oposto da saída de farpas, de forma a que a reentrância encaixe na saliência. (Fig. 11)

## Saco do pó (acessório) (Fig. 12)

Coloque o saco do pó na abertura da saída de farpas. A abertura da saída de farpas é cancelada. Quando colocar o saco do pó, empurre-o firmemente ao máximo para a abertura de saída das farpas, para evitar que saia durante o funcionamento.

Quando o saco do pó estiver meio cheio, retire o saco do pó da ferramenta e puxe o fixador para fora. Esvazie o saco do pó, batendo-lhe ligeiramente de forma a remover as partículas coladas ao interior, que poderão interferir nas recolhas posteriores. (Fig. 13)

### NOTA:

- Se ligar um aspirador Makita a esta ferramenta, poderão ser efectuadas operações mais eficientes e mais limpas.

## Ligar a um aspirador (Fig. 14)

Quando pretender efectuar uma operação de plainagem limpa, ligue um aspirador Makita à sua ferramenta. De seguida, ligue um tubo flexível do aspirador à abertura de saída de farpas, tal como indicado nas ilustrações.

## Cotovelo (acessório opcional) (Fig. 15)

A utilização do cotovelo permite mudar a direcção da descarga de farpas para efectuar um trabalho mais limpo. Monte o cotovelo (acessório opcional) na ferramenta, encaixando-o. Para o remover, basta retirá-lo.

## FUNCIONAMENTO

Segure firmemente com uma mão no manípulo e a outra mão na pega do gatilho, quando trabalhar com a ferramenta.

## Operação de plainagem (Fig. 16)

Em primeiro lugar, assente a base frontal da ferramenta na superfície da peça de trabalho, sem que as lâminas façam qualquer contacto. Ligue e aguarde até que as lâminas atinjam a velocidade máxima. De seguida, mova a ferramenta suavemente para a frente. Aplique pressão na frente da ferramenta no início da plainagem e na parte posterior no fim da plainagem. A plainagem será mais fácil se inclinar a peça de trabalho de forma fixa, para que possa plainar um pouco inclinado para baixo. A velocidade e profundidade de corte determinam o tipo de acabamento.

A plaina eléctrica continua a cortar a uma velocidade que não resulte em encravamento devido a farpas. Para desbaste, é possível aumentar a profundidade de corte, embora para obter um bom acabamento deva reduzir a profundidade de corte e avançar a ferramenta mais lentamente.

## Ranhuragem (Fig. 17)

Para fazer um corte de degrau tal como o apresentado na figura, utilize a protecção de escarificação (guia). Ajuste a profundidade de ranhuragem utilizando um guia de profundidade (acessório).

Desenhe uma linha de corte na peça de trabalho. Insira a protecção de escarificação no orifício na frente da ferramenta. Alinhe a extremidade da lâmina com a linha de corte. (Fig. 18)

Instale a vedação de escarificação na ferramenta e fixe-a com a anilha e parafuso de polegar (A). Desaperte o parafuso de polegar (B) e ajuste a vedação de escarificação até que entre em contacto com o lado da peça de trabalho. De seguida, aperte bem o parafuso de polegar (B). (Fig. 19)

Quando plainar, mova a ferramenta com a protecção de escarificação encostada ao lado da peça de trabalho. Caso contrário, poderá ocorrer uma plainagem irregular.

### PRECAUÇÃO:

- A extremidade da lâmina deve ficar ligeiramente saliente para fora (0,2 mm - 0,4 mm) para ranhuragem. (Fig. 20)

Poderá pretender acrescentar ao comprimento da protecção colocando um pedaço adicional de madeira. Existem orifícios convenientes na protecção para este objectivo e também para colocar um guia de extensão (acessório opcional). (Fig. 21)

## Chanfradura (Fig. 22)

Para fazer um corte de chanfradura tal como mostrado na figura, alinhe um dos três encaixes "V" na base frontal com a extremidade da peça de trabalho e faça a plainagem. (Fig. 23)

A utilização da régua de chanfradura (acessório opcional) garante uma maior estabilidade da ferramenta quando efectuar a ranhuragem. (Fig. 24)

Para montar a régua de chanfradura, retire os dois parafusos em ambos os lados da frente da ferramenta e defina a profundidade de corte para 4 mm. De seguida, monte-a na base frontal da ferramenta e fixe-a aos parafusos, tal como ilustrado na figura.

Quando efectuar uma grande quantidade de chanfradura, coloque uma extremidade na régua de chanfradura, e efectue muitas passagens de plaina, tal como mostrado na figura. (Fig. 25)

## MANUTENÇÃO

### PRECAUÇÃO:

- Certifique-se sempre de que a ferramenta está desligada e o fio desligado da corrente antes de inspecionar ou fazer a manutenção da ferramenta.
- Nunca utilize gasolina, benzina, diluente, álcool ou semelhantes. Podem formar-se descolorações, deformações ou fissuras.

## Afiar as lâminas da plaina

### Apenas para lâminas padrão

Mantenha sempre as lâminas afiadas para obter o melhor desempenho possível. Utilize o fixador de afiamento para remover as imperfeições e produzir uma extremidade fina. (Fig. 26)

Em primeiro lugar, solte as duas porcas de orelhas no suporte e insira as lâminas (A) e (B), de forma a que entrem em contacto com os lados (C) e (D). De seguida, aperte as porcas de orelhas. (Fig. 27)  
Coloque a pedra de amolar em água durante 2 ou 3 minutos antes de afiar. Segure no suporte de forma a que ambas as lâminas entrem em contacto com a pedra de amolar, para afiar ao mesmo tempo no mesmo ângulo. (Fig. 28)

## Substituir as escovas de carvão (Fig. 29)

Remova e verifique regularmente as escovas de carvão. Substitua-as quando o desgaste atingir a marca limite. Mantenha-as limpas para poderem deslizar no porta-escovas.  
Substitua as duas ao mesmo tempo. Utilize unicamente escovas de carvão idênticas.  
Utilize uma chave de fendas para retirar a tampa traseira. (Fig. 30)  
Retire as escovas usadas, coloque umas novas e fixe a tampa traseira. (Fig. 31)  
Para manter a SEGURANÇA e FIABILIDADE do produto, as reparações e os procedimentos de manutenção ou ajustes devem ser executados por centros de assistência Makita autorizados, utilizando sempre peças de substituição Makita.

## ACESSÓRIOS OPCIONAIS

### ⚠️ PRECAUÇÃO:

- Os seguintes acessórios ou extensões são os recomendados para utilizar com a ferramenta Makita especificada neste manual. A utilização de quaisquer outros acessórios poderá representar um risco de ferimento para as pessoas. Apenas utilize o acessório para o fim indicado.

Se precisar de informações adicionais relativas aos acessórios, contacte o centro local de assistência Makita.

- Lâmina da plaina de aço de alta velocidade
- Lâmina da plaina de carboneto de tungsténio (para uma maior longevidade da lâmina)
- Lâmina da mini-plaina
- Suporte de afiamento
- Medidor da lâmina
- Chapa de acerto
- Vedação para escarificação (guia paralela)
- Pedra de amolar
- Saco de pó
- Cotovelo
- Chave de bocas
- Guia de chanfradura

### NOTA:

- Alguns itens na lista podem estar incluídos no pacote de ferramentas como acessórios de série. Podem diferir de país para país.

## Ruído

ENG905-1

Os níveis acústicos ponderados A típicos foram determinados segundo a EN60745:

### Modelo KP0810

Nível de pressão sonora ( $L_{pA}$ ): 88 dB (A)  
Nível de potência sonora ( $L_{WA}$ ): 99 dB (A)  
Incerteza (K): 3 dB (A)

### Modelo KP0810C

Nível de pressão sonora ( $L_{pA}$ ): 82 dB (A)  
Nível de potência sonora ( $L_{WA}$ ): 93 dB (A)  
Incerteza (K): 3 dB (A)

### Use protecção para os ouvidos.

## Vibração

ENG900-1

O valor total da vibração (soma triaxial de vectores) foi determinado segundo a EN60745:

### Modelo KP0810

Modo de trabalho: plainar madeira de resinosas  
Emissão de vibração ( $a_{h1}$ ): 3,0 m/s<sup>2</sup>  
Incerteza (K): 1,5 m/s<sup>2</sup>

### Modelo KP0810C

Modo de trabalho: plainar madeira de resinosas  
Emissão de vibração ( $a_{h1}$ ): 3,5 m/s<sup>2</sup>  
Incerteza (K): 1,5 m/s<sup>2</sup>

ENG901-1

- O valor da emissão de vibração declarado foi medido de acordo com o método de teste padrão e pode ser utilizado para comparar uma ferramenta com outra.
- O valor da emissão de vibração declarado pode também ser utilizado numa avaliação preliminar de exposição.

### ⚠️ AVISO:

- A emissão de vibração durante a utilização real da ferramenta eléctrica pode ser diferente do valor de emissão declarado, dependendo da forma como a ferramenta é utilizada.
- Certifique-se de que identifica medidas de segurança, para proteger o operador, que são baseadas numa estimativa de exposição nas condições reais de utilização (tendo em conta todas as partes do ciclo de funcionamento, como as vezes que a ferramenta é desligada e quando está a trabalhar ao ralenti, além do tempo de utilização).

## Apenas para os países europeus

ENH101-15

### Declaração de conformidade CE

**A Makita Corporation, na qualidade do fabricante responsável, declara que a(s) máquina(s) Makita seguinte(s):**

Designação da máquina:

Plaina eléctrica

N.º de modelo/Tipo: KP0810, KP0810C

são produzidas em série e

**estão em conformidade com as Directivas Europeias seguintes:**

2006/42/EC

E são fabricadas de acordo com as normas ou os documentos padronizados seguintes:

EN60745

A documentação técnica é mantida pelo nosso representante autorizado na Europa, que é:  
Makita International Europe Ltd.  
Michigan Drive, Tongwell,  
Milton Keynes, Bucks MK15 8JD, Inglaterra

30. 1. 2009



Tomoyasu Kato  
Director  
Makita Corporation  
3-11-8, Sumiyoshi-cho,  
Anjo, Aichi, 446-8502, JAPAN

## DANSK (Originalvejledning)

### Forklaring til generel oversigt

1. Knap	21. Høvljerns styrefaner	41. Dybdeguide
2. Pil	22. Bagkant på justeringsplade	42. Skrue (A)
3. Låseknop/sikringsknop	23. Låge	43. Skrue (B)
4. Kontaktgreb	24. Indre frigangsflade på måleplade	44. Kantafskærmning
5. Høvljern	25. Bagside af målebase	45. V-rille (moderat skraskæring)
6. Bagende	26. Minihøvljern	46. V-rille (lidt skraskæring)
7. Fodstykke	27. Rille	47. V-rille (meget skraskæring)
8. Topnøgle	28. Låge	48. Skraskæringsmålepind
9. Bolte	29. Sekskantede flangehovedbolte	49. Kant af skraskæringsmålepind
10. Tromle	30. Stopper	50. Slibningsholder
11. Tromledæksel	31. Spånudledning	51. Vingemøtrik
12. Justeringsplade	32. Forsænkede del	52. Høvljern (A)
13. Indre kant af måleplade	33. Fremspring	53. Høvljern (B)
14. Jernskær	34. Støvsuge	54. Side (D)
15. Skruer	35. Lukkemekanisme	55. Side (C)
16. Bagkant	36. Støvsuger	56. Slidgrænse
17. Bagside af målebase	37. Spånstuds	57. Skruetrækker
18. Måleplade	38. Start	58. Bagdæksel
19. Målebase	39. Slut	59. Kulbørster
20. Rundhovedet skrue	40. Skærelinje	

## SPECIFIKATIONER

Model	KP0810	KP0810C
Høvlbredde	82 mm	
Høvl dybde	4 mm	
Overfalsningsdybde	25 mm	
Hastighed uden belastning (min <sup>-1</sup> )	16.000	12.000
Længde i alt	290 mm	
Nettovægt	3,3 kg	3,4 kg
Sikkerhedsklasse	II/II	

- På grund af vores løbende forsknings- og udviklingsprogram kan specifikationerne heri ændres uden forudgående varsel.
- Specifikationerne kan variere fra land til land.
- Vægt i henhold til EPTA-procedure 01/2003

### Tilsigtet brug

ENE001-1

Værktøjet er beregnet til træafhøvling.

### Strømforsyning

ENF002-2

Værktøjet bør kun slutes til en strømforsyning med den spænding, der er angivet på mærkepladen, og det kan kun benyttes med enkelfaset vekselstrøm. Det er dobbelt isoleret og kan derfor også slutes til stikkontakter uden jordforbindelse.

## Generelle sikkerhedsadvarsler for maskiner

GEA010-1

**⚠ ADVARSEL Læs alle sikkerhedsadvarsler og alle instruktioner.** Hvis De ikke følger alle advarsler og instruktioner, kan det medføre elektrisk stød, brand og/eller alvorlig personskade.

## Gem alle advarsler og instruktioner til senere reference.

## SIKKERHEDSADVARSLER FOR HØVLE

GEB010-5

1. **Vent på, at skæret stopper, før du sætter værktøjet ned.** Et blottet roterende høvljern kan komme i kontakt med overfladen og føre til manglende kontrol over maskinen og alvorlige skader.
2. **Hold kun maskinen i de isolerede grebflader, da høvljernet kan komme i kontakt med maskinens egen ledning.** Hvis der skæres i en strømførende ledning, kan udsatte metaldele på maskinen blive strømførende, hvorved operatøren muligvis kan få elektrisk stød.
3. **Anvend skruetvinger eller en anden praktisk metode til at fastgøre og understøtte arbejdsområdet på et solidt underlag.** Hvis du holder emnet i din hånd eller mod kroppen, bliver det ustabil, så du risikerer at miste kontrollen.
4. **Der bør aldrig ligge klude, snore og lignende i nærheden af arbejdsområdet.**
5. **Undgå at skære i søm. Se efter, og fjern alle søm fra arbejdsområdet før arbejdet.**

6. **Brug kun skarpe høvljern. Håndter høvljernene yderst forsigtigt.**
7. **Sørg for, at høvljernet monteringsbolte er helt fastspændte, før værktøjet tages i brug.**
8. **Hold godt fast i værktøjet med begge hænder.**
9. **Hold hænderne på afstand af roterende dele.**
10. **Lad værktøjet køre et stykke tid, før det benyttes på et arbejdsemne. Hold øje med vibrationer eller slinger, der kan være tegn på en dårlig montering eller et dårligt afbalanceret høvljern.**
11. **Sørg for, at høvljernet ikke har kontakt med arbejdsemnet, før der tændes på kontakten.**
12. **Vent, til skiven når fuld hastighed, før du skærer.**
13. **Du skal altid slukke for værktøjet og vente på, at høvljernene er standset helt, før du foretager nogen justeringer.**
14. **Stik aldrig fingeren ind i spånrenden. Renden kan blive blokeret, når værktøjet skærer i fugtigt træ. Fjern spånerne med en pind.**
15. **Læg ikke værktøjet fra dig, mens det kører. Lad kun værktøjet køre, mens du holder det i hænderne.**
16. **Skift altid begge høvljern eller dæksler, da ubalancen ellers vil give vibrationer og forkorte værktøjets holdbarhed.**
17. **Brug kun de Makita-høvljern, der er angivet i denne brugsanvisning.**
18. **Anvend altid korrekt støvmaske/ åndedrætsbeskyttelse til det materiale og formål, du arbejder med.**

## GEM DISSE INSTRUKTIONER.

### ADVARSEL:

LAD IKKE tryghed eller kendskab til produktet (fra gentagen brug) føre til, at du ikke strengt overholder sikkerhedsreglerne for det gældende produkt. MISBRUG eller manglende overholdelse af sikkerhedsreglerne i denne brugsanvisning kan medføre alvorlig personskade.

## FUNKTIONSBESKRIVELSE

### FORSIGTIG:

- Sørg altid for, at værktøjet er slukket, og at stikket er taget ud af stikkontakten, før du justerer værktøjet eller kontrollerer dets funktion.

### Indstilling af skæredybde (Fig. 1)

Skæredybden kan justeres ganske enkelt ved at dreje på knappen foran på værktøjet, således at pilen peger på den ønskede skæredybde.

### Betjening af kontakt (Fig. 2)

#### FORSIGTIG:

- Før værktøjet tilsluttes, skal du altid kontrollere, at kontaktgrebet reagerer korrekt og vender tilbage til "OFF"-stillingen, når du slipper det.

#### For værktøjer med låseknop

For at starte værktøjet skal du blot trykke på kontaktgrebet. Slip kontaktgrebet for at stoppe.

Hvis værktøjet skal bruges i længere tid ad gangen, skal du trykke på kontakten og derefter trykke låseknappen ind i begge sider.

Når du vil stoppe værktøjet fra den låste position, skal du trykke kontakten helt ind og derefter slippe den.

#### For værktøjer med sikringsknop

En sikringsknop forhindrer, at kontaktgrebet trækkes op ved et uheld.

Værktøjet startes ved at trykke sikringsknappen ind fra en af siderne og trække i kontaktgrebet. Slip kontaktgrebet for at stoppe.

## Elektronisk funktionalitet

### Gælder kun for model KP0810C

Værktøjet er forsynet med elektronisk funktionalitet og er nemt at betjene, hvilket skyldes følgende funktioner.

#### Styring af konstant hastighed

Elektronisk styring af hastigheden gør det muligt at få en konstant hastighed. Det er muligt at få en pæn finish, fordi omdrejningshastigheden holdes konstant, selv når det er under en belastning.

#### Blød start

Funktionaliteten for blød start minimerer opstartsstødet og starter værktøjet mere blødt.

### Fodstykke (Fig. 3)

Efter en skæring skal du hæve bagenden på værktøjet, så der kommer et fodstykke frem under bagenden. Dette forhindrer, at høvljernene bliver beskadiget.

## MONTERING

### FORSIGTIG:

- Sørg altid for, at værktøjet er slukket og taget ud af stikkontakten, før du udfører nogen form for arbejde på værktøjet.

### Afmontering eller montering af høvljern

#### FORSIGTIG:

- Spænd høvljernet monteringsbolte omhyggeligt, når du monterer høvljernene på værktøjet. En løs monteringsbolt kan være farlig. Kontroller altid, at de er fastspændt ordentligt.
- Håndter høvljernene yderst forsigtigt. Brug handsker eller klude til at beskytte fingrene eller hænderne, når du fjerner eller monterer høvljernene.
- Anvend kun den medfølgende Makita-skruenøgle til at montere eller afmontere høvljernene. Ellers kan det føre til, at monteringsboltene bliver spændt enten for løst eller for stramt. Det kan føre til personskader.

#### For værktøjer med standard-høvljern (Fig. 4-6)

For at fjerne tromlens høvljern skal du løsne monteringsboltene med topnøglen. Tromledækslet kommer af sammen med høvljernene.

For at installere høvljernene skal du først fjerne alle spånerne eller andre fremmedobjekter, der måtte sidde på tromlen eller høvljernene. Brug høvljern med samme størrelse og vægt, da det ellers vil føre til svingninger/vibrationer i tromlen og dermed til en dårlig afhøvling og i sidste ende til værktøjets ødelæggelse.

Placer høvljernet på målebassen, så høvljernet skærer fuldstændigt på linje med den indvendige kant af



målepladen. Placer justeringspladen på høvljernet, og tryk derefter justeringspladens bagkant ind, så den flugter med bagsiden af målebaseren, og stram de to skruer på justeringspladen. Skub nu justeringspladens bagkant ind i tromlens rille, og sæt tromledækslet på plads henover. Stram alle monteringsboltene lige meget med topnøglen.

#### Til værktøj med minihøvljern

1. Fjern det eksisterende høvljern, hvis værktøjet har været i brug, og rengør omhyggeligt tromleoverfladerne og tromledækslet. For at fjerne tromlens høvljern skal du løsne de tre monteringsbolte med topnøglen. Tromledækslet kommer af sammen med høvljernene. (Fig. 7)
2. Ved montering af høvljernene skal du løst fastgøre justeringspladen til lågen med rundhovedede skruer og sætte minihøvljernet på målerbasen, så klingens skærekant flugter perfekt med målepladens indre frigangslade. (Fig. 8)
3. Sæt justeringspladen/lågen på målebaseren, så høvljernet styrefaner på lågen hviler i minihøvljernet rille, tryk derefter justeringspladens bagkant ind, så den flugter med bagsiden af målebaseren, og stram de rundhovedede skruer.
4. Det er vigtigt, at høvljernet flugter med målepladens indre frigangslade, at høvlklingens styrefaner sidder i

klingens rille, og at justeringspladens bagkant flugter med bagsiden af målebaseren. Kontroller justeringen nøje for at sikre ensformig skæring.

5. Sæt justeringspladens bagkant ind i tromlens rille.
6. Sæt tromledækket over justeringspladen/låget, og skru de tre sekskantede flangehovedbolte i, så der er et mellemrum mellem tromlen og lågen, hvor minihøvljernet kan sættes på plads. Jernet indstilles af høvljernet styrefaner på lågen. (Fig. 9)
7. Høvljernet justering på langs skal indstilles manuelt, så høvljernet ender er tydeligt og er lige langt fra huset på den ene side og metalarmen på den anden.
8. Stram de tre sekskantede flangehovedbolte (med den medfølgende topnøgle), og drej tromlen for at kontrollere, at der er frigang mellem høvljernet ender og værktøjet.
9. Kontroller, at de tre sekskantede flangehovedbolte sidder tilstrækkeligt stramt.
10. Gentag procedurerne 1-9 for det andet høvljern.

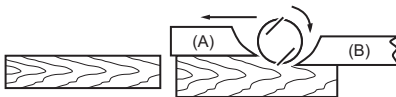
#### Sådan indstilles høvljernet korrekt

Den overflade, der skal høvles, vil blive ru og ujævn, hvis ikke høvljernet er indstillet korrekt og sikkert. Høvljernet skal monteres, så skærekanten er helt lige, det vil sige parallel med bagendens overflade. Se eksempler på korrekt og ukorrekt indstilling nedenfor.

(A) Forende (bevægeligt føringsanslag)

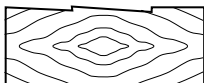
(B) Bagende (stationær føringsanslag)

Korrekt indstilling



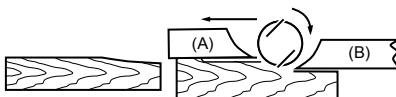
Selvom denne sidevisning ikke kan vise det, ligger høvljernetes kanter helt parallelt med bagendens overflade.

Hak i overfladen



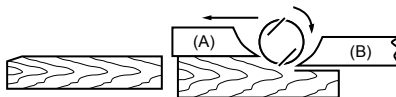
Årsag: Et eller begge høvljernetes kanter ligger ikke parallelt med bagendens linje.

Fugehøvling ved start



Årsag: Et eller begge høvljernetes kanter stikker ikke tilstrækkelig frem i forhold til bagenden.

Fugehøvling til slut



Årsag: Et eller begge af høvljernetes kanter stikker for langt frem i forhold til bagenden.

EN0004-1

## Ændring af retning på spånudledning (Fig. 10)

Spånudledningens retning kan ændres til højre eller venstre. Hvis du vil ændre retningen, skal du trække stopperen ud, mens du drejer den lidt bagud, og passe den ind i en af de to åbninger på den modsatte side af spånudledningen, så den forsænkede del passer til fremspringet. (Fig. 11)

## Støvpose (tilbehør) (Fig. 12)

Sæt støvposen fast på spånudledningens åbning. Spånudledningens åbning er konisk. Når støvposen sættes fast, skal den skubbes så fast på

spånudledningens åbning som muligt, så den ikke falder af under betjening.

Når støvposen er omkring halvt fuld, skal du fjerne posen fra værktøjet og trække lukkemekanismen ud. Tøm støvposen, og klap let på den, så partikler, der klæber til indersiden, fjernes, hvilket ellers kan hæmme yderligere opsamlings. (Fig. 13)

#### BEMÆRK:

- Hvis du slutter en Makita-støvsuger til dette værktøj, kan arbejdet udføres mere effektivt og renere.

## Tilslutning til støvsuger (Fig. 14)

Hvis De vil høvle og holde arbejdsområdet rent, kan du tilslutte en Makita-støvsuger til værktøjet. Slut derefter støvsugerslangen til spånudledningens åbning som vist i figurene.

## Spånstuds (ekstraudstyr) (Fig. 15)

Brug af spånstuds gør det muligt at ændre spånudledningens retning, så renere arbejde kan udføres. Monter spånstudsens (ekstraudstyr) på værktøjet ved at sætte det på. Træk blot i den for at tage den af.

## BETJENING

Hold godt fast i værktøjet med den ene hånd på knappen og den anden hånd på kontaktgrebet, når du anvender værktøjet.

## Betjening til høvling (Fig. 16)

Stil først værktøjets forende fladt på arbejdsområdets overflade, uden at høvljernene får kontakt. Tænd for værktøjet, og vent på, at høvljernene når den maksimale hastighed. Bevæg derefter langsomt værktøjet fremad. Tryk forenden ned ved starten af høvlingen og bagenden ned ved slutningen af høvlingen. Det er nemmere at udføre høvlingen, hvis du skræner arbejdsområdet på en stationær måde, så du kan høvle nedad. Høvlingens hastighed og dybde bestemmer finishen. Elhøvlen høvler ved en hastighed, der ikke vil medføre fastklemning af spåner. Ved mindre nøjagtig skæring kan skæredybden øges, mens du skal reducere skæredybden og føre værktøjet frem i langsommere tempo, hvis du ønsker en pæn finish.

## Overfalsning (falsning) (Fig. 17)

Brug kantafskærmningen (styrepind), hvis du vil lave en trindelt indskæring som vist i figuren.

Juster falsningsdybden ved hjælp af en dybdeguide (tilbehør).

Træk en skærelinje på arbejdsområdet. Indsæt kantafskærmningen i huller foran værktøjet. Sæt høvljernet på linje med skærelinjen. (Fig. 18) Sæt kantafskærmningen på værktøjet, og fastgør den med spændeskiven og tommelskruen (A). Løsn tommelskruen (B), og juster kantafskærmningen, indtil den kommer i kontakt med siden på arbejdsområdet. Opspænd derefter tommelskruen (B). (Fig. 19) Når der høvles, skal værktøjet bevæges således, at kantafskærmningen flugter med siden på arbejdsområdet. Ellers kan høvlingen blive ujævn.

### FORSIGTIG:

- Sørg for, at høvljernet skær stikker en smule ud (0,2 – 0,4 mm) for falsning. (Fig. 20)

Du kan gøre afskærmningen længere ved at fastgøre et ekstra stykke træ. Der er placeret praktiske huller i afskærmningen til dette formål, også til fastgørelse af en forlængelseskinne (ekstraudstyr). (Fig. 21)

## Skråskæring (Fig. 22)

Hvis du vil lave en skråskæring som vist i figuren, skal du justere en af de tre "V"-riller foran med kanten af arbejdsområdet og udjævne den. (Fig. 23)

Brug af skråskæringsmålepind (ekstraudstyr) sikrer en større værktøjsstabilitet ved falsning. (Fig. 24)

Skråskæringsmålepinden installeres ved at fjerne to skruer på begge sider af den forreste del af værktøjet og indstille skæringsdybden på 4 mm. Monter den på den forreste del af værktøjet, og fastgør den med skrueerne som vist i figuren.

Når der udføres meget skråskæring, skal kanten af skråskæringsmålepinden anbringes således, så den er i kontakt med arbejdsområdet, og sørg for grundig høvling som vist i figuren. (Fig. 25)

## VEDLIGEHOJDELSE

### FORSIGTIG:

- Sørg altid for, at værktøjet er slukket, og at stikket er taget ud, før du forsøger at udføre inspektion eller vedligeholdelse.
- Brug aldrig benzin, benzen, fortynder, alkohol eller lignende. Det kan muligvis medføre misfarvning, deformation eller revner.

## Slibning af høvljernet klinger

### Kun til standardhøvljern

Hold altid høvljernet skarpt for at opnå optimal ydelse. Brug slibningsholderen for at undgå hak og lave en fin kant. (Fig. 26)

Løsn til at starte med de to vingemøtrikker på holderen og indsæt høvljernene (A) og (B), så de er i kontakt med siderne (C) og (D). Stram derefter vingemøtrikkerne. (Fig. 27)

Læg smørestenen i vand i 2 til 3 minutter før slibning. Hold holderen så begge høvljern er i kontakt med smørestenen for at slibe samtidig og i samme vinkel. (Fig. 28)

## Udskiftning af kulbørsterne (Fig. 29)

Tag regelmæssigt kulbørsterne af, og efterse dem. Udskift dem, når de er nedslidt til slidgrænsen. Hold kulbørsterne rene og frie til at glide i holderne.

Begge kulbørster skal udskiftes samtidig. Brug altid identiske kulbørster.

Brug en skruetrækker til at fjerne bagdækslet. (Fig. 30)

Tag de udslidte kulbørster ud, monter de nye, og fastgør bagdækslet. (Fig. 31)

For at holde produktet SIKKERT og PÅLIDELIGT skal reparationer, enhver anden form for vedligeholdelse eller justering udføres af autoriserede Makita-servicecentre og altid med brug af Makita-reservedele.

## EKSTRAUDSTYR

### ⚠ FORSIGTIG:

- Dette tilbehør eller ekstraudstyr anbefales til brug med det Makita-værktøj, som er beskrevet i denne brugsanvisning. Brug af andet tilbehør eller ekstraudstyr kan forårsage personskade. Brug kun tilbehør eller ekstraudstyr til det formål, det er beregnet til.

Henvend dig til dit lokale Makita-servicecenter, hvis du har brug for hjælp eller yderligere oplysninger vedrørende tilbehøret.

- Højhastigheds-stålhøvljern
- Wolframkarbidhøvljern (for længere levetid på klingene)
- Minihøvljern
- Slibningsholdersæt

- Måleplade
- Lågesæt
- Kantafskærmning (styrepind)
- Smøringssten
- Støvposesæt
- Spånstuds
- Topnøgle
- Sæt med skraskæringsmålepind

Or er produceret i overensstemmelse med følgende standarder eller standardiserede dokumenter:  
EN60745

Den tekniske dokumentation findes hos vores autoriserede repræsentant i Europa:  
Makita International Europe Ltd.  
Michigan Drive, Tongwell,  
Milton Keynes, Bucks MK15 8JD, England

#### BEMÆRK:

- Visse dele på listen er muligvis indeholdt maskinindpakningen som standardtilbehør. De kan variere fra land til land.

30. 1. 2009



Tomoyasu Kato  
Direktør

Makita Corporation  
3-11-8, Sumiyoshi-cho,  
Anjo, Aichi, 446-8502, JAPAN

#### Støj

ENG905-1

Det typiske A-vægtede støjniveau bestemt i overensstemmelse med EN60745:

##### Model KP0810

Lydtryksniveau ( $L_{pA}$ ): 88 dB (A)  
Lydeffektniveau ( $L_{WA}$ ): 99 dB (A)  
Usikkerhed (K): 3 dB (A)

##### Model KP0810C

Lydtryksniveau ( $L_{pA}$ ): 82 dB (A)  
Lydeffektniveau ( $L_{WA}$ ): 93 dB (A)  
Usikkerhed (K): 3 dB (A)

#### Bær høreværn.

#### Vibration

ENG900-1

Den samlede vibrationsværdi (treksiel vektorsum) bestemt i overensstemmelse med EN60745:

##### Model KP0810

Arbejdstilstand: høvling i blødt træ  
Vibrationsemission ( $a_h$ ): 3,0 m/s<sup>2</sup>  
Usikkerhed (K): 1,5 m/s<sup>2</sup>

##### Model KP0810C

Arbejdstilstand: høvling i blødt træ  
Vibrationsemission ( $a_h$ ): 3,5 m/s<sup>2</sup>  
Usikkerhed (K): 1,5 m/s<sup>2</sup>

ENG901-1

- Den opgivne vibrationsemissionsværdi er målt i overensstemmelse med standardtestmetoden og kan bruges til at sammenligne et værktøj med et andet.
- Den opgivne vibrationsemissionsværdi kan muligvis også bruges til en indledende eksponeringsvurdering.

#### ADVARSEL:

- Vibrationsemissionen under den faktiske brug af maskinen kan afvige fra den opgivne emissionsværdi afhængigt af den måde, maskinen anvendes på.
- Sørg for at bestemme sikkerhedsforanstaltninger for beskyttelse af operatøren, som er baseret på en eksponeringsvurdering for brug under faktiske forhold (hvor alle anvendelsescyklussens dele inddrages, som f.eks. antal gange maskinen slukkes, og når den kører i tomgang ud over triggertiden).

#### Kun for europæiske lande

ENH101-15

#### EF-overensstemmelseserklæring

Vi, Makita Corporation, erklærer som ansvarlig producent at følgende Makita-maskine(r):

Maskinens betegnelse:

Elhøvl

Modelnummer/ type: KP0810, KP0810C

er en produktionsserie og

Overholder følgende europæiske direktiver:

2006/42/EF

## ΕΛΛΗΝΙΚΑ (Πρωτογενείς οδηγίες)

### Περιγραφή γενικής όψης

- |                                          |                                            |                                                      |
|------------------------------------------|--------------------------------------------|------------------------------------------------------|
| 1. Λαβή                                  | 21. Γλωπίδες εντοπισμού μαχαιριού πλάνης   | 40. Γραμμή κοπής                                     |
| 2. Δείκτης                               | 22. Φτέρνα ρυθμιζόμενης πλάκας             | 41. Οδηγός βάθους                                    |
| 3. Κουμπί ασφάλισης / Κουμπί κλειδώματος | 23. Πλάκα συγκράτησης                      | 42. Βίδα (Α)                                         |
| 4. Σκανδάλη-διακόπτης                    | 24. Εσωτερική πλευρά της πλάκας μετρητή    | 43. Βίδα (Β)                                         |
| 5. Μαχαίρι πλάνης                        | 25. Πίσω πλευρά της βάσης μετρητή          | 44. Οδηγός άκρου                                     |
| 6. Πίσω βάση                             | 26. Μικρό μαχαίρι πλάνης                   | 45. Εγκοπτή σχήματος "V" (μεσαίος βαθμός γωνιοτομής) |
| 7. Πόδι                                  | 27. Εγκοπτή                                | 46. Εγκοπτή σχήματος "V" (μικρός βαθμός γωνιοτομής)  |
| 8. Κλειδί                                | 28. Πλάκα συγκράτησης                      | 47. Εγκοπτή σχήματος "V" (μεγάλος βαθμός γωνιοτομής) |
| 9. Μπουλόνια                             | 29. Μπουλόνια εξαγώννης κεφαλής με φλάντζα | 48. Κανόνας γωνιοτομής                               |
| 10. Τύμπανο                              | 30. Στοπ                                   | 49. Άκρο του κανόνα γωνιοτομής                       |
| 11. Κάλυμμα τυμπάνου                     | 31. Ανοιγμα αποβολής θραυσμάτων            | 50. Υποδοχή ακονίσματος                              |
| 12. Ρυθμιζόμενη πλάκα                    | 32. Τμήμα με εγκοπτή                       | 51. Παξιμάδι                                         |
| 13. Εσωτερικό άκρο της πλάκας μετρητή    | 33. Προεξοχή                               | 52. Μαχαίρι (Α)                                      |
| 14. Άκρο μαχαιριού                       | 34. Σάκος σκόνης                           | 53. Μαχαίρι (Β)                                      |
| 15. Βίδες                                | 35. Συνδετήρας                             | 54. Πλευρά (D)                                       |
| 16. Φτέρνα                               | 36. Ηλεκτρική σκούπα                       | 55. Πλευρά (C)                                       |
| 17. Πίσω πλευρά της βάσης μετρητή        | 37. Γωνία                                  | 56. Ένδειξη ορίου                                    |
| 18. Πλάκα μετρητή                        | 38. Αρχή                                   | 57. Κατσαβίδι                                        |
| 19. Βάση μετρητή                         | 39. Τέλος                                  | 58. Πίσω κάλυμμα                                     |
| 20. Βίδα κεφαλής                         |                                            | 59. Καρβουνάκια                                      |

## ΤΕΧΝΙΚΑ ΧΑΡΑΚΤΗΡΙΣΤΙΚΑ

Μοντέλο	KP0810	KP0810C
Πλάτος πλάνισματος	82 mm	
Βάθος πλάνισματος	4 mm	
Βάθος αυλακιών	25 mm	
Ταχύτητα χωρίς φορτίο (min <sup>-1</sup> )	16.000	12.000
Ολικό μήκος	290 mm	
Καθαρό βάρος	3,3 kg	3,4 kg
Τάξη ασφάλειας	II/II	

- Λόγω του συνεχόμενου προγράμματος που εφαρμόζουμε για έρευνα και ανάπτυξη, τα τεχνικά χαρακτηριστικά στο παρόν έντυπο υπόκεινται σε αλλαγή χωρίς προειδοποίηση.
- Τα τεχνικά χαρακτηριστικά ενδέχεται να διαφέρουν ανάλογα με τη χώρα.
- Βάρος σύμφωνα με τη διαδικασία EPTA 01/2003

### Προοριζόμενη χρήση

Το εργαλείο προορίζεται για πλάνισμα ξύλου.

ENE001-1

οδηγίες, υπάρχει κίνδυνος ηλεκτροπληξίας, πυρκαγιάς ή/και σοβαρού τραυματισμού.

### Ηλεκτρική παροχή

Το εργαλείο πρέπει να συνδέεται μόνο σε ηλεκτρική παροχή της ίδιας τάσης με αυτήν που αναγράφεται στην πινακίδα ονομαστικών τιμών και μπορεί να λειτουργήσει μόνο με εναλλασσόμενο μονοφασικό ρεύμα. Τα εργαλεία αυτά διαθέτουν διπλή μόνωση και συνεπώς μπορούν να συνδεθούν με πρίζες χωρίς γείωση.

ENF002-2

**Φυλάξτε όλες τις προειδοποιήσεις και τις οδηγίες για μελλοντική αναφορά.**

## ΠΡΟΕΙΔΟΠΟΙΗΣΕΙΣ ΑΣΦΑΛΕΙΑΣ ΓΙΑ ΤΗΝ ΠΛΑΝΗ

GEB010-5

## Γενικές Προειδοποιήσεις Ασφαλείας Του Ηλεκτρικού Εργαλείου

GEA010-1

**⚠ ΠΡΟΕΙΔΟΠΟΙΗΣΗ Διαβάστε όλες τις προειδοποιήσεις ασφαλείας και όλες τις οδηγίες.** Αν δεν ακολουθήσετε όλες τις προειδοποιήσεις και τις

1. Περιμένετε να σταματήσει ο κόπτης πριν αφήσετε κάτω το εργαλείο. Ένας εκτεθειμένος κόπτης μπορεί να εμπλακεί στην επιφάνεια οδηγώντας σε πιθανή απώλεια του ελέγχου και σοβαρό τραυματισμό.
2. Κρατήστε το ηλεκτρικό εργαλείο μόνο από τις μονωμένες επιφάνειες, επειδή ο κόπτης μπορεί να έρθει σε επαφή με το δικό του καλώδιο. Με την κοπή ενός ηλεκτροφόρου καλωδίου, τα εκτεθειμένα

μεταλλικά μέρη του ηλεκτρικού εργαλείου θα γίνουν κι αυτά ηλεκτροφόρα και μπορεί να προκληθεί ηλεκτροπληξία στο χειριστή.

3. **Να χρησιμοποιείτε σφιγκτήρες ή κάποιο άλλο πρακτικό μέσο για να ασφαλίσετε και να στηρίζετε το τεμάχιο εργασίας σε μια σταθερή πλατφόρμα.** Αν κρατάτε το τεμάχιο εργασίας με το χέρι σας ή επάνω στο σώμα σας, θα είναι ασταθές και μπορεί να χάσετε τον έλεγχο.
4. **Δεν πρέπει να αφήνετε ποτέ κουρέλια, πανιά, νήματα, σκοινιά και παρόμοια αντικείμενα γρω από την περιοχή εργασίας.**
5. **Να αποφεύγετε την κοπή καρφιών.** Πριν από τη λειτουργία, να ελέγχετε αν υπάρχουν καρφιά στο τεμάχιο εργασίας και να τα αφαιρείτε όλα αν υπάρχουν.
6. **Να χρησιμοποιείτε μόνο αιχμηρά μαχαίρια.** Να χειρίζεστε τα μαχαίρια πολύ προσεκτικά.
7. **Βεβαιωθείτε ότι τα μπουλόνια τοποθέτησης μαχαιριών είναι καλά σφιγμένα πριν από τη λειτουργία.**
8. **Να κρατάτε το εργαλείο γερά και με τα δύο χέρια.** Μην πλησιάζετε τα χέρια σας στα περιστρεφόμενα μέρη.
10. **Πριν χρησιμοποιήσετε το εργαλείο σε ένα πραγματικό τεμάχιο εργασίας, να το αφήνετε να λειτουργεί για λίγη ώρα.** Να προσέχετε για δονήσεις ή κινήσεις που θα μπορούσαν να υποδείξουν κακή τοποθέτηση ή κακή ισορροπηση του μαχαίριου.
11. **Να βεβαιώνετε ότι ο δίσκος δεν ακουμπά το τεμάχιο εργασίας πριν ενεργοποιείτε το διακόπτη λειτουργίας.**
12. **Περιμένετε έως ότου ο δίσκος φτάσει στην πλήρη ταχύτητά του πριν κόψετε.**
13. **Πριν από οποιαδήποτε ρύθμιση, πάντοτε να σβήνετε το εργαλείο και να περιμένετε να σταματήσουν να κινούνται εντελώς τα μαχαίρια.**
14. **Μη βάζετε ποτέ το δάκτυλό σας στον αγωγό για τα θραύσματα.** Ο αγωγός μπορεί να φράξει όταν κόβετε νυπτό ξύλο. Καθαρίστε τα θραύσματα με μια ξύλινη ράβδο.
15. **Μην αφήνετε το εργαλείο σε λειτουργία.** Το εργαλείο πρέπει να βρίσκεται σε λειτουργία μόνο όταν το κρατάτε.
16. **Να αλλάζετε πάντα και τα δύο μαχαίρια ή καλύμματα στο τύμπανο, διαφορετικά η προκύπτουσα αστάθεια θα προκαλέσει δόνηση και συντόμευση της ζωής του εργαλείου.**
17. **Να χρησιμοποιείτε μόνο μαχαίρια της Makita που καθορίζονται στο εγχειρίδιο αυτό.**
18. **Να χρησιμοποιείτε πάντοτε προσωπίδα κατά της σκόνης ή αναπνευστήρα που είναι κατάλληλα για το υλικό και την εφαρμογή σας.**

## ΦΥΛΑΞΤΕ ΑΥΤΕΣ ΤΙΣ ΟΔΗΓΙΕΣ.

### ΠΡΟΕΙΔΟΠΟΙΗΣΗ:

**MHN** επιτρέψετε στη βολικότητα ή στην εξοικειώσή σας με το προϊόν (που αποκτήθηκε από επανειλημμένη χρήση) να αντικαταστήσει την αυστηρή προσήλωση στους κανόνες ασφάλειας του εν λόγω προϊόντος.

**Η ΛΑΝΘΑΣΜΕΝΗ ΧΡΗΣΗ ή η αμέλεια να ακολουθήσετε τους κανόνες ασφάλειας που διατυπώνονται στο παρόν εγχειρίδιο οδηγιών μπορεί να προκαλέσει σοβαρό προσωπικό τραυματισμό.**

## ΠΕΡΙΓΡΑΦΗ ΛΕΙΤΟΥΡΓΙΑΣ

### ΠΡΟΣΟΧΗ:

- Να βεβαιώνετε πάντοτε ότι το εργαλείο είναι σβηστό και αποσυνδεδεμένο από το ηλεκτρικό ρεύμα πριν ρυθμίσετε ή ελέγχετε κάποια λειτουργία του.

### Ρύθμιση του βάθους κοπής (Εικ. 1)

Το βάθος κοπής μπορεί να ρυθμιστεί αν περιστρέψετε απλά τη λαβή που βρίσκεται να είναι μπροστινό μέρος του εργαλείου ώστε ο δείκτης να είναι στραμμένος στο επιθυμητό βάθος κοπής.

### Δράση διακόπτη (Εικ. 2)

#### ΠΡΟΣΟΧΗ:

- Πριν συνδέετε το εργαλείο, πάντοτε να ελέγχετε ότι η σκανδάλη-διακόπτης ενεργοποιείται κανονικά και επιστρέφει στη θέση OFF όταν την αφήνετε.

#### Για εργαλείο με κουμπί ασφάλισης

Για να ξεκινήσετε το εργαλείο, απλά πιέστε τη σκανδάλη-διακόπτη. Για να σταματήσετε το εργαλείο, αφήστε τη σκανδάλη-διακόπτη.

Για συνεχόμενη λειτουργία, πιέστε τη σκανδάλη-διακόπτη και κατόπιν πιέστε το κουμπί ασφάλισης από οποιαδήποτε πλευρά.

Για να βγάλετε το εργαλείο από την κλειδωμένη θέση, πιέστε πλήρως τη σκανδάλη-διακόπτη και κατόπιν αφήστε την.

#### Για εργαλείο με κουμπί κλειδώματος

Για να μην πιέζεται η σκανδάλη-διακόπτης κατά λάθος, παρέχεται ένα κουμπί κλειδώματος.

Για να ξεκινήσετε τη λειτουργία του εργαλείου, πιέστε το κουμπί κλειδώματος από οποιαδήποτε πλευρά και πιέστε τη σκανδάλη-διακόπτη. Για να σταματήσετε το εργαλείο, αφήστε τη σκανδάλη-διακόπτη.

## Ηλεκτρονική λειτουργία

### Μόνο για το μοντέλο KP0810C

Το εργαλείο που είναι εξοπλισμένο με ηλεκτρονική λειτουργία είναι εύκολο στη χρήση λόγω των ακόλουθων χαρακτηριστικών.

#### Έλεγχος σταθερής ταχύτητας

Ο ηλεκτρονικός έλεγχος ταχύτητας χρησιμοποιείται για να έχετε σταθερή ταχύτητα. Είναι δυνατό να έχετε ένα καθαρό τελείωμα επειδή η ταχύτητα περιστροφής διατηρείται σταθερή ακόμη και κάτω από συνθήκες φόρτου.

#### Ομαλή έναρξη

Το χαρακτηριστικό ομαλής έναρξης ελαχιστοποιεί τον κραδασμό κατά την έναρξη και το εργαλείο ξεκινάει ομαλά.

### Πόδι (Εικ. 3)

Μετά από μια λειτουργία κοπής, ανυψώστε την πίσω πλευρά του εργαλείου για να εμφανιστεί ένα πόδι κάτω από το επίπεδο της πίσω βάσης. Αυτό εμποδίζει την καταστροφή των μαχαιριών του εργαλείου.

# ΣΥΝΑΡΜΟΛΟΓΗΣΗ

## ΠΡΟΣΟΧΗ:

- Να βεβαιώνετε πάντοτε ότι το εργαλείο είναι σβηστό και αποσυνδεδεμένο από το ηλεκτρικό ρεύμα πριν εκτελέσετε οποιαδήποτε εργασία σε αυτό.

## Αφαίρεση ή τοποθέτηση των μαχαιριών της πλάνης

### ΠΡΟΣΟΧΗ:

- Σφίξτε προσεκτικά τα μπουλόνια τοποθέτησης μαχαιριών όταν συνδέετε τα μαχαίρια στο εργαλείο. Ένα χαλαρά τοποθετημένο μπουλόνι μπορεί να είναι επικίνδυνο. Να ελέγχετε πάντα αν αυτά είναι σφιγμένα με ασφάλεια.
- Να χειρίζεστε τα μαχαίρια πολύ προσεκτικά. Χρησιμοποιήστε γάντια ή κουρέλια για να προστατεύσετε τα δάκτυλα ή τα χέρια σας όταν αφαιρείτε ή τοποθετείτε τα μαχαίρια.
- Να χρησιμοποιείτε μόνο το παρεχόμενο άλεν της Makita για να αφαιρείτε ή να τοποθετείτε τα μαχαίρια. Αν δεν το κάνετε αυτό, μπορεί να έχει ως αποτέλεσμα υπερβολικό ή ανεπαρκές σφίξιμο των μπουλονιών τοποθέτησης. Αυτό μπορεί να προκαλέσει τραυματισμό.

### Για εργαλείο με στάνταρ μαχαίρια πλάνης (Εικ. 4 έως 6)

Για να αφαιρέσετε τα μαχαίρια από το τύμπανο, ξεβιδώστε τα μπουλόνια τοποθέτησης με το κλειδί. Το κάλυμμα του τυμπάνου βγαίνει μαζί με τα μαχαίρια.

Για να τοποθετήσετε τα μαχαίρια, καθαρίστε πρώτα όλα τα θραύσματα ή τα ξένα υλικά που υπάρχουν προσκολλημένα στο τύμπανο ή τα μαχαίρια.

Χρησιμοποιήστε μαχαίρια των ίδιων διαστάσεων και του ίδιου βάρους, εικόλλως θα προκληθούν κραδασμοί/δονήσεις τυμπάνου, που θα έχουν ως αποτέλεσμα κακή δράση της πλάνης και τελικά την καταστροφή του εργαλείου.

Τοποθετήστε το μαχαίρι στη βάση μετρητή ώστε το άκρο του μαχαιριού να είναι τέλεια ευθυγραμμισμένο με το εσωτερικό άκρο της πλάκας μετρητή. Τοποθετήστε τη ρυθμιζόμενη πλάκα στο μαχαίρι και κατόπιν πιέστε απλά τη φτέρνα της ρυθμιζόμενης πλάκας ώστε να είναι ευθυγραμμισμένη με την πίσω πλευρά της βάσης μετρητή και σφίξτε τις δύο βίδες στη ρυθμιζόμενη πλάκα. Τώρα ολισθήστε τη φτέρνα της ρυθμιζόμενης πλάκας στην εγκοπή τυμπάνου και κατόπιν τοποθετήστε το κάλυμμα τυμπάνου επάνω της.

Σφίξτε όλα τα μπουλόνια τοποθέτησης ομοιόμορφα και εναλλάξ με το κλειδί.

### Για εργαλείο με μικρά μαχαίρια πλάνης

1. Αφαιρέστε το υπάρχον μαχαίρι, αν το εργαλείο βρισκόταν σε χρήση, και καθαρίστε προσεκτικά τις επιφάνειες του τυμπάνου και το κάλυμμα τυμπάνου. Για να αφαιρέσετε τα μαχαίρια από το τύμπανο, ξεβιδώστε τα τρία μπουλόνια τοποθέτησης με το κλειδί. Το κάλυμμα του τυμπάνου βγαίνει μαζί με τα μαχαίρια. (Εικ. 7)
2. Για να τοποθετήσετε τα μαχαίρια, προσαρμόστε χαλαρά τη ρυθμιζόμενη πλάκα στην πλάκα συγκράτησης με τις βίδες κεφαλής και τοποθετήστε το μικρό μαχαίρι πλάνης στη βάση μετρητή ώστε το άκρο

κοπής του μαχαιριού να είναι τέλεια ευθυγραμμισμένο με την εσωτερική πλευρά της πλάκας μετρητή. (Εικ. 8)

3. Ρυθμίστε τη ρυθμιζόμενη πλάκα/πλάκα συγκράτησης στη βάση μετρητή ώστε οι γλωττίδες εντοπισμού του μαχαιριού πλάνης στην πλάκα συγκράτησης να ακουμπούν στην εγκοπή του μικρού μαχαιριού πλάνης και κατόπιν πιέστε προς τα μέσα τη φτέρνα της ρυθμιζόμενης πλάκας ώστε να ευθυγραμμιστεί με την πίσω πλευρά της βάσης μετρητή και σφίξτε τις βίδες κεφαλής.
4. Είναι σημαντικό το μαχαίρι να εδράζει ευθυγραμμισμένο με την εσωτερική πλευρά της πλάκας μετρητή, οι γλωττίδες εντοπισμού του μαχαιριού πλάνης να εδράζουν στην εγκοπή μαχαιριού και η φτέρνα της ρυθμιζόμενης πλάκας να είναι ευθυγραμμισμένη με την πίσω πλευρά της βάσης μετρητή. Ελέγξτε αυτήν την ευθυγράμμιση προσεκτικά για να εξασφαλίσετε ομοιόμορφη κοπή.
5. Ολισθήστε τη φτέρνα της ρυθμιζόμενης πλάκας στην εγκοπή του τυμπάνου.
6. Ρυθμίστε το κάλυμμα τυμπάνου πάνω από τη ρυθμιζόμενη πλάκα/πλάκα συγκράτησης και βιδώστε τα τρία μπουλόνια εξάγωνης κεφαλής με φλάντζα ώστε να υπάρχει ένα διάκενο μεταξύ του τυμπάνου και της πλάκας συγκράτησης ώστε να ολισθαίνει το μικρό μαχαίρι πλάνης στη θέση του. Το μαχαίρι θα τοποθετείται από τις γλωττίδες εντοπισμού του μαχαιριού πλάνης στην πλάκα συγκράτησης. (Εικ. 9)
7. Η κατά μήκος ρύθμιση του μαχαιριού θα χρειαστεί να πραγματοποιηθεί χειροκίνητα ώστε τα άκρα του μαχαιριού να είναι ελεύθερα και ισαπέχοντα από το περιβλήμα στη μία πλευρά και από το μεταλλικό βραχίονα στην άλλη πλευρά.
8. Σφίξτε τα τρία μπουλόνια εξάγωνης κεφαλής με φλάντζα (με το παρεχόμενο κλειδί) και περιστρέψτε το τύμπανο για να ελέγξετε τις αποστάσεις μεταξύ των άκρων του μαχαιριού και του κυρίου σώματος του εργαλείου.
9. Ελέγξτε πόσο σφιγμένα είναι τελικά τα τρία εξαγωνικά μπουλόνια της κεφαλής φλάντζας.
10. Επαναλάβετε τις διαδικασίες 1 έως 9 για το άλλο μαχαίρι.

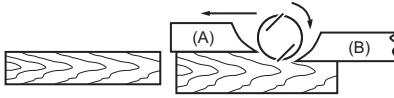
### Για σωστή ρύθμιση του μαχαιριού πλάνης

Η επιφάνεια πλανίσματός σας θα είναι σκληρή και ανομοιόμορφη, εκτός αν το μαχαίρι είναι ρυθμισμένο σωστά και με ασφάλεια. Το μαχαίρι πρέπει να τοποθετηθεί ώστε το άκρο κοπής να είναι απόλυτα επίπεδο, δηλαδή παράλληλο στην επιφάνεια της πίσω βάσης.

Ανατρέξτε σε μερικά παραδείγματα παρακάτω για τις σωστές και λανθασμένες ρυθμίσεις.

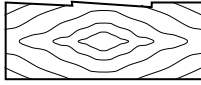
- (A) Μπροστινή βάση (κινητό πέλμα)
- (B) Πίσω βάση (ακίνητο πέλμα)

Σωστή ρύθμιση



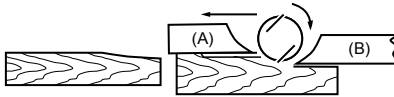
Παρότι δεν απεικονίζονται σε αυτήν την πλάγια όψη, τα άκρα των μαχαιριών κινούνται τελείως παράλληλα στην επιφάνεια της πίσω βάσης.

Χαραγές στην επιφάνεια



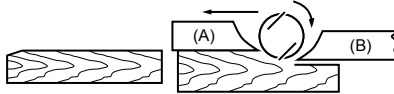
Αιτία: Ένα ή τα δύο μαχαίρια δεν έχουν το άκρο τους παράλληλο στη γραμμή της πίσω βάσης.

Εντομή στην αρχή



Αιτία: Ένα ή τα δύο άκρα μαχαιριών δεν προεξέχουν αρκετά σε σχέση με τη γραμμή της πίσω βάσης.

Εντομή στο τέλος



Αιτία: Ένα ή τα δύο άκρα μαχαιριών προεξέχουν πολύ σε σχέση με τη γραμμή της πίσω βάσης.

EN0004-1

## Αλλαγή της κατεύθυνσης της αποβολής θραυσμάτων (Εικ. 10)

Η κατεύθυνση της αποβολής θραυσμάτων μπορεί να αλλάξει προς τα δεξιά ή προς τα αριστερά. Για να αλλάξετε την κατεύθυνση, τραβήξτε το στοπ ενώ το περιστρέψετε λίγο προς τα πίσω και προσαρμόστε το σε ένα από τα δύο ανοίγματα στην αντίθετη πλευρά της αποβολής θραυσμάτων έτσι ώστε το τμήμα με εγκοπή να ταιριάζει στην προεσοχή. (Εικ. 11)

## Σάκος σκόνης (αξεσουάρ) (Εικ. 12)

Προσαρμόστε το σάκο σκόνης στο άνοιγμα αποβολής θραυσμάτων.

Το άνοιγμα αποβολής θραυσμάτων είναι κωνικό. Όταν προσαρτάτε το σάκο σκόνης, ωθήστε το μέσα στο άνοιγμα αποβολής θραυσμάτων σταθερά έως το τέρμα για να μην αποκολληθεί κατά τη λειτουργία. Όταν ο σάκος σκόνης είναι μισογεμάτος, βγάλτε το σάκο σκόνης από το εργαλείο και τραβήξτε τον συνδετήρα προς τα έξω. Αδειάστε τα περιεχόμενα του σάκου σκόνης, χτυπώντας τον ελαφριά για να αφαιρέσετε τα σωματίδια που υπάρχουν προσκολλημένα στο εσωτερικό που ενδοχόμενως να εμποδίζουν την περαιτέρω συλλογή. (Εικ. 13)

### ΣΗΜΕΙΩΣΗ:

- Αν συνδέσετε ηλεκτρική σκούπα της Makita σε αυτό το εργαλείο, μπορείτε να διεξάγετε εργασίες πιο αποδοτικά και πιο καθαρά.

## Σύνδεση ηλεκτρικής σκούπας (Εικ. 14)

Όταν θέλετε να εκτελέσετε εργασίες πλανίσματος καθαρά, συνδέστε την ηλεκτρική σκούπα της Makita στο εργαλείο που διαθέτετε. Κατόπιν συνδέστε τον εύκαμπτο σωλήνα της ηλεκτρικής σκούπας στο άνοιγμα αποβολής θραυσμάτων όπως απεικονίζεται στις εικόνες.

## Γωνία (προαιρετικό αξεσουάρ) (Εικ. 15)

Η χρήση γωνιών επιτρέπει την αλλαγή της κατεύθυνσης αποβολής θραυσμάτων για την εκτέλεση των εργασιών με πιο καθαρό τρόπο.

Τοποθετήστε τη γωνία (προαιρετικό αξεσουάρ) στο εργαλείο ολισθαίνοντάς την στο εργαλείο. Για να την βγάλετε, απλά τραβήξτε την.

## ΛΕΙΤΟΥΡΓΙΑ

Κατά την χρήση του εργαλείου κρατήστε το εργαλείο γερά με το ένα χέρι στη λαβή και το άλλο χέρι στη λαβή διακόπτης.

## Λειτουργία πλανίσματος (Εικ. 16)

Πρώτα, ακουμπήστε την μπροστινή βάση του εργαλείου επάνω στην επιφάνεια του τεμαχίου εργασίας χωρίς να έρχονται τα μαχαίρια σε επαφή. Ενεργοποιήστε το εργαλείο και περιμένετε έως ότου τα μαχαίρια αποκτήσουν την πλήρη ταχύτητά τους. Κατόπιν, κινήστε το εργαλείο σιγά-σιγά μπρος τα μπροστά. Ασκήστε πίεση στο μπροστινό τμήμα του εργαλείου στην αρχή του πλανίσματος και στο πίσω μέρος στο τέλος του πλανίσματος. Το πλάνισμα θα είναι ευκολότερο αν δώσετε κλίση στο τεμάχιο εργασίας με ακίνητο τρόπο, ώστε να πλανίζετε κάπως κατηφορικά.

Η ταχύτητα και το βάθος κοπής καθορίζουν το είδος του τελειώματος.

Η ηλεκτρική πλάνη συνεχίζει να κόβει με ταχύτητα που δεν θα έχει ως αποτέλεσμα την εμπλοκή λόγω των θραυσμάτων. Για πρόχειρη κοπή, το βάθος της κοπής μπορεί να αυξηθεί, ενώ για ένα καλό τελείωμα θα πρέπει να μειώσετε το βάθος κοπής και να προωθήτε το εργαλείο πιο αργά.



## Δημιουργία αυλακίων (ένωση με γκινισιά) (Εικ. 17)

Για να κάνετε μια βηματική κοπή όπως απεικονίζεται στην εικόνα, χρησιμοποιήστε τον οδηγό άκρου (κανόνας οδήγησης).

Ρυθμίστε το βάθος αυλακίου με τη χρήση του οδηγού βάθους (αξεσουάρ).

Σχεδιάστε μια γραμμή κοπής στο τεμάχιο εργασίας.

Τοποθετήστε τον οδηγό άκρου στην οπή στην πρόσοψη του εργαλείου. Ευθυγραμμίστε το άκρο μαχαίριου με τη γραμμή κοπής. (Εικ. 18)

Τοποθετήστε τον οδηγό άκρου στο εργαλείο και ασφαλίστε το με τη ροδέλα και τη βίδα χειρός (Α). Χαλαρώστε τη βίδα χειρός (Β) και ρυθμίστε τον οδηγό άκρου έως ότου έρθει σε επαφή με το πλάι του τεμαχίου εργασίας. Κατόπιν σφίξτε καλά τη βίδα χειρός (Β). (Εικ. 19)

Κατά το πλάνισμα, κινήστε το εργαλείο με τον οδηγό άκρου ευθυγραμμισμένο με το πλάι του τεμαχίου εργασίας. Ειδικά, μπορεί να προκύψει ανομοιόμορφο πλάνισμα.

### ΠΡΟΣΟΧΗ:

- Το άκρο μαχαίριου πρέπει να προεξέχει λίγο προς τα έξω (0,2 mm έως 0,4 mm) για ζύλινη επικαλυπτόμενη επίστρωση. (Εικ. 20)

Ήσως επιθυμείτε να αυξήσετε το μήκος του οδηγού προσαρτώντας ένα πρόσθετο κομμάτι ζύλου. Στον οδηγό παρέχονται σπές ευκολίας για το σκοπό αυτό, αλλά και για την προσάρτηση ενός οδηγού προέκτασης (προαιρετικό αξεσουάρ). (Εικ. 21)

## Γωνιοτομή (Εικ. 22)

Για να κάνετε μια γωνιοτομή όπως απεικονίζεται στην εικόνα, ευθυγραμμίστε μία από τις τρεις εγκοπές σχήματος "V" στην μπροστινή βάση με το άκρο του τεμαχίου εργασίας και πλάνιστε. (Εικ. 23)

Η χρήση ενός κανόνα γωνιοτομής (προαιρετικό αξεσουάρ) εξασφαλίζει μεγαλύτερη ευστάθεια εργαλείου κατά τη δημιουργία αυλακίων. (Εικ. 24)

Για να τοποθετήσετε τον κανόνα γωνιοτομής, βγάλτε τις δύο βίδες και στις δύο πλευρές του μπροστινού τμήματος του εργαλείου και ρυθμίστε το βάθος κοπής σε 4 mm. Κατόπιν, τοποθετήστε τον στην μπροστινή βάση του εργαλείου και ασφαλίστε τον με τις βίδες που απεικονίζονται στην εικόνα.

Όταν εκτελείτε σημαντική ποσότητα εργασιών γωνιοτομής, τοποθετήστε ένα άκρο του κανόνα γωνιοτομής ώστε να έρχεται σε επαφή με το τεμάχιο εργασίας και πραγματοποιήστε πολλά τεράσματα πλάνισματος όπως απεικονίζεται στην εικόνα. (Εικ. 25)

## ΣΥΝΤΗΡΗΣΗ

### ΠΡΟΣΟΧΗ:

- Να βεβαιώνετε πάντοτε ότι το εργαλείο είναι σβηστό και αποσυνδεδεμένο από το ηλεκτρικό ρεύμα πριν εκτελέσετε οποιαδήποτε εργασία ελέγχου ή συντήρησης σε αυτό.
- Μην χρησιμοποιήσετε βενζίνη, βενζόλη, διαλυτικό, αλκοόλη ή κάτι παρόμοιο. Μπορεί να προκληθεί αποχρωματισμός, παραμόρφωση ή ρωγμές.

## Ακόνισμα των μαχαiriών πλάνισματος

### Για στάνταρ μαχαίρια μόνο

Να διατηρείτε πάντα τα μαχαίρια σας αιχμηρά για να έχετε τη βέλτιστη δυνατή απόδοση. Χρησιμοποιήστε τον υποδοχέα ακόνισματος για να αφαιρέσετε χαραγές και να παράγετε ένα καθαρό άκρο. (Εικ. 26)

Πρώτα, χαλαρώστε τα δύο παξιμάδια στον υποδοχέα και εισάγετε τα μαχαίρια (Α) και (Β), ώστε να έρχονται σε επαφή με τις πλευρές (C) και (D). Κατόπιν, σφίξτε τα παξιμάδια. (Εικ. 27)

Βυθίστε την πέτρα ακόνισματος σε νερό για 2 ή 3 λεπτά πριν από το ακόνισμα. Κρατήστε τον υποδοχέα ώστε και τα δύο μαχαίρια να έρχονται σε επαφή με την πέτρα ακόνισματος για ταυτόχρονο ακόνισμα στην ίδια γωνία. (Εικ. 28)

### Αλλαγή καρβουνακίων (Εικ. 29)

Να αφαιρείτε και να ελέγχετε τακτικά τα καρβουνάκια. Να αντικαθιστάτε τα καρβουνάκια όταν έχουν φθαρεί έως την ένδειξη ορίου. Να διατηρείτε τα καρβουνάκια καθαρά και ελεύθερα για να γλιστρούν στις υποδοχές.

Πρέπει να αλλάζετε ταυτόχρονα και τα δύο καρβουνάκια. Να χρησιμοποιείτε μόνο καρβουνάκια ίδιου τύπου.

Χρησιμοποιήστε το κατασβίδι για να βγάλετε το πίσω κάλυμμα. (Εικ. 30)

Βγάλτε τα φθαρμένα καρβουνάκια, τοποθετήστε τα καινούργια και ασφαλίστε το πίσω κάλυμμα. (Εικ. 31) Για να διατηρείται η ΑΣΦΑΛΕΙΑ και η ΑΞΙΟΠΙΣΤΙΑ του προϊόντος, οι εργασίες επισκευής, καθώς και οποιαδήποτε άλλη εργασία συντήρησης ή ρύθμισης, θα πρέπει να εκτελούνται σε εξουσιοδοτημένα κέντρα εξυπηρέτησης της Makita, και πάντοτε με τη χρήση ανταλλακτικών της Makita.

## ΠΡΟΑΙΡΕΤΙΚΑ ΑΞΕΣΟΥΑΡ

### ⚠️ ΠΡΟΣΟΧΗ:

- Συνιστάται η χρήση αυτών των αξεσουάρ ή εξαρτημάτων με το εργαλείο της Makita, όπως περιγράφεται στο παρόν εγχειρίδιο. Αν χρησιμοποιήσετε άλλα αξεσουάρ ή εξαρτήματα μπορεί να παρουσιαστεί κίνδυνος για πρόκληση τραυματισμού προσώπων. Να χρησιμοποιείτε τα αξεσουάρ και τα εξαρτήματα μόνο για το σκοπό για τον οποίο προορίζονται.

Αν χρειάζεστε κάποια βοήθεια ή περισσότερες πληροφορίες σχετικά με τα αξεσουάρ αυτά, απευθυνθείτε στο πλησιέστερο κέντρο εξυπηρέτησης της Makita.

- Ατσάλινο μαχαίρι πλάνης για υψηλές ταχύτητες
- Μαχαίρι πλάνης από βολφράμιο-καρβίδιο (για μακρύτερη ζωή μαχαίριου)
- Μικρό μαχαίρι πλάνης
- Συγκρότημα υποδοχής ακόνισματος
- Μετρητής μαχαίριου
- Σετ πιάκας συγκράτησης
- Οδηγός άκρου (Κανόνας οδήγησης)
- Πέτρα ακόνισματος
- Συγκρότημα σάκου σκόνης
- Γωνία
- Κλειδί
- Συγκρότημα κανόνα γωνιοτομής



## ΣΗΜΕΙΩΣΗ:

- Ορισμένα από τα στοιχεία της λίστα μπορεί να περιέχονται στην συσκευασία του εργαλείου ως κανονικά αξεσουάρ. Αυτά ενδέχεται να διαφέρουν από χώρα σε χώρα.

## Θόρυβος

ENG905-1

Το σύνθετος σταθμισμένο επίπεδο θορύβου που έχει καθοριστεί σύμφωνα με την EN60745:

### Μοντέλα KP0810

Επίπεδο ηχητικής πίεσης ( $L_{pA}$ ): 88 dB (A)

Επίπεδο ηχητικής ισχύος ( $L_{WA}$ ): 99 dB (A)

Αβεβαιότητα (K): 3 dB (A)

### Μοντέλα KP0810C

Επίπεδο ηχητικής πίεσης ( $L_{pA}$ ): 82 dB (A)

Επίπεδο ηχητικής ισχύος ( $L_{WA}$ ): 93 dB (A)

Αβεβαιότητα (K): 3 dB (A)

### Να φοράτε ωτοασπίδες.

## Κραδασμός

ENG900-1

Η συνολική τιμή δόνησης (διανυσματικό άθροισμα τριών αξόνων) που έχει καθοριστεί σύμφωνα με την EN60745:

### Μοντέλα KP0810

Κατάσταση λειτουργίας: πλάνισμα μαλακής ξυλείας

Εκπομπή δόνησης ( $a_h$ ): 3,0 m/s<sup>2</sup>

Αβεβαιότητα (K): 1,5 m/s<sup>2</sup>

### Μοντέλα KP0810C

Κατάσταση λειτουργίας: πλάνισμα μαλακής ξυλείας

Εκπομπή δόνησης ( $a_h$ ): 3,5 m/s<sup>2</sup>

Αβεβαιότητα (K): 1,5 m/s<sup>2</sup>

ENG901-1

- Η δηλωθείσα τιμή των παραγομένων κραδασμών έχει καταμετρηθεί σύμφωνα με την τυποποιημένη μέθοδο δοκιμασίας και μπορεί να χρησιμοποιηθεί για την σύγκριση ενός εργαλείου με ένα άλλο.
- Η δηλωθείσα τιμή των παραγομένων κραδασμών μπορεί επίσης να χρησιμοποιηθεί για μια προκαταρκτική αξιολόγηση της έκθεσης στους κραδασμούς.

## ΠΡΟΕΙΔΟΠΟΙΗΣΗ:

- Η εκπομπή κραδασμών κατά τη διάρκεια της πραγματικής χρήσης του ηλεκτρικού εργαλείου μπορεί να διαφέρει από τη δηλωθείσα τιμή των εκπομπών, ανάλογα με τον τρόπο με τον οποίο χρησιμοποιείται το εργαλείο.
- Φροντίστε να λάβετε τα μέτρα ασφαλείας που απαιτούνται για την προστασία του χρήστη που βασίζονται σε μια εκτίμηση της έκθεσης σε πραγματικές συνθήκες χρήσης (λαμβάνοντας υπόψη όλα τα μέρη του κύκλου λειτουργίας, όπως είναι οι περιπτώσεις κατά τις οποίες το εργαλείο είναι απενεργοποιημένο και όταν λειτουργεί στο ρελαντί επιπρόσθετως του χρόνου κατά τον οποίο το εργαλείο βρίσκεται σε χρήση).

Για Ευρωπαϊκές χώρες μόνο

ENH101-15

**EK – Δήλωση συμμόρφωσης**

**Η Εταιρία Makita ως υπεύθυνος κατασκευαστής, δηλώνει ότι το παρακάτω μηχάνημα ή μηχανήματα της Makita:**

Όνομασία Μηχανήματος:

Ηλεκτρική πλάνη

Αρ. Μοντέλου/ Τύπος: KP0810, KP0810C

αποτελούν παραγωγή σε σειρά και

## Συμμορφώνονται με τις ακόλουθες Ευρωπαϊκές

### Οδηγίες:

2006/42/EK

Και κατασκευάζονται σύμφωνα με τα παρακάτω πρότυπα ή τυποποιημένα έγγραφα:

EN60745

Ο εξουσιοδοτημένος μας αντιπρόσωπος στην Ευρώπη διατηρεί τα τεχνικά έγγραφα, ο οποίος είναι:

Makita International Europe Ltd.

Michigan Drive, Tongwell,

Milton Keynes, Bucks MK15 8JD, England

30. 1. 2009



Tomoyasu Kato

Διευθυντής

Makita Corporation

3-11-8, Sumiyoshi-cho,

Anjo, Aichi, 446-8502, JAPAN





**Makita Corporation**  
Anjo, Aichi, Japan

[www.makita.com](http://www.makita.com)

884693G996

ALA