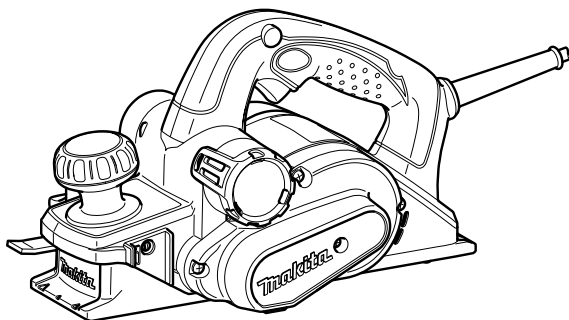




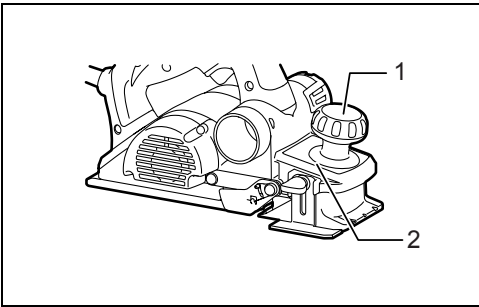
GB	Power Planer	Instruction manual
F	Rabot électrique	Manuel d'instructions
D	Falzhobel	Betriebsanleitung
I	Pialla elettrica	Istruzioni per l'uso
NL	Elektrische schaaf	Gebruiksaanwijzing
E	Cepilladora eléctrica	Manual de instrucciones
P	Plaina eléctrica	Manual de instruções
DK	Elhøvl	Brugsanvisning
GR	Ηλεκτρική πλάνη	Οδηγίες χρήσης

KP0810 KP0810C



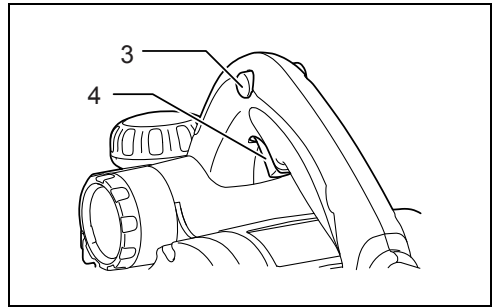
007638





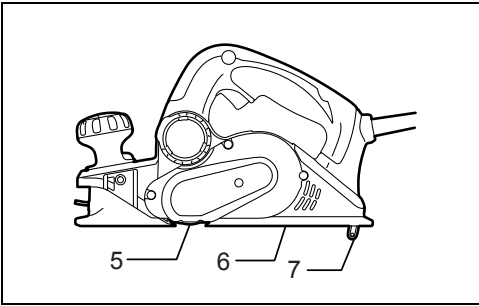
1

007639



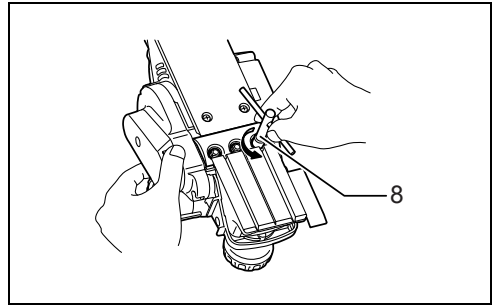
2

007640



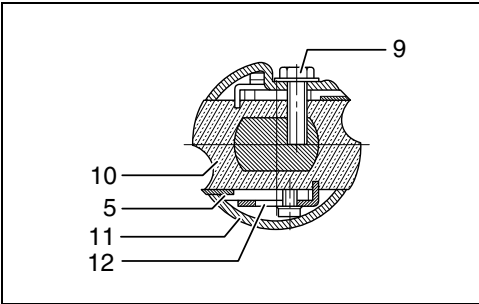
3

007688



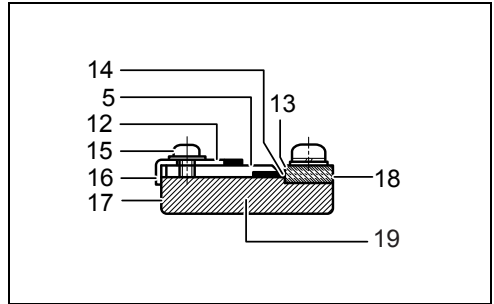
4

007641



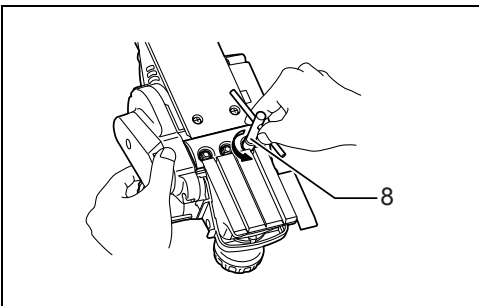
5

002555



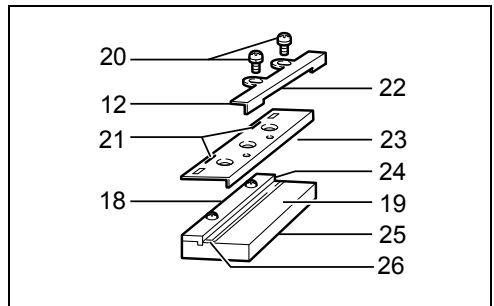
6

002556



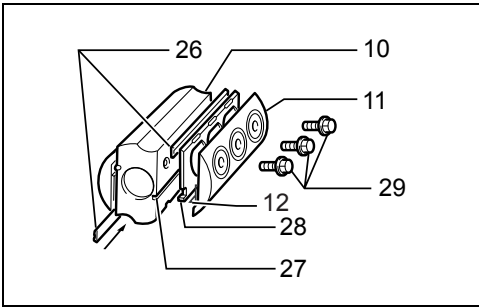
7

007641



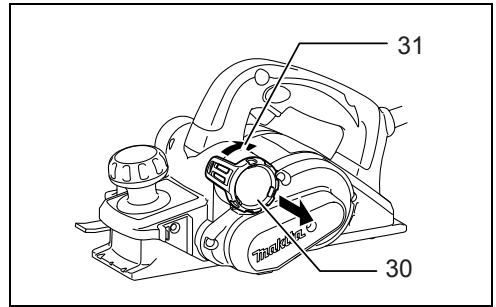
8

002565



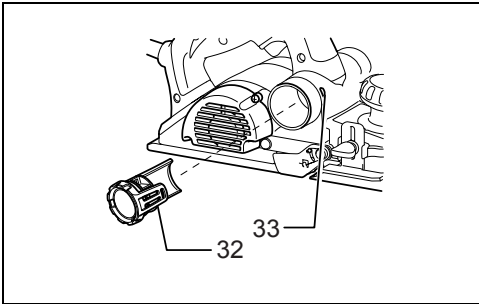
9

002566



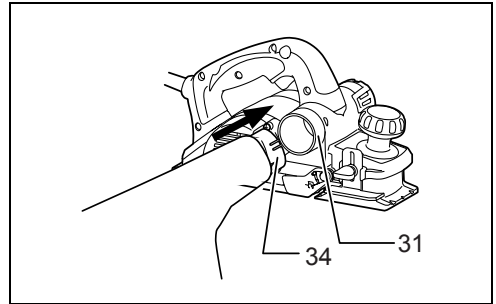
10

007643



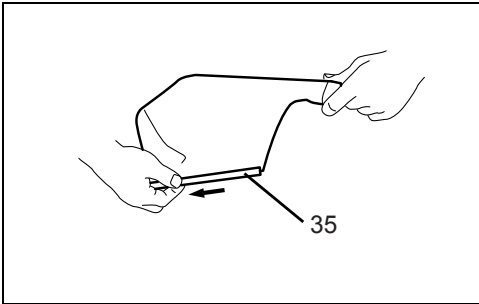
11

007801



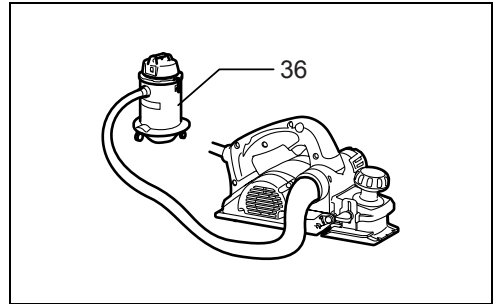
12

007687



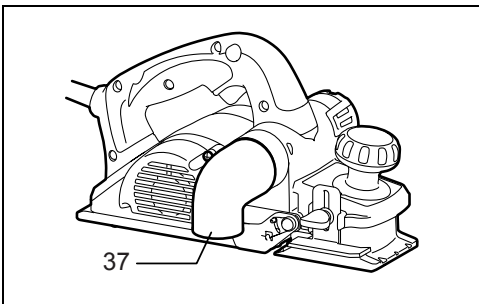
13

007802



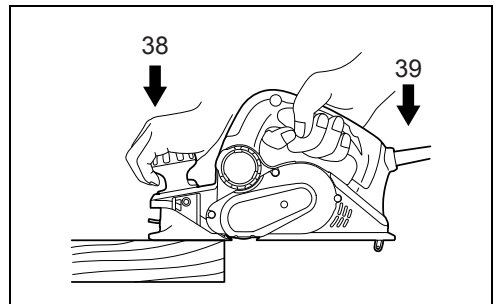
14

007644



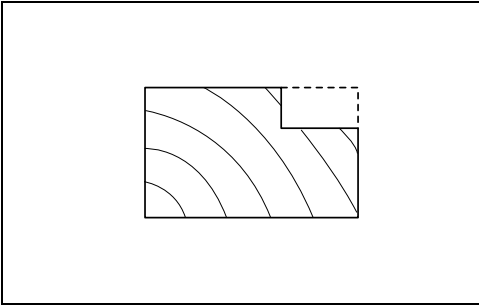
15

007645



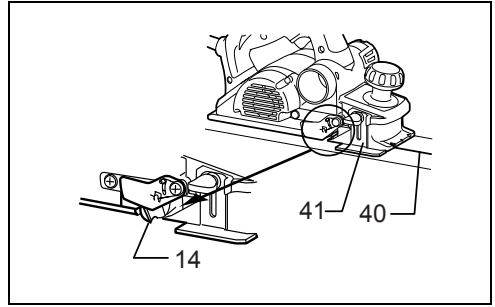
16

007646



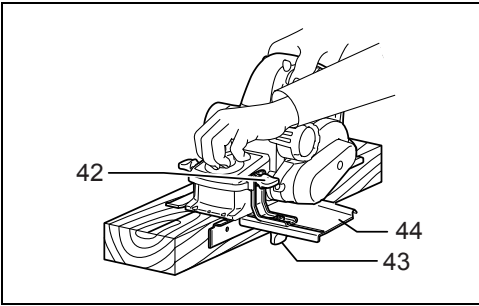
17

002580



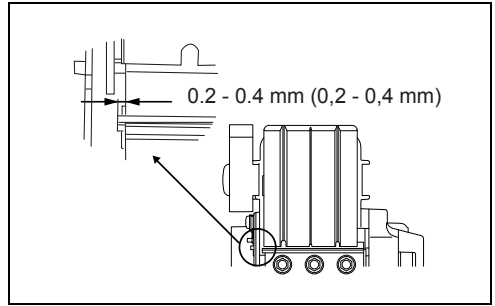
18

007647



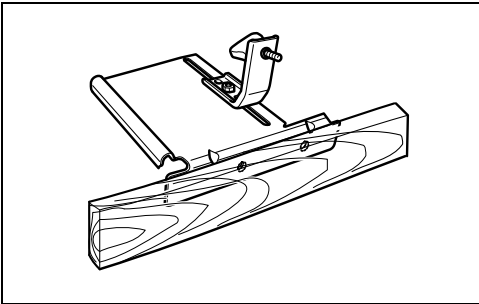
19

010794



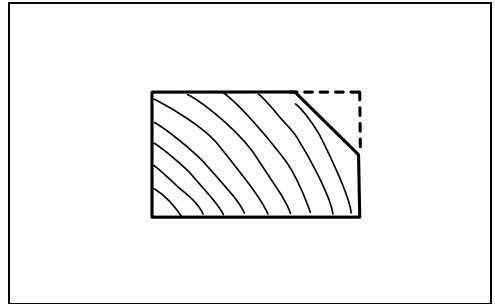
20

007649



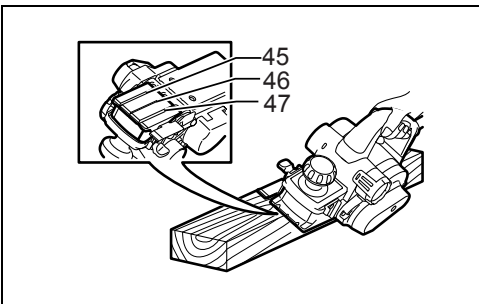
21

010795



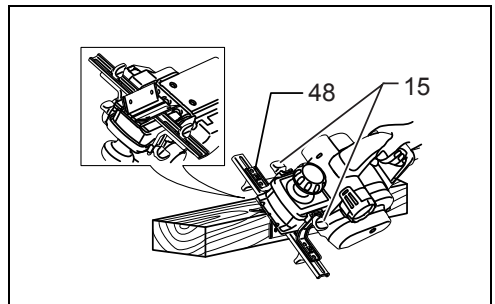
22

003634



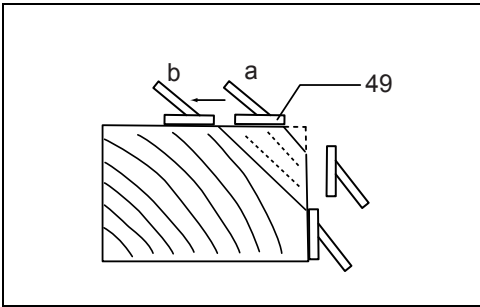
23

007650



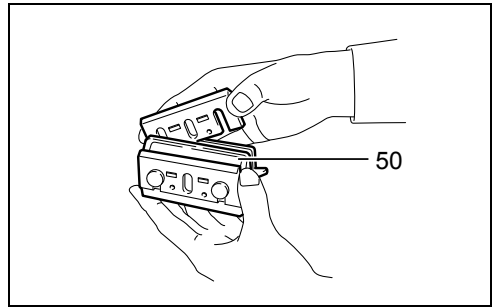
24

007653



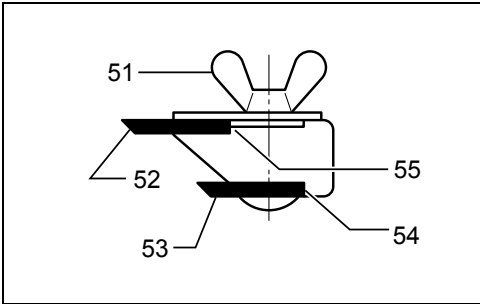
25

007828



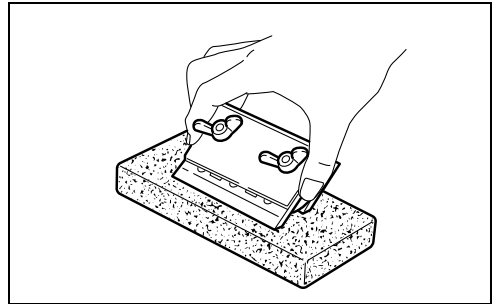
26

002588



27

002589



28

002590

ENGLISH (Original instructions)

Explanation of general view

1. Knob	21. Planer blade locating lugs	41. Depth guide
2. Pointer	22. Heel of adjusting plate	42. Screw (A)
3. Lock button / Lock-off button	23. Set plate	43. Screw (B)
4. Switch trigger	24. Inside flank of gauge plate	44. Edge fence
5. Planer blade	25. Back side of gauge base	45. V groove (medium amount of chamfering)
6. Rear base	26. Mini planer blade	46. V groove (small amount of chamfering)
7. Foot	27. Groove	47. V groove (great amount of chamfering)
8. Socket wrench	28. Set plate	48. Chamfering rule
9. Bolts	29. Hex. flange head bolts	49. Edge of chamfering rule
10. Drum	30. Stopper	50. Sharpening holder
11. Drum cover	31. Chip discharge opening	51. Wing nut
12. Adjusting plate	32. Recessed part	52. Blade (A)
13. Inside edge of gauge plate	33. Protrusion	53. Blade (B)
14. Blade edge	34. Dust bag	54. Side (D)
15. Screws	35. Fastener	55. Side (C)
16. Heel	36. Vacuum cleaner	
17. Back side of gauge base	37. Elbow	
18. Gauge plate	38. Start	
19. Gauge base	39. End	
20. Pan head screw	40. Cutting line	

SPECIFICATIONS

Model	KP0810	KP0810C
Planing width	82 mm	
Planing depth	4 mm	
Shiplapping depth	25 mm	
No load speed (min ⁻¹)	16,000	12,000
Overall length	290 mm	
Net weight	3.3 kg	3.4 kg
Safety class	□/II	

- Due to our continuing program of research and development, the specifications herein are subject to change without notice.
- Specifications may differ from country to country.
- Weight according to EPTA-Procedure 01/2014

Intended use

ENE001-1

The tool is intended for planing wood.


Power supply

ENF002-2

The tool should be connected only to a power supply of the same voltage as indicated on the nameplate, and can only be operated on single-phase AC supply. They are double-insulated and can, therefore, also be used from sockets without earth wire.

General power tool safety warnings

GEA010-2

 **WARNING: Read all safety warnings, instructions, illustrations and specifications provided with this power tool.** Failure to follow all instructions listed below may result in electric shock, fire and/or serious injury.

Save all warnings and instructions for future reference.

The term “power tool” in the warnings refers to your mains-operated (corded) power tool or battery-operated (cordless) power tool.

Planer Safety Warnings

GEB167-1

1. **Wait for the cutter to stop before setting the tool down.** An exposed rotating cutter may engage the surface leading to possible loss of control and serious injury.
2. **Hold the power tool by insulated gripping surfaces, because the cutter may contact its own cord.** Cutting a “live” wire may make exposed metal parts of the power tool “live” and could give the operator an electric shock.
3. **Use clamps or another practical way to secure and support the workpiece to a stable platform.** Holding the workpiece by your hand or against the body leaves it unstable and may lead to loss of control.
4. **Rags, cloth, cord, string and the like should never be left around the work area.**

5. **Avoid cutting nails. Inspect for and remove all nails from the workpiece before operation.**
6. **Use only sharp blades. Handle the blades very carefully.**
7. **Be sure the blade installation bolts are securely tightened before operation.**
8. **Hold the tool firmly with both hands.**
9. **Keep hands away from rotating parts.**
10. **Before using the tool on an actual workpiece, let it run for a while. Watch for vibration or wobbling that could indicate poor installation or a poorly balanced blade.**
11. **Make sure the blade is not contacting the workpiece before the switch is turned on.**
12. **Wait until the blade attains full speed before cutting.**
13. **Always switch off and wait for the blades to come to a complete stop before any adjusting.**
14. **Never stick your finger into the chip chute. Chute may jam when cutting damp wood. Clean out chips with a stick.**
15. **Do not leave the tool running. Operate the tool only when hand-held.**
16. **Always change both blades or covers on the drum, otherwise the resulting imbalance will cause vibration and shorten tool life.**
17. **Use only Makita blades specified in this manual.**
18. **Always use the correct dust mask/respirator for the material and application you are working with.**

SAVE THESE INSTRUCTIONS.

WARNING:

DO NOT let comfort or familiarity with product (gained from repeated use) replace strict adherence to safety rules for the subject product. **MISUSE** or failure to follow the safety rules stated in this instruction manual may cause serious personal injury.

FUNCTIONAL DESCRIPTION

CAUTION:

- Always be sure that the tool is switched off and unplugged before adjusting or checking function on the tool.

Adjusting depth of cut (Fig. 1)

Depth of cut may be adjusted by simply turning the knob on the front of the tool so that the pointer points the desired depth of cut.

Switch action (Fig. 2)

CAUTION:

- Before plugging in the tool, always check to see that the switch trigger actuates properly and returns to the "OFF" position when released.

For tool with lock button

To start the tool, simply pull the switch trigger. Release the switch trigger to stop.

For continuous operation, pull the switch trigger and then push in the lock button from either side.

To stop the tool from the locked position, pull the switch trigger fully, then release it.

For tool with lock-off button

To prevent the switch trigger from being accidentally pulled, a lock-off button is provided.

To start the tool, depress the lock-off button from either side and pull the switch trigger. Release the switch trigger to stop.

Electronic function

For Model KP0810C only

The tool equipped with electronic function are easy to operate because of the following features.

Constant speed control

Electronic speed control for obtaining constant speed. Possible to get fine finish, because the rotating speed is kept constant even under load condition.

Soft start

Soft-start feature minimizes start-up shock, and makes the tool start smoothly.

Foot (Fig. 3)

After a cutting operation, raise the back side of the tool and a foot comes under the level of the rear base. This prevents the tool blades to be damaged.

ASSEMBLY

CAUTION:

- Always be sure that the tool is switched off and unplugged before carrying out any work on the tool.

Removing or installing planer blades

CAUTION:

- Tighten the blade installation bolts carefully when attaching the blades to the tool. A loose installation bolt can be dangerous. Always check to see they are tightened securely.
- Handle the blades very carefully. Use gloves or rags to protect your fingers or hands when removing or installing the blades.
- Use only the Makita wrench provided to remove or install the blades. Failure to do so may result in overtightening or insufficient tightening of the installation bolts. This could cause an injury.

For tool with standard planer blades (Fig. 4 - 6)

To remove the blades on the drum, unscrew the installation bolts with the socket wrench. The drum cover comes off together with the blades.

To install the blades, first clean out all chips or foreign matter adhering to the drum or blades. Use blades of the same dimensions and weight, or drum oscillation/vibration will result, causing poor planing action and, eventually, tool breakdown.

Place the blade on the gauge base so that the blade edge is perfectly flush with the inside edge of the gauge plate. Place the adjusting plate on the blade, then simply press in the heel of the adjusting plate flush with the back side of the gauge base and tighten two screws on the adjusting plate. Now slip the heel of the adjusting plate into the drum groove, then fit the drum cover on it.

Tighten all the installation bolts evenly and alternately with the socket wrench.

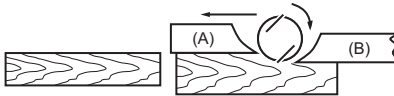
For tool with mini planer blades

1. Remove the existing blade, if the tool has been in use, carefully clean the drum surfaces and the drum cover. To remove the blades on the drum, unscrew the three installation bolts with the socket wrench. The drum cover comes off together with the blades. **(Fig. 7)**
2. To install the blades, loosely attach the adjusting plate to the set plate with the pan head screws and set the mini planer blade on the gauge base so that the cutting edge of the blade is perfectly flush with the inside flank of the gauge plate. **(Fig. 8)**
3. Set the adjusting plate/set plate on the gauge base so that the planer blade locating lugs on the set plate rest in the mini planer blade groove, then press in the heel of the adjusting plate flush with the back side of the gauge base and tighten the pan head screws.
4. It is important that the blade sits flush with the inside flank of the gauge plate, the planer blade locating lugs sit in the blade groove and the heel of the adjusting plate is flush with the back side of the gauge base. Check this alignment carefully to ensure uniform cutting.
5. Slip the heel of the adjusting plate into the groove of the drum.

(A) Front base (Movable shoe)

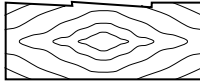
(B) Rear base (Stationary shoe)

Correct setting



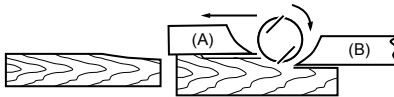
Although this side view cannot show it, the edges of the blades run perfectly parallel to the rear base surface.

Nicks in surface



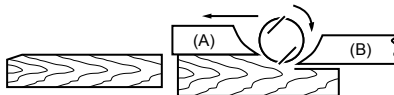
Cause: One or both blades fails to have edge parallel to rear base line.

Gouging at start



Cause: One or both blade edges fails to protrude enough in relation to rear base line.

Gouging at end



Cause: One or both blade edges protrudes too far in relation to rear base line.

EN0004-1

Change of chip discharge direction **(Fig. 10)**

Chip discharge direction can be changed to the right or left. To change the direction, pull out the stopper while turning it slightly backward and fit in it in one of two openings on the opposite side of chip discharge so that the recessed part fits to protrusion. **(Fig. 11)**

Dust bag (accessory) **(Fig. 12)**

Attach the dust bag onto the chip discharge opening. The chip discharge opening is tapered. When attaching the dust bag, push it onto the chip discharge opening firmly as far as it will go to prevent it from coming off during operation.

6. Set the drum cover over the adjusting plate/set plate and screw in the three hex flange head bolts so that a gap exists between the drum and the set plate to slide the mini planer blade into position. The blade will be positioned by the planer blade locating lugs on the set plate. **(Fig. 9)**
7. The blade's lengthwise adjustment will need to be manually positioned so that the blade ends are clear and equidistant from the housing on one side and the metal bracket on the other.
8. Tighten the three hex flange head bolts (with the socket wrench provided) and rotate the drum to check clearances between the blade ends and the tool body.
9. Check the three hex flange head bolts for final tightness.
10. Repeat procedures 1 - 9 for other blade.

For the correct planer blade setting

Your planing surface will end up rough and uneven, unless the blade is set properly and securely. The blade must be mounted so that the cutting edge is absolutely level, that is, parallel to the surface of the rear base. Refer to some examples below for proper and improper settings.

When the dust bag is about half full, remove the dust bag from the tool and pull the fastener out. Empty the dust bag of its contents, tapping it lightly so as to remove particles adhering to the insides which might hamper further collection. **(Fig. 13)**

NOTE:

- If you connect a Makita vacuum cleaner to this tool, more efficient and cleaner operations can be performed.

Connecting a vacuum cleaner **(Fig. 14)**

When you wish to perform clean planing operation, connect a Makita vacuum cleaner to your tool. Then

connect a hose of the vacuum cleaner to the chip discharge opening as shown in the figures.

Elbow (optional accessory) (Fig. 15)

Use of elbow allows change of chip discharge direction to perform cleaner work.

Install the elbow (optional accessory) on the tool by just slipping on it. To remove it, just pull it out.

Chip discharge opening cleaning

Clean the chip discharge opening regularly.

Use a compressed air to clean the clogged chip discharge opening.

OPERATION

Hold the tool firmly with one hand on the knob and the other hand on the switch handle when performing the tool.

Planing operation (Fig. 16)

First, rest the tool front base flat upon the workpiece surface without the blades making any contact. Switch on and wait until the blades attain full speed. Then move the tool gently forward. Apply pressure on the front of tool at the start of planing, and at the back at the end of planing. Planing will be easier if you incline the workpiece in stationary fashion, so that you can plane somewhat downhill.

The speed and depth of cut determine the kind of finish.

The power planer keeps cutting at a speed that will not result in jamming by chips. For rough cutting, the depth of cut can be increased, while for a good finish you should reduce the depth of cut and advance the tool more slowly.

Shiplapping (Rabbeting) (Fig. 17)

To make a stepped cut as shown in the figure, use the edge fence (guide rule).

Adjust the shiplapping depth using a depth guide (accessory).

Draw a cutting line on the workpiece. Insert the edge fence into the hole in the front of the tool. Align the blade edge with the cutting line. (Fig. 18)

Install the edge fence on the tool and secure it with the washer and thumb screw (A). Loosen the thumb screw (B) and adjust the edge fence until it comes in contact with the side of the workpiece. Then tighten the thumb screw (B) securely. (Fig. 19)

When planing, move the tool with the edge fence flush with the side of the workpiece. Otherwise uneven planing may result.

CAUTION:

- The blade edge should be made to protrude outside slightly (0.2 mm - 0.4 mm) for shiplapping. (Fig. 20)

You may wish to add to the length of the fence by attaching an extra piece of wood. Convenient holes are provided in the fence for this purpose, and also for attaching an extension guide (optional accessory).

(Fig. 21)

Chamfering (Fig. 22)

To make a chamfering cut as shown in the figure, align one of three "V" grooves in the front base with the edge of the workpiece and plane it. (Fig. 23)

Use of chamfering rule (optional accessory) assures more tool stability when shiplapping. (Fig. 24)

To install the chamfering rule, remove two screws on both sides of the front of the tool and set the depth of cut to 4 mm. And then install it on the front base of the tool and secure it the screws as shown in the figure.

When doing a great amount of chamfering, place an edge of chamfering rule so that it contacts workpiece and make many passes of planing as shown in the figure. (Fig. 25)

MAINTENANCE

CAUTION:

- Always be sure that the tool is switched off and unplugged before attempting to perform inspection or maintenance.
- Never use gasoline, benzine, thinner, alcohol or the like. Discoloration, deformation or cracks may result.

To maintain product SAFETY and RELIABILITY, repairs, carbon brush inspection and replacement, any other maintenance or adjustment should be performed by Makita Authorized or Factory Service Centers, always using Makita replacement parts.

Sharpening the planer blades

For standard blades only

Always keep your blades sharp for the best performance possible. Use the sharpening holder to remove nicks and produce a fine edge. (Fig. 26)

First, loosen the two wing nuts on the holder and insert the blades (A) and (B), so that they contact the sides (C) and (D). Then tighten the wing nuts. (Fig. 27)

Immerse the dressing stone in water for 2 or 3 minutes before sharpening. Hold the holder so that the both blades contact the dressing stone for simultaneous sharpening at the same angle. (Fig. 28)

OPTIONAL ACCESSORIES

⚠ CAUTION:

- These accessories or attachments are recommended for use with your Makita tool specified in this manual. The use of any other accessories or attachments might present a risk of injury to persons. Only use accessory or attachment for its stated purpose.

If you need any assistance for more details regarding these accessories, ask your local Makita Service Center.

- High-speed steel Planer blade
- Tungsten-carbide Planer blade (For longer blade life)
- Mini planer blade
- Sharpening holder assembly
- Blade gauge
- Set plate set
- Edge fence (Guide rule)
- Dressing stone
- Dust bag assembly
- Elbow
- Socket wrench
- Chamfering rule assembly

NOTE:

- Some items in the list may be included in the tool package as standard accessories. They may differ from country to country.

Noise

ENG905-1

The typical A-weighted noise level determined according to EN62841-2-14:

Model KP0810

Sound pressure level (L_{pA}): 86 dB (A)

Sound power level (L_{WA}): 97 dB (A)

Uncertainty (K): 3 dB (A)

Model KP0810C

Sound pressure level (L_{pA}): 85 dB (A)

Sound power level (L_{WA}): 96 dB (A)

Uncertainty (K): 3 dB (A)

ENG907-1

- The declared noise emission value(s) has been measured in accordance with a standard test method and may be used for comparing one tool with another.
- The declared noise emission value(s) may also be used in a preliminary assessment of exposure.

WARNING:

- **Wear ear protection.**
- **The noise emission during actual use of the power tool can differ from the declared value(s) depending on the ways in which the tool is used especially what kind of workpiece is processed.**
- **Be sure to identify safety measures to protect the operator that are based on an estimation of exposure in the actual conditions of use (taking account of all parts of the operating cycle such as the times when the tool is switched off and when it is running idle in addition to the trigger time).**

Vibration

ENG900-1

The vibration total value (tri-axial vector sum) determined according to EN62841-2-14:

Model KP0810

Work mode: planing softwood

Vibration emission (a_h): 3.0 m/s²

Uncertainty (K): 1.5 m/s²

Model KP0810C

Work mode: planing softwood

Vibration emission (a_h): 3.5 m/s²

Uncertainty (K): 1.5 m/s²

ENG901-2

- The declared vibration total value(s) has been measured in accordance with a standard test method and may be used for comparing one tool with another.
- The declared vibration total value(s) may also be used in a preliminary assessment of exposure.

WARNING:

- **The vibration emission during actual use of the power tool can differ from the declared value(s) depending on the ways in which the tool is used especially what kind of workpiece is processed.**
- **Be sure to identify safety measures to protect the operator that are based on an estimation of exposure in the actual conditions of use (taking account of all parts of the operating cycle such as the times when the tool is switched off and when it is running idle in addition to the trigger time).**

EC Declaration of Conformity For European countries only

The EC declaration of conformity is included as Annex A to this instruction manual.

FRANÇAIS (Instructions d'origine)

Descriptif

1. Bouton	21. Ergots de positionnement du fer de rabot	40. Ligne de coupe
2. Index	22. Talon de la plaque de réglage	41. Guide de profondeur
3. Bouton de verrouillage / Bouton de sécurité	23. Plaque de fixation	42. Vis (A)
4. Gâchette	24. Surface intérieure de la plaque gabarit	43. Vis (B)
5. Fer de rabot	25. Côté arrière de la base du gabarit	44. Garde parallèle
6. Socle arrière	26. Mini-fer de rabot	45. Rainure en V (quantité moyenne de chanfreinage)
7. Pied	27. Rainure	46. Rainure en V (petite quantité de chanfreinage)
8. Clé à douille	28. Plaque de fixation	47. Rainure en V (grande quantité de chanfreinage)
9. Boulons	29. Boulons à tête cylindrique large	48. Règle de chanfreinage
10. Tambour	30. Butée	49. Bord de la règle de chanfreinage
11. Couvercle du tambour	31. Ouverture de sortie des copeaux	50. Porte-affûteur
12. Plaque de réglage	32. Partie encastrée	51. Écrou à oreilles
13. Bord intérieur de la plaque gabarit	33. Partie saillante	52. Fer (A)
14. Tranchant du fer	34. Sac à poussières	53. Fer (B)
15. Vis	35. Fermeture à glissière	54. Côté (D)
16. Talon	36. Aspirateur	55. Côté (C)
17. Côté arrière de la base du gabarit	37. Coude	
18. Plaque gabarit	38. Début	
19. Base du gabarit	39. Fin	
20. Vis à tête cylindrique large		

SPÉCIFICATIONS

Modèle	KP0810	KP0810C
Largeur de rabotage	82 mm	
Profondeur de rabotage	4 mm	
Profondeur de polissage d'angle	25 mm	
Vitesse à vide (min ⁻¹)	16 000	12 000
Longueur totale	290 mm	
Poids net	3,3 kg	3,4 kg
Niveau de sécurité	□/II	

- Étant donné l'évolution constante de notre programme de recherche et de développement, les spécifications contenues dans ce manuel sont sujettes à des modifications sans préavis.
- Les spécifications peuvent varier suivant les pays.
- Poids conforme à la procédure EPTA 01/2014

Utilisations

ENE001-1

L'outil est conçu pour le rabotage du bois.

Alimentation

ENF002-2

L'outil ne doit être raccordé qu'à une alimentation de la même tension que celle qui figure sur la plaque signalétique, et il ne peut fonctionner que sur un courant secteur monophasé. Réalisé avec une double isolation, il peut de ce fait être alimenté sans mise à la terre.

Consignes de sécurité générales pour outils électriques

GEA010-2

⚠ AVERTISSEMENT : Veuillez lire les consignes de sécurité, instructions, illustrations et spécifications qui accompagnent cet outil électrique. Le non-respect de toutes les instructions indiquées ci-dessous peut entraîner une électrocution, un incendie et/ou de graves blessures.

Conservez toutes les mises en garde et instructions pour référence ultérieure.

Le terme « outil électrique » dans les avertissements fait référence à l'outil électrique alimenté par le secteur (avec cordon d'alimentation) ou à l'outil électrique fonctionnant sur batterie (sans cordon d'alimentation).

Consignes de sécurité pour rabot

GEB167-1

1. **Attendez que l'outil de coupe s'arrête avant de poser l'outil.** Un outil de coupe en rotation exposé peut pénétrer dans la surface, ce qui peut provoquer une perte de maîtrise et de graves blessures.
2. **Tenez l'outil électrique par une surface de prise isolée, étant donné que l'outil de coupe peut entrer en contact avec son cordon.** Couper un câble sous tension risque de mettre à découvert les

pièces métalliques de l'outil électrique sous tension et d'électrocuter l'utilisateur.

3. **Utilisez des dispositifs de serrage ou un autre moyen pratique pour fixer et soutenir la pièce sur une plateforme stable.** La pièce sera instable et vous risquerez d'en perdre la maîtrise si vous la tenez avec une main ou l'appuyez contre votre corps.
4. **Ne laissez jamais de chiffons, linges, cordons, cordes et objets similaires sur la zone de travail.**
5. **Évitez les clous. Avant de travailler la pièce, inspectez-la et retirez tous les clous.**
6. **N'utilisez que des lames affûtées. Manipulez les lames avec beaucoup de précaution.**
7. **Assurez-vous que les boulons de fixation des lames sont bien serrés avant utilisation.**
8. **Tenez l'outil fermement à deux mains.**
9. **Gardez les mains à l'écart des pièces en rotation.**
10. **Avant d'utiliser l'outil sur la pièce, laissez-le tourner à vide un instant. Soyez attentif aux vibrations ou sautillements pouvant indiquer que la lame n'est pas bien installée ou est mal équilibrée.**
11. **Assurez-vous que la lame n'entre pas en contact avec la pièce avant de mettre l'outil sous tension.**
12. **Attendez que la lame atteigne sa pleine vitesse avant de procéder à la coupe.**
13. **Avant tout réglage, mettez toujours l'outil hors tension et attendez l'arrêt complet des lames.**
14. **Ne mettez jamais le doigt dans la goulotte à copeaux. Il se peut qu'elle se bouche lorsque vous coupez du bois humide. Retirez les copeaux avec un bout de bâton.**
15. **N'abandonnez pas l'outil alors qu'il tourne. Ne faites fonctionner l'outil qu'une fois que vous l'avez bien en main.**
16. **Changez toujours les deux lames ou couvercles sur le tambour, en même temps, sinon cela entraînera un déséquilibre qui provoquera des vibrations et réduira la durée de service de l'outil.**
17. **N'utilisez que les lames Makita spécifiées dans ce manuel.**
18. **Utilisez toujours un masque anti-poussière ou un masque filtrant approprié au matériau et à l'application.**

CONSERVEZ CES INSTRUCTIONS.

⚠ AVERTISSEMENT :
NE vous laissez **PAS** tromper (au fil d'une utilisation répétée) par un sentiment d'aisance et de familiarité avec le produit, en négligeant le respect rigoureux des consignes de sécurité qui accompagnent le produit en question.

La **MAUVAISE UTILISATION** de l'outil ou l'ignorance des consignes de sécurité indiquées dans ce mode d'emploi peut entraîner de graves blessures.

DESCRIPTION DU FONCTIONNEMENT

ATTENTION :

- Assurez-vous toujours que l'outil est éteint et débranché avant de l'ajuster ou de vérifier son fonctionnement.

Ajuster la profondeur de coupe (Fig. 1)

Le réglage de la profondeur de coupe s'effectue simplement en tournant le bouton qui se trouve à l'avant de l'outil de sorte que l'index pointe sur la profondeur désirée.

Interrupteur (Fig. 2)

ATTENTION :

- Avant de brancher l'outil, vérifiez toujours que la gâchette fonctionne correctement et revient en position d'arrêt (« OFF ») lorsqu'elle est relâchée.

Pour les outils avec bouton de verrouillage

Pour mettre l'outil en marche, appuyez simplement sur la gâchette. Pour l'arrêter, relâchez la gâchette. Pour un fonctionnement continu, appuyez sur la gâchette puis enfoncez le bouton de verrouillage des deux côtés. Pour arrêter l'outil alors qu'il est en position verrouillée, appuyez à fond sur la gâchette puis relâchez-la.

Pour les outils avec bouton de sécurité

Pour éviter tout déclenchement accidentel de la gâchette, l'outil est muni d'un bouton de sécurité. Pour démarrer l'outil, enfoncez le bouton de sécurité des deux côtés puis appuyez sur la gâchette. Pour l'arrêter, relâchez la gâchette.

Fonction électronique

Pour le modèle KP0810C uniquement

Les outils équipés d'une fonction électronique sont faciles à utiliser à cause des caractéristiques suivantes.

Contrôle de vitesse constante

Contrôle de vitesse électronique pour obtenir une vitesse constante. Possibilité d'obtenir une très bonne finition, parce que la vitesse de rotation reste constante même sous des conditions de charge.

Démarrage en douceur

La fonction de démarrage en douceur réduit le choc de démarrage et fait démarrer l'outil doucement.

Pied (Fig. 3)

Après la coupe, soulevez l'outil par l'arrière pour faire sortir le pied du socle arrière. Cela prévient l'endommagement des fers de l'outil.

ASSEMBLAGE

ATTENTION :

- Avant d'effectuer toute intervention sur l'outil, assurez-vous toujours qu'il est éteint et débranché.

Retrait ou pose des fers de rabot

ATTENTION :

- Serrez solidement les boulons de pose des fers lorsque vous fixez les fers à l'outil. Un boulon mal serré

peut être dangereux. Vérifiez toujours qu'ils sont bien serrés.

- Manipulez les fers avec une grande prudence. Portez des gants ou utilisez des chiffons pour protéger vos doigts ou vos mains lors du retrait ou de la pose des fers.
- Utilisez exclusivement la clé Makita fournie pour retirer ou poser les fers. Autrement vous risquez d'effectuer un serrage excessif ou insuffisant des boulons. Cela comporte un risque de blessure.

Pour l'outil à fers de rabot ordinaires (Fig. 4 à 6)

Pour retirer les fers du tambour, dévissez les boulons à l'aide de la clé à douille. Le couvercle du tambour se détachera avec les fers.

Pour poser les fers, enlevez d'abord tous les copeaux ou corps étrangers qui adhèrent au tambour et aux fers.

Utilisez des fers de dimensions et de poids identiques pour éviter que le tambour n'oscille ou ne vibre, ce qui causerait un rabotage médiocre et risquerait d'endommager l'outil.

Placez le fer sur la base du gabarit de sorte que le tranchant du fer soit parfaitement aligné sur le bord intérieur de la plaque gabarit. Posez la plaque de réglage sur le fer, puis enfoncez simplement le talon de la plaque de réglage pour qu'il s'aligne parfaitement sur l'arrière de la base du gabarit, et serrez les deux vis sur la plaque de réglage. Glissez ensuite le talon de la plaque de réglage dans la rainure du tambour, puis posez le couvercle sur ce dernier.

Serrez tous les boulons à l'aide de la clé à douille, en alternant d'un boulon à l'autre pour assurer un serrage égal.

Pour l'outil à mini-fers de rabot

1. Retirez le fer existant, et si vous venez d'utiliser l'outil nettoyez soigneusement la surface et le couvercle du tambour. Pour retirer les fers du tambour, dévissez les trois boulons à l'aide de la clé à douille. Le couvercle du tambour se détachera avec les fers. **(Fig. 7)**
2. Pour poser les fers, fixez légèrement la plaque de réglage à la plaque de fixation à l'aide des vis à tête cylindrique large, et réglez le mini-fer de rabot sur la base du gabarit de sorte que le tranchant du fer soit parfaitement aligné sur la surface intérieure de la plaque gabarit. **(Fig. 8)**
3. Réglez la plaque de réglage/plaque de fixation sur la base du gabarit de sorte que les ergots de positionnement du fer de rabot, sur la plaque de fixation, reposent dans la rainure du mini-fer de rabot, puis enfoncez le talon de la plaque de réglage pour l'aligner parfaitement sur l'arrière de la base du gabarit, et serrez les vis à tête cylindrique large.
4. Il est important que le fer se trouve parfaitement aligné sur la surface intérieure de la plaque gabarit, que les ergots de positionnement du fer de rabot se trouvent dans la rainure du fer, et que le talon de la plaque de réglage soit parfaitement aligné sur l'arrière de la base du gabarit. Vérifiez soigneusement l'alignement pour assurer une coupe uniforme.
5. Glissez le talon de la plaque de réglage dans la rainure du tambour.
6. Posez le couvercle du tambour sur la plaque de réglage/plaque de fixation, et vissez les trois boulons à tête cylindrique large de sorte qu'il y ait un espace

libre entre le tambour et la plaque de réglage pour glisser en position le mini-fer de rabot. Le fer sera mis en position par les ergots de positionnement du fer de rabot sur la plaque de fixation. **(Fig. 9)**

7. Il faut effectuer manuellement la mise en position du fer sur la longueur, de sorte que les extrémités ne touchent pas le carter d'un côté ni le support métallique de l'autre, et qu'elles se trouvent à la même distance de ces derniers.
8. Serrez les trois boulons à tête cylindrique large (à l'aide de la clé à douille fournie) et faites tourner le tambour pour vous assurer que les extrémités du fer ne touchent pas le corps de l'outil.
9. Vérifiez les boulons à tête cylindrique large en effectuant un dernier serrage.
10. Répétez les étapes 1 à 9 pour l'autre fer.

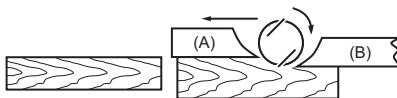
Pour régler correctement le fer de rabot

La surface rabotée sera grossière et inégale si le fer n'est pas réglé de manière adéquate et sûre. Le fer doit être monté de sorte que le tranchant soit parfaitement de niveau, c'est-à-dire parallèle à la surface de la base arrière.

Reportez-vous aux quelques exemples ci-dessous de réglages adéquats et inadéquats.

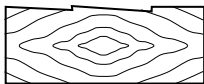
- (A) Base avant (talon mobile)
- (B) Base arrière (talon immobile)

Réglage correct



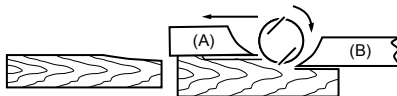
Bien que cela ne soit pas visible sur cette vue latérale, les tranchants de fer sont parfaitement parallèles à la surface de la base arrière.

Crantage à la surface



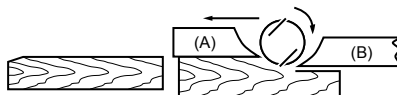
Cause : Le tranchant d'un des fers (ou des deux) n'est pas parallèle à la ligne de la base arrière.

Gougeage au début



Cause : Le tranchant d'un des fers (ou des deux) ne dépasse pas assez par rapport à la ligne de la base arrière.

Gougeage à la fin



Cause : Le tranchant d'un des fers (ou des deux) dépasse trop par rapport à la ligne de la base arrière.

EN0004-1

Changement du sens de sortie des copeaux (Fig. 10)

Il est possible de changer le sens de sortie des copeaux pour qu'elle s'effectue sur la droite ou sur la gauche. Pour changer le sens, tirez sur la butée tout en tournant légèrement vers l'arrière, puis introduisez-la dans l'une ou l'autre des deux ouvertures du côté opposé de la sortie des copeaux, de sorte que la partie encastrée s'adapte à la partie saillante. (Fig. 11)

Sac à poussières (accessoire) (Fig. 12)

Fixez le cas à poussières dans l'ouverture de sortie des copeaux.

L'ouverture de sortie des copeaux est conique. Pour fixer le sac à poussières, poussez-le fermement dans l'ouverture de sortie des copeaux pour l'insérer à fond, afin d'éviter qu'il ne se détache en cours d'utilisation. Lorsque le sac à poussières est environ à moitié plein, retirez-le de l'outil et ouvrez la fermeture-éclair. Videz le sac en le tapotant pour détacher les particules qui adhèrent à l'intérieur et peuvent empêcher la collecte des poussières. (Fig. 13)

REMARQUE :

- Si vous raccordez un aspirateur Makita à cet outil, vous effectuerez votre travail de façon plus efficace et plus propre.

Raccordement à un aspirateur (Fig. 14)

Pour effectuer un rabotage plus propre, raccordez un aspirateur Makita à votre outil. Connectez ensuite le tuyau de l'aspirateur à l'ouverture de sortie des poussières, tel qu'illustré sur la figure.

Coude (accessoire) (Fig. 15)

L'utilisation du coude permet de changer le sens de sortie des copeaux pour effectuer un travail plus propre.

Posez le coude (accessoire en option) sur l'outil, simplement en l'y glissant. Pour le retirer, tirez simplement dessus.

Nettoyage de l'ouverture de sortie des copeaux

Nettoyez régulièrement l'ouverture de sortie des copeaux. Si l'ouverture de sortie des copeaux est bouchée, utilisez de l'air comprimé pour la déboucher.

UTILISATION

Maintenez fermement l'outil avec une main sur le bouton et l'autre main sur la poignée-gâchette lorsque vous testez l'outil.

Rabotage (Fig. 16)

Tout d'abord, déposez la base arrière de l'outil à plat sur la pièce à travailler, sans que les fers n'entrent en contact avec quoi que ce soit. Mettez le contact et attendez que les fers aient atteint leur pleine vitesse. Déplacez ensuite l'outil doucement vers l'avant. Appliquez une pression sur l'avant de l'outil au début du rabotage, et une pression à l'arrière à la fin du rabotage. Le rabotage sera plus facile si vous inclinez la pièce et l'immobilisez dans cette position, de façon à raboter quelque peu en descendant. Le type de finition dépend de la vitesse et de la profondeur de coupe.

Le rabot électrique maintient une vitesse de coupe constante prévue pour éviter les bourrages de copeaux. Pour une coupe grossière vous pouvez augmenter la profondeur de coupe, tandis que pour obtenir une bonne finition vous devez réduire la profondeur de coupe et faire avancer l'outil plus lentement.

Polissage d'angle (feuillure) (Fig. 17)

Pour effectuer une coupe dégradée, tel qu'indiqué sur la figure, utilisez la garde parallèle (règle de guidage).

Ajustez la profondeur de polissage d'angle à l'aide du guide de profondeur (accessoire).

Tracez une ligne de coupe sur la pièce. Insérez le garde parallèle dans l'orifice à l'avant de l'outil. Alignez le tranchant du fer sur la ligne de coupe. (Fig. 18)

Posez le garde parallèle sur l'outil et fixez-le à l'aide de la rondelle et de la vis à oreilles (A). Desserrez la vis à oreilles (B) et réglez le garde parallèle jusqu'à ce qu'il entre en contact avec le côté de la pièce à travailler. Serrez ensuite fermement la vis à oreilles (B). (Fig. 19)
Lorsque vous rabotez, déplacez l'outil en gardant le garde parallèle parfaitement appuyé contre le côté de la pièce. Autrement vous risquez d'effectuer un rabotage inégal.

ATTENTION :

- Le tranchant du fer doit sortir légèrement (0,2 mm à 0,4 mm) pour le recouvrement à feuillure. (Fig. 20)

Vous voudrez peut-être allonger le garde parallèle en lui ajoutant une pièce de bois. Des orifices pratiques ont été prévus à cet effet, ainsi que pour fixer un guide prolongateur (accessoire en option). (Fig. 21)

Chanfreinage (Fig. 22)

Pour effectuer une coupe de chanfreinage comme celle indiquée sur la figure, alignez une des trois rainures en « V » sur le bord de la pièce puis rabotez. (Fig. 23)

L'utilisation de la règle de chanfreinage (accessoire en option) assure une plus grande stabilité de l'outil lors du polissage d'angle. (Fig. 24)

Pour poser la règle de chanfreinage, retirez deux vis de chaque côté à l'avant de l'outil, et réglez la profondeur de coupe sur 4 mm. Posez-la ensuite sur la base avant de l'outil et fixez-la à l'aide des vis, tel qu'indiqué sur la figure.

Lorsque vous effectuez une grande quantité de chanfreinage, placez un bord de la règle de chanfreinage de sorte qu'il touche la pièce, et rabotez en plusieurs passes tel qu'indiqué sur la figure. (Fig. 25)

MAINTENANCE

ATTENTION :

- Assurez-vous toujours que l'outil est éteint et débranché avant d'effectuer tout travail d'inspection ou de maintenance.
- N'utilisez jamais d'essence, de benzine, de diluant, d'alcool ou de produit similaire. Ces produits risquent de provoquer des décolorations, des déformations ou des fissures.

Pour assurer la SÉCURITÉ et la FIABILITÉ du produit, les réparations, inspections et remplacements des charbons, ainsi que toute autre tâche de maintenance ou de réglage, doivent être effectués par un centre de service agréé Makita, exclusivement avec des pièces de rechange Makita.

Affûtage des fers de rabot

Pour les fers ordinaires uniquement

Gardez toujours vos fers bien affûtés pour assurer une coupe optimale. Utilisez le porte-affûteur pour enlever le crantage et obtenir un tranchant fin. (Fig. 26)
Tout d'abord, desserrez les deux écrous à oreilles du porte-affûteur, et insérez les fers (A) et (B) de sorte qu'ils

touchent les côtés (C) et (D). Serrez ensuite les écrous à oreilles. (Fig. 27)

Plongez la pierre à dresser 2 à 3 minutes dans l'eau avant d'affûter. Tenez le porte-affûteur de sorte que les deux fers touchent la pierre à dresser pour que l'affûtage s'effectue en même temps et avec le même angle. (Fig. 28)

ACCESSOIRES FOURNIS EN OPTION

⚠ ATTENTION :

- Ces accessoires ou pièces complémentaires sont recommandés pour être utilisés avec l'outil Makita spécifié dans ce mode d'emploi. L'utilisation de tout autre accessoire ou pièce complémentaire peut comporter un risque de blessure. N'utilisez les accessoires ou pièces qu'aux fins auxquelles ils ont été conçus.

Pour obtenir plus de détails sur ces accessoires, contactez votre Centre de service local Makita.

- Fer de rabot en acier haute vitesse
- Fer de rabot en carbure de tungstène (fer longue durée)
- Mini-fer de rabot
- Ensemble de porte-affûteur
- Gabarit de fer
- Jeun de plaque de fixation
- Garde parallèle (règle de guidage)
- Pierre à dresser
- Ensemble de sac à poussières
- Coude
- Clé à douille
- Ensemble de règle de chanfreinage

REMARQUE :

- Certains éléments de la liste peuvent être inclus en tant qu'accessoires standard dans le coffret de l'outil envoyé. Ils peuvent varier suivant les pays.

Bruit

ENG905-1

Les niveaux de bruit pondéré A typiques ont été mesurés selon la norme EN62841-2-14 :

Modèle KP0810

Niveau de pression sonore (L_{pA}) : 86 dB (A)

Niveau de puissance sonore (L_{WA}) : 97 dB (A)

Incertitude (K) : 3 dB (A)

Modèle KP0810C

Niveau de pression sonore (L_{pA}) : 85 dB (A)

Niveau de puissance sonore (L_{WA}) : 96 dB (A)

Incertitude (K) : 3 dB (A)

ENG907-1

- La ou les valeurs d'émission de bruit déclarées ont été mesurées conformément à la méthode de test standard et peuvent être utilisées pour comparer les outils entre eux.
- La ou les valeurs d'émission de bruit déclarées peuvent aussi être utilisées pour l'évaluation préliminaire de l'exposition.

⚠ AVERTISSEMENT :

- Portez un serre-tête antibruit.
- L'émission de bruit lors de l'usage réel de l'outil électrique peut être différente de la ou des valeurs

déclarées, suivant la façon dont l'outil est utilisé, particulièrement selon le type de pièce usinée.

- Les mesures de sécurité à prendre pour protéger l'utilisateur doivent être basées sur une estimation de l'exposition dans des conditions réelles d'utilisation (en tenant compte de toutes les composantes du cycle d'utilisation, comme par exemple le moment de sa mise hors tension, lorsqu'il tourne à vide et le moment de son déclenchement).

Vibrations

ENG900-1

La valeur totale de vibration (somme du vecteur triaxial) a été déterminée selon la norme EN62841-2-14 :

Modèle KP0810

Mode de fonctionnement : rabotage de conifères

Émission des vibrations (a_n) : 3,0 m/s²

Incertitude (K) : 1,5 m/s²

Modèle KP0810C

Mode de fonctionnement : rabotage de conifères

Émission des vibrations (a_n) : 3,5 m/s²

Incertitude (K) : 1,5 m/s²

ENG901-2

- La ou les valeurs de vibration totales déclarées ont été mesurées conformément à la méthode de test standard et peuvent être utilisées pour comparer les outils entre eux.
- La ou les valeurs de vibration totales déclarées peuvent aussi être utilisées pour l'évaluation préliminaire de l'exposition.

AVERTISSEMENT :

- L'émission de vibrations lors de l'usage réel de l'outil électrique peut être différente de la ou des valeurs déclarées, suivant la façon dont l'outil est utilisé, particulièrement selon le type de pièce usinée.
- Les mesures de sécurité à prendre pour protéger l'utilisateur doivent être basées sur une estimation de l'exposition dans des conditions réelles d'utilisation (en tenant compte de toutes les composantes du cycle d'utilisation, comme par exemple le moment de sa mise hors tension, lorsqu'il tourne à vide et le moment de son déclenchement).

Déclaration de conformité CE

Pour l'Europe uniquement

La Déclaration de conformité CE figure en Annexe A du présent mode d'emploi.

DEUTSCH (Originalanweisungen)

Erklärung der Gesamtdarstellung

1. Knopf	20. Flachkopfschraube	39. Ende
2. Zeiger	21. Positionierhilfen für Hobelmesser	40. Schnittlinie
3. Arretiertaste / Entsperrungstaste	22. Absatz der Einstellplatte	41. Tiefenführung
4. Ein/Aus-Schalter	23. Feststellplatte	42. Schraube (A)
5. Hobelmesser	24. Innenflanke der Messplatte	43. Schraube (B)
6. Hintere Sohle	25. Rückseite des Messsockels	44. Parallelenschlag
7. Fuß	26. Wendemesser	45. V-Nut (mittlerer Anfasungsgrad)
8. Steckschlüssel	27. Rille	46. V-Nut (geringer Anfasungsgrad)
9. Schrauben	28. Feststellplatte	47. V-Nut (hoher Anfasungsgrad)
10. Hobelwelle	29. Sechskantflanschschraben	48. Anfasungsführung
11. Druckplatte	30. Anschlag	49. Kante der Anfasungsführung
12. Einstellplatte	31. Öffnung für Spanauswurf	50. Schleifvorrichtung
13. Innenkante der Messplatte	32. Abgestufter Bereich	51. Flügelmutter
14. Messerkante	33. Vorsprung	52. Messer (A)
15. Schrauben	34. Staubbeutel	53. Messer (B)
16. Absatz	35. Verschluss	54. Seite (D)
17. Rückseite des Messsockels	36. Staubsauger	55. Seite (C)
18. Messplatte	37. Bogenrohr	
19. Messsockel	38. Anfang	

TECHNISCHE ANGABEN

Modell	KP0810	KP0810C
Hobelbreite	82 mm	
Hobeltiefe	4 mm	
Falztiefe	25 mm	
Leerlaufgeschwindigkeit (min ⁻¹)	16.000	12.000
Gesamtlänge	290 mm	
Nettogewicht	3,3 kg	3,4 kg
Sicherheitsklasse	□/II	

- Aufgrund unserer beständigen Forschungen und Weiterentwicklungen sind Änderungen an den hier angegebenen Technischen Daten ohne Vorankündigung vorbehalten.
- Die Technischen Daten können in den einzelnen Ländern voneinander abweichen.
- Gewicht entsprechend EPTA-Verfahren 01/2014

Verwendungszweck ENE001-1

Dieses Werkzeug wurde für das Hobeln von Holz entwickelt.

Stromversorgung ENF002-2

Das Werkzeug darf nur an eine Stromversorgung mit Einphasen-Wechselstrom mit der auf dem Typenschild angegebenen Spannung angeschlossen werden. Das Werkzeug verfügt über ein doppelt isoliertes Gehäuse und kann daher auch an einer Stromversorgung ohne Schutzkontakt betrieben werden.

Allgemeine Sicherheitswarnungen für Elektrowerkzeuge

GEA010-2

⚠ WARNUNG: Lesen Sie alle mit diesem Elektrowerkzeug gelieferten Sicherheitswarnungen, Anweisungen, Abbildungen und technischen Daten durch. Eine Missachtung der unten aufgeführten Anweisungen kann zu einem elektrischen Schlag, Brand und/oder schweren Verletzungen führen.

Bewahren Sie alle Warnungen und Anweisungen für spätere Bezugnahme auf.

Der Ausdruck „Elektrowerkzeug“ in den Warnhinweisen bezieht sich auf Ihr mit Netzstrom (mit Kabel) oder Akku (ohne Kabel) betriebenes Elektrowerkzeug.

Sicherheitswarnungen für Balkenhobel

GEB167-1

1. **Warten Sie, bis das Messer zum Stillstand kommt, bevor Sie das Werkzeug ablegen.** Das freiliegende Rotationsmesser könnte sonst in die Oberfläche eingreifen, was zu einem möglichen Verlust der Kontrolle und ernsthaften Verletzungen führen kann.
2. **Halten Sie das Elektrowerkzeug an den isolierten Griffflächen, weil das Messer das eigene Kabel berühren kann.** Bei Kontakt mit einem Strom führenden Kabel können die freiliegenden Metallteile des Elektrowerkzeugs ebenfalls Strom führend

werden, so dass der Benutzer einen elektrischen Schlag erleiden kann.

3. **Verwenden Sie Klemmen oder eine andere praktische Methode, um das Werkstück auf einer stabilen Unterlage zu sichern und abzustützen.** Wenn Sie das Werkstück nur mit der Hand oder gegen Ihren Körper halten, befindet es sich in einer instabilen Lage, die zum Verlust der Kontrolle führen kann.
4. **Lassen Sie niemals Lappen, Tücher, Kabel, Schnüre und dergleichen im Arbeitsbereich herumliegen.**
5. **Vermeiden Sie das Schneiden von Nägeln. Untersuchen Sie das Werkstück sorgfältig auf Nägel, und entfernen Sie diese vor der Bearbeitung.**
6. **Verwenden Sie nur scharfe Messer. Behandeln Sie die Messer mit größter Sorgfalt.**
7. **Vergewissern Sie sich vor der Arbeit, dass die Messerbefestigungsschrauben sicher festgezogen sind.**
8. **Halten Sie das Werkzeug mit beiden Händen fest.**
9. **Halten Sie Ihre Hände von rotierenden Teilen fern.**
10. **Lassen Sie das Werkzeug vor der eigentlichen Bearbeitung eines Werkstücks eine Weile laufen. Achten Sie auf Vibrationen oder Taumelbewegungen, die Anzeichen für schlechte Montage oder ein schlecht ausgewuchtetes Messer sein können.**
11. **Vergewissern Sie sich vor dem Einschalten des Werkzeugs, dass das Messer nicht das Werkstück berührt.**
12. **Warten Sie, bis das Messer die volle Drehzahl erreicht hat, bevor Sie mit dem Schneiden beginnen.**
13. **Schalten Sie das Werkzeug stets aus, und warten Sie, bis die Messer zum vollständigen Stillstand kommen, bevor Sie Einstellungen vornehmen.**
14. **Stecken Sie niemals Ihren Finger in den Spanauswurf. Der Spanauswurf kann blockiert werden, wenn feuchtes Holz gehobelt wird. Entfernen Sie Späne mit einem Stock.**
15. **Lassen Sie das Werkzeug nicht unbeaufsichtigt laufen. Benutzen Sie das Werkzeug nur im handgeführten Einsatz.**
16. **Wechseln Sie immer beide Messer oder Abdeckungen an der Trommel aus, weil sonst die resultierende Unwucht Vibrationen verursacht und die Lebensdauer des Werkzeugs verkürzen kann.**
17. **Verwenden Sie nur die in dieser Anleitung angegebenen Makita-Messer.**
18. **Verwenden Sie stets die korrekte Staubschutz-/Atemmaske für das jeweilige Material und die Anwendung.**

abhalten.

MISSBRAUCH oder Missachtung der Sicherheitsvorschriften in dieser Anleitung können schwere Verletzungen verursachen.

FUNKTIONSBESCHREIBUNG

ACHTUNG:

- Schalten Sie das Werkzeug stets aus, und ziehen Sie den Stecker, bevor Sie Einstellungen oder eine Funktionsprüfung des Werkzeugs vornehmen.

Einstellen der Schnitttiefe (Abb. 1)

Die Schnitttiefe kann einfach durch Drehen des Knopfes an der Vorderseite des Werkzeugs eingestellt werden, bis der Zeiger auf der gewünschten Schnitttiefe steht.

Bedienung des Schalters (Abb. 2)

ACHTUNG:

- Achten Sie vor dem Einstecken des Werkzeug-Netzsteckers darauf, dass sich der Ein/Aus-Schalter korrekt bedienen lässt und beim Loslassen in die Position „OFF“ (AUS) zurückkehrt.

Werkzeuge mit Arretiertaste

Betätigen Sie zum Starten des Werkzeugs einfach den Ein/Aus-Schalter. Lassen Sie zum Ausschalten des Werkzeugs den Ein/Aus-Schalter los. Betätigen Sie für einen Dauerbetrieb den Ein/Aus-Schalter, und drücken Sie dann die Arretiertaste von der Seite hinein. Zur Aufhebung der Arretierung müssen Sie den Ein/Aus-Schalter bis zum Anschlag betätigen und anschließend loslassen.

Werkzeuge mit Entsperrungstaste

Damit die Auslöseschaltung nicht versehentlich gezogen wird, befindet sich am Werkzeug eine Entsperrungstaste. Um das Werkzeug zu starten, drücken Sie Entsperrungstaste von der Seite nach unten und betätigen den Ein-/Aus-Schalter. Lassen Sie zum Ausschalten des Werkzeugs den Ein/Aus-Schalter los.

Elektronische Funktion

Nur für Modell KP0810C

Das Werkzeug verfügt über elektronische Funktionen und ist auf Grund der folgenden Merkmale einfach zu bedienen.

Regelung einer konstanten Drehzahl

Die elektronische Drehzahlregelung erreicht eine konstante Drehzahl. Dadurch wird auch bei Belastung eine saubere Schnittfläche erreicht.

Sanftstart

Durch die Sanftstart-Funktion wird die Erschütterung beim Start minimiert, sodass das Werkzeug sanft gestartet wird.

Fuß (Abb. 3)

Wenn Sie nach einem Schnittvorgang die hintere Seite des Werkzeugs anheben, schiebt sich ein Fuß unter die Fläche der hinteren Sohle. Auf diese Weise wird eine Beschädigung der Werkzeugschneidkante verhindert.

DIESE ANWEISUNGEN AUFBEWAHREN.

WARNUNG:

Lassen Sie sich NICHT durch Bequemlichkeit oder Vertrautheit mit dem Produkt (durch wiederholten Gebrauch erworben) von der strikten Einhaltung der Sicherheitsregeln für das vorliegende Produkt

MONTAGE

ACHTUNG:

- Schalten Sie das Werkzeug stets aus, und ziehen Sie den Stecker, bevor Sie irgendwelche Arbeiten am Werkzeug durchführen.

Montage und Demontage der Hobelmesser

ACHTUNG:

- Ziehen Sie die Bolzen zur Messerbefestigung beim Anbringen der Messer am Werkzeug fest an. Ein locker sitzender Befestigungsbolzen kann gefährlich sein. Überprüfen Sie stets, ob die Bolzen fest sitzen.
- Gehen Sie sehr sorgfältig mit den Messern um. Schützen Sie Ihre Finger bzw. Hände beim Demontieren oder Montieren der Messer mit Handschuhen oder Lappen.
- Verwenden Sie nur den Schraubenschlüssel von Makita zum Demontieren oder Montieren der Messer. Andernfalls kann es vorkommen, dass Sie die Befestigungsbolzen zu fest oder zu locker anziehen. Dies kann zu Verletzungen führen.

Werkzeuge mit Standardhobelmessern (Abb. 4 - 6)

Lösen Sie zur Demontage der Messer an der Hobelwelle die Befestigungsbolzen mit dem Steckschlüssel. Die Druckplatte löst sich gemeinsam mit den Messern. Säubern Sie vor der Montage der Messer zunächst die Hobelwelle und Messer von anhaftenden Spänen und sonstigem Fremdmaterial. Verwenden Sie Messer mit identischen Maßen und Gewichten, da andernfalls Schwingungen/Vibrationen bei der Hobelwelle auftreten, die zu einer mangelhaften Hobelleistung und letztendlich zu einem Ausfall des Werkzeugs führen.

Positionieren Sie das Messer so auf dem Messsockel, dass die Messerkante mit der Innenkante der Messplatte bündig ist. Positionieren Sie die Einstellplatte am Messer, und drücken Sie dann einfach den Absatz der Einstellplatte eng an die Rückseite des Messsockels an, und ziehen Sie die beiden Schrauben an der Einstellplatte an. Schieben Sie jetzt den Absatz der Einstellplatte in die Nut der Hobelwelle, und montieren Sie dann die Druckplatte darauf.

Ziehen Sie alle Befestigungsbolzen gleichmäßig und wechselweise mit dem Steckschlüssel an.

Werkzeuge mit Wendemesser

1. Entfernen Sie das vorhandene Messer. Falls das Werkzeug im Betrieb war, reinigen Sie die Oberflächen der Hobelwelle sowie die Druckplatte sorgfältig. Lösen Sie zur Demontage der Messer an der Hobelwelle die drei Befestigungsbolzen mit dem Steckschlüssel. Die Druckplatte löst sich gemeinsam mit den Messern. **(Abb. 7)**
2. Zur Montage der Messer müssen Sie die Einstellplatte mit den Flachkopfschrauben lose an der Feststellplatte befestigen und das Wendemesser so auf den Messsockel setzen, dass die Schnittkante des Messers mit der Innenflanke der Messplatte bündig ist. **(Abb. 8)**
3. Setzen Sie die Einstell-/Feststellplatte so auf den Messsockel, dass die Positionierhilfen für das Hobelmesser auf der Feststellplatte in der Rille des Wendemessers sitzen, und drücken Sie dann den

Absatz der Einstellplatte bündig an die Rückseite des Messsockels, und ziehen Sie die Flachkopfschrauben an.

4. Das Messer muss unbedingt bündig an der Innenflanke der Messplatte ausgerichtet sein. Außerdem ist es wichtig, dass die Positionierhilfen für das Hobelmesser in der Messrille sitzen und der Absatz der Einstellplatte bündig an der Rückseite des Messsockels ausgerichtet ist. Überprüfen Sie diese Positionen sorgfältig, damit ein gleichmäßiger Schnittvorgang gewährleistet ist.
5. Schieben Sie den Absatz der Einstellplatte in die Rille der Hobelwelle.
6. Setzen Sie die Druckplatte über die Einstell-/Feststellplatte, und schrauben Sie die drei Sechskantflanschschrauben so fest, dass zwischen Hobelwelle und Feststellplatte ein Abstand besteht, um das Wendemesser in die richtige Position zu bringen. Das Messer wird über die Positionierhilfen für das Hobelmesser auf der Feststellplatte positioniert. **(Abb. 9)**
7. Die Längeneinstellung des Messers muss manuell so erfolgen, dass die Messerkanten frei liegen und jeweils den gleichen Abstand zum Gehäuse auf der einen Seite und der Metallklammer auf der anderen Seite haben.
8. Ziehen Sie (mit dem mitgelieferten Steckschlüssel) die drei Sechskantflanschschrauben an, und drehen Sie die Hobelwelle, um die Abstände zwischen den Messerkanten und dem Werkzeugkörper zu überprüfen.
9. Überprüfen Sie noch einmal, ob die drei Sechskantflanschschrauben fest sitzen.
10. Wiederholen Sie die Schritte 1 - 9 für weitere Messer.

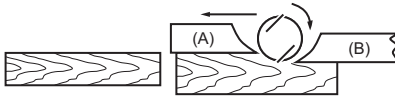
Richtige Einstellung des Hobelmessers

Wenn das Messer nicht richtig und fest sitzt, ist Ihre Hobelfläche nach der Bearbeitung rau und uneben. Das Messer muss so montiert werden, dass die Schnittkante absolut gleich verläuft, also parallel zur Fläche der hinteren Sohle.

Nachfolgend finden Sie einige Beispiele für richtige und falsche Einstellungen.

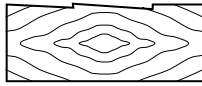
- (A) Vordere Sohle (Beweglicher Schuh)
- (B) Hintere Sohle (Unbeweglicher Schuh)

Richtige Einstellung



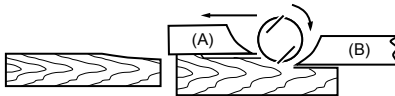
In dieser Seitenansicht ist es zwar nicht ersichtlich, die Kanten der Messer verlaufen jedoch genau parallel zur Fläche der hinteren Sohle.

Kerben in der Oberfläche



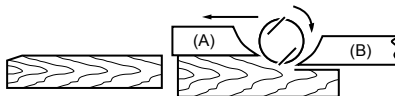
Ursache: Die Kanten eines oder beider Messer verlaufen nicht parallel zur Führung der hinteren Sohle.

Furchen am Anfang



Ursache: Die Kanten eines oder beider Messer stehen nicht weit genug über die Führung der hinteren Sohle.

Furchen am Ende



Ursache: Die Kanten eines oder beider Messer stehen zu weit über die Führung der hinteren Sohle.

EN0004-1

Änderung der Richtung des Spanauswurfs (Abb. 10)

Die Änderung der Richtung des Spanauswurfs kann in rechts oder links geändert werden. Wenn Sie die Richtung ändern möchten, ziehen Sie den Anschlag heraus, während Sie ihn gleichzeitig leicht zurückdrehen, und setzen Sie ihn in eine der beiden Öffnungen auf der gegenüber liegenden Seite des Spanauswurfs ein, und zwar so, dass der abgestufte Bereich auf dem Vorsprung sitzt. (Abb. 11)

Staubbeutel (Zubehör) (Abb. 12)

Schließen Sie den Staubbeutel an die Öffnung für den Spanauswurf an.

Die Öffnung für den Spanauswurf verjüngt sich. Drücken Sie den Staubbeutel beim Anschließen bis zum Anschlag in die Öffnung für den Spanauswurf, damit er sich während des Betriebs nicht löst.

Wenn der Staubbeutel etwa halb voll ist, sollten Sie ihn vom Werkzeug entfernen und den Verschluss herausziehen. Leeren Sie den Inhalt des Staubbeutels, und schnippen Sie leicht dagegen, damit sich Partikel lösen, die möglicherweise an der Innenseite haften und eine weitere Sammlung behindern können. (Abb. 13)

HINWEIS:

- Wenn Sie einen Makita-Staubsauger an das Werkzeug anschließen, können Sie effizienter und sauberer arbeiten.

Anschließen eines Staubsaugers (Abb. 14)

Um größere Sauberkeit bei der Hobelarbeit zu erzielen, schließen Sie einen Makita-Staubsauger an Ihr Werkzeug an. Schließen Sie dann den Schlauch des Staubsaugers an die Öffnung für den Spanauswurf wie in der Abbildung dargestellt an.

Bogenrohr (optionales Zubehör) (Abb. 15)

Mit Hilfe eines Bogenrohrs kann die Richtung des Spanauswurfs geändert und somit eine erhöhte Sauberkeit bei der Arbeit erzielt werden.

Befestigen Sie das Bogenrohr (optionales Zubehör) am Werkzeug, indem Sie es einfach aufstecken. Zur Entfernung muss es lediglich herausgezogen werden.

Reinigung der Spanauswurfsöffnung

Reinigen Sie die Spanauswurfsöffnung in regelmäßigen Abständen.

Verwenden Sie Druckluft zur Reinigung einer verstopften Spanauswurfsöffnung.

BETRIEB

Halten Sie das Werkzeug mit einer Hand am Knauf und mit der anderen am Schaltergriff fest, wenn Sie mit dem Werkzeug arbeiten.

Hobelbetrieb (Abb. 16)

Setzen Sie zuerst die vordere Hobelsohle flach auf das Werkstück, ohne dass die Hobelmesser irgendwelchen Kontakt haben. Schalten Sie das Werkzeug ein, und warten Sie, bis die Messer ihre volle Drehzahl erreicht haben. Schieben Sie dann das Werkzeug langsam vorwärts. Üben Sie am Anfang des Hobelvorgangs Druck auf die vordere Hobelsohle, und am Ende des Hobelvorgangs Druck auf die hintere Hobelsohle aus. Das Hobeln kann durch schräges Einspannen des Werkstücks erleichtert werden, so dass Sie leicht abwärts hobeln können.

Vorschubgeschwindigkeit und Schnitttiefe bestimmen die Oberflächengüte.

Der Elektrohobel hält eine Messerdrehzahl aufrecht, die gewährleistet, dass Holzspäne keine Blockierung verursachen. Für einen Grobschnitt kann die Schnitttiefe vergrößert werden, während für eine hohe

Oberflächengüte die Schnitttiefe reduziert und das Werkzeug langsamer vorgeschoben werden sollte.

Falzen (Abb. 17)

Um einen Stufenschnitt wie in der Abbildung auszuführen, verwenden Sie den Parallelanschlag (Führungslineal). Stellen Sie die Falztiefe mit Hilfe einer Tiefenführung (Zubehör) ein.

Zeichnen Sie eine Schnittlinie auf dem Werkstück an. Setzen Sie den Parallelanschlag in die Öffnung an der Vorderseite des Werkzeugs ein. Richten Sie die Messerkante an der Schnittlinie aus. (Abb. 18)

Bringen Sie den Parallelanschlag am Werkzeug an, und befestigen Sie diesen mit der Unterlegscheibe und der Flügelschraube (A). Lösen Sie die Flügelschraube (B), und stellen Sie den Parallelanschlag ein, bis er an der Seitenkante des Werkstücks anliegt. Ziehen Sie anschließend die Flügelschraube (B) fest an. (Abb. 19) Achten Sie beim Hobeln darauf, dass der Parallelanschlag eng an der Seitenkante des Werkstücks anliegt. Andernfalls erhalten Sie möglicherweise ein ungleichmäßiges Bearbeitungsergebnis.

ACHTUNG:

- Für Falzverbindungen ist die Messerschneide so einzustellen, dass sie leicht vorsteht (0,2 – 0,4 mm). (Abb. 20)

Der Parallelanschlag lässt sich durch eine Holzleiste verlängern. Zur Befestigung dieser Holzleiste bzw. einer (separat erhältlichen) Verlängerungsführung dienen die im Parallelanschlag vorhandenen Bohrungen. (Abb. 21)

Anfasen (Abb. 22)

Um einen Anfasungsschnitt wie in der Abbildung auszuführen, richten Sie eine der drei V-Nuten in der vorderen Sohle an der Werkstückkante aus, und führen Sie den Hobel. (Abb. 23)

Durch die Verwendung einer (separat erhältlichen) Anfasungsführung wird die Werkzeugstabilität beim Falzvorgang erhöht. (Abb. 24)

Entfernen Sie zur Anbringung der Anfasungsführung die beiden Schrauben auf den beiden Seiten vorne am Werkzeug, und stellen Sie die Schnitttiefe auf 4 mm. Bringen Sie die Führung anschließend an der vorderen Sohle des Werkzeugs an, und befestigen Sie diese mit den Schrauben wie in der Abbildung dargestellt. Platzieren Sie bei einem hohen Anfasungsgrad eine Kante der Anfasungsführung so, dass sie das Werkstück berührt, und führen Sie viele Hobeldurchgänge aus (siehe Abbildung). (Abb. 25)

WARTUNG

ACHTUNG:

- Schalten Sie das Werkzeug stets aus und ziehen Sie den Stecker, bevor Sie Prüfungen oder Wartungsarbeiten am Werkzeug durchführen.
 - Verwenden Sie zum Reinigen niemals Kraftstoffe, Benzin, Verdünnern, Alkohol oder ähnliches. Dies kann zu Verfärbungen, Verformungen oder Rissen führen.
- Zur Gewährleistung der SICHERHEIT und ZUVERLÄSSIGKEIT des Produkts dürfen Reparaturen, Inspektion und Austausch der Kohlebürsten sowie alle weiteren Wartungsarbeiten und Einstellungen nur in von Makita autorisierten Servicecentern oder Werks-

Servicecentern ausgeführt werden. Dabei sind ausschließlich Makita-Ersatzteile zu verwenden.

Schleifen der Hobelmesser

Nur bei Standardmessern

Achten Sie auf scharfe Messer, damit ein optimales Ergebnis erzielt werden kann. Entfernen Sie mit Hilfe der Schleifvorrichtung Kerben, und schleifen Sie eine feine Kante. (Abb. 26)

Lösen Sie zunächst die beiden Flügelmuttern an der Haltevorrichtung, und setzen Sie die Messer (A) und (B) so ein, dass sie die Seiten (C) und (D) berühren. Ziehen Sie dann die Flügelmuttern an. (Abb. 27)

Tauchen Sie den Schleifstein vor dem Schleifen 2 oder 3 Minuten in Wasser. Halten Sie die Vorrichtung so, dass beide Messer den Schleifstein berühren. So werden die Messer gleichzeitig im gleichen Winkel geschliffen. (Abb. 28)

SONDERZUBEHÖR

⚠️ ACHTUNG:

- Für das in diesem Handbuch beschriebene Makita-Gerät werden die folgenden Zubehör- und Zusatzteile empfohlen. Bei Verwendung anderer Zubehör- und Zusatzteile kann es zu Verletzungen kommen. Verwenden Sie Zubehör- und Zusatzteile nur für den vorgesehenen Zweck.

Informationen zu diesem Zubehör erhalten Sie von Ihrem Makita-Servicecenter.

- Hobelmesser aus Hochgeschwindigkeitsstahl
- Hobelmesser aus Wolframkarbid (für eine längere Lebensdauer des Messers)
- Wendemesser
- Schleifvorrichtungssset
- Messerstärken-Set
- Feststellplatten-Set
- Parallelanschlag (Führungslineal)
- Schleifstein
- Staubbeutel-Set
- Bogenrohr
- Steckschlüssel
- Set für Anfasungsführung

HINWEIS:

- Einige der in der Liste aufgeführten Elemente sind dem Werkzeugpaket als Standardzubehör beigelegt. Diese können in den einzelnen Ländern voneinander abweichen.

Schallpegel

ENG905-1

Typischer A-bewerteter Schallpegel nach EN62841-2-14:

Modell KP0810

Schalldruckpegel (L_{pA}): 86 dB (A)
Schalleistungspegel (L_{WA}): 97 dB (A)
Abweichung (K): 3 dB (A)

Modell KP0810C

Schalldruckpegel (L_{pA}): 85 dB (A)
Schalleistungspegel (L_{WA}): 96 dB (A)
Abweichung (K): 3 dB (A)

ENG907-1

- Der (Die) angegebene(n) Schallemissionswert(e) wurde(n) im Einklang mit der Standardprüfmethode

gemessen und kann (können) für den Vergleich zwischen Werkzeugen herangezogen werden.

- Der (Die) angegebene(n) Schallemissionswert(e) kann (können) auch für eine Vorbewertung des Gefährdungsgrads verwendet werden.

⚠️ WARNUNG:

- **Einen Gehörschutz tragen.**
- **Die Schallemission während der tatsächlichen Benutzung des Elektrowerkzeugs kann je nach der Benutzungsweise des Werkzeugs, und speziell je nach der Art des bearbeiteten Werkstücks, von dem (den) angegebenen Wert(en) abweichen.**
- **Identifizieren Sie Sicherheitsmaßnahmen zum Schutz des Benutzers anhand einer Schätzung des Gefährdungsgrads unter den tatsächlichen Benutzungsbedingungen (unter Berücksichtigung aller Phasen des Arbeitszyklus, wie z. B. Ausschalt- und Leerlaufzeiten des Werkzeugs zusätzlich zur Betriebszeit).**

Schwingung

ENG900-1

Schwingungsgesamtwerte (Vektorsumme dreier Achsen) nach EN62841-2-14:

Modell KP0810

Arbeitsmodus: Hobeln von Weichholz

Schwingungsbelastung (a_h): 3,0 m/s²

Abweichung (K): 1,5 m/s²

Modell KP0810C

Arbeitsmodus: Hobeln von Weichholz

Schwingungsbelastung (a_h): 3,5 m/s²

Abweichung (K): 1,5 m/s²

ENG901-2

- Der (Die) angegebene(n) Vibrationsgesamtwert(e) wurde(n) im Einklang mit der Standardprüfmethode gemessen und kann (können) für den Vergleich zwischen Werkzeugen herangezogen werden.
- Der (Die) angegebene(n) Vibrationsgesamtwert(e) kann (können) auch für eine Vorbewertung des Gefährdungsgrads verwendet werden.

⚠️ WARNUNG:

- **Die Vibrationsemission während der tatsächlichen Benutzung des Elektrowerkzeugs kann je nach der Benutzungsweise des Werkzeugs, und speziell je nach der Art des bearbeiteten Werkstücks, von dem (den) angegebenen Emissionswert(en) abweichen.**
- **Identifizieren Sie Sicherheitsmaßnahmen zum Schutz des Benutzers anhand einer Schätzung des Gefährdungsgrads unter den tatsächlichen Benutzungsbedingungen (unter Berücksichtigung aller Phasen des Arbeitszyklus, wie z. B. Ausschalt- und Leerlaufzeiten des Werkzeugs zusätzlich zur Betriebszeit).**

EG-Konformitätserklärung

Nur für europäische Länder

Die EG-Konformitätserklärung liegt dieser Betriebsanleitung als Anhang A bei.

ITALIANO (Istruzioni originali)

Spiegazione della vista generale

1. Manopola	21. Alette di posizionamento della lama	39. Fine
2. Indicatore	22. Fermo della piastra di regolazione	40. Linea di taglio
3. Blocco / Sicura	23. Piastra di chiusura	41. Guida di profondità
4. Interruttore	24. Lato interno della piastra di calibratura	42. Vite (A)
5. Lama	25. Base di calibratura - lato posteriore	43. Vite (B)
6. Base posteriore	26. Mini lama	44. Guida di allineamento
7. Piede	27. Scanalatura	45. Scanalatura a V (smussatura media)
8. Chiave a bussola	28. Piastra di chiusura	46. Scanalatura a V (smussatura piccola)
9. Bulloni	29. Bulloni a testa esagonale flangiata	47. Scanalatura a V (smussatura grande)
10. Tamburo	30. Fermo	48. Guida per smussatura
11. Coperchio del tamburo	31. Scarico trucioli	49. Bordo della guida per smussatura
12. Piastra di regolazione	32. Parte incavata	50. Affilatore
13. Lato interno della piastra di calibratura	33. Sporgenza	51. Dado ad alette
14. Bordo della lama	34. Sacchetto per la polvere	52. Lama (A)
15. Viti	35. Fermaglio	53. Lama (B)
16. Fermo	36. Aspiratore	54. Lato (D)
17. Base di calibratura - lato posteriore	37. Gomito	55. Lato (C)
18. Piastra di calibratura	38. Inizio	
19. Base di calibratura		
20. Viti di fissaggio		

CARATTERISTICHE TECNICHE

Modello	KP0810	KP0810C
Larghezza di lavoro	82 mm	
Profondità di lavoro	4 mm	
Profondità di scanalatura	25 mm	
Velocità a vuoto (min ⁻¹)	16.000	12.000
Lunghezza totale	290 mm	
Peso netto	3,3 kg	3,4 kg
Classe di sicurezza	□/II	

- Le caratteristiche tecniche riportate di seguito sono soggette a modifiche senza preavviso in virtù del nostro programma continuo di ricerca e sviluppo.
- Le caratteristiche tecniche possono differire da paese a paese.
- Peso determinato in conformità con la EPTA-Procedure 01/2014

Uso previsto

ENE050-1

L'utensile è progettato per la piallatura del legno.

potrebbe risultare in scosse elettriche, incendi e/o gravi lesioni personali.

Alimentazione

ENF002-2


L'utensile deve essere collegato a una presa di corrente con la stessa tensione di quella indicata sulla targhetta e può funzionare soltanto con corrente alternata monofase. L'utensile è dotato di doppio isolamento, pertanto può essere usato anche con prese di corrente sprovviste della messa a terra.

Conservare tutte le avvertenze e le istruzioni come riferimento futuro.

Il termine "utensile elettrico" nelle avvertenze si riferisce sia all'utensile elettrico (cablato) nel funzionamento alimentato da rete elettrica che all'utensile elettrico (a batteria) nel funzionamento alimentato a batteria.

Avvertenze generali relative alla sicurezza dell'utensile elettrico

GEA010-2

 **AVVERTENZA:** Leggere tutte le avvertenze di sicurezza, le istruzioni, le illustrazioni e i dati tecnici forniti con il presente utensile elettrico. La mancata osservanza di tutte le istruzioni elencate di seguito

Avvertenze di sicurezza relative alla pialla

GEB167-1

1. **Prima di appoggiare l'utensile, attendere che la lama si arresti.** Una lama rotante esposta potrebbe fare presa sulla superficie, portando alla possibile perdita di controllo e a gravi lesioni personali.

2. **Mantenere l'utensile elettrico per le sue superfici di impugnatura isolate, poiché la lama potrebbe entrare in contatto con il proprio cavo di alimentazione.** L'eventuale taglio di un filo elettrico sotto tensione potrebbe mettere sotto tensione le parti metalliche esposte dell'utensile elettrico, e potrebbe causare una scossa elettrica all'operatore.
3. **Utilizzare delle morse o altri sistemi pratici per fissare e sostenere un pezzo in lavorazione su un piano stabile.** Un pezzo in lavorazione mantenuto in mano o contro il proprio corpo resta instabile, e potrebbe portare a una perdita di controllo.
4. **Non lasciare mai stracci, tessuti, cavi, nastri e oggetti simili in prossimità dell'area di lavoro.**
5. **Evitare di tagliare chiodi.** Prima dell'uso, ispezionare il pezzo in lavorazione e rimuovere da quest'ultimo tutti i chiodi.
6. **Utilizzare solo lame affilate.** Maneggiare le lame con estrema cautela.
7. **Prima dell'uso, accertarsi che i bulloni di installazione della lama siano serrati saldamente.**
8. **Mantenere saldamente l'utensile con entrambe le mani.**
9. **Tenere le mani lontane dalle parti rotanti.**
10. **Prima di utilizzare l'utensile sul pezzo in lavorazione effettivo, lasciarlo funzionare a vuoto per un po' di tempo.** Osservare l'eventuale presenza di vibrazioni od oscillazioni che potrebbero indicare un'installazione errata o un bilanciamento inappropriato della lama.
11. **Prima di attivare l'interruttore, accertarsi che la lama non sia in contatto con il pezzo in lavorazione.**
12. **Prima di effettuare il taglio, attendere che la lama abbia raggiunto la piena velocità.**
13. **Prima di effettuare qualsiasi regolazione, spegnere sempre l'utensile e attendere che le lame si siano arrestate completamente.**
14. **Non infilare mai le dita nello scarico dei trucioli.** Lo scarico potrebbe incepparsi quando si taglia del legno umido. Eliminare i trucioli con un bastoncino.
15. **Non lasciare l'utensile mentre è in funzione.** Far funzionare l'utensile solo mentre viene tenuto in mano.
16. **Sostituire sempre entrambe le lame o le coperture del tamburo; in caso contrario, si verificherebbero sbilanciamenti che causerebbero vibrazioni e ridurrebbero la vita utile dell'utensile.**
17. **Utilizzare esclusivamente le lame Makita specificate nel presente manuale.**
18. **Utilizzare sempre la mascherina antipolvere o il respiratore appropriati per il materiale e l'applicazione con cui si intende lavorare.**

CONSERVARE LE PRESENTI ISTRUZIONI.

AVVERTENZA:

NON lasciare che la comodità o la familiarità d'uso con il prodotto (acquisita con l'uso ripetuto) sostituiscano la stretta osservanza delle norme di sicurezza.

L'USO IMPROPRIO o la mancata osservanza delle

norme di sicurezza riportate nel presente manuale di istruzioni potrebbero causare lesioni personali gravi.

DESCRIZIONE FUNZIONALE

ATTENZIONE:

- Prima di regolare o controllare le funzioni dell'utensile, verificare sempre di averlo spento e scollegato dall'alimentazione.

Regolazione della profondità di taglio (Fig. 1)

La profondità di taglio può essere regolata semplicemente ruotando la manopola posta nella parte anteriore dell'utensile, posizionando l'indicatore alla profondità di taglio desiderata.

Azionamento dell'interruttore (Fig. 2)

ATTENZIONE:

- Prima di collegare l'utensile, controllare se l'interruttore funziona correttamente e ritorna alla posizione "OFF" una volta rilasciato.

Per utensili con pulsante di blocco

Per avviare l'utensile è sufficiente premere l'interruttore.

Per spegnere l'utensile, rilasciare l'interruttore.

Per il funzionamento continuo, premere l'interruttore e, successivamente, il pulsante di blocco.

Per arrestare l'utensile in funzionamento continuo premere a fondo l'interruttore e, quindi, rilasciarlo.

Per utensili con sicura

La sicura previene l'azionamento involontario dell'interruttore di accensione.

Per accendere l'utensile sollevare la sicura da qualunque lato e azionare l'interruttore di accensione. Per spegnere l'utensile, rilasciare l'interruttore.

Funzione elettronica

Solo per il modello KP0810C

Gli utensili dotati di funzione elettronica sono di facile utilizzo grazie alle seguenti caratteristiche.

Controllo costante della velocità

Il controllo elettronico della velocità permette di ottenere una velocità costante. Consente finiture precise grazie alla costanza della velocità di rotazione anche in condizioni di carico.

Avviamento graduale

La caratteristica di avviamento graduale minimizza il contraccolpo iniziale, grazie ad un avvio più scorrevole.

Piede (Fig. 3)

Dopo una operazione di taglio, sollevare il lato posteriore dell'utensile, in modo da far sporgere il piede dalla base posteriore. Questo evita il danneggiamento delle lame.

MONTAGGIO

ATTENZIONE:

- Accertarsi sempre che l'utensile sia spento e scollegato dalla presa di corrente prima di iniziare qualsiasi operazione su di esso.

Installazione o rimozione delle lame

ATTENZIONE:

- Stringere con attenzione i bulloni di fissaggio delle lame quando queste vengono montate nell'utensile. L'allentamento dei bulloni può essere pericoloso. Controllare spesso che siano stretti correttamente.
- Maneggiare le lame con estrema cautela. Utilizzare guanti o stracci per proteggere mani e dita durante la rimozione o l'installazione delle lame.
- Per installare o rimuovere le lame utilizzare solo la chiave fornita da Makita. In caso contrario i bulloni di fissaggio potrebbero risultare troppo stretti oppure allentati. Questo può essere causa di incidenti.

Per utensili con lame standard (Fig. 4 - 6)

Per rimuovere le lame dal tamburo, svitare i bulloni di fissaggio con la chiave a bussola. Si può così estrarre il tamburo, insieme alle lame.

Per installare le lame, eliminare prima tutti i trucioli o il materiale estraneo presente sul tamburo o sulle lame. Utilizzare lame della stessa dimensione e dello stesso peso, per evitare vibrazioni e oscillazioni del tamburo che potrebbero compromettere la qualità del lavoro e portare al danneggiamento dell'utensile.

Posizionare la lama sulla base di calibrazione, in modo che il bordo della lama sia perfettamente a filo con il bordo interno della piastra di calibrazione. Posizionare la piastra di regolazione sulla lama, quindi premere semplicemente il fermo della piastra sul lato posteriore della base di calibrazione e stringere le due viti poste sulla piastra stessa. Infilare ora il fermo della piastra di regolazione nella scanalatura del tamburo e collocare il coperchio di quest'ultimo.

Stringere tutti i bulloni di fissaggio in modo alternato e con la stessa forza, mediante la chiave a bussola.

Per utensili con mini lame

1. Rimuovere la lama presente. Se si è usato l'utensile, pulire accuratamente la superficie del tamburo e il suo coperchio. Per rimuovere le lame dal tamburo, svitare i bulloni di fissaggio con la chiave a bussola. Si può così estrarre il tamburo, insieme alle lame. (Fig. 7)
2. Per installare le lame collegare, senza stringere, la piastra di regolazione a quella di chiusura mediante le apposite viti, e sistemare la mini lama sulla base di calibratura in modo che il bordo tagliente della lama sia perfettamente a filo con il lato interno della piastra di calibratura. (Fig. 8)
3. Sistemare la piastra di regolazione e quella di chiusura sulla base di calibratura, in modo che le alette della piastra di chiusura entrino nella scanalatura della mini lama. Premere quindi il fermo della piastra di regolazione sul bordo posteriore della base di calibratura e fissare mediante le apposite viti.
4. È importante che la lama sia a filo con il lato interno della piastra di calibratura, che le alette siano inserite nella scanalatura della lama e che il fermo della piastra di regolazione sia a filo con il lato posteriore della base di calibratura. Controllare attentamente l'allineamento per ottenere un taglio uniforme.
5. Inserire il fermo della piastra di regolazione nella scanalatura del cilindro.
6. Sistemare il coperchio del tamburo sopra la piastra di regolazione e quella di chiusura, e avvitare i tre bulloni a testa esagonale in modo da lasciare lo spazio

necessario fra il tamburo e la piastra per inserirvi la mini lama. La lama andrà messa in posizione tramite le alette poste sulla piastra di chiusura. (Fig. 9)

7. La regolazione della lama nel senso della lunghezza andrà fatto manualmente, in modo che le estremità della lama siano libere ed equidistanti dall'alloggiamento su un lato, e dalla staffa metallica sull'altro.
8. Stringere i tre bulloni a testa esagonale (usando la chiave a bussola fornita insieme all'utensile) e ruotare il tamburo per verificare che vi sia spazio fra le lame e il corpo dell'utensile.
9. Controllare che i tre bulloni a testa esagonale siano stretti correttamente.
10. Ripetere i passi 1 - 9 per l'altra lama.

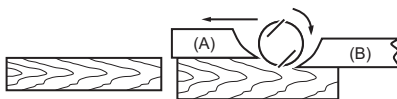
Per il corretto assetto della lama

Se la lama non è fissata in modo corretto la superficie lavorata risulterà ruvida e irregolare. La lama deve essere montata in modo che il lato tagliente sia assolutamente livellato, cioè parallelo alla superficie della base posteriore.

Più avanti sono riportati alcuni esempi di montaggi corretti ed errati.

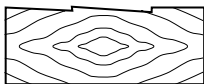
- (A) Base anteriore (Pattino regolabile)
- (B) Base posteriore (pattino fisso)

Montaggio corretto



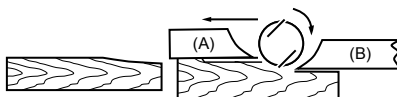
Sebbene non visibili in questa vista laterale, i bordi delle lame sono perfettamente paralleli alla superficie della base posteriore.

Tacche sulla superficie



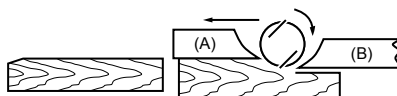
Causa: Una o entrambe le lame non hanno i bordi paralleli alla base posteriore.

Irregolarità all'inizio



Causa: I bordi di una o di entrambe le lame non fuoriescono abbastanza rispetto alla base posteriore.

Incavo alla fine



Causa: I bordi di una o di entrambe le lame fuoriescono troppo rispetto alla base posteriore.

EN0004-1

Modifica della direzione di fuoriuscita dei trucioli (Fig. 10)

La direzione di fuoriuscita dei trucioli può essere modificata verso sinistra o verso destra. Per modificare la direzione, tirare il fermo verso l'esterno e ruotarlo leggermente indietro, per farlo corrispondere ad una delle due aperture sul lato opposto dello scarico dei trucioli, in modo che la sporgenza posteriore entri nel corpo cilindrico. (Fig. 11)

Sacchetto per la polvere (accessorio) (Fig. 12)

Collegare il sacchetto per la polvere allo scarico dei trucioli.

Lo scarico dei trucioli è affusolato. Per collegare il sacchetto per la polvere, spingerlo con forza sullo scarico dei trucioli fino in fondo, in modo che non fuoriesca durante il lavoro.

Rimuovere il sacchetto quando è pieno per metà, tirando il fermo verso l'esterno. Svuotare il sacchetto scuotendolo leggermente, in modo da eliminare particelle che possano aver aderito all'interno e che potrebbero ostacolare il corretto funzionamento. (Fig. 13)

NOTA:

- Se si collega all'utensile un aspiratore Makita, è possibile effettuare operazioni di pulizia più efficaci.

Collegamento di un aspiratore (Fig. 14)

Se si desidera eseguire tagli senza produrre polvere, collegare all'utensile un aspiratore Makita. Collegare quindi il tubo dell'aspiratore allo scarico dei trucioli secondo quanto illustrato nelle figure.

Gomito (accessorio) (Fig. 15)

Il gomito permette di cambiare la direzione di fuoriuscita dei trucioli, per un lavoro più pulito.

Il gomito (accessorio opzionale) si monta semplicemente infilandolo sull'utensile. Per rimuoverlo, è sufficiente tirarlo verso l'esterno.

Pulizia dell'apertura di scarico dei trucioli

Pulire a intervalli regolari l'apertura di scarico dei trucioli. Utilizzare aria compressa per pulire l'apertura di scarico dei trucioli intasata.

FUNZIONAMENTO

Quando si utilizza l'utensile, tenerlo saldamente posizionando una mano sulla manopola e l'altra sulla maniglia con l'interruttore.

Piallatura (Fig. 16)

Posare la base anteriore dell'utensile sulla superficie del pezzo in lavorazione, senza che le lame vengano a contatto con essa. Accendere e attendere che le lame rutino a piena velocità. Muovere lentamente l'utensile lentamente in avanti. Premere sul davanti dell'utensile all'inizio dell'operazione, e sul retro alla fine del passaggio. L'operazione sarà più agevole se il pezzo in lavorazione sarà fissato in modo che la piallatura avvenga in leggera pendenza.

La qualità della finitura è determinata dalla velocità e dalla profondità di taglio.

La velocità del lavoro deve essere tale da non provocare accumuli di trucioli. la profondità di taglio può essere aumentata per lavori poco accurati, mentre per una finitura migliore occorre ridurre la profondità di taglio, e procedere più lentamente.

Scanalature (Fig. 17)

Utilizzare la guida per effettuare scanalature come quelle mostrate nella figura.

La profondità della scanalatura può essere regolata usando l'apposita guida (opzionale).

Tracciare la linea di taglio sul pezzo in lavorazione.

Inserire la guida nell'apposito foro sulla parte anteriore

dell'utensile. Allineare il bordo della lama con la linea di taglio. (Fig. 18)

Installare la guida sull'utensile e fissarla mediante la rondella e l'apposita vite a mano (A). Allentare la vite a mano (B) e regolare la guida per porla a contatto con il lato del pezzo in lavorazione. Stringere la vite a mano (B) con forza. (Fig. 19)

Durante il taglio spostare l'utensile con la guida di allineamento in modo che sia a filo con il lato del pezzo in lavorazione. In caso contrario si potrebbe ottenere un taglio non uniforme.

ATTENZIONE:

- Il bordo della lama deve fuoriuscire leggermente (0,2 mm – 0,4 mm) per consentire la giunzione per sovrapposizione. (Fig. 20)

La guida può essere prolungata collegandole un ulteriore tratto di legno. In essa sono predisposti dei fori a questo scopo, utilizzabili anche per il collegamento di una estensione (accessorio opzionale). (Fig. 21)

Smussatura (Fig. 22)

Per ottenere una smussatura, come mostrato nella figura, allineare con il pezzo in lavorazione una delle tre scanalature a "V" sulla base anteriore e iniziare il taglio. (Fig. 23)

L'utilizzo della guida per smussatura (accessorio opzionale) assicura maggiore stabilità durante l'operazione. (Fig. 24)

Per installare la guida per smussatura, rimuovere due viti su entrambi i lati della parte anteriore dell'utensile e regolare la profondità di taglio a 4 mm. Installare la guida sulla base frontale e fissarla con le viti, come mostrato in figura.

Quando è necessario eseguire una smussatura consistente, l'applicazione di un bordino sulla guida, che si appoggi al pezzo, permette di fare facilmente più passate, come mostrato in figura. (Fig. 25)

MANUTENZIONE

ATTENZIONE:

- Prima di effettuare controlli e operazioni di manutenzione, verificare sempre che l'utensile sia spento e scollegato.
- Evitare assolutamente di usare benzina, diluenti, solventi, alcol o sostanze simili. In caso contrario, potrebbero verificarsi scoloriture, deformazioni o incrinature.

Per mantenere la SICUREZZA e l'AFFIDABILITÀ del prodotto, le riparazioni, l'ispezione e la sostituzione delle spazzole in carbonio, nonché qualsiasi altra operazione di manutenzione o regolazione, devono essere eseguite da centri di assistenza autorizzati Makita, utilizzando esclusivamente pezzi di ricambio Makita.

Affilatura delle lame

Solo per lame standard

Per prestazioni ottimali, le lame devono sempre essere mantenute affilate. Usare l'affilatore per rimuovere eventuali smussature e mantenere il bordo tagliente. (Fig. 26)

Allentare i due bulloni ad alette sull'affilatore e inserire le lame (A) e (B), in modo che esse siano a contatto con i

bordi (C) e (D). Quindi stringere i bulloni ad alette. (Fig. 27)

Immergere la mola in acqua per 2 o 3 minuti prima di iniziare l'affilatura. Tenere l'affilatore in modo che entrambe le lame siano a contatto con la mola, in modo da ottenere una affilatura simultanea, con lo stesso angolo. (Fig. 28)

ACCESSORI OPZIONALI

⚠ ATTENZIONE:

- Si consiglia l'uso dei seguenti accessori per l'utensile Makita descritto in questo manuale. L'uso di qualsiasi altro accessorio potrebbe provocare lesioni personali. Utilizzare gli accessori esclusivamente per l'uso dichiarato.

Per l'assistenza e per ulteriori informazioni su tali accessori, rivolgersi al centro assistenza Makita di zona.

- Lame in acciaio ad alta velocità
- Lama al carburo di tungsteno (per una maggiore durata)
- Mini lama
- Affilatore
- Calibro per lame
- Set di piastre di chiusura
- Guida di taglio (regolo guida)
- Mola
- Sacchetto per polvere
- Gomito
- Chiave a bussola
- Guida per smussatura

NOTA:

- Alcuni degli accessori elencati potrebbero essere inclusi nella confezione dell'utensile come accessori standard. Gli accessori standard possono differire da paese a paese.

Rumore

ENG905-1

Il tipico livello di rumore ponderato "A" è determinato in conformità con la norma EN62841-2-14:

Modello KP0810

Livello di pressione sonora (L_{pA}): 86 dB (A)

Livello di potenza sonora (L_{WA}): 97 dB (A)

Variazione (K): 3 dB (A)

Modello KP0810C

Livello di pressione sonora (L_{pA}): 85 dB (A)

Livello di potenza sonora (L_{WA}): 96 dB (A)

Variazione (K): 3 dB (A)

ENG907-1

- Il valore o i valori dichiarati delle emissioni di rumori sono stati misurati in conformità a un metodo standard di verifica, e possono essere utilizzati per confrontare un utensile con un altro.
- Il valore o i valori dichiarati delle emissioni di rumori possono venire utilizzati anche per una valutazione preliminare dell'esposizione.

⚠ AVVERTENZA:

- **Indossare protezioni per le orecchie.**
- **L'emissione di rumori durante l'utilizzo effettivo dell'utensile elettrico può variare rispetto al valore o ai valori dichiarati, a seconda dei modi in cui viene utilizzato l'utensile e specialmente a seconda di che tipo di pezzo venga lavorato.**

- **Accertarsi di identificare misure di sicurezza per la protezione dell'operatore che siano basate su una stima dell'esposizione nelle condizioni effettive di utilizzo (tenendo conto di tutte le parti del ciclo operativo, ad esempio del numero di spegnimenti dell'utensile e di quando giri a vuoto, oltre al tempo di attivazione).**

Vibrazioni

ENG900-1

Il valore totale delle vibrazioni (somma vettoriale triassiale) è determinato in conformità con la norma EN62841-2-14:

Modello KP0810

Modalità di lavoro: piallatura legno dolce

Emissione delle vibrazioni (a_h): 3,0 m/s²

Variazione (K): 1,5 m/s²

Modello KP0810C

Modalità di lavoro: piallatura legno dolce

Emissione delle vibrazioni (a_h): 3,5 m/s²

Variazione (K): 1,5 m/s²

ENG901-2

- Il valore o i valori complessivi delle vibrazioni dichiarati sono stati misurati in conformità a un metodo standard di verifica, e possono essere utilizzati per confrontare un utensile con un altro.
- Il valore o i valori complessivi delle vibrazioni dichiarati possono venire utilizzati anche per una valutazione preliminare dell'esposizione.

⚠ AVVERTENZA:

- **L'emissione delle vibrazioni durante l'utilizzo effettivo dell'utensile elettrico può variare rispetto al valore o ai valori dichiarati, a seconda dei modi in cui viene utilizzato l'utensile, specialmente a seconda di che tipo di pezzo venga lavorato.**
- **Accertarsi di identificare misure di sicurezza per la protezione dell'operatore che siano basate su una stima dell'esposizione nelle condizioni effettive di utilizzo (tenendo conto di tutte le parti del ciclo operativo, ad esempio del numero di spegnimenti dell'utensile e di quando giri a vuoto, oltre al tempo di attivazione).**

Dichiarazione di conformità CE

Solo per i paesi europei

La dichiarazione di conformità CE è inclusa nell'Allegato A di questo manuale di istruzioni.

NEDERLANDS (Originele instructies)

Verklaring van algemene gegevens

1. Knop	20. Bolkopschroef	40. Schaaflijn
2. Aanwijspunt	21. Positioneerlippen van schaaftmes	41. Dieptegeleider
3. Vergrendelknop/uitvergrendelknop	22. Hiel van afstelplaat	42. Vingerschroef (A)
4. Aan/uit-schakelaar	23. Aanzetplaat	43. Vingerschroef (B)
5. Schaaftmes	24. Binnenzijde van meetplaat	44. Zijkantgeleider
6. Achterzool	25. Achterkant van meetblok	45. V-groef (gemiddelde mate van afschuining)
7. Pootje	26. Minischaaftmes	46. V-groef (geringe mate van afschuining)
8. Dopsleutel	27. Groef	47. V-groef (hoge mate van afschuining)
9. Bouten	28. Aanzetplaat	48. Afschuinliniaal
10. Cilinder	29. Zeskantflensbouten	49. Steunkant van afschuinliniaal
11. Cilinderdekleplaat	30. Stop	50. Aanscherphouder
12. Afstelplaat	31. Houtsnippers-uitwerpopening	51. Vleugelmoer
13. Binnenzijde van meetplaat	32. Gat	52. Schaaftmes (A)
14. Rand van het schaaftmes	33. Uitsteeksel	53. Schaaftmes (B)
15. Schroeven	34. Stofzak	54. Zijkant (D)
16. Hiel	35. Sluiting	55. Zijkant (C)
17. Achterkant van meetblok	36. Stofzuiger	
18. Meetplaat	37. Kniestuk	
19. Meetblok	38. Begin	
	39. Einde	

TECHNISCHE GEGEVENS

Model	KP0810	KP0810C
Schaaftbreedte	82 mm	
Schaaftdiepte	4 mm	
Rabatdiepte	25 mm	
Nullasttoerental (min ⁻¹)	16.000	12.000
Totale lengte	290 mm	
Netto gewicht	3,3 kg	3,4 kg
Veiligheidsklasse	□/II	

- Als gevolg van ons doorlopende onderzoeks- en ontwikkelingsprogramma, zijn de technische gegevens van dit gereedschap onderhevig aan veranderingen zonder voorafgaande kennisgeving.
- De technische gegevens kunnen van land tot land verschillen.
- Gewicht volgens EPTA-procedure 01/2014

Gebruiksdoel

ENE001-1

Het gereedschap is bedoeld om hout te schaven.

resulteren in brand, elektrische schokken en/of ernstig letsel.

Voeding

ENF002-2


Het gereedschap mag uitsluitend worden aangesloten op een voeding met dezelfde spanning als aangegeven op het typeplaatje en werkt alleen op enkele-fase wisselstroom. Het gereedschap is dubbel geïsoleerd en mag derhalve ook op een niet-geaard stopcontact worden aangesloten.

Bewaar alle waarschuwingen en instructies om in de toekomst te kunnen raadplegen.

De term "elektrisch gereedschap" in de veiligheidsvoorschriften duidt op gereedschappen die op stroom van het lichtnet werken (met snoer) of gereedschappen met een accu (snoerloos).

Algemene veiligheids waarschuwingen voor elektrisch gereedschap

GEA010-2

 **WAARSCHUWING:** Lees alle veiligheids waarschuwingen, aanwijzingen, afbeeldingen en technische gegevens behorend bij dit elektrische gereedschap aandachtig door. Als u niet alle onderstaande aanwijzingen naleeft, kan dat

Veiligheids waarschuwingen specifiek voor een elektrische schaaft

GEB167-1

1. **Wacht totdat de schaaftmessen stilstaan alvorens het gereedschap neer te leggen.** De blootliggende, ronddraaiende schaaftmessen kunnen de ondergrond

- raken waardoor u de controle over het gereedschap kunt verliezen en ernstig letsel het gevolg kan zijn.
2. **Houd het elektrisch gereedschap vast bij het geïsoleerde oppervlak omdat de schaafmessen met hun eigen snoer in aanraking kunnen komen.** Wanneer onder spanning staande draden worden geraakt, zullen de niet-geïsoleerde metalen delen van het gereedschap onder spanning komen te staan zodat de gebruiker een elektrische schok kan krijgen.
 3. **Gebruik klemmen of andere bevestigingsmiddelen om het werkstuk op een stabiel platform te bevestigen en te ondersteunen.** Als u het werkstuk in uw hand of tegen uw lichaam geklemd houdt, is het onvoldoende stabiel en kunt u de controle erover verliezen.
 4. **Poetsdoeken, lappen, snoeren, touwen en dergelijke mogen nooit rondslingeren op de werkplek.**
 5. **Voorkom dat u spijkers raakt. Inspecteer het werkstuk op spijkers en verwijder deze zo nodig voordat u ermee begint te werken.**
 6. **Gebruik uitsluitend scherpe schaafmessen. Behandel de schaafmessen voorzichtig.**
 7. **Controleer of de bevestigingsbouten van de schaafmessen stevig vastgedraaid zijn voordat u het gereedschap bedient.**
 8. **Houd het gereedschap met beide handen stevig vast.**
 9. **Houd uw handen uit de buurt van draaiende delen.**
 10. **Laat het gereedschap een tijdje draaien voordat u het op het werkstuk gebruikt. Controleer op trillingen of schommelingen die op onjuiste montage of slecht uitgebalanceerde schaafmessen kunnen wijzen.**
 11. **Zorg dat de schaafmessen het werkstuk niet raken voordat u de schakelaar inknijpt.**
 12. **Wacht totdat de schaafmessen op volle snelheid draaien voordat u begint te schaven.**
 13. **Wacht na het uitschakelen altijd totdat de schaafmessen volledig stilstaan voordat u iets afstelt.**
 14. **Steek nooit uw vinger in de houtsnippers-uitwerpopening. De houtsnippers-uitwerpopening kan verstopt raken bij het schaven van vochtig hout. Verwijder de houtsnippers met een stokje.**
 15. **Laat het gereedschap niet onnodig ingeschakeld. Bedien het gereedschap alleen terwijl u het vasthoudt.**
 16. **Vervang altijd beide schaafmessen of cilinderdekkplaten tegelijk omdat anders de resulterende onbalans tot trillingen zal leiden en de levensduur van het gereedschap zal verkorten.**
 17. **Gebruik uitsluitend schaafmessen van Makita die in deze gebruiksaanwijzing worden aangegeven.**
 18. **Draag altijd het stofmasker/ademhalingsapparaat dat geschikt is voor het materiaal en de toepassing waarmee u werkt.**

BEWAAR DEZE VOORSCHRIFTEN.

⚠ WAARSCHUWING:

Laat u NIET misleiden door een vals gevoel van comfort en bekendheid met het gereedschap (na

veelvuldig gebruik) en neem alle veiligheidsvoorschriften van het betreffende gereedschap altijd strikt in acht. **VERKEERD GEBRUIK** of het niet naleven van de veiligheidsvoorschriften in deze gebruiksaanwijzing kan leiden tot ernstige verwondingen.

BESCHRIJVING VAN DE FUNCTIES

LET OP:

- Controleer altijd of het gereedschap is uitgeschakeld en de stekker uit het stopcontact is getrokken alvorens de functies van het gereedschap te controleren of af te stellen.

Schaafdiepte instellen (zie afb. 1)

De schaaftdiepte kan worden ingesteld door de knop op de voorkant van het gereedschap te draaien zodat de aanwijspunt de gewenste schaaftdiepte aanwijst.

In- en uitschakelen (zie afb. 2)

LET OP:

- Controleer altijd, voordat u de stekker in het stopcontact steekt, of de aan/uit-schakelaar op de juiste manier schakelt en weer terugkeert naar de uitstand nadat deze is losgelaten.

Voor gereedschappen met een vergrendelknop

Om het gereedschap in te schakelen, knijpt u gewoon de aan/uit-schakelaar in. Laat de aan/uit-schakelaar los om het gereedschap te stoppen

Om het gereedschap continu te laten werken, knijpt u de aan/uit-schakelaar in en drukt u vervolgens vanaf een van beide zijden op de vergrendelknop.

Om vanuit de vergrendelde werking het gereedschap te stoppen, knijpt u de aan/uit-schakelaar helemaal in en laat u deze vervolgens weer los.

Voor gereedschappen met een uit-vergrendelknop

Om te voorkomen dat de aan/uit-schakelaar per ongeluk wordt bediend, is een uit-vergrendelknop aangebracht.

Om het gereedschap te starten, drukt u vanaf een van beide zijden op de uit-vergrendelknop in en knijpt u de aan/uit-schakelaar in. Laat de aan/uit-schakelaar los om het gereedschap te stoppen

Elektronische aansturing

Alleen voor model KP0810C

Een gereedschap met elektronische aansturing is dankzij de volgende eigenschappen gemakkelijk te bedienen.

Constante-snelheidsregeling

Elektronische snelheidsregeling waardoor een constante snelheid wordt verkregen. Maakt een onberispelijke afwerking mogelijk omdat de draaisnelheid zelfs onder belasting constant blijft.

Langzaam opstarten

Deze langzame-opstartfunctie minimaliseert de opstartschok en zorgt ervoor dat het gereedschap soepel opstart.

Pootje (zie afb. 3)

Na het schaven tilt u de achterkant van het gereedschap op zodat een pootje onder de achterzool uitkomt. Dit

voorkomt dat de schaafmessen van het gereedschap beschadigd worden.

ONDERDELEN AANBRENGEN/ VERWIJDEREN

LET OP:

- Controleer altijd of het gereedschap is uitgeschakeld en de stekker uit het stopcontact is getrokken alvorens enige werk aan het gereedschap uit te voeren.

De schaafmessen aanbrengen en verwijderen

LET OP:

- Draai de bevestigingsbouten van het schaaafmes stevig vast wanneer u de schaafmessen op het gereedschap bevestigt. Een losse bevestigingsbout kan gevaarlijk zijn. Controleer altijd of ze stevig vastgedraaid zijn.
- Behandel de schaafmessen voorzichtig. Gebruik handschoenen of doeken om uw vingers en handen te beschermen tijdens het aanbrengen en verwijderen van de schaafmessen.
- Gebruik uitsluitend de bijgeleverde Makita-sleutel bij het aanbrengen of verwijderen van de schaafmessen. Als u dit nalaat, loopt u het risico dat de bevestigingsbouten te vast of onvoldoende vast aangedraaid worden. Hierdoor kan letsel worden veroorzaakt.

Voor een gereedschap met de standaardschaafmessen (zie afb. 4 t/m 6)

Om de schaafmessen van de cilinder te verwijderen, draait u de bevestigingsbouten los met de dopsleutel. De cilinderdekplaat komt los tezamen met de schaafmessen. Om nieuwe schaafmessen aan te brengen, verwijdert u eerst alle houtsnippers en vreemde materialen vanaf de cilinder en de schaafmessen. Gebruik nieuwe schaafmessen met dezelfde afmetingen en hetzelfde gewicht omdat anders slingeren en trillingen in de cilinder kunnen optreden waardoor op den duur het gereedschap kapot zal gaan.

Leg het schaaafmes zodanig op het meetblok dat de rand van het schaaafmes precies tegen de binnenzijde van de meetplaat aanligt. Leg de afstelplaat op het schaaafmes en duw daarna gewoon de hiel van de afstelplaat strak tegen de achterkant van het meetblok, en draai de twee schroeven van de afstelplaat vast. Plaats nu de hiel van de afstelplaat in de groef van de cilinder en bevestig de cilinderdekplaat erop.

Draai de bevestigingsbouten gelijkmatig en beurtelings aan met behulp van de dopsleutel.

Voor een gereedschap met een minischaafmes

1. Verwijder het bestaande minischaafmes, als het gereedschap gebruikt is, en reinig voorzichtig de cilinderoppervlakken en de cilinderdekplaat. Om de minischaafmessen van de cilinder af te halen, draait u de drie bevestigingsbouten los met de dopsleutel. De cilinderdekplaat komt los tezamen met de minischaafmessen. (zie afb. 7)
2. Om de nieuwe minischaafmessen aan te brengen, bevestigt u eerst de afstelplaat losjes op de aanzetplaat met de bolkop Schroeven, en plaatst u het minischaafmes zodanig op het meetblok dat de

snijrand van het minischaafmes precies tegen de binnenzijde van de meetplaat aanligt. (zie afb. 8)

3. Leg de afstelplaat/aanzetplaat zodanig op het meetblok dat de schaaafmes-positioneringslippen op de afstelplaat in de gleuf van het minischaafmes vallen, duw daarna de hiel van de afstelplaat strak tegen de achterkant van het meetblok, en draai tenslotte de bolkop Schroeven vast.
4. Het is belangrijk dat het minischaafmes precies tegen de binnenzijde van de meetplaat aanligt, dat de schaaafmes-positioneringslippen in de gleuf van het minischaafmes vallen, en dat de hiel van de afstelplaat tegen de achterkant van het meetblok aanligt. Controleer zorgvuldig dat deze uitlijning correct is voor uniform schaaafwerk.
5. Plaats de hiel van de afstelplaat in de groef van de cilinder.
6. Plaats de cilinderdekplaat op de afstelplaat/aanzetplaat en draai de drie zeskantflensbouten zodanig erin dat een opening overblijft tussen de cilinder en de afstelplaat om het minischaafmes op zijn plaats te schuiven. Het minischaafmes wordt op zijn plaats gehouden door de schaaafmes-positioneringslippen op de afstelplaat. (zie afb. 9)
7. Het afstellen van het minischaafmes in de lengterichting moet handmatig worden uitgevoerd zodat de uiteinden van het minischaafmes zichtbaar zijn en dezelfde afstand heeft tot de behuizing aan één kant en de metalen steun aan de andere kant.
8. Draai de drie zeskantflensbouten vast (met de bijgeleverde dopsleutel) en draai de cilinder rond om de speling te controleren tussen de rand van het minischaafmes en de behuizing van het gereedschap.
9. Controleer tenslotte of de drie zeskantflensbouten stevig zijn aangedraaid.
10. Herhaal de stappen 1 t/m 9 voor het andere schaaafmes.

Voor de juiste afstelling van het schaaafmes

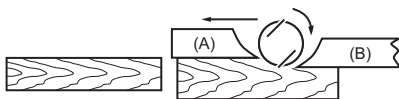
Uw schaaafwerk zal ruw en ongelijkmatig worden als het schaaafmes niet goed en stevig is aangebracht. Het schaaafmes moet worden bevestigd zodat de rand absoluut recht is, dat wil zeggen: parallel aan de rand van de achterzool.

Raadpleeg de onderstaande voorbeelden van juiste en onjuiste afstellingen.

(A) Voorzool (beweegbare schoen)

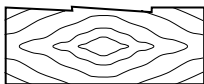
(B) Achterzool (vaste schoen)

Juiste afstelling



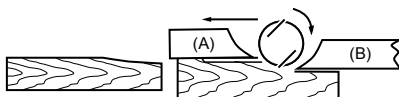
Ondanks dat het niet zichtbaar is op dit zij aanzicht, lopen de randen van de schaafmesses perfect parallel aan de rand van de achterzool.

Inkepingen in het oppervlak



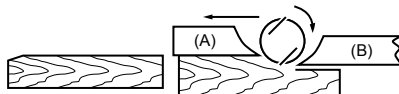
Oorzaak: Een of beide schaafmesses loopt niet parallel aan de rand van de achterzool.

Uithollen aan het begin



Oorzaak: Een of beide schaafmesses steekt niet ver genoeg uit ten opzichte van het achterzooloppervlak.

Uithollen aan het einde



Oorzaak: Een of beide schaafmesses steekt te ver uit ten opzichte van het achterzooloppervlak.

EN0004-1

De houtsnippers-uitwerprichting veranderen (zie afb. 10)

De richting waarin de houtsnippers worden uitgeworpen kan worden veranderd van links naar rechts. Om de richting te veranderen, draait u de stop iets naar achteren en trekt u deze eruit. Plaats de stop in de houtsnippers-uitwerpopening aan de andere zijkant van het gereedschap zodanig dat het gat over het uitsteeksel valt (zie afb. 11)

Stofzak (los verkrijgbaar) (zie afb. 12)

Bevestig de stofzak aan de houtsnippers-uitwerpopening. De houtsnippers-uitwerpopening is taps. Bij het bevestigen van de stofzak, duwt u deze met kracht zo ver mogelijk op de houtsnippers-uitwerpopening om te voorkomen dat deze tijdens gebruik los raakt. Wanneer de stofzak ongeveer halfvol is, haalt u de stofzak van het gereedschap af en trekt u de sluiting eraf. Gooi de houtsnippers in de stofzak weg en tik zacht tegen de stofzak zodat ook het stof dat tegen de binnenkant kleeft, en verdere afzuiging kunnen hinderen, eruit valt (zie afb. 13)

OPMERKING:

- Als u een Makita-stofzuiger aansluit op uw gereedschap, kunt u nog efficiënter en schoner werken.

Een stofzuiger aansluiten (zie afb. 14)

Wanneer u tijdens het schaven schoon wilt werken, sluit u een Makita-stofzuiger aan op uw gereedschap. Sluit vervolgens de stofzuigerslang aan op de houtsnippers-uitwerpopening, zoals aangegeven in de afbeeldingen.

Kniestuk (los verkrijgbaar) (zie afb. 15)

Door een kniestuk te gebruiken kunt u de richting waarin de houtsnippers worden uitgeworpen veranderen om schoner te werken.

Bevestig het kniestuk (los verkrijgbaar) op het gereedschap door het erop te schuiven. Verwijder het door het er eenvoudig af te trekken.

De houtsnippers-uitwerpopening reinigen

Reinig de houtsnippers-uitwerpopening regelmatig. Gebruik perslucht om de verstopte houtsnippers-uitwerpopening te reinigen.

BEDIENING

Houd het gereedschap stevig vast met één hand aan de knop en de andere aan het schakelaarhandvat tijdens het gebruik van het gereedschap.

Gebruik als schaaft (zie afb. 16)

Plaats eerst de voorzool van het gereedschap plat op het werkstuk zonder dat de schaafmesses ermee in aanraking komen. Schakel het gereedschap in en wacht totdat de schaafmesses op volle snelheid draaien. Beweeg het gereedschap vervolgens voorzichtig naar voren. Oefen aan het begin van het schaven druk uit op de voorkant van het gereedschap en aan het einde van het schaven op de achterkant van het gereedschap. Het schaven gaat gemakkelijker als u het werkstuk iets aflopend opstelt zodat u iets 'bergafwaarts' schaaft. De snelheid en diepte van het schaven bepalen het eindresultaat.

De elektrische schaaft blijft schaven op een snelheid die niet zal leiden tot verstopping met houtsnippers. Voor grof schaven kan de schaaftdiepte groter zijn, maar voor een mooi resultaat moet u de schaaftdiepte verkleinen en het gereedschap langzamer vooruit bewegen.

Rabatten (zie afb. 17)

Om een haakse verdieping aan te brengen, zoals aangegeven in de afbeelding, gebruikt u de zijkantgeleider (liniaal).

Stel de rabatdiepte in met behulp van de dieptegeleider (los verkrijgbaar).

Teken een schaaflijn op het werkstuk. Steek de randgeleider in het gat aan de voorkant van het gereedschap. Lijn de rand van het schaaftmes uit met de schaaflijn. **(zie afb. 18)**

Bevestig de randgeleider aan het gereedschap en zet deze vast met de ring en vingerschroef (A). Draai de vingerschroef (B) los en stel de randgeleider af totdat deze de zijkant van het werkstuk raakt. Draai vervolgens vingerschroef (B) stevig vast. **(zie afb. 19)**

Beweeg tijdens het schaven het gereedschap met de randgeleider strak langs de zijkant van het werkstuk. Als u dat niet doet, kan ongelijkmatig schaaftwerk het gevolg zijn.

LET OP:

- De rand van het schaaftmes moet iets eruit steken (0,2 mm - 0,4 mm) voor het rabat. **(zie afb. 20)**

U kunt de lengte van de randgeleider vergroten door er een stuk hout aan te bevestigen. Voor dit doel zijn reeds gaten aangebracht in de randgeleider, en tevens voor het bevestigen van een verlengstuk (los verkrijgbaar). **(zie afb. 21)**

Afschuinen (zie afb. 22)

Om een schuine kant te schaven zoals aangegeven in de afbeelding, lijnt u een van de drie "V"-groeven in de voorzool uit met de hoek van het werkstuk en schaaft u het. **(zie afb. 23)**

Door een afschuinliniaal (los verkrijgbaar) te gebruiken, kunt u stabielere werken tijdens het afschuinen.

(zie afb. 24)

Om de afschuinliniaal te bevestigen, verwijdert u de twee schroeven aan beide zijden op de voorkant van het gereedschap en stelt u de schaaftdiepte in op 4 mm. Plaats het vervolgens op de voorzool van het gereedschap en zet het vast met de vingerschroeven, zoals aangegeven in de afbeelding.

Wanneer u erg veel moet afschuinen, plaatst u één steunkant van de afschuinliniaal tegen het werkstuk en schaaft u meerdere malen tot de gewenste mate van afschuining is bereikt, zoals aangegeven in de afbeelding. **(zie afb. 25)**

ONDERHOUD

LET OP:

- Zorg er altijd voor dat de machine is uitgeschakeld en de stekker uit het stopcontact is getrokken, voordat u een inspectie of onderhoud uitvoert.
- Gebruik nooit benzine, wasbenzine, thinner, alcohol, enz. Dit kan leiden tot verkleuren, vervormen of barsten.

Om de VEILIGHEID en BETROUWBAARHEID van het gereedschap te handhaven, dienen alle reparaties, controle en vervanging van de koolborstels, onderhoud en afstellingen te worden uitgevoerd door een erkend Makita-servicecentrum of de Makita-fabriek, en altijd met gebruikmaking van originele Makita-ervangingsonderdelen.

De schaaftmessen slijpen

Alleen voor standaardmessen

Zorg ervoor dat de messen altijd scherp zijn voor de beste prestaties. Gebruik de aanscherphouder om inkepingen te verwijderen en een scherpe snede te maken.

(zie afb. 26)

Draai eerst de twee vleugelmoeren op de houder los en steek de messen (A) en (B) erin zodat ze de zijkanten (C) en (D) raken. Draai vervolgens de vleugelmoeren vast.

(zie afb. 27)

Houd de wetsteen gedurende 2 of 3 minuten onder water alvorens te slijpen. Houd de houder zodanig vast dat beide messen de wetsteen raken om ze gelijktijdig te slijpen onder dezelfde hoek. **(zie afb. 28)**

VERKRIJGBARE ACCESSOIRES

▲ LET OP:

- Deze accessoires of hulpstukken worden aanbevolen voor gebruik met het Makita-gereedschap dat in deze gebruiksaanwijzing wordt beschreven. Het gebruik van andere accessoires of hulpstukken kan gevaar voor persoonlijk letsel opleveren. Gebruik de accessoires of hulpstukken uitsluitend voor de aangegeven gebruiksdoeleinden.

Mocht u meer informatie willen hebben over deze accessoires, dan kunt u contact opnemen met uw plaatselijke Makita-servicecentrum.

- Snelstalen schaaftmes
- Hardstalen schaaftmes (voor een langere levensduur)
- Minischaaftmes
- Aanscherphouder
- Mesmeter
- Stel aanzetplaten
- Zijkantgeleider (liniaal)
- Wetsteen
- Stofzak
- Kniestuk
- Dopsleutel
- Afschuinliniaal

OPMERKING:

- Sommige items op de lijst kunnen zijn inbegrepen in de doos van het gereedschap als standaard toebehoren. Zij kunnen van land tot land verschillen.

Geluid

ENG905-1

De typische, A-gewogen geluids niveaus zijn gemeten volgens EN62841-2-14:

Modellen KP0810

Geluidsdruk niveau (L_{pA}): 86 dB (A)
Geluidsvermogen niveau (L_{wA}): 97 dB (A)
Onzekerheid (K): 3 dB (A)

Modellen KP0810C

Geluidsdruk niveau (L_{pA}): 85 dB (A)
Geluidsvermogen niveau (L_{wA}): 96 dB (A)
Onzekerheid (K): 3 dB (A)

ENG907-1

- De opgegeven geluidsemissiewaarde(n) is/zijn gemeten volgens een standaardtestmethode en kan/kunnen worden gebruikt om dit gereedschap te vergelijken met andere gereedschappen.

- De opgegeven geluidsemissiewaarde(n) kan/kunnen ook worden gebruikt voor een beoordeling vooraf van de blootstelling.

⚠ WAARSCHUWING:

- **Draag gehoorbescherming.**
- **De geluidsemissie tijdens het gebruik van het elektrisch gereedschap in de praktijk kan verschillen van de opgegeven waarde(n) afhankelijk van de manier waarop het gereedschap wordt gebruikt, met name van het soort werkstuk waarmee wordt gewerkt.**
- **Zorg ervoor dat veiligheidsmaatregelen worden getroffen ter bescherming van de gebruiker die zijn gebaseerd op een schatting van de blootstelling onder praktijkomstandigheden (rekening houdend met alle fasen van de bedrijfscyclus, zoals de tijdsduur gedurende welke het gereedschap is uitgeschakeld en stationair draait, naast de ingeschakelde tijdsduur).**

Trilling

ENG900-1

De totale trillingswaarde (triaxiale vectorsom) zoals vastgesteld volgens EN62841-2-14:

Modellen KP0810

Gebruikstoepassing: schaven van zachthout

Trillingsemissie (a_h): 3,0 m/s²

Onzekerheid (K): 1,5 m/s²

Modellen KP0810C

Gebruikstoepassing: schaven van zachthout

Trillingsemissie (a_h): 3,5 m/s²

Onzekerheid (K): 1,5 m/s²

ENG901-2

- De totale trillingswaarde(n) is/zijn gemeten volgens een standaardtestmethode en kan/kunnen worden gebruikt om dit gereedschap te vergelijken met andere gereedschappen.
- De opgegeven totale trillingswaarde(n) kan/kunnen ook worden gebruikt voor een beoordeling vooraf van de blootstelling.

⚠ WAARSCHUWING:

- **De trillingsemissie tijdens het gebruik van het elektrisch gereedschap in de praktijk kan verschillen van de opgegeven waarde(n) afhankelijk van de manier waarop het gereedschap wordt gebruikt, met name van het soort werkstuk waarmee wordt gewerkt.**
- **Zorg ervoor dat veiligheidsmaatregelen worden getroffen ter bescherming van de gebruiker die zijn gebaseerd op een schatting van de blootstelling onder praktijkomstandigheden (rekening houdend met alle fasen van de bedrijfscyclus, zoals de tijdsduur gedurende welke het gereedschap is uitgeschakeld en stationair draait, naast de ingeschakelde tijdsduur).**

EU-verklaring van conformiteit

Alleen voor Europese landen

De EU-verklaring van conformiteit is opgenomen als Bijlage A in deze instructiehandleiding.

ESPAÑOL (Instrucciones originales)

Explicación de los dibujos

- | | | |
|--|---|--|
| 1. Pomo | 21. Lengüetas de posicionamiento de la cuchilla de la cepilladora | 38. Inicio |
| 2. Puntero | | 39. Final |
| 3. Botón de bloqueo/desbloqueo | 22. Talón de la placa de ajuste | 40. Línea de corte |
| 4. Interruptor disparador | 23. Placa de ajuste | 41. Guía de profundidad |
| 5. Cuchilla de la cepilladora | 24. Lado interior de la placa del calibre | 42. Tornillo (A) |
| 6. Base trasera | 25. Parte posterior de la base del calibre | 43. Tornillo (B) |
| 7. Pie | | 44. Tope de borde |
| 8. Llave de cubo | 26. Cuchilla pequeña de la cepilladora | 45. Ranura V (longitud de achaflanado mediana) |
| 9. Pernos | 27. Canal de guía | 46. Ranura V (longitud de achaflanado pequeña) |
| 10. Tambor | 28. Placa de ajuste | 47. Ranura V (longitud de achaflanado grande) |
| 11. Cubierta del tambor | 29. Pernos de cabeza de arandela hexagonal | 48. Regla de achaflanado |
| 12. Placa de ajuste | 30. Tope | 49. Borde de regla de achaflanado |
| 13. Borde interior de la placa del calibre | 31. Abertura de descarga de virutas | 50. Soporte de afilado |
| 14. Borde de la cuchilla | 32. Parte cóncava | 51. Tuerca de mariposa |
| 15. Tornillos | 33. Saliente | 52. Cuchilla (A) |
| 16. Talón | 34. Bolsa colectora de polvo | 53. Cuchilla (B) |
| 17. Parte posterior de la base del calibre | 35. Cierre | 54. Lado (D) |
| 18. Placa del calibre | 36. Aspirador | 55. Lado (C) |
| 19. Base del calibre | 37. Codo | |
| 20. Tornillo de cabezal giratorio | | |

ESPECIFICACIONES

Modelo	KP0810	KP0810C
Anchura de cepillado	82 mm	
Profundidad de cepillado	4 mm	
Profundidad de galce	25 mm	
Velocidad en vacío (min^{-1})	16.000	12.000
Longitud total	290 mm	
Peso neto	3,3 kg	3,4 kg
Clase de seguridad	□/II	

- Debido a nuestro programa continuo de investigación y desarrollo, las especificaciones aquí descritas están sujetas a cambios sin previo aviso.
- Las especificaciones pueden ser diferentes de un país a otro.
- Peso de acuerdo con el procedimiento EPTA 01/2014

Uso previsto ENE001-1
La herramienta está diseñada para cepillar madera.

Alimentación ENF002-2
La herramienta debe conectarse solamente a una fuente de alimentación de la misma tensión que la indicada en la placa de características, y sólo puede funcionar con corriente alterna monofásica. La herramienta cuenta con un doble aislamiento y puede, por lo tanto, usarse también en tomacorrientes sin conductor de tierra.

Advertencias de seguridad para herramientas eléctricas en general

GEA010-2

⚠ ADVERTENCIA: Lea todas las advertencias de seguridad, instrucciones, ilustraciones y especificaciones provistas con esta herramienta eléctrica. Si no sigue todas las instrucciones indicadas

abajo podrá resultar en una descarga eléctrica, un incendio y/o heridas graves.

Guarde todas las advertencias e instrucciones para futuras referencias.

El término "herramienta eléctrica" en las advertencias se refiere a su herramienta eléctrica de funcionamiento con conexión a la red eléctrica (con cable) o herramienta eléctrica de funcionamiento a batería (sin cable).

Advertencias de seguridad para el cepillo

GEB167-1

1. **Espere hasta que el cortador se detenga antes de dejar la herramienta.** Un cortador expuesto girando puede entrar en contacto con la superficie dando lugar a la pérdida de control y heridas graves.

2. **Sujete la herramienta eléctrica por las superficies de asimiento aisladas, porque el cortador puede entrar en contacto con su propio cable.** Cortar un cable con corriente puede hacer que la corriente circule por las partes metálicas expuestas de la herramienta eléctrica y puede soltar una descarga eléctrica al operario.
3. **Utilice mordazas u otros medios de sujeción prácticos para sujetar y apoyar la pieza de trabajo en una plataforma estable.** Sujetada con su mano o contra el cuerpo, la pieza de trabajo estará inestable y podrá dar lugar a la pérdida del control.
4. **Los trapos, ropa, cables, cuerdas y por el estilo no deberán ser dejados nunca alrededor del área de trabajo.**
5. **Evite cortar clavos. Inspeccione la pieza de trabajo por si tiene clavos y retírelos todos antes de la operación.**
6. **Utilice solamente cuchillas afiladas. Maneje las cuchillas con mucho cuidado.**
7. **Asegúrese de que los pernos de instalación de la cuchilla están apretados firmemente antes de la operación.**
8. **Sujete la herramienta firmemente con ambas manos.**
9. **Mantenga las manos alejadas de las partes giratorias.**
10. **Antes de utilizar la herramienta en un pieza de trabajo definitiva, déjela funcionar durante un rato. Observe por si hay vibración o bamboleo que pueda indicar una mala instalación o un mal equilibrio de la cuchilla.**
11. **Asegúrese de que la cuchilla no está tocando la pieza de trabajo antes de activar el interruptor.**
12. **Espere hasta que la cuchilla alcance plena velocidad antes de cortar.**
13. **Apague siempre la herramienta y espere hasta que las cuchillas se hayan parado completamente antes de hacer cualquier ajuste.**
14. **No meta nunca su dedo dentro del conducto de viruta. El conducto puede atascarse cuando se corta madera húmeda. Limpie las virutas con un palo.**
15. **No deje la herramienta en marcha. Opere la herramienta solamente cuando la tenga en las manos.**
16. **Cambie siempre ambas cuchillas o cubiertas del tambor, de lo contrario el desequilibrio resultante ocasionará vibración y acortará la vida útil de la herramienta.**
17. **Utilice solamente cuchillas Makita especificadas en este manual.**
18. **Utilice siempre la mascarilla contra el polvo/ respirador correcto para el material y la aplicación con que esté trabajando.**

GUARDE ESTAS INSTRUCCIONES.

ADVERTENCIA:

NO deje que la comodidad o familiaridad con el producto (a base de utilizarlo repetidamente) sustituya la estricta observancia de las normas de seguridad para el producto en cuestión.

El MAL USO o el no seguir las normas de seguridad establecidas en este manual de instrucciones podrá ocasionar graves heridas personales.

DESCRIPCIÓN DEL FUNCIONAMIENTO

PRECAUCIÓN:

- Asegúrese siempre de que la herramienta esté apagada y desenchufada antes de intentar realizar cualquier tipo de ajuste o comprobación en ella.

Ajuste de la profundidad de corte (Fig. 1)

La profundidad de corte se puede ajustar con sólo girar el pomo de la parte delantera de la herramienta de forma que el puntero señale la profundidad de corte deseada.

Funcionamiento del interruptor (Fig. 2)

PRECAUCIÓN:

- Antes de enchufar la herramienta, asegúrese siempre de que el interruptor disparador funcione como es debido y de que vuelva a la posición "OFF" (apagado) al soltarlo.

Para herramientas con botón de bloqueo

Para poner en marcha la herramienta, simplemente accione el interruptor disparador. Suelte el interruptor disparador para detener la herramienta.

Para un uso continuo, tire del interruptor disparador y después pulse el botón de bloqueo desde ambos lados. Para detener la herramienta desde la posición de bloqueo, tire totalmente del interruptor disparador y suéltelo.

Para herramientas con botón de desbloqueo

Para evitar que el interruptor disparador se accione accidentalmente se proporciona un botón de desbloqueo. Para poner en marcha la herramienta, presione el botón de desbloqueo desde ambos lados y tire del interruptor disparador. Suelte el interruptor disparador para detener la herramienta.

Función electrónica

Sólo en el modelo KP0810C

Las herramientas que disponen de función electrónica son fáciles de manejar porque cuentan con las características siguientes.

Control de velocidad constante

Se trata de un control electrónico de la velocidad para lograr una velocidad constante. Permite obtener un acabado preciso, porque la velocidad de rotación se mantiene a un nivel constante incluso en caso de que haya carga.

Inicio lento

La característica de inicio lento minimiza la sacudida inicial y permite que la herramienta se ponga en marcha suavemente.

Pie (Fig. 3)

Tras realizar una operación de corte, levante la parte posterior de la herramienta para que aparezca un pie bajo el nivel de la base posterior. De esta forma se evita que se dañen las cuchillas de la herramienta.

MONTAJE

PRECAUCIÓN:

- Asegúrese siempre de que la herramienta esté apagada y desenchufada antes de intentar realizar cualquier trabajo en ella.

Extracción o instalación de las cuchillas de la cepilladora

PRECAUCIÓN:

- Apriete los pernos de montaje de las cuchillas con cuidado cuando coloque las cuchillas en la herramienta. Un perno de montaje suelto puede ser peligroso. Compruebe siempre si están apretados firmemente.
- Manipule las cuchillas con mucho cuidado. Utilice guantes o trapos para proteger sus dedos o manos cuando retire o monte las cuchillas.
- Utilice sólo la llave de Makita para instalar o extraer las cuchillas. De lo contrario, podría apretar demasiado o de forma insuficiente los pernos de montaje y provocar lesiones.

Para herramientas con cuchillas estándar de cepilladora (Fig. 4 - 6)

Para extraer las cuchillas del tambor, desatornille los pernos de montaje con la llave de cubo. La cubierta del tambor se soltará con las cuchillas.

Para montar las cuchillas, primero limpie todas las virutas o materias extrañas que estén adheridas al tambor o a las cuchillas. Utilice cuchillas de iguales dimensiones y peso o el tambor oscilará/vibrará, lo que provocará pobres resultados de cepillado y, en última instancia, la avería de la herramienta.

Coloque la cuchilla en la base del calibre para que el borde de la cuchilla esté perfectamente asentado en el borde interior de la placa del calibre. Coloque la placa de ajuste en la cuchilla y después presione el talón de la placa de ajuste asentada sobre el lado posterior de la base del calibre con dos tornillos en la placa de ajuste. Ahora deslice el talón de la placa de ajuste en la ranura del tambor y después encaje la cubierta del tambor en él. Apriete todos los pernos de montaje uniformemente y de forma alternativa con la llave de tubo.

Para herramientas con cuchillas pequeñas de cepilladora

1. Si la herramienta se ha utilizado, extraiga la cuchilla existente, y limpie con cuidado las superficies del tambor y la cubierta del tambor. Para extraer las cuchillas del tambor, desatornille los tres pernos de montaje con la llave de cubo. La cubierta del tambor se soltará con las cuchillas. (Fig. 7)
2. Para montar las cuchillas, coloque de forma holgada la placa de ajuste en la placa de posicionamiento con los tornillos de cabezal giratorio y fije la cuchilla pequeña de la cepilladora en la base del calibre para que el borde de corte de la cuchilla se asiente perfectamente con el lado interior de la placa del calibre. (Fig. 8)
3. Coloque la placa de ajuste/placa de posicionamiento en la base del calibre para que las lengüetas de posicionamiento de la cuchilla de la cepilladora en la placa de posicionamiento descansen sobre la ranura de la cuchilla pequeña de la cepilladora y, a

continuación, presione el talón de la placa de ajuste con la parte posterior de la base del calibre y apriete los tornillos de cabezal giratorio.

4. Es importante que la cuchilla se asiente completamente en el lado interior de la placa del calibre, que las lengüetas de posicionamiento de la cuchilla se asienten en la ranura de la cuchilla y que el talón de la placa de ajuste esté asentado en la parte posterior de la base del calibre. Compruebe esta alineación cuidadosamente para garantizar un corte uniforme.
5. Deslice el talón de la placa de ajuste en la ranura del tambor.
6. Coloque la cubierta del tambor sobre la placa de ajuste/placa de posicionamiento y atornille los tres pernos de cabeza de arandela hexagonal de forma que haya un espacio entre el tambor y la placa de posicionamiento para deslizar la cuchilla pequeña de la cepilladora hasta su posición. La cuchilla será colocada por las lengüetas de posicionamiento de la cuchilla de la cepilladora en la placa de posicionamiento. (Fig. 9)
7. El ajuste longitudinal de la cuchilla deberá realizarse manualmente para que los extremos de la cuchilla estén limpios y equidistantes del alojamiento en un lado y del soporte metálico en el otro.
8. Apriete los tres pernos de cabeza de arandela hexagonal (con la llave de tubo proporcionada) y gire el tambor para comprobar las holguras entre los extremos de la cuchilla y el cuerpo de la herramienta.
9. Compruebe que los tres pernos de cabeza de arandela hexagonal estén bien apretados.
10. Repita los procedimientos 1 - 9 para otra cuchilla.

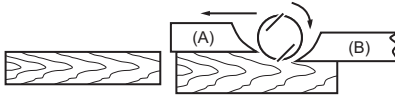
Para el correcto ajuste de la cuchilla de la cepilladora

La superficie de cepillado tendrá un acabado rugoso y desigual, a menos que la cuchilla se coloque de forma correcta y fija. La cuchilla debe montarse de modo que el borde de corte esté absolutamente nivelado, es decir, paralelo a la superficie de la base posterior.

A continuación se muestran algunos ejemplos de ajustes correctos e incorrectos.

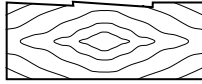
- (A) Base delantera (zapata móvil)
- (B) Base trasera (zapata fija)

Ajuste correcto



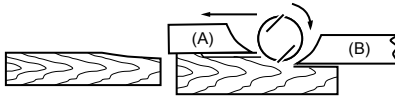
Aunque esta vista lateral no puede mostrarlo, los bordes de las cuchillas están perfectamente paralelos a la superficie de la base posterior.

Muestras en la superficie



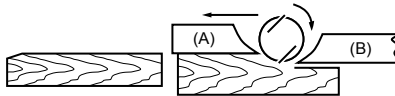
Causa: una o ambas cuchillas no tienen bordes paralelos a la línea de base posterior.

Ranurado al principio



Causa: uno o ambos bordes no sobresalen lo suficiente en relación con la línea de base posterior.

Ranurado al final



Causa: uno o ambos bordes sobresalen demasiado en relación con la línea de base posterior.

EN0004-1

Cambio de dirección de la descarga de virutas (Fig. 10)

La dirección de descarga de virutas puede cambiarse a la derecha o a la izquierda. Para cambiar la dirección, tire del tope mientras lo gira ligeramente hacia atrás y ajústelo en una o dos aberturas del lado opuesto de descarga de virutas de modo que la parte cóncava quede ajustada al saliente. (Fig. 11)

Bolsa colectora de polvo (accesorio) (Fig. 12)

Acople la bolsa colectora de polvo a la abertura de descarga de virutas.

La abertura de descarga de virutas tiene forma cónica. Cuando acople la bolsa colectora de polvo, empújela hasta el fondo de la abertura de descarga de virutas para evitar que se desprenda durante el funcionamiento de la herramienta.

Cuando la bolsa colectora de polvo esté medio llena, extráigala de la herramienta y tire del cierre. Vacíe la bolsa colectora de polvo y golpéela ligeramente para retirar las partículas adheridas al interior que podrían dificultar la posterior recolección. (Fig. 13)

NOTA:

- Si conecta un aspirador Makita a esta herramienta se puede lograr un rendimiento más eficaz y un funcionamiento más limpio.

Conexión del aspirador (Fig. 14)

Si desea realizar una operación de cepillado limpio, conecte un aspirador Makita a la herramienta. A continuación, conecte una manguera de la aspiradora a la abertura de descarga de virutas como se muestra en la figura.

Codo (accesorio opcional) (Fig. 15)

El uso de un codo permite cambiar la dirección de descarga de virutas para trabajar con mayor limpieza.

Para montar el codo (accesorio opcional) en la herramienta, simplemente haga que resbale sobre ella. Para extraerlo, tire de él.

Limpieza de la abertura de descarga de virutas

Limpie la abertura de descarga de virutas periódicamente.

Limpie la abertura de descarga de virutas obstruida con aire comprimido.

MANEJO

Sujete firmemente el pomo de la herramienta con una mano y ponga la otra mano en la empuñadura del interruptor para utilizar la herramienta.

Función de cepillado (Fig. 16)

En primer lugar deje descansar la base delantera de la herramienta plana sobre la superficie de la pieza de trabajo sin que las cuchillas tengan ningún contacto.

Encienda y espere hasta que las cuchillas alcancen la velocidad completa. Mueva la herramienta suavemente hacia delante. Ejercer presión en la parte delantera de la herramienta al principio del cepillado y en la parte posterior al final del cepillado. El cepillado será más fácil si inclina la pieza de trabajo de forma fija, para que pueda deslizarse por una ligera pendiente.

La velocidad y la profundidad de corte determinan el tipo de acabado.

La cepilladora eléctrica sigue cortando a una velocidad que no provoca un atasco por virutas. Se puede aumentar la profundidad de corte para cortes rugosos, mientras que para un buen acabado debe reducirse la profundidad de corte y se debe avanzar más lentamente.

Galce (rebajado) (Fig. 17)

Para realizar un corte por pasos como se muestra en la figura, utilice el tope de borde (regla de guía).

Ajuste la profundidad de galce con la ayuda de una guía de profundidad (accesorio).

Trace una línea de corte en la pieza de trabajo. Inserte el tope de borde en el orificio en la parte delantera de la herramienta. Alinee el borde de la cuchilla con la línea de corte. (Fig. 18)

Monte el tope de borde en la herramienta y fíjelo con la arandela y el tornillo de mano (A). Afloje el tornillo de mano (B) y ajuste el tope de borde hasta que entre en contacto con el lateral de la pieza de trabajo. A continuación, apriete firmemente el tornillo de mano (B). (Fig. 19)

Cuando realice un cepillado, mueva la herramienta con el tope de borde bien asentado en el lateral de la pieza de trabajo. De lo contrario, el cepillado puede ser desigual.

PRECAUCIÓN:

- El borde de la cuchilla debe sobresalir ligeramente (0,2 mm – 0,4 mm) para los galces. (Fig. 20)

Quizás desea aumentar la longitud del tope colocando una pieza de madera adicional. Se proporcionan unos cómodos orificios en el borde con este propósito, así como para acoplar una guía de extensión (accesorio opcional). (Fig. 21)

Achaflanado (Fig. 22)

Para realizar un corte de achaflanado como se muestra en la figura, alinee una de las tres ranuras "V" en la base delantera con el borde de la pieza de trabajo y cepíllela. (Fig. 23)

El uso de una regla de achaflanado (accesorio opcional) aporta una mayor estabilidad a la herramienta durante el galce. (Fig. 24)

Para montar la regla de achaflanado, extraiga dos tornillos de ambos lados de la parte delantera de la herramienta y ajuste la profundidad de corte en 4 mm. A continuación, móntela en la base delantera de la herramienta y fíjela con los tornillos, como se muestra en la figura.

Cuando trabaje con una longitud de achaflanado grande, coloque un borde de la regla de achaflanado de forma que entre en contacto con la pieza de trabajo y realice numerosas pasadas de cepillado, como se muestra en la figura. (Fig. 25)

MANTENIMIENTO

PRECAUCIÓN:

- Asegúrese siempre de que la herramienta esté apagada y desenchufada antes de intentar realizar cualquier trabajo de inspección o mantenimiento en ella.
- Nunca utilice gasolina, benceno, disolvente, alcohol o un producto similar. Se puede provocar una decoloración, una deformación o grietas.

Para conservar la SEGURIDAD y la FIABILIDAD del producto, los trabajos de reparación, la inspección y la sustitución de las escobillas de carbón, así como otros trabajos de mantenimiento y ajuste, deberán ser realizados en centros de servicio autorizados o de fábrica de Makita, utilizando siempre piezas de repuesto de Makita.

Afilado de las cuchillas de la cepilladora

Sólo para cuchillas estándar

Mantenga siempre las cuchillas afiladas para el mejor rendimiento posible. Utilice el soporte de afilado para eliminar muescas y lograr un borde fino. (Fig. 26)

Primero afloje las dos tuercas de mariposa en el soporte e inserte las cuchillas (A) y (B), para que entren en contacto con los lados (C) y (D). A continuación, apriete las tuercas de mariposa. (Fig. 27)

Sumerja la piedra de afilado en agua durante 2 ó 3 minutos antes del afilado. Sujete el soporte para que ambas cuchillas entren en contacto con la piedra de afilado para el afilado simultáneo en el mismo ángulo. (Fig. 28)

ACCESORIOS OPCIONALES

⚠ PRECAUCIÓN:

- Se recomienda el uso de estos accesorios o complementos con la herramienta Makita especificada en este manual. El uso de otros accesorios o complementos puede conllevar el riesgo de ocasionar daños corporales. Utilice los accesorios o complementos solamente para su fin establecido.

Si necesita cualquier ayuda para obtener más información relativa a estos accesorios, pregunte a su centro de servicio Makita local.

- Cuchilla de cepilladora fabricada de acero de corte rápido
- Cuchilla de cepilladora de carburo de tungsteno (para prolongar la vida de la cuchilla)
- Cuchilla pequeña de la cepilladora
- Conjunto de soporte de afilado
- Calibre de cuchilla
- Conjunto de placa de posicionamiento
- Tope de borde (regla de guía)
- Piedra de afilado
- Conjunto de bolsa colectora de polvo
- Codo
- Llave de cubo
- Conjunto de regla de achaflanado

NOTA:

- Algunos elementos de la lista se pueden incluir en el paquete de la herramienta como accesorios estándar. Pueden ser diferentes de un país a otro.

Ruido

ENG905-1

Niveles típicos de ruido ponderado A determinados conforme a EN62841-2-14:

Modelo KP0810

Nivel de presión de sonido (L_{pA}): 86 dB (A)
Nivel de potencia de sonido (L_{WA}): 97 dB (A)
Incertidumbre (K): 3 dB (A)

Modelo KP0810C

Nivel de presión de sonido (L_{pA}): 85 dB (A)
Nivel de potencia de sonido (L_{WA}): 96 dB (A)
Incertidumbre (K): 3 dB (A)

ENG907-1

- El valor (o los valores) de emisión de ruido declarado ha sido medido de acuerdo con un método de prueba estándar y se puede utilizar para comparar una herramienta con otra.

- El valor (o valores) de emisión de ruido declarado también se puede utilizar en una valoración preliminar de exposición.

⚠ ADVERTENCIA:

- **Póngase protectores para oídos.**
- **La emisión de ruido durante la utilización real de la herramienta eléctrica puede variar del valor (o los valores) de emisión declarado dependiendo de las formas en las que la herramienta sea utilizada, especialmente qué tipo de pieza de trabajo se procesa.**
- **Asegúrese de identificar medidas de seguridad para proteger al operario que estén basadas en una estimación de la exposición en las condiciones reales de utilización (teniendo en cuenta todas las partes del ciclo operativo como las veces cuando la herramienta está apagada y cuando está funcionando en vacío además del tiempo de gatillo).**

Vibración

ENG900-1

Valor total de la vibración (suma de vectores triaxiales) determinado según el estándar EN62841-2-14:

Modelo KP0810

Modo de trabajo: cepillado de madera blanda

Emisión de vibraciones (a_h): 3,0 m/s²

Incertidumbre (K): 1,5 m/s²

Modelo KP0810C

Modo de trabajo: cepillado de madera blanda

Emisión de vibraciones (a_h): 3,5 m/s²

Incertidumbre (K): 1,5 m/s²

ENG901-2

- El valor (o los valores) total de emisión de vibración declarado ha sido medido de acuerdo con un método de prueba estándar y se puede utilizar para comparar una herramienta con otra.
- El valor (o los valores) total de emisión de vibración declarado también se puede utilizar en una valoración preliminar de exposición.

⚠ ADVERTENCIA:

- **La emisión de vibración durante la utilización real de la herramienta eléctrica puede variar del valor (o los valores) de emisión declarado dependiendo de las formas en las que la herramienta sea utilizada, especialmente qué tipo de pieza de trabajo se procesa.**
- **Asegúrese de identificar medidas de seguridad para proteger al operario que estén basadas en una estimación de la exposición en las condiciones reales de utilización (teniendo en cuenta todas las partes del ciclo operativo como las veces cuando la herramienta está apagada y cuando está funcionando en vacío además del tiempo de gatillo).**

Declaración de conformidad de la CE

Sólo para los países europeos

La Declaración de conformidad de la CE se incluye como Anexo A en este manual de instrucciones.

PORTUGUÊS (Instruções de origem)

Descrição geral

- | | | |
|--|---|--|
| 1. Manípulo | 19. Base de medição | 37. Cotovelo |
| 2. Ponteiro | 20. Parafuso de cabeça plana | 38. Início |
| 3. Botão de bloqueio / Botão de desbloqueio | 21. Engates de posicionamento da lâmina da plaina | 39. Fim |
| 4. Gatilho | 22. Calcanhar da chapa de ajuste | 40. Linha de corte |
| 5. Lâmina da plaina | 23. Chapa de acerto | 41. Guia de profundidade |
| 6. Base traseira | 24. Flanco interior da chapa de medição | 42. Parafuso (A) |
| 7. Pé | 25. Lado posterior da base de medição | 43. Parafuso (B) |
| 8. Chave de bocas | 26. Lâmina da mini-plaina | 44. Protecção de escarificação |
| 9. Parafusos | 27. Encaixe | 45. Encaixe V (chanfradura média) |
| 10. Tambor | 28. Chapa de acerto | 46. Encaixe V (chanfradura pequena) |
| 11. Tampa do tambor | 29. Parafusos de flange sextavados | 47. Encaixe V (chanfradura grande) |
| 12. Chapa de afinação | 30. Batente | 48. Guia de chanfradura |
| 13. Extremidade interior da chapa de medição | 31. Abertura da descarga de farpas | 49. Extremidade do guia de chanfradura |
| 14. Extremidade da lâmina | 32. Interior | 50. Suporte de afiamento |
| 15. Parafusos | 33. Saliência | 51. Porca de orelhas |
| 16. Calcanhar | 34. Saco de pó | 52. Lâmina (A) |
| 17. Lado posterior da base de medição | 35. Fixador | 53. Lâmina (B) |
| 18. Chapa de medição | 36. Aspirador | 54. Lado (D) |
| | | 55. Lado (C) |

ESPECIFICAÇÕES

Modelo	KP0810	KP0810C
Largura de plainagem	82 mm	
Profundidade de plainagem	4 mm	
Profundidade de encaixe flutuante	25 mm	
Velocidade de rotação sem carga (mín. ⁻¹)	16.000	12.000
Comprimento total	290 mm	
Peso líquido	3,3 kg	3,4 kg
Classe de segurança	□/II	

- Devido à pesquisa e desenvolvimento constantes, estas especificações estão sujeitas a alteração sem aviso prévio.
- Estas especificações podem diferir de país para país.
- Peso de acordo com procedimento EPTA de 01/2014

Utilização prevista

ENE001-1

A ferramenta destina-se a plainar madeira.

Fonte de alimentação

ENF002-2

A ferramenta apenas deve ser ligada a uma fonte de alimentação da mesma tensão que a indicada na chapa de especificações, e apenas pode funcionar com uma alimentação CA monofásica. Estão blindadas duplamente e podem, assim, ser igualmente ligadas a tomadas sem fio terra.

Avisos gerais de segurança para ferramentas elétricas

GEA010-2

⚠ AVISO: Leia todos os avisos de segurança, instruções, ilustrações e especificações fornecidos com esta ferramenta elétrica. O não cumprimento de todas as instruções indicadas em baixo pode resultar em choque elétrico, incêndio e/ou ferimentos graves.

Guarde todos os avisos e instruções para futuras referências.

O termo "ferramenta elétrica" nos avisos refere-se às ferramentas elétricas ligadas à corrente elétrica (com cabo) ou às ferramentas elétricas operadas por meio de bateria (sem cabo).

Avisos de segurança da plaina

GEB167-1

1. **Aguarde que o cortador pare antes de colocar a ferramenta em baixo.** Um cortador rotativo exposto pode prender na superfície levando a possível perda de controlo e a ferimentos graves.
2. **Segure a ferramenta elétrica pelas superfícies de agarramento isoladas, porque o cortador pode entrar em contacto com o seu próprio cabo.** Cortar um fio sob tensão poderá colocar peças metálicas

expostas da ferramenta elétrica sob tensão e pode causar um choque elétrico no operador.

3. **Utilize braçadeiras ou outra forma prática de fixar e suportar a peça de trabalho numa plataforma estável.** Segurar a peça de trabalho com a mão ou contra o corpo deixa-a instável e pode levar a perda de controlo.
4. **Os trapos, panos, cabos, cordas e outros semelhantes não devem ser deixados junto da área de trabalho.**
5. **Evite cortar pregos. Inspeccione e remova todos os pregos da peça de trabalho antes da operação.**
6. **Utilize apenas lâminas afiadas. Manuseie as lâminas com extremo cuidado.**
7. **Certifique-se de que os pernos de instalação da lâmina estão bem apertados antes da operação.**
8. **Segure a ferramenta firmemente com as duas mãos.**
9. **Mantenha as mãos afastadas das peças rotativas.**
10. **Antes de utilizar a ferramenta numa peça de trabalho real, deixe-a a funcionar durante algum tempo. Verifique se existem vibrações ou movimentos irregulares que possam indicar má instalação ou uma lâmina mal equilibrada.**
11. **Certifique-se de que a lâmina não está em contacto com a peça de trabalho antes de o interruptor ser ligado.**
12. **Aguarde até a lâmina atingir a velocidade máxima antes de cortar.**
13. **Desligue sempre e espere que as lâminas parem completamente antes de ajustar.**
14. **Nunca leve o seu dedo até ao separador de aparas. O separador pode encravar quando cortar madeira húmida. Limpe as aparas com um pau.**
15. **Não deixe a ferramenta a funcionar. Opere a ferramenta apenas quando a tiver nas mãos.**
16. **Mude sempre as duas lâminas ou tampas no tambor, caso contrário o desequilíbrio resultante provocará vibrações e uma menor vida útil da ferramenta.**
17. **Utilize apenas lâminas Makita especificadas neste manual.**
18. **Utilize sempre a máscara contra o pó/respirador correto relativamente ao material e à aplicação em que está a trabalhar.**

GUARDE ESTAS INSTRUÇÕES.

AVISO:

NÃO permita que o conforto ou a familiaridade com o produto (adquirido com o uso repetido) substitua a adesão estrita às regras de segurança da ferramenta. A MÁ INTERPRETAÇÃO ou o não seguimento das regras de segurança estabelecidas neste manual de instruções pode causar danos pessoais graves.

DESCRIÇÃO DO FUNCIONAMENTO

PRECAUÇÃO:

- Certifique-se sempre de que a ferramenta está desligada e com o fio desligado da corrente antes de proceder a ajustamentos ou testar a ferramenta.

Regular a profundidade de corte (Fig. 1)

A profundidade de corte poderá ser ajustada rodando o manípulo na frente da ferramenta, para que o ponteiro aponte para a profundidade de corte pretendida.

Ação do interruptor (Fig. 2)

PRECAUÇÃO:

- Antes de inserir a ficha da ferramenta na tomada, verifique se o gatilho está a funcionar correctamente e se volta à posição “OFF” quando o solta.

Para as ferramentas com botão de bloqueio

Para pôr a ferramenta a funcionar, prima o gatilho. Para parar a ferramenta, solte o gatilho.

Para um funcionamento contínuo, puxe o gatilho e pressione o botão de bloqueio em ambos os lados.

Para parar a ferramenta da posição de bloqueada, puxe totalmente o gatilho e solte-o.

Para as ferramentas com botão de desbloqueio

Para evitar que o gatilho seja acidentalmente puxado, é fornecido botão de bloqueio.

Para iniciar a ferramenta, pressione o botão de bloqueio em qualquer dos lados e puxe o gatilho. Para parar a ferramenta, solte o gatilho.

Função electrónica

Apenas para o modelo KP0810C

As ferramentas equipadas com funções electrónicas são fáceis de utilizar devido às seguintes funcionalidades.

Controlo de velocidade constante

Controlo electrónico de velocidade para obter uma velocidade constante. É possível obter um acabamento fino, uma vez que a velocidade de rotação é mantida constante, mesmo em condições de carga.

Arranque suave

A funcionalidade de arranque suave minimiza o choque do arranque e faz com que a ferramenta arranque suavemente.

Pé (Fig. 3)

Após uma operação de corte, levante o lado posterior da ferramenta, saindo um pé debaixo da parte nivelada da base traseira. Isto evita danificar as lâminas da ferramenta.

MONTAGEM

PRECAUÇÃO:

- Certifique-se sempre de que a ferramenta está desligada e com o fio desligado da corrente antes de efectuar qualquer trabalho com a ferramenta.

Remover ou instalar as lâminas da plaina

PRECAUÇÃO:

- Aperte bem os parafusos de fixação da lâmina quando fixar as lâminas à ferramenta. Um parafuso de fixação solto pode ser perigoso. Verifique sempre se estão bem apertados.
- Manuseie as lâminas com muito cuidado. Utilize luvas ou panos para proteger os dedos ou mãos quando retirar ou instalar as lâminas.

- Utilize apenas a chave Makita fornecida para instalar ou remover as lâminas. Caso contrário, poderá apertar em demasia ou insuficientemente os parafusos de fixação. Isto poderá causar ferimentos.

Para as ferramentas com as lâminas de plaina padrão (Fig. 4 - 6)

Para remover as lâminas no tambor, desaperte os parafusos de fixação com a chave de bocas. A tampa do tambor sai juntamente com as lâminas.

Para montar as lâminas, limpe primeiro todas as farpas ou material estranho que esteja colado ao tambor ou lâminas. Utilize lâminas das mesmas dimensões e peso, caso contrário resultará em oscilação/vibração do tambor, o que causará uma fraca acção de plainagem e, por fim, a avaria da ferramenta.

Coloque a lâmina na base de medição, para que a extremidade da lâmina esteja perfeitamente encaixada com a extremidade interior da chapa de medição.

Coloque a chapa de ajuste na lâmina e pressione o calcanhar da chapa de ajuste até encaixar com o lado posterior da base de medição e aperte os dois parafusos na chapa de ajuste. Agora, deslize o calcanhar a chapa de ajuste para a ranhura do tambor e coloque a tampa do tambor por cima.

Aperte todos os parafusos de fixação de forma uniforme e alternada com a chave de bocas.

Para ferramentas com as lâminas de mini-plaina

1. Retire a lâmina existente, se a ferramenta tiver estado em utilização, limpe cuidadosamente as superfícies do tambor e a tampa do tambor. Para remover as lâminas no tambor, desaperte os três parafusos de fixação com a chave de bocas. A tampa do tambor sai juntamente com as lâminas. **(Fig. 7)**
2. Para montar as lâminas, coloque a chapa de ajuste sem prender na chapa de acerto com os parafusos de cabeça plana e coloque a lâmina da mini-plaina na base de medição, para que a extremidade de corte da lâmina esteja perfeitamente encaixada com o flanco interior da chapa de medição. **(Fig. 8)**
3. Coloque a chapa de acerto/chapa de ajuste na base de medição, de forma a que os engates de posicionamento da lâmina da plaina na chapa de acerto assentem no encaixe da lâmina da mini-plaina, de seguida pressione o calcanhar da chapa de ajuste até encaixar com o lado posterior da base de medição e aperte os parafusos de cabeça plana.
4. É importante que a lâmina encaixe totalmente com o flanco interior da chapa de medição, que os encaixes de posicionamento da lâmina da plaina assentem no encaixe da lâmina e que o calcanhar da chapa de ajuste esteja totalmente encaixada com o lado posterior da base de medição. Verifique cuidadosamente este alinhamento para garantir um corte uniforme.
5. Deslize o calcanhar da chapa de ajuste no encaixe do tambor.
6. Coloque a tampa do tambor por cima da chapa de acerto/chapa de ajuste e aparafuse os três parafusos de flange sextavados, de forma exista uma folga entre o tambor e a chapa de acerto para deslizar a lâmina da mini-plaina para a posição adequada. A lâmina será posicionada pelos engates de posicionamento da lâmina da plaina na chapa de acerto. **(Fig. 9)**

7. O ajuste da lâmina ao comprimento terá de ser posicionado manualmente, de forma a que as extremidades da lâmina estejam afastadas e equidistantes do alojamento num dos lados e o suporte de metal no outro.
8. Aperte os três parafusos de flange sextavados (com a chave de bocas fornecida) e rode o tambor para verificar a existência de folgas entre as extremidades da lâmina e o corpo da ferramenta.
9. Verifique os três parafusos de flange sextavados para o aperto final.
10. Repita os procedimentos 1 - 9 para a outra lâmina.

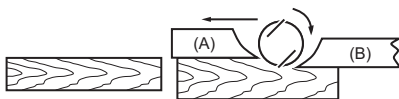
Para a definição correcta da lâmina da plaina

A superfície de plainagem ficará áspera e irregular, a não ser que a lâmina esteja acertada correcta e fixamente. A lâmina deve ser montada de forma a que a extremidade de corte esteja absolutamente nivelada, ou seja, paralela à superfície da base traseira.

Consulte em baixo alguns exemplos de acertos adequados e incorrectos.

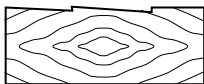
- (A) Base frontal (sapata móvel)
- (B) Base traseira (sapata fixa)

Acerto correcto



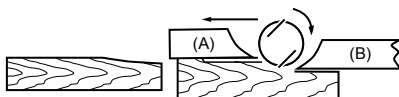
Embora esta vista de lado não a possa mostrar, as extremidades das lâminas deslizam perfeitamente em paralelo com a superfície da base traseira.

Imperfeições na superfície



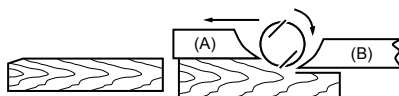
Causa: Uma ou ambas as lâminas não possuem uma extremidade paralela à linha da base traseira.

Ranhurinhas no início



Causa: Uma ou ambas as extremidades das lâminas não estão suficientemente salientes em relação à linha da base traseira.

Ranhurinhas no fim



Causa: Uma ou ambas as extremidades das lâminas estão demasiado salientes em relação à linha da base traseira.

EN0004-1

Mudança da direcção de saída das farpas (Fig. 10)

A direcção de saída das farpas pode ser mudada para a direita ou esquerda. Para mudar a direcção, puxe o batente para fora enquanto o roda ligeiramente para trás e encaixe-o numa das duas aberturas no lado oposto da saída de farpas, de forma a que a reentrância encaixe na saliência. (Fig. 11)

Saco do pó (acessório) (Fig. 12)

Coloque o saco do pó na abertura da saída de farpas. A abertura da saída de farpas é canelada. Quando colocar o saco do pó, empurre-o firmemente ao máximo para a abertura de saída das farpas, para evitar que saia durante o funcionamento. Quando o saco do pó estiver meio cheio, retire o saco do pó da ferramenta e puxe o fixador para fora. Esvazie o saco do pó, batendo-lhe ligeiramente de forma a remover as partículas coladas ao interior, que poderão interferir nas recolhas posteriores. (Fig. 13)

NOTA:

- Se ligar um aspirador Makita a esta ferramenta, poderão ser efectuadas operações mais eficientes e mais limpas.

Ligar a um aspirador (Fig. 14)

Quando pretender efectuar uma operação de plainagem limpa, ligue um aspirador Makita à sua ferramenta. De seguida, ligue um tubo flexível do aspirador à abertura de saída de farpas, tal como indicado nas ilustrações.

Cotovelo (acessório opcional) (Fig. 15)

A utilização do cotovelo permite mudar a direcção da descarga de farpas para efectuar um trabalho mais limpo. Monte o cotovelo (acessório opcional) na ferramenta, encaixando-o. Para o remover, basta retirá-lo.

Limpeza da abertura de descarga de farpas

Limpe regularmente a abertura de descarga de farpas. Utilize ar comprimido para limpar a abertura de descarga de farpas obstruída.

FUNCIONAMENTO

Segure firmemente com uma mão no manípulo e a outra mão na pega do gatilho, quando trabalhar com a ferramenta.

Operação de plainagem (Fig. 16)

Em primeiro lugar, assente a base frontal da ferramenta na superfície da peça de trabalho, sem que as lâminas façam qualquer contacto. Ligue e aguarde até que as lâminas atinjam a velocidade máxima. De seguida, mova a ferramenta suavemente para a frente. Aplique pressão na frente da ferramenta no início da plainagem e na parte posterior no fim da plainagem. A plainagem será mais fácil se inclinar a peça de trabalho de forma fixa, para que possa plainar um pouco inclinado para baixo. A velocidade e profundidade de corte determinam o tipo de acabamento.

A plaina eléctrica continua a cortar a uma velocidade que não resulte em encravamento devido a farpas. Para desbaste, é possível aumentar a profundidade de corte, embora para obter um bom acabamento deva reduzir a profundidade de corte e avançar a ferramenta mais lentamente.

Ranhuragem (Fig. 17)

Para fazer um corte de degrau tal como o apresentado na figura, utilize a protecção de escarificação (guia). Ajuste a profundidade de ranhuragem utilizando um guia de profundidade (acessório). Desenhe uma linha de corte na peça de trabalho. Insira a protecção de escarificação no orifício na frente da

ferramenta. Alinhe a extremidade da lâmina com a linha de corte. (Fig. 18)
Instale a vedação de escarificação na ferramenta e fixe-a com a anilha e parafuso de polegar (A). Desaperte o parafuso de polegar (B) e ajuste a vedação de escarificação até que entre em contacto com o lado da peça de trabalho. De seguida, aperte bem o parafuso de polegar (B). (Fig. 19)
Quando plainar, mova a ferramenta com a protecção de escarificação encostada ao lado da peça de trabalho. Caso contrário, poderá ocorrer uma plainagem irregular.

PRECAUÇÃO:

- A extremidade da lâmina deve ficar ligeiramente saliente para fora (0,2 mm - 0,4 mm) para ranhuração. (Fig. 20)

Poderá pretender acrescentar ao comprimento da protecção colocando um pedaço adicional de madeira. Existem orifícios convenientes na protecção para este objectivo e também para colocar um guia de extensão (acessório opcional). (Fig. 21)

Chanfradura (Fig. 22)

Para fazer um corte de chanfradura tal como mostrado na figura, alinhe um dos três encaixes "V" na base frontal com a extremidade da peça de trabalho e faça a plainagem. (Fig. 23)

A utilização da régua de chanfradura (acessório opcional) garante uma maior estabilidade da ferramenta quando efectuar a ranhuração. (Fig. 24)

Para montar a régua de chanfradura, retire os dois parafusos em ambos os lados da frente da ferramenta e defina a profundidade de corte para 4 mm. De seguida, monte-a na base frontal da ferramenta e fixe-a aos parafusos, tal como ilustrado na figura.

Quando efectuar uma grande quantidade de chanfradura, coloque uma extremidade na régua de chanfradura, e efectue muitas passagens de plaina, tal como mostrado na figura. (Fig. 25)

MANUTENÇÃO

PRECAUÇÃO:

- Certifique-se sempre de que a ferramenta está desligada e o fio desligado da corrente antes de inspeccionar ou fazer a manutenção da ferramenta.
- Nunca utilize gasolina, benzina, diluente, álcool ou semelhantes. Podem formar-se descolorações, deformações ou fissuras.

Para manter os níveis de SEGURANÇA e FIABILIDADE, as reparações, inspeção e substituição das escovas de carvão e outras operações de manutenção ou ajuste devem ser executadas por centros de assistência Makita ou pela fábrica autorizados e, no caso de substituição de peças, estas devem ser igualmente peças originais Makita.

Afiar as lâminas da plaina

Apenas para lâminas padrão

Mantenha sempre as lâminas afiadas para obter o melhor desempenho possível. Utilize o fixador de afiamento para remover as imperfeições e produzir uma extremidade fina. (Fig. 26)

Em primeiro lugar, solte as duas porcas de orelhas no suporte e insira as lâminas (A) e (B), de forma a que entrem em contacto com os lados (C) e (D). De seguida, aperte as porcas de orelhas. (Fig. 27)
Coloque a pedra de amolar em água durante 2 ou 3 minutos antes de afiar. Segure no suporte de forma a que ambas as lâminas entrem em contacto com a pedra de amolar, para afiar ao mesmo tempo no mesmo ângulo. (Fig. 28)

ACESSÓRIOS OPCIONAIS

⚠ PRECAUÇÃO:

- Os seguintes acessórios ou extensões são os recomendados para utilizar com a ferramenta Makita especificada neste manual. A utilização de quaisquer outros acessórios poderá representar um risco de ferimento para as pessoas. Apenas utilize o acessório para o fim indicado.

Se precisar de informações adicionais relativas aos acessórios, contacte o centro local de assistência Makita.

- Lâmina da plaina de aço de alta velocidade
- Lâmina da plaina de carboneto de tungsténio (para uma maior longevidade da lâmina)
- Lâmina da mini-plaina
- Suporte de afiamento
- Medidor da lâmina
- Chapa de acerto
- Vedação para escarificação (guia paralela)
- Pedra de amolar
- Saco de pó
- Cotovelo
- Chave de bocas
- Guia de chanfradura

NOTA:

- Alguns itens na lista podem estar incluídos no pacote de ferramentas como acessórios de série. Podem diferir de país para país.

Ruído

ENG905-1

Os níveis acústicos ponderados A típicos foram determinados segundo a EN62841-2-14:

Modelo KP0810

Nível de pressão sonora (L_{pA}): 86 dB (A)

Nível de potência sonora (L_{WA}): 97 dB (A)

Incerteza (K): 3 dB (A)

Modelo KP0810C

Nível de pressão sonora (L_{pA}): 85 dB (A)

Nível de potência sonora (L_{WA}): 96 dB (A)

Incerteza (K): 3 dB (A)

ENG907-1

- O(s) valor(es) da emissão de ruído indicado(s) foi medido de acordo com um método de teste padrão e pode ser utilizado para comparar duas ferramentas.
- O(s) valor(es) da emissão de ruído indicado(s) pode também ser utilizado na avaliação preliminar da exposição.

⚠ AVISO:

- Utilize protetores auriculares.
- A emissão de ruído durante a utilização real da ferramenta elétrica pode diferir do(s) valor(es) indicado(s), dependendo das formas como a

ferramenta é utilizada, especialmente o tipo de peça de trabalho que é processada.

- **Certifique-se de identificar as medidas de segurança para proteção do operador que sejam baseadas em uma estimativa de exposição em condições reais de utilização (considerando todas as partes do ciclo de operação, tal como quando a ferramenta está desligada e quando está a funcionar em marcha lenta além do tempo de acionamento).**

Vibração

ENG900-1

O valor total da vibração (soma triaxial de vectores) foi determinado segundo a EN62841-2-14:

Modelo KP0810

Modo de trabalho: plainar madeira de resinosas

Emissão de vibração (a_{rh}): 3,0 m/s²

Incerteza (K): 1,5 m/s²

Modelo KP0810C

Modo de trabalho: plainar madeira de resinosas

Emissão de vibração (a_{rh}): 3,5 m/s²

Incerteza (K): 1,5 m/s²

ENG901-2

- O(s) valor(es) total(ais) de vibração indicado(s) foi medido de acordo com um método de teste padrão e pode ser utilizado para comparar duas ferramentas.
- O(s) valor(es) total(ais) de vibração indicado(s) pode também ser utilizado na avaliação preliminar da exposição.

⚠ AVISO:

- **A emissão de vibração durante a utilização real da ferramenta elétrica pode diferir do(s) valor(es) indicado(s), dependendo das formas como a ferramenta é utilizada, especialmente o tipo de peça de trabalho que é processada.**
- **Certifique-se de identificar as medidas de segurança para proteção do operador que sejam baseadas em uma estimativa de exposição em condições reais de utilização (considerando todas as partes do ciclo de operação, tal como quando a ferramenta está desligada e quando está a funcionar em marcha lenta além do tempo de acionamento).**

Declaração de conformidade CE

Apenas para os países europeus

A declaração de conformidade CE está incluída como Anexo A neste manual de instruções.

DANSK (Originalvejledning)

Forklaring til generel oversigt

1. Knap	20. Rundhovedet skrue	39. Slut
2. Pål	21. Høvljernes styrefaner	40. Skærelinje
3. Låseknop/sikringsknap	22. Bagkant på justeringsplade	41. Dybdeguiden
4. Kontaktgreb	23. Låge	42. Skrue (A)
5. Høvljern	24. Indre frigangsflede på måleplade	43. Skrue (B)
6. Bagende	25. Bagside af målebase	44. Kantafskærmning
7. Fodstykke	26. Minihøvljern	45. V-rille (moderat skraskæring)
8. Topnøgle	27. Rille	46. V-rille (lidt skraskæring)
9. Bolte	28. Låge	47. V-rille (meget skraskæring)
10. Tromle	29. Sekskantede flangehovedbolte	48. Skraskæringsmålepind
11. Tromledæksel	30. Stopper	49. Kant af skraskæringsmålepind
12. Justeringsplade	31. Spånudledning	50. Slibningsholder
13. Indre kant af måleplade	32. Forsænket del	51. Vingemøtrik
14. Jernskær	33. Fremspring	52. Høvljern (A)
15. Skruer	34. Støvpøse	53. Høvljern (B)
16. Bagkant	35. Lukkemekanisme	54. Side (D)
17. Bagside af målebase	36. Støvsuger	55. Side (C)
18. Måleplade	37. Spånstuds	
19. Målebase	38. Start	

SPECIFIKATIONER

Model	KP0810	KP0810C
Høvlbredde	82 mm	
Høvl dybde	4 mm	
Overfalsningsdybde	25 mm	
Hastighed uden belastning (min ⁻¹)	16.000	12.000
Længde i alt	290 mm	
Nettovægt	3,3 kg	3,4 kg
Sikkerhedsklasse	□/II	

- På grund af vores løbende forsknings- og udviklingsprogram kan specifikationerne heri ændres uden forudgående varsel.
- Specifikationerne kan variere fra land til land.
- Vægt i henhold til EPTA-procedure 01/2014

Tilsigtet brug

Værktøjet er beregnet til træafhøvling.

ENE001-1

Strømforsyning

Værktøjet bør kun sluttes til en strømforsyning med den spænding, der er angivet på mærkepladen, og det kan kun benyttes med enkeltfaset vekselstrøm. Det er dobbelt isoleret og kan derfor også sluttes til stikkontakter uden jordforbindelse.

ENF002-2

Almindelige sikkerhedsregler for el-værktøj

GEA010-2

⚠ ADVARSEL: Læs alle de sikkerhedsadvarsler, instruktioner, illustrationer og specifikationer, der følger med denne maskine. Forsømmelse af at overholde alle nedenstående instruktioner kan medføre elektrisk stød, brand og/eller alvorlig personskade.

Gem alle advarsler og instruktioner til fremtidig reference.

Ordet "el-værktøj" i advarslerne henviser til det netforsynede (netledning) el-værktøj eller batteriforsynede (akku) el-værktøj.

Sikkerhedsadvarsler for høvlemaskine

GEB167-1

1. **Vent, til skærehovedet er stoppet, før du sætter maskinen fra dig.** Et blottet roterende skærehoved kan gribe fat i overfladen og forårsage risiko for tab af kontrollen og alvorlig personskade.
2. **Hold maskinen i de isolerede grebflader, da skærehovedet kan komme i kontakt med sin egen ledning.** Hvis der skæres i en strømførende ledning, kan udsatte metaldele på maskinen også blive strømførende, hvorved operatøren kan få elektrisk stød.

3. **Brug skruetvinger eller en anden praktisk måde til at fastgøre og understøtte arbejdsemnet til en stabil platform.** Hvis arbejdsemnet holdes i hånden eller mod kroppen, bliver det ustabil, hvilket kan medføre, at du mister kontrollen.
4. **Klude, tøj, ledninger, snore og lignende må aldrig ligge og flyde i arbejdsområdet.**
5. **Undgå at skære i søm.** Se efter og fjern alle søm fra arbejdsemnet, før arbejdet påbegyndes.
6. **Brug kun skarpe blade.** Håndter bladene yderst forsigtigt.
7. **Sørg for, at boltene til montering af bladet er strammet forsvarligt før brugen.**
8. **Hold godt fast i maskinen med begge hænder.**
9. **Hold hænderne på afstand af roterende dele.**
10. **Lad maskinen køre et stykke tid, før den anvendes på et egentligt arbejdsemne.** Se efter vibration eller rysten, der kan tyde på forkert montering eller et dårligt afbalanceret blad.
11. **Kontroller, at bladet ikke er i kontakt med arbejdsemnet, før der tændes ved afbryderen.**
12. **Vent, til bladet når fuld hastighed, før der skæres.**
13. **Sluk altid, og vent, til bladene er helt stoppet, før der udføres nogen form for justering.**
14. **Stik aldrig fingeren ind i spånrenden.** Renden kan blive tilstoppet, når der skæres i fugtigt træ. Fjern spånerne med en pind.
15. **Lad ikke maskinen ligge og køre.** Brug kun maskinen, når den holdes i hænderne.
16. **Skift altid begge blade eller dæksler på tromlen, da den deraf følgende ubalance ellers kan forårsage vibration og forkorte maskinens levetid.**
17. **Brug kun de Makita blade, der er angivet i denne manual.**
18. **Anvend altid korrekt støvmaske/åndedrætsværn til det materiale og den anvendelse, du arbejder med.**

GEM DENNE BRUGSANVISNING.

ADVARSEL:

LAD IKKE bekvemmelighed eller kendskab til produktet (opnået gennem gentagen brug) forhindre, at sikkerhedsforskrifterne for produktet nøje overholdes.

MISBRUG eller forsømmelse af at følge de i denne brugsvejledning givne sikkerhedsforskrifter kan føre til, at De kommer alvorligt til skade.

FUNKTIONSBESKRIVELSE

FORSIGTIG:

- Sørg altid for, at værktøjet er slukket, og at stikket er taget ud af stikkontakten, før du justerer værktøjet eller kontrollerer dets funktion.

Indstilling af skæredybde (Fig. 1)

Skæredybden kan justeres ganske enkelt ved at dreje på knappen foran på værktøjet, således at pilen peger på den ønskede skæredybde.

Betjening af kontakt (Fig. 2)

FORSIGTIG:

- Før værktøjet tilsluttes, skal du altid kontrollere, at kontaktagrebet reagerer korrekt og vender tilbage til "OFF"-stillingen, når du slipper det.

For værktøjer med låseknap

For at starte værktøjet skal du blot trykke på kontaktagrebet. Slip kontaktagrebet for at stoppe. Hvis værktøjet skal bruges i længere tid ad gangen, skal du trykke på kontakten og derefter trykke låseknappen ind i begge sider.

Når du vil stoppe værktøjet fra den låste position, skal du trykke kontakten helt ind og derefter slippe den.

For værktøjer med sikringsknap

En sikringsknap forhindrer, at kontaktagrebet trækkes op ved et uheld.

Værktøjet startes ved at trykke sikringsknappen ind fra en af siderne og trække i kontaktagrebet. Slip kontaktagrebet for at stoppe.

Elektronisk funktionalitet

Gælder kun for model KP0810C

Værktøjet er forsynet med elektronisk funktionalitet og er nemt at betjene, hvilket skyldes følgende funktioner.

Styring af konstant hastighed

Elektronisk styring af hastigheden gør det muligt at få en konstant hastighed. Det er muligt at få en pæn finish, fordi omdrejningshastigheden holdes konstant, selv når det er under en belastning.

Blød start

Funktionaliteten for blød start minimerer opstartsstødet og starter værktøjet mere blødt.

Fodstykke (Fig. 3)

Efter en skæring skal du hæve bagenden på værktøjet, så der kommer et fodstykke frem under bagenden. Dette forhindrer, at høvljernene bliver beskadiget.

MONTERING

FORSIGTIG:

- Sørg altid for, at værktøjet er slukket og taget ud af stikkontakten, før du udfører nogen form for arbejde på værktøjet.

Afmontering eller montering af høvljern

FORSIGTIG:

- Spænd høvljernets monteringsbolte omhyggeligt, når du monterer høvljernene på værktøjet. En løs monteringsbolt kan være farlig. Kontroller altid, at de er fastspændt ordentligt.
- Håndter høvljernene yderst forsigtigt. Brug handsker eller klude til at beskytte fingrene eller hænderne, når du fjerner eller monterer høvljernene.
- Anvend kun den medfølgende Makita-skruenøgle til at montere eller afmontere høvljernene. Ellers kan det føre til, at monteringsboltene bliver spændt enten for løst eller for stramt. Det kan føre til personskader.

For værktøjer med standard-høvljern (Fig. 4-6)

For at fjerne tromlens høvljern skal du løsne monteringsboltene med topnøglen. Tromledækslet kommer af sammen med høvljernerne.

For at installere høvljernerne skal du først fjerne alle spånerne eller andre fremmedobjekter, der måtte sidde på tromlen eller høvljernerne. Brug høvljern med samme størrelse og vægt, da det ellers vil føre til svingninger/vibreringer i tromlen og dermed til en dårlig afhøvling og i sidste ende til værktøjets ødelæggelse.

Placer høvljernet på målebaseren, så høvljernet skærer er fuldstændigt på linje med den indvendige kant af målepladen. Placer justeringspladen på høvljernet, og tryk derefter justeringspladens bagkant ind, så den flugter med bagsiden af målebaseren, og stram de to skruer på justeringspladen. Skub nu justeringspladens bagkant ind i tromlens rille, og sæt tromledækslet på plads henover. Stram alle monteringsboltene lige meget med topnøglen.

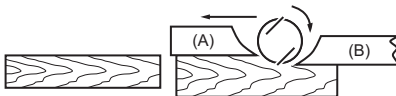
Til værktøj med minihøvljern

1. Fjern det eksisterende høvljern, hvis værktøjet har været i brug, og rengør omhyggeligt tromleoverfladerne og tromledækslet. For at fjerne tromlens høvljern skal du løsne de tre monteringsbolte med topnøglen. Tromledækslet kommer af sammen med høvljernerne. (Fig. 7)
2. Ved montering af høvljernerne skal du løst fastgøre justeringspladen til lågen med rundhovede skruer og sætte minihøvljernet på målebaseren, så klingens skærekant flugter perfekt med målepladens indre frigangsflade. (Fig. 8)
3. Sæt justeringspladen/lågen på målebaseren, så høvljernet styrefaner på lågen hviler i minihøvljernet

(A) Forende (bevægeligt føringsanslag)

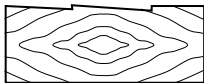
(B) Bagende (stationær føringsanslag)

Korrekt indstilling



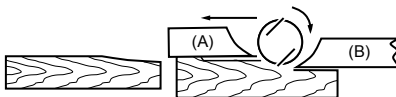
Selvom denne sidevisning ikke kan vise det, ligger høvljernerens kanter helt parallelt med bagendens overflade.

Hak i overfladen



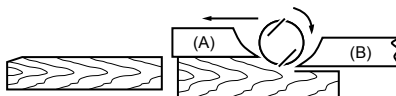
Årsag: Et eller begge høvljerner kanter ligger ikke parallelt med bagendens linje.

Fugehøvling ved start



Årsag: Et eller begge høvljernerens kanter stikker ikke tilstrækkelig frem i forhold til bagenden.

Fugehøvling til slut



Årsag: Et eller begge af høvljernerens kanter stikker for langt frem i forhold til bagenden.

EN0004-1

Ændring af retning på spånudledning (Fig. 10)

Spånudledningens retning kan ændres til højre eller venstre. Hvis du vil ændre retningen, skal du trække stopperen ud, mens du drejer den lidt bagud, og passe den ind i en af de to åbninger på den modsatte side af

rille, tryk derefter justeringspladens bagkant ind, så den flugter med bagsiden af målebaseren, og stram de rundhovedede skruer.

4. Det er vigtigt, at høvljernet flugter med målepladens indre frigangsflade, at høviklingens styrefaner sidder i klingens rille, og at justeringspladens bagkant flugter med bagsiden af målebaseren. Kontroller justeringen nøje for at sikre ensformig skæring.
5. Sæt justeringspladens bagkant ind i tromlens rille.
6. Sæt tromledækket over justeringspladen/låget, og skru de tre sekskantede flangehovedbolte i, så der er et mellemrum mellem tromlen og lågen, hvor minihøvljernet kan sættes på plads. Jernet indstilles af høvljernet styrefaner på lågen. (Fig. 9)
7. Høvljernet justering på langs skal indstilles manuelt, så høvljernet ender er tydeligt og er lige langt fra huset på den ene side og metalarmen på den anden.
8. Stram de tre sekskantede flangehovedbolte (med den medfølgende topnøgle), og drej tromlen for at kontrollere, at der er frigang mellem høvljernet ender og værktøjet.
9. Kontroller, at de tre sekskantede flangehovedbolte sidder tilstrækkeligt stramt.
10. Gentag procedurerne 1-9 for det andet høvljern.

Sådan indstilles høvljernet korrekt

Den overflade, der skal høvles, vil blive ru og ujævn, hvis ikke høvljernet er indstillet korrekt og sikkert. Høvljernet skal monteres, så skærekanten er helt lige, det vil sige parallel med bagendens overflade.

Se eksempler på korrekt og ukorrekt indstilling nedenfor.

spånudledningen, så den forsænkede del passer til fremspringet. (Fig. 11)

Støvpose (tilbehør) (Fig. 12)

Sæt støvposen fast på spånudledningens åbning.

Spånudledningens åbning er konisk. Når støvposen sættes fast, skal den skubbes så fast på spånudledningens åbning som muligt, så den ikke falder af under betjening.

Når støvposen er omkring halvt fuld, skal du fjerne posen fra værktøjet og trække lukkemekanismen ud. Tøm støvposen, og klap let på den, så partikler, der klæber til indersiden, fjernes, hvilket ellers kan hæmme yderligere opsamling. (Fig. 13)

BEMÆRK:

- Hvis du slutter en Makita-støvsuger til dette værktøj, kan arbejdet udføres mere effektivt og renere.

Tilslutning til støvsuger (Fig. 14)

Hvis De vil høvle og holde arbejdsområdet rent, kan du tilslutte en Makita-støvsuger til værktøjet. Slut derefter støvsugerslangen til spånudledningens åbning som vist i figurene.

Spånstuds (ekstraudstyr) (Fig. 15)

Brug af spånstuds gør det muligt at ændre spånudledningens retning, så renere arbejde kan udføres. Monter spånstuds (ekstraudstyr) på værktøjet ved at sætte det på. Træk blot i den for at tage den af.

Rengøring af spånudledning

Rengør spånudledningen regelmæssigt. Brug trykluft til at rengøre den tilstoppede spånudledning.

BETJENING

Hold godt fast i værktøjet med den ene hånd på knappen og den anden hånd på kontaktagrebet, når du anvender værktøjet.

Betjening til høvling (Fig. 16)

Stil først værktøjets forende fladt på arbejdsemnets overflade, uden at høvljernene får kontakt. Tænd for værktøjet, og vent på, at høvljernerne når den maksimale hastighed. Bevæg derefter langsomt værktøjet fremad. Tryk forenden ned ved starten af høvlingen og bagenden ned ved slutningen af høvlingen. Det er nemmere at udføre høvlingen, hvis du skråner arbejdsemnet på en stationær måde, så du kan høvle nedad. Høvlingens hastighed og dybde bestemmer finishen. Elhøvlen høvler ved en hastighed, der ikke vil medføre fastklemning af spåner. Ved mindre nøjagtig skæring kan skæredybden øges, mens du skal reducere skæredybden og føre værktøjet frem i langsommere tempo, hvis du ønsker en pæn finish.

Overfalsning (falsning) (Fig. 17)

Brug kantafskærmningen (styrepind), hvis du vil lave en trindelt indskæring som vist i figuren. Juster falsningsdybden ved hjælp af en dybdeguide (tilbehør).

Træk en skærelinje på arbejdsemnet. Indsæt kantafskærmningen i hullet foran værktøjet. Sæt høvljernet nær på linje med skærelinjen. (Fig. 18) Sæt kantafskærmningen på værktøjet, og fastgør den med spændeskiven og tommelskruen (A). Løsn tommelskruen (B), og juster kantafskærmningen, indtil den kommer i kontakt med siden på arbejdsemnet. Opspænd derefter tommelskruen (B). (Fig. 19)

Når der høvles, skal værktøjet bevæges således, at kantafskærmningen flugter med siden på arbejdsemnet. Ellers kan høvlingen blive ujævn.

FORSIGTIG:

- Sørg for, at høvljernet skær stikker en smule ud (0,2 – 0,4 mm) for falsning. (Fig. 20)

Du kan gøre afskærmningen længere ved at fastgøre et ekstra stykke træ. Der er placeret praktiske huller i afskærmningen til dette formål, også til fastgørelse af en forlængelsesskinne (ekstraudstyr). (Fig. 21)

Skråskæring (Fig. 22)

Hvis du vil lave en skråskæring som vist i figuren, skal du justere en af de tre "V"-riller foran med kanten af arbejdsemnet og udjævne den. (Fig. 23)

Brug af skråskæringsmålepind (ekstraudstyr) sikrer en større værktøjsstabilitet ved falsning. (Fig. 24)

Skråskæringsmålepinden installeres ved at fjerne to skruer på begge sider af den forreste del af værktøjet og indstille skæringsdybden på 4 mm. Monter den på den forreste del af værktøjet, og fastgør den med skrueerne som vist i figuren.

Når der udføres meget skråskæring, skal kanten af skråskæringsmålepinden anbringes således, så den er i kontakt med arbejdsemnet, og sørg for grundig høvling som vist i figuren. (Fig. 25)

VEDLIGEHOLDELSE

FORSIGTIG:

- Sørg altid for, at værktøjet er slukket, og at stikket er taget ud, før du forsøger at udføre inspektion eller vedligeholdelse.
- Brug aldrig benzin, benzen, fortynder, alkohol eller lignende. Det kan muligvis medføre misfarvning, deformation eller revner.

For at holde produktet SIKKERT og PÅLIDELIGT skal reparationer, kontrol og udskiftning af kulbørsterne samt al anden vedligeholdelse eller justering udføres af autoriserede Makita- eller fabrikksservicecentre, der altid benytter Makita-reservedele.

Slibning af høvljernet klinger

Kun til standardhøvljern

Hold altid høvljernet skarpt for at opnå optimal ydelse. Brug slibningsholderen for at undgå hak og lave en fin kant. (Fig. 26)

Løsn til at starte med de to vingemøtrikker på holderen og indsæt høvljernerne (A) og (B), så de er i kontakt med siderne (C) og (D). Stram herefter vingemøtrikkerne. (Fig. 27)

Læg smørrestenen i vand i 2 til 3 minutter før slibning. Hold holderen så begge høvljern er i kontakt med smørrestenen for at slibe samtidig og i samme vinkel. (Fig. 28)

EKSTRAUDSTYR

⚠ FORSIGTIG:

- Dette tilbehør eller ekstraudstyr anbefales til brug med det Makita-værktøj, som er beskrevet i denne brugsanvisning. Brug af andet tilbehør eller ekstraudstyr kan forårsage personskade. Brug kun

tilbehør eller ekstraudstyr til det formål, det er beregnet til.

Henvend dig til dit lokale Makita-servicecenter, hvis du har brug for hjælp eller yderligere oplysninger vedrørende tilbehøret.

- Højhastigheds-stålhøvljern
- Wolframkarbidhøvljern (for længere levetid på klingen)
- Minihøvljern
- Slibningsholdersæt
- Måleplade
- Lagesæt
- Kantafskærmning (styrepind)
- Smøringssten
- Støvposesæt
- Spånstuds
- Topnøgle
- Sæt med skrårkæringsmålepind

BEMÆRK:

- Visse dele på listen er muligvis indeholdt maskinindpakningen som standardtilbehør. De kan variere fra land til land.

Støj

ENG905-1

Det typiske A-vægtede støjniveau bestemt i overensstemmelse med EN62841-2-14:

Model KP0810

Lydtryksniveau (L_{pA}): 86 dB (A)
Lydeffektniveau (L_{WA}): 97 dB (A)
Usikkerhed (K): 3 dB (A)

Model KP0810C

Lydtryksniveau (L_{pA}): 85 dB (A)
Lydeffektniveau (L_{WA}): 96 dB (A)
Usikkerhed (K): 3 dB (A)

ENG907-1

- De(n) angivne støjemissionsværdi(er) er målt i overensstemmelse med en standardtestmetode og kan anvendes til at sammenligne en maskine med en anden.
- De(n) angivne støjemissionsværdi(er) kan også anvendes i en præliminær eksponeringsvurdering.

ADVARSEL:

- **Bær høreværn.**
- **Støjemissionen under den faktiske anvendelse af maskinen kan være forskellig fra de(n) angivne værdi(er), afhængigt af den måde hvorpå maskinen anvendes, især den type arbejdsemne der behandles.**
- **Sørg for at identificere de sikkerhedsforskrifter til beskyttelse af operatøren, som er baseret på en vurdering af eksponering under de faktiske brugsforhold (med hensyntagen til alle dele i brugscyklussen, f.eks. de gange, hvor maskinen er slukket, og når den kører i tomgang i tilgift til afbrydertiden).**

Vibration

ENG900-1

Den samlede vibrationsværdi (treaksiel vektorsum) bestemte i overensstemmelse med EN62841-2-14:

Model KP0810

Arbejdstilstand: høvling i blødt træ
Vibrationsemission (a_{h1}): 3,0 m/s²
Usikkerhed (K): 1,5 m/s²

Model KP0810C

Arbejdstilstand: høvling i blødt træ
Vibrationsemission (a_{h1}): 3,5 m/s²
Usikkerhed (K): 1,5 m/s²

ENG901-2

- De(n) angivne totalværdi(er) for vibration er målt i overensstemmelse med en standardtestmetode og kan anvendes til at sammenligne en maskine med en anden.
- De(n) angivne totalværdi(er) for vibration kan også anvendes i en præliminær eksponeringsvurdering.

ADVARSEL:

- **Vibrationsemissionen under den faktiske anvendelse af maskinen kan være forskellig fra de(n) angivne værdi(er), afhængigt af den måde hvorpå maskinen anvendes, især den type arbejdsemne der behandles.**
- **Sørg for at identificere de sikkerhedsforskrifter til beskyttelse af operatøren, som er baseret på en vurdering af eksponering under de faktiske brugsforhold (med hensyntagen til alle dele i brugscyklussen, f.eks. de gange, hvor maskinen er slukket, og når den kører i tomgang i tilgift til afbrydertiden).**

EF-overensstemmelseserklæring

Kun for lande i Europa

EF-overensstemmelseserklæringen er inkluderet som appendiks A til denne betjeningsvejledning.

ΕΛΛΗΝΙΚΑ (Πρωτογενείς οδηγίες)

Περιγραφή γενικής όψης

- | | | |
|--|---|--|
| 1. Λαβή | 20. Βίδα κεφαλής | 38. Αρχή |
| 2. Δείκτης | 21. Γλωττίδες εντοπισμού μαχαιριού | 39. Τέλος |
| 3. Κουμπί ασφάλισης / Κουμπί κλειδώματος | 22. Πλάνης | 40. Γραμμή κοπής |
| 4. Σκανδάλη-διακόπτης | 23. Φτέρνα ρυθμιζόμενης πλάκας | 41. Οδηγός βάθους |
| 5. Μαχαίρι πλάνης | 24. Πλάκα συγκράτησης | 42. Βίδα (A) |
| 6. Πίσω βάση | 24. Εσωτερική πλευρά της πλάκας | 43. Βίδα (B) |
| 7. Πόδι | 25. μετρητή | 44. Οδηγός άκρου |
| 8. Κλειδί | 25. Πίσω πλευρά της βάσης μετρητή | 45. Εγκοπτή σχήματος “V” (μεσαίος βαθμός γωνιοτομής) |
| 9. Μπουλόνια | 26. Μικρό μαχαίρι πλάνης | 46. Εγκοπτή σχήματος “V” (μικρός βαθμός γωνιοτομής) |
| 10. Τύμπανο | 27. Εγκοπτή | 46. Εγκοπτή σχήματος “V” (μεγάλος βαθμός γωνιοτομής) |
| 11. Κάλυμμα τυμπάνου | 28. Πλάκα συγκράτησης | 48. Κανόνας γωνιοτομής |
| 12. Ρυθμιζόμενη πλάκα | 29. Μπουλόνια εξάγωνης κεφαλής με φλάντζα | 49. Άκρο του κανόνα γωνιοτομής |
| 13. Εσωτερικό άκρο της πλάκας μετρητή | 30. Στοπ | 50. Υποδοχή ακονίσματος |
| 14. Άκρο μαχαιριού | 31. Άνοιγμα αποβολής θραυσμάτων | 51. Παξιμάδι |
| 15. Βίδες | 32. Τμήμα με εγκοπτή | 52. Μαχαίρι (A) |
| 16. Φτέρνα | 33. Προεξοχή | 53. Μαχαίρι (B) |
| 17. Πίσω πλευρά της βάσης μετρητή | 34. Σάκος σκόνης | 54. Πλευρά (D) |
| 18. Πλάκα μετρητή | 35. Συνδετήρας | 55. Πλευρά (C) |
| 19. Βάση μετρητή | 36. Ηλεκτρική σκούπα | |
| | 37. Γωνία | |

ΤΕΧΝΙΚΑ ΧΑΡΑΚΤΗΡΙΣΤΙΚΑ

Μοντέλο	KP0810	KP0810C
Πλάτος πλανίσματος	82 mm	
Βάθος πλανίσματος	4 mm	
Βάθος αυλακίων	25 mm	
Ταχύτητα χωρίς φορτίο (min ⁻¹)	16.000	12.000
Ολικό μήκος	290 mm	
Καθαρό βάρος	3,3 kg	3,4 kg
Τάξη ασφάλειας	□/II	

- Λόγω του συνεχόμενου προγράμματος που εφαρμόζουμε για έρευνα και ανάπτυξη, τα τεχνικά χαρακτηριστικά στο παρόν έντυπο υπόκεινται σε αλλαγή χωρίς προειδοποίηση.
- Τα τεχνικά χαρακτηριστικά ενδέχεται να διαφέρουν ανάλογα με τη χώρα.
- Βάρος σύμφωνα με τη διαδικασία EPTA 01/2014

Προοριζόμενη χρήση

ENE001-1

Το εργαλείο προορίζεται για πλάνισμα ξύλου.

Ηλεκτρική παροχή

ENF002-2

Το εργαλείο πρέπει να συνδέεται μόνο σε ηλεκτρική παροχή της ίδιας τάσης με αυτήν που αναγράφεται στην πινακίδα ονομαστικών τιμών και μπορεί να λειτουργήσει μόνο με εναλλασσόμενο μονοφασικό ρεύμα. Τα εργαλεία αυτά διαθέτουν διπλή μόνωση και συνεπώς μπορούν να συνδεθούν με πρίζες χωρίς γείωση.

Γενικές προειδοποιήσεις ασφαλείας για το ηλεκτρικό εργαλείο

GEA010-2

⚠ ΠΡΟΕΙΔΟΠΟΙΗΣΗ: Διαβάστε όλες τις προειδοποιήσεις ασφάλειας, οδηγίες, εικονογραφίες και προδιαγραφές που παρέχονται με αυτό το ηλεκτρικό εργαλείο. Η μη τήρηση όλων των οδηγιών που αναγράφονται κατωτέρω μπορεί να

καταλήξει σε ηλεκτροπληξία, πυρκαγιά ή/και σοβαρό τραυματισμό.

Φυλάξτε όλες τις προειδοποιήσεις και τις οδηγίες για μελλοντική παραπομπή.

Στις προειδοποιήσεις, ο όρος “ηλεκτρικό εργαλείο” αναφέρεται σε ηλεκτρικό εργαλείο που τροφοδοτείται από την κύρια παροχή ηλεκτρικού ρεύματος (με ηλεκτρικό καλώδιο) ή σε ηλεκτρικό εργαλείο που τροφοδοτείται από μπαταρία (χωρίς ηλεκτρικό καλώδιο).

Προειδοποιήσεις ασφάλειας για την πλάνη

GEB167-1

1. Περιμένετε να σταματήσει ο κόπτης πριν αφήσετε κάτω το εργαλείο. Αν ο κόπτης είναι εκτεθειμένος μπορεί να πιαστεί στην επιφάνεια με αποτέλεσμα

πιθανή απώλεια του ελέγχου και σοβαρό τραυματισμό.

2. Κρατάτε το ηλεκτρικό εργαλείο από τις μονωμένες επιφάνειες λαβής επειδή ο κόπτης μπορεί να έρθει σε επαφή με το δικό του καλώδιο. Σε περίπτωση που κοπεί ένα ηλεκτροφόρο καλώδιο, ενδέχεται να εκτεθειμένα μεταλλικά εξαρτήματα του ηλεκτρικού εργαλείου να καταστούν τα ίδια ηλεκτροφόρα και να προκαλέσουν ηλεκτροπληξία στον χειριστή.
3. Να χρησιμοποιείτε σφιγκτήρες ή κάποιο άλλο πρακτικό μέσο για να ασφαλίσετε και να στηρίζετε το τεμάχιο εργασίας σε μια σταθερή πλατφόρμα. Αν κρατάτε το τεμάχιο εργασίας με το χέρι σας ή επάνω στο σώμα σας, αυτό θα είναι ασταθές και μπορεί να χάσετε τον έλεγχο.
4. Δεν πρέπει να αφήνετε ποτέ κουρέλια, πανιά, νήματα, σκοινιά και παρόμοια αντικείμενα γύρω από την περιοχή εργασίας.
5. Να αποφεύγετε την κοπή καρφιών. Πριν από τη λειτουργία, να ελέγχετε αν υπάρχουν καρφιά στο τεμάχιο εργασίας και να τα αφαιρείτε όλα αν υπάρχουν.
6. Να χρησιμοποιείτε μόνο αιχμηρές λάμες. Να χειρίζεστε τις λάμες πολύ προσεκτικά.
7. Βεβαιωθείτε ότι τα μπουλόνια τοποθέτησης λάμας είναι καλά σφικμένα πριν από τη λειτουργία.
8. Κρατήστε το εργαλείο σταθερά με τα δύο χέρια.
9. Μην πλησιάζετε τα χέρια σας σε περιστρεφόμενα μέρη.
10. Πριν από τη χρήση του εργαλείου πάνω σε πραγματικό τεμάχιο εργασίας, αφήστε το σε λειτουργία για λίγο. Να προσέχετε για δονήσεις ή κινήσεις που θα μπορούσαν να υποδείξουν κακή τοποθέτηση ή κακή ισορροπία της λάμας.
11. Να βεβαιώνετε ότι η λάμα δεν ακουμπάει το τεμάχιο εργασίας πριν ενεργοποιείτε το διακόπτη λειτουργίας.
12. Περιμένετε έως ότου η λάμα φτάσει στην πλήρη ταχύτητα της πριν κόψετε.
13. Πριν από οποιαδήποτε ρύθμιση, πάντοτε να σβήνετε το εργαλείο και να περιμένετε να σταματήσουν να κινούνται εντελώς οι λάμες.
14. Μην βάζετε ποτέ το δάκτυλό σας κοντά στο στόμιο θραυσμάτων. Το στόμιο μπορεί να φράξει όταν κόβετε νωπό ξύλο. Καθαρίστε τα θραύσματα με μια ξύλινη ράβδο.
15. Μην αφήνετε το εργαλείο σε λειτουργία. Να χειρίζεστε το εργαλείο μόνο όταν το κρατάτε με τα χέρια σας.
16. Να αλλάζετε πάντα και τις δύο λάμες ή καλύμματα στο τύμπανο, διαφορετικά η προκύπτουσα αστάθεια θα προκαλέσει δόνηση και συντόμευση της ζωής του εργαλείου.
17. Να χρησιμοποιείτε μόνο λάμες της Makita που υποδεικνύονται σε αυτό το εγχειρίδιο.
18. Να χρησιμοποιείτε πάντοτε προσωπίδα κατά της σκόνης ή αναπνευστήρα που είναι κατάλληλος για το υλικό και την εφαρμογή σας.

ΦΥΛΑΞΤΕ ΤΙΣ ΟΔΗΓΙΕΣ ΑΥΤΕΣ.



ΠΡΟΕΙΔΟΠΟΙΗΣΗ:

ΠΡΟΕΙΔΟΠΟΙΗΣΗ: ΜΗΝ επιτρέψετε στην άνεση ή στην εξοικείωσή σας με το προϊόν (που αποκτήθηκε από επανειλημμένη χρήση) να αντικαταστήσει την αυστηρή τήρηση των κανόνων ασφαλείας του παρόντος εργαλείου.

Η ΛΑΝΘΑΣΜΕΝΗ ΧΡΗΣΗ ή η αμέλεια να ακολουθήσετε τους κανόνες ασφαλείας που διατυπώνονται στο παρόν εγχειρίδιο οδηγίων μπορεί να προκαλέσει σοβαρό προσωπικό τραυματισμό.

ΠΕΡΙΓΡΑΦΗ ΛΕΙΤΟΥΡΓΙΑΣ

ΠΡΟΣΟΧΗ:

- Να βεβαιώνετε πάντοτε ότι το εργαλείο είναι σβηστό και αποσυνδεδεμένο από το ηλεκτρικό ρεύμα πριν ρυθμίζετε ή ελέγχετε κάποια λειτουργία του.

Ρύθμιση του βάθους κοπής (Εικ. 1)

Το βάθος κοπής μπορεί να ρυθμιστεί αν περιστρέψετε απλά τη λαβή που βρίσκεται στο μπροστινό μέρος του εργαλείου ώστε ο δείκτης να είναι στραμμένος στο επιθυμητό βάθος κοπής.

Δράση διακόπτη (Εικ. 2)

ΠΡΟΣΟΧΗ:

- Πριν συνδέετε το εργαλείο, πάντοτε να ελέγχετε ότι η σκανδάλη-διακόπτης ενεργοποιείται κανονικά και επιστρέφει στη θέση OFF όταν την αφήνετε.

Για εργαλείο με κουμπί ασφαλίσης

Για να ξεκινήσετε το εργαλείο, απλά πιέστε τη σκανδάλη-διακόπτη. Για να σταματήσετε το εργαλείο, αφήστε τη σκανδάλη-διακόπτη.

Για συνεχόμενη λειτουργία, πιέστε τη σκανδάλη-διακόπτη και κατόπιν πιέστε το κουμπί ασφαλίσης από οποιοδήποτε πλευρά.

Για να βγάλετε το εργαλείο από την κλειδωμένη θέση, πιέστε πλήρως τη σκανδάλη-διακόπτη και κατόπιν αφήστε την.

Για εργαλείο με κουμπί κλειδώματος

Για να μην πιέζεται η σκανδάλη-διακόπτης κατά λάθος, παρέχεται ένα κουμπί κλειδώματος.

Για να ξεκινήσετε τη λειτουργία του εργαλείου, πιέστε το κουμπί κλειδώματος από οποιαδήποτε πλευρά και πιέστε τη σκανδάλη-διακόπτη. Για να σταματήσετε το εργαλείο, αφήστε τη σκανδάλη-διακόπτη.

Ηλεκτρονική λειτουργία

Μόνο για το μοντέλο KP0810C

Το εργαλείο που είναι εξοπλισμένο με ηλεκτρονική λειτουργία είναι εύκολο στη χρήση λόγω των ακόλουθων χαρακτηριστικών.

Έλεγχος σταθερής ταχύτητας

Ο ηλεκτρονικός έλεγχος ταχύτητας χρησιμοποιείται για να έχετε σταθερή ταχύτητα. Είναι δυνατό να έχετε ένα καθαρό τελείωμα επειδή η ταχύτητα περιστροφής διατηρείται σταθερή ακόμη και κάτω από συνθήκες φόρτου.

Ομαλή έναρξη

Το χαρακτηριστικό ομαλής έναρξης ελαχιστοποιεί τον κραδασμό κατά την έναρξη και το εργαλείο ξεκινάει ομαλά.

Πόδι (Εικ. 3)

Μετά από μια λειτουργία κοπής, ανυψώστε την πίσω πλευρά του εργαλείου για να εμφανιστεί ένα πόδι κάτω από το επίπεδο της πίσω βάσης. Αυτό εμποδίζει την καταστροφή των μαχαιριών του εργαλείου.

ΣΥΝΑΡΜΟΛΟΓΗΣΗ

ΠΡΟΣΟΧΗ:

- Να βεβαιώνετε πάντοτε ότι το εργαλείο είναι σβηστό και αποσυνδεδεμένο από το ηλεκτρικό ρεύμα πριν εκτελέσετε οποιαδήποτε εργασία σε αυτό.

Αφαίρεση ή τοποθέτηση των μαχαιριών της πλάνης

ΠΡΟΣΟΧΗ:

- Σφίξτε προσεκτικά τα μπουλόνια τοποθέτησης μαχαιριών όταν συνδέετε τα μαχαίρια στο εργαλείο. Ένα χαλαρά τοποθετημένο μπουλόνι μπορεί να είναι επικίνδυνο. Να ελέγχετε πάντα αν αυτά είναι σφιγμένα με ασφάλεια.
- Να χειρίζεστε τα μαχαίρια πολύ προσεκτικά. Χρησιμοποιήστε γάντια ή κουρέλια για να προστατεύσετε τα δάκτυλα ή τα χέρια σας όταν αφαιρείτε ή τοποθετείτε τα μαχαίρια.
- Να χρησιμοποιείτε μόνο το παρεχόμενο άλεν της Makita για να αφαιρείτε ή να τοποθετείτε τα μαχαίρια. Αν δεν το κάνετε αυτό, μπορεί να έχει ως αποτέλεσμα υπερβολικό ή ανεπαρκές σφίξιμο των μπουλονιών τοποθέτησης. Αυτό μπορεί να προκαλέσει τραυματισμό.

Για εργαλείο με στάνταρ μαχαίρια πλάνης (Εικ. 4 έως 6)

Για να αφαιρέσετε τα μαχαίρια από το τύμπανο, ξεβιδώστε τα μπουλόνια τοποθέτησης με το κλειδί. Το κάλυμμα του τυμπάνου βγαίνει μαζί με τα μαχαίρια.

Για να τοποθετήσετε τα μαχαίρια, καθορίστε πρώτα όλα τα θραύσματα ή τα ξένα υλικά που υπάρχουν προσκολλημένα στο τύμπανο ή τα μαχαίρια. Χρησιμοποιήστε μαχαίρια των ίδιων διαστάσεων και του ίδιου βάρους, ειδάλλως θα προκληθούν κραδασμοί/δονήσεις τυμπάνου, που θα έχουν ως αποτέλεσμα κακή δράση της πλάνης και τελικά την καταστροφή του εργαλείου.

Τοποθετήστε το μαχαίρι στη βάση μετρητή ώστε το άκρο του μαχαιριού να είναι τέλεια ευθυγραμμισμένο με το εσωτερικό άκρο της πλάκας μετρητή. Τοποθετήστε τη ρυθμιζόμενη πλάκα στο μαχαίρι και κατόπιν πιέστε απλά τη φτέρνα της ρυθμιζόμενης πλάκας ώστε να είναι ευθυγραμμισμένη με την πίσω πλευρά της βάσης μετρητή και σφίξτε τις δύο βίδες στη ρυθμιζόμενη πλάκα. Τώρα ολισθήστε τη φτέρνα της ρυθμιζόμενης πλάκας στην εγκοπή τυμπάνου και κατόπιν τοποθετήστε το κάλυμμα τυμπάνου επάνω της.

Σφίξτε όλα τα μπουλόνια τοποθέτησης ομοιόμορφα και εναλλάξ με το κλειδί.

Για εργαλείο με μικρά μαχαίρια πλάνης

1. Αφαιρέστε το υπάρχον μαχαίρι, αν το εργαλείο βρισκόταν σε χρήση, και καθαρίστε προσεκτικά τις επιφάνειες του τυμπάνου και το κάλυμμα τυμπάνου. Για να αφαιρέσετε τα μαχαίρια από το τύμπανο, ξεβιδώστε τα τρία μπουλόνια τοποθέτησης με το

κλειδί. Το κάλυμμα του τυμπάνου βγαίνει μαζί με τα μαχαίρια. (Εικ. 7)

2. Για να τοποθετήσετε τα μαχαίρια, προσαρμόστε χαλαρά τη ρυθμιζόμενη πλάκα στην πλάκα συγκράτησης με τις βίδες κεφαλής και τοποθετήστε το μικρό μαχαίρι πλάνης στη βάση μετρητή ώστε το άκρο κοπής του μαχαιριού να είναι τέλεια ευθυγραμμισμένο με την εσωτερική πλευρά της πλάκας μετρητή. (Εικ. 8)
3. Ρυθμίστε τη ρυθμιζόμενη πλάκα/πλάκα συγκράτησης στη βάση μετρητή ώστε οι γλωττίδες εντοπισμού του μαχαιριού πλάνης στην πλάκα συγκράτησης να ακουμπούν στην εγκοπή του μικρού μαχαιριού πλάνης και κατόπιν πιέστε προς τα μέσα τη φτέρνα της ρυθμιζόμενης πλάκας ώστε να ευθυγραμμιστεί με την πίσω πλευρά της βάσης μετρητή και σφίξτε τις βίδες κεφαλής.
4. Είναι σημαντικό το μαχαίρι να εδράζει ευθυγραμμισμένο με την εσωτερική πλευρά της πλάκας μετρητή, οι γλωττίδες εντοπισμού του μαχαιριού πλάνης να εδράζουν στην εγκοπή μαχαιριού και η φτέρνα της ρυθμιζόμενης πλάκας να είναι ευθυγραμμισμένη με την πίσω πλευρά της βάσης μετρητή. Ελέγξτε αυτήν την ευθυγράμμιση προσεκτικά για να εξασφαλίσετε ομοιόμορφη κοπή.
5. Ολισθήστε τη φτέρνα της ρυθμιζόμενης πλάκας στην εγκοπή του τυμπάνου.
6. Ρυθμίστε το κάλυμμα τυμπάνου πάνω από τη ρυθμιζόμενη πλάκα/πλάκα συγκράτησης και βιδώστε τα τρία μπουλόνια εξάγωνης κεφαλής με φλάντζα ώστε να υπάρχει ένα διάκενο μεταξύ του τυμπάνου και της πλάκας συγκράτησης ώστε να ολισθαίνει το μικρό μαχαίρι πλάνης στη θέση του. Το μαχαίρι θα τοποθετείται από τις γλωττίδες εντοπισμού του μαχαιριού πλάνης στην πλάκα συγκράτησης. (Εικ. 9)
7. Η κατά μήκος ρύθμιση του μαχαιριού θα χρειαστεί να πραγματοποιηθεί χειροκίνητα ώστε τα άκρα του μαχαιριού να είναι ελεύθερα και ισοπέχοντα από το περιβλήμα στη μία πλευρά και από το μεταλλικό βραχίονα στην άλλη πλευρά.
8. Σφίξτε τα τρία μπουλόνια εξάγωνης κεφαλής με φλάντζα (με το παρεχόμενο κλειδί) και περιστρέψτε το τύμπανο για να ελέγξετε τις αποστάσεις μεταξύ των άκρων του μαχαιριού και του κυρίου σώματος του εργαλείου.
9. Ελέγξτε πόσο σφιγμένα είναι τελικά τα τρία εξαγωνικά μπουλόνια της κεφαλής φλάντζας.
10. Επαναλάβετε τις διαδικασίες 1 έως 9 για το άλλο μαχαίρι.

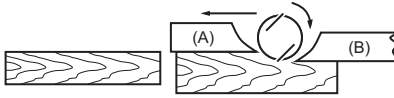
Για σωστή ρύθμιση του μαχαιριού πλάνης

Η επιφάνεια πλανίσματος σας θα είναι σκληρή και ανομοιόμορφη, εκτός αν το μαχαίρι είναι ρυθμισμένο σωστά και με ασφάλεια. Το μαχαίρι πρέπει να τοποθετηθεί ώστε το άκρο κοπής να είναι απόλυτα επίπεδο, δηλαδή παράλληλο στην επιφάνεια της πίσω βάσης.

Ανατρέξτε σε μερικά παραδείγματα παρακάτω για τις σωστές και λανθασμένες ρυθμίσεις.

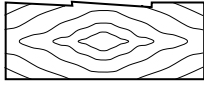
- (A) Μπροστινή βάση (κινητό πέλμα)
- (B) Πίσω βάση (ακίνητο πέλμα)

Σωστή ρύθμιση



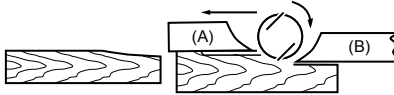
Παρότι δεν απεικονίζονται σε αυτήν την πλάγια όψη, τα άκρα των μαχαιριών κινούνται τελείως παράλληλα στην επιφάνεια της πίσω βάσης.

Χαραγές στην επιφάνεια



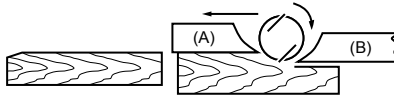
Αιτία: Ένα ή τα δύο μαχαίρια δεν έχουν το άκρο τους παράλληλο στη γραμμή της πίσω βάσης.

Εντομή στην αρχή



Αιτία: Ένα ή τα δύο άκρα μαχαιριών δεν προεξέχουν αρκετά σε σχέση με τη γραμμή της πίσω βάσης.

Εντομή στο τέλος



Αιτία: Ένα ή τα δύο άκρα μαχαιριών προεξέχουν πολύ σε σχέση με τη γραμμή της πίσω βάσης.

EN0004-1

Αλλαγή της κατεύθυνσης της αποβολής θραυσμάτων (Εικ. 10)

Η κατεύθυνση της αποβολής θραυσμάτων μπορεί να αλλάξει προς τα δεξιά ή προς τα αριστερά. Για να αλλάξετε την κατεύθυνση, τραβήξτε το στοπ ενώ το περιστρέψετε λίγο προς τα πίσω και προσαρμόστε το σε ένα από τα δύο ανοίγματα στην αντίθετη πλευρά της αποβολής θραυσμάτων έτσι ώστε το τμήμα με εγκοπή να ταιριάζει στην προεσοχή. (Εικ. 11)

Σάκος σκόνης (αξεσουάρ) (Εικ. 12)

Προσαρμόστε το σάκο σκόνης στο άνοιγμα αποβολής θραυσμάτων.

Το άνοιγμα αποβολής θραυσμάτων είναι κωνικό. Όταν προσαρτάτε το σάκο σκόνης, ωθήστε το μέσα στο άνοιγμα αποβολής θραυσμάτων σταθερά έως το τέρμα για να μην αποκολληθεί κατά τη λειτουργία. Όταν ο σάκος σκόνης είναι μισογεμάτος, βγάλτε το σάκο σκόνης από το εργαλείο και τραβήξτε τον συνδετήρα προς τα έξω. Αδειάστε τα περιεχόμενα του σάκου σκόνης, χτυπώντας τον ελαφριά για να αφαιρέσετε τα σωματίδια που υπάρχουν προσκολλημένα στο εσωτερικό που ενδοχόμενως να εμποδίζουν την περαιτέρω συλλογή. (Εικ. 13)

ΣΗΜΕΙΩΣΗ:

- Αν συνδέσετε ηλεκτρική σκούπα της Makita σε αυτό το εργαλείο, μπορείτε να διεξάγετε εργασίες πιο αποδοτικά και πιο καθαρά.

Σύνδεση ηλεκτρικής σκούπας (Εικ. 14)

Όταν θέλετε να εκτελέσετε εργασίες πλανίσματος καθαρά, συνδέστε την ηλεκτρική σκούπα της Makita στο εργαλείο που διαθέτετε. Κατόπιν συνδέστε τον εύκαμπτο σωλήνα της ηλεκτρικής σκούπας στο άνοιγμα αποβολής θραυσμάτων όπως απεικονίζεται στις εικόνες.

Γωνία (προαιρετικό αξεσουάρ) (Εικ. 15)

Η χρήση γωνιών επιτρέπει την αλλαγή της κατεύθυνσης αποβολής θραυσμάτων για την εκτέλεση των εργασιών με πιο καθαρό τρόπο.

Τοποθετήστε τη γωνία (προαιρετικό αξεσουάρ) στο εργαλείο ολισθαίνοντάς την στο εργαλείο. Για να την βγάλετε, απλά τραβήξτε την.

Καθαρισμός ανοίγματος αποβολής θραυσμάτων

Καθαρίζετε τακτικά το άνοιγμα καθαρισμού θραυσμάτων. Χρησιμοποιήστε πεπιεσμένο αέρα για τον καθαρισμό του βουλωμένου ανοίγματος καθαρισμού θραυσμάτων.

ΛΕΙΤΟΥΡΓΙΑ

Κατά την χρήση του εργαλείου κρατήστε το εργαλείο γερά με το ένα χέρι στη λαβή και το άλλο χέρι στη λαβή διακόπτης.

Λειτουργία πλανίσματος (Εικ. 16)

Πρώτα, ακουμπήστε την μπροστινή βάση του εργαλείου επάνω στην επιφάνεια του τεμαχίου εργασίας χωρίς να έρχονται τα μαχαίρια σε επαφή. Ενεργοποιήστε το εργαλείο και περιμένετε έως ότου τα μαχαίρια αποκτήσουν την πλήρη ταχύτητά τους. Κατόπιν, κινήστε το εργαλείο σιγά-σιγά μπρος τα μπροστά. Ασκήστε πίεση στο μπροστινό τμήμα του εργαλείου στην αρχή του πλανίσματος και στο πίσω μέρος στο τέλος του πλανίσματος. Το πλάνισμα θα είναι ευκολότερο αν δώσετε κλίση στο τεμάχιο εργασίας με ακίνητο τρόπο, ώστε να πλανίζετε κάτω κατηφορικά.

Η ταχύτητα και το βάθος κοπής καθορίζουν το είδος του τελειώματος.

Η ηλεκτρική πλάνη συνεχίζει να κόβει με ταχύτητα που δεν θα έχει ως αποτέλεσμα την εμπλοκή λόγω των θραυσμάτων. Για πρόχειρη κοπή, το βάθος της κοπής μπορεί να αυξηθεί, ενώ για ένα καλό τελείωμα θα πρέπει

να μειώσετε το βάθος κοπής και να προωθείτε το εργαλείο πιο αργά.

Δημιουργία αυλακιών (ένωση με γκινισιά) (Εικ. 17)

Για να κάνετε μια βηματική κοπή όπως απεικονίζεται στην εικόνα, χρησιμοποιήστε τον οδηγό άκρου (κανόνας οδήγησης).

Ρυθμίστε το βάθος αυλακιού με τη χρήση του οδηγού βάθους (αξεσουάρ).

Σχεδιάστε μια γραμμή κοπής στο τεμάχιο εργασίας.

Τοποθετήστε τον οδηγό άκρου στην οπή στην πρόσοψη του εργαλείου. Ευθυγραμμίστε το άκρο μαχαιριού με τη γραμμή κοπής. (Εικ. 18)

Τοποθετήστε τον οδηγό άκρου στο εργαλείο και ασφαλίστε το με τη ροδέλα και τη βίδα χειρός (Α).

Χαλαρώστε τη βίδα χειρός (Β) και ρυθμίστε τον οδηγό άκρου έως ότου έρθει σε επαφή με το πλαινό του τεμαχίου εργασίας. Κατόπιν σφίξτε καλά τη βίδα χειρός (Β).

(Εικ. 19)

Κατά το πλάνισμα, κινήστε το εργαλείο με τον οδηγό άκρου ευθυγραμμισμένο με το πλαινό του τεμαχίου εργασίας. Ειδικά, μπορεί να προκύψει ανομοιόμορφο πλάνισμα.

ΠΡΟΣΟΧΗ:

- Το άκρο μαχαιριού πρέπει να προεξέχει λίγο προς τα έξω (0,2 mm έως 0,4 mm) για ζύλινη επικαλυπτόμενη επίστρωση. (Εικ. 20)

Ίσως επιθυμείτε να αυξήσετε το μήκος του οδηγού προσαρτώντας ένα πρόσθετο κομμάτι ξύλου. Στον οδηγό παρέχονται σπές ευκολίας για το σκοπό αυτό, αλλά και για την προσάρτηση ενός οδηγού προέκτασης (προαιρετικό αξεσουάρ). (Εικ. 21)

Γωνιοτομή (Εικ. 22)

Για να κάνετε μια γωνιοτομή όπως απεικονίζεται στην εικόνα, ευθυγραμμίστε μία από τις τρεις εγκοπές σχήματος "V" στην μπροστινή βάση με το άκρο του τεμαχίου εργασίας και πλανίστε. (Εικ. 23)

Η χρήση ενός κανόνα γωνιοτομής (προαιρετικό αξεσουάρ) εξασφαλίζει μεγαλύτερη ευστάθεια εργαλείου κατά τη δημιουργία αυλακιών. (Εικ. 24)

Για να τοποθετήσετε τον κανόνα γωνιοτομής, βγάλτε τις δύο βίδες και στις δύο πλευρές του μπροστινού τμήματος του εργαλείου και ρυθμίστε το βάθος κοπής σε 4 mm. Κατόπιν, τοποθετήστε τον στην μπροστινή βάση του εργαλείου και ασφαλίστε τον με τις βίδες που απεικονίζονται στην εικόνα.

Όταν εκτελείτε σημαντική ποσότητα εργασιών γωνιοτομής, τοποθετήστε ένα άκρο του κανόνα γωνιοτομής ώστε να έρχεται σε επαφή με το τεμάχιο εργασίας και πραγματοποιήστε πολλά περάσματα πλάνιματος όπως απεικονίζεται στην εικόνα. (Εικ. 25)

ΣΥΝΤΗΡΗΣΗ

ΠΡΟΣΟΧΗ:

- Να βεβαιώνετε πάντοτε ότι το εργαλείο είναι σβηστό και αποσυνδεδεμένο από το ηλεκτρικό ρεύμα πριν εκτελέσετε οποιαδήποτε εργασία ελέγχου ή συντήρησης σε αυτό.
- Μην χρησιμοποιήσετε βενζίνη, βενζόλη, διαλυτικό, αλκοόλη ή κάτι παρόμοιο. Μπορεί να προκληθεί αποχρωματισμός, παραμόρφωση ή ρωγμές.

Για να διατηρείται η ΑΣΦΑΛΕΙΑ και η ΑΞΙΟΠΙΣΤΙΑ του προϊόντος, οι εργασίες επισκευής, ο έλεγχος και η αλλαγή των καρβουνακιών, καθώς και οποιαδήποτε άλλη εργασία συντήρησης και ρύθμισης, θα πρέπει να εκτελούνται σε εξουσιοδοτημένα ή εργοστασιακά κέντρα σέρβις της Makita και πάντοτε με τη χρήση ανταλλακτικών της Makita.

Ακόνισμα των μαχαιριών πλάνιματος

Για στάνταρ μαχαιρία μόνο

Να διατηρείτε πάντα τα μαχαιρία σας αιχμηρά για να έχετε τη βέλτιστη δυνατή απόδοση. Χρησιμοποιήστε τον υποδοχέα ακονίσματος για να αφαιρέσετε χαραγές και να παράγετε ένα καθαρό άκρο. (Εικ. 26)

Πρώτα, χαλαρώστε τα δύο παξιμάδια στον υποδοχέα και εισάγετε τα μαχαιρία (Α) και (Β), ώστε να έρχονται σε επαφή με τις πλευρές (C) και (D). Κατόπιν, σφίξτε τα παξιμάδια. (Εικ. 27)

Βυθίστε την πέτρα ακονίσματος σε νερό για 2 ή 3 λεπτά πριν από το ακόνισμα. Κρατήστε τον υποδοχέα ώστε και τα δύο μαχαιρία να έρχονται σε επαφή με την πέτρα ακονίσματος για ταυτόχρονο ακόνισμα στην ίδια γωνία. (Εικ. 28)

ΠΡΟΑΙΡΕΤΙΚΑ ΑΞΕΣΟΥΑΡ

⚠ ΠΡΟΣΟΧΗ:

- Συνιστάται η χρήση αυτών των αξεσουάρ ή εξαρτημάτων με το εργαλείο της Makita, όπως περιγράφεται στο παρόν εγχειρίδιο. Αν χρησιμοποιήσετε άλλα αξεσουάρ ή εξαρτήματα μπορεί να παρουσιαστεί κίνδυνος για πρόκληση τραυματισμού προσώπων. Να χρησιμοποιείτε τα αξεσουάρ και τα εξαρτήματα μόνο για το σκοπό για τον οποίο προορίζονται.

Αν χρειάζεστε κάποια βοήθεια ή περισσότερες πληροφορίες σχετικά με τα αξεσουάρ αυτά, απευθυνθείτε στο πλησιέστερο κέντρο εξυπηρέτησης της Makita.

- Ατσάλινο μαχαίρι πλάνης για υψηλές ταχύτητες
- Μαχαίρι πλάνης από βολφράμιο-καρβίδιο (για μακρύτερη ζωή μαχαιριού)
- Μικρό μαχαίρι πλάνης
- Συγκρότημα υποδοχής ακονίσματος
- Μετρητής μαχαιριού
- Σετ πλάκας συγκράτησης
- Οδηγός άκρου (Κανόνας οδήγησης)
- Πέτρα ακονίσματος
- Συγκρότημα σάκου σκόνης
- Γωνία
- Κλειδί
- Συγκρότημα κανόνα γωνιοτομής

ΣΗΜΕΙΩΣΗ:

- Ορισμένα από τα στοιχεία της λίστα μπορεί να περιέχονται στην συσκευασία του εργαλείου ως κανονικά αξεσουάρ. Αυτά ενδέχεται να διαφέρουν από χώρα σε χώρα.

Θόρυβος

ENG905-1

Το σύνθημα σταθμισμένο επίπεδο θορύβου που έχει καθοριστεί σύμφωνα με την EN62841-2-14:

Μοντέλα ΚΡ0810

Επίπεδο ηχητικής πίεσης (L_{pA}): 86 dB (A)

Επίπεδο ηχητικής ισχύος (L_{WA}): 97 dB (A)

Αβεβαιότητα (K): 3 dB (A)

Μοντέλα ΚΡ0810C

Επίπεδο ηχητικής πίεσης (L_{pA}): 85 dB (A)

Επίπεδο ηχητικής ισχύος (L_{WA}): 96 dB (A)

Αβεβαιότητα (K): 3 dB (A)

ENG907-1

- Η δηλωμένη τιμή(ές) εκπομπής θορύβου έχει μετρηθεί σύμφωνα με την πρότυπη μέθοδο δοκιμής και μπορεί να χρησιμοποιηθεί για τη σύγκριση ενός εργαλείου με κάποιο άλλο.
- Η δηλωμένη τιμή(ές) εκπομπής θορύβου μπορεί να χρησιμοποιηθεί και στην προκαταρκτική αξιολόγηση της έκθεσης.

ΠΡΟΕΙΔΟΠΟΙΗΣΗ:

- **Να φοράτε ωτοασπίδες.**
- **Η εκπομπή θορύβου κατά τη χρήση του ηλεκτρικού εργαλείου σε πραγματικές συνθήκες μπορεί να διαφέρει από τη δηλωμένη τιμή(ές) ανάλογα με τους τρόπους χρήσης του εργαλείου, ιδιαίτερα το είδος του τεμαχίου εργασίας που υπόκειται επεξεργασία.**
- **Φροντίστε να λάβετε τα κατάλληλα μέτρα προστασίας του χειριστή βάσει ενός υπολογισμού της έκθεσης σε πραγματικές συνθήκες χρήσης (λαμβάνοντας υπόψη όλες τις συνιστώσες του κύκλου λειτουργίας όπως τους χρόνους που το εργαλείο είναι εκτός λειτουργίας και όταν βρίσκεται σε αδρανή λειτουργία πέραν του χρόνου ενεργοποίησης).**

Κραδασμός

ENG900-1

Η συνολική τιμή δόνησης (διανυσματικό άθροισμα τριών αξόνων) που έχει καθοριστεί σύμφωνα με την EN62841-2-14:

Μοντέλα ΚΡ0810

Κατάσταση λειτουργίας: πλάνισμα μαλακής ξυλείας

Εκπομπή δόνησης (a_{h1}): 3,0 m/s²

Αβεβαιότητα (K): 1,5 m/s²

Μοντέλα ΚΡ0810C

Κατάσταση λειτουργίας: πλάνισμα μαλακής ξυλείας

Εκπομπή δόνησης (a_{h1}): 3,5 m/s²

Αβεβαιότητα (K): 1,5 m/s²

ENG901-2

- Η δηλωμένη τιμή(ές) συνολικών κραδασμών έχει μετρηθεί σύμφωνα με την πρότυπη μέθοδο δοκιμής και μπορεί να χρησιμοποιηθεί για τη σύγκριση ενός εργαλείου με κάποιο άλλο.
- Η δηλωμένη τιμή(ές) συνολικών κραδασμών μπορεί να χρησιμοποιηθεί και στην προκαταρκτική αξιολόγηση της έκθεσης.

ΠΡΟΕΙΔΟΠΟΙΗΣΗ:

- **Η εκπομπή κραδασμών κατά τη χρήση του ηλεκτρικού εργαλείου σε πραγματικές συνθήκες μπορεί να διαφέρει από τη δηλωμένη τιμή(ές) εκπομπής ανάλογα με τους τρόπους χρήσης του**

εργαλείου, ιδιαίτερα το είδος του τεμαχίου εργασίας που υπόκειται επεξεργασία.

- **Φροντίστε να λάβετε τα κατάλληλα μέτρα προστασίας του χειριστή βάσει ενός υπολογισμού της έκθεσης σε πραγματικές συνθήκες χρήσης (λαμβάνοντας υπόψη όλες τις συνιστώσες του κύκλου λειτουργίας όπως τους χρόνους που το εργαλείο είναι εκτός λειτουργίας και όταν βρίσκεται σε αδρανή λειτουργία πέραν του χρόνου ενεργοποίησης).**

ΕΚ – Δήλωση συμμόρφωσης

Για τις Ευρωπαϊκές Χώρες μόνο

Η δήλωση συμμόρφωσης ΕΚ περιλαμβάνεται ως παράρτημα Α σε αυτό το εγχειρίδιο οδηγιών.

Makita Europe N.V. Jan-Baptist Vinkstraat 2,
3070 Kortenberg, Belgium

Makita Corporation 3-11-8, Sumiyoshi-cho,
Anjo, Aichi 446-8502 Japan