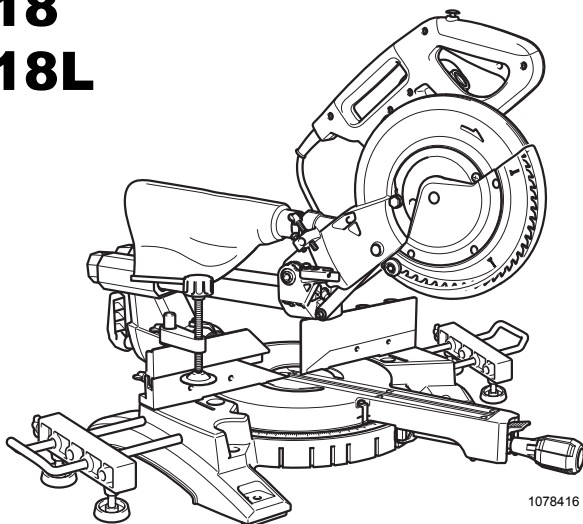




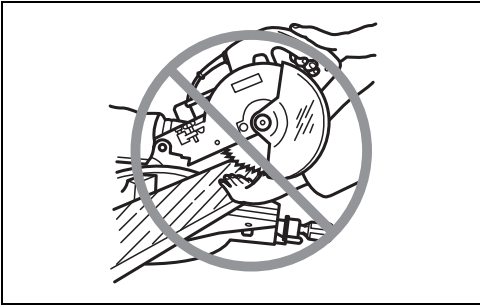
| | | |
|-----------|---|--------------------------------|
| GB | Slide Compound Miter Saw | Instruction manual |
| F | Scie à onglet radiale | Manuel d'instructions |
| D | Kapp- und Gehrungssäge | Betriebsanleitung |
| I | Troncatrice radiale per legno | Istruzioni per l'uso |
| NL | Schuifbare samengesteld-verstekzaag | Gebruiksaanwijzing |
| E | Sierra de inglete telescópica | Manual de instrucciones |
| P | Serra de esquadria c/braço telescópico | Manual de instruções |
| DK | Afkorter- og geringsav | Brugsanvisning |
| GR | Συρόμενο σύνθετο φαλτσοπρίονο | Οδηγίες χρήσης |

LS1018
LS1018L



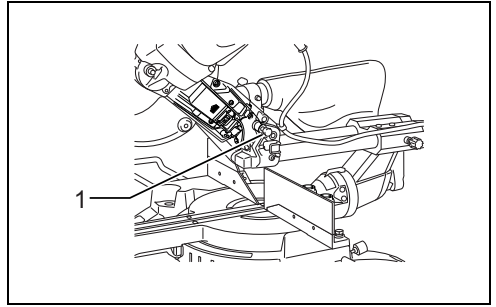
1078416





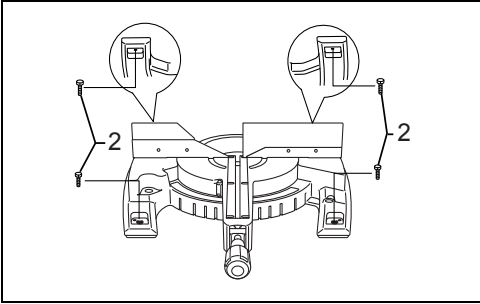
1

000030



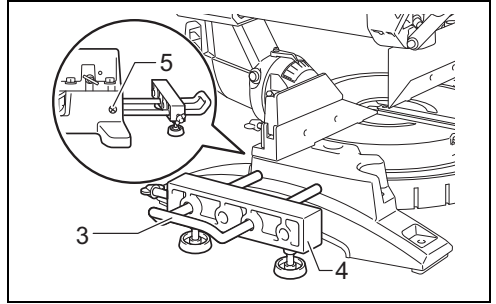
2

011380



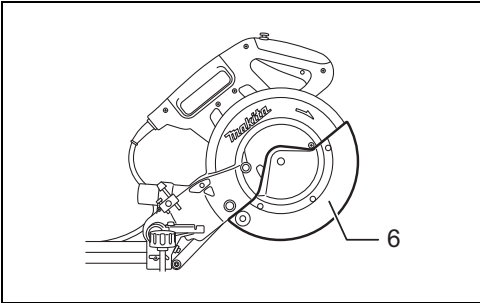
3

011383



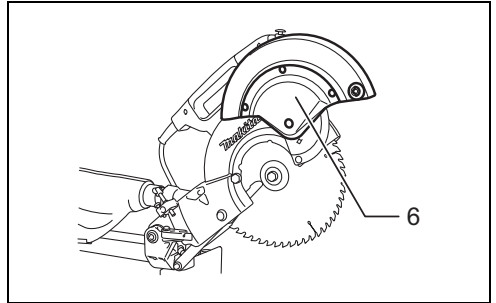
4

1078423



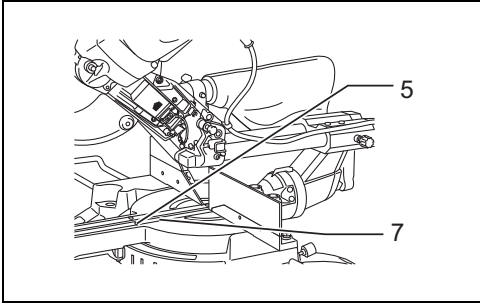
5

010230



6

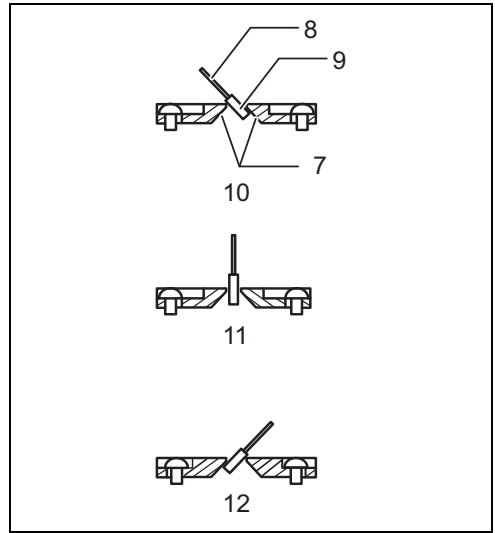
010231



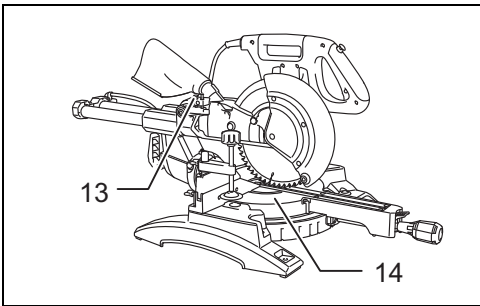
7

010297

8



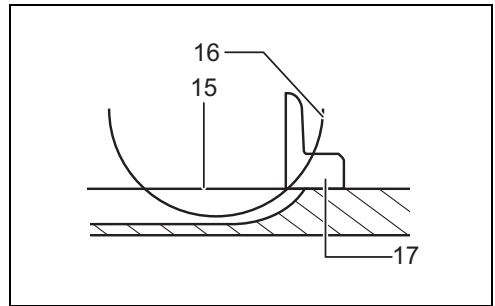
001538



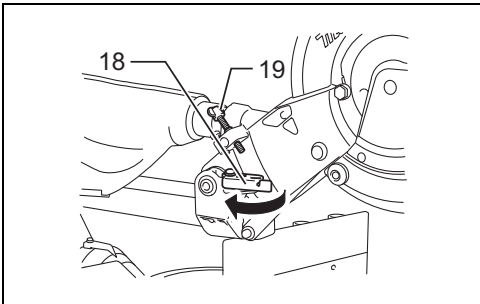
9

1078417

10

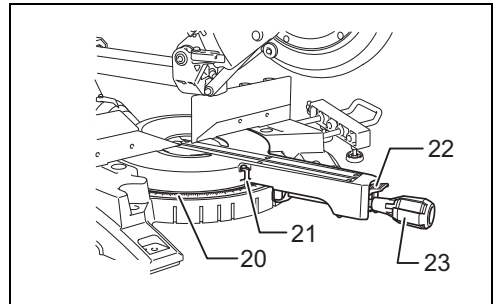


001540



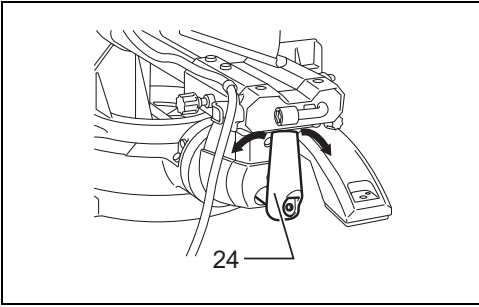
11

010233



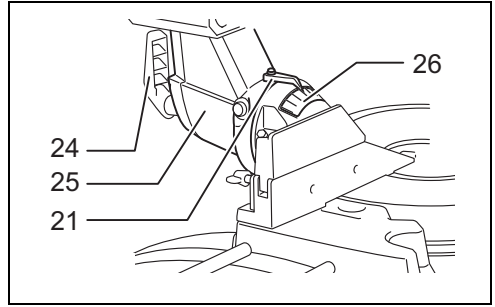
12

1078418



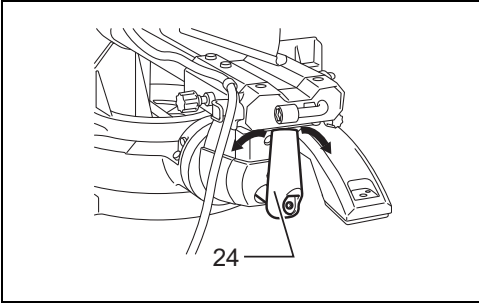
13

011337



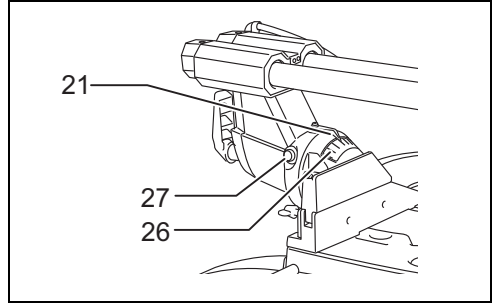
14

1078419



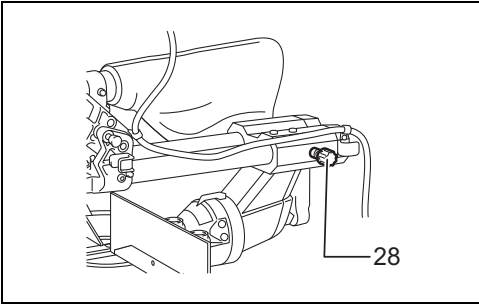
15

011337



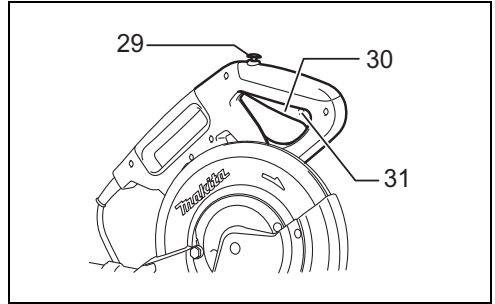
16

1078420



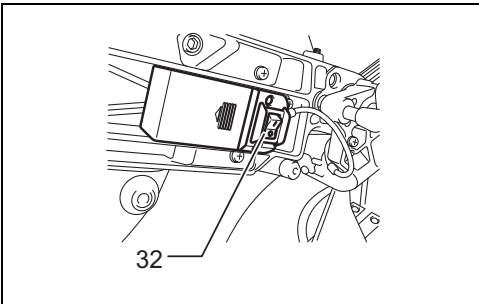
17

010431



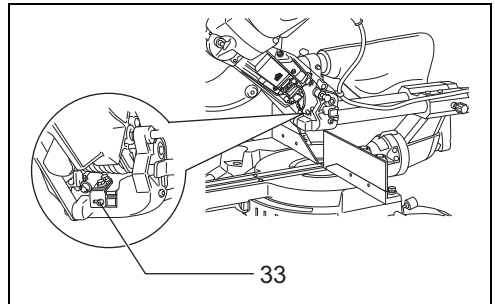
18

010237



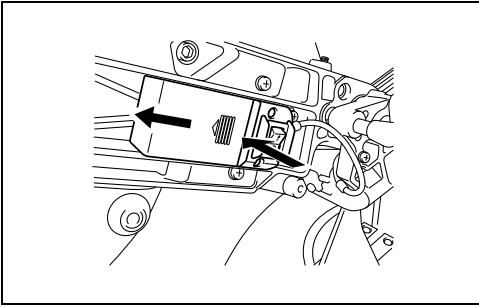
19

010257



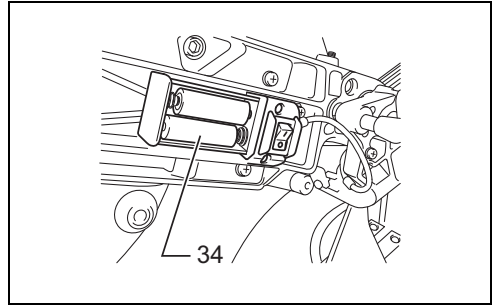
20

010473



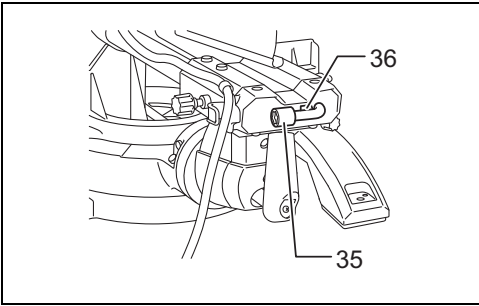
21

010399



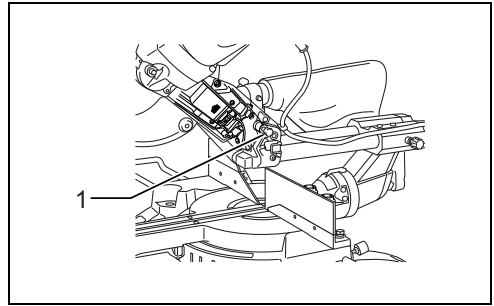
22

010259



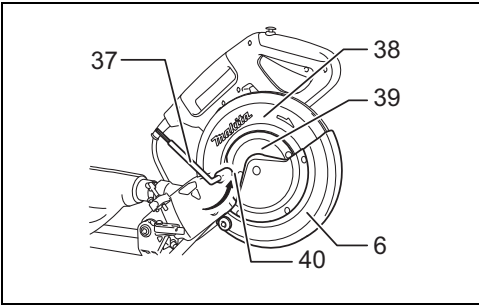
23

011338



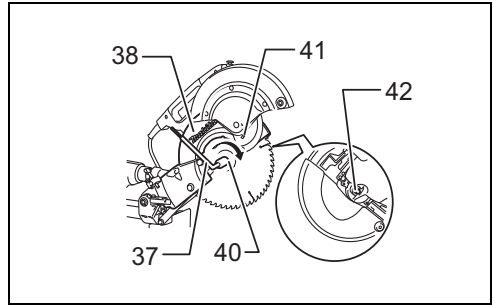
24

010477



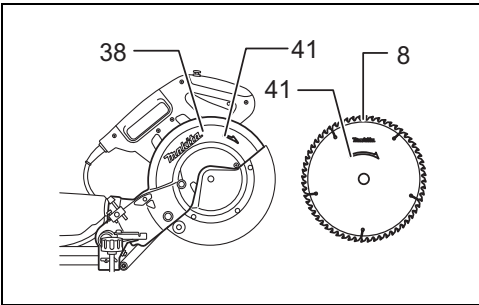
25

010241



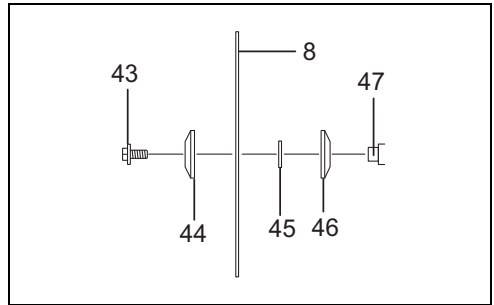
26

010242



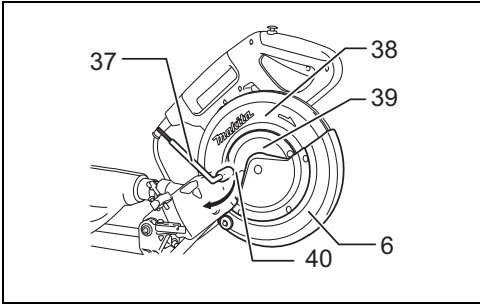
27

010244



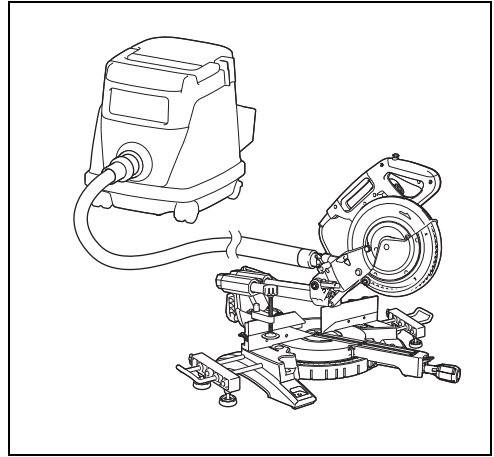
28

010243



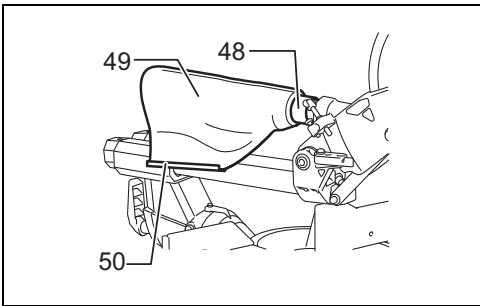
29

010562



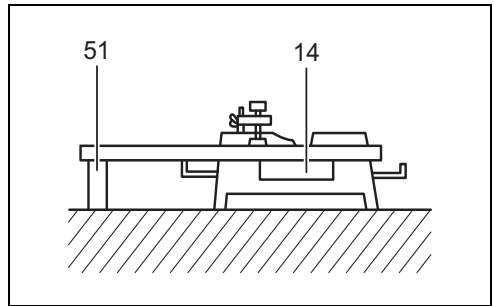
30

1078431



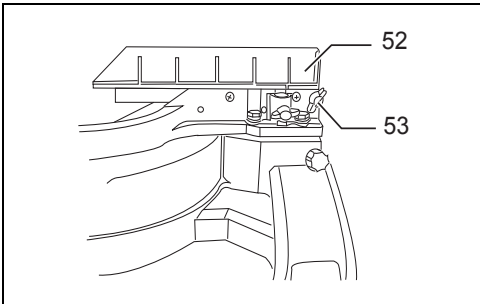
31

011339



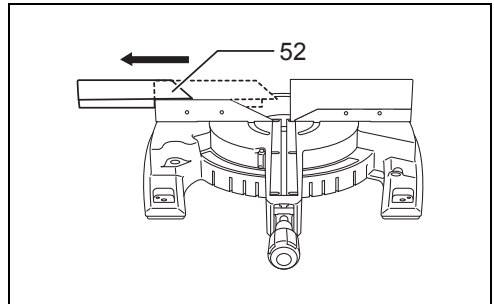
32

001549



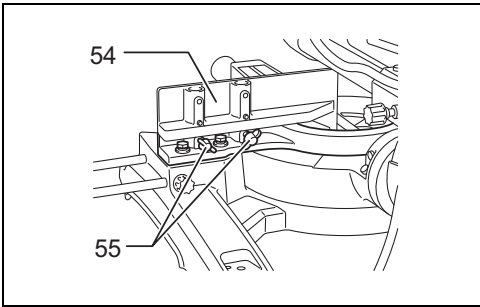
33

015204



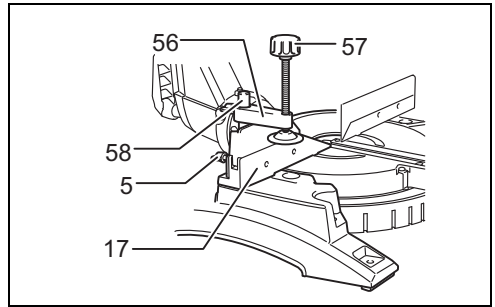
34

015206



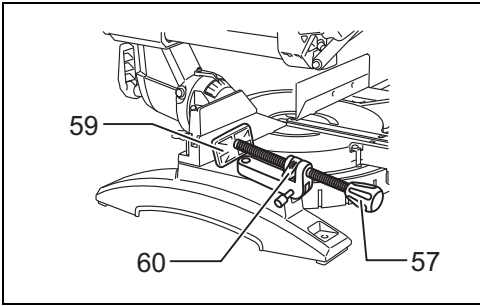
35

010427



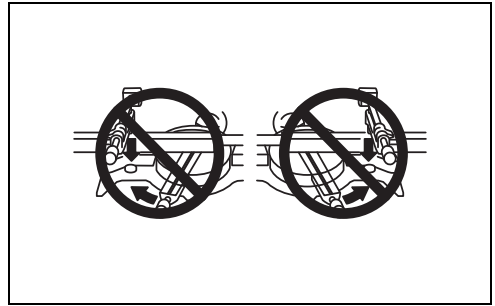
36

1078432



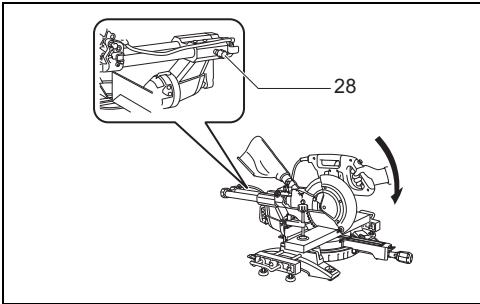
37

1078422



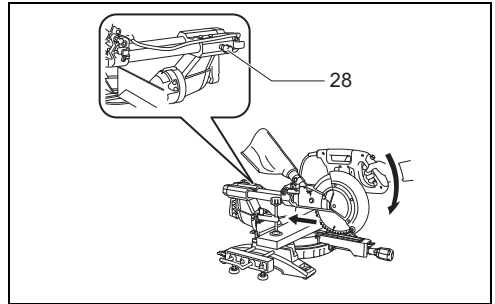
38

005232



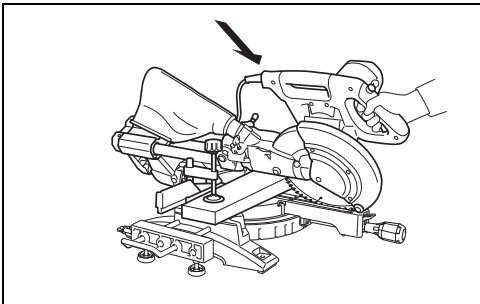
39

1078424



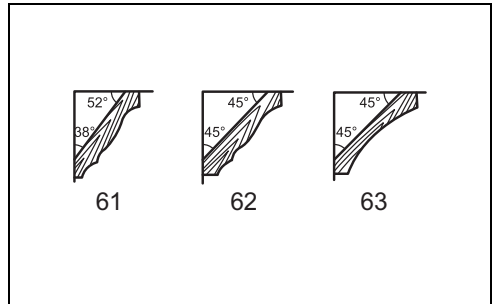
40

1078425



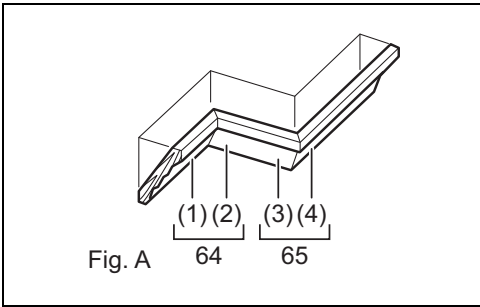
41

1078426



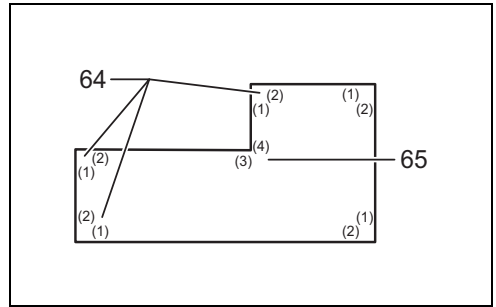
42

001555



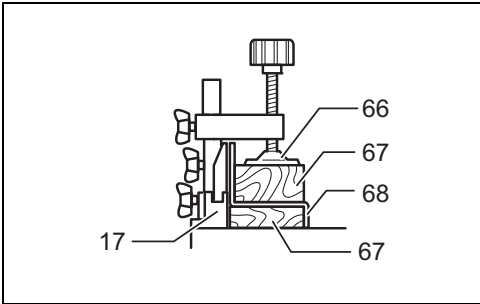
43

001556



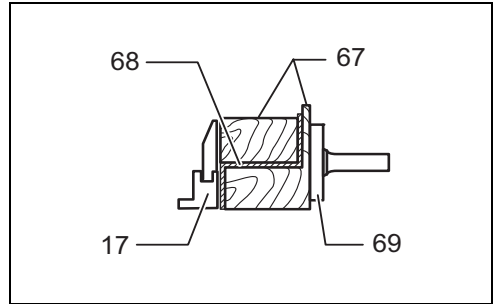
44

001557



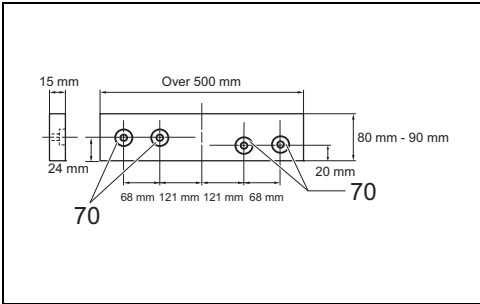
45

010404



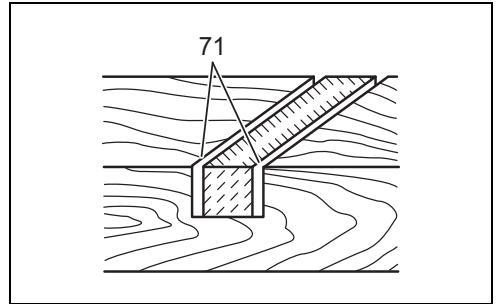
46

010469



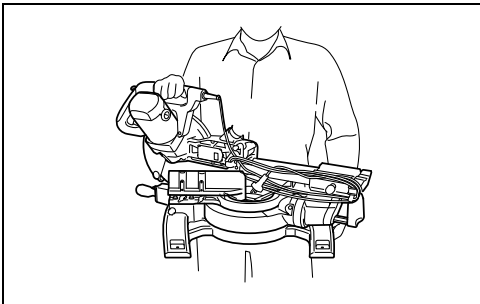
47

010563



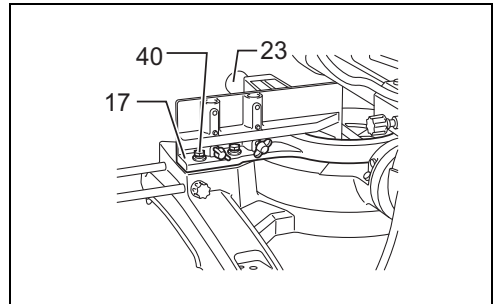
48

001563



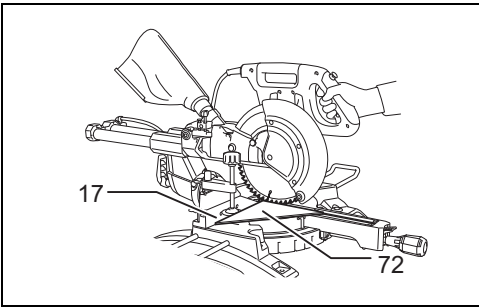
49

011411



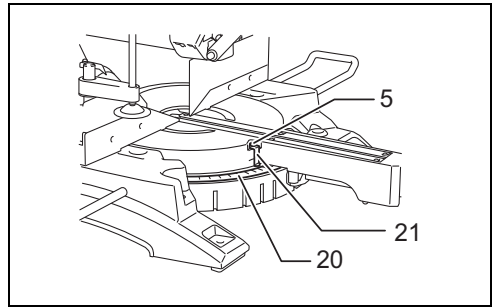
50

010410



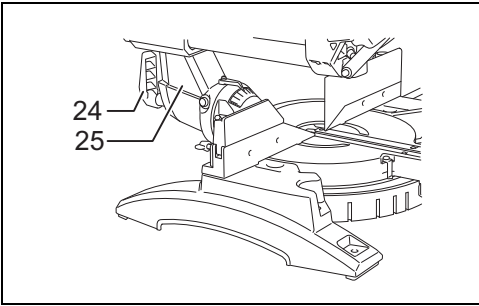
51

1078427



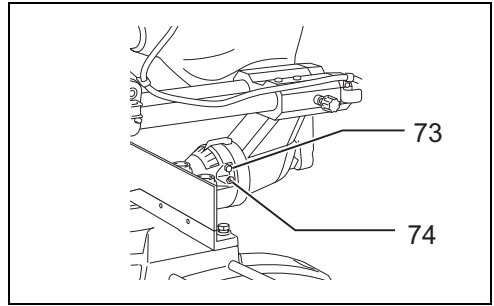
52

010253



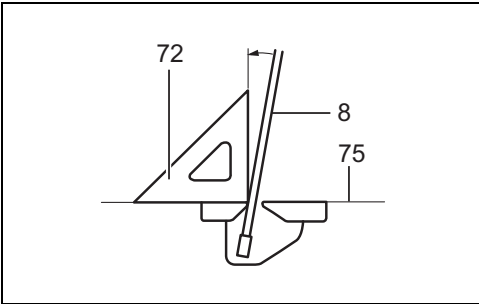
53

1078428



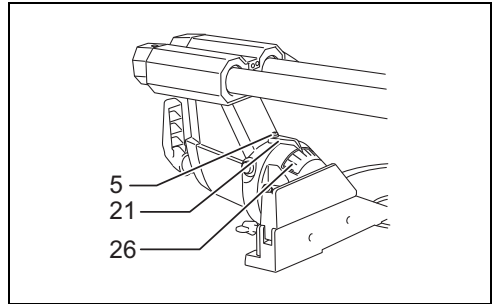
54

1078429



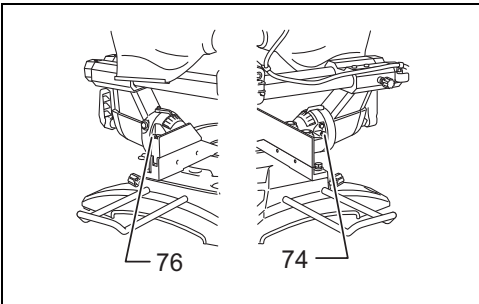
55

001819



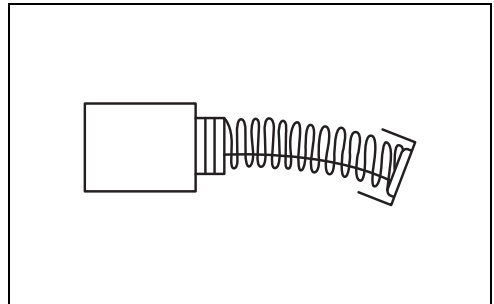
56

011342



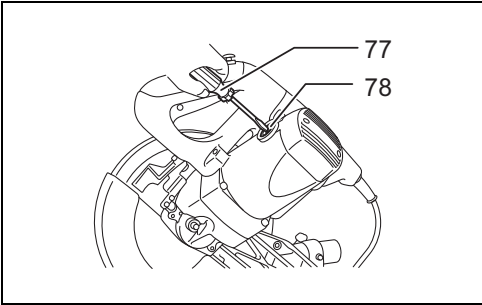
57

001381



58

007834



59

010412

ENGLISH (Original Instructions)

Explanation of general view

| | | |
|------------------------------|---|---|
| 1. Stopper pin | 28. Locking screw | 54. Sub-fence R |
| 2. Bolts | 29. Lock-off button | 55. Screws |
| 3. Holder | 30. Switch trigger | 56. Vise arm |
| 4. Holder assembly | 31. Hole for padlock | 57. Vise knob |
| 5. Screw | 32. Switch for laser | 58. Vise rod |
| 6. Blade guard | 33. Screw holding the laser unit box | 59. Vise plate |
| 7. Kerf board | 34. Dry cell | 60. Vise nut |
| 8. Saw blade | 35. Socket wrench with hex wrench on its other end | 61. 52/38° type crown molding |
| 9. Blade teeth | 36. Wrench holder | 62. 45° type crown molding |
| 10. Left bevel cut | 37. Socket wrench | 63. 45° type cove molding |
| 11. Straight cut | 38. Blade case | 64. Inside corner |
| 12. Right bevel cut | 39. Center cover | 65. Outside corner |
| 13. Adjusting bolt | 40. Hex bolt | 66. Vise |
| 14. Turn base | 41. Arrow | 67. Spacer block |
| 15. Top surface of turn base | 42. Shaft lock | 68. Aluminum extrusion |
| 16. Periphery of blade | 43. Hex bolt (left-handed) | 69. Horizontal vise (optional accessory) |
| 17. Guide fence | 44. Outer flange | 70. Holes |
| 18. Stopper arm | 45. Ring | 71. Cut grooves with blade |
| 19. Adjusting screw | 46. Inner flange | 72. Triangular rule |
| 20. Miter scale | 47. Spindle | 73. 0° adjusting bolt |
| 21. Pointer | 48. Dust nozzle | 74. Left 45° bevel angle adjusting bolt |
| 22. Lock lever | 49. Dust bag | 75. Top surface of turn table |
| 23. Grip | 50. Fastener | 76. Right 45° bevel angle adjusting bolt |
| 24. Lever | 51. Support | 77. Screwdriver |
| 25. Arm | 52. Sliding fence | 78. Brush holder cap |
| 26. Bevel scale | 53. Clamping screw | |
| 27. Release button | | |

SPECIFICATIONS

| Model | | LS1018 | LS1018L |
|--------------------------------------|-----------------------------|--|--|
| Blade diameter | | 255 - 260 mm | |
| Hole diameter | Countries other than Europe | 25.4 mm or 30 mm (country specific) | |
| | European countries | 30 mm | |
| Max. kerf thickness of the saw blade | | 3.2 mm | |
| Max. miter angle | | Right 60°, Left 47° | |
| Max. bevel angle | | Right 45°, Left 45° | |
| No load speed (RPM) | | 4,300 min ⁻¹ | |
| Laser type | | – | Red Laser 650 nm, Maximum output 1 mW < (Laser Class 2M) |
| Dimensions (L x W x H) | | 825 mm x 536 mm x 633 mm | |
| Net weight | | 21.5 kg | |
| Safety class | | □/II | |

- Due to our continuing program of research and development, the specifications herein are subject to change without notice.
- Specifications may differ from country to country.
- Weight according to EPTA-Procedure 01/2014

Max. Cutting capacities (H x W) with 260 mm in diameter

| Miter angle | Bevel angle | | |
|-------------|----------------|----------------|----------------|
| | 45° (left) | 0° | 45° (right) |
| 0° | 50 mm x 310 mm | 91 mm x 310 mm | 31 mm x 310 mm |
| 45° | 50 mm x 220 mm | 91 mm x 220 mm | 31 mm x 220 mm |
| 60° (right) | - | 91 mm x 153 mm | - |

Symbols

END325-1

The following show the symbols used for the equipment. Be sure that you understand their meaning before use.



..... Read instruction manual.



..... DOUBLE INSULATION



..... To avoid injury from flying debris, keep holding the saw head down, after making cuts, until the blade has come to a complete stop.



When performing slide cut, first pull carriage fully and press down handle, then push carriage toward the guide fence.



..... Do not place hand or fingers close to the blade.



..... Adjust sliding fences clear of blade and blade guard properly.



..... Always remove SUB-FENCE R when performing right bevel cuts. Failure to do so may cause serious injury to operator.



..... LASER RADIATION: Do not stare into beam. Direct laser beam may injure your eyes.



..... Only for EU countries
Do not dispose of electric equipment together with household waste material! In observance of the European Directive, on Waste Electric and Electronic Equipment and its implementation in accordance with national law, electric equipment that have reached the end of their life must be collected separately and returned to an environmentally compatible recycling facility.

Intended use

ENE006-1

The tool is intended for accurate straight and miter cutting in wood. With appropriate saw blades, aluminum can also be sawed.

Power supply

ENF002-2

The tool should be connected only to a power supply of the same voltage as indicated on the nameplate, and can only be operated on single-phase AC supply. They are double-insulated and can, therefore, also be used from sockets without earth wire.

SAFETY WARNINGS

General power tool safety warnings

GEA010-2

⚠ WARNING: Read all safety warnings, instructions, illustrations and specifications provided with this power tool. Failure to follow all instructions listed below may result in electric shock, fire and/or serious injury.

Save all warnings and instructions for future reference.

The term “power tool” in the warnings refers to your mains-operated (corded) power tool or battery-operated (cordless) power tool.

Safety instructions for mitre saws

ENB130-2

- Mitre saws are intended to cut wood or wood-like products, they cannot be used with abrasive cut-off wheels for cutting ferrous material such as bars, rods, studs, etc.** Abrasive dust causes moving parts such as the lower guard to jam. Sparks from abrasive cutting will burn the lower guard, the kerf insert and other plastic parts.
- Use clamps to support the workpiece whenever possible. If supporting the workpiece by hand, you must always keep your hand at least 100 mm from either side of the saw blade. Do not use this saw to cut pieces that are too small to be securely clamped or held by hand.** If your hand is placed too close to the saw blade, there is an increased risk of injury from blade contact.
- The workpiece must be stationary and clamped or held against both the fence and the table. Do not feed the workpiece into the blade or cut “freehand” in any way.** Unrestrained or moving

workpieces could be thrown at high speeds, causing injury.

4. **Push the saw through the workpiece. Do not pull the saw through the workpiece. To make a cut, raise the saw head and pull it out over the workpiece without cutting, start the motor, press the saw head down and push the saw through the workpiece.** Cutting on the pull stroke is likely to cause the saw blade to climb on top of the workpiece and violently throw the blade assembly towards the operator.
5. **Never cross your hand over the intended line of cutting either in front or behind the saw blade.** Supporting the workpiece "cross handed" i.e. holding the workpiece to the right of the saw blade with your left hand or vice versa is very dangerous. (Fig. 1)
6. **Do not reach behind the fence with either hand closer than 100 mm from either side of the saw blade, to remove wood scraps, or for any other reason while the blade is spinning.** The proximity of the spinning saw blade to your hand may not be obvious and you may be seriously injured.
7. **Inspect your workpiece before cutting. If the workpiece is bowed or warped, clamp it with the outside bowed face toward the fence. Always make certain that there is no gap between the workpiece, fence and table along the line of the cut.** Bent or warped workpieces can twist or shift and may cause binding on the spinning saw blade while cutting. There should be no nails or foreign objects in the workpiece.
8. **Do not use the saw until the table is clear of all tools, wood scraps, etc., except for the workpiece.** Small debris or loose pieces of wood or other objects that contact the revolving blade can be thrown with high speed.
9. **Cut only one workpiece at a time.** Stacked multiple workpieces cannot be adequately clamped or braced and may bind on the blade or shift during cutting.
10. **Ensure the mitre saw is mounted or placed on a level, firm work surface before use.** A level and firm work surface reduces the risk of the mitre saw becoming unstable.
11. **Plan your work. Every time you change the bevel or mitre angle setting, make sure the adjustable fence is set correctly to support the workpiece and will not interfere with the blade or the guarding system.** Without turning the tool "ON" and with no workpiece on the table, move the saw blade through a complete simulated cut to assure there will be no interference or danger of cutting the fence.
12. **Provide adequate support such as table extensions, saw horses, etc. for a workpiece that is wider or longer than the table top.** Workpieces longer or wider than the mitre saw table can tip if not securely supported. If the cut-off piece or workpiece tips, it can lift the lower guard or be thrown by the spinning blade.
13. **Do not use another person as a substitute for a table extension or as additional support.** Unstable support for the workpiece can cause the blade to bind or the workpiece to shift during the cutting operation pulling you and the helper into the spinning blade.
14. **The cut-off piece must not be jammed or pressed by any means against the spinning saw blade.** If confined, i.e. using length stops, the cut-off piece could get wedged against the blade and thrown violently.
15. **Always use a clamp or a fixture designed to properly support round material such as rods or tubing.** Rods have a tendency to roll while being cut, causing the blade to "bite" and pull the work with your hand into the blade.
16. **Let the blade reach full speed before contacting the workpiece.** This will reduce the risk of the workpiece being thrown.
17. **If the workpiece or blade becomes jammed, turn the mitre saw off. Wait for all moving parts to stop and disconnect the plug from the power source and/or remove the battery pack. Then work to free the jammed material.** Continued sawing with a jammed workpiece could cause loss of control or damage to the mitre saw.
18. **After finishing the cut, release the switch, hold the saw head down and wait for the blade to stop before removing the cut-off piece.** Reaching with your hand near the coasting blade is dangerous.
19. **Hold the handle firmly when making an incomplete cut or when releasing the switch before the saw head is completely in the down position.** The braking action of the saw may cause the saw head to be suddenly pulled downward, causing a risk of injury.
20. **Only use the saw blade with the diameter that is marked on the tool or specified in the manual.** Use of an incorrectly sized blade may affect the proper guarding of the blade or guard operation which could result in serious personal injury.
21. **Only use the saw blades that are marked with a speed equal or higher than the speed marked on the tool.**
22. **Do not use the saw to cut other than wood, aluminum or similar materials.**
23. **(For European countries only) Always use the blade which conforms to EN847-1.**

Additional instructions

1. **Make workshop kid proof with padlocks.**
2. **Never stand on the tool.** Serious injury could occur if the tool is tipped or if the cutting tool is unintentionally contacted.
3. **Never leave the tool running unattended. Turn the power off. Do not leave tool until it comes to a complete stop.**
4. **Do not operate saw without guards in place. Check blade guard for proper closing before each use. Do not operate saw if blade guard does not move freely and close instantly. Never clamp or tie the blade guard into the open position.**
5. **Keep hands out of path of saw blade. Avoid contact with any coasting blade. It can still cause severe injury.**
6. **To reduce the risk of injury, return carriage to the full rear position after each crosscut operation.**
7. **Always secure all moving portions before carrying the tool.**
8. **Stopper pin which locks the cutter head down is for carrying and storage purposes only and not for any cutting operations.**

9. Check the blade carefully for cracks or damage before operation. Replace cracked or damaged blade immediately. Gum and wood pitch hardened on blades slows saw and increases potential for kickback. Keep blade clean by first removing it from tool, then cleaning it with gum and pitch remover, hot water or kerosene. Never use gasoline to clean blade.
10. While making a slide cut, KICKBACK can occur. KICKBACK occurs when the blade binds in the workpiece during a cutting operation and the saw blade is driven rapidly towards the operator. Loss of control and serious personal injury can result. If blade begins to bind during a cutting operation, do not continue to cut and release switch immediately.
11. Use only flanges specified for this tool.
12. Be careful not to damage the arbor, flanges (especially the installing surface) or bolt. Damage to these parts could result in blade breakage.
13. Make sure that the turn base is properly secured so it will not move during operation. Use the holes in the base to fasten the saw to a stable work platform or bench. NEVER use tool where operator positioning would be awkward.
14. Make sure the shaft lock is released before the switch is turned on.
15. Be sure that the blade does not contact the turn base in the lowest position.
16. Hold the handle firmly. Be aware that the saw moves up or down slightly during start-up and stopping.
17. Make sure the blade is not contacting the workpiece before the switch is turned on.
18. Before using the tool on an actual workpiece, let it run for a while. Watch for vibration or wobbling that could indicate poor installation or a poorly balanced blade.
19. Stop operation immediately if you notice anything abnormal.
20. Do not attempt to lock the trigger in the "ON" position.
21. Always use accessories recommended in this manual. Use of improper accessories such as abrasive wheels may cause an injury.
22. Some material contains chemicals which may be toxic. Take caution to prevent dust inhalation and skin contact. Follow material supplier safety data.

Additional safety rules for the laser

1. **LASER RADIATION, DO NOT STARE INTO THE BEAM OR VIEW DIRECTLY WITH OPTICAL INSTRUMENTS, CLASS 2M LASER PRODUCT.**

SAVE THESE INSTRUCTIONS.

WARNING:

DO NOT let comfort or familiarity with product (gained from repeated use) replace strict adherence to safety rules for the subject product. MISUSE or failure to follow the safety rules stated in this instruction manual may cause serious personal injury.

INSTALLATION

Bench mounting (Fig. 2)

When the tool is shipped, the handle is locked in the lowered position by the stopper pin. Release the stopper pin by simultaneously applying a slight downward pressure on the handle and pulling the stopper pin. (Fig. 3)

This tool should be bolted with four bolts to a level and stable surface using the bolt holes provided in the tool's base. This will help prevent tipping and possible injury.

Installing the holders and holder assemblies

NOTE:

- In some countries, the holders and holder assemblies may not be included in the tool package as standard accessory. (Fig. 4)

The holders and the holder assemblies support workpieces horizontally.

Install the holders and the holder assemblies on both side as shown in the figure.

Then tighten the screws firmly to secure the holders and the holder assemblies.

FUNCTIONAL DESCRIPTION

WARNING:

- Always be sure that the tool is switched off and unplugged before adjusting or checking function on the tool. Failure to switch off and unplug the tool may result in serious personal injury from accidental start-up.

Blade guard (Fig. 5)

When lowering the handle, the blade guard rises automatically. The blade guard returns to its original position when the cut is completed and the handle is raised.

WARNING:

- Never defeat or remove the blade guard or the spring which attaches to the guard. An exposed blade as a result of defeated guarding may result in serious personal injury during operation.

In the interest of your personal safety, always maintain the blade guard in good condition. Any irregular operation of the blade guard should be corrected immediately. Check to assure spring loaded return action of guard.

WARNING:

- Never use the tool if the blade guard or spring are damaged, faulty or removed. Operation of the tool with a damaged, faulty or removed guard may result in serious personal injury.

If the see-through blade guard becomes dirty, or sawdust adheres to it in such a way that the blade and/or workpiece is no longer easily visible, unplug the saw and clean the guard carefully with a damp cloth. Do not use solvents or any petroleum-based cleaners on the plastic guard because this may cause damage to the guard. If the blade guard becomes dirty and needs to be cleaned for proper operation follow the steps below:

With the tool switched off and unplugged, use the supplied socket wrench to loosen the hex bolt holding the center cover. Loosen the hex bolt by turning it counterclockwise and raise the blade guard and center cover. (Fig. 6)

With the blade guard so positioned, cleaning can be more completely and efficiently accomplished. When cleaning is complete reverse procedure above and secure bolt. Do not remove spring holding blade guard. If guard becomes damaged through age or UV light exposure, contact a Makita service center for a new guard. **DO NOT DEFEAT OR REMOVE GUARD.**

Positioning kerf board (Fig. 7 & 8)

This tool is provided with the kerf boards in the turn base to minimize tearing on the exit side of a cut. The kerf boards are factory adjusted so that the saw blade does not contact the kerf boards. Before use, adjust the kerf boards as follows:

First, unplug the tool. Loosen all the screws (3 each on left and right) securing the kerf boards. Re-tighten them only to the extent that the kerf boards can still be easily moved by hand. Lower the handle fully and push in the stopper pin to lock the handle in the lowered position. Loosen the screw which secures the slide poles. Pull the carriage toward you fully. Adjust the kerf boards so that the kerf boards just contact the sides of the blade teeth. Tighten the front screws (do not tighten firmly). Push the carriage toward the guide fence fully and adjust the kerf boards so that the kerf boards just contact the sides of blade teeth. Tighten the rear screws (do not tighten firmly).

After adjusting the kerf boards, release the stopper pin and raise the handle. Then tighten all the screws securely.

NOTICE:

- **After setting the bevel angle ensure that the kerf boards are adjusted properly.** Correct adjustment of the kerf boards will help provide proper support of the workpiece minimizing workpiece tear out.

Maintaining maximum cutting capacity

This tool is factory adjusted to provide the maximum cutting capacity for a 255 mm saw blade.

Unplug the tool before any adjustment is attempted.

When installing a new blade, always check the lower limit position of the blade and if necessary, adjust it as follows: (Fig. 9 & 10)

First, unplug the tool. Push the carriage toward the guide fence fully and lower the handle completely. Use the hex wrench to turn the adjusting bolt until the periphery of the blade extends slightly below the top surface of the turn base at the point where the front face of the guide fence meets the top surface of the turn base.

With the tool unplugged, rotate the blade by hand while holding the handle all the way down to be sure that the blade does not contact any part of the lower base. Re-adjust slightly, if necessary.

WARNING:

- After installing a new blade and with the tool unplugged, always be sure that the blade does not contact any part of the lower base when the handle is lowered completely. If a blade makes contact with the base it may cause kickback and result in serious personal injury.

Stopper arm (Fig. 11)

The lower limit position of the blade can be easily adjusted with the stopper arm. To adjust it, move the stopper arm in the direction of the arrow as shown in the figure. Adjust the adjusting screw so that the blade stops at the desired position when lowering the handle fully.

Adjusting the miter angle (Fig. 12)

Loosen the grip by turning counterclockwise. Turn the turn base while pressing down the lock lever. When you have moved the grip to the position where the pointer points to the desired angle on the miter scale, securely tighten the grip clockwise.

CAUTION:

- After changing the miter angle, always secure the turn base by tightening the grip firmly.

NOTICE:

- When turning the turn base, be sure to raise the handle fully.

Adjusting the bevel angle (Fig. 13)

To adjust the bevel angle, loosen the lever at the rear of the tool counterclockwise. Unlock the arm by pushing the handle somewhat strongly in the direction that you intend to tilt the saw blade.

NOTICE:

- Lever can be adjusted to a different lever angle by removing the screw holding the lever and securing the lever at a desired angle. (Fig. 14)

Tilt the saw blade until the pointer points to the desired angle on the bevel scale. Then tighten the lever clockwise firmly to secure the arm. (Fig. 15)

When tilting the carriage to the right, tilt the carriage to the left slightly after loosening the lever and press the releasing button. With the releasing button being pressed, tilt the carriage to the right. (Fig. 16)

Tilt the saw blade until the pointer points to the desired angle on the bevel scale. Then tighten the lever clockwise firmly to secure the arm.

- When changing bevel angles, be sure to position the kerf boards appropriately as explained in the "Positioning kerf boards" section.

CAUTION:

- After changing the bevel angle, always secure the arm by tightening the lever clockwise.

NOTICE:

- When tilting the saw blade be sure the handle is fully raised.
- When changing bevel angles, be sure to position the kerf boards appropriately as explained in the "Positioning kerf boards" section.

Slide lock adjustment (Fig. 17)

To lock the slide pole, turn the locking screw clockwise.

Switch action (Fig. 18)

To prevent the switch trigger from being accidentally pulled, a lock-off button is provided. To start the tool, press in the lock-off button and pull the switch trigger. Release the switch trigger to stop.

WARNING:

- **Before plugging in the tool, always check to see that the switch trigger actuates properly and returns to the “OFF” position when released. Do not pull the switch trigger hard without pressing in the lock-off button. This can cause switch breakage.** Operating a tool with a switch that does not actuate properly can lead to loss of control and serious personal injury.

A hole is provided in the switch trigger for insertion of padlock to lock the tool off.

WARNING:

- **Do not use a lock with a shank or cable any smaller than 6.35 mm in diameter.** A smaller shank or cable may not properly lock the tool in the off position and unintentional operation may occur resulting in serious personal injury.
- **NEVER use tool without a fully operative switch trigger.** Any tool with an inoperative switch is HIGHLY DANGEROUS and must be repaired before further usage or serious personal injury may occur.
- For your safety, this tool is equipped with a lock-off button which prevents the tool from unintended starting. NEVER use the tool if it runs when you simply pull the switch trigger without pressing the lock-off button. A switch in need of repair may result in unintentional operation and serious personal injury. Return tool to a Makita service center for proper repairs BEFORE further usage.
- NEVER defeat the lock-off button by taping down or some other means. A switch with a defeated lock-off button may result in unintentional operation and serious personal injury.

Electronic function

Soft start feature

This function allows the smooth start-up of the tool by limiting the start-up torque.

Laser beam action

For model LS1018L only

NOTE:

- Before the first use, install two AA dry cells in the cell box. Refer to the section titled “Replacing the dry cells for laser unit” for the installment.

CAUTION:

- When not in use, be sure to turn off the laser. (Fig. 19)

CAUTION:

- Never look into the laser beam. Direct laser beam may injure your eyes.
- **LASER RADIATION, DO NOT STARE INTO THE BEAM, CLASS 2 LASER PRODUCT.**
- Before shifting the laser line or performing maintenance adjustment, be sure to unplug the tool. To turn on the laser beam, press the upper position (I) of the switch. To turn off the laser beam, press the lower position (O) of the switch. Laser line can be shifted to either the left or right side of the saw blade by loosening the screw holding the laser

unit box and shifting it in the desired direction. After shifting, be sure to tighten the screw. (Fig. 20)
Laser line is factory adjusted so that it is positioned within 1 mm from the side surface of the blade (cutting position).

NOTE:

- When laser line appears dim and hard to see because of direct sunlight, relocate the work area to a place where there is less direct sunlight.

Replacing the dry cells for laser unit (Fig. 21 & 22)

Remove the lid for the dry cells for laser unit by sliding while pressing it. Take out the old dry cells and put the new ones as shown in the figure. After replacing, return the lid to cover it.

Cleaning of the lens for the laser light

If the lens for the laser light becomes dirty, or sawdust adheres to it in such a way that the laser line is no longer easily visible, unplug the saw and remove and clean the lens for the laser light carefully with a damp, soft cloth. Do not use solvents or any petroleum-based cleaners on the lens.

NOTE:

- When laser line is dim and almost or entirely invisible because of the direct sunlight in the indoor or outdoor window-by work, relocate the work area to a place not exposed to the direct sunlight.

ASSEMBLY

WARNING:

- **Always be sure that the tool is switched off and unplugged before working on the tool.** Failure to switch off and unplug the tool may result in serious personal injury.

Storage of socket wrench with hex wrench on its other end (Fig. 23)

The socket wrench is stored as shown in the figure. When the socket wrench is needed it can be pulled out of the wrench holder.

After using the socket wrench it can be stored by returning it to the wrench holder.

Installing or removing saw blade

WARNING:

- **Always be sure that the tool is switched off and unplugged before installing or removing the blade.** Accidental start up of the tool may result in serious personal injury.
- **Use only the Makita socket wrench provided to install or remove the blade.** Failure to use the wrench may result in overtightening or insufficient tightening of the hex bolt and serious personal injury. (Fig. 24)
Lock the handle in the raised position by pushing in the stopper pin. (Fig. 25)

To remove the blade, use the socket wrench to loosen the hex bolt holding the center cover by turning it counterclockwise. Raise the blade guard and center cover.

⚠ WARNING:

- **Do not remove any screw other than the hex bolt illustrated.** If you mistakenly remove another screw and the blade guard comes off, make sure to re-assemble the blade guard.

Press the shaft lock to lock the spindle and use the socket wrench to loosen the hex bolt clockwise. Then remove the hex bolt, outer flange and blade. (Fig. 26)

NOTE:

- If the inner flange is removed be sure to install it on the spindle with its protrusion facing away from the blade. If the flange is installed incorrectly the flange will rub against the machine.

⚠ WARNING:

- **Before mounting the blade onto the spindle, always be sure that the correct ring for the blade's arbor hole you intend to use is installed between the inner and the outer flanges.** Use of the incorrect arbor hole ring may result in the improper mounting of the blade causing blade movement and severe vibration resulting in possible loss of control during operation and in serious personal injury. (Fig. 27)

To install the blade, mount it carefully onto the spindle, making sure that the direction of the arrow on the surface of the blade matches the direction of the arrow on the blade case.

Install the outer flange and hex bolt, and then use the socket wrench to tighten the hex bolt (left-handed) securely counterclockwise while pressing the shaft lock.

(Fig. 28 & 29)

Return the blade guard and center cover to its original position. Then tighten the hex bolt clockwise to secure the center cover. Release the handle from the raised position by pulling the stopper pin. Lower the handle to make sure that the blade guard moves properly. Make sure the shaft lock has released spindle before making cut.

Connecting a vacuum cleaner

When you wish to perform clean cutting operation, connect a Makita vacuum cleaner.(Fig. 30)

Dust bag (Fig. 31)

The use of the dust bag makes cutting operations cleaner and dust collection easier. To attach the dust bag, fit it onto the dust nozzle.

When the dust bag is about half full, remove the dust bag from the tool and pull the fastener out. Empty the dust bag of its contents, tapping it lightly so as to remove particles adhering to the insides which might hamper further collection.

Securing workpiece

⚠ WARNING:

- **It is extremely important to always secure the workpiece correctly with the proper type of vise or crown molding stoppers.** Failure to do so may result in serious personal injury and cause damage to the tool and/or the workpiece.
- **After a cutting operation do not raise the blade until it has come to a complete stop.** The raising of a coasting blade may result in serious personal injury and damage to the workpiece.

- **When cutting a workpiece that is longer than the support base of the saw, the material should be supported the entire length beyond the support base and at the same height to keep the material level.** Proper workpiece support will help avoid blade pinch and possible kickback which may result in serious personal injury. Do not rely solely on the vertical vise and/or horizontal vise to secure the workpiece. Thin material tends to sag. Support workpiece over its entire length to avoid blade pinch and possible KICKBACK. (Fig. 32)

Guide fence (SLIDING FENCE) adjustment (Fig. 33)

⚠ WARNING:

- Before operating the tool, make sure that the sliding fence is secured firmly.
- **Before bevel-cutting, make sure that no part of the tool, especially the blade, contacts the fence when fully lowering and raising the handle in any position and while moving the carriage through its full range of travel.** If the tool or blade makes contact with the fence this may result in kickback or unexpected movement of the material and serious personal injury.

⚠ CAUTION:

- When performing bevel cuts, slide the sliding fence to the left and secure it as shown in the figure. Otherwise, it will contact the blade or a part of the tool, causing possible serious injury to the operator. (Fig. 34)

This tool is equipped with the sliding fence which should ordinarily be positioned as shown in the figure.

However, when performing left bevel cuts, set it to the left position as shown in the figure if the tool head contacts it. When bevel-cutting operations are complete, don't forget to return the sliding fence to the original position and secure it by firmly tightening the clamping screw.

Sub-fence R

⚠ WARNING:

- Before operating the tool, make sure that the sub-fence R is secured firmly.
- Before performing right bevel cuts, remove the sub-fence R. It will contact the blade or a part of the tool, causing possible serious injury to the operator. (Fig. 35)

The sub-fence R can be removed from the right side of the guide fence. To remove the sub-fence R, loosen the screw which secures the sub-fence R and pull it out. Follow the removal procedure in reverse to install it. When bevel-cutting operations are complete, don't forget to return the sub-fence R to the original position and secure it by firmly tightening the clamping screw.

Vertical vise (Fig. 36)

The vertical vise can be installed on either the left or right side of the guide fence. Insert the vise rod into the hole in the guide fence and tighten the screw on the back of the guide fence to secure the vise rod. Position the vise arm according to the thickness and shape of the workpiece and secure the vise arm by

tightening the screw. If the screw to secure the vise arm contacts the guide fence, install the screw on the opposite side of vise arm. Make sure that no part of the tool contacts the vise when lowering the handle fully and pulling or pushing the carriage all the way. If some part contacts the vise, re-position the vise.

Press the workpiece flat against the guide fence and the turn base. Position the workpiece at the desired cutting position and secure it firmly by tightening the vise knob.

⚠ WARNING:

- **The workpiece must be secured firmly against the turn base and guide fence with the vise during all operations.** If the workpiece is not properly secured against the fence the material may move during the cutting operation causing possible damage to the blade, causing the material to be thrown and loss of control resulting in serious personal injury.

Horizontal vise (optional accessory) (Fig. 37)

The horizontal vise can be installed in two positions on either the left or right side of the base. When performing 10° or greater miter cuts, install the horizontal vise on the side opposite the direction in which the turn base is to be turned. (Fig. 38)

By flipping the vise nut counterclockwise, the vise is released, and rapidly moves in and out. To grip the workpiece, push the vise knob forward until the vise plate contacts the workpiece and flip the vise nut clockwise. Then turn the vise knob clockwise to secure the workpiece.

The maximum width of workpiece which can be secured by the horizontal vise is 215 mm.

When installing the horizontal vise on the right side of the base, also use the sub-fence R to secure the workpiece more firmly. Refer to the "Sub-fence R" section described on previously for installing the sub-fence R.

⚠ WARNING:

- **Always rotate the vise nut clockwise until the workpiece is properly secured.** If the workpiece is not properly secured the material may move during the cutting operation causing possible damage to the blade, causing the material to be thrown and loss of control resulting in serious personal injury.
- When cutting a thin workpiece, such as base boards, against the fence, always use the horizontal vise.

OPERATION

NOTICE:

- Before use, be sure to release the handle from the lowered position by pulling the stopper pin.
- Do not apply excessive pressure on the handle when cutting. Too much force may result in overload of the motor and/or decreased cutting efficiency. Push down handle with only as much force as is necessary for smooth cutting and without significant decrease in blade speed.
- Gently press down the handle to perform the cut. If the handle is pressed down with force or if lateral force is applied, the blade will vibrate and leave a mark (saw

mark) in the workpiece and the precision of the cut will be impaired.

- During a slide cut, gently push the carriage toward the guide fence without stopping. If the carriage movement is stopped during the cut, a mark will be left in the workpiece and the precision of the cut will be impaired.

⚠ WARNING:

- **Make sure the blade is not contacting the workpiece, etc. before the switch is turned on.** Turning the tool on with the blade in contact with the workpiece may result in kickback and serious personal injury.

1. **Press cutting (cutting small workpieces) (Fig. 39)**
Workpieces up to 91 mm high and 70 mm wide can be cut in the following manner.

Push the carriage toward the guide fence fully and tighten the locking screw clockwise to secure the carriage. Secure the workpiece correctly with the proper type of vise. Switch on the tool without the blade making any contact and wait until the blade attains full speed before lowering. Then gently lower the handle to the fully lowered position to cut the workpiece. When the cut is completed, switch off the tool and WAIT UNTIL THE BLADE HAS COME TO A COMPLETE STOP before returning the blade to its fully elevated position.

⚠ WARNING:

- **Firmly tighten the knob clockwise so that the carriage will not move during operation.** Insufficient tightening of the knob may cause possible kickback which may result in serious personal injury.

2. **Slide (push) cutting (cutting wide workpieces) (Fig. 40)**

Loosen the locking screw counterclockwise so that the carriage can slide freely. Secure the workpiece with the proper type of vise. Pull the carriage toward you fully. Switch on the tool without the blade making any contact and wait until the blade attains full speed. Press the handle down and PUSH THE CARRIAGE TOWARD THE GUIDE FENCE AND THROUGH THE WORKPIECE. When the cut is completed, switch off the tool and WAIT UNTIL THE BLADE HAS COME TO A COMPLETE STOP before returning the blade to its fully elevated position.

⚠ WARNING:

- **Whenever performing a slide cut, first pull the carriage full towards you and press the handle all the way down, then push the carriage toward the guide fence. Never start the cut with the carriage not pulled fully toward you.** If you perform the slide cut without the carriage pulled fully toward you unexpected kickback may occur and serious personal injury may result.
- **Never attempt to perform a slide cut by pulling the carriage towards you.** Pulling the carriage towards you while cutting may cause unexpected kickback resulting in possible serious personal injury.
- Never perform the slide cut with the handle locked in the lowered position.
- **Never loosen the locking screw which secures the carriage while the blade is rotating.** A loose carriage

while cutting may cause unexpected kickback resulting in possible in serious personal injury.

3. Miter cutting

Refer to the previously covered "Adjusting the miter angle".

4. Bevel cut (Fig. 41)

Loosen the lever and tilt the saw blade to set the bevel angle (Refer to the previously covered "Adjusting the bevel angle"). Be sure to retighten the lever firmly to secure the selected bevel angle safely. Secure the workpiece with a vise. Make sure the carriage is pulled all the way back toward the operator. Switch on the tool without the blade making any contact and wait until the blade attains full speed. Then gently lower the handle to the fully lowered position while applying pressure in parallel with the blade and PUSH THE CARRIAGE TOWARD THE GUIDE FENCE TO CUT THE WORKPIECE. When the cut is completed, switch off the tool and WAIT UNTIL THE BLADE HAS COME TO A COMPLETE STOP before returning the blade to its fully elevated position.

⚠ WARNING:

- **After setting the blade for a bevel cut, before operating the tool ensure that the carriage and blade will have free travel throughout the entire range of the intended cut.** Interruption of the carriage or blade travel during the cutting operation may result in kickback and serious personal injury.
- **While making a bevel cut keep hands out of the path of the blade.** The angle of the blade may confuse the operator as to the actual blade path while cutting and contact with the blade will result in serious personal injury.
- **The blade should not be raised until it has come to a complete stop.** During a bevel cut the piece cut off may come to rest against the blade. If the blade is raised while it is rotating the cut-off piece maybe ejected by the blade causing the material to fragment which may result in serious personal injury.

NOTICE:

- When pressing down the handle, apply pressure in parallel with the blade. If a force is applied perpendicularly to the turn base or if the pressure direction is changed during a cut, the precision of the cut will be impaired.
- Before bevel-cutting, an adjustment of sliding fence maybe required. Refer to the section titled "Guide fence adjustment".

⚠ CAUTION:

- Always remove the sub-fence R so that it does not interfere any part of the carriage when performing right bevel cuts.

5. Compound cutting

Compound cutting is the process in which a bevel angle is made at the same time in which a miter angle is being cut on a workpiece. Compound cutting can be performed at the angle shown in the table.

| Miter angle | Bevel angle |
|-------------------------|-------------------------|
| Left and Right 0° - 45° | Left and Right 0° - 45° |

009713

When performing compound cutting, refer to "Press cutting", "Slide cutting", "Miter cutting" and "Bevel cut" explanations.

6. Cutting crown and cove moldings

Crown and cove moldings can be cut on a compound miter saw with the moldings laid flat on the turn base. There are two common types of crown moldings and one type of cove moldings; 52/38° wall angle crown molding, 45° wall angle crown molding and 45° wall angle cove molding. See illustrations. (Fig. 42) There are crown and cove molding joints which are made to fit "Inside" 90° corners ((1) and (2) in Fig. A) and "Outside" 90° corners ((3) and (4) in Fig. A). (Fig. 43 & 44)

Measuring

Measure the wall length and adjust workpiece on table to cut wall contact edge to desired length. Always make sure that cut workpiece length **at the back of the workpiece** is the same as wall length. Adjust cut length for angle of cut. Always use several pieces for test cuts to check the saw angles.

When cutting crown and cove moldings, set the bevel angle and miter angle as indicated in the table (A) and position the moldings on the top surface of the saw base as indicated in the table (B).

In the case of left bevel cut

Table (A)

| | Molding position in Fig. A | Bevel angle | | Miter angle | |
|--------------------|----------------------------|-------------|----------|-------------|-------------|
| | | 52/38° type | 45° type | 52/38° type | 45° type |
| For inside corner | (1) | Left 33.9° | Left 30° | Right 31.6° | Right 35.3° |
| | (2) | | | Left 31.6° | Left 35.3° |
| For outside corner | (3) | | | Right 31.6° | Right 35.3° |
| | (4) | | | | |

006361

Table (B)

| | Molding position in Fig. A | Molding edge against guide fence | Finished piece |
|--------------------|----------------------------|---|--|
| For inside corner | (1) | Ceiling contact edge should be against guide fence. | Finished piece will be on the Left side of blade. |
| | (2) | Wall contact edge should be against guide fence. | |
| For outside corner | (3) | Ceiling contact edge should be against guide fence. | Finished piece will be on the Right side of blade. |
| | (4) | | |

006362

Example:

In the case of cutting 52/38° type crown molding for position (1) in Fig. A:

- Tilt and secure bevel angle setting to 33.9° LEFT.
- Adjust and secure miter angle setting to 31.6° RIGHT.
- Lay crown molding with its broad back (hidden) surface down on the turn base with its CEILING CONTACT EDGE against the guide fence on the saw.
- The finished piece to be used will always be on the LEFT side of the blade after the cut has been made.

In the case of right bevel cut

Table (A)

| | Molding position in Fig. A | Bevel angle | | Miter angle | |
|--------------------|----------------------------|-------------|-----------|-------------|-------------|
| | | 52/38° type | 45° type | 52/38° type | 45° type |
| For inside corner | (1) | Right 33.9° | Right 30° | Right 31.6° | Right 35.3° |
| | (2) | | | Left 31.6° | Left 35.3° |
| For outside corner | (3) | | | Right 31.6° | Right 35.3° |
| | (4) | | | Right 31.6° | Right 35.3° |

006363

Table (B)

| | Molding position in Fig. A | Molding edge against guide fence | Finished piece |
|--------------------|----------------------------|---|--|
| For inside corner | (1) | Wall contact edge should be against guide fence. | Finished piece will be on the Right side of blade. |
| | (2) | Ceiling contact edge should be against guide fence. | |
| For outside corner | (3) | Wall contact edge should be against guide fence. | Finished piece will be on the Left side of blade. |
| | (4) | Wall contact edge should be against guide fence. | |

006364

Example:

In the case of cutting 52/38° type crown molding for position (1) in Fig. A:

- Tilt and secure bevel angle setting to 33.9° RIGHT.
- Adjust and secure miter angle setting to 31.6° RIGHT.
- Lay crown molding with its broad back (hidden) surface down on the turn base with its WALL CONTACT EDGE against the guide fence on the saw.
- The finished piece to be used will always be on the RIGHT side of the blade after the cut has been made.

7. Cutting aluminum extrusion (Fig. 45 & 46)

When securing aluminum extrusions, use spacer blocks or pieces of scrap as shown in the figure to prevent deformation of the aluminum. Use a cutting lubricant when cutting the aluminum extrusion to prevent build-up of the aluminum material on the blade.

⚠ WARNING:

- **Never attempt to cut thick or round aluminum extrusions.** Thick or round aluminum extrusions can be difficult to secure and may work loose during the cutting operation which may result in loss of control and serious personal injury.

8. Wood facing

Use of wood facing helps to assure splinter-free cuts in workpieces. Attach a wood facing to the guide fence using the holes in the guide fence.

See the figure concerning the dimensions for a suggested wood facing. (Fig. 47)

⚠ CAUTION:

- Use straight wood of even thickness as the wood facing.

⚠ WARNING:

- **Use screws to attach the wood facing to the guide fence. The screws should be installed so that the screw heads are below the surface of the wood facing so that they will not interfere with the positioning of the material being cut.** Misalignment of the material being cut can cause unexpected movement during the cutting operation which may result in a loss of control and serious personal injury.

NOTICE:

- When the wood facing is attached, do not turn the turn base with the handle lowered. The blade and/or the wood facing will be damaged.

9. Groove cutting (Fig. 48)

A dado type cut can be made by proceeding as follows:

Adjust the lower limit position of the blade using the adjusting screw and the stopper arm to limit the cutting depth of the blade. Refer to "Stopper arm" section described previously.

After adjusting the lower limit position of the blade, cut parallel grooves across the width of the workpiece using a slide (push) cut as shown in the figure. Then remove the workpiece material between the grooves with a chisel.

⚠ WARNING:

- **Do not attempt to perform this type of cut by using a wider type blade or dado blade.** Attempting to make a groove cut with a wider blade or dado blade could lead to unexpected cutting results and kickback which may result in serious personal injury.
- **Be sure to return the stopper arm to the original position when performing other than groove cutting.** Attempting to make cuts with the stopper arm in the incorrect position could lead to unexpected cutting results and kickback which may result in serious personal injury.

⚠ CAUTION:

- Be sure to return the stopper arm to the original position when performing other than groove cutting.

Carrying tool (Fig. 49)

Make sure that the tool is unplugged. Secure the blade at 0° bevel angle and the turn base at the full right miter angle position. Secure the slide poles so that the lower slide pole is locked in the position of the carriage fully pulled to operator and the upper poles are locked in the position of the carriage fully pushed forward to the guide fence (refer to the section titled "Slide lock adjustment".) Lower the handle fully and lock it in the lowered position by pushing in the stopper pin.

Wind the power supply cord using the cord rests.

⚠ WARNING:

- **Stopper pin is only for carrying and storage purposes and should never be used for any cutting operations.** The use of the stopper pin for cutting operations may cause unexpected movement of the saw blade resulting in kickback and serious personal injury.

Carry the tool by holding both sides of the tool base as shown in the figure. If you remove the holders, dust bag, etc., you can carry the tool more easily.

CAUTION:

- Always secure all moving portions before carrying the tool. If portions of the tool move or slide while being carried loss of control or balance may occur resulting in personal injury.

MAINTENANCE

WARNING:

- **Always be sure that the tool is switched off and unplugged before attempting to perform inspection or maintenance.** Failure to unplug and switch off the tool may result in accidental start up of the tool which may result in serious personal injury.
- **Always be sure that the blade is sharp and clean for the best and safest performance.** Attempting a cut with a dull and /or dirty blade may cause kickback and result in a serious personal injury.

NOTICE:

- Never use gasoline, benzine, thinner, alcohol or the like. Discoloration, deformation or cracks may result.

Adjusting the cutting angle

This tool is carefully adjusted and aligned at the factory, but rough handling may have affected the alignment. If your tool is not aligned properly, perform the following:

1. Miter angle (Fig. 50)

Push the carriage toward the guide fence and tighten the locking screw to secure the carriage.

Loosen the grip which secures the turn base. Turn the turn base so that the pointer points to 0° on the miter scale. Then turn the turn base slightly clockwise and counterclockwise to seat the turn base in the 0° miter notch. (Leave as it is if the pointer does not point to 0°.) Loosen the hex socket bolts securing the guide fence using the socket wrench. (Fig. 51)

Lower the handle fully and lock it in the lowered position by pushing in the stopper pin. Square the side of the blade with the face of the guide fence using a triangular rule, try-square, etc. Then securely tighten the hex socket bolts on the guide fence in order starting from the right side. (Fig. 52)

Make sure that the pointer points to 0° on the miter scale. If the pointer does not point to 0°, loosen the screw which secures the pointer and adjust the pointer so that it will point to 0°.

2. Bevel angle

(1) 0° bevel angle (Fig. 53)

Push the carriage toward the guide fence and tighten the locking screw to secure the carriage.

Lower the handle fully and lock it in the lowered position by pushing in the stopper pin. Loosen the lever at the rear of the tool. (Fig. 54)

Turn the hex bolt on the right side of the arm two or three revolutions counterclockwise to tilt the blade to the right. (Fig. 55)

Carefully square the side of the blade with the top surface of the turn base using the triangular rule, try-square, etc. by turning the hex bolt on the right

side of the arm clockwise. Then tighten the lever securely. (Fig. 56)

Make sure that the pointer on the arm point to 0° on the bevel scale on the arm holder. If they do not point to 0°, loosen the screw which secures the pointer and adjust it so that it will point to 0°.

(2) 45° bevel angle (Fig. 57)

Adjust the 45° bevel angle only after performing 0° bevel angle adjustment. To adjust left 45° bevel angle, loosen the lever and tilt the blade to the left fully. Make sure that the pointer on the arm points to 45° on the bevel scale on the arm holder. If the pointer does not point to 45°, turn the 45° bevel angle adjusting bolt on the right side of the arm holder until the pointer points to 45°.

To adjust the right 45° bevel angle, perform the same procedure as that described above.

(Fig. 58)

Remove and check the carbon brushes regularly. Replace when they wear down to 3 mm in length. Keep the carbon brushes clean and free to slip in the holders. Both carbon brushes should be replaced at the same time. Use only identical carbon brushes. (Fig. 59)

Use a screwdriver to remove the brush holder caps. Take out the worn carbon brushes, insert the new ones and secure the brush holder caps.

After use

- After use, wipe off chips and dust adhering to the tool with a cloth or the like. Keep the blade guard clean according to the directions in the previously covered section titled "Blade guard". Lubricate the sliding portions with machine oil to prevent rust.
- When storing the tool, pull the carriage toward you fully. To maintain product SAFETY and RELIABILITY, repairs, any other maintenance or adjustment should be performed by Makita Authorized Service Centers, always using Makita replacement parts.

OPTIONAL ACCESSORIES

WARNING:

- **These Makita accessories or attachments are recommended for use with your Makita tool specified in this manual.** The use of any other accessories or attachments may result in serious personal injury.
- **Only use the Makita accessory or attachment for its stated purpose.** Misuse of an accessory or attachment may result in serious personal injury.

If you need any assistance for more details regarding these accessories, ask your local Makita Service Center.

- Steel & Carbide-tipped saw blades
(Refer to our website or contact your local Makita dealer for the correct saw blades to be used for the material to be cut.)
- Sub-fence R
- Vise assembly (Horizontal vise)
- Vertical vise
- Socket wrench with hex wrench on its other end
- Holder
- Holder assembly
- Dust bag
- Elbow

- Triangular rule

NOTE:

- Some items in the list may be included in the tool package as standard accessories. They may differ from country to country.

Noise ENG905-1

The typical A-weighted noise level determined according to EN62841-3-9:

Sound pressure level (L_{pA}): 92 dB (A)

Sound power level (L_{WA}): 102 dB (A)

Uncertainty (K): 3 dB (A)

Wear ear protection.

ENG907-1

- The declared noise emission value(s) has been measured in accordance with a standard test method and may be used for comparing one tool with another.
- The declared noise emission value(s) may also be used in a preliminary assessment of exposure.

 **WARNING:**

- **Wear ear protection.**
- **The noise emission during actual use of the power tool can differ from the declared value(s) depending on the ways in which the tool is used especially what kind of workpiece is processed.**
- **Be sure to identify safety measures to protect the operator that are based on an estimation of exposure in the actual conditions of use (taking account of all parts of the operating cycle such as the times when the tool is switched off and when it is running idle in addition to the trigger time).**

EC Declaration of Conformity

For European countries only

The EC declaration of conformity is included as Annex A to this instruction manual.

FRANÇAIS (Instructions d'origine)

Descriptif

| | | |
|---------------------------------------|---|---|
| 1. Broche de blocage | 29. Bouton de sécurité | 56. Bras de l'étau |
| 2. Boulons | 30. Gâchette | 57. Bouton de l'étau |
| 3. Support | 31. Trou pour cadenas | 58. Tige de l'étau |
| 4. Assemblage de support | 32. Interrupteur du laser | 59. Plaque de l'étau |
| 5. Vis | 33. Vis de maintien de l'unité laser | 60. Écrou de l'étau |
| 6. Protecteur de lame | 34. Pile sèche | 61. Moulure couronnée du type 52/38° |
| 7. Plateau de découpe | 35. Clé à douille avec clé hexagonale de l'autre côté | 62. Moulure couronnée du type 45° |
| 8. Lame | 36. Support à clé | 63. Moulure concave du type 45° |
| 9. Dents de la lame | 37. Clé à douille | 64. Coin intérieur |
| 10. Coupe en biseau sur la gauche | 38. Boîtier de la lame | 65. Coin extérieur |
| 11. Coupe rectiligne | 39. Couvercle central | 66. Étau |
| 12. Coupe en biseau sur la droite | 40. Boulon hexagonal | 67. Cale d'espacement |
| 13. Boulon de réglage | 41. Flèche | 68. Profilé d'aluminium |
| 14. Socle rotatif | 42. Blocage de l'arbre | 69. Étau horizontal (accessoire en option) |
| 15. Face supérieure du socle rotatif | 43. Boulon hexagonal (fileté vers la gauche) | 70. Trous |
| 16. Périphérie de la lame | 44. Flasque extérieur | 71. Rainures de coupe avec la lame |
| 17. Garde de guidage | 45. Bague | 72. Règle triangulaire |
| 18. Bras de blocage | 46. Flasque intérieur | 73. Boulon de réglage 0° |
| 19. Vis de réglage | 47. Axe | 74. Boulon de réglage de l'angle de coupe en biseau 45° de gauche |
| 20. Échelle de coupe d'onglet | 48. Raccord à poussières | 75. Face supérieure de la table rotative |
| 21. Index | 49. Sac à poussières | 76. Boulon de réglage de l'angle de coupe en biseau 45° de droite |
| 22. Levier de verrouillage | 50. Pièce de fixation | 77. Tournevis |
| 23. Poignée | 51. Support | 78. Bouchon de porte-charbon |
| 24. Levier | 52. Ergot coulissant | |
| 25. Bras | 53. Vis de serrage | |
| 26. Plaque graduée de coupe en biseau | 54. Guide auxiliaire de droite | |
| 27. Bouton de libération | 55. Vis | |
| 28. Vis de verrouillage | | |

SPÉCIFICATIONS

| Modèle | | LS1018 | LS1018L |
|--|--------------------|--|--|
| Diamètre de la lame | | 255 à 260 mm | |
| Diamètre du trou | Pays non européens | 25,4 mm ou 30 mm (varie selon les pays) | |
| | Pays d'Europe | 30 mm | |
| Épaisseur max. du trait de la lame de scie | | 3,2 mm | |
| Angle de coupe d'onglet max. | | À droite 60°, à gauche 47° | |
| Angle de biseau max. | | À droite 45°, à gauche 45° | |
| Vitesse à vide (tr/min) | | 4 300 min ⁻¹ | |
| Type de laser | | - | Laser rouge 650 nm, Puissance maximale 1 mW < (classe de laser 2M) |
| Dimensions (L x P x H) | | 825 mm x 536 mm x 633 mm | |
| Poids net | | 21,5 kg | |
| Niveau de sécurité | | □/II | |

- Étant donné l'évolution constante de notre programme de recherche et de développement, les spécifications contenues dans ce manuel sont sujettes à des modifications sans préavis.
- Les spécifications peuvent varier suivant les pays.
- Poids conforme à la procédure EPTA 01/2014

Capacités max. de coupe (H x P) avec une lame de 260 mm de diamètre

| Angle de coupe d'onglet | Angle de coupe en biseau | | |
|-------------------------|--------------------------|----------------|----------------|
| | 45° (gauche) | 0° | 45° (droite) |
| 0° | 50 mm x 310 mm | 91 mm x 310 mm | 31 mm x 310 mm |
| 45° | 50 mm x 220 mm | 91 mm x 220 mm | 31 mm x 220 mm |
| 60° (droite) | - | 91 mm x 153 mm | - |

Symboles

END325-1

Les symboles utilisés pour l'outil sont indiqués ci-dessous. Assurez-vous d'avoir bien compris leur signification avant d'utiliser l'outil.



..... Reportez-vous au manuel d'instructions.



..... DOUBLE ISOLATION



..... Pour éviter les blessures causées par les projections, maintenez la tête porte-scie orientée vers le bas après la coupe, jusqu'à ce que la lame soit complètement arrêtée.



Lorsque vous effectuez des coupes en glissière, tirez complètement le chariot et appuyez sur la poignée, puis poussez le chariot vers le garde de guidage.



..... N'approchez pas la main ou les doigts de la lame.



..... Réglez bien les ergots coulissants hors de la trajectoire de la lame et du protecteur de lame.



..... Retirez toujours le garde secondaire de droite lors des coupes en biseau droites. Le non-respect de cette instruction peut entraîner des blessures graves pour l'opérateur.



..... RAYONNEMENT LASER : ne pas fixer le faisceau. Vous risqueriez de vous blesser.



..... Pour les pays européens uniquement
Ne pas jeter les appareils électriques dans les ordures ménagères !
Conformément à la directive européenne relative aux déchets d'équipements électriques et électroniques (DEEE), et à sa transposition dans la législation nationale, les appareils électriques doivent être collectés à part et être soumis à un recyclage respectueux de l'environnement.

Utilisations

ENE006-1

L'outil est conçu pour les coupes rectilignes et coupes d'onglet de précision dans le bois. Avec des lames appropriées, il permet aussi de scier l'aluminium.

Alimentation

ENF002-2

L'outil ne doit être raccordé qu'à une alimentation de la même tension que celle qui figure sur la plaque signalétique, et il ne peut fonctionner que sur un courant secteur monophasé. Réalisé avec une double isolation, il peut de ce fait être alimenté sans mise à la terre.

AVERTISSEMENTS DE SÉCURITÉ

Consignes de sécurité générales pour outils électriques

GEA010-2

⚠ AVERTISSEMENT : Veuillez lire les consignes de sécurité, instructions, illustrations et spécifications qui accompagnent cet outil électrique. Le non-respect de toutes les instructions indiquées ci-dessous peut entraîner une électrocution, un incendie et/ou de graves blessures.

Conservez toutes les mises en garde et instructions pour référence ultérieure.

Le terme « outil électrique » dans les avertissements fait référence à l'outil électrique alimenté par le secteur (avec cordon d'alimentation) ou à l'outil électrique fonctionnant sur batterie (sans cordon d'alimentation).

Consignes de sécurité pour scies radiales

ENB130-2

1. **Les scies radiales sont conçues pour couper le bois ou des produits similaires au bois ; elles ne peuvent pas être utilisées avec des meules à tronçonner pour couper des matériaux ferreux comme des barres, des tiges, des goujons, etc.** La poussière abrasive provoque le blocage des pièces mobiles comme le protecteur inférieur. Les étincelles produites par le tronçonnage abrasif brûleront le protecteur inférieur, le pare-éclats et les autres pièces en plastique.
2. **Utilisez des dispositifs de serrage pour soutenir la pièce si possible. Si vous soutenez la pièce avec la main, vous devez toujours tenir votre main à au moins 100 mm des côtés de la lame de scie. N'utilisez pas cette scie pour découper des morceaux trop petits pour être solidement**

- bloqués ou tenus avec la main.** Si votre main est placée trop près de la lame de scie, cela présente un risque accru de blessures en cas de contact avec la lame.
3. **La pièce doit être immobile et bloquée ou maintenue à la fois contre le guide et la table. En aucun cas, ne poussez la pièce dans la lame, ni ne coupez « à main levée ».** Les pièces non retenues ou en mouvement pourraient être projetées à grande vitesse et vous blesser.
 4. **Poussez la scie à travers la pièce. Ne tirez pas la scie à travers la pièce. Pour faire une coupe, soulevez la tête de scie et placez-la au-dessus de la pièce sans couper, démarrez le moteur, appuyez la tête de scie vers le bas et poussez la scie à travers la pièce.** Couper en tirant peut faire que la lame de scie monte sur le haut de la pièce et projette violemment l'ensemble de la lame en direction de l'utilisateur.
 5. **Ne croisez jamais les mains sur la ligne de coupe prévue devant ou derrière la lame de scie.** Soutenir la pièce les « mains croisées », à savoir en tenant la pièce à droite de la lame de scie avec la main gauche et inversement, est très dangereux. (Fig. 1)
 6. **Ne tendez pas les mains derrière le guide plus près que 100 mm d'un côté ou de l'autre de la lame de scie pour retirer les chutes de bois ou pour tout autre motif pendant que la lame tourne.** La proximité de la lame de scie en rotation avec votre main pourrait ne pas être évidente et vous pourriez gravement vous blesser.
 7. **Inspectez votre pièce avant la coupe. Si la pièce est arquée ou tordue, serrez-la en place avec la face externe arquée tournée vers le guide. Assurez-vous toujours qu'il n'y a pas d'espace entre la pièce, le guide et la table le long de la ligne de coupe.** Les pièces courbées ou tordues peuvent se tordre ou bouger et pincer la lame de scie en rotation pendant la coupe. La pièce ne doit pas avoir de clous ou corps étrangers.
 8. **N'utilisez pas la scie tant que la table n'est pas dégagée de tous les outils, chutes de bois, etc., à l'exception de la pièce.** Les petits débris, les morceaux de bois détachés ou d'autres objets entrant en contact avec la lame en rotation peuvent être projetés à grande vitesse.
 9. **Coupez uniquement une pièce à la fois.** Plusieurs pièces empilées ne peuvent pas être correctement serrées ou attachées et risquent de pincer la lame ou de bouger pendant la coupe.
 10. **Avant utilisation, assurez-vous que la scie radiale est installée ou posée sur un plan de travail plat et solide.** Un plan de travail plat et solide réduit le risque d'instabilité de la scie radiale.
 11. **Planifiez votre travail. Chaque fois que vous changez le réglage de l'angle de coupe en biseau ou l'angle de coupe d'onglet, assurez-vous que le guide réglable est placé correctement pour soutenir la pièce et qu'il ne gênera pas la lame ou le dispositif de protection.** Sans mettre l'outil sous tension (ON) et sans pièce sur la table, déplacez la lame de scie pour une simulation de coupe complète afin de vous assurer qu'il n'y aura pas d'interférence ou de risque de couper le guide.
 12. **Prévoyez des supports adéquats comme des rallonges de table, un chevalet de sciage, etc., pour les pièces plus larges ou plus longues que la table.** Les pièces plus longues ou plus larges que la table d'appui de la scie radiale peuvent basculer si elles ne sont pas solidement soutenues. Si la partie coupée de la pièce ou la pièce elle-même bascule, elle peut soulever le protecteur inférieur ou être projetée par la lame en rotation.
 13. **Ne vous servez pas d'une autre personne à la place d'une rallonge de table ou d'un support supplémentaire.** Un soutien instable de la pièce peut pincer la lame ou faire bouger la pièce pendant la coupe vous entraînant vous et votre assistant vers la lame en rotation.
 14. **La partie coupée de la pièce ne doit pas être coincée ou appuyée par quelque moyen que ce soit contre la lame de scie en rotation.** Si elle est emprisonnée, au moyen de butées longitudinales par exemple, la partie coupée de la pièce risque de se coincer contre la lame et d'être violemment projetée.
 15. **Utilisez toujours un dispositif de serrage ou de fixation conçu pour soutenir adéquatement les pièces rondes comme les barres ou les tuyaux.** Les barres ont tendance à rouler pendant la coupe, faisant « mordre » la lame et entraînant la pièce et votre main sur la lame.
 16. **Attendez que la lame ait atteint sa pleine vitesse avant de la mettre en contact avec la pièce.** Vous réduirez ainsi le risque de projection de la pièce.
 17. **Si la pièce ou la lame se coince, mettez la scie radiale hors tension. Attendez que toutes les pièces en mouvement s'arrêtent et débranchez la fiche du cordon d'alimentation de la prise secteur et/ou retirez la batterie. Puis essayez de libérer la pièce coincée.** Si vous continuez à scier avec une pièce coincée, vous risquez de perdre le contrôle de la scie radiale ou de l'endommager.
 18. **Une fois la coupe terminée, relâchez l'interrupteur, tenez la tête de scie vers le bas et attendez l'arrêt de la lame avant de retirer la partie coupée de la pièce.** Approcher votre main de la lame « en roue libre » est dangereux.
 19. **Tenez fermement la poignée lorsque vous faites une coupe incomplète ou lorsque vous relâchez l'interrupteur avant d'avoir complètement abaissé la tête de scie.** Le freinage de la scie peut tirer brusquement la tête de scie vers le bas, ce qui présente un risque de blessure.
 20. **Utilisez uniquement une lame de scie ayant le diamètre indiqué sur l'outil ou spécifié dans le mode d'emploi.** L'utilisation d'une taille incorrecte de lame peut affecter la protection de la lame ou le fonctionnement du carter de protection, ce qui pourrait provoquer de graves blessures.
 21. **Utilisez uniquement des lames de scie sur lesquelles est indiquée une vitesse égale ou supérieure à la vitesse figurant sur l'outil.**
 22. **N'utilisez pas la scie pour couper autre chose que du bois, de l'aluminium ou des matériaux similaires.**
 23. **(Pour les pays européens uniquement) Utilisez toujours une lame conforme à la norme EN847-1.**

Instructions supplémentaires

1. Faites en sorte que l'atelier ne présente pas de dangers pour les enfants en plaçant des cadenas.
2. Ne vous tenez jamais debout sur l'outil. Vous risqueriez de gravement vous blesser si l'outil bascule ou si vous touchez par inadvertance l'outil de coupe.
3. Ne laissez jamais sans surveillance un outil en marche. Mettez-le hors tension. Attendez que l'outil soit complètement arrêté avant de vous éloigner.
4. N'utilisez jamais la scie sans les protecteurs en place. Vérifiez le bon fonctionnement du protecteur de lame avant chaque utilisation. N'utilisez pas la scie si le protecteur de lame ne se déplace pas librement et ne se referme pas instantanément. N'immobilisez jamais le protecteur de lame en position ouverte.
5. Gardez bien les mains à l'écart de la lame de scie. Évitez tout contact avec une lame « en roue libre ». Vous pourriez vous blesser gravement.
6. Pour réduire le risque de blessure, ramenez le chariot à la position arrière complète après chaque coupe transversale.
7. Immobilisez toujours toutes les pièces mobiles de l'outil avant de le transporter.
8. La broche d'arrêt qui verrouille en position basse la tête de coupe sert à des fins de transport et de rangement uniquement et pas pour les opérations de coupe.
9. Vérifiez soigneusement l'absence de fissures ou de dommages sur les lames avant l'utilisation. Remplacez immédiatement les lames fissurées ou abîmées. Les dépôts de colle et les copeaux de bois qui durcissent contre la lame ralentissent la scie et entraînent une augmentation des risques de choc en retour. Pour nettoyer la lame, retirez-la d'abord de l'outil, puis nettoyez-la avec un décapant, de l'eau chaude ou du kérosène. N'utilisez jamais d'essence pour nettoyer la lame.
10. Les coupes en glissière peuvent entraîner un CHOC EN RETOUR. Un CHOC EN RETOUR survient lorsque la lame se pince dans la pièce pendant la coupe et que la lame de scie est entraînée rapidement vers l'utilisateur. Cela présente un risque de perte de contrôle et de graves blessures. Si la lame commence à accrocher pendant la coupe, ne continuez pas à couper et relâchez immédiatement l'interrupteur.
11. N'utilisez que les flasques spécifiés pour cet outil.
12. Prenez garde de ne pas endommager l'alsage, les flasques (tout particulièrement leur surface d'installation) ou le boulon. Si ces pièces sont endommagées, la lame peut se casser.
13. Assurez-vous que le socle rotatif est bien immobilisé, afin qu'il ne risque pas de se déplacer pendant l'opération. Utilisez les orifices sur le socle pour fixer la scie sur une plateforme de travail ou un établi stable. N'utilisez JAMAIS l'outil si vous vous trouvez dans une position inconfortable.
14. Assurez-vous que le blocage de l'arbre est relâché avant de mettre la sous tension.
15. Assurez-vous que la lame ne touche pas le socle rotatif quand elle est abaissée au maximum.
16. Tenez la poignée fermement. N'oubliez pas que la scie se déplace légèrement de haut en bas au démarrage et à l'arrêt.
17. Assurez-vous que la lame ne touche pas la pièce avant de mettre la sous tension.
18. Avant d'utiliser l'outil sur la pièce, faites-le tourner un instant à vide. Vérifiez que la lame ne présente ni balourd ni shimmy qui pourraient résulter d'un montage incorrect ou d'un déséquilibre.
19. Arrêtez immédiatement si vous remarquez quoi que ce soit d'anormal.
20. Ne tentez pas de bloquer la gâchette sur la position de marche (ON).
21. N'utilisez que les accessoires recommandés dans ce manuel. L'utilisation d'accessoires différents, disques à tronçonner notamment, peut entraîner des blessures.
22. Certains matériaux contiennent des produits chimiques qui peuvent être toxiques. Prenez garde de ne pas avaler la poussière et évitez tout contact avec la peau. Suivez les données de sécurité du fournisseur du matériau.

Consignes de sécurité supplémentaires pour le laser

1. RAYONNEMENT LASER, ÉVITEZ DE REGARDER FIXEMENT LE FAISCEAU OU DE L'OBSERVER À L'AIDE D'INSTRUMENTS OPTIQUES, PRODUIT LASER DE CLASSE 2M.

CONSERVEZ CES INSTRUCTIONS.

⚠ AVERTISSEMENT :
NE vous laissez PAS tromper (au fil d'une utilisation répétée) par un sentiment d'aisance et de familiarité avec le produit, en négligeant le respect rigoureux des consignes de sécurité qui accompagnent le produit en question. La MAUVAISE UTILISATION de l'outil ou l'ignorance des consignes de sécurité indiquées dans ce mode d'emploi peut entraîner de graves blessures.

INSTALLATION

Montage du banc (Fig. 2)

À la sortie d'usine de l'outil, la poignée est verrouillée en position abaissée par la broche de blocage. Dégagez la broche de blocage en appliquant simultanément une légère pression vers le bas sur la poignée et en tirant sur la broche de blocage. (Fig. 3)

Cet outil doit être boulonné à une surface horizontale et stable au moyen de quatre boulons fixés dans les orifices à boulon qui se trouvent dans le socle de l'outil. Cela aidera à prévenir le renversement de l'outil et les risques de blessure.

Installation des supports et assemblages des supports

REMARQUE :

- Dans certains pays, les supports et assemblages de supports peuvent ne pas être inclus dans le coffret de l'outil en tant qu'accessoires standard. (Fig. 4)

Les supports et assemblages de supports soutiennent les pièces à travailler horizontalement. Installez les supports et les assemblages de supports de chaque côté, comme illustré sur la figure. Serrez ensuite solidement les vis pour fixer les supports et assemblages de support en place.

DESCRIPTION DU FONCTIONNEMENT

⚠ AVERTISSEMENT :

- **Assurez-vous toujours que l'outil est éteint et débranché avant de le régler ou de vérifier son fonctionnement.** Veillez à mettre l'outil hors tension et le débrancher pour éviter toute blessure corporelle grave en cas de démarrage accidentel.

Protecteur de lame (Fig. 5)

Le protecteur de lame s'élève automatiquement lorsque vous abaissez la poignée. Le protecteur de lame revient à sa position d'origine lorsque la coupe est terminée et que la poignée est relevée.

⚠ AVERTISSEMENT :

- **Ne modifiez et ne retirez jamais le protecteur de lame ou le ressort de fixation du protecteur.** Une lame exposée en raison de la modification du protecteur risque d'entraîner de graves blessures corporelles pendant le fonctionnement.

Pour assurer votre propre sécurité, maintenez toujours le protecteur de lame en bon état. Tout fonctionnement anormal du protecteur de lame doit être immédiatement corrigé. Assurez-vous que l'action de retour du ressort s'effectue correctement.

⚠ AVERTISSEMENT :

- **N'utilisez jamais l'outil si le protecteur de lame ou le ressort est endommagé, défectueux ou absent.** Le fonctionnement de l'outil avec un protecteur endommagé, défectueux ou absent peut entraîner de graves blessures corporelles.

Si le protecteur de lame transparent est sale ou recouvert de poussières au point de rendre la lame ou la pièce peu visible, débranchez la scie et nettoyez soigneusement le protecteur à l'aide d'un chiffon humide. N'utilisez pas de solvant ou d'autres nettoyeurs à base d'essence sur le protecteur en plastique, au risque de l'endommager.

Si le protecteur de lame est sale et doit être nettoyé pour fonctionner correctement, procédez comme suit :

Après avoir mis l'outil hors tension et l'avoir débranché, utilisez la clé à douille fournie pour desserrer le boulon hexagonal retenant le couvercle central. Desserrez le boulon hexagonal en le tournant dans le sens contraire des aiguilles d'une montre, puis soulevez le protecteur de lame et le couvercle central. **(Fig. 6)**

Avec le protecteur de lame dans cette position, il est possible de nettoyer le protecteur de manière plus complète et efficace. Une fois le nettoyage terminé, effectuez la procédure en sens inverse et serrez le boulon. Ne retirez pas le ressort qui retient le protecteur de lame. Si le protecteur est endommagé avec le temps ou sous l'effet de l'exposition aux rayons ultraviolets, contactez un centre de service Makita pour vous procurer

un nouveau protecteur. **NE PAS MODIFIER OU RETIRER LE CARTER.**

Positionnement du plateau de découpe (Fig. 7 et 8)

Cet outil est équipé d'un plateau de découpe, sur le socle rotatif, pour minimiser le fendillement du côté de sortie de la coupe. Les plateaux de découpe sont réglés en usine de sorte qu'ils n'entrent pas en contact avec la lame.

Avant l'utilisation, ajustez les plateaux de découpe comme suit :

Commencez par débrancher l'outil. Desserrez toutes les vis (3 à gauche et à droite) qui immobilisent les plateaux de découpe. Resserrez-les de façon à pouvoir déplacer facilement les plateaux de découpe manuellement.

Abaissez complètement la poignée et enfoncez la broche de blocage pour verrouiller la poignée dans cette position.

Desserrez la vis de verrouillage qui immobilise les tiges de glissement. Tirez complètement le chariot vers vous.

Réglez les plateaux de découpe de sorte qu'ils n'entrent en contact qu'avec les côtés des dents de la lame. Serrez les vis avant (ne les serrez pas fermement). Poussez complètement le chariot vers le garde de guidage et réglez les plateaux de découpe de sorte qu'ils n'entrent en contact qu'avec les côtés des dents de la lame. Serrez les vis arrière (ne les serrez pas fermement).

Après le réglage des plateaux de découpe, relâchez la broche de blocage et soulevez la poignée. Puis serrez toutes les vis fermement.

Après le réglage des plateaux de découpe, relâchez la broche de blocage et soulevez la poignée. Puis serrez toutes les vis fermement.

Après le réglage des plateaux de découpe, relâchez la broche de blocage et soulevez la poignée. Puis serrez toutes les vis fermement.

Après le réglage des plateaux de découpe, relâchez la broche de blocage et soulevez la poignée. Puis serrez toutes les vis fermement.

Après le réglage des plateaux de découpe, relâchez la broche de blocage et soulevez la poignée. Puis serrez toutes les vis fermement.

Après le réglage des plateaux de découpe, relâchez la broche de blocage et soulevez la poignée. Puis serrez toutes les vis fermement.

Après le réglage des plateaux de découpe, relâchez la broche de blocage et soulevez la poignée. Puis serrez toutes les vis fermement.

Après le réglage des plateaux de découpe, relâchez la broche de blocage et soulevez la poignée. Puis serrez toutes les vis fermement.

Après le réglage des plateaux de découpe, relâchez la broche de blocage et soulevez la poignée. Puis serrez toutes les vis fermement.

Après le réglage des plateaux de découpe, relâchez la broche de blocage et soulevez la poignée. Puis serrez toutes les vis fermement.

Après le réglage des plateaux de découpe, relâchez la broche de blocage et soulevez la poignée. Puis serrez toutes les vis fermement.

Après le réglage des plateaux de découpe, relâchez la broche de blocage et soulevez la poignée. Puis serrez toutes les vis fermement.

Après le réglage des plateaux de découpe, relâchez la broche de blocage et soulevez la poignée. Puis serrez toutes les vis fermement.

Après le réglage des plateaux de découpe, relâchez la broche de blocage et soulevez la poignée. Puis serrez toutes les vis fermement.

Après le réglage des plateaux de découpe, relâchez la broche de blocage et soulevez la poignée. Puis serrez toutes les vis fermement.

Après le réglage des plateaux de découpe, relâchez la broche de blocage et soulevez la poignée. Puis serrez toutes les vis fermement.

Après le réglage des plateaux de découpe, relâchez la broche de blocage et soulevez la poignée. Puis serrez toutes les vis fermement.

Après le réglage des plateaux de découpe, relâchez la broche de blocage et soulevez la poignée. Puis serrez toutes les vis fermement.

Après le réglage des plateaux de découpe, relâchez la broche de blocage et soulevez la poignée. Puis serrez toutes les vis fermement.

Après le réglage des plateaux de découpe, relâchez la broche de blocage et soulevez la poignée. Puis serrez toutes les vis fermement.

Après le réglage des plateaux de découpe, relâchez la broche de blocage et soulevez la poignée. Puis serrez toutes les vis fermement.

Après le réglage des plateaux de découpe, relâchez la broche de blocage et soulevez la poignée. Puis serrez toutes les vis fermement.

Après le réglage des plateaux de découpe, relâchez la broche de blocage et soulevez la poignée. Puis serrez toutes les vis fermement.

Bras de blocage (Fig. 11)

Le bras de blocage permet un réglage facile de la position limite inférieure de la lame. Pour l'ajuster, tournez le bras de blocage dans le sens de la flèche, tel qu'indiqué sur la figure. Ajustez la vis de réglage de sorte que la lame s'arrête à la position désirée lorsque la poignée est complètement abaissée.

Réglage de l'angle de coupe d'onglet (Fig. 12)

Desserrez la poignée en la tournant dans le sens contraire des aiguilles d'une montre. Tournez le socle rotatif tout en abaissant le levier de sécurité. Après avoir déplacé la poignée sur la position où l'index pointe sur l'angle désiré sur l'échelle de coupe d'onglet, serrez fermement le manche en tournant dans le sens des aiguilles d'une montre.

⚠ ATTENTION :

- Après avoir changé l'angle de coupe d'onglet, immobilisez toujours le socle rotatif en serrant fermement le manche.

NOTE :

- Vous devez soulever la poignée complètement avant de tourner le socle rotatif.

Réglage de l'angle de coupe en biseau (Fig. 13)

Pour régler l'angle de coupe en biseau, desserrez le levier à l'arrière de l'outil en tournant dans le sens contraire des aiguilles d'une montre. Déverrouillez le bras en poussant légèrement la poignée dans la direction d'inclinaison de la lame.

REMARQUE :

- Pour ajuster le levier selon un angle différent, retirez la vis de retenue du levier et positionnez le levier selon l'angle souhaité. (Fig. 14)

Inclinez la lame jusqu'à ce que l'index indique l'angle désiré sur l'échelle de coupe en biseau. Serrez ensuite le levier dans le sens des aiguilles d'une montre pour immobiliser le bras. (Fig. 15)

Lors de l'inclinaison du chariot vers la droite, inclinez le chariot légèrement vers la gauche après avoir desserré le levier et appuyez sur le bouton de déblocage. Tout en appuyant sur le bouton de déblocage, inclinez le chariot vers la droite. (Fig. 16)

Inclinez la lame jusqu'à ce que l'index indique l'angle désiré sur l'échelle de coupe en biseau. Serrez ensuite le levier dans le sens des aiguilles d'une montre pour immobiliser le bras.

- Lorsque vous modifiez l'angle de coupe en biseau, assurez-vous toujours de bien placer les plateaux de découpe, tel que décrit dans la section « Positionnement des plateaux de découpe ».

⚠ ATTENTION :

- Après avoir changé l'angle de coupe en biseau, immobilisez toujours le bras en serrant le levier dans le sens des aiguilles d'une montre.

NOTE :

- Pendant l'inclinaison de la lame, assurez-vous que la poignée est entièrement relevée.

- Lorsque vous modifiez l'angle de coupe en biseau, assurez-vous toujours de bien placer les plateaux de découpe, tel que décrit dans la section « Positionnement des plateaux de découpe ».

Réglage du verrou de la glissière (Fig. 17)

Pour verrouiller la tige de glissement, tournez la vis de verrouillage dans le sens des aiguilles d'une montre.

Interrupteur (Fig. 18)

Pour éviter tout déclenchement accidentel de la gâchette, l'outil est muni d'un bouton de sécurité. Pour faire démarrer l'outil, enfoncez le bouton de sécurité puis appuyez sur la gâchette. Pour l'arrêter, relâchez la gâchette.

⚠ AVERTISSEMENT :

- **Avant de brancher l'outil, vérifiez toujours que la gâchette fonctionne correctement et revient en position d'arrêt (« OFF ») lorsqu'elle est relâchée. N'appuyez pas fortement sur la gâchette sans avoir d'abord enfoncé le levier de sécurité. Vous risqueriez de casser la gâchette.** L'utilisation d'un outil dont la gâchette ne fonctionne pas correctement risque de provoquer une perte de contrôle et de graves blessures corporelles.

Un trou a été prévu dans la gâchette pour l'insertion d'un cadenas permettant de déverrouiller l'outil.

⚠ AVERTISSEMENT :

- **N'utilisez pas un verrou dont le diamètre de la tige ou du câble est inférieur à 6,35 mm.** L'utilisation d'une tige ou d'un câble plus petit risque de ne pas verrouiller correctement l'outil en position d'arrêt et de déclencher un démarrage involontaire, provoquant des blessures corporelles graves.
- **N'utilisez JAMAIS l'outil si la gâchette ne fonctionne pas parfaitement.** Tout outil dont la gâchette ne fonctionne pas bien est EXTRÊMEMENT DANGEREUX et doit être réparé avant toute nouvelle utilisation, au risque de subir de graves blessures corporelles.
- Pour assurer votre sécurité, cet outil est doté d'un bouton de sécurité qui empêche le démarrage accidentel de l'outil. N'utilisez JAMAIS l'outil s'il se met en marche lorsque vous appuyez simplement sur la gâchette sans avoir appuyé sur le bouton de sécurité. Une gâchette qui ne fonctionne pas correctement risque d'entraîner le déclenchement involontaire de l'outil ainsi que de graves blessures corporelles. Renvoyez l'outil à un centre de service après-vente Makita pour le faire réparer AVANT toute autre utilisation.
- N'utilisez JAMAIS le levier de sécurité en tapant dessus ou par un autre moyen. Une gâchette dont le levier de sécurité a été modifié peut entraîner le déclenchement involontaire de l'outil ainsi que de graves blessures corporelles.

Fonction électronique

Fonction de démarrage graduel

Cette fonction permet le démarrage en douceur de l'outil en limitant le couple de démarrage.

Action du faisceau laser

Pour le modèle LS1018L uniquement

REMARQUE :

- Avant d'utiliser l'outil pour la première fois, installez deux piles sèches AA dans le boîtier des piles. Reportez-vous à la section « Remplacement des piles sèches de l'unité laser » pour connaître la procédure de remplacement.

⚠ ATTENTION :

- Lorsque vous n'utilisez pas le laser, veillez à l'éteindre. (Fig. 19)

⚠ ATTENTION :

- Ne pas regarder directement le faisceau. Vous risqueriez de vous blesser.
- RAYONNEMENT LASER, NE PAS REGARDER DIRECTEMENT LE FAISCEAU, LASER DE CLASSE 2.
- Lors du déplacement de la ligne laser ou de la réalisation d'une opération de maintenance, assurez-vous de débrancher l'outil.

Pour allumer le faisceau laser, appuyez sur la position supérieure (I) de l'interrupteur. Pour éteindre le faisceau laser, appuyez sur la position inférieure (O) de l'interrupteur.

En desserrant la vis de l'unité laser et en la déplaçant du côté souhaité, vous pouvez déplacer la ligne laser du côté gauche ou droit de la lame. Après le déplacement, assurez-vous de serrer la vis. (Fig. 20)

La ligne laser est ajustée en usine pour se trouver à moins de 1 mm de la face latérale de la lame (position de coupe).

REMARQUE :

- Lorsque la ligne laser est pâle et presque imperceptible en raison des rayons directs du soleil, changez de zone de travail pour ne plus être exposé aux rayons directs du soleil.

Remplacement des piles sèches de l'unité laser (Fig. 21 et 22)

Retirez le couvercle des piles sèches de l'unité laser en les faisant glisser tout en appuyant dessus. Enlevez les piles sèches usagées et placez les neuves comme illustré sur la figure. Après avoir procédé au remplacement, remettez le couvercle en place.

Nettoyage de la lentille de lumière laser

Lorsque la lentille de lumière laser est sale ou que la sciure de bois qui y adhère rend la ligne laser peu visible, débranchez la scie puis retirez et nettoyez doucement la lentille de la lumière laser avec un chiffon doux et humide. N'utilisez aucun solvant ou nettoyant à base de pétrole pour nettoyer la lentille.

REMARQUE :

- Si la ligne de coupe est trop pâle et presque imperceptible parce que vous travaillez dans un endroit exposé directement aux rayons du soleil ou près d'une fenêtre intérieure ou extérieure, changez de zone de travail pour ne plus être exposé directement aux rayons du soleil.

ASSEMBLAGE

⚠ AVERTISSEMENT :

- Avant d'effectuer toute intervention sur l'outil, assurez-vous toujours qu'il est hors tension et débranché.** Veillez à mettre l'outil hors tension et le débrancher pour éviter toute blessure corporelle grave.

Rangement de la clé à douille avec la clé hexagonale de l'autre côté (Fig. 23)

La clé à douille doit être rangée comme illustré sur la figure. En cas de besoin, prenez la clé à douille qui se trouve dans le support à clé.

Après avoir utilisé la clé à douille, remettez-la dans le support à clé.

Installation et retrait de la lame

⚠ AVERTISSEMENT :

- Assurez-vous toujours que l'outil est hors tension et débranché avant d'installer ou de retirer la lame.** Le démarrage accidentel de l'outil peut entraîner de graves blessures corporelles.
- Utilisez exclusivement la clé Makita à douille fournie pour installer ou retirer la lame.** Si vous n'utilisez pas cette clé, vous risquez d'effectuer un serrage excessif ou insuffisant du boulon hexagonal, entraînant un risque de blessure corporelle grave. (Fig. 24)

Verrouillez la poignée en position élevée en y poussant la broche de blocage. (Fig. 25)

Pour retirer la lame, utilisez la clé à douille pour desserrer le boulon hexagonal qui retient le couvercle central, en tournant dans le sens contraire des aiguilles d'une montre. Soulevez le carter de lame et le couvercle central.

⚠ AVERTISSEMENT :

- Ne retirez aucune vis. Retirez uniquement le boulon hexagonal illustré.** Si vous retirez par erreur une vis et si le carter de lame se détache, veillez à le réinstaller.

Appuyez sur le blocage de l'arbre pour verrouiller l'axe, et utilisez la clé à douille pour desserrer le boulon hexagonal dans le sens des aiguilles d'une montre. Retirez ensuite le boulon hexagonal, le flasque extérieur et la lame. (Fig. 26)

REMARQUE :

- Si vous retirez le flasque intérieur, assurez-vous de l'installer sur l'axe, sa protubérance face à la lame. Si le flasque est mal installé, il frotera contre la machine.

⚠ AVERTISSEMENT :

- Avant de monter la lame sur l'axe, assurez-vous toujours d'avoir installé, entre les flasques intérieur et extérieur, la bonne bague pour l'alésage central de la lame que vous prévoyez d'utiliser.** L'utilisation d'une mauvaise bague d'alésage peut entraîner un montage incorrect de la lame, provoquant un mouvement de la lame ainsi que d'importantes vibrations et résultant en une perte de contrôle pendant le fonctionnement et de graves blessures corporelles. (Fig. 27)

Pour installer la lame, montez-la prudemment sur l'axe, en vous assurant que le sens indiqué par la flèche de la lame correspond à celle de la flèche du porte-lame. Installez le flasque extérieur et le boulon hexagonal, puis utilisez la clé à douille pour serrer le boulon hexagonal (fileté vers la gauche) fermement en tournant dans le sens contraire des aiguilles d'une montre tout en appuyant sur le blocage de l'arbre. (Fig. 28 et 29)
Remettez en position initiale le protecteur de lame et le couvercle central. Serrez ensuite le boulon hexagonal dans le sens des aiguilles d'une montre pour immobiliser le couvercle central. Tirez sur la broche de blocage pour dégager la poignée de la position élevée. Abaissez la poignée pour vous assurer que le protecteur de lame se déplace correctement. Avant d'effectuer la coupe, assurez-vous que le blocage de l'arbre a libéré l'axe.

Branchement à un aspirateur

Pour effectuer un travail plus propre, raccordez un aspirateur Makita. (Fig. 30)

Sac à poussières (Fig. 31)

L'utilisation du sac à poussières permet d'effectuer la coupe plus proprement et facilite la collecte des poussières. Pour fixer le sac à poussières, insérez-le dans le raccord à poussières.

Lorsque le sac à poussières est presque à moitié plein, retirez-le de l'outil et ouvrez la fermeture-éclair. Videz le sac en le tapotant pour détacher les particules qui adhèrent à l'intérieur et peuvent empêcher la collecte des poussières.

Immobiliser la pièce à travailler

⚠ AVERTISSEMENT :

- **Il est extrêmement important de toujours sécuriser correctement la pièce à travailler avec le type d'étau ou de butée pour moulure couronnée approprié(e).** Le non-respect de cette instruction peut entraîner de graves blessures corporelles et endommager l'outil et/ou la pièce à travailler.
- **Après la coupe, ne soulevez pas la lame avant qu'elle ne soit parfaitement arrêtée.** Le fait de soulever la lame tandis qu'elle continue à tourner risque de provoquer de graves blessures corporelles et d'endommager la pièce à travailler.
- **Si vous découpez une pièce à travailler plus longue que le socle de la scie, vous devez faire reposer le matériau sur toute sa longueur au-delà du socle et à la même hauteur pour que le matériau reste de niveau.** Le soutien approprié de la pièce à travailler permettra d'éviter que la lame se coince et provoque un choc en retour, susceptible d'entraîner de graves blessures corporelles. N'immobilisez pas la pièce à travailler uniquement à l'aide de l'étau vertical et/ou de l'étau horizontal. Les matériaux minces ont tendance à s'affaisser. La pièce doit être soutenue sur toute sa longueur pour éviter que la lame ne se coince, ce qui comporte un risque de CHOC EN RETOUR. (Fig. 32)

Réglage du garde de guidage (ERGOT COULISSANT) (Fig. 33)

⚠ AVERTISSEMENT :

- Avant d'utiliser l'outil, assurez-vous que l'ergot coulissant est bien fixé.
- **Avant d'effectuer une coupe en biseau, assurez-vous qu'aucune partie de l'outil, notamment la lame, n'entre en contact avec l'ergot lorsque vous relevez et abaissez complètement la poignée et lorsque vous tirez ou poussez le chariot au maximum.** Si l'outil ou la lame entre en contact avec l'ergot, un choc en retour ou un mouvement soudain du matériau risque de se produire, entraînant de graves blessures corporelles.

⚠ ATTENTION :

- Avant la réalisation de coupes en biseau, faites glisser l'ergot coulissant vers la gauche et immobilisez-le comme sur la figure. Sinon, il touchera la lame ou une pièce de l'outil, ce qui risque de blesser grièvement l'opérateur. (Fig. 34)

L'outil est équipé d'un ergot coulissant qui devrait être placé comme illustré sur la figure.

Cependant, lors de la réalisation de coupes en biseau, placez-le sur la gauche comme illustré sur la figure si la tête de scie le touche.

Lorsque les opérations de coupe en biseau sont terminées, n'oubliez pas de ramener l'ergot coulissant à sa position d'origine et de l'immobiliser en serrant fermement la vis de serrage.

Guide auxiliaire de droite

⚠ AVERTISSEMENT :

- Avant d'utiliser l'outil, assurez-vous que le guide auxiliaire de droite est bien fixé.
- Avant d'effectuer des coupes en biseau à droite, retirez le garde secondaire de droite. Dans le cas contraire, il entrera en contact avec la lame ou une partie de l'outil, occasionnant de graves blessures pour l'opérateur. (Fig. 35)

Vous pouvez retirer le guide auxiliaire de droite par la droite du garde de guidage. Pour retirer le guide auxiliaire de droite, desserrez la vis qui le fixe puis tirez-le. Suivez la procédure inverse pour le remettre en place.

Lorsque les opérations de coupe en biseau sont terminées, n'oubliez pas de ramener le guide auxiliaire de droite à sa position d'origine et de l'immobiliser en serrant fermement la vis de serrage.

Étau vertical (Fig. 36)

L'étau vertical peut être installé du côté gauche ou du côté droit du garde de guidage. Insérez la tige de l'étau dans le trou du garde de guidage et serrez la vis de l'arrière du garde de guidage pour immobiliser la tige de l'étau.

Placez le bras de l'étau en tenant compte de l'épaisseur et de la forme de la pièce à travailler, puis immobilisez le bras de l'étau en serrant la vis. Si la vis pour immobiliser le bras de l'étau entre en contact avec le garde de guidage, installez la vis sur le côté opposé du bras de l'étau. Assurez-vous qu'aucune pièce de l'outil ne touche l'étau lorsque vous abaissez complètement la poignée et

que vous tirez ou poussez le chariot. Dans le cas contraire, modifiez la position de l'étau. Appuyez sur la pièce pour la mettre à plat contre le garde de guidage et le socle rotatif. Placez la pièce à travailler sur la position de coupe désirée et immobilisez-la fermement en serrant le bouton de serrage de l'étau.

AVERTISSEMENT :

- **La pièce doit être fixée fermement contre le socle rotatif et le garde de guidage avec l'étau lors de tout travail de coupe.** Si la pièce à travailler n'est pas correctement fixée contre le garde, le matériau risque de bouger pendant la coupe et ainsi d'endommager la lame, entraînant la projection du matériau et une perte de contrôle occasionnant de graves blessures corporelles.

Étau horizontal (accessoire en option) (Fig. 37)

L'étau horizontal peut être installé selon deux positions, à gauche ou à droite du socle. Lorsque vous effectuez des coupes d'onglet de 10° ou plus, installez l'étau horizontal du côté opposé au sens de rotation du socle rotatif.

(Fig. 38)

En faisant basculer l'écrou de l'étau dans le sens antihoraire, l'étau est relâché et peut être déplacé rapidement vers l'intérieur et l'extérieur. Pour serrer la pièce, poussez le bouton de l'étau vers l'avant jusqu'à ce que la plaque de l'étau entre en contact avec la pièce, puis faites basculer l'écrou de l'étau dans le sens horaire. Tournez ensuite le bouton de l'étau dans le sens des aiguilles d'une montre pour immobiliser la pièce. La largeur maximale de la pièce qui peut être immobilisée par l'étau horizontal est de 215 mm. Lorsque vous installez l'étau horizontal sur la droite du socle, utilisez aussi le guide auxiliaire de droite pour mieux immobiliser la pièce. Consultez la section « Guide auxiliaire de droite » décrite précédemment pour plus de détails sur l'installation du guide auxiliaire de droite.

AVERTISSEMENT :

- **Tournez toujours l'écrou de l'étau dans le sens horaire, jusqu'à ce que la pièce soit bien fixée.** Si la pièce à travailler n'est pas correctement fixée, le matériau risque de bouger pendant la coupe et ainsi d'endommager la lame, entraînant la projection du matériau et une perte de contrôle donnant lieu à de graves blessures corporelles.
- Lors du découpage d'une pièce mince, comme des plinthes, contre le garde, utilisez toujours l'étau horizontal.

FONCTIONNEMENT

NOTE :

- Avant l'utilisation, vous devez libérer la poignée de la position abaissée en tirant sur la broche de blocage.
- N'appliquez pas une pression excessive sur la poignée pendant la coupe. Une force excessive peut entraîner une surcharge du moteur et/ou réduire l'efficacité de la coupe. N'appliquez que la force nécessaire pour abaisser la poignée afin d'effectuer une coupe en douceur sans diminution significative de la vitesse de la lame.

- Abaissez doucement la poignée pour effectuer la coupe. Si vous forcez la poignée pour l'abaisser ou si une force latérale est appliquée, la lame vibrera et laissera une marque (marque de scie) sur la pièce et la précision de la coupe sera moindre.
- Lors d'une coupe en glissière, poussez doucement le chariot vers le garde de guidage sans arrêter. Si le mouvement du chariot est interrompu pendant la coupe, cela laissera une marque sur la pièce et la précision de la coupe en sera affectée.

AVERTISSEMENT :

- **Assurez-vous que la lame n'entre pas en contact avec la pièce à travailler, avant que l'outil soit mis sous tension.** Si vous mettez l'outil sous tension en plaçant la lame contre la pièce à travailler, un choc en retour risque de se produire ainsi que des blessures corporelles graves.

1. Coupe sous presse (coupe de petites pièces) (Fig. 39)

Les pièces d'une hauteur maximale de 91 mm et d'une largeur maximale de 70 mm peuvent être découpées comme suit.

Poussez complètement le chariot vers le garde de guidage, puis serrez la vis de verrouillage dans le sens des aiguilles d'une montre pour immobiliser le chariot. Sécurisez correctement la pièce à travailler avec le type d'étau approprié. Mettez l'outil en marche sans que la lame n'entre en contact avec quoi que ce soit, et attendez que la lame atteigne sa pleine vitesse avant de l'abaisser. Abaissez ensuite doucement la poignée jusqu'en position complètement abaissée pour couper la pièce. Une fois la coupe terminée, coupez le contact de l'outil et ATTENDEZ L'ARRÊT COMPLET DE LA LAME avant de relever complètement la lame.

AVERTISSEMENT :

- **Serrez fermement la vis de verrouillage en la tournant dans le sens des aiguilles d'une montre pour que le chariot ne bouge pas pendant l'opération.** Un serrage insuffisant du bouton peut provoquer un choc en retour occasionnant de graves blessures corporelles.

2. Coupe en glissière (poussée) (coupe de grandes pièces) (Fig. 40)

Desserrez la vis de verrouillage en la tournant dans le sens contraire des aiguilles d'une montre pour que le chariot puisse glisser librement. Sécurisez la pièce à travailler avec le type d'étau approprié. Tirez complètement le chariot vers vous. Mettez l'outil en marche sans que la lame n'entre en contact avec quoi que ce soit, et attendez que la lame atteigne sa pleine vitesse. Appuyez sur la poignée et PUSSEZ LE CHARIOT VERS LE GARDE DE GUIDAGE ET À TRAVERS LA PIÈCE. Une fois la coupe terminée, coupez le contact de l'outil et ATTENDEZ L'ARRÊT COMPLET DE LA LAME avant de relever complètement la lame.

AVERTISSEMENT :

- **Chaque fois que vous effectuez une coupe en glissière, tirez d'abord le chariot complètement vers vous et abaissez la poignée sur sa position la**

- plus basse, puis poussez le chariot vers le garde de guidage. Ne commencez jamais la coupe alors que le chariot n'est pas complètement tiré vers vous.** Si vous effectuez la coupe en glissière sans avoir tiré complètement le chariot vers vous, vous risquez de provoquer un choc en retour soudain et d'occasionner de graves blessures corporelles.
- **N'effectuez jamais une coupe en glissière en tirant le chariot vers vous.** Si vous tirez le chariot vers vous pendant la coupe, vous risquez de provoquer un choc en retour soudain et d'occasionner de graves blessures corporelles.
 - N'effectuez jamais une coupe en glissière lorsque la poignée est verrouillée dans sa position la plus basse.
 - **Ne desserrez jamais le bouton qui retient le chariot pendant que la lame tourne.** Si le chariot n'est pas bien fixé pendant la coupe, vous risquez de provoquer un choc en retour soudain et d'occasionner de graves blessures corporelles.

3. Coupe d'onglet

Reportez-vous à la section précédente, « Réglage de l'angle de coupe d'onglet ».

4. Coupe en biseau (Fig. 41)

Desserrez le levier et inclinez la lame pour régler l'angle de coupe en biseau (reportez-vous à la section « Réglage de l'angle de coupe en biseau »). Vous devez resserrer le levier fermement pour bien immobiliser la lame sur l'angle de coupe en biseau sélectionné. Immobilisez la pièce à l'aide d'un étau. Assurez-vous que le chariot est complètement ramené vers vous. Mettez l'outil en marche sans que la lame n'entre en contact avec quoi que ce soit, et attendez que la lame atteigne sa pleine vitesse. Abaissez ensuite doucement la poignée sur la position la plus basse tout en appliquant une pression parallèle à la lame et **POUSSEZ LE CHARIOT VERS LE GARDE DE GUIDAGE PARALLÈLE POUR COUPER LA PIÈCE**. Une fois la coupe terminée, coupez le contact de l'outil et **ATTENDEZ L'ARRÊT COMPLET DE LA LAME** avant de relever complètement la lame.

⚠ AVERTISSEMENT :

- **Après avoir réglé la lame pour une coupe en biseau, assurez-vous avant d'utiliser l'outil que le chariot et la lame pourront bouger aisément pendant toute la durée de la coupe prévue.** L'interruption du chariot ou de la lame pendant l'opération de coupe risque de provoquer un choc en retour et de graves blessures corporelles.
- **Pendant une coupe en biseau, éloignez vos mains du trajet de la lame.** L'angle de la lame peut désorienter l'opérateur quant au trajet réel de la lame pendant la coupe ; le contact avec la lame entraînerait alors de graves blessures corporelles.
- **La lame ne doit pas être relevée avant d'être parfaitement arrêtée.** Lors d'une coupe en biseau, il peut arriver que la partie qui se détache de la pièce coupée repose contre le côté de la lame. Si vous remontez la lame pendant qu'elle tourne, la partie qui se détache de la pièce coupée pourra être éjectée par la lame, entraînant une fragmentation du matériau et occasionnant de graves blessures corporelles.

NOTE :

- Lorsque vous abaissez la poignée, appliquez une pression parallèle à la lame. Si vous appuyez perpendiculairement au socle rotatif, ou si la pression change de sens pendant la coupe, la précision de coupe en souffrira.
- Avant d'effectuer une coupe en biseau, il peut être nécessaire de régler l'ergot coulissant. Reportez-vous à la section intitulée « Réglage du garde de guidage ».

⚠ ATTENTION :

- Retirez toujours le guide auxiliaire de droite pour qu'il n'interfère avec aucune partie du chariot lors de coupes en biseau sur la droite.

5. Coupe mixte

La coupe mixte consiste à effectuer en même temps une coupe en biseau et une coupe d'onglet sur une pièce. La coupe mixte est possible pour les angles indiqués dans le tableau.

| Angle de coupe d'onglet | Angle de coupe en biseau |
|--|--|
| 0 à 45° sur la gauche et sur la droite | 0 à 45° sur la gauche et sur la droite |

009713

Pour effectuer une coupe mixte, reportez-vous aux explications des sections « Coupe sous presse », « Coupe en glissière », « Coupe d'onglet » et « Coupe en biseau ».

6. Coupe de moulures couronnées et concaves

Les moulures couronnées et concaves peuvent être coupées avec une scie d'onglet combinée, en les déposant à plat sur le socle rotatif.

Il existe deux types communs de moulures couronnées et un type de moulure concave, à savoir : les moulures couronnées pour angles de murs respectifs de 52/38° et 45°, et les moulures concaves pour angle de mur de 45°. Voir les illustrations.

(Fig. 42)

Il existe des joints de moulures couronnées et concaves qui s'adaptent aux coins « intérieurs » de 90° ((1) et (2) sur la Fig. A), et aux coins « extérieurs » de 90° ((3) et (4) sur la Fig. A). (Fig. 43 et 44)

Mesure

Mesurez la longueur du mur et ajustez la pièce sur l'établi pour couper à la longueur désirée le bord qui entrera en contact avec le mur. Assurez-vous toujours que la longueur de la pièce coupée à l'arrière de la pièce correspond à celle du mur. Ajustez la longueur de coupe selon l'angle de coupe. Vérifiez toujours les angles de coupe de la scie en effectuant des tests sur quelques morceaux.

Lorsque vous coupez des moulures couronnées et concaves, réglez l'angle de coupe en biseau et l'angle de coupe d'onglet tel qu'indiqué dans le tableau (A) et placez les moulures sur la face supérieure de la base de la scie, tel qu'indiqué dans le tableau (B).

Dans le cas d'une coupe en biseau sur la gauche

Tableau (A)

| | Position de moulure sur la Fig. A | Angle de coupe en biseau | | Angle de coupe d'onglet | |
|---------------------|-----------------------------------|--------------------------|------------|-------------------------|--------------|
| | | Type 52/38° | Type 45° | Type 52/38° | Type 45° |
| Pour coin intérieur | (1) | Gauche 33,9° | Gauche 30° | Droite 31,6° | Droite 35,3° |
| | (2) | | | Gauche 31,6° | Gauche 35,3° |
| (3) | | | | | |
| (4) | Droite 31,6° | | | Droite 35,3° | |
| Pour coin extérieur | | | | | |

006361

Tableau (B)

| | Position de moulure sur la Fig. A | Bord de moulure contre le garde de guidage | Pièce terminée |
|---------------------|-----------------------------------|--|---|
| Pour coin intérieur | (1) | Le bord de contact avec le plafond doit être contre le garde de guidage. | La pièce terminée sera du côté gauche de la lame. |
| | (2) | Le bord de contact avec le mur doit être contre le garde de guidage. | |
| Pour coin extérieur | (3) | | La pièce terminée sera du côté droit de la lame. |
| | (4) | Le bord de contact avec le plafond doit être contre le garde de guidage. | |

006362

Exemple :

Dans le cas d'une coupe de moulure couronnée du type 52/38° pour la position (1) de la Fig. A :

- Inclinez l'angle de coupe en biseau et immobilisez-le sur 33,9° vers la GAUCHE.
- Réglez l'angle de coupe d'onglet et immobilisez-le sur 31,6° vers la DROITE.
- Déposez sur le socle rotatif la moulure couronnée, face large (cachée) orientée vers le bas, et placez le BORD DE CONTACT AVEC LE PLAFOND contre le garde de guidage de la scie.
- La pièce terminée à utiliser doit toujours être du côté GAUCHE de la lame une fois la coupe terminée.

Dans le cas d'une coupe en biseau sur la droite

Tableau (A)

| | Position de moulure sur la Fig. A | Angle de coupe en biseau | | Angle de coupe d'onglet | |
|---------------------|-----------------------------------|--------------------------|------------|-------------------------|--------------|
| | | Type 52/38° | Type 45° | Type 52/38° | Type 45° |
| Pour coin intérieur | (1) | Droite 33,9° | Droite 30° | Droite 31,6° | Droite 35,3° |
| | (2) | | | Gauche 31,6° | Gauche 35,3° |
| (3) | | | | | |
| (4) | Droite 31,6° | | | Droite 35,3° | |
| Pour coin extérieur | | | | | |

006363

Tableau (B)

| | Position de moulure sur la Fig. A | Bord mouluré contre le garde de guidage | Pièce finie |
|---------------------|-----------------------------------|--|---|
| Pour coin intérieur | (1) | Le bord de contact avec le mur doit être contre le garde de guidage. | La pièce finie se trouvera sur le côté droit de la lame. |
| | (2) | Le bord de contact avec le plafond doit être contre le garde de guidage. | |
| Pour coin extérieur | (3) | | La pièce finie se trouvera sur le côté gauche de la lame. |
| | (4) | Le bord de contact avec le mur doit être contre le garde de guidage. | |

006364

Exemple :

En cas de découpe avec moulure couronnée de type 52/38° pour la position (1) sur la Fig. A :

- Inclinez l'angle de coupe en biseau et immobilisez-le sur 33,9° vers la DROITE.
- Ajustez et bloquez le réglage de l'angle de coupe d'onglet sur 31,6° à DROITE.
- Déposez sur le socle rotatif la moulure couronnée, face large (cachée) orientée vers le bas, et placez le BORD DE CONTACT AVEC LE MUR contre le garde de guidage de la scie.
- La pièce terminée à utiliser doit toujours être du côté DROIT de la lame une fois la coupe terminée.

7. Coupe d'extrusion d'aluminium (Fig. 45 et 46)

Lorsque vous immobilisez des profilés d'aluminium, utilisez des cales d'espacement ou des bouts de ferraille, tel qu'indiqué sur l'illustration, pour prévenir la déformation de l'aluminium. Utilisez un lubrifiant de coupe lorsque vous coupez un profilé d'aluminium, pour prévenir l'accumulation de particules d'aluminium sur la lame.

⚠ AVERTISSEMENT :

- **Ne tentez jamais de découper des profils d'aluminium épais ou ronds.** Les profils d'aluminium épais ou ronds peuvent être difficiles à fixer et se détendre pendant la coupe, entraînant une perte de contrôle et de graves blessures corporelles.

8. Parement de bois

L'utilisation d'un parement de bois aide à effectuer des coupes sans fente. Fixez le parement de bois au garde de guidage parallèle au moyen des orifices de ce dernier.

Concernant les dimensions suggérées pour le parement de bois, reportez-vous à l'illustration. (Fig. 47)

⚠ ATTENTION :

- Comme parement de bois, utilisez du bois droit et d'épaisseur uniforme.

⚠ AVERTISSEMENT :

- **Fixez le parement de bois au garde de guidage parallèle à l'aide de vis. Les vis doivent être installées de sorte que leur tête se trouve sous la surface du parement de bois, afin qu'elles ne gênent pas le positionnement du matériau à découper.** Un désalignement du matériau à découper peut entraîner un mouvement inattendu pendant la

coupe, provoquant une perte de contrôle et de graves blessures corporelles.

NOTE :

- Une fois le parement de bois fixé, ne tournez pas le socle rotatif avec la poignée abaissée. La lame et/ou le parement de bois serait abîmé(e).

9. Rainurage (Fig. 48)

Des rainures peuvent être effectuées en procédant comme suit :

Ajustez la position limite inférieure de la lame au moyen de la vis de réglage et du bras de blocage pour limiter la profondeur de coupe de la lame. Référez-vous à la section « Bras de blocage » précédente. Après avoir ajusté la position limite inférieure de la lame, coupez des rainures parallèles sur la largeur de la pièce, en procédant par coupe en glissière (poussée), tel qu'indiqué sur l'illustration. Retirez ensuite le matériau de la pièce entre les rainures, au moyen d'un ciseau.

⚠ AVERTISSEMENT :

- **N'essayez pas d'effectuer ce type de coupe au moyen d'une lame plus large ou d'une lame à rainer.** Si vous tentez de réaliser un rainurage à l'aide d'une lame plus large ou d'une lame à rainer, vous risquez d'obtenir des résultats de coupe inattendus ainsi qu'un choc en retour, ce qui occasionnerait de graves blessures corporelles.
- **Assurez-vous d'avoir remis le bras de blocage sur sa position initiale avant d'effectuer un autre type de coupe que le rainurage.** Si vous tentez de réaliser des coupes en positionnant le bras de blocage de manière incorrecte, vous risquez d'obtenir des résultats de coupe inattendus ainsi qu'un choc en retour, occasionnant de graves blessures corporelles.

⚠ ATTENTION :

- Assurez-vous d'avoir remis le bras de blocage sur sa position initiale avant d'effectuer un autre type de coupe que le rainurage.

Transport de l'outil (Fig. 49)

Assurez-vous que l'outil est débranché. Immobilisez la lame sur un angle de coupe en biseau de 0° et le socle rotatif sur l'angle de coupe d'onglet de droite maximal. Immobilisez les tiges de glissement de sorte que la tige de glissement inférieure soit bloquée dans la position du chariot tiré à fond vers l'opérateur et les tiges supérieures bloquées dans la position du chariot enfoncé à fond vers l'avant jusqu'au garde de guidage (reportez-vous à la section intitulée « Réglage du verrou de la glissière »). Abaissez complètement la poignée et verrouillez-la dans cette position en enfonçant la broche de blocage. Enroulez le cordon d'alimentation à l'aide du dispositif prévu à cet effet.

⚠ AVERTISSEMENT :

- **La broche de blocage est destinée uniquement au transport et au rangement de l'outil, et elle ne doit jamais être utilisée pour les travaux de coupe.** L'utilisation de la broche de blocage pour les travaux de coupe peut provoquer un mouvement inattendu de la scie, entraînant un choc en retour et de graves blessures corporelles.

Transportez l'outil en le tenant par les deux côtés de sa base, tel qu'indiqué sur l'illustration. Si vous retirez les supports, le sac à poussières et autres accessoires, l'outil sera plus facile à transporter.

⚠ ATTENTION :

- Fixez toujours toutes les parties mobiles avant de transporter l'outil. Si certaines parties de l'outil bougent ou glissent pendant la coupe, il y a un risque de perte de contrôle ou d'équilibre entraînant des blessures corporelles.

ENTRETIEN

⚠ AVERTISSEMENT :

- **Assurez-vous toujours que l'outil est hors tension et débranché avant d'y effectuer tout travail d'inspection ou d'entretien.** Veillez à débrancher l'outil et à le mettre hors tension, afin de ne pas déclencher accidentellement l'outil et ainsi d'occasionner de graves blessures corporelles.
- **Assurez-vous toujours que la lame est affûtée et propre afin d'obtenir les performances les meilleures et les plus sûres.** Ne tentez pas d'effectuer une coupe à l'aide d'une lame émoussée et/ou sale, au risque de provoquer un choc en retour et de graves blessures corporelles.

NOTE :

- N'utilisez jamais d'essence, de benzine, de diluant, d'alcool ou de produit similaire. Ces produits risquent de provoquer des décolorations, des déformations ou des fissures.

Réglage de l'angle de coupe

L'outil est soigneusement réglé et aligné en usine, mais cet alignement peut être éventuellement affecté s'il est manipulé avec brutalité. Si l'outil n'est pas bien aligné, suivez la procédure suivante :

1. Angle de coupe d'onglet (Fig. 50)

Poussez le chariot vers le garde de guidage, puis serrez la vis de verrouillage pour immobiliser le chariot.

Desserrez le manche qui retient le socle rotatif. Tournez le socle rotatif de sorte que l'index indique 0° sur l'échelle de coupe d'onglet. Tournez ensuite le socle rotatif légèrement dans le sens des aiguilles d'une montre et dans le sens inverse pour l'asseoir dans l'encoche d'onglet de 0°. (Laissez-le ainsi si l'index n'indique pas 0°.) Desserrez les boulons hexagonaux qui immobilisent le garde de guidage avec la clé à douille. (Fig. 51)

Abaissez complètement la poignée et verrouillez-la dans cette position en enfonçant la broche de blocage. Placez le côté de la lame à angle droit par rapport au garde de guidage à l'aide d'une règle triangulaire, d'une équerre de menuisier, etc. Puis serrez fermement les boulons hexagonaux sur le garde de guidage dans l'ordre à partir du côté droit. (Fig. 52)

Assurez-vous que l'index indique 0° sur l'échelle de coupe d'onglet. Si l'index n'indique pas 0°, desserrez la vis qui retient l'index et réglez-le de sorte qu'il indique 0°.

2. Angle de coupe en biseau

(1) Angle de coupe en biseau 0° (Fig. 53)

Poussez le chariot vers la garde de guidage, puis serrez la vis de verrouillage pour immobiliser le chariot. Abaissez complètement la poignée et verrouillez-la dans cette position en enfonçant la broche de blocage. Desserrez le levier à l'arrière de l'outil. (Fig. 54)

Tournez le boulon hexagonal sur le côté droit du support du bras de deux ou trois tours dans le sens antihoraire pour incliner la lame vers la droite. (Fig. 55)

Placez doucement le côté de la lame à angle droit par rapport à la face supérieure du socle rotatif à l'aide d'une règle triangulaire, d'une équerre de menuisier, etc. en tournant le boulon hexagonal sur le côté droit du support du bras dans le sens des aiguilles d'une montre. Serrez ensuite le levier fermement. (Fig. 56)

Assurez-vous que l'index du support du bras indique 0° sur la plaque de l'échelle de coupe en biseau sur le bras. S'il n'indique pas 0°, desserrez les vis qui immobilisent l'index et réglez-le pour qu'il indique 0°.

(2) Angle de coupe en biseau 45° (Fig. 57)

Ne réglez l'angle de coupe en biseau 45° qu'après avoir réglé l'angle de coupe en biseau 0°. Pour régler l'angle de coupe en biseau 45° gauche, desserrez le levier et inclinez la lame complètement vers la gauche. Assurez-vous que l'index du support du bras indique 45° sur la plaque de l'échelle de coupe en biseau sur le bras. Si l'index n'indique pas 45°, tournez le boulon de réglage d'angle de coupe en biseau 45° gauche sur le côté du bras jusqu'à ce que l'index indique 45°.

Pour régler l'angle de coupe en biseau à 45° à droite, exécutez la même procédure que celle décrite ci-dessus. (Fig. 58)

Retirez et vérifiez les charbons régulièrement.

Remplacez-les lorsqu'ils sont usés jusqu'à une longueur de 3 mm. Maintenez les charbons propres et en état de glisser aisément dans les porte-charbons. Les deux charbons doivent être remplacés en même temps. Utilisez uniquement des charbons identiques. (Fig. 59)

Retirez les bouchons de porte-charbon à l'aide d'un tournevis. Enlevez les charbons usés, insérez-en de nouveaux et revissez solidement les bouchons de porte-charbon.

Après l'utilisation

- Après l'utilisation, essuyez les copeaux et poussières qui adhèrent à l'outil au moyen d'un chiffon ou d'une matière similaire. Maintenez le protecteur de lame propre en respectant les instructions de la section précédente intitulée « Protecteur de lame ». Pour éviter que les pièces coulissantes ne rouillent, graissez-les avec de l'huile pour machine.
- Lorsque vous rangez l'outil, tirez complètement le chariot vers vous.

Pour maintenir la SÉCURITÉ et la FIABILITÉ du produit, les réparations, tout autre travail d'entretien ou de réglage doivent être effectués dans un centre de service Makita

agréé, exclusivement avec des pièces de rechange Makita.

ACCESSOIRES FOURNIS EN OPTION

⚠ AVERTISSEMENT :

- **Ces accessoires ou pièces complémentaires Makita sont recommandés pour être utilisés avec l'outil Makita spécifié dans ce mode d'emploi.** L'utilisation d'autres accessoires ou pièces complémentaires peut entraîner de graves blessures corporelles.
- **N'utilisez les accessoires ou pièces Makita qu'aux fins auxquelles ils ont été conçus.** L'utilisation incorrecte d'un accessoire ou d'une pièce complémentaire peut entraîner des blessures corporelles graves.

Pour obtenir plus de détails sur ces accessoires, contactez votre Centre de service local Makita.

- Lames de scie en acier et carbure (Reportez-vous à notre site Web ou contactez votre revendeur Makita le plus proche pour connaître les lames de scie correctes à utiliser pour le matériau à couper.)
- Garde secondaire de droite
- Ensemble étai (étai horizontal)
- Étai vertical
- Clé à douille avec clé hexagonale de l'autre côté
- Support
- Assemblage de support
- Sac à poussières
- Coude
- Règle triangulaire

REMARQUE :

- Certains éléments de la liste peuvent être inclus en tant qu'accessoires standard dans le coffret de l'outil envoyé. Ils peuvent varier suivant les pays.

Bruit

ENG905-1

Les niveaux de bruit pondéré A typiques ont été mesurés selon la norme EN62841-3-9 :

Niveau de pression sonore (L_{pA}) : 92 dB (A)

Niveau de puissance sonore (L_{WA}) : 102 dB (A)

Incertitude (K) : 3 dB (A)

Portez des protections auditives.

ENG907-1

- La ou les valeurs d'émission de bruit déclarées ont été mesurées conformément à la méthode de test standard et peuvent être utilisées pour comparer les outils entre eux.
- La ou les valeurs d'émission de bruit déclarées peuvent aussi être utilisées pour l'évaluation préliminaire de l'exposition.

⚠ AVERTISSEMENT :

- **Portez un serre-tête antibruit.**
- **L'émission de bruit lors de l'usage réel de l'outil électrique peut être différente de la ou des valeurs déclarées, suivant la façon dont l'outil est utilisé, particulièrement selon le type de pièce usinée.**
- **Les mesures de sécurité à prendre pour protéger l'utilisateur doivent être basées sur une estimation**

de l'exposition dans des conditions réelles d'utilisation (en tenant compte de toutes les composantes du cycle d'utilisation, comme par exemple le moment de sa mise hors tension, lorsqu'il tourne à vide et le moment de son déclenchement).

Déclaration de conformité CE

Pour les pays d'Europe uniquement

La Déclaration de conformité CE figure en Annexe A du présent mode d'emploi.

DEUTSCH (Originalanweisungen)

Erklärung der Gesamtdarstellung

| | | |
|----------------------------|---|--|
| 1. Anschlagstift | 29. Entsperrungstaste | 54. Zusatzanschlag R |
| 2. Bolzen | 30. Ein/Aus-Schalter | 55. Schrauben |
| 3. Halterung | 31. Loch für Schloss | 56. Schraubklemmenarm |
| 4. Halterungssatz | 32. Schalter für Laser | 57. Schraubklemmenknopf |
| 5. Schraube | 33. Halteschraube der Laserbaugruppe | 58. Stehbolzen |
| 6. Sägeblattschutz | 34. Batterie | 59. Schraubklemmenplatte |
| 7. Schlitzplatte | 35. Steckschlüssel mit Sechskantschlüssel am anderen Ende | 60. Schraubklemmenmutter |
| 8. Sägeblatt | 36. Schlüsselhalter | 61. Kranzprofil 52/38° |
| 9. Sägeblattzähne | 37. Steckschlüssel | 62. Kranzprofil 45° |
| 10. Neigungsschnitt links | 38. Sägeblattgehäuse | 63. Hohlkehlenprofil 45° |
| 11. Geradschnitt | 39. Mittenabdeckung | 64. Innenecke |
| 12. Neigungsschnitt rechts | 40. Sechskantschraube | 65. Außenecke |
| 13. Einstellschraube | 41. Pfeil | 66. Schraubklemme |
| 14. Drehteller | 42. Spindelarretierung | 67. Abstandsblock |
| 15. Drehteller-Oberfläche | 43. Sechskantschraube (linksgängig) | 68. Aluminiumprofil |
| 16. Sägeblattumfang | 44. Außenflansch | 69. Horizontal-Schraubklemme (optionales Zubehör) |
| 17. Gehrungsanschlag | 45. Ring | 70. Löcher |
| 18. Stopperarm | 46. Innenflansch | 71. Nuten mit Blatt schneiden |
| 19. Einstellschraube | 47. Spindel | 72. Einstelldreieck |
| 20. Gehrungsskala | 48. Absaugstutzen | 73. Einstellschraube für 0°-Rasterung |
| 21. Zeiger | 49. Staubbeutel | 74. Einstellschraube für 45°-Neigungswinkel links |
| 22. Verriegelungshebel | 50. Verschluss | 75. Drehtisch-Oberfläche |
| 23. Griff | 51. Stütze | 76. Einstellschraube für 45°-Neigungswinkel rechts |
| 24. Hebel | 52. Schiebeanschlag | 77. Schraubendreher |
| 25. Arm | 53. Klemmschraube | 78. Bürstenhalterkappe |

TECHNISCHE DATEN

| Modell | | LS1018 | LS1018L |
|---|-----------------------------------|---------------------------------------|---|
| Sägeblatt-Durchmesser | | 255 - 260 mm | |
| Lochdurchmesser | Für alle Länder außerhalb Europas | 25,4 mm oder 30 mm (länderspezifisch) | |
| | Für europäische Länder | 30 mm | |
| Max. Schnittfugenbreite des Sägeblattes | | 3,2 mm | |
| Max. Gehrungswinkel | | Rechts 60°, links 47° | |
| Max. Neigungswinkel | | Rechts 45°, links 45° | |
| Drehzahl ohne Last | | 4.300 min ⁻¹ | |
| Lasertyp | | - | Rotlicht-Laser 650 nm, Höchstleistung 1 mW < (Laserklasse 2M) |
| Abmessungen (L x B x H) | | 825 mm x 536 mm x 633 mm | |
| Nettogewicht | | 21,5 kg | |
| Schutzklasse | | □/II | |

- Aufgrund unserer beständigen Forschungen und Weiterentwicklungen sind Änderungen an den hier angegebenen Technischen Daten ohne Vorankündigung vorbehalten.
- Die Technischen Daten können in den einzelnen Ländern voneinander abweichen.
- Gewicht entsprechend EPTA-Verfahren 01/2014

Maximale Schnittleistung (H x B) mit 260-mm-Durchmesser Sägeblatt

| Gehrungswinkel | Neigungswinkel | | |
|----------------|----------------|----------------|----------------|
| | 45° (links) | 0° | 45° (rechts) |
| 0° | 50 mm x 310 mm | 91 mm x 310 mm | 31 mm x 310 mm |
| 45° | 50 mm x 220 mm | 91 mm x 220 mm | 31 mm x 220 mm |
| 60° (rechts) | - | 91 mm x 153 mm | - |

Symbole

END325-1

Im Folgenden sind die im Zusammenhang mit diesem Werkzeug verwendeten Symbole dargestellt. Machen Sie sich vor der Benutzung des Werkzeugs unbedingt mit diesen Symbolen vertraut.



..... Lesen Sie die vorliegende Betriebsanleitung.



..... DOPPELT SCHUTZISOLIERT



..... Um Verletzungen durch umherfliegende Sägeabfälle zu vermeiden, halten Sie den Sägekopf nach dem Ausführen der Schnitte abgesenkt, bis das Sägeblatt zum völligen Stillstand gekommen ist.



Wenn Sie einen Zugschnitt ausführen, ziehen Sie den Schlitten zunächst ganz heran, drücken Sie den Griff nach unten und drücken Sie dann den Schlitten in Richtung Gehrungsanschlag.



..... Halten Sie Hände und Finger vom Sägeblatt fern.



..... Stellen Sie Schiebeanschläge weit genug vom Sägeblatt entfernt ein, stellen Sie den Sägeblattschutz ordnungsgemäß ein.



..... Entfernen Sie vor dem Ausführen von Neigungsschnitten rechts immer den ZUSATZANSCHLAG R. Anderenfalls kann sich der Bediener der Säge schwer verletzen.



..... **LASERSTRAHLUNG:** Nicht in den Strahl blicken. Bei direktem Blicken in den Laserstrahl kann es zu Augenverletzungen kommen.



..... Nur für EU-Länder
Werfen Sie Elektrowerkzeuge nicht in den Hausmüll!
Gemäß der Europäischen Richtlinie über Elektro- und Elektronik-Altgeräte und ihrer Umsetzung in nationales Recht müssen verbrauchte Elektrowerkzeuge getrennt gesammelt und einer

umweltgerechten Wiederverwertung zugeführt werden.

Verwendungszweck

ENE006-1

Das Werkzeug ist für exakte Gerad- und Gehrungsschnitte in Holz vorgesehen. Mit entsprechenden Sägeblättern kann auch Aluminium gesägt werden.

Stromversorgung

ENF002-2

Das Werkzeug darf nur an eine Stromversorgung mit Einphasen-Wechselstrom mit der auf dem Typenschild angegebenen Spannung angeschlossen werden. Das Werkzeug verfügt über ein doppelt isoliertes Gehäuse und kann daher auch an einer Stromversorgung ohne Schutzkontakt betrieben werden.

Allgemeine Sicherheitswarnungen für Elektrowerkzeuge

GEA010-2

⚠️ WARNUNG: Lesen Sie alle mit diesem Elektrowerkzeug gelieferten Sicherheitswarnungen, Anweisungen, Abbildungen und technischen Daten durch. Eine Missachtung der unten aufgeführten Anweisungen kann zu einem elektrischen Schlag, Brand und/oder schweren Verletzungen führen.

Bewahren Sie alle Warnungen und Anweisungen für spätere Bezugnahme auf.

Der Ausdruck „Elektrowerkzeug“ in den Warnhinweisen bezieht sich auf Ihr mit Netzstrom (mit Kabel) oder Akku (ohne Kabel) betriebenes Elektrowerkzeug.

SICHERHEITSHINWEISE

Sicherheitsanweisungen für Gehrungssägen

ENB130-2

1. **Gehrungssägen sind zum Schneiden von Holz oder holzähnlichen Produkten vorgesehen. Sie können nicht mit Trennschleifscheiben zum Schneiden von Eisenmaterial, wie z. B. Stäben, Stangen, Bolzen usw., verwendet werden.**
Schleifstaub kann Klemmen von beweglichen Teilen, wie z. B. der unteren Schutzhaube, verursachen. Beim Trennschleifen entstehende Funken verbrennen die untere Schutzhaube, den Schnittfugeneinsatz und andere Kunststoffteile.

2. **Stützen Sie das Werkstück nach Möglichkeit immer mit Klemmen ab. Wenn Sie das Werkstück mit der Hand abstützen, müssen Sie Ihre Hand immer mindestens 100 mm von beiden Seiten des Sägeblatts entfernt halten. Verwenden Sie diese Säge nicht zum Schneiden von Werkstücken, die zu klein sind, um sicher eingespannt oder von Hand gehalten zu werden.** Wenn Sie Ihre Hand zu nah an das Sägeblatt halten, besteht erhöhte Verletzungsgefahr durch Kontakt mit dem Sägeblatt.
3. **Das Werkstück muss stationär sein und sowohl gegen den Gehrungsanschlag als auch den Tisch geklemmt oder gehalten werden. Schieben Sie das Werkstück nicht in das Sägeblatt, und schneiden Sie auch nicht „freihändig“ in irgendeiner Weise.** Nicht gesicherte oder bewegliche Werkstücke könnten mit hoher Geschwindigkeit herausgeschleudert werden und Verletzungen verursachen.
4. **Schieben Sie die Säge durch das Werkstück. Ziehen Sie die Säge nicht durch das Werkstück. Um einen Schnitt auszuführen, heben Sie den Sägekopf an, ziehen Sie ihn über das Werkstück heraus, ohne es zu schneiden, starten Sie den Motor, drücken Sie den Sägekopf nach unten, und schieben Sie die Säge durch das Werkstück.** Beim Schneiden in Zugrichtung ist die Wahrscheinlichkeit groß, dass das Sägeblatt am Werkstück hoch klettert und die Sägeblatteinheit heftig gegen den Bediener schleudert.
5. **Halten Sie niemals Ihre Hand über die beabsichtigte Schnittlinie, weder vor noch hinter dem Sägeblatt.** Abstützen des Werkstücks mit „überkreuzter Hand“, d. h. Halten des Werkstücks rechts vom Sägeblatt mit der linken Hand oder umgekehrt, ist sehr gefährlich. (Abb. 1)
6. **Reichen Sie bei rotierendem Sägeblatt nicht hinter den Gehrungsanschlag, so dass sich eine Ihrer Hände näher als 100 mm links oder rechts des Sägeblatts befindet, um Holzabfälle zu entfernen, oder aus anderen Gründen.** Es mag nicht offensichtlich sein, wie nah sich Ihre Hand am Sägeblatt befindet, und Sie können sich ernsthaft verletzen.
7. **Überprüfen Sie Ihr Werkstück vor dem Schneiden. Falls das Werkstück verbogen oder verzogen ist, spannen Sie es mit der äußeren gebogenen Seite zum Gehrungsanschlag gerichtet ein. Vergewissern Sie sich stets, dass keine Lücke zwischen Werkstück, Gehrungsanschlag und Tisch entlang der Schnittlinie vorhanden ist.** Verbogene oder verzogene Werkstücke neigen zum Drehen oder Verlagern und können beim Schneiden Klemmen am rotierenden Sägeblatt verursachen. Es dürfen keine Nägel oder Fremdkörper im Werkstück vorhanden sein.
8. **Benutzen Sie die Säge nicht eher, bis sämtliche Werkzeuge, Holzabfälle usw. außer dem Werkstück vom Tisch weggeräumt sind.** Kleine Bruchstücke, lose Holzstücke oder andere Objekte, die das rotierende Sägeblatt berühren, können mit hoher Geschwindigkeit herausgeschleudert werden.
9. **Schneiden Sie nur jeweils ein Werkstück.** Mehrere übereinander gestapelte Werkstücke lassen sich nicht angemessen einspannen oder abstützen und können am Sägeblatt klemmen oder sich während des Schneidens verlagern.
10. **Vergewissern Sie sich vor Gebrauch, dass die Gehrungssäge auf einer ebenen, stabilen Arbeitsfläche montiert oder platziert ist.** Eine ebene und stabile Arbeitsfläche verringert die Gefahr, dass die Gehrungssäge instabil wird.
11. **Planen Sie Ihre Arbeit. Stellen Sie bei jeder Änderung der Neigungs- oder Gehrungswinkeleinstellung sicher, dass der verstellbare Gehrungsanschlag korrekt eingestellt ist, um das Werkstück abzustützen, und dass er nicht mit dem Sägeblatt oder dem Schutzsystem in Berührung kommt.** Bewegen Sie das Sägeblatt durch einen vollständigen simulierten Schnitt, ohne das Werkzeug einzuschalten und ein Werkstück auf den Tisch zu legen, um zu gewährleisten, dass es nicht zu einer Berührung oder der Gefahr des Schneidens in den Gehrungsanschlag kommt.
12. **Sorgen Sie für angemessene Abstützung eines Werkstücks, das breiter oder länger als die Tischplatte ist, z. B. durch Tischverlängerungen, Sägeböcke usw.** Werkstücke, die länger oder breiter als der Tisch der Gehrungssäge sind, können kippen, wenn sie nicht sicher abgestützt werden. Falls das abgeschnittene Stück oder Werkstück kippt, kann es die untere Schutzhaube anheben oder vom rotierenden Sägeblatt weggeschleudert werden.
13. **Verwenden Sie keine zweite Person als Ersatz für eine Tischverlängerung oder zur zusätzlichen Abstützung.** Instabile Abstützung des Werkstücks kann dazu führen, dass das Sägeblatt klemmt oder das Werkstück sich während des Schneidvorgangs verlagert, so dass Sie und der Helfer in das rotierende Sägeblatt gezogen werden.
14. **Das abgeschnittene Stücke darf nicht in irgendeiner Weise gegen das rotierende Sägeblatt geklemmt oder gedrückt werden.** Bei Einengung, z. B. durch Längenanschlänge, könnte sich das abgeschnittene Stück gegen das Sägeblatt verkeilen und heftig herausgeschleudert werden.
15. **Verwenden Sie stets eine Klemme oder eine Einspannvorrichtung, um Rundmaterial, wie z. B. Stangen oder Rohre, einwandfrei abzustützen.** Stangen neigen beim Schneiden zum Rollen, so dass das Sägeblatt „beißt“ und das Werkstück mit Ihrer Hand in das Sägeblatt zieht.
16. **Warten Sie, bis das Sägeblatt die volle Drehzahl erreicht, bevor es das Werkstück kontaktiert.** Dadurch wird die Gefahr des Herausschleuderns des Werkstücks verringert.
17. **Falls das Werkstück oder das Sägeblatt eingeklemmt wird, schalten Sie die Gehrungssäge aus. Warten Sie, bis alle beweglichen Teile zum Stillstand gekommen sind, und ziehen Sie dann den Stecker von der Stromquelle ab und/oder nehmen Sie den Akku ab. Befreien Sie dann das eingeklemmte Material.** Fortgesetztes Sägen mit einem eingeklemmten Werkstück könnte zum Verlust der Kontrolle oder zu einer Beschädigung der Gehrungssäge führen.
18. **Nachdem Sie den Schnitt vollendet haben, lassen Sie den Schalter los, halten Sie den Sägekopf nach unten, und warten Sie, bis das Sägeblatt zum**

Stillstand kommt, bevor Sie das abgeschnittene Stück entfernen. Es ist gefährlich, mit Ihrer Hand in die Nähe des auslaufenden Sägeblatts zu reichen.

19. **Halten Sie den Handgriff sicher fest, wenn Sie einen unvollständigen Schnitt ausführen oder den Schalter loslassen, bevor sich der Sägekopf vollständig in der abgesenkten Position befindet.** Die Abbremsung der Säge kann bewirken, dass der Sägekopf plötzlich nach unten gezogen wird, so dass Verletzungsgefahr besteht.
20. **Verwenden Sie nur Sägeblätter mit einem Durchmesser, der am Werkzeug markiert oder im Handbuch angegeben ist.** Die Verwendung eines Sägeblatts mit falscher Größe kann den einwandfreien Schutz des Sägeblatts oder den Schutzbetrieb beeinträchtigen, was ernsthaften Personenschaden zur Folge haben kann.
21. **Verwenden Sie nur Sägeblätter, die mit einer Drehzahl markiert sind, die der am Werkzeug angegebenen Drehzahl entspricht oder diese übertrifft.**
22. **Verwenden Sie die Säge nur zum Schneiden von Holz, Aluminium oder ähnlichen Materialien.**
23. **(Nur für europäische Länder)**
Verwenden Sie immer ein Sägeblatt, das EN847-1 entspricht.

Zusätzliche Anweisungen

1. **Machen Sie die Werkstatt mit Vorhängeschlossern kindersicher.**
2. **Stellen Sie sich niemals auf das Werkzeug.** Durch Kippen des Werkzeugs oder versehentliche Berührung mit dem Schneidwerkzeug könnten ernsthafte Verletzungen auftreten.
3. **Lassen Sie das Werkzeug niemals unbeaufsichtigt laufen.** Schalten Sie die Stromversorgung aus. **Verlassen Sie das Werkzeug nicht eher, bis es zu einem vollständigen Stillstand gekommen ist.**
4. **Betreiben Sie die Säge nicht ohne Schutzhäuben.** Überprüfen Sie die Sägeblattschutzhaube vor jeder Benutzung auf einwandfreies Schließen. **Betreiben Sie die Säge nicht, wenn sich die Schutzhaube nicht ungehindert bewegt und sich nicht sofort schließt.** Die Schutzhaube darf auf keinen Fall in der geöffneten Stellung festgeklemmt oder festgebunden werden.
5. **Halten Sie Ihre Hände von der Schnittlinie des Sägeblatts fern.** Vermeiden Sie die Berührung eines auslaufenden Sägeblatts. Es kann auch in diesem Zustand noch schwere Verletzungen verursachen.
6. **Um die Verletzungsgefahr zu verringern, führen Sie den Schlitten nach jedem Ablängschnittvorgang auf seine hintere Anschlagstellung zurück.**
7. **Sichern Sie stets alle beweglichen Teile, bevor Sie das Werkzeug tragen.**
8. **Der Anschlagstift, der den Schneidkopf verriegelt, ist nur zum Tragen und zur Lagerung, nicht für irgendwelche Schneidarbeiten, vorgesehen.**
9. **Überprüfen Sie das Sägeblatt vor dem Betrieb sorgfältig auf Risse oder Beschädigung.** Wechseln Sie ein gerissenes oder beschädigtes Sägeblatt unverzüglich aus. An den Sägeblättern haftendes und verhärtetes Gummi und Harz

- verlangsamen die Säge und erhöhen die Rückschlaggefahr. Halten Sie das Sägeblatt sauber, indem Sie es vom Werkzeug abmontieren und dann mit Gummi- und Harzentferner, heißem Wasser oder Petroleum reinigen. Verwenden Sie niemals Benzin zum Reinigen des Sägeblatts.
10. **Bei der Durchführung eines Schiebesschnitts kann RÜCKSCHLAG auftreten. RÜCKSCHLAG tritt auf, wenn das Sägeblatt während eines Schneidvorgangs im Werkstück klemmt und plötzlich auf den Bediener zu getrieben wird.** Es kann zum Verlust der Kontrolle und zu ernsthaften Personenschäden kommen. Falls das Sägeblatt während eines Schneidvorgangs zu klemmen beginnt, brechen Sie den Schnitt ab und lassen Sie den Schalter unverzüglich los.
 11. **Verwenden Sie nur die für dieses Werkzeug vorgeschriebenen Flansche.**
 12. **Achten Sie sorgfältig darauf, dass die Spindel, die Flansche (insbesondere die Ansatzfläche) oder die Schraube nicht beschädigt werden.** Eine Beschädigung dieser Teile kann zu einem Sägeblattbruch führen.
 13. **Vergewissern Sie sich, dass der Drehteller einwandfrei gesichert ist, damit er sich während des Betriebs nicht bewegt.** Verwenden Sie die Löcher in der Grundplatte, um die Säge an einer stabilen Arbeitsbühne oder Werkbank zu befestigen. Benutzen Sie das Werkzeug NIEMALS in Situationen, bei denen der Bediener gezwungen wäre, eine ungünstige Position einzunehmen.
 14. **Vergewissern Sie sich vor dem Einschalten des Werkzeugs, dass die Spindelarrretierung freigegeben ist.**
 15. **Vergewissern Sie sich, dass das Sägeblatt in der tiefsten Position nicht mit dem Drehteller in Berührung kommt.**
 16. **Halten Sie den Handgriff sicher fest. Beachten Sie, dass sich die Säge beim Anlaufen und Abstellen geringfügig nach oben oder unten bewegt.**
 17. **Vergewissern Sie sich vor dem Einschalten des Werkzeugs, dass das Sägeblatt nicht das Werkstück berührt.**
 18. **Lassen Sie das Werkzeug vor dem eigentlichen Schneiden eines Werkstücks eine Weile laufen. Achten Sie auf Vibrationen oder Taumelbewegungen, die Anzeichen für schlechte Montage oder ein schlecht ausgewuchtetes Sägeblatt sein können.**
 19. **Brechen Sie sofort den Betrieb ab, wenn Sie irgend etwas Ungewöhnliches bemerken.**
 20. **Versuchen Sie nicht, den Auslöser in der EIN-Stellung zu verriegeln.**
 21. **Verwenden Sie stets das in dieser Anleitung empfohlene Zubehör. Der Gebrauch ungeeigneten Zubehörs, wie z. B. Schleifscheiben, kann Verletzungen zur Folge haben.**
 22. **Manche Materialien können giftige Chemikalien enthalten. Treffen Sie Vorsichtsmaßnahmen, um das Einatmen von Arbeitsstaub und Hautkontakt zu verhüten. Befolgen Sie die Sicherheitsdaten des Materialherstellers.**

Zusätzliche Sicherheitsregeln für den Laser

1. **LASERSTRAHLUNG. NICHT IN DEN STRAHL BLICKEN ODER DIREKT MIT OPTISCHEN INSTRUMENTEN BETRACHTEN. LASERPRODUKT DER KLASSE 2M.**

DIESE ANWEISUNGEN AUFBEWAHREN.

WARNUNG:

Lassen Sie sich **NICHT** durch **Bequemlichkeit** oder **Vertrautheit** mit dem Produkt (durch wiederholten Gebrauch erworben) von der strikten Einhaltung der Sicherheitsregeln für das vorliegende Produkt abhalten. **MISSBRAUCH** oder **Missachtung** der Sicherheitsvorschriften in dieser Anleitung können schwere Personenschäden verursachen.

INSTALLATION

Montage auf Werkbank (Abb. 2)

Der Handgriff wird vor dem Versand werkseitig anhand eines Arretierstifts in der Tiefstellung verriegelt. Lösen Sie die Verriegelung, indem Sie den Handgriff etwas herunterdrücken und gleichzeitig den Arretierstift herausziehen. (Abb. 3)

Dieses Werkzeug ist mit vier Schrauben durch die Schraubenbohrungen in der Grundplatte des Werkzeugs auf einer waagerechten und stabilen Oberfläche zu montieren. So verhindern Sie ein Umkippen und mögliche Verletzungen.

Anbau der Halterungen und der Halterungssätze

HINWEIS:

- In einigen Ländern können die Halterungen und Halterungssätze nicht serienmäßig im Werkzeugsatz enthalten sein. (Abb. 4)

Die Halterungen und Halterungssätze dienen zur horizontalen Befestigung von Werkstücken.

Bauen Sie die Halterungen und Halterungssätze beidseitig wie abgebildet an.

Ziehen Sie dann die Schrauben zur Sicherung der Halterungen und der Halterungssätze fest.

FUNKTIONSBESCHREIBUNG

WARNUNG:

- **Schalten Sie das Werkzeug stets aus und ziehen Sie den Stecker, bevor Sie Einstellungen oder eine Funktionsprüfung am Werkzeug vornehmen.** Wenn Sie das Werkzeug nicht ausschalten und den Netzstecker nicht herausziehen, kann dies bei einem versehentlichen Starten zu schweren Verletzungen führen.

Blattschutz (Abb. 5)

Wird der Handgriff abgesehen, hebt sich der Sägeblattschutz automatisch. Der Sägeblattschutz kehrt in seine Ausgangsstellung zurück, wenn der Schnitt vollendet ist und der Handgriff angehoben wird.

WARNUNG:

- **Entfernen Sie niemals den Sägeblattschutz oder die Feder, die mit dem Schutz verbunden ist, und deaktivieren Sie diese Einrichtungen niemals.** Ein ungeschütztes Sägeblatt als Ergebnis eines unwirksamen Schutzes kann zu schweren Verletzungen während des Betriebs führen.

Im Interesse Ihrer eigenen Sicherheit ist der Sägeblattschutz stets in ordnungsgemäßem Zustand zu halten. Etwaige Mängel am Sägeblattschutz müssen unverzüglich behoben werden. Überprüfen Sie, ob die Feder den Schutz ordnungsgemäß in seine Position zurückbringt.

WARNUNG:

- **Verwenden Sie das Werkzeug niemals, wenn der Sägeblattschutz oder die Feder beschädigt oder defekt sind oder entfernt wurden.** Ein Betrieb des Werkzeugs mit einem beschädigten oder fehlerhaften oder ohne Schutz kann zu schweren Verletzungen führen.

Wenn der transparente Sägeblattschutz schmutzig wird oder so viel Sägemehl an ihm haftet, dass das Sägeblatt und/oder das Werkstück nicht mehr ohne weiteres sichtbar sind, sollten Sie den Netzstecker der Säge ziehen und den Sägeblattschutz mit einem feuchten Tuch sorgfältig reinigen. Verwenden Sie zum Reinigen des Sägeblattschutzes keine Lösungsmittel oder Reinigungsmittel auf Petroleumbasis, weil dadurch der Schutz beschädigt werden kann.

Falls der Sägeblattschutz verschmutzt ist und für einen ordnungsgemäßen Betrieb gereinigt werden muss, gehen Sie wie folgt vor:

Schalten Sie das Werkzeug aus, ziehen Sie den Netzstecker und lösen Sie die Sechskantschraube mit dem mitgelieferten Steckschlüssel, indem Sie die Mittenabdeckung drehen. Lösen Sie die Sechskantschraube, indem Sie sie gegen den Uhrzeigersinn drehen und heben Sie den Sägeblattschutz und die Mittenabdeckung an. (Abb. 6)

In dieser Position kann der Sägeblattschutz umfassender und effizienter gereinigt werden. Wenn Sie die Reinigung abgeschlossen haben, führen Sie die oben beschriebenen Schritte in umgekehrter Reihenfolge durch und sichern Sie die Schraube wieder. Entfernen Sie nicht die Feder, die den Sägeblattschutz hält. Wenn der Sägeblattschutz mit der Zeit oder durch Sonneneinstrahlung beschädigt wird, wenden Sie sich an ein Makita-Servicecenter, um einen neuen Sägeblattschutz zu erhalten. **ENTFERNEN SIE DEN SÄGEBLATTSCHUTZ NICHT UND MACHEN SIE IHN NICHT UNWIRKSAM!**

Positionierung der Schlitzplatte (Abb. 7 und 8)

Dieses Werkzeug ist mit Schlitzplatten im Drehteller versehen, um ein Zerfasern an der Austrittsseite eines Schnittes zu minimieren. Die Schlitzplatten sind werkseitig so eingestellt, dass das Sägeblatt sie nicht berührt. Stellen Sie vor der Verwendung die Schlitzplatten wie folgt ein:

Ziehen Sie zunächst den Netzstecker heraus. Lösen Sie alle Schrauben (jeweils 3 links und rechts), die die Schlitzplatten sichern. Ziehen Sie sie nur so weit wieder

an, dass sich die Schlitzplatten noch leicht von Hand bewegen lassen. Senken Sie den Handgriff ganz ab, und arretieren Sie ihn in der Tiefstellung durch Einschieben des Arretierstifts. Lösen Sie die Schraube, mit der die Schiebeposten gesichert sind. Ziehen Sie den Schlitten ganz zu sich heran. Stellen Sie die Schlitzplatten so ein, dass sie gerade die Seiten der Sägeblattzähne berühren. Ziehen Sie die vorderen Schrauben an (aber nicht ganz fest). Schieben Sie den Schlitten ganz gegen den Gehrungsanschlag und stellen Sie die Schlitzplatten so ein, dass sie gerade die Seiten der Sägeblattzähne berühren. Ziehen Sie die hinteren Schrauben an (aber nicht ganz fest).

Nach Einstellen der Schlitzplatten lösen Sie den Arretierstift und heben den Griff an. Ziehen Sie anschließend alle Schrauben fest an.

HINWEIS:

- **Vergewissern Sie sich nach dem Einstellen des Neigungswinkels, dass die Schlitzplatten ordnungsgemäß ausgerichtet sind.** Eine korrekte Ausrichtung der Schlitzplatten unterstützt die Abstützung des Werkstücks, sodass das Herausreißen des Werkstücks vermindert wird.

Beibehaltung der maximalen Schnittleistung

Dieses Werkzeug ist werkseitig so eingestellt, dass die maximale Schnittleistung mit einem 255-mm-Sägeblatt erreicht wird.

Ziehen Sie den Stecker, bevor Sie Einstellungen vornehmen. Überprüfen Sie beim Anbringen eines neuen Sägeblatts den unteren Sägeblattanschlag und passen Sie ihn bei Bedarf wie folgt an: **(Abb. 9 und 10)**

Ziehen Sie zunächst den Netzstecker heraus. Drücken Sie den Schlitten ganz gegen den Gehrungsanschlag und senken Sie den Griff vollständig. Drehen Sie die Einstellschraube mit Hilfe des Sechskantschlüssels, bis der Sägeblattumfang am Berührungspunkt von Gehrungsanschlag-Vorderseite und Drehteller-Oberfläche geringfügig unterhalb der Drehteller-Oberfläche liegt.

Ziehen Sie den Netzstecker, drehen Sie das Sägeblatt bei gezogenem Netzstecker von Hand, während Sie den Handgriff in der Tiefstellung halten, um sicherzugehen, dass das Sägeblatt keinen Teil des Auflagetisches berührt. Bei Bedarf ist eine Nachjustierung vorzunehmen.

WARNUNG:

- Vergewissern Sie sich nach der Montage eines neuen Sägeblatts bei noch herausgezogenem Netzstecker stets, dass das Sägeblatt in der Tiefstellung des Handgriffs keinen Teil des Auflagetisches berührt. Falls das Sägeblatt Kontakt zum Auflagetisch hat, kann dies zu einem Rückschlag führen und schwere Verletzungen verursachen.

Stopperarm (Abb. 11)

Die untere Anschlagposition des Sägeblatts lässt sich leicht mit dem Stopperarm einstellen. Bewegen Sie hierzu den Stopperarm in Richtung der Pfeile, wie in der Abbildung dargestellt. Stellen Sie die Einstellschraube so ein, dass das Sägeblatt bei vollständigem Absenken des Griffs an der gewünschten Position stoppt.

Einstellen des Gehrungswinkels (Abb. 12)

Lösen Sie den Griff durch Drehung gegen den Uhrzeigersinn. Drehen Sie den Drehteller, während Sie den Arretierhebel niederdrücken. Bewegen Sie den Griff, bis der Zeiger auf den gewünschten Winkel der Gehrungswinkelskala zeigt, und ziehen Sie dann den Griff durch Drehung im Uhrzeigersinn fest.

ACHTUNG:

- Sichern Sie den Drehteller nach jeder Änderung des Gehrungswinkels stets durch Anziehen des Griffs gegen Verdrehen.

HINWEIS:

- Bringen Sie den Handgriff in die Hochstellung, bevor Sie den Drehteller drehen.

Einstellen des Fasenwinkels (Abb. 13)

Zum Einstellen des Neigungswinkels lösen Sie den Hebel an der Rückseite des Werkzeugs gegen den Uhrzeigersinn. Entriegeln Sie den Arm, indem Sie den Handgriff recht fest in die Richtung drücken, in die das Sägeblatt gekippt werden soll.

HINWEIS:

- Der Hebel kann auf verschiedene Hebelwinkel eingestellt werden; entfernen Sie dazu die Schraube, die den Hebel festhält und sichern Sie den Hebel im gewünschten Winkel. **(Abb. 14)**
- Neigen Sie das Sägeblatt, bis der Zeiger auf den gewünschten Winkel der Neigungswinkelskala zeigt. Ziehen Sie dann den Hebel im Uhrzeigersinn an, um den Arm ordnungsgemäß zu befestigen. **(Abb. 15)**
- Zum Schwenken des Schlittens nach rechts schwenken Sie den Schlitten nach dem Lösen des Hebels und Drücken der Auslösetaste leicht nach links. Schwenken Sie den Schlitten bei gedrückter Auslösetaste nach rechts. **(Abb. 16)**
- Neigen Sie das Sägeblatt, bis der Zeiger auf den gewünschten Winkel der Neigungswinkelskala zeigt. Ziehen Sie dann den Hebel im Uhrzeigersinn an, um den Arm ordnungsgemäß zu befestigen.
- Achten Sie beim Ändern der Neigungswinkel darauf, die Schlitzplatten richtig zu positionieren, wie im Abschnitt „Positionierung der Schlitzplatten“ beschrieben.

ACHTUNG:

- Sichern Sie den Arm nach jeder Änderung des Neigungswinkels stets durch Anziehen des Hebels im Uhrzeigersinn.

HINWEIS:

- Bringen Sie den Handgriff in die Hochstellung, bevor Sie das Sägeblatt neigen.
- Achten Sie beim Ändern der Neigungswinkel darauf, die Schlitzplatten richtig zu positionieren, wie im Abschnitt „Positionierung der Schlitzplatten“ beschrieben.

Anpassen der Schiebverriegelung (Abb. 17)

Zum Verriegeln des Schiebbestabs drehen Sie die Verriegelungsschraube im Uhrzeigersinn.

Bedienung des Schalters (Abb. 18)

Damit die Auslöseschaltung nicht versehentlich gezogen wird, befindet sich am Werkzeug eine Entsperrungstaste. Zum Start des Werkzeugs müssen die Entsperrungstaste gedrückt und der EIN/AUS-Schalter gezogen werden. Lassen Sie zum Ausschalten des Werkzeugs den Ein/Aus-Schalter los.

⚠️ WARNUNG:

- **Achten Sie vor dem Einstecken des Werkzeug-Netzsteckers darauf, dass sich der Ein/Aus-Schalter korrekt bedienen lässt und beim Loslassen in die Position „OFF“ (AUS) zurückkehrt. Drücken Sie niemals mit Gewalt auf den EIN/AUS-Schalter, ohne dabei die Entriegelungstaste zu betätigen. Dies kann zu einer Beschädigung des Schalters führen.** Der Betrieb eines Werkzeugs mit einem nicht ordnungsgemäß auslösenden Schalter kann zum Kontrollverlust und zu schweren Verletzungen führen. Durch das Loch im Schalter können Sie zur Sicherung der Werkzeuge ein Schloss einsetzen.

⚠️ WARNUNG:

- **Verwenden Sie keine Sperre mit einem Schaft oder Kabel mit einem Durchmesser unter 6,35 mm.** Ein dünnerer Schaft oder dünneres Kabel kann das Werkzeug möglicherweise nicht ordnungsgemäß in der Position „OFF“ verriegeln und ein unbeabsichtigter Betrieb kann zu schweren Verletzungen führen.
- **Verwenden Sie das Werkzeug NIEMALS ohne eine voll funktionstüchtigen Auslöseschalter.** Jedes Werkzeug mit einem nicht funktionierenden Ein/Aus-Schalter ist HÖCHST GEFÄHRLICH und muss vor dem weiteren Gebrauch repariert werden; andernfalls kann dies zu schweren Verletzungen führen.
- Zu Ihrer Sicherheit ist das vorliegende Werkzeug mit einer Entsperrungstaste ausgestattet, um zu verhindern, dass das Werkzeug versehentlich gestartet wird. Verwenden Sie NIEMALS das Werkzeug, wenn es durch ein einfaches Betätigen des EIN/AUS-Schalters startet, ohne dass Sie dabei die Entsperrungstaste drücken. Ein reparaturbedürftiger Schalter kann zu einem unbeabsichtigten Betrieb und schweren Verletzungen führen. Geben Sie VOR dem weiteren Gebrauch das Werkzeug an ein Makita-Servicecenter, um es dort ordnungsgemäß reparieren zu lassen.
- Setzen Sie NIEMALS die Entriegelungstaste außer Kraft, indem Sie diese festkleben oder ähnliches. Ein Schalter mit unwirksamer Entriegelungstaste kann zu einem unbeabsichtigten Betrieb und schweren Verletzungen führen.

Elektronische Funktion

Soft-Start-Funktion

Diese Funktion gestattet das weiche Anlaufen des Werkzeugs durch Begrenzung des Anlauf-Drehmoments.

Bedienung des Laserstrahls

Nur für Modell LS1018L

HINWEIS:

- Setzen Sie vor der ersten Verwendung zwei Batterien der Größe AA in das Batteriefach ein. Weitere

Informationen zum Einbau finden Sie in Abschnitt „Austauschen der Batterien des Lasergeräts“.

⚠️ ACHTUNG:

- Schalten Sie den Laser aus, wenn der Laser nicht genutzt wird. (Abb. 19)

⚠️ ACHTUNG:

- Schauen Sie nie in den Laserstrahl. Bei direktem Blicken in den Laserstrahl kann es zu Augenverletzungen kommen.
- LASERSTRAHLUNG - NICHT DIREKT IN DEN STRAHL SEHEN! LASERPRODUKT DER KLASSE 2
- Ziehen Sie unbedingt den Netzstecker des Werkzeugs, bevor Sie die Laserlinie verschieben oder Wartungsarbeiten ausführen.

Um den Laserstrahl einzuschalten, drücken Sie oben (I) auf dem Schalter. Zum Ausschalten des Laserstrahls drücken Sie die untere Position (0) des Schalters. Die Laserlinie kann nach rechts und nach links neben das Sägeblatt verschoben werden; lösen Sie dazu die Halteschraube der Laserbaugruppe und schieben Sie den Laser in die gewünschte Richtung. Ziehen Sie die Schraube nach der Einstellung unbedingt wieder ordnungsgemäß fest. (Abb. 20)

Die Laserlinie ist werkseitig so eingestellt, dass sie sich innerhalb von 1 mm von der seitlichen Oberfläche des Sägeblatts befindet (Schnittposition).

HINWEIS:

- Wenn die Laserlinie abgedunkelt und wegen Sonnenlicht schwer sichtbar ist, setzen Sie die Arbeit an einer Stelle mit weniger Sonneinstrahlung fort.

Austausch der Batterien des Lasergeräts (Abb. 21 und 22)

Drücken Sie auf die Batterieabdeckung und schieben Sie die Abdeckung ab. Entnehmen Sie die verbrauchten Batterien und setzen Sie die neuen Batterien wie in der Abbildung dargestellt ein. Bringen Sie die Batterieabdeckung wieder an.

Reinigen der Linse für das Laserlicht

Wenn die Linse für das Laserlicht schmutzig wird oder so viel Sägemehl an ihr haftet, dass das Laserlicht nicht mehr ohne weiteres sichtbar sind, sollten Sie den Netzstecker der Säge ziehen und die Linse für das Laserlicht vorsichtig mit einem feuchten, weichen Tuch reinigen. Verwenden Sie keine Lösungsmittel oder Reinigungsmittel auf Petroleumbasis zum Reinigen der Linse.

HINWEIS:

- Wenn die Laserlinie abgedunkelt und wegen Sonnenlicht beinahe oder ganz unsichtbar ist, setzen Sie die Arbeit an einer Stelle fort, an der kein Sonnenlicht herrscht.

MONTAGE

⚠️ WARNUNG:

- **Schalten Sie das Werkzeug stets aus und ziehen Sie den Netzstecker, bevor Sie Arbeiten am Werkzeug vornehmen.** Wird das Werkzeug nicht ausgeschaltet und der Netzstecker nicht

herausgezogen, kann dies zu schweren Verletzungen führen.

Aufbewahrung des Steckschlüssels mit Sechskantschlüssel am anderen Ende (Abb. 23)

Der Steckschlüssel lässt sich wie in der Abbildung dargestellt aufbewahren. Wenn Sie den Steckschlüssel benötigen, ziehen Sie ihn aus dem Schlüsselhalter. Nach Verwendung des Steckschlüssels können Sie ihn wieder im Schlüsselhalter aufbewahren.

Montage und Demontage des Sägeblatts

WARNUNG:

- **Schalten Sie das Werkzeug aus und ziehen Sie den Stecker, bevor Sie das Sägeblatt einsetzen oder entfernen.** Ein versehentliches Starten des Werkzeugs kann zu schweren Verletzungen führen.
- **Verwenden Sie zum Demontieren oder Montieren des Sägeblatts ausschließlich den mitgelieferten Steckschlüssel von Makita.** Bei Verwendung eines anderen Steckschlüssels besteht die Gefahr, dass die Sechskantschraube zu stark oder zu schwach angezogen wird und so schwere Verletzungen verursacht werden können. (Abb. 24)

Sichern Sie den Handgriff in der oberen Position, indem Sie den Arretierstift hineindrücken. (Abb. 25)
Zum Demontieren des Sägeblatts lösen Sie zunächst die Sechskantschraube, mit der die Mittenabdeckung befestigt ist, durch Drehung gegen den Uhrzeigersinn mit dem Steckschlüssel. Dann heben Sie Sägeblattschutz und Mittenabdeckung an.

WARNUNG:

- **Entfernen Sie keine andere Schraube als die dargestellte Sechskantschraube.** Falls versehentlich auch eine andere Schraube entfernt wird und der Sägeblattschutz sich ablöst, stellen Sie sicher, den Sägeblattschutz wieder anzubringen.

Blockieren Sie die Spindel durch Drücken der Spindelarretierung, und lösen Sie die Sechskantschraube durch Drehung des Steckschlüssels im Uhrzeigersinn. Entfernen Sie dann Sechskantschraube, Außenflansch und Sägeblatt. (Abb. 26)

HINWEIS:

- Falls der Innenflansch entfernt wurde, prüfen Sie, dass er wieder auf der Spindel mit dem Vorsprung weg vom Sägeblatt angebracht wurde. Falls der Flansch nicht korrekt befestigt wurde, schleift der Flansch an der Maschine.

WARNUNG:

- **Bevor Sie das Sägeblatt auf der Spindel anbringen, sollten Sie immer sicherstellen, dass der richtige Ring für das Spindeloch des Sägeblatts, das Sie verwenden möchten, zwischen dem Innen- und dem Außenflansch angebracht ist.** Die Verwendung eines Spindelochrings nicht der richtigen Größe führt zu einer fehlerhaften Montage des Sägeblatts und kann so eine Verschiebung des Sägeblatts und heftige Schwingungen verursachen, die zu einem möglichen Kontrollverlust während des Betriebs und schweren Verletzungen führen. (Abb. 27)

Zum Montieren schieben Sie das Sägeblatt vorsichtig auf die Spindel; achten Sie dabei darauf, dass der Pfeil auf dem Sägeblatt in dieselbe Richtung zeigt wie der Pfeil auf dem Sägeblattgehäuse.

Bringen Sie Außenflansch und Sechskantschraube an, und ziehen Sie dann die Sechskantschraube (linksgängig) bei gedrückter Spindelarretierung durch Drehung des Steckschlüssels gegen den Uhrzeigersinn fest. (Abb. 28 und 29)

Bringen Sie Sägeblattschutz und Mittenabdeckung wieder in ihre Ausgangsstellung. Ziehen Sie dann die Sechskantschraube zur Sicherung der mittleren Abdeckung im Uhrzeigersinn an. Lösen Sie den Handgriff aus der oberen Position, indem Sie den Arretierstift herausziehen. Senken Sie den Handgriff ab, um zu prüfen, ob sich der Sägeblattschutz einwandfrei bewegt. Stellen Sie sicher, dass die Spindelarretierung die Spindel gelöst hat, bevor Sie einen Schnitt machen.

Anschließen eines Staubsaugers

Für größere Sauberkeit bei der Arbeit können Sie einen Makita-Staubsauger anschließen. (Abb. 30)

Staubbeutel (Abb. 31)

Der Staubbeutel ermöglicht sauberes Arbeiten und einfaches Staubsammeln. Zum Anbringen wird der Staubbeutel auf den Absaugstutzen geschoben. Wenn der Staubbeutel etwa halb voll ist, sollten Sie ihn vom Werkzeug entfernen und den Verschluss herausziehen. Leeren Sie den Inhalt des Staubbeutels, und schnippen Sie leicht dagegen, damit sich Partikel lösen, die möglicherweise an der Innenseite haften und eine weitere Sammlung behindern können.

Sicherung des Werkstücks

WARNUNG:

- **Die einwandfreie Sicherung des Werkstücks mit dem richtigen Schraubklemmentyp oder Kranzprofil-Stoppern ist äußerst wichtig.** Bei Nichtbeachtung kann dies zu schweren Verletzungen und einer Beschädigung des Werkzeugs und/oder Werkstücks führen.
- **Heben Sie das Sägeblatt nach erfolgreichem Schnitt erst nach völligem Stillstand an.** Wenn Sie ein noch nachlaufendes Sägeblatt anheben, kann dies zu schweren Verletzungen und einer Beschädigung des Werkstücks führen.
- **Wenn Sie ein Werkstück schneiden, das länger als der Auflagetisch der Säge ist, müssen Sie das Material auf der gesamten Länge außerhalb des Auflagetisches und in der gleichen Höhe abstützen.** Durch eine richtige Abstützung des Werkstücks wird ein Einklemmen des Sägeblatts und ein möglicher Rückschlag vermieden; ein Rückschlag kann zu schweren Verletzungen führen. Verlassen Sie sich nicht nur auf den vertikalen und/oder horizontalen Schraubstock, um das Werkstück zu sichern. Dünne Materialien sinken leicht ab. Stützen Sie Werkstücke über die gesamte Länge ab, um zu verhindern, dass das Sägeblatt eingeklemmt wird und ZURÜCKSCHLÄGT. (Abb. 32)

Einstellen des Gehrungsanschlags (SCHIEBEANSCHLAG) (Abb. 33)

WARNUNG:

- Stellen Sie vor dem Einschalten des Werkzeugs sicher, dass der Schiebeanschlag gesichert ist.
- **Vergewissern Sie sich vor dem Schnitt mit Neigung, dass keine Werkzeugteile, vor allem das Sägeblatt, mit dem Anschlag in Berührung kommen, wenn der Handgriff ganz abgesenkt oder angehoben wird und der Schlitten komplett gezogen oder geschoben wird.** Falls das Werkzeug oder Sägeblatt mit dem Anschlag in Berührung kommt, kann dies zu einem Rückschlag oder einer unerwarteten Bewegung des Werkstücks und schweren Verletzungen führen.

ACHTUNG:

- Bei linken Neigungsschnitten schieben Sie den Anschlag nach links und sichern Sie den Anschlag, wie in der Abbildung gezeigt. Anderenfalls berührt der Anschlag das Sägeblatt oder ein Teil des Werkzeugs, und es kann zu Verletzungen kommen. (**Abb. 34**)

Dieses Werkzeug ist mit einem Schiebeanschlag ausgestattet, der für gewöhnlich wie in der Abbildung gezeigt positioniert wird.

Bei linken Neigungsschnitten stellen Sie den Anschlag auf die linke Position ein, wie in der Abbildung gezeigt, wenn der Werkzeugkopf den Anschlag berühren sollte.

Vergessen Sie nach dem Ausführen von Schnitten mit Neigung nicht, den Anschlag wieder in seiner ursprünglichen Position zu befestigen und durch festes Anziehen der Klemmschraube zu sichern.

Zusatzanschlag R

WARNUNG:

- Stellen Sie vor dem Einschalten des Werkzeugs sicher, dass der Zusatzanschlag R gesichert ist.
- Entfernen Sie vor dem Ausführen von rechten Neigungsschnitten unbedingt den Zusatzanschlag R. Dieser Anschlag würde das Sägeblatt oder ein Teil des Werkzeugs berühren, wodurch sich der Bediener schwer verletzen kann. (**Abb. 35**)

Der Zusatzanschlag R kann von der rechten Seite des Gehrungsanschlags abgenommen werden. Um den Zusatzanschlag R abzunehmen, lösen Sie die Sicherungsschraube des Zusatzanschlags R und ziehen Sie den Anschlag ab. Um den Anschlag anzubringen, führen Sie die Schritte zum Abnehmen in umgekehrter Reihenfolge aus.

Vergessen Sie nach dem Ausführen von Schnitten mit Neigung nicht, den Zusatzanschlag R wieder in seiner ursprünglichen Position zu befestigen und durch festes Anziehen der Klemmschraube zu sichern.

Vertikal-Schraubklemme (Abb. 36)

Die Vertikal-Schraubklemme kann entweder auf der linken oder auf der rechten Seite des Gehrungsanschlags montiert werden. Setzen Sie den Stehbolzen in die Bohrung des Gehrungsanschlags oder der Grundplatte ein, und sichern Sie ihn durch Anziehen der Schraube. Stellen Sie den Schraubklemmenarm auf die Abmessungen des Werkstücks ein, und sichern Sie ihn

durch Anziehen der Schraube. Wenn die Schraube zur Sicherung des Schraubklemmenarms den Gehrungsanschlag berührt, bringen Sie die Schraube auf der anderen Seite des Schraubklemmenarms an.

Vergewissern Sie sich, dass keine Werkzeugteile mit der Schraubklemme in Berührung kommen, wenn der Handgriff ganz abgesenkt wird und der Schlitten komplett gezogen oder geschoben wird. Falls irgendwelche Teile mit der Schraubklemme in Berührung kommen, müssen Sie die Schraubklemme versetzen.

Drücken Sie das Werkstück flach gegen Gehrungsanschlag und Drehteller. Bringen Sie das Werkstück in die gewünschte Schnittposition, und sichern Sie es einwandfrei durch Anziehen des Schraubklemmenknopfes.

WARNUNG:

- **Das Werkstück muss bei allen Arbeiten festgespannt werden und am Gehrungsanschlag sowie am Drehteller anliegen.** Falls das Werkstück nicht richtig am Anschlag gesichert ist, kann es sich während des Schnitts bewegen und so eine mögliche Beschädigung des Sägeblatts verursachen. Außerdem kann das Werkstück umherfliegen und zum Kontrolleverlust und zu schweren Verletzungen führen.

Horizontal-Schraubklemme (optionales Zubehör) (Abb. 37)

Die Horizontal-Schraubklemme kann in zwei Positionen auf der linken oder der rechten Seite der Grundplatte befestigt werden. Bei Gehrungsschnitten von 10° oder mehr bringen Sie die Horizontal-Schraubklemme auf der anderen Seite als der an, in die der Drehteller gedreht wird. (**Abb. 38**)

Durch Verschieben der Schraubklemmenmutter entgegen dem Uhrzeigersinn lösen Sie die Schraubklemme und können Sie diese schnell hinein- und herausbewegen.

Zum Greifen des Werkstücks drücken Sie den Schraubklemmenknopf vorwärts, bis die Schraubklemmenplatte das Werkstück berührt, und klappen Sie dann die Schraubklemmenmutter im Uhrzeigersinn. Drehen Sie dann den Schraubklemmenknopf im Uhrzeigersinn, um das Werkstück zu sichern.

Die maximale Breite des Werkstücks, die durch die Horizontal-Schraubklemme gesichert werden kann, beträgt 215 mm.

Beim Anbringen der Horizontal-Schraubklemme auf der rechten Seite der Grundplatte, verwenden Sie auch den Zusatzanschlag R, um das Werkstück besser zu sichern. Lesen Sie zur Montage des Zusatzanschlags R den Abschnitt „Zusatzanschlag R“ weiter oben.

WARNUNG:

- **Drehen Sie die Schraubklemmenmutter im Uhrzeigersinn, bis das Werkstück ordentlich gesichert ist.** Falls das Werkstück nicht richtig gesichert ist, kann es sich während des Schnitts bewegen und so eine mögliche Beschädigung des Sägeblatts verursachen. Außerdem kann das Werkstück umherfliegen und zum Kontrolleverlust und zu schweren Verletzungen führen.

- Verwenden Sie beim Schneiden dünner Werkstücke, beispielsweise von Fußleisten, stets die Horizontal-Schraubklemme gegen den Anschlag.

BETRIEB

HINWEIS:

- Achten Sie vor der Verwendung darauf, dass der Handgriff aus der abgesenkten Stellung gelöst wird, indem Sie den Arretierstift ziehen.
- Üben Sie beim Schneiden keinen übermäßigen Druck auf den Handgriff aus. Zu starker Druck kann zu Überlastung des Motors und/oder verminderter Schnittleistung führen. Drücken Sie den Griff nur mit so viel Kraft nach unten, wie für einen sauberen Schnitt notwendig ist und ohne dass die Geschwindigkeit des Sägeblatts deutlich verringert wird.
- Drücken Sie den Griff vorsichtig nach unten, um den Schnitt auszuführen. Wenn der Griff mit Gewalt nach unten gedrückt wird oder wenn seitliche Kräfte darauf einwirken, vibriert das Sägeblatt und hinterlässt eine Riefe (Sägeriefe) im Werkstück, wodurch die Genauigkeit des Schnitts beeinflusst wird.
- Während eines Zugschnittes drücken Sie den Schlitten sanft gegen den Gehrungsanschlag, ohne anzuhalten. Wird die Schlittenbewegung während des Schnitts unterbrochen, so bleibt eine Riefe auf dem Werkstück zurück, und die Schnittpräzision wird beeinträchtigt.

⚠️ WARNUNG:

- **Achten Sie vor dem Einschalten des Werkzeugs darauf, dass das Sägeblatt das Werkstück usw. nicht berührt.**
Wird das Werkzeug eingeschaltet, wenn ein Kontakt zum Werkstück besteht, kann dies zu einem Rückschlag und somit zu schweren Verletzungen führen.

1. Kappschnitt (Schneiden kleiner Werkstücke) (Abb. 39)

Werkstücke bis 91 mm Höhe und 70 mm Breite lassen sich wie folgt schneiden.

Drücken Sie den Schlitten ganz gegen den Gehrungsanschlag und ziehen Sie die Sicherungsschraube des Schlittens im Uhrzeigersinn an. Sichern Sie das Werkstück ordnungsgemäß mit dem richtigen Schraubklemmentyp. Schalten Sie das Werkzeug ein, ohne dass das Sägeblatt Kontakt hat, und warten Sie, bis das Sägeblatt seine volle Drehzahl erreicht, bevor Sie es absenken. Senken Sie dann den Handgriff sachte bis zur Tiefstellung ab, um das Werkstück zu schneiden. Sobald der Schnitt beendet ist, schalten Sie das Werkzeug aus und WARTEN SIE, BIS DAS SÄGEBLATT ZUM VÖLLIGEN STILLSTAND GEKOMMEN IST, bevor Sie das Sägeblatt wieder ganz anheben.

⚠️ WARNUNG:

- **Ziehen Sie den Knopf im Uhrzeigersinn fest an, so dass sich der Schlitten während des Betriebs nicht bewegt.** Ist der Knopf unzureichend festgezogen, kann ein Rückschlag auftreten und schwere Verletzungen verursacht werden.

2. Zugschnitt (Drücken) (Schneiden kleiner Werkstücke) (Abb. 40)

Lösen Sie die Sicherungsschraube gegen den Uhrzeigersinn, damit sich der Schlitten frei bewegen lässt. Sichern Sie das Werkstück mit dem richtigen Schraubklemmentyp. Ziehen Sie den Schlitten ganz zu sich heran. Schalten Sie das Werkzeug ein, ohne dass das Sägeblatt das Werkstück berührt, und warten Sie, bis das Sägeblatt seine volle Drehzahl erreicht. Drücken Sie den Griff herunter und DRÜCKEN SIE DEN SCHLITTEN GEGEN DEN GEHRUNGSANSCHLAG UND DURCH DAS WERKSTÜCK. Sobald der Schnitt beendet ist, schalten Sie das Werkzeug aus und WARTEN SIE, BIS DAS SÄGEBLATT ZUM VÖLLIGEN STILLSTAND GEKOMMEN IST, bevor Sie das Sägeblatt wieder ganz anheben.

⚠️ WARNUNG:

- **Wenn Sie einen Zugschnitt ausführen, ziehen Sie den Schlitten zunächst ganz heran, drücken Sie den Griff nach unten und drücken Sie dann den Schlitten in Richtung Gehrungsanschlag. Starten Sie den Schnitt nie, wenn der Schlitten nicht ganz in Ihre Richtung gezogen ist.** Wenn Sie schneiden, ohne dass Sie den Schlitten ganz zu sich heran gezogen haben, kann ein unerwarteter Rückschlag auftreten und schwere Verletzungen verursachen.
- **Versuchen Sie niemals zu schneiden, indem Sie den Schlitten zu sich heranziehen.** Wenn Sie den Schlitten beim Schneiden zu sich heranziehen, kann ein unerwarteter Rückschlag auftreten und schwere Verletzungen verursachen.
- Führen Sie nie einen Zugschnitt aus, wenn der Griff in der unteren Position gesperrt ist.
- **Lösen Sie bei sich drehendem Sägeblatt niemals die Klemmschraube, die den Schlitten sichert.** Ein gelöster Schlitten beim Schneiden kann einen unerwarteten Rückschlag und schwere Verletzungen verursachen.

3. Gehrungsschnitt

Informieren Sie sich im Abschnitt „Einstellen der Gehrungswinkels“ weiter oben.

4. Neigungsschnitt (Abb. 41)

Lösen Sie den Hebel, und neigen Sie das Sägeblatt auf den gewünschten Neigungswinkel (informieren Sie sich im Abschnitt „Einstellen des Neigungswinkels“ weiter oben.) Achten Sie darauf, den Hebel wieder fest anzuziehen, damit der eingestellte Neigungswinkel sicher beibehalten wird. Sichern Sie das Werkstück mit einer Schraubklemme. Der Schlitten muss komplett zurück in Richtung Bediener gezogen sein. Schalten Sie das Werkzeug ein, ohne dass das Sägeblatt das Werkstück berührt, und warten Sie, bis das Sägeblatt seine volle Drehzahl erreicht. Senken Sie dann den Handgriff unter Druckausübung in Richtung des Sägeblatts langsam bis zur unteren Position ab, während Sie parallel zum Sägeblatt Druck ausüben, und DRÜCKEN SIE DEN SCHLITTEN IN RICHTUNG GEHRUNGSANSCHLAG, UM DAS WERKSTÜCK ZU SCHNEIDEN. Sobald der Schnitt beendet ist, schalten Sie das Werkzeug aus und WARTEN SIE, BIS DAS SÄGEBLATT ZUM VÖLLIGEN STILLSTAND

GEKOMMEN IST, bevor Sie das Sägeblatt wieder ganz anheben.

⚠️ WARNUNG:

- **Stellen Sie nach dem Einstellen des Sägeblatts für einen Neigungsschnitt und vor dem Schnitt sicher, dass der Schlitten und das Sägeblatt sich im gesamten Bereich des vorgesehenen Schnitts frei bewegen können.** Die Unterbrechung der Schlitten- oder Sägeblattbewegung während eines Schnitts kann einen Rückschlag und schwere Verletzungen verursachen.
- **Halten Sie die Hände während eines Neigungsschnitts vom Weg des Sägeblatts fern.** Der Winkel des Sägeblatts könnte den Bediener aufgrund des tatsächlichen Weges des Sägeblatts beim Schnitt verwirren; der Kontakt mit dem Sägeblatt führt zu schweren Verletzungen.
- **Das Sägeblatt darf erst nach völligem Stillstand angehoben werden.** Bei Neigungsschnitten kann das abgeschnittene Stück am Sägeblatt anliegen. Falls das noch rotierende Sägeblatt angehoben wird, kann das abgeschnittene Stück durch das Sägeblatt ausgeworfen und herausgeschleudert werden; dies kann zu schweren Verletzungen führen.

HINWEIS:

- Üben Sie den Druck beim Herunterdrücken des Griffs immer parallel zum Sägeblatt aus. Wenn senkrecht zum Drehteller Druck ausgeübt wird oder wenn die Druckrichtung während eines Schnittes geändert wird, wird die Schnittpräzision beeinträchtigt.
- Vor dem Schnitt mit Neigung kann ein Einstellen des Schiebeanschlags erforderlich sein. Siehe Abschnitt „Einstellen des Gehrungsanschlags“.

⚠️ ACHTUNG:

- Entfernen Sie stets den Zusatzanschlag R, damit beim Durchführen von Neigungsschnitten rechts kein Teil des Schlittens beeinträchtigt wird.

5. Gehrungs-Neigungsschnitt

Unter Gehrungs-Neigungsschnitt versteht man das Schneiden eines Werkstücks mit Gehrungs- und Neigungswinkel gleichzeitig. Die Kombinationsmöglichkeiten von Gehrungs- und Neigungsschnitten entnehmen Sie bitte der Tabelle.

| Gehrungswinkel | Neigungswinkel |
|---------------------------|---------------------------|
| Links und rechts 0° - 45° | Links und rechts 0° - 45° |

009713

Beachten Sie zum Ausführen von Gehrungs-Neigungsschnitten die Erläuterungen unter „Kappschnitt“, „Zugschnitt“, „Gehrungsschnitt“ und „Neigungsschnitt“.

6. Schneiden von Kranz- und Wölbungsformstücken

Kranz- und Hohlkehlenprofile können auf einer Kapp- und Gehrungssäge geschnitten werden, wenn die Profile mit einer flachen Seite auf den Drehteller gelegt werden.

Es gibt zwei übliche Varianten an Kranzprofilen und eine an Hohlkehlenprofilen: Kranzprofil mit 52/38° Wandwinkeln, Kranzprofil mit 45° Wandwinkeln und

Hohlkehlenprofil mit 45° Wandwinkeln. Siehe Abbildungen. (Abb. 42)

Es gibt Stöße für Kranz- und Hohlkehlenprofile für 90°-Innenecken ((1) und (2) in Abb. A) und für 90°-Außenecken ((3) und (4) in Abb. A). (Abb. 43 und 44)

Ausmessen

Messen Sie die Länge der Wand, legen Sie das Werkstück auf den Tisch und schneiden Sie die an der Wand anliegende Kante auf die gewünschte Länge. Vergewissern Sie sich stets, dass Sie Werkstück an der Rückseite des Werkstücks auf Wandlänge schneiden. Passen Sie die Schnittlänge auf den Schnittwinkel an. Testen Sie die Sägewinkel stets an mehreren Probestücken aus.

Stellen Sie beim Schneiden von Kranz- und Hohlkehlenprofilen den Neigungswinkel und den Gehrungswinkel entsprechend Tabelle (A) ein und legen Sie die Profile mit der Fläche entsprechend Tabelle (B) auf den Säteller.

Bei einem Schnitt mit Neigung links

Tabelle (A)

| | Position des Profils in Abb. A | Neigungswinkel | | Gehrungswinkel | |
|---------------|--------------------------------|----------------|-----------|----------------|--------------|
| | | Typ 52/38° | Typ 45° | Typ 52/38° | Typ 45° |
| Für Innenecke | (1) | Links 33,9° | Links 30° | Rechts 31,6° | Rechts 35,3° |
| | (2) | | | Links 31,6° | Links 35,3° |
| Für Außenecke | (3) | | | | |
| | (4) | | | | |

006361

Tabelle (B)

| | Position des Profils in Abb. A | Am Gehrungsanschlag anliegende Kante des Profils | Gefertigtes Teil |
|---------------|--------------------------------|--|--|
| Für Innenecke | (1) | An der Decke anliegende Kante sollte am Gehrungsanschlag anliegen. | Fertiges Teil an der linken Seite des Sägeblatts. |
| | (2) | An der Wand anliegende Kante sollte am Gehrungsanschlag anliegen. | |
| Für Außenecke | (3) | An der Decke anliegende Kante sollte am Gehrungsanschlag anliegen. | Fertiges Teil wird an der rechten Seite des Sägeblatts sein. |
| | (4) | An der Decke anliegende Kante sollte am Gehrungsanschlag anliegen. | |

006362

Beispiel:

Bei einem Schnitt eines Kranzprofils Typ 52/38° für Position (1) in Abb. A:

- Stellen Sie einen Neigungswinkel von 33,9° LINKS ein und sichern Sie den Neigungskopf.
- Stellen Sie einen Gehrungswinkel von 31,6° RECHTS ein und sichern Sie.
- Legen Sie das Kranzprofil mit der breiten (verborgenen) Rückseite nach unten auf den Drehteller, die später an der DECKE ANLIEGENDE KANTE muss dabei am Gehrungsanschlag an der Säge anliegen.
- Das fertige Werkstück befindet sich nach dem Schnitt immer an der LINKEN Seite des Sägeblatts.

Bei einem rechten Neigungsschnitt

Tabelle (A)

| | Position des Profils in Abb. A | Neigungswinkel | | Gehrungswinkel | |
|---------------|--------------------------------|-----------------|------------|-----------------|-----------------|
| | | Typ 52/38° | Typ 45° | Typ 52/38° | Typ 45° |
| Für Innenecke | (1) | Rechts 33,9° | Rechts 30° | Rechts 31,6° | Rechts 35,3° |
| | (2) | | | Links 31,6° | Links 35,3° |
| (3) | | | | | |
| Für Außenecke | (4) | | | Rechts 31,6° | Rechts 35,3° |

006363

Tabelle (B)

| | Position des Profils in Abb. A | Am Gehrungsanschlag anliegende Kante des Profils | Gefertigtes Teil |
|---------------|--------------------------------|--|--|
| Für Innenecke | (1) | An der Wand anliegende Kante sollte am Gehrungsanschlag anliegen. | Fertiges Teil wird an der rechten Seite des Sägeblatts sein. |
| | (2) | An der Decke anliegende Kante sollte am Gehrungsanschlag anliegen. | |
| Für Außenecke | (3) | An der Wand anliegende Kante sollte am Gehrungsanschlag anliegen. | Fertiges Teil an der linken Seite des Sägeblatts. |
| | (4) | An der Wand anliegende Kante sollte am Gehrungsanschlag anliegen. | |

006364

Beispiel:

Bei einem Schnitt eines Kranzprofils Typ 52/38° für Position (1) in Abb. A:

- Stellen Sie einen Neigungswinkel von 33,9° RECHTS ein und sichern Sie den Neigungskopf.
- Stellen Sie einen Gehrungswinkel von 31,6° RECHTS ein und sichern Sie.
- Legen Sie das Kranzprofil mit der breiten (verborgenen) Rückseite nach unten auf den Drehteller, die später AN DER WAND ANLIEGENDE KANTE muss dabei am Gehrungsanschlag an der Säge anliegen.
- Das fertige Werkstück ist nach dem Schnitt immer an der RECHTEN Seite des Sägeblattes.

7. Schneiden von Aluminiumprofilen (Abb. 45 und 46)

Zur Sicherung von Aluminiumprofilen verwenden Sie – wie in der Abbildung gezeigt – Abstandsböcke oder Zulagen aus Hartholz, um Verformungen des Materials während des Schneidvorgangs zu vermeiden. Benutzen Sie beim Schneiden von dünnwandigen Aluminiumprofilen eine Schneidflüssigkeit, damit sich keine Aluminium-Rückstände am Sägeblatt ansammeln.

⚠️ WARNUNG:

- **Vollmaterialien mit großem Querschnitt und Rundmaterial dürfen mit diesem Werkzeug nicht bearbeitet werden.** Dicke oder runde Aluminiumprofile können schwer zu sichern sein und sich während des Schnitts lösen, sodass Sie die Kontrolle verlieren und schwere Verletzungen erleiden können.

8. Holzblende

Durch das Benutzen eines Zwischenbretts können Sie die Werkstücke ausrissfrei sägen. Die Bohrungen im

Gehrungsanschlag dienen als Befestigungshilfe für ein Zwischenbrett.

Hinweise zu einem Zwischenbrett entnehmen Sie der Abmessungsabbildung. (**Abb. 47**)

⚠️ ACHTUNG:

- Benutzen Sie glatt gehobeltes Holz gleichmäßiger Dicke als Zwischenbrett.

⚠️ WARNUNG:

- **Verwenden Sie Schrauben, um die Holzleiste auf der Seite des Gehrungsanschlages anzubringen. Die Schrauben sollten so angebracht werden, dass die Schraubenköpfe in der Oberfläche des Zwischenbretts versenkt sind, so dass die Positionierung des zu schneidenden Materials nicht behindert wird.** Eine Falschausrichtung des zu schneidenden Materials kann während des Schneidvorgangs zu einem Kontrollverlust und schweren Verletzungen führen.

HINWEIS:

- Wenn das Zwischenbrett angebracht ist, drehen Sie den Drehteller nicht, wenn der Griff abgesenkt ist. Das Sägeblatt und/oder das Zwischenbrett können sonst beschädigt werden.

9. Schneiden von Nuten (Abb. 48)

Auf die folgende Weise können Sie eine Quernut erzeugen:

Stellen Sie anhand von Einstellschraube und Stopperarm die untere Anschlagposition für das Sägeblatt und somit die Schnitttiefe ein. Informieren Sie sich in Abschnitt „Stopperarm“ weiter oben. Nach Einstellen der unteren Anschlagposition für das Sägeblatt schneiden Sie mit einem Zugschnitt (Drücken) parallele Nuten über die Breite des Werkstückes, wie in der Abbildung dargestellt. Entfernen Sie anschließend mit einem Stechbeitel das zwischen den Nuten stehende Material.

⚠️ WARNUNG:

- **Versuchen Sie nicht, diese Art von Schnitt mit einem breiteren Sägeblatt oder Quernutenblatt auszuführen.** Wenn Sie versuchen, eine Kerbe mit einem breiten Sägeblatt oder Quernutenblatt zu schneiden, können unerwartete Schnittergebnisse oder ein Rückschlag eintreten und schwere Verletzungen verursacht werden.
- **Der Stopperarm muss auf seine Ausgangsposition zurückgesetzt sein, wenn Sie andere Schnitte als Nutenschnitte vornehmen.** Wenn Sie versuchen, einen Schnitt mit dem Stopperarm in der falschen Position durchzuführen, können unerwartete Schnittergebnisse oder ein Rückschlag eintreten und schwere Verletzungen verursacht werden.

⚠️ ACHTUNG:

- Der Stopperarm muss auf seine Ausgangsposition zurückgesetzt sein, wenn Sie andere Schnitte als Nutenschnitte vornehmen.

Tragen der Maschine (Abb. 49)

Vergewissern Sie sich, dass der Netzstecker herausgezogen ist. Sichern Sie das Sägeblatt in der 0°-Neigungswinkelstellung und den Drehteller in der

Gehrungswinkelstellung ganz rechts. Sichern Sie die Schiebestäbe so, dass der untere Schiebestab in der Position des ganz herausgezogenen Schlittens verriegelt wird und die oberen Schiebestäbe in der Position des ganz in Richtung Gehrungsanschlag gedrückten Schlittens (siehe Abschnitt „Anpassen der Schiebeverriegelung“). Senken Sie den Handgriff ganz ab, und arretieren Sie ihn in der Tiefstellung durch Einschoben des Arretierstifts.
Wickeln Sie das Netzkabel um die Netzkabelhalterungen.

WARNUNG:

- **Der Arretierstift dient nur zum Tragen und Lagern und ist nicht für den Schneidbetrieb vorgesehen.**

Die Verwendung des Arretierstifts für den Schneidbetrieb kann eine unerwartete Bewegung des Sägeblatts und somit einen Rückschlag und schwere Verletzungen verursachen.

Erfassen Sie das Werkzeug zum Tragen an beiden Seiten der Grundplatte, wie in der Abbildung gezeigt. Wenn Sie Halterungen, den Staubbeutel usw. entfernen, können Sie das Werkzeug bequemer tragen.

ACHTUNG:

- Sichern Sie vor dem Transportieren des Werkzeugs immer erst beweglichen Teile. Falls sich Teile des Werkzeugs während des Transports bewegen oder verschieben, können Sie die Kontrolle oder das Gleichgewicht verlieren und sich schwere Verletzungen zuziehen.

WARTUNG

WARNUNG:

- **Schalten Sie das Werkzeug aus und ziehen Sie immer den Netzstecker, bevor Sie Kontrollen oder Wartungsarbeiten am Werkzeug vornehmen.** Wird das Werkzeug nicht ausgeschaltet und wird der Netzstecker nicht herausgezogen, kann dies bei einem versehentlichen Starten des Werkzeugs zu schweren Verletzungen führen.
- **Achten Sie darauf, dass das Sägeblatt immer scharf und sauber ist, da nur so die besten Ergebnisse bei höchstmöglicher Sicherheit erreicht werden können.** Wenn Sie versuchen, einen Schnitt mit einem stumpfen und/oder verschmutzten Sägeblatt durchzuführen, kann dies zu einem Rückschlag führen und schwere Verletzungen verursachen.

HINWEIS:

- Verwenden Sie zum Reinigen niemals Kraftstoffe, Benzin, Verdünnern, Alkohol oder ähnliches. Dies kann zu Verfärbungen, Verformungen oder Rissen führen.

Justieren des Schnittwinkels

Dieses Werkzeug wurde im Werk sorgfältig eingestellt und justiert. Durch Transporteinflüsse oder bei unsachgemäßer Behandlung kann jedoch ein Nachjustieren notwendig werden. Sollte Ihr Werkzeug einer Nachjustierung bedürfen, gehen Sie folgendermaßen vor:

1. Gehrungswinkel (Abb. 50)

Drücken Sie den Schlitten gegen den Gehrungsanschlag und ziehen Sie die Sicherungsschraube an, um den Schlitten in seiner Position zu sichern.

Lösen Sie den Spanngriff, mit dem der Drehteller gesichert wird. Drehen Sie dann den Drehteller so, dass der Zeiger auf 0° auf der Gehrungswinkelskala zeigt. Drehen Sie dann den Drehteller leicht im und gegen den Uhrzeigersinn, so dass er auf die 0°-Gehrungskerbe zeigt. (Lassen Sie ihn so, wie er ist, wenn der Zeiger nicht auf 0° deutet.) Lösen Sie mit Hilfe des Steckschlüssels, die Sechskantschrauben, mit denen der Gehrungsanschlag gehalten wird.

(Abb. 51)

Senken Sie den Handgriff ganz ab, und arretieren Sie ihn in der Tiefstellung durch Einschoben des Arretierstifts. Bringen Sie die Seitenfläche des Sägeblatts mit Hilfe eines Einstelldreiecks, Anschlagwinkels usw. in den rechten Winkel zur Fläche des Gehrungsanschlags. Ziehen Sie dann die Sechskant-Inbusschrauben des Gehrungsanschlags von rechts beginnend der Reihe nach fest. **(Abb. 52)** Vergewissern Sie sich, dass der Zeiger auf 0° auf der Gehrungswinkelskala zeigt. Wenn der Zeiger nicht auf 0° zeigt, lösen Sie die Schraube, die den Zeiger sichert, und stellen den Zeiger auf 0° ein.

2. Neigungswinkel

(1) Neigungswinkel 0° (Abb. 53)

Drücken Sie den Schlitten gegen den Gehrungsanschlag und ziehen Sie die Sicherungsschraube an, um den Schlitten in seiner Position zu sichern. Senken Sie den Handgriff ganz ab, und arretieren Sie ihn in der Tiefstellung durch Einschoben des Arretierstifts. Lösen Sie den Hebel an der Rückseite des Werkzeugs. **(Abb. 54)** Drehen Sie die Sechskantschraube auf der rechten Seite des Arms um zwei bis drei Umdrehungen gegen den Uhrzeigersinn, um das Sägeblatt nach rechts zu neigen. **(Abb. 55)** Bringen Sie die Seitenfläche des Sägeblatts mit Hilfe eines Einstelldreiecks, Anschlagwinkels usw. in den rechten Winkel mit der Drehteller-Oberfläche, indem Sie die Sechskantschraube auf der rechten Seite des Arms im Uhrzeigersinn drehen. Ziehen Sie anschließend den Hebel fest an. **(Abb. 56)**

Vergewissern Sie sich, dass der Zeiger am Arm auf 0° der Neigungswinkelskala am Armhalter zeigt. Wenn die Zeiger nicht auf 0° zeigen, lösen Sie die Schraube, die den Zeiger sichert, und stellen den Zeiger auf 0° ein.

(2) Neigungswinkel 45° (Abb. 57)

Diese Einstellung des 45°-Neigungswinkels kann erst nach erfolgter Einstellung des 0°-Neigungswinkels durchgeführt werden. Zum Einstellen des linksseitigen 45°-Neigungswinkels lösen Sie den Hebel und neigen Sie das Sägeblatt vollständig nach links. Vergewissern Sie sich, dass der Zeiger am Arm auf 45° der Neigungswinkelskala am Armhalter zeigt. Falls der Zeiger nicht auf 45° zeigt, drehen Sie die Einstellschraube für 45°-Rasterung auf der

rechten Seite des Armhalters, bis der Zeiger auf 45° zeigt.

Zum Einstellen des 45°-Neigungswinkels rechts gehen Sie nach obiger Prozedur vor. (**Abb. 58**)

Entfernen und überprüfen Sie die Kohlebürsten in regelmäßigen Abständen. Wenn diese bis auf eine Länge von 3 mm abgenutzt sind, müssen sie erneuert werden.

Halten Sie die Kohlebürsten sauber und sorgen Sie dafür, dass sie locker in den Halterungen liegen. Beide Kohlebürsten sollten gleichzeitig ersetzt werden.

Verwenden Sie nur identische Kohlebürsten. (**Abb. 59**) Nehmen Sie die Kappen der Bürstenhalter mit Hilfe eines Schraubendrehers ab. Entnehmen Sie die verbrauchten Kohlebürsten, setzen Sie neue Bürsten ein und bringen Sie die Bürstenhalterkappen wieder fest an.

Nach der Verwendung

- Wischen Sie nach der Verwendung Splitter und Staub, die am Werkzeug haften, mit einem Tuch oder etwas ähnlichem ab. Halten Sie den Sägeblattschutz entsprechend den Hinweisen im vorhergehenden Abschnitt „Sägeblattschutz“ sauber. Schmieren Sie die gleitenden Teile mit Maschinenöl ein, um ein Rosten zu verhindern.
- Ziehen Sie vor dem Lagern des Werkzeugs den Schlitten bis zum Anschlag in Ihre Richtung.

Um die SICHERHEIT und die ZUVERLÄSSIGKEIT des Produkts zu gewährleisten, sollten Reparaturen, Wartungsarbeiten und Einstellungen nur durch von Makita autorisierte Servicecenter durchgeführt und ausschließlich Makita-Ersatzteile verwendet werden.

SONDERZUBEHÖR

WARNUNG:

- **Für das in diesem Handbuch beschriebene Makita-Werkzeug werden die folgenden Zubehör- und Zusatzteile von Makita empfohlen.** Die Verwendung anderer Zubehör- und Zusatzteile kann zu Verletzungen führen.
- **Verwenden Sie Zubehör- und Zusatzteile von Makita nur für den vorgesehenen Zweck.** Die Zweckentfremdung von Zubehör- und Zusatzteilen kann zu schweren Verletzungen führen.

Informationen zu diesem Zubehör erhalten Sie von Ihrem Makita-Servicecenter.

- Sägeblätter mit Stahl- und Hartmetallspitzen (Schauen Sie sich unsere Webseite an oder wenden Sie sich an Ihren Makita-Händler, um für jedes zu schneidende Material das richtige Sägeblatt wählen zu können.)
- Zusatzanschlag R
- Schraubklemmensatz (Horizontal-Schraubklemme)
- Vertikal-Schraubklemme
- Steckschlüssel mit Sechskantschlüssel am anderen Ende
- Halterung
- Halterungssatz
- Staubbeutel
- Bogenrohr
- Einstelldreieck

HINWEIS:

- Einige der in der Liste aufgeführten Elemente sind dem Werkzeugpaket als Standardzubehör beigelegt. Diese

können in den einzelnen Ländern voneinander abweichen.

Schallpegel

ENG905-1

Typischer A-bewerteter Schallpegel nach EN62841-3-9:

Schalldruckpegel (L_{pA}): 92 dB (A)

Schalleistungspegel (L_{WA}): 102 dB (A)

Abweichung (K): 3 dB (A)

Tragen Sie Gehörschutz.

ENG907-1

- Der (Die) angegebene(n) Schallemissionswert(e) wurde(n) im Einklang mit der Standardprüfmethode gemessen und kann (können) für den Vergleich zwischen Werkzeugen herangezogen werden.
- Der (Die) angegebene(n) Schallemissionswert(e) kann (können) auch für eine Vorbewertung des Gefährdungsgrads verwendet werden.

WARNUNG:

- **Einen Gehörschutz tragen.**
- **Die Schallemission während der tatsächlichen Benutzung des Elektrowerkzeugs kann je nach der Benutzungsweise des Werkzeugs, und speziell je nach der Art des bearbeiteten Werkstücks, von dem (den) angegebenen Wert(en) abweichen.**
- **Identifizieren Sie Sicherheitsmaßnahmen zum Schutz des Benutzers anhand einer Schätzung des Gefährdungsgrads unter den tatsächlichen Benutzungsbedingungen (unter Berücksichtigung aller Phasen des Arbeitszyklus, wie z. B. Ausschalt- und Leerlaufzeiten des Werkzeugs zusätzlich zur Betriebszeit).**

EG-Konformitätserklärung

Nur für europäische Länder

Die EG-Konformitätserklärung liegt dieser Betriebsanleitung als Anhang A bei.

ITALIANO (Istruzioni originali)

Spiegazione della vista generale

| | | |
|--|--|---|
| 1. Perno del fermo | 28. Vite di blocco | 55. Viti |
| 2. Bulloni | 29. Sicura di accensione | 56. Braccio della morsa |
| 3. Supporto | 30. Interruttore | 57. Manopola della morsa |
| 4. Gruppo supporto | 31. Foro per lucchetto | 58. Asta della morsa |
| 5. Vite | 32. Interruttore per laser | 59. Piastra della morsa |
| 6. Coprilama | 33. Vite di fermo dell'unità laser | 60. Dado della morsa |
| 7. Pannello di taglio | 34. Cella a secco | 61. Modanatura crown di tipo 52/38° |
| 8. Lama della sega | 35. Chiave a tubo con chiave esagonale all'altra estremità | 62. Modanatura crown di tipo 45° |
| 9. Denti della lama | 36. Supporto per chiavi | 63. Modanatura cove di tipo 45° |
| 10. Taglio obliquo a sinistra | 37. Chiave a tubo | 64. Angolo interno |
| 11. Taglio rettilineo | 38. Contenitore della lama | 65. Angolo esterno |
| 12. Taglio obliquo a destra | 39. Coperchio centrale | 66. Morsa |
| 13. Bullone di regolazione | 40. Bullone esagonale | 67. Distanziatore |
| 14. Base girevole | 41. Freccia | 68. Estrusione in alluminio |
| 15. Superficie superiore della base girevole | 42. Blocco dell'albero | 69. Morsa orizzontale (accessorio opzionale) |
| 16. Limite della lama | 43. Bullone esagonale (sinistrorso) | 70. Fori |
| 17. Guida | 44. Flangia esterna | 71. Scanalature di taglio con lama |
| 18. Braccio del fermo | 45. Anello | 72. Squadra triangolare |
| 19. Vite di regolazione | 46. Flangia interna | 73. Bullone di regolazione 0° |
| 20. Scala di taglio circolare | 47. Mandrino | 74. Bullone di regolazione per angolazione 45° sinistra |
| 21. Indicatore | 48. Ugello per la polvere | 75. Superficie superiore del banco girevole |
| 22. Leva di blocco | 49. Sacchetto per la polvere | 76. Bullone di regolazione per angolazione 45° destra |
| 23. Impugnatura | 50. Fermaglio | 77. Cacciavite |
| 24. Leva | 51. Supporto | 78. Coperchio portaspazzola |
| 25. Braccio | 52. Guida scorrevole | |
| 26. Scala di taglio obliquo | 53. Vite di serraggio | |
| 27. Tasto di sblocco | 54. Guida secondaria R | |

CARATTERISTICHE TECNICHE

| Modello | | LS1018 | LS1018L |
|--|-------------------------------------|------------------------------------|--|
| Diametro della lama | | 255 - 260 mm | |
| Diametro del foro | Per paesi diversi da quelli europei | 25,4 mm o 30 mm (in base al paese) | |
| | Per i paesi europei | 30 mm | |
| Spessore massimo di taglio della lama per sega | | 3,2 mm | |
| Angolo massimo di taglio circolare | | A destra 60°, a sinistra 47° | |
| Angolo massimo di taglio obliquo | | A destra 45°, a sinistra 45° | |
| Velocità senza carico (giri/min) | | 4.300 min ⁻¹ | |
| Tipo di laser | | - | Laser rosso 650 nm, Potenza massima 1 mW < (classe laser 2M) |
| Dimensioni (L × P × A) | | 825 mm × 536 mm × 633 mm | |
| Peso netto | | 21,5 kg | |
| Classe di sicurezza | | □/II | |

- Le caratteristiche tecniche riportate di seguito sono soggette a modifiche senza preavviso in virtù del nostro programma continuo di ricerca e sviluppo.
- Le caratteristiche tecniche possono differire da paese a paese.
- Peso determinato in conformità con la EPTA-Procedure 01/2014

Capacità di taglio massima (A x L) con 260 mm di diametro

| Angolo di taglio circolare | Angolo di taglio obliquo | | |
|----------------------------|--------------------------|----------------|----------------|
| | 45° (sinistra) | 0° | 45° (destra) |
| 0° | 50 mm x 310 mm | 91 mm x 310 mm | 31 mm x 310 mm |
| 45° | 50 mm x 220 mm | 91 mm x 220 mm | 31 mm x 220 mm |
| 60° (destra) | - | 91 mm x 153 mm | - |

Simboli

END325-1

Di seguito sono riportati i simboli utilizzati per l'apparecchio. È importante comprenderne il significato prima dell'uso.



..... Leggere il manuale di istruzioni.



..... ISOLAMENTO DOPPIO



..... Per evitare infortuni dovuti ai residui di lavorazione, continuare a tenere la testa della sega rivolta verso il basso dopo il taglio, fino al completo arresto della lama.



Durante l'esecuzione del taglio scorrevole, dapprima tirare completamente il carrello e premere l'impugnatura verso il basso, quindi spingere il carrello verso la guida.



..... Evitare di porre le mani o le dita in prossimità della lama.



..... Regolare adeguatamente le guide scorrevoli staccando lama e coprilama.



..... Durante l'esecuzione di tagli obliqui a destra, rimuovere sempre la GUIDA SECONDARIA R. La mancata osservanza di questa precauzione può provocare l'infortunio dell'operatore.



..... **RADIAZIONE LASER:** Non sostare in direzione del fascio. Si potrebbero subire gravi lesioni oculari.



..... Solo per Paesi UE
Non gettare le apparecchiature elettriche tra i rifiuti domestici.
Secondo la Direttiva Europea sui rifiuti di apparecchiature elettriche ed elettroniche e la sua attuazione in conformità alle norme nazionali, le apparecchiature elettriche esauste devono essere raccolte separatamente, al fine di essere riciclate in modo eco-compatibile.

Uso previsto

ENE006-1

L'utensile è destinato alla pratica di tagli precisi, dritti e circolari nel legno. Sono disponibili lame della sega adatte al taglio dell'alluminio.

Alimentazione

ENF002-2

L'utensile deve essere collegato a una presa di corrente con la stessa tensione di quella indicata sulla targhetta e può funzionare soltanto con corrente alternata monofase. L'utensile è dotato di doppio isolamento, pertanto può essere usato anche con prese di corrente sprovviste della messa a terra.

Avvertenze generali relative alla sicurezza dell'utensile elettrico

GEA010-2

⚠ AVVERTENZA: Leggere tutte le avvertenze di sicurezza, le istruzioni, le illustrazioni e i dati tecnici forniti con il presente utensile elettrico. La mancata osservanza di tutte le istruzioni elencate di seguito potrebbe risultare in scosse elettriche, incendi e/o gravi lesioni personali.

Conservare tutte le avvertenze e le istruzioni come riferimento futuro.

Il termine "utensile elettrico" nelle avvertenze si riferisce sia all'utensile elettrico (cablato) nel funzionamento alimentato da rete elettrica che all'utensile elettrico (a batteria) nel funzionamento alimentato a batteria.

AVVERTENZE DI SICUREZZA

Istruzioni di sicurezza relative alle troncatrici

ENB130-2

1. **Le troncatrici sono destinate a tagliare legno o prodotti simili al legno, non possono essere utilizzate con mole abrasive per il taglio di materiali ferrosi quali barre, aste, montanti, e così via.** La polvere abrasiva causa l'inceppamento delle parti mobili, ad esempio della protezione inferiore. Le scintille dovute al taglio abrasivo bruciano la protezione inferiore, la placchetta di taglio e altre parti in plastica.
2. **Utilizzare sempre delle morse per sostenere il pezzo in lavorazione, se possibile. Qualora si mantenga il pezzo in lavorazione con le mani, è necessario sempre tenere la mano ad almeno 100**

- mm da entrambi i lati della lama. Non utilizzare questa sega per tagliare pezzi che siano troppo piccoli per poter essere fissati saldamente con delle morse o mantenuti in mano. Qualora si posizioni la mano troppo vicina alla lama, sussiste un maggior rischio di lesioni personali dovute al contatto con la lama.
3. **Il pezzo in lavorazione deve essere immobile e fissato con delle morse o tenuto fermo appoggiandolo sia contro la guida che contro il tavolo. Non passare il pezzo in lavorazione nella lama né tagliarlo “a mani libere” in alcun modo.** Pezzi in lavorazione non bloccati o in movimento potrebbero venire scagliati ad alte velocità, causando lesioni personali.
 4. **Spingere la sega attraverso il pezzo in lavorazione. Non tirare la sega attraverso il pezzo in lavorazione. Per effettuare un taglio, sollevare la testa della sega e tirarla verso l'esterno sopra il pezzo in lavorazione senza tagliare, avviare il motore, premere la testa della sega verso il basso e spingere la sega attraverso il pezzo in lavorazione.** Qualora si tagli durante il movimento per tirare la sega, è probabile che la lama fuoriesca al di sopra del pezzo in lavorazione e che il gruppo lama venga scagliato con violenza verso l'operatore.
 5. **Non attraversare mai con la mano la linea di taglio stabilita, né davanti né dietro la lama.** È molto pericoloso sostenere il pezzo in lavorazione “con la mano incrociata”, vale a dire mantenendo il pezzo in lavorazione a destra della lama con la mano sinistra o viceversa. (Fig. 1)
 6. **Non allungare le mani dietro la guida a una distanza inferiore a 100 mm da entrambi i lati della lama, per rimuovere sfridi di legno o per qualsiasi altro motivo, mentre la lama sta ruotando.** La prossimità della lama in rotazione alla mano potrebbe non risultare evidente, e si potrebbero subire gravi lesioni personali.
 7. **Ispezionare il pezzo in lavorazione prima di effettuare il taglio. Qualora il pezzo in lavorazione sia curvato o distorto, fissarlo con una morsa con il lato esterno curvato rivolto verso la guida. Accertarsi sempre che non vi siano spazi tra il pezzo in lavorazione, la guida e il tavolo lungo la linea di taglio.** Pezzi in lavorazione piegati o distorti possono torcersi o spostarsi, e potrebbero causare l'inceppamento della lama in rotazione durante il taglio. Nel pezzo in lavorazione non devono essere presenti chiodi o corpi estranei.
 8. **Non utilizzare la sega fino a quando il tavolo è libero da tutti gli utensili, gli sfridi di legno, e così via, tranne il pezzo in lavorazione.** Piccoli detriti o pezzi allentati di legno o altri oggetti che entrano in contatto con la lama in rotazione possono venire scagliati ad alta velocità.
 9. **Tagliare un solo pezzo in lavorazione alla volta.** Non è possibile fissare con una morsa o supportare in modo adeguato più pezzi in lavorazione impilati, e questi ultimi potrebbero incepparsi nella lama o spostarsi durante il taglio.
 10. **Accertarsi che la troncatrice venga montata o posizionata su una superficie di lavoro piana e stabile prima dell'uso.** Una superficie di lavoro piana e stabile riduce il rischio che la troncatrice diventi instabile.
 11. **Pianificare il lavoro. Ogni volta che si cambia l'impostazione dell'angolo di taglio a unghia od obliquo, accertarsi che la guida regolabile sia impostata correttamente per sostenere il pezzo in lavorazione e che non interferisca con la lama o il sistema di protezione.** Senza accendere l'utensile e senza alcun pezzo in lavorazione sul tavolo, spostare la lama attraverso un taglio simulato completo per accertarsi che non vi siano interferenze o pericolo di tagliare la guida.
 12. **Fornire un supporto adeguato, ad esempio prolungamenti del tavolo, cavalletti per segare la legna, e così via, per un pezzo in lavorazione che sia più largo o più lungo della superficie del tavolo.** I pezzi in lavorazione più lunghi o più larghi del tavolo della troncatrice possono rovesciarsi, se non vengono supportati saldamente. Qualora il pezzo tagliato o il pezzo in lavorazione si rovesci, può sollevare la protezione inferiore o venire scagliato dalla lama in rotazione.
 13. **Non utilizzare un'altra persona come sostituto per un prolungamento del tavolo o come supporto aggiuntivo.** Il supporto instabile per il pezzo in lavorazione può causare l'inceppamento della lama o lo spostamento del pezzo in lavorazione durante l'operazione di taglio, tirando sia l'operatore che l'aiutante verso la lama in rotazione.
 14. **Il pezzo tagliato non deve venire spinto con forza né premuto in alcun modo contro la lama in rotazione.** Il pezzo tagliato, qualora sia confinato, ad esempio mediante l'uso di battute longitudinali, potrebbe incunearsi contro la lama e venire scagliato con violenza.
 15. **Utilizzare sempre una morsa o un dispositivo di fissaggio progettato per sostenere correttamente materiali tondi, quali aste o tubazioni.** Le aste tendono a rotolare mentre vengono tagliate, facendo sì che la lama “morda” e tiri il pezzo in lavorazione insieme alla mano verso la lama.
 16. **Lasciar raggiungere la massima velocità alla lama, prima di mettere quest'ultima in contatto con il pezzo in lavorazione.** In tal modo si riduce il rischio che il pezzo in lavorazione venga scagliato.
 17. **Qualora il pezzo in lavorazione o la lama si inceppino, spegnere la troncatrice. Attendere che tutte le parti mobili si arrestino, scollegare la spina dalla fonte di alimentazione, e/o rimuovere la cartuccia della batteria. Quindi, intervenire per liberare il materiale inceppato.** Qualora si continui a segare con un pezzo in lavorazione inceppato, si potrebbe causare la perdita di controllo o il danneggiamento della troncatrice.
 18. **Dopo aver terminato il taglio, rilasciare l'interruttore, mantenere la testa della sega abbassata e attendere che la lama si arresti, prima di rimuovere il pezzo tagliato.** È pericoloso allungare una mano dietro la lama che si sta arrestando.
 19. **Mantenere il manico saldamente quando si intende effettuare un taglio incompleto o quando si intende rilasciare l'interruttore prima che la testa della sega sia completamente in posizione**

abbassata. L'operazione di frenatura della sega potrebbe far sì che la testa della sega venga tirata improvvisamente verso il basso, causando un rischio di lesione personale.

20. **Utilizzare esclusivamente una lama che abbia il diametro indicato sull'utensile o specificato nel manuale.** L'uso di una lama di dimensioni errate potrebbe influire sulla corretta protezione della lama o sul funzionamento della protezione, il che potrebbe risultare in gravi lesioni personali.
21. **Utilizzare solo lame che siano contrassegnate con una velocità pari o superiore a quella contrassegnata sull'utensile.**
22. **Non utilizzare la sega per tagliare materiali diversi da legno, alluminio o simili.**
23. **(Solo per le nazioni europee)**
Utilizzare sempre una lama conforme allo standard EN847-1.

Istruzioni aggiuntive

1. **Rendere le officine a prova di bambino utilizzando lucchetti.**
2. **Non salire mai sull'utensile.** Qualora l'utensile si rovesci o si entri accidentalmente in contatto con l'utensile da taglio, si potrebbero verificare gravi lesioni personali.
3. **Non lasciare mai l'utensile in funzione incustodito. Spegnerlo. Non abbandonare l'utensile fino al suo arresto completo.**
4. **Non utilizzare la sega senza le protezioni in posizione. Controllare che la protezione lama si chiuda correttamente prima di ciascun utilizzo. Non utilizzare la sega qualora la protezione lama non si muova liberamente e non si chiuda istantaneamente. Non bloccare o legare mai la protezione lama in posizione di apertura.**
5. **Tenere le mani fuori dal percorso della lama. Evitare il contatto con la lama durante il moto inerziale. La lama può ancora causare gravi lesioni personali.**
6. **Per ridurre il rischio di lesioni personali, riportare il carrello nella posizione più arretrata dopo ciascuna operazione di taglio di testa.**
7. **Fissare sempre tutte le parti mobili prima di trasportare l'utensile.**
8. **Il perno di fermo che blocca verso il basso la testa troncatrice va utilizzato solo per trasportare o riporre l'utensile, non per operazioni di taglio di alcun genere.**
9. **Controllare con cura che la lama non presenti crepe o danneggiamenti prima dell'utilizzo. Sostituire immediatamente le lame spaccate o danneggiate. Gomma e pece nera indurite sulle lame rallentano la sega e fanno aumentare il rischio di contraccolpi. Mantenere la lama pulita rimuovendola innanzitutto dall'utensile, e quindi pulendola con sostanze di rimozione della gomma e della pece, acqua calda o cherosene. Non utilizzare mai benzina per pulire la lama.**
10. **Mentre si effettua un taglio a scorrimento, può verificarsi un CONTRACCOLPO. Il CONTRACCOLPO si verifica quando la lama si inceppa nel pezzo in lavorazione durante un'operazione di taglio, e la lama viene spinta rapidamente verso l'operatore. Di conseguenza, si**

possono verificare la perdita di controllo e gravi lesioni personali. Qualora la lama inizi a incepparsi durante un'operazione di taglio, non proseguire il taglio e rilasciare immediatamente l'interruttore.

11. **Utilizzare esclusivamente le flange specificate per il presente utensile.**
12. **Fare attenzione a non danneggiare l'albero, le flange (soprattutto la superficie di installazione) o il bullone. Eventuali danni a queste parti potrebbero risultare nella rottura della lama.**
13. **Accertarsi che la base girevole sia fissata saldamente, affinché non si muova durante l'uso dell'utensile. Utilizzare i fori presenti nella base per fissare la sega a una piattaforma di lavoro o un banco stabili. Non utilizzare MAI l'utensile qualora il posizionamento dell'operatore risulti scomodo.**
14. **Prima di accendere l'utensile, accertarsi di aver rilasciato il blocco albero.**
15. **Accertarsi che la lama non sia a contatto con la base girevole nella posizione più bassa.**
16. **Tenere saldamente l'utensile per il manico. Tenere presente che la sega si muove leggermente verso l'alto o verso il basso durante l'avvio e l'arresto.**
17. **Accertarsi che la lama non sia a contatto con il pezzo prima di accendere l'utensile.**
18. **Prima di utilizzare l'utensile su un pezzo, lasciarlo funzionare per qualche momento. Accertarsi che non siano presenti vibrazioni oppure oscillazioni che potrebbero indicare un'installazione inadeguata o un bilanciamento imperfetto della lama.**
19. **Interrompere immediatamente l'uso qualora si noti qualcosa di anomalo.**
20. **Non tentare di bloccare l'interruttore a grilletto nella posizione di accensione.**
21. **Utilizzare sempre gli accessori consigliati nel presente manuale. L'uso di accessori inadeguati, ad esempio ruote abrasive, potrebbe causare lesioni personali.**
22. **Alcuni materiali contengono sostanze chimiche che potrebbero essere tossiche. Adottare delle precauzioni per evitare l'inalazione delle polveri e il contatto con la pelle. Attenersi ai dati sulla sicurezza del fornitore del materiale.**

Regole di sicurezza aggiuntive per il laser

1. **RADIAZIONE LASER, NON FISSARE LO SGUARDO SUL RAGGIO NÉ GUARDARLO DIRETTAMENTE CON STRUMENTI OTTICI; PRODOTTO LASER DI CLASSE 2M.**

CONSERVARE LE PRESENTI ISTRUZIONI.

AVVERTENZA:

NON lasciare che comodità o la familiarità d'utilizzo con il prodotto (acquisita con l'uso ripetuto) sostituisca la stretta osservanza delle norme di sicurezza per il prodotto in questione. L'USO IMPROPRIO o la mancata osservanza delle norme di sicurezza indicate nel presente manuale di istruzioni potrebbero causare gravi lesioni personali.

INSTALLAZIONE

Montaggio sul banco di lavoro (Fig. 2)

Alla spedizione, l'impugnatura dell'utensile viene bloccata nella posizione abbassata con il perno di fermo.

Rilasciare il perno di fermo applicando contemporaneamente una leggera pressione verso il basso sull'impugnatura e tirando il perno di fermo. (Fig. 3) L'utensile deve essere bloccato con quattro bulloni su una superficie stabile e in piano utilizzando i fori per bulloni nella base dell'utensile. Questa precauzione permette di impedire il rovesciamento ed eventuali infortuni.

Installazione dei supporti e dei gruppi supporti

NOTA:

- In alcune nazioni, i supporti e i gruppi supporti potrebbero non essere inclusi nella confezione dell'utensile come accessori in dotazione. (Fig. 4)

I supporti e i gruppi supporti sostengono i pezzi in lavorazione orizzontalmente.

Installare i supporti e i gruppi supporti da entrambi i lati, come indicato nella figura.

Quindi, serrare saldamente le viti per fissare i supporti e i gruppi supporti.

DESCRIZIONE FUNZIONALE

⚠ AVVERTENZA:

- Prima di regolare o controllare le funzioni dell'utensile, verificare sempre di averlo spento e scollegato dall'alimentazione.** Il mancato spegnimento o scollegamento dell'utensile potrebbe causare infortuni gravi dovuti all'accensione accidentale.

Coprilama (Fig. 5)

Abbassando l'impugnatura, il coprilama si solleva automaticamente. Il coprilama ritorna nella sua posizione originale una volta completato il taglio e sollevata l'impugnatura.

⚠ AVVERTENZA:

- Non rimuovere né vanificare lo scopo del coprilama o della molla collegata alla protezione.** Una lama esposta a causa della vanificazione dello scopo della protezione può causare infortuni gravi durante l'uso.

Nell'interesse della sicurezza personale, mantenere sempre il coprilama in buone condizioni. Qualsiasi funzionamento irregolare del coprilama deve essere corretto immediatamente. Verificare l'azione di ritorno caricata a molla del coprilama.

⚠ AVVERTENZA:

- Non utilizzare mai l'utensile se il coprilama o la molla sono danneggiati, difettosi oppure sono stati rimossi.** L'uso dell'utensile con una protezione rimossa, difettosa o danneggiata potrebbe causare infortuni gravi.

Se il coprilama trasparente è sporco, o se i residui del taglio aderiscono ad esso e impediscono la visione della lama e/o del pezzo in lavorazione, scollegare la sega e

pulire con cura il coprilama utilizzando un panno umido. Non utilizzare solventi o altri detergenti contenenti petrolio sulla protezione di plastica in quanto ciò potrebbe danneggiare la protezione.

Se il coprilama è sporco ed è necessario pulirlo ai fini del corretto funzionamento, attenersi alla procedura indicata in basso:

Con l'utensile spento e scollegato, utilizzare la chiave a tubo per allentare il bullone esagonale che fissa il coperchio centrale. Allentare il bullone esagonale ruotandolo in senso antiorario e sollevare il coprilama e il coperchio centrale. (Fig. 6)

Con il coprilama in questa posizione è possibile eseguire una pulizia più completa ed efficace. Al termine della pulizia, ripetere la procedura in senso contrario e fissare il bullone. Non rimuovere la molla del coprilama. Se il coprilama è danneggiato a causa del tempo o dell'esposizione a raggi UV, rivolgersi a un centro di assistenza Makita per ottenere un nuovo coprilama. **NON RIMUOVERE NÉ VANIFICARE LO SCOPO DELLA PROTEZIONE**

Posizionamento del pannello di taglio (Fig. 7 e 8)

Questo utensile è dotato di pannelli di taglio nella base girevole che riducono al minimo le sbavature sul lato di uscita di un taglio. I pannelli di taglio sono regolati in fabbrica per evitare che la lama della sega entri in contatto con i pannelli. Prima dell'uso, regolare i pannelli come indicato di seguito:

Scollegare prima l'attrezzo. Allentare tutte le viti (3 su entrambi i lati destro e sinistro) di protezione dei pannelli di taglio. Serrarli solo nella misura che consente un agevole spostamento manuale dei pannelli di taglio. Abbassare completamente l'impugnatura e premere il perno di fermo per bloccare l'impugnatura nella posizione abbassata. Allentare la vite che fissa i paletti di scorrimento. Tirare il carrello completamente verso l'operatore. Regolare i pannelli di taglio in modo che entrino in contatto solamente con i lati dei denti della sega. Serrare le viti anteriori (non in modo eccessivo). Spingere completamente il carrello verso la guida e regolare i pannelli di taglio in modo che entrino in contatto solamente con i lati dei denti della sega. Serrare le viti posteriori (non in modo eccessivo).

Dopo la regolazione dei pannelli di taglio, sbloccare il perno di fermo e sollevare l'impugnatura. Serrare quindi tutte le viti in modo saldo.

AVVISO:

- Dopo aver impostato l'angolo di taglio obliquo, accertarsi che i pannelli di taglio siano regolati adeguatamente.** La corretta regolazione dei pannelli di taglio contribuirà a fornire il sostegno adeguato al pezzo in lavorazione riducendone al minimo la lacerazione.

Mantenere la massima capacità di taglio

L'utensile è regolato in fabbrica per garantire la massima capacità di taglio per una lama da 255 mm.

Scollegare l'utensile prima di effettuare qualsiasi regolazione. All'installazione di una nuova lama, verificare la posizione del limite inferiore della lama e, se necessario, effettuare la seguente regolazione. (Fig. 9 e 10)

Scollegare prima l'attrezzo. Spingere completamente il carrello verso la guida e abbassare del tutto l'impugnatura. Utilizzare la chiave esagonale per ruotare il bullone di regolazione fino a quando la parte esterna della lama si estende leggermente sotto la superficie superiore della base girevole nel punto in cui il lato anteriore della guida incontra la superficie superiore della base girevole. Con l'utensile scollegato, ruotare manualmente la lama tenendo l'impugnatura del tutto abbassata per garantire che la lama non entri in contatto con la base inferiore. Ripetere la regolazione, se necessario

⚠ AVVERTENZA:

- Dopo l'installazione di una nuova lama e con l'utensile scollegato, verificare sempre che la lama non entri in contatto con la base inferiore quando l'impugnatura è completamente abbassata. Se una lama entra in contatto con la base, potrebbero verificarsi contraccolpi con la possibilità di infortuni gravi.

Braccio del fermo (Fig. 11)

Il limite inferiore per la posizione della lama può essere regolato facilmente con il braccio del fermo. Per la regolazione, spostare il braccio del fermo in direzione della freccia, come mostrato nella figura. Adeguare la vite di regolazione in modo che la lama si fermi nella posizione desiderata quando l'impugnatura è completamente abbassata.

Regolazione dell'angolo di taglio circolare (Fig. 12)

Allentare la ganascia ruotandola in senso antiorario. Ruotare la base girevole tenendo premuta la levetta di blocco. Una volta spostata la ganascia nella posizione in cui l'indicatore è rivolto sull'angolazione desiderata nella scala di taglio circolare, serrare la ganascia in senso orario.

⚠ ATTENZIONE:

- Dopo aver cambiato l'angolo di taglio circolare, fissare la base girevole serrando la ganascia.

AVVISO:

- Durante la rotazione della base girevole, tenere del tutto sollevata l'impugnatura.

Regolazione dell'angolo di taglio obliquo (Fig. 13)

Per regolare l'angolo di taglio obliquo, allentare la leva nella parte posteriore dell'utensile in senso antiorario. Sbloccare il braccio premendo l'impugnatura nella direzione in cui si intende inclinare la lama della sega.

NOTA:

- La leva può essere regolata su un'angolazione diversa rimuovendo la vite di fissaggio della leva e fissando la leva sull'angolazione desiderata. (Fig. 14)

Inclinare la lama della sega fino a posizionare il puntatore sull'angolazione desiderata nella scala di taglio obliquo. Serrare quindi la leva in senso orario per fissare saldamente il braccio. (Fig. 15)

Per inclinare il carrello verso destra, inclinarlo leggermente verso sinistra dopo aver allentato la leva e premere il tasto di sblocco. Inclinare il carrello verso destra tenendo premuto il tasto di sblocco. (Fig. 16)

Inclinare la lama della sega fino a posizionare il puntatore sull'angolazione desiderata nella scala di taglio obliquo. Serrare quindi la leva in senso orario per fissare saldamente il braccio.

- Quando si cambiano gli angoli di taglio obliquo, posizionare i pannelli di taglio come spiegato nella sezione "Posizionamento dei pannelli di taglio".

⚠ ATTENZIONE:

- Dopo aver cambiato l'angolo di taglio obliquo, fissare sempre il braccio con una rotazione della leva in senso orario.

AVVISO:

- Quando si inclina la lama della sega, accertarsi che l'impugnatura sia completamente sollevata.
- Quando si cambiano gli angoli di taglio obliquo, posizionare i pannelli di taglio come spiegato nella sezione "Posizionamento dei pannelli di taglio".

Regolazione del blocco di scorrimento (Fig. 17)

Per bloccare il paletto di scorrimento, ruotare la vite di blocco in senso orario.

Azionamento dell'interruttore (Fig. 18)

La sicura previene l'azionamento involontario dell'interruttore di accensione. Per accendere l'utensile, premere la sicura e tirare l'interruttore di accensione. Per spegnere l'utensile, rilasciare l'interruttore.

⚠ AVVERTENZA:

- **Prima di collegare l'utensile, controllare se l'interruttore funziona correttamente e ritorna alla posizione "OFF" una volta rilasciato. Non tirare con forza l'interruttore senza aver prima premuto la sicura di accensione. In caso contrario, l'interruttore potrebbe rompersi.** L'utilizzo di un utensile con un interruttore che non funziona correttamente può causare la perdita di controllo e infortuni gravi.

Nell'interruttore di accensione è disponibile un foro per l'inserimento di un lucchetto che impedisca l'accensione dell'utensile.

⚠ AVVERTENZA:

- **Non utilizzare un lucchetto con impugnatura o un cavo con diametro inferiore a 6,35 mm.** Un'impugnatura o un cavo più piccolo potrebbero non bloccare adeguatamente l'utensile nella posizione di "OFF" e potrebbe verificarsi l'accensione involontaria con la possibilità di infortuni gravi.
- **NON utilizzare l'utensile se l'interruttore non è in perfetta efficienza.** Se l'interruttore non è in perfetta efficienza, l'utensile è ESTREMAMENTE PERICOLOSO e deve essere riparato prima di poterlo utilizzare nuovamente, altrimenti potrebbero derivarne infortuni gravi.
- Per la sicurezza personale, questo utensile è dotato di una sicura di accensione che impedisce azionamenti accidentali. NON utilizzare l'utensile se è possibile azionarlo premendo semplicemente l'interruttore di accensione senza premere contemporaneamente la sicura. Un interruttore che deve essere riparato può causare l'accensione involontaria e infortuni gravi.

PRIMA di utilizzare nuovamente l'utensile, rivolgersi a un centro di assistenza Makita per le necessarie riparazioni.

- NON vanificare lo scopo della sicura di accensione fermandola con del nastro adesivo o in altri modi. Un interruttore il cui scopo della sicura di accensione sia stato vanificato può causare l'accensione involontaria e infortuni gravi.

Funzione elettronica

Funzione di avvio morbido

Questa funzione consente un'accensione agevole dell'utensile limitandone il momento torcente.

Azione del raggio laser

Solo per il modello LS1018L

NOTA:

- Prima del primo utilizzo, installare due celle a secco AA nell'unità delle celle. Per l'installazione, consultare la sezione intitolata "Sostituzione delle celle a secco per l'unità laser".

⚠ ATTENZIONE:

- Disattivare il laser quando l'utensile non è utilizzato. (Fig. 19)

⚠ ATTENZIONE:

- Non guardare mai direttamente il fascio laser. Si potrebbero subire gravi lesioni oculari.
- **RADIAZIONE LASER. NON OSSERVARE DIRETTAMENTE IL FASCIO. PRODOTTO LASER DI CLASSE 2.**
- Prima di spostare la linea del laser o di eseguirne la manutenzione, scollegare l'utensile.

Per attivare il fascio laser, portare l'interruttore nella posizione superiore (I). Per disattivare il fascio laser, portare l'interruttore nella posizione inferiore (O). La linea del laser può essere spostata a sinistra o a destra della lama della sega allentando la vite di fermo dell'unità laser e spostando quest'ultima nella posizione desiderata. Dopo lo spostamento, serrare la vite. (Fig. 20)

La linea del laser è regolata in fabbrica affinché sia posizionata entro 1 mm dalla superficie laterale della lama (posizione di taglio).

NOTA:

- Quando la linea del laser è poco visibile a causa della luce diretta del sole, cambiare l'area di lavoro e spostarsi in un luogo meno esposto alla luce diretta del sole.

Sostituzione delle celle a secco per l'unità laser (Fig. 21 e 22)

Premere e far scorrere il coperchio delle celle a secco dell'unità laser per rimuoverlo. Estrarre le celle a secco precedenti e inserire quelle nuove, come mostrato nella figura. Dopo la sostituzione, rimontare il coperchio.

Pulizia della lente del laser

Se la lente del laser è sporca, o se i residui del taglio aderiscono ad essa e impediscono la visione agevole della linea del laser, scollegare la sega, quindi rimuovere e pulire con cura la lente utilizzando un panno umido. Non

utilizzare solventi o detersivi a base di petrolio sulla lente.

NOTA:

- Se la linea del laser è poco visibile a causa della luce diretta del sole durante lavori all'aperto o al chiuso in prossimità di una finestra, cambiare l'area di lavoro e spostarsi in un luogo non esposto alla luce diretta del sole.

MONTAGGIO

⚠ AVVERTENZA:

- **Accertarsi sempre che l'utensile sia spento e scollegato prima di iniziare qualsiasi operazione di montaggio.** Il mancato spegnimento o scollegamento dell'utensile potrebbe causare infortuni gravi.

Conservazione della chiave a tubo con chiave esagonale all'altra estremità (Fig. 23)

La chiave a tubo viene conservata nella posizione mostrata nella figura. Quando è necessaria la chiave a tubo, è possibile estrarla dal supporto per chiavi. Dopo l'utilizzo della chiave a tubo, è possibile conservarla rimettendola nel supporto per chiavi.

Montaggio e smontaggio della lama

⚠ AVVERTENZA:

- **Prima di montare o smontare la lama accertarsi sempre che l'utensile sia spento e scollegato.** L'accensione accidentale dell'utensile potrebbe causare infortuni gravi.
- **Per installare o rimuovere la lama utilizzare solo la chiave a tubo fornita da Makita.** Il mancato utilizzo della chiave potrebbe causare un serraggio eccessivo o insufficiente del bullone esagonale, con la conseguente possibilità di infortuni gravi. (Fig. 24)

Bloccare l'impugnatura nella posizione sollevata premendo il perno di fermo. (Fig. 25)

Per rimuovere la lama, utilizzare la chiave a tubo per allentare il bullone esagonale che trattiene il coperchio centrale ruotandolo in senso antiorario. Sollevare il coprilama e il coperchio centrale.

⚠ AVVERTENZA:

- **Non rimuovere viti diverse dal bullone esagonale illustrato.** Se viene erroneamente rimossa un'altra vite e il coprilama si sgancia, assicurarsi di rimontare il coprilama.

Premere il blocco dell'albero per bloccare il mandrino e utilizzare la chiave a tubo per allentare il bullone esagonale in senso orario. Rimuovere il bullone esagonale, la flangia esterna e la lama. (Fig. 26)

NOTA:

- Se viene rimossa la flangia interna, reinstallarla sul mandrino verificando che la sporgenza non sia rivolta verso la lama. Se la flangia non viene installata correttamente, sfregnerà contro la macchina.

⚠ AVVERTENZA:

- **Prima di montare la lama sul mandrino, assicurarsi che sullo stesso, tra le flange interna ed esterna,**

sia installato l'anello corretto per il foro dell'asta della lama che si intende utilizzare. L'utilizzo dell'anello errato per il foro dell'asta potrebbe causare il montaggio inadeguato della lama con la possibilità di causare movimenti e vibrazioni pericolose della lama, con conseguenti perdite di controllo durante l'uso e infortuni gravi. (Fig. 27)

Per installare la lama, montarla con attenzione sul mandrino, verificando che la direzione della freccia sulla superficie della lama corrisponde alla direzione della freccia sul contenitore della lama.

Installare la flangia esterna e il bullone esagonale, quindi utilizzare la chiave a tubo per serrare il bullone esagonale (sinistrorso) in senso antiorario tenendo premuto il blocco dell'albero. (Fig. 28 e 29)

Riportare il coprilama e il coperchio centrale nella posizione originale. Serrare quindi il bullone esagonale in senso orario per fissare il coperchio centrale. Sbloccare l'impugnatura dalla posizione sollevata tirando il perno di fermo. Abbassare l'impugnatura per accertarsi che il coprilama si sposti correttamente. Accertarsi che il blocco dell'albero sia stato rimosso sul mandrino prima di praticare il taglio.

Collegamento di un aspirapolvere

Per eseguire operazioni di taglio pulite, collegare un aspirapolvere Makita. (Fig. 30)

Sacchetto per la polvere (Fig. 31)

L'uso del sacchetto per la polvere permette di mantenere la pulizia durante il taglio e di facilitare la raccolta della polvere. Per fissare il sacchetto per la polvere, è sufficiente applicarlo sull'ugello per la polvere. Rimuovere il sacchetto quando è pieno per metà, tirando il fermo verso l'esterno. Svuotare il sacchetto scuotendolo leggermente, in modo da eliminare particelle che possano aver aderito all'interno e che potrebbero ostacolare il corretto funzionamento.

Fissaggio del pezzo in lavorazione

⚠ AVVERTENZA:

- È estremamente importante fissare sempre correttamente il pezzo in lavorazione con il tipo adeguato di morsa o di fermi delle modanature crown. Diversamente, ne potrebbero derivare infortuni gravi e danni all'utensile e/o al pezzo in lavorazione.
- Dopo un'operazione di taglio, non sollevare la lama fino a quando non ha effettuato un arresto completo. Il sollevamento di una lama in rotazione potrebbe causare infortuni gravi e danneggiare il pezzo in lavorazione.
- Durante il taglio di un pezzo in lavorazione più lungo della base di supporto della sega, il materiale deve essere sostenuto per l'intera lunghezza oltre la base di supporto alla stessa altezza in modo da mantenere il livello del materiale. Il supporto adeguato del pezzo in lavorazione contribuisce ad evitare ostacoli alla lama e possibili contraccolpi, con la possibilità di infortuni gravi. Non fare affidamento sulla sola morsa orizzontale e/o verticale per fissare il pezzo. I materiali sottili tendono a flettersi. Sostenere il pezzo in lavorazione per la sua intera lunghezza per

evitare ostacoli alla lama e possibili CONTRACCOLPI. (Fig. 32)

Regolazione delle guide (GUIDA SCORREVOLE) (Fig. 33)

⚠ AVVERTENZA:

- Prima di utilizzare l'utensile, assicurarsi che la guida scorrevole sia bloccata saldamente.
- Prima delle operazioni di taglio obliquo, accertarsi che nessun componente dell'utensile, in particolare la lama, sia in contatto con le guide durante il completo abbassamento o sollevamento dell'impugnatura in qualsiasi posizione e durante il movimento del carrello per l'intera corsa. Se l'utensile o la lama entra in contatto con la guida, potrebbe verificarsi un contraccolpo o un movimento imprevisto del materiale, con la conseguente possibilità di infortuni gravi.

⚠ ATTENZIONE:

- Durante l'esecuzione di tagli obliqui, far scorrere la guida scorrevole verso sinistra e bloccarla come mostrato nella figura. Diversamente, entrerà in contatto con la lama o con una parte dell'utensile, provocando gravi danni all'operatore. (Fig. 34)

L'utensile è dotato di una guida scorrevole che normalmente deve essere posizionata come mostrato nella figura.

Tuttavia, durante l'esecuzione di tagli obliqui a sinistra, posizionarla sulla sinistra come mostrato nella figura se entra in contatto con la testa dell'utensile.

Al termine delle operazioni di taglio obliquo, non dimenticare di riportare la guida scorrevole nella posizione originale e di fissarla serrando saldamente la vite di serraggio.

Guida secondaria R

⚠ AVVERTENZA:

- Prima di utilizzare l'utensile, assicurarsi che la guida secondaria R sia bloccata saldamente.
- Prima di eseguire tagli obliqui, rimuovere la guida secondaria R. Diversamente, essa entrerà in contatto con la lama o con una parte dell'utensile, provocando gravi danni all'operatore. (Fig. 35)

La guida secondaria R può essere rimossa dal lato destro della guida. Per rimuovere la guida secondaria R, allentare la vite che fissa la guida secondaria R ed estrarla. Per montarla, seguire invece la procedura contraria.

Al termine delle operazioni di taglio obliquo, non dimenticare di riportare la guida secondaria R nella posizione originale e di fissarla serrando saldamente la vite.

Morsa verticale (Fig. 36)

La morsa verticale può essere installata sul lato sinistro o destro della guida. Inserire l'asta della morsa nel foro della guida e serrare la vite sul retro della guida per fissare l'asta della morsa.

Posizionare il braccio della morsa in base allo spessore e alla forma del pezzo in lavorazione, quindi fissare il braccio della morsa serrando la vite. Se la vite di fissaggio

del braccio della morsa entra in contatto con la guida, inserire la vite sul lato opposto del braccio. Accertarsi che l'utensile non entri in contatto con la morsa quando si abbassa completamente l'impugnatura oppure si tira e si spinge completamente il carrello. Se alcune parti entrano in contatto con la morsa, riposizionare la morsa. Premere il pezzo in lavorazione contro la guida e la base girevole. Posizionare il pezzo in lavorazione nella posizione di taglio desiderata e fissarlo in modo saldo serrando l'impugnatura della morsa.

AVVERTENZA:

- **Il pezzo in lavorazione deve essere fissato in modo saldo sulla base girevole e sulla guida con la morsa durante tutte le operazioni.** Se il pezzo in lavorazione non viene fissato correttamente alla guida, il materiale potrebbe spostarsi durante l'operazione di taglio causando possibili danni alla lama, con conseguente spostamento del materiale e perdita di controllo, provocando così infortuni gravi.

Morsa orizzontale (accessorio opzionale) (Fig. 37)

La morsa orizzontale può essere installata in due posizioni, sul lato sinistro o destro della base. Se si eseguono tagli con angolazione di 10° o superiore, installare la morsa orizzontale sul lato opposto, nella direzione di rotazione della base girevole. **(Fig. 38)** Ruotando il dado della morsa in senso antiorario la morsa viene sbloccata e si sposta rapidamente verso l'interno e verso l'esterno. Per bloccare il pezzo in lavorazione, premere in avanti la manopola della morsa fin quando la piastra entra in contatto con il pezzo in lavorazione, quindi ruotare il dado in senso orario. Infine, ruotare l'impugnatura della morsa in senso orario per fissare saldamente il pezzo.

La larghezza massima del pezzo in lavorazione che può essere fissato con la morsa orizzontale è di 215 mm. Installando la morsa orizzontale sul lato destro della base, utilizzare anche la guida secondaria R per fissare più saldamente il pezzo in lavorazione. Vedere la sezione "Guida secondaria R" descritta in precedenza per l'installazione della guida secondaria R.

AVVERTENZA:

- **Ruotare sempre il dado della morsa in senso orario fino al fissaggio adeguato del pezzo in lavorazione.** Se il pezzo in lavorazione non viene fissato correttamente, il materiale potrebbe spostarsi durante l'operazione di taglio causando possibili danni alla lama, con conseguente spostamento del materiale e perdita di controllo, provocando così infortuni gravi.
- Durante il taglio di pezzi sottili, ad esempio piastre di base, posizionati contro la guida, utilizzare sempre la morsa orizzontale.

USO

AVVISO:

- Prima dell'uso, sbloccare l'impugnatura dalla posizione abbassata tirando il perno di fermo.
- Non applicare una pressione eccessiva sull'impugnatura durante il taglio. Una forza eccessiva può provocare un sovraccarico del motore e/o

un'efficienza di taglio ridotta. Premere l'impugnatura con la sola forza necessaria per un taglio continuo e senza una significativa diminuzione di velocità della lama.

- Premere delicatamente l'impugnatura per eseguire il taglio. Se l'impugnatura viene premuta con forza o se viene applicata una forza laterale, la lama vibra e lascia un segno nel pezzo in lavorazione, riducendo la precisione del taglio.
- Durante un taglio scorrevole, spingere lentamente il carrello verso la guida senza fermarsi. Se il movimento del carrello viene fermato durante il taglio, nel pezzo rimarrà un segno e la precisione del taglio ne risentirà.

AVVERTENZA:

- **Verificare che la lama non tocchi il pezzo in lavorazione prima che l'interruttore sia attivato.** L'accensione dell'utensile con la lama in contatto con il pezzo in lavorazione potrebbe causare contraccolpi e infortuni gravi.

1. Taglio a pressa (taglio di pezzi piccoli) (Fig. 39)

I pezzi in lavorazione fino a 91 mm di altezza e 70 mm di spessore possono essere tagliati nel seguente modo.

Spingere completamente il carrello verso la guida e serrare la vite di blocco in senso orario per fissare il carrello. Fissare correttamente il pezzo in lavorazione con il tipo di morsa adeguato. Accendere l'utensile senza che la lama entri in contatto con il pezzo e attendere che la lama raggiunga la massima velocità prima di abbassarla. Quindi, abbassare completamente l'impugnatura per tagliare il pezzo in lavorazione. Una volta completato il taglio, spegnere l'utensile e **ATTENDERE L'ARRESTO DELLA LAMA** prima di riportarla nella posizione sollevata.

AVVERTENZA:

- **Serrare saldamente la manopola in senso orario in modo che il carrello non si sposti durante l'uso.** Il serraggio insufficiente della manopola potrebbe causare possibili contraccolpi, con conseguenti infortuni gravi.

2. Taglio scorrevole (taglio di pezzi larghi) (Fig. 40)

Allentare le vite di blocco in senso antiorario in modo che il carrello possa scorrere liberamente. Fissare il pezzo in lavorazione con il tipo di morsa adeguato. Tirare il carrello completamente verso l'operatore. Accendere l'utensile senza che la lama entri in contatto con il pezzo e attendere che la lama raggiunga la massima velocità. Premere l'impugnatura e **SPINGERE IL CARRELLO VERSO LA GUIDA E ATTRAVERSO IL PEZZO IN LAVORAZIONE.** Una volta completato il taglio, spegnere l'utensile e **ATTENDERE L'ARRESTO** della lama prima di riportarla nella posizione sollevata.

AVVERTENZA:

- **Durante l'esecuzione di un taglio scorrevole, dapprima tirare il carrello completamente verso l'operatore e premere l'impugnatura completamente verso il basso, quindi spingere il carrello verso la guida. Non iniziare mai il taglio se il carrello non è completamente tirato verso l'operatore.** Se si esegue il taglio scorrevole senza

- che il carrello sia completamente tirato verso l'operatore, potrebbero verificarsi contraccolpi imprevisti, con conseguenti infortuni gravi.
- **Non tentare mai di eseguire un taglio scorrevole, tirando il carrello verso l'operatore.** La spinta del carrello verso l'operatore durante il taglio, potrebbe causare contraccolpi imprevisti, con la conseguente possibilità di infortuni gravi.
- Non eseguire mai il taglio scorrevole con l'impugnatura bloccata nella posizione abbassata.
- **Non allentare la vite di blocco che fissa il carrello mentre la lama è in rotazione.** Un carrello allentato durante il taglio potrebbe causare contraccolpi imprevisti, con la conseguente possibilità di infortuni gravi.

3. Tagli circolari

Consultare la sezione "Regolazione dell'angolo di taglio circolare" in precedenza.

4. Tagli obliqui (Fig. 41)

Allentare la leva e inclinare la lama della sega per impostare l'angolo di taglio obliquo (consultare la sezione "Regolazione dell'angolo di taglio obliquo" in precedenza). Serrare di nuovo la leva per fissare l'angolo di taglio obliquo selezionato. Fissare il pezzo in lavorazione con una morsa. Assicurarsi che il carrello sia stato tirato completamente verso l'operatore. Accendere l'utensile senza che la lama entri in contatto con il pezzo e attendere che la lama raggiunga la massima velocità. Abbassare quindi l'impugnatura nella posizione totalmente abbassata, applicando una pressione in parallelo sulla lama, e SPINGERE IL CARRELLO VERSO LA GUIDA PER TAGLIARE IL PEZZO. Una volta completato il taglio, spegnere l'utensile e ATTENDERE L'ARRESTO DELLA LAMA prima di riportarla nella posizione sollevata.

⚠ AVVERTENZA:

- **Dopo aver impostato la lama per il taglio obliquo, prima di utilizzare l'utensile, accertarsi che l'intera corsa del carrello e della lama lungo il taglio desiderato sia libera da ostacoli.** L'interruzione della corsa della lama o del carrello durante le operazioni di taglio potrebbe causare contraccolpi e infortuni gravi.
- **Durante l'esecuzione di un taglio obliquo, tenere le mani lontane dal percorso compiuto dalla lama.** L'angolo della lama potrebbe confondere l'operatore in merito al percorso effettivo compiuto dalla lama durante il taglio e il contatto con la lama potrebbe causare infortuni gravi.
- **La lama non deve essere sollevata finché non ha effettuato un arresto completo.** Durante un taglio obliquo, il pezzo tagliato potrebbe poggiare sulla lama. Se la lama viene sollevata mentre è ancora in rotazione, il pezzo tagliato potrebbe essere espulso dalla lama causando la frammentazione del materiale, con la conseguente possibilità di infortuni gravi.

AVVISO:

- Durante la pressione dell'impugnatura, applicare una pressione in parallelo alla lama. Se viene applicata una forza perpendicolare alla base girevole, o se la direzione di pressione cambia durante il taglio, ne risentirà la precisione del taglio.

- Prima delle operazioni di taglio obliquo, potrebbe essere necessario regolare la guida scorrevole. Consultare la sezione intitolata "Regolazione delle guide".

⚠ ATTENZIONE:

- Rimuovere sempre la guida secondaria R in modo che non interferisca con il carrello durante l'esecuzione di tagli obliqui.

5. Taglio combinato

Il taglio combinato è un processo in cui viene impostato un angolo di taglio obliquo durante la realizzazione di un taglio circolare sul pezzo. Il taglio combinato può essere eseguito con le angolazioni indicate nella tabella.

| Angolo di taglio circolare | Angolo di taglio obliquo |
|----------------------------|----------------------------|
| Sinistra e destra 0° - 45° | Sinistra e destra 0° - 45° |

009713

Per l'esecuzione del taglio composto, consultare le sezioni "Taglio a pressa", "Taglio scorrevole", "Taglio circolare" e "Taglio obliquo".

6. Taglio di modanature crown e cove

Le modanature crown e cove possono essere tagliate utilizzando una sega circolare combinata dopo aver adattato le modanature sulla base girevole.

Esistono due tipi comuni di modanature crown e un tipo di modanatura cove: modanatura crown con angolazione del muro 52/38°, modanatura crown con angolazione del muro 45° e modanatura cove con angolazione del muro 45°. Vedere le figure (Fig. 42) Esistono giunti di modanatura crown e cove realizzati per l'inserimento in angoli interni di 90° ((1) e (2) in Fig. A) e angoli esterni di 90° ((3) e (4) in Fig. A) (Fig. 43 e 44).

Misurazione

Misurare la lunghezza del muro e regolare il pezzo in lavorazione sul banco per tagliare gli spigoli a contatto con il muro alla lunghezza desiderata. Assicurarsi inoltre che la lunghezza di taglio nella parte posteriore del pezzo corrisponda alla lunghezza del muro. Regolare la lunghezza del taglio in base all'angolo di taglio. Utilizzare diversi pezzi per provare i tagli e controllare le angolazioni della sega. Durante il taglio di modanature crown e cove, impostare l'angolo di taglio obliquo e l'angolo di taglio circolare come indicato nella tabella (A), quindi posizionare le modanature sulla superficie superiore della base della sega come indicato nella tabella (B).

Nel caso di un taglio obliquo a sinistra

Tabella (A)

| | Posizione della modanatura in Fig. A | Angolo di taglio obliquo | | Angolazione di taglio circolare | |
|--------------------|--------------------------------------|--------------------------|--------------|---------------------------------|----------------|
| | | Tipo 52/38° | Tipo 45° | Tipo 52/38° | Tipo 45° |
| Per angolo interno | (1) | Sinistra 33,9° | Sinistra 30° | Destra 31,6° | Destra 35,3° |
| | (2) | | | Sinistra 31,6° | Sinistra 35,3° |
| Per angolo esterno | (3) | | | Destra 31,6° | Destra 35,3° |
| | (4) | | | | |

006361

Tabella (B)

| | Posizione della modanatura in Fig. A | Spigolo della modanatura contro la guida | Pezzo finito |
|--------------------|--------------------------------------|--|---|
| Per angolo interno | (1) | Lo spigolo a contatto con il soffitto dovrebbe trovarsi contro la guida. | Il pezzo finito sarà a sinistra della lama. |
| | (2) | Lo spigolo a contatto con il muro dovrebbe trovarsi contro la guida. | |
| Per angolo esterno | (3) | Lo spigolo a contatto con il soffitto dovrebbe trovarsi contro la guida. | Il pezzo finito sarà a destra della lama. |
| | (4) | | |

006362

Esempio:

Taglio di una modanatura crown di tipo 52/38° per la posizione (1) in Fig. A:

- Effettuare l'inclinazione e fissare l'angolo di taglio obliquo su 33,9° SINISTRA.
- Effettuare la regolazione e fissare l'angolo di taglio circolare su 31,6° DESTRA.
- Adagiare la modanatura crown con la superficie posteriore (nascosta) sulla base girevole, posizionando lo spigolo a contatto con il soffitto contro la guida sulla sega.
- Il pezzo finito si troverà sul lato SINISTRO della lama dopo l'esecuzione del taglio.

Nel caso di un taglio obliquo a destra

Tabella (A)

| | Posizione della modanatura in Fig. A | Angolo di taglio obliquo | | Angolazione di taglio circolare | |
|--------------------|--------------------------------------|--------------------------|------------|---------------------------------|----------------|
| | | Tipo 52/38° | Tipo 45° | Tipo 52/38° | Tipo 45° |
| Per angolo interno | (1) | Destra 33,9° | Destra 30° | Destra 31,6° | Destra 35,3° |
| | (2) | | | Sinistra 31,6° | Sinistra 35,3° |
| Per angolo esterno | (3) | | | Destra 31,6° | Destra 35,3° |
| | (4) | | | | |

006363

Tabella (B)

| | Posizione della modanatura in Fig. A | Spigolo della modanatura contro la guida | Pezzo finito |
|--------------------|--------------------------------------|--|---|
| Per angolo interno | (1) | Lo spigolo a contatto con il muro dovrebbe trovarsi contro la guida. | Il pezzo finito sarà a destra della lama. |
| | (2) | Lo spigolo a contatto con il soffitto dovrebbe trovarsi contro la guida. | |
| Per angolo esterno | (3) | Lo spigolo a contatto con il muro dovrebbe trovarsi contro la guida. | Il pezzo finito sarà a sinistra della lama. |
| | (4) | | |

006364

Esempio:

Taglio di una modanatura crown di tipo 52/38° per la posizione (1) in Fig. A:

- Effettuare l'inclinazione e fissare l'angolo di taglio obliquo su 33,9° DESTRA.
- Effettuare la regolazione e fissare l'angolo di taglio circolare su 31,6° DESTRA.
- Adagiare la modanatura crown con la superficie posteriore (nascosta) sulla base girevole, posizionando lo spigolo a contatto con la parete contro la guida sulla sega.
- Il pezzo finito si troverà sul lato DESTRO della lama dopo l'esecuzione del taglio.

7. Taglio di estrusioni di alluminio (Fig. 45 e 46)

Durante il fissaggio delle estrusioni di alluminio, utilizzare distanziatori o pezzi di scarto (come mostrato nella figura) per impedire la deformazione dell'alluminio. Utilizzare un lubrificante durante il taglio di estrusioni di alluminio per impedire l'accumulo di materiale sulla lama.

⚠ AVVERTENZA:

- **Non tentare di tagliare estrusioni di alluminio spesse o rotonde.** Estrusioni di alluminio spesse o rotonde potrebbero risultare difficili da fissare e potrebbero essere allentate durante le operazioni di taglio, con la conseguente possibilità di perdite di controllo e infortuni gravi.

8. Protezione in legno

L'uso di una protezione in legno aiuta a garantire che non vi siano schegge nei tagli del pezzo in lavorazione. Fissare una protezione in legno alla guida utilizzando i fori in quest'ultima. Vedere la figura relativa alle dimensioni per un suggerimento sulla protezione in legno da utilizzare. (Fig. 47)

⚠ ATTENZIONE:

- Utilizzare legno piano di qualsiasi spessore come protezione.

⚠ AVVERTENZA:

- **Utilizzare le viti per fissare la protezione in legno alla guida. Le viti devono essere installate in modo tale che le teste delle viti si trovino sotto la superficie della protezione in legno, così da non interferire con il posizionamento del materiale che viene tagliato.** Un allineamento inadeguato del materiale tagliato può causare movimenti imprevedibili

durante le operazioni di taglio con la conseguente possibilità di perdite di controllo e infortuni gravi.

AVVISO:

- Una volta applicata la protezione in legno, evitare di ruotare la base girevole con l'impugnatura abbassata. La lama e/o la protezione in legno potrebbero danneggiarsi.

9. Scanalature (Fig. 48)

Per eseguire il taglio di scanalature, procedere come indicato di seguito:

Regolare la posizione limite inferiore della lama utilizzando le viti di regolazione e il braccio del fermo, in modo da limitare la profondità di taglio della lama. Vedere la sezione "Braccio del fermo" in precedenza. Dopo aver regolato la posizione limite inferiore della lama, tagliare scanalature parallele per l'intera larghezza del pezzo utilizzando un taglio scorrevole, come mostrato nella figura. Rimuovere quindi il materiale del pezzo tra le scanalature utilizzando uno scalpello.

⚠ AVVERTENZA:

- **Non tentare di eseguire questo tipo di taglio utilizzando lame più spesse o "dado blade".** Il tentativo di fare una scanalatura con una lama più spessa o una "dado blade" potrebbe portare a risultati di taglio e contraccolpi imprevisti, con la conseguente possibilità di infortuni gravi.
- **Riportare il braccio del fermo nella posizione originale quando si eseguono tagli diversi dalle scanalature.** Il tentativo di eseguire tagli con il braccio del fermo nella posizione errata potrebbe portare a risultati di taglio e contraccolpi imprevisti, con la conseguente possibilità di infortuni gravi.

⚠ ATTENZIONE:

- Riportare il braccio del fermo nella posizione originale quando si eseguono tagli diversi dalle scanalature.

Trasporto dell'utensile (Fig. 49)

Accertarsi che l'utensile sia scollegato. Fissare la lama all'angolazione di taglio obliquo 0° e la base girevole sull'angolazione di taglio circolare destra. Fissare i paletti di scorrimento in modo che il paletto di scorrimento inferiore sia bloccato nella posizione del carrello completamente tirato verso l'operatore e i paletti superiori siano bloccati nella posizione del carrello completamente spinto verso la guida (consultare la sezione intitolata "Regolazione del blocco di scorrimento"). Abbassare completamente l'impugnatura premendo il perno di fermo. Avvolgere il cavo di alimentazione utilizzando gli appositi supporti.

⚠ AVVERTENZA:

- **Il perno di fermo è destinato alle operazioni di trasporto e immagazzinaggio, non alle operazioni di taglio.** L'uso del perno di fermo per le operazioni di taglio potrebbe causare movimenti imprevisti della lama della sega, con la conseguente possibilità di contraccolpi e infortuni gravi.

Trasportare l'utensile sostenendo entrambi i lati della base, come mostrato nella figura. La rimozione dei sostegni, del sacchetto per la polvere, ecc. agevola il trasporto dell'utensile.

⚠ ATTENZIONE:

- Bloccare tutte le parti mobili prima di trasportare l'utensile. Se alcune parti dell'utensile si muovono o scrono durante il trasporto, potrebbero verificarsi perdite di controllo o equilibrio con la conseguente possibilità di infortuni.

MANUTENZIONE

⚠ AVVERTENZA:

- **Prima di effettuare controlli e operazioni di manutenzione, verificare sempre che l'utensile sia spento e scollegato.** Il mancato scollegamento e spegnimento dell'utensile potrebbe provocare l'accensione accidentale dell'utensile con la conseguente possibilità di infortuni gravi.
- **Accertarsi che la lama sia sempre affilata e pulita per le migliori prestazioni e la massima sicurezza.** Il tentativo eseguire un taglio con una lama sporca e/o dura potrebbe causare contraccolpi, con la conseguente possibilità di infortuni gravi.

AVVISO:

- Evitare assolutamente di usare benzina, diluenti, solventi, alcol o sostanze simili. In caso contrario, potrebbero verificarsi scoloriture, deformazioni o incrinature.

Regolazione dell'angolo di taglio

Questo utensile è regolato e allineato in fabbrica; tuttavia, un utilizzo non corretto potrebbe modificare l'allineamento. Se l'utensile non è allineato correttamente, attenersi alla procedura riportata di seguito:

1. Angolazione di taglio circolare (Fig. 50)

Spingere il carrello verso la guida e serrare le viti di blocco per fissare il carrello.

Allentare la ganaschia che fissa la base girevole.

Ruotare la base girevole in modo che l'indicatore si trovi sullo 0° nella scala di taglio circolare. Ruotare quindi la base girevole in senso orario e antiorario per fissarla in corrispondenza della tacca 0°. Lasciarla com'è se il puntatore non indica 0°. Allentare i bulloni esagonali fissando la guida con la chiave a tubo.

(Fig. 51)

Abbassare completamente l'impugnatura premendo il perno di fermo. Accertarsi che il lato della lama sia perpendicolare rispetto alla guida utilizzando una squadra, quindi fissare i bulloni esagonali sulla guida nell'ordine, partendo dal lato destro. (Fig. 52) Assicurarsi che l'indicatore si trovi sullo 0° nella scala di taglio circolare. Se l'indicatore non è nella posizione 0°, allentare la vite di fermo e procedere alla regolazione.

2. Angolo di taglio obliquo

(1) Angolo di taglio obliquo 0° (Fig. 53)

Spingere il carrello verso la guida e serrare le viti di blocco per fissare il carrello. Abbassare completamente l'impugnatura premendo il perno di fermo. Allentare la leva nella parte posteriore dell'utensile. (Fig. 54)

Ruotare il bullone esagonale sul lato destro del braccio in senso antiorario per due o tre rivoluzioni in modo da inclinare la lama a destra. (Fig. 55)

Assicurarsi che il lato della lama sia perpendicolare alla superficie superiore della base girevole utilizzando una squadra; per la regolazione, ruotare in senso antiorario il bullone esagonale sul lato destro del braccio. Serrare quindi la leva in modo saldo. (Fig. 56)

Assicurarsi che l'indicatore sul braccio sia nella posizione 0° sulla scala di taglio obliquo del supporto del braccio. Se l'indicatore non è nella posizione 0°, allentare la vite di fermo e procedere alla regolazione.

(2) Angolo di taglio obliquo 45° (Fig. 57)

Regolare l'angolo di taglio obliquo 45° solo dopo aver eseguito la regolazione dell'angolo di taglio obliquo 0°. Per regolare l'angolo di taglio obliquo 45°, allentare la leva e inclinare la lama del tutto a sinistra. Assicurarsi che l'indicatore sul braccio sia nella posizione 45° sulla scala di taglio obliquo del supporto del braccio. Se l'indicatore non si trova nella posizione 45°, ruotare il bullone di regolazione dell'angolo di taglio 45° sul lato destro del braccio fino a quando l'indicatore è nella posizione 45°.

Per regolare l'angolo di taglio obliquo 45° destra, eseguire la stessa procedura descritta sopra.

(Fig. 58)

Rimuovere e controllare periodicamente le spazzole di carbone. Sostituirle quando siano usurate fino a una lunghezza di 3 mm. Mantenere le spazzole di carbone pulite e libere di scorrere nei supporti. Entrambe le spazzole di carbone devono essere sostituite contemporaneamente. Utilizzare solo spazzole di carbone dello stesso tipo. (Fig. 59)

Rimuovere i coperchi dei portaspazzola con un cacciavite. Estrarre le spazzole di carbone consumate, inserire le nuove spazzole e fissare i coperchi dei portaspazzola.

Dopo l'uso

- Dopo l'uso, rimuovere frammenti e polvere che hanno aderito all'utensile con un panno. Tenere pulito il coprilama secondo le indicazioni nella precedente sezione "Coprilama". Lubrificare le parti scorrevoli con olio per macchine in modo da impedire la ruggine.
- Per riporre l'utensile, tirare il carrello completamente verso l'operatore.

Per mantenere LA SICUREZZA e L'AFFIDABILITÀ del prodotto, le riparazioni e qualsiasi altra operazione di manutenzione o regolazione devono essere eseguiti dai centri di assistenza autorizzati Makita utilizzando sempre parti di ricambio Makita.

ACCESSORI OPZIONALI

AVVERTENZA:

- **Si consiglia l'uso dei seguenti accessori per l'utensile Makita descritto in questo manuale.** L'uso di accessori diversi potrebbe causare infortuni gravi.
- **Utilizzare gli accessori Makita esclusivamente per l'uso dichiarato.** L'utilizzo improprio di un accessorio potrebbe causare infortuni gravi.

Per l'assistenza e per ulteriori informazioni su tali accessori, rivolgersi al centro assistenza Makita di zona.

- Lame in acciaio con placchette al carburo (Fare riferimento al nostro sito web o contattare il proprio rivenditore locale Makita per informazioni sulle lame per sega corrette da utilizzare per il materiale da tagliare.)
- Guida secondaria R
- Montaggio della morsa (orizzontale)
- Morsa verticale
- Chiave a tubo con chiave esagonale all'altra estremità
- Supporto
- Gruppo supporto
- Sacchetto per la polvere
- Gomito
- Squadra triangolare

NOTA:

- Alcuni degli accessori elencati potrebbero essere inclusi nella confezione dell'utensile come accessori standard. Gli accessori standard possono differire da paese a paese.

Rumore

ENG905-1

Il tipico livello di rumore ponderato "A" è determinato in conformità con la norma EN62841-3-9:

Livello di pressione sonora (L_{pA}): 92 dB (A)

Livello di potenza sonora (L_{WA}): 102 dB (A)

Variation (K): 3 dB (A)

Indossare una protezione acustica.

ENG907-1

- Il valore o i valori dichiarati delle emissioni di rumori sono stati misurati in conformità a un metodo standard di verifica, e possono essere utilizzati per confrontare un utensile con un altro.
- Il valore o i valori dichiarati delle emissioni di rumori possono venire utilizzati anche per una valutazione preliminare dell'esposizione.

AVVERTIMENTO:

- **Indossare protezioni per le orecchie.**
- **L'emissione di rumori durante l'utilizzo effettivo dell'utensile elettrico può variare rispetto al valore o ai valori dichiarati, a seconda dei modi in cui viene utilizzato l'utensile e specialmente a seconda di che tipo di pezzo venga lavorato.**
- **Accertarsi di identificare misure di sicurezza per la protezione dell'operatore che siano basate su una stima dell'esposizione nelle condizioni effettive di utilizzo (tenendo conto di tutte le parti del ciclo operativo, ad esempio del numero di spegnimenti dell'utensile e di quando giri a vuoto, oltre al tempo di attivazione).**

Dichiarazione di conformità CE

Solo per i paesi europei

La dichiarazione di conformità CE è inclusa nell'Allegato A di questo manuale di istruzioni.

NEDERLANDS (Originele instructies)

Verklaring van het onderdelenoverzicht

| | | |
|--|---|---|
| 1. Vergrendelpen | 30. Aan/uit-schakelaar | 57. Draaiknop van bankschroef |
| 2. Bouten | 31. Gat voor hangslot | 58. Stang van bankschroef |
| 3. Werkstuksteun | 32. Schakelaar van de laserstraal | 59. Drukplaat van bankschroef |
| 4. Werkstuksteunvoet | 33. Bevestigingsschroef van de lasereenheid | 60. Moer van bankschroef |
| 5. Schroef | 34. Batterij | 61. Kroon-profiellijst met een wandhoek van 52/38° |
| 6. Beschermkap | 35. Dopsleutel met aan het andere uiteinde een inbussleutel | 62. Kroon-profiellijst met een wandhoek van 45° |
| 7. Zaagsnedeplank | 36. Gereedschaphouder | 63. Kwarthol-profiellijst met een wandhoek van 45° |
| 8. Zaagblad | 37. Dopsleutel | 64. Binnenhoek |
| 9. Zaagstand | 38. Zaagbladhuis | 65. Buitenhoek |
| 10. Links verticaal-verstekzagen | 39. Middenafdekking | 66. Bankschroef |
| 11. Rechtzagen | 40. Zeskantbout | 67. Vulblok |
| 12. Rechts verticaal-verstekzagen | 41. Pijl | 68. Aluminiumprofiel |
| 13. Stelbout | 42. Asvergrendeling | 69. Horizontale bankschroef (los verkrijgbaar) |
| 14. Draaitafel | 43. Zeskantbout (met linkse schroefdraad) | 70. Gaten |
| 15. Bovenoppervlak van draaitafel | 44. Buitenflens | 71. Groeven zagen met zaagblad |
| 16. Rand van zaagblad | 45. Ring | 72. Geodriehoek |
| 17. Geleider | 46. Binnenflens | 73. Stelbout 0° |
| 18. Aanslagarm | 47. As | 74. Stelbout voor verticaal-verstekhoek van 45° naar links |
| 19. Stelschroef | 48. Stofafzuigaansluitmond | 75. Bovenoppervlak van draaitafel |
| 20. Horizontaal-verstekschaalverdeling | 49. Stofzak | 76. Stelbout voor verticaal-verstekhoek van 45° naar rechts |
| 21. Aanwijspunt | 50. Sluiting | 77. Schroevendraaier |
| 22. Vergrendelknop | 51. Steun | 78. Koolborsteldop |
| 23. Handvat | 52. Verschuifbare geleider | |
| 24. Hendel | 53. Klemzak | |
| 25. Arm | 54. Hulpgeleider rechts | |
| 26. Verticaal-verstekschaalverdeling | 55. Schroeven | |
| 27. Ontgrendelknop | 56. Arm van bankschroef | |
| 28. Borgschroef | | |
| 29. Uit-vergrendelknop | | |

TECHNISCHE GEGEVENS

| Model | | LS1018 | LS1018L |
|--|----------------------|--|--|
| Diameter blad | | 255 - 260 mm | |
| Diameter middengat | Landen buiten Europa | 25,4 mm of 30 mm (afhankelijk van het land) | |
| | Europese landen | 30 mm | |
| Max. dikte van de zaagsnede van het zaagblad | | 3,2 mm | |
| Max. horizontale verstekhoek | | Rechts 60°, Links 47° | |
| Max. verticale verstekhoek | | Rechts 45°, Links 45° | |
| Nullasttoerental (t/min) | | 4.300 min ⁻¹ | |
| Type laser | | – | Rode laserstraal 650 nm, Maximumuitgangsvermogen 1 mW < (laserklasse 2M) |
| Afmetingen (l x b x h) | | 825 mm x 536 mm x 633 mm | |
| Nettogewicht | | 21,5 kg | |
| Veiligheidsklasse | | □/II | |

- Als gevolg van ons doorlopende onderzoeks- en ontwikkelingsprogramma, zijn de technische gegevens van dit gereedschap onderhevig aan veranderingen zonder voorafgaande kennisgeving.
- De technische gegevens kunnen van land tot land verschillen.
- Gewicht volgens EPTA-procedure 01/2014

Max. zaagdikte (h x b) met diameter van 260 mm

| Horizontaal-verstekhoek | Verticaal-verstekhoek | | |
|-------------------------|-----------------------|----------------|----------------|
| | 45° (links) | 0° | 45° (rechts) |
| 0° | 50 mm x 310 mm | 91 mm x 310 mm | 31 mm x 310 mm |
| 45° | 50 mm x 220 mm | 91 mm x 220 mm | 31 mm x 220 mm |
| 60° (rechts) | - | 91 mm x 153 mm | - |

Symbolen

END325-1

Hieronder staan de symbolen die voor dit gereedschap worden gebruikt. Zorg ervoor dat u weet wat ze betekenen alvorens het gereedschap te gebruiken.



..... Lees de gebruiksaanwijzing.



..... DUBBEL GEÏSOLEERD



..... Om letsel door rondvliegende houtsnippers te voorkomen, blijft u na het zagen de zaagkop omlaag gedruwd houden totdat het zaagblad volledig tot stilstand is gekomen.



Voor het uitvoeren van schuivend zagen trekt u eerst de slede helemaal naar u toe, brengt u vervolgens de handgreep omlaag, en duwt u tenslotte de slede naar de geleider.



..... Houd handen en vingers uit de buurt van de zaagband.



..... Stel de verschuifbare geleiders zo af dat ze niet geraakt worden door het zaagblad en de beschermkap.



..... Verwijder altijd SUBGELEIDER R bij verticaal-verstekzagen rechts. Zoniet kan de operator ernstig gewond raken.



..... **LASERSTRALING:** Kijk niet rechtstreeks in de laserstraal. De rechtstreekse laserstraal kan uw ogen beschadigen.



..... Alleen voor EU-landen
Geef elektrisch gereedschap niet met het huisvuil mee!
Volgens de Europese richtlijn inzake oude elektrische en elektronische apparaten en de toepassing daarvan binnen de nationale wetgeving, dient gebruikt elektrisch gereedschap gescheiden te worden ingezameld en te worden afgevoerd naar een recyclingbedrijf dat voldoet aan de geldende milieu-eisen.

Gebruiksdoeleinden

ENE006-1

Het gereedschap is bedoeld voor nauwkeurig recht- en verstekzagen in hout. Als het juiste zaagblad wordt gebruikt, kan dit gereedschap ook aluminium zagen.

Voeding

ENF002-2

Het gereedschap mag uitsluitend worden aangesloten op een voeding met dezelfde spanning als aangegeven op het typeplaatje en werkt alleen op enkele-fase wisselstroom. Het gereedschap is dubbel geïsoleerd en mag derhalve ook op een niet-geaard stopcontact worden aangesloten.

Algemene veiligheidswaarschuwingen voor elektrisch gereedschap

GEA010-2

⚠ WAARSCHUWING: Lees alle veiligheidswaarschuwingen, aanwijzingen, afbeeldingen en technische gegevens behorend bij dit elektrische gereedschap aandachtig door. Als u niet alle onderstaande aanwijzingen naleeft, kan dat resulteren in brand, elektrische schokken en/of ernstig letsel.

Bewaar alle waarschuwingen en instructies om in de toekomst te kunnen raadplegen.

De term "elektrisch gereedschap" in de veiligheidsvoorschriften duidt op gereedschappen die op stroom van het lichtnet werken (met snoer) of gereedschappen met een accu (snoerloos).

VEILIGHEIDSWAARSCHUWINGEN

Veiligheidsinstructies voor verstekzagen

ENB130-2

1. **Verstekzagen zijn bedoeld voor het zagen van hout of houtachtige materialen. Ze kunnen niet worden gebruikt met doorslijpschijven voor het doorslijpen van ferro-materialen, zoals stangen, staven, draadeinden, enz.** Door het slijpstof zullen bewegende delen, zoals de onderste beschermkap, vastlopen. De vonken die bij doorslijpen worden geproduceerd, verbranden de onderste beschermkap, het zaagsnede-inzetstuk en andere kunststofonderdelen.
2. **Gebruik klemmen om het werkstuk vast te zetten wanneer dat mogelijk is. Als u het werkstuk met de**

- hand vasthoudt, moet u uw hand altijd minstens 100 mm van beide kanten van het zaagblad weg houden. Gebruik deze zaag niet voor het zagen van werkstukken die te klein zijn om stevig vast te klemmen of met de hand vast te houden. Als uw hand te dicht bij het zaagblad is geplaatst, is de kans groter dat u letsel oploopt door het aanraken van het zaagblad.
3. **Het werkstuk moet stil liggen en vastgeklemd zijn of vastgehouden worden tegen zowel de geleider als de tafel. Voer het werkstuk niet in het zaagblad aan, en zaag nooit 'uit de vrije hand'.** Losliggende of bewegende werkstukken kunnen op hoge snelheid worden weggeworpen en letsel veroorzaken.
 4. **Duw het zaagblad door het werkstuk. Trek het zaagblad niet door het werkstuk. Om een zaagsnede te maken, brengt u de zaagkop omhoog en trekt u het naar u toe boven het werkstuk zonder te zagen. Start de motor, duw de zaagkop omlaag en duw het zaagblad door het werkstuk.** Als tijdens de trekkende beweging wordt gezaagd, klimt het zaagblad waarschijnlijk uit het werkstuk en wordt de zaagkop met kracht in de richting van de gebruiker geworpen.
 5. **Kruis met uw hand nooit de beoogde zaaglijn, hetzij vóór dan wel achter het zaagblad.** Het 'kruislings' vasthouden van het werkstuk, waarbij het werkstuk aan de rechterkant van het zaagblad wordt vastgehouden met de linkerhand, of vice versa, is bijzonder gevaarlijk. (Fig. 1)
 6. **Reik niet achter de geleider met een van uw handen dichterbij dan 100 mm bij een van de kanten van het zaagblad, om houtsnippers te verwijderen of om welke andere reden dan ook, terwijl het zaagblad draait.** U realiseert zich mogelijk niet hoe dicht uw hand bij het draaiende zaagblad is en u kunt ernstig letsel oplopen.
 7. **Inspecteer uw werkstuk voordat u begint te zagen. Als het werkstuk gebogen of verdraaid is, klemt u het vast met de buitenkant van het gebogen oppervlak tegen de geleider. Verzekeer u er altijd van dat er geen opening is tussen het werkstuk, de geleider en de tafel langs de zaaglijn.** Gebogen of verdraaide werkstukken kunnen zich draaien of verschuiven, en kunnen het draaiende zaagblad doen verlopen tijdens het zagen. Er mogen geen spijkers of vreemde voorwerpen in het werkstuk zitten.
 8. **Gebruik de zaag niet totdat de tafel vrij is van alle gereedschappen, houtsnippers, enz., behalve het werkstuk.** Kleine stukjes afval, losse stukjes hout of andere voorwerpen die in aanraking komen met het draaiende zaagblad, kunnen met hoge snelheid worden weggeworpen.
 9. **Zaag slechts één werkstuk tegelijkertijd.** Meerdere, opgestapelde werkstukken kunnen niet goed worden vastgeklemd of vastgehouden, en kunnen het zaagblad doen vastlopen of tijdens het zagen verschuiven.
 10. **Verzekeer u er vóór gebruik van dat de verstekzaag is bevestigd of geplaatst op een stevig werkoppervlak.** Een horizontaal en stevig werkoppervlak verkleint de kans dat de verstekzaag instabiel wordt.
 11. **Plan uw werkzaamheden. Elke keer wanneer u de instelling voor de schuine hoek of verstekhoek, verzeekert u zich ervan dat de verstelbare geleider correct is afgesteld om het werkstuk te steunen en tevens het zaagblad of beschermingssysteem niet raakt tijdens gebruik.** Zonder het gereedschap in te schakelen en zonder een werkstuk op de tafel, beweegt u het zaagblad langs een volledige, gesimuleerde zaagsnede om er zeker van te zijn dat het zaagblad niets raakt en er geen gevaar is dat in de geleider wordt gezaagd.
 12. **Zorg voor voldoende ondersteuning, zoals tafelerlengingen, zaagbokken, enz. voor een werkstuk dat breder of langer is dan het bovenoppervlak van de tafel.** Werkstukken die breder of langer zijn dan de verstekzaagtafel, kunnen kantelen als ze niet goed worden ondersteunt. Als het afgezaagde deel of het werkstuk kantelt, kan het de onderste beschermkap optillen of worden weggeworpen door het draaiende zaagblad.
 13. **Gebruik niet een andere persoon als vervanging van een tafelerlenging of als extra ondersteuning.** Een instabiele ondersteuning van het werkstuk kan ertoe leiden dat het zaagblad vastloopt of het werkstuk verschuift tijdens het zagen, waardoor u en de helper in het draaiende zaagblad worden getrokken.
 14. **Het afgezaagde deel van het werkstuk mag op geen enkele wijze tegen het draaiende zaagblad bekneld raken of gedrukt worden.** Indien opgesloten, d.w.z. bij gebruik van lengteaanlagen, kan het afgezaagde deel tegen het zaagblad bekneld raken en met kracht weggeworpen worden.
 15. **Gebruik altijd een klem of een bevestigingsmethode die bedoeld is om ronde werkstukken, zoals een staaf of buis, te ondersteunen.** Staven neigen te verrollen tijdens het zagen, waardoor het zaagblad zich 'vastbijt' en het werkstuk met uw hand in het zaagblad wordt getrokken.
 16. **Laat het zaagblad de volle snelheid bereiken voordat deze het werkstuk raakt.** Dit verkleint de kans dat het werkstuk wordt weggeworpen.
 17. **Als het werkstuk of zaagblad vastloopt, schakel u de verstekzaag uit. Wacht totdat alle bewegende delen tot stilstand zijn gekomen en trek de stekker uit het stopcontact en/of verwijder de accu. Verwijder daarna het vastgelopen materiaal.** Als u blijft zagen met een vastgelopen zaagblad, kunt u de controle over de verstekzaag verliezen of deze beschadigen.
 18. **Nadat u de zaagsnede hebt voltooid, laat u de schakelaar los, blijft u de zaagkop omlaag gedrukt houden en wacht u tot het zaagblad stilstaat voordat u het afgezaagde deel verwijder.** Het is gevaarlijk om met uw hand in de buurt van het nalopende zaagblad te reiken.
 19. **Houd het handvat stevig vast bij het maken van een onvolledige zaagsnede en bij het loslaten van de schakelaar voordat de zaagkop helemaal omlaag is geduwd.** Door het remeffect van het zaagblad kan ertoe leiden dat de zaagkop plotseling omlaag getrokken wordt, waardoor een kans op letsel ontstaat.

20. **Gebruik uitsluitend een zaagblad met een diameter zoals aangegeven op het gereedschap of vermeld in de gebruiksaanwijzing.** Het gebruik van een zaagblad met een verkeerde afmeting, kan een goede bescherming of werking van het zaagblad verhinderen, wat kan leiden tot ernstig persoonlijk letsel.
21. **Gebruik altijd een zaagblad dat is gemarkeerd met een toerental dat gelijk is aan of hoger is dan het toerental dat is aangegeven op het gereedschap.**
22. **Gebruik de zaag niet voor het zagen van iets anders dan hout, aluminium of soortgelijke materialen.**
23. **(Alleen voor Europese landen)
Gebruik altijd een zaagblad dat voldoet aan EN847-1.**

Aanvullende instructies

1. **Houd de werkplaats kinderveilig met hangsloten.**
2. **Ga nooit op het gereedschap staan.** Er kan ernstig letsel ontstaan als het gereedschap omvalt of als het snij-/zaaggarmituur per ongeluk wordt aangeraakt.
3. **Laat het gereedschap nooit ingeschakeld achter.** Schakel de voeding uit. Laat het gereedschap niet achter totdat het volledig tot stilstand is gekomen.
4. **Gebruik de zaag niet zonder dat de beschermkappen zijn aangebracht.** Controleer vóór elk gebruik of de beschermkap goed sluit. Gebruik de zaag niet indien de beschermkap niet goed beweegt en niet snel over het zaagblad sluit. Klem of bind de beschermkap nooit in de geopende stand vast.
5. **Houd uw handen uit de buurt van het zaagblad.** Voorkom contact met het nog nadraaiende zaagblad. Het kan nog steeds ernstig letsel veroorzaken.
6. **Om de kans op letsel te verkleinen, schuift u de slede terug naar zijn achterste stand na elke afkortaagsnede.**
7. **Zet alle bewegende onderdelen vast alvorens het gereedschap te dragen.**
8. **De aanslagen die de zaagkop in de onderste stand vergrendelt, wordt alleen gebruikt voor het dragen en opbergen van het gereedschap en niet voor zaagbedieningen.**
9. **Controleer vóór het gebruik het zaagblad zorgvuldig op barsten of beschadiging.** Vervang een gebarsten of beschadigd zaagblad onmiddellijk. Gom of hars dat op het zaagblad is opgedroogd vertraagt het zaagblad en verhoogt de kans op terugslag. Houd het zaagblad schoon door dit eerst van het gereedschap te demonteren en het vervolgens schoon te maken met een schoonmaakmiddel voor gom en hars, heet water of kerosine. Gebruik nooit benzine om het zaagblad schoon te maken.
10. **Tijdens het uitvoeren van schuivend zagen, kan een TERUGSLAG optreden. Een TERUGSLAG treedt op wanneer het zaagblad vastloopt in het werkstuk tijdens het zagen en et zaagblad snel in de richting van de gebruiker wordt bewogen. Dit kan leiden tot verlies van controle over het gereedschap en ernstig persoonlijk letsel. Wanneer het zaagblad begint vast te lopen tijdens**

- het zagen, zaagt u niet verder maar laat u de schakelaar onmiddellijk los.
11. **Gebruik alleen flenzen die voor dit gereedschap zijn bestemd.**
 12. **Pas op dat u de as, de flenzen (vooral hun montageviak) of de bout niet beschadigt.** Beschadiging van deze onderdelen kan zaagbladbreuk veroorzaken.
 13. **Zorg dat het draaibaar voetstuk goed vastgezet is, zodat het tijdens het zagen niet kan bewegen.** Gebruik de gaten in het voetstuk om de zaag te bevestigen op een stevig werkplatform of een stevige werkbank. Gebruik het gereedschap **NOOIT** wanneer de gebruiker in een ongemakkelijke houding moet staan.
 14. **Zet de asblokkering in de vrije stand alvorens de schakelaar in te drukken.**
 15. **Zorg ervoor dat het zaagblad in zijn laagste positie niet in aanraking komt met het draaibaar voetstuk.**
 16. **Houd het handvat stevig vast. Denk eraan dat de zaag bij het starten en stoppen even op- en neergaat.**
 17. **Zorg dat het zaagblad bij het inschakelen niet in contact is met het werkstuk.**
 18. **Laat het gereedschap een tijdje draaien alvorens het op het werkstuk te gebruiken.** Controleer op trillingen of schommelingen die op onjuiste montage of op een slecht uitgebalanceerd zaagblad kunnen wijzen.
 19. **Stop onmiddellijk met zagen indien u iets abnormaals opmerkt.**
 20. **Probeer niet om de trekkerschakelaar in de ingeschakeld stand te vergrendelen.**
 21. **Gebruik uitsluitend de accessoire die in deze gebruiksaanwijzing worden aanbevolen.** Het gebruik van ongeschikte accessoires, zoals slijpschijven, kan letsel veroorzaken.
 22. **Sommige materialen bevatten chemische stoffen die giftig kunnen zijn. Wees voorzichtig dat u geen stof inademt en het stof niet op uw huid komt. Volg de veiligheidsinstructies van de leverancier van het materiaal op.**

Aanvullende veiligheidsvoorschriften voor een laser

1. **LASERSTRALING: KIJK NIET IN DE LASERSTRAAL EN KIJK NIET DOOR OPTISCHE INSTRUMENTEN RECHTSTREEKS NAAR DE LASERSTRAAL. LASERPRODUCT VAN KLASSE 2M.**

BEWAAR DEZE INSTRUCTIES.



WAARSCHUWING:

Laat u **NIET** misleiden door een vals gevoel van comfort en bekendheid met het gereedschap (na veelvuldig gebruik) en neem alle veiligheidsvoorschriften van het betreffende gereedschap altijd strikt in acht. **VERKEERD** GEBRUIK of het niet naleven van de veiligheidsvoorschriften in deze gebruiksaanwijzing kan leiden tot ernstig persoonlijk letsel.

VOORBEREIDINGEN

Tafelopstelling (zie afb. 2)

Wanneer u het gereedschap koopt is de handgreep vergrendeld in de onderste stand door middel van de vergrendelpen. Maak de vergrendelpen los door eraan te trekken terwijl u ondertussen de handgreep lichtjes omlaag drukt. (zie afb. 3)

Dit gereedschap moet met vier bouten worden bevestigd op een horizontale en stabiele ondergrond met gebruikmaking van de boutgaten in de voeten van het gereedschap. Hierdoor wordt voorkomen dat het gereedschap kan omvallen en letsel kan veroorzaken.

De werkstuksteunen en werkstuksteunvoeten aanbrengen

OPMERKING:

- In sommige landen zijn de werkstuksteunen en werkstuksteunvoeten mogelijk niet inbegrepen in de doos van het gereedschap als standaard toebehoren. (zie afb. 4)

De werkstuksteunen en werkstuksteunvoeten ondersteunen het werkstuk horizontaal. Breng de werkstuksteunen en werkstuksteunvoeten aan beide zijden aan, zoals aangegeven in de afbeelding. Draai daarna de schroeven stevig vast om de werkstuksteunen en werkstuksteunvoeten te bevestigen.

BESCHRIJVING VAN DE FUNCTIES

⚠ WAARSCHUWING:

- **Controleer altijd of het gereedschap is uitgeschakeld en de stekker uit het stopcontact is getrokken alvorens de functies van het gereedschap te controleren of af te stellen.** Indien het gereedschap niet wordt uitgeschakeld en de stekker niet wordt uitgetrokken, kan het ongewild in werking treden met mogelijk ernstige verwondingen tot gevolg.

Beschermkap (zie afb. 5)

Wanneer u de handgreep omlaag duwt, gaat de beschermkap automatisch omhoog. Nadat de zaagsnede is voltooid en de handgreep omhoog gaat, keert de beschermkap automatisch terug naar zijn oorspronkelijke stand.

⚠ WAARSCHUWING:

- **De beschermkap en de veer die eraan vastzit mogen nooit worden uitgeschakeld noch verwijderd.** Een blootliggend zaagblad wegens ontbrekende bescherming kan resulteren in ernstige verwondingen.

Omwille van uw persoonlijke veiligheid zorgt u ervoor dat de beschermkap altijd goed werkt. Iedere onregelmatigheid in de werking van de beschermkap moet onmiddellijk worden gecorrigeerd. Controleer de werking van de trekveer van de beschermkap.

⚠ WAARSCHUWING:

- **Gebruik het gereedschap nooit met een beschadigde, defecte of verwijderde beschermkap**

of veer. Gebruik van het gereedschap met een beschadigde, defecte of verwijderde beschermkap kan resulteren in ernstige verwondingen.

Als de doorzichtige beschermkap vuil is geworden of er zaagsel aan kleeft zodat het zaagblad en/of het werkstuk niet meer goed zichtbaar is, trekt u de stekker uit het stopcontact en maakt u de beschermkap voorzichtig schoon met een vochtige doek. Gebruik geen solventen noch reinigingsmiddelen op basis van petroleum voor de plastic beschermkap omdat deze hierdoor kan worden beschadigd.

Wanneer de beschermkap vuil is en moet worden gereinigd, gaat u als volgt tewerk:

Schakel het gereedschap uit, trek de stekker uit het stopcontact en draai met behulp van de meegeleverde dopsluutel de zeskantbout los waarmee de middenafdekking is bevestigd. Draai de zeskantbout los door deze linksom te draaien en til de beschermkap en middenafdekking op. (zie afb. 6)

Met de beschermkap in deze stand kan deze effectiever en vollediger worden schoongemaakt. Nadat u klaar bent met het schoonmaken, volgt u de bovenstaande procedure in omgekeerde volgorde en draait u de bout weer vast. Verwijder niet de veer waarmee de beschermkap is vastgezet. Als de beschermkap is beschadigd door ouderdom of blootstelling aan ultravioletlicht, neemt u contact op met een Makita-servicecentrum om een nieuwe beschermkap te bestellen. **DE BESCHERMKAP NIET UITSCHAKELEN NOCH VERWIJDEREN.**

De zaagsnedeplanken afstellen (zie afb. 7 en 8)

Dit gereedschap is voorzien van zaagsnedeplanken in de draaitafel om splinteren aan de uitgangszijde van de zaagsnede te minimaliseren. De zaagsnedeplanken zijn in de fabriek zodanig afgesteld dat het zaagblad de zaagsnedeplanken niet raakt. Stel vóór gebruik de zaagsnedeplanken als volgt af:

Trek eerst de stekker van het gereedschap uit het stopcontact. Draai alle schroeven los waarmee de zaagsnedeplanken zijn bevestigd (3 links en 3 rechts).

Draai ze daarna licht aan zodanig dat de zaagsnedeplanken nog gemakkelijk met de hand kunnen worden bewogen. Breng de handgreep helemaal omlaag en duw de vergrendelpen in om de handgreep in de onderste stand te vergrendelen. Draai de borgschroef los waarmee de glijstangen zijn vergrendeld. Trek de slede helemaal naar u toe. Stel de zaagsnedeplanken zodanig af dat de zaagsnedeplanken net de zijkant van de zaagtanden raken. Draai de voorste schroeven vast (draai ze niet strak vast). Duw de slede helemaal naar de geleider en stel de zaagsnedeplanken zodanig af dat de zaagsnedeplanken net de zijkant van de zaagtanden raken. Draai de achterste schroeven vast (draai ze niet strak vast).

Na het afstellen van de zaagsnedeplanken, ontgrendelt u de vergrendelpen en brengt u de handgreep omhoog. Draai daarna alle schroeven stevig vast.

KENNISGEVING:

- **Controleer na het instellen van de verticaal-verstekhoek of de zaagsnedeplanken goed zijn afgesteld.** Correct afgestelde zaagsnedeplanken

ondersteunen het werkstuk optimaal met een minimum aan beweging.

Maximale zaagdikte behouden

Dit gereedschap is in de fabriek afgesteld om de maximale zaagdikte te leveren met een zaagblad met een diameter van 255 mm.

Trek de stekker van het gereedschap uit het stopcontact voordat u afstellingen maakt. Controleer bij het aanbrengen van een nieuw zaagblad altijd de onderste stand van het zaagblad en stel deze zo nodig als volgt af: (zie afb. 9 en 10)

Trek eerst de stekker van het gereedschap uit het stopcontact. Duw de slede helemaal naar de geleider en breng de handgreep helemaal omlaag. Gebruik de inbussleutel om de stelbout te draaien totdat de rand van het zaagblad tot net onder het bovenoppervlak van de draaitafel komt op het punt waar de voorzijde van de geleider raakt aan het bovenoppervlak van de draaitafel. Met de stekker van het gereedschap uit het stopcontact, houdt u de handgreep helemaal omlaag gedrukt en draait u het zaagblad met de hand rond om u ervan te verzekeren dat het zaagblad geen enkel onderdeel van het onderstel raakt. Stel zo nodig opnieuw af.

⚠ WAARSCHUWING:

- Na het aanbrengen van een nieuw zaagblad en met de stekker nog steeds uit het stopcontact getrokken, controleert u altijd dat het zaagblad geen enkel onderdeel van het onderstel raakt wanneer de handgreep helemaal omlaag wordt gedrukt. Als een blad het onderstel raakt, kan het terugslaan met mogelijk ernstige verwondingen tot gevolg.

Aanslagarm (zie afb. 11)

De onderste stand van het zaagblad kan eenvoudig worden afgesteld met behulp van de aanslagarm. Om af te stellen beweegt u de aanslagarm in de richting van de pijl, zoals aangegeven in de afbeelding. Stel de stelschroef zodanig af dat het zaagblad stopt in de gewenste stand wanneer de handgreep helemaal omlaag wordt gebracht.

De horizontaal-verstekhoek instellen (zie afb. 12)

Draai het handvat los door dit linksom te draaien. Houd de vergrendelknop ingedrukt en draai de draaitafel. Nadat u de draaitafel hebt gedraaid naar de positie waarop de aanwijspunt de gewenste hoek op de horizontaal-verstekschaaflverdeling aangeeft, draait u het handvat stevig rechtsom vast.

⚠ LET OP:

- Nadat u de horizontaal-verstekhoek hebt veranderd, zet u altijd de draaitafel vast door het handvat stevig vast te draaien.

KENNISGEVING:

- Voordat u de draaitafel draait, controleert u dat de handgreep helemaal omhoog staat.

De verticaal-verstekhoek instellen (zie afb. 13)

Om de verticaal-verstekhoek in te stellen, draait u de hendel op de achterkant van het gereedschap linksom.

Ontgrendel de arm door de handgreep redelijk sterk in de richting te duwen waarin u het zaagblad wilt kantelen.

OPMERKING:

- De hendel kan in een andere hoek worden geplaatst door de bevestigingsschroef los te draaien en de hendel in de gewenste hoek te bevestigen. (zie afb. 14)

Kantel het zaagblad totdat de aanwijspunt de gewenste hoek aangeeft op de verticaal-verstekschaaflverdeling.

Draai tenslotte de hendel weer stevig rechtsom vast om de arm vast te zetten. (zie afb. 15)

Wanneer u de slede naar rechts wilt kantelen, kantelt u eerst de slede iets naar links nadat u de hendel hebt losgezet en drukt u op de ontgrendelknop. Terwijl u de ontgrendelknop ingedrukt houdt, kantelt u de slede naar rechts. (zie afb. 16)

Kantel het zaagblad totdat de aanwijspunt de gewenste hoek aangeeft op de verticaal-verstekschaaflverdeling.

Draai tenslotte de hendel weer stevig rechtsom vast om de arm vast te zetten.

- Nadat u de verticaal-verstekhoek hebt veranderd, moet u altijd de zaagsnedeplanken afstellen, zoals beschreven onder "De zaagsnedeplanken afstellen".

⚠ LET OP:

- Nadat u de verticaal-verstekhoek hebt veranderd, moet u altijd de arm vastzetten door de hendel rechtsom vast te draaien.

KENNISGEVING:

- Breng de handgreep volledig omhoog om het zaagblad te kantelen.
- Nadat u de verticaal-verstekhoek hebt veranderd, moet u altijd de zaagsnedeplanken afstellen zoals beschreven onder "De zaagsnedeplanken afstellen".

Schuifvergrendeling afstellen (zie afb. 17)

Om de glijstangen te vergrendelen, draait u de borgschroef rechtsom.

Werking van de aan/uit-schakelaar (zie afb. 18)

Om te voorkomen dat de aan/uit-schakelaar per ongeluk wordt bediend, is een uit-vergrendelknop aangebracht.

Om het gereedschap te starten, drukt u eerst de uit-vergrendelknop in en knijpt u daarna de aan/uit-schakelaar in. Laat de aan/uit-schakelaar los om het gereedschap te stoppen.

⚠ WAARSCHUWING:

- **Controleer altijd, voordat u de stekker in het stopcontact steekt, of de aan/uit-schakelaar op de juiste manier schakelt en weer terugkeert naar de uit-stand nadat deze is losgelaten. Knijp de aan/uit-schakelaar niet hard in zonder de uit-vergrendelknop te bedienen. Hierdoor kan de aan/uit-schakelaar stuk gaan.** Het gebruik van gereedschap met een schakelaar die niet goed werkt, kan leiden tot controleverlies en ernstige verwondingen.

In de trekschakelaar is een gat aangebracht waar een hangslot door past om het gereedschap af te sluiten.

WAARSCHUWING:

- **Gebruik geen slot met een beugel of kabel met een diameter kleiner dan 6,35 mm.** Met een kleinere beugel of kabel wordt het gereedschap mogelijk niet goed in de uit-stand vergrendeld, waardoor het ongewild in werking kan treden met mogelijk ernstige verwondingen tot gevolg.
- **Gebruik het gereedschap NOOIT met een trekschakelaar die niet goed werkt.** Ieder gereedschap met een defecte aan/uit-schakelaar is UITERST GEVAARLIJK en moet worden gerepareerd voordat het gereedschap wordt gebruikt om ernstige verwondingen te voorkomen.
- Omwille van uw veiligheid is dit gereedschap uitgerust met een uit-vergrendelknop die voorkomt dat het gereedschap onbedoeld wordt ingeschakeld. Gebruik het gereedschap NOOIT wanneer het kan worden ingeschakeld door alleen de aan/uit-schakelaar in te knijpen zonder de uit-vergrendelknop in te drukken. Gereedschap met een defecte schakelaar kan ongewild in werking treden met mogelijk ernstige verwondingen tot gevolg. Stuur het gereedschap voor deugdelijke reparatie terug naar een Makita-servicecentrum ALVORENS het verder te gebruiken.
- Schakel de uit-vergrendelknop NOOIT uit met behulp van kleefband of dergelijke. Gereedschap met een uitgeschakelde uit-vergrendelknop kan ongewild in werking treden met mogelijk ernstige verwondingen tot gevolg.

Elektronische aansturing

Zachte-startfunctie

Deze functie laat het gereedschap vlot starten door het startkoppel te beperken.

Laserstraalfunctie

Alleen voor model LS1018L

OPMERKING:

- Plaats eerst de twee AA-batterijen in de houder. Zie "De batterijen van de laser vervangen" voor het plaatsen van batterijen.

LET OP:

- Wanneer het gereedschap niet in gebruik is, moet u de laser uitschakelen. (zie **afb. 19**)

LET OP:

- Kijk nooit rechtstreeks in de laserstraal. De rechtstreekse laserstraal kan uw ogen beschadigen.
- **LASERSTRAAL: KIJK NIET RECHTSTREEKS IN DE LASERSTRAAL; LASERPRODUCT VAN KLASSE 2M.**
- Zorg ervoor dat de stekker van het gereedschap uit het stopcontact is getrokken voordat u de laserlijnen verschuift, een afstelling maakt of onderhoudswerkzaamheden uitvoert.

Om de laserstraal in te schakelen, drukt u op het bovenste deel (I) van de schakelaar. Om de laserstraal uit te schakelen, drukt u op het onderste deel (O) van de schakelaar.

De laserlijnen kunnen worden verschoven naar de linker- of rechterkant van het zaagblad door de schroef los te draaien waarmee de lasereenheid is bevestigd en deze in

de gewenste richting te verschuiven. Draai na het verschuiven de schroef weer stevig vast. (zie **afb. 20**) De laserlijnen zijn in de fabriek zodanig afgesteld dat deze op minder dan 1 mm van het zijoppervlak van het zaagblad (zaagpositie) loopt.

OPMERKING:

- Wanneer de laserlijnen vaag en moeilijk zichtbaar zijn in door direct zonlicht, ga dan op een andere plaats werken waar er minder zonlicht schijnt.

De batterijen van de laser vervangen (zie **afb. 21 en 22)**

Verwijder het deksel van de batterijhouder van de laser door erop te drukken en deze tegelijkertijd te verschuiven. Haal de oude batterijen eruit en plaats de nieuwe zoals aangegeven in de afbeelding. Plaats na het vervangen het deksel weer terug.

De lens van de laser schoonmaken

Als de lens van de laser vuil is geworden of zaagsel eraan kleeft zodat de laserlijnen niet meer duidelijk zichtbaar zijn, trekt u de stekker van het gereedschap uit het stopcontact, verwijdert u de lens van de laser en maakt u deze voorzichtig schoon met een zachte, vochtige doek. Gebruik geen oplosmiddelen of op petroleum gebaseerde schoonmaakmiddelen op de lens.

OPMERKING:

- Als de laserlijnen zwak zijn en bijna of geheel onzichtbaar zijn vanwege direct zonlicht dat buitenshuis of door een raam binnenshuis op de werkplek valt, verplaatst u de werkplek naar een plaats die niet is blootgesteld aan direct zonlicht.

ONDERDELEN AANBRENGEN/ VERWIJDEREN

WAARSCHUWING:

- **Controleer altijd of het gereedschap is uitgeschakeld en de stekker uit het stopcontact is getrokken alvorens enige werk aan het gereedschap uit te voeren.** Indien het gereedschap niet wordt uitgeschakeld en de stekker niet wordt uitgetrokken, kan dit ernstige verwondingen tot gevolg hebben.

De dopsleutel met aan het andere uiteinde een inbussleutel bewaren (zie **afb. 23)**

De dopsleutel wordt bewaard op de plaats aangegeven in de afbeelding. De dopsleutel kan dan uit de sleutelhouder worden getrokken wanneer men die nodig heeft. Steek de dopsleutel na gebruik weer in de sleutelhouder.

Het zaagblad aanbrengen en verwijderen

WAARSCHUWING:

- **Controleer altijd of het gereedschap is uitgeschakeld en de stekker uit het stopcontact is getrokken alvorens het zaagblad aan te brengen of te verwijderen.** Per ongeluk inschakelen van het gereedschap kan ernstige verwondingen tot gevolg hebben.

- **Gebruik uitsluitend de bijgeleverde Makita-dopsleutel bij het aanbrengen en verwijderen van het zaagblad.** Indien deze sleutel niet wordt gebruikt, kan de zeskantbout overdrevon of onvoldoende worden vastgezet met mogelijke ernstige verwondingen tot gevolg. (zie afb. 24)

Vergrendel de handgreep in de bovenste stand door de vergrendelpen in te drukken. (zie afb. 25)

Als u het zaagblad wilt verwijderen gebruikt u de dopsleutel om de zeskantmoer waarmee de middenafdekking is bevestigd linksom los te draaien. Til de beschermkap en de middenafdekking op.

WAARSCHUWING:

- **Verwijder geen enkele andere bout dan de zeskantbout aangegeven in de afbeelding.** Als u per ongeluk een andere bout verwijdert en de beschermkap los raakt, moet u de beschermkap weer monteren.

Druk de asvergrendeling in om de as te vergrendelen en gebruik de dopsleutel om de zeskantbout rechtsom los te draaien. Verwijder tenslotte de zeskantbout, de buitenflens en het zaagblad. (zie afb. 26)

OPMERKING:

- Als de binnenflens is verwijderd, moet die met het uitsteeksel van het blad weg worden gemonteerd op de as. Een verkeerd gemonteerde flens wrijft tegen de machine.

WAARSCHUWING:

- **Voordat het zaagblad op de as wordt geplaatst, moet u ervoor zorgen, dat de juiste ring, passend voor het asgat van het zaagblad, is aangebracht tussen de binnen- en buitenflens.** Het gebruik van een verkeerde asgating kan resulteren in een gebrekkige montage van het zaagblad waardoor dit kan bewegen en sterk trillen met mogelijk controleverlies en ernstige verwondingen tot gevolg. (zie afb. 27)

Als u een nieuw zaagblad wilt aanbrengen, plaatst u het voorzichtig op de as, waarbij u er goed op let dat de richting van de pijl op de zijkant van het zaagblad overeenkomt met de richting van de pijl op het zaagbladhuis.

Breng de buitenflens en zeskantbout (met linkse schroefdraad) aan, en gebruik de dopsleutel om de zeskantbout stevig linksom vast te draaien terwijl u de asvergrendeling ingedrukt houdt. (zie afb. 28 en 29)

Breng de beschermkap en de middenafdekking aan op hun oorspronkelijke plaatsen. Draai daarna de zeskantbout rechtsom om de middenafdekking vast te zetten. Ontgrendel de handgreep uit de bovenste stand door aan de vergrendelpen te trekken. Duw de handgreep omlaag om te controleren of de beschermkap goed beweegt. Controleer voordat u begint te zagen of de asvergrendeling de as niet langer vergrendelt.

Een stofzuiger aansluiten

Wanneer u tijdens het zagen schoon wilt werken, sluit u een Makita-stofzuiger aan. (zie afb. 30)

Stofzak (zie afb. 31)

Door de stofzak te gebruiken, werkt u schoner en kan het zaagsel makkelijker worden opgeruimd. Bevestig de stofzak op de stofzuigaansluitmond.

Wanneer de stofzak ongeveer halfvol is, haalt u de stofzak van het gereedschap af en trekt u de sluiting eraf. Gooi de inhoud in de stofzak weg en tik zacht tegen de stofzak zodat ook het stof dat tegen de binnenkant kleef, en verdere afzuiging kan hinderen, eruit valt.

Werkstuk vastklemmen

WAARSCHUWING:

- **Het is van het grootste belang het werkstuk altijd goed vast te zetten met een geschikte bankschroef of kroon-profiellijstaanslagen.** Indien dit niet gebeurt, kan dit resulteren in ernstige verwondingen en schade aan het gereedschap en/of werkstuk.
- **Wanneer u klaar bent met zagen, mag u de handgreep pas omhoog trekken nadat het zaagblad volledig tot stilstand is gekomen.** Een draaiend zaagblad omhoog brengen kan resulteren in ernstige verwondingen en schade aan het werkstuk.
- **Bij het zagen in een werkstuk dat langer is dan het onderstel van de zaag, moet dit over de volle lengte buiten het onderstel worden ondersteund op dezelfde hoogte zodat het waterpas blijft.** Door het werkstuk goed te ondersteunen, voorkomt men dat het zaagblad vastloopt en terugslag veroorzaakt met mogelijk ernstige verwondingen tot gevolg. Vertrouw niet uitsluitend op de verticale bankschroef en/of de horizontale bankschroef om het werkstuk vast te klemmen. Dun materiaal kan doorhangen. Ondersteun het werkstuk over zijn gehele lengte om vastlopen van het zaagblad en mogelijke TERUGSLAG te voorkomen. (zie afb. 32)

Geleider afstellen (VERSCHUIFBARE GELEIDER) (zie afb. 33)

WAARSCHUWING:

- Alvorens het gereedschap te bedienen, controleert u of de verschuifbare geleider stevig is vastgezet.
- **Controleer voor het verticaal-verstekzagen of geen enkel onderdeel, vooral het zaagblad, van de machine de geleider raakt wanneer de handgreep in elke positie volledig omlaag en omhoog wordt gebracht en de slede wordt verschoven.** Als het gereedschap of het zaagblad de geleider raakt, kan dit terugslag of onverwachte beweging van het materiaal veroorzaken met mogelijk ernstige verwondingen tot gevolg.

LET OP:

- Voor verticaal-verstekzagen, schuift u de verschuifbare geleider naar links en zet u deze vast zoals aangegeven in de afbeelding. Als u dit niet doet, zal hij het zaagblad of een onderdeel van het gereedschap raken, wat kan leiden tot ernstig letsel voor de gebruiker. (zie afb. 34)

Dit gereedschap is uitgerust met een verschuifbare geleider die normaal gesproken in de stand moet staan die is aangegeven in de afbeelding.

Echter, bij het links verticaal-verstekzagen, schuift u de verschuifbare geleider naar links, zoals aangegeven in de afbeelding, als de zaagkop hem raakt.

Vergeet na het verticaal-verstekzagen niet de verschuifbare geleider terug te zetten in zijn

oorspronkelijke stand en stevig vast te zetten met behulp van de klamschroef.

Hulpgeleider rechts

WAARSCHUWING:

- Alvorens het gereedschap te bedienen, controleert u of de hulpgeleider rechts stevig is vastgezet.
- Verwijder subgeleider R voor verticaal-verstekzagen rechts. Zoniet raakt dit onderdeel het zaagblad of het gereedschap, waardoor de operator ernstig gewond kan raken. (zie afb. 35)

De hulpgeleider rechts kan via de rechterkant van de geleider worden verwijderd. Om de hulpgeleider rechts te verwijderen, draait u de schroef los waarmee de hulpgeleider rechts is vastgezet, en trekt u deze eraf. Volg de verwijderingsprocedure in omgekeerde volgorde om het onderdeel weer aan te brengen.

Nadat het verticaal-verstekzagen klaar is, vergeet u niet de hulpgeleider rechts terug te zetten in zijn oorspronkelijke stand en stevig vast te zetten met behulp van de klamschroef.

Verticale bankschroef (zie afb. 36)

De verticale bankschroef kan aan de linkerkant of aan de rechterkant van de geleider worden aangebracht. Steek de stang van de bankschroef in het gat in de geleider en draai de schroef op de achterkant van de geleider vast om de stang van de bankschroef vast te zetten.

Plaats de arm van de bankschroef overeenkomstig de dikte en vorm van het werkstuk, en zet de arm van de bankschroef vast door de schroef vast te draaien. Als de schroef waarmee de arm van de bankschroef wordt vastgezet de geleider raakt, draait u de schroef in de tegenoverliggende zijde van de arm. Controleer of geen enkel deel van het gereedschap in aanraking komt met de bankschroef wanneer de handgreep helemaal omlaag wordt gebracht en de slede helemaal naar voren of naar achteren wordt getrokken of geduwd. Als enig deel van het gereedschap de bankschroef raakt, verandert u de positie van de bankschroef.

Duw het werkstuk glad tegen de geleider en de draaitafel. Positioneer het werkstuk op de gewenste zaagpositie en zet het stevig vast door de knop van de bankschroef vast te draaien.

WAARSCHUWING:

- **Het werkstuk moet bij ieder gebruik met behulp van de bankschroef stevig worden vastgeklemd op de draaitafel en tegen de geleider.** Als het werkstuk niet goed wordt vastgezet tegen de geleider, kan het tijdens het zagen bewegen en zo het zaagblad beschadigen of materiaal wegslingeren met mogelijk controleverlies en ernstige verwondingen tot gevolg.

Horizontale bankschroef (los verkrijgbaar accessoire) (zie afb. 37)

De horizontale bankschroef kan links of rechts van het onderstel worden geplaatst. Als u horizontaal-verstekzaagt onder een hoek van 10° of meer, plaatst u de horizontale bankschroef aan de tegenovergestelde kant van de richting waarin de draaitafel wordt gedraaid. (zie afb. 38)

Door de moer van de bankschroef naar links te kantelen, wordt de bankschroef ontgrendeld en kan deze snel naar voren en achteren worden getrokken. Om het werkstuk vast te klemmen, duwt u de knop van de bankschroef naar voren tot de drukplaat van de bankschroef tegen het werkstuk komt, en kantelt u de moer van de bankschroef naar rechts. Draai daarna de knop van de bankschroef naar rechts om het werkstuk vast te klemmen.

De maximumbreedte van het werkstuk dat door de horizontale bankschroef kan worden vastgeklemd is 215 mm.

Wanneer u de horizontale bankschroef aanbrengt aan de rechterkant van de draaitafel, gebruikt u tevens de hulpgeleider rechts om het werkstuk steviger vast te zetten. Raadpleeg de tekst onder "Hulpgeleider rechts" hiervoor voor het aanbrengen van de hulpgeleider rechts.

WAARSCHUWING:

- **Draai de bankschroefmoer altijd rechtsonder tot het werkstuk goed vastzit.** Als het werkstuk niet goed wordt vastgezet, kan het tijdens het zagen bewegen en zo het zaagblad beschadigen of materiaal wegslingeren met mogelijk controleverlies en ernstige verwondingen tot gevolg.
- Bij het zagen van een dun werkstuk, zoals een plint, tegen de geleider, gebruikt u altijd de horizontale spanschroef.

GEBRUIK

OPMERKING:

- Vergeet niet vóór gebruik de handgreep te ontgrendelen uit de onderste stand door aan de vergrendelpen te trekken.
- Oefen geen grote druk uit op de handgreep tijdens het zagen. Een te hoge kracht kan leiden tot overbelasting van de motor en/of minder efficiënt zagen. Duw de handgreep met net voldoende kracht omlaag als nodig is om soepel te zagen zonder dat de snelheid van het zaagblad aanmerkelijk lager wordt.
- Duw de handgreep voorzichtig omlaag om de zaagsnede te maken. Als u de handgreep met kracht omlaag duwt of als laterale kracht wordt uitgeoefend, zal het zaagblad trillen en een streep (brandplek) op het werkstuk achterlaten, en zal de nauwkeurigheid van de zaagsnede eronder lijden.
- Duw bij het schuivend zagen de slede voorzichtig naar de geleider zonder te stoppen. Als tijdens het zagen het schuiven van de slede wordt onderbroken, zal op het werkstuk een streep worden achtergelaten en zal de nauwkeurigheid van de zaagsnede eronder lijden.

WAARSCHUWING:

- **Ga na of het zaagblad het werkstuk enz. niet raakt voor u de schakelaar bedient.** Het gereedschap inschakelen terwijl het zaagblad het werkstuk raakt, kan terugslag veroorzaken met mogelijk ernstige verwondingen tot gevolg.

1. Rechtzagen (zagen van kleine werkstukken) (zie afb. 39)

Werkstukken tot 91 mm hoog en 70 mm breed kunnen als volgt worden gezaagd.

Duw de slede helemaal naar de geleider en draai de borgschroef rechtsonder vast om de slede te

vergrendelen. Zet het werkstuk goed vast met een geschikte bankschroef. Schakel het gereedschap in zonder dat het zaagblad iets raakt en wacht tot het zaagblad op volle snelheid draait voordat u het omlaag brengt. Breng vervolgens de handgreep voorzichtig helemaal omlaag om het werkstuk te zagen. Nadat het zagen klaar is, schakelt u het gereedschap uit en WACHT U TOTDAT HET ZAAGBLAD VOLLEDIG TOT STILSTAND IS GEKOMEN voordat u het zaagblad omhoog brengt tot in de hoogste stand.

WAARSCHUWING:

- **Draai de knop stevig rechtsom zodat de draaitafel tijdens het zagen niet kan bewegen.** Een onvoldoende aangedraaide knop kan terugslag veroorzaken met mogelijk ernstige verwondingen tot gevolg.
- 2. Schuivend (duwend) zagen (zagen van brede werkstukken) (zie afb. 40)**
Draai de borgmoer linksom los zodat de slede vrij kan schuiven. Zet het werkstuk vast met een geschikte bankschroef. Trek de slede helemaal naar u toe. Schakel het gereedschap in zonder dat het zaagblad iets raakt en wacht tot het zaagblad op volle snelheid draait. Breng de handgreep omlaag en DUW DE SLEDE NAAR DE GELEIDER EN ZAAG DOOR HET WERKSTUK. Nadat het zagen klaar is, schakelt u het gereedschap uit en WACHT U TOTDAT HET ZAAGBLAD VOLLEDIG TOT STILSTAND IS GEKOMEN voordat u het zaagblad omhoog brengt tot in de hoogste stand.

WAARSCHUWING:

- **Om schuivend te zagen, trekt u eerst de slede naar u toe en duwt u vervolgens de handgreep helemaal omlaag waarna u de slede naar de geleider duwt. Begin nooit te zagen wanneer de slede niet volledig naar u toe is getrokken.** Bij schuivend zagen zonder dat de slede volledig naar u toe is getrokken, kan er onverwacht terugslag optreden met mogelijk ernstige verwondingen tot gevolg.
- **Zaag nooit schuivend door de slede naar u toe te trekken.** Door de slede tijdens het zagen naar u toe te trekken kan onverwacht terugslag optreden met mogelijk ernstige verwondingen tot gevolg.
- Zaag nooit schuivend met de handgreep vergrendeld in de laagste stand.
- **Draai nooit de borgschroef los waarmee de slede is vergrendeld terwijl het zaagblad draait.** Een losse slede tijdens het zagen kan onverwacht terugslag veroorzaken met mogelijk ernstige verwondingen tot gevolg.

3. Horizontaal-verstekzagen

Raadpleeg de beschrijving onder "De horizontaal-verstekhoek instellen".

4. Verticaal-verstekzagen (zie afb. 41)

Draai de hendel los en kantel het zaagblad om de verticaal-verstekhoek in te stellen. (Raadpleeg de beschrijving onder "De verticaal-verstekhoek instellen".) Vergeet niet de hendel weer stevig vast te draaien om de ingestelde verticaal-verstekhoek veilig te kunnen gebruiken. Klem het werkstuk vast in een

bankschroef. Zorg ervoor dat de slede helemaal naar u toe is getrokken. Schakel het gereedschap in zonder dat het zaagblad iets raakt en wacht tot het zaagblad op volle snelheid draait. Breng de handgreep helemaal omlaag tot in de onderste stand terwijl u druk uitoefent parallel aan het zaagblad en DUW DE SLEDE HELEMAAL NAAR DE GELEIDER EN ZAAG DOOR HET WERKSTUK. Nadat het zagen klaar is, schakelt u het gereedschap uit en WACHT U TOTDAT HET ZAAGBLAD VOLLEDIG TOT STILSTAND IS GEKOMEN voordat u het zaagblad omhoog brengt tot in de hoogste stand.

WAARSCHUWING:

- **Controleer nadat u het zaagblad hebt ingesteld voor verticaal-verstekzagen of slede en blad vrij kunnen bewegen over het hele zaagbereik alvorens aan de slag te gaan.** Het onderbreken van de slede- of bladbeweging tijdens het zagen kan terugslag veroorzaken met mogelijk ernstige verwondingen tot gevolg.
- **Hou de handen uit de buurt van het blad tijdens het verticaal-verstekzagen.** De bladhoek kan verwarring wekken omtrent de effectieve zaagbaan en contact met het blad kan ernstige verwondingen veroorzaken.
- **Het zaagblad mag pas omhoog worden gebracht wanneer het volledig stilstaat.** Tijdens verticaal-verstekzagen kan het afgezaagde werkstuk tegen het blad rusten. Als het zaagblad nog draait wanneer het omhoog wordt gebracht, kan het afgezaagde stuk worden weggeslingerd met mogelijk ernstige verwondingen tot gevolg.

KENNISGEVING:

- Bij het omlaag brengen van het zaagblad, oefent u druk uit parallel aan het zaagblad. Als u haaks op de draaitafel druk uitoefent of als de richting van de druk verandert tijdens het zagen, zal de nauwkeurigheid van de zaagsnede eronder lijden.
- Alvorens verticaal verstek te zagen kan het nodig zijn de verschuifbare geleider af te stellen. Raadpleeg de tekst onder "Geleider afstellen".

LET OP:

- Verwijder altijd de hulpgeleider rechts zodat deze de slede niet in de weg zit bij het verticaal-verstekzagen naar rechts.

5. Samengesteld verstekzagen

Samengesteld-verstekzagen is een bewerking waarbij verticaal-verstekzagen wordt gecombineerd met horizontaal-verstekzagen in een werkstuk. Samengesteld verstekzagen kan worden uitgevoerd met de hoeken aangegeven in de tabel.

| Horizontaal-verstekhoek | Verticaal-verstekhoek |
|----------------------------|----------------------------|
| Links en rechts 0° t/m 45° | Links en rechts 0° t/m 45° |

009713

Als u samengesteld-verstekzagen wilt uitvoeren, raadpleegt u de beschrijvingen onder "Rechtzagen", "Schuivend zagen", "Horizontaal-verstekzagen" en "Verticaal-verstekzagen".

6. Kroon-profiellijsten en kwarthol-profiellijsten zagen

Kroon-profiellijsten en kwarthol-profiellijsten kunnen worden gezaagd op een samengesteld-verstekzaag waarbij de sierlijsten plat op de draaitafel liggen.

Er zijn twee veelvoorkomende typen kroon-profiellijsten en één veelvoorkomend type kwarthol-profiellijst: kroon-profiellijsten met een wandhoek van 52/38°, kroon-profiellijsten met een wandhoek van 45°, en kwarthol-profiellijsten met een wandhoek van 45°. Zie afbeeldingen. (zie afb. 42)

Er zijn verbindingen van kroon-profiellijsten en van kwarthol-profiellijsten die passen in binnenhoeken van 90° (zie (1) en (2) in afb. A), en om buitenhoeken van 90° (zie (3) en (4) in afb. A). (zie afb. 43 en 44)

Opmeten

Meet de lengte van de wand en leg het werkstuk op de draaitafel om de kant die tegen de wand komt af te zagen op de gewenste lengte. Zorg er altijd voor dat de lengte van het afgezaagde werkstuk gemeten op de achterkant hetzelfde is als de lengte van de wand. Zaag de uiteinden onder de benodigde hoek af. Gebruik altijd meerdere proefwerkstukken om de benodigde zaaghoek te controleren.

Bij het zagen van kroon-profiellijsten en kwarthol-profiellijsten stelt u de verticaal-verstekhoek en de horizontaal-verstekhoek in, zoals aangegeven in tabel (A), en legt u de sierlijst op het bovenoppervlak van de draaitafel, zoals aangegeven in tabel (B).

Voor links verticaal-verstekzagen

Tabel (A)

| | Sierlijst-gedeelte in afb. A | Verticaal-verstekhoek | | Horizontaal-verstekhoek | |
|------------|------------------------------|-----------------------|-----------|-------------------------|--------------|
| | | Type 52/38° | Hoek 45° | Type 52/38° | Hoek 45° |
| Binnenhoek | (1) | Links 33,9° | Links 30° | Rechts 31,6° | Rechts 35,3° |
| | (2) | | | Links 31,6° | Links 35,3° |
| (3) | Rechts 31,6° | | | | |
| (4) | | | | | |
| Buitenhoek | | | | | |

006361

Tabel (B)

| | Sierlijst-gedeelte in afb. A | Kant van de sierlijst die tegen de geleider moet liggen | Afgewerkt werkstuk |
|------------|------------------------------|--|---|
| Binnenhoek | (1) | Kant die tegen het plafond komt moet tegen de geleider liggen. | Het afgewerkte werkstuk ligt aan de linkerkant van het zaagblad. |
| | (2) | Kant die tegen de wand komt moet tegen de geleider liggen. | Het afgewerkte werkstuk ligt aan de rechterkant van het zaagblad. |
| Buitenhoek | (3) | Kant die tegen het plafond komt moet tegen de geleider liggen. | |
| | (4) | Kant die tegen het plafond komt moet tegen de geleider liggen. | |

006362

Voorbeeld:

In het geval u een kroon-profiellijst zaagt van het type 52/38° voor gedeelte (1) in afbeelding A:

- Kantel de zaag naar een verticaal-verstekhoek van 33,9° LINKS.
- Draai de zaag naar een horizontaal-verstekhoek van 31,6° RECHTS.

- Leg de kroon-profiellijst met de achterkant (niet zichtbare vlak) naar onderen gericht op de draaitafel en met de KANT DIE TEGEN HET PLAFOND KOMT tegen de geleider.
- Het afgewerkte werkstuk dat u gaat gebruiken ligt altijd LINKS van het zaagblad nadat het zagen klaar is.

Voor het zagen van een schuine snede rechts

Tabel (A)

| | Sierlijst-gedeelte in afb. A | Verticaal-verstekhoek | | Horizontaal-verstekhoek | |
|-----------------|------------------------------|-----------------------|------------|-------------------------|--------------|
| | | Type 52/38° | Hoek 45° | Type 52/38° | Hoek 45° |
| Binnenhoek | (1) | Rechts 33,9° | Rechts 30° | Rechts 31,6° | Rechts 35,3° |
| | (2) | | | Links 31,6° | Links 35,3° |
| (3) | Rechts 31,6° | | | | |
| (4) | | | | | |
| Voor buitenhoek | | | | | |

006363

Tabel (B)

| | Sierlijst-gedeelte in afb. A | Rand sierlijst tegen geleider | Voltooid werkstuk |
|-----------------|------------------------------|--|---|
| Binnenhoek | (1) | Kant die tegen de muur komt moet tegen de geleider liggen. | Voltooid werkstuk bevindt zich rechts van het blad. |
| | (2) | Kant die tegen het plafond komt moet tegen de geleider liggen. | |
| Voor buitenhoek | (3) | Kant die tegen de muur komt moet tegen de geleider liggen. | Voltooid werkstuk bevindt zich links van het blad. |
| | (4) | Kant die tegen de muur komt moet tegen de geleider liggen. | |

006364

Voorbeeld:

Zagen van 52/38° kroon-profiellijst voor positie (1) in afb. A:

- Kantel de zaag naar een verticaal-verstekhoek van 33,9° RECHTS.
- Horizontaal-verstekhoek instellen en vastzetten op 31,6° RECHTS.
- Leg de kroon-profiellijst met de achterkant (niet zichtbare vlak) naar onderen gericht op de draaitafel en met de KANT DIE TEGEN DE MUUR KOMT tegen de geleider.
- Het afgewerkte werkstuk dat u gaat gebruiken ligt altijd RECHTS van het zaagblad nadat het zagen klaar is.

7. Een aluminiumprofiel zagen (zie afb. 45 en 46)

Als u een aluminiumprofiel wilt vastklemmen in de bankschroef, maakt u gebruik van vulblokken of stukken afvalhout, zoals aangegeven in de afbeelding, om te voorkomen dat het aluminiumprofiel vervormt. Gebruik snijolie als smeermiddel bij het zagen van een aluminiumprofiel om te voorkomen dat aluminiumslijpsel zich op het zaagblad ophoopt.

⚠ WAARSCHUWING:

- **Probeer nooit dikke of ronde aluminiumprofielen te zagen.** Dikke of ronde aluminiumprofielen zijn moeilijk vast te zetten en kunnen tijdens het zagen loskomen met mogelijk controleverlies en ernstige verwondingen tot gevolg.

8. Houten bekleding

Het gebruik van houten bekleding draagt bij aan het splintervrij zagen van werkstukken. Bevestig de houten bekleding op de geleider met gebruikmaking van de gaten in de geleider.

Zie de afbeelding voor de afmetingen van de aanbevolen houten bekleding. (zie afb. 47)

⚠ LET OP:

- Gebruik voor de houten bekleding recht hout van gelijkmatige dikte.

⚠ WAARSCHUWING:

- **Bevestig de houten bekleding aan de geleider met behulp van schroeven. De schroeven moeten zo worden aangebracht dat de koppen verzonken zitten in de houten bekleding en de plaatsing van het gezaagde materiaal niet hinderen.** Bij een verkeerde plaatsing van het gezaagde materiaal kan dit onverwacht bewegen tijdens het zagen met mogelijk controleverlies en ernstige verwondingen tot gevolg.

KENNISGEVING:

- Als de houten bekleding op de geleider is bevestigd, mag u de draaitafel niet meer draaien terwijl de handgreep omlaag staat. Hierdoor zullen het zaagblad en/of de houten bekleding worden beschadigd.

9. Groeven zagen (zie afb. 48)

U kunt als volgt een groef in een werkstuk zagen: Stel de onderste stand van het zaagblad af met behulp van de stelschroef en de aanslagarm om de zaagdiepte van het zaagblad te begrenzen.

Raadpleeg de hiervoor beschreven tekst onder "Aanslagarm".

Nadat de onderste stand van het zaagblad is afgesteld, zaagt u parallelle groeven in de breedte van het werkstuk met behulp van schuivend (duwend) zagen, zoals aangegeven in de afbeelding. Verwijder daarna het materiaal tussen de groeven uit het werkstuk met behulp van een beetel.

⚠ WAARSCHUWING:

- **Probeer dit type zaagsnede niet uit te voeren met een breder zaagblad of een groefzaagblad.** Het zagen van groeven met een breder blad of groefzaagblad kan onverwachte resultaten geven en terugslag veroorzaken met mogelijk ernstige verwondingen tot gevolg.
- **Vergeet niet de aanslagarm terug te zetten in zijn oorspronkelijke stand wanneer u klaar bent met groeven zagen.** Zagen met de aanslagarm in de verkeerde stand kan onverwachte resultaten geven en terugslag veroorzaken met mogelijk ernstige verwondingen tot gevolg.

⚠ LET OP:

- Vergeet niet de aanslagarm terug te zetten in zijn oorspronkelijke stand wanneer u klaar bent met groeven zagen.

Het gereedschap dragen (zie afb. 49)

Zorg ervoor dat de stekker uit het stopcontact is getrokken. Zet het zaagblad vast op een verticaal-verstekhoek van 0° en de draaitafel op de maximale horizontaal-verstekhoek naar rechts. Vergrendel de

glijstangen met de onderste glijstang en de slede volledig naar u toe getrokken en de bovenste glijstangen en de slede volledig naar de geleider geduwd (zie "Schuifvergrendeling afstellen"). Breng de handgreep omlaag en vergrendel deze in de laagste stand door de vergrendelpen in te duwen.

Wind het netsnoer op rond de snoerhaken.

⚠ WAARSCHUWING:

- **De vergrendelpen is uitsluitend bedoeld te worden gebruikt tijdens het dragen en bewaren van het gereedschap, en niet tijdens het zagen.** Het gebruik van de vergrendelpen tijdens het zagen kan het zaagblad onverwacht laten bewegen, wat terugslag kan veroorzaken met mogelijk ernstige verwondingen tot gevolg.

Draag het gereedschap door het aan beide zijanten aan de voeten vast te houden, zoals aangegeven in de afbeelding. Als u de werkstuksteunen, stofzak, enz., verwijdert, kunt u het gereedschap gemakkelijker dragen.

⚠ LET OP:

- Zet altijd alle beweegbare delen vast voordat u het gereedschap draagt. Onderdelen die bewegen of verschuiven tijdens het dragen van het gereedschap, kunnen controleverlies of onbalans veroorzaken met mogelijk verwondingen tot gevolg.

ONDERHOUD

⚠ WAARSCHUWING:

- **Zorg er altijd voor dat het gereedschap is uitgeschakeld en de stekker uit het stopcontact is getrokken, voordat u een inspectie of onderhoud uitvoert.** Als het gereedschap niet wordt uitgeschakeld en de stekker niet uitgetrokken, kan het gereedschap ongewild in werking treden met mogelijk ernstige verwondingen tot gevolg.
- **Zorg ervoor dat het zaagblad altijd scherp en schoon is voor optimale prestaties in alle veiligheid.** Zagen met een bot en/of vuil zaagblad kan terugslag en mogelijk ernstige verwondingen veroorzaken.

OPMERKING:

- Gebruik nooit benzine, wasbenzine, thinner, alcohol, enz. Dit kan leiden tot vlekken, vervormen of barsten.

De zaaghoek instellen

Dit gereedschap is in de fabriek zorgvuldig uitgelijnd en ingesteld, maar door grove behandeling kan de uitlijning zijn veranderd. Als het zaagblad niet goed is uitgelijnd, voert u de volgende afstelling uit:

1. Horizontaal-verstekhoek (zie afb. 50)

Duw de slede helemaal naar de geleider en draai de borgschroef vast om de slede te vergrendelen. Draai het handvat los waarmee de draaitafel is vastgezet. Draai de draaitafel zodat de aanwijspunt precies 0° aangeeft op de horizontaal-verstekschaalverdeling. Draai vervolgens de draaitafel iets naar links en rechts om de draaitafel in de inkeping voor de horizontaal-verstekhoek van 0° te laten vallen. (Ook als de aanwijspunt nu niet precies

op 0° staat, laat u de draaitafel zo staan.) Draai met behulp van de dopsleutel de zeskantbouten los waarmee de geleider is bevestigd. (zie afb. 51) Breng de handgreep omlaag en vergrendel deze in de laagste stand door de vergrendelen in te duwen. Zet de zijkant van het zaagblad haaks op de voorzijde van de geleider met behulp van een geodriehoek, winkelhaak, enz. Draai vervolgens de zeskantbouten van de geleider op volgorde vast vanaf de rechterkant. (zie afb. 52)

Controleer of de aanwijspunt 0° aanwijst op de horizontaal-verstekschaaflverdeling. Als de aanwijspunt niet 0° aanwijst, draait u de schroef los waarmee de aanwijspunt is vastgezet en verschuift u de aanwijspunt zodat deze nu wel 0° aanwijst.

2. Verticaal-verstekhoek

(1) 0° verticaal-verstekhoek (zie afb. 53)

Duw de slede helemaal naar de geleider en draai de borgschroef vast om de slede te vergrendelen. Breng de handgreep omlaag en vergrendel deze in de laagste stand door de vergrendelen in te duwen. Zet de hendel aan de achterkant van het gereedschap los. (zie afb. 54)

Draai de zeskantbout aan de rechterkant van de arm twee of drie slagen linksom om het zaagblad naar rechts te kantelen. (zie afb. 55)

Zet met behulp van een geodriehoek, winkelhaak, enz., de zijkant van het zaagblad nauwkeurig haaks op het bovenoppervlak van de draaitafel door de zeskantbout aan de rechterkant van de arm rechtsom te draaien. Zet de hendel goed vast. (zie afb. 56)

Controleer of de aanwijspunt op de arm 0° aanwijst op de verticaal-verstekschaaflverdeling op de armhouder. Als hij niet 0° aanwijst, draait u de schroef los waarmee de aanwijspunt is vastgezet en zet u deze weer vast zodanig dat de aanwijspunt nu wel 0° aanwijst op de verticaal-verstekschaaflverdeling.

(2) 45° verticaal-verstekhoek (zie afb. 57)

Stel de verticaal-verstekhoek van 45° alleen af nadat u eerst de verticaal-verstekhoek van 0° hebt afgesteld. Om de verticaal-verstekhoek van 45° naar links af te stellen, draait u de hendel los en kantelt u het zaagblad helemaal naar links.

Controleer of de aanwijspunt op de arm 45° aanwijst op de verticaal-verstekschaaflverdeling op de armhouder. Als de aanwijspunt niet precies op 45° aanwijst, draait u de stelbout voor de verticaal-verstekhoek van 45° aan de rechterkant van de armhouder totdat de aanwijspunt wel 45° aanwijst. Voor een verticaal-verstekhoek van 45° rechts volgt u dezelfde procedure als hierboven beschreven. (zie afb. 58)

Verwijder en controleer de koolborstels regelmatig. Vervang deze wanneer ze tot 3 mm lengte zijn afgesleten. Houd de koolborstels schoon en zorg ervoor dat ze vrij kunnen bewegen in de houders. Beide koolborstels dienen tegelijkertijd te worden vervangen. Gebruik alleen identieke koolborstels. (zie afb. 59)

Gebruik een schroevendraaier om de koolborsteldoppen te verwijderen. Haal de versleten koolborstels eruit, plaats de nieuwe erin, en zet de koolborsteldoppen goed vast

Na gebruik

- Veeg na gebruik spaanders en zaagsel van het gereedschap af met een doek of iets dergelijks. Houd het zaagblad schoon volgens de instructies hiervoor beschreven onder "Beschermkap". Smeer de schuivende delen met machineolie om roesten te voorkomen.
- Trek voordat u het gereedschap opbergt de slede helemaal naar u toe.

Om de VEILIGHEID en BETROUWBAARHEID van het gereedschap te handhaven, dienen alle reparaties, onderhoud en afstellingen te worden uitgevoerd door een erkend Makita-servicecentrum, en altijd met gebruikmaking van originele Makita- vervangingsonderdelen.

VERKRIJGBARE ACCESSOIRES

⚠ WAARSCHUWING:

- **Deze Makita-accessoires of -hulpstukken worden aanbevolen voor gebruik met het Makita-gereedschap dat in deze gebruiksaanwijzing wordt beschreven.** Het gebruik van andere accessoires of hulpstukken kan ernstige verwondingen tot gevolg hebben.
- **Gebruik de Makita-accessoires of -hulpstukken uitsluitend voor de aangegeven gebruiksdoeleinden.** Onoordeelkundig gebruik van accessoires of hulpstukken kan ernstige verwondingen tot gevolg hebben.

Mocht u meer informatie willen hebben over deze accessoires, dan kunt u contact opnemen met uw plaatselijke Makita-servicecentrum.

- Stalen en hardmetalen zaagbladen (Raadpleeg onze website of neem contact op met uw plaatselijke Makita-dealer voor de juiste zaagbladen die moeten worden gebruikt in het materiaal dat u wilt zagen.)
- Subgeleider R
- Bankschroef compleet (horizontale bankschroef)
- Verticale bankschroef
- Dopsleutel met aan het andere uiteinde een inbussleutel
- Werkstuksteun
- Werkstuksteunvoet
- Stofzak
- Kniestuk
- Geodriehoek

OPMERKING:

- Sommige items op de lijst kunnen zijn inbegrepen in de doos van het gereedschap als standaard toebehoren. Zij kunnen van land tot land verschillen.

Geluid

ENG905-1

De typische, A-gewogen geluidsniveaus zijn gemeten volgens EN62841-3-9:

Geluidsdruk (L_{pA}): 92 dB (A)

Geluidsvermogen (L_{WA}): 102 dB (A)

Onzekerheid (K): 3 dB (A)

Draag gehoorbescherming.

ENG907-1

- De opgegeven geluidsemisiewaarde(n) is/zijn gemeten volgens een standaardtestmethode en kan/

kunnen worden gebruikt om dit gereedschap te vergelijken met andere gereedschappen.

- De opgegeven geluidsemissiewaarde(n) kan/kunnen ook worden gebruikt voor een beoordeling vooraf van de blootstelling.

 **WAARSCHUWING:**

- **Draag gehoorbescherming.**
- **De geluidsemissie tijdens het gebruik van het elektrisch gereedschap in de praktijk kan verschillen van de opgegeven waarde(n) afhankelijk van de manier waarop het gereedschap wordt gebruikt, met name van het soort werkstuk waarmee wordt gewerkt.**
- **Zorg ervoor dat veiligheidsmaatregelen worden getroffen ter bescherming van de gebruiker die zijn gebaseerd op een schatting van de blootstelling onder praktijkomstandigheden (rekening houdend met alle fasen van de bedrijfscyclus, zoals de tijdsduur gedurende welke het gereedschap is uitgeschakeld en stationair draait, naast de ingeschakelde tijdsduur).**

EU-verklaring van conformiteit

Alleen voor Europese landen

De EU-verklaring van conformiteit is opgenomen als Bijlage A in deze instructiehandleiding.

ESPAÑOL (Instrucciones originales)

Explicación de los dibujos

- | | | |
|--|--|---|
| 1. Pasador de retén | 29. Botón de desbloqueo | 55. Tornillos |
| 2. Pernos | 30. Gatillo interruptor | 56. Brazo de la mordaza |
| 3. Sosteneder | 31. Orificio para el candado | 57. Pomo de la mordaza |
| 4. Conjunto de soporte | 32. Interruptor del láser | 58. Barra de la mordaza |
| 5. Tornillo | 33. Tornillo de soporte de la unidad del láser | 59. Placa de la mordaza |
| 6. Protector del disco | 34. Batería seca | 60. Tuerca de la mordaza |
| 7. Tablero de corte | 35. Llave de tubo con llave hexagonal en el otro extremo | 61. Moldura dentada de 52/38° |
| 8. Disco de sierra | 36. Soporte para la llave | 62. Moldura dentada de 45° |
| 9. Dientes del disco | 37. Llave de tubo | 63. Moldura cóncava de 45° |
| 10. Corte en bisel izquierdo | 38. Carcasa del disco | 64. Esquina interior |
| 11. Corte recto | 39. Cubierta central | 65. Esquina exterior |
| 12. Corte en bisel derecho | 40. Perno de cabeza hexagonal | 66. Mordaza |
| 13. Perno de ajuste | 41. Flecha | 67. Bloque separador |
| 14. Base giratoria | 42. Bloqueo del eje | 68. Extrusión de aluminio |
| 15. Superficie superior de la base giratoria | 43. Perno de cabeza hexagonal (rosca hacia la izquierda) | 69. Mordaza horizontal (accesorio opcional) |
| 16. Periferia del disco | 44. Brida exterior | 70. Orificios |
| 17. Guía lateral | 45. Anilla | 71. Surcos de corte con disco |
| 18. Brazo de retén | 46. Brida interior | 72. Escuadra |
| 19. Tornillo de ajuste | 47. Husillo | 73. Perno de ajuste a 0° |
| 20. Escala de inglete | 48. Boquilla para el polvo | 74. Perno de ajuste del ángulo de bisel de 45° a la izquierda |
| 21. Flecha | 49. Bolsa de polvo | 75. Superficie superior de la base giratoria |
| 22. Palanca de bloqueo | 50. Cierre | 76. Perno de ajuste del ángulo de bisel de 45° a la derecha |
| 23. Empuñadura | 51. Soporte | 77. Destornillador |
| 24. Palanca | 52. Guía deslizante | 78. Tapa del portaescobillas |
| 25. Brazo | 53. Tornillo de sujeción | |
| 26. Escala de bisel | 54. Guía auxiliar derecha | |
| 27. Botón de liberación | | |
| 28. Tornillo de bloqueo | | |

ESPECIFICACIONES

| Modelo | | LS1018 | LS1018L |
|--|--------------------|--|--|
| Diámetro del disco | | 255 - 260 mm | |
| Diámetro del orificio | Países no europeos | 25,4 mm o 30 mm (específico de cada país) | |
| | Países europeos | 30 mm | |
| Grosor máx. de vía del disco de sierra | | 3,2 mm | |
| Ángulo máximo de inglete | | Derecha 60°, Izquierda 47° | |
| Ángulo máximo de bisel | | Derecha 45°, Izquierda 45° | |
| Velocidad en vacío (RPM) | | 4.300 min ⁻¹ | |
| Tipo de láser | | - | Láser rojo de 650 nm, Potencia máxima 1 mW < (Clase de láser 2M) |
| Dimensiones (Largo x Ancho x Alto) | | 825 mm x 536 mm x 633 mm | |
| Peso neto | | 21,5 kg | |
| Clase de seguridad | | ☐/II | |

- Debido a nuestro programa continuo de investigación y desarrollo, las especificaciones aquí descritas están sujetas a cambios sin previo aviso.
- Las especificaciones pueden ser diferentes de un país a otro.
- Peso de acuerdo con el procedimiento EPTA 01/2014

Capacidades máximas de corte (alto x ancho) con 260 mm de diámetro

| Ángulo de inglete | Ángulo de bisel | | |
|-------------------|-----------------|----------------|----------------|
| | 45° (izquierda) | 0° | 45° (derecha) |
| 0° | 50 mm x 310 mm | 91 mm x 310 mm | 31 mm x 310 mm |
| 45° | 50 mm x 220 mm | 91 mm x 220 mm | 31 mm x 220 mm |
| 60° (derecha) | - | 91 mm x 153 mm | - |

Símbolos

END325-1

Se utilizan los siguientes símbolos para el equipo. Asegúrese de que comprende su significado antes del uso.



..... Lea el manual de instrucciones.



..... DOBLE AISLAMIENTO



..... Para evitar heridas provocadas por pequeños fragmentos que puedan salir despedidos, después de realizar cortes no levante la sierra hasta que la hoja se detenga por completo.



..... Cuando realice un corte por deslizamiento, primero tire del carro completamente y presione la empuñadura; a continuación, empuje el carro hacia la guía lateral.



..... Aleje las manos y los dedos del disco de corte.



..... Ajuste correctamente la separación entre las guías laterales, el disco y la protección del disco.



..... Retire siempre la placa lateral derecha cuando realice cortes de bisel a la derecha. De lo contrario, el operario puede sufrir heridas graves.



..... **RADIACIÓN LÁSER:** No mire directamente al haz. Podrían producirse lesiones oculares.



..... Sólo para países de la Unión Europea ¡No deseche los aparatos eléctricos junto con los residuos domésticos! De conformidad con la Directiva Europea sobre residuos de aparatos eléctricos y electrónicos y su aplicación de acuerdo con la legislación nacional, las herramientas eléctricas cuya vida útil haya llegado a su fin se deberán recoger por separado y trasladar a una planta de reciclaje que cumpla con las exigencias ecológicas.

Uso previsto

ENE006-1

Esta herramienta está diseñada para realizar cortes precisos rectos y de inglete en madera. Con discos de sierra adecuados, también se puede serrar aluminio.

Alimentación

ENF002-2

La herramienta debe conectarse solamente a una fuente de alimentación de la misma tensión que la indicada en la placa de características, y sólo puede funcionar con corriente alterna monofásica. La herramienta cuenta con un doble aislamiento y puede, por lo tanto, usarse también en tomacorrientes sin conductor de tierra.

Advertencias de seguridad para herramientas eléctricas en general

GEA010-2

⚠ ADVERTENCIA: Lea todas las advertencias de seguridad, instrucciones, ilustraciones y especificaciones provistas con esta herramienta eléctrica. Si no sigue todas las instrucciones indicadas abajo podrá resultar en una descarga eléctrica, un incendio y/o heridas graves.

Guarde todas las advertencias e instrucciones para futuras referencias.

El término "herramienta eléctrica" en las advertencias se refiere a su herramienta eléctrica de funcionamiento con conexión a la red eléctrica (con cable) o herramienta eléctrica de funcionamiento a batería (sin cable).

ADVERTENCIAS DE SEGURIDAD

Instrucciones de seguridad para las sierras de inglete

ENB130-2

1. **Las sierras de inglete han sido previstas para cortar madera o productos semejantes a la madera, no han sido previstas para ser utilizadas con muelas de corte abrasivas para cortar materiales ferrosos tales como barras, vástagos, espárragos roscados, etc.** El polvo abrasivo ocasiona que las partes móviles tal como el protector inferior se atasquen. Las chispas del corte abrasivo quemarán el protector inferior, la inserción de hendidura y otras partes de plástico.
2. **Utilice abrazaderas para sostener la pieza de trabajo siempre que sea posible. Si sostiene la pieza de trabajo con la mano, deberá mantener la**

- mano siempre a al menos 100 mm de cualquiera de los lados del disco. No utilice esta sierra para cortar piezas que sean demasiado pequeñas para ser fijadas firmemente o sujetadas con la mano. Si pone la mano demasiado cerca del disco, aumentará el riesgo de heridas producidas por el contacto con el disco.
- La pieza de trabajo debe estar inmóvil y fijada o sujeta contra la guía y la mesa. No avance la pieza de trabajo hacia el disco o corte “a pulso” de ninguna forma.** Las piezas de trabajo sin sujetar o moviéndose pueden ser lanzadas a grandes velocidades, causando heridas.
 - Empuje la sierra a través de la pieza de trabajo. No tire de la sierra a través de la pieza de trabajo. Para hacer un corte, suba el cabezal de la sierra y tire de él hacia afuera por encima de la pieza de trabajo sin cortarla, ponga en marcha el motor, presione el cabezal de la sierra hacia abajo y empuje la sierra a través de la pieza de trabajo.** El cortar cuando se tira de la sierra es probable que ocasione que el disco se suba encima de la pieza de trabajo y lance violentamente el conjunto del disco hacia el operario.
 - No cruce nunca la mano sobre la línea de corte prevista ya sea por delante o por detrás del disco.** El sostener la pieza de trabajo con la “mano cruzada”, por ejemplo, sujetando la pieza de trabajo por la derecha del disco con la mano izquierda o viceversa es muy peligroso. (Fig. 1)
 - No extienda ninguna de las manos por detrás de la guía hasta más cerca de 100 mm de cualquiera de los lados del disco, para retirar restos de madera, o por cualquier otra razón mientras el disco está girando.** La proximidad a su mano del disco girando puede no ser obvia y usted se puede herir gravemente.
 - Inspeccione su pieza de trabajo antes de cortar. Si la pieza de trabajo está curvada o combada, fijela con la cara curvada exterior hacia la guía. Asegúrese siempre de que no hay holgura entre la pieza de trabajo, la guía y la mesa a lo largo de la línea del corte.** Las piezas de trabajo curvadas o combadas se pueden retorcer o cambiar de posición y pueden ocasionar que el disco girando se trabe mientras corta. No debe haber clavos u objetos extraños en la pieza de trabajo.
 - No utilice la sierra hasta que la mesa esté despejada de todas las herramientas, restos de madera, etc., excepto la pieza de trabajo.** Los restos pequeños o trozos de madera sueltos u otros objetos que entren en contacto con el disco mientras está girando pueden salir lanzados a gran velocidad.
 - Corte solamente una pieza de trabajo al mismo tiempo.** Múltiples piezas de trabajo apiladas no se pueden fijar o sujetar debidamente y se pueden trabar en el disco o cambiar de posición durante el corte.
 - Asegúrese de que la sierra de inglete está montada o colocada sobre una superficie de trabajo nivelada y firme antes de utilizar.** Una superficie de trabajo nivelada y firme reduce el riesgo de que la sierra de inglete se vuelva inestable.
 - Planee su trabajo. Cada vez que cambie el ajuste del ángulo de bisel o inglete, asegúrese de que la guía ajustable esté ajustada correctamente para sostener la pieza de trabajo y que no va a interferir con el disco o el sistema de protección.** Sin “ENCENDER” la herramienta y sin pieza de trabajo encima de la mesa, mueva el disco a través de un corte simulado completo para asegurarse de que no va a haber interferencia o peligro de cortar la guía.
 - Proporcione un apoyo adecuado tales como extensiones de mesa, caballetes, etc., para una pieza de trabajo que sea más ancha o larga que la parte superior de la mesa.** Las piezas de trabajo más largas o anchas que la mesa de la sierra de inglete se pueden ladear si no se apoyan firmemente. Si la pieza cortada o la pieza de trabajo se ladea, podrá levantar el protector inferior o ser lanzada por el disco que está girando.
 - No utilice a otra persona como sustitución de una mesa de extensión o como apoyo adicional.** Un apoyo inestable de la pieza de trabajo puede ocasionar que el disco se trabe o que la pieza de trabajo cambie de posición durante la operación de corte arrastrando a usted y al ayudante hacia el disco que está girando.
 - La pieza cortada no deberá ser empujada o presionada de ningún modo contra el disco que está girando.** Si se confina, por ejemplo, utilizando topes de longitud, la pieza cortada puede incrustarse contra el disco y ser lanzada violentamente.
 - Asegúrese siempre de utilizar una abrazadera o accesorio designado para sostener debidamente material redondo tales como vástagos o tubos.** Los vástagos tienen tendencia a rodar mientras están siendo cortados, ocasionando que el disco “muerta” y tire de la pieza de trabajo junto con su mano hacia el disco.
 - Deje que el disco alcance plena velocidad antes de que haga contacto con la pieza de trabajo.** Esto reducirá el riesgo de que la pieza de trabajo sea lanzada.
 - Si la pieza de trabajo o el disco se atasca, apague la sierra de inglete. Espere hasta que todas las partes móviles se detengan y desconecte la clavija de la fuente de alimentación y/o retire la batería. Después realice la tarea de liberar el material atascado.** Si continúa serrando con una pieza de trabajo atascada podrá ocasionar la pérdida de control o daños a la sierra de inglete.
 - Después de terminar el corte, libere el interruptor, mantenga el cabezal de la sierra bajado y espere hasta que el disco se detenga antes de retirar la pieza cortada.** El alargar la mano hasta cerca del disco que está girando por inercia es peligroso.
 - Sujete la empuñadura firmemente cuando haga un corte incompleto o cuando libere el interruptor antes de que el cabezal de la sierra esté completamente en la posición bajada.** La acción de frenado de la sierra puede ocasionar que el cabezal de la sierra sea arrastrado repentinamente hacia abajo, ocasionando un riesgo de heridas.
 - Utilice solamente el disco de sierra con el diámetro que está marcado en la herramienta o especificado en el manual.** La utilización de un disco de tamaño incorrecto puede afectar a la protección

apropiada del disco o a la operación del protector lo que puede resultar en heridas personales graves.

21. **Utilice solamente discos que tengan marcada una velocidad igual o mayor que la velocidad marcada en la herramienta.**
22. **No utilice la sierra para cortar otra cosa que no sea madera, aluminio y materiales similares.**
23. **(Para países de Europa solamente)**
Utilice siempre el disco que cumpla con EN847-1.

Instrucciones adicionales

1. **Haga el taller a prueba de niños utilizando candados.**
2. **No se ponga nunca encima de la herramienta.** Si la herramienta se vuelca o si se hace contacto involuntario con el implemento de corte se podrán producir heridas graves.
3. **No deje nunca la herramienta en marcha sin atender. Desconecte la alimentación. No deje la herramienta hasta que se haya detenido completamente.**
4. **No utilice la sierra sin los protectores puestos.** Compruebe que el protector de disco se cierra debidamente antes de cada uso. **No utilice la sierra si el protector de disco no se mueve libremente y se cierra instantáneamente. No sujete ni ate nunca el protector de disco en la posición abierta.**
5. **Mantenga las manos apartadas del recorrido del disco.** Evite el contacto con cualquier disco cuando esté girando por inercia. Incluso entonces puede causar heridas graves.
6. **Para reducir el riesgo de heridas, devuelva el carro a la posición trasera completa después de cada operación de corte cruzado.**
7. **Sujete siempre todas las partes móviles antes de transportar la herramienta.**
8. **El pasador de retención que bloquea el cabezal de corte en posición bajada es solamente para transportar y almacenar la herramienta y no para ninguna operación de corte.**
9. **Compruebe el disco cuidadosamente por si tiene grietas o daños antes de comenzar la operación.** Reemplace el disco agrietado o dañado inmediatamente. La goma y resina de madera endurecida en los discos ralentiza la sierra y aumenta la posibilidad de que se produzca un retroceso brusco. Mantenga el disco limpio retirándolo primero de la herramienta, después límpielo con un eliminador de goma y resina, agua caliente o keroseno. **No utilice nunca gasolina para limpiar el disco.**
10. **Cuando haga un corte de deslizamiento, podrá producirse un RETROCESO BRUSCO. Los RETROCESOS BRUSCOS se producen cuando el disco se traba en la pieza de trabajo durante una operación de corte y es conducido rápidamente hacia el operario. Puede resultar en pérdida de control y heridas graves. Si el disco comienza a trabarse durante una operación de corte, no continúe cortando y libere el interruptor inmediatamente.**
11. **Utilice solamente las bridas especificadas para esta herramienta.**

12. **Tenga cuidado de no dañar el eje, las bridas (en especial la superficie de instalación) o el perno. Los daños en estas piezas pueden resultar en rotura del disco.**
13. **Asegúrese de que la base giratoria está debidamente sujeta de forma que no se mueva durante la operación. Utilice los agujeros en la base para sujetar la sierra a una plataforma o banco de trabajo estable. No utilice NUNCA la herramienta donde la postura del operario no sea práctica.**
14. **Antes de activar el interruptor, asegúrese de que el bloqueo del eje está quitado.**
15. **Asegúrese de que el disco no toca la base giratoria cuando está en la posición más baja.**
16. **Sujete la empuñadura firmemente. Tenga presente que la sierra se mueve un poco hacia arriba y hacia abajo durante el inicio y la parada.**
17. **Asegúrese de que el disco no está tocando la pieza de trabajo antes de activar el interruptor.**
18. **Antes de utilizar la herramienta en la pieza de trabajo definitiva, déjala funcionar durante un rato. Observe para ver si se producen vibraciones o bamboleos que puedan indicar que el disco está mal instalado o mal equilibrado.**
19. **Detenga la operación inmediatamente si nota algo anormal.**
20. **No intente bloquear el gatillo en la posición "ACTIVADA".**
21. **Utilice siempre los accesorios recomendados en este manual. La utilización de accesorios incorrectos como muelas abrasivas puede ocasionar heridas.**
22. **Algunos materiales contienen sustancias químicas que pueden ser tóxicas. Tenga precaución para evitar la inhalación de polvo y el contacto con la piel. Siga los datos de seguridad del abastecedor del material.**

Normas de seguridad adicionales para el láser

1. **RADIACIÓN LÁSER, NO QUEDARSE MIRANDO AL HAZ O MIRAR DIRECTAMENTE CON INSTRUMENTOS ÓPTICOS, PRODUCTO LÁSER CLASE 2M.**

GUARDE ESTAS INSTRUCCIONES.

ADVERTENCIA:

NO deje que la comodidad o familiaridad con el producto (a base de utilizarlo repetidamente) sustituya la estricta observancia de las normas de seguridad para el producto en cuestión. El MAL USO o el no seguir las normas de seguridad establecidas en este manual de instrucciones podrá ocasionar graves heridas personales.

INSTALACIÓN

Montaje en un banco (Fig. 2)

Cuando la herramienta sale de fábrica, la empuñadura está bloqueada en su posición bajada con el pasador de retén. Libere el pasador de retén aplicando

simultáneamente una ligera presión hacia abajo en la empuñadura y tirando del pasador de retén. (Fig. 3) Esta herramienta debe atornillarse con cuatro pernos a una superficie nivelada y estable, utilizando para ello los orificios para perno existentes en la base de la herramienta. De esta forma se evita que la herramienta pueda inclinarse y causar lesiones.

Instalación de los soportes y de los conjuntos de soporte

NOTA:

- En algunos países es posible que los soportes y los conjuntos de soporte no se incluyan en el paquete de la herramienta como accesorio estándar. (Fig. 4)

Los soportes y los conjuntos de soporte sujetan las piezas de trabajo horizontalmente. Instale los soportes y los conjuntos de soporte en ambos lados, tal y como se muestra en la figura.

A continuación, apriete los tornillos firmemente para fijar los soportes y los conjuntos de soporte.

DESCRIPCIÓN DEL FUNCIONAMIENTO

⚠ ADVERTENCIA:

- **Asegúrese siempre de que la herramienta esté apagada y desenchufada antes de intentar realizar cualquier tipo de ajuste o comprobación en ella.** Si la herramienta no se apaga ni desenchufa se pueden provocar graves lesiones personales con una puesta en marcha accidental.

Protector del disco (Fig. 5)

Al bajar la empuñadura, el protector del disco se sube automáticamente. El protector retorna a su posición original cuando se completa el corte y se sube la empuñadura.

⚠ ADVERTENCIA:

- **Nunca inutilice ni retire la protección del disco o el muelle fijado a la protección.** Un disco expuesto mediante la inutilización de la protección puede provocar graves lesiones personales durante el uso.

Por su propia seguridad, mantenga siempre el protector del disco en perfectas condiciones. Cualquier irregularidad en el funcionamiento del protector del disco debe corregirse inmediatamente. Compruebe que el resorte funciona perfectamente y que el protector vuelve a su posición.

⚠ ADVERTENCIA:

- **Nunca utilice la herramienta si la protección del disco o el muelle se han dañado, son defectuosos o se han extraído.** El uso de la herramienta con una protección dañada o defectuosa o sin protección puede provocar graves lesiones personales.

Si se encucia el protector del disco transparente, o si se adhiere serrín de tal modo que el disco o la pieza de trabajo ya no pueda verse fácilmente, desenchufe la sierra y limpie el protector cuidadosamente con un paño húmedo. No utilice disolventes ni limpiadores con base de petróleo sobre el protector de plástico, ya que se puede dañar.

Si la protección del disco se encucia y se debe limpiar para garantizar un funcionamiento correcto, siga los pasos de más abajo:

Con la herramienta apagada y desenchufada, utilice la llave hexagonal que se proporciona para aflojar el perno hexagonal que sujeta la cubierta central. Para aflojar el perno de cabeza hexagonal, gírelo hacia la izquierda y suba el protector del disco y la cubierta central. (Fig. 6) Con el protector del disco en esta posición, resulta más fácil limpiarlo por completo. Una vez finalizada la limpieza, invierta el procedimiento anterior y apriete el perno. No retire el muelle que sujeta el protector del disco. Si el protector se deteriora con el tiempo o con la exposición a los rayos ultravioleta, póngase en contacto con un centro de servicio técnico de Makita para recibir un nuevo protector. **NO FUERCE NI RETIRE EL PROTECTOR.**

Colocación de la placa de corte (Fig. 7 - 8)

Esta herramienta se suministra con las placas de corte en la base giratoria para minimizar el desgarramiento en el lado de salida de un corte. Las placas de corte se ajustan en fábrica para que el disco de sierra no las toque. Antes de usar la herramienta, ajuste las placas de corte de la siguiente manera:

En primer lugar, desenchufe la herramienta. Afloje todos los tornillos (3 en cada lado derecho e izquierdo) que sujetan las placas de corte. Apriételes otra vez pero solamente hasta el punto en que las placas de corte puedan seguir moviéndose fácilmente con la mano. Baje la empuñadura completamente y empuje hacia dentro el pasador de retén para bloquear la empuñadura en la posición bajada. Afloje el tornillo que sujeta las barras deslizables. Tire del carro hacia usted completamente. Ajuste las placas de corte de forma que justamente hagan contacto con los laterales de los dientes del disco. Apriete los tornillos delanteros (no los apriete excesivamente). Empuje completamente el carro hacia la guía lateral y ajuste las placas de corte de forma que justamente hagan contacto con los laterales de los dientes del disco. Apriete los tornillos traseros (no los apriete excesivamente). Después de ajustar las placas de corte, suelte el pasador de retén y suba la empuñadura. A continuación, apriete todos los tornillos firmemente.

AVISO:

- **Tras ajustar el ángulo de bisel, asegúrese de que las placas de corte se haya ajustado correctamente.** El correcto ajuste de las placas de corte ayudará a proporcionar un soporte adecuado de la pieza de trabajo y minimizará su arrancamiento.

Mantenimiento de la capacidad máxima de corte

Esta herramienta se ha ajustado en fábrica para proporcionar la capacidad de corte máxima con un disco de sierra de 255 mm.

Antes de realizar cualquier ajuste, desenchufe la herramienta. Cuando instale un disco nuevo, compruebe siempre la posición del límite inferior del disco y, si es necesario, ajústela del siguiente modo: (Fig. 9 y 10) En primer lugar, desenchufe la herramienta. Empuje completamente el carro hacia la guía lateral y baje la empuñadura completamente. Con la ayuda de la llave de tubo, gire el perno de ajuste hasta que la periferia del disco quede ligeramente por debajo de la superficie

superior de la base giratoria en el punto donde la cara delantera de la guía lateral converge con la superficie superior de la base giratoria.

Con la herramienta desenchufada, gire el disco con la mano mientras sujeta la empuñadura bajada completamente para asegurarse de que el disco no toca ninguna parte de la base inferior. Si es necesario, reajústela ligeramente.

ADVERTENCIA:

- Tras instalar una nueva hoja y con la herramienta desenchufada, asegúrese siempre de que la hoja no entre en contacto con ninguna parte de la base inferior cuando el mango esté completamente abajo. Si un disco entra en contacto con la base puede provocar un contragolpe y graves lesiones personales.

Brazo de retén (Fig. 11)

La posición inferior máxima del disco puede ajustarse fácilmente con el brazo de retén. Para ajustarla, mueva el brazo de retén en el sentido de la flecha como se muestra en la figura. Ajuste el tornillo de fijación de forma que el disco se pare en la posición deseada cuando baje completamente la empuñadura.

Ajuste del ángulo de inglete (Fig. 12)

Afloje la empuñadura girándola hacia la izquierda. Gire la base giratoria mientras presiona hacia abajo la palanca de bloqueo. Cuando haya movido la empuñadura hasta la posición donde la flecha apunte al ángulo deseado en la escala de inglete, apriete la empuñadura firmemente girándola hacia la derecha.

PRECAUCIÓN:

- Después de cambiar el ángulo de inglete, sujete siempre la base giratoria apretando la empuñadura firmemente.

AVISO:

- Cuando gire la base giratoria, asegúrese de subir completamente la empuñadura.

Ajuste del ángulo de bisel (Fig. 13)

Para ajustar el ángulo de bisel, afloje la palanca de la parte trasera de la herramienta girando hacia la izquierda. Desbloquee el brazo empujando la empuñadura energicamente en la dirección que quiera inclinar el disco.

NOTA:

- La palanca se puede ajustar en un ángulo de palanca diferente retirando el tornillo que sujeta la palanca y fijando la palanca en el ángulo deseado. (Fig. 14)

Incline el disco hasta que la flecha apunte hacia el ángulo deseado en la escala de bisel. A continuación, apriete la palanca hacia la derecha para sujetar el brazo. (Fig. 15) Cuando vaya a inclinar el carro a la derecha, inclínelo ligeramente a la izquierda después de aflojar la palanca y presione el botón de desbloqueo. Mientras presiona el botón de desbloqueo, incline el carro a la derecha. (Fig. 16)

Incline el disco de sierra hasta que la flecha apunte hacia el ángulo deseado en la escala de bisel. A continuación, apriete la palanca hacia la derecha para sujetar el brazo.

- Cuando quiera cambiar el ángulo de bisel, asegúrese de posicionar las placas de corte debidamente como

se explica en la sección "Posicionamiento de las placas de corte".

PRECAUCIÓN:

- Después de cambiar el ángulo de bisel, sujete siempre el brazo apretando la palanca hacia la derecha.

AVISO:

- Cuando incline el disco de sierra, asegúrese de que la empuñadura esté totalmente levantada.
- Cuando quiera cambiar el ángulo de bisel, asegúrese de posicionar las placas de corte debidamente como se explica en la sección "Posicionamiento de las placas de corte".

Ajuste del bloqueo lateral (Fig. 17)

Para bloquear la barra deslizante, gire el tornillo hacia la derecha.

Acción del gatillo interruptor (Fig. 18)

Para evitar que el gatillo interruptor pueda ser apretado accidentalmente, se ha provisto un botón de desbloqueo. Para encender la herramienta, presione hacia dentro el botón de desbloqueo y apriete el gatillo interruptor. Suelte el gatillo interruptor para detener la herramienta.

ADVERTENCIA:

- **Antes de enchufar la herramienta, asegúrese siempre de que el interruptor disparador funcione como es debido y de que vuelva a la posición "OFF" (apagado) al soltarlo. No apriete con fuerza el gatillo interruptor sin presionar hacia dentro el botón de desbloqueo. Podría romper el interruptor.** La utilización de una herramienta con un interruptor que no funciona correctamente puede provocar la pérdida del control y graves lesiones personales.

El gatillo interruptor está provisto de un orificio en el que se puede insertar un candado para bloquear la herramienta.

ADVERTENCIA:

- **No utilice un candado cuyo vástago o cable tenga un diámetro inferior a 6,35 mm de diámetro.** Es posible que un cable o un vástago más pequeño no pueda bloquear la herramienta en la posición de apagado y se puede producir un accionamiento accidental que podría provocar graves lesiones personales.
- **No utilice NUNCA la herramienta si el gatillo interruptor no funciona perfectamente bien.** Cualquier herramienta con un interruptor inoperativo es MUY PELIGROSA y se debe reparar antes del uso o se pueden producir graves lesiones personales.
- Por su propia seguridad, esta herramienta está equipada con un botón de bloqueo que impide que la herramienta se pueda poner en marcha sin querer. No utilice NUNCA la herramienta si se pone en marcha cuando usted simplemente aprieta el gatillo disparador sin presionar el botón de desbloqueo. Un interruptor que deba repararse puede provocar un funcionamiento accidental y graves lesiones personales. Lleve la herramienta a un centro de servicio Makita ANTES de seguir utilizándola.
- NUNCA inutilice el botón de desbloqueo de apagado con cinta adhesiva o cualquier otro medio. Un

interruptor con un botón de desbloqueo de apagado inutilizado puede provocar un funcionamiento accidental y graves lesiones personales.

cambie la ubicación de la zona de trabajo a un lugar que no esté expuesto a la luz directa del sol.

Función electrónica

Característica de inicio lento

Esta función permite una puesta en marcha suave de la herramienta limitando el par de puesta en marcha.

Acción de la luz del láser

Sólo para el modelo LS1018L

NOTA:

- Antes del primer uso, instale dos baterías secas AA en el receptáculo para baterías. Consulte la sección con el título "Sustitución de las baterías secas de la unidad del láser" para conocer la instalación.

⚠ PRECAUCIÓN:

- Apague el láser cuando no utilice la herramienta. (Fig. 19)

⚠ PRECAUCIÓN:

- No mire nunca directamente la luz del láser. Podrían producirse lesiones oculares.
- RADIACIÓN LÁSER, NO MIRE FIJAMENTE LA LUZ, PRODUCTO LÁSER DE CLASE 2.
- Antes de modificar la trayectoria del láser o realizar ajustes de mantenimiento, desenchufe la herramienta. Para encender la luz del láser, coloque el interruptor en la posición superior (I). Para apagar la luz del láser, coloque el interruptor en la posición inferior (O). Para desviar la trayectoria del láser a la izquierda o a la derecha del disco de sierra, afloje el tornillo que sujeta la unidad y desplácelo hacia la dirección deseada. Tras el desplazamiento, apriete el tornillo firmemente. (Fig. 20) La trayectoria del láser está ajustada en fábrica a 1 mm de la superficie lateral del disco (posición de corte).

NOTA:

- Si el láser aparece atenuado y resulta difícil verlo a causa de la luz del sol directa, cambie de lugar el área de trabajo a una zona en la que haya menos luz directa del sol.

Sustitución de las baterías secas de la unidad del láser (Fig. 21 y 22)

Deslice y presione al mismo tiempo la tapa de las baterías secas de la unidad del láser para abrirla. Extraiga las baterías secas gastadas y coloque unas baterías nuevas siguiendo las indicaciones de la figura. Una vez sustituidas, vuelva a colocar la tapa.

Limpieza de la lente de la luz del láser

Si la lente de la luz del láser se ensucia o tiene adherido tanto serrín que ya no es posible ver el recorrido del láser, desenchufe la sierra y extraiga y limpie la luz del láser cuidadosamente con un paño suave humedecido. No utilice disolventes ni limpiadores derivados del petróleo para limpiar la lente.

NOTA:

- Si la luz del láser está atenuada y es invisible de forma parcial o total debido a la incidencia de la luz del sol al realizar tareas tanto en exteriores como interiores,

MONTAJE

⚠ ADVERTENCIA:

- **Asegúrese siempre de que la herramienta esté apagada y desenchufada antes de intentar realizar cualquier trabajo en ella.** Si la herramienta no se apaga y desenchufa, se pueden provocar graves lesiones personales.

Almacenamiento de la llave de tubo con llave hexagonal en el otro extremo (Fig. 23)

La llave de tubo se almacena como se muestra en la figura. Cuando se necesite la llave de tubo se puede extraer del soporte para la llave. Tras utilizar la llave de tubo se puede almacenar devolviéndola a su soporte.

Instalación o desmontaje del disco de sierra

⚠ ADVERTENCIA:

- **Asegúrese siempre de que la herramienta esté apagada y desenchufada antes de instalar o extraer el disco.** La puesta en marcha accidental de la herramienta puede provocar graves lesiones personales.
- **Utilice sólo la llave de tubo proporcionada por Makita para instalar o extraer el disco.** Si no se utiliza la llave, el perno hexagonal se puede apretar en exceso o puede no apretarse lo suficiente y se pueden provocar graves lesiones personales. (Fig. 24)

Bloquee la empuñadura en la posición levantada empujando hacia dentro el pasador de retén. (Fig. 25) Para desmontar el disco, afloje el perno hexagonal que sujeta la cubierta central, girándolo hacia la izquierda con la llave de tubo. Suba el protector del disco y la cubierta central.

⚠ ADVERTENCIA:

- **No retire ningún tornillo que no sea el perno hexagonal de la ilustración.** Si retira por error otro tornillo y se desprende el protector del disco, asegúrese de volver a montar el protector del disco. Presione el bloqueo del eje para bloquear el eje y afloje el perno hexagonal girándolo hacia la derecha con la llave de tubo. A continuación, quite el perno hexagonal, la brida exterior y el disco. (Fig. 26)

NOTA:

- Si se desmonta la brida interior, asegúrese de instalarla en el eje con su saliente mirando hacia fuera del disco. Si la brida se instala incorrectamente, rozará contra la máquina.

⚠ ADVERTENCIA:

- **Antes de montar el disco en el eje, asegúrese siempre de que esté instalado entre las bridas interior y exterior el anillo correcto para el agujero del disco que vaya a utilizar.** El uso del anillo incorrecto para el agujero del disco puede provocar el

montaje incorrecto del disco, provocando el movimiento del disco, y las fuertes vibraciones pueden provocar una pérdida de control durante el uso y graves lesiones personales. (Fig. 27)

Para instalar el disco, móntelo con cuidado en el eje, asegurándose de que la dirección de la flecha de la superficie del disco coincida con la dirección de la flecha de la carcasa del disco.

Instale la brida exterior y el perno hexagonal y, a continuación, apriete firmemente el perno hexagonal con la llave de tubo (rosca hacia la izquierda) girándolo hacia la izquierda mientras presiona el bloqueo del eje. (Fig. 28 y 29)

Vuelva a colocar el protector del disco y la cubierta central en sus posiciones originales. A continuación, apriete el perno de cabeza hexagonal girándolo hacia la derecha para sujetar la cubierta central. Suelte la empuñadura de la posición elevada tirando del pasador de retén. Baje la empuñadura para asegurarse de que el protector del disco se mueve correctamente. Asegúrese de que el bloqueo del eje haya soltado el eje antes de realizar el corte.

Conexión de una aspiradora

Si desea realizar una operación de corte limpia, conecte una aspiradora Makita. (Fig. 30)

Bolsa de polvo (Fig. 31)

El uso de la bolsa de polvo permite realizar operaciones de corte limpias y recoger fácilmente el polvo. Para poner la bolsa de polvo, insértela en la boquilla de polvo.

Cuando la bolsa de polvo esté medio llena, quítela de la herramienta y extraiga el cierre. Vacíe la bolsa de polvo golpeándola ligeramente para retirar las partículas adheridas en el interior para que no impidan la posterior recogida de polvo.

Sujeción de la pieza de trabajo

⚠ ADVERTENCIA:

- **Es muy importante fijar siempre la pieza de trabajo de forma correcta, con el tipo adecuado de mordaza o moldura dentada.** Si no lo hace, se pueden provocar graves lesiones personales y daños en la herramienta y/o la pieza de trabajo.
- **Tras realizar una operación de corte, no suba el disco hasta que se haya parado completamente.** Si se sube un disco en movimiento se pueden provocar graves lesiones personales y daños en la pieza de trabajo.
- **Cuando corte una pieza de trabajo que sea más larga que la base de apoyo de la sierra, el material se debe sostener en toda su longitud más allá de la base de apoyo y a la misma altura para mantener el material a nivel.** Un correcto apoyo de la pieza de trabajo ayudará a evitar que el disco se quede enganchado y posibles contragolpes que pueden provocar graves lesiones personales. No dependa únicamente de la mordaza vertical y/o la mordaza horizontal para sujetar la pieza de trabajo. El material fino tiende a combarse. Apoye la pieza de trabajo en toda su longitud para evitar que el disco se atranque y que posiblemente se produzca un RETROCESO BRUSCO. (Fig. 32)

Ajuste de las guías laterales (GUÍA DESLIZANTE) (Fig. 33)

⚠ ADVERTENCIA:

- Antes de utilizar la herramienta, asegúrese de que la guía deslizante esté sujeta firmemente.
- **Antes de realizar un corte en bisel, asegúrese de que ninguna pieza de la herramienta, especialmente el disco, entre en contacto con la guía al bajar y subir la empuñadura en cualquier posición y mientras se mueve el carro en todo su recorrido.** Si la herramienta o el disco entran en contacto con la guía, se puede provocar un contragolpe o un movimiento inesperado del material y lesiones personales graves.

⚠ PRECAUCIÓN:

- Cuando haga cortes en bisel, deslice la guía hacia la izquierda y fíjela tal como se muestra en la figura. De lo contrario, tocará el disco o alguna parte de la herramienta, pudiendo ocasionar heridas graves al operador. (Fig. 34)

Esta herramienta está equipada con una guía deslizante que normalmente se debe montar de la forma mostrada en la figura.

Sin embargo, cuando haga cortes en bisel izquierdo, colóquela en la posición izquierda como en la figura si hace contacto con la cabeza de la herramienta.

Una vez terminadas las operaciones de corte en bisel, no olvide colocar de nuevo la guía deslizante en su posición original y sujetarla firmemente apretando el tornillo de apriete.

Guía auxiliar derecha

⚠ ADVERTENCIA:

- Antes de utilizar la herramienta, asegúrese de que la guía auxiliar derecha esté sujeta firmemente.
- Cuando haga cortes en bisel derecho, quite la guía auxiliar derecha. Hará contacto con el disco o alguna parte de la herramienta, pudiendo ocasionarle heridas graves. (Fig. 35)

La guía auxiliar derecha se puede quitar desde el lado derecho de la guía lateral. Para quitar la guía auxiliar derecha, afloje el tornillo que asegura la guía auxiliar derecha y tire de ella. Para instalarla de nuevo, siga el procedimiento de extracción pero en orden inverso. Una vez terminadas las operaciones de corte en bisel, no olvide colocar de nuevo la guía auxiliar derecha en su posición original y sujetarla firmemente apretando el tornillo de fijación.

Mordaza vertical (Fig. 36)

La mordaza vertical se puede instalar en dos posiciones tanto en el lado izquierdo como en el derecho de la guía lateral. Inserte la barra de la mordaza en el agujero de la parte trasera de la guía lateral y apriete el tornillo para sujetarla.

Posicione el brazo de la mordaza de acuerdo con el grosor y forma de la pieza de trabajo y sujete el brazo de la mordaza apretando el tornillo. Si el tornillo para sujetar el brazo de la mordaza toca la guía lateral, instale el tornillo en el lado opuesto del brazo de la mordaza. Asegúrese de que ninguna parte de la herramienta toque

la mordaza cuando baje la empuñadura completamente o tire o empuje el carro a tope. Si alguna parte toca la mordaza, vuelva a colocar la mordaza.

Presione la pieza de trabajo de forma que quede plana contra la guía lateral y la base giratoria. Ponga la pieza de trabajo en la posición de corte deseada y sujétela firmemente apretando el pomo de la mordaza.

ADVERTENCIA:

- **La pieza de trabajo debe estar sujeta firmemente contra la base giratoria y la guía lateral con la mordaza durante todas las operaciones.** Si la pieza de trabajo no se ha fijado de forma segura contra la guía, el material puede moverse durante las operaciones de corte, lo que causaría daños en el disco, haría que saliera despedido material y provocaría la pérdida de control que causaría lesiones personales graves.

Mordaza horizontal (accesorio opcional) (Fig. 37)

La mordaza horizontal se puede instalar en dos posiciones tanto en el lado izquierdo como en el lado derecho de la base. Cuando realice cortes en inglete de más de 10°, instale la mordaza horizontal en el lado opuesto a la dirección en la que vaya a ser girada la base giratoria. (Fig. 38)

Poniendo la tuerca de la mordaza en el sentido contrario a las agujas del reloj, la mordaza se suelta y se puede mover rápidamente hacia dentro y hacia fuera. Para sujetar la pieza de trabajo, empuje el pomo de la mordaza hacia delante hasta que la placa de la mordaza haga contacto con la pieza de trabajo y después ponga la tuerca de la mordaza en el sentido de las agujas del reloj. A continuación, gire el pomo de la mordaza hacia la derecha para sujetar la pieza de trabajo.

La anchura máxima de la pieza de trabajo que se puede sujetar con la mordaza horizontal es de 215 mm. Cuando instale la mordaza horizontal en el lado derecho de la base, utilice también la guía auxiliar derecha para asegurar la pieza de trabajo con mayor firmeza. Para instalar la guía auxiliar derecha, consulte la sección "Guía auxiliar derecha" descrita anteriormente.

ADVERTENCIA:

- **Gire siempre la tuerca de la mordaza en el sentido de las agujas del reloj hasta que la pieza de trabajo esté fijada correctamente.** Si la pieza de trabajo no se ha fijado de forma segura, el material puede moverse durante las operaciones de corte, lo que causaría daños en el disco, haría que saliera despedido material y provocaría la pérdida de control que causaría lesiones personales graves.
- Cuando deba cortar piezas de trabajo finas, como placas base, contra la guía, utilice siempre la mordaza horizontal.

OPERACIÓN

AVISO:

- Antes de utilizar la herramienta, asegúrese de soltar la empuñadura de la posición bajada sacando el pasador de retén.

- No aplique una presión excesiva sobre la empuñadura cuando corte. Si hace demasiada fuerza, puede sobrecargar el motor y/o disminuir la eficacia de corte. Presione la empuñadura hacia abajo únicamente con la fuerza necesaria para cortar suavemente y sin reducir significativamente la velocidad del disco.
- Presione suavemente la empuñadura hacia abajo para realizar el corte. Si presiona la empuñadura con fuerza hacia abajo o si aplica presión lateral, el disco vibrará y dejará una marca (marca de sierra) en la pieza de trabajo y la precisión del corte se verá afectada.
- Para realizar un corte deslizando la herramienta, empuje suavemente el carro hacia la guía lateral sin parar. Si se para el movimiento del carro durante el corte, quedará una marca en la pieza de trabajo y la precisión del corte se verá afectada.

ADVERTENCIA:

- **Asegúrese de que el disco no esté tocando la pieza de trabajo, etc. antes de activar el interruptor.**

Si se pone en marcha la herramienta mientras el disco está en contacto con la pieza de trabajo se puede provocar un contragolpe y graves lesiones personales.

1. Corte presionando (corte de piezas pequeñas) (Fig. 39)

Las piezas de trabajo de hasta 91 mm de alto y 70 mm de ancho se pueden cortar de la siguiente manera.

Empuje el carro hacia la guía lateral completamente y apriete el tornillo fijador para asegurar el carro. Fije la pieza de trabajo correctamente con el tipo de mordaza adecuado. Encienda la herramienta sin que el disco entre en contacto con ninguna pieza y espere hasta que el disco de sierra adquiera plena velocidad para bajarlo. A continuación, baje suavemente la empuñadura hasta su posición más baja para cortar la pieza de trabajo. Una vez realizado el corte, apague la herramienta y ESPERE HASTA QUE EL DISCO SE HAYA DETENIDO COMPLETAMENTE antes de retornar el disco a su posición completamente elevada.

ADVERTENCIA:

- **Apriete firmemente el pomo hacia la derecha de forma que el carro no se mueva durante la operación.** Un apriete insuficiente del pomo puede provocar un posible contragolpe, que puede tener como resultado graves lesiones personales.

2. Corte de deslizamiento (empujando) (corte de piezas anchas) (Fig. 40)

Afloje el tornillo de fijación hacia la izquierda de forma que el carro pueda deslizarse libremente. Fije la pieza de trabajo con el tipo de mordaza adecuado. Tire del carro hacia usted completamente. Encienda la herramienta sin que el disco entre en contacto con ninguna pieza y espere hasta que el disco adquiera plena velocidad. Presione hacia abajo la empuñadura y EMPUJE EL CARRO HACIA LA GUÍA LATERAL Y A TRAVÉS DE LA PIEZA DE TRABAJO. Una vez realizado el corte, apague la herramienta y ESPERE HASTA QUE EL DISCO SE HAYA DETENIDO COMPLETAMENTE antes de retornar el disco a su posición completamente elevada.

⚠ ADVERTENCIA:

- Cuando realice un corte de deslizamiento, primero tire del carro completamente hacia usted y empuje la empuñadura hacia abajo; después empuje el carro hacia la guía lateral. Nunca empiece el corte si no ha tirado del carro completamente hacia usted. Si realiza el corte deslizante sin tirar completamente del carro hacia usted, se puede producir un contragolpe y puede sufrir lesiones personales graves.
- Nunca intente realizar un corte deslizante tirando del carro hacia usted. Tirar del carro hacia usted mientras corta puede provocar un contragolpe inesperado, que puede tener como resultado graves lesiones personales.
- Nunca realice el corte deslizante mientras la empuñadura esté bloqueada en la posición bajada.
- No afloje nunca el tornillo que sujeta el carro mientras el disco está girando. Un carro suelto durante el corte puede provocar un contragolpe inesperado que puede tener como resultado graves lesiones personales.

3. Corte a inglete

Consulte la sección anterior "Ajuste del ángulo de inglete".

4. Corte en bisel (Fig. 41)

Afloje la palanca e incline el disco para establecer el ángulo de bisel (consulte la sección anterior "Ajuste del ángulo de bisel"). Asegúrese de apretar la palanca firmemente para sujetar de forma segura el ángulo de bisel seleccionado. Sujete la pieza de trabajo con una mordaza. Asegúrese de que el carro esté empujado completamente hacia usted. Encienda la herramienta sin que el disco entre en contacto con ninguna pieza y espere hasta que el disco adquiera plena velocidad. Después, baje con cuidado la empuñadura hasta la posición completamente bajada mientras aplica presión en dirección paralela al disco y EMPUJE EL CARRO HACIA LA GUÍA LATERAL PARA CORTAR LA PIEZA DE TRABAJO. Una vez realizado el corte, apague la herramienta y ESPERE HASTA QUE EL DISCO SE HAYA DETENIDO COMPLETAMENTE antes de retornar el disco a su posición completamente elevada.

⚠ ADVERTENCIA:

- Tras ajustar el disco para un corte en bisel, antes de utilizar la herramienta asegúrese de que el carro y el disco tengan su recorrido libre en toda la extensión del corte que se pretende realizar. La interrupción del recorrido del carro o del disco durante la operación de corte puede tener como resultado un contragolpe y graves lesiones personales.
- Mientras realiza un corte en bisel, mantenga las manos alejadas de la ruta del disco. El ángulo del disco puede confundir al operario sobre la ruta real del disco durante el corte y el contacto con el disco puede provocar graves lesiones personales.
- El disco no se debe levantar hasta que se haya detenido por completo. Durante un corte en bisel, la pieza cortada puede quedar contra el disco. Si el disco se levanta mientras gira, la pieza recortada puede salir expulsada del disco y hacer que el material se

fragmente, lo que puede provocar graves lesiones personales.

AVISO:

- Cuando presione hacia abajo la empuñadura, aplique fuerza paralela al disco. Si la fuerza se aplica perpendicularmente a la base giratoria o si se cambia la dirección de la presión durante el corte, la precisión del corte se deteriorará.
- Antes de realizar un corte a bisel, se puede necesitar un ajuste de la guía deslizante. Consulte la sección con el título "Ajuste de las guías laterales".

⚠ PRECAUCIÓN:

- Quite siempre la guía auxiliar derecha para que no interfiera en ninguna parte del carro cuando haga cortes en bisel derecho.

5. Corte compuesto

El corte compuesto es el proceso en el cual se realiza un ángulo en bisel al mismo tiempo que se está cortando en ángulo de inglete en la pieza de trabajo. El corte compuesto se puede realizar con los ángulos mostrados en la tabla siguiente.

| Ángulo de inglete | Ángulo de bisel |
|---------------------------------|---------------------------------|
| Izquierda y derecha 0° - 45° | Izquierda y derecha 0° - 45° |

009713

Cuando realice cortes compuestos, consulte las explicaciones de las secciones "Corte presionando", "Corte de deslizamiento", "Corte en inglete" y "Corte en bisel".

6. Corte de molduras dentadas y cóncavas

En una sierra de inglete mixta es posible realizar cortes de molduras dentadas y cóncavas. Para ello, las molduras deben colocarse totalmente planas en la base giratoria.

Existen dos tipos básicos de molduras dentadas y un único tipo de moldura cóncava: moldura dentada para ángulos de pared de 52/38°, moldura dentada para ángulos de pared de 45° y moldura cóncava para ángulos de pared de 45°. Consulte las figuras.

(Fig. 42)

Hay disponibles juntas para molduras dentadas y cóncavas diseñadas para montarse en ángulos de 90° "interiores" ((1) y (2) en Fig. A) y ángulos de 90° "exteriores" ((3) y (4) en Fig. A). **(Fig. 43 y 44)**

Medición

Mida la longitud de la pared y coloque la pieza de trabajo sobre la mesa para cortar el lado de contacto con la pared a la longitud deseada. Asegúrese siempre de que la longitud de la parte posterior de la pieza de trabajo cortada sea igual a la longitud de la pared. Ajuste la longitud del corte de acuerdo al ángulo de corte. Para comprobar los ángulos de la sierra, utilice siempre varias piezas para hacer cortes de prueba.

Cuando se realizan cortes de molduras dentadas y cóncavas, ajuste el ángulo de bisel y el ángulo de inglete según las indicaciones de la tabla (A) y posicione las molduras en la superficie superior de la

base de la sierra conforme a las indicaciones de la tabla (B).

Para hacer un corte en bisel izquierdo

Tabla (A)

| | Posición de la moldura en la Fig. A | Ángulo de bisel | | Ángulo de inglete | |
|-------------------------|-------------------------------------|-----------------|---------------|-------------------|-----------------|
| | | Tipo 52/38° | Tipo 45° | Tipo 52/38° | Tipo 45° |
| Para el ángulo interior | (1) | Izquierdo 33,9° | Izquierdo 30° | Derecho 31,6° | Derecho 35,3° |
| | (2) | | | Izquierdo 31,6° | Izquierdo 35,3° |
| (3) | Derecho 31,6° | | | Derecho 35,3° | |
| (4) | | | | | |

006361

Tabla (B)

| | Posición de la moldura en la Fig. A | Extremo de la moldura contra la guía lateral | Pieza acabada |
|-------------------------|-------------------------------------|---|--|
| Para el ángulo interior | (1) | El lado de contacto con el techo debe tener lugar en la guía lateral. | La pieza acabada se encontrará en el lado izquierdo del disco. |
| | (2) | El lado de contacto con la pared debe tener lugar en la guía lateral. | |
| Para el ángulo exterior | (3) | El lado de contacto con el techo debe tener lugar en la guía lateral. | La pieza acabada se encontrará en el lado derecho del disco. |
| | (4) | El lado de contacto con la pared debe tener lugar en la guía lateral. | |

006362

Ejemplo:

Para un corte de moldura dentada de 52/38° para la posición (1) en Fig. A:

- Incline y fije el ajuste del ángulo de bisel en **IZQUIERDO 33,9°**.
- Ajuste y fije el ángulo de inglete en **DERECHO 31,6°**.
- Coloque la moldura dentada en toda su extensión posterior (oculta) sobre la base giratoria con el **LADO DE CONTACTO CON EL TECHO** contra la guía lateral de la sierra.
- La pieza acabada que se debe utilizar siempre estará situada en el lado **IZQUIERDO** del disco después de realizar el corte.

Para hacer un corte en bisel derecho

Tabla (A)

| | Posición de la moldura en la Fig. A | Ángulo de bisel | | Ángulo de inglete | |
|-------------------------|-------------------------------------|-----------------|-------------|-------------------|-----------------|
| | | Tipo 52/38° | Tipo 45° | Tipo 52/38° | Tipo 45° |
| Para el ángulo interior | (1) | Derecho 33,9° | Derecho 30° | Derecho 31,6° | Derecho 35,3° |
| | (2) | | | Izquierdo 31,6° | Izquierdo 35,3° |
| Para el ángulo exterior | (3) | | | Derecho 31,6° | Derecho 35,3° |
| | (4) | | | | |

006363

Tabla (B)

| | Posición de la moldura en la Fig. A | Extremo de la moldura contra la guía lateral | Pieza acabada |
|-------------------------|-------------------------------------|---|--|
| Para el ángulo interior | (1) | El lado de contacto con la pared debe tener lugar en la guía lateral. | La pieza acabada se encontrará en el lado derecho del disco. |
| | (2) | El lado de contacto con el techo debe tener lugar en la guía lateral. | |
| Para el ángulo exterior | (3) | El lado de contacto con la pared debe tener lugar en la guía lateral. | La pieza acabada se encontrará en el lado izquierdo del disco. |
| | (4) | El lado de contacto con la pared debe tener lugar en la guía lateral. | |

006364

Ejemplo:

Para un corte de moldura dentada de 52/38° para la posición (1) en Fig. A:

- Incline y fije el ajuste del ángulo de bisel en **DERECHO 33,9°**.
- Ajuste y fije el ángulo de inglete en **DERECHO 31,6°**.
- Coloque la moldura dentada en toda su extensión posterior (oculta) sobre la base giratoria con el **LADO DE CONTACTO CON LA PARED** contra la guía lateral de la sierra.
- La pieza acabada que se debe utilizar siempre estará situada en el lado derecho del disco después de realizar el corte.

7. Corte de extrusión de aluminio (Fig. 45 y 46)

Quando sujete extrusiones de aluminio, utilice bloques separadores o piezas de desecho, como las que se muestran en la figura, para evitar la deformación del aluminio. Utilice un lubricante de corte para cortar la extrusión de aluminio con el fin de evitar la acumulación de material de aluminio en el disco.

⚠ ADVERTENCIA:

- **No intente nunca cortar extrusiones de aluminio gruesas o redondas.** La fijación de las extrusiones de aluminio gruesas o redondas puede ser difícil y pueden quedar sueltas durante la operación de corte, lo que puede provocar una pérdida de control y graves lesiones personales.

8. Revestimiento de madera

El uso de la garnición de madera ayuda a conseguir cortes sin astillar la pieza de trabajo. Coloque la garnición de madera en la guía lateral utilizando los orificios de la guía lateral.

Consulte la figura referente a las dimensiones para una garnición de madera sugerida. (Fig. 47)

⚠ PRECAUCIÓN:

- Utilice madera recta de grosor uniforme para la garnición.

⚠ ADVERTENCIA:

- **Utilice tornillos para colocar la garnición de madera a la guía lateral. Los tornillos se deben instalar de forma que las cabezas de los tornillos se encuentren por debajo de la superficie del revestimiento de madera, de forma que no interfieran con el posicionamiento del material que se va a cortar.** La mala alineación del material que se

va a cortar puede provocar un movimiento inesperado durante la operación de corte, lo que puede tener como resultado una pérdida de control y graves lesiones personales.

AVISO:

- Una vez esté puesta la guarnición de madera, no gire la base giratoria con la empuñadura bajada. Si lo hace, el disco y/o la guarnición de madera se dañarán.

9. Corte de ranurado (Fig. 48)

Procediendo de la manera siguiente se puede hacer un corte tipo ranura:

ajuste la posición límite inferior del disco utilizando el tornillo y el brazo de retén para limitar la profundidad de corte del disco. Consulte la sección "Brazo de retén" descrita previamente.

Después de ajustar la posición límite inferior del disco, corte ranuras paralelas a lo ancho de la pieza de trabajo utilizando un corte de deslizamiento (empujando) como se muestra en la figura. Después quite con un formón el material que queda entre las ranuras hechas en la pieza de trabajo.

⚠ ADVERTENCIA:

- **No intente realizar este tipo de corte utilizando un disco de tipo más ancho o un disco de moldurar.** Si intenta realizar un corte de moldurar con un disco más ancho o un disco de moldurar, puede provocar resultados de corte inesperados y contragolpes, lo que puede tener como resultado graves lesiones personales.
- **Asegúrese de volver a poner el brazo de retén en la posición original cuando realice otros cortes que no sean de ranurado.** Si intenta realizar cortes con el brazo del tope en una posición incorrecta se pueden obtener resultados de corte inesperados y contragolpes, que pueden provocar lesiones personales graves.

⚠ PRECAUCIÓN:

- Asegúrese de volver a poner el brazo de retén en la posición original cuando realice otros cortes que no sean de ranurado.

Transporte de la herramienta (Fig. 49)

Asegúrese de que la herramienta esté desenchufada.

Sujete el disco a un ángulo de bisel de 0° y la base giratoria a un ángulo de inglete totalmente a la derecha. Fije los postes de deslizamiento de forma que el poste de deslizamiento inferior quede bloqueado en la posición del carro totalmente desplazado hacia la posición del operario y los polos superiores queden bloqueados en la posición del carro totalmente desplazado hacia la guía lateral (consulte la sección con el título "Ajuste del bloqueo lateral"). Baje la empuñadura completamente y bloquéela en la posición bajada presionando hacia dentro el pasador de retén.

Enrolle el cable de alimentación mediante los recogecables.

⚠ ADVERTENCIA:

- **El pasador de retén se utiliza únicamente para fines de transporte y almacenamiento y nunca se debe utilizar para ninguna operación de corte.** El uso del pasador de retén para operaciones de corte

puede provocar un movimiento inesperado del disco de sierra, con el resultado de un contragolpe y graves lesiones personales.

Para transportar la herramienta, sostenga ambos lados de la base de la herramienta, tal y como se muestra en la figura. Si quita los soportes, la bolsa de polvo, etc., podrá transportar la herramienta más fácilmente.

⚠ PRECAUCIÓN:

- Sujete siempre todas las partes móviles antes de transportar la herramienta. Si partes de la herramienta se mueven o se deslizan durante el transporte, puede producirse una pérdida de control o equilibrio, lo que provocaría lesiones personales.

MANTENIMIENTO

⚠ ADVERTENCIA:

- **Asegúrese siempre de que la herramienta esté apagada y desenchufada antes de intentar realizar cualquier trabajo de inspección o mantenimiento en ella.** Si no se desenchufa o se apaga la herramienta, se puede provocar una puesta en marcha accidental de la herramienta, que puede tener como resultado graves lesiones personales.
- **Asegúrese siempre de que la hoja esté afilada y limpia a fin de trabajar de una manera más eficiente y segura.** Si se intenta realizar un corte con una hoja mellada y/o sucia, se puede producir un contragolpe que provocará graves lesiones personales.

AVISO:

- Nunca utilice gasolina, benceno, disolvente, alcohol o un producto similar. Se puede provocar una decoloración, una deformación o grietas.

Ajuste del ángulo de corte

Esta herramienta se suministra cuidadosamente ajustada y alineada de fábrica, pero un manejo brusco puede haber afectado la alineación. Si su herramienta no está correctamente alineada, realice lo siguiente:

1. Ángulo de inglete (Fig. 50)

Empuje el carro hacia la guía lateral y apriete el tornillo fijador para asegurar el carro.

Afloje la empuñadura que fija la base giratoria. Gire la base giratoria de modo que la flecha señale 0° en la escala de inglete. A continuación, gire ligeramente la base giratoria hacia la izquierda y hacia la derecha para asentarla en la ranura de inglete de 0°. (Déjela tal y como está si la flecha no señala 0°). Afloje los pernos de cabeza hexagonal que aseguran la guía lateral con la ayuda de la llave de tubo. (Fig. 51)

Baje la empuñadura completamente y bloquéela en la posición bajada presionando hacia dentro el pasador de retén. Encuadre el lado del disco con la cara de la guía lateral utilizando una escuadra, cartabón, etc. Luego apriete firmemente los pernos de cabeza hexagonal de la guía lateral en orden a partir del lado derecho. (Fig. 52)

Asegúrese de que la flecha indique 0° en la escala de inglete. Si la flecha no señala 0°, afloje el tornillo que asegura la flecha y ajuste la flecha para que señale 0°.

2. Ángulo de bisel

(1) Ángulo de bisel de 0° (Fig. 53)

Empuje el carro hacia la guía lateral y apriete el tornillo fijador para asegurar el carro. Baje la empuñadura completamente y bloquéela en la posición bajada presionando hacia dentro el pasador de retén. Afloje la palanca de la parte posterior de la herramienta. (Fig. 54)

Gire dos o tres vueltas hacia la izquierda el perno hexagonal situado a la derecha del brazo para inclinar el disco hacia la derecha. (Fig. 55)

Encuadre cuidadosamente la cara del disco con la superficie superior de la base giratoria usando una escuadra, cartabón, etc. girando hacia la derecha el perno de situado a la derecha del brazo. A continuación, apriete la palanca firmemente. (Fig. 56)

Asegúrese de que la flecha del brazo indique 0° en la escala de biselado del sostenedor del brazo. Si no señala 0°, afloje el tornillo que asegura la flecha y ajústelo para que señale 0°.

(2) Ángulo de bisel de 45° (Fig. 57)

Ajuste el ángulo de bisel de 45° sólo después de haber realizado el ajuste del ángulo de bisel de 0°. Para ajustar el ángulo de bisel de 45°, afloje la palanca e incline el disco totalmente hacia la izquierda. Asegúrese de que la flecha del brazo apunte a 45° en la escala de biselado del sostenedor del brazo. Si no apunta a 45°, gire el perno de ajuste del ángulo de bisel de 45° del lado derecho del sostenedor del brazo hasta que la flecha apunte a 45°.

Para ajustar el ángulo de bisel de 45° derecho, realice el mismo procedimiento que el descrito arriba. (Fig. 58)

Extraiga y compruebe periódicamente las escobillas de carbón. Reemplácelas cuando se gasten hasta una longitud de 3 mm. Mantenga las escobillas de carbón limpias y de forma que entren libremente en el portaescobillas. Ambas escobillas de carbón deberán ser sustituidas al mismo tiempo. Utilice únicamente escobillas de carbón idénticas. (Fig. 59)

Utilice un destornillador para extraer las tapas de los portaescobillas. Extraiga las escobillas de carbón gastadas, inserte las nuevas y vuelva a fijar los tapones portaescobillas.

Después del uso

- Después de utilizar la herramienta, limpie las virutas y el polvo adheridos a la herramienta con un paño o similar. Mantenga el protector del disco limpio según lo descrito en las instrucciones de la sección "Protector del disco". Lubrique las partes deslizantes con aceite para máquinas para evitar que se oxiden.
- Cuando guarde la herramienta, tire del carro hacia usted completamente.

Para mantener la SEGURIDAD y la FIABILIDAD del producto, las reparaciones y cualquier otra tarea de mantenimiento o ajuste deberán ser realizadas en centros de servicio autorizados por Makita, utilizando siempre repuestos Makita.

ACCESORIOS OPCIONALES

⚠ ADVERTENCIA:

- **Se recomienda el uso de estos accesorios o complementos Makita con la herramienta Makita especificada en este manual.** El uso de otros accesorios o complementos puede provocar graves lesiones personales.
- **Utilice los accesorios o complementos Makita solamente para su fin establecido.** El mal uso de un accesorio o complemento puede provocar graves lesiones personales.

Si necesita cualquier ayuda para obtener más información relativa a estos accesorios, pregunte a su centro de servicio Makita local.

- Discos de sierra de acero y con puntas de carburo (Consulte nuestro sitio web o póngase en contacto con su distribuidor local de Makita para obtener los discos de sierra adecuados para el material que se va a cortar.)
- Guía auxiliar derecha
- Montaje de la mordaza (mordaza horizontal)
- Mordaza vertical
- Llave de tubo con llave hexagonal en el otro extremo
- Sostenedor
- Conjunto de soporte
- Bolsa de polvo
- Codo
- Escuadra

NOTA:

- Algunos elementos de la lista se pueden incluir en el paquete de la herramienta como accesorios estándar. Pueden ser diferentes de un país a otro.

Ruido

ENG905-1

Niveles típicos de ruido ponderado A determinados conforme a EN62841-3-9:

Nivel de presión de sonido (L_{pA}): 92 dB (A)

Nivel de potencia de sonido (L_{WA}): 102 dB (A)

Incertidumbre (K): 3 dB (A)

Utilice protección para los oídos.

ENG907-1

- El valor (o los valores) de emisión de ruido declarado ha sido medido de acuerdo con un método de prueba estándar y se puede utilizar para comparar una herramienta con otra.
- El valor (o valores) de emisión de ruido declarado también se puede utilizar en una valoración preliminar de exposición.

⚠ ADVERTENCIA:

- **Póngase protectores para oídos.**
- **La emisión de ruido durante la utilización real de la herramienta eléctrica puede variar del valor (o los valores) de emisión declarado dependiendo de las formas en las que la herramienta sea utilizada, especialmente qué tipo de pieza de trabajo se procesa.**
- **Asegúrese de identificar medidas de seguridad para proteger al operario que estén basadas en una estimación de la exposición en las condiciones reales de utilización (teniendo en cuenta todas las partes del ciclo operativo como las veces cuando la herramienta está apagada y**

cuando está funcionando en vacío además del tiempo de gatillo).

Declaración de conformidad de la CE

Sólo para países europeos

La Declaración de conformidad de la CE se incluye como Anexo A en este manual de instrucciones.

PORTUGUÊS (Instruções de origem)

Descrição geral

| | | |
|--|--|--|
| 1. Pino batente | 29. Botão de desbloqueio | 55. Parafusos |
| 2. Parafusos | 30. Gatilho | 56. Braço do torno |
| 3. Suporte | 31. Orifício para cadeado | 57. Manípulo do torno |
| 4. Conjunto de suportes | 32. Interruptor para laser | 58. Haste do torno |
| 5. Parafuso | 33. Parafuso que fixa a caixa da unidade de laser | 59. Prato do torno |
| 6. Protecção da lâmina | 34. Pilha seca | 60. Porca do torno |
| 7. Placa de corte | 35. Chave de tubo com chave sextavada na outra extremidade | 61. Moldação em coroa de tipo 52/38° |
| 8. Lâmina | 36. Suporte de chave | 62. Moldação em coroa de tipo 45° |
| 9. Dentes da lâmina | 37. Chave de bocas | 63. Moldação em abóbada de tipo 45° |
| 10. Corte em bisel esquerdo | 38. Caixa da lâmina | 64. Canto interior |
| 11. Corte a direito | 39. Cobertura central | 65. Canto exterior |
| 12. Corte em bisel direito | 40. Parafuso sextavado | 66. Torno |
| 13. Parafuso de ajuste | 41. Seta | 67. Bloco espaçador |
| 14. Base rotativa | 42. Bloqueio do veio | 68. Perfil de alumínio |
| 15. Superfície superior da base rotativa | 43. Parafuso sextavado (lado esquerdo) | 69. Torno horizontal (acessório opcional) |
| 16. Periferia da lâmina | 44. Flange exterior | 70. Orifícios |
| 17. Vedação de guia | 45. Anel | 71. Entalhes de corte com lâmina |
| 18. Braço do batente | 46. Flange interior | 72. Guia triangular |
| 19. Parafuso de regulação | 47. Eixo | 73. Parafuso de ajuste a 0° |
| 20. Escala de corte angular | 48. Bico do pó | 74. Parafuso de ajuste do ângulo de bisel a 45° esquerdo |
| 21. Ponteiro | 49. Saco de pó | 75. Superfície superior da mesa rotativa |
| 22. Alavanca de bloqueio | 50. Fixador | 76. Parafuso de ajuste do ângulo de bisel a 45° direito |
| 23. Pega | 51. Suporte | 77. Chave de parafusos |
| 24. Alavanca | 52. Vedação móvel | 78. Tampa do porta-escovas |
| 25. Braço | 53. Parafuso de fixação | |
| 26. Escala de bisel | 54. Sub-vedação D | |
| 27. Botão de libertação | | |
| 28. Parafuso de bloqueio | | |

ESPECIFICAÇÕES

| Modelo | | LS1018 | LS1018L |
|---------------------------------------|-----------------------|---|--|
| Diâmetro da lâmina | | 255 - 260 mm | |
| Diâmetro do orifício | Países fora da Europa | 25,4 mm ou 30 mm. (consoante o país) | |
| | Países europeus | 30 mm | |
| Espessura máx. de corte da lâmina | | 3,2 mm | |
| Ângulo máx. de corte angular | | Direito 60°, Esquerdo 47° | |
| Ângulo máx. de bisel | | Direito 45°, Esquerdo 45° | |
| Velocidade de rotação sem carga (RPM) | | 4.300 min ⁻¹ | |
| Tipo de laser | | – | Laser vermelho 650 nm, Potência máxima 1 mW < (Classe de laser 2M) |
| Dimensões (C x L x A) | | 825 mm x 536 mm x 633 mm | |
| Peso líquido | | 21,5 kg | |
| Classe de segurança | | □/II | |

- Devido à pesquisa e desenvolvimento constantes, estas especificações estão sujeitas a alteração sem aviso prévio.
- Estas especificações podem diferir de país para país.
- Peso de acordo com procedimento EPTA de 01/2014

Capacidades máximas de corte (A x L) com uma lâmina de 260 mm de diâmetro

| Ângulo de corte angular | Ângulo de bisel | | |
|-------------------------|------------------|----------------|----------------|
| | 45° (à esquerda) | 0° | 45° (dir.) |
| 0° | 50 mm x 310 mm | 91 mm x 310 mm | 31 mm x 310 mm |
| 45° | 50 mm x 220 mm | 91 mm x 220 mm | 31 mm x 220 mm |
| 60° (dir.) | - | 91 mm x 153 mm | - |

Símbolos

END325-1

Descrição dos símbolos utilizados no equipamento.

Certifique-se de que compreende o seu significado, antes da utilização.



..... Leia o manual de instruções.



..... BLINDAGEM DUPLA



..... Para evitar ferimentos resultantes da projecção de resíduos, após a realização do corte mantenha a cabeça da serra para baixo até a lâmina parar completamente.



Quando efectuar um corte correção, puxe primeiro o carrinho na totalidade e pressione a pega, de seguida, empurre o carrinho na direcção da guia paralela.



..... Não aproxime as mãos nem os dedos da lâmina.



..... Ajuste as guias corredeças para longe da lâmina e protecção da lâmina.



..... Retire sempre a SUB-GUIA D quando efectuar cortes de bisel rectos. O não cumprimento destas instruções poderá resultar em causar ferimentos graves no operador.



..... RADIAÇÃO LASER: Não olhe para o feixe. O feixe laser directo pode ferir os olhos.



..... Apenas para países da UE
Não deite equipamentos eléctricos no lixo doméstico!
De acordo com a directiva europeia sobre ferramentas eléctricas e electrónicas usadas e a sua aplicação em conformidade com as leis nacionais, as ferramentas eléctricas usadas devem ser recolhidas em separado e encaminhadas para uma instalação de reciclagem dos materiais ecológicos.

Utilização prevista

ENE006-1

A ferramenta destina-se à realização de cortes precisos a direito e em ângulo em madeira. Através da colocação de lâminas adequadas, também pode cortar alumínio.

Fonte de alimentação

ENF002-2

A ferramenta apenas deve ser ligada a uma fonte de alimentação da mesma tensão que a indicada na chapa de especificações, e apenas pode funcionar com uma alimentação CA monofásica. Estão blindadas duplamente e podem, assim, ser igualmente ligadas a tomadas sem fio terra.

Avisos gerais de segurança para ferramentas eléctricas

GEA010-2

⚠ AVISO: Leia todos os avisos de segurança, instruções, ilustrações e especificações fornecidos com esta ferramenta eléctrica. O não cumprimento de todas as instruções indicadas em baixo pode resultar em choque eléctrico, incêndio e/ou ferimentos graves.

Guarde todos os avisos e instruções para futuras referências.

O termo "ferramenta eléctrica" nos avisos refere-se às ferramentas eléctricas ligadas à corrente eléctrica (com cabo) ou às ferramentas eléctricas operadas por meio de bateria (sem cabo).

AVISOS DE SEGURANÇA

Instruções de segurança para serras de esquadria

ENB130-2

1. **As serras de esquadria destinam-se a cortar madeira ou produtos semelhantes a madeira, não podem ser utilizadas com rodas de corte abrasivas para cortar material ferroso, tal como barras, varões, pinos, etc.** A poeira abrasiva provoca o encravamento de peças móveis, tais como o resguardo inferior. As faíscas do corte abrasivo queimam o resguardo inferior, a inserção de corte e outras peças de plástico.
2. **Utilize braçadeiras para apoiar a peça de trabalho sempre que possível. Se apoiar a peça de trabalho manualmente, deve manter sempre as mãos afastadas pelo menos 100 mm de cada lado da lâmina de serra. Não utilize esta serra para cortar peças demasiado pequenas para serem apertadas ou seguras à mão. Se a sua mão estiver colocada**

- demasiado próxima da lâmina de serra, existe um maior risco de lesão devido ao contacto com a lâmina.
3. **A peça de trabalho deve estar fixa e apertada ou segura contra a placa e a mesa. Não alimente a peça de trabalho na lâmina nem corte “com as mãos livres” em qualquer direção.** As peças sem fixação ou móveis podem ser projetadas a altas velocidades, causando ferimentos.
 4. **Empurre a serra através da peça de trabalho. Não puxe a serra através da peça de trabalho. Para realizar um corte, eleve a cabeça da serra e puxe-a para fora sobre a peça de trabalho sem realizar cortes, efetue o arranque do motor, pressione a cabeça da serra para baixo e empurre a serra através da peça de trabalho.** Cortar no tirante de puxar provavelmente faz com que a lâmina de serra suba para cima da peça de trabalho e atire violentamente a conjunto de lâmina na direção do operador.
 5. **Nunca cruze a sua mão sobre a linha de corte pretendida, tanto à frente como atrás da lâmina de serra.** Apoiar a peça de trabalho “com as mãos cruzadas”, isto é, segurando a peça de trabalho do lado direito da lâmina de serra com a mão esquerda ou vice versa é muito perigoso. (Fig. 1)
 6. **Não tente chegar mais próximo do que 100 mm por trás da placa com as duas mãos a partir dos dois lados da lâmina de serra para remover restos de madeira ou por qualquer outro motivo enquanto a lâmina estiver a rodar.** A proximidade da lâmina de serra em rotação em relação à sua mão poderá não ser óbvia e poderá sofrer lesões graves.
 7. **Inspeccione a sua peça de trabalho antes de realizar o corte. Se a peça de trabalho for encurvada ou deformada, aperte-a com a face encurvada exterior virada para a placa. Certifique-se sempre de que não existe nenhuma lacuna entre a peça de trabalho, a placa e a mesa ao longo da linha de corte.** As peças de trabalho encurvadas ou deformadas podem torcer ou deslocar-se e causar emperramento na lâmina de serra em rotação durante o corte. A peça de trabalho não deve ter pregos ou objetos estranhos.
 8. **Não utilize a serra até que a mesa esteja desimpedida de todas as ferramentas, restos de madeira, etc., exceto da peça de trabalho.** Os pequenos resíduos ou pedaços soltos de madeira ou outros objetos que estabeleçam contacto com a lâmina em rotação podem ser projetados a alta velocidade.
 9. **Corte apenas uma peça de trabalho de cada vez.** As peças de trabalho múltiplas empilhadas não podem ser apertadas ou fixadas adequadamente e podem prender na lâmina ou deslocar-se durante o corte.
 10. **Assegure que a serra de esquadria está montada ou colocada numa superfície de trabalho nivelada e firme antes de ser utilizada.** Uma superfície de trabalho nivelada e firme reduz o risco de a serra de esquadria se tornar instável.
 11. **Planeie o seu trabalho. Cada vez que altera a definição do ângulo de bisel e do ângulo de esquadria, certifique-se de que a placa ajustável está corretamente definida para apoiar a peça de trabalho e que não interfere com a lâmina ou o sistema de resguardo.** Sem “LIGAR” a ferramenta e sem qualquer peça de trabalho na mesa, mova a lâmina de serra através de um corte simulado completo, de modo a assegurar que não haverá interferência ou perigo de corte da placa.
 12. **Assegure um apoio adequado, tal como extensões da mesa, cavaletes, etc. para uma peça de trabalho que é mais ampla ou mais comprida do que o topo da mesa.** As peças de trabalho mais compridas ou mais amplas do que a mesa da serra de esquadria podem virar se não estiverem apoiadas em segurança. Se a peça cortada ou a peça de trabalho virarem, estas podem levantar o resguardo inferior ou serem projetadas pela lâmina em rotação.
 13. **Não utilize outra pessoa como substituição de uma extensão de mesa ou um suporte adicional.** O apoio instável para a peça de trabalho pode fazer com que a lâmina fique presa ou a peça de trabalho se desloque durante a operação de corte, puxando-o a si e ao seu assistente na direção da lâmina em rotação.
 14. **A peça de corte não deve estar encravada ou ser pressionada por qualquer meio contra a lâmina de serra em rotação.** Se estiver limitada, isto é, utilizando batentes de comprimento, a peça de corte pode ficar entalada contra a lâmina e ser projetada com violência.
 15. **Utilize sempre uma braçadeira ou uma fixação concebida para apoiar adequadamente material redondo, tal como varões ou tubagens.** Os varões têm tendência de se enrolar enquanto são cortados, fazendo com que a lâmina “morda” e puxe a peça de trabalho com a sua mão para a lâmina.
 16. **Aguarde que o disco atinja a velocidade máxima antes de estabelecer contacto com a peça de trabalho.** Isto reduz o risco de projeção da peça de trabalho.
 17. **Se a peça de trabalho ou a lâmina ficar encravada, desligue a serra de esquadria. Aguarde que todas as peças móveis parem e desligue a ficha da fonte de alimentação e/ou remova a bateria. Em seguida, trabalhe para soltar o material encravado.** A serração continua com uma peça de trabalho encravada pode causar a perda de controlo ou danos na serra de esquadria.
 18. **Após concluir o corte, solte o interruptor, segure a cabeça da serra para baixo e aguarde que a lâmina pare antes de remover a peça de corte.** É perigoso tentar alcançar a lâmina com a mão enquanto esta está a rodar por inércia.
 19. **Segure firmemente na pega quando realizar um corte incompleto ou quando soltar o interruptor antes de a cabeça da serra estar completamente na posição inferior.** A ação de travagem da serra pode fazer com que a cabeça da serra seja subitamente puxada para baixo, causando o risco de lesão.
 20. **Utilize a lâmina de serra apenas com o diâmetro que está marcado na ferramenta ou especificado no manual.** A utilização de uma lâmina de tamanho incorreto pode afetar a proteção adequada da lâmina ou o funcionamento do resguardo, resultando em ferimentos pessoais graves.

21. Apenas use lâminas de serra marcadas com uma velocidade igual ou superior à velocidade marcada na ferramenta.
22. Utilize a serra apenas para cortar madeira, alumínio ou materiais similares.
23. (Apenas para países europeus)
Utilize sempre a lâmina que possui conformidade com a norma EN847-1.

Instruções adicionais

1. Feche a oficina com cadeados para segurança das crianças.
2. Nunca se coloque sobre a ferramenta. Podem ocorrer lesões graves se a ferramenta virar ou se estabelecer contacto inadvertidamente com a ferramenta de corte.
3. Nunca deixa a ferramenta ligada sem supervisão. Desligue a ferramenta. Não deixe a ferramenta sem supervisão antes de estar completamente parada.
4. Não utilize a serra sem os resguardos montados. Verifique se o resguardo da lâmina se encontra devidamente fechado antes de cada utilização. Não trabalhe com a serra se o resguardo da lâmina não se movimentar livremente e fechar instantaneamente. Nunca fixe nem prenda o resguardo da lâmina em posição aberta.
5. Mantenha as mãos afastadas da parte cortante da lâmina da serra. Evite tocar na lâmina quando esta rodar por inércia. Mesmo assim, esta pode provocar lesões.
6. Para reduzir o risco de lesão, reposicione o carroto na posição traseira completa após cada operação de corte transversal.
7. Fixe sempre os componentes móveis antes de proceder ao transporte da ferramenta.
8. O pino de bloqueio que bloqueia a cabeça de corte é só para fins de transporte e armazenagem e não para operação de corte.
9. Verifique a lâmina com cuidado quanto a rachaduras ou danos antes da utilização. Substitua imediatamente a lâmina rachada ou danificada. A pastilha e o passo da madeira endurecidos nas lâminas torna a serra lenta e aumenta o potencial de contragolpe. Mantenha a lâmina limpa, removendo-a primeiramente da ferramenta e, em seguida, limpando-a com removedor de pastilha e de passo, água quente ou querosene. Nunca utilize gasolina para limpar a lâmina.
10. Enquanto realiza um corte correção podem ocorrer CONTRAGOLPES. O CONTRAGOLPE ocorre quando a lâmina prende na peça de trabalho durante uma operação de corte e a lâmina de serra é puxada rapidamente na direção do operador. Pode resultar na perda de controlo e em lesões físicas graves. Se a lâmina começar a prender durante uma operação de corte, não continue a cortar e solte o interruptor imediatamente.
11. Utilize exclusivamente as flanges especificadas para esta ferramenta.
12. Tenha cuidado para não danificar o eixo, as flanges (especialmente a superfície de instalação)

- ou o perno. Os danos nestes componentes podem provocar a fratura da lâmina.
13. Certifique-se de que a base giratória está bem fixa, de modo a que não se movimente durante a operação. Utilize os furos na base para apertar a serra a uma plataforma de trabalho estável ou bancada. NUNCA utilize a ferramenta no caso em que o posicionamento do operador fosse considerado estranho.
 14. Certifique-se de que soltou o travão do eixo antes de ligar o interruptor.
 15. Certifique-se de que, na posição mais baixa, a lâmina não fica em contacto com a base giratória.
 16. Agarre na pega com firmeza. Tenha em conta que a serra se movimenta um pouco para cima e para baixo, durante o arranque e a paragem da ferramenta.
 17. Verifique se a lâmina não está em contacto com a peça a trabalhar antes de ligar o interruptor.
 18. Antes de utilizar a ferramenta na peça a trabalhar, deixe-a funcionar em vazio durante algum tempo. Verifique se existem vibrações ou movimento irregular que possam indicar má instalação ou desequilíbrio da lâmina.
 19. Pare a ferramenta de imediato se notar algo no funcionamento que não seja normal.
 20. Não tente bloquear o gatilho na posição de ligado.
 21. Utilize sempre os acessórios recomendados neste manual. A utilização de acessórios inadequados tais como rodas abrasivas podem dar origem a lesões.
 22. Algum material contém produtos químicos que podem ser tóxicos. Tenha cuidado para evitar a inalação de poeira e o contacto com a pele. Respeite os dados de segurança do fornecedor do material.

Normas de segurança adicionais para o laser

1. **RADIAÇÃO DO LASER, NÃO OLHAR FIXAMENTE PARA O FEIXE OU VISUALIZAR DIRETAMENTE COM INSTRUMENTOS ÓTICOS, PRODUTO DE LASER CLASSE 2M.**

GUARDE ESTAS INSTRUÇÕES.



AVISO:

NÃO permita que o conforto ou familiaridade com o produto (adquirido com o uso repetido) substitua o cumprimento escrito das regras de segurança da ferramenta. A MÁ INTERPRETAÇÃO ou o não seguimento das regras de segurança estabelecidas neste manual de instruções pode provocar ferimentos pessoais graves.

INSTALAÇÃO

Montagem na bancada (Fig. 2)

A ferramenta é enviada com a alavanca bloqueada na posição descida pelo pino batente. Solte o pino batente aplicando em simultâneo uma ligeira pressão descendente na alavanca e puxando o pino batente. (Fig. 3)

Esta ferramenta deve ser aparafusada com quatro parafusos sobre uma superfície nivelada e estável utilizando os orifícios que se encontram na base da

mesma. Isto ajudará a evitar que a mesma se incline e possíveis ferimentos.

Instalar os suportes e conjuntos de suportes

NOTA:

- Em alguns países, os suportes e os conjuntos de suportes poderão não ser incluídos no embalagem da ferramenta como acessórios de série. (Fig. 4)

Os suportes e os conjuntos de suportes suportam as peças de trabalho na horizontal.

Instale os suportes e os conjuntos de suportes em ambos os lados, conforme mostrado na imagem.

De seguida, aperte os parafusos para fixar os suportes e os conjuntos de suportes.

DESCRIÇÃO DO FUNCIONAMENTO

⚠ AVISO:

- **Certifique-se sempre de que a ferramenta está desligada no interruptor e da tomada antes de proceder a ajustes ou testes à mesma.** Não desligar a ferramenta, incluindo da corrente, pode resultar em ferimentos pessoais graves devido a um arranque acidental.

Protecção da lâmina (Fig. 5)

Quando desce a alavanca, a protecção da lâmina sobe automaticamente. A protecção da lâmina regressa à sua posição original no final do corte, quando a alavanca é subida.

⚠ AVISO:

- **Nunca desactive ou retire a protecção da lâmina ou a mola que está fixada à protecção.** Uma lâmina exposta como resultado de uma protecção desactivada pode resultar em ferimentos pessoais graves durante a utilização.

No interesse da sua própria segurança, mantenha sempre a protecção da lâmina em bom estado. Qualquer operação irregular da protecção da lâmina deve ser imediatamente corrigida. Verifique a correcta acção de retorno por mola da protecção.

⚠ AVISO:

- **Nunca utilize a ferramenta caso a protecção da lâmina ou a mola estejam danificadas, apresentem falhas ou tenham sido removidas.** A utilização da ferramenta com uma protecção danificada, avariada ou removida pode resultar em ferimentos pessoais graves.

Se a protecção da lâmina transparente se sujar ou apresentar serrim de modo a impedir a visualização fácil da lâmina e/ou da peça de trabalho, desligue a serra da tomada e limpe cuidadosamente a protecção com um pano húmido. Não utilize solventes ou quaisquer agentes de limpeza à base de petróleo na protecção de plástico, uma vez que a pode danificar.

Se a protecção da lâmina ficar suja e tiver de ser limpa para um funcionamento correcto, siga os passos abaixo: Com a ferramenta desligada, inclusive da corrente, utilize a chave fornecida para soltar o parafuso sextavado que

fixa a tampa central. Desaperte o parafuso sextavado rodando-o para a esquerda e suba a protecção da lâmina e a cobertura central. (Fig. 6)

Com a protecção da lâmina nesta posição é mais fácil limpar de modo eficiente e completo. No final da limpeza, inverta o procedimento acima e aperte o parafuso. Não retire a mola que segura a protecção da lâmina. Se a protecção ficar danificada com a idade ou exposição aos raios UV, solicite uma nova protecção a um centro de assistência Makita. **NÃO DESACTIVE NEM RETIRE A PROTECÇÃO.**

Posicionamento da placa de corte (Fig. 7 e 8)

Esta ferramenta está equipada com placas de corte na base rotativa para minimizar o dilaceramento no lado de saída de um corte. As placas de corte são ajustadas de fábrica de forma a que a lâmina da serra não entre em contacto com as placas de corte. Antes de utilizar, ajuste as placas de corte da forma que se segue:

Em primeiro lugar, desligue a ferramenta da tomada.

Desaperte todos os parafusos (3 de cada à esquerda e direita) que fixam as placas de corte. Volte a apertá-los, mas permitindo que as placas de corte sejam facilmente movidas à mão. Desça totalmente a alavanca e empurre o pino batente para bloquear a alavanca na posição descida. Desaperte o parafuso que fixa os pólos móveis. Puxe o carrinho totalmente na sua direcção. Ajuste as placas de corte de forma a que estejam apenas em contacto com as laterais dos dentes da lâmina. Aperte os parafusos dianteiros (não aperte firmemente). Empurre o carrinho totalmente na direcção da vedação de guia e ajuste as placas de corte de forma a que estejam em contacto com as laterais dos dentes da lâmina. Aperte os parafusos traseiros (não aperte firmemente).

Após ajustar as placas de corte, solte o pino batente e levante a alavanca. De seguida, aperte firmemente todos os parafusos.

ATENÇÃO:

- **Depois de definir o ângulo de bisel, certifique-se de que as placas de corte são ajustadas correctamente.** O ajuste correcto das placas de corte ajudará a proporcionar um suporte correcto da peça de trabalho, minimizando o desgaste da peça de trabalho.

Manter a capacidade de corte máxima

Esta ferramenta foi ajustada de fábrica para facultar uma capacidade de corte máxima para uma lâmina de 255 mm.

Desligue a ferramenta antes de tentar efectuar qualquer ajuste. Ao instalar uma nova lâmina, verifique sempre a posição do limite inferior da lâmina e, se necessário, ajuste-a como se segue: (Fig. 9 e 10)

Em primeiro lugar, desligue a ferramenta da tomada.

Empurre o carrinho totalmente na direcção da vedação de guia e desça a alavanca totalmente. Utilize a chave sextavada para rodar o parafuso de ajuste até que a periferia da lâmina passe ligeiramente abaixo da superfície superior da base rotativa no ponto onde a face frontal da vedação de guia se encontra com a superfície superior da base rotativa.

Com a ferramenta desligada da tomada, rode a lâmina com a mão ao mesmo tempo que mantém a alavanca totalmente para baixo, para se certificar de que a lâmina

não toca em nenhuma parte da base inferior. Se necessário volte a ajustar ligeiramente.

⚠️ AVISO:

- Depois de instalar uma nova lâmina e com a ferramenta desligada, certifique-se sempre de que a lâmina não toca em nenhuma parte da base inferior quando a alavanca é totalmente descida. Se uma lâmina entrar em contacto com a base esta pode provocar um recuo e resultar em ferimentos pessoais graves.

Braço do batente (Fig. 11)

A posição do limite inferior da lâmina pode ser facilmente ajustada com o braço do batente. Para ajustar, mova o braço do batente na direcção da seta, conforme indicado na figura. Ajuste o parafuso de regulação de forma a que a lâmina pare na posição pretendida ao descer totalmente a alavanca.

Ajustar o ângulo de corte angular (Fig. 12)

Desaperte a pega rodando-a para a esquerda. Rode a base rotativa ao mesmo tempo que empurra a alavanca de bloqueio para baixo. Depois de ter deslocado a pega para a posição em que o ponteiro aponta para o ângulo pretendido na escala de corte angular, aperte firmemente a pega rodando-a para a direita.

⚠️ PRECAUÇÃO:

- Depois de alterar o ângulo de corte angular, fixe sempre a base rotativa apertando firmemente a pega.

ATENÇÃO:

- Antes de rodar a base rotativa, certifique-se de que levanta totalmente a alavanca.

Ajustar o ângulo de corte em bisel (Fig. 13)

Para ajustar o ângulo de bisel, desaperte a alavanca na parte de trás da ferramenta para a esquerda. Desbloqueie o braço empurrando a alavanca com alguma força na direcção em que pretende inclinar a lâmina.

NOTA:

- A alavanca pode ser ajustada para um ângulo diferente, retirando o parafuso que fixa a alavanca e fixando a alavanca no ângulo pretendido. **(Fig. 14)** Incline a lâmina até o ponteiro apontar para o ângulo pretendido na escala de bisel. De seguida, aperte firmemente a alavanca para a direita para fixar o braço. **(Fig. 15)** Ao inclinar o carrinho para a direita, incline-o ligeiramente para a esquerda após soltar a alavanca e premir o botão de libertação. Com o botão de libertação premido, incline o carrinho para a direita. **(Fig. 16)** Incline a lâmina até o ponteiro apontar para o ângulo pretendido na escala de bisel. De seguida, aperte firmemente a alavanca para a direita para fixar o braço.
- Ao alterar ângulos de bisel, certifique-se de que posiciona as placas de corte correctamente, conforme explicado na secção "Posicionar placas de corte".

⚠️ PRECAUÇÃO:

- Depois de alterar o ângulo de bisel, fixe sempre o braço apertando a alavanca para a direita.

ATENÇÃO:

- Quando inclinar a lâmina, certifique-se de que a alavanca está totalmente levantada.
- Ao alterar ângulos de bisel, certifique-se de que posiciona as placas de corte correctamente, conforme explicado na secção "Posicionar placas de corte".

Ajuste do bloqueio móvel (Fig. 17)

Para bloquear o pólo móvel, rode o parafuso de bloqueio para a direita.

Ação do interruptor (Fig. 18)

Para evitar que o gatilho seja acidentalmente puxado, é fornecido botão de bloqueio. Para iniciar a ferramenta, pressione o botão de bloqueio e puxe o gatilho. Para parar a ferramenta, solte o gatilho.

⚠️ AVISO:

- **Antes de inserir a ficha da ferramenta na tomada, verifique se o gatilho está a funcionar correctamente e se volta à posição "OFF" quando o solta. Não puxe com força o gatilho sem premir o botão de bloqueio. Isto poderá quebrar o interruptor.** Utilizar uma ferramenta com um interruptor que não funciona correctamente pode provocar uma perda de controlo e ferimentos pessoais graves.

O gatilho inclui um orifício para inserção de um cadeado para bloquear a ferramenta.

⚠️ AVISO:

- **Não utilize um cadeado com uma haste ou cabo de tamanho inferior a 6,35 mm de diâmetro.** Uma haste ou cabo mais pequeno pode não bloquear a ferramenta na posição de desligada e uma activação acidental pode resultar em ferimentos pessoais graves.
- **NUNCA utilize a ferramenta sem um gatilho a funcionar correctamente.** Qualquer ferramenta com um gatilho que não funcione correctamente é ALTAMENTE PERIGOSA e deve ser reparada antes de ser utilizada ou poderão ocorrer graves ferimentos pessoais.
- Para a sua segurança, esta ferramenta está equipada com um botão de bloqueio, o que evita que a ferramenta se ligue acidentalmente. NUNCA utilize a ferramenta se esta funcionar quando premir o gatilho sem ter premido o botão de bloqueio. Um gatilho a necessitar de reparação pode resultar num funcionamento acidental e ferimentos pessoais graves. Devolva a ferramenta a um centro de serviço Makita para que seja correctamente reparada ANTES de utilizar.
- NUNCA desactive o botão de bloqueio colocando fita adesiva ou utilizando outros meios. Um gatilho com um botão de bloqueio desactivado pode resultar num funcionamento acidental e ferimentos pessoais graves.

Função electrónica

Funcionalidade de arranque suave

Esta função permite um arranque suave da ferramenta ao limitar o binário de arranque.

Acção do feixe laser

Apenas para o modelo LS1018L

NOTA:

- Antes da primeira utilização, instale duas pilhas secas AA na caixa de células. Consulte a secção “Substituir as pilhas secas para a unidade de laser” para instalar.

⚠ PRECAUÇÃO:

- Quando não estiver a ser utilizado, certifique-se de que desliga o laser. (Fig. 19)

⚠ PRECAUÇÃO:

- Nunca olhe para o feixe laser. O feixe laser directo pode ferir os olhos.
- RADIACÃO LASER, NÃO OLHE PARA O FEIXE, PRODUTO LASER DE CLASSE 2.
- Antes de desviar a linha do laser ou efectuar um ajuste de manutenção, certifique-se de que desliga a ferramenta.

Para ligar o feixe laser, prima a posição superior (I) do interruptor. Para desligar o feixe laser, prima a posição inferior (O) do interruptor.

A linha do laser pode ser desviada para o lado esquerdo ou direito da lâmina soltando o parafuso que fixa a caixa da unidade de laser e desviando-a na direcção desejada. Após o desvio, certifique-se de que aperta firmemente o parafuso. (Fig. 20)

A linha do laser vem ajustada de fábrica para que esteja posicionada num espaço de 1 mm da superfície lateral da lâmina (posição de corte).

NOTA:

- Quando uma linha laser for fraca e difícil de ver devido à luz solar directa, coloque a área de trabalho num local onde exista menos luz solar directa.

Substituir as pilhas secas para a unidade de laser (Fig. 21 e 22)

Remova a tampa para as pilhas secas para a unidade de laser deslizando enquanto pressiona. Retire as pilhas secas antigas e coloque as novas conforme indicado na figura. Após a substituição, volte a colocar a tampa para cobrir.

Limpeza da lente para a luz de laser

Se a lente para a luz de laser ficar suja, ou se o serrim aderir à lente de tal forma que a linha do laser não seja mais facilmente visível, desligue a serra e remova e limpe a lente para a luz de laser cuidadosamente com um pano suave húmido. Não utilize solventes nem quaisquer agentes de limpeza à base de petróleo na lente.

NOTA:

- Quando a linha de laser estiver fraca e quase ou totalmente invisível devido à luz do sol directa na janela interior ou exterior durante o trabalho, transfira a área de trabalho para um local não exposto à luz do sol directa.

MONTAGEM

⚠ AVISO:

- **Certifique-se sempre de que a ferramenta está desligada e com o cabo desligado da corrente antes de trabalhar com a ferramenta.** Não desligar a ferramenta, incluindo da corrente, pode resultar em ferimentos pessoais graves.

Armazenamento de chave de tubo com chave sextavada na outra extremidade (Fig. 23)

A chave de tubo é armazenada conforme indicado na figura. Quando a chave de tubo for necessária, pode ser retirada do respectivo suporte.

Depois de utilizar a chave de tubo, pode guardá-la colocando-a novamente no respectivo suporte.

Instalar ou remover a lâmina

⚠ AVISO:

- **Certifique-se sempre de que a ferramenta está desligada e com a ficha desligada da tomada antes de instalar ou remover a lâmina.** Um arranque accidental da ferramenta pode resultar em ferimentos pessoais graves.
- **Utilize apenas a chave de tubo Makita fornecida para instalar ou remover a lâmina.** Caso não utilize a chave, o parafuso sextavado pode ficar demasiado apertado ou pouco apertado e provocar ferimentos pessoais graves. (Fig. 24)

Bloqueie a alavanca na posição subida empurrado o pino batente. (Fig. 25)

Para remover a lâmina, utilize a chave de tubo para desapertar o parafuso sextavado que fixa a cobertura central rodando-o para a esquerda. Eleve a protecção da lâmina e a cobertura central.

⚠ AVISO:

- **Não remova qualquer parafuso que não o parafuso sextavado indicado.** Se remover acidentalmente outro parafuso e a protecção da lâmina sair, certifique-se de que volta a instalar a protecção da lâmina.

Prima o bloqueio do veio para bloquear o fuso e utilize a chave de tubo para desapertar o parafuso sextavado para a direita. De seguida, remova o parafuso sextavado, flange exterior e lâmina. (Fig. 26)

NOTA:

- Se a flange interior é removida, certifique-se de que a instala no fuso com a saliência voltada na direcção oposta à lâmina. Se a flange for instalada incorrectamente, a flange roçará na máquina.

⚠ AVISO:

- **Antes de montar a lâmina no fuso, certifique-se sempre que foi instalado entre as flanges interior e exterior o anel correcto para o orifício do mandril da lâmina que pretende utilizar.** A utilização de um orifício do mandril incorrecto pode resultar na montagem incorrecta da lâmina, provocando movimento da lâmina e grandes vibrações, resultando numa possível perda de controlo durante a utilização e em ferimentos pessoais graves. (Fig. 27)

Para instalar a lâmina, monte-a cuidadosamente no fuso, certificando-se de que a direcção da seta na superfície da lâmina corresponde à direcção da seta na caixa da lâmina.

Instale a flange exterior e o parafuso sextavado e, de seguida, utilize a chave de tubo para apertar o parafuso sextavado (lado esquerdo) firmemente para a esquerda ao mesmo tempo que pressiona o bloqueio do veio.

(Fig. 28 e 29)

Volte a colocar a protecção da lâmina e a cobertura central na posição inicial. De seguida, aperte o parafuso sextavado para a direita para fixar a cobertura central. Solte a alavanca da posição subida puxando o pino batente. Desça a alavanca para se certificar de que a protecção da lâmina se desloca devidamente. Certifique-se de que o bloqueio do veio libertou o fuso antes de efectuar um corte.

Ligar a um aspirador

Quando pretender efectuar uma operação de corte limpo, ligue um aspirador de pó Makita. (Fig. 30)

Saco de pó (Fig. 31)

A utilização do saco do pó torna as operações de corte mais limpas e facilita a recolha do pó. Para fixar o saco do pó, encaixe-o no bico de pó.

Quando o saco do pó estiver meio cheio, retire o saco do pó da ferramenta e puxe o fixador para fora. Esvazie o saco do pó, batendo-lhe ligeiramente de forma a remover as partículas coladas ao interior, que poderão interferir nas recolhas posteriores.

Fixar a peça de trabalho

⚠ AVISO:

- **É muito importante fixar sempre correctamente a peça de trabalho com o tipo adequado de torno ou batentes de moldação em coroa.** Caso contrário, poderá resultar em ferimentos pessoais graves e provocar danos na ferramenta e/ou peça de trabalho.
- **Após uma operação de corte, não suba a lâmina até que esta tenha parado completamente.** O levantamento de uma lâmina em rotação pode resultar em ferimentos pessoais graves e danificar a peça de trabalho.
- **Quando cortar uma peça de trabalho que seja mais comprida do que a base de suporte da serra, o material deve ser suportado em todo o comprimento para lá da base de suporte e à mesma altura, para manter o material nivelado.** Um suporte adequado da peça de trabalho ajudará a evitar o atarramento da lâmina e possíveis recuos, o que pode resultar em ferimentos pessoais graves. Não confie apenas no torno vertical e/ou torno horizontal para fixar a peça de trabalho. O material fino tem tendência a abater. Apoie a peça de trabalho em todo o seu comprimento para evitar que a lâmina fique atarracada e possível RECUO. (Fig. 32)

Ajuste da vedação guia (VEDAÇÃO MÓVEL) (Fig. 33)

⚠ AVISO:

- Antes de operar a ferramenta, certifique-se de que a vedação móvel está bem fixa.
- **Antes de cortar em bisel, certifique-se de que nenhuma peça da ferramenta, especialmente a lâmina, entra em contacto com a vedação ao baixar e subir totalmente a alavanca em qualquer posição, ao mesmo tempo que move o carrinho no seu curso total.** Se a ferramenta ou lâmina entrar em contacto com a vedação, tal pode resultar em recuos ou movimentos inesperados do material e ferimentos pessoais graves.

⚠ PRECAUÇÃO:

- Ao efectuar cortes de bisel, deslize a vedação móvel para a esquerda e fixe-a conforme indicado na figura. Caso contrário, irá entrar em contacto com a lâmina ou uma parte da ferramenta, causando possíveis ferimentos graves no operador. (Fig. 34)

Esta ferramenta está equipada com a vedação móvel, que deve ser posicionada conforme indicado na figura. No entanto, ao efectuar cortes de bisel esquerdos, defina-a para a posição esquerda, conforme indicado na figura se a cabeça da ferramenta estiver em contacto com a mesma.

No final das operações de corte em bisel, não se esqueça de fazer regressar a vedação móvel à posição inicial e fixá-la apertando firmemente o parafuso de fixação.

Sub-vedação D

⚠ AVISO:

- Antes de operar a ferramenta, certifique-se de que a sub-vedação D está bem fixa.
- Antes de efectuar cortes em bisel direitos, retire a sub-vedação D. Irá entrar em contacto com a lâmina ou uma parte da ferramenta, causando possíveis ferimentos graves no operador. (Fig. 35)

A sub-vedação D pode ser retirada do lado direito da vedação de guia. Para retirar a sub-vedação D, desaperte o parafuso que fixa a sub-vedação D e puxe-a para fora. Siga o procedimento de remoção pela ordem inversa para a instalar.

No final das operações de corte em bisel, não se esqueça de fazer regressar a sub-vedação D à posição inicial e fixá-la apertando firmemente o parafuso de aperto.

Torno vertical (Fig. 36)

O torno vertical pode ser instalado no lado esquerdo ou direito da vedação de guia. Introduza a haste do torno no orifício existente na vedação de guia e aperte o parafuso na parte traseira da vedação de guia para fixar a haste do torno.

Posicione o braço do torno em conformidade com a espessura e a forma da peça de trabalho e fixe o braço do torno apertando o parafuso. Se o parafuso para fixar o braço do torno entrar em contacto com a vedação de guia, instale o parafuso no lado oposto no braço do torno. Certifique-se de que nenhuma parte da ferramenta toda no torno quando desce totalmente a alavanca e ao

empurrar ou puxar o carrinho totalmente. Caso exista contacto entre as duas peças, reposicione o torno. Encoste a peça de trabalho totalmente à vedação de guia e à base rotativa. Posicione a peça de trabalho na posição de corte pretendida e fixe-a firmemente apertando o manípulo do torno.

AVISO:

- **A peça de trabalho deve estar firmemente fixa à base rotativa e à vedação de guia com o torno durante todas as operações.** Se a peça de trabalho não estiver bem fixa contra a vedação, o material pode mover-se durante a operação de corte, provocando possíveis danos na lâmina e fazendo com que o material seja atirado, com perda de controlo que pode resultar em ferimentos pessoais graves.

Torno horizontal (acessório opcional) (Fig. 37)

O torno horizontal pode ser instalado em duas posições, no lado esquerdo ou direito da base. Ao efectuar cortes angulares de 10° ou mais, instale o torno horizontal no lado oposto à direcção em que a base rotativa será rodada. (Fig. 38)

Ao inverter a porca do torno para a esquerda, o torno é solto e move-se rapidamente para dentro e para fora. Para agarrar a peça de trabalho, empurre o manípulo do torno para a frente até o prato do torno entrar em contacto com a peça de trabalho e inverta a porca do torno para a direita. De seguida, rode o manípulo do torno para a direita para fixar a peça de trabalho.

A largura máxima da peça de trabalho que pode ser fixada pelo torno horizontal é de 215 mm.

Ao instalar o torno horizontal no lado direito da base, utilize também a sub-vedação D para fixar a peça de trabalho com maior firmeza. Consulte a secção “Sub-vedação D” descrita anteriormente para instalar a sub-vedação D.

AVISO:

- **Rode sempre a porca do torno para a direita, até que a peça de trabalho esteja bem fixada.** Se a peça de trabalho não estiver bem fixa, o material pode mover-se durante a operação de corte, provocando possíveis danos na lâmina e fazendo com que o material seja atirado, com perda de controlo que pode resultar em ferimentos pessoais graves.
- Ao cortar uma peça de trabalho fina, como placas de base, contra a vedação, utilize sempre o torno horizontal.

FUNCIONAMENTO

ATENÇÃO:

- Antes de utilizar, não se esqueça de libertar a alavanca da posição descida puxando o pino batente.
- Não exerça pressão excessiva sobre a alavanca durante o corte. Demasiada força poderá resultar em sobrecarga do motor e/ou redução da eficiência de corte. Empurre a alavanca para baixo apenas exercendo a força necessária para efectuar um corte suave e sem redução significativa da velocidade da lâmina.

- Empurre suavemente a alavanca para baixo para efectuar o corte. Se a alavanca for empurrada com força ou se for aplicada força lateral, a lâmina irá vibrar e deixar uma marca (marca da serra) na peça de trabalho e a precisão do corte será negativamente afectada.
- Durante um corte móvel, empurre suavemente o carrinho na direcção da vedação de guia sem interrupções. Se o movimento do carrinho for interrompido durante o corte, será deixada uma marca na peça de trabalho e a precisão do corte será negativamente afectada.

AVISO:

- **Certifique-se de que a lâmina não está em contacto com a peça de trabalho, etc. antes de ligar o interruptor.**

Ligar a ferramenta com a lâmina em contacto com a peça de trabalho pode resultar em recuos e ferimentos pessoais graves.

1. Corte de pressão (cortar peças de trabalho pequenas) (Fig. 39)

As peças de trabalho até 91 mm de altura e 70 mm de largura podem ser cortados da forma seguinte. Empurre o carrinho totalmente na direcção da vedação de guia e aperte o parafuso de bloqueio para a direita para fixar o carrinho. Fixe correctamente a peça de trabalho com o tipo correcto de torno. Ligue a ferramenta sem que a lâmina toque na peça de trabalho e aguarde até esta atinja a velocidade máxima antes de a descer. Desça lentamente a alavanca até à posição totalmente descida para cortar a peça de trabalho. No final do corte, desligue a ferramenta e AGUARDE ATÉ A LÂMINA PARAR TOTALMENTE antes de recolocar a lâmina na posição totalmente elevada.

AVISO:

- **Aperte firmemente o manípulo para a direita de forma a que o carrinho não se mova durante a operação.** Um aperto insuficiente do manípulo pode causar possíveis recuos, o que pode resultar em ferimentos pessoais graves.

2. Corte correção (cortar peças de trabalho largas) (Fig. 40)

Desaperte o parafuso de bloqueio rodando-o para a esquerda, de forma a que o carrinho se mova livremente. Fixe a peça de trabalho com o tipo correcto de torno. Puxe o carrinho totalmente na sua direcção. Ligue a ferramenta sem que a lâmina toque na peça de trabalho e aguarde até esta atinja a velocidade máxima. Empurre a alavanca para baixo e EMPURRE O CARRINHO NA DIRECÇÃO DA VEDAÇÃO DE GUIA E ATRAVÉS DA PEÇA DE TRABALHO. No final do corte, desligue a ferramenta e AGUARDE ATÉ A LÂMINA PARAR TOTALMENTE antes de recolocar a lâmina na posição totalmente elevada.

AVISO:

- **Quando efectuar um corte correção, puxe primeiro o carrinho totalmente na sua direcção, prima a alavanca toda até baixo e empurre o carrinho na direcção da vedação de guia. Nunca inicie o corte sem**

o carrinho estar totalmente puxado para si. Se efectuar o corte corrediço sem que o carrinho esteja totalmente puxado para si, podem ocorrer recuos inesperados e ferimentos pessoais graves.

- **Nunca tente efectuar um corte corrediço puxando o carrinho ou carrinho na sua direcção.** Puxar o carrinho na sua direcção ao mesmo tempo que corta pode provocar um recuo inesperado, resultando em ferimentos pessoais graves.
- Nunca efectue o corte corrediço com a alavanca bloqueada na posição de baixada.
- **Nunca desaperte o parafuso de bloqueio que fixa o carrinho enquanto a lâmina estiver em rotação.** Um carrinho solto ao cortar pode provocar um recuo inesperado, resultando em ferimentos pessoais graves.

3. Corte angular

Consulte a secção “Ajustar o ângulo de corte angular”.

4. Corte em bisel (Fig. 41)

Desaperte a alavanca e incline a lâmina da serra para definir o ângulo de bisel (consulte a secção “Ajustar o ângulo de bisel”). Certifique-se de que volta a apertar a alavanca firmemente para fixar o ângulo de bisel seleccionado. Fixe a peça de trabalho com um torno. Certifique-se de que o carrinho é puxado totalmente para o operador. Ligue a ferramenta sem que a lâmina toque na peça de trabalho e aguarde até esta atinja a velocidade máxima. De seguida, baixe delicadamente a alavanca para a posição totalmente descida enquanto aplica pressão em paralelo com a lâmina e EMPURRE O CARRINHO NA DIRECÇÃO DA VEDAÇÃO DE GUIA PARA CORTAR A PEÇA DE TRABALHO. No final do corte, desligue a ferramenta e AGUARDE ATÉ A LÂMINA PARAR TOTALMENTE antes de recolocar a lâmina na posição totalmente elevada.

⚠ AVISO:

- **Depois de configurar a lâmina para um corte em bisel, antes de utilizar a ferramenta, certifique-se de que o carrinho e a lâmina têm um curso livre ao longo de todo o corte pretendido.** A interrupção do curso do carrinho ou da lâmina durante a operação de corte pode resultar em recuos e ferimentos pessoais graves.
- **Ao fazer um corte bisel, mantenha as mãos fora do percurso da lâmina.** O ângulo da lâmina pode confundir o operador relativamente ao percurso da lâmina real durante o corte e o contacto com a lâmina resultará em ferimentos pessoais graves.
- **A lâmina não deve ser levantada até que pare completamente.** Durante um corte de bisel, a peça cortada pode encostar à lâmina. Se a lâmina for levantada enquanto está a rodar, a peça cortada pode ser ejectada pela lâmina, fazendo com que o material se fragmente e resulte em ferimentos pessoais graves.

ATENÇÃO:

- Ao descer a alavanca, exerça uma pressão paralela à lâmina. Se for aplicada uma forma perpendicularmente à base rotativa, ou se a direcção da pressão for alterada durante um corte, a precisão do corte será negativamente afectada.

- Antes do corte em bisel, pode ser necessário um ajuste da vedação móvel. Consulte a secção intitulada “Ajuste da vedação guia”.

⚠ PRECAUÇÃO:

- Retire sempre a sub-vedação D de forma a não interferir com qualquer parte do carrinho ao efectuar cortes em bisel direitos.

5. Corte combinado

O corte combinado é o processo no qual é feito um ângulo de bisel ao mesmo tempo que é efectuado um corte angular numa peça de trabalho. O corte combinado pode ser efectuado com o ângulo indicado na tabela.

| Ângulo de corte angular | Ângulo de bisel |
|-----------------------------|-----------------------------|
| Esquerda e direita 0° - 45° | Esquerda e direita 0° - 45° |

009713

Para a realização de cortes combinados, consulte as explicações nas secções “Corte de pressão”, “Corte móvel”, “Corte angular” e “Corte em bisel”.

6. Cortar moldações em coroa e abóbada

As moldações em coroa e abóbada podem ser cortadas num corte angular composto com os moldes planos na base rotativa.

Existem dois tipos comuns de moldações em coroa e um tipo de moldações em abóbada; moldação em coroa de ângulo de parede de 52/38°, moldação em coroa de ângulo de parede de 45° e moldação em abóbada de parede de 45°. Consulte as ilustrações. (Fig. 42)

Existem juntas de moldação em coroa e abóbada que são concebidas para se adaptarem a cantos de 90° “interiores” ((1) e (2) na Fig A) e “exteriores” ((3) e (4) na Fig. A). (Fig. 43 e 44)

Medição

Meça o comprimento da parede e ajuste a peça de trabalho na mesma para cortar o limite de contacto da parede na extensão desejada. Certifique-se sempre de que o comprimento da peça de trabalho na parte traseira é igual ao comprimento da parede. Ajuste a extensão do corte para o ângulo de corte. Utilize sempre várias peças para cortes de teste para verificar os ângulos de lâmina.

Ao cortar moldações em coroa e abóbada, defina o ângulo de bisel e o ângulo de corte angular conforme indicado na tabela (A) e posicione as moldações na superfície superior da base da lâmina conforme indicado na tabela (B).

No caso de corte em bisel esquerdo

Tabela (A)

| | Posição de moldação na Fig. A | Ângulo de bisel | | Ângulo de corte angular | |
|---------------------|-------------------------------|-----------------|----------|-------------------------|------------|
| | | Tipo 52/38° | Tipo 45° | Tipo 52/38° | Tipo 45° |
| Para canto interior | (1) | 33,9° esq. | 30° esq. | 31,6° dir. | 35,3° dir. |
| | (2) | | | 31,6° esq. | 35,3° esq. |
| Para canto exterior | (3) | | | 31,6° dir. | 35,3° dir. |
| | (4) | | | | |

006361

Tabela (B)

| | Posição de moldação na Fig. A | Limite de moldação contra vedação de guia | Peça terminada |
|-----------------------|-------------------------------|---|---|
| Para canto interior | (1) | O limite de contacto do tecto deve estar contra a vedação de guia. | A peça terminada estará no lado esquerdo da lâmina. |
| | (2) | O limite de contacto da parede deve estar contra a vedação de guia. | |
| Para o canto exterior | (3) | O limite de contacto do tecto deve estar contra a vedação de guia. | A peça terminada estará no lado direito da lâmina. |
| | (4) | O limite de contacto da parede deve estar contra a vedação de guia. | |

006362

Exemplo;

No caso do corte de uma moldação em coroa do tipo 52/38° para a posição (1) na Fig. A:

- Incline e fixe a definição do ângulo de bisel para 33,9° ESQ.
- Ajuste e fixe a definição do ângulo de corte angular para 31,6° DIR.
- Coloque a moldação em coroa com a ampla superfície traseira (oculta) voltada para baixo na base rotativa, com o LIMITE DE CONTACTO DO TECTO contra a vedação de guia na lâmina.
- A peça terminada a utilizar estará sempre no lado ESQ. da lâmina após o corte.

No caso de corte em bisel direito

Tabela (A)

| | Posição de moldação na Fig. A | Ângulo de bisel | | Ângulo de corte angular | |
|---------------------|-------------------------------|-----------------|----------|-------------------------|------------|
| | | Tipo 52/38° | Tipo 45° | Tipo 52/38° | Tipo 45° |
| Para canto interior | (1) | 33,9° dir. | 30° dir. | 31,6° dir. | 35,3° dir. |
| | (2) | | | | |
| Para canto exterior | (3) | | | 31,6° esq. | 35,3° esq. |
| | (4) | | | 31,6° dir. | 35,3° dir. |

006363

Tabela (B)

| | Posição de moldação na Fig. A | Limite de moldação contra vedação de guia | Peça terminada |
|-----------------------|-------------------------------|---|---|
| Para canto interior | (1) | O limite de contacto da parede deve estar contra a vedação de guia. | A peça terminada estará no lado direito da lâmina. |
| | (2) | O limite de contacto do tecto deve estar contra a vedação de guia. | |
| Para o canto exterior | (3) | O limite de contacto da parede deve estar contra a vedação de guia. | A peça terminada estará no lado esquerdo da lâmina. |
| | (4) | O limite de contacto da parede deve estar contra a vedação de guia. | |

006364

Exemplo;

No caso do corte de uma moldação em coroa do tipo 52/38° para a posição (1) na Fig. A:

- Incline e fixe a definição do ângulo de bisel para 33,9° DIR.
- Ajuste e fixe a definição do ângulo de corte angular para 31,6° DIR.
- Coloque a moldação em coroa com a ampla superfície traseira (oculta) voltada para baixo na base rotativa, com o LIMITE DE CONTACTO DA PAREDE contra a vedação de guia na lâmina.
- A peça terminada a utilizar estará sempre no lado DIR. da lâmina após o corte.

7. Cortar perfis de alumínio (Fig. 45 e 46)

Para fixar perfis de alumínio, utilize blocos espaçadores ou bocados de peças como ilustrado na imagem, para evitar a deformação do alumínio. Utilize um lubrificante de corte para cortar perfis de alumínio para evitar a acumulação de restos de alumínio na lâmina.

⚠ AVISO:

- **Nunca tente cortar perfis de alumínio espessos ou redondos.** As saliências espessas ou redondas de alumínio podem ser difíceis de fixar e pode soltar-se durante a operação de corte, o que pode resultar em perda de controlo e ferimentos pessoais graves.

8. Face de madeira

A utilização de faces de madeira ajuda a assegurar cortes sem lascas nas peças de trabalho. Fixe uma face de madeira à vedação de guia utilizando os orifícios existentes na vedação. Veja na figura as dimensões sugeridas para uma face de madeira. (Fig. 47)

⚠ PRECAUÇÃO:

- Utilize um pedaço de madeira direito e com uma espessura uniforme como face de madeira.

⚠ AVISO:

- **Utilize parafusos para fixar a face de madeira à vedação de guia. Os parafusos devem ser instalados de forma a que as cabeças dos parafusos estejam abaixo da superfície da face de madeira, para que não interfiram com o posicionamento do material a ser cortado.** O não alinhamento do material a ser cortado pode provocar um movimento inesperado durante a operação de corte, o que pode resultar numa perda de controlo e ferimentos pessoais graves.

ATENÇÃO:

- Depois de fixar a face de madeira, não rode a base rotativa com a alavanca descida. A lâmina e/ou a face de madeira danificar-se-ão.

9. Cortar entalhes (Fig. 48)

Pode ser efectuado um corte do tipo dado, da seguinte forma:

Ajuste a posição de limite inferior da lâmina utilizando o parafuso de ajuste e o braço batente para limitar a profundidade de corte da lâmina. Consulte a secção “Braço batente” descrita anteriormente. Depois de ajustar a posição de limite inferior da lâmina, corte ranhuras paralelas ao longo da peça de trabalho utilizando um corte de deslize (empurrar), tal como ilustrado. De seguida, remova o material da peça de trabalho entre as ranhuras, utilizando um cinzel.

⚠ AVISO:

- **Não tente efectuar este tipo de corte utilizando uma lâmina mais larga ou lâmina de dado.** Tentar fazer um corte de entalho com uma lâmina mais larga ou lâmina de dado pode levar a resultados de corte inesperados e recuo, o que pode resultar em ferimentos pessoais graves.

- **Certifique-se de que coloca o braço batente na posição inicial, quando efectuar outros cortes que não de entalhes.** Tentar fazer cortes com o braço batente na posição incorrecta pode levar a resultados de corte inesperados e recuo, o que pode resultar em ferimentos pessoais graves.

PRECAUÇÃO:

- Certifique-se de que coloca o braço batente na posição inicial, quando efectuar outros cortes que não de entalhes.

Transportar a ferramenta (Fig. 49)

Certifique-se de que a ferramenta está desligada da tomada. Segure a lâmina num ângulo de bisel de 0° e a base rotativa na posição total de corte angular direito. Fixe as hastes corrediças de forma a que a haste corrediça inferior fique bloqueada na posição do carrinho totalmente puxado para o operador e as hastes superiores fiquem bloqueadas na posição do carrinho totalmente puxado para a vedação guia (consulte a secção “Ajuste do bloqueio corrediço”). Desça totalmente a alavanca e bloqueie-a na posição descida empurrando o pino batente para dentro. Enrole o cabo da alimentação utilizando os respectivos suportes.

AVISO:

- **O pino batente destina-se apenas a fins de transporte e armazenamento e nunca deve ser utilizado para quaisquer operações de corte.** A utilização do pino batente para operações de corte pode provocar um movimento inesperado da lâmina, resultando em recuos e ferimentos pessoais graves. Transporte a ferramenta segurando em ambos os lados da base, como ilustrado. Se retirar os suportes, saco do pó, etc., é mais fácil transportar a ferramenta.

PRECAUÇÃO:

- Fixe sempre todas as peças móveis antes de transportar a ferramenta. Se partes da ferramenta se moverem ou deslocarem ao serem efectuados cortes, do movimento da ferramenta ou ferimentos graves.

MANUTENÇÃO

AVISO:

- **Certifique-se sempre de que a ferramenta está desligada no interruptor e da tomada antes de inspeccionar ou fazer a manutenção da ferramenta.** Caso não desligue a ferramenta, inclusive da corrente, pode resultar num arranque acidental da ferramenta, resultando em ferimentos pessoais graves.
- **Certifique-se sempre de que a lâmina está afiada e limpa a fim de obter um desempenho melhor e mais seguro.** Tentar um corte com uma lâmina romba e/ou suja pode provocar recuos e resultar em ferimentos pessoais graves.

ATENÇÃO:

- Nunca utilize gasolina, benzina, diluente, álcool ou semelhante. Podem formar-se descolorações, deformações ou fissuras.

Ajustar o ângulo de corte

Esta ferramenta foi cuidadosamente ajustada e alinhada na fábrica, no entanto, um manuseamento impróprio poderá ter afectado o alinhamento. Se a sua ferramenta não estiver devidamente alinhada, efectue o seguinte:

1. Ângulo de corte angular (Fig. 50)

Empurre o carrinho na direcção da vedação de guia e aperte o parafuso de bloqueio para fixar o carrinho. Desaperte a pega que fixa a base rotativa. Rode a base rotativa de modo a que o ponteiro aponte para 0° na escala de corte angular. De seguida, rode ligeiramente a base para a direita e para a esquerda para assentar a base rotativa no entalhe de 0° de corte angular. (Deixe ficar como está caso o ponteiro não aponte para 0°.) Solte os parafusos sextavados fixando a vedação de guia com a chave de bocas.

(Fig. 51)

Desça totalmente a alavanca e bloqueie-a na posição descida empurrando o pino batente para dentro. Crie um ângulo recto com a parte lateral da lâmina e a face da vedação de guia utilizando um esquadro, um esquadro de encosto, etc.. De seguida, aperte firmemente os parafusos sextavados na vedação de guia começando a partir do lado direito. **(Fig. 52)** Certifique-se de que o ponteiro aponta para 0° na escala de corte angular. Se o ponteiro não apontar para 0°, solte o parafuso que fixa o ponteiro e ajuste o ponteiro de forma a que aponte para 0°.

2. Ângulo de bisel

(1) 0° de ângulo de bisel (Fig. 53)

Empurre o carrinho na direcção da vedação de guia e aperte o parafuso de bloqueio para fixar o carrinho. Desça totalmente a alavanca e bloqueie-a na posição descida empurrando o pino batente para dentro. Desaperte a alavanca existente na parte de trás da ferramenta. **(Fig. 54)**

Rode duas ou três vezes para a esquerda o parafuso sextavado no lado direito do braço, para inclinar a lâmina para a direita. **(Fig. 55)**

Cuidadosamente, crie um ângulo recto entre a parte lateral da lâmina e a superfície superior da base rotativa utilizando o esquadro, o esquadro de encosto, etc. rodando para a direita o parafuso de sextavado no lado direito do braço. De seguida, aperte firmemente a alavanca. **(Fig. 56)**

Certifique-se de que o ponteiro existente no braço aponta para 0° na escala de bisel do suporte do braço. Se não apontarem para 0°, solte o parafuso que fixa o ponteiro e ajuste-o de forma a que aponte para 0°.

(2) 45° de ângulo de bisel (Fig. 57)

Ajuste o ângulo de bisel de 45° apenas depois de ajustar o ângulo de bisel de 0°. Para ajustar o ângulo de bisel de 45° esquerdo, desaperte a alavanca e incline totalmente a lâmina para a esquerda. Certifique-se de que o ponteiro existente no braço aponta para 45° na escala de bisel do suporte do braço. Se o ponteiro não apontar para 45°, rode o parafuso de ajuste do ângulo de bisel de 45° existente no lado direito do suporte do braço, até o ponteiro apontar para 45°.

Para ajustar o ângulo de bisel de 45° direito, efectue o mesmo procedimento, tal como descrito acima. (Fig. 58)

Remova e verifique regularmente as escovas de carvão. Substitua-as quando estas atingirem 3 mm de comprimento. Mantenha-as limpas para poderem deslizar no porta-escovas. Substitua as duas ao mesmo tempo. Utilize unicamente escovas de carvão idênticas. (Fig. 59) Utilize uma chave de parafusos para remover as tampas do porta-escovas. Retire as escovas usadas, coloque umas novas e fixe as tampas do porta-escovas.

Após a utilização

- Após a utilização, retire as farpas e pó que se tenham acumulado na ferramenta com um pano ou algo semelhante. Mantenha a protecção da lâmina limpa em conformidade com as instruções apresentadas na secção "Protecção da lâmina". Lubrifique as partes móveis com lubrificante de lâminas para evitar a formação de ferrugem.
- Quando guardar a ferramenta, puxe o carrinho totalmente na sua direcção.

Para manter os níveis de SEGURANÇA e FIABILIDADE definidos para este produto, as reparações e os procedimentos de manutenção ou ajustes devem ser executados por centros de assistência Makita autorizados, utilizando sempre peças de substituição Makita.

ACESSÓRIOS OPCIONAIS

AVISO:

- **Os seguintes acessórios ou extensões Makita são os recomendados para utilizar com a ferramenta Makita especificada neste manual.** A utilização de quaisquer outros acessórios pode resultar em ferimentos pessoais graves.
- **Apenas utilize o acessório Makita para o fim indicado.** A utilização inadequada de um acessório pode resultar em ferimentos pessoais graves.

Se precisar de informações adicionais relativas aos acessórios, contacte o centro local de assistência Makita.

- Lâminas de serra em aço ou com pontas de carboneto (Consulte o nosso website ou contacte o seu distribuidor Makita local para saber as lâminas corretas a utilizar para o material a cortar.)
- Sub-vedação D
- Montagem do torno (torno horizontal)
- Torno vertical
- Chave de tubo com chave sextavada na outra extremidade
- Suporte
- Conjunto de suportes
- Saco de pó
- Cotovelo
- Guia triangular

NOTA:

- Alguns itens na lista podem estar incluídos no pacote de ferramentas como acessórios de série. Podem diferir de país para país.

Ruído

ENG905-1

Os níveis acústicos ponderados A típicos foram determinados segundo a EN62841-3-9:

Nível de pressão sonora (L_{pA}): 92 dB (A)

Nível de potência sonora (L_{WA}): 102 dB (A)

Incerteza (K): 3 dB (A)

Use protecção para os ouvidos.

ENG907-1

- O(s) valor(es) da emissão de ruído indicado(s) foi medido de acordo com um método de teste padrão e pode ser utilizado para comparar duas ferramentas.
- O(s) valor(es) da emissão de ruído indicado(s) pode também ser utilizado na avaliação preliminar da exposição.

AVISO:

- **Utilize protetores auriculares.**
- **A emissão de ruído durante a utilização real da ferramenta elétrica pode diferir do(s) valor(es) indicado(s), dependendo das formas como a ferramenta é utilizada, especialmente o tipo de peça de trabalho que é processada.**
- **Certifique-se de identificar as medidas de segurança para proteção do operador que sejam baseadas em uma estimativa de exposição em condições reais de utilização (considerando todas as partes do ciclo de operação, tal como quando a ferramenta está desligada e quando está a funcionar em marcha lenta além do tempo de acionamento).**

Declaração de conformidade CE

Apenas para os países europeus

A declaração de conformidade CE está incluída como Anexo A neste manual de instruções.

DANSK (Originalvejledning)

Forklaring til generel oversigt

| | | |
|-----------------------------|--|---|
| 1. Stopstift | 28. Låseskrue | 54. Underanslag H |
| 2. Bolte | 29. Aflåseknop | 55. Skruer |
| 3. Holder | 30. Afbryderkontakt | 56. Skruearm |
| 4. Holdermontering | 31. Hul til hængelås | 57. Skrueknop |
| 5. Skrue | 32. Kontakt til laser | 58. Skruestang |
| 6. Beskyttelsesskærm | 33. Skrue, der holder laserboksen | 59. Skrueplade |
| 7. Indlægsplade | 34. Batteri | 60. Møtrik |
| 8. Savklinge | 35. Topnøgle med unbrakonøgle i den anden ende | 61. 52/38°-type kroneform |
| 9. Klingetænder | 36. Nøgleholder | 62. 45°-type kroneform |
| 10. Venstre skrånit | 37. Topnøgle | 63. 45°-type bueform |
| 11. Lige snit | 38. Klingehus | 64. Indvendigt hjørne |
| 12. Højre skrånit | 39. Midterafdækning | 65. Udvendigt hjørne |
| 13. Justeringsbolt | 40. Sekskantbolt | 66. Skruetvinge |
| 14. Drejeskive | 41. Pål | 67. Afstandsklods |
| 15. Overflade på drejeskive | 42. Spindellås | 68. Aluminiumsprofil |
| 16. Klingens periferi | 43. Sekskantbolt (venstregevind) | 69. Vandret skruestik (ekstraudstyr) |
| 17. Anslag | 44. Ydre flange | 70. Huller |
| 18. Stoparm | 45. Ring | 71. Skær riller med klinge |
| 19. Justeringsskrue | 46. Indre flange | 72. Trekantlineal |
| 20. Geringsskala | 47. Spindel | 73. 0° justeringsbolt |
| 21. Viser | 48. Mundstykke | 74. Venstre justeringsbolt for 45° skråvinkel |
| 22. Låsehåndtag | 49. Støpse | 75. Overflade på drejeskive |
| 23. Greb | 50. Lukkeskinne | 76. Højre justeringsbolt for 45° skråvinkel |
| 24. Håndtag | 51. Støtte | 77. Skruetrækker |
| 25. Arm | 52. Glideanslag | 78. Kulholderdæksel |
| 26. Skrånitskala | 53. Vingeskrue | |
| 27. Frigørelsesknop | | |

SPECIFIKATIONER

| Model | | LS1018 | LS1018L |
|-------------------------------------|-----------------------|-------------------------------------|--|
| Klangediameter | | 255 - 260 mm | |
| Huldiameter | Andre land end Europa | 25,4 mm eller 30 mm (landespecifik) | |
| | Europæiske lande | 30 mm | |
| Maks. indlægstykkelse af savklingen | | 3,2 mm | |
| Maks. geringsvinkel | | Højre 60°, Venstre 47° | |
| Maks. skråvinkel | | Højre 45°, Venstre 45° | |
| Hastighed uden belastning (RPM) | | 4.300 min ⁻¹ | |
| Lasertype | | – | Rød laser 650 nm, Maksimalt output 1 mW < (Laserklasse 2M) |
| Mål (L x B x H) | | 825 mm x 536 mm x 633 mm | |
| Nettovægt | | 21,5 kg | |
| Sikkerhedsklasse | | □/II | |

- På grund af vores løbende forsknings- og udviklingsprogram kan specifikationerne heri ændres uden forudgående varsel.
- Specifikationerne kan variere fra land til land.
- Vægt i henhold til EPTA-procedure 01/2014

Maksimal skærekapacitet (H x B) med 260 mm i diameter

| Geringsvinkel | Skråvinkel | | |
|---------------|----------------|----------------|----------------|
| | 45° (venstre) | 0° | 45° (højre) |
| 0° | 50 mm x 310 mm | 91 mm x 310 mm | 31 mm x 310 mm |
| 45° | 50 mm x 220 mm | 91 mm x 220 mm | 31 mm x 220 mm |
| 60° (højre) | - | 91 mm x 153 mm | - |

Symboler

END325-1

Her vises de symboler, der benyttes til udstyret. Vær sikker på, at du forstår deres betydning, før du bruger maskinen.



..... Læs brugsanvisningen.



..... DOBBELT ISOLERET



..... For at undgå skader pga. flyvende stumper skal savhovedet holdes nede, indtil klingens er fuldstændig stoppet, når snittet er udført.



Når der udføres savning ved gliden, skal du først trække slæden helt ind mod dig og trykke håndtaget ned, og derefter skubbe slæden mod anslaget.



..... Placer ikke hånd eller fingre tæt på klingens.



..... Juster glideanslag så de ikke kommer i kontakt med klinge og beskyttelsesskærm.



..... Tag altid UNDERANSLAG H af ved udførsel af højre skråsnit. Ellers kan det påføre operatøren alvorlige personskader.



..... LASERSTRÅLING: Kig ikke ind i strålen. Ser du direkte ind i laserstrålen kan det skade dine øjne.



..... Kun for EU-lande
Elektrisk udstyr må ikke bortskaffes som almindeligt affald!
I henhold til det europæiske direktiv om bortskaffelse af elektriske og elektroniske produkter og dets implementering i overensstemmelse med gældende national lovgivning skal brugt elektrisk udstyr, der har udtjent dets levetid, indsamles separat og returneres til miljøgodkendt genindvinding.

Tilsløst brug

ENE006-1

Maskinen er beregnet til udførelse af præcis lige afkortning og geringssskæring i træ. Ved brug af passende savklinger kan der også saves i aluminium.

Strømforsyning

ENF002-2

Værktøjet bør kun sluttes til en strømforsyning med den spænding, der er angivet på mærkepladen, og det kan kun benyttes med enkeltfaset vekselstrøm. Det er dobbelt isoleret og kan derfor også sluttes til stikkontakter uden jordforbindelse.

Almindelige sikkerhedsregler for el-værktøj

GEA010-2

⚠ ADVARSEL: Læs alle de sikkerhedsadvarsler, instruktioner, illustrationer og specifikationer, der følger med denne maskine. Forsømmelse af at overholde alle nedenstående instruktioner kan medføre elektrisk stød, brand og/eller alvorlig personskade.

Gem alle advarsler og instruktioner til fremtidig reference.

Ordet "el-værktøj" i advarslerne henviser til det netforsynede (netledning) el-værktøj eller batteriforsynede (akku) el-værktøj.

SIKKERHEDSADVARSLER

Sikkerhedsinstruktioner for geringsssave

ENB130-2

1. **Geringsssave er beregnet til at save i træ eller trælignende produkter. De kan ikke anvendes med slibende afskæringsskiver til at skære i jernholdige metaller som f.eks. bjælker, stænger, stivere osv.** Slibestøv får bevægelige dele som f.eks. den nederste beskyttelsesskærm til at sætte sig fast. Gnister fra slibeskæring vil forbrænde den nederste beskyttelsesskærm, savsnitsindlæg og andre plastikdele.
2. **Brug skruetvinger til at understøtte arbejdsemnet, når som helst det er muligt. Hvis du understøtter arbejdsemnet i hånden, skal du altid holde hånden mindst 100 mm fra begge sider af savklingen. Anvend ikke denne sav til at skære stykker, der er for små til at kunne fastgøres forsvarligt eller holdes i hånden.** Hvis din hånd er placeret for tæt på savklingen, er der større risiko for personskade pga. kontakt med klingens.

3. **Arbejdsemnet skal være i ro og fastgjort eller holdt mod både anslaget og bordet. Undlad at indføre arbejdsemnet til klingen eller at skære "på frihånd" på nogen måde.** Ikke-fastholdte eller bevægelige arbejdsemner kan blive slynget bort ved høj hastighed og forårsage personskade.
4. **Skub saven gennem arbejdsemnet. Undlad at trække saven gennem arbejdsemnet. For at foretage et snit skal du løfte savhovedet og trække det ud over arbejdsemnet uden at skære, starte motoren, trykke savhovedet nedad og skubbe saven gennem arbejdsemnet.** Hvis der skæres på tilbagestrøget, vil det sandsynligvis få savklingen til at klatre op oven på arbejdsemnet og kaste klingemonteringen voldsomt mod operatøren.
5. **Placer aldrig din hånd over den tilsigtede skærelinje, hverken foran eller bag ved savklingen.** Understøttelse af arbejdsemnet med "krydsede hænder", dvs. at holde arbejdsemnet til højre for savklingen med venstre hånd eller omvendt, er meget farligt. (Fig. 1)
6. **Undlad at række bag ved anslaget med nogen af hænderne tættere end 100 mm fra begge sider af savklingen, at fjerne træstykker eller af nogen anden årsag, så længe klingens roterer.** Det er muligvis ikke tydeligt, hvor tæt den roterende savklinge er på din hånd, og du kan komme alvorligt til skade.
7. **Inspicer arbejdsemnet, før der skæres. Hvis arbejdsemnet er buet eller skævt, skal du fastgøre det med den udvendige buede side mod anslaget. Sørg altid for, at der ikke er mellemrum mellem arbejdsemnet, anslaget og bordet langs skærelinjen.** Buede eller skæve arbejdsemner kan vride sig eller flytte sig og kan medføre binding af den roterende savklinge, mens der skæres. Der må ikke være søm eller fremmedlegemer i arbejdsemnet.
8. **Undlad at bruge saven, før bordet er ryddet for alle værktøjer, træstykker osv. bortset fra arbejdsemnet.** Små rester eller løse stykker træ eller andre genstande, der kommer i kontakt med den roterende klinge, kan blive slynget bort med høj hastighed.
9. **Skær kun i ét arbejdsemne ad gangen.** Flere stablede arbejdsemner kan ikke fastgøres eller understøttes tilstrækkeligt og kan binde klingens eller flytte sig under skæringen.
10. **Sørg for, at geringsraven er monteret eller placeret på en jævn, stabil arbejdsoverflade, før den bruges.** En jævn og stabil arbejdsoverflade mindsker risikoen for, at geringsraven bliver ustabil.
11. **Planlæg dit arbejde. Hver gang du ændrer indstillingen for skræ- eller geringsvinkel, skal du sikre dig, at det justerbare anslag er indstillet korrekt til at understøtte arbejdsemnet, og at det ikke kommer i vejen for klingens eller beskyttelsessystemet.** Uden at slå maskinen "TIL" og uden arbejdsemne på bordet skal du flytte savklingen gennem et komplet simuleret snit for at sikre dig, at der ikke er noget i vejen eller risiko for at skære i anslaget.
12. **Sørg for tilstrækkelig understøttelse, for eksempel bordforlængelser, savbukke osv., for et arbejdsemne, der er bredere eller længere end bordpladen.** Arbejdsemner, der er længere eller bredere end geringsravens bord, kan vippe, hvis de ikke er tilstrækkeligt understøttet. Hvis det afskårne stykke eller arbejdsemnet vipper, kan det løfte den nederste beskyttelseskærm eller blive slynget bort af den roterende klinge.
13. **Undlad at bruge en anden person som erstatning for en bordforlængelse eller som ekstra støtte.** Ustabil understøttelse af arbejdsemnet kan få klingens til at binde eller arbejdsemnet til at flytte sig under skæringen, så du selv og hjælperen bliver trukket ind i den roterende klinge.
14. **Det afskårne stykke må ikke på nogen måde sidde fast eller blive trykket imod den roterende savklinge.** Hvis det begrænses, for eksempel med længdestopper, kan det afskårne stykke blive klemt mod klingens og slynget voldsomt bort.
15. **Brug altid en skruetvinge eller et stykke inventar, der er beregnet til korrekt at støtte runde materialer som f.eks. stænger eller rør.** Stænger har tendens til at rulle, når de skæres, hvilket får klingens til at "bide" og trække emnet med din hånd ind i klingens.
16. **Lad klingens nå fuld hastighed, før den sættes mod arbejdsemnet.** Dette reducerer risikoen for, at arbejdsemnet slynkes bort.
17. **Sluk for geringsraven, hvis arbejdsemnet eller klingens klemmer sig fast. Vent, til alle bevægelige dele er stoppet, og tag stikket ud af strømkilden og/eller fjern akkuen. Begynd derefter at frigøre det fastklemt materiale.** Forsat savning med et fastklemt arbejdsemne kan medføre, at du mister kontrollen, eller beskadigelse af geringsraven.
18. **Når et snit er færdigt, skal du slippe afbryderen, holde savhovedet nede og vente, til klingens er stoppet, før du fjerner det afskårne stykke.** Det er farligt at stikke hånden hen til klingens, mens den stadig kører.
19. **Hold godt fast i håndtaget, når der foretages et udfærdigt snit, eller hvis du slipper afbryderen, inden savhovedet er helt nede i den nederste position.** Ravens bremsefunktion kan medføre, at savhovedet pludseligt trækkes nedad, og medføre risiko for personskade.
20. **Brug kun savklingen med den diameter, som er markeret på maskinen eller angivet i vejledningen.** Brug af en klinge med forkert størrelse kan muligvis påvirke den korrekte afskærmning af klingens eller skærmfunktionen, hvilket muligvis kan resultere i alvorlig personskade.
21. **Brug kun savklinger, der er mærket med en hastighed svarende til eller større end den hastighed, der er angivet på maskinen.**
22. **Anvend ikke saven til at skære i andet end træ, aluminium eller lignende materialer.**
23. **(Kun for lande i Europa)
Brug altid en klinge, der overholder EN847-1.**

Yderligere instruktioner

1. **Gør dit værktøj boriesikkert med hængelåse.**
2. **Stå aldrig på maskinen.** Det kan medføre alvorlig personskade, hvis maskinen vælter, eller ved utilsigtet kontakt med skæremaskinen.

3. Lad aldrig maskinen køre uovervåget. Sluk for strømmen. Gå ikke fra maskinen, før den er stoppet helt.
4. Anvend ikke saven, uden at beskyttelseskærmene er på plads. Kontrollér beskyttelseskærmen for korrekt funktion før hver brug. Anvend ikke saven, hvis beskyttelseskærmen ikke bevæger sig frit og lukker øjeblikkeligt. Beskyttelseskærmen må aldrig klemmes eller bindes til åben position.
5. Hold hænderne væk fra savklingens bane. Undgå kontakt med klingens, mens denne kører i frihjul. Dette kan stadig medføre alvorlig personskade.
6. For at reducere risikoen for personskade skal du sætte slæden tilbage til den bageste position efter hvert tværsnit.
7. Fastgør altid bevægelige dele, før maskinen transporteres.
8. Stopstiften, som låser skærehovedet nede, er kun beregnet til transport- og opbevaringsformål og ikke til nogen form for skæring.
9. Efterse omhyggeligt klingens for revner eller beskadigelse før brugen. Udskift øjeblikkeligt en revnet eller beskadiget klinge. Gummi og tjære, der hærdes mod klinger, gør saven langsommere og øger risikoen for tilbageslag. Hold klingens ren ved først at tage den ud af maskinen og derefter rense den med gummi- og tjærefjernere, varmt vand eller petroleum. Benyt aldrig benzin til at rense klingens.
10. Ved foretagelse af et glidende snit kan der forekomme **TILBAGESLAG**. **TILBAGESLAG** sker, når klingens binder i arbejdsmediet under en skæring, og savklingen drives hurtigt mod operatøren. Det kan medføre tab af kontrollen og alvorlig personskade. Hvis klingens begynder at binde under en skæring, må du ikke fortsætte med at skære, men slip med det samme afbryderen.
11. Anvend kun flanger, der er anbefalet til brug med denne maskine.
12. Sørg for ikke at beskadige akslen, flangerne (specielt monteringsfladen) eller bolten. Beskadigelse af disse dele kan medføre beskadigelse af klingens.
13. Sørg for, at drejeskiven er fastlåst og ikke bevæger sig under brug. Brug hullerne i foden til at fastgøre saven til en stabil arbejdsplatform eller bænk. Anvend **ALDRIG** maskinen, hvis operatørens position kan blive akavet.
14. Sørg for, at spindellåsen er løsnet, før der tændes på afbryderen.
15. Sørg for, at klingens ikke rører drejeskiven i nederste position.
16. Hold godt fast i håndtaget. Vær opmærksom på, at saven ved start og stop bevæger sig let op og ned.
17. Sørg for, at klingens ikke er i berøring med arbejdsemnet, før der tændes på afbryderen.
18. Før maskinen anvendes på arbejdsemnet, skal den køre i tomgang et stykke tid. Vær opmærksom på vibrationer eller rystelser, der kan være forårsaget af forkert montage eller manglende afbalancering af klingens.
19. Afbryd straks anvendelsen, hvis du bemærker noget unormalt under brugen.

20. Forsøg aldrig at fastlåse afbryderen i "TIL"-stillingen.
21. Anvend altid kun det tilbehør, der er anbefalet i denne brugsanvisning. Anvendelse af forkert tilbehør, eksempelvis slibeskiver, kan medføre personskade.
22. Nogle materialer indeholder kemikalier, der kan være giftige. Sørg omhyggeligt for at undgå at indånde støv samt kontakt med huden. Følg materialeleverandørens sikkerhedsdata.

Yderligere sikkerhedsregler for laseren

1. **LASERSTRÅLING, UNDLAD AT SE IND I STRÅLEN ELLER AT BETRAGTE DEN DIREKTE MED OPTISKE INSTRUMENTER, KLASSE 2M LASERPRODUKT.**

GEM DISSE FORSKRIFTER.

⚠ ADVARSEL:

LAD IKKE bekvemmelighed eller kendskab til produktet (opnået gennem gentagen brug) forhindre, at sikkerhedsforskrifterne for produktet nøje overholdes. MISBRUG eller forsømmelse af at følge de i denne brugsvejledning givne sikkerhedsforskrifter kan medføre alvorlig personskade.

MONTERING

Fastgørelse af saven på bænk (Fig. 2)

Når maskinen sendes fra fabrikken, er håndtaget låst fast i nederste position med stopstiften. Udløs stopstiften ved samtidigt at trykke lidt ned på håndtaget og trække i stopstiften. (Fig. 3)

Denne maskine skal fastgøres med fire bolte på et plant og stabilt underlag ved hjælp af bolthullerne i maskinens bund. Dette vil være med til at forebygge, at maskinen tipper og forårsager personskade.

Installation af holderne og holdermonteringerne

BEMÆRK:

- I visse lande er holderne og holdermonteringerne muligvis ikke indholdt i værktøjspakken som standardtilbehør. (Fig. 4)

Holderne og holdermonteringerne understøtter arbejdsemner vandret,

Installer holderne og holdermonteringerne på begge sider som vist på figuren.

Stram derefter skrueerne for at fastgøre holderne og holdermonteringerne.

FUNKTIONSBESKRIVELSE

⚠ ADVARSEL:

- Sørg altid for, at maskinen er slukket, og stikket er taget ud af stikkontakten, før du justerer maskinen eller kontrollerer dens funktion. Hvis maskinen ikke er slukket og stikket taget ud, kan det medføre alvorlig personskade pga. utilsigtet start.

Beskyttelsesskærm (Fig. 5)

Når du sænker håndtaget, løftes beskyttelsesskærmen automatisk op. Beskyttelsesskærmen vender tilbage til udgangspositionen, når savningen er færdig og håndtaget hæves.

⚠ ADVARSEL:

- **Omgå eller fjern aldrig beskyttelsesskærmen eller den fjeder, som sidder på beskyttelsesskærmen.** En uafskærmet klinge som resultat af en beskyttelsesanordning, som er sat ud af funktion, kan medføre alvorlig personskade under brug.

For din personlige sikkerheds skyld skal du altid holde beskyttelsesskærmen i forskriftsmæssig stand. Enhver uregelmæssighed i beskyttelsesskærmens gang bør straks afhjælpes. Kontroller, at den fjederbetjente returløber af beskyttelsesskærmen fungerer korrekt.

⚠ ADVARSEL:

- **Anvend aldrig maskinen, hvis beskyttelsesskærmen eller fjederen er beskadiget, defekt eller fjernet.** Anvendelse af maskinen med en beskadiget, defekt eller fjernet beskyttelsesskærm kan resultere i alvorlig personskade.

Hvis den transparente beskyttelsesskærm bliver snavset, eller der sidder så meget savsmuld på den, at savklingen og/eller arbejdsemnet ikke længere kan ses tydeligt, skal du tage saven ud af forbindelse og rengøre beskyttelsesskærmen med en fugtig klud. Anvend ikke opløsningsmidler eller rengøringsmidler på petroleumsbasis til plastikskærmen, da det kan beskadige beskyttelsesskærmen.

Hvis beskyttelsesskærmen bliver snavset og behøver rensning for at fungere ordentligt, skal du følge trinene nedenfor:

Efter du har slukket for maskinen og taget stikket ud, skal du anvende den medfølgende topnøgle til at løsne den sekskantbolt, som holder midterafdækningen. Løsn sekskantboltens ved at dreje den mod uret og hæv beskyttelsesskærmen og midterafdækningen. (Fig. 6) Rengøring kan udføres bedre og mere effektivt, når beskyttelsesskærmen er således placeret. Når rengøringen er færdig, foretages proceduren ovenfor i omvendt rækkefølge, og boltens spændes fast. Fjern ikke fjederen der holder beskyttelsesskærmen. Hvis beskyttelsesskærmen bliver beskadiget med tiden eller pga. UV-stråling, kontaktes et Makita-servicecenter angående en ny beskyttelsesskærm.

BESKYTTELSESKÆRMEN MÅ ALDRIG SÆTTES UD AF FUNKTION ELLER FJERNES.

Placering af indlægsplade (Fig. 7 og 8)

Denne maskine er forsynet med en indlægsplade i drejeskiven for at minimere flænsning på udgangssiden af et snit. Indlægspladen er fra fabrikken justeret således, at savklingen ikke berører indlægspladen. Inden anvendelse af maskinen justeres indlægspladen som følger:

Tag først stikket ud af stikkontakten. Alle skruer (3 til venstre og højre), der holder indlægspladen, løsnes. Stram dem kun så meget til at indlægspladen let kan bevæges med hånden. Sænk håndtaget helt ned og tryk stopstiften ind for at låse håndtaget i den nederste position. Løsn den skrue, der fastgør glidestængerne. Træk slæden helt ind mod dig. Juster indlægspladen så

den lige berører siden af savklingens tænder let. Stram de forreste skruer til (stram ikke helt til). Skub slæden helt hen mod anslaget og juster indlægspladen, så den lige berører siden af savklingens tænder let. Stram de bagerste skruer til (stram ikke helt til). Efter justering af indlægspladen, løsnes stopstiften og håndtaget løftes. Stram derefter alle skruerne helt til.

BEMÆRK:

- **Efter indstilling af skråvinklen skal det sikres, at indlægspladerne er korrekt justeret.** Korrekt justering af indlægspladerne hjælper med til at give den rigtige støtte af arbejdsemnet og minimerer flænsning af arbejdsemnet.

Opredholdelse af den maksimale skæredybde

Denne maskine er fra fabrikkens side indstillet således, at den maksimale skæredybde opnås med en 255 mm savklinge.

Træk stikket ud af stikkontakten før der foretages nogen justeringer. Når der monteres en ny savklinge, skal savklingens laveste position altid kontrolleres og om nødvendigt, justeres på følgende måde: (Fig. 9 og 10) Tag først stikket ud af stikkontakten. Skub slæden helt op mod anslaget og sænk håndtaget helt ned. Brug unbrakonøglen til at dreje justeringsbolten indtil kanten af savklingen når en lille smule under overfladen af drejeskiven på det sted, hvor forsiden af anslaget støder sammen med overfladen på drejeskiven. Stadig med stikket trukket ud drejes savklingen med hånden, medens håndtaget holdes helt nede, for at sikre at savklingen ikke berører noget på den nederste del af bordet. Om nødvendigt efterjusteres der lidt.

⚠ ADVARSEL:

- Efter montering af en ny savklinge, og med stikket taget ud af kontakten, bør det altid kontrolleres, at savklingen ikke berører noget på den nederste del af bordet, når håndtaget er fuldstændigt sænket. Hvis en klinge kommer i kontakt med bordet, kan det medføre tilbageslag og resultere i alvorlig personskade.

Stoparm (Fig. 11)

Klingens nedre grænseposition kan nemt indstilles med stoparmen. For at indstille den, drejes stoparmen i pilens retning som vist på illustrationen. Indstil justeringsskruen således, at klingens stopper i den ønskede position, når håndtaget sænkes helt.

Justering af geringsvinkel (Fig. 12)

Løsn grebet ved at dreje det mod uret. Drej drejeskiven mens låsehåndtaget holdes nede. Når du har flyttet grebet på den position, hvor viseren peger på den ønskede vinkel på geringskalaen, strammes grebet ordentligt til i urets retning.

⚠ FORSIGTIG:

- Efter ændring af geringsvinklen skal drejeskiven altid sikres, ved at grebet spændes stramt til.

BEMÆRK:

- Når drejeskiven drejes, skal håndtaget været helt hævet.

Justering af skråvinkel (Fig. 13)

For at justere vinklen ved skråsnit, løsnes håndtaget på bagsiden af maskinen mod uret. Frigør armen ved at trykke håndtaget relativt hårdt i den retning, savklingen skal vippes.

BEMÆRK:

- Håndtaget kan indstilles på en anden håndtagsvinkel ved at fjerne den skrue, som holder håndtaget, og fastgøre håndtaget på den ønskede vinkel. (Fig. 14) Vip savklingen, indtil viseren peger mod den ønskede vinkel på skråsnitskalaen. Stram derefter håndtaget med uret for at holde armen på plads. (Fig. 15) Når slæden vippes til højre, skal slæden vippes en lille smule til venstre, når håndtaget er løsnet, og frigørelsesknappen skal trykkes ind. Vip slæden til højre, mens frigørelsesknappen er trykket ind. (Fig. 16) Vip savklingen, indtil viseren peger mod den ønskede vinkel på skråsnitskalaen. Stram derefter håndtaget med uret for at holde armen på plads.
- Sørg for, når skråvinklerne ændres, at placere indlægspladerne korrekt som forklaret i afsnittet "Placering af indlægsplade".

⚠ FORSIGTIG:

- Efter ændring af skråsnitvinklen skal armen altid sikres ved, at håndtaget spændes til i urets retning.

BEMÆRK:

- Sørg for at håndtaget er hævet helt op, når savklingen vippes.
- Sørg for, når skråvinklerne ændres, at placere indlægspladerne korrekt som forklaret i afsnittet "Placering af indlægsplade".

Justering af glide-lås (Fig. 17)

Drej låseskruen med uret for at låse glide-stangen.

Betjening af kontakt (Fig. 18)

En aflåseknop forhindrer, at afbryderkontakten trykkes ind ved et uheld. Maskinen startes ved at trykke aflåseknappen ind og trykke på afbryderkontakten. Slip afbryderkontakten for at stoppe.

⚠ ADVARSEL:

- **Før maskinen tilsluttes, skal du altid kontrollere, at afbryderkontakten reagerer korrekt og vender tilbage til "OFF"-stillingen, når du slipper den. Træk ikke hårdt i afbryderkontakten uden at trykke aflåseknappen ind. Dette kan ødelægge kontakten.** Anvendelse af en maskine med en afbryderkontakt, som ikke fungerer ordentligt, kan medføre tab af kontrol og alvorlig personskade.

Afbryderkontakten er udstyret med et hul til brug for en hængelås, så maskinen kan låses.

⚠ ADVARSEL:

- **Brug ikke en hængelås eller kabel der er mindre end 6,35 mm i diameter.** En hængelås eller kabel, som er mindre, kan muligvis ikke låse maskinen i den aflåste position, og der kan opstå alvorlig personskade pga. utilsigtet start.
- **Anvend ALDRIG maskinen uden en fuld funktionsduelig afbryderkontakt.** En maskine med en defekt afbryderkontakt er MEGET FARLIG og skal

repareres, før den anvendes, ellers kan det medføre alvorlig personskade.

- Af hensyn til din sikkerhed er maskinen forsynet med en aflåseknop, der forhindrer, at maskinen starter ved et uheld. Brug ALDRIG maskinen, hvis den kører, når du trækker i afbryderkontakten uden at trykke på aflåseknappen. En defekt afbryderkontakt kan medføre utilsigtet start af maskinen og alvorlig personskade. Indlever maskinen til et MAKITA-servicecenter til reparation, FØR den benyttes igen.
- Sæt ALDRIG aflåseknappen ud af funktion vha. tape eller andre midler. En afbryderkontakt med en aflåseknop, som er sat ud af funktion, kan medføre utilsigtet start af maskinen og alvorlig personskade.

Elektronisk funktionalitet

Funktion til blød start

- Denne funktion giver en blød opstart af maskinen ved at begrænse startomdrejningerne.

Laserstrålefunktion

Kun for model LS1018L

BEMÆRK:

- Inden anvendelse første gang skal du installere to AA-batterier i batterirummet. Se afsnittet "Udskiftning af batterier til laserenheden" angående batteriinstallation.

⚠ FORSIGTIG:

- Sørg for at slukke for laseren, når den ikke bruges. (Fig. 19)

⚠ FORSIGTIG:

- Se aldrig ind i laserstrålen. Ser du direkte ind i laserstrålen kan det skade dine øjne.
- LASERSTRÅLING, SE IKKE IND I STRÅLEN, KLASSE 2-LASERPRODUKT.
- Sørg for, at tage strømstikket ud inden laserlinjen flyttes, eller der foretages vedligeholdelsesjustering. Laserstrålen tændes vha. tryk på kontaktens øverste position (1). Laserstrålen slukkes vha. tryk på kontaktens nederste position (0).

Laserlinjen kan flyttes til enten venstre eller højre side af savklingen ved at løsne den skrue, der holder laserboksen, og flytte den i den ønskede retning. Sørg for at stramme skruen, når laseren er flyttet. (Fig. 20) Laserlinjen er justeret fra fabrikken, sådan at den er indstillet til 1 mm fra savklingens sideoverflade (skæreposition).

BEMÆRK:

- Hvis laserlinjen synes svag eller svær at se pga. direkte sollys, skal arbejdsområdet flyttes til et sted, hvor der er mindre direkte sollys.

Udskiftning af batterier til laserenheden (Fig. 21 og 22)

Tag laserenhedens batteridæksel af ved at skubbe det, mens du trykker ind. Tag de gamle batterier ud og isæt nye som vist på illustrationen. Sæt dækslet på plads igen efter udskiftning.

Rengøring af laserlampens linse

Hvis laserlampens linse bliver beskidt, eller der sidder så meget savsmuld på den, at laserlinjen ikke længere kan ses tydeligt, skal du tage saven ud af forbindelse og aftage og rengøre laserlampen forsigtigt med en fugtig, blød klud. Benyt ikke opløsningsmidler eller rengøringsmidler på petroleumbasis på linsen.

BEMÆRK:

- Hvis laserlinjen er svag eller mere eller mindre usynlig pga. direkte sollys under indendørs eller udendørs arbejde, flyttes der arbejdsområde til et sted, hvor der ikke er direkte sollys.

MONTERING

⚠ ADVARSEL:

- **Sørg altid for, at maskinen er slukket, og stikket taget ud af stikkontakten, før du udfører nogen form for arbejde på maskinen.** Hvis maskinen ikke er slukket og stikket taget ud, kan det medføre alvorlig personskade.

Opbevaring af topnøglen med unbrakonøglen i den anden ende (Fig. 23)

Topnøglen opbevares som vist på illustrationen. Når der er brug for topnøglen, kan den trækkes ud af nøgleholderen.

Efter brug af topnøglen kan den opbevares i nøgleholderen igen.

Montering eller afmontering af savklingen

⚠ ADVARSEL:

- **Sørg altid for, at maskinen er slukket, og stikket er taget ud af stikkontakten, før du monterer eller afmonterer savklingen.** Utilsluttet start af maskinen kan medføre alvorlig personskade.
- **Anvend kun den medfølgende Makita-topnøgle til at montere eller afmontere savklingen.** Anvendes nøglen ikke, kan det medføre overspænding eller utilstrækkelig spænding af sekskantbolten og alvorlig personskade. (Fig. 24)

Lås håndtaget i den hævede position ved at trykke stopstiften ind. (Fig. 25)

For at afmontere savklingen anvendes topnøglen til at løsne den sekskantbolt, der holder midterafdækningen, ved at dreje mod uret. Løft beskyttelsesskærmen og midterafdækningen.

⚠ ADVARSEL:

- **Fjern ikke nogen anden skrue end den illustrerede sekskantbolt.** Hvis du ved en fejltagelse fjerner en anden skrue, og beskyttelsesskærmen går af, skal du sørge for at sætte beskyttelsesskærmen på igen. Tryk på spindellåsen for at låse spindlen og løs sekskantbolten ved at dreje den med uret med topnøglen. Fjern derefter sekskantmøtrikken, den ydre flange og klingens. (Fig. 26)

BEMÆRK:

- Hvis den indre flange fjernes, skal du sørge for at montere den på spindlen med fremspringet vendende væk fra klingens. Hvis flangen monteres forkert, vil flangen gnide op mod maskinen.

⚠ ADVARSEL:

- **Inden savklingen monteres på spindlen, skal du altid sikre dig at den korrekte ring, der passer til akselhullet i den savklinge, som du agter at anvende, er monteret mellem den indre og ydre flange.** Anvendelse af det forkerte akselhus kan medføre forkert montering af savklingen, hvilket forårsager klingebevægelse og alvorlig vibration med muligt tab af kontrol under anvendelsen og alvorlig personskade som følge. (Fig. 27)

For at montere savklingen skal du montere den omhyggeligt på spindlen og sikre, at retningen på pilen på overfladen af savklingen vender i samme retning som pilen på klingehuset.

Monter den ydre flange og sekskantbolten og stram derefter sekskantbolten (venstregevind) omhyggeligt mod uret med topnøglen, mens du trykker på spindellåsen. (Fig. 28 og 29)

Returner beskyttelsesskærmen og midterafdækningen til udgangspositionen. Stram derefter sekskantskruen til for at fastgøre midterafdækningen. Udløs håndtaget fra den hævede position ved at trække i stopstiften. Sænk håndtaget for sikre, at beskyttelsesafskærmningen fungerer korrekt. Sørg for at spindellåsen er frigjort, inden du udfører et snit.

Tilslutning af en støvsuger

Hvis du ønsker at holde arbejdsområdet rent under savning, kan du tilslutte en Makita-støvsuger. (Fig. 30)

Støvpose (Fig. 31)

Anvendelse af støvposen giver et renere arbejdsmiljø og gør opsamling af støv nemmere. Monter støvposen ved at placere den på mundstykket.

Når støvposen er omkring halvt fuld, skal du fjerne posen fra værktøjet og trække lukkemekanismen ud. Tøm støvposen, og klap let på den, så partikler, der klæber til indersiden, fjernes, hvilket ellers kan hæmme yderligere opsamling.

Fastspænding af arbejdsemne

⚠ ADVARSEL:

- **Det er ekstremt vigtigt altid at fastgøre arbejdsemnet korrekt med den rigtige slags skruetvinge eller kroneform-stoppere.** Udføres dette ikke, kan det medføre alvorlig personskade og forårsage skader på maskinen og/eller arbejdsemnet.
- **Efter anvendelse af maskinen, må savklingen ikke hæves, før den er fuldstændig stoppet.** Hævning af en kørende savklinge kan medføre alvorlig personskade og skader på arbejdsemnet.
- **Når du saver et arbejdsemne, der er længere end savens støtteflade, skal materialet understøttes på hele det stykke, som rager ud over støttefladen, og det skal holdes i samme højde, så materialet er i vater.** Korrekt understøttelse af arbejdsemnet er med til at modvirke klemning af savklingen og eventuelt tilbageslag, hvilket kan resultere i personskade. Den lodrette og/eller vandrette skruestik alene er ikke nok til at fastspænde arbejdsemnet. Tynde materialer har tendens til at bøje. Understøt arbejdsemnet over hele dets længde for at undgå at savklingen klemmes, og der muligvis opstår TILBAGESLAG. (Fig. 32)

Justering af anslag (GLIDEANSLAG) (Fig. 33)

⚠ ADVARSEL:

- Sørg for at glideanslaget er ordentligt fastspændt, inden maskinen anvendes.
- **Inden udførsel af skråsnit skal du sørge for, at ingen af maskinens dele, især ikke klingens, er i kontakt med anslaget, når håndtaget sænkes eller hæves fuldstændigt fra enhver position, samt mens slæden flyttes gennem hele dens bevægeområde.** Hvis maskinen eller savklingen kommer i kontakt med anslaget, kan dette medføre tilbageslag eller uventet bevægelse af materialet samt alvorlig personskade.

⚠ FORSIGTIG:

- Når du foretager skråsnit, skydes glideanslaget til venstre og fastspændes som vist på illustrationen. Ellers kommer det i kontakt med klingens eller en del af maskinen, hvilket kan tilføre operatøren alvorlige skader. (Fig. 34)

Denne maskine er udstyret med et glideanslag, der normalt skal placeres som vist på illustrationen. Dog skal det sættes på den venstre position ved udførsel af venstre skråsnit som vist på illustrationen, hvis maskinhovedet kommer i kontakt med det. Returner glideanslaget til dets oprindelige position, når du er færdig med skråsnittene, og fastgør det ved omhyggeligt at spænde vingeskruen.

Underanslag H

⚠ ADVARSEL:

- Sørg for, at underanslag H er ordentligt fastspændt, inden maskinen anvendes.
- Inden udførsel af højre skråsnit tages underanslag H af. Ellers kommer det i kontakt med savklingen eller en del af maskinen, hvilket eventuelt kan forvolde operatøren alvorlig kvæstelse. (Fig. 35)

Underanslag H kan aftages fra højre side af anslaget. For at aftage underanslag H løsnes den skrue, der fastspænder underanslag H, og det trækkes ud. Underanslaget monteres ved at følge aftagningsproceduren i omvendt rækkefølge. Returner underanslag H til dets oprindelige position, når du er færdig med skråsnittene, og fastgør det ved at spænde vingeskruen omhyggeligt til.

Lodret skruestik (Fig. 36)

Den lodrette skruestik kan monteres på enten den venstre eller højre side af anslaget. Sæt skruestangen ind i hullet på anslaget og stram skruen på bagsiden af anslaget til for at holde skruestangen på plads. Indstil skruearmen efter arbejdsemnets tykkelse og form og fastspænd den ved at stramme skruen. Hvis skruen til fastspænding af skruearmen kommer i kontakt med anslaget, skal skruen monteres på den modsatte side af skruearmen. Sørg for, at ingen del af maskinen kommer i kontakt med skruestikken, når håndtaget sænkes helt og slæden skubbes eller trækkes hele vejen. Hvis nogle dele berører skruestikken, bør skruestikken genindstilles.

Tryk arbejdsemnet fladt ind mod anslaget og drejeskiven. Juster arbejdsemnet til den ønskede snitposition og fastgør det ved at stramme skrueknappen.

⚠ ADVARSEL:

- **Arbejdsemnet skal altid være forsvarligt fastspændt mod drejeskiven og anslaget ved hjælp af skruestikken under alt arbejde med maskinen.** Hvis arbejdsemnet ikke er ordentligt fastgjort mod anslaget, kan materialet flytte sig under savningen og muligvis forårsage skade på savklingen, hvilket kan medføre, at materialet kastes ud, tab af kontrol samt alvorlig personskade.

Vandret skruestik (ekstraudstyr) (Fig. 37)

Den vandrette skruestik kan monteres i to stillinger på enten venstre eller højre side af bunden. Når der skal laves geringssnit på 10° eller mere, skal den vandrette skruestik monteres på den side, der vender modsat af den retning, som drejeskiven skal drejes. (Fig. 38) Ved at dreje møtrikken mod urets retning, frigøres skruestikken, og bevæger sig hurtigt ind og ud. Arbejdsemnet gribes ved at man trykker skruestikknappen fremad, indtil skruepladen kommer i kontakt med arbejdsemnet og drejer møtrikken i urets retning. Drej derefter skrueknappen i urets retning for at fastspænde arbejdsemnet. Den maksimale bredde på det arbejdsemne, der kan fastspændes i den vandrette skruestik, er 215 mm. Når den vandrette skruestik monteres på højre side af drejeskiven, skal du også anvende underanslag H for at fastspænde arbejdsemnet bedre. Se det tidligere beskrevne afsnit "Underanslag H" angående montering af underanslag H.

⚠ ADVARSEL:

- **Drej altid møtrikken i urets retning indtil arbejdsemnet er ordentligt fastgjort.** Hvis arbejdsemnet ikke er ordentligt fastgjort, kan materialet flytte sig under savningen og muligvis forårsage skade på savklingen, hvilket kan medføre, at materialet kastes ud, tab af kontrol samt alvorlig personskade.
- Når du saver tynde arbejdsemmer som f.eks. fodpaneler op mod anslaget, skal du altid anvende en vandret skruestik.

BETJENING

BEMÆRK:

- Før brug skal håndtaget altid frigøres fra den nederste stilling ved at trække i stopstiften.
- Læg ikke for meget tryk på håndtaget, når der saves. For kraftigt tryk kan resultere i overbelastning af motoren og/eller formindsket savekapacitet. Tryk kun håndtaget ned med den kraft der behøves for at opnå en god savning og uden nogen synderlig nedsættelse af savklingens hastighed.
- Tryk forsigtigt håndtaget ned for at udføre savningen. Hvis håndtaget trykkes ned med magt, eller hvis det udsættes for sidelæns tryk, vibrerer savklingen og efterlader mærker (savmærker) i arbejdsemnet, ligesom savningen ikke vil blive nøjagtig.
- Ved glidende snit skal slæden forsigtigt skubbes mod anslaget uden at stoppe. Hvis slæden stoppes under

savningen, vil der komme et mærke i arbejdsemnet og savningen vil heller ikke være nøjagtig.

⚠ ADVARSEL:

- **Sørg for, at savklingen ikke har kontakt med arbejdsemnet e.l., før der tændes på kontakten.** Tændes maskinen, mens savklingen er i kontakt med arbejdsemnet, kan det muligvis resultere i tilbageslag og alvorlig personskade.

1. Savning ved tryk (savning af små arbejdsemner) (Fig. 39)

Arbejdsemner med en højde på op til 91 mm og en bredde på op til 70 mm kan saves på følgende måde. Skub slæden helt op mod anslaget og stram låseskruen til for at fastspænde slæden. Fastgør arbejdsemnet korrekt med den rigtige slags skruestik. Tænd for maskinen, uden at savklingen kommer i kontakt med arbejdsemnet og vent, indtil den er kommet op på fuld hastighed, før savklingen sænkes. Sænk derefter forsigtigt håndtaget til den nederste position for at save arbejdsemnet. Når snittet er afsluttet, slukkes maskinen, hvorefter DU SKAL VENTE INDTIL SAVKLINGEN STÅR HELT STILLE, før savklingen bringes tilbage i dens øverste position.

⚠ ADVARSEL:

- **Stram skruen til i urets retning, sådan slæden ikke bevæger sig under arbejdet.** Utilstrækkelig stramning af knappen kan muligvis forårsage tilbageslag, hvilket kan medføre alvorlig personskade.
- #### **2. Savning ved gliden (tryk) (savning af brede arbejdsemner) (Fig. 40)**
- Løsn låseskruen mod uret, så slæden kan glide frit. Fastgør arbejdsemnet med den rigtige slags skruestik. Træk slæden helt ind mod dig. Tænd for maskinen, uden at savklingen kommer i kontakt med arbejdsemnet og vent, indtil klingens er kommet op på fuld hastighed. Tryk håndtaget ned og SKUB SLÆDEN MOD ANSLAGET OG GENNEM ARBEJDESEMNET. Når snittet er afsluttet, slukkes maskinen, hvorefter DU SKAL VENTE INDTIL SAVKLINGEN STÅR HELT STILLE, før savklingen bringes tilbage i dens øverste position.

⚠ ADVARSEL:

- **Når der udføres savning ved gliden, skal du først trække slæden helt ind mod dig og trykke håndtaget helt ned, og derefter skubbe slæden mod anslaget. Begynd aldrig savningen, hvis slæden ikke er trukket helt ind imod dig.** Hvis du udfører savning ved gliden uden at slæden er trukket helt ind imod dig, kan der opstå uventet tilbageslag, som kan medføre alvorlig personskade.
- **Forsøg aldrig at udføre en savning ved gliden ved at trække slæden ind mod dig.** Trækker du slæden ind mod dig selv, mens du saver, kan det medføre uventet tilbageslag og muligvis alvorlig personskade.
- Udfør aldrig savning ved gliden med håndtaget låst i den nederste position.
- **Løsn aldrig den låseskrue, der fastgør slæden, mens savklingen roterer.** En løs slæde under savning kan det medføre uventet tilbageslag og muligvis alvorlig personskade.

3. Geringssnit

Se i det tidligere afsnit "Justering af geringsvinkel".

4. Skråsnit (Fig. 41)

Løsn håndtaget, og vip savklingen for at indstille vinklen til skråsnit (se i det tidligere afsnit "Justering af skråvinkel"). Sørg for at spænde håndtaget godt fast igen, så den valgte skråvinkel fastholdes. Fastgør arbejdsemnet med en skruetvinge. Sørg for, at slæden er trukket helt tilbage mod operatøren. Tænd for maskinen, uden at savklingen kommer i kontakt med arbejdsemnet og vent, indtil klingens er kommet op på fuld hastighed. Sænk derefter håndtaget forsigtigt til den laveste position, mens der lægges tryk på savklingen, og SLÆDEN SKUBBES MOD ANSLAGET FOR AT SKÆRE ARBEJDESEMNET. Når snittet er afsluttet, slukkes maskinen, hvorefter DU SKAL VENTE INDTIL SAVKLINGEN STÅR HELT STILLE, før savklingen bringes tilbage i dens øverste position.

⚠ ADVARSEL:

- **Efter savklingen er indstillet til skråsnit, skal det sikres, at slæden og savklingen kan bevæges frit gennem hele bevægeområdet for det påtænkte snit, inden maskinen anvendes.** Forhindres slædens eller savklingsens bevægelse under savningen, kan det medføre tilbageslag og alvorlig personskade.
- **Under udførsel af et skråsnit skal begge hænder holdes væk fra savklingsens bane.** Savklingsens vinkel kan muligvis forvirre brugeren angående savklingsens egentlige bane under savningen, og kontakt med savklingen vil medføre alvorlig personskade.
- **Savklingen bør ikke hæves, før den er fuldstændigt stoppet.** Under et skråsnit kan den afskårne del muligvis lægge sig op ad savklingen. Hvis savklingen er hævet, mens den roterer, kan det afskårne stykke muligvis kastes ud af savklingen og medføre, at materialet går i stykker, hvilket kan medføre alvorlig personskade.

BEMÆRK:

- Når håndtaget trykkes ned, skal dette gøres samtidig med at savklingen trykkes ned. Hvis der bruges magt vinkelret på drejeskiven, eller hvis retningen på trykket ændres under et snit, bliver det udførte arbejde ikke nøjagtigt.
- Inden udførsel af skråsnit er det muligvis nødvendigt at justere glideanslaget. Se afsnittet "Justering af anslag".

⚠ FORSIGTIG:

- Tag altid underanslag H af, sådan at det ikke på nogen måde er i vejen for slæden under højre skråsnit.

5. Kombineret snit

Kombineret snit er betegnelsen for den proces, hvor der frembringes en skråvinkel samtidig med, at der laves en geringsvinkel i arbejdsemnet. Kombineret snit kan udføres i en vinkel som vist i nedenstående tabel.

| Geringsvinkel | Skråvinkel |
|---------------------------|---------------------------|
| Venstre og højre 0° - 45° | Venstre og højre 0° - 45° |

009713

Se forklaringerne under "Savning ved tryk", "Savning ved gliden", "Geringssnit" og "Skråsnit", når du udfører et kombineret snit.

6. Skæring af krone- og bueformer

Krone- og bueformer kan skæres på en afkorter- og geringssav med formene lagt fladt på drejeskiven. Der er to almindelige typer kroneformer og en type bueform; 52/38° vægvinkel kroneform, 45° vægvinkel kroneform og 45° vægvinkel bueform. Se illustrationerne. (Fig. 42)

Der er krone- og bueform-samlingsled, der er lavet til at passe "inde i" hjørner på 90° ((1) og (2) på Fig. A) og "uden på" hjørner på 90° ((3) og (4) på Fig. A). (Fig. 43 og 44)

Opmåling

Opmål væglængden og juster arbejdsområdet på bordet for at skære vægkontaktanten af til den ønskede længde. Sørg altid for, at skærearbejdsområdets længde på bagsiden af arbejdsområdet af til den samme længde som væggen. Juster snitlængden på vinkelsnittet. Brug altid adskillelige stykker til prøvesnit for at kontrollere savevinklerne.

Ved skæring af krone- og bueformer indstilles skråvinklen og geringsvinklen, som angivet i tabel (A), og formene placeres på overfladen af savbasen, som angivet i tabel (B).

For venstre skråsnit

Tabel (A)

| | Formposition i Fig. A | Skråvinkel | | Geringsvinkel | |
|-----------------------|-----------------------|---------------|-------------|---------------|---------------|
| | | 52/38°-type | 45°-type | 52/38°-type | 45°-type |
| Til indvendigt hjørne | (1) | Venstre 33,9° | Venstre 30° | Højre 31,6° | Højre 35,3° |
| | (2) | | | Venstre 31,6° | Venstre 35,3° |
| Til udvendigt hjørne | (3) | | | Højre 31,6° | Højre 35,3° |
| | (4) | | | | |

006361

Tabel (B)

| | Formposition i Fig. A | Formkant mod anslag | Færdigt stykke |
|-----------------------|-----------------------|---|--|
| Til indvendigt hjørne | (1) | Løftkontaktanten skal være op mod anslaget. | Det færdige stykke vil være på venstre side af savklingen. |
| | (2) | Vægkontaktanten skal være op mod anslaget. | |
| Til udvendigt hjørne | (3) | Løftkontaktanten skal være op mod anslaget. | Det færdige stykke vil være på højre side af savklingen. |
| | (4) | | |

006362

Eksempel:

For skæring af 52/38°-type kroneform for position (1) i Fig. A:

- Vip og indstil skråvinklen på 33,9° VENSTRE.
- Juster og sæt geringsvinklen på 31,6° HØJRE.
- Læg kroneformen med dens brede bagside (skjult) ned på drejeskiven og med dens LØFTKONTAKTKANT mod anslaget på saven.
- Det færdige stykke, der skal anvendes, vil altid være på VENSTRE side af klingens, når snittet er udført.

For højre skråsnit

Tabel (A)

| | Formposition i Fig. A | Skråvinkel | | Geringsvinkel | |
|-----------------------|-----------------------|-------------|-----------|---------------|---------------|
| | | 52/38°-type | 45°-type | 52/38°-type | 45°-type |
| Til indvendigt hjørne | (1) | Højre 33,9° | Højre 30° | Højre 31,6° | Højre 35,3° |
| | (2) | | | Venstre 31,6° | Venstre 35,3° |
| Til udvendigt hjørne | (3) | | | Højre 31,6° | Højre 35,3° |
| | (4) | | | | |

006363

Tabel (B)

| | Formposition i Fig. A | Formkant mod anslag | Færdigt stykke |
|-----------------------|-----------------------|---|--|
| Til indvendigt hjørne | (1) | Vægkontaktanten skal være op mod anslaget. | Det færdige stykke vil være på højre side af savklingen. |
| | (2) | Løftkontaktanten skal være op mod anslaget. | |
| Til udvendigt hjørne | (3) | Vægkontaktanten skal være op mod anslaget. | Det færdige stykke vil være på venstre side af savklingen. |
| | (4) | | |

006364

Eksempel:

For skæring af 52/38°-type kroneform for position (1) i Fig. A:

- Vip og indstil skråvinklen på 33,9° HØJRE.
- Juster og sæt geringsvinklen på 31,6° HØJRE.
- Læg kroneformen med dens brede bagside (skjult) ned på drejeskiven og med dens VÆGKONTAKTKANT mod anslaget på saven.
- Det færdige stykke, der skal anvendes, vil altid være på HØJRE side af klingens, når snittet er udført.

7. Skæring af aluminiumsprofiler (Fig. 45 og 46)

Når aluminiumsprofiler fastspændes, skal der anvendes en afstandsklods eller et stykke affaldstræ som vist i illustrationen for at forhindre, at aluminiumet bliver bøjet eller beskadiget. Anvend skæreeolie, når der skæres aluminiumsprofiler for at forhindre, at der sætter sig aluminium på savklingen.

⚠ ADVARSEL:

- **Forsøg aldrig at skære tykke eller runde aluminiumsprofiler.** Tykke og runde aluminiumsprofiler kan være svære at fastgøre og kan muligvis gå løs under savningen, hvilket kan medføre tab af kontrol og alvorlig personskade.

8. Træanlæg

Anvendelse af træanlæg hjælper med til opnåelse af snit, der er fri for splinter. Fastgør et træanlæg til anslaget ved hjælp af hullerne i anslaget. Se illustrationen angående mål for et anbefalet træanlæg. (Fig. 47)

⚠ FORSIGTIG:

- Anvend et lige stykke træ med ensartet tykkelse som træanlæg.

⚠ ADVARSEL:

- **Anvend skruer til at fastgøre træanlægget til anslaget. Skruerne skal installeres, så skruerhovederne er under træoverfladen, sådan at de ikke er i vejen for placeringen af det materiale,**

der skal saves. Forkert placering af det materiale, der saves, kan medføre uventet bevægelse under savningen, hvilket kan forårsage tab af kontrol og alvorlig personskade.

BEMÆRK:

- Når træanlægget er monteret, skal du ikke dreje drejeskiven med sænket håndtag. I så fald beskadiges savklingen og/eller træanlægget.

9. Notskæring (Fig. 48)

Der kan udføres friseagtige snit ved at man går frem som følger:

Indstil savklingsens nedre grænseposition ved hjælp af justeringsskruen og stoparmen for at begrænse savklingsens skæredybde. Se det tidligere afsnit "Stoparm".

Når savklingsens nedre grænseposition er indstillet, skæres parallelle noter langs arbejdsområdet med anvendelse af savning med gliden (tryk) som vist på illustrationen. Fjern derefter materialet mellem noterne med en mejsel.

⚠ ADVARSEL:

- **Forsøg ikke at udføre denne type skæring ved hjælp af en bredere type savklinge eller en friseklinge.** Forsøg på notskæring med en bredere savklinge eller friseklinge kan medføre uventede skæresultater og tilbageslag, hvilket kan forårsage alvorlig personskade.
- **Sørg altid for at sætte stoparmen tilbage til udgangsstillingen, når du udfører andet end notskæring.** Forsøg på skæring med stoparmen i den forkerte position kan medføre uventede skæresultater og tilbageslag, hvilket kan forårsage alvorlig personskade.

⚠ FORSIGTIG:

- Sørg altid for at sætte stoparmen tilbage til udgangsstillingen, når du udfører andet end notskæring.

Transport af maskinen (Fig. 49)

Sørg for, at maskinen er taget ud af forbindelse. Fastgør savklingen på 0° skråvinkel og drejeskiven på fuld højre geringsvinkelposition. Fastgør glidestængerne så den nedre glidestang låses, når slæden er trukket helt ind mod brugeren, og de øverste stænger låses, når slæden skubbes helt frem mod anslaget (se afsnittet "Justering af glideåbning"). Sænk håndtaget helt og lås det i den nederste position ved at trykke stopstiften ind. Vikl strømledningen rundt om ledningsholderne.

⚠ ADVARSEL:

- **Stopstiften er til transport- og opbevaringsformål og må aldrig bruges ved savearbejder.** Brug af stopstiften til savninger kan medføre uventet bevægelse af savklingen, hvilket kan resultere i tilbageslag og alvorlig personskade.

Bær maskinen ved at holde på begge sider af maskinens bund som vist på illustrationen. Hvis du fjerner holderne, støvposen etc., bliver det nemmere at bære maskinen.

⚠ FORSIGTIG:

- Fastgør altid alle bevægelige dele, inden maskinen transporteres. Hvis nogle af maskinens dele bevæger

sig eller glider under transport, kan det medføre tab af balance og personskade.

VEDLIGEHOLDELSE

⚠ ADVARSEL:

- **Sørg altid for, at værktøjet er slukket, og at stikket er taget ud, før du udfører inspektion eller vedligeholdelse.** Hvis maskinen ikke er slukket, og stikket taget ud, kan utilsigtet start af maskinen medføre alvorlig personskade.
- **Sørg for, at savklingen altid er skarp og ren for at opnå den bedst mulige og sikre ydelse.** Forsøg på savning med en sløv og/eller beskidt savklinge kan medføre tilbageslag og resultere i alvorlig personskade.

BEMÆRK:

- Brug aldrig benzin, benzen, fortynder, alkohol eller lignende. Det kan muligvis medføre misfarvning, deformation eller revner.

Indstilling af skærevinklen

Denne maskine er omhyggeligt indstillet og justeret fra fabrikkens side, men der kan forekomme afvigelser som følge af transport og brug. Hvis maskinen ikke er indstillet korrekt udføres følgende:

1. Geringsvinkel (Fig. 50)

Skub slæden mod anslaget og stram låseskruen til for at fastspænde slæden.

Løsn grebet, der fastspænder drejeskiven. Drej drejeskiven, så viseren står ud for 0° på geringskalaen. Drej nu drejeskiven lidt med og mod uret for at stille drejeskiven i 0° geringsindhakket. (Lad den være som den er, hvis viseren ikke viser 0°.) De sekskantbolte, som fastspænder anslaget, løsnes ved hjælp af topnøglen. (Fig. 51)

Sænk håndtaget helt og lås det i den nederste position ved at trykke stopstiften ind. Sæt savklingsens side i en ret vinkel til anlagesforside ved hjælp af en trekantslineal, anslagsvinkel, etc. Fastspænd derefter sekskantboltene på anslaget, begyndende fra højre side. (Fig. 52)

Sørg for, at viseren står ud for 0° på geringskalaen. Hvis viseren ikke står ud for 0°, løsnes skruen som holder viseren, og viseren justeres, så den står ud for 0°.

2. Skråvinkel

(1) 0° skråvinkel (Fig. 53)

Skub slæden mod anslaget og stram låseskruen til for at fastspænde slæden. Sænk håndtaget helt og lås det i den nederste position ved at trykke stopstiften ind. Håndtaget bag på maskinen løsnes. (Fig. 54)

Drej sekskantboltene på højre side af armen to eller tre gange mod uret for at vippe savklingen til højre. (Fig. 55)

Sæt savklingsens side i en ret vinkel til overfladen af drejeskiven ved hjælp af trekantslinealen, anslagsvinklen, etc. ved at dreje sekskantboltene på højre side af armen med uret. Stram derefter håndtaget godt til. (Fig. 56)

Sørg for, at viseren på armen peger på 0° på skråkalaen på armholderen. Hvis den ikke peger

mod 0°, skal skrueerne, der holder visen, løsnes og justeres så den peger mod 0°.

(2) 45° skråvinkel (Fig. 57)

Juster kun 45° skråvinklen efter at have udført justeringen for 0° skråvinkel. Juster 45° skråvinklen ved at løsne håndtaget og vippe savklingen 45° til venstre. Sørg for, at viseren på armen peger på 45° på skråskalaen på armholderen. Hvis viseren ikke peger mod 45°, skal den venstre 45° skråvinkels-justeringsbolt på armens højre side drejes, indtil viseren peger mod 45°.

For at justere den højre 45° skråvinkel udføres den samme procedure, som er beskrevet ovenfor.

(Fig. 58)

Tag regelmæssigt kulbørsterne af, og efterse dem. Udskift dem, når de er slidt ned til en længde på 3 mm. Hold kulbørsterne rene og frie til at glide i holderne. Begge kulbørster skal udskiftes samtidig. Brug altid kun identiske kulbørster. (Fig. 59) Brug en skruestrækker til at fjerne kulholderdækslerne. Tag de udslidte kulbørster ud, monter de nye, og fastgør kulholderdækslerne.

Efter brug

- Efter brug aftørres spåner eller støv, der måtte klæbe til maskinen, med en klud eller lignende. Hold beskyttelseskærmen ren som tidligere beskrevet i afsnittet "Beskyttelseskærm". Smør de glidende dele på maskinen med olie for at forhindre rustdannelse.
- Når maskinen skal opbevares, skal slæden trækkes helt ind mod dig selv.

For at holde produktet SIKKERT og PÁLIDELIGT skal reparationer samt al anden vedligeholdelse eller justering udføres af autoriserede Makita-servicecentre, og der skal altid benyttes Makita-reservedele.

EKSTRAUDSTYR

ADVARSEL:

- **Dette Makita-tilbehør eller -ekstraudstyr anbefales til brug med den Makita-maskine, som er beskrevet i denne brugsanvisning.** Brug af andet tilbehør eller ekstraudstyr kan medføre alvorlig personskade.
- **Brug kun Makita-tilbehør eller -ekstraudstyr til det formål, det er beregnet til.** Forkert anvendelse af tilbehør eller ekstraudstyr kan medføre alvorlig personskade.

Henvend dig til dit lokale Makita-servicecenter, hvis du har brug for hjælp eller yderligere oplysninger vedrørende tilbehøret.

- Stål- og karbidforstærkede savklinger (Se vores website eller kontakt din lokale Makita-forhandler angående de korrekte savklinger, som kan anvendes til det materiale, som skal saves.)
- Underanslag H
- Skruestik (vandret skruestik)
- Lodret skruestik
- Topnøgle med unbrakonøgle i den anden ende
- Holder
- Holdermontering
- Støvpose
- Vinkel
- Trekantlineal

BEMÆRK:

- Visse dele på listen er muligvis indeholdt maskinindpakningen som standardtilbehør. De kan variere fra land til land.

Støj

Det typiske A-vægtede støjniveau bestemt i overensstemmelse med EN62841-3-9:

Lydtryksniveau (L_{pA}): 92 dB (A)
Lydeffektniveau (L_{WA}): 102 dB (A)
Usikkerhed (K): 3 dB (A)

Bær høreværn.

ENG905-1

ENG907-1

- De(n) angivne støjemissionsværdi(er) er målt i overensstemmelse med en standardtestmetode og kan anvendes til at sammenligne en maskine med en anden.
- De(n) angivne støjemissionsværdi(er) kan også anvendes i en præliminær eksponeringsvurdering.

ADVARSEL:

- **Bær høreværn.**
- **Støjemissionen under den faktiske anvendelse af maskinen kan være forskellig fra de(n) angivne værdi(er), afhængigt af den måde hvorpå maskinen anvendes, især den type arbejdsømne der behandles.**
- **Sørg for at identificere de sikkerhedsforskrifter til beskyttelse af operatøren, som er baseret på en vurdering af eksponering under de faktiske brugsforhold (med hensyntagen til alle dele i brugscyklussen, f.eks. de gange, hvor maskinen er slukket, og når den kører i tomgang i tilgift til afbrydertiden).**

EF-overensstemmelseserklæring

Kun for europæiske lande

EF-overensstemmelseserklæringen er inkluderet som appendiks A til denne betjeningsvejledning.

ΕΛΛΗΝΙΚΑ (Πρωτογενείς οδηγίες)

Γενική περιγραφή

1. Ασφαλιστική περόνη
2. Μπουλόνια
3. Στήριγμα
4. Συγκρότημα στηρίγματος
5. Βίδα
6. Προφυλακτικής δίσκου
7. Αρμός κοπής
8. Δισκοπρίονο
9. Δόντια δίσκου
10. Αριστερή λοξοτομή
11. Ευθεία τομή
12. Δεξιά λοξοτομή
13. Ρυθμιστικό μπουλόνι
14. Περιτροφική βάση
15. Άνω επιφάνεια της περιστροφικής βάσης
16. Περιφέρεια δίσκου
17. Οδηγός
18. Ανασταλτικός βραχίονας
19. Ρυθμιστική βίδα
20. Κλίμακα φαλτσοτομής
21. Δείκτης
22. Μοχλός κλειδώματος
23. Λαβή
24. Μοχλός
25. Βραχίονας
26. Κλίμακα λοξοτομής
27. Κουμπί απασφάλισης
28. Ασφαλιστική βίδα
29. Κουμπί ασφάλισης
30. Σκανδάλη διακόπτης
31. Τρύπα για λουκέτο
32. Διακόπτης για το λείζερ
33. Σηριακή βίδα του κουτιού της μονάδος λείζερ
34. Ξηρό στοιχείο
35. Σωληνωτό κλειδί με εξαγωνο κλειδί στο άλλο του άκρο
36. Στήριγμα κλειδιού
37. Σωληνωτό κλειδί
38. Θήκη δίσκου
39. Κεντρικό κάλυμμα
40. Εξαγωνικό μπουλόνι
41. Βέλος
42. Κλειδίωμα άξονα
43. Εξαγωνικό μπουλόνι (αριστερόστροφο)
44. Εξωτερική φλάντζα
45. Δακτύλιος
46. Εσωτερική φλάντζα
47. Ατρακτος
48. Στόμιο σκόνης
49. Σάκος σκόνης
50. Συνδετήρας
51. Στήριξη
52. Ολισθαίνων οδηγός
53. Βίδα σύσφιξης
54. Βοηθητικός οδηγός R
55. Βίδες
56. Βραχίονας μέγηνης
57. Κουμπί μέγηνης
58. Ράβδος μέγηνης
59. Πλάκα μέγηνης
60. Παξιμάδι μέγηνης
61. Διαμόρφωση κορνίζας τύπου 52/38°
62. Διαμόρφωση κορνίζας τύπου 45°
63. Διαμόρφωση γωνιών τοίχου τύπου 45°
64. Εσωτερική γωνία
65. Εξωτερική γωνία
66. Μέγηνη
67. Μπλοκ αποστάτη
68. Έλασμα αλουμινίου
69. Οριζόντια μέγηνη (προαιρετικό εξάρτημα)
70. Τρύπες
71. Διάνοιξη εγκοπών με δίσκο
72. Τριγωνικός οδηγός
73. Ρυθμιστικό μπουλόνι 0°
74. Ρυθμιστικό μπουλόνι αριστερής γωνίας λοξοτομής 45°
75. Άνω επιφάνεια της βάσης περιστροφής
76. Ρυθμιστικό μπουλόνι δεξιάς γωνίας λοξοτομής 45°
77. Καταβίδι
78. Καπάκι θήκης ψήκτρας

ΠΡΟΔΙΑΓΡΑΦΕΣ

| Μοντέλο | | LS1018 | LS1018L |
|--------------------------------------|--------------------------|--|---|
| Διάμετρος δίσκου | | 255 - 260 mm | |
| Διάμετρος τρύπας | Χώρες εκτός της Ευρώπης | 25,4 mm ή 30 mm (εξαρτάται από τη χώρα) | |
| | Για τις Ευρωπαϊκές χώρες | 30 mm | |
| Μέγιστο πάχος κοπής του δισκοπρίονου | | 3,2 mm | |
| Μέγιστη γωνία φαλτσοτομής | | Δεξιά 60°, Αριστερά 47° | |
| Μέγιστη γωνία λοξοτομής | | Δεξιά 45°, Αριστερά 45° | |
| Ταχύτητα χωρίς φορτίο (ΣΑΛ) | | 4.300 min ⁻¹ | |
| Τύπος λείζερ | | – | Κόκκινο λείζερ 650 nm, Μέγιστη παροχή 1 mW <(κλάση λείζερ 2M) |
| Διαστάσεις (Μ x Π x Υ) | | 825 mm x 536 mm x 633 mm | |
| Καθαρό βάρος | | 21,5 kg | |
| Τάξη ασφάλειας | | □/II | |

- Λόγω του συνεχόμενου προγράμματος που εφαρμόζουμε για έρευνα και ανάπτυξη, τα τεχνικά χαρακτηριστικά στο παρόν έντυπο υπόκεινται σε αλλαγή χωρίς προειδοποίηση.
- Τα τεχνικά χαρακτηριστικά ενδέχεται να διαφέρουν ανάλογα με τη χώρα.
- Βάρος σύμφωνα με τη διαδικασία ΕΡΤΑ 01/2014

Μέγιστη ικανότητα κοπής (Υ x Π) με δίσκο διαμέτρου 260 mm

| Γωνία φαλτσοτομής | Γωνία λοξοτομής | | |
|-------------------|-----------------|----------------|----------------|
| | 45° (αριστερά) | 0° | 45° (δεξιά) |
| 0° | 50 mm x 310 mm | 91 mm x 310 mm | 31 mm x 310 mm |
| 45° | 50 mm x 220 mm | 91 mm x 220 mm | 31 mm x 220 mm |
| 60° (δεξιά) | - | 91 mm x 153 mm | - |

Σύμβολα

END325-1

να επιστρέφονται σε εγκαταστάσεις περιβαλλοντικής ανακύκλωσης.

Παρακάτω παρουσιάζονται τα σύμβολα που χρησιμοποιούνται για τον εξοπλισμό. Βεβαιωθείτε ότι κατανοείτε τη σημασία τους πριν από τη χρήση.



..... Διαβάστε το εγχειρίδιο οδηγιών.



..... ΔΙΠΛΗ ΜΟΝΩΣΗ



..... Για να αποφεύγετε τον τραυματισμό από εκτοξευόμενα θραύσματα, να κρατάτε την κεφαλή του πριονιού προς τα κάτω μετά την ολοκλήρωση των τομών, έως ότου ο δίσκος ακινητοποιηθεί εντελώς.



Κατά την εκτέλεση τομής με ολίσθηση, πρώτα τραβήξτε πλήρως την κινητή βάση και πιέστε κάτω το χερούλι, στη συνέχεια σπρώξτε την κινητή βάση προς τον οδηγό.



..... Μην πλησιάζετε τα χέρια ή τα δάκτυλά σας κοντά στο δίσκο.



..... Ρυθμίστε κατάλληλα τους ολισθαίνοντες οδηγούς μακριά από το δίσκο και τον προφυλακτήρα του δίσκου.



..... Πάντοτε να αφαιρείτε τον ΒΟΗΘΗΤΙΚΟ ΟΔΗΓΟ πριν την εκτέλεση δεξιών λοξοτομών. Αν δεν το κάνετε αυτό, μπορεί να προκληθεί σοβαρός τραυματισμός στο χειριστή.



..... ΑΚΤΙΝΟΒΟΛΙΑ ΛΕΙΖΕΡ: Μην κοιτάτε μέσα στη δέσμη φωτός. Κατευθύνετε τη δέσμη του λέιζερ μακριά από τα μάτια σας.



..... Μόνο για τις χώρες της ΕΕ
Μην απορρίπτετε ηλεκτρικές συσκευές στον κάδο οικιακών απορριμμάτων! Σύμφωνα με την Ευρωπαϊκή Οδηγία περί των απορριμμάτων ηλεκτρικών και ηλεκτρονικών συσκευών και την ενσωμάτωση της στο εθνικό δίκαιο, οι ηλεκτρικές συσκευές, των οποίων έχει παρέλθει ο χρόνος ωφέλιμης ζωής τους, θα πρέπει να συλλέγονται ξεχωριστά και

Προοριζόμενη χρήση

ENE006-1

Το εργαλείο προορίζεται για ακριβείς ευθείες τομές και φαλτσοτομές σε ξύλο. Με τα κατάλληλα δισκοπρίονα, μπορείτε να πριονίσετε και αλουμίνιο.

Ηλεκτρική παροχή

ENF002-2

Το εργαλείο πρέπει να συνδέεται μόνο σε ηλεκτρική παροχή της ίδιας τάσης με αυτήν που αναγράφεται στην πινακίδα ονομαστικών τιμών και μπορεί να λειτουργήσει μόνο με εναλλασσόμενο μονοφασικό ρεύμα. Τα εργαλεία αυτά διαθέτουν διπλή μόνωση και συνεπώς μπορούν να συνδεθούν με πρίζες χωρίς γείωση.

Γενικές προειδοποιήσεις ασφαλείας για το ηλεκτρικό εργαλείο

GEA010-2

⚠️ ΠΡΟΕΙΔΟΠΟΙΗΣΗ: Διαβάστε όλες τις προειδοποιήσεις ασφαλείας, οδηγίες, εικονογραφίες και προδιαγραφές που παρέχονται με αυτό το ηλεκτρικό εργαλείο. Η μη τήρηση όλων των οδηγιών που αναγράφονται κατωτέρω μπορεί να καταλήξει σε ηλεκτροπληξία, πυρκαγιά ή/και σοβαρό τραυματισμό.

Φυλάξτε όλες τις προειδοποιήσεις και τις οδηγίες για μελλοντική παραπομπή.

Στις προειδοποιήσεις, ο όρος "ηλεκτρικό εργαλείο" αναφέρεται σε ηλεκτρικό εργαλείο που τροφοδοτείται από την κύρια παροχή ηλεκτρικού ρεύματος (με ηλεκτρικό καλώδιο) ή σε ηλεκτρικό εργαλείο που τροφοδοτείται από μπαταρία (χωρίς ηλεκτρικό καλώδιο).

ΠΡΟΕΙΔΟΠΟΙΗΣΕΙΣ ΑΣΦΑΛΕΙΑΣ

Οδηγίες ασφαλείας για πριόνια λοξότμησης

ENB130-2

1. Τα πριόνια λοξότμησης προορίζονται για την κοπή ξύλου ή ξυλοειδών προϊόντων. Δεν μπορούν να χρησιμοποιηθούν με λειαντικούς τροχούς αποκοπής για την κοπή σιδηρούχων υλικών όπως μπάρες, ράβδους, στελέχη, κτλ. Η λειαντική σκόνη προκαλεί την εμπλοκή των κινούμενων μερών, όπως του κάτω προφυλακτήρα. Οι σπινθήρες από τη λειαντική κοπή θα κάψουν τον

- κάτω προφυλακτήρα, το ένθετο εγκοπής και άλλα πλαστικά μέρη.
- Χρησιμοποιήστε συγκρατητήρες για να στηρίξετε το τεμάχιο εργασίας, όπου είναι εφικτό. Αν στηρίζετε το τεμάχιο εργασίας με το χέρι, πρέπει πάντα να έχετε το χέρι σας τουλάχιστον 100 mm από κάθε πλευρά της λάμας πριονιού. Μη χρησιμοποιείτε αυτό το πριόνι για να κόψετε κομμάτια που είναι πολύ μικρά για να συγκρατήσετε με ασφάλεια ή να κρατήσετε με το χέρι. Αν τοποθετήσετε το χέρι σας πολύ κοντά στη λάμα πριονιού, υπάρχει αυξημένος κίνδυνος τραυματισμός λόγω επαφής με τη λάμα.**
 - Το τεμάχιο εργασίας πρέπει να είναι ακινητοποιημένο και να συγκρατείται ή να κρατείται επάνω στο φράχτη και τον πάγκο. Μη τροφοδοτείτε ποτέ το τεμάχιο εργασίας στη λάμα και μην κόβετε «με το χέρι». Τα τεμάχια εργασίας που δεν συγκρατούνται ή που κινούνται μπορούν να εκτοξευτούν με υψηλές ταχύτητες, προκαλώντας τραυματισμό.**
 - Σπρώξτε το πριόνι μέσα από το τεμάχιο εργασίας. Μην τραβάτε το πριόνι μέσα από το τεμάχιο εργασίας. Για να κάνετε μια κοπή, σηκώστε την κεφαλή πριονιού και τραβήξτε και βγάλετε την από το τεμάχιο εργασίας χωρίς κοπή, εκκινήστε το μοτέρ, πιέστε την κεφαλή πριονιού προς τα κάτω και στρώξτε το πριόνι μέσα από το τεμάχιο εργασίας. Αν κόβετε στη διαδρομή τραβήγματος, είναι πιθανό η λάμα πριονιού να αναρριχηθεί στο πάνω μέρος του τεμαχίου εργασίας και να πετάξει βίαια τη διάταξη λάμας προς το χειριστή.**
 - Μην περνάτε ποτέ το χέρι σας πάνω από την ενδοδεικνυμένη γραμμή κοπής, ούτε μπροστά ούτε πίσω από τη λάμα πριονιού. Είναι πολύ επικίνδυνο να στηρίζετε το τεμάχιο εργασίας με διασταυρωμένα χέρια, δηλαδή κρατάτε το τεμάχιο εργασίας στα δεξιά της λάμας πριονιού με το αριστερό χέρι σας, ή αντίστροφα. (Εικ. 1)**
 - Μη απλώνετε οποιοδήποτε χέρι πίσω από το φράχτη πιο κοντά από 100 mm από οποιαδήποτε πλευρά της λάμας πριονιού για να απομακρύνετε υπολείμματα ξύλου ή για οποιονδήποτε άλλο λόγο ενώ η λάμα περιστρέφεται. Η απόσταση της περιστρεφόμενης λάμας από το χέρι σας μπορεί να μην είναι προφανής και να τραυματιστείτε σοβαρά.**
 - Επιθεωρήστε το τεμάχιο εργασίας σας πριν την κοπή. Αν το τεμάχιο εργασίας είναι καμπυλωμένο ή περιστραμμένο, συγκρατήστε το με την εξωτερική πρόσοψη της καμπύλης προς το φράχτη. Να βεβαιώνετε πάντα ότι δεν υπάρχει κενό μεταξύ του τεμαχίου εργασίας, του φράχτη και του πάγκου κατά μήκος της γραμμής κοπής. Τα λυγισμένα ή περιστραμμένα τεμάχια εργασίας μπορούν να συστραφούν ή να μεταποτιστούν, και μπορεί να εμπλακούν στην περιστρεφόμενη λάμα πριονιού κατά την κοπή. Δεν πρέπει να υπάρχουν καρφιά ή ξένα αντικείμενα στο τεμάχιο εργασίας.**
 - Μη χρησιμοποιείτε το πριόνι αν υπάρχουν εργαλεία, υπολείμματα ξύλου, κτλ. επάνω στον πάγκο, θα πρέπει να υπάρχει μόνο το τεμάχιο εργασίας. Τα υπολείμματα μικρού μεγέθους ή τα χαλαρά κομμάτια ξύλου ή άλλα αντικείμενα που μπορεί να έρθουν σε επαφή με την περιστρεφόμενη λάμα μπορεί να εκτοξευτούν με υψηλή ταχύτητα.**
 - Μην κόβετε ποτέ περισσότερα από ένα τεμάχια εργασίας ταυτόχρονα. Τα πολλά στοιβαγμένα τεμάχια εργασίας δεν γίνονται να συγκρατηθούν ή να στηριχθούν σωστά και μπορεί να εμπλακούν στη λάμα ή να μεταποτιστούν κατά την κοπή.**
 - Βεβαιωθείτε ότι το πριόνι λοξότμησης είναι στερεωμένο ή τοποθετημένο σε μια επίπεδη, σταθερή επιφάνεια πριν τη χρήση. Μια επίπεδη και σταθερή επιφάνεια εργασίας μειώνει τον κίνδυνο αστάθειας του πριονιού λοξότμησης.**
 - Να προγραμμάτιζετε την εργασία σας. Κάθε φορά που αλλάζετε τη ρύθμιση της κωνικής γωνίας ή της λοξής γωνίας, να βεβαιώσετε ότι ο ρυθμιζόμενος φράχτης είναι σωστά ρυθμισμένος για να στηρίζει το τεμάχιο εργασίας καθώς και ότι δεν παρεμβαίνει με τη λάμα ή το σύστημα προστασίας. Χωρίς να ενεργοποιηθεί το εργαλείο και χωρίς τεμάχιο εργασίας στον πάγκο, μετακινήστε τη λάμα πριονιού σε μια ολοκληρωμένη προσομοιωμένη κοπή για να βεβαιωθείτε ότι δεν θα υπάρχει καμία παρεμβολή ή κίνδυνος κοπής του φράχτη.**
 - Παρόσχετε επαρκή στήριξη, όπως επεκτάσεις πάγκου, τρίποδα πριονισματος, κτλ. για ένα τεμάχιο εργασίας με πλάτος ή μήκος μεγαλύτερο από την επιφάνεια του πάγκου. Τα τεμάχια εργασίας που είναι μακρύτερα ή πλατύτερα από τον πάγκο του πριονιού λοξότμησης μπορούν να ανατραπούν αν δεν υποστηρίζονται με ασφάλεια. Αν το αποκομμένο κομμάτι ή το τεμάχιο εργασίας ανατραπεί, μπορεί να ανασκηωθεί ο κάτω προφυλακτήρας ή να εκτοξευτεί από την περιστρεφόμενη λάμα.**
 - Μη χρησιμοποιείτε κάποιο άλλο άτομο ως υποκατάστατο μιας επέκτασης πάγκου ή ως επιπρόσθετη στήριξη. Η ασταθής στήριξη του τεμαχίου εργασίας μπορεί να προκαλέσει την εμπλοκή της λάμας ή τη μετατόπιση του τεμαχίου εργασίας κατά την εργασία κοπής, τραβώντας εσάς και το βοηθό μέσα στην περιστρεφόμενη λάμα.**
 - Το αποκομμένο κομμάτι δεν πρέπει να εμπλακεί ή να πιεστεί με οποιονδήποτε τρόπο επάνω σε μια περιστρεφόμενη λάμα πριονιού. Αν περιοριστεί, δηλ. με τη χρήση αναστολέων μήκους, το αποκομμένο κομμάτι μπορεί να σφηνώσει επάνω στη λάμα και να εκτοξευτεί βίαια.**
 - Να χρησιμοποιείτε πάντα συγκρατητήρα ή μηχανισμό που έχει σχεδιαστεί για τη σωστή στήριξη στρουγγυλεμένων υλικών όπως ραβδούς ή σωληνώσεις. Οι ράβδοι έχουν την τάση να κυλιούνται ενώ κόβονται, προκαλώντας την εμπλοκή της λάμας και το τραβήγμα του τεμαχίου εργασίας μαζί με το χέρι σας μέσα στη λάμα.**
 - Αφίστε τη λάμα να αποκτήσει μέγιστη ταχύτητα πριν έρθει σε επαφή με το τεμάχιο εργασίας. Έτσι θα μειωθεί ο κίνδυνος εκτόξευσης του τεμαχίου εργασίας.**
 - Αν το τεμάχιο εργασίας ή η λάμα εμπλακεί, απενεργοποιήστε το πριόνι λόγω ότμησης. Περιμένετε να ακινητοποιηθούν όλα τα κινούμενα μέρη και αποσυνδέστε το φως από την πηγή τροφοδοσίας ή/και βγάλετε το πακέτο μπαταριών.**

Μετά, εργαστείτε για να ελευθερώσετε το υλικό που έχει εμπλακεί. Το συνεχιζόμενο πριόνισμα με τεμάχιο εργασίας που έχει εμπλακεί μπορεί να προκαλέσει την απώλεια ελέγχου ή ζημιά στο πριόνι λοξότμησης.

18. Αφού τελειώσετε την κοπή, αφήστε το διακόπτη, κρατήστε την κεφαλή πριονιού προς τα κάτω και περιμένετε να ακινητοποιηθεί η λάμα πριν αφαιρέσετε το αποκομμένο κομμάτι. Είναι επικίνδυνο να τοποθετήσετε το χέρι σας κοντά σε λάμα που συνεχίζει να περιστρέφεται.
19. Κρατήστε τη λαβή σταθερά όταν εκτελείτε μια ατελή κοπή ή όταν αφήνετε το διακόπτη πριν η κεφαλή πριονιού βρεθεί πλήρως στην κάτω θέση. Η ενέργεια πέδησης του πριονιού μπορεί να προκαλέσει το ξαφνικό τράβηγμα της κεφαλής πριονιού προς τα κάτω, προκαλώντας κίνδυνο τραυματισμού.
20. Χρησιμοποιείτε μόνο τη λάμα πριονιού με τη διάμετρο που είναι επισημασμένη στο εργαλείο ή που καθορίζεται στο εγχειρίδιο. Η χρήση μιας λάμας λανθασμένου μεγέθους μπορεί να επηρεάσει τη σωστή προστασία της λάμας ή τη λειτουργία του προφυλακτήρα, γεγονός που μπορεί να έχει ως αποτέλεσμα σοβαρό προσωπικό τραυματισμό.
21. Να χρησιμοποιείτε μόνο λάμες πριονιού που είναι επισημασμένες με ταχύτητα ίση με ή υψηλότερη από την ταχύτητα που είναι επισημασμένη στο εργαλείο.
22. Μη χρησιμοποιείτε το πριόνι για να κόψετε οτιδήποτε άλλο εκτός από ξύλο, αλουμίνιο ή παρόμοια υλικά.
23. (Για τις Ευρωπαϊκές χώρες μόνο)
Να χρησιμοποιείτε πάντα λάμα που συμμορφώνεται με το πρότυπο EN847-1.

Επιπρόσθετες οδηγίες

1. Χρησιμοποιήστε λουκέτα για να καταστήσετε το συνεργείο ασφαλές για παιδιά.
2. Ποτέ μην στέκεστε πάνω στο εργαλείο. Μπορεί να προκληθεί σοβαρός τραυματισμός αν το εργαλείο ανατραπεί ή αν αγγίξετε κατά λάθος το εργαλείο κοπής.
3. Μην αφήνετε ποτέ το εργαλείο σε λειτουργία αν δεν το προσέχετε. Απενεργοποιήστε την ισχύ. Μην αφήσετε το εργαλείο μέχρι να ακινητοποιηθεί εντελώς.
4. Μη χειρίζεστε το εργαλείο χωρίς τους προφυλακτήρες στη θέση τους. Ελέγξτε τον προφυλακτήρα λάμας για κανονικό κλείσιμο πριν από κάθε χρήση. Μη θέτετε το πριόνι σε λειτουργία αν ο προφυλακτήρας λάμας δεν κινείται ελεύθερα και δεν κλείνει αμέσως. Ποτέ μη σφίξετε ή δέσετε τον προφυλακτήρα λάμας στη θέση ανοίγματος.
5. Κρατάτε τα χέρια μακριά από την τροχιά της λάμας πριονιού. Αποφύγετε επαφή και με λάμες μικρής ταχύτητας. Μπορεί επίσης να προκαλέσουν σοβαρό τραυματισμό.
6. Για να μειώσετε τον κίνδυνο πρόκλησης τραυματισμού, να επιστρέψετε την κινητή βάση στην πλήρως πίσω θέση μετά από κάθε εργασία εγκάρσιας τομής.
7. Να ασφαρίζετε πάντα όλα τα κινούμενα τμήματα πριν μεταφέρετε το εργαλείο.

8. Ο ανασταλτικός πείρος που κλειδώνει την κεφαλή του κόπτη κάτω είναι μόνο για τον σκοπό μεταφοράς και αποθήκευσης και όχι για λειτουργίες κοπής.
9. Πριν από τη λειτουργία, να ελέγχετε προσεκτικά τη λάμα για ραγίσματα ή ζημιά. Να αντικαθιστάτε αμέσως ραγισμένη ή κατεστραμμένη λάμα. Η κόλλα και τα πριονίσματα ξύλου που έχουν ξεραθεί επάνω στις λάμες επιβραδύνουν το πριόνι και αυξάνουν την πιθανότητα κλοστήματος. Διατηρείτε τη λάμα καθαρή αφού πρώτα τη βγάλετε από το εργαλείο και μετά την καθαρίσετε με καθαριστικό για κόλλα και πριονίσματα, ζεστό νερό ή κηροζίνη. Μην χρησιμοποιείτε ποτέ βενζίνη για να καθαρίσετε τη λάμα.
10. Ενώ χρησιμοποιείτε μια ολισθητική κοπή, μπορεί να συμβεί ΚΛΟΤΣΗΜΑ. Το ΚΛΟΤΣΗΜΑ συμβαίνει όταν η λάμα εμπλέκεται μέσα στο τεμάχιο εργασίας κατά την εργασία κοπής και η λάμα πριονιού οδηγείται γρήγορα προς το χειριστή. Μπορεί να προκληθεί απώλεια ελέγχου και σοβαρός προσωπικός τραυματισμός. Αν η λάμα αρχίσει να εμπλέκεται κατά την εργασία κοπής, μη συνεχίσετε την κοπή και αφήστε το διακόπτη αμέσως.
11. Χρησιμοποιείτε μόνο τις ειδικές φλάντζες για το εργαλείο αυτό.
12. Προσέξτε να μη κάνετε ζημιά στην άτρακτο, στις φλάντζες (ειδικά στην επιφάνεια εγκατάστασης) ή στο μπουλόνι. Ζημιά στα εξαρτήματα αυτά μπορεί να προκαλέσει σπάσιμο της λάμας.
13. Να βεβαιώνετε ότι η περιστροφική βάση είναι κατάλληλα ασφαλισμένη, ώστε να μη μετακινηθεί κατά τη λειτουργία. Χρησιμοποιήστε τις οπές στη βάση για να στερεώσετε το πριόνι σε μια σταθερή πλατφόρμα εργασίας ή πάγκο. Μη χρησιμοποιείτε ΠΟΤΕ εργαλείο όταν η στάση του χειριστή μπορεί να είναι αδέξια.
14. Να βεβαιώνετε ότι η ασφάλιση άξονα είναι ελεύθερη πριν ενεργοποιήσετε τον διακόπτη.
15. Να βεβαιώνετε ότι η λάμα δεν αγγίζει την περιστροφική βάση στην κατώτατη θέση.
16. Να κρατάτε σταθερά τη λαβή. Έχετε υπόψη σας ότι το πριόνι κινείται πάνω και κάτω ελαφρά κατά το ξεκίνημα και το σταμάτημα.
17. Να βεβαιώνετε ότι η λάμα δεν αγγίζει το τεμάχιο εργασίας πριν την ενεργοποίηση του διακόπτη.
18. Πριν χρησιμοποιήσετε το εργαλείο στο πραγματικό τεμάχιο εργασίας, αφήστε το να τρέξει για λίγο. Παρακολουθήστε το για κραδασμούς ή ταλαντώσεις που μπορεί να δείχνουν κακή τοποθέτηση ή κακή ισοζύγισή λάμας.
19. Σταματήστε αμέσως τη λειτουργία εάν παρατηρήσετε κάτι αφύσικο.
20. Μην προσπαθήσετε να κλειώσετε τη σκανδάλη στη θέση «ΕΝΕΡΓΟΠΟΙΗΣΗΣ».
21. Να χρησιμοποιείτε πάντα τα ανταλλακτικά που συνηθίζονται στο εγχειρίδιο αυτό. Η χρήση ακατάλληλων ανταλλακτικών όπως λειαντικών τροχών μπορεί να προκαλέσει τραυματισμό.
22. Μερικά υλικά περιέχουν χημικά που μπορεί να είναι τοξικά. Να προσέχετε ώστε να αποφεύγετε την εισπνοή σκόνης και την επαφή με το δέρμα.

Να ακολουθείτε τα δεδομένα ασφάλειας του προμηθευτή υλικού.

Πρόσθετοι κανόνες ασφάλειας για το λέιζερ

1. **ΑΚΤΙΝΟΒΟΛΙΑ ΛΕΙΖΕΡ, ΜΗΝ ΚΟΙΤΑΤΕ ΜΕΣΑ ΣΤΗ ΔΕΣΜΗ ΚΑΙ ΜΗΝ ΠΡΟΒΑΛΕΤΕ ΚΑΤΕΥΘΕΙΑΝ ΜΕ ΟΠΤΙΚΑ ΟΡΓΑΝΑ, ΠΡΟΪΟΝ ΛΕΙΖΕΡ ΤΑΞΗΣ 2Μ.**

ΦΥΛΑΞΕΤΕ ΑΥΤΕΣ ΤΙΣ ΟΔΗΓΙΕΣ.

ΠΡΟΕΙΔΟΠΟΙΗΣΗ:

ΜΗΝ επιτρέψετε στην άνεση ή στην εξοικείωσή σας με το προϊόν (που αποκτήθηκε από επανειλημμένη χρήση) να αντικαταστήσει την αυστηρή τήρηση των κανόνων ασφαλείας του παρόντος εργαλείου. Η **ΛΑΝΘΑΣΜΕΝΗ ΧΡΗΣΗ** ή η αμέλεια να ακολουθήσετε τους κανόνες ασφάλειας που διατυπώνονται στο παρόν εγχειρίδιο οδηγιών μπορεί να προκαλέσει σοβαρό προσωπικό τραυματισμό.

ΤΟΠΟΘΕΤΗΣΗ

Έδραση σε πάγκο (Εικ. 2)

Κατά τη μεταφορά του εργαλείου, το χερούλι πρέπει να είναι ασφαλισμένο στη χαμηλωμένη θέση με την ασφαλιστική περόνη. Ελευθερώστε την ανασταλτική περόνη ασκώντας ταυτόχρονα μια ελαφριά πίεση προς τα κάτω στη λαβή και τραβώντας την ανασταλτική περόνη. (Εικ. 3)

Το εργαλείο αυτό πρέπει να στερεωθεί με τέσσερα μπουλόνια σε μια επίπεδη και σταθερή επιφάνεια με τη βοήθεια των τρυπών των μπουλονιών που παρέχονται στη βάση του εργαλείου. Αυτό θα συμβάλλει στη μείωση της πιθανότητας κλίσης και πρόκλησης τραυματισμού.

Εγκατάσταση των στηριγμάτων και συγκροτημάτων των στηριγμάτων

ΣΗΜΕΙΩΣΗ:

- Σε ορισμένες χώρες, τα στηρίγματα και τα συγκροτήματα των στηριγμάτων δεν επιτρέπεται να συμπεριληφθούν στο πακέτο εργαλείων ως βασικό εξάρτημα. (Εικ. 4)

Τα στηρίγματα και τα συγκροτήματα των στηριγμάτων υποστηρίζουν τα τεμάχια εργασίας οριζόντια.

Τοποθετήστε τα στηρίγματα και τα συγκροτήματα των στηριγμάτων και στις δύο πλευρές όπως φαίνεται στην εικόνα.

Στη συνέχεια σφίξτε τις βίδες σταθερά για να ασφαλίσετε τα στηρίγματα και τα συγκροτήματα των στηριγμάτων.

ΠΕΡΙΓΡΑΦΗ ΛΕΙΤΟΥΡΓΙΑΣ

ΠΡΟΕΙΔΟΠΟΙΗΣΗ:

- **Να βεβαιώνετε πάντοτε ότι το εργαλείο είναι σβηστό και αποσυνδεδεμένο από το ηλεκτρικό ρεύμα πριν ρυθμίσετε ή ελέγξετε κάποια λειτουργία του.** Αν δεν σβήσετε το εργαλείο και δεν το αποσυνδέσετε από την πρίζα μπορεί να προκληθεί σοβαρός προσωπικός τραυματισμός από τυχαία εκκίνηση.

Προφυλακτήρας δίσκου (Εικ. 5)

Όταν χαμηλώνει το χερούλι, ο προφυλακτήρας του δίσκου ανυψώνεται αυτόματα. Ο προφυλακτήρας του δίσκου είναι ελατηριωτός, και έτσι επιστρέφει στην αρχική του θέση όταν ολοκληρώσετε την κοπή και ανυψώσετε το χερούλι.

ΠΡΟΕΙΔΟΠΟΙΗΣΗ:

- **Ποτέ να μην αφαιρέσετε τον προφυλακτήρα του δίσκου ή το ελατήριο που υπάρχει προσδεμένο στον προφυλακτήρα.** Ένας εκτεθειμένος δίσκος, ως αποτέλεσμα της παρακάμψης της προφύλαξης, μπορεί να προκαλέσει σοβαρό προσωπικό τραυματισμό κατά τη λειτουργία.

Για την προσωπική ασφάλειά σας, να διατηρείτε πάντοτε τον προφυλακτήρα του δίσκου σε καλή κατάσταση.

Οποιαδήποτε ανώμαλη λειτουργία του προφυλακτήρα του δίσκου πρέπει να διορθώνεται αμέσως. Ελέγξτε για να βεβαιωθείτε για τη σωστή επιστροφή του ελατηρίου του προφυλακτήρα.

ΠΡΟΕΙΔΟΠΟΙΗΣΗ:

- **Μην χρησιμοποιήσετε τότε το εργαλείο εάν ο προφυλακτήρας του δίσκου ή το ελατήριο έχουν υποστεί βλάβη, είναι ελαττωματικά ή έχουν αφαιρεθεί.** Η λειτουργία του εργαλείου με ένα προφυλακτήρα που έχει υποστεί ζημιά, είναι ελαττωματικός ή έχει αφαιρεθεί μπορεί να προκαλέσει σοβαρό προσωπικό τραυματισμό.

Αν βρωμίσει το διαφανές του προφυλακτήρα του δίσκου ή αν προσκολληθούν πριονίδια σε αυτό και δεν μπορείτε πλέον να βλέπετε εύκολα το δίσκο ή το τεμάχιο εργασίας, αποσυνδέστε το πριόνι από την ηλεκτρική παροχή και καθαρίστε τον προφυλακτήρα προσεκτικά με ένα βρεγμένο πανί. Μην χρησιμοποιείτε διαλυτικά ή οποιαδήποτε καθαριστικά με βάση το πετρέλαιο πάνω στον πλαστικό προφυλακτήρα επειδή μπορεί να προκληθεί βλάβη στον προφυλακτήρα.

Εάν ο προφυλακτήρας του δίσκου καταστεί βρώμικος και απαιτεί καθαρισμό για την σωστή λειτουργία, ακολουθήστε τα παρακάτω βήματα:

Έχοντας το εργαλείο σβηστό και βγαλμένο από τη πρίζα, χρησιμοποιήστε το παρεχόμενο σωληνωτό κλειδί για να ξεσφίξετε τα εξάγωνα μπουλόνια που κρατούν το κεντρικό κάλυμμα. Περιστρέψτε το εξαγωνικό μπουλόνι αριστερόστροφα για να το ξεσφίξετε και ανυψώστε τον προφυλακτήρα του δίσκου και το κεντρικό κάλυμμα. (Εικ. 6)

Με τον προφυλακτήρα του δίσκου σε αυτήν τη θέση, ο καθαρισμός μπορεί να είναι πιο ολοκληρωμένος και αποτελεσματικός. Όταν ολοκληρωθεί ο καθαρισμός, ακολουθήστε την παραπάνω διαδικασία με αντίστροφη σειρά και ασφαλίστε το μπουλόνι. Μην αφαιρέσετε το ελατήριο που συγκρατεί τον προφυλακτήρα του δίσκου.

Αν ο προφυλακτήρας φθαρεί με την πάροδο του χρόνου ή με την έκθεση στην υπεριώδη ακτινοβολία, επικοινωνήστε με το κέντρο εξυπηρέτησης της Makita για να προμηθευτείτε ένα καινούριο προφυλακτήρα. **ΜΗΝ ΠΑΡΑΚΑΜΨΕΤΕ ΚΑΙ ΜΗΝ ΑΦΑΙΡΕΣΕΤΕ ΤΟ ΠΡΟΣΤΑΤΕΥΤΙΚΟ.**

Τοποθέτηση του αρμού κοπής (Εικ. 7 και 8)

Το εργαλείο αυτό παρέχεται με αρμούς κοπής στη περιστροφική βάση για να ελαχιστοποιείται το σχίσιμο στην πλευρά εξόδου μιας κοπής. Οι αρμοί κοπής είναι εργοστασιακά ρυθμισμένοι έτσι ώστε το δισκοπρίονο να μην έρχεται σε επαφή με τους αρμούς κοπής. Πριν από τη χρήση, ρυθμίστε τους αρμούς κοπής με τον τρόπο που περιγράφεται παρακάτω:

Πρώτα, αποσυνδέστε το εργαλείο από το ηλεκτρικό ρεύμα. Ξεσφίξτε όλες τις βίδες (3 σε κάθε πλευρά, αριστερά και δεξιά) που στερεώνουν τους αρμούς κοπής. Σφίξτε τις ξανά μόνο στο σημείο κατά το οποίο οι αρμοί κοπής μπορούν να αφαιρεθούν εύκολα με το χέρι. Χαμηλώστε πλήρως το χερούλι και στρώστε την ασφαλιστική περόνη για να κλειδώσει το χερούλι στη χαμηλωμένη θέση του. Ξεσφίξτε τη βίδα που στερεώνει τους ολισθαίνοντες στύλους. Τραβήξτε την κινητή βάση πλήρως προς το μέρος σας. Ρυθμίστε τους αρμούς κοπής έτσι ώστε να εφάπτονται ελαφρά στα δόντια του δίσκου. Σφίξτε τις μπροστινές βίδες (μην τις σφίξετε καλά). Σπρώξτε την κινητή βάση πλήρως προς τον οδηγό και ρυθμίστε τους αρμούς κοπής έτσι ώστε να εφάπτονται ελαφρά στις πλευρές των δοντιών του δίσκου. Σφίξτε τις πίσω βίδες (μην τις σφίξετε καλά). Μετά τη ρύθμιση των αρμών κοπής, ελευθερώστε την ασφαλιστική περόνη και ανυψώστε το χερούλι. Στη συνέχεια σφίξτε όλες τις βίδες γερά.

ΕΙΔΟΠΟΙΗΣΗ:

- Πριν την ρύθμιση της γωνίας λοξοτομής διασφαλίστε ότι οι αρμοί κοπής έχουν ρυθμιστεί κατάλληλα. Η σωστή ρύθμιση των αρμών κοπής θα βοηθήσει στην παροχή του κατάλληλου στηρίγματος του τεμαχίου εργασίας ελαχιστοποιώντας τη φθορά του.

Διατήρηση μέγιστης ικανότητας κοπής

Το εργαλείο αυτό είναι ρυθμισμένο εργοστασιακά για να παρέχει τη μέγιστη ικανότητα κοπής για δισκοπρίονο 255 mm.

Αποσυνδέστε το εργαλείο από το ηλεκτρικό ρεύμα πριν προσπαθήσετε να κάνετε την οποιαδήποτε ρύθμιση. Όταν τοποθετείτε καινούργιο δίσκο, να ελέγχετε πάντοτε τη χαμηλότερη θέση ορίου του δίσκου και αν απαιτείται, ρυθμίστε την ως εξής: (Εικ. 9 και 10)

Πρώτα, αποσυνδέστε το εργαλείο από το ηλεκτρικό ρεύμα. Σπρώξτε την κινητή βάση πλήρως προς τον οδηγό και χαμηλώστε εντελώς το χερούλι. Χρησιμοποιήστε το εξαγωνικό κλειδί για να περιστρέψετε το ρυθμιστικό μπουλόνι έως ότου η περιφέρεια του δίσκου να εκτείνεται λίγο κάτω από την άνω επιφάνεια της περιστροφικής βάσης στο σημείο όπου η μπροστινή όψη του οδηγού συναντά την άνω επιφάνεια της περιστροφικής βάσης. Με το εργαλείο αποσυνδεδεμένο από την ηλεκτρική παροχή, περιστρέψτε το δίσκο με το χέρι ενώ κρατάτε το χερούλι εντελώς προς τα κάτω ώστε να είστε σίγουροι ότι ο δίσκος δεν έρχεται σε επαφή με οποιοδήποτε τμήμα της κάτω βάσης. Ρυθμίστε ξανά λίγο, αν απαιτείται.

⚠️ ΠΡΟΕΙΔΟΠΟΙΗΣΗ:

- Μετά την τοποθέτηση του καινούργιου δίσκου και με το εργαλείο βγαλμένο από την πρίζα, να βεβαιώνετε πάντοτε ότι ο δίσκος δεν έρχεται σε επαφή με κανένα τμήμα της κάτω βάσης όταν το χερούλι είναι εντελώς

χαμηλωμένο. Αν ο δίσκος έρχεται σε επαφή με τη βάση, μπορεί να κλωτσήσει και να προκληθεί σοβαρός προσωπικός τραυματισμός.

Ανασταλτικός βραχίονας (Εικ. 11)

Η θέση του κάτω ορίου του δίσκου μπορεί εύκολα να ρυθμιστεί με τον ανασταλτικό βραχίονα. Για να τη ρυθμίσετε μετακινήστε τον ανασταλτικό βραχίονα προς την διεύθυνση του βέλους που δείχνεται στην εικόνα. Προσαρμόστε τη ρυθμιστική βίδα έτσι ώστε ο δίσκος να σταματά στην επιθυμητή θέση όταν είναι πλήρως χαμηλωμένο το χερούλι.

Ρύθμιση της γωνίας φалστοτομής (Εικ. 12)

Περαιτέρω τη λαβή αριστερόστροφα για να την ξεσφίξετε. Γυρίστε την περιστροφική βάση ενώ πιέζετε προς τα κάτω το μοχλό κλειδώματος. Όταν έχετε μετακινήσει τη λαβή στη θέση όπου ο δείκτης είναι στραμμένος στην επιθυμητή γωνία της κλίμακας φалστοτομής, σφίξτε καλά το χερούλι δεξιόστροφα.

⚠️ ΠΡΟΣΟΧΗ:

- Μετά την αλλαγή της γωνίας φалστοτομής, να ασφαλίσετε πάντοτε την περιστροφική βάση σφίγγοντας καλά το χερούλι.

ΣΗΜΕΙΩΣΗ:

- Όταν γυρίζετε την περιστροφική βάση, να φροντίζετε ώστε να ανυψώνετε εντελώς το χερούλι.

Ρύθμιση της γωνίας λοξοτομής (Εικ. 13)

Για να ρυθμίσετε τη γωνία λοξοτομής, ξεσφίξτε το μοχλό στο πίσω μέρος του εργαλείου περιστρέφοντάς τον αριστερόστροφα. Ξεκλειδώστε το βραχίονα στρώνοντας το χερούλι κάτω ισχυρά προς την κατεύθυνση που σκοπεύετε να δώσετε κλίση στο δισκοπρίονο.

ΕΙΔΟΠΟΙΗΣΗ:

- Ο μοχλός μπορεί να ρυθμιστεί σε μια διαφορετική γωνία αφαιρώντας την βίδα που κρατά τον μοχλό και στερεώνοντας τον στην επιθυμητή γωνία. (Εικ. 14) Δώστε κλίση στο δισκοπρίονο έως ότου ο δείκτης να δείχνει την επιθυμητή γωνία στην κλίμακα λοξοτομής. Κατόπιν σφίξτε τον μοχλό περιστρέφοντάς τον σταθερά δεξιόστροφα για να ασφαλίσετε το βραχίονα. (Εικ. 15) Όταν δίνετε κλίση στην κινητή βάση προς τα δεξιά, δώστε της μια ελαφριά κλίση προς τα αριστερά αφότου ξεσφίξετε τον μοχλό και πιέσετε το κουμπί απασφάλισης. Με πατημένο το κουμπί απασφάλισης δώστε κλίση στην κινητή βάση προς τα δεξιά. (Εικ. 16) Δώστε κλίση στο δισκοπρίονο έως ότου ο δείκτης να δείχνει την επιθυμητή γωνία στην κλίμακα λοξοτομής. Κατόπιν σφίξτε καλά το μοχλό περιστρέφοντάς τον δεξιόστροφα για να ασφαλίσετε το βραχίονα.
- Όταν αλλάζετε τις γωνίες λοξοτομής, φροντίστε ώστε να τοποθετήσετε κατάλληλα τους αρμούς κοπής όπως έχει περιγραφεί στην ενότητα "Τοποθέτηση των αρμών κοπής".

⚠️ ΠΡΟΣΟΧΗ:

- Μετά την αλλαγή της γωνίας λοξοτομής, να ασφαλίσετε πάντοτε το βραχίονα σφίγγοντας το μοχλό δεξιόστροφα.

ΕΙΔΟΠΟΙΗΣΗ:

- Όταν δίνετε κλίση στο δισκοπρίονο, να φροντίζετε ώστε να ανυψώνετε εντελώς το χερούλι.
- Όταν αλλάζετε τις γωνίες λοξοτομών, φροντίστε ώστε να τοποθετήσετε κατάλληλα τους αρμούς κοπής όπως έχει περιγραφεί στην ενότητα “Τοποθέτηση των αρμών κοπής”.

Ρύθμιση κλειδώματος ολίσθησης (Εικ. 17)

Για να κλειδώσετε τον στύλο ολίσθησης, στρέψτε προς τα δεξιά την ασφαλιστική βίδα.

Δράση διακόπτη (Εικ. 18)

Για να μην πιέζεται η σκανδάλη-διακόπτης κατά λάθος, παρέχεται ένα κουμπί κλειδώματος. Για να ξεκινήσετε τη λειτουργία του εργαλείου, πιέστε το κουμπί κλειδώματος και τραβήξτε τη σκανδάλη-διακόπτης. Για να σταματήσετε το εργαλείο, αφήστε τη σκανδάλη-διακόπτης.

⚠ ΠΡΟΕΙΔΟΠΟΙΗΣΗ:

- **Πριν συνδέετε το εργαλείο, πάντοτε να ελέγχετε ότι η σκανδάλη-διακόπτης ενεργοποιείται κανονικά και επιστρέφει στη θέση «OFF» όταν την αφήνετε. Μην τραβάτε τη σκανδάλη-διακόπτης με βία χωρίς να πατάτε το κουμπί ασφάλισης. Αυτό μπορεί να προκαλέσει το σπάσιμο του διακόπτη.** Η λειτουργία ενός εργαλείου με ένα διακόπτη που δεν ενεργοποιείται σωστά μπορεί να οδηγήσει στην απώλεια του ελέγχου και το σοβαρό προσωπικό τραυματισμό.

Για το κλειδώμα του εργαλείου υπάρχει πάνω στη σκανδάλη-διακόπτης μια τρύπα για να μπορεί να μπει λουκέτο.

⚠ ΠΡΟΕΙΔΟΠΟΙΗΣΗ:

- **Μην χρησιμοποιήσετε μια κλειδαριά με στέλεχος ή καλώδιο μικρότερο από 6,35 mm σε διάμετρο.** Ένας μικρός άξονας ή καλώδιο μπορεί να μην ασφαλίσει κατάλληλα το εργαλείο στην κλειστή θέση και μια ακούσια επανεκκίνηση μπορεί να συμβεί προκαλώντας σοβαρό προσωπικό τραυματισμό.
- **Μη χρησιμοποιείτε ΠΟΤΕ το εργαλείο χωρίς να λειτουργεί πλήρως η σκανδάλη-διακόπτης.** Τα οποιαδήποτε εργαλεία με χαλασμένο διακόπτη είναι ΕΞΑΙΡΕΤΙΚΑ ΕΠΙΚΙΝΔΥΝΑ και πρέπει να επισκευάζονται πριν χρησιμοποιηθούν ξανά διαφορετικά μπορεί να προκαλέσουν σοβαρό προσωπικό τραυματισμό.
- Για την ασφάλεια σας, το εργαλείο αυτό παρέχεται με κουμπί κλειδώματος το οποίο αποτρέπει την ενεργοποίηση του εργαλείου κατά λάθος. Μη χρησιμοποιείτε ΠΟΤΕ το εργαλείο αν μπορείτε να το θέσετε σε λειτουργία πιέζοντας απλά το διακόπτη, χωρίς να πιέζετε και το κουμπί κλειδώματος. Ένας διακόπτης που απαιτεί επισκευή μπορεί να προκαλέσει την ακούσια λειτουργία και το σοβαρό προσωπικό τραυματισμό. Στείλτε το εργαλείο σε κέντρο εξυπηρέτησης της Makita για να επισκευαστεί σωστά PRIN το χρησιμοποιήσετε ξανά.
- ΠΟΤΕ μην παρακάμπτετε τη λειτουργία του κουμπιού κλειδώματος κollώντας πάνω του μια ταινία ή με κάποιο άλλο τρόπο. Ένας διακόπτης του οποίου το κουμπί κλειδώματος έχει παρακαμφθεί μπορεί να προκαλέσει την ακούσια λειτουργία και το σοβαρό προσωπικό τραυματισμό.

Ηλεκτρονική λειτουργία

Χαρακτηριστικό ομαλής εκκίνησης

Η λειτουργία αυτή επιτρέπει την ομαλή εκκίνηση του εργαλείου περιορίζοντας την ροπή εκκίνησης.

Δράση δέσμης λείζερ

Μόνο για το μοντέλο LS1018L

ΣΗΜΕΙΩΣΗ:

- Πριν από την πρώτη χρήση, εγκαταστήστε δυο ξηρά μπαταρία AA στο κουτί των στοιχείων. Ανατρέξτε στην ενότητα με τίτλο “Αντικατάσταση των ξηρών στοιχείων της μονάδος λείζερ” για την εγκατάσταση.

⚠ ΠΡΟΣΟΧΗ:

- Όταν δεν χρησιμοποιείται φροντίστε να είναι σβηστό το λείζερ. (Εικ. 19)

⚠ ΠΡΟΣΟΧΗ:

- Ποτέ να μην κοπάζετε μέσα στη δέσμη του λείζερ. Κατευθύνετε τη δέσμη του λείζερ μακριά από τα μάτια σας.
- ΑΚΤΙΝΟΒΟΛΙΑ ΛΕΙΖΕΡ, ΜΗΝ ΚΟΙΤΑΖΕΤΕ ΜΕΣΑ ΣΤΗ ΔΕΣΜΗ, ΠΡΟΪΟΝ ΛΕΙΖΕΡ ΚΛΑΣΗΣ 2.
- Πριν την μετακίνηση της ακτίνας λείζερ ή την εκτέλεση ρυθμίσεων συντήρησης φροντίστε να διακόψετε την παροχή ρεύματος.

Για να ανάψετε τη δέσμη του λείζερ, πιέστε την πάνω θέση (I) του διακόπτη. Για να σβήσετε τη δέσμη του λείζερ, πιέστε την κάτω θέση (O) του διακόπτη. Η ακτίνα λείζερ μπορεί να μετακινήθει προς την αριστερή ή την δεξιά πλευρά του δισκοπρίονου ξεσφίγγοντας την βίδα που στηρίζει το κουτί της μονάδος λείζερ και μετακινώντας το στην επιθυμητή κατεύθυνση. Μετά την μετακίνηση, φροντίστε να σφίξετε την βίδα καλά. (Εικ. 20) Η ακτίνα λείζερ είναι ρυθμισμένη στο εργοστάσιο έτσι ώστε να είναι τοποθετημένη μέσα σε ένα διάστημα 1 mm από την πλευρική επιφάνεια του δίσκου (θέση κοπής).

ΣΗΜΕΙΩΣΗ:

- Όταν η ακτίνα λείζερ είναι θολή ή δύσκολα ορατή εξαιτίας του άμεσου ηλιακού φωτός, μετακινήστε την περιοχή εργασίας σε ένα χώρο που είναι λιγότερο εκτεθειμένος στο άμεσο ηλιακό φως.

Αντικατάσταση των ξηρών στοιχείων της μονάδος λείζερ (Εικ. 21 και 22)

Αφαιρέστε το καπάκι των ξηρών στοιχείων της μονάδας λείζερ ολισθαίνοντάς το καθώς το πιέζετε. Βγάλτε τα παλιά ξηρά στοιχεία και τοποθετήστε τα καινούργια όπως δείχνεται στην εικόνα. Μετά την αντικατάσταση, επανατοποθετήστε το καπάκι για να το καλύψετε.

Καθαρισμός του φακού του φωτός λείζερ

Εάν ο φακός του φωτός του λείζερ γίνει βρώμικος, ή η πριονόσκονη κολλήσει πάνω του έτσι ώστε η ακτίνα του λείζερ να μην είναι ευδιάκριτη, διακόψτε την παροχή ρεύματος και αφαιρέστε και καθαρίστε προσεκτικά το φακό του φωτός λείζερ, με ένα υγρό και μαλακό ύφασμα. Μη χρησιμοποιείτε διαλυτικά ή οποιαδήποτε καθαριστικά με βάση το πετρέλαιο πάνω στο φακό.

ΣΗΜΕΙΩΣΗ:

- Όταν η ακτίνα λείζερ είναι θολή και σχεδόν ή απόλυτα αόρατη εξαιτίας του άμεσου ηλιακού φωτός στην

περιοχή του εσωτερικού ή εξωτερικού χώρου εργασίας, μετακινήστε την περιοχή εργασίας σε ένα χώρο που δεν είναι εκτεθειμένος στο άμεσο ηλιακό φως.

ΣΥΝΑΡΜΟΛΟΓΗΣΗ

⚠️ ΠΡΟΕΙΔΟΠΟΙΗΣΗ:

- **Να βεβαιώνετε πάντοτε ότι το εργαλείο είναι σβηστό και αποσυνδεδεμένο από το ηλεκτρικό ρεύμα πριν εκτελέσετε οποιαδήποτε εργασία σε αυτό.** Αν δεν σβήσετε το εργαλείο και δεν το αποσυνδέσετε από την πρίζα μπορεί να προκληθεί σοβαρός προσωπικός τραυματισμός.

Αποθήκευση του σωληνωτού κλειδιού με το εξαγωγικό κλειδί στο άλλο του άκρο (Εικ. 23)

Το σωληνωτό κλειδί αποθηκεύεται όπως δείχνεται στην εικόνα. Όταν απαιτείται η χρήση του σωληνωτού κλειδιού, μπορεί να τραβηχτεί έξω από το στήριγμά του. Μετά την χρήση του σωληνωτού κλειδιού, αποθηκεύστε το επιστρέφοντάς το πάνω στο στήριγμά του.

Τοποθέτηση ή αφαίρεση του δισκοπρίονου

⚠️ ΠΡΟΕΙΔΟΠΟΙΗΣΗ:

- **Να βεβαιώνετε πάντοτε ότι το εργαλείο είναι σβηστό και αποσυνδεδεμένο από το ηλεκτρικό ρεύμα πριν τοποθετήσετε ή αφαιρέσετε το δίσκο.** Η ακούσια εκκίνηση του εργαλείου μπορεί να προκαλέσει σοβαρό προσωπικό τραυματισμό.
- **Να χρησιμοποιείτε μόνο το παρεχόμενο σωληνωτό κλειδί της Makita για να τοποθετείτε ή για να αφαιρέτε το δίσκο.** Αν δεν το κάνετε αυτό, το κλειδί μπορεί να προκαλέσει υπερβολικό ή ανεπαρκές σφίξιμο του εξαγωγικού μπουλονιού και σοβαρό προσωπικό τραυματισμό. (Εικ. 24)

Κλειδώστε το χερούλι στην ανυψωμένη θέση πιέζοντας προς τα μέσα την ασφαλιστική περόνη. (Εικ. 25) Για να αφαιρέσετε το δίσκο, χρησιμοποιήστε το σωληνωτό κλειδί για να ξεσφίξετε το εξαγωγικό μπουλόνι που συγκρατεί το κεντρικό κάλυμμα, γυρίζοντάς το αριστερόστροφα. Ανυψώστε τον προφυλακτήρα του δίσκου και το κεντρικό κάλυμμα.

⚠️ ΠΡΟΕΙΔΟΠΟΙΗΣΗ:

- **Μην αφαιρέσετε καμιά βίδα εκτός από το εμφανιζόμενο εξαγωνο μπουλόνι.** Αν αφαιρέσετε κατά λάθος οποιοδήποτε άλλη βίδα και βγει έξω ο προφυλακτήρας του δίσκου, φροντίστε να συναρμολογήσετε ξανά τον προφυλακτήρα του δίσκου. Πιέστε την ασφάλεια του άξονα ώστε να κλειδώσει η άτρακτος και χρησιμοποιήστε το σωληνωτό κλειδί για να ξεσφίξετε το εξαγωγικό μπουλόνι, γυρίζοντάς το δεξιόστροφα. Κατόπιν, αφαιρέστε το εξαγωγικό μπουλόνι, τον εξωτερικό αποστάτη και το δίσκο. (Εικ. 26)

ΣΗΜΕΙΩΣΗ:

- Όταν αφαιρεθεί η εσωτερική φλάντζα, φροντίστε να την τοποθετήσετε πάνω στην άτρακτο με την προεσοχή της να βλέπει μακριά από το δίσκο. Εάν η φλάντζα τοποθετηθεί λανθασμένα τότε θα τρίβεται πάνω στο μηχανήμα.

⚠️ ΠΡΟΕΙΔΟΠΟΙΗΣΗ:

- **Πριν στερεώσετε το δίσκο επάνω στην άτρακτο, να βεβαιώνετε πάντοτε ότι είναι τοποθετημένος στην άτρακτο ο σωστός δακτύλιος ανάμεσα στην εσωτερική και στην εξωτερική φλάντζα για την τρύπα του άξονα του δίσκου που σκοπεύετε να χρησιμοποιήσετε.** Ο λανθασμένος δακτύλιος της τρύπας της άτρακτου μπορεί να προκαλέσει την εσφαλμένη στερέωση του δίσκου προκαλώντας την κίνηση του δίσκου και την έντονη δόνηση επιφέροντας την πιθανή απώλεια του ελέγχου κατά τη λειτουργία και το σοβαρό προσωπικό τραυματισμό. (Εικ. 27)

Για να τοποθετήσετε το δίσκο, στερεώστε τον προσεχτικά στην άτρακτο, αφού βεβαιωθείτε ότι η κατεύθυνση του βέλους στην επιφάνεια του δίσκου αντιστοιχεί στην κατεύθυνση του βέλους στη θήκη του δίσκου.

Τοποθετήστε την εξωτερική φλάντζα και το εξαγωγικό μπουλόνι και κατόπιν χρησιμοποιήστε το σωληνωτό κλειδί για να σφίξετε καλά το εξαγωγικό μπουλόνι αριστερόστροφα ενώ πιέζετε την ασφάλεια του άξονα. (Εικ. 28 και 29)

Επιστρέψτε τον προφυλακτήρα του δίσκου και το κεντρικό κάλυμμα στην αρχική τους θέση. Κατόπιν, σφίξετε το εξαγωγικό μπουλόνι δεξιόστροφα για να ασφαλίσετε το κεντρικό κάλυμμα. Ελευθερώστε το χερούλι από την ανυψωμένη θέση του τραβώντας την ασφαλιστική περόνη. Χαμηλώστε το χερούλι για να βεβαιωθείτε ότι ο προφυλακτήρας του δίσκου κινείται σωστά. Βεβαιωθείτε ότι η ασφάλεια του άξονα έχει ελευθερώσει την άτρακτο πριν κάνετε την κοπή.

Σύνδεση σε σκούπα αναρρόφησης

Εάν θέλετε να εκτελέσετε κοπές καθαρά, συνδέστε μια σκούπα αναρρόφησης Makita. (Εικ. 30)

Σάκος συλλογής σκόνης (Εικ. 31)

Η χρήση του σάκου σκόνης καθιστά καθαρές τις λειτουργίες κοπής και εύκολη τη συλλογή της σκόνης. Για να συνδέσετε τον σάκο σκόνης, προσαρμόστε τον στο στόμιο σκόνης.

Όταν ο σάκος σκόνης είναι μισογεμάτος, βγάλτε το σάκο σκόνης από το εργαλείο και τραβήξτε τον συνδετήρα προς τα έξω. Αδειάστε τα περιεχόμενα του σάκου σκόνης, χτυπώντας τον ελαφριά για να αφαιρέσετε τα σωματίδια που υπάρχουν προσκολλημένα στο εσωτερικό, που ενδεχομένως να εμποδίζουν την περαιτέρω συλλογή.

Στερέωση τεμαχίου εργασίας

⚠️ ΠΡΟΕΙΔΟΠΟΙΗΣΗ:

- **Είναι εξαιρετικά σημαντικό να στερεώνετε πάντοτε το τεμάχιο εργασίας σωστά με τον κατάλληλο τύπο μέγνης ή με αναστολείς που χρησιμοποιούνται για τη διαμόρφωση της κορνίζας.** Αν δεν τηρηθεί αυτή η οδηγία, μπορεί να προκληθεί σοβαρός προσωπικός τραυματισμός και θορό στο εργαλείο και/ή στο τεμάχιο εργασίας.
- **Μετά από μια λειτουργία κοπής, μην ανυψώνετε το δίσκο έως ότου αυτός να ακινητοποιηθεί εντελώς.** Ο ανυψούμενος ή περιστρεφόμενος δίσκος μπορεί να προκαλέσει το σοβαρό προσωπικό τραυματισμό και θορό από το τεμάχιο εργασίας.
- **Κατά την κοπή ενός τεμαχίου εργασίας το οποίο είναι μακρύτερο από την βάση στήριξης του**

πριονιού, το υλικό πρέπει να υποστηρίζεται σε όλο του το μήκος και στο ίδιο ύψος πέρα από τη βάση στήριξης για να διατηρηθεί επίπεδο. Η κατάλληλη στήριξη του τεμαχίου εργασίας θα βοηθήσει στην αποτροπή πιασίματος του δίσκου και του πιθανό κλάωτημα τα οποία μπορούν να προκαλέσουν σοβαρό προσωπικό τραυματισμό. Μη βασίζεστε αποκλειστικά και μόνο στην κάθετη μέγγνη ή/και στην οριζόντια μέγγνη για να στερεώσετε το τεμάχιο εργασίας. Το λεπτό υλικό τείνει να κάμπτεται. Να στηρίζετε το τεμάχιο εργασίας σε ολόκληρο το μήκος του για να αποφεύγετε το κίνδυνο πιασίματος του δίσκου και το πιθανό ΚΛΩΤΣΗΜΑ. (Εικ. 32)

Ρύθμιση του οδηγού (ΟΛΙΣΘΑΙΝΟΝΤΑΣ ΟΔΗΓΟΣ) (Εικ. 33)

⚠️ ΠΡΟΕΙΔΟΠΟΙΗΣΗ:

- Πριν χρησιμοποιήσετε το εργαλείο φροντίστε ότι ο ολισθαίνων οδηγός είναι στερεωμένος καλά.
- **Πριν τη λοξοτομή, φροντίστε ώστε κανένα τμήμα του εργαλείου, ιδιαίτερα ο δίσκος, να μην έρχεται σε επαφή με τον οδηγό σε οποιαδήποτε θέση, όταν το χερούλι είναι πλήρως ανεβασμένο ή κατεβασμένο και καθώς μετακινείται η κινητή βάση μέχρι το τέρμα της διαδρομής της.** Αν το εργαλείο ή ο δίσκος έρχεται σε επαφή με τον οδηγό, μπορεί να κλωτηθεί ή να κινηθεί αναπάντεχα το υλικό και να προκληθεί σοβαρός προσωπικός τραυματισμός.

⚠️ ΠΡΟΣΟΧΗ:

- Κατά την εκτέλεση λοξοτομών, στρώστε τον ολισθαίνοντα οδηγό προς τα αριστερά και στερεώστε τον όπως δείχνεται στην εικόνα. Διαφορετικά, θα έρθει σε επαφή με τον δίσκο ή με ένα τμήμα του εργαλείου, προκαλώντας πιθανώς σοβαρούς τραυματισμούς στον χειριστή. (Εικ. 34)

Το εργαλείο είναι εφοδιασμένο με ένα ολισθαίνοντα οδηγό ο οποίος συνήθως τοποθετείται όπως δείχνεται στην εικόνα.

Όμως κατά την εκτέλεση αριστερών λοξοτομών, τοποθετήστε τον στην αριστερή θέση όπως δείχνεται στην εικόνα εάν η κεφαλή του εργαλείου έρχεται σε επαφή μαζί του.

Όταν ολοκληρωθούν οι εργασίες λοξοτομών, μην ξεχάσετε να επιστρέψετε τον ολισθαίνοντα οδηγό στην αρχική του θέση και να τον ασφαλίσετε σφίγγοντας γερά τη βίδα σύσφιξης.

Βοηθητικός οδηγός R

⚠️ ΠΡΟΕΙΔΟΠΟΙΗΣΗ:

- Πριν χρησιμοποιήσετε το εργαλείο φροντίστε ώστε ο βοηθητικός οδηγός R να είναι καλά στερεωμένος.
- Πριν την εκτέλεση δεξιών λοξοτομών, αφαιρέστε τον βοηθητικό οδηγό R. Διαφορετικά, θα έρθει σε επαφή με το δίσκο ή με ένα τμήμα του εργαλείου, προκαλώντας πιθανώς σοβαρό τραυματισμό στον χειριστή. (Εικ. 35)

Ο βοηθητικός οδηγός R μπορεί να αφαιρεθεί από την δεξιά πλευρά του οδηγού. Για να αφαιρέσετε τον βοηθητικό οδηγό R, ξεσφίξτε τη βίδα που στερεώνει τον βοηθητικό οδηγό R και τραβήξτε τον έξω. Ακολουθήστε αντίστροφα τη διαδικασία αφαίρεσης για να τον τοποθετήσετε.

Όταν ολοκληρωθούν οι εργασίες λοξοτομών, μην ξεχάσετε να επιστρέψετε τον βοηθητικό οδηγό στην αρχική του θέση και να τον ασφαλίσετε σφίγγοντας γερά τη βίδα σύσφιξης.

Κάθετη μέγγνη (Εικ. 36)

Μπορείτε να τοποθετήσετε την κάθετη μέγγνη σε δύο θέσεις, είτε στην αριστερή ή στη δεξιά πλευρά του οδηγού. Εισάγετε τη ράβδο της μέγγνης μέσα στην οπή στον οδηγό και σφίξτε τη βίδα στο πίσω μέρος του οδηγού για να στερεώσετε τη ράβδο της μέγγνης.

Τοποθετήστε το βραχίονα της μέγγνης ανάλογα με το πάχος και το σχήμα του τεμαχίου εργασίας και στερεώστε το βραχίονα της μέγγνης σφίγγοντας τη βίδα. Εάν η βίδα για την στερέωση του βραχίονα της μέγγνης έρχεται σε επαφή με τον οδηγό, τοποθετήστε τη βίδα στην αντίθετη πλευρά του βραχίονα της μέγγνης. Βεβαιωθείτε ότι κανένα μέρος του εργαλείου δεν έρχεται σε επαφή με τη μέγγνη όταν χαμηλώνετε εντελώς το χερούλι ή όταν τραβάτε την κινητή βάση μέχρι τέρμα. Αν κάποιο μέρος έρθει σε επαφή με τη μέγγνη, τοποθετήστε τη μέγγνη σε νέα θέση.

Πιέστε το τεμάχιο εργασίας επίπεδα επάνω στον οδηγό και στη περιστροφική βάση. Τοποθετήστε το τεμάχιο εργασίας στην επιθυμητή θέση κοπής και στερεώστε το καλά σφίγγοντας το κουμπί της μέγγνης.

⚠️ ΠΡΟΕΙΔΟΠΟΙΗΣΗ:

- **Το τεμάχιο εργασίας πρέπει να είναι καλά στερεωμένο επάνω στη περιστροφική βάση και τον οδηγό με τη μέγγνη, κατά τη διάρκεια όλων των λειτουργιών.** Εάν το τεμάχιο εργασίας δεν είναι κατάλληλα στερεωμένο έναντι στον οδηγό το υλικό μπορεί να μετακινηθεί κατά την εργασία της κοπής προκαλώντας την πιθανή βλάβη στον δίσκο, το πέταγμα του υλικού και την απώλεια του ελέγχου οδηγώντας στο σοβαρό προσωπικό τραυματισμό.

Οριζόντια μέγγνη (προαιρετικό εξάρτημα) (Εικ. 37)

Μπορείτε να τοποθετήσετε την οριζόντια μέγγνη σε δύο θέσεις, είτε στην αριστερή ή στη δεξιά πλευρά του οδηγού. Κατά την εκτέλεση φαλτσοτομών 10° ή μεγαλύτερες, τοποθετήστε την οριζόντια μέγγνη στην πλευρά έναντι της διεύθυνσης στην οποία πρόκειται να περιστραφεί η περιστροφική βάση. (Εικ. 38)

Μετακινώντας ελαφρά το παξιμάδι της μέγγνης αριστερόστροφα, η μέγγνη ελευθερώνεται και μετακινείται γρήγορα μέσα και έξω. Για να πιάσετε το τεμάχιο εργασίας, στρώστε το κουμπί της μέγγνης προς τα εμπρός έως ότου η πλάκα της μέγγνης να έρθει σε επαφή με το αντικείμενο εργασίας και μετακινήστε ελαφρά το παξιμάδι της μέγγνης δεξιόστροφα. Στη συνέχεια στρώστε το κουμπί της μέγγνης προς τα δεξιά για να στερεώσετε το τεμάχιο εργασίας.

Το μέγιστο πλάτος ενός τεμαχίου εργασίας που μπορεί να στερεωθεί από την οριζόντια μέγγνη είναι 215 mm. Κατά την τοποθέτηση της οριζόντιας μέγγνης στη δεξιά πλευρά της βάσης, χρησιμοποιήστε επίσης τον βοηθητικό οδηγό R για να στερεώσετε καλύτερα το τεμάχιο εργασίας. Ανατρέξτε στην ενότητα "Βοηθητικός οδηγός R" που έχει περιγραφεί πρωτίτερα για την εγκατάσταση του βοηθητικού οδηγού R.

⚠️ ΠΡΟΕΙΔΟΠΟΙΗΣΗ:

- Πάντοτε να περιστρέφετε το παξιμάδι της μέγγενης δεξιόστροφα έως ότου να στερεωθεί κατάλληλα το **τεμάχιο εργασίας**. Εάν το τεμάχιο εργασίας δεν είναι κατάλληλα στερεωμένο το υλικό μπορεί να μετακινηθεί κατά την εργασία της κοπής προκαλώντας την πιθανή βλάβη στον δίσκο, το πέταγμα του υλικού και την απώλεια του ελέγχου οδηγώντας στο σοβαρό προσωπικό τραυματισμό.
- Κατά την κοπή ενός λεπτού τεμαχίου εργασίας, όπως χαρτόνια βάσης, έναντι σε ένα οδηγό, πάντοτε να χρησιμοποιείτε την οριζόντια μέγγενη.

ΛΕΙΤΟΥΡΓΙΑ

ΕΙΔΟΠΟΙΗΣΗ:

- Πριν από τη χρήση, βεβαιωθείτε ότι έχετε ελευθερώσει το χερούλι από τη χαμηλωμένη θέση τραβώντας την ασφαλιστική περόνη.
- Μην ασκείτε υπερβολική πίεση στο χερούλι κατά την κοπή. Η υπερβολική δύναμη ίσως να έχει ως αποτέλεσμα την υπερφόρτωση του μοτέρ ή/και τη μειωμένη απόδοση κοπής. Πιέστε το χερούλι προς τα κάτω μόνο με όση δύναμη απαιτείται για ομαλή κοπή, χωρίς σημαντική μείωση της ταχύτητας του δίσκου.
- Πιέστε απαλά προς τα κάτω το χερούλι για να εκτελέσετε την κοπή. Αν πιέσετε προς τα κάτω το δίσκο με δύναμη ή αν ασκήσετε πλευρική δύναμη, ο δίσκος δονείται και αφήνει σημάδι (σημάδι πριονιού) στο τεμάχιο εργασίας, ενώ θα μειωθεί και η ακρίβεια της κοπής.
- Κατά την κοπή ολίσθησης, σπρώξτε με προσοχή την κινητή βάση προς τον οδηγό χωρίς να σταματήσετε. Αν σταματήσει η κίνηση της κινητής βάσης κατά την κοπή, θα σχηματιστεί ένα σημάδι στο τεμάχιο εργασίας και θα μειωθεί η ακρίβεια του κοψίματος.

⚠️ ΠΡΟΕΙΔΟΠΟΙΗΣΗ:

- **Να βεβαιώνετε ότι ο δίσκος δεν ακουμπά το τεμάχιο εργασίας, κτλ. πριν ενεργοποιείτε το διακόπτη λειτουργίας.**
Η περιστροφή του εργαλείου καθώς ο δίσκος βρίσκεται σε επαφή με το τεμάχιο εργασίας μπορεί να προκαλέσει κλώστση και σοβαρό προσωπικό τραυματισμό.
- 1. Κοπή με πίεση (κοπή μικρών τεμαχίων εργασίας) (Εικ. 39)**
Τα τεμάχια εργασίας με ύψος έως 91 mm και πλάτος 70 mm, μπορούν να κοπούν με τον παρακάτω τρόπο. Σπρώξτε προς τα εμπρός μέχρι τέρας την κινητή βάση προς τον οδηγό και σφίξτε την ασφαλιστική βίδα δεξιόστροφα για να στερεώσετε την κινητή βάση. Στερεώστε το τεμάχιο εργασίας σωστά με τον κατάλληλο τύπο μέγγενης. Ενεργοποιήστε το εργαλείο χωρίς ο δίσκος να έρχεται σε επαφή με ο,τιδήποτε και περιμένετε έως ότου ο δίσκος φτάσει στην πλήρη ταχύτητά του πριν χαμηλώσετε το εργαλείο. Κατόπιν, χαμηλώστε απαλά τη λαβή στην πλήρως χαμηλωμένη θέση για να κόψετε το τεμάχιο εργασίας. Όταν ολοκληρώσετε την κοπή, σβήστε το εργαλείο και ΠΕΡΙΜΕΝΕΤΕ ΕΩΣ ΟΤΟΥ Ο ΔΙΣΚΟΣ ΑΚΙΝΗΤΟΠΟΙΗΘΕΙ ΕΝΤΕΛΩΣ πριν επιστρέψετε το δίσκο στην πλήρως ανυψωμένη θέση του.

⚠️ ΠΡΟΕΙΔΟΠΟΙΗΣΗ:

- **Σφίξτε καλά το κουμπί προς τα δεξιά έτσι ώστε η κινητή βάση να μην μπορεί να μετακινηθεί κατά τη λειτουργία.** Το ανεπαρκές σφίξιμο του κουμπιού μπορεί να προκαλέσει το πιθανό κλώστση το οποίο μπορεί να οδηγήσει στο σοβαρό προσωπικό τραυματισμό.
- 2. Κοπή με ολίσθηση (σπρώξιμο) (κοπή πλατιών τεμαχίων εργασίας) (Εικ. 40)**
Ξεσφίξτε την ασφαλιστική βίδα αριστερόστροφα έτσι ώστε η κινητή βάση να μπορεί να ολισθήσει ελεύθερα. Στερεώστε το τεμάχιο εργασίας με τον κατάλληλο τύπο μέγγενης. Τραβήξτε την κινητή βάση πλήρως προς το μέρος σας. Ενεργοποιήστε το εργαλείο χωρίς ο δίσκος να έρχεται σε επαφή με ο,τιδήποτε και περιμένετε έως ότου ο δίσκος φτάσει στην πλήρη ταχύτητά του. Πιέστε προς τα κάτω το χερούλι και ΣΠΡΩΞΤΕ ΤΗΝ ΚΙΝΗΤΗ ΒΑΣΗ ΠΡΟΣ ΤΟΝ ΟΔΗΓΟ ΚΑΙ ΜΕΣΑ ΑΠΟ ΤΟ ΤΕΜΑΧΙΟ ΕΡΓΑΣΙΑΣ. Όταν ολοκληρώσετε την κοπή, σβήστε το εργαλείο και ΠΕΡΙΜΕΝΕΤΕ ΕΩΣ ΟΤΟΥ Ο ΔΙΣΚΟΣ ΑΚΙΝΗΤΟΠΟΙΗΘΕΙ ΕΝΤΕΛΩΣ πριν επιστρέψετε το δίσκο στην πλήρως ανυψωμένη θέση του.

⚠️ ΠΡΟΕΙΔΟΠΟΙΗΣΗ:

- **Όταν εκτελείτε την κοπή με ολίσθηση, πρώτα τραβάτε την κινητή βάση πλήρως προς το μέρος σας μέχρι το τέρας και πιέστε πλήρως προς τα κάτω το χερούλι και στη συνέχεια, σπρώξτε την κινητή βάση προς τον οδηγό. Ποτέ μην ξεκινήσετε την κοπή με την κινητή βάση να μην βρίσκεται πλήρως τραβηγμένη προς το μέρος σας.** Εάν εκτελέσετε μια κοπή με ολίσθηση χωρίς η κινητή βάση να είναι τραβηγμένη πλήρως προς εσάς μπορεί να προκληθεί αναπάντεχο κλώστση και σοβαρός προσωπικός τραυματισμός.
 - **Ποτέ μην προσπαθήσετε να εκτελέσετε μια κοπή με ολίσθηση τραβώντας την κινητή βάση προς το μέρος σας.** Το τράβηγμα της κινητής βάσης προς το μέρος σας κατά την κοπή μπορεί να προκαλέσει το αναπάντεχο κλώστση το οποίο μπορεί να οδηγήσει στον πιθανό σοβαρό προσωπικό τραυματισμό.
 - Ποτέ να μην εκτελέσετε την κοπή με ολίσθηση με κλειδωμένο το χερούλι στην χαμηλωμένη του θέση.
 - **Ποτέ να μην ξεσφίξετε την ασφαλιστική βίδα που στερεώνει την κινητή βάση καθώς περιστρέφεται ο δίσκος.** Μια χαλαρωμένη κινητή βάση κατά την κοπή μπορεί να προκαλέσει το αναπάντεχο κλώστση το οποίο μπορεί να οδηγήσει στον πιθανό σοβαρό προσωπικό τραυματισμό.
- 3. Φαλτσοτομή**
Ανατρέξτε στην παράγραφο "Ρύθμιση γωνίας φαλτσοτομής".
 - 4. Λοξοτομή (Εικ. 41)**
Ξεσφίξτε τον μοχλό και γείρετε το δισκοπρίονο για να ρυθμίσετε τη γωνία λοξοτομής. (Ανατρέξτε στην ενότητα "Ρύθμιση γωνίας λοξοτομής" που έχει περιγραφεί παραπάνω). Βεβαιωθείτε να ξανασφίξετε καλά το μοχλό για να επιλέξετε με ασφάλεια τη γωνία λοξοτομής. Στερεώστε το τεμάχιο εργασίας με τη μέγγενη. Φροντίστε ώστε η κινητή βάση είναι τραβηγμένη μέχρι το τέρας πίσω προς τον χειριστή. Ενεργοποιήστε το εργαλείο χωρίς ο δίσκος να έρχεται

σε επαφή με ο,τιδήποτε και περιμένετε έως ότου ο δίσκος φτάσει στην πλήρη ταχύτητά του. Στη συνέχεια χαμηλώστε με προσοχή το χερούλι στην πλήρως κατεβασμένη του θέση καθώς ασκείτε πίεση παράλληλα με τον δίσκο και ΣΠΡΩΞΤΕ ΤΗΝ ΚΙΝΗΤΗ ΒΑΣΗ ΠΡΟΣ ΤΟΝ ΟΔΗΓΟ ΓΙΑ ΝΑ ΚΟΨΕΤΕ ΤΟ ΤΕΜΑΧΙΟ ΕΡΓΑΣΙΑΣ. Όταν ολοκληρώσετε την κοπή, σβήστε το εργαλείο και ΠΕΡΙΜΕΝΕΤΕ ΕΩΣ ΟΤΟΥ Ο ΔΙΣΚΟΣ ΑΚΙΝΗΤΟΠΟΙΗΘΕΙ ΕΝΤΕΛΩΣ πριν επιστρέψετε το δίσκο στην πλήρως ανυψωμένη θέση του.

⚠️ ΠΡΟΕΙΔΟΠΟΙΗΣΗ:

- **Μετά τη ρύθμιση του δίσκου για λοξοτομή, πριν από τη λειτουργία του εργαλείου διασφαλίστε ότι η κινητή βάση και ο δίσκος θα μπορούν να εκτελούν μια ελεύθερη κίνηση σε όλο το εύρος της προοριζόμενης τομής.** Η διακοπή της κίνησης της κινητής βάσης ή του δίσκου κατά τη λειτουργία της κοπής μπορεί προκαλέσει κλώτσημα και σοβαρό προσωπικό τραυματισμό.
- **Κατά την εκτέλεση μια λοξοτομής κρατήστε τα χέρια σας μακριά από την διαδρομή του δίσκου.** Η γωνία του δίσκου μπορεί να μπερδέψει τον χειριστή όσον αφορά την πραγματική διαδρομή του δίσκου κατά την κοπή και να έρθει σε επαφή ο χειριστής με το δίσκο οδηγώντας στο σοβαρό προσωπικό τραυματισμό.
- **Ο δίσκος δεν πρέπει να ανυψωθεί έως ότου σταματήσει εντελώς.** Κατά τη διάρκεια της λοξοτομής το αποκομμένο κομμάτι ίσως ακουμπήσει επάνω στο δίσκο. Αν ανυψώσετε το δίσκο ενώ αυτός εξακολουθεί να περιστρέφεται, το αποκομμένο κομμάτι ίσως πεταχτεί από το δίσκο οδηγώντας στη θραύση του υλικού γεγονός που μπορεί να προκαλέσει σοβαρό προσωπικό τραυματισμό.

ΕΙΔΟΠΟΙΗΣΗ:

- Όταν πιέζετε προς τα κάτω το χερούλι, να ασκείτε δύναμη παράλληλα προς το δίσκο. Εν ασκηθεί δύναμη κάθετα στην περιστροφική βάση ή εάν η διεύθυνση της πίεσης αλλάξει κατά την διάρκεια μιας κοπής, θα μειωθεί η ακρίβεια της κοπής.
- Πριν από τη λοξοτομή ενδεχομένως να απαιτείται ρύθμιση του ολισθαίνοντος οδηγού. Ανατρέξτε στην ενότητα με τίτλο "Ρύθμιση του οδηγού".

⚠️ ΠΡΟΣΟΧΗ:

- Πάντοτε να αφαιρείτε τον βοηθητικό οδηγό R έτσι ώστε να μην εμπλέκεται κανένα τμήμα της κινητής βάσης κατά την εκτέλεση των δεξιών λοξοτομών.

5. Σύνθετη κοπή

Η σύνθετη κοπή είναι μια διαδικασία κατά την οποία η γωνία λοξοτομής πραγματοποιείται ταυτόχρονα με τη γωνία φαλτοτομής στο τεμάχιο εργασίας. Η σύνθετη κοπή μπορεί να πραγματοποιηθεί στη γωνία που παρουσιάζεται στον παρακάτω πίνακα.

| Γωνία φαλτοτομής | Γωνία λοξοτομής |
|-----------------------------|-----------------------------|
| Αριστερά και δεξιά 0° - 45° | Αριστερά και δεξιά 0° - 45° |

009713

Όταν πραγματοποιείτε σύνθετη κοπή, ανατρέξτε στις περιγραφές των ενοτήτων "Κοπή με πίεση", "Κοπή με ολισθήση", "Φαλτοτομή" και "Λοξοτομή".

6. Κοπή κορνίζας και διαμορφώσεις γωνιών τοίχου

Οι διαμορφώσεις κορνίζας και γωνιών τοίχου μπορούν να κοπούν με ένα σύνθετο φαλτοσπρίνο με τις διαμορφώσεις επίπεδα τοποθετημένες στην περιστροφική βάση. Υπάρχουν δυο συνηθισμένοι τύποι διαμορφώσεων κορνίζας και ένας τύπος διαμορφώσεων γωνιών τοίχου, 52/38° διαμόρφωση γωνιακής κορνίζας τοίχου, 45° διαμόρφωση γωνιακής κορνίζας τοίχου και 45° διαμόρφωση γωνίας τοίχου. Δείτε τις εικόνες. (Εικ. 42) Υπάρχουν ενώσεις διαμορφώσεων κορνίζας και γωνιών οι οποίες κατασκευάζονται για να ταιριάζουν στις γωνίες 90° "Εσωτερικά" ((1) και (2) στην Εικ. Α) και γωνίες 90° "Εξωτερικά" ((3) και (4) στην Εικ. Α). (Εικ. 43 και 44)

Μέτρηση

Μετρήστε το μήκος του τοίχου και προσαρμόστε το τεμάχιο εργασίας για να κόψετε στο επιθυμητό μήκος το άκρο που έρχεται σε επαφή με τον τοίχο. Πάντοτε να φροντίζετε ώστε το μήκος κοπής του τεμαχίου εργασίας **στο πίσω μέρος του τεμαχίου εργασίας** να έχει το ίδιο με το μήκος του τοίχου. Προσαρμόστε το μήκος κοπής για τη γωνία κοπής. Πάντοτε να χρησιμοποιείτε ορισμένα τεμάχια για να δοκιμαστικές κοπές για να ελέγχετε τις γωνίες πριονίσματος. Κατά την κοπή κορνιζών και διαμορφώσεων γωνιών τοίχου, ρυθμίστε τις γωνίες λοξοτομής και φαλτοτομής όπως δείχνονται στον πίνακα (Α) και τοποθετήστε τις διαμορφώσεις στην πάνω επιφάνεια της βάσης πριονίου όπως δείχνεται στον πίνακα (Β).

Στην περίπτωση της αριστερής λοξοτομής

Πίνακας (Α)

| | Θέση διαμόρφωσης στην Εικ. Α | Γωνία λοξοτομής | | Γωνία φαλτοτομής | |
|---------------------|------------------------------|-----------------|--------------|------------------|----------------|
| | | τύπος 52/38° | τύπος 45° | τύπος 52/38° | τύπος 45° |
| Για εσωτερική γωνία | (1) | Αριστερά 33,9° | Αριστερά 30° | Δεξιά 31,6° | Δεξιά 35,3° |
| | (2) | | | Αριστερά 31,6° | Αριστερά 35,3° |
| Για εξωτερική γωνία | (3) | | | Δεξιά 31,6° | Δεξιά 35,3° |
| | (4) | | | | |

006361

Πίνακας (Β)

| | Θέση διαμόρφωσης στην Εικ. Α | Άκρο διαμόρφωσης έναντι στον οδηγό | Ολοκληρωμένο τεμάχιο |
|-------------------------|------------------------------|---|---|
| Για εσωτερική γωνία | (1) | Η άκρη επαφής της οροφής πρέπει να είναι έναντι του οδηγού. | Το ολοκληρωμένο τεμάχιο θα είναι στην αριστερή πλευρά του δίσκου. |
| | (2) | Η άκρη επαφής του τοίχου πρέπει να είναι έναντι του οδηγού. | |
| Για την εξωτερική γωνία | (3) | Η άκρη επαφής της οροφής πρέπει να είναι έναντι του οδηγού. | Το ολοκληρωμένο τεμάχιο θα είναι στην δεξιά πλευρά του δίσκου. |
| | (4) | Η άκρη επαφής της οροφής πρέπει να είναι έναντι του οδηγού. | |

006362

Παράδειγμα:

Στην περίπτωση της κοπής τύπου διαμόρφωσης κορνίζας 52/38° για την θέση (1) στην Εικ. Α:

- Στρέψτε και στερεώστε την ρύθμιση λοξοτομής στις 33,9° ΑΡΙΣΤΕΡΑ.

- Προσαρμόστε και ασφαλίστε τη ρύθμιση της γωνίας φαλτοστομής στις 31,6° ΔΕΞΙΑ.
- Τοποθετήστε τη διαμόρφωση κορνίζας με την πλατιά πίσω (κρυμμένη) επιφάνεια της κάτω στην περιστροφική βάση και με το ΑΚΡΟ ΕΠΙΛΕΞΗΣ ΤΗΣ ΟΡΟΦΗΣ έναντι στον οδηγό του πριονιού.
- Το ολοκληρωμένο τεμάχιο που πρόκειται να χρησιμοποιηθεί θα πρέπει πάντοτε να είναι στην ΑΡΙΣΤΕΡΗ πλευρά του δίσκου μετά την εκτέλεση της κοπής.

Στην περίπτωση της δεξιάς λοξοτομής

Πίνακας (Α)

| | Θέση διαμόρφωσης στην Εικ. Α | Γωνία λοξοτομής | | Γωνία φαλτοστομής | |
|---------------------|------------------------------|-----------------|-----------|-------------------|----------------|
| | | τύπος 52/38° | τύπος 45° | τύπος 52/38° | τύπος 45° |
| Για εσωτερική γωνία | (1) | Δεξιά 33,9° | Δεξιά 30° | Δεξιά 31,6° | Δεξιά 35,3° |
| | (2) | | | Αριστερά 31,6° | Αριστερά 35,3° |
| Για εξωτερική γωνία | (3) | | | Δεξιά 31,6° | Δεξιά 35,3° |
| | (4) | | | Δεξιά 31,6° | Δεξιά 35,3° |

006363

Πίνακας (Β)

| | Θέση διαμόρφωσης στην Εικ. Α | Άκρο διαμόρφωσης έναντι στον οδηγό | Ολοκληρωμένο τεμάχιο |
|-------------------------|------------------------------|--|---|
| Για εσωτερική γωνία | (1) | Η άκρη επαφής του τοιχίου πρέπει να είναι έναντι του οδηγού. | Το ολοκληρωμένο τεμάχιο θα είναι στην δεξιά πλευρά του δίσκου. |
| | (2) | Η άκρη επαφής της οροφής πρέπει να είναι έναντι του οδηγού. | |
| Για την εξωτερική γωνία | (3) | Η άκρη επαφής του τοιχίου πρέπει να είναι έναντι του οδηγού. | Το ολοκληρωμένο τεμάχιο θα είναι στην αριστερή πλευρά του δίσκου. |
| | (4) | Η άκρη επαφής του τοιχίου πρέπει να είναι έναντι του οδηγού. | |

006364

Παράδειγμα:

Στην περίπτωση της κοπής τύπου διαμόρφωσης κορνίζας 52/38° για την θέση (1) στην Εικ. Α:

- Στρέψτε και στερεώστε την ρύθμιση λοξοτομής στις 33,9° ΔΕΞΙΑ.
- Προσαρμόστε και ασφαλίστε τη ρύθμιση της γωνίας φαλτοστομής στις 31,6° ΔΕΞΙΑ.
- Τοποθετήστε τη διαμόρφωση κορνίζας με την πλατιά πίσω (κρυμμένη) επιφάνεια της κάτω στην περιστροφική βάση και με το ΑΚΡΟ ΕΠΙΛΕΞΗΣ ΤΟΥ ΤΟΙΧΙΟΥ έναντι στον οδηγό του πριονιού.
- Το ολοκληρωμένο τεμάχιο που πρόκειται να χρησιμοποιηθεί θα πρέπει πάντοτε να είναι στην ΔΕΞΙΑ πλευρά του δίσκου μετά την εκτέλεση της κοπής.

7. Κοπή ελάσματος αλουμινίου (Εικ.45 και 46)

Όταν στερεώνετε εξελάσεις αλουμινίου, να χρησιμοποιείτε τεμάχια αποστάτη ή μεταλλικά κομμάτια όπως απεικονίζεται στην εικόνα για να αποτρέψετε την παραμόρφωση του αλουμινίου. Να χρησιμοποιείτε λιπαντικό κοπής όταν κόβετε εξελάσεις αλουμινίου για να αποτρέψετε τη συσσώρευση υλικών αλουμινίου στο δίσκο.

⚠ ΠΡΟΕΙΔΟΠΟΙΗΣΗ:

- **Μην επιχειρήσετε ποτέ να κόψετε παχιές ή στρογγυλές εξελάσεις αλουμινίου.** Η στερέωση των

παχιών ή των στρογγυλών εξελάσεων αλουμινίου μπορεί να είναι δύσκολη και μπορεί να χαλαρώσουν κατά τη λειτουργία κοπής γεγονός που μπορεί να οδηγήσει στην απώλεια ελέγχου και στο σοβαρό προσωπικό τραυματισμό.

8. Ξύλινη επένδυση

Η χρήση ξύλινης επένδυσης βοηθάει στην εξασφάλιση κοπών χωρίς σκλήθρες στα τεμάχια εργασίας. Στερεώστε μια ξύλινη επένδυση στον οδηγό με τη θέση των σπών του οδηγού. Δείτε την εικόνα με τις διαστάσεις για τις προτεινόμενες ξύλινες επενδύσεις. (Εικ. 47)

⚠ ΠΡΟΣΟΧΗ:

- Χρησιμοποιείτε ευθεία ξύλα με ομοιόμορφο πάχος ως ξύλινη επένδυση.

⚠ ΠΡΟΕΙΔΟΠΟΙΗΣΗ:

- **Χρησιμοποιείτε βίδες για να στερεώσετε τη ξύλινη επένδυση στον οδηγό. Πρέπει να τοποθετήσετε τις βίδες με τρόπο ώστε οι κεφαλές των βιδών να βρίσκονται κάτω από την επιφάνεια της ξύλινης επένδυσης έτσι ώστε να μην παρεμβαίνουν με την θέση του υλικού που κόβεται.** Η έλλειψη ευθυγράμμισης του υλικού που κόβεται μπορεί να προκαλέσει την αναπάντεχη κίνηση κατά τη λειτουργία κοπής γεγονός που μπορεί να προκαλέσει την απώλεια του ελέγχου και τον σοβαρό προσωπικό τραυματισμό.

ΕΙΔΟΠΟΙΗΣΗ:

- Όταν η ξύλινη επένδυση είναι στερεωμένη, μη γυρίζετε τη περιστροφική βάση με χαμηλωμένο το χερούλι. Θα προκληθεί ζημιά στο δίσκο ή/και στην ξύλινη επένδυση.

9. Κοπή αυλακώσεων (Εικ. 48)

Ένα κόψιμο τύπου αυλάκωσης μπορεί να εκτελεστεί όπως περιγράφεται παρακάτω:
Ρυθμίστε τόσο τη θέση του κατώτερου ορίου στο δίσκο χρησιμοποιώντας τη ρυθμιστική βίδα όσο και τον ανασταλτικό βραχίονα στο όριο του βάθους κοπής του δίσκου. Ανατρέξτε στην ενότητα "Ανασταλτικός βραχίονας" που έχει περιγραφεί προηγουμένως. Μετά την ρύθμιση της θέσης του κατώτερου ορίου του δίσκου, εκτελέστε παράλληλες τομές αυλάκωσης κατά μήκος του πλάτους του τεμαχίου εργασίας χρησιμοποιώντας μια κοπή ολίσθησης (σπρώξτε) όπως δείχνεται στην εικόνα. Στη συνέχεια αφαιρέστε το υλικό του τεμαχίου εργασίας που βρίσκεται μεταξύ των αυλακώσεων με μια σμίλη.

⚠ ΠΡΟΕΙΔΟΠΟΙΗΣΗ:

- **Μην προσπαθήσετε να εκτελέσετε αυτού του τύπου την κοπή χρησιμοποιώντας πλατιούς δίσκους ή με δίσκο αυλάκωσης.** Αν προσπαθήσετε να εκτελέσετε μια τομή με αυλάκωση με ένα πιο πλατύ δίσκο ή με δίσκο αυλάκωσης μπορεί να προκληθεί απροσδόκητη κοπή και κλώσημα που μπορεί να οδηγήσει σε σοβαρό προσωπικό τραυματισμό.
- **Φροντίστε να επιστρέψετε τον ανασταλτικό βραχίονα στην αρχική του θέση κατά την εκτέλεση κοπών εκτός των αυλακώσεων.** Αν προσπαθήσετε να εκτελέσετε τομές με τον ανασταλτικό βραχίονα σε λανθασμένη θέση μπορεί να προκληθεί απροσδόκητη

κοπή και κλάσσημα που μπορεί να οδηγήσει σε σοβαρό προσωπικό τραυματισμό.

⚠️ ΠΡΟΣΟΧΗ:

- Φροντίστε να επιστρέψετε τον ανασταλτικό βραχίονα στην αρχική του θέση κατά την εκτέλεση κοπών εκτός των αυλακώσεων.

Μεταφορά εργαλείου (Εικ. 49)

Φροντίστε ώστε το εργαλείο να είναι αποσυνδεδεμένο από την ηλεκτρική παροχή. Στερεώστε το δίσκο στη γωνία λοξοτομής 0° και την περιστροφική βάση στη θέση της πλήρους δεξιάς γωνίας φαλτοτομής. Ασφαλίστε τους πόλους ολίσθησης έτσι ώστε ο χαμηλότερος πόλος ολίσθησης να είναι ασφαλισμένος στη θέση της κινητής βάσης, η οποία είναι πλήρως τραβηγμένη προς τον οδηγό (ανατρέξτε στην ενότητα με τίτλο "Ρύθμιση κλειδώματος ολίσθησης"). Χαμηλώστε εντελώς το χερούλι και κλειδώστε το στη χαμηλωμένη θέση πιέζοντας προς τα μέσα την ασφαλιστική περόνη. Τυλίξτε το καλώδιο παροχής ρεύματος χρησιμοποιώντας τα στηρίγματα του καλωδίου.

⚠️ ΠΡΟΕΙΔΟΠΟΙΗΣΗ:

- **Η ασφαλιστική περόνη διατίθεται μόνο για σκοπούς μεταφοράς και αποθήκευσης και ποτέ δεν θα πρέπει να χρησιμοποιηθεί σε εργασίες κοπής.** Η χρήση της ασφαλιστικής περόνης στις εργασίες κοπής μπορεί να προκαλέσει την αναπάντεχη κίνηση του δισκοπρίονου γεγονός που θα προκαλέσει κλάσσημα και σοβαρό προσωπικό τραυματισμό.

Μεταφέρετε το εργαλείο κρατώντας και τις δύο πλευρές της βάσης του εργαλείου όπως απεικονίζεται στην εικόνα. Αν αφαιρέσετε τα στηρίγματα, το σάκο σκόνης κτλ., θα μπορείτε να μεταφέρετε το εργαλείο πιο εύκολα.

⚠️ ΠΡΟΣΟΧΗ:

- Στερεώνετε πάντοτε όλα τα κινούμενα μέρη πριν τη μεταφορά του εργαλείου. Αν μετακινηθούν ή ολισθήσουν τμήματα του εργαλείου κατά την μεταφορά μπορεί να προκληθεί απώλεια ελέγχου ή ισορροπίας οδηγώντας σε προσωπικό τραυματισμό.

ΣΥΝΤΗΡΗΣΗ

⚠️ ΠΡΟΕΙΔΟΠΟΙΗΣΗ:

- **Να βεβαιώνετε πάντοτε ότι το εργαλείο είναι σβηστό και αποσυνδεδεμένο από το ηλεκτρικό ρεύμα πριν εκτελέσετε οποιαδήποτε εργασία ελέγχου ή συντήρησης σε αυτό.** Αν δεν σβήσετε το εργαλείο και δεν το αποσυνδέσετε από την πρίζα μπορεί να προκληθεί σοβαρός προσωπικός τραυματισμός από τυχαία εκκίνηση.
- **Να βεβαιώνετε πάντοτε ότι ο δίσκος είναι αιχμηρός και καθαρός για να έχετε τη βέλτιστη και ασφαλέστερη απόδοση.** Αν προσπαθήσετε να κόψετε με ένα στομωμένο και/ή βρώμικο δίσκο τότε μπορεί να προκληθεί κλάσσημα γεγονός που οδηγεί σε σοβαρό προσωπικό τραυματισμό.

ΕΙΔΟΠΟΙΗΣΗ:

- Μην χρησιμοποιήσετε βενζίνη, βενζόλη, διαλυτικό, αλκοόλη ή κάτι παρόμοιο. Μπορεί να προκληθεί αποχρωματισμός, παραμόρφωση ή ρωγμές.

Ρύθμιση της γωνίας κοπής

Το εργαλείο ρυθμίζεται και ευθυγραμμίζεται προσεκτικά στο εργοστάσιο, αλλά ο απρόσεχτος χειρισμός ίσως να επηρεάσει την ευθυγράμμιση. Αν το εργαλείο σας δεν είναι σωστά ευθυγραμμισμένο, εκτελέστε τις ακόλουθες διαδικασίες:

1. Γωνία φαλτοτομής (Εικ. 50)

Σπρώξτε προς τα εμπρός μέχρι τέρμα τον οδηγό και σφίξτε την ασφαλιστική βίδα για να στερεώσετε την κινητή βάση.

Ξεσφίξτε τη λαβή που στερεώνει την περιστροφική βάση. Γυρίστε τη περιστροφική βάση ώστε ο δείκτης να είναι στραμμένος στις 0° στην κλίμακα της φαλτοτομής. Στη συνέχεια στρέψτε την περιστροφική βάση ελαφρά προς τα δεξιά και προς τα αριστερά για να κάσει η περιστροφική βάση στην εγκοπή φαλτοτομής των 0°. (Αφήστε όπως είναι εάν ο δείκτης δεν δείχνει τις 0°.) Ξεσφίξτε τα εξαγωγικά κοίλα μπουλόνια που στερεώνουν τον οδηγό χρησιμοποιώντας το σωληνωτό κλειδί. (Εικ. 51)

Χαμηλώστε εντελώς το χερούλι και κλειδώστε το στη χαμηλωμένη θέση πιέζοντας προς τα μέσα την ασφαλιστική περόνη. Ευθυγραμμίστε την πλευρά του δίσκου με την πρόσοψη του οδηγού με τη βοήθεια τριγωνικού οδηγού, κανόνα, κτλ. Κατόπιν, στερεώστε καλά τα εξαγωγικά κοίλα μπουλόνια στον οδηγό με τη σειρά ξεκινώντας από τη δεξιά πλευρά. (Εικ. 52) Φροντίστε ώστε ο δείκτης να δείχνει τις 0° στην κλίμακα φαλτοτομής. Εάν ο δείκτης δεν δείχνει τις 0°, ξεσφίξτε τη βίδα που στερεώνει το δείκτη και ρυθμίστε το δείκτη έτσι ώστε να δείχνει τις 0°.

2. Γωνία λοξοτομής

(1) Γωνία φαλτοτομής 0° (Εικ. 53)

Σπρώξτε προς τα εμπρός μέχρι τέρμα τον οδηγό και σφίξτε την ασφαλιστική βίδα για να στερεώσετε την κινητή βάση. Χαμηλώστε εντελώς το χερούλι και κλειδώστε το στη χαμηλωμένη θέση πιέζοντας προς τα μέσα την ασφαλιστική περόνη. Ξεσφίξτε το μοχλό στο πίσω μέρος του εργαλείου. (Εικ. 54) Στρέψτε το εξαγωγικό μπουλόνι προς τη δεξιά πλευρά του βραχίονα με δυο ή τρεις περιστροφές αριστερόστροφα για να δώσετε κλίση στο δίσκο προς τα δεξιά. (Εικ. 55)

Ευθυγραμμίστε προσεκτικά την πλευρά του δίσκου με την άνω επιφάνεια της περιστροφικής βάσης με τη βοήθεια τριγωνικού οδηγού, κανόνα, κτλ., περιστρέφοντας δεξιόστροφα το εξαγωγικό μπουλόνι στην δεξιά πλευρά του βραχίονα. Κατόπιν σφίξτε γερά το μοχλό. (Εικ. 56)

Βεβαιωθείτε ότι ο δείκτης στο βραχίονα είναι στραμμένος στις 0° της κλίμακας λοξοτομής στο στηρίγμα του βραχίονα. Εάν δεν δείχνει τις 0°, ξεσφίξτε τη βίδα που στερεώνει το δείκτη και ρυθμίστε τον έτσι ώστε να δείχνει τις 0°.

(2) Γωνία φαλτοτομής 45° (Εικ. 57)

Ρυθμίστε τη γωνία λοξοτομής 45° μόνο αφού έχετε πραγματοποιήσει την ρύθμιση της γωνίας λοξοτομής 0°. Για να ρυθμίσετε την αριστερή

γωνία λοξοτομής 45°, ξεσφίξτε το μοχλό και γυρίστε το δίσκο εντελώς προς τα αριστερά. Βεβαιωθείτε ότι ο δείκτης στο βραχίονα είναι στραμμένος στις 45° της κλίμακας λοξοτομής στο στήριγμα του βραχίονα. Αν ο δείκτης δεν είναι στραμμένος στις 45°, περιστρέψτε το ρυθμιστικό μπουλόνι γωνίας λοξοτομής 45° στην δεξιά πλευρά στο στήριγμα του βραχίονα έως ότου ο δείκτης να στραφεί στις 45°.

Για να ρυθμίσετε την δεξιά γωνία λοξοτομής 45°, εκτελέστε την ίδια διαδικασία με αυτή που έχει περιγραφεί παραπάνω. **(Εικ. 58)**

Να αφαιρείτε και να ελέγχετε τακτικά τα καρβουνάκια. Να αντικαθιστάτε τα καρβουνάκια όταν έχουν φθαρεί έως τα 3 mm σε μήκος. Να διατηρείτε τα καρβουνάκια καθαρά και ελεύθερα για να γλιστρούν στις υποδοχές. Πρέπει να αλλάζετε ταυτόχρονα και τα δύο καρβουνάκια. Να χρησιμοποιείτε μόνο καρβουνάκια ίδιου τύπου. **(Εικ. 59)** Με τη βοήθεια ενός κατσαβιδιού, βγάλτε τα καπάκια υποδοχής για τα καρβουνάκια. Βγάλτε τα φθαρμένα καρβουνάκια, τοποθετήστε τα καινούργια και ασφαλίστε τα καπάκια υποδοχής για τα καρβουνάκια.

Μετά τη χρήση

- Μετά τη χρήση, σκουπίστε τα θραύσματα και τη σκόνη που έχουν προσκολληθεί επάνω στο εργαλείο με ένα πανί ή παρόμοιο υλικό. Να διατηρείτε τον προφυλακτήρα δίσκου καθαρό σύμφωνα με τις οδηγίες που αναφέρθηκαν στην ενότητα "Προφυλακτήρας δίσκου". Να λιπαίνετε τα ολισθαίνοντα μέρη με μηχανέλαιο για να αποφεύγετε το σκούρισμα.
- Κατά την αποθήκευση του εργαλείου τραβήξτε πλήρως προς το μέρος σας την κινητή βάση.

Για να διατηρείται η ΑΣΦΑΛΕΙΑ και η ΑΞΙΟΠΙΣΤΙΑ του προϊόντος, οι εργασίες επισκευής, καθώς και οποιαδήποτε άλλη εργασία συντήρησης ή ρύθμισης, θα πρέπει να εκτελούνται σε εξουσιοδοτημένα κέντρα εξυπηρέτησης της Makita, και πάντοτε με τη χρήση ανταλλακτικών της Makita.

ΠΡΟΑΙΡΕΤΙΚΑ ΑΞΕΣΟΥΑΡ

ΠΡΟΕΙΔΟΠΟΙΗΣΗ:

- **Συνιστάται η χρήση αυτών των αξεσουάρ ή εξαρτημάτων της Makita με το εργαλείο της Makita, όπως περιγράφεται στο παρόν εγχειρίδιο.** Αν χρησιμοποιήσετε άλλα αξεσουάρ ή εξαρτήματα μπορεί να παρουσιαστεί κίνδυνος για πρόκληση σοβαρού προσωπικού τραυματισμού.
- **Να χρησιμοποιείτε τα αξεσουάρ και τα εξαρτήματα της Makita μόνο για το σκοπό για τον οποίο προορίζονται.** Η λανθασμένη χρήση ενός αξεσουάρ ή εξαρτήματος μπορεί να προκαλέσει τον κίνδυνο ενός σοβαρού προσωπικού τραυματισμού.

Αν χρειάζεστε κάποια βοήθεια ή περισσότερες πληροφορίες σχετικά με τα αξεσουάρ αυτά, απευθυνθείτε στο πλησιέστερο κέντρο εξυπηρέτησης της Makita.

- Δυσκοπρία από αστάλι και μύτες καρβιδίου (Ανατρέξτε στον ιστότοπό μας ή επικοινωνήστε με τον τοπικό αντιπρόσωπο της Makita για τα σωστά δυσκοπρία που πρέπει να χρησιμοποιηθούν για το υλικό που πρόκειται να κοπεί.)
- Βοηθητικός οδηγός R
- Συγκρότημα μέγηννης (Οριζόντια μέγηννη)

- Κάθετη μέγηννη
- Σωληνωτό κλειδί με εξαγωνο κλειδί στο άλλο του άκρο
- Στήριγμα
- Συγκρότημα στηρίγματος
- Στάκος σκόνης
- Γωνία
- Τριγωνικός οδηγός

ΣΗΜΕΙΩΣΗ:

- Ορισμένα από τα στοιχεία της λίστας μπορεί να μην υπάρχουν στη συσκευασία του εργαλείου ως κανονικά αξεσουάρ. Αυτά ενδέχεται να διαφέρουν από χώρα σε χώρα.

Θορύβος

ENG905-1

Το σύνθησε σταθμισμένο επίπεδο θορύβου που έχει καθοριστεί σύμφωνα με την EN62841-3-9:

Επίπεδο ηχητικής πίεσης (L_{PA}): 92 dB (A)

Επίπεδο ηχητικής ισχύος (L_{WA}): 102 dB (A)

Αβεβαιότητα (K): 3 dB (A)

Να φοράτε ωτοασπίδες.

ENG907-1

- Η δηλωμένη τιμή(ές) εκπομπής θορύβου έχει μετρηθεί σύμφωνα με την πρότυπη μέθοδο δοκιμής και μπορεί να χρησιμοποιηθεί για τη σύγκριση ενός εργαλείου με κάποιο άλλο.
- Η δηλωμένη τιμή(ές) εκπομπής θορύβου μπορεί να χρησιμοποιηθεί και στην προκαταρκτική αξιολόγηση της έκθεσης.

ΠΡΟΕΙΔΟΠΟΙΗΣΗ:

- **Να φοράτε ωτοασπίδες.**
- **Η εκπομπή θορύβου κατά τη χρήση του ηλεκτρικού εργαλείου σε πραγματικές συνθήκες μπορεί να διαφέρει από τη δηλωμένη τιμή(ές) ανάλογα με τους τρόπους χρήσης του εργαλείου, ιδιαίτερα το είδος του τεμαχίου εργασίας που υπόκειται επεξεργασία.**
- **Φροντίστε να λάβετε τα κατάλληλα μέτρα προστασίας του χειριστή βάσει ενός υπολογισμού της έκθεσης σε πραγματικές συνθήκες χρήσης (λαμβάνοντας υπόψη όλες τις συνιστώσες του κύκλου λειτουργίας όπως τους χρόνους που το εργαλείο είναι εκτός λειτουργίας και όταν βρίσκεται σε αδρανή λειτουργία πέραν του χρόνου ενεργοποίησης).**

ΕΚ Δήλωση συμμόρφωσης

Για Ευρωπαϊκές χώρες μόνο

Η δήλωση συμμόρφωσης ΕΚ περιλαμβάνεται ως παράρτημα Α σε αυτό το εγχειρίδιο οδηγιών.

Makita Europe N.V. Jan-Baptist Vinkstraat 2,
3070 Kortenberg, Belgium

Makita Corporation 3-11-8, Sumiyoshi-cho,
Anjo, Aichi 446-8502 Japan