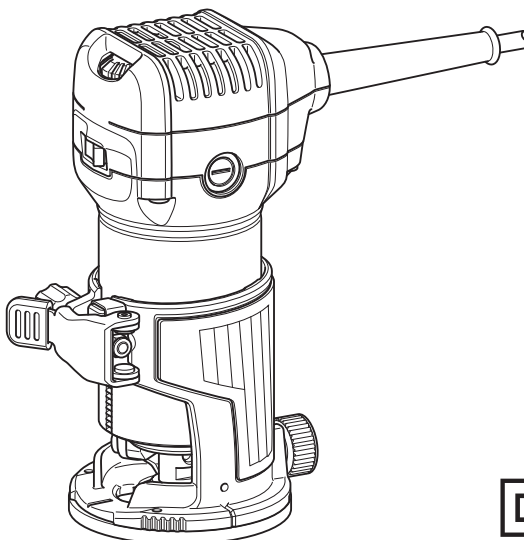
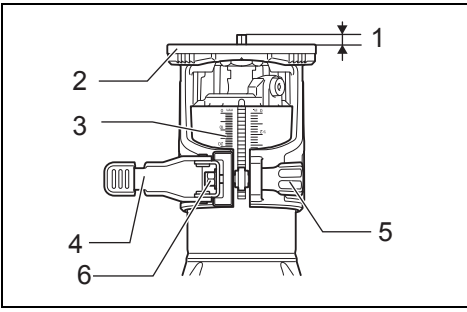




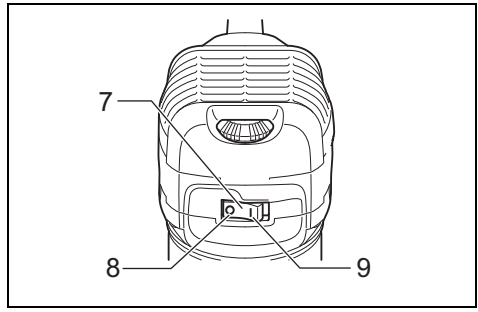
GB	Trimmer	Instruction Manual
F	Affleureuse	Manuel d'instructions
D	Einhandfräse	Betriebsanleitung
I	Rifilatore	Istruzioni per l'uso
NL	Kantenfrees	Gebbruiksaanwijzing
E	Recortadora	Manual de instrucciones
P	Tupia	Manual de instruções
DK	Overfræser	Brugsanvisning
GR	Ρούτερ (κουρεπτικό)	Οδηγίες χρήσεως
TR	Şekil verme testeresi	Kullanma kilavuzu

RT0700C

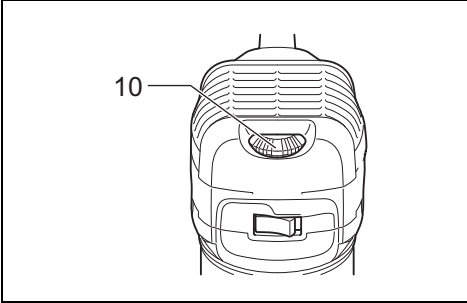




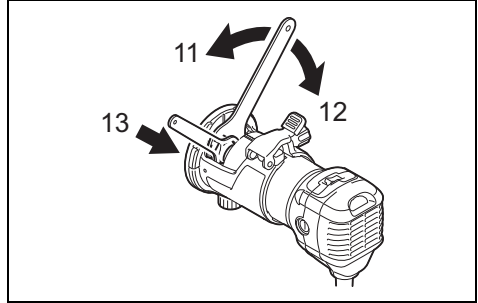
1



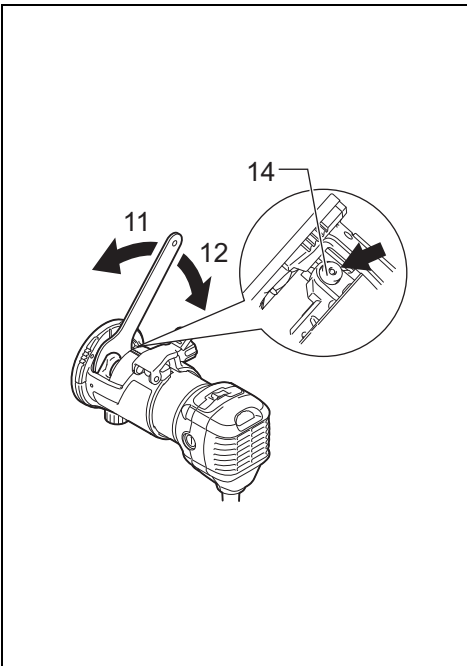
2



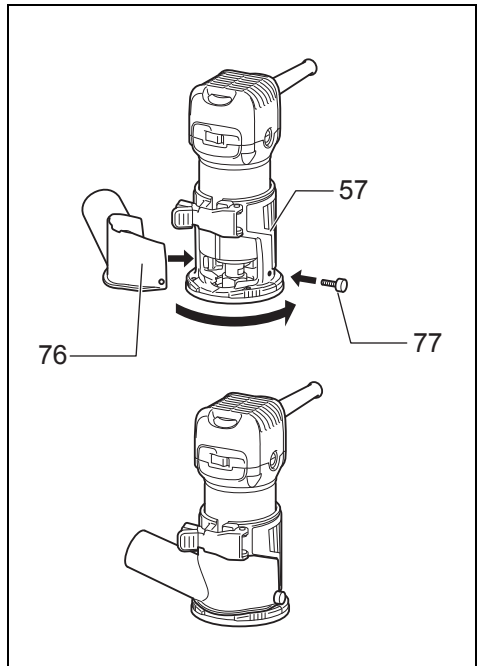
3



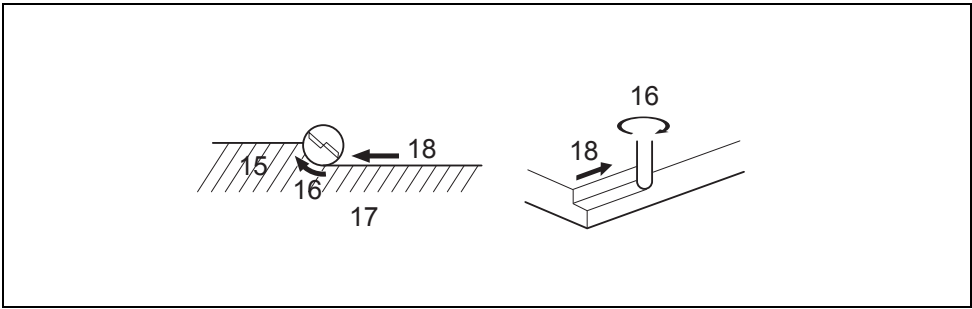
4



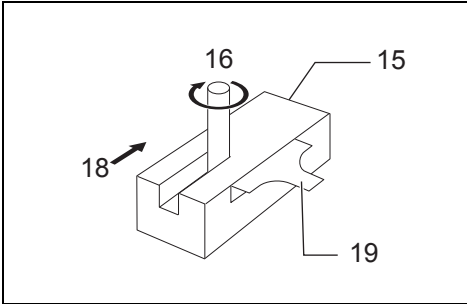
5



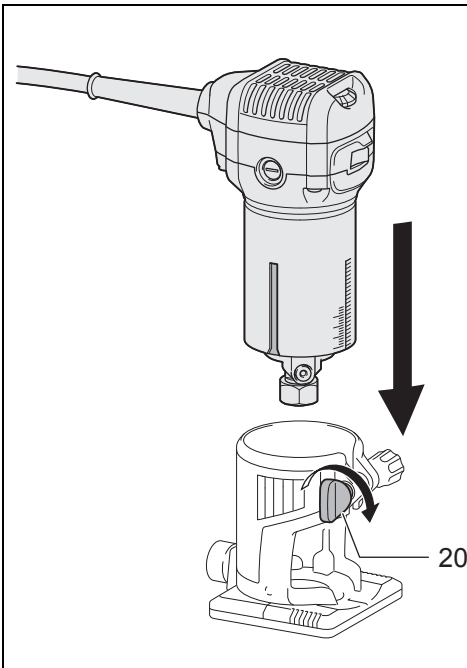
6



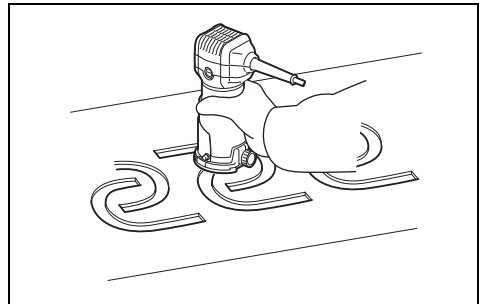
7



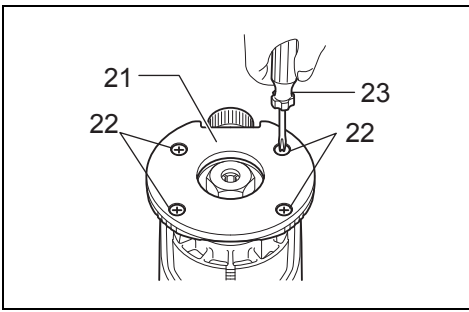
8



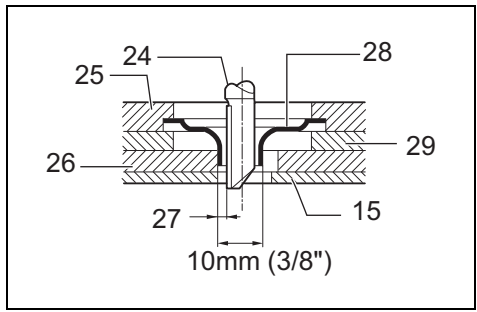
9



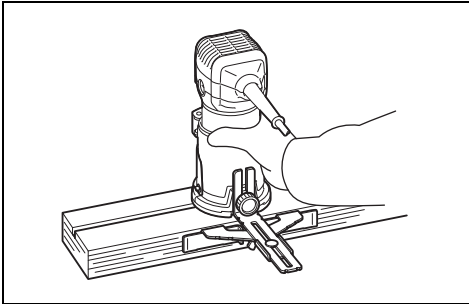
10



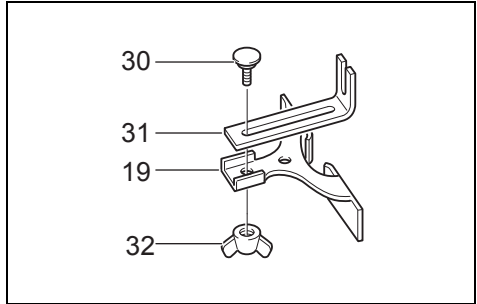
11



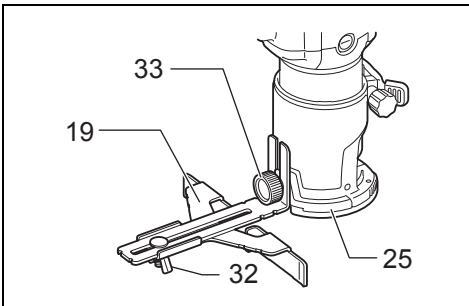
12



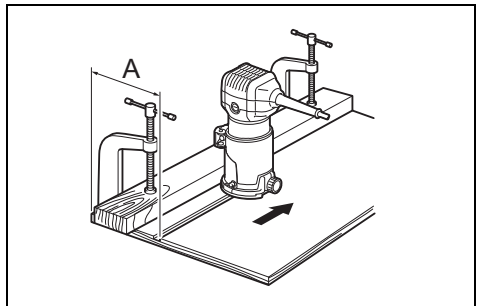
13



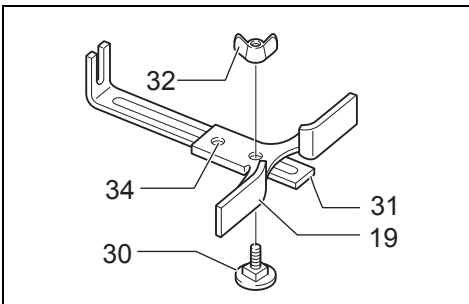
14



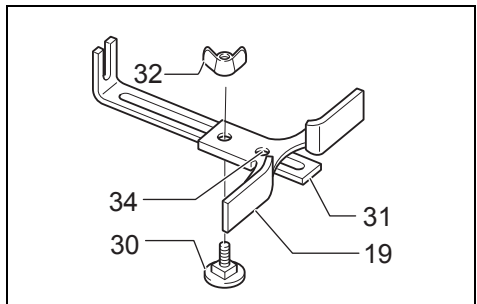
15



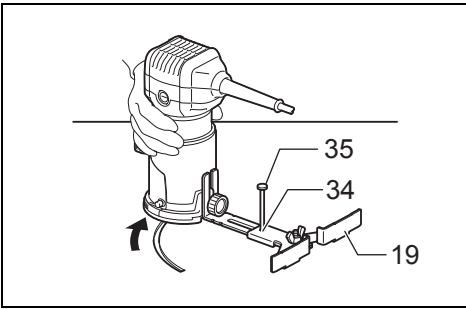
16



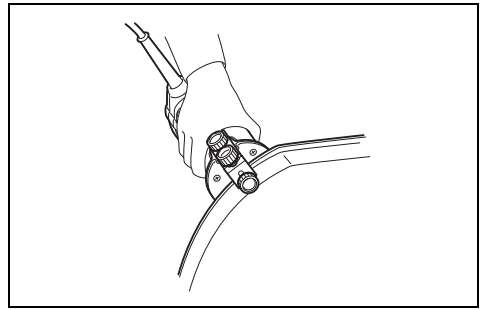
17



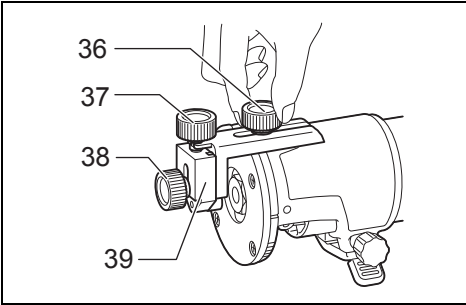
18



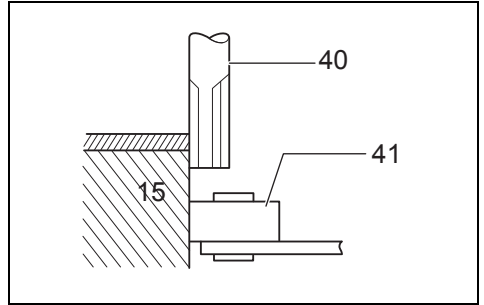
19



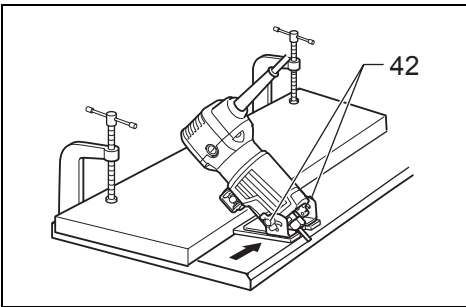
20



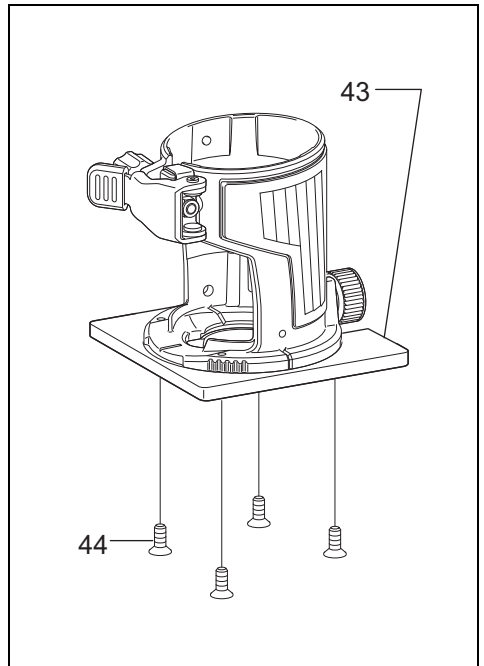
21



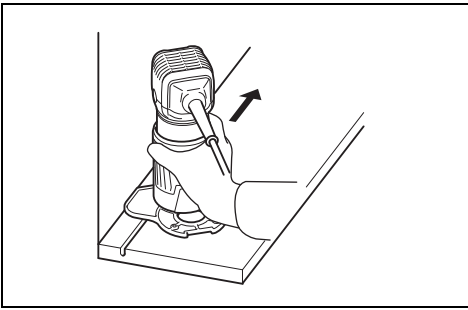
22



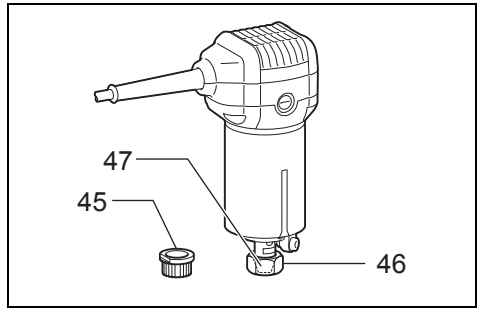
23



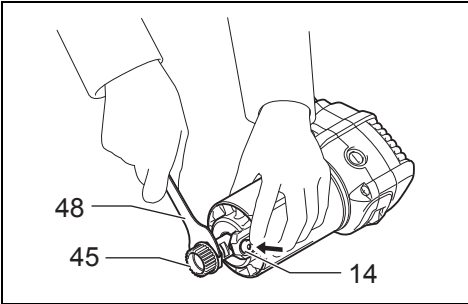
24



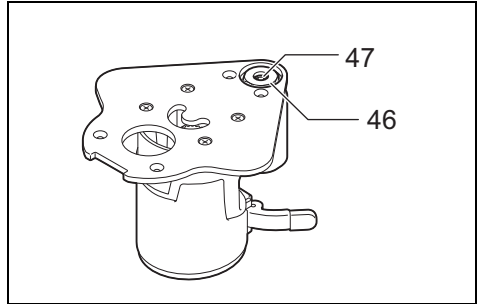
25



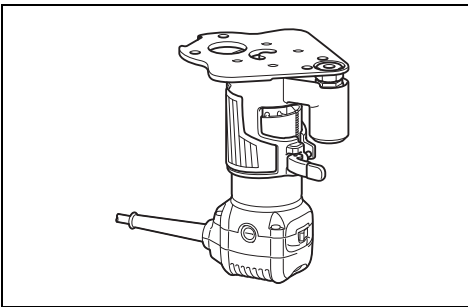
26



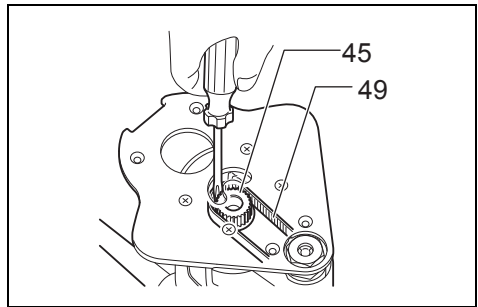
27



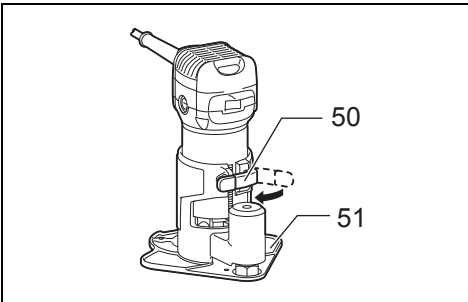
28



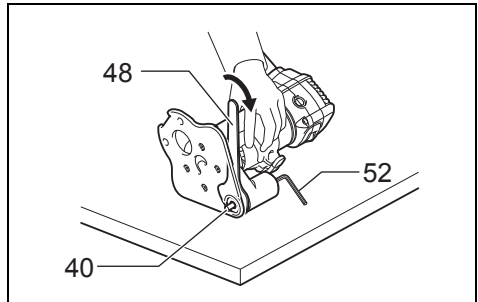
29



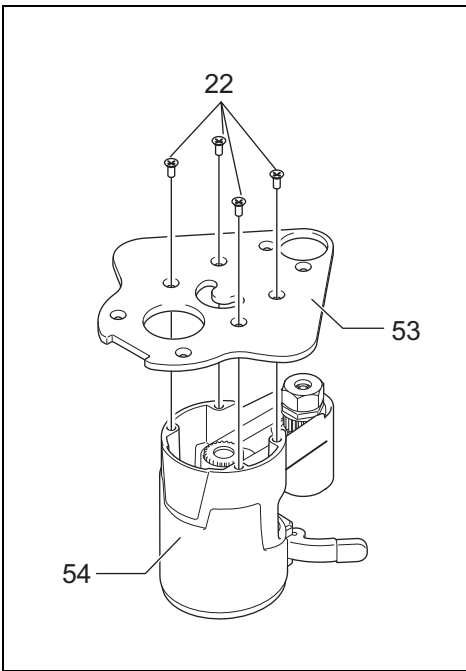
30



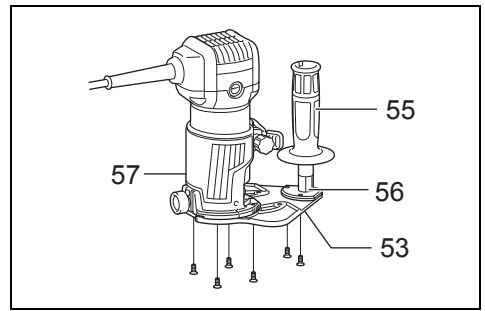
31



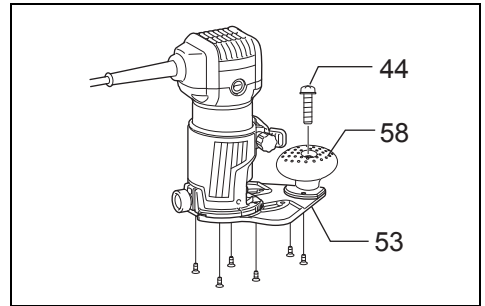
32



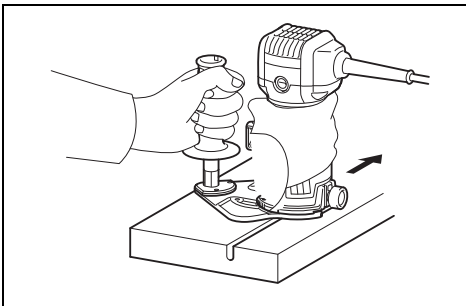
33



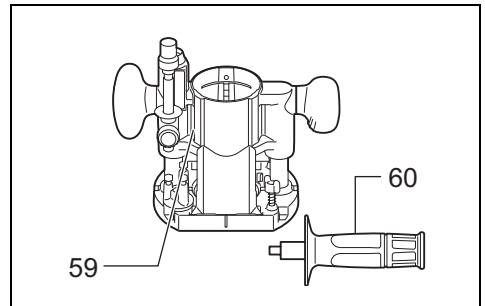
34



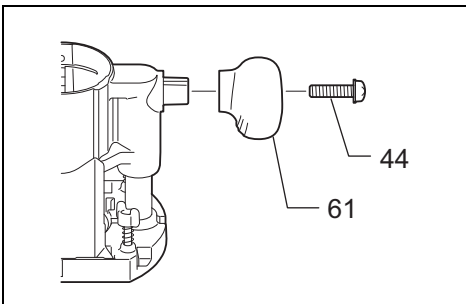
35



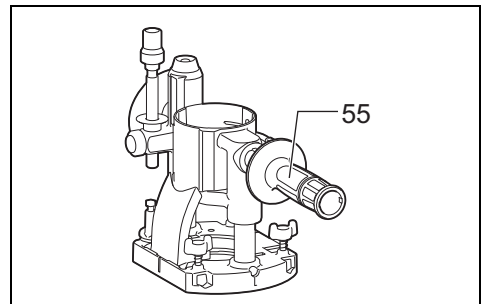
36



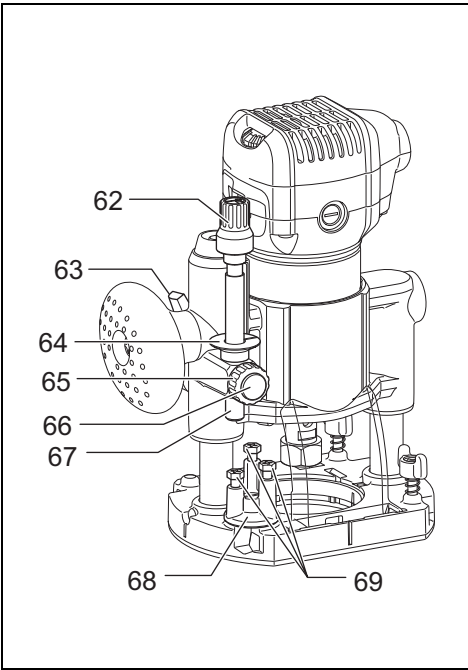
37



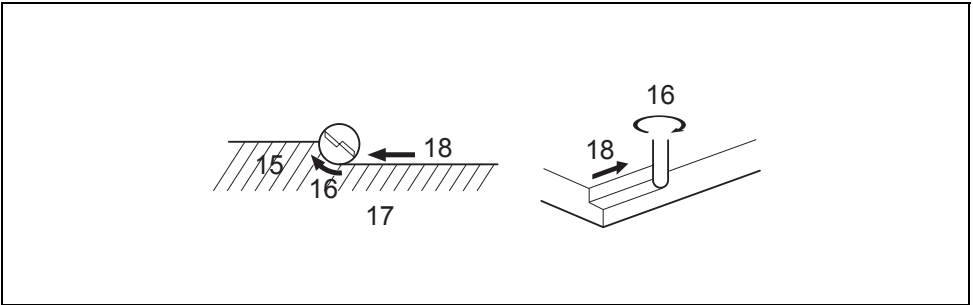
38



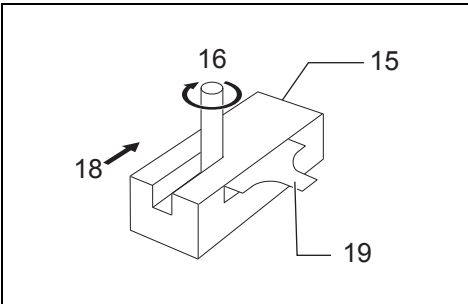
39



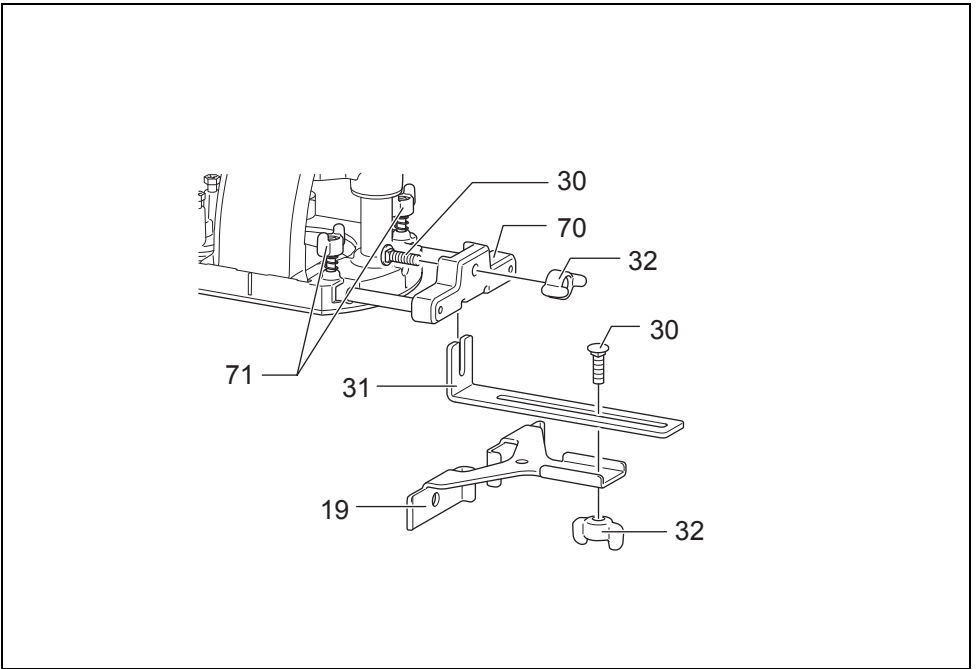
40



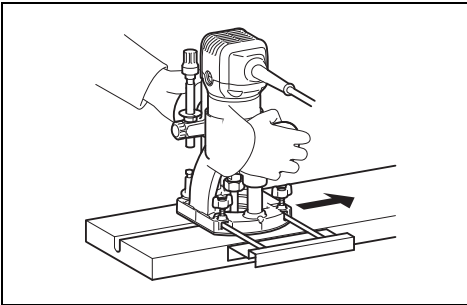
41



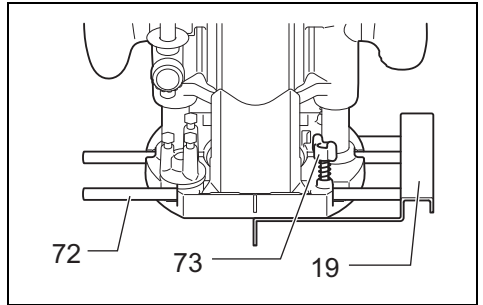
42



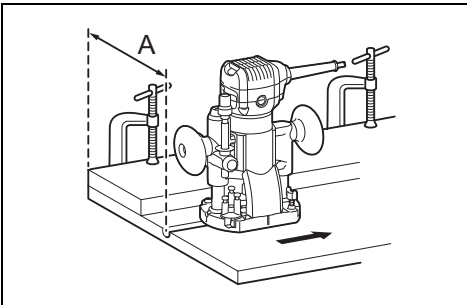
43



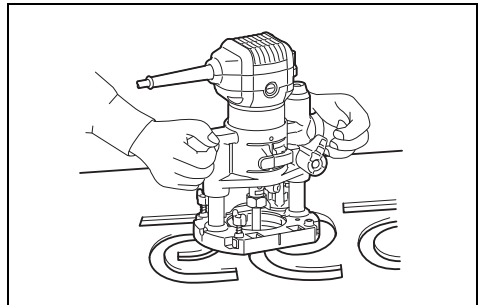
44



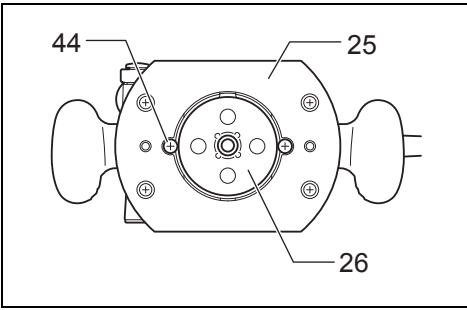
45



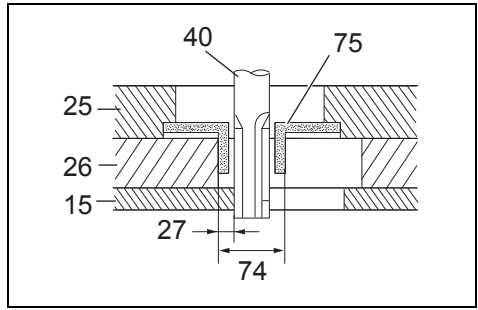
46



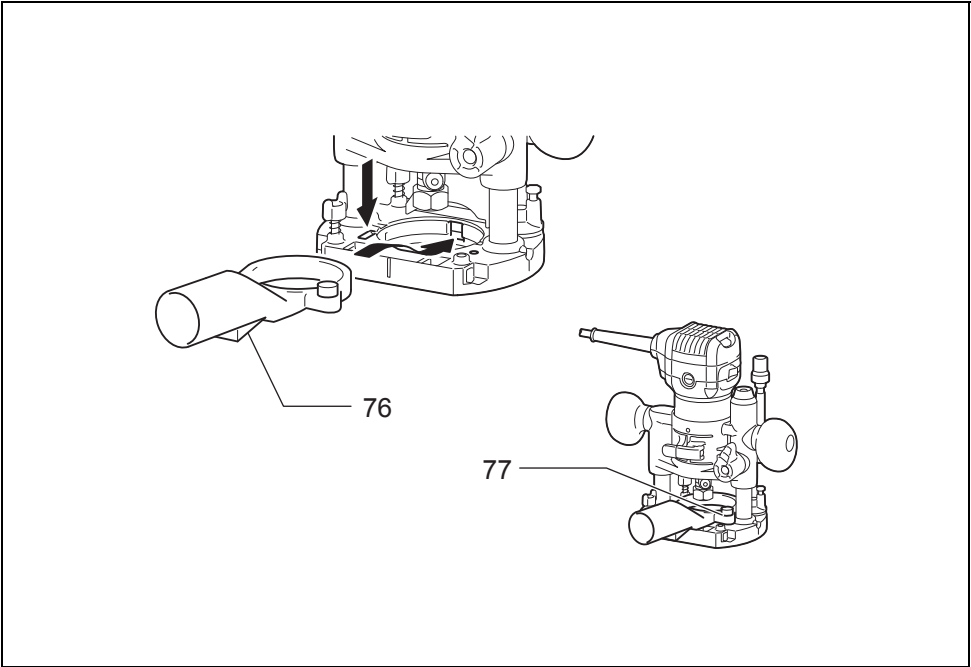
47



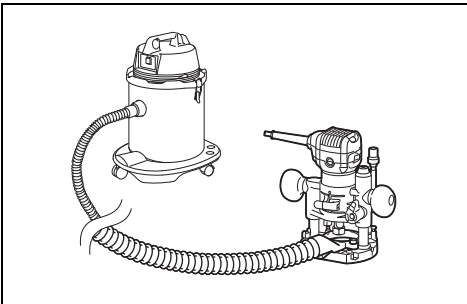
48



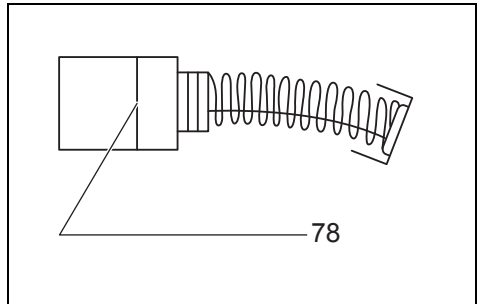
49



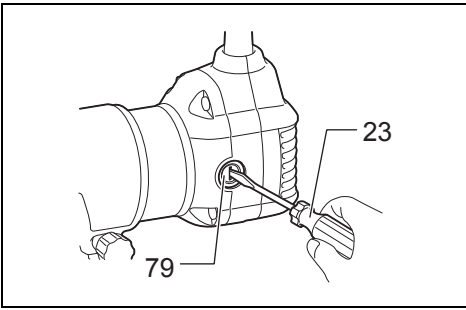
50



51



52



53

Explanation of general view

1 Bit protrusion	29 Base protector	56 Grip attachment (optional accessory)
2 Tool base	30 Bolt	57 Trimmer base
3 Scale	31 Guide plate	58 Knob type grip
4 Locking lever	32 Wing nut	59 Plunge base
5 Adjusting screw	33 Clamp screw (A)	60 Grip
6 Hex nut	34 Center hole	61 Knob
7 Switch	35 Nail	62 Adjusting knob
8 OFF (O) side	36 Clamp screw (A)	63 Lock lever
9 ON (I) side	37 Adjusting screw	64 Depth pointer
10 Speed adjusting dial	38 Clamp screw (B)	65 Stopper pole setting nut
11 Tighten	39 Trimmer guide	66 Fast-feed button
12 Loosen	40 Bit	67 Stopper pole
13 Hold	41 Guide roller	68 Stopper block
14 Shaft lock	42 Clamping screws	69 Adjusting bolt
15 Workpiece	43 Base protector	70 Guide holder
16 Bit revolving direction	44 Screw	71 Wing bolts
17 View from the top of the tool	45 Pulley	72 Guide bar
18 Feed direction	46 Collet nut	73 Wing bolt
19 Straight guide	47 Collet cone	74 Outside diameter of the templet guide
20 Thumb nut	48 Wrench	75 Templet guide
21 Base protector	49 Belt	76 Dust nozzle
22 Screws	50 Locking lever	77 Thumb screw
23 Screwdriver	51 Offset base	78 Limit mark
24 Straight bit	52 Hex wrench	79 Brush holder cap
25 Base	53 Offset base plate	
26 Templet	54 Upper section of the offset base	
27 Distance (X)	55 Bar type grip (optional accessory)	
28 Templet guide 10		

SPECIFICATIONS

GEA010-1

Model	RT0700C
Collet chuck capacity.....	6 mm, 8 mm, 1/4" or 3/8"
No load speed (min ⁻¹)	10,000 – 30,000
Overall length	200 mm
Net weight	1.8 kg
Safety class.....	□/II

- Due to the continuing program of research and development, the specifications herein are subject to change without prior notice.
- Specifications may differ from country to country.
- Weight according to EPTA-Procedure 01/2003

ENE010-1

Intended use

The tool is intended for flush trimming and profiling of wood, plastic and similar materials.

ENF002-1

Power supply

The tool should be connected only to a power supply of the same voltage as indicated on the nameplate, and can only be operated on single-phase AC supply. They are double-insulated in accordance with European Standard and can, therefore, also be used from sockets without earth wire.

General Power Tool Safety Warnings

⚠️WARNING Read all safety warnings and all instructions. Failure to follow the warnings and instructions may result in electric shock, fire and/or serious injury.

Save all warnings and instructions for future reference.

GEB019-4

TRIMMER SAFETY WARNINGS

- 1. Hold power tool by insulated gripping surfaces, because the cutter may contact its own cord.** Cutting a "live" wire may make exposed metal parts of the power tool "live" and shock the operator.
- 2. Use clamps or another practical way to secure and support the workpiece to a stable platform.** Holding the work by hand or against your body leaves it unstable and may lead to loss of control.
- 3. Wear hearing protection during extended period of operation.**
- 4. Handle the bits very carefully.**
- 5. Check the bit carefully for cracks or damage before operation.**
Replace cracked or damaged bit immediately.
- 6. Avoid cutting nails. Inspect for and remove all nails from the workpiece before operation.**
- 7. Hold the tool firmly.**
- 8. Keep hands away from rotating parts.**
- 9. Make sure the bit is not contacting the workpiece before the switch is turned on.**

10. Before using the tool on an actual workpiece, let it run for a while.
Watch for vibration or wobbling that could indicate improperly installed bit.
11. Be careful of the bit rotating direction and the feed direction.
12. Do not leave the tool running. Operate the tool only when hand-held.
13. Always switch off and wait for the bit to come to a complete stop before removing the tool from workpiece.
14. Do not touch the bit immediately after operation; it may be extremely hot and could burn your skin.
15. Do not smear the tool base carelessly with thinner, gasoline, oil or the like.
They may cause cracks in the tool base.
16. Use bits of the correct shank diameter suitable for the speed of the tool.
17. Some material contains chemicals which may be toxic. Take caution to prevent dust inhalation and skin contact. Follow material supplier safety data.
18. Always use the correct dust mask/respirator for the material and application you are working with.

SAVE THESE INSTRUCTIONS.

WARNING:

DO NOT let comfort or familiarity with product (gained from repeated use) replace strict adherence to safety rules for the subject product. MISUSE or failure to follow the safety rules stated in this instruction manual may cause serious personal injury.

FUNCTIONAL DESCRIPTION

CAUTION:

- Always be sure that the tool is switched off and unplugged before adjusting or checking function on the tool.

Adjusting bit protrusion (Fig. 1)

To adjust the bit protrusion, loosen the locking lever and move the tool base up or down as desired by turning the adjusting screw. After adjusting, tighten the locking lever firmly to secure the tool base.

NOTE:

- When the tool is not secured even if the locking lever is tightened, tighten the hex nut and then tighten the locking lever.

Switch action (Fig. 2)

CAUTION:

- Before plugging in the tool, always check to see that the tool is switched off.

To start the tool, press the "ON (I)" side of the switch. To stop the tool, press the "OFF (O)" side of the switch.

Electronic function

The tool equipped with electronic function are easy to operate because of the following features.

Constant speed control

Electronic speed control for obtaining constant speed. Possible to get fine finish, because the rotating speed is kept constant even under load condition.

Soft start

Soft-start feature minimizes start-up shock, and makes the tool start smoothly.

Speed adjusting dial (Fig. 3)

The tool speed can be changed by turning the speed adjusting dial to a given number setting from 1 to 6.

Higher speed is obtained when the dial is turned in the direction of number 6. And lower speed is obtained when it is turned in the direction of number 1.

This allows the ideal speed to be selected for optimum material processing, i.e. the speed can be correctly adjusted to suit the material and bit diameter.

Refer to the table for the relationship between the number settings on the dial and the approximate tool speed.

Number	min ⁻¹
1	10,000
2	12,000
3	17,000
4	22,000
5	27,000
6	30,000

CAUTION:

- If the tool is operated continuously at low speeds for a long time, the motor will get overloaded, resulting in tool malfunction.
- The speed adjusting dial can be turned only as far as 6 and back to 1. Do not force it past 6 or 1, or the speed adjusting function may no longer work.

ASSEMBLY

CAUTION:

- Always be sure that the tool is switched off and unplugged before carrying out any work on the tool.

Installing or removing trimmer bit (Fig. 4 & 5)

CAUTION:

- Do not tighten the collet nut without inserting a bit, or the collet cone will break.
- Use only the wrenches provided with the tool.

Insert the bit all the way into the collet cone and tighten the collet nut securely with the two wrenches or by pressing the shaft lock and using the provided wrench.

To remove the bit, follow the installation procedure in reverse.

OPERATION

For the trimmer base (Fig. 6)

WARNING:

- Before using the tool with the trimmer base, always install the dust nozzle on the trimmer base.

Set the tool base on the workpiece to be cut without the bit making any contact. Then turn the tool on and wait until the bit attains full speed. Move the tool forward over the workpiece surface, keeping the tool base flush and advancing smoothly until the cutting is complete.

When doing edge cutting, the workpiece surface should be on the left side of the bit in the feed direction. (Fig. 7)

NOTE:

- Moving the tool forward too fast may cause a poor quality of cut, or damage to the bit or motor. Moving the tool forward too slowly may burn and mar the cut. The proper feed rate will depend on the bit size, the kind of workpiece and depth of cut. Before beginning the cut on the actual workpiece, it is advisable to make a sample cut on a piece of scrap lumber. This will show exactly how the cut will look as well as enable you to check dimensions.
- When using the trimmer shoe, the straight guide or the trimmer guide, be sure to keep it on the right side in the feed direction. This will help to keep it flush with the side of the workpiece. (Fig. 8)

CAUTION:

- Since excessive cutting may cause overload of the motor or difficulty in controlling the tool, the depth of cut should not be more than 3 mm at a pass when cutting grooves. When you wish to cut grooves more than 3 mm deep, make several passes with progressively deeper bit settings.

Trimmer base (resin) (optional accessory)

You can use the trimmer base (resin) as an optional accessory as shown in the figure. (Fig. 9)

Place the tool onto the trimmer base (resin) and tighten the thumb nut at the desired protrusion of the bit.

For the operation procedures, refer to the operation for the trimmer base.

Templet guide

The templet guide provides a sleeve through which the bit passes, allowing use of the trimmer with templet patterns. (Fig. 10)

Loosen the screws and remove the base protector. Place the templet guide on the base and replace the base protector. Then secure the base protector by tightening the screws. (Fig. 11)

Secure the templet to the workpiece. Place the tool on the templet and move the tool with the templet guide sliding along the side of the templet. (Fig. 12)

NOTE:

- The workpiece will be cut a slightly different size from the templet. Allow for the distance (X) between the router bit and the outside of the templet guide. The distance (X) can be calculated by using the following equation:
Distance (X) = (outside diameter of the templet guide – router bit diameter) / 2

Straight guide (Accessory)

The straight guide is effectively used for straight cuts when chamfering or grooving. (Fig. 13)

Attach the guide plate to the straight guide with the bolt and the wing nut. (Fig. 14)

Attach the straight guide with the clamp screw (A). Loosen the wing nut on the straight guide and adjust the distance between the bit and the straight guide. At the desired distance, tighten the wing nut securely.

When cutting, move the tool with the straight guide flush with the side of the workpiece. (Fig. 15)

If the distance (A) between the side of the workpiece and the cutting position is too wide for the straight guide, or if the side of the workpiece is not straight, the straight guide cannot be used. In this case, firmly clamp a straight board to the workpiece and use it as a guide against the trimmer base. Feed the tool in the direction of the arrow. (Fig. 16)

Circular work

Circular work may be accomplished if you assemble the straight guide and guide plate as shown in Fig. 17 or 18. Min. and max. radius of circles to be cut (distance between the centre of circle and the centre of bit) are as follows:

Min.: 70 mm

Max.: 221 mm

Fig. 17 for cutting circles between 70 mm and 121 mm in radius.

Fig. 18 for cutting circles between 121 mm and 221 mm in radius.

NOTE:

- Circles between 172 mm and 186 mm in radius cannot be cut using this guide.

Align the centre hole in the straight guide with the centre of the circle to be cut. Drive a nail less than 6 mm in diameter into the centre hole to secure the straight guide. Pivot the tool around the nail in clockwise direction. (Fig. 19)

Trimmer guide (optional accessory)

Trimming, curved cuts in veneers for furniture and the like can be done easily with the trimmer guide. The guide roller rides the curve and assures a fine cut. (Fig. 20)

Install the trimmer guide on the tool base with the clamp screw (A). Loosen the clamp screw (B) and adjust the distance between the bit and the trimmer guide by turning the adjusting screw (1 mm per turn). At the desired distance, tighten the clamp screw (B) to secure the trimmer guide in place. (Fig. 21)

When cutting, move the tool with the guide roller riding the side of the workpiece. (Fig. 22)

Tilt base (optional accessory)

Tilt base (optional accessory) is convenient for chamfering. (Fig. 23)

Place the tool onto the tilt base and close the locking lever at the desired protrusion of the bit. For desired angle, tighten the clamping screws on its sides.

Firmly clamp a straight board to the workpiece and use it as a guide against the trimmer base. Feed the tool in the direction of the arrow.

Base protector removed from the tilt base (optional accessory)

Mounting the base protector which has been removed from the tilt base on the trimmer base allows the change of the trimmer base from the round base to a square base.

For another application, remove the base protector from the tilt base by loosening and removing four screws. (Fig. 24)

And then mount the base protector on the trimmer base.

Offset base (optional accessory)

(1) Offset base (optional accessory) is convenient for work in a tight area such as a corner. (Fig. 25 & 26)

Before installing the tool on the offset base, remove the collet nut and collet cone by loosening the collet nut. (Fig. 27)

Install the pulley on the tool by pressing the shaft lock and firmly tightening the pulley with a wrench. (Fig. 28)

Place the collet cone and screw the collet nut on the offset base as shown in the figure. (Fig. 29)

Mount the tool on the offset base. (Fig. 30)

Put an end of the belt over the pulley using a screwdriver and make sure that its entire belt width fits over the pulley completely. (Fig. 31)

Secure it with a locking lever on the offset base. (Fig. 32)

To install the bit, fall the tool with the offset base on its side. Insert the hex wrench into the hole in the offset base.

With the hex wrench held in that position, insert the bit into the collet cone on the shaft of the offset base from the opposite side and tighten the collet nut firmly with a wrench.

To remove the bit at replacement, follow the installation procedure in reverse.

(2) Offset base (optional accessory) can also be used with a trimmer base and a grip attachment (optional accessory) for more stability. (Fig. 33)

Loosen the screws and remove the upper section from the offset base. Put aside the upper section of the offset base. (Fig. 34)

Mount the trimmer base with four screws and the grip attachment (optional accessory) with two screws on the offset base plate.

Screw a bar type grip (optional accessory) onto the grip attachment. (Fig. 35)

In another way of use, the knob type grip which is removed from a plunge base (optional accessory) can be installed on the grip attachment. To install the knob type grip, place it on the grip attachment and secure it with a screw. (Fig. 36)

When using as a router only with a plunge base (optional accessory)

⚠ CAUTION:

- When using as a router, hold the tool firmly with both hands.

To use the tool as a router, install the tool on a plunge base (optional accessory) by pressing it down fully. (Fig. 37)

Either knob type grip or bar type grip (optional accessory) can be used according to your work. (Fig. 38)

To use the bar type grip (optional accessory), loosen the screw and remove the knob type grip. (Fig. 39)

And then screw the bar type grip on the base.

Adjusting the depth of cut when using the plunge base (optional accessory)

Place the tool on a flat surface. Loosen the lock lever and lower the tool body until the bit just touches the flat surface. Tighten the lock lever to lock the tool body. (Fig. 40) Turn the stopper pole setting nut counterclockwise.

Lower the stopper pole until it makes contact with the adjusting bolt. Align the depth pointer with the "0" graduation. The depth of cut is indicated on the scale by the depth pointer.

While pressing the fast-feed button, raise the stopper pole until the desired depth of cut is obtained. Minute depth adjustments can be obtained by turning the adjusting knob (1 mm per turn).

By turning the stopper pole setting nut clockwise, you can fasten the stopper pole firmly.

Now, your predetermined depth of cut can be obtained by loosening the lock lever and then lowering the tool body until the stopper pole makes contact with the adjusting hex bolt of the stopper block.

Always firmly hold the tool by both grip during operation. Set the tool base on the workpiece to be cut without the bit making any contact. Then turn the tool on and wait until the bit attains full speed. Lower the tool body and move the tool forward over the workpiece surface, keeping the tool base flush and advancing smoothly until the cutting is complete.

When doing edge cutting, the workpiece surface should be on the left side of the bit in the feed direction. (Fig. 41)

NOTE:

- Moving the tool forward too fast may cause a poor quality of cut, or damage to the bit or motor. Moving the tool forward too slowly may burn and mar the cut. The proper feed rate will depend on the bit size, the kind of workpiece and depth of cut. Before beginning the cut on the actual workpiece, it is advisable to make a sample cut on a piece of scrap lumber. This will show exactly how the cut will look as well as enable you to check dimensions.
- When using the straight guide, be sure to install it on the right side in the feed direction. This will help to keep it flush with the side of the workpiece. (Fig. 42)

Straight guide when using as a router (needed to use with guide holder (optional accessory))

The straight guide is effectively used for straight cuts when chamfering or grooving. (Fig. 43)

Install the straight guide on the guide holder (optional accessory) with the wing nut.

Insert the guide holder into the holes in the plunge base and tighten the wing bolts. To adjust the distance between the bit and the straight guide, loosen the wing nut. At the desired distance, tighten the wing nut to secure the straight guide in place.

Straight guide (optional accessory)

The straight guide is effectively used for straight cuts when chamfering or grooving. (Fig. 44 & 45)

To install the straight guide, insert the guide bars into the holes in the plunge base. Adjust the distance between the bit and the straight guide. At the desired distance, tighten the wing bolts to secure the straight guide in place.

When cutting, move the tool with the straight guide flush with the side of the workpiece. (Fig. 46)

If the distance (A) between the side of the workpiece and the cutting position is too wide for the straight guide, or if the side of the workpiece is not straight, the straight guide cannot be used. In this case, firmly clamp a straight board to the workpiece and use it as a guide against the router base. Feed the tool in the direction of the arrow.

Templet guide (Accessory)

The templet guide provides a sleeve through which the bit passes, allowing use of the tool with templet patterns. (Fig. 47)

To install the templet guide, loosen the screws on the tool base, insert the templet guide and then tighten the screws. (Fig. 48)

Secure the templet to the workpiece. Place the tool on the templet and move the tool with the templet guide sliding along the side of the templet. (Fig. 49)

NOTE:

- The workpiece will be cut a slightly different size from the templet. Allow for the distance (X) between the bit and the outside of the templet guide.
- The distance (X) can be calculated by using the following equation:
Distance (X) = (outside diameter of the templet guide – bit diameter) / 2

Dust nozzle sets

For the trimmer base (Fig. 6)

For the plunge base (optional accessory) (Fig. 50)

Use the dust nozzle for dust extraction. Install the dust nozzle on the tool base using the thumb screw so that protrusion on the dust nozzle fit to the notch in the tool base.

Then connect a vacuum cleaner to the dust nozzle. (Fig. 51)

MAINTENANCE

⚠ CAUTION:

- Always be sure that the tool is switched off and unplugged before attempting to perform inspection or maintenance.
- Never use gasoline, benzene, thinner, alcohol or the like. Discoloration, deformation or cracks may result.

Replacing carbon brushes

Remove and check the carbon brushes regularly. Replace when they wear down to the limit mark. Keep the carbon brushes clean and free to slip in the holders. Both carbon brushes should be replaced at the same time. Use only identical carbon brushes. (Fig. 52)

Use a screwdriver to remove the brush holder caps. Take out the worn carbon brushes, insert the new ones and secure the brush holder caps. (Fig. 53)

To maintain product SAFETY and RELIABILITY, repairs, any other maintenance or adjustment should be performed by Makita Authorized Service Centers, always using Makita replacement parts.

OPTIONAL ACCESSORIES

⚠ CAUTION:

- These accessories or attachments are recommended for use with your Makita tool specified in this manual. The use of any other accessories or attachments might present a risk of injury to persons. Only use accessory or attachment for its stated purpose.

If you need any assistance for more details regarding these accessories, ask your local Makita Service Center.

- Straight & groove forming bits
- Edge forming bits
- Laminate trimming bits
- Straight guide assembly
- Trimmer guide assembly
- Trimmer base assembly
- Trimmer base assembly (resin)
- Tilt base assembly
- Plunge base assembly
- Offset base assembly
- Templet guide
- Collet cone 6 mm
- Collet cone 6.35 mm (1/4")
- Collet cone 8 mm
- Collet cone 9.53 mm (3/8")
- Wrench 13
- Wrench 22

NOTE:

- Some items in the list may be included in the tool package as standard accessories. They may differ from country to country.

ENG905-1

Noise

The typical A-weighted noise level determined according to EN60745:

Sound pressure level (L_{pA}): 82 dB (A)

Sound power level (L_{WA}): 93 dB (A)

Uncertainty (K): 3 dB (A)

Wear ear protection

ENG900-1

Vibration

The vibration total value (tri-axial vector sum) determined according to EN60745:

Work mode : rotation without load

Vibration emission (a_h) : 2.5 m/s² or less

Uncertainty (K) : 1.5 m/s²

Work mode : cutting grooves in MDF

Vibration emission (a_h) : 3.5 m/s²

Uncertainty (K) : 1.5 m/s²

ENG901-1

- The declared vibration emission value has been measured in accordance with the standard test method and may be used for comparing one tool with another.
- The declared vibration emission value may also be used in a preliminary assessment of exposure.

⚠ WARNING:

- The vibration emission during actual use of the power tool can differ from the declared emission value depending on the ways in which the tool is used.
- Be sure to identify safety measures to protect the operator that are based on an estimation of exposure in the actual conditions of use (taking account of all parts of the operating cycle such as the times when the tool is switched off and when it is running idle in addition to the trigger time).

EC DECLARATION OF CONFORMITY

For European countries only

The EC declaration of conformity is included as Annex A to this instruction manual.

Descriptif

1	Partie saillante de la fraise	29	Plaque de protection de l'embase	55	Poignée-manche (accessoire en option)
2	Embase de l'outil	30	Boulon	56	Support de poignée (accessoire en option)
3	Echelle de réglage	31	Support de guide	57	Embase de l'affleureuse
4	Levier de verrouillage	32	Écrou à oreilles	58	Poignée-bouton
5	Vis de réglage	33	Vis de serrage (A)	59	Embase plongeante
6	Écrou hexagonal	34	Trou de centrage	60	Manche
7	Interrupteur	35	Clou	61	Bouton
8	Côté OFF (O)	36	Vis de serrage (A)	62	Bouton de réglage
9	Côté ON (I)	37	Vis de réglage	63	Levier de verrouillage
10	Cadran de réglage de la vitesse	38	Vis de serrage (B)	64	Indicateur de profondeur
11	Serrer	39	Guide d'affleurage	65	Écrou de pose de la tige d'arrêt
12	Desserrer	40	Fraise	66	Bouton d'avance rapide
13	Immobiliser	41	Galet du guide	67	Tige d'arrêt
14	Blocage de l'arbre	42	Vis de serrage	68	Bloc d'arrêt
15	Pièce à travailler	43	Plaque de protection de l'embase	69	Boulon de réglage
16	Sens de rotation de la fraise	44	Vis	70	Porte-guide
17	Vu depuis le haut de l'outil	45	Poulie	71	Boulons à oreilles
18	Avance de l'outil	46	Écrou de mandrin	72	Barre de guidage
19	Guide parallèle	47	Cône de mandrin	73	Boulon à oreilles
20	Écrou à oreilles	48	Clé	74	Diamètre extérieur du guide de gabarit
21	Plaque de protection de l'embase	49	Courroie	75	Guide de gabarit
22	Vis	50	Levier de verrouillage	76	Raccord à poussières
23	Tournevis	51	Embase décalée	77	Vis à oreilles
24	Fraise rectiligne	52	Clé hexagonale	78	Trait de limite d'usure
25	Embase	53	Plaque d'embase décalée	79	Bouchon du porte-charbon
26	Gabarit	54	Section supérieure de l'embase décalée		
27	Distance (X)				
28	Guide à gabarit 10				

SPÉCIFICATIONS

GEA010-1

Modèle	RT0700C
Capacité de pince.....	6 mm, 8 mm 1/4" ou 3/8"
Vitesse à vide (min ⁻¹).....	10 000 – 30 000
Longueur totale	200 mm
Poids net	1,8 kg
Niveau de sécurité	□/II

- Étant donné l'évolution constante de notre programme de recherche et de développement, les spécifications contenues dans ce manuel sont sujettes à modification sans préavis.
- Les spécifications peuvent varier suivant les pays.
- Poids selon la procédure EPTA 01/2003

ENE010-1

Utilisations

L'outil est conçu pour l'affleurage et le profilage du bois, du plastique et autres matériaux similaires.

ENF002-1

Alimentation

L'outil ne devra être raccordé qu'à une alimentation de la même tension que celle qui figure sur la plaque signalétique, et il ne pourra fonctionner que sur un courant secteur monophasé. Réalisé avec une double isolation, il est conforme à la réglementation européenne et peut de ce fait être alimenté sans mise à la terre.

Consignes de sécurité générales pour outils électriques

⚠ MISE EN GARDE Veuillez lire toutes les mises en garde et toutes les instructions. Il y a risque de choc électrique, d'incendie et/ou de blessure grave si les mises en garde et les instructions ne sont pas respectées.

Conservez toutes les mises en garde et instructions pour référence ultérieure.

GEB019-4

CONSIGNES DE SÉCURITÉ POUR AFFLEUREUSE

1. **Saisissez l'outil électrique par ses surfaces de poigne isolées, car il peut entrer en contact avec le cordon d'alimentation.** Un fil sous tension coupé peut mettre sous tension les parties métalliques exposées de l'outil électrique, causant ainsi un choc électrique chez l'utilisateur.
2. **Utilisez des dispositifs de serrage ou un autre moyen pratique pour fixer et soutenir la pièce sur une surface stable.** Si vous la tenez avec la main ou l'appuyez contre une partie du corps, la pièce sera instable et vous risquez d'en perdre la maîtrise.
3. **Portez une protection d'oreilles quand vous devez travailler longuement.**
4. **Maniez les fraises avec soin.**

5. Avant de travailler, vérifiez soigneusement que les fraises ne sont ni fêlées ni endommagées ; si tel est le cas, remplacez-les immédiatement.
6. Attention aux clous. Avant d'utiliser l'outil, inspectez la pièce et retirez-les tous.
7. Tenez fermement votre outil.
8. Gardez les mains éloignées des pièces en mouvement.
9. Assurez-vous que la fraise ne touche pas la pièce à travailler avant que le contact ne soit mis.
10. Avant de commencer à travailler, laissez tourner l'outil à vide un instant ; assurez-vous qu'il n'y a ni vibration ni ballotement, ce qui indiquerait une fraise mal fixée.
11. Vérifiez toujours le sens de rotation de la fraise et le sens de déplacement de l'outil.
12. Ne laissez pas tourner l'outil non tenu. Ne le mettez en marche qu'une fois bien en mains.
13. Avant de retirer l'outil de la pièce à travailler, coupez toujours le contact et attendez que la fraise soit complètement arrêtée.
14. Ne touchez pas la fraise immédiatement après son arrêt ; elle peut être extrêmement chaude et pourrait vous brûler.
15. Veillez à maintenir le bâti-support à l'écart des diluants, des hydrocarbures et des huiles : le contact avec ces produits peut provoquer des fissures ou des déformations.
16. Utilisez des fraises dont le diamètre de queue est bien adapté à la vitesse de l'outil.
17. Certains matériaux contiennent des produits chimiques qui peuvent être toxiques. Prenez les précautions nécessaires pour éviter que la poussière dégagée lors du travail ne soit inhalée ou n'entre en contact avec la peau. Suivez les consignes de sécurité du fournisseur du matériau.
18. Utilisez toujours un masque antipoussières ou un masque filtrant approprié au matériau à travailler et à l'outil utilisé.

CONSERVEZ CES INSTRUCTIONS.

⚠️ AVERTISSEMENT :

NE vous laissez PAS tromper (avec l'usage répété) par un sentiment de confort ou de familiarité avec l'outil, au point de ne pas respecter rigoureusement les consignes de sécurité qui accompagnent l'outil. La MAUVAISE UTILISATION de l'outil ou l'ignorance des consignes de sécurité indiquées dans ce manuel d'instructions peut entraîner une blessure grave.

DESCRIPTION DU FONCTIONNEMENT

⚠️ ATTENTION :

- Assurez-vous toujours que l'outil est hors tension et débranché avant de l'ajuster ou de vérifier son fonctionnement.

Réglage de la partie saillante de la fraise (Fig. 1)

Pour ajuster la partie saillante de la fraise, desserrez le levier de verrouillage et déplacez l'embase de l'outil vers le haut ou le bas, tel que désiré, en tournant la vis de réglage. Une fois le réglage effectué, serrez bien le levier de verrouillage pour fixer l'embase de l'outil.

NOTE :

- Si l'outil n'est pas fixé même une fois le levier de verrouillage serré, serrez l'écrou hexagonal puis serrez le levier de verrouillage.

Interrupteur (Fig. 2)

⚠️ ATTENTION :

- Avant de brancher l'outil, assurez-vous toujours que son interrupteur est en position d'arrêt.

Pour faire démarrer l'outil, appuyez du côté "ON (I)" de l'interrupteur. Pour arrêter l'outil, appuyez du côté "OFF (O)" de l'interrupteur.

Dispositif électronique

Les outils dotés d'un dispositif électronique sont d'utilisation facile, grâce aux fonctions suivantes.

Commande de vitesse constante

Commande électronique de la vitesse pour l'obtention d'une vitesse constante. Cela permet d'obtenir une belle finition, car la vitesse de rotation demeure constante même sous une lourde charge de travail.

Démarrage en douceur

La fonction de démarrage en douceur minimise le choc de démarrage et fait démarrer l'outil graduellement.

Cadran de réglage de la vitesse (Fig. 3)

Vous pouvez modifier la vitesse de l'outil en tournant le cadran de réglage de la vitesse sur un numéro de 1 à 6. La vitesse augmente lorsque vous tournez le cadran vers le numéro 6, et elle diminue lorsque vous le tournez vers le numéro 1.

Cela permet de sélectionner la vitesse idéale pour un traitement optimal du matériau. Autrement dit, vous pouvez régler la vitesse pour qu'elle convienne au type de matériau et au diamètre de la fraise.

Reportez-vous au tableau qui indique la relation entre les numéros de réglage, sur le cadran, et la vitesse approximative de l'outil.

Numéro	min ⁻¹
1	10 000
2	12 000
3	17 000
4	22 000
5	27 000
6	30 000

⚠️ ATTENTION :

- Si vous utilisez trop longtemps l'outil à vitesse basse de manière continue, il y aura surcharge du moteur et cela causera le dysfonctionnement de l'outil.
- Le cadran de réglage de la vitesse ne doit pas être tourné au-delà de 6 et en deçà de 1. Ne le forcez pas à l'extérieur de cette plage, autrement le dispositif de réglage de la vitesse risque de ne plus fonctionner.

ASSEMBLAGE

⚠ ATTENTION :

- Avant d'effectuer toute intervention sur l'outil, assurez-vous toujours qu'il est hors tension et débranché.

Pose et dépose de la fraise (Fig. 4 et 5)

⚠ ATTENTION :

- Ne serrez pas l'écrou de mandrin sans insérer la fraise, autrement le cône de mandrin se cassera.
- N'utilisez que les clés fournies avec l'outil.

Insérez la fraise à fond dans le cône de mandrin et serrez bien l'écrou de mandrin à l'aide de deux clés ou en appuyant sur le blocage de l'arbre tout en utilisant la clé fournie.

Pour retirer la fraise, observez le même processus en sens inverse.

AFFLEURAGE

Pour l'embase de l'affleureuse (Fig. 6)

⚠ AVERTISSEMENT :

- Avant d'utiliser l'outil avec l'embase de l'affleureuse, installez toujours le raccord à poussière sur cette dernière.

Poser l'embase de l'outil sur la pièce à travailler sans que la fraise touche quoi que ce soit. Mettez ensuite le contact et attendez que la fraise ait atteint sa pleine vitesse. Déplacez l'outil vers l'avant sur la surface de la pièce à travailler, en maintenant l'embase bien à plat et en progressant doucement jusqu'à l'extrémité du tracé.

Pour l'affleurage de bord, la surface de la pièce à travailler doit se trouver sur la gauche de la fraise dans le sens de progression. (Fig. 7)

NOTE :

- Si vous déplacez trop rapidement l'outil vers l'avant, votre entaille risque d'être inégale et vous pouvez endommager la fraise ou le moteur. Si vous le déplacez trop lentement, vous pouvez brûler ou détériorer l'entaille. La vitesse correcte dépend de la dimension de la fraise, de la nature de la pièce à tailler et de la profondeur de coupe. Avant de commencer, nous vous conseillons donc de faire un essai sur une chute ; cela vous montrera l'allure exacte qu'aura votre entaille et vous permettra de bien vérifier les dimensions de celle-ci.
- Lorsque vous vous servez du support d'affleurage horizontal, du guide parallèle ou du guide à affleurer, veillez à bien l'installer du côté droit de l'outil dans le sens de la progression. Vous pourrez ainsi le maintenir parfaitement contre la pièce que vous taillez. (Fig. 8)

⚠ ATTENTION :

- Une taille trop profonde risque de forcer le moteur ou de rendre difficile le contrôle de l'outil ; quand vous rainez, limitez donc votre profondeur de taille à 3 mm par passage. Pour des rainures d'une profondeur supérieure, opérez en plusieurs passages et en approfondissant progressivement.

Embase de l'affleureuse (résine) (accessoire en option)

Vous pouvez utiliser l'embase de l'affleureuse (résine) comme accessoire en option comme l'illustre la figure. (Fig. 9)

Placez l'outil sur l'embase de l'affleureuse (résine) et serrez l'écrou à oreilles à la position en saillie souhaitée de la fraise.

Pour les procédures d'utilisation, reportez-vous à l'utilisation de l'embase de l'affleureuse.

Guide à gabarit

Le guide à copier comporte un manchon au travers duquel passe la fraise ; le bord extérieur de ce manchon va se placer en appui contre le gabarit. (Fig. 10)

Desserrez les vis, et retirez la plaque de protection de l'embase. Placez le guide à copier dans le trou central, et reposez la plaque de protection avec ses vis. (Fig. 11)

Fixez le gabarit sur la pièce, puis placez le guide à copier au contact du gabarit. Déplacez alors l'outil en suivant le gabarit. gabarit glissant sur le côté du gabarit. (Fig. 12)

NOTE :

- La pièce coupée aura une taille légèrement différente de celle du gabarit. Laissez la distance (X) entre la fraise et le bord extérieur du guide de gabarit.

La distance (X) se calcule à l'aide de l'équation suivante :

$$\text{Distance (X)} = (\text{diamètre extérieur du guide de gabarit} - \text{diamètre de la fraise}) / 2$$

Guide parallèle (accessoire)

Le guide parallèle guide efficacement l'outil quand on effectue des coupes droites en chanfreinant ou en rainant. (Fig. 13)

Fixez le support de guide au guide parallèle à l'aide du boulon et de l'écrou à oreilles. (Fig. 14)

Fixez le guide parallèle à l'aide de la vis de serrage (A). Desserrez l'écrou à oreilles sur le guide parallèle et ajustez la distance entre la fraise et le guide parallèle. À la distance désirée, serrez fermement l'écrou à oreilles.

Quand vous coupez, déplacez l'outil en maintenant le guide en appui avec le côté de la pièce à travailler. (Fig. 15)

Si la distance (A) entre le côté de la pièce à travailler et le tracé est trop grande pour le guide parallèle, ou si ce même côté n'est pas rectiligne, vous ne pouvez pas utiliser ce guide. En ce cas, fixez solidement, à l'aide de serre-joints, une pièce de bois rectiligne à la pièce à travailler et servez-vous en comme de guide au contact de l'embase de l'affleureuse. Déplacez celle-ci dans la direction de la flèche. (Fig. 16)

Tailles circulaires

Des tailles circulaires peuvent être réalisées si vous assemblez le guide de coupe rectiligne et la plaque du guide comme sur la Fig. 17 ou 18.

Les rayons min. et max. des tailles circulaires réalisables (les distances entre le centre du cercle et le centre de la fraise) sont les suivants :

Min. : 70 mm

Max. : 221 mm

La Fig. 17 représente la taille de cercles de 70 mm à 121 mm de rayon.

La Fig. 18 représente la taille de cercles de 121 mm à 221 mm de rayon.

NOTE :

- Les cercles d'un rayon compris entre 172 mm et 186 mm ne peuvent pas être taillés avec ce guide.

Alignez le trou de centrage du guide de coupe rectiligne sur le centre du cercle à tailler. Enfoncez un clou de diamètre inférieur à 6 mm pour assurer le guide en place. Faites pivoter l'outil autour du clou en le tournant vers la droite (sens des aiguilles d'une montre). (Fig. 19)

Guide d'affleurage (accessoire en option)

Le guide d'affleurage permet d'effectuer aisément affleurage ou tailles courbes des bois de placage pour mobilier, etc. Le galet du guide suit la courbure et assure une coupe parfaite. (Fig. 20)

Installez le guide d'affleurage sur l'embase à l'aide de la vis de serrage (A). Relâchez la vis de serrage (B) et ajustez la distance entre la fraise et le guide d'affleurage en tournant la vis de réglage (1 mm par tour). Une fois obtenue la bonne distance, bloquez la vis de serrage (B) afin d'assurer en place le guide d'affleurage. (Fig. 21)

Quand vous coupez, déplacez l'outil avec le galet du guide courant sur le côté de la pièce à travailler. (Fig. 22)

Embase inclinable (accessoire en option)

L'embase inclinable (accessoire en option) est pratique pour le chanfreinage. (Fig. 23)

Placez l'outil sur l'embase inclinable et fermez le levier de verrouillage en laissant saillir la longueur de fraise désirée. En fonction de l'angle désiré, serrez les vis de serrage sur les côtés.

Serrez fermement un panneau rectiligne sur la pièce à travailler et utilisez-le comme guide contre l'embase de l'affleureuse. Faites avancer l'outil dans le sens de la flèche.

Plaque de protection de l'embase retirée de l'embase inclinable (accessoire en option)

Il est possible de remplacer l'embase circulaire de l'affleureuse par une embase carrée, en montant sur l'embase de l'affleureuse la plaque de protection qui a été retirée de l'embase inclinable.

Pour une autre application, retirez la plaque de protection de l'embase inclinable, en desserrant et retirant les quatre vis. (Fig. 24)

Montez ensuite la plaque de protection sur l'embase de l'affleureuse.

Embase décalée (accessoire en option)

(1) L'embase décalée (accessoire en option) est pratique pour le travail effectué dans les emplacements étroits, tels que les coins. (Fig. 25 et 26)

Avant de poser l'outil sur l'embase décalée, retirez l'écrou de mandrin et le cône de mandrin en desserrant l'écrou de mandrin. (Fig. 27)

Posez la poulie sur l'outil en appuyant sur le blocage de l'arbre et en serrant bien la poulie à l'aide d'une clé. (Fig. 28)

Mettez le cône de mandrin en place et vissez l'écrou de mandrin sur l'embase décalée, tel qu'illustré sur la figure. (Fig. 29)

Montez l'outil sur l'embase décalée. (Fig. 30)

Mettez une extrémité de la courroie sur la poulie à l'aide d'un tournevis, et assurez-vous que la courroie, sur toute sa largeur, recouvre parfaitement la poulie. (Fig. 31)

Fixez à l'aide du levier de verrouillage sur l'embase décalée. (Fig. 32)

Pour poser la fraise, faites basculer l'outil avec l'embase décalée sur le côté. Insérez la clé hexagonale dans l'orifice de l'embase décalée.

En maintenant la clé hexagonale dans cette position, insérez la fraise dans le cône de mandrin sur l'arbre de l'embase décalée, par le côté opposé, et serrez bien l'écrou de mandrin à l'aide d'une clé.

Pour retirer la fraise lors de son remplacement, effectuez la procédure inverse.

(2) Pour plus de stabilité, l'embase décalée (accessoire en option) peut aussi être utilisée avec l'embase de l'affleureuse et un support de poignée (accessoire en option). (Fig. 33)

Desserrez les vis et retirez la section supérieure de l'embase décalée. Mettez de côté la section supérieure de l'embase décalée. (Fig. 34)

Montez l'embase de l'affleureuse avec quatre vis et le support de poignée (accessoire en option) avec deux vis sur la plaque d'embase décalée.

Vissez une poignée-manche (accessoire en option) sur le support de poignée. (Fig. 35)

Une autre utilisation consiste à poser sur le support de poignée la poignée-bouton retirée d'une embase plongeante (accessoire en option). Pour poser la poignée-bouton, mettez-la en place sur le support de poignée et fixez-la à l'aide d'une vis. (Fig. 36)

Lors de l'utilisation comme défonceuse uniquement avec une embase plongeante (accessoire en option)

⚠ ATTENTION :

- Lors de l'utilisation de l'outil en tant que défonceuse, tenez-le fermement à deux mains.

Pour utiliser l'outil en tant que défonceuse, posez-le sur une embase plongeante (accessoire en option) en l'appuyant complètement vers le bas. (Fig. 37)

Suivant le type de travail à effectuer, vous pouvez utiliser la poignée-bouton ou la poignée-manche (accessoire en option). (Fig. 38)

Pour utiliser la poignée-manche (accessoire en option), desserrez la vis et retirez la poignée-bouton. (Fig. 39)

Vissez ensuite la poignée-manche sur l'embase.

Ajustez la profondeur de coupe lorsque vous utilisez l'embase plongeante (accessoire en option)

Mettez l'outil sur une surface plane. Desserrez le levier de verrouillage et abaissez le corps de l'outil jusqu'à ce que la fraise vienne tout juste en contact avec la surface plane. Serrez le levier de verrouillage pour verrouiller le corps de l'outil. (Fig. 40)

Tournez dans le sens contraire des aiguilles d'une montre l'écrou de pose de la tige d'arrêt.

Abaissez la tige d'arrêt jusqu'à ce qu'elle touche le bouton de réglage. Alignez l'indicateur de profondeur sur la graduation "0". La profondeur de coupe est indiquée sur l'échelle par l'indicateur de profondeur.

Tout en appuyant sur le bouton d'avance rapide, soulevez la tige d'arrêt jusqu'à la profondeur de coupe désirée. Vous pouvez régler finement la profondeur en tournant le bouton de réglage (1 mm par tour).

En tournant dans le sens des aiguilles d'une montre l'écrou de pose de la tige d'arrêt, vous pouvez serrer fermement la tige d'arrêt.

Une profondeur de coupe prédéfinie peut alors être obtenue en desserrant le levier de verrouillage puis en abaissant le corps de l'outil jusqu'à ce que la tige d'arrêt touche le boulon de réglage hexagonal du bloc d'arrêt. Pendant l'utilisation, tenez toujours l'outil fermement par ses deux poignées.

Mettez l'embase de l'outil sur la pièce à travailler, sans mettre la fraise en contact avec quoi que ce soit. Mettez ensuite le contact et attendez que la fraise ait atteint sa pleine vitesse. Abaissez le corps de l'outil et déplacez l'outil vers l'avant à la surface de la pièce, en gardant l'embase de l'outil à plat et en la faisant avancer doucement jusqu'à ce que la coupe soit terminée.

Pour l'affleurage de bord, la surface de la pièce à travailler doit se trouver sur la gauche de la fraise dans le sens de progression. (Fig. 41)

NOTE :

- Si vous déplacez trop rapidement l'outil vers l'avant, vous risquez d'obtenir une coupe de qualité médiocre et vous pouvez endommager la fraise ou le moteur. Si vous le déplacez trop lentement, vous pouvez brûler la pièce ou gâcher la coupe. La vitesse de progression adéquate dépend de la taille de la fraise, du type de pièce à travailler et de la profondeur de coupe. Avant de commencer la coupe sur la pièce elle-même, il est recommandé de faire un essai sur une chute. Cela vous montrera l'allure exacte de la coupe et vous permettra de bien vérifier les dimensions de celle-ci.
- Lorsque vous utilisez le guide de coupe rectiligne, vous devez le poser du côté droit par rapport au sens de la progression de l'outil. Il sera ainsi plus facile de le maintenir parfaitement contre la pièce à travailler. (Fig. 42)

Guide parallèle lors de l'utilisation en tant que défonceuse (doit être utilisé avec le porte-guide (accessoire en option))

Le guide parallèle est pratique pour effectuer des coupes rectilignes lors du chanfreinage ou du rainurage. (Fig. 43)

Posez le guide parallèle sur le porte-guide (accessoire en option), à l'aide l'écrou à oreilles.

Insérez le porte-guide dans les orifices de l'embase plongeante et serrez les boulons à oreilles. Pour ajuster la distance entre la fraise et le guide parallèle, desserrez l'écrou à oreilles. À la distance désirée, serrez l'écrou à oreilles pour fixer le guide parallèle sur cette position.

Guide parallèle (accessoire en option)

Le guide de coupe rectiligne est pratique pour effectuer des coupes rectilignes lors du chanfreinage ou du rainurage. (Fig. 44 et 45)

Pour poser le guide parallèle, insérez les barres de guidage dans les orifices de l'embase plongeante. Ajustez la distance entre la fraise et le guide parallèle. À la distance désirée, serrez les boulons à oreilles pour fixer le guide parallèle sur cette position.

Lors de la coupe, déplacez l'outil en gardant le guide parallèle contre le côté de la pièce à travailler. (Fig. 46)

Si la distance (A) qui sépare le côté de la pièce de la position de coupe est trop grande pour le guide parallèle, ou si le côté de la pièce n'est pas rectiligne, il n'est pas possible d'utiliser le guide parallèle. Le cas échéant, fixez fermement un panneau rectiligne à la pièce à travailler et utilisez-le comme guide de l'embase de défonceuse. Faites avancer l'outil dans le sens de la flèche.

Guide de gabarit (accessoire)

Le guide de gabarit est doté d'un manchon à travers lequel passe la fraise, ce qui permet d'utiliser l'outil avec différents gabarits. (Fig. 47)

Pour poser le guide de gabarit, desserrez les vis sur l'embase de l'outil, insérez le guide de gabarit puis serrez les vis. (Fig. 48)

Fixez le gabarit sur la pièce à travailler. Mettez l'outil en place sur le gabarit et déplacez l'outil en faisant glisser le guide de gabarit le long du gabarit. (Fig. 49)

NOTE :

- La pièce coupée aura une taille légèrement différente de celle du gabarit. Laissez la distance (X) entre la fraise et le bord extérieur du guide de gabarit.

La distance (X) se calcule à l'aide de l'équation suivante :

$$\text{Distance (X)} = (\text{diamètre extérieur du guide de gabarit} - \text{diamètre de la fraise}) / 2$$

Jeu de raccords à poussières

Pour l'embase d'affleureuse (Fig. 6)

Pour l'embase plongeante (accessoire en option) (Fig. 50)

Utilisez le raccord à poussières pour collecter les poussières. Posez le raccord à poussières sur l'embase de l'outil à l'aide de la vis à oreilles, en faisant pénétrer la partie saillante du raccord dans l'entaille de l'embase.

Raccordez ensuite un aspirateur au raccord à poussières. (Fig. 51)

ENTRETIEN

⚠ ATTENTION :

- Assurez-vous toujours que l'outil est hors tension et débranché avant d'y effectuer tout travail d'inspection ou d'entretien.
- N'utilisez jamais d'essence, benzine, diluant, alcool ou autre produit similaire. Cela risquerait de provoquer la décoloration, la déformation ou la fissuration de l'outil.

Remplacement des charbons

Retirez et vérifiez régulièrement les charbons. Remplacez-les lorsqu'ils sont usés jusqu'au trait de limite d'usure. Maintenez les charbons propres et en état de glisser aisément dans les porte-charbon. Les deux charbons doivent être remplacés en même temps. N'utilisez que des charbons identiques. (Fig. 52)

Retirez les bouchons de porte-charbon à l'aide d'un tournevis. Enlevez les charbons usés, insérez-en de nouveaux et revissez solidement les bouchons de porte-charbon. (Fig. 53)

Pour maintenir la SÉCURITÉ et la FIABILITÉ du produit, les réparations, travaux d'entretien et autres réglages doivent être effectués dans un centre de service Makita agréé, exclusivement avec des pièces de rechange Makita.

ACCESSOIRES EN OPTION

⚠ ATTENTION :

- Les accessoires ou pièces supplémentaires qui suivent sont recommandés pour l'utilisation avec l'outil Makita spécifié dans ce manuel. L'utilisation de tout autre accessoire ou pièce supplémentaire peut comporter un risque de blessure. Utilisez uniquement l'accessoire ou la pièce supplémentaire dans le but spécifié.

Pour obtenir plus de détails sur ces accessoires, contactez votre Centre d'Entretien local Makita.

- Fraises rectilignes et fraises à rainurer
- Fraises pour affleurage de bordo
- Fraises pour rognage de laminé
- Ensemble de guide parallèle
- Ensemble de guide d'affleurage
- Ensemble d'embase d'affleureuse
- Ensemble d'embase d'affleureuse (résine)
- Ensemble d'embase inclinable
- Ensemble d'embase plongeante
- Ensemble d'embase décalée
- Guide de gabarit
- Cône de mandrin 6 mm
- Cône de mandrin 6,35 mm (1/4")
- Cône de mandrin 8 mm
- Cône de mandrin 9,53 mm (3/8")
- Clé 13
- Clé 22

NOTE :

- Il se peut que certains éléments de la liste soient compris dans l'emballage de l'outil en tant qu'accessoires standard. Ils peuvent varier d'un pays à l'autre.

ENG905-1

Bruit

Niveau de bruit pondéré A typique, déterminé selon EN60745 :

Niveau de pression sonore (L_{pA}) : 82 dB (A)

Niveau de puissance sonore (L_{WA}) : 93 dB (A)

Incertitude (K) : 3 dB (A)

Porter des protecteurs anti-bruit

ENG900-1

Vibrations

Valeur totale de vibrations (somme de vecteur triaxial) déterminée selon EN60745 :

Mode de travail : rotation sans charge

Émission de vibrations (a_h) : 2,5 m/s² ou moins

Incertitude (K) : 1,5 m/s²

Mode de travail : rainurage dans le MDF

Émission de vibrations (a_h) : 3,5 m/s²

Incertitude (K) : 1,5 m/s²

- La valeur d'émission de vibrations déclarée a été mesurée conformément à la méthode de test standard et peut être utilisée pour comparer les outils entre eux.
- La valeur d'émission de vibrations déclarée peut aussi être utilisée pour l'évaluation préliminaire de l'exposition.

⚠ AVERTISSEMENT :

- L'émission de vibrations lors de l'usage réel de l'outil électrique peut être différente de la valeur d'émission déclarée, suivant la façon dont l'outil est utilisé.
- Les mesures de sécurité à prendre pour protéger l'utilisateur doivent être basées sur une estimation de l'exposition dans des conditions réelles d'utilisation (en tenant compte de toutes les composantes du cycle d'utilisation, comme par exemple le moment de sa mise hors tension, lorsqu'il tourne à vide et le moment de son déclenchement).

DÉCLARATION DE CONFORMITÉ CE

Pour les pays d'Europe uniquement

La déclaration de conformité CE est fournie en Annexe A à ce mode d'emploi.

Übersicht

1	Frästiefe	28	Schablonenführung 10	56	Griffaufsatz (Sonderzubehör)
2	Grundplatte	29	Gleitplatte	57	Fräskorb
3	Tiefeneinstellskala	30	Flachrundschraube mit Vierkant	58	Knaufgriff
4	Spannhebel	31	Führungshalterung	59	Eintauch-Fräskorb
5	Einstellschraube	32	Flügelschraube	60	Griff
6	Sechskantmutter	33	Klemmschraube (A)	61	Knauf
7	Schalter	34	Bohrung (Kreismittelpunkt)	62	Einstellknopf
8	Seite AUS (O)	35	Nagel	63	Verriegelungshebel
9	Seite EIN (I)	36	Klemmschraube (A)	64	Tiefenzeiger
10	Drehzahl-Stellrad	37	Einstellschraube	65	Anschlagstangen-Feststellmutter
11	Festziehen	38	Klemmschraube (B)	66	Schnellvorschubknopf
12	Lösen	39	Führungsrolle	67	Anschlagstange
13	Halten	40	Fräser	68	Anschlagblock
14	Spindelarretierung	41	Anlaufrolle	69	Einstellschraube
15	Werkstück	42	Klemmschrauben	70	Führungshalter
16	Fräserdrehrichtung	43	Gleitplatte	71	Flügelschrauben
17	Ansicht des Arbeitsbereiches von oben	44	Schraube	72	Führungsstange
18	Vorschubrichtung	45	Riemenscheibe	73	Flügelschraube
19	Geradführung	46	Spannzangenmutter	74	Außendurchmesser der Schablonenführung
20	Rändelmutter	47	Spannzangenkonus	75	Schablonenführung
21	Gleitplatte	48	Schraubenschlüssel	76	Absaugstutzen
22	Schrauben	49	Riemen	77	Rändelschraube
23	Schraubendreher	50	Spannhebel	78	Verschleißgrenze
24	Geradfräser	51	Offset-Grundplatte	79	Bürstenhalterkappe
25	Frästisch	52	Inbusschlüssel		
26	Schablone	53	Offset-Grundplatte		
27	Abstand (X)	54	Oberteil der Offset-Grundplatte		
		55	Stangengriff (Sonderzubehör)		

TECHNISCHE DATEN

GEA010-1

Modell	RT0700C
Werkzeugaufnahme	6 mm, 8 mm, 1/4" oder 3/8"
Leerlaufdrehzahl (min ⁻¹)	10 000 – 30 000
Gesamtlänge	200 mm
Nettogewicht	1,8 kg
Sicherheitsklasse	□/II

- Wir behalten uns vor, Änderungen im Zuge der Entwicklung und des technischen Fortschritts ohne vorherige Ankündigung vorzunehmen.
- Die technischen Daten können von Land zu Land abweichen.
- Gewicht nach EPTA-Verfahren 01/2003

ENE010-1

Vorgesehene Verwendung

Die Maschine ist für Glattschneiden und Profilfräsen von Holz, Kunststoff und ähnlichen Materialien vorgesehen.

ENF002-1

Netzanschluss

Die Maschine darf nur an die auf dem Typenschild angegebene Netzspannung angeschlossen werden und arbeitet nur mit Einphasen- Wechselfspannung. Sie ist entsprechend den Europäischen Richtlinien doppelt schutzisoliert und kann daher auch an Steckdosen ohne Erdanschluss betrieben werden.

Allgemeine Sicherheitswarnungen für Elektrowerkzeuge

⚠️ WARNUNG Lesen Sie alle Sicherheitswarnungen und Anweisungen durch. Eine Missachtung der unten aufgeführten Warnungen und Anweisungen kann zu einem elektrischen Schlag, Brand und/oder schweren Verletzungen führen.

Bewahren Sie alle Warnungen und Anweisungen für spätere Bezugnahme auf.

GEB019-4

SICHERHEITSWARNUNGEN FÜR EINHANDFRÄSE

- 1. Halten Sie das Elektrowerkzeug an den isolierten Griffflächen, weil der Fräser das eigene Kabel berühren kann.** Bei Kontakt mit einem Strom führenden Kabel werden die freiliegenden Metallteile des Elektrowerkzeugs ebenfalls Strom führend, so dass der Benutzer einen elektrischen Schlag erleiden kann.
- 2. Verwenden Sie Klemmen oder eine andere praktische Methode, um das Werkstück auf einer stabilen Unterlage zu sichern und abzustützen.** Wenn Sie das Werkstück nur von Hand oder gegen Ihren Körper halten, befindet es sich in einer instabilen Lage, die zum Verlust der Kontrolle führen kann.
- 3. Tragen Sie bei längerem Arbeiten mit der Fräse einen Gehörschutz.**
- 4. Behandeln Sie den Fräser sorgfältig.**

5. Überprüfen Sie den Fräser vor Gebrauch sorgfältig auf Risse oder Beschädigung. Tauschen Sie gerissene oder beschädigte Fräser sofort aus.
6. Achten Sie auf eventuell vorhandene Nägel oder Fremdkörper. Das Werkstück vor Beginn der Arbeit auf Fremdkörper untersuchen und diese gegebenenfalls entfernen.
7. Halten Sie die Fräse mit beiden Händen gut fest.
8. Halten Sie die Hände von den sich bewegenden Teilen der Maschine fern.
9. Das Gerät nicht einschalten, wenn der Fräser das Werkstück berührt.
10. Vor dem Ansetzen auf das zu bearbeitende Werkstück, die Fräse einige Zeit ohne Last laufen lassen.
Wird ein Vibrieren oder unrunder Lauf festgestellt, prüfen Sie, ob der Fräser sachgemäß eingesetzt wurde oder beschädigt ist.
11. Achten Sie auf Drehrichtung und Vorschubrichtung.
12. Die Maschine nicht im eingeschalteten Zustand aus der Hand legen. Die Benutzung ist nur in handgehaltener Weise vorgesehen.
13. Die Fräse erst dann vom Werkstück abnehmen, nachdem die Maschine abgeschaltet wurde und der Fräser zum Stillstand gekommen ist.
14. Berühren Sie den Fräser nicht unmittelbar nach dem Gebrauch; da er sehr heiß ist und Hautverbrennungen verursachen kann.
15. Die Kunststoffteile der Maschine nicht mit Lösungsmitteln, Benzin oder Öl in Kontakt bringen. Risse oder Versprödung können dadurch verursacht werden.
16. Verwenden Sie Fräser mit korrektem Schaftdurchmesser, die für die Drehzahl der Maschine geeignet sind.
17. Manche Materialien können giftige Chemikalien enthalten. Treffen Sie Vorsichtsmaßnahmen, um das Einatmen von Arbeitsstaub und Hautkontakt zu verhüten. Befolgen Sie die Sicherheitsdaten des Materialherstellers.
18. Verwenden Sie stets die korrekte Staubschutz- oder Atemmaske für das jeweilige Material und die Anwendung.

BEWAHREN SIE DIESE HINWEISE SORGFÄLTIG AUF.

WARNUNG:

Lassen Sie sich NICHT durch Bequemlichkeit oder Vertrautheit mit dem Produkt (durch wiederholten Gebrauch erworben) von der strikten Einhaltung der Sicherheitsregeln für das vorliegende Produkt abhalten. **MISSBRAUCH** oder Missachtung der Sicherheitsvorschriften in dieser Anleitung können schwere Verletzungen verursachen.

FUNKTIONSBESCHREIBUNG

VORSICHT:

- Vergewissern Sie sich vor jeder Einstellung oder Funktionsprüfung der Maschine stets, dass sie ausgeschaltet und vom Stromnetz getrennt ist.

Einstellen der Frästiefe (Abb. 1)

Zum Einstellen der Frästiefe den Spannhebel lösen, und die Grundplatte durch Drehen der Einstellschraube wunschgemäß nach oben oder unten verstellen. Nach der Einstellung den Spannhebel fest anziehen, um die Grundplatte zu sichern.

HINWEIS:

- Wenn die Maschine nicht gesichert ist, obwohl der Spannhebel angezogen ist, zuerst die Sechskantmutter und dann den Spannhebel anziehen.

Schalterbedienung (Abb. 2)

VORSICHT:

- Vergewissern Sie sich vor dem Anschließen der Maschine an das Stromnetz stets, dass die Maschine ausgeschaltet ist.

Zum Einschalten der Maschine die Seite "EIN (I)" des Schalters drücken. Zum Ausschalten der Maschine die Seite "AUS (O)" des Schalters drücken.

Elektronikfunktionen

Die mit Elektronikfunktionen ausgestattete Maschine weist die folgenden Merkmale zur Bedienungserleichterung auf.

Konstantdrehzahlregelung

Elektronische Drehzahlregelung zur Aufrechterhaltung einer konstanten Drehzahl. Feine Oberflächengüte wird ermöglicht, weil die Drehzahl selbst unter Belastung konstant gehalten wird.

Soft-Start

Die Soft-Start-Funktion reduziert Anlaufstöße auf ein Minimum und bewirkt ruckfreies Anlaufen der Maschine.

Drehzahl-Stellrad (Abb. 3)

Die Drehzahl kann durch Drehen des Drehzahl-Stellrads auf eine der Stufen von 1 bis 6 geändert werden.

Durch Drehen des Stellrads in Richtung der Nummer 6 wird die Drehzahl erhöht, während sie durch Drehen in Richtung 1 verringert wird.

Dadurch kann die ideale Drehzahl für optimale Materialverarbeitung gewählt werden, d. h. die Drehzahl kann passend für Material und Fräserdurchmesser korrekt eingestellt werden.

Die ungefähren Drehzahlen für die einzelnen Stellrad-Positionen sind aus der Tabelle ersichtlich.

Nummer	min ⁻¹
1	10 000
2	12 000
3	17 000
4	22 000
5	27 000
6	30 000

VORSICHT:

- Wird die Maschine über längere Zeitspannen im Dauerbetrieb mit niedriger Drehzahl betrieben, führt das zu einer Überlastung des Motors, die eine Funktionsstörung zur Folge haben kann.
- Das Drehzahl-Stellrad lässt sich nur bis 6 und zurück auf 1 drehen. Wird es gewaltsam über 6 oder 1 hinaus gedreht, lässt sich die Drehzahl möglicherweise nicht mehr einstellen.

MONTAGE

VORSICHT:

- Vergewissern Sie sich vor der Ausführung von Arbeiten an der Maschine stets, dass sie ausgeschaltet und vom Stromnetz getrennt ist.

Montage bzw. Demontage von Fräsern (Abb. 4 u. 5)

VORSICHT:

- Ziehen Sie die Spannzangenmutter nicht an, ohne dass ein Fräser eingesetzt ist, weil sonst der Spannzangenkonus bricht.
- Nur die mitgelieferten Einmaulschlüssel verwenden.

Den Fräser bis zum Anschlag in den Spannzangenkonus einführen, und die Spannzangenmutter mit zwei Schraubenschlüsseln oder durch Drücken der Spindelarretierung und Drehen des mitgelieferten Schraubenschlüssels festziehen.

Zur Demontage des Fräasers folgen Sie der Montageanweisung in umgekehrter Reihenfolge.

BEDIENUNG

Für den Fräskorb (Abb. 6)

WARNUNG:

- Bevor Sie die Maschine mit dem Fräskorb benutzen, bringen Sie stets den Absaugstutzen am Fräskorb an.

Die Fräse auf das zu bearbeitende Werkstück setzen, ohne das der Fräser das Werkstück berührt. Die Fräse einschalten und warten, bis die Maschine die volle Drehzahl erreicht hat. Die Fräse auf der Oberfläche des Werkstücks vorwärts schieben, dabei den Frästisch rechtwinklig zum Werkstück führen.

Bei der Bearbeitung von Kanten muss sich das Werkstück, in Vorschubrichtung gesehen, links vom Fräser befinden. (Abb. 7)

HINWEIS:

- Zu schnelles Vorschieben der Maschine kann schlechte Schnittqualität oder Beschädigung des Fräasers oder Motors zur Folge haben. Zu langsames Vorschieben der Maschine kann Verbrennung oder Beschädigung des Schnitts zur Folge haben. Die korrekte Vorschubgeschwindigkeit hängt von der Fräsergröße, der Art des Werkstücks und der Frästiefe ab. Bevor Sie den Schnitt am tatsächlichen Werkstück ausführen, ist es ratsam, einen Probeschnitt in einem Stück Abfallholz zu machen. Dies gibt Ihnen die Möglichkeit, das genaue Aussehen des Schnitts festzustellen und die Abmessungen zu überprüfen.
- Wenn Sie den Führungsschuh, die Geradführung oder die Führungsrolle verwenden, halten Sie die Vorrichtung auf der rechten Seite in Vorschubrichtung. Dies trägt dazu bei, sie bündig mit der Seite des Werkstücks zu halten. (Abb. 8)

VORSICHT:

- Fräsen mit hohem Materialabtrag kann zu einer Überlastung des Motors führen und die Handhabung der Fräse erschweren. Die Frästiefe beim Nutfräsen sollte bei einem Arbeitsgang nicht mehr als 3 mm betragen; bei höheren Frästiefen sollte in zwei oder drei Arbeitsgängen mit zunehmend tieferer Fräseinstellung gefräst werden.

Fräskorb (Kunststoff) (Sonderzubehör)

Sie können den Fräskorb (Kunststoff) als Sonderzubehör verwenden, wie in der Abbildung gezeigt. (Abb. 9)

Setzen Sie das Werkzeug auf den Fräskorb (Kunststoff), und ziehen Sie die Rändelmutter am gewünschten Vorsprung des Einsatzes an.

Angaben zu den Betriebsverfahren entnehmen Sie bitte dem Abschnitt "Betrieb" des Fräskorbs.

Schablonenführung

Die Schablonenführung gestattet die Verwendung von Schablonen. (Abb. 10)

Lösen Sie die Schrauben, um den Gleitschutz abzunehmen. Die Schablonenführung in den Frästisch einsetzen und anschließend den Gleitschutz an gleicher Stelle montieren und die Schrauben wieder festziehen. (Abb. 11)

Befestigen Sie die Schablone am Werkstück. Die Fräse auf die Schablone setzen und so führen, dass die Schablonenführung an der Bezugskante der Schablone entlangfährt. (Abb. 12)

HINWEIS:

- Das Werkstück wird auf eine geringfügig andere Größe als die Schablone zugeschnitten. Halten Sie einen Abstand (X) zwischen dem Fräser und der Außenseite der Schablonenführung ein.
Der Abstand (X) kann mit der folgenden Gleichung berechnet werden:
$$\text{Abstand (X)} = (\text{Außendurchmesser der Schablonenführung} - \text{Fräserdurchmesser}) / 2$$

Geradführung (Zubehör)

Zum Fasen und Nuten können Sie auch den Parallelanschlag verwenden. (Abb. 13)

Die Führungsplatte mit der Schraube und Flügelmutter an der Geradführung befestigen. (Abb. 14)

Die Geradführung mit der Klemmschraube (A) befestigen.

Die Flügelmutter an der Geradführung lösen, und den Abstand zwischen Fräser und Geradführung einstellen. Die Flügelmutter im gewünschten Abstand fest anziehen. Beim Fräsen die Maschine so vorschieben, dass die Geradführung an der Seite des Werkstücks anliegt. (Abb. 15)

Falls der Abstand (A) zwischen der Seite des Werkstücks und der Fräseposition zu breit für die Geradführung ist, oder die Seite des Werkstücks nicht gerade ist, kann die Geradführung nicht benutzt werden. In diesem Fall ein gerades Brett am Werkstück festklemmen und dieses als Führung gegen den Frästisch benutzen. Die Maschine in Pfeilrichtung vorschieben. (Abb. 16)

Fräsen von Radien

Kreisschnitte können durchgeführt werden, wenn Sie die Geradführung und die Führungsplatte so montieren, wie in die Abb. 17 und Abb. 18 gezeigt.

Die min. und max. Radien der zu schneidenden Kreise (Abstand zwischen Kreismitte und Fräsermitte) sind wie folgt:

Min.: 70 mm

Max.: 221 mm

Den Parallelanschlag zum Fräsen der Radien von 70 bis 121 mm gemäß Abb. 17, zum Fräsen der Radien von 121 bis 221 mm entsprechend Abb. 18 mit der Führungshalterung zusammenbauen.

HINWEIS:

- Konstruktionsbedingt können Radien von 172 mm und 186 mm nicht gefräst werden.

In den Kreismittelpunkt einen Dorn (Nagel/Schraube, etc.) mit einem max. Durchmesser von 6 mm einsetzen. Den Parallelanschlag mit der Bohrung auf den Dorn setzen und den Fräsvorgang rechtsdrehend auf dem Werkstück durchführen. (**Abb. 19**)

Führungsrolle (Sonderzubehör)

Zur Kantebearbeitung kann mit der Führungsrolle die Außenkontur des Werkstücks abgetastet werden. (**Abb. 20**)

Montieren Sie die Rollenführung am Frästisch und ziehen Sie die Klemmschraube (A) an. Lösen Sie die Klemmschraube (B) und stellen die Anlaufrolle mit der Einstellschraube (1 mm pro Umdrehung) auf den gewünschten Fräsabstand. Mit der Klemmschraube (B) die Einstellung sichern. (**Abb. 21**)

Achten Sie beim Fräsvorgang auf eine winkelgerechte Auflage der Maschine auf dem Werkstück. (**Abb. 22**)

Winkelfräskorb (Sonderzubehör)

Der Winkelfräskorb (Sonderzubehör) ist praktisch für Anfasen. (**Abb. 23**)

Die Maschine auf den Winkelfräskorb setzen, und den Spannhebel am gewünschten Vorsprung des Fräasers schließen. Um den gewünschten Winkel zu erhalten, die Klemmschrauben an den Seiten anziehen.

Ein gerades Brett am Werkstück festklemmen, und dieses als Führung gegen den Fräskorb benutzen. Die Maschine in Pfeilrichtung vorschieben.

Gleitplatte vom Winkelfräskorb (Sonderzubehör) abgenommen

Durch Montieren der vom Winkelfräskorb entfernten Gleitplatte am Fräskorb kann die Rundplatte gegen eine Vierkantplatte ausgewechselt werden.

Für andere Anwendungen die Gleitplatte durch Lösen und Entfernen der vier Schrauben vom Winkelfräskorb abnehmen. (**Abb. 24**)

Dann die Gleitplatte am Fräskorb befestigen.

Offset-Grundplatte (Sonderzubehör)

(1) Die Offset-Grundplatte (Sonderzubehör) eignet sich für Arbeiten in engen Bereichen, wie z. B. Ecken. (**Abb. 25 u. 26**)

Vor der Anbringung der Maschine an der Offset-Grundplatte die Spannzangenmutter und den Spannzangenkonus durch Lösen der Spannzangenmutter entfernen. (**Abb. 27**)

Beim Anbringen der Riemenscheibe an der Maschine die Spindelaretierung drücken, und die Riemenscheibe mit einem Schraubenschlüssel anziehen. (**Abb. 28**)

Den Spannzangenkonus aufsetzen, und die Spannzangenmutter auf die Offset-Grundplatte schrauben, wie in der Abbildung gezeigt. (**Abb. 29**)

Die Maschine an der Offset-Grundplatte anbringen. (**Abb. 30**)

Ein Ende des Riemens mithilfe eines Schraubendrehers um die Riemenscheibe legen, und sicherstellen, dass der Riemen über seine ganze Breite vollständig auf der Riemenscheibe sitzt. (**Abb. 31**)

Mit dem Spannhebel an der Offset-Grundplatte sichern. (**Abb. 32**)

Zum Montieren des Fräasers die Maschine mit der Offset-Grundplatte auf ihre Seite legen. Den Inbusschlüssel in das Loch der Offset-Grundplatte einführen.

Während der Inbusschlüssel in dieser Stellung gehalten wird, den Fräser von der entgegengesetzten Seite in den Spannzangenkonus auf der Welle der Offset-Grundplatte einführen, und die Spannzangenmutter mit einem Schraubenschlüssel festziehen.

Zum Demontieren des Fräasers beim Auswechseln das Montageverfahren umgekehrt anwenden.

(2) Für größere Stabilität kann die Offset-Grundplatte (Sonderzubehör) auch mit einem Fräskorb und einem Griffaufsatz (Sonderzubehör) verwendet werden. (**Abb. 33**)

Die Schrauben lösen, und das Oberteil von der Offset-Grundplatte abnehmen. Das Oberteil der Offset-Grundplatte zur Seite legen. (**Abb. 34**)

Den Fräskorb mit vier Schrauben, und den Griffaufsatz (Sonderzubehör) mit zwei Schrauben an der Offset-Grundplatte befestigen.

Den Stangengriff (Sonderzubehör) auf den Griffaufsatz schrauben. (**Abb. 35**)

Als weitere Gebrauchsmöglichkeit kann der von einem Eintauch-Fräskorb (Sonderzubehör) entfernte Knaufgriff am Griffaufsatz montiert werden. Den Knaufgriff zum Montieren auf den Griffaufsatz setzen und mit einer Schraube sichern. (**Abb. 36**)

Bei Verwendung als Oberfräse nur mit Eintauch-Fräskorb (Sonderzubehör)

⚠ VORSICHT:

• Halten Sie die Maschine bei Verwendung als Oberfräse mit beiden Händen fest.

Wenn Sie die Maschine als Oberfräse benutzen wollen, drücken Sie sie vollständig in einen Eintauch-Fräskorb (Sonderzubehör) hinein. (**Abb. 37**)

Je nach der anstehenden Arbeit können Sie entweder einen Knaufgriff oder einen Stangengriff (Sonderzubehör) verwenden. (**Abb. 38**)

Um den Stangengriff (Sonderzubehör) zu benutzen, die Schraube lösen, und den Knaufgriff abnehmen. (**Abb. 39**)

Dann den Stangengriff auf die Grundplatte schrauben.

Einstellen der Frästiefe bei Verwendung des Eintauch-Fräskorbs (Sonderzubehör)

Die Maschine auf eine ebene Fläche stellen. Den Spannhebel lösen, und den Maschinenkörper absenken, bis der Fräser die ebene Fläche leicht berührt. Dann den Spannhebel zum Arretieren des Maschinenkörpers anziehen. (**Abb. 40**)

Die Anschlagstangen-Feststellmutter entgegen dem Uhrzeigersinn drehen.

Die Anschlagstange absenken, bis sie die Einstellschraube berührt. Den Tiefenzeiger auf den Teilstrich "0" ausrichten. Die Frästiefe wird durch den Tiefenzeiger auf der Skala angezeigt.

Während der Schnellvorschubknopf gedrückt wird, die Anschlagstange anheben, bis die gewünschte Frästiefe erreicht ist. Eine Feineinstellung der Frästiefe kann durch Drehen des Einstellknopfes bewirkt werden (1 mm pro Umdrehung).

Durch Drehen der Anschlagstangen-Feststellmutter im Uhrzeigersinn kann die Anschlagstange festgeklemmt werden.

Nun können Sie die vorbestimmte Frästiefe erhalten, indem Sie den Verriegelungshebel lösen und dann den Maschinenkörper absenken, bis die Anschlagstange die Sechskantschraube des Anschlagblocks berührt.

Halten Sie die Maschine während des Betriebs immer an beiden Griffen fest.

Die Grundplatte auf das zu bearbeitende Werkstück aufsetzen, ohne dass der Fräser mit dem Werkstück in Berührung kommt. Dann die Maschine einschalten und warten, bis der Fräser die volle Drehzahl erreicht hat. Den Maschinenkörper absenken, und die Maschine bei flach aufliegender Grundplatte gleichmäßig über die Werkstückoberfläche vorschieben, bis der Schnitt ausgeführt ist.

Beim Kantenfräsen sollte die Werkstückoberfläche auf der linken Seite des Fräasers in Vorschubrichtung liegen.

(Abb. 41)

HINWEIS:

- Zu schnelles Vorschieben der Maschine kann schlechte Schnittqualität oder Beschädigung des Fräasers oder Motors zur Folge haben. Zu langsames Vorschieben der Maschine kann Verbrennung oder Beschädigung des Schnitts zur Folge haben. Die korrekte Vorschubgeschwindigkeit hängt von der Fräsergröße, der Art des Werkstücks und der Frästiefe ab. Bevor Sie den Schnitt am tatsächlichen Werkstück ausführen, ist es ratsam, einen Probeschnitt in einem Stück Abfallholz zu machen. Dies gibt Ihnen die Möglichkeit, das genaue Aussehen des Schnitts festzustellen und die Abmessungen zu überprüfen.
- Wenn Sie die Geradföhrung verwenden, montieren Sie die Vorrichtung auf der rechten Seite in Vorschubrichtung. Dies trägt dazu bei, sie bündig mit der Seite des Werkstücks zu halten. **(Abb. 42)**

Geradföhrung bei Verwendung als Oberfräse (muss mit Führungshalter (Sonderzubehöhr) verwendet werden)

Die Geradföhrung ist effektiv, um gerade Schnitte beim Anfasen oder Rillenfräsen auszuführen. **(Abb. 43)**

Die Geradföhrung mit der Flügelmutter am Führungshalter (Sonderzubehöhr) montieren.

Den Führungshalter in die Löcher des Eintauch-Fräskorbs einföhren, und die Flügelerschrauben anziehen. Um den Abstand zwischen Fräser und Geradföhrung einzustellen, die Flügelmutter lösen. Die Flügelmutter am gewünschten Abstand festziehen, um die Geradföhrung zu sichern.

Geradföhrung (Sonderzubehöhr)

Die Geradföhrung ist effektiv, um gerade Schnitte beim Anfasen oder Rillenfräsen auszuführen. **(Abb. 44 u. 45)**

Zum Montieren der Geradföhrung die Führungsstangen in die Löcher des Eintauch-Fräskorbs einföhren. Den Abstand zwischen Fräser und Geradföhrung einstellen. Die Flügelerschrauben am gewünschten Abstand festziehen, um die Geradföhrung zu sichern.

Beim Fräsen die Maschine so vorschieben, dass die Geradföhrung an der Seite des Werkstücks anliegt. **(Abb. 46)**

Falls der Abstand (A) zwischen der Seite des Werkstücks und der Fräseposition zu breit für die Geradföhrung ist, oder die Seite des Werkstücks nicht gerade ist, kann die Geradföhrung nicht benutzt werden. In diesem Fall ein gerades Brett am Werkstück festklemmen, und dieses als Führung gegen den Fräskorb benutzen. Die Maschine in Pfeilrichtung vorschieben.

Schablonenföhrung (Zubehöhr)

Die Schablonenföhrung weist eine Hölse auf, durch die der Fräser hindurchgeht, so dass die Maschine mit Schablonenmustern verwendet werden kann. **(Abb. 47)** Zum Installieren der Schablonenföhrung die Schrauben an der Grundplatte lösen, die Schablonenföhrung einsetzen, und die Schrauben festziehen. **(Abb. 48)**

Die Schablone am Werkstück befestigen. Die Maschine auf die Schablone setzen und an der Seitenkante der Schablone entlang föhren. **(Abb. 49)**

HINWEIS:

- Das Werkstück wird auf eine geringfügig andere Gröölse als die Schablone zugeschnitten. Halten Sie einen Abstand (X) zwischen dem Fräser und der Außenseite der Schablonenföhrung ein.

Der Abstand (X) kann mit der folgenden Gleichung berechnet werden:

$$\text{Abstand (X)} = (\text{Außendurchmesser der Schablonenföhrung} - \text{Fräserdurchmesser}) / 2$$

Absaugstutzensätze

Für den Fräskorb (Abb. 6)

Für den Eintauch-Fräskorb (Sonderzubehöhr) (Abb. 50)

Benutzen Sie den Absaugstutzen für Staubabsaugung. Befestigen Sie den Absaugstutzen mit der Rändelschraube so an der Grundplatte, dass der Vorsprung des Absaugstutzens in der Aussparung der Grundplatte sitzt.

Schließen Sie dann einen Staubsauger an den Absaugstutzen an. **(Abb. 51)**

WARTUNG

⚠ VORSICHT:

- Denken Sie vor der Durchföhrung von Überprüfungen oder Wartungsarbeiten stets daran, die Maschine auszuschaalten und vom Stromnetz zu trennen.
- Verwenden Sie auf keinen Fall Benzin, Benzol, Verdünnner, Alkohol oder dergleichen. Solche Mittel können Verfärbung, Verformung oder Rissbildung verursachen.

Kohlebürsten wechseln

Die Kohlebürsten müssen regelmäßig entfernt und überprüft werden. Wenn sie bis zur Verschleißgrenze abgenutzt sind, müssen sie erneuert werden. Halten Sie die Kohlebürsten stets sauber, damit sie ungehindert in den Haltern gleiten können. Beide Kohlebürsten sollten gleichzeitig erneuert werden. Verwenden Sie nur identische Kohlebürsten. **(Abb. 52)**

Drehen Sie die Bürstenhalterkappen mit einem Schraubendreher heraus. Die abgenutzten Kohlebürsten herausnehmen, die neuen einsetzen, und dann die Bürstenhalterkappen wieder eindrehen. **(Abb. 53)**

Um die SICHERHEIT und ZUVERLÄSSIGKEIT dieses Produkts zu gewährleisten, sollten Reparaturen und andere Wartungs- oder Einstellarbeiten nur von Makita-Vertragswerkstätten oder Makita-Kundendienstzentren unter ausschließlicher Verwendung von Makita-Originalersatzteilen ausgeföhrt werden.

⚠ VORSICHT:

- Die folgenden Zubehörteile oder Vorrichtungen werden für den Einsatz mit der in dieser Anleitung beschriebenen Makita-Maschine empfohlen. Die Verwendung anderer Zubehörteile oder Vorrichtungen kann eine Verletzungsgefahr darstellen. Verwenden Sie Zubehörteile oder Vorrichtungen nur für ihren vorgesehenen Zweck.

Wenn Sie weitere Einzelheiten bezüglich dieser Zubehörteile benötigen, wenden Sie sich bitte an Ihre Makita-Kundendienststelle.

- Gerad- und Nutenfräser
- Kantenfräser
- Laminatfräser
- Geradföhrung
- Fräsenföhrung
- Fräskorb
- Fräskorb (Kunststoff)
- Winkelfräskorb
- Eintauch-Fräskorb
- Offset-Grundplatte
- Schablonenföhrung
- Spannzangenkonus 6 mm
- Spannzangenkonus 6,35 mm (1/4")
- Spannzangenkonus 8 mm
- Spannzangenkonus 9,53 mm (3/8")
- Schraubenschlüssel 13
- Schraubenschlüssel 22

HINWEIS:

- Manche Teile in der Liste können als Standardzubehör im Werkzeugsatz enthalten sein. Sie können von Land zu Land unterschiedlich sein.

ENG905-1

Geräusch

Typischer A-bewerteter Geräuschpegel ermittelt gemäß EN60745:

Schalldruckpegel (L_{pA}): 82 dB (A)
 Schalleistungspegel (L_{WA}): 93 dB (A)
 Ungewissheit (K): 3 dB (A)

Gehörschutz tragen

ENG900-1

Vibration

Vibrationsgesamtwert (Drei-Achsen-Vektorsumme) ermittelt gemäß EN60745:

Arbeitsmodus: Drehung ohne Last
 Vibrationsemission (a_{H1}): 2,5 m/s² oder weniger
 Ungewissheit (K): 1,5 m/s²

Arbeitsmodus: Nutenfräsen in MDF
 Vibrationsemission (a_{H1}): 3,5 m/s²
 Ungewissheit (K): 1,5 m/s²

- Der angegebene Vibrationsemissionswert wurde im Einklang mit der Standardprüfmethode gemessen und kann für den Vergleich zwischen Maschinen herangezogen werden.
- Der angegebene Vibrationsemissionswert kann auch für eine Bewertung des Gefährdungsgrads verwendet werden.

⚠ WARNUNG:

- Die Vibrationsemission während der tatsächlichen Benutzung des Elektrowerkzeugs kann je nach der Benutzungsweise der Maschine vom angegebenen Emissionswert abweichen.
- Identifizieren Sie Sicherheitsmaßnahmen zum Schutz des Benutzers anhand einer Schätzung des Gefährdungsgrads unter den tatsächlichen Benutzungsbedingungen (unter Berücksichtigung aller Phasen des Arbeitszyklus, wie z. B. Ausschalt- und Leerlaufzeiten der Maschine zusätzlich zur Betriebszeit).

EG-KONFORMITÄTSERKLÄRUNG

Nur für europäische Länder

Die EG-Konformitätserklärung ist als Anhang A in dieser Bedienungsanleitung enthalten.

Visione generale

1 Sporgenza punta	27 Distanza (X)	55 Impugnatura di tipo barra (accessorio opzionale)
2 Base utensile	28 Guida a sagoma 10	56 Accessorio impugnatura (accessorio opzionale)
3 Scala	29 Protezione base	57 Base rifilatore
4 Leva di bloccaggio	30 Bullone	58 Impugnatura tipo manopola
5 Vite di regolazione	31 Guida rettilinea	59 Base tuffante
6 Dado esagonale	32 Dado ad alette	60 Impugnatura
7 Interruttore	33 Vite di fissaggio (A)	61 Manopola
8 Lato OFF (O)	34 Foro centrale	62 Manopola di regolazione
9 Lato ON (I)	35 Chiodo	63 Leva di bloccaggio
10 Ghiera di regolazione velocità	36 Vite di fissaggio (A)	64 Indice di profondità
11 Serrare	37 Vite di regolazione	65 Dado di regolazione asta di fermo
12 Allentare	38 Vite di fissaggio (B)	66 Bottone di alimentazione veloce
13 Tenere ben fermo	39 Guida rifilatore	67 Asta di fermo
14 Fermo albero	40 Punta	68 Blocco di fermo
15 Pezzo sotto lavorazione	41 Rullo di guida	69 Bullone di regolazione
16 Direzione di rotazione della punta	42 Viti di fissaggio	70 Supporto guida
17 Vista del di sopra della fresatrice	43 Protezione base	71 Bulloni ad alette
18 Drezione incui si muove l'utensile	44 Vite	72 Barra guida
19 Guida diritta	45 Puleggia	73 Bullone ad alette
20 Dado ad aletta	46 Dado bussola di chiusura	74 Diametro esterno guida sagoma
21 Protezione della base	47 Cono bussola di chiusura	75 Guida sagoma
22 Vite	48 Chiave	76 Bocchetta polvere
23 Cacciavite	49 Cinghia	77 Vite con testa zigrinata
24 Punta diritta	50 Leva di bloccaggio	78 Segno limite
25 Base	51 Base decentrata	79 Coperchio delle spazzole a carbone
26 Sagoma	52 Chiave esagonale	
	53 Piastra base decentrata	
	54 Sezione superiore base decentrata	

DATI TECNICI

GEA010-1

Modello	RT0700C
Capacità della pinza	6 mm, 8 mm, 1/4" o 3/8"
Velocità a vuoto (min ⁻¹)	10.000 – 30.000
Lunghezza totale	200 mm
Peso netto	1,8 kg
Classe di sicurezza	□/II

- Per il nostro programma di ricerca e sviluppo continui, i dati tecnici sono soggetti a modifiche senza preavviso.
- I dati tecnici potrebbero differire a seconda del paese di destinazione del modello.
- Peso in base alla procedura EPTA 01/2003

ENE010-1

Utilizzo previsto

Questo utensile serve alla rifilatura a raso e alla sagomatura del legno, plastica e materiali simili.

ENF002-1

Alimentazione

L'utensile deve essere collegato ad una presa di corrente con la stessa tensione indicata sulla targhetta del nome, e può funzionare soltanto con la corrente alternata monofase. Esso ha un doppio isolamento in osservanza alle norme europee, per cui può essere usato con le prese di corrente sprovviste della messa a terra.

Avvertimenti generali per la sicurezza dell'utensile elettrico

⚠️ AVVERTIMENTO Leggere tutti gli avvertimenti per la sicurezza e le istruzioni. La mancata osservanza degli avvertimenti e delle istruzioni può causare scosse elettriche, incendio e/o gravi incidenti.

Conservare tutti gli avvertimenti e le istruzioni per riferimenti futuri.

GEB019-4

AVVERTIMENTI PER LA SICUREZZA DEL RIFILATORE

- 1. Tenere l'utensile elettrico per le superfici di presa isolate, perché la troncatrice potrebbe fare contatto con il suo stesso cavo.** Il taglio di un filo elettrico "sotto tensione" potrebbe mettere "sotto tensione" le parti metalliche esposte dell'utensile e dare una scossa all'operatore.
- 2. Usare morse od altri modi pratici per fissare e supportare il pezzo su una superficie stabile.** Se lo si tiene in mano o contro il proprio corpo, il pezzo diventa instabile e potrebbe causare la perdita di controllo.
- 3. Quando si opera per lungo tempo mettersi protezioni alle orecchie.**
- 4. Trattare gli utensili con estrema cura.**

5. Controllare gli utensili con estrema cura che non ci siano crepature oppure siano danneggiati prima di cominciare la lavorazione.
Rimpiazzare immediatamente utensili con crepature oppure danneggiati.
6. Evitare di tagliare chiodi. Ispezionare se ci sono e rimuovere tutti i chiodi dal pezzo da lavorare prima di cominciare la lavorazione.
7. Tenere la fresatrice ferma.
8. Tenere le mani lontane dalle parti in movimento.
9. Prima di mettere in moto la fresatrice assicurarsi che l'utensile non è a contatto con il pezzo da lavorare.
10. Prima di cominciare la lavorazione sul pezzo da lavorare attualmente, lasciare che giri per un momento.
Osservare se ci sono vibrazioni oppure rotazioni imperfette che possono essere il segno di un montaggio imperfetto dell'utensile.
11. Assicurarsi del senso di rotazione dell'utensile e della direzione di avanzamento del pezzo da lavorare.
12. Non lasciare che l'utensile giri a vuoto. Mettere in moto la fresatrice solo quando è ben tenuta in mano.
13. Dopo aver lasciato andare l'interruttore sempre aspettare che l'utensile si fermi completamente prima di rimuovere la fresatrice dal pezzo da lavorare.
14. Non toccare l'utensile subito dopo la lavorazione; potrebbe essere estremamente caldo e potrebbe bruciare la vostra pelle.
15. Non sporcare sbadatamente la base dell'utensile con solvente benzina, olio oppure liquidi simili. Questi liquidi potrebbero causare crepature sulla base dell'utensile.
16. Usare punte con il diametro corretto del codolo adatte alla velocità dell'utensile.
17. Alcuni materiali contengono sostanze chimiche che potrebbero essere tossiche. Fare attenzione per evitare l'inalazione o il contatto con la pelle. Osservare le precauzioni del produttore del materiale.
18. Usare sempre la mascherina antipolvere/respiratore adatti al materiale e all'applicazione con cui si lavora.

CONSERVATE QUESTE ISTRUZIONI.

AVVERTIMENTO:

NON lasciare che la comodità o la familiarità d'utilizzo con il prodotto (acquisita con l'uso ripetuto) sostituisca la stretta osservanza delle norme di sicurezza per il prodotto stesso. L'utilizzo SBAGLIATO o la mancata osservanza delle norme di sicurezza di questo manuale di istruzioni potrebbero causare lesioni serie.

DESCRIZIONE DEL FUNZIONAMENTO

ATTENZIONE:

- Accertarsi sempre che l'utensile sia spento e staccato dalla presa di corrente prima di regolarlo o di controllarne il funzionamento.

Regolazione della sporgenza della punta (Fig. 1)

Per regolare la sporgenza della punta, allentare la leva di bloccaggio e spostare la base dell'utensile su o giù come desiderato girando la vite di regolazione. Dopo la regolazione, serrare saldamente la leva di bloccaggio per fissare la base dell'utensile.

NOTA:

- Se l'utensile non è fissato anche dopo che si è stretta la leva di bloccaggio, serrare il dado esagonale e serrare poi la leva di bloccaggio.

Funzionamento dell'interruttore (Fig. 2)

ATTENZIONE:

- PRIMA di collegare l'utensile alla presa di corrente, accertarsi sempre che sia spento.

Per avviare l'utensile, premere il lato "ON (I)" dell'interruttore. Per arrestare l'utensile, premere il lato "OFF (O)" dell'utensile.

Funzione elettronica

L'utensile dotato della funzione elettronica è facile da usare per le caratteristiche seguenti.

Controllo costante della velocità

Controllo elettronico della velocità per ottenere una velocità costante. Possibilità di ottenere delle buone rifiniture, perché la velocità di rotazione viene mantenuta costante anche in condizioni di carico.

Avvio morbido

La caratteristica dell'avvio morbido minimizza i contraccolpi all'avviamento e fa partire dolcemente l'utensile.

Ghiera di regolazione velocità (Fig. 3)

La velocità dell'utensile può essere cambiata girando la ghiera di regolazione della velocità su uno dei numeri di regolazione da 1 a 6.

Le velocità più alte si ottengono girando la ghiera nella direzione del numero 6, e le velocità più basse girando la ghiera nella direzione del numero 1.

Ciò permette di selezionare la velocità ideale per la lavorazione ottimale del materiale, e cioè la velocità può essere regolata correttamente in modo adatto al materiale e al diametro della punta.

Vedere la tabella per il rapporto tra le regolazioni dei numeri sulla ghiera e la velocità approssimativa dell'utensile.

Numero	min ⁻¹
1	10.000
2	12.000
3	17.000
4	22.000
5	27.000
6	30.000

ATTENZIONE:

- Se si fa funzionare continuamente l'utensile alle basse velocità per un lungo periodo di tempo, si può causare il sovraccarico del motore con un conseguente malfunzionamento.
- La ghiera di regolazione della velocità può essere girata soltanto fino al numero 6 e indietro fino al numero 1. Non si deve forzarla oltre il 6 o l'1, perché altrimenti essa potrebbe non essere più utilizzabile.

MONTAGGIO

⚠ ATTENZIONE:

- Accertarsi sempre che l'utensile sia spento e staccato dalla presa di corrente prima di un qualsiasi intervento su di esso.

Montaggio o smontaggio della punta del rifilatore (Fig. 4 e 5)

⚠ ATTENZIONE:

- Non si deve serrare il dado della bussola di chiusura senza aver inserito una punta, perché altrimenti il cono della bussola di chiusura si rompe.
- Usare la chiave in dotazione sull'attrezzo.

Inserire completamente la punta nel cono della bussola di chiusura, e serrare saldamente il dado della bussola di chiusura con le due chiavi o premendo il fermo dell'albero e usando la chiave in dotazione.

Per staccare la punta, seguire il processo di montaggio nel senso contrario.

FUNZIONAMENTO

Per la base rifilatore (Fig. 6)

⚠ AVVERTIMENTO:

- Prima di usare l'utensile con la base del rifilatore, installare sempre la bocchetta polvere sulla base del rifilatore.

Mettere la base dell'utensile sul pezzo da tagliare senza che la punta faccia alcun contatto. Accendere l'utensile e aspettare finché la punta non ha raggiunto la velocità massima. Spostare l'utensile in avanti sulla superficie del pezzo da lavorare, mantenendo la base a livello ed avanzando scorrevolmente fino al completamento del taglio. Quando si lavora sui bordi la superficie da lavorare deve trovarsi sulla parte sinistra della punta nella direzione di avanzamento dell'utensile. (Fig. 7)

NOTA:

- Fare avanzare l'utensile troppo in fretta può essere la causa di una lavorazione pessima oppure può danneggiare la punta o il motore. Fare avanzare l'utensile troppo lentamente può divenire la causa di bruciatore oppure di una lavorazione fallita. La velocità giusta di avanzamento dipenderà dalla grossezza della punta, la qualità del legname e la profondità di taglio. Prima di cominciare il taglio sul pezzo da lavorare si suggerisce di fare un taglio di prova su un pezzo di legno da buttare. Questo permetterà di farsi una idea esatta del risultato e nello stesso tempo permetterà di controllare le misure.
- Quando si usa l'appoggio del rifilatore, la guida dritta o la guida del rifilatore assicurarsi di mantenerli sul lato destro della direzione di taglio. Questo aiuterà a tenere la guida in linea con il lato del pezzo sotto lavorazione. (Fig. 8)

⚠ ATTENZIONE:

- Dato che una profondità di taglio eccessiva può provocare un eccessivo sforzo del motore oppure può creare difficoltà nel controllare l'utensile, la profondità di taglio non dovrà superare i 3 mm alla volta quando si fanno scanalature. Quando si vogliono fare tagli più profondi dei 3 mm passare parecchie volte aumentando gradatamente la profondità della punta.

Base rifilatore (in resina) (accessorio opzionale)

È possibile utilizzare la base del rifilatore (in resina) come accessorio opzionale, come indicato nella figura. (Fig. 9)

Posizionare l'utensile sulla base del rifilatore (in resina), quindi serrare il dado ad aletta alla sporgenza desiderata della punta.

Per le procedure d'uso, fare riferimento al funzionamento per la base del rifilatore.

Guida a sagoma

La guida a sagoma ha un incavo attraverso il quale passa la punta, permettendo l'uso del rifilatore per effettuare operazioni sagomate. (Fig. 10)

Allentate le viti e rimuovete la protezione della base. Piazzate la guida a sagoma sulla base e rimpiazzate la protezione della base. Quindi fissate la protezione della base stringendo le viti. (Fig. 11)

Fermare la sagoma sul pezzo da lavorare. Piazzare l'utensile sulla sagoma e far muovere l'utensile con la guida a sagoma strisciante lungo in fianco della sagoma. (Fig. 12)

NOTA:

- Il pezzo viene tagliato a una dimensione leggermente diversa dalla sagoma. Lasciare una distanza (X) tra la punta e l'esterno della guida sagoma. La distanza (X) può essere calcolata usando l'equazione seguente:
Distanza (X) = (diametro esterno guida sagoma - diametro punta) / 2

Guida dritta (accessorio)

La guida dritta è usata con efficacia quando si fanno tagli dritti in lavori di smussatura e escavazione. (Fig. 13)

Attaccare la guida rettilinea alla guida dritta con il bullone e il dado ad alette. (Fig. 14)

Attaccare la guida dritta con la vite di serraggio (A).

Allentare il dado ad alette sulla guida dritta, e regolare la distanza tra la punta e la guida dritta. Stringere saldamente il dado ad alette alla distanza desiderata.

Durante il taglio fare avanzare l'utensile tenendo la guida dritta in linea con il lato del pezzo sotto lavorazione. (Fig. 15)

Se la distanza (A) tra il lato del pezzo da lavorare e la posizione di taglio è troppa larga per la guida dritta, oppure se il lato del pezzo da lavorare non è dritto, non potete usare la guida dritta. In questo caso, bloccate un pezzo di legno dritto sul pezzo da lavorare e usatelo come guida contro la base del rifilatore. Fate avanzare l'utensile nella direzione della freccia. (Fig. 16)

Tagli circolari

Montando la guida dritta e la piastra della guida è possibile eseguire dei tagli circolari, come mostrato nelle Fig. 17 e 18.

I raggi minimo e massimo dei cerchi da tagliare (distanza tra il centro del cerchio e il centro della punta) sono i seguenti:

Min.: 70 mm

Mass.: 221 mm

Fig. 17 per tagliare dei cerchi con un raggio dai 70 mm ai 121 mm.

Fig. 18 per tagliare dei cerchi con un raggio dai 121 mm ai 221 mm.

NOTA:

- Usando questa guida non si possono tagliare cerchi con un raggio dai 172 mm ai 186 mm.

Allineare il foro centrale nella guida dritta con il centro del cerchio da tagliare. Inserire un chiodo nel foro centrale per fissare la guida dritta. Far girare l'utensile attorno al chiodo nella direzione oraria. (Fig. 19)

Guida rifilatore (accessorio opzionale)

La guida del rifilatore serve per rifilature su plastica nel caso di mobilia. Il rullino di guida corre sul fianco della curva e assicura un taglio preciso. (Fig. 20)

Piazzare la guida del rifilatore sulla base del rifilatore con la vite di fissaggio (A). Allentare la vite di fissaggio (B) e regolare la distanza tra la punta e la guida del rifilatore facendo girare la vite di regolazione (1 mm per giro). Alla distanza desiderata stringere la vite di fissaggio (B) per fermare la guida del rifilatore al suo posto. (Fig. 21)

Durante le lavorazioni fare correre il rullino di guida sul fianco del pezzo da lavorare. (Fig. 22)

Base inclinata (accessorio opzionale)

La base inclinata (accessorio opzionale) è comoda per la smussatura. (Fig. 23)

Sistemare l'utensile sulla base inclinata e chiudere la leva di bloccaggio alla sporgenza desiderata della punta. Per l'angolo desiderato, serrare le viti di fissaggio sui suoi lati.

Fissare saldamente una tavola diritta al pezzo e usarla come guida contro la base del rifilatore. Fare avanzare l'utensile nella direzione della freccia.

Protezione della base rimossa dalla base inclinata (accessorio opzionale)

Il montaggio della protezione della base che è stata rimossa dalla base inclinata sulla base del rifilatore permette di cambiare la base del rifilatore dalla base rotonda alla base quadrata.

Per un'altra applicazione, rimuovere la protezione della base dalla base inclinata allentando e rimuovendo quattro viti. (Fig. 24)

Montare poi la protezione della base sulla base del rifilatore.

Base decentrata (accessorio opzionale)

(1) La base decentrata (accessorio opzionale) è comoda per lavorare negli spazi ristretti, come gli angoli. (Fig. 25 e 26)

Prima di installare l'utensile sulla base decentrata, rimuovere il dado della bussola di chiusura e il cono della bussola di chiusura allentando il dado della bussola di chiusura. (Fig. 27)

Installare la puleggia sull'utensile premendo il fermo dell'albero, e serrare saldamente la puleggia con una chiave. (Fig. 28)

Sistemare il cono della base di chiusura e avvitare il dado della bussola di chiusura sulla base decentrata come mostrato nella illustrazione. (Fig. 29)

Montare l'utensile sulla base decentrata. (Fig. 30)

Mettere una estremità della cinghia sulla puleggia usando un cacciavite, e accertarsi che l'intera larghezza della cinghia si trovi completamente sopra la puleggia. (Fig. 31)

Fissarla con una leva di bloccaggio sulla base decentrata. (Fig. 32)

Per installare la punta, piegare l'utensile con la base decentrata sul suo fianco. Inserire la chiave esagonale nel foro della base decentrata.

Mantenendo la chiave esagonale in questa posizione, inserire la punta nel cono della bussola di chiusura sull'albero della base decentrata dal lato opposto, e serrare saldamente il dado della bussola di chiusura con una chiave.

Per rimuovere la punta per la sostituzione, seguire il procedimento opposto di installazione.

(2) Per maggiore stabilità, la base decentrata (accessorio opzionale) può anche essere usata con una base rifilatore e un accessorio impugnatura (accessorio opzionale). (Fig. 33)

Allentare le viti e rimuovere la sezione superiore dalla base decentrata. Mettere da parte la sezione superiore della base decentrata. (Fig. 34)

Montare la base del rifilatore con quattro viti e l'accessorio impugnatura (accessorio opzionale) con due viti sulla piastra della base decentrata.

Avvitare una impugnatura di tipo barra (accessorio opzionale) sull'accessorio dell'impugnatura. (Fig. 35)

In un altro modo di utilizzo, l'impugnatura di tipo manopola rimossa da una base tuffante (accessorio opzionale) può essere installata sull'accessorio dell'impugnatura. Per installare l'impugnatura di tipo manopola, metterla sull'accessorio dell'impugnatura e fissarla con una vite. (Fig. 36)

Usando l'utensile come una fresatrice soltanto con una base tuffante (accessorio opzionale)

⚠ATTENZIONE:

• Usando l'utensile come una fresatrice, tenerlo saldamente con entrambe le mani.

Per usare l'utensile come una fresatrice, installarlo su una base tuffante (accessorio opzionale) premendolo giù completamente. (Fig. 37)

Si può usare l'impugnatura di tipo manopola o l'impugnatura di tipo barra (accessorio opzionale) a seconda del lavoro. (Fig. 38)

Per usare l'impugnatura di tipo barra (accessorio opzionale), allentare la vite e rimuovere l'impugnatura di tipo manopola. (Fig. 39)

Avvitare poi l'impugnatura di tipo barra sulla base.

Regolazione della profondità di taglio usando la base tuffante (accessorio opzionale)

Mettere l'utensile su una superficie piana. Allentare la leva di bloccaggio e abbassare il corpo dell'utensile finché la punta tocca appena la superficie piana. Serrare la leva di bloccaggio per bloccare il corpo dell'utensile. (Fig. 40)

Abbassare l'asta di fermo finché fa contatto con il bullone di regolazione. Girare in senso antiorario il dado di regolazione dell'asta di fermo. Allineare l'indice di profondità sulla graduazione "0". La profondità di taglio viene indicata sulla scala dall'indice di profondità.

Premendo il bottone di alimentazione veloce, sollevare l'asta di fermo finché si ottiene la profondità di taglio desiderata. Le regolazioni fini della profondità si ottengono girando la manopola di regolazione (1 mm per giro).

Girando in senso orario il dado di regolazione dell'asta di fermo si può fissare saldamente l'asta di fermo.

La profondità di taglio predeterminata può ora essere ottenuta allentando la leva di bloccaggio e abbassando poi il corpo dell'utensile finché l'asta di fermo fa contatto con il bullone esagonale di regolazione sul blocco di fermo.

Tenere sempre saldamente l'utensile con entrambe le impugnature durante la lavorazione.

Mettere la base dell'utensile sul pezzo da tagliare senza che la punta faccia contatto. Accendere poi l'utensile e aspettare finché la punta raggiunge la piena velocità. Abbassare il corpo dell'utensile e spostare l'utensile in avanti sulla superficie del pezzo, mantenendo la sua base piana e facendolo avanzare scorrevolmente fino al completamento del taglio.

Quando si esegue un taglio del bordo, la superficie del pezzo deve trovarsi sul lato sinistro della punta nella direzione di alimentazione. (Fig. 41)

NOTA:

- Se si sposta troppo velocemente l'utensile in avanti si potrebbero eseguire dei tagli di qualità scarsa o danneggiare la punta o il motore. Spostando l'utensile in avanti troppo lentamente si potrebbe bruciare o rovinare il taglio. La velocità di alimentazione corretta dipende dalle dimensioni della punta, dal tipo di pezzo e dalla profondità di taglio. Prima di cominciare il taglio sul pezzo reale, si consiglia di fare un taglio di prova su un pezzo di legno di scarto. Esso mostra esattamente come viene eseguito il taglio e permette di controllare le dimensioni.
- Quando si usa la guida dritta, installarla sul lato destro nella direzione di alimentazione. Ciò aiuta a mantenere l'utensile aderente al fianco del pezzo. (Fig. 42)

Guida dritta usando l'utensile come una fresatrice (necessaria per l'uso con il supporto guida (accessorio opzionale))

La guida dritta viene efficacemente usata per i tagli dritti di smussatura o scanalatura. (Fig. 43)

Installare la guida dritta sul supporto guida (accessorio opzionale) con il dado ad alette.

Inserire il supporto guida nei fori della base tuffante e serrare i bulloni ad alette. Per regolare la distanza tra la punta e la guida dritta, allentare il dado ad alette. Alla distanza desiderata, serrare il dado ad alette per fissare in posizione la guida dritta.

Guida dritta (accessorio opzionale)

La guida dritta viene efficacemente usata per i tagli dritti di smussatura o scanalatura. (Fig. 44 e 45)

Per installare la guida dritta, inserire le barre guida nei fori della base tuffante. Regolare la distanza tra la punta e la guida dritta. Alla distanza desiderata, serrare i bulloni ad alette per fissare in posizione la guida dritta.

Per tagliare, spostare l'utensile con la guida dritta aderente al fianco del pezzo. (Fig. 46)

Se la distanza (A) tra il fianco del pezzo e la posizione di taglio è troppo ampia per la guida dritta, oppure se il fianco del pezzo non è dritto, la guida dritta non può essere usata. In tal caso, fissare saldamente una tavola dritta al pezzo e usarla come una guida contro la base della fresatrice. Fare avanzare l'utensile nella direzione della freccia.

Guida sagoma (accessorio)

La guida sagoma ha un incavo attraverso il quale passa la punta, permettendo di usare l'utensile per le lavorazioni sagomate. (Fig. 47)

Per installare la guida sagoma, allentare le viti sulla base dell'utensile, inserire la guida sagoma e serrare poi le viti. (Fig. 48)

Fissare la sagoma al pezzo. Mettere l'utensile sulla sagoma e spostarlo con la guida sagoma che scorre lungo il fianco della sagoma. (Fig. 49)

NOTA:

- Il pezzo viene tagliato a una dimensione leggermente diversa dalla sagoma. Lasciare una distanza (X) tra la punta e l'esterno della guida sagoma.

La distanza (X) può essere calcolata usando l'equazione seguente:

$$\text{Distanza (X)} = (\text{diametro esterno guida sagoma} - \text{diametro punta}) / 2$$

Gruppi bocchetta polvere

Per la base rifilatore (Fig. 6)

Per la base tuffante (accessorio opzionale) (Fig. 50)

Usare la bocchetta della polvere per l'estrazione della polvere. Installare la bocchetta della polvere sulla base dell'utensile usando la vite con testa zigrinata in modo che la sporgenza della bocchetta della polvere entri nella tacca nella base dell'utensile.

Collegare poi l'aspiratore della polvere alla bocchetta della polvere. (Fig. 51)

MANUTENZIONE

⚠ ATTENZIONE:

- Accertarsi sempre che l'utensile sia spento e staccato dalla presa di corrente prima dell'ispezione o della manutenzione.
- Mai usare benzina, benzene, solventi, alcol e altre sostanze simili. Potrebbero causare scolorimenti, deformazioni o crepe.

Sostituzione delle spazzole di carbone

Rimuovere e controllare regolarmente le spazzole di carbone. Sostituirle se sono usurate fino al segno limite. Mantenere sempre le spazzole di carbone pulite e facili da inserire nei portaspazzole. Le spazzole di carbone devono essere sostituite entrambe allo stesso tempo. Usare soltanto spazzole di carbone identiche. (Fig. 52)

Usare un cacciavite per rimuovere i tappi dei portaspazzole. Estrarre le spazzole di carbone usurate, inserire quelle nuove e fissare i tappi dei portaspazzole. (Fig. 53)

Per preservare la SICUREZZA e l'AFFIDABILITÀ affidabilità del prodotto, le riparazioni, la manutenzione o la regolazione devono essere eseguite da un Centro Assistenza Makita autorizzato usando sempre ricambi Makita.

ACCESSORI OPZIONALI

⚠ ATTENZIONE:

- Questi accessori o attrezzi sono consigliati per l'uso con l'utensile Makita specificato in questo manuale. L'impiego di altri accessori o attrezzi può costituire un rischio di lesioni alle persone. Usare gli accessori soltanto per il loro scopo prefissato.

Per ottenere maggiori dettagli su questi accessori, rivolgersi a un Centro Assistenza Makita locale.

- Punte diritte e di formazione scanalature
- Punte di formazione bordi
- Punte di rifilature laminate
- Gruppo guida diritta
- Gruppo guida rifilatore
- Gruppo base rifilatore
- Gruppo base rifilatore (in resina)
- Gruppo base inclinata
- Gruppo base tuffante
- Gruppo base decentrata
- Guida sagoma
- Cono bussola di chiusura 6 mm
- Cono bussola di chiusura 6,35 mm (1/4")
- Cono bussola di chiusura 8 mm
- Cono bussola di chiusura 9,53 mm (3/8")
- Chiave 13
- Chiave 22

NOTA:

- Alcuni articoli nella lista potrebbero essere inclusi nell'imballo dell'utensile come accessori standard. Essi potrebbero differire da Paese a Paese.

ENG905-1

Rumore

Il tipico livello di rumore pesato A determinato secondo EN60745:

- Livello pressione sonora (L_{pA}): 82 dB (A)
- Livello potenza sonora (L_{WA}): 93 dB (A)
- Incertezza (K): 3 dB (A)

Indossare i paraorecchi

ENG900-1

Vibrazione

Il valore totale di vibrazione (somma vettore triassiale) determinato secondo EN60745:

- Modalità operativa: rotazione senza carico
- Emissione di vibrazione (a_h): 2,5 m/s^2 o meno
- Incertezza (K): 1,5 m/s^2

- Modalità operativa: esecuzione di scanalature in MDF
- Emissione di vibrazione (a_h): 3,5 m/s^2
- Incertezza (K): 1,5 m/s^2

- Il valore di emissione delle vibrazioni dichiarato è stato misurato conformemente al metodo di test standard, e può essere usato per paragonare un utensile con un altro.
- Il valore di emissione delle vibrazioni dichiarato può anche essere usato per una valutazione preliminare dell'esposizione.

⚠ AVVERTIMENTO:

- L'emissione delle vibrazioni durante l'uso reale dell'utensile elettrico può differire dal valore di emissione dichiarato a seconda dei modi in cui viene usato l'utensile.
- Identificare le misure di sicurezza per la protezione dell'operatore basate sulla stima dell'esposizione nelle condizioni reali d'utilizzo (tenendo presente tutte le parti del ciclo operativo, come le volte in cui l'utensile viene spento e quando gira a vuoto, oltre al tempo di funzionamento).

DICHIARAZIONE DI CONFORMITÀ CE

Solo per i paesi europei

La dichiarazione di conformità CE è inclusa come Allegato A al presente manuale di istruzioni.

Verklaring van algemene gegevens

1	Gewenste freesdiepte	29	Zoolplaatbeschermer	55	Staafvormige handgreep (optionele accessoire)
2	Zoolplaat gereedschap	30	Bout	56	Handgreepbevestigingsstuk (optionele accessoire)
3	Schaal	31	Geleideplaat	57	Trimvoet
4	Klemhendel	32	Vleugelmoer	58	Knopvormige handgreep
5	Afstelschroef	33	Klampschroef (A)	59	Verdiepvoet
6	Zeskantmoer	34	Middengaatje	60	Handgreep
7	Schakelaar	35	Spijker	61	Knop
8	UIT (O) kant	36	Klampschroef (A)	62	Afstelknop
9	AAN (I) kant	37	Afstelschroef	63	Klemhendel
10	Snelheidsregelknop	38	Klampschroef (B)	64	Dieptewijzer
11	Losdraaien	39	Trimgeleider	65	Stopstang-instelmoer
12	Vastdraaien	40	Frees	66	Sneldoorvoerknop
13	Vasthouden	41	Rol van geleider	67	Stopstang
14	Schachtklem	42	Klemschroeven	68	Stopblok
15	Werkstuk	43	Zoolplaatbeschermer	69	Afstelbout
16	Rotatierichting van het frees	44	Schroef	70	Geleidehouder
17	Van bovenaf gezien	45	Poelie	71	Vleugelbouten
18	Trimrichting	46	Klembusmoer	72	Geleidestaaf
19	Rechte geleider	47	Klembus	73	Vleugelbout
20	Vingermoer	48	Seutel	74	Buitendiameter van de sjabloongeleader
21	Zoolplaatbeschermer	49	Aandrijfriem	75	Sjabloongeleader
22	Schroef	50	Klemhendel	76	Stofmondstuk
23	Schroevendraaier	51	Afstandsvoet	77	Duimschroef
24	Rechte frees	52	Inbussleutel	78	Limiet
25	Zoolplaat	53	Afstandsvoetplaat	79	Kap van koolborstelhouder
26	Sjabloon	54	Bovenste deel van de afstandsvoet		
27	Afstand (X)				
28	Sjabloongeleader 10				

TECHNISCHE GEGEVENS

GEA010-1

Model	RT0700C
Capaciteit klembus	6 mm, 8 mm, 1/4" of 3/8"
Toerental onbelast (min ⁻¹)	10 000 – 30 000
Totale lengte	200 mm
Netto gewicht	1,8 kg
Veiligheidsklasse	□/II

- In verband met ononderbroken research en ontwikkeling behouden wij ons het recht voor bovenstaande technische gegevens te wijzigen zonder voorafgaande kennisgeving.
- De technische gegevens kunnen van land tot land verschillen.
- Gewicht volgens de EPTA-procedure 01/2003

ENE010-1

Doeleinden van gebruik

Dit gereedschap is bedoeld voor het gelijk afwerken en voor het aanbrengen van profielen in hout, kunststof en soortgelijke materialen.

ENF002-1

Stroomvoorziening

Het gereedschap mag alleen worden aangesloten op een stroombron van hetzelfde voltage als aangegeven op de naamplaat, en kan alleen op enkel-fase wisselstroom worden gebruikt. Het gereedschap is dubbelgeïsoleerd volgens de Europese standaard en kan derhalve ook op een niet-geaard stopcontact worden aangesloten.

Algemene veiligheidswaarschuwingen voor elektrisch gereedschap

⚠WAARSCHUWING! Lees alle veiligheidsaanschuwingen en alle instructies. Het niet volgen van de waarschuwingen en instructies kan leiden tot elektrische schokken, brand en/of ernstig letsel.

Bewaar alle waarschuwingen en instructies om in de toekomst te kunnen raadplegen.

GEB019-4

VEILIGHEIDSWAARSCHUWINGEN SPECIFIEK VOOR EEN KANTENFREES

- 1. Houd elektrisch gereedschap vast aan de geïsoleerde handgrepen, want het risico bestaat dat het snijvlak het snoer raakt.** Als een draad die onder stroom staat wordt ingesneden, komen de metalen delen van het gereedschap ook onder stroom te staan en kunt u een gevaarlijke schok krijgen.
- 2. Gebruik klemmen of een andere praktische methode om het werkstuk op een stabiele ondergrond te bevestigen en te ondersteunen.** Als u het werkstuk in uw hand of tegen uw lichaam geklemd houdt, is het onvoldoende stabiel en kunt u de controle erover verliezen.
- 3. Gebruik een oorbescherming, wanneer u lange tijd met dit gereedschap denkt te werken.**
- 4. Wees voorzichtig met de frees.**

5. Controleer de frees op barsten of beschadiging, alvorens het gereedschap in te schakelen en vervang onmiddellijk als de frees is gebarsten of beschadigd.
6. Zorg dat de frees niet in contact komt met spijkers enz. Verwijder derhalve alvorens met trimmen te beginnen eventuele spijkers en dergelijke van het werkstuk.
7. Houd het gereedschap stevig vast.
8. Houd uw handen uit de buurt van de roterende delen.
9. Zorg dat de frees niet in contact is met het werkstuk wanneer u het gereedschap inschakelt.
10. Laat het gereedschap draaien, alvorens het werkstuk te trimmen.
Controleer of er trillingen en/of schommelingen zijn, die op een verkeerd geïnstalleerde frees kunnen wijzen.
11. Zorg dat de rotatierichting overeenkomt met de trimrichting.
12. Schakel het gereedschap onmiddellijk uit, als u het niet meer gebruikt. Schakel het gereedschap alleen in, als u het in handen houdt.
13. Schakel het gereedschap uit en wacht tot het helemaal tot stilstand is gekomen, alvorens het van het werkstuk te verwijderen.
14. Raak de frees onmiddellijk na het trimmen niet aan; aangezien het nog gloeiend heet is en derhalve brandwonden kan veroorzaken.
15. Wees voorzichtig en veeg het voetstuk van het gereedschap niet af met verfverdunner, benzine, olie of iets dergelijks, aangezien er anders barsten in kunnen komen.
16. Gebruik frezen van de juiste schachtdiameter, geschikt voor de snelheid van dit gereedschap.
17. Sommige materialen bevatten chemische stoffen die giftig kunnen zijn. Vermijd inademing van stof en contact met de huid. Volg de veiligheidsinstructies van de leverancier van het materiaal.
18. Gebruik altijd het juiste stofmasker/ademhalingsapparaat voor het materiaal en de toepassing waarmee u werkt.

BEWAAR DEZE VOORSCHRIFTEN.

WAARSCHUWING:

Laat u NIET misleiden door een vals gevoel van comfort en bekendheid met het gereedschap (na veelvuldig gebruik) en neem alle veiligheidsvoorschriften van het betreffende product altijd strikt in acht. VERKEERD GEBRUIK of het niet naleven van de veiligheidsvoorschriften in deze gebruiksaanwijzing kan leiden tot ernstige verwondingen.

BESCHRIJVING VAN DE FUNCTIES

LET OP:

- Zorg altijd dat het gereedschap is uitgeschakeld en de stekker uit het stopcontact is verwijderd alvorens de functies op het gereedschap te controleren of af te stellen.

De snijdiepte instellen (Fig. 1)

Om de snijdiepte in te stellen, draait u de klemhendel los en beweegt u de zoolplaat omhoog of omlaag, al naar gelang gewenst, door de afstelschroef te draaien. Na het instellen draait u de klemhendel stevig aan om de zoolplaat goed vast te zetten.

OPMERKING:

- Wanneer het gereedschap ook na aandraaien van de klemhendel niet goed vast zit, draait u eerst de zeskantmoer aan en dan draait u de klemhendel vast.

In- en uitschakelen (Fig. 2)

LET OP:

- Let vooral op dat het gereedschap staat uitgeschakeld, voordat u de stekker in het stopcontact steekt.

Om het gereedschap in te schakelen, drukt u op de "AAN (I)" kant van de schakelaar. Om het gereedschap uit te schakelen, drukt u op de "UIT (O)" kant van de schakelaar.

Elektronische functies

Het gereedschap is voorzien van elektronische functies die de bediening vergemakkelijken, in de volgende opzichten.

Constante snelheidsstabilisatie

Deze elektronische snelheidsregeling zorgt dat de snelheid constant blijft. Dit maakt een preciese afwerking mogelijk, omdat de snelheid constant blijft ongeacht de belasting.

Soepele start

De soepele-startfunctie voorkomt een schokbeweging bij het inschakelen, zodat u vanaf het begin nauwkeurig kunt werken.

Snelheidsregelknop (Fig. 3)

U kunt de snelheid naar wens kiezen door de snelheidsregelknop in te stellen op een numerieke waarde van 1 tot 6.

U kiest een hogere snelheid door de knop in de richting van de 6 te draaien. Voor een lagere snelheid draait u de knop in de richting van de 1.

Zo kunt u precies de geschikte snelheid kiezen voor het werk, m.a.w. u kiest de snelheid aan de hand van het materiaal en de freesdiameter.

Zie de tabel voor de verhouding tussen de genummerde stand van de knop en de snelheid van het gereedschap, bij benadering.

Nummer	min ⁻¹
1	10 000
2	12 000
3	17 000
4	22 000
5	27 000
6	30 000

LET OP:

- Als het gereedschap langdurig achtereen op een laag toerental blijft draaien, kan de motor overbelast raken, met kans op defecten.
- De snelheidsregelknop kan alleen maar tot 6 gedraaid worden, en terug naar 1. Probeer niet de knop voorbij de 6 of de 1 te draaien, want dan zal de snelheidsregeling falen.

INEENZETTEN

⚠ LET OP:

- Zorg altijd dat het gereedschap is uitgeschakeld en de stekker uit het stopcontact is verwijderd alvorens enig werk aan het gereedschap uit te voeren.

Inzetten of verwijderen van de freeskop (Fig. 4 en 5)

⚠ LET OP:

- Draai de klembusmoer niet aan zonder frees in de klembus, want dan kan de klembus breken.
- Gebruik uitsluitend de steeksleutels die met het gereedschap zijn bijgeleverd.

Steek de frees helemaal in de klembus en draai de klembus stevig aan met twee sleutels of door indrukken van de schachtklem en gebruik van de bijgeleverde sleutel. Voor het verwijderen van de frees, volgt u de procedure voor het inzetten in omgekeerde volgorde.

BEDIENING

Voor de zoolplaat (Fig. 6)

⚠ WAARSCHUWING:

• Voordat u het gereedschap gaat gebruiken met de zoolplaat, installeert u altijd eerst het stofmondstuk op de zoolplaat.

Zet de zoolplaat op het te trimmen werkstuk. De frees mag er echter nog niet mee in contact komen. Schakel het gereedschap vervolgens in en wacht totdat het op volle toeren is gekomen. Hierna beweegt u het gereedschap rustig over het werkstuk, ervoorzorgend dat de zoolplaat altijd op het werkstuk blijft rusten, totdat het trimmen voltooid is.

Wanneer u de rand van het werkstuk wilt bewerken, plaatst u het werkstuk links, zoals in de onderstaande illustratie. (Fig. 7)

OPMERKING:

- Wanneer u het gereedschap te snel voortbeweegt, kan het resultaat onbevredigend zijn, of kan de frees of de motor beschadiging oplopen. Wanneer u echter het gereedschap te langzaam beweegt, krijgt u een lelijk freesoppervlak of kan er op het freesoppervlak een brandvlek komen. Hoe snel u het best het gereedschap kunt voortbewegen, hangt af van de freesafmetingen, het materiaal en de snijdiepte. Het verdient derhalve aanbeveling een proef te doen, alvorens u het werkstuk bewerkt. U kunt dan zien hoe het freesoppervlakte eruit zal zien en de afmetingen controleren.
- Wanneer U de trimschoen, de rechte geleider of de trimgeleider gebruikt, dient U deze rechts van de snijrichting te houden, zodat deze volledig op het werkstuk kan rusten. (Fig. 8)

⚠ LET OP:

• Aangezien door een overmatige trimdiepte de motor overbelast kan raken en u moeite krijgt het gereedschap onder controle te houden, mag dus voor het snijden van groeven de trimdiepte per bewerking niet meer dan 3 mm bedragen. Wilt u de groef dieper hebben dan dient u de freeskop telkens verder uit te laten steken (telkens niet meer dan 3 mm) en de bewerking zododig herhalen tot de groef de gewenste diepte heeft.

Zoolplaat voor de kantenfrees (hars) (optioneel accessoire)

U kunt de zoolplaat voor de kantenfrees (hars) als optioneel accessoire gebruiken, zoals aangegeven in de afbeelding. (Fig. 9)

Plaats het gereedschap op de zoolplaat voor de kantenfrees (hars) en draai de vingermoer vast bij de gewenste diepte van de frees.

Raadpleeg voor de bedieningsprocedures de bedieningsinstructies van de kantenfrees.

Sjabloongeleader

De sjabloongeleader is voorzien van een huls, waardoor de freeskop steekt, zodat u met het gereedschap de patronen van de sjabloon nauwkeurig kunt volgen. (Fig. 10)

Draai de schroeven los en verwijder de zoolplaatbeschermmer. Plaats de sjabloongeleader op de zoolplaat, en plaats de zoolplaatbeschermmer terug op z'n oorspronkelijke plaats. Zet vervolgens de zoolplaatbeschermmer met de schroeven vast. (Fig. 11)

Zet de sjabloon vast op het werkstuk. Plaats daarna het gereedschap op de sjabloon en beweeg het zo voort dat de sjabloongeleader de patronen van de sjabloon volgt. (Fig. 12)

OPMERKING:

- De uitgesneden patronen in het werkstuk kunnen iets andere afmetingen hebben dan die van de sjabloon. Dit komt vanwege de afstand (X) tussen de freeskop en de buitenkant van de sjabloongeleader. Deze afstand (X) kunt u als volgt berekenen:
Afstand (X) = (buitendiameter van de sjabloongeleader – freeskopdiameter) / 2

Rechte geleider (accessoire)

De rechte geleider zorgt voor een keurig rechte snede tijdens het profielfrezen/afkanten van het werkstuk of tijdens het snijden van groeven. (Fig. 13)

Bevestig de geleideplaat aan de rechte geleider met behulp van de bout en vleugelmoer. (Fig. 14)

Bevestig de rechte geleider met de klempschroef (A).

Draai de vleugelmoer van de rechte geleider los en stel de afstand in tussen de freeskop bit en de rechte geleider. Draai bij de gewenste afstand, de vleugelmoer stevig vast.

Tijdens het frezen dient u ervoor te zorgen dat de rechte geleider steeds tegen de zijkant van het werkstuk aangedrukt blijft. (Fig. 15)

Wanneer de afstand (A) tussen de zijde van het werkstuk en de snijlijn te groot is voor de rechte geleider, of wanneer de zijde van het werkstuk niet recht is, kunt u de rechte geleider niet gebruiken. In dat geval klemt u een recht stuk hout vast op het werkstuk, zodat dit als een geleider kan dienen voor de zoolplaat. Beweeg het gereedschap in de richting van de pijl voort. (Fig. 16)

Cirkelvormig trimmen

Cirkelvormig trimmen is mogelijk wanneer u de rechte geleider en de geleideplaat in elkaar zet, zoals afgebeeld in Fig. 17 of 18.

De minimale en maximale straal (afstand tussen het middelpunt van de cirkel en de punt van de frees) van de te trimmen cirkels zijn als volgt:

Minimaal: 70 mm

Maximaal: 221 mm

Fig. 17 voor het trimmen van cirkels met een straal tussen 70 mm en 121 mm.

Fig. 18 voor het trimmen van cirkels met een straal tussen 121 mm en 221 mm.

OPMERKING:

- Met deze geleider kunt u geen cirkels trimmen met een straal van 172 mm tot 186 mm.

Plaats het middengaatje van de rechte geleider op het punt dat het middelpunt van de te trimmen cirkel moet worden. Sla een spijker van minder dan 6 mm diameter door het middengaatje om de rechte geleider vast te zetten. Beweeg vervolgens het gereedschap naar rechts in een cirkel voort. (**Fig. 19**)

Trimgeleider (optionele accessoire)

Voor het trimmen van afgeronde hoeken van het opleg hout van meubelstukken en dergelijke, verkrijgt u met behulp van de trimgeleider uitstekende resultaten. De rol van de geleider rolt namelijk over de afronding, zodat u een fijne afwerking verkrijgt. (**Fig. 20**)

Installeer met behulp van klem Schroef (A) de trimgeleider op de zoolplaat. Draai klem Schroef (B) los en stel de afstand in tussen de frees en de trimgeleider door de afstelschroef te verdraaien (1 mm per slag). Vervolgens draait u klem Schroef (B) vast voor het vastzetten van de trimgeleider. (**Fig. 21**)

Tijdens het trimmen beweegt u het gereedschap zodanig dat de rol van de geleider continu over de zijkant van het werkstuk blijft rollen. (**Fig. 22**)

Kantelvoet (optionele accessoire)

De kantelvoet (optionele accessoire) is handig voor profielrezen. (**Fig. 23**)

Plaats het gereedschap op de kantelvoet en zet de klemhendel vast op de gewenste freesdiepte. Voor de gewenste hoek draait u de klem Schroeven aan de zijkanten vast.

Klem nu stevig een vlakke rechte plaat aan uw werkstuk vast en gebruik de als geleider voor de trimvoet. Beweeg het gereedschap in de richting van de pijl voort.

Zoolplaatbeschermer verwijderd van de kantelvoet (optionele accessoire)

Door de zoolplaatbeschermer die is verwijderd van de kantelvoet te monteren aan de trimvoet, kunt u de trimvoet van een ronde vorm omzetten naar een vierkante vorm.

Voor andere toepassingen verwijdert u de zoolplaatbeschermer van de kantelvoet door de vier schroeven los te draaien en te verwijderen. (**Fig. 24**)

Bevestig vervolgens de trimvoetbeschermer op de zoolplaat.

Afstandsvoet (optionele accessoire)

- (1) De afstandsvoet (optionele accessoire) is handig voor het werken in beperkte ruimtes, zoals in een hoek. (**Fig. 25 en 26**)

Voordat u het gereedschap installeert op de afstandsvoet, verwijdert u de klembusmoer en de klembus, door de klembusmoer los te draaien. (**Fig. 27**)

Monteer de poelie op het gereedschap door de schachtklem in te drukken en de poelie stevig vast te draaien met een sleutel. (**Fig. 28**)

Plaats de klembus en Schroef de klembusmoer op de afstandsvoet, zoals getoond in de afbeelding. (**Fig. 29**)

Monteer het gereedschap op de afstandsvoet. (**Fig. 30**)

Haak het uiteinde van de aandrijfriem over de poelie met een schroevendraaier en zorg dat de aandrijfriem in de breedte volledig over de poelie past. (**Fig. 31**)

Zet het vast met de klemhendel aan de afstandsvoet. (**Fig. 32**)

Om de freeskop te bevestigen, legt u het gereedschap met de afstandsvoet op zijn kant. Steek de inbussleutel in de opening in de afstandsvoet.

Houd de inbussleutel in die stand vast, steek de freeskop van de andere kant in de klembus aan de schacht van de afstandsvoet en draai de klembusmoer stevig vast met een sleutel.

Om de freeskop te vervangen, verricht u de installatieprocedure in omgekeerde volgorde.

- (2) De afstandsvoet (optionele accessoire) kan ook worden gebruikt met de zoolplaat en een handgreepbevestigingsstuk (optionele accessoire) voor een betere stabiliteit. (**Fig. 33**)

Draai de schroeven los en verwijder het bovenste deel van de afstandsvoet. Leg het bovenste deel van de afstandsvoet terzijde. (**Fig. 34**)

Monteer de zoolplaat met vier schroeven en het handgreepbevestigingsstuk (optionele accessoire) met twee schroeven op de afstandvoetplaat.

Schroef een staafvormige handgreep (optionele accessoire) op het handgreepbevestigingsstuk. (**Fig. 35**)

Voor andere toepassingen kunt u de knopvormige handgreep die is verwijderd van een verdiepvoot (optionele accessoire) installeren op het handgreepbevestigingsstuk. Voor het monteren van de knopvormige handgreep plaatst u die op het handgreepbevestigingsstuk en zet u de handgreep vast met een Schroef. (**Fig. 36**)

Bij gebruik als alleen bovenfrees met een verdiepvoot (optionele accessoire)

⚠ LET OP:

- Bij gebruik als bovenfrees houdt u het gereedschap vooral met beide handen stevig vast.

Om het gereedschap te gebruiken als bovenfrees, installeert u het op een verdiepvoot (optionele accessoire) door het volledig omlaag te drukken. (**Fig. 37**)

Voor dit soort werk kunt u naar keuze een knopvormige handgreep of een staafvormige handgreep (optionele accessoires) gebruiken. (**Fig. 38**)

Voor gebruik van de staafvormige handgreep (optionele accessoire) draait u de Schroef los en verwijdert u de knopvormige handgreep. (**Fig. 39**)

Vervolgens schroeft u de staafvormige handgreep op de zoolplaat.

Instellen van de freesdiepte bij gebruik van de verdiepvoot (optionele accessoire)

Plaats het gereedschap op een vlakke ondergrond. Draai de klemhendel los en laat het hoofddeel van het gereedschap zakken totdat de frees net in aanraking komt met de vlakke ondergrond. Draai dan de klemhendel weer aan, om het gereedschap in die stand vast te zetten. (**Fig. 40**)

Draai de stopstang-instelmoer naar links.

Schuif de stopstang omlaag totdat die de afstelbout raakt. Stel de dieptewijzer in op de "0" van de schaalverdeling. De dieptewijzer geeft de freesdiepte aan op deze schaal.

Houd de sneldoorvoerknop ingedrukt en schuif de stopstang omhoog totdat de gewenste freesdiepte wordt aangegeven. Voor de meest nauwkeurige diepteafstelling draait u aan de afstelknop (1 mm per slag).

Door de stopstang-instelmoer naar rechts te draaien, kunt u de stopstang stevig vastzetten.

Nu kunt u de gewenste freesdiepte voor uw werk instellen door de klemhendel los te zetten en dan het hoofddeel van het gereedschap te laten zakken totdat de stopstang de afstel-inbusbout van het stopblok raakt.

Houd tijdens het werk het gereedschap altijd met beide handen aan beide handgrepen vast.

Plaats de zoolplaat op het te frezen werkstuk zonder dat de freeskop het werkstuk raakt. Schakel vervolgens het gereedschap in en wacht tot de freeskop op volle toeren is gekomen. Laat het gereedschap zakken en beweeg het voorwaarts over het oppervlak van uw werkstuk op gelijkmatige wijze, met de zoolplaat precies vlak, totdat de freessnede compleet is.

Bij zijwaarts frezen moet het oppervlak van het werkstuk aan de linkerkant van de freeskop blijven, in de trimrichting gezien. (Fig. 41)

OPMERKING:

- Als het gereedschap te snel voorwaarts wordt bewogen, kan dit de kwaliteit van de freessnede verminderen of kan er schade aan de freeskop of de motor ontstaan. Bij een te trage beweging kan de freessnede inbranden en onregelmatig worden. De juiste doorvoersnelheid hangt af van het formaat freeskop, het soort werkstuk en de diepte van de freessnede. Daarom is het aanbevolen om vóór het feitelijke werkstuk eerst een proefsnede te maken in een vergelijkbaar stuk afvalhout. Aan de hand daarvan kunt u bekijken hoe de freessnede er uiteindelijk uit gaat zien en kunt u ook de afmetingen precies instellen.
- Voor het gebruik van de rechte geleider monteert u die altijd aan de rechterkant, in de trimrichting gezien. Dat maakt het gemakkelijker om de geleider vlak tegen de kant van het werkstuk aan te houden. (Fig. 42)

Rechte geleider bij gebruik als bovenfrees (hiervoor is de geleidehouder vereist (optionele accessoire))

De rechte geleider zorgt voor een keurig rechte freessnede bij het profielfrezen of groeven snijden. (Fig. 43)

Monteer de rechte geleider op de geleidehouder (optionele accessoire) met de vleugelmoer.

Steek de geleidehouder in de openingen in de verdiepvoot en draai de vleugelbouten vast. Om de afstand tussen de freeskop en de rechte geleider bij te stellen, draait u de vleugelmoer los. Kies de gewenste afstand en draai dan de vleugelmoer weer vast om de rechte geleider in die stand vast te zetten.

Rechte geleider (optionele accessoire)

De rechte geleider zorgt voor een keurig rechte freessnede bij het profielfrezen of groeven snijden. (Fig. 44 en 45)

Voor het monteren van de rechte geleider steekt u de geleidestaven in de openingen in de verdiepvoot. Verstel de afstand tussen de freeskop en de rechte geleider. Kies de gewenste afstand en draai de vleugelbouten vast om de rechte geleider in die stand vast te zetten.

Bij het frezen beweegt u het gereedschap met de rechte geleider vlak tegen de zijkant van het werkstuk aan. (Fig. 46)

Wanneer de afstand (A) tussen de zijde van het werkstuk en de snijlijn te groot is voor de rechte geleider, of wanneer de zijde van het werkstuk niet recht is, kunt u de rechte geleider niet gebruiken. In dat geval klemt u een recht stuk hout vast op het werkstuk, zodat dit als een geleider kan dienen voor de zoolplaat. Beweeg het gereedschap in de richting van de pijl voort.

Sjabloongeleider (accessoire)

De sjabloongeleider is voorzien van een huls waardoor de sjabloon steekt, zodat u met het gereedschap de patronen van de sjabloon nauwkeurig kunt volgen. (Fig. 47)

Voor het monteren van de sjabloongeleider draait u de schroeven in de zoolplaat los, steekt u de sjabloongeleider er in en draait u de schroeven weer vast. (Fig. 48)

Zet de sjabloon vast op het werkstuk. Plaats daarna het gereedschap op de sjabloon en beweeg het zo voort dat de sjabloongeleider de patronen van de sjabloon volgt. (Fig. 49)

OPMERKING:

- De uitgesneden patronen in het werkstuk kunnen iets andere afmetingen hebben dan die van de sjabloon. Dit komt vanwege de afstand (X) tussen de freeskop en de buitenkant van de sjabloongeleider. Deze afstand (X) kunt u als volgt berekenen:
Afstand (X) = (buitendiameter van de sjabloongeleider – freeskopdiameter) / 2

Stofafzuigsets

Voor de trimvoet (Fig. 6)

Voor de verdiepvoot (optionele accessoire) (Fig. 50)

Gebruik een stofmondstuk om vrijkomend stof af te zuigen. Monteer het stofmondstuk met de duimschroef op de zoolplaat, zodat de uitstekende nok van het stofmondstuk in de sleuf van de zoolplaat valt.

Sluit vervolgens een stofzuiger aan op het stofmondstuk. (Fig. 51)

ONDERHOUD

⚠ LET OP:

- Zorg altijd dat het gereedschap is uitgeschakeld en de stekker uit het stopcontact is verwijderd alvorens te beginnen met inspectie of onderhoud.
- Gebruik nooit benzine, wasbenzine, thinner, alcohol en dergelijke. Hierdoor het verkleuring, vervormingen en barsten worden veroorzaakt.

Vervangen van koolborstels

Verwijder en controleer regelmatig de koolborstels. Vervang de koolborstels wanneer ze tot aan de limietmarkering versleten zijn. Houd de koolborstels schoon, zodat ze gemakkelijk in de houders glijden. Beide koolborstels dienen gelijktijdig te worden vervangen. Gebruik uitsluitend gelijksoortige koolborstels. (Fig. 52)

Gebruik een schroevendraaier om de kappen van de koolborstelhouders te verwijderen. Haal de versleten koolborstels eruit, schuif de nieuwe erin, en zet daarna de kappen weer goed vast. (Fig. 53)

Om de VEILIGHEID en BETROUWBAARHEID van het product te handhaven, dienen alle reparaties en alle andere onderhoudswerkzaamheden of afstellingen te worden uitgevoerd door een erkend Makita Servicecentrum, en dat uitsluitend met gebruik van Makita vervangingsonderdelen.

OPTIONELE ACCESSOIRES

LET OP:

- Deze accessoires of hulpstukken worden aanbevolen voor gebruik met het Makita gereedschap dat in deze gebruiksaanwijzing is beschreven. Bij gebruik van andere accessoires of hulpstukken bestaat er gevaar voor persoonlijke verwonding. Gebruik de accessoires of hulpstukken uitsluitend voor hun bestemde doel.

Raadpleeg het dichtstbijzijnde Makita Servicecentrum voor verder advies of bijzonderheden omtrent deze accessoires.

- Rechte en groefsnijdende freeskoppen
- Randvormende freeskoppen
- Plaatmateriaal-trimkoppen
- Complete rechte geleider
- Complete trimgeleider
- Complete trimvoet
- Complete trimvoet (hars)
- Complete kantelvoet
- Complete verdiepvoet
- Complete afstandsvoet
- Sjabloongeleader
- Klembus 6 mm
- Klembus 6,35 mm (1/4")
- Klembus 8 mm
- Klembus 9,53 mm (3/8")
- Sleutel nr. 13
- Sleutel nr. 22

OPMERKING:

- Sommige van de onderdelen in deze lijst kunnen bijgeleverd zijn als standaard-accessoires. Deze accessoires kunnen per land verschillend zijn.

ENG905-1

Geluidsniveau

De typisch, A-gewogen geluidsniveaus vastgesteld volgens EN60745:

- Geluidsdrukniveau (L_{pA}): 82 dB (A)
- Geluidsenergie-niveau (L_{WA}): 93 dB (A)
- Onnauwkeurigheid (K): 3 dB (A)

Draag oorbeschermers

ENG900-1

Trilling

De totaalwaarde van de trillingen (triaxiale vectorsom) vastgesteld volgens EN60745:

- Toepassing: rotatie zonder belasting
- Trillingsemisatie (a_{tr}): 2,5 m/s² of lager
- Onnauwkeurigheid (K): 1,5 m/s²

- Toepassing: Groeven frezen in MDF
- Trillingsemisatie (a_{tr}): 3,5 m/s²
- Onnauwkeurigheid (K): 1,5 m/s²

- De opgegeven trillingsemisiewaarde is gemeten volgens de standaardtestmethode en kan worden gebruikt om dit gereedschap te vergelijken met andere gereedschappen.
- De opgegeven trillingsemisiewaarde kan ook worden gebruikt voor een beoordeling vooraf van de blootstelling.

WAARSCHUWING:

- De trillingsemisatie tijdens het gebruik van het elektrisch gereedschap in de praktijk kan verschillen van de opgegeven trillingsemisiewaarde afhankelijk van de manier waarop het gereedschap wordt gebruikt.
- Zorg ervoor dat veiligheidsmaatregelen worden getroffen ter bescherming van de gebruiker die zijn gebaseerd op een schatting van de blootstelling onder praktijkomstandigheden (rekening houdend met alle fasen van de bedrijfscyclus, zoals de tijdsduur gedurende welke het gereedschap is uitgeschakeld en stationair draait, naast de ingeschakelde tijdsduur).

EG-VERKLARING VAN CONFORMITEIT

Aleen voor Europese landen

De EG-verklaring van conformiteit is bijgesloten als Aanhangsel A bij deze gebruiksaanwijzing.

Explicación de los dibujos

1	Protuberancia de la fresa	28	Guía para plantilla 10	55	Empuñadura tipo barra (accesorio opcional)
2	Base de la herramienta	29	Protector para base	56	Aditamento de empuñadura (accesorio opcional)
3	Escala	30	Perno	57	Base de recorte
4	Palanca de bloqueo	31	Placa guía	58	Empuñadura tipo pomo
5	Tornillo de ajuste	32	Tuerca de orejetas	59	Base descendente
6	Tuerca hexagonal	33	Tornillo de fijación (A)	60	Empuñadura
7	Interruptor	34	Orificio central	61	Pomo
8	Lado OFF (O)	35	Clavo	62	Pomo de ajuste
9	Lado ON (I)	36	Tornillo de fijación (A)	63	Palanca de bloqueo
10	Anillo de regulación de la velocidad	37	Tornillo de ajuste	64	Puntero de profundidad
11	Apretar	38	Tornillo de fijación (B)	65	Tuerca de ajuste de la barra de tope
12	Aflojar	39	Guía precisa	66	Botón de avance rápido
13	Retener	40	Fresa	67	Barra de tope
14	Bloqueo del eje	41	Rodillo guía	68	Bloque de tope
15	Pieza de trabajo	42	Tornillos de fijación	69	Perno de ajuste
16	Dirección de rotación de la fresa	43	Protector de la base	70	Portaguía
17	Vista desde la parte superior de la herramienta	44	Tornillo	71	Pernos de orejetas
18	Dirección de avance	45	Polea	72	Barra guía
19	Guía recta	46	Tuerca de mandril de pinzas	73	Perno de orejetas
20	Tuerca manual	47	Cono de mandril de pinzas	74	Diámetro exterior de la guía para plantilla
21	Protector de la base	48	Llave	75	Guía para plantilla
22	Tornillos	49	Correa	76	Boquilla de polvo
23	Destornillador	50	Palanca de bloqueo	77	Tornillo de apriete manual
24	Fresa recta	51	Base descentrada	78	Marca límite
25	Base	52	Llave hexagonal	79	Tapones portaescobillas
26	Plantilla	53	Placa de la base descentrada		
27	Distancia (X)	54	Sección superior de la base descentrada		

ESPECIFICACIONES

GEA010-1

Modelo	RT0700C
Capacidad de boquilla.....	6 mm, 8 mm, 1/4" o 3/8"
Velocidad en vacío (min ⁻¹).....	10.000 – 30.000
Longitud total.....	200 mm
Peso neto.....	1,8 kg
Clase de seguridad.....	□/II

- Debido a un programa continuo de investigación y desarrollo, las especificaciones aquí dadas están sujetas a cambios sin previo aviso.
- Las especificaciones pueden ser diferentes de país a país.
- Peso de acuerdo con el procedimiento EPTA 01/2003

ENE010-1

Uso previsto

La herramienta ha sido prevista para recortes y perfilado de planos en madera, plástico y materiales similares.

ENF002-1

Alimentación

La herramienta ha de conectarse solamente a una fuente de alimentación de la misma tensión que la indicada en la placa de características, y sólo puede funcionar con corriente alterna monofásica. El sistema de doble aislamiento de la herramienta cumple con la norma europea y puede, por lo tanto, usarse también en enchufes hembra sin conductor de tierra.

Advertencias de seguridad generales para herramientas eléctricas

⚠ ¡ADVERTENCIA! Lea todas las advertencias de seguridad y todas las instrucciones. Si no sigue todas las advertencias e instrucciones podrá ocasionar una descarga eléctrica, un incendio y/o heridas graves.

Guarde todas las advertencias e instrucciones para futuras referencias.

GEB019-4

ADVERTENCIAS DE SEGURIDAD PARA RECORTADORA

1. **Sujete la herramienta eléctrica por las superficies de asimiento aisladas, porque el cortador puede entrar en contacto con su propio cable.** El cortar un cable con corriente puede hacer que la corriente circule por las partes metálicas expuestas de la herramienta eléctrica y electrocutar al operario.
2. **Utilice mordazas u otros medios de sujeción prácticos para sujetar y apoyar la pieza de trabajo en una plataforma estable.** Sujetada con la mano o contra su cuerpo, la pieza de trabajo estará inestable y podrá ocasionar la pérdida del control.
3. **Protéjase los oídos cuando trabaje durante periodos prolongados.**
4. **Manipule con mucho cuidado estas fresas.**
5. **Compruebe con cuidado si existen grietas o daños en la fresa antes de la operación.** Reemplace inmediatamente la fresa si está agrietada o dañada.

6. No corte clavos. Inspeccione antes de la operación la pieza de trabajo para ver si tiene clavos y sáquelos si los hay.
7. Retenga firmemente la herramienta.
8. Mantenga las manos apartadas de las piezas de rotación.
9. Asegúrese de que la fresa no esté en contacto con la pieza de trabajo antes de conectar el interruptor.
10. Antes de usar la herramienta en una pieza de trabajo, déjela un rato en funcionamiento. Observe si se producen vibraciones u ululaciones que pudieran indicar que la fresa está mal colocada.
11. Tenga cuidado con la dirección de rotación de la fresa y con la dirección de avance.
12. No deje la herramienta en marcha. Opere la herramienta sólo cuando la tenga en las manos.
13. Antes de sacar la herramienta de la pieza de trabajo, desconéctela siempre y espere a que la fresa se pare por completo.
14. No toque la fresa inmediatamente después de la operación; porque puede estar muy caliente y podría quemarse.
15. No ensucie la base de la herramienta con disolvente, gasolina, aceite, o productos semejantes. Pueden causar grietas en la base de la herramienta.
16. Utilice fresas del diámetro de espiga correcto apropiadas para la velocidad de la herramienta.
17. Algunos materiales contienen sustancias químicas que podrán ser tóxicas. Tenga precaución para evitar la inhalación de polvo y el contacto con la piel. Siga los datos de seguridad del abastecedor del material.
18. Utilice siempre la mascarilla contra el polvo o el respirador correcto para el material con que esté trabajando y la aplicación que realice.

GUARDE ESTAS INSTRUCCIONES.

⚠️ ADVERTENCIA:

NO deje que la comodidad o familiaridad con el producto (a base de utilizarlo repetidamente) sustituya la estricta observancia de las normas de seguridad para el producto en cuestión. El MAL USO o el no seguir las normas de seguridad establecidas en este manual de instrucciones podrá ocasionar graves heridas personales.

DESCRIPCIÓN DEL FUNCIONAMIENTO

⚠️ PRECAUCIÓN:

- Asegúrese siempre de que la herramienta esté apagada y desenchufada antes de ajustar o comprobar cualquier función de la herramienta.

Ajuste de la protuberancia de la fresa (Fig. 1)

Para ajustar la protuberancia de la fresa, afloje la palanca de bloqueo y mueva la base de la herramienta hacia arriba o hacia abajo de la forma deseada girando el tornillo de ajuste. Después de hacer el ajuste, apriete la palanca de bloqueo firmemente para sujetar la base de la herramienta.

NOTA:

- Cuando la herramienta no esté bien sujeta a pesar de haber apretado la palanca de bloqueo, apriete la tuerca hexagonal y después apriete la palanca de bloqueo.

Accionamiento del interruptor (Fig. 2)

⚠️ PRECAUCIÓN:

- Antes de enchufar la herramienta, compruebe siempre para ver que está apagada.

Para poner en marcha la herramienta, presione el lado "ON (I)" del interruptor. Para parar la herramienta, presione el lado "OFF (O)" del interruptor.

Función electrónica

Las herramientas equipadas con función electrónica son fáciles de utilizar gracias a las siguientes características.

Control constante de la velocidad

Control de velocidad electrónico para mantener la velocidad constante. Se puede lograr un acabado fino, porque la velocidad de giro se mantiene constante incluso en condición de carga.

Inicio suave

La función de inicio suave minimiza el golpe del inicio, y hace que la herramienta comience suavemente.

Anillo de regulación de la velocidad (Fig. 3)

La velocidad de la herramienta se puede cambiar girando el anillo de regulación de la velocidad a un número de ajuste determinado del 1 al 6.

Se obtendrá mayor velocidad cuando el anillo sea girado en la dirección del número 6. Y se obtendrá menor velocidad cuando sea girado en la dirección del número 1.

Esto permite seleccionar la velocidad ideal para procesar el material de forma óptima, por ejemplo, la velocidad se puede ajustar correctamente de acuerdo con el material y el diámetro de la fresa.

Consulte la tabla para ver la relación existente entre el número de ajuste del anillo y la velocidad aproximada de la herramienta.

Número	min ⁻¹
1	10.000
2	12.000
3	17.000
4	22.000
5	27.000
6	30.000

⚠️ PRECAUCIÓN:

- Si la herramienta es utilizada continuamente a velocidades bajas durante largo tiempo, el motor se sobrecargará resultando en un mal funcionamiento de la herramienta.
- El anillo de regulación de la velocidad se puede girar hasta 6 y de vuelta hasta 1 solamente. No lo fuerce más allá de 6 ó 1, o la función de regulación de la velocidad podrá dejar de funcionar.

MONTAJE

⚠ PRECAUCIÓN:

- Asegúrese siempre de que la herramienta esté apagada y desenchufada antes de realizar cualquier trabajo en ella.

Instalación y extracción de la broca precisa

(Fig. 4 y 5)

⚠ PRECAUCIÓN:

- No apriete la tuerca de mandril de pinzas sin insertar una fresa porque se romperá el cono de mandril de pinzas.
- Emplee solamente las llaves suministradas con la máquina.

Inserte la fresa a fondo en el cono de mandril de pinzas y apriete la tuerca de mandril de pinzas firmemente con las dos llaves o presionando el bloqueo del eje y utilizando la llave provista.

Para desmontar la fresa siga el procedimiento de instalación a la inversa.

OPERACIÓN

Para la base de la recortadora (Fig. 6)

⚠ ADVERTENCIA:

- Antes de utilizar la herramienta con la base de la recortadora, instale siempre la boquilla de polvo en la base de la recortadora.

Ajuste la base de la herramienta en la pieza de trabajo a cortarse sin que la fresa haga ningún contacto. Luego, gire la herramienta y espere hasta que la fresa alcance toda su velocidad. Mueva la herramienta hacia adelante sobre la superficie de trabajo, manteniendo empotrada la base de la herramienta y avanzando uniformemente hasta completarse el corte.

Cuando corte molduras de canto, la superficie de la pieza de trabajo deberá quedar a la izquierda de la fresa con respecto a la dirección de avance. (Fig. 7)

NOTA:

- Si avanza la máquina demasiado rápidamente el corte no será preciso y podrá dañar la fresa o el motor. Si avanza muy lentamente podrá quemar la madera y echar a perder el corte. La velocidad de corte apropiada dependerá del tamaño de la fresa, tipo de pieza de trabajo y profundidad de corte. Antes de comenzar a trabajar en la pieza de trabajo real, es aconsejable hacer un corte de prueba en un trozo de madera de desperdicios. De esta forma podrá comprobar el resultado exacto del corte y también las dimensiones.
- Cuando utilice el pie guía, la guía recta o la guía de recorte, asegúrese de que quede a la derecha de la dirección de avance. Esto ayudará a mantener la guía contra el canto de la pieza de trabajo. (Fig. 8)

⚠ PRECAUCIÓN:

- Dado que un corte excesivo podrá causar sobrecarga al motor o dificultad en el control de la máquina, la profundidad de corte no deberá exceder los 3 mm por pasada cuando abra ranuras. Cuando desee abrir ranuras de más de 3 mm de profundidad, realice varias pasadas aumentando progresivamente el ajuste de la profundidad de corte de la fresa.

Base de la recortadora (resina) (accesorio opcional)

Puede utilizar la base de la recortadora (resina) como accesorio opcional como se muestra en la figura. (Fig. 9) Ponga la herramienta sobre la base de la recortadora (resina) y apriete la tuerca manual en la protuberancia deseada de la fresa.

Para ver los procedimientos de operación, consulte la operación de la base de la recortadora.

Guía para plantilla

La guía para plantilla tiene una acanaladura por la cual pasa la fresa, permitiendo usar la fresadora con diversos patrones de plantilla. (Fig. 10)

Afloje los tornillos y saque el protector de la base. Coloque la guía para plantilla en la base y cambie el protector de la base. A continuación, sujete el protector de la base apretando los tornillos. (Fig. 11)

Asegure la plantilla en la pieza de trabajo. Ponga la máquina sobre la plantilla y mueva la máquina con la guía para plantilla deslizándola a lo largo del canto de la plantilla. (Fig. 12)

NOTA:

- La pieza de trabajo será cortada con un tamaño ligeramente diferente al de la plantilla. Tenga en cuenta la distancia (X) entre la fresa y el exterior de la guía para plantilla.

La distancia (X) se puede calcular utilizando la siguiente ecuación:

Distancia (X) = (diámetro exterior de la guía para plantilla – diámetro de la fresa) / 2

Guía recta (accesorio)

La guía recta se utiliza eficazmente para realizar cortes rectos de chafán o ranurado. (Fig. 13)

Coloque la placa guía en la guía recta con el perno y la tuerca de orejetas. (Fig. 14)

Coloque la guía recta con el tornillo de fijación (A).

Afloje la tuerca de orejetas de la guía recta y ajuste la distancia entre la fresa y la guía recta. En la distancia deseada, apriete la tuerca de orejetas firmemente.

Cuando realice el corte, mueva la máquina con la guía recta pegada al canto de la pieza de trabajo. (Fig. 15)

Si la distancia (A) entre el canto de la pieza de trabajo y la posición de corte es demasiado grande para la guía recta, o si el canto de la pieza de trabajo no es recto, no podrá usarse la guía recta. En este caso, sujete un listón recto a la pieza de trabajo para que sirva de guía a la base de la fresadora. Avance la máquina en la dirección indicada por la flecha. (Fig. 16)

Cortes circulares

Los cortes circulares puede conseguirlos si monta la guía recta y la placa guía de la forma mostrada en las figuras 17 y 18.

Los radios mínimos y máximos de círculos (distancia entre el centro del círculo y centro de la fresa) que se pueden cortar con esta guía son los siguientes:

Mínimo: 70 mm

Máximo: 221 mm

Fig. 17 para realizar cortes circulares de entre 70 y 121 mm de radio.

Fig. 18 para realizar cortes circulares de entre 121 y 221 mm de radio.

NOTA:

- Los círculos de entre 172 y 186 mm de radio no se pueden cortar usando esta guía.

Coloque la guía recta sobre el círculo que va a cortar de forma que el agujero de centro coincida con el centro del círculo. Clave un clavo de menos de 6 mm de diámetro a través del agujero de centro para asegurar la guía recta. Gire la máquina hacia la derecha alrededor del clavo. (Fig. 19)

Guía precisa (accesorio opcional)

Los ornamentos, cortes curvos en chapas de madera para muebles y otros objetos similares pueden realizarse fácilmente con la guía precisa. Los rodillos guía siguen la curva y aseguran un corte preciso. (Fig. 20)

Instale la guía precisa en la base de la herramienta con el tornillo de fijación (A). Afloje el tornillo de fijación (B) y ajuste la distancia entre la fresa y la guía precisa girando el tornillo de ajuste (1 mm por vuelta). Cuando haya conseguido la distancia deseada, apriete el tornillo de fijación (B) para asegurar la guía precisa en su lugar. (Fig. 21)

Al cortar, mueva la herramienta con el rodillo guía rodando sobre el canto de la pieza de trabajo. (Fig. 22)

Base inclinable (accesorio opcional)

La base inclinable (accesorio opcional) resulta útil para biselar. (Fig. 23)

Ponga la herramienta en la base inclinable y cierre la palanca de bloqueo en la protuberancia deseada de la fresa. Para el ángulo deseado, apriete los tornillos de apriete en sus lados.

Sujete firmemente una tabla recta a la pieza de trabajo y utilícela como guía contra la base de recorte. Avance la herramienta en el sentido de la flecha.

Protector de la base quitado de la base inclinable (accesorio opcional)

El montaje del protector de la base, una vez quitado de la base de recorte, en la base de la rebordadora permite cambiar la base de recorte de la base redonda por una base cuadrada.

Para una aplicación diferente, quite el protector de la base de la base inclinable aflojando y quitando los cuatro tornillos. (Fig. 24)

Y después monte el protector de la base en la base de recorte.

Base descentrada (accesorio opcional)

(1) La base descentrada (accesorio opcional) resulta útil para trabajos en áreas de difícil acceso tal como esquinas. (Fig. 25 y 26)

Antes de instalar la herramienta en la base descentrada, quite la tuerca de mandril de pinzas y el cono de mandril de pinzas aflojando la tuerca de mandril de pinzas. (Fig. 27)

Instale la polea en la herramienta presionando el bloqueo del eje y apretando firmemente la polea con una llave. (Fig. 28)

Ponga el cono de mandril de pinzas y rosque la tuerca de mandril de pinzas en la base descentrada como se muestra en la figura. (Fig. 29)

Monte la herramienta en la base descentrada. (Fig. 30)

Ponga un extremo de la correa sobre la polea utilizando un destornillador y asegúrese de que toda la anchura de la correa encaja sobre la polea completamente. (Fig. 31)

Sujétela con una palanca de bloqueo en la base descentrada. (Fig. 32)

Para instalar la fresa, ladee la herramienta con la base descentrada en su costado. Inserte la llave hexagonal en el agujero de la base descentrada.

Con la llave hexagonal sujeta en esa posición, inserte la fresa en el cono de mandril de pinzas del eje de la base descentrada desde el lado opuesto y apriete la tuerca de mandril de pinzas firmemente con una llave.

Para desmontar la fresa, siga el procedimiento de instalación a la inversa.

(2) La base descentrada (accesorio opcional) también se puede utilizar con una base de recorte y un aditamento de empuñadura (accesorio opcional) para mayor estabilidad. (Fig. 33)

Afloje los tornillos y quite la sección superior de la base descentrada. Retire la sección superior de la base descentrada. (Fig. 34)

Monte la base de recorte con cuatro tornillos y el aditamento de empuñadura (accesorio opcional) con dos tornillos en la placa de la base descentrada.

Rosque la empuñadura tipo barra (accesorio opcional) en el aditamento de empuñadura. (Fig. 35)

En otra forma de utilización, la empuñadura tipo pomo, una vez quitada de la base descendente, (accesorio opcional) se puede instalar en el aditamento de empuñadura. Para instalar la empuñadura tipo pomo, póngala en el aditamento de empuñadura y sujétela con un tornillo. (Fig. 36)

Cuando se quiera utilizar como fresadora solamente con una base descendente (accesorio opcional)

⚠ PRECAUCIÓN:

• Cuando la utilice como fresadora, sujete la herramienta firmemente con ambas manos.

Para utilizar la herramienta como fresadora, instale la herramienta en una base descendente (accesorio opcional) presionándola hacia abajo completamente. (Fig. 37)

Podrá utilizar tanto la empuñadura tipo pomo como la empuñadura tipo barra (accesorio opcional) de acuerdo con su tarea. (Fig. 38)

Para utilizar la empuñadura tipo barra (accesorio opcional), afloje el tornillo y quite la empuñadura tipo pomo. (Fig. 39)

Y después rosque la empuñadura tipo barra en la base.

Ajuste de la profundidad de corte cuando se utiliza la base descendente (accesorio opcional)

Ponga la herramienta sobre una superficie plana. Afloje la palanca de bloqueo y baje el cuerpo de la herramienta hasta que la fresa justamente toque la superficie plana. Apriete la palanca de bloqueo para bloquear el cuerpo de la herramienta. (Fig. 40)

Gire la tuerca de ajuste de la barra de tope hacia la izquierda.

Baje la barra de tope hasta que haga contacto con el perno de ajuste. Alinee el puntero de profundidad con la graduación "0". La profundidad de corte la indica el puntero de profundidad en la escala.

Mientras presiona el botón de avance rápido, suba la barra de tope hasta obtener la profundidad de corte deseada. Los ajustes de profundidad pequeños podrán obtenerse girando el pomo de ajuste (1 mm por vuelta). Girando la tuerca de ajuste de la barra de tope hacia la derecha, puede apretar la barra de tope firmemente.

Ahora, puede obtener su profundidad de corte predeterminada aflojando la palanca de bloqueo y bajando después el cuerpo de la herramienta hasta que la barra de tope haga contacto con el perno hexagonal de ajuste del bloque de tope.

Sujete siempre la herramienta con las dos empuñaduras durante la tarea.

Coloque la base de la herramienta sobre la pieza de trabajo a cortar sin que la fresa la toque. Después encienda la herramienta y espere hasta que la fresa adquiera plena velocidad. Baje el cuerpo de la herramienta y mueva la herramienta hacia delante sobre la superficie de la pieza de trabajo, manteniendo la base de la herramienta a ras y avanzando suavemente hasta completar el corte.

Cuando haga corte de bordes, la superficie de la pieza de trabajo deberá estar en el costado izquierdo de la fresa en la dirección de avance. (Fig. 41)

NOTA:

- Si mueve la herramienta hacia delante muy deprisa podrá ocasionar un corte de mala calidad, o dañar la fresa o el motor. Si mueve la herramienta hacia delante muy despacio podrá quemar y arruinar el corte. La velocidad de avance apropiada dependerá del tamaño de la fresa, el tipo de pieza de trabajo y la profundidad de corte. Antes de comenzar el corte en la pieza de trabajo real, se aconseja hacer un corte de prueba en una pieza de madera de desecho. Esto mostrará exactamente cómo será el corte y también le permitirá comprobar las dimensiones.

- Cuando utilice la guía recta, asegúrese de instalarla en el costado derecho de la dirección de avance. Esto ayudará a mantenerla a ras con el costado de la pieza de trabajo. (Fig. 42)

Guía recta cuando se utiliza como fresadora (es necesario utilizarla con portaguía (accesorio opcional))

La guía recta resulta útil para realizar cortes rectos cuando se hacen biseles o ranuras. (Fig. 43)

Instale la guía recta en el portaguía (accesorio opcional) con la tuerca de orejetas.

Inserte el portaguía en los agujeros de la base descendente y apriete los pernos de orejetas. Para ajustar la distancia entre la fresa y la guía recta, afloje la tuerca de orejetas. En la distancia deseada, apriete la tuerca de orejetas para sujetar la guía recta en posición.

Guía recta (accesorio opcional)

Cuando corte, mueva la herramienta para realizar cortes rectos cuando se hacen biseles o ranuras. (Fig. 44 y 45)

Para instalar la guía recta, inserte las barras guía en los agujeros de la base descendente. Ajuste la distancia entre la fresa y la guía recta. En la distancia deseada, apriete los pernos de orejetas para sujetar la guía recta en posición.

Cuando corte, mueva la herramienta con la guía recta a ras del costado de la pieza de trabajo. (Fig. 46)

Si la distancia (A) entre el costado de la pieza de trabajo y la posición de corte es muy ancha para la guía recta, o si el costado de la pieza de trabajo no es recto, no podrá utilizarse la guía recta. En este caso, sujete firmemente una tabla recta a la pieza de trabajo y utilícela como guía contra la base de la fresadora. Avance la herramienta en el sentido de la flecha.

Guía para plantilla (accesorio)

La guía para plantilla contiene un manguito a través del cual pasa la fresa, permitiendo utilizar la herramienta con patrones de plantilla. (Fig. 47)

Para instalar la guía para plantilla, afloje los tornillos de la base de la herramienta, inserte la guía para plantilla y después apriete los tornillos. (Fig. 48)

Sujete la plantilla en la pieza de trabajo. Ponga la herramienta sobre la plantilla y mueva la herramienta deslizando la guía para plantilla a lo largo del costado de la plantilla. (Fig. 49)

NOTA:

- La pieza de trabajo será cortada con un tamaño ligeramente diferente al de la plantilla. Tenga en cuenta la distancia (X) entre la fresa y el exterior de la guía para plantilla.

La distancia (X) se puede calcular utilizando la siguiente ecuación:

Distancia (X) = (diámetro exterior de la guía para plantilla – diámetro de la fresa) / 2

Juegos de boquilla de polvo

Para la base de recorte (Fig. 6)

Para la base descendente (accesorio opcional) (Fig. 50)

Utilice la boquilla de polvo para la extracción de polvo. Instale la boquilla de polvo en la base de la herramienta utilizando el tornillo de apriete manual de forma que la protuberancia de la boquilla de polvo encaje en la ranura de la base de la herramienta.

Después conecte un aspirador a la boquilla de polvo. (Fig. 51)

MANTENIMIENTO

⚠ PRECAUCIÓN:

- Asegúrese siempre de que la herramienta esté apagada y desenchufada antes de intentar realizar una inspección o mantenimiento.

- No utilice nunca gasolina, bencina, disolvente, alcohol o similares. Podría producir descoloración, deformación o grietas.

Substitución de las escobillas de carbón

Extraiga e inspeccione regularmente las escobillas de carbón. Sustitúyalas cuando se hayan gastado hasta la marca límite. Mantenga las escobillas de carbón limpias de forma que entren libremente en los portaescobillas. Ambas escobillas de carbón deberán ser sustituidas al mismo tiempo. Utilice únicamente escobillas de carbón idénticas. (Fig. 52)

Utilice un destornillador para quitar los tapones portaescobillas. Extraiga las escobillas desgastadas, inserte las nuevas y fije los tapones portaescobillas. (Fig. 53)

Para mantener la SEGURIDAD y la FIABILIDAD del producto, las reparaciones y cualquier otro mantenimiento o ajuste deberán ser realizados por los centros de servicio autorizado de Makita, siempre con piezas de repuesto de Makita.

ACCESORIOS OPCIONALES

PRECAUCIÓN:

- Estos accesorios o aditamentos están recomendados para su uso con la herramienta Makita especificada en este manual. El uso de cualquier otro accesorio o aditamento puede suponer un riesgo de lesiones personales. Utilice el accesorio o aditamento exclusivamente para su uso declarado.

Si necesita información más detallada sobre estos accesorios, consulte con su centro local de servicio de Makita.

- Fresas rectas y de formación de ranuras
- Fresas de formación de bordes
- Fresas de recorte de laminados
- Conjunto de guía recta
- Conjunto de guía de recorte
- Conjunto de base de recorte
- Conjunto de base de recortadora (resina)
- Conjunto de base inclinable
- Conjunto de base descendente
- Conjunto de base descentrada
- Guía para plantilla
- Cono de mandril de pinzas de 6 mm
- Cono de mandril de pinzas de 6,35 mm (1/4")
- Cono de mandril de pinzas de 8 mm
- Cono de mandril de pinzas de 9,53 mm (3/8")
- Llave de 13
- Llave de 22

NOTA:

- Algunos elementos de la lista podrán estar incluidos en el paquete de la herramienta como accesorios estándar. Pueden variar de un país a otro.

ENG905-1

Ruido

El nivel de ruido A-ponderado típico determinado de acuerdo con la norma EN60745:

Nivel de presión sonora (L_{pA}): 82 dB (A)

Nivel de potencia sonora (L_{WA}): 93 dB (A)

Error (K): 3 dB (A)

Póngase protectores en los oídos

ENG900-1

Vibración

El valor total de la vibración (suma de vectores triaxiales) determinado de acuerdo con la norma EN60745:

Modo tarea: giro sin carga

Emisión de vibración (a_h): 2,5 m/s² o menos

Error (K): 1,5 m/s²

Modo tarea: realización de ranuras en MDF

Emisión de vibración (a_h): 3,5 m/s²

Error (K): 1,5 m/s²

- El valor de emisión de vibración declarado ha sido medido de acuerdo con el método de prueba estándar y se puede utilizar para comparar una herramienta con otra.
- El valor de emisión de vibración declarado también se puede utilizar en una valoración preliminar de exposición.

ADVERTENCIA:

- La emisión de vibración durante la utilización real de la herramienta eléctrica puede variar del valor de emisión declarado dependiendo de las formas en las que la herramienta sea utilizada.
- Asegúrese de identificar medidas de seguridad para proteger al operario que estén basadas en una estimación de la exposición en las condiciones reales de utilización (teniendo en cuenta todas las partes del ciclo operativo tal como las veces cuando la herramienta está apagada y cuando está funcionando en vacío además del tiempo de gatillo).

DECLARACIÓN CE DE CONFORMIDAD

Sólo para países europeos

La declaración CE de conformidad está incluida como Anexo A de este manual de instrucciones.

Explicação geral

1	Saliência da fresa	28	Guia para moldes 10	55	Pega tipo barra (acessório opcional)
2	Base da ferramenta	29	Protector da base	56	Conexão da pega (acessório opcional)
3	Escala	30	Perno	57	Base da tupaia
4	Alavanca de bloqueio	31	Placa-guia	58	Pega tipo botão
5	Parafuso de regulação	32	Porca de orelhas	59	Base penetrante
6	Porca hexagonal	33	Parafuso de fixação (A)	60	Pega
7	Interruptor	34	Orifício central	61	Botão
8	Lado desligar (O)	35	Prego	62	Botão de regulação
9	Lado ligar (I)	36	Parafuso de fixação (A)	63	Alavanca de bloqueio
10	Selector de regulação de velocidade	37	Parafuso de regulação	64	Indicador de profundidade
11	Apertar	38	Parafuso de fixação (B)	65	Porca de ajuste da guia de profundidade
12	Desapertar	39	Guia para recortes	66	Botão de avanço rápido
13	Segurar	40	Fresa	67	Guia de profundidade
14	Trava da haste	41	Rolo-guia	68	Bloco de fim de curso
15	Peça de trabalho	42	Parafusos de fixação	69	Perno de regulação
16	Sentido de rotação da fresa	43	Protector da base	70	Suporte da guia
17	Vista da parte superior da ferramenta	44	Parafuso	71	Pernos de orelhas
18	Sentido do avanço	45	Polia	72	Barra guia
19	Guia recta	46	Porca da pinça	73	Perno de orelhas
20	Porca de aperto manual	47	Pinça de suporte	74	Diâmetro exterior da guia para moldes
21	Protector da base	48	Chave	75	Guia para moldes
22	Parafusos	49	Cinta	76	Bocal
23	Chave de parafusos	50	Alavanca de bloqueio	77	Parafuso de aperto manual
24	Fresa recta	51	Base descentralizada	78	Marca limite
25	Base	52	Chave hexagonal	79	Tampa do porta-escovas
26	Molde	53	Placa da base descentralizada		
27	Distância (X)	54	Parte superior da base descentralizada		

ESPECIFICAÇÕES

GEA010-1

Modelo	RT0700C
Diâmetro da pinça	6 mm, 8 mm, 1/4" ou 3/8"
Velocidade em vazio (min ⁻¹).....	10.000 – 30.000
Comprimento total	200 mm
Peso	1,8 kg
Classe de segurança	□/II

- Devido a um programa contínuo de pesquisa e desenvolvimento, estas especificações podem ser alteradas sem aviso prévio.
- As especificações podem variar de país para país.
- Peso de acordo com o Procedimento 01/2003 da EPTA (European Power Tool Association)

ENE010-1

Utilização pretendida

A ferramenta foi concebida para recortes nivelados e perfilação de madeira, plásticos e materiais semelhantes.

ENF002-1

Alimentação

A ferramenta só deve ser ligada a uma fonte de alimentação com a mesma voltagem da indicada na placa de características, e só funciona com alimentação CA monofásica. Tem um sistema de isolamento duplo de acordo com as normas europeias e pode, por isso, utilizar tomadas sem ligação à terra.

Avisos gerais de segurança para ferramentas eléctricas

⚠️AVISO! Leia todos os avisos de segurança e todas as instruções. O não cumprimento de todos os avisos e instruções pode originar choque eléctrico, incêndio e/ou ferimentos graves.

Guarde todos os avisos e instruções para futuras referências.

GEB019-4

AVISOS DE SEGURANÇA PARA A TUPIA

- 1. Agarre nas ferramentas eléctricas pelas partes isoladas pois há risco do cortador entrar em contacto com o seu próprio fio.** Cortar um fio "ligado" pode carregar as peças metálicas expostas da ferramenta eléctrica e causar um choque no operador.
- 2. Utilize grampos ou qualquer outra maneira prática para prender e suportar a peça de trabalho numa plataforma estável.** Pegar na peça de trabalho com a mão ou contra o seu corpo torna-a instável e pode perder o controlo.
- 3. Utilize protectores para os ouvidos durante trabalhos prolongados.**
- 4. Tenha muito cuidado quando manusear as fresas.**
- 5. Antes da operação inspeccione cuidadosa a fresa para detectar qualquer defeito ou fissura. Substitua-a imediatamente se tiver defeitos ou fissuras.**

6. Não corte pregos. Antes da operação inspecione a superfície de trabalho e retire os pregos que possam existir.
7. Segure na ferramenta com firmeza.
8. Mantenha as mãos afastadas das peças em rotação.
9. Certifique-se de que a fresa não está em contacto com a superfície de trabalho antes de ligar o interruptor.
10. Antes de utilizar a ferramenta na superfície de trabalho, deixe-a funcionar durante alguns momentos.
Observe se se produzem vibrações ou ressonâncias que possam indicar uma montagem incorrecta ou defeito da fresa.
11. Verifique com cuidado o sentido de rotação da fresa e o sentido do avanço.
12. Não deixe a ferramenta a funcionar sozinha. Trabalhe com ela apenas quando puder segurá-la com as mãos.
13. Antes de retirar a ferramenta da superfície de trabalho, desligue-a sempre e aguarde que a fresa esteja completamente parada.
14. Não toque na fresa imediatamente depois da operação porque pode estar muito quente e causar queimaduras.
15. Tenha cuidado para não deixar cair diluente, gasolina, óleo ou qualquer material semelhante na base da ferramenta.
Pode causar fendas na base da ferramenta.
16. Utilize fresas com o diâmetro de encaixe correcto e adequado à velocidade da ferramenta.
17. Alguns materiais contêm químicos que podem ser tóxicos. Tenha cuidado para evitar inalação de pó e contacto com a pele. Siga o dados de segurança do fornecedor do material.
18. Use sempre a máscara para o pó/respirador apropriado para o material e aplicação com que está a trabalhar.

GUARDE ESTAS INSTRUÇÕES.

⚠️ AVISO:

NÃO permita que o conforto ou a familiaridade com o produto (adquirido com a utilização repetida) substitua a aderência estrita às regras de segurança da ferramenta. MÁ INTERPRETAÇÃO ou não seguimento das regras de segurança estabelecidas neste manual de instruções pode causar danos pessoais sérios.

DESCRIÇÃO FUNCIONAL

⚠️ PRECAUÇÃO:

- Certifique-se sempre de que a ferramenta está desligada e a ficha retirada da tomada antes de regular ou verificar o funcionamento da ferramenta.

Regulação da saliência da fresa (Fig. 1)

Para regular a saliência da fresa, solte a alavanca de bloqueio e desloque a base da ferramenta para cima ou para baixo como desejar rodando o parafuso de regulação. Depois da regulação, aperte a alavanca de bloqueio firmemente para prender a base da ferramenta.

NOTA:

- Se a ferramenta não ficar presa mesmo depois de apertar a alavanca de bloqueio, aperte a porca hexagonal e depois aperte a alavanca de bloqueio.

Acção do interruptor (Fig. 2)

⚠️ PRECAUÇÃO:

- Antes de ligar a ficha à corrente, verifique sempre se a ferramenta está desligada.

Para ligar a ferramenta, carregue no lado ligar (I) do interruptor. Para desligar, carregue no lado desligar (O) do interruptor.

Função electrónica

As ferramentas equipadas com funções electrónicas são mais fáceis de operar devido aos seguintes recursos.

Controlo de velocidade constante

Controlo electrónico para obter velocidade constante. Possibilita obter um acabamento fino dado que mantém a velocidade de rotação constante, mesmo na condição de funcionamento com carga.

Arranque suave

O recurso de arranque suave diminui o choque inicial da partida e ajuda a ferramenta a arrancar suavemente.

Selector de regulação de velocidade (Fig. 3)

A velocidade da ferramenta pode ser mudada rodando o selector de regulação de velocidade para um dos números de 1 a 6.

Rodar o selector na direcção do número 6 aumenta a velocidade e rodá-lo na direcção do número 1 a diminui. Isto permite-lhe seleccionar a velocidade ideal para trabalhar o material em condições excelentes, isto é, a velocidade pode ser correctamente regulada de acordo com o material e o diâmetro da fresa.

Para obter a relação entre o número de regulações no selector e a velocidade aproximada da ferramenta, consulte a tabela abaixo.

Número	min ⁻¹
1	10.000
2	12.000
3	17.000
4	22.000
5	27.000
6	30.000

⚠️ PRECAUÇÃO:

- Se funcionar com a ferramenta em velocidade baixa continuamente por um longo período de tempo, ocorrerá a sobrecarga do motor, resultando em mau funcionamento.
- O selector de regulação de velocidade pode ser rodado somente até o 6 e de volta para o 1. Não force-o além de 6 nem de 1, pois a função de regulação da velocidade poderá não funcionar.

CONJUNTO

⚠️ PRECAUÇÃO:

- Certifique-se sempre de que a ferramenta está desligada e a ficha retirada da tomada antes de executar qualquer trabalho na ferramenta.

Instalação e extracção da fresa para recortes (Fig. 4 e 5)

⚠️ PRECAUÇÃO:

- Não aperte a porca da pinça sem inserir a fresa, do contrário a pinça de suporte quebrará.
- Utilize só as chaves fornecidas com a ferramenta.

Introduza a fresa até ao fundo da pinça de suporte e aperte a porca da pinça seguramente com as duas chaves ou pressione a trava da haste e utilize a chave fornecida.

Para retirar a fresa siga o procedimento de instalação em sentido inverso.

OPERAÇÃO

Para a base da tupia (Fig. 6)

⚠️ AVISO:

- Antes de utilizar a ferramenta com a base da tupia, inserte o bocal para extracção do pó na base da tupia.

Coloque a base da ferramenta na peça a ser cortada sem que a fresa faça contacto com a peça de trabalho. Em seguida ligue a ferramenta e espere até que a fresa atinja a velocidade máxima. Movimente a ferramenta sobre a superfície de trabalho, mantendo a base da ferramenta nivelada e avançando devagar até que o corte esteja feito.

Quando efectuar cortes de cantos, a superfície de trabalho deve ficar do lado esquerdo da fresa no sentido do avanço. (Fig. 7)

NOTA:

- Se movimentar a ferramenta com demasiada rapidez poderá causar um corte defeituoso, danificar a fresa ou o motor. Se movimentar a ferramenta muito lentamente poderá queimar e danificar a superfície de trabalho. A velocidade correcta dependerá da medida da fresa, do tipo de superfície de trabalho e da profundidade de corte. Antes da operação final, é aconselhável efectuar uma experiência noutra superfície. Poderá assim verificar como sairá o avanço e permitir-lhe-á certificar-se das dimensões.
- Quando utilizar a sapata, a guia recta ou a guia para recortes, certifique-se de que a mantém no lado direito no sentido do corte. Isto ajudará a mantê-la nivelada com o lado da superfície de trabalho. (Fig. 8)

⚠️ PRECAUÇÃO:

- Dado que excessiva operação de corte pode causar sobrecarga do motor ou dificuldade em controlar a ferramenta, a profundidade de corte não deve ser mais do que 3 mm por passagem quando abrir rasgos. Quando deseja abrir rasgos com mais de 3 mm de profundidade, faça várias passagens com regulação progressivamente mais profunda da fresa.

Base da tupia (resina) (acessório opcional)

Pode utilizar a base de tupia (resina) como acessório opcional, tal como indicado na figura. (Fig. 9)

Coloque a ferramenta sobre a base de tupia (resina) e aperte a porca de aperto manual na saliência da fresa.

Quanto aos procedimentos de funcionamento, consulte o funcionamento da base de tupia.

Guia para moldes

A guia para moldes possui um anel pelo qual passa a fresa, permitindo utilizar a tupa com moldes. (Fig. 10) Desaperte parafusos e retire o protector da base. Coloque a guia para moldes na base e volte a colocar o protector da base. Em seguida prenda o protector da base apertando os parafusos. (Fig. 11)

Fixe o molde à superfície de trabalho. Coloque a ferramenta sobre o molde e movimente-a deslizando a guia para moldes ao longo do molde. (Fig. 12)

NOTA:

- A peça de trabalho será cortada num tamanho um pouco diferente do molde. Deixe uma distância (X) entre a fresa e a parte de fora da guia para moldes. A distância (X) pode ser calculada utilizando a seguinte equação:
Distância (X) = (diâmetro exterior da guia para moldes – diâmetro da fresa) / 2

Guia paralela (Acessório)

A guia paralela é utilizada efectivamente para cortes direitos quando chanfrar ou ranhurar. (Fig. 13)

Prenda a placa-guia à guia recta com o perno e a porca de orelhas. (Fig. 14)

Coloque a guia recta com o parafuso de fixação (A).

Solte a porca de orelhas na guia recta e regule a distância entre a fresa e a guia recta. Na distância desejada, aperte firmemente a porca de orelhas.

Quando cortar, avance a ferramenta com a guia paralela nivelada com o lado da superfície de trabalho. (Fig. 15)

Se a distância (A) entre o lado da superfície a trabalhar e a posição de corte for muito grande para a guia paralela, ou se o lado da superfície de trabalho não for direito, não poderá utilizá-la. Neste caso, aparafuse firmemente uma extensão recta à superfície de trabalho e utilize-a como guia contra a base da tupa. Corte no sentido da seta. (Fig. 16)

Trabalho circular

Pode executar trabalho circular se montar a guia paralela e a placa-guia como indicado na Fig. 17 ou 18.

Os raios máximos e mínimos de círculos a serem cortados (distância entre o centro do círculo e o centro da fresa) são os seguintes:

Min.: 70 mm

Max.: 221 mm

A Fig. 17 para cortar círculos entre 70 mm e 121 mm de raio.

A Fig. 18 para cortar círculos entre 121 mm e 221 mm de raio.

NOTA:

- Círculos entre 172 mm e 186 mm de raio não podem ser cortados utilizando esta guia.

Alinhe o centro do orifício na guia paralela com o centro do círculo a ser cortado. Coloque um prego com menos de 6 mm de diâmetro no orifício central para prender a guia recta. Rode a ferramenta à volta do prego para a direita. (Fig. 19)

Guia para recortes (acessório opcional)

Recortes, cortes em curva em folheados de madeira e operações semelhantes podem ser executadas facilmente com a guia para recortes. O rolo-guia percorre a curva e assegura um corte perfeito. (Fig. 20)

Instale a guia para recortes na base da ferramenta com o parafuso de fixação (A). Desaperte o parafuso de fixação (B) e regule a distância entre a fresa e a guia para recortes rodando o parafuso de regulação (1 mm por volta). Na distância desejada, aperte o parafuso de fixação (B) para segurar a guia para recortes. (Fig. 21)

Quando cortar, movimente a ferramenta com o rolo-guia a percorrer o lado da superfície de trabalho. (Fig. 22)

Base inclinável (acessório opcional)

A base inclinável (acessório opcional) é útil para chanfrar. (Fig. 23)

Coloque a ferramenta na base inclinável e prenda a fresa na saliência que desejar com a alavanca de bloqueio. Para obter o ângulo desejado, aperte os parafusos de fixação nas laterais.

Prenda firmemente uma tábua direita à peça de trabalho e utilize-a como uma guia contra a base da tupa. Avance a ferramenta no sentido da seta.

Protector da base retirado da base inclinável (acessório opcional)

Instalar o protector da base, retirado da base inclinável, na base da tupa possibilita a mudança de base redonda para base quadrada.

Para outras aplicações, desaperte e retire os quatro parafusos e retire o protector da base inclinável. (Fig. 24)

A seguir, instale o protector da base na base da tupa.

Base descentralizada (acessório opcional)

(1) A base descentralizada (acessório opcional) é útil para trabalhar em áreas estreitas, como cantos. (Fig. 25 e 26)

Antes de instalar a ferramenta na base descentralizada, desaperte a porca da pinça e retire a porca da pinça e a pinça de suporte. (Fig. 27)

Pressione a trava da haste para instalar a polia na ferramenta e aperte a polia firmemente com uma chave. (Fig. 28)

Coloque a pinça de suporte e enrosque a porca da pinça na base descentralizada como mostrado na ilustração. (Fig. 29)

Instale a ferramenta na base descentralizada. (Fig. 30)

Coloque uma ponta da cinta sobre a polia utilizando uma chave de parafusos e verifique se a largura total da cinta fica completamente sobre a polia. (Fig. 31)

Prenda-a com a alavanca de bloqueio na base descentralizada. (Fig. 32)

Para instalar a fresa, deite a ferramenta na sua lateral com a base descentralizada. Coloque a chave hexagonal no orifício da base descentralizada.

Com a chave hexagonal nessa posição, coloque a fresa na pinça de suporte na haste da base descentralizada a partir do lado oposto e aperte a porca firmemente com uma chave.

Para retirar a fresa para trocar, execute o processo de instalação em ordem inversa.

(2) A base descentralizada (acessório opcional) também pode ser utilizada com a base da tupa e uma conexão da pega (acessório opcional) para maior estabilidade. (Fig. 33)

Desaperte os parafusos e retire a parte superior da base descentralizada. Deixe a parte superior da base descentralizada de lado. (Fig. 34)

Instale a base da tupa com quatro parafusos e a conexão da pega (acessório opcional) com dois parafusos na placa da base descentralizada.

Enrosque a pega tipo barra (acessório opcional) na conexão da pega. (Fig. 35)

Em uma outra maneira de utilizar, a pega tipo botão retirada da base penetrante (acessório opcional) pode ser instalada na conexão da pega. Para instalar a pega tipo botão, coloque-a na conexão da pega e prenda-a com um parafuso. (Fig. 36)

Utilizar a recortadora só com a base penetrante (acessório opcional)

⚠️ PRECAUÇÃO:

• Agarre na ferramenta firmemente com as duas mãos quando a utiliza como uma recortadora.

Para usar a ferramenta como uma recortadora, instale-a na base penetrante (acessório opcional) pressionando completamente para baixo. (Fig. 37)

Podem utilizar a pega tipo botão ou tipo barra (acessório opcional), conforme o seu trabalho. (Fig. 38)

Para usar a pega tipo barra (acessório opcional), desaperte o parafuso e remova a pega tipo botão. (Fig. 39)

A seguir, enrosque a pega tipo barra na base.

Regulação da profundidade do corte ao utilizar a base penetrante (acessório opcional)

Coloque a ferramenta sobre uma superfície plana. Desaperte a alavanca de bloqueio e abaixe o corpo da ferramenta até que a fresa toque levemente na superfície plana. Aperte a alavanca de bloqueio para bloquear o corpo da ferramenta. (Fig. 40)

Rode a porca de ajuste da guia de profundidade no sentido contrário ao dos ponteiros do relógio.

Desça a guia de profundidade até tocar o perno de regulação. Alinhe o indicador de profundidade com a graduação "0". A profundidade de corte é mostrada na escala pelo indicador de profundidade.

Enquanto pressionar o botão de avanço rápido, levante a guia de profundidade até que obtenha a profundidade de corte desejada. Pode obter ajustes de profundidade minúsculos rodando o botão de regulação (1 mm por volta).

Rodando a porca de ajuste da guia de profundidade no sentido dos ponteiros do relógio, pode apertar a guia de profundidade com firmeza.

A profundidade de corte pré-definida pode ser obtida soltando a alavanca de fixação e descendo o corpo da ferramenta até que a guia de profundidade faça contacto com o perno hexagonal de regulação do bloco de fim de curso.

Agarre sempre a ferramenta pelas duas pegadas durante a operação.

Coloque a base da ferramenta na peça de trabalho a ser cortada sem que a fresa faça contacto. Em seguida, ligue a ferramenta e aguarde até que a fresa atinja a velocidade máxima. Abaixar o corpo da ferramenta e mova-o para a frente sobre a superfície da peça de trabalho, mantendo a sua base paralela e avançando suavemente até concluir o corte.

Ao cortar bordas, a superfície da peça de trabalho deve ficar no lado esquerdo da fresa no sentido de avanço. (Fig. 41)

NOTA:

- Avançar a ferramenta rápido demais pode resultar em corte com qualidade inferior ou danos à fresa ou motor. Avançar muito devagar pode queimar e danificar o corte. A taxa de avanço adequada depende do tamanho da fresa, do tipo da peça de trabalho e da profundidade do corte. Antes de iniciar o corte na própria peça, é recomendável fazer um corte como teste num pedaço de madeira. Assim poderá ver exactamente como será o corte e também poderá verificar as dimensões.
- Quando utiliza a guia recta, certifique-se de que a instala no lado direito do sentido de avanço. Isso fará com que ela fique paralela ao lado da peça de trabalho. (Fig. 42)

Guia recta quando utiliza como recortadora (necessária para utilizar com o suporte da guia (acessório opcional))

A guia recta é utilizada efectivamente para cortes direitos quando chanfrar ou ranhurar. (Fig. 43)

Instale a guia recta no suporte da guia (acessório opcional) com a porca de orelhas.

Introduza o suporte da guia nos orifícios da base penetrante e aperte os pernos de orelhas. Para regular a distância entre a fresa e a guia recta, desaperte a porca de orelhas. Na distância desejada, aperte a porca de orelhas para prender a guia recta no lugar.

Guia recta (acessório opcional)

A guia recta é utilizada efectivamente para cortes direitos quando chanfrar ou ranhurar. (Fig. 44 e 45)

Para instalar a guia recta, introduza as barras guia nos orifícios da base penetrante. Regule a distância entre a fresa e a guia recta. Na distância desejada, aperte os pernos de orelhas para prender a guia recta no lugar.

Quando efectuar o corte, movimente a ferramenta com a guia recta encostada ao lado da peça de trabalho. (Fig. 46)

Não é possível usar a guia recta se a distância (A) entre o lado da peça de trabalho e a posição de corte for larga demais para a guia recta ou se o lado da peça de trabalho não for direito. Nesse caso, afixe uma tábua direita à peça de trabalho e utilize-a como uma guia contra a base da recortadora. Avance a ferramenta no sentido da seta.

Guia para moldes (acessório)

A guia para moldes possui uma manga através da qual passa a fresa, permitindo utilizar a ferramenta com moldes. (Fig. 47)

Para instalar a guia para moldes, solte os parafusos da base da ferramenta, coloque a guia para moldes e aperte os parafusos. (Fig. 48)

Prenda o molde à peça de trabalho. Coloque a ferramenta sobre o molde e movimente-a deslizando a guia para moldes ao longo do lado do molde. (Fig. 49)

NOTA:

- A peça de trabalho será cortada num tamanho um pouco diferente do molde. Deixe uma distância (X) entre a fresa e a parte de fora da guia para moldes. A distância (X) pode ser calculada utilizando a seguinte equação:
Distância (X) = (diâmetro exterior da guia para moldes – diâmetro da fresa) / 2

Conjunto do bocal

Para a base da tupa (Fig. 6)

Para a base penetrante (acessório opcional) (Fig. 50)

Utilize o bocal para extração do pó. Instale o bocal na base da ferramenta utilizando o parafuso de aperto manual de forma que a saliência do bocal se encaixe na base da ferramenta.

A seguir, ligue-o ao aspirador de pó. (Fig. 51)

MANUTENÇÃO

⚠️ PRECAUÇÃO:

- Certifique-se sempre de que a ferramenta está desligada e a ficha retirada da tomada antes de executar qualquer inspeção ou manutenção.
- Nunca utilize gasolina, benzina, diluente, álcool ou produtos semelhantes. Pode ocorrer a descoloração, deformação ou rachaduras.

Substituição das escovas de carvão

Retire e verifique regularmente as escovas de carvão. Substitua-as quando estiverem gastas até à marca limite. Mantenha as escovas de carvão limpas e a deslizar nos suportes. As duas escovas de carvão devem ser substituídas ao mesmo tempo. Só utilize escovas de carvão idênticas. (Fig. 52)

Utilize uma chave de parafusos para retirar as tampas do porta-escovas. Retire as escovas de carvão usadas, coloque as novas e prenda as tampas dos porta-escovas. (Fig. 53)

Para manter a SEGURANÇA e FIABILIDADE, as reparações e outras acções de manutenção ou ajustes devem ser executados pelos Centros de assistência autorizados da Makita, utilizando sempre peças de substituição Makita.

ACESSÓRIOS OPCIONAIS

⚠️ PRECAUÇÃO:

- Estes acessórios ou peças são recomendados para utilização com a ferramenta Makita especificada neste manual. A utilização de outros acessórios ou peças pode ser perigosa para as pessoas. Utilize apenas acessórios ou peças para os fins indicados.

Se precisar de ajuda para obter mais informações relativos a estes acessórios, entre em contacto com o centro de assistência Makita local.

- Fresas para cortes direitos e ranhuras
- Fresas de bordeamento
- Fresas para recorte de laminados
- Conjunto da guia recta
- Conjunto da guia para recortes
- Conjunto da base da tupa
- Conjunto da base de tupa (resina)
- Conjunto da base inclinável
- Conjunto da base penetrante
- Conjunto da base descentralizada
- Guia para moldes
- Pinça de suporte 6 mm
- Pinça de suporte 6,35 mm, 1/4"
- Pinça de suporte 8 mm
- Pinça de suporte 9,53 mm, 3/8"
- Chave 13
- Chave 22

NOTA:

- Alguns itens da lista podem estar incluídos na embalagem da ferramenta como acessórios padrão. Eles podem variar de país para país.

ENG905-1

Ruído

A característica do nível de ruído A determinado de acordo com EN60745:

Nível de pressão de som (L_{pA}): 82 dB (A)

Nível de som (L_{WA}): 93 dB (A)

Variabilidade (K): 3 dB (A)

Utilize protectores para os ouvidos

ENG900-1

Vibração

Valor total da vibração (soma vectorial tri-axial) determinado conforme EN60745:

Modo de funcionamento: rotação em vazio

Emissão de vibração (a_h): 2,5 m/s² ou inferior

Variabilidade (K): 1,5 m/s²

Modo de funcionamento: cortar ranhuras em MDF

Emissão de vibração (a_h): 3,5 m/s²

Variabilidade (K): 1,5 m/s²

ENG901-1

- O valor da emissão de vibração indicado foi medido de acordo com o método de teste padrão e pode ser utilizado para comparar duas ferramentas.
- O valor da emissão de vibração indicado pode também ser utilizado na avaliação preliminar da exposição.

 AVISO:

- A emissão de vibração durante a utilização real da ferramenta eléctrica pode diferir do valor de emissão indicado, dependendo das formas como a ferramenta é utilizada.
- Certifique-se de identificar as medidas de segurança para protecção do operador que sejam baseadas em uma estimativa de exposição em condições reais de utilização (considerando todas as partes do ciclo de operação, tal como quando a ferramenta está desligada e quando está a funcionar em marcha lenta além do tempo de accionamento).

DECLARAÇÃO DE CONFORMIDADE CE**Apenas para países europeus**

A declaração de conformidade da CE está incluída no Anexo A deste manual de instruções.

Illustrationsoversigt

1 Borfremspring	29 Bundpladebeskytter	55 Greb af stangtype (ekstraudstyr)
2 Værktøjets bundplade	30 Bolt	56 Grebdel (ekstraudstyr)
3 Målestok	31 Anslagsplade	57 Overfræsersbundplade
4 Låsearm	32 Vingemøtrik	58 Greb af knaptype
5 Justerings skrue	33 Befæstelsesskrue (A)	59 Indstiksbundplade
6 Sekskantmøtrik	34 Midterhul	60 Greb
7 Afbryderkontakt	35 Søm	61 Knap
8 OFF (O) side	36 Befæstelsesskrue (A)	62 Justeringsknap
9 ON (I) side	37 Justerings skrue	63 Låsearm
10 Hastighedsvælger	38 Befæstelsesskrue (B)	64 Dybdeviser
11 Stramme	39 Overfræsersanslag	65 Indstillingsmøtrik til stopperstang
12 Løsne	40 Bor	66 Knap til hurtig fremføring
13 Hold	41 Styrerulle	67 Stopperstang
14 Spindellås	42 Befæstelsesskruer	68 Stopperblok
15 Arbejdsstykke	43 Bundpladebeskytter	69 Justeringsbolt
16 Boromdrejningsretning	44 Skrue	70 Anslagsholder
17 Værktøjet set ovenfra	45 Skive	71 Vingebolte
18 Fremføringsretning	46 Spændetangsmøtrik	72 Anslagstang
19 Parallelanslag	47 Spændetang	73 Vingebolt
20 Fingermøtrik	48 Nøgle	74 Skabelonanslags ydre diameter
21 Bundpladebeskytter	49 Rem	75 Skabelonanslag
22 Skruer	50 Låsearm	76 Støvmundstykke
23 Skruetrækker	51 Vinklet bundplade	77 Fingerskrue
24 Notfræser	52 Sekskantnøgle	78 Slidgrænse
25 Bundplade	53 Vinklet bundplade	79 Kulholderdæksel
26 Skabelon	54 Øverste del af den vinklede bundplade	
27 Afstand (X)		
28 Skabelonanslag 10		

SPECIFIKATIONER

GEB019-4

Model	RT0700C
Værktøjsskaft	6 mm, 8 mm, 1/4" eller 3/8"
Omdrejninger (min ⁻¹).....	10 000 – 30 000
Højde.....	200 mm
Vægt.....	1,8 kg
Sikkerhedsklasse	□/II

- På grund af vores kontinuerlige forsknings- og udviklingsprogrammer kan hosstående specifikationer blive ændret uden varsel.
- Specifikationer kan variere fra land til land.
- Vægt i henhold til EPTA-Procedure 01/2003

ENEB010-1

Tilsigtet anvendelse

Denne maskine er beregnet til planfræsning og profilering af træ, plast og lignende materialer.

ENF002-1

Netsspænding

Værktøjet må kun tilsluttes den netspænding, der er angivet på typeskiltet. Værktøjet arbejder på enkeltfasets vekselspænding og er dobbeltisoleret iht. de europæiske normer og må derfor tilsluttes en stikkontakt uden jordtilslutning.

GEA010-1

Almindelige sikkerhedsregler for el-værktøj

⚠ ADVARSEL! Læs alle sikkerhedsadvarsler og alle sikkerhedsinstruktioner. Hvis nedenstående advarsler og instruktioner ikke overholdes, kan resultatet blive elektrisk stød, brand og/eller alvorlig personskade.

Gem alle advarsler og instruktioner til fremtidig reference.

SIKKERHEDSADVARSLER FOR OVERFRÆSER

1. **Hold altid el-værktøjet i de isolerede greb, da den skærende maskine kan komme i berøring med dens egen ledning.** Skæring i en "live" (strømførende) ledning kan gøre værktøjets metaldele "live" (strømførende) og give operatøren stød.
2. **Anvend skruetvinger eller en anden praktisk måde at fastholde og støtte arbejdsstykket på en stabil flade.** Hvis De holder arbejdsstykket fast med hånden eller holder det mod kroppen, vil det blive ustabil, hvilket kan føre til, at De mister kontrollen over det.
3. **Brug høreværn ved vedvarende arbejde.**
4. **Fræseværktøj bør behandles med omhu.**
5. **Fræseværktøjet kontrolleres omhyggeligt med hensyn til revner og beskadigelser. Revnede eller beskadigede fræseværktøjer skal omgående skiftes ud.**
6. **Kontroller emnet omhyggeligt for søm/skruer og fjern dem før arbejdet påbegyndes.**
7. **Hold godt fast på værktøjet.**
8. **Hold hænderne væk fra roterende dele.**
9. **Sørg for at fræseværktøjet ikke rører ved emnet, når værktøjet startes.**
10. **Lad værktøjet køre i tomgang et øjeblik før arbejdet påbegyndes. Vær opmærksom på vibrationer og andet, der kan være et tegn på, at fræseværktøjet er monteret forkert.**
11. **Tag altid hensyn til fræseværktøjets omløbsretning og fremførselsretning.**

12. Lad ikke værktøjet køre uden opsyn. Start det kun når det holdes i hånden.
13. Sluk altid værktøjet og vent indtil fræseværktøjet er helt stoppet, før værktøjet fjernes fra emnet.
14. Rør ikke ved fræseværktøjet umiddelbart efter brug; det kan være ekstremt varmt og medføre forbrændinger.
15. Rens ikke værktøjet med benzin, fortynder eller lignende, det ødelægger kunststoffdelene.
16. Anvend bor med den korrekte spindeldiameter, som er passende til værktøjets hastighed.
17. Visse materialer indeholder kemikalier, som kan være giftige. Vær påpasselig med ikke at indånde støv eller få disse materialer på huden. Følg sikkerhedsforskrifterne fra fabrikanten af materialet.
18. Anvend altid en korrekt støvmaske/respirator, som passer til det materiale og den arbejdsmedte, De anvender.

GEM DISSE FORSKRIFTER.

⚠ ADVARSEL:

Lad IKKE bekvemmelighed eller kendskab til produktet (opnået gennem gentagen anvendelse) erstatte nøje overholdelse af sikkerhedsreglerne for det pågældende produkt. MISBRUG eller forsømmelse af at følge de i denne brugsvejledning givne sikkerhedsforskrifter kan føre til, at De kommer alvorligt til skade.

FUNKTIONSBESKRIVELSE

⚠ FORSIGTIG:

- Sørg altid for, at der er slukket for værktøjet og at den er taget ud af forbindelse, inden værktøjets funktion justeres eller kontrolleres.

Justering af borfremspringet (Fig. 1)

For at justere borfremspringet, løsnes låsearmen og værktøjets bundplade flyttes op eller ned som ønsket ved at man drejer justeringskruen. Efter justeringen strammes låsearmen godt til for at fastholde værktøjets bundplade.

BEMÆRK:

- Hvis værktøjet ikke er sikret selv om låsearmen er spændt, skal man stramme sekskantmøtrikken og derefter stramme låsearmen.

Afbryderfunktion (Fig. 2)

⚠ FORSIGTIG:

- Inden man sætter værktøjet i forbindelse, skal man altid kontrollere, at det er slukket.

For at starte værktøjet, trykkes på "ON (I)" siden på afbryderkontakten. For at stoppe værktøjet, trykkes på "OFF (O)" siden på afbryderkontakten.

Elektronisk funktion

Værktøj, som er udstyret med elektronisk funktion, er nemt at anvende på grund af de følgende funktioner.

Konstant hastighedskontrol

Elektronisk hastighedskontrol til opnåelse af konstant hastighed. En fin finish er mulig, da omdrejningshastigheden holdes konstant, selv i belastet tilstand.

Blød start

Blød-start funktionen minimerer startstød og bevirker, at værktøjet starter jævnt.

Hastighedsvælger (Fig. 3)

Værktøjets hastighed kan ændres ved at man drejer hastighedsvælgeren til en given talindstilling fra 1 til 6.

Højere hastighed opnås, når vælgeren drejes i retning af tallet 6. Lavere hastighed opnås, når den drejes i retning af tallet 1.

Dette gør det muligt at vælge den ideelle hastighed, der passer til det materiale, der skal behandles, dvs. at hastigheden kan indstilles korrekt, så den passer til materialet og bordiameteren.

Se oversigten angående forholdet mellem talindstillingerne og den omtrentlige værktøjshastighed.

Tal	min ⁻¹
1	10 000
2	12 000
3	17 000
4	22 000
5	27 000
6	30 000

⚠ FORSIGTIG:

- Hvis værktøjet anvendes uafbrudt ved lave hastigheder i længere tid, vil motoren blive overbelastet, hvilket vil resultere i, at værktøjet fungerer forkert.
- Hastighedsvælgeren kan kun drejes til 6 og tilbage til 1. Tving den ikke forbi 6 eller 1, da dette kan bevirke, at hastighedsindstillingsfunktionen ikke længere virker.

SAMLING

⚠ FORSIGTIG:

- Sørg altid for at værktøjet er slukket og netstikket trukket ud, inden der foretages noget arbejde på selve værktøjet.

Montering og afmontering af fræser (Fig. 4 og 5)

⚠ FORSIGTIG:

- Stram ikke spændetangsmøtrikken uden at der er sat et bor i, da dette kan bevirke, at spændetangen går i stykker.
- Brug kun de gaffelnøgler der følger med værktøjet.

Boret sættes hele vejen ind i spændetangen, og spændetangsmøtrikken strammes med de to nøgler eller ved at man trykker på spindelåsen og anvender den medfølgende nøgle. For afmontering gæes frem i modsat rækkefølge.

BETJENING

Til fræserbundpladen (Fig. 6)

⚠ ADVARSEL:

- Inden maskinen anvendes med fræserbundpladen, skal støvmundstykket monteres på fræserbundpladen.

Sæt fræseren på emnet uden at fræseværktøjet rører emnet. Tænd værktøjet og vent til fræseren har nået fulde omdrejninger. Bevæg dernæst værktøjet hen over emnets overflade, idet værktøjets bundplade holdes plan mod emnet.

Når der skal fræses hjørner, bør emnets overflade være på venstre side af fræseretningen. (Fig. 7)

BEMÆRK:

- Hvis værktøjet bevæges for hurtigt fremad, kan det medføre dårlig fræsning eller beskadigelse af værktøjet eller motoren. Hvis værktøjet bevæges for langsomt fremad, kan det brænde eller ødelægge fræsningen. Den korrekte fræsehastighed afhænger af fræsereens størrelse, emnet og fræsedybden. Før der påbegyndes fræsning på et emne, anbefales det derfor at foretage en prøvefræsning på et stykke affaldstræ. Dette vil vise præcist, hvordan fræsningen kommer til at se ud samt muliggøre kontrol af målene.
- Når vinkelanslaget, parallelanslaget eller afretningsanslaget bruges bør det være på højre side set i fremføringsretningen, det vil hjælpe med at holde anslaget plant mod emnekanten. (Fig. 8)

⚠️ FORSIGTIG:

- For kraftigt fræsearbejde kan medføre overbelastning af værktøjet, samt gøre det vanskeligt at bevare kontrollen med den. Fræsedybden må ved notfræsning ikke være større end 3 mm pr. gang. Derfor skal der ved dyb notbearbejdning gennemføres to eller flere arbejds gange med tiltagende værdier for dybden.

Overfræsersbundplade (harpiks) (ekstraudstyr)

Du kan bruge overfræsersbundpladen (harpiks) som ekstraudstyr som vist i figuren. (Fig. 9)

Place maskinen på overfræsersbundpladen (harpiks), og stram fingermøtrikken ved det ønskede fremspring for boret.

Vedrørende betjeningsvejledninger henvises til betjeningen af overfræsersbundpladen.

Skabelonanslag

Skabelonanslaget har en muffe igennem hvilken fræseren passerer således at fræsere kan anvendes med skabeloner. (Fig. 10)

Skrueerne løsnes og bundpladebeskytteren fjernes. Sæt kopiringene på bundpladen og sæt bundpladebeskytteren på igen. Stram skruerne til. (Fig. 11)

Fastgør skabelonen til emnet. Placer værktøjet på skabelonen og bevæg værktøjet med skabelonanslaget glide langs siden af skabelonen. (Fig. 12)

BEMÆRK:

- Emnet vil få en lidt anden størrelse end skabelonen. Giv plads til afstanden (X) mellem grundfræsere og ydersiden af kopiringene. Afstanden (X) kan udregnes ved hjælp af følgende ligning:
$$\text{Afstand (X)} = (\text{ydre diameter på kopiringe} - \text{diameter på grundfræser}) / 2$$

Parallelanslag (Udstyr)

Parallelanslaget anvendes mest effektivt til lige fræsning, ved affasning og riller. (Fig. 13)

Monter anslagspladen på parallelanslaget med boltene og vingemøtrikken. (Fig. 14)

Monter parallelanslaget med befæstelsesskruen (A). Løsn vingemøtrikken på parallelanslaget og indstil afstanden mellem boret og parallelanslaget. Stram vingemøtrikken godt til ved den ønskede afstand.

Når der fræses, skal værktøjet føres frem så parallelanslaget er plant med siden på emnet. (Fig. 15)

Hvis afstanden (A) mellem siden på emnet og fræsepositionen er for bred for parallelanslaget, eller hvis siden på emnet ikke er lige, kan parallelanslaget ikke anvendes. I et sådant tilfælde fastgøres til emnet et lige bræt, som anvendes som anslag mod fræsereens bund. Før værktøjet frem i pilens retning. (Fig. 16)

Cirkelformet arbejde

Cirkelformet arbejde kan udføres, hvis parallelanslaget og anslagspladen monteres som vist på Fig. 17 eller 18. Den mindste og største omkreds, der kan fræses (afstanden mellem cirkelens midte og fræsereens midte) er som følger:

Mindste omkreds: 70 mm

Største omkreds: 221 mm

Fig. 17 for fræsning af cirkler med en omkreds på mellem 70 mm og 121 mm.

Fig. 18 for fræsning af cirkler med en omkreds på mellem 121 mm og 221 mm.

BEMÆRK:

- Cirkler med en omkreds på mellem 172 mm og 186 mm kan ikke fræses med dette anslag.

Sæt midterhullet på parallelanslaget på linie med midten på den cirkel, der skal fræses. Slå et søm med en diameter på mindre end 6 mm i midterhullet for at holde parallelanslaget på plads. Drej værktøjet med uret omkring sømmet. (Fig. 19)

Tilretningsanslag (ekstraudstyr)

Tilretning, buede fræsninger i finer til møbler og lignende kan let udføres med tilretningsanslaget. Styrrullen kører langs buen og sikrer en pæn fræsning. (Fig. 20)

Tilretningsanslaget monteres på værktøjets bundplade med befæstelsesskruen (A). Befæstelsesskruen (B) løsnes og afstanden mellem fræsere og tilretningsanslaget justeres ved at dreje justeringsskruen (1 mm per drejning). Ved den ønskede afstand strammes Befæstelsesskruen (B) til for at holde tilretningsanslaget på plads. (Fig. 21)

Når der fræses, føres værktøjet frem med styrrullen kørende langs siden af emnet. (Fig. 22)

Vippebundplade (ekstraudstyr)

Vippebundplade (ekstraudstyr) er bekvem til affasning. (Fig. 23)

Anbring værktøjet på vippebundpladen og luk låsearmen i den ønskede stilling for boret. Den ønskede vinkel opnås ved at man strammer befæstelsesskruerne på siderne.

Fastgør en lige plade godt til arbejdsstykket og anvend den som et anslag mod fræsereens bund. Før værktøjet frem i pilens retning.

Bundpladebeskytter fjernet fra vippebundpladen (ekstraudstyr)

Montering af bundpladebeskytteren, som er blevet fjernet fra vippebundpladen på fræsereens bund, gør det muligt at skifte fræsereens bund fra den runde bund til den firkantede bund.

For anden brug fjernes bundpladebeskytteren fra vippebundpladen ved at man løsner og fjerner fire skrue. (Fig. 24)

Monter derefter bundpladebeskytteren på fræsereens bund.

Vinklet bundplade (ekstraudstyr)

(1) Vinklet bundplade (ekstraudstyr) er bekvem til arbejde på et trangt sted, som f.eks. i et hjørne. (Fig. 25 og 26)

Inden værktøjet monteres på den vinklede bundplade, skal man fjerne spændetangsmøtrikken og spændetangen ved at løsne spændetangsmøtrikken. (Fig. 27)

Monter skiven på værktøjet ved at trykke på spindellåsen og stramme skiven godt med en nøgle. (Fig. 28)

Anbring spændetangen og spændetangsmøtrikken på den vinklede bundplade som vist på illustrationen. (Fig. 29)

Monter værktøjet på den vinklede bundplade. (Fig. 30)

Læg en af remmens ender over skiven ved hjælp af en skruetrækker og bekræft, at hele rembredden passer helt over skiven. (Fig. 31)

Fastgør den med låsearmen på den vinklede bundplade. (Fig. 32)

For at montere boret lægges værktøjet med den vinklede bundplade på siden. Sæt sekskantnøglen ind i hullet i den vinklede bundplade.

Med sekskantnøglen i denne stilling sættes boret ind i spændetangen på spindelen på den vinklede bundplade fra den modsatte side, og spændetangsmøtrikken spændes godt til med en nøgle.

For at fjerne boret, når det skal skiftes ud, går der frem i den modsatte rækkefølge af monteringsproceduren.

(2) Den vinklede bundplade (ekstraudstyr) kan også anvendes med fræseværktøjets bundplade og et greb (ekstraudstyr), så en større stabilitet opnås. (Fig. 33)

Løsn skrueerne og fjern den øverste del fra den vinklede bundplade. Læg bundpladens øverste del til side. (Fig. 34)

Monter fræseværktøjets bundplade med fire skrueer og grebdelen (ekstraudstyr) med to skrueer på den vinklede bundplade.

Skrue et greb af stangtype (ekstraudstyr) på grebdelen. (Fig. 35)

Ved en anden brugsmåde kan grebet af knaptype (ekstraudstyr), som er fjernet fra indstiksbundpladen (ekstraudstyr), monteres på grebdelen. For at montere grebet af knaptype, skal det anbringes på grebdelen og fastgøres med en skrue. (Fig. 36)

Ved anvendelse som et fræseværktøj med kun en indstiksbundplade (ekstraudstyr)

⚠ FORSIGTIG:

• Ved anvendelse som et fræseværktøj, skal det holdes godt fast med begge hænder.

For at anvende værktøjet som et fræseværktøj, skal det monteres på en indstiksbundplade (ekstraudstyr) ved at man trykker det helt ned. (Fig. 37)

Enten grebet af knaptype eller grebet af stangtype (ekstraudstyr) kan anvendes, alt efter typen af arbejdet. (Fig. 38)

For at anvende grebet af stangtype (ekstraudstyr), skal man løsne skrueen og fjerne grebet af knaptype. (Fig. 39)

Skrue derefter grebet af stangtype på bundpladen.

Indstilling af fræsedybden, når indstiksbundpladen (ekstraudstyr) anvendes

Anbring værktøjet på en plan flade. Løsn låsearmen og sænk værktøjet, indtil boret kommer i berøring med den plane flade. Spænd låsearmen for at låse værktøjet. (Fig. 40)

Drej indstillingsmøtrikken til stopperstangen i retningen mod uret.

Sænk stopperstangen, indtil den kontakter justeringsbolten. Sæt dybdeviseren ud for "0" gradueringen. Fræsedybden angives af dybdeviseren på skalaen.

Tryk på knappen til hurtig fremføring og hæv samtidigt stopperstangen, indtil den ønskede fræsedybde er opnået. Små dybdejusteringer kan opnås ved at man drejer justeringsknappen (1 mm pr. omgang).

Ved at dreje indstillingsmøtrikken til stopperstangen kan man fastgøre stopperstangen godt.

Nu kan den forudbestemte fræsedybde opnås, ved at man løsner låsearmen og derefter sænker værktøjet, indtil stopperstangen kommer i berøring med den justerende sekskantbolt på stopperblokken.

Hold altid godt fast i begge greb på værktøjet under arbejdet.

Anbring værktøjets bundplade på det arbejdsstykke, der skal fræses, uden at boret kommer i kontakt med det. Tænd derefter for værktøjet og vent, indtil boret er kommet op på fuld hastighed. Sænk værktøjet og før det fremad henover arbejdsstykkets overflade, idet værktøjets bundplade holdes plant og fremføres jævnt, indtil fræsningen er udført.

Når der udføres kantskæring, skal arbejdsstykkets overflade være til venstre for boret i fremføringsretningen. (Fig. 41)

BEMÆRK:

- Hvis værktøjet bevæges for hurtigt fremad, kan det medføre dårlig fræsning eller beskadigelse af boret eller motoren. Hvis værktøjet bevæges for langsomt fremad, kan det brænde eller ødelægge fræsningen. Den korrekte fremføringshastighed afhænger af borets størrelse, arbejdsstykket og fræsedybden. Før der påbegyndes fræsning på et arbejdsstykke, anbefales det derfor at foretage en prøvefræsning på et stykke affaldstræ. Dette vil vise præcist, hvordan fræsningen kommer til at se ud samt muliggøre kontrol af målene.
- Når parallelanslaget bruges, bør det være på højre side set i fremføringsretningen. Dette vil holde anslaget plant mod arbejdsstykkets kant. (Fig. 42)

Parallelanslag når et fræseværktøj anvendes (nødvendig til brug med anslagsholder (ekstraudstyr))

Parallelanslaget bruges mest effektivt til lige fræsning ved affasning og riller. (Fig. 43)

Monter anslagsholderen på anslagsholderen (ekstraudstyr) ved hjælp af vingemøtrikken.

Monter parallelanslaget i hullerne på indstiksbundpladen og stram vingeboltene. For at justere afstanden mellem boret og parallelanslaget, skal vingebolten løsnes. Ved den ønskede afstand strammes vingemøtrikken for at holde parallelanslaget på plads.

Parallelanslag (ekstraudstyr)

Parallelanslaget bruges mest effektivt til lige fræsning ved affasning og riller. (Fig. 44 og 45)

For at montere parallelanslaget skal man sætte styrestængerne ind i hullerne i indstiksbundpladen. Indstil afstanden mellem boret og parallelanslaget. Ved den ønskede afstand strammes vingeboltene for at holde parallelanslaget på plads.

Når der fræses, skal værktøjet føres frem, så parallelanslaget er plant med siden på arbejdsstykket. (Fig. 46)

Hvis afstanden (A) mellem siden på arbejdsstykket og fræsepositionen er for bred for parallelanslaget, eller hvis siden på arbejdsstykket ikke er lige, kan parallelanslaget ikke anvendes. I dette tilfælde fastgøres et lige bræt til arbejdsstykket, som anvendes til anslag mod fræsereens bund. Før værktøjet frem i pilens retning.

Skabelonanslag (Udstyr)

Skabelonanslaget er en muffe gennem hvilken boret passerer, således at værktøjet kan anvendes med skabelonmønstre. (Fig. 47)

For at montere skabelonanslaget, løsnes skrueerne på værktøjets bundplade, skabelonanslaget sættes ind, og skrueerne strammes derefter. (Fig. 48)

Fastgør skabelonen til arbejdsstykket. Anbring værktøjet på skabelonen og bevæg værktøjet med skabelonanslaget glidende langs siden af skabelonen. (Fig. 49)

BEMÆRK:

- Arbejdsstykket vil få en lidt anden størrelse end skabelonen. Giv plads til afstanden (X) mellem boret og skabelonanslagets yderside.

Afstanden (X) kan udregnes ved hjælp af følgende ligning:

Afstand (X) = (ydre diameter på skabelonanslag – bordiameter) / 2

Støvmundstykket

Til fræsers bundplade (Fig. 6)

Til indstiksbundplade (ekstraudstyr) (Fig. 50)

Anvend støvmundstykket til fjernelse af støv. Monter støvmundstykket på værktøjets bundplade ved hjælp af fingerskruen, så fremspringet på støvmundstykket passer tind i rillen i værktøjets bundplade.

Slut derefter en støvsuger til støvmundstykket. (Fig. 51)

VEDLIGEHOLDELSE

⚠️ FORSIGTIG:

- Kontroller altid, at værktøjet er slået fra, og at netstikket er trukket ud, inden der udføres eftersyn eller vedligeholdelse.
- Anvend aldrig benzin, rensebenzin, fortynder, alkohol og lignende. Resultatet kan blive misfarvning, deformation eller revner.

Udskiftning af kul

Udtag og efterse kullene med regelmæssige mellemrum. Udskift kullene, når de er slidt ned til slidmarkeringen. Hold kullene rene og i stand til frit at glide ind i holderne. Begge kul skal udskiftes parvist samtidigt. Anvend kun identiske kulbørster. (Fig. 52)

Benyt en skruetrækker til at afmontere kulholderdækslerne. Tag de slidte kul ud, isæt de nye og fastgør derefter kulholderdækslerne. (Fig. 53)

For at opretholde produktets SIKKERHED og PÅLIDELIGHED bør reparation, vedligeholdelse og justering kun udføres af et Makita Service Center med anvendelse af original Makita udskiftningsdele.

EKSTRAUDSTYR

⚠️ FORSIGTIG:

- Det i denne manual specificerede tilbehør og anordninger anbefales til brug sammen med Deres Makita maskine. Brug af andet tilbehør og andre anordninger kan udgøre en risiko for personskade. Anvend kun tilbehør og anordninger til de beskrevne formål.

Hvis De behøver assistance eller yderligere detaljer om dette tilbehør, bedes De kontakte Deres lokale Makita servicecenter.

- Bor til lige formning og rilleformning
- Bor til kantformning
- Bor til laminat-tilretning
- Samling til parallelanslag
- Samling til tilretningsanslag
- Samling til fræsers bundplade
- Samling til fræsers bundplade (harpiks)
- Samling til vippebundplade
- Samling til indstiksbundplade
- Samling til vinklet bundplade
- Skabelonanslag
- Spændetang 6 mm
- Spændetang 6,35 mm (1/4")
- Spændetang 8 mm
- Spændetang 9,53 mm (3/8")
- Nøgle 13
- Nøgle 22

BEMÆRK:

- Nogle ting på denne liste kan være inkluderet i værktøjspakken som standardtilbehør. Det kan være forskellige fra land til land.

Lyd

Det typiske A-vægtede støjniveau bestemt i overensstemmelse med EN60745:

Lydtryksniveau (L_{pA}): 82 dB (A)

Lydeffektniveau: (L_{WA}): 93 dB (A)

Usikkerhed (K): 3 dB (A)

Bær høreværn

ENG900-1

Vibration

Vibrations totalværdi (tre-aksial vektorsum) bestemt i overensstemmelse med EN60745:

Arbejdsindstilling: rotation uden belastning

Vibrationsafgivelse (a_h): 2,5 m/s² eller mindre

Usikkerhed (K): 1,5 m/s²

Arbejdsindstilling: fræsning af riller i MDF

Vibrationsafgivelse (a_h): 3,5 m/s²

Usikkerhed (K): 1,5 m/s²

ENG901-1

- Den angivne vibrationsemissionsværdi er blevet målt i overensstemmelse med standardtestmetoden og kan anvendes til at sammenligne en maskine med en anden.
- Den angivne vibrationsemissionsværdi kan også anvendes i en preliminær eksponeringsvurdering.

⚠ ADVARSEL:

- Vibrationsemissionen under den faktiske anvendelse af værktøjet kan være forskellig fra den erklærede emissionsværdi, afhængigt af den måde, hvorpå værktøjet anvendes.
- Sørg for at identificere de sikkerhedsforskrifter til beskyttelse af operatøren, som er baseret på en vurdering af eksponering under de faktiske brugsforhold (med hensyntagen til alle dele i brugscyklen, som f.eks. de gange, hvor værktøjet er slukket og når den kører i tomgang i tilgift til afbrydertiden).

EF-KONFORMITETSERKLÆRING**Kun for lande i Europa**

EF-konformitetserklæringen er inkluderet som Tillæg A til denne instruktionsvejledning.

Περιγραφή γενικής άποψης

1 Προεξοχή μύτης	29 Προστατευτικό βάσης	56 Εξάρτημα λαβής (προαιρετικό αξεσουάρ)
2 Βάση εργαλείου	30 Μπουλόνι	57 Βάση του κουρευτικού περιθωρίων
3 Κλίμακα	31 Πλάκα οδηγού	58 Λαβή τύπου πόμολου
4 Μοχλός κλειδώματος	32 Παξιμάδι πεταλούδα	59 Βάση βύθμισης
5 Βίδα ρύθμισης	33 Βίδα σύσφιξης (Α)	60 Λαβή
6 Εξαγωνικό παξιμάδι	34 Τρύπα κέντρου	61 Πόμολο
7 Διακόπτης	35 Καρφή	62 Ρυθμιστικό κουμπί
8 Πλευρά OFF (Ο)	36 Βίδα σύσφιξης (Α)	63 Μοχλός κλειδώματος
9 Πλευρά ON (Ι)	37 Βίδα ρύθμισης	64 Δείκτης βάθους
10 Επιλογέας ρύθμισης ταχύτητας	38 Βίδα σύσφιξης (Β)	65 Παξιμάδι ρύθμισης άξονα στοπ
11 Σφίξιμο	39 Οδηγός κουρευτικού περιθωρίων	66 Κουμπί ταχείας τροφοδοσίας
12 Χαλάρωμα	40 Μύτη	67 Άξονας στοπ
13 Κράτημα	41 Κύλινδρος οδηγού	68 Πλάκα στοπ
14 Κλειδώμα άξονα	42 Βίδες σύσφιξης	69 Ρυθμιστικό μπουλόνι
15 Τεμάχιο εργασίας	43 Προστατευτικό βάσης	70 Υποδοχέας οδηγού
16 Κατεύθυνση περιστροφής μύτης	44 Βίδα	71 Μπουλόνι με πτερύγια
17 Όψη από το επάνω μέρος του εργαλείου	45 Καρούλι	72 Ράβδος οδηγού
18 Κατεύθυνση τροφοδοσίας	46 Παξιμάδι κολάρου	73 Μπουλόνι πεταλούδα
19 Ίσιος οδηγός	47 Κώνος κολάρου	74 Εξωτερική διάμετρος του οδηγού ιχναρίου
20 Παξιμάδι χειρός	48 Κλειδί	75 Οδηγός ιχναρίου
21 Προστατευτικό βάσης	49 Ιμάντας	76 Ακροφύσιο σκόνης
22 Βίδες	50 Μοχλός κλειδώματος	77 Βίδα χειρός
23 Κατασβίδι	51 Βάση αντιστηρίγματος	78 Σημάδι ορίου
24 Ευθεία μύτη	52 Εξαγωνικό κλειδί	79 Καπάκι θήκης ψήκτρας
25 Βάση	53 Πλάκα βάσης αντιστηρίγματος	
26 Ιχναρίο	54 Άνω τμήμα της βάσης αντιστηρίγματος	
27 Απόσταση (Χ)	55 Λαβή τύπου ράβδου (προαιρετικό αξεσουάρ)	
28 Οδηγός ιχναρίου 10		

ΤΕΧΝΙΚΑ ΧΑΡΑΚΤΗΡΙΣΤΙΚΑ

GEA010-1

Μοντέλο	RT0700C
Κανότητα υποδοχής	6 χιλ., 8 χιλ., 1/4" ή 3/8"
Ταχύτητα χωρίς φορτίο (Λεπ ⁻¹)	10.000 – 30.000
Ολικό μήκος	200 χιλ.
Καθαρό βάρος	1,8 Χγρ
Κατηγορία ασφάλειας	□/II

- Λόγω του συνεχιζόμενου προγράμματος έρευνας και ανάπτυξης, οι παρούσες προδιαγραφές υπόκεινται σε αλλαγή χωρίς προειδοποίηση.
- Τα τεχνικά χαρακτηριστικά μπορεί να διαφέρουν από χώρα σε χώρα.
- Βάρος σύμφωνα με διαδικασία ΕΡΤΑ 01/2003

ENE010-1

Προοριζόμενη χρήση

Το μηχάνημα προορίζεται για ισόπεδα τελειώματα και διαμορφώσεις κατατομών σε ξύλο, πλαστικό και παρόμοια υλικά.

ENF002-1

Ρευματοδότηση

Το μηχάνημα πρέπει να συνδέεται μόνο σε παροχή ρεύματος της ίδιας τάσης με αυτή που αναφέρεται στην πινακίδα κατασκευαστού και μπορεί να λειτουργήσει μόνο με εναλλασσόμενο μονοφασικό ρεύμα. Τα μηχανήματα αυτά έχουν διπλή μόνωση σύμφωνα με τα Ευρωπαϊκά Πρότυπα και κατά συνέπεια, μπορούν να συνδεθούν σε ακροδέκτες χωρίς σύρμα γείωσης.

Γενικές προειδοποιήσεις ασφαλείας για το ηλεκτρικό εργαλείο

⚠️ ΠΡΟΕΙΔΟΠΟΙΗΣΗ Διαβάστε όλες τις προειδοποιήσεις ασφαλείας και όλες τις οδηγίες. Η μη τήρηση των προειδοποιήσεων και οδηγιών ενδέχεται να καταλήξει σε ηλεκτροπληξία, πυρκαγιά ή/και σοβαρό τραυματισμό.

Φυλάξτε όλες τις προειδοποιήσεις και τις οδηγίες για μελλοντική παραπομπή.

GEB019-4

ΠΡΟΕΙΔΟΠΟΙΗΣΕΙΣ ΑΣΦΑΛΕΙΑΣ ΡΟΥΤΕΡ

1. **Να κρατάτε το ηλεκτρικό εργαλείο από τις μονωμένες επιφάνειες λαβής, επειδή ο κόπτης είναι δυνατό να έρθει σε επαφή με το ίδιο του το καλώδιο.** Σε περίπτωση που κοπεί ένα ηλεκτροφόρο καλώδιο, ενδέχεται να εκτεθειμένα μεταλλικά εξαρτήματα του ηλεκτρικού εργαλείου να καταστούν τα ίδια ηλεκτροφόρα και να προκαλέσουν ηλεκτροπληξία στο χειριστή.
2. **Χρησιμοποιείτε σφιγκτήρες ή κάποιο άλλο πρακτικό μέσο για να ασφαλίσετε και υποστηρίξετε το τεμάχιο εργασίας σε μία σταθερή βάση.** Το κράτημα του τεμαχίου εργασίας με το χέρι ή με το σώμα το αφήνει ασταθές και μπορεί να οδηγήσει σε απώλεια ελέγχου.
3. **Να φοράτε γυαλιά προστασίας κατά τη διάρκεια μακρών περιόδων εργασίας.**
4. **Να χειρίζεστε τις αιχμές με μεγάλη προσοχή.**

5. Ελέγχετε το την αιχμή προσεκτικά για ρωγμές ή βλάβη πριν τη λειτουργία. Αντικαταστήστε αμέσως το την αιχμή που έχει ρωγμή ή που έχει πάθει ζημιά.
6. Αποφύγετε να κόβετε καρφιά. Ελέγχετε και βγάλετε όλα τα καρφιά από το τεμάχιο εργασίας πριν την λειτουργία.
7. Κρατάτε το μηχάνημα σταθερά.
8. Κρατάτε τα χέρια σας μακριά από περιστρεφόμενα εξαρτήματα.
9. Σιγουρευτείτε ότι το η αιχμή δεν αγκίζει το τεμάχιο εργασίας πριν ανοίξετε το διακόπτη.
10. Πριν χρησιμοποιήσετε το μηχάνημα πάνω σε ένα πραγματικό τεμάχιο εργασίας, αφήσετε το να δουλέψει για λίγο. Δώστε προσοχή στους κραδασμούς ή στις ταλαντεύσεις που μπορεί να δηλώνουν εσφαλμένη τοποθέτηση της αιχμής.
11. Δώστε προσοχή στην διεύθυνση περιστροφής του της αιχμής και στην διεύθυνση τροφοδοσίας.
12. Μην εγκαταλείπετε το μηχάνημα να δουλεύει. Δουλεύετε το μηχάνημα μόνο όταν το κρατάτε στα χέρια σας.
13. Πάντοτε σβήνετε το μηχάνημα και περιμένετε την αιχμή να σταματήσει τελείως πριν βγάλετε το μηχάνημα από το τεμάχιο εργασίας.
14. Μην αγγίζετε το την αιχμή αμέσως μετά τη λειτουργία μπορεί να είναι πάρα πολύ ζεστό και μπορεί να κάψει το δέρμα σας.
15. Μην ρυπαίνετε τη βάση του μηχανήματος απρόσεκτα με διαλυτικό, βενζίνη, λάδι και παρόμοια. Μπορεί να προκαλέσουν ρωγμές στη βάση του μηχανήματος.
16. Χρησιμοποιήστε μύτες που διαθέτουν σωστή διάμετρο άξονα για την ταχύτητα του εργαλείου.
17. Μερικά υλικά περιέχουν χημικά που μπορεί να είναι τοξικά. Προσέχετε να αποφύγετε εισπνοή σκόνης και δερματική επαφή. Ακολουθείτε τα δεδομένα ασφάλειας του προμηθευτή υλικών.
18. Πάντοτε χρησιμοποιείτε τη σωστή προσωπίδα/ αναπνευστήρα σε σχέση με το υλικό και την εφαρμογή στην οποία εργάζεστε.

ΦΥΛΑΞΕΤΕ ΑΥΤΕΣ ΤΙΣ ΟΔΗΓΙΕΣ.

⚠️ ΠΡΟΕΙΔΟΠΟΙΗΣΗ:

ΜΗΝ επιτρέψετε το βαθμό άνεσης ή εξοικείωσης με το προϊόν (λόγω επανειλημμένης χρήσης) να αντικαταστήσει την αυστηρή τήρηση των κανόνων ασφαλείας του παρόντος εργαλείου. **ΚΑΚΗ ΧΡΗΣΗ** ή αμέλεια να ακολουθήσετε τους κανόνες ασφάλειας που διατυπώνονται σ' αυτό το εγχειρίδιο οδηγιών μπορεί να προκαλέσει σοβαρό προσωπικό τραυματισμό.

ΠΕΡΙΓΡΑΦΗ ΛΕΙΤΟΥΡΓΙΑΣ

⚠️ ΠΡΟΣΟΧΗ:

- Πάντοτε βεβαιώνετε ότι το εργαλείο είναι σβηστό και αποσυνδεδεμένο από το ρεύμα πριν ρυθμίσετε ή ελέγξετε κάποια λειτουργία στο εργαλείο.

Ρύθμιση προεξοχής μύτης (Εικ. 1)

Για να ρυθμίσετε την προεξοχή μύτης, χαλαρώστε το μοχλό κλειδώματος και μετακινήστε τη βάση εργαλείου προς τα επάνω ή κάτω, όπως επιθυμείτε, περιστρέφοντας τη βίδα ρύθμισης. Μετά τη ρύθμιση, σφίξτε καλά το μοχλό κλειδώματος για να ασφαλίσετε τη βάση του εργαλείου.

⚠️ ΣΗΜΕΙΩΣΗ:

- Όταν το εργαλείο δεν είναι ασφαλισμένο ακόμη και εάν ο μοχλός κλειδώματος έχει σφίχτει, σφίξτε το εξαγωγικό παξιμάδι και μετά σφίξτε το μοχλό κλειδώματος.

Δράση διακόπτη (Εικ. 2)

⚠️ ΠΡΟΣΟΧΗ:

- Πριν συνδέετε το εργαλείο, να ελέγχετε πάντα αν αυτό είναι σβηστό.

Για να ξεκινήσετε τη λειτουργία του εργαλείου, πιάστε την πλευρά "ON (I)" του διακόπτη. Για να διακόψετε τη λειτουργία του εργαλείου, πιάστε την πλευρά "OFF (O)" του διακόπτη.

Ηλεκτρική λειτουργία

Τα εργαλεία που είναι εξοπλισμένα με ηλεκτρονική λειτουργία είναι εύκολα στη χρήση λόγω των ακόλουθων χαρακτηριστικών.

Ρύθμιση σταθερής ταχύτητας

Ηλεκτρονική ρύθμιση ταχύτητας για επίτευξη σταθερής ταχύτητας. Μπορείτε να έχετε ένα κομμό αποτέλεσμα επειδή η ταχύτητα περιστροφής διατηρείται σταθερή ακόμα κι όταν το εργαλείο υποβάλλεται σε φόρτο.

Ομαλή εκκίνηση

Το χαρακτηριστικό ομαλής εκκίνησης ελαχιστοποιεί τον κραδασμό κατά την εκκίνηση και καθιστά την εκκίνηση του εργαλείου ομαλή.

Επιλογές ρύθμισης ταχύτητας (Εικ. 3)

Μπορείτε να αλλάξετε την ταχύτητα του εργαλείου περιστρέφοντας τον επιλογέα ρύθμισης ταχύτητας σε μια αριθμητική ρύθμιση από 1 έως 6.

Λαμβάνετε υψηλότερη ταχύτητα όταν περιστρέφετε τον επιλογέα προς την κατεύθυνση του αριθμού 6, ενώ λαμβάνετε χαμηλότερη ταχύτητα όταν περιστρέφετε τον επιλογέα προς την κατεύθυνση του αριθμού 1.

Αυτό επιτρέπει την επιλογή της ιδανικής ταχύτητας για βέλτιστη επεξεργασία του υλικού, δηλ. η ταχύτητα μπορεί να ρυθμιστεί σωστά ανάλογα με το υλικό και τη διάμετρο της μύτης.

Ανατρέξτε στον πίνακα για τη σχέση μεταξύ των αριθμητικών ρυθμίσεων στον επιλογέα και την κατά προσέγγιση ταχύτητα του εργαλείου.

Αριθμός	λεπ ⁻¹
1	10.000
2	12.000
3	17.000
4	22.000
5	27.000
6	30.000

⚠️ ΠΡΟΣΟΧΗ:

- Αν το εργαλείο λειτουργεί συνεχόμενα σε χαμηλές ταχύτητες για μεγάλο χρονικό διάστημα, το μοτέρ θα υπερφορτωθεί και θα προκαλέσει δυσλειτουργία του εργαλείου.
- Μπορείτε να περιστρέψετε τον επιλογέα ρύθμισης ταχύτητας μόνο έως το 6 και όχι λιγότερο από το 1. Μην τον πιέζετε πέρα από το 6 ή το 1, μπορεί με τον τρόπο αυτό να καταστραφεί ο επιλογέας ρύθμισης.

ΣΥΝΑΡΜΟΛΟΓΗΣΗ

⚠️ ΠΡΟΣΟΧΗ:

- Πάντοτε βεβαιώνετε ότι το εργαλείο είναι σβηστό και αποσυνδεδεμένο από το ρεύμα πριν εκτελέσετε οποιαδήποτε εργασία στο εργαλείο.

Τοποθέτηση ή αφαίρεση της αιχμής ξακριστή (trimmer) (Εικ. 4 και 5)

⚠️ ΠΡΟΣΟΧΗ:

- Μην σφίγγετε το παξιμάδι κολάρου χωρίς να έχετε εισάγει μια μύτη, αλλιώς ο κώνος κολάρου θα σπάσει.
- Χρησιμοποιήστε μόνο τα κλειδιά που παρέχονται με το μηχάνημα.

Εισάγετε τη μύτη μέχρι τέρμα στον κώνο κολάρου και σφίξτε καλά το παξιμάδι κολάρου με τα δύο κλειδιά ή πατώντας το κλειδωμα άξονα και χρησιμοποιώντας το κλειδί που παρέχεται. Για να αφαιρέσετε την αιχμή ακολουθήστε τη διαδικασία τοποθέτησης αντίστροφα.

ΛΕΙΤΟΥΡΓΙΑ

Για τη βάση του ρούτερ (κουρευτικού) (Εικ. 6)

⚠️ ΠΡΟΕΙΔΟΠΟΙΗΣΗ:

- Πριν χρησιμοποιήσετε το εργαλείο με τη βάση του ρούτερ (κουρευτικού), να τοποθετείτε πάντα το ακροφύσιο σκόνης στη βάση του ρούτερ (κουρευτικού).

Τοποθετήστε τη βάση του μηχανήματος πάνω στο τεμάχιο εργασίας που πρόκειται να κοπεί χωρίς η αιχμή να βρίσκεται σε επαφή μαζί του. Μετά ανοίξετε το μηχάνημα και περιμένετε μέχρι η αιχμή να φτάσει στην μέγιστη ταχύτητα. Μετακινήστε το μηχάνημα προς τα εμπρός πάνω από την επιφάνεια του τεμαχίου εργασίας, κρατώντας τη βάση του μηχανήματος επίπεδα και προχωρώντας ομαλά μέχρι να ολοκληρωθεί η κοπή.

Όταν κόβετε άκρες, η επιφάνεια αντικειμένου εργασίας πρέπει να είναι στην αριστερή πλευρά της αιχμής στη διεύθυνση τροφοδοσίας. (Εικ. 7)

ΠΑΡΑΤΗΡΗΣΗ:

- Κινώντας το μηχάνημα προς τα εμπρός πολύ γρήγορα μπορεί να προκαλέσει μια κακή ποιότητα κοπής, ή ζημιά στην αιχμή ή στο μοτέρ. Κινώντας το μηχάνημα προς τα εμπρός πολύ αργά μπορεί να κάψει και να παραμορφώσει το κόψιμο. Ο σωστός ρυθμός τροφοδοσίας εξαρτάται από το μέγεθος της αιχμής, το είδος του αντικειμένου εργασίας και το βάθος της κοπής. Πριν αρχίσετε τη κοπή στο πραγματικό αντικείμενο εργασίας, είναι καλό να κάνετε μια δοκιμαστική κοπή σε ένα κομμάτι άχρηστου ξύλου. Αυτό θα σας δείξει ακριβώς πως θα φαίνεται το κόψιμο και επίσης θα σας επιτρέψει να ελέγξετε τις διαστάσεις.
- Όταν χρησιμοποιείτε το πέλαμα ξακριστή, τον ίδιο οδηγό ή τον οδηγό ξακριστή, βεβαιωθείτε ότι το κρατάτε στη δεξιά πλευρά στη διεύθυνση τροφοδοσίας. Αυτό θα βοηθήσει να το κρατήσετε ευθυγραμμισμένο με τη πλευρά του αντικειμένου εργασίας. (Εικ. 8)

⚠️ ΠΡΟΣΟΧΗ:

- Επειδή υπερβολικό κόψιμο μπορεί να προκαλέσει υπερφόρτωση του μοτέρ ή δυσκολία στον έλεγχο του μηχανήματος, το βάθος κοπής δεν πρέπει να είναι περισσότερο από 3 χιλ σε κάθε πέρασμα όταν κάνετε αυλακώσεις. Όταν επιθυμείτε να κάνετε αυλακώσεις βαθύτερες από 3 χιλ, κάνετε αρκετά περάσματα με προοδευτικά βαθύτερες ρυθμίσεις αιχμής.

Βάση του κουρευτικού περιθωρίων (ρητίνη) (προαιρετικό αξεσουάρ)

Μπορείτε να χρησιμοποιήσετε τη βάση του κουρευτικού περιθωρίων (ρητίνη) ως προαιρετικό αξεσουάρ όπως απεικονίζεται στην εικόνα. (Εικ. 9)

Τοποθετήστε το εργαλείο στη βάση του κουρευτικού περιθωρίων (ρητίνη) και σφίξτε το παξιμάδι χειρός στην επιθυμητή προεσοχή της μύτης.

Για τις διαδικασίες λειτουργίας, ανατρέξτε στη λειτουργία για τη βάση του κουρευτικού περιθωρίων.

Οδηγός ιχναρίου

Ο οδηγός ιχναρίου αφήνει ένα μανίκι μέσω του οποίου περνάει η αιχμή, επιτρέποντας χρήση του ξακριστή με σχέδια του ιχναρίου. (Εικ. 10)

Χαλαρώστε τις βίδες και αφαιρέστε το προστατευτικό της βάσης. Τοποθετήστε τον οδηγό ιχναρίου στη βάση και αντικαταστήστε το προστατευτικό βάσης. Μετά στερεώστε το προστατευτικό βάσης σφίγγοντας τις βίδες. (Εικ. 11)

Στερεώστε το ιχνάριο στο αντικείμενο εργασίας. Τοποθετήστε το μηχάνημα στο ιχνάριο και κινείστε το μηχάνημα με τον οδηγό ιχναρίου να ολισθαίνει κατά μήκος της πλευράς του ιχναρίου. (Εικ. 12)

ΠΑΡΑΤΗΡΗΣΗ:

- Το τεμάχιο εργασίας θα κοπεί σε λίγο διαφορετικό μέγεθος από το ιχνάριο. Αφήστε μια απόσταση (X) μεταξύ της μύτης και της εξωτερικής πλευράς του οδηγού ιχναρίου.

Η απόσταση (X) μπορεί να υπολογιστεί με τη χρήση της παρακάτω εξίσωσης:

Απόσταση (X) = (εξωτερική διάμετρος του οδηγού ιχναρίου – διάμετρος μύτης) / 2

Ίσιος οδηγός (Εξάρτημα)

Ο ίσιος οδηγός χρησιμοποιείται αποτελεσματικά για ίσιες κοπές στις λοξοτομήσεις και αυλακώσεις. (Εικ. 13)

Προσαρμόστε την πλάκα οδηγό στον ίσιο οδηγό με το μπουλόνι και το πτερωτό παξιμάδι. (Εικ. 14)

Προσαρμόστε τον ίσιο οδηγό με την βίδα σύσφιξης (Α). Χαλαρώστε το πτερωτό παξιμάδι στον ίσιο οδηγό και ρυθμίστε την απόσταση μεταξύ της αιχμής και του ίσιου οδηγού. Στην επιθυμητή απόσταση, σφίξτε το πτερωτό παξιμάδι με ασφάλεια.

Όταν κόβετε κινείτε το μηχάνημα με τον ίσιο οδηγό ευθυγραμμισμένο με τη πλευρά του αντικειμένου εργασίας. (Εικ. 15)

Εάν η απόσταση (Α) μεταξύ της πλευράς του αντικειμένου εργασίας και της θέσης κοπής είναι πολύ πλατιά για τον ίσιο οδηγό, ή εάν η πλευρά του αντικειμένου εργασίας δεν είναι ίσια, ο ίσιος οδηγός δε μπορεί να χρησιμοποιηθεί. Στη περίπτωση αυτή, στερεώστε καλά μια ίσια σανίδα στο αντικείμενο εργασίας και χρησιμοποιήστε τη ως οδηγό έναντι της βάσης του ξακριστή. Τροφοδοτήστε το μηχάνημα κατά τη διεύθυνση του βέλους. (Εικ. 16)

Κυκλική εργασία

Κυκλική εργασία μπορεί να επιτευχθεί εάν συνδυάσετε τον ίδιο οδηγό και οδηγό πλάκας όπως φαίνεται στην **Εικ. 17 ή 18**.

Ελαχ. και μεγ. ακτίνες κύκλων για κόψιμο (απόσταση μεταξύ του κέντρου του κύκλου και του κέντρου της αιχμής) είναι ως ακολούθως:

Ελαχ.: 70 χιλ

Μεγ.: 221 χιλ

Εικ. 17 για κόψιμο κύκλων μεταξύ 70 χιλ και 121 χιλ σε ακτίνα.

Εικ. 18 για κόψιμο κύκλων μεταξύ 121 χιλ και 221 χιλ σε ακτίνα.

ΠΑΡΑΤΗΡΗΣΗ:

• Κύκλοι μεταξύ 172 χιλ και 186 χιλ σε ακτίνα δεν μπορούν να κοπούν με χρήση αυτού του οδηγού.

Ευθυγραμμίστε τη τρύπα κέντρου στον ίδιο οδηγό με το κέντρο του κύκλου που πρόκειται να κοπεί. Βάλτε ένα καρφί μικρότερο από 6 χιλ σε διάμετρο στη τρύπα κέντρου για να στερεώσει τον ίδιο οδηγό. Περιστρέψτε το μηχανήμα γύρω από το καρφί δεξιόστροφα. (**Εικ. 19**)

Οδηγός κουρευτικού περιθωρίων (προαιρετικό αξεσουάρ)

Ξάκρισμα, καμπυλωτών κομημάτων σε καπλαμάδες επίπλων και παρόμοια υλικά μπορεί να γίνει εύκολα με τον οδηγό ξακρίσματος. Ο κύλινδρος του οδηγού εφάπτεται στη καμπύλη και εξασφαλίζει ένα ωραίο κόψιμο. (**Εικ. 20**)

Τοποθετήστε τον οδηγό ξακρίσματος στη βάση της μηχανής με τη βίδα σύσφιξης (A). Χαλαρώστε τη βίδα σύσφιξης (B) και ρυθμίστε την απόσταση μεταξύ της αιχμής και του οδηγού ξακρίστη στρέφοντας την βίδα ρύθμισης (1 χιλ ανά στροφή). Στην επιθυμητή απόσταση, σφίχτε τη βίδα σύσφιξης (B) για να στερεώσετε τον οδηγό ξακρίστη στη θέση του. (**Εικ. 21**)

Όταν κόβετε, κινείτε το μηχανήμα με τον κύλινδρο οδηγού να εφάπτεται στη πλευρά του αντικειμένου εργασίας. (**Εικ. 22**)

Βάση κλίσης (προαιρετικό αξεσουάρ)

Η βάση κλίσης (προαιρετικό αξεσουάρ) είναι βολική για λειτουργία στορογγυλέματος. (**Εικ. 23**)

Τοποθετήστε το εργαλείο στη βάση κλίσης και κλείστε το μοχλό κλειδώματος στην επιθυμητή προεξοχή της μύτης. Για την επιθυμητή γωνία, σφίξτε τις βίδες σύσφιξης στις πλευρές του.

Στερεώστε καλά μια ίσια σανίδα στο τεμάχιο εργασίας και χρησιμοποιήστε την ως οδηγό δίπλα στη βάση του κουρευτικού περιθωρίων. Τροφοδοτήστε το εργαλείο προς την κατεύθυνση του βέλους.

Προστατευτικό βάσης που έχει αφαιρεθεί από τη βάση κλίσης (προαιρετικό αξεσουάρ)

Η στερέωση του προστατευτικού βάσης που έχει αφαιρεθεί από τη βάση κλίσης στη βάση του κουρευτικού περιθωρίων επιτρέπει την αλλαγή της βάσης του κουρευτικού περιθωρίων από τη στορογγυλή στην τετράγωνη βάση.

Για μια άλλη εφαρμογή, χαλαρώστε και αφαιρέστε τις τέσσερις βίδες για να αφαιρέσετε το προστατευτικό βάσης από τη βάση κλίσης. (**Εικ. 24**)

Στη συνέχεια, στερεώστε το προστατευτικό βάσης στη βάση του κουρευτικού περιθωρίων.

Βάση αντιστηρίγματος (προαιρετικό αξεσουάρ)

(1) Η βάση αντιστηρίγματος (προαιρετικό αξεσουάρ) είναι βολική για εργασία σε μια περιοχά περιορισμένου χώρου, όπως μια γωνία. (**Εικ. 25 και 26**)

Πριν τοποθετήσετε το εργαλείο στη βάση αντιστηρίγματος, αφαιρέστε το παξιμάδι κολάρου και τον κώνο κολάρου χαλαρώνοντας το παξιμάδι κολάρου. (**Εικ. 27**)

Τοποθετήστε το καρούλι στο εργαλείο πατώντας το κλειδωμά άξονα και σφίγγοντας καλά το καρούλι με ένα κλειδί. (**Εικ. 28**)

Τοποθετήστε τον κώνο κολάρου και βιδώστε το παξιμάδι κολάρου στη βάση αντιστηρίγματος όπως απεικονίζεται στην εικόνα. (**Εικ. 29**)

Στερεώστε το εργαλείο στη βάση αντιστηρίγματος. (**Εικ. 30**)

Βάλτε το ένα άκρο του ιμάντα πάνω από το καρούλι χρησιμοποιώντας ένα κατασβίδι και βεβαιωθείτε ότι ολόκληρο το πλάτος του ιμάντα καλύπτει πλήρως το καρούλι. (**Εικ. 31**)

Ασφαλίστε το με ένα μοχλό κλειδώματος στη βάση αντιστηρίγματος (**Εικ. 32**)

Για να τοποθετήσετε τη μύτη, τοποθετήστε το εργαλείο με τη βάση αντιστηρίγματος στο πλευρό του. Εισάγετε το εξαγωνικό κλειδί μέσα στην οπή στη βάση αντιστηρίγματος.

Ενώ διατηρείτε το εξαγωνικό παξιμάδι σε αυτή τη θέση, εισάγετε τη μύτη μέσα στον κώνο κολάρου στον άξονα της βάσης αντιστηρίγματος από την αντίθετη πλευρά και σφίξτε καλά το παξιμάδι κολάρου με το κλειδί.

Για να βγάλετε τη μύτη κατά την αντικατάσταση, ακολουθήστε τη διαδικασία τοποθέτησης με αντίστροφη σειρά.

(2) Η βάση αντιστηρίγματος (προαιρετικό αξεσουάρ) μπορεί επίσης να χρησιμοποιηθεί με μια βάση κοπτικού και ένα εξάρτημα λαβής (προαιρετικό αξεσουάρ) για μεγαλύτερη σταθερότητα. (**Εικ. 33**)

Χαλαρώστε τις βίδες και αφαιρέστε το άνω τμήμα από τη βάση αντιστηρίγματος. Θέστε στην άκρη το άνω τμήμα της βάσης αντιστηρίγματος. (**Εικ. 34**)

Στερεώστε τη βάση του κουρευτικού περιθωρίων με τις τέσσερις βίδες και το εξάρτημα λαβής (προαιρετικό αξεσουάρ) με δύο βίδες στην πλάκα βάσης αντιστηρίγματος.

Βιδώστε μια λαβή τύπου ράβδου (προαιρετικό αξεσουάρ) στο εξάρτημα λαβής. (**Εικ. 35**)

Για διαφορετικό τρόπο χρήσης, η λαβή τύπου πόμαλου που έχει αφαιρεθεί από τη βάση βύθισης (προαιρετικό αξεσουάρ) μπορεί να τοποθετηθεί στο εξάρτημα λαβής. Για να τοποθετήσετε τη λαβή τύπου κουμπιού, βάλτε την επάνω στο εξάρτημα λαβής και ασφαλίστε τη με μια βίδα. (**Εικ. 36**)

Όταν χρησιμοποιείται ως ρούτερ μόνο με βάση βύθισης (προαιρετικό εξάρτημα)

⚠️ ΠΡΟΣΟΧΗ:

- Όταν το χρησιμοποιείτε ως ρούτερ, κρατήστε το εργαλείο καλά και με τα δύο χέρια.

Για να χρησιμοποιήσετε το εργαλείο ως ρούτερ, τοποθετήστε το εργαλείο στη βάση βύθισης (προαιρετικό αξεσουάρ) πιέζοντας το τέρμα προς τα κάτω. **(Εικ. 37)** Μπορείτε να χρησιμοποιήσετε λαβή τύπου πόμαλου ή λαβή τύπου ράβδου (προαιρετικό αξεσουάρ) ανάλογα με την εργασία. **(Εικ. 38)**

Για να χρησιμοποιήσετε τη λαβή τύπου ράβδου (προαιρετικό αξεσουάρ), χαλαρώστε τη βίδα και βγάλτε τη λαβή τύπου πόμαλου. **(Εικ. 39)**

Στη συνέχεια, βιδώστε τη λαβή τύπου ράβδου στη βάση.

Ρύθμιση του βάθους κοπής όταν χρησιμοποιείτε βάση βύθισης (προαιρετικό εξάρτημα)

Τοποθετήστε το εργαλείο σε μια επίπεδη επιφάνεια. Χαλαρώστε το μοχλό κλειδώματος και χαμηλώστε το σώμα του εργαλείου μέχρι η μύτη μόλις να αγγίξει την επίπεδη επιφάνεια. Σφίξτε το μοχλό κλειδώματος για να ασφαλίσετε το σώμα του εργαλείου. **(Εικ. 40)**

Περιστρέψτε αριστερόστροφα το παξιμάδι ρύθμισης άξονα στοπ.

Χαμηλώστε τον άξονα στοπ μέχρι να έρθει σε επαφή με το ρυθμιστικό μπουλόνι. Ευθυγραμμίστε το δείκτη βάθους με την ένδειξη "0" της βαθμολογημένης κλίμακας. Το βάθος του κοψίματος υποδεικνύεται στην κλίμακα από το δείκτη βάθους.

Ενώ πατάτε το κουμπί ταχείας τροφοδοσίας, ανεβάστε τον άξονα στοπ μέχρι να επιτευχθεί το επιθυμητό βάθος της κοπής. Μπορείτε να λάβετε λεπτές ρυθμίσεις βάθους εάν περιστρέψετε το ρυθμιστικό κουμπί (1 mm ανά στροφή).

Εάν περιστρέψετε δεξιόστροφα το παξιμάδι ρύθμισης του άξονα στοπ, μπορείτε να στερεώσετε καλά τον άξονα στοπ.

Τώρα, μπορείτε να πετύχετε το προκαθορισμένο βάθος κοπής εάν χαλαρώσετε το μοχλό κλειδώματος και στη συνέχεια χαμηλώσετε το σώμα του εργαλείου μέχρι ο άξονας στοπ να έρθει σε επαφή με το εξαγωγικό μπουλόνι ρύθμισης της πλάκας στοπ.

Να κρατάτε πάντα καλά το εργαλείο και με τα δύο χέρια κατά τη λειτουργία.

Τοποθετήστε τη βάση του εργαλείου πάνω στο τεμάχιο εργασίας που πρόκειται να κοπεί χωρίς να έρχεται σε επαφή η μύτη. Κατόπιν, ανάψτε το εργαλείο και περιμένετε έως ότου η μύτη να αποκτήσει την πλήρη ταχύτητά της. Χαμηλώστε το σώμα του εργαλείου και μετακινήστε το εργαλείο προς τα εμπρός επάνω από την επιφάνεια του τεμαχίου εργασίας, διατηρώντας τη βάση του εργαλείου ευθυγραμμισμένη και προχωρώντας ομαλά μέχρι την ολοκλήρωση της κοπής.

Όταν πραγματοποιείτε κοπές άκρων, η επιφάνεια του τεμαχίου εργασίας πρέπει να βρίσκεται στην αριστερή πλευρά της μύτης προς την κατεύθυνση τροφοδοσίας. **(Εικ. 41)**

ΠΑΡΑΤΗΡΗΣΗ:

- Εάν μετακινείτε το εργαλείο με πολύ μεγάλη ταχύτητα μπορεί να προκύψει κακή ποιότητα κοπής ή βλάβη στη μύτη ή το μοτέρ. Εάν μετακινείτε το εργαλείο προς τα εμπρός με πολύ μικρή ταχύτητα μπορεί να καεί ή να καταστραφεί η κοπή. Ο σωστός ρυθμός τροφοδοσίας εξαρτάται από το μέγεθος μύτης, το είδος του τεμαχίου εργασίας και το βάθος κοπής. Πριν ξεκινήσετε την κοπή στο πραγματικό τεμάχιο εργασίας, συνιστούμε να πραγματοποιήσετε μια δοκιμαστική κοπή σε ένα παλιό κομμάτι ξύλου. Έτσι θα δείτε πώς ακριβώς θα μοιάζει η κοπή και θα μπορείτε να ελέγξετε και τις διαστάσεις.
- Όταν χρησιμοποιείτε τον ίσιο οδηγό, βεβαιωθείτε να τον τοποθετήσετε στη δεξιά πλευρά προς την κατεύθυνση τροφοδοσίας. Αυτό θα βοηθήσει ώστε να μείνει ευθυγραμμισμένος με την πλευρά του τεμαχίου εργασίας. **(Εικ. 42)**

Ίσιος οδηγός όταν χρησιμοποιείται ως ρούτερ (πρέπει να χρησιμοποιηθεί με τον υποδοχέα οδηγού (προαιρετικό εξάρτημα))

Ο ίσιος οδηγός χρησιμοποιείται αποτελεσματικά για ίσιες κοπές στις λειτουργίες στρογγυλέματος ή κατασκευής αυλακίων. **(Εικ. 43)**

Τοποθετήστε τον ίσιο οδηγό στον υποδοχέα οδηγού (προαιρετικό αξεσουάρ) με το παξιμάδι πεταλούδα.

Εισάγετε τον υποδοχέα οδηγού στις οπές στη βάση βύθισης και σφίξτε τα μπουλόνια πεταλούδα. Για να ρυθμίσετε την απόσταση μεταξύ της μύτης και του ίσιου οδηγού, χαλαρώστε το παξιμάδι πεταλούδα. Στην επιθυμητή απόσταση, σφίξτε το παξιμάδι πεταλούδα για να ασφαλίσετε τον ίσιο οδηγό στη θέση του.

Ίσιος οδηγός (προαιρετικό εξάρτημα)

Ο ίσιος οδηγός χρησιμοποιείται αποτελεσματικά για ίσιες κοπές στις λειτουργίες στρογγυλέματος ή κατασκευής αυλακίων. **(Εικ. 44 και 45)**

Για να τοποθετήσετε τον ίσιο οδηγό, εισάγετε τις ράβδους οδηγού μέσα στις οπές στη βάση βύθισης. Ρυθμίστε την απόσταση μεταξύ της μύτης και του ίσιου οδηγού. Στην επιθυμητή απόσταση, σφίξτε τα μπουλόνια πεταλούδα για να ασφαλίσετε τον ίσιο οδηγό στη θέση του.

Κατά την κοπή, να μετακινείτε το εργαλείο με τον ίσιο οδηγό ευθυγραμμισμένο με την πλευρά του τεμαχίου εργασίας. **(Εικ. 46)**

Εάν η απόσταση (A) μεταξύ της πλευράς του τεμαχίου εργασίας και της θέσης κοπής είναι πολύ πλατιά για τον ίσιο οδηγό ή εάν η πλευρά του τεμαχίου εργασίας δεν είναι ευθεία, δεν μπορεί να χρησιμοποιηθεί ο ίσιος οδηγός. Σε αυτή την περίπτωση, στερεώστε καλά μια ίσια σανίδα στο τεμάχιο εργασίας και χρησιμοποιήστε την ως οδηγό δίπλα στη βάση του ρούτερ. Τροφοδοτήστε το εργαλείο προς την κατεύθυνση του βέλους.

Οδηγός ιχναρίου (Εξάρτημα)

Ο οδηγός ιχναρίου παρέχει ένα περίβλημα μέσα από το οποίο περνάει η μύτη, επιτρέποντας τη χρήση του εργαλείου με σχέδια του ιχναρίου. **(Εικ. 47)**

Για να τοποθετήσετε τον οδηγό ιχναρίου, χαλαρώστε τις βίδες στη βάση του εργαλείου, εισάγετε τον οδηγό ιχναρίου και σφίξτε τις βίδες. **(Εικ. 48)**

Ασφαλίστε το ιχνάριο στο τεμάχιο εργασίας. Τοποθετήστε το εργαλείο στο ιχνάριο και μετακινήστε το εργαλείο με τον οδηγό ιχναρίου να ολισθαίνει κατά μήκος της πλευράς του ιχναρίου. **(Εικ. 49)**

ΠΑΡΑΤΗΡΗΣΗ:

- Το τεμάχιο εργασίας θα κοπεί σε λίγο διαφορετικό μέγεθος από το ιχναρίο. Αφήστε μια απόσταση (X) μεταξύ της μύτης και της εξωτερικής πλευράς του οδηγού ιχναρίου.
Η απόσταση (X) μπορεί να υπολογιστεί με τη χρήση της παρακάτω εξίσωσης:
Απόσταση (X) = (εξωτερική διάμετρος του οδηγού ιχναρίου – διάμετρος μύτης) / 2

Ομάδες ακροφυσίων σκόνης

Για τη βάση του κουρευτικού περιθωρίων (Εικ. 6)

Για τη βάση βύθισης (προαιρετικό εξάρτημα) (Εικ. 50)

Χρησιμοποιήστε το ακροφύσιο σκόνης για την εξαγωγή σκόνης. Τοποθετήστε το ακροφύσιο σκόνης στη βάση του εργαλείου χρησιμοποιώντας τη βίδα χειρός ώστε η προεξοχή στο ακροφύσιο σκόνης να ταιριάζει στην εγκοπή στη βάση του εργαλείου.
Στη συνέχεια συνδέστε την ηλεκτρική σκούπα στο ακροφύσιο σκόνης. (Εικ. 51)

ΣΥΝΤΗΡΗΣΗ

⚠️ ΠΡΟΣΟΧΗ:

- Πάντοτε βεβαιώνετε ότι το εργαλείο είναι σβηστό και αποσυνδεδεμένο από το ρεύμα πριν επιχειρήσετε να εκτελέσετε επιθεώρηση ή συντήρηση.
- Μην χρησιμοποιείτε ποτέ βενζίνη, πετρελαϊκό αιθέρα, διαλυτικό, αλκοόλη ή παρόμοιες ουσίες. Ενδέχεται να προκληθεί αποχρωματισμός παραμόρφωση ή ρωγμές.

Αντικατάσταση καρβουνάκια

Αφαιρείτε και ελέγχετε τις ψήκτρες άνθρακος τακτικά. Αντικαταστήτε όταν φθαρούν μέχρι το σημάδι ορίου. Κρατάτε τις ψήκτρες καθαρές και ελεύθερες να γλυστρούν στις θήκες. Και οι δύο ψήκτρες άνθρακα πρέπει να αντικαθίστανται ταυτόχρονα. Χρησιμοποιείτε μόνο ταυτόσημες ψήκτρες. (Εικ. 52)

Χρησιμοποιείτε ένα καταβίδι για να αφαιρείτε τα καπακία της θήκης ψήκτρας. Αφαιρέστε τις φθαρμένες ψήκτρες, βάλτε τις καινούργιες και ασφαλίστε τα καπάκια της θήκης ψήκτρας. (Εικ. 53)

Για την διατήρηση της ΑΣΦΑΛΕΙΑΣ και ΑΞΙΟΠΙΣΤΙΑΣ του προϊόντος, επισκευές, οποιαδήποτε άλλη συντήρηση ή ρύθμιση πρέπει να εκτελούνται από τα Εξουσιοδοτημένα Κέντρα Εξυπηρέτησης της Μάκιτα, με χρήση πάντοτε ανταλλακτικών Μάκιτα.

ΠΡΟΑΙΡΕΤΙΚΑ ΕΞΑΡΤΗΜΑΤΑ

⚠️ ΠΡΟΣΟΧΗ:

- Αυτά τα εξαρτήματα ή προσαρτήματα συνιστώνται για χρήση με το εργαλείο Μάκιτα που περιγράφηκε στις οδηγίες αυτές. Η χρήση οτιδήποτε άλλων εξαρτημάτων ή προσαρτημάτων μπορεί να προκαλέσει κίνδυνο τραυματισμού σε άτομα. Χρησιμοποιείτε τα εξαρτήματα ή προσαρτήματα μόνο για την χρήση που προορίζονται.

Εάν χρειάζεστε οποιαδήποτε βοήθεια για περισσότερες πληροφορίες σε σχέση με αυτά τα εξαρτήματα, απαντήστε στο τοπικό σας κέντρο εξυπηρέτησης Μάκιτα.

- Μύτες σχηματισμού ευθείων γραμμών και αυλακίων
- Μύτες σχηματισμού άκρων
- Μύτες κουρέματος φύλλων
- Διάταξη ίσιου οδηγού
- Διάταξη οδηγού του κουρευτικού περιθωρίων
- Διάταξη κουρέματος σε άτομα. Χρησιμοποιείτε τα εξαρτήματα ή προσαρτήματα μόνο για την χρήση που προορίζονται.
- Διάταξη βάσης κλίσης
- Διάταξη βάσης βύθισης
- Διάταξη βάσης αντιστηρίγματος
- Οδηγός ιχναρίου
- Κώνος κολάρου 6 mm
- Κώνος κολάρου 6,35 mm (1/4")
- Κώνος κολάρου 8 mm
- Κώνος κολάρου 9,53 mm (3/8")
- Κλειδί 13
- Κλειδί 22

ΠΑΡΑΤΗΡΗΣΗ:

- Μερικά στοιχεία στη λίστα μπορεί να συμπεριλαμβάνονται στη συσκευασία εργαλείου ως σπάνια εξαρτήματα. Μπορεί να διαφέρουν ανάλογα με τη χώρα.

Θόρυβος

Το τυπικό A επίπεδο μετρημένου θορύβου καθορίζεται σύμφωνα με το EN60745:

Πίεση ήχου (L_{pA}): 82 dB (A)

Στάθμη δύναμης ήχου (L_{WA}): 93 dB (A)

Αβεβαιότητα (K): 3 dB (A)

Φοράτε ωτοασπίδες

ENG900-1

Κραδασμός

Η ολική τιμή δόνησης (άθροισμα τρι-αξονικού διανύσματος) καθορίζεται σύμφωνα με το EN60745:

Είδος εργασίας: περιστροφή χωρίς φορτίο

Εκπομπή δόνησης (a_h): 2,5 m/s² ή λιγότερο

Αβεβαιότητα (K): 1,5 m/s²

Είδος εργασίας: κοπή αυλακώσεων σε MDF

Εκπομπή δόνησης (a_h): 3,5 m/s²

Αβεβαιότητα (K): 1,5 m/s²

ENG901-1

- Η δηλωμένη τιμή εκπομπής κραδασμών έχει μετρηθεί σύμφωνα με την πρότυπη μέθοδο δοκιμής και μπορεί να χρησιμοποιηθεί για τη σύγκριση ενός εργαλείου με άλλο.
- Η δηλωμένη τιμή εκπομπής κραδασμών μπορεί να χρησιμοποιηθεί και στην προκαταρκτική αξιολόγηση έκθεσης.

⚠️ ΠΡΟΕΙΔΟΠΟΙΗΣΗ:

- Η εκπομπή κραδασμών κατά τη χρήση του ηλεκτρικού εργαλείου σε πραγματικές συνθήκες μπορεί να διαφέρει από τη δηλωμένη τιμή εκπομπής ανάλογα με τον τρόπο χρήσης του εργαλείου.
- Φροντίστε να λάβετε τα κατάλληλα μέτρα προστασίας του χειριστή βάσει υπολογισμού της έκθεσης σε πραγματικές συνθήκες χρήσης (λαμβάνοντας υπόψη όλες τις συνιστώσες του κύκλου λειτουργίας όπως τους χρόνους που το εργαλείο είναι εκτός λειτουργίας και όταν βρίσκεται σε αδρανή λειτουργία πέραν του χρόνου ενεργοποίησης).

ΔΗΛΩΣΗ ΣΥΜΜΟΡΦΩΣΗΣ ΕΚ**Για τις ευρωπαϊκές χώρες μόνο**

Η δήλωση συμμόρφωσης ΕΚ περιλαμβάνεται ως Παράρτημα Α σε αυτό το εγχειρίδιο οδηγιών.

Genel görünüşün açıklanması

1	Uç çıkıntısı	29	Kaide koruyucusu	56	Kavrama eki (isteğe bağlı aksesuar)
2	Kaide	30	Cıvata	57	Kenar kesme kaidesi
3	Ölçek	31	Kılavuz levha	58	Topuz tipi kavrama
4	Kilitleme kolu	32	Kanatlı somun	59	Taşlama başlangıcı kaidesi
5	Ayar vidası	33	Sıkma vidası (A)	60	Kavrama
6	Altıgen cıvata	34	Merkez delik	61	Topuz
7	Anahtar	35	Çivi	62	Ayar topuzu
8	KAPALI (O) taraf	36	Sıkma vidası (A)	63	Kilitleme kolu
9	AÇIK (I) taraf	37	Ayar vidası	64	Derinlik imleci
10	Hız ayar kadranı	38	Sıkma vidası (B)	65	Derinlik dayanağı ayarlama cıvatası
11	Sıkıştırma	39	Saçak kılavuzu	66	Hızlı besleme düğmesi
12	Gevşetme	40	Uç	67	Derinlik dayanağı
13	Tutun	41	Kılavuz silindir	68	Derinlik bloğu
14	Mil kilidi	42	Sıkma vidaları	69	Ayar cıvatası
15	İş parçası	43	Kaide koruyucu	70	Kılavuz tutucusu
16	Uç dönme yönü	44	Vida	71	Kelebek cıvatalar
17	Makinanın kuşbakışı görünüşü	45	Makara	72	Kılavuz çubuğu
18	Besleme yönü	46	Tutucu pens somunu	73	Kelebek cıvata
19	Düz kılavuz	47	Tutucu pens kovani	74	Şablon kılavuzun dış çapı
20	Ayar somunu	48	Anahtar	75	Şablon kılavuzu
21	Kaide koruyucusu	49	Kayış	76	Toz toplama başlığı
22	Vidalar	50	Kilitleme kolu	77	Ayar vidası
23	Tornavida	51	Ofset kaidesi	78	Limit işareti
24	Düz uç	52	Altıgen anahtar	79	Fırça tutucu kapağı
25	Kaide	53	Ofset kaide plakası		
26	Şablon	54	Ofset kaidesinin üst bölümü		
27	Mesafe (X)	55	Çubuk tipi kavrama (isteğe bağlı aksesuar)		
28	Şablon kılavuzu 10				

TEKNİK ÖZELLİKLER

GEA010-1

Model	RT0700C
Halka mandren kapasitesi 6 mm, 8 mm, 1/4" veya 3/8"	
Yüksüz hız (dak ⁻¹)	10.000 – 30.000
Toplam uzunluk	200 mm
Net ağırlık	1,8 kg
Emniyet sınıfı	□/II

- Sürekli yapılan araştırma ve geliştirmelerden dolayı, burada belirtilen özellikler önceden bildirilmeksizin değiştirilebilir.
- Özellikler ülkeden ülkeye değişebilir.
- EPTA-Prosedürü 01/2003 uyarınca ağırlık

ENE010-1

Kullanım amacı

Bu alet ahşap, plastik ve benzeri malzemelerin kenarlarını tıraşlama ve şekil verme amacıyla tasarlanmıştır.

ENF002-1

Güç kaynağı

Makinanın, yalnızca isim levhasında belirtilenle aynı voltajlı güç kaynağına bağlanması gerekir ve yalnızca tek fazlı AC güç kaynağıyla çalıştırılabilir. Avrupa standartlarına uygun olarak çifte yalıtımlıdır ve topraklaması prizlerle de kullanılabilir.

Genel Elektrikli Alet Güvenliği

⚠UYARI! Tüm güvenlik uyarılarını ve tüm talimatları okuyun. Uyarılara ve talimatlara uyulmaması elektrik şoku, yangın ve/veya ciddi yaralanmalar ile sonuçlanabilir.

Tüm uyarıları ve talimatları ilerde başvurmak için saklayın.

GEB019-4

ŞEKİL VERME TESTERESİ GÜVENLİK UYARILARI

1. Kesici alet kendi kablosuna temas edebileceği için, elektrikli aleti yalıtımlı kavrama yüzeylerinden tutun. "Akımlı" bir telle temas aletin yalıtımsız metal kısımlarını da "akımlı" hale getirecek ve kullanıcıyı elektrik şokuna maruz bırakacaktır.
2. İş parçasını sabit bir platforma bağlamak ve desteklemek için mengene veya başka bir pratik yol kullanın. İş parçasını elle veya vücudunuza dayayarak tutma onu dengesiz bırakır ve kontrol kaybına yol açabilir.
3. Uzun süreli kullanımlarda duyma koruyucusu kullanın.
4. Uçları dikkatli kullanın.
5. İşlemden önce uçta çatlak veya zarar var mı dikkatlice kontrol edin. Çatlak veya zarar görmüş uçları hemen değiştirin.
6. Çivileri kesmekten sakının. İşlemden önce, iş parçasında çivi var mı kontrol edin ve varsa hepsini çıkarın.

7. Makinayı sıkıca tutun.
8. Dönen parçalardan elinizi uzak tutun.
9. Anahtar açmadan önce, ucun iş parçasına temas etmediğinden emin olun.
10. Gerçek iş parçası üzerinde makinayı kullanmadan önce, bir süre çalıştırın. Yanlış takılmış uca delalet eden titreşme veya sallanma olursa makinayı hemen durdurun.
11. Uç dönme yönüne ve besleme yönüne dikkat edin.
12. Makinayı çalışır durumda bırakmayın. Makinayı yalnızca elinizdeyken çalıştırın.
13. Ucu makineden çıkarmadan önce, makinayı her zaman kapatın ve ucun tam olarak durmasını bekleyin.
14. İşlemden hemen sonra uca dokunmayın; bunlar çok sıcak olup derinizi yakabilir.
15. Makinaya dikkatsizce tiner, benzin veya benzerlerini bulaştırmayın. Bunlar makinada caflaklara neden olabilir.
16. Aletin hızına uygun ve doğru çapta mil uçları kullanın.
17. Bazı malzemeler zehirli olabilen kimyasallar içerirler. Toz yutmayı ve cilt temasını önlemek için tedbir alın. Malzeme sağlayıcısının güvenlik bilgilerine uyun.
18. Daima çalıştığınız malzeme ve yaptığınız işe uygun maske/respiratör kullanın.

BU TALİMATLARI MUHAFAZA EDİNİZ.

⚠️ UYARI:

Ürünü kullanırken (defalarca kullanınca kazanılan) rahatlık ve tanıdıklık duygusunun ilgili ürünün güvenlik kurallarına sıkı sıkıya bağlı kalmanın yerine güvenme İZİN VERMEYİN. YANLIŞ KULLANIM veya bu kullanma kılavuzunda belirtilen emniyet kuralına uymama ciddi yaralanmaya neden olabilir.

İŞLEVSEL NİTELİKLER

⚠️ DİKKAT:

- Alet üzerinde ayarlama ya da işleyiş kontrolü yapmadan önce aletin kapalı ve fişinin çekili olduğundan daima emin olun.

Uç çıkıntısının ayarı (Şekil. 1)

Uç çıkıntısını ayarlamak için kilitleme kolunu gevşetin ve ayar vidasını döndürerek aleti yukarı veya aşağı hareket ettirin. Ayarladıktan sonra, kilitleme kolunu sıkılaştırarak kaideyi sabitleyin.

NOT:

- Kilitleme kolu sıkıştırıldığı halde alet sabitlenmemişse, altıgen somunu sıkılayıp kilitleme kolunu tekrar sıkıştırmayı deneyin.

Anahtarın işleyişi (Şekil. 2)

⚠️ DİKKAT:

- Aleti fişe takmadan önce kapalı olduğundan daima emin olun.

Aleti çalıştırmak için, anahtarı "I" (açık) konumuna getirin. Aleti durdurmak için, anahtarı "O" (kapalı) konumuna getirin.

Elektronik işlev

Elektronik işlevli aletlerin aşağıdaki özellikleri nedeniyle kullanım kolaylıkları vardır.

Sabit hız kontrolü

Sabit hız elde etmek için elektronik hız kontrolü. Yüklü durumda bile dönüş hızı sabit tutulduğu için pürüzsüz son yüzeyler elde edilebilir.

Yumuşak başlangıç

Yumuşak başlangıç özelliği başlangıç şokunu en aza indirerek, aletin yumuşak biçimde çalışmaya başlamasını sağlar.

Hız ayar kadranı (Şekil. 3)

Aletin hızı hız ayar kadranını 1 ile 6 arasındaki ayar kademelerinden birine çevirerek değiştirilebilir.

Kadran 6 numarası yönünde döndürüldükçe hız yükselir. Ve kadran 1 numarası yönünde döndürüldükçe hız düşer.

Bu, optimum malzeme işleme için ideal hızın seçilmesine olanak sağlar, yani hız malzemeye ve kesici kalemin çapına uymak için doğru şekilde ayarlanabilir.

Kadranda işaretli numaralarla aletin yaklaşık hızı arasındaki ilişki için tabloya bakın.

Sayı	dak ⁻¹
1	10.000
2	12.000
3	17.000
4	22.000
5	27.000
6	30.000

⚠️ DİKKAT:

- Bu alet uzun bir süre sürekli olarak düşük hızda çalıştırılırsa, motor aşırı yüklenir ve alet arıza yapabilir.
- Hız ayar kadranı ancak 6'ye ve geriye doğru 1'e kadar döndürülebilir. Onu 6'ten veya 1'den öteye dönmeye zorlamayın aksi takdirde ayar işlevi bozulabilir.

MONTAJ

⚠️ DİKKAT:

- Alet üzerinde herhangi bir iş yapmadan önce aletin kapalı ve fişinin çekili olduğundan daima emin olun.

Saçak ucunun takılması ve çıkarılması (Şekil. 4 ve 5)

⚠️ DİKKAT:

- Ucu takmadan sıkıma somununu sıkımayın, aksi takdirde halka koni kırılır.
- Sadece makine ile beraber gelen anahtarları kullanın.

Ucu, tutucu pens kovanının içine doğru sokun ve iki anahtarla ya da şaft kilidine bastırarak ve verilen anahtarları kullanarak tutucu pens somununu sıkıştırın.

Ucu çıkarmak için, takma işleminin tersini uygulayın.

İŞLEM

Şekil verme testeresi kaidesi için (Şekil. 6)

⚠ UYARI:

- Aleti şekil verme testeresi kaidesi ile kullanmadan önce, mutlaka toz toplama başlığını aletin kaidesine takın.

Makine kaidesini, kesilecek iş parçasının üzerine uç temas etmeyecek şekilde koyun. Sonra makineyi açın ve ucun tam hıza ulaşmasını bekleyin. Kesme bitinceye kadar, makine kaidesini düz ve nazikçe ilerleterek, makineyi iş parçasının yüzeyinde ileri doğru hareket ettirin. Kenar kesme yaparken, iş parçasının yüzeyi besleme yönünün sol tarafında kalmalıdır. (Şekil. 7)

NOT:

- Makinanın ileriye doğru çok hızlı hareket ettirilmesi, kötü kesime veya uç veya motora zarar vermeye sebep olabilir. Makinanın ileriye çok yavaş hareket ettirilmesi ise, kesimi yakabilir veya bozabilir. Uygun besleme hızı uç büyüklüğü, iş parçasının cinsi ve kesme derinliğine göre değişir. Gerçek iş parçası üzerinde kesim yapmadan önce, bir tahta parçası üzerinde deneme kesimi yapılması tavsiye edilir. Bu kesimin nasıl olacağını gösterdiği gibi boyutları da kontrol etmenizi sağlar.
- Saçak pabucu, düz kılavuz veya saçak kılavuzu kullanırken, besleme yönünün sağ tarafında tuttuğunuzdan emin olun. Bu iş parçasının kenarı ile düz gitmesine yardımcı olur. (Şekil. 8)

⚠ DİKKAT:

- Fazla derin kesimler motorun fazla yüklenmesine ve kontrolün güçleşmesine sebep olduğundan, çentikleri keserken her defadaki kesimin derinliği 3 mm'yi geçmemelidir. 3 mm'den daha derin kesimler yapmak istiyorsanız, gittikçe derinleşen birkaç geçişte kesim yapın.

Kenar kesme kaidesi (reçine) (isteğe bağlı aksesuar)

Kenar kesme kaidesini (reçine) şekilde gösterildiği gibi isteğe bağlı bir aksesuar olarak kullanabilirsiniz. (Şekil. 9)

Aleti kenar kesme kaidesine (reçine) yerleştirin ve uç istediğiniz çıkıntıda sabitlenecek şekilde ayar somununu sıkılayın.

Çalışma ile ilgili prosedürler için, kenar kesme kaidesinin çalıştırılması ile ilgili kısma bakın.

Şablon kılavuz

Şablon kılavuz, ucun içinden geçebileceği bir manşon sağlar, böylece şekil verme makinasıyla şablon şekiller kesilebilir. (Şekil. 10)

Vidaları gevşetin ve kaide koruyucusunu çıkarın. Şablon kılavuzu kaidenin üzerine yerleştirin ve kaide koruyucusunu değiştirin. Sonra vidaları sıkıştırarak kaide koruyucusunu tespit edin. (Şekil. 11)

Şablonu iş parçasına tespit edin. Makineyi şablonun üzerine koyun ve makineyi, şablon kılavuzu şablonun kenarı ile denk gelecek şekilde hareket ettirin. (Şekil. 12)

NOT:

- İş parçası şablondan biraz farklı bir ölçüde kesilir. Freze ucu ile şablon kılavuzun dışı arasındaki mesafe (X) olsun. Mesafe (X) aşağıdaki eşitlik ile hesaplanabilir:
Mesafe (X) = (şablon kılavuzun dış çapı – freze ucu çapı) / 2

Düz kılavuz (Aksesuar)

Düz kılavuz, oluk veya yiv açarken düz kesimler yapmak için teslidir. (Şekil. 13)

Kılavuz levhayı civata ve kanatlı somunla düz kılavuza takın. (Şekil. 14)

Düz kılavuzu sıkma vidası (A) takın. Düz kılavuz üstündeki kanatlı somunu gevşetin ve uç ile düz kılavuz arasındaki mesafeyi ayarlayın. İstenilen mesafede, kanatlı somunu iyice sıkın.

Keserken düz kılavuz, iş parçasının kenarına denk gelecek şekilde hareket ettirin. (Şekil. 15)

Eğer iş parçasının kenarı ile kesme pozisyonunun arasındaki uzaklık (A), düz kılavuzu için çok genişse, veya iş parçasının kenarı düz değilse, düz kılavuz kullanılamaz. Bu durumda, iş parçasına düz bir tahta parçasını sağlamca kelepçeleysin ve bunu saçak kaidesine karşı kılavuz olarak kullanın. Makineyi ok yönünde besleyin. (Şekil. 16)

Dairesel iş

Eğer düz kılavuz ve kılavuz levhasını Şekil. 17 veya Şekil. 18 da gösterildiği gibi takarsanız, dairesel iş yapabilirsiniz.

Dairesel kesimlerin minimum ve maksimum yarıçapları (dairenin merkezi ve ucu merkezi arasındaki mesafe) aşağıdaki gibidir:

Minimum: 70 mm

Maksimum: 221 mm

Şekil. 17 için 70 ila 121 mm arasında yarıçapı olan dairesel kesimler.

Şekil. 18 için 121 ila 221 mm arasında yarıçapı olan dairesel kesimler.

NOT:

- 172 ila 186 mm arasında yarıçapı olan dairesel kesimler bu kılavuz ile yapılamaz.

Düz kılavuzun merkez deliğini, kesilecek dairenin merkezi ile ayarlayın. Saçak kılavuzunu tespit etmek için, çapı 6 mm'den küçük bir çiviye merkezi deliğe sokun.

Makineyi çivinin etrafında saat yönünde döndürün. (Şekil. 19)

Saçak kılavuz (isteğe bağlı aksesuar)

Mobilya için suntuada saçak kesim, kavisi kesim ve benzerleri, saçak kılavuz ile kolayca yapılabilir. Kılavuz silindirler kavisi oluşturur ve temiz bir kesimi sağlarlar. (Şekil. 20)

Saçak kılavuzu, makine kaidesine sıkma vidası (A) ile takın. Sıkma vidası (B)'yi gevşetin ve uç ve saçak kılavuzu arasındaki mesafeyi, ayar vidasını çevirerek (her dönüş 1 mm) ayarlayın. İstenilen mesafede, saçak kılavuzu yerinde tespit etmek için, sıkma vidası (B)'yi sıkıştırın. (Şekil. 21)

Keserken, kılavuz silindir iş parçasının kenarına denk gelecek şekilde makineyi hareket ettirin. (Şekil. 22)

Eğim kaidesi (isteğe bağlı aksesuar)

Eğim kaidesi (isteğe bağlı aksesuar) yiv açma işlemi için kullanılır. (Şekil. 23)

Aleti eğim kaidesinin üzerine yerleştirin ve ucun istenen çıkıntısında kilitleme kolunu kapatın. İstenen açıda tespit vidalarını iki taraftan sıkıştırın.

Düz bir tahtayı iş parçasına sabitleyin ve kenar kesme kaidesi için bir kılavuz olarak kullanın. Aleti ok işaretinin yönünde besleyin.

Eğim kaidesinden (isteğe bağlı aksesuar) çıkartılan kaide koruyucu

Eğim kaidesinden çıkartılan kaide koruyucunun kenar kesme kaidesine monte edilmesi, kenar kaidesinin yuvarlak tabandan kare bir tabana dönüşmesini sağlar.

Farklı bir uygulama için, dört vidayı gevşetip çıkararak kaide koruyucuyu eğim kaidesinden çıkarın. **(Şekil. 24)**

Ardından kaide koruyucuyu kenar kesme kaidesine monte edin.

Ofset kaidesi (isteğe bağlı aksesuar)

(1) Ofset kaidesi (isteğe bağlı aksesuar) köşeler gibi dar alanlarda kullanılır. **(Şekil. 25 ve 26)**

Aleti ofset kaidesine monte etmeden önce, tutucu pens somununu gevşeterek tutucu pens somununu ve tutucu pens kovanını çıkarın. **(Şekil. 27)**

Şaft kilidine bastırarak ve makarayı bir anahtar ile iyice sıkılayarak makarayı alete monte edin. **(Şekil. 28)**

Tutucu pens kovanını yerleştirin ve ofset kaidesindeki tutucu pens somununu şekilde gösterildiği gibi sıkılayın. **(Şekil. 29)**

Aleti ofset kaidesine monte edin. **(Şekil. 30)**

Kayışın bir ucunu bir tornavida yardımıyla makaraya geçirin ve kayışın eninin makara üzerine tam olarak oturduğundan emin olun. **(Şekil. 31)**

Bir kilitleme kolu ile ofset kaidesine sabitleyin. **(Şekil. 32)**

Ucu takmak için, aleti ofset kaidesi ile birlikte yan tarafına çevirin. Altıgen anahtar ofset kaidesindeki deliğe yerleştirin.

Altıgen anahtar yerinde tutmaya devam ederek parçayı ters taraftan ofset kaidesinin şaftı üzerindeki tutucu pens kovanının içine yerleştirin ve bir anahtar ile tutucu pens somununu sıkıştırın.

Parça değişimi için ucu çıkartmanız gerektiğinde aynı işlemleri ters sırayla yapın.

(2) Ofset kaidesi (isteğe bağlı aksesuar) kenar kesme kaidesi ve daha dengeli bir kullanım için bir kavrama parçası (isteğe bağlı aksesuar) ile de kullanılabilir. **(Şekil. 33)**

Vidaları gevşetin ve üst bölümü ofset kaidesinden ayırın. Ofset kaidesinin üst bölümünü bir kenara koyun. **(Şekil. 34)**

Kenar kesme kaidesini dört vida ile, kavrama ekini (isteğe bağlı aksesuar) iki vida ile ofset kaidesi plakası üzerine monte edin.

Çubuk tipi bir kavrama aksesuarını (isteğe bağlı aksesuar) kavrama ekinin üzerine vidalayın. **(Şekil. 35)**

Diğer bir kullanım şeklinde, bir taşlama başlangıcı kaidesinden (isteğe bağlı aksesuar) çıkartılan topuz tipi kavrama aksesuarı kavrama ekine monte edilebilir. Topuz tipi kavramayı monte etmek için, kavrama ekine yerleştirin ve bir vidayla sıkıştırın. **(Şekil. 36)**

Sadece bir taşlama başlangıcı kaidesiyle (isteğe bağlı aksesuar) birlikte freze olarak kullanırken

⚠️ DİKKAT:

• Freze olarak kullanırken aleti iki elinizle sıkıca tutun.

Aleti bir freze olarak kullanırken aleti iyice bastırarak bir taşlama başlangıcı kaidesinin (isteğe bağlı aksesuar) üzerine yerleştirin. **(Şekil. 37)**

Yaptığınızı işe göre topuz tipi ya da çubuk tipi kavrama (isteğe bağlı aksesuar) kullanılabilir. **(Şekil. 38)**

Çubuk tipi kavramayı (isteğe bağlı aksesuar) kullanmak için vidayı gevşetin ve topuz tipi kavramayı sökün. **(Şekil. 39)**

Ardından çubuk tipi kavramayı kaideye vidalayın.

Taşlama başlangıcı kaidesi (isteğe bağlı aksesuar) kullanırken kesim derinliğini ayarlama

Aleti düz bir yüzeye yerleştirin. Kilitleme kolunu gevşetin ve uç düz yüzeye değinceye kadar alet gövdesini aşağı indirin. Kilitleme kolunu sıkılaştırarak alet gövdesini sabitleyin. **(Şekil. 40)**

Derinlik dayanağı ayarlama civatasını saatin aksi yönünde çevirin. Derinlik dayanağını ayarlama civatasına temas edinceye kadar aşağı indirin. Derinlik imlecini "0" derecesine hizalayın. Kesme derinliği ölçek üzerinde derinlik imleci ile gösterilir.

Hızlı besleme düğmesine basarken derinlik dayanağını istenen kesim derinliğine kadar kaldırın. Ayar topuzu döndürülerek ince ayar yapılabilir (her dönüşte 1 mm).

Derinlik dayanağı ayar civatası saat yönünde döndürülerek derinlik dayanağı yerine sabitlenir.

Şimdi, kilitleme kolu gevşetilerek ve ardından alet gövdesi, derinlik dayanağı derinlik bloğunun altıgen ayarlama somunu ile temas edene kadar aşağı indirilerek önceden belirlenmiş kesim derinliğinizi elde edebilirsiniz.

Kullanım sırasında aleti daima iki elinizle kavrama yerlerinden tutun.

Alet kaidesini iş parçası üzerinde uç hiçbir şekilde temas etmeyecek şekilde ayarlayın. Ardından aleti çalıştırın ve ucun tam hıza ulaşmasını bekleyin. Alet gövdesini aşağı indirin ve aleti iş parçasının yüzeyi üzerinde alet gövdesini aynı hizada tutarak ve kesim tamamlanana kadar yavaşça ilerleyerek ileri hareket ettirin.

Kenar kesme sırasında, iş parçasının yüzeyi besleme yönünün sol tarafında olmalıdır. **(Şekil. 41)**

NOT:

• Makinanın ileriye doğru çok hızlı hareket ettirilmesi, kötü kesime veya uç veya motora zarar vermeye sebep olabilir. Makinanın ileriye çok yavaş hareket ettirilmesi ise, kesimi yakabilir veya bozabilir. Uygun besleme hızı uç büyüklüğü, iş parçasının cinsi ve kesme derinliğine göre değişir. Gerçek iş parçası üzerinde kesim yapmadan önce, bir tahta parçası üzerinde deneme kesimi yapılması tavsiye edilir. Bu kesimin nasıl olacağını gösterdiği gibi boyutları da kontrol etmenizi sağlar.

• Düz kesme kılavuzunu kullanırken, onu besleme yönünde sağ tarafa taktığınızdan emin olun. Bu, aleti düz kesme kılavuzu iş parçasının kenarıyla aynı hizada tutmanızı sağlayacaktır. **(Şekil. 42)**

Freze olarak kullanırken düz kesme kılavuzu (kılavuz tutucu ile birlikte kullanılması gerekir) (isteğe bağlı aksesuar)

Düz kesme kılavuzu, yiv veya kanal açma sırasında düz kesimler için etkin olarak kullanılır. **(Şekil. 43)**

Düz kesme kılavuzunu kılavuz tutucusuna (isteğe bağlı aksesuar) kelebek somunla takın.

Kılavuz tutucusunu taşlamaya başlangıç kaidesindeki deliklere geçirin ve kelebek civataları sıkın. Uç ve düz kesme kılavuzu arasındaki mesafeyi ayarlamak için kelebek somunu gevşetin. İstenilen mesafede, düz kesme kılavuzunu yerinde sabitlemek için kelebek somunu sıkın.

Düz kılavuzu (isteğe bağlı aksesuar)

Düz kılavuzu, yiv veya kanal açma sırasında düz kesimler için etkin olarak kullanılır. (Şekil. 44 ve 45)

Düz kesme kılavuzunu monte etmek için, kılavuz çubuklarını taşlama başlangıç kaidesindeki deliklere geçirin. Uç ve düz kesme kılavuzu arasındaki mesafeyi ayarlayın. İstenilen mesafede, düz kesme kılavuzunu yerinde sabitlemek için kelebek cıvataları sıkın.

Kesme yaparken, aleti düz kesme kılavuzu iş parçasının kenarıyla aynı hizada olacak şekilde hareket ettirin. (Şekil. 46)

İş parçasının yan tarafı ile kesim pozisyonu arasındaki mesafe (A) düz kesme kılavuzu için çok genişse, ya da iş parçasının yan tarafı düz değil ise, düz kesme kılavuzu kullanılamaz. Bu durumda düz bir tahtayı iş parçasına sabitleyin ve freze kaidesi için bir kılavuz olarak kullanın. Aleti ok işaretinin yönünde besleyin.

Şablon kılavuzu (Aksesuar)

Şablon kılavuzu ucun içinden geçeceği bir kovan sağlayarak, aletin master modellerle kullanılmasına olanak verir. (Şekil. 47)

Şablon kılavuzunu takmak için, alet tabanındaki vidaları gevşetin, şablon kılavuzunu içine sokun ve sonra vidaları sıkın. (Şekil. 48)

Masteri iş parçasına sabitleyin. Aleti masterın üstüne yerleştirin ve şablon kılavuzu masterın kenarları boyunca kayacak şekilde hareket ettirin. (Şekil. 49)

NOT:

- İş parçası şablondan biraz farklı bir boyutta kesilir. Uç ve şablon kılavuzun dışı arasında mesafe (X) bırakın. Bu mesafe (X) aşağıdaki eşitlik kullanılarak hesaplanabilir:

$$\text{Mesafe (X)} = (\text{şablon kılavuzun dış çapı} - \text{uç çapı}) / 2$$

Toz toplama setleri

Kenar kesme kaidesi için (Şekil. 6)

Taşlamaya başlangıç kaidesi için (isteğe bağlı aksesuar) (Şekil. 50)

Toz çekme için toz toplama başlığını kullanın. Toz toplama başlığını, ayar vidasını kullanarak, toz toplama başlığını, üzerindeki çıkıntı alet kaidesindeki çentige takılacak şekilde alet kaidesine yerleştirin.

Ardından toz toplama başlığına bir elektrikli süpürge bağlayın. (Şekil. 51)

BAKIM

⚠ DİKKAT:

- Muayene ya da bakım yapmadan önce aletin kapalı ve fişinin çekildi olduğundan daima emin olun.
- Benzin, tiner, alkol ve benzeri maddeleri kesinlikle kullanmayın. Renk değişimi, deformasyon veya çatlaklar oluşabilir.

Karbon fırçaların değişmesi

Karbon fırçaları düzenli olarak kontrol edin ve değiştirin. Limit işaretine kadar aşındıklarında değiştirin. Karbon fırçaları temiz ve tutucularda rahatça kayacak şekilde tutun. İşli karbon fırça da aynı anda değiştirilmelidir. Sadece tamamen aynı karbon fırçalar kullanın. (Şekil. 52)

Fırça tutucu kapaklarını tornavida ile çıkarın. Aşınmış karbon fırçaları çıkarın, yenilerini koyun ve fırça tutucu kapaklarını tespit edin. (Şekil. 53)

Makinanın EMNİYET ve GÜVENİLİRLİĞİNİ muhafaza etmek için onarımlar, karbon fırça muayenesi ve değişimi, başka her türlü bakım ve ayarlamalar daima Makita yedek parçaları kullanılarak Makita Yetkili Servis Merkezleri tarafından yapılmalıdır.

İSTEĞE BAĞLI AKSESUARLAR

⚠ DİKKAT:

- Bu aksesuarlar ve ek parçalar bu el kitabında belirtilen Makita aletiniz ile kullanılmak için tavsiye edilmektedir. Herhangi başka bir aksesuar ya da ek parça kullanılması insanları için bir yaralanma riski getirebilir. Aksesuarları ya da ek parçaları yalnızca belirtilmiş olan kullanım amaçlarına uygun olarak kullanın.

Bu aksesuarlarla ilgili daha fazla bilgiye ihtiyaç duyarsanız bulunduğunuz yerdeki yetkili Makita servisine başvurun.

- Düz ve oluk açma uçları
- Kenar şekillendirme uçları
- Laminat budama uçları
- Düz kılavuz tertibatı
- Saçak kılavuz tertibatı
- Saçak taban tertibatı
- Saçak taban tertibatı (reçine)
- Eğim kaidesi tertibatı
- Taşlama başlangıç kaidesi tertibatı
- Ofset kaidesi tertibatı
- Şablon kılavuz
- Tutucu pens kovani 6 mm
- Tutucu pens kovani 6,35 mm (1/4")
- Tutucu pens kovani 8 mm
- Tutucu pens kovani 9,53 mm (3/8")
- Somun anahtar 13
- Somun anahtar 22

NOT:

- Listedeki bazı parçalar standart aksesuar olarak ürün paketinin içine dahil edilmiş olabilir. Aksesuarlar ülkeden ülkeye farklılık gösterebilir.

Gürültü

EN60745 standardına göre belirlenen tipik A-ağırlıklı gürültü düzeyi:

Ses basıncı düzeyi (L_{pA}): 82 dB (A)

Ses güç seviyesi (L_{WA}): 93 dB (A)

Belirsizlik (K): 3 dB (A)

Kulak koruyucuları takın

ENG900-1

Titreşim

EN60745 standardına göre hesaplanan titreşim toplam değeri (üç eksenli vektör toplamı):

Çalışma modu: yüksüz dönme

Titreşim emisyonu (a_h): 2,5 m/s² den az

Belirsizlik (K): 1,5 m/s²

Çalışma modu: MDF'de oluklar kesme

Titreşim emisyonu (a_h): 3,5 m/s²

Belirsizlik (K): 1,5 m/s²

ENG901-1

- Beyan edilen titreşim emisyon değeri standart test yöntemine uygun şekilde ölçülmüştür ve bir aleti bir başkasıyla karşılaştırmak için kullanılabilir.
- Beyan edilen titreşim emisyon değeri bir ön maruz kalma değerlendirmesi olarak da kullanılabilir.

⚠ UYARI:

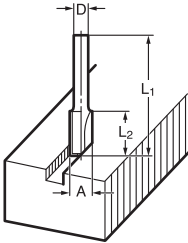
- Bu elektrikli aletin gerçek kullanımı sırasındaki titreşim emisyonu aletin kullanım biçimlerine bağlı olarak beyan edilen emisyon değerinden farklı olabilir.
- Gerçek kullanım koşullarındaki maruz kalmanın bir tahmini hesaplaması temelinde operatörü koruyacak güvenlik önlemlerini mutlaka belirleyin (çalışma döngüsü içerisinde aletin kapalı olduğu ve aktif durumda olmasının yanı sıra boşta çalıştığı zamanlar gibi, bütün zaman dilimleri göz önünde bulundurularak değerlendirilmelidir).

AT UYGUNLUK BEYANI**Sadece Avrupa ülkeleri için**

AT uygunluk beyanı bu kullanım kılavuzuna Ek A olarak eklenmiştir.

Trimmer bits/Fraises d'affleurage/Fräseinsätze/Punte rifilatore/Freeskoppen/Fresas de rebordeadora/Fresas para recortes/Fräserbor/Mύτες του κουρευτικού περιθωρίων/Budama uçları

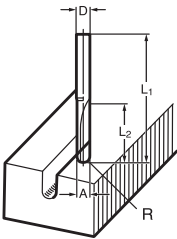
Straight bit Fraise à rainner Nutfräser Fresa a refilo
 Rechte frezen Fresa recta Fresa direita Notfräser
 Ισιο κοπτικό Düz uç



	D	A	L ₁	L ₂
20	6	20	50	15
20E	1/4"			
8	8	8	60	25
8	6			
8E	1/4"		50	18
6	6	6	50	18
6E	1/4"			

mm

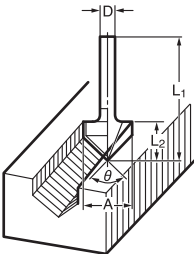
"U" Grooving bit Fraise à rainurer en "U" U-Nutfräser Fresa a incastro a "U"
 U-groef frezen Fresa ranuradora en "U" Fresa em forma de "U" U-notfräser
 Κοπτικό για αυλάκωμα "U" "U" Ογμα ucu



	D	A	L ₁	L ₂	R
6	6	6	60	28	3
6E	1/4"				

mm

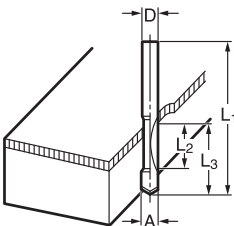
"V" Grooving bit Fraise à rainurer en "V" V-Nutfräser Fresa a incastro a "V"
 V-groef frezen Fresa ranuradora en "V" Fresa em forma de "V" V-notfräser
 Κοπτικό για αυλάκωμα "V" "V" Ογμα ucu



	D	A	L ₁	L ₂	θ
1/4"		20	50	15	90°

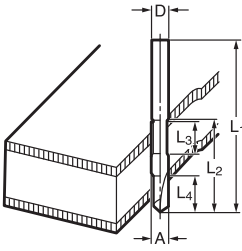
mm

Drill point flush trimming bit Fraise à affleurer Bündigfräser Fresa doppio refilo a punta
 Combinatie frezen (enkel) Fresa simple para paneles Fresa com ponta piloto para recorte Kantfräser
 Κοπτικό κουρέματος με κεφαλή τρυπανιού Matkap başlı havşa ucu



	D	A	L ₁	L ₂	L ₃
8	8	8	60	20	35
6	6	6	60	18	28
6E	1/4"				

mm



Drill point double
flush trimming bit

Fraise à affleurer
combinaison double

Doppelbündigfräser

Fresa a doppio
refilo

Combinatie frezen
(dubbel)

Fresa doble para
peneles

Fresa com ponta
piloto dupla para
recorte

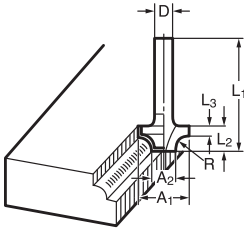
Dobbelt kanfræser

Κοπτικό διπλού
κουρέματος με
κεφαλή τρυπανιού

Matkap başlı çifte
havşa ucu

mm

	D	A	L ₁	L ₂	L ₃	L ₄
8	8	8	80	95	20	25
6	6	6	70	40	12	14
6E	1/4"					



Corner rounding
bit

Fraise 1/4 de rond

Rundkantenfräser

Fresa a raggio

Frezen voor ronde
hoeken

Fresa para redon-
deado de cantos

Fresa para aresta
arredondadas

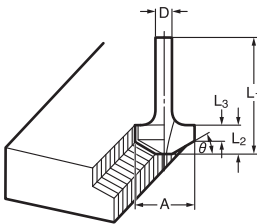
Radiusfræser

Κοπτικό για
στρογγυλές γωνίες
ucu

Köşe yuvarlama

mm

	D	A ₁	A ₂	L ₁	L ₂	L ₃	R
8R	6	25	9	48	13	5	8
8RE	1/4"						
4R	6	20	8	45	10	4	4
4RE	1/4"						



Chamfering bit

Fraise à chanfrein

Winkelkantenfrä-
ser

Fresa per refilo a
smusso

Profiel frezen

Fresa biseladora

Fresa para
chanfrar

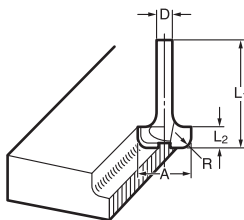
Fasefræser

Κοπτικό για φάσο

Yiv açma ucu

mm

D	A	L ₁	L ₂	L ₃	θ
6	23	46	11	6	30°
6	20	50	13	5	45°
6	20	49	14	2	60°



Cove beading bit

Fraise à profiler
concave

Rundkantenfräser

Fresa a raggio
concavo

Holle kraal frezen

Fresa para
moldurar

Fresa para
rebordo côncavo

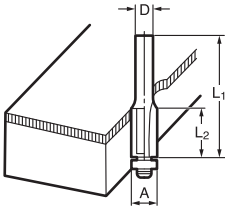
Hulkehl-fræser

Κοπτικό
κοιλωμάτων

Çukur köşebent
ucu

mm

D	A	L ₁	L ₂	R
6	20	43	8	4
6	25	48	13	8



Ball bearing flush trimming bit

Fraise à affleurer avec roulement

Bündigfräser mit Anlaufkugellager

Fresa a doppio refilo con cuscinetto

Boorfrezzen met kogellager

Fresa simple para paneles con rodamiento

Fresa para recorte com rolamento de esferas

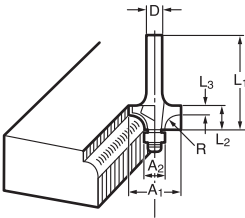
Kantfräser med kugleleje

Κοπτικό κουρέματος με ρουλεμάν

Rulmanlı havşa ucu

mm

D	A	L ₁	L ₂
6	10	50	20
1/4"			



Ball bearing corner rounding bit

Fraise à arrondir avec roulement

Rundkantenfräser mit Anlaufkugellager

Fresa a raggio con cuscinetto

Frezzen voor ronde hoeken met kogellager

Fresa para redondeado de cantos con rodamiento

Fresa para arestas arredondadas com rolamento de esferas

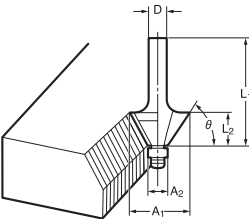
Radiusfräser med kugleleje

Κοπτικό για στρογγυλές γωνίες με ρουλεμάν

Rulmanlı köşe yuvarlama ucu

mm

D	A ₁	A ₂	L ₁	L ₂	L ₃	R
6	15	8	37	7	3.5	3
6	21	8	40	10	3.5	6
1/4"	21	8	40	10	3.5	6



Ball bearing chamfering bit

Fraise à chanfreiner avec roulement

Winkelkantenfräser mit Anlaufkugellager

Fresa per refilo a smusso con cuscinetto

Profil frezen met kogellager

Fresa biseladora con rodamiento

Fresa para chanfrar com rolamento de esferas

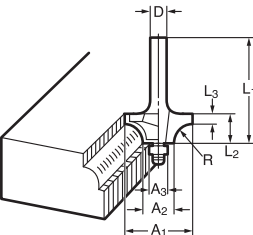
Fasefräser med kugleleje

Κοπτικό για Φάσο με ρουλεμάν

Rulmanlı yiv açma ucu

mm

D	A ₁	A ₂	L ₁	L ₂	θ
6	26	8	42	12	45°
1/4"					60°
6	20	8	41	11	60°



Ball bearing beading bit

Fraise à profiler avec roulement

Rundkantenfräser mit Anlaufkugellager

Fresa a raggio convesso con cuscinetto

Kraal frezen met kogellager

Fresa para moldurar con rodamiento

Fresa para rebordo com rolamento de esferas

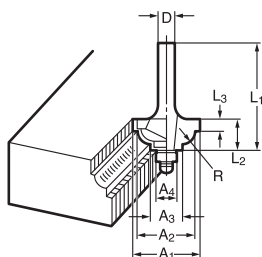
Radiusfräser med kugleleje

Κοπτικό τεταρτημριου με ρουλεμάν

Rulmanlı köşebent ucu

mm

D	A ₁	A ₂	A ₃	L ₁	L ₂	L ₃	R
6	20	12	8	40	10	5.5	4
6	26	12	8	42	12	4.5	7



Ball bearing cove
beading bit

Fraise à profiler pour
cavet avec roulement

Profilfräser mit
Anlaufkugellager

Fresa a raggio con-
cavo con cuscinetto

Holle kraal frezen met
kogellager

Fresa para moldurar
con rodamiento (con-
cavo)

Fresa para rebordo
côncavo com
rolamento de esferas

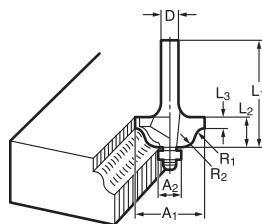
Profilfræser med
kugleleje

Κοπτικό κοιλωμάτων
με ρουλεμάν

Rulmanlı çukur
kõşebent ucu

D	A ₁	A ₂	A ₃	A ₄	L ₁	L ₂	L ₃	R
6	20	18	12	8	40	10	5.5	3
6	26	22	12	8	42	12	5	5

mm



Ball bearing roman
ogee bit

Fraise à profiler pour
doucine avec roule-
ment

Profilfräser mit
Anlaufkugellager

Fresa a raggio con-
vesso con cuscinetto

Romeinse kraal frezen
met kogellager

Fresa para moldurar
con rodamiento
(convexo)

Fresa com gola romana
com rolamento de
esferas

Profilfræser med
kugleleje

Κοπτικό ρωμαϊκού
"ogee" (προφίλ Β) με
ρουλεμάν

Rulmanlı Romen deve-
boynu uc

D	A ₁	A ₂	L ₁	L ₂	L ₃	R ₁	R ₂
6	20	8	40	10	4.5	2.5	4.5
6	26	8	42	12	4.5	3	6

mm

Makita Europe N.V.

Jan-Baptist Vinkstraat 2,
3070 Kortenberg, Belgium

Makita Corporation

3-11-8, Sumiyoshi-cho,
Anjo, Aichi 446-8502 Japan