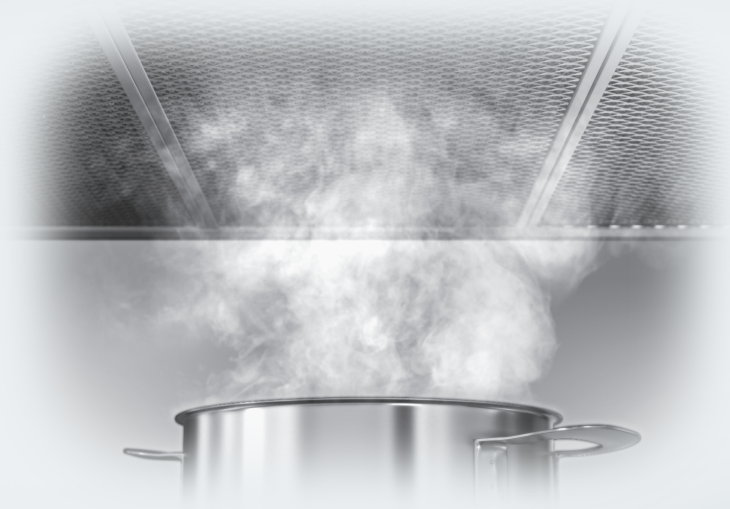


**Miele**

# Operating and installation instructions Cooker hood



To prevent the risk of accidents or damage to the appliance, it is **essential** to read these instructions before it is installed and used for the first time.

# Contents

---

<b>Warning and Safety instructions</b> .....	4
<b>Caring for the environment</b> .....	13
<b>Guide to the appliance</b> .....	14
<b>Modes of operation</b> .....	16
<b>Operation</b> .....	17
Switching the fan on.....	17
Selecting the power level .....	17
Run-on time.....	17
Switching the fan off .....	17
Switching the hob lighting on/off .....	17
Power management .....	17
Switching Power management on/off .....	18
Safety switch-off .....	18
<b>Energy saving tips</b> .....	19
<b>Cleaning and care</b> .....	20
Housing .....	20
Cleaning the drip tray .....	21
Grease filter(s) .....	21
Charcoal filter .....	24
Disposing of charcoal filters .....	24
Reactivatable charcoal filter .....	24
<b>Installation</b> .....	25
Before installation.....	25
Protective foil.....	25
Installation instructions.....	25
Assembly parts.....	26
Appliance dimensions .....	28
Safety distance between hob and cooker hood (S) .....	29
Installation recommendations .....	30
Drilling diagram for wall mounting.....	30
<b>Connection for air extraction</b> .....	31
Condensate trap.....	32
Silencer.....	32
<b>Electrical connection</b> .....	34
<b>After Sales / Warranty</b> .....	35
Position of the data plate .....	35

# Contents

---

<b>Technical data</b> .....	36
Note for test institutes .....	36

## Warning and Safety instructions

---

This appliance complies with all relevant local and national safety requirements. Inappropriate use can, however, lead to personal injury and damage to property.

To avoid the risk of accidents and damage to the appliance, please read these instructions carefully before using it for the first time. They contain important notes on the safety, installation, use and maintenance of the appliance. Miele cannot be held liable for non-compliance with these instructions.

Keep these instructions in a safe place and ensure that all users are familiar with the contents. Pass them on to any future owner of the appliance.

### Correct application

- ▶ This cooker hood is intended for use in domestic households and similar working and residential environments.
- ▶ The cooker hood is not intended for outdoor use.
- ▶ It must only be used as a domestic appliance to extract vapours and remove odours from cooking. Any other usage is not supported by the manufacturer and could be dangerous.
- ▶ Where a recirculation cooker hood is fitted above a gas hob, please ensure that there is an adequate supply of fresh air into the room in which it is installed. Please seek the advice of a qualified gas fitter (e.g. GasSafe in the UK) if necessary.

## Warning and Safety instructions

---

▶ The cooker hood can only be used by people with reduced physical, sensory or mental capabilities, or lack of experience and knowledge, if they are supervised whilst using it, or have been shown how to use it in a safe way and recognise and understand the consequences of incorrect operation.

### **Safety with children**

- ▶ Children under 8 years of age must be kept away from the cooker hood unless they are constantly supervised.
- ▶ Children 8 years and older may only use the cooker hood unsupervised if they have been shown how to use it safely and recognise and understand the consequences of incorrect operation.
- ▶ Children must not be allowed to clean or maintain the cooker hood unsupervised.
- ▶ Please supervise children in the vicinity of the cooker hood and do not let them play with it.
- ▶ The hob lighting is very intensive.  
Ensure, in particular, that babies/small children do not look at the light.
- ▶ **Danger of suffocation!**  
Whilst playing, children may become entangled in packaging material (such as plastic wrapping) or pull it over their head with the risk of suffocation. Keep packaging material away from children.

# Warning and Safety instructions

---

## Technical safety

- ▶ Unauthorised installation, maintenance and repairs can cause considerable danger for the user. Installation, maintenance and repairs must only be carried out by a Miele authorised technician.
- ▶ A damaged appliance can be dangerous. Check it for visible signs of damage. Do not use a damaged appliance.
- ▶ The electrical safety of this appliance can only be guaranteed when correctly earthed. It is essential that this standard safety requirement is met. If in any doubt please have the electrical installation tested by a qualified electrician.
- ▶ Reliable and safe operation of this cooker hood can only be assured if it has been connected to the mains electricity supply.
- ▶ The connection data (voltage and frequency) on the data plate of the cooker hood must match the mains electricity supply in order to avoid the risk of damage to the cooker hood  
Compare this before connecting the appliance to the mains. Consult a qualified electrician if in any doubt.
- ▶ Do not connect the appliance to the mains electricity supply by a multi-socket unit or an extension lead. These are a fire hazard and do not guarantee the required safety of the appliance.
- ▶ EXT model cooker hoods are connected to their external motor using a special connection cable and plug connectors.  
These appliances may only be combined with a Miele external motor.

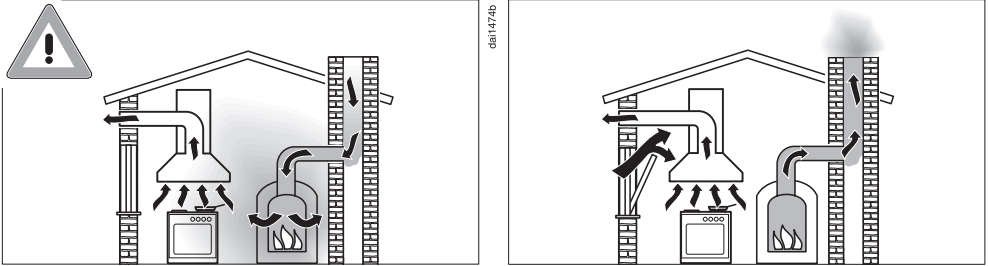
## Warning and Safety instructions

---

- ▶ For safety reasons, this appliance may only be used after it has been built in.
- ▶ The cooker hood must not be used in a non-stationary location (e.g. on a ship).
- ▶ Touching electrical components and tampering with electrical and mechanical parts is highly dangerous to the user and can cause operational faults.  
Only open the housing as described in the instructions given in the installation sheet and in the Cleaning and care section of this booklet. Under no circumstances should any other parts of the housing be opened.
- ▶ The manufacturer's warranty will be invalidated if the appliance is not repaired by a Miele approved service technician.
- ▶ Miele can only guarantee the safety of the appliance when genuine original Miele replacement parts are used. Faulty components must only be replaced by Miele spare parts.
- ▶ If the electrical connection cable is faulty it must only be replaced by a Miele authorised service technician to protect the user from danger.
- ▶ During installation, maintenance and repair work, the appliance must be disconnected from the mains electricity supply.

# Warning and Safety instructions

Using at the same time as another heating appliance that depends on the air from the room



## Danger of toxic fumes!

Great care should be taken when using the cooker hood in the same room or the same area of the house at the same time as another heating appliance that depends on the air from the room. Such heating appliances draw in air from the room and duct exhaust gases out to the open air through a chimney or extraction ducting. They include gas, oil, wood and coal-fired boilers and heaters, continuous flow or other water heaters, gas hobs and ovens.

The cooker hood draws in air from the kitchen and from neighbouring rooms. This applies to the following modes of operation:

- extraction mode,
- extraction mode with an external motor,
- recirculation mode with a recirculation box installed outside the room.

If there is insufficient air, an underpressure will occur. The heating appliance may be starved of oxygen. This impairs combustion. Harmful gases could be drawn from the chimney or extraction ducting back into the room.

**Risk of death!**

## Warning and Safety instructions

---

In order to ensure safe operation and to prevent gases given off by the heating appliance from being drawn back into the room, when the cooker hood and the heater are both operated simultaneously, an underpressure in the room of 0.04 mbar (4 Pa) is the maximum permissible.

Sufficient ventilation can be maintained by air inlets which cannot be blocked, e.g. in windows, doors and outside wall vents. The diameter of the inlet openings must enable sufficient ventilation. A ventilation brick alone is not generally sufficient to ensure safe ventilation.

The overall ventilation condition of the dwelling must be taken into account. If in any doubt, the advice of a competent builder, or for gas, a qualified gas fitter should be sought.

If the cooker hood is being operated in recirculation mode, whereby the air is redirected into the room in which it is installed, the above restrictions do not apply.

## Warning and Safety instructions

---

### Correct use

- ▶ Never use a naked flame beneath the cooker hood. To avoid the danger of fire, do not flambé or grill over a naked flame. When switched on, the cooker hood could draw flames into the filter. Fat deposits could ignite, presenting a fire hazard.
- ▶ The cooker hood can become damaged when exposed to excessive heat.
  - When using the cooker hood over a gas hob, ensure that any burners in use are always covered by a pan. Switch the cooking zone off when a pan is removed, even for a short time.
  - Select a pan which is suitable for the size of the burner.
  - Regulate the flame so that it does not burn up the sides of the pan.
  - Avoid overheating the pan (e.g. when cooking with a wok).
- ▶ Always switch the cooker hood on when a cooking zone is in use, otherwise condensation may collect in the hood, which could cause corrosion.
- ▶ Overheated oil and fat can ignite, causing fire damage to the cooker hood. When cooking with oil or fat, chip pans and deep fat fryers etc, do not leave the pans unattended. Similarly, never leave an open grill unattended when grilling.

## Warning and Safety instructions

---

▶ Do not use the cooker hood without the filters in place. This way you will avoid the risk of grease and dirt getting into the appliance and hindering its smooth operation.

▶ There is a risk of fire if the cooker hood is not cleaned as described in these operating instructions.

▶ The cooker hood can get very hot during cooking due to heat rising from the hob.

Do not touch the housing or the grease filters until the cooker hood has cooled down.

### Correct installation

▶ Refer to the cooker or hob manufacturer's instructions as to whether a cooker hood may be operated above the cooker/hob.

▶ Safety regulations prohibit the fitting of a cooker hood over solid fuel stoves.

▶ An insufficient safety distance between the hob and the cooker hood can result in damage to the cooker hood.

The minimum safety distances between the top of the cooker or hob and the bottom of the cooker hood given in the "Installation" section of this booklet must be maintained, unless the hob manufacturer states that a greater safety distance is required.

If more than one cooking appliance is fitted beneath the cooker hood, and they have different minimum safety distances to the cooker hood, select the greater distance.

▶ The distances given in "Installation" must be observed when fitting the cooker hood.

▶ Metal parts can have sharp edges which may cause injury. Wear gloves to protect your hands from being cut.

▶ Exhaust ducting must be of non-inflammable material. Suitable material is available from Miele specialist dealers or the Miele Spares Dept.

## Warning and Safety instructions

---

- ▶ The appliance must not be connected to a chimney or flue which is in use. Neither should it be connected to ducting which ventilates rooms with fireplaces.
- ▶ If exhaust air is to be extracted into a chimney or ventilation duct no longer used for other purposes, seek professional advice.

### Cleaning and care

- ▶ There is a risk of fire if the cooker hood is not cleaned as described in these operating instructions.
- ▶ Do not use a steam cleaning appliance to clean this appliance. The steam could reach electrical components and cause a short circuit.

### Accessories

- ▶ Only use genuine original Miele accessories and spare parts with this appliance. Using accessories or spare parts from other manufacturers will invalidate the warranty and Miele cannot accept liability.

### Disposal of the packing material

The packaging is designed to protect the appliance from damage during transportation. The packaging materials used are selected from materials which are environmentally friendly for disposal and should be recycled.

Recycling the packaging reduces the use of raw materials in the manufacturing process and also reduces the amount of waste in landfill sites.

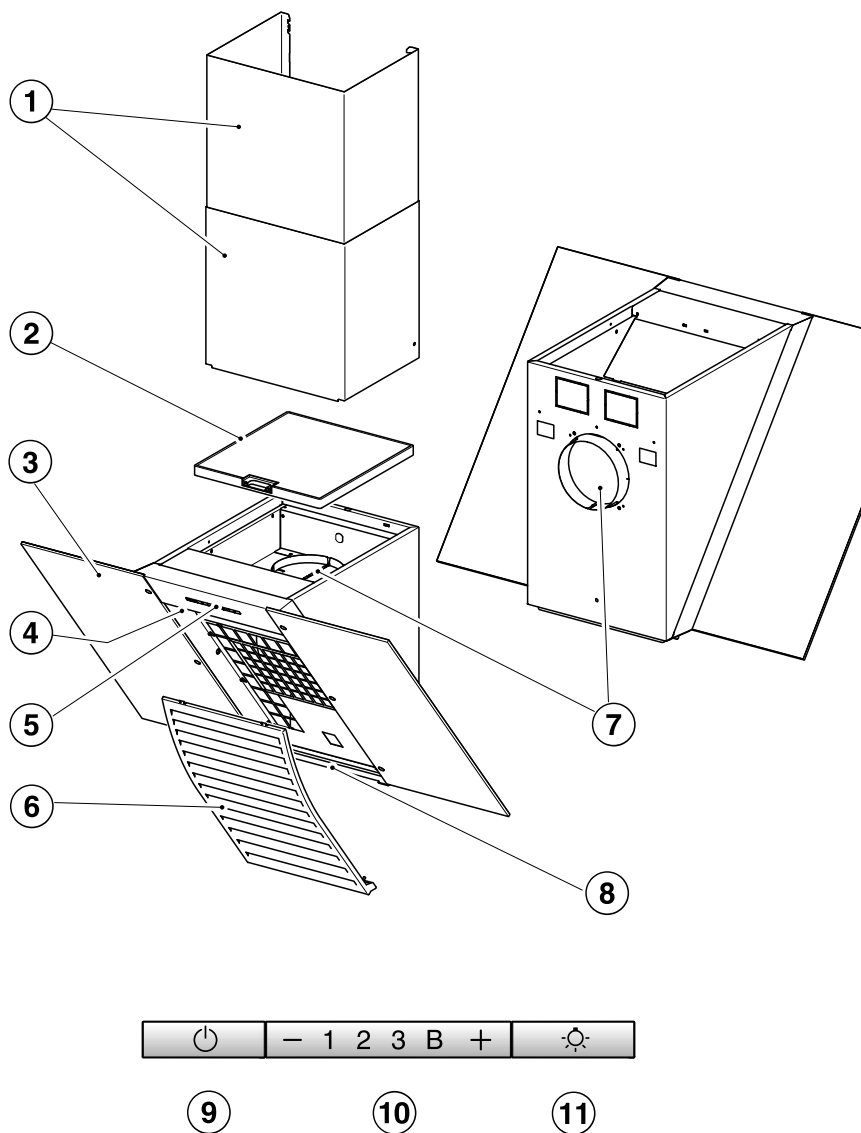
### Disposing of your old appliance

Electrical and electronic appliances often contain valuable materials. They also contain specific materials, compounds and components, which were essential for their correct function and safety. These could be hazardous to human health and to the environment if disposed of with your domestic waste or if handled incorrectly. Please do not, therefore, dispose of your old appliance with your household waste.



Please dispose of it at your local community waste collection / recycling centre for electrical and electronic appliances, or contact your dealer or Miele for advice. You are also responsible (by law, depending on country) for deleting any personal data that may be stored on the appliance being disposed of. Please ensure that your old appliance poses no risk to children while being stored prior to disposal.

# Guide to the appliance

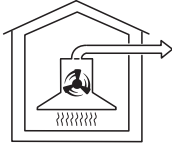


- ① DADC 6000 tower  
Available as an optional accessory for concealing extraction ducting to the ceiling.
- ② Charcoal filter  
Accessory required for recirculation mode
- ③ Canopy
- ④ Hob lighting
- ⑤ Controls
- ⑥ Grease filter
- ⑦ Exhaust socket  
Extraction ducting can be directed through the back of the cooker hood or upwards to the ceiling.
- ⑧ Drip tray
- ⑨ On/Off control for the fan
- ⑩ Controls to select the fan power level
- ⑪ On/Off control for the hob lighting

# Modes of operation

Depending on the model of the cooker hood, the following options are available:

## Extraction mode



da00494a

The air is drawn in and cleaned by the grease filter and directed outside.

## Non-return flap

The non-return flap is designed to prevent the exchange of room and outside air taking place when the cooker hood is switched off.

The flap is closed when the cooker hood is switched off.

When the cooker hood is switched on, the non-return flap opens for the cooking vapours to be blown directly outside.

If the on-site ventilation system does not have a non-return flap, the non-return flap supplied must be fitted in the exhaust socket in the motor unit.

## Recirculation mode

Recirculation mode cooker hoods require charcoal filters. These are available as optional accessories: see “Technical Data”.

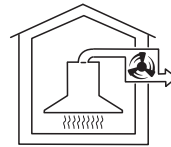


da00494b

The air is drawn in and cleaned first by the grease filter and then by a charcoal filter. The cleaned air is then recirculated back into the kitchen.

## Operation with an external motor

(...EXT model cooker hoods)





da00494c

Cooker hoods set up for operation with an external motor have to be connected to a Miele external motor located in a suitable position outside the room in which the cooker hood is installed. The external motor is linked to the cooker hood via a connection cable and then operated using the controls on the cooker hood.

## Switching the fan on

Switch the fan on as soon as you start cooking. This is to ensure that vapours are captured right from the start.

- Press the On/Off control .

The fan will switch on at setting **2** and the  symbol and **2** will light up in the power setting display.

## Selecting the power level

For light to heavy cooking vapours and odours, select from power levels **1** to **3**.

For short periods of cooking food with intensive vapours and a strong aroma, e.g. when searing meat, select Booster setting **B**.

- Select the power level you want by pressing the **-** or **+** control.

## Reducing power down from the Booster setting

If power management is activated (default setting), the fan automatically switches back to level **3** after 5 minutes.


## Run-on time

- It is advisable to run the fan for a few minutes after cooking has finished.

This helps to remove any lingering vapours and odours from the air.

It also reduces the risk of residues accumulating in the cooker hood and any resultant odours.

## Switching the fan off


- Press the On/Off control  to switch the fan off.

The  symbol will go out.

## Switching the hob lighting on/off

The hob lighting can be switched on and off independently of the fan.

- To do so press the lighting control .

The  symbol will light up when the hob lighting is switched on.

## Power management

The cooker hood features a power management system to help save energy. The fan power level is reduced and the lighting is switched off automatically.

- If the Booster setting has been selected, the fan will automatically switch to level **3** after 5 minutes.
- From levels **3**, **2** or **1** the power will be reduced by one level after 2 hours and then in 30 minutes stages until the fan finally switches off.
- The hob lighting will switch off automatically after 12 hours.



# Operation

---

## Switching Power management on/off

You can deactivate Power management.

This can result in increased electricity consumption.

- To set this option, both the fan and the hob lighting must be switched off.
- Press the “—” and “+” controls at the same time for approx. 10 seconds, until the **1** lights up.
- Then press in turn,
  - the lighting control ,
  - the “—” button and then
  - the lighting control  again.

If Power management is switched on, the **1** and **B** indicators will light up constantly.


If it is switched off, **1** and **B** will flash.

- Press “—” to switch Power management off.

The **1** and **B** indicators will flash.

- To switch it on, press “+”.

The **1** and **B** indicators will light up constantly.


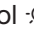
- Confirm your choice with the On/Off control .

All the indicator lamps will go out.

If you do not confirm within 4 minutes, the cooker hood will revert to the old setting.

## Safety switch-off


If Power management has been deactivated, the cooker hood will switch itself off automatically after 12 hours if it has been left on (fan and hob lighting).

- To switch it on again press the On/Off  control or the lighting control .

This cooker hood operates very efficiently and economically. The following will help you to save even more energy when using it:


- Ensure that there is sufficient ventilation in the kitchen when cooking. In extraction mode, if there is insufficient air flow the cooker hood cannot operate efficiently and this causes increased operating noise levels.
- Always cook with the lowest possible setting. This produces fewer cooking vapours, so you can use a lower cooker hood power level and therefore benefit from reduced energy consumption.
- Check the power level selected on the cooker hood. A lower power level is generally sufficient for the majority of cooking. Only use the Booster setting when necessary.
- When a large volume of cooking vapours is being produced, switch to a high power level in good time. This is more efficient than operating the cooker hood for longer to try to capture cooking vapours which have already been distributed throughout the kitchen.
- Make sure that you switch the cooker hood off after use.
- Clean or change the filters at regular intervals. Heavily soiled filters reduce performance, increase the risk of fire and are unhygienic.

# Cleaning and care

 Before proceeding with any maintenance or cleaning task, the cooker hood must be disconnected from the power supply, see “Warning and safety instructions”.


## Housing

### General information

 The surfaces and controls are susceptible to scratches and abrasion.

Please observe the following cleaning instructions.

- All external surfaces and controls can be cleaned using hot water with a small amount of washing-up liquid applied with a well wrung-out soft sponge or cloth.

 Make sure that water does not get into the cooker hood. Only clean the area of the controls with a damp cloth.

- Then wipe the surfaces dry using a soft cloth.

Do not use:

- cleaning agents containing soda, acids, chlorides or solvents,
- abrasive cleaning agents, e.g. powder cleaners or cream cleaners and abrasive sponges, as well as pot scourers or sponges which have been used previously with abrasive cleaning agents.

### Important for appliances with stainless steel surfaces

(This information does not apply to the controls).

- Stainless steel surfaces can be cleaned with a proprietary non-abrasive cleaning agent designed specifically for use on stainless steel.
- To help prevent re-soiling, a proprietary conditioning agent for stainless steel (available from Miele) can also be used. Apply sparingly with a soft cloth.

### Important for the controls

Do not leave soiling on the controls for any length of time. Otherwise they may suffer discolouration or damage. Remove soiling straight away.

- Please observe the general notes on cleaning earlier in this section.

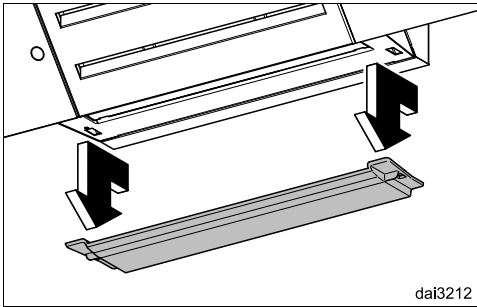
Do not use stainless steel cleaning agents on the controls.

## Important for appliances with glass surfaces

- Glass surfaces can be cleaned using a proprietary non-abrasive cleaning agent designed specifically for use on glass.

## Cleaning the drip tray

Condensate collects in the drip tray underneath the grease filter. This tray can be removed for cleaning.



- Pull the drip tray forwards a little, and then pull it downwards to remove it. Pour any condensate that has collected in it away and then clean the tray with a damp cloth.

## Grease filter(s)

The re-usable metal grease filter(s) in the appliance remove solid particles from the kitchen vapours (grease, dust, etc) preventing soiling of the cooker hood.

The grease filter(s) must be cleaned at regular intervals.

A heavily soiled grease filter hinders air extraction and will lead to increased levels of soiling in the cooker hood and in the kitchen.



**Fire hazard!**

An oversaturated grease filter is a fire hazard.

Clean the grease filter(s) at regular intervals.

## Cleaning interval

Accumulated grease solidifies over a longer period of time and makes cleaning more difficult. The grease filter(s) should therefore be cleaned at least every 3 to 4 weeks.

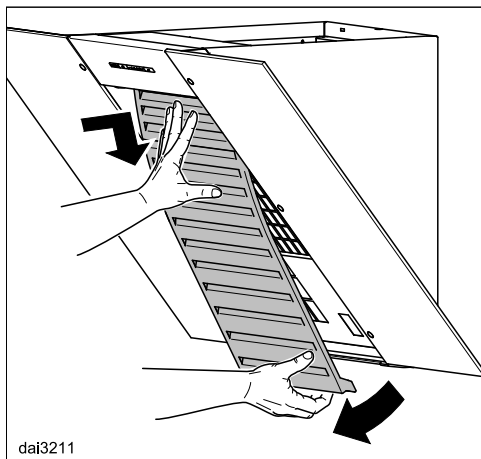
# Cleaning and care

## Removing a grease filter

⚠ When handling a grease filter, be careful not to drop it.

This can result in damage to the filter and the hob below.

Make sure you hold the filter securely at all times when handling it.



- Pull the grease filter carefully out of its mountings along the bottom edge. Then pull it towards you a little whilst pressing it in at the top. It can then be taken downwards to remove it.

## Cleaning the grease filter by hand

- Clean the filter with a soft nylon brush in a mild solution of hot water and a small amount of washing-up liquid. Do not use “neat” washing up liquid.

## Unsuitable cleaning agents

Unsuitable cleaning agents can cause damage to the surface of the filters if used regularly.

Do not use:

- cleaning agents containing descaling agents
- powder cleaners, cream cleaners
- aggressive multi-purpose cleaning agents or spray cleaners for grease
- oven sprays

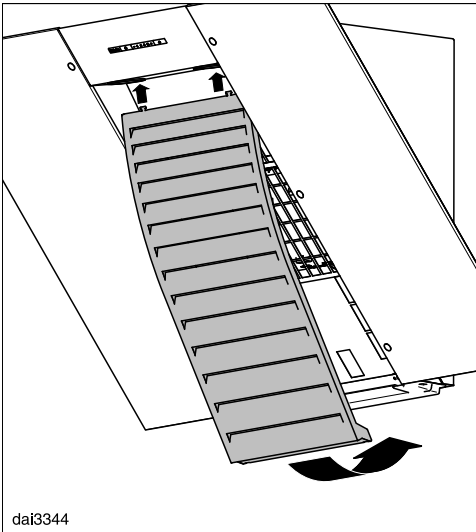
## Cleaning the grease filter in a dishwasher

- Place the grease filter upright or slightly inclined in the lower basket. Ensure the spray arm is not obstructed.
- Use a commercially available household dishwasher detergent.
- Select a dishwasher programme with a wash temperature between 50 °C and 65 °C.

Depending on the detergent used, cleaning the grease filter in a dishwasher can cause permanent discolouration to the internal surfaces of the filter. However, this will not affect the functioning of the grease filter in any way.

## After cleaning

- After cleaning, leave the filter to dry on an absorbent surface before replacing it.
- When removing the filter for cleaning, also clean off any residues of oil or fat from the now accessible casing to prevent the risk of these catching fire.



- First fit the top of the grease filter into the slots at the top, then swing the bottom of the grease filter into place and press it into position.

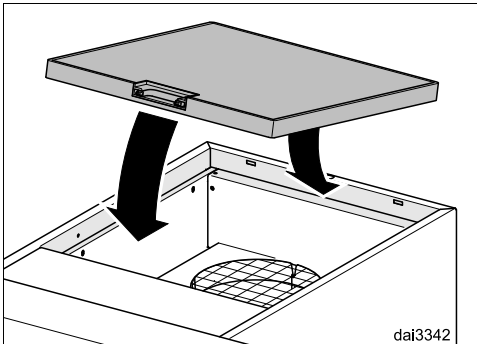
# Cleaning and care

## Charcoal filter

Recirculation cooker hoods must be fitted with a charcoal filter in addition to the grease filter. This is designed to absorb cooking odours. It is fitted in the top of the cooker hood.

### Fitting/replacing charcoal filters

- Take the charcoal filter out of its packaging.



- Fit the charcoal filter into the holder in the top of the cooker hood.

### When to change the charcoal filter

- Replace the charcoal filter when it no longer absorbs kitchen odours effectively. It should, however, be replaced at least every 6 months.

### Disposing of charcoal filters

- Used charcoal filters can be disposed of with the normal household waste.

### Reactivatable charcoal filter


A reactivatable charcoal filter is available for this cooker hood. By reactivating it in an oven it can be reused several times.

- It is supplied with its own installation and usage instructions which must be observed.

Charcoal filters are available to order via the Miele Webshop, the Miele Spare Parts Department (see end of this booklet for contact details) or from your Miele dealer.

The charcoal filters are listed under “Technical data” at the back of this booklet.

## Before installation

 Before installation, it is important to read the information given on the following pages as well as the “Warning and Safety instructions” at the beginning of this booklet.

## Installation instructions

See enclosed Installation sheet for instructions on how to install this appliance.

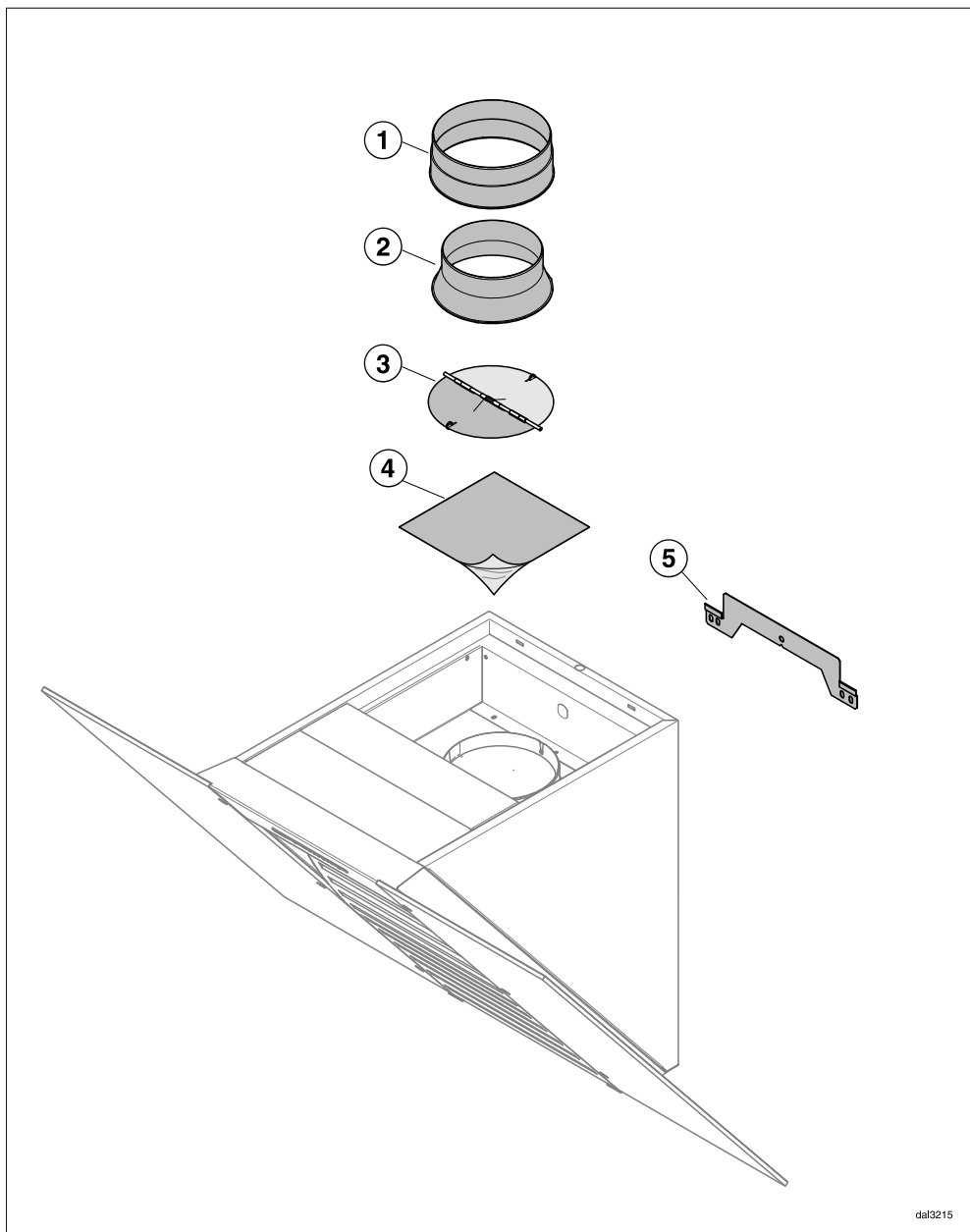
## Protective foil

The housing components have protective foil around them to protect them from transport damage.

- Please remove this foil before fitting the housing components. It can be peeled off easily.

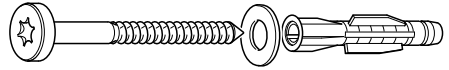
# Installation

## Assembly parts




dal3215

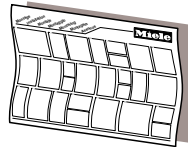
- ① **1 exhaust connection**  
for exhaust ducting  $\varnothing$  150 mm
- ② **1 reducing collar**  
for exhaust ducting  $\varnothing$  125 mm
- ③ **1 non-return flap**  
for installation in the exhaust socket of the fan motor (not for recirculation mode). The non-return flap may already be fitted depending on model.
- ④ **Cover foil**  
for use when changing extraction ducting direction
- ⑤ **Wall bracket**  
for securing the cooker hood to the wall



5559-D048B051-531

**5 screws 5 x 60 mm** and  
**5 plugs 8 x 50 mm**  
**3 washers 6.4 mm**  
for securing to the wall.

 The screws and plugs are designed for use in solid walls only. For other types of wall construction, alternative fixings will be required. Make sure the wall is able to take the weight of the cooker hood.

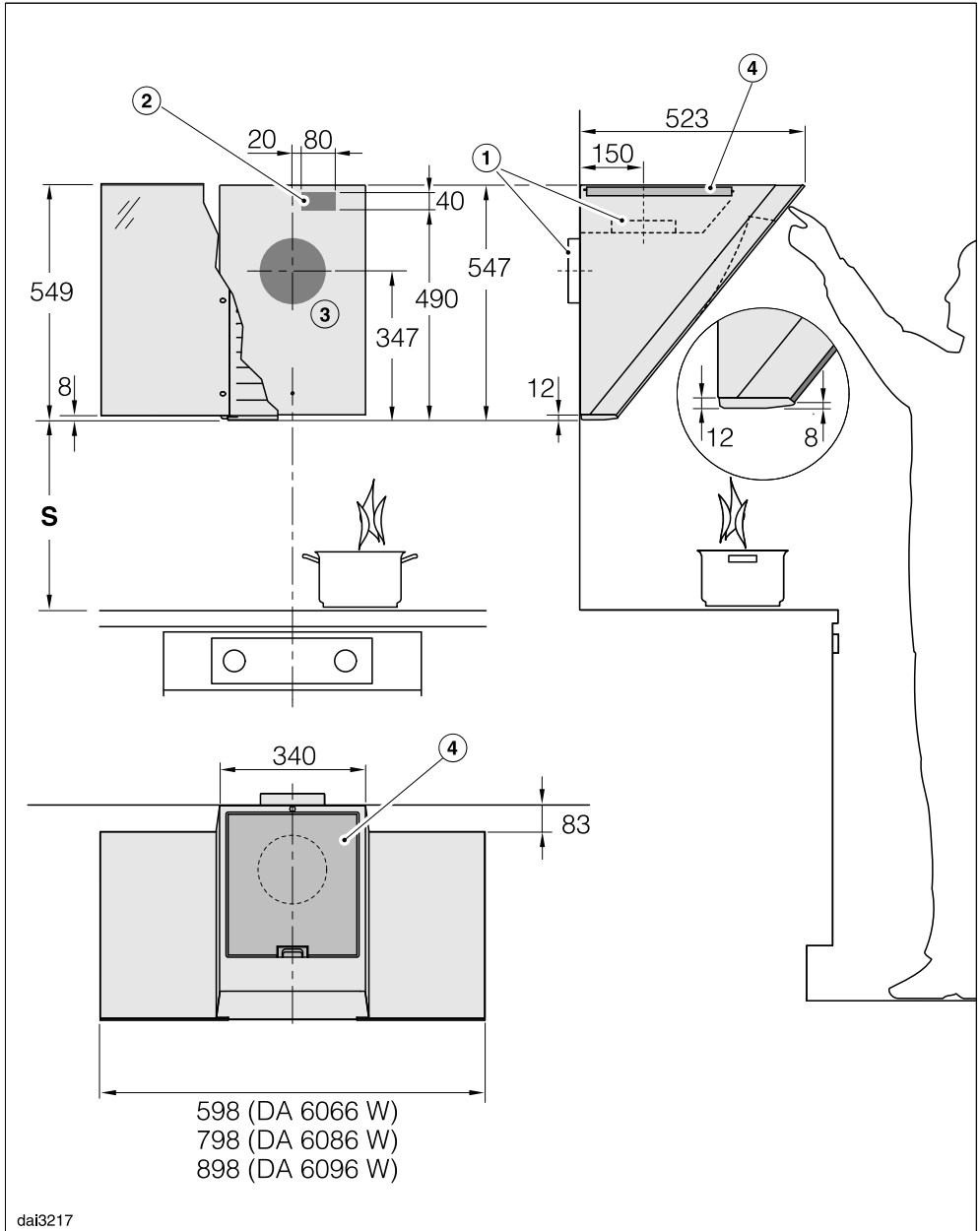


dinaOnline

## Installation instructions

# Installation

## Appliance dimensions



The drawing is not to scale.

- ① Extraction ducting upwards or to the rear.
- ② Cut-out for cooker hoods with hard-wired connection rather than a plug.
- ③ 200 mm  $\varnothing$  cut-out ensures sufficient space through the wall for the extraction ducting to flex.
- ④ Ventilation grille for recirculation mode. The distance to the ceiling or to furniture installed above the appliance should be at least 300 mm.

Connection for air extraction  $\varnothing$  150 mm, or  $\varnothing$  125 mm with reducing collar.

Please observe installation positions for the socket and for the ducting outlet shown on the relevant drawings when using the DADC 6000 tower.

## Safety distance between hob and cooker hood (S)

When planning the installation height of your cooker hood, the minimum safety distance between the top of a cooker or hob and the bottom of the cooker hood is as follows, unless a greater distance is specified by the manufacturer of your cooking appliance.

See “Warning and Safety” instructions for further information.

Cooking appliance	Minimum distance S
Electric hob	450 mm
Electric grill, deep fat fryer (electric)	650 mm
Multi-burner gas hob, total output $\leq$ 12.6 kW, no burner $>$ 4.5 kW	650 mm
Multi-burner gas hob, total output $>$ 12.6 kW and $\leq$ 21.6 kW, no burner $>$ 4.8 kW.	760 mm
Multi-burner gas hob, total output $>$ 21.6 kW, or multi-burner gas hob where one burner $>$ 4.8 kW.	Not possible
Single burner gas hob, output $\leq$ 6 kW.	650 mm
Single burner gas hob, output $>$ 6 kW and $\leq$ 8.1 kW.	760 mm
Single burner gas hob, output $>$ 8.1 kW	Not possible

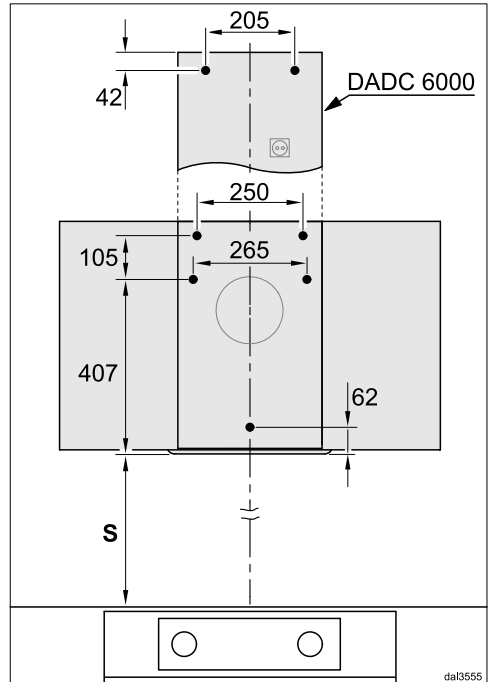
# Installation

## Installation recommendations

- Account should also be taken of the height of the person who will be using the hood most often. They should have sufficient space to work comfortably at the hob, and be able to reach the cooker hood controls with ease.
- Please be aware that if positioned too high, extraction will be inefficient.
- To achieve optimum vapour extraction, the cooker hood must be positioned centrally over the hob, not to the side.
- The hob should be no wider than the cooker hood, and if possible, it should be narrower.
- The installation area must be easily accessible. The cooker hood should be easily accessible and easy to dismantle in the event that service is required. This should be taken into consideration when planning the position of cupboards, shelves, ceilings or features in the vicinity of the cooker hood.

## Drilling diagram for wall mounting

- When drilling, please follow the directions contained on the accompanying installation sheet.



- When installing a custom back wall with pre-drilled holes, please refer to the drilling distances in the drawing above (screws  $\varnothing$  5 mm).

## Connection for air extraction

**⚠** If the cooker hood is used at the same time as a heating appliance that relies on oxygen from the same room, there is a risk in certain circumstances of toxic fumes building up.

It is essential that the “Warning and Safety” instructions are observed. The cooker hood should be installed according to local and national building regulations. Seek approval from the building inspector where necessary.

Use smooth pipes or flexible ducting made from approved non-flammable materials for exhaust ducting.

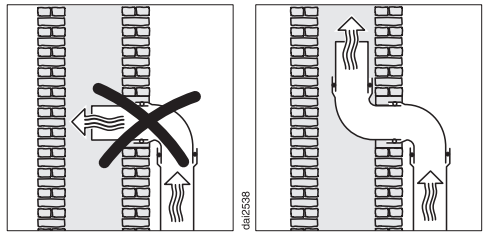
When using an external motor, make sure that the exhaust ducting is sufficiently rigid. The external motor can cause an underpressure which can result in the exhaust ducting distorting.

To achieve the most efficient air extraction with the lowest noise levels, please note the following:

- The diameter of the exhaust ducting should not be less than 150 mm.
  - If flat ducting is being used, the cross section must not be smaller than the cross sectional area of the exhaust connection.
  - The exhaust ducting should be as short and straight as possible.
  - Only use wide radius bends.
  - The exhaust ducting must not be kinked or compressed.
- Ensure that all connections are strong and airtight.

Remember that any constriction of the air flow will reduce extraction performance and increase operating noise.

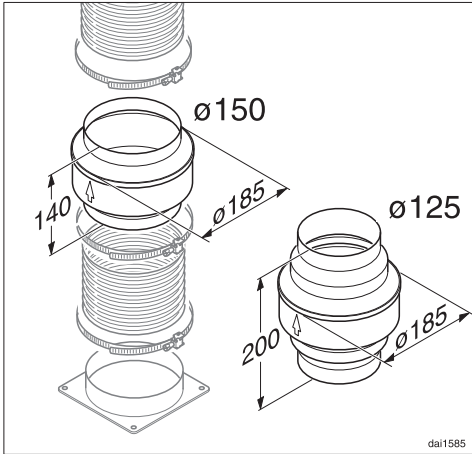
- If the exhaust is ducted through an outside wall, a telescopic wall vent or a roof vent (available as an optional accessory) is recommended.



- If the exhaust air is to be ducted into a flue, the ducting must be directed in the flow direction of the flue.
- Where ducting is horizontal, it must be laid to slope away at at least 1 cm per metre. This is to ensure that condensate cannot drain back into the cooker hood.
- If the exhaust ducting is to run through rooms, ceiling space etc. there may be great variations in temperature between the different areas. The problem of condensation will need to be addressed. The exhaust ducting will need to be suitably insulated.

# Connection for air extraction

## Condensate trap



In addition to insulating the exhaust ducting, we recommend that a suitable condensate trap is also installed to collect and evaporate any condensate which may occur.

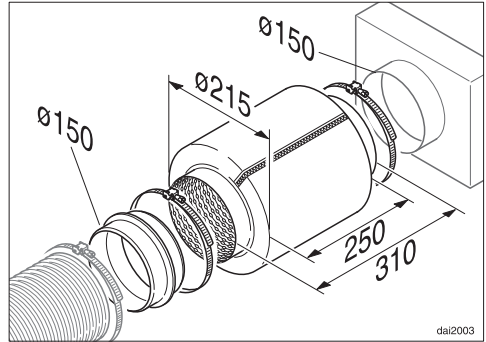
Condensate traps for 125 mm or 150 mm ducting are available as optional accessories.

A condensate trap can only be fitted in extraction ducting which is directed upwards out of the cooker hood.

- When installing a condensate trap, ensure that it is positioned vertically and as closely as possible above the exhaust socket. The arrow on the housing indicates the direction of air-flow.

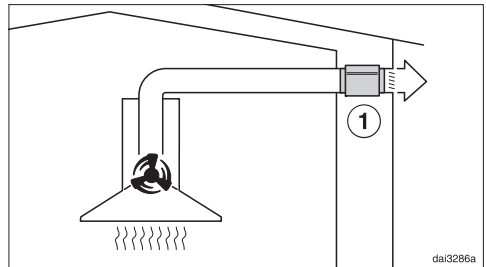
A condensate trap is integrated in cooker hoods which are designed for connection to an external motor (model.....EXT).

## Silencer



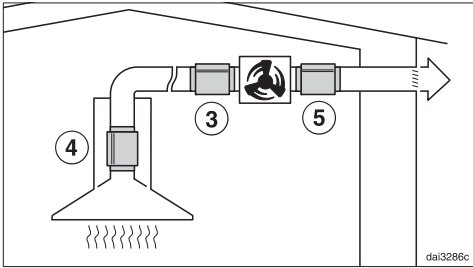
To achieve even further reductions in noise levels, a special silencer (optional accessory) can be fitted in the ducting system.

## Extraction mode



The silencer not only reduces noise from the motor outside the house, but also sounds from outside (e.g. traffic noise). For this reason the silencer must be positioned as close as possible to the ducting exit ①.


## Extraction mode with external motor



To minimise noise from the motor in the kitchen, the silencer should be positioned in front of the external motor ③ if possible, or, if the ducting is long, above the exhaust socket on the cooker hood ④. In the case of an external motor located inside the house, fitting a silencer behind the external motor ⑤ reduces the noise of the motor outside the house.

## Electrical connection

---

 Installation, repairs and other work by unqualified persons could be dangerous. The manufacturer cannot be held liable for unauthorised work.

All electrical work should be undertaken by a suitably qualified and competent person in strict accordance with current national and local safety and building regulations.

The connection data is given on the data plate (See “After sales service”). Ensure that this data matches the voltage and frequency of the household mains supply.

This cooker hood must only be connected to a properly installed electrical circuit.

The electrical installation must comply with national regulations (BS 7671 in the UK).

For extra safety, it is advisable to protect the appliance with a suitable residual current device (RCD) with a trip range of 30 mA (DIN VDE 0664).

It is advisable to connect this appliance via a suitable plug and socket to make it easy to disconnect for servicing purposes. The socket and switch must be easily accessible after the appliance has been installed.

Alternatively it can be hard-wired.

If the mains socket and switch are not accessible after the appliance has been installed, or if it is hard-wired, a separator for each terminal must be present. There must be an all-pole contact gap of at least 3 mm in the switch.

This includes the switch, fuses and relays (in accordance with EN 60335).

In the event of a fault which you cannot remedy yourself, please contact your Miele dealer or the Miele Service Department.

Contact details for Miele are given at the end of this booklet. N.B. A call-out fee will be charged for service visits where the problem could have been resolved as described in these instructions.

When contacting your dealer or Miele, please quote the model and serial number of your appliance. These are shown on the data plate.

### **Position of the data plate**

The data plate is visible after removing the grease filter.

### **Warranty: U.K.**

In the U.K., the appliance warranty is valid for 2 years from the date of purchase. However, you must activate your cover by calling 0330 160 6640 or registering online at [www.miele.co.uk](http://www.miele.co.uk).

Please note that telephone calls may be monitored and recorded for training purposes.

### **Warranty: Other countries**

For information on the appliance warranty specific to your country please contact Miele. See end of this booklet for contact details.

## Technical data

Fan motor*	200 W
Hob lighting	2 x 4.5 W
Total connected load*	209 W
Voltage	AC 230 V
Fuse rating	5 A
Mains connection cable length	1.5 m
Weight	
DA 6066 W	17 kg
DA 6086 W	19 kg
DA 6096 W	20 kg
DA 6096 W EXT	17 kg

\* For EXT models, the connected load will depend on the type of external motor fitted.  
Length of connection cable to external motor: 1.9 m

### Accessories required for recirculation mode

Charcoal filter DKF 25-1 or DKF 25-R (reactivatable).

### Note for test institutes

All information required regarding measuring noise levels is given in the “**Testing for sound emissions**” leaflet.

The latest version of this leaflet can be ordered by email from:

– [testinfo@miele.de](mailto:testinfo@miele.de)

Please quote your postal address, as well as the model and serial number of your cooker hood (see data plate).

### Note for test institutes

Data quoted in the following data sheets was calculated in accordance with the following standards EN 61591 and EN 60704-3. The distance between the area being measured/hob and the underside of the cooker hood is 450 mm and the voltage 230 V for test purposes. Testing is carried out with a non-return valve.

## Data sheet for household cooker hoods

In acc. with delegated regulation (EU) No. 65/2014 and regulation (EU) No. 66/2014

<b>MIELE</b>	
<b>Model name/identifier</b>	DA 6066 W
Annual Energy Consumption (AEC <sub>hood</sub> )	70,4 kWh/year
Energy efficiency class	B
Energy efficiency index (EEI <sub>hood</sub> )	68,5
Fluid Dynamic Efficiency (FDE <sub>hood</sub> )	23,2
Fluid Dynamic Efficiency class	
A (most efficient) to G (least efficient)	B
Lighting Efficiency (LE <sub>hood</sub> )	58,3 lx/W
Lighting Efficiency class	
A (most efficient) to G (least efficient)	A
Grease Filtering Efficiency	92,4%
Grease Filtering Efficiency class	
A (most efficient) to G (least efficient)	B
Airflow at best efficiency point	357,7 m <sup>3</sup> /h
Air flow (min. speed)	200 m <sup>3</sup> /h
Air flow (max. speed)	400 m <sup>3</sup> /h
Air flow (intensive or boost setting)	650 m <sup>3</sup> /h
Max. air flow (Q <sub>max</sub> )	650 m <sup>3</sup> /h
Air pressure at best efficiency point	350 Pa
Airborne acoustical A-weighted sound power emissions (min. speed)	40 dB
Airborne acoustical A-weighted sound power emissions (max. speed)	54 dB
Airborne acoustical A-weighted sound power emissions (intensive or boost setting)	66 dB
Electrical power input at best efficiency point	150,0 W
Power consumption in off mode (P <sub>o</sub> )	W
Power consumption in standby mode (P <sub>s</sub> )	0,20 W
Nominal power of lighting system	9,0 W
Average illumination of the lighting system on the cooking surface	525 lx
Time increase factor	1,2

# Technical data

## Data sheet for household cooker hoods

In acc. with delegated regulation (EU) No. 65/2014 and regulation (EU) No. 66/2014

MIELE	
<b>Model name/identifier</b>	DA 6086 W
Annual Energy Consumption (AEC <sub>hood</sub> )	70,4 kWh/year
Energy efficiency class	B
Energy efficiency index (EEI <sub>hood</sub> )	68,5
Fluid Dynamic Efficiency (FDE <sub>hood</sub> )	23,2
Fluid Dynamic Efficiency class	
A (most efficient) to G (least efficient)	B
Lighting Efficiency (LE <sub>hood</sub> )	58,3 lx/W
Lighting Efficiency class	
A (most efficient) to G (least efficient)	A
Grease Filtering Efficiency	92,4%
Grease Filtering Efficiency class	
A (most efficient) to G (least efficient)	B
Airflow at best efficiency point	357,7 m <sup>3</sup> /h
Air flow (min. speed)	200 m <sup>3</sup> /h
Air flow (max. speed)	400 m <sup>3</sup> /h
Air flow (intensive or boost setting)	650 m <sup>3</sup> /h
Max. air flow (Q <sub>max</sub> )	650 m <sup>3</sup> /h
Air pressure at best efficiency point	350 Pa
Airborne acoustical A-weighted sound power emissions (min. speed)	40 dB
Airborne acoustical A-weighted sound power emissions (max. speed)	54 dB
Airborne acoustical A-weighted sound power emissions (intensive or boost setting)	66 dB
Electrical power input at best efficiency point	150,0 W
Power consumption in off mode (P <sub>o</sub> )	W
Power consumption in standby mode (P <sub>s</sub> )	0,20 W
Nominal power of lighting system	9,0 W
Average illumination of the lighting system on the cooking surface	525 lx
Time increase factor	1,2

## Data sheet for household cooker hoods

In acc. with delegated regulation (EU) No. 65/2014 and regulation (EU) No. 66/2014

<b>MIELE</b>	
<b>Model name/identifier</b>	DA 6096 W
Annual Energy Consumption (AEC <sub>hood</sub> )	70,4 kWh/year
Energy efficiency class	B
Energy efficiency index (EEI <sub>hood</sub> )	68,5
Fluid Dynamic Efficiency (FDE <sub>hood</sub> )	23,2
Fluid Dynamic Efficiency class	
A (most efficient) to G (least efficient)	B
Lighting Efficiency (LE <sub>hood</sub> )	55,6 lx/W
Lighting Efficiency class	
A (most efficient) to G (least efficient)	A
Grease Filtering Efficiency	92,4%
Grease Filtering Efficiency class	
A (most efficient) to G (least efficient)	B
Airflow at best efficiency point	357,7 m <sup>3</sup> /h
Air flow (min. speed)	200 m <sup>3</sup> /h
Air flow (max. speed)	400 m <sup>3</sup> /h
Air flow (intensive or boost setting)	650 m <sup>3</sup> /h
Max. air flow (Q <sub>max</sub> )	650 m <sup>3</sup> /h
Air pressure at best efficiency point	350 Pa
Airborne acoustical A-weighted sound power emissions (min. speed)	40 dB
Airborne acoustical A-weighted sound power emissions (max. speed)	54 dB
Airborne acoustical A-weighted sound power emissions (intensive or boost setting)	66 dB
Electrical power input at best efficiency point	150,0 W
Power consumption in off mode (P <sub>o</sub> )	W
Power consumption in standby mode (P <sub>s</sub> )	0,20 W
Nominal power of lighting system	9,0 W
Average illumination of the lighting system on the cooking surface	500 lx
Time increase factor	1,2

# Technical data

## Data sheet for household cooker hoods

In acc. with delegated regulation (EU) No. 65/2014 and regulation (EU) No. 66/2014

<b>MIELE</b>	
<b>Model name/identifier</b>	DA 6096 W EXT
Annual Energy Consumption ( $AEC_{hood}$ )	6,6 kWh/year
Energy efficiency class	A++
Energy efficiency index ( $EEL_{hood}$ )	32,4
Fluid Dynamic Efficiency ( $FDE_{hood}$ )	
Fluid Dynamic Efficiency class	
A (most efficient) to G (least efficient)	-
Lighting Efficiency ( $LE_{hood}$ )	55,6 lx/W
Lighting Efficiency class	
A (most efficient) to G (least efficient)	A
Grease Filtering Efficiency	%
Grease Filtering Efficiency class	
A (most efficient) to G (least efficient)	-
Airflow at best efficiency point	$m^3/h$
Air flow (min. speed)	$m^3/h$
Air flow (max. speed)	$m^3/h$
Air flow (intensive or boost setting)	$m^3/h$
Max. air flow ( $Q_{max}$ )	$m^3/h$
Air pressure at best efficiency point	Pa
Airborne acoustical A-weighted sound power emissions (min. speed)	dB
Airborne acoustical A-weighted sound power emissions (max. speed)	0 dB
Airborne acoustical A-weighted sound power emissions (intensive or boost setting)	dB
Electrical power input at best efficiency point	W
Power consumption in off mode ( $P_o$ )	W
Power consumption in standby mode ( $P_s$ )	0,20 W
Nominal power of lighting system	9,0 W
Average illumination of the lighting system on the cooking surface	500 lx
Time increase factor	







## United Kingdom

Miele Co. Ltd.  
Fairacres, Marcham Road  
Abingdon, Oxon, OX14 1TW  
Tel: 0330 160 6600  
Internet: [www.miele.com](http://www.miele.com)

## Australia

Miele Australia Pty. Ltd.  
ACN 005 635 398  
ABN 96 005 635 398  
1 Gilbert Park Drive  
Knoxfield, VIC 3180  
Tel: 1300 464 353  
Internet: [www.miele.com.au](http://www.miele.com.au)

## China

Miele (Shanghai) Trading Ltd.  
1-3 Floor, No. 82 Shi Men Yi Road  
Jing' an District  
200040 Shanghai, PRC  
Tel: +86 21 6157 3500  
Fax: +86 21 6157 3511  
E-mail: [info@miele.cn](mailto:info@miele.cn)  
Internet: [www.miele.cn](http://www.miele.cn)

## Miele (Hong Kong) Limited

41/F - 4101, Manhattan Place  
23 Wang Tai Road  
Kowloon Bay, Hong Kong  
Tel: (852) 2610 1025  
Fax: (852) 3579 1404  
Email:  
[customerservices@miele.com.hk](mailto:customerservices@miele.com.hk)  
Website: [www.miele.hk](http://www.miele.hk)

## India

Miele India Pvt. Ltd.  
Ground Floor  
Copia Corporate Suites  
Plot No. 9, Jasola  
New Delhi - 110025  
Tel: 011-46 900 000  
Fax: 011-46 900 001  
E-mail: [customercare@miele.in](mailto:customercare@miele.in)  
Internet: [www.miele.in](http://www.miele.in)

## Ireland

Miele Ireland Ltd.  
2024 Bianconi Avenue  
Citywest Business Campus  
Dublin 24  
Tel: (01) 461 07 10  
Fax: (01) 461 07 97  
E-Mail: [info@miele.ie](mailto:info@miele.ie)  
Internet: [www.miele.ie](http://www.miele.ie)

## Malaysia

Miele Sdn Bhd  
Suite 12-2, Level 12  
Menara Sapura Kencana  
Petroleum  
Solaris Dutamas No. 1  
Jalan Dutamas 1  
50480 Kuala Lumpur, Malaysia  
Phone: +603-6209-0288  
Fax: +603-6205-3768

## New Zealand

Miele New Zealand Limited  
IRD 98 463 631  
Level 2, 10 College Hill  
Freemans Bay, Auckland 1011  
New Zealand  
Tel: 0800 464 353  
Internet: [www.miele.co.nz](http://www.miele.co.nz)

## Singapore

Miele Pte. Ltd.  
163 Penang Road  
# 04 - 03 Winsland House II  
Singapore 238463  
Tel: +65 6735 1191  
Fax: +65 6735 1161  
E-Mail: [info@miele.com.sg](mailto:info@miele.com.sg)  
Internet: [www.miele.sg](http://www.miele.sg)

## South Africa

Miele (Pty) Ltd  
63 Peter Place, Bryanston 2194  
P.O. Box 69434, Bryanston 2021  
Tel: (011) 875 9000  
Fax: (011) 875 9035  
E-mail: [info@miele.co.za](mailto:info@miele.co.za)  
Internet: [www.miele.co.za](http://www.miele.co.za)

## Taiwan

K.E. & Kingstone Co., Ltd.  
6th Fl., No. 120, Sec. 2  
Jianguo N. Rd.  
Taipei, Taiwan  
TEL: +886 2 2502-7256  
FAX: +886 2 2502-3077  
E-mail: [kenk@kenk.com.tw](mailto:kenk@kenk.com.tw)  
Website:  
[www.kenk.com.tw/ke/miele](http://www.kenk.com.tw/ke/miele)

## Thailand

BHIRAJ TOWER at EmQuartier  
43rd Floor Unit 4301-4303  
689 Sukhumvit Road  
North Klongton Sub-District  
Vadhana District  
Bangkok 10110, Thailand

## United Arab Emirates

Miele Appliances Ltd.  
Gold & Diamond Park  
Office No. 6-217  
Sheikh Zayed Road  
P.O. Box 11 47 82 - Dubai  
Tel. +971 4 3044 999  
Fax. +971 4 3418 852  
800-MIELE (64353)  
E-Mail: [info@miele.ae](mailto:info@miele.ae)  
Website: [www.miele.ae](http://www.miele.ae)

**Manufacturer:** Miele & Cie. KG, Carl-Miele-Straße 29, 33332 Gütersloh, Germany

DA 6066 W,  
DA 6086 W,  
DA 6096 W,  
DA 6096 W EXT