

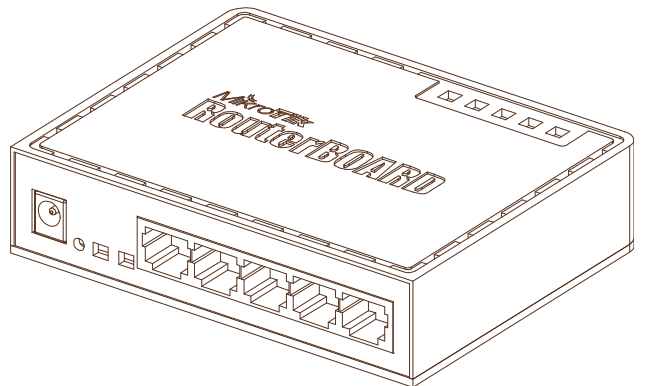
RouterBOARD 750UP

Quick Setup Guide and Warranty Information

The RB750UP is a router with five Ethernet ports. It has one USB 2.0 port, and supports PoE power output to ports 2-5 (500mA maximum per port).

First use

- Connect your WAN cable to port 1, and LAN computers to ports 2-5
- Set LAN computer IP configuration to automatic (DHCP)
- RB750UP Default IP address from LAN is 192.168.88.1



Powering

The board accepts powering from the power jack or from the first Ethernet port (Passive PoE):

- direct-input power jack (5.5mm outside and 2mm inside, female, pin positive plug) accepts 8-28V DC
- first Ethernet port accepts passive Power over Ethernet accepts 8-28V DC

Normally the power consumption of this device is 2.4W, under maximum load - 3.6W

Power output

This RouterBOARD device can supply PoE powering to external devices from its Ethernet ports. This is convenient as you don't need any additional PoE injectors to power other devices. This feature is indicated by the letter "P" in the device model name. The output Voltage will be the same as input Voltage, and this feature will have to be enabled on the specific ports in RouterOS software. By default it is disabled. Maximum power output of each ethernet port in this mode is 500mA. Once Power Output is enabled in RouterOS, the Ethernet LED light turns from Green, to Red. Red LED means the port is currently providing PoE power.

Booting process

This device doesn't come fitted with a Serial Port connector, so initial connection has to be done via the Ethernet cable, using the MikroTik Winbox utility. Winbox should be used to connect to the default IP address of **192.168.88.1** with the username **admin** and no password.

In case IP connection is not available, Winbox can also be used to connect to the MAC address of the device. More information here: http://wiki.mikrotik.com/wiki/First_time_startup

In case you wish to boot the device from network, for example to use MikroTik Netinstall, hold the RESET button of the device when starting it until the LED light turns off, and RB750 will start to look for Netinstall servers.

Extension Slots and Ports

- Five individual Ethernet ports, supporting automatic cross/straight cable correction (Auto MDI/X), so you can use either straight or cross-over cables for connecting to other network devices. The Ethernet port accepts 8-28 V DC powering from a passive PoE injector, 12V or more is recommended to compensate for loss in cables.

Buttons and Jumpers

- ROS reset jumper hole (on the bottom of case, behind one of the rubber feet) – resets RouterOS software to defaults. Must short circuit the metallic sides of the hole (with a screwdriver, for example) and boot the device. Hold screwdriver in place until RouterOS configuration is cleared.
- RouterBOOT reset button (RESET, front panel) has two functions:
 - Hold this button during boot time until LED light starts flashing, release the button to **reset RouterOS configuration** (same result as with reset hole)
 - Hold this button during boot time longer, until LED turns off, and then release it to make RB750 **look for Netinstall servers**.

Operating System Support

Currently tested operating system is MikroTik RouterOS (starting from v4.17).

Copyright and Trademarks.

Copyright MikroTik SIA. This manual contains information protected by copyright law. No part of it may be reproduced or transmitted in any form without prior written permission from the copyright holder. RouterBOARD, RouterOS, RouterBOOT and MikroTik are trademarks of MikroTik SIA. All trademarks and registered trademarks appearing in this manual are the property of their respective holders.

Hardware. MikroTik warrants all RouterBOARD series equipment for the term of fifteen (15) months from the shipping date to be free of defects in materials and workmanship under normal use and service, except in case of damage caused by mechanical, electrical or other accidental or intended damages caused by improper use or due to wind, rain, fire or other acts of nature.

To return failed units to MikroTik, you must perform the following RMA (Return Merchandise Authorization) procedure. Follow the instructions below to save time, efforts, avoid costs, and improve the speed of the RMA process.

- If you have purchased your product from a MikroTik Reseller, please contact the Reseller Company regarding all warranty and repair issues, the following instructions apply **ONLY** if you purchased your equipment directly from MikroTik in Latvia.
- We do not offer repairs for products that are not covered by warranty. Exceptions can be made for RB1000, RB1100 and RB1200.
- Out-of-warranty devices and devices not covered by warranty sent to MikroTik will be returned to the sender at sender's cost.

RMA Instructions are located on our webpage here: <http://rma.mikrotik.com>

Manual. This manual is provided “as is” without a warranty of any kind, expressed or implied, including, but not limited to, the implied warranty of merchantability and fitness for a particular purpose. The manufacturer has made every effort to ensure the accuracy of the contents of this manual; however, it is possible that it may contain technical inaccuracies, typographical or other errors. No liability is assumed for any inaccuracy found in this publication, nor for direct or indirect, incidental, consequential or other damages that may result from such an inaccuracy, including, but not limited to, loss of data or profits. Please report any inaccuracies found to support@mikrotik.com