

Milwaukee®

Nothing but **HEAVY DUTY®**



M18 FSAG115X **M18 FSAG125X**

Original instructions
Originalbetriebsanleitung

Notice originale

Istruzioni originali

Manual original

Oorspronkelijke gebruiksaanwijzing

Original brugsanvisning

Original bruksanvisning

Bruksanvisning i original

Alkuperäiset ohjeet

Πρωτότυπο οδηγιών χρήσης

Orijinal işletme talimatı

Původním návodem k používání

Pôvodný návod na použitie

Instrukcją oryginalną

Eredeti használati utasítás

Izvirna navodila

Originalne pogonske upute

Instrukcijām oriģinālvaiodā

Originali instrukcija

Alğupärane kasutusjuhend

Оригинальное руководство по эксплуатации

Оригинално ръководство за експлоатация

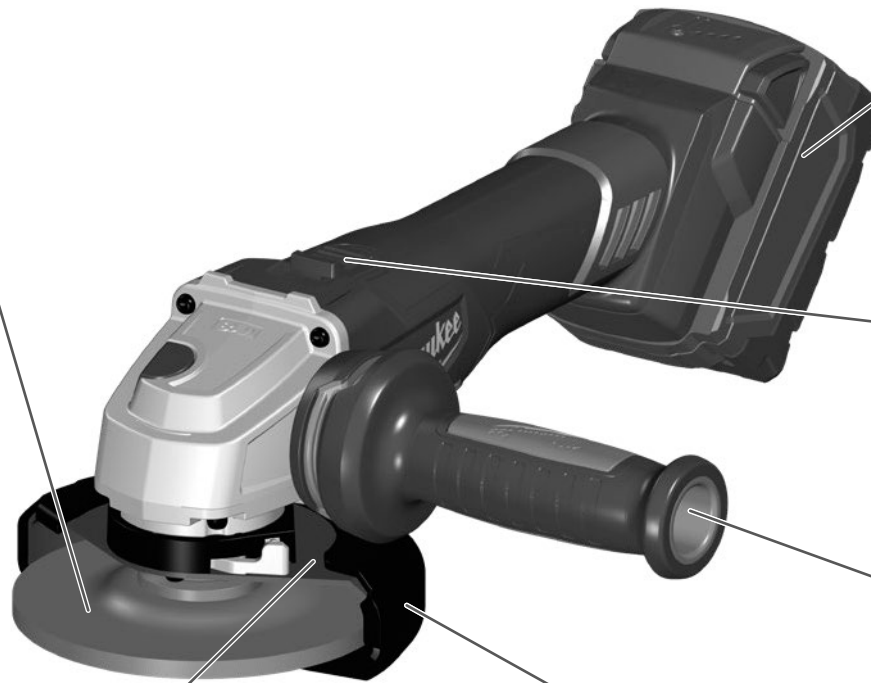
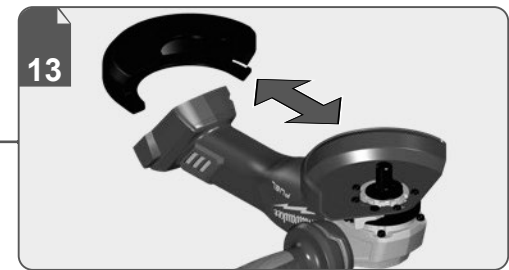
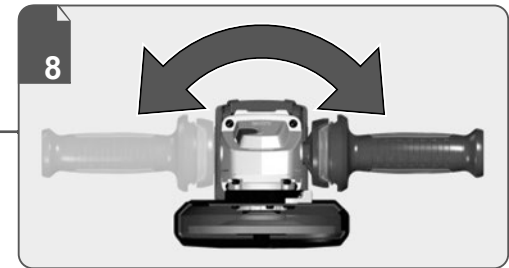
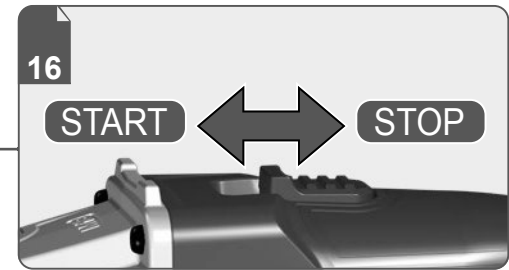
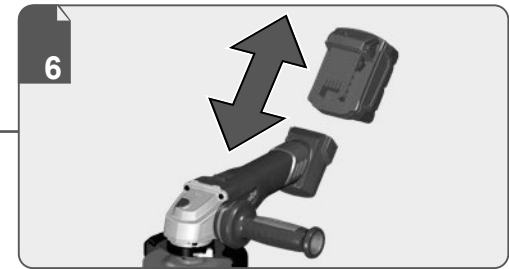
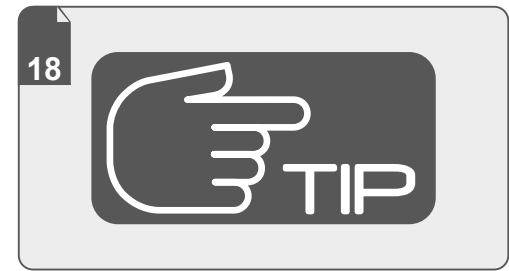
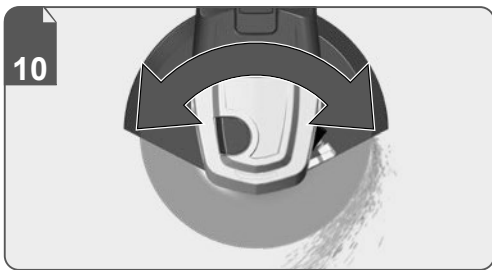
Instrucțiuni de folosire originale

Оригинален прирачник за работа

Оригінал інструкції з експлуатації

التعليمات الأصلية

| | | | | | | |
|--------------------|--|----------|---|--|----------|-----|
| ENGLISH | Picture section with operating description and functional description | Page | 4 | Text section with Technical Data, important Safety and Working Hints and description of Symbols | Page | 19 |
| DEUTSCH | Bildteil mit Anwendungs- und Funktionsbeschreibungen | Seite | 4 | Textteil mit Technischen Daten, wichtigen Sicherheits- und Arbeitshinweisen und Erklärung der Symbole. | Seite | 23 |
| FRANÇAIS | Partie imagée avec description des applications et des fonctions | Page | 4 | Partie textuelle avec les données techniques, les consignes importantes de sécurité et de travail ainsi que l'explication des pictogrammes. | Page | 28 |
| ITALIANO | Sezione illustrata con descrizione dell'applicazione e delle funzioni | Pagina | 4 | Sezione testo con dati tecnici, importanti informazioni sulla sicurezza e sull'utilizzo, spiegazione dei simboli. | Pagina | 33 |
| ESPAÑOL | Sección de ilustraciones con descripción de aplicación y descripción funcional | Página | 4 | Sección de texto con datos técnicos, indicaciones importantes de seguridad y trabajo y explicación de los símbolos. | Página | 38 |
| PORTUGUES | Parte com imagens explicativas contendo descrição operacional e funcional | Página | 4 | Parte com texto explicativo contendo Especificações técnicas, avisos de segurança e de operação e a descrição dos símbolos. | Página | 43 |
| NEDERLANDS | Beeldgedeelte met toepassings- en functiebeschrijvingen | Pagina | 4 | Tekstgedeelte met technische gegevens, belangrijke veiligheids- en arbeidsinstructies en verklaring van de symbolen. | Pagina | 48 |
| DANSK | Billedel med anvendelses- og funktionsbeskrivelser | Side | 4 | Tekstdel med tekniske data, vigtige sikkerheds- og arbejdsanvisninger og symbolforklaring. | Side | 53 |
| NORSK | Billedel med bruks- og funksjonsbeskrivelse | Side | 4 | Tekstdel med tekniske data, viktige sikkerhets- og arbeidsinstruksjoner og forklaring av symbolene. | Side | 57 |
| SVENSKA | Bilddel med användnings- och funktionsbeskrivning | Sidan | 4 | Textdel med tekniska informationer, viktiga säkerhets- och användningsinstruktioner samt symbolförklaringar. | Sidan | 61 |
| SUOMI | Kuvasivut käyttö- ja toimintakuvaus | Sivu | 4 | Tekstisivut: tekniset tiedot, tärkeät turvallisuus- ja työskentelyohjeet sekä merkkien selitykset. | Sivu | 65 |
| ΕΛΛΗΝΙΚΑ | Τμήμα εικόνων με περιγραφές χρήσης και λειτουργίας | Σελίδα | 4 | Τμήμα κειμένου με τεχνικά χαρακτηριστικά, σημαντικές υποδείξεις ασφαλείας και εργασίας και εξήγηση των συμβόλων. | Σελίδα | 69 |
| TÜRKÇE | Resim bölümü Uygulama ve fonksiyon açıklamaları ile birlikte | Sayfa | 4 | Teknik bilgileri, önemli güvenlik ve çalışma açıklamalarını ve de sembollerin açıklamalarını içeren metin bölümü. | Sayfa | 74 |
| ČESKY | Obrazová část s popisem aplikací a funkcí | Stránka | 4 | Textová část s technickými daty, důležitými bezpečnostními a pracovními pokyny a s vysvětlivkami symbolů | Stránka | 79 |
| SLOVENSKY | Obrazová část s popisom aplikácií a funkcií | Stránka | 4 | Textová časť s technickými dátami, dôležitými bezpečnostnými a pracovnými pokynmi a s vysvetlivkami symbolov | Stránka | 83 |
| POLSKI | Część rysunkowa z opisami zastosowania i działania | Strona | 4 | Część opisowa z danymi technicznymi, ważnymi wskazówkami dotyczącymi bezpieczeństwa i pracy oraz objaśnieniami symboli. | Strona | 88 |
| MAGYAR | Képes részalkalmazási- és működési leírásokkal | Oldal | 4 | Szöveges rész műszaki adatokkal, fontos biztonsági- és munkavégzési útmutatásokkal, valamint a szimbólumok magyarázata. | Oldal | 93 |
| SLOVENSKO | Del slikez opisom uporabe in funkcij | Stran | 4 | Del besedila s tehničnimi podatki, pomembnimi varnostnimi opozorili in delovnimi navodili in pojasnili simbolov. | Stran | 98 |
| HRVATSKI | Dio sa slikama opisima primjene i funkcija | Stranica | 4 | Dio štiva sa tehničkim podacima, važnim sigurnosnim i radnim uputama i objašnjenjem simbola. | Stranica | 102 |
| LATVISKI | Attēla daļa ar lietošanas un funkciju aprakstiem | Lappuse | 4 | Teksta daļa ar tehniskajiem parametriem, svarīgiem drošības un darbības norādījumiem, simbolu atšifrējumiem. | Lappuse | 106 |
| LIETUVIŠKAI | Paveikslėlio dalis su vartojimo instrukcija ir funkcijų aprašymais | Puslapis | 4 | Teksto dalis su techniniais duomenimis, svarbiomis saugumo ir darbo instrukcijomis bei simbolių paaiškinimais. | Puslapis | 111 |
| EESTI | Pildiosa kasutusjuhendi ja funktsioonide kirjeldusega | Lehekülg | 4 | Tekstiosa tehniliste näitajate, oluliste ohutus- ja tööjuhenditega ning sümbolite kirjeldustega. | Lehekülg | 116 |
| РУССКИЙ | Раздел иллюстраций с описанием эксплуатации и функций | Страница | 4 | Текстовый раздел, включающий технические данные, важные рекомендации по безопасности и эксплуатации, а также описание используемых символов. | Страница | 120 |
| БЪЛГАРСКИ | Част със снимки с описание за приложение и функции | Страница | 4 | Част с текст с технически данни, важни указания за безопасност и работа и разяснение на символите. | Страница | 125 |
| ROMÂNĂ | Secvența de imagine cu descrierea utilizării și a funcționării | Pagina | 4 | Porțiune de text cu date tehnice, indicații importante privind siguranța și modul de lucru și descrierea simbolurilor. | Pagina | 130 |
| МАКЕДОНСКИ | Дел со сликисо описи за употреба и функционирање | Страница | 4 | Текстуален дел со Технички карактеристики, важни безбедносни и работни упатства и објаснување на символите. | Страница | 135 |
| УКРАЇНСЬКА | Частина з зображеннями з описом робіт та функцій | Сторінка | 4 | Текстова частина з технічними даними, важливими вказівками з техніки безпеки та експлуатації і поясненням символів. | Сторінка | 140 |
| عربي | قسم الصور يوجد به الوصف التشغيلي والوظيفي | الصفحة | 4 | القسم النصي المزود بالبيانات الفنية والنصائح الهامة للسلامة والعمل ووصف الرموز | الصفحة | 148 |





Remove the battery pack before starting any work on the machine.
Vor allen Arbeiten an der Maschine den Wechselakku herausnehmen.

Avant tous travaux sur la machine retirer l'accu interchangeable.
Prima di iniziare togliere la batteria dalla macchina.
Retire la batería antes de comenzar cualquier trabajo en la máquina.
Antes de efectuar cualquier intervención na máquina retirar o bloco acumulador.
Voor alle werkzaamheden aan de machine de akku verwijderen.
Ved arbejde inden i maskinen, bør batteriet tages ud.
Ta ut vekselbatteriet før du arbeider på maskinen
Drag ur batteripaket innan arbete utföres på maskinen.

Tarkista pistotulppa ja verkkojohto mahdollisilta vaurioilta. Viat saa korjata vain alan erikoismies.
Πριν από κάθε εργασία στη μηχανή αφαιρείτε την ανταλλακτική μπαταρία.
Aletin kendinde bir çalışma yapmadan önce kartuş aküyü çıkarın.

Před zahájením veškerých prací na vrtacím šroubováku vyjmout výměnný akumulátor.
Pred každou pracou na stroji výměnný akumulátor vytiahnuť.
Przed przystąpieniem do jakichkolwiek prac na elektronarzędziu należy wyjąć wkładkę akumulatorową.

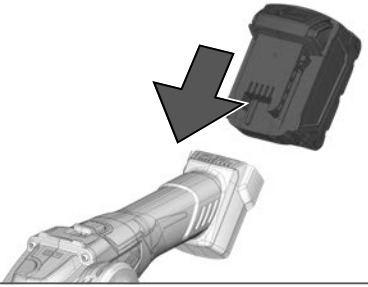
Karbantartás, javítás, tisztítás, stb. előtt az akkumulátort ki kell venni a készülékből.
Pred deli na stroju izvlecite izmenljivi akumulator.
Prije svih radova na stroju izvaditi bateriju za zamjenu.
Pirms mašīnai veikt jebkāda veida apkopes darbus, ir jāizņem ārā akumulators.
Prieš atlikdami bet kokius darbus įrenginyje, išimkite keičiamą akumuliatorių.

Enne kõiki töid masina kallal võtke vahetav aku välja.
Выньте аккумулятор из машины перед проведением с ней каких-либо манипуляций.
Predi započvane na kavkito e da e работи по машината извадете акумулатора.

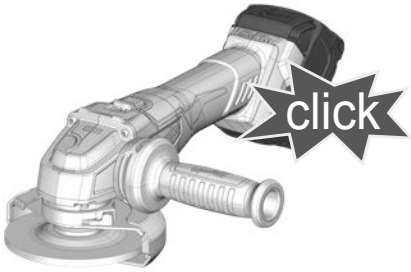
Scoateți acumulatorul înainte de a începe orice intervenție pe mașină.
Отстранете ја батеријата пред да започнете да ја користите машината.
Перед будь-якими роботами на машині вийняти змінну акумуляторну батарею.

قم ب إزالة حزمة البطارية قبل البدء في أي أعمال على الجهاز.

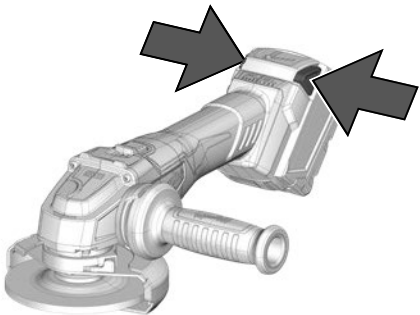
1



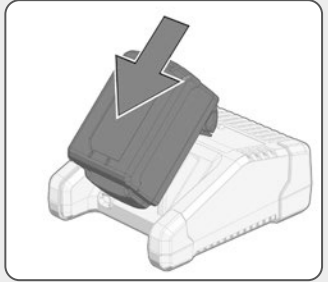
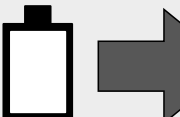
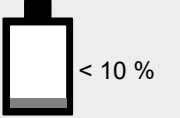
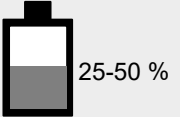
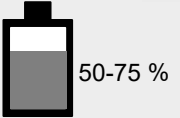
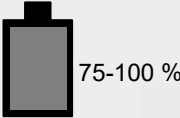
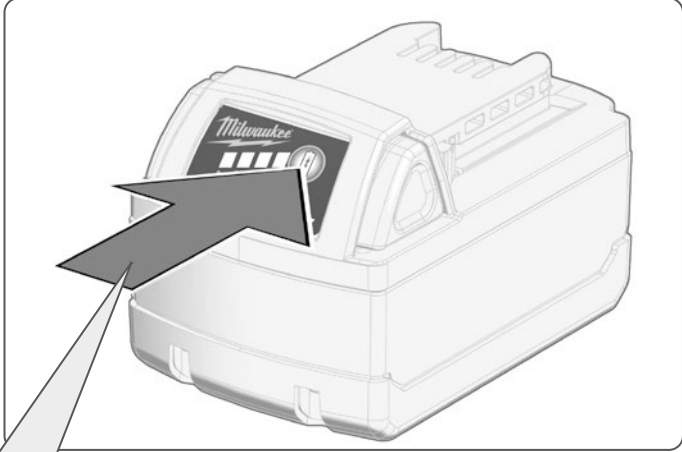
2

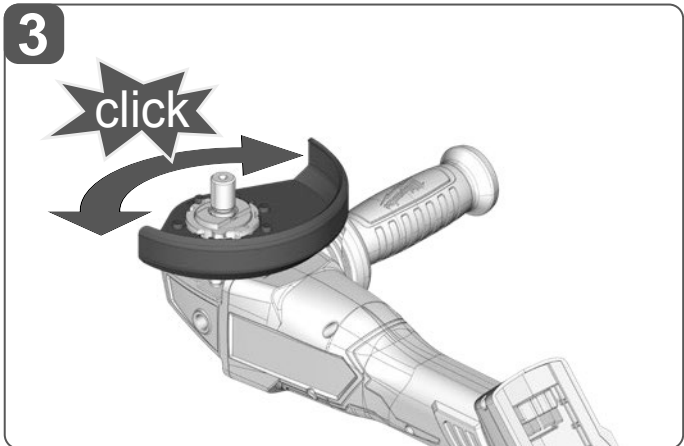
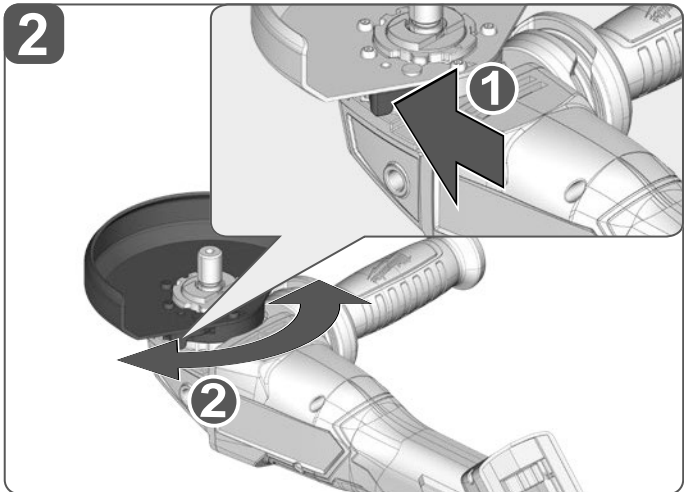
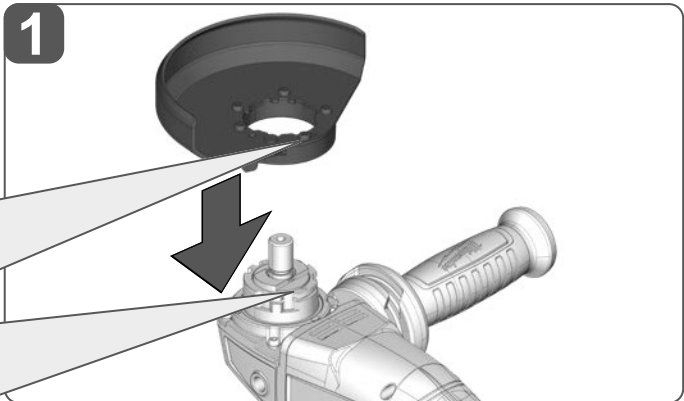
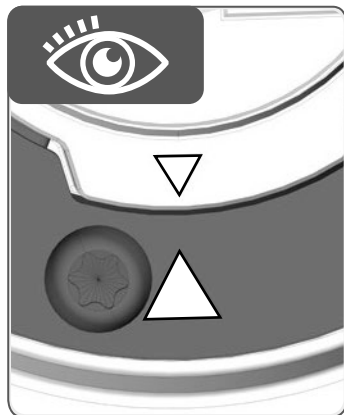
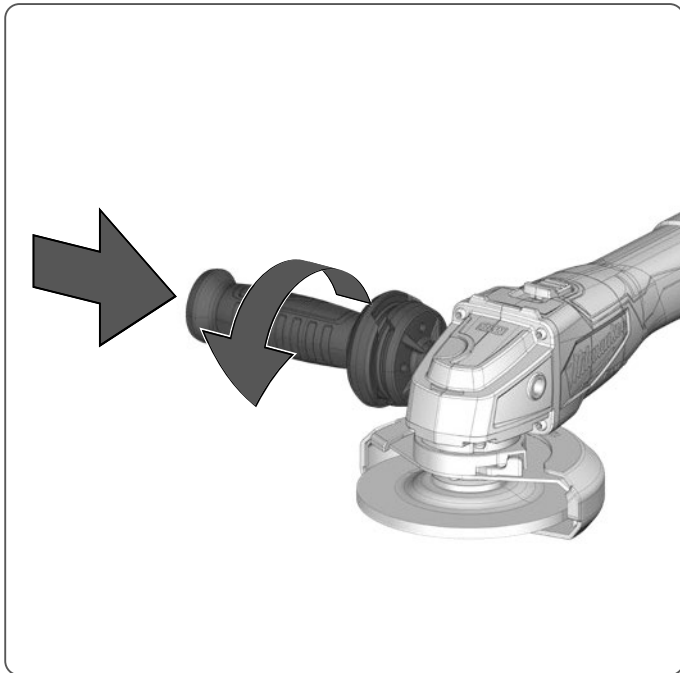
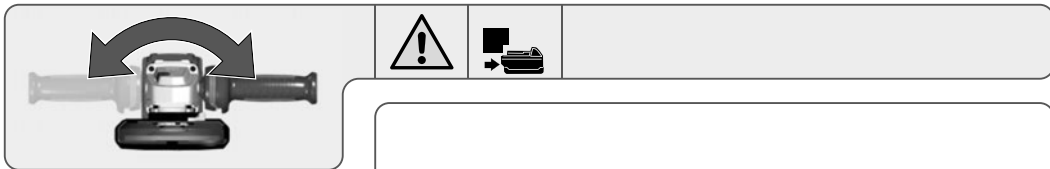


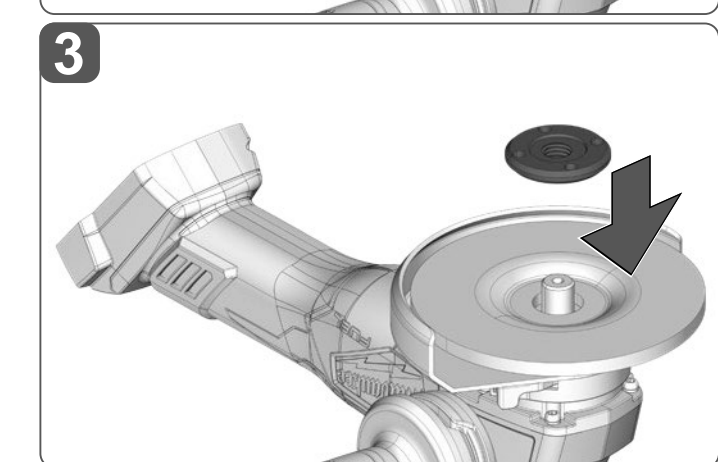
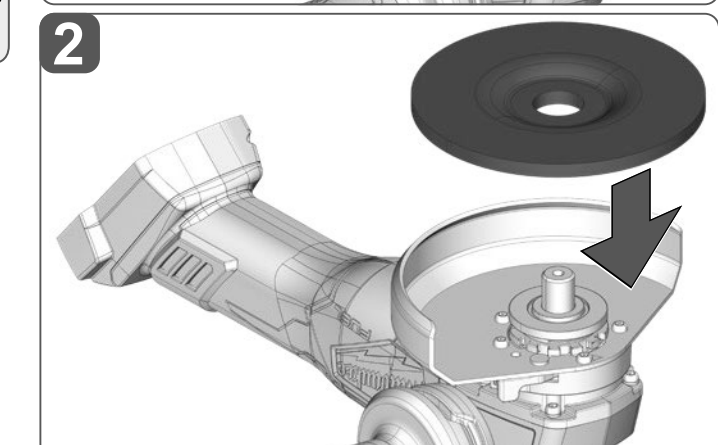
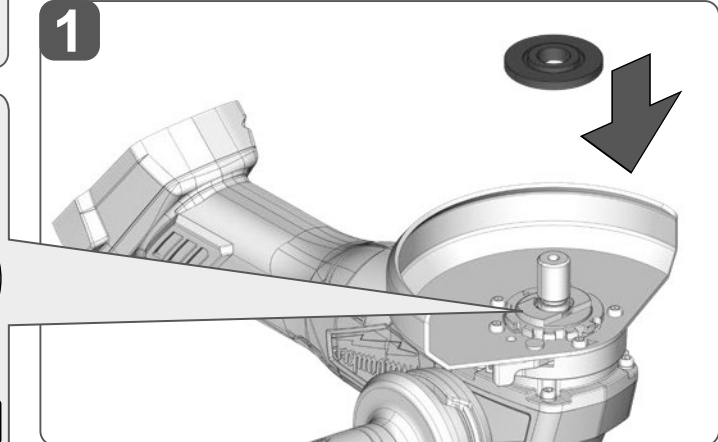
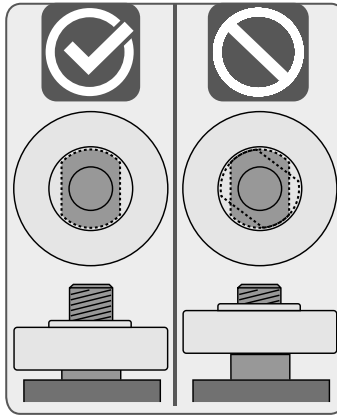
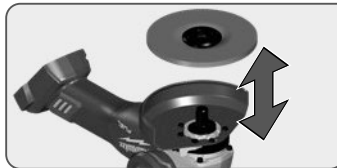
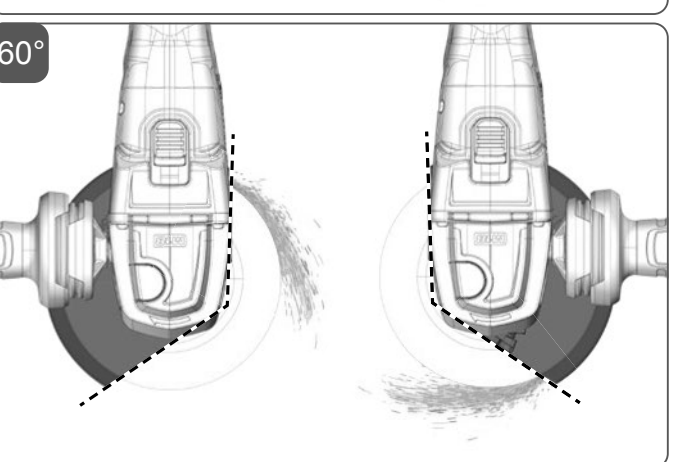
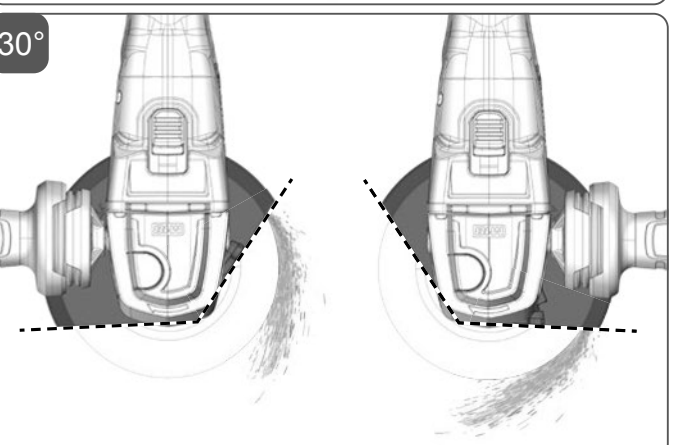
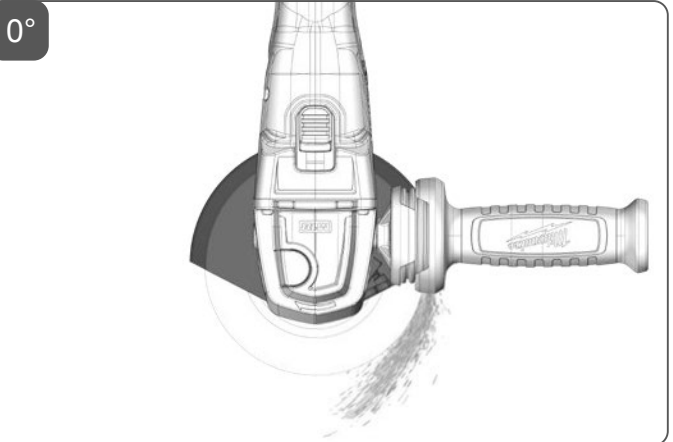
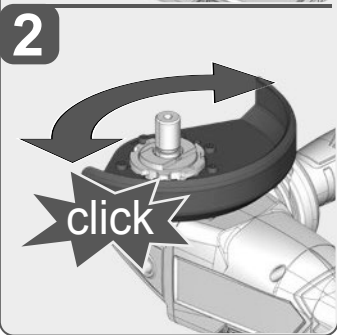
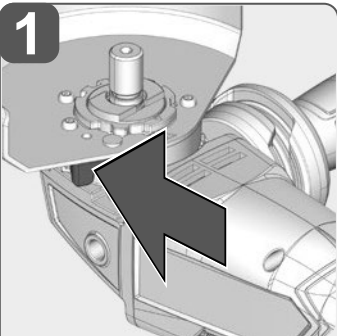
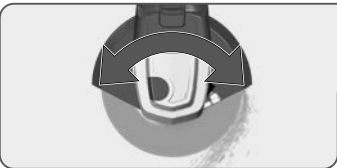
1

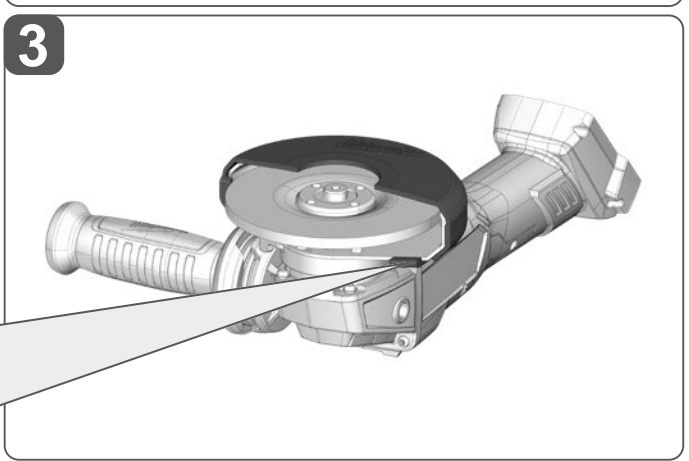
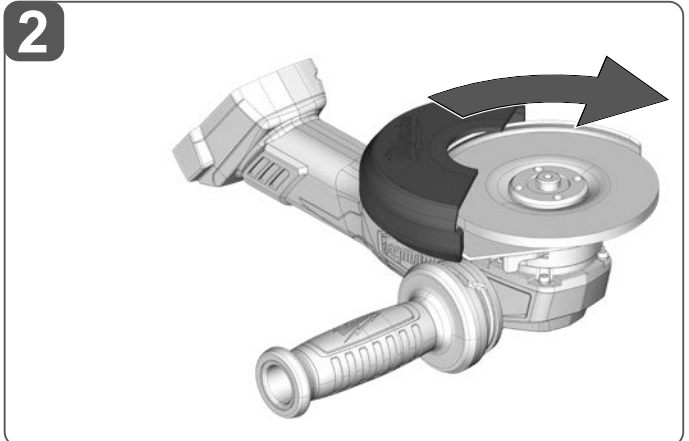
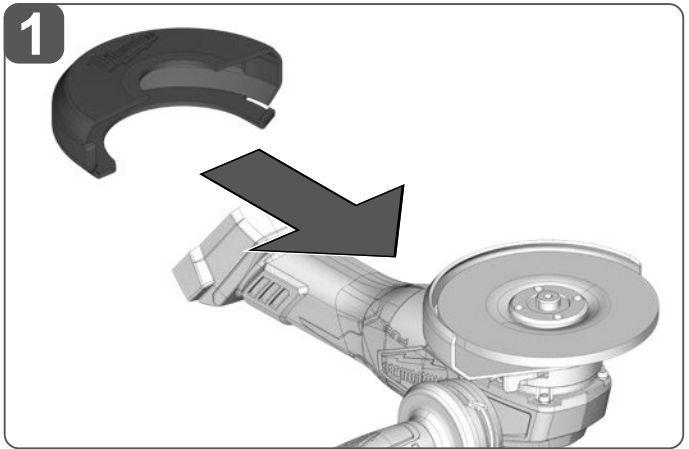
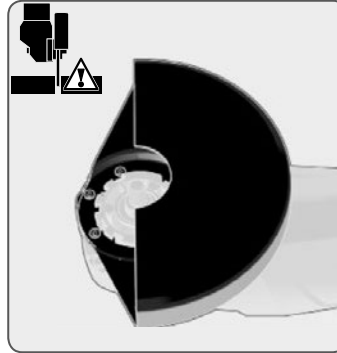
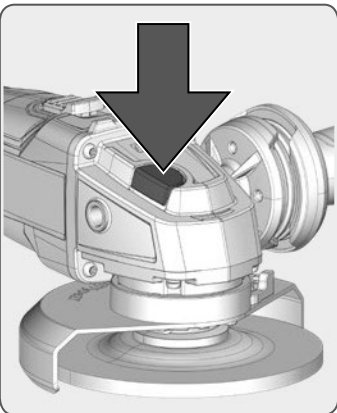
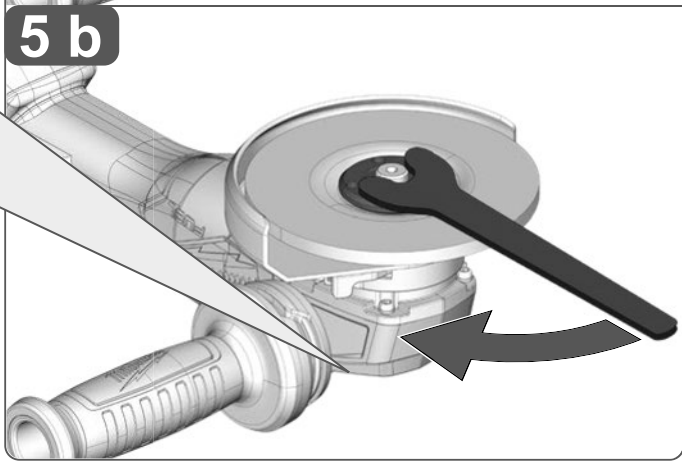
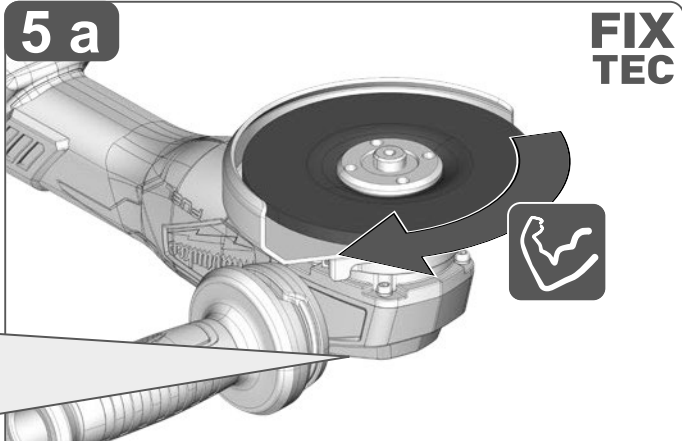
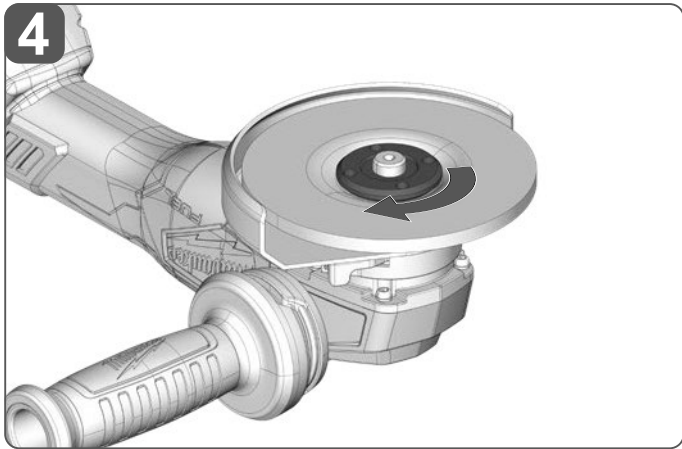
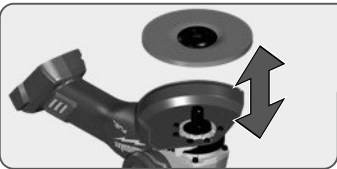


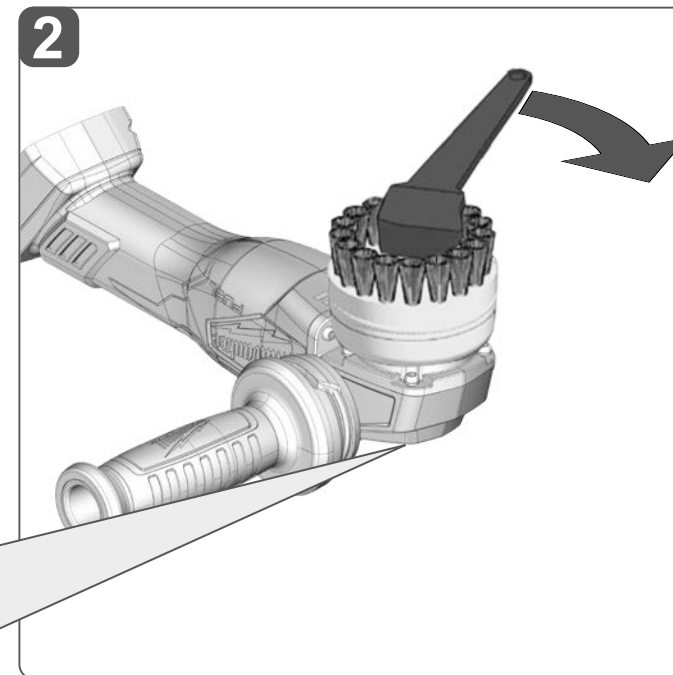
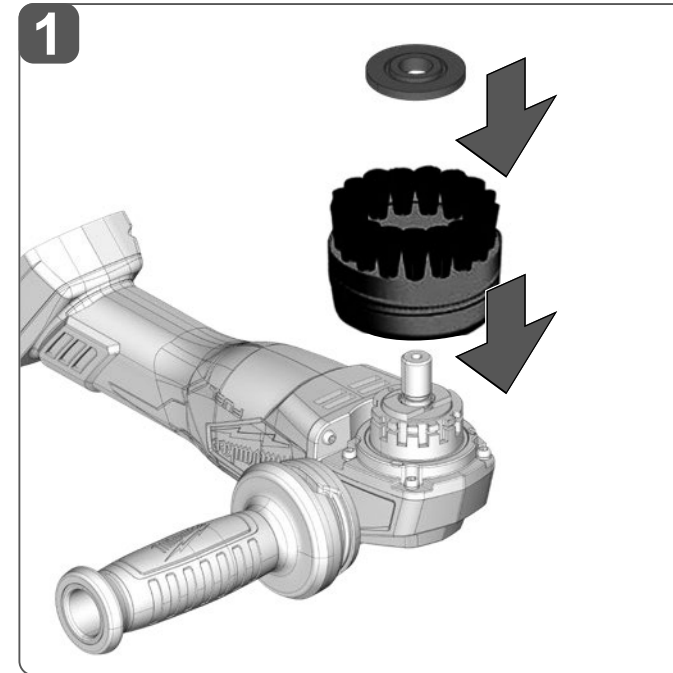
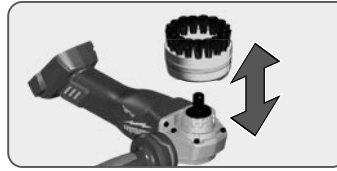
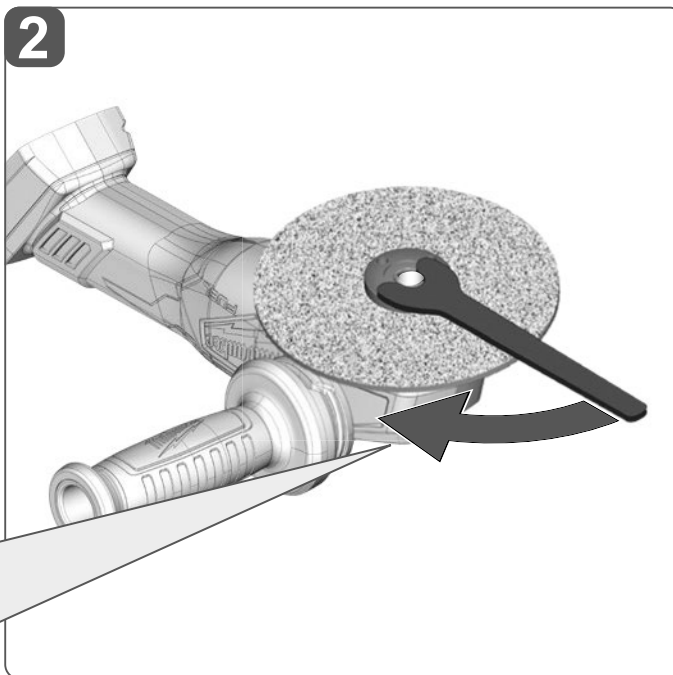
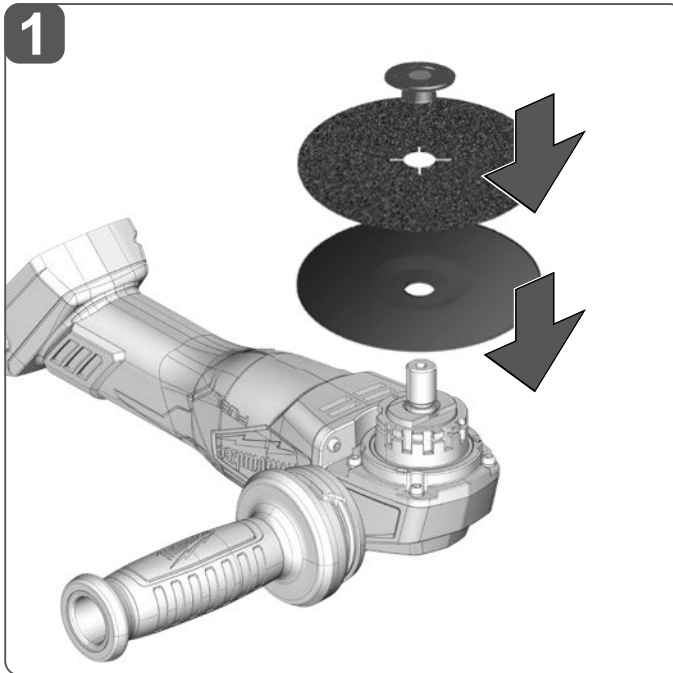
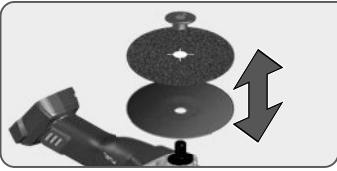
2

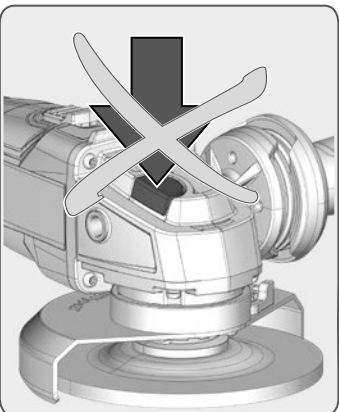
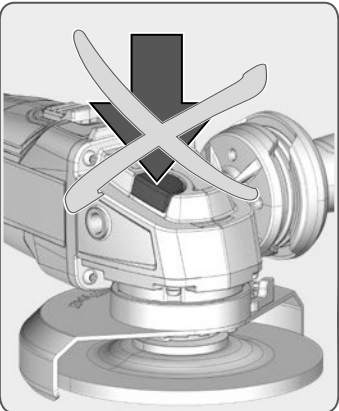
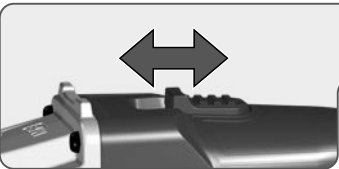




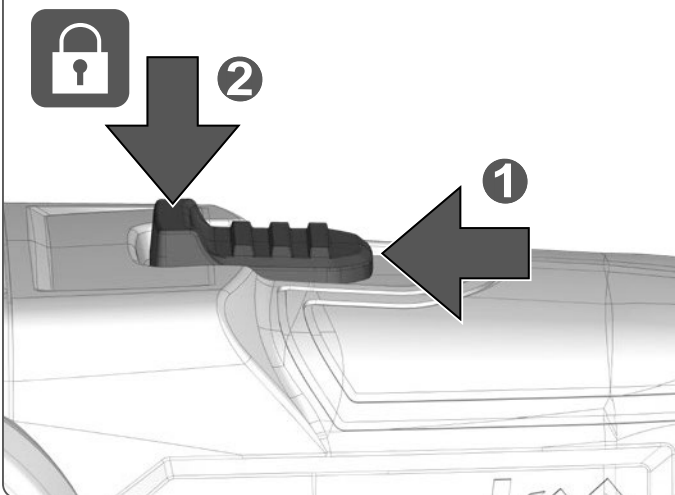




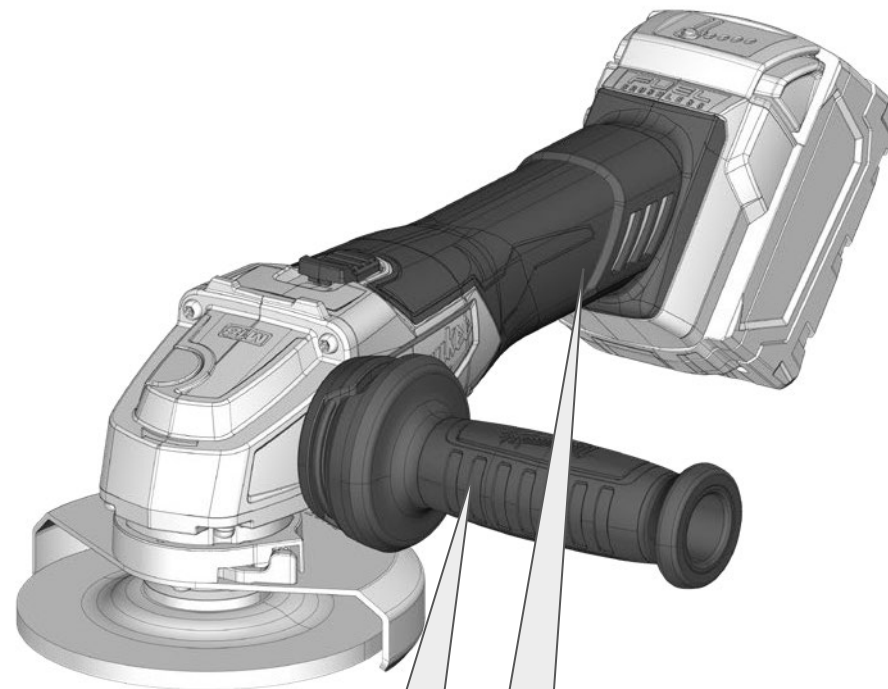
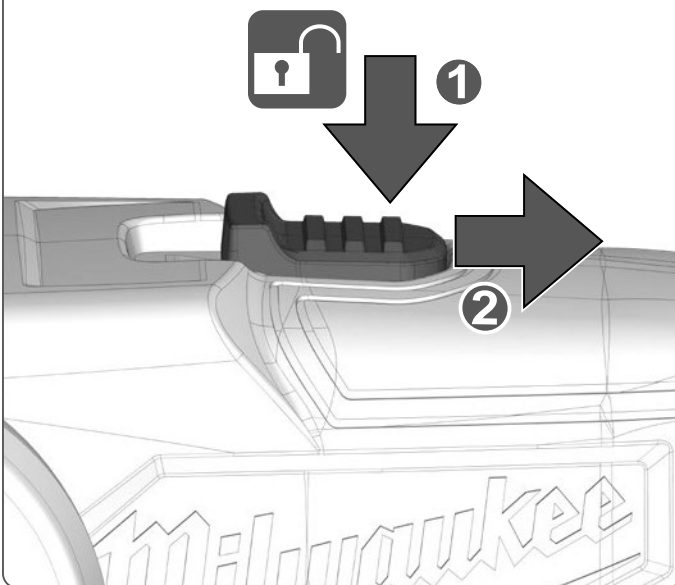




START



STOP

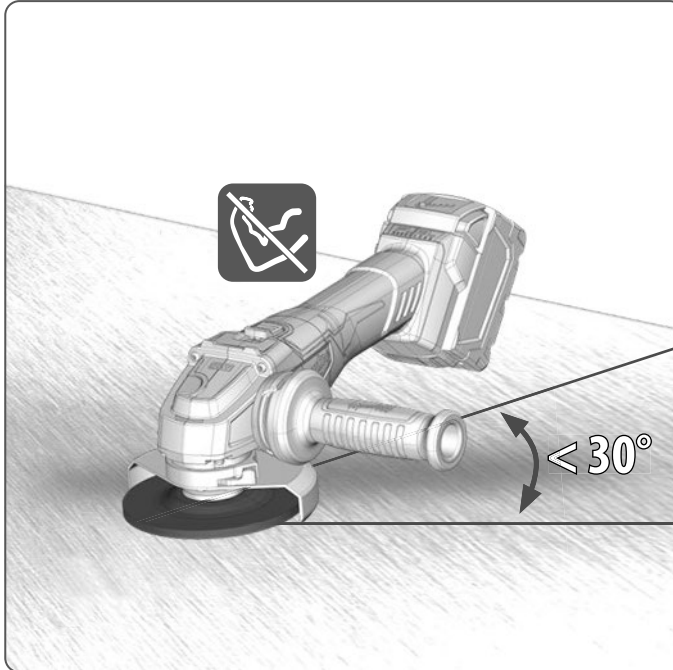


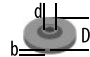
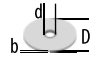


Insulated gripping surface
 Isolierte Grifffläche
 Surface de prise isolée
 Superficie di presa isolata
 Superficie de agarre con aislamiento
 Superficie de pega isolada
 Geïsoleerde handgrepen
 Isolerede gribeflader
 Isolert gripeflate
 Isolerad greppyta
 Eristetty tarttumapinta
 Μονωμένη επιφάνεια λαβής

Izolasyonlu tutma yüzeyi
 Izolovaná uchopovací plocha
 Izolovaná úchopná plocha
 Izolowana powierzchnia uchwytu
 Szigetelt fogófelület
 Izolirana prijemalna površina
 Izolirana površina za držanje
 Izolēta satveršanas virsma
 Izoliuotas rankenos paviršius
 Isoleeritud pideme piirkond
 Изолированная поверхность ручки
 Изолирана повърхност за хващане

Suprafață de prindere izolată
 Изолирана површина на дршката
 Изольована поверхня ручки

مساحة المقيض معزولة



| TECHNICAL DATA | M18 FSAG115X | M18 FSAG125X |
|--|------------------------|------------------------|
| Type | Cordless Angle Grinder | Cordless Angle Grinder |
| Production code | 4830 49 01 XXXXXX MJJJ | 4830 56 01 XXXXXX MJJJ |
| Battery voltage | 18 V | 18 V |
| Rated speed | 8500 min ⁻¹ | 8500 min ⁻¹ |
| Thread of work spindle | M14 | M14 |
| D=Grinding disc diameter max. | 115 mm | 125 mm |
| d=Grinding disc hole diameter | 22,2 mm | 22,2 |
|  b=Grinding disc thickness max. | 6 mm | 6 mm |
|  b=Cutting disc thickness max. / min. | 3 mm / 1 mm | 3 mm / 1 mm |
|  D=Sanding disc diameter max. | 115 mm | 125 mm |
|  D=Wiring brush diameter max. | 75 mm | 75 mm |
| Weight according EPTA-Procedure 01/2014 (Li-Ion 2,0 Ah ... 12,0 Ah) | 2,4 ... 3,4 kg | 2,4 ... 3,5 kg |
| Recommended Ambient Operating Temperature | -18 ... +50 °C | |
| Recommended battery types | M18B...; M18HB... | |
| Recommended charger | M12-18...; M1418C6 | |

Noise information: Measured values determined according to EN 60745. Typically, the A-weighted noise levels of the tool are:

| | | |
|--------------------------------------|----------------------|----------------------|
| Sound pressure level / Uncertainty K | 82,7 dB(A) / 3 dB(A) | 82,7 dB(A) / 3 dB(A) |
| Sound power level / Uncertainty K | 93,7 dB(A) / 3 dB(A) | 93,7 dB(A) / 3 dB(A) |

Wear ear protectors!

Vibration information: Vibration total values (triaxial vector sum) determined according to EN 60745.

| | | |
|--|---|---|
| Vibration emission value a_h / Uncertainty K | | |
| Surface grinding | 4,8 m/s ² / 1,5 m/s ² | 5,5 m/s ² / 1,5 m/s ² |
| Disc sanding | 1,1 m/s ² / 1,5 m/s ² | 1,9 m/s ² / 1,5 m/s ² |

For other applications, e.g. Abrasive Cutting-Off Operations or Wire Brushing other vibration values could occur.

WARNING!

The vibration and noise emission level given in this information sheet has been measured in accordance with a standardized test given in EN 60745 and may be used to compare one tool with another. It may be used for a preliminary assessment of exposure.

The declared vibration and noise emission level represents the main applications of the tool. However if the tool is used for different applications, with different accessories or poorly maintained, the vibration and noise emission may differ. This may significantly increase the exposure level over the total working period.

An estimation of the level of exposure to vibration and noise should also take into account the times when the tool is switched off or when it is running but not actually doing the job. This may significantly reduce the exposure level over the total working period.

Identify additional safety measures to protect the operator from the effects of vibration and/or noise such as: maintain the tool and the accessories, keep the hands warm, organization of work patterns.

WARNING! Read all safety warnings and all instructions. Failure to follow the warnings and instructions may result in electric shock, fire and/or serious injury.

Save all warnings and instructions for future reference.

ANGLE GRINDER SAFETY WARNINGS

Safety Warnings Common for Grinding, Sanding, Wire Brushing or Abrasive Cutting-Off Operations:

a) This power tool is intended to function as a grinder, sander, wire brush or cut-off tool. Read all safety warnings, instructions, illustrations and specifications provided with this power tool. Failure to follow all instructions listed below may result in electric shock, fire and/or serious injury.

b) Operations such as polishing are not recommended to be performed with this power tool. Operations for which the power tool was not designed may create a hazard and cause personal injury.

c) Do not use accessories which are not specifically designed and recommended by the tool manufacturer. Just because the accessory can be attached to your power tool, it does not assure safe operation.

d) The rated speed of the accessory must be at least equal to the maximum speed marked on the power tool. Accessories running faster than their rated speed can break and fly apart.

e) The outside diameter and the thickness of your accessory must be within the capacity rating of your power tool. Incorrectly sized accessories cannot be adequately guarded or controlled.

f) Threaded mounting of accessories must match the grinder spindle thread. For accessories mounted by flanges, the arbour hole of the accessory must fit the locating diameter of the flange. Accessories that do not match the mounting hardware of the power tool will run out of balance, vibrate excessively and may cause loss of control.

g) Do not use a damaged accessory. Before each use inspect the accessory such as abrasive wheels for chips and cracks, backing pad for cracks, tear or excess wear, wire brush for loose or cracked wires. If power tool or accessory is dropped, inspect for damage or install an undamaged accessory. After inspecting and installing an accessory, position yourself and bystanders away from the plane of the rotating accessory and run the power tool at maximum no-load speed for one minute. Damaged accessories will normally break apart during this test time.

h) Wear personal protective equipment. Depending on application, use face shield, safety goggles or safety glasses. As appropriate, wear dust mask, hearing protectors, gloves and workshop apron capable of stopping small abrasive or workpiece fragments. The eye protection must be capable of stopping flying debris generated by various operations. The dust mask or respirator must be capable of filtering particles generated by your operation. Prolonged exposure to high intensity noise may cause hearing loss.

i) Keep bystanders a safe distance away from work area. Anyone entering the work area must wear personal protective equipment. Fragments of workpiece or of a broken accessory may fly away and cause injury beyond immediate area of operation.

j) Hold the power tool by insulated gripping surfaces only, when performing an operation where the cutting accessory may contact hidden wiring. Cutting accessory contacting a "live" wire may make exposed metal parts of the power tool "live" and could give the operator an electric shock.

k) Never lay the power tool down until the accessory has come to a complete stop. The spinning accessory may grab the surface and pull the power tool out of your control.

l) Do not run the power tool while carrying it at your side. Accidental contact with the spinning accessory could snag your clothing, pulling the accessory into your body.

m) Regularly clean the power tool's air vents. The motor's fan will draw the dust inside the housing and excessive accumulation of powdered metal may cause electrical hazards.

n) Do not operate the power tool near flammable materials. Sparks could ignite these materials.

o) Do not use accessories that require liquid coolants. Using water or other liquid coolants may result in electrocution or shock.

Kickback and Related Warnings

Kickback is a sudden reaction to a pinched or snagged rotating wheel, backing pad, brush or any other accessory. Pinching or snagging causes rapid stalling of the rotating accessory which in turn causes the uncontrolled power tool to be forced in the direction opposite of the accessory's rotation at the point of the binding.

For example, if an abrasive wheel is snagged or pinched by the workpiece, the edge of the wheel that is entering into the pinch point can dig into the surface of the material causing the wheel to climb out or kick out. The wheel may either jump toward or away from the operator, depending on direction of the wheel's movement at the point of pinching. Abrasive wheels may also break under these conditions.

Kickback is the result of power tool misuse and/or incorrect operating procedures or conditions and can be avoided by taking proper precautions as given below.

a) Maintain a firm grip on the power tool and position your body and arm to allow you to resist kickback forces. Always use auxiliary handle, if provided, for maximum control over kickback or torque reaction during start-up. The operator can control torque reactions or kickback forces, if proper precautions are taken.

b) Never place your hand near the rotating accessory. Accessory may kickback over your hand.

c) Do not position your body in the area where power tool will move if kickback occurs. Kickback will propel the tool in direction opposite to the wheel's movement at the point of snagging.

d) Use special care when working corners, sharp edges etc. Avoid bouncing and snagging the accessory. Corners, sharp edges or bouncing have a tendency to snag the rotating accessory and cause loss of control or kickback.

e) Do not attach a saw chain woodcarving blade or toothed saw blade. Such blades create frequent kickback and loss of control.

Safety Warnings Specific for Grinding and Abrasive Cutting-Off Operations:

a) Use only wheel types that are recommended for your power tool and the specific guard designed for the selected wheel. Wheels for which the power tool was not designed cannot be adequately guarded and are unsafe.

b) The grinding surface of the centre depressed wheels must be mounted below the plane of the guard lip. An improperly mounted wheel that projects through the plane of the guard lip cannot be adequately protected.

c) The guard must be securely attached to the power tool and positioned for maximum safety, so the least amount of wheel is exposed towards the operator. The guard helps to protect the operator from broken wheel fragments, accidental contact with wheel and sparks that could ignite clothing.

d) Wheels must be used only for recommended applications. For example: do not grind with the side of cut-off wheel. Abrasive cut-off wheels are intended for peripheral grinding, side forces applied to these wheels may cause them to shatter.

e) Always use undamaged wheel flanges that are of correct size and shape for your selected wheel. Proper wheel flanges support the wheel thus reducing the possibility of wheel breakage. Flanges for cut-off wheels may be different from grinding wheel flanges.

f) Do not use worn down wheels from larger power tools. Wheel intended for larger power tool is not suitable for the higher speed of a smaller tool and may burst.

Additional Safety Warnings Specific for Abrasive Cutting-Off Operations:

a) Do not "jam" the cut-off wheel or apply excessive pressure. Do not attempt to make an excessive depth of cut. Overstressing the wheel increases the loading and susceptibility to twisting or binding of the wheel in the cut and the possibility of kickback or wheel breakage.

b) Do not position your body in line with and behind the rotating wheel. When the wheel, at the point of operation, is moving away from your body, the possible kickback may propel the spinning wheel and the power tool directly at you.

c) When wheel is binding or when interrupting a cut for any reason, switch off the power tool and hold the power tool motionless until the wheel comes to a complete stop. Never attempt to remove the cut-off wheel from the cut while the wheel is in motion otherwise kickback may occur. Investigate and take corrective action to eliminate the cause of wheel binding.

d) Do not restart the cutting operation in the workpiece. Let the wheel reach full speed and carefully re-enter the cut. The wheel may bind, walk up or kickback if the power tool is restarted in the workpiece.

e) Support panels or any oversized workpiece to minimize the risk of wheel pinching and kickback. Large workpieces tend to sag under their own weight. Supports must be placed under the workpiece near the line of cut and near the edge of the workpiece on both sides of the wheel.

f) Use extra caution when making a "pocket cut" into existing walls or other blind areas. The protruding wheel may cut gas or water pipes, electrical wiring or objects that can cause kickback.

Safety Warnings Specific for Sanding Operations:

a) Do not use excessively oversized sanding disc paper. Follow manufacturers recommendations, when selecting sanding paper. Larger sanding paper extending beyond the sanding pad presents a laceration hazard and may cause snagging, tearing of the disc or kickback.

Safety Warnings Specific for Wire Brushing Operations:

a) Be aware that wire bristles are thrown by the brush even during ordinary operation. Do not overstress the wires by applying excessive load to the brush. The wire bristles can easily penetrate light clothing and/or skin.

b) If the use of a guard is recommended for wire brushing, do not allow any interference of the wire wheel or brush with the guard. Wire wheel or brush may expand in diameter due to work load and centrifugal forces.

ADDITIONAL SAFETY AND WORKING INSTRUCTIONS

Always check if the spindle lock button is fully released before switching on the tool! After using the spindle lock to tighten / loosen the abrasive disc, it is possible that the button may stick in the lock position.

When grinding metal, flying sparks are produced. Take care that no persons are endangered. Because of the danger of fire, no combustible materials should be located in the vicinity (spark flight zone). Do not use dust extraction.

Avoid flying sparks and sanding dust hit your body.

Never reach into the danger area of the machine when it is running.

Chips and splinters must not be removed while the machine is running.

Immediately switch off the machine in case of considerable vibrations or if other malfunctions occur. Check the machine in order to find out the cause.

Under extreme conditions (e.g. smooth-grinding metals with the arbour and vulcanized fibre grinding wheel), significant contamination can build up on the inside of the die grinder.

Do not let any metal parts enter the airing slots - danger of short circuit!

WARNING! Danger of burns! The wheel and workpiece will become hot during use. Wear gloves when changing discs or touching workpiece. Keep hands away from the grinding area at all times.

WARNING! To reduce the risk of fire, personal injury, and product damage due to a short circuit, never immerse your tool, battery pack or charger in fluid or allow a fluid to flow inside them. Corrosive or conductive fluids, such as seawater, certain industrial chemicals, and bleach or bleach containing products, etc., Can cause a short circuit.

Never break open battery packs and chargers and store only in dry rooms. Keep dry at all times.

Use only System M18 chargers for charging System M18 battery packs. Do not use battery packs from other systems.

SPECIFIED CONDITIONS OF USE

The angle grinder is intended for grinding and cutting metal, stone, concrete and ceramic materials as well as sanding and wire brushing.

Use the cutting guard from the accessories range for cutting application.

Please refer to the instructions supplied by the accessory manufacturer.

The machine is suitable only for working without water.

Only appropriate grinding or cutting discs and related guards (grinding guard or cutting guard) as described in the product specification section of this manual should be fitted to the angle grinder. The angle grinder is designed for handheld use; it is not to be mounted onto a fixture or workbench.

Do not use the product in any way other than those stated for intended use.

RESIDUAL RISK

Even when the product is used as prescribed, it is still impossible to completely eliminate certain residual risk factors. The following hazards may arise in use and the operator should pay special attention to avoid the following:

- Injury caused by vibration. Hold the product by designated handles and restrict working time and exposure.
- Exposure to noise can cause hearing injury. Wear ear protection and limit exposure.
- Injury due to flying debris. Wear eye protection, heavy long trousers, gloves and substantial footwear at all times.
- Inhalation of toxic dusts.

NOTES FOR LI-ION BATTERIES

Use of Li-Ion batteries

Battery packs which have not been used for some time should be recharged before use.

Temperatures in excess of 50°C (122°F) reduce the performance of the battery pack. Avoid extended exposure to heat or sunshine (risk of overheating).

The contacts of chargers and battery packs must be kept clean.

For an optimum life-time, the battery packs have to be fully charged, after use.

To obtain the longest possible battery life remove the battery pack from the charger once it is fully charged.

For battery pack storage longer than 30 days:

Store the battery pack where the temperature is below 27°C and away from moisture.

Store the battery packs in a 30% - 50% charged condition.

Every six months of storage, charge the pack as normal.

Battery protection for Li-Ion batteries

In extremely high torque, binding, stalling and short circuit situations that cause high current draw, the tool will vibrate for about 5 seconds, the fuel gauge will flash, and then the tool will turn OFF.

To reset, release the trigger. Under extreme circumstances, the internal temperature of the battery pack could raise too much. If this happens, the fuel gauge will flash until the battery pack cooled down. After the lights go off, the work may continue.

Transporting Lithium Batteries

Lithium-ion batteries are subject to the Dangerous Goods Legislation requirements.

Transportation of those batteries has to be done in accordance with local, national and international provisions and regulations.

The user can transport the batteries by road without further requirements.

Commercial transport of Lithium-Ion batteries by third parties is subject to Dangerous Goods regulations. Transport preparation and transport are exclusively to be carried out by appropriately trained persons and the process has to be accompanied by corresponding experts.

When transporting batteries:

Ensure that battery contact terminals are protected and insulated to prevent short circuit.

Ensure that battery pack is secured against movement within packaging. Do not transport batteries that are cracked or leak. Check with forwarding company for further advice.

WORKING INSTRUCTIONS

Overload and Kickback Protection

The power tool has an overload and kickback safety function and stops if it is overloaded. Switch off the power tool and then switch the power tool back on again in order to continue to work.

Soft start

Electronic soft start for save use prevents jerky run-up of the machine.

For accessories intended to be fitted with threaded hole wheel, ensure that the thread in the wheel is long enough to accept the spindle length.

Always use and store the cutting and grinding wheels according to the manufacturer's instructions.

Always use the correct guard for cutting and grinding.

The grinding surface of the centre depressed wheels must be mounted min. 2 mm below the plane of the guard lip.

The adjusting nut must be tightened before starting to work with the machine.

Always use the auxiliary handle.

The workpiece must be fixed if it is not heavy enough to be steady. Never move the workpiece towards the rotating wheel by hand.

The flange nut must be securely tightened before the machine is started. If the tool is not securely tightened with the flange nut, it is possible that the tool will lose the required clamping force when it is decelerated.

CLEANING

The ventilation slots of the machine must be kept clear at all times.

MAINTENANCE

Use only Milwaukee accessories and Milwaukee spare parts. Should components need to be replaced which have not been described, please contact one of our Milwaukee service agents (see our list of guarantee/service addresses).

If needed, an exploded view of the tool can be ordered. Please state the Article No. as well as the machine type printed on the label and order the drawing at your local service agents or directly at: Technonic Industries GmbH, Max-Eyth-Straße 10, 71364 Winnenden, Germany.

SYMBOLS

| | |
|--|---|
| | Please read the instructions carefully before starting the machine. |
| | CAUTION! WARNING! DANGER! |
| | Remove the battery pack before starting any work on the appliance. |
| | Do not use the guard for cut-off operations. |
| | Do not use force. |
| | Use force. |

| | |
|--|--|
| | Always wear goggles when using the machine. |
| | Wear ear protectors. |
| | Wear a suitable dust protection mask. |
| | Wear gloves! |
| | Always operate with two hands. |
| | Only for grinding. |
| | Only for cutting work. |
| | Pay attention to permissible disc thickness. |
| | Accessory - Not included in standard equipment, available as an accessory. |
| | Do not dispose of electric tools together with household waste material. Electric tools and electronic equipment that have reached the end of their life must be collected separately and returned to an environmentally compatible recycling facility. Check with your local authority or retailer for recycling advice and collection point. |
| | Rated speed |
| | Voltage |
| | Direct Current |
| | European Conformity Mark |
| | British Conformity Mark |
| | Ukraine Conformity Mark |
| | EurAsian Conformity Mark |

TECHNISCHE DATEN

| | M18 FSAG115X | M18 FSAG125X |
|-----------------------------------|---|-------------------------|
| Bauart | Akku-Winkelschleifer | Akku-Winkelschleifer |
| Produktionsnummer | 4830 49 01 XXXXXX MJJJJ | 4830 56 01 XXXXXX MJJJJ |
| Spannung Wechselakku | 18 V | 18 V |
| Nenn Drehzahl | 8500 min ⁻¹ | 8500 min ⁻¹ |
| Spindelgewinde | M14 | M14 |
| D=Schleifscheibendurchmesser max. | 115 mm | 125 mm |
| d=Bohrungsdurchmesser | 22,2 mm | 22,2 |
| | b=Schleifscheibendicke max. | 6 mm |
| | b=Trennscheibendicke max. / min. | 3 mm / 1 mm |
| | D=Schleifteller-/Blatt Durchmesser max. | 115 mm |
| | D=Topfbürstendurchmesser max. | 75 mm |

| | | |
|--|--------------------|----------------|
| Gewicht nach EPTA-Prozedur 01/2014 (Li-Ion 2,0 Ah ... 12,0 Ah) | 2,4 ... 3,4 kg | 2,4 ... 3,5 kg |
| Empfohlene Umgebungstemperatur für den Betrieb | -18 ... +50 °C | |
| Empfohlene Akku Typen | M18B...; M18HB... | |
| Empfohlene Ladegeräte | M12-18...; M1418C6 | |

Geräuschinformation: Messwerte ermittelt entsprechend EN 60745. Der A-bewertete Geräuschpegel des Gerätes beträgt typischerweise:

| | | |
|--------------------------------------|----------------------|----------------------|
| Schalldruckpegel / Unsicherheit K | 82,7 dB(A) / 3 dB(A) | 82,7 dB(A) / 3 dB(A) |
| Schalleistungspegel / Unsicherheit K | 93,7 dB(A) / 3 dB(A) | 93,7 dB(A) / 3 dB(A) |

Gehörschutz tragen!

Vibrationsinformationen: Schwingungsgesamtwerte (Vektorsumme dreier Richtungen) ermittelt entsprechend EN 60745.

| | | |
|--|---|---|
| Schwingungsemissionswert a _n / Unsicherheit K | | |
| Oberflächenschleifen | 4,8 m/s ² / 1,5 m/s ² | 5,5 m/s ² / 1,5 m/s ² |
| Schleifen mit Schleifblatt | 1,1 m/s ² / 1,5 m/s ² | 1,9 m/s ² / 1,5 m/s ² |

Bei anderen Anwendungen, wie z.B. Trennschleifen oder Schleifen mit der Stahldrahtbürste können sich andere Vibrationswerte ergeben!

⚠️ WARNUNG!

Die angegebenen Schwingungsgesamtwerte und Geräuschemissionswerte wurden nach einem genormten Messverfahren gemäß EN 60745 gemessen und können für den Vergleich von Elektrowerkzeugen miteinander verwendet werden. Sie können für eine vorläufige Einschätzung der Belastung verwendet werden.

Der angegebene Schwingungs- und Geräuschemissionspegel repräsentiert die hauptsächlichsten Anwendungen des Elektrowerkzeugs. Wenn allerdings das Elektrowerkzeug für andere Anwendungen, mit abweichenden Einsatzwerkzeugen oder ungenügender Wartung eingesetzt wird, können sich die Schwingungs- und Geräuschemissionen unterscheiden. Dies kann deren Wirkung über den gesamten Arbeitszeitraum deutlich erhöhen.

Bei der Abschätzung der Belastung durch Schwingungen und Lärm sollten auch die Zeiten berücksichtigt werden, in denen das Elektrowerkzeug ausgeschaltet ist oder zwar läuft, aber keine tatsächliche Arbeit verrichtet wird. Dies kann deren Wirkung über den gesamten Arbeitszeitraum deutlich reduzieren.

Legen Sie zusätzliche Sicherheitsmaßnahmen zum Schutz des Bedieners vor den Auswirkungen von Schwingungen- und / oder Lärm fest, wie z. B.: Wartung des Werkzeugs und des Zubehörs, Warmhalten der Hände, Organisation der Arbeitsabläufe.

⚠️ WARNUNG! Lesen Sie alle Sicherheitshinweise und Anweisungen. Versäumnisse bei der Einhaltung der Sicherheitshinweise und Anweisungen können elektrischen Schlag, Brand und/oder schwere Verletzungen verursachen.

Bewahren Sie alle Sicherheitshinweise und Anweisungen für die Zukunft auf.

SICHERHEITSHINWEISE FÜR WINKELSCHLEIFER

Gemeinsame Sicherheitshinweise zum Schleifen, Sandpapiers Schleifen, Arbeiten mit Drahtbürsten und Trennschleifen:

- Dieses Elektrowerkzeug ist zu verwenden als Schleifer, Sandpapiers Schleifer, Drahtbürste und Trennschleifmaschine. Beachten Sie alle Sicherheitshinweise, Anweisungen, Darstellungen und Daten, die Sie mit dem Gerät erhalten.** Wenn Sie die folgenden Anweisungen nicht beachten, kann es zu elektrischem Schlag, Feuer und/oder schweren Verletzungen kommen.
- Dieses Elektrowerkzeug ist nicht geeignet zum Polieren.** Verwendungen, für die das Elektrowerkzeug nicht vorgesehen ist, können Gefährdungen und Verletzungen verursachen.
- Verwenden Sie kein Zubehör, das vom Hersteller nicht speziell für dieses Elektrowerkzeug vorgesehen und empfohlen wurde.** Nur weil Sie das Zubehör an Ihrem Elektrowerkzeug befestigen können, garantiert das keine sichere Verwendung.

d) Die zulässige Drehzahl des Einsatzwerkzeugs muss mindestens so hoch sein wie die auf dem Elektrowerkzeug angegebene Höchstzahl. Zubehör, das sich schneller als zulässig dreht, kann zerbrechen und umherfliegen.

e) Außendurchmesser und Dicke des Einsatzwerkzeugs müssen den Maßangaben Ihres Elektrowerkzeugs entsprechen. Falsch bemessene Einsatzwerkzeuge können nicht ausreichend abgeschirmt oder kontrolliert werden.

f) Einsatzwerkzeuge mit Gewindeinsatz müssen genau auf das Gewinde der Schleifspindel passen. Bei Einsatzwerkzeugen, die mittels Flansch montiert werden, muss der Lochdurchmesser des Einsatzwerkzeugs zum Aufnahmeflansch des Flansches passen. Einsatzwerkzeuge, die nicht genau am Einsatzwerkzeug befestigt werden, drehen sich ungleichmäßig, vibrieren sehr stark und können zum Verlust der Kontrolle führen.

g) Verwenden Sie keine beschädigten Einsatzwerkzeuge. Kontrollieren Sie vor jeder Verwendung Einsatzwerkzeuge wie Schleifscheiben auf Absplitterungen und Risse, Schleifteller auf Risse, Verschleiß oder starke Abnutzung, Drahtbürsten auf lose oder gebrochene Drähte. Wenn das Elektrowerkzeug oder das Einsatzwerkzeug herunterfällt, überprüfen Sie, ob es beschädigt ist, oder verwenden Sie ein unbeschädigtes Einsatzwerkzeug. Wenn Sie das Einsatzwerkzeug kontrolliert und eingesetzt haben, halten Sie und in der Nähe befindliche Personen sich außerhalb der Ebene des rotierenden Einsatzwerkzeugs auf und lassen Sie das Elektrowerkzeug eine Minute lang mit Höchstzahl laufen. Beschädigte Einsatzwerkzeuge brechen meist in dieser Testzeit.

h) Tragen Sie persönliche Schutzausrüstung. Verwenden Sie je nach Anwendung Vollgesichtsschutz, Augenschutz oder Schutzbrille. Soweit angemessen, tragen Sie Staubmaske, Gehörschutz, Schutzhandschuhe oder Spezialschürze, die kleine Schlei- und Materialpartikel von Ihnen fernhält. Die Augen sollen vor herumfliegenden Fremdkörpern geschützt werden, die bei verschiedenen Anwendungen entstehen. Staub- oder Atemschutzmaske müssen den bei der Anwendung entstehenden Staub filtern. Wenn Sie lange lautem Lärm ausgesetzt sind, können Sie einen Hörverlust erleiden.

i) Achten Sie bei anderen Personen auf sicheren Abstand zu Ihrem Arbeitsbereich. Jeder, der den Arbeitsbereich betritt, muss persönliche Schutzausrüstung tragen. Bruchstücke des Werkstücks oder gebrochener Einsatzwerkzeuge können wegfiegen und Verletzungen auch außerhalb des direkten Arbeitsbereichs verursachen.

j) Halten Sie das Elektrowerkzeug nur an den isolierten Griffflächen, wenn Sie Arbeiten ausführen, bei denen das Einsatzwerkzeug verborgene Stromleitungen treffen kann. Der Kontakt mit einer spannungsführenden Leitung kann auch metallene Geräteteile unter Spannung setzen und zu einem elektrischen Schlag führen.

k) Legen Sie das Elektrowerkzeug niemals ab, bevor das Einsatzwerkzeug völlig zum Stillstand gekommen ist. Das sich drehende Einsatzwerkzeug kann in Kontakt mit der Ablagefläche geraten, wodurch Sie die Kontrolle über das Elektrowerkzeug verlieren können.

l) Lassen Sie das Elektrowerkzeug nicht laufen, während Sie es tragen. Ihre Kleidung kann durch zufälligen Kontakt mit dem sich drehenden Einsatzwerkzeug erfasst werden und das Einsatzwerkzeug sich in Ihren Körper bohren.

m) Reinigen Sie regelmäßig die Lüftungsschlitze Ihres Elektrowerkzeugs. Das Motorgebläse zieht Staub in das Gehäuse, und eine starke Ansammlung von Metallstaub kann elektrische Gefahren verursachen.

n) Verwenden Sie das Elektrowerkzeug nicht in der Nähe brennbarer Materialien. Funken können diese Materialien entzünden.

o) Verwenden Sie keine Einsatzwerkzeuge, die flüssige Kühlmittel erfordern. Die Verwendung von Wasser oder anderen flüssigen Kühlmitteln kann zu einem elektrischen Schlag führen.

Rückschlag und entsprechende Sicherheitshinweise

Rückschlag ist die plötzliche Reaktion infolge eines hakenden oder blockierten drehenden Einsatzwerkzeugs, wie Schleifscheibe, Schleifteller, Drahtbürste usw. Verhaken oder Blockieren führt zu einem abrupten Stopp des rotierenden Einsatzwerkzeugs. Dadurch wird ein unkontrolliertes Elektrowerkzeug gegen die Drehrichtung des Einsatzwerkzeugs an der Blockierstelle beschleunigt.

Wenn z. B. eine Schleifscheibe im Werkstück hakt oder blockiert, kann sich die Kante der Schleifscheibe, die in das Werkstück eintaucht, verfangen und dadurch die Schleifscheibe ausbrechen oder einen Rückschlag verursachen. Die Schleifscheibe bewegt sich dann auf die Bedienperson zu oder von ihr weg, je nach Drehrichtung der Scheibe an der Blockierstelle. Hierbei können Schleifscheiben auch brechen.

Ein Rückschlag ist die Folge eines falschen oder fehlerhaften Gebrauchs des Elektrowerkzeugs. Er kann durch geeignete Vorsichtsmaßnahmen, wie nachfolgend beschrieben, verhindert werden.

a) Halten Sie das Elektrowerkzeug gut fest und bringen Sie Ihren Körper und Ihre Arme in eine Position, in der Sie die Rückschlagkräfte abfangen können. Verwenden Sie immer den Zusatzgriff, falls vorhanden, um die größtmögliche Kontrolle über Rückschlagkräfte oder Reaktionsmomente beim Hochlauf zu haben. Die Bedienperson kann durch geeignete Vorsichtsmaßnahmen die Rückschlag- und Reaktionskräfte beherrschen.

b) Bringen Sie Ihre Hand nie in die Nähe sich drehender Einsatzwerkzeuge. Das Einsatzwerkzeug kann sich beim Rückschlag über Ihre Hand bewegen.

c) Meiden Sie mit Ihrem Körper den Bereich, in den das Elektrowerkzeug bei einem Rückschlag bewegt wird. Der Rückschlag treibt das Elektrowerkzeug in die Richtung entgegengesetzt zur Bewegung der Schleifscheibe an der Blockierstelle.

d) Arbeiten Sie besonders vorsichtig im Bereich von Ecken, scharfen Kanten usw. Verhindern Sie, dass Einsatzwerkzeuge vom Werkstück zurückprallen und verkleben. Das rotierende Einsatzwerkzeug neigt bei Ecken, scharfen Kanten oder wenn es abrällt dazu, sich zu verkleben. Dies verursacht einen Kontrollverlust oder Rückschlag.

e) Verwenden Sie kein Ketten- oder gezähntes Sägeblatt. Solche Einsatzwerkzeuge verursachen häufig einen Rückschlag oder den Verlust der Kontrolle über das Elektrowerkzeug.

Besondere Sicherheitshinweise zum Schleifen und Trennschleifen:

a) Verwenden Sie ausschließlich die für Ihr Elektrowerkzeug zugelassene Schleifkörper und die für diese Schleifkörper vorgesehene Schutzhaube. Schleifkörper, die nicht für das Elektrowerkzeug vorgesehen sind, können nicht ausreichend abgeschirmt werden und sind unsicher.

b) Gekröpfte Schleifscheiben müssen so montiert werden, dass ihre Schleiffläche nicht über die Ebene des Schutzhaubenrandes hinausragt. Eine unsachgemäß montierte Schleifscheibe, die über die Ebene des Schutzhaubenrandes hinausragt, kann nicht ausreichend abgeschirmt werden.

c) Die Schutzhaube muss sicher am Elektrowerkzeug angebracht und für ein Höchstmaß an Sicherheit so eingestellt sein, dass der kleinstmögliche Teil des Schleifkörpers offen zum Bediener zeigt. Die Schutzhaube hilft, die Bedienperson vor Bruchstücken, zufälligem Kontakt mit dem Schleifkörper sowie Funken, die Kleidung entzündend könnten, zu schützen.

d) Schleifkörper dürfen nur für die empfohlenen Einsatzmöglichkeiten verwendet werden. Zum Beispiel: Schleifen Sie nie mit der Seitenfläche einer Trennscheibe. Trennscheiben sind zum Materialabtrag mit der Kante der Scheibe bestimmt. Seitliche Krafterwirkung auf diese Schleifkörper kann sie zerbrechen.

e) Verwenden Sie immer unbeschädigte Spannflansche in der richtigen Größe und Form für die von Ihnen gewählte Schleifscheibe. Geeignete Flansche stützen die Schleifscheibe und verringern so die Gefahr eines Schleifscheibenbruchs. Flansche für Trennscheiben können sich von den Flanschen für andere Schleifscheiben unterscheiden.

f) Verwenden Sie keine abgenutzten Schleifscheiben von größeren Elektrowerkzeugen. Schleifscheiben für größere Elektrowerkzeuge sind nicht für die höheren Drehzahlen von kleineren Elektrowerkzeugen ausgelegt und können brechen.

Weitere besondere Sicherheitshinweise zum Trennschleifen:

a) Vermeiden Sie ein Blockieren der Trennscheibe oder zu hohen Anpressdruck. Führen Sie keine übermäßig tiefen Schnitte aus. Eine Überlastung der Trennscheibe erhöht deren Beanspruchung und die Anfälligkeit zum Verhaken oder Blockieren und damit die Möglichkeit eines Rückschlags oder Schleifkörperbruchs.

b) Meiden Sie den Bereich vor und hinter der rotierenden Trennscheibe. Wenn Sie die Trennscheibe im Werkstück von sich weg bewegen, kann im Falle eines Rückschlags das Elektrowerkzeug mit der sich drehenden Scheibe direkt auf Sie zugeschleudert werden.

c) Falls die Trennscheibe verklemt oder Sie die Arbeit unterbrechen, schalten Sie das Gerät aus und halten Sie es ruhig, bis die Scheibe zum Stillstand gekommen ist. Versuchen Sie nie, die noch laufende Trennscheibe aus dem Schnitt zu ziehen, sonst kann ein Rückschlag erfolgen. Ermitteln und beheben Sie die Ursache für das Verkleben.

d) Schalten Sie das Elektrowerkzeug nicht wieder ein, solange es sich im Werkstück befindet. Lassen Sie die Trennscheibe erst ihre volle Drehzahl erreichen, bevor Sie den Schnitt vorsichtig fortsetzen. Andernfalls kann die Scheibe verhaken, aus dem Werkstück springen oder einen Rückschlag verursachen.

e) Stützen Sie Platten oder große Werkstücke ab, um das Risiko eines Rückschlags durch eine eingeklemmte Trennscheibe zu vermindern. Große Werkstücke können sich unter ihrem eigenen Gewicht durchbiegen. Das Werkstück muss auf beiden Seiten abgestützt werden, und zwar sowohl in der Nähe des Trennschnitts als auch an der Kante.

f) Seien Sie besonders vorsichtig bei „Taschenschnitten“ in bestehende Wände oder andere nicht einsehbare Bereiche. Die eintauchende Trennscheibe kann beim Schneiden in Gas- oder Wasserleitungen, elektrische Leitungen oder andere Objekte einen Rückschlag verursachen.

Besondere Sicherheitshinweise zum Sandpapierschleifen:

a) Benutzen Sie keine überdimensionierten Schleifblätter, sondern befolgen Sie die Herstellerangaben zur Schleifblattgröße. Schleifblätter, die über den Schleifteller hinausragen, können Verletzungen verursachen sowie zum Blockieren, Zerreißen der Schleifblätter oder zum Rückschlag führen.

Besondere Sicherheitshinweise zum Arbeiten mit Drahtbürsten:

a) Beachten Sie, dass die Drahtbürste auch während des üblichen Gebrauchs Drahtstücke verliert. Überlasten Sie die Drähte nicht durch zu hohen Anpressdruck. Wegfliegende Drahtstücke können sehr leicht durch dünne Kleidung und/oder die Haut dringen.

b) Wird eine Schutzhaube empfohlen, verhindern Sie, dass sich Schutzhaube und Drahtbürste berühren können. Teller- und Topfbürsten können durch Anpressdruck und Zentrifugalkräfte ihren Durchmesser vergrößern.

WEITERE SICHERHEITS- UND ARBEITSHINWEISE

Überprüfen Sie stets, ob die Spindelarretierung vollständig gelöst ist, bevor Sie das Werkzeug einschalten! Nach der Verwendung der Spindelarretierung zum Anziehen/Lösen der Schleifscheibe ist es möglich, dass die Taste in der Verriegelungsstellung stecken bleibt.

Beim Schleifen von Metallen entsteht Funkenflug. Darauf achten, dass keine Personen gefährdet werden. Wegen der Brandgefahr dürfen sich keine brennbaren Materialien im Funkenflugbereich befinden. Keine Staubabsaugung verwenden.

Vermeiden Sie, dass Funkenflug und Schleifstaub den Körper treffen.

Nicht in den Gefahrenbereich der laufenden Maschine greifen. Späne oder Splitter dürfen bei laufender Maschine nicht entfernt werden.

Gerät sofort ausschalten, wenn beträchtliche Schwingungen auftreten oder andere Mängel festgestellt werden. Überprüfen Sie die Maschine, um die Ursache festzustellen.

Bei extremen Einsatzbedingungen (z. B. beim Glattschleifen von Metallen mit Stützsteller und Vulkanfieber-Schleifscheibe) kann sich eine starke Verschmutzung im Inneren des Stabschleifers (Metallablagerungen) aufbauen.

Wegen Kurzschlussgefahr dürfen Metallteile nicht in die Lüftungsschlitze gelangen.

WARNUNG! Verbrennungsgefahr! Die Scheibe und das Werkstück werden während der Verwendung heiß. Tragen Sie Handschuhe, wenn Sie Scheiben austauschen oder das Werkstück berühren. Halten Sie Ihre Hände unter keinen Umständen in den Schleiffbereich.

WARNUNG! Um die durch einen Kurzschluss verursachte Gefahr eines Brandes, von Verletzungen oder Produktbeschädigungen zu vermeiden, tauchen Sie das Werkzeug, den Wechselakku oder das Ladegerät nicht in Flüssigkeiten ein und sorgen Sie dafür, dass keine Flüssigkeiten in die Geräte und Akkus eindringen. Korrodierende oder leitfähige Flüssigkeiten, wie Salzwasser, bestimmte Chemikalien und Bleichmittel oder Produkte, die Bleichmittel enthalten, können einen Kurzschluss verursachen. Wechselakkus und Ladegeräte nicht öffnen und nur in trockenen Räumen lagern. Vor Nässe schützen.

Wechselakku des Systems M18 nur mit Ladegeräten des Systems M18 laden. Keine Akkus aus anderen Systemen laden.

BESTIMMUNGSGEMÄSSE VERWENDUNG

Der Winkelschleifer ist zum Schleifen und Trennen von Metall-, Stein-, Beton- und Keramikmaterialien sowie zum Schmirgeln und Bürsten (mit einer Drahtbürste) vorgesehen.

Für Trennarbeiten Trennschutzkappe aus dem Zubehörprogramm verwenden.

Beachten Sie auch die Hinweise der Zubehöhersteller.

Das Elektrowerkzeug ist nur für Trockenbearbeitung geeignet.

Am Winkelschleifer sollten nur geeignete Schleif- oder Trennscheiben und entsprechende Schutzvorrichtungen (Schleifschutz oder Trennschutz), wie im Abschnitt "Produktspezifikation" dieses Handbuchs beschrieben, angebracht werden. Der Winkelschleifer ist als Handwerkzeug vorgesehen. Er darf nicht auf einer Halterung oder Werkbank montiert werden.

Verwenden Sie das Produkt nur für den bestimmungsgemäßen Gebrauch.

RESTRISIKEN

Auch bei ordnungsgemäßer Verwendung können nicht alle Restrisiken ausgeschlossen werden. Beim Gebrauch können folgende Gefahren entstehen, auf die der Bediener besonders achten sollte:

- Durch Vibration verursachte Verletzungen. Halten Sie das Gerät an den dafür vorgesehenen Griffen und begrenzen Sie die Arbeits- und Expositionszeit.
- Lärmbelastung kann zu Gehörschädigungen führen. Tragen Sie einen Gehörschutz und schränken Sie die Expositionsdauer ein.
- Durch Schmutzpartikel verursachte Augenverletzungen. Tragen Sie immer eine Schutzbrille, feste lange Hosen, Handschuhe und festes Schuhwerk.
- Einatmen von giftigen Stäuben.

HINWEISE FÜR LI-ION-AKKUS

Gebrauch von Li-Ion-Akkus

Längere Zeit nicht benutzte Wechselakkus vor Gebrauch nachladen.

Eine Temperatur über 50°C vermindert die Leistung des Wechselakkus. Längere Erwärmung durch Sonne oder Heizung vermeiden.

Die Anschlusskontakte an Ladegerät und Wechselakku sauber halten.

Für eine optimale Lebensdauer müssen nach dem Gebrauch die Akkus voll geladen werden.

Für eine möglichst lange Lebensdauer sollten die Akkus nach dem Aufladen aus dem Ladegerät entfernt werden.

Bei Lagerung des Akkus länger als 30 Tage:

Akku bei ca. 27°C und trocken lagern.

Akku bei ca. 30%-50% des Ladezustandes lagern.

Akku alle 6 Monate erneut aufladen.

Akkuüberlastschutz bei Li-Ion-Akkus

Bei Überlastung des Akkus durch sehr hohen Stromverbrauch, z.B. extrem hohe Drehmomente, plötzlichem Stopp oder Kurzschluss, vibriert das Elektrowerkzeug 5 Sekunden lang, die Ladeanzeige blinkt und das Elektrowerkzeug schaltet sich selbsttätig ab.

Zum Wiedereinschalten, den Schalterdrücker loslassen und dann wieder einschalten. Unter extremen Belastungen erhitzt sich der Akku zu stark. In diesem Fall blinken alle Lampen der Ladeanzeige bis der Akku abgekühlt ist. Nach Erlöschen der Ladeanzeige kann weitergearbeitet werden.

Transport von Lithium-Ionen-Akkus

Lithium-Ionen-Akkus fallen unter die gesetzlichen Bestimmungen zum Gefahrguttransport.

Der Transport dieser Akkus muss unter Einhaltung der lokalen, nationalen und internationalen Vorschriften und Bestimmungen erfolgen.

Verbraucher dürfen diese Akkus ohne Weiteres auf der Straße transportieren.

Der kommerzielle Transport von Lithium-Ionen-Akkus durch Speditionsunternehmen unterliegt den Bestimmungen des Gefahrguttransports. Die Versandvorbereitungen und der Transport dürfen ausschließlich von entsprechend geschulten Personen durchgeführt werden. Der gesamte Prozess muss fachmännisch begleitet werden.

Folgende Punkte sind beim Transport von Akkus zu beachten:

Stellen Sie sicher, dass die Kontakte geschützt und isoliert sind, um Kurzschlüsse zu vermeiden.

Achten Sie darauf, dass der Akkupack innerhalb der Verpackung nicht verrutschen kann. Beschädigte oder auslaufende Akkus dürfen nicht transportiert werden. Wenden Sie sich für weitere Hinweise an Ihr Speditionsunternehmen.

ARBEITSHINWEISE

Überlast- und Rückschlag-Schutz

Das Elektrowerkzeug verfügt über eine Überlast- und Rückschlag-Schutzfunktion und stoppt bei entsprechender Überlast. Um weiter zu arbeiten, Elektrowerkzeug aus- und wieder einschalten.

Sanftanlauf

Elektronischer Sanftanlauf für sichere Handhabung verhindert beim Einschalten ein ruckartiges Anlaufen der Maschine.

Vergewissern Sie sich bei Schleifwerkzeugen mit Gewindeinsatz, dass das Gewinde lang genug ist, um die Spindellänge aufzunehmen.

Trenn- und Schleifscheiben stets gemäß den Angaben des Herstellers verwenden und aufbewahren.

Beim Schruppen und Trennen immer mit Schutzhaube arbeiten.

Gekrüpfte Schleifscheiben müssen so montiert werden, dass ihre Schleiffläche mind. 2 mm unter der Ebene des Schutzhaubenrandes endet.

Die Flanschnutter muss vor Inbetriebnahme der Maschine angezogen sein.

Stets den Zusatzhandgriff verwenden.

Das zu bearbeitende Werkstück muss festgespannt werden, sofern es nicht durch sein Eigengewicht hält. Niemals Werkstück mit der Hand gegen die Scheibe führen.

Die Flanschnutter muss vor Inbetriebnahme der Maschine fest angezogen sein. Sollte das Einsatzwerkzeug mit der Flanschnutter nicht fest angezogen werden, besteht die Möglichkeit, dass das Einsatzwerkzeug beim Abbremsen die notwendige Spannkraft verliert.

REINIGUNG

Stets die Lüftungsschlitze der Maschine sauber halten.

WARTUNG

Nur Milwaukeee Zubehör und Milwaukeee Ersatzteile verwenden. Bauteile, deren Austausch nicht beschrieben wurde, bei einer Milwaukeee Kundendienststelle auswechseln lassen (Broschüre Garantie/Kundendienstadressen beachten).

Bei Bedarf kann eine Explosionszeichnung des Gerätes unter Angabe der Maschinen Type und der sechsstelligen Nummer auf dem Leistungsschild bei Ihrer Kundendienststelle oder direkt bei Techtronic Industries GmbH, Max-Eyth-Straße 10, 71364 Winnenden, Germany angefordert werden.

SYMBOLS



Bitte lesen Sie die Gebrauchsanweisung vor Inbetriebnahme sorgfältig durch.



ACHTUNG! WARNUNG! GEFAHR!



Vor allen Arbeiten am Gerät den Wechselakku herausnehmen.



Den Schutz nicht für das Trennschleifen verwenden.



Keine Kraft anwenden.



Kraft anwenden.



Beim Arbeiten mit der Maschine stets Schutzbrille tragen.



Tragen Sie Gehörschutz.



Geeignete Staubschutzmaske tragen.



Schutzhandschuhe tragen!



Das Werkzeug stets mit zwei Händen bedienen.



Nur für Schleifarbeiten.



Nur für Trennarbeiten.



Auf zulässige Scheibendicke achten.



Zubehör - Im Lieferumfang nicht enthalten, empfohlene Ergänzung aus dem Zubehörprogramm.



Elektrogeräte dürfen nicht zusammen mit dem Hausmüll entsorgt werden. Elektrische und elektronische Geräte sind getrennt zu sammeln und zur umweltgerechten Entsorgung bei einem Verwertungsbetrieb abzugeben. Erkundigen Sie sich bei den örtlichen Behörden oder bei Ihrem Fachhändler nach Recyclinghöfen und Sammelstellen.

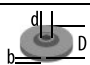
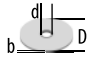

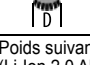
n_0

Nenn Drehzahl

V

Spannung

| | |
|--|-------------------------------------|
| | Gleichstrom |
| | Europäisches Konformitätszeichen |
| | Britisches Konformitätszeichen |
| | Ukrainisches Konformitätszeichen |
| | Euroasiatisches Konformitätszeichen |

| CARACTÉRISTIQUES TECHNIQUES | M18 FSAG115X | M18 FSAG125X |
|---|---------------------------|---------------------------|
| Type | Meuleuse d'Angle sans fil | Meuleuse d'Angle sans fil |
| Numéro de série | 4830 49 01 XXXXXX MJJJJ | 4830 56 01 XXXXXX MJJJJ |
| Tension accu interchangeable | 18 V | 18 V |
| Vitesse de rotation nominale | 8500 min ⁻¹ | 8500 min ⁻¹ |
| Filetage de l'arbre | M14 | M14 |
| D=Diamètre de meule max. | 115 mm | 125 mm |
| d=Diamètre de perçage | 22,2 mm | 22,2 |
|  b=Épaisseur disque polisseur max. | 6 mm | 6 mm |
|  b=Épaisseur disque de coupe. max. / min. | 3 mm / 1 mm | 3 mm / 1 mm |
|  D=Diamètre du disque de ponçage max. | 115 mm | 125 mm |
|  D=Diamètre brosse métallique max. | 75 mm | 75 mm |
| Poids suivant EPTA-Procédure 01/2014 (Li-Ion 2,0 Ah ... 12,0 Ah) | 2,4 ... 3,4 kg | 2,4 ... 3,5 kg |
| Température ambiante conseillée pour le fonctionnement | -18 ... +50 °C | |
| Batteries conseillées | M18B...; M18HB... | |
| Chargeurs conseillés | M12-18...; M1418C6 | |

Informations sur le bruit: Valeurs de mesure obtenues conformément à la EN 60745. Les mesures réelles (des niveaux acoustiques de l'appareil) sont :

Niveau de pression acoustique / Incertitude K 82,7 dB(A) / 3 dB(A) 82,7 dB(A) / 3 dB(A)

Niveau d'intensité acoustique / Incertitude K 93,7 dB(A) / 3 dB(A) 93,7 dB(A) / 3 dB(A)

Toujours porter une protection acoustique!

Informations sur les vibrations: Valeurs totales des vibrations (somme vectorielle de trois sens) établies conformément à EN 60745.

Valeur d'émission vibratoire a_v / Incertitude K

| | | |
|---------------------------------|---|---|
| Meulage surfacique | 4,8 m/s ² / 1,5 m/s ² | 5,5 m/s ² / 1,5 m/s ² |
| Polissage avec feuille abrasive | 1,1 m/s ² / 1,5 m/s ² | 1,9 m/s ² / 1,5 m/s ² |

Des valeurs de vibration différentes peuvent se présenter pendant d'autres applications, comme par exemple le tronçonnage ou le polissage avec la brosse à fils métalliques !

AVERTISSEMENT!

Le niveau de vibration et d'émissions sonores indiqué dans cette fiche de données a été mesuré en respect d'une méthode standard de test selon la norme EN 60745 et peut être utilisé pour comparer les outils entre eux. Il peut être utilisé pour évaluation préliminaire de l'exposition.

Le niveau de vibration et d'émissions sonores déclaré correspond à l'application principale de l'outil. Cependant, si l'outil est utilisé pour des applications différentes, avec différents accessoires ou est mal entretenu, les vibrations et les émissions sonores peuvent différer. Cela peut augmenter considérablement le niveau d'exposition au cours de la période de travail totale.

Une estimation du niveau d'exposition aux vibrations et au bruit devrait également tenir compte des temps d'arrêt de l'outil ou des périodes où il est en marche mais n'effectue pas réellement le travail. Cela peut réduire considérablement le niveau d'exposition au cours de la période de travail totale.

Identifier des mesures de sécurité supplémentaires pour protéger l'opérateur des effets des vibrations et/ou du bruit tels que : l'entretien de l'outil et des accessoires, le maintien au chaud des mains, l'organisation des processus de travail.

AVERTISSEMENT! Lisez toutes les consignes de sécurité et les instructions. Le non-respect des avertissements et instructions indiqués ci après peut entraîner un choc électrique, un incendie et/ou de graves blessures sur les personnes.

Bien garder tous les avertissements et instructions.

INDICATEUR DE SÉCURITÉ POUR POLISSEUSE D'ANGLE

Avertissements communs pour le meulage, le ponçage au papier de verre, les travaux avec brosses métalliques le tronçonnage :

a) Cet outil électrique est destiné à fonctionner comme meuleuse, ponceuse, brosse métallique, lustruse ou outil à tronçonner. Lire toutes les mises en garde de sécurité, les instructions, les illustrations et les spécifications fournies avec cet outil électrique. Le fait de ne pas suivre toutes les instructions données cidessous peut provoquer un choc électrique, un incendie et/ou une blessure grave.

b) Cet outil électrique ne convient pas au meulage à la polissage. Les cas d'utilisation pour lesquels l'outil électrique n'est pas prévu peuvent présenter des mises en danger et être à l'origine de blessures.

c) Ne pas utiliser d'accessoires non conçus spécifiquement et recommandés par le fabricant d'outils. Le simple fait que l'accessoire puisse être fixé à votre outil électrique ne garantit pas un fonctionnement en toute sécurité.

d) La vitesse assignée de l'accessoire doit être au moins égale à la vitesse maximale indiquée sur l'outil électrique. Les accessoires fonctionnant plus vite que leur vitesse assignée peuvent se rompre et voler en éclat.

e) Le diamètre extérieur et l'épaisseur de votre accessoire doivent se situer dans le cadre des caractéristiques de capacité de votre outil électrique. Les accessoires dimensionnés de façon incorrecte ne peuvent pas être protégés ou commandés de manière appropriée.

f) Les filetages des accessoires doivent coïncider avec le filetage du mandrin porte-meule. Sur les accessoires équipés de fixation à bride le trou consacré au mandrin de montage doit coïncider avec le diamètre de la bride de fixation. Des accessoires non aptes au mandrin de fixation du dispositif tourneront d'une manière excentrique, vibreront excessivement et ils pourront comporter la perte du contrôle de l'appareil.

g) Ne pas utiliser d'accessoire endommagé. Avant chaque utilisation examiner les accessoires comme les meules abrasives pour détecter la présence éventuelle de copeaux et fissures, les patins d'appui pour détecter des traces éventuelles de fissures, de déchirure ou d'usure excessive, ainsi que les brosses métalliques pour détecter des fils desserrés ou fissurés. Si l'outil électrique ou l'accessoire a subi une chute, examiner les dommages éventuels ou installer un accessoire non endommagé. Après examen et installation d'un accessoire, placez-vous ainsi que les personnes présentes à distance du plan de l'accessoire rotatif et faire marcher l'outil électrique à vitesse maximale à vide pendant 1 min. Les accessoires endommagés seront normalement détruits pendant cette période d'essai.

h) Porter un équipement de protection individuelle. En fonction de l'application, utiliser un écran facial, des lunettes de sécurité ou des verres de sécurité. Le cas échéant, utiliser un masque antipoussières, des protections auditives, des gants et un tablier capables d'arrêter les petits fragments abrasifs ou des pièces à usiner. La protection oculaire doit être capable d'arrêter les débris volants produits par les diverses opérations. Le masque antipoussières ou le respirateur doit être capable de filtrer les particules produites par vos travaux. L'exposition prolongée aux bruits de forte intensité peut provoquer une perte de l'audition.

i) Maintenir les personnes présentes à une distance de sécurité par rapport à la zone de travail. Toute personne entrant dans la zone de travail doit porter un équipement de protection individuelle. Des fragments de pièce à usiner ou d'un accessoire cassé peuvent être projetés et provoquer des blessures en dehors de la zone immédiate d'opération.

j) Maintenez l'appareil par les surfaces de poignée isolées lorsque vous exécutez des travaux pendant lesquels l'outil de coupe peut toucher des lignes électriques dissimulées. Le contact de l'outil de coupe avec un câble qui conduit la tension peut mettre les pièces métalliques de l'appareil sous tension et mener à une décharge électrique.

k) Ne jamais poser l'appareil électrique avant que l'outil rapporté soit entièrement à l'arrêt. L'accessoire de rotation peut agripper la surface et arracher l'outil électrique hors de votre contrôle.

l) Ne pas faire fonctionner l'outil électrique en le portant sur le côté. Un contact accidentel avec l'accessoire de rotation pourrait accrocher vos vêtements et attirer l'accessoire sur vous.

m) Nettoyer régulièrement les orifices d'aération de l'outil électrique. Le ventilateur du moteur attirera la poussière à l'intérieur du boîtier et une accumulation excessive de poudre de métal peut provoquer des dangers électriques.

n) Ne pas faire fonctionner l'outil électrique à proximité de matériaux inflammables. Des étincelles pourraient enflammer ces matériaux.

o) Ne pas utiliser d'accessoires qui nécessitent des réfrigérants fluides. L'utilisation d'eau ou d'autres réfrigérants fluides peut aboutir à une électrocution ou un choc électrique.

Rebonds et mises en garde correspondantes

Le rebond est une réaction soudaine au pincement ou à l'accrochage d'une meule rotative, d'un patin d'appui, d'une brosse ou de tout autre accessoire. Le pincement ou l'accrochage provoque un blocage rapide de l'accessoire en rotation qui, à son tour, contraint l'outil électrique hors de contrôle dans le sens opposé de rotation de l'accessoire au point du grippage.

Par exemple, si une meule abrasive est accrochée ou pincée par la pièce à usiner, le bord de la meule qui entre dans le point de pincement peut creuser la surface du matériau, provoquant des sauts ou l'expulsion de la meule. La meule peut sauter en direction de l'opérateur ou encore en s'en éloignant, selon le sens du mouvement de la meule au point de pincement. Les meules abrasives peuvent également se rompre dans ces conditions.

Le rebond résulte d'un mauvais usage de l'outil et/ou de procédures ou de conditions de fonctionnement incorrectes et peut être évité en prenant les précautions appropriées spécifiées cidessous.

a) Maintenir fermement l'outil électrique et placer votre corps et vos bras pour vous permettre de résister aux forces de rebond. Toujours utiliser une poignée auxiliaire, le cas échéant, pour une maîtrise maximale du rebond ou de la réaction de couple au cours du démarrage. L'opérateur peut maîtriser les couples de réaction ou les forces de rebond, si les précautions qui s'imposent sont prises.

b) Ne jamais placer votre main à proximité de l'accessoire en rotation. L'accessoire est susceptible de rebondir sur votre main.

c) Ne pas vous placer dans la zone où l'outil électrique se déplacera en cas de rebond. Le rebond pousse l'outil dans le sens opposé au mouvement de la meule au point d'accrochage.

d) Apporter un soin particulier lors de travaux dans les coins, les arêtes vives etc. Éviter les rebondissements et les accrochages de l'accessoire. Les coins, les arêtes vives ou les rebondissements ont tendance à accrocher l'accessoire en rotation et à provoquer une perte de contrôle ou un rebond.

e) N'utilisez pas de lames de scie à chaîne ou dentées. Ce type d'outil rapporté provoque fréquemment des contrecoups et une perte de contrôle de l'outil électrique.

Mises en garde de sécurité spécifiques aux opérations de meulage et de tronçonnage abrasif :

a) Le protecteur doit être solidement fixé à l'outil électrique et placé en vue d'une sécurité maximale, de sorte que l'opérateur soit exposé le moins possible à la meule. Le protecteur permet de protéger l'opérateur des fragments de meule cassée et d'un contact accidentel avec la meule.

b) Les disques polisseurs à moyeu déporté devront être montés d'une façon telle que la surface de polissage ne dépasse pas le niveau du bord du protecteur. Un disque polisseur non correctement monté dépassant le niveau du bord du protecteur ne pourra pas être protégé suffisamment.

c) Utiliser uniquement des types de meules recommandés pour votre outil électrique et le protecteur spécifique conçu pour la meule choisie. La protection sécurise l'utilisateur contre les fragments de disque cassé, un contact accidentel avec le disque et les étincelles pouvant provoquer l'inflammation des vêtements.

d) Les meules doivent être utilisées uniquement pour les applications recommandées. Par exemple : ne pas meuler avec le côté de la meule à tronçonner. Les meules à tronçonner abrasives sont destinées au meulage périphérique, l'application de forces latérales à ces meules peut les briser en éclats.

e) Toujours utiliser des flasques de meule non endommagés qui sont de taille et de forme correctes pour la meule que vous avez choisie. Des flasques de meule appropriés supportent la meule réduisant ainsi la possibilité de rupture de la meule. Les flasques pour les meules à tronçonner peuvent être différents des autres flasques de meule.

f) Ne pas utiliser de meules usées d'outils électriques plus grands. La meule destinée à un outil électrique plus grand n'est pas appropriée pour la vitesse plus élevée d'un outil plus petit et elle peut éclater.

Mises en garde de sécurité additionnelles spécifiques aux opérations de tronçonnage abrasif

a) Ne pas « coincer » la meule à tronçonner ou ne pas appliquer une pression excessive. Ne pas tenter d'exécuter une profondeur de coupe excessive. Une contrainte excessive de la meule augmente la charge et la probabilité de torsion ou de blocage de la meule dans la coupe et la possibilité de rebond ou de rupture de la meule.

b) Ne pas vous placer dans l'alignement de la meule en rotation ni derrière celle-ci. Lorsque la meule, au point de fonctionnement, s'éloigne de votre corps, le rebond éventuel peut propulser la meule en rotation et l'outil électrique directement sur vous.

c) Lorsque la meule se bloque ou lorsque la coupe est interrompue pour une raison quelconque, mettre l'outil électrique hors tension et tenir l'outil électrique immobile jusqu'à ce que la meule soit à l'arrêt complet. Ne jamais tenter d'enlever la meule à tronçonner de la coupe tandis que la meule est en mouvement sinon le rebond peut se produire. Rechercher et prendre des mesures correctives afin d'empêcher que la meule ne se grippe.

d) Ne pas reprendre l'opération de coupe dans la pièce à usiner. Laisser la meule atteindre sa pleine vitesse et rentrer avec précaution dans le tronçon. La meule peut se coincer, venir chevaucher la pièce à usiner ou effectuer un rebond si l'on fait redémarrer l'outil électrique dans la pièce à usiner.

e) Prévoir un support de panneaux ou de toute pièce à usiner surdimensionnée pour réduire le risque de pincement et de rebond de la meule. Les grandes pièces à usiner ont tendance à fléchir sous leur propre poids. Les supports doivent être placés sous la pièce à usiner près de la ligne de coupe et près du bord de la pièce des deux côtés de la meule.

f) Procéder avec une précaution supplémentaire pendant l'exécution d'une « coupe de poche » dans des parois existantes ou dans des zones borgnes. La meule saillante peut couper des tuyaux de gaz ou d'eau, des câblages électriques ou des objets, ce qui peut entraîner des rebonds.

Mises en garde de sécurité spécifiques aux opérations de ponçage:

a) Ne pas utiliser de papier abrasif trop surdimensionné pour les disques de ponçage. Suivre les recommandations des fabricants, lors du choix du papier abrasif. Un papier abrasif plus grand s'étendant au-delà du patin de ponçage présente un danger de lacération et peut provoquer un accrochage, une déchirure du disque ou un rebond.

Mises en garde de sécurité spécifiques aux opérations de brossage métallique:

a) Il convient d'être conscient du fait que les crins de brosse sont maintenus par la brosse même pendant une opération ordinaire. Ne pas surcharger les câbles par l'application d'une charge excessive sur la brosse. Les crins de brosse peuvent pénétrer aisément dans les vêtements légers et/ou dans la peau.

b) Si l'utilisation d'un protecteur est recommandée pour le brossage métallique, ne permettre aucune gêne du touret ou de la brosse métallique au protecteur. Le touret ou la brosse métallique peut se dilater en diamètre en raison de la charge de travail et des forces centrifuges.

AVIS COMPLÉMENTAIRES DE SÉCURITÉ ET DE TRAVAIL

Toujours vérifier que le bouton de verrouillage de la broche soit entièrement relâché avant d'allumer la machine ! Après avoir utilisé le verrouillage de la broche pour serrer / desserrer le disque abrasif, il est possible que le bouton puisse se bloquer dans la position de verrouillage.

L'usinage des métaux génère des étincelles. Veiller à ce que personne ne soit exposé à un danger. En raison du risque d'incendie, aucune matière inflammable ou combustible ne doit se trouver dans la zone de projection des étincelles. Ne pas utiliser d'aspirateur de poussières.

Éviter que les étincelles et la poussière produites lors du polissage

entrent en contact avec le corps.

Ne jamais intervenir dans la zone dangereuse lorsque la machine est en marche.

Ne jamais enlever les copeaux ni les éclats lorsque la machine est en marche.

Arrêter la machine tout de suite lorsqu'il y a des vibrations importantes ou que d'autres défauts surgissent. Contrôler la machine afin d'en trouver les causes.

Dans des conditions extrêmes (p. ex. métaux à meulage doux avec le mandrin et le disque en fibre vulcanisée), des impuretés importantes peuvent s'accumuler à l'intérieur de la meuleuse à matrice.

En raison de risques de court-circuit, veiller à ce qu'aucune pièce métallique ne pénètre dans les ouïes de ventilation.

AVERTISSEMENT! Danger de brûlures! Le disque et la pièce usinée deviennent chauds durant l'utilisation. Porter des gants lors du changement de disque ou au contact de la pièce usinée. Garder à tout moment les mains à l'écart de la zone de meulage.

AVERTISSEMENT! Pour réduire le risque d'incendie, de blessures corporelles et de dommages causés par un court-circuit, ne jamais immerger l'outil, le bloc-piles ou le chargeur dans un liquide ou laisser couler un fluide à l'intérieur de celui-ci. Les fluides corrosifs ou conducteurs, tels que l'eau de mer, certains produits chimiques industriels, les produits de blanchiment ou de blanchiment, etc., peuvent provoquer un court-circuit.

Ne pas ouvrir les accus interchangeables et les chargeurs et ne les stocker que dans des locaux secs. Les protéger contre l'humidité.

Ne charger les accus interchangeables du système M18 qu'avec le chargeur d'accus du système M18. Ne pas charger des accus d'autres systèmes.

UTILISATION CONFORME AUX PRESCRIPTIONS

La meuleuse d'angle est destinée au meulage et à la coupe de métaux, de pierres, de béton et de matériaux en céramique ainsi qu'au ponçage et au brossage.

Utilisez pour vos découpes le capuchon de coupe que vous trouvez dans la gamme des accessoires.

Utiliser un capot de protection fermé contenu dans le programme d'accessoires pour les travaux de tronçonnage.

Le dispositif électrique est apte exclusivement à travailler à sec.

Seuls les disques abrasifs ou de coupe appropriés et leurs protecteurs associés (protecteur de meulage ou protecteur de coupe) comme décrit dans la section de spécification du produit de ce manuel doivent être placés sur la meuleuse d'angle. La meuleuse d'angle est conçue pour être portée à la main ; elle ne doit pas être montée sur un dispositif de fixation ou un établi.

Ne pas utiliser le produit d'une autre manière que celle indiquée pour l'usage auquel il est destiné.

RISQUES RÉSIDUELS

Même en cas d'utilisation correcte, il n'est pas possible d'exclure tous les risques résiduels. Lors de l'utilisation, les risques suivants pourront être présents et l'utilisateur devra prêter une attention particulière en vue de les éviter :

- Blessures causées par les vibrations. Tenir le dispositif à l'aide de ses poignées et limiter les temps de travail et d'exposition.
- L'exposition au bruit peut causer des dommages auditifs. Porter une protection auditive et limiter la durée de l'exposition.
- Lésions oculaires causées par des particules de déchets. Toujours porter des lunettes de sécurité, de pantalon long, des gants et des chaussures robustes.
- Inhalation de gaz toxiques.

REMARQUE CONCERNANT LES ACCUS LI-ION

Utilisation d'accus Li-Ion

Recharger les accus avant utilisation après une longue période de non utilisation.

Une température supérieure à 50°C amoindrit la capacité des accus. Éviter les expositions prolongées au soleil ou au chauffage.

Tenir propres les contacts des accus et des chargeurs.

Pour une durée de vie optimale, les accus doivent être chargés à fond après l'utilisation.

Pour une plus longue durée de vie, enlever les batteries du chargeur de batterie quand celles-ci seront chargées.

En cas d'entreposage de la batterie pour plus de 30 jours:

Entreposer la batterie à 27°C environ dans un endroit sec.

Entreposer la batterie avec une charge d'environ 30% - 50%.

Recharger la batterie tous les 6 mois.

Protection des accus Li-Ion

En cas d'une surcharge de l'accu à cause d'une très haute consommation de courant, par exemple suite à des couples extrêmement élevés, un arrêt soudain ou un court-circuit, l'outil électrique vibre pendant 5 secondes, l'indicateur de charge clignote et l'outil électrique se déconnecte automatiquement.

Pour le ré-enclencher, relâcher le poussoir de l'interrupteur, puis enclencher à nouveau l'appareil. Sous des sollicitations extrêmes, l'accu s'échauffe trop fortement. Dans ce cas, tous les témoins de l'indicateur de charge clignotent jusqu'à ce que l'accu se soit refroidi. Il est possible de continuer à travailler dès que l'indicateur de charge s'est éteint.

Transport de batteries lithium-ion

Les batteries lithium-ion sont soumises aux dispositions législatives concernant le transport de produits dangereux.

Le transport de ces batteries devra s'effectuer dans le respect des dispositions et des normes locales, nationales et internationales.

Les utilisateurs peuvent transporter ces batteries sans restrictions.

Le transport commercial de batteries lithium-ion est réglé par les dispositions concernant le transport de produits dangereux. La préparation au transport et le transport devront être effectués uniquement par du personnel formé de façon adéquate. Tout le procédé devra être géré d'une manière professionnelle.

Durant le transport de batteries il faut respecter les consignes suivantes :

S'assurer que les contacts soient protégés et isolés en vue d'éviter des courts-circuits.

S'assurer que le groupe de batteries ne puisse pas se déplacer à l'intérieur de son emballage. Des batteries endommagées ou des batteries perdant du liquide ne devront pas être transportées. Pour tout renseignement complémentaire veuillez vous adresser à votre transporteur professionnel.

CONSIGNES DE TRAVAIL

Protection surcharge et retour

Le dispositif est pourvu de protection contre la surcharge, avec arrêt automatique, et contre les contre-coups. Éteignez l'outil électrique puis rallumez-le pour continuer à travailler.

Démarrage en douceur

Démarrage électronique en douceur garantissant un maniement fiable tout en empêchant un démarrage brusque lors de la mise en marche de la machine.

Sur les machines prévues pour les outils abrasifs à orifice fileté, vérifiez que la profondeur du filetage est suffisante pour la longueur de la broche.

Toujours utiliser et conserver les meules polisseuses et à couper conformément aux indications du fabricant.

Ne jamais travailler sans capot protecteur pour des travaux de tronçonnage et de dégrossissage.

Les disques polisseurs à moyeu déporté devront être montés d'une façon telle que la surface de polissage ne dépasse pas le niveau du bord du protecteur.

L'écrou du flasque doit être serré avant de mettre en marche la machine.

Utiliser toujours la poignée supplémentaire.

La pièce à travailler doit être fortement serrée lorsque son propre poids ne suffit pas à la maintenir. Ne jamais guider la pièce à travailler à la main vers la meule.

L'écrou bridé doit être bien serré avant la mise en marche de la machine. Si l'outil à insertion avec écrou bridé n'est pas bien serré, on risque que l'outil à insertion perde la force nécessaire de serrage lors du freinage.

LAVAGE

Tenir toujours propres les orifices de ventilation de la machine.

ENTRETIEN

Utiliser uniquement les accessoires Milwaukee et les pièces détachées Milwaukee. Faire remplacer les composants dont le remplacement n'a pas été décrit, par un des centres de service après-vente Milwaukee (observer la brochure avec les adresses de garantie et de service après-vente).

Si besoin est, une vue éclatée de l'appareil peut être fournie. S'adresser, en indiquant bien le numéro porté sur la plaque signalétique, à votre station de service après-vente (voir liste jointe) ou directement à Techtronic Industries GmbH, Max-Eyth-Straße 10, 71364 Winnenden, Germany.

SYMBOLES

| | |
|---|---|
|  | Veillez lire avec soin le mode d'emploi avant la mise en service |
|  | ATTENTION! AVERTISSEMENT! DANGER! |
|  | Avant tous travaux sur l'appareil retirer l'accu interchangeable. |
|  | Ne pas utiliser le protecteur pour les opérations de coupe. |
|  | Ne pas appliquer de la force. |
|  | Appliquer la force. |
|  | Toujours porter des lunettes protectrices en travaillant avec la machine. |
|  | Portez une protection acoustique. |
|  | Porter un masque de protection approprié contre les poussières. |
|  | Porter des gants de protection! |
|  | Toujours opérer à deux mains. |
|  | Seulement pour des travaux de polissage. |

| | |
|-------|---|
| | Seulement pour des travaux de coupe. |
| | Prendre garde à l'épaisseur de disque autorisée. |
| | Accessoires - Ces pièces ne font pas partie de la livraison. Il s'agit là de compléments recommandés pour votre machine et énumérés dans le catalogue des accessoires. |
| | Les dispositifs électriques ne sont pas à éliminer dans les déchets ménagers. Les dispositifs électriques et électroniques sont à collecter séparément et à remettre à un centre de recyclage en vue de leur élimination dans le respect de l'environnement. S'adresser aux autorités locales ou au détaillant spécialisé en vue de connaître l'emplacement des centres de recyclage et des points de collecte. |
| n_0 | Vitesse de rotation nominale |
| V | Tension |
| | Courant continu |
| | Marque de conformité européenne |
| | Marque de conformité britannique |
| | Marque de conformité ukrainienne |
| 001 | |
| | Marque de conformité d'Eurasie |

| DATI TECNICI | M18 FSAG115X | M18 FSAG125X |
|---|---|---|
| Tipo di costruzione | Smerigliatrice a batteria | Smerigliatrice a batteria |
| Numero di serie | 4830 49 01 XXXXXX MJJJ | 4830 56 01 XXXXXX MJJJ |
| Tensione batteria | 18 V | 18 V |
| Numero giri nominale | 8500 min ⁻¹ | 8500 min ⁻¹ |
| Passo attacco codolo | M14 | M14 |
| D=Diametro disco abrasivo max. | 115 mm | 125 mm |
| d=Diametro Foro | 22,2 mm | 22,2 |
| | b=Spessore disco levigatore max. | 6 mm |
| | b=Spessore disco di taglio max. / min. | 3 mm / 1 mm |
| | D=Diametro del disco abrasivo max. | 115 mm |
| | D=Diametro spazzola metallica max. | 75 mm |
| Peso secondo la procedura EPTA 01/2014 (Li-Ion 2,0 Ah ... 12,0 Ah) | 2,4 ... 3,4 kg | 2,4 ... 3,5 kg |
| Temperatura ambiente consigliata per il funzionamento | -18 ... +50 °C | |
| Batterie consigliate | M18B...; M18HB... | |
| Caricatori consigliati | M12-18...; M1418C6 | |
| Informazioni sulla rumorosità: Valori misurati conformemente alla norma EN 60745. La misurazione A del livello di pressione acustica dell'utensile è di solito di: | 82,7 dB(A) / 3 dB(A) | 82,7 dB(A) / 3 dB(A) |
| Livello di rumorosità / Incertezza della misura K | 93,7 dB(A) / 3 dB(A) | 93,7 dB(A) / 3 dB(A) |
| Potenza della rumorosità / Incertezza della misura K | | |
| Utilizzare le protezioni per l'udito! | | |
| Informazioni sulle vibrazioni: Valori totali delle oscillazioni (somma di vettori in tre direzionmisurati conformemente alla norma EN 60745. | | |
| Valore di emissione dell'oscillazione a_w / Incertezza della misura K | | |
| Smerigliatura di superfici | 4,8 m/s ² / 1,5 m/s ² | 5,5 m/s ² / 1,5 m/s ² |
| Levigatura con foglio abrasivo | 1,1 m/s ² / 1,5 m/s ² | 1,9 m/s ² / 1,5 m/s ² |
| Per altre applicazioni, come ad esempio troncatura alla mola o la molatura con spazzola d'acciaio, possono essere prodotti altri livelli di vibrazione! | | |

AVVERTENZA!

Il/i valore/i di emissione acustica riportato/i in questa scheda informativa sono stati misurati conformemente a un metodo di prova standard sulla base della norma EN 60745 e possono essere utilizzati per confrontare gli utensili tra loro. Può/possono essere utilizzato/i anche per una valutazione preliminare dell'esposizione.

Il livello di vibrazione ed emissione acustica dichiarato rappresenta le applicazioni principali dell'utensile. Tuttavia, se l'utensile è utilizzato per applicazioni diverse, con accessori differenti o una manutenzione non adeguata, la vibrazione e l'emissione acustica potrebbero variare. Ciò può aumentare significativamente il livello di esposizione durante l'intera durata del lavoro.

Una stima del livello di esposizione alle vibrazioni e al rumore dovrebbe tenere conto anche dei periodi in cui l'utensile è spento o è in funzione ma non sta lavorando. Ciò può ridurre significativamente il livello di esposizione durante l'intera durata del lavoro.

Identificare le misure di sicurezza supplementari per proteggere l'operatore dagli effetti delle vibrazioni e/o del rumore, ad esempio eseguendo la manutenzione dell'utensile e degli accessori, mantenendo le mani calde e organizzando gli schemi di lavoro.

AVVERTENZA! E' necessario leggere tutte le indicazioni di sicurezza e le istruzioni. In caso di mancato rispetto delle avvertenze di pericolo e delle istruzioni operative si potrà creare il pericolo di scosse elettriche, incendi e/o incidenti gravi.

Conservare tutte le avvertenze di pericolo e le istruzioni operative per ogni esigenza futura.

INDICAZIONI DI SICUREZZA PER LA SMERIGLIATRICE ANGOLARE

Istruzioni di sicurezza generali per lavori di levigatura, levigatura con carta vetrata, lavori con spazzole metalliche, troncatura:

a) Questo elettro utensile è previsto per essere utilizzato come levigatrice, levigatrice per carta a vetro, spazzola metallica e troncatrice. Attenersi a tutte le avvertenze di pericolo, istruzioni, rappresentazioni e dati che si ricevono insieme all' elettro utensile. In caso di mancata osservanza delle seguenti istruzioni vi è il pericolo di provocare una scossa elettrica, di sviluppare incendi e/o di provocare seri incidenti.

b) Questo attrezzo elettrico non è idoneo per la lucidatura. Qualsiasi utilizzo non previsto con il presente attrezzo elettrico può causare pericolo e lesioni.

c) Non utilizzare nessun accessorio che la casa costruttrice non abbia esplicitamente previsto e raccomandato per questo elettro utensile. Il semplice fatto che un accessorio possa essere fissato al Vostro elettro utensile non è una garanzia per un impiego sicuro.

d) Il numero di giri ammesso dell'accessorio impiegato deve essere almeno tanto alto quanto il numero massimo di giri riportato sull'elettrotensile. Un accessorio che gira più rapidamente di quanto consentito può rompersi in vari pezzi e venir lanciato intorno.

e) Il diametro esterno e lo spessore dell'accessorio montato devono corrispondere ai dati delle dimensioni dell'elettrotensile in dotazione. In caso di utilizzo di portautensili e di accessori di dimensioni sbagliate non sarà possibile schermarli oppure controllarli a sufficienza.

f) Le filettature degli accessori devono coincidere con la filettatura del mandrino portamola. Sugli accessori con fissaggio a flangia il foro per il mandrino di montaggio deve coincidere con il diametro della flangia di fissaggio. Accessori non adatti al mandrino di fissaggio del dispositivo si muoveranno in maniera eccentrica, vibreranno eccessivamente e potranno comportare la perdita del controllo sull'utensile.

g) Non utilizzare mai portautensili od accessori danneggiati. Prima di ogni utilizzo controllare i portautensili e gli accessori ed accertarsi che sui dischi abrasivi non vi siano scheggiature o crepature, che il platorello non sia soggetto ad incrinature, crepature o forte usura e che le spazzole metalliche non abbiano fili metallici allentati oppure rotti. Se l'elettrotensile oppure l'accessorio impiegato dovesse sfuggire dalla mano e cadere, accertarsi che questo non abbia subito nessun danno oppure utilizzare un accessorio intatto. Una volta controllato e montato il portautensile o accessorio, far funzionare l'elettrotensile per la durata di un minuto con il numero massimo di giri avendo cura di tenersi lontani e di impedire anche ad altre persone presenti di avvicinarsi ai portautensili o accessorio in rotazione. Nella maggior parte dei casi i portautensili o accessori danneggiati si rompono nel corso di questo periodo di prova.

h) Indossare abbigliamento di protezione. A seconda dell'applicazione in corso utilizzare una visiera completa, maschera di protezione per gli occhi oppure occhiali di sicurezza. Per quanto necessario, portare maschere per polveri, protezione acustica, guanti di protezione oppure un grembiule speciale in grado di proteggervi da piccole particelle di levigatura o di materiale. Gli occhi dovrebbero essere protetti da corpi estranei espulsi in aria nel corso di diverse applicazioni. La maschera antipolvere e la maschera respiratoria devono essere in grado di filtrare la polvere provocata durante l'applicazione. Espo- nendosi per lungo tempo ad un rumore troppo forte vi è il pericolo di perdere l'udito.

i) Avere cura di evitare che altre persone possano avvicinarsi alla zona in cui si sta lavorando. Ogni persona che entra nella zona di operazione deve indossare un abbigliamento protettivo personale. Frammenti del pezzo in lavorazione oppure utensili rotti possono volar via oppure provocare incidenti anche al di fuori della zona diretta di lavoro.

j) Impugnare l'apparecchio sulle superfici di tenuta isolate mentre si eseguono lavori durante i quali l'utensile da taglio potrebbe entrare in contatto con cavi di corrente. L'eventuale contatto dell'utensile da taglio con un cavo sotto tensione potrebbe mettere sotto tensione le parti metalliche dell'apparecchio e provocare una folgorazione.

k) Non depositare mai l'utensile elettrico, prima che questo non si sia fermato completamente. L'utensile in rotazione può entrare in contatto con la superficie di appoggio facendovi perdere il controllo sulla macchina pneumatica.

l) Mai trasportare l'elettrotensile mentre questo dovesse essere ancora in funzione. Attraverso un contatto casuale l'utensile in rotazione potrebbe fare presa sugli indumenti oppure sui capelli dell'operatore e potrebbe arrivare a ferire seriamente il corpo dell'operatore.

m) Pulire regolarmente le feritoie di ventilazione dell'elettrotensile in dotazione. Il ventilatore del motore attira polvere nella carcassa ed una forte raccolta di polvere di metallo può provocare pericoli di origine elettrica.

n) Non utilizzare mai l'elettrotensile nelle vicinanze di materiali infiammabili. Le scintille possono far prendere fuoco questi materiali.

o) Non utilizzare mai accessori che richiedano refrigeranti liquidi. L'utilizzo di acqua o di altri liquidi refrigeranti può provocare una scossa di corrente elettrica.

Contraccolpo e relative avvertenze di pericolo

Un contraccolpo è l'improvvisa reazione in seguito ad aggancio- mento oppure blocco di accessorio in rotazione come può essere un disco abrasivo, platorello, spazzola metallica ecc. Aggancian- dosi oppure bloccandosi il portautensile o accessorio provoca un arresto improvviso della rotazione dello stesso. In questo caso l'operatore non è più in grado di controllare l'elettrotensile ed al punto di blocco si provoca un rimbalzo dello stesso che avviene nella direzione opposta a quella della rotazione del portautensile o dell'accessorio.

Se p. es. un disco abrasivo resta agganciato o bloccato nel pezzo in lavorazione, il bordo del disco abrasivo che si abbassa nel pezzo in lavorazione può rimanere impigliato provocando in questo modo una rottura oppure un contraccolpo del disco abrasivo. Il disco abrasivo si avvicina o si allontana dall'operatore a seconda della direzione di rotazione che ha nel momento in cui si blocca. In tali situazioni è possibile che le mole abrasive possano anche rompersi.

Un contraccolpo è la conseguenza di un utilizzo non appropriato oppure non corretto dell'elettrotensile. Esso può essere evitato soltanto prendendo misure adeguate di sicurezza come dalla descri- zione che segue.

a) Tenere sempre ben saldo l'elettrotensile e portare il proprio corpo e le proprie braccia in una posizione che Vi permetta di compensare le forze di contraccolpo. Se disponi- bile, utilizzare sempre l'impugnatura supplementare in modo da poter avere sempre il maggior controllo possibile su forze di contraccolpi oppure momenti di reazione che si svilup- pano durante la fase in cui la macchina raggiunge il regime di pieno carico. Prendendo appropriate misure di precauzione l'operatore può essere in grado di tenere sotto controllo le forze di contraccolpo e quelle di reazione a scatti.

b) Mai avvicinare la propria mano alla zona degli utensili in rotazione. L'accessorio potrebbe rimbalzare sulla vostra mano.

c) Evitare di avvicinarsi con il proprio corpo alla zona in cui l'elettrotensile viene mosso in caso di un contrac- colpo. Un contraccolpo provoca uno spostamento improvviso dell'elettrotensile che si sviluppa nella direzione opposta a quella della rotazione della mola abrasiva al punto di blocco.

d) Operare con particolare attenzione in prossimità di spigoli, spigoli taglienti ecc. Avere cura di impedire che portautensili o accessori possano rimbalzare dal pezzo in lavorazione oppure possano rimanervi bloccati. L'utensile in rotazione ha la tendenza a rimanere bloccato in angoli, spigoli taglienti oppure in caso di rimbalzo. Ciò provoca una perdita del controllo oppure un contraccolpo.

e) Non utilizzare una lama a catena oppure dentata. Utensili di questo tipo causano spesso contraccolpi oppure comportano la perdita del controllo sull'utensile elettrico.

Particolari avvertenze di pericolo per operazioni di levigatura e di tronatura

a) Utilizzare esclusivamente utensili abrasivi che siano esplicitamente ammessi per l'elettrotensile in dotazione e sempre in combinazione con la cuffia di protezione prevista per ogni utensile abrasivo. Utensili abrasivi che non sono previsti per l'elettrotensile non possono essere sufficientemente schermati e sono insicuri.

b) I dischi levigatori con centro ribassato devono essere montati in maniera tale che la loro superficie di molatura non sporga oltre il livello del bordo della cuffia di protezione. Un disco levigatore montato non correttamente che sporga oltre il livello del bordo della cuffia di protezione non potrà essere suffici- entemente schermato.

c) Utilizzare sempre la cuffia di protezione prevista per il tipo di utensile abrasivo utilizzato. La cuffia di protezione deve essere applicata con sicurezza all'elettrotensile e regolata in modo tale da poter garantire il massimo possibile di sicurezza, cioè, che la parte dell'utensile abrasivo che senza protezione indica verso l'operatore deve essere ridotta al minimo possibile. La protezione consente di proteggere l'utente dai frammenti del disco rotto, dal contatto accidentale con il disco e dalle scintille che potrebbero dare alla fiamme gli indumenti.

d) Utensili abrasivi possono essere utilizzati esclusivamente per le possibilità applicative esplicitamente raccomandate. P. es.: Mai eseguire lavori di levigatura con la superficie laterale di un disco abrasivo da taglio diritto. Mole abrasive da taglio diritto sono previste per l'asportazione di materiale con il bordo del disco. Esercitando dei carichi laterali su questi utensili abrasivi vi è il pericolo di romperli.

e) Per la mola abrasiva selezionata, utilizzare sempre flange di serraggio che siano in perfetto stato e che siano della corretta dimensione e forma. Flange adatte hanno una funzione di corretto supporto della mola abrasiva riducendo il più possibile il pericolo di una rottura della mola abrasiva. È possibile che vi sia una differenza tra flange per mole abrasive da taglio diritto e flange per mole abrasive di altro tipo.

f) Non utilizzare mai mole abrasive usurate previste per elettrotensili più grandi. Mole abrasive previste per elettrotensili più grandi non sono concepite per le maggiori velocità di elettrotensili più piccoli e possono rompersi.

Ulteriori avvertenze di pericolo specifiche per lavori di tronatura

a) Evite che se bloquee il disco tronizador y una presión de aplicación excesiva. No intente realizar cortes demasiado profundos. Sotto ponendo la mola da taglio diritto a carico eccessivo se ne aumenta la sollecitazione e la si rende maggiormente soggetta ad angolature improprie o a blocchi venendo così a creare il pericolo di contraccolpo oppure di rottura dell'utensile abrasivo.

b) Evitare di avvicinarsi alla zona anteriore o posteriore al disco abrasivo da taglio in rotazione. Quando l'operatore manovra la mola da taglio diritto nel pezzo in lavorazione in direzione opposta a quella della propria persona, può capitare che in caso di un contraccolpo il disco in rotazione faccia rimbalzare con violenza l'elettrotensile verso l'operatore.

c) Qualora il disco abrasivo da taglio diritto dovesse incepparsi oppure si dovesse interrompere il lavoro, spegnere l'elettrotensile e tenerlo fermo fino a quando il disco si sarà fermato completamente. Non tentare mai di estrarre il disco abrasivo dal taglio in esecuzione perché si potrebbe provocare un contraccolpo. Rilevare ed eliminare la causa per il blocco.

d) Mai rimettere l'elettrotensile in funzione fintanto che esso si trovi ancora nel pezzo in lavorazione. Prima di continuare ad eseguire il taglio procedendo con la dovuta attenzione, attendere che il disco abrasivo da taglio diritto abbia raggiunto la massima velocità. In caso contrario è possibile che il disco resti agganciato, scalti dal pezzo in lavorazione oppure provochi un contraccolpo.

e) Dotare di un supporto adatto pannelli oppure pezzi in lavorazione di dimensioni maggiori in modo da ridurre il rischio di un contraccolpo dovuto ad un disco abrasivo da taglio diritto che rimane bloccato. Pezzi in lavorazione di dimensioni maggiori possono piegarsi sotto l'effetto del proprio peso. Provvedere a munire il pezzo in lavorazione di supporti adatti al caso specifico sia nelle vicinanze del taglio di tronatura che in quelle del bordo.

f) Operare con particolare cautela in presenza di "tagli ciechi" in pareti esistenti o altre zone non ispezionabili. Il disco abra- sivo da taglio diritto che inizia il taglio sul materiale può provocare un contraccolpo se dovesse arrivare a troncature condutture del gas o dell'acqua, linee elettriche oppure oggetti di altro tipo.

Avvertenze di pericolo specifiche per lavori di levigatura con carta vetro:

a) Non utilizzare mai fogli abrasivi troppo grandi ma attenersi alle indicazioni del rispettivo produttore relative alle dimen- sioni dei fogli abrasivi. Fogli abrasivi che dovessero sporgere oltre il platorello possono provocare incidenti oppure blocchi, strappi dei fogli abrasivi oppure contraccolpi.

Avvertenze di pericolo specifiche per lavori con spazzole metalliche:

a) Tenere presente che le spazzole di fili metallici perdono frammenti di filo di metallo anche durante un uso normale. Non sovraccaricare i fili metallici esercitando una eccessiva pressione. I frammenti di fili metallici eiettati potrebbero facil- mente penetrare attraverso abbigliamento leggero e/o la pelle.

b) Impiegando una cuffia di protezione si impedisce che la cuffia di protezione e la spazzola metallica possano toccarsi. I diametri delle spazzole a disco e delle spazzola a tazza possono essere aumentati attraverso forze di pressione e tramite l'azione di forze centrifugali.

ULTERIORI AVVISI DI SICUREZZA E DI LAVORO

Controllare sempre se il pulsante del blocco dell'alberino è completamente rilasciato prima di accendere lo strumento! Dopo aver usato il blocco dell'alberino per serrare / allentare il disco abrasivo, è possibile che il pulsante sia in posizione di blocco.

Smerigliando metalli si producono scintille. Attenzione a non mettere in pericolo l'incolumità di persone. Per via del pericolo di incendio, nessun tipo di materiale infiammabile può trovarsi nelle vicinanze (potenziale raggio delle scintille). Non utilizzare aspirapolveri.

Evitare che le scintille o la polvere prodotta durante la smerigliatura entrino in contatto con il corpo.

Non entrare nel raggio d'azione dell'utensile mentre è in funzione. Non rimuovere trucioli o schegge mentre l'utensile è in funzione.

Disinsierire immediatamente la macchina in caso che si verificano delle forti oscillazioni oppure se si riscontrano altri difetti. Controllare la macchina per cercare di identificarne le cause.

In condizioni estreme (ad es. rettificazione delicata dei metalli con il mandrino e la mola in fibra vulcanizzata), una contaminazione significativa può accumularsi all'interno della smerigliatrice per stampi.

Non lasciare che nessuna parte metallica venga a contatto con l'apertura dell'areazione - pericolo di corto circuito

AVVERTENZA! Pericolo di ustioni! Il disco e il pezzo in lavorazione diventano roventi durante l'uso. Indossare guanti durante la sostituzione dei dischi o quando si toccano i pezzi da lavorare. Tenere sempre le mani lontano dall'area di rettificazione.

AVVERTENZA! Per ridurre il rischio d'incendio, di lesioni o di danni al prodotto causati da corto circuito, non immergere mai l'utensile, la batteria ricaricabile o il carica batterie in un liquido e non lasciare mai penetrare alcun liquido all'interno dei dispositivi e delle batterie. I fluidi corrosivi o conduttori come acqua salata, alcuni agenti chimici, agenti candeggianti o prodotti contenenti agenti candeggianti potrebbero provocare un corto circuito.

Non aprire né la batteria né il caricatore e conservarli solo in luogo asciutto. Proteggerli dalla umidità.

Le batterie del System M18 sono ricaricabili esclusivamente con i caricatori del System M18. Le batterie di altri sistemi non possono essere ricaricate.

UTILIZZO CONFORME

La smerigliatrice serve a rettificare e tagliare metallo, pietra, calcestruzzo e materiali in ceramica, nonché per eseguire operazioni di sabbiatura e spazzolatura con spazzola metallica.

Utilizzare il tappo del taglio dalla gamma di accessori per applicazioni da taglio.

In caso di dubbi vanno rispettate indicazioni dei produttori degli accessori.

L'utensile elettrico è idoneo esclusivamente alla lavorazione a secco.

Si raccomanda di fissare nella smerigliatrice solo dischi per molare e dischi di taglio, assieme alle relative protezioni (protezione di rettificazione o di taglio), come descritto nella sezione del presente manuale inerente alle specifiche del prodotto. La smerigliatrice è progettata per essere usata a mano; non deve essere montata su un apparecchio o su un banco da lavoro.

Non utilizzare il prodotto in altri modi diversi da quelli indicati per l'uso previsto.

RISCHI RESIDUI

Anche in caso di utilizzo corretto non è possibile escludere tutti i rischi residui. Durante l'uso possono esistere i seguenti pericoli e l'utilizzatore deve porre particolare attenzione per evitarli:

- Lesioni causate da vibrazioni. Tenere il dispositivo sulle apposite impugnature e limitare i tempi di lavoro e di esposizione.
- L'esposizione al rumore può causare danni all'udito. Indossare una protezione per l'udito e limitare la durata dell'esposizione.
- Lesioni agli occhi causate da particelle di detriti. Indossare sempre occhiali di protezione, pantaloni lunghi pesanti, guanti e scarpe robuste.
- Inalazione di polveri tossiche.

NOTE PER BATTERIE AGLI IONI DI LITIO

Uso di batterie agli ioni di litio

Batterie non utilizzate per molto tempo devono essere ricaricate prima dell'uso.

A temperature superiori ai 50°C, la potenza della batteria si riduce.

Evitare di esporre l'accumulatore a surriscaldamento prolungato, dovuto ad esempio ai raggi del sole o ad un impianto di riscaldamento.

Per una ottimale vita utile è necessario ricaricare completamente le batterie dopo l'uso.

Per una più lunga durata, rimuovere le batterie dal caricabatterie quando saranno cariche.

In caso di immagazzinaggio della batteria per più di 30 giorni:

Immagazzinare la batteria a circa 27°C in ambiente asciutto.

Immagazzinare la batteria con carica di circa il 30% - 50%.

Ricaricare la batteria ogni 6 mesi.

Protezione contro il sovraccarico di batterie agli ioni di litio

In caso di sovraccarico dell'accumulatore dovuto ad un consumo molto elevato di corrente, ad es. momenti di coppia estremamente elevati, arresto improvviso o corto circuito, l'utensile elettrico vibra per 5 secondi, il display di carica lampeggia e l'elettrotensile si spegne automaticamente.

Per riaccenderlo rilasciare l'interruttore e poi riaccenderlo. Se sottoposto a sollecitazioni estreme l'accumulatore si riscalda eccessivamente. In questo caso lampeggiano tutte le spie del display di carica finché l'accumulatore non è raffreddato. Quando il display di carica si spegne si può continuare a lavorare.

Trasporto di batterie agli ioni di litio

Le batterie agli ioni di litio sono soggette alle disposizioni di legge sul trasporto di merce pericolosa.

Il trasporto di queste batterie deve avvenire rispettando le disposizioni e norme locali, nazionali ed internazionali.

Gli utilizzatori possono trasportare queste batterie su strada senza alcuna restrizione.

Il trasporto commerciale di batterie agli ioni di litio è regolato dalle disposizioni sul trasporto di merce pericolosa. Le preparazioni al trasporto ed il trasporto stesso devono essere svolti esclusivamente da persone idoneamente istruite. Tutto il processo deve essere gestito in maniera professionale.

Durante il trasporto di batterie occorre tenere conto di quanto segue:

Assicurarsi che i contatti siano protetti ed isolati per evitare corto circuiti.

Accertarsi che il gruppo di batterie non possa spostarsi all'interno dell'imballaggio. Batterie danneggiate o batterie che perdono liquido non devono essere trasportate. Per ulteriori informazioni si prega di contattare il proprio trasportatore.

ISTRUZIONI DI LAVORO

Protezione da sovraccarico e contraccolpo

Il dispositivo è provvisto di protezione contro il sovraccarico, con arresto automatico, e contro i contraccolpi. Spegnerne l'elettrotensile e poi riaccenderlo per riprendere il lavoro.

Avviamento graduale

Avviamento elettronico graduale, non brusco, per garantire una presa più sicura

Per gli utensili previsti per il montaggio con mola con foro filettato, verificare che la filettatura della mola sia sufficientemente lunga da consentire l'inserimento del mandrino.

Utilizzare e conservare le mole smerigliatrici e da taglio sempre conformemente alle indicazioni della casa costruttrice.

Per sgrossare e tagliare utilizzare sempre la calotta di protezione.

I dischi levigatori con centro ribassato devono essere montati in maniera tale che la loro superficie di molatura non sporga oltre il livello del bordo della cuffia di protezione.

Il dado flangiato deve essere serrato prima dell'utilizzo della macchina.

Utilizzare sempre l'impugnatura laterale.

Il pezzo in lavorazione deve essere ben bloccato in posizione a meno che non resti stabile per via del proprio peso. Mai applicare a mano sulla mola il pezzo in lavorazione.

Il dado flangiato deve essere ben serrato prima dell'avvio della macchina. Se l'utensile ad inserto con dado flangiato non viene serrato bene, esiste il rischio che l'utensile ad inserto perda la necessaria forza di serraggio durante la frenatura.

LAVAGGIO E PULIZIA

Tener sempre ben pulite le fessure di ventilazione dell'apparecchio.

MANUTENZIONE

Usare solo accessori Milwaukee e pezzi di ricambio Milwaukee. Gruppi costruttivi la cui sostituzione non è stata descritta, devono essere fatti cambiare da un punto di servizio di assistenza tecnica al cliente Milwaukee (vedi depliant garanzia/indirizzi assistenza tecnica ai clienti).

In caso di mancanza del disegno esploso, può essere richiesto al seguente indirizzo: Techtronic Industries GmbH, Max-Eyth-Straße 10, 71364 Winnenden, Germany.

SIMBOLI



Leggere attentamente le istruzioni per l'uso prima di mettere in funzione l'elettrotensile.



ATTENZIONE! AVVERTENZA! PERICOLO!



Prima di iniziare togliere la batteria dalla apparecchio.



Non usare la protezione per operazioni di taglio.



Non applicare forza.



Applicare la forza.



Durante l'uso dell'apparecchio utilizzare sempre gli occhiali di protezione.



Indossare protezioni acustiche adeguate.



Portare un'adeguata mascherina protettiva.



Indossare guanti protettivi!



Usare l'utensile sempre con due mani.



Solo per lavori di smerigliatura.



Solo per lavori di taglio.



Prestare attenzione allo spessore consentito del disco.



Accessorio - Non incluso nella dotazione standard, disponibile a parte come accessorio.



I dispositivi elettrici non devono essere smaltiti con i rifiuti domestici. I dispositivi elettrici ed elettronici devono essere raccolti separatamente e devono essere conferiti ad un centro di riciclaggio per lo smaltimento rispettoso dell'ambiente. Chiedere alle autorità locali o al rivenditore specializzato dove si trovano i centri di riciclaggio e i punti di raccolta.

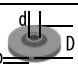
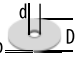

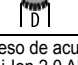


n_0 Numero giri nominale



V Voltaggio

| | |
|--|------------------------------------|
| | Corrente continua |
| | Marchio di conformità europeo |
| | Marchio di conformità britannico |
| | Marchio di conformità ucraino |
| | Marchio di conformità euroasiatico |

| DATOS TÉCNICOS | M18 FSAG115X | M18 FSAG125X |
|---|-----------------------------|-----------------------------|
| Tipo de construcción | Amoladora Angular a Batería | Amoladora Angular a Batería |
| Número de producción | 4830 49 01 XXXXXX MJJJJ | 4830 56 01 XXXXXX MJJJJ |
| Voltaje de batería | 18 V | 18 V |
| Revoluciones nominales | 8500 min ⁻¹ | 8500 min ⁻¹ |
| Rosca de eje de trabajo | M14 | M14 |
| D=Diám. disco de amolado máx. | 115 mm | 125 mm |
| d=Ø del taladro | 22,2 mm | 22,2 |
|  b=Espesor del disco abrasivo máx. | 6 mm | 6 mm |
|  b=espesor de la muela de tronzar máx. / mín. | 3 mm / 1 mm | 3 mm / 1 mm |
|  D=Diámetro del disco de lijado máx. | 115 mm | 125 mm |
|  D=Diámetro de los cepillos metálicos máx. | 75 mm | 75 mm |
| Peso de acuerdo con el procedimiento EPTA 01/2014 (Li-Ion 2,0 Ah ... 12,0 Ah) | 2,4 ... 3,4 kg | 2,4 ... 3,5 kg |
| Temperatura ambiente recomendada para la operación | -18 ... +50 °C | |
| Juegos de baterías recomendados | M18B...; M18HB... | |
| Cargadores recomendados | M12-18...; M1418C6 | |

Información sobre ruidos: Determinación de los valores de medición según norma EN 60745. El nivel de ruido típico del aparato determinado con un filtro A corresponde a:

Presión acústica / Tolerancia K 82,7 dB(A) / 3 dB(A) 82,7 dB(A) / 3 dB(A)

Resonancia acústica / Tolerancia K 93,7 dB(A) / 3 dB(A) 93,7 dB(A) / 3 dB(A)

Usar protectores auditivos!

Informaciones sobre vibraciones: Nivel total de vibraciones (suma vectorial de tres direcciones) determinado según EN 60745.

Valor de vibraciones generadas a_h / Tolerancia K

Lijado de superficies 4,8 m/s² / 1,5 m/s² 5,5 m/s² / 1,5 m/s²
Lijar con hoja lijadora 1,1 m/s² / 1,5 m/s² 1,9 m/s² / 1,5 m/s²

En el caso de otras aplicaciones, como p. ej. el tronzamiento con la muela o el esmerilado con cepillo de alambre de acero pueden resultar otros valores de vibración.

⚠ ADVERTENCIA!

El nivel de emisión de ruido y vibración indicado en esta hoja informativa se ha medido de acuerdo con una prueba estandarizada que figura en EN 60745 y se puede usar para comparar una herramienta con otra. Puede ser empleado para una evaluación preliminar de la exposición.

El nivel declarado emisión de vibración y ruido representa las principales aplicaciones de la herramienta. Sin embargo, si la herramienta se utiliza para diferentes aplicaciones, con diferentes accesorios o con un mantenimiento deficiente, la emisión de ruido y vibración puede diferir. Esto puede aumentar significativamente el nivel de exposición durante el periodo total de trabajo.

También se debe tener en cuenta una estimación del nivel de exposición a la vibración y el ruido cuando la herramienta está apagada o cuando está funcionando, pero no está haciendo su trabajo. Esto puede reducir significativamente el nivel de exposición durante el periodo total de trabajo.

Identifique medidas de seguridad adicionales para proteger al operador de los efectos de la vibración o el ruido, como realizar mantenimiento de la herramienta y los accesorios, mantener las manos calientes y organizar las pautas de trabajo.

⚠ ADVERTENCIA!

Rogamos leer las indicaciones de seguridad y las instrucciones. En caso de no atenerse a las advertencias de peligro e instrucciones siguientes, ello puede ocasionar una descarga eléctrica, un incendio y/o lesión grave.

Guardar todas las advertencias de peligro e instrucciones para futuras consultas.

INSTRUCCIONES DE SEGURIDAD PARA LA AMOLADORA DE ANGULO

Advertencias de peligro generales al realizar trabajos de amolado, lijado, con cepillos de alambre, tronzado:

a) Esta herramienta eléctrica ha sido concebida para amolar, lijar, trabajar con cepillos de alambre y tronzar. Observe todas las advertencias de peligro, instrucciones, ilustraciones y especificaciones técnicas que se suministran con la herramienta eléctrica. En caso de no atenerse a las instrucciones siguientes, ello puede provocar una electrocución, incendio y/o lesiones serias.

b) Esta herramienta eléctrica no es adecuada para pulir. El uso de la herramienta para un fin no previsto puede conllevar riesgos y causar heridas.

c) No emplee accesorios diferentes de aquellos que el fabricante haya previsto o recomendado especialmente para esta herramienta eléctrica. El mero hecho de que sea acoplable un accesorio a su herramienta eléctrica no implica que su utilización resulte segura.

d) Las revoluciones admisibles del útil deberán ser como mínimo iguales a las revoluciones máximas indicadas en la herramienta eléctrica. Aquellos accesorios que giren a unas revoluciones mayores a las admisibles pueden llegar a romperse y salir despedidos.

e) El diámetro exterior y el grosor del útil deberán corresponder con las medidas indicadas para su herramienta eléctrica. Los útiles de dimensiones incorrectas no pueden protegerse ni controlarse con suficiente seguridad.

f) Las roscas de los accesorios deben concordar con las roscas del husillo portamuela. En los accesorios que se sujetan por bridas, el agujero para el mandril de sujeción debe concordar en el accesorio con el diámetro de la brida de localización. Los accesorios que no se acoplen perfectamente en el mandril de montaje del aparato se desequilibran, vibran excesivamente y pueden causar la pérdida de control sobre la herramienta.

g) No use útiles dañados. Antes de cada uso inspeccione el estado de los útiles con el fin de detectar, p. ej., si están desportillados o fisurados los útiles de amolar, si está agrietado o muy desgastado el plato lijador, o si las púas de los cepillos de alambre están flojas o rotas. Si se le cae la herramienta eléctrica o el útil, inspeccione si han sufrido algún daño o monte otro útil en correctas condiciones. Una vez controlado y montado el útil sitúese Vd. y las personas circundantes fuera del plano de rotación del útil y deje funcionar la herramienta eléctrica en vacío, a las revoluciones máximas, durante un minuto. Por lo regular, aquellos útiles que estén dañados suelen romperse al realizar esta comprobación.

h) Utilice un equipo de protección personal. Dependiendo del trabajo a realizar use una careta, una protección para los ojos, o unas gafas de protección. Si procede, emplee una mascarilla antipolvo, protectores auditivos, guantes de protección o un mandil especial adecuado para protegerle de los pequeños fragmentos que pudieran salir proyectados al desprenderse del útil o pieza. Las gafas de protección deberán ser indicadas para protegerle de los fragmentos que pudieran salir despedidos al trabajar. La mascarilla antipolvo o respiratoria deberá ser apta para filtrar las partículas producidas al trabajar. La exposición prolongada al ruido puede provocar sordera.

i) Cuide que las personas en las inmediaciones se mantengan a suficiente distancia de la zona de trabajo. Toda persona que acceda a la zona de trabajo deberá utilizar un equipo de protección personal. Podrían ser lesionadas, incluso fuera del área de trabajo inmediato, al salir proyectados fragmentos de la pieza de trabajo o del útil.

j) Sujete el aparato de las superficies aisladas de agarre al efectuar trabajos en los cuales la perforadora de percusión pueda entrar en contacto con conductores de corriente ocultos. El contacto de la perforadora de percusión con un conducto con energía aplicada también podrá poner bajo tensión partes metálicas del aparato y causar un choque eléctrico.

k) No deposite jamás la herramienta eléctrica antes de que la herramienta intercambiable haya dejado de girar por completo. El útil en funcionamiento puede llegar a tocar la base de apoyo y hacerle perder el control sobre la herramienta eléctrica.

l) No deje funcionar la herramienta eléctrica mientras la transporta. El útil en funcionamiento podría lesionarle al engancharse accidentalmente con su vestimenta.

m) Limpie periódicamente las rejillas de refrigeración de su herramienta eléctrica. El ventilador del motor aspira polvo hacia el interior de la carcasa, por lo que, en caso de una acumulación fuerte de polvo metálico, ello puede provocar una descarga eléctrica.

n) No utilice la herramienta eléctrica cerca de materiales combustibles. Las chispas producidas al trabajar pueden llegar a incendiar estos materiales.

o) No emplee útiles que requieran ser refrigerados con líquidos. La aplicación de agua u otros refrigerantes líquidos puede comportar una descarga eléctrica.

Causas del rechazo y advertencias al respecto

El rechazo es un reacción brusca que se produce al atascarse o engancharse el útil, como un disco de amolar, plato lijador, cepillo, etc. Al atascarse o engancharse el útil en funcionamiento, éste es frenado bruscamente. Ello puede hacerle perder el control sobre la herramienta eléctrica y hacer que ésta salga impulsada en dirección opuesta al sentido de giro que tenía el útil.

En el caso, p. ej., de que un disco amolador se atasque o bloquee en la pieza de trabajo, puede suceder que el canto del útil que penetra en el material se enganche, provocando la rotura del útil o el rechazo del aparato. Según el sentido de giro y la posición del útil en el momento de bloquearse puede que éste resulte despedido hacia, o en sentido opuesto al usuario. En estos casos puede suceder que el útil incluso llegue a romperse.

El rechazo es ocasionado por la aplicación o manejo incorrecto de la herramienta eléctrica. Es posible evitarlo ateniéndose a las medidas preventivas que a continuación se detallan.

a) Sujete con firmeza la herramienta eléctrica y mantenga su cuerpo y brazos en una posición propicia para resistir las fuerzas de reacción. Si forma parte del aparato, utilice siempre la empuñadura adicional para poder soportar mejor las fuerzas del rechazo, además de los pares de reacción que se presentan en la puesta en marcha. El usuario puede controlar las fuerzas del rechazo y de reacción si toma unas medidas preventivas oportunas.

b) Jamás aproxime su mano al útil en funcionamiento. El accesorio puede hacer un contragolpe en la mano.

c) No se sitúe dentro del área hacia el que se movería la herramienta eléctrica al ser rechazada. Al resultar rechazada, la herramienta eléctrica saldrá despedida desde el punto de bloqueo en dirección opuesta al sentido de giro del útil.

d) Tenga especial precaución al trabajar esquinas, cantos afilados, etc. Evite que el útil de amolar rebote contra la pieza de trabajo o que se atasque. En las esquinas, cantos afilados, o al rebotar, el útil en funcionamiento tiende a atascarse. Ello puede hacerle perder el control o causar un rechazo del útil.

e) No use hojas de cadena cortante o dentadas. Estas herramientas intercambiables generan con frecuencia un contragolpe o la pérdida del control sobre la herramienta eléctrica.

Instrucciones de seguridad específicas para operaciones de amolado y tronzado

a) Use exclusivamente útiles homologados para su herramienta eléctrica, en combinación con la caperuza protectora prevista para estos útiles. Los útiles que no fueron diseñados para su uso en esta herramienta eléctrica pueden quedar insuficientemente protegidos y suponen un riesgo.

b) Discos lijadores con centro rebajado deberán montarse de tal forma que su superficie abrasiva no sobresalga la superficie del borde de la cubierta protectora. Un disco lijador montado de forma no apropiada, que sobresalga de la superficie del borde de la cubierta protectora, no podrá ser protegido de manera suficiente.

c) Siempre emplee la caperuza protectora prevista para el útil que va a usar. La caperuza protectora deberá montarse firmemente en la herramienta eléctrica cuidando que quede orientada de manera que ofrezca una seguridad máxima, o sea, cubriendo al máximo la parte del útil a la que queda expuesta el usuario. El protector ayuda a proteger al operario de los fragmentos rotos de disco, del contacto accidental con el disco y las chispas que podrían prender la ropa.

d) Solamente emplee el útil para aquellos trabajos para los que fue concebido. Por ejemplo, no emplee las caras de los discos tronzadores para amolar. En los útiles de tronzar, el arranque de material se lleva a cabo con los bordes del disco. Si estos útiles son sometidos a un esfuerzo lateral, ello puede provocar su rotura.

e) Siempre use para el útil seleccionado una brida en perfecto estado con las dimensiones y forma correctas. Una brida adecuada soporta convenientemente el útil reduciendo así el peligro de rotura. Las bridas para discos tronanzadores pueden ser diferentes de aquellas para otros discos de amolar.

f) No intente aprovechar los discos amoladores de otras herramientas eléctricas más grandes, aunque su diámetro exterior se haya reducido suficientemente por el desgaste. Los discos amoladores destinados para herramientas eléctricas grandes no son aptos para soportar las velocidades periféricas más altas a las que trabajan las herramientas eléctricas más pequeñas, y pueden llegar a romperse.

Instrucciones de seguridad adicionales específicas para el tronzado

a) Evite que se bloquee el disco tronizador y una presión de aplicación excesiva. No intente realizar cortes demasiado profundos. Al solicitar en exceso el disco tronizador éste es más propenso a ladearse, bloquearse, a ser rechazado, o a romperse.

b) No se coloque delante o detrás del disco tronizador en funcionamiento, alineado con la trayectoria del corte. Mientras que al cortar, el disco tronizador es guiado en sentido opuesto a su cuerpo, en caso de un rechazo el disco tronizador y la herramienta eléctrica son impulsados directamente contra Vd.

c) Si el disco tronizador se bloquea, o si tuviese que interrumpir su trabajo, desconecte la herramienta eléctrica y manténgala en esa posición, sin moverla, hasta que el disco tronizador se haya detenido por completo. Jamás intente sacar el disco tronizador en marcha de la ranura de corte, ya que ello podría provocar un rechazo. Investigue y subsane la causa del bloqueo.

d) No intente proseguir el corte, estando insertado el disco tronizador en la ranura de corte. Una vez fuera de la ranura de corte, espere a que el disco tronizador haya alcanzado las revoluciones máximas, y prosiga entonces el corte con cautela. En caso contrario el disco tronizador podría bloquearse, salirse de la ranura de corte, o resultar rechazado.

e) Soporte las planchas u otras piezas de trabajo grandes para reducir el riesgo de bloqueo o rechazo del disco tronizador. Las piezas de trabajo grandes tienden a curvarse por su propio peso. La pieza de trabajo deberá apoyarse desde abajo a ambos lados tanto cerca de la línea de corte como en los bordes.

f) Proceda con especial cautela al realizar recortes „por inmersión“ en paredes existentes o en zonas de reducida visibilidad. El disco tronizador puede ser rechazado al tocar tuberías de gas o agua, conductores eléctricos, u otros objetos.

Instrucciones de seguridad específicas para trabajos con hojas lijadoras:

a) No use hojas lijadoras más grandes que el soporte, ateniéndose para ello a las dimensiones que el fabricante recomienda. Las hojas lijadoras de un diámetro mayor que el plato lijador pueden provocar un accidente, fisurarse, o provocar un rechazo.

Instrucciones de seguridad específicas para el trabajo con cepillos de alambre:

a) Tenga en cuenta que las púas de los cepillos de alambre pueden desprenderse también durante un uso normal. No fuerce las púas ejerciendo una fuerza de aplicación excesiva. Las púas despreñadas pueden traspasar muy fácilmente tela delgada y/o la piel.

b) En caso de recomendarse el uso de una caperuza protectora, evite que el cepillo de alambre alcance a rozar contra la caperuza protectora. Los cepillos de plato y de vaso pueden aumentar su diámetro por efecto de la presión de aplicación y de la fuerza centrífuga.

INSTRUCCIONES ADICIONALES DE SEGURIDAD Y LABORALES

¡Siempre verifique que el botón de bloqueo del husillo esté completamente liberado antes de encender la herramienta! Después de usar el bloqueo del husillo para apretar / aflojar el disco abrasivo, puede ser que el botón se quede en la posición de bloqueo.

Al amolar metales se proyectan chispas. Cuidar de no poner

en peligro a personas. Debido al peligro de incendio no deben encontrarse cerca (en el área de alcance de las chispas) materiales inflamables. No utilice extracción de polvo en este caso.

Evite que chispas y polvo de pulido puedan alcanzar el cuerpo.

No manipular en el rodillo ni en las cuchillas con la máquina conectada.

Nunca se debe intentar limpiar el polvo o viruta procedente del taladrado con la máquina en funcionamiento.

Desconectar inmediatamente el aparato al presentarse vibraciones fuertes u otras anomalías. Examine la máquina para determinar las posibles causas.

En condiciones extremas (p. ej., esmerilado liso de metales con el mandril y el disco de fibra vulcanizada), se puede acumular una contaminación significativa en el interior de la esmeriladora.

Evite que cualquier pieza metálica alcance las ranuras de ventilación - ¡peligro de cortocircuito!

ADVERTENCIA! ¡Peligro de quemaduras! El disco y la pieza de trabajo se calentarán durante el uso. Use guantes cuando cambie discos o toque la pieza de trabajo. Mantenga las manos alejadas del área de desbaste en todo momento.

ADVERTENCIA! Para reducir el riesgo de incendio, lesiones personales y daños al producto debido a un cortocircuito, no sumerja nunca la herramienta, el paquete de baterías o el cargador en líquido ni permita que fluya un fluido dentro de ellos. Los fluidos corrosivos o conductivos, como el agua de mar, ciertos productos químicos industriales y blanqueadores o lejías que contienen, etc., Pueden causar un cortocircuito.

No abra nunca las baterías ni los cargadores y guárdelos sólo en lugares secos. Protéjalos de la humedad en todo momento.

Recargue solamente los acumuladores del Sistema M18 en cargadores M18. No intentar recargar acumuladores de otros sistemas.

APLICACIÓN DE ACUERDO A LA FINALIDAD

La amoladora angular está diseñada para moler y cortar metal, piedra, hormigón y materiales cerámicos, así como para lijar y cepillar con alambre.

Utilice la tapa de corte de la gama de accesorios para la aplicación de corte.

En caso de dudas, observe las indicaciones de los fabricantes de los accesorios.

La herramienta eléctrica sirve únicamente para el trabajo en seco

Solo deben montarse discos de desbaste o corte apropiados y protectores relacionados (protector de desbaste o de corte), como se describe en la sección de especificaciones del producto de este manual. La amoladora angular está diseñada para uso portátil; no debe montarse en un dispositivo o banco de trabajo.

No use el producto de ninguna manera que no sea la indicada para el uso previsto.

PELIGROS RESIDUALES

Incluso en caso de un uso correcto, no es posible excluir por completo la existencia de riesgos residuales. Durante el uso de la máquina se pueden producir los siguientes riesgos a tener en cuenta especialmente por el operador de la misma.

- Lesiones provocadas por efecto de la vibración. Sujete el dispositivo utilizando las empuñaduras previstas para ello y limite el tiempo de trabajo y de exposición a riesgos.
- La contaminación acústica puede provocar lesiones auditivas. Lleve una protección auditiva y limite el tiempo de exposición a riesgos.
- Lesiones oculares producidas por partículas de suciedad. Lleve siempre gafas protectoras, pantalones resistentes y largos y calzado resistente.
- Inhalación de polvos tóxicos.

INDICACIONES PARA BATERÍAS DE IONES DE LITIO

Uso de baterías de iones de litio

Las baterías no utilizadas durante cierto tiempo deben ser recargadas antes de usar.

Las temperaturas superiores a 50°C reducen el rendimiento de la batería. Evite una exposición excesiva a fuentes de calor o al sol (riesgo de sobrecalentamiento).

Los puntos de contacto de los cargadores y las baterías se deben mantener limpios.

Para un tiempo óptimo de vida, deberán cargarse las baterías completamente después de su uso.

Para garantizar la máxima capacidad y vida útil, las baterías recargables se deberían retirar del cargador una vez finalizada la carga.

En caso de almacenar la batería recargable más de 30 días:

Almacenar la batería recargable en un lugar seco a una temperatura de aproximadamente 27°C.

Almacenar la batería recargable con un estado de carga del 30% y 50% aproximadamente.

Recargar la batería cada 6 meses.

Protección de sobrecarga de baterías en baterías de iones de litio

En caso de sobrecarga de la batería a causa de un consumo de corriente demasiado elevado, por ejemplo, en momentos de torsión extremadamente altos, de una parada o cortocircuito repentinos; el aparato eléctrico vibra durante 5 segundos, el indicador de carga parpadea y el aparato eléctrico se desconecta automáticamente.

Para conectarlo de nuevo, soltar el botón de encendido y después conectarlo otra vez. Bajo cargas extremas la batería se calienta demasiado. En este caso, todas las luces del indicador de carga parpadean hasta que la batería se enfría. Cuando se apaga el indicador de carga se puede trabajar de nuevo.

Transporte de baterías de iones de litio

Las baterías de iones de litio caen bajo las disposiciones legales relativas al transporte de mercancías peligrosas.

El transporte de estas baterías recargables debe llevarse a cabo, observando las normas y disposiciones locales, nacionales e internacionales.

Los consumidores pueden transportar estas baterías recargables sin el menor reparo en la calle.

El transporte comercial de baterías recargables de iones de litio por empresas de transportes está sometido a las disposiciones del transporte de mercancías peligrosas. Las preparaciones para el envío y el transporte deben ser llevados a cabo exclusivamente por personas instruidas adecuadamente. El proceso completo debe ser supervisado por personal competente.

Los siguientes puntos se deben observar para el transporte de las baterías recargables:

Se debe asegurar que los contactos estén protegidos y aislados para evitar que se produzcan cortocircuitos.

Preste atención a que el conjunto de baterías recargables no se pueda desplazar dentro del envase. Las baterías recargables deterioradas o derramadas no se deben transportar. Rogamos que para cualquier información adicional se dirija a su empresa de transportes.

INDICACIONES PARA EL TRABAJO

Protección contra sobrecarga y golpe de retroceso

El equipo dispone de una función protectora contra overload y anti-kickback y se detiene en caso de la correspondiente sobrecarga. Desconectar la herramienta eléctrica y luego volver a encenderla para seguir trabajando.

Arranque suave

Arranque suave electrónico, para una segura manejabilidad, evita un brusco retroceso al conectar la máquina.

En las herramientas que llevan una muela con agujero roscado, cerciórese de que la rosca en la muela es lo suficientemente larga para aceptar la longitud del vástago.

Utilice y guarde siempre los discos de amolar y las muelas de tronzar según las indicaciones del fabricante.

Utilice siempre la cubierta de protección en trabajos de desbaste y separación.

Discos lijadores con centro rebajado deberán montarse de tal forma que su superficie abrasiva no sobresalga la superficie del borde de la cubierta protectora.

La tuerca de apriete se debe asegurar antes de comenzar a trabajar con la máquina.

Emplear siempre el asidero adicional.

La pieza de trabajo debe fijarse adecuadamente, a no ser que se mantenga bien fija por su propio peso. Jamás mueva la pieza de trabajo con la mano contra el disco.

La tuerca de brida debe estar apretada firmemente antes de la puesta en marcha de la máquina. En caso de que el útil no se apriete firmemente con la tuerca de brida, existe la posibilidad de que el útil pierda la fuerza de apriete necesaria durante el frenado.

LIMPIEZA






Las ranuras de ventilación de la máquina deben estar despejadas en todo momento.

MANTENIMIENTO

Utilice solamente accesorios y repuestos Milwaukee. En caso de necesitar reemplazar componentes no descritos, contacte con cualquiera de nuestras estaciones de servicio Milwaukee (consultar lista de servicio técnicos)

En caso necesario, puede solicitar un despiece de la herramienta. Por favor indique el número de impreso que hay en la etiqueta y pida el despiece a la siguiente dirección: Techtronic Industries GmbH, Max-Eyth-Straße 10, 71364 Winnenden, Germany.

SÍMBOLOS

| | |
|---|--|
|  | Lea las instrucciones detenidamente antes de conectar la herramienta |
|  | ¡ATENCIÓN! ¡ADVERTENCIA! ¡PELIGRO! |
|  | Retire la batería antes de comenzar cualquier trabajo el aparato. |
|  | No utilice la guarda para operaciones de corte. |
|  | No aplique fuerza. |

| | |
|--|---|
| | Aplicar fuerza. |
| | Para trabajar con la máquina, utilizar siempre gafas de protección. |
| | ¡Utilice protección auditiva! |
| | Utilice por ello una máscara protectora contra polvo. |
| | Usar guantes protectores |
| | Utilice siempre la herramienta con dos manos. |
| | Únicamente para trabajos de pulido. |
| | Únicamente para trabajos de separación. |
| | Preste atención al grosor permitido del disco. |
| | Accesorio - No incluido en el equipo estándar, disponible en la gama de accesorios. |
| | Los aparatos eléctricos no se deben eliminar junto con la basura doméstica. Los aparatos eléctricos y electrónicos se deben recoger por separado y se deben entregar a una empresa de reciclaje para una eliminación respetuosa con el medio ambiente. Infórmese en las autoridades locales o en su tienda especializada sobre los centros de reciclaje y puntos de recogida. |
| | Revoluciones nominales |
| | Tensión |
| | Corriente continua |
| | Marcado de conformidad europeo |
| | Marcado de conformidad británico |
| | Marcado de conformidad ucraniano |
| | Marcado de conformidad euroasiático |

| CARACTERÍSTICAS TÉCNICAS | M18 FSAG115X | M18 FSAG125X |
|--|--|---|
| Tipo | Rebarbadora Angular a Batería | Rebarbadora Angular a Batería |
| Número de produção | 4830 49 01 XXXXXX MJJJ | 4830 56 01 XXXXXX MJJJ |
| Tensão do acumulador | 18 V | 18 V |
| Número de rotações nominal | 8500 min ⁻¹ | 8500 min ⁻¹ |
| Rosca do veio de trabalho | M14 | M14 |
| D=Diámetro do disco no máx. | 115 mm | 125 mm |
| d=Ø do orifício | 22,2 mm | 22,2 |
| | b=Espessura do rebolo de lixa no máx. | 6 mm |
| | b=Espessura do rebolo separador no máx. / no mín. | 3 mm / 1 mm |
| | D=Diámetro do disco abrasivo no máx. | 115 mm |
| | D=Diámetro da superfície da escova tipo copo no máx. | 75 mm |
| Peso nos termos do procedimento-EPTA 01/2014 (Li-Ion 2,0 Ah ... 12,0 Ah) | 2,4 ... 3,4 kg | 2,4 ... 3,5 kg |
| Temperatura ambiente recomendada para a operação | -18 ... +50 °C | |
| Conjuntos de baterias recomendados | M18B...; M18HB... | |
| Carregadores recomendados | M12-18...; M1418C6 | |
| Informações sobre ruído: Valores de medida de acordo com EN 60745. O nível de ruído avaliado A do aparelho é tipicamente: | | |
| Nível da pressão de ruído / Incerteza K | 82,7 dB(A) / 3 dB(A) | 82,7 dB(A) / 3 dB(A) |
| Nível da potência de ruído / Incerteza K | 93,7 dB(A) / 3 dB(A) | 93,7 dB(A) / 3 dB(A) |
| Use protectores auriculares! | | |
| Informações sobre vibração: Valores totais de vibração (soma dos vectores das três direcções) determinadas conforme EN 60745. | | |
| Valor de emissão de vibração a _v / Incerteza K | | |
| Lixamento superficial | 4,8 m/s ² / 1,5 m/s ² | 5,5 m/s ² / 1,5 m/s ² |
| Rectificar com disco abrasivo | 1,1 m/s ² / 1,5 m/s ² | 1,9 m/s ² / 1,5 m/s ² |
| Em caso de outras aplicações, como p.ex. separar por rectificação ou lixar com escova de arame, podem resultar outros valores de vibração! | | |

ATENÇÃO!

O nível de emissão de ruído e vibração fornecido nesta ficha de informações foi medido de acordo com um teste padronizado que se encontra na norma EN 60745, podendo ser utilizado para fazer comparações entre ferramentas. Pode ser utilizado para fazer uma avaliação preliminar da exposição.

O nível de emissão de ruído e vibração declarado representa as principais aplicações da ferramenta. No entanto, se a ferramenta for utilizada para aplicações diferentes ou com acessórios distintos, ou se a sua manutenção for deficiente, a emissão de ruídos e vibrações poderá diferir. Isso poderá aumentar significativamente o nível de exposição ao longo do período de trabalho total.

A estimativa do nível de exposição à vibração e ruído também deve ter em conta os tempos em que a ferramenta, quer desligada quer em funcionamento, não está realmente a trabalhar. Isso poderá reduzir significativamente o nível de exposição ao longo do período de trabalho total.

Identifique medidas de segurança adicionais para proteger o operador contra os efeitos da vibração e/ou ruído, tais como: fazer a manutenção da ferramenta e dos acessórios, manter as mãos quentes, organizar padrões de trabalho.

ATENÇÃO! Leia todas as instruções de segurança e todas as instruções. O desrespeito das advertências e instruções apresentadas abaixo pode causar choque eléctrico, incêndio e/ou graves lesões.
Guarde bem todas as advertências e instruções para futura referência.

INSTRUÇÕES DE SEGURANÇA PARA AFIADORAS ANGULARES

Indicações de aviso gerais para lixar, lixar com lixa de papel, trabalhar com escovas de arame, polir e separar por rectificação:

a) Esta ferramenta eléctrica pode ser utilizada como lixadeira, lixadeira com lixa de papel e máquina para separar por rectificação. Observar todas as indicações de aviso, instruções, apresentações e dados fornecidos com a ferramenta eléctrica. O desrespeito das seguintes instruções pode levar a um choque eléctrico, incêndio e/ou graves lesões.

b) Esta ferramenta eléctrica não é adequada para polir. Utilizações, para as quais a máquina não tenha sido prevista, podem causar perigos e ferimentos.

c) Não utilizar acessórios, que não foram especialmente previstos e recomendados pelo fabricante para serem utilizados com esta ferramenta eléctrica. O facto de poder fixar o acessório a esta ferramenta eléctrica, não garante uma aplicação segura.

d) As rotações admissíveis da ferramenta de trabalho devem ser pelo menos tão elevadas como as rotações máximas indicadas na ferramenta eléctrica. Os acessórios que rodam mais rapidamente do que o permitido podem partir-se e ser projectados.

e) O diâmetro exterior e a espessura da ferramenta de trabalho devem corresponder às indicações de medida da sua ferramenta eléctrica. Ferramentas de trabalho incorrectamente medidas podem não ser suficientemente blindadas nem controladas.

f) As rosas das peças de acessório devem corresponder com a rosca do fuso de esmerilhamento. Nas peças de acessório fixadas mediante flange, o furo para o mandrel na peça de acessório deve corresponder com o diâmetro do flange de localização. Peças de acessório que não caibam no mandril de montagem do aparelho, operam de forma desequilibrada, vibram excessivamente e podem levar à perda do controlo sobre a ferramenta.

g) Não utilizar ferramentas de trabalho danificadas. Antes de cada utilização deverá controlar as ferramentas de trabalho, e verificar se por exemplo os discos abrasivos apresentam fissuras e estilhaços, se pratos abrasivos apresentam fissuras, se há desgaste ou forte atrição, se as escovas de arame apresentam arames soltos ou quebrados. Se a ferramenta eléctrica ou a ferramenta de trabalho caírem, deverá verificar se sofreram danos, ou trocar por uma ferramenta de trabalho intacta. Após ter controlado e introduzido a ferramenta de trabalho, deverá manter-se, e as pessoas que se encontrem nas proximidades, fora do nível de rotação da ferramenta de trabalho e permitir que a ferramenta eléctrica funcione durante um minuto com o máximo número de rotação. A maioria das ferramentas de trabalho danificadas quebram durante este período de teste.

h) Utilizar um equipamento de protecção pessoal. De acordo com a aplicação, deverá utilizar uma protecção para todo o rosto, protecção para os olhos ou um óculos protector. Se for necessário, deverá utilizar uma máscara contra pó, protecção auricular, luvas de protecção ou um avental especial, para proteger-se de pequenas partículas de amoladura e de material. Os olhos devem ser protegidos contra partículas a voar, produzidas durante as diversas aplicações. A máscara contra pó ou a máscara de respiração deve ser capaz de filtrar o pó produzido durante a respectiva aplicação. Se for sujeito durante longo tempo a fortes ruídos, poderá sofrer a perda da capacidade auditiva.

i) Observe que as outras pessoas mantenham uma distância segura em relação ao seu local de trabalho. Cada pessoa que entrar na área de trabalho, deverá usar um equipamento de protecção pessoal. Estilhaços da peça a ser trabalhada ou ferramentas de trabalho quebradas podem voar e causar lesões fora da área imediata de trabalho.

j) Segure o aparelho nas superfícies de punho isoladas se estiver a executar trabalhos, nos quais a ferramenta de corte pode tocar em linhas eléctricas escondidas. O contacto da ferramenta de corte com uma linha sob tensão também pode colocar peças metálicas do aparelho sob tensão e levar a um choque eléctrico.

k) Nunca pouse a ferramenta eléctrica antes de a ferramenta de trabalho parar completamente. A ferramenta de trabalho em rotação pode entrar em contacto com a superfície de apoio, provocando uma perda de controlo da ferramenta eléctrica.

l) Não permitir que a ferramenta eléctrica funcione enquanto estiver a transportá-la. A sua roupa pode ser agarrada devido a um contacto accidental com a ferramenta de trabalho em rotação, de modo que a ferramenta de trabalho possa ferir o seu corpo.

m) Limpar regularmente as aberturas de ventilação da sua ferramenta eléctrica. A ventoinha do motor puxa pó para dentro da carcaça, e uma grande quantidade de pó de metal pode causar perigos eléctricos.

n) Não utilizar a ferramenta eléctrica perto de materiais inflamáveis. Faíscas podem incendiar estes materiais.

o) Não utilizar ferramentas de trabalho que necessitem agentes de refrigeração líquidos. A utilização de água ou de outros agentes de refrigeração líquidos pode provocar um choque eléctrico.

Contra-golpe e respectivas advertências

ContraGolpe é uma repentina reacção devido a uma ferramenta de trabalho travada ou bloqueada, como por exemplo um disco abrasivo, um prato abrasivo, uma escova de arame etc. Um travamento ou um bloqueio levam a uma parada abrupta da ferramenta de trabalho em rotação. Desta maneira, uma ferramenta eléctrica descontrolada pode ser acelerada no local de bloqueio, sendo forçada no sentido contrário da rotação da ferramenta de trabalho.

Se por exemplo um disco abrasivo travar ou bloquear numa peça a ser trabalhada, o canto do disco abrasivo pode mergulhar na peça a ser trabalhada e encravar-se, quebrando o disco abrasivo ou causando um contra-golpe. O disco abrasivo se movimentar então no sentido do operador ou para longe deste, dependendo do sentido de rotação do disco no local do bloqueio. Sob estas condições os discos abrasivos também podem partir-se.

Um contra-golpe é a consequência de uma utilização incorrecta ou indevida da ferramenta eléctrica. Ele pode ser evitado por apropriadas medidas de precaução como descrito a seguir.

a) Segurar firmemente a ferramenta eléctrica e posicionar o seu corpo e os braços de modo que possa resistir às forças de um contra-golpe. Sempre utilizar o punho adicional, se existente, para assegurar o máximo controlo possível sobre as forças de um contra-golpe ou sobre momentos de reacção durante o arranque. O operador pode controlar as forças de contra-golpe e as forças de reacção através de medidas de precaução apropriadas.

b) Jamais permita que as suas mãos se encontrem perto de ferramentas de trabalho em rotação. O acessório pode recuar e atingir a sua mão.

c) Evite que o seu corpo se encontre na área, na qual a ferramenta eléctrica possa ser movimentada no caso de um contra-golpe. O contra-golpe força a ferramenta eléctrica no sentido contrário ao movimento do disco abrasivo no local do bloqueio.

d) Trabalhar com especial cuidado na área ao redor de esquinas, cantos afiados etc. Evite que ferramentas de trabalho sejam ricocheteadas e travadas pela peça a ser trabalhada. A ferramenta de trabalho em rotação tende a travar em esquinas, em cantos afiados ou se for ricocheteada. Isto causa uma perda de controlo ou um contra-golpe.

e) Não utilize lâminas de corrente ou lâminas de serra dentadas. Estas ferramentas de trabalho provocam frequentemente uma repercussão ou a perda do controlo sobre a ferramenta eléctrica.

Instruções especiais de segurança específicas para lixar e separar por rectificação

a) Utilizar exclusivamente os corpos abrasivos homologados para a sua ferramenta eléctrica e a capa de protecção prevista para estes corpos abrasivos. Corpos abrasivos não previstos para a ferramenta eléctrica, não podem ser suficientemente protegidos e portanto não são seguros.

b) Discos abrasivos dobrados devem ser montados, de forma que a sua superfície abrasiva não sobressaia além do nível da margem da tampa de protecção. Não é possível blindar suficientemente um disco abrasivo montado incorrectamente, que sobressaia além do nível da margem da tampa de protecção.

c) Sempre utilizar a capa de protecção, prevista para o tipo de corpo abrasivo utilizado. A capa de protecção deve ser firmemente aplicada na ferramenta eléctrica e fixa, de modo que seja alcançado um máximo de segurança, ou seja, que apenas uma mínima parte do corpo abrasivo aponte abertamente na direcção do operador. A protecção ajuda a proteger o operador contra estilhaços do disco de corte, contacto accidental com o disco de corte e faíscas que poderiam incendiar o vestuário.

d) Os corpos abrasivos só devem ser utilizados para as aplicações recomendadas. P. ex.: Jamais lixar com a superfície lateral de um disco de corte. Disco de corte são destinados para o desbaste de material com o canto do disco. Uma força lateral sobre estes corpos abrasivos pode quebrá-los.

e) Sempre utilizar flanges de aperto intactos de tamanho e forma correctos para o disco abrasivo seleccionado. Flanges apropriados apoiam o disco abrasivo e reduzem assim o perigo de uma ruptura do disco abrasivo. Flanges para discos de corte podem diferenciarse de flanges para outros discos abrasivos.

f) Não utilizar discos abrasivos gastos de outras ferramentas eléctricas maiores. Discos abrasivos para ferramentas eléctricas maiores não são apropriados para os números de rotação mais altos de ferramentas eléctricas menores e podem quebrar.

Outras advertências especiais de segurança para separar por rectificação

a) Evitar um bloqueio do disco de corte ou uma força de pressão demasiado alta. Não efectuar cortes extremamente profundos. Uma sobrecarga do disco de corte aumenta o desgaste e a predisposição para emperrar e bloquear e portanto a possibilidade de um contra-golpe ou uma ruptura do corpo abrasivo.

b) Evitar a área que se encontra na frente ou atrás do disco de corte em rotação. Se o disco de corte for conduzido na peça a ser trabalhada, para frente, afastandose do corpo, é possível que no caso de um contra-golpe a ferramenta eléctrica, junto com o disco em rotação, seja atirada directamente na direcção da pessoa a operar o aparelho.

c) Se o disco de corte emperrar ou se o trabalho for interrompido, deverá desligar a ferramenta eléctrica e mantê-la parada, até o disco parar completamente. Jamais tentar puxar o disco de corte para fora do corte enquanto ainda estiver em rotação, caso contrário poderá ser provocado um contra-golpe. Verificar e eliminar a causa do emperramento.

d) Não ligar novamente a ferramenta eléctrica, enquanto ainda estiver na peça a ser trabalhada. Permita que o disco de corte alcance o seu completo número de rotação, antes de continuar cuidadosamente a cortar. Caso contrário é possível que o disco emperre, pule para fora da peça a ser trabalhada ou cause um contra-golpe.

e) Apoiar placas ou peças grandes, para reduzir um risco de contra-golpe devido a um disco de corte emperrado. Peças grandes podem curvarse devido ao próprio peso. A peça a ser trabalhada deve ser apoiada de ambos os lados, tanto nas proximidades do corte como também nos cantos.

f) Tenha muito cuidado ao fazer “cortes de bolsa” em paredes existentes ou outras áreas não visíveis. O disco de corte pode causar um contra-golpe se cortar accidentalmente tubulações de gás ou de água, cabos eléctricos ou outros objectos.

Advertências especiais de segurança específicas para lixar com lixa de papel:

a) Não utilizar lixas de papel demasiado grandes, mas sempre seguir as indicações do fabricante sobre o tamanho correcto das lixas de papel. Lixas de papel, que sobressaem dos cantos do prato abrasivo, podem causar lesões, assim como bloquear e rasgar as lixas de papel ou levar a um contra-golpe.

Advertências especiais de segurança específicas para trabalhar com escovas de arame:

a) Observe que a escova de arame também perde cerdas durante a utilização normal. Não aplique uma força de pressão muito forte nos arames. Cerdas ejectadas podem penetrar facilmente em roupa leve e/ou na pele.

b) Se for recomendável uma capa de protecção, deverá evitar que a escova de arame entre em contacto com a capa de protecção. O diâmetro das escovas em forma de prato ou de tacho pode aumentar devido à força de pressão e às forças centrífugas.

INSTRUÇÕES DE SEGURANÇA E TRABALHO SUPLEMENTARES

Antes de ligar a ferramenta, verifique sempre se o botão de bloqueio do eixo está completamente solto! Depois de utilizar o bloqueio do eixo para apertar / afrouxar o disco abrasivo, é possível que o botão fique preso na posição de bloqueio.

Ao lixar metais, voam faíscas. Observe que ninguém seja posto em perigo. Devido ao perigo de incêndio não devem encontrar-se materiais inflamáveis nas proximidades (área de voo de faíscas).

Não utilize sistema de extracção de poeiras.

Evitar o contacto de faíscas e pó de lixar com o corpo.

Não introduza as mãos na área perigosa, estando a máquina em funcionamento.

Não remover aparas ou lascas enquanto a máquina trabalha.

Desligar imediatamente o aparelho, se ocorrerem grandes oscilações ou se forem observadas outras avarias. Controlar a máquina para determinar a causa.

Em condições extremas (por exemplo, metais que obriguem a esmeril suave, utilizando o disco com protecção e fibra vulcanizada), é possível que se acumule uma quantidade significativa de material contaminante no interior da rebarbadora.

Não deixe que peças metálicas toquem nas fendas de circulação de ar - perigo de curto-circuitos.

ATENÇÃO! Perigo de queimar-se! Durante a utilização, o disco e a peça trabalhada vão ficar quentes. Ao trocar os discos ou tocar na peça de trabalho, use luvas. Mantenha sempre as mãos afastadas da área que estiver a ser trabalhada com a rebarbadora.

ATENÇÃO! Para evitar o risco de incêndio, de feridas ou de danificação do produto causado por um curto-circuito, não imerja a bateria intercambiável ou o carregador em líquidos e assegure-se de que líquidos não penetrem nos aparelhos ou nas baterias. Líquidos corrosivos ou condutivos como água salgada, determinadas substâncias químicas ou produtos que contenham branqueadores podem causar um curto-circuito.

Carregadores só devem ser utilizados em recintos secos.

Use apenas carregadores do Sistema M18 para recarregar os acumuladores do Sistema M18. Não utilize acumuladores de outros sistemas.

UTILIZAÇÃO AUTORIZADA

A rebarbadora foi concebida para esmerilar e cortar materiais metálicos, em pedra, cimento e cerâmicos, bem como para operações de decapagem e escovagem com escova de metal.

Para aplicações de corte, utilize o resguardo de corte constante da gama de acessórios.

Em caso de dúvida, observe as indicações do fabricante dos acessórios.

A ferramenta só é apropriada para o processamento a seco.

Só devem ser encaixados na rebarbadora discos de esmeril/ corte e respetivas proteções (protecção de esmeril ou protecção de corte) que sejam adequados, conforme descritos na secção de especificações do produto deste manual. A rebarbadora foi concebida para utilização portátil, não se destinando a ser montada num acessório ou bancada.

Não utilize o produto de qualquer outra forma além das indicadas para a utilização prevista.

RISCOS RESIDUAIS

Mesmo em caso de utilização correcta não é possível excluir todos os riscos residuais. Na utilização da máquina podem ser causados os seguintes perigos que o utilizador deve observar:

- Feridas causadas pela vibração. Segure o aparelho nos punhos previstos e limite o tempo de trabalho e exposição.
- Os ruídos podem levar à perda de audição. Use um protetor auricular e limite o período de exposição.
- Feridas dos olhos causadas por partículas de sujeira. Sempre use óculos de protecção, calças compridas sólidas e calçados sólidos.
- Inalação de pós tóxicos.

NOTAS PARA BATERIAS DE ÍONS DE LÍCIO

Utilização de íons de lítio

Acumuladores não utilizados durante algum tempo devem ser recarregados antes da sua utilização.

Temperaturas acima de 50°C reduzem a capacidade do bloco acumulador. Evitar exposição prolongada ao sol ou a caloríferos.

Manter limpos os contactos eléctricos no carregador e no bloco acumulador.

Para uma vida útil óptima das baterias, terá que carregá-las plenamente após a sua utilização.

Para assegurar uma vida útil longa, o pacote de bateria deve ser removido da carregadora depois do carregamento.

Se o pacote de bateria for armazenado por mais de 30 dias:

Armazene o pacote de bateria com aprox. 27°C em um lugar seco.

Armazene o pacote de bateria com aprox. 30%-50% da carga completa.

Carregue o pacote de bateria novamente de 6 em 6 meses.

Proteção contra sobrecarga para baterias de iões de lítio

No caso de sobrecarga da bateria devido a um consumo de corrente demasiado elevado, por exemplo um binário de rotação extremamente elevado, uma paragem repentina ou um curto-circuito, a ferramenta eléctrica vibra durante 5 segundos, o indicador de carregamento de bateria começa a piscar e a ferramenta eléctrica desliga-se automaticamente.

Para a ligar novamente, desligar e voltar a ligar o interruptor Sob condições extremas, a bateria aquece demasiado. Nesse caso, todas as luzes do indicador de carregamento de bateria piscam até que esta arrefeça. Após as luzes do indicador de carregamento de bateria se apagarem, pode-se continuar a trabalhar.

Transporte de baterias de ião-lítio

Baterias de ião-lítio estão sujeitas às disposições da legislação relativa às substâncias perigosas.

O transporte destas baterias deve ser efetuado de acordo com as disposições e os regulamentos locais, nacionais e internacionais.

O utilizador pode efetuar o transporte rodoviário destas baterias sem restrições.

O transporte comercial de baterias de ião-lítio por terceiros está sujeito aos regulamentos relativos às substâncias perigosas. A preparação do transporte e o transporte devem ser executados exclusivamente por pessoas instruídas e o processo deve ser acompanhado pelos especialistas correspondentes.

Observe o seguinte no transporte de baterias:

Assegure-se de que os contatos terminais estejam protegidos e isolados para evitar um curto-circuito.

Assegure-se de que o bloco da bateria esteja protegido contra movimentos na embalagem. Não transporte baterias danificadas ou que tenham fuga. Para instruções mais detalhadas consulte a companhia de transportes

DICAS DE TRABALHO

Proteção contra sobrecarga e recuo

O aparelho dispõe de uma função de protecção contra sobrecarga e anti-retorno e parará quando houver a sobrecarga correspondente. Desligue a ferramenta eléctrica e volte a ligá-la, a fim de poder continuar a trabalhar.

Arranque suave

Arranque suave electrónico para manejo seguro; evita o arranque brusco da máquina ao ligá-la.

Para as ferramentas a serem montadas com a roda de orifício roscado, certifique-se de que a rosca na roda é suficientemente longa para receber o fuso em todo o seu comprimento.

Sempre utilizar e guardar os rebolos separadores e os discos abrasivos, de acordo com as indicações do fabricante.

Durante o trabalho com discos de desbastar e de corte sempre deve ser utilizada a placa de protecção.

Discos abrasivos dobrados devem ser montados, de forma que a sua superfície abrasiva não sobressaia além do nível da margem da tampa de protecção.

A porca de ajuste deve ser apertada antes de iniciar o trabalho com a máquina.

Utilizar sempre o punho lateral.

A peça a ser trabalhada deve ser fixada, caso não esteja firme devido ao seu peso próprio. Jamais conduzir a peça a ser trabalhada em direcção do disco com as mãos.

Antes de colocar a máquina em funcionamento, a porca flangeada deve ser apertada para que esteja fixa. Se a ferramenta não for bem apertada com a porca flangeada, é possível que a ferramenta perda a força de tensão necessária na travagem.

LIMPEZA

Manter desobstruídos os rasgos de ventilação na carcaça da máquina.

MANUTENÇÃO

Utilizar apenas acessórios Milwaukee e peças sobresselentes Milwaukee. Os componentes cuja substituição não esteja descrita devem ser substituídos num serviço de assistência técnica Milwaukee (consultar a brochura relativa à garantia/moradas dos serviços de assistência técnica).

A pedido e mediante indicação da referência que consta da chapa de características da máquina, pode requerer-se um desenho explosivo da ferramenta eléctrica a: Techtronic Industries GmbH, Max-Eyth-Straße 10, 71364 Winnenden, Germany.

SYMBOLE



Leia atentamente o manual de instruções antes de colocar a máquina em funcionamento.



ATENÇÃO! PERIGO!



Antes de efectuar qualquer intervenção o aparelho retirar o bloco acumulador.



Não utilize a proteção para operações de corte.



Não aplique força.



Aplique força.



Usar sempre óculos de protecção ao trabalhar com a máquina.



Sempre use a protecção dos ouvidos.



Use uma máscara de protecção contra pó apropriada.



Use luvas de protecção!



Trabalhe sempre com as duas mãos.



Só para trabalhos de lixar.



Só para trabalhos de separação.



Preste atenção à espessura admissível do disco.



Acessório - Não incluído no equipamento normal, disponível como acessório.



Aparelhos eléctricos não devem ser jogados no lixo doméstico. Aparelhos eléctricos e electrónicos devem ser colectados separadamente e entregues a uma empresa de reciclagem para a eliminação correcta. Solicite informações sobre empresas de reciclagem e postos de colecta de lixo das autoridades locais ou do seu vendedor autorizado.

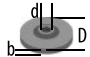



n_0

Número de rotações nominal

V

Tensão

| | |
|--|-----------------------------------|
| | Corrente contínua |
| | Marca de Conformidade Europeia |
| | Marca de Conformidade Britânica |
| | Marca de Conformidade Ucraniana |
| | Marca de Conformidade Eurasiática |

| TECHNISCHE GEGEVENS | M18 FSAG115X | M18 FSAG125X |
|--|---|---|
| Type | Accu-haakse slijpmachine | Accu-haakse slijpmachine |
| Productienummer | 4830 49 01 XXXXX MJJJ | 4830 56 01 XXXXX MJJJ |
| Spanning wisselakku | 18 V | 18 V |
| Nominaal toerental | 8500 min ⁻¹ | 8500 min ⁻¹ |
| Asaansluiting | M14 | M14 |
| D=Slijpschijf-Ø max. | 115 mm | 125 mm |
| d=Asgat-Ø | 22,2 mm | 22,2 |
|  b=Slijpschijfdikte max. | 6 mm | 6 mm |
|  b=Dikte doorslijpschijven max. / min. | 3 mm / 1 mm | 3 mm / 1 mm |
|  D=Diameter schuurschijf max. | 115 mm | 125 mm |
|  D=Komborstel-Ø max. | 75 mm | 75 mm |
| Gewicht volgens de EPTA-procedure 01/2014 (Li-Ion 2,0 Ah ... 12,0 Ah) | 2,4 ... 3,4 kg | 2,4 ... 3,5 kg |
| Aanbevolen omgevingstemperatuur voor het bedrijf | -18 ... +50 °C | |
| Aanbevolen accupacks | M18B...; M18HB... | |
| Aanbevolen laadtoestellen | M12-18...; M1418C6 | |
| Geluidsinformatie: Meetwaarden vastgesteld volgens EN 60745. Het kenmerkende A-gewogen geluidsniveau van de machine bedraagt: | | |
| Geluidsdruk niveau / Onzekerheid K | 82,7 dB(A) / 3 dB(A) | 82,7 dB(A) / 3 dB(A) |
| Geluidsvermogen niveau / Onzekerheid K | 93,7 dB(A) / 3 dB(A) | 93,7 dB(A) / 3 dB(A) |
| Draag oorbeschermers! | | |
| Trillingsinformatie: Totale trillingswaarden (vectorsom van drie richtingen) bepaald volgens EN 60745. | | |
| Trillingsemissiewaarde a _v / Onzekerheid K | | |
| Schuren van oppervlakken | 4,8 m/s ² / 1,5 m/s ² | 5,5 m/s ² / 1,5 m/s ² |
| Schuren met schuurblad | 1,1 m/s ² / 1,5 m/s ² | 1,9 m/s ² / 1,5 m/s ² |
| Bij andere toepassingen zoals bijv. doorslijpen of schuren met de staalborstel, kunnen andere trilwaarden ontstaan! | | |

WAARSCHUWING!

De in dit informatieblad vermelde trillings- en geluidsniveaus zijn gemeten in overeenstemming met een standaard testmethode conform EN 60745 en kunnen worden gebruikt om gereedschap met elkaar te vergelijken. Deze kunnen ook worden gebruikt voor het vooraf evalueren van de blootstelling.

De vermelde trillings- en geluidsniveaus gelden voor de meest gebruikelijke toepassingen van het gereedschap. Wanneer het gereedschap echter voor andere doeleinden of met andere hulpstukken gebruikt wordt of niet naar behoren onderhouden wordt, kan de mate van blootstelling over de hele werkperiode aanzienlijk hoger uitvallen.

Voor een nauwkeurige inschatting van de blootstelling aan trillingen en geluid moet ook de tijd in aanmerking worden genomen die het apparaat uitgeschakeld is of weliswaar loopt, maar niet werkelijk in gebruik is. Dit kan de waarde van de mate aan blootstelling over de hele werkperiode aanzienlijk verminderen.

Bepaal extra veiligheidsmaatregelen ter bescherming van de gebruiker tegen de gevolgen van trillingen en/of geluid, bijvoorbeeld: onderhoud van het gereedschap en hulpstukken, warmhouden van de handen, organisatie van de werkprocessen.

WAARSCHUWING! Lees alle veiligheidsinstructies en aanwijzingen door. Als de waarschuwingen en voorschriften niet worden opgevolgd, kan dit een elektrische schok, brand of ernstig letsel tot gevolg hebben.

Bewaar alle waarschuwingen en voorschriften voor toekomstig gebruik.

VEILIGHEIDSinSTRUCTIES VOOR HAAKSE SLIJPERS

Algemene waarschuwingen voor slijpen, schuren, borstelen, polijsten en doorslijpen:

a) Dit elektrische gereedschap is bestemd voor gebruik als slijpmachine, schuurmachine, borstelmachine en doorslijpmachine. Neem alle waarschuwingen, aanwijzingen, afbeeldingen en gegevens die u bij het elektrische gereedschap ontvangt in acht. Als u de volgende aanwijzingen niet in acht neemt, kunnen een elektrische schok, brand en/of ernstig letsel het gevolg zijn.

b) Dit elektrische gereedschap is niet geschikt voor het polijsten. Onbedoeld gebruik van dit elektrische gereedschap kan leiden tot gevaren en persoonlijk letsel.

c) Gebruik uitsluitend toebehoren dat door de fabrikant speciaal voor dit elektrische gereedschap is voorzien en geadviseerd. Het feit dat u het toebehoren aan het elektrische gereedschap kunt bevestigen, waarborgt nog geen veilig gebruik.

d) Het toelaatbare toerental van het inzetgereedschap moet minstens even hoog zijn als het maximale toerental dat op het elektrische gereedschap is aangegeven. Toebehoren dat sneller draait dan toegestaan, kan breken en in het rond vliegen.

e) De buitendiameter en de dikte van het inzetgereedschap moeten overeenkomen met de maatgegevens van het elektrische gereedschap. Inzetgereedschappen met onjuiste afmetingen kunnen niet voldoende afgeschermd of gecontroleerd worden.

f) De schroefdraden van het toebehoren moeten overeenstemmen met de schroefdraden van de slijpspil. Bij toebehoren dat moet worden aangflensd, moet de boring op de opspandoorn in het toebehoren overeenstemmen met de diameter van de centreflens. Toebehoren dat niet op de montagevoorziening van het apparaat past, loopt excentrisch, trilt buitengewoon sterk en kan leiden tot controleverlies over het gereedschap.

g) Gebruik geen beschadigde inzetgereedschappen. Controleer voor het gebruik altijd inzetgereedschappen zoals slijpschijven op afsplinteringen en scheuren, steunschijven op scheuren of sterke slijtage en draadborstels op losse of gebroken draden. Als het elektrische gereedschap of het inzetgereedschap valt, dient u te controleren of het beschadigd is, of gebruik een onbeschadigd inzetgereedschap. Als u het inzetgereedschap hebt gecontroleerd en ingezet, laat u het elektrische gereedschap een minuut lang met het maximale toerental lopen. Daarbij dient u en dienen andere personen uit de buurt van het ronddraaiende inzetgereedschap te blijven. Beschadigde inzetgereedschappen breken meestal gedurende deze testtijd.

h) Draag persoonlijke beschermende uitrusting. Gebruik afhankelijk van de toepassing een volledige gezichtsbescherming, oogbescherming of veiligheidsbril. Draag voor zover van toepassing een stofmasker, een hoorbescherming, werkhandschoenen of een speciaal schoot dat kleine slijp- en materiaaldeeltjes tegenhoudt. Uw ogen moeten worden beschermd tegen wegvliegende deeltjes die bij verschillende toepassingen ontstaan. Een stof- of adembeschermingsmasker moet het bij de toepassing ontstaande stof filteren. Als u lang wordt blootgesteld aan luid lawaai, kan uw gehoor worden beschadigd.

i) Let erop dat andere personen zich op een veilige afstand bevinden van de plaats waar u werkt. Iedereen die de werkomgeving betreedt, moet persoonlijke beschermende uitrusting dragen. Brokstukken van het werkstuk of gebroken inzetgereedschappen kunnen wegvliegen en verwondingen veroorzaken, ook buiten de directe werkomgeving.

j) Houd het apparaat alléén aan de geïsoleerde grijpvakken vast, wanneer u werkzaamheden uitvoert waarbij het snijgereedschap verborgen stroomleidingen zou kunnen raken. Het contact van het snijgereedschap met een spanningvoerende leiding kan de metalen apparaatdelen onder spanning zetten en zo tot een elektrische schok leiden.

k) Leg het elektrische gereedschap nooit neer, vóór het inzetstuk volledig tot stilstand is gekomen. Het draaiende inzetgereedschap kan in contact komen met het oppervlak, waardoor u de controle over het elektrische gereedschap kunt verliezen.

l) Laat het elektrische gereedschap niet lopen terwijl u het draagt. Uw kleding kan door toevallig contact met het draaiende inzetgereedschap worden meegenomen en het inzetgereedschap kan zich in uw lichaam boren.

m) Reinig regelmatig de ventilatieopeningen van het elektrische gereedschap. De motorventilator trekt stof in het huis en een sterke ophoping van metaalstof kan elektrische gevaren veroorzaken.

n) Gebruik het elektrische gereedschap niet in de buurt van brandbare materialen. Vonken kunnen deze materialen ontsteken.

o) Gebruik geen inzetgereedschappen waarvoor vloeibare koelmiddelen vereist zijn. Het gebruik van water of andere vloeibare koelmiddelen kan tot een elektrische schok leiden.

Terugslag en bijbehorende waarschuwingen

Terugslag is de plotselinge reactie als gevolg van een vasthakend of geblokkeerd draaiend inzetgereedschap, zoals een slijpschijf, steunschijf, draadborstel, enz. Vasthaken of blokkeren leidt tot abrupte stilstand van het ronddraaiende inzetgereedschap. Daardoor wordt een ongecontroleerd elektrisch gereedschap tegen de draairichting van het inzetgereedschap versneld op de plaats van de blokkering.

Als bijvoorbeeld een slijpschijf in het werkstuk vasthaakt of blokkeert, kan de rand van de slijpschijf die in het werkstuk invalt, zich vastgrijpen. Daardoor kan de slijpschijf uitbreken of een terugslag veroorzaken. De slijpschijf beweegt zich vervolgens naar de bediener toe of van de bediener weg, afhankelijk van de draairichting van de schijf op de plaats van de blokkering. Hierbij kunnen slijpschijven ook breken.

Een terugslag is het gevolg van het verkeerd gebruik of onjuiste gebruiksomstandigheden van het elektrische gereedschap. Terugslag kan worden voorkomen door geschikte voorzorgsmaatregelen, zoals hieronder beschreven.

a) Houd het elektrische gereedschap goed vast en breng uw lichaam en uw armen in een positie waarin u de terugslagkrachten kunt opvangen. Gebruik altijd de extra handgreep, indien aanwezig, om de grootst mogelijke controle te hebben over terugslagkrachten of reactiemomenten bij het op toeren komen. De bediener kan door geschikte voorzorgsmaatregelen de terugslag- en reactiekrachten beheersen.

b) Breng uw hand nooit in de buurt van draaiende inzetgereedschappen. Accessoires kunnen over uw hand terugslaan.

c) Mijd met uw lichaam het gebied waarheen het elektrische gereedschap bij een terugslag wordt bewogen. De terugslag drijft het elektrische gereedschap in de richting die tegengesteld is aan de beweging van de slijpschijf op de plaats van de blokkering.

d) Werk bijzonder voorzichtig in de buurt van hoeken, scherpe randen, enz. Voorkom dat inzetgereedschappen van het werkstuk terugspringen en vastklemmen. Het ronddraaiende inzetgereedschap neigt er bij hoeken, scherpe randen of wanneer het terugspringt toe om zich vast te klemmen. Dit veroorzaakt een controleverlies of terugslag.

e) Gebruik geen ketting- of getand zaagblad. Dergelijke inzetstukken veroorzaken vaak een terugslag of verlies van controle over het elektrische gereedschap.

Bijzondere waarschuwingen voor slijp- en doorslijpwerkzaamheden

a) Gebruik uitsluitend het voor het elektrische gereedschap toegestane slijptoebehoren en de voor dit slijptoebehoren voorziene beschermkap. Slijptoebehoren dat niet voor het elektrische gereedschap is voorzien, kan niet voldoende worden afgeschermd en is niet veilig.

b) Gebogen slijpschijven moeten zodanig worden gemonteerd dat het schuuroppervlak niet boven de rand van de veiligheidskap uitsteekt. Een ondeskundig gemonteerde slijpschijf die boven de rand van de veiligheidskap uitsteekt kan niet afdoende worden afgeschermd.

c) Gebruik altijd de beschermkap die voor het gebruikte soort slijpgereedschap is voorzien. De beschermkap moet stevig op het elektrische gereedschap zijn aangebracht en zodanig zijn ingesteld dat een maximum aan veiligheid wordt bereikt. Dat wil zeggen dat het kleinste mogelijke deel van het slijpgereedschap open naar de bediener wijst. De bescherming helpt om de gebruiker te beschermen tegen delen van een gebroken schijf, onbedoeld contact met de schijf en vonken die kleding in brand kunnen zetten.

d) Slijptoebehoren mag alleen worden gebruikt voor de geadviseerde toepassingsmogelijkheden. Bijvoorbeeld: slijp nooit met het zijvlak van een doorslijpschijf. Doorslijpschijven zijn bestemd voor materiaalafname met de rand van de schijf. Een zijwaartse krachtinwerking op dit slijptoebehoren kan het toebehoren breken.

e) Gebruik altijd onbeschadigde spanflenzen in de juiste maat en vorm voor de door u gekozen slijpschijf. Geschikte flenzen steunen de slijpschijf en verminderen zo het gevaar van een slijpschijfbreuk. Flenzen voor doorslijpschijven kunnen verschillen van de flenzen voor andere slijpschijven.

f) Gebruik geen versleten slijpschijven van grotere elektrische gereedschappen. Slijpschijven voor grotere elektrische gereedschappen zijn niet geconstrueerd voor de hogere toerentalen van kleinere elektrische gereedschappen en kunnen breken.

Overige bijzondere waarschuwingen voor doorslijpwerkzaamheden

a) Voorkom blokkeren van de doorslijpschijf en te hoge aandrukkracht. Slijp niet overmatig diep. Een overbelasting van de doorslijpschijf vergroot de slijtage en de gevoeligheid voor kantelen of blokkeren en daardoor de mogelijkheid van een terugslag of breuk van het slijptoebehooren.

b) Mijd de omgeving voor en achter de ronddraaiende doorslijpschijf. Als u de doorslijpschijf in het werkstuk van u weg beweegt, kan in het geval van een terugslag het elektrische gereedschap met de draaiende schijf rechtstreeks naar u toe worden geslingerd.

c) Als de doorslijpschijf vastklemt of als u de werkzaamheden onderbreekt, schakelt u het elektrische gereedschap uit en houdt u het rustig tot de schijf tot stilstand is gekomen. Probeer nooit om de nog draaiende doorslijpschijf uit de groef te trekken. Anders kan een terugslag het gevolg zijn. Stel de oorzaak van het vastklemmen vast en maak deze ongedaan.

d) Schakel het elektrische gereedschap niet opnieuw in zolang het zich in het werkstuk bevindt. Laat de doorslijpschijf eerst het volledige toerental bereiken voordat u het doorslijpen voorzichtig voortzet. Anders kan de schijf vasthakken, uit het werkstuk springen of een terugslag veroorzaken.

e) Ondersteun platen of grote werkstukken om het risico van een terugslag door een ingeklemde doorslijpschijf te verminderen. Grote werkstukken kunnen onder hun eigen gewicht doorbuigen. Het werkstuk moet aan beide zijden worden ondersteund, vlakbij de slijpgroef en aan de rand.

f) Wees bijzonder voorzichtig bij het insteekzagen in bestaande wanden of andere niet-zichtbare bereiken. De invallende doorslijpschijf kan bij het doorslijpen van gas- of waterleidingen, elektrische leidingen of andere objecten een terugslag veroorzaken.

Bijzondere waarschuwingen voor schuurwerkzaamheden:

a) Gebruik geen schuurbladen met te grote afmetingen, maar houd u aan de voorschriften van de fabrikant voor de maten van schuurbladen. Schuurbladen die over de rand van de steunschijf uitsteken, kunnen verwondingen veroorzaken en kunnen tot blokkeren, scheuren van de schuurbladen of terugslag leiden.

Bijzondere waarschuwingen voor werkzaamheden met draadborstels:

a) Let op dat de draadborstel ook tijdens het normale gebruik draadstukken verliest. Overbelast de draden niet door een te hoge aanpersdruk. Wegvliegende draadstukken kunnen probleemloos door dunne kleding en/of de huid dringen.

b) Als het gebruik van een beschermkap wordt geadviseerd, dient u te voorkomen dat beschermkap en draadborstel elkaar kunnen raken. Vlakstaal- en komstaalborstels kunnen door aandrukkracht en centrifugaalkrachten hun diameter vergroten.

VERDERE VEILIGHEIDS- EN WERKINSTRUCTIES

Kijk voor het inschakelen van het apparaat altijd eerst de spindelvergrendelingsknop volledig vrij staat! Na het gebruik van de spindelvergrendeling voor het vast-/losdraaien van de slijpschijf is het mogelijk dat de knop in de vergrendelingsstand blijft steken.

Bij het schuren van metalen ontstaan vonken. Er op letten dat er geen personen in gevaar worden gebracht. In verband met het brandgevaar mogen zich geen brandbare materialen in de buurt (gebied waar de vonken vallebevinden. Geen stofafzuiging gebruiken

Voorkom dat vonkenregen en slijpstof het lichaam raken.

Niet aan de draaiende delen komen.

Spanen of splinters mogen bij draaiende machine niet worden verwijderd.

Machine onmiddellijk controleren als sterke trillingen optreden of andere gebreken worden vastgesteld. Controleer de machine om de oorzaak vast te stellen.

Onder extreme omstandigheden (bijv. gladlijpen van metaal met steunschijf en slijpstift van ge vulkaniseerde vezel) kan aan zich de binnenkant van de slijpmachine vuil ophopen.

Vanwege kortsluitingsgevaar mogen metaaldeeltjes niet in de luchtschachten terechtkomen.

WAARSCHUWING! Gevaar voor verbrandingen! De schijf en het werkstuk worden tijdens het gebruik heet. Draag handschoenen bij het vervangen van schijven of het aanraken van het werkstuk. Houd uw handen te allen tijde uit de buurt van de te slijpen gebied.

WAARSCHUWING! Voorkom brand, persoonlijk letsel of materiële schade door kortsluiting en dampel het gereedschap, de wisselaccu en het laadtoestel niet onder in vloeistoffen en waarborg dat geen vloeistoffen in de apparaten en accu's kunnen dringen. Corrosieve of geleidende vloeistoffen zoals zout water, bepaalde chemicaliën, bleekmiddelen of producten die bleekmiddelen bevatten, kunnen een kortsluiting veroorzaken.

Wisselakku's en laadapparaten niet openen en alleen in droge ruimtes opslaan. Tegen vocht beschermen.

Wisselakku's van het Akku-Systeem M18 alléén met laadapparaten van het Akku-Systeem M18 laden. Geen akku's van andere systemen laden.

VOORGESCHREVEN GEBRUIK VAN HET SYSTEEM

De haakse slijpmachine is bedoeld voor het slijpen en snijden van metaal-, steen-, beton- en keramische materialen en voor het schuren en borstelen van kabels.

Gebruik bij het zagen de beschermkap uit het accessoire-assortiment.

Neem in twijfelgevallen deaanwijzingen van de toebehorenfabrikant in acht.

Het elektrische gereedschap is alleen geschikt voor de droge bewerking.

Op de haakse slijpmachine mogen uitsluitend geschikte slijp- of snijschijven en bijbehorende afscherminingen (slijp- of snijbescherming), worden gemonteerd, zoals beschreven in het hoofdstuk productspecificaties van deze handleiding. De haakse slijpmachine is ontworpen voor gebruik met de hand; hij mag niet op een armatuur of werkbank worden gemonteerd.

Gebruik het product op geen andere wijze dan is aangegeven voor het beoogde gebruik.

RESTERENDE GEVAREN

Ook als de machine volgens de voorschriften gebruikt wordt, kunnen niet alle risico's worden uitgesloten. Let bij het gebruik op de volgende gevaren:

- Door vibraties veroorzaakt letsel. Houd de machine vast aan de daarvoor bedoelde grepen en beperk de tijd die u met de machine werkt en waarin u aan de vibraties wordt blootgesteld.
- Lawaai kan leiden tot gehoorschade. Draag een gehoorbescherming en beperk de tijd waarin u aan het lawaai wordt blootgesteld.
- Door vuildeeltjes veroorzaakt oogletsel. Draag altijd een veiligheidsbril, nauwsluitende, lange broeken, handschoenen en vast schoeisel.
- Inademen van toxische stoffen.

OPMERKINGEN OVER LI-ION-ACCU'S

Gebruik van li-ion-accu's

Langere tijd niet toegepaste wisselakku's vóór gebruik altijd naladen.

Een temperatuur boven de 50°C vermindert de capaciteit van de accu. Langdurige verwarming door zon of hitte vermijden.

De aansluitcontacten aan het laadapparaat en de akku schoonhouden.

Voor een optimale levensduur moeten de accu's na het gebruik volledig opgeladen worden.

Voor een zo lang mogelijke levensduur van de accu's dienen deze na het opladen uit het laadtoestel te worden verwijderd.

Bij een langere opslag van de accu dan 30 dagen:

accu bij ca. 27 °C droog bewaren.

accu bij ca. 30 % - 50 % van de laadtoestand bewaren.

accu om de 6 maanden opnieuw opladen.

Overbelastingsbeveiliging voor li-ion-accu's

Bij overbelasting van de accu door zeer hoog stroomverbruik, bijv. extreem hoge draaimomenten, plotseling stoppen of kortsluiting, vibreert het elektrische gereedschap gedurende 5 seconden, de laadweergave knippert en het elektrische gereedschap schakelt automatisch uit.

Om het gereedschap weer in te schakelen, moet u de drukschakelaar loslaten en vervolgens weer inschakelen. Onder extreme belastingen wordt de accu te heet. In dit geval knipperen alle lampen van de laadweergave totdat de accu afgekoeld is. Na het doven van de laadweergave kunt u weer verder werken.

Transport van lithium-ionen-accu's

Lithium-ionen-accu's vallen onder de wettelijke bepalingen inzake het transport van gevaarlijke goederen.

Voor het transport van deze accu's moeten de lokale, nationale en internationale voorschriften en bepalingen in acht worden genomen.

Verbruikers mogen deze accu's zonder meer over de weg transporteren.

Het commerciële transport van lithium-ionen-accu's door expeditiebedrijven is onderhevig aan de bepalingen inzake het transport van gevaarlijke goederen. De verzendingsvoorbereidingen en het transport mogen uitsluitend worden uitgevoerd door dienovereenkomstig opgeleide personen. Het complete proces moet vakkundig worden begeleid.

Onderstaande punten moeten bij het transport van accu's in acht worden genomen:

Waarborg ter vermijding van kortsluitingen dat de contacten beschermd en geïsoleerd zijn.

Let op dat het accupack in de verpakking niet kan verschuiven. Beschadigde of lekkende accu's mogen niet worden getransporteerd. Neem voor meer informatie contact op met uw expeditiebedrijf.

ARBEIDSINSTRUCTIES

Bescherming tegen overbelasting en terugslag

Het apparaat beschikt over een overload- en terugslagbeveiliging en stopt in geval van een dienovereenkomstige overbelasting. Schakel het elektrisch gereedschap uit en opnieuw in om verder te gaan met uw werkzaamheden.

Zachte aanloop

De elektronische zachte aanloop zorgt voor een veilig vasthouden van de machine wanneer deze wordt ingeschakeld.

Bij gebruik van gereedschappen die bedoeld zijn voor wielen met schroefgaten, dient men te controleren dat de schroefdraad in het wiel lang

Doorslijp- en slijpschijven altijd volgens de voorschriften van de fabrikant gebruiken en bewaren.

Bij schuren en doorslijpen altijd met de beschermkap werken.

Gebogen slijpschijven moeten zodanig worden gemonteerd dat het schuuroppervlak niet boven de rand van de veiligheidskap uitsteekt.

De flensmoer moet vóór de ingebruikname van de machine aangetrokken zijn.

Altijd de zijhandgreep gebruiken.

Het te bewerken werkstuk moet vast worden ingespannen als het niet door het eigen gewicht stabiel ligt. Nooit het werkstuk met de

hand tegen de schijf houden.

De flensmoer moet vóór inbedrijfstelling van de machine vast aangedraaid zijn. Als het inzetgereedschap met de flensmoer niet vast wordt aangedraaid, kan het zijn dat het insteekgereedschap bij het afremmen de vereiste spankracht verliest.

ONDERHOUD

Altijd de luchtspleten van de machine schoonhouden.

ONDERHOUD

Gebruik uitsluitend Milwaukee toebehoren en onderdelen. Indien componenten die moeten worden vervangen niet zijn beschreven, neem dan contact op met een officieel Milwaukee servicecentrum (zie onze lijst met servicecentra).

Onder vermelding van het nummer op het machineplaatje is desgewenst een doorsnedetekening van de machine verkrijgbaar bij: Technronic Industries GmbH, Max-Eyth-Straße 10, 71364 Winnenden, Germany

SYMBOLEN

| | |
|---|---|
|  | Graag instructies zorgvuldig doorlezen vóórdat u de machine in gebruik neemt. |
|  | OPGELET! WAARSCHUWING! GEVAAR! |
|  | Voor alle werkzaamheden aan de apparat de akku verwijderen. |
|  | De beschermkap niet gebruiken bij doorslijpen. |
|  | Geen kracht uitoefenen. |
|  | Kracht uitoefenen. |
|  | Bij het werken met de machine altijd een veiligheidsbril dragen. |
|  | Draag oorbeschermers. |
|  | Draag derhalve een geschikt stofbeschermingsmasker. |
|  | Draag veiligheidshandschoenen! |
|  | Altijd met twee handen gebruiken. |
|  | Alleen voor het schuren. |
|  | Alleen voor het doorslijpen. |

| | |
|-------|--|
| | Let op de toegestane schijfdikte. |
| | Toebehoren - Wordt niet meegeleverd. Is apart leverbaar. Zie hiervoor het toebehorenprogramma. |
| | Elektrische apparaten mogen niet via het huisafval worden afgevoerd. Elektrische en elektronische apparaten moeten gescheiden worden verzameld en voor een milieuvriendelijke afvoer worden afgegeven bij een recyclingbedrijf. Informeer bij uw gemeente of bij uw vakhandelaar naar recyclingbedrijven en inzamelpunten. |
| n_0 | Nominaal toerental |
| V | Spanning |
| | Gelijkstroom |
| | Europees symbool van overeenstemming |
| | Brits symbool van overeenstemming |
| | Oekraïens symbool van overeenstemming |
| | Euro-Aziatisch symbool van overeenstemming |

| TEKNISCHE DATA | M18 FSAG115X | M18 FSAG125X |
|---|---|---|
| Type | Akku vinkelsliber | Akku vinkelsliber |
| Produktionsnummer | 4830 49 01 XXXXXX MJJJ | 4830 56 01 XXXXXX MJJJ |
| Udskiftningsbatteriets spænding | 18 V | 18 V |
| Nominelt omdrejningstal | 8500 min ⁻¹ | 8500 min ⁻¹ |
| Spindelgevind | M14 | M14 |
| D=Slibeskive-Ø maks. | 115 mm | 125 mm |
| d=borings-ø | 22,2 mm | 22,2 |
| b=Slibeskivetykkelse maks. | 6 mm | 6 mm |
| b=Skæreskive tykkelse maks. / min. | 3 mm / 1 mm | 3 mm / 1 mm |
| D=Slibeskive diameter maks. | 115 mm | 125 mm |
| D=Kopbørstens diameter maks. | 75 mm | 75 mm |
| Vægt svarer til EPTA-procedure 01/2014 (Li-Ion 2,0 Ah ... 12,0 Ah) | 2,4 ... 3,4 kg | 2,4 ... 3,5 kg |
| Anbefalet omgivelsestemperatur til driften | -18 ... +50 °C | |
| Anbefalede batteripakker | M18B...; M18HB... | |
| Anbefalede opladere | M12-18...; M1418C6 | |
| Støjinformation: Måleværdier beregnes iht. EN 60745. Værktøjets A-vurderede støjniveau er typisk: | | |
| Lydrykniveau / Usikkerhed K | 82,7 dB(A) / 3 dB(A) | 82,7 dB(A) / 3 dB(A) |
| Lydeffekt niveau / Usikkerhed K | 93,7 dB(A) / 3 dB(A) | 93,7 dB(A) / 3 dB(A) |
| Brug høreværn! | | |
| Vibrationsinformation: Samlede vibrationsværdier (værdi for tre retninger) beregnet iht. EN 60745. | | |
| Vibrationseksponering a_h / Usikkerhed K | | |
| Overfladeslibning | 4,8 m/s ² / 1,5 m/s ² | 5,5 m/s ² / 1,5 m/s ² |
| Slibning med slibebled | 1,1 m/s ² / 1,5 m/s ² | 1,9 m/s ² / 1,5 m/s ² |

Ved anden anvendelse, f.eks. kapskæring eller slibning med ståltrådsbørste, kan andre vibrationsværdier forekomme!

ADVARSEL!

Det vibrations- og støjmissionsniveau, der nævnes i dette oplysningsskema, er blevet målt i overensstemmelse med en standardiseret test fra EN 60745, og det kan bruges til at sammenligne ét værktøj med et andet. Det kan bruges til en foreløbig bedømmelse af eksponeringen.

Det erklærede vibrations- og støjmissionsniveau repræsenterer værktøjets primære anvendelsesformål. Det er dog sådan, at hvis værktøjet bruges til andre formål, med forskelligt tilbehør eller dårlig vedligehold, så kan vibrations- og støjmissionen variere. Det kan evt. øge eksponeringsniveauet markant i løbet af det samlede arbejdsrum.

En vurdering af eksponeringsniveauet ift. vibration og støj bør også tage hensyn til de tidspunkter, hvor værktøjet er slukket eller hvor det kører, men rent faktisk ikke udfører jobbet. Det kan evt. mindske eksponeringsniveauet markant i løbet af det samlede arbejdsrum.

Identificér yderligere sikkerhedsforanstaltninger med henblik på at beskytte brugeren mod effekten af vibration og/eller støj, som fx: vedligehold værktøjet og tilbehøret, hold hænderne varme, organisering af arbejdsmønstre.

ADVARSEL! Læs alle sikkerhedsanvisninger og øvrige vejledninger. I tilfælde af manglende overholdelse af advarselshenvisningerne og instrukserne er der risiko for elektrisk stød, brand og/eller alvorlige kvæstelser.

Opbevar alle advarselshenvisninger og instrukser til senere brug.

SIKKERHEDSINFORMATIONER FOR VINKELSLIBERE

Fælles advarselshenvisninger til slibning, sandpapirslibning, arbejde med trådbørster, polering og skærearbejde:

a) Dette elværktøj kan anvendes som sliber, sandpapirsliber, trådbørste og skæremaskine. Læs og overhold alle advarsler, instruktioner, illustrationer og data, som du modtager i forbindelse med elværktøjet. Overholder du ikke følgende instruktioner, kan du få elektrisk stød, der kan opstå brand og/eller du kan blive kvæstet alvorligt.

b) Dette el-værktøj er ikke egnet til polering. Anvendes el-værktøjet til formål, det ikke er beregnet til, kan der opstå farlige situationer, som kan medføre kvæstelser.

c) Anvend kun tilbehør, hvis det er beregnet til dette elværktøj og anbefalet af fabrikanten. En mulig fastgørelse af tilbehøret til elværktøjet sikrer ikke en sikker anvendelse.

d) Den tilladte hastighed for indsatsværktøjet skal mindst være så høj som den maksimale hastighed, der er angivet på elværværktøjet. Tilbehør, der drejer hurtigere end tilladt, kan brække og de enkelte dele flyve fra hinanden.

e) Indsatsværktøjets udvendige diameter og tykkelse skal svare til målene på dit elværktøj. Forkert målt indsatsværktøj kan ikke afskærme eller kontrolleres tilstrækkeligt.

f) Gevindene på tilbehørsdelene skal passe nøjagtigt til slibespindlens gevind. Ved tilbehørsdele, der monteres med flange, skal borehullet til opspændingsdornen i tilbehørsdelen passe nøjagtigt til lokaliseringsflangens diameter.

Tilbehørsdele, der ikke passer på værktøjets monteringsdorn, roterer excentrisk, vibrerer meget kraftigt og kan føre til, at brugeren mister kontrollen over værktøjet.

g) **Brug ikke el-værktøjet, hvis det er beskadiget. Kontrollér altid før brug indsatsværktøjet som f.eks. slibeskiver for afsplintninger og revner, slibebagskiver for revner, slid eller stærkt slid, trådbørster for løse eller brækkede tråde. Tabes el-værktøjet eller indsatsværktøjet på jorden, skal du kontrollere, om det er beskadiget; anvend evt. et ubeskadiget indsatsværktøj. Når indsatsværktøjet er kontrolleret og indsat, skal du holde dig selv og personer, der befinder sig i nærheden, uden for det niveau, hvor indsatsværktøjet roterer, og lad el-værktøjet køre i et minut ved højeste hastighed.** Beskadiget indsatsværktøj brækker for det meste i denne testtid.

h) **Brug personligt beskyttelsesudstyr. Brug helmaske til ansigtet, øjenværn eller beskyttelsesbriller, afhængigt af det udførte arbejde. Brug afhængigt af arbejdets art støvmaske, høreværn, beskyttelseshandsker eller specialforklæde, der beskytter dig mod små slibe- og materialepartikler.** Øjenene skal beskyttes mod fremmede genstande, der flyver rundt i luften og som opstår i forbindelse med forskelligt arbejde. Støv- eller åndedrætsmaske skal filtrere det støv, der opstår under arbejdet. Udsættes du for høj støj i længere tid, kan du lide høretab.

i) **Sørg for tilstrækkelig afstand til andre personer under arbejdet. Enhver, der betræder arbejdsområdet, skal bruge personligt beskyttelsesudstyr.** Brudstykker fra emnet eller brækket indsatsværktøj kan flyve væk og føre til kvæstelser også uden for det direkte arbejdsområde.

j) **Hold maskinen fast i de isolerede gribeblade, når du udfører arbejde, hvor der er risiko for, at skæreværktøjet kan ramme skjulte strømledninger.** Kommer skæreværktøjet i kontakt med en strømførende ledning, kan maskinens metaldele komme under spænding og give elektrisk stød.

k) **Læg aldrig elværktøjet fra dig, før indsatsværktøjet er standstet helt.** Det roterende indsatsværktøj kan komme i kontakt med frægningsfladen, hvorved du kan tabe kontrollen over elværktøjet.

l) **Lad ikke elværktøjet køre, mens det bæres.** Dit tøj kan blive fanget ved en tilfældig kontakt med det roterende indsatsværktøj, hvorved indsatsværktøjet kan bore sig ind i din krop.

m) **Rengør ventilationsåbningerne på dit el-værktøj med regelmæssige mellemrum.** Motorhuset trækker støv ind i huset, og store mængder metalstøv kan være farligt rent elektrisk.

n) **Brug ikke el-værktøjet i nærheden af brændbare materialer.** Gnister kan sætte ild i materialer.

o) **Brug ikke indsatsværktøj, der transporterer flydende kølemiddel.** Brug af vand eller andre flydende kølemidler kan føre til elektrisk stød.

Tilbageslag og tilsvarende advarsler

Tilbageslag er en pludselig reaktion, som skyldes, at et roterende indsatsværktøj (slibemaskine, slibebagskive, trådbørste osv.) har sat sig fast eller blokerer. Fastsættelse eller blokering fører til et pludseligt stop af det roterende indsatsværktøj. Derved accelereres et ukontrolleret el-værktøj mod indsatsværktøjets omgivelsesretning på blokeringsstedet.

Sidder f.eks. en slibeskive fast eller blokerer i et emne, kan kanten på slibeskiven, der dykker ned i emnet, blive siddende, hvorved slibeskiven brækker af eller fører til et tilbageslag. Slibeskiven bevæger sig så hen imod eller væk fra betjeningspersonen, afhængigt af skivens drejerejretning på blokeringsstedet. Derved kan slibeskiver også brække.

Et tilbageslag skyldes forkert eller fejlbehæftet brug af el-værktøjet. Det kan forhindres ved at træffe egnede forsigtighedsforanstaltninger, der beskrives i det følgende.

a) **Hold godt fast i el-værktøjet og sørg for at både krop og arme befinder sig i en position, der kan klare tilbageslagskræfterne.** Anvend altid ekstrahåndtaget, hvis et sådant findes, for at have så meget kontrol som muligt over tilbageslagskræfterne eller reaktionsmomenterne, når maskinen kører op i hastighed. Betjeningspersonen kan beherske tilbageslag- og reaktionskræfterne med egnede forsigtighedsforanstaltninger.

b) **Sørg for at din hånd aldrig kommer i nærheden af det roterende indsatsværktøj.** Tilbehør kan evt. springe tilbage på din hånd.

c) **Undgå at din krop befinder sig i det område, hvor el-værktøjet bevæger sig i forbindelse med et tilbageslag.** Tilbageslaget driver elværktøjet i modsat retning af slibeskivens bevægelse på blokeringsstedet.

d) **Arbejd særlig forsigtig i områder som f.eks. hjørner, skarpe kanter osv. Forhindre at indsatsværktøjet slår tilbage fra emnet og sætter sig fast.** Det roterende indsatsværktøj har tendens til at sætte sig fast, når det anvendes i hjørner, skarpe kanter eller hvis det springer tilbage. Dette medfører, at man taber kontrollen eller tilbageslag.

e) **Anvend ikke en kædesavklinge eller en tandet savklinge.** Et sådant indsatsværktøj fører ofte til et tilbageslag eller at man mister kontrollen over elværktøjet.

Særlige advarselshenvisninger til slibning og skærearbejde

a) **Brug udelukkende slibeskiver/slibestifter, der er godkendt til dit elværktøj, og den beskyttelseskappe, der er beregnet til disse slibeskiver/slibestifter.** Slibeskiver/slibestifter, der ikke er beregnet til el-værktøjet, kan ikke beskyttes tilstrækkeligt og er usikre.

b) **Forkrøppede slibeskiver skal monteres sådan, at deres slibeflade ikke rager ud over niveauet på beskyttelseskærmens kant.** En ukorrekt monteret slibeskive, der rager ud over niveauet på beskyttelseskærmens kant, kan ikke afskærmes tilstrækkeligt.

c) **Anvend altid beskyttelseskappen, der er beregnet til den anvendte type slibeskiver/slibestifter. Beskyttelseskappen skal være anbragt sikkert på elværktøjet og være indstillet på en sådan måde, at der nås max. sikkerhed, dvs. at den mindst mulige del af slibeskiven skal pege hen imod betjeningspersonen.** Skærmen hjælper med at beskytte operatøren mod ødelagte klingedele, kontakt med klingene ved et uheld og gnister, som kan sætte tøj i brand.

d) **Slibeskiver/slibestifter må kun anvendes til de anbefalede formål. F.eks.: Slib aldrig med sidefladen på en skæreskive.** Skæreskiver er bestemt til materialeafslibning med kanten på skiven. Udsættes disse slibeskiver/slibestifter for sidevendt kraftpåvirkning, kan de ødelægges.

e) **Anvend altid ubeskadigede spændeflanger i den rigtige størrelse og form, der passer til den valgte slibeskive.** Egnede flanger støtter slibeskiven og forringer således faren for brud på slibeskiven. Flanger til skæreskiver kan være forskellige fra flanger for andre slibeskiver.

f) **Brug ikke slidte slibeskiver, der passer til større elværktøj.** Slibeskiver til større elværktøj kan brække, da de ikke er egnede til de højere omdrejningstal, som småt elværktøj arbejder med.

Yderligere særlige advarselshenvisninger til skærearbejde

a) **Undgå at skæreskiven blokerer eller får for højt modtryk. Foretag ikke meget dybe snit.** Overbelastes skæreskiven, øges skivens belastning og der er større tendens til, at skiven kan sætte sig i klemme eller blokere, hvilket igen kan føre til tilbageslag eller brud på slibeskiven/slibestiften.

b) **Undgå området for og bag ved den roterende skæreskive.** Bevæger du skæreskiven i emnet væk fra dig selv, kan elværktøjets roterende skive slynges direkte ind mod dig i tilfælde af et tilbageslag.

c) **Sidder skæreskiven i klemme eller afbryder du arbejdet, slukkes elværktøjet og maskinen holdes roligt, til skiven er stoppet. Forsøg aldrig at trække skæreskiven ud af snittet, mens den roterer, da dette kan føre til et tilbageslag.** Lokalisér og afhjælp fejlen.

d) **Tænd ikke for elværktøjet, så længe det befinder sig i emnet. Sørg for at skæreskiven når op på sit fulde omdrejningstal, før du forsigtigt fortsætter snittet.** Ellers kan skiven sætte sig i klemme, springe ud af emnet eller forårsage et tilbageslag.

e) **Understøt plader eller store emner for at reducere risikoen for et tilbageslag som følge af en fastklemt skæreskive.** Store plader kan bøje sig under deres egen vægt. Emnet skal støttes på begge sider, både i nærheden af skæresnittet og ved kanten.

f) **Vær særlig forsigtig med „lommensnit“ i eksisterende vægge eller andre områder, du ikke har indblik til.** Den neddykkende skæreskive kan forårsage et tilbageslag, når der skæres i gas- eller vandledninger, elektriske ledninger eller andre genstande.

Særlige advarselshenvisninger til sandpapirslibning:

a) **Anvend ikke overdimensioneret slibepapir, men læs og overhold fabrikantens forskrifter mht. slibepapirets størrelse.** Slibepapirer, der rager ud over slibebagskiven, kan føre til kvæstelser eller blokering eller iturivning af slibepapirerne eller til tilbageslag.

Særlige advarselshenvisninger i forbindelse med arbejde med trådbørster:

a) **Bemærk, at trådbørsten mister trådstykker også under almindelig brug. Undgå at overbelaste trådene ved for kraftigt et tryk.** Udslyngede trådstykker kan meget let trænge gennem tynd beklædning og/eller huden.

b) **Anbefales det at bruge en beskyttelseskappe, skal du forhindre, at beskyttelseskappe og trådbørste kan berøre huden.** Tallerken- og kopbørster kan øge deres diameter med tryk og centrifugalkraft.

YDERLIGERE SIKKERHEDS- OG ARBEJDSINFORMATIONER

Kontrollér altid bunden på spindellåsen i helt løs tilstand, før værktøjet tændes! Efter at have brugt spindellåsen til at stramme / løsne slibeskiven, kan bunden eventuelt befinde sig i låst position.

Gnistregn opstår ved slibning af metal. Vær opmærksom på, at personer ikke kommer til skade. På grund af brandfare må brændbare materialer ikke opbevares i nærheden (gnistregnområde). Brug ikke støvsuger.

Undgå at gnistregn og slibestøv rammer din krop.

Pas på ikke at få hånden ind i maskinen.

Spåner eller splinter må ikke fjernes, medens maskinen kører.

Slib skrås for værktøjet, hvis der opstår betydelige svingninger eller der konstateres andre mangler. Kontrollér værktøjet og find frem til årsagen.

Under ekstreme forhold (f.eks. glatslibning af metaller med arbor og vulkaniseret fiberskive) er der risiko for ophobning af snavs på indersiden af sliberen.

Metaldele må ikke trænge ind i ventilationsåbningerne, da dette kan føre til kortslutning

ADVARSEL! Fare for forbrændinger! Skiven og arbejdsemnet kan blive varme under brug. Bær handsker når skiven skal udklifies eller arbejdsemnet skal brøkses. Hold altid hænderne væk fra slibeområdet.

ADVARSEL! For at undgå risiko for brand, kvæstelser eller beskadigelse af produktet forårsaget af kortslutning må værktøjet, batteripakken eller opladeren ikke nedsænkes i vand. Sørg ligeledes for, at der ikke trænger væske ind i enhederne og batterierne. Korroderende eller ledende væsker, f.eks. saltvand, bestemte kemikalier, blegestoffer eller produkter, som indeholder blegestoffer, kan forårsage kortslutning.

Udkliffingsbatterier og opladere må ikke åbnes og skal opbevares i tørre rum. Beskyt dem mod fugtighed.

Brug kun M18 ladeapparater for opladning af System M18 batterier.

TILTÆNK T FORMÅL

Vinkelsliberen er beregnet til slibning og skæring af metal, sten, cement og keramisk materiale, samt sand- og trådbørstning.

Brug skæringshætten fra tilbehøret til skæringsarbejde.

Er du i tvivl, så læs vejledningen fra producenten af tilbehøret.

Det elektriske værktøj er kun egnet til tørlslibning og -skæring.

Der må kun anvendes passende slibe- og skæreskiver, og dertilhørende beskyttelsesudstyr (slibe- og skæringsbeskyttelse), som beskrevet i produktspecifikationen i denne vejledning. Vinkelsliberen er udviklet til manuel brug; den må ikke monteres på en fastgørelsesenhed eller arbejdsbænk.

Brug ikke produktet til andre formål, end de her beskrevne.

RESTRISICI

Selv ved korrekt brug kan alle restrisici ikke udelukkes. Brugen kan medføre følgende farer, som operatøren bør være særlig opmærksom på:

- Kvæstelser, som forårsages af vibration. Hold maskinen fast i de dertil beregnede greb og begræns arbejds- og ekspositionstiden.
- Støjbelastning kan medføre høreskader. Brug høreværn og begræns ekspositionstiden.
- Øjenskader på grund af snavspartikler. Brug altid beskyttelsesbriller, faste lange bukser, handsker og fast fodtøj.
- Indånding af giftigt støv.

BEMÆRKNINGER VEDRØRENDE LI-ION-BATTERIER

Brug af Li-ion-batterier

Udkliffingsbatterier, der ikke har været brugt i længere tid, efterlades inden brug.

Ved temperaturer over 50°C forminkes batteriets effekt. Undgå direkte sollys og stærk varme.

Tilslutningskontaktterne på oplader og udkliffingsbatterier skal holdes rene.

For at opnå en optimal levetid skal de genopladelige batterier oplades fuldt efter brug.

For at sikre en så lang levetid som muligt skal batterierne tages ud af ladeaggregatet efter opladning.

Skal batterierne opbevares længere end 30 dage:

Temperatur ca. 27°C i tørre omgivelser.

Opbevares ved ca. 30%-50% af ladetilstanden.

Batteri skal genoplades hver 6. måned.

Overbelastningsbeskyttelse vedrørende Li-ion-batterier

Overbelastnings batteriet på grund af meget højt strømforbrug, f.eks. som følge af ekstremt høje drejningsmomenter, pludseligt stop eller kortslutning, vibrerer el-værktøjet i 5 sekunder, ladeindikatoren blinker, og el-værktøjet slukker af sig selv.

For at tænde igen slippes trykknappen, hvorefter du tænder el-værktøjet igen. Ved ekstreme belastninger bliver batteriet for varmt. I så fald blinker alle lamper på ladeindikatoren, indtil batteriet er kølet af. Når ladeindikatoren går ud, kan arbejdet genoptages.

Transport af lithium-batterier

Lithium-batterier er omfattet af lovgivningen om transport af farligt gods.

Transporten af disse batterier skal ske under overholdelse af lokale, nationale og internationale regler og bestemmelser.

Forbrugere må transportere disse batterier på veje uden yderligere krav.

Den kommercielle transport af lithium-batterier ved speditorsfirmaer er omfattet af reglerne for transport af farligt gods. Forberedelsen af forsendelse og transport må kun udføres af tilsvarende trænedede personer. Den samlede proces skal følges af fagfolk.

Følgende punkter skal overholdes ved transport af batterier:

Sørg for at kontakterne er beskyttet og isoleret for at forhindre kortslutninger.

Sørg for at batteripakken ikke kan bevæge sig inden for emballagen. Beskadigede eller lækende batterier må ikke transporteres. Kontakt dit speditorsfirma for at få yderligere oplysninger.

ARBEJDSANVISNINGER

Overbelastnings- og kickback-beskyttelse

Maskinen er udstyret med en overload- og anti kickback-beskyttelsesfunktion og stopper i tilfælde af overbelastning. Sluk for el-værktøjet og tænd derefter igen for el-værktøjet for at fortsætte arbejdet.

Blød opstart

Elektronisk blød opstart til sikker håndtering; hindrer ved indkobling en maskinstart i ryk.

For værktøj hvorpå der skal monteres hjul med gevindskåret hul, skal De sikre, at gevindet i hjulet er langt nok til at rumme aksellængden.

Benyt og opbevar kun skære- og slibeskiver iht. fabrikantens angivelser.

Anvend altid sikkerhedsskærm ved skrubning og skæring.

Forkrøpede slibeskiver skal monteres sådan, at deres slibeflade ikke rager ud over niveaulet på beskyttelsesskærmens kant.

Flangemøtrikken skal spændes inden maskinen tages i brug.

Brug altid støttetrebet.

Det arbejdsøse, som skal bearbejdes, fastspændes, medmindre det holdes på plads af arbejdsøsets egenvægt. Før aldrig emnet mod skiven med hånden.

Flangemøtrikken skal være spændt godt, inden maskinen tages i brug. Hvis indsatsværktøjet ikke er spændt godt fast med flangemøtrikken, er der mulighed for, at indsatsværktøjet vil miste den nødvendige spændkraft ved bremsningen.

RENGØRING

Hold altid maskinens ventilationsåbninger rene.

VEDLIGEHOLDELSE

Brug kun Milwaukee-tilbehør og Milwaukee-reservedele. Komponenter, hvor udskiftningsproceduren ikke er beskrevet, skal skiftes ud hos et Milwaukee-servicested (se brochure garanti/kundeserviceadresser).

Ved opgivelse af type nr. der er angivet på maskinens effektskilt, kan de rekvirere en reservedelstegning, ved henvendelse til: Techtronic Industries GmbH, Max-Eyth-Straße 10, 71364 Winnenden, Germany.

SYMBOLER

| | |
|--|---|
| | Læs brugsanvisningen nøje før ibrugtagning. |
| | VIGTIGT! ADVARSEL! FARE! |
| | Ved arbejde inden i maskinen, bør batteriet tages ud. |
| | Brug ikke værnet til afskæringsopgaver. |
| | Brug ikke kraft. |
| | Anvend magt. |

| | |
|--|---|
| | Når der arbejdes med maskinen, skal man have beskyttelsesbriller på. |
| | Bær høreværn. |
| | Benyt egnet åndedrætsværn. |
| | Brug beskyttelseshandsker! |
| | Arbejd altid med begge hænder. |
| | Kun til slibearbejder. |
| | Kun til skærearbejder. |
| | Vær opmærksom på den tilladte skivetykkelse. |
| | Tilbehør - ikke inkluderet i leveringsomfanget, køb købes som tilbehør. |
| | Elektrisk udstyr må ikke bortskaffes sammen med det almindelige husholdningsaffald. Elektrisk og elektronisk udstyr skal indsamles særskilt og afleveres hos en genbrugsvirksomhed til en miljømæssig forsvarlig bortskaffelse. Spørg de lokale myndigheder eller din forhandler om genbrugsstationer og indsamlingssteder til sådant affald. |
| | Nominelt omdrejningstal |
| | Spænding |
| | Jævnstrøm |
| | Europæisk konformitetsmærke |
| | Britisk konformitetsmærke |
| | Ukrainsk konformitetsmærke |
| | Eurasisk konformitetsmærke |

TEKNISKE DATA

| | M18 FSAG115X | M18 FSAG125X |
|------------------------|--|----------------------------|
| Type | Batteridrevne vinkelsliper | Batteridrevne vinkelsliper |
| Produktionsnummer | 4830 49 01 XXXXXX MJJJJ | 4830 56 01 XXXXXX MJJJJ |
| Spænding vekselbatteri | 18 V | 18 V |
| Nominelt turtall | 8500 min ⁻¹ | 8500 min ⁻¹ |
| Spindelgjenge | M14 | M14 |
| D=slipeskive-Ø maks. | 115 mm | 125 mm |
| d=hull-Ø | 22,2 mm | 22,2 |
| | b=Slipeskivetykkelse maks. | 6 mm |
| | b=Tykkelse av kappeskiver. maks. / minimum | 3 mm / 1 mm |
| | D=Diameter på slipeskiven maks. | 115 mm |
| | D=Stålbørster-Ø maks. | 75 mm |

| | | |
|--|--------------------|----------------|
| Vekt i henhold til EPTA-Proseduren 01/2014 (Li-Ion 2,0 Ah ... 12,0 Ah) | 2,4 ... 3,4 kg | 2,4 ... 3,5 kg |
| Anbefalt omgivelsestemperatur for drift | -18 ... +50 °C | |
| Anbefalte batteripakker | M18B...; M18HB... | |
| Anbefalte ladere | M12-18...; M1418C6 | |

Støyniveauinformasjon: Måleverdier fastslått i samsvar med EN 60745. Det typiske A-bedømte støynivået for maskinen er:

| | | |
|------------------------------|----------------------|----------------------|
| Lydtryknivå / Usikkerhet K | 82,7 dB(A) / 3 dB(A) | 82,7 dB(A) / 3 dB(A) |
| Lydeffektnivå / Usikkerhet K | 93,7 dB(A) / 3 dB(A) | 93,7 dB(A) / 3 dB(A) |

Bruk hørselsvern!

Vibrasjonsinformasjon: Totale svingningsverdier (vektorsum fra tre retninger) beregnet jf. EN 60745.

| | | |
|--|---|---|
| Svingningsemissionsverdi a _n / Usikkerhet K | | |
| Sliping av overflater | 4,8 m/s ² / 1,5 m/s ² | 5,5 m/s ² / 1,5 m/s ² |
| Sliping med slipeblad | 1,1 m/s ² / 1,5 m/s ² | 1,9 m/s ² / 1,5 m/s ² |

Ved andre anvendelser, som f.eks. kutting eller sliping med stålbørste, kan andre vibrasjonsverdier oppstås!

ADVARSEL!

De angitte vibrasjonseksposering- og støynivåverdiene har blitt målt i samsvar med standardiserte målemetoder jamfør EN 60745 og kan brukes til å sammenligne et verktøy med et annet. De kan brukes til en foreløpig eksponeringsvurdering.

De angitte vibrasjonseksposering- og støyeemisjonsverdiene gjelder for vanlig bruk av verktøyet. Dersom verktøyet blir brukt til noe annet, sammen med annet utstyr eller er dårlig vedlikeholdt kan de angitte vibrasjonseksposering- og støyeemisjonsverdiene variere. Dette kan øke eksponerings- og emisjonsverdiene betraktelig for hele perioden du bruker verktøyet.

Når en vurderer vibrasjonseksposeringsnivået og støyeverdi må en inkludere den perioden som verktøyet er slått av eller når verktøyet går, men ikke direkte brukes til noe. Dette kan redusere eksponeringsnivået betraktelig over hele perioden som verktøyet er i bruk.

Det er viktig å etablere ytterligere sikkerhetstiltak for å beskytte brukeren mot påvirkning av vibrasjon og/eller støy, slik som: vedlikehold av verktøyet og tilleggsutstyr, hold hendene varme, organiserte arbeidsrutiner.

ADVARSEL! Les alle sikkerhetsinstrukser og bruksanvisninger. Feil ved overholdelsen av advarslene og nedenstående anvisninger kan medføre elektriske støt, brann og/eller alvorlige skader.

Ta godt vare på alle advarslene og informasjonene.

SIKKERHETSINSTRUKSJONER FOR VINKELSLIPER

Felles advarsler om sliping, sandpapirsliping, arbeid med stålbørster, polering og kapping:

a) Dette elektroverktøyet skal brukes som sliper, sandpapirsliper, stålbørste og kutteliper. Følg alle advarsler, anvisninger, bilder og data som du får levert sammen med elektroverktøyet. Hvis du ikke følger følgende anvisninger, kan det oppstå elektriske støt, ild og/eller store skader.

b) Dette elektroverktøyet er ikke egnet til polering. Bruk som elektroverktøyet ikke er konstruert for, kan forårsake farer og skader.

c) Ikke bruk tilbehør som ikke er spesielt beregnet og anbefalt av produsenten for dette elektroverktøyet. Selv om du kan feste tilbehøret på elektroverktøyet ditt, garanterer dette ingen sikker bruk.

d) Det tillatte omdreiningstallet til elektroverktøyet må være minst så høyt som det maksimale omdreiningstallet som er oppgitt på elektroverktøyet. Tilbehør som dreier seg raskere enn tillatt kan brenne eller slynges rundt.

e) Utvendig diameter og tykkelse på innsatsverktøyet må tilsvare målene for elektroverktøyet. Gale innsatsverktøy kan ikke sikres eller kontrolleres tilstrekkelig.

f) Gjengene til tilbehørsdelene skal stemme overens med gjenget til slipespindelen. Ved tilbehørsdeler som flenses på, skal boringen for oppspenningstabben i tilbehørsdelen stemme overens med diameteren til lokaliseringsskruen. Tilbehørsdeler som ikke passer på montasje tabben til apparatet går ikke sentrisk, vibrerer overstadig sterkt og derfor kan det føre til at man mister kontrollen over verktøyet.

Brug og oppbevar kappe- og slipeskiver alltid i henhold til produsentens anvisninger.

Arbeide alltid med vernebeskyttelse ved rubbing og kapping.

Bøyde slipeskiver skal monteres slik at slipeflaten ikke rager ut over kanten av vernehettens flate.

Flensmutteren må være trukket til før maskinen startes.

Brug alltid ekstrahåndtaket.

Det emnet som skal bearbejdes må være fastspent, hvis det ikke blir holdt av sin egen vekt. Før aldri emnet med hånden mot skiven.

Flensmutteren må skrues skikkelig fast før maskinen igangsettes. Dersom isettingsverktøyet ikke skrues fast med flensmutteren, består muligheten at isettingsverktøyet taper den nødvendige spennkraften ved nedbremsingen.

RENGJØRING

Hold alltid lufteåpningene på maskinen rene.

VEDLIKEHOLD

Brug kun Milwaukee tilbehør og Milwaukee reservedeler. Komponenter der utskifting ikke er beskrevet skal skiftes ut hos Milwaukee kundeservice (se brosjyre garanti/kundeserviceadresser).

Ved behov kan du be om en eksplosjonstegning av apparatet hos din kundeservice eller direkte hos Techtronic Industries GmbH, Max-Eyth-Straße 10, 71364 Winnenden, Germany. Oppgi maskintype og det nummeret på typeskiltet.

SYMBOLER

| | |
|--|--|
| | Les nøye gjennom bruksanvisningen før maskinen tas i bruk. |
| | OBS! ADVARSEL! FARE! |
| | Ta ut vekselbatteriet før du arbeider på maskinen |
| | Ikke bruk beskyttelsen til avskjæringsoperasjoner. |
| | Ikke bruk kraft. |
| | Brug makt. |
| | Brug alltid vernebrille når du arbeider med maskinen. |
| | Brug hørselsvern. |
| | Brug derfor verneemaske som er egnet for støv. |
| | Brug vernehansker! |
| | Brug alltid to hender. |

| | |
|--|---|
| | Kun for sliping. |
| | Kun for kapping. |
| | Vær oppmerksom på tillatt platetykkelse. |
| | Tilbehør - inngår ikke i leveransen, anbefalt komplettering fra tilbehørsprogrammet. |
| | Elektriske apparat skal ikke kastes sammen med vanlig husholdningsavfall. Elektriske og elektroniske apparat skal samles separat og leveres til miljøvennlig deponering til en avfall bedrift. Informer deg hos myndighetene på stedet eller hos din fagforhandler hvor det finnes recycling bedrifter oppsamlingssteder. |
| | Nomineelt turtall |
| | Spenning |
| | Likestrøm |
| | Europeisk samsvarsmerke |
| | Britisk samsvarsmerke |
| | Ukrainsk samsvarsmerke |
| | Euroasiatisk samsvarsmerke |

| TEKNISKA DATA | M18 FSAG115X | M18 FSAG125X |
|--|---|---|
| Typ | Batteridrevne vinkelslip | Batteridrevne vinkelslip |
| Produktionsnummer | 4830 49 01 XXXXXX MJJJ | 4830 56 01 XXXXXX MJJJ |
| Batterispänning | 18 V | 18 V |
| Märkvarvtal | 8500 min ⁻¹ | 8500 min ⁻¹ |
| Spindelgänga | M14 | M14 |
| D=Slipskivor-Ø max. | 115 mm | 125 mm |
| d=Ø hål | 22,2 mm | 22,2 |
| | b=Slipskivstjocklek max. | 6 mm |
| | b=Kapskivstjocklek max. / min. | 3 mm / 1 mm |
| | D=Slipskivans diameter max. | 115 mm |
| | D=Stålbörste Ø max. | 75 mm |
| Vikt enligt EPTA 01/2014 (Li-Ion 2,0 Ah ... 12,0 Ah) | 2,4 ... 3,4 kg | 2,4 ... 3,5 kg |
| Rekommenderad omgivningstemperatur för driften | -18 ... +50 °C | |
| Rekommenderade batterier (Akkupacks) | M18B...; M18HB... | |
| Rekommenderade laddare | M12-18...; M1418C6 | |
| Bullerinformation: Mätvärdena har tagits fram baserande på EN 60745. A-värdet av maskinens ljudnivå utgör: | | |
| Ljudtrycksnivå / Onoggrannhet K | 82,7 dB(A) / 3 dB(A) | 82,7 dB(A) / 3 dB(A) |
| Ljudeffektsnivå / Onoggrannhet K | 93,7 dB(A) / 3 dB(A) | 93,7 dB(A) / 3 dB(A) |
| Använd hörselskydd! | | |
| Vibrationsinformation: Totala vibrationsvärden (vektorsumma ur tre riktningar) framtaget enligt EN 60745. | | |
| Vibrationsemissionsvärde a _h / Onoggrannhet K | | |
| Ytslipning | 4,8 m/s ² / 1,5 m/s ² | 5,5 m/s ² / 1,5 m/s ² |
| Slipning med slipblad | 1,1 m/s ² / 1,5 m/s ² | 1,9 m/s ² / 1,5 m/s ² |
| Om man använder verktyget för andra ändamål, t ex för kapping eller sliping med stålbörste, kan man få andra vibrationsvärden! | | |

VARNING!

De deklarerade vibrations- och bullernivåerna på detta informationsblad har uppmätts i enlighet med en standardiserad testmetod enligt EN 60745 och kan användas för att jämföra ett verktyg med ett annat. Det kan användas för en preliminär bedömning av exponeringen.

Den angivna vibrations- och bullernivån representerar verktygets huvudsakliga tillämpningar. Om verktyget emellertid används för olika tillämpningar, med olika eller dåligt underhållna tillbehör, kan vibrations- och bullerutsläppet variera. Detta kan öka exponeringsnivån avsevärt över den totala arbetsperioden.

En uppskattning av exponeringsnivån för vibrationer och buller bör även ta hänsyn till de tider då verktyget är avstängt eller när det körs utan att faktiskt arbeta. Detta kan avsevärt minska exponeringsnivån över den totala arbetsperioden.

Identifiera ytterligare säkerhetsåtgärder för att skydda operatören mot effekterna av vibrationer och/eller buller såsom: underhåll av verktyget och tillbehören, hålla händerna varma, organisation av arbetsmönster.

VARNING! Läs alla säkerhetsanvisningar och andra tillhörande anvisningar. Fel som uppstår till följd av att anvisningarna nedan inte följs kan orsaka elstöt, brand och/eller allvarliga kroppsskador.

Förvara alla varningar och anvisningar för framtida bruk.

SÄKERHETSINSTRUKTIONER FÖR VINKELSLIP

Gemensamma säkerhetsanvisningar för sliping, sandpapperssliping, arbeten med stålbörste, polering och kapslipning:

a) Elverket kan användas som slip-, slippappersslip-, stålbörste-, och kapslipmaskin. Beakta alla säkerhetsanvisningar, anvisningar, illustrationer och data som levereras med elverket. Om nedanstående anvisningar ignoreras finns risk för att elstöt, brand och/eller allvarliga personskador uppstår.

b) Den här maskinen är inte avsedd för polering. Tillämpningar som maskinen inte är avsedd för kan förorsaka faror och personskador.

c) Använd inte tillbehör som tillverkaren inte uttryckligen godkänt och rekommenderat för detta elverktyg. Även om tillbehör kan fästas på elverket finns det ingen garanti för en säker användning.

d) Det tillåtna varvtalet för insatsverket måste minst vara så högt som angivet högsta varvtal på elektroverket. Tillbehör som roterar snabbare än tillåtet, kan gå sönder och flyga omkring.

e) Insatsverktygets yttre diameter och tjocklek måste motsvara elverket dimensioner. Feldimensionerade insatsverktyg kan inte på tryggande sätt avskäras och kontrolleras.

f) Gången på respektive tillbehör ska stämma överens med gången på slippindeln. Hos tillbehör som flänsas på ska borrhålet för spännstiftet på respektive tillbehör stämma överens med lokaliseringsflänsens diameter. Tillbehör som inte passar på verktygets montagestift har en excentrisk rörelse, vibrerar mycket kraftigt och kan leda till att man förlorar kontrollen över verktyget.

g) Använd aldrig skadade insatsverktyg. Kontrollera före varje användning insatsverktyget som t. ex. slipskivor avseende splitterskador och sprickor, sliprondeller avseende sprickor repor eller kraftig nedslitning, stålborstar avseende lösa eller brustna trådar. Om elverktyget eller insatsverktyget skulle falla ned kontrollera om skada uppstått eller montera ett oskadat insatsverktyg. Du och andra personer i närheten ska efter kontroll och montering av insatsverktyg ställa er utanför insatsverktygets rotationsradie och sedan låta elverktyget rotera en minut med högsta varvtal. Skadade insatsverktyg går i de flesta fall sönder vid denna provkörning.

h) Använd personlig skyddsutrustning. Använd alltefter avsett arbete ansiktsskärm, ögonskydd eller skyddsglasögon. Om så behövs, använd dammfiltermask, hörselskydd, skyddshandskar eller skyddsförkläde som skyddar mot små utslungade slip- och materialpartiklar. Ögonen ska skyddas mot utslungade främmande partiklar som kan uppstå under arbetet. Damm- och andningsskydd måste kunna filtrera bort det damm som eventuellt uppstår under arbetet. Risk finns för hörselskada under en längre tids kraftigt buller.

i) Se till att obehöriga personer hålls på tryggså avstånd från arbetsområdet. Alla som rör sig inom arbetsområdet måste använda personlig skyddsutrustning. Brottstycken från arbetsstycket eller insatsverktygen kan slungas ut och orsaka personskada även utanför arbetsområdet.

j) Håll fast apparaten med hjälp av de isolerade greppytorna när du utför arbeten där arbetsverktyget skulle kunna träffa på dolda elledningar. Om man kommer i kontakt med en spänningsförande ledning, så kan även de delar på verktyget som är av metall bli spänningsförande och leda till att man får en elektrisk stöt.

k) Lagg aldrig ifrån dig elverktyget förrän insatsverktyget är helt stillastående. Det roterande insatsverktyget kan komma i beröring med underlaget varvid risk finns för att du förlorar kontrollen över verktyget.

l) Elverktyget får inte rotera när det bärs. Kläder kan vid tillfällig kontakt med det roterande insatsverktyget dras in varvid insatsverktyget dras mot din kropp.

m) Rengör regelbundet elverktygets ventilationsöppningar. Motorfläkten drar in damm i huset och en kraftig anhopning av metalldamm kan orsaka farliga elströmmar.

n) Använd inte elverktyget i närheten av brännbara material. Risk finns för att gnistor antänder materialet.

o) Använd inte insatsverktyg som kräver flytande kylmedel. Vatten eller andra kylvätskor kan medföra elstöt.

Varning för bakslag

Ett bakslag är en plötslig reaktion hos insatsverktyget när t. ex. slipskivan, sliprondellen, stålborsten hakar upp sig eller blockerar. Detta leder till abrupt uppbromsning av det roterande insatsverktyget. Härvid accelererar ett okontrollerat elverktyg mot insatsverktygets rotationsriktning vid inklämningsstället.

Om t. ex. en slipskiva hakar upp sig eller blockerar i arbetsstycket kan slipskivans kant i arbetsstycket klämmas fast varvid slipskivan bryts sönder eller orsakar bakslag. Slipskivan rör sig nu mot eller bort från användaren beroende på skivans rotationsriktning vid inklämningsstället. Härvid kan slivskivor även brista.

Bakslag uppstår till följd av missbruk eller felaktig hantering av elverktyget. Detta kan undvikas genom skyddsåtgärder som beskrivs nedan.

a) Håll stadigt i elverktyget samt kroppen och armarna i ett läge som är lämpligt för att motstå bakslagskrafter. Använd alltid stödhandtaget för bästa möjliga kontroll av bakslagskrafter och reaktionsmoment vid start. Användaren kan genom lämpliga försiktighetsåtgärder bättre behärska bakslags- och reaktionskrafterna.

b) Håll alltid handen på tryggså avstånd från det roterande insatsverktyget. Tillbehör kan ge bakslag över din hand.

c) Undvik att hålla kroppen inom det område elverktyget vid ett bakslag rör sig. Bakslaget kommer att driva elverktyget i motsatt riktning till slipskivans rörelse vid inklämningsstället.

d) Var särskilt försiktig vid bearbetning av hörn, skarpa kanter osv. Håll emot så att insatsverktyget inte studsar ut från arbetsstycket eller kommer i kläm. På hörn, skarpa kanter eller vid studsning tenderar det roterande insatsverktyget att komma i kläm. Detta kan leda till att kontrollen förloras eller att bakslag uppstår.

e) Använd inte kedje- eller tandat sågblad. Sådana insatsverktyg orsakar ofta bakslag eller gör att du förlorar kontrollen över elverktyget.

Speciella varningar för slipning och kapslipning

a) Använd endast slippkroppar som godkända för aktuell elverktyg och de sprängskydd som är avsedda för dessa slippkroppar. Slippkroppar som inte är avsedda för aktuell tryckluftverktyg kan inte på tryggså sätt skyddas och är därför farliga.

b) Vinkelböjda slipskivor ska monteras så, att deras slipyta inte står ut över skyddskåpens kant. En felaktigt monterad slipskiva som står ut över skyddskåpens kant kan inte skämmas av på tillfredsställande sätt.

c) Använd alltid det sprängskydd som är avsett för aktuell slippkropp. Sprängskyddet måste monteras ordentligt på tryckluftverktyget och vara infäst så att högsta möjliga säkerhet uppnås, dvs den del av slippkroppen som är vämd mot användaren måste vara skyddad. Skyddsanordningen hjälper att skydda operatören mot splitter från en trasig skiva, oavsiktlig kontakt med skivan och gnistor som kan sätta eld på kläder.

d) Slippkroppar får användas endast för rekommenderade arbeten. T. ex.: Slipa aldrig med kapskivans sidoyta. Kapskivor är avsedda för materialavverkning med skivans kant. Om tryck från sidan utövas mot slippkroppen kan den spricka.

e) För vald slipskiva ska alltid oskadade spännflänsar i korrekt storlek och form användas. Lämpliga flänsar stöder slipskivan och reducerar sålunda risken för slivskivabrott. Flänsar för kapskivor och andra slipskivor kan ha olika utseende och form.

f) Använd inte nedslitna slipskivor från större elverktyg. Slipskivor för större elverktyg är inte konstruerade för de mindre elverktygens högre varvtal och kan därför spricka.

Andra speciella säkerhetsanvisningar för kapslipning

a) Se till att kapskivan inte kommer i kläm och att den inte utsätts för högt mottryck. Försök inte skära för djupt. Om kapskivan överbelastas ökar dess påfrestning och risk finns för att den snedvrids eller blockerar som sedan kan resultera i bakslag eller slippkroppsbrott.

b) Undvik området framför och bakom den roterande kapskivan. Om du rör kapskivan i arbetsstycket bort från kroppen kan i händelse av ett bakslag elverktyget med roterande skiva slungas mot din kropp.

c) Om kapskivan kommer i kläm eller arbetet avbryts, koppla från elverktyget och håll det lugnt tills skivan stannat fullständigt. Försök aldrig dra ut en roterande kapskiva ur skärspåret då detta kan leda till bakslag. Lokalisera och åtgärda orsaken för inklämning.

d) Koppla inte åter på elverktyget om det sitter i arbetsstycket. Låt kapskivan öppna fullt varvtal innan den försiktigt förs in i skärspåret för fortsatt kapning. I annat fall kan skivan haka upp sig, hoppa ur arbetsstycket eller orsaka bakslag.

e) För att reducera risken för ett bakslag till följd av inklämd kapskiva ska skivor och andra stora arbetsstycken stödas. Stora arbetsstycken kan böjas ut till följd av högt egenvikt. Arbetsstycket måste därför stödas på båda sidorna både i närheten av skärspåret och vid kanten.

f) Var alltid extra försiktig om du „skär ut“ något i en vägg eller på andra ställen som du inte direkt kan se. Där risk finns att kapskivan kommer i kontakt med gas- eller vattenledningar, elledningar eller andra föremål som kan orsaka bakslag.

Speciella säkerhetsanvisningar för sandpappersslipning:

a) Använd inte för stora slippapper, se tillverkarens uppgifter om slippapperets storlek. Slippapper som står ut över sliprondellen kan leda till personskada, blockera, rivas sönder eller också orsaka bakslag.

Speciella säkerhetsanvisningar för arbeten med trädborstar:

a) Observera att en metallborste förlorar små metallbitar även vid normal användning. Överbelasta aldrig en metallborste genom att trycka den kraftigt mot materialet som ska bearbetas. Små metallbitar som går av kan lätt tränga genom tunna kläder och/eller huden.

b) När sprängskydd används bör man se till att sprängskyddet och trädborsten inte berör varandra. Tallriks- och koppborstarnas diameter kan till följd av anliggningsstryck och centrifugalkrafter öka.

ÖVRIGA SÄKERHETS- OCH ANVÄNDNINGSPÅTÄLLNINGAR

Kontrollera alltid att spindelläsknappen är helt frigjord innan du slår på verktyget! När du har använt spindelläset för att dra åt/lossa slipskivan, är det möjligt att knappen fastnar i läst läge.

Vid slipning av metall uppstår gnistor. Se till att personer inte skadas. Pga brandrisken får inga brännbara material finnas i närheten (inom gnistområdet). Använd inte dammsugning!

Förhindra att du kommer i kontakt med gnistor och slippdamm.

Lakttag största försiktighet när maskinen är igång.

Avlägsna aldrig spån eller flisor när maskinen är igång.

Frånkoppla maskinen omedelbart om kraftiga vibrationer uppstår eller andra defektfunktioner registreras. Kontrollera maskinen för lokalisering av orsak.

Under extrema förhållanden (till exempel slätslipning av metall med stödrondell och slipskiva av vulkanfiber) kan starka föroreningar uppstå på vinkelslipens insida.

OBS! Undvik att metalldelar hamnar i luftslietsarna - risk för kortslutning!

WARNING! Risk att bränna sig! Skivan och arbetsstycket blir heta under användningen. Använd handskar när du byter skivor eller vidrör arbetsstycket. Håll alltid händerna borta från slippområdet.

WARNING! För att undvika den fara för brand, personskador eller produktskador som orsakas av en kortslutning, doppa inte ner verktyget, utbytesbatteriet eller laddaren i vätskor och se till att ingen vätska kan tränga in i apparaterna eller batterierna. Korroderande eller ledande vätskor, som saltvatten, vissa kemikalier, blekningsmedel eller produkter som innehåller blekmedel, kan orsaka en kortslutning.

Batterier lagras torrt och skyddas för fukt.

System M18 batterier laddas endast i System M18 laddare. Ladda inte batterier från andra system.

ANVÄND MASKINEN ENLIGT ANVISNINGARNA

Vinkelslipen är avsedd för slipning och kapning av metall, sten, betong och keramiska material samt för sandpappersslipning och stålborstning.

Använd skyddslocket för kapning ur tillbehörsprogrammet.

Följ vidtveksamma fall anvisningarna från tillverkaren av tillbehöret.

Detta elverktyg ska endast användas för torr bearbetning.

Endast lämpliga slip- eller kapskivor och tillhörande skyddsanordningar (slipskydd eller kapskydd) enligt beskrivningen i avsnittet för produktspecifikation i den här bruksanvisningen får monteras på den här vinkelslipen. Vinkelslipen är konstruerad för handhållen användning. Den får inte monteras på någon fastspänningsanordning eller arbetsbänk.

Använd inte produkten på något annat sätt än vad som anges som avsedd användning.

KVARSTÄENDE RISKER

Även vid föreskriftsenlig användning kan inte alla restriktioner uteslutas. Vid användning kan följande faror, på vilka användaren måste vara särskilt uppmärksam:

• Personskador orsakade av vibration. Håll fast maskinen i de därför

avsedda handtagen och begränsa arbets- och exponeringstiden.

- Bullerbelastning kan leda till hörselskador. Bär hörselskydd och begränsa exponeringstiden.
- Ögonskador orsakade av smutspartiklar. Använd alltid skyddsglasögon, stabila långbyxor, handskar och stabila skor.
- Inandning av giftigt damm.

ANVISNINGAR AVSEENDE LITIJONBATTERIER

Användning av litiumjonbatterier

Batteri som ej använts på länge måste laddas före nytt bruk.

En temperatur över 50°C reducerar batteriets effekt. Undvik längre uppvärmning tex i solen eller nära ett element.

Se till att anslutningskontaktarna i laddaren och på batteriet är rena.

För att batterierna ska få lång livslängd ska de laddas fulla efter användning.

För att få en så lång livslängd som möjligt bör laddningsbara batterier avlägsnas från laddaren när de är laddade.

Om laddningsbara batterier lagras längre än 30 dagar:

Lagra batteriet torrt och vid ca 27°C.

Lagra batteriet vid ca 30%-50% av laddningskapaciteten.

Ladda batterierna på nytt var 6:e månad.

Batteri-överbelastningsskydd för litiumjonbatterier

Om det laddningsbara batteriet överbelastas genom en mycket hög strömförbrukning, t.ex. extremt höga vridmoment, ett plötsligt stopp eller en kortslutning, så vibrerar elverktyget i 5 sekunder, laddningsindikeringen blinkar och elverktyget frånkopplas automatiskt.

För att sedan sätta på elverktyget igen släpper du tryckbrytaren och tillkopplar sedan verktyget igen. Vid en extrem belastning blir det laddningsbara batteriet för varmt. I detta fall blinkar alla lampor på laddningsindikeringen så länge tills batteriet har svalnat. När laddningsindikeringen har slocknat kan du fortsätta med arbetet.

Transportera litiumjon-batterier

För litiumjon-batterier gäller de lagliga föreskrifterna för transport av farligt gods på väg.

Därför får dessa batterier endast transporteras enligt gällande lokala, nationella och internationella föreskrifter och bestämmelser.

Konsumenter får transportera dessa batterier på allmän väg utan att behöva beakta särskilda föreskrifter.

För kommersiell transport av litiumjon-batterier genom en speditiönsfirma gäller emellertid bestämmelserna för transport av farligt gods på väg. Endast personal som känner till alla tillämpliga föreskrifter och bestämmelser får förbereda och genomföra transporten. Hela processen ska följas upp på fackmässigt sätt.

Följande ska beaktas i samband med transporten av batterier:

Säkerställ att alla kontakter är skyddade och isolerade för att undvika kortslutning.

Se till att batteripacken inte kan glida fram och tillbaka i förpackningen. Transportera aldrig batterier som läcker, har runnit ut eller är skadade. För mer information vänligen kontakta din speditiönsfirma.

ARBETSANVISNINGAR

Skydd mot överbelastning och bakslag

Verktyget har en overload- och anti kickback-funktion och stannar vid överbelastning. Stäng av elverktyget, och slä sedan på elverktyget igen för att fortsätta arbeta.

Mjukstart

Mjukstart för säker hantering, inget ryck vid uppstart av maskinen.

För verktyg avsedda att förses med skivor med gängat hål, bör man kontrollera att skivans gängning är tillräckligt lång att hantera spindelns

Använd och förvara alltid kap- och slipskivorna enligt tillverkarens anvisningar.

Använd alltid skyddskåpa vid slipning och kapning.

Vinkelböjda slipskivor ska monteras så, att deras slipyta inte står ut över skyddskåpans kant.

Flämsmuttern skall vara åtdragen innan start av maskinen.

Använd alltid stödhandtag.

Spänn fast arbetsstycket om det inte ligger stadigt till följd av egen vikt. För aldrig arbetsstycket för hand mot slipskivan.

Se till att flämsmuttern är ordentligt åtdragen innan du tar maskinen i drift. Om insatsverktyget inte är ordentligt åtdraget med flämsmuttern finns risk att insatsverktyget vid inbromsning förlorar den spännkraft som krävs.

TVÄTTTRÄD

Se till att motorhöljets luftslitsar är rena.

SKÖTSEL

Använd endast Milwaukee-tillbehör och Milwaukee-reservdelar. Komponenter, för vilka inget byte beskrivs, skall bytas ut hos Milwaukee-kundtjänst (se broschyren garanti-/kundtjänstadresser).

Vid behov av sprängskiss, kan en sådan, genom att uppges maskinens art. nr. (som finns på typskylten) erhållas från: Techtronic Industries GmbH, Max-Eyth-Strasse 10, 71364 Winnenden, Germany.

SYMBOLER

| | |
|--|--|
| | Läs instruktionen noga innan du startar maskinen. |
| | OBSERVERA! VARNING! FARA! |
| | Drag ur batteripaket innan arbete utföres på maskinen. |
| | Använd inte skyddet för kapning. |
| | Använd ingen kraft. |
| | Använd kraft. |
| | Använd alltid skyddsglasögon. |

| | |
|--|---|
| | Bär hörselskydd. |
| | Bär därför lämplig skyddsmask. |
| | Bär skyddshandskar! |
| | Arbeta alltid med båda händerna. |
| | Endast för slipning. |
| | Endast för kapning. |
| | Beakta den tillåtna tjockleken på skivor. |
| | Tillbehör - Ingår ej i leveransomfånget, erhålles som tillbehör. |
| | Elektriska maskiner och elverktyg som kasseras får inte slängas tillsammans med de vanliga hushålls-soporna. Elektriska maskiner och verktyg samt elektronisk utrustning som kasseras ska samlas separat och lämnas till en avfallsstation för miljövänlig avfallshantering. Kontakta den lokala myndigheten respektive kommunen eller fråga återförsäljare var det finns speciella avfallsstationer för elskrot. |
| | Märkvarvtal |
| | Spänning |
| | Likström |
| | Europeiskt konformitetsmärke |
| | Britiskt konformitetsmärke |
| | Ukrainskt konformitetsmärke |
| | 001 |
| | Euroasiatiskt konformitetsmärke |

TEKNISET ARVOT

| | M18 FSAG115X | M18 FSAG125X |
|--|---------------------------------------|------------------------|
| Tyyp | Akkukulmahiomakone | Akkukulmahiomakone |
| Tuotantonumero | 4830 49 01 XXXXXX MJJJ | 4830 56 01 XXXXXX MJJJ |
| Jännite vaihtoakku | 18 V | 18 V |
| Nimellinen kierrosluku | 8500 min ⁻¹ | 8500 min ⁻¹ |
| Karan kierre | M14 | M14 |
| D=Hiomalaikan Ø maks. | 115 mm | 125 mm |
| d=porausreikä-ø | 22,2 mm | 22,2 |
| | b=Hiomalaikan paksuus maks. | 6 mm |
| | b=Katkaisulaikan paksuus maks. / min. | 3 mm / 1 mm |
| | D=Hiomalaikan halkaisija maks. | 115 mm |
| | D=Kuppiharjan ø maks. | 75 mm |
| Paino EPTA-meneteltyl 01/2014 mukaan (Li-Ion 2,0 Ah ... 12,0 Ah) | 2,4 ... 3,4 kg | 2,4 ... 3,5 kg |
| Suosittelut ympäristön lämpötila käytön aikana | -18 ... +50 °C | |
| Suosittelut akkusarjat | M18B...; M18HB... | M12-18...; M1418C6 |
| Suosittelut latauslaitteet | M12-18...; M1418C6 | |

Melunpäästö tiedot: Mitta-arvot määritetty EN 60745 mukaan. Koneen tyyppilinen A-luokitettu melutaso:

| | | |
|--------------------------------|----------------------|----------------------|
| Melutaso / Epävarmuus K | 82,7 dB(A) / 3 dB(A) | 82,7 dB(A) / 3 dB(A) |
| Äänenvoimakkuus / Epävarmuus K | 93,7 dB(A) / 3 dB(A) | 93,7 dB(A) / 3 dB(A) |

Käytä kuulosuojaimia!

Tärinä tiedot: Värähtelyn yhteisarvot (kolmen suunnan vektorisummitattuna EN 60745 mukaan).

Värähtelyemissioarvo a_n / Epävarmuus K

| | | |
|-----------------------|---|---|
| Pintahionta | 4,8 m/s ² / 1,5 m/s ² | 5,5 m/s ² / 1,5 m/s ² |
| Hionta hiomapaperilla | 1,1 m/s ² / 1,5 m/s ² | 1,9 m/s ² / 1,5 m/s ² |

Muilla käyttötaivoilla, esim. katkaisussa tai teräslankaharjalla hiottaessa, saattaa esiintyä muunlaisia tärinäarvoja!

VAROITUS!

Tässä tiedotteessa ilmoitettu (ilmoitetut) tärinä- ja melupäästöarvo(t) on mitattu standardisoidulla testimenetelmällä SFS-EN 60745 mukaisesti ja sitä voidaan käyttää työkalun vertailumiseen toisen työkalun kanssa. Sitä voidaan käyttää alustavaan alitistuksen arviointiin. Ilmoitettu tärinä- ja melupäästöarvo koskee työkalun pääkäyttötarkoituksia. Jos kuitenkin työkalua käytetään eri käyttötarkoituksiin eri varusteiden kanssa tai huonosti huollettuna, voi tärinä- ja melupäästö erota ilmoitetusta. Tämä voi merkittävästi nostaa altistumistasoa koko työskentelyjakson ajaksi.

Arvioidussa tärinä- ja meluallistustasossa tulisi ottaa huomioon myös työkalun sammutuskerrat tai sen tyhjäkäynti. Tämä voi merkittävästi laskea altistumistasoa koko työskentelyjakson ajaksi.

Tunnista esimerkiksi seuraavat lisävarotoimet, joilla voidaan suojata käyttäjää tärinän ja/tai melun vaikutuksilta: työkalun ja varusteiden ylläpito, käsien lämpimänä pito, työnkulun organisointi.

VAROITUS! Lue kaikki, myös annetut turvallisuusmääräykset ja käyttöohjeet. Turvallisuusohjeiden noudattamisen laiminlyönti saattaa johtaa sähköiskuun, tulipaloon ja/tai vakavaan loukkaantumiseen.

Säilytä kaikki turvallisuus- ja muut ohjeet tulevaisuutta varten.

KULMAHIOMAKONEEN TURVALLISUUSMÄÄRÄYKSET

Yhteiset turvallisuusohjeet hiomista, hiekkapaperihiomista, työskentelyä teräsharjan kanssa, kiillotusta ja katkaisuhi-ontaa varten:

a) Tätä sähkötyökalua tulee käyttää hiomakoneena, hiekkapaperihiomakoneena, teräsharja- ja katkaisuhiomakoneena. Ota huomioon kaikki varoohjeet, ohjeet, piirustukset ja tiedot, joita saat sähkötyökalun kanssa. Ellet noudata seuraavia ohjeita, saattaa se johtaa sähköiskuun, tulipaloon ja/tai vaikeisiin loukkaantumisiin.

b) Tämä sähkötyökalu ei sovellu kiillottamiseen. Sellainen käyttö, jota varten sähkötyökalua ei ole tehty, saattaa aiheuttaa vaaratilanteita ja vammoja.

c) Älä käytä mitään lisälaitteita, joita ei valmistaja ole tarkoitannut tai suositellut nimenomaan tälle sähkötyökalulle. Vain se, että pystyt kiinnittämään laitetta sähkötyökaluun ei takaa sen turvallista käyttöä.

d) Käyttötyökalun sallitun kierrosluvun täytyy olla vähintään yhtä korkea kuin sähkötyökalulla ilmoitettu korkein kierrosluku. Salliittua nopeammin pyörivät lisävarusteet voivat rikkoutua ja lentää ympäriinsä.

e) Vaihtotyökalun ulkohalkaisijan ja paksuuden tulee vastata sähkötyökalun mittatietoja. Väärin mitoitettuja vaihtotyökaluja ei voida suojata tai hallita riittävästi.

TYÖSKENTELYOHJEITA

Ylikuormitus- ja takaiskusuoja

Laite on varustettu ylikuormitusuojauksella ja takapotkunestotoiminnolla ja pysähtyy, jos sitä rasitetaan liikaa. Kytke sähkötyökalu pois päältä ja sitten takaisin päälle jatkaaksesi työskentelyä.

Pehmeäkäynnistyksen

Elektronisen pehmeäkäynnistyksen vuoksi kone kiihtyy jatkuvasti kunnes ennalta valittu nopeus on saavutettu

Varmista sellaisissa työkaluissa, joihin on tarkoitus kiinnittää kiertaisreikäinen laikka, että laikan kierre on riittävän pitkä sopimaan karan pituuteen.

Käytä ja säilytä katkaisu- ja hiomalaikat aina valmistajan ohjeiden mukaan.

Rouhehionta- ja katkaisutyössä on aina käytettävä laikan suojakupua.

Taivutetut hiomalaikat täytyy asentaa niin, ettei niiden hiomapinta ulotu suojakuvun reunatason ulkopuolelle.

Laippamutterin on oltava kunnolla kiristetty ennen koneen käyttöönottoa.

Käytä aina lisäkädensijaa.

Työstettävä kappale on kiinnitettävä, ellei se omapainonsa vuoksi pysy paikallaan. Älä koskaan vie työkalua kädelläsi hiomalaikkaa vasten.

Laipan mutteri täytyy kiristää tiukkaan ennen koneen käyttöönottoa. Jos käytetty työkalua ei kiristetä tiukkaan laippamutterilla, on mahdollista, että työkalu menettää jarrutettaessa tarvittavan kiinnitystekon.

PUHDISTUS

Pidä moottorin ilmanottoaukot puhtaina.

HUOLTO

Käytä ainoastaan Milwaukee lisätarvikkeita ja Milwaukee varaosia. Mikäli jokin komponentti, jota ei ole kuvailtu, tarvitsee vaihtoa ota yhteys johonkin Milwaukee palvelupisteistä (kts. listamme takuuhuoltoliikkeiden/ palvelupisteiden osoitteista).

Tarpeen vaatiessa voit pyytää lähettämään laitteen kokoonpanopiirustuksen ilmoittamalla arvokilven numeron seuraavasta osoitteesta: Techtronic Industries GmbH, Max-Eyth-Straße 10, 71364 Winnenden, Germany.

SYMBOLIT

| | |
|--|---|
| | Lue käyttöohjeet huolellisesti, ennen koneen käynnistämistä. |
| | HUOMIO! VAROITUS! VAARA! |
| | Ota akku pois ennen kaikkia koneeseen tehtäviä toimenpiteitä. |
| | Älä käytä suojusta leikkaamiseen. |
| | Älä käytä väkivoimaa. |
| | Käytä voimaa. |

| | |
|--|---|
| | Käytä laitteella työskennellessäsi aina suojalaseja. |
| | Käytä korvasuojia. |
| | Koneella työskennellessä on käytettävä sopivaa suojainta. |
| | Käytä suojakäsineitä! |
| | Käytä laitetta aina kahdella kädellä. |
| | Vain hiontatöihin. |
| | Vain katkaisutöihin. |
| | Huomioi sallittu laikan paksuus. |
| | Lisälaite - Ei sisälly vakiovarustukseen, saatavana lisätarvikkeena. |
| | Sähkölaitteita ei saa hävittää yhdessä kotitalousjätteiden kanssa. Sähkö- ja elektroniset laitteet tulee kerätä erikseen ja toimittaa kierrätysliikkeeseen ympäristöystävällistä hävittämistä varten. Pyydä paikallisilta viranomaisilta tai alan kauppiailtasi tarkemmat tiedot kierrätyspisteistä ja keräyspaikoista. |
| | Nimellinen kierrosluku |
| | Jännite |
| | Tasavirta |
| | Euroopan säännönmukaisuusmerkki |
| | Britannian säännönmukaisuusmerkki |
| | Ukrainan säännönmukaisuusmerkki |
| | Euraasian säännönmukaisuusmerkki |

TEKNIKA SITOIEIXA

| | M18 FSAG115X | M18 FSAG125X |
|--|---|---|
| Κατασκευαστικό είδος | ΓΩΝΙΑΚΟΣ ΤΡΟΧΟΣ ΜΠΑΤΑΡΙΑΣ | ΓΩΝΙΑΚΟΣ ΤΡΟΧΟΣ ΜΠΑΤΑΡΙΑΣ |
| Αριθμός παραγωγής | 4830 49 01 XXXXXX MJJJJ | 4830 56 01 XXXXXX MJJJJ |
| Τάση ανταλλακτικής μπαταρίας | 18 V | 18 V |
| Ονομαστικός αριθμός στροφών | 8500 min ⁻¹ | 8500 min ⁻¹ |
| Σπείρωμα απράκτου | M14 | M14 |
| D=Μέγιστη διάμετρος δίσκου λείανσης Μέγ. | 115 mm | 125 mm |
| d=διάμετρος οπής | 22,2 mm | 22,2 |
| | b=Πάχος τροχού λείανσης Μέγ. | 6 mm |
| | b=Πάχος δίσκου κοπής Μέγ. / Ελάχ. | 3 mm / 1 mm |
| | D=Διάμετρος δίσκου λείανσης Μέγ. | 115 mm |
| | D=Διάμετρος συρματόβουρτσας Μέγ. | 75 mm |
| Βάρος σύμφωνα με τη διαδικασία EPTA 01/2014 (Li-Ion 2,0 Ah ... 12,0 Ah) | 2,4 ... 3,4 kg | 2,4 ... 3,5 kg |
| Συνιστώμενη θερμοκρασία περιβάλλοντος για τη λειτουργία | -18 ... +50 °C | |
| Συνιστώμενη δέσμη συσσωρευτών | M18B...; M18HB... | |
| Συνιστώμενη συσκευή φόρτισης | M12-18...; M1418C6 | |
| Πληροφορίες θορύβου: Τιμές μέτρησης εξακριβωμένες κατά EN 60745. Η σύμφωνα με την καμπύλη Α εκτιμηθείσα στάθμη θορύβου του μηχανήματος αναφέρεται σε: | 82,7 dB(A) / 3 dB(A) | 82,7 dB(A) / 3 dB(A) |
| Στάθμη ηχητικής πίεσης / Ανασφάλεια K | 93,7 dB(A) / 3 dB(A) | 93,7 dB(A) / 3 dB(A) |
| Στάθμη ηχητικής ισχύος / Ανασφάλεια K | | |
| Φοράτε προστασία ακοής (ωασπίδες)! | | |
| Πληροφορίες δόνησεων: Υλικές τιμές κραδασμών (άθροισμα διανυσμάτων τριών διευθύνσεων) εξακριβώθηκαν σύμφωνα με τα πρότυπα EN 60745. | | |
| Τιμή εκπομπής δόνησεων a _n / Ανασφάλεια K | 4,8 m/s ² / 1,5 m/s ² | 5,5 m/s ² / 1,5 m/s ² |
| Λείανση επιφανειών | 1,1 m/s ² / 1,5 m/s ² | 1,9 m/s ² / 1,5 m/s ² |
| Λείανση με γυαλόχαρτο | | |

Σε άλλες εφαρμογές, όπως π.χ. διαχωριστική λείανση ή λείανση με τη συρματόβουρτσα μπορεί να προκύψουν άλλες τιμές ταλαντώσεων!

ΠΡΟΕΙΔΟΠΟΙΗΣΗ!

Το αναφερόμενο στο παρόν φυλλάδιο επίπεδο τιμών δόνησης και εκπομπής θορύβου έχει μετρηθεί σύμφωνα με μια τυπική μέθοδο δοκιμών κατά το πρότυπο EN 60745 και μπορεί να χρησιμοποιηθεί για τη σύγκριση εργαλείων μεταξύ τους. Μπορεί να χρησιμοποιηθεί για μια προκαταρκτική αξιολόγηση της έκθεσης.

Οι αναφερόμενες τιμές επιπέδων δόνησης και εκπομπής θορύβου αντιστοιχούν στις βασικές εφαρμογές του εργαλείου. Στην περίπτωση χρήσης του εργαλείου σε διαφορετικές εφαρμογές, με διαφορετικά εξαρτήματα ή ανεπαρκή συντήρηση, τα επίπεδα δόνησης και εκπομπών θορύβου ενδέχεται να διαφέρουν. Αυτό μπορεί να έχει ως συνέπεια μία σημαντική αύξηση των επιπέδων έκθεσης καθόλη τη διάρκεια εκτέλεσης των εργασιών.

Για μία εκτίμηση των επιπέδων έκθεσης σε δόνηση και θόρυβο πρέπει να συνυπολογίζονται οι χρόνοι απενεργοποίησης του εργαλείου ή αυτοί κατά τους οποίους παραμένει ενεργό χωρίς να εκτελείται κάποια εργασία. Αυτό μπορεί να μειώσει σημαντικά τα επίπεδα έκθεσης καθόλη τη διάρκεια εκτέλεσης των εργασιών.

Ορίστε πρόσθετα μέτρα προστασίας του χειριστή από την έκθεση στη δόνηση ή/και στον θόρυβο όπως: συντήρηση του εργαλείου και των παρελκόμενων εξαρτημάτων, διατήρηση θερμότητας των χεριών, οργάνωση μπίβων εργασιών.

ΠΡΟΕΙΔΟΠΟΙΗΣΗ! Διαβάστε όλες τις Υποδείξεις ασφαλείας και τις Οδηγίες. Αμέλειες κατά την τήρηση των προειδοποιητικών υποδείξεων μπορεί να προκαλέσουν ηλεκτροπληξία, κίνδυνο πυρκαγιάς ή/και σοβαρούς τραυματισμούς. **Φυλάξτε όλες τις προειδοποιητικές υποδείξεις και οδηγίες για κάθε μελλοντική χρήση.**

ΟΔΗΓΙΕΣ ΑΣΦΑΛΕΙΑΣ ΓΙΑ ΤΡΙΒΕΙΟ ΓΩΝΙΑΣ.

Κοινές προειδοποιητικές υποδείξεις για λείανση και λείανση με σμιριδόχαρτο, για εργασίες με συρματόβουρτσα, για στίλβωση και για εργασίες κοπή

a) Αυτό το ηλεκτρικό εργαλείο πρέπει να χρησιμοποιείται σαν λειαντήρας με σμιριδόχαρτο, για εργασίες με συρματόβουρτσα και σαν μηχανήμα κοπής. Να λαμβάνετε πάντοτε υπόψη σας όλες τις προειδοποιητικές υποδείξεις, τις οδηγίες, τις απεικονίσεις και τα στοιχεία που σας παραδίδονται μαζί με το ηλεκτρικό εργαλείο. Η μη τήρηση των οδηγιών που ακολουθούν, μπορεί να οδηγήσει σε ηλεκτροπληξία, φωτιά και/ή σε σοβαρούς τραυματισμούς.

b) Αυτό το ηλεκτρικό εργαλείο δεν είναι κατάλληλο για γυάλισμα. Χρήσεις, οι οποίες δεν προβλέπονται για το ηλεκτρικό εργαλείο μπορούν να οδηγήσουν σε κινδύνους και να προκαλέσουν τραυματισμούς.

ΧΡΗΣΗ ΣΥΜΦΩΝΑ ΜΕ ΤΟ ΣΚΟΠΟ ΠΡΟΟΡΙΣΜΟΥ

Ο γωνιακός τροχός προορίζεται για τη λείανση ή την κοπή μετάλλου, πέτρας, σκυροδέματος και κεραμικών υλικών, καθώς και για το τρίψιμο με υαλοχαρτί και την επεξεργασία με σφυρατόβουρτσα.

Για την κοπή, χρησιμοποιήστε το καπάκι κοπής από την περιοχή των εξαρτημάτων.

Σε περίπτωση αμφιβολιών προσέχετε τις υποδείξεις του κατασκευαστή των πρόσθετων εξαρτημάτων.

Η ηλεκτρική συσκευή είναι κατάλληλη μόνο για επεξεργασία χωρίς νερό.

Πρέπει να χρησιμοποιείτε μόνο ενδεδειγμένους δίσκους λείανσης ή κοπής και σχετικά προστατευτικά (προστατευτικό λείανσης ή προστατευτικό κοπής) με το γωνιακό τροχό, όπως περιγράφεται στην ενότητα προδιαγραφών προϊόντος του παρόντος εγχειριδίου. Ο γωνιακός τροχός είναι σχεδιασμένος για φορητή χρήση. Δεν πρέπει να σταθεροποιείται σε διάταξη σύφιξης ή σε πάγκο εργασίας.

Μη χρησιμοποιείτε το προϊόν με οποιονδήποτε άλλο τρόπο από αυτούς που δηλώνονται για την προβλεπόμενη χρήση.

ΛΟΙΠΟΙ ΚΙΝΔΥΝΟΙ

Ακόμη και σε κανονική χρήση δεν μπορούν να αποκλείονται όλοι οι υπολειπόμενοι κίνδυνοι. Κατά τη χρήση θα μπορούσαν να προκύψουν οι ακόλουθοι κίνδυνοι, στους οποίους θα έπρεπε να δίνει ο χειριστής ιδιαίτερη προσοχή:

- Τραυματισμοί που προκύπτουν από δονήσεις. Να κρατάτε το μηχάνημα από τις προβλεπόμενες για το σκοπό αυτό χειρολαβές και να περιορίζετε το χρόνο εργασίας και έκθεσης.
- Η ηχορύπανση μπορεί να οδηγήσει σε ακουστικά τραύματα. Να φοράτε προστατευτικά ακοής και να περιορίζετε τη διάρκεια έκθεσης.
- Τραυματισμοί των οφθαλμών που προκύπτουν από ρυπαρόνα σωμάτια. Να φοράτε πάντα προστατευτικά γυαλιά, ανθεκτικά, μακριά παντελόνια, γάντια και ανθεκτικά υποδήματα.
- Εισπνοή δηλητηριώδους σκόνης.

ΥΠΟΔΕΙΞΕΙΣ ΓΙΑ ΕΠΑΝΑΦΟΡΤΙΖΟΜΕΝΕΣ ΜΠΑΤΑΡΙΕΣ ΙΟΝΤΩΝ ΛΙΘΙΟΥ

Χρήση επαναφορτιζόμενων μπαταριών ιόντων λιθίου

Επαναφορτίζετε τις ανταλλακτικές μπαταρίες που δεν έχουν χρησιμοποιηθεί για μεγαλύτερο χρονικό διάστημα πριν τη χρήση.

Μια θερμοκρασία πάνω από 50°C μειώνει την ισχύ της ανταλλακτικής μπαταρίας. Αποφεύγετε τη θέρμανση για μεγαλύτερο χρονικό διάστημα από τον ήλιο ή τις συσκευές θέρμανσης.

Διατηρείτε τις επαφές σύνδεσης στο φορτιστή και στην ανταλλακτική μπαταρία καθαρές.

Για μια άριστη διάρκεια ζωής πρέπει μετά τη χρήση οι μπαταρίες να φορτιστούν πλήρως.

Για μια κατά το δυνατόν μεγάλη διάρκεια ζωής οι μπαταρίες μετά τη φόρτιση οφείλουν να αφαιρεθούν από το φορτιστή.

Για την αποθήκευση της μπαταρίας για διάστημα μεγαλύτερο των 30 ημερών:

Αποθηκεύετε τη μπαταρία περ. στους 27°C σε στεγνό χώρο.

Αποθηκεύετε τη μπαταρία περ. στο 30%-50% της κατάστασης φόρτισης.

Κάθε 6 μήνες φορτίζετε εκ νέου τη μπαταρία.

Προστασία υπερφόρτισης επαναφορτιζόμενων μπαταριών ιόντων λιθίου

Σε υπερφόρτωση της μπαταρίας από πολύ υψηλή κατανάλωση ρεύματος, π. χ. από ακραίες υψηλές ροπές περιστροφής, μπλοκάρισμα του τρυπανιού, δονείται το ηλεκτρικό εργαλείο για 5 δευτερόλεπτα, αναβοσβήνει η ένδειξη φόρτισης και το ηλεκτρικό εργαλείο απενεργοποιείται αυτόματα.

Για μια νέα ενεργοποίηση, αφήνετε ελεύθερο το διακόπτη και στη συνέχεια ενεργοποιείτε εκ νέου. Κάτω από ακραίες καταπονήσεις θερμαίνεται πάρα πολύ η μπαταρία. Στην περίπτωση αυτή αναβοσβήνουν όλες οι λάμπες της ένδειξης φόρτισης μέχρι να έχει κρυώσει η μπαταρία. Μετά το σβήσιμο της ένδειξης φόρτισης μπορεί να συνεχιστεί η συνεργασία.

Μεταφορά των μπαταριών ιόντων λιθίου

Οι μπαταρίες ιόντων λιθίου υπόκεινται στις απαιτήσεις των νομικών διατάξεων για την μεταφορά επικινδύνων εμπορευμάτων.

Η μεταφορά τέτοιων μπαταριών πρέπει να πραγματοποιείται τηρώντας τους τοπικούς, εθνικούς και διεθνείς κανονισμούς και τις αντίστοιχες διατάξεις.

Επιτρέπεται η μεταφορά τέτοιων μπαταριών στο δρόμο χωρίς περαιτέρω απαιτήσεις.

Η εμπορική μεταφορά μπαταριών ιόντων λιθίου από εταιρείες μεταφορών υπόκειται στις απαιτήσεις των νομικών διατάξεων για την μεταφορά επικινδύνων εμπορευμάτων. Οι προετοιμασίες αποστολής και η μεταφορά πραγματοποιούνται αποκλειστικά από ειδικά εκπαιδευμένα πρόσωπα. Η συνολική διαδικασία συνοδεύεται από εξειδικευμένο προσωπικό.

Κατά τη μεταφορά μπαταριών ιόντων λιθίου πρέπει να προσέχετε τα εξής:

Φροντίστε τα σημεία επαφών να είναι προστατευμένα και μονωμένα ώστε να αποφευχθούν βραχυκυκλώματα.

Προσέξτε το πακέτο μπαταριών να είναι σταθερό μέσα στη συσκευασία και να μη γλιστρά. Η μεταφορά μπαταριών που παρουσιάζουν φθορές ή διαρροές δεν επιτρέπεται. Για περισσότερες πληροφορίες απευθυνθείτε στην εταιρεία μεταφορών.

ΥΠΟΔΕΙΞΕΙΣ ΕΡΓΑΣΙΑΣ

Υπερφόρτωση και προστασία από ανάδραση

Η συσκευή είναι εξοπλισμένη με λειτουργία προστασίας ενάντια σε υπερφόρτωση και εσφυρικό χτύπημα και τίθεται εκτός λειτουργίας σε τέτοιες περιπτώσεις. Απενεργοποιήστε το ηλεκτρικό εργαλείο και στη συνέχεια επανενεργοποιήστε το ηλεκτρικό εργαλείο προκειμένου να συνεχίσετε την εργασία σας.

Μαλακό έναρξη

Το ηλεκτρονικό σύστημα αυξάνει ομαλά τον αριθμό στροφών ώστε να αποφευχθεί μια απότομη εκκίνηση της μηχανής και να διασφαλισθεί ο σίγουρος χειρισμός της.

Για εργαλεία στα οποία προσαρμόζεται τροχός με σπειρωτή οπή, βεβαιωθείτε ότι το σπείρωμα στον τροχό έχει αρκετό μήκος ώστε να ανταποκρίνεται στο μήκος του άξονα.

Χρησιμοποιείτε και φυλάγετε τους δίσκους κοπής και λείανσης πάντοτε σύμφωνα με τις οδηγίες του κατασκευαστή.

Κατά το ξεχόνδρισμα και το κόψιμο να εργάζεστε πάντοτε με το κάλυμμα προστασίας.

Οι πτυχωτοί τροχοί λείανσης πρέπει να τοποθετούνται με τέτοιο τρόπο ώστε η επιφάνεια λείανσης να μην εξέχει από την καλύπτρα προστασίας.

Το φλαντζωτό παξιμάδι πρέπει να έχει σφιχτεί πριν την έναρξη λειτουργίας της μηχανής.

Χρησιμοποιείτε πάντοτε την πρόσθετη χειρολαβή.

Το προς επεξεργασία κομμάτι πρέπει να σφιχτεί καλά, όταν δεν μπορεί να κρατηθεί με το ίδιο του το βάρος. Μην κρατάτε ποτέ το επεξεργαζόμενο κομμάτι με το χέρι ενάντια στο δίσκο.

Η φλάντζα στερέωσης φερόμενου εργαλείου πρέπει να είναι καλά σφιγμένη πριν τεθεί η συσκευή σε λειτουργία. Αν το φερόμενο εργαλείο δεν στερεωθεί αρκετά μέσω σφιγματος της φλάντζας, υπάρχει η πιθανότητα το εργαλείο να χάσει σε τάση κατά την διάρκεια επιβράδυνσης.

ΣΥΝΤΗΡΗΣΗ ΚΑΙ ΚΑΘΑΡΙΣΜΟΣ

Διατηρείτε πάντοτε τις σχισμές εξερισμού της μηχανής καθαρές.

ΣΥΝΤΗΡΗΣΗ

Χρησιμοποιείτε μόνο αξεσουάρ Milwaukee και ανταλλακτικά Milwaukee. Εξαρτήματα, που η αλλαγή τους δεν περιγράφεται, αντικαθιστώνται σε μια τεχνική υποστήριξη της Milwaukee (βλέπε φυλλάδιο εγγύηση/ διευθύνσεις τεχνικής υποστήριξης).

Όταν χρειάζεται, μπορείτε να ζητήσετε ένα σχέδιο συναρμολόγησης της συσκευής, δίνοντας τον τύπο της μηχανής και αριθμό στην πινακίδα ισχύος, από το κέντρο σέρβις ή απευθείας από τη φirma Technonic Industries GmbH, Max-Eyth-Straße 10, 71364 Winnenden, Germany.

ΣΥΜΒΟΛΑ



Παρακαλώ διαβάστε σχολαστικά τις οδηγίες χρήσης πριν από την έναρξη λειτουργίας.



ΠΡΟΣΟΧΗ! ΠΡΟΕΙΔΟΠΟΙΗΣΗ! ΚΙΝΔΥΝΟΣ!



Πριν από κάθε εργασία στη μηχανή αφαιρείτε την ανταλλακτική μπαταρία.



Μην χρησιμοποιείτε τον προφυλακτήρα για εργασίες κοπής.



Μην βάζετε δύναμη.



Εφαρμόστε δύναμη.



Στις εργασίες με τη μηχανή φοράτε πάντοτε προστατευτικά γυαλιά.



Φοράτε ωτοασπίδες.



Να φοράτε κατάλληλη μάσκα προστασίας από σκόνη.



Να φοράτε προστατευτικά γάντια!



Χρησιμοποιείτε πάντα και τα δύο χέρια για τον χειρισμό.



Μόνο για εργασίες λείανσης.



Μόνο για εργασίες κοπής.



Λάβετε υπόψη το επιτρεπόμενο πάχος δίσκου.



Εξαρτήματα - Δεν περιλαμβάνονται στα υλικά παράδοση, συνιστούμενη προσθήκη από το πρόγραμμα εξαρτημάτων.



Ηλεκτρικά μηχανήματα δεν επιτρέπεται να απορρίπτονται μαζί με τα οικιακά απορρίμματα. Ηλεκτρικά και ηλεκτρονικά μηχανήματα συλλέγονται ξεχωριστά και παραδίδονται προς ανακύκλωση με τρόπο φιλικό προς το περιβάλλον σε επιχείρηση επεξεργασίας απορριμμάτων. Ενημερωθείτε από τις τοπικές υπηρεσίες ή από ειδικευμένους εμπόρους σχετικά με κέντρα ανακύκλωσης και συλλογής απορριμμάτων.



η₀ Ονομαστικός αριθμός στροφών



v Τάση



Συνεχές ρεύμα



Ευρωπαϊκό σήμα πιστότητας



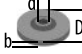



Βρετανικό σήμα πιστότητας



Ουκρανικό σήμα πιστότητας



Ευρασιατικό σήμα πιστότητας

| TEKNİK VERİLER | M18 FSAG115X | M18 FSAG125X |
|---|---|---|
| Modeli | Akü açılı taşlama aleti | Akü açılı taşlama aleti |
| Üretim numarası | 4830 49 01 XXXXXX MJJJJ | 4830 56 01 XXXXXX MJJJJ |
| Kartuş akü gerilimi | 18 V | 18 V |
| Devir sayısı | 8500 min ⁻¹ | 8500 min ⁻¹ |
| Mil dişi | M14 | M14 |
| D=taşlama diski çapı Maks. | 115 mm | 125 mm |
| d=Delik ø | 22,2 mm | 22,2 |
|  b=Taşlama diski kalınlığı Maks. | 6 mm | 6 mm |
|  b=Kesme diski kalınlığı Maks. / Min. | 3 mm / 1 mm | 3 mm / 1 mm |
|  D=Zımparalama diski çapı Maks. | 115 mm | 125 mm |
|  D=Saçaklı çanak fırça çapı Maks. | 75 mm | 75 mm |
| Ağırlığı ise EPTA-üretici 01/2014'e göre (Li-Ion 2,0 Ah ... 12,0 Ah) | 2,4 ... 3,4 kg | 2,4 ... 3,5 kg |
| Çalıştırılması için tavsiye edilen ortam sıcaklığı | -18 ... +50 °C | |
| Tavsiye edilen güç paketleri | M18B...; M18HB... | |
| Tavsiye edilen şarj aletleri | M12-18...; M1418C6 | |
| Gürültü bilgileri: Ölçüm değerleri EN 60745 e göre belirlenmektedir. Aletin, frekansa bağımlı uluslararası ses basıncı seviyesi değerlendirme eğrisi A'ya göre tipik gürültü seviyesi: | 82,7 dB(A) / 3 dB(A) | 82,7 dB(A) / 3 dB(A) |
| Ses basıncı seviyesi / Tolerans K | 93,7 dB(A) / 3 dB(A) | 93,7 dB(A) / 3 dB(A) |
| Akustik kapasite seviyesi / Tolerans K | | |
| Koruyucu kulaklık kullanın! | | |
| Vibrasyon bilgileri: Toplam titreşim değeri (üç yönün vektör toplamı) EN 60745'e göre belirlenmektedir.. | | |
| titreşim emisyon değeri a _h / Tolerans K | | |
| Üst yüzey taşlaması | 4,8 m/s ² / 1,5 m/s ² | 5,5 m/s ² / 1,5 m/s ² |
| Zımpara kağıdı ile taşlama | 1,1 m/s ² / 1,5 m/s ² | 1,9 m/s ² / 1,5 m/s ² |
| Diğer uygulamalarda, örneğin çelik tel fırça ile ayırarak taşlama veya taşlama işleminde başka vibrasyon değerleri ortaya çıkabilir! | | |

UYARI!

Bu bilgi formunda belirtilen titreşim ve gürültü düzeyi EN 60745 uyarınca standart bir test yöntemine göre ölçülmüş olup, bir aleti diğerleriyle karşılaştırmak için kullanılabilir. Bir maruz kalma ön değerlendirmesi için de kullanılabilir.

Beyan edilmiş titreşim ve gürültü emisyon değeri aletin ana uygulamalarını temsil eder. Ancak, alet farklı uygulamalar için veya farklı aksesuarla kullanılır ya da aletin bakımı yetersiz yapılırsa, titreşim ve gürültü emisyonu farklılık gösterebilir. Bu, toplam çalışma süresi boyunca maruz kalma seviyesini önemli ölçüde artırabilir.

Titreşim ve gürültüye maruz kalma seviyesi tahmininde, aletin kapalı olduğu veya çalıştığı, ancak aslında işini yapmadığı süreler de göz önünde bulundurulmalıdır. Bu, toplam çalışma süresi boyunca maruz kalma seviyesini önemli ölçüde azaltabilir.

Operatörü titreşim ve/veya gürültünün etkilerinden korumak için, aletin ve aksesuarların bakımını yapmak, elleri sıcak tutmak ve çalışma biçimlerini düzenlemek gibi ilave güvenlik önlemleri belirleyin.

UYARI! Güvenlikle ilgili bütün açıklamaları. Açıklanan uyarılara ve talimat hükümlerine uyulmadığı takdirde elektrik çarpmalarına, yangınlara ve/veya ağır yaralanmalara neden olunabilir.

Bütün uyarıları ve talimat hükümlerini ileride kullanmak üzere saklayın.

AÇILI TAŞLAYICI İÇİN GÜVENLİK UYARILARI

Taşlama, kumlu zımpara kağıdı ile zımparalama, tel fırça ile taşlama, polisaj ve kesici taşlama işleri için müşterek uyarılar:

a) Bu elektrikli el aleti taşlama, kumlu zımpara kağıdı ile zımparalama kesici taşlama olarak kullanılmak üzere geliştirilmiştir. Elektrikli el aleti ile birlikte teslim edilen bütün uyarılara, talimata, şekillere ve verilere uyun hareket edin. Aşağıdaki talimat hükümlerine uymadığınız takdirde elektrik çarpması, yangın veya ağır yaralanma tehlikesi ile karşılaşabilirsiniz.

b) Bu elektrikli el aleti polisaj yapmaya uygun değildir. Elektrikli el aleti için öngörülmemen kullanımlar risklere ve yaralanmalara sebebiyet verebilir.

c) Üretici tarafından özel olarak bu alet öngörülmemen ve tavsiye edilmeyen aksesuar kullanmayın. Bir aksesuarı elektrikli el aletinize takabiliyor olmanız güvenli kullanımı garanti etmez.

d) Kullanılan takımın izin verilen devri, en az elektrikli cihaz üzerinde yazılı azami devir kadar yüksek olmalıdır. İzin verilen den daha hızlı dönen aksesuar kırılabilir ve etrafa fırlayabilir.

e) Kullanılan ucun dış çapı ve kalınlığı elektrikli el aletinizin ölçülerine uymalıdır. Ölçüleri uygun olmayan uçlar yeterli derecede kapatılmaz veya kontrol edilemez.

f) Aksesuar parçalarının dişlileri taşlama milinin dişlerine uygun olmalıdır. Flanşlanması gereken aksesuar parçalarında, aksesuar parçası içindeki germe sapının deliği, tespit etme flanşının çapına uygun olmalıdır. Cihazın montaj sapı üzerine sığmayan aksesuar parçaları, eksantrik hareket eder, aşırı titreşir ve alet üzerindeki hakimiyetin kaybedilmesine neden olabilirler.

g) Hasarlı uçları kullanmayın. Her kullanımdan önce taşlama disklerinde çatlak ve çizik olup olmadığını, zımpara tablalarında çizik ve aşınma olup olmadığını, tel fırçalarda gevşeme veya kırık teller olup olmadığını kontrol edin. Elektrikli el aleti veya uç yere düşecek olursa hasar görüp görmediğinizi kontrol edin, gerekiyorsa hasar görmemiş başka bir uç kullanın. Kullanacağınız ucu kontrol edip taktıktan sonra ucun dönme alanı yakınında bulunan kişileri uzaklaştırın ve elektrikli el aletini bir dakika en yüksek devir sayısında çalıştırın. Hasarlı uçlar çoğu zaman bu test süresinde kırılır.

h) Kişisel koruyucu donanım kullanın. Yaptığınız işe göre tam yüz siperliği, göz koruma donanımı veya koruyucu gözlük kullanın. Eğer uygunsuz küçük taşlama ve malzeme parçacıklarına karşı koruma sağlayan toz maskesi, koruyucu kulaklık, koruyucu iş eldivenleri veya özel iş önlüğü kullanın. Gözler çeşitli uygulamalarda etrafa savrulan parçacıklardan korunmalıdır. Toz veya soluma maskesi çalışma sırasında ortaya çıkan tozları filtre eder. Uzun süre yüksek gürültü altında çalışırsanız işitme kaybına uğrayabilirsiniz.

i) Başkalarının çalıştığınız yerden güvenli uzaklıkta olmasına dikkat edin. Çalışma alanınıza girmek zorunda olan herkes koruyucu donanım kullanmalıdır. İş parçasının veya ucun kırılması sonucu ortaya çıkan parçacıklar etrafa savrulurak çalışma alanınızın dışındaki kişileri de yaralayabilir.

j) Kesme aletinin eğrilmiş elektrik kabloları isabet eden çalışmalar yapılmıyken cihazı izole edilmiş kollarından tutun. Kesme aletinin içinden elektrik akımı geçen kablo ile temas etmesi durumunda elektrik akımı cihazın metal kısımlarına geçer ve elektrik çarpmasına sebebiyet verebilir.

k) Takım tamamen durmadan elektrikli cihazı asla yere koymayınız. Dönmekte olan uç aleti bırakacağız yüzeye temas edebilir ve elektrikli el aletinin kontrolünü kaybedebilirsiniz.

l) Elektrikli el aletini çalışır durumda taşımayın. Giysileriniz rastlantı sonucu dönmekte olan uç tarafından tutulabilir ve uç bedeninize temas edebilir.

m) Elektrikli el aletinizin havalandırma deliklerini düzenli olarak temizleyin. Motor fanı tozu gövdeye çeker ve metal tozunun aşırı birikimi elektrik çarpması tehlikesini ortaya çıkarır.

n) Elektrikli el aletini yanıcı malzemenin yakınında kullanmayın. Kıvılcıklar bu malzemeyi tutuşturabilir.

o) Sıvı soğutucu madde gerektiren uçları kullanmayın. Suyun veya diğer sıvı soğutucu maddenin kullanımı elektrik çarpmasına neden olabilir.

Gerilme ve buna ait uyarılar

Gerilme, dönmekte olan taşlama diski, zımpara tablası, tel fırça ve benzeri uçların takılması veya bloke olması sonucu ortaya çıkan ani tepkidir. Takılma ve blokaj dönmekte olan ucun ani olarak durmasına neden olur. Bu gibi durumlarda elektrikli el aleti blokaj yerinden ucun dönme yönünün tersine doğru savrulur.

Örneğin bir taşlama diski iş parçası içinde takılır veya bloke olursa, taşlama diskinin içine giren kenarı tutulur ve dalk kırılır veya geri tepme kuvvetinin ortaya çıkmasına neden olur. Bu durumda taşlama diski blokaj yerinden, diskin dönme yönüne bağlı olarak kullanıcıya doğru veya kullanıcının tersine hareket eder. Bu gibi durumlarda taşlama disklerinin kırılma olasılığı da vardır.

Gerilme kuvveti elektrikli el aletinin yanlış veya hatalı kullanımı sonucu ortaya çıkar. Gerilme kuvvetleri aşağıda açıklanan koruyucu önlemlerle önlenir.

a) Elektrikli el aletini sıkıca tutun ve bedeniniz ile ellerinizi geri tepme kuvvetlerini rahatça karşılayabilecek duruma getirin. Alet hızlanırken ortaya çıkabilecek geri tepme kuvvetlerini veya reaksiyon momentellerini optimal ölçüde karşılayabilmek için eğer varsa her zaman ek tutamağı kullanın. Kullanıcı uygun önlemler alarak geri tepme ve reaksiyon kuvvetlerine hakim olabilir.

b) Elinizi hiçbir zaman dönen ucun yakınına getirmeyin. Aksesuar elinize geri tepebilir.

c) Bedeninizi geri tepme sırasında elektrikli el aletinin hareket edebileceği alandan uzak tutun. Geri tepme kuvveti elektrikli el aletini blokaj yerinden taşlama diskinin dönme yönünün tersine doğru iter.

d) Özellikle köşeleri, keskin kenarları ve benzerlerini işlerken dikkatli olun. Uçun iş parçasından dışarı çıkması ve takılıp sıkışmasını önleyin. Dönmekte olan uç köşelerde, keskin kenarlarda çalışırken sıkışmaya eğilimlidir. Bu ise kontrol kaybına veya geri tepmeye neden olur.

e) Zincirli veya dişli testere bıçakları kullanmayınız. Bu gibi takımlar sıklıkla geri tepmeye veya elektrikli cihaz üzerindeki kontrolün kaybedilmesine neden olur.

Taşlama ve kesici taşlama için özel uyarılar

a) Sadece elektrikli el aletinin için müsaade edilen taşlama uçlarını ve bu uçlar için öngörülen koruyucu kapağı kullanın. Bu elektrikli el aleti için öngörülmemen taşlama uçları yeterli ölçüde kapatılmazlar ve güvenli değildirler.

b) Bombeli taşlama diskleri, taşlama yüzeyi koruyucu kapak kenarı seviyesini aşmayacak şekilde monte edilmelidir. Usulüne uygun monte edilmeyen ve koruyucu kapak kenarı seviyesini aşan bir taşlama diski yeterli kadar izole edilemez.

c) Daima taşlama ucunun türüne uygun koruyucu kapak kullanın. Koruyucu kapak elektrikli el aletine güvenli biçimde takılmış olmalı ve en yüksek güvenliği sağlayacak biçimde ayarlanmış olmalıdır. Taşlama ucunun mümkün olan en küçük kısmı açıkta kalmalı ve kullanıcıyı göstermelidir. Korkuluk operatörün kırık çark parçacıklarından, kazayla çarkla temas etmekten ve giysileri tutuşturabilecek kıvılcıklardan korunmasına yardımcı olur.

d) Taşlama uçları sadece tavsiye edilen uygulamalarda kullanılabilir. Örneğin: Bir kesme diskinin kenarı ile hiçbir zaman taşlama yapmayın. Kesici taşlama diskleri uçları ile malzeme kazıma için geliştirilmiştir. Bu uçlara yandan baskı uygulandığında kırılabilirler.

e) Seçtiğiniz taşlama diski için daima hasar görmemiş doğru büyüklük ve biçimde germe flanş kullanın. Uygun flanşlar taşlama diskinin destekler ve kırılma tehlikesini önlerler. Kesici taşlama diskleri için öngörülen flanşlar diğer uçlara ait flanşlardan farklı olabilir.

f) Büyük elektrikli el aletlerini ait ypranmış taşlama disklerini kullanmayın. Büyük elektrikli el aletlerinde kullanılan taşlama diskleri yüksek devirli küçük el aletlerinde kullanılmaya elverişli değildirler ve kırılabilirler.

Kesici taşlama için diğer özel uyarılar

a) Kesici taşlama diskinin bloke olmamasını sağlayın veya bu diske yüksek bastırma kuvveti uygulamayın. Aşırı derinlikte kesme yapmayın. Kesici taşlama ucuna aşırı yüklenme açıldırma yapılmasına veya blokaja neden olabilir ve bunun sonunda da geri tepme kuvveti oluşabilir veya taşlama ucu kırılabilir.

b) Dönmekte olan kesici taşlama diskinin ön ve arka alanına yaklaşmayın. Kesici taşlama diskinin iş parçasından dışarı çıkarırsanız bir geri tepme kuvveti oluştuğunda dönen disk size doğru savrulabilir.

c) Kesici taşlama diski sıkışacak olursa veya siz işe ara verirken elektrikli el aletini kapatın ve disk tam olarak duruncaya kadar aleti kesin biçimde tutun. Dönmekte olan kesici taşlama diskinin hiçbir zaman kesme yerinden çıkarmayın denemeyin, aksi takdirde geri tepme kuvveti oluşabilir. Sıkışmanın nedenini tespit edin ve giderin.

d) Elektrikli el aleti iş parçası içinde bulunduğu sürece onu tekrar çalıştırmayın. Kesme işine dikkatli biçimde devam etmeden önce kesme diskinin en yüksek devire ulaşmasını bekleyin. Aksi takdirde disk takılabilir, iş parçasından çıkabilir veya bir geri tepme kuvveti oluşabilir.

e) Kesici taşlama diskinin sıkışması sonucu oluşabilecek geri tepme kuvvetlerini önlemek için büyük levha veya iş parçalarını destekleyin. Büyük iş parçaları kendi ağırlıkları ile bükülebilir. Büyük iş parçaları iki yandan desteklenmelidir, hem kesme hattının yakınından hem de kenardan.

f) Mevcut bulunan duvarlardaki „Cep kesitlerinde“ veya diğer görünmeyen sahelerde özellikle dikkatli olunuz. Malzeme içine dalan kesici taşlama diskleri kesme işlemi sırasında gaz veya su borularına, elektrik kablolarına veya diğer nesnelere rastlayarak geri tepme kuvveti oluşturabilirler.

Zımpara kağıtları ile çalışmaya ait özel uyarılar:

a) Boyutları yüksek zımpara kağıtlarını kullanmayın, zımpara kağıtları için üreticinin verilerine uyun. Zımpara tablasından dışarı çıkıntı yapan zımpara kağıtları yaralanmalara neden olabilirler, blokaja neden olabilirler, yırtılabilirler veya geri tepme kuvvetlerinin oluşmasına neden olabilirler.

Tel fırça ile çalışmaya ait özel uyarılar:

a) Tel fırçaların bilindiği şekli ile tel parçalarının kullanımını esasında varyasyon yaptığınız dikkate alınmaz. Fazla bir baskı ile tellere fazla yüklenmeyiniz. Uçuşan tel parçaları hafif ince elbisenin içine girebilir ve/veya cilde nüfuz eder.

b) Koruyucu kapak kullanırken koruyucu kapakla tel fırçanın birbirine temas etmesini önleyin. Tabla veya çanak biçimli fırçalar bastırma ve merkezkaç kuvvetleri nedeniyle çaplarını büyütebilir.

EK GÜVENLİK VE ÇALIŞMA TALIMATLARI

Aleti devreye almadan önce mutlaka mil kilidi düğmesinin tamamen açık olduğunu doğrulayın! Mil kilidini aşındırıcı disk sıkıştırmak / gevşetmek için kullandıktan sonra, düğmenin kilitle konumda kalmış olması mümkündür.

Taşlama işlemi sırasında ortaya çıkan kıvılcıklara dikkat edin, yanıcı malzemeler tutuşabilir.

Uçuşan kıvılcıkların ve taşlama tozunun vücudunuza çarpmasından sakının.

Aletin tehlikeli olabilecek bölümlerini tutmayın.

Alet çalışır durumda iken talaş ve kırıntıları temizlemeye çalışmayın.

Hissedilir ölçüde titreşim oluşmaya başlarsa veya normal olmayan başka aksaklıklar ortaya çıkarsa aleti hemen kapatın. Bu aksaklıkların nedenini belirlemek için aleti kontrol edin.

Aşırı koşullarda (örneğin, mil ve sertleştirilmiş elyaflı taşlama çarklı yumuşak taşlama metalleri), kalıp taşlama makinesinin içinde önemli miktarda kirlilik birikebilir.

Kısa devre tehlikesi ortaya çıkacağından metal parçaların havalandırma aralıklarına girmemesi gerekir.

UYARI! Yanma tehlikesi! İşlenen parça ve disk kullanım sırasında ısınır. Diskleri değiştirir ya da işlenen parçaya dokunurken eldiven giyin. Ellerinizi her zaman taşlama alanından uzak tutun.

UYARI! Bir kısa devreden kaynaklanan yangın, yaralanma veya ürün hasarları tehlikesini önlemek için aleti, güç paketini veya şarj cihazını asla sıvıların içine daldırmayınız ve cihazların ve pillerin içine sıvı girmesini önleyiniz. Tuzlu su, belirli kimyasallar, ağartıcı madde veya ağartıcı madde içeren ürünler gibi korozif veya iletken sıvılar kısa devreye neden olabilir.

Kartuş aküleri ve şarj cihazını açmayın ve sadece kuru yerlerde saklayın. Neme ve ıslanmaya karşı koruyun.

M18 sistemli kartuş aküleri sadece M18 sistemli şarj cihazları ile şarj edin. Başka sistemli aküleri şarj etmeyin.

KULLANIM

Açılı taşıyıcı metal, taş, beton ve seramik malzemeyi taşıyıp kesmenin yanı sıra kumlama ve telle fırçalama için geliştirilmiştir. Kesme uygulaması için aksesuarlar dizisinden kesme başlığını kullanın.

örneğin metal veya taş ve plastik taşlamatabağı ile taşlama ve çelik tel fırça ile çalışırken.

Bu elektrikli alet sadece susuz çalışmak için uygundur.

Açılı taşıyıcıya sadece bu kılavuzun ürünün teknik özellikleri bölümünde tanımlanan uygun taşlama veya kesme diskleriyle ilgili korkuluklar (taşlama korkuluğu ve kesme korkuluğu) takılmalıdır. Açılı taşıyıcı elde taşınarak kullanılmak için geliştirilmiş olup sabit bir aksam ya da tezgaha monte edilmez.

Aleti belirtilen kullanım amaçları dışında herhangi bir başka amaç için kullanmayın.

KALAN TEHLİKELER

Usulüne uygun kullanım durumunda da bütün kalan riskler ortadan kaldırılamaz. Kullanım sırasında, kullanıcının özellikle dikkat etmesi gerektiği aşağıdaki tehlikeler oluşabilir:

- Titreşimden dolayı oluşan yaralanmalar. Cihazı bunun için öngörülen kullardan tutun ve çalışma ve maruz kalam sürelerini sınırlandırın.
- Gürültü yükü işitme zararlarına neden olabilir. Kulaklık takın ve maruz kalma süresini sınırlandırın.
- Kir parçacıklarından dolayı oluşan göz yaralanmaları. Daima koruyucu gözlük, sağlam uzun pantolon, eldiven ve sağlama ayakkabılar giyiniz.
- Zehirli tozların solunması.

LİTYUM İYON PİLLER İÇİN AÇIKLAMALAR

Lityum iyon pillerin kullanılması

Uzun süre kullanım dışı kalmış kartuş aküleri kullanmadan önce şarj edin.

50°C üzerindeki sıcaklıklar kartuş akünün performansını düşürür. Akünün güneş ışığı veya mekân sıcaklığı altında uzun süre ısınmasına dikkat edin.

Şarj cihazı ve kartuş aküdeki bağlantı noktalarını temiz tutun.

Akünün ömrünün mükemmel bir şekilde uzun olması için kullandıktan sonra tamamen doldurulması gerekir.

Ömrünün mümkün olduğu kadar uzun olması için akülerin yüklem yapıldıktan sonra doldurma cihazından uzaklaştırılması gerekir.

Akünün 30 günden daha fazla depolanması halinde:

Aküyü takriben 27°C'de kuru olarak depolayın.

Aküyü yükleme durumunun takriben % 30 - %50 olarak depolayın.

Aküyü her 6 ay yeniden doldurun.

Lityum iyon pillerin aşırı pil şarj koruması

Pek fazla elektrik tüketiminden dolayı, örneğin aşırı fazla devir momentleri, aniden durma veya kısa devre gibi aküye aşırı yüklenme durumunda elektro cihazı 5 saniye titreşir, yükleme göstergesi yanıp söner ve elektro cihaz kendiliğinden durur.

Yeniden çalıştırmak için şalter baskısını serbest bırakın ve bundan sonra tekrar çalıştırın. Akü aşırı yüklenmeden dolayı fazla ısınır. Bu durumda akü soğuyana kadar yüklem göstergesinin bütün lambaları yanıp söner. Gösterge lambalarının sönmelerinden sonra tekrar çalışmaya devam edilebilir.

Lityum iyon pillerin taşınması

Lityum iyon piller tehlikeli madde taşımacılığı hakkındaki yasal hükümler tabidir.

Bu piller, bölgesel, ulusal ve uluslararası yönetmeliklere ve hükümlere uyularak taşınmak zorundadır.

Tüketiciler bu pilleri herhangi bir özel şart aranmaksızın karayoluyla taşıyabilirler.

Lityum iyon pillerin nakliye şirketleri tarafından ticari taşımacılığı

için tehlikeli madde taşımacılığının hükümleri geçerlidir. Sevki hazırlığı ve taşıma sadece ilgili eğitimi görmüş personel tarafından gerçekleştirilebilir. Bütün süreç uzmanca bir refakatçilik altında gerçekleştirilmek zorundadır.

Pillerin taşınması sırasında aşağıdaki hususlara dikkat edilmesi gerekmektedir:

Kısa devre oluşmasını önlemek için kontakların korunmuş ve izole edilmiş olmasını sağlayınız.

Pil paketinin ambalajı içinde kaymamasına dikkat ediniz. Hasarlı veya akmış pillerin taşınması yasaktır. Ayrıca bilgiler için nakliye şirketinize başvurunuz.

ÇALIŞMA AÇIKLAMALARI

Aşırı Yük ve Geri Tepme Koruması

Cihaz Overload - ve Anti Kickback koruma fonksiyonlarına sahiptir ve fazla yüklenmesi halinde durur. İşe devam edebilmek için elektrikli cihazı kapatın ve yeniden çalıştırın.

Yumuşak ilk

Güvenli kullanım sağlayan elektronik yumuşak ilk hareket; alet çalıştırıldığında gere tepmeleri önler.

Klavuz delikli teker takılacak olan aletlerde, tekerdeki klavuzun mil uzunluğunu kabul edecek kadar uzun olmasına dikkat edin.

Kesme ve taşlama disklerini daima üreticinin talimatına uygun olarak kullanın ve saklayın.

Kaba taşlama ve kesme işleri sırasında daima koruyucu kapağı kullanın.

Bombeli taşlama diskleri, taşlama yüzeyi koruyucu kapak kenarı seviyesini aşmayacak şekilde monte edilmelidir.

Flanşlı somunu aleti işleme almadan önce iyice sıkın.

Daima ilave sapı kullanın.

Kendi ağırlığı ile güvenli biçimde durmuyorsa iş parçasının uygun bir tertibatla sıkıca tespit edilmesi gerekir. İş parçasını hiçbir zaman elinizle diske doğru tutmayın.

Makine çalıştırılmadan önce flanş somunu iyice sıkılmış olmalıdır. Kullanılan alet flanş somunu ile birlikte iyice sıkılmadığında, kullanılan takımın frenleme sırasında gereken germe kuvvetini kaybetmesi mümkündür.

TEMİZLENMESİ

Aletin havalandırma aralıklarını daima temiz tutun.





BAKIM

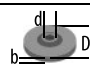
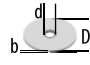

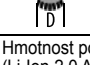
Sadece Milwaukee aksesuarı ve yedek parçası kullanın. Nasıl değiştirileceği açıklanmamış olan yapı parçalarını bir Milwaukee müşteri servisinde değiştirin (Garanti ve servis adresi broşürüne dikkat edin).

Gerektiği takdirde aletin dağınık görünüş şeması, alet tipinin ve tip etiketi üzerindeki sayının bildirilmesi koşuluyla müşteri servisinden veya doğrudan Techtronic Industries GmbH, Max-Eyth-Straße 10, 71364 Winnenden, Germany adresinden istenebilir.

SEMBOLLER

| | |
|--|---|
| | Lütfen aleti çalıştırmadan önce kullanma kılavuzunu dikkatli biçimde okuyun. |
| | DİKKAT! UYARI! TEHLİKE! |
| | Aletin kendinde bir çalışma yapmadan önce kartuş aküyü çıkarın. |
| | Korkuluğu kesme işlemleri için kullanmayın. |
| | Güç kullanmayın. |
| | Kuvvet uygulayın. |
| | Aletle çalışırken daima koruyucu gözlük kullanın. |
| | Koruyucu kulaklık kullanın. |
| | Uygun bir koruyucu toz maskesi kullanın |
| | Koruyucu eldivenlerinizi takınız! |
| | Her zaman iki elle çalışın. |
| | Sadece taşlama işleri için. |
| | Sadece kesme işleri için. |
| | İzin verilen disk kalınlığına dikkat edin. |
| | Aksesuar - Teslimat kapsamında değildir, önerilen tamamlamalar aksesuar programında. |
| | Elektrikli cihazların evsel atıklarla birlikte bertaraf edilmesi yasaktır. Elektrikli ve elektronik cihazlar ayrılarak biriktirilmeli ve çevreye zarar vermeden bertaraf edilmeleri için bir atık değerlendirme tesisine götürülmelidirler. Yerel makamlara veya satıcınıza geri dönüşüm tesisleri ve atık toplama merkezlerinin yerlerini danışınız. |
| | Devir sayısı |
| | Voltaj |
| | Doğru akım |

| | |
|--|----------------------------|
|  | Avrupa uyumluluk işareti |
|  | Britanya uyumluluk işareti |
|  | Ukrayna uyumluluk işareti |
|  | Avrasya uyumluluk işareti |

| TECHNICKÁ DATA | M18 FSAG115X | M18 FSAG125X |
|--|------------------------|------------------------|
| Typ | Aku úhlová bruska | Aku úhlová bruska |
| Výrobní číslo | 4830 49 01 XXXXXX MJJJ | 4830 56 01 XXXXXX MJJJ |
| Napětí výměnného akumulátoru | 18 V | 18 V |
| Jmenovitá otáčky | 8500 min ⁻¹ | 8500 min ⁻¹ |
| Závit vřetene | M14 | M14 |
| D=Průměr brusného kotouče max. | 115 mm | 125 mm |
| d=ø otvoru | 22,2 mm | 22,2 |
|  b= Tloušťka brusného kotouče max. | 6 mm | 6 mm |
|  b= Tloušťka rozbrušovacího kotouče max. / min. | 3 mm / 1 mm | 3 mm / 1 mm |
|  D=Průměr brusného kotouče max. | 115 mm | 125 mm |
|  D= miskovité kartáče-ø max. | 75 mm | 75 mm |
| Hmotnost podle prováděcího předpisu EPTA 01/2014 (Li-Ion 2,0 Ah ... 12,0 Ah) | 2,4 ... 3,4 kg | 2,4 ... 3,5 kg |
| Doporučená teplota okolí pro provoz | -18 ... +50 °C | |
| Doporučené akupaky | M18B...; M18HB... | |
| Doporučené nabíječky | M12-18...; M1418C6 | |

Informace o hluku: Naměřené hodnoty odpovídají EN 60745. V třídě A posuzovaná hladina hluku přístroje činí typicky:

| | | |
|---|----------------------|----------------------|
| Hladina akustického tlaku / Kolísavost K | 82,7 dB(A) / 3 dB(A) | 82,7 dB(A) / 3 dB(A) |
| Hladina akustického výkonu / Kolísavost K | 93,7 dB(A) / 3 dB(A) | 93,7 dB(A) / 3 dB(A) |

Použijte chrániče sluchu !

Informace o vibracích: Celkové hodnoty vibrací (vektorový součet tří směrů) zjištěnéve smyslu EN 60745.

Hodnota vibračních emisí a_n / Kolísavost K

| | | |
|--------------------------------|---|---|
| Broušení povrchů | 4,8 m/s ² / 1,5 m/s ² | 5,5 m/s ² / 1,5 m/s ² |
| Broušení pomocí brusného listu | 1,1 m/s ² / 1,5 m/s ² | 1,9 m/s ² / 1,5 m/s ² |

U jiných aplikací, např. při rozbrušování nebo broušení ocelovým drátěným kartáčem mohou vznikat vibrace jiných hodnot!

VAROVÁNÍ!

Hladina vibrací a emisí hluku uvedená v tomto informačním listu byla měřena v souladu se standardizovanou zkouškou uvedenou v normě EN 60745 a může být použita ke srovnání jednoho nástroje s jiným. Může být použita k předběžnému posouzení expozice.

Deklarovaná úroveň vibrací a emisí hluku představuje hlavní použití nástroje. Pokud se však nástroj používá pro různé aplikace, s různým příslušenstvím nebo s nedostatečnou údržbou, mohou se vibrace a emise hluku lišit. To může výrazně zvýšit úroveň expozice v průběhu celé pracovní doby.

Odhad úrovně expozice vibracím a hluku by měl také vzít v úvahu dobu, kdy je nástroj vypnutý nebo když běží, ale ve skutečnosti neprovádí úlohu. To může výrazně snížit úroveň expozice v průběhu celé pracovní doby.

Identifikujte dodatečná bezpečnostní opatření k ochraně pracovníka obsluhy před účinky vibrací a/nebo hluku, například: údržba nástroje a příslušenství, udržování rukou v teple, organizace pracovních schémat.

VAROVÁNÍ! Seznamte se se všemi bezpečnostními pokyny a sice i s pokyny. Zanedbání při dodržování varovných upozornění a pokynů mohou mít za následek úder elektrickým proudem, požár a ebo těžká poranění.

Všechna varovná upozornění a pokyny do budoucna uschovejte.

BEZPEČNOSTNÍ POKYNY PRO ÚHLOVÉ BRUSKY

Společná varovná upozornění k broušení, smirkování, práci s drátěnými kartáči, leštění a dělení:

a) Toto elektronářadí se používá jako bruska, bruska brusným papírem, kartáčovačka, dělicí bruska. Dbejte všech varovných upozornění, pokynů, zobrazení a údajů, jež jste s elektronářadím obdrželi. Pokud následující pokyny nedodržíte, může to vést k úderu elektrickým proudem, požáru nebo těžkým poraněním.

b) Toto elektronářadí není vhodné k leštění. Použití tohoto elektrického nářadí k jiným než určeným účelům může vést k ohrožení zdraví a ke zranění.

c) Nepoužívejte žádné příslušenství, které není výrobcem speciálně pro toto elektronářadí určeno a doporučeno. Pouze to, že můžete příslušenství na Vaše elektronářadí upevnit, nezaručuje bezpečné použití.

d) Přípustný počet otáček vkládaného nástroje musí být minimálně stejně vysoký jako maximální počet otáček uvedený na elektrickém nářadí. Příslušenství, které se točí rychleji, než je přípustné, se může rozbit a rozletět do okolí.

e) Vnější rozměr a tloušťka nasazovacího nástroje musí odpovídat rozměrovým údajům Vašeho elektronářadí. Špatně dimenzované nasazovací nástroje nemohou být dostatečně stíněny nebo kontrolovány.

PRACOVNÍ POKYNY

Ochrana proti přetížení a zpětnému rázu

Stroj je vybaven ochranou proti přetížení a proti zpětnému nárazu a při přetížení se automaticky vypne. Vypněte elektronáhradí a následně ho zapněte, abyste mohli pokračovat v práci.

Řízený měkký rozběh

Elektronicky řízený měkký rozběh pro bezpečnější použití stroje zabraňuje i thavému pohybu při rozběhu stroje.

U brusiva vybaveného podložkou se závitem zajistit, aby byl závit dostatečně dlouhý pro hřídel.

Rozbrušovací a brusné kotouče používejte a skladujte podle doporučení výrobce.

Při hrubování a řezání vždy používejte ochranný kryt kotouče.

Brusné kotouče s vypouklým středem se musí namontovat tak, aby jejich brusná plocha nepřesahovala přes plochu okraje ochranného krytu.

Upínací matice kotouče musí být před spuštěním stroje utažená.

Vždy používejte doplňkové maadlo.

Obráběný kus musí být řádně upnut, není-li dostatečně těžký.

Přírubová matice musí být před uvedením stroje do provozu pevně dotažená. Pokud by se používaný nástroj pevně nedotáhnul pomocí přírubové matice, bylo by možné, že používaný nástroj při zabrzdění ztratí nutnou přítláčnou sílu.

ČISTĚNÍ

Větrací štěrby nářadí udržujeme stále čisté.

ÚDRŽBA

Používat výhradně příslušenství Milwaukee a náhradní díly Milwaukee. Díly jejichž výměny nebyla popsána, nechte vyměnit v autorizovaném servisu (viz. "Záruky / Seznam servisních míst")

Při potřebě podrobného rozkresu konstrukce, oslovte informaci o typu a čísle přímo servis a nebo výrobce, Techtronic Industries GmbH, Max-Eyth-Straße 10, 71364 Winnenden, Germany.

SYMBOLY

| | |
|--|--|
| | Před spuštěním stroje si pečlivě pročtete návod k používání. |
| | POZOR! VAROVÁNÍ! NEBEZPEČÍ! |
| | Před zahájením veškerých prací na vrtacím šroubováků vyjmout výměnný akumulátor. |
| | Ochranný kryt nepoužívejte při řezání. |
| | Nepoužívejte sílu. |
| | Použijte sílu. |
| | Při práci se strojem neustále nosit ochranné brýle. |

| | |
|--|--|
| | Používejte chrániče sluchu. |
| | Používejte při práci vhodnou ochranou masku. |
| | Používejte ochranné rukavice! |
| | Pracujte vždy oběma rukama. |
| | Pouze na broušení. |
| | Pouze na řezání. |
| | Věnujte pozornost přípustné tloušťce kotouče. |
| | Příslušenství není součástí dodávky, viz program příslušenství. |
| | Elektrické přístroje se nesmí likvidovat společně s odpadem z domácností. Elektrické a elektronické přístroje je třeba sbírat odděleně a odevzdat je v recyklačním podniku na ekologickou likvidaci. Na místních úřadech nebo u vašeho specializovaného prodejce se informujte na recyklační podniky a sběrné dvory. |
| | Jmenovité otáčky napětí |
| | Stejnoseměrný proud |
| | Značka shody v Evropě |
| | Značka shody v Británii |
| | Značka shody na Ukrajině |
| | Značka shody pro oblast Eurasie |

TECHNICKÉ ÚDAJE

| | M18 FSAG115X | M18 FSAG125X | |
|--|---|---|-------------|
| Typ | Akumulátorová uhlavá bruska | Akumulátorová uhlavá bruska | |
| Výrobné číslo | 4830 49 01 XXXXXX MJJJJ | 4830 56 01 XXXXXX MJJJJ | |
| Napětí výměnného akumulátora | 18 V | 18 V | |
| Menovitý počet obrátok | 8500 min ⁻¹ | 8500 min ⁻¹ | |
| Závit vřetena | M14 | M14 | |
| D=Priemer brúsneho kotúča max. | 115 mm | 125 mm | |
| d=ø otvoru | 22,2 mm | 22,2 | |
| | b=Hrúbka brúsneho kotúča max. | 6 mm | 6 mm |
| | b=Hrúbka rozbrusovacieho kotúča max. / min. | 3 mm / 1 mm | 3 mm / 1 mm |
| | D=Priemer brúsneho kotúča max. | 115 mm | 125 mm |
| | D=miskovitý kefy-ø max. | 75 mm | 75 mm |
| Hmotnosť podľa vykonávacieho predpisu EPTA 01/2014 (Li-Ion 2,0 Ah ... 12,0 Ah) | 2,4 ... 3,4 kg | 2,4 ... 3,5 kg | |
| Odporúčaná teplota okolia pre prevádzku | -18 ... +50 °C | | |
| Odporúčaná akupaky | M18B...; M18HB... | | |
| Odporúčaná nabíjačka | M12-18...; M1418C6 | | |
| Informácia o hluku: Namerané hodnoty určené v súlade s EN 60745. V triede A posudzovaná hladina hluku prístroja činí typicky: | | | |
| Hladina akustického tlaku / Kolísavosť K | 82,7 dB(A) / 3 dB(A) | 82,7 dB(A) / 3 dB(A) | |
| Hladina akustického výkonu / Kolísavosť K | 93,7 dB(A) / 3 dB(A) | 93,7 dB(A) / 3 dB(A) | |
| Používajte ochranu sluchu! | | | |
| Informácie o vibráciách: Celkové hodnoty vibrácií (vektorový súčet troch smerov) zistených zmysle EN 60745. | | | |
| Hodnota vibračných emisií a _n / Kolísavosť K | | | |
| Brúsenie povrchov | 4,8 m/s ² / 1,5 m/s ² | 5,5 m/s ² / 1,5 m/s ² | |
| Brúsenie pomocou brúsneho listu | 1,1 m/s ² / 1,5 m/s ² | 1,9 m/s ² / 1,5 m/s ² | |

U iných aplikácií, napr. pri rozbrusovaní alebo brúsení oceľovou drôtenou kefou môžu vzniknúť vibrácie iných hodnôt!

POZOR!

Úroveň vibrácií a emisií hluku uvedená v tomto informačnom liste bola meraná v súlade so štandardizovanou skúškou uvedenou v EN 60745 a môže sa použiť na porovnanie jedného nástroja s druhým. Môže sa použiť v predbežnom posúdení expozície.

Deklarovaná úroveň vibrácií a emisií hluku predstavuje hlavné aplikácie nástroja. Ak sa však nástroj používa pre rôzne aplikácie, s rôznym príslušenstvom alebo s nedostatočnou údržbou, môžu sa vibrácie a emisie hluku líšiť. To môže výrazne zvýšiť úroveň expozície počas celej pracovnej doby.

Odhad úrovne expozície vibráciám a hluku by mal tiež brať do úvahy časy, keď je nástroj vypnutý alebo keď beží, ale v skutočnosti nevykonáva prácu. To môže výrazne znížiť úroveň expozície počas celej pracovnej doby.

Identifikujte dodatočné bezpečnostné opatrenia na ochranu pracovníka obsluhy pred účinkami vibrácií a/alebo hluku, ako je: údržba nástroja a príslušenstva, udržanie teplých rúk, organizácia pracovných schém.

POZOR!

Zoznámte sa so všetkými bezpečnostnými pokynmi. Zanedbanie dodržiavania Výstražných upozornení a pokynov uvedených v nasledujúcom texte môže mať za následok zásah elektrickým prúdom, spôsobiť požiar a/alebo ťažké poranenie.

Tieto Výstražné upozornenia a bezpečnostné pokyny starostlivo uschovajte na budúce použitie.

BEZPEČNOSTNÉ POKYNY PRE UHLOVÉ BRÚSKY

Bezpečnostné pokyny pre brúsenie, brúsenie brusným papierom, pre prácu s drôtenou kefou, leštenie a rezanie:

a) Toto ručné elektrické náradie sa používa ako bruska, ako bruska na brúsenie skleneným papierom, ako drôtená kefa a ako náradie na rezanie. Rešpektujte všetky výstražné upozornenia, pokyny, obrázky a údaje, ktoré ste dostali s týmto ručným elektrickým náradím. Ak by ste nedodržali nasledujúce pokyny, mohlo by to mať za následok zásah elektrickým prúdom, vznik požiaru a/alebo vážne poranenie.

b) Toto ručné elektrické náradie nie je vhodné na leštenie. Použitie tohto elektrického náradia k iným než určeným účelom môže viesť k ohrozeniu zdravia a k zraneniu.

c) Nepoužívajte žiadne také príslušenstvo, ktoré nebolo výrobcom určené a odporúčané špeciálne pre toto ručné elektrické náradie. Okolnosť, že príslušenstvo sa dá na ručné elektrické náradie upevniť, ešte neznamená, že to zaručuje jeho bezpečné používanie.

d) Prípustné otáčky pracovného nástroja musia byť minimálne také vysoké ako najvyššie otáčky uvedené na elektrickom náradí. Príslušenstvo, ktoré sa otáča rýchlejšie, sa môže zlomiť a rozletieť.

e) Vonkajší priemer a hrúbka pracovného nástroja musia zodpovedať rozmerovým údajom uvedeným na ručnom elektrickom náradí. Nesprávne dimenzované pracovné nástroje nemôžu byť dostatočne odclonené a kontrolované.

K opätovnému zapnutiu uvoľníte a následne opäť stlačíte tlačidlový vypínač. Pri extrémnom zatažení dochádza k príliš vysokému ohrevu akumulátora. V tomto prípade začnú blikať všetky kontrolky indikátora dobíjania a blikajú tak dlho, dokiaľ sa akumulátor opäť neochladí. V okamihu, keď indikátor dobíjania prestane blikať, je možné v práci opäť pokračovať.

Preprava lítiovo-iónových batérií

Lítiovo-iónové batérie podľa zákonných ustanovení spadajú pod prepravu nebezpečného nákladu.

Preprava týchto batérií sa musí realizovať s dodržiavaním lokálnych, vnútroštátnych a medzinárodných predpisov a ustanovení.

Spotrebiteľia môžu tieto batérie bez problémov prepravovať po cestách.

Komerčná preprava lítiovo-iónových batérií prostredníctvom špedičných firiem podlieha ustanoveniam o preprave nebezpečného nákladu. Pripravu k vyexpedovaniu a samotnú prepravu smú vykonávať iba adekvátne vyškolené osoby. Na celý proces sa musí odborné dohliadať.

Pri preprave batérií treba dodržiavať nasledovné:

Zabezpečte, aby boli kontakty chránené a izolované, aby sa zamedzilo skratom.

Dávajte pozor na to, aby sa zväzok batérií v rámci balenia nemohol zošmyknúť. Poškodené a vytečené batérie sa nesmú prepravovať. Kvôli ďalším informáciám sa obráťte na vašu špedičnú firmu.

NAPOTKI ZA DELO

Ochrana proti preťaženiu a spätnému rázu

Stroj je vybavený ochranou proti preťaženiu a proti spätnému nárazu a pri preťažení sa automaticky vypne. Vypnite elektrické náradie a potom ho znova zapnite, aby sa mohlo pokračovať v práci.

Jemný nábeh

Elektronický jemný nábeh pre bezpečné ovládanie zabraňuje trhavému nábehu stroja pri zapnutí.

Pri brúsnych materiáloch, ktoré majú byť vybavené kotúčom so závitom, je potrebné sa uistiť, či dĺžka závitov pre vreteno je dostatočná.

Rozbrusovacia a brúsne kotúče používať a uskladňovať vždy podľa návodu výrobcu.

Pri hrubovaní a delení pracovať vždy s ochranným krytom.

Brúsne kotúče s vypuklým stredom sa musia tak namontovať, aby ich brúsna plocha nepresahovala cez plochu okraja ochranného krytu.

Pred uvedením stroja do prevádzky musí byť prírubová matica dotiahnutá.

používať vždy prídavnú rukoväť.

Opracovávaný obrobok musí byť pevne upnutý, pokiaľ nedrží vlastnou váhou. Nikdy nevedzte obrobok rukou proti kotúčom.

Prírubová matica musí byť pred uvedením stroja do prevádzky pevne dotiahnutá. Ak by sa používaný nástroj pomocou prírubovej matice pevne nedotiahol, vznikla by možnosť, že používaný nástroj pri zabrzdení stratí nevyhnutnú prítláčnu silu.

ČISTENIE

Vetracie otvory udržiavať stále v čistote.

ÚDRZBA

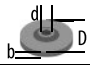
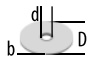
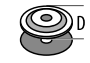

Používať len Milwaukee príslušenstvo a Milwaukee náhradné diely. Súčiastky bez návodu na výmenu treba dať vymeniť v jednom z Milwaukee zákaznických centier (viď brožúru Záruka/Adresy zákaznických centier).

Pri udaní typu stroja a čísla nachádzajúceho sa na štítku dá sa v prípade potreby vyžiadať explozívna schéma prístroja od vášho zákaznickeho centra alebo priamo v Techtronic Industries GmbH, Max-Eyth-Straße 10, 71364 Winnenden, Germany.

SYMBOLY

| | |
|--|---|
| | Pred prvým použitím prístroja si pozorne prečítajte návod na obsluhu. |
| | POZOR! NEBEZPEČENSTVO! |
| | Pred každou prácou na stroji výmenný akumulátor vytriahnuť. |
| | Nepoužívajte ochranný kryt na rezanie. |
| | Nepoužívajte silu. |
| | Použite silu. |
| | Pri práci so strojom vždy nosíte ochranné okuliare. |
| | Používajte ochranu sluchu. |
| | Pri práci nosiť vhodnú ochrannú masku, aby sa nedostal do ľudského organizmu. |
| | Používajte ochranné rukavice! |
| | Pracujte vždy dvoma rukami. |
| | Iba na brúsenie. |
| | Iba na rezanie. |
| | Dbajte na prípustnú hrúbku disku. |
| | Príslušenstvo - nie je súčasťou štandardnej výbavy, odporúčané doplnenie z programu príslušenstva. |
| | Elektrické prístroje sa nesmú likvidovať spolu s odpadom z domácností. Elektrické a elektronické prístroje treba zbierať oddelene a odovzdať ich v recyklačnom podniku na ekologickú likvidáciu. Na miestnych úradoch alebo u vášho špecializovaného predajcu sa spýtajte na recyklačné podniky a zberné dvory. |
| | Menovitý počet obrátok |
| | Napätie |
| | Jednosmerný prúd |

| | |
|--|---------------------------------|
| | Značka zhody v Európe |
| | Značka zhody v Británii |
| | Značka zhody na Ukrajine |
| | Značka zhody pre oblasť Eurázie |

| DANE TECHNICZNE | M18 FSAG115X | M18 FSAG125X |
|---|---------------------------------------|---------------------------------|
| Typ | Szlifierka kątowa akumulatorowa | Szlifierka kątowa akumulatorowa |
| Numer produkcyjny | 4830 49 01 XXXXXX MJJJJ | 4830 56 01 XXXXXX MJJJJ |
| Napięcie baterii akumulatorowej | 18 V | 18 V |
| Znamionowa prędkość obrotowa | 8500 min ⁻¹ | 8500 min ⁻¹ |
| Gwint wrzeciona roboczego | M14 | M14 |
| D=Średnica tarczy ścierniej maks. | 115 mm | 125 mm |
| d=średnica otworu obrobnego | 22,2 mm | 22,2 |
|  | b=Grubość ściernicy maks. | 6 mm |
|  | b=Grubość tarczy tnącej maks. / min. | 3 mm / 1 mm |
|  | D=Średnica tarczy szlifierskiej maks. | 115 mm |
|  | D=Średnica szczotek garmkowych maks. | 75 mm |
| Ciężar wg procedury EPTA 01/2014 (Li-Ion 2,0 Ah ... 12,0 Ah) | 2,4 ... 3,4 kg | 2,4 ... 3,5 kg |
| Zalecana temperatura otoczenia w trakcie eksploatacji | -18 ... +50 °C | |
| Zalecane zestawy akumulatorowe | M18B...; M18HB... | |
| Zalecane ładowarki | M12-18...; M1418C6 | |
| Informacja dotycząca szumów: Zmierzone wartości wyznaczone zgodnie z normą EN 60745. Poziom szumów urządzenia oszacowany jako A wynosi typowo: | 82,7 dB(A) / 3 dB(A) | 82,7 dB(A) / 3 dB(A) |
| Poziom ciśnienia akustycznego / Niepewność K | 93,7 dB(A) / 3 dB(A) | 93,7 dB(A) / 3 dB(A) |
| Poziom mocy akustycznej / Niepewność K | | |

Informacje dotyczące wibracji: Wartości łączne drgań (suma wektorowa trzech kierunków) wyznaczone zgodnie z normą EN 60745.

Wartość emisji drgań a_h / Niepewność K

Szlifowanie powierzchni
Szlifowanie z użyciem krążka ściernego

4,8 m/s² / 1,5 m/s²
1,1 m/s² / 1,5 m/s²

5,5 m/s² / 1,5 m/s²
1,9 m/s² / 1,5 m/s²

W przypadku innych zastosowań, takich jak na przykład przecinanie ściernicą lub szlifowanie za pomocą szczotki z drutu stalowego, mogą wynikać inne wartości wibracji!

OSTRZEŻENIE!

Poziom drgań i emisji hałasu podany w niniejszej instrukcji zmierzono zgodnie ze standardową metodą badania wg EN 60745 i można ją wykorzystać do porównania narzędzia z innym narzędziem. Można go wykorzystać przy wstępnej ocenie narażenia.

Deklarowany poziom emisji drgań i hałasu reprezentuje główne zastosowania narzędzia. Jeśli jednak narzędzie jest używane do różnych zastosowań, z różnymi akcesoriami lub w przypadku nieprawidłowej konserwacji, emisja drgań i hałasu może się różnić. Może to znacznie zwiększyć poziom narażenia w całym okresie eksploatacji narzędzia.

Oszacowanie poziomu narażenia na wibracje i hałas powinno również uwzględniać czas, kiedy narzędzie jest wyłączone lub kiedy jest włączone, ale nie pracuje. Może to znacznie obniżyć poziom ekspozycji w całym okresie eksploatacji narzędzia.

Należy zidentyfikować dodatkowe środki bezpieczeństwa w celu ochrony operatora przed skutkami wibracji i/lub hałasu, takie jak: utrzymywanie narzędzia i akcesoriów w nienagannym stanie, utrzymywanie ciepła rąk, organizacja pracy.

OSTRZEŻENIE!

Prosimy o przeczytanie wskazówek bezpieczeństwa i zaleceń, również tych. Błędy w przestrzeganiu poniższych wskazówek mogą spowodować porażenie prądem, pożar i/lub ciężkie obrażenia ciała.

Należy starannie przechowywać wszystkie przepisy i wskazówki bezpieczeństwa dla dalszego zastosowania.

INSTRUKCJE BEZPIECZEŃSTWA DLA SZLIFIEREK KĄTOWYCH

Wspólne wskazówki ostrzegawcze dotyczące szlifowania, szlifowania okładziną ścierną, prac z użyciem szczotek druci-
anych, polerowania i przecinania ściernicą:

a) Elektronarzędzie należy używać jako szlifierki, szlifierki z użyciem okładziny ścierniej, szczotki drucianej i przecinania ściernicą. Należy przestrzegać wszystkich wskazówek ostrzegawczych, przepisów, opisów i danych, które otrzymał Państwo wraz z elektronarzędziem. Jeśli nie będą przestrzegane następujące przepisy, może dojść do porażenia prądem, pożaru i/lub ciężkich obrażeń ciała.

b) Niniejsze elektronarzędzie nie może być wykorzystywane do polerowania. Zastosowanie narzędzia elektrycznego do celów, do których nie jest ono przewidziane, może spowodować zagrożenia i obrażenia ciała.

c) Nie należy używać osprzętu, który nie jest przewidziany i polecany przez producenta specjalnie do tego urządzenia. Fakt, że osprzęt daje się zamontować do elektronarzędzia, nie jest gwarantem bezpiecznego użycia.

d) Dopuszczalna liczba obrotów osprzętu musi być przynajmniej tak wysoka, jak maksymalna liczba obrotów podana na urządzeniu elektrycznym. Osprzęt, który obraca się szybciej niż jest to dozwolone, może pęknąć i zostać ciśnięty w powietrze.

e) Średnica zewnętrzna i grubość narzędzia roboczego muszą odpowiadać wymiarom elektronarzędzia. Narzędzia robocze o niewłaściwych wymiarach nie mogą być wystarczająco osłonięte lub kontrolowane.

f) Gwinty części osprzętowych muszą być zgodne z gwintem wrzeciona ściernicy. W przypadku części osprzętowych, które są przykręcane za pomocą kołnierzy, otwór dla trzpienia mocującego w części osprzętowej musi być zgodny ze średnicą kołnierza lokalizacyjnego. Części osprzętowe, które nie pasują do trzpienia montażowego urządzenia, poruszają się mimośrodowo, nadmiernie mocno wibrują i mogą prowadzić do utraty kontroli nad narzędziem.

g) W żadnym wypadku nie należy używać uszkodzonych narzędzi roboczych. Przed każdym użyciem należy skontrolować oprzyrządowanie, np. ściernice pod kątem odprysków i pęknięć, talerze szlifierskie pod kątem pęknięć, starcia lub silnego zużycia, szczotki druciane pod kątem luźnych lub złamanych drutów. W razie wypadku elektronarzędzia lub narzędzia roboczego, należy sprawdzić, czy nie uległo ono uszkodzeniu, lub użyć innego, nieuszkodzonego narzędzia. Jeśli narzędzie zostało sprawdzone i umocowane, elektronarzędzie należy włączyć na minutę na najwyższe obroty, zwracając przy tym uwagę, by osoba obsługująca i osoby postronne znajdujące się w pobliżu, znalazły się poza strefą obracającego się narzędzia. Uszkodzone narzędzia łamią się najczęściej w tym czasie próbnym.

h) Należy nosić osobiste wyposażenie ochronne. W zależności od rodzaju pracy, należy nosić maskę ochronną pokrywającą całą twarz, ochronę oczu lub okulary ochronne. W razie potrzeby należy użyć maski przeciwpyłowej, ochrony słuchu, rękawic ochronnych lub specjalnego fartucha, chroniącego przed małymi cząstkami ściernego i obrabianego materiału. Należy chronić oczy przed unoszącymi się w powietrzu ciałami obcymi, powstałymi w czasie pracy. Maski przeciwpyłowa i ochronna dróg oddechowych muszą filtrować pyłki podczas pracy pył. Oddziaływanie hałasu przez dłuższy okres czasu, może doprowadzić do utraty słuchu.

i) Należy uważać, by osoby postronne znajdowały się w bezpiecznej odległości od strefy zasięgu elektronarzędzia. Każdy, kto znajduje się w pobliżu pracującego elektronarzędzia, musi używać osobistego wyposażenia ochronnego. Odłamki obrabianego przedmiotu lub pęknięte narzędzia robocze mogą odpryskiwać i spowodować obrażenia również poza bezpośrednią strefą zasięgu.

j) Trzymaj urządzenie za izolowane powierzchnie chwytne gdy wykonujesz roboty, w trakcie których narzędzie skrawające może natrafić na ukryte przewody prądowe. Styczność narzędzia skrawającego z będącym pod napięciem przewodem może spowodować podłączenie części metalowych urządzenia do napięcia i prowadzić do porażenia prądem elektrycznym.

k) Nigdy nie odkładaj urządzenia zanim obrotowy osprzęt tnący całkowicie się nie zatrzyma. Obracające się narzędzie może wejść w kontakt z powierzchnią, na którą jest odłożone, przez co można stracić kontrolę nad elektronarzędziem.

l) Nie wolno przenosić elektronarzędzia, znajdującego się w ruchu. Przypadkowy kontakt ubrania z obracającym się narzędziem roboczym może spowodować jego wciągnięcie i wwiercenie się narzędzia roboczego w ciało osoby obsługującej.

m) Należy regularnie czyścić szczeliny wentylacyjne elektronarzędzia. Dmuchała silnika wciąga kurz do obudowy, a duże nagromadzenie pyłu metalowego może spowodować zagrożenie elektryczne.

n) Nie należy używać elektronarzędzia w pobliżu materiałów łatwopalnych. Iskry mogą spowodować ich zapłon.

o) Nie należy używać narzędzi, które wymagają płynnych środków chłodzących. Użycie wody lub innych płynnych środków chłodzących może doprowadzić do porażenia prądem.

Odrzut i odpowiednie wskazówki bezpieczeństwa

Odrzut jest nagłą reakcją elektronarzędzia na zablokowanie lub zawadzenie obracającego się narzędzia, takiego jak ściernica, talerz szlifierski, szczotka druciana itd. Zaczeplenie się lub zablokowanie prowadzi do nagłego zatrzymania się obracającego się narzędzia roboczego. Niekontrolowane elektronarzędzie zostanie przez to szarpnięte w kierunku przeciwnym do kierunku obrotu narzędzia roboczego.

Gdy, np. ściernica zatnie się lub zakleszczy w obrabianym przedmiocie, zanurzona w materiale krawędź ściernicy, może się zablokować i spowodować jej wypadnięcie lub odrzut. Ruch ściernicy (w kierunku osoby obsługującej) lub od niezależny jest wtedy od kierunku ruchu ściernicy w miejscu zablokowania. Oprócz tego ściernice mogą się również złamać.

Odrzut jest następstwem niewłaściwego lub błędnego użycia elektronarzędzia. Można go uniknąć przez zachowanie opisanych poniżej odpowiednich środków ostrożności.

a) Elektronarzędzie należy mocno trzymać, a ciało i ręce ustawić w pozycji, umożliwiającej złagodzenie odrzutu. Jeżeli w skład wyposażenia standardowego wchodzi uchwyt dodatkowy, należy go zawsze używać, żeby mieć jak największą kontrolę nad siłami odrzutu lub momentem nadającym podczas rozruchu. Osoba obsługująca urządzenie może opanować szarpnięcia i zjawisko odrzutu poprzez zachowanie odpowiednich środków ostrożności.

b) Nie należy nigdy trzymać rąk w pobliżu obracających się narzędzi roboczych. Odrzut może spowodować wytrącenie narzędzia z rąk.

c) Należy trzymać się z dala od strefy zasięgu, w której porusza się elektronarzędzie podczas odrzutu. Na skutek odrzutu, elektronarzędzie przemieszcza się w kierunku przeciwnym do ruchu ściernicy w miejscu zablokowania.

d) Szczegółnie ostrożnie należy obrabiać narożniki, ostre krawędzie itd. Należy zapobiegać temu, by narzędzia robocze zostały odbite lub by się one zablokowały. Obracające się narzędzie robocze jest bardziej podatne na zakleszczenie przy obróbce kątów, ostrych krawędzi lub gdy zostanie odbite. Może to stać się przyczyną utraty kontroli lub odrzutu.

e) Nie stosować brzeszczotów do pił łańcuchowych ani zębanych. Osprzęt tnący tego typu prowadzi często do powstawania odrzutu oraz utraty kontroli nad urządzeniem elektrycznym.

Szczególne wskazówki bezpieczeństwa dla szlifowania i przecinania ściernicą

a) Należy używać wyłącznie ściernicy przeznaczonej dla danego elektronarzędzia i osłony przeznaczonej dla danej ściernicy. Ściernice nie będące oprzyrządowaniem danego elektronarzędzia nie mogą być wystarczająco osłonięte i nie są wystarczająco bezpieczne.

b) Odgięte ściernice należy zamontować tak, aby ich powierzchnia szlifierska nie wystawała poza obrzeże osłony. Nieprawidłowo zamontowana ściernica, która wystaje poza obrzeże osłony nie może być wystarczająco osłonięta.

c) Należy zawsze używać osłony, która jest przeznaczona dla używanego rodzaju ściernic. Osłona musi być dobrze przymocowana do elektronarzędzia, a jej ustawienie musi gwarantować jak największy stopień bezpieczeństwa. Oznacza to, że zwrócona do osoby obsługującej część ściernicy ma być w jak największym stopniu osłonięta. Osłona pomaga chronić operatora przed odłatkami tarczy szlifierskiej, przypadkowym kontaktem z tarczą i iskrami, które mogłyby spowodować zapalenie się odzieży.

d) Ściernic można używać tylko do prac dla nich przewidzianych. Nie należy np. nigdy szlifować boczną powierzchnią ściernicy tarczowej do cięcia. Tarczowe ściernice tnące przeznaczone są do usuwania materiału krawędzią tarczy. Wpływ sił bocznych na te ściernice może je złamać.

e) Do wybranej ściernicy należy używać zawsze nieuszkodzonych kołnierzy mocujących o prawidłowej wielkości i kształcie. Odpowiednie kołnierze podpierają ściernicę i zmniejszają tym samym niebezpieczeństwo jej złamania się. Kołnierze do ściernic tnących mogą różnić się od kołnierzy przeznaczonych do innych ściernic.

f) Nie należy używać zużytych ściernic z większych elektronarzędzi. Ściernice do większych elektronarzędzi nie są zaprojektowane dla wyższej liczby obrotów, która jest charakterystyką mniejszych elektronarzędzi i mogą się dlatego zlamać.

Dodatkowe szczególne wskazówki bezpieczeństwa dla przecinania ściernicą

a) Należy unikać zablokowania się tarczy tnącej lub za dużego nacisku. Nie należy przeprowadzać nadmiernie głębokich cięć. Przeciążenie tarczy tnącej podwyższa jej obciążenie i jej skłonność do zakleszczenia się lub zablokowania i tym samym możliwość odrzutu lub złamania się tarczy.

b) Należy unikać obszaru przed i za obracającą się tarczą tnącą. Przesuwanie tarczy tnącej w obrabianym przedmiocie w kierunku od siebie, może spowodować, iż w razie odrzutu, elektronarzędzie odskoczy wraz z obracającą się tarczą bezpośrednio w kierunku użytkownika.

c) W przypadku zakleszczenia się tarczy tnącej lub przerwy w pracy, elektronarzędzie należy wyłączyć i odczekać, aż tarcza całkowicie się zatrzyma. Nigdy nie należy próbować wyciągać poruszającej się jeszcze tarczy z miejsca cięcia, gdyż może to wywołać odrzut. Należy wykryć i usunąć przyczynę zakleszczenia się.

d) Nie włączać ponownie elektronarzędzia, dopóki znajduje się ono w materiale. Przed kontynuacją cięcia, tarcza tnąca powinna osiągnąć swoją pełną prędkość obrotową. W przeciwnym wypadku ściernica może się zapęczyć, wyskoczyć z przedmiotu obrabianego lub spowodować odrzut.

e) Płyty lub duże przedmioty należy przed obróbką podeprzeć, aby zmniejszyć ryzyko odrzutu, spowodowanego przez zakleszczoną tarczę. Duże przedmioty mogą się ugiąć pod ciężarem własnym. Obrabiany przedmiot należy podeprzeć z obydwu stron, zarówno w pobliżu linii cięcia jak i przy krawędzi.

f) Należy zachować szczególną ostrożność przy wykonywaniu „cięć dogłębnych“ w istniejących ścianach lub w innych niewidocznych obszarach. Wgłębiająca się w materiał tarcza tnąca może spowodować odrzut narzędzia po natrafieniu na przewody gazowe, wodociągowe, przewody elektryczne lub inne przedmioty.

Szczególne wskazówki bezpieczeństwa dla szlifowania papierem ściernym:

a) Nie należy stosować zbyt wielkich arkuszy papieru ściernego. Przy wyborze wielkości papieru ściernego, należy kierować się zaleceniami producenta. Wystający poza płytę szlifierską papier ścierny może spowodować obrażenia, a także doprowadzić do zablokowania lub rozdarcia papieru lub do odrzutu.

Szczególne wskazówki bezpieczeństwa dla pracy z użyciem szcetek drucianych:

a) Należy pamiętać, iż szcotka druciana gubi kawałki drutu podczas normalnego użytkowania. Nie należy przeciążać drutów zbyt dużym dociskiem. Odrzucone kawałki drutu mogą bardzo łatwo przebić się przez cienkie ubranie i/lub skórę.

b) Jeżeli zalecane jest użycie osłony, należy zapobiec kontaktowi szcutki z osłoną. Średnica szcetek do talerzy i garnków może się zwiększyć przez siłę nacisku i siły odśrodkowe.

DODATKOWE WSKAZÓWKI BEZPIECZENSTWA I INSTRUKCJE ROBOCZE

Przed włączeniem narzędzia należy zawsze sprawdzić, czy przycisk blokady trzpienia jest całkowicie zwolniony! Po użyciu blokady trzpienia do dokręcenia / odkręcenia tarczy ścierniej może się zdarzyć, że przycisk pozostanie w pozycji zablokowanej.

Przy szlifowaniu metali powstają iskry. Nie narażać na niebezpieczeństwo żadnych osób. Ze względu na zagrożenie pożarowe w pobliżu miejsca pracy (w strefie wyrzucania iskieł) nie powinny się znajdować materiały palne. Nie stosować odpalaczy. Zapobiegać, aby odpryskujące iskry i pył szlifierski nie były kierowane na ciało.

Podczas pracy strugarki nie zbliżać się do strefy niebezpiecznej.

Podczas pracy elektronarzędzia nie wolno usuwać trocin ani drzazg. Natychmiast wyłączyć elektronarzędzie w przypadku wystąpienia znacznych drgań lub w przypadku stwierdzenia innych usterek. Sprawdzić urządzenie w celu ustalenia przyczyny.

W ekstremalnych zastosowaniach (np. przy wygładzaniu metali za pomocą talerza podporowego i wulkanizowanej fibrowej tarczy szlifierskiej) wewnątrz szlifierki mogą gromadzić się znaczne zanieczyszczenia.

Nie dopuszczaj do przedostawania się części metalowych do szczelin powietrznych - niebezpieczeństwo zwarcia!

OSTRZEŻENIE! Niebezpieczeństwo oparzenia! Podczas pracy tarcza i przedmiot obrabiany nagrzewają się do wysokiej temperatury. Podczas wymiany tarcz lub dotykania obrabianego przedmiotu należy nosić rękawice. Zawsze trzymać ręce z dala od miejsca obróbki szlifierskiej.

OSTRZEŻENIE! Aby uniknąć niebezpieczeństwa pożaru, obrażeń lub uszkodzeń produktu na skutek zwarcia, nie wolno zanurzać narzędzia, akumulatora wymiennego ani ładowarki w cieczach i należy zatroszczyć się o to, aby do urządzeń i akumulatorów nie dostały się żadne cieczce. Zwarcie spowodować mogą korodujące lub przewodzące cieczce, takie jak woda morska, określone chemikalia i wybielacze lub produkty zawierające wybielacze.

Nie otwierać wkładek akumulatorowych i ładowarek. Przechowywać w suchych pomieszczeniach. Chronić przed wilgocią.

Akumulatory Systemu M18 należy ładować wyłącznie przy pomocy ładowarek Systemu M18. Nie ładować przy pomocy tych ładowarek akumulatorów innych systemów.

WARUNKI UŻYTKOWANIA

Szlifierka kątowna przeznaczona jest do szlifowania i cięcia metali, kamienia, betonu i materiałów ceramicznych oraz do wygładzania i czyszczenia szcztoką drucianą.

Użyj nakładki tnącej z oferty akcesoriów do zastosowań tnących.

W razie wątpliwości przestrzegaj wskazówek producenta osprzętu. Elektronarzędzie nadaje się tylko do obróbki na sucho.

Na szlifierce kątownej należy mocować tylko odpowiednie tarcze szlifierskie lub tnące z odpowiednimi osłonami (osłona szlifierska lub przecinarki), zgodnie z opisem w rozdziale dotyczącym specyfikacji produktu w niniejszej instrukcji. Szlifierka kątowna jest przeznaczona do użytku ręcznego. Nie wolno jej montować w uchwycie ani na stole warsztatowym.

Nie należy używać produktu w inny sposób niż zgodny z jego przeznaczeniem.

ZAGROŻENIA RESZTKOWE

Nawet przy prawidłowym użytkowaniu nie można wykluczyć wszystkich ryzyk rezydualnych. W trakcie użytkowania mogą powstawać poniższe zagrożenia, nawet w przypadku zachowania przez operatora najwyższej troski:

- obrażenia spowodowane przez wibracje. Urządzenie należy trzymać za przeznaczony w tym celu uchwyt i ograniczać czas pracy i czas ekspozycji.
- uciążliwość akustyczna może prowadzić do uszkodzeń słuchu. Należy mieć na sobie nauszki i ograniczać czas trwania ekspozycji.
- obrażenia oczu spowodowane przez cząstki brudu. Należy zawsze mieć na sobie okulary ochronne, solidne długie spodnie, rękawice i solidne buty robocze.
- wdychanie toksycznego pyłu.

WSKAZÓWKI DLA AKUMULATORÓW LITOWO-JONOWYCH

Użytkowanie akumulatorów litowo-jonowych

Akumulatory, które nie były przez dłuższy czas użytkowane, należy przed użyciem naładować.

W temperaturze powyżej 50°C następuje spadek osiągniętych wkładki akumulatorowej. Unikaj długotrwałego wystawienia na oddziaływanie ciepła lub promieni słonecznych (niebezpieczeństwo przegrzania).

Styki ładowarek i wkładek akumulatorowych należy utrzymywać w czystości

Dla zapewnienia optymalnej żywotności akumulatory po użyciu należy naładować do pełnej pojemności.

Dla zapewnienia możliwie długiej żywotności akumulatory należy wyjąć z ładowarki po ich naładowaniu.

W przypadku składowania akumulatorów dłużej aniżeli 30 dni:

Przechowywać je w suchym miejscu w temperaturze ok. 27°C.

Przechowywać je w stanie naładowanym do ok. 30% - 50%.

Ładować je ponownie co 6 miesięcy.

Ochrona przeciwprzeciążeniowa w akumulatorach litowo-jonowych

W przypadku przeciążenia akumulatora przez bardzo duży pobór prądu, na przykład wskutek ekstremalnie dużych momentów obrotowych, narzędzie ręczne z napędem elektrycznym wibruje przez 5 sekund, miga wskaźnik ładowania i narzędzie samoczynnie wyłącza się.

W celu ponownego włączenia narzędzia należy zwolnić przycisk przełączający, a następnie ponownie go włączyć. Przy ekstremalnych obciążeniach akumulator nagrzewa się za mocno. W takim przypadku wszystkie lampki wskaźnika ładowania migają tak długo, aż akumulator ochłodzi się. Po zgaśnięciu wskaźnika ładowania można kontynuować pracę.

Transport akumulatorów litowo-jonowych

Akumulatory litowo-jonowe podlegają ustawowym przepisom dotyczącym transportu towarów niebezpiecznych.

Transport tych akumulatorów winien odbywać się przy przestrzeganiu lokalnych, krajowych i międzynarodowych rozporządzeń i przepisów.

Odbiorcom nie wolno transportować tych akumulatorów po drogach ot tak po prostu.

Komercyjny transport akumulatorów litowo-jonowych przez przedsiębiorstwa spedycyjne podlega przepisom dotyczącym transportu towarów niebezpiecznych. Przygotowania do wysyłki oraz transport mogą być wykonywane wyłącznie przez odpowiednio przeszkoloną osobę. Cały proces winien odbywać się pod fachowym nadzorem.

W czasie transportu akumulatorów należy przestrzegać następujących punktów:

Celem uniknięcia zwarcia należy upewnić się, że zestyki są zabezpieczone i zaizolowane.

Zwracać uwagę na to, aby zespół akumulatorów nie mógł się przemieszczać we wnętrzu opakowania. Nie wolno transportować akumulatorów uszkodzonych lub z wyciekającym z elektrolitem. Odnosnie dalszych wskazówek należy zwrócić się do swojego przedsiębiorstwa spedycyjnego.

WSKAZÓWKI DOTYCZĄCE UŻYTKOWANIA

Zabezpieczenie przeciążeniowe i zabezpieczenie przed odrzutem

Urządzenie posiada funkcję zabezpieczającą przed przeciążeniem i odrzutem i zatrzymuje się przy określonym przeciążeniu. Aby kontynuować pracę należy wyłączyć elektronarzędzie, a następnie ponownie je włączyć.

Lagodnego rozruchu

Bezpieczna obsługa dzięki elektronicznej funkcji łagodnego rozruchu zapobiegająca szarpnięciom.

W przypadku elektronarzędzi, które mają współpracować z tarczą z otworem gwintowanym należy sprawdzić czy długość gwintu w tarczy odpowiada długości wrzeciona.

Tarcze szlifierskie i tnące należy zawsze stosować i przechowywać zgodnie z zaleceniami producenta.

Przy obróbce zgrubnej i przecinaniu należy zawsze używać osłony na twarz.

Odgięte ściernice należy zamontować tak, aby ich powierzchnia szlifierska nie wystawała poza obrzeże osłony.

Przed uruchomieniem urządzenia należy dokręcić nakrętkę regulacyjną.

Posługiwać się zawsze uchwytem dodatkowym.

Jeśli ciężar własny obrabianego przedmiotu nie pozwala jego unieruchomienie, to należy go zamocować. W żadnym wypadku nie wolno przedmiotu obrabianego prowadzić względem tarczy.

Przed uruchomieniem maszyny należy mocno dokręcić nakrętkę kołnierową. Jeśli narzędzie robocze nie zostanie mocno dokręcone, istnieje niebezpieczeństwo utraty potrzebnej siły zamocowania narzędzia roboczego podczas hamowania.

CZYSZCZENIE

Otwory wentylacyjne elektronarzędzia muszą być zawsze drożne.

UTRZYMANIE I KONSERWACJA

Używać tylko i wyłącznie wyposażenia dodatkowego Milwaukee i części zamiennych Milwaukee. Gdyby trzeba było wymienić części, które nie zostały opisane, należy skontaktować się z przedstawicielem serwisu Milwaukee (patrz wykaz adresów punktów usługowych/gwarancyjnych).

Na życzenie można otrzymać rysunek widoku zespołu rozebranego. Przy zamawianiu należy podać numer oraz typ elektronarzędzia umieszczony na tabliczce znamionowej. Zamówienia można dokonać albo u lokalnych przedstawicieli serwisu, albo bezpośrednio w Techtronic Industries GmbH, Max-Eyth-Straße 10, 71364 Winnenden, Germany.

SYMBOLE

| | |
|-------|---|
| | Przed uruchomieniem elektronarzędzia zapoznać się uważnie z treścią instrukcji. |
| | UWAGA! OSTRZEŻENIE NIEBEZPIECZEŃSTWO! |
| | Przed przystąpieniem do jakichkolwiek prac na elektronarzędziu należy wyjąć wkładkę akumulatorową. |
| | Nie używaj osłony do operacji odcinania. |
| | Nie używać siły. |
| | Zastosuj siłę. |
| | Podczas pracy należy zawsze nosić okulary ochronne. |
| | Stosować środki ochrony słuchu! |
| | Nosić odpowiednią maskę przeciwpyłową. |
| | Nosić rękawice ochronne! |
| | Zawsze obsługuj narzędzie dwiema rękami. |
| | Tylko do szlifowania. |
| | Tylko do cięcia. |
| | Zwróć uwagę na dopuszczalną grubość tarczy. |
| | Wyposażenie dodatkowe dostępne osobno. |
| | Urządzenia elektryczne nie mogą być usuwane razem z odpadami pochodzącymi z gospodarstw domowych. Urządzenia elektryczne i elektroniczne należy gromadzić oddzielnie i w celu usuwania ich do odpadów zgodnie z wymaganiami środowiska naturalnego oddawać do przedsiębiorstwa utylizacyjnego. Proszę zasięgnąć informacji o centrach recyklingowych i punktach zbiorczych u władz lokalnych lub u wyspecjalizowanego dostawcy. |
| n_0 | Znamionowa prędkość obrotowa |

| | |
|--|------------------------------------|
| | Napięcie |
| | Prąd stały |
| | Europejski Certyfikat Zgodności |
| | Brytyjski Certyfikat Zgodności |
| | Ukraiński Certyfikat Zgodności |
| | Euroazjatycki Certyfikat Zgodności |

| MŰSZAKI ADATOK | M18 FSAG115X | M18 FSAG125X | |
|--|---|---|-------------|
| Felépítés | Akkumulátors sarokcsiszoló | Akkumulátors sarokcsiszoló | |
| Gyártási szám | 4830 49 01 XXXXXX MJJJJ | 4830 56 01 XXXXXX MJJJJ | |
| Akkumulátor feszültség | 18 V | 18 V | |
| Névleges fordulatszám | 8500 min ⁻¹ | 8500 min ⁻¹ | |
| Tengelymenet | M14 | M14 | |
| D=Csiszolótarcsa-Ø max. | 115 mm | 125 mm | |
| d=furat Ø | 22,2 mm | 22,2 | |
| | b=Csiszolókorong vastagság max. | 6 mm | 6 mm |
| | b=A vágókorong átmérője max. / min. | 3 mm / 1 mm | 3 mm / 1 mm |
| | D=Csiszolókorong átmérő max. | 115 mm | 125 mm |
| | D=Fazékkfeje Ø max. | 75 mm | 75 mm |
| Súly a 01/2014 EPTA-eljárás szerint (Li-Ion 2,0 Ah ... 12,0 Ah) | 2,4 ... 3,4 kg | 2,4 ... 3,5 kg | |
| Üzemeléshez ajánlott környezeti hőmérséklet | -18 ... +50 °C | | |
| Ájánlott akkucsomagok | M18B...; M18HB... | | |
| Ájánlott töltőkészülékek | M12-18...; M1418C6 | | |
| Zajinformáció: A közölt értékek megfelelnek az EN 60745 szabványnak. A készülék munkahelyi zajszintje tipikusan: | | | |
| Hangnyomás szint / K bizonytalanság | 82,7 dB(A) / 3 dB(A) | 82,7 dB(A) / 3 dB(A) | |
| Hangteljesítmény szint / K bizonytalanság | 93,7 dB(A) / 3 dB(A) | 93,7 dB(A) / 3 dB(A) | |
| Hallásvédő eszköz használata ajánlott! | | | |
| Vibráció-információk: Összesített rezgésértékek (három irányú vektoriális összeg az EN 60745-nek megfelelően meghatározva. rezgésemisszió érték a _n / K bizonytalanság | | | |
| Felületcsiszolás | 4,8 m/s ² / 1,5 m/s ² | 5,5 m/s ² / 1,5 m/s ² | |
| Csiszolás csiszolólappal | 1,1 m/s ² / 1,5 m/s ² | 1,9 m/s ² / 1,5 m/s ² | |
| Más alkalmazás, pl. darabolás vagy az acél drótkéffel végzett csiszolás esetén más vibrációs értékek adódhatnak! | | | |

FIGYELMEZTETÉS!

Az adatlapon feltüntetett rezgés- és zajkibocsátási szint mérésére az EN 60745 szabványos vizsgálati módszere alapján került sor, és a kapott értékek az egyes szerszámok összehasonlítására használhatók. Az értékek az expozíció előzetes értékelésében használhatók. A feltüntetett rezgés- és zajkibocsátási szint a szerszám főbb alkalmazásait tükrözi. Mindazonáltal, ha a szerszámot különböző alkalmazásokra, eltérő tartozékokkal használják, illetve a szerszám nincs megfelelően karbantartva, a rezgés- és zajkibocsátási szint eltérő lehet. Ez jelentősen növelheti az expozíciós szintet a teljes munkafolyamat során. A rezgésnek és zajnak való expozíció becslést szintjét is figyelembe kell venni a szerszám kikapcsolásakor, illetve olyankor, ha a szerszám üzemel, de valójában nem történik vele munkavégzés. Ez jelentősen csökkentheti az expozíciós szintet a teljes munkafolyamat során. Határozzon meg további biztonsági intézkedéseket, hogy védje a kezelőt a rezgés- és/vagy zajhatásokról. Ilyen intézkedések pl.: a szerszámok és tartozékok karbantartása, a kéz melegen tartása, munkarend-szervezés.

FIGYELMEZTETÉS! Olvasson el minden biztonsági útmutatást és utasítást. A következőkben leírt előírások betartásának elmulasztása áramütésekhez, tűzhöz és/vagy súlyos testi sérülésekhez vezethet. **Kérjük a későbbi használatra gondosan őrizze meg ezeket az előírásokat.**

BIZTONSÁGI TUDNIVALÓK SAROKCSISZOLÓHOZ

Közös figyelmeztető tájékoztató a csiszolóshoz, csiszoló-papírral végzett csiszoláshoz, a drótkéffel végzett munkához, polirozáshoz és daraboláshoz:

a) Ez az elektromos kéziszerszám csiszológépként, csiszoló-papírral végzett csiszoláshoz, drótkéféként és daraboló csiszológépként használható. Ügyeljen minden figyelmeztető jelzésre, előírásra, ábrára és adatra, amelyet az elektromos kéziszerszámmal együtt megkapott. Ha nem tartja be a következő előírásokat, akkor ez áramütéshez, tűzhöz és/vagy súlyos személyi sérülésekhez vezethet.

b) Ez az elektromos szerszám nem alkalmas polírozásra. Az elektromos szerszám olyan használata, amely nem felel meg a rendeltetésének, veszélyeket és sérüléseket okozhat.
c) Ne használjon olyan tartozékokat, amelyeket a gyártó ehhez az elektromos kéziszerszámmal nem irányított elő és nem javasolt. Az a tény, hogy a tartozékot rögzíteni tudja az elektromos kéziszerszámmal, nem garantálja annak biztonságos alkalmazását.
d) Az alkalmazott szerszámalkatrész megengedett fordulatszámának legalább annyianak kell lennie, mint az elektromos szerszámon megadott legnagyobb fordulatszám. Az olyan tartozék, ami a megengedett fordulatszámánál gyorsabban forog, eltörhet vagy lerepülhet.
e) A betétszerszám külső átmérőjének és vastagságának meg kell felelnie az Ön elektromos kéziszerszáman megadott méreteknak. A hibásan méretezett betétszerszámokat nem lehet megfelelően eltakarni, vagy irányítani.

túlterhelése esetén - pl. rendkívül magas forgatónyomatékok, a fűró megszorulása, hirtelen leállás vagy rövidzárlat miatt – az elektromos szerszám 5 másodpercen keresztül vibrál, a töltéskijelző villog és az elektromos szerszám magától kikapcsol.

Az újbóli bekapcsoláshoz engedje el a nyomókapcsolót, majd kapcsolja be ismét. Rendkívüli terheléseknél az akku túlságosan felmelegszik. Ebben az esetben a töltéskijelző minden lámpája addig villog, amíg az akku le nem hűl. Ha a töltéskijelző kialszik, utána tovább lehet dolgozni.

Lítium-ion akkuk szállítása

A lítium-ion akkuk a veszélyes áruk szállítására vonatkozó törvényi rendelkezések hatálya alá tartoznak.

Az ilyen akkuk szállításának a helyi, országos és nemzetközi előírások és rendelkezések betartása mellett kell történnie.

A fogyasztók minden további nélkül szállíthatják az ilyen akkukat közúton.

A lítium-ion akkuk szállítmányozási vállalatok általi kereskedelmi célú szállítására a veszélyes áruk szállítására vonatkozó rendelkezések érvényesek. A kiszállítás előkészítését és a szállítást kizárólag megfelelő képzettségű személyek végezhetik. A teljes folyamatnak szakmai felügyelet alatt kell történnie.

A következő pontokat kell figyelembe venni akkuk szállításakor:

Biztosítsa, hogy a rövidzárlatok elkerülése érdekében az érintkezők védve és szigetelve legyenek.

Ügyeljen arra, hogy az akkucsomag ne tudjon elcsúszni a csomagoláson belül. Tilos sérült vagy kifolyt akkukat szállítani. További útmutatásokért forduljon szállítványozási vállalatához.

A HASZNÁLATRA VONATKOZÓ ÚTMUTATÁSOK

Túlterhelés és visszacsapás elleni védelem

A készülék túlterhelés és visszarágás elleni funkcióval rendelkezik, és megfelelő túlterhelésnél leáll. Kapcsolja ki a villamos szerszámot, majd a munka folytatásához kapcsolja be újraz.

Lágyindítás

Elektronikus lágyindítás a biztonságos használat érdekében; megelőzi a gép lökészerű felfutását.

Azoknál a szerszámoknál amelyeket menetes csiszolókkal kíván használni, győződjön meg róla, hogy a csiszoló elég hosszú ahhoz, hogy elfogadja a tengely hosszát.

A vágó- és csiszolókorongokat mindig a gyártó útmutatásainak megfelelően kell használni és tárolni.

Köszörüléshez és vágáshoz a védőburkolatot mindig használni kell.

A hajlított csiszolókorongokat úgy kell felszerelni, hogy a csiszolófelületük ne érjen túl a védőburkolat szélének síkján.

A készülék használata előtt vizsgálja meg, hogy a szorítóanya megfelelően meg van-e húzva.

A készüléket a segédfogantyúval együtt kell használni.

A munkadarabot rögzíteni kell, amennyiben saját súlya nem tartja meg biztonságosan. A munkadarabot soha nem szabad kézzel vezetni a korong irányába.

A karimás anyát a gép üzembe helyezése előtt erősen meg kell húzni. Ha a betétszerszámot nem húzzák meg erősen a karimás anyával, akkor fennáll annak a lehetősége, hogy a szerszám lefékezéskor elveszíti a szükséges feszítőerőt.

TISZTÍTÁS

A készülék szellőzőnyílásait mindig tisztán kell tartani.

KARBANTARTÁS

Csak Milwaukee tartozékokat és Milwaukee pótalkatrészeket szabad használni. Az olyan elemeket, melyek cseréje nincs ismertetve, cseréltesse ki Milwaukee szervizzel (lásd Garancia/Ügyfélszolgálat címei kiadványt).

Szükség esetén a készülékek robbantott ábráját - a készülék típusa és azonosító száma alapján a területileg illetékes TTI márkaszerviztől vagy közvetlenül a gyártótól (Technic Industries GmbH, Max-Eyth-Straße 10, 71364 Winnenden, Germany) lehet kérni.

SZIMBÓLUMOK

| | |
|--|--|
| | Kérjük alaposan olvassa el a tájékoztatót mielőtt a gépet használja. |
| | FIGYELEM! FIGYELMEZTETÉSI VESZÉLY! |
| | Karbantartás, javítás, tisztítás, stb. előtt az akkumulátort ki kell venni a készülékből. |
| | Ne használja a védőburkolatot darabolási műveletekre. |
| | Ne alkalmazzon erőt. |
| | Alkalmazzon erőt. |
| | Munkavégzés közben ajánlatos védőszemüveget viselni. |
| | Viseljen hallásvédőt. |
| | Hordjon e célra alkalmas porvédőmaszkot. |
| | Hordjon védőkesztyűt! |
| | Mindig két kézzel működtesse. |
| | Csak csiszolási munkákhoz. |
| | Csak vágási munkákhoz. |
| | Ügyeljen a megengedett korongvastagságra. |
| | Azokat a tartozékokat, amelyek gyárilag nincsenek a készülékhez mellékelve, külön lehet megrendelni. |

| | |
|-------|--|
| | Az elektromos eszközöket nem szabad a háztartási hulladékkal együtt ártalmatlanítani. Az elektromos és elektronikus eszközöket szelektíven kell gyűjteni, és azokat környezetbarát ártalmatlanítás céljából hulladékhasznosító üzemben kell leadni. A helyi hatóságoknál vagy szakkereskedőjénél tájékozódjon a hulladékudvarokról és gyűjtőhelyekről. |
| n_p | Néveleges fordulatszám |
| V | Feszültség |
| | Egyenáram |
| | Európai megfelelőségi jelölés |
| | Egyesült királyságbeli megfelelőségi jelölés |
| | Ukrán megfelelőségi jelölés |
| 001 | |
| | Eurázsiai megfelelőségi jelölés |

f) Posebej previdni bodite pri „rezanju žepov“ v obstoječe zidove ali druga območja. Pogrezajoča se rezalna plošča lahko pri zarezovanju v plinske ali vodovodne cevi ter električne vodnike in druge predmete povzroči povratni udarec.

Posebna opozorila za brušenje z brusnim papirjem:

a) Ne uporabljajte predimenzioniranih brusilnih listov, temveč upoštevajte podatke proizvajalca o velikosti žaginega lista. Brusilni listi, ki gledajo čez brusilni krožnik, lahko povzročijo telesne poškodbe ali pa blokiranje in trganje žaginega lista oziroma povratni udarec.

Posebna opozorila za delo z žičnimi ščetkami:

a) Upoštevajte, da žična krtača izgublja kose žice tudi med običajno uporabo. Žic ne preobremenjujte preveč s pritiskom. Vstran leteči kosi žice lahko zelo lahko prodrejo skozi tanka oblačila in/ali kožo.

b) Če je za delo priporočljiva uporaba zaščitnega pokrova, preprečite, da bi se zaščitni pokrov in žična ščetka dotikala. Premer diskastih in lončastih žičnih ščetk se lahko zaradi pritiskanja nanje in zaradi delovanja centrifugalnih sil poveča.

NADALJNA VARNOSTNA IN DELOVNA OPOZORILA

Preden vklopite orodje, preverite, ali je gumb za blokado vretena popolnoma sproščen! Po uporabi blokade vretena za privijanje/odvijanje brusilne plošče je mogoče, da tipka ostane v položaju zaklepanja.

Pri brušenju kovin nastaja iskenje. Pazite na to, da ne ogrožate nobenih oseb. Zaradi nevarnosti požara se v bližini (na področju iskenjnih smeje nahajati nobeni gorljivi materiali. Ne uporabljajte odsesavanja prahu.

Izogibajte se temu, da bi iskenje in brusilni prah zadevali v telo. Ne segajte na področje nevarnosti tekočega stroja.

Trske ali iveri se pri tekočem stroju ne smejo odstranjevati.

Napravo takoj izklopite, če nastopijo znatne vibracije ali če ugotovite drugačne pomanjkljivosti. Preverite stroj, da ugotovite vzrok.

Pod ekstremnimi pogoji (npr. gladko brušenje kovin z dročnikom in brusilnim kolutom iz vulkaniziranih vlaken), se lahko v notranjosti brusilnika nabere občutna količina umazanije.

Zaradi nevarnosti kratkega stika kovinski deli ne smejo zaiti v špranje za prezračevanje.

OPOZORILO! Nevarnost opeklin! Plošča in obdelovanec se med delovanjem močno segrejeta. Nosite rokavice med menjavo plošče ali če se dotikate obdelovanca. Rok nikoli ne približujte brusilnemu območju.

OPOZORILO! V izogib, s kratkim stikom povzročene nevarnosti požara, poškodb ali okvar na proizvodu, orodja, izmenljivega akumulatorja ali polnilne naprave ne potapljajte v tekočine in poskrbite, da ne bo prihajalo do vdora tekočin v napravo in akumulatorje. Korozivne ali prevodne tekočine, kot so slana voda, določene kemikalije in belila ali proizvodi, ki le ta vsebujejo, lahko povzročijo kratek stik.

Izmenljivih akumulatorjev in polnilnih aparatov ne odpirajte in jih hranite samo v suhih prostorih. Zaščitite jih pred mokroto.

Izmenljive akumulatorje sistema M18 polnite samo s polnilnimi aparati sistema M18. Ne polnite nobenih akumulatorjev iz drugih sistemov.

UPORABA V SKLADU Z NAMEMBOSTJO

Kotni brusilnik je predviden za brušenje in rezanje kovine, kamna, betona in keramike ter za peščeno brušenje in žičenje.

Za rezalno aplikacijo uporabite rezalni pokrov iz ponudbe pribora.

Kadar ste v dvomu upoštevajte navodila proizvajalcapribora.

Električno orodje je primerno zgolj za suho obdelavo.

Na kotni brusilnik je treba namestiti samo ustrezno brusilne ali rezilne plošče, kot je opisano v razdelku o specifikacijah izdelka tega priložnika. Kotni brusilnik je zasnovana za ročno uporabo; ni ga dovoljeno namestiti na držalo ali delovno mizo.

Izdelka ne uporabljajte na noben drugačen način od navedenega za predvideno uporabo.

PREOSTALE NEVARNOSTI

Tudi pri pravilni uporabi vseh pretalih tveganj ni mogoče izključiti. Pri uporabi lahko pride do sledečih nevarnosti, na katere naj bo uporabnik zmeraj pozoren:

- Vsled vibracij povzročene poškodbe. Napravo držite za temu namenu predvidene ročaje in omejite čas dela in izpostavljenosti.
- Obremenitev s hrupom lahko privede do poškodb sluha. Nosite zaščitno sluha in omejite dovo izpostavljenosti.
- Vsled delcev nečistoč povzročene poškodbe oči. Nosite zmeraj zaščitna očala, močne dolge hlače, rokavice in močno obutev.
- Vdihavanje nevarnih prahov.

NAPOTKI ZA LITIJ-IONSKE AKUMULATORJE

Uporaba litij-ionskih akumulatorjev

Izmenljive akumulatorje, ki jih daljši čas niste uporabljali, pred uporabo naknadno napolnite.

Temperatura nad 50°C zmanjšuje zmogljivost izmenljivega akumulatorja. Izogibajte se daljšemu segrevanju zaradi sončnih žarkov ali gretja.

Pazite, da ostanejo priključni kontakti na polnilnem aparatu in izmenljivem akumulatorju čisti.

za optimalno življenjsko dobo je potrebno akumulatorje po uporabi do konca napolniti.

Za čim daljšo življenjsko dobo naj se akumulatorji po napolnitvi vzamejo ven iz naprave za polnjenje.

Pri skladiščenju akumulatorjev dalj kot 30 dni:

Akumulator skladiščiti pri 27°C in na suhem.

Akumulator skladiščiti pri 30%-50% stanja polnjenja.

Akumulator spet napolniti vsakih 6 mesecev.

Preobremenitvena zaščita litij-ionskih akumulatorjev

V primeru preobremenitve akumulatorja zaradi visoke porabe toka, npr. ekstremno visokih vrtilnih momentov, nenadne zaustavitve ali kratkega stika, električno orodje 5 sekund vibrira, prikazovalnik polnjenja utripa, električno orodje pa se samodejno izklopi.

Za ponoven vklop izpusite pritisno stikalo in nato znova vklopite. Pod ekstremnimi obremenitvami se akumulator premočno segreva. V tem primeru utripajo vse lučke prikazovalnika polnjenja dokler se akumulator ne ohladi. Za tem, ko prikazovalnik polnjenja ugasne lahko z delom nadaljujemo.

Transport litij-ionskih akumulatorjev

Litij-ionski akumulatorji so podvrženi zakonskim določbam transporta nevarnih snovi.

Transport teh akumulatorjev se mora izvajati upoštevajoč lokalne, nacionalne in mednarodne predpise in določbe.

Potrošniki lahko te akumulatorje še nadalje transportirajo po cesti.

Komercialni transport litij-ionskih akumulatorjev s strani špediterskih podjetij je podvržen določbam transporta nevarnih snovi. Priprava odpreme in transporta se lahko vrši izključno s strani ustrezno izšolanih oseb. Celoten proces je potrebno strokovno spremljati.

Pri transportu akumulatorjev je potrebno upoštevati sledeče točke:

V izogib kratkim stikom zagotovite, da bodo kontakti zaščiteni in izolirani.

Bodite pozorni na to, da paket akumulatorja v notranjosti embalaže ne bo mogel zdrsniti. Poškodovanih ali iztekajočih akumulatorjev ni dovoljeno transportirati. Za nadaljnja navodila se obrnite na vaše špeditersko podjetje.

PRACOVNE POKYNY

Zaščita pred preobremenitvijo in povratnim udarcem

Naprava je opremljena z Overload - in Anti Kickback zaščitno funkcijo in se pri ustrezni preobremenitvi ustavi. Izklopite električno orodje in ga za nadaljevanje z delom ponovno vklopite.

Rahli zagon

Elektronski rahli zagon za varno delovanje pri vklopu preprečuje sunkovit zagon stroja.

Pri brusilnih sredstvih, ki so opremljeni s ploščico z navojem se prepričajte, da je navoj v ploščici dovolj dolg za vreteno.

Rezalne in brusilne plošče vedno uporabljajte in shranjujte v skladu z navodbami proizvajalca.

Pri grobem struženju ali rezanju vedno delajte z zaščitnim pokrovom.

Izbočene brusne plošče je treba montirati tako, da njihova brusna površina ne bo segala izven ravnih robov ščitnika.

Matica prirobnice mora biti pred zagonom stroja zategnjena.

Vedno uporabljajte dodatni ročaj.

Kos, ki ga želite obdelovati, mora biti trdno vpet, če ne drži že zaradi lastne teže. Nikoli obdelovalnega kosa ne vodite z roko proti plošči.

Prirobnica matica mora biti pred zagonom stroja trdno privita. V kolikor uporabljeno orodje ne bi bilo s prirobnico matico trdno privito, obstaja možnost, da uporabljeno orodje med zaviranjem izgubi potrebno napetost privitja.

ČIŠČENJE

Pazite na to, da so prezračevalne reže stroja vedno čiste.

VZDRŽEVANJE





Uporabljajte samo Milwaukee pribor in Milwaukee nadomestne dele. Poskrbite, da sestavne dele, katerih zamenjava ni opisana, zamenjajo v Milwaukee servisni službi (upoštevajte brošuro Garancija aslovi servisnih služb).

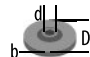
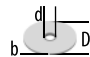

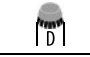
Po potrebi se lahko pri vaši servisni službi ali direktno pri Techtronic Industries GmbH naroči eksplozijska risba naprave ob navedbi tipa stroja in številke s tipske ploščice Techtronic Industries GmbH, Max-Eyth-Straße 10, 71364 Winnenden, Germany.

SIMBOLI

| | |
|--|--|
| | Prosimo, da pred uporabo pozorno preberete to navodilo za uporabo. |
| | POZOR! OPOZORILO! NEVARNO! |
| | Pred vsemi deli na stroji odstranite izmenljivi akumulator. |
| | Ne uporabljajte zaščitne naprave za odrezovanje. |
| | Brez uporabe sile. |
| | Uporabi silo. |
| | Pri delu s strojem vedno nosite zaščitna očala. |

| | |
|--|--|
| | Nosite zaščito za sluh. |
| | Nosite ustrezno masko proti prahu. |
| | Nositi zaščitne rokavice |
| | Vedno upravljajte z dvema rokama. |
| | Zgolj za brusilna opravila. |
| | Zgolj za rezalna opravila. |
| | Bodite pozorni na dovoljeno debelino plošče. |
| | Oprema – ni vsebovana v obsegu dobave, priporočeno dopolnilo iz programa opreme. |
| | Električnih naprav ni dovoljeno odstranjevati skupaj z gospodinjstvi odpadki. Električne in elektronske naprave je potrebno zbirati ločeno in za okolju prijazno odstranitev, oddati podjetju za reciklažo. Pri krajevem uradu ali vašem strokovnem prodajalcu se pozanimajte glede reciklažnih dvorišč in zbirnih mest. |
| | Nazivno število vrtljajev |
| | Napetost |
| | Enosmerni tok |
| | Evropska oznaka za združljivost |
| | Britanska oznaka za združljivost |
| | Ukrajinska oznaka za združljivost |
| | Evrazijska oznaka za združljivost |

| | |
|--|---------------------------------|
|  | Eiropas atbilstības zīme |
|  | Lielbritānijas atbilstības zīme |
|  | Ukrainas atbilstības zīme |
|  | Eirāzijas atbilstības zīme |

| TECHNINIAI DUOMENYS | M18 FSAG115X | M18 FSAG125X |
|---|---|---|
| Konstrukcija | Kampinis šlifoklis su akumulatoriumi | Kampinis šlifoklis su akumulatoriumi |
| Produkto numeris | 4830 49 01 XXXXXX MJJJJ | 4830 56 01 XXXXXX MJJJJ |
| Keičiamo akumulatoriaus įtampa | 18 V | 18 V |
| Nominalus sukčių skaičius | 8500 min ⁻¹ | 8500 min ⁻¹ |
| Suklio sriegis | M14 | M14 |
| D=Šlifavimo diskų ø maks. | 115 mm | 125 mm |
| d=Gręžimo-ø | 22,2 mm | 22,2 |
|  b=Šlifavimo disko storis maks. | 6 mm | 6 mm |
|  b=Pjovimo disko storis maks. / min. | 3 mm / 1 mm | 3 mm / 1 mm |
|  D=D=Šlifavimo disko diametras maks. | 115 mm | 125 mm |
|  D=D=Šveitimo šepetčio ø maks. | 75 mm | 75 mm |
| Prietaiso svoris įvertintas pagal EPTA 01/2014 tyrimų metodiką (Li-Ion 2,0 Ah ... 12,0 Ah) | 2,4 ... 3,4 kg | 2,4 ... 3,5 kg |
| Rekomenduojama aplinkos temperatūra eksploatuojant | -18 ... +50 °C | |
| Rekomenduojami akumulatoriai | M18B...; M18HB... | |
| Rekomenduojami įkrovikliai | M12-18...; M1418C6 | |
| Informacija apie keliamą triukšmą: Vertės matuotos pagal EN 60745. Įvertintas A įrenginio keliamo triukšmo lygis dažniausiai sudaro: | | |
| Garso slėgio lygis / Paklaida K | 82,7 dB(A) / 3 dB(A) | 82,7 dB(A) / 3 dB(A) |
| Garso galios lygis / Paklaida K | 93,7 dB(A) / 3 dB(A) | 93,7 dB(A) / 3 dB(A) |
| Nešioti klausos apsaugines priemones! | | |
| Informacija apie vibraciją: Bendroji svyravimų reikšmė (trijų krypčių vektorių suma), nustatyta remiantis EN 60745. | | |
| Vibravimų emisijos reikšmė a _v / Paklaida K | | |
| Paviršių šlifavimas | 4,8 m/s ² / 1,5 m/s ² | 5,5 m/s ² / 1,5 m/s ² |
| Šlifavimas su šlifavimo popieriumi | 1,1 m/s ² / 1,5 m/s ² | 1,9 m/s ² / 1,5 m/s ² |
| Panaudojant kitaip, pvz., atskiriamąją juostą arba juostą su plieninės vielos šepetčiu, gali atsirasti visiškai kitos vibravimo vertės! | | |


DĖMESIO!

Šiame vadove nurodytos bendrosios vibracijos ir triukšmo emisijos vertės nustatytos pagal standartinius bandymo metodus pagal EN 60745, todėl gali būti taikomos lyginant vieną įrankį su kitu. Gali būti naudojama preliminariam poveikio įvertinimui.

Nurodytos bendrosios vibracijos ir triukšmo emisijos vertės atitinka įrankio taikymą. Jei įrankis naudojamas kitokiais tikslais, kartu su kitokiais priedais ar netinkamai prižiūrimas, bendrosios vibracijos ir triukšmo emisijos vertės gali skirtis. Tai gali žymiai padidinti poveikio lygį viso darbo metu.

Apskaičiuojant bendrosios vibracijos ir triukšmo emisijos vertes reikėtų atsižvelgti į laikotarpį, kai prietaisas yra išjungtas arba įjungtas, bet nėra naudojamas. Tai gali žymiai sumažinti poveikio lygį viso darbo metu.

Tam, kad naudotojas būtų apsaugotas nuo vibracijos ir (arba) triukšmo poveikio, reikia nustatyti papildomus saugos reikalavimus, pavyzdžiui: tinkamai prižiūrėti prietaisą ir jo priedus, laikyti rankas šiltai, organizuoti darbo modelius.

 DĖMESIO! Perskaitykite visas saugumo pastabas ir nurodymus. Jei nepaisysite žemiau pateiktų saugos nuorodų ir reikalavimų, gali trenkti elektros smūgis, kilti gaisras ir/arba galite sunkiai susižaloti arba sužaloti kitus asmenis.

Išsaugokite šias saugos nuorodas ir reikalavimus, kad ir ateityje galėtumėte jais pasinaudoti.

KAMPINIO ŠLIFUOKLIO SAUGUMO INSTRUKCIJOS

Bendros įspėjamosios nuorodos, kurių būtina laikytis šlifuojant, naudojant šlifavimo popieriaus diskus, dirbant su vieliniais šepetiais, poliruojant ir pjaustant:

a) Šį elektrinį prietaisą galima naudoti kaip šlifavimo mašiną, skirtą šlifuoti abrazyviniais diskais, šlifavimo popieriumi, vieliniais šepetiais bei pjaustymo mašiną. Griežtai laikykis visų įspėjamųjų nuorodų, taisyklių, ženklų ir užrašų, kurie yra pateikiami su šiuo prietaisu, reikalavimų. Jei nepaisysite toliau pateiktų nuorodų, gali kilti elektros smūgio, gaisro ir/arba sunkių sužalojimų pavojus.

b) Šis elektrinis įrankis netinka poliruoti. Jei įrankį naudojate ne pagal paskirtį, galite sukelti pavojų ir susižaloti.

c) Nenaudokite jokių priedų ir papildomos įrangos, kurių gamintojas nėra specialiai numatęs ir rekomendavęs šiam elektriniam prietaisui. Vien tik tas faktas, kad Jūs galite pritvirtinti kokį nors priedą prie elektrinio prietaiso, jokių būdu negarantuoja, kad juo bus saugu naudotis.

Siekiant išvengti trumpųjų jungimų, įsitinkinkite, kad kontaktai yra apsaugoti ir izoliuoti.

Atkreipkite dėmesį, kad akumulatorius pakuotės viduje neslidinėtų. Draudžiama pervežti pažeistus arba tekančius akumulatorius. Dėl detalesnių nurodymų kreipkitės į savo ekspedicijos įmonę.

DARBO NUORODOS

Apsauga nuo perkrovos ir atitranskos

Prietaisas turi apsauginę perkrovos bei antiatitranskos funkciją. Esant tam tikrai perkrovai, prietaisas nustoja veikti. Išjunkite elektrinį įrankį, tada vėl jį įjunkite, kad galėtumėte tęsti darbą.

Tolygaus paleidimo reguliatorius

Saugiam valdymui - elektroninis tolygaus paleidimo reguliatorius, užkertantis kelią įrenginio trūkčiojimui, jį paleidžiant.

Jei prie šlifavimo priemonės reikia naudoti ir diską su sriegiu, įsitinkinkite, kad disko sriegio ilgis pakankamas sukliui.

Pjovimo ir šlifavimo diskus visada naudokite ir laikykite pagal gamintojo nurodymus.

Grandydami ir pjaudami visada dirbkite su apsauginiu gaubtu.

Šlifavimo diskus reikia įstatyti taip, kad šlifavimo paviršius neišsikištų už apsauginio gaubto krašto.

Prieš paleidžiant įrenginį, reikia priveržti jungės veržlę.

Visada naudokite papildomą rankeną.

Apdorojama detalė, jei ji nesilaiko savo svoriu, visada turi būti įtvirtinta. Niekada detalių prie disko neveskite ranka.

Prieš pradėdami prietaisą eksploatuoti būtina tvirtai priveržti jungės veržlę. Jeigu įstatomas įrankis nebus tvirtai priveržtas, naudojant jungės veržlę, gali nutikti, kad stabdant įstatomas įrankis praras būtiną įtempimo jėgą.

VALYMAS

Įrenginio vėdinimo angos visada turi būti švarios.

TECHNINIS APTARNAVIMAS

Naudokite tik „Milwaukee“ priedus ir „Milwaukee“ atsargines dalis. Dalis, kurių keitimas neaprašytas, leidžiama keisti tik „Milwaukee“ klientų aptarnavimo skyriams (žr. garantiją/klientų aptarnavimo skyrių adresus brošiūroje).

Jei reikia, nurodant įrenginio tipą bei specifikacijų lentelėje esantį numerį, iš klientų aptarnavimo skyriaus arba tiesiai iš Techtronic Industries GmbH, Max-Eyth-Straße 10, 71364 Winnenden, Germany, galima užsisakyti prietaiso surinkimo brėžinius.

SIMBOLIAI



Prieš pradėdami dirbti su prietaisu, atidžiai perskaitykite jo naudojimo instrukciją.



DĖMESIO! ĮSPĖJIMAS! PAVOJUS!



Prieš atlikdami bet kokius darbus įrenginyje, išimkite keičiamą akumulatorių.



Nenaudokite nupjovimo operacijoms skirtos apsaugos.



Nenaudoti jėgos.



Taikyti jėgą.



Dirbdami su įrenginiu visada nešiokite apsauginius akinius.



Nešiokite klausos apsaugos priemones.



Dėvėti tinkamą apsauginę kaukę nuo dulkių.



Lietojiet aizsardzības cimduš!



Visada dirbkite laikydami abiem rankomis.



Tinka tik šlifavimo darbams.



Tinka tik pjovimo darbams.



Stebėkite, kad diskas būtų leistino storio.



Priedas – neįeina į tiekimo komplektaciją, rekomenduojamas papildymas iš priedų asortimento.



Elektros prietaisų negalima išmesti kartu su buitėmis atliekomis. Būtina rūšiuoti elektros ir elektroninius prietaisus ir atiduoti į atliekų perdirbimo centrą, kad jie būtų utilizuoti neteršiant aplinkos. Informacijos apie perdirbimo centrus ir atliekų surinkimo įstaigas teiraukitės vietos įstaigoje arba prekybininko.



n_0 Nominalus sūkių skaičius



V Įtampa



Nuolatinė srovė



Europos atitikties ženklas



Britanijos atitikties ženklas



Ukrainos atitikties ženklas



Eurazijos atitikties ženklas

b) Kettakaitse kasutamisel vältige kettakaitse ja traatharja kokkupuute võimalust. Taldrik- ja kaussharjade läbimõõt võib rakendatava surve ja tsentrifugaaljõudude toimel suureneda.

EDASISED OHUTUS- JA TÖÖJUHISED

Kontrollige alati, et spindliliku nupp oleks enne tööriista vahetamist täies ulatuses vabastatud! Pärast spindliliku kasutamist lihvimisketta kinni / lahti keeramiseks on võimalik, et nupp võib jääda lukustatud asendisse.

Metallide lihvimisel tekib sädemaid. Veenudage selles, et inimesed poleks ohustatud. Tuleohu tõttu ei tohi lähedal (sädemete piirkonnas) olla tuleohtlikke materjale. Ärge kasutage toimu äärmemist.

Vältige lendavate sädemete ja lihvimisoolmu sattumist kehale.

Ärge pange kätt töötava masina ohupiirkonda.

Puru ega pilpaid ei tohi eemaldada masina töötamise ajal.

Lülitage seade välja kohe, kui tekib märgatav vibratsioon või märkate muid puudusi. Kontrollige masin üle, et põhjus kindlaks teha.

Äärmuslikes tingimustes (nt tugiketta ja vulkaniseeritud kiududega lihvimisketta abil metallpindadele läike andmiseks) võib lihvija sisse koguneda märkimisväärne kogus mustust.

Lühiseohu tõttu ei tohi õhutuspiiludesse sattuda metalloos.

TÄHELEPANU! Põletusohu! Ketas ja töödeldav detail muutuvad kasutamise käigus kuumaks. Kandke ketaste vahetamisel või töödeldava detaili puudutamisel kindaid. Hoidke alati kätel lihvimispiinast eemal.

TÄHELEPANU! Lühisest põhjustatud tuleohu, vigastuste või toote kahjustuste vältimiseks ärge kastke tööriista, vahetusakut ega laadimisasetet vedelikku ning jälgige, et vedelikke ei tungiks seadmesse ega akusse. Korrodeeruvad või elektrit juhtivad vedelikud, nagu soolvesi, teatud kemikaalid ja pleegitusained või pleegitusaineid sisaldavad tooted, võivad põhjustada lühisid.

Ärge avage vahetatavaid akusid ega laadijaid ning ladustage neid ainult kuivades ruumides. Kaitske niiskuse eest.

Laadige süsteemi M18 vahetatavaid akusid ainult süsteemi M18 laadijatega. Ärge laadige nendega teiste süsteemide akusid.

KASUTAMINE VASTAVALT OTSTARBELE

Nurklühvija on ette nähtud metalli, kivi, betooni ja keraamiliste materjalide lihvimiseks ja lõikamiseks ning traatharjaga töötlemiseks.

Kasutage lõikamisel tarvikute hulgas olevat lõikekatet.

Kahtlusekorral järgida tarvikute tootja õpetusi.

Elektritööriist sobib üksnes kuivtöötluseks.

Nurklühvija külge on lubatud paigaldada üksnes sobivaid lihvimis- või lõikekettaid ja seonduvaid kaitsmeid (lihvimiskaitse või lõikekaitse) vastavalt käesoleva kasutusjuhendi toote spetsifikatsiooni peatükis kirjeldatule. Nurklühvija on ette nähtud käsitsi kasutamiseks. See ei ole ette nähtud paigaldamiseks kinnituse või tööpingi külge.

Ärge kasutage toodet viisidel, mida ei ole toodud kasutusotstarbe peatükis.

JÄÄKOHUD

Jääkohud ei ole välistatud ka otstarbekohase kasutamise korral. Kasutamisel võivad tekkida järgmised ohud, millele kasutaja peab erilist tähelepanu pöörama:

- Vibratsioonist põhjustatud vigastused. Hoidke seadet selleks ette nähtud käepidemetest ja piirake töö- ning toimeaega.
- Mürasaaste võib põhjustada kuulmekahjustusi. Kandke kuulmekaitset ja piirake toimeaega.
- Mustuseosakestest põhjustatud silmavigastused. Kandke alati kaitseprille, vastupidavaid pikki pükse, kindaid ning tugevaid jalatseid.
- Mürgiste tolmude sissehingamine

LIITIUMIOONAKUDE JUHISED

Liitiumioonakude kasutus

Pikemat aega mittekasutatud akusid laadige veel enne kasutamist.

Temperatuur üle 50 °C vähendab vahetatava aku töövdõimet. Vältige pikemat soojenemist päikese või kütteseadme mõjul.

Hoidke laadija ja vahetatava aku ühenduskontaktid puhtad.

Optimaalse patareie eluea tagamiseks, pärast kasutamist lae patareiplokk täielikult.

Akud tuleks võimalikult pika kasutusea saavutamiseks pärast täislaadimist laadijast välja võtta.

Aku ladustamisel üle 30 päeva:

Ladustage akut kuivas kohas u 27°C juures.

Ladustage akut u 30-50% laetuseseisundis.

Laadige aku iga 6 kuu tagant täis.

Liitiumioonakude ülekoormuskaitse

Aku ülekoormamisel kõrge voolutarbimisega, nt puuri blokeerumisel, lühise tekkimisel või liikõrgetel pööretel, vibreerib elektritööriist 5 sekundit, laadimistuli vilgub ja tööriist lülitub automaatselt välja.

Uuesti sisse lülitamiseks tuleb päästik esmalt vabastada ning seejärel uuesti alla suruda. Ülisuurel koormusel võib aku kuumeneda kõrgete temperatuurideni. Sellisel juhul vilguvad kõik laadimistulukesed kuni aku jahtumiseni. Peale laadimistulukeste kustumist võite tööd jätkata.

Liitiumioonakude transportimine

Liitiumioonakud on allutatud ohtlike ainete transportimisega seonduvatele õigusaktidele.

Nende akude transportimine peab toimuma kohalikest, siseriiklikest ja rahvusvahelistest eeskirjadest ning määrustest kinni pidades.

Tarbijad toivad neid akusid edasiste piiranguteta tänaval transportida.

Liitiumioonakude komertstransport ekspedeerimisevõtete kaudu on allutatud ohtlike ainete transportimisega seonduvatele õigusaktidele. Tarne-ettevalmistusi ja transporti tohivad teostada eranditult vastavalt koolitatud isikud. Kogu protsessi tuleb asjatundlikult jälgida.

Akude transportimisel tuleb järgida järgmisi punkte:

Tehke kindlaks, et kontaktid on lühiste vältimiseks kaitstud ja isoleeritud.

Pöörake tähelepanu sellele, et akupakk ei saaks pakendis nihkuda. Kahjustatud või välja voolanud akusid ei tohi kasutada. Pöörduge edasiste juhiste saamiseks ekspedeerimisevõtete poole.

TÖÖJUHISED

Ülekoormus- ja tagasilöögikaitse

Seade on varustatud "Overload" ja "Anti Kickback" katsefunktsiooniga ning seiskub vastava ülekoormuse korral. Lülitage elektritööriist välja ja seejärel töö jätkamiseks tagasi sisse.

Sujuvkävitus

Turvaliseks käsitsemiseks mõeldud elektrooniline sujuvkävitus takistab masina järsku käivitumist sisselülitamisel.

Keermestatud kettaga varustada tulevate lihvimisvahendite puhul tagage kettas oleva keeme piisav pikkus spindli jaoks.

Kasutage ja säilitage lõike- ning lihvketaid alati vastavalt tootja andmetele.

Töötage lihvimisel ja lõikamisel alati kaitsekattega.

Astmelised lihvketad tuleb monteerida nii, et nende lihvpinde ei ulatu kaitsekatte serva tasandist väljapoole.

Ääriku mutter peab enne masina käiklaskmist olema pingutatud.

Kasutage alati lisakäepideti.

Töödeldav toorik tuleb kinnitada, kui ta ei seisa oma raskusega paigal. Ärge juhtige toorikut kunagi käega vastu ketast.

Enne masina kasutusele võtmist peavad mutrid olema tugevalt pingutatud Kui instrument pole tugevalt mutriga pingutatud, on võimalik, et instrument pidurdamise ajal kaotab vajaliku elastsuse

PUHASTAMINE

Hoidke masina õhutuspiilud alati puhtad.

HOOLDUS

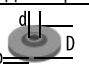



Kasutage ainult Milwaukee tarvikuid ja Milwaukee tagavaraosi. Detailid, mille väljavahetamist pole kirjeldatud, laske välja vahetada Milwaukee klienditeeninduspunktis (vaadake brošüüri garantii / klienditeeninduste aadressid).

Vajaduse korral võite tellida seadme läbilõikejoonise, näidates ära masina tüübi ja andmesildi oleva numbri. Selleks pöörduge klienditeeninduspunkti või otse: Techronic Industries GmbH, Max-Eyth-Straße 10, 71364 Winnenden, Germany.

SÜMBOLID

| | |
|--|--|
| | Palun lugege enne käiklaskmist kasutusjuhend hoolikalt läbi. |
| | ETTEVAATUST! TÄHELEPANU! OHUD! |
| | Enne kõiki töid masina kallal võtke vahetatav aku välja. |
| | Ärge kasutage kaitset lõiketöödeks. |
| | Ärge kasutage jõudu. |
| | Rakenda jõudu. |
| | Masinaga töötades kandke alati kaitseprille. |
| | Kandke kaitseks kõrvaklappe. |
| | Kanda sobivat kaitsemaski. |
| | Kanda kaitsekindaid! |
| | Kasutage töö ajal alati mõlemat kätt. |
| | Ainult lihvimisvõtete jaoks. |
| | Ainult lõikamisvõtete jaoks. |

| | |
|--|---|
| | Kasutage lubatud paksusega kettaid. |
| | Tarvikud - ei kuulu tarne komplekti, soovitatav täiendus on saadaval tarvikute programmis. |
| | Elektriseadmeid ei tohi utiliseerida koos majapidamisprügiga. Elektrilised ja elektroonilised seadmed tuleb eraldi kokku koguda ning keskkonnasõbralikuks utiliseerimiseks vastavas käitlusettevõttes ära anda. Küsige kohalikest pädevatest ametitest või edasimüüjalt käitlusjaamade ja kogumispunktide kohta järele. |
| | Nimipöörded |
| | Voltaaž |
| | Alalisvool |
| | Euroopa vastavusmärk |
| | Ühendkuningriigi vastavusmärk |
| | Ukraina vastavusmärk |
| | Euraasia vastavusmärk |

| ТЕХНИЧЕСКИЕ ДАННЫЕ | M18 FSAG115X | M18 FSAG125X |
|---|---|---|
| Модель | Акк. угловая шлифмашина | Акк. угловая шлифмашина |
| Серийный номер изделия | 4830 49 01 XXXXXX MJJJJ | 4830 56 01 XXXXXX MJJJJ |
| Вольтаж аккумулятора | 18 V | 18 V |
| Номинальное число оборотов | 8500 min ⁻¹ | 8500 min ⁻¹ |
| Резьба шпинделя | M14 | M14 |
| D=Диаметр шлифовального диска макс. | 115 mm | 125 mm |
| d=Диаметр и отверстия | 22,2 mm | 22,2 |
|  b=Толщина шлифовального диска макс. | 6 mm | 6 mm |
|  b=Толщина отрезного круга макс. / мин. | 3 mm / 1 mm | 3 mm / 1 mm |
|  D=Диаметр шлифовального диска макс. | 115 mm | 125 mm |
|  D=Ø круглой щетки макс. | 75 mm | 75 mm |
| Вес согласно процедуре EPTA 01/2014 (Li-Ion 2,0 Ah ... 12,0 Ah) | 2,4 ... 3,4 kg | 2,4 ... 3,5 kg |
| Температура окружающей среды, рекомендованная для эксплуатации | -18 ... +50 °C | |
| Рекомендованные аккумуляторные блоки | M18B...; M18HB... | |
| Рекомендованные зарядные устройства | M12-18...; M1418C6 | |
| Информация по шумам: Значения замерялись в соответствии со стандартом EN 60745. Уровень шума прибора, определенный по показателю A, обычно составляет: | 82,7 dB(A) / 3 dB(A) | 82,7 dB(A) / 3 dB(A) |
| Уровень звукового давления / Небезопасность К | 93,7 dB(A) / 3 dB(A) | 93,7 dB(A) / 3 dB(A) |
| Уровень звуковой мощности / Небезопасность К | | |
| Пользуйтесь приспособлениями для защиты слуха. | | |
| Информация по вибрации: Общие значения вибрации (векторная сумма трех направлений) определены в соответствии с EN 60745. | | |
| Значение вибрационной эмиссии a _v / Небезопасность К | | |
| Плоское шлифование | 4,8 m/s ² / 1,5 m/s ² | 5,5 m/s ² / 1,5 m/s ² |
| Шлифовка с помощью шлифовального полотна | 1,1 m/s ² / 1,5 m/s ² | 1,9 m/s ² / 1,5 m/s ² |
| При применении в других целях, как, напр., абразивное отрезание или шлифование стальной проволочной щеткой, могут получаться другие показатели вибрации! | | |

ВНИМАНИЕ!

Заявленные значения вибрации и шумового излучения, указанные в настоящем информационном листе, были измерены согласно стандартизированному методу испытания согласно EN 60745 и могут использоваться для сравнения одного инструмента с другим. Они могут применяться для предварительной оценки воздействия на организм человека.

Указанные значения вибрации и шумового излучения действительны для основных областей применения инструмента. Однако если инструмент используется в других областях применения или с другими принадлежностями либо проходит ненадлежащее обслуживание, значения вибрации и шумового излучения могут отличаться. Это может существенно увеличить уровень воздействия на организм на протяжении общего периода работы.

При оценке уровня воздействия вибрации и шумового излучения на организм также необходимо учитывать периоды, когда инструмент выключен, или когда он работает, но фактически не используется для выполнения работы. Это может существенно сократить уровень воздействия на организм на протяжении общего периода работы.

Определите дополнительные меры для защиты оператора от воздействия вибрации и/или шума, такие как обслуживание инструмента и его принадлежностей, сохранение рук в тепле, организация графиков работы.

ВНИМАНИЕ!

Ознакомьтесь со всеми указаниями по безопасности и инструкциями Улучшения, допущенные при не соблюдении указаний и инструкций по технике безопасности, могут стать причиной электрического поражения, пожара и тяжелых травм.

Сохраняйте эти инструкции и указания для будущего использования.

УКАЗАНИЯ ПО БЕЗОПАСНОСТИ К УГЛОВОЙ ШЛИФОВАЛЬНОЙ МАШИНЕ

Общие предупреждающие указания по шлифованию, шлифованию наждачной бумагой, для работ с проволочными щетками, для полирования и отрезных работ:

a) Настоящий электроинструмент предназначен для применения в качестве шлифовальной машины, шлифовальной машины с наждачной бумагой, проволочной щетки и отрезной машины. Учитывайте все предупреждающие указания, инструкции, иллюстрации и данные, которые Вы получите с электроинструментом. При несоблюдении нижеприведенных указаний возможно поражения электротоком, возникновение пожара и/или получение серьезных травм.

b) Настоящий электроинструмент не пригоден для полирования. Использование электроинструмента не по назначению может вывести его из строя и нанести травмы.

c) Не применяйте принадлежности, которые не предусмотрены изготовителем специально для настоящего электроинструмента и не рекомендуются им. Только возможность крепления принадлежностей в Вашем электроинструменте не гарантирует еще его надежного применения.

d) Допустимое число оборотов используемых принадлежностей должно быть как минимум таким же, как и максимальное число оборотов, указанное на электроинструменте. Комплектующие, которые вращаются быстрее допустимой скорости, могут сломаться и отлететь.

e) Наружный диаметр и толщина рабочих принадлежностей должны соответствовать размерам Вашего электроинструмента. Неправильно соразмеренные рабочие принадлежности не могут быть в достаточной степени защищены или контролироваться.

f) Резьба принадлежностей должна совпадать с резьбой шлифовального шпинделя. У принадлежностей, которые прикрепляются фланцами, отверстие для фиксации в детали должно совпадать с диаметром локализирующего фланца. Детали, которые не подходят к монтажному стрижно прибора, работают эксцентрично, вибрируют слишком сильно и могут привести к потере контроля над инструментом.

g) Не применяйте поврежденную оснастку. Проверяйте каждый раз перед использованием рабочие инструменты, как то, шлифовальные круги на сколы и трещины, шлифовальные тарелки на трещины, риски или сильный износ, проволочные щетки на незакрепленные или поломанные проволоки. После падения электроинструмента или оснастки проверяйте последнюю на повреждения и при надобности установите неповрежденную оснастку. После ее закрепления займите сами и все находящиеся вблизи лица положение за пределами плоскости вращения и включите электроинструмент на одну минуту на максимальное число оборотов. Поврежденные рабочие инструменты разрываются, в большинстве случаев, за это время контроля.

h) Применяйте средства индивидуальной защиты. В зависимости от выполняемой работы применяйте защитный щиток для лица, защитное средство для глаз или защитные очки. Насколько уместно, применяйте противопылевой респиратор, средства защиты органов слуха, защитные перчатки или специальный фартук, которые защищают Вас от абразивных частиц и частиц материала. Глаза должны быть защищены от летящих осколков, которые возникают при выполнении различных работ. Противопылевой респиратор или защитная маска органов дыхания должны задерживать возникающую при работе пыль. Продолжительное воздействие сильного шума может привести к потере слуха.

i) Следите за тем, чтобы все лица находились на безопасном расстоянии к Вашему рабочему участку. Каждое лицо в пределах рабочего участка должно иметь средства индивидуальной защиты. Осколки детали или разорванных рабочих инструментов могут отлететь в сторону и стать причиной травм также и за пределами непосредственного рабочего участка.

j) Если Вы выполняете работы, при которых режущий инструмент может зацепить скрытую электропроводку кабель, инструмент следует держать за специально предназначенные для этого изолированные поверхности. Контакт режущего инструмента с токоведущим проводом может ставить под напряжение металлические части прибора, а также приводить к удару электрическим током.

k) Никогда не кладите электрический инструмент до тех пор, пока инструментальная насадка полностью не остановится. Вращающийся рабочий инструмент может зацепиться за опорную поверхность и в результате Вы можете потерять контроль над электроинструментом.

l) Выключайте электроинструмент при транспортировании. Ваша одежда может быть случайно захвачена вращающимся рабочим инструментом и последний может нанести Вам травму.

m) Регулярно очищайте вентиляционные прорези Вашего электроинструмента. Вентилятор двигателя затягивает пыль в корпус и большое скопление металлической пыли может привести к поражению электричеством.

n) Не пользуйтесь электроинструментом вблизи горючих материалов. Искры могут воспламенить эти материалы.

o) Не применяйте рабочие принадлежности, требующие применения охлаждающих жидкостей. Применение воды или других охлаждающих жидкостей может привести к поражению электротоком.

Обратный удар и соответствующие предупреждающие указания

Обратный удар это внезапная реакция в результате заедания или блокирования вращающихся частей инструмента/принадлежностей, как то, шлифовального круга, шлифовальной тарелки, проволочной щетки и т.д., ведущая к резкой остановки вращающихся частей инструмента. При этом неконтролируемый электроинструмент ускоряется против направления вращения принадлежностей

Если шлифовальный круг заедает или блокирует в заготовке, то погруженная в заготовку кромка шлифовального круга может быть зажата и в результате привести к выскакиванию круга из заготовки или к обратному удару. При этом шлифовальный круг движется на оператора или от него, в зависимости от направления вращения круга на месте блокирования. При этом шлифовальный круг может поломаться.

Обратный удар является следствием неправильного использования электроинструмента или ошибки оператора. Он может быть предотвращен описанными ниже мерами предосторожности.

a) Крепко держите электроинструмент и займите Вашим телом и руками положение, в котором Вы можете противодействовать обратным силам. При наличии, всегда применяйте дополнительную рукоятку, чтобы как можно лучше противодействовать обратным силам или реакционным моментам при наборе оборотов. Оператор может подходить мерами предосторожности противодействовать силам обратного удара и реакционным силам.

b) Ваша рука никогда не должна быть вблизи вращающегося рабочего инструмента. Приспособление может отскочить в сторону вашей руки.

c) Держитесь в стороне от участка, в котором при обратном ударе будет двигаться электроинструмент. Обратный удар ведет электроинструмент в противоположном направлении к движению шлифовального круга в месте блокирования.

d) Особенно осторожно работайте на углах, острых кромках и т.д. Предотвращайте отскок рабочего инструмента от заготовки и его заклинивание. Углы, острые кромки и пружинящие элементы могут стать причиной заклинивания вращающейся оснастки. Это вызывает потерю контроля или обратный удар.

е) Не пользуйтесь цепными или зубчатыми пилами. Такие инструментальные насадки часто приводят к отдаче или потере контроля над электрическим инструментом.

Специальные предупреждающие указания по шлифованию и отрезанию

а) Применяйте допущенные исключительно для Вашего электроинструмента абразивные инструменты и предусмотренные для них защитные кожухи. Абразивные инструменты, не предусмотренные для этого электроинструмента, не могут быть достаточно экранированы и не безопасны.

б) Изогнутые шлифовальные диски необходимо устанавливать таким образом, чтобы их шлифовальная поверхность не выходила за пределы края защитного кожуха. Установленный ненадлежащим образом шлифовальный диск, выходящий за пределы края защитного кожуха, невозможно экранировать достаточным образом.

с) Всегда применяйте защитный кожух, предусмотренный для применяемого вида абразивного инструмента. Защитный кожух должен быть надежно закреплен на электроинструменте и настроен так, чтобы достигалась наибольшая степень безопасности, т.е. в сторону оператора должна быть открыта как можно меньшая часть абразивного инструмента. Щиток помогает защитить оператора от обломков диска, от случайного соприкосновения с диском, а также от искр, которые могут вызвать воспламенение одежды.

д) Абразивные инструменты допускается применять только для рекомендуемых работ. Например: никогда не шлифуйте боковой поверхностью отрезного круга. Отрезные круги предназначены для съема материала кромок. Боковые силы на этот абразивный инструмент могут сломать его.

е) Всегда применяйте неповрежденные фланцевые гайки с правильными размерами и формой для выбранного Вами шлифовального круга. Правильные фланцы являются опорой для шлифовального круга и уменьшают опасность его поломки. Фланцы для отрезных кругов могут отличаться от фланцев для шлифовальных кругов.

ф) Не применяйте изношенные шлифовальные круги больших электроинструментов. Шлифовальные круги для больших электроинструментов изготовлены не для высоких скоростей вращения маленьких электроинструментов и их может разорвать.

Дополнительные специальные предупреждающие указания отрезания шлифованием

а) Предотвращайте блокирование отрезного круга и избыточное усилие прижатия. Не выполняйте слишком глубоких резов. Перегрузка отрезного круга повышает его нагрузку и склонность к перекашиванию или блокированию и этим возможность обратного удара или поломки абразивного инструмента.

б) Будьте осторожны перед и за вращающимся отрезным кругом. Если Вы ведете отрезной круг в заготовке от себя, то в случае обратного удара электроинструмент может с вращающимся кругом отскочить прямо на Вас.

с) При заклинивании отрезного круга и при перерыве в работе выключайте электроинструмент и держите его спокойно, неподвижно до остановки круга. Никогда не пытайтесь вынуть еще вращающийся отрезной круг из реза, так как это может привести к обратному удару. Установите и устраните причину заклинивания.

д) Не включайте повторно электроинструмент пока абразивный инструмент находится в заготовке. Дайте отрезному кругу развить полное число оборотов, перед тем как Вы осторожно продолжите резание. В противном случае круг может заест, он может выскочить из детали и привести к обратному удару.

е) Плиты или большие заготовки должны надежно лежать на опоре, чтобы снизить опасность обратного удара при заклинивании отрезного круга. Большие заготовки могут прогибаться под собственным весом. Заготовка должна лежать на опорах с обеих сторон, как вблизи реза, так и по краям.

ф) Действуйте с особой осторожностью при вырезании участков существующих стен или работе в других слепых зонах. Погружающийся отрезной круг может при резании газопровода или водопровода, электрических проводов или других объектов привести к обратному удару.

Специальные предупреждающие указания для шлифования наждачной бумагой:

а) Не применяйте шлифовальные листы с завышенными размерами, а следуйте данным изготовителя по размерам шлифовальных листов. Шлифовальные листы, выступающие за край шлифовальной тарелки, могут стать причиной травм и блокирования, рваться или привести к обратному удару.

Особые предупреждающие указания для работ с проволочными щетками:

а) Учитывайте, что металлическая щетина может отлетать даже во время обычной работы. Не перегружайте проволоку, подвергая щетку чрезмерной нагрузке. Металлическая щетина может легко проникнуть сквозь одежду и/или кожу.

б) Если для работы рекомендуется использовать защитный кожух, то исключайте соприкосновение проволочной щетки с кожей. Тарельчатые и чашечные щетки могут увеличивать свой диаметр под действием усилия прижатия и центрифугальных сил.

ДОПОЛНИТЕЛЬНЫЕ УКАЗАНИЯ ПО БЕЗОПАСНОСТИ И РАБОТЕ

Перед включением инструмента всегда проверяйте, находится ли кнопка блокиратора шпинделя в положении полной разблокировки. После использования блокиратора шпинделя для крепления/высвобождения абразивного диска кнопка может застрять в положении блокировки.

Необходимо следить за тем, чтобы искры, вылетающие с обрабатываемой поверхности, не попадали на воспламеняющиеся материалы.

Избегайте попадания искр и шлифовальной пыли на тело.

Никогда не касайтесь опасной режущей зоны в момент работы. Не убирайте опилки и обломки при включенном инструменте.

Немедленно выключайте машину если почувствовали осязаемую вибрацию или при других неисправностях. Проверьте инструмент чтобы обнаружить причину неисправности.

При работе в экстремальных условиях (например, при тонком шлифовании металлов с помощью диска с крепежным отверстием и шлифовального диска из вулканизированного волокна) внутри шлифовальной машины могут скапливаться сильные загрязнения.

Не приближайте металлические предметы к вентиляционным отверстиям из-за опасности короткого замыкания!

ВНИМАНИЕ! Опасность ожога! Во время работы диск и заготовка сильно нагреваются. Заменяя диск или прикасаясь к заготовке, носите перчатки. Всегда держите руки на расстоянии от области шлифования.

ВНИМАНИЕ! Для предотвращения опасности пожара в результате короткого замыкания, травм и повреждения изделия не опускайте инструмент, сменный аккумулятор или зарядное устройство в жидкости и не допускайте попадания жидкостей внутрь устройств или аккумуляторов. Коррозийные и проводящие жидкости, такие как соленый раствор, определенные химикаты, отбеливающие средства или содержащие их продукты, могут привести к короткому замыканию.

Никогда не вскрывайте аккумуляторы или зарядные устройства и храните их только в сухих помещениях. Следите, чтобы они всегда были сухими.

Для зарядки аккумуляторов модели M18 используйте только зарядным устройством M18. Не заряжайте аккумуляторы других систем.

ИСПОЛЬЗОВАНИЕ

Углошлифовальная машина предназначена для шлифования и разрезания металла, камня, бетона и керамики, а также для обработки шлифовальной бумагой и проволочной щеткой.

Используйте для разрезания защитный колпачок из ассортимента принадлежности.

В случае сомнения соблюдайте указания производителя принадлежности.

Этот электроинструмент предназначен только для работы всухую.

Устанавливайте на углошлифовальную машину только соответствующие шлифовальные или резательные диски и сопутствующие защитные приспособления (защитный кожух для шлифовки или резания) согласно указаниям в разделе касательно спецификации продукта в настоящем руководстве. Углошлифовальная машина предназначена для ручного использования и не предназначена для установки на рабочем столе или на крепежных приспособлениях.

Не используйте этот продукт для любой другой цели; используйте его только по указанному целевому назначению.

ОСТАТОЧНЫЕ ОПАСНОСТИ

Даже при надлежащем использовании нельзя исключить все остаточные риски. При использовании могут возникнуть такие опасности, на которые пользователь должен обратить особое внимание:

- Травмы вследствие вибрации. Держите прибор за предусмотренные для этого рукоятки и ограничивайте время работы и экспозиции.
- Шумовое воздействие может привести к повреждению слуха. Носите защитные наушники и ограничивайте продолжительность экспозиции.
- Травмы глаз, вызванные частицами загрязнений. Всегда надевайте защитные очки, плотные длинные брюки, рукавицы и прочную обувь.
- Вдыхание ядовитой пыли.

УКАЗАНИЯ ДЛЯ ЛИТИЙ-ИОННЫХ АККУМУЛЯТОРОВ

Использование литий-ионных аккумуляторов

Перед использованием аккумулятора, которым не пользовались некоторое время, его необходимо зарядить.

Температура свыше 50°C снижает работоспособность аккумуляторов. Избегайте продолжительного нагрева или прямого солнечного света (риск перегрева).

Контакты зарядного устройства и аккумуляторов должны содержаться в чистоте.

Для обеспечения оптимального срока службы аккумулятор необходимо полностью заряжать после использования прибора.

Для достижения максимально возможного срока службы аккумуляторы после зарядки следует вынимать из зарядного устройства.

При хранении аккумулятора более 30 дней:

Храните аккумулятор при 27°C в сухом месте.

Храните аккумулятор с зарядом примерно 30% - 50%.

Каждые 6 месяцев аккумулятор следует заряжать.

Защита литий-ионных аккумуляторов от перегрузки

В случае перегрузки аккумулятора по причине слишком большого потребления электроэнергии, при экстремально большом крутящем моменте, внезапной остановке или коротком замыкании, электроприбор вибрирует в течение 5 секунд,

загорается индикатор заряда аккумулятора и электроприбор автоматически выключается. т работу.

Для повторного включения следует отжать кнопку включения и потом снова включить. При слишком высоких нагрузках аккумулятор перегревается. В этом случае загораются все лампы индикатора заряда аккумулятора. Когда аккумулятор остынет и лампы погаснут – можно продолжа

Транспортировка литий-ионных аккумуляторов

Литий-ионные аккумуляторы в соответствии с предписаниями закона транспортируются как опасные грузы.

Транспортировка этих аккумуляторов должна осуществляться с соблюдением местных, национальных и международных предписаний и положений.

Эти аккумуляторы могут перевозиться по улице потребителем без дальнейших обязательств.

При коммерческой транспортировке литий-ионных аккумуляторов экспедиторскими компаниями действуют положения, касающиеся транспортировки опасных грузов. Подготовка к отправке и транспортировка должны производиться исключительно специально обученными лицами. Весь процесс должен находиться под контролем специалиста.

При транспортировке аккумуляторов необходимо соблюдать следующие пункты:

Убедитесь, что контакты защищены и изолированы во избежание короткого замыкания.

Следите за тем, чтобы аккумуляторный блок не соскользнул внутри упаковки. Транспортировка поврежденных или протекающих аккумуляторов запрещена. За дополнительными указаниями обратитесь к своему экспедитору.

УКАЗАНИЯ ПО РАБОТЕ

Защита от перегрузки и обратного удара

Пожалуйста, учитывайте, что при исчезновении нагрузки машина снова самостоятельно запускается с изначальной рабочей скоростью вращения. Выключите электроприводной инструмент, а затем включите его заново для продолжения работы.

Плавный старт

Плавный старт для безопасной работы предотвращает резкое включение инструмента.

Предназначается для инструментов, которые могут использоваться с кругами, оснащенными резбовым отверстием, причем длина резьбы должна соответствовать длине шпинделя.

Всегда используйте и храните отрезные и шлифовальные диски в соответствии с инструкциями производителя.

При шлифовании или отрезании всегда пользуйтесь защитным ограждением.

Изогнутые шлифовальные диски необходимо устанавливать таким образом, чтобы их шлифовальная поверхность не выходила за пределы края защитного кожуха.

Перед включением инструмента затяните гайку с фланцем.

Всегда пользуйтесь дополнительной рукояткой.

Если изделие не достаточно тяжелое и неустойчивое, то его необходимо закрепить. Никогда не подносите изделие к шлифовальному диску, держа его в руках.

Перед вводом машины в эксплуатацию фланцевая гайка должна быть прочно затянута. Если фланцевая гайка рабочего инструмента затянута непрочно, инструмент при торможении может потерять необходимое зажимное усилие.

СТИРКА

Всегда держите охлаждающие отверстия чистыми.

ОБСЛУЖИВАНИЕ

Пользуйтесь аксессуарами и запасными частями Milwaukee. В случае возникновения необходимости в замене, которая не была описана, обращайтесь в один из сервисных центров по обслуживанию электроинструментов Milwaukee (см. список сервисных организаций).

При необходимости может быть заказан чертеж инструмента с трехмерным изображением деталей. Пожалуйста, укажите номер и тип инструмента и закажите чертеж у Ваших местных агентов или непосредственно у Techtronic Industries GmbH, Max-Eyth-Straße 10, 71364 Winnenden, Germany.

СИМВОЛЫ

| | |
|--|---|
| | Пожалуйста, внимательно прочтите инструкцию по использованию перед началом любых операций с инструментом. |
| | ВНИМАНИЕ! ПРЕДУПРЕЖДЕНИЕ! ОПАСНОСТЬ! |
| | Выньте аккумулятор из машины перед проведением с ней каких-либо манипуляций. |
| | Не используйте защитный щиток для операций отрезания. |
| | Не применяйте силу |
| | Применить силу. |
| | При работе с инструментом всегда надевайте защитные очки. |
| | Используйте наушники! |
| | Надевайте противопылевой респиратор. |
| | Надевать защитные перчатки! |
| | Всегда работайте двумя руками. |
| | Только для шлифования. |
| | Только для отрезания. |
| | Обращайте внимание на допустимую толщину диска. |

| | |
|--|---|
| | Принадлежности - В стандартную комплектацию не входит, поставляется в качестве дополнительной принадлежности. |
| | Электрические устройства нельзя утилизировать вместе с бытовым мусором. Электрические и электронные устройства следует собирать отдельно и сдавать в специализированную утилизирующую компанию для утилизации в соответствии с нормами охраны окружающей среды. Сведения о центрах вторичной переработки и пунктах сбора можно получить в местных органах власти или у вашего специализированного дилера. |
| | Номинальное число оборотов |
| | Напряжение |
| | Постоянный ток |
| | Европейский знак соответствия |
| | Британский знак соответствия |
| | Украинский знак соответствия |
| | Евразийский знак соответствия |

ТЕХНИЧЕСКИ ДАННИ

| | M18 FSAG115X | M18 FSAG125X | |
|---|---|-------------------------|-------------|
| Тип | Аккумуляторен Ёглошлайф | Аккумуляторен Ёглошлайф | |
| Производствен номер | 4830 49 01 XXXXXX MJJJ | 4830 56 01 XXXXXX MJJJ | |
| Напряжение на аккумулятора | 18 V | 18 V | |
| Номинална скорост на въртене | 8500 min ⁻¹ | 8500 min ⁻¹ | |
| Резба на шпиндела | M14 | M14 | |
| D=ø на абразивните дискове макс. | 115 mm | 125 mm | |
| d=отвор с ø | 22,2 mm | 22,2 | |
| | b=Дебелина на диска за шлайфане макс. | 6 mm | 6 mm |
| | b=Дебелина на режещия диск макс. / мин. | 3 mm / 1 mm | 3 mm / 1 mm |
| | D=Размер на шлифовъчния диск макс. | 115 mm | 125 mm |
| | D=ø чашковидна четка макс. | 75 mm | 75 mm |
| Тегло съгласно процедурата EPTA 01/2014 (Li-Ion 2,0 Ah ... 12,0 Ah) | 2,4 ... 3,4 kg | 2,4 ... 3,5 kg | |
| Препоръчителна температура на околната среда при експлоатация | -18 ... +50 °C | | |
| Препоръчителни акумулаторни батерии | M18B...; M18HB... | | |
| Препоръчителни зарядни устройства | M12-18...; M1418C6 | | |

Информация за шума: Измерените стойности са получени съобразно EN 60745. Оцененото с А ниво на шума на уреда е съответно:

| | |
|----------------------|----------------------|
| 82,7 dB(A) / 3 dB(A) | 82,7 dB(A) / 3 dB(A) |
| 93,7 dB(A) / 3 dB(A) | 93,7 dB(A) / 3 dB(A) |

Равнище на звуковото налягане / Несигурност К
Равнище на мощността на звука / Несигурност К

Да се носи предпазно средство за слуха!

Информация за вибрациите: Общите стойности на вибрациите (векторна сума на три посоки) са определени в съответствие с EN 60745.

| | | |
|---|---|---|
| Стойност на емисии на вибрациите a _h / Несигурност К | 4,8 m/s ² / 1,5 m/s ² | 5,5 m/s ² / 1,5 m/s ² |
| Шлайфане на повърхности | 1,1 m/s ² / 1,5 m/s ² | 1,9 m/s ² / 1,5 m/s ² |
| Шлайфане с лента за шлайфане | | |

При друго използване, например отрезно шлайфане или шлайфане със стоманена четка, могат да се получат други стойности на вибрациите!

ВНИМАНИЕ!

Посочените в настоящия информационен лист нива на вибрации и шумови емисии са измерени в съответствие със стандартизирано изпитване, предоставено в EN 60745, и могат да се използват за сравняване на един инструмент с друг. Те може също така да се използват и за предварителна оценка на излагането на вредни въздействия.

Декларираните нива на вибрации и шумови емисии се отнасят за основните приложения на инструмента. Ако обаче инструментът се използва за други приложения, с други приспособления или не се поддържа добре, нивата на вибрации и шумови емисии могат да са различни. Това може значително да повиши нивото на излагане на вредни въздействия за общата продължителност на работата.

При оценка на нивото на излагане на въздействието на вибрации и шум следва също така да се вземе предвид времето, през което инструментът е изключен или през което е включен, но не се използва. Това може значително да понижи нивото на излагане на вредни въздействия за общата продължителност на работата.

Определете допълнителни мерки за безопасност за защита на оператора от въздействието на вибрациите и/или шума, като например поддръжка на инструмента и приспособленията, поддържането на топлината на ръцете и организацията на работата.

ВНИМАНИЕ! Прочетете указанията за безопасност и съветите. Пропуски при спазването на указанията и на инструкциите за безопасност могат да доведат до токов удар, пожар и/или тежки наранявания.
Запазете всички указания и инструкции за безопасност за бъдещето.

УКАЗАНИЯ ПО ТЕХНИКА НА БЕЗОПАСНОСТ ЗА ЁГЛОШЛАЙФ

Общи инструкции за безопасност при шлифване, шлифване с шкурка, работа с телени четки и при абразивно рязане.

а) Този електроинструмент е предвиден за употреба като шлайф, шлайф за шкурена, телена четка и абразивна машина за рязане. Спазвайте всички инструкции за безопасност, указания, илюстрации и данни, които получавате с уреда. Ако не спазвате следните указания, това може да доведе до токов удар, пожар и/или тежки наранявания.

б) Този електроинструмент не е подходящ за полиране. Ако се използва за цели, за които не е предвиден, този електроуред може да доведе до опасност и наранявания.

На Ъглошлайфа могат да бъдат поставяни само подходящи шлифовъчни или режещи дискове и съответните им предпазители (за шлифване или рязане), както са посочени в раздела за техническите характеристики на уреда. Ъглошлайфът е предназначен за държане в ръка — той не може да се монтира върху фиксиращо приспособление или работна маса.

Не използвайте уреда по различен от описаните в предназначението начини.

ОСТАТЪЧНИ РИСКОВЕ

Дори при правилна употреба, остатъчните рискове не могат да бъдат изключени. При използване могат да възникнат следните опасности, за които обслужващият трябва да внимава:

- Наранявания, причинени от вибрации. Дръжте уреда за предвидените за целта ръкохватки и ограничавайте времето на работа и експозицията.
- Шумовото натоварване може да причини слухови увреждания. Носете защита за слуха и ограничете продължителността на експозицията.
- Наранявания на очите, причинени от замърсяващи частици. Винаги носете предпазни очила, здрави дълги панталони, ръкавици и стабилни обувки.
- Вдишване на отровни прахове.

УКАЗАНИЯ ЗА ЛИТИЕВО-ЙОННИ АКУМУЛАТОРНИ БАТЕРИИ

Употреба на литиево-йонни акумулаторни батерии

Акумулатори, които не са ползвани по-дълго време, преди употреба да се дозаредят.

Температура над 50°C намалява мощността на акумулатора. Да се избягва по-продължително нагряване на слънце или от отопление.

Поддържайте чисти присъединителните контакти на зарядното устройство и на акумулатора.

За оптимална продължителност на живот след употреба батериите трябва да се заредят напълно.

За възможно по-дълга продължителност на живот батериите трябва да се изваждат от уреда след зареждане.

При съхранение на батериите за повече от 30 дни:

съхранявайте батерията при прикл. 27°C и на сухо място.

Съхранявайте батерията при 30 до 50 % от заряда.

Зареждайте батерията на всеки 6 месеца.

Защита от претоварване при литиево-йонни акумулаторни батерии

При претоварване на батерията вследствие на голямо потребление на енергия, например изключително високи въртящи моменти, внезапно спиране или късо съединение, електрическият инструмент вибрира в продължение на 5 секунди, мига индикаторът за зареждане и електрическият инструмент се изключва сам.

За да го включите повторно, освободете превключвателя и след това включете уреда. При екстремни натоварвания батерията се нагрява значително. В този случай всички светлини на индикатора за зареждане мигат дотогава, докато батерията се охлади. След изгасване на индикатора за зареждане можете да продължите работата с уреда.

Превоз на литиево-йонни батерии

Литиево-йонните батерии са предмет на законовите разпоредби за превоз на опасни товари.

Превозът на тези батерии трябва да се извършва в съответствие с местните, националните и международните разпоредби и регламенти.

Потребителите могат да превозват тези батерии по пътя без допълнителни изисквания.

Превозът на литиево-йонни батерии от транспортни компании е предмет на законовите разпоредбите за превоз на опасни

товари. Подготовката на превоза и самият превоз трябва да се извършват само от обучени лица. Целият процес трябва да е под професионален надзор.

Спазвайте следните изисквания при превоз на батерии:

Уверете се, че контактите са защитени и изолирани, за да се избегне късо съединение.

Уверете се, че няма опасност от разместване на батерията в опаковката. Не превозвайте повредени батерии или такива с течове. Обърнете се към Вашата транспортна компания за допълнителни инструкции.

УКАЗАНИЯ ЗА РАБОТА

Защита срещу претоварване и откат

Уредът разполага със защитна функция срещу претоварване и внезапна реакция, и спира при съответното претоварване. Изключете инструмента и после го включете отново, за да продължите да работите.

Плавният старт

Плавният старт, осигурен от електрониката за сигурно манипулиране с машината, предотвратява при включване появата на тласъци при задействането на машината.

При абразивни материали, които трябва да бъдат снабдени с диск с резба, трябва да се гарантира, че резбата в диска е достатъчно дълга за шпиндела.

Режещите и шлифоващите дискове винаги да се използват и съхраняват съобразно инструкциите на производителя.

При грубо шлифване и рязане да се работи винаги със защитен шлем.

Извитите дискове за шлайфане трябва да бъдат монтирани така, че повърхността им за шлайфане да не излиза извън равнината на ръба на предпазния капак.

Преди пускане на машината фланцовата гайка трябва да бъде затегната.

Винаги да се използва допълнителната ръкохватка.

Обработваният детайл трябва да бъде фиксиран здраво, ако не е достатъчно тежък, за да стои стабилно от собственото си тегло. Никога не водете детайла с ръка срещу диска.

Гайката на фланеца трябва да бъде здраво затегната преди работа с машината. Ако работният инструмент не е затегнат здраво с гайката на фланеца, има опасност, той да загуби необходимата захватна сила при спиране.

ПОЧИСТВАНЕ

Вентилационните шлицы на машината да се поддържат винаги чисти.

ПОДДРЪЖКА

Да се използват само аксесоари на Milwaukee и резервни части на Milwaukee. Елементи, чията подмяна не е описана, да се дадат за подмяна в сервис на Milwaukee (вижте брошурата "Гаранция и адреси на сервиси").

При необходимост можете да поискате за уреда от Вашия сервис или директно от Techtronic Industries GmbH, Max-Eyth-Straße 10, 71364 Winnenden, Germany, чертеж за в случай на експлозия, като посочите типа на машината и номер върху заводската табелка.

СИМВОЛИ



Преди пускане на уреда в действие моля прочетете внимателно инструкцията за използване.



ВНИМАНИЕ! ПРЕДУПРЕЖДЕНИЕ! ОПАСНОСТ



Преди започване на каквито е да работи по машината извадете акумулатора.



Не използвайте предпазителя за операции по рязане.



Не използвайте сила.



Пръмянящ се grip.



При работа с машината винаги носете предпазни очила.



Носете средство за защита на слуха.



Да се носи подходяща прахозащитна маска.



Да се носят предпазни ръкавици!



Винаги работете с две ръце.



Само за шлифване.



Само за рязане.



Обръщайте внимание на допустимата дебелина на диска.







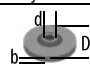
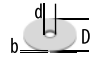


Аксесоари - Не се съдържат в обема на доставката, препоръчвано допълнение от програмата за аксесоари.



Електрическите уреди не трябва да се изхвърлят заедно с битовите отпадъци. Електрическото и електронното оборудване трябва да се събират отделно и да се предават на службите за рециклиране на отпадъците според изискванията за опазване на околната среда. Информирайте се при местните служби или при местните специализирани търговци относно местата за събиране и центровете за рециклиране на отпадъци.

| | |
|--|------------------------------------|
| | Номинална скорост на въртене |
| | Напрежение |
| | Постоянен ток |
| | Европейски знак за съответствие |
| | Британски знак за съответствие |
| | Украински знак за съответствие |
| | Евро-азиатски знак за съответствие |

| | |
|--|-----------------------------------|
|  | Marcă de conformitate europeană |
|  | Marcă de conformitate britanică |
|  | Marcă de conformitate ucraineană |
|  | Marcă de conformitate eurasiatică |

| ТЕХНИЧКИ ПОДАТОЦИ | M18 FSAG115X | M18 FSAG125X |
|--|---|---|
| Тип на дизајн | Аголна брусилка на батерии | Аголна брусилка на батерии |
| Произведен број | 4830 49 01 XXXXXX MJJJ | 4830 56 01 XXXXXX MJJJ |
| Волтажа на батеријата | 18 V | 18 V |
| Номинална брзина | 8500 min ⁻¹ | 8500 min ⁻¹ |
| Срце на работната оска | M14 | M14 |
| D=Дијаметар на дискот за глодање макс. | 115 mm | 125 mm |
| d=бушење- \varnothing | 22,2 mm | 22,2 |
|  b=Дебелина на стружниот диск макс. | 6 mm | 6 mm |
|  b=Дебелина на плочата за сечење макс. / мин. | 3 mm / 1 mm | 3 mm / 1 mm |
|  D=Дијаметар на брусна плоча макс. | 115 mm | 125 mm |
|  D=Лончести четки- \varnothing макс. | 75 mm | 75 mm |
| Тежина според ЕПТА-процедурата 01/2014 (Li-Ion 2,0 Ah ... 12,0 Ah) | 2,4 ... 3,4 kg | 2,4 ... 3,5 kg |
| Препорачана температура на околината за работа | -18 ... +50 °C | |
| Препорачани комплекти акумулаторски батерии | M18B...; M18HB... | |
| Препорачани полначи | M12-18...; M1418C6 | |
| Информации за бучавата: Измерените вредности се одредени согласно стандардот EN 60745. А-оценетото ниво на бучава на апаратот типично изнесува: | 82,7 dB(A) / 3 dB(A) | 82,7 dB(A) / 3 dB(A) |
| Ниво на звучен притисок / Несигурност K | 93,7 dB(A) / 3 dB(A) | 93,7 dB(A) / 3 dB(A) |
| Ниво на јачина на звук / Несигурност K | | |
| Носте штитник за уши. | | |
| Информации за вибрации: Вкупни вибрациски вредности (векторски збир на трите насоки) пресметани согласно EN 60745. | | |
| Вибрациска емисиона вредност a _v / Несигурност K | | |
| Површинско брусеење | 4,8 m/s ² / 1,5 m/s ² | 5,5 m/s ² / 1,5 m/s ² |
| Стружење со лист за стружење | 1,1 m/s ² / 1,5 m/s ² | 1,9 m/s ² / 1,5 m/s ² |
| Кај други апликации, како на пример брусеење со делење или брусеење со четката со челична жица можат да се појават други вибрациски вредности! | | |


ПРЕДУПРЕДУВАЊЕ!

Нивото на вибрации и емисија на бучава дадени во овој информативен лист се измерени во согласност со стандардизиран метод на тестирање даден во EN 60745 и може да се користат за споредување на еден електричен алат со друг. Тие исто така може да се користат при првична проценка на изложеност.

Наведеното ниво на вибрации и емисија на бучава ја претставува главната примена на алатот. Сепак ако алатот се користи за поинакви примени, со поинаков прибор или лошо се одржува, вибрациите и емисијата на бучава може да се разликуваат. Тоа може значително да го зголеми нивото на изложеност преку целиот работен период.

Проценка на нивото на изложеност на вибрации и бучава треба исто така да се земе предвид кога е исклучен алатот или кога е вклучен, но не врши никаква работа. Тоа може значително да го намали нивото на изложеност преку целиот работен период.

Утврдете дополнителни безбедносни мерки за да се заштити операторот од ефектите на вибрациите и/или бучавата како на пр.: одржувајте го алатот и приборот, рацете нека ви бидат топли, организација на работните шеми.

 ПРЕДУПРЕДУВАЊЕ! Прочитајте ги сите безбедносни упатства и инструкции. Заборавање на почитувањето на безбедносните упатства и инструкции можат да предизвикаат електричен удар, пожар и/или тешки повреди.

Сочувајте ги сите безбедносни упатства и инструкции за во иднина.

БЕБЕДНОСНИ УПАТСТВА ЗА АГОЛНА СТРУГАЛКА

Заеднички безбедносни упатства за мазнење, мазнење со рапава хартија, работа со жичани четки, полирање и делење:

a) Овој електро-алат треба да се употребува како шлајферица, шлајферица со хартија за шмирглање, четка со жица и машина за брусеење со делење. Почитувајте ги сите безбедносни упатства, упатства за работа, прикази и податоци што ги добивате заедно со електричниот алат. Доколку не ги почитувате следните упатства, може да дојде до електричен удар, до пожар и/или до тешки повреди.

b) Овој електро-алат не е наменет за рапава хартија и за полирање. Секакви употреби, за кои овој алат не е предвиден, можат да предизвикаат загрозувања и повреди.

c) Не употребувајте прибор што не е предвиден и препорачан од производителот специјално за овој електро-алат. Доколку извесен прибор можете да го прицврстите на вашиот електричен алат, тоа не претставува гаранција за сигурно употреба.

ОСТАТОЧНИ ОПАСНОСТИ

Дури и при уредна употреба на машината, не може да се исклучат сите преостанати ризици. При употребата може да настанат следните опасности, на кои операторот треба особено да внимава:

- Повреди предизвикани како последица на вибрации. Држете ја алатката за рачките предвидени за тоа и ограничете го времето на работа и експозицијата.
- Изложеноста на бучава може да доведе до оштетување на слухот. Носете заштита за ушите и ограничете го траењето на експозицијата.
- Честичките нечистотија може да предизвикаат повреди на очите. Секогаш носете заштитни очила, долги пантолони, ракавици и цврсти чевли.
- Вдишување токсични прашина.

УПАТСТВА ЗА ЛИТИУМ-ЈОНСКИ БАТЕРИИ

Употреба на литиум-јонски батерии

Батриите кои не биле користени подолго време треба да се наполнат пред употреба.

Температура повисока од 50°C (122°F) го намалуваат траењето на батериите. Избегнувајте подолго изложување на батериите на високи температури или сонце (ризик од прегревање).

Клемите на полначот и батериите мора да бидат чисти.

За оптимален работен век батериите мора да се наполнат целосно по употреба.

За можно подолг век на траење, апаратите после нивното полнење треба да бидат извадени од апаратот за полнење на батериите.

Во случај на складирање на батеријата подолго од 30 дена:

Акумулаторот да се чува на температура од приближно 27°C и на суво место.

Акумулаторот да се складира на приближно 30%-50% од состојбата на наполнетост.

Акумулаторот повторно да се наполни на секои 6 месеци.

Заштита од преоптоварување на батеријата за литиум-јонски батерии

При преоптеретување на батеријата како резултат на мошне висока потрошувачка на струја, на пример екстремно високи вртежни моменти, ненадејно стопирање или краток спој, електро-алатот вибрира 5 секунди, приказот за полнење трепка и електро-алатот самостојно се исклучува.

За повторно вклучување ослободете го притискачот на прекинувачот, а потоа повторно вклучете. Во случај на екстремни оптоварувања батеријата се загрева премногу. Во таков случај трепкаат сите ламбички од приказот за полнење сè додека батеријата не се излади. По гаснење на приказот за полнење може да се продолжи со работа.

Транспорт на литиум-јонски батерии

Литиум-јонските батерии подлежат на законските одредби за транспорт на опасни материи.

Транспортот на овие батерии мора да се врши согласно локалните, националните и меѓународните прописи и одредби.

Потрошувачите на овие батерии може да вршат непречен патен транспорт на истите.

Комерцијалниот транспорт на литиум-јонски батерии од страна на шпедитерски претпријатија подлежат на одредбите за транспорт на опасни материи. Подготовките за шпедиција и транспорт треба да ги вршат исклучиво соодветно обучени лица. Целокупниот процес треба да биде стручно надгледуван.

При транспортот на батерии треба да се внимава на следното:

Осигурајте се дека контактите се заштитени и изолирани, а сето тоа со цел да се избегнат кратки споеви.

Внимавајте да не дојде до изместување на батериите во нивната амбалажа. Забранет е транспорт на оштетени или протечени литиум-јонски батерии. За лонатамошни инструкции обратете се до Вашето шпедитерско претпријатие.

РАБОТНИ УПАТСТВА

Заштита од преоптоварување и повратен удар

Апаратот располага со една заштитна функција за Overload и Anti Kickback и во случај на соодветно преоптоварување застанува со работа. Исклучете го алатот на струја, а потоа повторно вклучете го за да продолжите да работите.

Мазен старт

Електронски контролиран мазен старт за безбедно користење кој штити од почетното нагло задвижување на машината.

За алатите кои се наменати за опремување со шилесто тркало за дупчење, осигурете се дека жицата во тркалото е доволно долга за да ја прифати должината на вретеното.

Сечени и брусени плочи да се употребуваат и чуваат секогаш према податоците на производителот.

Во случај на груба обработка и пресекување секогаш се работи со заштитна капа.

На косо сечени листови за стружење мора да бидат монтирани на тој начин што нивната површина за стружење нема да излегува надвор од нивото на работ на заштитната хауба.

Шрафот за штелување мора да биде затегнат пред да се почне со работа со машината.

Секогаш користете ја помошната рачка.

Работни предмети кои што се обработуваат мора да бидат цврсто стегнати доколку не се држи со самата своја тежина. Работните предмети никогаш да не се водат рачно према плочата.

Пред пуштањето во погон на машината навртката со прирабница треба да биде цврсто затегната. Ако вметнатиот алат не е зацврстен со навртка со прирабница постои можност вметнатиот алат при заочување да ја изгуби потребната сила на затегнување.

ЧИШЕЊЕ



Вентилациските отвори на машината мора да бидат комплетно отворени постојано.







ОДРЖУВАЊЕ

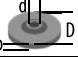
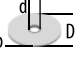


Користете само Milwaukee додатци и резервни делови. Доколку некои од компонентите кои не се опишани треба да бидат заменети, Ве молиме контактирајте ги сервисните агенти на Milwaukee (консултирајте ја листата на адреси).

Доколку е потребно можно е да биде набавен детален приказ на алатот. Ве молиме наведете го бројот на артиклет како и типот на машина кој е отпечатен на етикетата и порачајте ја скицата кај локалниот застапник или директно кај: Techtronic Industries GmbH, Max-Eyth-Straße 10, 71364 Winnenden, Germany.

СИМБОЛИ

| | |
|---|--|
|  | Ве молиме пред да ја стартувате машината обрнете внимание на упатствата за употреба. |
|  | ВНИМАНИЕ! ПРЕДУПРЕДУВАЊЕ! ОПАСНОСТ! |
|  | Извадете го батерискиот склоп пред отпочнување на каков и да е зафат врз машината. |
|  | Штитникот немојте да го користите за отсекување. |
|  | Не употребувајте сила. |
|  | Примени сила. |
|  | Секогаш при користење на машината носете ракавици. |
|  | Носете штитник за уши. |
|  | Не ја вдишувајте. Носете соодветна заштитна маска. |
|  | Носете ракавици! |
|  | Секогаш работете со обете раце. |
|  | Само за работи на брусеење. |
|  | Само за работи на сечење. |
|  | Внимавајте на дозволената дебелина на дискот. |
|  | Дополнителна опрема - Не е вклучена во стандардната, а достапна е како додаток. |
|  | Електричните апарати не смеат да се фрлат заедно со домашниот отпад. Електричните и електронските апарати треба да се собираат одделно и да се однесат во соодветниот погон заради нивно фрлање во склад со начелата за заштита на околината. Информирајте се кај Вашите местни служби или кај специјализираниот трговски претставник, каде има такви погони за рециклажа и собирни станици. |
| n_0 | Номинална брзина |

| | |
|---|----------------------------------|
|  | Напон |
|  | Истосмерна струја |
|  | Европска ознака за сообразност |
|  | Британска ознака за сообразност |
|  | Украинска ознака за сообразност |
|  | Евроазиска ознака за сообразност |

| ТЕХНІЧНІ ХАРАКТЕРИСТИКИ | M18 FSAG115X | M18 FSAG125X |
|---|---|---|
| Тип конструкції | Акумуляторна кутова шліфувальна машина | Акумуляторна кутова шліфувальна машина |
| Номер виробу | 4830 49 01 XXXXXX MJJJJ | 4830 56 01 XXXXXX MJJJJ |
| Напруга змінної акумуляторної батареї | 18 V | 18 V |
| Номинальна кількість обертів | 8500 min ⁻¹ | 8500 min ⁻¹ |
| Різьба шпинделя | M14 | M14 |
| D=Ø шліфувального диску макс. | 115 mm | 125 mm |
| d=Ø отвору | 22,2 mm | 22,2 |
|  b=Товщина шліфувального диску макс. | 6 mm | 6 mm |
|  b=Товщина відрізного диску макс. /мін. | 3 mm / 1 mm | 3 mm / 1 mm |
|  D=Dіаметр шліфувального диска макс. | 115 mm | 125 mm |
|  D=Ø чашкової щітки макс. | 75 mm | 75 mm |
| Вага згідно з процедурою EPTA 01/2014 (Li-Ion 2,0 Ah ... 12,0 Ah) | 2,4 ... 3,4 kg | 2,4 ... 3,5 kg |
| Температура навколишнього середовища, рекомендована для експлуатації | -18 ... +50 °C | |
| Рекомендовані акумулятори | M18B...; M18HB... | |
| Рекомендовані зарядні пристрої | M12-18...; M1418C6 | |
| Інформація про шум: Вимірні значення визначені згідно з EN 60745. Рівень шуму "А" приладу становить в типовому випадку: | | |
| Рівень звукового тиску / похибка К = | 82,7 dB(A) / 3 dB(A) | 82,7 dB(A) / 3 dB(A) |
| Рівень звукової потужності / похибка К = | 93,7 dB(A) / 3 dB(A) | 93,7 dB(A) / 3 dB(A) |
| Використовувати засоби захисту органів слуху! | | |
| Інформація щодо вібрації: Сумарні значення вібрації (векторна сума трьох напрямків), встановлені згідно з EN 60745. | | |
| Значення вібрації a _n / похибка К = | | |
| Шліфування поверхні | 4,8 m/s ² / 1,5 m/s ² | 5,5 m/s ² / 1,5 m/s ² |
| Шліфування диском з абразивної шкірки | 1,1 m/s ² / 1,5 m/s ² | 1,9 m/s ² / 1,5 m/s ² |
| Для інших робіт, наприклад, відрізного шліфування або шліфування щіткою із сталевого дроту, можуть мати місце інші значення вібрації! | | |

ПОПЕРЕДЖЕННЯ!

Заявлені значення шумового випромінювання, вказані в цьому інформаційному аркуші, було виміряно відповідно до стандартизованого випробування згідно з EN 60745 та можуть використовуватися для порівняння одного інструмента з іншим. Вони також можуть використовуватися для попередньої оцінки рівня впливу на організм.

Вказані значення вібрації та шумового випромінювання дійсні для основних областей застосування інструмента. Якщо інструмент використовується в інших областях застосування чи з іншим приладом або не проходить належне обслуговування, значення вібрації та шумового випромінювання можуть відрізнятись. Це може суттєво збільшити рівень впливу на організм протягом загального періоду роботи.

Під час оцінки рівня впливу вібрації та шумового випромінювання на організм також необхідно врахувати періоди, коли інструмент вимкнено, чи коли він працює, але фактично не використовується для виконання роботи. Це може суттєво знизити рівень впливу на організм протягом загального періоду роботи.

Визначте додаткові заходи для захисту оператора від впливу вібрації та/або шуму, наприклад, обслуговування інструмента та його приладдя, зберігання рук у теплі, організація графіків роботи.

ПОПЕРЕДЖЕННЯ! Прочитайте всі вказівки з техніки безпеки та інструкції. Упущення при дотриманні вказівок з техніки безпеки та інструкцій можуть призвести до ураження електричним струмом, пожежі та/або тяжких травм.

Зберігайте всі вказівки з техніки безпеки та інструкції на майбутнє.

ВКАЗІВКИ З ТЕХНІКИ БЕЗПЕКИ ДЛЯ КУТОВИХ ШЛІФУВАЛЬНИХ МАШИН

Загальні вказівки з техніки безпеки для шліфування, шліфування з наждачним папером, робіт з дротяними щітками та відрізного шліфування:

a) Цей електроінструмент використовується як шліфувальна машина, шліфувальна машина з наждачним папером, дротяна щітка та відрізна шліфувальна машина. Звертайте увагу на всі вказівки з техніки безпеки, вказівки, зображення та дані, які ви отримуєте з приладом. Недотримання наведених далі інструкцій може спричинити ураження електричним струмом, пожежу та/або тяжкі травми.

b) Цей електроінструмент не призначений для полірування. Використання для цієї, не передбаченої для цього електроінструменту, може спричинити небезпеку та травми.

c) Не використовуйте комплектуючі, які не передбачені або не рекомендовані виробником спеціально для цього електроінструменту. Той факт, що комплектуючі вдається закріпити в електроінструменті, ще не гарантує їх безпечного використання.

d) Допустима кількість обертів вставного інструмента має бути не меншою, ніж максимальна кількість обертів, вказана на електроінструменті. Комплектуючі, що обертаються швидше, ніж дозволено, можуть зламатися і відлетіти.

e) Зовнішній діаметр та товщина вставного інструмента повинні відповідати даним вашого електроінструмента. Неправильний розмір вставних інструментів може бути причиною того, що вони недостатньо закриті захисними пристроями або їх важко контролювати.

f) Вставні інструменти з нарізною вставкою повинні точно підходити до різьби шліфувального шпинделя машини. У вставних інструментах, що монтується за допомогою фланців, діаметр отвору вставного інструмента має підходити до кріпильного фланця. Вставні інструменти, які не точно кріпляться на вставному інструменті, обертаються не рівномірно, сильно вібрують і можуть привести до втрати контролю.

g) Не використовувати пошкоджені вставні інструменти. Перед кожним використанням перевіряйте вставні інструменти, наприклад, шліфувальні диски, на наявність сколів та тріщин, шліфувальні тарілчасті диски на наявність тріщин, ознаки зносу або сильного стирання, дротяні щітки на наявність незакріплених або поламаних дротів. Якщо електроінструмент або вставний інструмент вправ, перевірте, чи він не пошкоджений, або використовуйте непошкоджений вставний інструмент. Якщо ви перевірили та встановили вставний інструмент, вам та особам, які знаходяться поблизу, необхідно триматися поза зоною дії вставного інструменту, що обертається, і нехай електроінструмент одну хвилину працює з максимальною частотою обертів. Пошкоджені вставні інструменти у більшості випадків ламаються під час такого випробування.

h) Носити індивідуальні засоби захисту. Залежно від виду робіт користуватися маскою для захисту всього обличчя, засобом для захисту очей або захисними окулярами. Якщо необхідно, одягніть маску для захисту від пилу, засоби захисту органів слуху, захисні рукавиці або спеціальний фартук, який затримує малі частинки від шліфування та часточки матеріалу. Необхідно захищати очі від часточок та деталей, що можуть відлітати під час різних видів застосувань. Фільтруюча захисна маска або маска для захисту від пилу необхідні для фільтрації пилу, що виникає під час роботи. Якщо на органи слуху тривалий час діє гучний шум, це може призвести до втрати слуху.

i) Зверніть увагу, що інші особи мають дотримуватися безпечної відстані від вашої робочої області. Кожний, хто входить в робочу область, повинен одягти індивідуальні засоби захисту. Частинки заготовки або уламки вставних інструментів можуть відлітати та спричинити травми навіть за межами безпосередньої робочої області.

j) Під час виконання робіт тримайте електроінструмент за ізольовані поверхні рукояток, якщо вставний інструмент може натрапити на приховані електричні лінії. Контакт з лінією під напругою може призвести до появи напруги в металевих частинах приладу та до ураження електричним струмом.

k) Ніколи не кладіть електроінструмент, доки вставний інструмент не зупиниться повністю. Вставний інструмент, який обертається, може зіткнутися із поверхнею стійки, що може призвести до втрати контролю над електроінструментом.

l) Не вмикайте електроінструмент під час перенесення. Через випадкове торкання вставний інструмент, який обертається, може зачепити ваш одяг, а також врізатися в тіло.

m) Регулярно чистити вентиляційні отвори електроінструменту. Вентилятор двигуна втягує в корпус пил, велике скупчення металевого пилу може призводити до небезпеки, пов'язаної з електричними приладами.

n) Не користуйтеся електроінструментом поблизу горючих матеріалів. Іскри можуть призвести до займання матеріалів.

o) Не використовувати вставні інструменти, які вимагають рідких засобів для охолодження. Використання води або інших рідких охолоджувальних засобів може призвести до ураження електричним струмом.

Віддача та відповідні вказівки з техніки безпеки

Віддача - це раптова реакція внаслідок затинання або блокування вставного інструменту, який обертається, наприклад, шліфувального диску, шліфувального тарілчастого диску, дротяної щітки та ін. Заклинювання або блокування веде до раптової зупинки вставного інструмента, який обертається. Внаслідок цього неконтрольований електроінструмент отримує прискорення в напрямку, протилежному напрямку обертання вставного інструмента в точці блокування.

Коли, наприклад, шліфувальний диск заклинюється або блокується в заготовці, край шліфувального диска, який занурений в заготовку, може зачепитися і зірвати шліфувальний диск або спричинити віддачу. Шліфувальний диск після цього рухається в напрямку до оператора або від нього, залежно від напрямку обертання диска в точці блокування. Шліфувальні диски можуть в цьому випадку також зламатися.

Віддача є наслідком неправильного або помилкового використання електроінструмента. Її можна попередити відповідними запобіжними заходами, як описано нижче.

a) Міцно тримати електроінструмент, тіло та руки мають бути в такому положенні, при якому вони можуть компенсувати сили віддачі. Завжди використовувати додаткову рукоятку, якщо вона є, щоб в максимальній мірі контролювати сили віддачі або зворотні моменти при розгоні. Користувач може відповідними запобіжними заходами управляти віддачею та зворотними силами.

b) Ніколи не наближати руки до вставних інструментів, які обертаються. Приладдя може відскочити в бік вашої руки.

c) Триматися за межми ділянки, куди рухається електроінструмент при віддачі. Віддача спрямовує електроінструмент в напрямку, протилежному напрямку руху шліфувального диска в місці блокування.

d) Особливо обережно слід працювати на ділянках кутів, гострих кромок та ін. Запобігайте відскакуванню від заготовки та заклинюванню вставних інструментів. Вставний інструмент, який обертається, може заклинюватися на кутах, гострих кромках або при відскоках. Це призводить до втрати контролю та до віддачі.

e) Не використовувати ланцюгове або зубчасте пилкове полотно. Такі вставні інструменти часто спричиняють віддачу або втрату контролю над електроінструментом.

Особливі вказівки з техніки безпеки для шліфування та відрізного шліфування:

a) Використовувати виключно шліфувальні круги, допущені для вашого електроінструмента, та захисний кожух, передбачений для цих шліфувальних інструментів. Шліфувальні інструменти, не передбачені для електроінструмента, не можуть бути в достатній мірі закриті; вони небезпечні.

b) Вигнуті шліфувальні диски монтувати так, щоб шліфувальна поверхня не виходила за рівень краю захисного кожуха. Неправильно змонтований шліфувальний диск, який виходить за рівень краю захисного кожуха, не може бути достатньо захищений.

c) Захисний кожух необхідно надійно закріпити на електроінструменті та для максимальної безпеки регулювати так, щоб відкритою у напрямку оператора була найменша частина шліфувального інструменту. Захисний щиток допомагає захистити оператора від уламків диска, від випадкового контакту з диском, а також від іскор, які можуть спричинити займання одягу.

СИМВОЛИ

| | |
|-------|---|
| | Уважно прочитайте інструкцію з експлуатації перед введенням приладу в дію. |
| | УВАГА! ПОПЕРЕДЖЕННЯ! НЕБЕЗПЕЧНО! |
| | Перед будь-якими роботами на приладі виїняти змінну акумуляторну батарею. |
| | Не використовуйте захисний щиток для операцій відрізання. |
| | Не застосовувати силу. |
| | Застосувати силу. |
| | Під час роботи з машиною завжди носити захисні окуляри. |
| | Користуйтеся засобами захисту органів слуху. |
| | Носити відповідну маску для захисту від пилу. |
| | Носити захисні рукавиці! |
| | Завжди працюйте двома руками. |
| | Тільки для робіт зі шліфування. |
| | Тільки для робіт з відрізання. |
| | Звертайте увагу на допустиму товщину диска. |
| | Комплектуючі - не входять в обсяг постачання, рекомендовані доповнення з програми комплектуючих. |
| | Електричні прилади не можна утилізувати з побутовими відходами. Електричні та електронні прилади необхідно збирати окремо та здавати в спеціалізовані підприємства для утилізації, що не шкодить навколишньому середовищу. Зверніться до місцевих органів або до вашого дилера, щоб отримати адреси пунктів вторинної переробки та пунктів прийому. |
| n_0 | Номинальна кількість обертів |
| V | Напруга |

| | |
|--|---------------------------------|
| | Постійний струм |
| | Європейський знак відповідності |
| | Британський знак відповідності |
| | Український знак відповідності |
| | Євразійський знак відповідності |

| | |
|--|--------------------------|
| | التيار المستمر |
| | علامة التوافق الأوروبية |
| | علامة التوافق البريطانية |
| | علامة التوافق الأوكرانية |
| | علامة التوافق الآسيوية |

| | |
|-------|--|
| | يرجى قراءة التعليمات بعناية قبل بدء تشغيل الجهاز. |
| | تنبيه! تحذير! خطر! |
| | انزع البطارية قبل التعامل مع الجهاز. |
| | لا تستخدم الواقي لإجراء عمليات القطع. |
| | لا تستخدم القوة. |
| | استخدم القوة. |
| | ارتد دائما نظارات الوقاية عند استخدام الجهاز. |
| | ارتد واقيات الأذن. |
| | لا تستنشق هذه الأتربة. ارتد قناعاً واقياً من الأتربة مناسباً. |
| | ارتد القفازات! |
| | احرص دائماً على التشغيل بكتنا يدك. |
| | مخصصة لأعمال التجليخ فقط |
| | مخصصة لأعمال القطع فقط |
| | انتبه إلى سُمك القرص المسموح به. |
| | الملحق - ليس مدرجاً كمعدة قياسية، متوفر كملحق. |
| | يحظر التخلص من الأجهزة الكهربائية في القمامة المنزلية. يجب جمع الأجهزة الكهربائية والإلكترونية منفصلة وتسليمها للتخلص منها بشكل لا يضر بالبيئة لدى شركة إعادة استغلال. الرجاء الاستفسار لدى الهيئات المحلية أو لدى التجار المتخصصين عن مواقع إعادة الاستغلال ومواقع الجمع. |
| n_0 | الحد الأقصى للسرعة المقطرة |
| V | الجهد الكهربائي |

| M18 FSAG125X | M18 FSAG115X | البيئات الفنية |
|---|---|---|
| جلاخة زاويا لاسلكية | جلاخة زاويا لاسلكية | الطراز |
| 4830 56 01 XXXXXX MJJJJ | 4830 49 01 XXXXXX MJJJJ | إنتاج عدد |
| 18 V | 18 V | فولطية البطارية |
| 8500 min ⁻¹ | 8500 min ⁻¹ | الحد الأقصى للسرعة المقطرة |
| M14 | M14 | سن عامود دوران التشغيل |
| 125 mm | 115 mm | D=قطر اسطوانة الجليخ الحد الأقصى |
| 22,2 | 22,2 mm | d=الثقوب الضيقة-Ø |
| 6 mm | 6 mm | b=سمك قرص التجليخ الحد الأقصى |
| 3 mm / 1 mm | 3 mm / 1 mm | b=سمك قرص الفصل الحد الأقصى / الحد الأدنى |
| 125 mm | 115 mm | D=قطر قرص الترميل الحد الأقصى |
| 75 mm | 75 mm | D=قطر الفرشاة السلك الحد الأقصى |
| 2,4 ... 3,5 kg | 2,4 ... 3,4 kg | الوزن وفقا لنهج EPTA رقم 01/2014 (Li-Ion 2,0 Ah ... 12,0 Ah) |
| -18 ... +50 °C | | درجة حرارة البيئة المحيطة المنصوح بها من أجل التشغيل |
| M18B...; M18HB... | | البطاريات المنصوح بها |
| M12-18...; M1418C6 | | جهاز الشحن المنصوح به |
| 82,7 dB(A) / 3 dB(A) | 82,7 dB(A) / 3 dB(A) | معلومات الضوضاء: القيم التي تم قياسها محددة وفقا للمعايير الأوروبية EN 60745 مستويات ضوضاء الجهاز، ترجيح أ بشكل نموذجي كالتالي: |
| 93,7 dB(A) / 3 dB(A) | 93,7 dB(A) / 3 dB(A) | مستوى ضغط الصوت / الارتياح في القياس |
| | | مستوى شدة الصوت / الارتياح في القياس |
| | | ارتد واقيات الأذن! |
| | | معلومات الاهتزاز: قيم الذبذبات الإجمالي (مجموع الكميات الموجبة في المحاور الثلاثة) محددة وفقا للمعايير الأوروبية EN 60745. |
| | | قيمة انبعاث الذبذبات a _n / الارتياح في القياس |
| 5,5 m/s ² / 1,5 m/s ² | 4,8 m/s ² / 1,5 m/s ² | جليخ الأسطح |
| 1,9 m/s ² / 1,5 m/s ² | 1,1 m/s ² / 1,5 m/s ² | تجليخ بورقة تجليخ |
| | | بالنسبة للتطبيقات الأخرى، مثل عمليات القطع الكاشطة أو الفرشاة السلكية قد تحدث قيم ذبذبات أخرى. |

تحذير!

تم قياس مستوى الاهتزاز وانبعاث الضوضاء الوارد في ورقة المعلومات هذه، وفقاً لاختبار قياسي محدد في المواصفة EN 60745، ويمكن استخدامه لمقارنة آلة مع أخرى. كما يمكن استخدام ذلك أيضاً في إجراء تقييم أولي للتعرض.

يمثل مستوى الاهتزاز وانبعاث الضوضاء المعن عن الاستخدامات الأساسية للآلة. ومع ذلك، إذا استُعملت الآلة في استخدامات مختلفة، أو بملحقات مختلفة، أو تم صيانتها على نحو سيئ، فقد يختلف مستوى الاهتزاز وانبعاث الضوضاء. وهذا قد يزيد -إلى حد كبير- من مستوى التعرض خلال مدة العمل الإجمالية.

عند تقييم مستوى التعرض للاهتزاز والضوضاء، ينبغي أيضاً أن يوضع في الاعتبار فترات إطفاء الآلة أو تشغيلها دون أن تقوم بأي وظيفة فعلياً. فهذا قد يقلل -إلى حد كبير- من مستوى التعرض خلال مدة العمل الإجمالية.

تعرف على تدابير السلامة الإضافية؛ لحماية المشغل من تأثيرات الاهتزاز أو الضوضاء أو كليهما، مثل: صيانة الآلة وملحقاتها، والحفاظ على دفة اليد، وتنظيم نماذج العمل.

تحذير!

اقرأ جميع تحذيرات السلامة وجميع التعليمات، بما فيها. قد يؤدي الفشل في مراعاة التحذيرات والتعليمات إلى التعرض للإصابة بصدمة كهربية أو الحرق و/أو إصابة خطيرة.

احتفظ بجميع التنبيهات والتعليمات للرجوع إليها مستقبلاً.

تعليمات امان جلاخة الزاوية

تحذيرات السلامة الشائعة للجليخ والصنفرة، والفرشاة السلوكية والتلميع، وعمليات القطع الكاشطة:

(a) تم تصميم هذه الآلة الكهربائية لتعمل كجلاخة، أو فرشاة سلوكية، أو كأداة قطع. اقرأ جميع تحذيرات السلامة، والتعليمات، والصور التوضيحية والمواصفات المتوفرة مع هذه الأداة. قد يؤدي عدم مراعاة التعليمات المدرجة أدناه إلى التعرض للإصابة بصدمة كهربية أو الحرق و/أو إصابة خطيرة.

(b) هذه الآلة الكهربائية غير مخصصة للتلميع قد تتسبب العمليات التي لم يتم تصميم الآلة الكهربائية لها في مخاطر كما قد تسبب التعرض للإصابة الشخصية.

(c) لا تستخدم الملحقات غير المصممة لهذه الآلة والتي لم يوصى بها المصنّع. نظراً لأنه يمكن تركيب أحد الملحقات بالآلة الكهربائية الخاصة بك، فإنه لا يمكن ضمان التشغيل الآمن.

(d) يتعين أن تساوي السرعة المقطرة لقطع الملحقات على الأقل الحد الأعلى للسرعة المحددة على الآلة الكهربائية. فقد يؤدي تشغيل الملحقات بسرعة أعلى من السرعة المقطرة لها إلى كسرها أو تفتتها وتناثر شظاياها.

EC-DECLARATION OF CONFORMITY

We declare as the manufacturer under our sole responsibility that the product described under "Technical Data" fulfills all the listed below relevant regulations and the directives and harmonized standards have been used.

CE-KONFORMITÄTSEKHLÄRUNG

Wir erklären als Hersteller in alleiniger Verantwortung, dass das unter „Technische Daten“ beschriebene Produkt mit allen relevanten Vorschriften der nachgeführten aufgeführten Richtlinie und harmonisierten normativen Dokumenten übereinstimmt.

DÉCLARATION CE DE CONFORMITÉ

Nous déclarons en tant que fabricant et sous notre seule responsabilité, que le produit décrit dans « Données techniques » est conforme à toutes les dispositions pertinentes des directives et documents normatifs harmonisés mentionnés ci-après.

DICHAZIONE DI CONFORMITÀ CE

In qualità di produttore dichiariamo sotto la nostra esclusiva responsabilità che il prodotto descritto nei "Dati tecnici" è conforme a tutte le disposizioni pertinenti delle direttive e dei documenti normativi armonizzati di seguito indicati.

DECLARACION DE CONFORMIDAD CE

Declaramos como fabricante y bajo nuestra responsabilidad que el producto descrito bajo "Datos técnicos" está en conformidad con las normas relevantes de las directivas, normas o documentos normalizados detallados a continuación.

DECLARAÇÃO DE CONFORMIDADE CE

Como fabricante, declaramos sob responsabilidade exclusiva, que o produto descrito sob "Dados Técnicos" corresponde com todas as disposições relevantes das diretivas abaixo e dos documentos normativos harmonizados.

EC - VERKLARING VAN OVEREENSTEMMING

Wij als fabrikant verklaren in uitsluitende verantwoording dat het onder "Technische gegevens" beschreven product overeenstemt met alle relevante voorschriften van de onderstaand vermelde richtlijnen en geharmoniseerde normatieve documenten.

CE-KONFORMITETSERKLÆRING

Vi erklærer som producent og eneansvarlig, at produktet, der er beskrevet under "Tekniske data", er i overensstemmelse med alle relevante bestemmelser i henhold til nedenstående direktiver og harmoniserede normative dokumenter.

CE-SAMSVARSERKLÆRING

Vi erklærer under eget ansvar at produktet som beskrives under « Tekniske data » samsvarer med alle relevante forskrifter i direktivene og de harmoniserede normative dokumentene som står oppført nedenfor.

CE-FÖRSÄKRAN

Vi som tillverkare intygar och ansvarar för att den produkt som beskrivs under "Tekniska data" överensstämmer med alla relevanta bestämmelser i de nedan angivna direktiven och harmoniserade normerande dokument.

TODISTUS CE-STANDARDINMUKAISUUDESTA

Vakuutamme valmistajan ominaisuudessa yksinvastuullisesti, että kohdassa "Tekniset tiedot" kuvattu tuote vastaa seuraavassa luettelujen direktiivien kaikkia sitä koskevia määräyksiä ja harmonisointuja standardisoivia asiakirjoja.

ΑΝΩΣΗ ΠΙΣΤΟΤΗΤΑΣ ΕΚ

Ως κατασκευαστής δηλώνουμε υπεύθυνα ότι το προϊόν που περιγράφεται στο κεφάλαιο «Τεχνικά Χαρακτηριστικά» είναι συμβατό με όλες τις σχετικές διατάξεις των Κοινοτικών Οδηγιών και εναρμονισμένων κανονιστικών εγγράφων που αναφέρονται παρακάτω.

CE UYGUNLUK BEYANI

Üretici sıfatıyla tek sorumlu olarak "Teknik Veriler" bölümünde tarif edilen ürünün aşağıdaki direktifler ve harmonize temel belgelerin bütün önemli hükümlerine uygun olduğunu beyan etmekteyiz.

CE-PROHLÁŠENÍ O SHODĚ

My jako výrobce výhradně na vlastní zodpovědnost prohlašujeme, že se výrobek popsáný v "Technických údajích" shoduje se všemi relevantními předpisy níže uvedených směrnic a harmonizovanými normativními dokumenty.

CE - VYHLÁŠENIE KONFORMITY

My ako výrobca výhradne na vlastnú zodpovednosť vyhlasujeme, že výrobok popísaný v "Technických údajoch" sa zhoduje so všetkými relevantnými predpismi následne uvedených smerníc a harmonizujúcimi normatívnymi dokumentmi.

DEKLARACJA ZGODNOŚCI CE

Jako producent oświadczamy na naszą wyłączną odpowiedzialność, że produkt opisany w punkcie „Dane techniczne” jest zgodny ze wszystkimi istotnymi przepisami wymienionych poniżej Dyrektyw oraz z następującymi zharmonizowanymi dokumentami normatywnymi.

CE-AZONOSSÁGI NYILATKOZAT

Gyártóként egyvedűlő felelősséggel kijelentjük, hogy a „Műszaki Adatok” alatt leírt termék a következőkben felsorolt irányelvek minden releváns előírásának és a harmonizált normatív dokumentumoknak megfelelően.

CE-IZJAVA O KONFORMNOSTI

Kot proizvajalec izjavljamo na svojo izključno odgovornost, da je izdelek, opisan pod "Tehnični podatki", v skladu z vsemi ustreznimi določbami smernic in usklajenimi normativnimi dokumenti, navedenimi spodaj.

CE-IZJAVA KONFORMNOSTI

Mi kao proizvođač izjavljamo na osobnu odgovornost, da je proizvod, opisan pod "Tehnički podaci", sukladan sa svim relevantnim propisima i u nastavku navedenim smjernicama i harmoniziranim normativima dokumenata.

ATBILSTĪBA CE NORMĀM

Mēs kā ražotājs un vienīgā atbildīgā persona apliecinām, ka "Tehniskajos datos" raksturloais produkts atbilst visām attiecīgajām turpmāk minēto direktīvu normām un saskaņotajiem normatīvajiem dokumentiem.

CE ATITIKTIES PAREIŠKIMAS

Kaip gamintojas atsakingai pareiškiame, kad gaminys, aprašytas skyriuje „Techniniai duomenys“, atitinka visus toliau išvardytų direktivų ir darniųjų norminių dokumentų taikomus reikalavimus.

EŪ VASTAVUSAVALDUS

Kinnitame tootjana ainuisikuliselt vastutades, et jaotises „Tehnilised andmed“ kirjeldatud toode on kooskõlas allpool nimetatud direktiivide asjaomaste eeskirjade ja ühtlustatud normdokumentidega.

ДЕКЛАРАЦИЯ О СООТВЕТСТВИИ СТАНДАРТАМ ЕС

Под собственную ответственность мы как производитель заявляем о том, что описанное в разделе «Технические характеристики» изделие отвечает всем соответствующим требованиям нижеперечисленных директив и гармонизированных нормативных документов.

CE - DEKLARACIJA ZA SŌTVESTVIE

В качеството си на производител декларираме на собствена отговорност, че продуктът, описан в „Технически данни“, отговаря на всички съответстващи разпоредби на изброените по-нататък директиви и хармонизирани нормативни документи.

DECLARAȚIE DE CONFORMITATE

În calitate de producător declarăm pe propria răspundere că produsul descris în "Date tehnice" este în concordanță cu toate prevederile legale relevante ale următoarelor directive și norme armonizate.

ЕУ-ДЕКЛАРАЦИЈА ЗА СООБРАЗНОСТ

Како производител, изјавуваме под целосна одговорност дека „Техничките податоци“ подолу го опишуваат производот со сите релевантни одредби од наведените регулативи и се усогласени со хармонизираните регулаторни документи.

СЕРТИФИКАТ ВІДПОВІДНОСТІ ВИМОГАМ ЄС

Як виробник, ми заявляємо на власну відповідальність, що виріб, описаний у "Технічних даних", відповідає всім застосовним положенням директив та гармонізованим нормативним документам, наведеним нижче.

إعلان المطابقة - الإتحاد الأوروبي

موجب هذا نقر نحن كشركة منتجة على مسؤوليتنا المفردة، أن المنتج الموصوف تحت "البيانات الفنية" يتطابق مع جميع التعليمات الهامة للمعايير ومستندات التوافق المعياري المذكورة فيما يلي.

2011/65/EU (RoHS)
2014/30/EU
2006/42/EC

EN 60745-1:2009+A11:2010
EN 60745-2-3:2011+A2:2013+A11:2014+A12:2014+A13:2015
EN 55014-1:2017+A11:2020
EN 55014-2:2015
EN IEC 63000:2018

Winnenden, 2021-01-14

Alexander Krug
Managing Director



Authorized to compile the technical file
Bevollmächtigt die technischen Unterlagen zusammenzustellen.
Autorisé à compiler la documentation technique.
Autorizzato alla preparazione della documentazione tecnica
Autorizado para la redacción de los documentos técnicos.
Gemachtigd voor samenstelling van de technische documenten
Autoriseret til at udarbejde de tekniske dokumenter.
Autoriseret til at samarbejde den tekniske dokumentasjonen
Befullmäktigad att sammanställa teknisk dokumentation.
Valtuutettu kokoamaan tekniset dokumentit.
Εξουσιοδοτημένος να συντάξει τον τεχνικό φάκελο.
Teknik evrakları hazırlamakla görevlendirilmiştir.
Zplnomocněn k sestavování technických podkladů.
Splnomocnený zostaviť technické podklady.
Upeinomocniony do zestawienia danych technicznych
Műszaki dokumentáció összeállításra felhatalmazva
Rooblaščten za izdelavo spisov tehnične dokumentacije.
Ovlašten za formiranje tehničke dokumentacije.
Pilnvarotais tehniskās dokumentācijas sastādītānā.
Įgaliotas parengti techninius dokumentus.
On volitatud koostama tehnilist dokumentatsiooni.
Уполномочен на составление технической документации.
Упълномощен за съставяне на техническата документация
İmputernicit să elaboreze documentația tehnică.
Ополномоштен за составување на техничката документација.
Уповноважений із складання технічної документації.

معتمدة للمطابقة مع الملف الفني

GB-DECLARATION OF CONFORMITY

We declare as the manufacturer under our sole responsibility that the product described under "Technical Data" fulfills all the listed below relevant regulations and that the following designated standards have been used.

S.I. 2008/1597 (as amended)
S.I. 2016/1091 (as amended)
S.I. 2012/3032 (as amended)

BS EN 60745-1:2009+A11:2010
BS EN 60745-2-3:2011+A13:2015
BS EN 55014-1:2017+A11:2020
BS EN 55014-2:2015
BS EN IEC 63000:2018

Winnenden, 2021-01-14

Alexander Krug
Managing Director

Authorized to compile the technical file

Techtronic Industries GmbH
Max-Eyth-Straße 10
71364 Winnenden
Germany

Copyright 2021
Techtronic Industries GmbH
Max-Eyth-Straße 10
71364 Winnenden
Germany
+49 (0) 7195-12-0
www.milwaukeeetool.eu

Techtronic Industries (UK) Ltd
Fieldhouse Lane
Marlow Bucks SL7 1HZ
UK

(02.21)

4931 4256 22