

SPLIT-TYPE AIR CONDITIONERS

OUTDOOR UNIT

No. OBB828

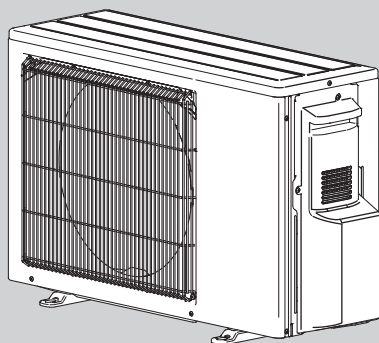
PARTS CATALOG

Models

MXZ-2HA40VF - E1, ET1

MXZ-2HA50VF - E1, ET1

MXZ-3HA50VF - E1, ET1



MXZ-2HA40VF
MXZ-2HA50VF

CONTENTS

1. SERVICE PARTS LIST..... 2
2. OPTIONAL PARTS..... 10

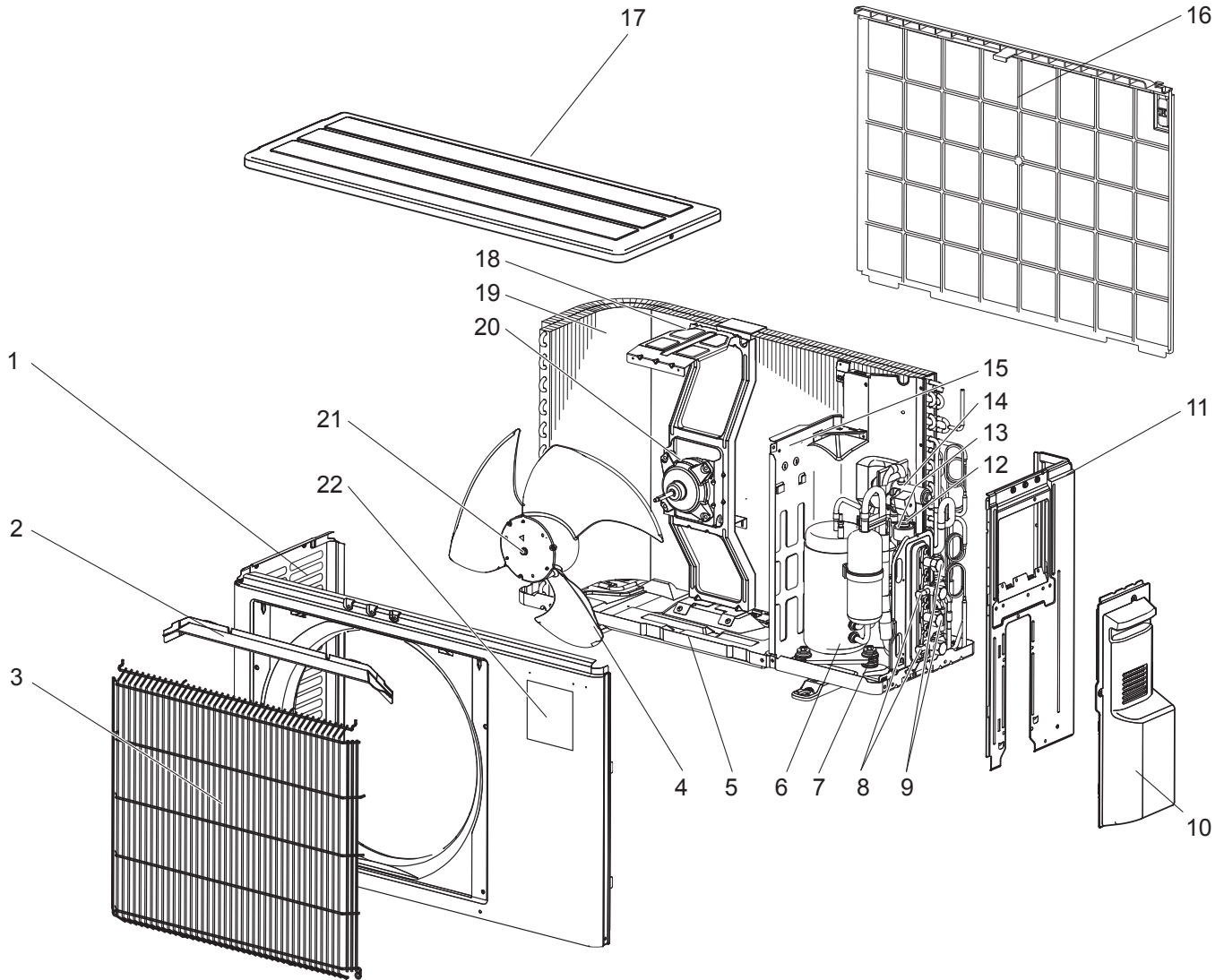
SERVICE MANUAL (OBH828)

1

SERVICE PARTS LIST

MXZ-2HA40VF MXZ-2HA50VF

1-1. OUTDOOR UNIT STRUCTURAL PARTS AND FUNCTIONAL PARTS

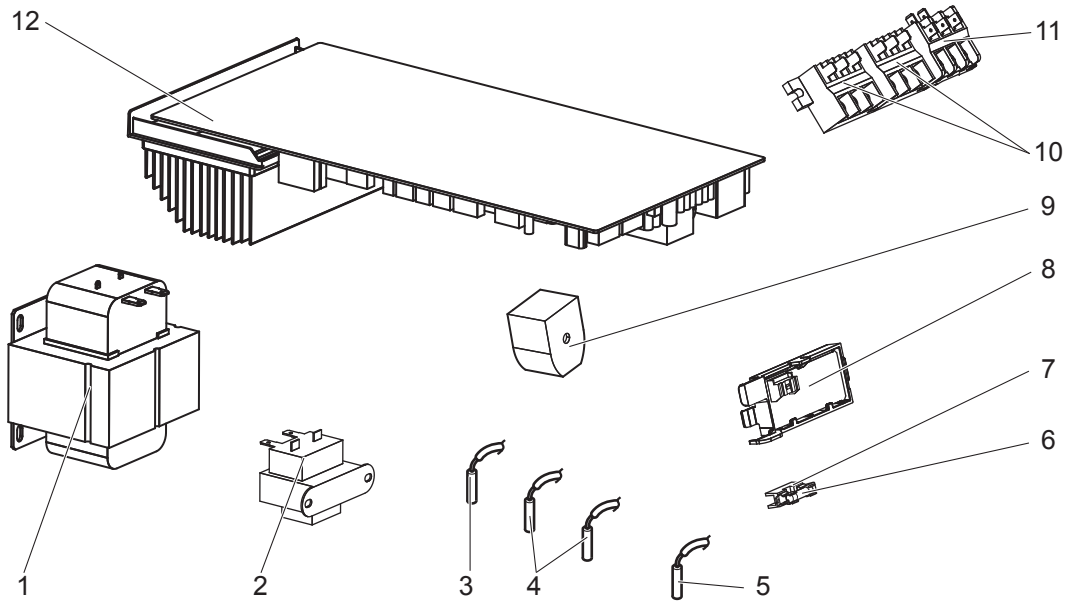


1-1. OUTDOOR UNIT STRUCTURAL PARTS AND FUNCTIONAL PARTS

Part numbers that are circled are not shown in the illustration.

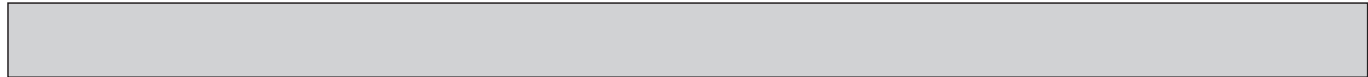
No.	Part No.	Part Name	Symbol In Wiring Diagram	Q'ty/unit				Remarks
				MXZ-				
				2HA40VF-		2HA50VF-		
E1	ET1	E1	ET1					
1	E22 J63 232	CABINET		1	1	1	1	
2	E22 J63 531	ICE GUARD		1	1	1	1	
3	E22 J63 521	GRILLE		1	1	1	1	
4	E22 927 501	PROPELLER FAN		1	1	1	1	
5	E22 J63 290	BASE		1	1	1	1	
6	E22 R83 900	COMPRESSOR	MC	1	1	1	1	SVB130FBBMT
7	E22 C34 506	COMPRESSOR RUBBER SET		3	3	3	3	3 RUBBERS/SET
8	E22 T95 661	STOP VALVE (GAS) 3/8		2	2	2	2	Ø9.52
9	E22 T95 662	STOP VALVE (LIQUID) 1/4		2	2	2	2	Ø6.35
10	E22 J63 245	SERVICE PANEL		1	1	1	1	
11	E22 J63 233	BACK PANEL		1	1	1	1	
12	E27 F03 640	EXPANSION VALVE		1	1	1	1	ROOM B
13	E22 90C 493	EXPANSION VALVE COIL	LEV B	1	1	1	1	BLUE
14	E22 A47 961	4-WAY VALVE		1	1	1	1	
15	E22 G11 293	SEPARATOR		1	1	1	1	
16	E22 G06 523	CONDENSER NET		1	1	1	1	
17	E22 J63 297	TOP PANEL		1	1	1	1	Includes PL NOTICE, SERVICE NOTE
18	E22 R50 515	MOTOR SUPPORT		1	1	1	1	
19	E22 G06 630	OUTDOOR HEAT EXCHANGER		1	1	1	1	
20	E22 P03 301	OUTDOOR FAN MOTOR	MF	1	1	1	1	RC0J50-□□
21	E27 L05 508	PROPELLER FAN NUT		1	1	1	1	
22	—	BRAND LABEL		1	1	1	1	DK79G041H02
②③	E12 838 936	CAPILLARY TUBE		2	2	2	2	Ø3.0 × Ø2.0 × 200
②④	E27 F03 640	EXPANSION VALVE		1	1	1	1	ROOM A
②⑤	E22 89C 493	EXPANSION VALVE COIL	LEV A	1	1	1	1	RED
②⑥	E27 N04 250	SCREW TS.ST 4 x 10		25	25	25	25	
②⑦	E27 M71 078	THERMO COVER		1	1	1	1	
②⑧	—	COMPRESSOR LEAD ASSEMBLY		1	1	1	1	DM78R445G06
②⑨	—	COMPRESSOR FELT (TOP)		1	1	1	1	SU33R462H02
③⑩	—	COMPRESSOR FELT (BODY)		1	1	1	1	BT33B019H03
③⑪	—	COMPRESSOR FELT (OUTER)		1	1	1	1	SU33N495H02
③⑫	E22 94G 645	EXPANSION VALVE		1	1	1	1	Includes STOP VALVES (LIQ, GAS), LEV body, Capillary tube (Ø3.0 × Ø1.4 × 600)

MXZ-2HA40VF MXZ-2HA50VF
1-2. OUTDOOR UNIT ELECTRICAL PARTS

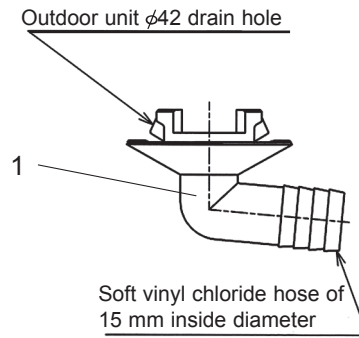


Part numbers that are circled are not shown in the illustration.

No.	Part No.	Part Name	Symbol In Wiring Diagram	Q'ty/unit				Remarks
				MXZ-				
				2HA40VF-		2HA50VF-		
E1	ET1	E1	ET1					
1	E22 G11 337	REACTOR	ACL	1	1	1	1	10A 23μH
2	E22 J63 337	REACTOR	ACL2	1	1	1	1	2A 25μH
3	E12 W50 307	OUTDOOR HEAT EXCHANGER TEMPERATURE THERMISTOR	RT68	1	1	1	1	
4	E22 78A 308	THERMISTOR SET	RT61,62	1	1	1	1	DEFROST, DISCHARGE
5	E22 W50 309	AMBIENT TEMPERATURE THERMISTOR	RT65	1	1	1	1	
6	E22 784 382	FUSE	F1	1	1	1	1	T3.15AL250V
7	E27 001 241	FUSE HOLDER		1	1	1	1	
8	E22 J63 329	OUTDOOR DISPLAY P.C. BOARD		1	1	1	1	
9	E22 A47 490	R.V. COIL	21S4	1	1	1	1	Includes HEXAGON BOLT
10	E22 935 374	TERMINAL BLOCK	TB2,TB3	2	2	2	2	Indoor unit connecting
11	E22 F29 374	TERMINAL BLOCK	TB1	1	1	1	1	Power supply
12	E22 94G 451 E22 95G 451	INVERTER P.C. BOARD		1	1			Includes heat sink and RT64
⑬	—	P.C. BOARD SUPPORT		1	1	1	1	RK00A867G01
⑭	—	P.C. BOARD COVER		1	1	1	1	RK00L116G01
⑮	—	SWITCH P.C. BOARD HOLDER		1	1	1	1	DY25B532G02



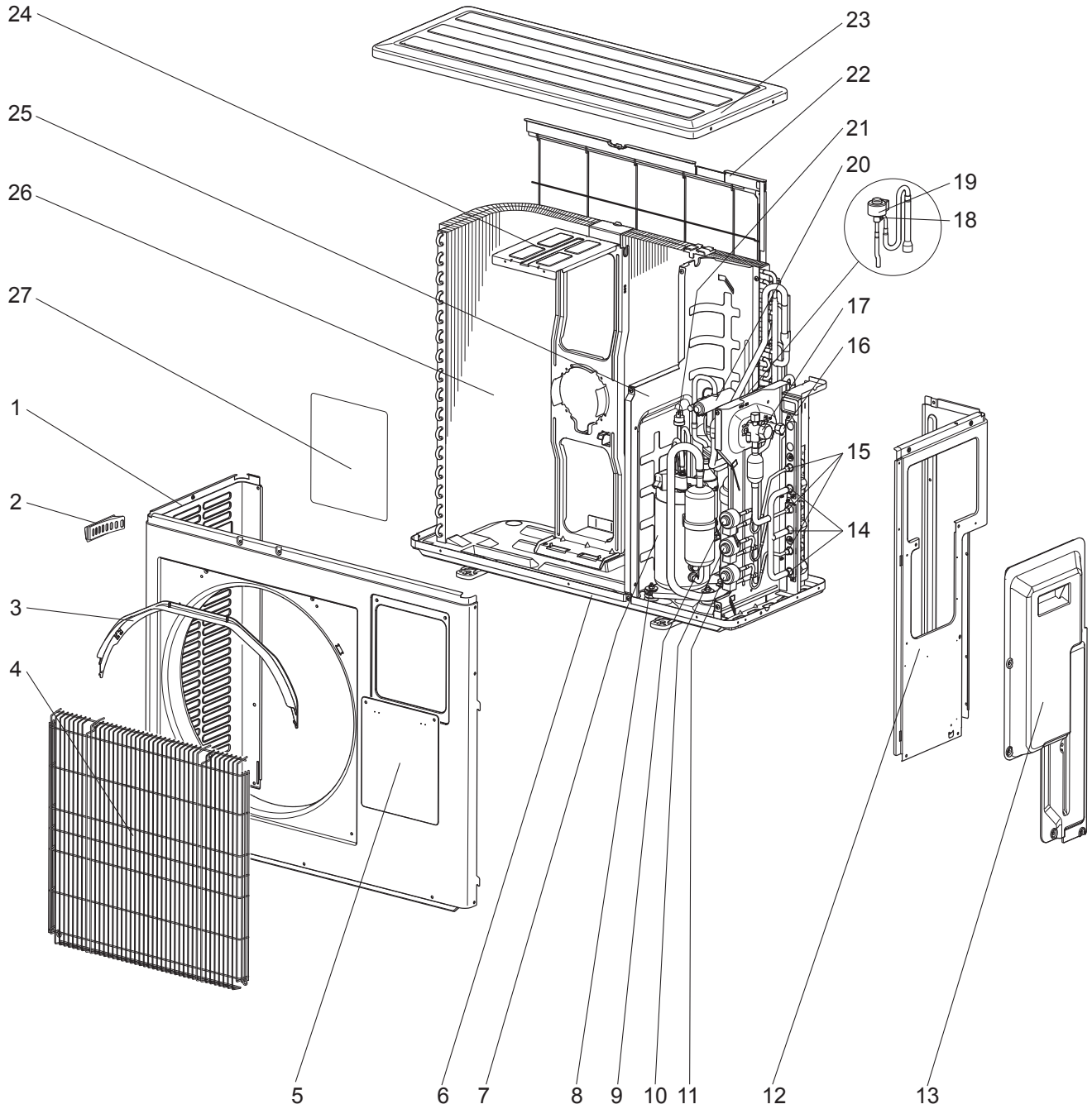
MXZ-2HA40VF MXZ-2HA50VF
1-3. DRAIN SOCKET



No.	Part No.	Part Name	Symbol In Wiring Diagram	Q'ty/unit				Remarks
				MXZ-				
				2HA40VF-		2HA50VF-		
				E1	ET1	E1	ET1	
1	E22 838 704	DRAIN SOCKET		1	1	1	1	

MXZ-3HA50VF

1-4. OUTDOOR UNIT STRUCTURAL PARTS AND FUNCTIONAL PARTS



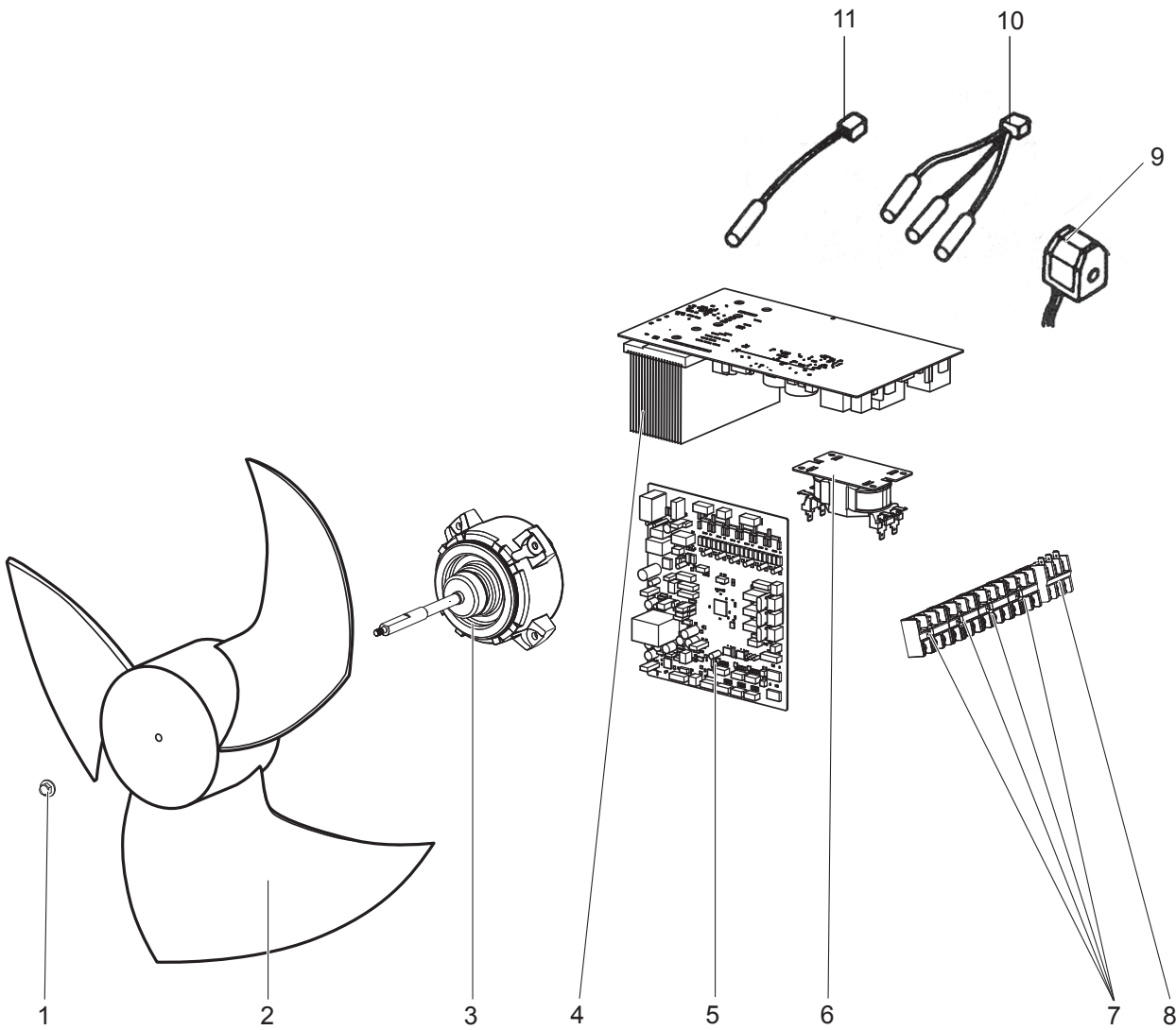
1-4. OUTDOOR UNIT STRUCTURAL PARTS AND FUNCTIONAL PARTS

Part numbers that are circled are not shown in the illustration.

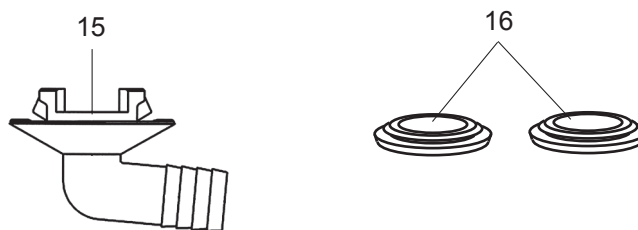
No.	Part No.	Part Name	Symbol In Wiring Diagram	Q'ty/unit		Remarks
				MXZ-		
				3HA50VF-		
				E1	ET1	
1	E22 T07 232	CABINET		1	1	
2	E22 817 009	HANDLE		1	1	
3	E22 J69 531	ICE GUARD		1	1	
4	E22 R24 521	GRILLE		1	1	
5	E22 T07 246	SUB PANEL		1	1	
6	E22 T07 290	BASE		1	1	
7	E22 92C 900	COMPRESSOR	MC	1	1	SVB130FBBM1T
8	E22 C34 506	COMPRESSOR RUBBER SET		3	3	3 RUBBERS SET
9	E27 F03 640	EXPANSION VALVE		1	1	C room, LEV C, body Includes DAMPER
	E22 94C 493	EXPANSION VALVE COIL	LEV C	1	1	C room, BLUE
10	E27 F03 640	EXPANSION VALVE		1	1	B room, LEV B, body Includes DAMPER
	E22 93C 493	EXPANSION VALVE COIL	LEV B	1	1	B room, RED
11	E27 F03 640	EXPANSION VALVE		1	1	A room, LEV A, body Includes DAMPER
	E22 92C 493	EXPANSION VALVE COIL	LEV A	1	1	A, room, WHITE
12	E22 R51 233	BACK PANEL		1	1	
13	E22 R51 245	SERVICE PANEL		1	1	
14	E22 D36 666	UNION (GAS) 3/8		3	3	Ø9.52
15	E22 D36 667	UNION (LIQUID) 1/4		3	3	Ø6.35
16	E22 D36 662	STOP VALVE (LIQUID) 3/8		1	1	Ø9.52
17	E22 D36 661	STOP VALVE (GAS) 5/8		1	1	Ø15.88
18	E22 06F 640	EXPANSION VALVE		1	1	LEV R, body
19	E22 T07 493	EXPANSION VALVE COIL	LEV R	1	1	BLUE
20	E22 C18 961	4-WAY VALVE		1	1	
21	E27 942 646	HIGH PRESSURE SWITCH	HPS	1	1	
22	E22 J69 523	REAR GUARD		1	1	
23	E22 819 297	TOP PANEL		1	1	Includes PL NOTICE, SERVICE NOTE
24	E22 J69 515	MOTOR SUPPORT		1	1	
25	E22 96G 293	SEPARATOR		1	1	
26	E22 T07 630	OUTDOOR HEAT EXCHANGER		1	1	
27	—	BRAND LABEL		1	1	DK79G041H02
⑳	E22 939 936	CAPILLARY TUBE		3	3	Ø4.0 × Ø2.8 × 100, Includes DAMPER
㉑	E22 96G 959	POWER RECEIVER		1	1	
㉒	E27 N04 250	SCREW TS.ST 4 x 10		33	33	
㉓	—	COMPRESSOR LEAD ASSEMBLY		1	1	BH78T881G07
㉔	—	COMPRESSOR FELT (TOP)		1	1	RK33J337H03
㉕	—	COMPRESSOR FELT (BODY)		1	1	RK33J216H02
㉖	—	COMPRESSOR FELT (SIDE)		1	1	RK33J207H01
㉗	—	COMPRESSOR FELT (BACK)		1	1	BK33V324H01
㉘	E22 96G 963	DISCHARGE PIPE ASSEMBLY		1	1	Includes HPS, Oil separator, Capillary tube (Ø2.5 × Ø0.6 × 1000)

MXZ-3HA50VF

1-5. OUTDOOR UNIT FUNCTIONAL PARTS AND ELECTRICAL PARTS



1-6. ACCESSORY



1-5. OUTDOOR UNIT FUNCTIONAL PARTS AND ELECTRICAL PARTS

Part numbers that are circled are not shown in the illustration.

No.	Part No.	Part Name	Symbol in Wiring Diagram	Q'ty/unit		Remarks
				MXZ-		
				3HA50VF-		
E1	ET1					
1	E27 A15 508	PROPELLER FAN NUT		1	1	
2	E22 851 501	PROPELLER FAN		1	1	
3	E22 16B 301	OUTDOOR FAN MOTOR	MF	1	1	SIC-82FX-F764-1
4	E22 92C 440	OUTDOOR POWER P.C. BOARD		1	1	Includes heat sink and RT64
5	E22 96G 450	OUTDOOR CONTROL P.C. BOARD		1	1	
6	E22 R51 337	REACTOR	L	1	1	20A 600μH
7	E22 C92 375	TERMINAL BLOCK	TB2~4	3	3	Indoor unit connecting
8	E22 G07 374	TERMINAL BLOCK	TB1	1	1	Power supply
9	E22 T07 490	R.V. COIL	21S4	1	1	Includes screw M5 x 6.5
10	E22 T07 308	THERMISTOR SET	RT61, RT62, RT68	1	1	DEFROST, DISCHARGE, OUTDOOR HEAT EXCHANGER
11	E22 96G 309	AMBIENT TEMPERATURE THERMISTOR	RT65	1	1	
⑫	—	OUTDOOR POWER P.C. BOARD HOLDER		1	1	BK00N964G02
⑬	—	P.C. BOARD COVER		1	1	BK00T375G04
⑭	—	OUTDOOR CONTROL P.C. BOARD HOLDER		1	1	BK25Y530G05

1-6. ACCESSORY

No.	Part No.	Part Name	Symbol in Wiring Diagram	Q'ty/unit		Remarks
				MXZ-		
				3HA50VF-		
E1	ET1					
15	E22 817 704	DRAIN SOCKET		1	1	
16	E22 444 705	DRAIN CAP		2	2	2PCS/SET

2

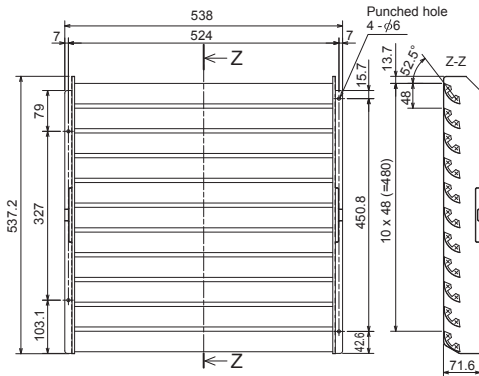
OPTIONAL PARTS

2-1. OUTLET GUIDE

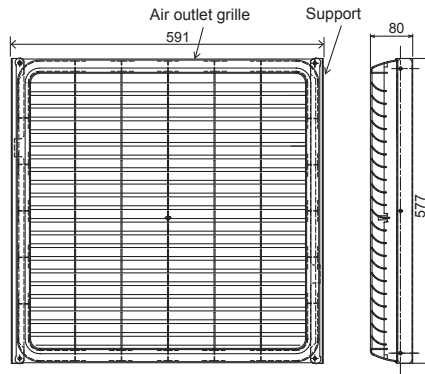
Unit: mm

Changes air discharge direction.

Applied unit	Model name	Model code
MXZ-2HA40VF MXZ-2HA50VF	MAC-889SG	506-889
MXZ-3HA50VF	MAC-856SG	51H-856



MAC-889SG



MAC-856SG

MITSUBISHI ELECTRIC CORPORATION

HEAD OFFICE: TOKYO BUILDING, 2-7-3, MARUNOUCHI, CHIYODA-KU, TOKYO 100-8310, JAPAN

© Copyright 2018 MITSUBISHI ELECTRIC CORPORATION

Published: Dec. 2018. No. OBB828

Made in Japan

Specifications are subject to change without notice.