

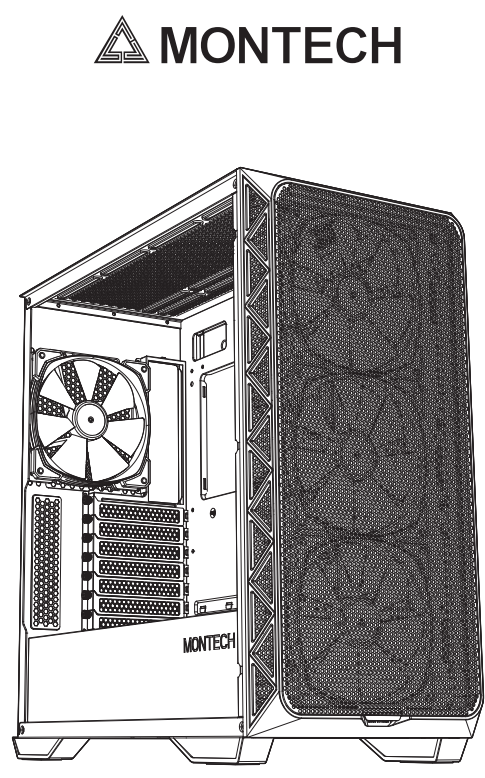
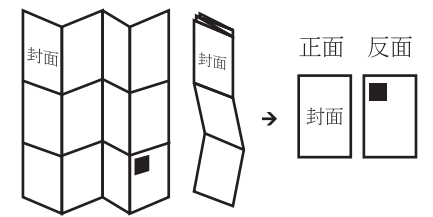


正面

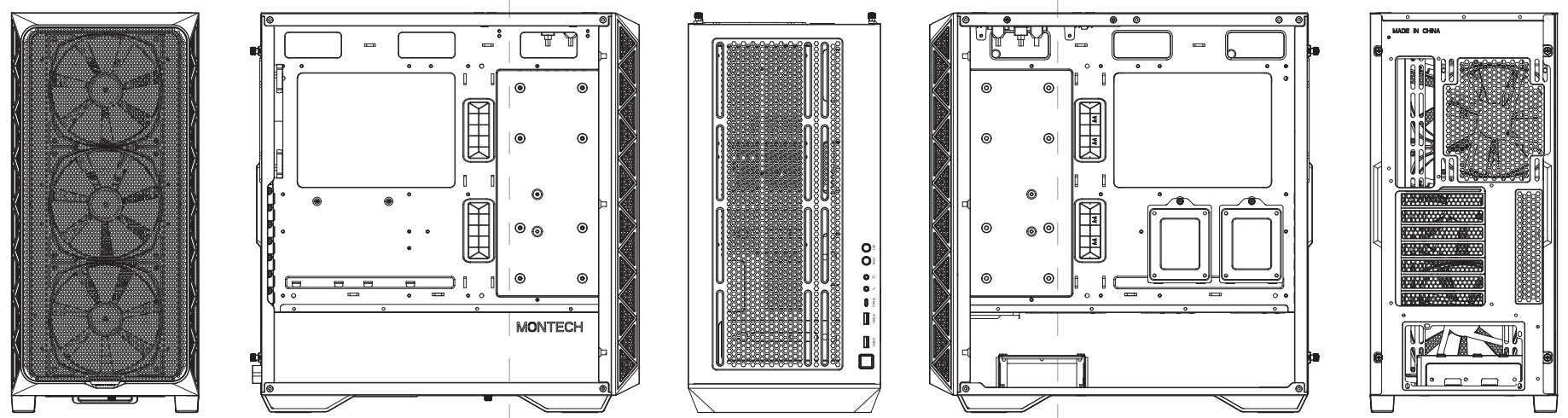
405 * 340mm / 黑色雙面印

裁切線
折線

做法/折法



AIR 903 MAX / BASE



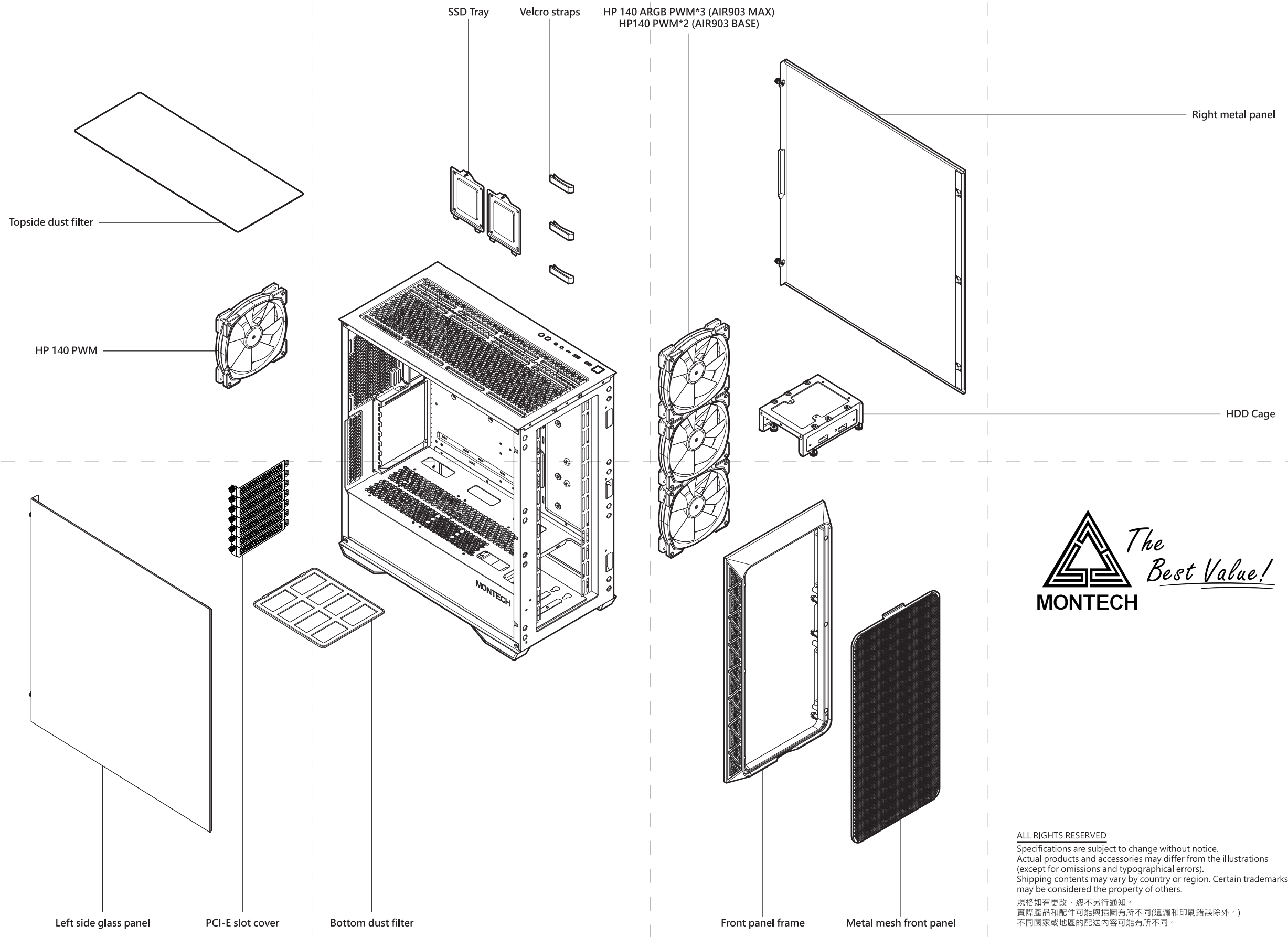
SPECIFICATIONS

Product Name	AIR 903 MAX / AIR 903 BASE	Pre-Installed Fans	Front	MAX: 140mm*3 (HP140 ARGB PWM) BASE: 140mm*2 (HP140 PWM)
Available Color	Black / White		Rear	140mm*1 (HP140 PWM)
Dimensions (L*W*H)	478*230*493mm (Case) / 555*293*535mm (Carton)		Fan Hub	MAX: 1 to 6 ARGB & PWM Hub
Motherboard Support	E-ATX (SSI-EEB), ATX, Micro-ATX, Mini-ITX	Fan Support	Front	140mm*3 / 120mm*3
PCIe Slots	7		Rear	140mm*1 / 120mm*1
Hard Disk Support	2.5"SSD*5 (Maximum) / 3.5"HDD*2		Top	140mm*2 / 120mm*3
Front I/O	USB Type-C*1 / USB3.0*2 / MIC*1 / SPK*1 / LED SW / RESET		Above PSU	120mm*2
GPU	400mm	Radiator Support	Front	360 / 280 / 240 / 140 / 120mm
CPU Cooler	180mm		Top	360 / 280 / 240 / 140 / 120mm
PSU	240mm	Dust Filters	Top, Bottom	

ACCESSORY BAG

Motherboard Screw/主板螺絲	27	Motherboard Standoff Tool / 主板銅柱	3
Specialized SSD Screw 特種SSD螺絲	10	Standoff Socket/銅柱套	1
HDD Screw/HDD螺絲螺絲	8	Cable Tie/束線帶	10
PCIe Screw/PCIe螺絲	8		

EXPLODED VIEW



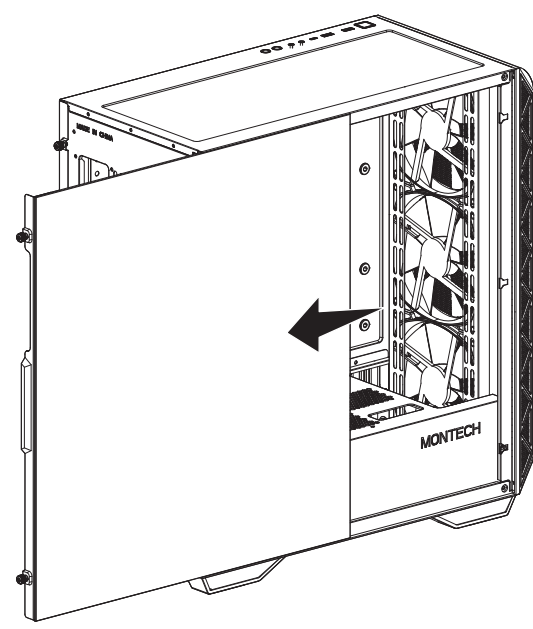
ALL RIGHTS RESERVED
Specifications are subject to change without notice.
Actual products and accessories may differ from the illustrations (except for omissions and typographical errors).
Shipping contents may vary by country or region. Certain trademarks may be considered the property of others.
價格如有更改，恕不另行通知。
實際產品和配件可能與插圖有所不同(遺漏和印刷錯誤除外)。
不同國家或地區的配貨內容可能有所不同。

MONTECH © 2022

反面

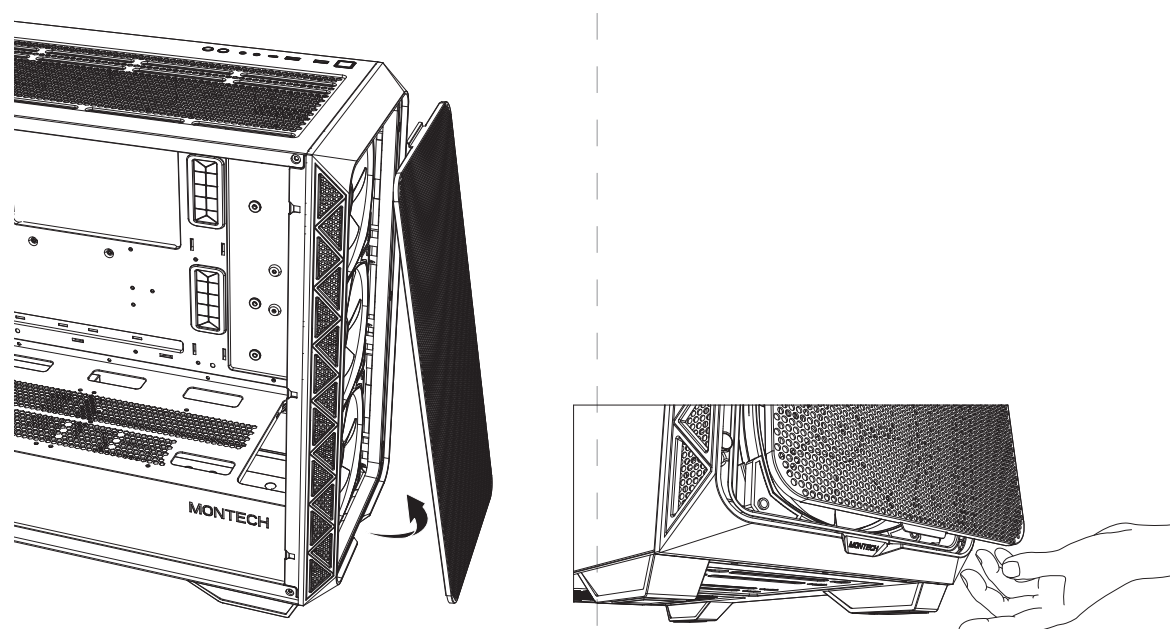
1 PANEL REMOVAL

Loosen the thumbscrews on the back then pull out the glass panel.
轉鬆後側免拆螺絲，往後拉取出玻璃。



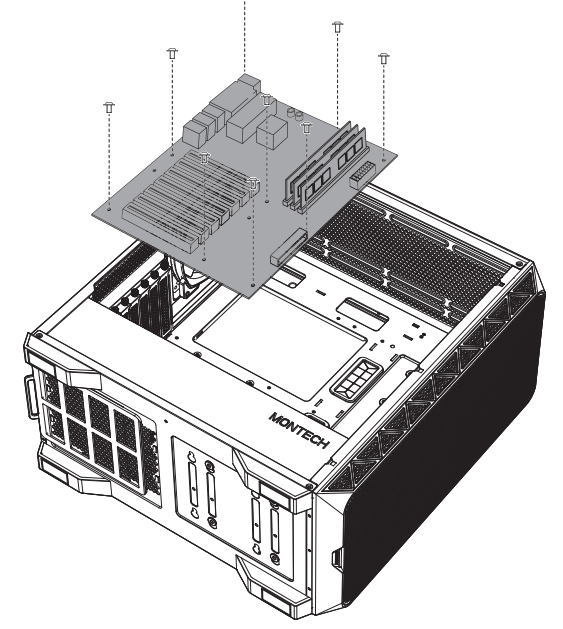
2 PANEL REMOVAL

Release the panel by placing your hand under it.
將手放入面板下方即可鬆開拆裝前護網面板。



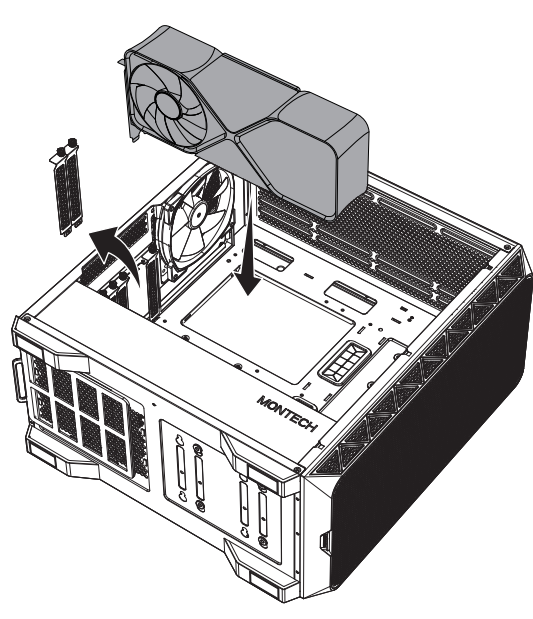
3 MOTHERBOARD INSTALLATION

Support
E-ATX (SSI-EEB) / ATX / Micro-ATX / Mini-ITX
支援
E-ATX (SSI-EEB) / ATX / Micro-ATX / Mini-ITX

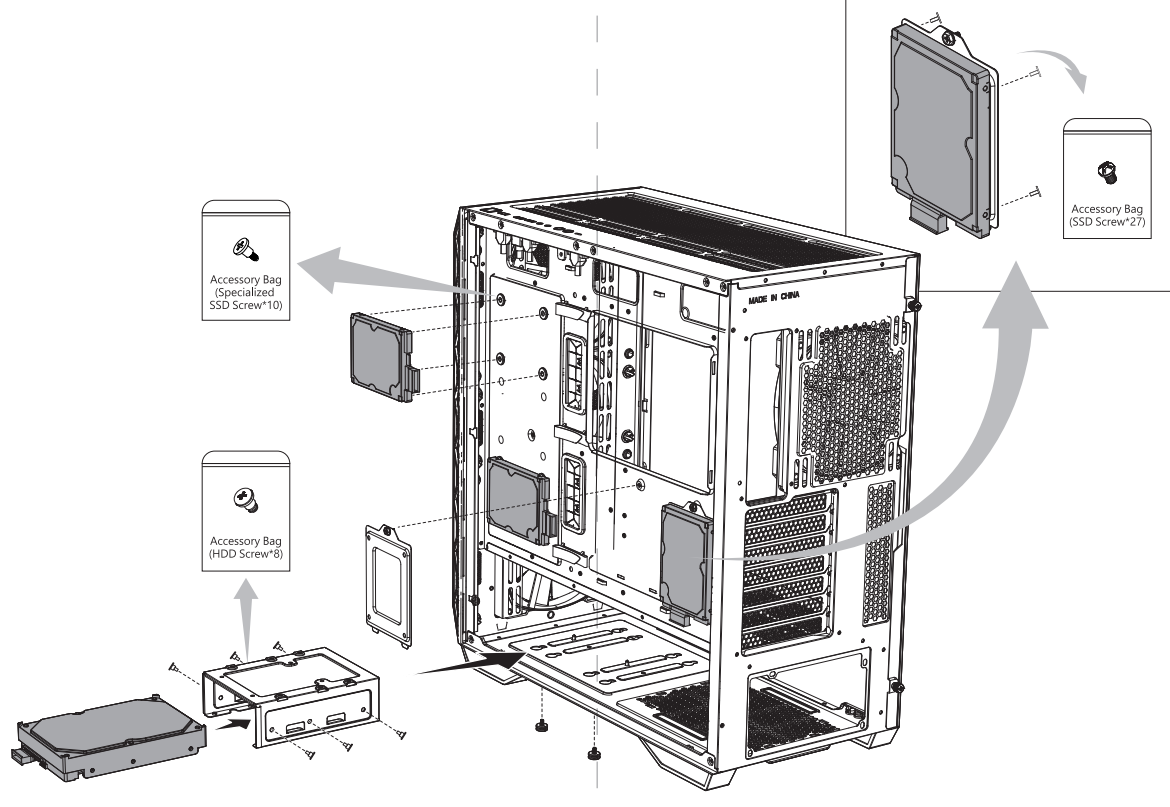


4 GPU INSTALLATION

Support
400mm
*The rear PCIe slot cover implements a reusable design
支援
400mm
*可重複使用PCIe擋板

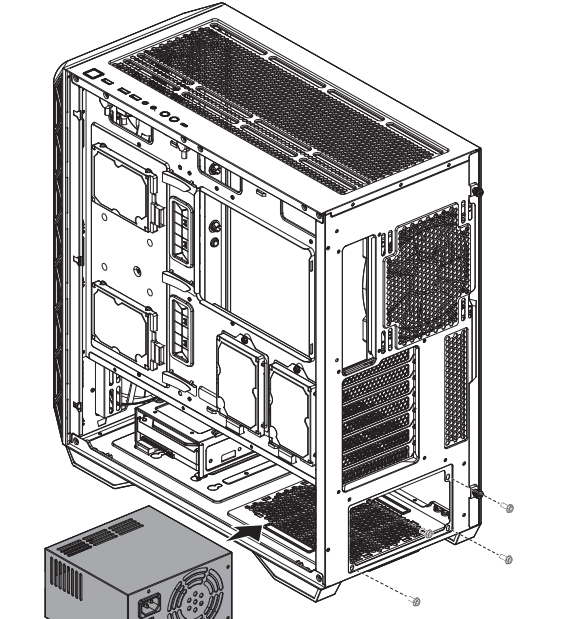


5 INSTALLING 3.5" HDD & 2.5"SSD



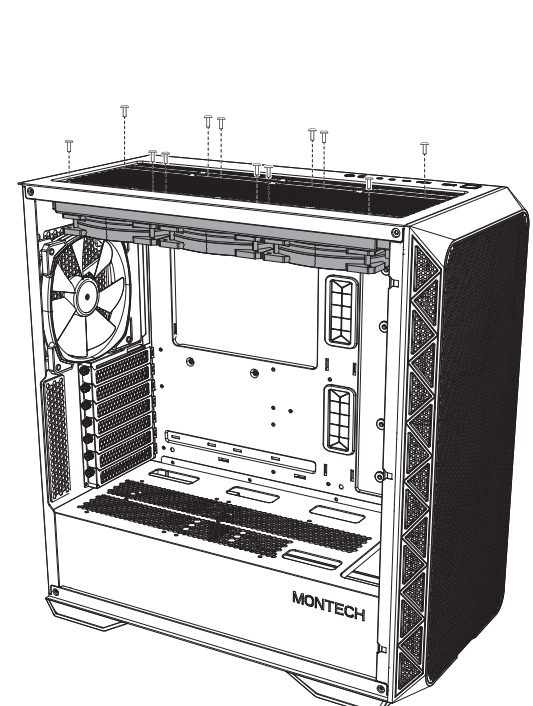
6 PSU INSTALLATION

Support
240mm High-End Power Supply
支援
240mm電源



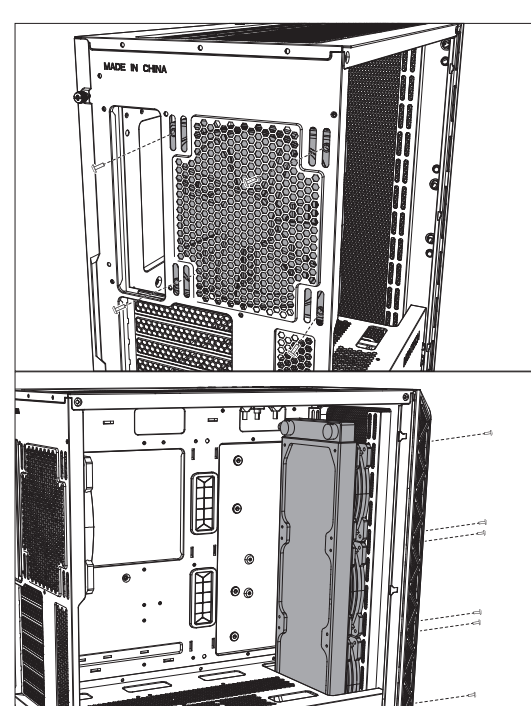
7 RADIATOR INSTALLATION

Top 120 / 140 / 240 / 280 / 360mm



8 FAN INSTALLATION

Front 120mm*3 / 140mm*3
Rear 120mm*1 / 140mm*1
Top 120mm*3 / 140mm*2
Above PSU 120mm*2



9 BUTTON AND I/O

1. Power button 5. MIC
2. USB3.0 6. SPK
3. USB3.0 7. RESET
4. Type-C 8. LED SW

