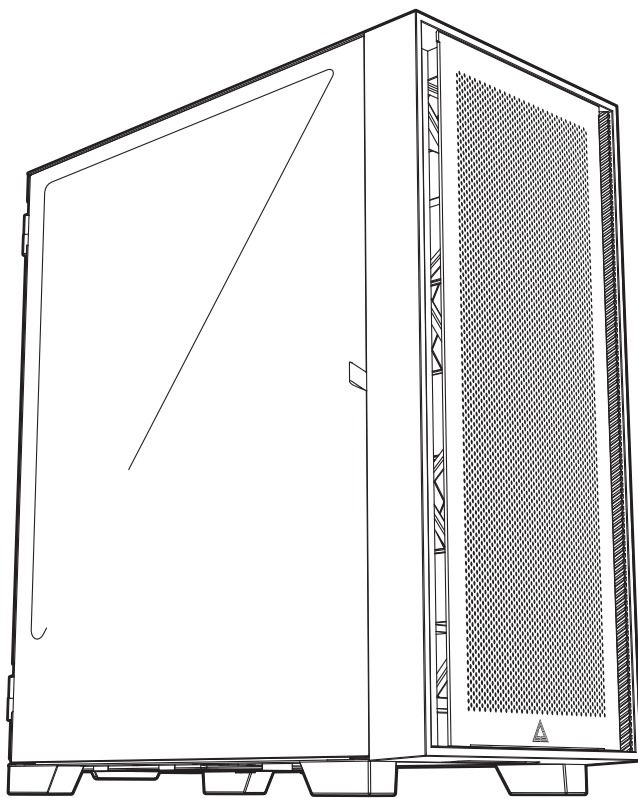
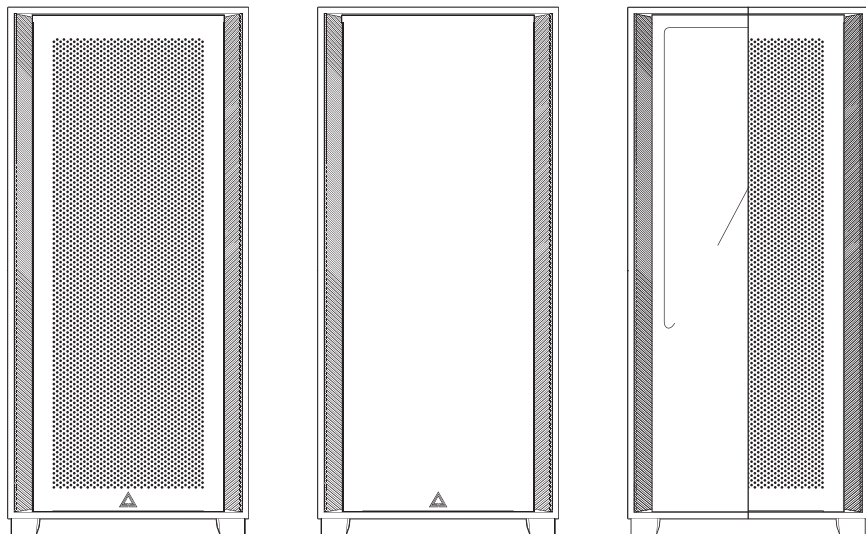




*With
Good Value!*



AIR 1000 SERIES



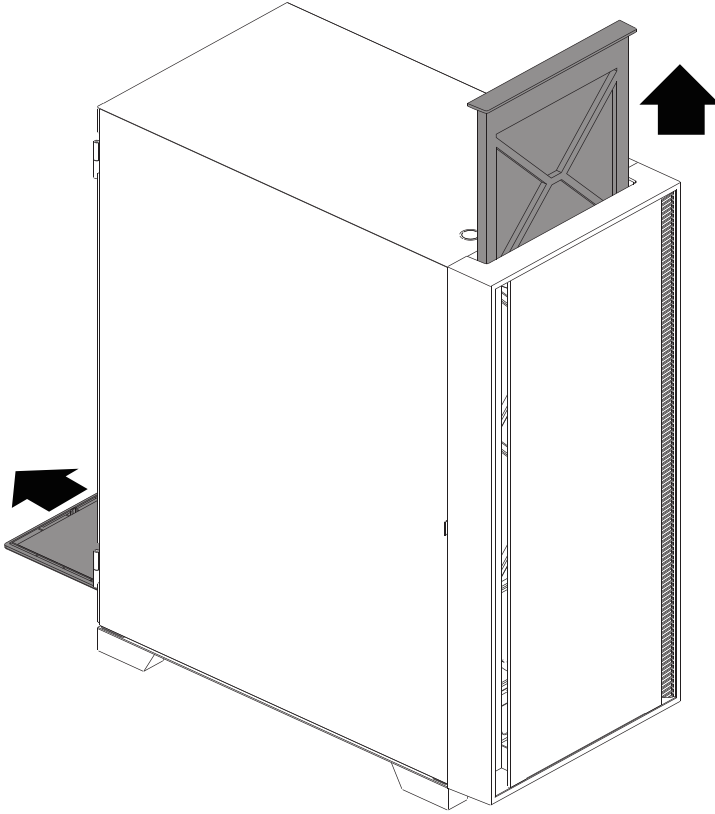
SPECIFICATIONS

Product Name/ 產品名稱		Air 1000 series
Available Color/ 顏色		Black/White
Dimensions (L*W*H)/ 尺寸		416*220*490mm
Motherboard Support/ 主板支援		ATX/Micro ATX/Mini ITX
Expansion Slots/PCI 擴充槽		7
Drive Bays/ 硬碟架	3.5"HDD or 2.5"SSD	2
	2.5"SSD	4
I / O Port/I / O 介面		USB2.0*1, USB3.0*2, mic, headset, LED button
Pre-installed Fan(s)/ 預裝風扇	Lite	120 mm*3(High Airflow Fan)
	Silent	120 mm*3(Silent Fan)
	Premium	140 mm*3, 120 mm *1(ARGB Fan)
Fan Supportt/ 風扇支援	Front	120mm*3/140mm*3
	Rear	120mm * 1
	Inside	120mm * 2
	Top	120 / 140mm * 2
Radiator Support/ 水冷支援	Front	120 / 140 / 240 / 280 / 360mm
	Rear	120mm
	Top	120 / 140 / 240mm
Clearances/ 預留安裝空間	VGA/ 顯示卡	340mm
	CPU Cooler/ 散熱器	165mm
Dust Filters/ 防塵濾網		Front, Top, Bottom/ 前、上、下
Power Supply Support/ 電源供應器類型		Bottom mount, ATX/ 下置式 · ATX

FOR SILENT VERSION

The top panel for silent version is sealed to provide the best silent performance.

靜音版的頂部面板是密封的，以提供最佳的靜音性能。



SPECIFICATONS (SILENT)

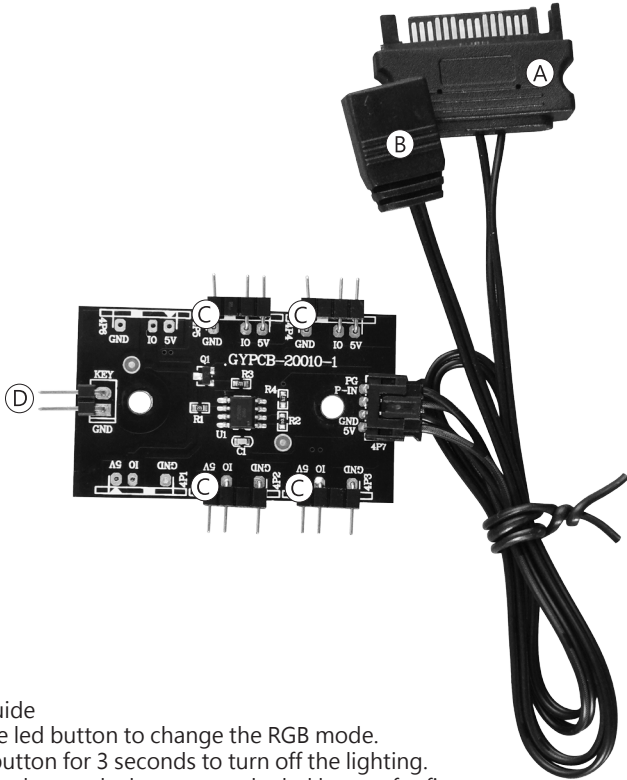
Therefore, the silent version does not support any fan or radiator on the top.

所以靜音版頂部無法裝風扇或水冷

Fan Supportt/ 風扇支援	Front	120mm*3/140mm*3
	Rear	120mm * 1
	Inside	120mm * 2
Radiator Support/ 水冷支援	Front	120 / 140 / 240 / 280 / 360mm
	Rear	120mm

FOR "AIR 1000 PREMIUM VERSION" ONLY LIGHTING CONTROLLER

A	SATA(For Power Supply)
B	3 Pin(For Motherboard)
C	3 Pin *4(For ARGB Fan)
D	2 Pin(For LED Button)



RGB Control Guide

- *Short press the led button to change the RGB mode.
- *Press the led button for 3 seconds to turn off the lighting.
- *For motherboard control, please press the led button for five seconds after you entered the motherboard software.

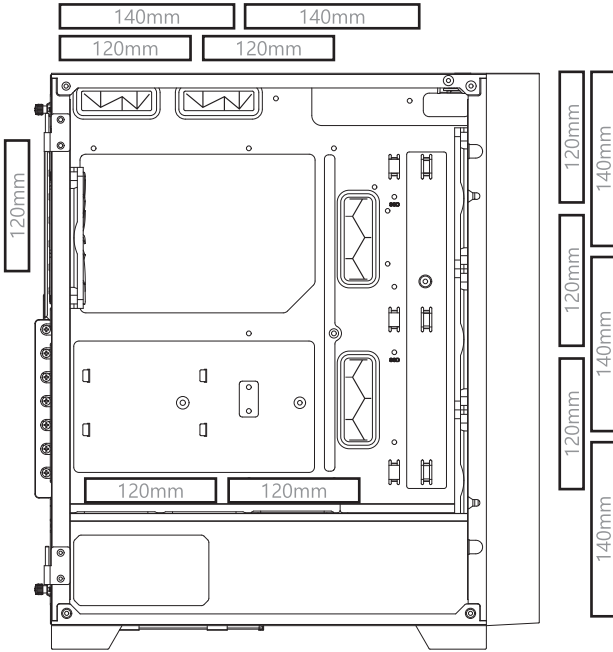


Caution 注意:

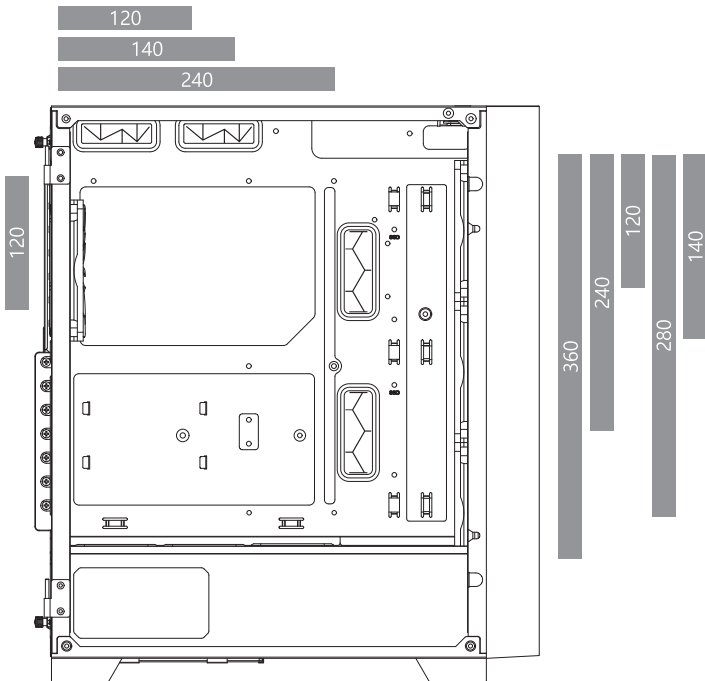
For motherboard sync, it can only work with 5V3PIN. It will NOT work with old motherboard 4-pin RGB or Standard RGB+12V.

若要主板同步需使用帶有 5V3PIN 的主板，不支持 4PIN-RGB 或一般 +12V RGB

FAN & RADIATOR SUPPORT



Fan Support/ 風扇支援	
Front	120 mm *3 / 140mm *3
Rear	120mm * 1
Inside	120mm * 2
Top	120 / 140mm * 2



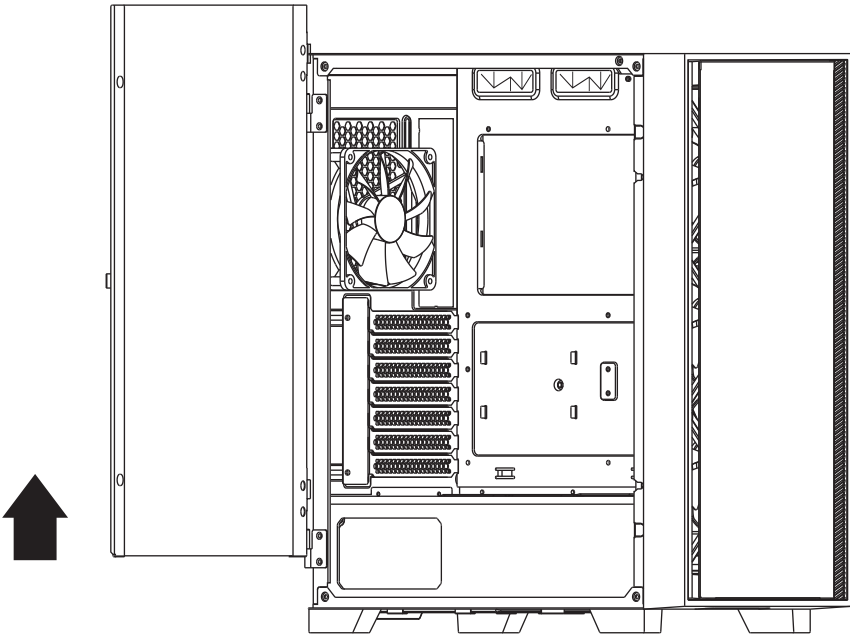
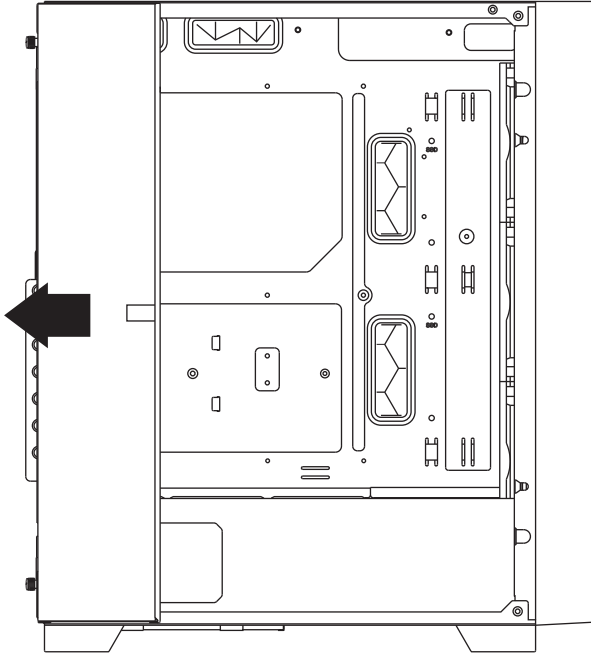
Radiator Support/ 水冷支援	
Front	120/140/240/ 280/360mm
Rear	120mm
Top	120/140/240 mm

*360 Radiator Thickness:30mm
*360 水冷排厚度 :30mm

REMOVING OF THE SIDE WINDOW

After opening the glass door, take out the glass vertically upwards.

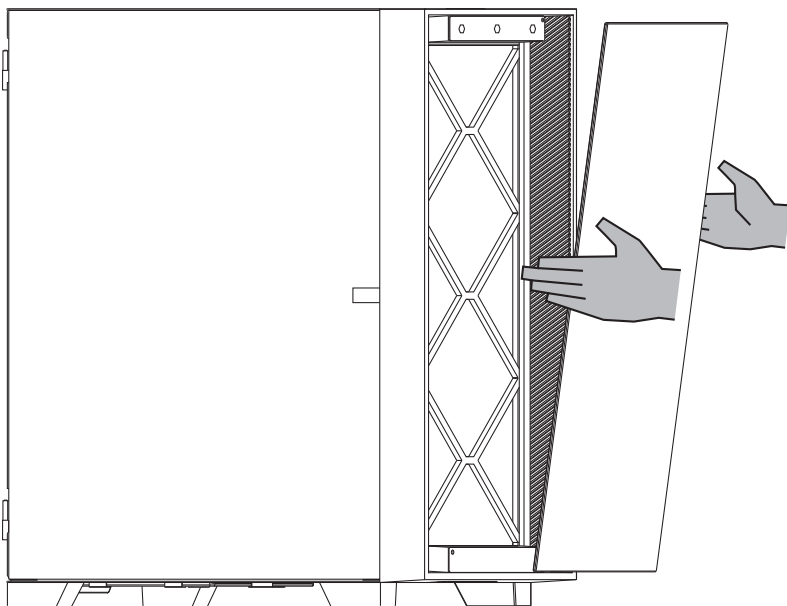
拉開玻璃門後，垂直向上取出玻璃



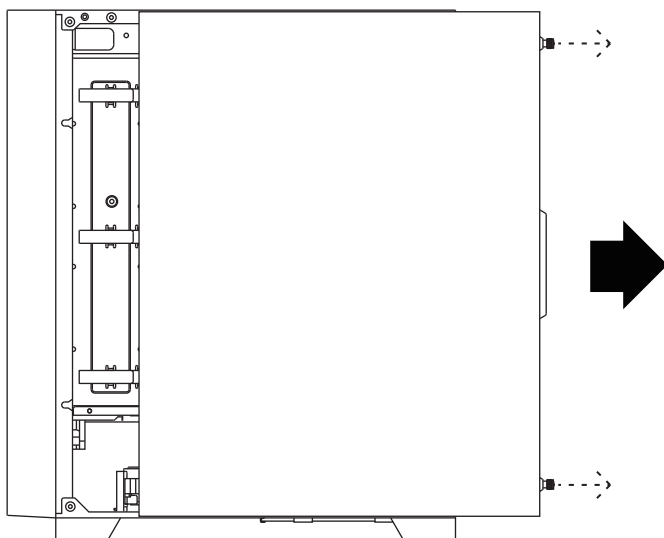
REMOVING THE FRONT PANEL

The front panel of the AIR 1000 features snap-on metal pin assembly can be easily taken off by pulling out with both hands.

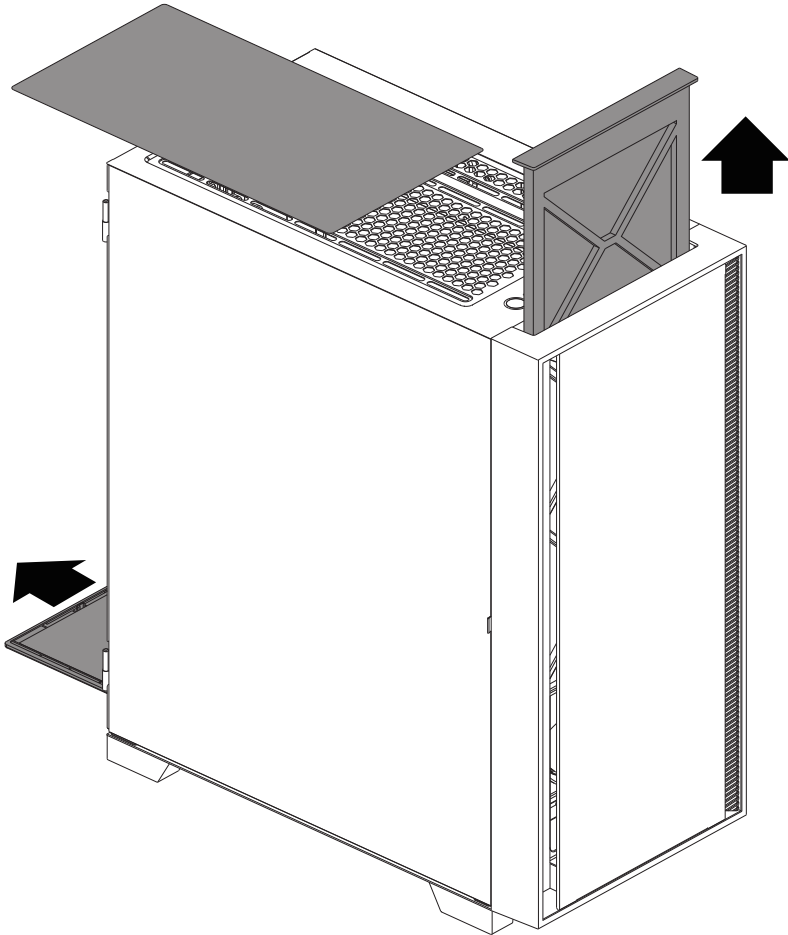
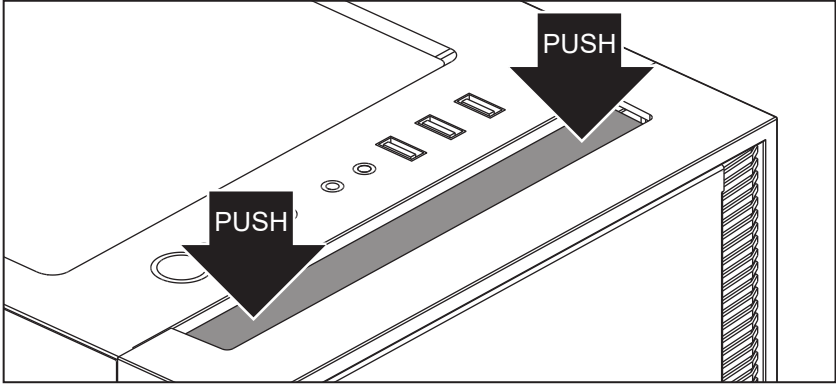
AIR 1000 的前面板做卡扣式設計，可輕鬆向外施力卸下面板。



REMOVING THE SIDE PANEL

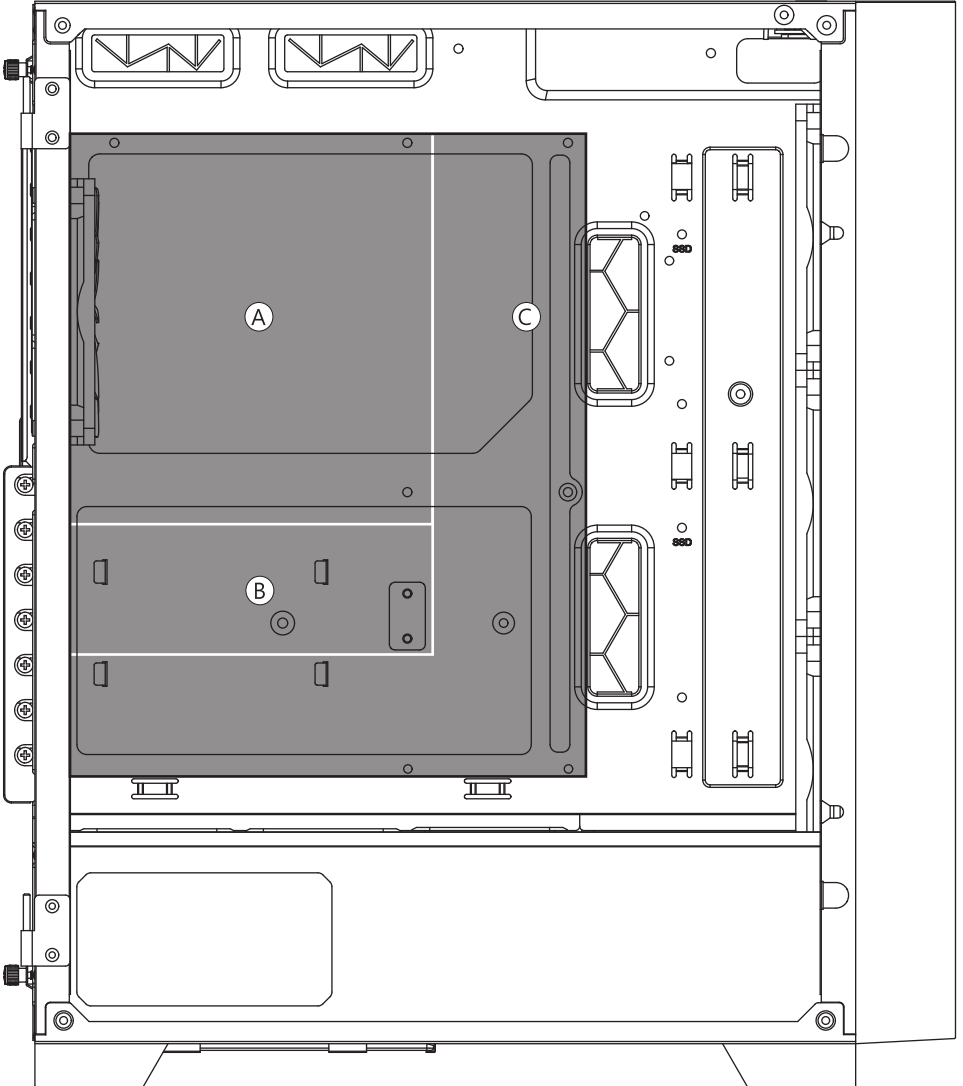


REMOVING THE DUST FILTERS

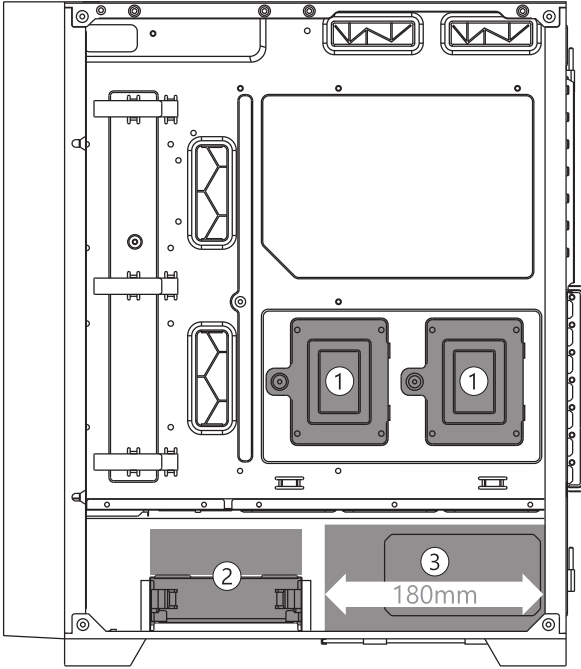


MOTHERBOARD COMPATIBILITY

A	Mini-ITX
B	Micro-ATX
C	ATX

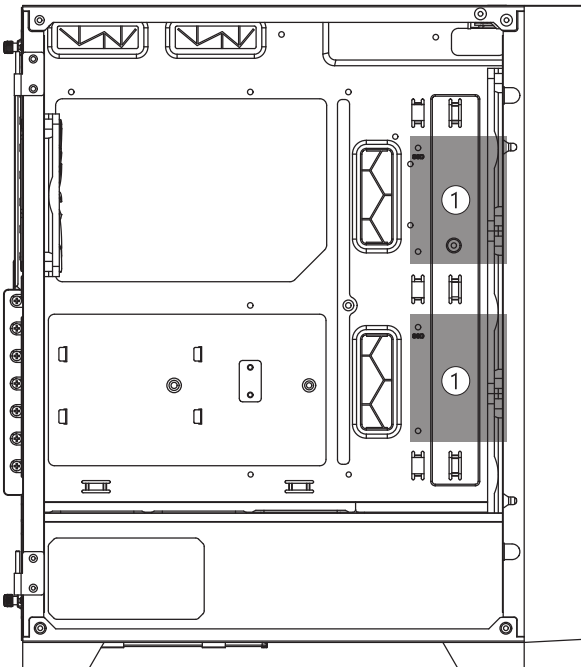


INSTALLATION OF SSD ON THE PANEL AND BRACKET / HDD CAGE POSITION & POWER SUPPLY SUPPORT



*180mm (200 mm if HDD cage removed)

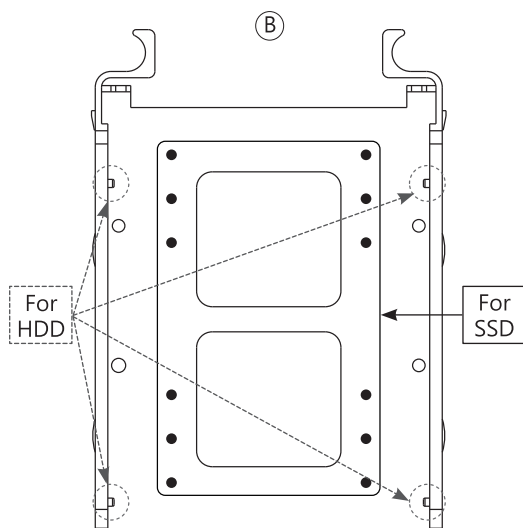
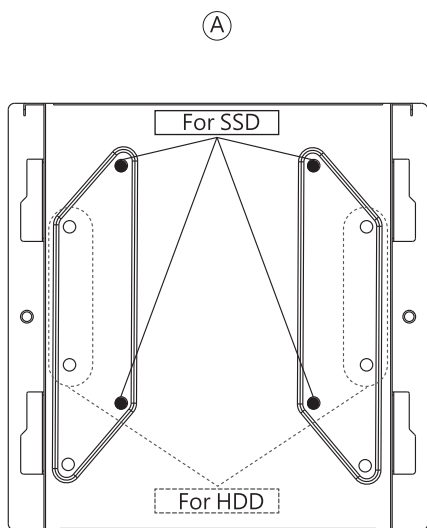
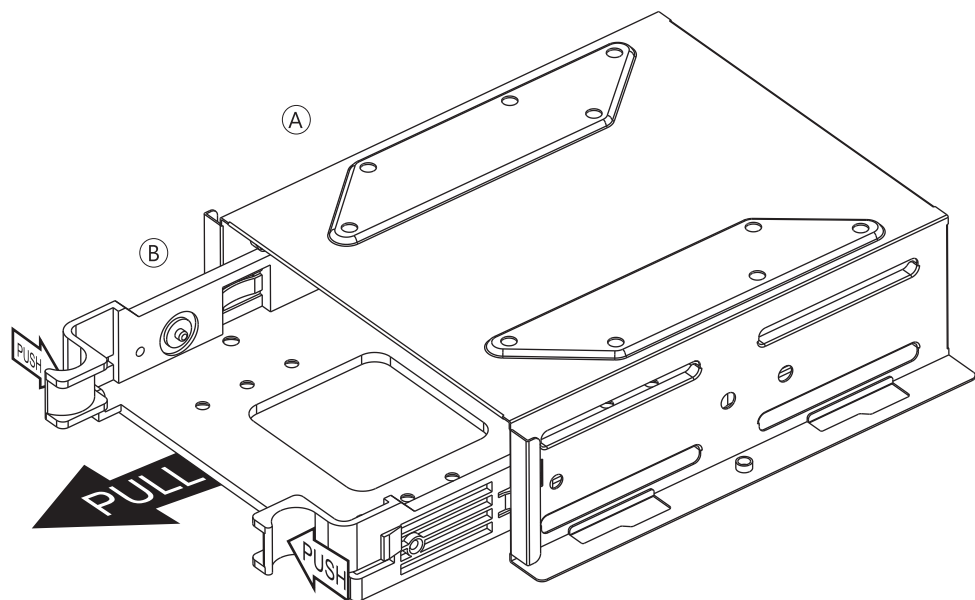
*180mm(可支援至 200mm, 如果 HDD 硬碟架拆掉)



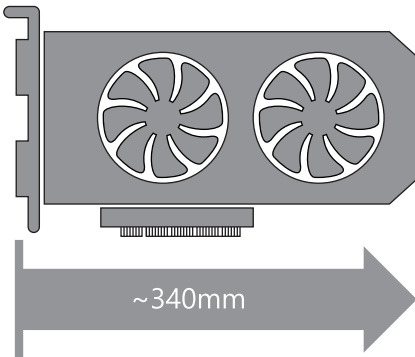
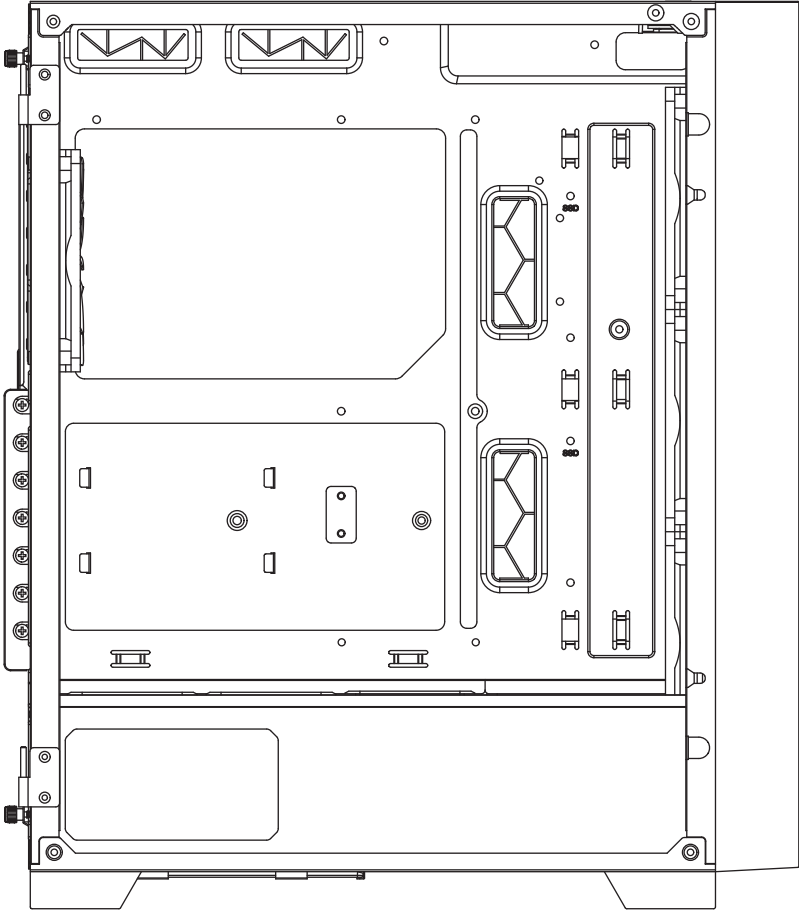
1	SSD * 4
2	SSD * 2 or HDD * 2
3	PSU 160mm

Pull out the hard drive holder, lock the screws at the screw holes, and then return the hard drive holder to the original position.

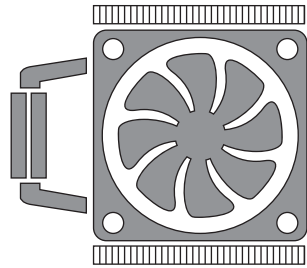
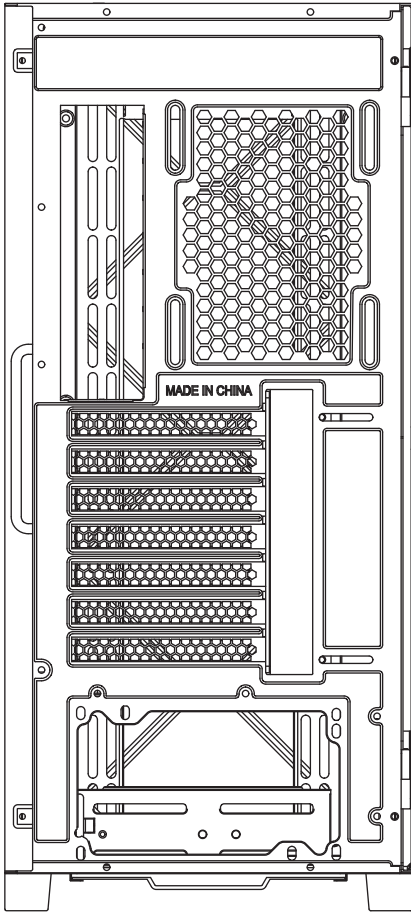
將硬碟架拉出，對準螺絲孔位鎖上螺絲後，再將硬碟架放回原位即可。






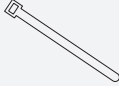



GRAPHICS CARD COMPATIBILITY

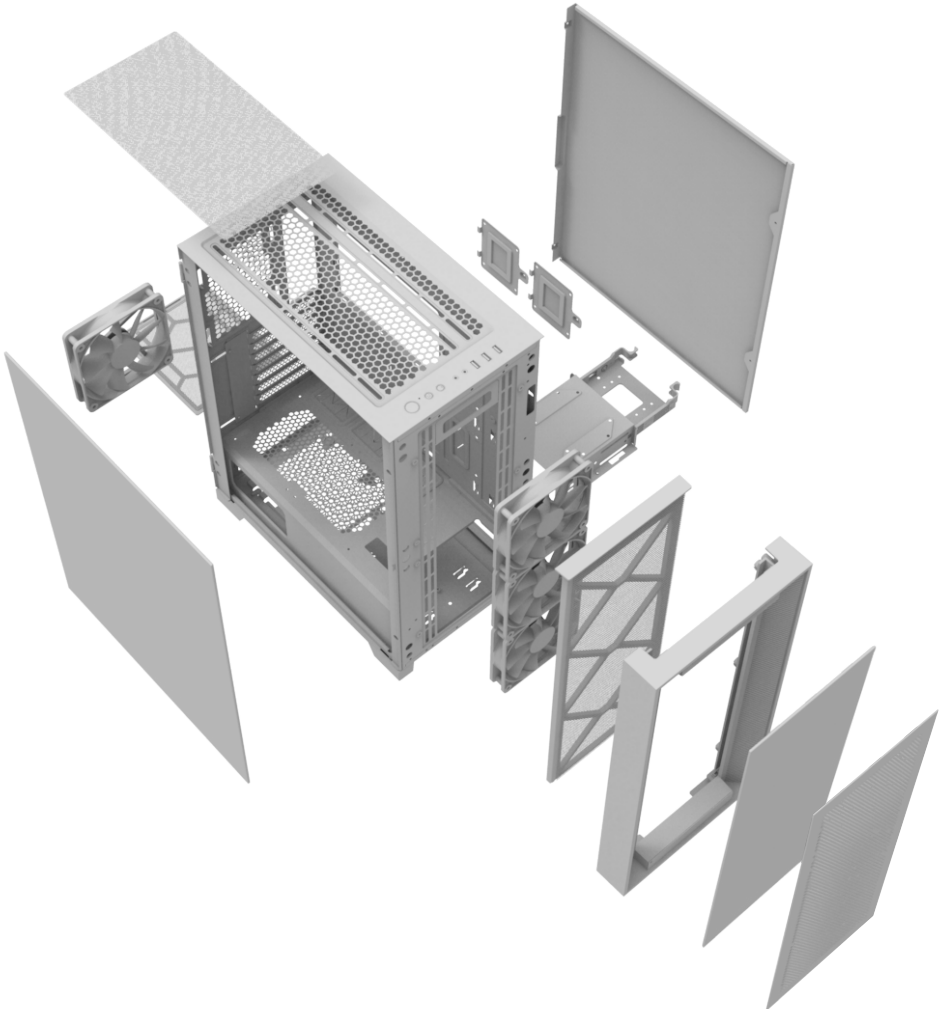


CPU COOLING COMPATIBILITY



ACCESSORY BAG

	Motherboard standoff tool	主板桐柱	3		Cable tie	束線帶	5
	Motherboard screw/ 2.5" SSD disk screw	主板螺絲 / 2.5" SSD 硬碟螺絲	33		Velcro	魔鬼氈	2
	Power supply screw	電源螺絲	6		Buzzer	蜂鳴器	1
	3.5" HDD disk screw	3.5" HDD 硬碟螺絲	8	X			





15F.No.136, Ln.39,Sec.1,Wenhua 3rd Rd., Linkou Dist.,
New Taipei City 244, Taiwan (R.O.C).
TEL:+886 2-26091081
Email:headquarter@montechpc.com
Web:<https://montechpc.com/>