

Quick Start

Thank you for purchasing the MSI® **B450M MORTAR MAX** motherboard. This Quick Start section provides demonstration diagrams about how to install your computer. Some of the installations also provide video demonstrations. Please link to the URL to watch it with the web browser on your phone or tablet. You may have even link to the URL by scanning the QR code.

Kurzanleitung

Danke, dass Sie das MSI® **B450M MORTAR MAX** Motherboard gewählt haben. Dieser Abschnitt der Kurzanleitung bietet eine Demo zur Installation Ihres Computers. Manche Installationen bieten auch die Videodemonstrationen. Klicken Sie auf die URL, um diese Videoanleitung mit Ihrem Browser auf Ihrem Handy oder Table anzusehen. Oder scannen Sie auch den QR Code mit Ihrem Handy, um die URL zu öffnen.

Présentation rapide

Merci d' avoir choisi la carte mère MSI® **B450M MORTAR MAX**. Ce manuel fournit une rapide présentation avec des illustrations explicatives qui vous aideront à assembler votre ordinateur. Des tutoriels vidéo sont disponibles pour certaines étapes. Cliquez sur le lien fourni pour regarder la vidéo sur votre téléphone ou votre tablette. Vous pouvez également accéder au lien en scannant le QR code qui lui est associé.

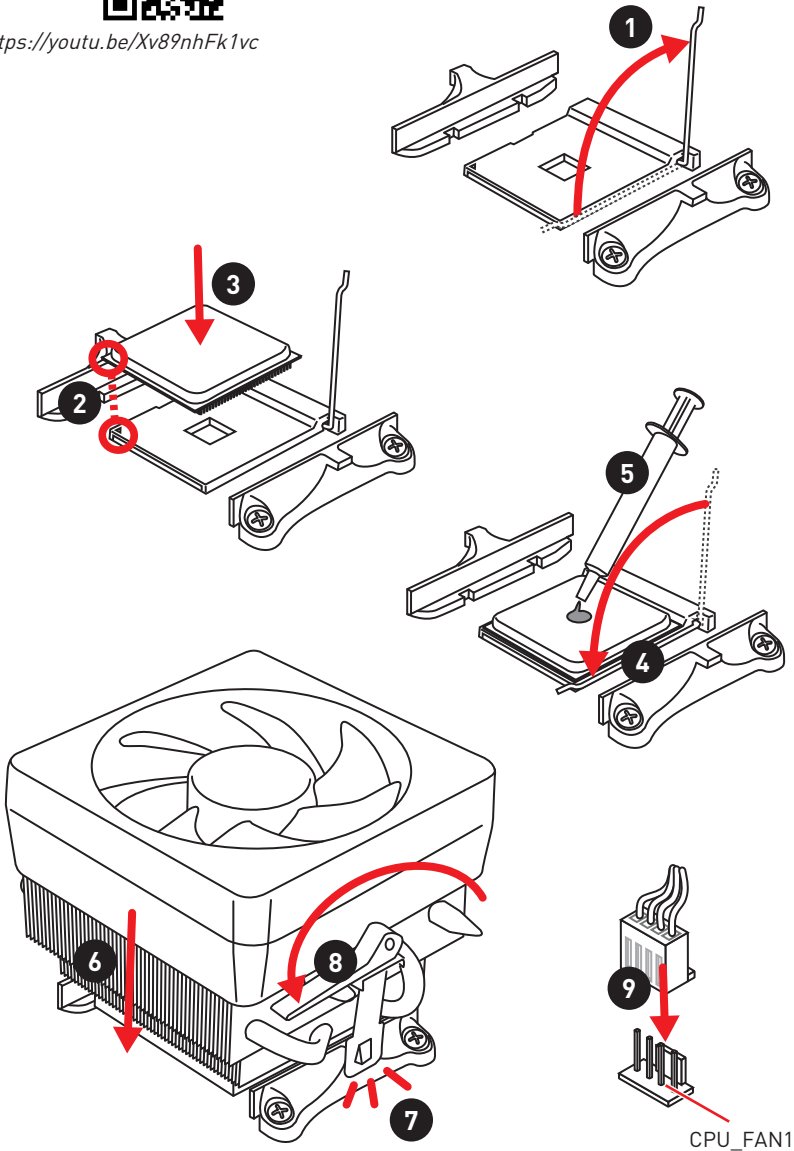
Быстрый старт

Благодарим вас за покупку материнской платы MSI® **B450M MORTAR MAX**. В этом разделе представлена информация, которая поможет вам при сборке компьютера. Для некоторых этапов сборки имеются видеoinструкции. Для просмотра видео, необходимо открыть соответствующую ссылку в веб-браузере на вашем телефоне или планшете. Вы также можете выполнить переход по ссылке, путем сканирования QR-кода.

Installing a Processor/ Installation des Prozessors/ Installer un processeur/ Установка процессора



<https://youtu.be/Xv89nhFk1vc>



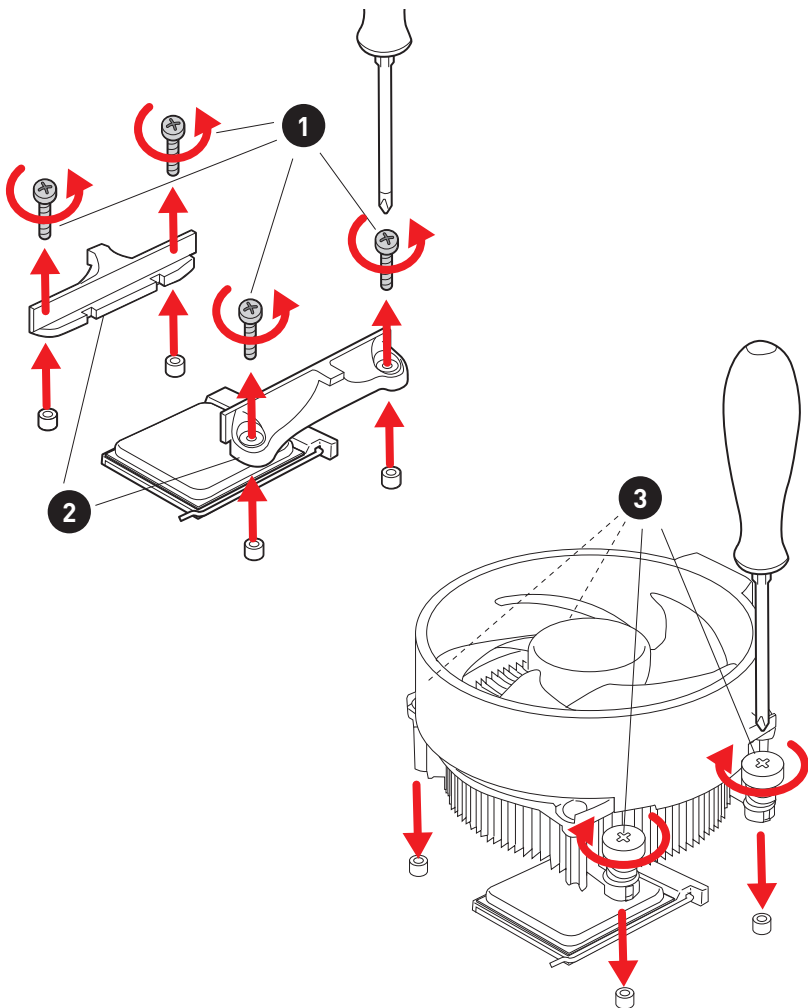


If you are installing the screw-type CPU heatsink, please follow the figure below to remove the retention module first and then install the heatsink.

Wenn Sie einen CPU-Kühler mit Schraubenbefestigung einsetzen, folgen Sie bitte den Anweisungen unten um das Retention-Modul zu entfernen und den Kühler zu installieren.

Si vous voulez installer un ventilad pour processeur à vis, veuillez suivre les instructions ci-dessous pour d'abord retirer le module de rétention puis installer le ventilad.

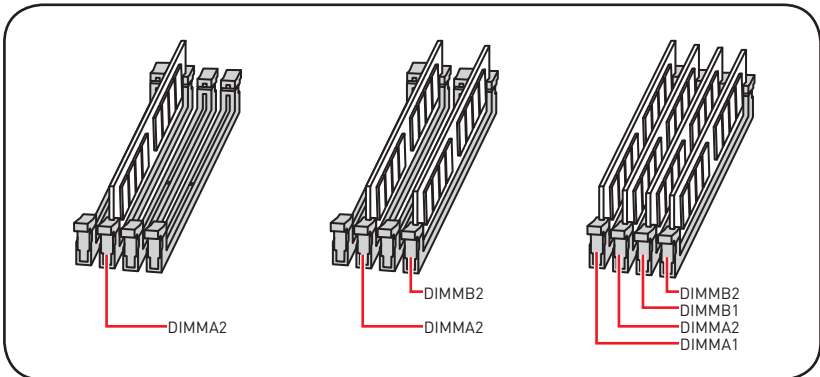
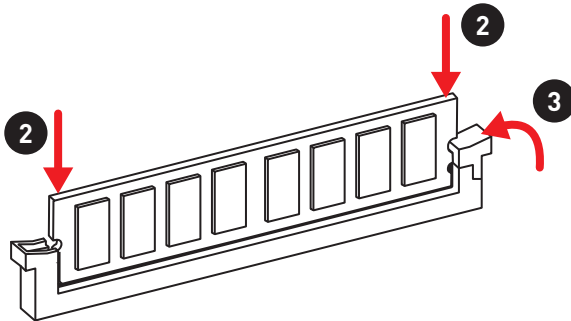
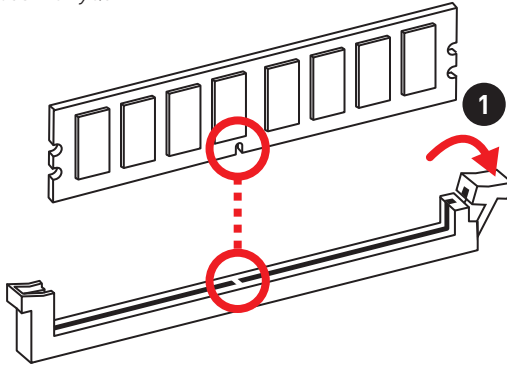
В случае установки процессорного кулера с системой крепления на винтах, следуйте указаниям на рисунке ниже для снятия пластикового модуля крепления. Затем установите кулер.



Installing DDR4 memory/ Installation des DDR4-Speichers/ Installer une mémoire DDR4/ Установка памяти DDR4



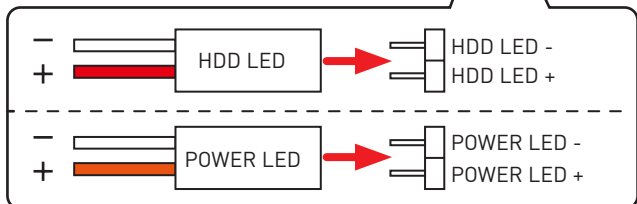
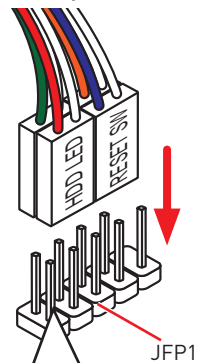
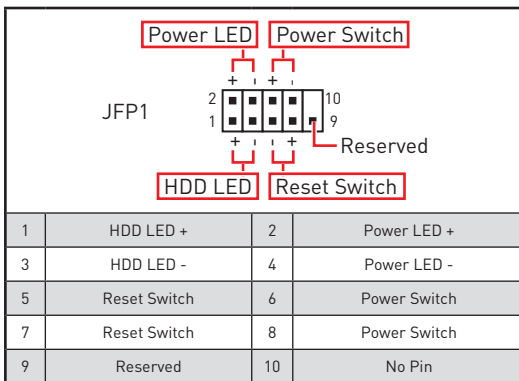
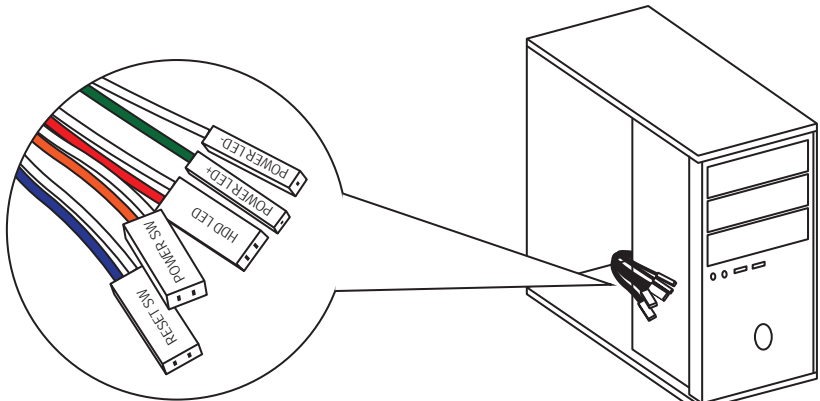
<http://youtu.be/T03aDrJPYqs>



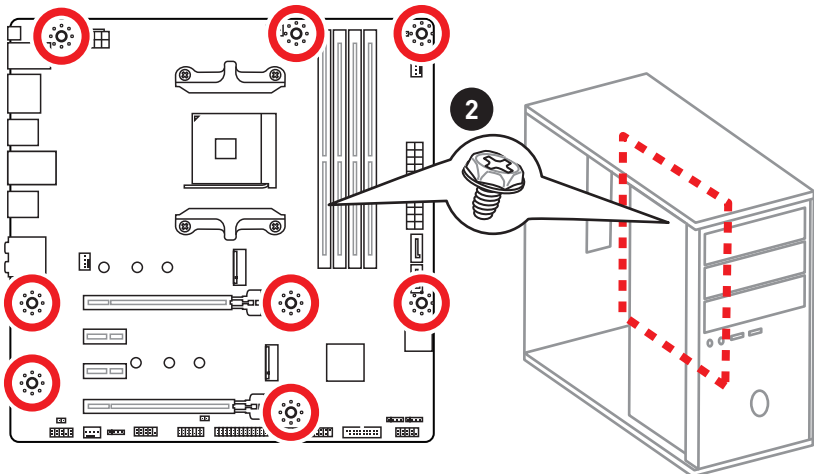
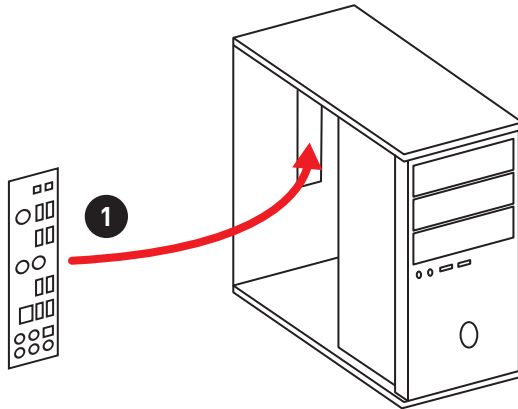
Connecting the Front Panel Header/ Anschließen der Frontpanel-Stiftleiste/ Connecter un connecteur du panneau avant/ Подключение разъемов передней панели



<http://youtu.be/DPELIdVNZUI>



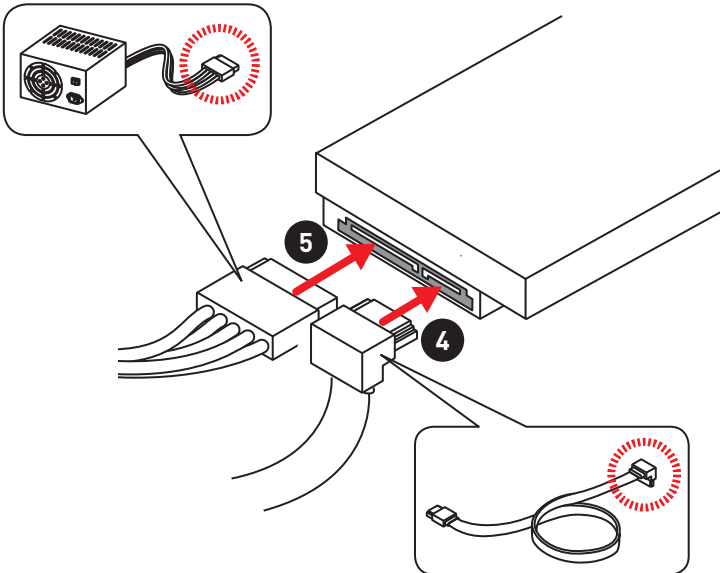
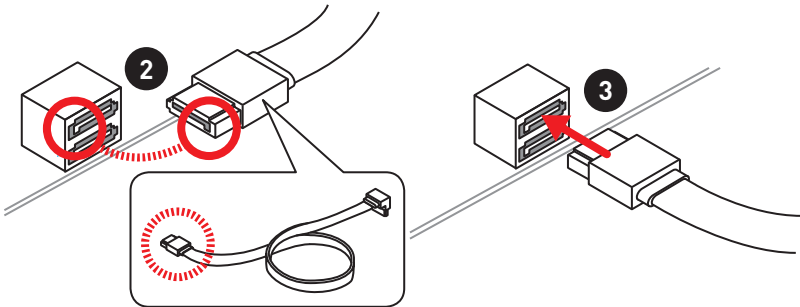
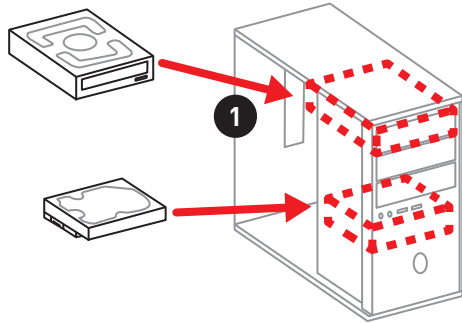
Installing the Motherboard/ Installation des Motherboards/ Installer la carte mère/ Установка материнской платы



Installing SATA Drives/ Installation der SATA-Laufwerke/ Installer le disque dur SATA/ Установка дисков SATA



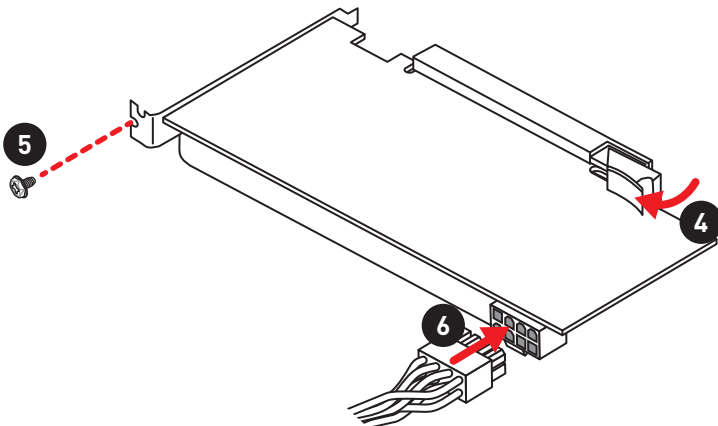
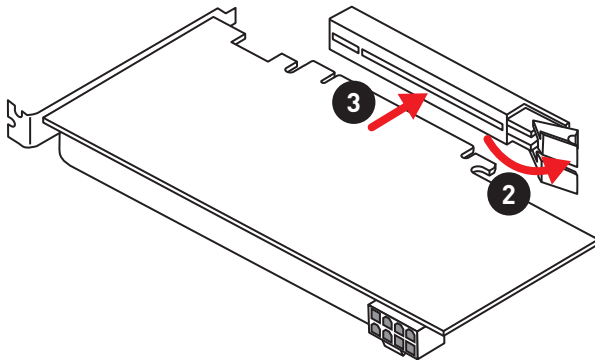
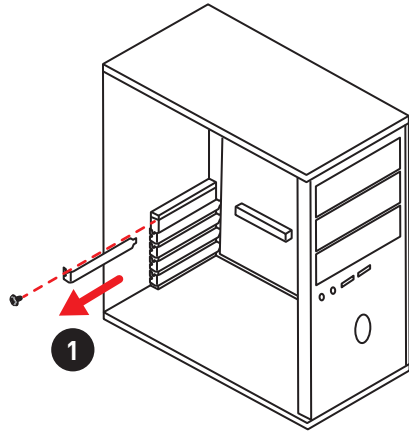
<http://youtu.be/RZsMpqxythc>



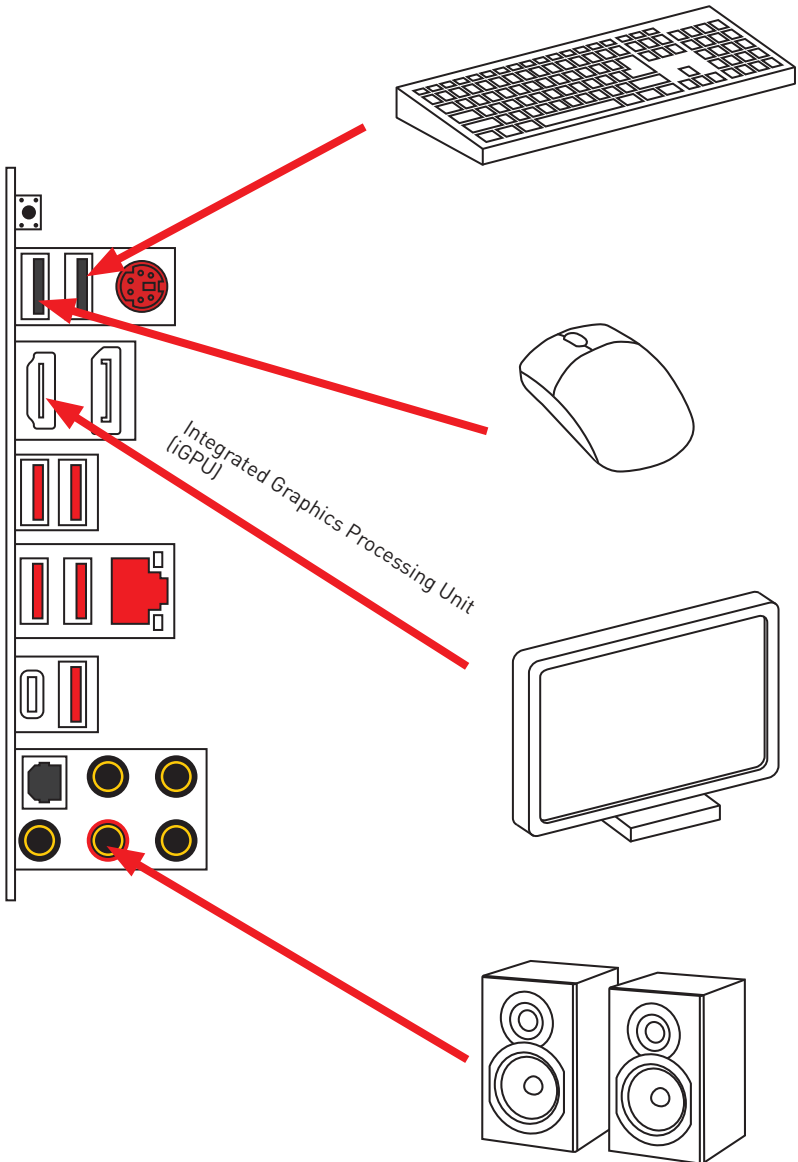
Installing a Graphics Card/ Einbau der Grafikkarte/ Installer une carte graphique/ Установка дискретной видеокарты



http://youtu.be/mG0GZpr9w_A



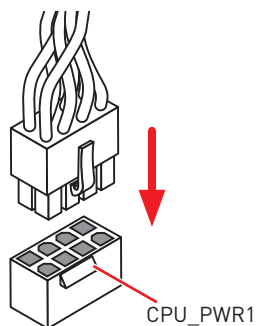
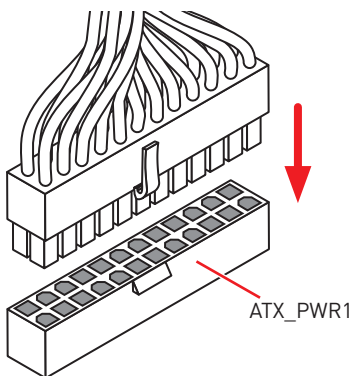
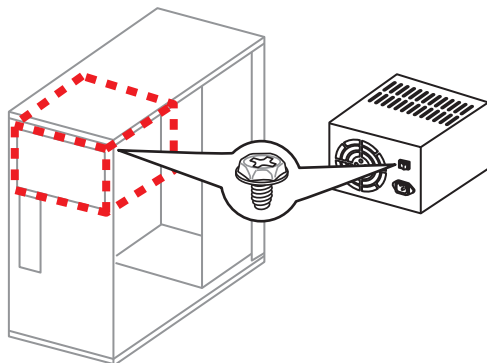
**Connecting Peripheral Devices/ Peripheriegeräte/
Connecter un périphérique anschliessen/ Подключение
периферийных устройств**



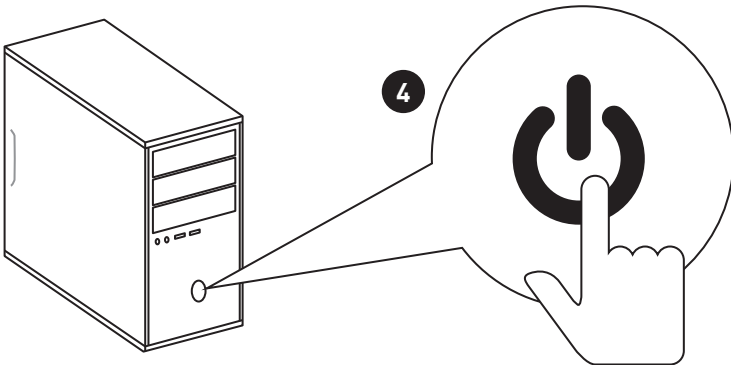
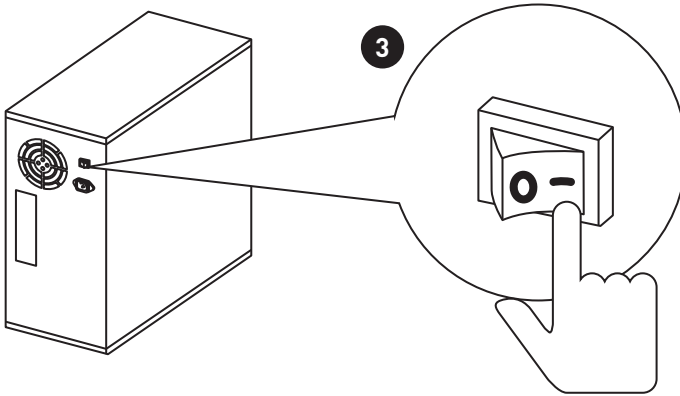
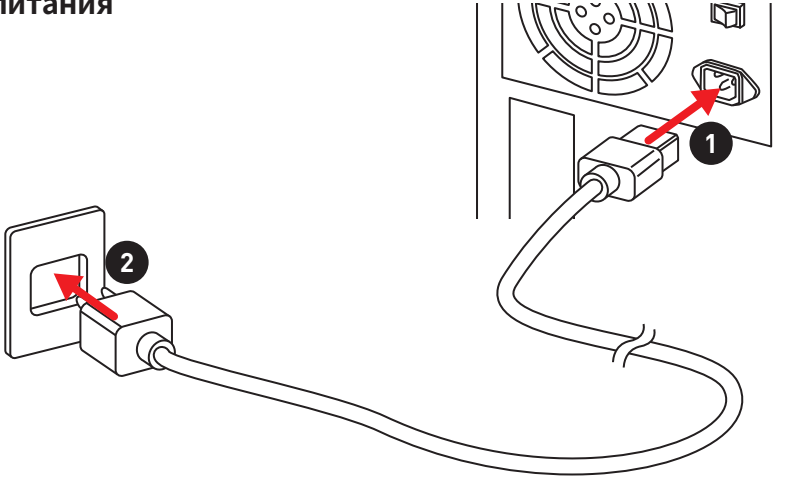
Connecting the Power Connectors/ Stromanschlüsse anschiessen/ Connecter les câbles du module d' alimentation/ Подключение разъемов питания



http://youtu.be/gkDYR_8314



**Power On/ Einschalten/ Mettre sous-tension/ Включение
питания**



Contents

Safety Information	2
Specifications	3
Package contents	8
Rear I/O Panel	9
LAN Port LED Status Table.....	9
Audio Ports Configuration.....	9
Realtek Audio Console.....	10
Overview of Components	12
CPU Socket.....	13
DIMM Slots.....	14
PCI_E1~4: PCIe Expansion Slots.....	15
JFP1, JFP2: Front Panel Connectors.....	15
M2_1~2: M.2 Slots (Key M).....	16
CPU_PWR1, ATX_PWR1: Power Connectors.....	17
JAUD1: Front Audio Connector.....	17
JUSB1~2: USB 2.0 Connectors.....	18
JUSB3: USB 3.2 Gen1 Connector.....	18
CPU_FAN1, SYS_FAN1~3: Fan Connectors.....	19
JCOM1: Serial Port Connector.....	19
SATA1~4: SATA 6Gb/s Connectors.....	20
JLPT1: Parallel Port Connector.....	20
JCI1: Chassis Intrusion Connector.....	21
JTPM1: TPM Module Connector.....	21
JRGB1, JRGB2: RGB LED Connectors.....	22
EZ Debug LED.....	22
JBAT1: Clear CMOS (Reset BIOS) Jumper.....	23
BIOS Setup	24
Entering BIOS Setup.....	24
Resetting BIOS.....	25
Updating BIOS.....	25
EZ Mode.....	27
Advanced Mode.....	29
OC Menu.....	30
Software Description	34
Installing Windows® 10.....	34
Installing Drivers.....	34
Installing Utilities.....	34

Safety Information

- The components included in this package are prone to damage from electrostatic discharge (ESD). Please adhere to the following instructions to ensure successful computer assembly.
- Ensure that all components are securely connected. Loose connections may cause the computer to not recognize a component or fail to start.
- Hold the motherboard by the edges to avoid touching sensitive components.
- It is recommended to wear an electrostatic discharge (ESD) wrist strap when handling the motherboard to prevent electrostatic damage. If an ESD wrist strap is not available, discharge yourself of static electricity by touching another metal object before handling the motherboard.
- Store the motherboard in an electrostatic shielding container or on an anti-static pad whenever the motherboard is not installed.
- Before turning on the computer, ensure that there are no loose screws or metal components on the motherboard or anywhere within the computer case.
- Do not boot the computer before installation is completed. This could cause permanent damage to the components as well as injury to the user.
- If you need help during any installation step, please consult a certified computer technician.
- Always turn off the power supply and unplug the power cord from the power outlet before installing or removing any computer component.
- Keep this user guide for future reference.
- Keep this motherboard away from humidity.
- Make sure that your electrical outlet provides the same voltage as is indicated on the PSU, before connecting the PSU to the electrical outlet.
- Place the power cord such a way that people can not step on it. Do not place anything over the power cord.
- All cautions and warnings on the motherboard should be noted.
- If any of the following situations arises, get the motherboard checked by service personnel:
 - Liquid has penetrated into the computer.
 - The motherboard has been exposed to moisture.
 - The motherboard does not work well or you can not get it work according to user guide.
 - The motherboard has been dropped and damaged.
 - The motherboard has obvious sign of breakage.
- Do not leave this motherboard in an environment above 60°C (140°F), it may damage the motherboard.

Specifications

CPU	Supports 1st, 2nd and 3rd Gen AMD Ryzen™/ Ryzen™ with Radeon™ Vega Graphics and 2nd Gen AMD Ryzen™ with Radeon™ Graphics/ Athlon™ with Radeon™ Vega Graphics Desktop Processors for Socket AM4
Chipset	AMD® B450 Chipset
Memory	<ul style="list-style-type: none"> • 4x DDR4 memory slots, support up to 64GB* <ul style="list-style-type: none"> ▪ Supports 1866/ 2133/ 2400/ 2667Mhz (by JEDEC) ▪ Supports 2667/ 2800/ 2933/ 3000/ 3066/ 3200/ 3466 MHz (by A-XMP OC MODE) • Dual channel memory architecture • Supports non-ECC UDIMM memory • Supports ECC UDIMM memory (non-ECC mode) <p>* Please refer www.msi.com for more information on compatible memory.</p>
Expansion Slots	<ul style="list-style-type: none"> • 1x PCIe 3.0 x16 slot (PCI_E1) <ul style="list-style-type: none"> ▪ Supports x16 speed with 1st, 2nd and 3rd Gen AMD Ryzen™ processors ▪ Supports x8 speed with Ryzen™ with Radeon™ Vega Graphics and 2nd Gen AMD Ryzen™ with Radeon™ Graphics processors ▪ Supports x4 speed with AMD® Athlon™ with Radeon™ Vega Graphics Processors • 1x PCIe 2.0 x16 slot (PCI_E4, supports x4 mode)* • 2x PCIe 2.0 x1 slots** <p>* PCI_E4 slot will be unavailable when an M.2 SSD is installed in the M2_2 slot. ** PCI_E2 slot will be unavailable when an expansion card is installed in the PCI_E3 slot.</p>
Onboard Graphics	<ul style="list-style-type: none"> • 1x DisplayPort, support a maximum resolution of 4096x2304 @60Hz, 2560x1600 @60Hz, 3840x2160 @60Hz, 1920x1200 @60Hz* • 1x HDMI™ 1.4 port, supports a maximum resolution of 4096x2160 @30Hz, 2560x1600 @60Hz* <p>* Only support when using AMD® Ryzen™ with Radeon™ Vega Graphics and 2nd Gen AMD Ryzen™ with Radeon™ Graphics/ Athlon™ with Radeon™ Vega Graphics Processors * Maximum shared memory of 2048 MB</p>
Multi-GPU	<ul style="list-style-type: none"> • Supports 2-Way AMD® CrossFire™ Technology

Continued on next page

Continued from previous page

Storage	<p>AMD® B450 Chipset</p> <ul style="list-style-type: none">• 4x SATA 6Gb/s ports*• 1x M.2 slot (M2_2, Key M)*<ul style="list-style-type: none">▪ Supports PCIe 2.0 x4 2242/ 2260 /2280 storage devices <p>AMD® CPU</p> <ul style="list-style-type: none">• 1x M.2 slot (M2_1, Key M)*<ul style="list-style-type: none">▪ Supports PCIe 3.0 x4 (1st- 2nd and 3rd Gen AMD Ryzen™/ Ryzen™ with Radeon™ Vega Graphics and 2nd Gen AMD Ryzen™ with Radeon™ Graphics) or PCIe 3.0 x2 (AMD® Athlon™ with Radeon™ Vega Graphics)and SATA 6Gb/s 2242/ 2260 /2280 storage devices <p>* PCI_E4 slot will be unavailable when an M.2 SSD is installed in the M2_2 slot.</p>
RAID	<p>AMD® B450 Chipset</p> <ul style="list-style-type: none">• Supports RAID 0, RAID 1 and RAID 10 for SATA storage devices• Supports RAID 0 and RAID 1 for M.2 NVMe RAID
USB	<p>AMD® B450 Chipset</p> <ul style="list-style-type: none">• 1x USB 3.2 Gen2 (SuperSpeed USB 10Gbps) Type-C port on the back panel• 1x USB 3.2 Gen2 (SuperSpeed USB 10Gbps) Type-A port on the back panel• 2x USB 3.2 Gen1 (SuperSpeed USB) ports available through the internal USB 3.2 Gen1 connector• 6x USB 2.0 (High-speed USB) ports (2 Type-A ports on the back panel, 4 ports available through the internal USB 2.0 connectors) <p>AMD® CPU</p> <ul style="list-style-type: none">• 4x USB 3.2 Gen1 (SuperSpeed USB) Type-A ports on the back panel
LAN	<p>1x Realtek® RTL8111H-CG Gigabit LAN controller</p>
Audio	<ul style="list-style-type: none">• Realtek® ALC892 Codec• 7.1-Channel High Definition Audio• Supports S/PDIF output

Continued on next page

Continued from previous page

Back Panel Connectors	<ul style="list-style-type: none">• 1x Flash BIOS Button• 1x PS/2 keyboard/ mouse combo port• 2x USB 2.0 Type-A ports• 1x DisplayPort• 1x HDMI™ port• 4x USB 3.2 Gen1 Type-A ports• 1x LAN (RJ45) port• 1x USB 3.2 Gen2 Type-A port• 1x USB 3.2 Gen2 Type-C port• 5x OFC audio jacks• 1x Optical S/PDIF OUT connector
Internal Connectors	<ul style="list-style-type: none">• 1x 24-pin ATX 12V power connector• 1x 8-pin ATX 12V power connector• 4x SATA 6Gb/s connectors• 2x USB 2.0 connectors (support additional 4 USB 2.0 ports)• 1x USB 3.2 Gen1 connector (support additional 2 USB 3.2 Gen1 ports)• 1x 4-pin CPU fan connector• 3x 4-pin system fan connectors• 2x 5050 RGB LED strip 12V connectors• 1x TPM module connector• 1x Front panel audio connector• 2x System panel connectors• 1x Chassis Intrusion connector• 1x Clear CMOS jumper• 1x Serial Port connector• 1x Parallel Port connector
I/O Controller	NUVOTON NCT6797D Controller Chip
Hardware Monitor	<ul style="list-style-type: none">• CPU/System temperature detection• CPU/System fan speed detection• CPU/System fan speed control

Continued on next page

Continued from previous page

Form Factor	<ul style="list-style-type: none">• m-ATX Form Factor• 9.6 in. x 9.6 in. (24.4 cm x 24.4 cm)
BIOS Features	<ul style="list-style-type: none">• 1x 256 Mb flash• UEFI AMI BIOS• ACPI 6.1, SM BIOS 2.8• Multi-language
Software	<ul style="list-style-type: none">• Drivers• APP MANAGER• COMMAND CENTER• LIVE UPDATE 6• MYSTIC LIGHT• SUPER CHARGER• GAMING APP• RAMDISK• X-BOOST• SMART TOOL• Open Broadcaster Software (OBS)• Norton™ Internet Security Solution• Google Chrome™, Google Toolbar, Google Drive• CPU-Z MSI GAMING

Continued on next page

Continued from previous page

Special Features

- Audio
 - Audio Boost
- Storage
 - Turbo M.2
 - StoreMI
- Fan
 - Gaming Fan Control
- LED
 - Mystic Light
 - Mystic Light Extension (RGB)
 - Mystic light SYNC
 - EZ DEBUG LED
- Protection
 - PCI-E Steel Armor
 - PCI-E Steel Slot
- Performance
 - Multi GPU-CrossFire Technology
 - DDR4 Boost
 - GAME Boost
 - USB with type A+C
 - AMD Turbo USB 3.2 Gen 2
 - CORE Boost
- VR
 - VR Ready
- Gamer Experience
 - GAMING HOTKEY
 - GAMING MOUSE Control
- BIOS
 - Click BIOS 5

Package contents

Please check the contents of your motherboard package. It should contain:

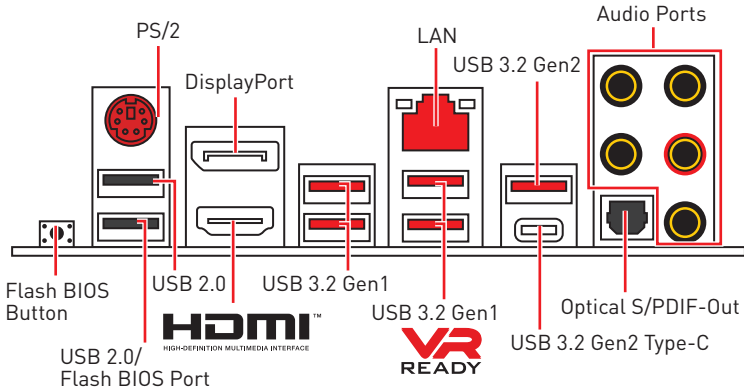
- Motherboard
- Driver DVD
- User Manual
- Quick Installation Guide
- I/O Shielding
- SATA 6G Cable X2
- Case Badge
- Product Registration Card
- M.2 Screw x2



Important

If any of the above items are damaged or missing, please contact your retailer.

Rear I/O Panel



• **Flash BIOS Button/ Port** - Please refer to page 26 for Updating BIOS with Flash BIOS Button.

LAN Port LED Status Table

Link/ Activity LED			Speed LED	
Status	Description		Status	Description
Off	No link	Off	10 Mbps connection	
Yellow	Linked	Green	100 Mbps connection	
Blinking	Data activity	Orange	1 Gbps connection	

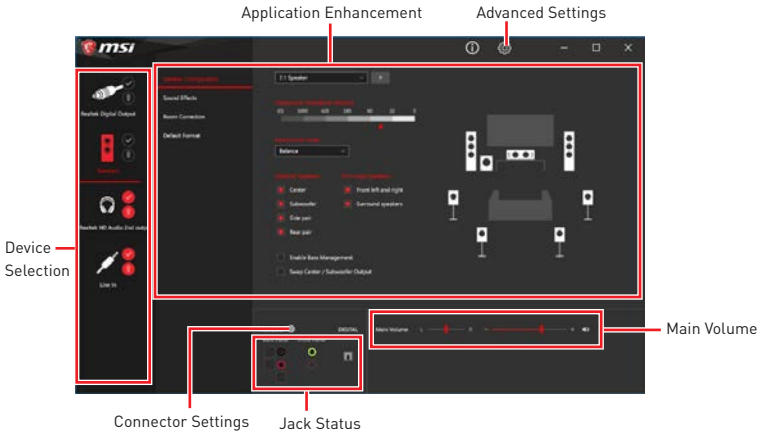
Audio Ports Configuration

Audio Ports	Channel			
	2	4	6	8
Center/ Subwoofer Out			●	●
Rear Speaker Out		●	●	●
Line-In/ Side Speaker Out				●
Line-Out/ Front Speaker Out	●	●	●	●
Mic In				

(●: connected, **Blank**: empty)

Realtek Audio Console

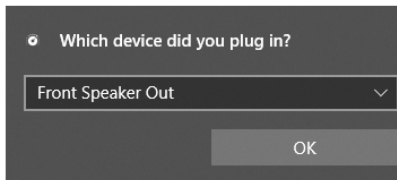
After Realtek Audio Console is installed. You can use it to change sound settings to get better sound experience.



- **Device Selection** - allows you to select a audio output source to change the related options. The **check** sign indicates the devices as default.
- **Application Enhancement** - the array of options will provide you a complete guidance of anticipated sound effect for both output and input device.
- **Main Volume** - controls the volume or balance the right/left side of the speakers that you plugged in front or rear panel by adjust the bar.
- **Advanced Settings** - provides the mechanism to deal with 2 independent audio streams.
- **Jack Status** - depicts all render and capture devices currently connected with your computer.
- **Connector Settings** - configures the Base connection settings.

Auto popup dialog

When you plug into a device at an audio jack, a dialogue window will pop up asking you which device is current connected.

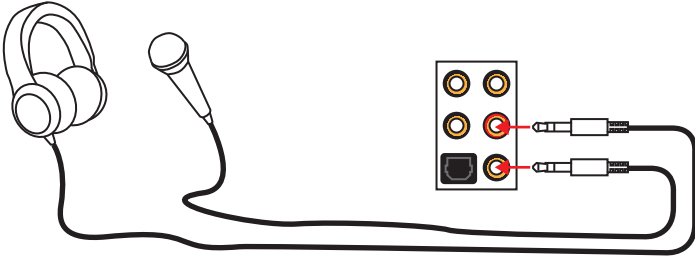


Each jack corresponds to its default setting as shown on the next page.

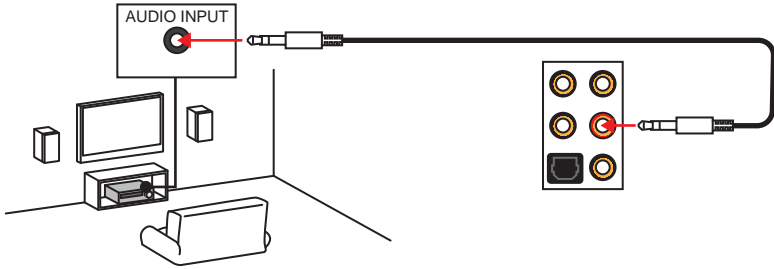
! *Important*

The pictures above for reference only and may vary from the product you purchased.

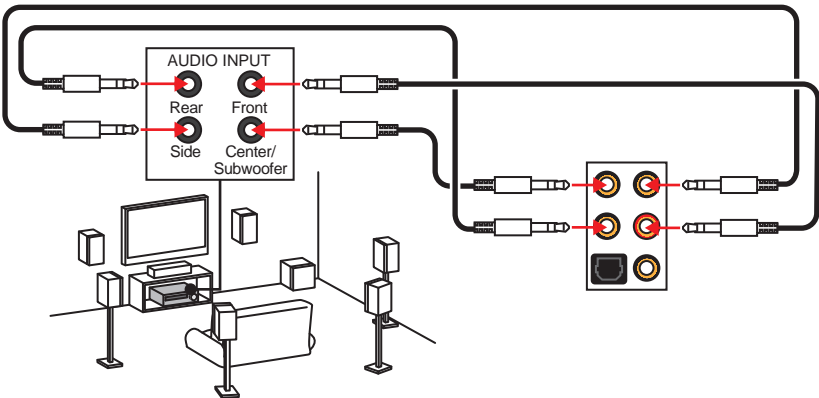
Audio jacks to headphone and microphone diagram



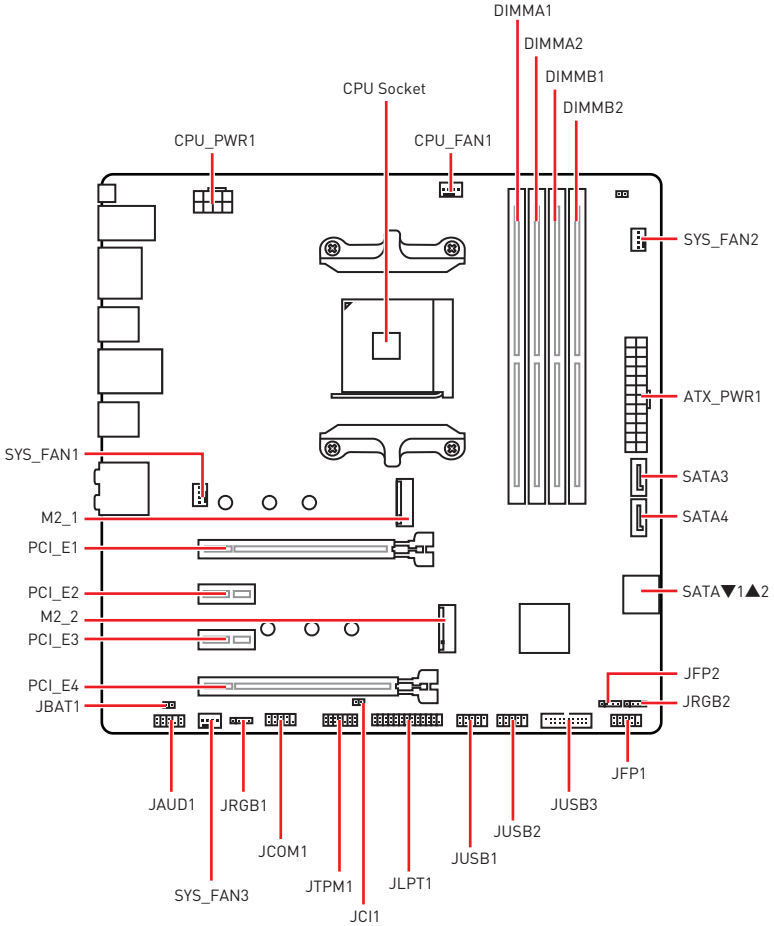
Audio jacks to stereo speakers diagram



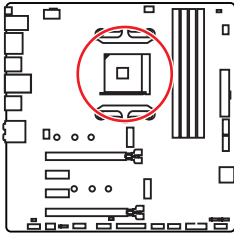
Audio jacks to 7.1-channel speakers diagram



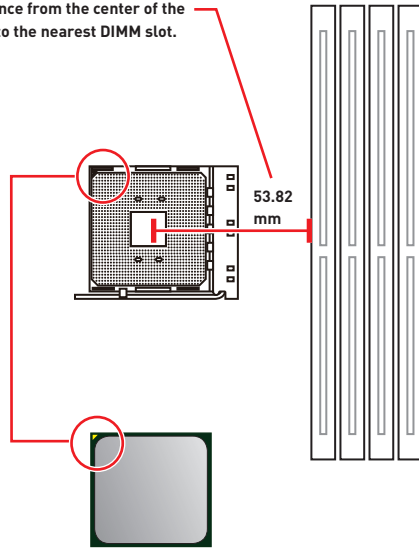
Overview of Components



CPU Socket



Distance from the center of the CPU to the nearest DIMM slot.



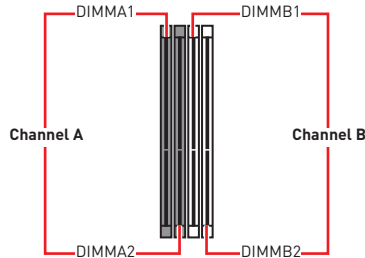
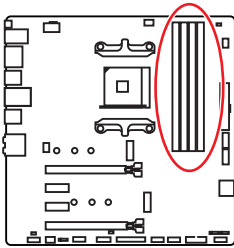
Introduction to the AM4 CPU

The surface of the AM4 CPU has a yellow triangle to assist in correctly lining up the CPU for motherboard placement. The yellow triangle is the Pin 1 indicator.

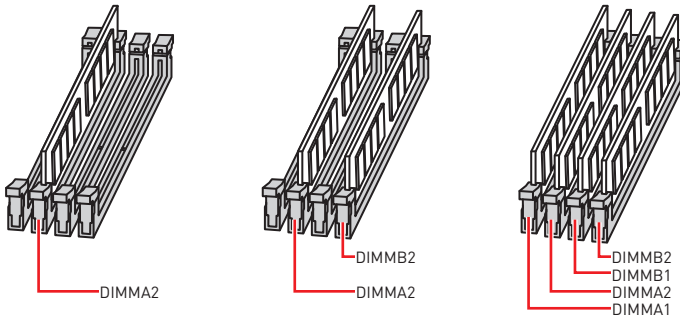
Important

- When changing the processor, the system configuration could be cleared and reset BIOS to default values, due to the AM4 processor's architecture.
- Always unplug the power cord from the power outlet before installing or removing the CPU.
- When installing a CPU, always remember to install a CPU heatsink. A CPU heatsink is necessary to prevent overheating and maintain system stability.
- Confirm that the CPU heatsink has formed a tight seal with the CPU before booting your system.
- Overheating can seriously damage the CPU and motherboard. Always make sure the cooling fans work properly to protect the CPU from overheating. Be sure to apply an even layer of thermal paste (or thermal tape) between the CPU and the heatsink to enhance heat dissipation.
- If you purchased a separate CPU and heatsink/ cooler, Please refer to the documentation in the heatsink/ cooler package for more details about installation.
- This motherboard is designed to support overclocking. Before attempting to overclock, please make sure that all other system components can tolerate overclocking. Any attempt to operate beyond product specifications is not recommended. MSI® does not guarantee the damages or risks caused by inadequate operation beyond product specifications.

DIMM Slots



Memory module installation recommendation



Important

- Always insert memory modules in the **DIMMA2** slot first.
- Due to chipset resource usage, the available capacity of memory will be a little less than the amount of installed.
- Based on the processor specification, the Memory DIMM voltage below 1.35V is suggested to protect the processor.
- Some memory modules may operate at a lower frequency than the marked value when overclocking due to the memory frequency operates dependent on its Serial Presence Detect (SPD). Go to BIOS and find the **DRAM Frequency** to set the memory frequency if you want to operate the memory at the marked or at a higher frequency.
- It is recommended to use a more efficient memory cooling system for full DIMMs installation or overclocking.
- The stability and compatibility of installed memory module depend on installed CPU and devices when overclocking.
- Due to AM4 CPU/memory controller official specification limitation, the frequency of memory modules may operate lower than the marked value under the default state. Please refer www.msi.com for more information on compatible memory.

PCI_E1~4: PCIe Expansion Slots

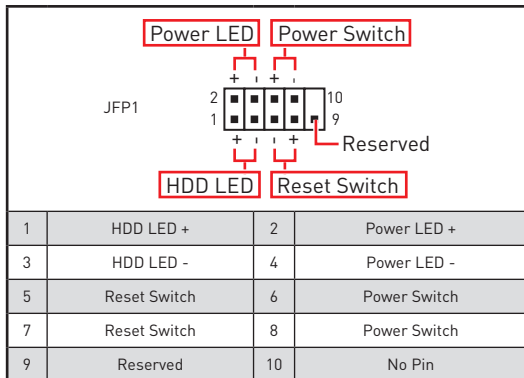
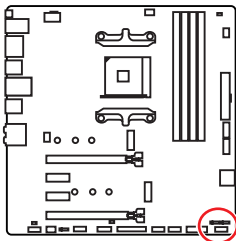
Processors \ Slots	RYZEN Series	Ryzen™ with Radeon™ Vega Graphics and 2nd Gen AMD Ryzen™ with Radeon™ Graphics	Athlon™ with Radeon™ Vega Graphics
PCI_E1	PCIe 3.0 x16	PCIe 3.0 x8	PCIe 3.0 x4
PCI_E2	PCIe 2.0 x1	PCIe 2.0 x1	PCIe 2.0 x1
PCI_E3	PCIe 2.0 x1	PCIe 2.0 x1	PCIe 2.0 x1
PCI_E4	PCIe 2.0 x4	PCIe 2.0 x4	PCIe 2.0 x4

Important

- PCI_E4 slot will be unavailable when an M.2 SSD is installed in the M2_2 slot.
- PCI_E2 slot will be unavailable when an expansion card is installed in the PCI_E3 slot.
- If you install a large and heavy graphics card, you need to use a tool such as **MSI Gaming Series Graphics Card Bolster** to support its weight to prevent deformation of the slot.
- For a single PCIe x16 expansion card installation with optimum performance, using the **PCI_E1** slot is recommended.
- When adding or removing expansion cards, always turn off the power supply and unplug the power supply power cable from the power outlet. Read the expansion card's documentation to check for any necessary additional hardware or software changes.

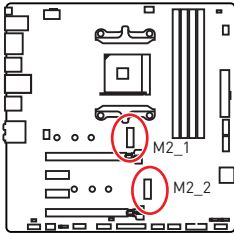
JFP1, JFP2: Front Panel Connectors

These connectors connect to the switches and LEDs on the front panel.



	1	Speaker -	2	Buzzer +
	3	Buzzer -	4	Speaker +

M2_1~2: M.2 Slots (Key M)



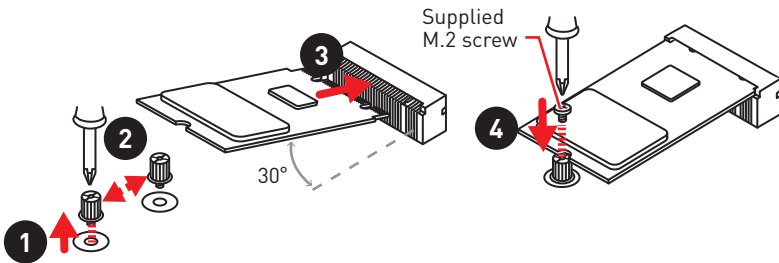
Video Demonstration

Watch the video to learn how to Install M.2 module.

<http://youtu.be/JCTFABytrYA>

Installing M.2 SSD

1. Loosen the M.2 riser screw from the motherboard.
2. Move and fasten the M.2 riser screw to the appropriate location for your M.2 SSD.
3. Insert your M.2 SSD into the M.2 slot at a 30-degree angle.
4. Secure the M.2 SSD in place with the supplied M.2 screw.

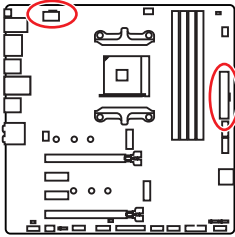


Important

PCI_E4 slot will be unavailable when an M.2 SSD is installed in the M2_2 slot.

CPU_PWR1, ATX_PWR1: Power Connectors

These connectors allow you to connect an ATX power supply.



1	Ground	5	+12V
2	Ground	6	+12V
3	Ground	7	+12V
4	Ground	8	+12V

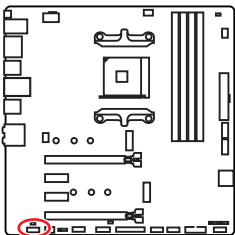
1	+3.3V	13	+3.3V
2	+3.3V	14	-12V
3	Ground	15	Ground
4	+5V	16	PS-ON#
5	Ground	17	Ground
6	+5V	18	Ground
7	Ground	19	Ground
8	PWR OK	20	Res
9	5VSB	21	+5V
10	+12V	22	+5V
11	+12V	23	+5V
12	+3.3V	24	Ground

Important

Make sure that all the power cables are securely connected to a proper ATX power supply to ensure stable operation of the motherboard.

JAUD1: Front Audio Connector

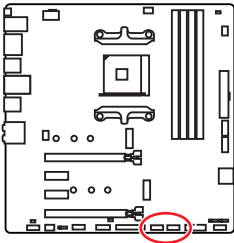
This connector allows you to connect audio jacks on the front panel.



1	MIC L	2	Ground
3	MIC R	4	NC
5	Head Phone R	6	MIC Detection
7	SENSE_SEND	8	No Pin
9	Head Phone L	10	Head Phone Detection

JUSB1~2: USB 2.0 Connectors

These connectors allow you to connect USB 2.0 ports on the front panel.



1	VCC	2	VCC
3	USB0-	4	USB1-
5	USB0+	6	USB1+
7	Ground	8	Ground
9	No Pin	10	NC

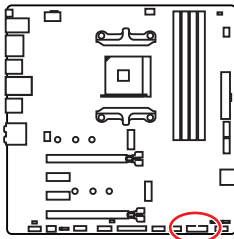


Important

- Note that the VCC and Ground pins must be connected correctly to avoid possible damage.
- In order to recharge your iPad, iPhone and iPod through USB ports, please install MSI® SUPER CHARGER utility.

JUSB3: USB 3.2 Gen1 Connector

This connector allows you to connect USB 3.2 Gen1 ports on the front panel.



1	Power	11	USB2.0+
2	USB3_RX_DN	12	USB2.0-
3	USB3_RX_DP	13	Ground
4	Ground	14	USB3_TX_C_DP
5	USB3_TX_C_DN	15	USB3_TX_C_DN
6	USB3_TX_C_DP	16	Ground
7	Ground	17	USB3_RX_DP
8	USB2.0-	18	USB3_RX_DN
9	USB2.0+	19	Power
10	NC	20	No Pin

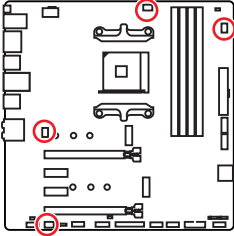


Important

Note that the Power and Ground pins must be connected correctly to avoid possible damage.

CPU_FAN1, SYS_FAN1~3: Fan Connectors

Fan connectors can be classified as PWM (Pulse Width Modulation) Mode or DC Mode. PWM Mode fan connectors provide constant 12V output and adjust fan speed with speed control signal. DC Mode fan connectors control fan speed by changing voltage. When you plug a 3-pin (Non-PWM) fan to a fan connector in PWM mode, the fan speed will always maintain at 100%, which might create a lot of noise. You can follow the instruction below to adjust the fan connector to PWM or DC Mode. However, with auto-detection mode fan connectors, the system will auto detect the fan mode.



Automatically detect mode fan connector



Default DC Mode fan connectors



Pin definition of fan connectors

PWM Mode pin definition			
1	Ground	2	+12V
3	Sense	4	Speed Control Signal

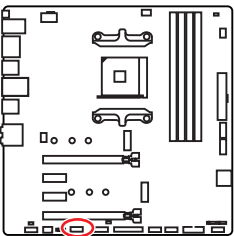
DC Mode pin definition			
1	Ground	2	Voltage Control
3	Sense	4	NC

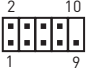
Important

- You can switch between PWM mode and DC mode and adjust fan speed in **BIOS > HARDWARE MONITOR**.
- Make sure fans are working properly after switching the PWM/ DC mode.

JCOM1: Serial Port Connector

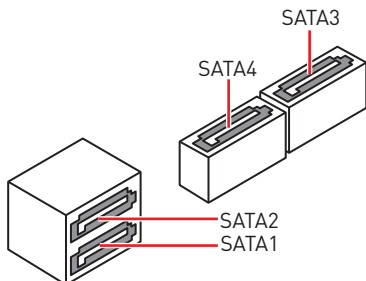
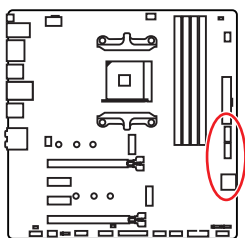
This connector allows you to connect the optional serial port with bracket.



			
1	DCD	2	SIN
3	SOUT	4	DTR
5	Ground	6	DSR
7	RTS	8	CTS
9	RI	10	No Pin

SATA1~4: SATA 6Gb/s Connectors

These connectors are SATA 6Gb/s interface ports. Each connector can connect to one SATA device.

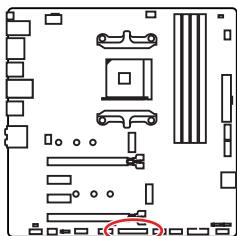



Important

- Please do not fold the SATA cable at a 90-degree angle. Data loss may result during transmission otherwise.
- SATA cables have identical plugs on either sides of the cable. However, it is recommended that the flat connector be connected to the motherboard for space saving purposes.

JLPT1: Parallel Port Connector

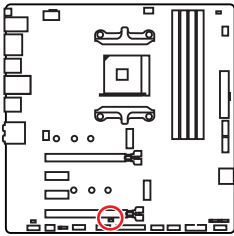
This connector allows you to connect the optional parallel port with bracket.



					
1	RSTB#	2	AFD#	3	PRND0
4	ERR#	5	PRND1	6	PINIT#
7	PRND2	8	LPT_SLIN#	9	PRND3
10	Ground	11	PRND4	12	Ground
13	PRND5	14	Ground	15	PRND6
16	Ground	17	PRND7	18	Ground
19	ACK#	20	Ground	21	BUSY
22	Ground	23	PE	24	Ground
25	SLCT	26	No Pin		

JCI1: Chassis Intrusion Connector

This connector allows you to connect the chassis intrusion switch cable.



Normal
(default)



Trigger the chassis
intrusion event

Using chassis intrusion detector

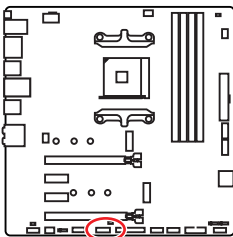
1. Connect the **JCI1** connector to the chassis intrusion switch/ sensor on the chassis.
2. Close the chassis cover.
3. Go to **BIOS > SETTINGS > Security > Chassis Intrusion Configuration**.
4. Set **Chassis Intrusion** to **Enabled**.
5. Press **F10** to save and exit and then press the **Enter** key to select **Yes**.
6. Once the chassis cover is opened again, a warning message will be displayed on screen when the computer is turned on.

Resetting the chassis intrusion warning

1. Go to **BIOS > SETTINGS > Security > Chassis Intrusion Configuration**.
2. Set **Chassis Intrusion** to **Reset**.
3. Press **F10** to save and exit and then press the **Enter** key to select **Yes**.

JTPM1: TPM Module Connector

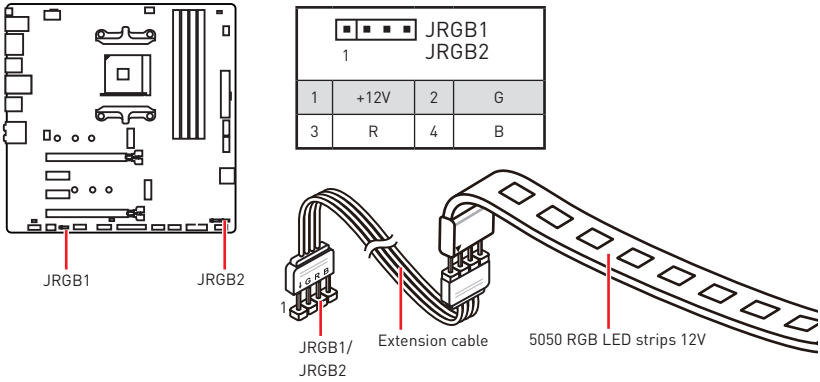
This connector is for TPM (Trusted Platform Module). Please refer to the TPM security platform manual for more details and usages.



1	LPC Clock	2	3V Standby power
3	LPC Reset	4	3.3V Power
5	LPC address & data pin0	6	Serial IRQ
7	LPC address & data pin1	8	5V Power
9	LPC address & data pin2	10	No Pin
11	LPC address & data pin3	12	Ground
13	LPC Frame	14	Ground

JRGB1, JRGB2: RGB LED Connectors

The JRGB1/JRGB2 connector allows you to connect the 5050 RGB LED strips 12V.

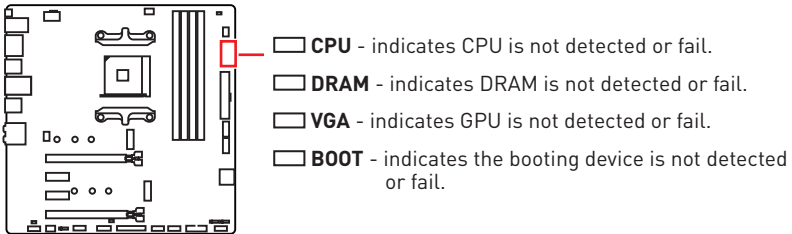


Important

- The JRGB1/ JRGB2 connector supports up to 2 meters continuous 5050 RGB LED strips (12V/G/R/B) with the maximum power rating of 3A (12V).
- Always turn off the power supply and unplug the power cord from the power outlet before installing or removing the RGB LED strip.
- Please use MSI's software to control the extended LED strip.

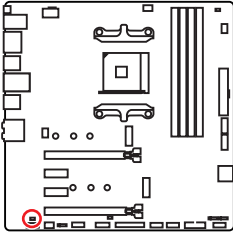
EZ Debug LED

These LEDs indicate the debug status of the motherboard.



JBAT1: Clear CMOS (Reset BIOS) Jumper

There is CMOS memory onboard that is external powered from a battery located on the motherboard to save system configuration data. If you want to clear the system configuration, set the jumpers to clear the CMOS memory.



Keep Data
(default)



Clear CMOS/
Reset BIOS

Resetting BIOS to default values

1. Power off the computer and unplug the power cord
2. Use a jumper cap to short **JBAT1** for about 5-10 seconds.
3. Remove the jumper cap from **JBAT1**.
4. Plug the power cord and power on the computer.

BIOS Setup

The default settings offer the optimal performance for system stability in normal conditions. You should **always keep the default settings** to avoid possible system damage or failure booting unless you are familiar with BIOS.

Important

- *BIOS items are continuously update for better system performance. Therefore, the description may be slightly different from the latest BIOS and should be for reference only. You could also refer to the **HELP** information panel for BIOS item description.*
- *The pictures in this chapter are for reference only and may vary from the product you purchased.*
- *The BIOS items will vary with the processor.*

Entering BIOS Setup

Press **Delete** key, when the **Press DEL key to enter Setup Menu, F11 to enter Boot Menu** message appears on the screen during the boot process.

Function key

- F1:** General Help list
- F2:** Add/ Remove a favorite item
- F3:** Enter Favorites menu
- F4:** Enter CPU Specifications menu
- F5:** Enter Memory-Z menu
- F6:** Load optimized defaults
- F7:** Switch between Advanced mode and EZ mode
- F8:** Load Overclocking Profile
- F9:** Save Overclocking Profile
- F10:** Save Change and Reset*
- F12:** Take a screenshot and save it to USB flash drive (FAT/ FAT32 format only).
- Ctrl+F:** Enter Search page

* When you press F10, a confirmation window appears and it provides the modification information. Select between Yes or No to confirm your choice.

Resetting BIOS

You might need to restore the default BIOS setting to solve certain problems. There are several ways to reset BIOS:

- Go to BIOS and press **F6** to load optimized defaults.
- Short the **Clear CMOS** jumper on the motherboard.



*Be sure the computer is off before clearing CMOS data. Please refer to the **Clear CMOS** jumper section for resetting BIOS.*

Updating BIOS

Updating BIOS with M-FLASH

Before updating:

Please download the latest BIOS file that matches your motherboard model from MSI website. And then save the BIOS file into the USB flash drive.

Updating BIOS:

1. Press Del key to enter the BIOS Setup during POST.
2. Insert the USB flash drive that contains the update file into the computer.
3. Select the **M-FLASH** tab and click on **Yes** to reboot the system and enter the flash mode.
4. Select a BIOS file to perform the BIOS update process.
5. After the flashing process is 100% completed, the system will reboot automatically.

Updating the BIOS with Live Update 6

Before updating:

Make sure the LAN driver is already installed and the internet connection is set properly.

Updating BIOS:

1. Install and launch MSI LIVE UPDATE 6.
2. Select **BIOS Update**.
3. Click on **Scan** button.
4. Click on **Download** icon to download and install the latest BIOS file.
5. Click **Next** and choose **In Windows mode**. And then click **Next** and **Start** to start updating BIOS.
6. After the flashing process is 100% completed, the system will restart automatically.

Updating BIOS with Flash BIOS Button

Before updating:

Please download the latest BIOS file that matches your motherboard model from MSI® website and rename the BIOS file to **MSI.ROM**. And then, save the **MSI.ROM** file to the root of USB flash drive.

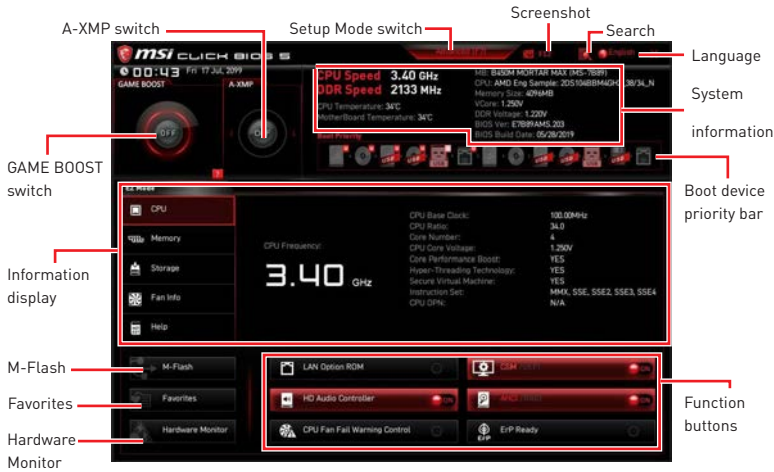


*Only the FAT32 format USB flash drive supports updating BIOS by **Flash BIOS Button**.*

1. Connect power supply to **CPU_PWR1** and **ATX_PWR1**. (No other components are necessary but power supply.)
2. Plug the USB flash drive that contains the MSI.ROM file into the **Flash BIOS Port** on rear I/O panel.
3. Press the **Flash BIOS Button** to flash BIOS, and the LED next to Flash BIOS Button starts flashing.
4. After the flashing BIOS process is 100% completed, the LED would be off simultaneously.

EZ Mode

At EZ mode, it provides the basic system information and allows you to configure the basic setting. To configure the advanced BIOS settings, please enter the Advanced Mode by pressing the **Setup Mode switch** or **F7** function key.



- **GAME BOOST switch** - click on it to toggle the **GAME BOOST** for OC.

Important

*Please don't make any changes in OC menu and don't load defaults to keep the optimal performance and system stability after activating the **GAME BOOST** function.*

- **A-XMP switch (optional)** - click on the inner circle to enable/ disable the A-XMP. Switch the outer circle to select the memory profile if any. This switch will only be available if the installed processor and memory modules support XMP function.
- **Setup Mode switch** - press this tab or the **F7** key to switch between Advanced mode and EZ mode.
- **Screenshot** - click on this tab or the **F12** key to take a screenshot and save it to USB flash drive (FAT/ FAT32 format only).
- **Search** - click on this tab or the **Ctrl+F** keys and the search page will show. It allows you to search by BIOS item name, enter the item name to find the item listing. Move the mouse over a blank space and right click the mouse to exit search page.

Important

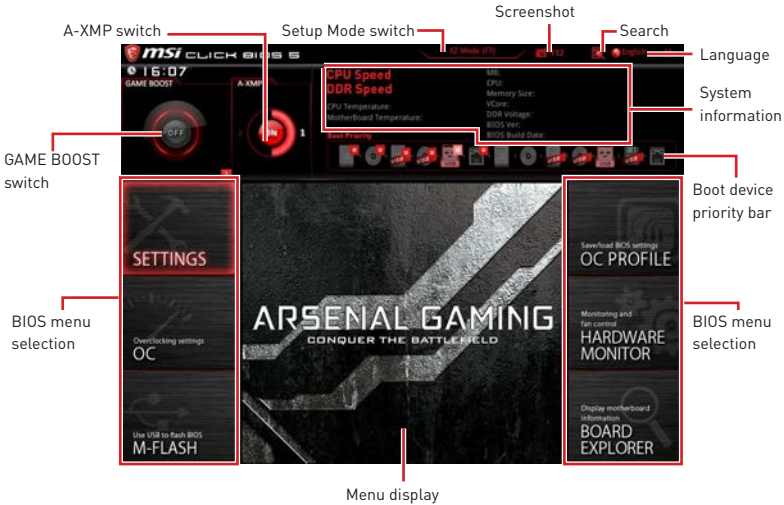
In search page, only the F6, F10 and F12 function keys are available.

- **Language** - allows you to select the language of BIOS setup.
- **System information** - shows the CPU/ DDR speed, CPU/ MB temperature, MB/ CPU type, memory size, CPU/ DDR voltage, BIOS version and build date.
- **Boot device priority bar** - you can move the device icons to change the boot priority. The boot priority from high to low is left to right.

- **Information display** - click on the **CPU, Memory, Storage, Fan Info** and **Help** buttons on left side to display related information.
- **Function buttons** - enable or disable the **LAN Option ROM, HD audio controller, AHCI/RAID, CPU Fan Fail Warning Control, CSM/UEFI** and **ErP Ready** by clicking on their respective button.
- **M-Flash** - click on this button to display the **M-Flash** menu that provides the way to update BIOS with a USB flash drive.
- **Hardware Monitor** - click on this button to display the **Hardware Monitor** menu that allows you to manually control the fan speed by percentage.
- **Favorites menu** - press the **F3** key to enter **Favorites** menu. It allows you to create personal BIOS menu where you can save and access favorite/ frequently-used BIOS setting items.
 - **Default HomePage** - allows you to select a BIOS menu (e.g. SETTINGS, OC...,etc) as the BIOS home page.
 - **Favorite1~5** - allows you to add the frequently-used/ favorite BIOS setting items in one page.
 - **To add a BIOS item to a favorite page (Favorite 1~5)**
 1. Move the mouse over a BIOS item not only on BIOS menu but also on search page.
 2. Right-click or press **F2** key.
 3. Choose a favorite page and click on **OK**.
 - **To delete a BIOS item from favorite page**
 1. Move the mouse over a BIOS item on favorite page (Favorite 1~5)
 2. Right-click or press **F2** key.
 3. Choose **Delete** and click on **OK**.

Advanced Mode

Press **Setup Mode switch** or **F7** function key can switch between EZ Mode and Advanced Mode in BIOS setup.



- **BIOS menu selection** - the following options are available:

- **SETTINGS** - allows you to specify the parameters for chipset and boot devices.
- **OC** - allows you to adjust the frequency and voltage. Increasing the frequency may get better performance.
- **M-FLASH** - provides the way to update BIOS with a USB flash drive.
- **OC PROFILE** - allows you to manage overclocking profiles.
- **HARDWARE MONITOR** - allows you to set the speeds of fans and monitor voltages of system.
- **BOARD EXPLORER** - provides the information of installed devices on this motherboard.

- **Menu display** - provides BIOS setting items and information to be configured.

OC Menu

This menu is for advanced users who want to overclock the motherboard.



Important

- Overclocking your PC manually is only recommended for advanced users.
- Overclocking is not guaranteed, and if done improperly, it could void your warranty or severely damage your hardware.
- If you are unfamiliar with overclocking, we advise you to use **GAME BOOST** function for easy overclocking.
- The BIOS items in OC menu will vary with the processor.

► OC Explore Mode [Normal]

Enables or disables to show the normal or expert version of OC settings.

[Normal] Provides the regular OC settings in BIOS setup.

[Expert] Provides the advanced OC settings for OC expert to configure in BIOS setup.

Note: We use * as the symbol for the OC settings of Expert mode.

► CPU Ratio [Auto]

Sets the CPU ratio that is used to determine CPU clock speed. This item can only be changed if the processor supports this function.

► Core Performance Boost [Auto]

Enables or disables the Core Performance Boost (CPB). This item appears when the installed CPU supports this function.

► Downcore Control [Auto] (optional)

Sets the number of processor cores to be used. This item appears when the installed CPU supports this function.

► A-XMP [Disabled]

Please enable A-XMP or select a profile of memory module for overclocking the memory. This item will be available when the installed processor, memory modules and motherboard support this function.

► **DRAM Frequency [Auto]**

Sets the DRAM frequency. Please note the overclocking behavior is not guaranteed.

► **Adjusted DRAM Frequency**

Shows the adjusted DRAM frequency. Read-only.

► **Memory Try It ! [Disabled]**

It can improve memory compatibility or performance by choosing optimized memory preset.

► **Memory Retry Count [5]**

Sets the count of memory retry. When memory retry fails reach the count, the memory will go back to the last available setting.

► **Advanced DRAM Configuration**

Press **Enter** to enter the sub-menu. User can set the memory timing for each/ all memory channel. The system may become unstable or unbootable after changing memory timing. If it occurs, please clear the CMOS data and restore the default settings. (Refer to the Clear CMOS jumper section to clear the CMOS data, and enter the BIOS to load the default settings.)

► **DigitALL Power**

Press **Enter** to enter the sub-menu. Controls the digital powers related to CPU PWM.

► **CPU Loadline Calibration Control [Auto]**

The CPU voltage will decrease proportionally according to CPU loading. Higher load-line calibration could get higher voltage and good overclocking performance, but increase the temperature of the CPU and VRM. If set to **Auto**, BIOS will configure this setting automatically.

► **CPU NB Loadline Calibration Control [Auto]**

The CPU-NB voltage will decrease proportionally according to CPU-NB loading. Higher load-line calibration could get higher voltage and good overclocking performance, but increase the temperature. If set to **Auto**, BIOS will configure this setting automatically.

► **CPU Over Voltage Protection [Auto]**

Sets the voltage limit for CPU over-voltage protection. If set to **Auto**, BIOS will configure this setting automatically. Higher voltage provides less protection and may damage the system.

► **CPU Under Voltage Protection [Auto]**

Sets the voltage limit for CPU under-voltage protection. If set to **Auto**, BIOS will configure this setting automatically. Higher voltage provides less protection and may damage the system.

► **CPU Over Current Protection [Auto]**

Sets the current limit for CPU over-current protection. If set to **Auto**, BIOS will configure this setting automatically.

[Auto] This setting will be configured automatically by BIOS.

[Enhanced] Extends the current range for over-current protection.

► VR 12VIN OCP Expander [Auto]

Expands the limitation of VR Over Current Protection with 12V input voltage. The higher expanding value indicates less protection. Therefore, please adjust the current carefully if needed, or it may damage the CPU/ VR MOS. If set to "Auto", BIOS will configure this setting automatically.

► CPU Voltages control [Auto]

These options allows you to set the voltages related to CPU. If set to **Auto**, BIOS will set these voltages automatically or you can set it manually.

► DRAM Voltages control [Auto]

These options allows you to set the voltages related to memory. If set to **Auto**, BIOS will set these voltages automatically or you can set it manually.

► Memory Changed Detect [Enabled]*

Enables or disables the system to issue a warning message during boot when the memory has been replaced.

[Enabled] The system will issue a warning message during boot and then you have to load the default settings for new devices.

[Disabled] Disables this function and keeps the current BIOS settings.

► CPU Specifications

Press **Enter** to enter the sub-menu. This sub-menu displays the information of installed CPU. You can also access this information menu at any time by pressing [F4]. Read only.

► CPU Technology Support

Press **Enter** to enter the sub-menu. The sub-menu shows the key features of installed CPU. Read only.

► MEMORY-Z

Press **Enter** to enter the sub-menu. This sub-menu displays all the settings and timings of installed memory. You can also access this information menu at any time by pressing [F5].

► DIMMx Memory SPD

Press **Enter** to enter the sub-menu. The sub-menu displays the information of installed memory. Read only.

► CPU Features

Press **Enter** to enter the sub-menu.

► Global C-state Control [Enabled] (optional)

Enables/ disables IO based C-state generation and DF C-states.

► Simultaneous Multi-Threading [Enabled] (optional)

Enables/ disables the AMD Simultaneous Multi-Threading. This item appears when the installed CPU supports this technology.

► Opcache Control [Auto] (optional)

Enables/ disables Opcache. Opcache stores recent decode instruction to save the decoding time when the instruction is repeated. And it may increase the CPU performance and reduce the power consumption slightly.

► IOMMU Mode (optional)

Enables/disables the IOMMU (I/O Memory Management Unit) for I/O Virtualization.

► Spread Spectrum (optional)

This function reduces the EMI (Electromagnetic Interference) generated by modulating clock generator pulses.

[Enabled] Enables the spread spectrum function to reduce the EMI (Electromagnetic Interference) problem.

[Disabled] Enhances the overclocking ability of CPU Base clock.



Important

- If you do not have any EMI problem, leave the setting at [Disabled] for optimal system stability and performance. But if you are plagued by EMI, select the value of Spread Spectrum for EMI reduction.
- The greater the Spread Spectrum value is, the greater the EMI is reduced, and the system will become less stable. For the most suitable Spread Spectrum value, please consult your local EMI regulation.
- Remember to disable Spread Spectrum if you are overclocking because even a slight jitter can introduce a temporary boost in clock speed which may just cause your overclocked processor to lock up.

► Relaxed EDC throttling [Auto] (optional)

Relaxed EDC throttling reduces the amount of time the processor will throttle the cores.

[Auto] AMD's recommendation

[Enabled] Reduce the amount of time the processor will throttle.

[Disabled] Part-specific EDC throttling protection enabled.

► AMD Cool'n'Quiet [Enabled]

The Cool'n'Quiet technology can effectively and dynamically lower CPU speed and power consumption.

► SVM Mode [Enabled]

Enables/ disables the AMD SVM (Secure Virtual Machine) Mode.

► BIOS PSP Support [Enabled] (optional)

Enables/ disables the BIOS PSP support. It manages PSP sub-items including all C2P/P2C mailbox, Secure S3, fTPM support.

► Power Supply Idle Control [Auto] (optional)

It allows you to select the power-saving control mode for the CPU when all cores are in a non-C0 state. If set to **Auto**, BIOS will configure these settings.

► CPU VDD_SoC Current Optimization [Auto] (optional)

Sets the currents of CPU VDD and SoC. If set to **Auto**, BIOS will configure this setting automatically.

[Auto] This setting will be configured automatically by BIOS.

[Custom Setting] Allows you to set the currents manually.

Software Description

Please download and update the latest utilities and drivers at www.msi.com

Installing Windows® 10

1. Power on the computer.
2. Insert the Windows® 10 installation disc/USB into your computer.
3. Press the **Restart** button on the computer case.
4. Press **F11** key during the computer POST (Power-On Self Test) to get into Boot Menu.
5. Select the Windows® 10 installation disc/USB from the Boot Menu.
6. Press any key when screen shows **Press any key to boot from CD or DVD...** message.
7. Follow the instructions on the screen to install Windows® 10.

Installing Drivers

1. Start up your computer in Windows® 10.
2. Insert MSI® Driver Disc into your optical drive.
3. Click the **Select to choose what happens with this disc** pop-up notification, then select **Run DVDSetup.exe** to open the installer. If you turn off the AutoPlay feature from the Windows Control Panel, you can still manually execute the **DVDSetup.exe** from the root path of the MSI Driver Disc.
4. The installer will find and list all necessary drivers in the **Drivers/Software** tab.
5. Click the **Install** button in the lower-right corner of the window.
6. The drivers installation will then be in progress, after it has finished it will prompt you to restart.
7. Click **OK** button to finish.
8. Restart your computer.

Installing Utilities

Before you install utilities, you must complete drivers installation.

1. Open the installer as described above.
2. Click the **Utilities** tab.
3. Select the utilities you want to install.
4. Click the **Install** button in the lower-right corner of the window.
5. The utilities installation will then be in progress, after it has finished it will prompt you to restart.
6. Click **OK** button to finish.
7. Restart your computer.

Table des matières

Informations de sécurité	2
Spécifications	3
Contenu	8
Panneau arrière Entrée/ Sortie	9
Tableau explicatif de l' état de la LED du port LAN	9
Configuration des ports audio.....	9
Realtek Audio Console	10
Vue d' ensemble des composants	12
Socket processeur	13
Slots DIMM	14
PCI_E1~4 : Slots d' extension PCIe	15
JFP1, JFP2 : Connecteurs de panneau avant	15
M2_1~2 : Slots M.2 (Touche M).....	16
CPU_PWR1, ATX_PWR1 : Connecteurs d' alimentation	17
JAUD1 : Connecteur audio avant.....	17
JUSB1~2 : Connecteurs USB 2.0.....	18
JUSB3 : Connecteur USB 3.2 Gen1	18
CPU_FAN1, SYS_FAN1~3 : Connecteurs pour ventilateurs.....	19
JCOM1 : Connecteur de port série	19
SATA1~4 : Connecteurs SATA 6 Gb/s	20
JLPT1 : Connecteur de port parallèle	20
JCI1 : Connecteur intrusion châssis	21
JTPM1 : Connecteur de module TPM	21
JRGB1, JRGB2 : Connecteurs LED RGB	22
EZ Debug LED.....	22
JBAT1 : Cavalier Clear CMOS (Réinitialisation BIOS)	23
Configuration du BIOS	24
Entrer dans l' interface Setup du BIOS	24
Réinitialiser le BIOS.....	25
Mettre le BIOS à jour	25
EZ Mode (mode simplifié).....	27
Advanced Mode (mode avancé)	29
OC Menu (menu overlocking).....	30
Informations sur les logiciels	35
Installer Windows® 10	35
Installer les pilotes	35
Installer les utilitaires	35

Informations de sécurité

- Les composants dans l' emballage peuvent être endommagés par des décharges électrostatiques (ESD). Pour vous assurer de correctement monter votre ordinateur, veuillez vous référer aux instructions ci-dessous.
- Assurez-vous de bien connecter tous les composants. En cas de mauvaise connexion, il se peut que l' ordinateur ne reconnaisse pas le composant et que le démarrage échoue.
- Veuillez tenir la carte mère par les bords pour éviter de toucher les composants sensibles.
- Il est recommandé de porter un bracelet antistatique lors de la manipulation de la carte mère pour prévenir tout dommage. Si vous n' avez pas de bracelet antistatique, touchez un objet métallique relié à la terre avant de manipuler la carte mère afin de vous décharger de votre charge statique. Touchez régulièrement l' objet métallique pendant toute la manipulation.
- Tant que la carte mère n' est pas installée, conservez-la dans un récipient protégé contre les ondes électrostatiques ou sur une couche antistatique.
- Avant de démarrer l' ordinateur, vérifiez si toutes les vis et les composants métalliques sont bien fixés sur la carte mère ou ailleurs dans le boîtier de l' ordinateur.
- Ne démarrez pas l' ordinateur avant d' avoir terminé l' installation. Ceci peut endommager les composants ou vous blesser.
- Si vous avez besoin d' aide pendant l' installation, veuillez consulter un technicien informatique certifié.
- Avant d' installer les composants d' ordinateur, veuillez toujours mettre hors tension et débrancher le cordon d' alimentation.
- Gardez ce manuel pour références futures.
- Protégez ce manuel contre l' humidité.
- Avant de brancher le bloc d' alimentation sur la sortie électrique, veuillez vous assurer que la tension de la sortie électrique est bien égale à celle du bloc d' alimentation.
- Placez le cordon d' alimentation de façon à éviter que l' on marche dessus. Ne posez rien sur le cordon d' alimentation.
- Veuillez prêter attention à toutes les alertes et remarques indiquées sur la carte mère.
- Dans un cas comme ci-dessous, faites appel au service autorisé pour vérifier votre carte mère :
 - Un liquide a pénétré dans l' ordinateur.
 - La carte mère a été exposée à de l' humidité.
 - La carte mère ne fonctionne pas comme indiqué dans les instructions.
 - La carte mère est tombée par terre et a été endommagée.
 - La carte mère est cassée.
- Ne pas mettre la carte mère dans un environnement dont la température est supérieure à 60°C (140°F) sous peine de l'endommager.

Spécifications

CPU	Socket AM4 pour processeurs AMD Ryzen™ de 1ère, 2ème et 3ème génération/ Ryzen™ avec cœurs graphiques Radeon™ Vega/ AMD Ryzen™ avec cœurs graphiques Radeon™ de 2ème génération/ Athlon™ avec cœurs graphiques Radeon™ Vega
Chipset	Chipset AMD® B450
Mémoire	<ul style="list-style-type: none"> • 4 x slots pour mémoire DDR4, support jusqu' à 64GO* <ul style="list-style-type: none"> ▪ Support 1866/ 2133/ 2400/ 2667Mhz (par JEDEC) ▪ Support 2667/ 2800/ 2933/ 3000/ 3066/ 3200/ 3466 MHz (par A-XMP OC MODE) • Architecture mémoire double canal • Support mémoire non-ECC UDIMM • Support mémoire ECC UDIMM (mode non-ECC) <p>* Veuillez vous référer au site www.msi.com pour plus d' informations sur la mémoire compatible.</p>
Slots d' extension	<ul style="list-style-type: none"> • 1 x slot PCIe 3.0 x 16 (PCI_E1) <ul style="list-style-type: none"> ▪ Le mode x 16 est supporté par les processeurs AMD Ryzen™ de 1ère, 2ème et 3ème génération ▪ Le mode x 8 est supporté par les processeurs Ryzen™ avec cœurs graphiques Radeon™ Vega et AMD Ryzen™ avec cœurs graphiques Radeon™ de 2ème génération ▪ Le mode x 4 est supporté par les processeurs AMD® Athlon™ avec cœurs graphiques Radeon™ Vega • 1 x slot PCIe 2.0 x 16 (PCI_E4, support mode x 4)* • 2 x slots PCIe 2.0 x 1** <p>* Le slot PCI_E4 est indisponible lorsqu' un SSD M.2 est installé dans le slot M2_2. ** Le slot PCI_E2 est indisponible lorsqu' une carte d' extension est installée dans le slot PCI_E3.</p>
Sorties vidéo intégrées	<ul style="list-style-type: none"> • 1 x DisplayPort, supportant une résolution maximum de 4096x2304 @60Hz, 2560x1600 @60Hz, 3840x2160 @60Hz, 1920x1200 @60Hz* • 1 x port HDMI™ 1.4, supportant une résolution maximum de 4096x2160 @30Hz, 2560x1600 @60Hz* <p>* Cette résolution est seulement supportée lors de l' utilisation des processeurs AMD® Ryzen™ avec cœurs graphiques Radeon™ Vega et AMD Ryzen™ avec cœurs graphiques Radeon™ de 2ème génération/ Athlon™ avec cœurs graphiques Radeon™ Vega * La mémoire partagée maximale est de 2048 Mb</p>
Multi-GPU	• Support de la technologie AMD® CrossFire™ 2-Way

Suite du tableau sur la page suivante

Suite du tableau de la page précédente

<p>Stockage</p>	<p>Chipset AMD® B450</p> <ul style="list-style-type: none"> • 4 x ports SATA 6Gb/s* • 1 x slot M.2 (M2_2, Touche M)* <ul style="list-style-type: none"> ▪ Support des périphériques de stockage PCIe 2.0 x 4 2242/ 2260 /2280 <p>Processeur AMD®</p> <ul style="list-style-type: none"> • 1 x slot M.2 (M2_1, Touche M)* <ul style="list-style-type: none"> ▪ Support PCIe 3.0 x 4 (AMD Ryzen™ de 1ère, 2ème et 3ème génération/ Ryzen™ avec cœurs graphiques Radeon™ Vega et AMD Ryzen™ avec cœurs graphiques Radeon™ de 2ème génération) ou PCIe 3.0 x 2 (AMD® Athlon™ avec cœurs graphiques Radeon™ Vega) et des périphériques de stockage SATA 6Gb/s 2242/ 2260 /2280 <p>* Le slot PCI_E4 est indisponible lorsqu'un SSD M.2 est installé dans le slot M2_2.</p>
<p>RAID</p>	<p>Chipset AMD® B450</p> <ul style="list-style-type: none"> • Support RAID 0, RAID 1 et RAID 10 pour les périphériques de stockage SATA • Support RAID 0 et RAID 1 pour M.2 NVMe RAID
<p>USB</p>	<p>Chipset AMD® B450</p> <ul style="list-style-type: none"> • 1 x port USB 3.2 Gen2 (SuperSpeed USB 10Gbps) Type-C sur le panneau arrière • 1 x port USB 3.2 Gen2 (SuperSpeed USB 10Gbps) Type-A sur le panneau arrière • 2 x ports USB 3.2 Gen1 (SuperSpeed USB) disponibles par l'intermédiaire des connecteurs USB 3.2 Gen1 internes • 6 x ports USB 2.0 (High-speed USB) (2 ports Type-A sur le panneau arrière, 4 ports disponibles par l'intermédiaire des connecteurs USB 2.0 internes) <p>Processeur AMD®</p> <ul style="list-style-type: none"> • 4 x ports USB 3.2 Gen1 (SuperSpeed USB) Type-A sur le panneau arrière
<p>LAN</p>	<p>1 x contrôleur Realtek® RTL8111H-CG Gigabit LAN</p>
<p>Audio</p>	<ul style="list-style-type: none"> • Realtek® ALC892 Codec • Audio haute définition 7.1 • Support sortie S/PDIF

Suite du tableau sur la page suivante

Suite du tableau de la page précédente

Connecteurs sur le panneau arrière	<ul style="list-style-type: none"> • 1 x bouton Flash BIOS • 1 x port combo clavier/ souris PS/2 • 2 x ports USB 2.0 Type-A • 1 x DisplayPort • 1 x port HDMI™ • 4 x ports USB 3.2 Gen1 Type-A • 1 x port LAN (RJ45) • 1 x port USB 3.2 Gen2 Type-A • 1 x port USB 3.2 Gen2 Type-C • 5 x jacks audio OFC • 1 x connecteur Sortie S/PDIF optique
Connecteurs internes	<ul style="list-style-type: none"> • 1 x connecteur d' alimentation ATX 12V 24 broches • 1 x connecteur d' alimentation ATX 12V 8 broches • 4 x connecteurs SATA 6 Gb/s • 2 x connecteurs USB 2.0 (support de 4 autres ports USB 2.0) • 1 x connecteur USB 3.2 Gen1 (support de 2 autres ports USB 3.2 Gen1) • 1 x connecteur de ventilateurs CPU 4 broches • 3 x connecteurs de ventilateurs système 4 broches • 2 x connecteurs pour ruban LED RGB de type 5050, sortie 12V • 1 x connecteur de module TPM • 1 x connecteur audio avant • 2 x connecteurs de panneau système • 1 x connecteur intrusion châssis • 1 x cavalier Clear CMOS • 1 x connecteur de port série • 1 x connecteur de port parallèle
Contrôleur E/S	Contrôleur NUVOTON NCT6797D

Suite du tableau sur la page suivante

Suite du tableau de la page précédente

Moniteur système	<ul style="list-style-type: none">• Détection de la température du CPU et du système• Détection de la vitesse du ventilateur du CPU et du système• Contrôle de la vitesse du ventilateur du CPU et du système
Dimensions	<ul style="list-style-type: none">• Format m-ATX• 24,4 cm x 24,4 cm (9,6" x 9,6")
Fonctions BIOS	<ul style="list-style-type: none">• 1 x flash 256 Mb• UEFI AMI BIOS• ACPI 6.1, SM BIOS 2.8• Multilingue
Logiciel	<ul style="list-style-type: none">• Pilotes• APP MANAGER• COMMAND CENTER• LIVE UPDATE 6• MYSTIC LIGHT• SUPER CHARGER• GAMING APP• RAMDISK• X-BOOST• SMART TOOL• Open Broadcaster Software (OBS)• Norton™ Internet Security Solution• Google Chrome™, Google Toolbar, Google Drive• CPU-Z MSI GAMING

Suite du tableau sur la page suivante

Suite du tableau de la page précédente

Fonctions spéciales

- Audio
 - Audio Boost
- Stockage
 - Turbo M.2
 - StoreMI
- Ventilateur
 - Contrôle des ventilateurs GAMING
- LED
 - Mystic Light
 - Mystic Light Extension (RGB)
 - Mystic light SYNC
 - EZ DEBUG LED
- Protection
 - Steel Armor PCI-E
 - Steel Slot PCI-E
- Performance
 - Technologie Multi GPU-CrossFire
 - DDR4 Boost
 - GAME Boost
 - Port USB de type A et C
 - AMD Turbo USB 3.2 Gen 2
 - CORE Boost
- VR
 - VR Ready
- Expérience des joueurs
 - GAMING HOTKEY
 - Contrôle de la souris GAMING
- BIOS
 - Click BIOS 5

Contenu

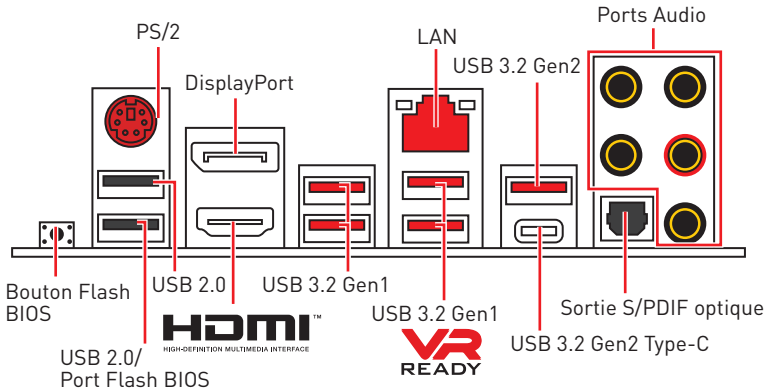
Vérifiez tous les articles dans le carton d'emballage de votre carte mère. L'emballage doit contenir :

- Carte mère
- DVD de pilotes
- Manuel d'utilisation
- Guide d'installation rapide
- Protection I/O Shielding
- Câble SATA 6G x 2
- Insigne pour châssis
- Carte d'enregistrement de produit
- Vis M.2 x 2



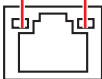
Veillez contacter votre revendeur si un des éléments ci-dessus est endommagé ou manquant.

Panneau arrière Entrée/ Sortie

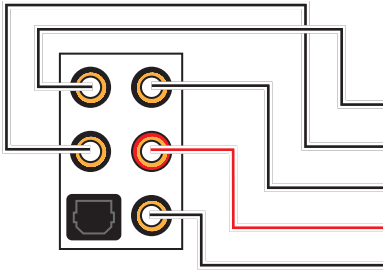


• **Port/ Bouton Flash BIOS** - Veuillez vous référer à la page 26 pour en savoir plus sur la mise à jour du BIOS avec Bouton Flash BIOS.

Tableau explicatif de l'état de la LED du port LAN

LED indiquant la connexion et l'activité			LED indiquant la vitesse	
Etat	Description		Etat	Description
Eteint	Pas de connexion		Eteint	Débit de 10 Mbps
Jaune	Connexion correcte		Vert	Débit de 100 Mbps
Clignote	Activité en cours		Orange	Débit de 1 Gbps

Configuration des ports audio

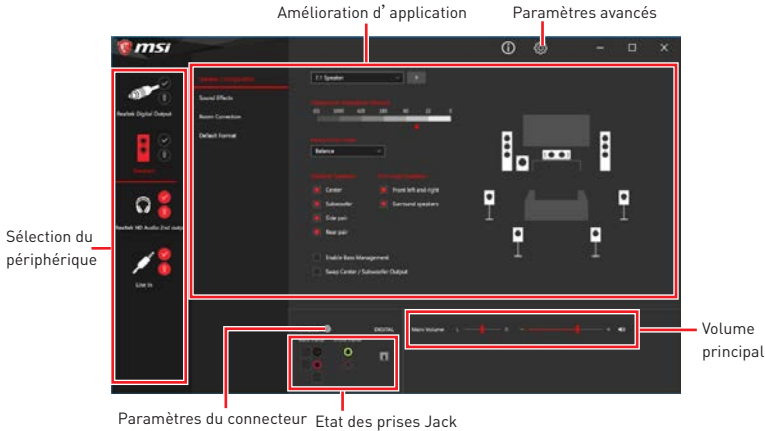


Ports audio	Canal			
	2	4	6	8
Sortie centre/ Caisson de basse			●	●
Sortie audio haut-parleur arrière		●	●	●
Entrée Ligne/ Sortie audio haut-parleur côté				●
Sortie Ligne/ Sortie casque avant	●	●	●	●
Entrée Microphone				

(● : connecté, Espace : vide)

Realtek Audio Console

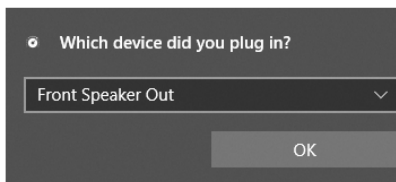
Après l'installation de Realtek Audio Console, vous pouvez l'utiliser pour modifier les paramètres du son afin d'obtenir une meilleure expérience sonore.



- **Sélection du périphérique** - vous permet de sélectionner une source de sortie audio pour en modifier les paramètres. Le symbole de coche indique le périphérique sélectionné par défaut.
- **Amélioration d'application** - les diverses options vous fournissent un guide complet des effets acoustiques proposés pour les périphériques de sortie et d'entrée.
- **Volume principal** - contrôle le volume ou équilibre le son gauche/droite des haut-parleurs branchés sur le panneau avant ou derrière en ajustant la barre de volume.
- **Paramètres avancés** - fournit le mécanisme pour gérer deux flux audio indépendants.
- **Etat des prises Jack** - présente tous les périphériques de diffusion et de capture connectés à votre ordinateur.
- **Paramètres du connecteur** - configure les paramètres de connexion.

Dialogue pop up automatique

Lorsqu'un périphérique est branché sur une prise audio, une fenêtre de dialogue apparaît vous demande de choisir le périphérique connecté que vous souhaitez utiliser.



Chaque jack est réglé avec ses paramètres par défaut comme indiqué sur la page suivante.



Les photos ci-dessus ne sont données qu'à titre de référence et peuvent varier selon le produit que vous achetez.

Illustration de l' utilisation des ports audio dédiés au casque et au microphone

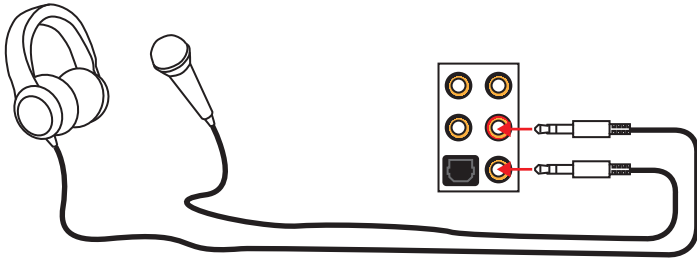


Illustration de l' utilisation du port audio dédié aux haut-parleurs

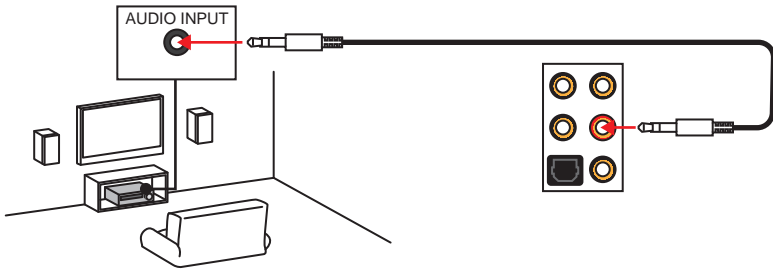
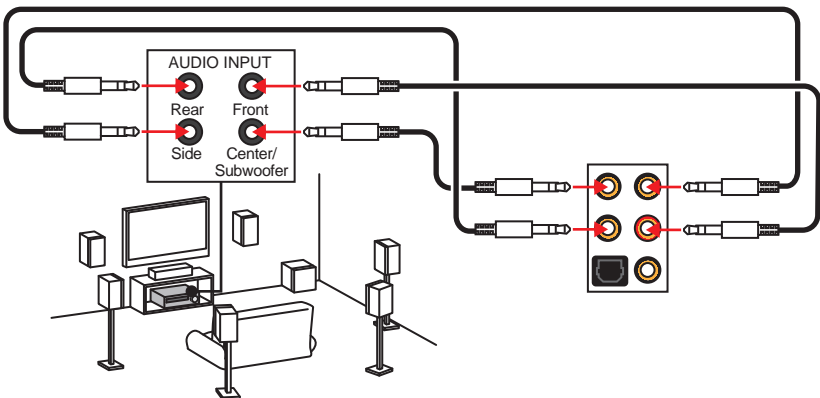
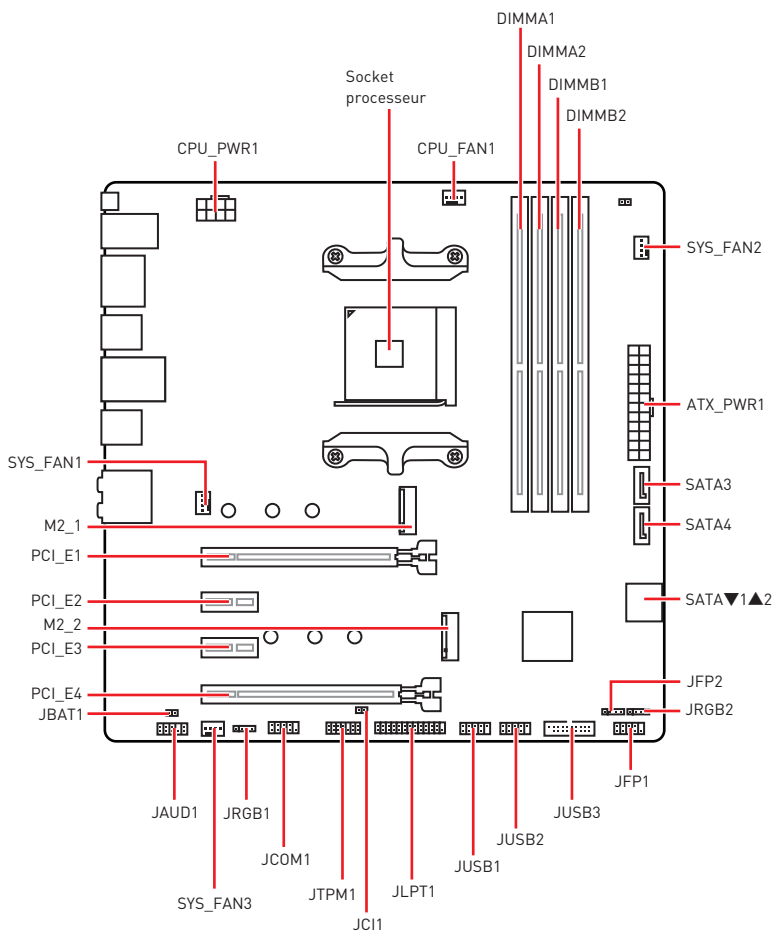


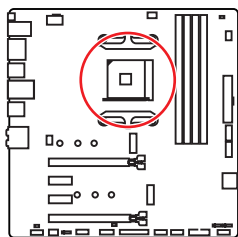
Illustration de l' utilisation des ports audio dédiés aux haut-parleurs 7.1



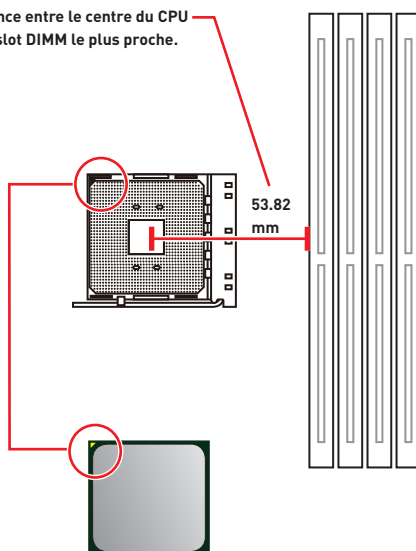
Vue d'ensemble des composants



Socket processeur



Distance entre le centre du CPU et le slot DIMM le plus proche.



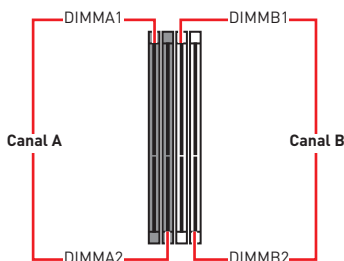
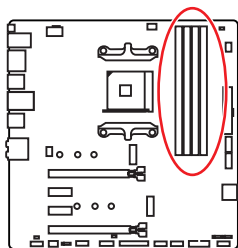
Présentation du socket AM4

Sur le socket AM4, vous remarquerez un triangle jaune servant d'indicateur pour placer le processeur dans la bonne position sur la carte mère. Le triangle jaune correspond à la broche 1 du processeur.

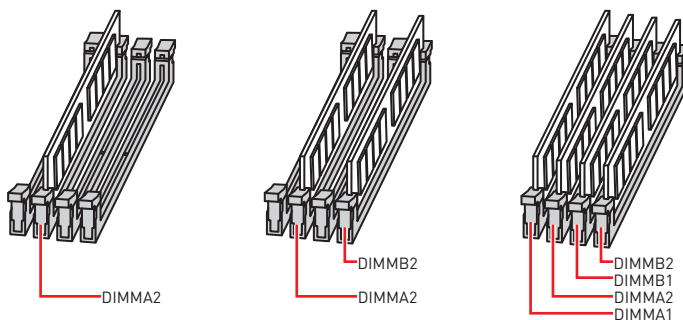
Important

- Lorsque vous changez le processeur, il se peut que la configuration du système soit effacée et que le BIOS soit réinitialisé à ses valeurs par défaut en raison de l'architecture du processeur AM4.
- Avant d'installer ou de retirer le processeur du socket, veillez à toujours débrancher le câble d'alimentation de la prise électrique.
- Lors de l'installation d'un processeur, n'oubliez pas d'installer un ventilateur pour processeur. Un ventilateur de processeur est nécessaire pour protéger le processeur contre la surchauffe et maintenir la stabilité du système.
- Assurez-vous de l'étanchéité entre le ventilateur et le processeur avant de démarrer votre système.
- La surchauffe peut facilement endommager le processeur et la carte mère. Assurez-vous toujours que le système de refroidissement fonctionne correctement pour protéger le processeur de la surchauffe. Assurez-vous d'appliquer une couche de pâte thermique (ou adhésif thermique) entre le processeur et le système de refroidissement afin d'améliorer la dissipation de la chaleur.
- Si vous avez acheté un processeur indépendamment du ventilateur, veuillez vous référer à la documentation dans le paquet du ventilateur pour plus d'informations concernant l'installation.
- Cette carte mère supporte l'overclocking. Néanmoins, veuillez vous assurer que vos composants soient capables de tolérer l'overclocking. Prenez note que l'utilisation au-delà des spécifications du constructeur n'est pas recommandée. MSI® ne garantit pas les dommages et risques causés par les utilisations non prévues dans les spécifications du produit.

Slots DIMM



Installation recommandée de module mémoire



Important

- Veillez à toujours insérer un module de mémoire dans l' emplacement **DIMMA2** en premier.
- Du fait des ressources utilisées par le chipset, la capacité de mémoire disponible est un peu moins élevée que celle installée.
- Basé sur les spécifications du processeur Intel, une tension d' une barrette mémoire en dessous de 1.35V est conseillée pour protéger le processeur.
- Certaines mémoires peuvent fonctionner à une fréquence réduite par rapport à la valeur indiquée lors de l' overclocking car la fréquence d' opération de mémoire dépend du Serial Presence Detect (SPD). Rendez-vous sur le BIOS et choisissez la fonction **DRAM Frequency** pour régler la fréquence de mémoire si vous voulez faire fonctionner la mémoire à la fréquence indiquée ou à une fréquence plus élevée.
- Il est recommandé d' utiliser un système de refroidissement qui sera capable de refroidir toutes les barrettes mémoire et d' offrir de bonnes performances lors d' un overclocking.
- La stabilité et la compatibilité du module de mémoire lors de l' overclocking dépendent du processeur et des périphériques installés.
- Du fait des limites officiels des spécifications du contrôleur CPU/ mémoire AM4, les modules de mémoire peuvent fonctionner à une fréquence réduite par rapport à la valeur indiquée en mode défaut. Veuillez vous référer au site www.msi.com pour plus d' informations sur la mémoire compatible.

PCI_E1~4 : Slots d'extension PCIe

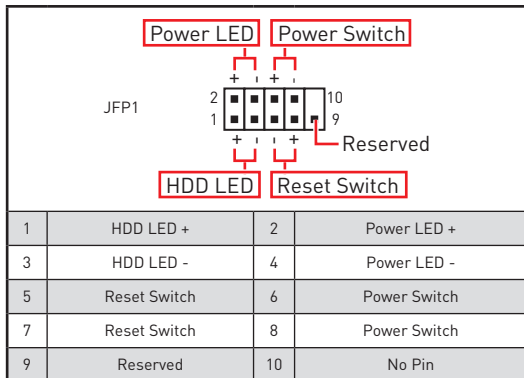
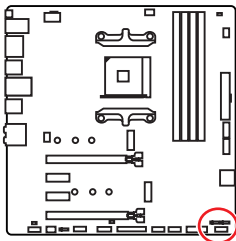
Processeurs / Slots	Série RYZEN	Ryzen™ avec cœurs graphiques Radeon™ Vega et AMD Ryzen™ avec cœurs graphiques Radeon™ de 2ème génération	Athlon™ avec cœurs graphiques Radeon™ Vega
PCI_E1	PCIe 3.0 x 16	PCIe 3.0 x 8	PCIe 3.0 x 4
PCI_E2	PCIe 2.0 x 1	PCIe 2.0 x 1	PCIe 2.0 x 1
PCI_E3	PCIe 2.0 x 1	PCIe 2.0 x 1	PCIe 2.0 x 1
PCI_E4	PCIe 2.0 x 4	PCIe 2.0 x 4	PCIe 2.0 x 4

Important

- Le slot **PCI_E4** est indisponible lorsqu'un SSD M.2 est installé dans le slot M2_2.
- Le slot **PCI_E2** est indisponible lorsqu'une carte d'extension est installée dans le slot **PCI_E3**.
- Si vous installez une carte graphique lourde, il vous faut utiliser un outil comme la **barre de support MSI Gaming Series** pour supporter son poids et pour éviter la déformation du slot.
- Si vous choisissez d'installer une seule carte d'extension PCIe x 16, nous vous recommandons d'utiliser le slot **PCI_E1** pour profiter de performances optimales.
- Veillez à toujours mettre l'ordinateur hors tension et à débrancher le cordon d'alimentation avant d'installer les cartes d'extension. Référez-vous à la documentation des cartes pour vérifier si un composant ou un logiciel doit être modifié.

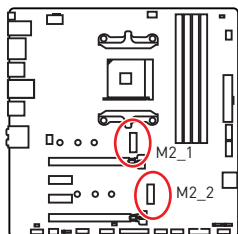
JFP1, JFP2 : Connecteurs de panneau avant

Ces connecteurs se lient aux interrupteurs et indicateurs LED du panneau avant.



	1	Speaker -	2	Buzzer +
	3	Buzzer -	4	Speaker +

M2_1~2 : Slots M.2 (Touche M)



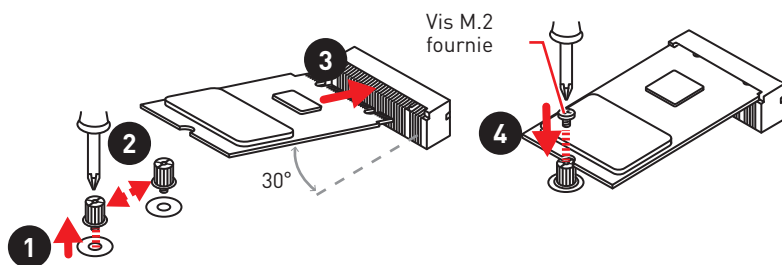
Vidéo de démonstration

Référez-vous à la vidéo d' instruction sur l' installation du module M.2.

<http://youtu.be/JCTFABytrYA>

Installation du SSD M.2

1. Desserrez la vis M.2 de la carte mère.
2. Déplacez et fixez la vis M.2 à l' emplacement approprié pour votre SSD M.2.
3. Insérez votre SSD M.2 dans le slot M.2 à un angle de 30 degrés.
4. Fixez le SSD M.2 avec la vis M.2 fournie.

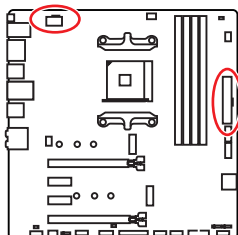


Important

Le slot PCI_E4 est indisponible lorsqu' un SSD M.2 est installé dans le slot M2_2.

CPU_PWR1, ATX_PWR1 : Connecteurs d'alimentation

Ces connecteurs vous permettent de relier une alimentation ATX.



1	Ground	5	+12V
2	Ground	6	+12V
3	Ground	7	+12V
4	Ground	8	+12V

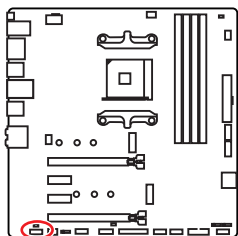
1	+3.3V	13	+3.3V
2	+3.3V	14	-12V
3	Ground	15	Ground
4	+5V	16	PS-ON#
5	Ground	17	Ground
6	+5V	18	Ground
7	Ground	19	Ground
8	PWR OK	20	Res
9	5VSB	21	+5V
10	+12V	22	+5V
11	+12V	23	+5V
12	+3.3V	24	Ground

Important

Veillez vous assurer que tous les câbles d'alimentation sont branchés aux connecteurs adéquats afin de garantir une opération stable de la carte mère.

JAUD1 : Connecteur audio avant

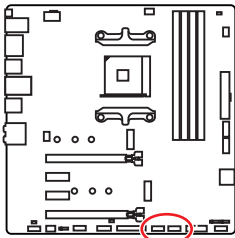
Ce connecteur se lie aux jacks audio du panneau avant.



1	MIC L	2	Ground
3	MIC R	4	NC
5	Head Phone R	6	MIC Detection
7	SENSE_SEND	8	No Pin
9	Head Phone L	10	Head Phone Detection

JUSB1~2 : Connecteurs USB 2.0

Ces connecteurs vous permettent de relier des ports USB 2.0 sur le panneau avant.



1	VCC	2	VCC
3	USB0-	4	USB1-
5	USB0+	6	USB1+
7	Ground	8	Ground
9	No Pin	10	NC

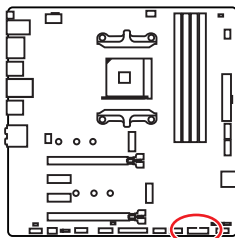


Important

- Notez que les broches VCC et Terre doivent être branchées correctement afin d'éviter tout dommage sur la carte mère.
- Pour recharger votre iPad, iPhone et iPod par l'intermédiaire d'un port USB, veuillez installer l'utilitaire MSI® SUPER CHARGER.

JUSB3 : Connecteur USB 3.2 Gen1

Ce connecteur vous permet de relier un port USB 3.2 Gen1 ports sur le panneau avant.



1	Power	11	USB2.0+
2	USB3_RX_DN	12	USB2.0-
3	USB3_RX_DP	13	Ground
4	Ground	14	USB3_TX_C_DP
5	USB3_TX_C_DN	15	USB3_TX_C_DN
6	USB3_TX_C_DP	16	Ground
7	Ground	17	USB3_RX_DP
8	USB2.0-	18	USB3_RX_DN
9	USB2.0+	19	Power
10	NC	20	No Pin

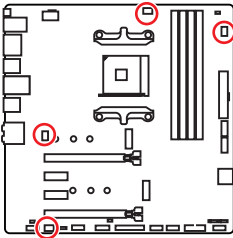


Important

Notez que les câbles d'alimentation et de terre doivent être branchés correctement afin d'éviter d'endommager la carte.

CPU_FAN1, SYS_FAN1~3 : Connecteurs pour ventilateurs

Les connecteurs pour ventilateurs peuvent être utilisés en mode PWM (Pulse Width Modulation) et en mode DC. En mode PWM, les connecteurs fournissent une sortie de 12V constante et ajustent la vitesse des ventilateurs avec un signal de contrôle de vitesse. En mode DC, les connecteurs contrôlent la vitesse des ventilateurs en modifiant la tension. Par conséquent, quand vous branchez un ventilateur à 3 broches (Non-PWM) à un connecteur de ventilateur de mode PWM, la vitesse sera toujours maintenue à 100% et cela occasionnera du bruit. Vous pouvez suivre les instructions ci-dessous pour régler le connecteur de ventilateur en mode PWM ou mode DC. Cependant, lorsque les connecteurs ventilateurs sont en mode de détection Auto, le système détectera automatiquement le mode du ventilateur.



Détection automatique du mode d' utilisation des connecteurs ventilateurs



Connecteurs pour ventilateurs en mode DC par défaut



Définition des broches des connecteurs de ventilateur

Définition des broches en mode PWM			
1	Ground	2	+12V
3	Sense	4	Speed Control Signal

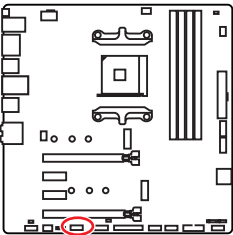
Définition des broches en mode DC			
1	Ground	2	Voltage Control
3	Sense	4	NC

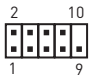
Important

- Vous pouvez alterner entre le mode PWM et le mode DC et ajuster la vitesse des ventilateurs dans le **BIOS > HARDWARE MONITOR**.
- Veuillez vous assurer que les ventilateurs fonctionnent correctement après avoir basculé entre les modes PWM et DC.

JCOM1 : Connecteur de port série

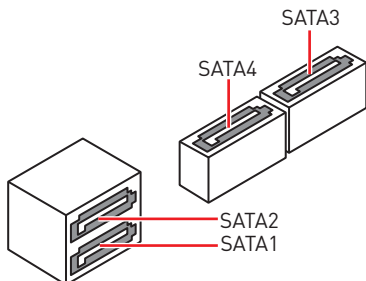
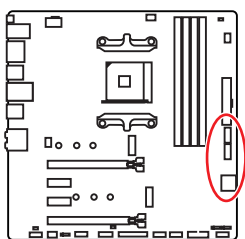
Ce connecteur vous permet de relier un port série en option.



			
1	DCD	2	SIN
3	SOUT	4	DTR
5	Ground	6	DSR
7	RTS	8	CTS
9	RI	10	No Pin

SATA1~4 : Connecteurs SATA 6 Gb/s

Ces connecteurs utilisent une interface SATA 6 Gb/s. Chaque connecteur peut être relié à un appareil SATA.

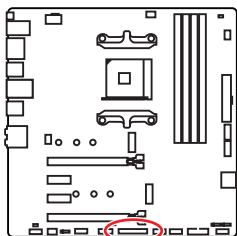


! Important

- Veuillez ne pas plier les câbles SATA à 90° car cela pourrait entraîner une perte de données pendant la transmission.
- Les câbles SATA disposent de prises identiques sur chaque côté. Néanmoins, il est recommandé de connecter la prise plate sur la carte mère pour un gain d'espace.

JLPT1 : Connecteur de port parallèle

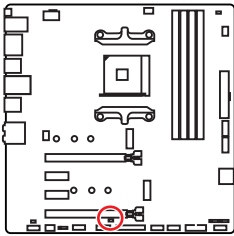
Ce connecteur sert à connecter un support de port parallèle optionnel.



		2																			26
		1																			25
1	RSTB#	2	AFD#	3	PRND0																
4	ERR#	5	PRND1	6	PINIT#																
7	PRND2	8	LPT_SLIN#	9	PRND3																
10	Ground	11	PRND4	12	Ground																
13	PRND5	14	Ground	15	PRND6																
16	Ground	17	PRND7	18	Ground																
19	ACK#	20	Ground	21	BUSY																
22	Ground	23	PE	24	Ground																
25	SLCT	26	No Pin																		

JCI1 : Connecteur intrusion châssis

Ce connecteur est relié à un câble d' interrupteur intrusion châssis.



Normal
(défaut)



Commencer l' activité
intrusion châssis

Utilisation du détecteur d' intrusion châssis

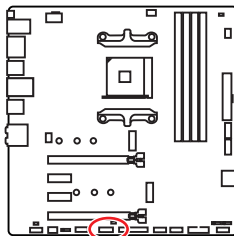
1. Reliez le connecteur **JCI1** à l' interrupteur ou au capteur d' intrusion châssis situé sur le boîtier du PC.
2. Fermez le couvercle du boîtier.
3. Allez dans le **BIOS > SETTINGS (Réglages) > Security (Sécurité) > Chassis Intrusion Configuration (Configuration intrusion châssis)**.
4. Réglez **Chassis Intrusion (intrusion châssis)** sur **Enabled (Activé)**.
5. Appuyez sur **F10** pour sauvegarder et quitter. Ensuite appuyez sur la touche **Enter (Entrée)** pour choisir **Yes (Oui)**.
6. Désormais, si le boîtier du PC est ouvert quand l' ordinateur est allumé, vous recevrez un message d' alerte à l' écran.

Réinitialisation de l' alerte intrusion châssis

1. Allez dans le **BIOS > SETTINGS (Réglages) > Security (Sécurité) > Chassis Intrusion Configuration (Configuration intrusion châssis)**.
2. Mettez **Chassis Intrusion (Intrusion châssis)** en **Reset (Remettre)**.
3. Appuyez sur **F10** pour sauvegarder et quitter. Ensuite appuyez sur la touche **Enter (Entrée)** pour choisir **Yes (Oui)**.

JTPM1 : Connecteur de module TPM

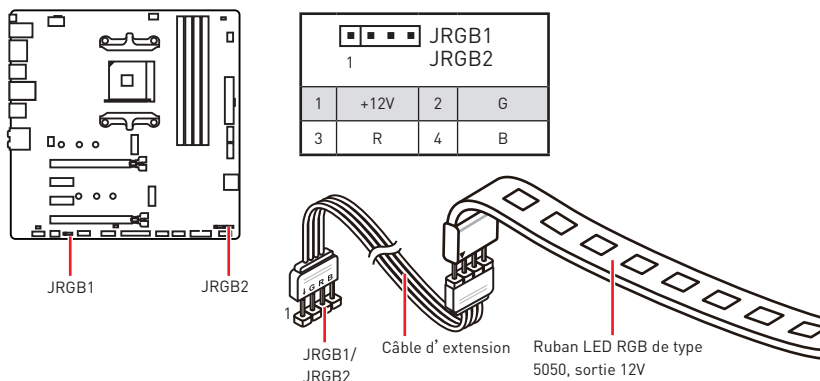
Ce connecteur est relié à un module TPM (Trusted Platform Module). Veuillez vous référer au manuel du module TPM pour plus d' informations.



1	LPC Clock	2	3V Standby power
3	LPC Reset	4	3.3V Power
5	LPC address & data pin0	6	Serial IRQ
7	LPC address & data pin1	8	5V Power
9	LPC address & data pin2	10	No Pin
11	LPC address & data pin3	12	Ground
13	LPC Frame	14	Ground

JRGB1, JRGB2 : Connecteurs LED RGB

Le connecteur JRGB1/ JRGB2 vous permet de connecter un ruban LED RGB de type 5050 12V.

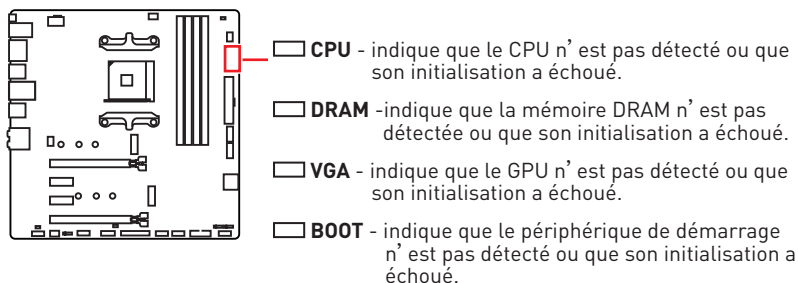


Important

- Le connecteur JRGB1/ JRGB2 supporte des rubans LED RGB (12V/G/R/B) de type 5050 d'une longueur de 2 mètres maximum avec une puissance nominale maximale de 3A (12V).
- Avant d'installer ou de retirer le ruban LED RGB, veuillez à toujours éteindre l'alimentation et à débrancher le câble d'alimentation de la prise électrique.
- Veuillez utiliser un logiciel MSI dédié pour contrôler le ruban d'extension LED.

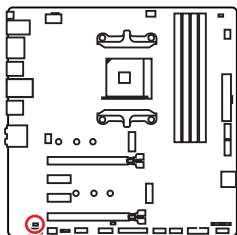
EZ Debug LED

Ces LEDs indiquent l'état de débogage de la carte mère.



JBAT1 : Cavalier Clear CMOS (Réinitialisation BIOS)

Une mémoire CMOS est intégrée et est alimentée en externe par une batterie située sur la carte mère afin de conserver les données de configuration système. Si vous souhaitez nettoyer la configuration système, placez le cavalier sur Effacer CMOS de manière à nettoyer la mémoire CMOS.



Conserver
les données
(défaut)



Effacer CMOS/
Réinitialiser BIOS

Réinitialiser le BIOS aux valeurs par défaut

1. Eteignez l'ordinateur et débranchez le câble d'alimentation de la prise électrique.
2. Utilisez un couvercle de cavalier pour fermer **JBAT1** pour environ 5-10 secondes.
3. Enlevez le couvercle de cavalier du **JBAT1**.
4. Branchez de nouveau le câble d'alimentation à votre ordinateur et allumez-le.

Configuration du BIOS

Les réglages par défaut fournissent une performance optimale pour la stabilité du système en conditions normales. Veuillez à **toujours garder les réglages par défaut** pour éviter d'endommager le système ou tout problème au démarrage, sauf si vous êtes familier avec le BIOS.



Important

- Le BIOS est constamment mis à jour afin d'offrir de meilleures performances système. Par conséquent, la description peut différer selon la version de BIOS utilisée et n'est donc donnée qu'à titre de référence. Vous pouvez aussi vous référer à l'onglet **Help (Aide)** pour obtenir la description des fonctions du BIOS.
- Les photos ne sont données qu'à titre de référence et peuvent varier selon le produit que vous achetez.
- Les éléments du BIOS peuvent varier selon le processeur.

Entrer dans l'interface Setup du BIOS

Pendant le démarrage, lorsqu'apparaît le message "**Press DEL key to enter Setup Menu, F11 to enter Boot Menu**" sur l'écran, veuillez appuyer sur la touche **Suppr.**

Touches de fonction

- F1** : Aide générale
- F2** : Ajouter ou supprimer un élément favori
- F3** : Entrer dans le menu Favoris
- F4** : Entrer dans le menu de réglages du processeur
- F5** : Entrer dans le menu Memory-Z
- F6** : Charger les réglages par défaut
- F7** : Alternner entre le mode avancé et le mode simplifié
- F8** : Charger le profil d'overclocking
- F9** : Sauvegarder le profil d'overclocking
- F10** : Sauvegarder les modifications et réglages*
- F12** : Prendre une capture d'écran et la conserver dans le lecteur flash USB (au format FAT/ FAT32 uniquement).
- Ctrl+F** : Entrer dans la page de recherche

* Lorsque vous appuyez sur F10, une fenêtre de confirmation apparaît et fournit l'information de modification. Choisissez entre Oui et Non pour confirmer.

Réinitialiser le BIOS

Il se peut que vous ayez besoin de récupérer les réglages BIOS par défaut pour résoudre des problèmes. Pour réinitialiser les réglages du BIOS, veuillez suivre l'une des méthodes suivantes :

- Allez dans le Setup du BIOS et appuyez sur **F6** pour charger les réglages par défaut.
- Court-circuitez le cavalier **Clear CMOS** sur la carte mère.



Important

*Assurez-vous que l'ordinateur est éteint avant d'effacer les données CMOS. Veuillez vous référer à la section cavalier **Clear CMOS** pour en savoir plus sur la réinitialisation du BIOS.*

Mettre le BIOS à jour

Mettre le BIOS à jour avec M-FLASH

Avant la mise à jour :

Veuillez télécharger la dernière version de BIOS compatible à votre carte mère sur le site MSI. Ensuite, veuillez sauvegarder le nouveau BIOS sur le lecteur flash USB.

Mettre le BIOS à jour :

1. Appuyez sur la touche Suppr pour entrer dans l'interface Setup du BIOS pendant le processus de POST.
2. Connectez le lecteur Flash USB contenant le profil à l'ordinateur.
3. Choisissez l'onglet **M-FLASH** et cliquez sur **Yes (Oui)** pour redémarrer le système et entrer dans le mode Flash.
4. Choisissez un profil BIOS pour commencer la mise à jour du BIOS.
5. Une fois la mise à jour terminée, le système redémarrera automatiquement.

Mettre le BIOS à jour avec Live Update 6

Avant la mise à jour :

Assurez-vous que le lecteur LAN est bien installé et que l'ordinateur est correctement connecté à internet.

Mettre le BIOS à jour :

1. Installez et lancez MSI LIVE UPDATE 6.
2. Choisissez **BIOS Update (Mettre le BIOS à jour)**.
3. Cliquez sur le bouton **Scan**.
4. Cliquez sur l'icône **Download** pour télécharger et installer la dernière version du BIOS.
5. Cliquez sur **Next (Suivant)** et choisissez le mode **In Windows**. Ensuite, cliquez sur **Next (Suivant)** et **Start (Commencer)** pour lancer la mise à jour du BIOS.
6. Une fois la mise à jour terminée, le système redémarrera automatiquement.

Mettre le BIOS à jour avec Bouton Flash BIOS

Avant la mise à jour :

Veillez télécharger la dernière version du BIOS compatible à votre carte mère sur le site MSI® et renommer le BIOS en **MSI.ROM**. Ensuite, veuillez sauvegarder le profil **MSI.ROM** sur le répertoire racine du lecteur flash USB.

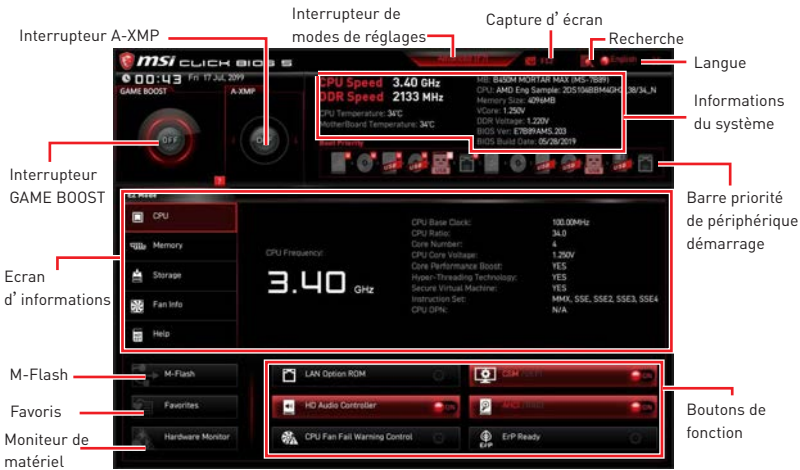


*Seul un lecteur flash USB au format FAT32 supporte la mise à jour du BIOS avec **Bouton Flash BIOS**.*

1. Connectez l'alimentation aux connecteurs **CPU_PWR1** et **ATX_PWR1**. (ici, seul le module d'alimentation est nécessaire)
2. Branchez le lecteur flash USB contenant le fichier MSI.ROM au **Port Flash BIOS** situé sur le panneau arrière Entrée/ Sortie.
3. Appuyez sur le **Bouton Flash BIOS** pour activer le BIOS, et le bouton LED commence à clignoter.
4. Une fois le flash du BIOS terminé, La LED s'éteindra simultanément.

EZ Mode (mode simplifié)

Le mode EZ vous fournit les informations basiques du système et vous permet de configurer les réglages de base. Si vous souhaitez configurer les réglages du BIOS, veuillez utiliser le mode Advanced en appuyant sur le **switch Setup Mode (Interrupteur de modes de réglages)** ou la touche de fonction **F7**.



- **Interrupteur GAME BOOST** - appuyez sur le bouton **GAME BOOST** pour activer cette fonctionnalité.

Important

Après l'activation de la fonction **GAME BOOST**, il est conseillé de ne faire aucune modification dans menu **OC** et de ne pas charger les réglages par défauts pour conserver des performances optimales et une bonne stabilité du système.

- **Interrupteur A-XMP (en option)** - cliquez sur le cercle intérieur pour activer ou désactiver A-XMP. Cliquez sur le cercle extérieur pour choisir le profil mémoire s' il y en a. Cet interrupteur est seulement disponible si le processeur et le module de mémoire installés supportent la fonction A-XMP.
- **Interrupteur de modes de réglages** - appuyez sur ce menu ou la touche **F7** pour commuter entre le mode avancé et le mode simplifié.
- **Capture d'écran** - appuyez sur ce menu ou sur la touche **F12** pour prendre une capture d'écran et la conserver dans le lecteur flash USB (lecteur flash USB au format FAT ou FAT32 uniquement).
- **Recherche** - cliquez sur cet onglet ou sur les touches **Ctrl+F** pour faire apparaître la page de recherche. Cette page vous permet de faire des recherche en utilisant les noms des éléments du BIOS. Entrez le nom de l'élément et vous le trouverez ensuite dans la liste qui s'affichera alors. Déplacez la souris sur un espace vierge et faites un clic droit pour quitter la page de recherche.

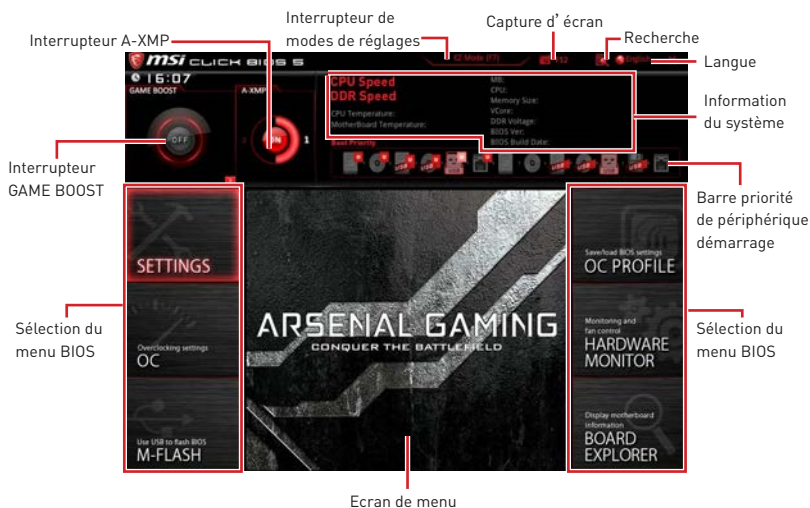
Important

Dans la page de recherche, seules les touches de fonction **F6**, **F10** et **F12** sont disponibles.

- **Langue** - vous permet de choisir la langue du BIOS.
- **Informations du système** - montre la vitesse et la tension du processeur et de la mémoire, la température du processeur et de la carte mère, le type de carte mère et de processeur, la capacité mémoire, la version du BIOS et la date d'installation.
- **Barre priorité de périphérique démarrage** - vous pouvez déplacer les icônes dédiés aux périphériques pour modifier la priorité au démarrage. Le sens de la priorité va de gauche à droite.
- **Ecran d'informations** - cliquez sur les boutons **CPU, Memory, Storage, Fan Info** et **Help (Aide)** à gauche de la fenêtre pour obtenir les informations respectives.
- **Boutons de fonction** - en cliquant sur leur bouton respectif, vous pourrez activer les fonctions **LAN Option ROM, HD audio controller, AHCI/RAID, CPU Fan Fail Warning Control, CSM/UEFI** et **ErP Ready**.
- **M-Flash** - cliquez sur ce bouton pour faire apparaître le menu **M-Flash** qui fournit la méthode de mise à jour BIOS à l'aide d'un disque flash USB.
- **Moniteur de matériel** - cliquez sur ce bouton pour faire apparaître le menu **Moniteur de matériel** qui vous permet de contrôler manuellement la vitesse des ventilateurs.
- **Menu Favoris** - appuyez sur la touche **F3** pour entrer dans le menu **Favoris**. Il vous permet de créer un menu BIOS personnalisé où vous pourrez sauvegarder et accéder à vos réglages favoris ou fréquemment utilisés.
 - **Default Homepage (page d'accueil par défaut)** - vous permet de choisir l'un des menus du BIOS (par exemple, Réglages, OC, etc.) comme page d'accueil.
 - **Favorite 1 ~ 5 (Favoris 1 ~ 5)** - vous permettent d'afficher les menus de réglages BIOS fréquemment utilisés ou les favoris sur une seule page.
 - **Ajouter les menus BIOS sur une seule page des favoris (Favoris 1~5)**
 1. Déplacez la souris sur un élément du BIOS, pas seulement dans le menu du BIOS mais également sur la page de recherche.
 2. Faites un clic droit ou appuyez sur la touche **F2**.
 3. Choisissez une page de favoris et cliquez sur **OK**.
 - **Supprimer un paramètre du BIOS de la page des favoris**
 1. Déplacez la souris sur un élément du BIOS sur la page des favoris (Favoris 1~5).
 2. Faites un clic droit ou appuyez sur la touche **F2**.
 3. Choisissez **Delete (Effacer)** et cliquez sur **OK**.

Advanced Mode (mode avancé)

Appuyez sur le **Setup Mode switch (interrupteur de modes de réglages)** ou sur la touche de fonction **F7** pour commuter entre le mode simplifié et le mode avancé.



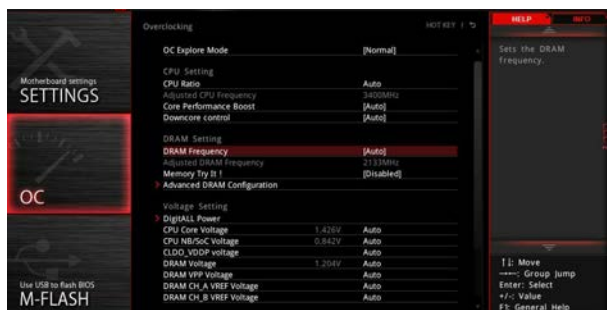
• **Sélection du menu BIOS** - les options suivantes sont disponibles :

- **SETTINGS (Réglages)** - permet de personnaliser les paramètres du chipset et du démarrage des périphériques.
- **OC** - permet d'ajuster la fréquence et la tension. L'augmentation de la fréquence peut améliorer les performances.
- **M-FLASH** - permet de mettre le BIOS à jour avec un lecteur flash USB.
- **OC PROFILE** - permet de gérer les profils d'overclocking.
- **HARDWARE MONITOR (Moniteur de matériel)** - permet de régler la vitesse des ventilateurs et de surveiller la tension du système.
- **BOARD EXPLORER** - fournit des informations sur les périphériques installés sur la carte mère.

• **Ecran de menu** - affiche les menus de réglages BIOS et les informations à configurer.

OC Menu (menu overclocking)

Ce menu est destiné aux utilisateurs avancés souhaitant overclocker leur carte mère.



Important

- L'overclocking manuel du PC n'est recommandé que pour les utilisateurs avancés.
- L'overclocking n'est pas garanti et une mauvaise manipulation peut rendre nulle votre garantie et sévèrement endommager votre matériel.
- Si vous n'êtes pas familier avec l'overclocking, nous vous recommandons d'utiliser **GAME BOOST** pour un overclocking simplifié et plus stable.
- Les éléments du BIOS dans le menu OC peuvent varier selon le processeur.

► OC Explore Mode [Normal]

Active ou désactive le mode Normal ou Expert des réglages OC.

[Normal] Fournit les réglages OC standards dans les réglages BIOS.

[Expert] Fournit les réglages OC avancés pour les utilisateurs avancés et à configurer dans les réglages BIOS.

Remarque : Nous utilisons le symbole * pour indiquer les réglages OC du mode Expert.

► CPU Ratio [Auto]

Définit le ratio servant à déterminer la vitesse d'horloge du processeur. Ce menu peut être modifié uniquement si le processeur prend cette fonction en charge.

► Core Performance Boost [Auto]

Active ou désactive la technologie Core Performance Boost (CPB). Ce menu est seulement disponible si le processeur installé supporte cette fonction.

► Downcore Control [Auto] (optional)

Définir le nombre de coeurs du processeur à utiliser. Ce menu est seulement disponible si le processeur installé supporte cette fonction.

► A-XMP [Disabled]

Activez la technologie A-XMP ou sélectionnez un profil de module de mémoire pour overclocker la mémoire. Ce menu est seulement disponible si les modules de mémoire, le processeur ou la carte mère installés prennent cette fonction en charge.

► DRAM Frequency [Auto]

Définit la fréquence de la mémoire. Veuillez noter que les résultats de l'overclocking ne sont pas garantis.

► Adjusted DRAM Frequency

Affiche la fréquence ajustée de la mémoire. Fonctionne en lecture seule.

► Memory Try It ! [Disabled]

Memory Try It! permet d'améliorer la compatibilité ou les performances en optimisant les préreglages de la mémoire.

► Memory Retry Count [5]

Définir la valeur de Memory Retry. Lorsque Memory Retry échoue à atteindre cette valeur, la mémoire reviendra aux derniers paramètres de démarrage.

► Advanced DRAM Configuration

Appuyez sur la touche **Entrée** pour entrer dans le sous-menu. L'utilisateur peut régler la synchronisation de mémoire de chaque barrette de mémoire. Le système peut être instable ou peut ne plus redémarrer après le changement de la synchronisation de la mémoire. Dans ce cas-là, veuillez effacer les données CMOS et remettre les réglages par défaut (référez-vous à la section cavalier Clear CMOS pour effacer les données CMOS et entrez ensuite dans le BIOS pour charger les réglages par défaut).

► DigitALL Power

Appuyez sur la touche **Entrée** pour entrer dans le sous-menu. Gère l'alimentation numérique du contrôleur PWM du processeur.

► CPU Loadline Calibration Control [Auto]

La tension du processeur diminue proportionnellement à la charge du processeur. Une valeur plus élevée peut entraîner une tension plus élevée et de bonnes performances d'overclocking mais augmentera la température du processeur et du module de régulation de tension (VRM). Mis en **Auto**, le BIOS configure ce réglage automatiquement.

► CPU NB Loadline Calibration Control [Auto]

La tension du processeur diminue proportionnellement à la charge du CPU-NB. Une valeur plus élevée peut entraîner une tension plus élevée et de bonnes performances d'overclocking mais augmentera la température. Mis en **Auto**, le BIOS configure ce réglage automatiquement.

► CPU Over Voltage Protection [Auto]

Définit une limite de tension pour la protection contre la surtension du CPU. En **Auto**, le BIOS configure automatiquement ce réglage. Une tension plus élevée protège moins et peut endommager le système.

► CPU Under Voltage Protection [Auto]

Définit une limite de tension pour la protection contre la sous-tension du CPU. En **Auto**, le BIOS configure automatiquement ce réglage. Une tension plus élevée protège moins et peut endommager le système.

► CPU Over Current Protection [Auto]

Défini une limite actuelle pour la protection contre la surcharge du CPU. En **Auto**, le BIOS configure automatiquement ce réglage.

[Auto] Le BIOS configure automatiquement ce réglage.

[Enhanced] Augmente la limite de consommation pour protéger contre la surcharge électrique.

► VR 12VIN OCP Expander [Auto]

Étendre la limitation de VR Over Current Protection avec la tension d'entrée de 12V. La valeur d'extension plus haute signifie moins de protection. Par conséquent, veuillez ajuster le courant soigneusement en cas nécessaire, ou ceci endommagerait le CPU/ VR MOS. Mis en Auto, le BIOS configure ce réglage automatiquement.

► CPU Voltages control [Auto]

Permet de définir les tensions relatives au processeur. En mode **Auto**, le BIOS configure ces tensions automatiquement. Vous pouvez également les paramétrer manuellement.

► DRAM Voltages control [Auto]

Permet de définir les tensions relatives à la mémoire. En mode **Auto**, le BIOS configure ces tensions automatiquement. Vous pouvez également les paramétrer manuellement.

► Memory Changed Detect [Enabled]*

Active ou désactive les messages d'alerte système au démarrage suite au remplacement de la mémoire.

[Enabled] Le système montre un message d'alerte pendant le démarrage et vous devez charger les réglages par défaut pour les nouveaux périphériques.

[Disabled] Désactive cette fonction et garde les réglages BIOS actuels.

► CPU Specifications

Appuyez sur la touche **Entrée** pour accéder au sous-menu. Ce sous-menu affiche les caractéristiques du processeur installé. Vous pouvez également accéder à ce sous-menu à tout moment en appuyant sur la touche [F4]. Fonctionne en lecture seule.

► CPU Technology Support

Appuyez sur la touche **Entrée** pour accéder au sous-menu. Ce sous-menu affiche les principales fonctions et technologies prises en charge par le processeur installé. Fonctionne en lecture seule.

► MEMORY-Z

Appuyez sur la touche **Entrée** pour accéder au sous-menu. Ce sous-menu affiche tous les réglages et timings de la mémoire installée. Vous pouvez également accéder à ce sous-menu à tout moment en appuyant sur la touche [F5].

► DIMMx Memory SPD

Appuyez sur la touche **Entrée** pour accéder au sous-menu. Ce sous-menu affiche les caractéristiques de la mémoire installée. Fonctionne en lecture seule.

► CPU Features

Appuyez sur la touche **Entrée** pour accéder au sous-menu.

► **Global C-state Control [Enabled] (optional)**

Activer ou désactiver l'interface C-state et DF C-states basée sur l'E/S.

► **Simultaneous Multi-Threading [Enabled] (optional)**

Active ou désactive la technologie AMD Simultaneous Multi-Threading. Cette fonction ne sera utilisable que si le processeur installé y est compatible.

► **Opcache Control [Auto] (optional)**

Activer ou désactiver Opcache. Opcache mémorise l'instruction de décodage la plus récente pour sauvegarder le temps de décodage lorsque l'instruction est répétée. Cela peut améliorer la performance du processeur et réduire légèrement la consommation d'énergie.

► **IOMMU Mode (optional)**

Active ou désactive l'IOMMU (I/O Memory Management Unit) pour I/O Virtualization.

► **Spread Spectrum (optional)**

Cette fonction réduit les interférences électromagnétiques EMI (Electromagnetic Interference) en réglant les impulsions du générateur d'horloge.

[Enabled] Active la fonction spread spectrum pour réduire le problème EMI (Electromagnetic Interference).

[Disabled] Améliore la capacité d'overclocking de la base clock CPU.



Important

- *Si vous n'avez pas de problème d'EMI, laissez l'option sur [Disable], ceci vous permet d'avoir une stabilité du système et des performances optimales. Dans le cas contraire, choisissez Spread Spectrum pour réduire les EMI.*
- *Plus la valeur Spread Spectrum est importante, plus les EMI sont réduites, et le système devient moins stable. Pour la valeur Spread Spectrum la plus convenable, veuillez consulter le règlement EMI local.*
- *N'oubliez pas de désactiver la fonction Spread Spectrum si vous êtes en train d'overclocker parce que même un battement léger peut causer un accroissement temporaire de la vitesse de l'horloge qui verrouillera votre processeur overclocké.*

► **Relaxed EDC throttling [Auto] (optional)**

Relaxed EDC throttling réduit le laps de temps pendant lequel le processeur réduira la consommation des coeurs.

[Auto] Recommandation d'AMD.

[Enabled] Réduire le laps de temps pendant lequel le processeur réduira sa consommation.

[Disabled] Activer la fonction de protection EDC throttling des parties spécifiques.

► **AMD Cool'n'Quiet [Enabled]**

La technologie Cool'n'Quiet peut efficacement et dynamiquement réduire la vitesse et la consommation d'énergie du processeur.

► **SVM Mode [Enabled]**

Active ou désactive le mode AMD SVM (Secure Virtual Machine).

► **BIOS PSP Support [Enabled] (optional)**

Activer ou désactiver le support PSP du BIOS. Il gère les sous-menus de PSP, y compris toutes les boîtes mails C2P/P2C, Secure S3 et le support fTPM.

► **Power Supply Idle Control [Auto] (optional)**

Cette fonction vous permet de choisir le mode de contrôle d'économie d'énergie pour le processeur si tous les cœurs ne sont pas en état C0. En **Auto**, le BIOS configurera ce réglage.

► **CPU VDD_SoC Current Optimization [Auto] (optional)**

Définit les courants du CPU VDD et SoC. En **Auto**, le BIOS configure automatiquement ce réglage.

[Auto] Le BIOS configure automatiquement ce réglage.
[Custom Setting] Vous permet de définir le courant manuellement.

Informations sur les logiciels

Veillez vous référer au site www.msi.com pour télécharger et mettre à jour les derniers utilitaires et pilotes.

Installer Windows® 10

1. Allumez l'ordinateur.
2. Insérez le disque ou la clé USB d'installation de Windows® 10 dans votre ordinateur.
3. Appuyez sur le bouton **Redémarrer (Restart)** du boîtier de l'ordinateur.
4. Appuyez sur la touche **F11** pendant le POST (Power-On Self Test) du système pour entrer dans le menu Boot Menu.
5. Choisissez le disque ou la clé USB d'installation de Windows® 10 dans le menu de démarrage.
6. Appuyez sur n'importe quelle touche lorsqu'apparaît le message **[Appuyez sur n'importe quelle touche pour démarrer du CD ou du DVD] (Press any key to boot from CD or DVD)**.
7. Suivez les instructions à l'écran pour installer Windows® 10.

Installer les pilotes

1. Allumez l'ordinateur sous Windows® 10.
2. Insérez le disque MSI® Driver Disc dans le lecteur optique.
3. Cliquez sur la fenêtre popup **Choisir quoi faire avec ce disque (Select to choose what happens with this disc)**, puis choisissez **Lancer DVDSSetup.exe (Run DVDSSetup.exe)** pour ouvrir l'outil d'installation. Si vous désactivez la fonction AutoPlay dans le panneau de configuration Windows, vous pouvez quand même exécuter manuellement **DVDSSetup.exe** à partir du chemin d'accès depuis la racine du disque de pilotes MSI.
4. L'outil d'installation trouvera et listera tous les pilotes dont vous avez besoin dans l'onglet **Pilotes/ Logiciels (Drivers/ Software)**.
5. Cliquez sur le bouton **Installer (Install)** dans le coin inférieur droit de la fenêtre.
6. L'installation des pilotes commence. Une fois terminée, il vous sera demandé de redémarrer.
7. Cliquez sur le bouton **OK** pour terminer.
8. Redémarrez votre ordinateur.

Installer les utilitaires

Avant d'installer les utilitaires, il faut compléter l'installation des pilotes.

1. Ouvrez l'outil d'installation comme décrit ci-dessus.
2. Cliquez sur l'onglet **Utilities**.
3. Choisissez les utilitaires que vous voulez installer.
4. Cliquez sur le bouton **Installer (Install)** dans le coin inférieur droit de la fenêtre.
5. L'installation des utilitaires commence. Une fois terminée, il vous sera demandé de redémarrer.
6. Cliquez sur le bouton **OK** pour terminer.
7. Redémarrez votre ordinateur.

Inhalt

Sicherheitshinweis	2
Spezifikationen	3
Packungsinhalt	8
Rückseite E/A	9
LAN Port LED Zustandstabelle	9
Konfiguration der Audioanschlüsse.....	9
Realtek Audio Console	10
Übersicht der Komponenten	12
CPU Sockel	13
DIMM Steckplätze.....	14
PCI_E1~4: PCIe Erweiterungssteckplätze	15
JFP1, JFP2: Frontpanel-Anschlüsse.....	15
M2_1~2: M.2 Steckplätze (Key M)	16
CPU_PWR1, ATX_PWR1: Stromanschlüsse.....	17
JAUD1: Audioanschluss des Frontpanels	17
JUSB1~2: USB 2.0 Anschlüsse.....	18
JUSB3: USB 3.2 Gen1 Anschluss	18
CPU_FAN1, SYS_FAN1~3: Stromanschlüsse für Lüfter	19
JCOM1: Serieller Anschluss.....	19
SATA1~4: SATA 6Gb/s Anschlüsse	20
JLPT1: Parallele Schnittstelle.....	20
JCI1: Gehäusekontaktanschluss	21
JTPM1: TPM Anschluss	21
JRGB1, JRGB2: RGB LED Anschlüsse	22
EZ Debug LED.....	22
JBAT1: Clear CMOS Steckbrücke (Reset BIOS)	23
BIOS-Setup	24
Öffnen des BIOS Setups.....	24
Reset des BIOS	25
Aktualisierung des BIOS.....	25
EZ Modus	27
Erweiterter Modus	29
OC Menü.....	30
Softwarebeschreibung	35
Installation von Windows® 10	35
Installation von Treibern.....	35
Installation von Utilities.....	35

Sicherheitshinweis

- Die im Paket enthaltene Komponenten sind der Beschädigung durch elektrostatischen Entladung (ESD). Beachten Sie bitte die folgenden Hinweise, um die erfolgreichen Computermontage sicherzustellen.
- Stellen Sie sicher, dass alle Komponenten fest angeschlossen sind. Lockere Steckverbindungen können Probleme verursachen, zum Beispiel: Der Computer erkennt eine Komponente nicht oder startet nicht.
- Halten Sie das Motherboard nur an den Rändern fest, und verhindern Sie die Berührung der sensiblen Komponenten.
- Um eine Beschädigung der Komponenten durch elektrostatische Entladung (ESD) zu vermeiden, sollten Sie eines elektrostatischen Armbands während der Handhabung des Motherboards tragen. Wenn kein elektrostatischen Handgelenkband vorhanden ist, sollten Sie Ihre statische Elektrizität ableiten, indem Sie ein anderes Metallobjekt berühren, bevor Sie das Motherboard anfassen.
- Bewahren Sie das Motherboard in einer elektrostatische Abschirmung oder einem Antistatiktuch auf, wenn das Motherboard nicht installiert ist.
- Überprüfen Sie vor dem Einschalten des Computers, dass sich keine losen Schrauben und andere Bauteile auf dem Motherboard oder im Computergehäuse befinden.
- Bitte starten Sie den Computer nicht, bevor die Installation abgeschlossen ist. Dies könnte permanente Schäden an den Komponenten sowie zu das Verletzung des Benutzers verursachen.
- Sollten Sie Hilfe bei der Installation benötigen, wenden Sie sich bitte an einen zertifizierten Computer-Techniker.
- Schalten Sie die Stromversorgung aus und ziehen Sie das das Stromkabel ab, bevor Sie jegliche Computer-Komponente ein- und ausbauen.
- Bewahren Sie die Bedienungsanleitung als künftige Referenz auf.
- Halten Sie das Motherboard von Feuchtigkeit fern.
- Bitte stellen Sie sicher, dass Ihre Netzspannung den Hinweisen auf dem Netzteil vor Anschluss des Netzteils an die Steckdose entspricht.
- Verlegen Sie das Netzkabel so, dass niemand versehentlich darauf treten kann. Stellen Sie nichts auf dem Netzkabel ab.
- Alle Achtungs- und Warnhinweise auf dem Motherboard müssen befolgt werden.
- Falls einer der folgenden Umstände eintritt, lassen Sie bitte das Motherboard von Kundendienstpersonal prüfen:
 - Flüssigkeit ist in dem Computer eingedrungen.
 - Das Motherboard wurde Feuchtigkeit ausgesetzt.
 - Das Motherboard funktioniert nicht richtig oder Sie können es nicht wie in der Bedienungsanleitung beschrieben bedienen.
 - Das Motherboard ist heruntergefallen und beschädigt.
 - Das Motherboard weist offensichtlich Zeichen eines Schadens auf.
- Nutzen und lagern Sie das Gerät nicht an Stellen, an denen Temperaturen von mehr als 60°C herrschen - das Motherboard kann in diesem Fall Schaden nehmen.

Spezifikationen

CPU	Unterstützt AMD Ryzen™ der 1., 2. und 3. Generation Prozessoren/ Ryzen™ Prozessoren mit Radeon™ Vega Grafikprozessor und AMD Ryzen™ der 2. Generation Prozessoren mit Radeon™ Grafikprozessor/ Athlon™ Prozessoren mit Radeon™ Vega-Grafik-Desktop-Prozessoren für Socket AM4
Chipsatz	AMD® B450 Chipsatz
Speicher	<ul style="list-style-type: none"> • 4x DDR4 Speicherplätze, aufrüstbar bis 64 GB* <ul style="list-style-type: none"> ▪ Unterstützt 1866/ 2133/ 2400/ 2667Mhz (durch JEDEC) ▪ Unterstützt 2667/ 2800/ 2933/ 3000/ 3066/ 3200/ 3466 MHz (durch A-XMP OC MODE) • Dual-Kanal-Speicherarchitektur • Unterstützt non-ECC UDIMM-Speicher • Unterstützt ECC UDIMM-Speicher (non-ECC Modus) <p>* Weitere Informationen zu kompatiblen Speicher finden Sie unter: http://www.msi.com .</p>
Erweiterungsanschlüsse	<ul style="list-style-type: none"> • 1x PCIe 3.0 x16 Steckplatz (PCI_E1) <ul style="list-style-type: none"> ▪ Unterstützt die Übertragungsrate x16 mit AMD® Ryzen™ der 1., 2. und 3. Generation Prozessoren ▪ Unterstützt die Übertragungsrate x8 mit Ryzen™ Prozessoren mit Radeon™ Vega Grafikprozessor und AMD Ryzen™ der 2. Generation Prozessoren mit Radeon™ Grafikprozessor ▪ Unterstützt die Übertragungsrate x4 mit AMD® Athlon™ Prozessoren mit Radeon™ Vega Grafikprozessor • 1x PCIe 2.0 x16 Steckplatz (PCI_E4, unterstützt x4 Modus)* • 2x PCIe 2.0 x1 Steckplätze** <p>* Der PCI_E4 Steckplatz wird nicht zur Verfügung, wenn Sie eine M.2 SSD im M2_2-Steckplatz installieren.</p> <p>** Der PCI_E2 Steckplatz wird nicht zur Verfügung, wenn Sie eine Erweiterungskarte im PCI_E3-Steckplatz installieren.</p>
Onboard-Grafik	<ul style="list-style-type: none"> • 1x DisplayPort, Unterstützung einer maximalen Auflösung von 4096x2304 @60Hz, 2560x1600 @60Hz, 3840x2160 @60Hz, 1920x1200 @60Hz* • 1x HDMI™ 1.4 Anschluss, Unterstützung einer maximalen Auflösung von 4096x2160 @30Hz, 2560x1600 @60Hz* <p>* Diese Funktion wird nur bei der Verwendung von AMD® Ryzen™ Prozessoren mit Radeon™ Vega Grafikprozessor und AMD Ryzen™ der 2. Generation Prozessoren mit Radeon™ Grafikprozessor/ Athlon™ Prozessoren mit Radeon™ Vega Grafikprozessor</p> <p>* Der maximale gemeinsame Speicher des Prozessors beträgt 2048 MB</p>

Fortsetzung auf der nächsten Seite

Fortsetzung der vorherigen Seite

Multi-GPU	<ul style="list-style-type: none"> • Unterstützt die 2-Wege AMD® CrossFire™ Technologie
Aufbewahrung	<p>AMD® B450 Chipsatz</p> <ul style="list-style-type: none"> • 4x SATA 6Gb/s Anschlüsse* • 1x M.2 Steckplatz (M2_2, Key M)* <ul style="list-style-type: none"> ▪ Unterstützt PCIe 2.0 x4 2242/ 2260 /2280 Speichergeräte <p>AMD® CPU</p> <ul style="list-style-type: none"> • 1x M.2 Steckplatz (M2_1, Key M)* <ul style="list-style-type: none"> ▪ Unterstützt PCIe 3.0 x4 (AMD Ryzen™ der 1., 2. und 3. Generation Prozessoren/ Ryzen™ Prozessoren mit Radeon™ Vega Grafikprozessor und AMD Ryzen™ der 2. Generation Prozessoren mit Radeon™ Grafikprozessor) oder PCIe 3.0 x2 (AMD® Athlon™ Prozessoren mit Radeon™ Vega Grafikprozessor) und SATA 6Gb/s 2242/ 2260 /2280 Speichergeräte <p><small>* Der PCI_E4 Steckplatz wird nicht zur Verfügung, wenn Sie eine M.2 SSD im M2_2-Steckplatz installieren.</small></p>
RAID	<p>AMD® B450 Chipsatz</p> <ul style="list-style-type: none"> • Unterstützt RAID 0, RAID 1 und RAID 10 für SATA Speichergeräte • Unterstützt RAID 0 und RAID 1 für M.2 NVMe RAID
USB	<p>AMD® B450 Chipsatz</p> <ul style="list-style-type: none"> • 1x USB 3.2 Gen2 (SuperSpeed USB 10Gbps) Typ-C Anschluss an der rückseitigen Anschlussleiste • 1x USB 3.2 Gen2 (SuperSpeed USB 10Gbps) Typ-A Anschluss an der rückseitigen Anschlussleiste • 2x USB 3.2 Gen1 (SuperSpeed USB) Anschlüsse stehen durch die internen USB 3.2 Gen1 Anschluss zur Verfügung • 6x USB 2.0 (High-speed USB) Anschlüsse (2 Typ-A Anschlüsse an der rückseitigen Anschlussleiste, 4 Anschlüsse stehen durch die internen USB 2.0 Anschluss zur Verfügung) <p>AMD® CPU</p> <ul style="list-style-type: none"> • 4x USB 3.2 Gen1 (SuperSpeed USB) Typ-A Anschlüsse der rückseitigen Anschlussleiste
LAN	1x Realtek® RTL8111H-CG Gigabit LAN Controller

Fortsetzung auf der nächsten Seite

Fortsetzung der vorherigen Seite

Audio	<ul style="list-style-type: none">• Realtek® ALC892 Codec• 7.1-Kanal-HD-Audio• Unterstützt S/PDIF-Ausgang
Hintere Ein-/ und Ausgänge	<ul style="list-style-type: none">• 1x Flash BIOS Taste• 1x PS/2 Tastatur/ Maus-Combo-Anschluss• 2x USB 2.0 Typ-A Anschlüsse• 1x DisplayPort• 1x HDMI™ port• 4x USB 3.2 Gen1 Typ-A Anschlüsse• 1x LAN (RJ45) Anschluss• 1x USB 3.2 Gen2 Typ-A Anschluss• 1x USB 3.2 Gen2 Typ-C Anschluss• 5x OFC Audiobuchsen• 1x Optischer S/PDIF Ausgang
Interne Anschlüsse	<ul style="list-style-type: none">• 1x 24-poliger ATX 12V Stromanschluss• 1x 8-poliger ATX 12V Stromanschluss• 4x SATA 6Gb/s Anschlüsse• 2x USB 2.0 Anschlüsse (unterstützt zusätzliche 4 USB 2.0 Ports)• 1x USB 3.2 Gen1 Anschluss (unterstützt zusätzliche 2 USB 3.2 Gen1 Ports)• 1x 4-poliger CPU-Lüfter-Anschluss• 3x 4-polige System-Lüfter-Anschlüsse• 2x 5050 RGB LED Streifen 12 V Anschlüsse• 1x TPM Anschluss• 1x Audioanschluss des Frontpanels• 2x System-Panel-Anschlüsse• 1x Gehäusekontaktschalter• 1x Clear CMOS Steckbrücke• 1x Serieller Anschluss• 1x Parallele Schnittstelle
E/A Anschluss	NUVOTON NCT6797D Controller Chip

Fortsetzung auf der nächsten Seite

Fortsetzung der vorherigen Seite

Hardware Monitor	<ul style="list-style-type: none">• CPU/System Temperatureerfassung• CPU/System Geschwindigkeitserfassung• CPU/System Lüfterdrehzahlregelung
Formfaktor	<ul style="list-style-type: none">• m-ATX Formfaktor• 9,6 Zoll x 9,6 Zoll (24,4 cm x 24,4 cm)
BIOS Funktionen	<ul style="list-style-type: none">• 1x 256 Mb Flash• UEFI AMI BIOS• ACPI 6.1, SM BIOS 2.8• Mehrsprachenunterstützung
Software	<ul style="list-style-type: none">• Treiber• APP MANAGER• COMMAND CENTER• LIVE UPDATE 6• MYSTIC LIGHT• SUPER CHARGER• GAMING APP• RAMDISK• X-BOOST• SMART TOOL• Open Broadcaster Software (OBS)• Norton™ Internet Security Solution• Google Chrome™, Google Toolbar, Google Drive• CPU-Z MSI GAMING

Fortsetzung auf der nächsten Seite

Fortsetzung der vorherigen Seite

**Besondere
Funktionen**

- Audio
 - Audio Boost
- Speicherung
 - Turbo M.2
 - StoreMI
- Lüfter
 - Gaming-Lüftersteuerung
- LED
 - Mystic Light
 - Mystic Light Extension (RGB)
 - Mystic Light SYNC
 - EZ DEBUG LED
- Schutz
 - PCI-E Steel Armor
 - PCI-E Steel Slot
- Leistung
 - Multi GPU-CrossFire Technologie
 - DDR4 Boost
 - GAME Boost
 - USB Anschluss mit Typ A+C
 - AMD Turbo USB 3.2 Gen 2
 - CORE Boost
- VR
 - VR Ready
- Gamer-Erfahrungen
 - GAMING HOTKEY
 - GAMING Maussteuerung
- BIOS
 - Click BIOS 5

Packungsinhalt

Überprüfen Sie den Packungsinhalt des Mainboards. Die Packung sollte enthalten:

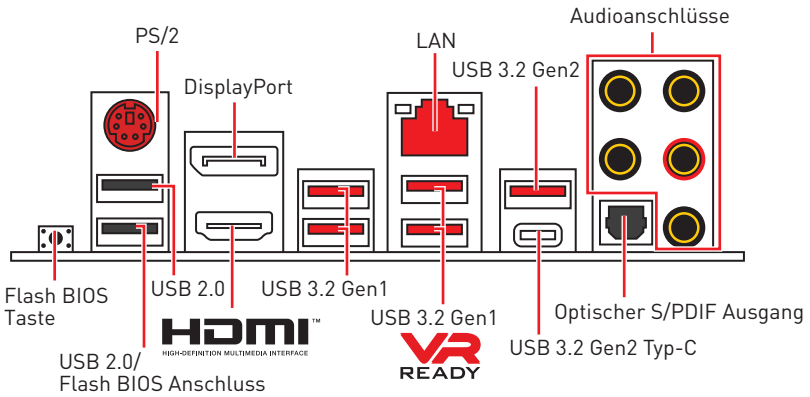
- Motherboard
- Treiber-DVD
- Benutzerhandbuch
- Schnellinstallationsanleitung
- Anschlussblende
- SATA 6G Kabel x2
- Gehäuse-Aufkleber
- Produktregistrierungskarte
- M.2 Schraube x2



Wichtig

Falls einer der oben aufgeführten Artikel beschädigt ist oder fehlt, wenden Sie sich bitte an Ihren Händler.

Rückseite E/A



• **Flash BIOS Taste/ Anschluss** - Auf der Seite 26 finden Sie eine Anleitung für eine BIOS-Aktualisierung per Flash BIOS Taste.

LAN Port LED Zustandstabelle

Verbindung/ Aktivität LED			Geschwindigkeit LED	
Zustand	Bezeichnung		Zustand	Bezeichnung
Aus	Keine Verbindung	Aus	10 Mbps-Verbindung	
Gelb	Verbindung	Grün	100 Mbps-Verbindung	
Blinkt	Datenaktivität	Orange	1 Gbps-Verbindung	

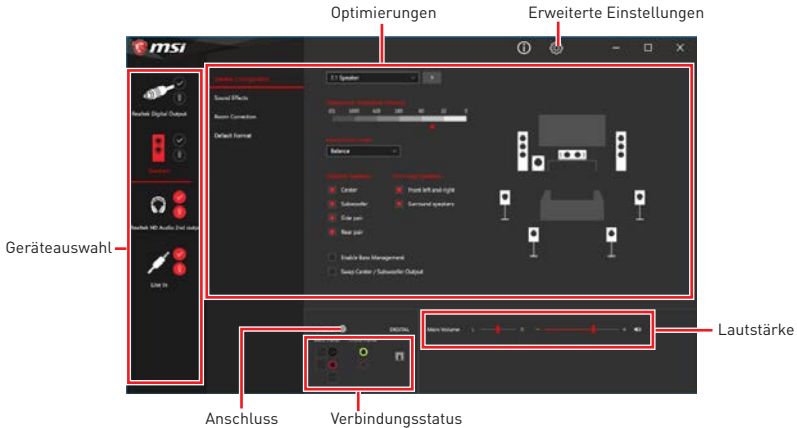
Konfiguration der Audioanschlüsse

Audioanschlüsse	Kanal			
	2	4	6	8
Mitte-/ Subwoofer-Ausgang			●	●
Hinterer Lautsprecher		●	●	●
Line-In/ Seitliche Lautsprecher				●
Line-Out/ Vorderer Lautsprecher	●	●	●	●
Mic In				

(●: Verbindet, **Blank:** Leer)

Realtek Audio Console

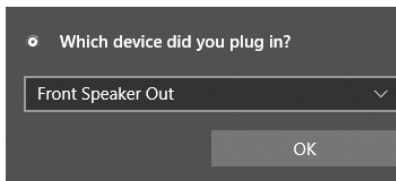
Nach der Installation des **Realtek Audio Console**-Treibers, können Sie die Audioeinstellungen verändern, um ein optimales Klangerlebnis zu erzeugen.



- **Geräteauswahl** - Ermöglicht die Auswahl der Audio-Ausgangs Quelle. Das aktuell aktivierte Gerät ist mit einem Haken gekennzeichnet.
- **Optimierungen** - Die Vielfalt an Optionen bietet eine komplette Anleitung von erwarteten Sound-Effekt für beide Ausgangs- und Eingangsvorrichtung.
- **Lautstärke** - Steuert die Lautstärke und die Balance-Einstellung der Lautsprecher, die im Front-Panel oder auf der Rückseite des PCs eingesteckt sind.
- **Erweiterte Einstellungen** - Ermöglicht die zeitgleiche Verwendung von zwei Audiostreams.
- **Verbindungsstatus** - Bildet die angeschlossenen Render- und Capture-Geräte ab.
- **Anschlüsse** - Konfiguriert die Anschlusseinstellungen.

Auto Popup-Dialog

Nach dem Anschluss eines Audio-Klinkensteckers erscheint ein Dialogfenster und fragt nach einer Bestätigung für das angeschlossene Gerät.



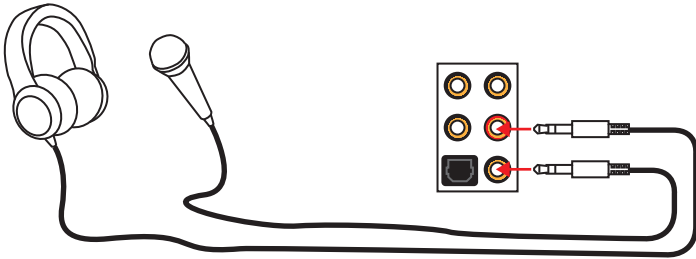
Jede Buchse entspricht diesem Wert der Grundeinstellung, wie es auf den nächsten Seiten gezeigt wird.



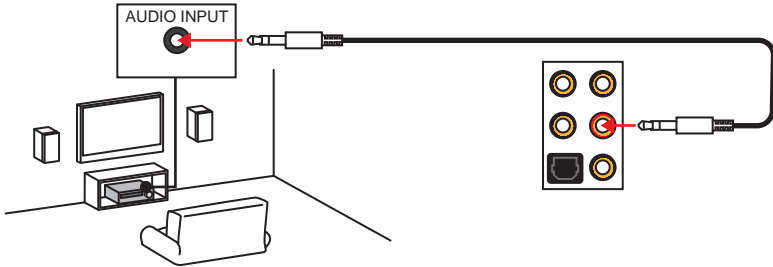
Wichtig

Die obige Bilder stellen lediglich Referenzen dar und können von dem von Ihnen erworbenen Produkt abweichen.

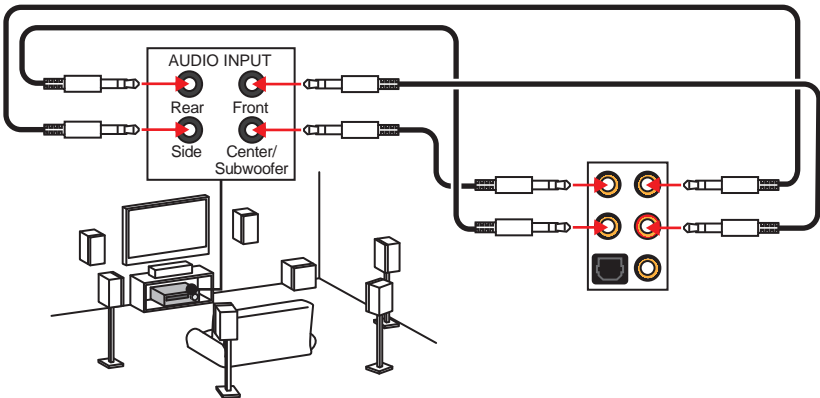
Audiobuchsen für den Anschluss von einem Kopfhörer und Mikrophon



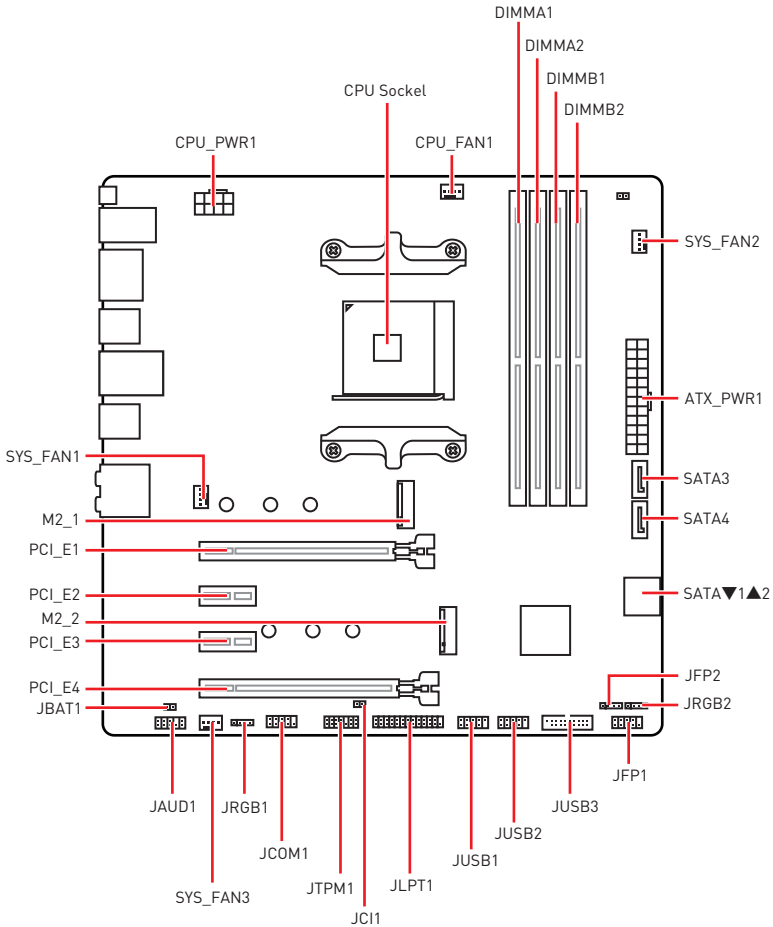
Audiobuchsen für Stereo-Lautsprecher



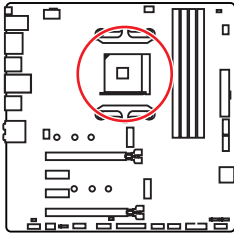
Audiobuchsen für 7.1 Kanal Anlage



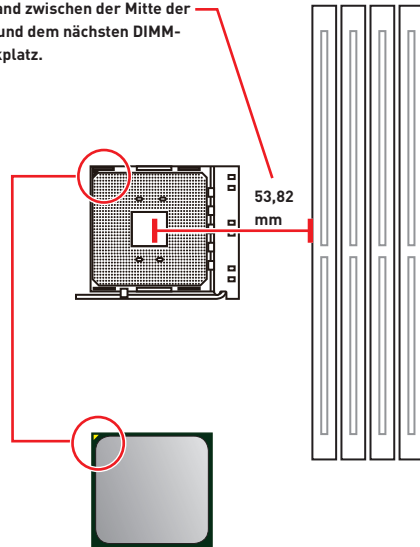
Übersicht der Komponenten



CPU Socket



Abstand zwischen der Mitte der CPU und dem nächsten DIMM-Steckplatz.



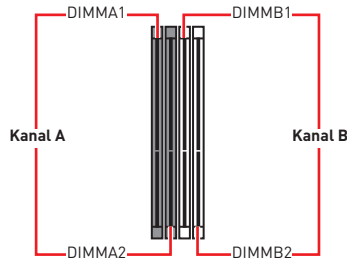
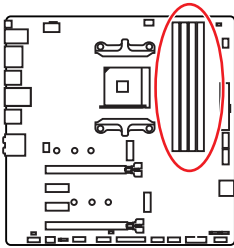
Erklärung zur AM4 CPU

Die Oberseite der AM4 CPU hat ein gelbes Dreieck um die korrekte Ausrichtung der CPU auf dem Motherboard zu gewährleisten. Das gelbe Dreieck des Prozessors definiert die Position des ersten Pins.

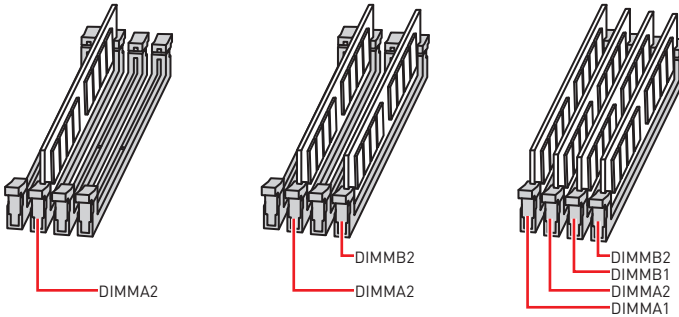
Wichtig

- Bei einem Wechsel der CPU sollte aufgrund der AM4-Prozessorarchitektur die Systemkonfiguration gelöscht und das BIOS auf die Standardwerte zurückgesetzt werden.
- Ziehen Sie das Netzkabel ab, bevor Sie die CPU ein- und ausbauen.
- Wenn Sie die CPU einbauen, denken Sie bitte daran einen CPU-Kühler zu installieren. Ein CPU-Kühlkörper ist notwendig, um eine Überhitzung zu vermeiden und die Systemstabilität beizubehalten.
- Stellen Sie sicher, dass Ihr Kühlkörper eine feste Verbindung mit der CPU hergestellt hat, bevor Sie Ihr System starten.
- Überhitzung beschädigt die CPU und das System nachhaltig. Stellen Sie stets eine korrekte Funktionsweise des CPU Kühlers sicher, um die CPU vor Überhitzung zu schützen. Stellen Sie sicher, dass eine gleichmäßige Schicht thermischer Paste oder thermischen Tapes zwischen der CPU und dem Kühlkörper vorhanden ist, um die Wärmeableitung zu erhöhen.
- Verwenden Sie bitte die Installationsanweisung des Kühlkörpers/Kühlers, falls Sie eine separate CPU oder einen Kühlkörper/ Kühler erworben haben.
- Dieses Motherboard wurde so entworfen, dass es Übertakten unterstützt. Stellen Sie jedoch bitte sicher, dass die betroffenen Komponenten mit den abweichenden Einstellungen während des Übertaktens zurecht kommen. Von jedem Versuch des Betriebes außerhalb der Produktspezifikationen kann nur abgeraten werden. MSI übernimmt keinerlei Garantie für die Schäden und Risiken, die aus einem unzulässigem Betrieb oder einem Betrieb außerhalb der Produktspezifikation resultieren.

DIMM Steckplätze



Mehrere Grafikkarten Einbauempfehlung



Wichtig

- Um einen sicheren Systemstart zu gewährleisten, bestücken Sie immer **DIMMA2** zuerst.
- Aufgrund der Chipsatzressourcennutzung wird die verfügbare Kapazität des Speichers kleiner sein als die Größe der installierten Speicherkapazität.
- Basierend auf der Prozessorspezifikation wird eine Speicherspannung unter 1,35 Volt vorgeschlagen, um der Prozessor zu schützen.
- Einige Speichermodule können beim Übertakten auf einer niedrigeren Frequenz arbeiten, als der festgelegte Wert - abhängig von dem SPD (Serial Presence Detect). Stellen Sie im BIOS-Setup mit **DRAM Frequency!** die Speicherfrequenz ein, wenn Sie mit der festgelegten oder einer höheren Speicherfrequenz arbeiten möchten.
- Es wird empfohlen, ein effizienteres Speicherkühlsystem bei einer Vollbestückung des DIMMs oder beim Übertakten zu verwenden.
- Die Stabilität und Kompatibilität beim Übertakten der installierten Speichermodule sind abhängig von der installierten CPU und den installierten Geräten.
- Speichermodule können auf Basis der offiziellen Spezifikation der AM4 CPU/ Speicher-Controller mit einer niedrigeren Frequenz unter dem Standardzustand arbeiten. Weitere Informationen zu kompatiblen Speichermodulen finden Sie unter: <http://www.msi.com>.

PCI_E1~4: PCIe Erweiterungssteckplätze

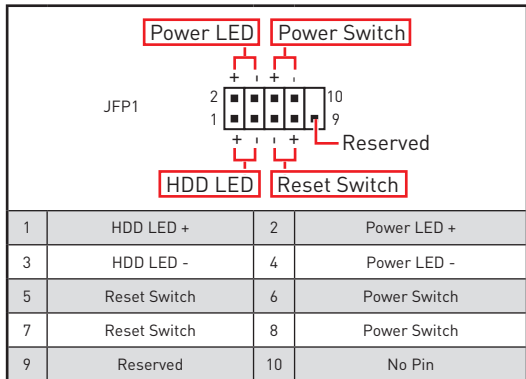
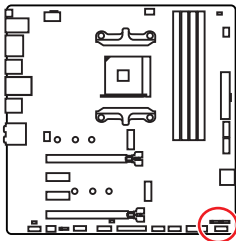
Prozessoren Steckplätze		Ryzen™ Prozessoren mit Radeon™ Vega Grafikprozessor und AMD Ryzen™ der 2. Generation Prozessoren mit Radeon™ Grafikprozessor	Athlon™ Prozessoren mit Radeon™ Vega Grafikprozessor
		RYZEN Serie	
PCI_E1	PCIe 3.0 x16	PCIe 3.0 x8	PCIe 3.0 x4
PCI_E2	PCIe 2.0 x1	PCIe 2.0 x1	PCIe 2.0 x1
PCI_E3	PCIe 2.0 x1	PCIe 2.0 x1	PCIe 2.0 x1
PCI_E4	PCIe 2.0 x4	PCIe 2.0 x4	PCIe 2.0 x4

! Wichtig

- Der PCI_E4 Steckplatz wird nicht zur Verfügung, wenn Sie eine M.2 SSD im M2_2-Steckplatz installieren.
- Der PCI_E2 Steckplatz wird nicht zur Verfügung, wenn Sie eine Erweiterungskarte im PCI_E3 Steckplatz installieren.
- Wenn Sie eine große und schwere Grafikkarte einbauen, benötigen Sie einen **Grafikkarten-Stabilisator (Graphics Card Bolster)** der das Gewicht trägt und eine Verformung des Steckplatzes vermeidet.
- Für die Installation einer einzelnen PCIe x16 Erweiterungskarte mit optimaler Leistung, empfehlen wir den **PCI_E1** Steckplatz zu verwenden.
- Achten Sie darauf, dass Sie den Strom abschalten und das Netzkabel aus der Steckdose herausziehen, bevor Sie eine Erweiterungskarte installieren oder entfernen. Lesen Sie bitte auch die Dokumentation der Erweiterungskarte, um notwendige zusätzliche Hardware oder Software-Änderungen zu überprüfen.

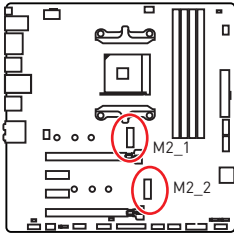
JFP1, JFP2: Frontpanel-Anschlüsse

Diese Anschlüsse verbinden die Schalter und LEDs des Frontpanels.



	1	Speaker -	2	Buzzer +
	3	Buzzer -	4	Speaker +

M2_1~2: M.2 Steckplätze (Key M)



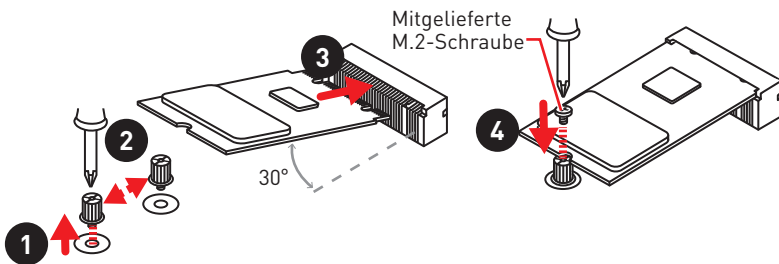
Video-Demonstration

Eine anschauliche Darstellung zur Installation eines M.2 Moduls finden Sie im Video.

<http://youtu.be/JCTFABytrYA>

Installation einer M.2 SSD

1. Lösen Sie die M.2-Schraube aus dem Motherboard.
2. Platzieren Sie die M.2-Schraube an der geeigneten Position für Ihre M.2 SSD.
3. Stecken Sie eine M.2-SSD im 30-Grad-Winkel in den M.2-Steckplatz.
4. Schrauben Sie die M.2-SSD mit der mitgelieferten M.2-Schraube fest.

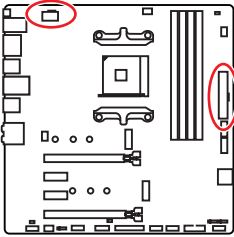


Wichtig

Der PCI_E4 Steckplatz wird nicht zur Verfügung, wenn Sie eine M.2 SSD im M2_2-Steckplatz installieren.

CPU_PWR1, ATX_PWR1: Stromanschlüsse

Mit diesen Anschlüssen verbinden Sie die ATX Stromstecker.



1	Ground	5	+12V
2	Ground	6	+12V
3	Ground	7	+12V
4	Ground	8	+12V

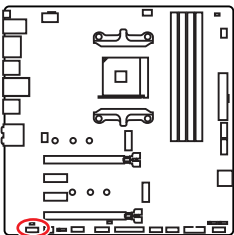
1	+3.3V	13	+3.3V
2	+3.3V	14	-12V
3	Ground	15	Ground
4	+5V	16	PS-ON#
5	Ground	17	Ground
6	+5V	18	Ground
7	Ground	19	Ground
8	PWR OK	20	Res
9	5VSB	21	+5V
10	+12V	22	+5V
11	+12V	23	+5V
12	+3.3V	24	Ground

Wichtig

Stellen Sie sicher, dass alle Anschlüsse mit den richtigen Anschlüssen des Netzteils verbunden sind, um einen stabilen Betrieb der Hauptplatine sicherzustellen.

JAUD1: Audioanschluss des Frontpanels

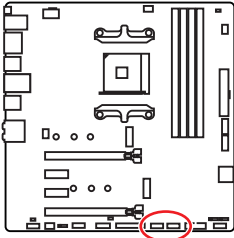
Dieser Anschluss ermöglicht den Anschluss von Audiobuchsen eines Frontpanels.



1	MIC L	2	Ground
3	MIC R	4	NC
5	Head Phone R	6	MIC Detection
7	SENSE_SEND	8	No Pin
9	Head Phone L	10	Head Phone Detection

JUSB1~2: USB 2.0 Anschlüsse

Mit diesen Anschlüssen können Sie die USB 2.0 Anschlüsse auf dem Frontpanel verbinden.



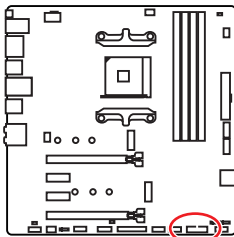
1	VCC	2	VCC
3	USB0-	4	USB1-
5	USB0+	6	USB1+
7	Ground	8	Ground
9	No Pin	10	NC

! Wichtig

- Bitte beachten Sie, dass Sie die mit VCC (Stromführende Leitung) und Ground (Erdleitung) bezeichneten Pins korrekt verbinden müssen, ansonsten kann es zu Schäden kommen.
- Um ein iPad, iPhone und einen iPod über USB-Anschlüsse aufzuladen, installieren Sie bitte die MSI® SUPER CHARGER Software.

JUSB3: USB 3.2 Gen1 Anschluss

Mit diesem Anschluss können Sie den USB 3.2 Gen1 Anschluss auf dem Frontpanel verbinden.



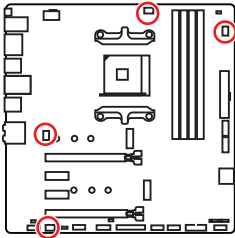
1	Power	11	USB2.0+
2	USB3_RX_DN	12	USB2.0-
3	USB3_RX_DP	13	Ground
4	Ground	14	USB3_TX_C_DP
5	USB3_TX_C_DN	15	USB3_TX_C_DN
6	USB3_TX_C_DP	16	Ground
7	Ground	17	USB3_RX_DP
8	USB2.0-	18	USB3_RX_DN
9	USB2.0+	19	Power
10	NC	20	No Pin

! Wichtig

Bitte beachten Sie, dass Sie die mit „Stromführende Leitung“ und „Erdleitung“ bezeichneten Pins korrekt verbinden müssen, ansonsten kann es zu Schäden kommen.

CPU_FAN1, SYS_FAN1~3: Stromanschlüsse für Lüfter

Diese Anschlüsse können im PWM (Pulse Width Modulation) Modus oder Spannungsmodus betrieben werden. Im PWM-Modus bieten die Lüfteranschlüsse konstante 12V Ausgang und regeln die Lüftergeschwindigkeit per Drehzahlsteuersignal. Im DC-Modus bestimmen die Lüfteranschlüsse die Lüftergeschwindigkeit durch Ändern der Spannung. Wenn Sie ein 3-Pin (Non-PWM) Lüfter an einen PWM-Modus Lüfteranschluss anschließen, läuft der Lüfter mit höchster Drehzahl und kann unangenehm laut werden. Folgen Sie den folgenden Anweisungen, um den PWM- oder DC-Modus auszuwählen. Mit den Lüfteranschlüssen mit automatischer Erkennung kann das System jedoch den Lüftermodus automatisch erfassen.



Lüfteranschlüsse des Standard-PWM-Modus



Lüfteranschlüsse des Standard-DC-Modus



SYS_FAN1/SYS_FAN2



SYS_FAN3

Pin-Belegung der Lüfteranschlüsse

Pin-Belegung des PWM-Modus			
1	Ground	2	+12V
3	Sense	4	Speed Control Signal

Pin-Belegung des DC-Modus			
1	Ground	2	Voltage Control
3	Sense	4	NC

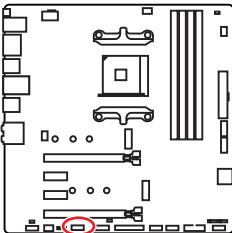


Wichtig

- Sie können unter **BIOS > HARDWARE MONITOR** zwischen dem PWM- und DC-Modus umschalten und die Lüfterdrehzahl ändern..
- Überprüfen Sie die ordnungsgemäße Funktion der Lüfter nach dem Umschalten des PWM-/ DC-Modus.

JCOM1: Serieller Anschluss

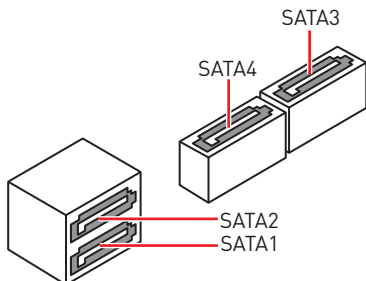
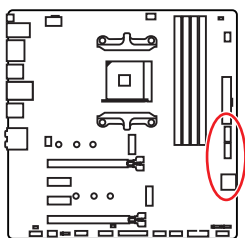
Mit diesem Anschluss können Sie das optionale serielle Schnittstelle mit dem Einbausatz verbinden.



1	DCD	2	SIN
3	SOUT	4	DTR
5	Ground	6	DSR
7	RTS	8	CTS
9	RI	10	No Pin

SATA1~4: SATA 6Gb/s Anschlüsse

Dieser Anschluss basiert auf der Hochgeschwindigkeitsschnittstelle SATA 6 Gb/s. Pro Anschluss kann ein SATA Gerät angeschlossen werden.

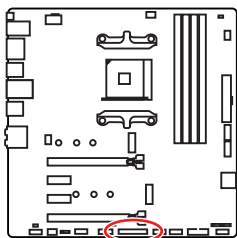


Wichtig

- Knicken Sie das SATA-Kabel nicht in einem 90° Winkel. Datenverlust könnte die Folge sein.
- SATA-Kabel haben identische Stecker an beiden Enden. Es wird empfohlen den flachen Stecker auf dem Motherboard einstecken.

JLPT1: Parallele Schnittstelle

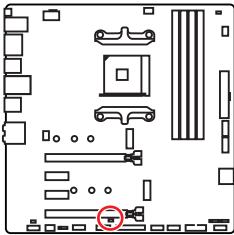
Mit dieser Schnittstelle können Sie das optionale parallele Schnittstelle mit dem Einbausatz verbinden.



2		26			
1		25			
1	RSTB#	2	AFD#	3	PRND0
4	ERR#	5	PRND1	6	PINIT#
7	PRND2	8	LPT_SLIN#	9	PRND3
10	Ground	11	PRND4	12	Ground
13	PRND5	14	Ground	15	PRND6
16	Ground	17	PRND7	18	Ground
19	ACK#	20	Ground	21	BUSY
22	Ground	23	PE	24	Ground
25	SLCT	26	No Pin		

JCI1: Gehäusekontaktanschluss

Dieser Anschluss wird mit einem Kontaktschalter verbunden.



Normal
(Standardwert)



Löse den
Gehäuseeingriff aus

Gehäusekontakt-Detektor verwenden

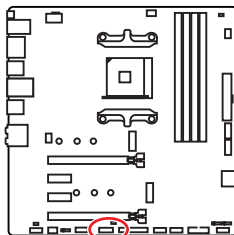
1. Schließen Sie den **JCI1**-Anschluss am Gehäusekontakt-Schalter/ Sensor am Gehäuse an.
2. Schließen Sie die Gehäuseabdeckung.
3. Gehen Sie zu **BIOS > SETTINGS > Security > Chassis Intrusion Configuration**.
4. Stellen Sie **Chassis Intrusion** auf **Enabled**.
5. Drücken Sie **F10** zum Speichern und Beenden und drücken Sie dann die **Enter**-Taste, um **Ja** auszuwählen.
6. Bei eingeschaltetem Computer wird eine Warnmeldung auf dem Bildschirm angezeigt, wenn die Gehäuseabdeckung wieder geöffnet wird.

Gehäusekontakt-Warnung zurücksetzen

1. Gehen Sie zu **BIOS > SETTINGS > Security > Chassis Intrusion Configuration**.
2. Stellen Sie **Chassis Intrusion** auf **Reset**.
3. Drücken Sie **F10** zum Speichern und Beenden und drücken Sie dann die **Enter**-Taste, um **Ja** auszuwählen.

JTPM1: TPM Anschluss

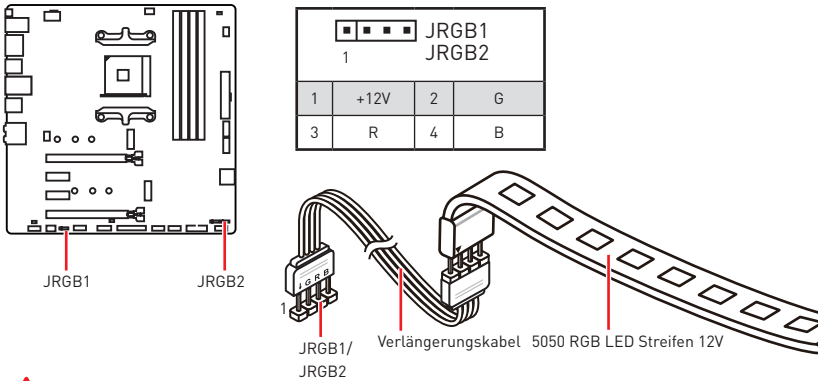
Dieser Anschluss wird für das TPM Modul (Trusted Platform Module) verwendet. Weitere Informationen über den Einsatz des optionalen TPM Modules entnehmen Sie bitte dem TPM Plattform Handbuch.



1	LPC Clock	2	3V Standby power
3	LPC Reset	4	3.3V Power
5	LPC address & data pin0	6	Serial IRQ
7	LPC address & data pin1	8	5V Power
9	LPC address & data pin2	10	No Pin
11	LPC address & data pin3	12	Ground
13	LPC Frame	14	Ground

JRGB1, JRGB2: RGB LED Anschlüsse

Mit diesem JRGB1/JRGB2 Anschluss können Sie den 5050 RGB-LED-Streifen (12 V) anschließen.

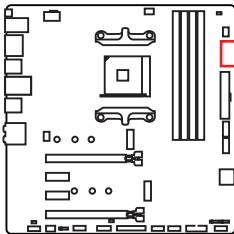


! Wichtig

- Der JRGB1/ JRGB2 Anschluss unterstützt bis maximal 2 Meter 5050 RGB LED Streifen (12V/G/R/B) mit der maximalen Leistung von 3 A (12 V).
- Schalten Sie die Stromversorgung aus und ziehen Sie das Netzkabel ab, bevor Sie die RGB-LED-Streifen ein- und ausbauen.
- Bitte verwenden Sie die MSI-Software zur Steuerung des LED-Leuchtbereichs.

EZ Debug LED

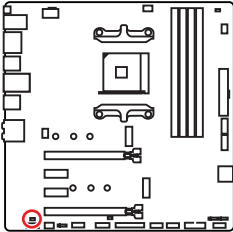
Diese LEDs zeigen den Status des Motherboards an.



- CPU** - CPU wird nicht erkannt oder ist fehlerhaft.
- DRAM** - DRAM wird nicht erkannt oder ist fehlerhaft.
- VGA** - GPU wird nicht erkannt oder ist fehlerhaft.
- BOOT** - Boot-Gerät wird nicht erkannt oder ist fehlerhaft.

JBAT1: Clear CMOS Steckbrücke (Reset BIOS)

Der Onboard CMOS Speicher (RAM) wird durch eine externe Spannungsversorgung durch eine Batterie auf dem Motherboard versorgt, um die Daten der Systemkonfiguration zu speichern. Wenn Sie die Systemkonfiguration löschen wollen, müssen Sie die Steckbrücke für kurze Zeit umsetzen.



Daten
beibehalten
(Standardwert)



CMOS-Daten
löschen/ Reset
des BIOS

Rücksetzen des BIOS auf Standardwerte

1. Schalten Sie den Computer ab und ziehen Sie das Netzkabel ab.
2. Verwenden Sie eine Steckbrücke, um **JBAT1** für 5-10 Sekunden kurzzuschließen.
3. Entfernen Sie die Steckbrücke von **JBAT1**.
4. Stecken Sie das Kabel Ihres Computers in die Steckdose hinein und schalten Sie den Computer ein.

BIOS-Setup

Die Standardeinstellungen bieten die optimale Leistung für die Systemstabilität unter Normalbedingungen. Sie sollten **immer die Standardeinstellungen behalten**, um mögliche Schäden des Systems oder Boot-Fehler zu vermeiden, außer Sie besitzen ausreichende BIOS Kenntnisse.



Wichtig

- *BIOS Funktionen werden für eine bessere Systemleistung kontinuierlich aktualisiert. Deswegen können die Beschreibungen leicht von der letzten Fassung des BIOS abweichen und sollten demnach nur als Anhaltspunkte dienen. Für eine Beschreibung der BIOS Funktionen rufen Sie die **HELP** Informationstafel aus.*
- *Die Bilder in diesem Kapitel stellen lediglich Referenzen dar und können von dem von Ihnen erworbenen Produkt abweichen.*
- *Die BIOS-Funktion variiert je nach dem Prozessor.*

Öffnen des BIOS Setups

Während des BOOT-Vorgangs drücken Sie die Taste **ENTF**, wenn die Meldung **Press DEL key to enter Setup Menu, F11 to enter Boot Menu** erscheint.

Funktionstasten

- F1:** Allgemeine Hilfe
 - F2:** Hinzufügen/Entfernen eines Favoritenpunkts
 - F3:** Öffnen des Favoriten Menüs
 - F4:** Öffnen des Menüs CPU-Spezifikationen
 - F5:** Öffnen des Memory-Z Menüs
 - F6:** Laden der ursprünglichen Setup-Standardwerte
 - F7:** Wechselt zwischen dem Erweiterten-Modus und EZ-Modus
 - F8:** OC-Profil wird vom USB-Stick geladen
 - F9:** OC-Profil wird auf einem USB-Stick gespeichert
 - F10:** Speichern oder Zurücksetzen der Änderungen*
 - F12:** Macht einen Screenshot und speichert auf einen FAT/FAT32-USB-Laufwerk.
- Strg+F:** Öffnet die Suchseite

* Beim Drücken der F10 Taste wird das Fenster zum Speichern der Einstellungen angezeigt. Wählen Sie **Yes**, um die Wahl zu bestätigen, oder **No**, um die derzeitige Einstellung beizubehalten.

Reset des BIOS

Sie können die Werkseinstellung wieder herstellen, um bestimmte Probleme zu lösen. Es gibt verschiedene Möglichkeiten, um das BIOS zurückzusetzen:

- Öffnen Sie das BIOS und drücken Sie **F6**, um optimierten Einstellungen zu laden.
- Schließen Sie die **Clear CMOS Steckbrücke** an das Motherboard an.



Wichtig

Bitte lesen Sie für Informationen zum BIOS-Reset im Bereich „**Clear CMOS Steckbrücke**“ nach.

Aktualisierung des BIOS

Aktualisierung des BIOS mit dem M-FLASH-Programm

Before updating:

Vorbereitung:

Laden Sie bitte die neueste BIOS Version, die dem Motherboard-Modell entspricht, von der offiziellen MSI Website herunter und speichern Sie die BIOS-Datei auf USB-Flash-Laufwerk.

BIOS-Aktualisierungsschritte:

1. Drücken Sie während des POST-Vorgangs die Taste (Entf), um das BIOS zu öffnen.
2. Schließen das USB-Flashlaufwerk mit der BIOS-Datei an den Computer.
3. Wählen Sie die Registerkarte **M-FLASH** und klicken Sie auf **Yes (Ja)**, um das System neu zu starten. Rufen Sie den Flash-Modus auf.
4. Wählen Sie die BIOS-Datei zur Durchführung des BIOS-Aktualisierungsprozesses aus.
5. Nachdem das Flashen des BIOS vollständig ist, startet das System automatisch neu.

Aktualisierung des BIOS mit Live Update 6

Vorbereitung:

Stellen Sie sicher, dass zuvor die LAN-Treiber installiert wurden und eine Internetverbindung eingerichtet ist.

BIOS-Aktualisierungsschritte:

1. Installieren und starten Sie „MSI LIVE UPDATE 6“.
2. Wählen Sie **BIOS Update** aus.
3. Klicken Sie auf die **Scan** Taste.
4. Klicken Sie auf dieses **Download**-Icon, um die neueste BIOS-Datei zu laden und zu installieren.
5. Klicken Sie auf **Next (Weiter)** und wählen Sie **In Windows Mode** aus. Und klicken dann auf **Next (Weiter)** und **Start (Starten)**, um das BIOS-Update zu starten.
6. Nachdem das Flashen des BIOS vollständig ist, startet das System automatisch neu.

Aktualisierung des BIOS mit BIOS FLASHBACK+

Vorbereitung:

Laden Sie bitte die neueste BIOS Version, die das Modell des Motherboards entspricht, von der offiziellen MSI Website und benennen die BIOS-Datei im **MSI.ROM** um. Und speichern Sie die **MSI.ROM**-Datei im Root-Verzeichnis des USB-Flash-Speichers.



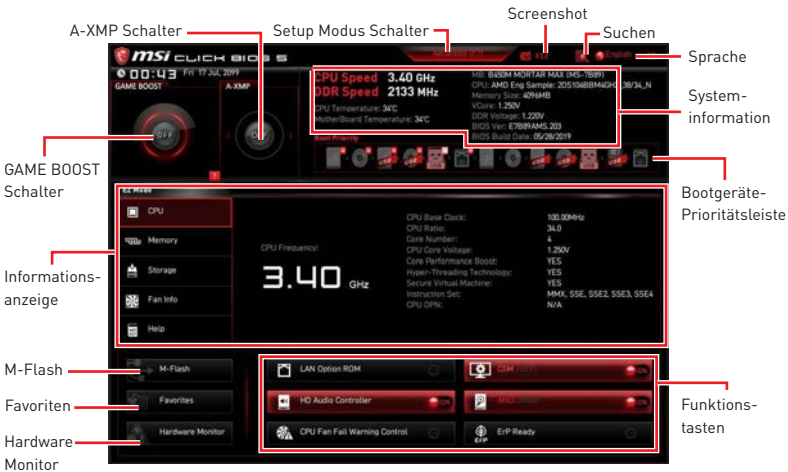
Wichtig

*Nur USB-Flashlaufwerke im FAT32-Format unterstützen einen BIOS-Update per **Flash BIOS Taste**.*

1. Verbinden Sie die Stromversorgung an dem **CPU_PWR1** und **ATX_PWR1**-Stecker. (Die Stromversorgung ist erforderlich.)
2. Stecken Sie das USB-Flashlaufwerk, das die MSI.ROM-Datei enthält, in dem Anschluss des **Flash BIOS** auf der Rückseite E/A des Panels ein.
3. Drücken Sie die Taste **Flash BIOS**, um das BIOS zu flashen, nun beginnt die **Flash BIOS** LED zu blinken.
4. Nachdem das Flashen des BIOS vollständig ist, erlischt die Flash BIOS LED.

EZ Modus

Im EZ-Modus können Sie die Grundinformationen des Systems einsehen und grundlegende Einstellungen konfigurieren. Um sich die erweiterten BIOS-Einstellungen anzeigen zu lassen, aktivieren Sie bitte den Erweiterten Modus durch Drücken des **Setup Modus Schalter** oder der Funktionstaste **F7**.



• **GAME BOOST Schalter** - Klicken Sie den Schalter, um **GAME BOOST** für OC zu wechseln.

⚠ Wichtig

Bitte ändern Sie keine Werte im OC Menü und laden Sie keine Standardwerte während **GAME BOOST** aktiviert ist, um die optimale Leistung und Stabilität des Systems zu gewährleisten.

• **A-XMP Schalter (optional)** - Klicken Sie auf den inneren Kreis, um den A-XMP. Schalter zu aktivieren/deaktivieren. Drehen Sie den äußeren Kreis, um ein Speicherprofil zu wählen. Dieser Schalter steht nur zur Verfügung, wenn die installierten Speichermodule diese Funktion unterstützen.

• **Setup Modus Schalter** - Mit dieser Registerkarte oder der **F7**-Taste können Sie zwischen dem Erweiterten-Modus und EZ-Modus wechseln.

• **Screenshot** - Wählen Sie diese Registerkarte oder betätigen Sie die **F12**-Taste, um einen Screenshot zu machen und auf einen FAT/FAT32-USB-Laufwerk zu speichern.

• **Suchen** - Klicken Sie auf diese Registerkarte oder die **Strg+F** Taste um die Suchseite anzuzeigen. Mit der Funktion können Sie durch Eingabe eines Suchbegriffs nach BIOS-Einträgen suchen. Bewegen Sie den Mauszeiger über einen freien Bereich und klicken Sie mit der rechten Maustaste, um die Suchseite zu schließen.

⚠ Wichtig

Auf der Suchseite stehen nur die **F6**-, **F10**- und **F12**-Funktionstasten zur Verfügung.

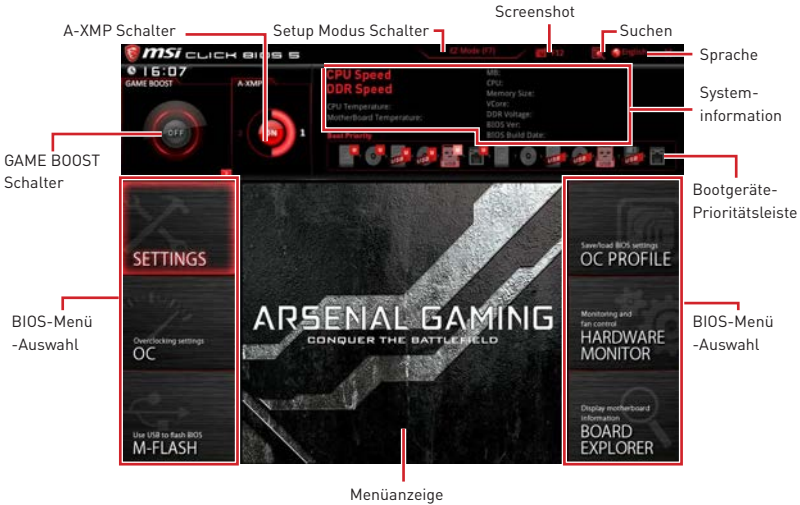
• **Sprache** - Hier können Sie die Sprache der BIOS-Einstellungen auswählen.

• **Systeminformationen** - Diese zeigt CPU/ DDR-Frequenz, CPU/ MB-Temperatur, MB/ CPU-Typ, Speicherkapazität, CPU/ DDR-Spannung, BIOS-Version und Erstellungsdatum.

- **Boot-Geräte Prioritätsleiste** - Sie können die Gerätesymbole verschieben, um die Startreihenfolge zu ändern. Die Bootreihenfolge sind mit "hoch" (links) bis "niedrig" (rechts) bezeichnet.
- **Informationsanzeige** - Klicken Sie auf die Schaltfläche **CPU, Memory, Storage, Fan Info** und **Help** auf der linken Seite, um die jeweiligen Informationen anzuzeigen.
- **Funktionstasten** - Aktivieren oder deaktivieren Sie **LAN Option ROM, HD Audio Controller, AHCI/RAID, CPU Fan Fail Warning Control, CSM/UEFI** und **ErP Ready** durch Anklicken der zugehörigen Schaltfläche.
- **M-Flash** - Ein Klick auf diese Schaltfläche öffnet **M-Flash** mit dem Sie das BIOS mit einem USB-Flash-Laufwerk aktualisieren.
- **Hardware Monitor** - Ein Klick auf diese Schaltfläche öffnet das Menü des **Hardware Monitor** mit dem Sie die Lüfterdrehzahl in Prozent manuell steuern.
- **Favoriten** - Drücken Sie die **F3**-Taste, um das **Favoriten**-Menü aufzurufen. Hier können Sie Ihre persönliches BIOS-Menü erstellen, in dem Sie die häufig verwendeten oder favorisierten BIOS-Einstellungsoptionen auswählen können.
 - **Default HomePage** - Über diese Option können Sie ein BIOS-Menü (zum Beispiel: Einstellungen, Übertaktung, usw.) als BIOS Homepage auswählen.
 - **Favoriten 1~5** - Hier können Sie die häufig erwendeten oder favorisierten BIOS-Einstellungsoptionen auf einer Seite hinzufügen.
 - **Um ein BIOS-Punkte zu einer Favoritenseite hinzuzufügen (Lieblingseinstellung 1~5)**
 1. Sie können die Maus nicht nur über einen Eintrag im BIOS-Menü sondern auch auf der Suchseite bewegen.
 2. Klicken Sie mit der rechten Maustaste oder drücken Sie die Taste **F2**.
 3. Wählen Sie die gewünschte Seite aus und klicken Sie auf **OK**.
 - **Um ein BIOS-Punkte von Favoritenseite zu löschen**
 1. Bewegen Sie die Maus über einen BIOS-Eintrag auf einer Favoritenseite (Favoriten 1~5)
 2. Klicken Sie mit der rechten Maustaste oder drücken Sie die Taste **F2**.
 3. Wählen Sie **Delete** aus und klicken Sie auf **OK**.

Erweiterter Modus

Drücken Sie den **Setup Modus Schalter** oder die Funktionstaste **F7**, um zwischen dem EZ-Modus und Erweiterten-Modus im BIOS-Setup zu wechseln.



- **BIOS-Menü-Auswahl** - Die folgenden Optionen stehen zur Verfügung.
 - **SETTINGS** - Mit diesem Menü können Sie die Parameter für Chipsatz, Boot-Geräte angeben.
 - **OC** - Hier können Sie die Frequenz und Spannung anpassen. Die Erhöhung der Frequenz kann eine bessere Leistung erreichen.
 - **M-FLASH** - M-Flash erlaubt es, das BIOS mit einem USB-Flash-Laufwerk zu aktualisieren.
 - **OC PROFILE** - In diesem Menü werden die verschiedenen Overclocking-Profile gespeichert.
 - **HARDWARE MONITOR** - Hier können Sie die Geschwindigkeiten der Lüfter anpassen und die Spannungen des Systems überwachen.
 - **BOARD EXPLORER** - Zeigt Ihnen Informationen über Geräte an, die an das Mainboard angeschlossen sind.
- **Menüanzeige** - Dieser Bereich ermöglicht die Konfiguration von BIOS Einstellungen.

OC Menü

In diesem Menü können Benutzer das BIOS anpassen und das Mainboard übertakten. Bitte führen Sie nur Änderungen durch, wenn Sie sich über das Ergebnis im Klaren sind. Sie sollten Erfahrung beim Übertakten haben, da Sie sonst das Motherboard oder Komponenten des Systems beschädigen können.



Wichtig

- Die Übertaktung ist nur für fortgeschrittene Benutzer zu empfehlen.
- Eine erfolgreiche Übertaktung ist nicht gewährleistet. Die Anwendung von Übertaktungsmaßnahmen kann zu Verlust der Garantie oder zur Beschädigung der Hardware führen.
- Falls Sie sich mit der Übertaktung nicht auskennen, empfehlen wir für einfaches Übertakten die **GAME BOOST** Funktion.
- Die BIOS-Funktionen im OC Menü werden abhängig von dem Prozessor variieren.

► OC Explore Mode [Normal]

Aktivieren oder deaktivieren Sie die Funktion, um die normale oder Expertenversion des OC-Einstellungen anzuzeigen.

[Normal] Bietet normale Übertaktungseinstellungen im BIOS-Setup.

[Expert] Bietet die erweiterten Übertaktungseinstellungen für den erfahrenen Benutzer, welche die Einstellungen im BIOS-Setup konfigurieren wollen.

Hinweis: Wir verwenden * als Symbol für die Übertaktungseinstellungen des Erweiterten Modus.

► CPU Ratio [Auto]

Legen Sie den CPU-Multiplikator fest, um die CPU-Taktfrequenzen zu bestimmen. Diese Option kann nur geändert werden, wenn der Prozessor diese Funktion unterstützt.

► Core Performance Boost [Auto]

Aktiviert oder Deaktiviert die Core Performance Boost (CPB). Diese Option erscheint nur, wenn die CPU die Funktion unterstützt.

► Downcore Control [Auto] (optional)

Legt die Anzahl der verwendeten CPU-Kerne fest. Diese Option erscheint nur, wenn die CPU die Funktion unterstützt.

► **A-XMP [Disabled]**

Aktivieren Sie die A-XMP Funktion oder wählen Sie ein Profil des Speichermoduls aus, um den Speicher zu übertakten. Diese Option erscheint nur, wenn die installierten Speichermodule/ das installierte Motherboard diese Funktion unterstützen.

► **DRAM Frequency [Auto]**

Setzen Sie die DRAM Frequenz. Bitte beachten Sie, dass ein zuverlässiges Übertaktungsverhalten nicht garantiert werden kann.

► **Adjusted DRAM Frequency**

Zeigt die Speicherfrequenz an. Nur Anzeige – keine Änderung möglich.

► **Memory Try It ! [Disabled]**

Die Option „Memory Try It!“ dient der Verbesserung der Speicherkompatibilität oder auch der Speicherleistung durch die Auswahl der optimierten Speicher-Voreinstellungen.

► **Memory Retry Count [5]**

Konfiguriert die Anzahl der Wiederholungen mit dem gesetzten Speicherprofil. Wird die Anzahl erfolgloser Wiederholungen erreicht, so stellt sich automatische der letzte erfolgreiche Wert ein.

► **Advanced DRAM Configuration**

Drücken Sie die **Eingabetaste <Enter>**, um das Untermenü aufzurufen. Der Anwender kann die Speicher-Timing für jeden Kanal des Speichers einstellen. Das System könnte nach dem Ändern der Speicher-Timings instabil werden oder nicht mehr booten. Wenn Instabilität auftritt, löschen Sie bitte die CMOS-Daten und stellen Sie die Standardeinstellungen wieder her. (Lesen Sie bitte den Abschnitt „Steckbrücke zur CMOS-Löschung/ Clear CMOS Taste“, um die CMOS-Daten zu löschen, und die Standardeinstellungen auf das BIOS zu laden.)

► **DigitALL Power**

Drücken Sie die **Eingabetaste <Enter>**, um das Untermenü aufzurufen. Steuert die digitale CPU PWM.

► **CPU Loadline Calibration Control [Auto]**

Die CPU-Spannung verringert proportional zur CPU-Belastung. Höheres Loadline-Calibration könnten eine höhere Spannung und einen höheren Übertaktungswert bekommen, auch einen Temperaturanstieg der CPU und VRM verursachen. Wenn die Einstellung auf **Auto** gesetzt ist, wird das BIOS diese Einstellungen automatisch konfigurieren.

► **CPU NB Loadline Calibration Control [Auto]**

Die CPU-NB-Spannung verringert proportional zur CPU-NB-Belastung. Höheres Loadline-Calibration könnten eine höhere Spannung und einen höheren Übertaktungswert bekommen, auch einen Temperaturanstieg verursachen. Wenn die Einstellung auf **Auto** gesetzt ist, wird das BIOS diese Einstellungen automatisch konfigurieren.

► **CPU Over Voltage Protection [Auto]**

Legen Sie die Spannungsgrenze für den CPU-Überspannungsschutz fest. Wenn die Einstellung auf **Auto** gesetzt ist, wird das BIOS diese Einstellungen automatisch konfigurieren. Höhere Spannung bietet weniger Sicherheit und kann das System beschädigen.

► CPU Under Voltage Protection [Auto]

Legen Sie die Spannungsgrenze für den CPU-Unterspannungsschutz fest. Wenn die Einstellung auf **Auto** gesetzt ist, wird das BIOS diese Einstellungen automatisch konfigurieren. Höhere Spannung bietet weniger Schutz und kann das System beschädigen.

► CPU Over Current Protection [Auto]

Legen Sie den aktuellen Grenzwert für den CPU-Überstromschutz fest. Wenn die Einstellung auf **Auto** gesetzt ist, wird das BIOS diese Einstellungen automatisch konfigurieren.

[Auto] Diese Einstellungen werden vom BIOS automatisch konfiguriert.

[Enhanced] Erweitert die Begrenzung des Speicher-Überstromschutzes.

► VR 12VIN OCP Expander [Auto]

Erweitert die Begrenzung des VR-Überstromschutzes mit 12 V Eingangsspannung. Dies kann aufgrund erhöhter Toleranz einen geringeren Schutz bedeuten. Bitte passen Sie deshalb den Strom sorgfältig an, um Beschädigungen des CPU/ VR MOS zu vermeiden. Wenn die Einstellung auf [Auto] gesetzt ist, wird das BIOS diese Einstellungen automatisch konfigurieren.

► CPU Voltages control [Auto]

Erlaubt das Einstellen der CPU-Spannungen. Wenn die Einstellung auf **Auto** gesetzt ist, wird das BIOS die Spannungen automatisch einstellen oder Sie können es manuell einstellen.

► DRAM Voltages control [Auto]

Erlaubt das Einstellen der DRAM-Spannungen. Wenn die Einstellung auf **Auto** gesetzt ist, wird das BIOS die Spannungen automatisch einstellen oder Sie können es manuell einstellen.

► Memory Changed Detect [Enabled]*

Aktiviert/Deaktiviert die Systemwarnmeldung beim Booten, wenn die CPU oder der Hauptspeicher ersetzt wurde.

[Enabled] Das System zeigt eine Warnmeldung beim Systemstart und lädt die Default-Einstellungen für neue Geräte.

[Disabled] Deaktivierung der Funktion und Beibehaltung der aktuellen BIOS-Einstellungen.

► CPU Specifications

Drücken Sie die **Eingabetaste <Enter>**, um das Untermenü aufzurufen. Das Untermenü zeigt die Informationen der installierten CPU an. Zu diesen Informationen gelangen Sie, indem Sie die Taste [F4] drücken. Nur Anzeige.

► CPU Technology Support

Drücken Sie die **Eingabetaste <Enter>**, um das Untermenü aufzurufen. Das Untermenü zeigt die wichtigsten Eigenschaften der installierten CPU an.

► MEMORY-Z

Drücken Sie die **Eingabetaste <Enter>**, um das Untermenü aufzurufen. Dieses Untermenü zeigt alle Einstellungen und Timings des installierten Speichers. Zu diesen Informationen gelangen Sie auch, indem Sie die Taste [F5] drücken.

► DIMMx Memory SPD

Drücken Sie die **Eingabetaste <Enter>**, um das Untermenü aufzurufen. Das Untermenü zeigt die Informationen des verwendeten Speichers an. Nur Anzeige.

► CPU Features

Drücken Sie die **Eingabetaste <Enter>**, um das Untermenü aufzurufen.

► Global C-state Control [Enabled] (optional)

Aktiviert oder deaktiviert die IO-basierten C-States und DF C-States.

► Simultaneous Multi-Threading [Enabled] (optional)

Aktiviert oder deaktiviert das AMD Simultaneous Multi-Threading. Diese Option erscheint nur, wenn die installierte CPU die Technologie unterstützt.

► Opcache Control [Auto] (optional)

Aktiviert oder deaktiviert die Opcache-Funktion. Opcache speichert die letzte dekodierte Anweisung um die Dekodierzeit bei wiederholten Anweisungen zu verringern. Zusätzlich kann es die CPU-Leistung erhöhen und den Stromverbrauch leicht reduzieren.

► IOMMU Mode (optional)

Hier können Sie den IOMMU (I/O Memory Management Unit) für I/O-Virtualisierung aktivieren/ deaktivieren.

► Spread Spectrum (optional)

Diese Funktion reduziert die EMI (Electromagnetic Interference) durch Modulation Taktgenerator erzeugten Impulse.

[Enabled] Aktiviert die Spread-Spectrum-Funktion, um die elektromagnetische Wechselwirkung zu verringern.

[Disabled] Steigert die Übertaktungs-Fähigkeiten des CPU-Grundtakts.



Wichtig

- Sollten Sie keine Probleme mit Interferenzen haben, belassen Sie es bei der Einstellung [Disabled] (ausgeschaltet), um bestmögliche Systemstabilität und -leistung zu gewährleisten. Stellt für Sie EMI ein Problem dar, wählen Sie die gewünschte Bandbreite zur Reduktion der EMI.
- Je größer Spread Spectrum Wert ist, desto größer nimmt der EMI ab, und das System wird weniger stabil. Bitte befragen Sie Ihre lokale EMI-Regelung zum meist passend Spread Spectrum Wert.
- Denken Sie daran Spread Spectrum zu deaktivieren, wenn Sie übertakten, da sogar eine leichte Schwankung eine vorübergehende Taktsteigerung erzeugen kann, die gerade ausreichen mag, um Ihren übertakteten Prozessor zum Einfrieren zu bringen.

► Relaxed EDC throttling [Auto] (optional)

Relaxed EDC throttling reduziert die Zeit, in der der Prozessor gedrosselt wird. the cores.

[Auto] Empfehlung von AMD

[Enabled] Reduziert die Zeit, in der der Prozessor gedrosselt wird.

[Disabled] Der spezielle EDC-Drosselschutz ist aktiviert.

► **AMD Cool' n' Quiet [Enabled]**

Die Cool' n' Quiet-Technologie kann die CPU-Geschwindigkeit und den Stromverbrauch effizient und dynamisch herabsetzen.

► **SVM Mode [Disabled]**

Aktiviert oder deaktiviert den AMD SVM (Secure Virtual Machine) Modus.

► **BIOS PSP Support [Enabled] (optional)**

Aktiviert oder deaktiviert die Funktion BIOS PSP Support. Es steuert den PSP-Unterpunkt einschließlich C2P/ P2C-Mailbox, Secure-S3 und fTPM-Support.

► **Power Supply Idle Control [Auto] (optional)**

Erlaubt den Energiespar-Modus für die CPU wenn sich alle Kerne im Zustand non-CO befinden. Wenn die Einstellung auf **Auto** gesetzt ist, wird das BIOS diese Einstellungen automatisch konfigurieren.

► **CPU VDD_SoC Current Optimization [Auto] (optional)**

Legen Sie die Ströme von CPU VDD und SoC. Wenn die Einstellung auf **Auto** gesetzt ist, wird das BIOS diese Einstellungen automatisch konfigurieren.

[Auto] Diese Einstellungen werden vom BIOS automatisch konfiguriert.

[Custom Setting] Sie können es manuell einstellen.

Softwarebeschreibung

Laden Sie die neuesten Treiber und Dienstprogramme von www.msi.com herunter und aktualisieren Sie sie.

Installation von Windows® 10

1. Schalten Sie den Computer ein.
2. Legen Sie die Windows® 10 Disk in das optisches Laufwerk.
3. Drücken Sie die Taste **Restart** auf dem Computergehäuse.
4. Drücken Sie die **F11**-Taste während des POST-Vorgangs (Power-On Self Test), um das Bootmenu zu öffnen.
5. Wählen Sie das optische Laufwerk aus dem Bootmenu.
6. Wenn eine entsprechende Meldung **Press any key to boot from CD or DVD...** angezeigt wird, drücken Sie eine beliebige Taste.
7. Folgen Sie den Anweisungen auf dem Bildschirm, um das Dienstprogramm „Windows® 10“ zu installieren.

Installation von Treibern

1. Starten Sie Ihren Computer mit Windows® 10.
2. Legen Sie die MSI® Treiber Disk in das optische Laufwerk.
3. Klicken Sie auf die Pop-up-Meldung **Wählen Sie eine Aktion für Wechseldatenträger aus**, und wählen Sie **DVDSetup.exe starten** aus, um den Installer zu öffnen. Wenn Sie die AutoPlay-Funktionen in der Windows-Systemsteuerung ausschalten, können Sie das Programm **DVDSetup.exe** im Hauptverzeichnis der MSI Treiber CD auch manuell ausführen.
4. Der Installer wird findet eine Liste aller benötigten Treiber auf der **Treiber/ Software**-Registerkarte.
5. Klicken Sie auf **Install** in der rechten unteren Ecke des Fensters.
6. Die Treiber-Installation läuft. Wenn die Installation abgeschlossen ist, werden Sie dazu aufgefordert, den Computer neu zu starten.
7. Klicken Sie zum Beenden auf **OK**.
8. Starten Sie Ihren Computer neu.

Installation von Utilities

Bevor Sie Anwendungen installieren, müssen Sie die Treiber-Installation vollständig beendet haben.

1. Öffnen Sie den Installer wie beschrieben.
2. Klicken Sie auf **Utilities**.
3. Wählen Sie die Dienstprogramme, die installiert werden soll.
4. Klicken Sie die Taste **Install** in der rechten unteren Ecke des Fensters.
5. Die Utilities-Installation ist im Gange. Wenn die Installation abgeschlossen ist, werden Sie dazu aufgefordert, den Computer neu zu starten.
6. Klicken Sie zum Beenden auf **OK**.
7. Starten Sie Ihren Computer neu.

Содержание

Безопасное использование продукции	2
Технические характеристики	3
Комплект поставки	8
Задняя панель портов ввода/ вывода	9
Таблица состояний индикатора порта LAN	9
Конфигурация портов Аудио.....	9
Realtek Audio Console	10
Компоненты материнской платы	12
Процессорный сокет	13
Слоты DIMM	14
PCI_E1~4: Слоты расширения PCIe.....	15
JFP1, JFP2: Разъемы передней панели	15
M2_1~2: Разъемы M.2 (Ключ М).....	16
CPU_PWR1, ATX_PWR1: Разъемы питания	17
JAUD1: Разъем аудио передней панели.....	17
JUSB1~2: Разъемы USB 2.0.....	18
JUSB3: Разъем USB 3.2 Gen1	18
CPU_FAN1, SYS_FAN1~3: Разъемы вентиляторов.....	19
JCOM1: Разъем последовательного порта	19
SATA1~4: Разъемы SATA 6Гб/с	20
JLPT1: Разъем параллельного порта.....	20
JCI1: Разъем датчика открытия корпуса	21
JTPM1: Разъем модуля TPM	21
JRGB1, JRGB2: Разъемы RGB светодиодных лент.....	22
Индикаторы отладки EZ.....	22
JBAT1: Джемпер очистки данных CMOS (Сброс BIOS)	23
Настройка BIOS	24
Вход в настройки BIOS	24
Сброс BIOS	25
Обновление BIOS.....	25
Режим EZ	27
Режим разгона	29
Меню OC	30
Описание программного обеспечения	35
Установка Windows® 10.....	35
Установка драйверов	35
Установка утилит	35

Безопасное использование продукции

- Компоненты, входящие в комплект поставки могут быть повреждены статическим электричеством. Для успешной сборки компьютера, пожалуйста, следуйте указаниям ниже.
- Убедитесь, что все компоненты компьютера подключены должным образом. Ослабленные соединения компонентов могут привести как к сбоям в работе, так и полной неработоспособности компьютера.
- Чтобы избежать повреждений компонентов платы всегда держите ее за края.
- При сборке компьютера рекомендуется пользоваться электростатическим браслетом. В случае, если это невозможно, перед работой с платой снимите электростатический заряд со своего тела, прикоснувшись к металлическому предмету.
- В случае, если материнская плата не установлена в корпус, храните ее в антистатической упаковке или на антистатическом коврик.
- Перед включением компьютера убедитесь, что все винты крепления и другие металлические компоненты на материнской плате и внутри корпуса надежно зафиксированы.
- Не включайте компьютер, если сборка не завершена. Это может привести к повреждению компонентов, а также травмированию пользователя.
- Если вам нужна помощь на любом этапе сборки компьютера, пожалуйста, обратитесь к сертифицированному компьютерному специалисту.
- Всегда выключайте питание и отсоединяйте шнур питания от электрической розетки перед установкой или удалением любого компонента компьютера.
- Сохраните это руководство для справки.
- Не допускайте воздействия на материнскую плату высокой влажности.
- Перед тем как подключить блок питания компьютера к электрической розетке убедитесь, что напряжение электросети соответствует напряжению, указанному на блоке питания.
- Располагайте шнур питания так, чтобы на него не могли наступить люди. Не ставьте на шнур питания никаких предметов.
- Необходимо учитывать все предостережения и предупреждения, указанные на материнской плате.
- При возникновении любой из перечисленных ниже ситуаций обратитесь в сервисный центр для проверки материнской платы:
 - Попадание жидкости внутрь компьютера.
 - Материнская плата подверглась воздействию влаги.
 - Материнская плата не работает должным образом или невозможно наладить ее работу в соответствии с руководством пользователя.
 - Материнская плата получила повреждения при падении.
 - Материнская плата имеет явные признаки повреждения.
- Не храните материнскую плату в местах с температурой выше 60 °C (140 °F), так как это может привести к ее повреждению.

Технические характеристики

Процессор	Поддержка процессоров AMD Ryzen™ 1-го, 2-го и 3-го поколения/ процессоров Ryzen™ с видеокартой Radeon™ Vega и процессоров AMD Ryzen™ 2-го поколения для настольных ПК с видеокартой Radeon™ Vega для сокета AM4
Чипсет	AMD® B450
Память	<ul style="list-style-type: none">• 4x слота памяти DDR4 с поддержкой до 64ГБ*<ul style="list-style-type: none">▪ Поддержка 1866/ 2133/ 2400/ 2667МГц (по стандартам JEDEC)▪ Поддержка 2667/ 2800/ 2933/ 3000/ 3066/ 3200/ 3466 МГц (с поддержкой A-XMP OC MODE)• Двухканальная архитектура памяти• Поддержка non-ECC UDIMM памяти• Поддержка ECC UDIMM памяти (non-ECC режим) <p>* Пожалуйста, обратитесь www.msi.com для получения дополнительной информации о совместимых памяти.</p>
Слоты расширения	<ul style="list-style-type: none">• 1x слот PCIe 3.0 x16 (PCI_E1)<ul style="list-style-type: none">▪ Процессоры AMD Ryzen™ 1-го, 2-го и 3-го поколения поддерживают режим x16▪ Процессоры Ryzen™ с видеокартой Radeon™ Vega и процессоры AMD Ryzen™ 2-го поколения с видеокартой Radeon™ поддерживают режим x8▪ Процессоры AMD® Athlon™ с видеокартой Radeon™ Vega поддерживают режим x4• 1x слот PCIe 2.0 x16 (PCI_E4, поддержка режима x4)*• 2x слота PCIe 2.0 x1 ** <p>* Слот PCI_E4 будет недоступен при установке M.2 SSD в разъем M2_2. ** Слот PCI_E2 будет недоступен при установке карты расширения в слот PCI_E3.</p>
Встроенная графика	<ul style="list-style-type: none">• 1x порт DisplayPort, с поддержкой максимального разрешения 4096x2304 @60Гц, 2560x1600 @60Гц, 3840x2160 @60Гц, 1920x1200 @60Гц*• 1x порт HDMI™ 1.4, с поддержкой максимального разрешения 4096x2160 @30Гц, 2560x1600 @60Гц* <p>* Поддерживается только при использовании процессоров AMD® Ryzen™ с видеокартой Radeon™ Vega и процессоров AMD Ryzen™ 2-го поколения с видеокартой Radeon™/ процессоров Athlon™ с видеокартой Radeon™ Vega * Максимальная общая память - 2048 МБ</p>

Продолжение на следующей странице

Продолжение с предыдущей страницы

Поддержка Multi-GPU	<ul style="list-style-type: none"> • Поддержка технологии 2-Way AMD® CrossFire™
Подключение накопителей	<p>Чипсет AMD® B450</p> <ul style="list-style-type: none"> • 4x порта SATA 6Гб/с* • 1x разъем M.2 (M2_2, Ключ M)* <ul style="list-style-type: none"> ▪ Поддержка накопителей PCIe 2.0 x4 2242/ 2260 /2280 <p>Чипсет процессора AMD®</p> <ul style="list-style-type: none"> • 1x разъем M.2 (M2_1, Ключ M)* <ul style="list-style-type: none"> ▪ Поддержка PCIe 3.0 x4 (AMD Ryzen™ 1-го, 2-го и 3-го поколения/ Ryzen™ с видеокартой Radeon™ Vega и AMD Ryzen™ 2-го поколения с видеокартой Radeon™) или PCIe 3.0 x2 (AMD® Athlon™ с видеокартой Radeon™ Vega) и SATA 6Гб/с, накопителей 2242/ 2260 /2280 <p>* Слот PCI_E4 будет недоступен при установке M.2 SSD в разъем M2_2.</p>
RAID	<p>Чипсет AMD® B450</p> <ul style="list-style-type: none"> • Поддержка RAID 0, RAID 1 и RAID 10 для накопителей SATA • Поддержка RAID 0 и RAID 1 для M.2 NVMe RAID
USB	<p>Контроллер AMD® B450</p> <ul style="list-style-type: none"> • 1x порт USB 3.2 Gen2 (SuperSpeed USB 10Гбит/с) Type-C на задней панели • 1x порт USB 3.2 Gen2 (SuperSpeed USB 10Гбит/с) Type-A на задней панели • 2x порта USB 3.2 Gen1 (SuperSpeed USB) доступны через внутренние разъемы USB 3.2 Gen1 • 6x портов USB 2.0 (High-speed USB) (2 порта Type-A на задней панели, 4 порта доступны через внутренние разъемы USB 2.0) <p>Контроллер процессоров AMD®</p> <ul style="list-style-type: none"> • 4x порта USB 3.2 Gen1 (SuperSpeed USB) Type-A на задней панели
LAN	<p>1x Гигабитный сетевой контроллер Realtek® RTL8111H-CG</p>

Продолжение на следующей странице

Продолжение с предыдущей страницы

Аудио	<ul style="list-style-type: none">• Realtek® ALC892 Codec• 7.1-канальный High Definition Audio• Поддержка S/PDIF-out
Разъемы задней панели	<ul style="list-style-type: none">• 1x кнопка Flash BIOS• 1x комбинированный порт PS/2 клавиатуры/ мыши• 2x порта USB 2.0 Type-A• 1x порт DisplayPort• 1x порт HDMI™• 4x порта USB 3.2 Gen1 Type-A• 1x порт LAN (RJ45)• 1x порт USB 3.2 Gen2 Type-A• 1x порт USB 3.2 Gen2 Type-C• 5x аудиоразъемов OFC• 1x оптический разъем S/PDIF OUT
Разъемы на плате	<ul style="list-style-type: none">• 1x 24-контактный разъем питания ATX 12B• 1x 8-контактный разъем питания ATX 12B• 4x разъема SATA 6ГБ/с• 2x разъема USB 2.0 (поддержка 4-х дополнительных портов USB 2.0)• 1x разъем USB 3.2 Gen1 connector (поддержка 2-х дополнительных портов USB 3.2 Gen1)• 1x 4-контактный разъем вентилятора процессора• 3x 4-контактных разъема вентилятора системы• 2x разъема 5050 RGB светодиодных лент 12B• 1x разъем модуля TPM• 1x разъем аудио передней панели• 2x разъема системной панели• 1x разъем датчика открытия корпуса• 1x джампер очистки данных CMOS• 1x разъем последовательного порта• 1x разъем параллельного порта

Продолжение на следующей странице

Продолжение с предыдущей страницы

Контроллер ввода-вывода	NUVOTON NCT6797D
Аппаратный мониторинг	<ul style="list-style-type: none">• Определение температуры процессора/системы• Определение скорости вентиляторов процессора/системы• Управление скоростью вентиляторов процессора/системы
Форм-фактор	<ul style="list-style-type: none">• m-ATX Форм-фактор• 9.6 x 9.6 дюйма (24.4 x 24.4 см)
Параметры BIOS	<ul style="list-style-type: none">• 1x 256 Мб флэш• UEFI AMI BIOS• ACPI 6.1, SM BIOS 2.8• Мультиязычный интерфейс
Программное обеспечение	<ul style="list-style-type: none">• Драйверы• APP MANAGER• COMMAND CENTER• LIVE UPDATE 6• MYSTIC LIGHT• SUPER CHARGER• GAMING APP• RAMDISK• X-BOOST• SMART TOOL• Open Broadcaster Software (OBS)• Norton™ Internet Security Solution• Google Chrome™, Google Toolbar, Google Drive• CPU-Z MSI GAMING

Продолжение на следующей странице

Продолжение с предыдущей страницы

**Эксклюзивные
функции**

- **Аудио**
 - Audio Boost
- **Накопитель**
 - Turbo M.2
 - StoreMI
- **Вентилятор**
 - Gaming Fan Control
- **Индикатор**
 - Mystic Light
 - Mystic Light Extension (RGB)
 - Mystic light SYNC
 - EZ DEBUG LED
- **Защита**
 - PCI-E Steel Armor
 - PCI-E Steel Slot
- **Производительность**
 - Multi GPU-CrossFire Technology
 - DDR4 Boost
 - GAME Boost
 - USB с интерфейсом type A+C
 - AMD Turbo USB 3.2 Gen 2
 - CORE Boost
- **VR**
 - VR Ready
- **Ощущение игроков**
 - GAMING HOTKEY
 - GAMING MOUSE Control
- **BIOS**
 - Click BIOS 5

Комплект поставки

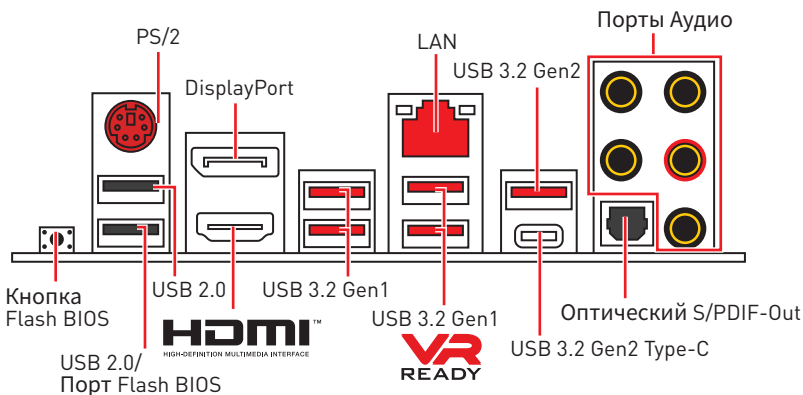
Проверьте комплект поставки материнской платы. В него должны входить следующие элементы:

- Материнская плата
- Диск с драйверами
- Руководство пользователя
- Руководство по быстрой установке
- Заглушка материнской платы на заднюю панель
- Кабель SATA 6Гб/с, 2 шт.
- Наклейка с логотипом
- Регистрационная карточка продукта
- Винт для M.2, 2 шт.



Если какой-либо элемент из комплекта поставки поврежден или отсутствует, пожалуйста, свяжитесь с продавцом.

Задняя панель портов ввода/ вывода



• **Кнопка/Порт Flash BIOS** - Обратитесь к странице 26 для получения информации об обновлении BIOS при помощи кнопки Flash BIOS.

Таблица состояний индикатора порта LAN

Подключение/ Работа индикатора		Скорость передачи данных								
Состояние	Описание									
Выкл.	Не подключен	<table border="1"> <thead> <tr> <th>Состояние</th> <th>Описание</th> </tr> </thead> <tbody> <tr> <td>Выкл.</td> <td>10 Мбит/с подключение</td> </tr> <tr> <td>Зеленый</td> <td>100 Мбит/с подключение</td> </tr> <tr> <td>Оранжевый</td> <td>1 Гбит/с подключение</td> </tr> </tbody> </table>	Состояние	Описание	Выкл.	10 Мбит/с подключение	Зеленый	100 Мбит/с подключение	Оранжевый	1 Гбит/с подключение
Состояние	Описание									
Выкл.	10 Мбит/с подключение									
Зеленый	100 Мбит/с подключение									
Оранжевый	1 Гбит/с подключение									
Желтый	Подключен									
Мигает	Передача данных									

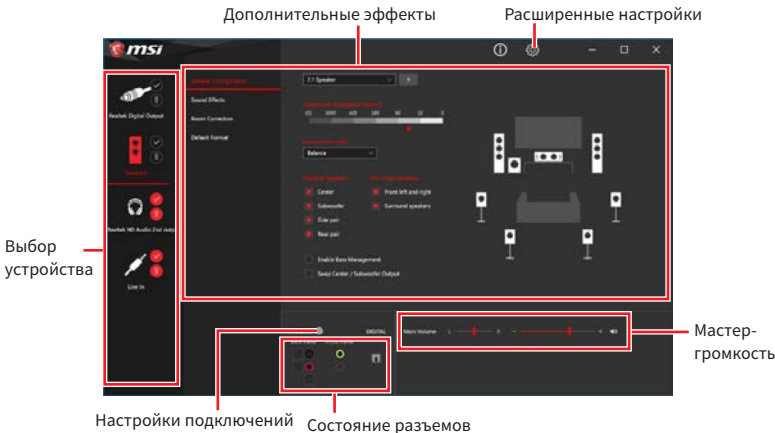
Конфигурация портов Аудио

Порты Аудио	Канал			
	2	4	6	8
Выход центральной колонки/ сабвуфера			●	●
Тыловые колонки		●	●	●
Линейный вход/ Выход боковых колонок				●
Линейный выход/ Выход фронтальных колонок	●	●	●	●
Микрофонный вход				

(●: подключен, Пусто: не подключен)

Realtek Audio Console

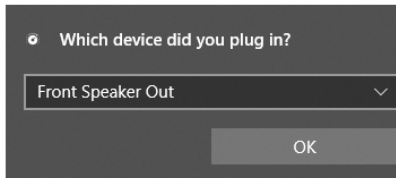
После установки Realtek Audio Console вы можете использовать его для изменения параметров звука, чтобы улучшить качество звука.



- **Выбор устройства** - позволяет выбрать источник аудио выхода и изменить соответствующие параметры. Отмеченное устройство будет использоваться по умолчанию.
- **Дополнительные эффекты** - это список опций по настройке звуковых эффектов для входного и выходного сигнала аудио устройства.
- **Мастер-громкость** - регулирует громкость или баланс правой и левой колонок, подключенных к передней или задней панели.
- **Расширенные настройки** - обеспечивают работу с двумя независимыми потоками аудио.
- **Состояние разъемов** - отображает все устройства воспроизведения и записи, подключенные к компьютеру.
- **Настройки подключений** - настраивают параметры подключения.

Автоматическое всплывающее диалоговое окно

При подключении устройства к разъему аудио появится диалоговое окно с просьбой подтвердить подключенное устройство.

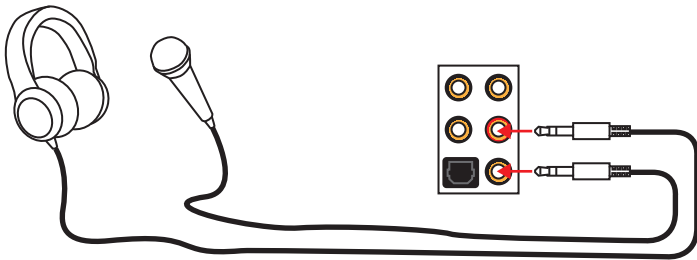


Каждый разъем соответствует его настройкам по умолчанию, как показано на следующей странице.

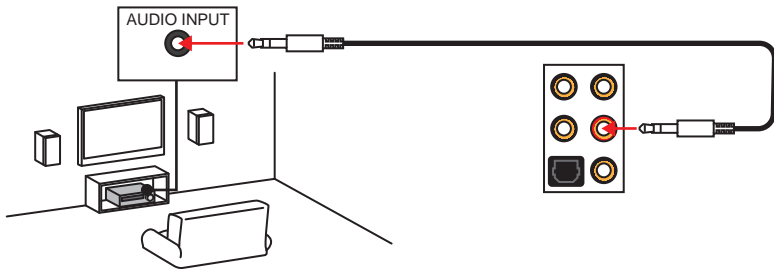
Внимание!

Изображения приведены исключительно в справочных целях и могут отличаться от фактических.

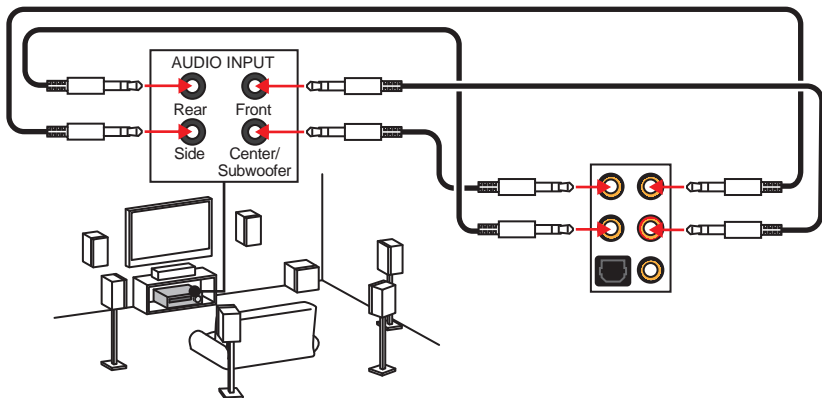
Подключение наушников и микрофона



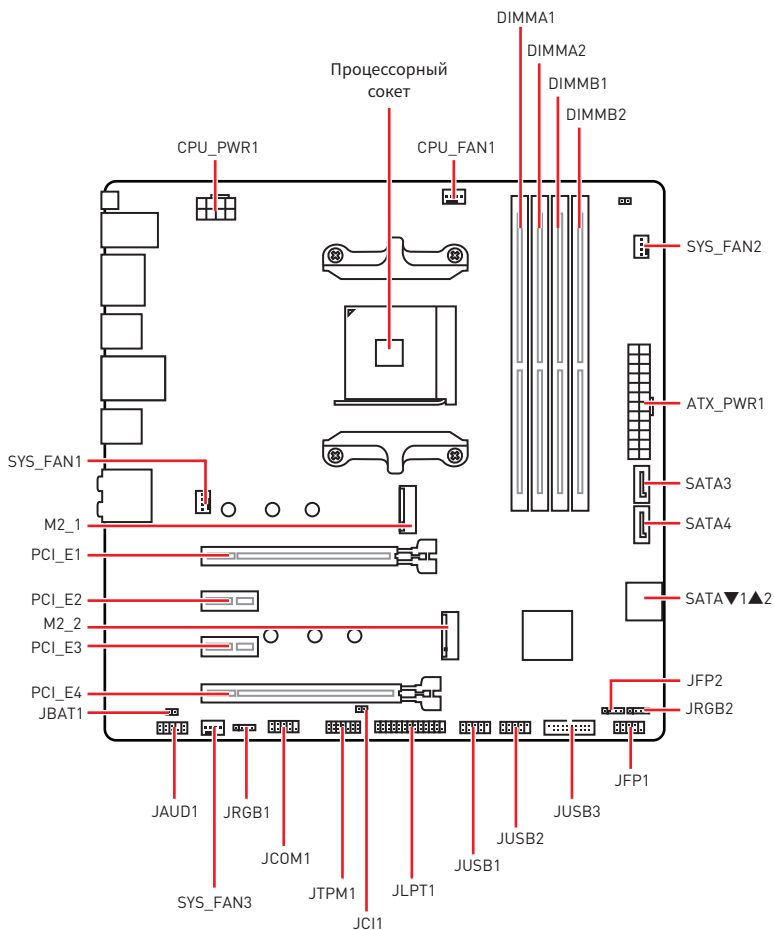
Подключение внешнего стерео усилителя (колонок)



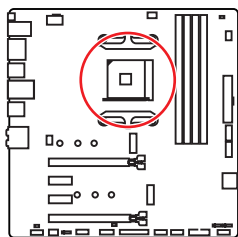
Подключение звуковой системы 7.1



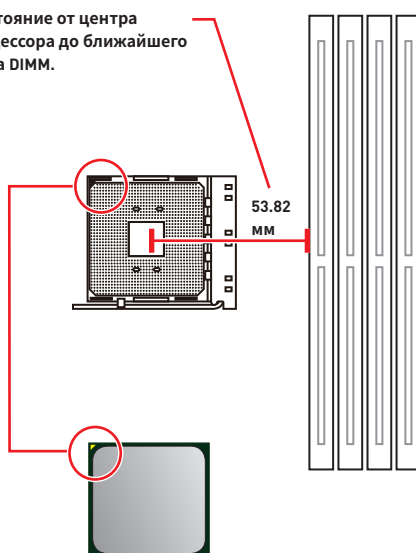
Компоненты материнской платы



Процессорный сокет



Расстояние от центра процессора до ближайшего слота DIMM.



Процессор AM4

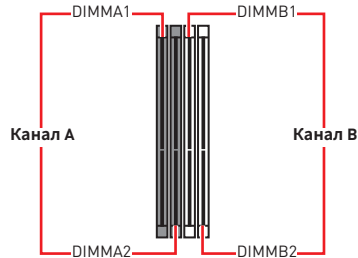
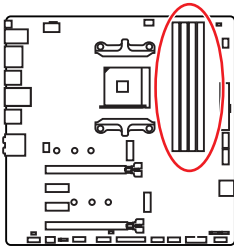
На поверхности процессора AM4 имеется золотой треугольник для правильной установки процессора относительно процессорного сокета материнской платы. Золотой треугольник указывает на контакт 1.



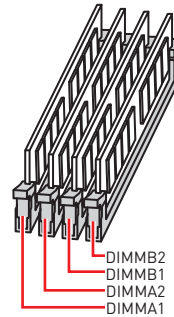
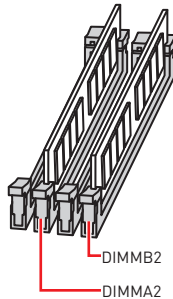
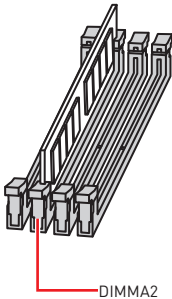
Внимание!

- Из-за особенностей архитектуры процессоров AM4, замена процессора может привести к сбросу настроек BIOS до значений по умолчанию.
- Перед установкой или заменой процессора, необходимо отключить кабель питания.
- При установке процессора обязательно установите процессорный кулер. Кулер, представляющий собой систему охлаждения процессора, предотвращает перегрев и обеспечивает стабильную работу системы.
- Перед включением системы проверьте герметичность соединения между процессором и радиатором.
- Перегрев может привести к серьезному повреждению процессора и материнской платы. Всегда проверяйте работоспособность вентилятора для защиты процессора от перегрева. При установке кулера нанесите ровный слой термопасты (или термоленты) на крышку установленного процессора для улучшения теплопередачи.
- Если вы приобрели отдельно процессор и процессорный кулер, подробное описание установки см. в документации в данному кулеру.
- Данная системная плата разработана с учетом возможности ее «разгона». Перед выполнением разгона системы убедитесь в том, что все компоненты системы смогут его выдержать. Производитель не рекомендует использовать параметры, выходящие за пределы технических характеристик устройств. Гарантия MSI® не распространяется на повреждения и другие возможные последствия ненадлежащей эксплуатации оборудования.

Слоты DIMM



Рекомендации по установке модулей памяти



Внимание!

- Всегда устанавливайте модуль памяти сначала в слот **DIMMA2**.
- В связи со спецификой использования ресурсов чипсета, доступный объем памяти будет немного меньше, чем фактически установленный.
- На основе характеристик процессора, рекомендуется устанавливать напряжение на памяти DIMM менее 1.35 В. Это позволит защитить процессор.
- Некоторые модули памяти при разгоне могут работать на частотах ниже заявленной производителем, поскольку выставляемая для памяти частота зависит от информации, записанной в SPD (Serial Presence Detect). Зайдите в BIOS и выберите опцию **DRAM Frequency**, чтобы установить заявленную или более высокую частоту.
- При установке памяти во все слоты, а также при ее разгоне, рекомендуется использовать более эффективную систему охлаждения памяти.
- Совместимость и стабильность работы установленного модуля памяти при разгоне зависит от установленного процессора и других устройств.
- Из-за ограничений официальной спецификации процессора AM4/ контроллера памяти, модули памяти могут работать на частотах ниже заявленной производителем при настройках по умолчанию. Дополнительную информацию о совместимых модулях памяти можно найти на веб-сайте www.msi.com.

PCI_E1~4: Слоты расширения PCIe

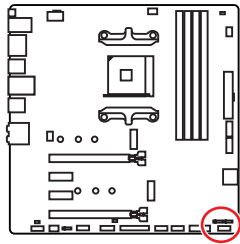
Процессор \ Слот	Серия RYZEN	Ryzen™ с видеокартой Radeon™ Vega и AMD Ryzen™ 2-го поколения с видеокартой Radeon™	Athlon™ с видеокартой Radeon™ Vega
PCI_E1	PCIe 3.0 x16	PCIe 3.0 x8	PCIe 3.0 x4
PCI_E2	PCIe 2.0 x1	PCIe 2.0 x1	PCIe 2.0 x1
PCI_E3	PCIe 2.0 x1	PCIe 2.0 x1	PCIe 2.0 x1
PCI_E4	PCIe 2.0 x4	PCIe 2.0 x4	PCIe 2.0 x4

⚠ Внимание!

- Слот PCI_E4 будет недоступен при установке M.2 SSD в разъем M2_2.
- Слот PCI_E2 будет недоступен при установке карты расширения в слот PCI_E3.
- При установке массивной видеокарты, необходимо использовать такой инструмент, как **MSI Gaming Series Graphics Card Bolster** для поддержки веса графической карты и во избежание деформации слота.
- Для установки одной карты расширения PCIe x16 с оптимальной производительностью рекомендуется использовать слот **PCI_E1**.
- Перед установкой или извлечением плат расширения убедитесь, что кабель питания отключен от электрической сети. Прочтите документацию на карту расширения и выполните необходимые дополнительные аппаратные или программные изменения для данной карты.

JFP1, JFP2: Разъемы передней панели

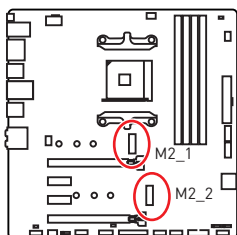
Эти разъемы служат для подключения кнопок и светодиодных индикаторов, расположенных на передней панели.



JFP1		JFP2	
1	HDD LED +	2	Power LED +
3	HDD LED -	4	Power LED -
5	Reset Switch	6	Power Switch
7	Reset Switch	8	Power Switch
9	Reserved	10	No Pin

1	Speaker -	2	Buzzer +
3	Buzzer -	4	Speaker +

M2_1~2: Разъемы M.2 (Ключ M)



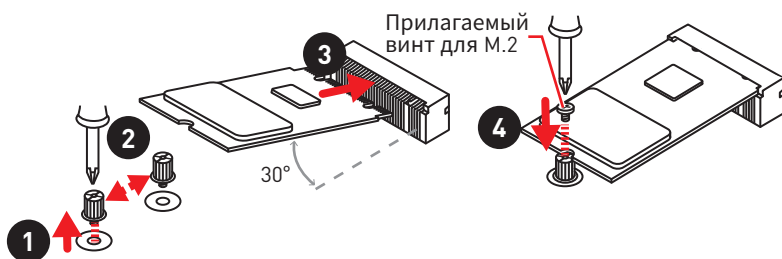
Видео Инструкция

Смотрите видео, чтобы узнать как использовать модуль M.2.

<http://youtu.be/JCTFABytrYA>

Установка M.2 SSD

1. Выкрутите стойку для крепления M.2 модуля из материнской платы.
2. Закрутите стойку для крепления M.2 модуля в подходящее отверстие, в соответствии с длиной вашего M.2 SSD.
3. Вставьте M.2 SSD в разъем M.2 под углом 30 градусов.
4. Закрепите M.2 SSD с помощью прилагаемого винта для M.2.

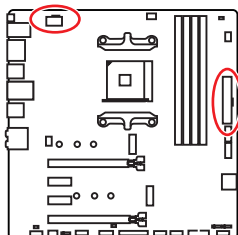


Внимание!

Слот PCI_E4 будет недоступен при установке M.2 SSD в разъем M2_2.

CPU_PWR1, ATX_PWR1: Разъемы питания

Данные разъемы предназначены для подключения блока питания ATX.



1	Ground	5	+12V
2	Ground	6	+12V
3	Ground	7	+12V
4	Ground	8	+12V

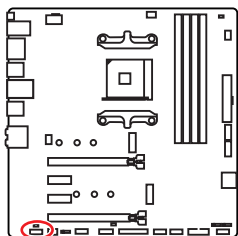
1	+3.3V	13	+3.3V
2	+3.3V	14	-12V
3	Ground	15	Ground
4	+5V	16	PS-ON#
5	Ground	17	Ground
6	+5V	18	Ground
7	Ground	19	Ground
8	PWR OK	20	Res
9	5VSB	21	+5V
10	+12V	22	+5V
11	+12V	23	+5V
12	+3.3V	24	Ground

Внимание!

Для обеспечения стабильной работы системной платы проверьте надежность подключения всех кабелей питания к блоку питания ATX.

JAUD1: Разъем аудио передней панели

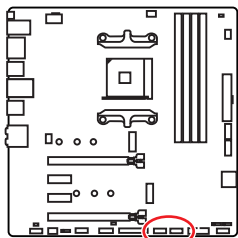
Данный разъем предназначен для подключения аудиоразъемов передней панели.



1	MIC L	2	Ground
3	MIC R	4	NC
5	Head Phone R	6	MIC Detection
7	SENSE_SEND	8	No Pin
9	Head Phone L	10	Head Phone Detection

JUSB1~2: Разъемы USB 2.0

Данные разъемы предназначены для подключения портов USB 2.0 на передней панели.



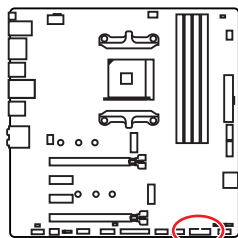
1	VCC	2	VCC
3	USB0-	4	USB1-
5	USB0+	6	USB1+
7	Ground	8	Ground
9	No Pin	10	NC

Внимание!

- Помните, что во избежание повреждений, необходимо правильно подключать контакты VCC и земли.
- Для того, чтобы зарядить ваш iPad, iPhone и iPod через порты USB, пожалуйста, установите утилиту MSI® SUPER CHARGER.

JUSB3: Разъем USB 3.2 Gen1

Данный разъем предназначен для подключения портов USB 3.2 Gen1 на передней панели.



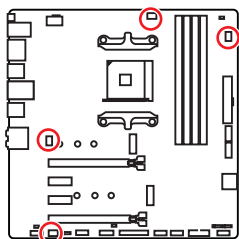
1	Power	11	USB2.0+
2	USB3_RX_DN	12	USB2.0-
3	USB3_RX_DP	13	Ground
4	Ground	14	USB3_TX_C_DP
5	USB3_TX_C_DN	15	USB3_TX_C_DN
6	USB3_TX_C_DP	16	Ground
7	Ground	17	USB3_RX_DP
8	USB2.0-	18	USB3_RX_DN
9	USB2.0+	19	Power
10	NC	20	No Pin

Внимание!

Помните, что во избежание повреждений, необходимо правильно подключать контакты питания и земли.

CPU_FAN1, SYS_FAN1~3: Разъемы вентиляторов

Разъемы вентиляторов можно разделить на два типа: с PWM (PulseWidth Modulation) управлением и управлением постоянным током. Разъемы вентиляторов с PWM управлением имеют контакт с постоянным напряжением 12В, а также контакт с сигналом управления скоростью вращения. Управление скоростью вращения вентиляторов с управлением постоянным током, осуществляется через соответствующие разъемы путем изменения величины напряжения. Поэтому, при подключении 3-х контактного (Non-PWM) вентилятора к разьему для вентилятора PWM, скорость вентилятора всегда будет максимальной. Работа такого вентилятора может оказаться достаточно шумной. Для настройки режима работы вентилятора вручную (PWM или DC), следуйте указаниям ниже. При режиме Auto, система будет автоматически определить режим работы вентилятора.



Автоматическое определение режима управления вентиляторами



Разъем вентилятора с управлением постоянным током по умолчанию



SYS_FAN1/ SYS_FAN2



SYS_FAN3

Назначение контактов разъема для подключения вентилятора

Назначение контактов разъема для режима PWM			
1	Ground	2	+12V
3	Sense	4	Speed Control Signal

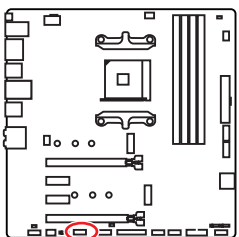
Назначение контактов разъема для режима DC			
1	Ground	2	Voltage Control
3	Sense	4	NC

Внимание!

- В меню **BIOS > HARDWARE MONITOR** вы можете выбрать режим работы вентилятора: PWM или DC, а также настроить его скорость вращения.
- Убедитесь, что вентиляторы работают правильно после выбора режима PWM/ DC.

JCOM1: Разъем последовательного порта

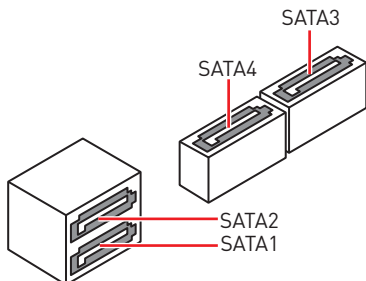
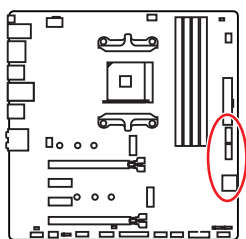
Данный разъем позволяет подключить последовательный порт, размещенный на внешнем браслете.



1	DCD	2	SIN
3	SOUT	4	DTR
5	Ground	6	DSR
7	RTS	8	CTS
9	RI	10	No Pin

SATA1~4: Разъемы SATA 6ГБ/с

Эти разъемы представляют собой интерфейсные порты SATA 6ГБ/с. К каждому порту можно подключить одно устройство SATA.

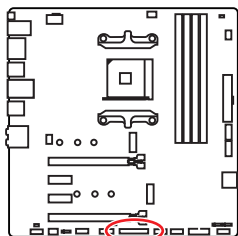


! **Внимание!**

- Избегайте перегибов кабеля SATA под прямым углом. В противном случае, возможна потеря данных при передаче.
- Кабели SATA оснащены одинаковыми коннекторами с обеих сторон. Однако, для экономии занимаемого пространства к материнской плате рекомендуется подключать плоский разъем.

JLPT1: Разъем параллельного порта

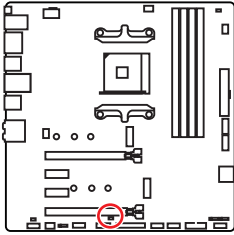
Данный разъем позволяет подключить параллельный порт, размещенный на внешнем браслете.





1	RSTB#	2	AFD#	3	PRND0
4	ERR#	5	PRND1	6	PINIT#
7	PRND2	8	LPT_SLIN#	9	PRND3
10	Ground	11	PRND4	12	Ground
13	PRND5	14	Ground	15	PRND6
16	Ground	17	PRND7	18	Ground
19	ACK#	20	Ground	21	BUSY
22	Ground	23	PE	24	Ground
25	SLCT	26	No Pin		

JC11: Разъем датчика открытия корпуса

К этому разъему подключается кабель от датчика открытия корпуса.




Нормально
(По умолчанию)


Разрешить запись
по событию
открытия корпуса

Использование датчика открытия корпуса

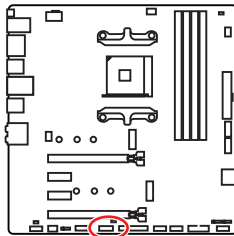
1. Подключите датчик открытия корпуса к разъему **JC11**.
2. Закройте крышку корпуса.
3. Войдите в **BIOS > SETTINGS > Security > Chassis Intrusion Configuration**.
4. Установите **Chassis Intrusion** в **Enabled**.
5. Нажмите клавишу **F10**, чтобы сохранить настройки и выйти, а затем нажмите клавишу **Enter**, чтобы выбрать **Yes**.
6. При открытии корпуса на экране будет появляться предупреждающее сообщение каждый раз при включении компьютера.


Сброс сообщения об открытии корпуса

1. Войдите в **BIOS > SETTINGS > Security > Chassis Intrusion Configuration**.
2. Выберите **Chassis Intrusion, Reset**.
3. Нажмите клавишу **F10**, чтобы сохранить настройки и выйти, а затем нажмите клавишу **Enter**, чтобы выбрать **Yes**.

JTPM1: Разъем модуля TPM

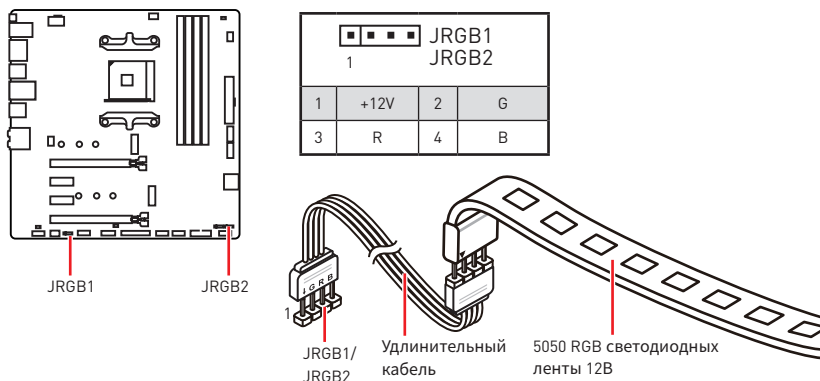
Данный разъем используется для подключения модуля TPM (Trusted Platform Module). Дополнительные сведения см. в описании модуля TPM.



			
1	LPC Clock	2	3V Standby power
3	LPC Reset	4	3.3V Power
5	LPC address & data pin0	6	Serial IRQ
7	LPC address & data pin1	8	5V Power
9	LPC address & data pin2	10	No Pin
11	LPC address & data pin3	12	Ground
13	LPC Frame	14	Ground

JRGB1, JRGB2: Разъемы RGB светодиодных лент

Разъем JRGB1/JRGB2 предназначен для подключения 5050 RGB светодиодных лент 12В.

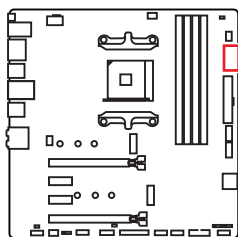


Внимание!

- Разъем JRGB1/JRGB2 поддерживает подключение 5050 RGB непрерывных светодиодных лент (12В/Г/Р/В) длиной до 2 метров с максимальной мощностью 3А (12В).
- Перед установкой или заменой светодиодных лент RGB, необходимо полностью обесточить систему и отключить кабель питания.
- Используйте утилиту MSI® для управления удлинительными светодиодными лентами.

Индикаторы отладки EZ

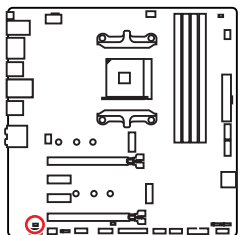
Данные светодиоды показывают состояния отладки материнской платы.



- CPU - процессор не обнаружен или поврежден.
- DRAM - память DRAM не обнаружена или повреждена.
- VGA - видеокарта не обнаружена или повреждена.
- BOOT - устройство загрузки не обнаружено или повреждено.

JBAT1: Джемпер очистки данных CMOS (Сброс BIOS)

На плате установлена CMOS память с питанием от батарейки для хранения данных о конфигурации системы. Для сброса конфигурации системы (очистки данных CMOS памяти), воспользуйтесь этим джемпером.



Сохранение данных
(По умолчанию)



Очистка данных/
Сброс BIOS

Сброс настроек BIOS до значений по умолчанию

1. Выключите компьютер и отключите шнур питания.
2. Используйте джемпер, чтобы замкнуть соответствующие контакты **JBAT1** в течение 5-10 секунд.
3. Снимите джемпер с контактов **JBAT1**.
4. Подключите шнур питания и включите компьютер.

Настройка BIOS

Настройки по умолчанию обеспечивают оптимальную производительность и стабильность системы при нормальных условиях. Если вы недостаточно хорошо знакомы с BIOS, **всегда устанавливайте настройки по умолчанию**. Это позволит избежать возможных повреждений системы, а также проблем с загрузкой.

Внимание!

- С целью улучшения производительности, меню BIOS постоянно обновляется. В связи с этим данное описание может немного отличаться от последней версии BIOS и может использоваться в качестве справки. Для описания какого либо пункта меню настроек BIOS, вы можете обратиться к информационной панели **HELP**.
- Изображения в этой главе приведены исключительно в справочных целях и могут отличаться от фактических.
- Пункты BIOS могут меняться в зависимости от моделей процессоров.

Вход в настройки BIOS

Нажмите клавишу **Delete**, когда появляется сообщение на экране **Press DEL key to enter Setup Menu, F11 to enter Boot Menu** во время загрузки.

Функциональные клавиши

- F1:** Общая справка
- F2:** Добавить / Удалить избранный предмет
- F3:** Вход в меню Избранное
- F4:** Вход в меню технических параметров процессора
- F5:** Вход в меню Memory-Z
- F6:** Загрузить оптимизированные настройки по умолчанию
- F7:** Переключить между расширенном режимом и режимом EZ
- F8:** Загрузить профиль разгона
- F9:** Сохранить профиль разгона
- F10:** Сохранение изменений и перезагрузка*
- F12:** Сделать скриншот и сохранить его на USB флэш-диск (только FAT / FAT32 формат).

Ctrl+F: Вход в страницу поиска

* При нажатии клавиши F10 появится информационное окно. Выберите Yes или No, чтобы подтвердить выбор.

Сброс BIOS

В некоторых ситуациях необходимо выполнить восстановление настроек BIOS до значений по умолчанию. Существует несколько способов сброса настроек:

- Войдите в BIOS и нажмите клавишу **F6** для загрузки оптимизированных значений по умолчанию.
- Замкните джампер **Clear CMOS** на материнской плате.



Внимание!

Убедитесь, что компьютер выключен перед очисткой данных CMOS. Для получения дополнительной информации о сбросе настроек BIOS, обратитесь к разделу “Джампер очистки данных CMOS”.

Обновление BIOS

Обновление BIOS при помощи M-FLASH

Подготовительные операции:

Пожалуйста, скачайте последнюю версию файла BIOS с сайта MSI, который соответствует вашей модели материнской платы. Сохраните файл BIOS на флэш-диске USB.

Обновление BIOS:

1. Нажмите клавишу Del для входа в настройки BIOS во время процедуры POST.
2. Вставьте флэш-диск USB, содержащий файл обновления в компьютер.
3. Выберите вкладку **M-FLASH** и нажмите на кнопку **Yes** для перезагрузки системы и входа в режим обновления.
4. Выберите файл BIOS для выполнения процесса обновления BIOS.
5. После завершения процесса обновления, система перезагрузится автоматически.

Обновление BIOS при помощи Live Update 6

Перед обновлением:

Убедитесь, что драйвер локальной сети установлен и есть подключение к сети Интернет.

Обновление BIOS:

1. Установите и запустите MSI LIVE UPDATE 6.
2. Выберите **BIOS Update**.
3. Нажмите на кнопку **Scan**.
4. Нажмите на значок **Download**, чтобы загрузить и установить последнюю версию файла BIOS.
5. Нажмите кнопку **Next** и выберите **In Windows mode**. И затем нажмите кнопку **Next** и **Start** для запуска обновления BIOS.
6. По завершению процесса обновления, система перезагрузится автоматически.

Обновление BIOS при помощи кнопки Flash BIOS

Подготовительные операции:

Пожалуйста, скачайте последнюю версию файла BIOS с сайта MSI, который соответствует вашей модели материнской платы и переименуйте файл BIOS в **MSI.ROM**. Затем сохраните файл **MSI.ROM** в корневую папку флэш-диска USB.



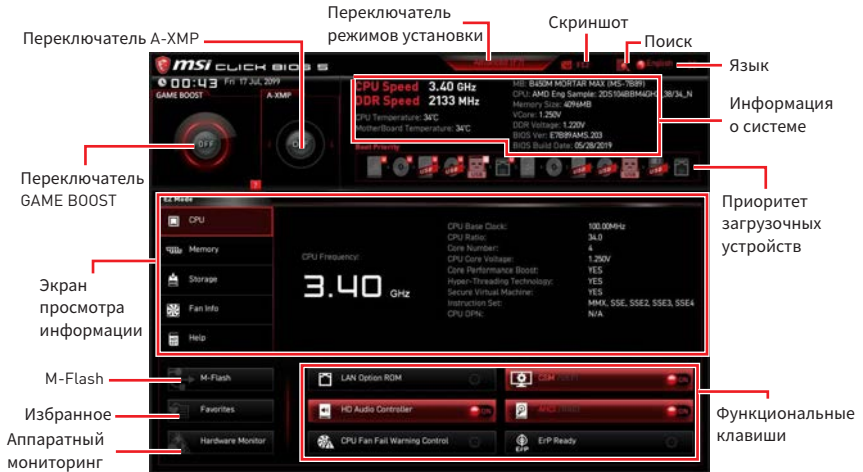
Внимание!

*Перед использованием кнопки **Flash BIOS** убедитесь, что USB флэш-диск имеет файловую систему FAT32.*

1. Подключите блок питания к **CPU_PWR1** и **ATX_PWR1**. (Никакие другие компоненты кроме блока питания не используются.)
2. Подключите USB флэш-диск, содержащий файл MSI.ROM в порт **Flash BIOS** на задней панели портов ввода/ вывода.
3. Нажмите кнопку **Flash BIOS** для обновления BIOS. Светодиод около кнопки Flash BIOS начинает мигать.
4. По завершению процесса обновления BIOS светодиод FLASHBACK+ гаснет.

Режим EZ

Режим EZ предоставляет основную информацию о системе и позволяет выполнить основные операции по настройке. Для настройки расширенных функций BIOS, пожалуйста, войдите в Расширенный режим, путем нажатия **Переключатель режимов установки** или при помощи функциональной клавиши **F7**.



- **Переключатель GAME BOOST** - щелкните для переключения **GAME BOOST** в ОС.

⚠ Внимание!

*Для сохранения оптимальной производительности и стабильности системы после активации функции **GAME BOOST**, пожалуйста, не делайте никаких изменений в меню ОС и не загружайте настройки по умолчанию.*

- **Переключатель A-XMP (опционально)** - нажмите на внутренний значок, чтобы включить/ выключить A-XMP. Для выбора профиля памяти переключите внешний значок. Этот переключатель доступен только в случае, если установлен модуль памяти с поддержкой данной функции.
- **Переключатель режимов установки** - нажмите эту вкладку или клавишу **F7**, чтобы переключиться между режимами EZ и разгона.
- **Скриншот** - нажмите на эту вкладку или клавишу **F12**, чтобы сделать скриншот и сохранить его на флэш-диск USB (только FAT/ FAT32).

- **Поиск** - кликните по данной вкладке или нажмите клавиши **Ctrl + F** для перехода на страницу поиска. Это позволяет выполнить поиск по имени параметра BIOS. Для вывода списка пунктов BIOS, введите имя параметра. Наведите указатель мыши на пустое место и щелкните правой кнопкой мыши, для выхода со страницы поиска.

⚠ Внимание!

*На странице поиска доступны только функциональные клавиши **F6**, **F10** и **F12**.*

- **Язык** - позволяет выбрать язык интерфейса для настройки BIOS.

- **Информация о системе** - показывает частоту процессора/ памяти, температуру процессора/ материнской платы, информацию о материнской плате/процессоре, размер памяти, напряжение на процессоре/ памяти, версию BIOS и дату создания.
- **Приоритет загрузочных устройств** - вы можете переместить иконку устройства для изменения приоритета загрузки. Приоритет загрузки устанавливается слева направо, от высокого к низкому.
- **Экран просмотра информации** - нажмите на кнопку **CPU, Memory, Storage, Fan Info** и **Help** в левой части экрана для отображения соответствующей информации.
- **Функциональные клавиши** - включают или выключают **LAN Option ROM, HD audio controller, AHCI/RAID, CPU Fan Fail Warning Control, CSM/UEFI** и **ErP Ready**, при нажатии на соответствующую кнопку.
- **M-Flash** - нажмите на эту кнопку для отображения меню **M-Flash**. Пункт позволяет выбрать способ обновления BIOS при помощи USB флеш накопителя.
- **Аппаратный мониторинг** - нажмите на эту кнопку для отображения меню **аппаратного мониторинга**. Пункт позволяет вручную регулировать скорость вращения вентиляторов в процентах.
- **Избранное** - нажмите на данную кнопку или клавишу **F3** для входа в меню **Избранное**. Позволяет создать личное меню BIOS, где вы можете сохранить и получить доступ к вашим любимым и часто используемым настройкам BIOS.
 - **Главная страница по умолчанию** - позволяет выбрать меню BIOS (например, параметры, ОС..., и т.д.) в качестве главной страницы BIOS.
 - **Избранное1-5** - позволяет добавлять наиболее часто используемые / любимые пункты настройки BIOS на одну страницу.
 - **Добавление пункта BIOS в страницу Избранное (избранное 1-5)**
 1. Выберите пункт BIOS в настройках ОС или меню ОС.
 2. Щелкните правой кнопкой мыши или нажмите клавишу **F2**.
 3. Выберите любимую страницу и нажмите на кнопку **OK**.
 - **Удаление пункта BIOS из страницы Избранное**
 1. Выберите пункт BIOS на странице Избранное (избранное 1-5).
 2. Щелкните правой кнопкой мыши или нажмите клавишу **F2**.
 3. Выберите **Delete** и нажмите на кнопку **OK**.

Режим разгона

Нажмите **переключатель режимов установки** или функциональную клавишу **F7** для переключения между режимами EZ и разгона в настройках BIOS.



• **Выбор меню BIOS** - доступны следующие опции:

- **SETTINGS** - в данном меню представлены настройки чипсета и загрузочных устройств.
- **OC** - позволяет регулировать частоту и напряжение. Увеличение частоты приводит к увеличению производительности.
- **M-FLASH** - позволяет выбрать метод обновления BIOS с USB флэш-диска.
- **OC PROFILE** - позволяет управлять профилями разгона.
- **HARDWARE MONITOR** - позволяет установить скорость работы вентиляторов и мониторинг напряжений системы.
- **BOARD EXPLORER** - предоставляет информации об установленных устройствах на материнской плате.

• **Экран меню** - отображаются настройки BIOS и дополнительная информация.

Меню OC

Данное меню предназначено для опытных пользователей и предоставляет возможности для «разгона» системы.



⚠ Внимание!

- Разгонять ПК вручную рекомендуется только опытным пользователям.
- Производитель не гарантирует успешность разгона. Неправильное выполнение разгона может привести к аннулированию гарантии и серьезному повреждению оборудования.
- Неопытным пользователям рекомендуется использовать функцию **GAME BOOST**.
- Пункты BIOS в меню OC будут меняться в зависимости от модели процессора.

► OC Explore Mode [Normal]

Включение или выключение отображения нормального или экспертного режима настроек разгона.

[Normal] Стандартные параметры разгона в BIOS.

[Expert] Расширенные параметры разгона в BIOS для опытных пользователей.

Примечание: Символом * отмечаются параметры разгона в режиме Expert.

► CPU Ratio [Auto]

Задание множителя процессора для установки его тактовой частоты. Этот пункт появляется при установке процессора с поддержкой данной функции.

► Core Performance Boost [Auto]

Включение или выключение Core Performance Boost (CPB). Этот пункт появляется при установке процессора с поддержкой данной функции.

► Downcore Control [Auto] (опционально)

Задание количество используемых ядер процессора. Этот пункт появляется при установке процессора с поддержкой данной функции.

► A-XMP [Disabled]

Включите A-XMP или выберите профиль модуля памяти для разгона. Данный пункт доступен, когда установлен модуль памяти, процессора и материнской платы с поддержкой данной функции.

► DRAM Frequency [Auto]

Установка частоты памяти DRAM. Обратите внимание, что возможность успешного разгона не гарантируется.

► Adjusted DRAM Frequency

Показывает текущую частоту процессора. Это значение нельзя изменять.

► Memory Try It ! [Disabled]

Позволяет улучшить совместимость памяти и производительность, путем выбора наиболее оптимального пресета.

► Memory Retry Count [5]

Устанавливает предел количества попыток загрузки Memory Retry. При достижении заданного количества неудачных попыток загрузки Memory Retry, настройки памяти восстанавливаются до последних рабочих параметров.

► Advanced DRAM Configuration

Нажмите **Enter** для входа в подменю. Пользователь может настроить тайминги для каждого канала памяти. Система может работать нестабильно или не загружаться после изменения тамингов памяти. Если система работает нестабильно, пожалуйста, очистите данные CMOS и восстановите настройки по умолчанию. (см. переключатель очистки данных CMOS/раздел кнопки для очистки данных CMOS и вход в BIOS, чтобы загрузить настройки по умолчанию.)

► DigitALL Power

Нажмите **Enter** для входа в подменю. Функция управляет цепями питания, связанными с PWM процессора.

► CPU Loadline Calibration Control [Auto]

Напряжение на процессоре уменьшается пропорционально, в зависимости от его загрузки. Повышение значения Load-line Calibration приводит к повышению напряжения и производительности при разгоне, но и увеличивает температуру процессора и VRM. При установке в **Auto**, BIOS установит данный параметр автоматически.

► CPU NB Loadline Calibration Control [Auto]

Напряжение на CPU-NB уменьшается пропорционально, в зависимости от его загрузки. Повышение значения Load-line Calibration приводит к повышению напряжения и производительности при разгоне, но и увеличивает температуру процессора и VRM. При установке в **Auto**, BIOS установит данный параметр автоматически.

► CPU Over Voltage Protection [Auto]

Устанавливает верхнюю границу максимального напряжения для защиты процессора от повышенного напряжения. Если установлено **Auto**, BIOS автоматически настроит этот параметр. Чем выше значение, тем ниже степень защиты и выше вероятность выхода системы из строя.

► CPU Under Voltage Protection [Auto]

Устанавливает нижнюю границу напряжения для защиты процессора от пониженного напряжения. Если установлено **Auto**, BIOS автоматически настроит этот параметр. Чем выше значение, тем ниже степень защиты и выше вероятность выхода системы из строя.

► CPU Over Current Protection [Auto]

Устанавливает ограничение по максимальному току для защиты процессора. При установке в **Auto**, BIOS автоматически настроит этот параметр.

[Auto] Этот параметр будет настроен автоматически с помощью BIOS.

[Enhanced] Расширяет ограничение по току от перегрузки по току.

► VR 12VIN OCP Expander [Auto]

Расширяет ограничение по току регуляторов напряжения для защиты процессора с входным напряжением 12В. Чем выше значение, тем ниже степень защиты. Будьте аккуратны при настройке текущего значения, в противном случае регуляторы напряжения процессора могут выйти из строя. При установке в **Auto**, BIOS автоматически настроит этот параметр.

► CPU Voltages control [Auto]

Эти параметры позволяют вам задать напряжения, связанные с процессором. При установке в **Auto**, BIOS установит напряжения автоматически. Вы также можете настроить напряжения вручную.

► DRAM Voltages control [Auto]

Эти параметры позволяют вам задать напряжения, связанные с памятью. При установке в **Auto**, BIOS установит напряжения автоматически. Вы также можете настроить напряжения вручную.

► Memory Changed Detect [Enabled]*

Включение или выключение предупреждающих сообщений при загрузке системы, когда процессор или память были заменены.

[Enabled] Система выдает предупреждение во время загрузки. Требуется загрузить настройки по умолчанию для новых устройств.

[Disabled] Выключение этой функции и сохранение текущих настроек BIOS.

► CPU Specifications

Нажмите **Enter** для входа в подменю. В этом подменю представлена информация об установленном процессоре. Для просмотра этой информации в любое время нажмите на кнопку [F4]. Это значение нельзя изменять.

► CPU Technology Support

Нажмите **Enter** для входа в подменю. В данном подменю отображаются основные функции, поддерживаемые установленным процессором. Это значение нельзя изменять.

► MEMORY-Z

Нажмите **Enter** для входа в подменю. В подменю выделены все параметры и тайминги установленной памяти. Для просмотра этой информации в любое время нажмите на кнопку [F5].

► DIMMx Memory SPD

Нажмите **Enter** для входа в подменю. Это подменю показывает информацию об установленной памяти. Это значение нельзя изменить.

► CPU Features

Нажмите **Enter** для входа в подменю.

► Global C-state Control [Enabled] (опционально)

Включение или выключение IO based C-state generation и DF C-states.

► Simultaneous Multi-Threading [Enabled] (опционально)

Включение или выключение AMD Simultaneous Multi-Threading. Этот пункт появляется при установке процессора с поддержкой данной функции.

► Opccache Control [Auto] (опционально)

Включение или выключение Opccache. Opccache сохраняет последние команды декодирования для сокращения времени исполнения повторной команды. Включение данной функции может увеличить производительность процессора и немного снизить энергопотребление.

► IOMMU Mode (опционально)

Включение или выключение IOMMU (I/O Memory Management Unit) для I/O Virtualization.

► Spread Spectrum (опционально)

Данная функция уменьшает EMI (электромагнитные помехи), вызванные колебаниями импульсного генератора тактовых сигналов.

[Enabled] Включение этой функции для уменьшения электромагнитных помех.

[Disabled] Увеличивает возможности разгона базовой тактовой частоты процессора.



Внимание!

- Если проблемы с помехами отсутствуют, оставьте значение в [Disabled] для лучшей стабильности и производительности. Однако, если возникают электромагнитные помехи, включите параметр Spread Spectrum для их уменьшения.
- Чем больше значение Spread Spectrum, тем ниже будет уровень электромагнитных помех, но система станет менее стабильной. Для выбора подходящего значения Spread Spectrum, сверьтесь со значениями уровней электромагнитных помех, установленных законодательством.
- Не забудьте запретить использование функции Spread Spectrum, если вы «разгоняете» системную плату. Это необходимо, так как даже небольшой дрейбег сигнала тактового генератора может привести к отказу разогнанного процессора.

► Relaxed EDC throttling [Auto] (опционально)

Relaxed EDC throttling уменьшает время троттлинга ядра процессора.

[Auto] Рекомендовано AMD

[Enabled] Уменьшает время троттлинга процессора.

[Disabled] Включает специальную частичную защиту EDC троттлинга.

► **AMD Cool' n' Quiet [Enabled]**

Технология Cool' n' Quiet позволяет эффективно динамически изменять частоту CPU и энергопотребление системы.

► **SVM Mode [Enabled]**

Включение или выключение AMD SVM (Secure Virtual Machine) Mode.

► **BIOS PSP Support [Enabled] (опционально)**

Включение или выключение BIOS PSP, который управляет подпунктами PSP, включая все почтовые ящики C2P /P2C, Secure S3 и поддержку fTPM.

► **Power Supply Idle Control [Auto] (опционально)**

Позволяет выбрать режим энергосбережения для процессора при простое системы. При установке в **Auto**, BIOS автоматически настроит этот параметр.

► **CPU VDD_SoC Current Optimization [Auto] (опционально)**

Устанавливает значение тока CPU VDD и SoC. При установке в **Auto**, BIOS автоматически настроит этот параметр.

[Auto] Этот параметр будет настроен автоматически с помощью BIOS.

[Custom Setting] Позволяет установить значение тока вручную.

Описание программного обеспечения

Скачайте и обновите последние утилиты и драйверы с сайта: www.msi.com.

Установка Windows® 10

1. Включите компьютер.
2. Вставьте диск Windows® 10 в привод для оптических дисков или вставьте в разъем USB компьютера USB флэш-диск, содержащий установочный файл Windows® 10.
3. Нажмите кнопку **Restart** на корпусе компьютера.
4. Нажмите клавишу **F11** во время POST (Power-On Self Test) компьютера, чтобы войти в меню загрузки.
5. Выберите оптический привод / USB флэш-диск в меню загрузки.
6. Нажмите любую клавишу, когда на экране показывает сообщение **Press any key to boot from CD or DVD...**
7. Следуйте инструкциям на экране, чтобы установить Windows® 10.

Установка драйверов

1. Загрузите компьютер в Windows® 10.
2. Вставьте диск с драйверами MSI® Driver Disc в привод для оптических дисков.
3. Нажмите всплывающее окно **Select to choose what happens with this disc** и выберите **Run DVDSetup.exe**, чтобы открыть окно установщика. Если функция автозапуска в Панели управления Windows выключена, вы также можете вручную запустить файл **DVDSetup.exe** из корневой папки диска с драйверами MSI Driver Disc.
4. Окно установщика найдет и перечислит все необходимые драйверы во вкладке **Drivers/Software**.
5. Нажмите кнопку **Install** в правом нижнем углу окна установщика.
6. Начнется установка драйверов. После ее завершения будет предложено перезапустить систему.
7. Нажмите кнопку **OK** для завершения.
8. Перезапустите компьютер.

Установка утилит

Перед установкой утилиты необходимо выполнить установку драйверов.

1. Откройте окно установщика, как описано выше.
2. Нажмите вкладку **Utilities**.
3. Выберите необходимые для установки утилиты.
4. Нажмите кнопку **Install** в правом нижнем углу окна установщика.
5. Начнется установка программного обеспечения. После ее завершения будет предложено перезапустить систему.
6. Нажмите кнопку **OK** для завершения.
7. Перезапустите компьютер.

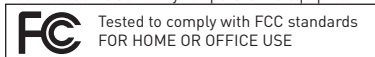
Regulatory Notices

FCC Compliance Statement

Note: This equipment has been tested and found to comply with the limits for a Class B digital device, pursuant to part 15 of the FCC Rules. These limits are designed to provide reasonable protection against harmful interference in a residential installation. This equipment generates, uses and can radiate radio frequency energy and, if not installed and used in accordance with the instructions, may cause harmful interference to radio communications. However, there is no guarantee that interference will not occur in a particular installation. If this equipment does cause harmful interference to radio or television reception, which can be determined by turning the equipment off and on, the user is encouraged to try to correct the interference by one or more of the following measures:

- Reorient or relocate the receiving antenna.
- Increase the separation between the equipment and receiver.
- Connect the equipment into an outlet on a circuit different from that to which the receiver is connected.
- Consult the dealer or an experienced radio/TV technician for help.

Caution: Changes or modifications not expressly approved by the party responsible for compliance could void the user's authority to operate the equipment.



This device complies with part 15 of the FCC Rules. Operation is subject to the following two conditions: (1) This device may not cause harmful interference, and (2) this device must accept any interference received, including interference that may cause undesired operation.

CE Conformity

CE Products bearing the CE marking comply with one or more of the following EU Directives as may be applicable:
RED 2014/53/EU; Low Voltage Directive 2014/35/EU; EMC Directive 2014/30/EU; RoHS Directive 2011/65/EU. Compliance with these directives is assessed using applicable European Harmonized Standards. The point of contact for regulatory matters is MSI, MSI-NL Eindhoven 5706 5692 ER Son.

B급 기기 (가정용 방송통신기자재)

K 이 기기는 가정용(B급) 전자파적합기기로서 주로 가정에서 사용하는 것을 목적으로 하며, 모든 지역에서 사용할 수 있습니다.

クラスB情報技術装置

VCCI この装置は、クラスB情報技術装置です。この装置は、家庭環境で使用することを目的としていますが、この装置がラジオやテレビジョン受信機に近接して使用されると、受信障害を引き起こすことがあります。取扱説明書に従って正しい取り扱いをして下さい

VCCI-B

C-Tick Compliance



Battery Information

European Union:



Batteries, battery packs, and accumulators should not be disposed of as unsorted household waste. Please use the public collection system to return, recycle, or treat them in compliance with the local regulations.

Taiwan:



廢電池請回收
For better environmental protection, waste batteries should be collected separately for recycling or special disposal.

California, USA:



The button cell battery may contain perchlorate material and requires special handling when recycled or disposed of in California.

For further information please visit:

<http://www.dtsc.ca.gov/hazardouswaste/perchlorate/>

CAUTION: There is a risk of explosion, if battery is incorrectly replaced.

Replace only with the same or equivalent type recommended by the manufacturer.

Chemical Substances Information

In compliance with chemical substances regulations, such as the EU REACH Regulation (Regulation EC No. 1907/2006 of the European Parliament and the Council), MSI provides the information of chemical substances in products at:
http://www.msi.com/html/popup/csr/evmtprrt_pcm.html

Environmental Policy

- The product has been designed to enable proper reuse of parts and recycling and should not be thrown away at its end of life.
- Users should contact the local authorized point of collection for recycling and disposing of their end-of-life products.
- Visit the MSI website and locate a nearby distributor for further recycling information.
- Users may also reach us at gpcontdev@msi.com for information regarding proper Disposal, Take-back, Recycling, and Disassembly of MSI products.



WEEE (Waste Electrical and Electronic Equipment) Statement

ENGLISH

To protect the global environment and as an environmentalist, MSI must remind you that...

Under the European Union ("EU") Directive on Waste Electrical and Electronic Equipment, Directive 2002/96/EC, which takes effect on August 13, 2005, products of "electrical and electronic equipment" cannot



be discarded as municipal wastes anymore, and manufacturers of covered electronic equipment will be obligated to take back such products at the end of their useful life. MSI will comply with the product take back requirements at the end of life of MSI-branded products that are sold into the EU. You can return these products to local collection points.

DEUTSCH

Hinweis von MSI zur Erhaltung und Schutz unserer Umwelt
Gemäß der Richtlinie 2002/96/EG über Elektro- und Elektronik-Altgeräte dürfen Elektro- und Elektronik-Altgeräte nicht mehr als kommunale Abfälle entsorgt werden. MSI hat europaweit verschiedene Sammel- und Recyclingunternehmen beauftragt, die in die Europäische Union in Verkehr gebrachten Produkte, am Ende seines Lebenszyklus zurückzunehmen. Bitte entsorgen Sie dieses Produkt zum gegebenen Zeitpunkt ausschließlich an einer lokalen Altgerätesammelstelle in Ihrer Nähe.

FRANÇAIS

En tant qu'écologiste et afin de protéger l'environnement, MSI tient à rappeler ceci...
Au sujet de la directive européenne (EU) relative aux déchets des équipements électriques et électroniques, directive 2002/96/EC, prenant effet le 13 août 2005, que les produits électriques et électroniques ne peuvent être déposés dans les décharges ou tout simplement mis à la poubelle. Les fabricants de ces équipements seront obligés de récupérer certains produits en fin de vie. MSI prendra en compte cette exigence relative au retour des produits en fin de vie au sein de la communauté européenne. Par conséquent vous pouvez retourner localement ces matériels dans les points de collecte.

РУССКИЙ

Компания MSI предпринимает активные действия по защите окружающей среды, поэтому напоминаем вам, что...
В соответствии с директивой Европейского Союза (ЕС) по предотвращению загрязнения окружающей среды использованным электрическим и электронным оборудованием (директива WEEE 2002/96/EC), вступающей в силу 13 августа 2005 года, изделия, относящиеся к электрическому и электронному оборудованию, не могут рассматриваться как бытовой мусор, поэтому производители вышеперечисленного электронного оборудования обязаны принимать его для переработки по окончании срока службы. MSI обязуется соблюдать требования по приему продукции, проданной под маркой MSI на территории ЕС, в переработку по окончании срока службы. Вы можете вернуть эти изделия в специализированные пункты приема.

ESPAÑOL

MSI como empresa comprometida con la protección del medio ambiente, recomienda:
Bajo la directiva 2002/96/EC de la Unión Europea en materia de desechos y/o equipos electrónicos, con fecha de rigor desde el 13 de agosto de 2005, los productos clasificados como "eléctricos y equipos electrónicos" no pueden ser depositados en los contenedores habituales de su municipio, los fabricantes de equipos electrónicos, están obligados a hacerse cargo de dichos productos al término de su período de vida. MSI estará comprometido con los términos de recogida de sus productos vendidos en

la Unión Europea al final de su periodo de vida. Usted debe depositar estos productos en el punto limpio establecido por el ayuntamiento de su localidad o entregar a una empresa autorizada para la recogida de estos residuos.

NEDERLANDS

Om het milieu te beschermen, wil MSI u eraan herinneren dat...
De richtlijn van de Europese Unie (EU) met betrekking tot Vervuiling van Electrische en Electronische producten (2002/96/EC), die op 13 Augustus 2005 in zal gaan kunnen niet meer beschouwd worden als vervuiling. Fabrikanten van dit soort producten worden verplicht om producten retour te nemen aan het eind van hun levenscyclus. MSI zal overeenkomstig de richtlijn handelen voor de producten die de merknaam MSI dragen en verkocht zijn in de EU. Deze goederen kunnen geretourneerd worden op lokale inzamelingspunten.

SRPSKI

Da bi zaštitili prirodnu sredinu, i kao preduzeće koje vodi računa o okolini i prirodnoj sredini, MSI mora da vas podesti da...
Po Direktivi Evropske unije ("UE") o odbačenoj eelektronskoj i električnoj opremi, Direktiva 2002/96/EC, koja stupa na snagu od 13. Avgusta 2005, proizvođači koji spadaju pod "elektronsku i električnu opremu" ne mogu više biti odbačeni kao običan otpad i proizvođači ove preuzeće biće prinuđeni da uzmu natrag ove proizvode na kraju njihovog uobičajenog veka trajanja. MSI će poštovati zahtev o preuzimanju ovakvih proizvoda kojima je istekao vek trajanja, koji imaju MSI oznaku i koji su prodati u EU. Ove proizvode možete vratiti na lokalnim mestima za prikupljanje.

POLSKI

Aby chronić nasze środowisko naturalne oraz jako firma dbająca o ekologię, MSI przypomina, że...
Zgodnie z Dyrektywą Unii Europejskiej ("UE") dotyczącą odpadów produktów elektrycznych i elektronicznych (Dyrektywa 2002/96/EC), która wchodzi w życie 13 sierpnia 2005, tzw. "produkty oraz wyposażenie elektryczne i elektroniczne" nie mogą być traktowane jako śmieci komunalne, tak więc producenci tych produktów będą zobowiązani do odbierania ich w momencie gdy produkt jest wycofywany z użycia. MSI wypełni wymagania UE, przyjmując produkty (sprzedawane na terenie Unii Europejskiej) wycofywane z użycia. Produkty MSI będzie można zwracać w wyznaczonych punktach zbiorczych.

TÜRKÇE

Çevreci özelliğiyle bilinen MSI dünyada çevreyi korumak için titrlatır:
Avrupa Birliği (AB) Kararnamesi Elektrik ve Elektronik Malzeme Atığı, 2002/96/EC Kararnamesi altında 13 Ağustos 2005 tarihinden itibaren geçerli olmak üzere, elektrikli ve elektronik malzemeler diğer atıklar gibi çöpe atılmayacak ve bu elektronik cihazların üreticileri, cihazların kullanım süreleri bittikten sonra ürünleri geri toplamakla yükümlü olacaktır. Avrupa Birliği'ne satılan MSI markalı ürünlerin kullanım süreleri bittiğinde MSI ürünlerin geri alınması isteği ile işbirliği içerisinde olacaktır. Ürünlerinizi yerel toplama noktalarına bırakabilirsiniz.

ČESKY

Záleží nám na ochraně životního prostředí - společnost MSI upozorňuje...
Podle směrnice Evropské unie ("UE") o likvidaci elektrických a elektronických výrobků 2002/96/

EC platné od 13. srpna 2005 je zakázáno likvidovat "elektrické a elektronické výrobky" v běžném komunálním odpadu a výrobci elektronických výrobků, na které se tato směrnice vztahuje, budou povinni odebrat takové výrobky zpět po skončení jejich životnosti. Společnost MSI splní požadavky na odebrání výrobků značky MSI, prodávaných v zemích EU, po skončení jejich životnosti. Tyto výrobky můžete odevzdat v místních sběrnách.

MAGYAR

Annak érdekében, hogy környezetünket megvédjük, illetve környezetvédeleket fellépve az MSI emlékezteti Önt, hogy ...

Az Európai Unió („EU”) 2005. augusztus 13-án hatályba lépő, az elektromos és elektronikus berendezések hulladékaikról szóló 2002/96/EK irányelve szerint az elektromos és elektronikus berendezések többé nem kezelhetők lakossági hulladékként, és az ilyen elektronikus berendezések gyártói kötelesek válnak az ilyen termékek visszavételére azok hasznos élettartama végén. Az MSI betartja a termékvisszavételrel kapcsolatos követelményeket az MSI márkánév alatt az EU-n belül értékesített termékek esetében, azok élettartamának végén. Az ilyen termékeket a legközelebbi gyűjtőhelyre viheti.

ITALIANO

Per proteggere l'ambiente, MSI, da sempre amica della natura, ti ricorda che...

In base alla Direttiva dell'Unione Europea (EU) sullo Smtaltimento dei Materiali Elettrici ed Elettronici, Direttiva 2002/96/EC in vigore dal 13 Agosto 2005, prodotti appartenenti alla categoria dei Materiali Elettrici ed Elettronici non possono più essere eliminati come rifiuti municipali: i produttori di detti materiali saranno obbligati a ritirare ogni prodotto alla fine del suo ciclo di vita. MSI si adegnerà a tale Direttiva ritirando tutti i prodotti marchiati MSI che sono stati venduti all'interno dell'Unione Europea alla fine del loro ciclo di vita. È possibile portare i prodotti nel più vicino punto di raccolta

日本JIS C 0950材質宣言

日本工業規格JIS C 0950により、2006年7月1日以降に販売される特定分野の電気および電子機器について、製造者による含有物質の表示が義務付けられます。

http://www.msi.com/html/popup/csr/cemmm_jp.html
http://tw.msi.com/html/popup/csr_tw/cemmm_jp.html

India RoHS

This product complies with the "India E-waste (Management and Handling) Rule 2011" and prohibits use of lead, mercury, hexavalent chromium, polybrominated biphenyls or polybrominated diphenyl ethers in concentrations exceeding 0.1 weight % and 0.01 weight % for cadmium, except for the exemptions set in Schedule 2 of the Rule.

Türkiye EEE yönetmeliği

Türkiye Cumhuriyeti: EEE Yönetmeliğine Uygundur

Україна обмеження на наявність небезпечних речовин

Обладнання відповідає вимогам Технічного регламенту щодо обмеження Використання деяких небезпечних речовин в електричному та електронному обладнанні, затвердженого постановою Кабінету Міністрів України від 3 грудня 2008 № 1057.

Việt Nam RoHS

Kể từ ngày 01/12/2012, tất cả các sản phẩm do công ty MSI sản xuất tuân thủ Thông tư số 30/2011/TT-BCT quy định tạm thời về giới hạn hàm lượng cho phép của một số hóa chất độc hại có trong các sản phẩm điện, điện tử"

Wireless Radio Use

This device is restricted to indoor use when operating in the 2.4GHz, 5GHz frequency band.

Cet appareil doit être utilisé à l'intérieur.

당해 무선설비는 운용중 전파혼신 가능성이 있음.

この製品は、周波数帯域 2.4GHz, 5GHz で動作しているときは、屋内においてのみ使用可能です。

NCC無線設備警告聲明


工作頻率 2.4GHz, 5GHz 該頻段限於室內使用。經型式認證合格之低功率射頻電機，非經許可，公司、商號或使用者均不得擅自變更頻率、加大功率或變更原設計之特性及功能。

低功率射頻電機之使用不得影響飛航安全及干擾合法通信；經發現有干擾現象時，應立即停用，並改善至無干擾時方得繼續使用。前項合法通信，指依電信法規定作業之無線電通信。低功率射頻電機須忍受合法通信或工業、科學及醫療用電波輻射性電機設備之干擾。

Products with radio functionality (EMF)

This product incorporates a radio transmitting and receiving device. For computers in normal use, a separation distance of 20 cm ensures that radio frequency exposure levels comply with EU requirements. Products designed to be operated at closer proximities, such as tablet computers, comply with applicable EU requirements in typical operating positions. Products can be operated without maintaining a separation distance unless otherwise indicated in instructions specific to the product.


Restrictions for products with radio functionality

 CAUTION: IEEE 802.11x wireless LAN with 5.15–5.35 GHz frequency band is restricted for indoor use only in all European Union member states, EFTA (Iceland, Norway, Liechtenstein), and most other European countries (e.g., Switzerland, Turkey, Republic of Serbia). Using this WLAN application outdoors might lead to interference issues with existing radio services.

Radio frequency bands and maximum power levels

Features	:802.11 a/b/g/n/ac, BT
Frequency Range	:2.4GHz, 5GHz
Modulation	:FHSS, DSSS, OFDM
Power Output	:10, 20, 23
Channel Band Width	:1, 5, 20, 40, 80MHz

产品中有害物质的名称及含量

部件名称	有害物质					
	铅 (Pb)	汞 (Hg)	镉 (Cd)	六价铬 (Cr(VI))	多溴联苯 (PBB)	多溴二苯醚 (PBDE)
印刷电路板组件*	×	○	○	○	○	○
电池** 	×	○	○	○	○	○
外部信号连接头	×	○	○	○	○	○
线材	×	○	○	○	○	○

本表格依据 SJ/T 11364 的规定编制。

○：表示该有害物质在该部件所有均质材料中的含量均在 GB/T 26572 规定的限量要求以下。

×：表示该有害物质至少在该部件的某一均质材料中的含量超出 GB/T 26572 规定的限量要求，但所有部件都符合欧盟 RoHS 要求。

* 印刷电路板组件：包括印刷电路板及其构成的零部件。

** 电池本体上如有环保使用期限标识，以本体标识为主。

■ 上述有毒有害物质或元素清单会依型号之部件差异而有所增减。

■ 产品部件本体上如有环保使用期限标识，以本体标识为主。

限用物質含有情況標示聲明書

單元	限用物質及其化學符號					
	鉛 (Pb)	汞 (Hg)	鎘 (Cd)	六價鉻 (Cr ^{VI})	多溴聯苯 (PBB)	多溴二苯醚 (PBDE)
電路板	○	○	○	○	○	○
電子元件	—	○	○	○	○	○
金屬機構件	—	○	○	○	○	○
塑膠機構件	○	○	○	○	○	○

備考 1. “超出 0.1 wt %” 及 “超出 0.01 wt %” 係指限用物質之百分比含量超出百分比含量基準值。

備考 2. “○” 係指該項限用物質之百分比含量未超出百分比含量基準值。

備考 3. “—” 係指該項限用物質為排除項目。

Copyright

msi Micro-Star Int'l Co., Ltd.
Copyright © 2019 All rights reserved.

The MSI logo used is a registered trademark of Micro-Star Int'l Co., Ltd. All other marks and names mentioned may be trademarks of their respective owners. No warranty as to accuracy or completeness is expressed or implied. MSI reserves the right to make changes to this document without prior notice.

Technical Support

If a problem arises with your system and no solution can be obtained from the user guide, please contact your place of purchase or local distributor. Alternatively, please try the following help resources for further guidance.

- Visit the MSI website for technical guide, BIOS updates, driver updates, and other information: <http://www.msi.com>
- Register your product at: <http://register.msi.com>

Revision History

Version 1.0, 2019/06, First release.