

Thank you for purchasing the NACON DAIJA ARCADE STICK.

This product has been designed to enhance your video gaming experience. Please keep this instruction manual for future reference.

I Warranty

This product bearing the NACON trademark, is guaranteed by the manufacturer for a period of 2 years from the date of purchase, and will, during this period be replaced with the same or a similar model, at our option, free of charge, if there is a defect due to faulty material, or workmanship.

This guarantee does not cover defects arising from accidental damage, misuse or wear and tear. This does not affect your statutory rights.

Please retain your proof of purchase, for the duration of the warranty period, in case of a product replacement claim. Without this unfortunately we cannot process your claim.

I Package contents

- 1 x DAIJA Arcade Stick
- 1 x Quick guide
- 1 x Bat top joystick
- 1 x Screwdriver (for the front cover)
- 1 x Key (to change joystick head)
- 1 x Additional front cover inlay
- 1 x Stickers sheet

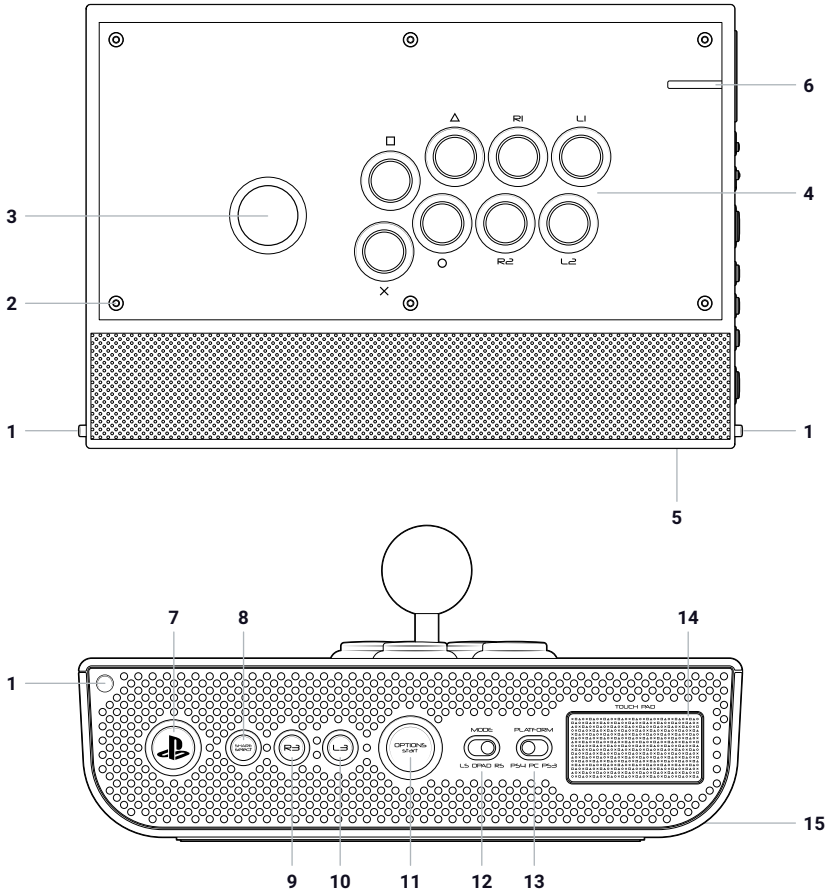
I Connect your DAIJA, enter the fight, win!

The DAIJA has been developed especially to enhance your performance in fighting and brawling games. NACON teamed up with leading eSports players to create a product that will give you the winning edge in your upcoming fights.

Note: To improve the usability of this product, firmware updates might be published on our website www.nacongaming.com. Please check this website regularly.



I Description of elements



- | | |
|--|---|
| 1/ Top lid release buttons | 9/ R3 button |
| 2/ Front plate screws | 10/ L3 button |
| 3/ Joystick (digital mode only) | 11/ OPTIONS (PS4™ mode) / START (PS3™ mode) |
| 4/ Action buttons (△○×□ / L1 / R1 / L2 / R2) | 12/ Joystick mode selection |
| 5/ 3.5mm headset socket | 13/ Platform selection (PS4™ / PS3™ / PC*) |
| 6/ LED player status indicator (for PS4™) | 14/ Touchpad |
| 7/ PS button | 15/ Cable storage compartment (on the rear) |
| 8/ SHARE (PS4™ mode) / SELECT (PS3™ mode) | |

*PC compatibility not tested nor endorsed by Sony Computer Entertainment Europe.

Compatibility

The DAIJA can be used with the SONY PlayStation®4, the SONY PlayStation®3 or on a Windows® PC (X-Input only)*. To choose the respective mode, use the platform selection switch (13) on the right side of the DAIJA.

I PlayStation®4

Plug the DAIJA's USB plug into a free USB port on your PS4™ system.

Power on your system and press the "PS" button on your DAIJA. The LED player status indicator will light up, similar to the colour indicator on the DUALSHOCK®4 wireless controller. Please note the player status indicator can react to in-game action, if supported by the software.

Note: The LED indicator does not interact with the PlayStation Camera.

You are now ready to play.

Note: Please note that certain games, which usually require the use of two joysticks on one controller, cannot be played with the DAIJA. It also does not support the following functions of the DUALSHOCK®4 wireless controller: analogue joysticks, analogue triggers, vibration motors, integrated speaker and Six-Axis motion sensor.

I PlayStation®3

Plug the DAIJA's USB plug into a free USB port on your PS3™ system.

Power on your system.

You are now ready to play.

Note: Please note that certain games, which usually require the use of two joysticks on one controller, cannot be played with the DAIJA. It also does not support the following functions of the DUALSHOCK®3 wireless controller: analogue joysticks, analogue triggers, vibration motors and Six-Axis motion sensor.

I PC

Plug the DAIJA's USB plug into a free USB port on your PC*.

The DAIJA supports the X-Input protocol and is a Plug'n'Play device*. Upon first time connection it might be possible that a driver is required to be installed. The installation process will start automatically and might require some seconds to finish. When done, you will see the Corresponding Windows message.

You are now ready to play.

**Compatible with Windows™ 7/8/10.*

PC compatibility not tested nor endorsed by Sony Interactive Entertainment Europe.

Exchangeable components

The DAIJA already uses high quality components for the best gaming experience possible. Still, you might wish to customise the elements of your DAIJA, so we made personalisation as easy as possible.

1 To open the top

On the sides of the DAIJA, press the two Red lid release buttons (1).

2 To change the buttons

Remove the cable from the button which you want to take out, by simply pulling them off the contacts of the button. Make sure to grip the cable on the isolated front, to prevent damaging the cable. The buttons are just clipped into the front plate and can be easily removed by pressing the springs on the left and right side of the button.

Clip the new button into the front plate and make sure to re-plug the correct wires to the correct button. Each button is connected with a differently coloured cable and the colour codes can be found on a label on the inside of the DAIJA.

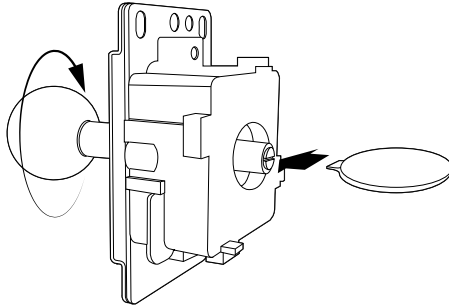
3 To change the joystick

Changing the joystick will require a Cross head type screwdriver. Just like the buttons, the cables can be simply unplugged and reconnected.



4 To change the joystick head

Depending on the game and the player, a different type of joystick head might be preferred and that's why the DAIJA comes supplied with a second, differently shaped head. The head can be exchanged simply by unscrewing it from the joystick. Note that you will need to use the supplied key or a regular flat head type screwdriver to hold the axis in place when you are unscrewing the joystick head.



5 To change the front plate design

To give your DAIJA a more personal note, you can change your front design. At www.nacongaming.com you can download the template file to create your own front plate. Once printed, just change the original design sheet underneath the front plate. This is held by 6x hex type screws. The required screw driver is included and can be found inside the DAIJA. Before it can be removed, you will also have to remove all the action buttons and the joystick head (see points 2 and 4).

Joystick mode selection

Use the mode selection switch (12) to select if the joystick of the DAIJA functions in left joystick, right joystick or D-Pad mode.

Please note that analogue joystick functions are not supported.



Recycling



This product should not be disposed of in normal household rubbish. Please take it to a nominated collection point. Recycling is important and will help to protect our environment from reduced landfill waste. EU and Turkey only.

I Important Safeguards & Precautions

- 1/ This Unit is for indoor use only. Never expose to direct sunlight or wet weather conditions.
- 2/ Do not expose the unit to splashing, dripping, rain or moisture. Do not immerse in liquid.
- 3/ Do not expose to dust, high humidity, high temperatures or mechanical shock.
- 4/ Do not use if the equipment is damaged.
- 5/ For external cleaning, use a soft, clean, damp cloth only. Use of detergents may damage the finish and leak inside.
- 6/ Never carry the product by its cable.
- 7/ This device is not designed to be used by anyone (including children) with impaired physical, sensory or mental capacity, or by anyone without appropriate experience or knowledge unless they have received prior guidance or instructions related to the use of this device from someone who is responsible for their safety. Children should be supervised to ensure that they do not play with the device.

I Ergonomics

Holding your hand in the same position for a long period of time can lead to aching and pain. If this occurs repeatedly please consult your doctor. As a precaution we recommend that you take a 15 minute break every hour.




I Technical Helpline Information

Email: support@nacongaming.com

Website: www.nacongaming.com



WWW.NACONGAMING.COM

 @NaconGaming  Nacongaming  Nacon International