

next level RACING

INSTRUCTION MANUAL FOR NEXT LEVEL RACING GTTRACK





GTTRACK

Thank-you for purchasing a



GTTRACK

If you require any support with your product please contact our friendly team at:

support@nextlevelracing.com for a prompt response.



WARNING



- Please do not use power tools for assembly as over tightening can damage your frame.
- During assembly please be sure to have a washer positioned at the front of every bolt as pictured below.



CAUTION

Heavy product once assembled.

2 person lift required.



WARNING

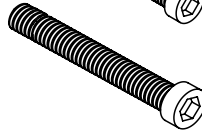
CHOKING HAZARD - Small parts not for children under 3 years or any individuals who have a tendency to place inedible objects into their mouths

**For assistance please contact: support@nextlevelracing.com
www.nextlevelracing.com**

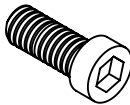
What's In The Box:



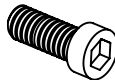
36 X M8 60MM



2 X M8 110MM



12 X M8 15MM
2 X M8 20MM



12 X M6 15MM



50 X M8 WASHERS
12 X M6 WASHERS



30 X M8 NUTS
12 X M6 NUTS



2 X PLASTIC CAPS



1 X M8 ALLEN KEY



1 X M6 ALLEN KEY



1 X WRENCH



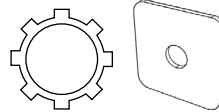
1 X SMALL WRENCH



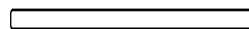
8 X PLASTIC FEET



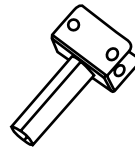
8 X CASTOR WHEELS



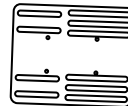
6 X SPIKED WASHERS
8 X SQUARE WASHERS



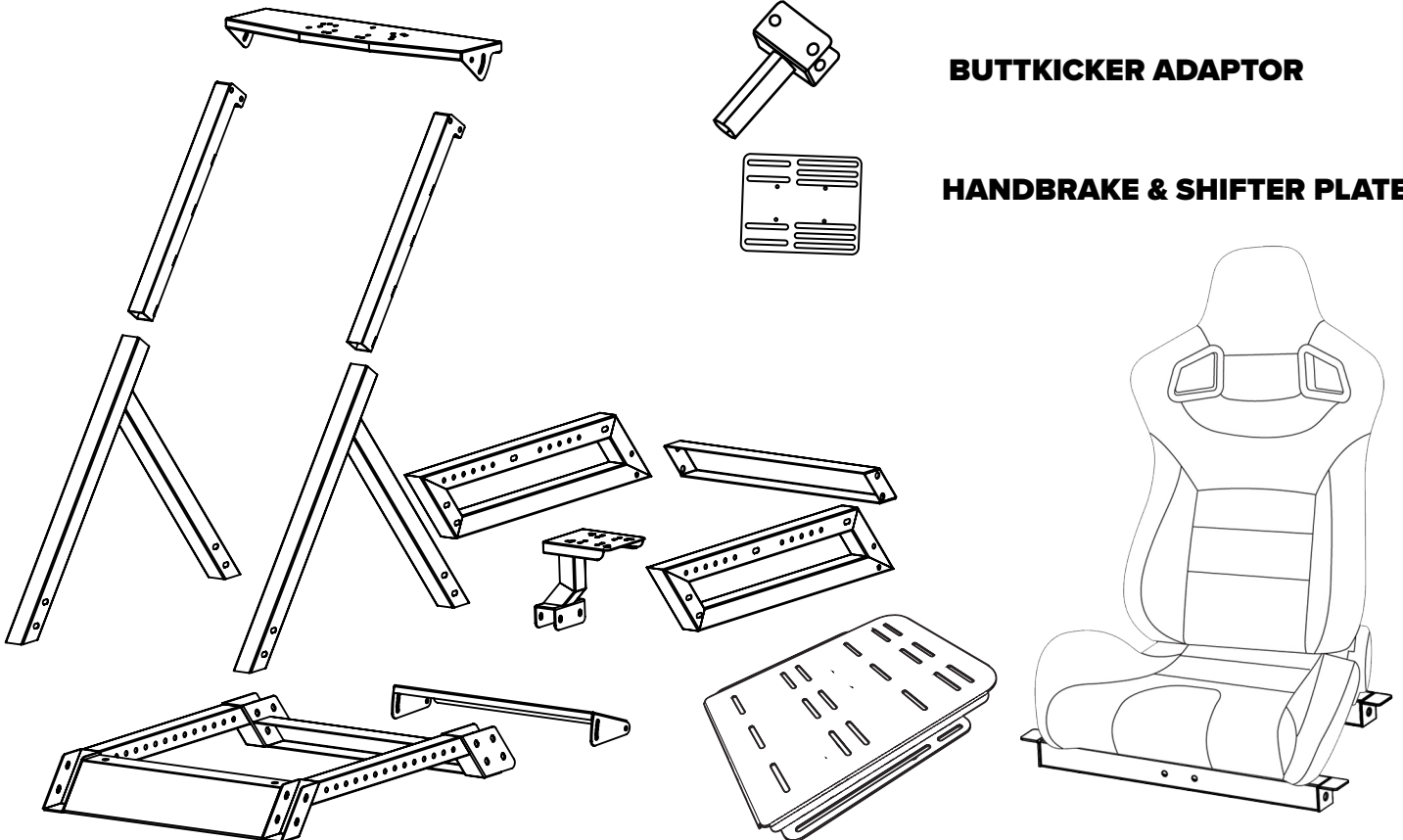
10 X VELCRO TIES



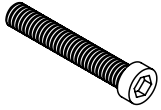
BUTTKICKER ADAPTOR



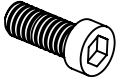
HANDBRAKE & SHIFTER PLATE



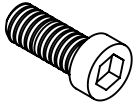
What's In The Box: MOTION PACK



6 X M8 60MM



2 X M8 15MM



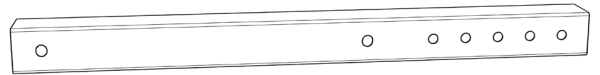
4 X M8 20MM



12 X M8 WASHERS



2 X M8 NUTS



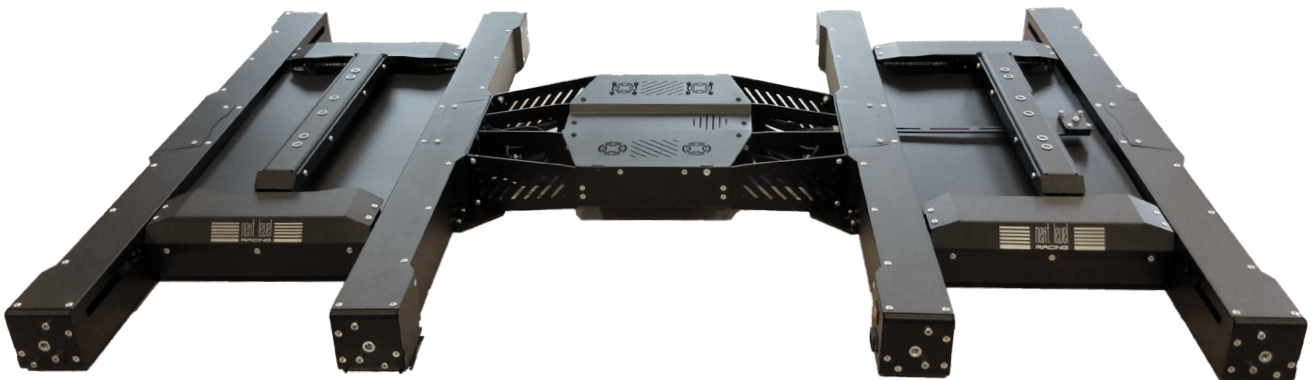
1 X MOTION SHIFTER ARM



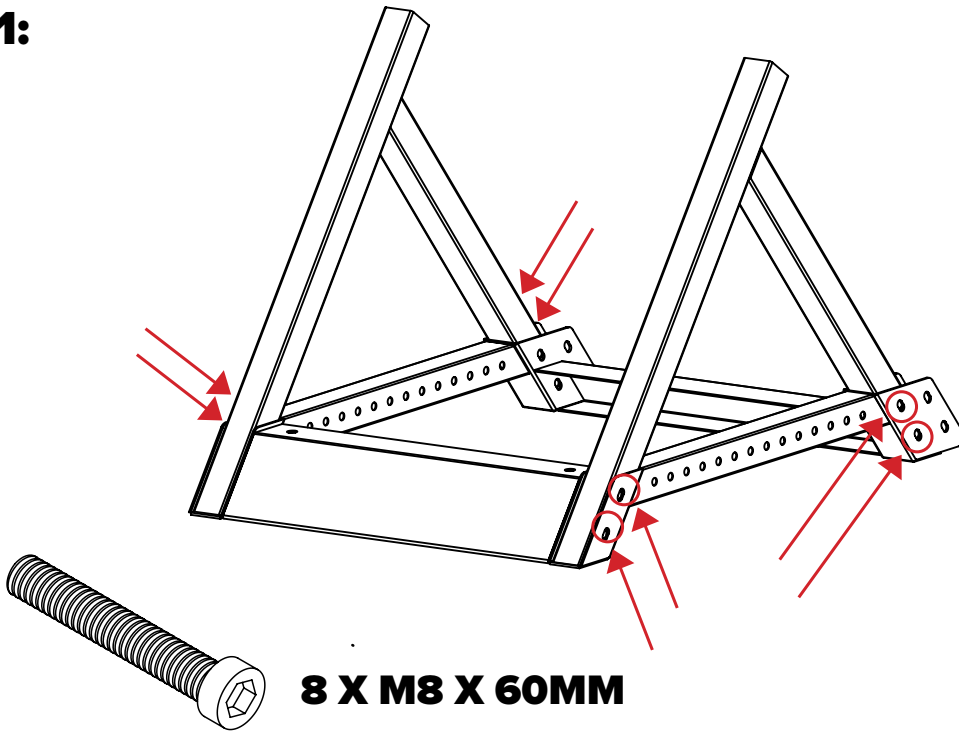
WARNING



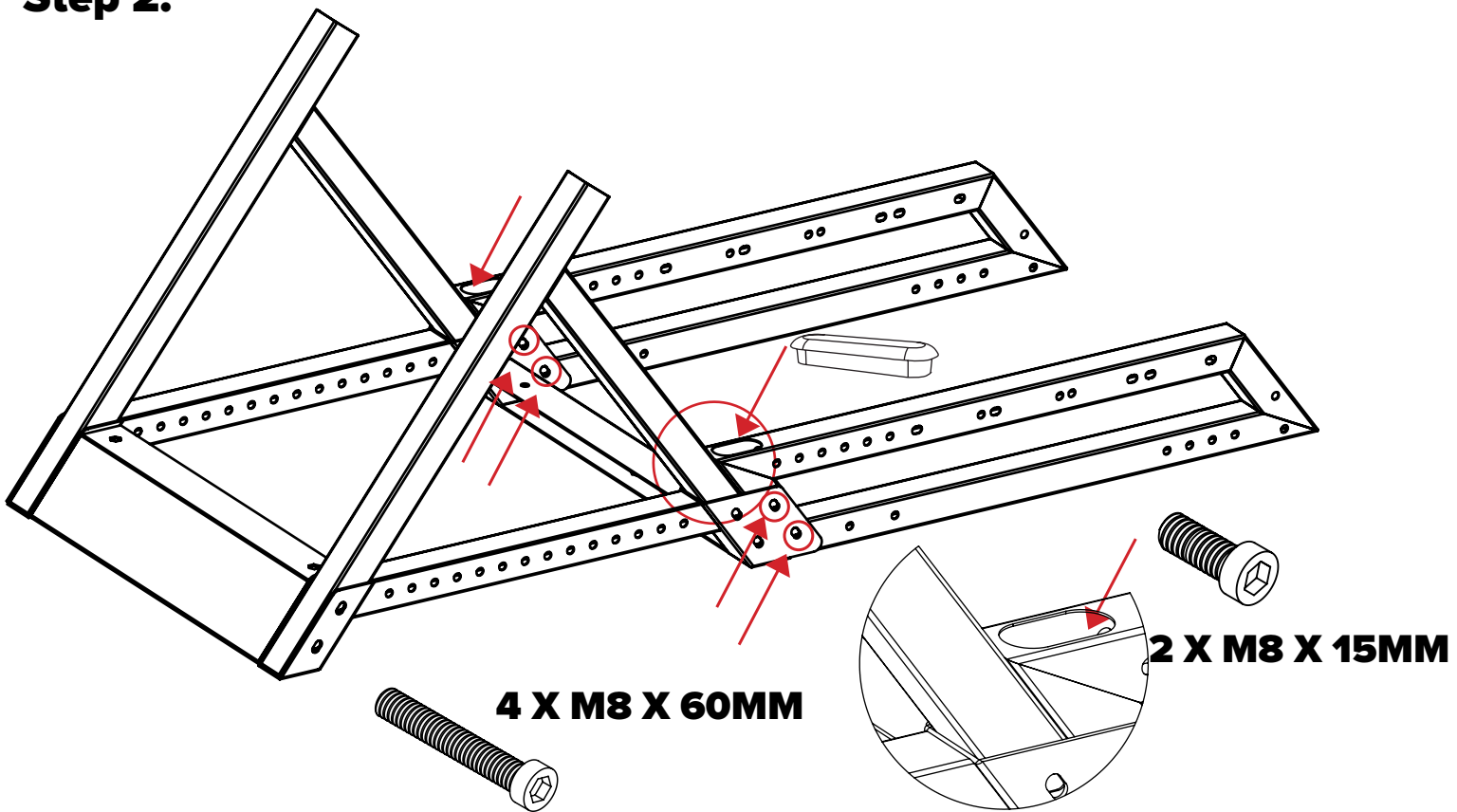
IF YOU OWN A TRACTION PLUS MOTION PLATFORM, PLEASE REFER TO TRACTION PLUS INSTRUCTIONS BEFORE COCKPIT ASSEMBLY



Step 1:

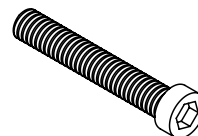
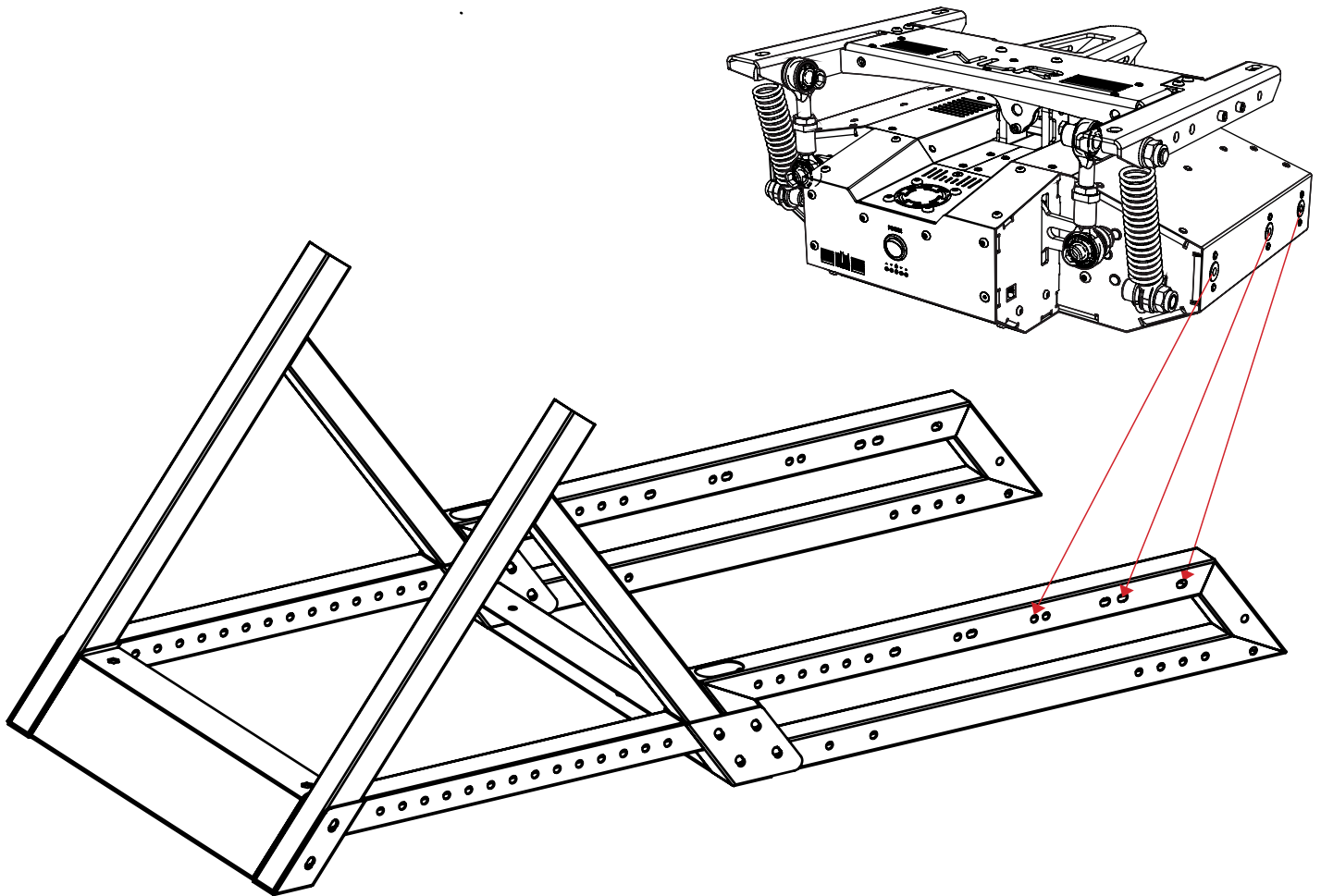


Step 2:



Step M1: SKIP STEP M1 & M2 IF YOU DON'T HAVE MOTION

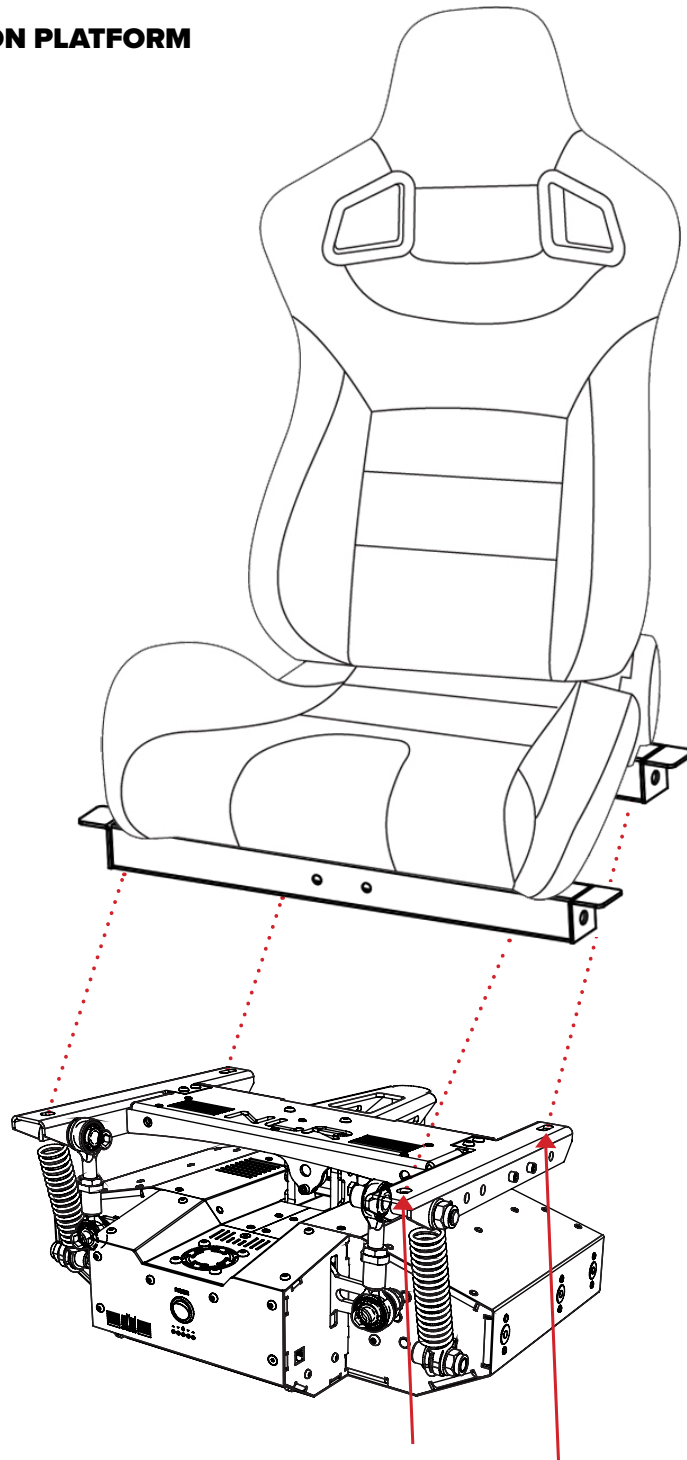
INSTALL MOTION TO FRAME BEFORE ATTACHING SEAT



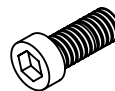
3 X M8 X 60MM
REPEAT ON OPPOSITE SIDE

Step M2:

INSTALL SEAT TO MOTION PLATFORM



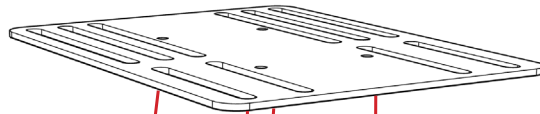
2 X M8 X 20MM
REPEAT ON OPPOSITE SIDE



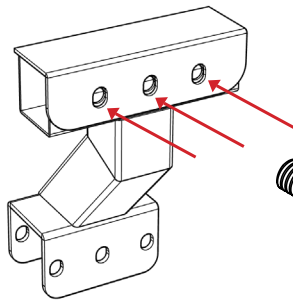
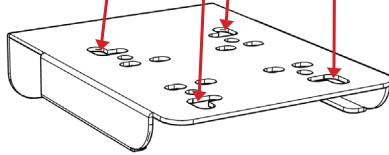
CONTINUE TO STEP 3

Step 3:

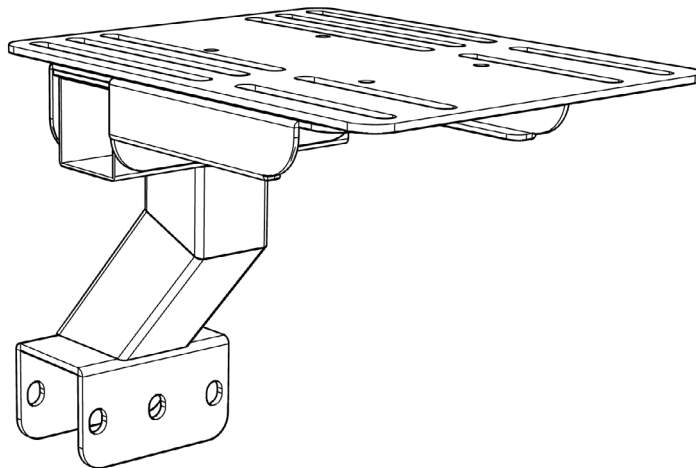
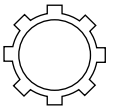
HAND BRAKE PLATE



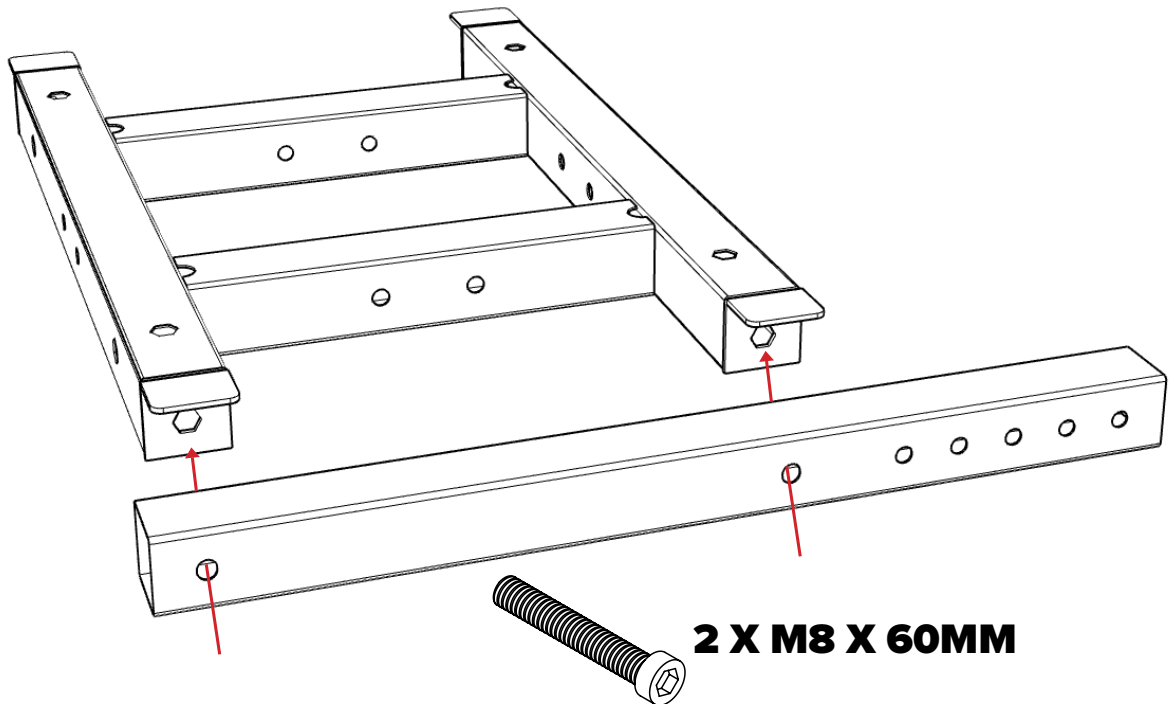
SHIFTER PLATE



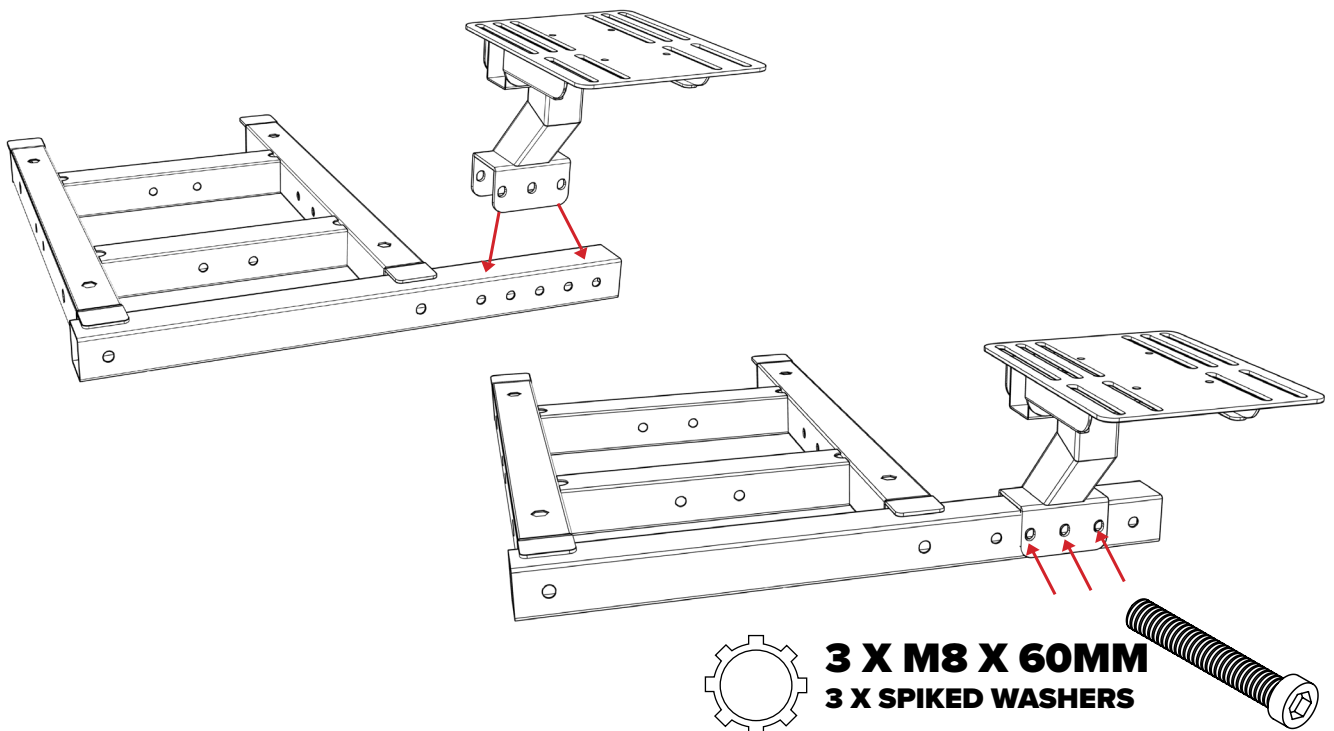
3 X M8 X 60MM
3 X SPIKED WASHERS



Step M3: SKIP STEP M3 & M4 IF YOU DON'T HAVE MOTION

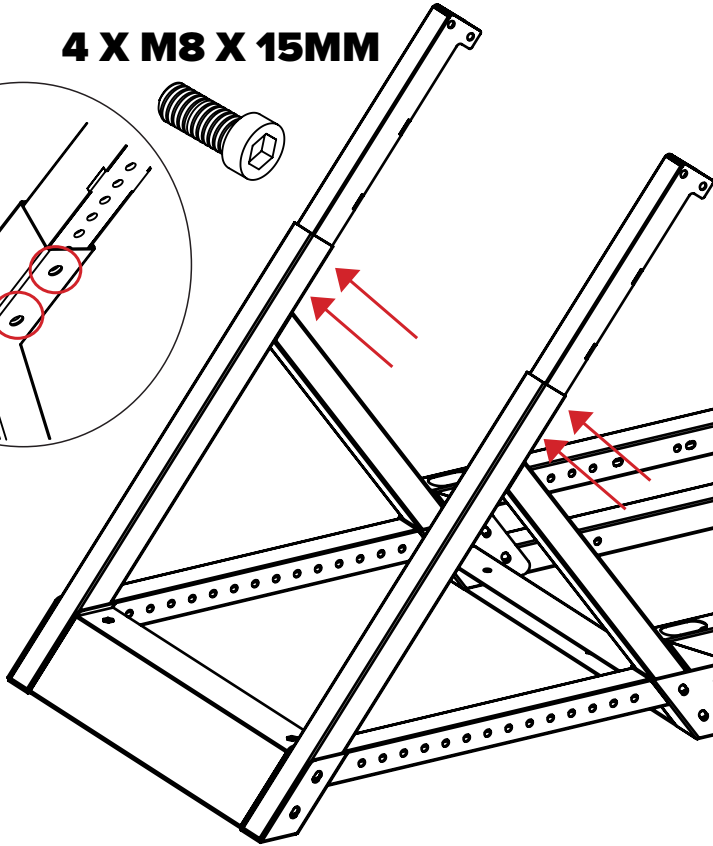
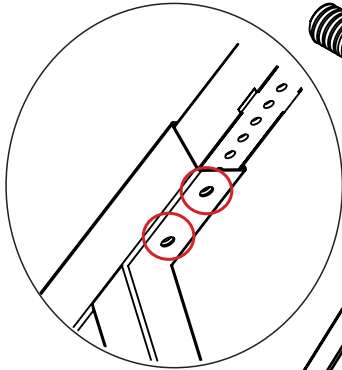


Step M4:

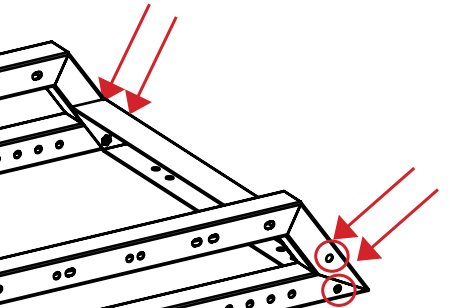
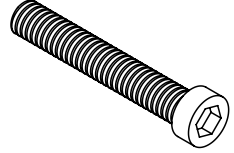


Step 4:

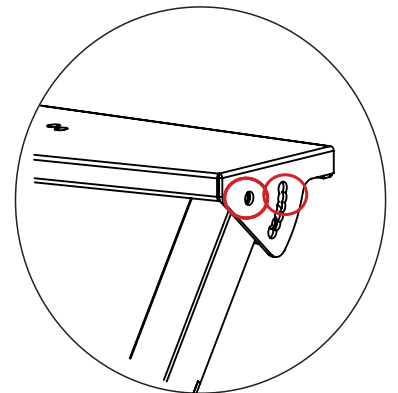
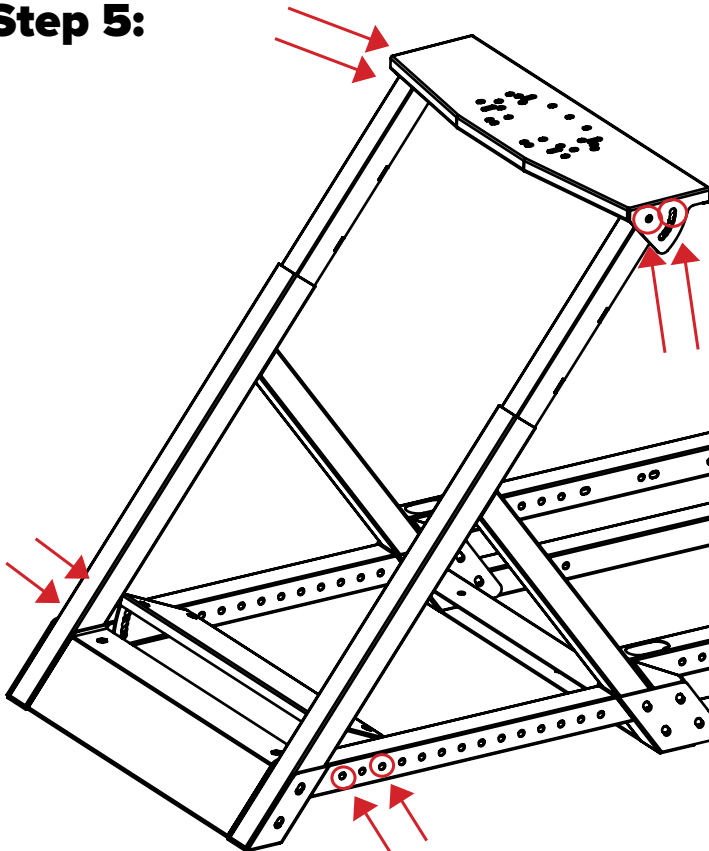
4 X M8 X 15MM



4 X M8 X 60MM

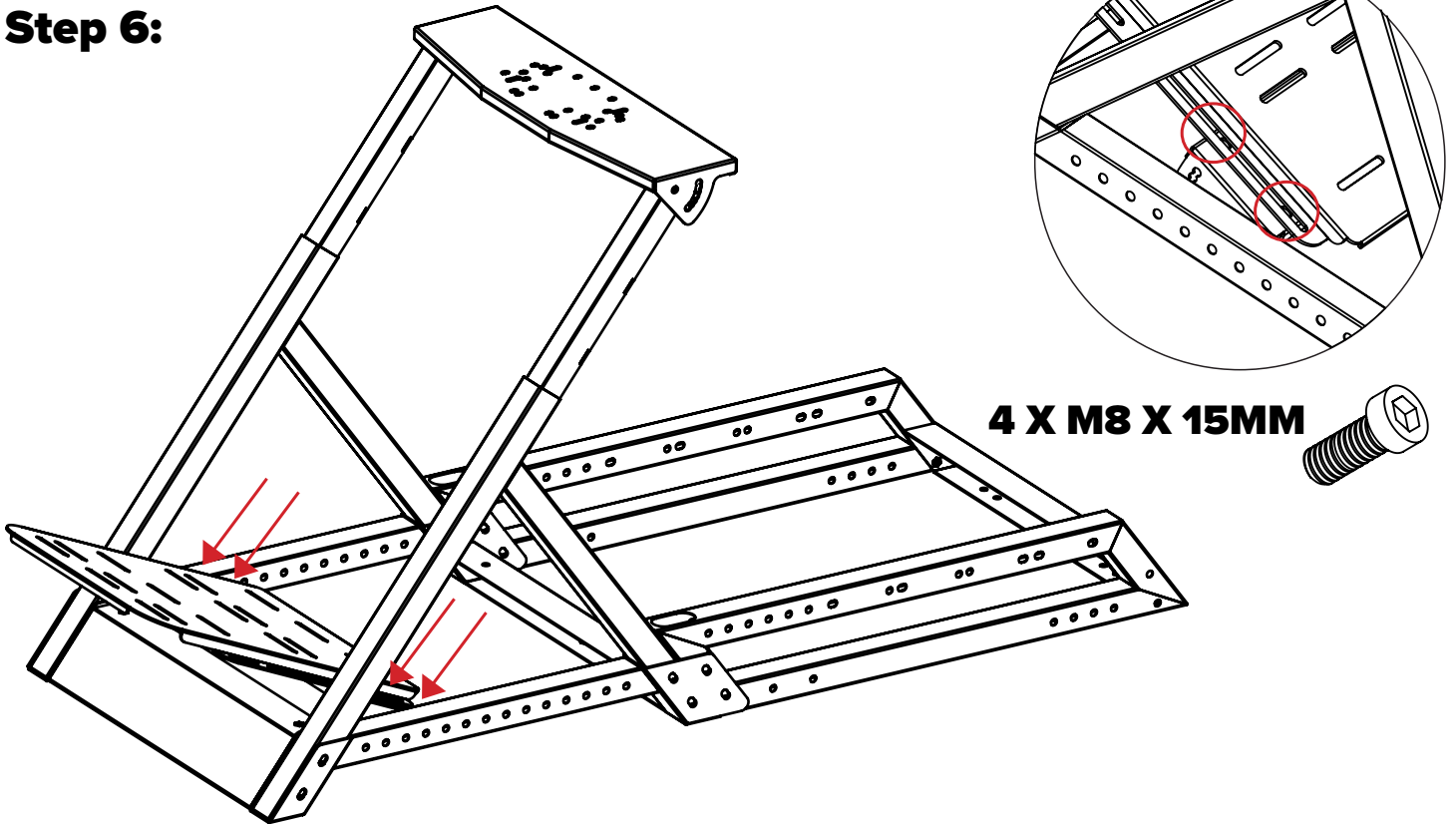


Step 5:

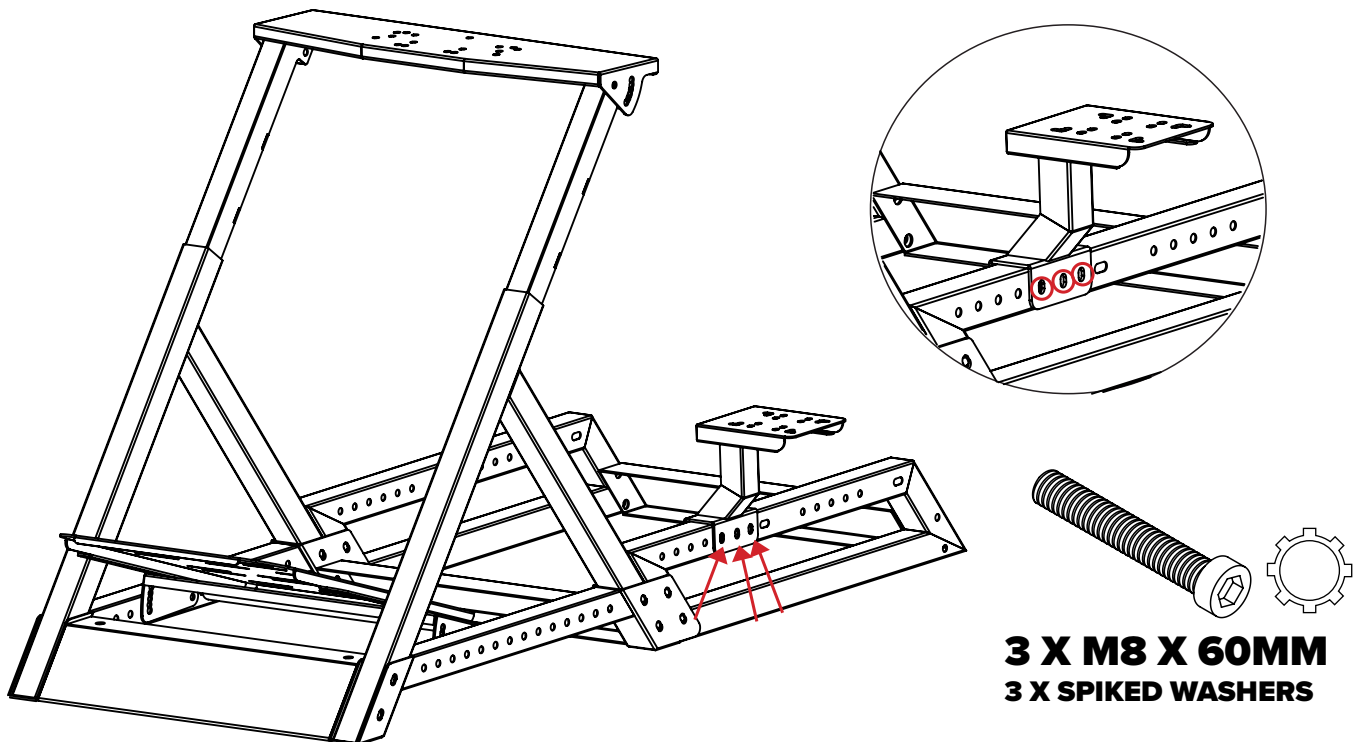


8 X M8 X 60MM

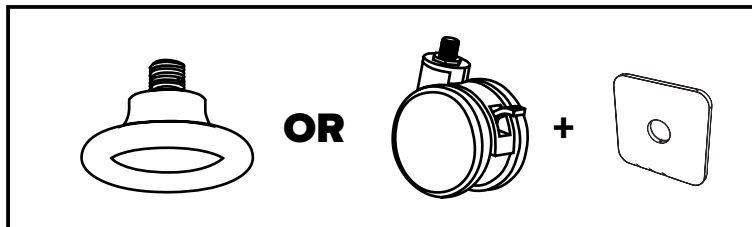
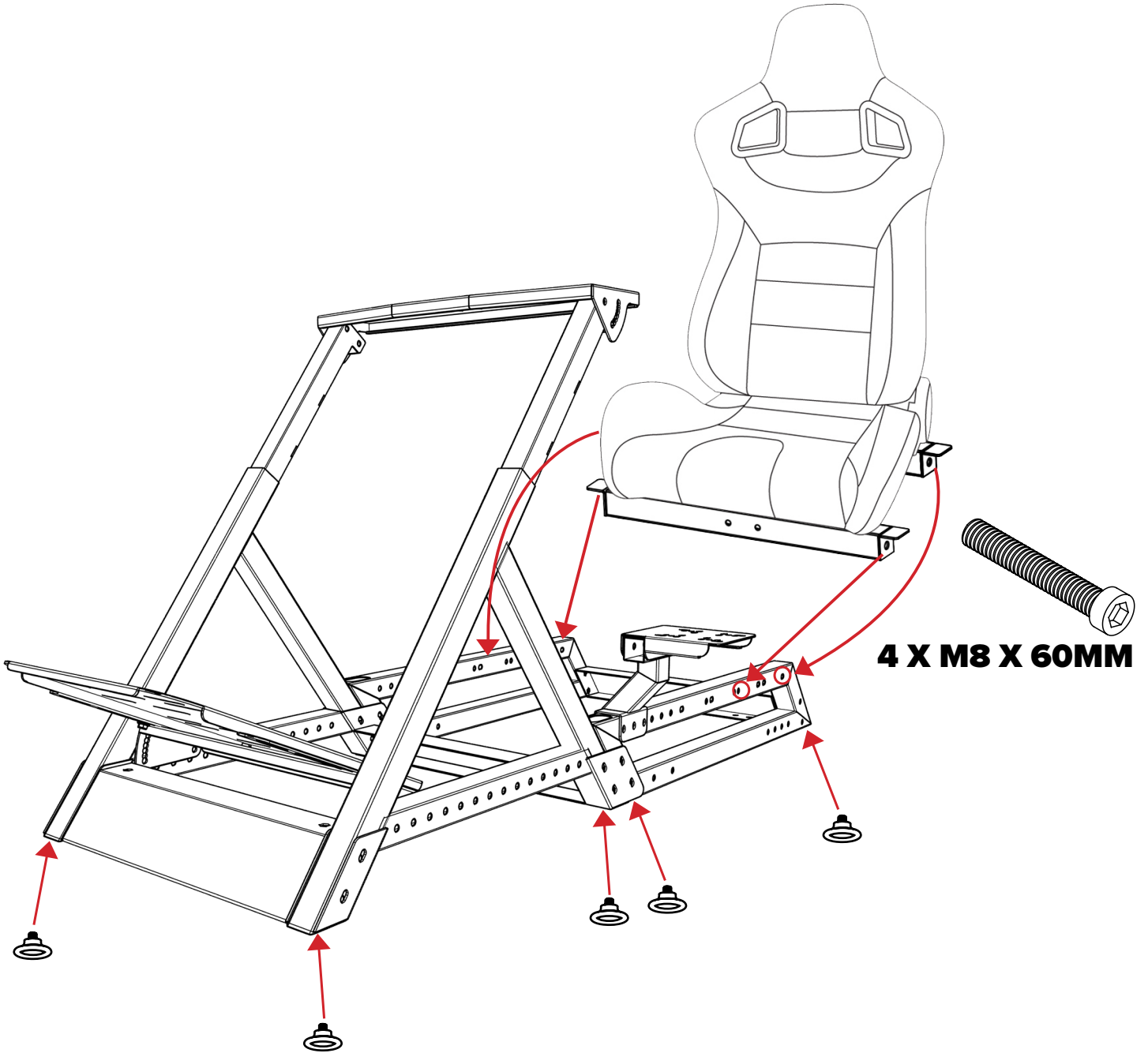
Step 6:



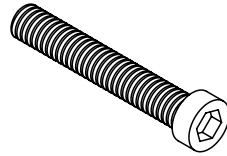
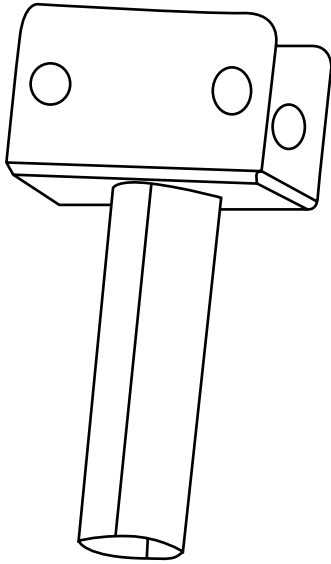
Step 7:



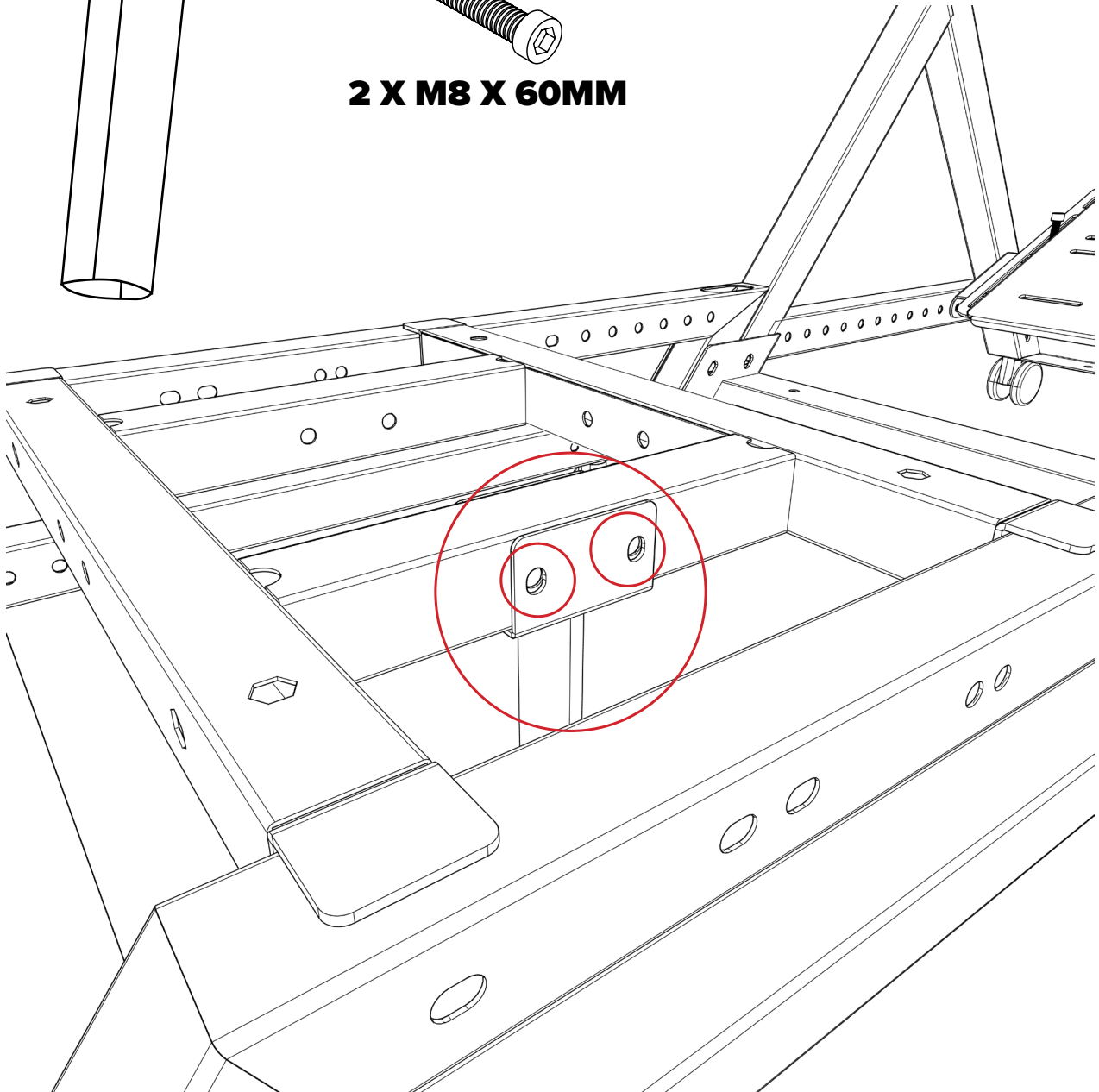
Step 8:



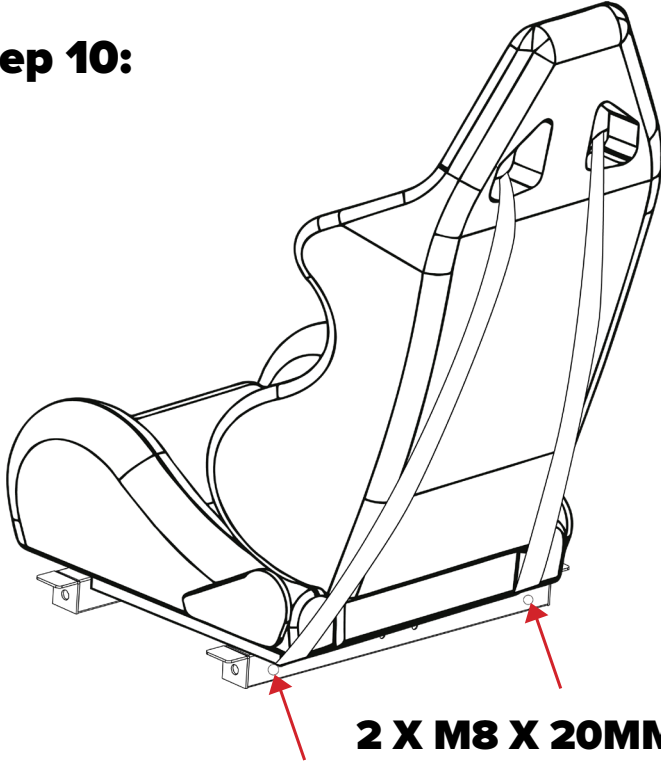
Step 9: OPTIONAL BUTTKICKER MOUNT
-SKIP IF YOU HAVE MOTION



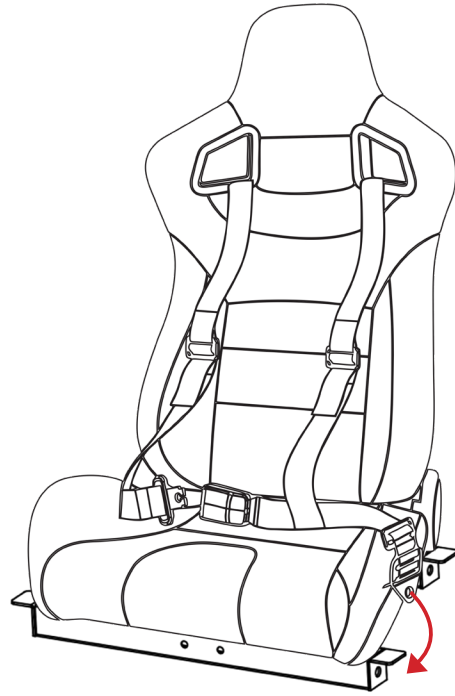
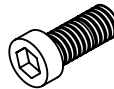
2 X M8 X 60MM



Step 10:



2 X M8 X 20MM



STEP M5:

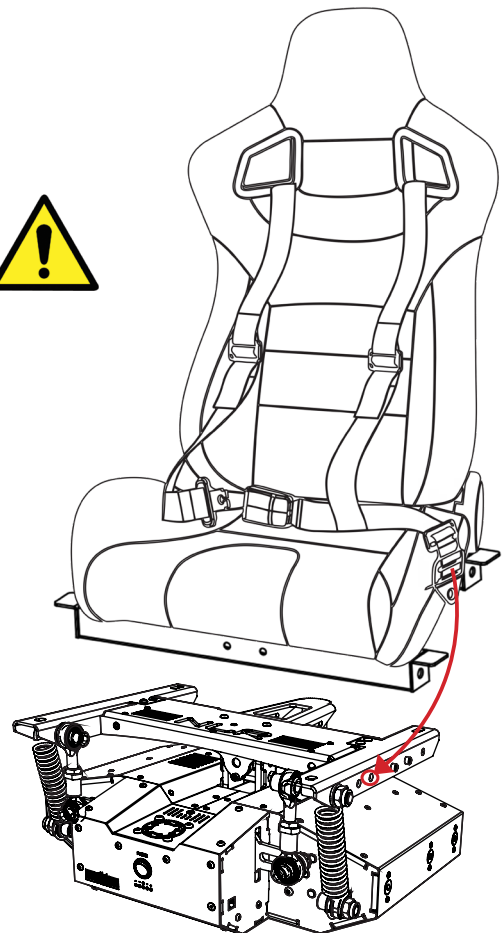


**MOTION USERS MUST ATTACH
LAP BELTS TO MOTION
PLATFORM, NOT COCKPIT FRAME**



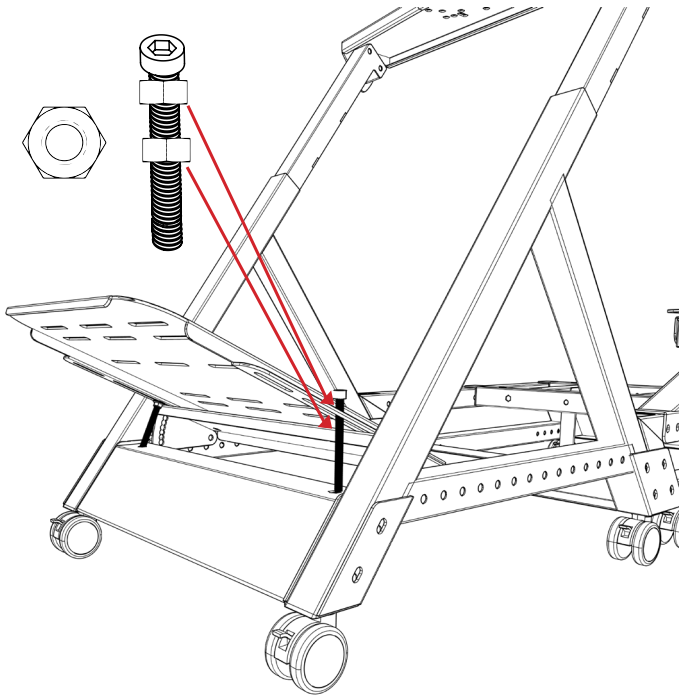
2 X M8 X 15MM

REPEAT ON OPPOSITE SIDE



TIPS:

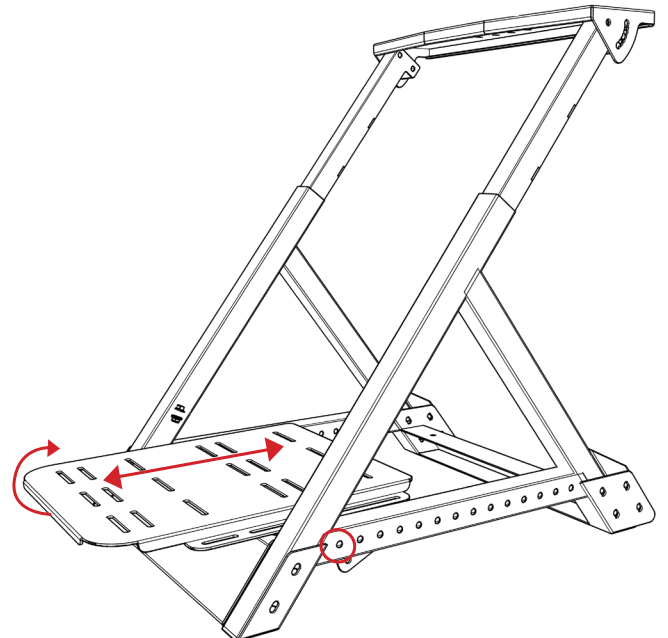
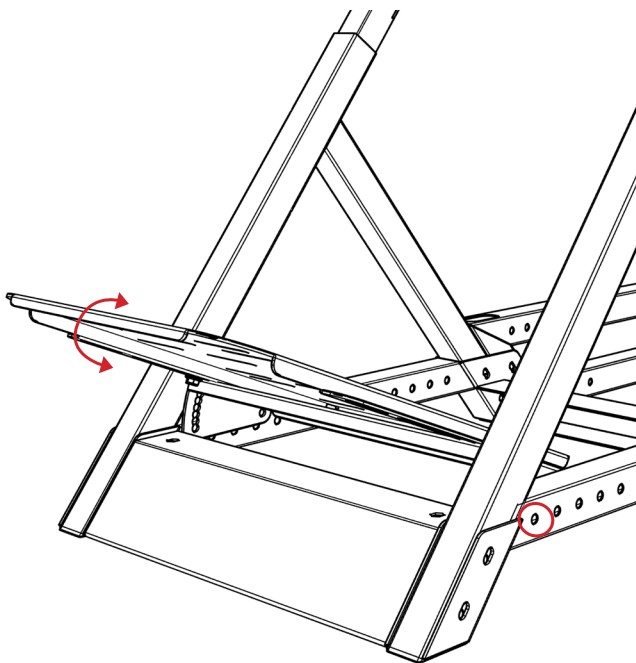
PEDAL STRENGTHENING BOLT



ADJUSTABLE WHEEL ANGLE



PEDAL PLATE ANGLE & LENGTH ADJUSTMENT





GTTRACK

NEED ASSISTANCE?

If you require any support with your product please contact our friendly team at:

support@nextlevelracing.com

for a prompt response.



ASSEMBLY VIDEO:





WHEEL STAND LITE



WHEEL STAND



FLIGHT STAND



GT ULTIMATE COCKPIT



FLIGHT COCKPIT



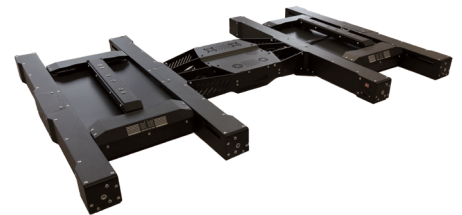
**GT TRACK COCKPIT
PLAYSTATION EDITION**



F-GT COCKPIT



MOTION PLATFORM V3



TRACTION PLUS MOTION



NOTES

next level RACING



For assistance please contact: support@nextlevelracing.com