

» **PERFECTPRO**®

ROCKBULL

INSTRUCTION MANUAL **GB**

MODE D'EMPLOI **F**

BENUTZERHANDBUCH **D**

HANDLEIDING **NL**



CONTENT

CONTENT	1	USB MODE	15
IMPORTANT SAFETY INSTRUCTIONS	3	Insert and remove a USB memory device	16
POWER SUPPLY	4	Playing music files	16
AC operation	4	File searching	16
Lithium Battery Operation and Charging	4	Play mode	17
User Safety Precautions	5	Information function	17
CONTROL	6	SETTING THE CLOCK	17
Front View	6	LOUDNESS	18
Top View	7	SURROUND SOUND	18
Side View	7	EQUALIZER	19
USING THE DEVICE FOR THE FIRST TIME	8	LANGUAGE	19
DAB MODE	8	SOFTWARE VERSION	20
Operating the radio	8	SYSTEM RESET	20
Selecting a station	8	MOBILE DEVICE CHARGE VIA USB	20
Secondary services	8	BRIGHTNESS	21
Display modes	9	WARRANTY	21
Finding new stations	9	Environmental note	22
Manual tuning	9	TECHNICAL DATA	22
Dynamic Range Control (DRC) settings	10		
Prune stations	10		
FM MODE	11		
Operating FM	11		
Manual tuning	11		
RDS station service	11		
Scan sensitivity setting	12		
PRESET STATIONS	12		
Storing preset stations	12		
Recalling preset stations	12		
USING BLUETOOTH	13		
Pairing Bluetooth with your mobile phone	13		
Playing music from your mobile phone	13		
Display modes	13		
Device List	13		
Restart Bluetooth pairing	14		
AUX IN MODE	15		

GB




WARNING ! WARRANTY BECOMES VOID ONCE THE DEVICE CABINET HAS BEEN OPENED OR ANY MODIFICATIONS TO THE ORIGINAL DEVICE HAVE BEEN MADE. NEVER OPEN THE DEVICE CASING. THE MANUFACTURER WILL NOT ACCEPT ANY LIABILITY FOR DAMAGE RESULTING FROM IMPROPER HANDLING. THE TYPE PLATE IS LOCATED ON THE BOTTOM OF THE DEVICE.



The Bluetooth® word mark and logos are registered trademarks owned by Bluetooth SIG, Inc. and any use of such marks is under license.

IMPORTANT SAFETY INSTRUCTIONS

1. Read these instructions.
2. Keep these instructions.
3. Heed all warnings.
4. Follow all instructions.
5. Clean only with dry cloth.
6. Do not block any ventilation openings. Install in accordance with the instructions.
7. Do not install near any heat sources such as radiators, heat registers, stoves or other apparatus (including amplifiers) that produce heat.
8. Do not defect the safety purpose of the polarized or grounding – type plug. A polarized plug has two blades with one wider than the other. A grounding type plug has two blades and a third grounding prong. The wide blade or the third prong is provided for your safety. If the provided plug does not fit into your outlet, consult an electrician for replacement of the obsolete outlet.
9. Protect the power cord from being walked on or pinched particularly at plug, convenience receptacles, and the point where they exit from the apparatus.
10. Only use attachments/accessories specified by the manufacturer.
11. Use only with the cart, stand, tripod, bracket, or table specified by the manufacturer, or sold with the apparatus. When a cart is used, use caution when moving the cart/apparatus combination to avoid injury from tip-over.
12. Unplug this apparatus during lightning storms or when unused for long periods of time.
13. Refer all servicing to qualified service personnel. Servicing is required if the apparatus has been damaged in any, such as power-supply cord or plug is damaged, liquid has been spilled or objects have fallen into the apparatus, the apparatus has been exposed to rain or moisture, does not operate normally, or has been dropped.
14. To reduce the risk of fire or electric shock, do not expose this appliance to rain or moisture.
15. Do not remove the cover; there are no user-serviceable parts inside.
16. No naked flame sources shall be placed on the apparatus.
17. For outdoors use, to avoid electric shock, use battery only during a raining day or the weather is wet. To prevent electric shock, if the radio has been exposed to rain or water, the power supply cord and plug must be completely dried before plugging into the mains socket outlet.
18. The power plug should be close to the apparatus, and easy to be approached that during emergency, to disconnect the power from the apparatus, just unplug the power plug from the AC power slot.
19. The marking information is located at the bottom of the apparatus.
20. This apparatus is provided with protection against splashing water (IP65).
21. In case of malfunction due to electrostatic discharge or fast transient (burst), remove and reconnect the power supply.
22. The apparatus must be used in a moderate climate.
23. To prevent possible hearing damage, do not listen at high volume levels or long periods. 
24. Under the environment with Conducted Immunity disturbance / Radiated Immunity, the radio may malfunction. It will automatically recover to normal when the Conducted Immunity disturbance / Radiated Immunity stopped.

POWER SUPPLY

AC operation

1. Before plugging the AC power cord into the AC socket, be sure the voltage is correct.
2. AC power cord and plug storage is designed to store the cord and plug when the radio is not in use.

Note:

In order to disconnect the unit from the AC mains completely, the AC power plug should be removed from the mains socket completely and it shall remain readily operable and should not be obstructed during intended use.

In case of malfunction due to electrostatic discharge or fast transient (burst), remove the power supply and reconnect the power supply after approximate one minute.

Lithium Battery Operation and Charging

NOTE ON FIRST USE: BEFORE OPERATING THE ROCKBULL FOR THE FIRST TIME ALWAYS FIRST FULLY CHARGE THE BATTERY.

The **ROCKBULL** can be operated by the built-in Lithium battery. During operation on battery power the approximate power level of the battery is displayed in the LCD display of the radio.

When the battery power level is very low, the battery symbol flashes on the display. Under this condition, the battery should be recharged as soon as possible to continue normal operation of the **ROCKBULL**.

Charging time from empty to full battery is approximately 8 - 10 hours (at room temperature with radio in Standby mode). The **ROCKBULL** can be charged in Standby mode as well as in On mode while playing music. While playing music the charging time will be longer than in Standby mode.

The ROCKBULL, for additional safety, will not start charging when the battery is already full or nearly full.

NOTE ON PLAYING TIME ON BATTERY POWER: The achieved playing time on battery power depends on many factors such as: selected volume level, music type (bass heavy music consumes more energy), selected music source (DAB, FM, Bluetooth, USB or AUX-IN), selected EQ setting, ambient temperature and age of the battery. Depending on these variables a playing time of approximately 18 to 24 hours on a medium set volume level can be achieved.

NOTE ON LITHIUM BATTERY LIFE: If the **ROCKBULL** is not used for any extended period of time, always first charge the built-in battery until it is full. The optimum working life from the built-in battery will be obtained if it is kept topped up by recharging after each use of the **ROCKBULL**, even if it is only partially discharged. The battery's working life will be reduced if the product is left in a discharged condition for a long period of time.

WARNING:

Do not attempt to replace or repair the built-in lithium battery. If you have any doubts about the built-in lithium battery, please contact the service department of Perfect Pro for further assistance.

WARNING:

Danger of explosion if the battery is incorrectly replaced. Do not expose the battery to excessive heat such as sunshine, fire or the like. Batteries should not be disposed of by incineration and with household waste. Disposable batteries should be taken to a suitable recycling centre if possible.



Safety information for internal rechargeable Lithium battery

The internal rechargeable lithium-polymer battery used in this device is able to supply power for a long period of time. However, even lithium-polymer batteries reach a point where they cannot be recharged. If the battery does not recharge after several attempts, it may be drained (have a too low charge), please contact service@perfectpro.eu for repair information.

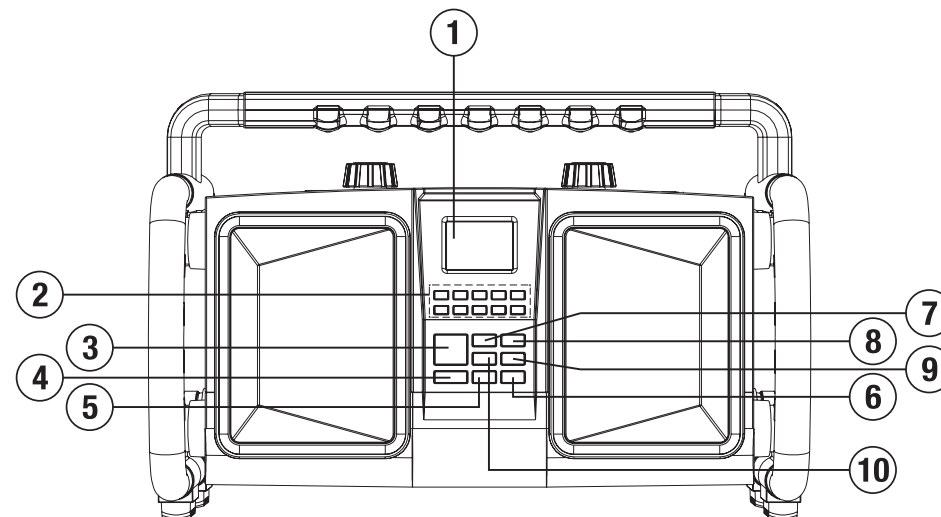
However, if you do not want us to replace the battery, you will need to dispose of used batteries/ device in accordance to the laws and regulations in your area. In addition, you can contact your local electronics retailers or recycling centre for disposal.

User Safety Precautions

- Check the room temperature range is 0°C – 35° C (32° - 95° Fahrenheit) before charging the battery.
- Do not attempt to disassemble the plastic covering or any parts of the device, as the materials inside may be toxic and may damage skin and clothes.
- Do not puncture, crush, modify, throw or cause any unnecessary shock to your battery, as **the battery used in this device may present a risk of fire, explosion, or chemical burn if mistreated.**
- Do not leave, charge or use the battery in a car under direct sunlight, near fire or a heated source.
- Do not immerse, throw, wet the battery in water/ seawater.
- Do not use or charge the battery if it appears to be abnormally hot, discoloration, deformation or abnormal conditions is detected during use, charge or storage.
- Do not leave a charging battery unattended. Keep the battery away from babies and children.

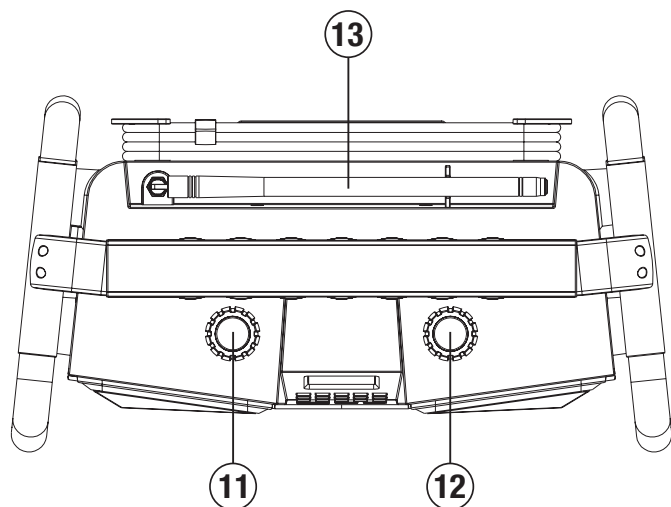
CONTROL

Front View



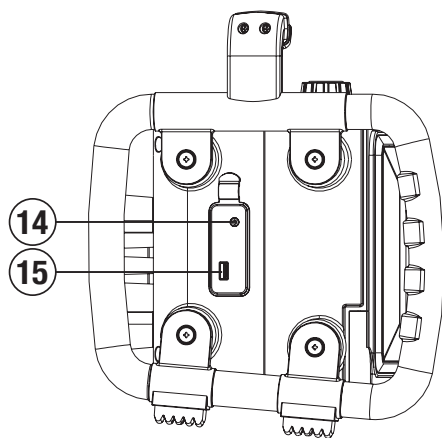
1. LCD display
2. PRESET 1 - 10 buttons
3. ON/OFF button
4. EQUALIZER button
5. SURROUND button
6. LOUDNESS button
7. SOURCE button
8. INFO button
9. MONO/STEREO button
10. MENU button

Top View



11. VOLUME control
12. TUNING / SEEK / TIME SET control
13. ANTENNA

Side View



14. AUX-IN socket
15. USB device / DC Out (5V/1A)

USING THE DEVICE FOR THE FIRST TIME

1. Place the radio on a flat surface.
2. Carefully extend the antenna located on the top of the radio. Adjust the antenna so it is vertically extending above the radio.
3. Plugging the AC power cord into the AC socket. The radio will start up and the display will show the Perfect Pro logo for a few seconds. Then the radio will automatically perform an auto scan of the Band III DAB channels and the FM band in the back ground.
4. When the scan is completed, the 10 strongest FM stations and the first 10 DAB stations will be stored as presets. The radio will switch to standby with the updated clock and date showing on the display.
5. If no signals are found, the clock will not be updated. It may be necessary to relocate the radio to a position giving better reception.

DAB MODE

Operating the radio

1. Carefully extend the antenna. Press the **ON/OFF** button to switch on the radio.
2. Select DAB by pressing the **SOURCE** button.
3. The first station in the list of stations found will be played. The display will show the station name. If the radio has been used before, the last used station will be selected.
4. If no DAB signals are detected, "No stations available" will be displayed. It may be necessary to relocate the radio to a position with better reception. You should then carry out an auto scan to find stations, please refer to the section "**Find new stations - DAB**".

Selecting a station

1. Press the **ON/OFF** button to switch on the radio.
2. The display shows the name of the radio station currently selected.
3. Rotate the **TUNING** control to show the available station list.
4. Rotate the **TUNING** control to scroll through the list to find the desired station, press the **TUNING** control to select the station.

Note: If after selecting a station the display shows "No stations available", it may be necessary to relocate the radio to a position with better reception.

Secondary services

1. Certain radio stations have one or more secondary services associated with them. If a station has a secondary service associated with it, then the secondary service will appear immediately after the primary service as you turn the **TUNING** control.
2. Press the **TUNING** control to select the secondary service. Most of secondary services do not broadcast continually and if the selected service is not available, the radio will re-tune to the associated primary service.

Display modes

In DAB mode, the radio can display a range of information on the display.

1. Press the **INFO** button to cycle through the various modes.
 - a. Scrolling text Displays text message such as artist/track name, phone in number, etc.
 - b. Signal strength Displays the signal strength of radio reception.
 - c. Program type Displays type of station being listened to e.g. Pop, classic, News, etc.
 - d. Multiplex name Displays name of multiplex to which the current station belongs.
 - e. Channel & frequency Displays channel number and frequency for the currently tuned DAB station.
 - f. Bit rate & audio type Displays the digital audio bit rate.
 - g. Time & date Displays the current time (24 hour clock) and date.

Finding new stations

From time to time, new stations may become available. You may proceed to find new stations as follows:

1. In DAB mode, press the **MENU button**, and rotate the **TUNING control** to “Scan”.
2. Press the **TUNING control**, the radio will perform a scan of the Band III DAB channels.
As new stations are found, the station counter on the display will increase and stations will be added to the list.

Manual tuning

Manual tuning is an alternative method of finding new stations. Instead of scanning the entire Band III channels automatically, you may tune the radio directly to a known DAB channel and store all the multiplex in that channel into the available station list.

1. In DAB mode, press the **MENU button** and rotate the **TUNING control** to “Manual tune”, then press the **TUNING control**. The display will show DAB channel and Frequency list.
2. Rotate the **TUNING control** to select the desired Channel or Frequency and then press the **TUNING control** to tune to the chosen frequency.
3. When DAB stations in the tuned channel are found, the display will show the name of the station. Any new radio stations found will be added to the list stored in the radio.
4. The antenna icon shows the reception of the station. A cross with antenna icon indicates no signal with poor reception. The antenna icon bars will go up or down showing the changing signal strength as you adjust the antenna or the radio position.
5. Repeat step 1 to 4 for other channels with new stations.
6. Press the **MENU button** twice to exit manual tuning and return to normal DAB operation.

Dynamic Range Control (DRC) settings

DRC can make quieter sounds easier to hear when the radio is used in a noisy environment.

1. In DAB mode, press the **MENU button**, rotate the **TUNING control** to “DRC”. Press the **TUNING control**.
2. Rotate the **TUNING control** to select required DRC setting (default is Off).
DRC Off DRC is switched off. Broadcast DRC will be ignored.
DRC Low DRC level is set to low that sent by broadcaster.
DRC High DRC is set as sent by broadcaster.
3. Press the **TUNING control** to confirm the setting. The display will return to normal radio display.

Note: Not all DAB broadcasts use the DRC function. If the broadcast does not provide DRC information, the DRC setting in the radio will have no effect.

Prune stations

If you move to a different part of the country, some of the stations which were listed may no longer be available. Also, from time to time, some DAB services may stop broadcasting, or may change location or frequency. The Prune stations function will delete the unavailable DAB stations from your station list.

1. In DAB mode, press the **MENU button**.
2. Rotate the **TUNING control** to “Prune Invalid”.
3. Press the **TUNING control** to enter the setting.
4. Rotate the **TUNING control** to select between “Yes” or “No” (default is No).
Select “Yes” to enable this function if required, otherwise, select “No”.
5. Press the **TUNING control** to confirm your setting. The display will return to DAB menu.

Note: If you have move the radio to a different part of the country, you should also carry out a search for new stations (please see the section “Finding new stations – DAB”).

FM MODE

Operating FM

1. Press the **ON/OFF button** to turn on the radio.
2. Select the FM waveband by pressing the **SOURCE button**.
3. If this is the first time to switch to FM mode, the station in preset 1 will be played. If the radio has been used before, the last listened station will be played.
4. To seek station, press the **TUNING control**. The scan stops automatically when it finds a station of sufficient strength.
5. After a few seconds, the display will update with station name if RDS information is being received.
6. To find other stations, press the **TUNING control** again.
7. To seek station in an opposite direction, rotate the **TUNING control** clockwise (to scan from low frequency to high frequency) or rotate anti-clockwise (to scan from high frequency to low frequency), and press the **TUNING control**.
8. When the waveband end is reached, the radio will recommence tuning from the opposite waveband end.

Manual tuning

1. Press the **ON/OFF button** to turn on the radio.
2. Select the FM band by pressing the **SOURCE button**.
3. Rotate the **TUNING control** to reach the required FM station.
The radio will change the frequency in steps of 50 kHz.
4. Rotate the rubber antenna to get the best reception. If the radio is tuned to a station of sufficient signal strength with RDS information present, the display may change to show the station name.
5. When the waveband end is reached, the radio will recommence tuning from the opposite waveband end.

RDS station service

RDS (Radio Data System) is an information system which inaudible digital information is transmitted in addition to the normal FM radio programme. When the radio is receiving a RDS station and the reception strength is sufficient, the station name will appear in the display. It may take some time before the RDS information is available.

Calling up RDS information

When you are listening to a FM station with RDS system, repeatedly press the **INFO button** to cycle through the information. This will only function if the reception level is sufficient and clear.

- | | |
|-----------------------|---|
| a. Radio text (RT) | Displays the message about the station being listened to as ticker text. |
| b. Program type (PTY) | Displays the type of station being listened to, e.g. Pop, Classic, News, etc. |
| c. Frequency | Displays the frequency of the station being listened to. |
| d. Time & date | Displays the current time (24 hour clock) and date. |

Scan sensitivity setting

The radio will normally scan all stations from FM broadcasts including the weaker signals. However, you may wish the Auto-scan to find only those stations with strong enough signals to give good reception.

1. Press the **ON/OFF button** to turn on the radio.
2. Select the FM band by pressing the **SOURCE button**.
3. Press the **MENU button**, rotate the **TUNING control** to "Scan setting".
4. Press the **TUNING control**.
5. Rotate the **TUNING control** to select between "All stations" or "Strong station" (default is All stations).
The "Strong station" option will allow the radio to find strong signals only when scanning.
6. Press the **TUNING control** to confirm your setting. The display will return to FM menu.

PRESET STATIONS

Storing preset stations

There are 20 memory presets in the radio, 10 for DAB and 10 for FM. Presets are remembered by the radio in the event of a power failure.

1. Press the **ON/OFF button** to turn on the radio.
2. Press the **SOURCE button** to select the desired waveband.
3. Tune to the required station.
4. Press and hold the required **PRESET button** until the radio shows "Saved to preset".
5. Repeat step 3 and 4 for the remaining presets.
6. Stations stored in the preset memories can be over-written by following the above procedure.

Recalling preset stations

1. Press the **ON/OFF button** to turn on the radio.
2. Press the **SOURCE button** to select the desired waveband.
3. Briefly Press the required **PRESET button**, the display will show, e.g. "P1", in the bottom side of the display.

USING BLUETOOTH

Pairing Bluetooth with your mobile phone

1. Press the **ON/OFF button** to turn on the radio.
2. Select Bluetooth mode by pressing the **SOURCE button**.
3. The LCD display will show a flashing Bluetooth indicator in the bottom side of the display when radio is not yet paired with your mobile phone.
4. In your mobile phone open the Setting menu and select Bluetooth, then select “**RockBull**” in the Bluetooth devices list (Bluetooth pairing instructions may vary per type of mobile phone, please check your mobile phone manual).
5. When Bluetooth pairing is successful, the Bluetooth indicator will be lit, and the last played music information of the mobile device will be displayed.

Playing music from your mobile phone

1. Press the **ON/OFF button** to turn on the radio.
2. Select Bluetooth mode by pressing the **SOURCE button**.
3. Start playing music by using the media players in the paired mobile phone.
4. Playback can be controlled from the mobile phone or by pressing the numeric button “3”, “4” or “5” on the radio.
5. After music playback started, the name of the song will be displayed in the LCD.

Display modes

In Bluetooth mode, the radio can display a range of information of the current playing music on the display. Press the **INFO button** to cycle through the various types.

- a. Artist Displays the artist’s name of the current playback music.
- b. Album Displays the album name of current playback music.

Device List

In the radio, you can select the Bluetooth device from the device list to connect again. The device names would be shown if the name of the Bluetooth devices were configured in the mobile devices. Please refer to the user manual of your mobile device for the configurations.

The device lists can be checked as below:

1. In Bluetooth mode, press the **MENU button**.
2. Rotate the **TUNING control** to “View details”; press the **TUNING control** to select setting.
3. Rotate the **TUNING control** to “Paired Device list”; press the **TUNING control** to select the setting.
4. Rotate the **TUNING control** to view the name of the devices.
5. Press the **TUNING control** to start Bluetooth reconnection. The speaker will automatically connect to this mobile device.

Note: There can be up to 8 device names to be stored in the speaker. If there are more than 8 mobile devices have been connected and stored into the speakers, the earliest paired device name will be erased.

Note: If you have ever deleted the “**RockBull**” from your connected mobile device, the auto reconnection will be unsuccessful.

Restart Bluetooth pairing

The Bluetooth function can be set to operate in different ways as below:

1. In Bluetooth mode, press the **MENU button**.
2. Rotate the **TUNING control** to “Setup Bluetooth” options, and press the **TUNING control** to select the setting.
3. The radio will try to disconnect the current paired Bluetooth, then available to be connected by the new Bluetooth device.
4. At the stage, the Bluetooth indicator will be flashing on the screen until the new Bluetooth pairing is completed.

Note: “Setup Bluetooth” is the option that force the Bluetooth of this radio to disconnect from your mobile phone and enter the “discoverable mode”. This is the way to allow the Bluetooth pairing to another device. If no new device is paired, the Bluetooth will automatically try to connect to the last device when it is switched off and on again.

The Auto-Power management function will be activated in Bluetooth mode. If there is no signal from Bluetooth for a period of over 15 minutes, the radio will automatically switch to standby mode. Pressing the **ON/OFF button** will wake up the unit.

AUX IN MODE

A 3.5mm stereo **Aux In socket** is provided on the side behind the rubber cover, for connecting an external audio device such as MP3 player or CD player (not included with this radio).

1. Connect an audio source to the **Aux In socket**.
2. Press the **SOURCE button** to select AUX input. Display will show "AUX In".
3. Play the external player.
4. Adjust the volume of both the radio and the player for comfortable listening.
5. After use, close the rubber cover to prevent moist or dust from entering into the sockets and radio.

Notes: Never use the AUX-IN socket in rainy or moist conditions to prevent moist from entering the radio. Keep the rubber cover closed under these conditions.

The Auto-Power management function will be activated in AUX mode. If there is no signal from the AUX input jack for a period over 15 minutes, the unit will automatically switch to standby mode. The operation indicator and the LCD will go off in such case. Pressing the **On/Off button** will wake up the unit.

USB MODE

CONDITIONS TO PREVENT MOIST FROM ENTERING THE RADIO!! KEEP THE RUBBER COVER CLOSED UNDER THESE CONDITIONS.

USB memory devices can be used with the radio for playback of MP3, AAC, FLAC and WAV files.

The radio has been tested with a range of USB memory devices up to 32GB. However, there are many different USB memory device variants available and not all of them can be guaranteed to work in this radio. Memory must use the FAT or FAT32 filing system in order to operate in this radio.

Audio formats supported for playback are MP3, AAC, FLAC and WAV. Playback does not support files encoded using WMA lossless, WMA voice, WMA 10 professional, or files of any format that have DRM protection.

The USB socket are located on the side behind the rubber cover. Make sure the rubber cover is closed well after use to prevent moist and dirt from entering the radio. The USB memory device should not be removed during playback as damage or corruption of files may occur.

USB memory devices are not included with this radio.

Note: When the radio is playing a USB stick, the batteries will be charged in low current mode. Once the USB stick is removed normal charging will continue.

Insert and remove a USB memory device

Carefully insert a USB memory device into the USB socket. To remove the USB memory device, simply pull the device out.

Playing music files

1. Press the **ON/OFF button** to turn on the radio.
2. Press the **SOURCE button** to "Music Player".
3. Rotate the **TUNING control** to "USB Playback", and press the **TUNING control**. The radio will start to read the USB device. Sometimes, the radio will take a little more time to read all the music contents from the USB device. This might depend on the speed of the USB memory device. After reading the USB memory device, the content list is shown, rotate the **TUNING control** to search desired folder(with song). And press the **TUNING control** to select the folder. The display will list the files of the selected folder.
4. Rotate the **TUNING control** to choose desired file(song) to be played, and press the **TUNING control** to select, the radio will start to play.
5. To pause the playback, press the **▶|| (PRESET 5) button**. Press the **▶|| (PRESET 5) button** again to resume the playback from pause position.
6. To skip to the next file, press the **▶▶ (PRESET 4) button**.
7. To skip to the previous file, press the **◀◀ (PRESET 3) button**.
8. While the file is playing, press and hold down either the **▶▶ (PRESET 4) button**
9. or **◀◀ (PRESET 3) button**. Release the button when the desired part of the file is reached.
10. To skip to the next folder, presses the **📁+ (PRESET 2) button**.
11. To skip to the previous folder, presses the **📁- (PRESET 1) button**.

File searching

1. Press the **MENU button** until the USB music contents list is shown.
2. Rotate the **TUNING control** to search the desired folder(with song). Press the **TUNING control** to select the folder. The display will show the file list of the selected folder.
3. Rotate the **TUNING control** to search the desired file. Press the **TUNING control** to select the file. The radio will start to play the selected file.

The radio supports a limited number of folders and files in the searching:

Mode	Max. no. of folders supported	Max. no. of files supported
Stop	999 (with folder name)	9999 (with file name)
Play	999 (1-99 with folder name) (100-999 without folder name)	9999 (1-999 with file name) (1000-9999 without file name)

Play mode

During USB memory device is playing,

1. Press the **MENU button** until the “Music Player” menu was shown;
2. Then, rotate the **TUNING control** to “Play mode”. Press the **TUNING control**.
3. Rotate the **TUNING control** to the desire play mode and press the **TUNING control** to confirm.

The following options can be chosen:

Repeat off	Turn off all the repeat mode.
Repeat one	Repeatedly play the file you are listening to.
Repeat folder	Repeatedly play the files within the folder you are listening to.
Repeat all	Repeatedly play all files in the USB memory device.
Repeat shuffle	Play all files in the USB once in random order.

The selected Play Mode is indicated on the display by an icon.

No icon is shown when in Repeat off.

Information function

During USB memory device playback, the title and the current playing time of the current playing music will be shown. Press the **INFO button** to cycle through the following information (only if this information is present with the file on the memory device):

Artist name → Album name → File name → Path → Date → Artist name again.

SETTING THE CLOCK

The clock can be set when the radio is in standby mode. If no buttons are pressed for 5 seconds, the radio will exit the clock setup and the setting is cancelled.

1. Press and hold the **TUNING control** for 12 seconds until the menu “Time/Date” is shown.
2. Rotate the **TUNING control** to “Set Time/Date”, and press the **TUNING control**, the hour digits flash on the display.
3. Rotate the **TUNING control** to set the hour.
4. Press the **TUNING control** to confirm, the minute digits flash.
5. Rotate the **TUNING control** to set the minute.
6. Press the **TUNING control** to confirm, the day flashes on the display.
7. Rotate the **TUNING control** to set the current day.
8. Press the **TUNING control** to confirm, the month flashes.
9. Rotate the **TUNING control** to set the current month.
10. Press the **TUNING control** to confirm, the year will then flash on the display.
11. Rotate the **TUNING control** to set the current year.
12. Press the **TUNING control** to confirm and finish the clock setting.

LOUDNESS

The Loudness function enables to get compensation on lower and higher frequency. The effect will be more audible when the radio is in a lower volume level (Dynamic Loudness).

1. Press the **LOUDNESS button** to enable the loudness, the display shows “Loudness On”.
2. Press the **LOUDNESS button** again to disable the loudness, the display shows “Loudness Off”.
3. The display will return to normal in 3 seconds, and resume operation.

SURROUND SOUND

The **ROCKBULL** radio uses a digital signal processor to adjust the original audio signal to reproduce a digital virtual Surround sound. The sound reproduction quality is highly enriched offering you a spacious and perspective sound field.

1. Press the **ON/OFF button** to switch on the radio.
2. Press the **SOURCE button** to select any of the modes from the radio.
3. Press the **SURROUND button** alternatively, and then select between “Surround on” or “Surround off”.
4. The display will return to normal in 3 seconds, and resume operation.

The Surround Sound effect varies strongly per music type. Mostly the best result will be obtained with “lighter and easy listening” music. “Loud and heavy” music will often result in a less “open sound” or even distortion. All this is of course strongly influenced by the volume level and selected equalizer setting.

The Surround Sound effect is best used in a larger room with reflecting walls and listening at a few metres away from the radio. Very close to the radio the Surround Sound effect is not optimal.

EQUALIZER

The EQUALIZER function enables you to select a setting from 12 presets. Each preset EQ contains a group of parametric controls in the digital audio processor, which offer you optimum adjustments for various kinds of music and applications for different environments.

1. Press the **ON/OFF button** to switch on the radio.
2. Press the **EQUALIZER button** repeatedly to select the desired EQ. The displayed EQ will be effective immediately:
 - EQ1 Normal
 - EQ2 Classic
 - EQ3 Dance
 - EQ4 Soul and Jazz
 - EQ5 Rock
 - EQ6 Flat
 - EQ7 Small room
 - EQ8 Spoken word
 - EQ9 Acoustic
 - EQ10 Indoor
 - EQ11 Outdoor
 - EQ12 Late night
3. The display will return to normal in 3 seconds, and resume operation.

LANGUAGE

The radio can be configured to a different language.

1. Press the **ON/OFF button** to turn on the radio.
2. Press the **MENU button**, and then rotate the TUNING control to "System settings".
3. Press the **TUNING control**; rotate the **TUNING control** to "Language".
4. Press the **TUNING control** to enter the language adjustment menu.
5. Rotate the **TUNING control** to select the desired language (default is English).
6. Press the **TUNING control** to confirm your choice. The display will change to the chosen language.

SOFTWARE VERSION

The software display cannot be altered and is just for your reference. You can only view the software version in DAB, FM, Bluetooth, Aux In or USB mode.

1. Press the **ON/OFF button** to switch on the radio.
2. Press the **SOURCE button** to select any of the modes.
3. Press the **MENU button**; rotate the **TUNING control** to "System settings".
4. Press the **TUNING control**; rotate the **TUNING control** to "Info".
5. Press the **TUNING control** to view the software version.
6. Press the **MENU button** back to the last menu, and press the **MENU button** again to return to the normal radio display.

SYSTEM RESET

If the radio fails to operate correctly, or some digits on the display are missing or incomplete, carry out the following procedure.

1. Press the **ON/OFF button** to switch on the radio.
2. Press the **MENU button**;
3. Then, rotate the **TUNING control** to the "System settings". Press the **TUNING control**.
4. Rotate the **TUNING control** to the "Factory reset". Press the **TUNING control**.
5. Rotate the **TUNING control** to select between "Yes" or "No". Select "Yes" if you wish to reset the radio, otherwise, select "No".
6. Press the **TUNING control** to cause the factory reset.
7. A full reset will be performed. All presets and the station list will be erased. All settings will be set to the default values.

The display will show the Perfect Pro logo for a few seconds, and then the radio will automatically perform an auto scan of the Band III DAB channels and the FM band.

In case of malfunction due to electrostatic discharge; reset the product as above to resume normal operation. If you are not able to perform the reset operation as above, remove and reconnect the power supply.

MOBILE DEVICE CHARGE VIA USB

The radio support to charge mobile device via the USB socket. It can provide 5V, maximum 1A from the USB socket during charge.

BRIGHTNESS

LCD brightness configuration

1. Press the **ON/OFF button** to turn on the radio.
2. Press the **MENU button**, and rotate the **TUNNING control** to the “System settings”. Then, press the **TUNNING control**;
3. Rotate the **TUNNING control** to the “Brightness”.
4. Press the **TUNNING control** to enter the LCD brightness adjustment menu.
5. Rotate the **TUNNING control** to select “Normal” for the LCD brightness level while the radio is playing;
6. Or rotate the **TUNNING control** to select “Standby” to setup the brightness level of the unit in standby mode.
7. Press the **TUNNING control** to confirm your choice.

Note: When in battery standby, the radio will be turned off to save power. At that moment, the LCD will also be turned off. When the radio is connected to mains AC power again, the last user setting will be applied again.

WARRANTY

This radio has a 2 year limited warranty.

WARNING ! Warranty becomes void once the radio cabinet has been opened or any modifications or alterations to the radio have been made !

The terms of the warranty of this radio do not cover the following:

- Damage caused by misuse, abuse, neglect, alterations, accidents or unauthorized repair.
- Normal wear and tear.
- Breaking or bending of the metal telescopic antenna

Never open the device casing. The manufacturer will not accept any liability for damage resulting from improper handling. The type plate is located on the bottom of the device.



Environmental note

This product has been manufactured with high quality parts and materials which can be reused and recycled.

Therefore, do not throw the product away with normal household waste at the end of its service life. Take it to a collection point for the recycling of electrical and electronic device. This is indicated by this symbol on the product, in the operating manual and on the packaging.

Please find out about collection points operated by your local authority. Help protect the environment by recycling used products.



TECHNICAL DATA

Power supply

Mains operation: AC 230V ~, 50/60Hz

Power consumption

Operation: < 55 W

Standby: < 0.5 W

Frequency coverage

DAB 174,928 – 239,200 MHz

FM 87.50 – 108.00 MHz

Bluetooth

Version 5.0 Supports Bluetooth profiles A2DP and AVRCP

Speaker

Woofer 2 x ø130mm, 4 ohms

Tweeter 2 x ø45mm, 8 ohms

Output Power

Nominal: 2 x 25W

Aux In socket

ø3.5 mm

USB socket

USB type A with 5V/1A power output while in mobile phone charging

TABLE DES MATIÈRES

TABLE DES MATIÈRES	1	MODE USB	17
CONSIGNES DE SÉCURITÉ IMPORTANTES	3	Insérer et retirer un périphérique de stockage USB	17
ALIMENTATION ÉLECTRIQUE	4	Lecture de fichiers musicaux	17
Fonctionnement sur une prise secteur	4	Recherche de fichiers	18
Fonctionnement et charge de la batterie lithium	4	Mode de lecture	18
Consignes de sécurité pour l'utilisateur	6	Fonction d'information	19
COMMANDES	7	RÉGLAGE MANUEL DE L'HEURE ET DE LA DATE	19
Vue de face	7	LOUDNESS (INTENSITÉ SONORE)	20
Vue de dessus	8	SON SURROUND	20
Vue de coté	8	EQUALIZER	21
PREMIÈRE UTILISATION DE LA RADIO	9	SÉLECTION DE LA LANGUE	21
MODE DAB	9	VERSION DU LOGICIEL	22
Utilisation de la radio	9	RÉINITIALISATION DU SYSTÈME	22
Sélection d'une station	9	CHARGER UN APPAREIL PORTABLE VIA LA PRISE USB	23
Services secondaires	10	LUMINOSITÉ DE L'ÉCRAN	23
Modes d'affichage	10	GARANTIE	24
Recherche de nouvelles stations	10	Protection de l'environnement	24
Syntonisation manuelle	11	DONNÉES TECHNIQUES	25
Réglage du niveau du Dynamic Range Control (DRC).....	11		
Suppression des stations	12		
MODE FM	12		
Utilisation de la radio en mode FM	12		
Syntonisation manuelle	13		
Système d'information RDS	13		
Réglage de la sensibilité de balayage	13		
PRÉSÉLECTION DE STATIONS	14		
Mémorisation des stations présélectionnées	14		
Rappel des stations présélectionnées	14		
UTILISATION DE LA FONCTION BLUETOOTH	14		
Couplage Bluetooth avec votre téléphone portable	14		
Écouter de la musique depuis votre téléphone portable	15		
Modes d'affichage	15		
Liste des appareils	15		
Redémarrer le couplage Bluetooth	16		
MODE AUX-IN	16		

F




AVERTISSEMENT ! LA GARANTIE PREND FIN LORSQUE LE BOITIER DE LA RADIO A ÉTÉ OUVERT OU LORSQUE DES MODIFICATIONS ONT ÉTÉ APPORTÉES À LA RADIO. N'OUVREZ JAMAIS LE BOITIER DE L'APPAREIL. LE CONSTRUCTEUR N'ACCEPTERA AUCUNE RESPONSABILITÉ POUR UN DOMMAGE RÉSULTANT D'UNE MAUVAISE UTILISATION. LA PLAQUE SIGNALÉTIQUE EST SITUÉE AU DOS DE L'APPAREIL.



La marque et les logos Bluetooth® sont enregistrés comme des marques déposées et détenues par Bluetooth SIG, Inc. et tout usage de ces marques se fait sous licence.

CONSIGNES DE SECURITE IMPORTANTES

1. Lisez ces consignes.
2. Conservez ces consignes.
3. Respectez ces avertissements.
4. Suivez ces consignes.
5. Nettoyez seulement avec un chiffon sec.
6. Ne bloquez aucune ouverture de ventilation. Installez selon les consignes.
7. N'installez pas à proximité de sources de chaleur telles que les radiateurs, grilles de chauffage, fourneaux ou autres appareils (y compris les amplificateurs) qui produisent de la chaleur.
8. Ne supprimez pas la fonction de sécurité de la fiche polarisée ou à terre – type de prise. Une fiche polarisée possède deux broches dont une est plus large que l'autre. Une prise à terre possède deux broches et une troisième broche à terre. La broche large ou la troisième broche reliée à la terre sont fournies pour des raisons de sécurité. Si la fiche fournie ne rentre pas dans votre prise, consultez un électricien pour qu'il vous change l'ancienne prise.
9. Protégez le cordon d'alimentation afin qu'il ne soit pas piétiné ou serré, particulièrement au niveau de la fiche, de la prise électrique et à l'endroit où il sort de l'appareil.
10. Utilisez seulement des cordons/accessoires précisés par le fabricant.
11. Utilisez seulement avec le chariot, le support, le trépied, la console ou la table précisés par le fabricant ou vendus avec l'appareil. En utilisant un chariot, faites attention en déplaçant la combinaison chariot/appareil pour éviter de vous blesser en cas de chute.
12. Débranchez cet appareil pendant les orages ou lorsque vous ne l'utilisez pas pendant de longues périodes.
13. Confiez toutes les réparations à du personnel de réparation qualifié. La réparation est requise si cet appareil a été endommagé de quelque manière que ce soit, par exemple si le cordon d'alimentation ou la fiche ont été endommagés, si du liquide a été renversé ou si des objets sont tombés sur l'appareil, si l'appareil a été exposé à la pluie ou à de l'humidité, s'il ne fonctionne pas correctement ou s'il est tombé.
14. Pour réduire les risques de feu ou de choc électrique, n'exposez pas cet appareil à la pluie ou à de l'humidité.
15. N'enlevez pas le dessus de l'appareil, il n'y a pas de pièces de réparation à l'intérieur.
16. Ne placez aucune source de flamme nue sur l'appareil.
17. Lors d'une utilisation en extérieur, pour éviter les chocs électriques, utilisez seulement des piles en cas de pluie ou de temps humide. Afin d'éviter tout risque d'électrocution lorsque la radio a été exposée à la pluie ou à l'eau, le cordon d'alimentation et la fiche doivent être séchés complètement avant d'insérer la fiche dans la prise de courant.
18. La prise de courant doit être à proximité de l'appareil et facile d'accès pour qu'en cas d'urgence, pour couper le courant de l'appareil, vous puissiez simplement débrancher la prise de courant.
19. Les informations légales concernant la radio se trouvent sur la face inférieure de celle-ci.
20. Cet appareil est protégé contre les projections et éclaboussures d'eau (IP65).
21. En cas de perturbations provoquées par une décharge électrostatique ou une pointe de tension, la fiche du cordon d'alimentation de la radio doit être retirée un bref instant de la prise de courant et réinsérée ensuite dans celle-ci.
22. Cet appareil doit être utilisé en climat modéré.
23. Pour éviter d'endommager l'audition, ne pas écouter à volume élevé pendant de longues périodes. 
24. Sous l'environnement avec une perturbation de l'immunité conduite / Immunité rayonnée, la radio peut mal fonctionner. Il se récupérera automatiquement à la normale lorsque la perturbation de l'immunité entraînée / l'immunité rayonnée s'est arrêtée.

ALIMENTATION ÉLECTRIQUE

Fonctionnement sur une prise secteur

1. Avant d'insérer la fiche du cordon d'alimentation de la radio dans une prise de courant, assurez-vous que la tension soit correcte.
2. Le logement situé à l'arrière de la radio est prévu pour y ranger le cordon d'alimentation et la fiche lorsque la radio n'est pas utilisée.

Remarque :

Afin de déconnecter la radio de la prise secteur, la fiche du cordon d'alimentation doit être retirée complètement de la prise de courant. La fiche du cordon d'alimentation doit rester accessible en cours d'utilisation de la radio.

En cas d'interférences ou de dysfonctionnement de la radio suite à une décharge électrostatique ou une surtension après une perturbation transitoire rapide (salves), retirez un bref instant la fiche du cordon d'alimentation de la prise de courant et réinsérez ensuite celle-ci dans la prise de courant.

Fonctionnement et charge de la batterie lithium

REMARQUE CONCERNANT LA PREMIÈRE UTILISATION : AVANT D'UTILISER LE ROCKBULL POUR LA PREMIÈRE FOIS, TOUJOURS CHARGER COMPLÈTEMENT LA BATTERIE

Le **ROCKBULL** peut être utilisé avec la batterie lithium intégrée. Pendant le fonctionnement sur batterie, le niveau de charge approximatif de la batterie est affiché sur l'écran LCD de la radio.

Lorsque le niveau de charge de la batterie est très faible, le symbole de la batterie clignotera sur l'écran. Dans ces conditions, la batterie doit être rechargée dès que possible pour continuer à utiliser normalement le **ROCKBULL**.

Le temps de charge d'une batterie vide à une batterie pleine est d'environ 8 à 10 heures (à température ambiante avec la radio en mode Standby (veille)). Le **ROCKBULL** peut être chargé en mode Standby (veille) ainsi qu'en cours d'utilisation pendant la lecture de musique. Lors de la lecture de musique, le temps de charge sera plus long qu'en mode standby (veille).

Le ROCKBULL, pour plus de sécurité, ne commencera pas à se charger lorsque la batterie est déjà pleine ou presque pleine.

REMARQUE SUR LA DURÉE DE LECTURE LORSQUE LA RADIO FONCTIONNE SUR BATTERIE :

la durée de lecture obtenue lorsque la radio fonctionne sur batterie dépend de nombreux facteurs tels que : le niveau du volume sélectionné, le type de musique (la musique avec beaucoup de graves consomme plus d'énergie), la source de musique sélectionnée (DAB, FM, Bluetooth, USB ou AUX-IN), le réglage EQ (égaliseur) sélectionné, la température ambiante et l'âge de la batterie. En fonction de ces variables, une durée de lecture d'environ 18 à 24 heures sur un niveau de volume réglé sur moyen peut être atteinte.

REMARQUE SUR LA DURÉE DE VIE DE LA BATTERIE LITHIUM : si le ROCKBULL n'est pas utilisé pendant une période prolongée, chargez toujours la batterie intégrée avant la première utilisation jusqu'à ce qu'elle soit pleine. La durée de vie optimale de la batterie intégrée sera obtenue si elle est maintenue rechargée après chaque utilisation du ROCKBULL, même si elle n'est que partiellement déchargée. La durée de vie de la batterie sera réduite si le produit est laissé déchargé pendant une longue période.

ATTENTION :

N'essayez pas de remplacer ou de réparer la batterie lithium intégrée. Si vous avez des doutes sur la batterie lithium intégrée, veuillez contacter le service après-vente de PerfectPro pour obtenir de l'aide.

ATTENTION :

Risque d'explosion si la batterie n'est pas remplacée correctement.
N'exposez pas la batterie à une chaleur excessive telle qu'une exposition directe aux rayons du soleil, à proximité d'un feu ou autre source de chaleur.
Les batteries ne doivent pas être éliminées avec les ordures ménagères ordinaires ni par incinération ou être jetées dans un feu.
Les batteries jetables doivent être transportées dans un centre de recyclage approprié si possible.



Informations de sécurité sur la batterie lithium rechargeable interne

La batterie lithium-polymère rechargeable interne utilisée dans cet appareil est capable de fournir de l'énergie pendant une longue période. Cependant, même les batteries lithium-polymère atteignent un point où elles ne peuvent plus être rechargées. Si la batterie ne se recharge pas après plusieurs tentatives, elle est peut-être épuisée (sa charge est beaucoup trop faible), veuillez contacter service@perfectpro.eu pour obtenir des informations de réparation.

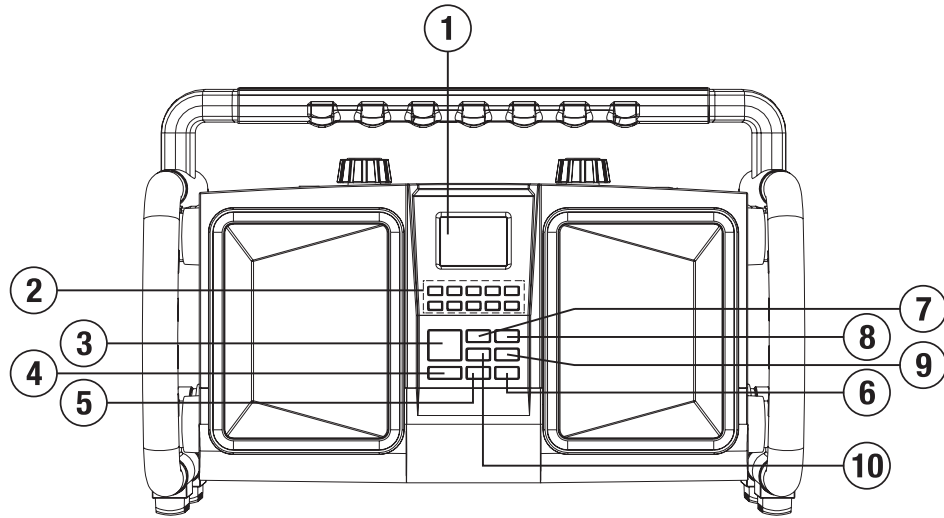
Cependant, si vous ne souhaitez pas que nous remplacions la batterie, vous devrez vous débarrasser des batteries / appareils usagés conformément aux lois et réglementations en vigueur dans votre région. De plus, vous pouvez contacter votre revendeur local de matériel électronique ou votre centre de recyclage pour obtenir une élimination appropriée.

Consignes de sécurité pour l'utilisateur

- Vérifiez que la plage de température ambiante est comprise entre 0 °C et 35 °C (32 ° et 95 ° Fahrenheit) avant de charger la batterie.
- N'essayez pas de démonter le revêtement en plastique ou toute pièce de l'appareil, car les matériaux à l'intérieur peuvent être toxiques et endommager la peau et les vêtements.
- Ne percez pas, n'écrasez pas, ne modifiez pas, ne jetez pas ou ne causez aucun choc inutile à votre batterie, **car la batterie utilisée dans cet appareil peut présenter un risque d'incendie, d'explosion ou de brûlure chimique si elle est maltraitée.**
- Ne laissez pas, ne chargez pas et n'utilisez pas la batterie dans une voiture sous la lumière directe du soleil, à proximité d'un feu ou d'une source de chaleur.
- Ne plongez pas, ne jetez pas et ne mouillez pas la batterie avec de l'eau / l'eau de mer.
- N'utilisez pas et ne chargez pas la batterie si elle semble être anormalement chaude, fait état d'une décoloration, d'une déformation ou de conditions anormales pendant l'utilisation, la charge ou le stockage.
- Ne laissez pas une batterie en charge sans surveillance. Gardez la batterie hors de portée des bébés et des enfants.

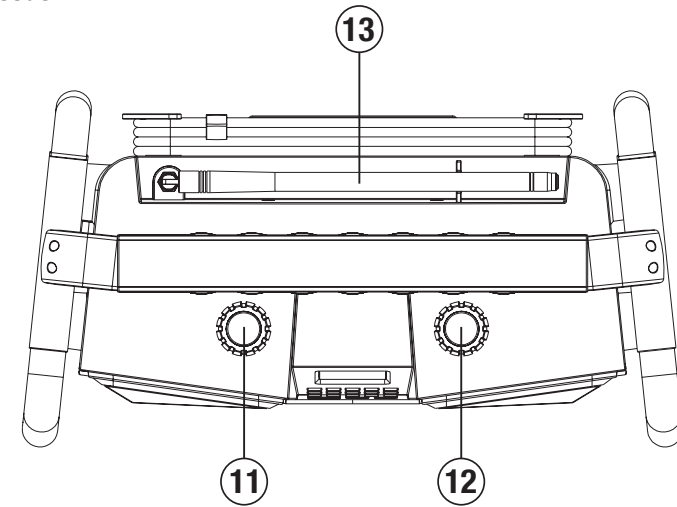
COMMANDES

Vue de face



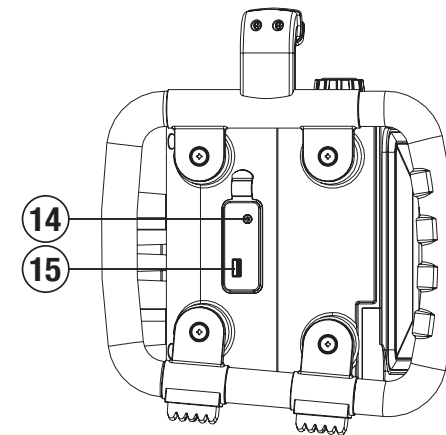
1. Écran d'affichage LCD
2. Boutons PRESET 1 - 10
3. Bouton ON/OFF
4. Bouton EQUALIZER
5. Bouton SURROUND
6. Bouton LOUDNESS
7. Bouton SOURCE
8. Bouton INFO
9. Bouton MONO/STEREO
10. Bouton MENU

Vue du dessus



11. Commande du VOLUME
12. Réglage TUNING / SEEK / TIME SET
13. ANTENNE

Vue de côté



14. Prise AUX-IN
15. Appareil USB / DC Out (5V/1A)

PREMIÈRE UTILISATION DE LA RADIO

1. Placez la radio sur une surface stable et plane.
2. Relevez prudemment l'antenne située sur la face supérieure de la radio. Orientez l'antenne verticalement par rapport à la radio.
3. Insérez la fiche du cordon d'alimentation de la radio dans une prise de courant. La radio s'allumera automatiquement et le logo PerfectPro apparaîtra pendant quelques secondes à l'écran. La radio effectuera ensuite automatiquement un balayage des bandes de fréquences Band III DAB et FM.
4. Lorsque le balayage est terminé, les 10 stations FM et les 10 premières stations DAB offrant le meilleur signal de réception seront mémorisées en tant que préréglages. Après ce premier balayage, la radio se mettra automatiquement en mode Standby (Veille) et l'heure et la date actualisées seront ensuite affichées à l'écran.
5. En l'absence de réception d'un signal radio, l'heure ne sera pas actualisée. Il peut alors être nécessaire de placer la radio dans un autre endroit offrant une meilleure réception.

MODE DAB

Utilisation de la radio

1. Relevez prudemment l'antenne. Appuyez ensuite sur le **bouton ON/OFF** pour allumer la radio.
2. Appuyez sur le **bouton SOURCE** pour sélectionner le mode DAB.
3. La première station de la liste de stations disponibles sera alors audible et le nom de la station sera affiché à l'écran. Si la radio a déjà été utilisée dans le passé, la dernière station sélectionnée sera dans ce cas audible.
4. Lorsqu'aucun signal DAB n'a été trouvé, le message « No stations available » (aucune station disponible) sera affiché à l'écran. Il peut être nécessaire dans ce cas de placer la radio dans un autre endroit offrant une meilleure réception. Vous devez ensuite effectuer un balayage automatique (Auto Scan) pour rechercher des stations. Voir le point « **Recherche de nouvelles stations en mode DAB** ».

Sélection d'une station

1. Appuyez sur le **bouton ON/OFF** pour allumer la radio.
2. Le nom de la station actuellement sélectionnée sera ensuite affiché à l'écran.
3. Tournez le **bouton de réglage TUNING** pour parcourir la liste des stations disponibles.
4. Tournez le **bouton de réglage TUNING** pour naviguer et trouver la station désirée. Appuyez ensuite sur le **bouton de réglage TUNING** pour sélectionner la station.

Remarque : si après avoir sélectionné une station, le message « No stations available » (aucune station n'est disponible) est affiché, il peut être nécessaire de déplacer la radio dans un endroit avec une meilleure réception.

Services secondaires

1. Certaines stations de radio possèdent un ou plusieurs service(s) secondaire(s) associé(s). Si la station possède un service associé, le service secondaire apparaîtra ensuite immédiatement après le service primaire dès que vous avez tourné le **bouton de réglage TUNING**.
2. Appuyez sur le **bouton de réglage TUNING** afin de sélectionner un service secondaire. La plupart des services secondaires ne sont pas diffusés en permanence et si le service sélectionné n'est pas disponible, la radio repassera sur le premier service associé.

Modes d'affichage

Votre radio possède plusieurs options d'affichage en mode DAB.

1. Appuyez sur le **bouton Info** pour naviguer entre les différents modes.
 - a. Scrolling text affiche les messages texte déroulants tels que : le nom de l'artiste/ du morceau, le numéro d'appel, etc.
 - b. Signal strength affiche la force du signal de réception de la radio.
 - c. Program type affiche le type de station écoutée : par ex. Pop, Classique, Actualités, etc..
 - d. Multiplex name affiche le nom du multiplex auquel la station écoutée appartient.
 - e. Channel & frequency affiche le numéro du canal et la fréquence de la station DAB que vous écoutez.
 - f. Bit rate & audio type affiche le débit binaire audio numérique et le type audio.
 - g. Time & date affiche l'heure actuelle (mode 24h) et la date.

Recherche de nouvelles stations

Avec le temps, de nouvelles stations peuvent devenir disponibles. Pour trouver de nouvelles stations, veuillez procéder comme suit :

1. En mode DAB, appuyez sur le **bouton MENU**, et tournez le **bouton de réglage TUNING** pour lancer le balayage
2. Appuyez sur le **bouton de réglage TUNING** pour balayer les canaux Band III DAB. Lorsque de nouvelles stations sont trouvées, le compteur de stations sur l'écran augmentera et les stations seront ajoutées à la liste.

Syntonisation manuelle

Une syntonisation manuelle vous offre la possibilité de trouver de nouvelles stations. Au lieu de balayer automatiquement les stations dans la DAB Bande III, vous pouvez régler directement la radio sur un canal DAB connu et tous les multiplexes dans la station en question seront mémorisés dans la liste de stations disponibles.

1. En mode DAB, appuyez sur le **bouton MENU** et tournez le **bouton de réglage TUNING** jusqu'à ce que l'option "Manual tune" (Syntonisation manuelle) soit affichée à l'écran. Le canal DAB et la liste de fréquence seront alors affichés à l'écran.
2. Tournez le **bouton de réglage TUNING** pour sélectionner le canal ou la fréquence souhaitée et appuyez ensuite sur le **bouton de réglage TUNING** pour confirmer votre choix de la fréquence en question.
3. Lorsque des stations DAB souhaitées ont été trouvées, le nom des stations DAB sera alors affiché à l'écran. Les nouvelles stations qui ont été trouvées seront ajoutées à la liste de stations mémorisées par la radio.
4. L'affichage de l'icône de l'antenne indique le niveau du signal de la station. L'icône de l'antenne avec une croix indique le niveau minimum du signal voire aucun signal. L'icône de l'antenne indiquant la force du signal, change lorsque vous changez la position de l'antenne et/ou de la radio.
5. Répétez les points 1 à 4 ci-dessus pour rechercher d'autres canaux avec des stations.
6. Appuyez deux fois sur le **bouton MENU** pour quitter le mode de syntonisation manuelle de stations et revenir au menu DAB standard.

Réglages du niveau du Dynamic Range Control (DRC)

La fonction DRC permet de rendre des sons doux plus audibles lorsque la radio est utilisée dans un environnement ou un endroit particulièrement bruyant.

1. En mode DAB, appuyez sur le **bouton MENU**, tournez le **bouton de réglage TUNING** jusqu'à ce que "DRC" soit affiché à l'écran. Appuyez ensuite sur le **bouton de réglage TUNING** pour confirmer.
2. Tournez le **bouton de réglage TUNING** pour choisir le réglage DRC souhaité (le réglage par défaut est Off).
DRC Off Le DRC est désactivé. La diffusion de la RDC sera ignorée.
DRC Low Le niveau DRC est réglé à la moitié du niveau émis par le diffuseur.
DRC High Le niveau DRC est réglé au max du réglage du diffuseur.
3. Appuyez sur le **bouton de réglage TUNING** pour confirmer le réglage. L'écran reviendra au mode d'affichage radio habituel.

Remarque : certains diffuseurs DAB ne peuvent utiliser la fonction DRC. Si le diffuseur n'utilise pas le DRC, alors le réglage DRC effectué sur la radio n'aura aucun effet.

Suppression des stations (fonction Prune)

Lorsque vous vous rendez dans une autre région ou dans un autre pays, il se peut que certaines stations ne soient plus disponibles. Il se peut également que certains services DAB arrêtent d'émettre, changent d'emplacement ou de fréquence. La fonction « Prune » (Suppression) permettra de supprimer de la liste des stations, les stations qui ne sont plus disponibles.

1. En mode DAB, appuyez sur le **bouton MENU**.
2. Tournez le **bouton de réglage TUNING** jusqu'à ce que « Prune Invalid » soit affiché à l'écran.
3. Appuyez ensuite sur le **bouton de réglage TUNING** pour confirmer le réglage.
4. Tournez le **bouton de réglage TUNING** pour sélectionner « Oui » ou « Non » (par défaut No). Pour activer la fonction Prune, sélectionner « Yes » (oui) ou sinon « no » pour désactiver.
5. Appuyez ensuite sur le **bouton de réglage TUNING** pour confirmer le réglage. L'affichage retournera au menu DAB.

Remarque :

Si vous vous rendez dans une autre région ou dans un autre pays, il est conseillé d'effectuer une recherche des nouvelles stations disponibles. (Voir à cet effet le point « Recherche de nouvelles stations »).

MODE FM

Utilisation de la radio en mode FM

1. Appuyez sur le **bouton ON/OFF** pour allumer la radio.
2. Appuyez sur le **bouton SOURCE** pour sélectionner la bande FM.
3. Si c'est la première fois que vous passez en mode FM, la station de la présélection 1 sera lue. Si la radio a déjà été utilisée, la dernière station écoutée sera lue.
4. Pour rechercher une station, appuyez sur le **bouton de réglage TUNING**. Le balayage s'arrête automatiquement lorsqu'il trouve une station suffisamment puissante.
5. Après quelques secondes, l'affichage se mettra à jour avec le nom de la station si des informations RDS sont reçues.
6. Pour rechercher d'autres stations, appuyez à nouveau sur le **bouton de réglage TUNING**.
7. Pour rechercher la station dans une direction opposée, tournez le **bouton de réglage TUNING** dans le sens des aiguilles d'une montre (pour balayer des basses fréquences aux hautes fréquences) ou dans le sens contraire des aiguilles d'une montre (pour balayer des hautes fréquences aux basses fréquences), et appuyez sur le **bouton de réglage TUNING**.
8. Lorsque la fin de la bande de fréquences est atteinte, la radio recommencera la syntonisation à partir de l'extrémité de la bande de fréquences opposée.

Syntonisation manuelle

1. Appuyez sur le **bouton ON/OFF** pour allumer la radio.
2. Appuyez sur le **bouton SOURCE** pour sélectionner la bande FM.
3. Tournez le **bouton de réglage TUNING** pour atteindre la station FM souhaitée. La fréquence changera par incréments de 50 kHz.
4. Tournez éventuellement l'antenne en caoutchouc pour obtenir une meilleure réception. Lorsque la radio est réglée sur une station offrant une bonne réception et capte des informations RDS, le nom de la station sera affiché à l'écran.
5. Lorsque la fin de la plage de fréquences est atteinte, la radio recommencera la recherche depuis l'autre extrémité de la plage de fréquences.

Système d'information RDS

Le RDS (Radio Data System) est un système d'information par lequel des informations numériques non audibles sont émises en plus du programme radio FM normal. Lorsque la radio capte une station RDS et que la réception est suffisamment bonne, le nom de la station apparaîtra à l'écran. Un certain temps peut s'écouler avant que les informations RDS soient disponibles.

Consultation des informations RDS

Lorsque vous écoutez une station FM comportant le système RDS, appuyez plusieurs fois sur le **bouton INFO** pour parcourir les informations RDS disponibles. Ceci fonctionne uniquement lorsque la réception est suffisamment bonne et claire.

- | | |
|-----------------------|---|
| a. Radio text (RT) | Affiche des messages de la station que vous écoutez, sous la forme d'un texte défilant. |
| b. Program type (PTY) | Affiche le type de station que vous écoutez. Exemples : Pop, Classique, Actualités, etc.. |
| c. Frequency | Affiche la fréquence de la station que vous écoutez. |
| e. Time & date | Affiche l'heure exacte (horloge 24 heures) et la date. |

Réglage de la sensibilité de balayage

La radio effectue normalement un balayage de toutes les stations FM disponibles, y compris celles dont le signal est faible. Il est toutefois possible de régler la fonction de balayage automatique (Auto-scan) de telle sorte que seules les stations FM dont le signal est assez fort pour offrir une bonne réception soient captées.

1. Appuyez sur le **bouton ON/OFF** pour allumer la radio.
2. Appuyez sur le **bouton SOURCE** et sélectionnez la bande FM.
3. Appuyez sur le **bouton MENU**. Tournez le **bouton de réglage TUNING** et sélectionnez « Scan Setting » (Réglage de la sensibilité de balayage).
4. Appuyez sur le **bouton de réglage TUNING**.

5. Tournez le **bouton de réglage TUNING** et sélectionnez « All Stations » (toutes les stations) ou « Strong Stations » (Stations au signal fort). Le réglage par défaut est « All stations » (toutes les stations). Lorsque l'option « Strong stations » (Stations au signal fort) a été sélectionnée, la radio recherchera, lors du balayage des stations, uniquement les stations dont le signal est fort.
6. Appuyez sur le **bouton de réglage TUNING** pour confirmer votre sélection et revenir au menu FM standard.

PRÉSÉLECTION DE STATIONS

Mémorisation de stations présélectionnées

La radio possède 20 emplacements de mémoire de stations présélectionnées, 10 pour la bande FM et 10 pour la bande DAB. Les stations présélectionnées seront conservées dans la mémoire de la radio même en cas de coupure de courant.

1. Appuyez sur le **bouton ON/OFF** pour allumer la radio.
2. Appuyez sur le **bouton SOURCE** et sélectionnez la bande de fréquence souhaitée.
3. Sélectionnez la station souhaitée
4. Maintenez enfoncé le **bouton de PRESET** souhaitée jusqu'à ce que la radio affiche « Saved to preset ».
5. Répétez les points 3 et 4 ci-dessus pour les autres présélections.
6. Les stations présélectionnées et mémorisées peuvent être écrasées en répétant les points 3 et 4 ci-dessus.

Rappel de stations présélectionnées

1. Appuyez sur le **bouton ON/OFF** pour allumer la radio.
2. Appuyez sur le **bouton SOURCE** et sélectionnez la bande de fréquence souhaitée.
3. Appuyez brièvement sur le **bouton PRESET** souhaité. Le numéro de la présélection, par exemple « P1 », sera ensuite affiché dans le coin inférieur droit de l'écran.

UTILISATION DE LA FONCTION BLUETOOTH

Couplage Bluetooth avec votre téléphone portable

1. Appuyez sur le **bouton ON/OFF** pour allumer la radio.
2. Sélectionnez le mode Bluetooth en appuyant sur le **bouton SOURCE**.
3. L'écran LCD affichera un voyant Bluetooth clignotant dans la partie inférieure de l'écran lorsque la radio n'est pas encore couplée avec votre téléphone portable.
4. Dans votre téléphone portable, ouvrez le menu Paramètres et sélectionnez Bluetooth, puis sélectionnez « RockBull » dans la liste des appareils Bluetooth (les instructions de couplage Bluetooth peuvent varier selon le type de téléphone portable, veuillez consulter le manuel de votre téléphone portable).

5. Lorsque le couplage Bluetooth est réussi, le voyant Bluetooth s'allumera et les dernières informations musicales lues sur l'appareil portable s'affichent.

Écouter de la musique depuis votre téléphone portable

1. Appuyez sur le **bouton ON/OFF** pour allumer la radio.
2. Sélectionnez le mode Bluetooth en appuyant sur le **bouton SOURCE**.
3. Commencez à lire de la musique en utilisant les lecteurs multimédias du téléphone portable couplé.
4. La lecture peut être contrôlée à partir du téléphone portable ou en **appuyant sur le bouton** numérique « 3 », « 4 » ou « 5 » de la radio.
5. Une fois la lecture de la musique commencée, le nom de la chanson s'affichera sur l'écran LCD.

Modes d'affichage

En mode Bluetooth, la radio peut afficher une gamme d'informations sur la musique en cours de lecture sur l'écran. Appuyez sur le **bouton INFO** pour parcourir les différents types.

- a. Artist Affiche le nom de l'artiste de la piste en cours de lecture.
- b. Album Affiche le nom de l'album de la piste en cours de lecture.

Liste des appareils

Dans la radio, vous pouvez sélectionner l'appareil Bluetooth à partir de la liste d'appareils pour vous connecter à nouveau.

Les noms de l'appareil seront affichés si le nom des appareils Bluetooth était configuré dans les appareils portables. Veuillez consulter le manuel d'utilisation de votre appareil mobile pour les configurations.

Les listes d'appareils peuvent être vérifiées comme ci-dessous :

1. En mode Bluetooth, appuyez sur le **bouton MENU**.
2. Tournez le **bouton de réglage TUNING** sur « View details » (Afficher les détails) ; appuyez sur le **bouton de réglage TUNING** pour sélectionner le paramètre.
3. Tournez le **bouton de réglage TUNING** vers la « Liste d'appareils couplés » ; appuyez sur le **bouton de réglage TUNING** pour sélectionner le paramètre.
4. Tournez le **bouton de réglage TUNING** pour afficher le nom des appareils.
5. Appuyez sur le **bouton de réglage TUNING** pour démarrer la reconnexion Bluetooth. Le haut-parleur se connectera automatiquement à cet appareil portable.

Remarque : Il peut y avoir jusqu'à 8 noms d'appareil à stocker dans le haut-parleur. S'il y a plus de 8 appareils mobiles connectés et stockés dans le haut-parleur, le nom de l'appareil couplé le plus ancien sera effacé.

Remarque : si vous avez déjà supprimé le « **RockBull** » de votre appareil mobile connecté, la reconnexion automatique sera infructueuse.

Redémarrer le couplage Bluetooth

La fonction Bluetooth peut être réglée pour fonctionner de différentes manières comme ci-dessous :

1. En mode Bluetooth, appuyez sur le **bouton MENU**.
2. Tournez le **bouton de réglage TUNING** vers les options « **Setup Bluetooth** » (Configuration du Bluetooth) et appuyez sur le **bouton de réglage TUNING** pour sélectionner le paramètre.
3. La radio va essayer de déconnecter le Bluetooth déjà couplé, puis va être disponible pour être connecté au nouvel appareil Bluetooth.
4. À ce moment, le voyant Bluetooth clignotera à l'écran jusqu'à ce que le nouveau couplage Bluetooth soit terminé.

Remarque : « Setup Bluetooth » (Configuration du Bluetooth) est l'option qui force le Bluetooth de cette radio à se déconnecter de votre téléphone portable et à entrer dans le « mode de détection ». C'est la façon de permettre le couplage Bluetooth à un autre appareil. Si aucun nouvel appareil n'est couplé, le Bluetooth essaiera automatiquement de se connecter au dernier appareil lorsqu'il sera éteint et allumé à nouveau.

La fonction de gestion de l'alimentation automatique sera activée en mode Bluetooth. S'il n'y a pas de signal Bluetooth pendant plus de 15 minutes, la radio passera automatiquement en mode veille. Appuyez sur le **bouton ON/OFF** pour réveiller l'appareil.

MODE AUX-IN

Une **prise AUX-IN** stéréo de 3,5 mm est prévue sur le côté de la radio, derrière le cache de protection en caoutchouc. Celle-ci permet d'y brancher des appareils audio externes tels qu'un lecteur MP3 ou lecteur de CD (non fournis avec la radio).

1. Raccordez un câble audio à la **prise AUX-IN**.
2. Appuyez sur le **bouton SOURCE** pour sélectionner le mode AUX-IN. « **AUX IN** » sera alors affiché à l'écran.
3. Allumez et démarrez le lecteur externe.
4. Réglez le volume de la radio et du lecteur externe au niveau d'écoute souhaitée.
5. Après utilisation de la prise AUX-IN, remplacez le cache de protection en caoutchouc sur la prise afin d'éviter que de la poussière ou de l'humidité pénètre dans la prise et la radio.

Remarques : n'utilisez jamais la prise AUX-IN dans un environnement pluvieux ou humide, de façon à éviter que de l'humidité pénètre dans la radio. Conservez dans ce cas le cache de protection en caoutchouc toujours bien fermé.

La fonction de gestion automatique de l'alimentation sera activée en mode AUX-IN. En l'absence de signal d'entrée de la prise AUX-IN pendant 15 minutes, la radio se mettra automatiquement en mode standby (veille). Le voyant de fonctionnement et l'écran s'éteindront alors. Pour rallumer la radio, appuyez sur la **touche ON/OFF** (Marche/Arrêt).

MODE USB

CONDITIONS POUR ÉVITER QUE L'HUMIDITÉ NE PÉNÈTRE DANS LA RADIO !! GARDER LE CACHE DE PROTECTION EN CAOUTCHOUC FERMÉ DANS CES CONDITIONS.

Les périphériques de stockage USB peuvent être utilisés avec la radio pour la lecture de fichiers MP3, AAC, FLAC et WAV.

La radio a été testée avec une gamme de périphériques de stockage USB de capacité allant jusqu'à 32 Go. Cependant, il existe une grande variété de périphériques de stockage USB disponibles et il est difficile de garantir que chacun d'eux pourra fonctionner avec cette radio. Le périphérique de stockage doit utiliser le système de fichiers FAT ou FAT32 pour fonctionner avec cette radio.

Les formats audio pris en charge pour la lecture sont MP3, AAC, FLAC et WAV. La lecture ne prend pas en charge les fichiers encodés avec WMA Lossless, WMA Voice, WMA 10 Professional ou les fichiers de tout format bénéficiant d'une protection DRM.

La prise USB est située sur le côté, derrière le cache de protection en caoutchouc. Assurez-vous que le cache de protection en caoutchouc soit bien fermé après chaque utilisation pour empêcher l'humidité et la saleté de pénétrer dans la radio. Le périphérique de stockage USB ne doit pas être retiré pendant la lecture, car les fichiers peuvent être endommagés ou corrompus.

Les périphériques de stockage USB ne sont pas inclus avec cette radio.

Remarque : lorsque la radio lit une clé USB, les batteries seront chargées en mode veille (faible tension). Une fois la clé USB retirée, la charge normale se poursuivra.

Insérer et retirer un périphérique de stockage USB

Insérez avec précaution un périphérique de stockage USB dans la prise USB. Pour retirer le périphérique de stockage USB, retirez simplement le périphérique.

Lecture de fichiers musicaux

1. Appuyez sur le bouton **ON/OFF** pour allumer la radio.
2. Appuyez sur le bouton **SOURCE** pour sélectionner «Music Player» (Lecteur de musique).
3. Tournez le bouton de réglage **TUNING** sur «USB Playback» (Lecture via USB) et appuyez sur le bouton de réglage **TUNING** pour confirmer. La radio commencera à lire les fichiers contenus sur le périphérique USB. Parfois, la radio prendra un peu plus de temps pour lire tout le contenu musical du périphérique USB. Cela peut dépendre de sa vitesse de transfert.
Après avoir lu le périphérique de stockage USB, la liste du contenu s'affichera. Tournez le bouton de réglage **TUNING** pour rechercher le dossier souhaité (dossier contenant les fichiers musicaux). Et appuyez sur le bouton de réglage

TUNING pour sélectionner le dossier. L'écran listera les fichiers contenus dans le dossier sélectionné.

4. Tournez le bouton de réglage **TUNING** pour choisir le fichier (chanson) que vous souhaitez lire, et appuyez sur le bouton de réglage **TUNING** pour le sélectionner. La radio commencera alors sa lecture.
5. Pour interrompre la lecture, appuyez sur le bouton **▶|| (PRESET 5)**. Appuyez sur le bouton **▶|| (PRESET 5)** à nouveau pour reprendre la lecture.
6. Pour passer au fichier suivant, appuyez sur le bouton **▶|| (PRESET 4)**.
7. Pour passer au fichier précédent, appuyez sur le bouton **◀◀ (PRESET 3)**.
8. Pendant la lecture du fichier, maintenez enfoncé le bouton **▶|| (PRESET 4)**.
9. ou le bouton **◀◀ (PRESET 3)**. Relâchez le bouton lorsque la partie souhaitée du fichier est atteinte.
10. Pour passer au dossier suivant, appuyez sur le bouton **👉+ (PRESET 2)**.
11. Pour passer au dossier précédent, appuyez sur le bouton **👈- (PRESET 1)**.

Recherche de fichiers

1. Appuyez sur le bouton **MENU** jusqu'à ce que la liste des fichiers musicaux contenus sur le périphérique USB s'affiche.
2. Tournez le bouton de réglage **TUNING** pour rechercher le dossier souhaité (contenant les fichiers musicaux). Appuyez sur le bouton de réglage **TUNING** pour sélectionner le dossier. L'écran affichera la liste des fichiers contenus dans le dossier sélectionné.
3. Tournez le bouton de réglage **TUNING** pour rechercher le fichier souhaité. Appuyez sur le bouton de réglage **TUNING** pour sélectionner le fichier. La radio commencera à lire le fichier sélectionné.

La radio prend en charge un nombre limité de dossiers et de fichiers lors de la recherche :

Mode	Nombre max de dossiers pris en charge	Nombre max de fichiers pris en charge
Stop	999 (avec le nom du dossier)	9999 (avec le nom du fichier)
Lecture	999 (1-99 avec le nom du dossier) (100-999 sans le nom du dossier)	9999 (1-999 avec le nom du fichier) (1000-9999 sans le nom du fichier)

Mode de lecture

Pendant la lecture du périphérique de stockage USB,

1. Appuyez sur le bouton **MENU** jusqu'à ce que le menu «Music Player» (Lecteur de musique) s'affiche;
2. Ensuite, tournez le bouton de réglage **TUNING** sur «Play mode» (Mode de lecture). Appuyez sur le bouton de réglage **TUNING** pour confirmer votre choix.
3. Tournez le bouton de réglage **TUNING** sur le mode de lecture souhaité et appuyez sur le bouton de réglage **TUNING** pour confirmer votre choix.

Les options suivantes peuvent être choisies :

Repeat off	Désactive tous les modes de répétition.
Repeat one	Lit à plusieurs reprises le fichier que vous écoutez.
Repeat folder	Lit à plusieurs reprises les fichiers du dossier que vous écoutez.
Repeat all	Lit à plusieurs reprises tous les fichiers du périphérique USB.
Repeat shuffle	Lit tous les fichiers du périphérique de stockage USB une fois dans un ordre aléatoire.

Le mode de lecture sélectionné est indiqué sur l'écran par une icône.

Aucune icône n'apparaît lorsque l'option « Répétition Off » (Répétition désactivée) est sélectionnée.

Fonction d'information

Pendant la lecture du périphérique de stockage USB, le titre et la durée de lecture de la piste en cours de lecture s'affichent. Appuyez sur **le bouton INFO** pour parcourir les informations suivantes (uniquement si ces informations sont présentes avec le fichier sur le périphérique de stockage) :

Nom de l'artiste → Nom de l'album → Nom du fichier → Chemin d'accès → Date → Nom de l'artiste à nouveau.

RÉGLAGE MANUEL DE L'HEURE ET DE LA DATE

L'heure et la date peuvent être réglées manuellement uniquement lorsque la radio est en mode standby (veille). Lorsqu'aucune touche n'est activée pendant 5 secondes, la radio quittera le mode de réglage de l'heure et de la date et les paramètres réglés seront annulés.

1. Appuyez sur **le bouton de réglage TUNING** pendant 12 secondes jusqu'à ce que le menu « Time/Date » (Heure/Date) s'affiche à l'écran.
2. Tournez **le bouton de réglage TUNING** pour sélectionner « Set Time/Date » et appuyez sur **le bouton de réglage TUNING**. Les chiffres correspondant aux heures clignoteront à l'écran.
3. Tournez **le bouton de réglage TUNING** pour régler les chiffres des heures.
4. Appuyez sur **le bouton de réglage TUNING** pour confirmer, les chiffres correspondant aux minutes clignoteront ensuite à l'écran.
5. Tournez **le bouton de réglage TUNING** pour régler les minutes.
6. Appuyez sur **le bouton de réglage TUNING** pour confirmer, les chiffres correspondant aux jours clignoteront ensuite à l'écran.
7. Tournez **le bouton de réglage TUNING** pour régler le jour exact.
8. Appuyez sur **le bouton de réglage TUNING** pour confirmer, les chiffres correspondant aux mois clignoteront ensuite à l'écran.
9. Tournez **le bouton de réglage TUNING** pour régler le mois exact.
10. Appuyez sur **le bouton de réglage TUNING** pour confirmer, les chiffres correspondant aux années clignoteront ensuite à l'écran.

11. Tournez **le bouton de réglage TUNING** pour régler l'année exacte.
12. Appuyez sur **le bouton de réglage TUNING** pour confirmer votre sélection et terminer le réglage de l'heure et de la date.

LOUDNESS (INTENSITÉ SONORE)

La fonction LOUDNESS (Intensité sonore) permet d'obtenir une compensation du son dans les basses et hautes fréquences. L'effet sera plus audible lorsque la radio est réglée à un faible volume (Dynamic Loudness).

1. Appuyez sur **le bouton LOUDNESS** pour activer la fonction Loudness, « Loudness On » (Loudness activé) s'affichera sur l'écran.
2. Appuyez sur **le bouton LOUDNESS** à nouveau pour désactiver la fonction Loudness, « Loudness Off » (Loudness Désactivé) s'affichera sur l'écran.
3. Après 3 secondes, l'écran reviendra automatiquement en mode d'affichage normal.

SON SURROUND

La radio ROCKBULL utilise un processeur audio numérique afin d'adapter le signal audio d'origine et de créer un son Surround numérique virtuel. La qualité de reproduction du son se trouve ainsi fortement enrichie, de façon à générer un champ sonore spacieux, enveloppant et en perspective.

1. Appuyez sur **le bouton ON/OFF** pour allumer la radio.
2. Appuyez sur **le bouton SOURCE** pour sélectionner l'un des modes disponibles.
3. Appuyez également sur **le bouton SURROUND** et sélectionnez « Surround on » (Surround activé) ou « Surround off » (Surround désactivé).
4. Après 3 secondes, l'écran reviendra automatiquement en mode d'affichage normal.

L'effet du son Surround varie fortement en fonction du type de musique. Le meilleur résultat est obtenu le plus souvent avec une musique légère, facile à écouter. Dans le cas d'une musique lourde et bruyante, le son est susceptible d'être moins ouvert, avec des distorsions à certains moments. Cela dépend bien entendu également du niveau de volume de la radio et du réglage de l'égaliseur.

L'effet du son Surround est le mieux perceptible dans un grand volume comportant des murs réfléchissants, lorsque vous vous trouvez à plusieurs mètres de la radio. Celui-ci n'est pas optimal lorsque vous vous trouvez à proximité de la radio.

EQUALIZER

La fonction EQUALIZER (EGALISEUR) permet de sélectionner l'un des 12 réglages égaliseur préprogrammés (EQ). Chaque réglage préprogrammé comporte un groupe d'options de paramètres destinés au processeur audio numérique. Le processeur peut ainsi être réglé de façon optimale pour différents types de musiques et une utilisation de la radio dans différents environnements.

1. Appuyez sur **le bouton ON/OFF** pour allumer la radio
2. Appuyez plusieurs fois sur **le bouton EQUALIZER** pour sélectionner le réglage égaliseur EQ souhaité. Le réglage égaliseur EQ affiché à l'écran sera immédiatement audible :
 - EQ1 Normal
 - EQ2 Classique
 - EQ3 Dance
 - EQ4 Soul et Jazz
 - EQ5 Rock
 - EQ6 Plat
 - EQ7 Petite pièce
 - EQ8 Paroles
 - EQ9 Acoustique
 - EQ10 A l'intérieur
 - EQ11 A l'extérieur
 - EQ12 Fin de soirée
3. Après 3 secondes, l'écran reviendra automatiquement en mode d'affichage normal.

SÉLECTION DE LA LANGUE

La radio peut être réglée de façon à ce que l'affichage du menu soit dans la langue de votre choix.

1. Appuyez sur **le bouton ON/OFF** pour allumer la radio.
2. Appuyez sur **le bouton MENU** et tournez **le bouton de réglage TUNING** jusqu'à ce que « System settings » (Paramètres système) soit affiché à l'écran.
3. Appuyez sur **le bouton de réglage TUNING** et tournez ensuite celui-ci jusqu'à ce que « Language » (Langue) soit affiché à l'écran.
4. Appuyez sur **le bouton de réglage TUNING** pour entrer dans le menu de sélection de la langue.
5. Tournez **le bouton de réglage TUNING** pour sélectionner la langue souhaitée. Le réglage par défaut est l'anglais.
6. Appuyez sur **le bouton de réglage TUNING** pour confirmer votre sélection. Le menu sera ensuite affiché dans la langue choisie.

VERSION DU LOGICIEL

Il n'est pas possible de modifier l'affichage de la version du logiciel. Cet affichage est donné uniquement à titre d'information. Il est cependant possible de voir la version du logiciel en mode DAB, FM, Bluetooth, Aux In ou USB.

1. Appuyez sur **le bouton ON/OFF** pour allumer la radio.
2. Appuyez sur **le bouton SOURCE** pour sélectionner l'un des modes disponibles.
3. Appuyez sur **le bouton MENU** et tournez ensuite **le bouton de réglage TUNING** jusqu'à ce que « System settings » (Paramètres système) soit affiché à l'écran.
4. Appuyez sur **le bouton de réglage TUNING** et tournez celui-ci jusqu'à ce que « Info » soit affichée à l'écran.
5. Appuyez sur **le bouton de réglage TUNING** pour voir la version du logiciel.
6. Appuyez sur **le bouton MENU** pour revenir au menu précédent et appuyez à nouveau sur **le bouton MENU** pour revenir en mode d'affichage normal.

RÉINITIALISATION DU SYSTÈME

Lorsque la radio ne fonctionne pas correctement, lorsque certains chiffres ne sont pas affichés ou lorsque des chiffres ne sont pas affichés correctement, suivez la procédure d'initialisation décrite ci-dessous.

1. Appuyez sur **le bouton ON/OFF** pour allumer la radio.
2. Appuyez sur **le bouton MENU**;
3. Tournez **le bouton de réglage TUNING** jusqu'à ce que « System settings » (Paramètres système) soit affiché à l'écran. Appuyez sur **le bouton de réglage TUNING** pour confirmer votre choix.
4. Tournez ensuite **le bouton de réglage TUNING** jusqu'à ce que « Factory reset » (Réglages d'usine) soit affiché à l'écran. Appuyez sur **le bouton de réglage TUNING** pour confirmer votre choix.
5. Tournez ensuite **le bouton de réglage TUNING** pour sélectionner « Yes » (Oui) ou « No » (Non). Sélectionnez « Yes » (Oui) si vous souhaitez réinitialiser la radio ou « No » (Non) dans le cas contraire.
6. Appuyez sur **le bouton de réglage TUNING** pour confirmer votre sélection et lancer la réinitialisation.
7. Une réinitialisation complète de la radio sera alors effectuée. Toutes les présélections et la liste des stations seront effacées. Tous les réglages personnels seront annulés et remis à sa valeur par défaut. Le logo « PerfectPro » sera ensuite affiché pendant quelques secondes à l'écran et la radio effectuera automatiquement un balayage de la plage de fréquences DAB Bande III et FM. En cas d'interférences ou de dysfonctionnement de la radio, suite à une décharge électrostatique, procédez à une réinitialisation de la radio comme décrite ci-dessus. Si vous ne parvenez pas à exécuter la procédure de réinitialisation décrite ci-dessus, retirez un bref instant la fiche du cordon d'alimentation de la radio de la prise de courant et réinsérez ensuite celle-ci dans la prise de courant.

CHARGER UN APPAREIL PORTABLE VIA LA PRISE USB

La radio prend en charge la fonction de recharge d'un appareil portable via la prise USB. Elle peut fournir une tension de 5V et un maximum de 1A à partir de la prise USB pendant la charge.

LUMINOSITÉ DE L'ÉCRAN

Configuration de la luminosité de l'écran d'affichage LCD

1. Appuyez sur le bouton **ON/OFF** pour allumer la radio.
2. Appuyez sur le bouton **MENU** puis tournez le bouton de réglage **TUNING** jusqu'à ce que l'écran affiche « System settings » (Paramètres système). Appuyez ensuite sur le bouton de réglage **TUNING**;
3. Tournez le bouton de réglage **TUNING** jusqu'à ce que l'écran affiche « Brightness » (Luminosité).
4. Appuyez sur le bouton de réglage **TUNING** pour entrer dans le menu de réglage du niveau de luminosité de l'écran d'affichage LCD.
5. Tournez le bouton de réglage **TUNING** pour sélectionner « Normal » afin de garder le rétroéclairage continuellement allumé lorsque la radio est en mode lecture.
6. Ou tournez le bouton de réglage **TUNING** pour sélectionner « Standby » (Veille) pour régler le niveau de luminosité de l'écran en mode veille.
7. Appuyez sur le bouton de réglage **TUNING** pour confirmer votre choix.

Remarque : lorsque la batterie est en mode standby (veille), la radio s'éteindra pour économiser de l'énergie. À ce moment-là, l'écran LCD va également s'éteindre. Lorsque la radio est à nouveau connectée à l'alimentation secteur, le dernier réglage fait par l'utilisateur sera de nouveau appliqué.

GARANTIE

Ce produit est garanti pendant deux ans.

AVERTISSEMENT : LA GARANTIE PREND FIN LORSQUE LE BOITIER DE LA RADIO A ETE OUVERT OU LORSQUE LA RADIO A ETE MODIFIEE DE QUELQUE MANIERE QUE CE SOIT PAR L'UTILISATEUR FINAL.

La garantie de la radio ne couvre pas :

- Les dommages et le bris résultant d'une utilisation non correcte, d'un usage abusif, d'une négligence, de modifications, d'accidents ou de réparations non autorisées.
- L'usure normale en cours d'utilisation.
- Le bris ou la courbure excessive de l'antenne télescopique en métal.

N'OUVREZ JAMAIS LE BOITIER DE L'APPAREIL. LE CONSTRUCTEUR N'ACCEPTERA AUCUNE RESPONSABILITÉ POUR UN DOMMAGE RESULTANT D'UNE MAUVAISE UTILISATION. LA PLAQUE SIGNALÉTIQUE EST SITUÉE AU DESSOUS DE L'APPAREIL.



Protection de l'environnement

Ce produit est fabriqué avec des pièces et des matériaux de qualité, susceptibles d'être réutilisés et recyclés. Lorsque ce produit a atteint la fin de sa vie durée de vie, ne le jetez pas avec les ordures ménagères ordinaires, mais confiez-le à un point de collecte et de recyclage d'appareils électriques et électroniques. Le symbole ci-contre figure à cet effet sur le produit, dans le mode d'emploi ainsi que sur l'emballage. Veuillez vous informer auprès des autorités locales au sujet des points de collecte les plus proches de chez vous. Aidez à protéger l'environnement en recyclant les produits usagés.



DONNÉES TECHNIQUES

Alimentation électrique

Alimentation de la prise secteur : AC 230V ~, 50/60Hz

Consommation de courant

Utilisation : < 55 W

Veille : < 0,5 W

Plage de fréquences

DAB 174.928 – 239.200 MHz

FM 87.50 – 108.00 MHz

Bluetooth

Version 5.0 Prend en charge les profils Bluetooth A2DP et AVRCP

Haut-parleurs

Woofer de 2 x ø130mm et 4 ohms

Tweeter de 2 x ø45mm et 8 ohms

Puissance de sortie

Nominale : 2 x 25W

Entrée auxiliaire Aux In

ø3,5 mm

Prise USB

USB de type A avec une puissance de sortie de 5V/1A lorsque le téléphone portable est en charge

INHALTSVERZEICHNIS

INHALTSVERZEICHNIS	1
WICHTIGE SICHERHEITSHINWEISE	3
STROMVERSORGUNG	4
AC-Netzbetrieb	4
Nutzung und Aufladung der Lithium-Batterie	4
Sicherheitshinweise für den Nutzer	5
TASTEN	6
Vorderseite	6
Oberseite	7
Seitenansicht	7
ERSTMALIGER GEBRAUCH	8
DAB-MODUS	8
Radiobetrieb	8
Sender einstellen	8
Sekundärdienste	9
Anzeigemodi	9
Neue Sender suchen	9
Manuelle Suche	10
Dynamische Bereichskontrolle (DRC)	10
Sender löschen	10
UKW-MODUS	11
UKW-Radiobetrieb	11
Manuelle Suche	11
RDS-Senderservice	12
Suchempfindlichkeit	12
GESPEICHERTE SENDER	13
Sender speichern	13
Gespeicherte Sender aufrufen	13
BLUETOOTH-MODUS	13
Kopplung mit dem Handy via Bluetooth	13
Musik am Handy abspielen	13
Anzeigemodi	14
Geräteliste	14
Bluetooth-Kopplung erneut starten	14
AUX-EINGANGSMODUS	15

USB-MODUS	15
USB-Speichergeräte anschließen und trennen	16
Musikdateien abspielen	16
Datei suchen	17
Wiedergabemodus	17
Anzeige von Informationen	17
UHRZEIT EINSTELLEN	18
LAUTHEIT	18
SURROUND-SOUND	18
EQUALIZER-EINSTELLUNGEN	19
SPRACHE	20
SOFTWARE-VERSION	20
SYSTEM ZURÜCKSETZEN	20
MOBILGERÄT VIA USB AUFLADEN	21
HELLIGKEIT	21
GARANTIE	21
Umweltgerechte Entsorgung	22
TECHNISCHE DATEN	22



WARNUNG ! DIE GARANTIE WIRD NICHTIG, FALLS DAS GEHÄUSE DES GERÄTS GEÖFFNET ODER DAS ORIGINALGERÄT IN IRGEND EINER ART UND WEISE MODIFIZIERT WURDE. NICHT DAS GEHÄUSE ÖFFNEN. DER HERSTELLER HAFTET NICHT FÜR SCHÄDEN AUFGRUND EINER UNSACHGEMÄSSEN HANDHABUNG. DAS TYPENSCHILD BEFINDET SICH AN DER UNTERSEITE DES GERÄTS.



Die Bluetooth® Wortmarke und Logos sind eingetragene Markenzeichen und Eigentum von Bluetooth SIG, Inc. und werden unter Lizenz verwendet.

WICHTIGE SICHERHEITSHINWEISE

1. Lesen Sie diese Hinweise.
2. Bewahren Sie diese Hinweise auf.
3. Beachten Sie alle Warnungen.
4. Befolgen Sie alle Anweisungen.
5. Reinigen Sie es nur mit einem trockenen Tuch.
6. Blockieren Sie keine der Belüftungsöffnungen. Stellen Sie es gemäß der Anweisungen auf.
7. Stellen Sie es nicht in der Nähe von Wärmequellen wie Heizkörpern, Lüftungsclappen, Öfen oder anderen Geräten (einschließlich Verstärkern) auf, die Wärme abgeben.
8. Beschädigen Sie nicht den aus Sicherheitsgründen gepolten oder geerdeten Stecker. Ein gepolter Stecker besitzt zwei Kontakte, einer breiter als der andere. Ein geerdeter Stecker besitzt zwei Kontakte und einen dritten Erdungsstift. Der breite Kontakt oder der dritte Stift dienen Ihrer Sicherheit. Wenn der mitgelieferte Stecker nicht in Ihre Steckdose paßt, so wenden Sie sich bitte zum Austausch der veralteten Steckdose an einen Elektriker.
9. Schützen Sie das Stromkabel, damit hierauf nicht gelaufen oder es insbesondere am Stecker, an der Steckdose oder an der Stelle, wo es aus dem Gerät austritt, nicht geknickt wird.
10. Verwenden Sie ausschließlich vom Hersteller angegebene Anbauteile/Zubehör.
11. Verwenden Sie es ausschließlich mit der/dem vom Hersteller angegebenen oder mit dem Gerät verkauften Wagen, Ständer, Dreibein, Klammer oder Tisch. Wenn ein Wagen verwendet wird, so lassen Sie Vorsicht walten beim Bewegen der Kombination aus Wagen und Gerät, um Verletzungen durch Kippen zu vermeiden.
12. Trennen Sie das Gerät bei Gewitter oder wenn es über einen längeren Zeitraum nicht verwendet wird vom Netz.
13. Überlassen Sie jegliche Wartung qualifiziertem Wartungspersonal. Eine Wartung ist erforderlich, wenn das Gerät am Stromkabel oder Stecker beschädigt wurde, wenn Flüssigkeit verschüttet wurde oder Gegenstände ins Gerät gefallen sind, wenn das Gerät Regen oder Feuchtigkeit ausgesetzt war, nicht normal funktioniert oder fallengelassen wurde.
14. Setzen Sie das Gerät weder Regen noch Feuchtigkeit aus, um die Brandgefahr oder das Risiko eines elektrischen Schlages zu reduzieren.
15. Entfernen Sie nicht die Abdeckung. Im Innenbereich befinden sich keine Teile, die durch den Nutzer zu warten wären.
16. Es dürfen keine offene Feuerquellen auf dem Apparat abgestellt werden.
17. Verwenden Sie bei der Benutzung im Freien an Regentagen oder bei feuchtem Wetter zur Vermeidung eines elektrischen Schlages ausschließlich Batterien. Wenn das Radio Regen oder Feuchtigkeit ausgesetzt war, so müssen Anschlusskabel und Stecker zur Vermeidung eines elektrischen Schlages vollständig getrocknet werden, bevor dieses mit einer Steckdose verbunden wird.
18. Der Netzstecker sollte nahe am Gerät und leicht zugänglich sein, damit im Notfall zur Trennung vom Netz lediglich der Netzstecker aus der Steckdose gezogen werden muss.
19. Das Typenschild befindet sich an der Rückseite des Geräts.
20. Dieses Apparat ist gegen Spritzwasser geschützt (IP65).
21. Falls das Gerät aufgrund elektrostatischer Entladung oder schneller Stoßspannung nicht mehr richtig funktioniert, ziehen Sie den Netzstecker und schließen das Gerät dann erneut an.
22. Verwenden Sie das Gerät nur in moderaten Klimazonen.
23. Um mögliche Gehörschäden zu vermeiden, setzen Sie sich nicht über längere Zeiträume hohen.
24. Unter der Umgebung mit Leitungsstörung / Strahlungsunempfindlichkeit kann das Radio fehlerhaft sein. Es wird automatisch wieder normal, wenn die Leitungsstörung / Strahlungsunempfindlichkeit stoppt.



STROMVERSORGUNG

AC-Netzbetrieb

1. Vergewissern Sie sich vor dem Anschluss des AC-Netzkabels, dass die Spannung korrekt ist.
2. Das Radio verfügt über eine Vorrichtung zum Aufbewahren von Kabel und Stecker, während das Radio nicht in Gebrauch ist.

Hinweis:

Um das Gerät vollständig vom Netzstrom zu trennen, muss der AC-Netzstecker aus der Steckdose gezogen werden. Während des normalen Gebrauchs muss der Stecker immer betriebsbereit und frei zugänglich sein.

Bei Fehlfunktionen aufgrund elektrostatischer Entladung oder schneller transientser Störungen (Burst), trennen Sie den Netzstecker vom Netz und schließen Sie ihn nach ungefähr einer halben Minute wieder an.

Nutzung und Aufladung der Lithium-Batterie

HINWEIS ZUM ERSTMALIGEN GEBRAUCH: LADEN SIE DIE BATTERIE VOLLSTÄNDIG AUF, BEVOR SIE DAS ROCKBULL DAS ERSTE MAL IN BETRIEB NEHMEN.

Das **ROCKBULL** Radio kann über die integrierte Lithium-Batterie betrieben werden. Während des Batteriebetriebs wird im LCD die ungefähre Batteriekapazität angezeigt. Bei sehr niedriger Kapazität blinkt das Batteriesymbol im Display. Die Batterie muss dann so schnell wie möglich aufgeladen werden, um den weiteren normalen Betrieb des **ROCKBULL** zu gewährleisten.

Es dauert ungefähr 8-10 Stunden, bis die leere Batterie vollständig aufgeladen ist (bei Raumtemperatur und im Standby-Modus). Das **ROCKBULL** kann sowohl während Standby als auch während der Musikwiedergabe aufgeladen werden. Während der Musikwiedergabe ist die Ladedauer länger als im Standby-Modus.

Falls die Batterie des ROCKBULL bereits voll oder fast voll ist, startet das Gerät aus Sicherheitsgründen nicht den Ladevorgang.

HINWEIS ZUR WIEDERGABEDAUER DER GELADENEN BATTERIE: Die Wiedergabedauer im Batteriebetrieb ist von vielen Faktoren abhängig, u.a.: Lautstärkeeinstellung, Art der Musik (ein schwerer Bass verbraucht mehr Energie), Musikquelle (DAB, UKW, Bluetooth oder AUX-IN), EQ-Einstellung, Umgebungstemperatur und Alter der Batterie. Je nach Einflussfaktor beträgt die Wiedergabedauer 18 bis 24 Stunden bei mittlerer Lautstärke.

HINWEIS ZUR LEBENSDAUER VON LITHIUM-BATTERIEN: Falls Sie das **ROCKBULL** längere Zeit nicht verwenden werden, **laden Sie die Batterie zunächst vollständig auf.** Die integrierte Batterie kann eine maximale Lebensdauer erreichen, wenn sie nach jedem Gebrauch des **ROCKBULL** aufgeladen wird, auch wenn sie nur halb leer ist. Die Lebensdauer verkürzt sich, falls das Gerät längere Zeit im entladenen Zustand gelassen wird.

WARNUNG:

Versuchen Sie nicht, die integrierte Lithium-Batterie zu ersetzen oder zu reparieren. Sollten Sie Fragen haben, wenden Sie sich bitte an den Kundendienst von Perfect Pro.

WARNUNG:

Bei unsachgemäßem Austausch der Batterie besteht Stromschlaggefahr. Schützen Sie die Batterie vor übermäßiger Wärme wie Sonnenschein, Feuer oder ähnlichem.

Batterien dürfen für die Entsorgung nicht ins Feuer oder in den Hausmüll geworfen werden.

Geben Sie Batterien an einer entsprechenden Sammelstelle ab.



Sicherheitshinweise für integrierte wieder aufladbare Lithium-Batterien

Die integrierte wieder aufladbare Lithium-Polymer-Batterie kann das Gerät lange Zeit mit Strom versorgen. Aber auch Lithium-Polymer-Batterien erreichen einen Punkt, an dem sie nicht mehr aufgeladen werden können. Falls sich die Batterie auch nach mehreren Versuchen nicht mehr aufladen lässt, ist sie wahrscheinlich vollkommen entladen (zu geringe Kapazität). Wenden Sie sich in solch einem Fall für weitere Informationen an service@perfectpro.eu.

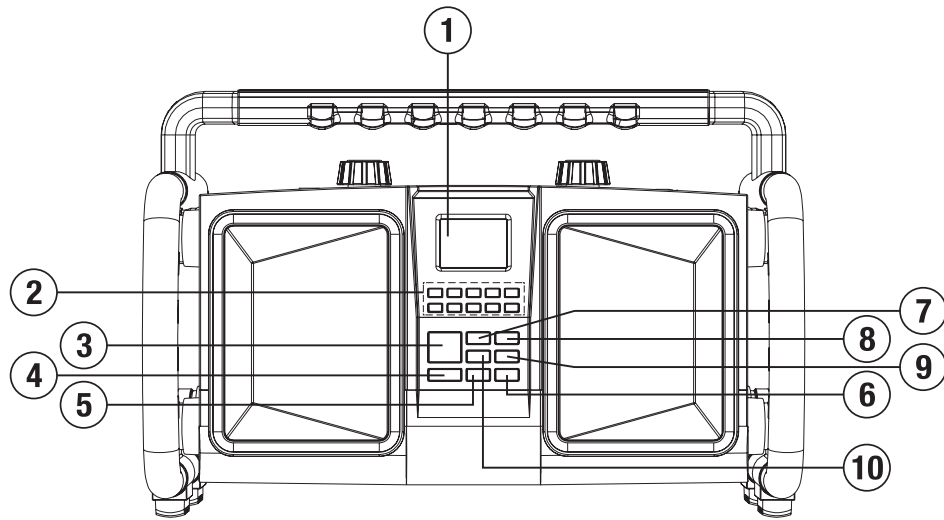
Falls Sie jedoch nicht möchten, dass wir die Batterie für Sie ersetzen, müssen Sie die Batterien/ das Gerät gemäß örtlich geltenden Vorschriften und Gesetzen entsorgen. Weitere Informationen erhalten Sie auch bei Ihrem Elektronikändler oder einer Recyclingstelle vor Ort.

Sicherheitshinweise für den Nutzer

- Vergewissern Sie sich vor dem Aufladen, dass die Raumtemperatur zwischen 0°C und 35°C (32° - 95° Fahrenheit) beträgt.
- Versuchen Sie nicht, die Kunststoffabdeckung oder andere Teile abzubauen. Die Materialien im Inneren sind ggf. giftig und können Haut und Kleidung beschädigen.
- Die Batterie darf nicht zerstoßen, zerquetscht, modifiziert, geworfen oder mit Gegenständen zusammengestoßen werden; bei Missbrauch besteht **die Gefahr von Bränden, Stromschlägen oder Verätzungen.**
- Die Batterie darf nicht im Auto bei direkter Sonneneinstrahlung oder in der Nähe von Feuern oder Wärmequellen gelassen, verwendet oder aufbewahrt werden.
- Tauchen, werfen oder befeuchten Sie die Batterie nicht in/mit Wasser/ Meerwasser.
- Verwenden oder laden Sie die Batterie nicht, falls diese abnormal heiß, verfärbt, verformt ist oder falls während der Nutzung, Aufladung oder Lagerung abnormale Situationen auftreten.
- Lassen Sie die Batterie während des Aufladens nicht unbeaufsichtigt. Halten Sie Babys und Kinder von der Batterie fern.

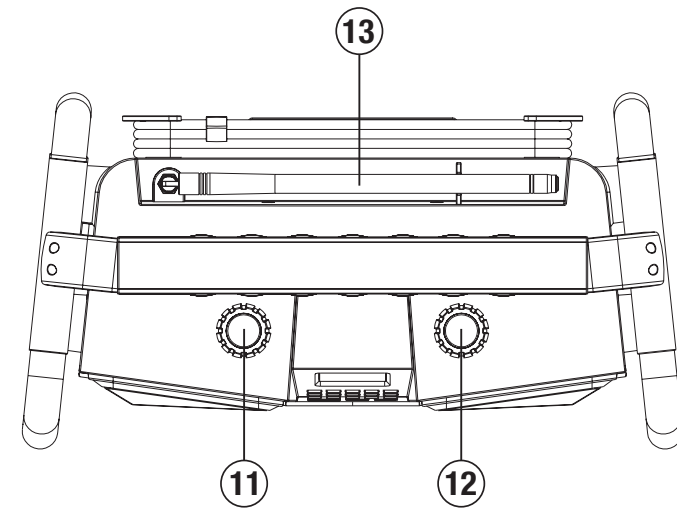
TASTEN

Vorderseite



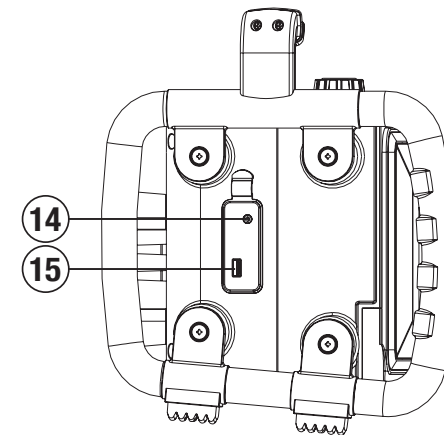
1. LCD
2. SPEICHER 1 - 10
3. EIN/AUS-Taste
4. EQUALIZER-Taste
5. SURROUND-Taste
6. LAUTHEIT-Taste
7. QUELLE-Taste
8. INFO-Taste
9. MONO/STEREO-Taste
10. MENÜ-Taste

Oberseite



11. LAUTSTÄRKEREGLER
12. TUNING/ SUCHE/ ZEIT EINSTELLEN
13. ANTENNE

Seitenansicht



14. AUX-EINGANG
15. USB-Port/ DC-Ausgang (5V/1A)

ERSTMALIGER GEBRAUCH

1. Stellen Sie das Radio auf einen ebenen Untergrund.
2. Ziehen Sie die Antenne auf der Oberseite des Geräts vorsichtig vertikal nach oben aus.
3. Schließen Sie das Netzkabel an eine AC-Steckdose an. Das Radio schaltet sich ein und im Display erscheint einige Sekunden lang das Perfect Pro Logo. Das Radio führt dann eine automatische Suche nach DAB-Sendern auf Band III und nach UKW-Sendern durch.
4. Nach Abschluss der Suche werden die jeweils 10 stärksten UKW- und DAB-Sender gespeichert. Das Radio geht dann in den Standby-Modus über und im Display werden die aktuelle Uhrzeit und das aktuelle Datum angezeigt.
5. Falls das Radio kein Signal finden konnte, wird die Uhrzeit nicht aktualisiert. Es ist dann eventuell erforderlich, das Radio für einen besseren Empfang an einen anderen Ort zu stellen.

DAB-MODUS

Radiobetrieb

1. Ziehen Sie die Antenne vorsichtig aus. Schalten Sie das Radio mit der **EIN/AUS-Taste** ein.
2. Wählen Sie mit der **QUELLE-Taste** den DAB-Modus aus.
3. Das Radio gibt den ersten in der Liste verfügbaren Sender wieder. Im Display erscheint der Sendername. Falls das Radio bereits früher verwendet wurde, schaltet das Radio den zuletzt wiedergegebenen Sender ein.
4. Falls kein DAB-Signal empfangen wird, erscheint im Display „No stations available“. Gegebenenfalls müssen Sie das Radio für einen besseren Empfang an einen anderen Ort stellen. Führen Sie in solch einem Fall die automatische Sendersuche gemäß den Angaben im Abschnitt „**Neue Sender suchen – DAB**“ durch.

Sender einstellen

1. Schalten Sie das Radio mit der **EIN/AUS-Taste** ein.
2. Im Display wird der Name des aktuell wiedergegebenen Senders angezeigt.
3. Drehen Sie den **TUNING-Regler**, um die Liste verfügbarer Sender anzuzeigen.
4. Drehen Sie erneut den **TUNING-Regler**, um durch die Liste zu scrollen. Wenn Sie den gewünschten Sender gefunden haben, wählen Sie diesen durch Drücken des **TUNING-Reglers** aus.

Hinweis: Falls nach Auswahl eines Senders im Display die Anzeige „No stations available“ erscheint, müssen Sie das Radio gegebenenfalls für einen besseren Empfang an einen anderen Ort stellen.

Sekundärdienste

1. Bestimmten Radiosendern sind ein oder mehrere Sekundärdienste zugeordnet. Falls dem so ist, erscheint der Sekundärdienst unmittelbar nach dem Primärdienst, wenn Sie den **TUNING-Regler** drehen.
2. Drücken Sie auf den **TUNING-Regler**, um den Sekundärdienst auszuwählen. Die meisten Sekundärdienste übertragen nicht durchgehend. Falls also der Dienst nicht verfügbar ist schaltet das Radio wieder den Primärdienst ein.

Anzeigemodi

Im DAB-Modus wird eine Vielzahl an Informationen angezeigt.

1. Mit der **INFO-Taste** scrollen Sie durch die unterschiedlichen Optionen.
 - a. Lauftext Anzeige von Textnachrichten wie z.B. Künstler/ Titelname, Telefonnummer, usw.
 - b. Signalstärke Anzeige der aktuellen Signalstärke.
 - c. Programmtyp Anzeige des Sendertyps, z.B. Pop, Klassik, Nachrichten, usw.
 - d. Multiplex-Name Anzeige des Multiplex-Namens, zu dem der aktuelle Sender gehört.
 - e. Sender & Frequenz Anzeige von Sendernummer und -frequenz des aktuell wiedergegebenen DAB-Senders.
 - f. Bitrate & Audiotyp Anzeige der digitalen Audio-Bitrate.
 - g. Datum & Uhrzeit Anzeige von Uhrzeit (24-Stundenformat) und Datum.

Neue Sender suchen

Von Zeit zu Zeit werden neue Sender verfügbar. Neue Sender können Sie wie folgt finden:

1. Drücken Sie im DAB-Modus die **MENÜ-Taste** und drehen Sie den **TUNING-Regler**, um die „Suche“ zu starten.
2. Drücken Sie auf den **TUNING-Regler** und das Radio sucht das Band III nach DAB-Sendern ab. Mit jedem neu gefundenen Sender erhöht sich der Zähler im Display und die Sender werden zur Senderliste hinzugefügt.

Manuelle Suche

Alternativ zur automatischen Sendersuche können Sie Sender auch manuell suchen. Anstatt das komplette Band III automatisch nach Sendern absuchen zu lassen, können Sie direkt einen bekannten DAB-Sender einschalten und alle Multiplexe in diesem Sender zur Senderliste hinzufügen.

1. Drücken Sie im DAB-Modus die **MENÜ-Taste** und drehen Sie den **TUNING-Regler** bis zur Einstellung „Manual tune“. Drücken Sie zum Bestätigen auf den **TUNING-Regler**. Im Display werden die Listen der DAB-Sender und Frequenzen angezeigt.
2. Drehen Sie den **TUNING-Regler** zur Auswahl des gewünschten Senders und der Frequenz und drücken Sie auf den **TUNING-Regler**, um den Sender einzuschalten.
3. Sofern der eingestellte Sender wiedergegeben werden kann, erscheint im Display der Name des Senders. Neu gefundene Sender werden zur Liste im Radio hinzugefügt.
4. Das Antennensymbol weist auf den Empfang des Senders hin. Ein Kreuz mit Antennensymbol bedeutet, dass der Empfang schlecht ist. Die Balken im Antennensymbol bewegen sich auf und ab und weisen so auf die sich ändernde Signalstärke hin, während Sie die Antenne einstellen oder das Radio umstellen.
5. Wiederholen Sie die Schritte 1 bis 4, um weitere Sender zu suchen.
6. Drücken Sie zweimal die **MENÜ-Taste**, um die manuelle Suche zu beenden und zum normalen DAB-Betrieb zurückzukehren.

Dynamische Bereichskontrolle (DRC)

Mit dieser Funktion können leisere Töne lauter gemacht werden, insbesondere, wenn Sie sich in einer lauten Umgebung befinden.

1. Drücken Sie im DAB-Modus die **MENÜ-Taste**, drehen Sie den **TUNING-Regler** bis zur Einstellung „DRC“ und drücken Sie den **TUNING-Regler** zum Bestätigen.
2. Drehen Sie den **TUNING-Regler** zur Auswahl der gewünschten DRC-Einstellung (per Werkseinstellung Aus).
DRC Off DRC ist deaktiviert. DRC-Übertragung wird ignoriert.
DRC Low DRC-Einstellung ist niedriger als die übertragene.
DRC High Die vom Sender übertragene DRC-Einstellung wird wiedergegeben.
3. Drücken Sie zum Bestätigen der Einstellung den **TUNING-Regler**. Das Display kehrt zur normalen Radioanzeige zurück.

Hinweis: Nicht alle DAB-Sender unterstützen die DRC-Funktion. Falls ein Sender keine DRC-Daten überträgt, hat die am Radio ausgewählte DRC-Einstellung keine Wirkung.

Sender löschen

Falls Sie umziehen, werden einige der Sender in der Liste nicht mehr verfügbar sein. Von Zeit zu Zeit stellen DAB-Dienste ihre Arbeit auch ein oder ändern ihren Standort oder ihre Frequenz. Mit dieser Funktion können Sie nicht mehr verfügbare DAB-Sender aus der Liste löschen.

1. Drücken Sie im DAB-Modus die **MENÜ-Taste**.
2. Drehen Sie den **TUNING-Regler** bis zur Einstellung „Prune Invalid“.
3. Drücken Sie den **TUNING-Regler**, um die Einstellung zu öffnen.
4. Drehen Sie nun wieder am **TUNING-Regler**, um zwischen der Option „Yes“ oder „No“ zu wählen (per Werkseinstellung „No“).
Wählen Sie „Yes“, um die Funktion zu aktivieren, oder anderenfalls „No“.
5. Bestätigen Sie Ihre Auswahl mit dem **TUNING-Regler**. Das Display kehrt zum DAB-Menü zurück.

Hinweis: Falls Sie umgezogen sind, sollten Sie auch eine neue Sendersuche durchführen (siehe Abschnitt „Neue Sender suchen – DAB“).

UKW-MODUS

UKW-Radiobetrieb

1. Schalten Sie das Radio mit der **EIN/AUS-Taste** ein.
2. Wählen Sie mit der **QUELLE-Taste** den UKW-Modus aus.
3. Wenn Sie den UKW-Modus zum ersten Mal einschalten, gibt das Radio den auf Speicherplatz 1 gespeicherten Sender wieder.
Anderenfalls spielt das Radio den zuletzt wiedergegebenen Sender ab.
4. Um nach Sendern zu suchen, drücken Sie auf den **TUNING-Regler**. Sobald das Gerät einen Sender mit ausreichender Stärke gefunden hat, wird die Suche beendet.
5. Nach einigen Sekunden erscheint im Display der Sendername, sofern der Sender RDS-Daten überträgt.
6. Drücken Sie den **TUNING-Regler** erneut, falls Sie einen anderen Sender suchen möchten.
7. Um das Frequenzband in entgegengesetzter Richtung abzusuchen, drehen Sie den **TUNING-Regler** im Uhrzeigersinn (Suche von der niedrigen zur höheren Frequenz) oder entgegen dem Uhrzeigersinn (für die Suche von der hohen zur niedrigeren Frequenz) und drücken Sie den **TUNING-Regler**.
8. Am Ende des Frequenzbands setzt das Radio die Suche am gegenüber liegenden Ende des Frequenzbands fort.

Manuelle Suche

1. Schalten Sie das Radio mit der **EIN/AUS-Taste** ein.
2. Wählen Sie mit der **QUELLE-Taste** den UKW-Modus aus.
3. Drehen Sie den **TUNING-Regler**, um den gewünschten Radiosender einzuschalten. Die Frequenz ändert sich in Schritten von 50 kHz.
4. Drehen Sie die Gummiantenne für einen optimalen Empfang. Sofern ein Sender mit ausreichend starkem Signal und RDS-Daten wiedergegeben wird, wird im Display der Sendername angezeigt.
5. Am Ende des Frequenzbands setzt das Radio die Suche am gegenüber liegenden Ende des Frequenzbands fort.

RDS-Senderservice

RDS (Radio Data System) ist ein Informationssystem, bei dem zusätzlich zum normalen UKW-Radioprogramm nicht hörbare digitale Daten übertragen werden. Wenn ein RDS-Sender empfangen wird und die Signalstärke ausreichend ist, wird im Display der Sendername angezeigt. Es kann einige Zeit dauern, bis die RDS-Daten verfügbar sind.

RDS-Daten aufrufen

Wenn Sie einen UKW-Sender mit RDS-Daten abspielen, drücken Sie wiederholt die **INFO-Taste**, um durch die Optionen zu scrollen. Dies ist nur möglich, wenn das empfangene Signal stark genug und klar ist.

- | | |
|----------------------|--|
| a. Radiotext (RT) | Anzeige eines Lauftexts mit Infos über den aktuellen Sender. |
| b. Programmtyp (PTY) | Anzeige des aktuellen Programmtyps, z.B. Pop, Klassik, Nachrichten, usw. |
| c. Frequenz | Anzeige der Frequenz des aktuellen Senders. |
| d. Uhrzeit & Datum | Anzeige von Uhrzeit (24-Stundenformat) und Datum. |

Suchempfindlichkeit

Das Radio sucht normalerweise nach allen Sendern mit UKW-Übertragungen, auch solche mit schwächerem Signal. Sie können anhand der automatischen Suche jedoch festlegen, ob Sie nur Sender mit starkem oder auch solche mit schwachem Signal empfangen möchten.

1. Schalten Sie das Radio mit der **EIN/AUS-Taste** ein.
2. Wählen Sie mit der **QUELLE-Taste** den UKW-Modus aus.
3. Drücken Sie die **MENÜ-Taste** und drehen Sie den **TUNING-Regler** bis zur Einstellung „Scan setting“.
4. Drücken Sie auf den **TUNING-Regler**.
5. Drehen Sie den **TUNING-Regler** zur Auswahl von „All stations“ oder „Strong station“ (Werkseinstellung ist All stations).
Bei der Option „Strong station“ werden nur Sender mit einem starken Signal berücksichtigt.
6. Bestätigen Sie Ihre Auswahl mit dem **TUNING-Regler**. Das Display kehrt zum UKW-Menü zurück.

GESPEICHERTE SENDER

Sender speichern

Das Radio verfügt über 20 Speicherplätze – 10 für DAB- und 10 für UKW-Sender. Bei einem Stromausfall bleiben gespeicherte Sender erhalten.

1. Schalten Sie das Radio mit der **EIN/AUS-Taste** ein.
2. Wählen Sie mit der **QUELLE-Taste** das gewünschte Frequenzband aus.
3. Schalten Sie den gewünschten Sender ein.
4. Halten Sie die gewünschte **SPEICHERTASTE** gedrückt, bis im Display die Anzeige „Saved to preset“ erscheint.
5. Wiederholen Sie die Schritte 3 und 4 für die verbleibenden Speicherplätze.
6. Bereits gespeicherte Sender können auf diese Art und Weise überschrieben werden.

Gespeicherte Sender aufrufen

1. Schalten Sie das Radio mit der **EIN/AUS-Taste** ein.
2. Wählen Sie mit der **QUELLE-Taste** das gewünschte Frequenzband aus.
3. Drücken Sie kurz die entsprechende **SPEICHERTASTE**; unten im Display erscheint z.B. die Anzeige „P1“.

BLUETOOTH-MODUS

Kopplung mit dem Handy via Bluetooth

1. Schalten Sie das Radio mit der **EIN/AUS-Taste** ein.
2. Wählen Sie mit der **QUELLE-Taste** den Bluetooth-Modus aus.
3. Unten im Display blinkt das Bluetooth-Symbol, sofern das Radio noch nicht mit Ihrem Handy gekoppelt wurde.
4. Öffnen Sie an Ihrem Handy die Einstellungen und wählen Sie in der Liste der Bluetooth-Geräte das Gerät „**RockBull**“ (die Vorgehensweise kann je nach Handy variieren; informieren Sie sich in der Bedienungsanleitung Ihres Handys).
5. Nach der erfolgreichen Bluetooth-Kopplung leuchtet die Bluetooth-Anzeige und im Display werden die Informationen der zuletzt abgespielten Musik des Handys angezeigt.

Musik am Handy abspielen

1. Schalten Sie das Radio mit der **EIN/AUS-Taste** ein.
2. Wählen Sie mit der **QUELLE-Taste** den Bluetooth-Modus aus.
3. Starten Sie die Musikwiedergabe im Media-Player des gekoppelten Handys.
4. Die Lautstärke können Sie direkt am Handy oder am Radio mit den Tasten „3“, „4“ bzw. „5“ einstellen.
5. Nach dem Start der Wiedergabe wird im Display der Name des Titels angezeigt.

Anzeigemodi

Im Bluetooth-Modus können unterschiedliche Informationen der wiedergegebenen Musik angezeigt werden. Drücken Sie die **INFO-Taste**, um durch die unterschiedlichen Optionen zu scrollen.

- a. Artist Anzeige des Namens des Sängers bzw. der Sängerin des aktuellen Titels.
- b. Album Anzeige des Albumnamens des aktuellen Titels.

Geräteliste

Am Radio können Sie aus der Liste ein Bluetooth-Gerät für die erneute Verbindung auswählen.

Es werden die Gerätenamen angezeigt, sofern der Name des Bluetooth-Geräts am Handy konfiguriert wurde. Informieren Sie sich in der Bedienungsanleitung des Handys über die Durchführung solcher Konfigurationen.

Überprüfen Sie die Geräteliste wie folgt:

1. Drücken Sie im Bluetooth-Modus die **MENÜ-Taste**.
2. Drehen Sie den **TUNING-Regler** bis zur Option „View details“; drücken Sie zum Bestätigen auf den **TUNING-Regler**.
3. Drehen Sie den **TUNING-Regler** zur Auswahl von „Paired Device list“ und bestätigen Sie die Auswahl mit dem **TUNING-Regler**.
4. Drücken Sie den **TUNING-Regler**, um den Namen der Geräte anzuzeigen.
5. Drücken Sie auf den **TUNING-Regler**, um die Bluetooth-Verbindung erneut herzustellen. Der Lautsprecher wird automatisch mit dem Mobilgerät verbunden.

Hinweis: Sie können an diesem Gerät bis zu 8 externe Gerätenamen speichern. Falls mehr als 8 Geräte verbunden und gespeichert wurden, wird das jeweils älteste gekoppelte Gerät überschrieben.

Hinweis: Falls Sie das „**RockBull**“ an Ihrem Mobilgerät gelöscht haben sollten, kann die Verbindung nicht mehr automatisch hergestellt werden.

Bluetooth-Kopplung erneut starten

Die Bluetooth-Funktion kann auf unterschiedliche Weise eingestellt werden:

1. Drücken Sie im Bluetooth-Modus die **MENÜ-Taste**.
2. Drehen Sie den **TUNING-Regler** zur Auswahl von „Setup Bluetooth“ und bestätigen Sie durch Drücken des **TUNING-Reglers**.
3. Das Radio versucht das aktuell gekoppelte Bluetooth-Gerät zu trennen und ist dann für die Kopplung mit einem neuen Bluetooth-Gerät bereit.
4. Die Bluetooth-Anzeige blinkt, bis die Kopplung mit dem neuen Gerät abgeschlossen ist.

Hinweis: „Setup Bluetooth“ ist die Einstellung, mit der Bluetooth das Radio vom Handy trennt und wieder für andere Geräte „sichtbar“ macht. Somit wird die Bluetooth-Kopplung mit einem anderen Gerät möglich. Falls kein neues Gerät gekoppelt wird, versucht Bluetooth automatisch, das zuletzt verbundene Gerät zu koppeln, wenn es aus- und wieder eingeschaltet wird.

Im Bluetooth-Modus ist die automatische Energieverwaltung aktiviert. Falls für 15 Minuten lang kein Bluetooth-Signal empfangen wird, aktiviert das Radio automatisch den Standby-Modus. Drücken Sie dann die **EIN/AUS-Taste**, um das Gerät wieder einzuschalten.

AUX-EINGANGSMODUS

An der Seite des Geräts, hinter der Gummiabdeckung, befindet sich eine **Aux-Eingangsbuchse** für die Verbindung einer externen Audioquelle wie z.B. MP3-Player oder CD-Player (nicht im Lieferumfang enthalten).

1. Schließen Sie ein Audiogerät an die **Aux-Eingangsbuche** an.
2. Wählen Sie mit der **QUELLE-Taste** den AUX-Eingangsmodus aus. Im Display erscheint die Anzeige „AUX In“.
3. Starten Sie die Wiedergabe am externen Gerät.
4. Stellen Sie sowohl am Radio als auch am Gerät die Lautstärke entsprechend ein.
5. Schließen Sie nach dem Gebrauch die Gummiabdeckung, damit weder Feuchtigkeit noch Schmutz in die Buchse oder das Radio gelangen können.

Hinweis: Verwenden Sie den AUX-Eingang nicht bei Regen oder feuchten Bedingungen, damit keine Feuchtigkeit in das Radio eindringen kann. Halten Sie die Gummiabdeckung in solchen Situationen geschlossen.

Im Aux-Eingangsmodus ist die automatische Energieverwaltung aktiviert. Falls für 15 Minuten lang kein Aux-Signal empfangen wird, aktiviert das Radio automatisch den Standby-Modus. Die Betriebsanzeige und das Display gehen aus. Drücken Sie dann die **EIN/AUS-Taste**, um das Gerät wieder einzuschalten.

USB-MODUS

ES DARF KEINE FEUCHTIGKEIT IN DAS RADIO EINDRINGEN!! HALTEN SIE DIE GUMMIABDECKUNG BEI FEUCHTIGKEIT GESCHLOSSEN.

Sie können über dieses Radio USB-Geräte mit MP3-, AAC-, FLAC- und WAV-Dateien wiedergeben.

Das Radio wurde mit einer Vielzahl an USB-Geräten mit einem Speicher von bis zu 32GB getestet. Es gibt jedoch viele unterschiedliche USB-Speichergeräte und es kann nicht garantiert werden, dass alle von diesem Radio unterstützt werden. Das Radio unterstützt Speichergeräte mit den Dateisystemen FAT oder FAT32.

Unterstützte Audioformate: MP3, AAC, FLAC und WAV. Nicht unterstützte Dateiformate: WMA lossless, WMA voice, WMA 10 professional oder Dateien mit DRM-geschütztem Format.

Die USB-Buchse befindet sich an der Seite unter der Gummiabdeckung. Vergewissern Sie sich nach dem Gebrauch, dass die Gummiabdeckung gut verschlossen ist, damit weder Feuchtigkeit noch Schmutz in das Radio eindringen können. Während der Wiedergabe darf das USB-Gerät nicht getrennt werden, da anderenfalls die darauf gespeicherten Dateien beschädigt werden könnten.

USB-Geräte sind nicht im Lieferumfang des Radios enthalten.

Hinweis: Bei der Wiedergabe eines USB-Sticks werden die Batterien mit niedriger Stromstärke aufgeladen. Sobald der USB-Stick getrennt wird, kann die normale Aufladung fortgesetzt werden.

USB-Speichergeräte anschließen und trennen

Schließen Sie ein USB-Speichergerät vorsichtig an den USB-Port an. Um es zu trennen, ziehen Sie es einfach heraus.

Musikdateien abspielen

1. Schalten Sie das Gerät mit der **EIN/AUS-Taste** ein.
2. Wählen Sie mit der **QUELLE-Taste** den „Music Player“ aus.
3. Drehen Sie den **TUNING-Regler** zur Auswahl von „USB Playback“ und drücken Sie zum Bestätigen auf den **TUNING-Regler**. Das Radio liest das USB-Gerät. Je nach Geschwindigkeit des USB-Geräts kann es manchmal länger dauern, bis das Radio alle Dateien gelesen hat. Nach dem Lesen der Inhalte werden diese angezeigt. Drehen Sie den **TUNING-Regler**, um nach dem gewünschten Ordner (mit Musikdateien) zu suchen. Drücken Sie den **TUNING-Regler** zum Bestätigen. Im Display werden die im Ordner enthaltenen Dateien angezeigt.
4. Wählen Sie mit dem **TUNING-Regler** eine Datei (einen Song) und drücken Sie erneut den **TUNING-Regler**, um die Wiedergabe zu starten.
5. Drücken Sie die Taste **▶|| (SPEICHER 5)**, um die Wiedergabe zu unterbrechen; drücken Sie **▶|| (SPEICHER 5)** erneut, um die Wiedergabe fortzusetzen.
6. Um zum nächsten Titel zu springen, drücken Sie die Taste **▶▶ (SPEICHER 4)**.
7. Um zum vorherigen Titel zu springen, drücken Sie die Taste **◀◀ (SPEICHER 3)**.
8. Halten Sie während der Wiedergabe entweder die Taste **▶▶ (SPEICHER 4)** oder **◀◀ (SPEICHER 3)** gedrückt, bis Sie die gewünschte Stelle gefunden haben, und lassen Sie die Taste dann los.
10. Um zum nächsten Ordner zu springen, drücken Sie die Taste **📁+ (SPEICHER 2)**.
11. Um zum vorherigen Ordner zu springen, drücken Sie die Taste **📁- (SPEICHER 1)**.

Datei suchen

1. Drücken Sie die **MENÜ-Taste**, bis die USB-Musikinhalt angezeigt werden.
2. Drehen Sie den **TUNING-Regler**, um den gewünschten Ordner (mit Musikdateien) zu suchen. Bestätigen Sie mit dem **TUNING-Regler**. Im Display werden die im Ordner enthaltenen Musikdateien angezeigt.
3. Wählen Sie mit dem **TUNING-Regler** eine Datei aus und drücken Sie den **TUNING-Regler** erneut, um die Wiedergabe dieser Datei zu starten.

Das Radio unterstützt eine bestimmte Anzahl an Ordnern und Dateien:

Modus	Max. Anzahl an Ordnern	Max. Anzahl an Dateien
Stopp	999 (mit Ordnername)	9999 (mit Dateiname)
Play	999 (1-99 mit Ordnername) (100-999 ohne Ordnername)	9999 (1-999 mit Dateiname) (1000-9999 ohne Dateiname)

Wiedergabemodus

Während der Wiedergabe eines USB-Speichergeräts:

1. Drücken Sie die **MENÜ-Taste**, bis das Menü des „Music Player“ angezeigt wird.
2. Drehen Sie dann den **TUNING-Regler** zur Auswahl von „Play mode“ und drücken Sie den **TUNING-Regler** zum Bestätigen.
3. Drehen Sie den **TUNING-Regler** zur Auswahl des gewünschten Wiedergabemodus und drücken Sie den **TUNING-Regler** zum Bestätigen.

Folgende Optionen stehen zur Auswahl:

Repeat off	Wiederholte Wiedergabe deaktivieren.
Repeat one	Wiederholte Wiedergabe des aktuellen Titels.
Repeat folder	Wiederholte Wiedergabe aller Dateien im aktuellen Ordner.
Repeat all	Wiederholte Wiedergabe aller Dateien auf dem USB-Gerät.
Repeat shuffle	Einmalige Wiedergabe aller Dateien auf dem USB-Gerät in willkürlicher Reihenfolge.

Je nach Modus erscheint im Display das entsprechende Symbol. Bei deaktivierter wiederholter Wiedergabe erscheint kein Symbol im Display.

Anzeige von Informationen

Während der USB-Wiedergabe werden der Titel und die Wiedergabezeit des aktuellen Titels angezeigt. Drücken Sie die **INFO-Taste**, um durch folgende Optionen zu scrollen (sofern diese Daten in der Datei des Speichergeräts vorhanden sind):

Interpret → Album → Dateiname → Pfad → Datum → Interpret (erneut).

UHRZEIT EINSTELLEN

Die Uhrzeit kann während der Radiowiedergabe oder im Standby-Modus eingestellt werden. Falls 5 Sekunden lang keine Taste gedrückt wird, bricht das Radio die Uhrzeiteinstellung ab.

1. Halten Sie den **TUNING-Regler** 12 Sekunden lang gedrückt, bis das Menü „Time/Date“ angezeigt wird.
2. Drehen Sie den **TUNING-Regler** zur Auswahl von „Set Time/Date“ und bestätigen Sie durch Drücken des **TUNING-Reglers**; die Stundenziffern blinken im Display.
3. Drehen Sie den **TUNING-Regler** zum Einstellen der Stunden.
4. Drücken Sie den **TUNING-Regler** zum Bestätigen; die Minutenziffern blinken.
5. Drehen Sie den **TUNING-Regler** zum Einstellen der Minuten.
6. Drücken Sie den **TUNING-Regler** zum Bestätigen; die Tagesanzeige blinkt im Display.
7. Drehen Sie den **TUNING-Regler** zum Einstellen des aktuellen Tags.
8. Drücken Sie den **TUNING-Regler** zum Bestätigen; die Monatsanzeige blinkt im Display.
9. Drehen Sie den **TUNING-Regler** zum Einstellen des Monats.
10. Drücken Sie den **TUNING-Regler** zum Bestätigen; die Jahresanzeige blinkt im Display.
11. Drehen Sie den **TUNING-Regler** zum Einstellen des Jahres.
12. Drücken Sie den **TUNING-Regler**, um die Einstellungen zu bestätigen und zu beenden.

LAUTHEIT

Mit der Lautheit-Funktion können niedrigere und höhere Frequenzen kompensiert werden. Bei niedrigerer Lautstärke sind die Effekte besser hörbar (dynamische Lautheit).

1. Drücken Sie die **LAUTHEIT-Taste**, um die Funktion zu aktivieren; im Display erscheint die Anzeige „Loudness On“.
2. Drücken Sie die **LAUTHEIT-Taste** erneut, um die Funktion zu deaktivieren; im Display erscheint die Anzeige „Loudness Off“.
3. Nach 3 Sekunden kehrt das Display zur normalen Anzeige zurück und der Betrieb wird fortgesetzt.

SURROUND-SOUND

Das ROCKBULL Radio verwendet einen digitalen Signalprozessor, um das Originalaudiosignal für die Reproduktion eines digitalen virtuellen Surround-Sounds einzustellen. Die Qualität ist äußerst hoch, um Ihnen einen großzügigen und perspektivischen Soundbereich zu bieten.

1. Schalten Sie das Gerät mit der **EIN/AUS-Taste** ein.
2. Wählen Sie mit der **QUELLE-Taste** einen Modus aus.

3. Drücken Sie wiederholt die **SURROUND-Taste**, um zwischen „Surround on“ und „Surround off“ zu wählen.
4. Nach 3 Sekunden kehrt das Display zur normalen Anzeige zurück und der Betrieb wird fortgesetzt.

Der Surround-Sound-Effekt variiert je nach Art der Musik. Die besten Ergebnisse werden mit „leichter und entspannender“ Musik erzielt. „Laute und schwere“ Musik verursacht oft einen „offenen“ Soundeffekt oder Verzerrungen. All dies wird natürlich auch von der Lautstärke und den ausgewählten Equalizer-Einstellungen beeinflusst.

Der Surround-Sound hat in großen Räumen mit reflektierenden Wänden und einigen Metern vom Radio entfernt den besten Effekt. Zu nah am Radio ist der Surround-Sound nicht optimal.

EQUALIZER-EINSTELLUNGEN

Sie können aus 12 EQUALIZER-Einstellungen auswählen. Jede EQ-Einstellung enthält parametrische Steuerungen im digitalen Audioprozessor, um Ihnen optimale Einstellungen für unterschiedliche Musikarten und Umgebungen zu ermöglichen.

1. Schalten Sie das Gerät mit der **EIN/AUS-Taste** ein.
2. Drücken Sie wiederholt die **EQUALIZER-Taste** zur Auswahl der gewünschten Einstellung. Die ausgewählte Einstellung wird umgehend übernommen:
 - EQ1 Normal
 - EQ2 Klassik
 - EQ3 Tanz
 - EQ4 Soul und Jazz
 - EQ5 Rock
 - EQ6 Flat
 - EQ7 Kleines Zimmer
 - EQ8 Gespräch
 - EQ9 Akustik
 - EQ10 Innenraum
 - EQ11 Im Freien
 - EQ12 Spät nachts
3. Nach 3 Sekunden kehrt das Display zur normalen Anzeige zurück und der Betrieb wird fortgesetzt.

SPRACHE

Das Radio unterstützt unterschiedliche Spracheinstellungen.

1. Schalten Sie das Gerät mit der **EIN/AUS-Taste** ein.
2. Drücken Sie die **MENÜ-Taste** und drehen Sie den **TUNING-Regler** zur Auswahl von „System settings“.
3. Drücken Sie auf den **TUNING-Regler** und drehen Sie ihn dann zur Auswahl von „Language“.
4. Drücken Sie auf den **TUNING-Regler**, um das Menü für die Einstellung der Sprache zu öffnen.
5. Drehen Sie den **TUNING-Regler** zur Auswahl einer Sprache (per Werkseinstellung Englisch).
6. Drücken Sie auf den **TUNING-Regler** zum Bestätigen. Das Display wird in der gewählten Sprache angezeigt.

SOFTWARE-VERSION

Die Software-Anzeige kann nicht verändert werden und dient nur als Information. Die Software-Version kann nur in den Modi DAB, FM, Bluetooth, Aux-In oder USB angezeigt werden.

1. Schalten Sie das Gerät mit der **EIN/AUS-Taste** ein.
2. Wählen Sie mit der **QUELLE-Taste** einen Modus aus.
3. Drücken Sie die **MENÜ-Taste** und drehen Sie den **TUNING-Regler** zur Auswahl von „System settings“.
4. Drücken Sie auf den **TUNING-Regler** und drehen Sie ihn dann zur Auswahl von „Info“.
5. Drücken Sie auf den **TUNING-Regler**, um die Software-Version anzuzeigen.
6. Drücken Sie die **MENÜ-Taste**, um zum vorherigen Menü zurückzukehren, und ein weiteres Mal, um zur normalen Radioanzeige zurückzukehren.

SYSTEM ZURÜCKSETZEN

Falls das Radio nicht ordnungsgemäß funktioniert oder einige Ziffern nicht richtig angezeigt werden, unvollständig sind oder fehlen, gehen Sie wie folgt vor.

1. Schalten Sie das Gerät mit der **EIN/AUS-Taste** ein.
2. Drücken Sie die **MENÜ-Taste**.
3. Drehen Sie den **TUNING-Regler** zur Auswahl von „System settings“ und drücken Sie ihn zum Bestätigen.
4. Drehen Sie den **TUNING-Regler** zur Auswahl von „Factory reset“ und bestätigen Sie durch Drücken des **TUNING-Reglers**.
5. Drehen Sie den **TUNING-Regler**, um zwischen „Yes“ oder „No“ auszuwählen. Wählen Sie „Yes“, um das Radio zurückzusetzen; anderenfalls wählen Sie „No“.
6. Drücken Sie den **TUNING-Regler**, um das Gerät zurückzusetzen.
7. Das Gerät wird vollständig zurückgesetzt. Alle gespeicherten Sender und Senderlisten werden gelöscht. Alle Einstellungen werden auf die Werkseinstellungen zurückgesetzt.
Im Display erscheint einige Sekunden lang das Perfect Pro Logo und danach startet das Radio die Suche nach Band III DAB-Sendern und UKW-Sendern.

Bei Fehlfunktionen aufgrund elektrostatischer Entladung setzen Sie das Gerät wie oben erläutert zurück, um den normalen Betrieb wiederherzustellen. Falls sich das Gerät nicht zurücksetzen lässt, trennen Sie den Netzstecker und schließen Sie ihn dann erneut an.

MOBILGERÄT VIA USB AUFLADEN

Das Radio ermöglicht die Aufladung eines Mobilgeräts über die USB-Buchse. Die USB-Buchse bietet 5V und unterstützt maximal 1A.

HELLIGKEIT

LCD-Helligkeit einstellen

1. Schalten Sie das Gerät mit der **EIN/AUS-Taste** ein.
2. Drücken Sie die **MENÜ-Taste** und drehen Sie den **TUNING-Regler** zur Auswahl von „System settings“. Drücken Sie den **TUNING-Regler** zum Bestätigen.
3. Drehen Sie den **TUNING-Regler** zur Auswahl von „Brightness“.
4. Drücken Sie auf den **TUNING-Regler**, um das Menü zur Einstellung der LCD-Helligkeit zu öffnen.
5. Drehen Sie den **TUNING-Regler** zur Auswahl von „Normal“ für die Einstellung der Helligkeit während der Radiowiedergabe.
6. Oder drehen Sie den **TUNING-Regler** zur Auswahl von „Standby“, um die Helligkeit des Displays für den Standby-Modus einzustellen.
7. Drücken Sie auf den **TUNING-Regler**, um Ihre Auswahl zu bestätigen.

Hinweis: Während Standby im Batteriemodus wird das Radio ausgeschaltet, um Strom zu sparen. Das Display geht dann auch aus. Ist das Radio mit dem Netzstrom verbunden, werden wieder die letzten Einstellungen aktiviert.

GARANTIE

Dieses Gerät kommt mit einer 2-jährigen eingeschränkten Garantie.

WARNUNG! Die Garantie wird nichtig, falls die Abdeckung geöffnet und das Gerät modifiziert oder verändert wurde!

Die Garantie des Radios erstreckt sich nicht auf folgendes:

- Schäden aufgrund falscher Nutzung, Missbrauch, Fahrlässigkeit, Unfällen, Änderungen oder nicht genehmigter Reparaturen.
- Normale(r) Abnutzung und Verschleiß.
- Die Teleskopantenne wurde gebrochen oder geknickt.

ÖFFNEN SIE NIEMALS DAS GEHÄUSE DES GERÄTS. DER HERSTELLER HAFTET NICHT FÜR SCHÄDEN AUFGRUND UNSACHGEMÄSSER HANDHABUNG. DAS TYPENSCHILD BEFINDET SICH AN DER RÜCKSEITE DES GERÄTS.



Umweltgerechte Entsorgung

Dieses Produkt wurde mit hochwertigen Teilen und Materialien hergestellt, die wieder verwendbar und recycelbar sind.

Werfen Sie das Gerät am Ende seiner Lebensdauer daher nicht in den Hausmüll. Geben Sie es an einer Sammelstelle für das Recycling elektrischer und elektronischer Geräte ab. Dieses Symbol auf dem Gerät, in der Bedienungsanleitung und auf der Verpackung weist entsprechend darauf hin.

Informieren Sie sich auf Ihrer Behörde vor Ort über entsprechende Sammelstellen.

Schützen Sie die Umwelt und recyceln Sie.



TECHNISCHE DATEN

Stromversorgung

Netzbetrieb: AC 230V~, 50/60Hz

Stromverbrauch

Betrieb: < 55 W

Standby: < 0,5 W

Frequenzbereich

DAB 174.928-239.200 MHz

UKW 87,50-108,00 MHz

Bluetooth

Version 5.0 Unterstützt Bluetooth-Profil A2DP und AVRCP

Lautsprecher

Woofer 2 x ø130mm, 4 Ohm

Tweeter 2 x ø45mm, 8 Ohm

Ausgangsleistung

Nominal: 2 x 25W

Aux-Eingang

ø3,5 mm

USB-Port

USB Typ A mit 5V/1A Ausgabe für Aufladung von Handys

INHOUDSOPGAVE

INHOUDSOPGAVE	1
BELANGRIJKE VEILIGHEIDSinSTRUCTIES	3
VOEDING	4
Gebruik met netstroom	4
Gebruik met de lithiumbatterij en opladen	4
Veiligheidsmaatregelen voor gebruikers	5
BEDIENING	6
ooraanzicht	6
Bovenaanzicht	7
Zijaanzicht	7
HET APPARAAT VOOR HET EERST GEBRUIKEN	8
DAB-MODUS	8
De radio bedienen	8
Een zender selecteren	8
Secundaire diensten	9
Weergavemodi	9
Nieuwe zenders zoeken	9
Handmatig afstemmen	10
DRC-instellingen (Dynamic Range Control)	10
Niet-beschikbare zenders verwijderen	11
FM-MODUS	11
De FM-modus gebruiken	11
Handmatig afstemmen	11
RDS-informatie	12
Scangevoeligheid instellen	12
VOORKEURZENDERS	13
Voorkeurzenders opslaan	13
Voorkeurzenders oproepen	13
BLUETOOTH GEBRUIKEN	13
Koppelen via Bluetooth met uw mobiele telefoon	13
Muziek afspelen vanaf uw mobiele telefoon	14
Weergavemodi	14
Apparaatlijst	14
Koppelen via Bluetooth opnieuw starten	15
AUX IN-MODUS	15
USB-MODUS	16

Een USB-geheugenapparaat plaatsen en verwijderen	16
Muziekbestanden afspelen	16
Zoeken naar bestanden	17
Afspeelmodus	17
Informatiefunctie	18
DE KLOK INSTELLEN	18
LOUDNESS	19
SURROUND SOUND	19
EQUALIZER	20
TAAL	20
SOFTWAREVERSIE	21
SYSTEEMRESET	21
MOBIEL APPARAAT OPLADEN VIA USB	22
HELDERHEID	22
GARANTIE.....	22
Milieuopmerking	23
TECHNISCHE GEGEVENS	24



WAARSCHUWING ! DE GARANTIE VERVALT INDIEN U DE BEHUIZING VAN HET APPARAAT HEBT GEOPEND OF WIJZIGINGEN HEBT AANGEBRACHT AAN HET OORSPRONKELIJKE APPARAAT. OPEN DE BEHUIZING VAN HET APPARAAT NOOIT. DE FABRIKANT AANVAARDT GEEN ENKELE AANSPRAKELIJKHEID VOOR SCHADE ALS GEVOLG VAN ONJUIST GEBRUIK. HET TYPEPLAATJE BEVINDT ZICH OP DE ONDERKANT VAN HET APPARAAT.



Het woordmerk en de logo's van Bluetooth® zijn geregistreerde handelsmerken die eigendom zijn van Bluetooth SIG, Inc. en elk gebruik hiervan is onder licentie.

BELANGRIJKE ALGEMENE VEILIGHEIDSLINSTRUCTIES

1. Lees deze instructies.
2. Bewaar deze instructies goed.
3. Neem alle waarschuwingen in acht.
4. Volg alle aanwijzingen op.
5. Reinig het uitsluitend met een droge doek.
6. Blokkeer geen ventilatieopeningen en plaats het toestel volgens de instructies.
7. Plaats het niet in de buurt van warmtebronnen zoals verwarmingen, ventilatiekleppen, ovens en andere apparaten (incl. versterkers) die warmte afgeven.
8. Beschadig niet de ten behoeve van de veiligheid gepoolde of gearde stekkers. Een gepoolde stekker bezit twee contacten, een is breder dan de andere. Een gearde stekker bezit twee contacten en een derde pen voor de aarding. Het brede contact of de derde pin dienen voor uw veiligheid. Mocht de meegeleverde stekker niet in uw stopcontact passen, neem dan voor het vervangen van het verouderde stopcontact contact op met een elektricien.
9. Bescherm de stroomkabel, opdat hierop niet gelopen wordt en er geen beschadigingen of knikken optreden aan de stekker, aan het stopcontact of op de plek waar de stekker uit het toestel komt.
10. Gebruik uitsluitend de door de fabrikant aangegeven onderdelen/accessoires.
11. Gebruik het toestel uitsluitend met de door de fabrikant aangegeven of samen met het toestel gekochte wagentjes, standards, driepoten, klemmen of tafel. Wanneer u een wagen gebruikt, wees dan voorzichtig bij het bewegen van de combinatie wagen/toestel om letsel door omvallen te vermijden.
12. Koppel het toestel van de stroomvoorziening af bij onweer of wanneer het langere tijd niet wordt gebruikt.
13. Laat iedere vorm van onderhoud door gekwalificeerd personeel verrichten. Een onderhoud is noodzakelijk wanneer het toestel aan de stroomkabel of stekker beschadigd werd, wanneer er vloeistof of voorwerpen in het toestel zijn binnengedrongen, wanneer het toestel aan regen of vochtigheid was blootgesteld en wanneer het niet normaal functioneert resp. gevallen is.
14. Stel het toestel noch aan regen noch aan vochtigheid bloot om het gevaar voor brand of het risico van een elektrische schok te reduceren.
15. Verwijder de afdekking niet. In het binnenste bevinden zich geen onderdelen waarvoor een onderhoud noodzakelijk is.
16. Geen voorwerpen op het apparaat plaatsen welke een bron zijn van open vlammen.
17. Gebruik bij het gebruik in de open lucht op regenachtige dagen of bij vochtig weer uitsluitend batterijen om een elektrische schok te vermijden. Om elektrische schok te voorkomen, als de radio blootgesteld is geweest aan regen of water, dienen zowel het snoer als de stekker volledig gedroogd te worden alvorens de stekker in het stopcontact wordt gestoken.
18. De netstekker moet dicht bij het toestel en steeds toegankelijk zijn, zodat in geval van nood (bijv. om het toestel van het stroomnet te scheiden) alleen de stekker uit het stopcontact moet worden getrokken.
19. De productinformatie is te vinden op de onderzijde van het toestel.
20. Dit apparaat is voorzien van bescherming tegen spattend water (IP65).
21. In geval van storing ten gevolge van Electro-statische ontlading of piekspanning, verwijder de stroombron en sluit deze daarna weer aan.
22. Het apparaat moet gebruikt worden in een gemiddeld klimaat.
23. Om mogelijke gehoorschade te voorkomen niet op een hoog volume gedurende een lange periode luisteren.
24. Een omgeving met lijnstoring / radiosensitiviteit kan bij de radio stringen veroorzaken. Dit zal automatisch weer normaliseren wanneer de lijnstoring / radiosensitiviteit is gestopt.“

VOEDING

Gebruik met netstroom

1. Voordat u de stekker van het netsnoer in het stopcontact steekt, dient u te controleren of de spanning van het lichtnet correct is.
2. De opslag voor het netsnoer en de stekker is ontworpen om het netsnoer en de stekker op te bergen wanneer de radio niet in gebruik is.

Opmerking:

Als u het apparaat volledig wilt loskoppelen van het lichtnet, moet u de stekker van het netsnoer volledig uit het stopcontact trekken.

Tijdens gebruik moet de stekker altijd eenvoudig bereikbaar blijven en de toegang tot de stekker mag niet worden belemmerd.

Haal de stekker in geval van storing als gevolg van elektrostatische ontlading of snelle elektrische transiënten (stroompiek) uit het stopcontact en steek de stekker na ongeveer een halve minuut opnieuw in het stopcontact.

Gebruik met de lithiumbatterij en opladen

OPMERKING OVER HET EERSTE GEBRUIK: LAAD DE BATTERIJ VOLLEDIG OP VOORDAT U DE ROCKBULL VOOR HET EERST GEBRUIKT.

De **ROCKBULL** kan worden gebruikt met behulp van de ingebouwde lithiumbatterij. Tijdens gebruik op batterijvoeding wordt er een indicatie van het batterijniveau weergegeven op het LCD-display van de radio.

Als de batterij bijna leeg is, knippert het batterijsymbool op het display. In dit geval moet de batterij zo snel mogelijk worden opgeladen om het normale gebruik van de **ROCKBULL** voort te zetten.

De oplaadtijd voor het volledig opladen van de batterij (van leeg naar vol) bedraagt ongeveer 8 - 10 uur (bij kamertemperatuur en met de radio in de stand-bymodus). De **ROCKBULL** kan zowel worden opladen in de stand-bymodus als tijdens het afspelen van muziek wanneer de radio is ingeschakeld. Tijdens het afspelen van muziek duurt het opladen langer dan in de stand-bymodus.

Voor extra veiligheid start de ROCKBULL het opladen niet als de batterij al volledig of bijna volledig is opgeladen.

OPMERKING OVER SPEELDUUR OP BATTERIJSTROOM: De gerealiseerde speelduur op batterijstroom is afhankelijk van veel factoren, waaronder: het geselecteerde volumeniveau, de muzieksoort (zware basmuziek verbruikt meer energie), de geselecteerde muziekbron (DAB, FM, Bluetooth, USB of AUX-IN), de geselecteerde EQ-instelling, de omgevingstemperatuur en de leeftijd van de batterij. Afhankelijk van deze variabelen kan een speelduur van ongeveer 18 tot 24 uur worden gerealiseerd bij een gemiddeld volumeniveau.

OPMERKING OVER DE LEVENSDUUR VAN DE LITHIUMBATTERIJ: Als de **ROCKBULL** gedurende langere tijd niet wordt gebruikt, laad de ingebouwde batterij dan altijd eerst op totdat deze volledig is opgeladen. U verkrijgt de optimale levensduur van de ingebouwde batterij door deze na elk gebruik van de **ROCKBULL** opnieuw op te laden, zelfs als de batterij maar gedeeltelijk is ontladen. De levensduur van de batterij neemt af als de batterij van het product gedurende een lange periode in ontladen toestand wordt achtergelaten.

WAARSCHUWING:

Probeer de ingebouwde lithiumbatterij niet zelf te vervangen of te repareren. Als u twijfels over de ingebouwde lithiumbatterij hebt, neem dan contact op met de klantenservice van Perfect Pro voor verdere assistentie.

WAARSCHUWING:

Explosiegevaar indien de batterij onjuist wordt vervangen.

Stel de batterij niet bloot aan overmatige hitte zoals zonlicht, vuur en dergelijke.

Batterijen mogen niet worden verwijderd door ze te verbranden of weg te gooien bij het huisvuil.

Breng wegwerpbatterijen indien mogelijk naar een geschikt recyclingcentrum.



Veiligheidsinformatie voor de interne oplaadbare lithiumbatterij

De interne oplaadbare lithiumpolymeerbatterij die in dit apparaat wordt gebruikt, kan gedurende lange tijd stroom leveren. Zelfs lithiumpolymeerbatterijen bereiken echter een punt waarop ze niet meer kunnen worden opgeladen. Als de batterij na verschillende pogingen niet kan worden opgeladen, is het mogelijk dat deze leeg is (een te lage resterende capaciteit heeft). Neem in dit geval contact op met service@perfectpro.eu voor reparatie-informatie.

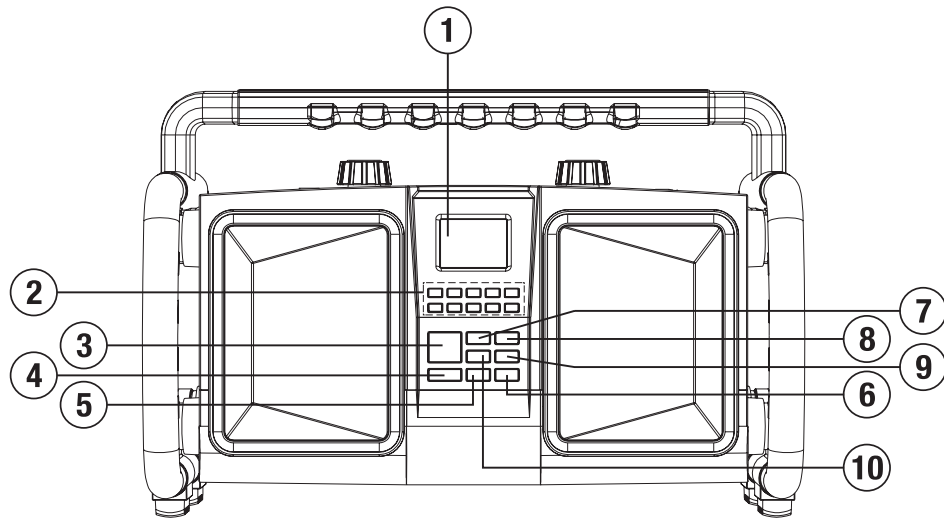
Als u echter niet wilt dat wij de batterij vervangen, moet u gebruikte batterijen/apparaten weggooien in overeenstemming met de wet- en regelgeving in uw regio. Daarnaast kunt u voor verwijdering contact opnemen met uw plaatselijke elektronicawinkel of recyclingcentrum.

Veiligheidsmaatregelen voor gebruikers

- Controleer of de kamertemperatuur binnen het bereik 0°C – 35°C ligt voordat u de batterij oplaadt.
- Probeer de kunststof behuizing of onderdelen van het apparaat niet te demonteren, aangezien de materialen in het apparaat giftig kunnen zijn en huid en kleding kunnen beschadigen.
- De batterij mag niet worden doorboord, geplet, aangepast, gegooid of blootgesteld aan onnodige elektrische schokken, omdat **de batterij die wordt gebruikt in dit apparaat een risico op brand, explosies of chemische brandwonden kan vormen indien deze verkeerd wordt behandeld**.
- De batterij mag niet worden achtergelaten, opgeladen of gebruikt in een auto in direct zonlicht of in de buurt van vuur of warmtebronnen.
- Dompel de batterij niet onder of laat de batterij niet nat worden in water/zeewater.
- Gebruik of laad de batterij niet op wanneer deze abnormaal warm, verkleurd of vervormd is of wanneer u afwijkende omstandigheden opmerkt tijdens gebruik, opladen of opslag.
- Laat een batterij die wordt opgeladen niet onbeheerd achter. Houd de batterij uit de buurt van baby's en kinderen.

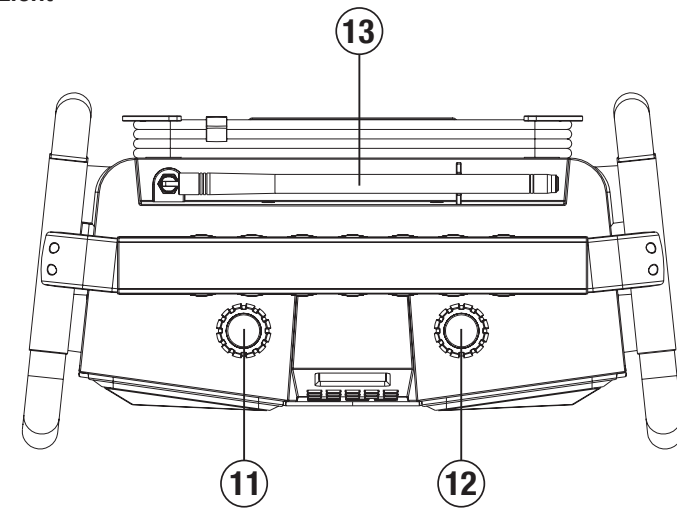
BEDIENING

Vooraanzicht



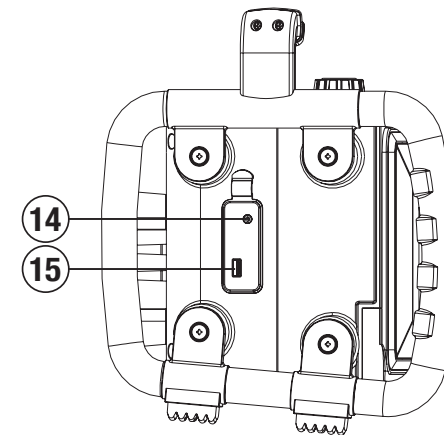
1. LCD-display
2. Knoppen VOORKEURZENDER 1 - 10
3. AAN/UIT-knop
4. EQUALIZER-knop
5. SURROUND-knop
6. LOUDNESS-knop
7. BRON-knop
8. INFO-knop
9. MONO/STEREO-knop
10. MENU-knop

Bovenaanzicht



11. VOLUME-knop
12. AFSTEMMEN / ZOEKEN / TIJD INSTELLEN-knop
13. ANTENNE

Zijaanzicht



14. AUX-ingang
15. USB-apparaat / DC-uitgang (5V/1A)

HET APPARAAT VOOR HET EERST GEBRUIKEN

1. Plaats de radio op een vlakke ondergrond.
2. Strek de antenne aan de bovenkant van de radio voorzichtig uit. Verstel de antenne, zodat deze verticaal boven de radio uitsteekt.
3. Sluit het netsnoer aan op het stopcontact. De radio start op en het display zal enkele seconden het Perfect Pro-logo weergeven. Daarna voert de radio op de achtergrond een automatische scan uit op de Band III DAB-kanalen en de FM-band.
4. Wanneer de scan is voltooid, worden de 10 sterkste FM-zenders en de eerste 10 DAB-zenders opgeslagen als voorkeuzender. De radio schakelt over naar stand-bymodus en de bijgewerkte klok en datum worden weergegeven op het display.
5. Als er geen signalen zijn gevonden, wordt de klok niet bijgewerkt. Het kan in dit geval nodig zijn om de radio te verplaatsen naar een plek met een betere ontvangst.

DAB-MODUS

De radio bedienen

1. Strek de antenne voorzichtig uit. Druk op de **AAN/UIT-knop** om de radio in te schakelen.
2. Selecteer DAB door op de **BRON-knop** te drukken.
3. De eerste zender in de lijst met gevonden zenders wordt afgespeeld. Het display toont de naam van de zender. Als de radio al eerder is gebruikt, wordt de laatst gebruikte zender geselecteerd.
4. Als er geen DAB-signalen worden gedetecteerd, wordt de melding 'No stations available' (geen zenders beschikbaar) weergegeven. Het kan in dit geval nodig zijn om de radio te verplaatsen naar een plek met een betere ontvangst. Daarna moet u een automatische scan uitvoeren om zenders te vinden. Raadpleeg de paragraaf '**Nieuwe zenders zoeken - DAB**'.

Een zender selecteren

1. Druk op de **AAN/UIT-knop** om de radio in te schakelen.
2. Het display toont de naam van de geselecteerde radiozender.
3. Draai aan de **AFSTEMKNOP** om de lijst met beschikbare zenders weer te geven.
4. Draai aan de **AFSTEMKNOP** om door de lijst te scrollen en de gewenste zender te selecteren. Druk op de **AFSTEMKNOP** om uw keuze te bevestigen.

Opmerking: Als het display na het selecteren van een zender de melding 'No stations available' (geen zenders beschikbaar) toont, kan het nodig zijn om de radio te verplaatsen naar een plek met betere ontvangst.

Secundaire diensten

1. Bepaalde radiostations zijn gekoppeld aan een of meer secundaire diensten. Als een zender aan een secundaire dienst is gekoppeld, wordt de secundaire dienst onmiddellijk na de primaire dienst weergegeven wanneer u aan de **AFSTEMKNOP** draait.
2. Druk op de **AFSTEMKNOP** om de secundaire dienst te selecteren. De meeste secundaire diensten zenden niet continu uit. Als de geselecteerde dienst niet beschikbaar is, stemt de radio opnieuw af op de bijbehorende primaire dienst.

Weergavemodi

In de DAB-modus kan de radio een reeks informatie op het display weergeven.

1. Druk op de **INFO-knop** om door de verschillende modi te bladeren.
 - a. Scrollende tekst Toont tekstberichten met bijv. de artiest/tracknaam, het inbelnummer, etc.
 - b. Signaalsterkte Toont de signaalsterkte van de radio-ontvangst.
 - c. Programmatype Toont het type zender dat beluisterd wordt, bijv. pop, klassiek, nieuws, etc.
 - d. Multiplex-naam Toont de naam van de multiplex waartoe de huidige zender behoort..
 - e. Kanaal en frequentie Toont het kanaalnummer en de frequentie voor de DAB-zender waarop is afgestemd.
 - f. Bitrate en audiotype Toont de digitale audiobitrate.
 - g. Tijd en datum Toont de huidige tijd (24-uursklok) en datum.

Nieuwe zenders zoeken

Er kunnen van tijd tot tijd nieuwe zenders beschikbaar komen. U kunt als volgt te werk gaan om naar nieuwe zenders te zoeken:

1. Druk in de DAB-modus op de **MENU-knop** en draai vervolgens aan de **AFSTEMKNOP** om 'Scan' te selecteren.
2. Druk ter bevestiging op de **AFSTEMKNOP**, de radio voert een scan uit op de Band III DAB-kanalen. Zodra er nieuwe zenders worden gevonden, wordt de zenderteller op het display opgehoogd en worden de zenders toegevoegd aan de zenderlijst.

Handmatig afstemmen

Handmatig afstemmen is een alternatieve methode voor het zoeken naar nieuwe zenders. In plaats van automatisch alle Band III-kanalen te scannen, kunt u de radio ook direct op een bekend DAB-kanaal afstemmen en alle multiplex in dat kanaal opslaan in de lijst met beschikbare zenders.

1. Druk in de DAB-modus op de **MENU-knop** en draai vervolgens aan de **AFSTEMKNOP** om 'Manual tune' (handmatig afstemmen) te selecteren. Druk vervolgens ter bevestiging op de **AFSTEMKNOP**. Het display toont de lijst met DAB-kanalen en frequenties.
2. Draai aan de **AFSTEMKNOP** om het gewenste kanaal of de gewenste frequentie te selecteren en druk vervolgens op de **AFSTEMKNOP** om af te stemmen op de gekozen frequentie.
3. Als er DAB-zenders op het gekozen kanaal zijn gevonden, toont het display de naam van de zender. Nieuwe radiozenders die zijn gevonden worden toegevoegd aan de lijst die is opgeslagen in de radio.
4. Het antennepictogram toont de signaalsterkte van de zender. Een kruis met een antennepictogram geeft aan dat er geen signaal of een slecht signaal wordt ontvangen. Als u de antenne of de radio verplaatst, neemt het aantal balkjes in het antennepictogram toe of af om de nieuwe signaalsterkte weer te geven.
5. Herhaal de stappen 1 tot en met 4 voor andere kanalen met nieuwe zenders.
6. Druk twee keer op de **MENU-knop** om het handmatig afstemmen af te sluiten en terug te keren naar de normale DAB-modus.

DRC-instellingen (Dynamic Range Control)

DRC kan zachte geluiden eenvoudiger hoorbaar maken wanneer de radio wordt gebruikt in een lawaaiige omgeving.

1. Druk in de DAB-modus op de **MENU-knop** en draai vervolgens aan de **AFSTEMKNOP** om 'DRC' te selecteren. Druk ter bevestiging op de **AFSTEMKNOP**.
2. Draai aan de **AFSTEMKNOP** om de gewenste DRC-instelling te selecteren (de standaardinstelling is 'Off').
DRC Off DRC is uitgeschakeld. Uitgezonden DRC wordt genegeerd.
DRC Low Het DRC-niveau wordt lager ingesteld dan het niveau dat wordt uitgezonden door de zender.
DRC High DRC wordt ingesteld zoals uitgezonden door de zender.
3. Druk op de **AFSTEMKNOP** om uw keuze te bevestigen. Het display toont nu weer de normale radioweergave.

Opmerking: Niet alle DAB-uitzendingen maken gebruik van de DRC-functie. Als een uitzending geen gebruik maakt van DRC, heeft het instellen van DRC op de radio geen effect.

Niet-beschikbare zenders verwijderen

Als u naar een ander deel van het land verhuist, is het mogelijk dat sommige zenders in de zenderlijst niet langer beschikbaar zijn. Daarnaast kunnen sommige DAB-diensten van tijd tot tijd stoppen met uitzenden of van locatie of frequentie veranderen. De functie 'Prune Invalid' verwijdert niet-beschikbare DAB-zenders uit uw zenderlijst.

1. Druk in de DAB-modus op de **MENU-knop**.
2. Draai aan de **AFSTEMKNOP** om 'Prune Invalid' (niet-beschikbare zenders verwijderen) te selecteren.
3. Druk op de **AFSTEMKNOP** om de instelling te openen.
4. Draai aan de **AFSTEMKNOP** om 'Yes' of 'No' te selecteren ('No' is standaard geselecteerd).
Selecteer indien gewenst 'Yes' om deze functie uit te voeren of selecteer 'No' als u de functie niet wilt uitvoeren.
5. Druk op de **AFSTEMKNOP** om uw keuze te bevestigen. Het display toont nu weer het DAB-menu.

Opmerking: Als u bent verhuisd naar een ander deel van het land, dient u ook opnieuw naar zenders te zoeken (raadpleeg de paragraaf 'Nieuwe zenders zoeken – DAB').

FM-MODUS

De FM-modus gebruiken

1. Druk op de **AAN/UIT-knop** om de radio in te schakelen.
2. Selecteer de FM-golfband door op de **BRON-knop** te drukken.
3. Als de radio voor het eerst in de FM-modus wordt gezet, wordt de zender die is opgeslagen onder voorkeurzender 1 afgespeeld.
Als de radio al eerder is gebruikt, wordt de laatste beluisterde zender afgespeeld.
4. Druk om naar zenders te zoeken op de **AFSTEMKNOP**. De scan stopt automatisch wanneer er een zender met een voldoende sterk signaal wordt gevonden.
5. Als er RDS-informatie wordt ontvangen, wordt de informatie op het display na een paar seconden bijgewerkt met de zendernaam.
6. Als u naar andere zenders wilt zoeken, druk dan nogmaals op de **AFSTEMKNOP**.
7. Draai de **AFSTEMKNOP** met de klok mee om van lagere frequenties naar hogere frequenties te scannen of draai de **AFSTEMKNOP** tegen de klok in om van hoge frequenties naar lagere frequenties te scannen.
8. Als het einde van de golfband is bereikt, gaat de radio door vanaf het andere uiteinde van de golfband.

Handmatig afstemmen

1. Druk op de **AAN/UIT-knop** om de radio in te schakelen.
2. Selecteer de FM-band door op de **BRON-knop** te drukken.
3. Draai aan de **AFSTEMKNOP** om af te stemmen op de frequentie van de gewenste FM-zender.
De radio verandert de frequentie met stappen van 50 kHz.

4. Draai de rubberen antenne voor de beste ontvangst. Als de radio is afgestemd op een zender met een voldoende sterk signaal en RDS-informatie ontvangt, toont het display de zendernaam.
5. Als het einde van de golfband is bereikt, gaat de radio door vanaf het andere uiteinde van de golfband.

RDS-informatie

RDS (Radio Data System) is een informatiesysteem waarbij onhoorbare digitale informatie wordt verzonden in aanvulling op het normale FM-radioprogramma. Wanneer de radio een RDS-zender ontvangt en de signaalsterkte adequaat is, verschijnt de zendernaam op het display van de radio. Het kan even duren voordat de RDS-informatie beschikbaar is.

RDS-informatie oproepen

Als u naar een FM-zender met RDS-informatie luistert, druk dan herhaaldelijk op de **INFO-knop** om door de informatie te bladeren. Dit werkt alleen wanneer het ontvangstniveau adequaat en helder is.

- | | |
|------------------------|---|
| a. Radiotekst (RT) | Toont het bericht van de huidige zender als scrollende tekst. |
| b. Programmatype (PTY) | Toont het type zender dat beluisterd wordt, bijv. pop, klassiek, nieuws, etc. |
| c. Frequentie | Toont de frequentie van de huidige zender. |
| d. Tijd en datum | Toont de huidige tijd (24-uursklok) en datum. |

Scangevoeligheid instellen

De radio scant normaal gesproken naar alle zenders op de FM-band, inclusief zwakkere signalen. Het is met de automatische scanfunctie echter ook mogelijk om alleen naar zenders met sterke signalen te zoeken, zodat de ontvangst goed is.

1. Druk op de **AAN/UIT-knop** om de radio in te schakelen.
2. Selecteer de FM-band door op de **BRON-knop** te drukken.
3. Druk op de **MENU-knop** en draai vervolgens aan de **AFSTEMKNOP** om 'Scan setting' (scan-instelling) te selecteren.
4. Druk ter bevestiging op de **AFSTEMKNOP**.
5. Draai aan de **AFSTEMKNOP** om 'All stations' (alle zenders) of 'Strong station' (sterke zender) te selecteren ('All stations' is standaard geselecteerd).
U kunt de optie 'Strong station' selecteren om ervoor te zorgen dat de radio alleen naar sterke signalen zoekt tijdens het scannen.
6. Druk op de **AFSTEMKNOP** om uw keuze te bevestigen. Het display toont nu weer het FM-menu.

VOORKEURZENDERS

Voorkeurzenders opslaan

De radio beschikt over 20 voorkeurzenders, 10 voor DAB en 10 voor FM. Voorkeurzenders worden in geval van stroomuitval onthouden door de radio.

1. Druk op de **AAN/UIT-knop** om de radio in te schakelen.
2. Druk op de **BRON-knop** om de gewenste golfband te selecteren.
3. Stem af op de gewenste zender.
4. Houd de **VOORKEURZENDER-knop** van de gewenste zender ingedrukt totdat de radio de melding 'Saved to preset' (opgeslagen als voorkeurzender) toont.
5. Herhaal de stappen 3 en 4 voor de resterende voorkeurzenders.
6. Voorkeurzenders kunnen worden overschreven door de bovenstaande procedure te volgen.

Voorkeurzenders oproepen

1. Druk op de **AAN/UIT-knop** om de radio in te schakelen.
2. Druk op de **BRON-knop** om de gewenste golfband te selecteren.
3. Druk kort op de **VOORKEURZENDER-knop** van de gewenste voorkeurzender. Het display toont de gekozen voorkeurzender, bijv. 'P1', aan de onderkant van het display.

BLUETOOTH GEBRUIKEN

Koppelen via Bluetooth met uw mobiele telefoon

1. Druk op de **AAN/UIT-knop** om de radio in te schakelen.
2. Selecteer de Bluetooth-modus door op de **BRON-knop** te drukken.
3. Aan de onderkant van het LCD-display wordt een knipperende Bluetooth-indicator weergegeven wanneer de radio nog niet is gekoppeld met uw mobiele telefoon.
4. Open het instellingenmenu op uw mobiele telefoon, selecteer Bluetooth en selecteer vervolgens **RockBull** in de lijst met Bluetooth-apparaten (de instructies voor het koppelen via Bluetooth kunnen verschillen, afhankelijk van de mobiele telefoon. Raadpleeg de handleiding van uw telefoon voor meer informatie).
5. Als het koppelen via Bluetooth is geslaagd, blijft de Bluetooth-indicator branden en wordt de informatie over de muziek die het laatst werd afgespeeld vanaf het mobiele apparaat weergegeven.

Muziek afspelen vanaf uw mobiele telefoon

1. Druk op de **AAN/UIT-knop** om de radio in te schakelen.
2. Selecteer de Bluetooth-modus door op de **BRON-knop** te drukken.
3. Start het afspelen van muziek met behulp van de mediaspeler op de gekoppelde mobiele telefoon.
4. Het afspelen kan worden bediend vanaf de mobiele telefoon of door op de numerieke knoppen '3', '4' of '5' op de radio te drukken.
5. Nadat het afspelen van muziek is gestart, wordt de naam van het nummer weergegeven op het LCD-display.

Weergavemodi

In de Bluetooth-modus kan de radio een reeks informatie over het nummer dat wordt afgespeeld op het display weergeven. Druk op de **INFO-knop** om door de informatie te bladeren.

- a. Artiest Toont de naam van de artiest van de muziek die wordt afgespeeld.
- b. Album Toont de naam van het album van de muziek die wordt afgespeeld.

Apparaatlijst

Op de radio kunt u het Bluetooth-apparaat selecteren uit de apparaatlijst om opnieuw verbinding te maken.

De namen van apparaten die worden weergegeven op de radio zijn gelijk aan de Bluetooth-namen die op de mobiele apparaten zijn geconfigureerd. Raadpleeg de handleiding van uw mobiele apparaat voor informatie over het configureren van de Bluetooth-naam.

U kunt de apparaatlijst als volgt bekijken:

1. Druk in de Bluetooth-modus op de **MENU-knop**.
2. Draai aan de **AFSTEMKNOP** om 'View details' (details weergeven) te selecteren en druk vervolgens op de **AFSTEMKNOP** om uw keuze te bevestigen.
3. Draai aan de **AFSTEMKNOP** om 'Paired Device List' (lijst met gekoppelde apparaten) te selecteren en druk vervolgens op de **AFSTEMKNOP** om uw keuze te bevestigen.
4. Draai aan de **AFSTEMKNOP** om de namen van de apparaten weer te geven.
5. Druk op de **AFSTEMKNOP** om een nieuwe Bluetooth-verbinding tot stand te brengen met het gekozen apparaat. De radio maakt automatisch verbinding met dit mobiele apparaat.

Opmerking: Er kunnen maximaal 8 namen van apparaten worden opgeslagen in de radio. Als de radio met meer dan 8 mobiele apparaten is verbonden en de namen van deze apparaten in de radio zijn opgeslagen, wordt de naam van het apparaat waarmee het langst niet is gekoppeld gewist.

Opmerking: Als u de **'RockBull'** ooit op uw verbonden mobiele apparaat hebt verwijderd, zal het automatisch opnieuw verbinden mislukken.

Koppelen via Bluetooth opnieuw starten

De Bluetooth-functie kan worden ingesteld om op verschillende manieren te werken, zoals hieronder beschreven:

1. Druk in de Bluetooth-modus op de **MENU-knop**.
2. Draai aan de **AFSTEMKNOP** om 'Setup Bluetooth' (Bluetooth instellen) te selecteren en druk vervolgens op de **AFSTEMKNOP** om uw keuze te bevestigen.
3. De radio probeert de verbinding met het huidige gekoppelde Bluetooth-apparaat te verbreken, zodat deze vervolgens beschikbaar is om verbonden te worden met een nieuwe Bluetooth-apparaat.
4. In dit stadium knippert de Bluetooth-indicator op het scherm totdat het koppelen met het nieuwe Bluetooth-apparaat is voltooid.

Opmerking: De optie 'Setup Bluetooth' (Bluetooth instellen) forceert de radio om de Bluetooth-verbinding met uw mobiele telefoon te verbreken en over te schakelen naar de 'detecteerbare modus'. Dit is de manier waarop u de radio via Bluetooth kunt laten koppelen met een ander apparaat. Als er niet met een nieuw apparaat wordt gekoppeld, probeert de Bluetooth-functie automatisch verbinding te maken met het laatst gekoppelde apparaat wanneer de radio wordt uitgeschakeld en vervolgens weer wordt ingeschakeld.

De automatische energiebeheerfunctie wordt geactiveerd in de Bluetooth-modus. Als er gedurende een periode van langer dan 15 minuten geen Bluetooth-signaal wordt ontvangen, schakelt de radio automatisch over naar de stand-by-modus. U kunt het apparaat opnieuw inschakelen door op de **AAN/UIT-knop** te drukken.

AUX IN-MODUS

Er zit een 3,5mm-stereo-**Aux-ingang** op de zijkant van de radio achter de rubberen afdekking. U kunt op deze ingang een extern audioapparaat, zoals een MP3- of CD-speler, aansluiten (aux-kabel niet meegeleverd met de radio).

1. Sluit een audiobron aan op de **Aux-ingang**.
2. Druk op de **BRON-knop** om de **Aux-ingang** te selecteren. Het display toont de melding 'AUX In'.
3. Speel muziek af op de externe speler.
4. Stel het volume in naar wens in op zowel de radio als de externe speler.
5. Sluit na gebruik de rubberen afdekking om te voorkomen dat er vocht of stof in de aansluitingen en radio kan binnendringen.

Opmerkingen: Gebruik de Aux-ingang nooit in regenachtige of vochtige omstandigheden om te voorkomen dat er vocht in de radio binnendringt. Houd de rubberen afdekking onder deze omstandigheden gesloten.

De automatische energiebeheerfunctie wordt geactiveerd in de AUX-modus. Als er gedurende een periode van langer dan 15 minuten geen signaal van de AUX-ingang wordt ontvangen, schakelt de radio automatisch over naar de stand-by-modus. De gebruiksindicator en het LCD-display schakelen in dit geval uit. U kunt het apparaat opnieuw inschakelen door op de **AAN/UIT-knop** te drukken.

USB-MODUS

GEBRUIK DE USB-MODUS NIET IN REGENACHTIGE OF VOCHTIGE OMSTANDIGHEDEN OM TE VOORKOMEN DAT ER VOCHT IN DE RADIO BINNENDRINGT!! HOUD DE RUBBEREN AFDEKKING ONDER DEZE OMSTANDIGHEDEN GESLOTEN.

Er kunnen USB-geheugenapparaten worden gebruikt met de radio voor het afspelen van MP3-, AAC-, FLAC- en WAV-bestanden.

De radio is getest met een reeks USB-geheugenapparaten met een capaciteit tot 32 GB. Er zijn echter vele verschillende USB-geheugenapparaten beschikbaar op de markt en er kan niet worden gegarandeerd dat al deze apparaten werken met de radio. Het geheugen moet het FAT- of FAT32-bestandssysteem gebruiken om te werken met deze radio.

De audio-indelingen die worden ondersteund voor het afspelen zijn MP3, AAC, FLAC en WAV. Het afspelen van bestanden die zijn gecodeerd met WMA lossless, WMA voice, WMA 10 professional of bestanden met een indeling met DRM-bescherming wordt niet ondersteund.

De USB-poort bevindt zich aan de zijkant van de radio achter de rubberen afdekking. Zorg ervoor dat de rubberen afdekking na gebruik goed wordt gesloten om te voorkomen dat er vocht en vuil in de radio kunnen binnendringen. Het USB-geheugenapparaat mag tijdens het afspelen niet worden verwijderd, omdat bestanden dan beschadigd kunnen raken.

Er worden geen USB-geheugenapparaten meegeleverd met deze radio.

Opmerking: Wanneer de radio een USB-stick afspeelt, wordt de batterij opgeladen in de laagstroommodus. Zodra de USB-stick is verwijderd, wordt het normale opladen hervat.

Een USB-geheugenapparaat plaatsen en verwijderen

Plaats voorzichtig een USB-geheugenapparaat in de USB-poort. Als u het USB-apparaat wilt verwijderen, trek het dan simpelweg uit de USB-poort.

Muziekbestanden afspelen

1. Druk op de **AAN/UIT-knop** om de radio in te schakelen.
2. Druk op de **SOURCE-knop** om 'Music Player' (muziekspeler) te selecteren.
3. Draai aan de **AFSTEMKNOP** om 'USB Playback' (afspelen van USB) te selecteren en druk vervolgens ter bevestiging op de **AFSTEMKNOP**. De radio start met het lezen van het USB-apparaat. Soms heeft de radio wat meer tijd nodig om alle muziekinhoud op het USB-apparaat te lezen. Dit kan afhangen van de snelheid van het USB-geheugenapparaat. Nadat het USB-geheugenapparaat is gelezen, wordt de inhoudslijst weergegeven. Draai aan de **AFSTEMKNOP** om de gewenste map (met nummers) te selecteren.

Druk vervolgens op de **AFSTEMKNOP** om de map te openen. Het display toont de bestanden in de geselecteerde map.

4. Draai aan de **AFSTEMKNOP** om het gewenste bestand (nummer) te selecteren en druk vervolgens op de **AFSTEMKNOP** om het te openen. De radio start het afspelen nu.
5. U kunt het afspelen pauzeren door op **▶|| (VOORKEURZENDER 5)** te drukken. Druk wanneer het afspelen is gepauzeerd nogmaals op **▶|| (VOORKEURZENDER 5)** om het afspelen te hervatten.
6. U kunt naar het volgende bestand gaan door op **▶▶ (VOORKEURZENDER 4)** te drukken.
7. U kunt naar het vorige bestand gaan door op **◀◀ (VOORKEURZENDER 3)** te drukken.
8. Houd **▶▶ (VOORKEURZENDER 4)** of **◀◀ (VOORKEURZENDER 3)** tijdens het afspelen van een bestand ingedrukt om vooruit of terug te spoelen in het bestand. Laat de knop los wanneer het gewenste deel van het bestand is bereikt.
9. U kunt naar de volgende map gaan door op **📁+ (VOORKEURZENDER 2)** te drukken.
10. U kunt naar de vorige map gaan door op **📁- (VOORKEURZENDER 1)** te drukken.

Zoeken naar bestanden

1. Druk op de **MENU-knop** totdat de lijst met USB-muziek wordt weergegeven.
2. Draai aan de **AFSTEMKNOP** om te zoeken naar de gewenste map (met nummers). Druk vervolgens op de **AFSTEMKNOP** om de map te openen. Het display toont de bestandslijst van de geselecteerde map.
3. Draai aan de **AFSTEMKNOP** om te zoeken naar het gewenste bestand.. Druk op de **AFSTEMKNOP** om het bestand te openen. De radio start met het afspelen van het geselecteerde bestand.

De radio ondersteunt een beperkt aantal mappen en bestanden tijdens het zoeken:

Modus	Max. aantal ondersteunde mappen	Max. aantal ondersteunde bestanden
Gestopt	999 (met mapnaam)	9999 (met bestandsnaam)
Afspelen	999 (1-99 met mapnaam) (100-999 zonder mapnaam)	9999 (1-999 met bestandsnaam) (1000-9999 zonder bestandsnaam)

Afspeelmodus

Tijdens het afspelen vanaf een USB-geheugenapparaat:

1. Druk op de **MENU-knop** totdat het menu 'Music Player' (muziekspeler) wordt weergegeven;
2. Draai vervolgens aan de **AFSTEMKNOP** om 'Play mode' (afspeelmodus) te selecteren en druk ter bevestiging op de **AFSTEMKNOP**.
3. Draai aan de **AFSTEMKNOP** om de gewenste afspeelmodus te selecteren en druk ter bevestiging op de **AFSTEMKNOP**.

U kunt kiezen uit de volgende afspeelmodi:

Repeat off	Schakel alle herhaalmodi uit.
Repeat one	Herhaaldelijk het bestand dat u beluisterd afspelen.
Repeat folder	Herhaaldelijk de bestanden in de map die u beluisterd afspelen.
Repeat al	Herhaaldelijk alle bestanden op het USB-geheugenapparaat afspelen.
Repeat shuffle	Alle bestanden op het USB-apparaat eenmaal in willekeurige volgorde afspelen.

De geselecteerde afspeelmodus wordt aangegeven met een pictogram op het display. Als de afspeelmodus 'Repeat off' (herhalen uit) is geselecteerd, wordt er geen pictogram weergegeven.

Informatiefunctie

Tijdens het afspelen van een USB-geheugenapparaat, worden de titel en de huidige afspeeltijd van de muziek weergegeven. Druk op de **INFO-knop** om door de volgende informatie te bladeren (alleen indien deze informatie aanwezig is in het bestand op het geheugenapparaat):

Naam artiest → Naam album → Bestandsnaam → Pad → Datum → Opnieuw naam artiest.

DE KLOK INSTELLEN

De klok kan worden ingesteld wanneer de radio zich in de stand-bymodus bevindt. Als er gedurende 5 seconden geen knoppen worden ingedrukt, wordt het instellen van de klok afgesloten en wordt de instelling geannuleerd.

1. Houd de **AFSTEMKNOP** 12 seconden ingedrukt totdat het menu 'Time/Date' (tijd/datum) wordt weergegeven.
2. Draai aan de **AFSTEMKNOP** om 'Set Time/Date' (tijd/datum instellen) te selecteren en druk vervolgens op de **AFSTEMKNOP**. De urenknijpers knippen op het display.
3. Draai aan de **AFSTEMKNOP** om het uur in te stellen.
4. Druk ter bevestiging op de **AFSTEMKNOP**. De minuutknijpers knippen op het display.
5. Draai aan de **AFSTEMKNOP** om de minuten in te stellen.
6. Druk ter bevestiging op de **AFSTEMKNOP**. De dag knijpert op het display.
7. Draai aan de **AFSTEMKNOP** om de huidige dag in te stellen.
8. Druk ter bevestiging op de **AFSTEMKNOP**. De maand knijpert op het display.
9. Draai aan de **AFSTEMKNOP** om de huidige maand in te stellen.
10. Druk ter bevestiging op de **AFSTEMKNOP**. Het jaar knijpert vervolgens op het display.
11. Draai aan de **AFSTEMKNOP** om het huidige jaar in te stellen.
12. Druk ter bevestiging op de **AFSTEMKNOP**. Het instellen van de klok is nu voltooid.

LOUDNESS

De loudness-functie maakt het mogelijk om compensatie op de lagere en hogere frequentie te krijgen. Het effect zal beter hoorbaar zijn wanneer de radio is ingesteld op een laag volumeniveau (Dynamic Loudness).

1. Druk op de **LOUDNESS-knop** om de loudness-functie in te schakelen. Het display toont de melding 'Loudness On' (loudness aan).
2. Druk nogmaals op de **LOUDNESS-knop** om de loudness-functie uit te schakelen. Het display toont de melding 'Loudness Off' (loudness uit).
3. Het display keert na 3 seconden terug naar de normale weergave en het gebruik kan worden hervat.

SURROUND SOUND

De ROCKBULL-radio maakt gebruik van een digitale geluidsprocessor om het originele audiosignaal aan te passen en een digitaal virtueel Surround Sound te creëren. De kwaliteit van de geluidsreproductie is sterk verrijkt waardoor er een ruimtelijk geluidsveld ontstaat.

1. Druk op de **AAN/UIT-knop** om de radio in te schakelen.
2. Druk op de **BRON-knop** om een van modi van de radio te selecteren.
3. Druk herhaaldelijk op de **SURROUND-knop** en kies vervolgens uit 'Surround on' (Surround aan) en 'Surround off' (Surround uit).
4. Het display keert na 3 seconden terug naar de normale weergave en het gebruik kan worden hervat.

Het Surround Sound-effect verschilt sterk per muzieksoort. Meestal wordt het beste resultaat verkregen met lichtere en rustige muziek. Bij luide en harde muziek leidt het vaak tot een minder 'open geluid' of zelfs vervorming. Dit alles wordt natuurlijk ook sterk beïnvloed door het volumeniveau en geselecteerde equalizerinstelling.

Het Surround Sound-effect komt het beste tot zijn recht in een grotere kamer met reflecterende muren waarbij op een op een paar meter afstand van de radio wordt geluisterd. Zeer dicht bij de radio is het Surround Sound-effect niet optimaal.

EQUALIZER

De EQUALIZER-functie stelt u in staat om een van de 12 voorgeprogrammeerde equalizerinstellingen te selecteren. Elke voorgeprogrammeerde EQ bevat een groep van parametrische opties voor de digitale audioprocessor. De processor kan zo optimaal worden ingesteld voor verschillende soorten muziek en voor toepassingen in verschillende omgevingen.

1. Druk op de **AAN/UIT-knop** om de radio in te schakelen.
2. Druk herhaaldelijk op de **EQUALIZER-knop** om de gewenste EQ-instelling te selecteren. De weergegeven EQ-instelling is onmiddellijk van kracht:
 - EQ1 Normaal
 - EQ2 Klassiek
 - EQ3 Dance
 - EQ4 Soul en jazz
 - EQ5 Rock
 - EQ6 Neutraal
 - EQ7 Kleine ruimte
 - EQ8 Gesproken woord
 - EQ9 Akoestisch
 - EQ10 Binnen
 - EQ11 Buiten
 - EQ12 's Avonds laat
3. Het display keert na 3 seconden terug naar de normale weergave en het gebruik kan worden hervat.

TAAL

Het menu van de radio kan in verschillende talen worden weergegeven.

1. Druk op de **AAN/UIT-knop** om de radio in te schakelen.
2. Druk op de **MENU-knop** en draai vervolgens aan de **AFSTEMKNOP** om 'System settings' (systeeminstellingen) te selecteren.
3. Druk ter bevestiging op de **AFSTEMKNOP**; draai vervolgens aan de **AFSTEMKNOP** om 'Language' (taal) te selecteren.
4. Druk ter bevestiging op de **AFSTEMKNOP** om het menu voor het instellen van de taal te openen.
5. Draai aan de **AFSTEMKNOP** om de gewenste taal te selecteren (Engels is standaard geselecteerd).
6. Druk op de **AFSTEMKNOP** om uw keuze te bevestigen. Het menu op het display wordt nu weergegeven in de door u gekozen taal.

SOFTWAREVERSIE

De weergave van de softwareversie kan niet worden aangepast en dient alleen ter referentie. U kunt de softwareversie alleen weergeven in de DAB-, FM-, Bluetooth-, Aux In- en USB-modus.

1. Druk op de **AAN/UIT-knop** om de radio in te schakelen.
2. Druk op de **BRON-knop** om een van de bovengenoemde modi te selecteren.
3. Druk op de **MENU-knop** en draai vervolgens aan de **AFSTEMKNOP** om 'System settings' (systeeminstellingen) te selecteren.
4. Druk ter bevestiging op de **AFSTEMKNOP** en draai vervolgens aan de **AFSTEMKNOP** om 'Info' te selecteren.
5. Druk op de **AFSTEMKNOP** om de softwareversie weer te geven.
6. Druk op de **MENU-knop** om terug te gaan naar het vorige menu en druk vervolgens nogmaals op de **MENU-knop** om terug te keren naar de normale radioweergave.

SYSTEEMRESET

Als de radio niet correct werkt, of als er cijfers ontbreken of onjuist worden getoond op het display, voer dan de volgende procedure uit.

1. Druk op de **AAN/UIT-knop** om de radio in te schakelen.
2. Druk op de **MENU-knop**.
3. Draai vervolgens aan de **AFSTEMKNOP** om 'System settings' (systeeminstellingen) te selecteren en druk ter bevestiging op de **AFSTEMKNOP**.
4. Draai vervolgens aan de **AFSTEMKNOP** om 'Factory reset' (fabrieksreset) te selecteren en druk ter bevestiging op de **AFSTEMKNOP**.
5. Draai aan de **AFSTEMKNOP** om 'Yes' of 'No' te selecteren. Selecteer 'Yes' als u de radio wilt resetten of selecteer 'No' als u de radio niet wilt resetten.
6. Druk op de **AFSTEMKNOP** om de fabrieksreset al dan niet uit te voeren.
7. Indien u 'Yes' hebt geselecteerd, wordt er een volledige reset uitgevoerd. Alle voorkeuzenders en de zenderlijst worden gewist. Alle instellingen worden hersteld naar hun standaardwaarden.
Het Perfect Pro-logo wordt gedurende een aantal seconden weergegeven op het display en daarna voert de radio een automatisch scan uit op de Band III DAB-kanalen en de FM-band.

In geval van storing vanwege elektrostatische ontlading, reset het product zoals hierboven beschreven om het normale gebruik te hervatten. Als u de bovenstaande procedure voor het resetten van de instellingen niet kunt uitvoeren, koppel de voedingsbron dan los en sluit de radio daarna opnieuw aan op de voeding.

MOBIEL APPARAAT OPLADEN VIA USB

De radio ondersteunt het opladen van mobiele apparaten via de USB-poort. De radio levert tijdens het opladen een maximaal vermogen van 5V/1A via de USB-poort.

HELDERHEID

U kunt de helderheid van het LCD-display als volgt instellen:

1. Druk op de **AAN/UIT-knop** om de radio in te schakelen.
2. Druk op de **MENU-knop** en draai aan de **AFSTEMKNOP** om 'System settings' (systeeminstellingen) te selecteren. Druk vervolgens op de **AFSTEMKNOP**.
3. Draai aan de **AFSTEMKNOP** om 'Brightness' (helderheid) te selecteren.
4. Druk op de **AFSTEMKNOP** om het menu voor het instellen van de helderheid van het LCD-display te openen.
5. Draai aan de **AFSTEMKNOP** om 'Normal' te selecteren en de helderheid van het LCD-display tijdens het afspelen in te stellen;
6. Of draai aan de **AFSTEMKNOP** en selecteer 'Standby' om de helderheid van het LCD-display in de stand-by-modus in te stellen.
7. Druk op de **AFSTEMKNOP** om uw keuze te bevestigen.

Opmerking: Als de radio op batterijstroom in de stand-by-modus wordt gezet, wordt de radio uitgeschakeld om energie te besparen. Op dat moment wordt het LCD-display ook uitgeschakeld. Wanneer de radio weer is aangesloten op het lichtnet, wordt de laatste door de gebruiker ingestelde instelling opnieuw toegepast.

GARANTIE

Deze radio heeft 2 jaar beperkte garantie.

WAARSCHUWING DE GARANTIE VERVALT INDIEN DE BEHUIZING VAN HET APPARAAT GEOPEND IS OF INDIEN HET APPARAAT DOOR DE EINDGEBRUIKER OP ENIGERLEI WIJZE GEMODIFICEERD OF VERANDERD IS.

De voorwaarden van de garantie van deze radio dekken niet de volgende zaken:

- Schade, beschadigingen en breuk veroorzaakt door verkeerd gebruik, misbruik, verwaarlozing, wijzigingen, ongevallen of ongeautoriseerde reparaties.
- Normale gebruiksslijtage.
- Breken of buigen van de metalen telescopische antenne.

OPEN NOOIT DE BEHUIZING. DE PRODUCENT AANVAART GEEN AANSPRAKELIJKHEID VOOR SCHADE EN/OF LETSEL VEROORZAAKT DOOR ONJUIST GEBRUIK. HET TYPEPLAATJE VINDT U OP DE ACHTERZIJDE VAN HET APPARAAT.



Milieuopmerking

Dit product is gemaakt van hoogwaardige onderdelen en materialen die kunnen worden hergebruikt en gerecycled.

Gooi het product aan het einde van zijn levensduur dus niet weg met het normale huisvuil. Breng het naar een inzamelpunt voor het recyclen van elektrische en elektronische apparaten. Dit is aangegeven door dit symbool op het product, in de handleiding en op de verpakking.

Raadpleeg uw gemeente voor meer informatie over inzamelpunten.

Help het milieu te beschermen door het recyclen van gebruikte producten.

TECHNISCHE GEGEVENS

Voeding

Lichtnet: AC 230 V ~, 50/60 Hz

Energieverbruik

Gebruik: < 55 W

Stand-by: < 0,5 W

Frequentiebereik

DAB 174,928 – 239,200 MHz

FM 87.50 – 108.00 MHz

Bluetooth

Versie 5.0 Ondersteunt de Bluetooth-profielen A2DP en AVRCP

Luidspreker

Woofers 2 x ø130 mm, 4 ohm

Tweeters 2 x ø45 mm, 8 ohm

Vermogen

Nominaal: 2 x 25 W

Aux-ingang

ø3.5 mm

USB-poort

USB type A met uitgangsvermogen van 5V/1A tijdens het opladen van mobiele telefoons

PERFECT PRO

Brand: Perfectpro

Product name: ROCKBULL

Art.nr.: RB2

ENG Declaration of Conformity

Prime Europe B.V. hereby declares that this model RB2 is in compliance with the essential requirements and other relevant provisions of Directive 2014/53/EU and also fulfills all the relevant provisions of EC/EU Directives: 2011/65/EU.

The EU declaration of conformity is available at the following internet address:

<http://www.perfectpro.nl/support/ce-docs/>

F Déclaration de conformité

Prime Europe B.V. déclare que ce modèle RB2 est conforme aux exigences essentielles et aux autres dispositions pertinentes de la directive 2014/53/EU et remplit toutes les dispositions pertinentes des directives CE/UE: 2011/65/UE.

La déclaration de conformité de l'UE est disponible à l'adresse Internet suivante:

<http://www.perfectpro.fr/supports/ce-docs/>

NL Conformiteitsverklaring

Prime Europe B.V. verklaart hierbij dat dit model RB2 voldoet aan de essentiële eisen en andere relevante bepalingen van richtlijn 2014/53/EU en ook voldoet aan de relevante bepalingen van de EG/EU-richtlijnen: 2011/65/EU.

De EU-conformiteitsverklaring is beschikbaar op het volgende internetadres:

<http://www.perfectpro.nl/support/ce-docs/>

DE Konformitätsarklärung

Prime Europe B.V. erklärt hiermit, dass dieses Modell RB2 den grundlegenden Anforderungen und anderen einschlägigen Bestimmungen der Richtlinie 2014/53/EU entspricht, und auch alle einschlägigen Bestimmungen der EG/EU-Richtlinien erfüllt: 2011/65/EU.

Die EU-Konformitätserklärung steht unter folgender Internetadresse zur Verfügung:

<http://www.perfectpro.de/support/ce-docs/>

Prime Europe B.V.

Everdenberg 9a, 4902 TT, Oosterhout, The Netherlands

DOC-EC2021-A1-RB2

