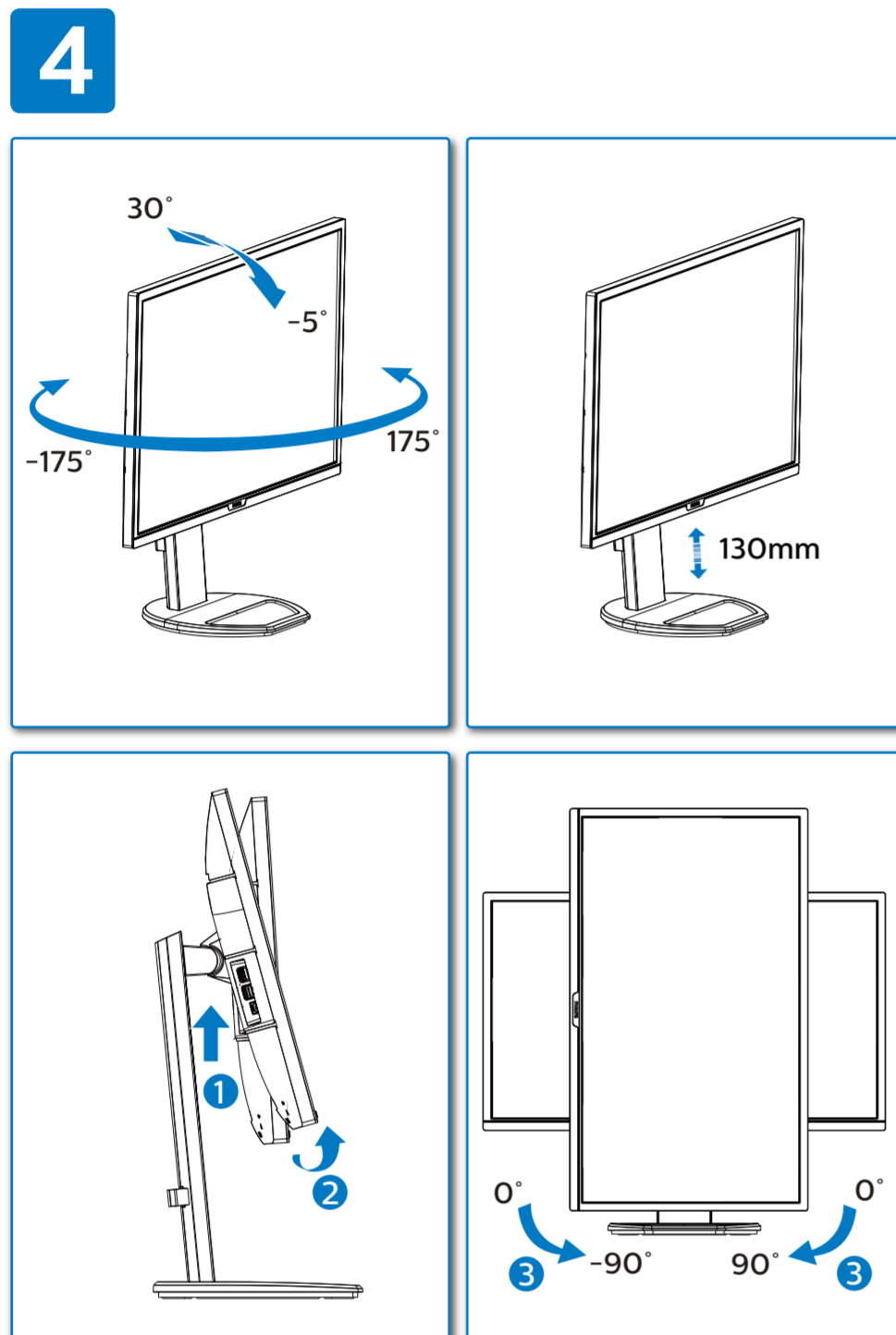


GRAPHIC DEVELOPMENT MMD	
Product name	
Project name	
Project no.	
Finishing	Folded sheet
Scale	1:1
Size Spreads	594 (W) x 210 (H) mm
Size	148.5 (W) x 210 (H) mm
Operator(s)	
Date amended	
VERSION No.	1
APPROVAL	
QC Lithographer	
Product Manager	
Date Check	
ARTWORK DOCUMENT	
Paper	80gsm White, woodfree coated
Numbers of colours	2C+2C
Pantone 300c	Black
Spotcolor	
Aftertreatment	
<input type="checkbox"/> Cropping	
<input type="checkbox"/> Coating	
<input type="checkbox"/> Varnishing	
<input type="checkbox"/> Embossing	
<input type="checkbox"/> Cutterguide	
<input type="checkbox"/> Die-cut	
<input type="checkbox"/> Binding	
<input type="checkbox"/> Glue	



PHILIPS

Need help?
 Online help: www.philips.com/support

需要帮助?
 在线帮助: www.philips.com/support

Besoin d'aide?
 Aide en ligne: www.philips.com/support

¿Necesita ayuda?
 Ayuda en línea: www.philips.com/support

Benötigen Sie Hilfe?
 Online-Hilfe: www.philips.com/support

Avete bisogno di aiuto?
 Guida in linea: www.philips.com/support

Precisa ajuda?
 Ajuda online: www.philips.com/support

도움이 필요하신가요?
 온라인 도움말: www.philips.com/support

Потребуєте допомоги?
 Підтримка он-лайн: www.philips.com/support

Нужна помощь?
 Интерактивная справка: www.philips.com/support

Yardima ihtiyaciniz var mi?
 Online yardim: www.philips.com/support

क्या सहायता की जरूरत है?
 ऑनलाइन सहायता: www.philips.com/support

هل تريد المساعدة؟
www.philips.com/support

ヘルプが必要ですか?
 オンラインヘルプ: www.philips.com/support

Version: M8221BQIT
 © 2018 Koninklijke Philips N.V. All rights reserved.

This product was manufactured and brought to the market by or on behalf of Top Victory Investments Ltd. or one of its affiliates. Top Victory Investments Ltd. is the warrantor in relation to this product. Philips and the Philips Shield Emblem are registered trademarks of Koninklijke Philips N.V. used under license.

Printed in China
 Q41G22M181325A

Specifications are subject to change without notice.
www.philips.com

PHILIPS
 Brilliance
 221B8

Quick Start

Register your product and get support at www.philips.com/welcome

