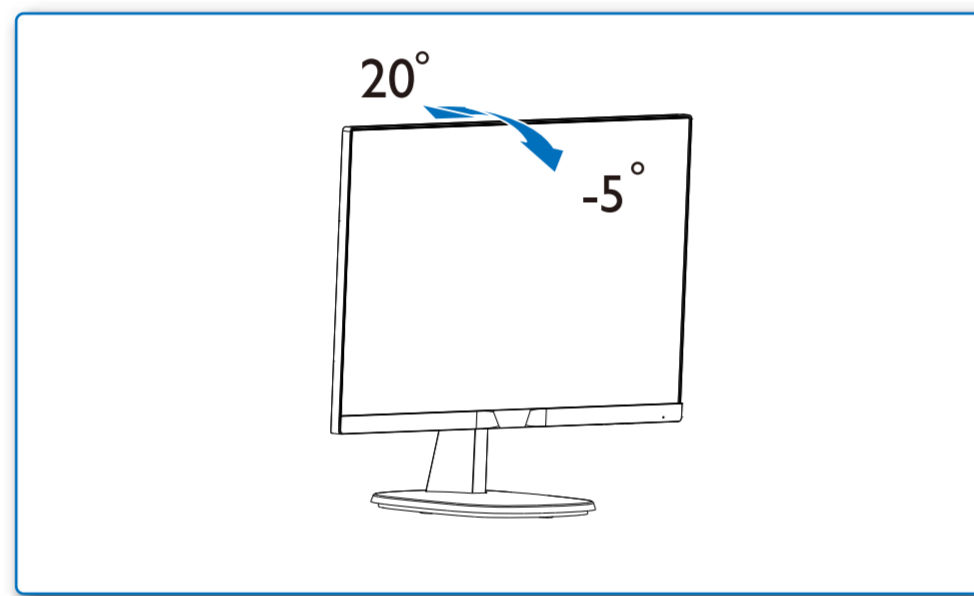


GRAPHIC DEVELOPMENT MMD	
Product name	2X6E7-QSG
Project no.	2X6E7-QSG
Finishing	Folded sheet
Scale	1:1
Size Spreads	594 (W) x 210 (H) mm
Size	148.5 (W) x 210 (H) mm
Operator(s)	
Date amended	Jul. 14, 2016
VERSION No.	13
APPROVAL	
QC Lithographer	
Product Manager	
Date Check	
ARTWORK DOCUMENT	
Paper	80gsm White, woodfree coated
Numbers of colours	2C2C
Pantone 300C	Black
Spotcolor	
Aftertreatment	
<input type="checkbox"/> Cropping	
<input type="checkbox"/> Coating	
<input type="checkbox"/> Varnishing	
<input type="checkbox"/> Embossing	
<input type="checkbox"/> Cutterguide	
<input type="checkbox"/> Die-cut	
<input type="checkbox"/> Binding	
<input type="checkbox"/> Glue	



4



PHILIPS

Need help?
 Online help: www.philips.com/support

需要帮助?
 在线帮助: www.philips.com/support

Besoin d'Aide?
 Aide en ligne: www.philips.com/support

¿Necesita ayuda?
 Ayuda en línea: www.philips.com/support

Benötigen Sie Hilfe?
 Online-Hilfe: www.philips.com/support

Avete bisogno di aiuto?
 Guida in linea: www.philips.com/support

Precisa ajuda?
 Ajuda online: www.philips.com/support

도움이 필요하신가요?
 온라인 도움말: www.philips.com/support

Потребуйте помощи!
 Поддержка он-лайн: www.philips.com/support

Нужна помощь?
 Интерактивная справка: www.philips.com/support

Yardima ihtiyacınız var mı?
 Online yardım: www.philips.com/support

क्या सहायता की जरूरत है?
 ऑनलाइन सहायता: www.philips.com/support

هل تريد المساعدة؟
 المساعدة عبر الإنترنت: www.philips.com/support

ヘルプが必要ですか?
 オンラインヘルプ: www.philips.com/support

Version: M72X3VQIL
 © 2017 Koninklijke Philips N.V. All rights reserved.
 Specifications are subject to change without notice.
 Philips and the Philips Shield Emblem are registered trademarks of Koninklijke Philips N.V. and are used under license from Koninklijke Philips N.V.
www.philips.com

F41G22M181322B Printed in China

Register your product and get support at www.philips.com/welcome

223V7
243V7
273V7



Quick Start

PHILIPS

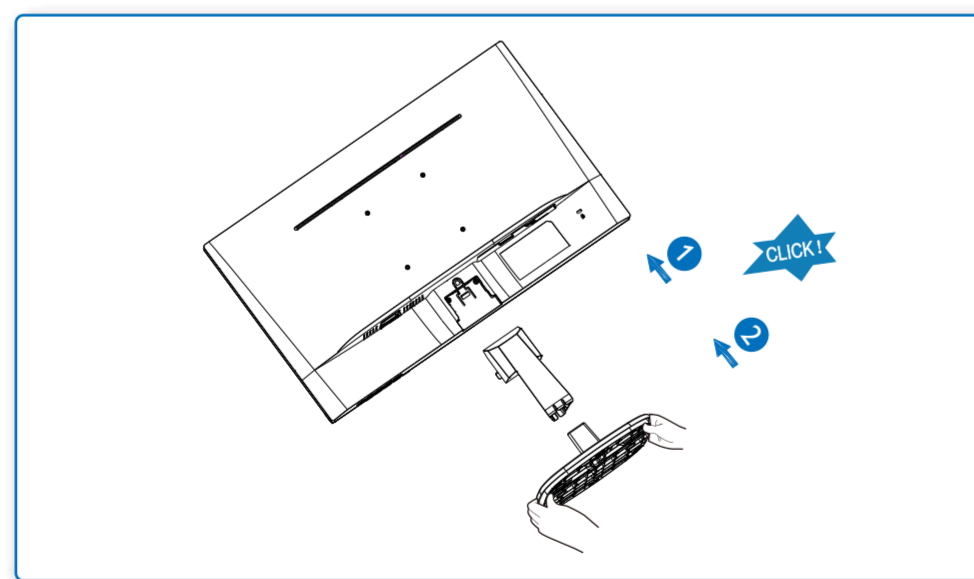
Quick Start

Power * DVI * VGA * DP * HDMI * Audio

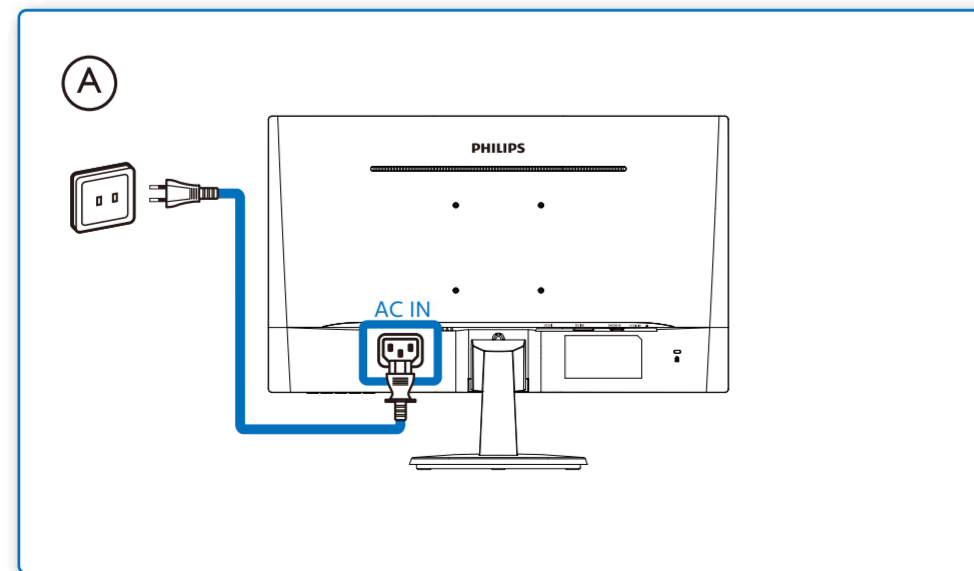
* CD

*Different according to region
 Display design may differ from that illustrated

1



2



B

D-SUB or 2X3V7QS, 2X3V7QD

DVI or 2X3V7QD, 2X3V7QH, 2X3V7QJ

HDMI or 2X3V7QD, 2X3V7QHA, 2X3V7QJA

DP IN or 2X3V7QJ

C

2X3V7QDS, 2X3V7QHS

HDMI AUDIO OUT

2X3V7QDA, 2X3V7QHA, 2X3V7QJA

EARPHONE OUT AUDIO IN

3

2X3V7QS, 2X3V7QHS, 2X3V7QDS

2X3V7QHA, 2X3V7QDA, 2X3V7QJA

2X3V7QH 2X3V7QD 2X3V7QJ

2X3V7QS

Navigation icons: Power, Home, Up/Down, OK, Left/Right