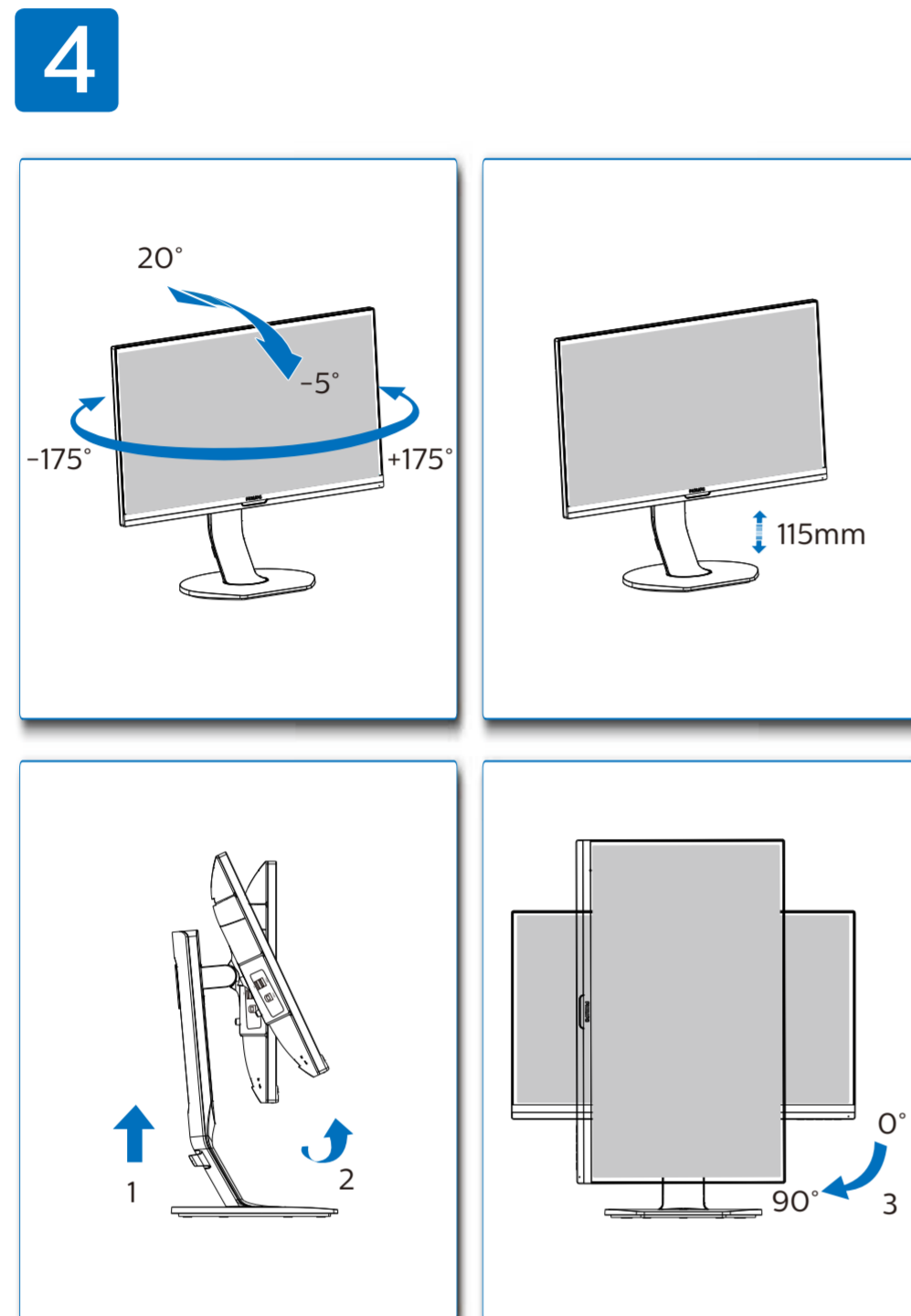


GRAPHIC DEVELOPMENT MMD	
Product name	272B7QPJEB-QSG
Project no.	
Finishing	Folded sheet
Scale	1:1
Size Spreads	594 (W) x 210 (H) mm
Size	148.5 (W) x 210 (H) mm
Operator(s)	
Date amended	May. 18, 2016
VERSION No.	13
APPROVAL	
QC Lithographer	
Product Manager	
Date Check	
ARTWORK DOCUMENT	
Paper	80gsm White, woodfree coated
Numbers of colours	2C+2C
Pantone 300c	Black
Spotcolor	
Aftertreatment	
<input type="checkbox"/> Cropping	
<input type="checkbox"/> Coating	
<input type="checkbox"/> Varnishing	
<input type="checkbox"/> Embossing	
<input type="checkbox"/> Cutterguide	
<input type="checkbox"/> Die-cut	
<input type="checkbox"/> Binding	
<input type="checkbox"/> Glue	



PHILIPS

Need help?
 Online help: www.philips.com/support

需要帮助?
 在线帮助: www.philips.com/support

Besoin d'aide ?
 Aide en ligne: www.philips.com/support

Нужна помощь?
 Интерактивная справка: www.philips.com/support

¿Necesita ayuda?
 Ayuda en línea: www.philips.com/support

Benötigen Sie Hilfe?
 Online-Hilfe: www.philips.com/support

Yardıma ihtiyacımız var mı?
 Online yardım: www.philips.com/support

Авте bisogno di aiuto?
 Guida in linea: www.philips.com/support

सदद चाहिये?
 ऑनलाइन मदद: www.philips.com/support

هل تريد المساعدة؟
 للمساعدة عبر الإنترنت: www.philips.com/support

precisă ajută?
 Ajuda online: www.philips.com/support

هل تريد المساعدة؟
 للمساعدة عبر الإنترنت: www.philips.com/support

도움이 필요하십니까?
 온라인 도움말: www.philips.com/support

ヘルプが必要ですか?
 オンラインヘルプ: www.philips.com/support

Version: M7271SJJQL
 © 2016 Koninklijke Philips N.V. All rights reserved. Specifications are subject to change without notice. Philips and the Philips Shield Emblem are registered trademarks of Koninklijke Philips N.V. and are used under license from Koninklijke Philips N.V.

Printed in China

PHILIPS

www.philips.com

F41G27M1813-9B----

Register your product and get support at www.philips.com/welcome **271S7**

Quick Start

PHILIPS

