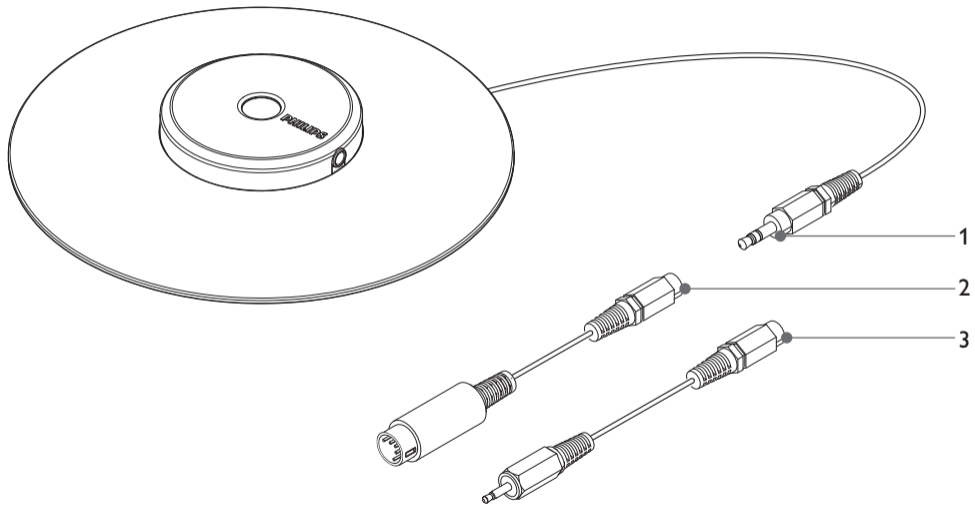


# Conference Microphone

LFH 9172





**EN Connections overview**

- ① 3.5 mm (1/8") audio plug
- ② 3.5 mm (1/8") to 5-pin DIN adaptor cable
- ③ 3.5 mm to 2.5 mm (3/32") adaptor cable

**DE Übersicht der Anschlüsse**

- ① 3,5 mm-Klinkenstecker
- ② 3,5 mm auf 5-pin DIN-Adapterkabel
- ③ 3,5 mm auf 2,5 mm-Adapterkabel

**FR Présentation des connexions**

- ① Prise audio 3,5 mm
- ② Câble d'adaption 3,5 mm à 5-pin DIN
- ③ Câble d'adaption 3,5 mm à 2,5 mm

**ES Descripción de las conexiones**

- ① 3,5 mm conector de audio
- ② Cable adaptador 3,5 mm a 5-pin DIN
- ③ Cable adaptador 3,5 mm a 2,5 mm

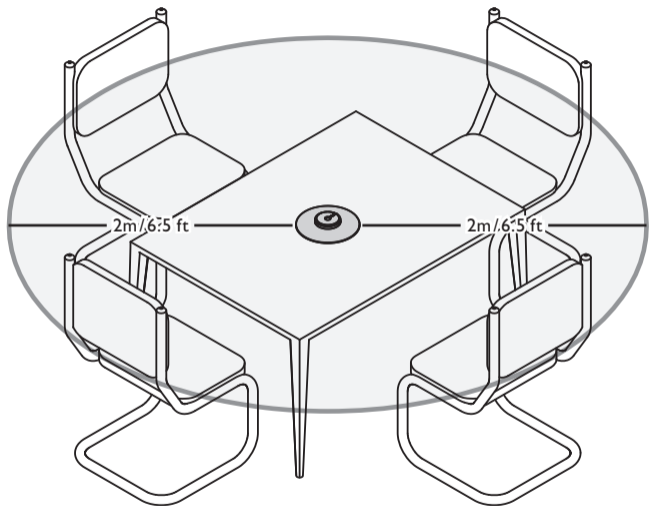
**NL Overzicht van de aansluitingen**

- ① 3,5 mm audio jack
- ② 3,5 mm op 5-pin DIN adapter kabel
- ③ 3,5 mm op 2,5 mm adapter kabel

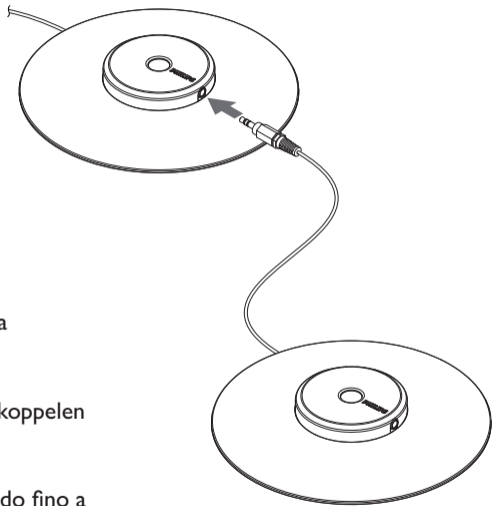
**IT Panoramica dei collegamenti**

- ① Jack audio 3,5 mm
- ② Adattatore da 3,5mm a DIN 5-pin
- ③ Adattatore da 3,5mm a 2,5mm

- EN Position the conference microphone
- DE Positionieren des Konferenzmikrofons
- FR Mettez en place le microphone de conférence
- ES Posicione el micrófono de conferencia
- NL Positioneer de vergadermicrofoon
- IT Posizionare il microfono da conferenza



- EN Expand the recording range by cascading up to three microphones per recording channel
- DE Erweitern des Aufnahmebereiches durch Zusammenschließen von bis zu drei Mikrofonen pro Aufnahmekanal
- FR Etendez le périmètre d'enregistrement en connectant en série jusqu'à 3 microphones
- ES Expanda el área de grabado conectando hasta 3 micrófonos pro cada canal de grabación
- NL Uitbreiden van het opnamebereik d.m.v. het koppelen van max 3 microfoons per opnamekanaal
- IT Espandere il sistema di registrazione collegando fino a 3 microfoni in cascata



---

## Technical data

### Specifications

- Design: Boundary layer microphone
- Type: Electret condenser microphone
- Output impedance: approx. 2.2 kOhm @ 1 kHz
- Sensitivity: -38 dBV
- Frequency response: 30 Hz – 18 kHz
- Phantom supply voltage: 1,5 to 5 V/ 0,5mA

### Connectivity

- Audio plug: 3.5mm
- Audio jack (for cascading): 3.5 mm
- Cable length: 2m / 6.5 ft

### Dimensions

- Product dimensions (WxDxH):  
130x130x18 mm / 5.1x5.1x0.7in.
- Net weight: 108 g / 3.8 oz



## Declaration of Conformity

Tested to comply with FCC standards

FOR HOME OR OFFICE USE

**Model Number:** LFH 9172

**Trade Name:** Philips Conference Microphone 9172

**Responsible Party:** Philips Speech Processing, 64 Perimeter Center East, Atlanta, GA 30346, USA, Tel. 888-260-6261

This device complies with Part 15 of the FCC Rules. Operation is subject to the following two conditions:

- 1) This device may not cause harmful interference.
- 2) This device must accept any interference received, including interference that may cause undesired operation.



The CE mark confirms that the device corresponds to the relevant guidelines of the European Union.



The cardboard used for packaging can be recycled. This electronic device contains recyclable material.



Discover the comprehensive range of high-end dictation products from Philips  
[www.philips.com/dictation](http://www.philips.com/dictation)

Specifications are subject to change without notice.

Trademarks are the property of Royal Philips Electronics or their respective owners.

© 2008 Royal Philips Electronics. All rights reserved.

Document version 1.0, 28/01/2008.

5103 109 9703.1