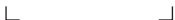


PHILIPS

hue personal
wireless
lighting

Infuse M
Xamento M



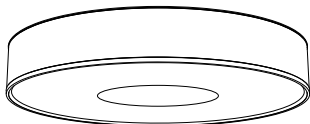
HUE serial number



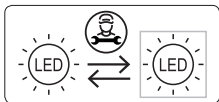
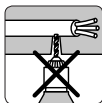
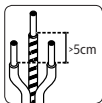
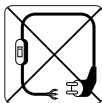
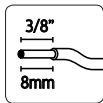
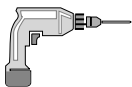
User manual
Benutzerhandbuch
Notice d'emploi
Manual de usuario
Manual do usuário
Manuale d'uso

Infuse M

Incl.

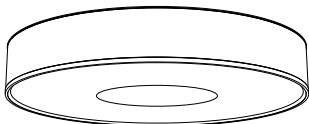


Excl.

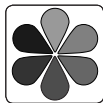
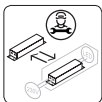
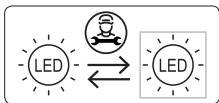
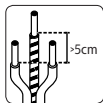
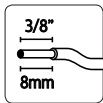
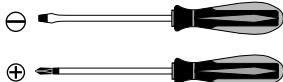
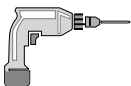


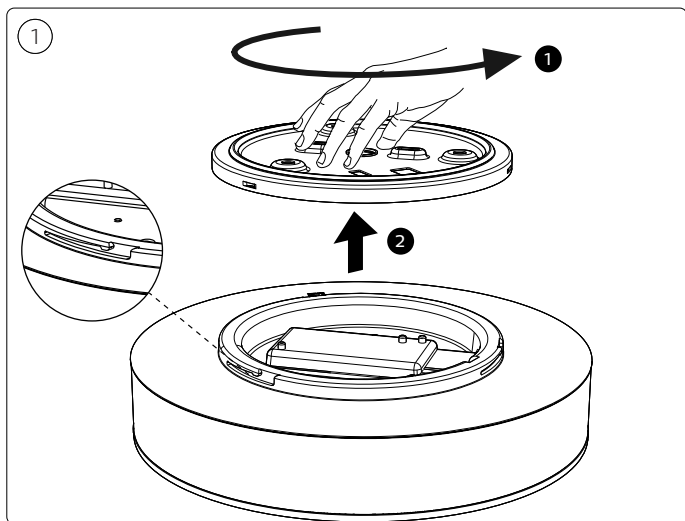
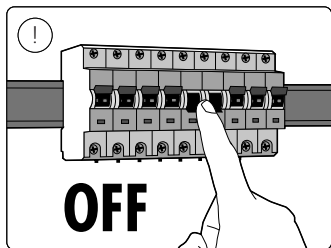
Xamento M

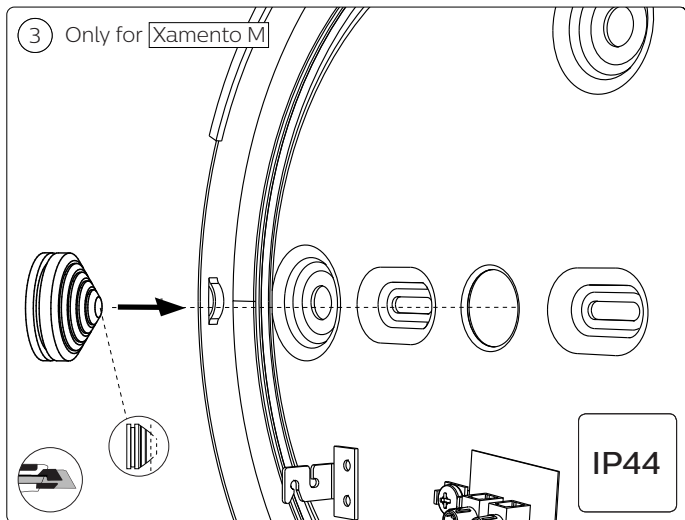
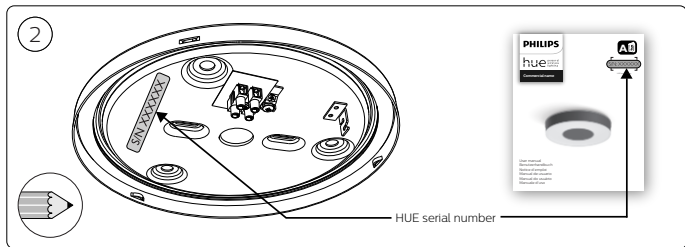
Incl.

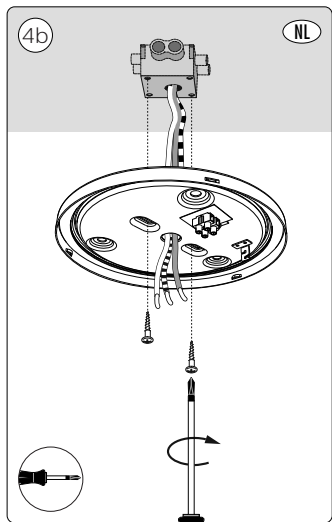
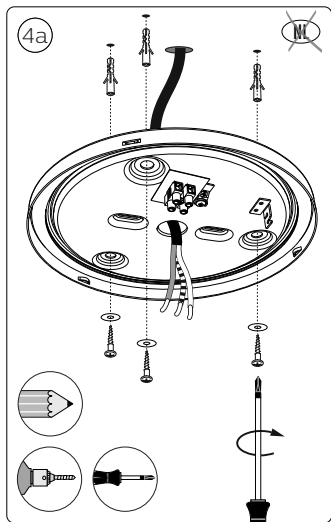


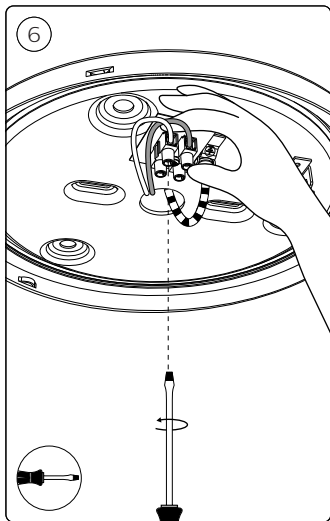
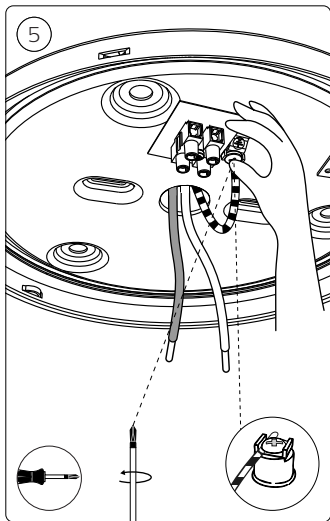
Excl.

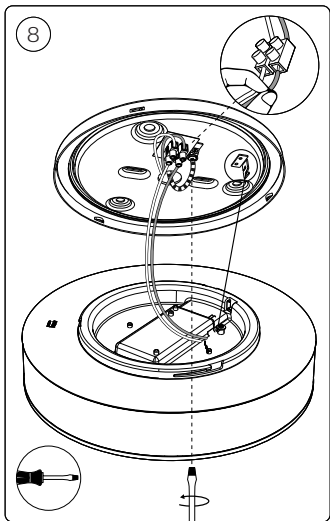
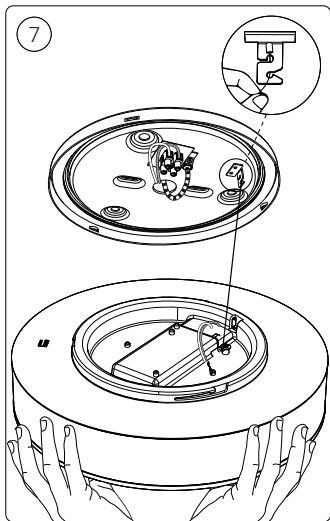




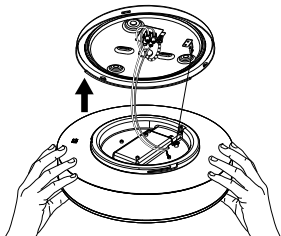




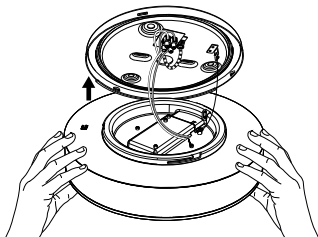




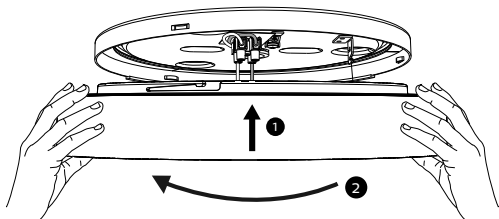
9a

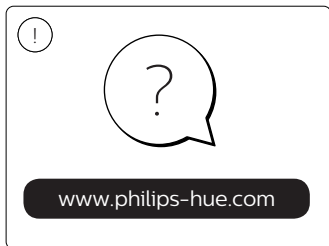
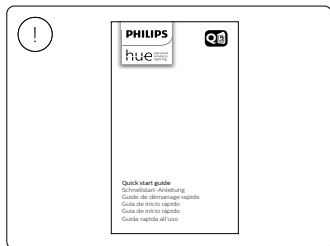
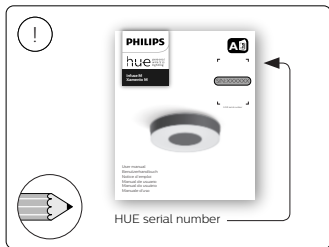
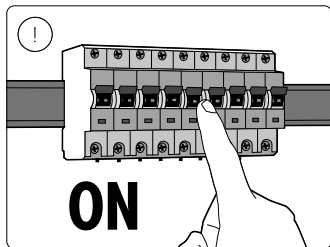


9b



9c







Signify
I.B.R.S. / C.C.R.I. Numéro 10461
5600 VB Eindhoven,
the Netherlands
☎00800-74454775

© 2021 Signify Holding
All rights reserved

www.philips-hue.com

4422 954 80022
Last update: 12/2021