



Questo manuale d'istruzione è fornito da trovaprezzi.it. Scopri tutte le offerte per [Proel V12FREE](#)

Nero o cerca il tuo prodotto tra le [migliori offerte di Diffusori Audio](#)



# V10FREE

# V12FREE

**Battery Powered Portable Sound Systems**  
**USER'S MANUAL**



ENGLISH  
ITALIANO

96MAN0150-REV.09/20

**PROEL** 



<b>DISPOSAL OF OLD ELECTRICAL &amp; ELECTRONIC EQUIPMENT</b>	<b>3</b>
<b>GENERAL SAFETY INSTRUCTIONS</b>	<b>3</b>
<b>IN CASE OF FAULT</b>	<b>3</b>
<b>PACKAGING, SHIPPING AND COMPLAINT</b>	<b>3</b>
<b>WARRANTY AND PRODUCTS RETURN</b>	<b>3</b>
<b>MAINTENANCE AND DISCLAIMER</b>	<b>4</b>
<b>POWER SUPPLY</b>	<b>4</b>
<b>CE CONFORMITY</b>	<b>4</b>
<b>INTRODUCTION</b>	<b>5</b>
<b>DESCRIPTION</b>	<b>5</b>
<b>MAIN PANEL OPERATIONS</b>	<b>5</b>
<b>TECHNICAL SPECIFICATIONS</b>	<b>18</b>
<b>V10FREE Mechanical Drawing</b>	<b>19</b>
<b>V12FREE Mechanical Drawing</b>	<b>19</b>



## DISPOSAL OF OLD ELECTRICAL & ELECTRONIC EQUIPMENT



This marking shown on the product or its literature, indicates that it should not be disposed with other household wastes at the end of its working life. To prevent possible harm to the environment or human health from uncontrolled waste disposal, please separate this from other types of wastes and recycle it responsibly to promote the sustainable reuse of material resources. Household users should contact either the retailer where they purchased this product, or their local government office, for details of where and how they can take this item for environmentally safe recycling. Business users should contact their supplier and check the terms and conditions of the purchase contract. This product should not be mixed with other commercial wastes for disposal.



Li-ion



Li-ion

**ATTENZIONE, questo prodotto contiene una batteria ricaricabile agli ioni di litio. Per questa batteria è necessario prendere alcune speciali precauzioni:**

- Non smontarla, cortocircuitarla o esporla a calore e fuoco.
- Non utilizzarla se l'involucro risulta danneggiato o rigonfio.
- Separarla da altri tipi di rifiuti per il riciclo.

## GENERAL SAFETY INSTRUCTIONS

- **CAUTION** - Before using this product read carefully the following safety instructions. Read this manual entirely and preserve it for future reference. When using any electric product, basic precautions should always be taken, including the following:
- To reduce the risk, close supervision is necessary when the product is used near children.
- Protect the apparatus from atmospheric agents and keep it away from water, rain and high humidity places.
- This product should be site away from heat sources such as radiators, lamps and any other device that generate heat.
- Care should be taken so that objects and liquids do not go inside the product.
- The product should be connected to a power supply only of the type described on the operating instructions or as marked on the product.

## IN CASE OF FAULT

- In case of fault or maintenance this product should be inspected only by qualified service personnel when:
  - Liquids have spilled inside the product.
  - The product has fallen and been damaged.
  - The product does not appear to operate normally or exhibits a marked change in performance.
- Do not operate on the product, it has no user-serviceable parts inside.
- Refer servicing to an authorized maintenance center.

## PACKAGING, SHIPPING AND COMPLAINT

- This unit package has been submitted to ISTA 1A integrity tests. We suggest you control the unit conditions immediately after unpacking it.
- If any damage is found, immediately advise the dealer. Keep all unit packaging parts to allow inspection.
- Proel is not responsible for any damage that occurs during shipment.
- Products are sold "delivered ex warehouse" and shipment is at charge and risk of the buyer.
- Possible damages to unit should be immediately notified to forwarder. Each complaint for manumitted package should be done within eight days from product receipt.

## WARRANTY AND PRODUCTS RETURN

- Proel products have operating warranty and comply their specifications, as stated by manufacturer.



- Proel warrants all materials, workmanship and proper operation of this product for a period of two years from the original date of purchase. If any defects are found in the materials or workmanship or if the product fails to function properly during the applicable warranty period, the owner should inform about these defects the dealer or the distributor, providing receipt or invoice of date of purchase and defect detailed description. This warranty does not extend to damage resulting from improper installation, misuse, neglect or abuse. Proel S.p.A. will verify damage on returned units, and when the unit has been properly used and warranty is still valid, then the unit will be replaced or repaired. Proel S.p.A. is not responsible for any "direct damage" or "indirect damage" caused by product defectiveness.

## **MAINTENANCE AND DISCLAIMER**

- Clean only with dry cloth.
- Proel products have been expressly designed for audio application, with signals in audio range (20Hz to 20kHz). Proel has no liability for damages caused in case of lack of maintenance, modifications, improper use or improper installation non-applying safety instructions.
- Proel S.p.A. reserves the right to change these specifications at any time without notice.
- Proel S.p.A. declines any liability for damages to objects or persons caused by lack of maintenance, improper use, installation not performed with safety precautions and at the state of the art.

## **POWER SUPPLY**

- This apparatus should only be connected to power source type specified in this owner's manual or on the unit.
- If the supplied AC power cable plug is different from the wall socket, please contact an electrician to change the AC power plug.
- Hold the plug and the wall outlet while disconnecting the unit from AC power.
- If the unit will not be used for a long period of time, please unplug the power cord from AC power outlet.
- To avoid unit power cord damage, please do not strain the AC power cable and do not bundle it.
- In order to avoid damages, please ensure that the power cord is not stepped on or pinched by heavy objects.

## **CE CONFORMITY**

- The product is in compliance with EU directives: RED 2014/53/EU, LVD 2014/35/EU, RoHS Directive 2011/65/EU and WEEE Directive 2012/19/EU.



## INTRODUCTION

Thank you for choosing a PROEL product. Please take some time to read this manual to understand all the features of your system and take advantage of all its performance capabilities. All PROEL products are CE approved and designed for continuous use in professional applications.

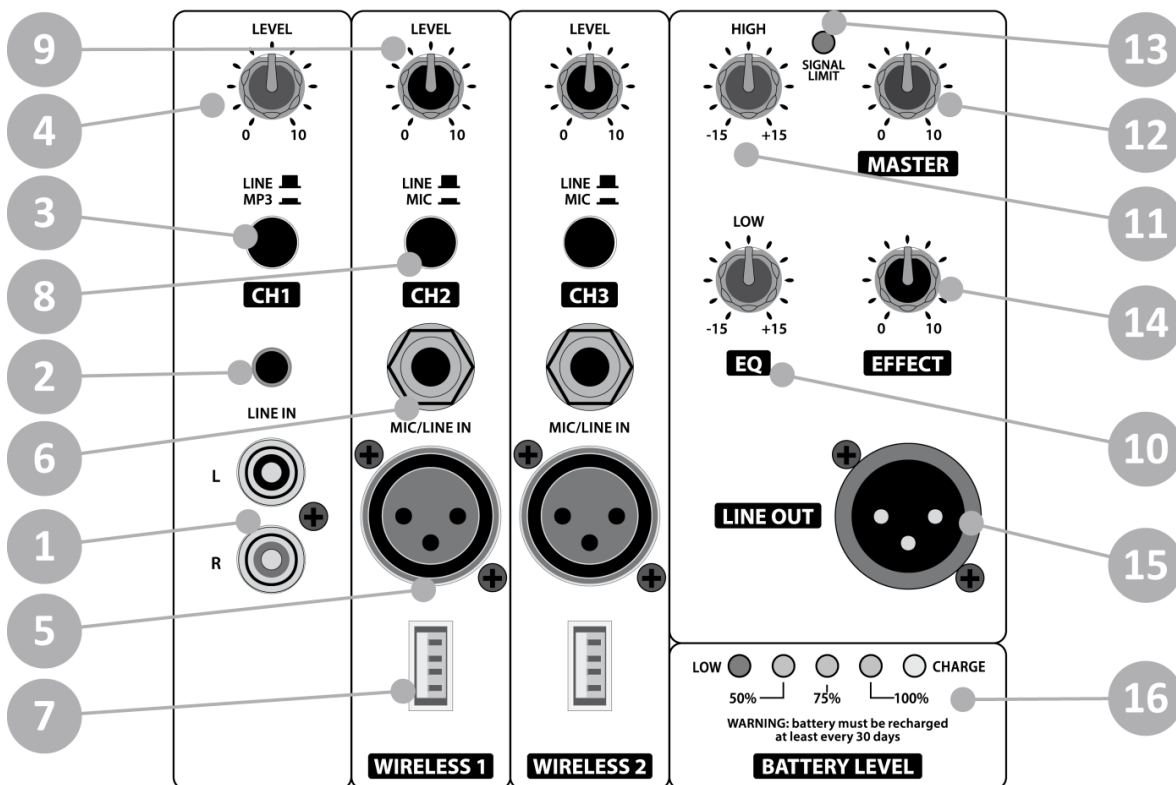
## DESCRIPTION

**V10FREE** and **V12FREE** are **battery-powered** portable sound systems featuring multiple inputs and a versatile MP3 player with **BLUETOOTH** connectivity. Hosted in lightweight yet ultra-durable polypropylene cabinets, they combine **selected transducers** with **state-of-the-art electronics**, including a sophisticated pre-amp section with active filtering and dual CLIP LIMITERS and a powerful **400W Class D** power amplifier.

The built-in MEDIA PLAYER is able to play songs from an **SD card** or a **USB MEMORY STICK**, but also from your smartphone or your tablet thru a **BLUETOOTH** connection, without the need of any cable. The built-in **3-channel mixer**, with independent level controls and a **2-band EQ**, includes also two USB inputs for connecting PROEL **U24H** or **U24B 2.4GHz Wireless Microphones** with USB receiver. The **built-in Li-ion battery** provides up to 10 hours of mains-free continuous operation, for the maximum freedom of use.

V FREE loudspeakers can be used in a variety of applications, ranging from **speech diffusion** and **music playback** to **live music** and **DJ sets**. The versatile cabinets can be mounted on standard speaker poles and the V12FREE is also fitted with a luggage-style extra handle and two wheels.

## MAIN PANEL OPERATIONS



### 1. CH1 LINE IN (RCA)

These are two RCA female connectors that accept two RCA plug from LEFT and RIGHT channels of a line level auxiliary source. Each RCA input is wired as follows:

- Tip = + positive or "hot"
- Sleeve = shield or ground



## 2. CH1 LINE IN (MINI JACK)

This is a MINI JACK (3.5mm) female connector that accepts a STEREO MINI JACK plug from Computer / CD / DVD / MP3 players. The MINI JACK is wired as follows:

Tip = positive signal of left channel

Ring = positive signal of right channel

Sleeve = shield or ground

## 3. CH1 LINE / MP3 SWITCH

Use this switch to select the external player connected to RCA/MINI JACK connectors or the built-in Media Player as the source for the input channel 1.

## 4. CH1 LEVEL

This potentiometer sets the level of the respective CH1 LINE input or the built-in Media Player.

## 5. CH2 / CH3 MIC IN (XLR)

This is a female XLR connector that accepts an XLR plug from any balanced or unbalanced dynamic microphone or line level device. The XLR input is wired as follows:

Pin 1 = shield or ground

Pin 2 = + positive or "hot"

Pin 3 = - negative or "cold"

## 6. CH2 / CH3 LINE IN (JACK)

This is a female JACK connector that accepts a JACK plug from any dynamic balanced or unbalanced microphone or line level device. The balanced JACK input is wired as follows:

Tip = + positive or "hot"

Ring = - negative or "cold"

Sleeve = shield or ground

The unbalanced JACK input is wired as follows:

Tip = + positive or "hot"

Sleeve = shield or ground

## 7. WIRELESS 1 / 2

These inputs are reserved for the PROEL **U24H** or **U24B** 2.4GHz USB Wireless Microphone. WIRELESS 1 is routed to CH2 and WIRELESS 2 is routed to CH3. *NOTE: when using the wireless microphones, it is preferable to disconnect any MIC/LINE device from the respective channel.*

## 8. CH2 / CH3 LINE/MIC SWITCH

This switch sets the sensitivity of the channel input between microphone level or line level.

## 9. CH2 / CH3 LEVEL

This potentiometer sets the level of CH2 / CH3 channels and of WIRELESS 1 / 2.

## 10. EQ LOW

This potentiometer sets the LOW TONE level: if rotated clockwise it enhances the lows, if rotated counterclockwise it reduces the lows (in the centre position the response is flat).

## 11. EQ HIGH

This potentiometer sets the HIGH TONE level: if rotated clockwise it enhances the highs, if rotated counterclockwise it reduces the highs (in the centre position the response is flat).

## 12. MASTER

This potentiometer sets the general level of all signals sent to the internal speaker amplifier.

## 13. SIGNAL / LIMIT

GREEN LED illuminates when a signal is sent to the amplifier.



RED LED illuminates when the internal amplifier's output is limited. When this LED flashes, reduce the signal level.

**14. EFFECT**

This potentiometer sets the level of the built-in effect applied to the MIC inputs of CH2 and CH3. The effect can be used also on the wireless microphones connected to WIRELESS 1 and WIRELESS 2, but in this case the MIC input must be selected in the respective channel.

**15. LINE OUT (XLR)**

This male XLR connector provides a balanced line-level signal with the mix of the inputs picked up before the MASTER and EQ controls. Connect it to the input of another audio system or powered speaker.

**16. BATTERY LEVEL**

This LED bar shows the battery level when the sound system is switched on.

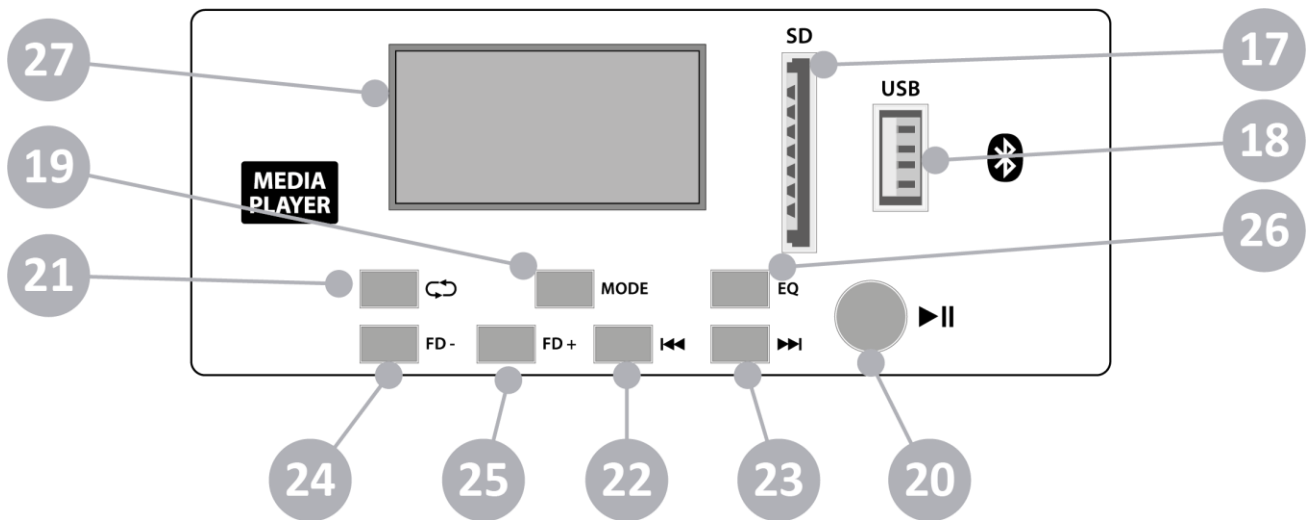
**LOW:** this RED LED indicates that the residual power of the internal battery is lower than 50% of the capacity (the other LEDs are off). When this LED is on, connect your system to a mains line.

**50%:** this GREEN LED indicates that the residual battery power is between 50% and 75% of the capacity.

**75%:** this GREEN LED indicates that the residual battery power is between 75% and 100% of the capacity.

**100%:** this GREEN LED indicates that the internal battery is fully charged.

**CHARGE:** this YELLOW LED indicates that the internal battery is being charged (the system must be connected to the mains line). **To extend the battery life the internal charger usually starts the charge only when the battery level is below 75% of the capacity, whether the system is on or off.**



**17. SD SLOT**

This slot is where you can insert a SD MEMORY CARD containing audio files.

**18. USB SLOT**

This slot is where you can insert an USB FLASH DRIVE containing audio files.

✓ Preferably use only reliable memories (suggested brands are: **SanDisk, Kingston, Lexar, Verbatim**).

**19. MODE SWITCH**

Pressing this switch, you can select the source containing audio files between SD, USB or external Bluetooth player device. A small icon on the display identifies the source currently used:

 SD MEMORY CARD

 USB FLASH DRIVE

If a BLUETOOTH device is connected, the word **“WELCOME”** appears on the screen



✓ **To connect a Bluetooth device**, follow these instructions:

- Press MODE one or two times until the “BT Not Linked – PROEL” text appears.
- If a Bluetooth device was previously associated this device will be relinked automatically.
- To associate a new device (smartphone, tablet, pc or other) you must turn on the Bluetooth in your device.
- On the device in the list of Bluetooth devices a new device named “V FREE” will appear.
- To associate it to your device choose it and if the linking is successful a tone will be reproduced by the loudspeaker.
- Now you will see “V FREE” in the list of your recognized Bluetooth devices on your smartphone or tablet and you are ready to play music with it using your preferred app.






*NOTE: the audio file types and quality playable with Bluetooth connection depends on the Bluetooth device used. The Bluetooth connection range is about 10 m (33 feet).*

## 20. PLAY/PAUSE

This button plays or pauses the current audio file: during the play the display shows the elapsed time. “PAUSE” appears on display when the song is paused. Pressing again the button the song is resumed from the latest position. *NOTE: when using Bluetooth neither elapsed time nor “PAUSE” are shown.*

## 21. PLAY MODE

This button changes the play mode of the audio files. A brief temporary text on the display shows the current mode.

-  ALL: normal forward play of all songs contained in current media within all folders. When it reaches the last song, it stops playing.
-  SINGLE ONE: it plays only the current song and repeat it indefinitely.
-  INTRO: it plays some seconds of each song contained in current media within all folders allows you to find a specific song.
-  NORMAL: it plays the current song then it stops playing when finished.
-  RANDOM: it plays all songs contained in all memories and all folders randomly.

✓ **Brief explanation of how the player works.** When you insert an SD memory card or USB flash drive in the respective slot, the player scrolls the entire content of the memory locating all audio file that can be played (files with .WAV .MP3 .WMA extensions). All files will be played in numerical and alphabetical order, considering first the “name of the folder” and then the “name of the file”.

## 22. PREVIOUS SONG

Use it to skip to the previous song with a shortly press and release action or rewind the current song keeping it pressed for a longer time.

## 23. NEXT SONG

Use it to skip to the next song with a shortly press and release action or fast forward the current song keeping it pressed for a longer time.

## 24. FD-

Use it to skip to the previous folder.

## 25. FD+

Use it to skip to the next folder.



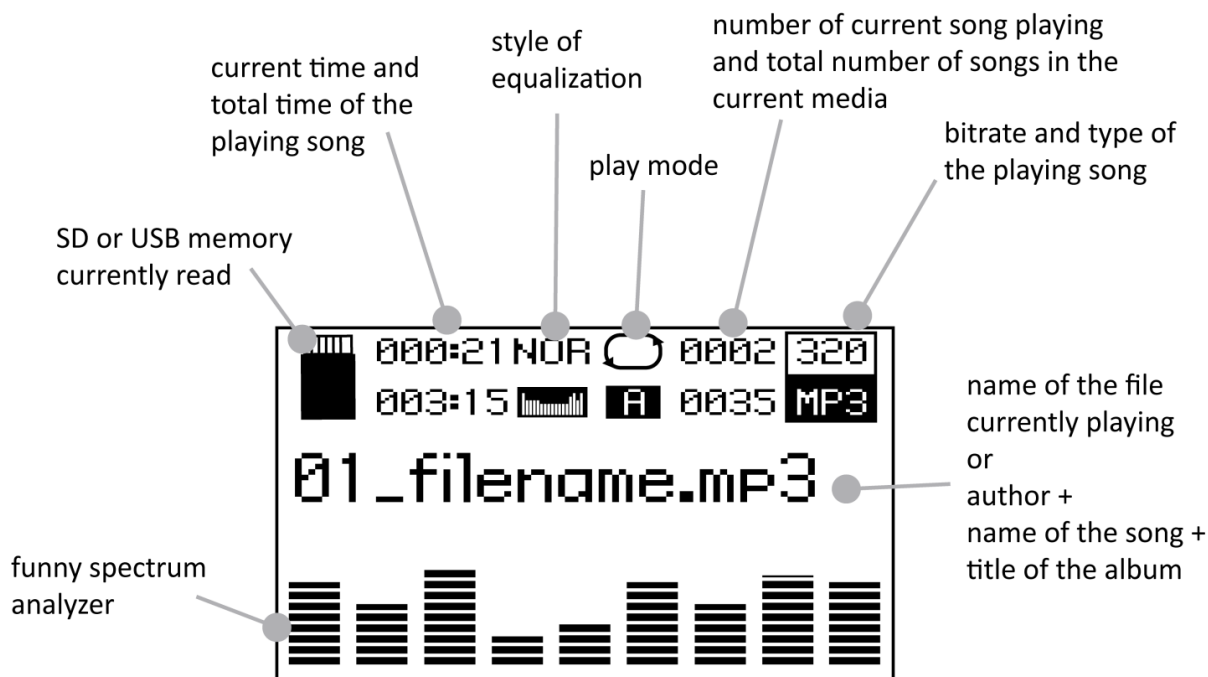
## 26. EQ

Pressing this button you can choose an equalization for the audio files reproduced: Normal, Pop, Rock, Jazz, Classic, Soft, DBB. A text and a small icon will show the equalization chosen.

*Note: this EQ is available only for music reproduced from USB or SD memory.*

## 27. LCD DISPLAY

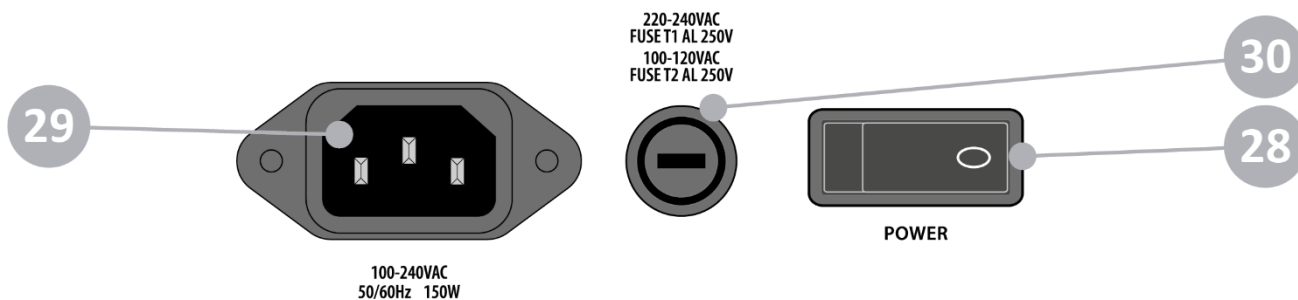
The LCD DISPLAY shows several data:



## 28. POWER

Use this switch to power ON or OFF the loudspeaker. It is "ON" when the switch is in the "I" position.

*Note: if the unit is connected to the mains line, the internal supply circuit charges the battery also if the unit is switched off. In order to extend the battery life, the charging starts when the battery level is below 75% of the capacity, whether the system is on or off. The CHARGE LED turns on when the charging starts.*



## 29. AC~ SOCKET

Here's where you plug in your mains supply cord. You should always use the mains cord supplied with the device. Be sure that your device is turned off before you plug the mains supply cord into an electrical outlet.

## 30. FUSE holder

Here is where the mains protection fuse is placed.



**REPLACE THE PROTECTION FUSE ONLY WITH THE SAME TYPE.**

**IF, AFTER THE REPLACEMENT, THE FUSE BLOWS AGAIN, DO NOT TRY TO REPLACE IT AND CONTACT THE NEAREST PROEL SERVICE CENTER.**



<b>TRATTAMENTO DEL DISPOSITIVO ELETTRICO OD ELETTRONICO A FINE VITA</b>	<b>11</b>
<b>AVVERTENZE PER LA SICUREZZA</b>	<b>11</b>
<b>IN CASO DI GUASTO</b>	<b>11</b>
<b>IMBALLAGGIO, TRASPORTO E RECLAMI</b>	<b>11</b>
<b>GARANZIE E RESI</b>	<b>11</b>
<b>MANUTENZIONE E LIMITAZIONI D'USO</b>	<b>12</b>
<b>ALIMENTAZIONE</b>	<b>12</b>
<b>CONFORMITÀ CE</b>	<b>12</b>
<b>INTRODUZIONE</b>	<b>13</b>
<b>DESCRIZIONE</b>	<b>13</b>
<b>FUNZIONI DEL PANNELLO PRINCIPALE</b>	<b>13</b>
<b>TECHNICAL SPECIFICATIONS</b>	<b>18</b>
<b>V10FREE Mechanical Drawing</b>	<b>19</b>
<b>V12FREE Mechanical Drawing</b>	<b>19</b>



## TRATTAMENTO DEL DISPOSITIVO ELETTRICO OD ELETTRONICO A FINE VITA



Il marchio riportato sul prodotto o sulla documentazione indica che il prodotto non deve essere smaltito con altri rifiuti domestici al termine del ciclo di vita. Per evitare eventuali danni all'ambiente si invita l'utente a separare questo prodotto da altri tipi di rifiuti e di riciclarlo in maniera responsabile per favorire il riutilizzo sostenibile delle risorse materiali. Gli utenti domestici sono invitati a contattare il rivenditore presso il quale è stato acquistato il prodotto o l'ufficio locale preposto per tutte le informazioni relative alla raccolta differenziata e al riciclaggio per questo tipo di prodotto. Gli utenti aziendali sono invitati a contattare il proprio fornitore e verificare i termini e le condizioni del contratto di acquisto. Questo prodotto non deve essere smaltito unitamente ad altri rifiuti commerciali.



Li-ion



Li-ion

**CAUTION, this product contains rechargeable Li-ion battery special precautions must be taken:**

- Do not disassemble, short circuit or expose it to heat and fire.
- Do not use it if the tight casing is damaged or inflated.
- Separate this from other types of wastes and recycle it.

## AVVERTENZE PER LA SICUREZZA

- **ATTENZIONE** – Prima di utilizzare il prodotto, si prega di leggere attentamente le seguenti istruzioni per la sicurezza. Prendere visione del manuale d'uso e conservarlo per successive consultazioni. Durante l'uso di un prodotto elettrico devono essere sempre prese precauzioni di base onde evitare danni a cose o persone, incluse le seguenti:
- In presenza di bambini, controllare che il prodotto non rappresenti un pericolo.
- Posizionare l'apparecchio al riparo dagli agenti atmosferici e a distanza di sicurezza dall'acqua, dalla pioggia e dai luoghi ad alto grado di umidità.
- Collocare o posizionare il prodotto lontano da fonti di calore quali radiatori, griglie di riscaldamento e ogni altro dispositivo che produca calore.
- Evitare che qualsiasi oggetto o sostanza liquida entri all'interno del prodotto.
- Il prodotto deve essere connesso esclusivamente alla alimentazione elettrica delle caratteristiche descritte nel manuale d'uso o scritte sul prodotto.

## IN CASO DI GUASTO

- In caso di guasto o manutenzione questo prodotto deve essere ispezionato da personale qualificato quando:
  - Sostanze liquide sono penetrate all'interno del prodotto.
  - Il prodotto è caduto e si è danneggiato.
  - Il prodotto non funziona normalmente esibendo un marcato cambio di prestazioni.
- Non intervenire sul prodotto. Rivolgersi a un centro di assistenza autorizzato Proel.

## IMBALLAGGIO, TRASPORTO E RECLAMI

- L'imballo è stato sottoposto a test di integrità secondo la procedura ISTA 1A. Si raccomanda di controllare il prodotto subito dopo l'apertura dell'imballo.
- Se vengono riscontrati danni informare immediatamente il rivenditore. Conservare quindi l'imballo completo per permetterne l'ispezione.
- Proel declina ogni responsabilità per danni causati dal trasporto.
- Le merci sono vendute "franco nostra sede" e viaggiano sempre a rischio e pericolo del distributore.
- Eventuali avarie e danni dovranno essere contestati al vettore. Ogni reclamo per imballi manomessi dovrà essere inoltrato entro otto giorni dal ricevimento della merce.

## GARANZIE E RESI

- I Prodotti Proel sono provvisti della garanzia di funzionamento e di conformità alle proprie specifiche, come dichiarate dal costruttore.



- La garanzia di funzionamento è di 24 mesi dopo la data di acquisto. I difetti rilevati entro il periodo di garanzia sui prodotti venduti, attribuibili a materiali difettosi o difetti di costruzione, devono essere tempestivamente segnalati al proprio rivenditore o distributore, allegando evidenza scritta della data di acquisto e descrizione del tipo di difetto riscontrato. Sono esclusi dalla garanzia difetti causati da uso improprio o manomissione. Proel S.p.A. constata tramite verifica sui resi la difettosità dichiarata, correlata all'appropriato utilizzo, e l'effettiva validità della garanzia; provvede quindi alla sostituzione o riparazione dei prodotti, declinando tuttavia ogni obbligo di risarcimento per danni diretti o indiretti eventualmente derivanti dalla difettosità.

## **MANUTENZIONE E LIMITAZIONI D'USO**

- Pulire il prodotto unicamente con un panno asciutto.
- I Prodotti Proel sono destinati esclusivamente ad un utilizzo specifico di tipo sonoro: segnali di ingresso di tipo audio (20Hz-20kHz). Proel declina ogni responsabilità per danni a terzi causati da mancata manutenzione, manomissioni, uso improprio o installazione non eseguita secondo le norme di sicurezza.
- Proel S.p.A. si riserva di modificare il prodotto e le sue specifiche senza preavviso.
- Proel S.p.A. declina ogni responsabilità per danni a terzi causati da mancata manutenzione, manomissioni, uso improprio o installazione non eseguita secondo le norme di sicurezza e a regola d'arte.

## **ALIMENTAZIONE**

- Il prodotto deve essere connesso esclusivamente alla alimentazione elettrica delle caratteristiche descritte nel manuale d'uso o scritte sul prodotto.
- Se la spina in dotazione non combacia con la presa, rivolgersi ad un elettricista per far installare una presa appropriata.
- Quando si scollega l'apparato alla rete tenere saldamente sia la spina che la presa.
- Quando l'unità non viene utilizzata per un periodo prolungato, interrompere l'alimentazione estraendo la spina dalla presa dell'alimentazione.
- Per evitare danni alla linea d'alimentazione dell'apparato, non mettere in trazione il cavo d'alimentazione e non utilizzare un cavo attorcigliato.
- Per evitare il danneggiamento del cavo d'alimentazione dell'apparato, assicurarsi che questo non venga calpestato o schiacciato da oggetti pesanti.

## **CONFORMITÀ CE**

- I Prodotti Proel sono conformi alle seguenti direttive europee: RED 2014/53/EU, LVD 2014/35/EU, RoHS Directive 2011/65/EU and WEEE Directive 2012/19/EU



## INTRODUZIONE

Grazie per aver scelto un prodotto PROEL. Dedicate del tempo alla lettura di questo manuale per comprendere tutte le funzionalità del vostro sistema e sfruttare al massimo le sue possibilità operative. Tutti i nostri prodotti sono conformi alle normative CE per un utilizzo continuo in applicazioni professionali.

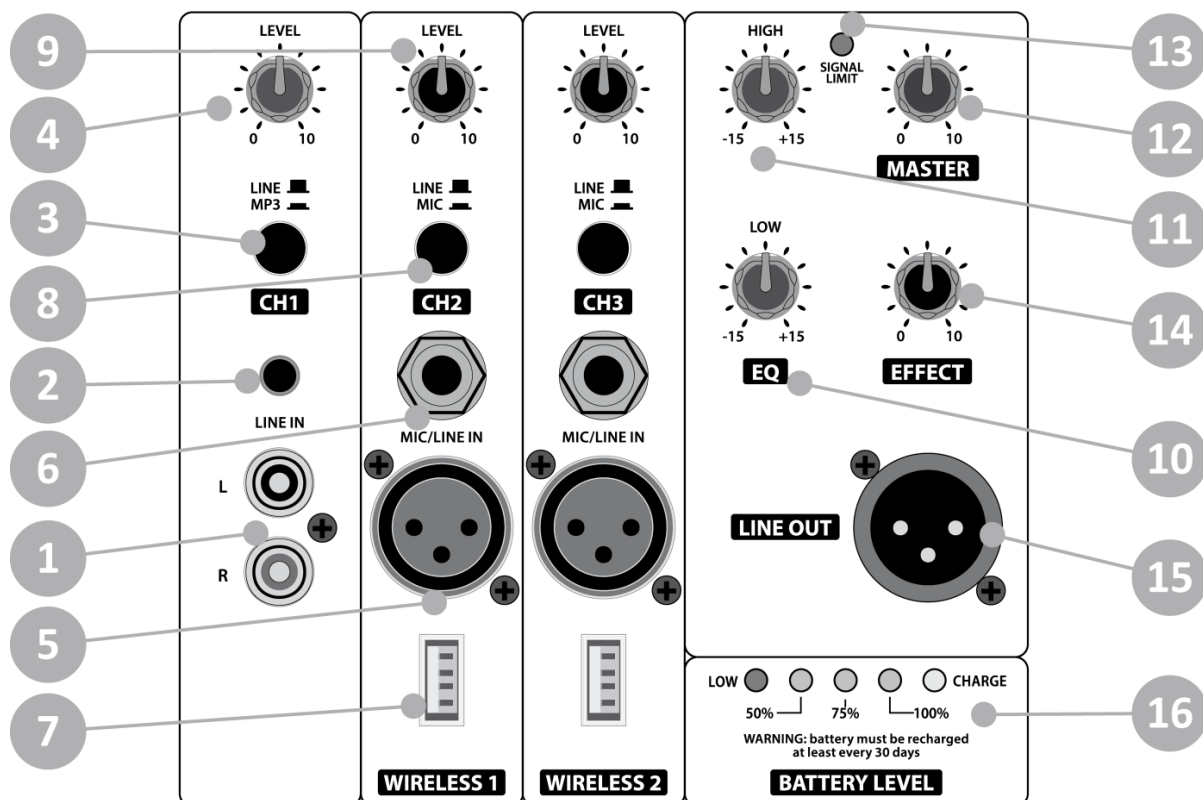
## DESCRIZIONE

**V10FREE** e **V12FREE** sono due sistemi sonori portabili alimentati a batteria con ingressi multipli ed un versatile lettore MP3 dotato di connettività **BLUETOOTH**. Alloggiati in cabinet in polipropilene leggeri e allo stesso tempo robusti, V10FREE e V12FREE combinano **altoparlanti selezionati con un'elettronica allo stato dell'arte**, che include una sofisticata sezione di pre-amplificazione con filtri attivi, doppi **LIMITER** ed un potente **amplificatore in Classe D da 400W**.

Il **MEDIA PLAYER** che trovate a bordo è in grado di riprodurre musica non solo da una card **SD** o da una chiavetta di memoria **USB**, ma anche dal vostro smartphone o tablet attraverso una connessione **BLUETOOTH**, senza bisogno di cavi. Il **mixer a tre canali** incorporato, con controlli di livello indipendenti ed **equalizzatore a due bande**, include anche due ingressi USB per collegare i **radiomicrofoni PROEL 2.4GHz U24H or U24B** dotati di ricevitore USB. La **batteria agli ioni di Litio incorporata** fornisce fino a 10 ore di autonomia, consentendo la massima libertà di movimento.

I diffusori V FREE possono essere utilizzati in una varietà di applicazioni, dalla **diffusione vocale** e di **musica dal vivo**, alla **riproduzione di musica** e ai **DJ sets**. I versatili cabinets possono essere installati su supporto standard per diffusori e nel modello V12FREE sono presenti anche una maniglia telescopica e due ruote.

## FUNZIONI DEL PANNELLO PRINCIPALE



### 1. LINE IN (RCA)

Due connettori femmina RCA che accettano due RCA maschio dai canali sinistro e destro di una sorgente ausiliaria con livello linea, ogni ingresso RCA è terminato come segue:

Tip (punta) = + positivo o "caldo"

Sleeve (manicotto) = schermo o massa



## 2. CH1 LINE IN (MINI JACK)

Connettore femmina MINI JACK (3.5mm) che accetta un JACK MINI STEREO maschio da una sorgente ausiliaria (PC / CD / DVD / lettore MP3). Il MINI JACK è terminato come segue:

- Tip (punta) = segnale positivo del canale sinistro
- Ring (anello) = segnale positivo del canale destro
- Sleeve (manicotto) = schermo o massa

## 3. TASTO CH1 LINE / MP3

Usate questo tasto per selezionare un lettore esterno connesso agli ingressi RCA o MINI JACK oppure il Media Player interno come sorgente per il canale CH1.

## 4. LIVELLO CH1

Potenzionometro per la regolazione del corrispondente livello del canale CH1 o del media player interno.

## 5. CH2 / CH3 MIC IN (XLR)

Connettore XLR femmina che accetta un XLR maschio da qualsiasi microfono dinamico o strumento a livello linea bilanciato o sbilanciato. Le terminazioni dell'ingresso XLR sono le seguenti:

- Pin 1 = schermo o massa
- Pin 2 = + positivo o "caldo"
- Pin 3 = - negativo o "freddo"

## 6. CH2 / CH3 LINE IN (JACK)

Connettore JACK femmina che accetta un JACK maschio da qualsiasi microfono dinamico o strumento a livello linea bilanciato o sbilanciato. Le terminazioni dell'ingresso JACK sono le seguenti:

- Tip (punta) = + positivo o "caldo"
- Ring (anello) = - negativo o "freddo"
- Sleeve (manicotto) = schermo o massa

Quando si collega un segnale sbilanciato, le terminazioni sono le seguenti:

- Tip (punta) = + positivo o "caldo"
- Sleeve (manicotto) = schermo o massa

## 7. WIRELESS 1 / 2

Questi ingressi sono riservati ai radiomicrofoni USB 2.4 GHz **U24H** e **U24B**. WIRELESS 1 è collegato al CH2 e WIRELESS 2 è collegato al CH3.

*NOTA: quando si utilizzano i radiomicrofoni è preferibile non utilizzare i rispettivi ingressi MIC / LINE.*

## 8. TASTO CH2 / CH3 LINE/MIC

Questo tasto imposta la sensibilità del canale di ingresso tra livello microfono o livello linea.

## 9. LIVELLO CH2 / CH3

Potenzionometri per la regolazione del livello degli ingressi CH2 / CH3 e degli ingressi WIRELESS 1 / 2.

## 10. EQ LOW

Potenzionometro per la regolazione dei toni bassi: se ruotato al massimo enfatizza i bassi, se ruotato al minimo diminuisce i bassi (in posizione centrale l'intervento è neutro).

## 11. EQ HIGH

Potenzionometro per la regolazione dei toni alti: se ruotato al massimo enfatizza gli alti, se ruotato al minimo diminuisce gli alti (in posizione centrale l'intervento è neutro).

## 12. MASTER

Potenzionometro per la regolazione del livello generale di tutti i segnali inviati all'amplificatore interno.

## 13. SIGNAL / LIMIT

LED VERDE che si illumina quando un segnale è inviato all'amplificatore interno.

LED ROSSO che si illumina quando l'uscita dell'amplificatore interno è limitata. Quando questo LED lampeggia ridurre il segnale di ingresso.



#### 14. EFFECT

Potenziometro per la regolazione del livello dell'effetto interno applicato agli ingressi microfonici dei canali CH2 e CH3. L'effetto interno può essere utilizzato anche con i radiomicrofoni collegati a WIRELESS 1 e WIRELESS 2: in questo caso, però, nel canale corrispondente deve essere selezionato l'ingresso MIC.

#### 15. LINE OUT (XLR)

Connettore XLR maschio che fornisce un segnale bilanciato a livello linea con il mix degli ingressi prelevato prima del controllo MASTER LEVEL. Collegarlo all'ingresso di un altro sistema audio o diffusore attivo.

#### 16. LIVELLO BATTERIA

Questa barra LED mostra il livello della batteria quando il sistema audio è acceso.

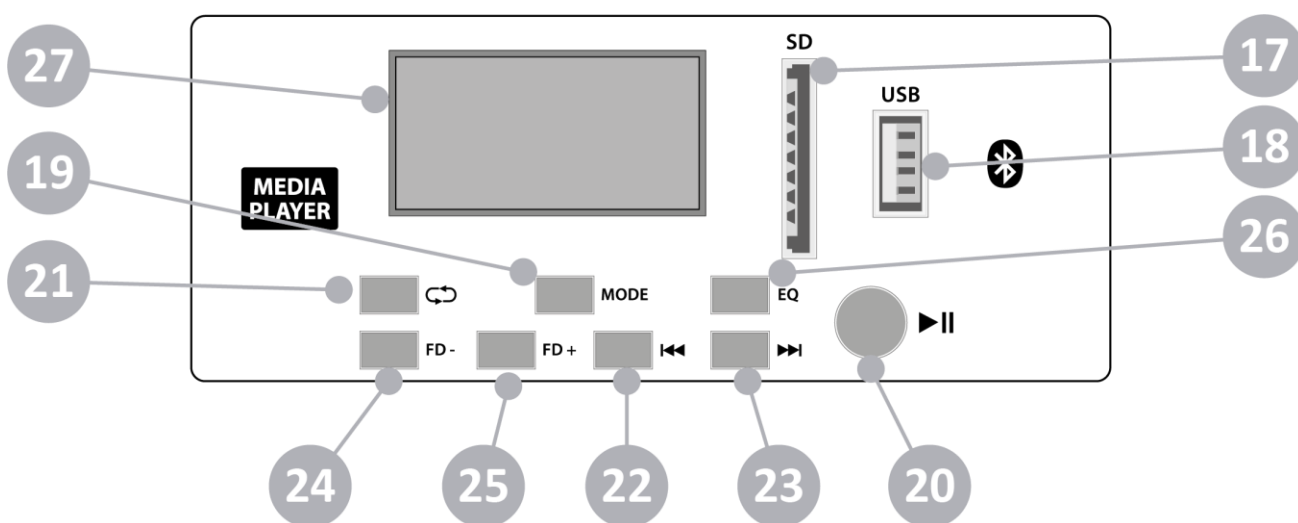
**LOW:** questo LED ROSSO indica che la potenza residua della batteria interna è inferiore al 50% della capacità (gli altri LED sono spenti). Quando questo LED è acceso collegate il sistema ad una presa di corrente.

**50%:** questo LED VERDE indica che la potenza residua della batteria è compresa tra il 50% e il 75% della capacità.

**75%:** questo LED VERDE indica che la potenza residua della batteria è compresa tra il 75% e il 100% della capacità.

**100%:** questo LED VERDE indica che la batteria interna è completamente carica.

**CHARGE:** questo LED GIALLO indica che la batteria interna è in carica. **Per prolungare la durata della batteria, il carica-batterie interno di solito si avvia solo quando il livello della batteria è inferiore al 75% della capacità, sia che il sistema audio sia acceso o spento, purché sia collegato alla rete elettrica.**



#### 17. SD SLOT

In questa apertura potete inserire una memoria tipo SD (SD MEMORY CARD) contenente file audio.

#### 18. USB SLOT

In questa apertura potete inserire una memoria tipo USB (USB FLASH DRIVE) contenente file audio.

✓ Preferibilmente usare solo memorie affidabili, marchi suggeriti sono: **Sandisk, Kingston, Lexar, Verbatim.**

#### 19. MODE SWITCH

Premendo questo tasto si sceglie la sorgente contenente i file audio fra SD, USB o Bluetooth. Una piccola icona appare sul display per identificare la memoria corrente:

 SD MEMORY CARD

 USB FLASH DRIVE

Se è connesso un dispositivo BLUETOOTH appare la scritta "WELCOME"



✓ **Per connettere un lettore Bluetooth** seguite queste istruzioni:

- Premere MODE una o due volte fino a visualizzare la scritta "BT Not Linked".
- Se il dispositivo è già stato associato e collegato al diffusore verrà ricollegato automaticamente.
- Per associare un nuovo dispositivo (smartphone, tablet, PC o altro) si deve attivare il Bluetooth del dispositivo.
- Nella lista dei dispositivi Bluetooth verrà visualizzato un nuovo dispositivo chiamato "V FREE".
- Per associare il diffusore al dispositivo selezionarlo e se il collegamento ha esito positivo verrà emesso un altro tono dall'altoparlante.
- Ora vedrai "V FREE" nell'elenco dei tuoi dispositivi Bluetooth riconosciuti sul tuo smartphone o tablet e sei pronto a riprodurre musica usando la tua app preferita.






*NOTA: il tipo di file audio e la qualità di riproduzione con la connessione Bluetooth dipende dal dispositivo Bluetooth usato. La portata della connessione Bluetooth è di circa 10 m.*

20.  **PLAY/PAUSE**

Questo pulsante riproduce o mette in pausa il file audio corrente: durante la riproduzione il display mostra il tempo trascorso, "PAUSE" appare sul display quando la canzone è in pausa. Premendolo di nuovo la riproduzione si riavvia dall'ultima posizione. *NOTA: utilizzando il Bluetooth non viene mostrato né il tempo trascorso né "PAUSE".*

21.  **PLAY MODE**

Questo pulsante cambia la modalità di riproduzione dei file audio. Un breve testo temporaneo sul display mostra la modalità corrente.

-  ALL: normale riproduzione in avanti di tutti i brani contenuti in tutte le cartelle, quando raggiunge l'ultimo brano si ferma la riproduzione.
-  SINGLE ONE: suona solo il brano corrente, quindi lo ripete indefinitamente.
-  INTRO: riproduce alcuni secondi di ogni brano contenuto nel supporto corrente all'interno di tutte le cartelle e consente di trovare un brano specifico.
-  NORMALE: suona il brano corrente, quindi termina la riproduzione alla fine.
-  RANDOM: riproduce casualmente tutte le canzoni contenute in tutte le cartelle.

✓ **Breve spiegazione di come funziona il media player.** Quando si inserisce la SD memory card o USB flash drive nel corrispondente slot, il media player controlla l'intero contenuto della memoria localizzando tutti i files che possono essere riprodotti (file con le estensioni .WAV .MP3 .WMA). Tutti i files saranno riprodotti in ordine numerico e alfabetico, considerando in primo luogo il "nome della cartella" ed in seguito il "nome del file".

22.  **PREVIOUS SONG**

Passa al brano precedente con una pressione breve oppure manda indietro veloce il brano corrente tenendolo premuto più a lungo.

23.  **NEXT SONG**

Passa al brano successivo con una pressione breve oppure manda avanti veloce il brano corrente tenendolo premuto più a lungo.

24. **FD-**

Da usare per passare alla cartella precedente.

25. **FD+**

Da usare per tornare alla cartella successiva.

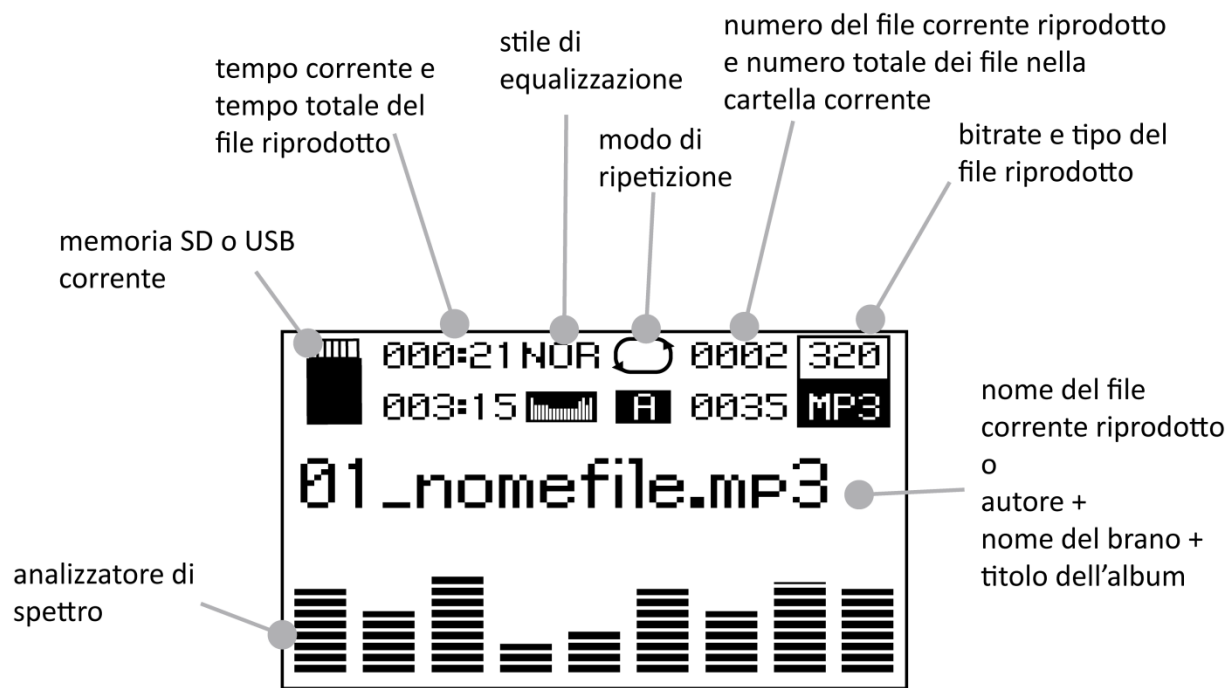
## 26. EQ

Con questa opzione potete impostare una equalizzazione per i file audio da riprodurre: Normale, Pop, Rock, Jazz, Classic, Soft, DBB. Una piccola icona nella schermata principale conferma la scelta effettuata.

*Nota: questa equalizzazione è disponibile solo per la musica riprodotta da memoria USB o SD.*

## 27. DISPLAY LCD

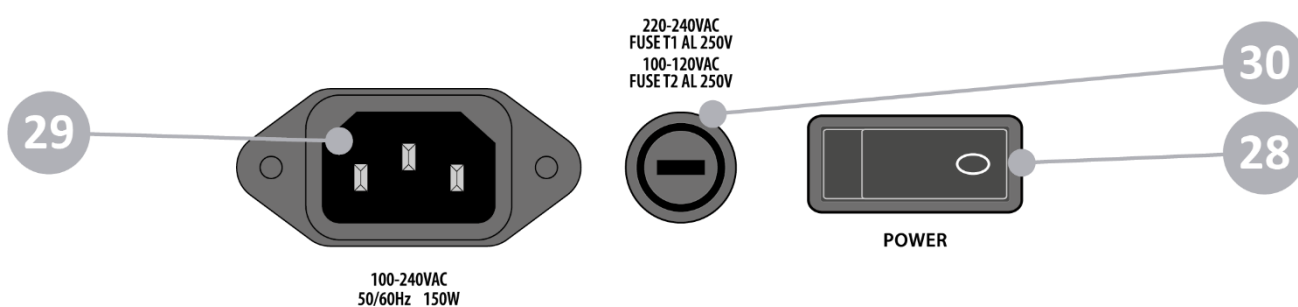
Il display mostra diverse informazioni:



## 28. POWER

Tasto per l'accensione e lo spegnimento dell'apparecchio. Esso è acceso "ON" quando il tasto è in posizione "I".

*Nota: se l'unità è collegata alla rete elettrica, il circuito di alimentazione interno ricarica la batteria anche se l'unità è spenta. Per prolungare la vita della batteria stessa, la carica si avvia in genere se la batteria interna ha meno del 75% di energia immagazzinata. Quando la batteria è in carica si accende il LED CHARGE.*



## 29. AC~ SOCKET

Inserire in questa presa il cavo di alimentazione di rete, utilizzando esclusivamente il cavo in dotazione. Accertarsi che l'altoparlante sia spento prima di collegarlo alla rete.

## 30. FUSE holder

In questo vano è inserito il fusibile di protezione principale di rete.



**RIMPIAZZARE IL FUSIBILE DI PROTEZIONE ESCLUSIVAMENTE CON UN FUSIBILE CON LE MEDESIME CARATTERISTICHE RIPORTATE SUL PRODOTTO.**

**SE, DOPO LA SOSTITUZIONE, IL FUSIBILE SI INTERROMPE NUOVAMENTE, NON INSISTETE NELLA SOSTITUZIONE E CONTATTATE IL SERVIZIO ASSISTENZA PROEL PIU' VICINO.**



## TECHNICAL SPECIFICATIONS

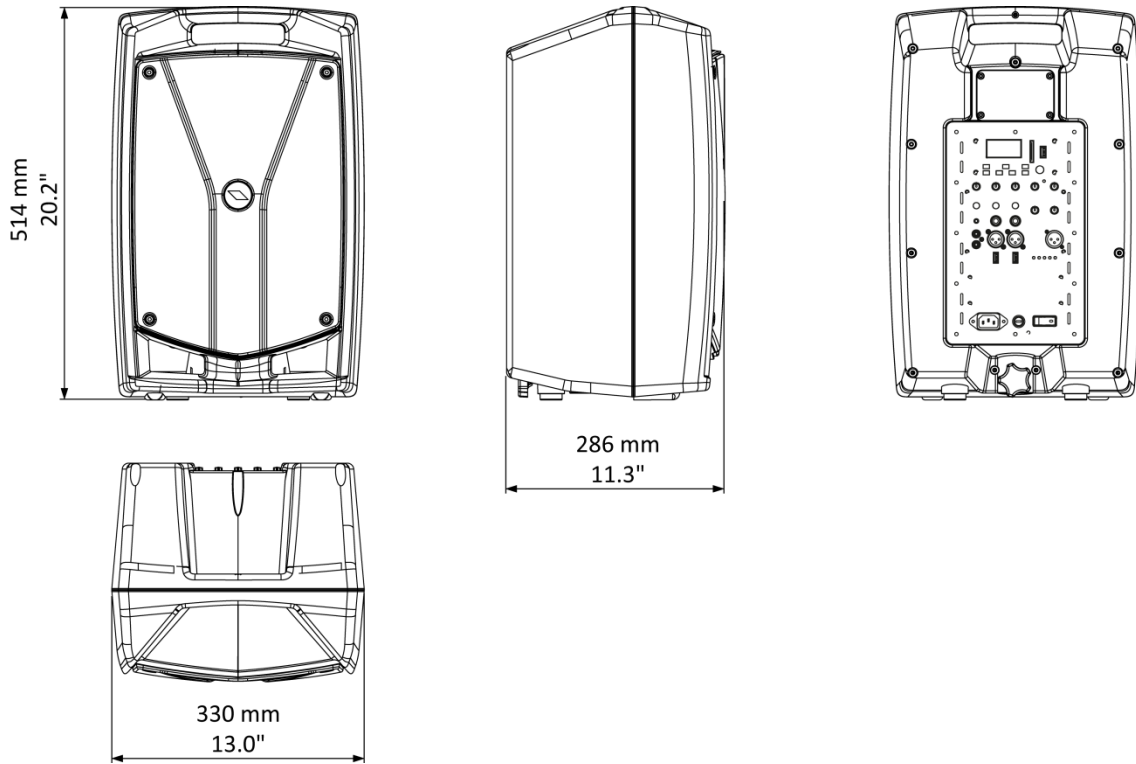
	<b>V10FREE</b>	<b>V12FREE</b>
	<b>MIXER Section</b>	
<i>MONO inputs</i>	2 x MIC/LINE IN (XLR-F + 1.4" JACK)	
<i>STEREO input</i>	1 x LINE IN (2xRCA + MINI-JACK)	
<i>WIRELESS inputs</i>	2 x USB TYPE-A	
<i>Outputs</i>	MONO LINE OUT (1.4" JACK)	
<i>Main EQ</i>	2-band EQ (HIGH + LOW)	
	<b>MULTIMEDIA Section</b>	
<i>Player Type</i>	USB / SD / BLUETOOTH player	
<i>Compatible File Formats</i>	MP3, WAV, WMA	
<i>Control Interface</i>	LCD display, CONTROL buttons	
	<b>AMPLIFIER Section</b>	
<i>Total Peak Power</i>	400 W	
<i>Continuous Power</i>	200 W	
<i>Amplifier Type</i>	Class D	
<i>Power Supply</i>	SMPS	
<i>Processing</i>	Analog	
	<b>LOUDSPEAKER Section</b>	
<i>System type</i>	2-way vented enclosure	
<i>High Frequency Device</i>	1" horn loaded neodymium compression driver	
<i>Low Frequency Device</i>	10" woofer with 1.5" VC	12" woofer with 2" VC
<i>Angular Coverage</i>	90° H x 60° V	
<i>Frequency Response</i>	60 Hz - 20 kHz	50 Hz - 20 kHz
<i>Max SPL</i>	122 dB	123 dB
	<b>GENERAL Specifications</b>	
<i>Construction</i>	Polypropylene	
<i>Cabinet Color</i>	Black	
<i>Handles</i>	1 x top	1 x top, 1 x top retractable
<i>Wheels</i>	-	2 x rear
<i>Mounting Pole</i>	1 x bottom	
<i>Dimensions (W x H x D)</i>	330 x 514 x 286 mm	380 x 603 x 359 mm
<i>Weight</i>	10 kg (22.1 lb.)	11 kg (24.3 lb.)
<i>Li-Ion Battery</i>	11.1 V / 8000 mAh	
<i>Battery Recharging Time</i>	4-5 hours *	
<i>Battery Working Time</i>	10-12 hours **	
<i>Power Supply</i>	100-240 V~ 50/60 Hz	
<i>Rated Consumption</i>	150 W	

\* This is the full recharging time with battery completely exhausted.

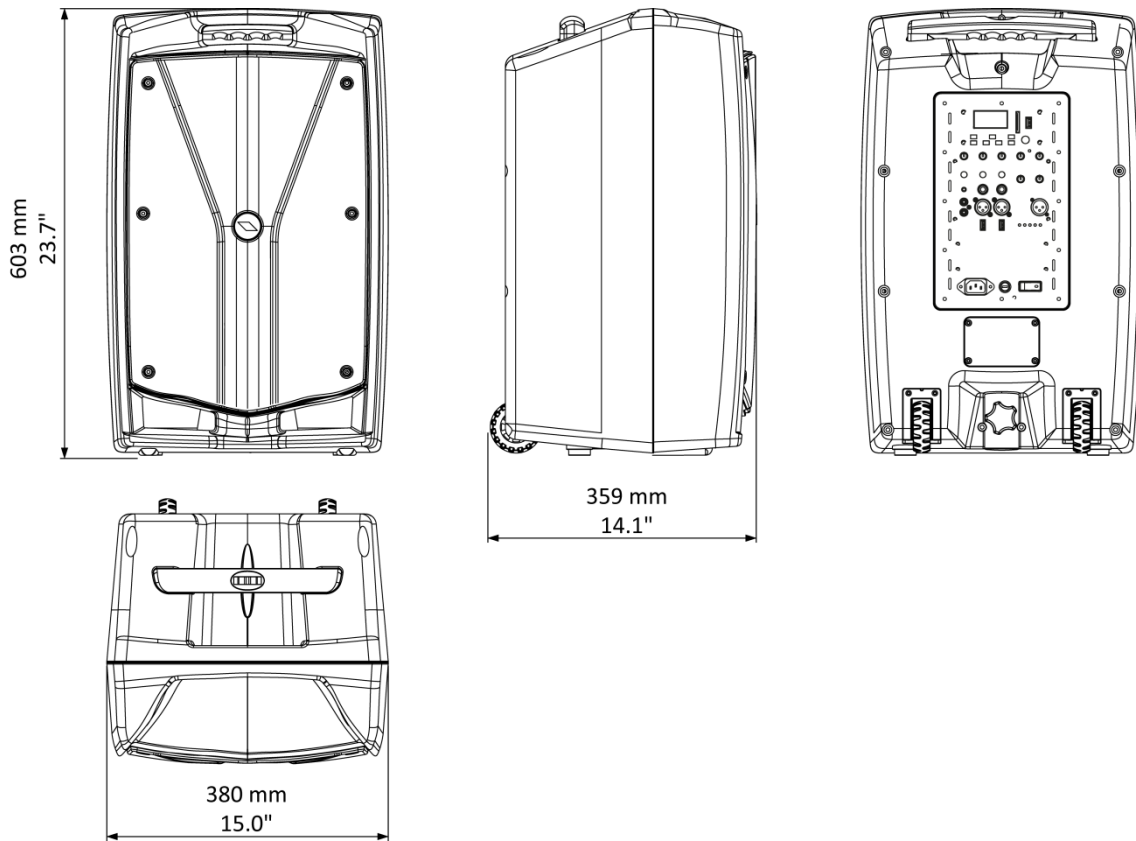
\*\* This is the total time with a new battery pack and a normal use of the system. With continuous loud sound and/or battery ageing it can decrease substantially.



### V10FREE Mechanical Drawing



### V12FREE Mechanical Drawing





**PROEL S.p.A.**

(World Headquarters - Factory)

Via alla Ruenia 37/43

64027 Sant'Omero (Te) – Italy

Tel: +39 0861 81241

Fax: +39 0861 887862

[www.proel.com](http://www.proel.com)