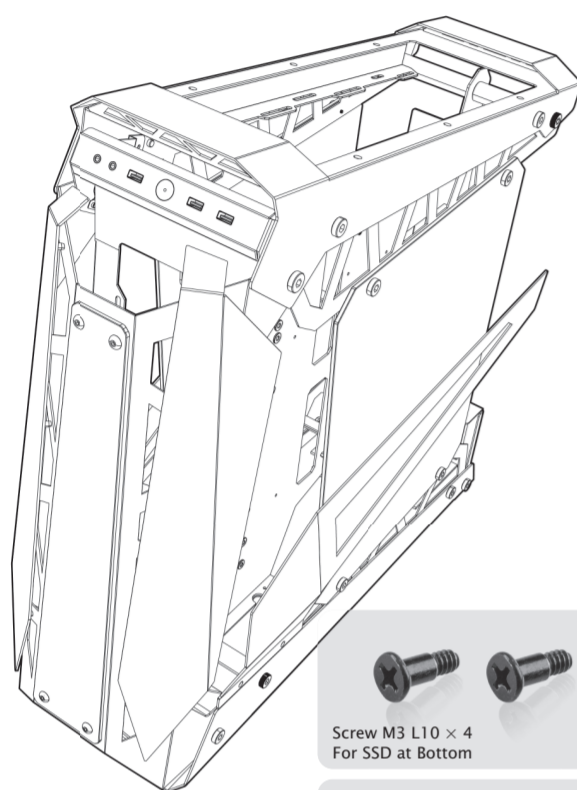


**RAIJINTEK**  
**NYX PRO**  
OPEN FRAME PERFORMANCE MONSTER

- 
- ① Screw #6-32 L6 × 4 For PSU
  - ② Screw #6-32 L5 × 8 For VGA Holder
  - ③ Stand-off L6 × 3 For Motherboard Tray
  - ④ Screw M3 L10 × 4 For SSD at Bottom
  - ⑤ Screw #6-32 L10 × 6 For HDD at Bottom
  - ⑥ Fan Screw × 4 For Fan
  - ⑦ Screw M3 L5 × 17 For MB Stand-off
  - ⑧ Screw L3.5 × 2 To Lock the Bottom of HDD & SSD
  - ⑨ Screw #6-32 L4 × 6 For Side Wing
  - ⑩ HDD & SSD Rubber Pad × 10 For the Bottom of the HDD & SSD
  - ⑪ Allen Key × 1 For Screws with Hexagonal Sockets
  - ⑫ Velcro × 4 For Cable Tie
  - ⑬ Holder × 2 To Hold VGA Cards
  - ⑭ Screw M3 L8 × 12 For SSD on MB Tray
  - ⑮ Screw #6-32 L8 × 6 For HDD on MB Tray
  - ⑯ Mounting Tool × 1 For MB Stand-off
  - ⑰ PCIe - Riser Cable 500mm × 1 For VGA Card
  - Ⓐ Side Wing × 2

