



USER MANUAL FOR E-SCOOTER RB-RTEN10

Red Bull® Marks and the Red Bull Racing Logo are licensed by Red Bull GmbH/Austria

Page 3-29 EN USER MANUAL

Page 31-59 PL INSTRUKCJA OBSŁUGI

RB-RTEN10 E-SCOOTER

WARNING FOR ELECTRIC KICKSCOOTER

Read and follow all the instruction in the user manual before using the e-scooter.

Collisions, falls, and loss of control can damage people and objects around you.

Owners of the e-scooter must check and obey any local laws applicable to e-scooter usage concerning helmet use, speed limits, and accessible areas.

This e-scooter conforms to the decree of electric mobility.

This electric kick scooter is not a toy and is not suitable for children under the age of 10 (check your local laws).

Adult supervision is required for riders under the age of 18.

This product can not transport more than one person at time.

This appliance can be used by persons with reduced physical, sensory or mental capabilities or lack of experience and knowledge if they have been given supervision or instructions concerning use of the appliance in a safe way and understand the hazards involved.

Children shall not play with the appliance. Keep the battery out of the reach of small children.

Cleaning and user maintenance shall not be made by children without supervision.

WARNING FOR BATTERY CHARGER

This appliance is not a toy.

Children shall not play with the appliance.

Adult supervision is required for minors.

This appliance can be used by persons with reduced physical, sensory or mental capabilities or lack of experience and knowledge if they have been given supervision or instructions concerning use of the

appliance in a safe way and understand the hazards involved.

Cleaning and user maintenance shall not be made by children without supervision.

Do not recharge non-rechargeable batteries.

The battery is to be disposed of safely.

Introduction

For your better use experience, please read this product manual carefully. Keep this user manual for future references.

In order to avoid damage, carefully read and follow the instructions of this user manual.

The user is responsible of all consequences from the incorrect use of the electric kick scooter.

The Retailer and the Distributor are not responsible of damages to objects and/or people caused by the incorrect use of the device.

This e-scooter can be used by one user at one time only.

Please use the product if in good condition only. Please check whether the tires are damaged. If anything abnormal, please provide for maintenance.

If you lose control during driving, you may cause damage to you or to other people.

For private use only. Forbid to use the electric kick scooter on vehicle roads (check the local laws).

Before riding the electric kick scooter, the battery must be fully charged or almost fully charged. Follow the instructions on this user manual to avoid technical problems.

ATTENTION

The battery is the heart of the main energy resources of the device, pay attention to its habit when using the battery.

The battery cannot be discharged and should be fully powered before each use.

Avoid deep current discharge, recharge the battery in time when the level is very low.

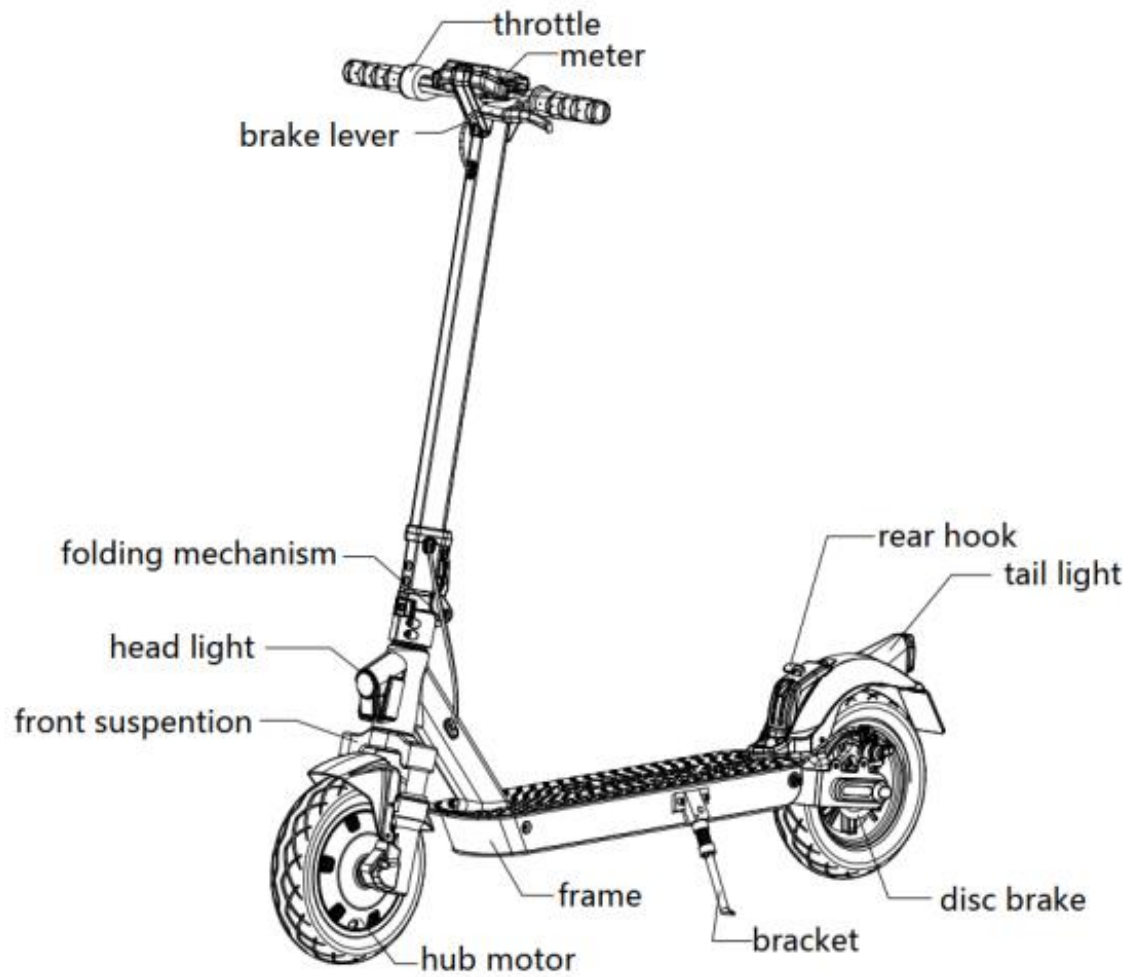
Fully charge the battery every 2 months, even when the electric kick scooter is not used.

WARNING

When battery is completely empty (0% charge), a normal charge of 7-8 hours might not be sufficient.

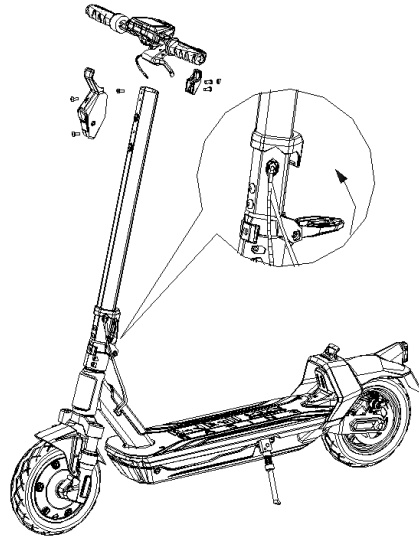
It is necessary to proceed with an 8-hour charge.

The product



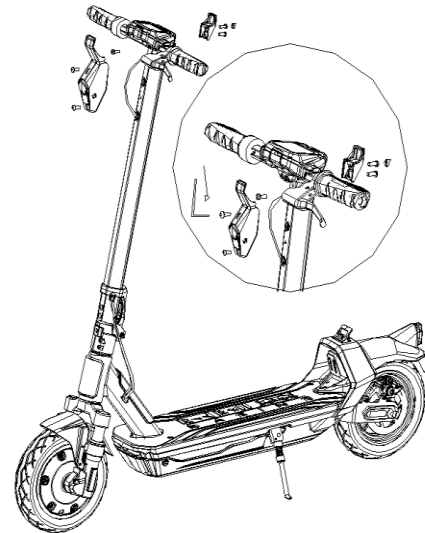
Assembling

The kick scooter is folded inside its box.
Hand pull the handlebar from the rear
Upward the handlebar.
Close the lever on the handlebar.

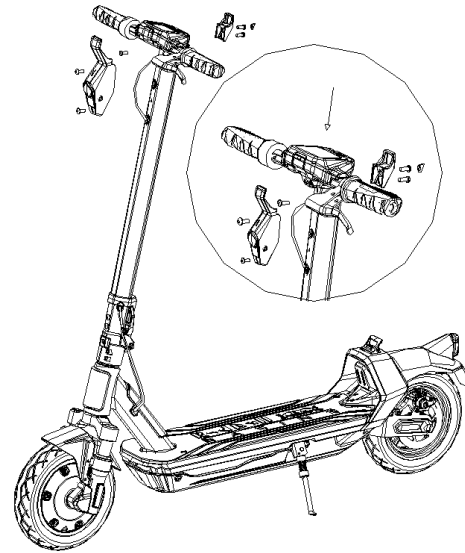


wheel.

For the very first use, please assemble the vertical handlebar.
Use the hexagon wrench to tighten the 4 screws on the
handlebar.

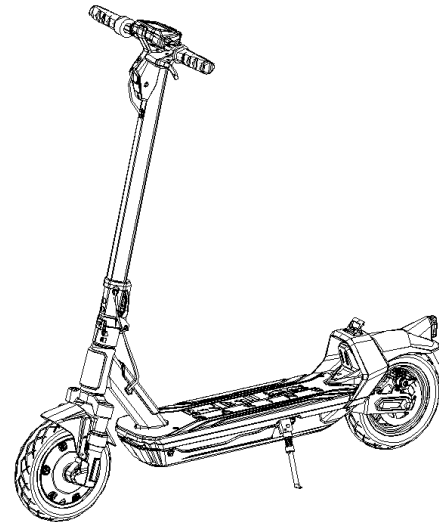


Install the handlebar on the standpipe.



When the installation is done, please test the power switch of the display.
If the display turns-on, the installation is well done.

You can use the easel to keep the kick scooter standing alone.

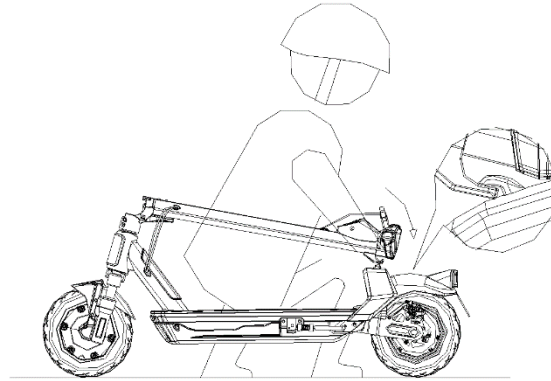
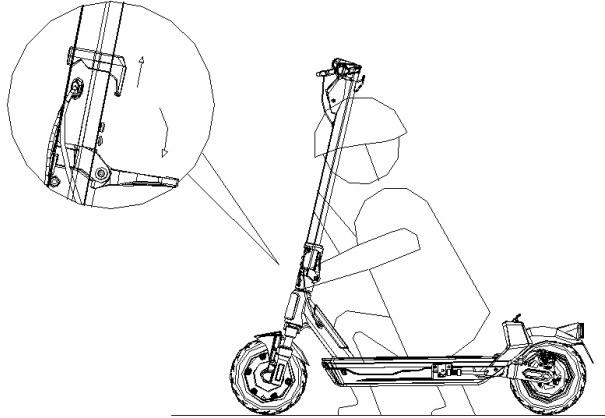


Folding steps

Make sure the electric scooter is powered off.

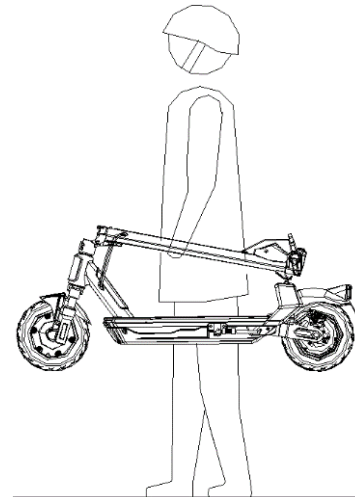
Hold the standpipe by hand, rotate the folding wrench and align the front hook and the rear hook.

Fold the handlebar. Hook the handlebar to the rear wheel.



The folding procedure is now completed.

The product can be easily carried.



LED Display

The LED display is on top of the handlebar, in front of the user.

Press the power button to turn on the e-scooter.

Press the button one time to switch from Pedestrian mode to ECO to D to S+ mode.

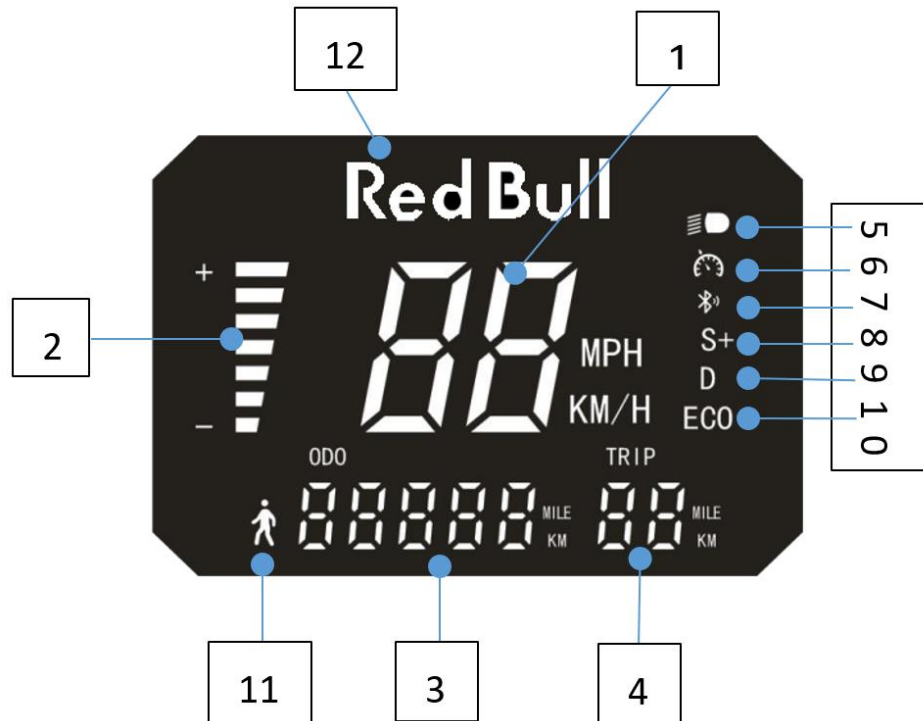
Quickly press the power button 5 times to switch from MPH to KM/H and vice versa.

Quickly press the power button to turn on/off the front LED light.

Press the power button for 5 seconds to turn the display off.

The unit will automatically turn off when not in use for 3 minutes.

This is what the display looks like:



Current speed (1)

The speed is showed in Km/h. It will change along with the current speed.

Battery capacity (2)

The battery capacity of the e-scooter is displayed by bars, from 100% (full battery) to 0% (empty battery).

The display will light on all bars when the battery is full and one bar only for very low battery. During use the power of the battery gradually decreases. When the energy of the battery is very low (one bar on only), please stop riding for your safety and charge the battery for further use.

Remark: ERR 03 might appear on the display. It will disappear when the battery is charged again.

Mileage display (3) (4)

ODO info (total mileage) is visible when the unit is powered.

Trip info (single trip distance) is visible during normal use of the electric kick scooter.

Light indicator (5)

This symbol will turn-on when the front light is powered.

When the display is on, press the power button to turn on/off the front and rear LED light.

Cruise indicator (6)

The function is not working for this product. This indicator will never turn-on.

Bluetooth symbol (7)

The function is not working for this product. This indicator will never turn-on.

Modes (8) (9) (10)

Gear 1, pedestrian mode, is for low speed (**6km/h max**); gear 2, ECO mode, is for mid speed (**15km/h max**); gear 3, D mode, is for high speed (**20km/h max**).

Short press twice the button to switch from one gear to the next one.

For safety reason, it is suggested to change the gear the kick scooter is stopped only.

Brake indicator (11)

Each time that the brake is used, this indicator turns on.

Logo (12)

Error status

When one of these error codes appear on the display, kindly contact your retailer or after-sale-service for immediate assistance.

Remarks: When the above error occurs, the rear tail lamp will flash at 10Hz high frequency. The motor will not operate; therefore, the motor cannot be seen as damage when it does not operate when error occurs.

Part	Status	Meaning	Description
Controller	E01	Over-current protection.	When the vehicle travels on a slope or accelerates suddenly with huge load, it would trigger the alarm due to over-current. Recovery needs to reduce load (reduce current).
	E02	Low-voltage protection. Battery is nearly out of power.	It usually appears during use, meaning the battery is low.
	E03	Over-voltage protection.	Normally it will not happen during customer use. If this situation occurs during proper use with right speedometer, it may apply the battery with larger voltage than the right battery of this model. If the battery is correct, please check the speedometer if it is 36V or 48V. This situation will occur when speedometer of 36V match with 48V battery, because full battery level of 36V battery is 42V.
	E04	Rotor-lock protection.	It usually happens when the climbing slope is too big, which causes rotor overload and finally the rotor would be locked.

	E05	MOSFET up bridge-arm fault.	Due to program setting, it might trigger the fault at the first use, but it would not happen next time. If it happens during normal use, the controller MOS tube may be damaged, please replace controller.
	E06	MOSFET down bridge-arm fault.	If it happens during normal use, the controller MOS tube may be damaged, please replace controller.
	E07	Controller is broken. Hall of failure.	After-sales service is required.
	E08	Over-temperature protection.	It is usually over-temperature with the controller, due to continued travelling on slopes or overload for a long time. The initial protection will limit current output and will not generate error code. If the temperature continues to rise, it will trigger the alarm and cut the electricity.
Speedometer	E09	Throttle failure.	It is because the throttler signal does not enter the speedometer. After-sales service is required.
	E10	Brake failure.	The major reason is the bad contact between brake and throttler or between brake and speedometer, it is found the possibility of Hall failure in throttler also. After-sales service is required.

E11	Headlight switch malfunction.	This error is not valid for the current model.
E12	Communication failure.	It is usually due to bad contact for main cable or connector clips and open circuit. After-sales service is required.
E13	Start-switch failure.	This error is not valid for the current model.

Instructions for use

Before riding the electric kick scooter for the first time, the battery must be fully charged.

Follow the instructions on this user manual to avoid technical problems.

Try to recharge after each ride, which can greatly extend the service life of the battery.

First put the electric kick scooter on a flat surface.

The electric kick scooter is developed for flat grounds. Take care of uneven and bumpy grounds.

Press the power button on the display, to turn-on the display and the unit.

Verify the level of the battery power on the display.

Select the desired gear.

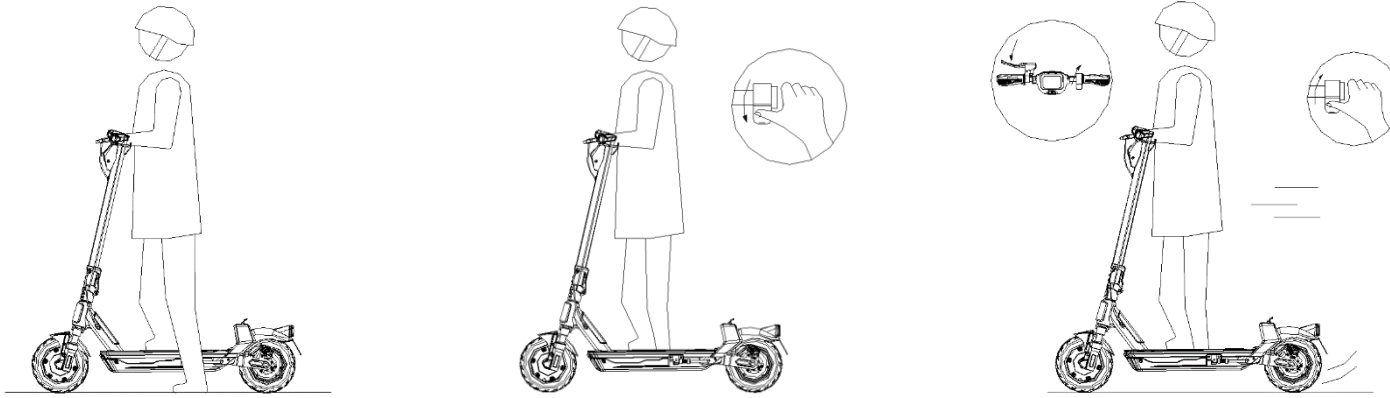
Put one foot on the pedal. Stand on the pedal with one leg only. Keep the two hands on the handlebar.

This e-scooter has a “kick-and-go” function for your safety.

Just push with the foot your e-scooter forward and the motor will be activated when you reach 3km/h.

Gently press the lever on the right handle: the device will accelerate.

Step on with the other foot whilst the electric kick scooter is moving.



Release the acceleration lever to slow-down.

Pull the brake lever on the left handle: the electric kickscooter will brake.

Stop the electric kickscooter and remove the feet, one by one.

Turn off the display.

Use the easel to keep the electric kickscooter standing alone, when not in use.

Distance

The maximum range of the scooter is 35-40 km approx.

This maximum range is affected by the road type (flat and smooth ground will increase the distance, otherwise the distance will be reduced), ambient temperature, maintenance (tyres, battery).

Loading

Driver's maximum weight should be of 100 Kg and minimum weight should be 30 Kg.

These limits ensure the driver's safety and reduce damages to the scooter.

Battery

The battery charge (and therefore the maximum distance) is affected by some factors like:

1. Ground (when ground is not flat, the discharge is increased).
2. Weight of the user.
3. Ambient temperature.
4. Drive style and speed will affect the life of the battery charge: a constant and moderate speed, positively affect the charge of the battery; a high and inconsistent speed, will reduce the life of the battery charge.
5. Maintenance (battery must be kept in good condition by the user and must be charged in the correct way).

WARNING

Charge the battery before first use.

Fully charge the battery every 2 months, even when the kick scooter is not used.

WARNING

When battery is completely empty (0% charge), a normal charge of 7-8 hours might not be sufficient.

It is necessary to proceed with an 8-hour charge.

Battery Charging

Charge the battery before using the electric kick scooter for the first time.

When you find the power-indicator shows very low energy, please stop riding for your safety.

Try to recharge after each ride, which can greatly extend the service life of the battery.

Charging should be in a safe, dry, and clean environment.

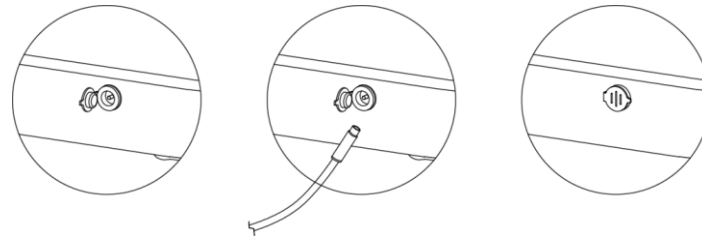
The kick scooter must be powered-off before proceeding with charging.

Do not use the kick scooter when charging the battery.

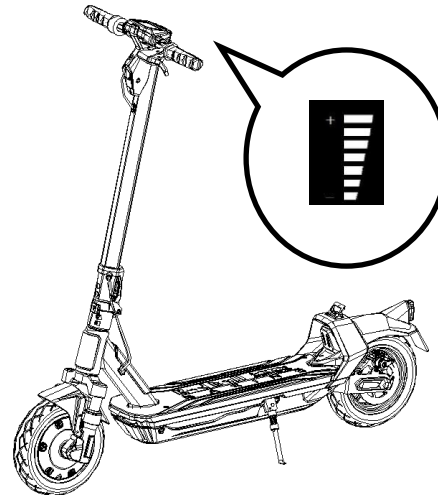
INSTRUCTIONS FOR CHARGING

1. Ensure the charging port is dry. Open the protective cover and insert the charger into the e-scooter charging port. The other end of the charger must be connected to the mains to activate the charger.

2. First connect the cable of the battery charger to the e-scooter. Then, connect the cable of the battery charger to the mains.
3. The indicator light on the charger will be red: this grants that the charge is proceeding. Charging should be in a safe, dry, and clean environment.
4. When the indicator light is turned to green colour, the battery is fully charged. Please stop charging or the battery life will be reduced. Charging time is around 7-8 hours. Too long charging time will affect the battery life.
5. Remove the cable of the battery charger. Put the cover back to position.



Please check the battery capacity on the display.



Keep the product and the battery at the recommended temperature to keep the highest efficiency of the e-scooter and of the battery. If used in an extreme cold or hot environment, the charging time will be lengthened too. Working temperature: 0°C-40°C.

Please check the temperature of the battery during the charging process. Charging temperature must be: 0°C ~ 40°C. Humidity level during charge must be: 5%-95%.

If the temperature is higher than 40°C, the scooter functioning might be damaged and battery life might be reduced.

WARNING

When battery is completely empty (0% charge), a normal charge of 7-8 hours might not be sufficient.

It is necessary to proceed with an 8-hour charge.

WARNING/ATTENTION

The battery contains dangerous substances.

Do not charge the battery if the temperature is lower than 0°C.

Do not attempt to open the battery and do not insert objects inside it.

Do not charge overnight or when you are not able to observe the e-scooter.

Charge and store in an open dry area, away from combustibles (meaning items that can catch fire).

Do not charge directly after riding. Let the device cool for an hour before charging.

If giving to someone for the holidays, leave it in its partially charged state. Do not take it out of the package to bring it to a full charge and then wrap it back up. Often, the product comes partially charged. Leave it in that state until it is ready to be used.

Correctly dispose and recycle the batteries according to local recycling and environmental regulation.

Never treat the batteries as common domestic waste, to prevent explosion and pollution.

Never throw the batteries into fire.

The battery must be removed from the kick scooter before it is scrapped.

Only the original charger must be used. Please refer to your retailer in case replacement is required.

CAUTIONS

Do not use the e-scooter if the battery is low.

Do not use the e-scooter in case of burning smell.

Do not use the e-scooter if anything leaks out from the battery.

Do not touch anything leaking out from the battery.

Do not let children or animals touch the battery.

Unplug the charger before riding the e-scooter.

Only use the supplied battery and the supplied charger.

Only professionals can disassemble and maintain the battery. Please refer to your Retailer.

Transport of the battery

Lithium batteries are considered dangerous goods.

Please check the local law about transportation.

Speed Limit

The maximum speed is 20 Km/h.

When the driver reaches the maximum speed, the e-scooter will keep the speed even if the driver accelerates.

Safety drive

1. Please carefully read this user manual before first use.
2. Please always wear helmet, knee protections, elbow pads, when riding (check your local laws).
3. Wear comfortable flat shoes.
4. Please always verify that the use of the electric kick scooter is allowed (check your local laws).
5. Always check the level of the battery. If too low, the e-scooter might suddenly stop and cause the fall of the driver.
6. This product is not suitable for children under the age of 10 (check your local laws).

7. Adult supervision is required for minors of 18.
8. The e-scooter is for personal entertainment only. It is prohibited to use it as public transportation (check your local laws).
9. It is forbidden to use the e-scooter on vehicle roads (check your local laws).
10. It is forbidden to carry goods whilst driving the e-scooter.
11. Pay attention to objects and people around.
12. Do not start or stop driving suddenly. Sudden movements will make the e-scooter out of control.
13. Do not use it on streets, in traffic and by night (check your local laws).
14. Do not drive in dark places.
15. Pay attention to the ground. The kick scooter is made for smooth and flat grounds.
16. Do not ride up or down from stairs or escalators.
17. Do not drive after drinking or taking drugs.
18. The e-scooter can be used by one person at one time only, even if the maximum weight is not reached.
19. Overweight is prohibited. Functions of the kick scooter might be damaged.
20. Underweight is prohibited. The e-scooter might not be under control anymore.
21. The speed of the e-scooter is affected by the road type, the ambient temperature, the maintenance of the battery.
22. Always keep safety distance between you and other vehicles, people, obstacles, to avoid any collision.
23. Do not drive when raining. Avoid wet floors and puddles. Avoid puddles deeper than 2cm.
The control of the e-scooter will be reduced. The user might fall. The electrical system of the e-scooter might be damaged.
24. Avoid driving the e-scooter on grounds with snow or ice or mud. The e-scooter would not be under control.
25. Do not use the electric kick scooter in unsafe circumstances or dangerous places.
26. Keep away from fire.



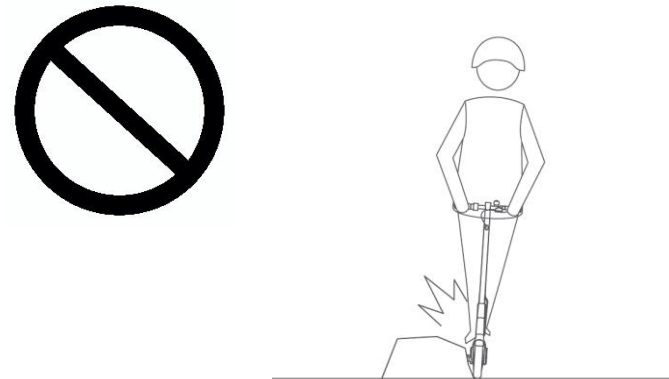
DO NOT ride during rainy / wet weather.



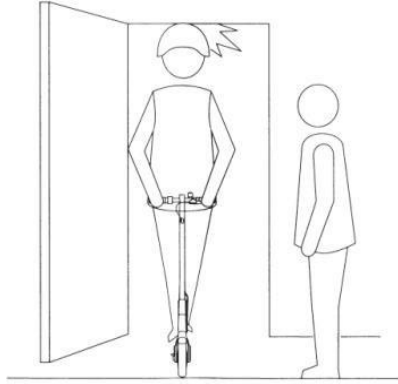
Ride at a controlled and slow speed while you ride through uneven surfaces. Slightly bend your knees to absorb the bumpy impacts.



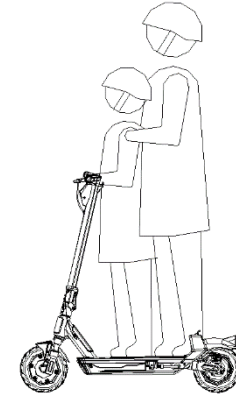
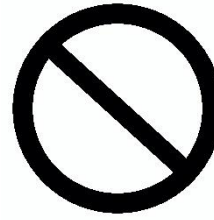
DO NOT ride in traffic lanes or residential areas where vehicles and pedestrians are both allowed.



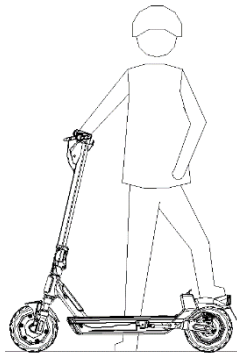
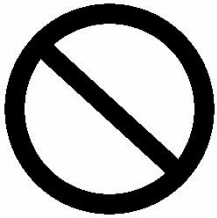
Always steer clear of obstacles.



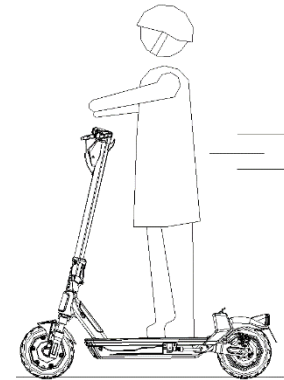
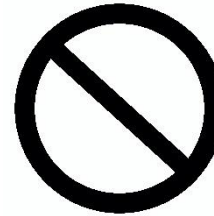
Look out for doors, elevators, and other overhead obstacles.



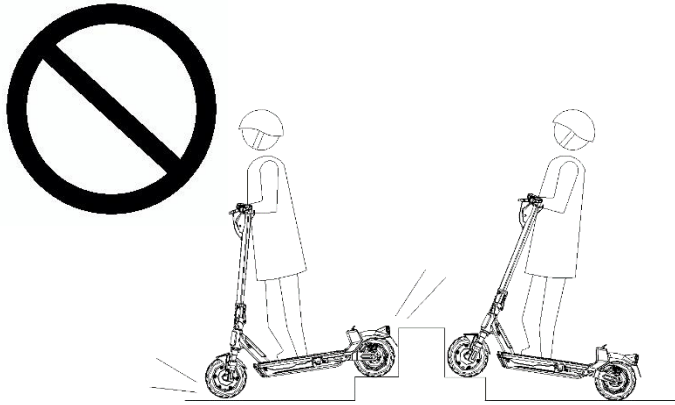
DO NOT ride with any adult or child.



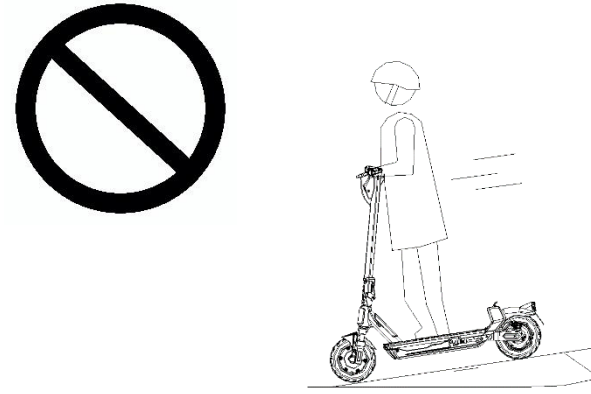
DO NOT step on the rear mudguard.



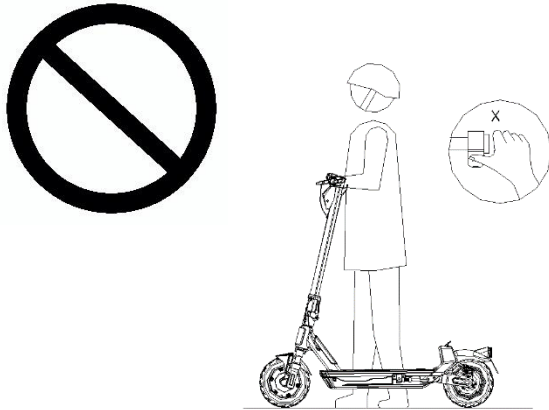
DO NOT take the hands off from the handlebars while riding.



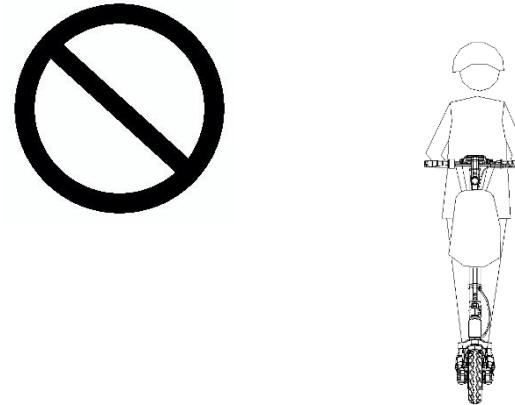
DO NOT try to ride up or down stairs, or jump over the obstacles.



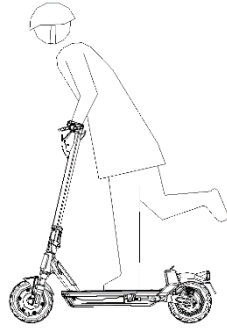
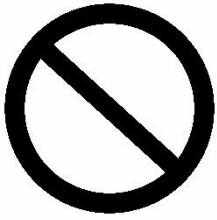
DO NOT accelerate when you go downhill.



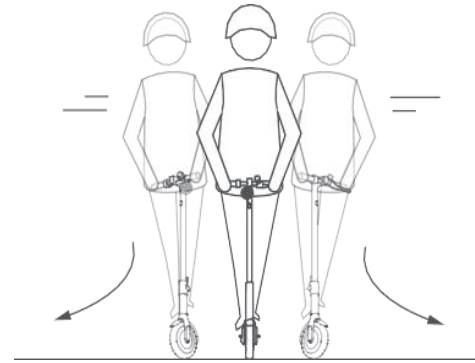
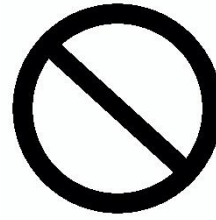
DO NOT press the accelerator when you are walking the scooter.



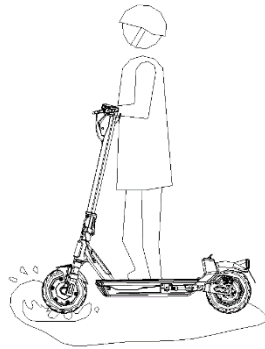
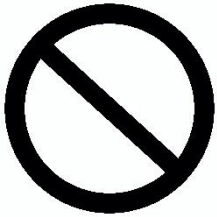
DO NOT hang bags or other heavy accessories on alongside the handlebars.



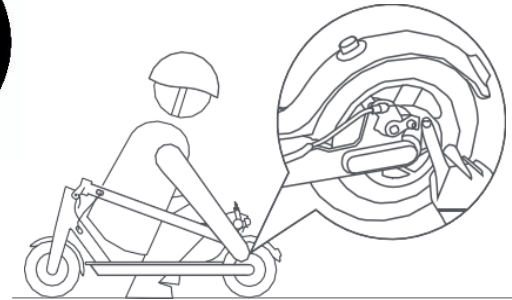
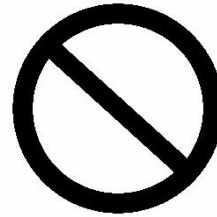
Always keep both feet on the deck.



DO NOT turn the handlebar violently during high-speed riding.



DO NOT ride into a puddle that is deeper than 2 cm.



DO NOT touch the disc brake.

Maintenance of the electric kick scooter

The e-scooter requires routine cleaning and maintenance.

First, make sure the charging cable is not connected. Fasten the rubber cover of the charging port on the deck. Second, the e-scooter must be powered off. Now you can wipe the case of the e-scooter with a soft damp cloth.

Do not use alcohol, gasoline, kerosene or other corrosive, volatile chemical solvents for cleaning or the surface and the internal structure may be severely damaged.

Do not use a water canon to clean the e-scooter.

Avoid water or other liquids seep into the e-scooter. The internal electronics would be permanently damaged.

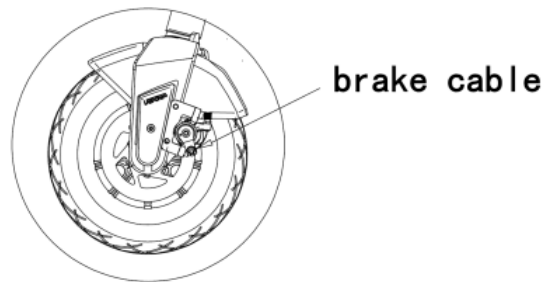
CAUTIONS

1. Please refer to your local retailer if you want to replace any component.
Replacement of any component should be done by the Retailer or by authorized after-sale offices.
2. A note specifying that the self-tightening nuts as well as the other self-tightening fastenings may lose their efficiency and that they may need to be retightened. Please periodically check that all screws are correctly tighten.

Adjust the brake disc

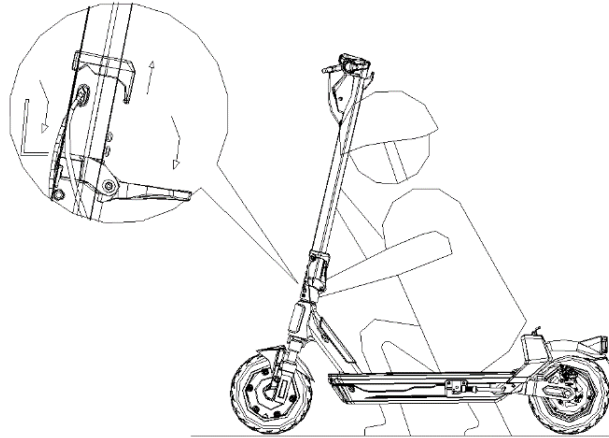
If a brake is very tight: use a hex wrench and scroll counterclockwise screws of brake disc tensioner pulley, slightly increase a length of a tail brake cable, then tighten a tensioner pulley.

If you think that brake is too loose, loosen a tension pulley, pull a brake cable to slightly shorten a length of its tail. Tighten a tension pulley.



Adjust the handlebar

Staggering of steering rack: use a hex wrench, tighten the bolt near the folding mechanism.



WARNING

As with any mechanical component, a PLEV is subject to high stresses and wear. The various materials and components may react differently to wear or fatigue. If the expected service life for a component has been exceeded, it may break suddenly, therefore risking causing injuries to the user. Cracks, scratches, and discoloration in the areas subject to high stresses indicate that the component has exceeded its service life and should be replaced.

WARNING

Recommendation to not make any modifications that are not noted in the manufacturer's instructions

WARNING

Do not open the e-scooter for any reason. The user is responsible of any after-effect.

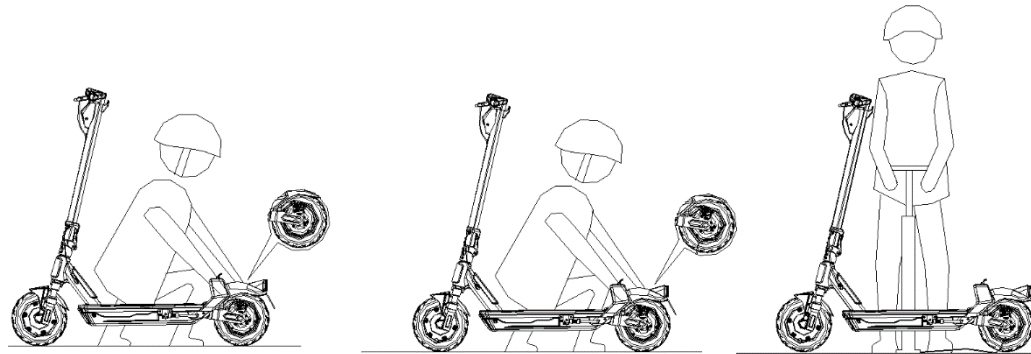
Non-professionals shall not dismantle the battery pack without permission, or severe accidents may be caused due to electric shock or short circuit.

WARNING

When battery is completely empty (0% charge), a normal charge of 7-8 hours might not be sufficient. It is necessary to proceed with an 8-hour charge.

Deflated wheel

If the wheel deflates, connect a connecting pipe to a wheel nipple to pump it. Remove the pin cap first, then tighten a fitting. Now, start to pump the wheel.



Storage of the electric kick scooter

Please make sure your e-scooter is fully charged before storing it.

If the e-scooter is stored for long time, ensure a full charge every 2 month.

The battery may be damaged due to over discharge if it is not recharged one time every 2 month. Such damage is irrecoverable. Battery damages due to over discharge will not be recharged anymore and shall not be covered by the warranty service.

Do not store the e-scooter at less than 0°C. Store the e-scooter in a dry and cool indoor place when not in use.

Keep the e-scooter inside its own packaging or cover it to prevent dust.

Long-time sunlight exposure / over-heating / over- cooling outdoor environments will accelerate the aging of the product,

the wheels, and the battery.

WARNING

Do not open the e-scooter for any reason. The user is responsible of any after-effect. Non-professionals shall not dismantle the battery pack without permission, or severe accidents may be caused due to electric shock or short circuit.

WARNING

When battery is completely empty (0% charge), a normal charge of 7-8 hours might not be sufficient.

It is necessary to proceed with an 8-hour charge.

Parameters

Suitable age of the user	10 years and older (check your local laws)
Maximum loading	100 kg
Minimum loading	30 kg
Maximum speed	20 km/h
Motor power	350 W
Endurance mileage	up to 35-40 km (depending on ground, inclination, speed, driving style)
Power supply for charger	AC 110-240V, 50/60Hz
Battery	10.400mAh Lithium rechargeable battery
Battery power	380 Wh
Battery voltage	36V d.c.
Charging temperature	0°C-40°C
Storage relative Humidity	5%-95%
Working temperature	0°C-40°C
Charging time	7-8 hours approx.
Body dimensions	120 x 47 x 117 cm approx.
Folded body dimensions	120 x 47 x 51,5 cm approx.
Net unit weight	17,3 kg approx.
Wheel diameter	10.0 inches

After-sale Service

Please contact your Retailer for any technical problem.

Warranty

Carefully read all instructions before using the electric kick scooter. Do not use the electric kick scooter if use is forbidden. Do not use the kick scooter if this might cause danger for the user and people/things around.

This product is warranted to be free from defects in materials, workmanship and functionality (aesthetic parts are excluded) for a period of 2 years starting from the date of purchase in case of receipt, for a period of 1 year starting from the date of purchase in case of invoice. This warranty shall not apply to any products that have been subjected to misuse, negligence, accidental or abnormal conditions of operation, and does not cover the natural capacity fadeout. Please refer to qualified and authorized people for the repair of the electric kick scooter. A non-professional repair may cause malfunction and risks and void your warranty rights.

Warranty for the battery: 6 months.

Correct disposal of the battery



According to the European Directive 2006/66/CE This marking on battery indicates that the batteries in this product should not be disposed of with other household waste at the end of their working life. If batteries are not properly disposed of, these substances can cause harm to human health or the environment. To protect natural resources and to promote material reuse, please separate batteries from other types of waste and recycle them through your local, free battery return system. When needed, please ask your local free battery return system to remove the battery from the case.

Correct disposal of the product



According to the Directive 2012/19/UE This marking on the product, accessories or literature indicates that the product and its electronic accessories should not be disposed of with other household waste at the end of their working life. To prevent possible harm to the environment of human health from uncontrolled waste disposal, please separated these items from other types of waste and recycle them responsibly to promote the sustainable reuse of material resources. Household users should contact either the retailer where they purchased this product, or their local government office, for details of where and how they can take these items for environmentally safe recycling.

Declaration Of Conformity

We declare that the product described is in conformity with the required European Directives.

Images inside this user manual are for illustrative purposes only. Our Company is not responsible for improper use of the product. Our Company reserves the right to modify the product and the content of this manual without prior notice.

MADE IN CHINA



IMPORTED AND DISTRIBUTED BY
4cv MOBILE SP.Z O.O. SP.K
UL. BRONIEWSKIEGO 28
01-771 WARSZAWA
Poland

MANUFACTURED BY
ASIA KINGSTON (HK) LTD.
26/F, 77 CONNAUGHT ROAD
CENTRAL, Hong Kong

RB-RTEN10 HULAJNOGA ELEKTRYCZNA

UWAGI I OSTRZEŻENIA

Elektryczna hulajnoga może być używana przez dzieci powyżej dziesięciu lat, a także przez osoby z ograniczeniami ruchu lub innymi niedowładnościami lub osoby bez wiedzy i doświadczenia w poruszaniu się takimi pojazdami - tylko pod nadzorem doświadczonych użytkowników i po uprzednim przeszkoleniu. Użytkownicy powinni znać zasady bezpiecznego użytkowania urządzenia jak również rozumieć zagrożenia z nim związane. Dla bezpieczeństwa zalecamy zawsze używać kasków i innych ochroniaczy.

To urządzenie nie jest zabawką. Użytkownicy poniżej 18 lat (ale powyżej 10 lat) powinni używać hulajnowy jak również dokonywać czynności konserwacyjnych wyłącznie pod nadzorem osób dorosłych.

Niniejsza instrukcja została przygotowana ze starannością, lecz nie możemy zagwarantować, że jest ona wolna od błędów. W przypadku stwierdzenia błędu, prosimy skontaktować się z centrum serwisowym. Informacje zawarte w tym dokumencie, rysunki, konstrukcja urządzenia i jego parametry mogą ulec zmianie bez powiadamiania.

WPROWADZENIE

Proszę zapoznać się dokładnie z instrukcją obsługi przed pierwszym użyciem produktu. Proszę zachować instrukcję, aby móc powrócić do niej w przyszłości.

Pierwsze próby jazdy na hulajnodze zalecamy prowadzić na dużym, pustym, płaskim i równym obszarze, w towarzystwie innych osób do pomocy i asekuracji. Użytkownik jest w pełni odpowiedzialny za użycie urządzenia niezgodnie z

przeznaczeniem, niezgodnie z instrukcją obsługi i zawartymi ostrzeżeniami. Bez względu na okoliczności jazdy, utrata kontroli nad hulajnogą, kolizje lub upadki mogą spowodować zagrożenia dla użytkownika i otoczenia. Producent, Importer i Dystrybutor nie odpowiadają za żadne skutki użycia produktu niezgodnie z przeznaczeniem lub niezgodnie z instrukcją, ostrzeżeniami i zaleceniami.

Ta elektryczna hulajnoga jest przeznaczona do użytku indywidualnego, niekomercyjnego i nie może stanowić publicznego lub komercyjnego środka transportu. Urządzenie jest pojazdem jednoosobowym.

Zabronione jest używanie pojazdu przez dzieci poniżej dwunastego roku życia, kobiety w ciąży i osoby w podeszłym wieku.

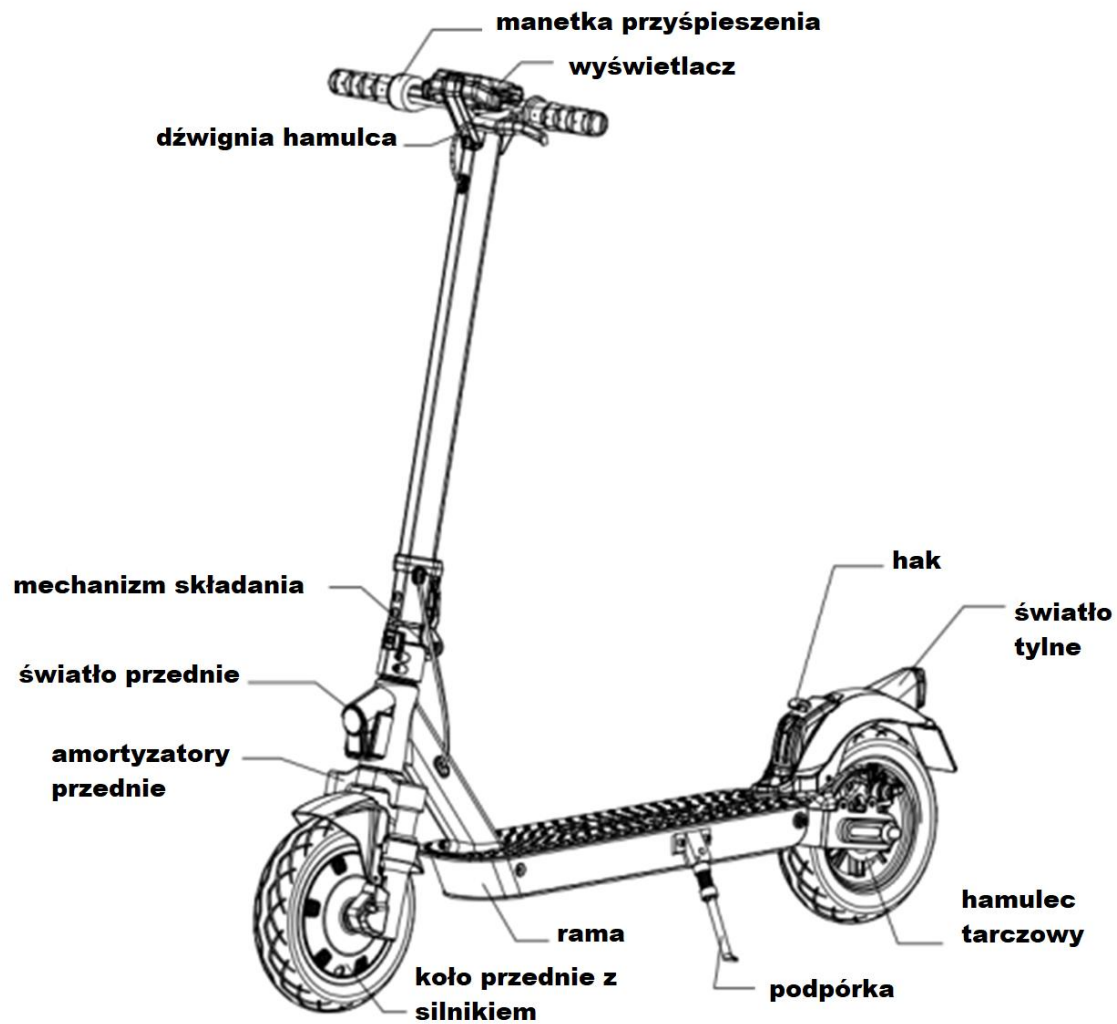
Zabronione jest używanie hulajnogi na drogach publicznych.

Przed każdym użyciem należy skontrolować stan techniczny urządzenia, w szczególności stan kół i ogumienia. W razie jakichkolwiek wątpliwości, należy przekazać produkt do właściwego serwisu. Należy użytkować hulajnogę wyłącznie w dobrych warunkach pogodowych i obszarowych.

PRZED PIERWSZYM UŻYCIEM

Proszę zapoznać się dokładnie z instrukcją obsługi, w szczególności z uwagami o bezpieczeństwie użytkowania. Proszę w pełni naładować akumulator zgodnie z opisem zawartym w dalszej części instrukcji.

ELEMENTY HULAJNOGI



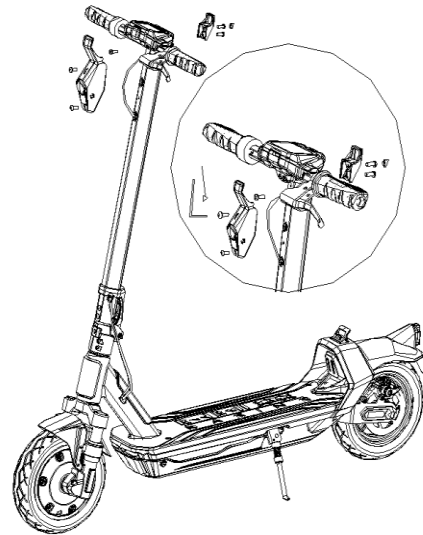
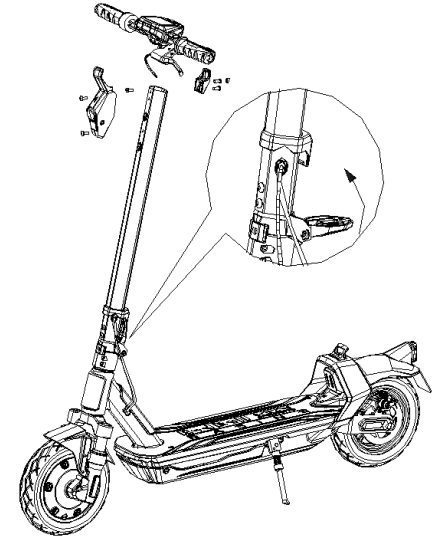
ROZKŁADANIE HULAJNOGI

W pudełku hulajnoga jest złożona. Wyjmij ostrożnie urządzenie z pudła, postaw na twardym, stabilnym podłożu.

Zwolnij klamrę umieszczoną na kierownicy z haczyka umieszczonego na błotniku tylnym. Podnieś pałąk kierownicy do pozycji pionowej. Zablokuj dźwignią jak na rysunku. Sprawdź, czy przycisk zabezpieczający zablokował dźwignię.

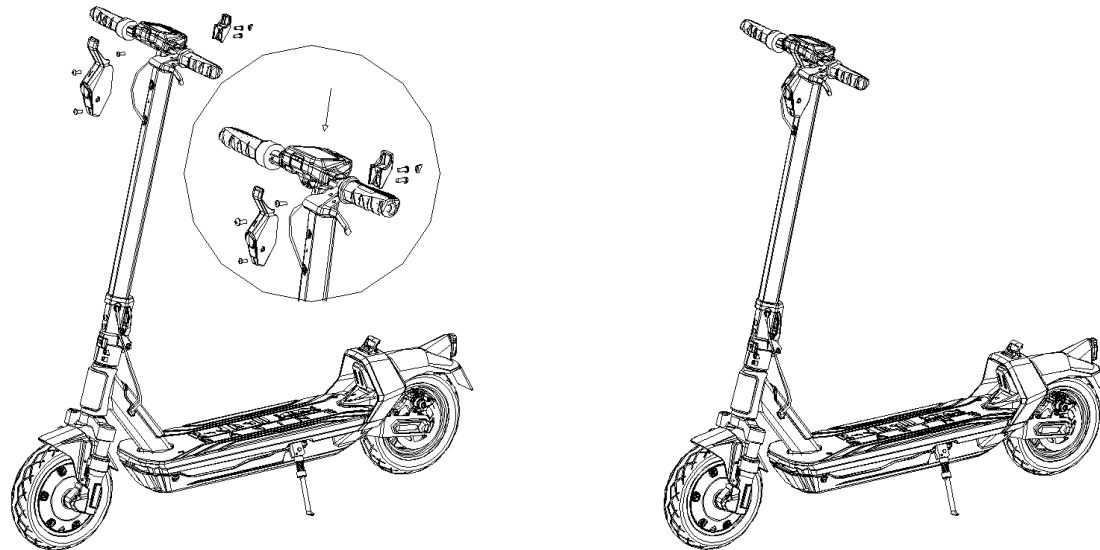
Przed pierwszym użyciem – zamontuj kierownicę na pionowym pałąku.

Użyj klucza sześciokątnego do przykręcenia czterech wkrętów.



Gdy montaż jest zakończony, wypróbuj działanie włącznika. Naciśnij przycisk na kierownicy (patrz strona następną). Jeśli wyświetlacz zaświeci się – montaż jest poprawny.

Możesz użyć nóżki dla podparcia hulajnowy.

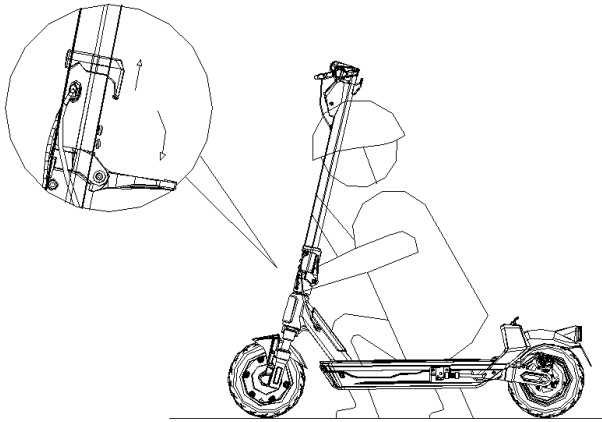


SKŁADANIE HULAJNOGI

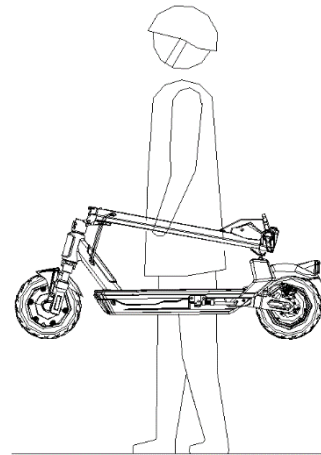
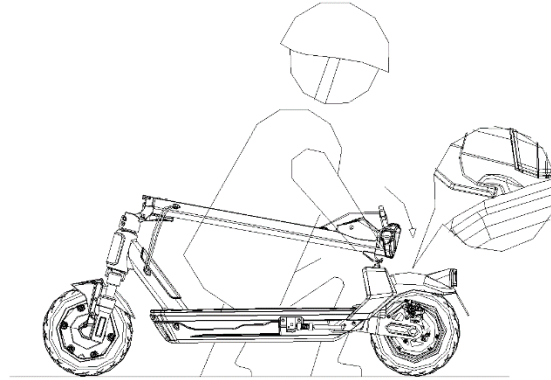
Zwolnij przycisk zabezpieczający i otwórz dźwignię zabezpieczającą.

Położ pałąk do tyłu.

Zaczepek klamrę umieszczoną na kierownicy na haczyku na tylnym błotniku .



Procedura składania jest teraz zakończona.
Produkt jest łatwy do przenoszenia.



WYŚWIETLACZ

Wyświetlacz LED znajduje się na górze kierownicy, przed użytkownikiem. Naciśnij i przytrzymaj przycisk włącznika ON/OFF, aby włączyć/wyłączyć e-hulajnogę. Krótko naciśnij przycisk zasilania jeden raz, aby przełączyć się z biegu 1 (ECO) na bieg 2 (D).

Ponownie krótko naciśnij, aby przełączyć się z biegu 2 na bieg 3 (S+)..

Szybko naciśnij przycisk zasilania dwa razy, aby włączyć/wyłączyć przednie światło LED.

Szybko naciśnij przycisk zasilania 5 razy, aby przełączyć się z MPH na KM / H i odwrotnie.

Naciśnij i przytrzymaj włącznik 5 sek aby wyłączyć urządzenie.

Urządzenie wyłączy się automatycznie, gdy nie będzie używane przez 3 minuty.

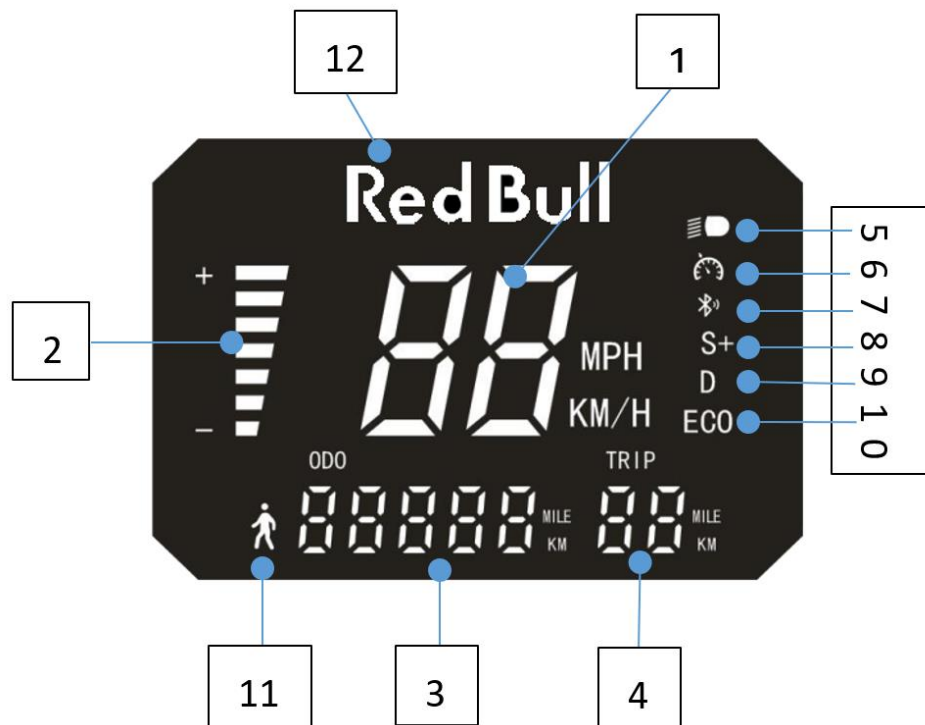
Tak wygląda wyświetlacz:

Aktualna prędkość (1)

Wskaźnik baterii (2)

Pojemność akumulatora hulajnogi jest wyświetlana za pomocą czterech drabinki, od „+” (pełna bateria) do „-” (rozładowana bateria). Zapalane są wszystkie paski, gdy bateria jest pełna a wyświetli się tylko jeden pasek w przypadku bardzo niskiego poziomu naładowania baterii. Podczas użytkowania stopień naładowania baterii stopniowo spada. Gdy energia w akumulatorze jest bardzo niska (tylko jeden pasek), należy przerwać jazdę dla własnego bezpieczeństwa i naładować akumulator.

UWAGA: Błąd E02 może pojawić się na wyświetlaczu. Zniknie, gdy naładujesz



akumulator.

Licznik przebiegu (3) (4)

Informacje ODO (całkowity przebieg) są widoczne, gdy urządzenie jest włączane. Wartość ta jest zapamiętywana i niekasowana. Informacje o podróży TRP (tzw. przebieg dzienny) są widoczne podczas normalnego użytkowania hulajnogi elektrycznej. Jest to przebieg aktualnej wycieczki od chwili włączenia hulajnogi i jest kasowany po wyłączeniu urządzenia.

Wskaźnik oświetlenia (5)

Ten symbol zaświeci się, gdy przednie światło zostanie włączone.

Szybko naciśnij przycisk zasilania dwa razy, aby włączyć/wyłączyć oświetlenie LED.

Symbole (6) i (7) są nieaktywne w tym urządzeniu

Tryb jazdy (8) (9) (10)

Bieg 1 służy do jazdy z niską prędkością (**maks. 6 km/h**), bieg 2 do średniej prędkości (**maks. 15 km/h**), a bieg 3 do wysokiej prędkości (**maks. 20 km/h**). Krótco naciśnij przycisk zasilania jeden raz, aby przełączyć się z biegu 1 na bieg 2. Ponownie krótco naciśnij, aby przełączyć się z biegu 2 na bieg 3. Ze względów bezpieczeństwa zmiany biegu można dokonać wyłącznie wtedy, gdy hulajnoga nie porusza się.

Wskaźnik hamowania (11)

Symbol zaświeci się, gdy używasz hamulca.

Logo (12)

Wskazania błędów

Gdy na wyświetlaczu pojawi się kod błędu – wyłącz hulajnogę, poczekaj aż wystygnie, usuń przyczynę błędu. Jeśli błąd występuje stale – skontaktuj się z serwisem.

UWAGA: Gdy wystąpią poniższe błędy, tylna lampa będzie migać z wysoką częstotliwością 10 Hz. Silnik nie będzie działał. Nie jest to uszkodzenie silnika tylko zatrzymanie hulajnogi wskutek sygnalizowanego błędu.

Dotyczy	Status	Znaczenie	Opis
Sterownik	E01	Zabezpieczenie przeciążeniowe silnika	Jeśli podjeżdżamy pod górę lub gwałtownie przyspieszamy z dużym obciążeniem, może włączyć się zabezpieczenie przeciążeniowe. Zmniejsz obciążenie
	E02	Niski poziom napięcia baterii	Bateria jest prawie wyczerpana. Nie wolno kontynuować jazdy. Zatrzymaj się, wyłącz urządzenie i naładuj akumulator.
	E03	Ochrona przed przepięciem	W normalnych warunkach użytkowania błąd nie powinien się pojawić. Jeśli wystąpi – skontaktuj się z serwisem
	E04	Blokada silnika	Występuje zwykle, gdy podjeżdżamy pod zbyt duże nachylenie. Silnik zostanie zablokowany.
	E05	Błąd kontrolera MOSFET	Ze względu na ustawienia programu, błąd może wystąpić przy pierwszym użyciu, ale nie stanie się to następnym razem. Jeśli zdarzy się podczas normalnego użytkowania, może oznaczać uszkodzenie sterownika.

	E06	Błąd kontrolera MOSFET	Jeśli zdarzy się podczas normalnego użytkowania, oznacza uszkodzenie sterownika.
	E07	Uszkodzony sterownik	Uszkodzenie wymaga interwencji serwisu
	E08	Ochrona przed przegrzaniem	W przypadku sterownika jest to zwykle nadmierna temperatura, spowodowana ciągłą jazdą po zbozczach lub przeciążeniem hulajnogą przez dłuższy czas. Początkowa ochrona ograniczy prąd wyjściowy i nie wygeneruje kodu błędu. Jeśli temperatura będzie nadal rosła, wywołany zostanie alarm a zasilanie silnika zostanie odcięte.
Wyświetlacz	E09	Awaria przepustnicy	Brak sygnału przyspieszania. Najczęściej uszkodzenie przewodów. Wymagana naprawa serwisowa.
	E10	Awaria hamulca	Należy oddać uszkodzoną hulajnogę do serwisu.
	E11	Awaria przełącznika oświetlenia	Nie dotyczy tego modelu.
	E12	Błąd komunikacji	Uszkodzenie kabla głównego. Konieczna zaprawa serwisowa.
	E13	Awaria "startera"	Nie dotyczy tego modelu.

INSTRUKCJA UŻYCIA

Postępuj zgodnie z instrukcjami zawartymi w niniejszej instrukcji obsługi, aby uniknąć problemów technicznych.

Przed pierwszą jazdą na hulajnodze elektrycznej akumulator musi być w pełni naładowany.

Staraj się ładować baterię po każdej jeździe, co może znacznie wydłużyć jej żywotność jak również zapewnić komfort i bezpieczeństwo użytkownika hulajnogi.

Postaw hulajnogę elektryczną na płaskiej powierzchni. Elektryczna hulajnoga jest przeznaczona do jazdy po płaskich i równych terenach.

Zachowaj szczególną ostrożność na nierównym i wyboistym terenie.

Naciśnij przycisk zasilania na wyświetlaczu, aby włączyć wyświetlacz i urządzenie. Sprawdź poziom naładowania baterii na wyświetlaczu.

Wybierz żądany bieg. Postaw jedną stopę na platformie hulajnogi.

Stań na platformie tylko jedną nogą. Trzymaj obie ręce na kierownicy.

Odepchnij się od podłoża drugą nogą.

Silnik włączy się tylko, jeśli hulajnoga będzie w ruchu i osiągnie min. prędkość ok. 3km/h (funkcja „kick-and-go”).

Delikatnie naciśnij dźwignię przyspieszenia na prawym uchwycie - urządzenie przyspieszy.

Stań drugą nogą na podstawie urządzenia, podczas gdy hulajnoga elektryczna jest w ruchu.

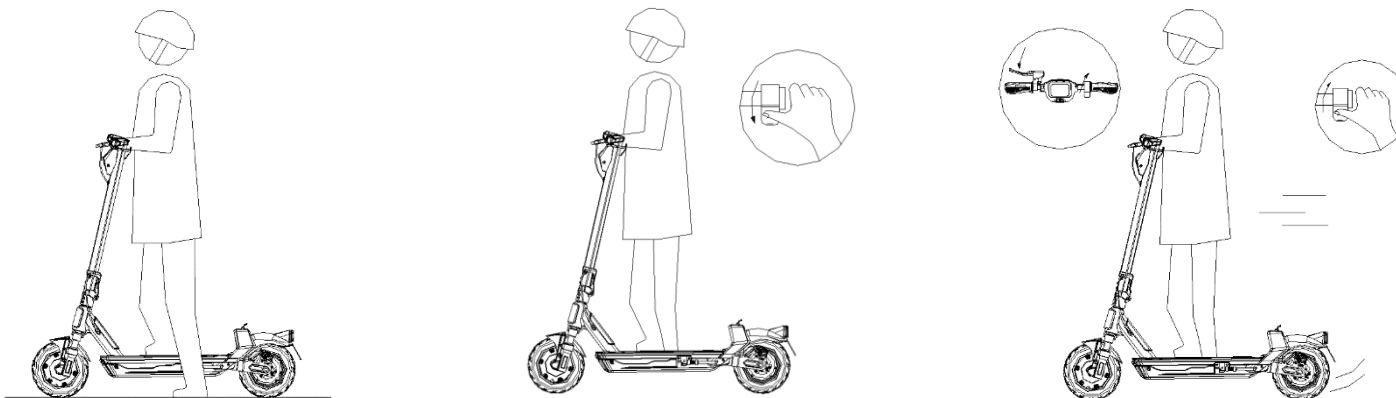
Zwolnij dźwignię przyspieszenia, aby zwolnić.

Naciśnij dźwignię hamulca na lewym uchwycie - hulajnoga elektryczna zahamuje.

Zatrzymaj hulajnogę elektryczną i zdejmij nogi jedna po drugiej.

Wyłącz zasilanie.

Użyj nóżki-podpórki, aby utrzymać hulajnogę samodzielnie w pozycji parkingowej, gdy nie jest używana.



ZASIĘG JAZDY

Maksymalny przebieg elektrycznej hulajnogii przy pełnym naładowaniu i nowej baterii wynosi do 35-40 km. Należy zwrócić uwagę, że zasięg hulajnogii jest warunkowany wieloma czynnikami: stopniem rozładowania akumulatora, obniżeniem pojemności wskutek zużycia, warunkami drogowymi (płaska i równa nawierzchnia spowoduje większy zasięg niż wyboista i ze wzniesieniami), stylem jazdy, temperaturą zewnętrzną, zużyciem kół, masą użytkownika, etc.

NOŚNOŚĆ ELEKTRYCZNEJ HULAJNOGI

Maksymalna waga użytkownika to 100kg, minimalna waga – 30kg.

UWAGA

Zabronione jest przeciążanie hulajnogii jak i używanie przez osoby o niższej wadze niż dozwolona. Może to skutkować upadkiem użytkownika, utratą kontroli nad hulajnogą lub jej uszkodzeniem.

BATERIA

Stopień i szybkość rozładowania baterii jest warunkowana licznymi czynnikami:

1. Powierzchni, po której jeździmy (wyboista i pochyła droga zwiększa szybkość rozładowania).

2. Wagą kierowcy.
3. Temperaturą otoczenia.
4. Stylem jazdy i szybkością. Stała i umiarkowana prędkość wydłuża czas życia baterii; wysoka prędkość i jej dynamiczne zmiany zwiększają szybkość rozładowania akumulatora.
5. Czasem użytkowania baterii (normalnym zużyciem eksploatacyjnym), częstotliwością ładowania-rozładowania. Długotrwałe nieużywanie hulajnogi i związane z nim nierozładowywanie baterii wskutek zwykłej eksploatacji zmniejsza pojemność elektryczną akumulatora i jego czas życia.

UWAGA

Naładuj akumulator do pełna przed pierwszym użyciem. Ładuj baterię co dwa miesiące nawet, gdy nie jest używana.

UWAGA

Jeśli bateria jest zupełnie rozładowana (%), normalne ładowanie może być niewystarczające. Ładuj akumulator przez 8 godzin.

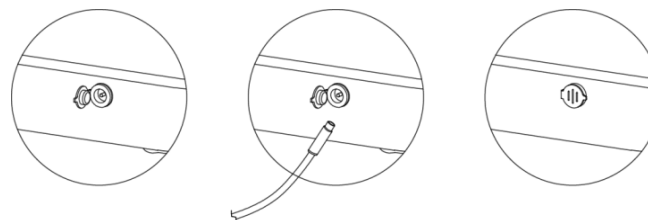
ŁADOWANIE BATERII

Przed pierwszym użyciem hulajnogi należy naładować baterię.

1. Upewnij się, że hulajnoga jest wyłączona i że gniazdo do podłączenia ładowarki jest czyste. Podłącz wtyczkę ładowarki do hulajnogi a drugą – do gniazda AC 230V. Dioda LED w ładowarce zaświeci się na czerwono informując o rozpoczęciu procesu ładowania akumulatora.

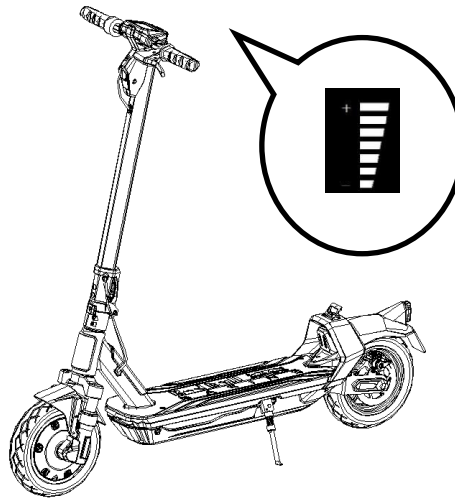
Ładowanie należy przeprowadzać w bezpiecznym, suchym i czystym otoczeniu.

2. Gdy dioda LED w ładowarce zapali się na zielono oznacza to, że bateria jest w pełni naładowana.
3. W normalnych warunkach czas ładowania baterii wynosi ok. 7-8 godzin.
4. Odłącz wtyczkę od hulajnogi i ładowarkę z gniazda zasilania.



UWAGA

1. Nie podłączaj ładowarki do urządzenia zaraz po zakończeniu jazdy. Oczekaj godzinę, aż hulajnoga wystygnie, tj. osiągnie temperaturę otoczenia.
2. Ładuj baterię wyłącznie w bezpiecznym, suchym i czystym otoczeniu.
3. Jeśli bateria jest w pełni rozładowana (0% pojemności), normalne 7-8 godzinne ładowanie może być niewystarczające. Niezbędne jest ładowanie 8-godzinne.
4. Zbyt długie ładowanie jest niebezpieczne i skraca czas życia baterii.
5. Jeśli hulajnoga nie jest używana dłuższy czas, ładuj baterię co 2 miesiące.



Po zakończeniu ładowania sprawdź poziom baterii.

OSTRZEŻENIA I UWAGI

1. Akumulator (bateria) zawiera substancje niebezpieczne.
2. Nie wolno otwierać, demontować, niszczyć baterii. Nie wolno wbijać jakichkolwiek przedmiotów w baterię.
3. Nie podłączaj ładowarki do hulajnogi na długi okres czasu (np. na noc) lub gdy nie będziesz mógł obserwować stanu naładowania przez długi okres czasu.
4. Ładuj baterię i przechowuj ładowarkę oraz hulajnogę w suchych warunkach w otwartej przestrzeni (np. nie ładuj hulajnogi zamkniętej w szafie), z dala od materiałów łatwopalnych.
5. Nie podłączaj ładowarki do urządzenia zaraz po zakończeniu jazdy. Odczekaj godzinę, aż hulajnoga wystygnie, tj. osiągnie temperaturę otoczenia.
6. Podczas ładowania baterii temperatura otoczenia musi być w przedziale 0-40°C a wilgotność powietrza 5-95%.
7. Zużyta bateria jest odpadem podlegającym utylizacji i recyklingowi zgodnie z lokalnymi regulacjami dotyczącym recyklingu i ochrony środowiska.
8. Nigdy nie wyrzucaj baterii wraz z odpadami domowymi, co może spowodować wybuch lub zanieczyszczenia/skażenia środowiska. Zużyte baterie oddawaj do punktu zbiórki baterii.
9. Nigdy nie wrzucaj baterii do ognia, nie umieszczaj w pobliżu źródeł ognia i w pobliżu źródeł generujących podwyższoną temperaturę.
10. Akumulator powinien być usunięty z elektrycznej hulajnogi przed jej złomowaniem/utylizacją.
11. Nie wolno wyjmować baterii przy podłączonej ładowarce. Tylko autoryzowany serwis może dokonać wymiany baterii.
12. Wolno używać tylko oryginalnej baterii i ładowarki dostarczonej wraz z hulajnogą.
13. Nie używaj hulajnogi jeśli poczujesz zapach dymu wydobywający się z okolic hulajnogi.
14. Nie używaj hulajnogi jeśli zauważysz jakiegokolwiek wycieki substancji.
15. Nie dotykaj żadnych substancji wyciekających z hulajnogi, w szczególności z baterii.

PRZEWOŻENIE HULAJNOGI I BATERII

Baterie litowe traktowane są jako materiały niebezpieczne. Proszę zapoznać się z lokalnie obowiązującym prawem w zakresie transportu baterii litowych i urządzeń z takimi bateriami.

OGRANICZENIE PRĘDKOŚCI

Maksymalna prędkość elektrycznej hulajnowy wynosi 20 km/h.

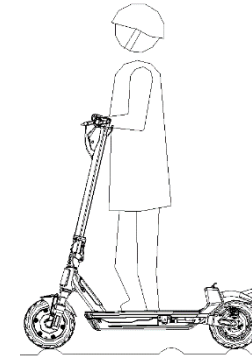
Gdy użytkownik osiągnie prędkość maksymalną, hulajnoga będzie ją utrzymywać nawet przy dalszym naciskaniu manetki przyspieszenia.

JAZDA NA ELEKTRYCZNEJ HULAJNODZE – ZASADY

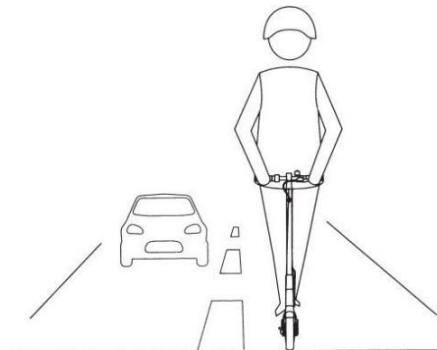
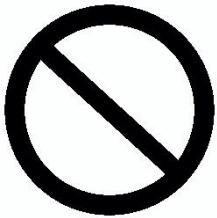
1. Załóż komfortowe obuwie z płaską podeszwą.
2. Załóż odpowiednią odzież, najlepiej sportową, kask, nakolanniki, ochraniacze łokci i nadgarstków.
3. Nigdy nie jeźdź po spożyciu alkoholu lub użyciu środków odurzających.
4. Sprawdź, czy poruszanie się na hulajnodze na danym terenie jest dozwolone i bezpieczne.
5. Nie używaj hulajnowy na ulicach, w dużym ruchu oraz nocą.
6. Produkt nie jest odpowiedni dla dzieci poniżej 10 lat.
7. Młodzież poniżej 18 lat powinna użytkować produkt pod nadzorem dorosłych.
8. Jadąc na hulajnodze zachowuj bezpieczny odstęp od innych osób. Miej na uwadze, że stojąc na hulajnodze jesteś „wyższy” ok. 15cm.
9. Zwracaj uwagę na sygnalizację stanu baterii. Jeśli jest zbyt niski (bateria bliska całkowitego wyczerpania), hulajnoga może zatrzymać się gwałtownie i spowodować upadek kierowcy.
10. Zwracaj uwagę na nawierzchnię. Hulajnoga jest przeznaczona do jazdy po gładkich i płaskich powierzchniach.
11. Nie jeźdź hulajnogą po kałużach, śniegu, błocie i lodzie.

BEZPIECZEŃSTWO UŻYTKOWANIA

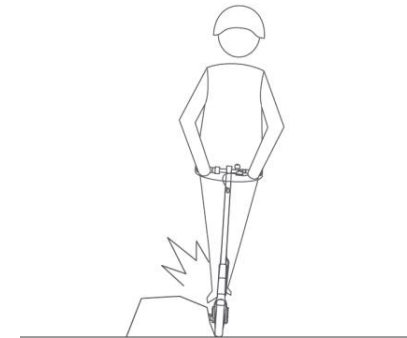
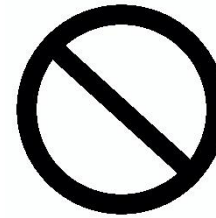
1. Przeczytaj uważnie instrukcję przed pierwszym użyciem elektrycznej hulajnogii.
2. Zawsze stosuj kask, nakolanniki, ochraniacze łokci i nadgarstków.
3. Hulajnoga jest przeznaczona do indywidualnej zabawy. Zabronione jest użycie jako środka transportu publicznego.
4. Zabroniona jest jazda drogami publicznymi dla samochodów.
5. Zabronione jest przewożenie rzeczy (obiektów w rękach, toreb, plecaków, itp.) w czasie zabawy na hulajnodze.
6. Zwróć szczególną uwagę na ludzi i obiekty wokół Ciebie.
7. Utrzymuj elastyczną pozycję z lekko ugiętymi nogami w czasie jazdy, nawet na nierównym terenie.
8. Jadąc utrzymuj stopy na środku platformy.
9. Nie rozpoczynaj jazdy i nie zatrzymuj się gwałtownie. Gwałtowne ruchy mogą spowodować utratę kontroli nad hulajnogą.
10. Nie używaj hulajnogii w nocy i w miejscach ciemnych o ograniczonej widoczności.
11. Tylko jedna osoba może poruszać się na hulajnodze w danej chwili nawet, jeśli dopuszczalne obciążenie jest większe.
12. Nie jeździj podczas deszczu. Unikaj mokrych nawierzchni i kałuż. Kontrola nad hulajnogą będzie mniejsza. Możliwość upadku użytkownika. Możliwość uszkodzenia układu elektrycznego hulajnogii
13. Przeciężenie, tj. przekroczenie dopuszczalnej nośności 100 kg jest zabronione. Funkcje hulajnogii mogą zostać trwale uszkodzone.
14. Użytkowanie przez osoby o wadze poniżej 30kg jest zabronione. Hulajnoga może być niestabilna, poza kontrolą.
15. Prędkość elektrycznej hulajnogii jest warunkowana rodzajem drogi, temperaturą zewnętrzną, stanem baterii, wagą kierowcy, itp.
16. Zawsze utrzymuj bezpieczną odległość od innych pojazdów, ludzi, przeszkód.
17. Nie używaj a czasie deszczu. Unikaj mokrych nawierzchni. Sterowanie hulajnogą może zostać ograniczone i spowodować upadek kierowcy.
18. Unikaj użytkowania na powierzchniach pokrytych śniegiem lub lodem.
19. Nie używaj hulajnogii w niebezpiecznych warunkach lub miejscach.
20. Używaj i przechowuj z daleka od źródeł ognia lub ciepła.



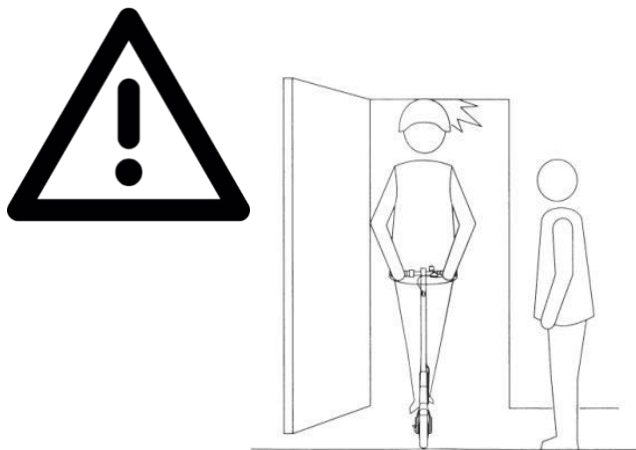
NIE UŻYWAJ hulajnowy, gdy pogoda jest deszczowa lub wilgotna. Jedź z kontrolowaną i umiarkowaną prędkością na nierównych powierzchniach. Lekko ugnij kolana, aby amortyzować uderzenia w trudnym terenie.



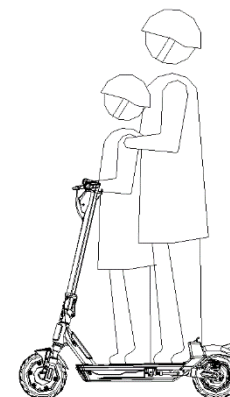
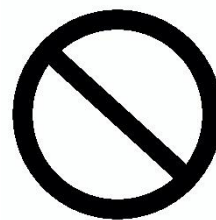
NIE WOLNO jeździć hulajnogą jezdni lub w obszarach mieszkalnych, gdzie mogą przejeżdżać pojazdy i piesi.



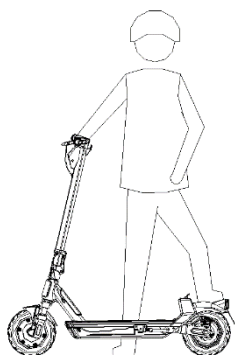
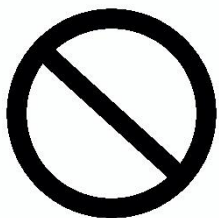
Zawsze trzymaj się z dala od przeszkód.



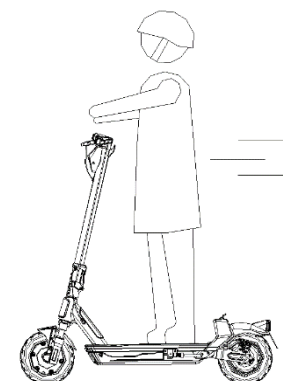
Zwróć uwagę na drzwi i inne przeszkody na wysokości głowy.



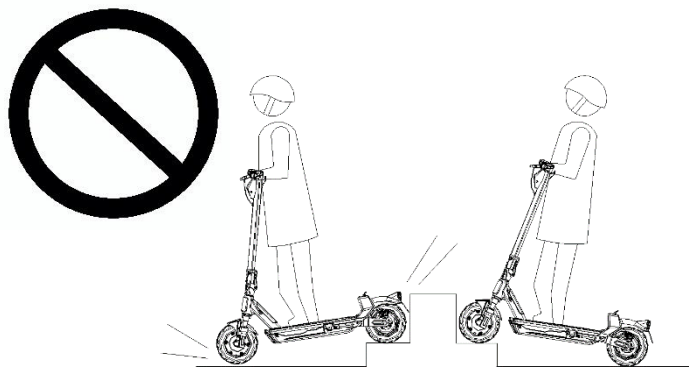
NIE WOLNO zabierać ze sobą innych osób (dzieci lub dorosłych).



NIE wchodź na tylny błotnik.



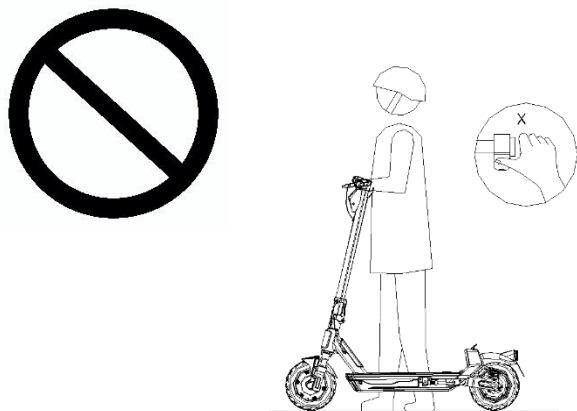
NIE zdejmuj rąk z kierownicy podczas jazdy.



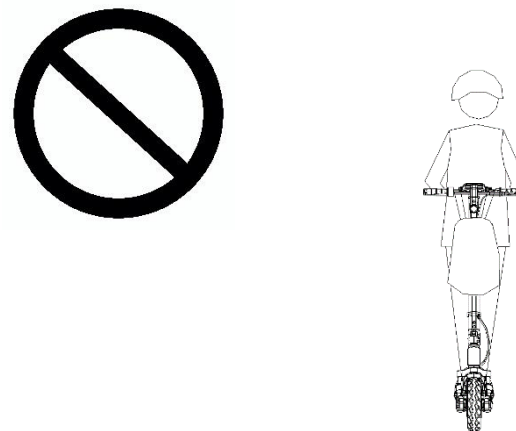
NIE WOLNO wchodzić ani schodzić po schodach ani przeskakiwać przeszkód na hulajnodze.



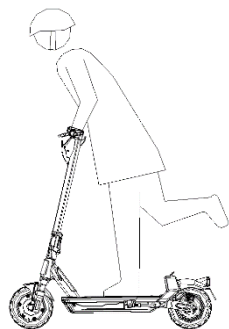
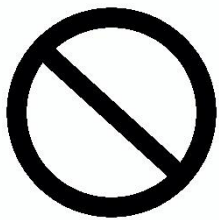
NIE przyspieszaj podczas zjazdu.



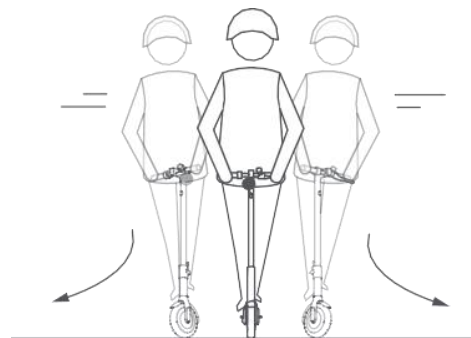
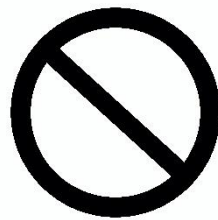
NIE naciskaj przepustnicy gdy prowadzisz hulajnogę



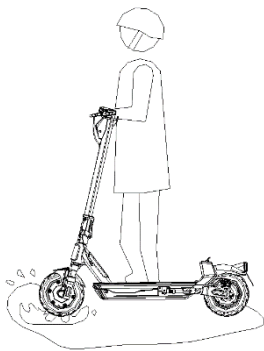
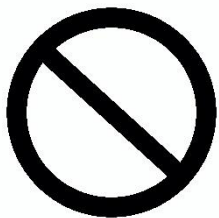
NIE WOLNO wieszać toreb lub innych ciężkich akcesoriów na kierownicy.



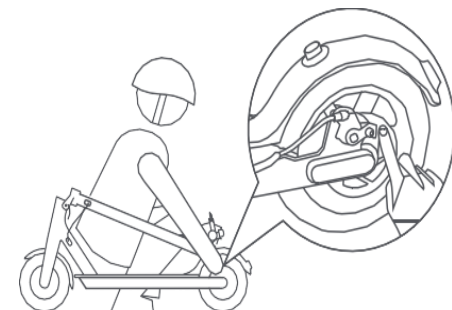
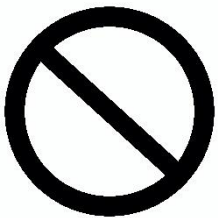
Zawsze trzymaj obie stopy na platformie.



NIE skręcaj gwałtownie kierownicą podczas jazdy z dużą prędkością.



NIE jedź przez kałuże.



NIE dotykaj hamulca tarczowego.

PODSTAWOWE CZYNNOŚCI OBSŁUGI CODZIENNEJ

Elektryczna hulajnoga wymaga rutynowego czyszczenia i konserwacji.

Po pierwsze, upewnij się, że kabel ładowarki NIE jest podłączony. Po drugie, hulajnoga musi być wyłączona. Teraz można wytrzeć hulajnogę miękką ściereczką.

Sprawdzaj okresowo dokręcenie wszystkich śrub i nakrętek.

UWAGA

Przed każdym użyciem sprawdź stan techniczny hulajnogi, w szczególności ogumienia, hamulców, mocowania kierownicy, blokady pionowej rury sterującej po rozłożeniu hulajnogi. W razie jakichkolwiek usterek lub wątpliwości zgłoś się do autoryzowanego serwisu.

UWAGA

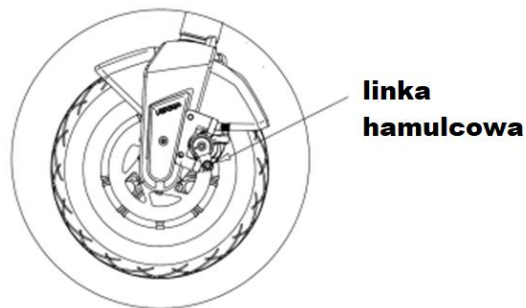
Zapobiegaj przedostaniu się wody lub innych płynów do wnętrza elektrycznej hulajnogi. Nigdy nie myj strumieniem wody, w szczególności nie wolno używać myjek ciśnieniowych. Zawsze zasłaniaj zatyczką gniazdo ładowania hulajnogi.

Wewnętrzne układy elektroniczne mogą ulec trwałemu uszkodzeniu.

Zabroniony jest samodzielny demontaż, jakiegokolwiek naprawy, modyfikacje i zmiany konstrukcyjne hulajnogi.

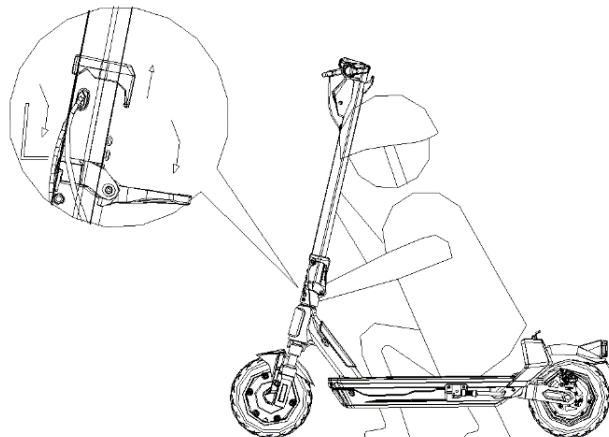
Regulacja hamulca

Jeśli dźwignia hamulca ma zbyt duży skok lub przeciwnie – nie ma żadnego luzu, odkręć śrubę zaciskową na lince przy mechanizmie hamulca, skróć lub wydłuż linkę hamulcową a następnie ponownie dokręć śrubę zaciskową.



Regulacja drążka kierowniczego.

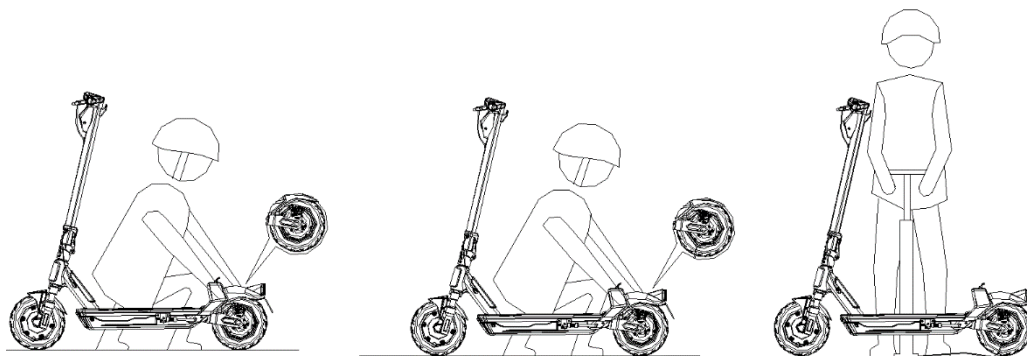
Użyj klucza imbusowego, dokręć śrubę w pobliżu mechanizmu składania.



Brak powietrza w oponie

Jeśli z opony ujdzie powietrze, podłącz złączkę-przedłużkę (dostępna oddzielnie) łączącą do zaworu koła, aby je napompować.

Najpierw zdejmij zaślepkę, a następnie dokręć złączkę. Teraz zacznij pompować koło.



OSTRZEŻENIE

Jak każde urządzenie mechaniczne, hulajnoga i jej komponenty podlegają narażeniom mechanicznym i normalnemu zużyciu. Różne materiały i komponenty mogą różnie reagować na zużycie lub procesy zmęczenie. Pęknięcia, rysy i przebarwienia w obszarach narażonych na duże naprężenia wskazują, że komponent przekroczył swoją żywotność i należy go wymienić.

OSTRZEŻENIE

NIE WOLNO dokonywać żadnych modyfikacji, zmian konstrukcyjnych i samodzielnych napraw uszkodzonych elementów.

OSTRZEŻENIE

Pod żadnym pozorem nie otwieraj hulajnogi. Użytkownik jest odpowiedzialny za wszelkie następstwa działań niedozwolonych i niezgodnych z instrukcją obsługi.

PRZECHOWYWANIE ELEKTRYCZNEJ HULAJNOGI

Upewnij się, że bateria hulajnogi jest w pełni naładowana przed długotrwałym przechowywaniem.

Ładuj baterię do pełna co **2 miesiące**.

Nie przechowuj hulajnogi w warunkach poniżej 0°C.

Przechowuj hulajnogę w oryginalnym pudełku, torbie lub przykryj ją celem zabezpieczenia przed wpływem kurzu.

Przechowuj hulajnogę w suchym pomieszczeniu.

UWAGA

Jeśli bateria jest w pełni rozładowana (0% pojemności), normalne 7-8 godzinne ładowanie może być niewystarczające.

Niezbędne jest ładowanie 8-godzinne.

SPECYFIKACJA TECHNICZNA

Max dozwolone obciążenie	100kg
Min wymagane obciążenie	30kg
Prędkość maksymalna	20 km/h (uzależniona od masy kierowcy i warunków terenowych)

Moc silnika	350 W
Zasięg maksymalny	35-40 km (uzależniony od masy kierowcy, warunków terenowych, prędkości jazdy, etc.)
Kąt natarcia	10°
Temperatura użytkowania	0-40°C
Zasilanie	AC 110V -240V (50 - 60HZ)
Bateria	10400mAh Lithium rechargeable battery
Moc baterii	380Wh
Napięcie baterii	36V
Temp. podczas ładowania baterii	0-40°C
Wilgotność względna dozwolona	5% ~ 95%
Czas ładowania baterii	około 7-8 godzin
Wymiary	około 120 x 47 x 117 cm
Masa	około 17,3 kg
Średnica kół	10.0"

SERWIS TECHNICZNY

Obsługa serwisowa (gwarancyjna i pogwarancyjna) świadczona jest przez Centrum Serwisowe importera.

POPRAWNA UTYLIZACJA BATERII



Zgodnie z Dyrektywą 2006/66/EC Niniejsze oznaczenie na baterii wskazuje, że baterii nie należy wyrzucać razem z innymi odpadami domowymi w przypadku jej zużycia i wymiany. Jeśli baterie nie zostaną poprawnie zutylizowane, substancje zawarte wewnątrz mogą spowodować zagrożenie dla zdrowia ludzkiego lub środowiska naturalnego.

Aby chronić zasoby naturalne i promować ponowne wykorzystanie materiałów, należy oddzielać baterie od innego typu odpadów i poddawać je utylizacji poprzez lokalny, bezpłatny system zwrotu baterii. Akumulator nie może być usunięty przez użytkownika końcowego. W razie potrzeby prosimy zwrócić się do serwisu technicznego lub lokalnego systemu zwrotu zużytych baterii, aby wyjąć baterię z obudowy.

POPRAWNA UTYLIZACJA PRODUKTU



Zgodnie z Dyrektywą 2012/19/UE To oznaczenie umieszczone na produkcie, akcesoriach lub dokumentacji oznacza, że produktu i jego akcesoriów nie należy usuwać razem z innymi odpadami domowymi. Aby uniknąć szkodliwego wpływu na środowisko naturalne i zdrowie ludzi wskutek niekontrolowanego usuwania odpadów, prosimy oddzielić te przedmiotów od odpadów innego typu oraz o odpowiedzialny recykling w celu promowania ponownego użycia zasobów materialnych. Użytkownicy w gospodarstwach domowych powinni skontaktować się z punktem, w którym dokonali zakupu produktu, lub z organem władz lokalnych o szczegóły, gdzie i w jaki sposób mogą oddać ten produkt celem poddania bezpiecznemu recyklingowi.

UWAGI KOŃCOWE

Ilustracje zawarte w tej instrukcji mają znaczenie jedynie poglądowe.

Informacje zawarte w tym dokumencie, konstrukcja urządzenia i jego parametry mogą ulec zmianie bez powiadamiania.

Producent, importer i dystrybutor nie ponoszą żadnej odpowiedzialności za użycie produktu niezgodnie z jego przeznaczeniem, niezgodnie z instrukcją i zawartymi w niej ostrzeżeniami i uwagami a także niezgodnie z powszechnie obowiązującym prawem.

MADE IN CHINA



Importer i wyłączny Dystrybutor:
4cv MOBILE SP.Z O.O. SP.K
UL. BRONIEWSKIEGO 28
01-771 WARSZAWA
serwls: serwis@4cv.gsm.pl

Producent:
Asia Kingston (HK) Ltd.
26/F, 77 Connaught Road
Central, Hong Kong

GWARANCJA

- 1) Dystrybutor niniejszego produktu gwarantuje prawidłowe działanie produktu w okresie 24 miesięcy od daty zakupu. Dla baterii okres gwarancji wynosi 6 miesięcy. Gwarancją objęte są jedynie produkty posiadające kartę gwarancyjną wraz z dowodem zakupu. Naprawy w okresie trwania gwarancji będą wykonywane bezpłatnie. Gdy naprawa będzie niemożliwa nastąpi wymiana produktu na nowy wolny od wad. Dystrybutor dopuszcza możliwość wymiany na inny podobny model urządzenia (o takich samych parametrach lub lepszych) w przypadku, gdy przedmiotowy sprzęt nie jest już dostępny na rynku.
- 2) Gwarancją objęte są wszelkie wady materiałowe i produkcyjne powodujące niemożność korzystania z produktu lub jego wadliwe działanie.
- 3) Uprawniony z gwarancji jest zobowiązany dostarczyć kompletne urządzenie w oryginalnym opakowaniu lub opakowaniu zabezpieczającym przed uszkodzeniem mogącym powstać w czasie transportu (zawierające wszystkie akcesoria: ładowarki, uchwyty, kable) do oddziału Dystrybutora: Serwis 4CV, Grochowska 7, 02-495 Warszawa, wraz z kartą gwarancyjną, dowodem zakupu oraz dokładnym opisem występującej usterki.
- 4) Gwarancja nie obejmuje uszkodzeń mechanicznych, uszkodzeń powstałych z powodu użytkowania urządzenia niezgodnie z instrukcją obsługi lub do innych celów niż określone w opisie urządzenia.
- 5) Gwarancja nie obejmuje materiałów i elementów eksploatacyjnych, ulegających zużyciu w trakcie normalnego użytkowania (np. baterie, akumulatory, uchwyty, opony, etc.)
- 6) Gwarancją nie są objęte urządzenia, w których usunięta została plomba zabezpieczająca.
- 7) Serwis dokona naprawy w terminie 14 dni od daty otrzymania urządzenia. Termin może ulec przedłużeniu do 30 dni, jeżeli zajdzie konieczność sprowadzenia od producenta części zapasowych.
- 8) W przypadku nieuzasadnionej reklamacji (braku zgłaszanej usterki lub zakwalifikowania jej jako nie podlegającej gwarancji), klient ponosi koszty ekspertyzy w wysokości 50 zł netto oraz koszty przesyłki.
- 9) Niniejsza gwarancja nie wyłącza, nie ogranicza ani nie zawiesza uprawnień kupującego wynikających z przepisów o rękojmi za wady rzeczy sprzedanej.
- 10) Terytorialny zasięg ochrony gwarancyjnej to terytorium Rzeczypospolitej Polskiej.

Nazwa sprzętu:

Model sprzętu:

Nr seryjny:

Data sprzedaży:

Podpis:

EC Declaration of Conformity

1. Manufacturer:
Asia Kingston (HK) Limited
26/F., 77 Connaught Road Central, Hong Kong
2. Importer and authorized representative of the manufacturer:
4cv Mobile Sp. z o.o. Sp. K.
ul. Broniewskiego 28, 01-771 Warszawa, Poland
3. Product description:
Description: electric kick scooter
Brand name: Red Bull
Model name: RB-RTEN10
4. We declare that the product mentioned above to which this declaration relates is in conformity with the relevant EU harmonized laws requirements:
Directive 2006/42/EC of the European Parliament and of the Council (Machinery)
Directive 2014/35/EU of the European Parliament and of the Council (LVD)
EN 17128:2020
5. The following European harmonized standards are applied:
2006/42/EC Annex 1
EN ISO 12100:2010
EN60335-1:2012+A1:2019+A2:2019+A14:2019
EN62233: 2008
EN 17128
6. Place and address where this declaration and relative files are kept:
ul. Broniewskiego 28

01-771 Warszawa

7. Signed on behalf of the Asia Kingston (HK) Limited and the 4cv Mobile Sp. Z o.o. Sp. K.



Mariusz Kurek
President
4cv Mobile Sp. z o.o. Sp. K.

Warszawa, 2021.11.21



Year of affixing: 2021



4cv Mobile Sp. z o.o. Sp. K.
ul. Broniewskiego 28, 01-771 Warszawa
NIP 7010373309, Regon 146587058

