

# Warming Drawer

---

## User & installation manual

NL20J7100W \*

NL20T8100W \*

NL20T9100W \*

---





**EN** Warming Drawer - Instruction Manual

**DE** Wärmeschublade - Bedienungsanleitung

**FR** Chauffe-vaisselle - Manuel d'instructions

**IT** Scaldastoviglie - Manuale di istruzioni


# Contents

<b>Safety Information</b> .....	<b>2</b>
<b>Appliance Description</b> .....	<b>5</b>
Main Components .....	5
How the warming drawer works.....	5
<b>Use</b> .....	<b>6</b>
Before using for the first time.....	6
Control Panel.....	6
Using the warming drawer .....	6
Selecting temperature .....	6
<b>Cleaning and Maintenance</b> .....	<b>8</b>
Appliance front and control panel .....	8
Interior of the warming drawer .....	8
Mat with non-slip surface .....	8
<b>What should I do if the warming drawer doesn't work?</b> .....	<b>9</b>
<b>Technical Characteristics</b> .....	<b>10</b>
<b>Environmental protection</b> .....	<b>10</b>
<b>Installation instructions</b> .....	<b>11</b>
Before installation .....	11
Installation .....	11
Electrical Connection.....	11
<b>Installation</b> .....	<b>45</b>
Combination possibilities .....	45

We ask you to read the instructions in this booklet very carefully as this will allow you to get the best results from using your warming drawer.

**KEEP THE DOCUMENTATION OF THIS PRODUCT FOR FUTURE REFERENCE.**

## Safety Information

 Carefully read the instructions before installing and using the equipment. The manufacturer is not liable for improper installation and use of the equipment that may cause injuries and damage. Always keep the instructions at hand, so they can be easily referred to during use.

This appliance complies with current safety standards. Improper use of the appliance may put the user at risk.

### Children and Vulnerable People Safety

**Warning!** Risk of suffocation, injury or permanent disability.

- This appliance can be used by children aged from 8 years and above and persons with reduced physical, sensory or mental capabilities or lack of experience and knowledge if they are supervised by an adult or a person who is responsible for their safety.
- Children should be supervised to ensure that they do not play with the appliance.
- Keep all packaging away from children.
- **WARNING:** The appliance and its accessible parts become hot during use. Care should be taken to avoid touching heating elements. Children less than 8 years of age shall be kept away unless continuously supervised.
- Cleaning and user maintenance shall not be made by children without supervision.

### General Safety

- This appliance is intended to be used in household applications and not in hotels, shops, offices and other similar environments.
- Internally the appliance becomes hot when in operation. Do not touch the heating elements that are in the appliance.
- Always use oven gloves to remove or put in accessories or ovenware.
- Do not sit or hang on the drawer. The telescopic runners will be damaged. The maximum load capacity of the drawer is 25 kg.

## Safety Information

- Do not store synthetic containers or easily inflammable objects inside the crockery warmer. When you switch on the appliance such containers and objects may melt or catch fire. **Fire danger!**
- Do not use the appliance to heat up the air temperature in the kitchen. The high temperatures reached may cause easily inflammable objects close to the appliance to catch fire.

## Installation

- The electric system must be equipped with a means for disconnection, with a contact separation in all poles that provides full disconnection under overvoltage category III.
- If a plug is used for the electric connection, then it must be accessible after installation.
- The installation must comply with current regulations.
- Protection against electric shock must be provided by the electrical installation.
- **WARNING!** The appliance must be earthed.
- **WARNING!** The appliance is intended to be built in. Please refer to the last pages of this user manual for detailed information on the installation dimensions.

## Cleaning and Maintenance

- **WARNING!** Cut the power supply before cleaning and maintenance.
- Failure to maintain the appliance in a clean condition could lead to deterioration of the surface that could adversely affect the life of the appliance and possibly result in a hazardous situation.
- Do not use harsh abrasive cleaners or sharp metal scrapers to clean the glass door since they can scratch the surface, which may result in shattering of the glass.
- Do not use a steam cleaner to clean the appliance.
- Please follow the instructions regarding cleaning in the section "Cleaning and Maintenance".

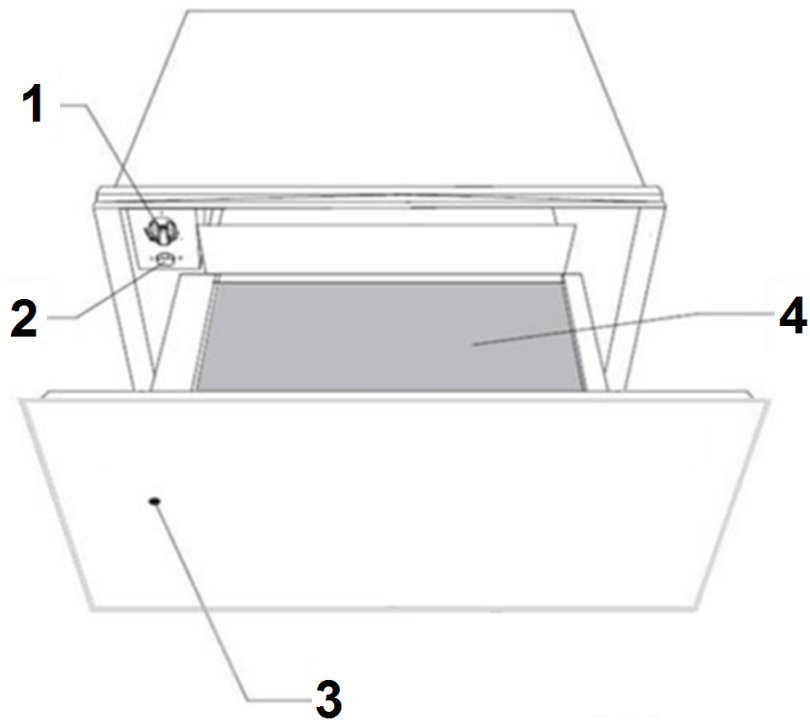
## Safety Information

### Service and Repair

- **WARNING!** Cut the power supply before repair.
- If the power cable is damaged it should be substituted by the manufacturer, authorized agents or technicians qualified for this task in order to avoid dangerous situations.
- Repair and maintenance work, especially of current carrying parts, can only be carried out by technicians authorized by the manufacturer.

## Appliance Description

### Main Components



- 1. Temperature selector (thermostat)
- 2. On/Off switch (lights up)

- 3. Operating light
- 4. Anti-slip mat

### How the warming drawer works

This appliance is equipped with a warm air circulation system. A fan distributes the heat generated by an electrical heating element throughout the interior of the appliance.

The thermostat allows the user to define and control the temperature wanted for the crockery.

The circulating hot air that is generated heats up the crockery quickly and evenly.

A metal grille protects both the heating element and the fan.

The base of the drawer is fitted with a non-slip mat to prevent plates and dishes sliding around when the drawer is opened and closed.

## Use

### Before using for the first time

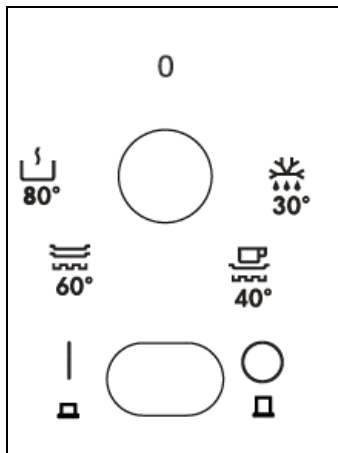
Before using the appliance for the first time you should clean the interior and the exterior, following the cleaning instructions given in the section "Cleaning and Maintenance".

Then heat the warming drawer for at least 2 hours. For this, turn the temperature control to the maximum position (see section "Selecting temperature").

Make sure the kitchen is well-ventilated when you are doing this.

The appliance's parts are protected by a special product. For this reason, during the first heating an odour will be released. Both the odour and any smoke that may form will disappear after a short time and neither signifies that there is anything wrong with the connection or the appliance.

### Control Panel



The control panel has a temperature selector and the on/off switch. The control panel is only visible when the drawer is open.

When the drawer is closed you can check whether the warming drawer is switched on by looking through the viewing port on the front of the appliance.

### Using the warming drawer

To use the warming drawer, proceed as follows:

- Push the center of the front face to open the warming drawer.
- Put the crockery in the drawer.
- Select the temperature you want by turning the thermostat control to the desired position.

- Switch on the appliance by pressing the switch, which will light up.
- Close the drawer.

Be careful not to use too much force when closing the drawer since it may open up again.

Before taking out the warm crockery you must switch off the warming drawer by pressing the switch again.

### Selecting temperature

By turning the thermostat control you can select temperatures between 30 and 80 °C.

**Do not force the thermostat control to the left of the "0" position or to the right of the maximum position since this may damage the appliance.**

As soon as the temperature selected is reached, the heating is turned off. When the temperature drops to a value below that selected, the heating is turned back on.

The temperature scale is not marked with absolute temperatures in °C but instead has symbols which correspond to the optimum temperatures for groups of crockery:

Symbol	°C	Function
	30°C	Defrosting
	40°C-50°C	Proving dough Cups / glasses warming
	60°C-70°C	Crockery warming Keep food warm
	80°C	Low temperature cooking Food Warming




# Use

## Heating times

Various factors affect heating times:

- Material and thickness of the crockery
- Load quantity
- How the crockery is arranged
- Temperature setting

It is therefore not possible to give any precise heating times.

However, as a guide, the following times are given for the thermostat setting  and for uniform heating of the crockery:

Load	Time (min)
Crockery for 6 people	30 – 35

As you use the warming drawer more and more you will learn the best settings for your crockery.

## Load capacity

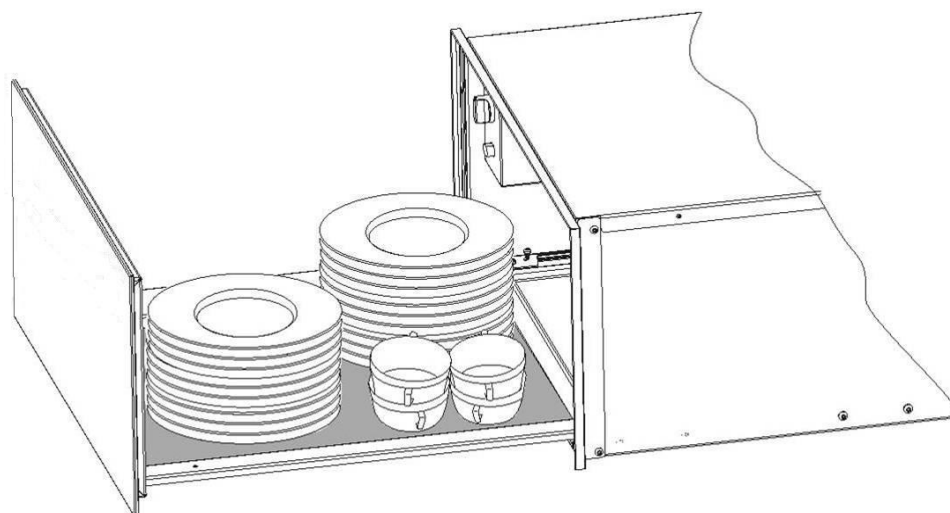
Load capacity depends on the size of the items of crockery. The warming drawer can be loaded with a maximum of 25 kg.

Below we give you some crockery arrangements as examples:

- Crockery for 6 people:
  - 6 dinner plates Ø 28 cm
  - 6 soup bowls Ø 10cm
  - 1 dish Ø 22 cm
  - 1 dish Ø 19 cm
  - 1 dish Ø 17 cm
  - 2 large plates Ø 36 cm

or one of the following

- 20 dinner plates Ø 28 cm
- 36 soup bowls Ø 22 cm
- 30 soup bowls Ø 10cm
- 10 dinner plates Ø 28cm
- 10 soup bowls Ø 22 cm
- 10 pizza plates Ø 36 cm
- 80 espresso cups
- 40 cappuccino cups
- 30 glasses
- 18 soup bowls Ø 22 cm;
- 2 soup tureens 21 cm x 18 cm
- etc.



## Cleaning and Maintenance

Cleaning is the only maintenance action that is required normally.

**Warning! Cleaning must be done with the warming drawer disconnected from the electrical power supply. Remove the plug from the power socket or disconnect the warming drawer power supply circuit.**

**Do not use aggressive or abrasive cleaning products, abrasive sponges or pointed objects since stains or abrasion marks may appear.**

**Do not use high pressure or steam jet cleaning appliances.**

### Appliance front and control panel

The warming drawer can be cleaned using just a damp cloth. If it is very dirty, add a few drops of washing-up liquid to the washing water.

Wipe the surfaces dry using a dry cloth.

**For stainless steel fronted warming drawer,** special products for treatment of stainless steel surfaces can be used. These products prevent the surfaces becoming dirty again for some time. Apply a thin layer of such a product on the surface using a soft cloth.

**On aluminium fronted warming drawer** use a gentle glass cleaning product and a soft cloth that does not release fluff. Wipe horizontally without pressing on the surface since aluminium is sensitive to scratches and cuts.

**For glass fronted warming drawer** If there are fingerprints, grease, or stains on the exterior (such as the front panel surface) clean with a soft cloth with a glass cleaner or neutral detergent, and then wipe dry with soft, clean, dry cloth.

### Interior of the warming drawer

Clean the inside of the warming drawer regularly using a damp cloth. If it is very dirty add a few drops of washing-up liquid to the washing water.

Wipe the surfaces dry using a dry cloth.

Avoid water entering through the air circulation opening.

Only use the warming drawer again when it is completely dry.

### Mat with non-slip surface

The non-slip surface mat can be removed to facilitate cleaning of the drawer.

The mat can be cleaned by hand using hot water with a few drops of washing-up liquid.

Dry thoroughly.

The non-slip mat should only be replaced when it is completely dry.

## What should I do if the warming drawer doesn't work?

**WARNING!** Any type of repair must only be done by a specialised technician. Any repair done by a person not authorised by the manufacturer is dangerous.

Before contacting Technical Assistance, check on the following:

- **The crockery doesn't heat up enough. Check whether:**
  - The appliance has been switched on.
  - The appropriate temperature has been selected.
  - The air circulation orifices are covered by the crockery.
  - The crockery was left to heat up for sufficient time.

Heating time depends on several factors, such as, for example:

- Crockery material type and thickness.
- Quantity of crockery.
- How the crockery is arranged.

- **The crockery doesn't heat up at all. Check whether:**

- You can hear the noise of a fan.

If the fan is operating then the heating element is broken; if the fan is not operating then the fan is broken.

- The switchboard fuses / circuit breakers have fused / tripped out.

- **The crockery is heating up too much.**

- The temperature selector is broken.

- **The on/off switch does not light up.**

- The switch's pilot light has blown.

- **There is some noise when the drawer is opened and closed:**

- This is normal and comes from the latching mechanism.

**After checking the points and if non of them matches your problem, please contact our Technical Assistance.**

## Technical Characteristics

### Technical Data

SAMSUNG strives to improve its products at all times. Both the design specifications and these user instructions are thus subject to change without notice.

<b>Model</b>	<b>NL20J7100WM/UR</b> <b>NL20T8100WK/UR</b> <b>NL20T9100WD/UR</b>
<b>Power source</b>	220-240 V / 50-60 Hz
<b>Power consumption</b> <b>Maximum Power</b>	420W
<b>Dimensions (WxDxH)</b> <b>Outside</b> <b>Drawer Cavity</b>	595x522x140 485x490x110
<b>Volume</b>	25 ltr
<b>Weight</b> <b>Net</b>	14,2 kg

## Environmental protection

### Disposal of the packaging

The packaging bears the Green Point mark.

Dispose of all the packaging materials such as cardboard, expanded polystyrene and plastic wrapping in the appropriate bins. In this way you can be sure that the packaging materials will be re-used.

Please keep all packaging materials away from small children as there is a choking / suffocation risk.

### Disposal of equipment no longer used

According to European Directive 2012/19/EU on the management of waste electrical and electronic equipment (WEEE), home electrical appliances should not be put into the normal systems for disposal of solid urban waste.

Outdated appliances should be collected separately to optimise component material recovery and re-cycling rates and to prevent potential harm to human health and the environment. The symbol of a rubbish container superimposed by a diagonal cross should be put on all such products to remind people of their obligation to have such items collected separately.

Consumers should contact their local authorities or point of sale and request information on the appropriate places to leave their old home electrical appliances.

Before disposing of your appliance, render it non-usable by pulling out the power cable, cutting this and disposing of it.

For information on Samsung's environmental commitments and product specific regulatory obligations e.g. REACH visit:

[samsung.com/uk/aboutsamsung/samsungelectronics/corporatecitizenship/data\\_corner.html](https://samsung.com/uk/aboutsamsung/samsungelectronics/corporatecitizenship/data_corner.html)

## Installation instructions

### Before installation

**Check that the input voltage** indicated on the characteristics plate is the same as the voltage of the power outlet you are going to use.

Open the drawer and **take out all the accessories** and remove the packing material.

**Attention!** The front surface of the crockery heater may be wrapped in a **protective film**. Before using the warming drawer for the first time, remove this film carefully.

**Make sure that the warming drawer is not damaged in any way.** Check that the drawer opens and closes correctly. If you find any damage, contact the Technical Assistance Service.

**Attention: the power socket should be easily accessible after the warming drawer has been installed.**

The warming drawer should only be built-in in combination with those appliances indicated by the manufacturer. **If it is fitted in combination with other appliances, the guarantee is no longer valid since it is impossible to guarantee that the warming drawer will work correctly.**

### Installation

To build-in the warming drawer in combination with another appliance there must be a fixed, interim shelf in the housing unit to support the weight of both appliances.

The appliance to be combined with the warming drawer will be placed directly on the latter without any need to have a separating shelf.

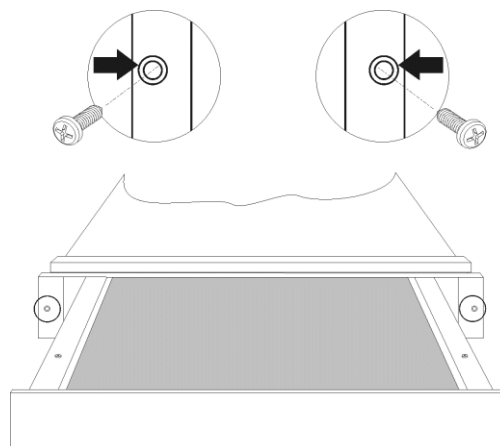
To build-in the appliance which is combined with the warming drawer, follow the instructions set out in the respective instructions and fitting booklet.

The relevant installation dimensions are indicated in mm **in the diagrams shown at the end of this booklet**. Proceed as follows:

1. Place the warming drawer on the shelf and slide it towards the interior of the niche in

such a way that it is centred and completely lined up with the front of the unit.

2. Check that the warming drawer frame is properly levelled and is sitting evenly on the shelf.
3. Open the drawer and fix the warming drawer to the sides of the unit using the two screws provided.



### Electrical Connection

The warming drawer is equipped with a power cable and plug for single phase current. We advise that the **plug is connected to a socket that is easily accessible after installation.**

**If the warming drawer is to be installed on a permanent basis** it should be installed by a qualified technician. In such a case, the appliance should be connected to a circuit with an all-pole circuit breaker with a minimum separation of 3 mm between contacts.

The data necessary for the electrical connection are **described on the warming drawer characteristics plate** and these must be compatible with those of the power outlet you are going to use.

**WARNING: THE WARMING DRAWER MUST BE CONNECTED TO EARTH.**

**The manufacturer and retailers do not accept responsibility** for any damage that may be caused to people, animals or property if these installation instructions are not observed.


# Inhaltsverzeichnis

<b>Informationen zur Sicherheit</b> .....	<b>13</b>
<b>Gerätebeschreibung</b> .....	<b>16</b>
Hauptkomponenten .....	16
Vorinformationen .....	16
<b>Bedienung</b> .....	<b>17</b>
Vor dem ersten Gebrauch .....	17
Bedienelemente.....	17
Bedienprinzip.....	17
Temperatur wählen.....	17
Aufheizzeiten .....	18
Fassungsvermögen .....	18
<b>Reinigung und Pflege</b> .....	<b>19</b>
Stirnseite und Bedienblende.....	19
Innenraum .....	19
Antirutschauflage.....	19
<b>Was ist im Falle einer Funktionsstörung zu tun?</b> .....	<b>20</b>
<b>Technische Eigenschaften</b> .....	<b>21</b>
<b>Hinweise zum Umweltschutz</b> .....	<b>21</b>
<b>Installationsanleitung</b> .....	<b>22</b>
Vor der Installation.....	22
Einbau .....	22
Elektroanschluss .....	22
<b>Einbau</b> .....	<b>45</b>
Kombinationsmöglichkeiten .....	45

Wir bitten Sie, die in diesem Buch enthaltenen Anweisungen aufmerksam durchzulesen, die Ihnen ermöglichen werden, bei der Nutzung Ihrer Wärmeschublade bessere Ergebnisse zu erzielen.

**BEWAHREN SIE DIE DOKUMENTATION DIESES GERÄTES AUF, UM KÜNFTIG IN IHR NACHSCHLAGEN ZU KÖNNEN.**

## Informationen zur Sicherheit

 Lesen Sie die Anweisungen sorgfältig vor der Installation und bevor Sie Ihr Gerät in Betrieb setzen. Der Hersteller haftet nicht für unsachgemäße Installation und Nutzung der Geräte, die Verletzungen und Schäden verursachen können. Halten Sie die Anweisungen griffbereit, so dass sie während des Gebrauchs leicht konsultierbar sind. Dieses Gerät entspricht den vorgeschriebenen Sicherheitsbestimmungen. Ein unsachgemäßer Gebrauch kann jedoch zu Schäden an Personen und Sachen führen.

### Sicherheit von Kindern und Schutzbedürftigen Personen

**WARNUNG! Es besteht Erstickungsgefahr, das Risiko von Verletzungen oder permanenten Behinderungen.**

- Dieses Gerät kann dann von Kindern ab 8 Jahren, von Personen mit eingeschränkten körperlichen, sensorischen oder geistigen Fähigkeiten sowie von Personen ohne bisherige Erfahrung im Umgang mit solchen Geräten bedient werden, wenn sie dabei von einer Person, die für ihre Sicherheit verantwortlich ist, beaufsichtigt werden.
- Kinder sollten während der Benutzung beaufsichtigt sein, um sicher zu gehen, dass sie nicht mit dem Gerät spielen.
- Halten Sie das Verpackungsmaterial von Kindern fern.
- **WARNUNG:** Das Gerät und die zugänglichen Elemente werden heiß, während das Gerät in Betrieb ist. Bitte achten Sie darauf, die erhitzten Elemente nicht zu berühren. Kinder unter 8 Jahren sollten vom Gerät ferngehalten werden, es sei denn sie werden durchgängig beaufsichtigt.
- Reinigung und Wartung des Geräts darf nicht von Kindern ohne Aufsicht erfolgen.

### Allgemeine Sicherheit

- Dieses Gerät ist für den Haushaltsbedarf und nicht für die Nutzung in Hotels, Geschäften, Büros oder anderen, ähnlichen Einrichtungen, bestimmt.

## Informationen zur Sicherheit

- Der Geräteinnenraum wird während des Betriebs heiß. Berühren Sie nicht die Heizelemente im Geräteinnern. Verwenden Sie zum anfassen des zubehörs und der Töpfe wärmeisolierende Handschuhe.
- Stellen oder setzen Sie sich nicht auf die geöffnete Geschirrschublade. Der Teleskopauszug wird beschädigt. Die Belastbarkeit der Geschirrschublade beträgt max. 25kg.
- Bewahren Sie keine Kunststoff-behälter oder brennbare Gegenstände im Gerät auf. Beim Einschalten können sie schmelzen oder sich entzünden. Brandgefahr!
- Benutzen Sie das Gerät nicht zum Beheizen von Räumen. Durch die Temperaturentwicklung können leicht entzündbare Gegenstände in der Nähe zu brennen beginnen.

## Installation

- Die Elektronik muss mit einer Einrichtung zur Abschaltung ausgestattet sein, womit das Gerät sich von jedem Pol vom Netz ausschalten lässt und die vollständige Trennung unter der Überspannungskategorie III bietet.
- Wenn ein Stecker für die elektrische Verbindung verwendet wird, dann muss er nach der Installation zugänglich sein.
- Die Installation des Gerätes muss nach aktuellen Vorschriften erfolgen.
- Schutz gegen elektrischen Schlag muss durch den Einbau gewährleistet sein (Erdung).
- Achtung: Das Gerät muss unbedingt geerdet werden.
- **WARNUNG:** Das Gerät ist für den Einbau bestimmt. Bitte beziehen Sie sich auf die letzten Seiten der Bedienungsanleitung, für detaillierte Informationen und Maßzeichnungen.

## Reinigung und Instandhaltung

- **WARNUNG:** Trennen Sie vor reinigung und instandhaltung das Gerät von der Stromversorgung.



## Informationen zur Sicherheit

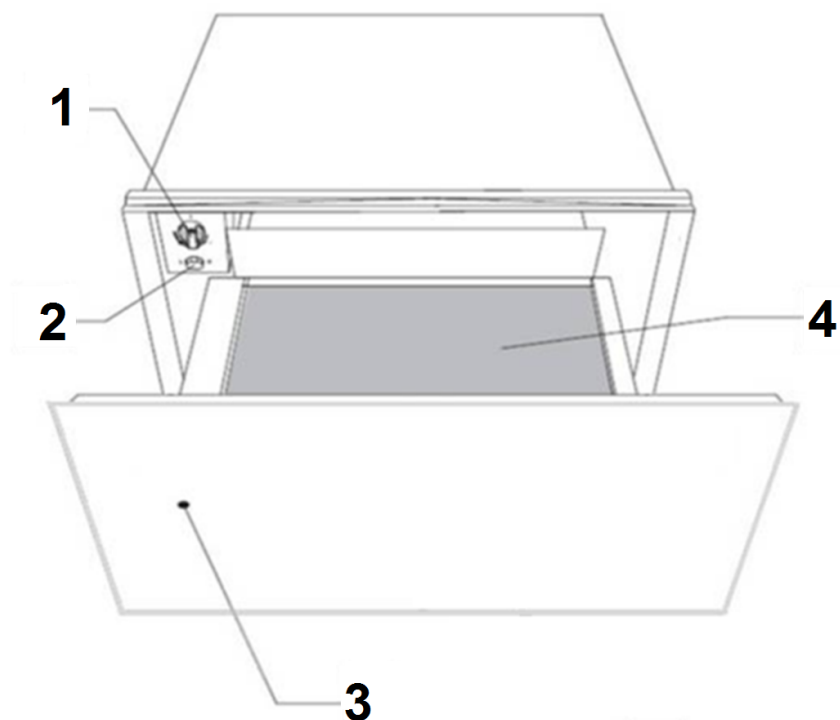
- Wird das Gerät nicht regelmäßig gereinigt, können die Oberflächen beschädigt werden; dies kann sich nachteilig auf die Lebensdauer des Geräts auswirken und zu gefährlichen Situationen führen.
- Benutzen Sie keine Scheuermittel oder Metallschwämmchen zum Reinigen der Ofenglastür; sie können die Glasfläche verkratzen und zum Zersplittern der Scheibe führen.
- Benutzen Sie zum Reinigen des Geräts keinen Dampfreiniger.
- Bitte beachten Sie die Hinweise bezüglich der Sauberkeit unter dem Punkt "Reinigung und Wartung".

## Service und Reparatur

- **WARNUNG:** Trennen Sie vor Service und Reparatur das Gerät von der Stromversorgung.
- Falls das Netzkabel beschädigt wird, ist es vom Hersteller, von autorisierten Vertretern oder von für diese Aufgabe qualifizierten Technikern zu ersetzen, um gefährliche Situationen zu vermeiden. Denn dazu sind Spezialwerkzeuge notwendig.
- Reparaturen und Wartungsarbeiten, besonders an unter Strom stehenden Teilen, dürfen nur durch vom Hersteller autorisierten Technikern ausgeführt werden.

## Gerätebeschreibung

### Hauptkomponenten



1. – Bedienblende  
2. – Temperaturknebel

3. – Gerätefront  
4. – Antirutschauflage

### Vorinformationen

Dieses Gerät verfügt über ein Heißluftsystem. Ein Gebläse verteilt die Wärme des Heizkörpers optimal in der Schublade.

Das Thermostat ermöglicht die Bestimmung und Überwachung der gewünschten Geschirrtemperatur.

Durch die entstehende Luftzirkulation wird das Geschirr gleichmäßig und schnell erwärmt.

Ein Schutzgitter verhindert die Berührung mit Heizkörper und Gebläse.

Der Boden der Geschirrschublade ist mit einer Antirutschauflage ausgelegt, die das Verrutschen des Geschirrs beim Öffnen und Schließen der Schublade verhindert.

# Bedienung

## Vor dem ersten Gebrauch

Vor dem ersten Benutzen sollten Sie wie folgt vorgehen:

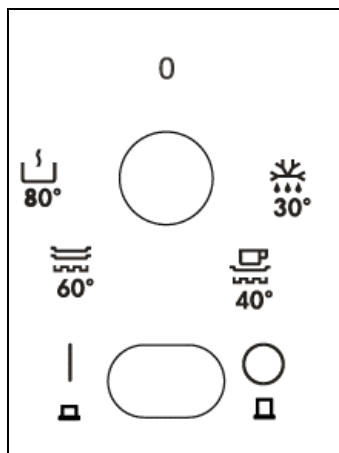
Wischen Sie Ihr Gerät mit einem feuchten Tuch ab und trocknen Sie es anschließend. Siehe Kapitel „Reinigung und Pflege“.

Heizen Sie die leere Schublade mindestens 2 Stunden lang auf. Stellen Sie dazu den Temperaturknebel auf Maximum (siehe Kapitel "Temperatur wählen").

Sorgen Sie dabei für eine gute Belüftung der Küche.

Die Bauteile sind mit einem Pflegemittel geschützt. Deshalb kommt es beim ersten Aufheizen vorübergehend zur Geruchsbildung. Die Geruchsbildung und eventuell auftretender Dunst vergehen nach kurzer Zeit und weisen nicht auf einen Falschanschluss oder Gerätedefekt hin.

## Bedienelemente



Die Bedienelemente bestehen aus dem Temperaturknebel und dem Ein-/Aus-Schalter. Sie sind nur sichtbar, wenn die Geschirrschublade geöffnet ist. Bei geschlossener Schublade kann man durch das Kontrollfeld in der Gerätefront sehen, ob das Gerät eingeschaltet ist.

## Bedienprinzip

Um die Wärmeschublade zu verwenden verfahren wie folgt:

- Drücken Sie die Front der Wärmeschublade um diese zu öffnen.
- Stellen Sie das Geschirr in die Schublade.
- Um die Temperatur zu wählen, bitte drehen Sie den Schalter auf die gewünschte Position.

- Schalten Sie das Gerät durch drücken des Knopfes ein. Der Knopf leuchtet auf.
- Schließen Sie die Schublade.

Beachten Sie, dass sich die Schublade wieder öffnen kann, wenn sie mit übermäßigem Schwung geschlossen wird.

Schalten Sie das Gerät aus, bevor Sie das erwärmte Geschirr entnehmen.





## Temperatur wählen

Der Temperaturknebel ermöglicht die stufenlose Einstellung der Temperatur zwischen ca. 30 und 80 °C.

**Den Temperaturknebel nur linksherum bis zur Position "0" drehen oder nach rechts bis zum Anschlag, den sonst wird der Knebel zerstört.**

Ist die gewählte Temperatur erreicht, schaltet sich die Heizung ab. Sobald die Temperatur unter den eingestellten Wert sinkt, schaltet sich die Heizung wieder ein.

Auf der Temperaturskala sind keine absoluten Temperaturwerte in °C markiert, sondern Symbole, die die optimale Temperatur für die jeweilige Geschirrgruppe darstellen:

Symbol	°C	Funktion
	30°C	Antauen
	40°C- 50°C	Teig gehen lassen Tassen/Gläser vorwärmen
	60°C-70°C	Geschirr vorwärmen
	80°C	Speisen warm halten Speisen Erhitzen


## Bedienung

### Aufheizzeiten

Unterschiedliche Faktoren beeinflussen die Aufheizzeit:

- Material und Dicke des Geschirrs
- Beladungsmenge
- Beladungsanordnung
- Temperatureinstellung

Absolute Angaben sind daher nicht möglich.

Bei der Einstellung auf der Position  und um eine gleichmäßige Erwärmung zu erreichen können folgende Werte als Anhaltspunkte genannt werden:

Geschirr	Zeit (Minuten)
Menügeschirr für 6 Personen	30 – 35

Bitte ermitteln Sie im praktischen Gebrauch die optimalen Einstellungen für Ihren Haushalt.

### Fassungsvermögen

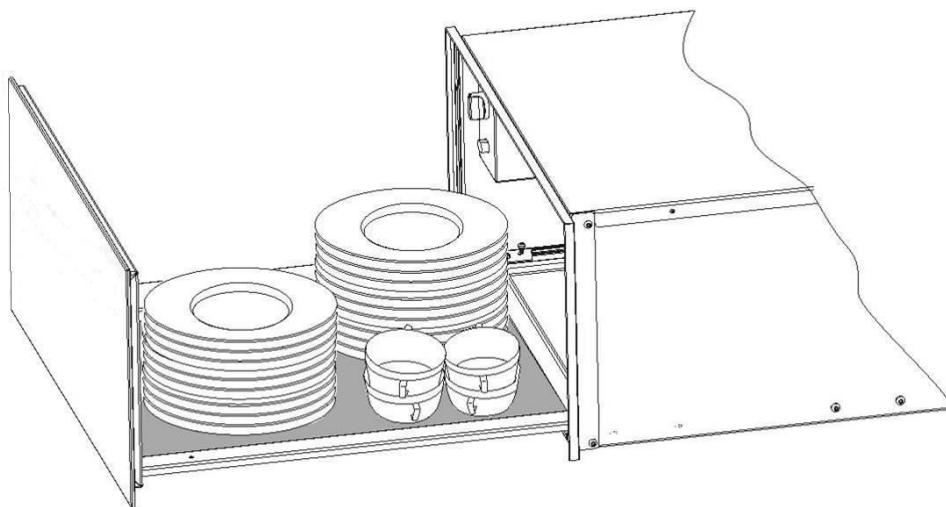
Das Fassungsvermögen ist abhängig von den Geschirrmaßen; die Schublade darf mit maximal 25 kg belastet werden.

Die folgenden Bestückungsbeispiele sind Anhaltspunkte:

- Menügeschirr für 6 Personen:
  - 6 Teller Ø 28 cm
  - 6 Suppentassen Ø 10cm
  - 1 Schüssel Ø 22 cm
  - 1 Schüssel Ø 19 cm
  - 1 Schüssel Ø 17 cm
  - 2 Teller Ø 36 cm

oder

- 20 Teller Ø 28 cm
- 36 Suppenteller Ø 22 cm
- 30 Suppentassen Ø 10cm
- 10 Teller Ø 28cm
- 10 Suppenteller Ø 22 cm
- 10 Pizzateller Ø 36 cm
- 80 Espressotassen
- 40 Cappuccinotassen
- 30 Gläser
- 18 Suppenteller Ø 22 cm; 2 Suppenterrinen 21 cm x 18 cm



## Reinigung und Pflege

Die Reinigung stellt die einzige, normalerweise erforderliche Wartung dar.

**Achtung! Die Reinigung muss an dem von der Stromversorgung getrennten Gerät durchgeführt werden. Ziehen Sie den Stecker aus der Steckdose oder schalten Sie den Stromversorgungskreis des Gerätes ab.**

**Benutzen Sie keine aggressiven Reinigungs- oder Scheuermittel, keine kratzenden Scheuertücher noch spitze Gegenstände, denn es können Flecken entstehen.**

### Stirnseite und Bedienblende

Es reicht, das Gerät mit einem feuchten Lappen zu reinigen. Geben Sie, falls es sehr verschmutzt sein sollte, einige Tropfen Geschirrspülmittel ins Waschwasser. Wischen Sie danach das Gerät mit einem trockenen Lappen ab.

**Für Edelstahlvorderseite** mit **Wärmeschubladen** können Spezialmittel für Edelstahloberflächen verwendet werden. Diese Mittel vermeiden dass die Oberflächen schnell wieder schmutzig werden. Tragen Sie das Mittel mit einem weichen Tuch flächig und sparsam auf.

Benutzen Sie **bei Wärmeschubladen mit einer Aluminiumvorderseite** ein mildes Glasreinigungsmittel und einen weichen, fusselfreien Lappen. Wischen Sie diese in horizontaler Richtung ab, ohne Druck auf die Oberfläche auszuüben.

**Für glasfrontierte Wärmeschublade** Wenn sich Fingerabdrücke, Fett oder Flecken auf der Außenseite (z. B. auf der Frontplattenoberfläche) befinden, reinigen Sie diese mit einem weichen Tuch mit einem Glasreiniger oder einem neutralen Reinigungsmittel, und wischen Sie sie dann mit einem weichen, sauberen und trockenen Tuch trocken.

### Innenraum

Reinigen Sie nach jeder Nutzung die Innenwände mit einem feuchten Lappen. Geben Sie, falls sie sehr verschmutzt sein sollten, einige Tropfen Geschirrspülmittel ins Waschwasser.

Wischen Sie danach die Oberflächen mit einem trockenen Lappen ab.

Verhindern Sie das Eindringen von Wasser in die Belüftungslöcher.

Nutzen Sie die Wärmeschublade nur nachdem sie trocken ist.

### Antirutschauflage

Die Antirutschauflage kann zur Reinigung des Schubladenbodens herausgenommen werden.

Die Auflage reinigen Sie am besten von Hand mit warmem Wasser und einem milden Spülmittel. Trocknen Sie sie im Anschluss gut ab. Legen Sie die Antirutschauflage erst wieder in die Schublade, wenn sie ganz trocken ist.

## Was ist im Falle einer Funktionsstörung zu tun?

**ACHTUNG!** Jegliche Art von Reparatur darf nur von spezialisierten Fachleuten ausgeführt werden. Jeder Eingriff, der durch nicht vom Hersteller autorisierte Personen vorgenommen wird, ist gefährlich.

Folgende Probleme können behoben werden, ohne den Kundendienst zu benachrichtigen:

- **Das Geschirr erwärmt nicht ausreichend?**

Prüfen Sie, ob:

- das Gerät eingeschaltet ist.
- die richtige Temperatureinstellung gewählt wurde.
- die Warmluft-Austrittsöffnungen durch große Platten oder Schüsseln verdeckt sind.
- das Geschirr lange genug erwärmt wurde.

Unterschiedliche Faktoren beeinflussen die Aufheizzeit, zum Beispiel:

- Material und Dicke des Geschirrs
- Beladungsmenge
- Beladungsanordnung
- Temperatureinstellung

- **Das Geschirr erwärmt nicht?** Prüfen Sie, ob:

- Sie ein Gebläsegeräusch hören.

Falls das Gebläse läuft, ist der Heizkörper defekt. Falls das Gebläse nicht läuft ist das Gebläse defekt.

- die Sicherung der Hausinstallation ausgelöst hat.

- **Das Geschirr wird zu heiß?**

- Der Temperaturregler ist defekt.

- **Beim Einschalten des Gerätes leuchtet der Ein-/Aus-Schalter nicht?**

- Die Kontrollleuchte des Schalters ist defekt.

## Technische Eigenschaften

### Technische Eigenschaften

SAMSUNG bestrebt sich, seine Produkte die ganze Zeite zu verbessern. Somit können die Spezifikationen für die Auslegung und diese Bedienungsanleitung jederzeit ohne vorherige Ankündigung geändert werden.

<b>Modell</b>	<b>NL20J7100WM/UR</b> <b>NL20T8100WK/UR</b> <b>NL20T9100WD/UR</b>
<b>Betriebsspannung</b>	220-240 V / 50-60 Hz
<b>Stromverbrauch</b> <b>Maximale Leistung</b>	420W
<b>Außen Abmessung</b> <b>Hohlraum - Schublade</b>	595x522x140 485x490x110
<b>Volumen</b>	25 ltr
<b>Netto Gewicht</b>	14,2 kg

## Hinweise zum Umweltschutz

### Entsorgung der Verpackung

Die Verpackung ist mit einem Grünen Punkt gekennzeichnet.

Benutzen Sie geeignete Behältnisse, um alle Verpackungsmaterialien, wie Pappe, Styropor und Folien, zu entsorgen. Auf diese Weise wird die Wiederverwertung der Verpackungsmaterialien gewährleistet.

### Entsorgung von stillgelegten Geräten

Die europäische Richtlinie 2012/19/EU über Elektro- und Elektronik-Altgeräte (WEEE) sieht vor, dass die elektrischen Haushaltgeräte nicht im normalen Abfallfluss des festen Stadtmülls entsorgt werden dürfen.

Die außer Betrieb gesetzten Geräte müssen getrennt abgeholt werden, um den Anteil der Rückgewinnung und Wiederverwendung der Werkstoffe, aus denen sie bestehen, zu optimieren und um potentielle Schäden für die Gesundheit der Menschen und die Umwelt zu vermeiden. Das Symbol, welches aus einem mit einem Kreuz durchgestrichenen Müllcontainer besteht, ist auf sämtlichen Erzeugnissen anzubringen, um so an die Verpflichtung der separaten Abholung zu erinnern.

Die Verbraucher haben sich mit den lokalen Behörden bzw. den Verkaufsstellen in Verbindung zu setzen, um Informationen über den Ort einzuholen, der zur Lagerung der alten elektrischen Haushaltsgeräte geeignet ist. Machen Sie Ihr Gerät unbrauchbar, bevor Sie es entsorgen. Ziehen Sie das Netzkabel heraus, schneiden Sie es ab und entsorgen Sie es.

Weitere Informationen zum Engagement von Samsung für die Umwelt und zu produktspezifischen Auflagen wie z. B. **REACH** finden Sie unter:

[samsung.com/uk/aboutsamsung/samsungelectronics/corporatecitizenship/data\\_corner.html](https://www.samsung.com/uk/aboutsamsung/samsungelectronics/corporatecitizenship/data_corner.html)

# Installationsanleitung

## Vor der Installation

**Überprüfen Sie, dass die Versorgungsspannung,** die auf dem Typenschild angegeben ist, mit Ihrer Netzspannung übereinstimmt.

Öffnen Sie die Schublade und entnehmen Sie **alle Zubehörteile** sowie das Verpackungsmaterial.

**Achtung!** Die Vorderseite der Schublade kann mit einer **Schutzfolie** versehen sein. Ziehen Sie diese Folie vor der ersten Benutzung des Gerätes vorsichtig ab, indem Sie an deren Unterseite beginnen.

**Vergewissern Sie sich, dass die Wärmeschublade nicht beschädigt ist.** Überprüfen Sie, ob die Schublade richtig schließt. Benachrichtigen Sie den Kundendienst im Falle von vorhandenen Schäden.

**Achten Sie darauf, dass die Steckdose nach Einbau des Gerätes leicht zugänglich ist.**

Der Geschirrwärmer darf ausschließlich in Kombination mit den vom Hersteller angegebenen Geräten eingebaut werden. **Bei Kombination mit anderen Geräten erlischt der Garantieanspruch, da die Gewähr für einen ordnungsgemäßen Betrieb nicht mehr gegeben ist.**

## Einbau

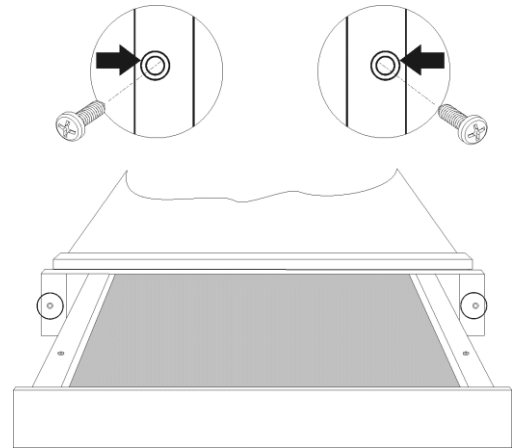
Für den Einbau von Geschirrwärmer und Kombinationsgerät muss ein fest eingebauter Zwischenboden vorhanden sein, der die erforderliche Tragfähigkeit für beide Geräte gewährleistet.

Das Kombinationsgerät wird ohne weiteren Zwischenboden direkt auf den eingebauten Geschirrwärmer gestellt.

Beachten Sie für den Einbau des Kombinationsgerätes unbedingt die Informationen der jeweiligen Gebrauchs- bzw. Montageanweisung.

Die wichtigen Maße für den Einbau werden in "mm" **auf den letzten Seiten dargestellt.** Wie folgt vorgehen:

1. Stellen Sie das Gerät bis zur Schwadenleiste in den Umbauschrank und richten Sie es aus.
2. Achten Sie darauf, dass das Gehäuse des Gerätes rechtwinklig ausgerichtet wird.
3. Öffnen Sie die Schublade und befestigen Sie das Gerät mit den 2 mitgelieferten Schrauben an den Seitenwänden des Schrankes.



## Elektroanschluss

Die Wärmeschublade ist mit einem Netzkabel und einem Stecker für Einphasenstrom ausgestattet. Es wird empfohlen, das Gerät über **eine Steckdose an das Elektronetz anzuschließen.**

Dadurch wird der Kundendienst erleichtert.

**Im Falle eines Daueranschlusses** ist das Gerät von einem qualifizierten Techniker zu installieren.

In diesem Falle hat der Anschluss an einen Stromkreis mit einem Unterbrecher für sämtliche Pole, mit einem Mindestabstand von 3 mm zwischen den Kontakten, zu erfolgen.

Die erforderlichen **Anschlussdaten** finden Sie auf dem **Typenschild.** Diese Angaben müssen mit denen des Netzes übereinstimmen.

**ACHTUNG: DIE WÄRMESCHUBLADE MUSS UNBEDINGT GEERDET WERDEN.**

**Der Hersteller und die Wiederverkäufer lehnen jegliche Haftung für eventuelle Schäden ab,** die Personen, Tieren oder Sachen zugefügt werden, falls die Nichtbeachtung der vorliegenden Installationsanleitung festgestellt wird.



## Sommaire

<b>Consignes de sécurité</b> .....	<b>24</b>
<b>Description de l'appareil</b> .....	<b>27</b>
Composants principaux .....	27
Principe de fonctionnement .....	27
<b>Utilisation</b> .....	<b>28</b>
Avant la première utilisation.....	28
Tableau de commandes .....	28
Principe d'utilisation .....	28
<b>Nettoyage et entretien</b> .....	<b>30</b>
Partie avant de l'appareil et tableau de commandes .....	30
Intérieur du tiroir chauffant.....	30
Revêtement antidérapant .....	30
<b>Que faire en cas de mauvais fonctionnement?</b> .....	<b>31</b>
<b>Caractéristiques techniques</b> .....	<b>32</b>
<b>Protection de l'environnement</b> .....	<b>32</b>
<b>Instructions d'installation</b> .....	<b>33</b>
Avant l'installation .....	33
Installation .....	33
<b>Installation</b> .....	<b>45</b>
Possibilités de combinaison.....	45

Nous vous demandons une lecture attentive des instructions de ce manuel. Vous pourrez ainsi utiliser votre tiroir chauffant en obtenant les meilleurs résultats.

**CONSERVEZ TOUTE LA DOCUMENTATION DE CE PRODUIT POUR LA CONSULTER ULTÉRIEUREMENT.**

## Consignes de sécurité



Avant d'installer et d'utiliser cet appareil, lisez soigneusement les instructions fournies. Le fabricant ne peut être tenu pour responsable des dommages et blessures liés à une mauvaise installation ou utilisation. Conservez toujours cette notice avec votre appareil pour vous y référer ultérieurement. Votre appareil est aux normes de sécurité en vigueur. Une utilisation inadéquate peut constituer un danger pour l'utilisateur.

### Sécurité des enfants et des personnes vulnérables

#### **AVERTISSEMENT! Risque d'asphyxie, de blessure ou d'invalidité permanente.**

- Cet appareil peut être utilisé par des enfants de plus de 8 ans, ainsi que des personnes dont les capacités physiques, sensorielles et mentales sont réduites ou dont les connaissances et l'expérience sont insuffisantes, à condition d'être surveillés par une personne responsable de leur sécurité.
- Les enfants devraient être surveillés pour s'assurer qu'ils ne jouent pas avec l'appareil.
- Ne laissez pas les emballages à la portée des enfants.
- **AVERTISSEMENT** : En cours de fonctionnement, l'appareil et ses parties accessibles deviennent chauds. Éviter de toucher les éléments de chauffage. Les enfants de moins de 8 ans doivent être tenus à l'écart, ou surveillés en permanence.
- Les enfants ne doivent pas nettoyer ni entreprendre une opération de maintenance sur l'appareil sans surveillance.

### Sécurité générale

- Cet appareil est destiné à un usage domestique, et n'est pas adapté aux hôtels, magasins, bureaux ou autres environnements similaires.
- L'intérieur de l'appareil devient chaud lorsqu'il est en fonctionnement. Ne touchez pas les éléments chauffants se trouvant dans l'appareil. Utilisez toujours des gants de cuisine pour retirer ou enfourner des accessoires ou des plats allant au four.

## Consignes de sécurité

- Le tiroir peut supporter un poids maximum de 25 kg. Prenez garde de ne pas le surcharger, cela endommagerait les rails télescopiques.
- Les récipients et objets synthétiques ou qui prennent facilement feu ne doivent pas être rangés dans le chauffe-vaisselle. Si l'appareil est mis en marche, ils peuvent fondre ou brûler. **Danger d'incendie.**
- N'utilisez pas votre appareil comme chauffage de maison. Les hautes températures peuvent mettre le feu à des objets facilement inflammables situés près de l'appareil.

## Installation

- Le système électrique doit être équipé d'un moyen de déconnexion, avec une séparation de contact sur tous les pôles assurant une coupure complète de la catégorie de surtension III.
- Si une fiche est utilisée pour la connexion électrique, alors la même doit être accessible après l'installation.
- L'installation doit respecter les réglementations en vigueur.
- L'encloisonnement doit être assuré de façon à protéger des chocs électriques.
- Attention: L'appareil doit être obligatoirement relié à la terre.
- **AVERTISSEMENT!** Il s'agit d'un appareil encastrable. Veuillez vous reporter aux dernières pages de cette notice pour en savoir plus sur les dimensions nécessaires à son installation.

## Nettoyage et Maintenance

- Avertissement: Avant toute opération de nettoyage et maintenance, déconnectez l'alimentation électrique.
- Si vous ne nettoyez pas régulièrement l'appareil, sa surface peut se détériorer, ce qui pourrait réduire sa durée de vie et provoquer des situations dangereuses.
- N'utilisez pas de produits abrasifs ni de racloirs pointus en métal pour nettoyer la porte en verre car ils peuvent rayer sa surface, ce qui peut briser le verre.

## Consignes de sécurité

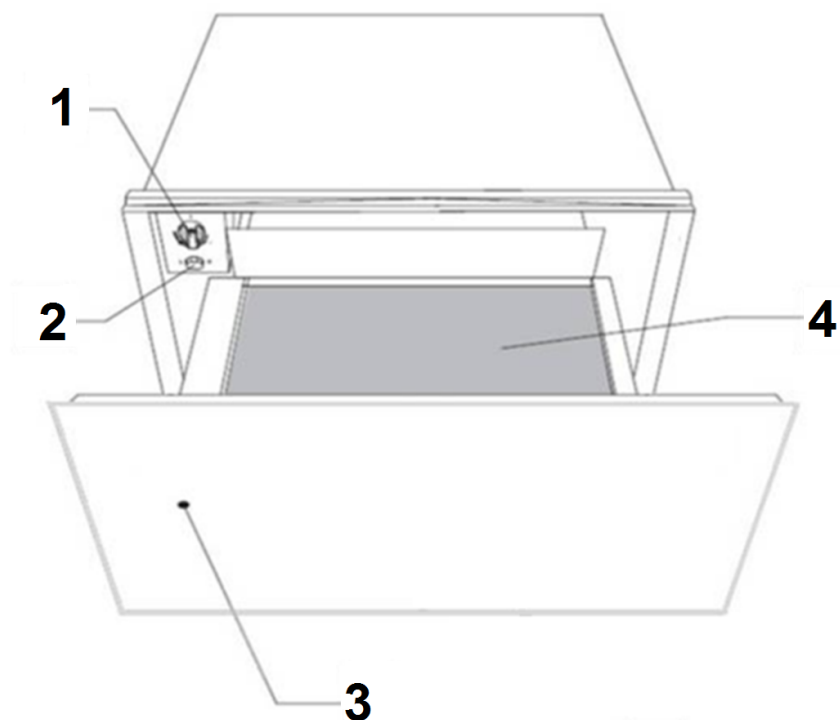
- N'utilisez pas de nettoyeur vapeur pour nettoyer l'appareil.
- S'il vous plaît, soyez attentif aux indications concernant le nettoyage, figurant au point "Nettoyage et entretien".

## Entretien et réparation

- **Avertissement:** Avant toute opération de réparation, déconnectez l'alimentation électrique.
- Si le câble d'alimentation est endommagé, il ne doit être remplacé que par un professionnel qualifié afin d'éviter tout danger.
- Les réparations ou opérations de maintenance, en particulier des pièces sous tension, ne peuvent être réalisées que par des techniciens certifiés par le fabricant.

## Description de l'appareil

### Composants principaux



1. Sélecteur de température (thermostat)

2. Bouton marche/arrêt (voyant lumineux)

3. Pilote de fonctionnement

4. Revêtement antidérapant

### Principe de fonctionnement

Votre appareil est équipé d'un système de circulation d'air chaud. Un ventilateur distribue la chaleur, générée par une résistance électrique, dans tout l'intérieur de l'appareil.

Le thermostat permet de définir et de contrôler la température souhaitée pour la vaisselle.

La circulation de l'air chaud fait que la vaisselle est chauffée rapidement et uniformément.

La résistance ainsi que le ventilateur sont protégés par une grille métallique.

La base du tiroir est équipée d'un revêtement antidérapant pour empêcher la vaisselle de glisser quand vous ouvrez ou fermez le tiroir.

## Utilisation

### Avant la première utilisation

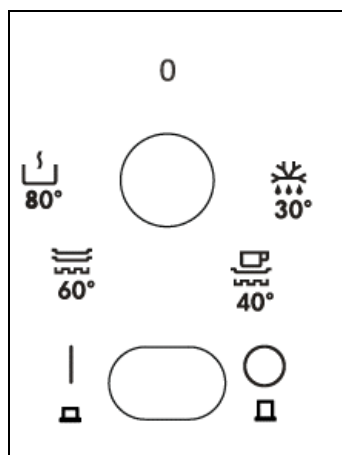
Avant d'utiliser l'appareil pour la première fois, vous devez en laver l'intérieur et l'extérieur en suivant les indications sur le nettoyage figurant au chapitre « Nettoyage et entretien ».

Ensuite, chauffez le tiroir chauffant pendant au moins 2 heures en tournant le sélecteur de température sur la position maximum (consultez le chapitre « Sélectionner la température »).

Veillez à aérer correctement la cuisine.

Les pièces de l'appareil sont protégées par un produit spécial qui peut éventuellement, lors de la première mise en marche, dégager une odeur et un peu de fumée qui disparaissent très vite. Ni l'une ni l'autre ne constituent une anomalie de fonctionnement de l'appareil.

### Tableau de commandes



Le tableau de commandes n'est visible que lorsque le tiroir est ouvert. Il comporte un bouton sélecteur de température et l'interrupteur marche/arrêt.

Lorsque le tiroir est fermé, le voyant lumineux situé sur l'avant de l'appareil indique si le tiroir chauffant est en marche.

### Principe d'utilisation

Pour utiliser le tiroir chauffant, procédez de la façon suivante :

- Appuyez sur le centre de la face avant pour ouvrir le tiroir chauffant.
- Placez la vaisselle dans le tiroir.
- Sélectionnez la température en tournant le thermostat sur la position désirée.

- Mettez l'appareil en marche en appuyant sur l'interrupteur dont le voyant s'allume.
- Fermez le tiroir.

Prenez garde que le tiroir peut se rouvrir si vous le fermez trop fort.

Avant de retirer la vaisselle chaude, vous devez éteindre le tiroir chauffant en appuyant de nouveau sur l'interrupteur.

### Sélectionner la température

Vous pouvez sélectionner des températures entre 30 et 80 °C en tournant le thermostat.

**Ne forcez pas le bouton du thermostat, ni vers la gauche de la position « 0 » ni vers la droite de la position maximum, car cela pourrait le détériorer.**

Dès que la température sélectionnée est atteinte, le chauffage s'éteint. Il se rallume automatiquement si la température redescend.

Au lieu de températures absolues en °C, des symboles sont indiqués. Ils correspondent à la température optimisée pour un groupe de vaisselle :

Symbole	°C	Function
	30°C	Décongélation
	40°C-50°C	Prouver la pâte Réchauffement Tasses / verres
	60°C-70°C	Réchauffement vaisselle Gardez les aliments chauds
	80°C	Cuisson à basse température Réchauffement des aliments


## Utilisation

### Temps de chauffage

Le temps de chauffage dépend de plusieurs facteurs :

- Matériel et épaisseur de la vaisselle
- Quantité de charge
- Disposition de la vaisselle
- Température sélectionnée

Il est dès lors impossible d'indiquer des temps de chauffage rigoureusement exacts.

Les temps ci-dessous sont donnés à titre indicatif pour le thermostat en position  et pour obtenir un chauffage uniforme de la vaisselle :

Charge	Temps (mn)
Vaisselle de table pour 6 pers.	30 – 35

La pratique vous aidera à sélectionner les temps appropriés à votre vaisselle.

### Capacité de charge

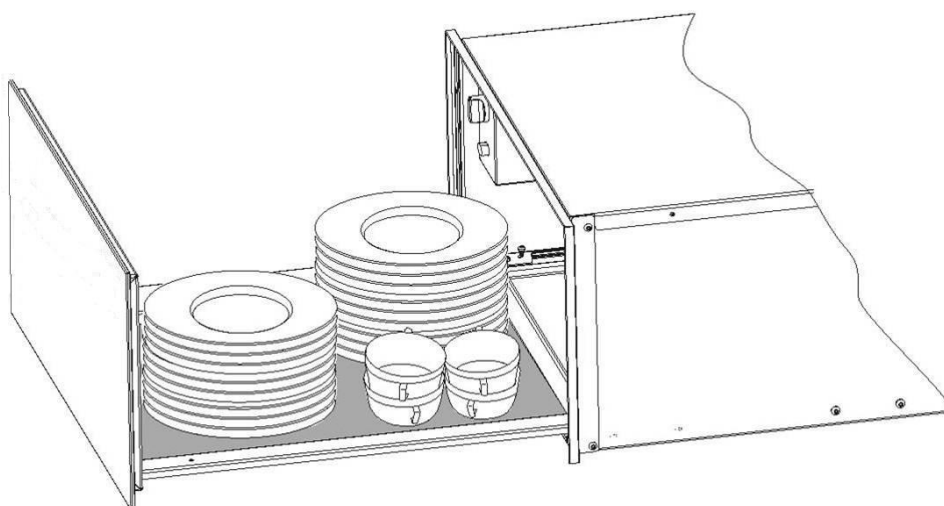
La capacité de charge dépend de la taille de la vaisselle. Le tiroir chauffant peut recevoir une charge maximum de 25 kg.

Quelques exemples de rangement sont fournis ci-après à titre indicatif :

- Vaisselle de table pour 6 personnes :
  - 6 assiettes Ø 28 cm
  - 6 bols à soupe Ø 10cm
  - 1 Récipient Ø 22 cm
  - 1 Récipient Ø 19 cm
  - 1 Récipient Ø 17 cm
  - 2 assiettes Ø 36 cm

ou

- 20 assiettes Ø 28 cm
- 36 assiettes à soupe Ø 22 cm
- 30 bols à soupe Ø 10cm
- 10 assiettes Ø 28cm
- 10 assiettes à soupe Ø 22 cm
- 10 assiettes à pizza Ø 36 cm
- 80 tasses à café
- 40 tasses à cappuccino
- 30 verres
- 18 assiettes à soupe Ø 22 cm ; 2 terrines à soupe 21 cm x 18 cm
- Etc.



## Nettoyage et entretien

Le nettoyage est l'unique entretien normalement nécessaire.

**Attention ! Le nettoyage doit être effectué quand le tiroir chauffant est débranché de l'alimentation électrique. Retirez la prise du mur ou débranchez le circuit d'alimentation du tiroir chauffant.**

**N'utilisez pas de produits de nettoyage agressifs ou abrasifs, ni frottoirs ni objets pointus qui peuvent provoquer des rayures.**

**N'utilisez pas d'appareils de nettoyage à haute pression ou qui projettent de la vapeur.**

### Partie avant de l'appareil et tableau de commandes

Il suffit de nettoyer le tiroir chauffant avec un chiffon humide. S'il est très sale, ajoutez quelques gouttes de produit vaisselle à l'eau de lavage.

Essayez ensuite les surfaces avec un chiffon sec.

**Les tiroirs chauffants dont l'avant est en acier inoxydable** peuvent être nettoyés avec des produits spéciaux pour ce type de surface. Ces produits évitent que les surfaces ne se resalissent rapidement. Appliquez une fine couche de produit sur toute la surface avec un chiffon doux.

**Les tiroirs chauffants dont l'avant est en aluminium** peuvent être nettoyés avec un produit léger pour les vitres et un chiffon doux qui ne laisse pas de fibres. Nettoyez dans le sens horizontal sans appuyer car l'aluminium est un métal mou qui se raye ou se coupe facilement.

**Pour tiroir chauffant vitré.** S'il y a des traces de doigts, de la graisse ou des taches sur l'extérieur (comme la surface du panneau avant), nettoyez avec un chiffon doux et un nettoyant pour vitres ou un détergent neutre, puis essuyez avec un chiffon doux, propre et sec.

### Intérieur du tiroir chauffant

Nettoyez régulièrement l'intérieur du tiroir chauffant avec un chiffon humide. S'il est très sale, ajoutez quelques gouttes de produit vaisselle dans l'eau de lavage.

Nettoyez ensuite les surfaces avec un chiffon sec.

Évitez de faire entrer de l'eau dans les orifices par où circule l'air.

Attendez que votre tiroir chauffant soit bien sec avant de le réutiliser.

### Revêtement antidérapant

Vous pouvez retirer le revêtement antidérapant pour nettoyer plus facilement le tiroir.

Le revêtement peut être lavé à la main avec de l'eau chaude et quelques gouttes de produit vaisselle.

Séchez-le bien pour finir.

Vous ne devez remettre en place le revêtement antidérapant que lorsque le tiroir est bien sec.



## Que faire en cas de mauvais fonctionnement?

**ATTENTION ! Seuls des techniciens spécialisés sont à même d'effectuer les réparations, de quelque type que ce soit. Toute réparation effectuée par des personnes non agréées par le fabricant est dangereuse.**

Avant d'appeler l'assistance technique, vérifiez les cas suivants :

- **La vaisselle ne chauffe pas suffisamment ?**

Vérifiez les points suivants :

- L'appareil est bien branché et en marche.
- Vous avez sélectionné la température adéquate.
- Les orifices par où circule l'air sont obstrués par de la vaisselle.
- La vaisselle a chauffé pendant un temps suffisant ?

Le temps de chauffage dépend de divers facteurs, en particulier :

- Matière et épaisseur de la vaisselle.
- Quantité de vaisselle.

- Rangement et disposition de la vaisselle.

- **La vaisselle ne chauffe pas ?**

Vérifiez les points suivants :

- Le ventilateur fonctionne (il fait du bruit). C'est peut-être alors la résistance qui est en panne ; si le ventilateur ne fait pas de bruit, c'est lui qui doit être en panne.
- Les plombs ont sauté ou le tableau électrique a disjoncté.

- **La vaisselle est trop chaude ?**

Le sélecteur de température ne marche pas correctement.

- **L'interrupteur marche/arrêt ne s'allume pas ?**

Le pilote de l'interrupteur a fondu.

## Caractéristiques techniques

### Caractéristiques techniques

SAMSUNG s'efforce d'améliorer ses produits en tout temps. Les spécifications techniques de conception et ces instructions d'utilisation sont donc susceptibles de changer sans préavis.

<b>Modèle</b>	<b>NL20J7100WM/UR</b> <b>NL20T8100WK/UR</b> <b>NL20T9100WD/UR</b>
<b>Source d'alimentation</b>	220-240 V / 50-60 Hz
<b>Consommation d'énergie</b> <b>Puissance maximum</b>	420W
<b>Dimensions (WxDxH)</b> <b>L'extérieur</b> <b>Cavité du tiroir</b>	595x522x140 485x490x110
<b>Volume</b>	25 ltr
<b>Pois net</b>	14,2 kg

## Protection de l'environnement

### Protection de l'environnement

#### Élimination de l'emballage

L'emballage est signalé d'un Point vert.

Veuillez utiliser les conteneurs adéquats pour vous défaire de tous les matériaux d'emballage comme le carton, le polystyrène expansé et le film plastique. Ils seront réutilisés pour d'autres emballages.

#### Élimination des appareils hors d'usage

La directive européenne 2012/19/EU, concernant la gestion des résidus d'appareils électriques et électroniques (RAEE), prévoit que les appareils

électroménagers ne doivent pas être éliminés de la même façon que les résidus urbains solides.

Les appareils hors d'usage doivent être recueillis séparément afin d'optimiser la récupération et le recyclage des matériaux qui les composent et pour prévenir d'éventuelles atteintes à la santé publique et à l'environnement. Le symbole représentant une grande poubelle barrée d'une croix doit être apposé sur tous les produits de façon à rappeler l'obligation d'une collecte à part.

Les consommateurs doivent entrer en contact avec les autorités locales ou les points de vente pour se renseigner sur le local approprié où ils peuvent déposer les appareils hors d'usage.

Avant de vous défaire de votre appareil, tirez le câble d'alimentation, coupez-le et éliminez-le.

Pour obtenir des informations sur les engagements environnementaux de Samsung et sur les obligations réglementaires spécifiques à l'appareil (par ex. la réglementation **REACH**), rendez-vous sur : [samsung.com/uk/aboutsamsung/samsungelectronics/corporatecitizenship/data\\_corner.html](https://samsung.com/uk/aboutsamsung/samsungelectronics/corporatecitizenship/data_corner.html)

## Instructions d'installation

### Avant l'installation

**Vérifiez que la tension d'alimentation** de l'appareil, indiquée sur la plaque des caractéristiques, correspond à celle de votre installation.

Ouvrez le tiroir et **retirez tous les accessoires** ainsi que le matériel d'emballage.

**Attention !** Le devant du tiroir chauffant peut être enveloppé d'une **pellicule de protection**. Retirez soigneusement cette pellicule avant la première utilisation.

**Vérifiez que le tiroir chauffant n'est pas endommagé.** Assurez-vous que le tiroir s'ouvre et se ferme correctement. En cas de détérioration, appelez le Service d'assistance technique.

**Attention : la prise de courant doit rester facilement accessible après l'installation du tiroir chauffant.**

Le tiroir chauffant ne peut être encastré et combiné qu'avec les appareils indiqués par le fabricant. **La garantie n'est pas valable s'il est monté et combiné avec d'autres appareils, car il n'est alors pas possible de garantir un fonctionnement correct.**

### Installation

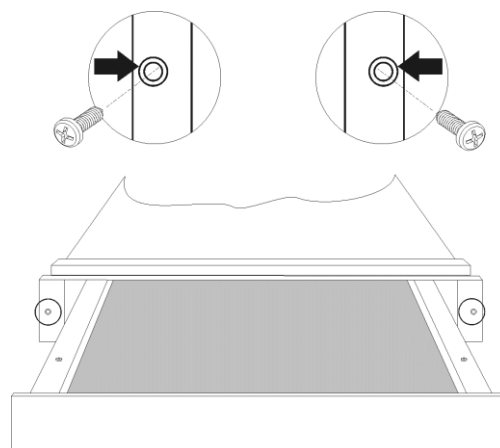
Pour encastrer le tiroir chauffant et le combiner avec un autre appareil, vous devez utiliser une étagère intermédiaire fixe, capable de supporter le poids des deux appareils.

L'appareil combiné avec le tiroir chauffant devra être placé directement sur le tiroir chauffant. Une étagère de séparation n'est pas nécessaire.

Pour encastrer l'appareil combiné avec le tiroir chauffant, suivez les indications figurant dans le manuel d'instructions et de montage de cet appareil.

Les dimensions à prendre en considération pour l'installation sont indiquées en millimètres **dans les croquis présentés dans les dernières pages**. Procédez de la façon suivante :

1. Placez le tiroir chauffant sur l'étagère et poussez-le vers le fond de façon à ce qu'il soit bien centré et bord à bord avec l'avant du meuble.
2. Assurez-vous que la structure du tiroir chauffant est bien à niveau et bien stable sur l'étagère.
3. Ouvrez le tiroir pour fixer le tiroir chauffant sur les côtés du meuble avec les deux vis fournies.



## Indice

<b>Informazioni per la sicurezza</b> .....	<b>35</b>
<b>Descrizione dell'apparecchio</b> .....	<b>38</b>
Elementi principali .....	38
Informazioni preliminari .....	38
<b>I comandi</b> .....	<b>39</b>
Prima del primo uso.....	39
Elementi di comando .....	39
Selezionare la temperatura.....	39
Tempi di riscaldamento .....	40
Capacità .....	40
<b>Pulizia e manutenzione</b> .....	<b>41</b>
Frontale e pannello comandi .....	41
Vano interno .....	41
Base antiscivolo.....	41
<b>Guasti, cosa fare?</b> .....	<b>42</b>
<b>Dati tecnici</b> .....	<b>43</b>
<b>Salvaguardia dell'ambiente</b> .....	<b>43</b>
<b>Istruzioni di montaggio</b> .....	<b>44</b>
Prima dell'installazione .....	44
Incasso .....	44
Allacciamento elettrico.....	44
<b>Installazione</b> .....	<b>45</b>
Possibilità di combinazione.....	45

Vi invitiamo a leggere con attenzione le presenti istruzioni per l'uso, che vi permetteranno di raggiungere i migliori risultati utilizzando lo scaldastoviglie.

**CONSERVARE CON CURA QUESTE ISTRUZIONI PER L'USO PER UN'EVENTUALE FUTURA CONSULTAZIONE**

## Informazioni per la sicurezza



Leggere attentamente le istruzioni fornite prima di installare e utilizzare l'apparecchiatura. Il produttore non è responsabile se un'installazione ed un uso non corretto dell'apparecchiatura provocano lesioni e danni. Tenere sempre le istruzioni a portata di mano in caso di necessità durante l'utilizzo.

### **SICUREZZA DEI BAMBINI E DELLE PERSONE VULNERABILI**

**AVVERTENZA! Rischio di soffocamento, lesioni o invalidità permanente.**

- Questa apparecchiatura può essere usata da bambini a partire dagli 8 anni e da adulti con limitate capacità fisiche, sensoriali o mentali o con scarsa esperienza o conoscenza sull'uso dell'apparecchiatura, se sorvegliati o se sono stati istruiti relativamente all'uso dell'apparecchiatura e hanno capito i rischi coinvolti.
- I bambini devono essere sorvegliati onde evitare che giochino con l'elettrodomestico.
- Tenere i materiali di imballaggio al di fuori della portata dei bambini.
- **AVVERTENZA:** L'apparecchiatura e le sue componenti accessibili si surriscaldano durante l'uso. Fare attenzione ed evitare di toccare gli elementi riscaldanti. I bambini di età inferiore agli 8 anni dovrebbero essere tenuti lontani a meno che non siano supervisionati su base continua.
- La pulizia e gli interventi di manutenzione non devono essere eseguiti dai bambini senza supervisione.

### **AVVERTENZE DI SICUREZZA GENERALI**

- Questa apparecchiatura è stata pensata per essere usata in applicazioni domestiche e non in hotel, negozi, uffici e altri ambienti simili.
- All'interno l'apparecchiatura si scalda mentre è in funzione. Non toccare le resistenze dell'apparecchiatura. Servirsi sempre degli appositi guanti da forno per estrarre o inserire accessori o pentole resistenti al calore.

## Informazioni per la sicurezza

- Non appoggiarsi né sedersi sul cassetto, si potrebbero danneggiare le guide telescopiche. La portata massima del cassetto è di 25 kg.
- Non conservare contenitori in plastica oppure oggetti infiammabili nello scaldastoviglie. Questi oggetti potrebbero infatti fondersi o incendiarsi quando si accende l'apparecchio. Pericolo di incendio!
- Non utilizzare l'apparecchio per riscaldare l'ambiente della cucina. Oggetti facilmente infiammabili posti nelle sue vicinanze potrebbero prendere fuoco a causa dell'elevata temperatura.

## INSTALLAZIONE

- L'impianto elettrico deve essere dotato di un interruttore onnipolare di protezione con apertura minima tra i contatti della categoria di sovratensione III.
- Se per il collegamento elettrico si usa una spina, quest'ultima deve essere accessibile dopo l'installazione.
- L'installazione deve rispettare le regolamentazioni correnti.
- La protezione contro il contatto diretto deve essere garantita dal modo di integrazione.
- **AVVERTENZA!** L'apparecchio deve essere assolutamente collegato a terra.
- **AVVERTENZA!** L'apparecchiatura è stata pensata per un'installazione a incasso. Rimandiamo alle ultime pagine del presente manuale utente per informazioni dettagliate sulle dimensioni dell'installazione.

## PULIZIA E MANUTENZIONE

- **AVVERTENZA:** Prima di eseguire qualsiasi intervento di pulizia o manutenzione, scollegare l'apparecchiatura dalla rete elettrica.
- Non mantenendo l'apparecchiatura in condizioni pulite si può provocare il deterioramento della superficie, pregiudicare la durata dell'apparecchiatura e si possono creare delle situazioni di pericolo
- Non utilizzare detergenti abrasivi o raschietti di metallo per pulire il vetro della porta per non rigare la superficie e causare la rottura del vetro.

## Informazioni per la sicurezza

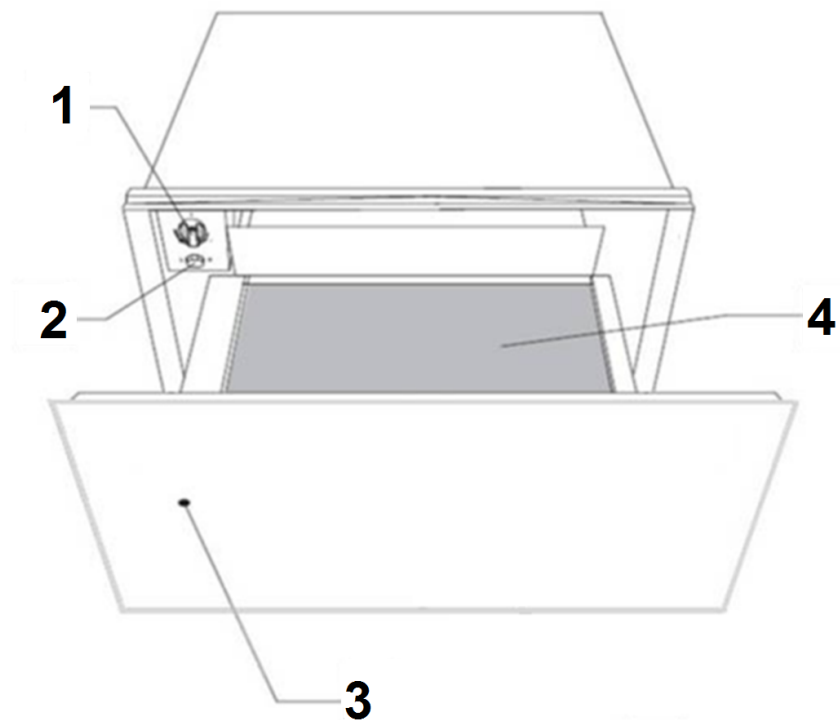
- Non usare una pulitrice a vapore per pulire l'apparecchiatura.
- Seguire le istruzioni per la pulizia fornite nella sezione "Pulizia e manutenzione".

## ASSISTENZA E RIPARAZIONE

- **AVVERTENZA:** Prima di eseguire qualsiasi intervento di riparazioni, scollegare l'apparecchiatura dalla rete elettrica.
- Se il cavo di alimentazione è danneggiato, deve essere sostituito dal produttore, da un tecnico autorizzato o da una persona qualificata per evitare situazioni di pericolo.
- Le operazioni di riparazione e manutenzione, in particolare quelle relative ai componenti elettrici, possono essere eseguite solo da tecnici autorizzati dal fabbricante.

## Descrizione dell'apparecchio

### Elementi principali



**1. – Pannello di controllo**

**2. – Maniglia**

**3. – Base antiscivolo**

**4. Foro di controllo sul frontale dell'apparecchio**

### Informazioni preliminari

L'apparecchio è dotato di un sistema di ventilazione ad aria calda. Una ventola distribuisce il calore della resistenza di riscaldamento in modo ottimale all'interno del cassetto.

Il termostato permette di determinare e controllare la temperatura desiderata per le stoviglie inserite.

La circolazione dell'aria riscalda le stoviglie in modo uniforme e rapido.

Una griglia di protezione impedisce che si possano toccare accidentalmente la resistenza di riscaldamento e la ventola.

La base del cassetto è rivestita con materiale antiscivolo per impedire che le stoviglie possano spostarsi quando si apre o chiude il cassetto.



## I comandi

### Prima del primo uso

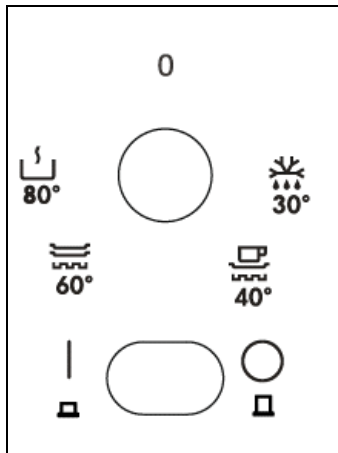
Prima di utilizzare l'apparecchio per la prima volta, pulirlo con un panno umido ed asciugarlo quindi accuratamente come descritto al capitolo "Pulizia e manutenzione".

Riscaldare il cassetto vuoto per almeno 2 ore. Spostare la manopola della temperatura sulla posizione massima (vedi capitolo "Selezionare la temperatura").

Assicurarsi durante questo periodo di riscaldamento che la cucina sia ben areata.

Gli elementi in metallo sono stati trattati con un apposito prodotto protettivo. Questo prodotto potrebbe essere la causa di cattivi odori al primo riscaldamento del cassetto. Questi odori ed eventuali fume scompare rapidamente e non sono da attribuire ad un allacciamento non a norma o ad un difetto dell'apparecchio.

### Elementi di comando



Gli elementi di comando sono la manopola della temperatura e l'interruttore on/off. Questi elementi sono visibili solo quando il cassetto è aperto. Quando invece il cassetto è chiuso un piccolo foro di controllo situato sul frontale dell'apparecchio permette di controllare se il cassetto è acceso.

### Principio di funzionamento

Procedere come descritto qui di seguito per utilizzare il cassetto scaldastoviglie:

- Premere il centro della faccia anteriore per aprire il cassetto scaldavivande.

- Disporre le stoviglie nel cassetto.
- Per selezionare la temperatura, girare la manopola sulla posizione desiderata.
- Accendere l'apparecchio premendo il relativo interruttore. La spia dell'interruttore si accende.
- Chiudere il cassetto.

Se il cassetto viene chiuso con troppa forza, si potrebbe riaprire.

Spegnere l'apparecchio prima di rimuovere le stoviglie che si sono riscaldate.

### Selezionare la temperatura

La manopola della temperatura consente di impostare la temperatura linearmente tra 30 e 80 °C.

**Ruotare la manopola solo verso sinistra fino alla posizione "0" oppure completamente verso destra, perché altrimenti la si potrebbe danneggiare.**

Raggiunta la temperatura selezionata, il riscaldamento si disinserisce. Non appena la temperatura scende sotto il valore impostato, il riscaldamento si riattiva.

Sulla scala delle temperature non sono contrassegnati i valori assoluti in °C, ma i simboli che rappresentano la temperatura ottimale per i rispettivi gruppi di stoviglie.

Simbolo	°C	Funzione
	30°C	Scongelamento
	40°C-50°C	Lievitazione pasta Riscaldamento Tazze / bicchieri
	60°C-70°C	Stoviglie riscaldamento Tenere in caldo i cibi
	80°C	Temperatura di cottura a bassa Scaldavivande


## I comandi

### Tempi di riscaldamento

Diversi fattori influenzano i tempi di riscaldamento:

- materiale e spessore delle stoviglie;
- quantità di stoviglie caricate;
- disposizione delle stoviglie caricate;
- impostazione della temperatura.

Non è quindi possibile fornire indicazioni assolute.

Impostando la temperatura su  e per raggiungere un riscaldamento omogeneo, possono essere considerati indicativi i seguenti valori:

Stoviglie	Tempo in minuti
Stoviglie per 6 persone	30 – 35

Potete dedurre dall'esperienza pratica quali siano le impostazioni ottimali per le Vostre esigenze.

### Capacità

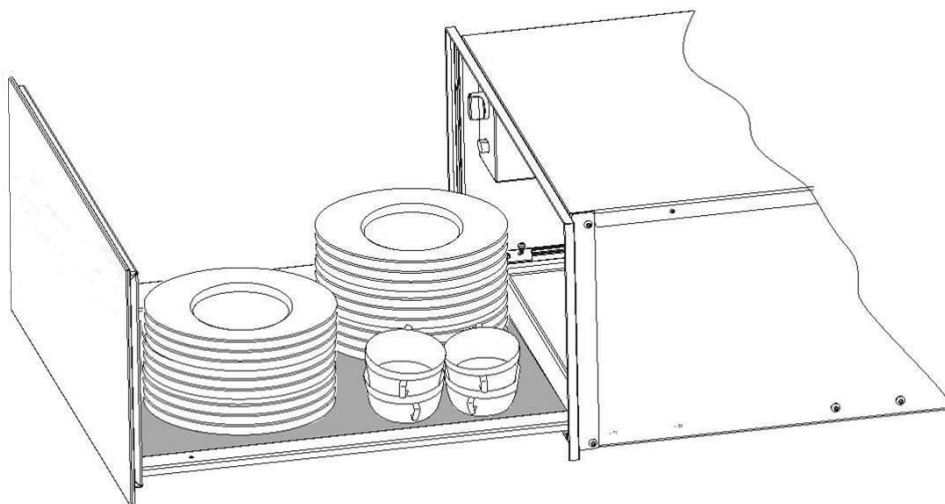
La capacità dipende dalle dimensioni dell'apparecchio e il cassetto può sopportare un peso massimo di 25 kg.

I seguenti esempi di carico sono indicativi:

- Stoviglie per 6 persone
  - 6 piatti Ø 28 cm
  - 6 scodelle per minestra Ø 10cm
  - 1 ciotola Ø 22 cm
  - 1 ciotola Ø 19 cm
  - 1 ciotola Ø 17 cm
  - 2 piatti Ø 36 cm

oppure

- 20 piatti Ø 28 cm
- 36 piatti per minestra Ø 22 cm
- 30 scodelle per minestra Ø 10cm
- 10 piatti Ø 28cm
- 10 piatti per minestra Ø 22 cm
- 10 piatti per pizza Ø 36 cm
- 80 tazzine da caffè
- 40 tazze
- 30 bicchieri
- 18 piatti per minestra Ø 22 cm; 2 ciotole per minestra 21 cm x 18 cm
- ecc.



## Pulizia e manutenzione

La pulizia rappresenta generalmente l'unico tipo di manutenzione necessaria.

**Attenzione! Prima di iniziare la pulizia staccare l'apparecchio dall'alimentazione di rete. Togliere la spina dalla presa o disattivare il circuito di alimentazione dell'apparecchio.**

**Non utilizzare detergenti aggressivi o prodotti abrasivi, spugne abrasive e neppure oggetti appuntiti, perché potrebbero macchiare l'apparecchio.**

### Frontale e pannello comandi

È sufficiente pulire l'apparecchio con un panno umido. Nel caso dovesse essere particolarmente sporco, aggiungere un paio di gocce di detergente all'acqua di pulizia. Asciugare quindi l'apparecchio con un panno asciutto.

**I frontali in acciaio inossidabile degli scaldastoviglie possono essere puliti con detergenti speciali appositi.** Questi prodotti rallentano la formazione dello sporco sulla superficie del cassetto. Applicare una minima quantità del prodotto con un panno morbido su tutta la superficie da trattare.

Per la pulizia di **cassetti con frontale di alluminio** utilizzare un detergente delicato non abrasivo ed applicarlo con un panno morbido e senza pelucchi. Pulire la superficie in senso orizzontale e non facendo pressione.

**Per cassetto riscaldante con parte frontale in vetro** In presenza di impronte di dita, grasso o macchie sull'esterno (ad esempio sulla superficie del pannello anteriore), pulire con un panno morbido e un detergente per vetri oppure neutro e successivamente asciugare con un panno asciutto, pulito e morbido.

### Vano interno

Pulire il vano interno con un panno umido dopo ogni uso. Nel caso dovesse essere particolarmente sporco, aggiungere un paio di gocce di detergente all'acqua di pulizia.

Asciugare quindi le superfici con un panno asciutto.

Evitare che defluisca acqua nei fori di ventilazione.

Riutilizzare il cassetto solo quando si è asciugato completamente.

### Base antiscivolo

La base antiscivolo può essere tolta per pulire il fondo del cassetto.

Pulire la base preferibilmente a mano con acqua calda e un detersivo delicato. Infine asciugarla bene. Reinserire la base antiscivolo nel cassetto solo quando è completamente asciutta.

## Guasti, cosa fare?

**ATTENZIONE!** Qualsiasi tipo di riparazione deve essere eseguito solo da personale specializzato. Qualsiasi riparazione che non viene eseguita da personale autorizzato dalla casa produttrice potrebbe rivelarsi pericolosa.

I seguenti guasti possono essere rimossi dall'utente senza che sia necessario l'intervento del Servizio Assistenza.

- **Le stoviglie non si riscaldano a sufficienza?**

Verificare se

- l'apparecchio è acceso;
- è stata impostata la temperatura giusta;
- le aperture di ventilazione sono state ostruite da piatti o fondine di grandi dimensioni;
- le stoviglie sono state riscaldate per un periodo sufficientemente lungo.

Diversi fattori influenzano i tempi di riscaldamento:

- materiale e spessore delle stoviglie;
- quantità di stoviglie caricate;
- disposizione delle stoviglie caricate;
- impostazione della temperatura.

- **Le stoviglie non si riscaldano?** Verificare se

- si sente un rumore di ventola;

Se la ventola è in funzione, significa che la resistenza di riscaldamento è difettosa. Se la ventola non funziona, significa che è difettosa.

- il fusibile dell'impianto domestico è scattato.

- **Le stoviglie si riscaldano troppo?**

Il regolatore di temperatura è difettoso.

**Quando si aziona l'apparecchio la spia dell'interruttore on/off non si accende?**

La spia di controllo è difettosa.

## Dati tecnici

### Dati tecnici

SAMSUNG sforza di migliorare i propri prodotti in qualsiasi momento. Le specifiche di progettazione e di queste istruzioni per l'uso sono quindi soggetti a modifiche senza preavviso.

<b>Modello</b>	<b>NL20J7100WM/UR</b> <b>NL20T8100WK/UR</b> <b>NL20T9100WD/UR</b>
<b>Alimentazione elettrica</b>	220-240 V / 50-60 Hz
<b>Consumo de energia</b> <b>Potenza massima</b>	420W
<b>Dimensioni (LxPxH)</b> <b>al di fuori</b> <b>cassetto cavità</b>	595x522x140 485x490x110
<b>Volume</b>	25 ltr
<b>Peso netto</b>	14,2 kg

## Salvaguardia dell'ambiente

### Smaltimento dell'imballaggio

L'imballaggio è contrassegnato dal logo "Punto Verde".

Utilizzare i contenitori appositi per smaltire tutti i materiali dell'imballaggio come cartone, polistirolo espanso e pellicole protettive. In questo modo si assicura il riciclaggio dei materiali d'imballaggio.



### Smaltimento di apparecchiature dismesse

La norma europea 2002/96/EC su apparecchi elettrici ed elettronici dismessi (WEEE, Waste Electrical and Electronic Equipment) vieta lo smaltimento di elettrodomestici come rifiuti residuali.

Gli apparecchi in disuso devono pertanto essere recuperati separatamente dagli altri rifiuti per ottimizzare la percentuale di recupero e riciclaggio dei materiali di cui sono composti e per evitare possibili danni alla salute delle persone e all'ambiente. Il simbolo del cassonetto barrato deve essere applicato su tutti i prodotti per ricordare che devono essere smaltiti separatamente.

L'utilizzatore deve mettersi in contatto con gli enti locali competenti o con i punti vendita per informarsi sul luogo di raccolta per vecchi elettrodomestici più vicino.

Prima di procedere allo smaltimento rendere sicuro l'apparecchio, staccando il cavo di alimentazione, tagliandolo e smaltendolo quindi, a sua volta, adeguatamente.

Per informazioni sull'impegno di Samsung ai fini della salvaguardia ambientale e sugli obblighi normativi relativi a ciascun prodotto, come per esempio il **REACH**, vogliate visitare il sito:

[samsung.com/uk/aboutsamsung/samsungelectronics/corporatecitizenship/data\\_corner.html](https://www.samsung.com/uk/aboutsamsung/samsungelectronics/corporatecitizenship/data_corner.html)

### Prima dell'installazione

**Assicurarsi che la tensione di alimentazione** indicata sulla targhetta dati corrisponda a quella della vostra rete elettrica.

Aprire il cassetto, rimuovere **tutti gli accessori** e il materiale d'imballaggio.

**Attenzione!** Il frontale del cassetto potrebbe essere ricoperto da un **film protettivo**. Rimuovere la protezione con cautela prima del primo utilizzo dell'apparecchio cassetto scaldastoviglie, iniziando a staccarla partendo dal basso.

**Assicurarsi che il cassetto non sia danneggiato.** Controllare che il cassetto si chiuda correttamente. In presenza di danni informare il Servizio Assistenza.

**Accertarsi che la presa sia facilmente accessibile anche dopo che il cassetto è stato incassato.**

Il cassetto scaldastoviglie può essere incassato solo sugli apparecchi che sono stati indicati dal produttore. **La casa produttrice non garantisce il corretto funzionamento del cassetto se combinato con apparecchi non da lei indicati e non risponde per eventuali danni causati da un tale uso improprio.**

### Incasso

Prima di procedere al montaggio dello scaldastoviglie e dell'apparecchio a lui combinato, predisporre un piano intermedio fisso nel mobile, il quale assicuri la portata necessaria per entrambi gli apparecchi.

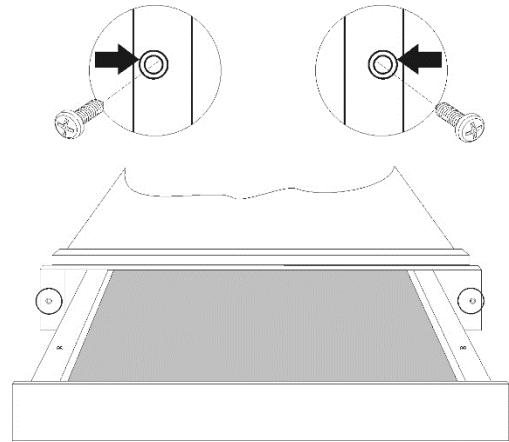
L'apparecchio combinato viene invece posizionato senza ulteriori piani intermedi direttamente sul cassetto scaldastoviglie incassato.

Per l'incasso dell'apparecchio combinato attenersi assolutamente alle indicazioni contenute nelle relative istruzioni per l'uso e per il montaggio.

Le dimensioni principali per l'incasso sono indicate in mm e riportate nelle ultime pagine di queste istruzioni. Per il montaggio proseguire come indicato:

1. sistemare il cassetto nel mobile da incasso fino al listello devia fumane e registrarlo;
2. assicurarsi che l'involucro del cassetto sia registrato ad angolo retto;

3. aprire il cassetto e fissare l'involucro alle pareti laterali del mobile con le due viti in dotazione.



### Allacciamento elettrico

Il cassetto scaldastoviglie è dotato di un cavo di alimentazione e di una spina per corrente monofase.

Si consiglia di collegare l'apparecchio **alla rete elettrica servendosi di una presa**.

Si facilita in questo modo l'intervento del Servizio di assistenza in caso di necessità.

**Qualora la presa non dovesse essere accessibile**, l'installazione deve essere eseguita da un tecnico specializzato.

In questo caso il collegamento ad un circuito d'alimentazione deve avvenire con l'ausilio di un rottore per tutti i poli con una distanza minima di 3 mm tra i contatti.

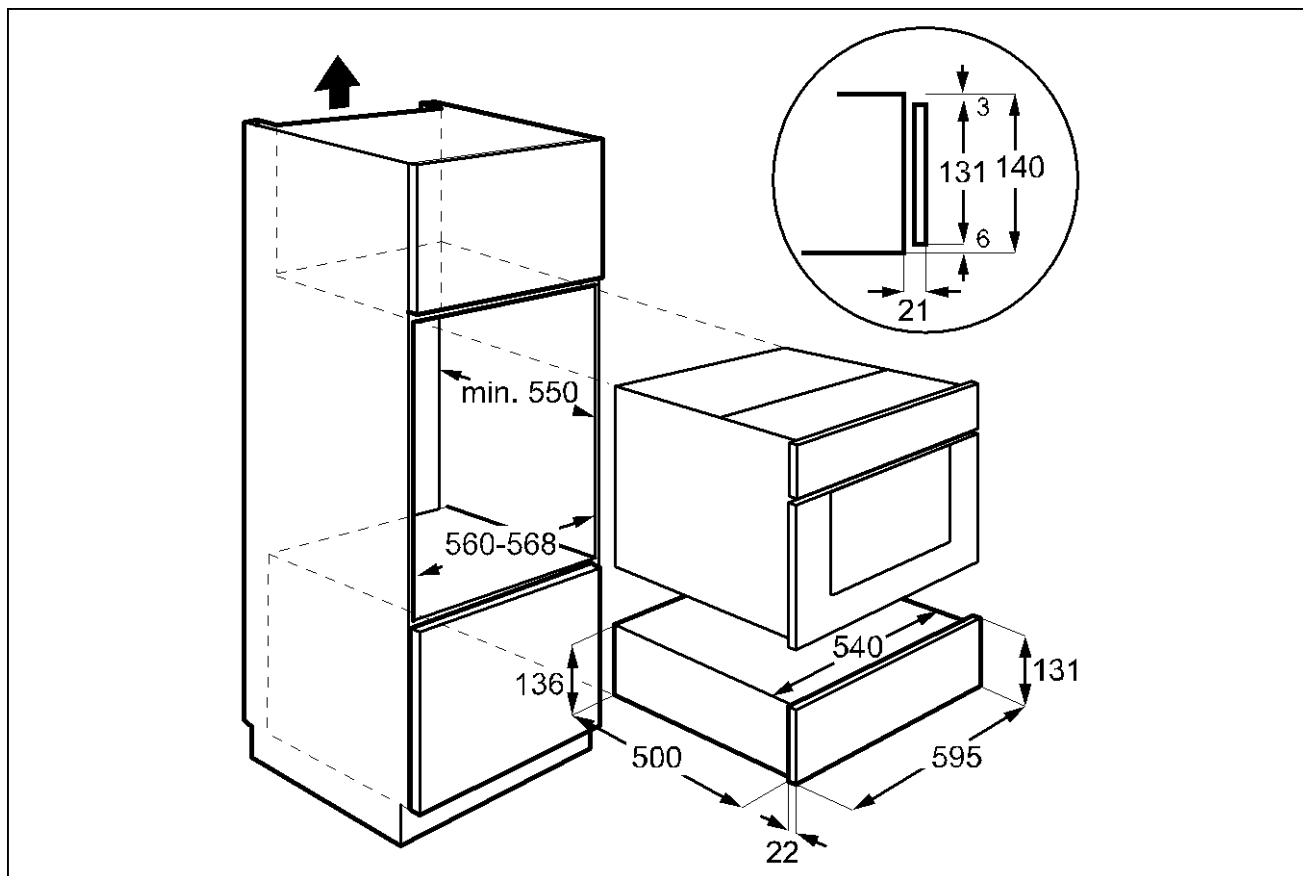
I dati necessari per l'**allacciamento** si trovano sulla **targhetta dati**. Queste indicazioni devono corrispondere con quelle della rete elettrica locale.

**ATTENZIONE! IL PRESENTE SCALDASTOVIGLIE DEVE ESSERE ASSOLUTAMENTE COLLEGATO A TERRA.**

**Il produttore e il rivenditore declinano ogni responsabilità** per eventuali danni a persone, animali o cose, dovuti alla mancata osservanza delle presenti istruzioni di montaggio.

# Installation / Installation / Einbau / Installazione

Possibilités de combinaison / Combination possibilities / Kombinationsmöglichkeiten / Possibilità di combinazione



Country	Contact Center	Web Site
UK	0330 SAMSUNG (7267864)	<a href="http://www.samsung.com/uk/support">www.samsung.com/uk/support</a>
GERMANY	06196 77 555 77	<a href="http://www.samsung.com/de/support">www.samsung.com/de/support</a>
FRANCE	01 48 63 00 00	<a href="http://www.samsung.com/fr/support">www.samsung.com/fr/support</a>
ITALIA	800-SAMSUNG (800.7267864)	<a href="http://www.samsung.com/it/support">www.samsung.com/it/support</a>
NETHERLANDS	088 90 90 100	<a href="http://www.samsung.com/nl/support">www.samsung.com/nl/support</a>
DENMARK	707 019 70	<a href="http://www.samsung.com/dk/support">www.samsung.com/dk/support</a>
FINLAND	030-6227 515	<a href="http://www.samsung.com/fi/support">www.samsung.com/fi/support</a>
SWEDEN	0771 726 786	<a href="http://www.samsung.com/se/support">www.samsung.com/se/support</a>
POLAND	<p>801-172-678* lub +48 22 607-93-33*</p> <p>Dedykowana infolinia do obsługi zapytań dotyczących telefonów komórkowych: 801-672-678* lub +48 22 607-93-33*</p> <p>* (koszt połączenia według taryfy operatora)</p>	<a href="http://www.samsung.com/pl/support/">http://www.samsung.com/pl/support/</a>