



# Refrigerator

User manual  
RT58\*/RT62\*

Free Standing Appliance



**SAMSUNG**



# Contents

---

<b>Safety information</b>	<b>3</b>
Important safety symbols and precautions:	4
Severe warning signs for transportation and site	5
Critical installation warnings	6
Installation cautions	9
Critical usage warnings	10
Usage cautions	14
Cleaning cautions	17
Critical disposal warnings	18
Additional tips for proper usage	19
Saving Energy Tips	20
This appliance is intended to be used in household and similar applications such as	20
Instructions about the WEEE	21
<b>Installation</b>	<b>22</b>
Refrigerator at a glance	22
Step-by-step installation	24
<b>Operations</b>	<b>29</b>
Feature panel	29
Samsung Smart Home (applicable models only)	35
Special features	40
<b>Maintenance</b>	<b>43</b>
Handle and care	43
Cleaning	44
Replacement	44
<b>Troubleshooting</b>	<b>45</b>
General	45
Samsung Smart Home	47

# Safety information

---

- Before using your new Samsung Refrigerator, please read this manual thoroughly to ensure that you know how to operate the features and functions that your new appliance offers safely and efficiently.
- This appliance is not intended for use by persons (including children) with reduced physical, sensory, or mental capabilities, or those who lack experience and knowledge, unless they have been given supervision or instruction concerning the use of the appliance by a person responsible for their safety.
- This appliance can be used by children aged from 8 years and above and persons with reduced physical, sensory or mental capabilities or lack of experience and knowledge if they have been given supervision or instruction concerning use of the appliance in a safe way and understand the hazards involved. Children shall not play with the appliance. Cleaning and user maintenance shall not be made by children without supervision.
- Warnings and Important Safety Instructions in this manual do not cover all possible conditions and situations that may occur. It is your responsibility to use common sense, caution, and care when installing, maintaining, and operating your appliance.
- Because these following operating instructions cover various models, the characteristics of your refrigerator may differ slightly from those described in this manual and not all warning signs may be applicable. If you have any questions or concerns, contact your nearest service center or find help and information online at [www.samsung.com](http://www.samsung.com).
- R-600a or R-134a is used as a refrigerant. Check the compressor label on the rear of the appliance or the rating label inside the fridge to see which refrigerant is used for your refrigerator. When this product contains flammable gas (Refrigerant R-600a), contact your local authority in regard to safe disposal of this product.

# Safety information

---

- In order to avoid the creation of a flammable gas-air mixture if a leak in the refrigerating circuit occurs, the size of the room in which the appliance may be sited depends on the amount of refrigerant used.
- Never start up an appliance showing any signs of damage. If in doubt, consult your dealer. The room must be 1 m<sup>3</sup> in size for every 8 g of R-600a refrigerant inside the appliance. The amount of refrigerant in your particular appliance is shown on the identification plate inside the appliance.
- Refrigerant squirting out of the pipes could ignite or cause an eye injury. When refrigerant leaks from the pipe, avoid any naked flames and move anything flammable away from the product and ventilate the room immediately.
  - Failing to do so may result in fire or explosion.
- It is hazardous for anyone other than an Authorised Service Person to service this appliance.

## Important safety symbols and precautions:

---

### **WARNING**

Hazards or unsafe practices that may result in **severe personal injury or death**.

### **CAUTION**

Hazards or unsafe practices that may result in **minor personal injury or property damage**.

These warning signs are here to prevent injury to you and others.

Please follow them carefully.

After reading this section, keep it in a safe place for future reference.

---

## Severe warning signs for transportation and site

---

### **WARNING**

- When transporting and installing the appliance, care should be taken to ensure that no parts of the refrigerating circuit are damaged.
  - Refrigerant leaking from the pipe work could ignite or cause an eye injury. If a leak is detected, avoid any naked flames or potential sources of ignition and air the room in which the appliance is standing for several minutes.
  - This appliance contains a small amount of isobutane refrigerant (R-600a), a natural gas with high environmental compatibility that is, however, also combustible. When transporting and installing the appliance, care should be taken to ensure that no parts of the refrigerating circuit are damaged.



# Safety information

---

## Critical installation warnings

---

### **WARNING**

- Do not install the refrigerator in a damp location or place where it may come in contact with water.
  - Deteriorated insulation on electrical parts may cause an electric shock or fire.
- Do not place this refrigerator in direct sunlight or expose it to the heat from stoves, room heaters, or other appliances.
- Do not plug several appliances into the same multiple power strip. The refrigerator should always be plugged into its own individual electrical outlet which has a voltage rating that matches the voltage listed on the refrigerator's rating plate.
  - This provides the best performance and also prevents overloading of house wiring circuits, which could cause a fire hazard from overheated wires.
- If the wall socket is loose, do not insert the power plug.
  - There is a risk of electric shock or fire.
- Do not use a power cord that has cracks or abrasion damage along its length or at either end.
- Do not bend the power cord excessively or place heavy objects on it.
- Do not pull or excessively bend the power cord.
- Do not twist or tie the power cord.
- Do not hook the power cord over a metal object, place a heavy object on the power cord, insert the power cord between objects, or push the power cord into the space behind the appliance.
- When moving the refrigerator, be careful not to roll over or damage the power cord.
  - This may result in an electric shock or fire.



- 
- Never unplug your refrigerator by pulling on the power cord. Always grip the plug firmly and pull straight out from the outlet.
    - Damage to the cord may cause a short-circuit, fire, and/or electric shock.
  - Do not store explosive substances such as aerosol cans with a flammable propellant in this appliance.
  - Do not install this appliance near a heater or inflammable material.
  - Do not install this appliance in a location where gas may leak.
    - This may result in an electric shock or fire.
  - This refrigerator must be properly located and installed in accordance with the instructions in this manual before you use it.
  - Connect the power plug in the proper position with the cord hanging down.
    - If you connect the power plug upside down, the wire can get cut off and cause a fire or electric shock.
  - Make sure that the power plug is not crushed or damaged by the back of the refrigerator.
  - Keep the packing materials out of reach of children.
    - There is a risk of death from suffocation if a child puts the packing materials on his or her head.
  - The appliance must be positioned so that the plug is accessible after installation.
    - Failing to do so may result in an electric shock or fire due to electric leakage.
  - Do not install this appliance in a humid, oily or dusty location, in a location exposed to direct sunlight and water (rain drops).
    - Deteriorated insulation of electrical parts may cause an electric shock or fire.

# Safety information

---

- If any dust or water is in the refrigerator, pull out power plug and contact your Samsung Electronics service center.
  - Otherwise there is a risk of fire.
- Do not stand on top of the appliance or place objects (such as laundry, lighted candles, lighted cigarettes, dishes, chemicals, metal objects, etc.) on the appliance.
  - This may result in an electric shock, fire, problems with the product, or injury.
- You need to remove all the protective plastic film before you initially plug the product in.
- Children should be supervised to ensure that they do not play with the snap rings used for door adjustment or the water tube clips.
  - There is risk of death by suffocation if a child swallows a snap ring or water tube clip. Keep the snap rings and water tube clips out of children's reach.
- The refrigerator must be safely grounded.
  - Always make sure that you have grounded the refrigerator before attempting to investigate or repair any part of the appliance. Power leakages can cause severe electric shock.
- Never use gas pipes, telephone lines, or other potential lightning attractors as an electrical ground.
  - You must ground the refrigerator to prevent any power leakages or electric shocks caused by current leakage from the refrigerator.
  - This may result in an electric shock, fire, explosion, or problems with the product.
- Plug the power plug into the wall socket firmly. Do not use a damaged power plug, damaged power cord, or loose wall socket.
  - This may result in an electric shock or fire.



- 
- If the power cord is damaged, have it replaced immediately by the manufacturer or one of its service agents.
  - The fuse on the refrigerator must be changed by a qualified technician or service company.
    - Failing to do so may result in an electric shock or personal injury.

### Installation cautions

---

#### **CAUTION**

- Allow sufficient space around the refrigerator and install it on a flat surface.
  - Keep the ventilation space in the appliance enclosure or mounting structure clear of obstructions.
- Allow the appliance to stand for 2 hours before loading foods after installation and turning on.
- We strongly recommend you have a qualified technician or service company install the refrigerator.
  - Failing to do so may result in an electric shock, fire, explosion, problems with the product, or injury.
- Overload on any one door may fell the refrigerator, causing physical injury.



# Safety information

---

## Critical usage warnings

---

### **WARNING**

- Do not insert the power plug into a wall socket with wet hands.
  - This may result in an electric shock.
- Do not store articles on the top of the appliance.
  - When you open or close the door, the articles may fall and cause personal injury and/or material damage.
- Do not insert hands, feet or metal objects (such as chopsticks, etc.) into the bottom or the back of the refrigerator.
  - This may result in an electric shock or injury.
  - Any sharp edges may cause a personal injury.
- Do not touch the inside walls of the freezer or products stored in the freezer with wet hands.
  - This may cause frostbite.
- Do not put a container filled with water on the refrigerator.
  - If spilled, there is a risk of fire or electric shock.
- Do not keep volatile or flammable objects or substances (benzene, thinner, propane gas, alcohol, ether, LP gas, and other such products) in the refrigerator.
  - This refrigerator is for storing food only.
  - This may result in fire or explosion.
- Children should be supervised to ensure that they do not play with the appliance.
  - Keep fingers out of “pinch point” areas. Clearances between the doors and cabinet are necessarily small. Be careful when you open the doors if children are in the area.
- Do not let children hang on the door or door bins. A serious injury may occur.
- Do not let children go inside the refrigerator. They could become trapped.



- 
- Do not insert your hands into the bottom area under the appliance.
    - Any sharp edges may cause personal injury.
  - Do not store pharmaceutical products, scientific materials, or temperature sensitive products in the refrigerator.
    - Products that require strict temperature controls must not be stored in the refrigerator.
  - Do not place or use electrical appliance inside the refrigerator/freezer, unless they are of a type recommended by the manufacturer.
  - If you smell pharmaceutical or smoke, pull out power plug immediately and contact your Samsung Electronics service center.
  - If any dust or water is in Refrigerator, pull out power plug and contact your Samsung Electronics service center.
    - Otherwise there is a risk of fire.
  - Do not let children step on a drawer.
    - The drawer may break and cause them to slip.
  - Do not leave the doors of the refrigerator open while the refrigerator is unattended and do not let children enter inside the refrigerator.
  - Do not allow babies or children go inside the drawer.
    - It can cause death from suffocation by entrapment or personal injury.
  - Do not overfill the refrigerator with food.
    - When you open the door, an item may fall out and cause personal injury or material damage.
  - Do not spray volatile material such as insecticide onto the surface of the appliance.
    - As well as being harmful to humans, it may also result in an electric shock, fire, or problems with the product.

# Safety information

---

- Do not use or place any substances sensitive to temperature such as flammable sprays, flammable objects, dry ice, medicine, or chemicals near or inside of the refrigerator.
- Do not use a hair dryer to dry the inside of the refrigerator. Do not place a lighted candle in the refrigerator for removing bad odours.
  - This may result in an electric shock or fire.
- Fill the water tank, ice tray and water cubes only with potable water (mineral water or purified water).
  - Do not fill the tank with tea, juice or sports drink, this may damage the refrigerator.
- Do not stand on top of the appliance or place objects (such as laundry, lighted candles, lighted cigarettes, dishes, chemicals, metal objects, etc.) on the appliance. This may result in an electric shock, fire, problems with the product, or injury. Do not put a container filled with water on the appliance.
  - If spilled, there is a risk of fire or electric shock.
- Do not use mechanical devices or any other means to accelerate the defrosting process, other than those recommended by the manufacturer.
- Do not damage the refrigerant circuit.
- Never stare directly at the UV LED lamp for long periods of time.
  - This may result in eye strain due to the ultraviolet rays.
- Do not put fridge shelf in upside down. Shelf stopper could not work.
  - It may cause a personal injury because of glass shelf drop.
- Keep fingers out of “pinch point” areas. Clearances between the doors and cabinet are necessarily small. Be careful when you open the doors if children are in the area.

- 
- If a gas leak is detected, avoid any naked flames or potential sources of ignition, and air the room in which the appliance is standing for several minutes.
    - Do not touch the appliance or power cord.
    - Do not use a ventilating fan.
    - A spark may result in explosion or fire.
  - Use only the LED Lamps provided by the manufacturer or its service agents.
  - Bottles should be stored tightly together so that they do not fall out.
  - This product is intended only for the storage of food in a domestic environment.
  - Do not attempt to repair, disassemble, or modify the refrigerator yourself.
    - Unauthorized modifications can cause safety problems. To reverse an unauthorized modification, we will charge the full cost of parts and labor.
  - Do not use any fuse (such as cooper, steel wire, etc.) other than a standard fuse.
  - If your refrigerator needs to be repaired or reinstalled, contact your nearest service center.
    - Failing to do so may result in an electric shock, fire, problems with the product, or injury.
  - If the interior or exterior LED lamp has gone out, contact your nearest service center.
  - If the refrigerator emits a burning smell or smoke, unplug the refrigerator immediately and contact your Samsung Electronics service center.
    - Failing to do so may result in an electric or fire hazards.

## Safety information

---

- Pull the power plug out of the socket before changing the interior lamps of the refrigerator.
  - Otherwise, there is a risk of electric shock.
- If you experience difficulty changing a non-LED light, contact a Samsung service center.
- If the product is equipped with LED lamps, do not disassemble the Lamp Covers and LED lamps yourself.
  - Contact a Samsung service center.
- Plug the power plug into the wall socket firmly.
- Do not use a damaged power plug, damaged power cord or loose wall socket.
  - This may result in an electric shock or fire.

### Usage cautions

---

#### CAUTION

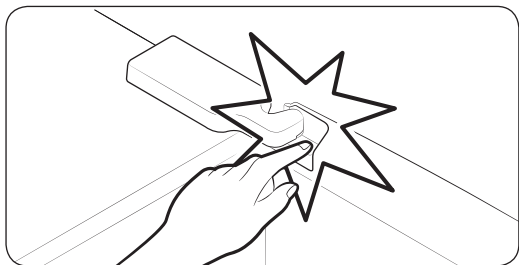
- Do not re-freeze frozen foods that have thawed completely. Do not place carbonated or fizzy drinks in the freezer compartment. Do not put bottles or glass containers in the freezer.
  - When the contents freeze, the glass may break and cause personal injury.
- Use only the ice maker provided with the refrigerator.
- To get the best performance from the product:
  - Do not place food too close to the vents at the rear of the refrigerator as this can obstruct free air circulation in the refrigerator compartment.
  - Wrap food up properly or place it in airtight containers before putting it into the refrigerator.

- 
- Do not place glass bottles or carbonated beverages into the freezer. They can freeze and break. Broken beverage containers can cause injury.
  - Please observe maximum storage times and expiration dates of frozen goods.
  - Do not place glass or bottles or carbonated beverages into the freezer.
    - The container may freeze and break, and this may result in injury.
  - Do not place carbonated or fizzy drinks in the freezer compartment. Do not put bottles or glass containers in the freezer.
    - When the contents freeze, the glass may break and cause personal injury and property damage.
  - Service Warranty and Modification.
    - Any changes or modifications performed by a 3rd party on this finished appliance are not covered under Samsung warranty service, nor is Samsung responsible for safety issues that result from 3rd party modifications.
  - Do not block the air vents inside the refrigerator.
    - If the air vents are blocked, especially with a plastic bag, the refrigerator can be over cooled. If a cooling period lasts too long, the water filter may break and cause water leakage.
  - Use only the ice-maker provided with the refrigerator.
  - Wipe excess moisture from the inside and leave the doors open.
    - Otherwise, odor and mold may develop.
  - If the refrigerator is disconnected from the power supply, you should wait for at least five minutes before plugging it back in.
  - When the refrigerator got wet by water, pull out the power plug and contact your Samsung Electronics service center.

# Safety information

---

- Do not strike or apply excessive force to any glass surface.
  - Broken glass may result in a personal injury and/or property damage.
- Fill the water tank and ice cube trays with potable water only (tap water, mineral water, or purified water).
  - Do not fill the tank with tea or a sports drink. This may damage the refrigerator.



- Be careful that your fingers are not caught in.

- The lamps in the freezer and refrigerator can be turned off if the doors of the freezer and refrigerator are left open for 2 seconds or longer.
  - The lamps will turn back on when the doors are closed and opened again.
- If the refrigerator is flooded, make sure to contact your nearest service center.
  - There is a risk of electric shock or fire.



---

## Cleaning cautions

---

### CAUTION

- Do not spray water directly on the inside or outside the refrigerator.
  - There is a risk of fire or electric shock.
- Do not use a hair dryer to dry the inside of the refrigerator.
- Do not place a lighted candle in the refrigerator to remove bad odors.
  - This may result in an electric shock or fire.
- Do not spray cleaning products directly on the display.
  - Printed letters on the display may come off.
- If any foreign substance such as water has entered the appliance, unplug the power plug and contact your nearest service center.
  - Failing to do so may result in an electric shock or fire.
- Use a clean, dry cloth to remove any foreign matter or dust from the power plug blades. Do not use a wet or damp cloth when cleaning the plug.
  - Otherwise, there is a risk of fire or electric shock.
- Do not clean the appliance by spraying water directly onto it.
- Do not use benzene, thinner, or Clorox, Chloride for cleaning.
  - They may damage the surface of the appliance and may cause a fire.
- Never put fingers or other objects into the dispenser hole.
  - It may cause a personal injury or material damage.
- Before cleaning or performing maintenance, unplug the appliance from the wall socket.
  - Failing to do so may result in an electric shock or fire.



# Safety information

---

## Critical disposal warnings

---

### **WARNING**

- Please dispose of the packaging material from this product in an environmentally friendly manner.
- Ensure that none of the pipes on the back of the refrigerator are damaged prior to disposal.
- R-600a or R-134a is used as a refrigerant. Check the compressor label on the rear of the appliance or the rating label inside the fridge to see which refrigerant is used for your refrigerator. If this refrigerator contains flammable gas (Refrigerant R-600a), contact your local authority in regard to safe disposal of this product.
- When disposing of this refrigerator, remove the door/door seals and door latch so that small children or animals cannot become trapped inside. Children should be supervised to ensure that they do not play with the appliance. If trapped inside, a child may get hurt or suffocate to death.
  - If trapped inside, the child may become injury and suffocate to death.
- Cyclopentane is used in the insulation. The gases in the insulation material require a special disposal procedure. Please contact your local authorities in regard to the environmentally safe disposal of this product.
- Keep all packaging materials well out of the reach of children, as packaging materials can be dangerous to children.
  - If a child places a bag over his or her head, the child could suffocate.



---

## Additional tips for proper usage

---

- In the event of a power failure, call the local office of your electric company and ask how long the failure is going to last.
  - Most power failures that are corrected in an hour or two will not affect your refrigerator temperatures. However, you should minimize the number of door openings while the power is off.
  - Should the power failure last more than 24 hours, remove and discard all frozen food.
- The refrigerator might not operate consistently (frozen contents can thaw or temperatures can become too warm in the frozen food compartment) if sited for an extended period of time in a location where ambient air temperatures are constantly below the temperatures for which the appliance is designed.
- In case of particular foods, keeping it under refrigeration can have a bad effect on preservation due to its properties.
- Your appliance is frost free, which means there is no need to manually defrost your appliance. This will be carried out automatically.
- Temperature rise during defrosting complies with ISO requirements. If you want to prevent an undue rise in the temperature of frozen food while the appliance defrosts, wrap the frozen food in several layers of newspaper.
- Do not re-freeze frozen foods that have thawed completely.
- The temperature of two star section (sections) or compartment (compartments) which have two star symbol (☆☆) is slightly higher than other freezer compartment (compartments).  
The two star section (sections) or compartment (compartments) is (are) based on the instruction and/or the condition as delivered.



# Safety information

---

## Saving Energy Tips

---

- Install the appliance in a cool, dry room with adequate ventilation. Ensure that it is not exposed to direct sunlight and never put it near a direct source of heat (a radiator, for example).
- Not to block any vents and grilles is recommended for energy efficiency.
- Allow warm food to cool down before placing it in the appliance.
- Put frozen food in the refrigerator to thaw. You can then use the low temperatures of the frozen products to cool food in the refrigerator.
- Do not keep the door of the refrigerator open for too long when putting food in or taking food out. The shorter the time the door is open, the less frost build-up you'll have in the freezer.
- It is recommended to install the refrigerator with clearance to the back and sides. This will help reduce power consumption and keep your energy bills lower.
- For the most efficient use of energy, please keep the all inner fittings such as baskets, drawers, shelves on the position supplied by manufacturer.

## **This appliance is intended to be used in household and similar applications such as**

---

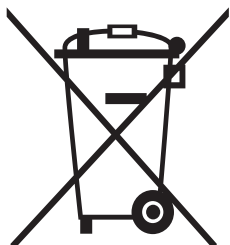
- staff kitchen areas in shops, offices and other working environments;
- farm houses and by clients in hotels, motels and other residential type environments;
- bed and breakfast type environments;
- catering and similar non-retail applications.



---

## Instructions about the WEEE

---



### Correct Disposal of This Product (Waste Electrical & Electronic Equipment)

(Applicable in countries with separate collection systems)

This marking on the product, accessories or literature indicates that the product and its electronic accessories (e.g. charger, headset, USB cable) should not be disposed of with other household waste at the end of their working life. To prevent possible harm to the environment or human health from uncontrolled waste disposal, please separate these items from other types of waste and recycle them responsibly to promote the sustainable reuse of material resources.

Household users should contact either the retailer where they purchased this product, or their local government office, for details of where and how they can take these items for environmentally safe recycling.

Business users should contact their supplier and check the terms and conditions of the purchase contract. This product and its electronic accessories should not be mixed with other commercial wastes for disposal.

For information on Samsung's environmental commitments and product specific regulatory obligations e.g. REACH visit: [samsung.com/uk/aboutsamsung/samsungelectronics/corporatecitizenship/data\\_corner.html](https://www.samsung.com/uk/aboutsamsung/samsungelectronics/corporatecitizenship/data_corner.html)

(For products sold in European countries only)

# Installation

Follow these instructions carefully to ensure a proper installation of this refrigerator and to prevent accidents before using it.

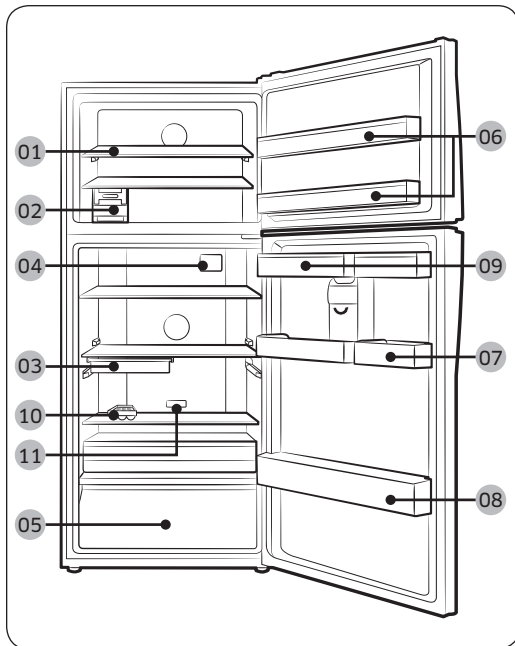
## **⚠ WARNING**

- Use the refrigerator only for its intended purpose as described in this manual.
- Any servicing must be performed by a qualified technician.
- Dispose of the product packaging material in compliance with the local regulations.

## Refrigerator at a glance

### **📄 NOTE**

The actual image and provided component parts of the refrigerator may differ, depending on the model and the country.

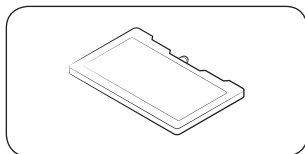


- 01** Shelf-Fre
- 02** Ice Maker
- 03** Deli Bin \*
- 04** A/Bacteria Protector \*
- 05** Vegetable Box \*
- 06** Guard Low
- 07** Variety Guard
- 08** Bottle Guard
- 09** Water Tank \*
- 10** Guard-Egg
- 11** Deodorizer \*

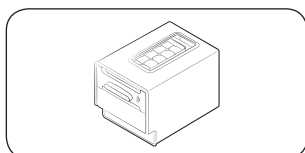
\* applicable models only

---

## Optional accessories \*



**Cool pack:** This helps keep the refrigerator cool.



**Twist Ice Maker:** Used to make ice.

\* Your refrigerator may not include optional accessories listed above. Provision of optional accessories depends on the model and the country.

### To secure more room for storage in the freezer compartment

Remove the upper shelf, which can be detached manually without a tool.

- Removal of the upper shelf does not affect thermal and mechanical performance of the freezer.
- To remove both ice makers, remove the right-handed one first (applicable to Ice Max models).
- For best energy efficiency, make sure all of shelves, drawers, and baskets are placed in their original position.

# Installation

## Step-by-step installation

### STEP 1 Select a site

Site requirements:

- Solid, level surface without carpeting or flooring that may obstruct ventilation
- Away from direct sunlight
- Adequate room for opening and closing the door
- Away from a heat source
- Room for maintenance and servicing
- Temperature range: between 10 °C and 43 °C

#### Effective temperature range

The refrigerator is designed to operate normally in the temperature range specified by its class rating.

Class	Symbol	Ambient Temperature range (°C)	
		IEC 62552 (ISO 15502)	ISO 8561
Extended Temperate	SN	+10 to +32	+10 to +32
Temperate	N	+16 to +32	+16 to +32
Subtropical	ST	+16 to +38	+18 to +38
Tropical	T	+16 to +43	+18 to +43

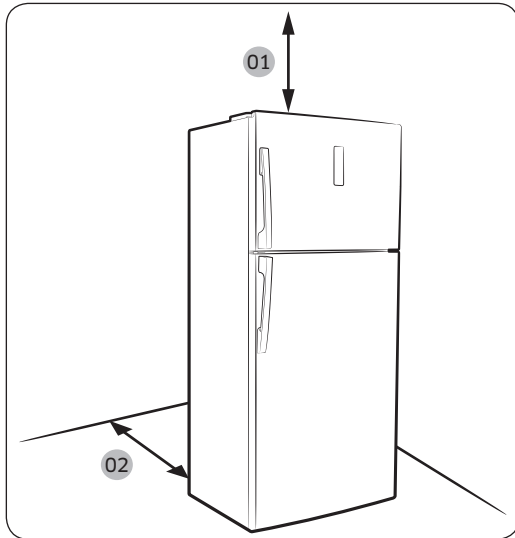
#### NOTE

The cooling performance and power consumption of the refrigerator may be affected by the ambient temperature, the door-opening frequency, and the location of the refrigerator. We recommend adjusting the temperature settings as appropriate.



## Clearance

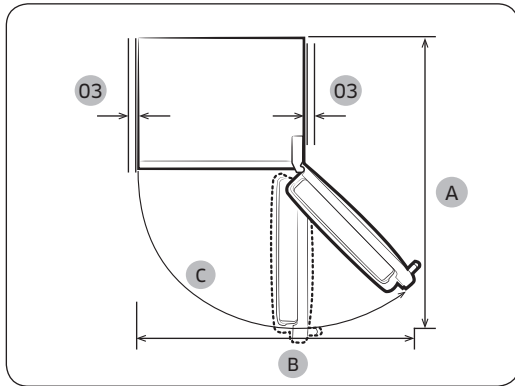
See the pictures and table below for space requirements for installation.



Model	A	B	C
RT58	1507	1352	120°
RT62	1507	1352	120°

(unit: mm)

- 01** 100 mm
- 02** 50 mm
- 03** at least 50 mm



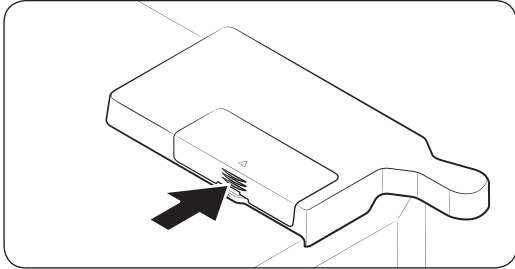
## STEP 2 WiFi connection

You can control the refrigerator remotely using the Smart Home Dongle that is sold separately. To purchase the Smart Home Dongle, visit [www.samsung.com](http://www.samsung.com) and follow the product information about the dongle.

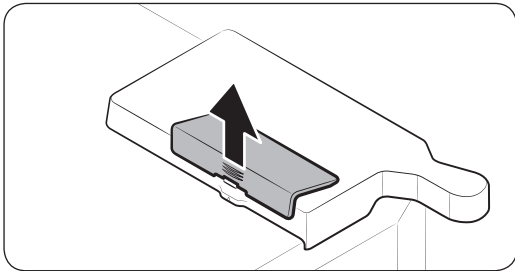
### **⚠ CAUTION**

- The Samsung Smart Home Dongle comes in two types: one that is dedicated to Samsung smart TVs, and the other one that is dedicated to Samsung home appliances.
- You must purchase the Samsung Smart Home Dongle dedicated to home appliances. Any other dongles may cause system failure.

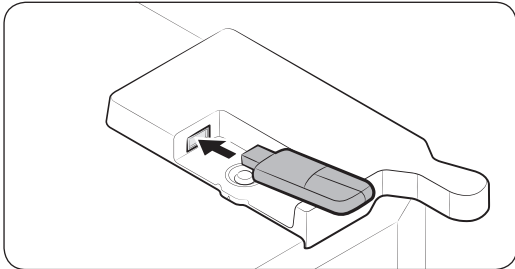
# Installation



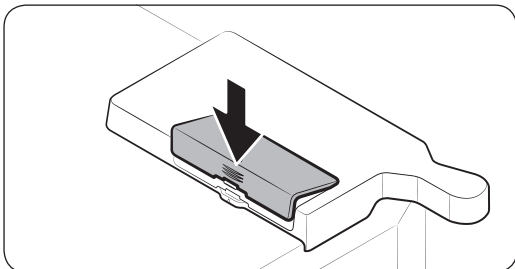
1. Press to unlock the arrow area of the dongle cover.



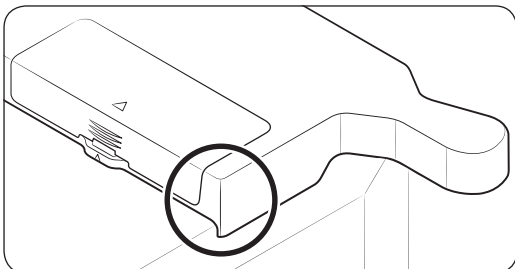
2. Open up the dongle cover.



3. Insert the Smart Home Dongle into the dongle port in the correct direction.



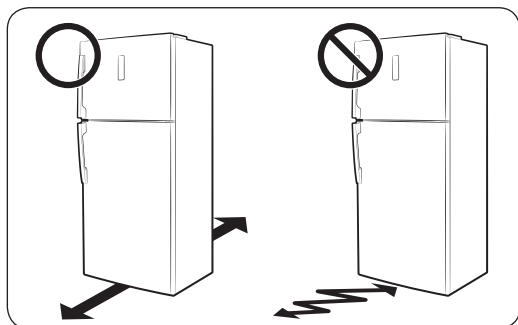
4. Insert the upper area of the dongle cover first, and then close to lock as shown.



 **NOTE**

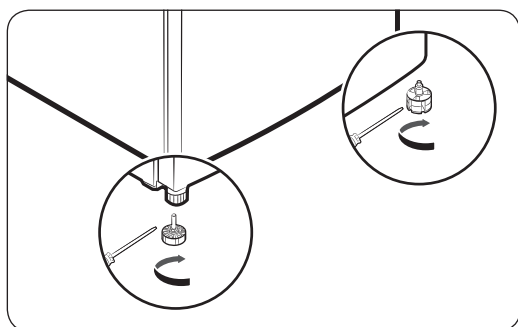
The marked area is the cover of the optional dongle, not a crack or defect.

### STEP 3 Flooring

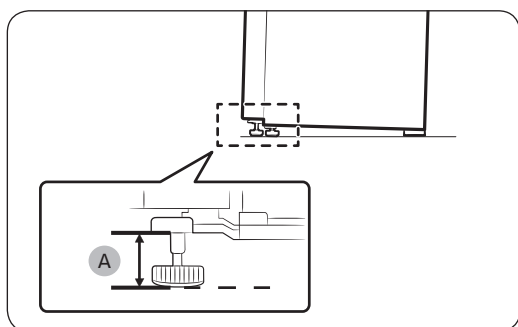


- The surface to install the refrigerator must support a fully loaded refrigerator, or approximately 100 kg.
- To protect the floor, put a large piece of cardboard on each leg of the refrigerator.
- Once the refrigerator is in its final position, do not move it unless necessary to protect the floor. If you have to, use a thick paper or cloth such as old carpets along the movement path.

### STEP 4 Adjust the levelling feet



Level the refrigerator by manually adjusting the levelling feet. Turn the levelling feet clockwise to lower the position, or turn counter clockwise to raise.



Leave the feet at least 35 mm (A) from the floor as shown.

# Installation

---

## STEP 5 Initial settings

---

By completing the following steps, the refrigerator should be fully functioning.

1. Plug the power cord into the wall socket to turn the refrigerator on.
2. Open the door, and check if the interior light lights up.
3. Set the temperature to the coldest, and wait for about an hour. Then, the freezer will be slightly chilled, and the motor will run smoothly.
4. Wait until the refrigerator reaches the set temperature. Now the refrigerator is ready for use.

## STEP 6 Final check

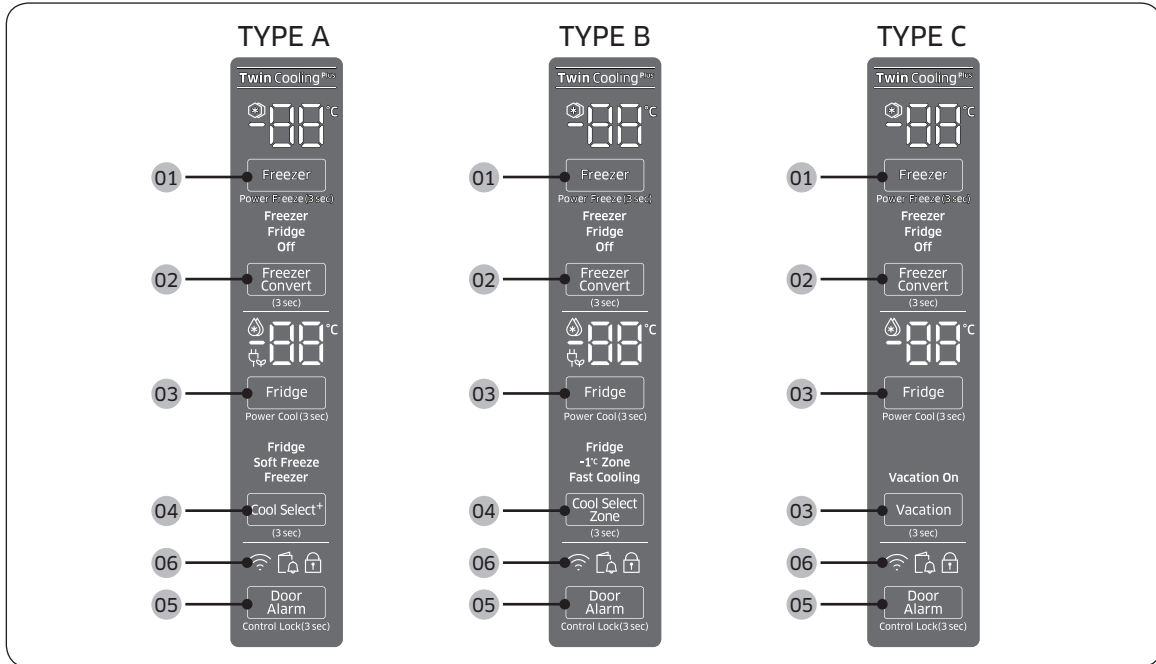
---

When installation is complete, confirm that:

- The refrigerator is plugged into an electrical outlet and grounded properly.
- The refrigerator is installed on a flat, level surface with a reasonable clearance from the wall or the cabinet.
- The refrigerator is level and is sitting firmly on the floor.
- The door opens and closes freely, and the interior light turns on automatically when you open the door.

# Operations

## Feature panel



**01** Freezer / Power Freeze

**02** Freezer Convert

**03** Fridge / Power Cool /  
Vacation

**04** Cool Select+ / Cool  
Select Zone (Type A and  
Type B models only)

**05** Door Alarm / Control  
Lock

**06** Network connection  
(applicable models only)


# Operations

## 01 Freezer / Power Freeze

Freezer	<p>The <b>Freezer</b> button can be used to set the freezer temperature. Available temperatures are between -15 °C and -23 °C.</p> <p><b>⚠ CAUTION</b></p> <ul style="list-style-type: none"><li>• To prevent system failure or food spoiling, do not set the temperature to -15 °C in summer (above 35 °C).</li><li>• Do not store glass bottles containing liquid in the freezer. Glass bottles will crack or break into pieces when the liquid freezes.</li></ul>
Power Freeze	<p>Power Freeze speeds up the freezing process at maximum fan speed. The freezer keeps running at full speed for several hours and then returns to the previous temperature.</p> <ul style="list-style-type: none"><li>• To activate Power Freeze, press and hold <b>Freezer</b> for 3 seconds. The corresponding indicator (❄) lights up, and the refrigerator will speed up the cooling process for you.</li><li>• To deactivate, press and hold <b>Freezer</b> again for 3 seconds. The freezer returns to the previous temperature setting.</li><li>• To freeze large amounts of food, activate Power Freeze for at least 20 hours before putting food in the freezer.</li><li>• The freezer keeps running at full speed for 50 hours and then returns to the previous temperature.</li></ul> <p><b>📖 NOTE</b></p> <p>Using Power Freeze increases power consumption. Make sure you turn it off and return to the previous temperature if you do not intend to use it.</p>



## 02 Freezer Convert

<p>Freezer Convert</p>	<p>You can use the entire refrigerator with Fridge mode, or turn off the freezer.</p> <p>To change the default freezer mode, press and hold <b>Freezer Convert</b> for 3 seconds to enter the selection mode. Then, press <b>Freezer Convert</b> to select a desired mode.</p> <p>The mode changes in this sequence: Fridge → Off → Freezer → Off → Fridge setting mode.</p> <ul style="list-style-type: none"> <li>• If you select Fridge, the Fridge indicator turns on. Power Freeze will be deactivated if active, and Ice On will turn off if enabled.</li> <li>• If you select Off, the Off indicator turns on. The freezer will be turned off.</li> <li>• If you select Freezer, the Freezer indicators turns on for your selection. The default freezer temperature is -19 °C.</li> </ul> <p>Your changes will be set and activated after 10 seconds. To cancel or change the mode again, press and hold <b>Freezer Convert</b> again for 3 seconds. Then, follow the instructions as mentioned above.</p> <p> <b>NOTE</b></p> <ul style="list-style-type: none"> <li>• If you press and hold <b>Freezer Convert</b> for 3 seconds, the refrigerator switches to selection mode where you can press <b>Freezer Convert</b> to select a different mode.</li> <li>• When refrigeration or freezing functions are at 'Off mode', the temperature of the fridge or freezer remains under 15 °C to prevent mold and odors, using low electricity.</li> <li>• Fridge or Freezer cannot be powered off independently.</li> <li>• Do not store food or beverage in refrigerator when refrigeration or freezing functions are at 'Off mode'. 15 °C is not cool enough to prevent spoilage.</li> </ul>
------------------------	---

### **WARNING**

- Do not put glass bottles containing liquid in the freezer. When cancelling Freezer Convert, the glass bottles may break or burst in the freezer.
- Make sure to remove frozen foods from the freezer before enabling the Freezer Convert. Frozen foods melt and spoil as the temperature increases (Freezer mode changes to Fridge mode).
- Make sure to remove chilled foods from the freezer before disabling the Freezer Convert. Chilled foods may freeze as the temperature decreases (Fridge mode changes to Freezer mode).





# Operations



## NOTE

If you want to use Freezer Convert, it is strongly recommend to use plastic containers to store food, especially vegetables.

### 03 Fridge / Power Cool / Vacation

Fridge	<p>To adjust the fridge temperature, press <b>Fridge</b> to select the corresponding temperature. You can change the temperature between 1 °C and 7 °C (default: 3 °C).</p> <p> <b>CAUTION</b></p> <ul style="list-style-type: none"><li>• In winter, do not set the temperature control to 1 °C. This may cause problems with the cooling performance.</li><li>• In summer, do not set the temperature control to 5-7 °C. This may also cause problems with the cooling performance.</li></ul>
Power Cool	<p>Power Cool speeds up the cooling process at maximum fan speed. The fridge keeps running at full speed for several hours and then returns to the previous temperature.</p> <ul style="list-style-type: none"><li>• To activate Power Cool, press and hold <b>Fridge</b> for 3 seconds. The corresponding indicator (🔆) lights up, and the refrigerator will speed up the cooling process for you.</li><li>• To deactivate Power Cool, press and hold <b>Fridge</b> again for 3 seconds. The fridge returns to the previous temperature setting.</li></ul> <p> <b>NOTE</b></p> <p>Using Power Cool increases power consumption. Make sure you turn it off and return to the previous temperature if you don't intend to use it.</p>



<p>Vacation</p>	<p>If you are going on vacation or a business trip, or if you do not intend to use the fridge for an extended time, use the Vacation mode.</p> <p><b>(Type A and Type B models only)</b></p> <ul style="list-style-type: none"> <li>• To activate Vacation mode, press <b>Fridge</b> with the 1 °C indicator selected. The vacation indicator (  ) turns on while the display of the fridge temperatures will turn off. The display of Type A (Cool Select+) and Type B (Cool Select Zone) models also turns off. The fridge temperature will be controlled under 15 °C, but the freezer remains active as previously set.</li> <li>• To deactivate Vacation mode, press <b>Fridge</b> again. The fridge temperature will restore the 7 °C. Note that Type A (Cool Select+) and Type B (Cool Select zone) models return to the temperature settings of the fridge.</li> </ul> <p><b>(Type C models only)</b></p> <ul style="list-style-type: none"> <li>• To activate Vacation mode, press and hold <b>Vacation</b> for 3 seconds. The Vacation On indicator turns on while the display of the fridge temperatures will turn off. The fridge temperature will be controlled under 15 °C, but the freezer remains active as previously set.</li> <li>• To deactivate Vacation mode, press and hold <b>Vacation</b> again for 3 seconds. The fridge temperature will return to the previous setting.</li> </ul> <p> <b>NOTE</b></p> <p>It is strongly recommended to empty the fridge compartment and make sure the door is closed.</p> <p>For Cool Select+/Cool Select Zone models, Vacation mode is controlled under 15 °C just like the fridge settings. However, the relevant indicator turns off, depending on the model.</p>
-----------------	--

#### 04 Cool Select+ / Cool Select Zone

<p>Cool Select+ (TYPE A)</p>	<p>Press and hold <b>Cool Select+</b> for 3 seconds. Then, press again to select a desired mode. The corresponding indicator turns on.</p> <ul style="list-style-type: none"> <li>• <b>Fridge</b> If selected, the Cool Select Zone will be set to 3 °C.</li> <li>• <b>Soft Freeze</b> If selected, the Cool Select Zone will be set to -5 °C. This is useful to store meat and/or fishery for an extended time.</li> <li>• <b>Freezer</b> If selected, the Cool Select Zone will be set to -12 °C. This is useful to keep frozen vegetables for an extended time.</li> </ul>
----------------------------------	---

# Operations

Cool Select Zone (TYPE B)	<p>Press and hold <b>Cool Select Zone</b> for 3 seconds. Then, press again to select a desired mode. The corresponding indicator turns on.</p> <ul style="list-style-type: none"> <li>• <b>Fridge</b> If selected, the Cool Select Zone will be set to 3 °C.</li> <li>• <b>-1 °C Zone</b> If selected, the Cool Select Zone will be set to -1 °C. This is useful to store perishable foods.</li> <li>• <b>Fast Cooling</b> Select this if you want to fast cool foods. The Cool Select Zone will cool foods at max speed for 60 minutes.</li> </ul>
---------------------------	---

## 05 Door Alarm / Control Lock

Door Alarm	<p>You can set the alarm for a reminder. If the door is left open for more than 2 minutes, the alarm will sound with the Alarm indicator blinking. You can toggle to enable and disable the alarm by pressing <b>Door Alarm</b>. The alarm is enabled by factory default.</p>
Control Lock	<p>To prevent accidental manipulation, press and hold <b>Door Alarm</b> for 3 seconds to activate the Control Lock. All controls will be disabled with the indicator (🔒) on.</p> <p>To deactivate, press and hold again for 3 seconds. The controls will be enabled as normal.</p>
Device authentication	<p>When connecting the refrigerator to Samsung Smart Home App or Samsung smart devices such as Samsung Smart TVs, follow the app's or device's onscreen instructions and press and hold <b>Door Alarm</b> for 5 seconds. The temperature panel displays "on" for 5 seconds before proceeding with the authentication procedure. Note that the Door Alarm function will be not affected by this authentication.</p>

## 06 Network connection (applicable models only)

You can use the optional Smart Home Dongle (sold separately) to control and monitor your refrigerator through the Samsung Smart Home app. For more information about Samsung Smart Home, see the Samsung Smart Home section.

### NOTE

- Recommended encryption systems include WPA/TKIP and WPA2/AES. Any newer or unstandardized Wi-Fi authentication protocols are not supported.
- Wireless networks may be affected by the surrounding wireless communication environment.
- If your Internet service provider has registered the MAC address of your PC or modem for identification, your Samsung Smart Refrigerator may fail to connect to the Internet. If this happens, contact your Internet service provider for technical assistance.
- The firewall settings of your network system may prevent your Samsung Smart Refrigerator from accessing the Internet. Contact your Internet service provider for technical assistance. If this symptom continues, contact a local Samsung service center or retailer.
- To configure the wireless access point (AP) settings, see the user manual of the AP.
- Samsung Smart Refrigerators featuring the Samsung Smart Home Dongle support both Wi-Fi 2.4 GHz with IEEE 802.11 b/g/n and Soft-AP protocols (IEEE 802.11 n is recommended).
- Unauthorized Wi-Fi wireless routers may fail to connect to applicable Samsung Smart Refrigerators.

## Samsung Smart Home (applicable models only)

### Installation

Visit the Google Play Store, Galaxy Apps, or Apple App Store and search for “Samsung Smart Home”. Download and install the Samsung Smart Home app provided by Samsung Electronics to your smart device.

### NOTE

- The Samsung Smart Home app is designed for Android 4.0 (ICS) or higher, or iOS 7.0 or higher, and is optimized for Samsung smartphones (Galaxy S and Galaxy Note series). On other smartphone models, some functions may operate differently.
- For improved performance, the Samsung Smart Home app is subject to change without notice, or discontinued support according to the manufacturer’s policy.

### Samsung account

You are required to register your Samsung account to use the app. If you don’t have a Samsung account, follow the app’s onscreen instructions to create a free Samsung account.

# Operations

---

## Getting started

1. Insert the Smart Home Dongle into the corresponding port of your refrigerator.
2. Run the Samsung Smart Home app and log in with your Samsung account. iPhone users are required to provide the login information each time they access the app.
3. Access **Device** > the + icon, and then tap **Refrigerator**.
4. Follow the onscreen instructions to provide the necessary information about the router, and then tap **Next**.
5. Press and hold **Fridge** for more than 5 seconds until the "AP" message appears on the display. Your refrigerator will be registered with the app.
6. When the device registration is complete, the refrigerator icon will appear on the Samsung Smart Home app.
7. Tap the refrigerator icon to open the refrigerator page.
8. When a network connection is established, the Wi-Fi icon lights up on your refrigerator.

## Refrigerator app

### Integrated control

You can monitor and control your refrigerator at home as well as while on the move.

- Tap the refrigerator icon on the Samsung Smart Home to open the refrigerator page.
- Check the operation status or notification of your refrigerator, and change options or settings if necessary.

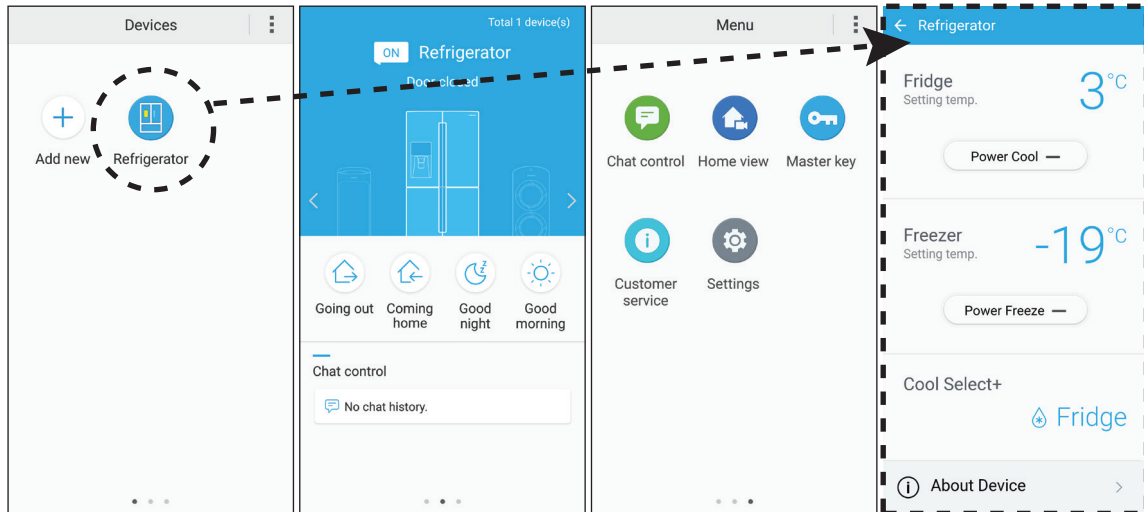
### **NOTE**

Some options or settings of the refrigerator may not be available for remote control.

## Key features

Register Samsung smart home appliances to the Samsung Smart Home server for remote access.

## Menu overview

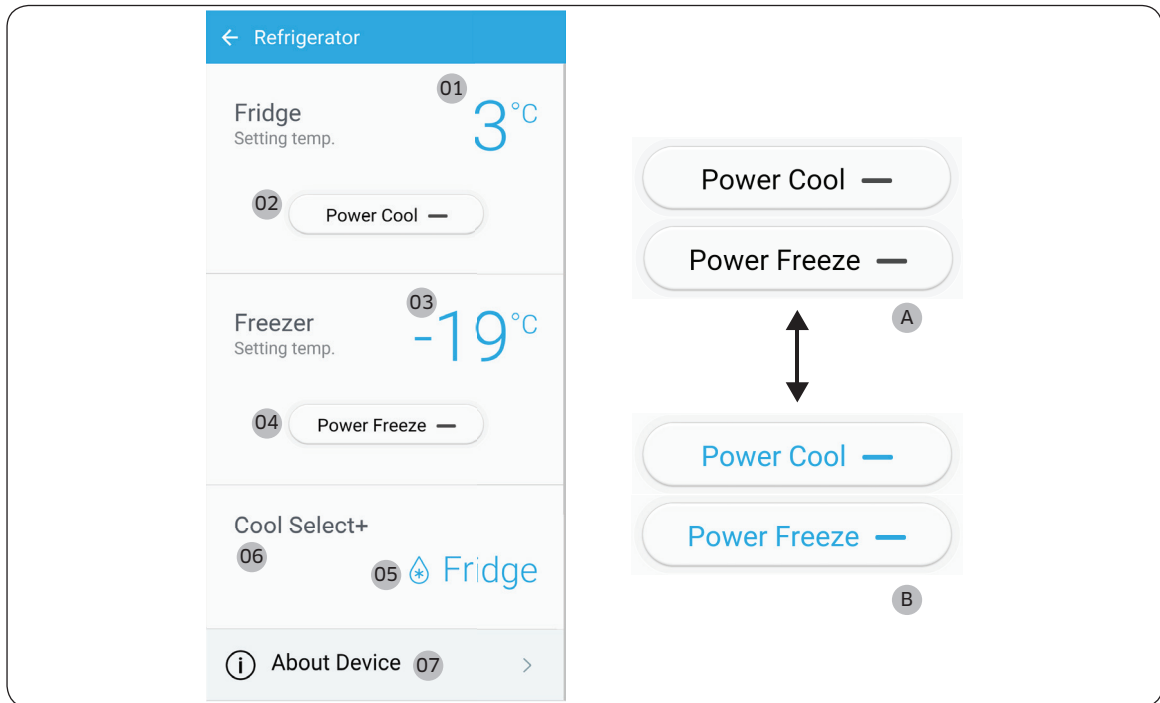


- Tap **Refrigerator** to open the settings page of the refrigerator.
- Swipe to move to the next page.

<b>Chat control</b>	You can control your Samsung smart home appliances remotely, or check the operating status.
<b>Home view</b> (applicable models only)	By using the built-in camera of a Samsung smart home appliance, you can monitor your living room. This is available only with applicable models.
<b>Master key</b>	The master key is designed to control the locking system for different user activities such as going out, coming home, going to bed at night, and waking up in the morning. This is available only with applicable models.
<b>Customer service</b>	The user manual is downloadable, and the contact information for customer support is also provided.
<b>Settings</b>	You can check the connected device as well as the software information (version and open-source licenses), and add devices or select a country. You can simulate the operation of the current device for demonstration purposes.

# Operations

## Refrigerator settings



A : Disabled (black)

B : Enabled (blue)

Fridge	<p><b>01</b> Displays the currently set fridge temperature.</p> <p><b>02</b> You can turn on or off Power Cool, and check the current settings.</p>
Freezer	<p><b>03</b> Displays the currently set freezer temperature.</p> <p><b>04</b> You can turn on or off Power Freeze, and check the current settings.</p>
Cool Select	<p><b>05</b> Displays the current mode setting.</p> <p><b>06</b> Depending on the model, it displays Cool Select+, Cool Select Zone, or none.</p>

---

About Device

**07** Displays the product information including the current version, tutorial, Self Check, and Help Desk. The user manual is downloadable, and the contact information for customer support is also provided.

**Self Check**

By referencing Self Check, you can check the diagnostic results of your refrigerator. If you encounter an abnormal symptom, Self Check displays an information that can be used for customer service.

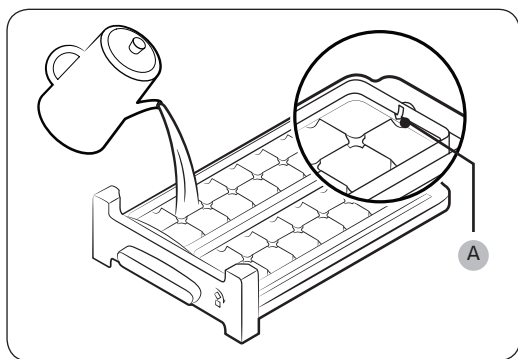
# Operations

## Special features

The actual image and special functions of your refrigerator may differ, depending on the model and the country.

### Ice making (applicable models only)

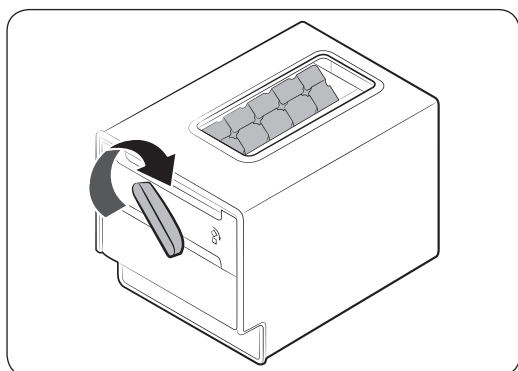
Twist ice maker



1. Open the freezer door, and slide open the ice tray.
2. Fill the tray with water up to the **maximum level (A)** marked on the inner rear of the tray.
3. Slide the tray back into position.

#### **NOTE**

The ice making time depends on your temperature settings.



#### **NOTE**

- Make sure the ice cube storage bin is in place under the ice tray.
- To dispense the ice cubes, turn the handle of the bin to the right to empty half of the ice cubes into the bin. Then, turn it to the left to empty the other half.
- Take out the bin by slightly twisting and pulling to the front.

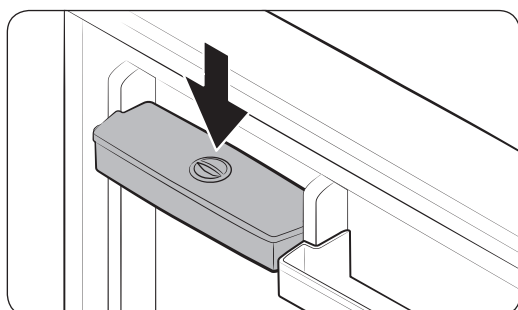
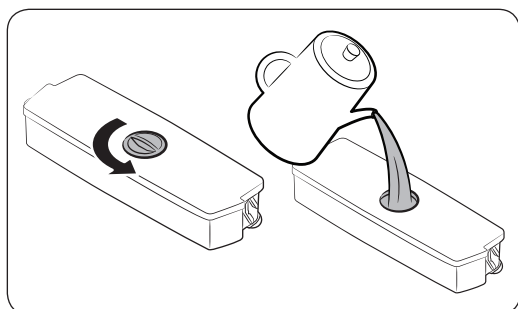
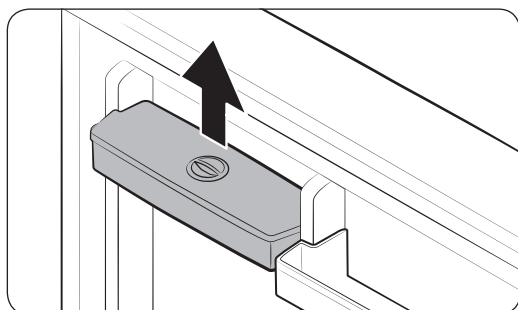


## Water dispenser

With the water dispenser, you can dispense water without opening the fridge door. The water tank must be filled with potable water before use.

### To fill the water tank with potable water

Open the door and locate the water tank that is located in the door shelf area.



1. Hold the handgrips on both sides of the water tank and lift up to remove.

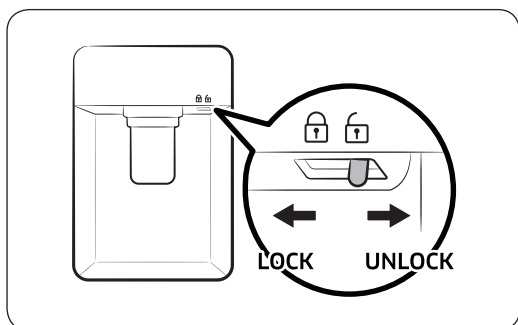
2. Fill the water tank with potable water up to 2.8 liters. You can remove either the top cap or the cover and pour water.

#### **NOTE**

For first-time use, clean inside the water tank.

3. Reinsert the water tank and close the door. Make sure the water outlet of the water tank faces forward.

# Operations



4. Put a water glass under the water outlet of the dispenser, and gently push the dispenser lever to dispense water. Make sure the water dispenser is unlocked.

## CAUTION

- The water dispenser is designed to dispense potable water. Fill the water tank only with potable water. Do not fill with any other liquids.
- Do not fill the water tank excessively, which causes an overflow.
- Do not try to fill the water tank without removing it from the door.
- Make sure that water tank is seated properly.
- Do not use the refrigerator without the water tank. This may reduce performance and efficiency.
- To prevent water bouncing, make sure the glass is in line with the dispenser lever.

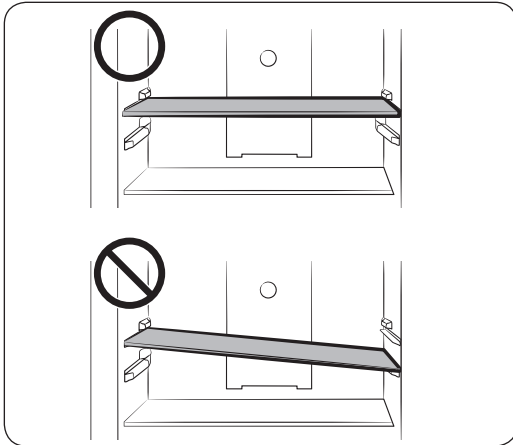
## NOTE

To secure more room, you can use the water tank to store food. In this case, remove the lid of the tank.

# Maintenance

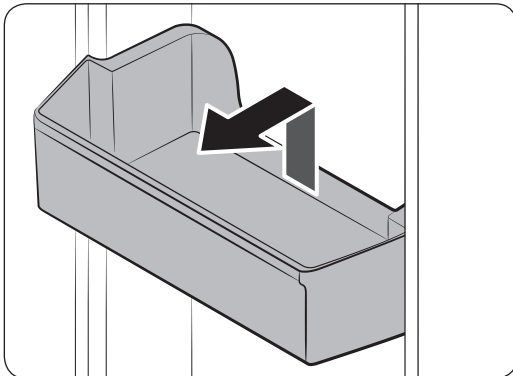
## Handle and care

### Freezer and fridge shelves



- To remove a shelf, first open the door completely. Pull the shelf forward, lift up, and then pull out.
- When reinserting the shelf, make sure the “Front” label of the shelf faces forward.
- Do not attempt to tilt the shelf into position.

### Door guards



Slightly lift up and pull out the door guard.

**⚠ CAUTION**

To prevent accidents, empty the door guards before removing.

# Maintenance

## Cleaning

Regularly use a dry cloth to remove all foreign substances such as dust or water from the power plug terminals and contact points.

1. Unplug the power cord of the refrigerator.
2. Use a moistened soft lint-free cloth or paper towel to clean the refrigerator's interior and exterior.
3. When done, use a dry cloth or paper towel to dry well.
4. Plug in the power cord of the refrigerator to turn the refrigerator on.

### NOTE

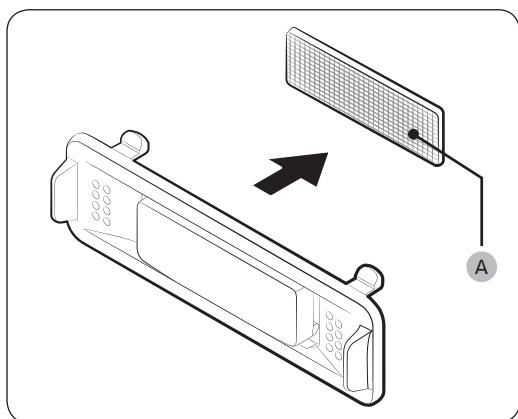
If you have removed any removable parts such as shelves for cleaning, refer to the overall layout in the What's included section to make sure you have reinserted correctly.

### WARNING

- Do not use benzene, thinner, or home/car detergent such as Clorox™ for cleaning purposes. They may damage the surface of the refrigerator and cause a fire.
- Do not spray water onto the refrigerator. This may cause electric shock.
- Do not put fingers or other objects into the dispenser hole.

## Replacement

### Deodorizer filter (applicable models only)



While holding the top and bottom sides of the filter case, unlock the filter case to reveal the **deodorizer filter (A)**. Replace the filter, and then reinsert the case.

### Lamps and anti-bacteria filter

Neither lamps nor the anti-bacteria filter are user-serviceable. Do not attempt to replace them yourself. To replace them, contact a local Samsung service centre.

# Troubleshooting

If you encounter an abnormal situation with the refrigerator, first check the table below and try the suggestions.

## General

Symptom	Action
Does not operate or cool.	<ul style="list-style-type: none"><li>• Make sure the power cord is connected properly.</li><li>• Make sure the temperature control is set correctly.</li><li>• Make sure to keep the refrigerator away from direct sunlight or a heat source. Failing to do so may affect the cooling performance.</li><li>• Make sure the refrigerator has enough room from the rear and side walls or the cabinet. Failing to do so may affect the cooling performance.</li><li>• Too much food may block the ventilation of the refrigerator. To keep the refrigerator in normal operation, do not put too much food inside.</li></ul>
Food in the fridge freezes.	<ul style="list-style-type: none"><li>• Check if the temperature control is set to the lowest temperature. If so, change the temperature to higher or optimal.</li><li>• This happens if the ambient temperature is too low. Set the temperature higher.</li><li>• Check if food containing a high portion of water is put in the coldest area of the fridge or near the cooling vent. If this happens, move the food to other shelves in the fridge.</li></ul>
Emits noises.	<ul style="list-style-type: none"><li>• Make sure the refrigerator is installed on a stable, flat surface.</li><li>• Make sure the refrigerator has enough room from the rear and side walls or the cabinet.</li><li>• Make sure to keep the refrigerator from impurities or foreign objects inside or underneath.</li><li>• The refrigerator may produce a ticking sound from inside, which occurs when the various removable parts contract or expand. This is not a system failure.</li></ul>

# Troubleshooting

Symptom	Action
The front corners and sides become warm and form condensation.	<ul style="list-style-type: none"> <li>To prevent condensation from forming, the refrigerator has heat-proof piping in the front corners. If the ambient temperature rises, this equipment may not work effectively. This is not a system failure.</li> <li>Condensation may form on the exterior surface of the refrigerator if humid air comes into contact with the cool surface of the refrigerator.</li> </ul>
The ice maker does not make ice.	<ul style="list-style-type: none"> <li>You must wait for 12 hours until the refrigerator makes ice.</li> <li>Make sure the ice maker is not stopped while making ice.</li> <li>Make sure the freezer is set below 0 °C (or -5 °C in warm ambient air).</li> <li>Make sure the water tank is filled with water.</li> </ul>
The water dispenser is not functioning.	<ul style="list-style-type: none"> <li>Check if the water tank is frozen. If so, select a higher fridge temperature.</li> <li>Make sure the water tank is filled with water.</li> <li>Make sure the water tank is installed properly.</li> <li>Make sure the water filter is installed properly.</li> </ul>
Produces a bubbling sound.	<ul style="list-style-type: none"> <li>The refrigerator makes this sound during the cooling process, which is normal.</li> </ul>
A bad smell comes from inside the refrigerator.	<ul style="list-style-type: none"> <li>Check for any spoiled food. We recommend cleaning the refrigerator on a regular basis and remove any spoiled or suspect food items.</li> <li>Make sure strong smelling food is wrapped up airtight.</li> </ul>
Frost forms on the interior walls.	<ul style="list-style-type: none"> <li>Make sure no food blocks the vents of the refrigerator. It is also important to arrange food items evenly for ventilation.</li> <li>Make sure the door is closed properly.</li> </ul>
Condensation forms on the interior walls or around vegetables.	<ul style="list-style-type: none"> <li>This happens when food containing a high portion of water is stored uncovered, or the door has been left open for a while.</li> <li>Make sure food is covered or put in sealed containers.</li> </ul>

## Samsung Smart Home

Symptom	Action
Could not find “Samsung Smart Home” on the app market.	<ul style="list-style-type: none"><li>• The Samsung Smart Home app is available on smartphones that run Android 4.0 (ICS) or higher, or iOS 7.0 or higher.</li></ul>
The Samsung Smart Home app fails to operate.	<ul style="list-style-type: none"><li>• The Samsung Smart Home app is available on applicable models only.</li><li>• The old Samsung Smart Refrigerator app cannot connect with Samsung Smart Home models.</li></ul>
The Samsung Smart Home app is installed but is not connected to my refrigerator.	<ul style="list-style-type: none"><li>• You must log into your Samsung account to use the app.</li><li>• Make sure that your router is operating normally.</li><li>• Make sure that the Smart Home Dongle is inserted properly.</li><li>• If the Wi-Fi icon on the refrigerator’s display is off, this indicates that no network connection has been established yet. In this case, use the Samsung Smart Home app to connect and register your refrigerator to the access point (AP) of your house.</li></ul>
Could not log into the app.	<ul style="list-style-type: none"><li>• You must log into your Samsung account to use the app.</li><li>• If you don’t have a Samsung account, follow the app’s onscreen instructions to create one.</li></ul>
An error message appears when I try to register my refrigerator.	<ul style="list-style-type: none"><li>• Easy Connection may fail due to the distance from your access point (AP) or electrical interference from the surrounding environment. Wait a moment and try again.</li></ul>
The Samsung Smart Home app is successfully connected to my refrigerator but does not run.	<ul style="list-style-type: none"><li>• Exit and restart the Samsung Smart Home app, or disconnect and reconnect the router.</li><li>• Remove the Smart Home Dongle, and reconnect it properly. Then, try again.</li></ul>

## Contact SAMSUNG WORLD WIDE

If you have any questions or comments relating to Samsung products, please contact the SAMSUNG customer care center.

Country	Contact Center	Web Site
CYPRUS	8009 4000 only from landline, toll free	www.samsung.com/gr/support
GREECE	80111-SAMSUNG (80111 726 7864) only from land line (+30) 210 6897691 from mobile and land line	
ITALIA	800-SAMSUNG (800.7267864)	www.samsung.com/it/support
PORTUGAL	808 20 7267	www.samsung.com/pt/support
SPAIN	0034902172678 [HHP] 0034902167267	www.samsung.com/es/support



DA68-03370Y-03





# Frigorifero

## Manuale dell'utente

RT58\*/RT62\*

Apparecchio a installazione indipendente

**SAMSUNG**

# Indice

---

<b>Informazioni di sicurezza</b>	<b>3</b>
Simboli di sicurezza e precauzioni importanti:	5
Simboli relativi a importanti avvertenze per il trasporto e il luogo di installazione	5
Avvertenze per installazioni critiche	6
Precauzioni per l'installazione	9
Importanti avvertenze per l'uso	10
Precauzioni per l'uso	14
Avvertenze per la pulizia	17
Importanti avvertenze per la pulizia	18
Ulteriori suggerimenti per un uso corretto	19
Consigli per risparmiare energia	20
Questo apparecchio è progettato per un uso domestico o applicazioni simili quali	20
Informazioni sul simbolo WEEE (RAEE)	21
<b>Installazione</b>	<b>22</b>
Il frigorifero in breve	22
Passaggi di installazione	24
<b>Funzionamento</b>	<b>29</b>
Pannello funzioni	29
Samsung Smart Home (solo modelli applicabili)	36
Funzioni speciali	41
<b>Manutenzione</b>	<b>44</b>
Pulizia e manutenzione	44
Pulizia	45
Sostituzione	45
<b>Risoluzione dei problemi</b>	<b>46</b>
Generale	46
Samsung Smart Home	48

# Informazioni di sicurezza

---

- Prima di utilizzare il nuovo frigorifero Samsung, leggere completamente questo manuale in modo da conoscerne le caratteristiche e le funzioni così da utilizzare l'apparecchio in modo sicuro ed efficiente.
- Questo apparecchio non è inteso per l'uso da parte di persone (bambini inclusi) che abbiano ridotte capacità fisiche, sensoriali o mentali, o siano prive di esperienza o conoscenza, a meno che siano state fornite loro istruzioni per l'uso da parte di una persona responsabile della loro sicurezza o che sovrintenda all'uso dell'apparecchio.
- Questo apparecchio può essere utilizzato da bambini di età superiore agli 8 anni e da persone con ridotte capacità fisiche, sensoriali o mentali o senza esperienza o conoscenza del prodotto solo sotto la supervisione di una persona responsabile o nel caso in cui abbiano ricevuto informazioni specifiche sull'uso sicuro dell'apparecchio e ne abbiano compreso i rischi ad esso associati. Non consentire ai bambini di giocare con l'apparecchio. La pulizia e la manutenzione dell'apparecchio non devono essere eseguite da bambini senza la supervisione di un adulto.
- Le avvertenze e le importanti istruzioni di sicurezza riportate in questo manuale non coprono tutte le possibili condizioni e situazioni che possono verificarsi.  
E' responsabilità dell'utente utilizzare l'apparecchio con buon senso, prestando la massima attenzione e cura in fase di installazione, manutenzione e funzionamento.
- Poiché le seguenti istruzioni operative coprono i vari modelli disponibili, le caratteristiche del frigorifero possono differire da quelle descritte in questo manuale e non tutti i simboli di avvertenza possono essere applicabili. In caso di dubbi o domande rivolgersi al centro assistenza di zona o visitare il sito [www.samsung.com](http://www.samsung.com) per reperire le informazioni necessarie.



# Informazioni di sicurezza

---

- Come refrigerante vengono utilizzati i gas R-600a o R-134a. Controllare l'etichetta del compressore sul retro dell'apparecchio e l'etichetta della potenza nominale all'interno del frigorifero per vedere il tipo di refrigerante utilizzato. Se il prodotto contiene gas infiammabile (refrigerante R-600a), contattare l'ente locale preposto per lo smaltimento sicuro di questo prodotto.
- Per evitare la possibile formazione di una miscela di aria e gas infiammabile, in caso di una perdita nel circuito di raffreddamento, la dimensione del locale in cui viene installato il prodotto deve essere adeguata alla quantità di refrigerante utilizzato.
- Non attivare mai un apparecchio che mostri chiari segni di danni. In caso di dubbi, consultare il rivenditore. La dimensione del locale deve essere calcolata considerando 1 m<sup>3</sup> di spazio per ogni 8 g di refrigerante R-600a contenuto nell'apparecchio.  
La quantità di refrigerante utilizzata nell'apparecchio è indicata nella targhetta identificativa all'interno dell'unità.

- Eventuali schizzi di refrigerante fuoriuscito dalle tubazioni possono provocare incendio o lesioni oculari. In caso di perdita di refrigerante dalle tubazioni, evitare il contatto del prodotto con fiamme libere o qualsiasi altra fonte infiammabile e ventilare immediatamente il locale.
  - La mancata osservanza di questa precauzione può causare un incendio o una esplosione.
- L'esecuzione autonoma della manutenzione di questo apparecchio può comportare pericoli; per esigenze di manutenzione, rivolgersi al centro assistenza.



---

## Simboli di sicurezza e precauzioni importanti:

---

### **AVVERTENZA**

Pericoli o pratiche non sicure che possono causare **lesioni personali gravi o mortali**.

### **ATTENZIONE**

Pericoli o pratiche non sicure che possono causare **lesioni personali lievi o danni materiali**.

Questi simboli di avvertenza hanno lo scopo di prevenire lesioni personali. Seguire attentamente le istruzioni ad essi associate.

Una volta letto, si raccomanda di conservare il manuale in un luogo sicuro per future consultazioni.

## Simboli relativi a importanti avvertenze per il trasporto e il luogo di installazione

---

### **AVVERTENZA**

- Durante il trasporto e l'installazione dell'apparecchio, prestare attenzione a che nessuna parte del circuito di raffreddamento riporti danni.
  - Una perdita di refrigerante dalla tubazione può infiammarsi o causare lesioni oculari. Se si rileva una perdita, evitare l'uso di fiamme libere o potenziali fonti di accensione nei pressi e aerare il locale per alcuni minuti.
  - Questo apparecchio contiene come refrigerante una minima quantità di isobutano (R-600a), il quale, nonostante sia un gas naturale a basso impatto ambientale, è comunque combustibile. Durante il trasporto e l'installazione dell'apparecchio, prestare attenzione a non danneggiare alcuna parte del circuito refrigerante.



# Informazioni di sicurezza

---

## Avvertenze per installazioni critiche

---

### **AVVERTENZA**

- Non installare il frigorifero in un luogo umido o dove possa entrare a contatto con acqua.
  - L'usura del rivestimento isolante delle parti elettriche può causare scariche elettriche o un incendio.
- Non collocare il frigorifero in una posizione esposta alla luce solare diretta o al calore di stufe, radiatori o altri apparecchi di riscaldamento.
- Non collegare più apparecchi a una presa multipla. Il frigorifero deve essere sempre collegato a una presa elettrica separata in grado di sostenere una tensione corrispondente a quanto riportato sull'etichetta apposto sul frigorifero.
  - Ciò consente di ottenere le migliori prestazioni e prevenire il sovraccarico dell'impianto domestico che potrebbe causare un incendio a causa del surriscaldamento dei cavi.
- Se la presa elettrica è allentata, non inserire la spina.
  - Rischio di incendio o scariche elettriche.
- Non utilizzare un cavo con evidenti segni di usura o abrasione lungo il rivestimento o alle estremità.
- Non piegare eccessivamente il cavo di alimentazione né posizionarvi sopra oggetti pesanti.
- Non piegare o tirare eccessivamente il cavo di alimentazione.
- Non torcere o annodare il cavo di alimentazione.
- Non agganciare il cavo elettrico a oggetti metallici, non collocarvi sopra oggetti pesanti, non far correre il cavo tra oggetti, né spingere il cavo dietro l'apparecchio.
- Durante lo spostamento del frigorifero, prestare attenzione a non schiacciare o danneggiare il cavo di alimentazione.
  - Ciò può portare a scariche elettriche o un incendio.



- 
- Non scollegare mai l'alimentazione dal frigorifero tirando il cavo di alimentazione. Afferrare sempre la spina e tirarla verso di sé per estrarla dalla presa.
    - Un cavo danneggiato può causare un cortocircuito, un incendio o una scarica elettrica.
  - Non conservare sostanze potenzialmente esplosive come bombolette spray contenenti gas infiammabili all'interno di questo apparecchio.
  - Do not install this appliance near a heater or inflammable material.
  - Non installare l'apparecchio in un locale in cui possa verificarsi una perdita di gas.
    - Ciò può portare a scariche elettriche o un incendio.
  - Questo frigorifero deve essere posizionato correttamente ed installato seguendo le istruzioni fornite in questo manuale prima dell'uso.
  - Collegare la spina inserendola nella posizione corretta con il cavo rivolto verso il basso.
    - Collegando la spina elettrica al contrario, il cavo potrebbe danneggiarsi e causare scariche elettriche o un incendio.
  - Accertarsi che la spina non sia schiacciata o danneggiata dal retro del frigorifero.
  - Tenere i materiali di imballaggio lontano dalla portata dei bambini.
    - Sussiste il rischio di morte a causa di soffocamento qualora un bambino inserisca la testa nei materiali da imballaggio.
  - L'apparecchio deve essere posizionato in modo che la spina sia facilmente accessibile dopo l'installazione.
    - La mancata osservanza di questa precauzione può causare un incendio o scariche elettriche per dispersione di corrente.
  - Non installare l'apparecchio in un locale soggetto a umidità, fumi d'olio o polvere, luce solare diretta o acqua (pioggia).
    - L'usura del rivestimento isolante delle parti elettriche può causare scariche elettriche o un incendio.

## Informazioni di sicurezza

---

- Qualora si riscontri la presenza all'interno del frigorifero di polvere o acqua, estrarre la spina dalla presa di corrente e contattare un Centro di assistenza autorizzato Samsung.
  - In caso contrario, potrebbe verificarsi un incendio.
- Non salire sul prodotto né appoggiarvi sopra oggetti (biancheria, candele e sigarette accese, piatti, sostanze chimiche, oggetti metallici, ecc.).
  - Ciò può provocare scariche elettriche, un incendio o problemi al prodotto o lesioni personali.
- Prima di collegare alla presa di corrente per la prima volta il frigorifero è necessario rimuovere tutte le pellicole protettive.
- Sorvegliare i bambini per accertarsi che non giochino con le cerniere a scatto usate per regolare lo sportello o i fermi del tubo dell'acqua.
  - Qualora un anello di ritenuta o un fermo del tubo dell'acqua venga ingerito da un bambino, potrebbe soffocarlo. Tenere gli anelli di ritenuta ed i fermi del tubo dell'acqua fuori dalla portata dei bambini.
- Il frigorifero deve essere collegato alla terra.
  - Accertarsi sempre che il frigorifero sia correttamente collegato alla terra prima di tentare di riparare eventuali malfunzionamenti. Eventuali dispersioni di corrente possono provocare serie scariche elettriche.
- Per il collegamento a terra non utilizzare condotte del gas, linee telefoniche o altri tubi e barre che potenzialmente potrebbero fungere da parafulmini.
  - Per evitare dispersioni di corrente o scariche elettriche causate dalle dispersioni del frigorifero, collegare l'apparecchio alla terra.
  - La mancata osservanza di questa precauzione può causare scariche elettriche, incendio, esplosione o malfunzionamenti del prodotto.
- Inserire saldamente la spina nella presa di corrente. Non usare prese di corrente o cavi di alimentazione danneggiati o prese di corrente allentate.
  - Ciò può portare a scariche elettriche o un incendio.



- 
- Qualora il cavo di alimentazione sia danneggiato, rivolgersi al costruttore o ad un Centro di assistenza per sostituirlo.
  - Il fusibile del frigorifero deve essere sostituito da un tecnico qualificato o da un centro assistenza autorizzato.
    - Il mancato rispetto di questa precauzione può causare scariche elettriche o lesioni personali.

## Precauzioni per l'installazione

---

### **ATTENZIONE**

- Lasciare sufficiente spazio intorno al frigorifero ed installarlo su una superficie piana e stabile.
  - Mantenere le aperture di ventilazione dell'apparecchio o della struttura a incasso libere da ostruzioni.
- Lasciare riposare l'apparecchio per circa 2 ore dopo l'installazione prima di inserire il cibo al suo interno ed accenderlo.
- Si consiglia caldamente di far eseguire l'installazione del frigorifero ad un tecnico qualificato.
  - Il mancato rispetto di questa precauzione può causare scariche elettriche, incendio, esplosione, malfunzionamenti o lesioni.
- Un carico eccessivo su una delle porte potrebbe provocare la caduta del frigorifero e causare lesioni.



# Informazioni di sicurezza

---

## Importanti avvertenze per l'uso

---

### **AVVERTENZA**

- Non toccare la spina elettrica con le mani bagnate.
  - La mancata osservanza di questa precauzione può causare una scarica elettrica.
- Non collocare alcun oggetto sopra il frigorifero.
  - Durante l'apertura o la chiusura della porta, un articolo potrebbe cadere provocando lesioni o danni.
- Non inserire mani, piedi, oggetti metallici (per esempio spiedini, ecc.) sul fondo o sul retro del frigorifero.
  - La mancata osservanza di questa precauzione può causare scariche elettriche o lesioni.
  - I bordi taglienti possono causare lesioni.
- Non toccare le pareti interne del freezer o i prodotti surgelati con le mani bagnate.
  - Ciò potrebbe causare il congelamento delle dita.
- Non conservare sul frigorifero contenitori pieni d'acqua.
  - In caso di fuoriuscita, l'acqua potrebbe causare scariche elettriche o un incendio.
- Non conservare all'interno del frigorifero oggetti infiammabili o sostanze volatili (benzene, diluenti, gas propano, alcol, etere, GPL e sostanze simili).
  - Il frigorifero è idoneo solo alla conservazione di alimenti.
  - La mancata osservanza di questa precauzione può causare un incendio o una esplosione.
- Sorvegliare i bambini affinché non giochino con l'apparecchio.
  - Tenere le dita lontano dalle aree di "possibile schiacciamento". Lo spazio tra le porte e la struttura è necessariamente ristretto. Prestare attenzione all'apertura delle porte in presenza di bambini.
- Non permettere ai bambini di appendersi alle porte o ai cassetti. In caso contrario, potrebbero riportare gravi lesioni.



- Non permettere ai bambini di accedere al frigorifero. Potrebbero restare intrappolati all'interno.
- Non inserire le mani nell'area inferiore sotto l'apparecchio.
  - I bordi taglienti possono causare lesioni.
- Non conservare in frigorifero prodotti medicinali, materiale scientifico o prodotti sensibili alla temperatura.
  - I prodotti che necessitano di severi controlli della temperatura non devono essere conservati in frigorifero.
- Non collocare o utilizzare apparecchiature elettriche all'interno del frigo/freezer, a meno che non siano del tipo consigliato dal produttore.
- Se si avverte un odore di medicinale o si nota del fumo uscire dall'apparecchio, staccare la spina dalla presa e chiamare il Centro assistenza Samsung Electronics.
- Se all'interno del frigorifero è penetrata polvere o acqua, scollegare la spina dalla presa di corrente e rivolgersi al centro assistenza Samsung Electronics.
  - In caso contrario, potrebbe verificarsi un incendio.
- Non lasciare che i bambini salgano sui cassetti.
  - Il cassetto potrebbe rompersi e farli cadere.
- Non lasciare le porte del frigorifero aperte senza sorveglianza e non permettere ai bambini di entrare all'interno dell'apparecchio.
- Non lasciare che neonati o bambini penetrino all'interno del vano frigo o dei cassetti.
  - In caso contrario, potrebbero riportare lesioni o morire per soffocamento.
- Non riempire eccessivamente il frigorifero.
  - L'apertura dello sportello potrebbe provocare la caduta di un prodotto causando lesioni personali o danni materiali.

## Informazioni di sicurezza

---

- Non spruzzare sostanze volatili come per esempio insetticidi sulla superficie dell'apparecchio.
  - Oltre ad essere dannosi per l'uomo, possono causare scariche elettriche, incendio o malfunzionamenti.
- Non utilizzare né collocare sostanze sensibili alla temperatura, come ad esempio spray e oggetti infiammabili, ghiaccio secco, farmaci o sostanze chimiche vicino o dentro il frigorifero.
- Non utilizzare un asciugacapelli per asciugare l'interno del frigorifero. Non inserirvi candele accese per eliminare i cattivi odori.
  - Ciò può portare a scariche elettriche o un incendio.
- Riempire il serbatoio dell'acqua, il vassoio del ghiaccio ed i cubetti di ghiaccio solo con acqua potabile (acqua minerale o purificata).
  - Non riempire il serbatoio con tè, succhi di frutta o bevande energetiche, in caso contrario il frigorifero potrebbe subire danni.
- Non salire sul prodotto né appoggiarvi sopra oggetti (biancheria, candele e sigarette accese, piatti, sostanze chimiche, oggetti metallici, ecc.). Ciò può provocare scariche elettriche, un incendio o problemi al prodotto o lesioni personali. Non appoggiare sull'apparecchio contenitori pieni di acqua.
  - In caso di fuoriuscita, l'acqua potrebbe causare scariche elettriche o un incendio.
- Per accelerare il processo di sbrinamento, non utilizzare dispositivi meccanici o altri mezzi diversi da quelli consigliati dal costruttore.
- Non danneggiare il circuito refrigerante.
- Non guardare direttamente la lampadina LED per un lungo periodo di tempo.
  - In caso contrario i raggi ultravioletti potrebbero causare un affaticamento della vista.

- Non inserire i ripiani alla rovescia. I fine corsa dei ripiani non funzionerebbero.
  - Ciò potrebbe causare lesioni personali causate dalla caduta dei ripiani in vetro.
- Tenere le dita lontano dalle aree di "possibile schiacciamento". Lo spazio tra le porte e la struttura è necessariamente ristretto. Prestare attenzione all'apertura delle porte in presenza di bambini.
- Se si rileva una perdita di gas, evitare l'uso di fiamme libere o potenziali fonti di accensione nei pressi e aerare il locale per alcuni minuti.
  - Non toccare né l'apparecchio né il cavo di alimentazione.
  - Non utilizzare ventilatori o aspiratori elettrici.
  - Una scintilla può causare una esplosione o un incendio.
- Utilizzare solo lampade LED fornite dal costruttore o dal centro assistenza.
- Riporre le bottiglie una vicina all'altra nel medesimo scomparto in modo che non possano cadere all'apertura della porta.
- Questo prodotto è inteso solo per la conservazione di alimenti in ambito domestico.
- Non tentare di riparare, disassemblare o modificare l'apparecchio autonomamente.
  - Eventuali modifiche non autorizzate possono provocare problemi di corretto funzionamento. Per ripristinare eventuali modifiche non autorizzate, verranno addebitati i costi delle parti di ricambio e della manodopera necessaria per la loro sostituzione.
- Non utilizzare fusibili diversi (quali cavi di rame, acciaio, ecc) diversi dai fusibili standard.
- Se l'apparecchio deve essere riparato o reinstallato, rivolgersi al più vicino centro di assistenza.
  - Il mancato rispetto di questa precauzione può causare scariche elettriche, incendio, malfunzionamenti del prodotto o lesioni.
- Se una lampadina a LED interna o esterna si brucia, contattare l'assistenza.

# Informazioni di sicurezza

---

- Qualora si avverta un odore di medicinale o si noti del fumo uscire dall'apparecchio, staccare la spina dalla presa e chiamare un Centro di assistenza Samsung Electronics.
  - Il mancato rispetto di questa precauzione può causare scariche elettriche o un incendio.
- Prima di sostituire le lampadine interne del frigorifero, scollegare l'apparecchio dalla presa elettrica.
  - In caso contrario, vi è il rischio di scariche elettriche.
- In caso di difficoltà nella sostituzione di una lampadina non a LED, rivolgersi ad un Centro di assistenza Samsung.
- Se il prodotto è dotato di lampadine LED, non disassemblare l'assieme coprilampada/lampada LED autonomamente.
  - Contattare un Centro di assistenza Samsung.
- Inserire saldamente la spina nella presa di corrente.
- Non utilizzare spine, prese di corrente o cavi di alimentazione danneggiati.
  - Ciò può portare a scariche elettriche o un incendio.

## Precauzioni per l'uso

---

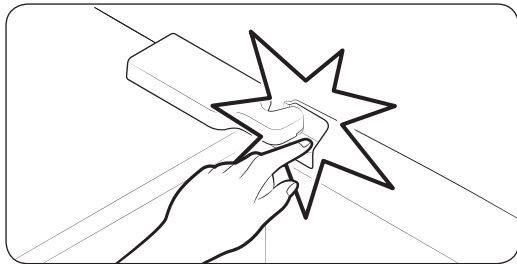
### **ATTENZIONE**

- Non congelare nuovamente cibi già scongelati. Non posizionare bevande gassate o effervescenti nel comparto del freezer. Non inserire bottiglie o bicchieri nel freezer.
  - Quando il contenuto ghiaccia infatti il vetro potrebbe rompersi provocando lesioni personali.
- Usare solo la macchina del ghiaccio fornita insieme al frigorifero.

- Per ottenere le migliori prestazioni dal prodotto:
  - Non collocare alimenti davanti alle aperture di ventilazione sul retro del frigorifero per evitare di ostruire la circolazione dell'aria all'interno del frigorifero.
  - Avvolgere i cibi adeguatamente o riporli in contenitori sottovuoto prima di conservarli nel frigorifero.
  - Non collocare bicchieri, bottiglie o bevande gassate nel freezer. Essi possono ghiacciare e rompersi. I contenitori di vetro rotti possono provocare lesioni.
  - Rispettare i tempi di conservazione massimi e le date di scadenza degli alimenti congelati.
- Non collocare bicchieri, bottiglie o bevande gassate nel freezer.
  - Questi contenitori potrebbero congelarsi e rompersi, provocando lesioni.
- Non posizionare bevande gassate o effervescenti nel comparto del freezer. Non inserire bottiglie o bicchieri nel freezer.
  - Durante il surgelamento del contenuto, il vetro potrebbe rompersi e causare lesioni personali e danni materiali.
- Garanzia di assistenza e modifiche.
  - Eventuali modifiche eseguite da terzi su questo apparecchio non saranno coperte dalla garanzia Samsung, inoltre Samsung non potrà essere ritenuta responsabile per problemi di sicurezza e danni risultanti da modifiche eseguite da terzi.
- Non ostruire le aperture di ventilazione situate all'interno del frigorifero.
  - Se le aperture di ventilazione sono ostruite, per esempio da un sacchetto di plastica, il frigorifero potrebbe raffreddarsi eccessivamente. Se il periodo di raffreddamento è troppo lungo, il filtro dell'acqua potrebbe rompersi e causare una perdita d'acqua.
- Usare solo la macchina del ghiaccio fornita insieme al frigorifero.

## Informazioni di sicurezza

- Asciugare all'interno l'umidità in eccesso e lasciare le porte aperte.
  - In caso contrario, all'interno possono svilupparsi cattivi odori e muffe.
- Se il frigorifero viene scollegato dalla presa elettrica, attendere almeno cinque minuti prima di collegarlo nuovamente.
- Se il frigorifero entra a contatto con l'acqua, scollegare la spina di alimentazione dalla presa di corrente e contattare il centro assistenza Samsung Electronics.
- Non urtare o applicare una forza eccessiva sulle superfici in vetro.
  - La rottura del vetro può provocare lesioni personali e/o danni alla proprietà.
- Riempire il serbatoio dell'acqua e le vaschette dei cubetti di ghiaccio con acqua potabile (acqua dall'acquedotto, acqua minerale o purificata).
  - Non riempire il serbatoio con tè o bevande sportive. Ciò potrebbe danneggiare il frigorifero.



- Prestare attenzione a non intrappolarsi le dita.

- Le lampadine del frigo e del freezer potrebbero spegnersi se le porte del frigo e del freezer rimangono aperte per più di 2 secondi.
  - Le lampadine si riaccenderanno una volta chiuse e riaperte le porte.
- Se sull'apparecchio è stata versata dell'acqua, contattare il più vicino centro di assistenza.
  - Sussiste il rischio di incendio o di scariche elettriche.



---

## Avvertenze per la pulizia

---

### **ATTENZIONE**

- Non spruzzare acqua direttamente sull'interno o l'esterno del frigorifero.
  - Pericolo di scariche elettriche o incendi.
- Non utilizzare un asciugacapelli per asciugare l'interno del frigorifero.
- Non collocarvi candele accese per eliminare i cattivi odori.
  - Ciò può portare a scariche elettriche o un incendio.
- Non spruzzare prodotti per la pulizia direttamente sul display.
  - Le lettere stampate sul display potrebbero non essere più visibili.
- Se sostanze estranee, per esempio acqua, penetrano all'interno dell'apparecchio, scollegare la spina di alimentazione e rivolgersi al più vicino centro di assistenza.
  - Il mancato rispetto di questa precauzione può causare scariche elettriche o un incendio.
- Usare un panno morbido e pulito per rimuovere eventuali sostanze estranee o polvere dai contatti della spina del cavo di alimentazione. Non utilizzare un panno bagnato o umido durante la pulizia della presa.
  - In caso contrario, sussiste il pericolo di scariche elettriche o incendi.
- Non pulire l'apparecchio spruzzandovi direttamente sopra acqua.
- Non usare benzene, diluenti o prodotti per la pulizia quali Clorox o a base di cloruro.
  - L'uso di questi prodotti potrebbe danneggiare la superficie dell'apparecchio e causare un incendio.
- Non inserire mai le dita o altri oggetti nel foro del dispenser.
  - Ciò potrebbe causare lesioni personali o danni materiali.
- Prima di eseguire la pulizia o la manutenzione dell'apparecchio, scollegare la spina dalla presa di corrente.
  - Il mancato rispetto di questa precauzione può causare scariche elettriche o un incendio.



# Informazioni di sicurezza

---

## Importanti avvertenze per la pulizia

---

### **AVVERTENZA**

- Si raccomanda di smaltire e riciclare i materiali di imballaggio di questo prodotto secondo quanto previsto dalle norme vigenti.
- Verificare l'integrità delle tubazioni sul retro dell'apparecchio prima di smaltirlo.
- Come refrigerante vengono utilizzati i gas R-600a o R-134a. Controllare l'etichetta del compressore sul retro dell'apparecchio e l'etichetta della potenza nominale all'interno del frigorifero per vedere il tipo di refrigerante utilizzato. Se il prodotto contiene gas infiammabile (refrigerante R-600a), contattare l'ente locale preposto per lo smaltimento sicuro di questo prodotto.
- Per lo smaltimento di questo prodotto o di altri frigoriferi, rimuovere le porte, le guarnizioni e le chiusure delle porte in modo che bambini o animali non possano rimanere intrappolati all'interno. Sorvegliare i bambini affinché non giochino con l'apparecchio. Se i bambini rimangono intrappolati all'interno dell'apparecchio, possono morire per soffocamento.
  - Se un bambino, giocando, rimane intrappolato all'interno dell'apparecchio potrebbe ferirsi e morire per soffocamento.
- L'isolante utilizzato è il ciclopentano. I gas contenuti nel materiale isolante richiedono speciali procedure di smaltimento. Contattare l'autorità locale competente per informazioni sul corretto smaltimento di questo prodotto.
- Tenere tutti i materiali di imballaggio lontano dalla portata dei bambini, poiché possono essere pericolosi.
  - Qualora un bambino inserisca la testa in uno di essi, potrebbe soffocare.



## Ulteriori suggerimenti per un uso corretto

- In caso di interruzione di corrente, chiamare la compagnia elettrica locale e chiedere il tempo previsto per il ripristino dell'elettricità.
  - La maggior parte delle interruzioni elettriche ripristinate in una o due ore non hanno alcuna influenza sulla temperatura interna del frigorifero. Tuttavia, durante l'interruzione di corrente limitare al minimo l'apertura del frigorifero.
  - Se l'interruzione di corrente si protrae per oltre 24 ore, rimuovere tutti i surgelati dal freezer.
- Il frigorifero potrebbe funzionare in modo costante (i cibi surgelati possono sciogliersi o le temperature del reparto dei surgelati possono innalzarsi troppo) se posizionato a lungo in un luogo dove la temperatura dell'aria è costantemente inferiore alle temperature operative per le quali il frigorifero è stato progettato.
- La conservazione in frigorifero di alcuni alimenti particolari può comportarne un deterioramento a causa delle loro proprietà intrinseche.
- L'apparecchio è di tipo "frost free"; ciò significa che non è necessario sbrinarlo manualmente poiché tale operazione è automatica. Tale operazione verrà effettuata automaticamente.
- L'aumento di temperatura per lo sbrinamento è conforme ai requisiti ISO. Per prevenire un inopportuno aumento della temperatura dei cibi surgelati durante lo sbrinamento dell'apparecchio, avvolgere i cibi congelati in diversi strati di giornali.
- Non congelare nuovamente cibi già scongelati.
- La temperatura di comparti o sezioni a due stelle, contrassegnati dal simbolo (☆☆), è lievemente superiore rispetto a quella di altri comparti freezer.

La posizione delle sezioni e dei comparti a due stelle può variare pertanto fare riferimento alle istruzioni e/o alle condizioni di vendita.



# Informazioni di sicurezza

---

## Consigli per risparmiare energia

---

- Installare l'apparecchio in un luogo fresco, asciutto e dotato di adeguata ventilazione. Accertarsi che non sia esposto a luce solare diretta e non sia installato vicino a una fonte diretta di calore (un calorifero, ad esempio).
- Si raccomanda di non ostruire le ventole e le griglie di ventilazione per garantire l'efficienza energetica.
- Lasciare che il cibo caldo si raffreddi prima di riporlo nell'apparecchio.
- Per scongelare i surgelati, collocarli in frigorifero. Le basse temperature dei surgelati consentono inoltre di rinfrescare ulteriormente gli alimenti presenti in frigorifero.
- Nel riporre o estrarre gli alimenti, non tenere per molto tempo la porta aperta. Minore è il tempo in cui viene lasciata aperta la porta, minore sarà la quantità di brina accumulata all'interno del freezer.
- Si consiglia di installare il frigorifero mantenendo dello spazio sul retro e sui lati. Ciò consentirà di ridurre sia il consumo energetico sia il costo della bolletta elettrica.
- Per i migliori risultati in termini di efficienza energetica, tenere tutti gli accessori interni quali cestelli, cassette e ripiani nella posizione indicata dal costruttore.

## Questo apparecchio è progettato per un uso domestico o applicazioni simili quali

---

- angoli cottura per il personale di punti vendita, uffici e altri ambienti lavorativi;
- fattorie/aziende agricole e per l'uso dei clienti in hotel, motel e altri ambiti residenziali;
- bed and breakfast;
- catering e applicazioni simili non-retail.

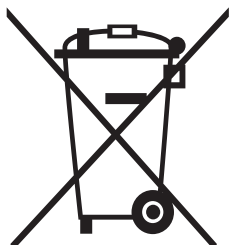




---

## Informazioni sul simbolo WEEE (RAEE)

---



Corretto smaltimento del prodotto (rifiuti elettrici ed elettronici)  
(Applicabile nei Paesi con sistemi di raccolta differenziata)

Il simbolo riportato sul prodotto, sugli accessori o sulla documentazione indica che il prodotto e i relativi accessori elettronici (quali caricabatterie, cuffia e cavo USB) non devono essere smaltiti con altri rifiuti al termine del ciclo di vita. Per evitare eventuali danni all'ambiente o alla salute causati dallo smaltimento dei rifiuti non corretto, si invita l'utente a separare il prodotto e i suddetti accessori da altri tipi di rifiuti, conferendoli ai soggetti autorizzati secondo le normative locali.

Gli utenti domestici, in alternativa alla gestione autonoma di cui sopra, potranno consegnare l'apparecchiatura che si desidera smaltire al rivenditore, al momento dell'acquisto di una nuova apparecchiatura di tipo equivalente. Presso i rivenditori di prodotti elettronici con superficie di vendita di almeno 400 m<sup>2</sup> è inoltre possibile consegnare gratuitamente, senza obbligo di acquisto, i prodotti elettronici da smaltire con dimensioni inferiori a 25 cm.

Gli utenti professionali (imprese e professionisti) sono invitati a contattare il proprio fornitore e verificare i termini e le condizioni del contratto di acquisto. Questo prodotto e i relativi accessori elettronici non devono essere smaltiti unitamente ad altri rifiuti commerciali.

Per informazioni sull'impegno di Samsung ai fini della salvaguardia ambientale e sugli obblighi normativi relativi a ciascun prodotto, come per esempio il REACH, vogliate visitare il sito [samsung.com/uk/aboutsamsung/samsungelectronics/corporatecitizenship/data\\_corner.html](https://samsung.com/uk/aboutsamsung/samsungelectronics/corporatecitizenship/data_corner.html)

(Solo per i prodotti venduti nei paesi dell'Unione europea)



# Installazione

Seguire queste istruzioni con cura per garantire una corretta installazione del frigorifero ed in modo da evitare incidenti prima dell'uso.

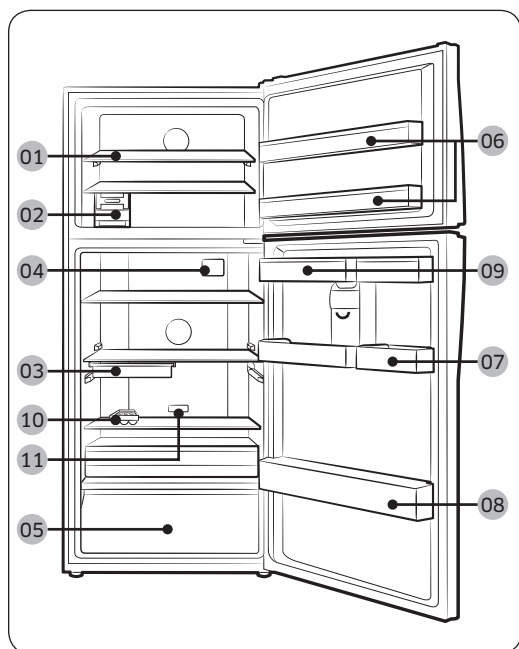
## **⚠ AVVERTENZA**

- Utilizzare l'apparecchio solo per lo scopo per il quale è stato prodotto, come descritto in questo manuale.
- Una eventuale assistenza deve essere eseguita da un tecnico qualificato.
- Disporre i materiali da imballaggio secondo quanto prescritto dalle vigenti normative sullo smaltimento.

## Il frigorifero in breve

### **📄 NOTA**

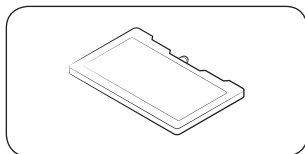
Le immagini effettive e le parti dei componenti forniti del frigorifero possono variare in base al modello ed al paese di acquisto.



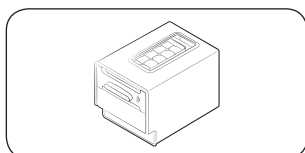
- 01 Ripiano-Fre
- 02 Macchina del ghiaccio
- 03 Cassetto Deli \*
- 04 A/Protezione antibatterica\*
- 05 Comparto verdure \*
- 06 Balconcino inferiore
- 07 Balconcino multiuso
- 08 Balconcino per bottiglie
- 09 Serbatoio acqua \*
- 10 Balconcino uova
- 11 Deodorante \*

\* solo modelli applicabili

## Accessori opzionali \*



**Cool pack:** Aiuta a mantenere freddo il frigorifero.



**Macchina del ghiaccio** Usata per formare il ghiaccio.

\* Il frigorifero potrebbe non prevedere tutti gli accessori opzionali elencati sopra. La dotazione degli accessori dipende dal modello e dal paese di acquisto.

### Per garantire maggiore spazio di conservazione nel comparto freezer

Estrarre il ripiano superiore, che è separabile manualmente, senza l'uso di alcun attrezzo.

- La rimozione del ripiano superiore non influenza le prestazioni termiche e meccaniche del freezer.
- Per rimuovere entrambe le vaschette di ghiaccio, rimuovere prima la vaschetta di destra (applicabile ai modelli Ice Max).
- Per una maggiore efficienza energetica, assicurarsi che tutti i ripiani, i cassetti ed i cestelli siano nella loro posizione originale.

# Installazione

## Passaggi di installazione

### PASSAGGIO 1 Selezionare una posizione

Requisiti della posizione:

- La superficie di appoggio deve essere solida, piana e priva di moquette o tappeti in grado di ostruire la ventilazione
- Non deve essere esposta a luce solare diretta.
- Spazio adeguato per l'apertura e la chiusura della porta
- Non deve essere esposta a fonti di calore
- Spazio per la manutenzione e l'assistenza
- Intervallo temperature: tra 10°C e 43°C

#### Temperatura di funzionamento effettivo

Il frigorifero è stato progettato per funzionare normalmente all'interno dell'intervallo di temperature indicato per la sua classe energetica.

Classe	Simbolo	Intervallo temperatura ambiente (°C)	
		IEC 62552 (ISO 15502)	ISO 8561
Temperata estesa	SN	da +10 a +32	da +10 a +32
Temperata	N	da +16 a +32	da +16 a +32
Subtropicale	ST	da +16 a +38	da +18 a +38
Tropicale	T	da +16 a +43	da +18 a +43

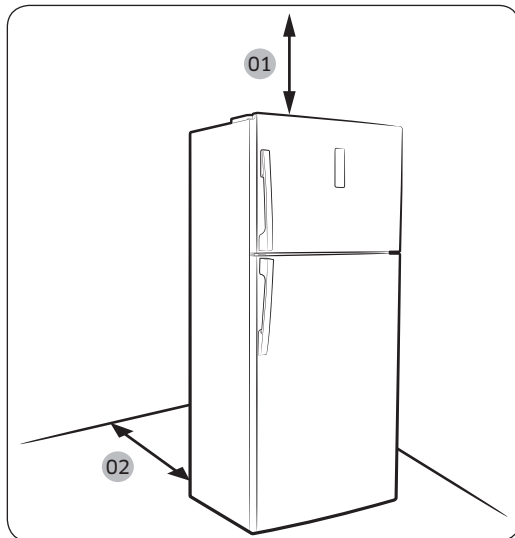
#### **NOTA**

Le prestazioni di raffreddamento ed il consumo energetico del frigorifero potrebbero essere influenzati dalla temperatura ambientale, la frequenza di apertura della porta e la posizione del frigorifero. Regolare la temperatura in base alle proprie necessità.



## Spazio

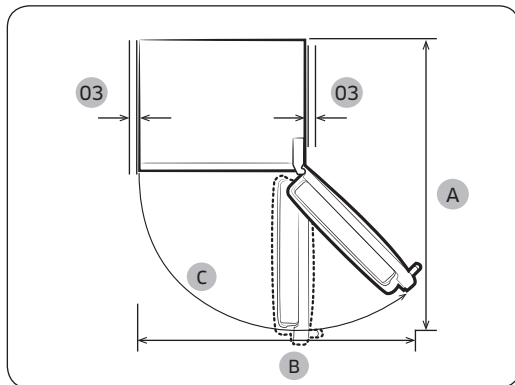
Per i requisiti di spazio per l'installazione vedere le figure e la tabella sotto.



Modello	A	B	C
RT58	1507	1352	120°
RT62	1507	1352	120°

(unità: mm)

- 01** 100 mm
- 02** 50 mm
- 03** min 50 mm



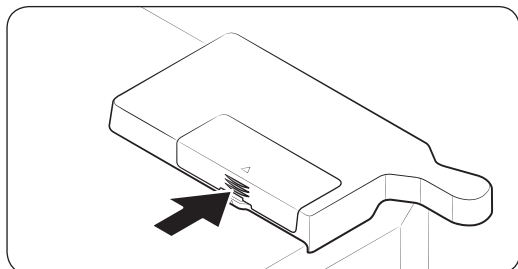
## PASSAGGIO 2 Connessione WiFi

È possibile controllare il frigorifero da remoto usando la chiavetta Smart venduta a parte. Per acquistare la chiavetta Smart, visitare la pagina [www.samsung.com](http://www.samsung.com) e seguire le informazioni di prodotto relative alla chiavetta.

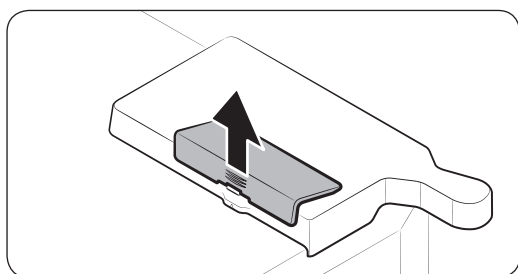
### ⚠ ATTENZIONE

- Esistono due tipi di chiavette Samsung Smart Home Dongle: una dedicata agli Smart TV Samsung, mentre l'altra dedicata ai dispositivi domestici Samsung.
- È necessario acquistare la chiavetta Samsung Smart Home Dongle dedicata ai dispositivi domestici. Chiavette diverse potranno generare errori di sistema.

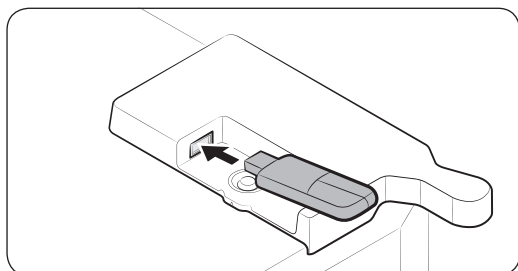
# Installazione



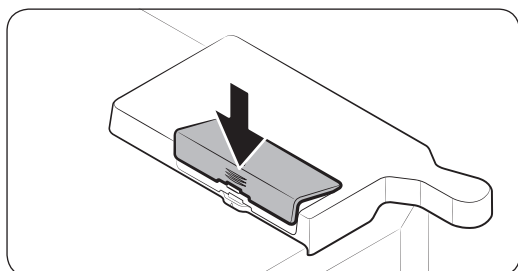
1. Premere per sbloccare l'area indicata dalla freccia del coperchio della chiavetta.



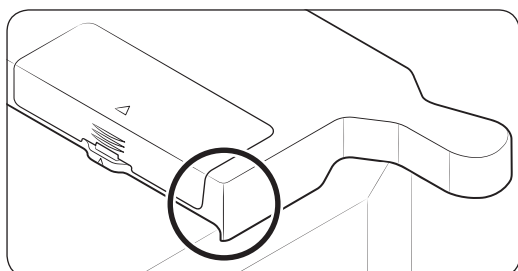
2. Aprire il coperchio della chiavetta.



3. Inserire la chiavetta Smart nell'apposito alloggiamento nella direzione corretta.



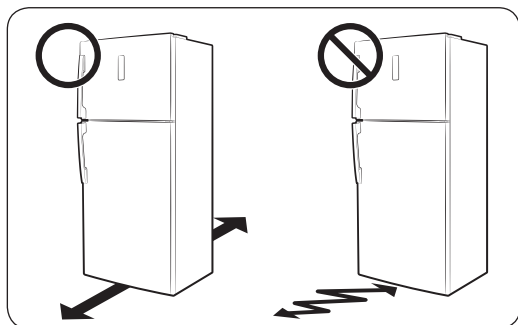
4. Inserire prima il lato superiore del coperchio della chiavetta, quindi premere come indicato per bloccare il coperchio.



## **NOTA**

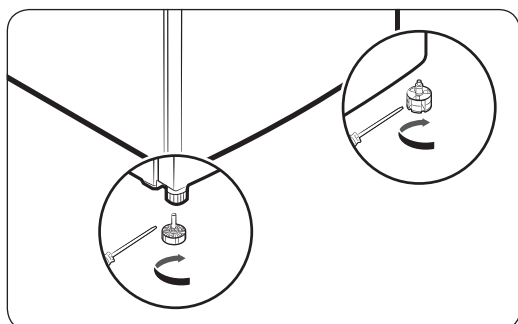
L'area contrassegnata indica il coperchio della chiavetta opzionale, e non una crepa o un difetto.

### PASSAGGIO 3 Superficie di appoggio

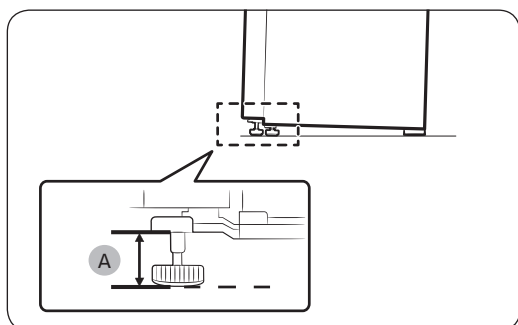


- La superficie sulla quale appoggiare il frigorifero deve essere in grado di sostenere il peso del frigorifero a pieno carico, oppure circa 100 kg.
- Per proteggere il pavimento, inserire un listello di legno sotto ogni piedino.
- Una volta posizionato il frigorifero nella sua posizione definitiva, non spostarlo, a meno che non sia necessario, in modo da salvaguardare il pavimento. Se necessario, usare un foglio di carta spesso o del tessuto come un vecchio tappeto per facilitare lo spostamento.

### PASSAGGIO 4 Regolazione dei piedini di appoggio



Livellare il frigorifero regolando manualmente i piedini. Ruotare il piedino di regolazione in senso orario per abbassare il frigorifero o antiorario per sollevarlo.



Alzare i piedini fino ad almeno 35 mm (A) dal pavimento come mostrato in figura.

# Installazione

---

## **PASSAGGIO 5** Impostazioni iniziali

---

Completando i seguenti passaggi, il frigorifero sarà pienamente operativo.

1. Inserire il cavo di alimentazione in una presa elettrica a muro per accenderlo.
2. Aprire la porta e controllare che la luce interna si sia accesa.
3. Impostare la temperatura sul valore più freddo e attendere un'ora. Il freezer si raffredderà moderatamente e il motore girerà regolarmente.
4. Attendere fino a quando il frigorifero abbia raggiunto la temperatura impostata. Il forno è ora pronto per l'uso.

## **PASSAGGIO 6** Controllo finale

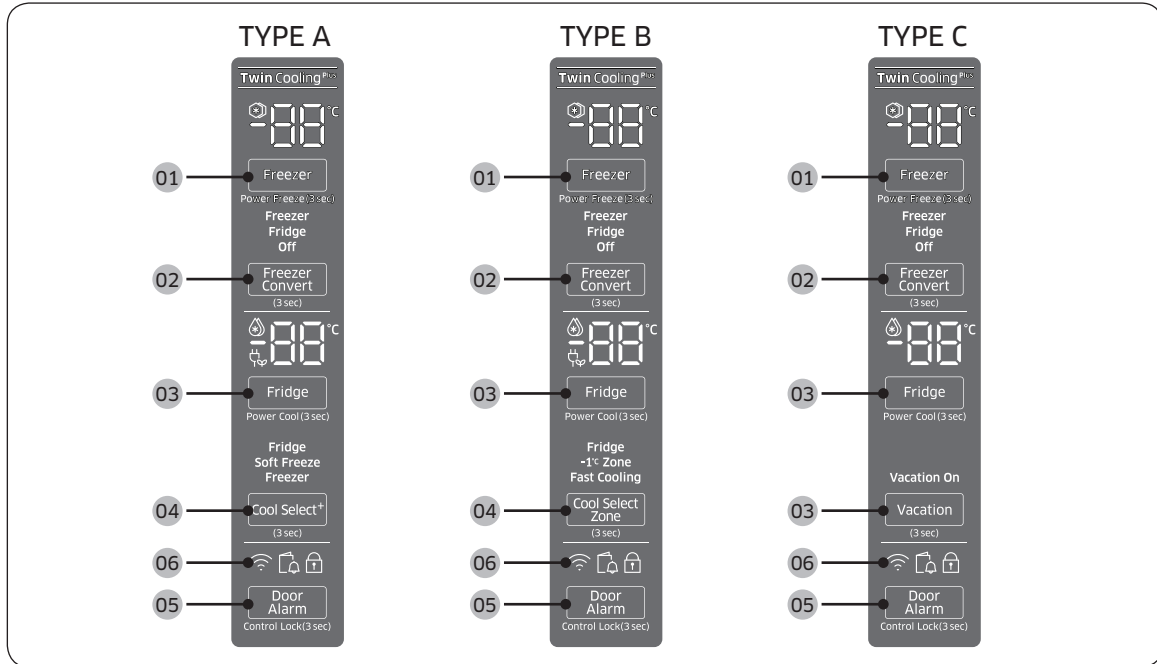
---

Al termine dell'installazione, accertarsi che:

- Il frigorifero sia collegato ad una presa elettrica e sia dotato di una opportuna messa a terra.
- Il frigorifero sia installato su una superficie piana e livellata con sufficiente spazio dalla parete o dal mobile.
- Il frigorifero sia livellato e stabilmente posizionato sul pavimento.
- La porta si apra e si chiuda liberamente e la luce interna si accenda automaticamente all'apertura della porta.

# Funzionamento

## Pannello funzioni



**01** Freezer / Power Freezer  
(Congelamento rapido)

**02** Freezer Convert (Convers.  
freezer)

**03** Fridge (Frigido) / Power Cool  
(Raffreddamento rapido) /  
Vacation (Vacanze)

**04** Cool Select+ / Cool Select  
Zone (Zona Cool Select)  
(solo modelli Tipo A e Tipo  
B)

**05** Door Alarm (Allarme porta)  
/ Control Lock (Blocco  
controlli)

**06** Connessione rete (solo  
modelli applicabili)

# Funzionamento

## 01 Freezer / Congelamento rapido

Freezer	<p>Il tasto <b>Freezer</b> può essere utilizzato per impostare la temperatura del freezer. Intervallo temperature disponibile: tra -15 °C e -23 °C</p> <p><b>⚠ ATTENZIONE</b></p> <ul style="list-style-type: none"><li>• Al fine di prevenire eventuali malfunzionamenti o il guastarsi dei cibi, non impostare la temperatura -15 °C durante l'estate (sopra i 35 °C).</li><li>• Non conservare bottiglie di vetro contenente liquidi nel freezer. Le bottiglie in vetro possono creparsi o rompersi al congelarsi del contenuto liquido.</li></ul>
Power Freezer (Congelamento rapido)	<p>La funzione Power Freezer (Congelamento rapido) accelera il processo di congelamento attivando la massima velocità di ventilazione. Il freezer continua a funzionare al massimo per diverse ore quindi torna alla temperatura precedente.</p> <ul style="list-style-type: none"><li>• Per attivare la funzione Power Freezer (Congelamento rapido), tenere premuto il tasto <b>Freezer</b> per 3 secondi. La corrispondente spia (🔆) si illumina, ed il frigorifero accelera il processo di raffreddamento.</li><li>• Per disattivarla, tenere premuto nuovamente il tasto <b>Freezer</b> per 3 secondi. Il freezer torna all'impostazione di temperatura precedente.</li><li>• Per congelare grandi quantità di cibo, attivare la funzione Power Freezer (Congelamento rapido) per almeno 20 ore prima di inserire il cibo nel freezer.</li><li>• Il freezer continua a funzionare al massimo per 50 ore quindi torna alla temperatura precedente.</li></ul> <p><b>📄 NOTA</b></p> <p>L'uso della funzione Power Freezer (Congelamento rapido) aumenta il consumo energetico. Accertarsi di disattivarla per tornare all'impostazione di temperatura precedente qualora non si desideri utilizzarla.</p>

## 02 Convers. freezer

<b>Freezer Convert (Convers. freezer)</b>	<p>È possibile utilizzare l'intero frigorifero in modalità Fridge (Frigo) o disattivando il freezer.</p> <p>Per cambiare la modalità predefinita freezer tenere premuto il tasto <b>Freezer Convert (Convers. freezer)</b> per 3 secondi per accedere alla modalità di selezione. Quindi premere <b>Freezer Convert (Convers. freezer)</b> per impostare la modalità desiderata.</p> <p>La modalità cambia seguendo questa sequenza: Fridge (Frigo) → Off → Freezer → Off → Fridge (Frigo).</p> <ul style="list-style-type: none"><li>• Selezionando Fridge (Frigo), si accenderà la spia Fridge (Frigo). La funzione di Power Freezer (Congelamento rapido) verrà disattivata se attiva e Ice On (Ghiaccio on) verrà disattivata se attiva.</li><li>• Selezionando Off, si accenderà la spia Off. Il freezer verrà disattivato.</li><li>• Selezionando la modalità Freezer, le spie indicanti il Freezer si accenderanno in base alla selezione effettuata. La temperatura predefinita del freezer è -19 °C.</li></ul> <p>Le modifiche verranno memorizzate ed attivate dopo 10 secondi. Per annullare o modificare nuovamente la modalità, tenere premuto <b>Freezer Convert (Convers. freezer)</b> per 3 secondi. Quindi seguire le istruzioni riportate sopra.</p> <p><b>NOTA</b></p> <ul style="list-style-type: none"><li>• Tenendo premuto il tasto <b>Freezer Convert (Convers. freezer)</b> per 3 secondi, il frigorifero attiverà la modalità di selezione nella quale sarà possibile premere <b>Freezer Convert (Convers. freezer)</b> per impostare una diversa modalità.</li><li>• Quando le funzioni di refrigerazione e di congelamento sono impostate a 'Off', la temperatura del frigorifero o del freezer rimane al di sotto dei 15 °C in modo da evitare lo scongelamento e l'emissione di odori, con un basso consumo energetico.</li><li>• Il frigorifero ed il freezer non possono essere spenti separatamente.</li><li>• Non conservare cibo o bevande quando le funzioni di refrigerazione e congelamento sono impostate in modalità 'Off'. 15 °C non è una temperatura sufficientemente bassa per impedire che i cibi si guastino.</li></ul>
---	---

# Funzionamento

## AVVERTENZA

- Non conservare bottiglie di vetro contenente liquidi nel freezer. Annullando la funzione Freezer Convert (Convers. freezer), le bottiglie di vetro potrebbero rompersi o creparsi nel freezer.
- Accertarsi di estrarre i cibi congelati dal freezer prima di attivare la funzione Freezer Convert (Convers. freezer). I cibi congelati si scongelano e si guastano con l'aumentare della temperatura (la modalità varia da Freezer a Frigo (Frigo)).
- Accertarsi di estrarre i cibi freddi dal freezer prima di disattivare la funzione Freezer Convert (Convers. freezer). I cibi freddi possono congelare con la diminuzione della temperatura (la modalità varia da Frigo (Frigo) a Freezer).

## NOTA

Per usare la funzione Freezer Convert (Convers. freezer), è fortemente consigliato di usare contenitori in plastica per conservare il cibo, in particolare per le verdure.

### 03 Frigo / Raffreddamento rapido / Vacanze


Frigo (Frigo)	<p>Per regolare la temperatura del frigorifero premere il tasto <b>Frigo (Frigo)</b> fino a raggiungere la temperatura corrispondente. La temperatura è selezionabile in valori tra 1 °C e 7 °C (predefinita: 3 °C).</p> <p> <b>ATTENZIONE</b></p> <ul style="list-style-type: none"><li>• Durante l'inverno non impostare la temperatura a 1 °C poiché potrebbe influenzare la capacità di raffreddamento.</li><li>• Durante l'estate non impostare la temperatura a 5-7 °C poiché potrebbe influenzare la capacità di raffreddamento.</li></ul>
Power Cool (Raffreddamento rapido)	<p>Power Cool (Raffreddamento rapido) accelera il processo di raffreddamento attivando la massima velocità di ventilazione. Il frigorifero continua a funzionare al massimo per diverse ore quindi torna alla temperatura precedente.</p> <ul style="list-style-type: none"><li>• Per attivare la funzione Power Cool (Raffreddamento rapido), tenere premuto il tasto <b>Frigo (Frigo)</b> per 3 secondi. La corrispondente spia  si illumina, ed il frigorifero accelera il processo di raffreddamento.</li><li>• Per attivare la funzione Power Cool (Raffreddamento rapido), tenere nuovamente premuto il tasto <b>Frigo (Frigo)</b> per 3 secondi. Il frigorifero torna all'impostazione di temperatura precedente.</li></ul> <p> <b>NOTA</b></p> <p>L'uso della funzione Power Cool (Raffreddamento rapido) aumenta il consumo energetico. Accertarsi di disattivarla per tornare all'impostazione di temperatura precedente qualora non si desideri utilizzarla.</p>



## Vacation (Vacanze)

Se ci si assenta per lungo tempo per una vacanza o un viaggio di lavoro o non si intende utilizzare il frigorifero per diverso tempo, usare la modalità Vacation (Vacanze).

### (solo modelli Tipo A e Tipo B)

- Per attivare la modalità Vacation (Vacanze), premere **Fridge (Frigo)** con l'indicatore visualizzante 1 °C selezionato. La spia della funzione (  ) si accende mentre l'indicazione della temperatura si spegnerà. Anche il display dei modelli Tipo A (Cool Select+) e Tipo B (Cool Select Zone (Zona Coll Select)) si spegnerà. La temperatura del frigorifero verrà impostata sotto i 15 °C, ma il freezer rimarrà attivo così come precedentemente impostato.
- Per disattivare la modalità Vacation (Vacanze), premere nuovamente il tasto **Fridge (Frigo)**. La temperatura del frigorifero verrà ripristinata a 7 °C. Da notare che i modelli Tipo A (Cool Select+) e Tipo B (Cool Select Zone (Zona Coll Select)) ripristinano le impostazioni di temperatura del frigorifero.

### (solo modelli Tipo C)

- Per attivare la modalità Vacation (Vacanze), tenere premuto il tasto **Vacation (Vacanze)** per 3 secondi. La spia della funzione Vacation On (Vacanze On) si accende mentre l'indicazione della temperatura del frigorifero si spegnerà. La temperatura del frigorifero verrà impostata sotto i 15 °C, ma il freezer rimarrà attivo così come precedentemente impostato.
- Per disattivare la modalità Vacation (Vacanze), tenere premuto nuovamente il tasto **Vacation (Vacanze)** per 3 secondi. Il frigorifero torna all'impostazione di temperatura precedente.

### **NOTA**

Si consiglia fortemente di vuotare i compartimenti del frigorifero ed assicurarsi che la porta sia ben chiusa.

Per i modelli dotati di Cool Select+/Cool Select Zone (Zona Cool Select), la modalità Vacation (Vacanze) imposta la temperatura al di sotto dei 15 °C come quella del frigorifero. Tuttavia, la relativa spia si spegne, in base al modello.

# Funzionamento

## 04 Cool Select+ / Zona Cool Select

<b>Cool Select+ (TIPO A)</b>	<p>Tenere premuto il tasto <b>Cool Select+</b> per 3 secondi. Quindi premere nuovamente per selezionare la modalità desiderata. Si accende la relativa spia.</p> <ul style="list-style-type: none"><li>• <b>Fridge (Frigo)</b> Se selezionata, la Cool Select Zone (Zona Cool Select) verrà impostata a 3 °C.</li><li>• <b>Soft Freeze (Congelamento leggero)</b> Se selezionata, la Cool Select Zone (Zona Cool Select) verrà impostata a -5 °C. Tale impostazione è utile per conservare carne e/o pesce per un lungo periodo di tempo.</li><li>• <b>Freezer</b> Se selezionata, la Cool Select Zone (Zona Cool Select) verrà impostata a -12 °C. Tale impostazione è utile per conservare verdure congelate per un lungo periodo di tempo.</li></ul>
<b>Cool Select Zone (Zona Cool Select) (TIPO B)</b>	<p>Tenere premuto il tasto <b>Cool Select Zone (Zona Cool Select)</b> per 3 secondi. Quindi premere nuovamente per selezionare la modalità desiderata. Si accende la relativa spia.</p> <ul style="list-style-type: none"><li>• <b>Fridge (Frigo)</b> Se selezionata, la Cool Select Zone (Zona Cool Select) verrà impostata a 3 °C.</li><li>• <b>-1 °C Zone (Zona -1 °C)</b> Se selezionata, la Cool Select Zone (Zona Cool Select) verrà impostata a -1 °C. Tale impostazione è utile per conservare cibi deperibili.</li><li>• <b>Fast Cooling (Raffreddamento rapido)</b> Selezionare questa funzione se si desidera raffreddare rapidamente i cibi. La Cool Select Zone (Zona Cool Select) raffredderà i cibi alla massima velocità per 60 minuti.</li></ul>

## 05 Allarme porta / Blocco controlli

Door Alarm (Allarme porta)	È possibile impostare l'allarme per un promemoria. Se la porta viene lasciata aperta per oltre 2 minuti, l'allarme suonerà e la spia Alarm (Allarme) lampeggerà. È possibile attivare e disattivare la funzione premendo sul tasto <b>Door Alarm (Allarme porta)</b> . L'allarme è attivo come impostazione predefinita dalla fabbrica.
Control Lock (Blocco controlli)	Al fine di evitare manipolazioni accidentali, tenere premuto <b>Door Alarm (Allarme porta)</b> per 3 secondi per attivare la funzione Control Lock (Blocco controlli). Tutti i controlli verranno disabilitati con la spia (🔒) accesa. Per disattivare la funzione, tenere premuto nuovamente il tasto per 3 secondi. I controlli torneranno disponibili.
Device authentication (Autenticazione dispositivo)	Collegando il frigorifero alla App Samsung Smart Home o ai dispositivi Smart Samsung come i TV Smart, seguire le istruzioni visualizzate sullo schermo della app o del dispositivo e tenere premuto <b>Door Alarm (Allarme porta)</b> per 5 secondi. Il pannello della temperatura visualizza "on" per 5 secondi prima di procedere alla procedura di autenticazione. Da notare che la funzione Door Alarm (Allarme porta) non sarà influenzata da questa autenticazione.



# Funzionamento

---

## 06 Connessione di rete (solo modelli applicabili)

È possibile usare la chiavetta Smart opzionale (venduta a parte) per controllare e monitorare il frigorifero mediante la app Samsung Smart Home. Per maggiori informazione sulla chiavetta Smart, vedere la sezione Samsung Smart Home.

### **NOTA**

- Tra i sistemi di crittografia consigliati vi sono WPA/TKIP e WPA2/AES. Eventuali protocolli Wi-Fi nuovi o non standard non sono supportati.
- Le reti wireless possono essere influenzate dagli ambienti di comunicazione wireless circostanti.
- Se il Internet service provider ha effettuato la registrazione dell'indirizzo MAC del vostro PC o modem ai fini identificativi, il vostro frigorifero Samsung Smart potrebbe non riuscire a connettersi ad Internet. In tale caso, contattare il Internet service provider per richiedere assistenza tecnica.
- Le impostazioni di firewall del vostro sistema di rete può impedire al vostro frigorifero Samsung Smart di accedere ad Internet. In tale caso, contattare il Internet service provider per richiedere assistenza tecnica. Qualora tale sintomo persista, contattare un Centro di assistenza Samsung locale o un rivenditore.
- Per configurare le impostazioni del router wireless (AP), vedere il manuale dell'utente del router.
- I frigoriferi Samsung Smart dotati del supporto Samsung per chiavette Smart supportano sia il protocollo Wi-Fi 2,4 GHz con IEEE 802.11 b/g/n sia Soft-AP (si consiglia IEEE 802.11 n).
- I router Wi-Fi non approvati possono non riuscire a collegarsi ai frigoriferi Samsung Smart dotati di questa funzione.

## Samsung Smart Home (solo modelli applicabili)

---

### Installazione

Visitare il Google Play Store o il Apple App Store e cercare "Samsung Smart Home". Scaricare e installare la app Samsung Smart Home fornita da Samsung Electronics sul proprio dispositivo smart.

### **NOTA**

- La app Samsung Smart Home supporta i sistemi operativi Android 4.0 (ICS) o versioni successive o iOS 7.0 o successivo ed è ottimizzata per gli smartphone Samsung (serie Galaxy S e Galaxy Note). Su altro modelli di smartphone, alcune funzioni potrebbero comportarsi in modo diverso.
- Al fine di ottenere maggiori prestazioni, la app Samsung Smart Home è costantemente soggetta a modifiche senza preavviso, o ad una interruzione del supporto secondo le politiche di licenza del produttore.

### Account Samsung

Per utilizzare la app è necessario registrare un proprio account Samsung. Qualora non si disponga di un account Samsung, seguire le istruzioni visualizzate sullo schermo per crearne uno.





---

## Introduzione

1. Inserire la chiavetta Smart nella corrispondente porta del frigorifero.
2. Eseguire la app Samsung Smart Home ed accedere al proprio account Samsung. Agli utenti di iPhone viene richiesto di fornire le informazioni di login ad ogni accesso alla app.
3. Selezionare **Device (Dispositivo)** > l'icona + quindi **Refrigerator (Frigorifero)**.
4. Seguire le istruzioni visualizzate sullo schermo per fornire le informazioni necessarie sul router e selezionare **Next (Avanti)**.
5. Tenere premuto **Fridge (Frigo)** per più di 5 secondi fino alla comparsa del messaggio "AP" sul display. Il frigorifero verrà registrato nella app.
6. Una volta terminata la registrazione del dispositivo, l'icona del frigorifero comparirà nella app Samsung Smart Home.
7. Toccare l'icona del frigorifero per aprire la pagina del frigorifero.
8. Quando viene stabilita la connessione di rete, l'icona Wi-Fi si illumina nel proprio frigorifero.

## App del Frigorifero

### Controllo integrato

È possibile monitorare e controllare il proprio frigorifero in casa così come a distanza.

- Selezionare l'icona del frigo nella app Samsung Smart Home per aprire la pagina del frigorifero.
- Verificare lo stato operativo o le notifiche dal proprio frigorifero e cambiare le opzioni o impostazioni se necessario.

### **NOTA**

Alcune opzioni o impostazioni del frigorifero potrebbero non essere disponibili per essere controllate da remoto.

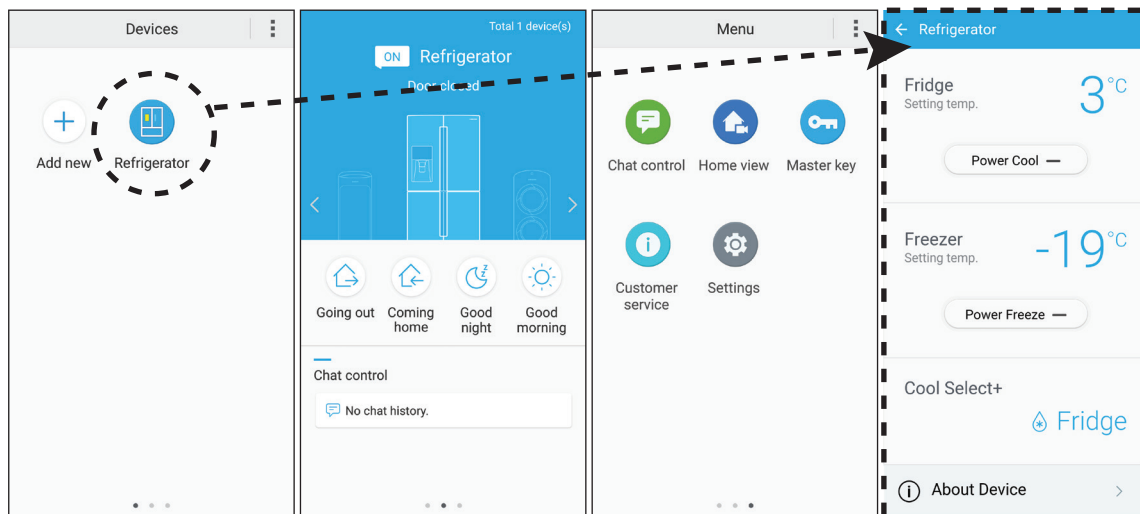


# Funzionamento

## Caratteristiche principali

Registrare gli apparecchi compatibili con i servizi Samsung Smart Home nel server Samsung Smart Home per effettuare il controllo da remoto.

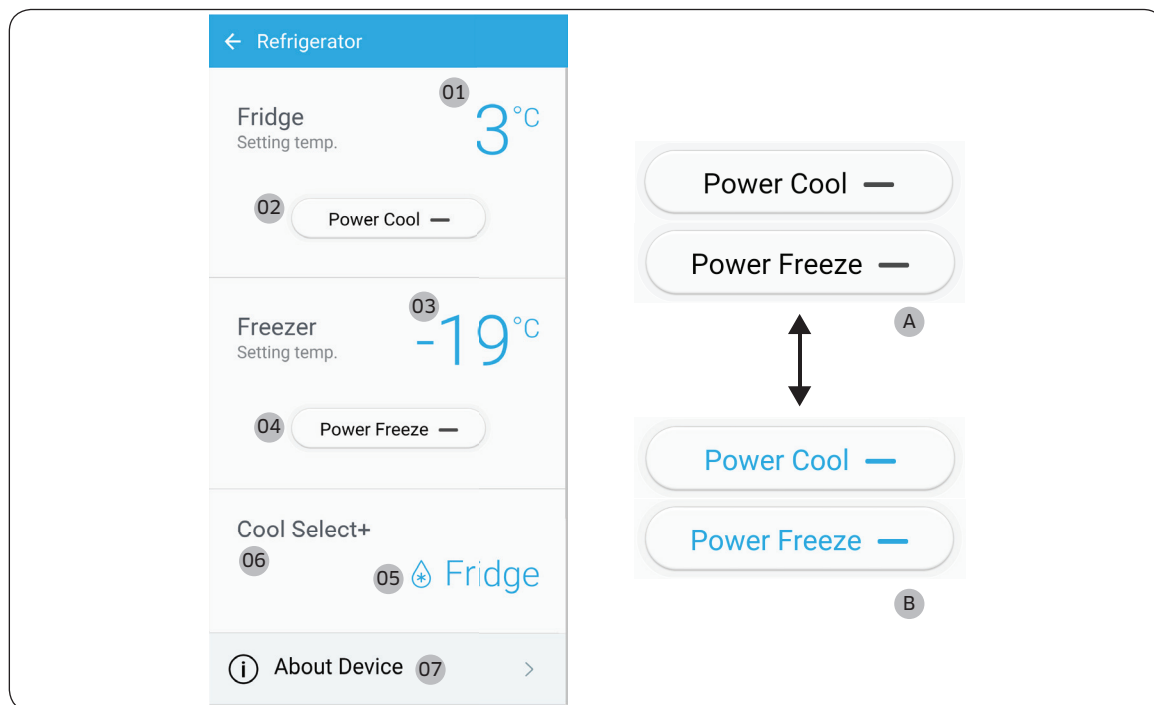
Panoramica del menu



- Selezionare **Refrigerator (Frigorifero)** per accedere alla pagina di impostazione del frigorifero.
- Scorrere per passare alla pagina successiva.

Chat Control (Controllo chat)	È possibile controllare i propri apparecchi Smart Home Samsung da remoto o controllarne lo stato operativo.
Home view (Vista casa) (solo modelli applicabili)	Usando la webcam incorporata di un dispositivo Samsung smart home, è possibile monitorare il proprio soggiorno. Questa funzione è disponibile solo nei modelli che la supportano.
Master key (Chiave principale)	La chiave principale è studiata per bloccare il sistema in seguito ad alcune azioni dell'utente, quali uscire di casa, tornare a casa, andare a letto la sera, svegliarsi al mattino. Questa funzione è disponibile solo nei modelli che la supportano.
Customer service (Assistenza clienti)	Il manuale dell'utente è scaricabile e le informazioni di contatto per l'assistenza cliente sono disponibili.
Settings (Impostazioni)	È possibile controllare il dispositivo collegato così come le informazioni sul software (versione e licenza open source) ed aggiungere dispositivi o selezionare un paese. È possibile simulare il funzionamento del dispositivo corrente a scopi dimostrativi.

## Impostazioni del frigorifero



A : Disabilitato (nero)

B : Abilitato (blu)

Fridge (Frigido)	<p><b>01</b> Visualizza la temperatura impostata del frigorifero.</p> <p><b>02</b> È possibile attivare e disattivare la modalità Power Cool (Raffreddamento rapido), e controllare le impostazioni correnti.</p>
Freezer	<p><b>03</b> Visualizza la temperatura impostata del freezer.</p> <p><b>04</b> È possibile attivare e disattivare la modalità Power Freeze (Congelamento rapido), e controllare le impostazioni correnti.</p>
Cool Select	<p><b>05</b> Visualizza le impostazioni della modalità corrente</p> <p><b>06</b> In base al modello, visualizza Cool Select+, Cool Select Zone (Zona Cool Select) o niente.</p>

# Funzionamento

---

<p>About Device (Informazioni sul dispositivo)</p>	<p><b>07</b> Visualizza le informazioni sul prodotto, compresa la versione corrente, la guida, il Self Check e l'Help Desk. Il manuale dell'utente è scaricabile e le informazioni di contatto per l'assistenza cliente sono disponibili.</p> <p><b>Self Check (Diagnosi auto)</b> Mediante la funzione Self Check (Diagnosi auto), è possibile rivedere i risultati della diagnosi del proprio frigorifero. In casi di un sintomo anomalo, Self Check (Diagnosi auto) visualizza un codice informativo che può essere utilizzato dalla assistenza clienti per comprendere la anomalia.</p>
--	---

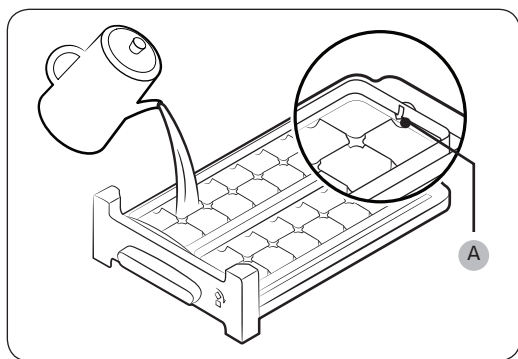


## Funzioni speciali

Le immagini effettive e le funzioni speciali del frigorifero possono variare in base al modello ed al paese di acquisto.

### Produzione ghiaccio (solo modelli applicabili)

#### Macchina del ghiaccio



1. Aprire lo sportello del freezer e aprire il contenitore del ghiaccio.
2. Riempire il contenitore con acqua fino a raggiungere il **livello massimo (A)** indicato sul retro del contenitore.
3. Reinscrivere il contenitore nel suo alloggiamento.

#### **NOTA**

Il tempo necessario per la produzione di ghiaccio dipende dalle impostazioni della temperatura interna.

#### **NOTA**

- Accertarsi che la vaschetta di raccolta del ghiaccio sia posizionata sotto il contenitore.
- Per erogare dei cubetti di ghiaccio, ruotare la leva verso destra per vuotare metà dei cubetti nel contenitore di raccolta. Quindi ruotare la leva verso sinistra per vuotare l'altra metà.
- Estrarre il contenitore ruotandolo leggermente e tirandolo verso di sé.

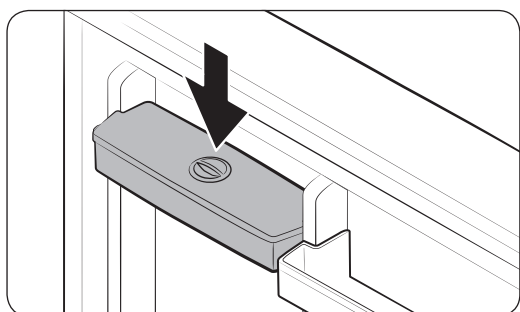
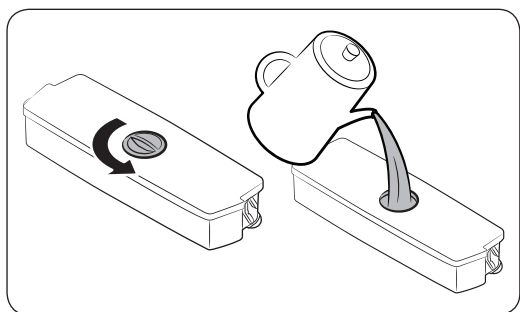
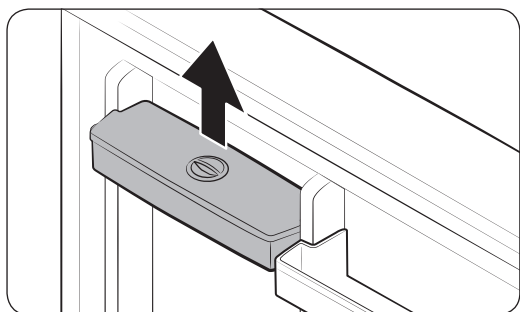
# Funzionamento

## Dispenser dell'acqua

Con il dispenser dell'acqua, è possibile erogare acqua fredda senza dover aprire la porta del frigorifero. Il serbatoio dell'acqua deve essere riempito con acqua potabile prima dell'uso.

### Per riempire il serbatoio dell'acqua con acqua potabile

Aprire la porta ed individuare il serbatoio dell'acqua situato nell'area dei balconcini.



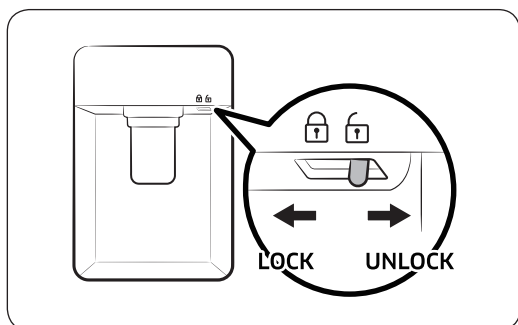
1. Afferrare il manico su entrambi i lati e sollevarlo per rimuoverlo.

2. Riempire il recipiente con acqua potabile per circa 2,8 litri. Per riempire l'acqua è possibile rimuovere il tappo superiore o l'intero coperchio.

### NOTA

Al primo utilizzo, pulire l'interno del serbatoio dell'acqua.

3. Riempire il serbatoio dell'acqua e chiudere la porta. Accertarsi che la bocchetta di erogazione del serbatoio dell'acqua sia rivolta verso avanti.



4. Porre un bicchiere d'acqua sotto la bocchetta del dispenser e premere delicatamente la leva del dispenser per erogare dell'acqua. Verificare che il rubinetto di erogazione dell'acqua sia aperto.

### **ATTENZIONE**

- Il dispenser dell'acqua è stato progettato per erogare acqua potabile. Riempire il serbatoio con sola acqua potabile. Non riempirlo con altri liquidi.
- Non riempire il serbatoio eccessivamente, in quanto l'acqua potrebbe traboccare.
- Non cercare di riempire il serbatoio dell'acqua senza estrarlo dal suo alloggiamento nella porta.
- Verificare che il serbatoio dell'acqua sia montato correttamente.
- Non usare il frigorifero senza aver inserito il serbatoio dell'acqua. Ciò potrebbe ridurre le prestazioni e l'efficienza del frigorifero.
- Per prevenire la fuoriuscita dell'acqua, accertarsi che il bicchiere sia allineato con la leva di erogazione del dispenser.

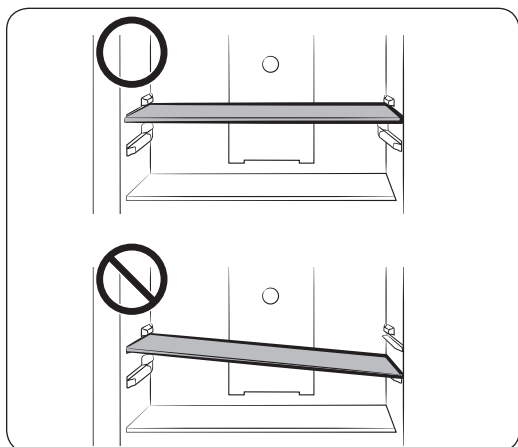
### **NOTA**

Per disporre di maggiore spazio di conservazione, è possibile usare il serbatoio dell'acqua per conservare cibi. In questo caso, rimuovere il coperchio del serbatoio.

# Manutenzione

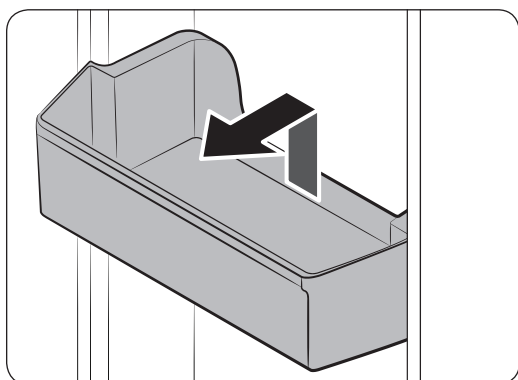
## Pulizia e manutenzione

### Ripiani del freezer e del frigorifero



- Per estrarre un ripiano, prima aprire la porta completamente. Tirare il ripiano verso avanti, sollevarlo quindi estrarlo.
- Nel reinserire il ripiano, accertarsi che l'etichetta "Front" sul ripiano sia rivolta verso avanti.
- Non tentare di inserire con forza i ripiani.

### Balconcini porta



Sollevarlo leggermente ed estrarre il balconcino.

**⚠ ATTENZIONE**

Per evitare incidenti, vuotare i balconcini prima di estrarli.

---

## Pulizia

Usare regolarmente un panno morbido per rimuovere eventuale polvere o sporcizia dai terminali della spina elettrica e dai contatti.

1. Scollegare il cavo di alimentazione del frigorifero.
2. Usare un panno inumidito e liscio o un tovagliolo di carta per pulire l'interno e l'esterno del frigorifero.
3. Al termine, usare un panno o della carta per asciugarlo con cura.
4. Inserire il cavo di alimentazione in una presa elettrica a muro per accendere il frigorifero.

### **NOTA**

Qualora si siano rimosse parti amovibili quali i ripiani per pulirli, consultare l'immagine riportata nella sezione Contenuto per assicurarsi di aver rimontato tutto correttamente.

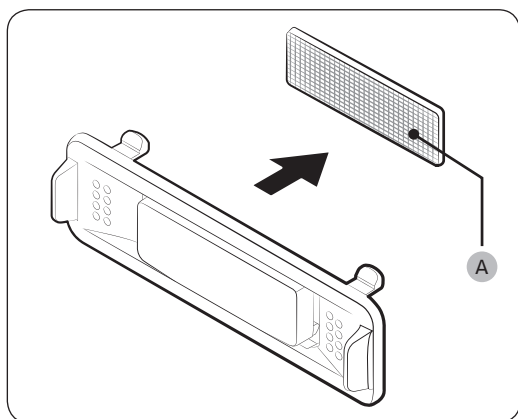
### **AVVERTENZA**

- Per pulire non utilizzare benzene, diluenti, o detersivi per casa/auto quali Clorox™. L'uso di questi prodotti potrebbe danneggiare la superficie dell'apparecchio e causare un incendio.
- Non spruzzare acqua sul frigorifero. In caso contrario, esiste il pericolo di scariche elettriche.
- Non inserire mai le dita o altri oggetti nel foro del dispenser.

---

## Sostituzione

### Filtro deodorante (solo modelli applicabili)



Tenendo fermo la parte superiore ed inferiore della struttura del filtro, sbloccare la cassa del filtro per rivelare il **filtro deodorante (A)**. Sostituire il filtro, quindi rimontare la struttura.

### Lampadine e filtro anti batterico

Né le lampadine né il filtro anti batterico possono essere sostituiti dall'utente. Non tentare di effettuare autonomamente la loro sostituzione. Per sostituirli, rivolgersi al Centro assistenza Samsung di zona.

# Risoluzione dei problemi

Se si verifica un problema con il frigorifero, controllare per prima cosa la tabella sottostante e provare i suggerimenti indicati.

## Generale

Sintomo	Azione
Non funziona o non raffredda.	<ul style="list-style-type: none"><li>• Assicurarsi che il cavo di alimentazione sia collegato correttamente.</li><li>• Verificare la corretta selezione della temperatura.</li><li>• Assicurarsi che il frigorifero sia posizionato lontano dalla luce solare diretta o eventuali fonti di calore. La mancata osservanza di queste indicazioni può influenzare le prestazioni di raffreddamento.</li><li>• Assicurarsi che il frigorifero abbia sufficiente spazio sul retro e sui lati. La mancata osservanza di queste indicazioni può influenzare le prestazioni di raffreddamento.</li><li>• Una quantità eccessiva di cibo può ostruire la ventilazione all'interno del frigorifero. Al fine di mantenere un corretto funzionamento del frigorifero, non inserire al suo interno una quantità eccessiva di cibi.</li></ul>
Il cibo nel frigorifero si congela.	<ul style="list-style-type: none"><li>• Verificare che la regolazione della temperatura non sia impostata su valore minimo. In tale caso, regolare la temperatura ad un valore superiore o ottimale.</li><li>• Ciò accade quando la temperatura ambiente è troppo bassa. Impostare la temperatura ad un valore superiore.</li><li>• Verificare che il cibo contenente una maggiore percentuale di acqua non sia nella zona più fredda del frigorifero o vicino alla ventola di raffreddamento. In tale caso, spostare il cibo sugli altri ripiani del frigorifero.</li></ul>
Il frigorifero emette rumori.	<ul style="list-style-type: none"><li>• Verificare che il frigorifero sia installato su una superficie piana e stabile.</li><li>• Assicurarsi che il frigorifero abbia sufficiente spazio sul retro e sui lati.</li><li>• Tenere pulito il frigorifero da impurità o oggetti estranei sia dentro che sotto.</li><li>• Il frigorifero può emettere talvolta un ticchettio dall'interno provocato da parti removibili che si contraggono e si espandono. Ciò non indica un guasto al sistema.</li></ul>

Sintomo	Azione
Gli angoli anteriori e laterali diventano caldi e formano condensa.	<ul style="list-style-type: none"> <li>Al fine di prevenire la formazione di condensa, il frigorifero è dotato di tubazioni isolate sugli angoli anteriori. Qualora la temperatura ambientale aumenti, questo apparecchio potrebbe non funzionare in modo ottimale. Ciò non indica un guasto al sistema.</li> <li>È possibile che si formi della condensa sulla superficie esterna del frigorifero quando l'aria calda entra a contatto con la superficie fredda del frigorifero.</li> </ul>
La macchina del ghiaccio non produce ghiaccio.	<ul style="list-style-type: none"> <li>Attendere 12 ore prima che la macchina del ghiaccio possa produrre ghiaccio.</li> <li>Assicurarsi che la macchina del ghiaccio non si sia bloccata durante la produzione di ghiaccio.</li> <li>Assicurarsi che il freezer sia impostato al di sotto di 0 °C (o -5 °C in un ambiente caldo).</li> <li>Verificare che il serbatoio dell'acqua sia pieno.</li> </ul>
Il dispenser dell'acqua non funziona.	<ul style="list-style-type: none"> <li>Verificare che il serbatoio dell'acqua non sia congelato. In tale caso, selezionare una temperatura superiore del frigorifero.</li> <li>Verificare che il serbatoio dell'acqua sia pieno.</li> <li>Verificare che il serbatoio dell'acqua sia montato correttamente.</li> <li>Verificare che il filtro dell'acqua sia montato correttamente.</li> </ul>
Produce un gorgoglio.	<ul style="list-style-type: none"> <li>Il frigorifero emette questo rumore durante il processo di raffreddamento, e tale rumore è normale.</li> </ul>
Dall'interno del frigorifero proviene un cattivo odore.	<ul style="list-style-type: none"> <li>Controllare l'eventuale presenza di cibo avariato. Si consiglia la pulizia regolare del frigorifero al fine di rimuovere eventuali residui di cibo o cibi avariati o sospetti.</li> <li>Avvolgere con pellicola i cibi con un forte odore.</li> </ul>
Sulla pareti interne si forma della brina.	<ul style="list-style-type: none"> <li>Assicurarsi che non vi sia del cibo che ostruisce le aperture di ventilazione del frigorifero. È anche importante sistemare il cibo in modo che sia equamente distribuito in modo da garantire una ventilazione uniforme.</li> <li>Verificare che lo sportello sia completamente chiuso.</li> </ul>
Sulle pareti interne o intorno alle verdure si forma della brina.	<ul style="list-style-type: none"> <li>Ciò accade quando un cibo contiene una elevata percentuale di acqua ed è conservato senza alcuna protezione, o la porta è rimasta aperta per molto tempo.</li> <li>Coprire i cibi o conservarli in contenitori chiusi.</li> </ul>

# Risoluzione dei problemi

## Samsung Smart Home

Sintomo	Azione
Impossibile trovare "Samsung Smart Home" nel app market.	<ul style="list-style-type: none"><li>La app Samsung Smart Home è disponibile per smarphone che eseguono Android 4.0 (ICS) o superiore, oppure iOS 7.0 o superiore.</li></ul>
La app Samsung Smart Home non si avvia.	<ul style="list-style-type: none"><li>La app Samsung Smart Home è disponibile solo per alcuni modelli.</li><li>La precedente app Samsung Smart Refrigerator non riesce a collegarsi con alcuni modelli di Samsung Smart Home.</li></ul>
La app Samsung Smart Home è installata ma non si collega al frigorifero.	<ul style="list-style-type: none"><li>Per utilizzare la app è necessario accedere al proprio account Samsung.</li><li>Assicurarsi che il router funzioni regolarmente.</li><li>Assicurarsi che la chiavetta Smart sia inserita correttamente.</li><li>Se l'icona Wi-Fi sul display del frigorifero è spenta, ciò indica che non è stata ancora stabilita alcuna connessione di rete. In tale caso, usare la app Samsung Smart Home per connettere e registrare il frigorifero sull'access point (AP) della propria abitazione.</li></ul>
Impossibile collegarsi alla app.	<ul style="list-style-type: none"><li>Per utilizzare la app è necessario accedere al proprio account Samsung.</li><li>Qualora non si disponga di un account Samsung, seguire le istruzioni visualizzate sullo schermo per crearne uno.</li></ul>
Quando provo a registrare il mio frigorifero compare un messaggio di errore.	<ul style="list-style-type: none"><li>Easy Connection (Connessione rapida) potrebbe non riuscire a causa della distanza dal router o alle interferenze elettriche derivanti dall'ambiente circostante. Attendere qualche minuto e riprovare.</li></ul>
La app Samsung Smart Home si collega con successo al frigorifero ma non viene eseguita.	<ul style="list-style-type: none"><li>Uscire e riavviare la app Samsung Smart Home o scollegare e ricollegare il router.</li><li>Rimuovere la chiavetta Smart e ricollegarla correttamente. Riprovare.</li></ul>



# Memo

---

# Memo

---

# Memo

---

## Contatta SAMSUNG WORLD WIDE

Se hai commenti o domande sui prodotti Samsung, contatta il Servizio Clienti Samsung.

Nazione	Contact Center	Sito web
CYPRUS	8009 4000 only from landline, toll free	www.samsung.com/gr/support
GREECE	80111-SAMSUNG (80111 726 7864) only from land line (+30) 210 6897691 from mobile and land line	
ITALIA	800-SAMSUNG (800.7267864)	www.samsung.com/it/support
PORTUGAL	808 20 7267	www.samsung.com/pt/support
SPAIN	0034902172678 [HHP] 0034902167267	www.samsung.com/es/support



DA68-03370Y-03



# Frigorífico

## Manual del usuario

RT58\*/RT62\*

Electrodoméstico independiente

**SAMSUNG**

# Índice

---

<b>Información de seguridad</b>	<b>3</b>
Símbolos y precauciones de seguridad importantes:	4
Señales de advertencia importantes sobre el transporte y la ubicación	5
Advertencias de instalación muy importantes	6
Precauciones de instalación	9
Advertencias de uso muy importantes	9
Precauciones de uso	14
Precauciones de limpieza	16
Advertencias de eliminación muy importantes	17
Consejos adicionales para un uso correcto	18
Consejos para el ahorro de energía	19
Este aparato está diseñado para utilizarse en entornos domésticos o similares como	19
Instrucciones sobre los RAEE	20
<b>Instalación</b>	<b>21</b>
Descripción general del frigorífico	21
Instalación paso a paso	23
<b>Funcionamiento</b>	<b>28</b>
Panel de funciones	28
Samsung Smart Home (solo modelos aplicables)	35
Características especiales	39
<b>Mantenimiento</b>	<b>42</b>
Manipulación y cuidado	42
Limpieza	43
Recambio	43
<b>Solución de problemas</b>	<b>44</b>
General	44
Samsung Smart Home	46

# Información de seguridad

---

- Antes de utilizar su nuevo frigorífico Samsung, lea detenidamente este manual a fin de aprender a usar de manera segura y eficiente las funciones que ofrece su nuevo aparato.
- Este electrodoméstico no está diseñado para que lo usen personas (incluidos los niños) con discapacidad física, mental o sensorial, o faltas de conocimiento y experiencia, sin la supervisión o las indicaciones de una persona responsable que garanticen un uso seguro del aparato.
- Este electrodoméstico lo pueden utilizar niños a partir de los 8 años y personas con discapacidad física, mental o sensorial, siempre y cuando tengan una supervisión o instrucciones sobre el uso de estos electrodomésticos de una forma segura y siendo consecuentes de los posibles peligros que este pueda ocasionar. Los niños no deben jugar con el electrodoméstico. Los niños no deben efectuar tareas de limpieza ni de mantenimiento sin vigilancia.
- Las advertencias y las instrucciones de seguridad importantes de este manual no abarcan todas las situaciones posibles que puedan surgir. Es su responsabilidad usar el sentido común y actuar con precaución y cuidado durante la instalación, el mantenimiento y el uso del electrodoméstico.
- Ya que las siguientes instrucciones de funcionamiento se aplican a varios modelos, las características de su frigorífico pueden variar ligeramente de las descritas en este manual y es posible que no sean relevantes todos los símbolos de advertencia. Si tiene consultas o dudas, puede ponerse en contacto con el centro de servicio técnico más cercano o solicitar ayuda e información en línea en [www.samsung.com](http://www.samsung.com).
- Se utilizan los refrigerantes R-600a o R-134a. Compruebe la etiqueta del compresor situada en la parte posterior del electrodoméstico o la etiqueta de especificaciones del interior del frigorífico para ver cuál es el refrigerante utilizado. Cuando este producto contenga gases inflamables (refrigerante R-600a), póngase en contacto con las autoridades locales para eliminar este aparato de forma segura.
- Para evitar que se mezclen el gas inflamable y el aire en caso de una fuga en el circuito de refrigeración, el tamaño de la habitación donde se pueda instalar el electrodoméstico dependerá de la cantidad de refrigerante utilizado.



# Información de seguridad

---

- Nunca ponga en marcha un electrodoméstico que presente indicios de daños. En caso de duda, póngase en contacto con el distribuidor. El tamaño de la habitación debe ser de 1 m<sup>3</sup> por cada 8 g de refrigerante R-600a del electrodoméstico.  
La cantidad de refrigerante de cada electrodoméstico se indica en la placa de identificación que se encuentra en el interior.
- Una fuga de refrigerante de los tubos se puede inflamar o causar lesiones oculares. Si hay fugas de refrigerante en los tubos, evite la presencia de llamas, aleje cualquier material inflamable del producto y ventile la habitación inmediatamente.
  - De no hacerlo se podría producir un incendio o una explosión.
- Es peligroso que una persona que no sea un técnico de servicio autorizado realice tareas de reparación en este aparato.

## Símbolos y precauciones de seguridad importantes:

---

### **ADVERTENCIA**

Prácticas peligrosas o inseguras que pueden provocar **lesiones físicas graves o la muerte**.

### **PRECAUCIÓN**

Prácticas peligrosas o inseguras que pueden provocar **lesiones físicas leves o daños a la propiedad**.

Estos símbolos de advertencia tienen la función de prevenir lesiones personales a usted y a otras personas.

Debe seguirlos cuidadosamente.

Después de leer esta sección, guárdela para consultas futuras.





---

## Señales de advertencia importantes sobre el transporte y la ubicación

---

### **ADVERTENCIA**

- Al transportar e instalar el electrodoméstico se debe tener cuidado de no dañar ninguna pieza del circuito de refrigeración.
  - Una fuga de refrigerante se puede inflamar o causar lesiones oculares. Si detecta una fuga, evite la presencia de llamas o fuentes capaces de provocar una ignición y ventile durante varios minutos la habitación donde está instalado el frigorífico.
  - Este electrodoméstico contiene una pequeña cantidad de refrigerante isobutano (R-600a), un gas natural de alta compatibilidad medioambiental que, sin embargo, también es combustible. Cuando transporte e instale el electrodoméstico, tenga cuidado de no dañar ninguna pieza del circuito de refrigeración.



# Información de seguridad

---

## Advertencias de instalación muy importantes

---

### **ADVERTENCIA**

- No instale el frigorífico en un lugar húmedo o donde pueda entrar en contacto con el agua.
  - Un aislamiento defectuoso de las partes eléctricas puede causar una descarga eléctrica o un incendio.
- No exponga el frigorífico a la luz directa del sol ni a fuentes de calor, como por ejemplo estufas, calentadores y otros aparatos.
- No enchufe más de un aparato en la misma placa de potencia. El frigorífico siempre se debe enchufar en su propia toma de corriente, que tenga una tensión nominal que coincida con la de la placa de especificaciones eléctricas del frigorífico.
  - Así se conseguirá el mejor rendimiento y se impedirá el sobrecalentamiento del cableado, que podría causar un incendio.
- Si la toma mural está floja, no enchufe el cable de alimentación.
  - Hay peligro de descarga eléctrica o incendio.
- No utilice un cable de alimentación que presente grietas o signos de abrasión en toda su longitud o en sus extremos.
- No doble excesivamente el cable de alimentación ni coloque sobre él objetos pesados.
- No tire con excesiva fuerza del cable de alimentación ni lo doble demasiado.
- No retuerza el cable de alimentación.
- No cuelgue el cable de alimentación de un objeto metálico, no ponga sobre él objetos pesados, no lo coloque entre objetos ni lo introduzca en el espacio que hay detrás del electrodoméstico.
- Cuando mueva el frigorífico, tenga cuidado de no enroscar ni dañar el cable de alimentación.
  - Se podría producir una descarga eléctrica o un incendio.



- No tire del cable para desenchufar el frigorífico. Sujete siempre firmemente el enchufe y tire de él en línea recta.
  - Si se daña el cable de alimentación se puede provocar un cortocircuito, un incendio o una descarga eléctrica.
- No almacene en este aparato sustancias explosivas como envases de aerosoles con propulsores inflamables.
- No instale este aparato cerca de un calentador o de materiales inflamables.
- No instale este aparato en un lugar donde pueda haber fugas de gas.
  - Se podría producir una descarga eléctrica o un incendio.
- Antes de su utilización, este frigorífico debe instalarse correctamente en el lugar adecuado siguiendo las instrucciones de este manual.
- Conecte el cable de alimentación en la posición adecuada y deje que cuelgue.
  - Si conecta el cable de alimentación invertido, los hilos se pueden cortar y provocar un incendio o una descarga eléctrica.
- Asegúrese de que el cable no quede aplastado ni lo dañe la parte posterior del frigorífico.
- Guarde los materiales del embalaje fuera del alcance de los niños.
  - Existe el riesgo de muerte por asfixia si un niño introduce la cabeza en los materiales de embalaje.
- Este electrodoméstico debe colocarse de modo que el enchufe sea accesible después de la instalación.
  - De lo contrario se podría producir una descarga eléctrica o un incendio debido a una fuga eléctrica.
- No instale este aparato en un lugar donde haya humedad, grasas o polvo, o que esté expuesto a la luz directa del sol o al agua de la lluvia.
  - Un aislamiento defectuoso de las partes eléctricas puede causar una descarga eléctrica o un incendio.
- Si hay polvo o agua dentro del frigorífico, desenchúfelo y póngase en contacto con el centro de servicio técnico de Samsung.
  - Hay peligro de incendio.



# Información de seguridad

---

- No se suba al electrodoméstico ni coloque encima de él objetos (como ropa para lavar, velas o cigarrillos encendidos, platos, productos químicos, objetos metálicos, etc.),
  - Se podría provocar una descarga eléctrica, un incendio, problemas con el producto o lesiones personales.
- Antes de conectar el producto por primera vez debe quitar todas las películas de plástico de protección.
- No deje que los niños jueguen con los anillos elásticos del ajuste de las puertas ni con las grapas del tubo de agua.
  - Existe el riesgo de muerte por asfixia si un niño se traga un anillo elástico o una grapa del tubo de agua. Mantenga los anillos elásticos y las grapas del tubo de agua fuera del alcance de los niños.
- El frigorífico debe estar conectado a tierra.
  - Asegúrese siempre de conectar el frigorífico a una toma de tierra antes de intentar examinar o reparar alguna pieza. Las fugas de electricidad pueden provocar una descarga eléctrica.
- Para la conexión a tierra nunca utilice cañerías de gas, líneas de teléfono ni otros elementos que puedan atraer los rayos.
  - La puesta a tierra del frigorífico evita fugas de electricidad o descargas eléctricas originadas por una fuga de corriente del frigorífico.
  - Se podría producir una descarga eléctrica, un incendio, una explosión o causar problemas con el funcionamiento del producto.
- Conecte el enchufe firmemente en la toma mural. No utilice enchufes o cables dañados, ni tomas de pared sueltas.
  - Se podría producir una descarga eléctrica o un incendio.
- Si el cable de alimentación está dañado, debe reemplazarlo inmediatamente el fabricante o el personal de servicio técnico.



- El fusible del frigorífico debe reemplazarlo un técnico o una empresa de servicios acreditados.
  - De no hacerlo así, se podría provocar una descarga eléctrica o lesiones personales.

## Precauciones de instalación

### PRECAUCIÓN

- Deje espacio suficiente alrededor del frigorífico e instálelo sobre una superficie plana.
  - Procure que nada obstruya el espacio de ventilación de la caja o de la estructura de montaje.
- Después de la instalación y el encendido del aparato, no introduzca alimentos hasta que no hayan transcurrido 2 horas.
- Es muy recomendable encargar la instalación de este frigorífico a un técnico cualificado o una empresa de servicios.
  - De no hacerlo así, se podría provocar una descarga eléctrica, un incendio, una explosión, problemas con el producto o lesiones personales.
- Sobrecargar una de las puertas puede hacer caer el frigorífico y causar lesiones.

## Advertencias de uso muy importantes

### ADVERTENCIA

- No enchufe el cable de alimentación en la toma de pared con las manos mojadas.
  - Se puede producir una descarga eléctrica.
- No deposite objetos encima del aparato.
  - Al abrir o cerrar la puerta, los objetos se podrían caer y causar lesiones personales o daños materiales.



# Información de seguridad

---

- No introduzca las manos ni los pies, ni objetos de metal (como varillas, etc.), en la parte inferior o posterior del frigorífico.
  - Se podría producir una descarga eléctrica o lesiones personales.
  - Los bordes afilados pueden causar lesiones personales.
- No toque las paredes interiores del congelador ni los productos guardados en su interior con las manos mojadas.
  - Se podría causar lesiones por congelación.
- No ponga recipientes que contengan agua encima del frigorífico.
  - Si se derrama agua, hay peligro de incendio o descarga eléctrica.
- No deje objetos ni sustancias volátiles o inflamables (benceno, disolventes, gas propano, alcohol, éter, gas LP y otros productos similares) en el frigorífico.
  - En este frigorífico solo se deben guardar alimentos.
  - Se puede producir un incendio o una explosión.
- No deje que los niños jueguen con el electrodoméstico.
  - Tenga cuidado de no pillarse los dedos en los puntos donde existe este riesgo. La holgura entre las puertas y el armario es necesariamente pequeña. Tenga cuidado cuando abra la puerta si hay niños cerca.
- No deje que los niños se cuelguen de la puerta ni de los compartimentos. Hay riesgo de lesiones graves.
- No permita que los niños se introduzcan en el frigorífico. Podrían quedar atrapados.
- No introduzca las manos debajo del aparato.
  - Los bordes afilados pueden causar lesiones personales.
- No almacene en el frigorífico productos farmacéuticos, materiales científicos ni otros productos sensibles a las temperaturas.
  - No almacene en el frigorífico productos que requieran un control estricto de la temperatura.
- No coloque ni utilice aparatos eléctricos dentro del frigorífico/congelador, a menos que lo recomiende el fabricante.



- Si advierte olor a fármaco o humo, desconéctelo inmediatamente y llame a su centro de servicio técnico de Samsung Electronics.
- Si hay polvo o agua dentro del frigorífico, desenchúfelo y póngase en contacto con su centro de servicio técnico de Samsung Electronics.
  - Hay peligro de incendio.
- No permita que los niños se suban encima de un cajón.
  - El cajón se puede romper y provocar su caída.
- No deje las puertas del frigorífico abiertas sin supervisión ni permita que los niños se introduzcan en el frigorífico.
- No deje que los niños se metan en el cajón.
  - Si quedan atrapados se podrían asfixiar o sufrir lesiones.
- No llene en exceso el frigorífico.
  - Al abrir o cerrar la puerta, los artículos se podrían caer y causar lesiones personales o daños materiales.
- No rocíe materiales volátiles, como insecticidas, sobre la superficie del aparato.
  - Además de ser perjudiciales para las personas, se podría provocar una descarga eléctrica, un incendio o problemas con el producto.
- No utilice ni deposite sustancias sensibles a la temperatura, como pulverizadores u objetos inflamables, hielo seco, medicinas ni productos químicos cerca o dentro del frigorífico.
- No utilice un secador de pelo para secar el interior del frigorífico. No ponga una vela encendida en el interior del frigorífico para eliminar los malos olores.
  - Se podría producir una descarga eléctrica o un incendio.
- Llene el depósito de agua, la bandeja de hielo y las cubiteras solo con agua potable (agua mineral o depurada).
  - No llene el depósito con té, zumos ni bebidas isotónicas; podría dañar el frigorífico.

## Información de seguridad

---

- No se suba al electrodoméstico ni coloque encima de él objetos (como ropa para lavar, velas o cigarrillos encendidos, platos, productos químicos, objetos metálicos, etc.), Se podría provocar una descarga eléctrica, un incendio, problemas con el producto o lesiones personales. No ponga recipientes que contengan agua encima del electrodoméstico.
  - Si se derrama agua, hay peligro de incendio o descarga eléctrica.
- No utilice dispositivos mecánicos ni otros métodos para acelerar el proceso de descongelación que no sean los recomendados por el fabricante.
- No dañe el circuito de refrigeración.
- No mire directamente la lámpara LED UV durante mucho tiempo.
  - Los rayos ultravioletas pueden causar fatiga ocular.
- No ponga el estante del refrigerador boca abajo. El tope del estante podría no funcionar.
  - La caída del estante de vidrio podría provocar lesiones personales.
- Tenga cuidado de no pillarse los dedos en los puntos donde existe este riesgo. La holgura entre las puertas y el armario es necesariamente pequeña. Tenga cuidado cuando abra la puerta si hay niños cerca.
- Si detecta una fuga de gas, evite la presencia de llamas o posibles fuentes de ignición y ventile durante varios minutos la habitación donde está instalado el electrodoméstico.
  - No toque el aparato ni el cable de alimentación.
  - No utilice un ventilador.
  - Una chispa podría provocar una explosión o un incendio.
- Utilice solo las lámparas LED suministradas por el fabricante o su personal de servicio técnico.
- Las botellas se deben guardar juntas y sin dejar espacio entre ellas para evitar que se caigan.
- Este producto está diseñado únicamente para almacenar alimentos en un entorno doméstico.



- No intente arreglar, desmontar ni modificar el frigorífico usted mismo.
  - Las modificaciones no autorizadas pueden provocar problemas de seguridad. Para solucionar una modificación no autorizada, cobraremos el coste total de piezas y mano de obra.
- No utilice un fusible (como cable de cobre o acero, etc.) que no sea el estándar.
- Si es necesario reparar o volver a instalar el frigorífico, póngase en contacto con su centro de servicio técnico más cercano.
  - De no hacerlo así, se podría provocar una descarga eléctrica, un incendio, problemas con el producto o lesiones personales.
- Si la lámpara LED interior o exterior no se enciende, póngase en contacto con el centro de servicio técnico más cercano.
- Si advierte olor a quemado o a humo en el frigorífico, desenchúfelo de inmediato y póngase en contacto con el centro de servicio técnico de Samsung Electronics.
  - De no hacerlo así, se podría provocar una descarga eléctrica o un incendio.
- Desenchufe el electrodoméstico de la toma de corriente antes de cambiar las lámparas interiores del frigorífico.
  - De lo contrario, hay peligro de descarga eléctrica.
- Si tiene dificultades para cambiar una lámpara que no sea LED, póngase en contacto con un centro de servicio técnico de Samsung.
- Si el producto está equipado con lámparas LED, no desmonte la tapa de la lámpara ni la lámpara LED usted mismo.
  - Póngase en contacto con un centro de servicio técnico de Samsung.
- Conecte el enchufe firmemente en la toma mural.
- No utilice enchufes o cables dañados, ni tomas de pared sueltas.
  - Se podría producir una descarga eléctrica o un incendio.



# Información de seguridad

---

## Precauciones de uso

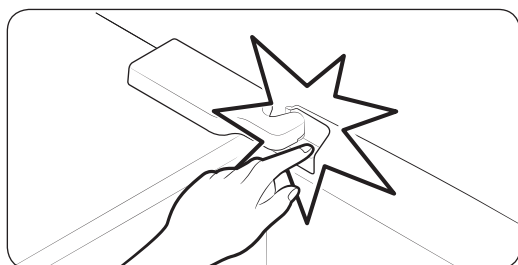
---

### PRECAUCIÓN

- No vuelva a congelar alimentos que se hayan descongelado completamente. No guarde bebidas carbónicas ni refrescos en el compartimento del congelador. No guarde botellas ni envases de vidrio en el congelador.
  - Al congelarse el contenido, el vidrio se puede romper y provocar lesiones personales.
- Utilice solo la máquina de hielo proporcionada con el frigorífico.
- Para conseguir el mejor rendimiento del producto:
  - No ponga alimentos demasiado cerca de las salidas de ventilación de la parte posterior del frigorífico ya que podrían obstruir la circulación del aire del compartimento del refrigerador.
  - Envuelva los alimentos adecuadamente o póngalos en un recipiente hermético antes de guardarlos en el frigorífico.
  - No guarde botellas de vidrio ni bebidas carbónicas en el congelador. Pueden congelarse y romperse. Los envases rotos de bebidas pueden causar lesiones personales.
  - Sea estricto con los tiempos de almacenamiento máximo y las fechas de caducidad de los alimentos congelados.
- No guarde botellas ni envases de vidrio ni bebidas carbónicas en el congelador.
  - El envase se puede congelar y romper y provocar lesiones personales.
- No guarde bebidas carbónicas ni refrescos en el compartimento del congelador. No guarde botellas ni envases de vidrio en el congelador.
  - Al congelarse el contenido, el vidrio se puede romper y provocar lesiones personales y daños materiales.



- Garantía de servicio y modificaciones.
  - El servicio de garantía de Samsung no cubre los cambios o modificaciones realizados por un tercero a este frigorífico y Samsung no se hace responsable de los problemas relacionados con la seguridad que se deriven de las modificaciones realizadas por terceros.
- No obstruya las rejillas de ventilación internas del frigorífico.
  - Si bloquea las salidas, en especial con bolsas de plástico, el frigorífico se puede enfriar en exceso. Si un periodo de enfriamiento es demasiado largo, el filtro del agua se puede romper y provocar fugas de agua.
- Utilice solo la máquina de hielo proporcionada con el frigorífico.
- Elimine el exceso de humedad del interior y deje las puertas abiertas.
  - De lo contrario, pueden generarse malos olores y mohos.
- Si ha desconectado el frigorífico de la fuente de alimentación, deberá esperar al menos cinco minutos antes de volver a conectarlo.
- Si el frigorífico se moja, desenchúfelo y póngase en contacto con el centro de servicio técnico de Samsung Electronics.
- No golpee ni aplique una fuerza excesiva sobre las superficies de vidrio.
  - La rotura del vidrio puede causar lesiones personales o daños materiales.
- Llene el depósito de agua y las cubiteras solo con agua potable (agua del grifo, mineral o depurada).
  - No llene el depósito con té ni bebidas isotónicas. Podría dañar el frigorífico.



- Tenga cuidado de no pillarse los dedos.



# Información de seguridad

---

- Las lámparas del congelador y del frigorífico se apagan si las puertas de ambos permanecen abiertas 2 segundos o más.
  - Las lámparas se encienden de nuevo cuando las puertas se cierran y se vuelven a abrir.
- Si el frigorífico se llena de agua, póngase en contacto con el servicio técnico más cercano.
  - Hay peligro de descarga eléctrica o incendio.

## Precauciones de limpieza

---

### PRECAUCIÓN

- No rocíe agua directamente en el interior ni en el exterior del frigorífico.
  - Hay riesgo de descarga eléctrica o incendio.
- No utilice un secador de pelo para secar el interior del frigorífico.
- No ponga una vela encendida en el interior del frigorífico para eliminar los malos olores.
  - Se podría producir una descarga eléctrica o un incendio.
- No rocíe el panel directamente con limpiadores en aerosol.
  - Los caracteres impresos del panel se pueden borrar.
- Si ha penetrado en el aparato cualquier sustancia extraña como agua, desenchufe el cable y póngase en contacto con el centro de servicio técnico más cercano.
  - De no hacerlo así, se podría provocar una descarga eléctrica o un incendio.
- Utilice un paño limpio y seco para eliminar cualquier resto de polvo o suciedad de las clavijas del enchufe. No utilice un paño húmedo o mojado para limpiar el enchufe.
  - Hay peligro de descarga eléctrica o incendio.
- No rocíe agua directamente sobre el aparato para limpiarlo.
- No limpie con benceno, disolventes, lejía ni cloruro.
  - Podría dañar la superficie y provocar un incendio.



- No introduzca los dedos ni otros objetos en el orificio del dispensador.
  - Hay riesgo de lesiones personales o daños materiales.
- Antes de realizar tareas de limpieza o de mantenimiento, desenchufe el aparato de la toma mural.
  - De no hacerlo así, se podría provocar una descarga eléctrica o un incendio.

## Advertencias de eliminación muy importantes

### **ADVERTENCIA**

- Deshágase del embalaje de este aparato de forma respetuosa con el medio ambiente.
- Antes de deshacerse de un aparato compruebe que no estén deteriorados los tubos de la parte posterior.
- Se utilizan los refrigerantes R-600a o R-134a. Compruebe la etiqueta del compresor situada en la parte posterior del electrodoméstico o la etiqueta de especificaciones del interior del frigorífico para ver cuál es el refrigerante utilizado. Si este frigorífico contiene gases inflamables (refrigerante R-600a), póngase en contacto con las autoridades locales para eliminar este aparato de forma segura.
- Cuando se deshaga de este frigorífico, quite la puerta y los cierres y pestillos de la puerta para que no pueda quedar atrapado en su interior un niño pequeño o un animal. No deje que los niños jueguen con el electrodoméstico. Si un niño queda atrapado dentro se puede lesionar o morir asfixiado.
  - Si un niño queda atrapado dentro se puede lesionar y morir asfixiado.
- Se usa ciclopentano en el aislante. Los gases de los materiales aislantes requieren un procedimiento especial de eliminación. Póngase en contacto con las autoridades locales para deshacerse de este aparato de forma segura para el medio ambiente.
- Guarde los materiales del embalaje fuera del alcance de los niños, ya que pueden ser peligrosos para ellos.
  - Si un niño mete la cabeza en una bolsa, se podría asfixiar.



# Información de seguridad

---

## Consejos adicionales para un uso correcto

---

- En el caso de un fallo de corriente, llame a la oficina local de su compañía eléctrica y solicite información sobre la duración de la interrupción del suministro.
  - La mayoría de los cortes de electricidad que se solucionan en una o dos horas no afectan a la temperatura del refrigerador. Sin embargo, mientras el aparato esté sin corriente abra la puerta lo menos posible.
  - Si el fallo de corriente supera las 24 horas, saque todos los alimentos congelados y deséchelos.
- Es posible que el frigorífico no funcione correctamente (descongelación del contenido o temperatura del compartimento de los congelados demasiado alta) si se ha mantenido durante un tiempo excesivo en un lugar donde la temperatura ambiente esté constantemente por debajo de las temperaturas para las que se ha diseñado este frigorífico.
- En el caso de determinados alimentos, mantenerlos refrigerados puede tener un efecto negativo sobre la conservación debido a sus propiedades.
- Este aparato no genera escarcha y no es necesario descongelarlo manualmente. Esta función se realiza automáticamente.
- El aumento de la temperatura durante la descongelación cumple con los requisitos ISO. Si desea evitar un aumento indebido de la temperatura de los alimentos congelados durante la descongelación del aparato, envuélvalos con varias capas de papel de periódico.
- No vuelva a congelar alimentos que se hayan descongelado completamente.
- La temperatura en las secciones o compartimentos con el símbolo de dos estrellas (❄️❄️) es ligeramente más alta que en los otros compartimentos del congelador.

La ubicación de las secciones o los compartimentos de dos estrellas puede variar según el producto y deberá referirse a las instrucciones o al estado en el momento de la entrega.



---

## Consejos para el ahorro de energía

---

- Instale el aparato en un lugar fresco y seco con la ventilación adecuada. No exponga el aparato a la luz directa del sol ni lo ponga cerca de fuentes de calor directo (un radiador, por ejemplo).
- Para mejorar la eficiencia energética se recomienda no bloquear las aberturas ni las rejillas de ventilación.
- Deje enfriar los alimentos antes de introducirlos en el aparato.
- Deje descongelar los alimentos en el frigorífico. De este modo se utilizan las bajas temperaturas de los alimentos congelados para enfriar los alimentos del frigorífico.
- No deje abierta la puerta del frigorífico demasiado tiempo cuando introduzca o saque alimentos. Cuanto menos tiempo esté abierta la puerta, menos escarcha se formará en el congelador.
- Se recomienda instalar el frigorífico con un espacio libre en la parte posterior y los laterales. Esto ayudará a reducir tanto el consumo de energía como los recibos de la luz.
- Para un uso más eficiente de la energía, mantenga todos los accesorios internos, como cestas, cajones o estantes, en la posición en la que los entrega el fabricante.

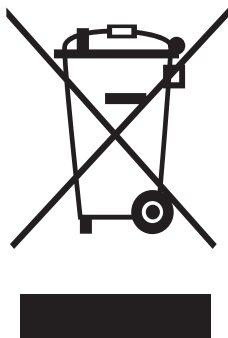
## Este aparato está diseñado para utilizarse en entornos domésticos o similares como

---

- cocinas para el personal de tiendas, oficinas u otros lugares de trabajo
- albergues rurales y habitaciones de hoteles, moteles y otros entornos residenciales
- pensiones y casas de huéspedes
- catering y aplicaciones no minoristas similares.

# Información de seguridad

## Instrucciones sobre los RAEE



Eliminación correcta de este producto (Residuos de aparatos eléctricos y electrónicos)

(Se aplica en países con sistemas de recolección por separado)

La presencia de este símbolo en el producto, accesorios o material informativo que lo acompañan, indica que al finalizar su vida útil ni el producto ni sus accesorios electrónicos (como el cargador, cascos, cable USB) deberán eliminarse junto con otros residuos domésticos. Para evitar los posibles daños al medio ambiente o a la salud humana que representa la eliminación incontrolada de residuos, separe estos productos de otros tipos de residuos y recíclelos correctamente. De esta forma se promueve la reutilización sostenible de recursos materiales.

Los usuarios particulares pueden contactar con el establecimiento donde adquirieron el producto o con las autoridades locales pertinentes para informarse sobre cómo y dónde pueden llevarlo para que sea sometido a un reciclaje ecológico y seguro.

Los usuarios comerciales pueden contactar con su proveedor y consultar las condiciones del contrato de compra. Este producto y sus accesorios electrónicos no deben eliminarse junto a otros residuos comerciales.

Para obtener información sobre los compromisos ambientales de Samsung y las obligaciones reglamentarias específicas del producto, como REACH, visite: [samsung.com/uk/aboutsamsung/samsungelectronics/corporatecitizenship/data\\_corner.html](https://samsung.com/uk/aboutsamsung/samsungelectronics/corporatecitizenship/data_corner.html)

(Solo para productos que se venden en países europeos)



# Instalación

Antes de instalar el frigorífico, siga detenidamente estas instrucciones para asegurar una instalación correcta y evitar accidentes.

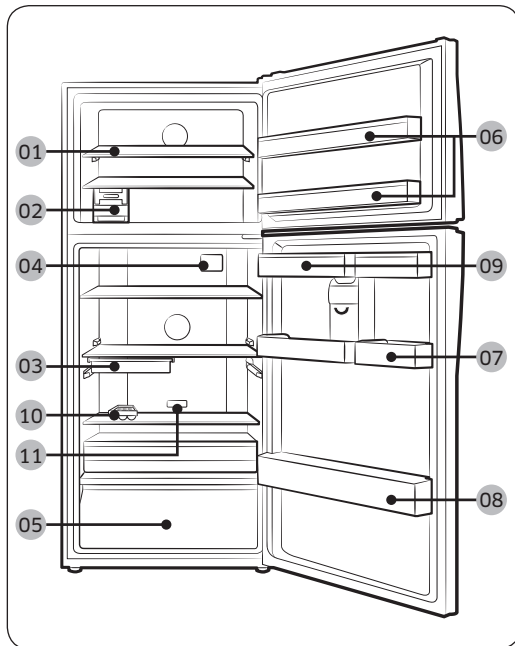
## **⚠ ADVERTENCIA**

- Utilice este frigorífico solo para las funciones propias que se describen en este manual.
- Los servicios de reparación debe efectuarlos un técnico cualificado.
- Deshágase del embalaje de este aparato en conformidad con la normativa local.

## Descripción general del frigorífico

### **📄 NOTA**

Esta imagen y los componentes proporcionados con el frigorífico pueden variar en función del modelo y del país.



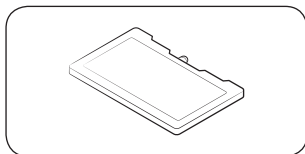
- 01 Estante congelador
- 02 Máquina de hielo
- 03 Bandeja charcutería
- 04 Protector antibacterias \*
- 05 Cajón de verduras
- 06 Balda inferior
- 07 Balda de varios
- 08 Estante de botellas
- 09 Depósito de agua \*
- 10 Balda para huevos
- 11 Desodorizador \*

\* solo modelos aplicables

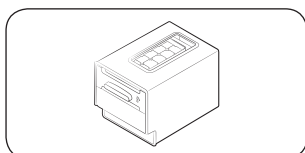
# Instalación

---

## Accesorios opcionales \*



**Acumulador de frío:** Ayuda a mantener la temperatura del frigorífico.



**Máquina de hielo giratoria** Se utiliza para fabricar hielo.

\* Su frigorífico puede no incluir los accesorios opcionales relacionados en la lista. El suministro de accesorios opcionales depende del modelo y del país.

## Para disponer de más espacio en el compartimento del congelador

Retire el estante superior, que puede separarse fácilmente sin necesidad de herramientas.

- Al retirar el estante superior, el rendimiento térmico y mecánico del congelador no resulta afectado.
- Para quitar las dos máquinas de hielo, retire en primer lugar la que se encuentra a la derecha (aplicable a los modelos Ice Max).
- Para mayor eficiencia energética, asegúrese de que todos los estantes, cajones y cestas están en su posición original.

---

## Instalación paso a paso

---

### PASO 1 Selección de la ubicación

---

#### Requisitos del lugar:

- Superficie sólida y nivelada sin alfombras ni suelos que puedan obstruir la ventilación
- Alejado de la luz directa del sol
- Espacio suficiente para abrir y cerrar la puerta
- Alejado de fuentes de calor
- Espacio suficiente para tareas de mantenimiento y reparación
- Rango de temperatura: entre 10 °C y 43 °C

#### Rango de temperatura efectiva

Este frigorífico está diseñado para funcionar normalmente en el rango de temperatura especificado por su categoría de calificación.

Clase	Símbolo	Rango de temperatura ambiente (°C)	
		IEC 62552 (ISO 15502)	ISO 8561
Templado prolongado	SN	+10 a +32	+10 a +32
Templado	N	+16 a +32	+16 a +32
Subtropical	ST	+16 a +38	+18 a +38
Tropical	T	+16 a +43	+18 a +43

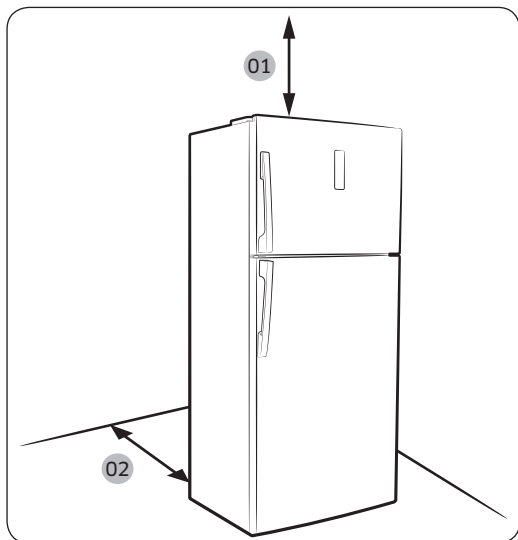
#### **NOTA**

La capacidad de enfriamiento y el consumo de energía del frigorífico pueden verse afectados por la temperatura ambiente, la frecuencia con que se abre la puerta y la ubicación del electrodoméstico. Se recomienda ajustar las configuraciones de la temperatura según sea apropiado.

# Instalación

## Espacio requerido

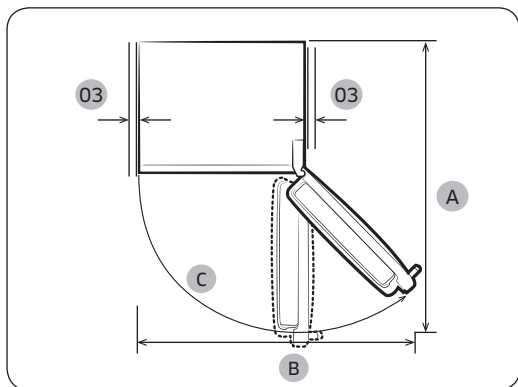
Consulte las imágenes y la tabla siguientes para conocer el espacio necesario para la instalación.



Modelo	A	B	C
RT58	1507	1352	120°
RT62	1507	1352	120°

(unidad: mm)

- 01 100 mm
- 02 50 mm
- 03 Al menos 50 mm

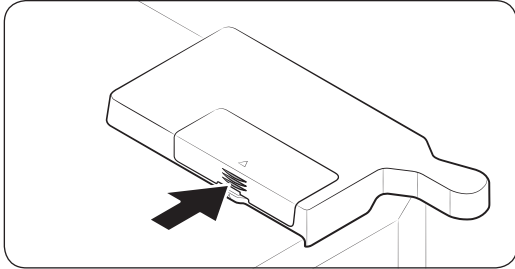


## PASO 2 Conexión de Wi-Fi

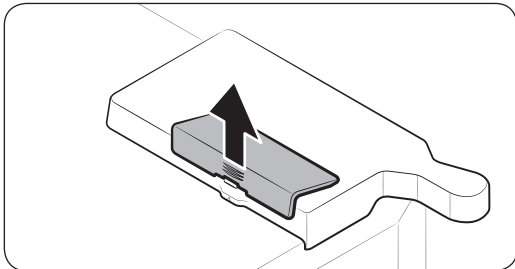
Puede controlar el frigorífico de manera remota con el Smart Home Dongle, que se vende por separado. Para adquirir el Smart Home Dongle, visite [www.samsung.com](http://www.samsung.com) y consulte la información del producto.

### PRECAUCIÓN

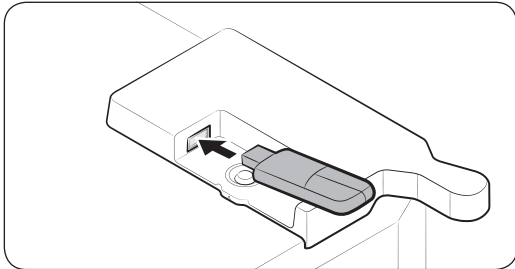
- Existen dos tipos de Samsung Smart Home Dongle: uno para televisores inteligentes Samsung y otro para electrodomésticos Samsung.
- Debe adquirir el Samsung Smart Home Dongle para electrodomésticos. Cualquier otro tipo de llave puede causar un fallo del sistema.



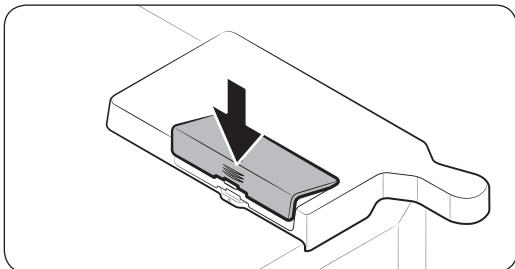
1. Presione para desbloquear la zona de la flecha de la tapa del dongle.



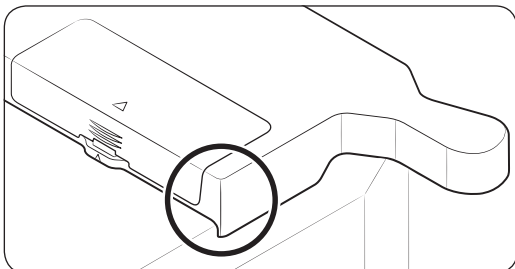
2. Abra la tapa del dongle.



3. Inserte el Smart Home Dongle en el puerto para dongle siguiendo la dirección correcta.



4. Inserte primero la parte superior de la tapa del dongle y luego presione para cerrarla.

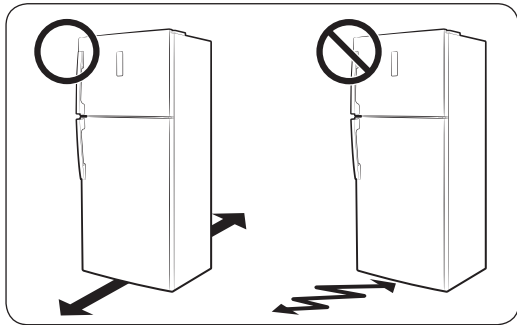


**NOTA**

La parte marcada es la tapa del dongle opcional, no una grieta ni un defecto.

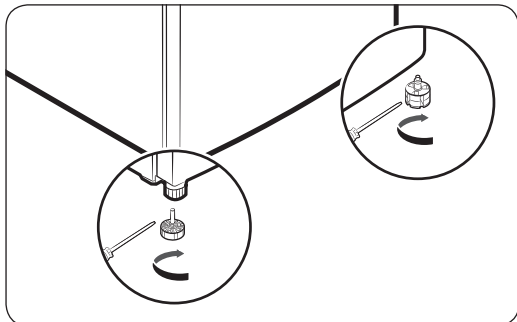
# Instalación

## PASO 3 Pavimento

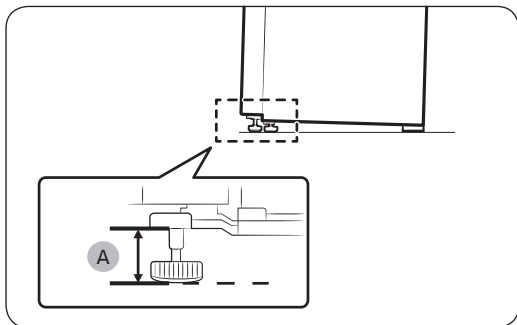


- La superficie de instalación debe poder sostener un frigorífico a plena carga, o aproximadamente 100 kg.
- Para proteger el suelo, coloque un trozo grande de cartón en cada pata del frigorífico.
- Para proteger el suelo, una vez el frigorífico se encuentre en la ubicación definitiva no lo desplace a menos que sea necesario. Si debe hacerlo, cubra el espacio de desplazamiento con papel grueso o tela, por ejemplo una alfombra vieja.

## PASO 4 Regulación de las patas de ajuste



Nivele el frigorífico manualmente regulando las patas de ajuste. Gire las patas de ajuste en el sentido de las agujas del reloj para bajarlo y en el sentido contrario al de las agujas del reloj para subirlo.



Deje las patas por lo menos a 35 mm (A) del suelo tal como se muestra.

---

## **PASO 5 Configuración inicial**

---

Siga estos pasos para que su frigorífico esté totalmente operativo.

1. Enchufe el cable de alimentación en la toma mural para encender el frigorífico.
2. Abra la puerta y compruebe si se enciende la luz interior.
3. Ajuste el control a la temperatura más baja y espere alrededor de una hora. Luego el congelador se enfriará ligeramente y el motor funcionará con suavidad.
4. Espere hasta que el frigorífico alcance la temperatura ajustada. Ahora el frigorífico está a punto para funcionar.

## **PASO 6 Comprobación final**

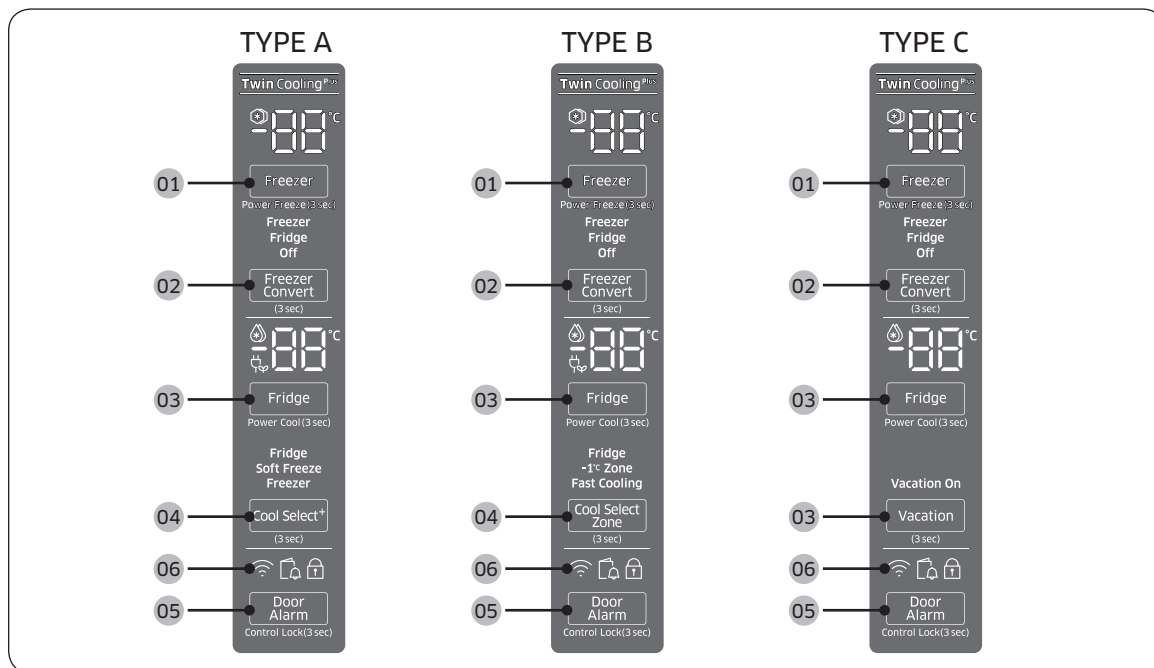
---

Una vez finalizada la instalación, compruebe que:

- El frigorífico está enchufado en una toma eléctrica y conectado correctamente a tierra.
- El frigorífico está instalado sobre una superficie plana y nivelada y separado razonablemente de la pared o del armario.
- El frigorífico está nivelado y se apoya firmemente sobre el suelo.
- La puerta se abre y cierra libremente, y la luz interior se enciende automáticamente al abrir la puerta.

# Funcionamiento

## Panel de funciones



**01** Freezer / Power Freeze  
(Congelador / Congelación rápida)

**02** Freezer Convert (Conversión del congelador)

**03** Fridge / Power Cool / Vacation (Refrigerador / Enfriamiento rápido / Vacaciones)

**04** Cool Select+ / Cool Select Zone (solo modelos Tipo A y Tipo B)

**05** Door Alarm / Control Lock (Alarma de la puerta / Bloqueo de control)

**06** Conexión de red (solo modelos aplicables)



## 01 Congelador / Congelación rápida

<b>Freezer (Congelador)</b>	<p>El botón <b>Freezer (Congelador)</b> puede utilizarse para ajustar la temperatura del congelador.</p> <p>El rango de temperaturas disponible es entre -15 °C y -23 °C.</p> <p><b>⚠ PRECAUCIÓN</b></p> <ul style="list-style-type: none"><li>• Para evitar fallos del sistema o que los alimentos se echen a perder, no ajuste la temperatura a -15 °C en verano (más de 35 °C).</li><li>• No guarde botellas de vidrio que contengan líquido en el congelador. Las botellas de vidrio se agrietan o se rompen cuando el líquido se congela.</li></ul>
<b>Power Freeze (Congelación rápida)</b>	<p>Power Freeze (Congelación rápida) acelera el proceso de congelación a su máxima velocidad. El congelador funciona a la máxima velocidad durante varias horas y luego vuelve a la temperatura anterior.</p> <ul style="list-style-type: none"><li>• Para activar Power Freeze (Congelación rápida), mantenga pulsado <b>Freezer (Congelador)</b> durante 3 segundos. El indicador correspondiente (❄) se ilumina y el frigorífico acelera el proceso de enfriamiento.</li><li>• Para desactivar, mantenga pulsado <b>Freezer (Congelador)</b> otra vez durante 3 segundos. El congelador vuelve al ajuste de temperatura anterior.</li><li>• Para congelar grandes cantidades de alimentos, active Power Freeze (Congelación rápida) durante al menos 20 horas antes de guardar alimentos en el congelador.</li><li>• El congelador funciona a la máxima velocidad durante 50 horas y luego vuelve a la temperatura anterior.</li></ul> <p><b>📄 NOTA</b></p> <p>El uso de Power Freeze (Congelación rápida) aumenta el consumo de energía. Asegúrese de apagarla y volver a la temperatura anterior si no tiene intención de usarla.</p>

# Funcionamiento

## 02 Conversión del congelador

### Freezer Convert (Conversión del congelador)

Puede utilizar todo el frigorífico con el modo Fridge (Refrigerador), o apagar el congelador.

Para cambiar el modo de congelador predeterminado, mantenga pulsado **Freezer Convert (Conversión del congelador)** durante 3 segundos para acceder al modo de selección. A continuación, pulse **Freezer Convert (Conversión del congelador)** para seleccionar el modo deseado.

El modo cambia en la siguiente secuencia: Fridge (Refrigerador) → Off (Desactivar) → Freezer (Congelador) → Off (Desactivar) → Modo de configuración de Fridge (Refrigerador).

- Si selecciona Fridge (Refrigerador), se enciende el indicador correspondiente. Power Freeze (Congelación rápida) se desactiva si está activa y Ice On (Hielo activado) se apagará si está habilitada.
- Si selecciona Off (Desactivar), se enciende el indicador correspondiente. El congelador se apaga.
- Si selecciona Freezer (Congelador), los indicadores correspondientes se encienden para que pueda seleccionarlos. La temperatura predeterminada del congelador es de -19 °C.

Los cambios que efectúe se ajustarán y se activarán al cabo de 10 segundos. Para cancelar o volver a cambiar el modo, mantenga pulsado **Freezer Convert (Conversión del congelador)** durante 3 segundos. A continuación, siga las instrucciones mencionadas más arriba.

#### **NOTA**

- Si mantiene pulsado **Freezer Convert (Conversión del congelador)** durante 3 segundos, el frigorífico cambia al modo de selección donde puede pulsar **Freezer Convert (Conversión del congelador)** para seleccionar un modo distinto.
- Cuando las funciones de refrigeración o congelación están en el modo 'Off (Desactivar)', la temperatura del refrigerador o del congelador se mantiene a menos de 15 °C para evitar que se formen moho y malos olores, con un bajo consumo de electricidad
- El refrigerador y el congelador no se pueden apagar por separado.
- No guarde alimentos ni bebidas en el frigorífico cuando las funciones de refrigeración o congelación estén en el modo 'Off (Desactivar)'. Una temperatura de 15 °C no es suficiente para conservar alimentos.




### **ADVERTENCIA**

- No ponga botellas de vidrio que contengan líquido en el congelador. Cuando se cancela Freezer convert (Conversión del congelador), las botellas de cristal se pueden romper o explotar en el congelador.
- Asegúrese de retirar los alimentos congelados del congelador antes de activar Freezer convert (Conversión del congelador). Los alimentos congelados se derriten y se echan a perder cuando aumenta la temperatura (cuando el modo Freezer (Congelador) pasa al modo Fridge (Refrigerador)).
- Asegúrese de retirar los alimentos refrigerados del congelador antes de desactivar Freezer Convert (Conversión del congelador). Los alimentos refrigerados pueden congelarse cuando disminuye la temperatura (cuando el modo Fridge (Refrigerador) pasa al modo Freezer (Congelador)).

### **NOTA**

Si desea usar Freezer Convert (Conversión del congelador), es muy recomendable utilizar recipientes de plástico para guardar alimentos, en especial si se trata de verduras.

### 03 Refrigerador / Enfriamiento rápido / Vacaciones

<b>Fridge (Refrigerador)</b>	<p>Para ajustar la temperatura del refrigerador, pulse <b>Fridge (Refrigerador)</b> y seleccione la temperatura correspondiente. Puede establecer una temperatura entre 1 °C y 7 °C (predeterminado: 3 °C).</p> <p> <b>PRECAUCIÓN</b></p> <ul style="list-style-type: none"><li>• En invierno, no ajuste la temperatura a 1 °C. Esto puede causar problemas con la capacidad de enfriamiento.</li><li>• En verano, no ajuste la temperatura a 5-7 °C. Esto también puede causar problemas con la capacidad de enfriamiento.</li></ul>
<b>Power Cool (Enfriamiento rápido)</b>	<p>Power Cool (Enfriamiento rápido) acelera el proceso de enfriamiento a su máxima velocidad. El refrigerador funciona a la máxima velocidad durante varias horas y luego vuelve a la temperatura anterior.</p> <ul style="list-style-type: none"><li>• Para activar Power Cool (Enfriamiento rápido), mantenga pulsado <b>Fridge (Refrigerador)</b> durante 3 segundos. El indicador correspondiente () se ilumina y el frigorífico acelera el proceso de enfriamiento.</li><li>• Para desactivar Power Cool (Enfriamiento rápido), mantenga pulsado <b>Fridge (Refrigerador)</b> otra vez durante 3 segundos. El refrigerador vuelve al ajuste de temperatura anterior.</li></ul> <p> <b>NOTA</b></p> <p>El uso de Power Cool (Enfriamiento rápido) aumenta el consumo de energía. Asegúrese de apagarlo y volver a la temperatura anterior si no tiene intención de usarlo.</p>

# Funcionamiento

## Vacation (Vacaciones)

Si se va de vacaciones o de viaje de negocios o si no piensa utilizar el frigorífico durante un periodo prolongado, use el modo Vacation (Vacaciones).

### (Solo modelos Tipo A y Tipo B)

- Para activar el modo Vacation (Vacaciones), pulse **Fridge (Refrigerador)** con el indicador 1 °C seleccionado. El indicador de vacaciones (🏖️) se enciende mientras la pantalla de temperaturas del refrigerador se apaga. La pantalla de los modelos de Tipo A (Cool Select+) y Tipo B (Cool Select Zone) también se apaga. La temperatura del refrigerador se controla a menos de 15 °C, pero el congelador sigue activo con la configuración anterior.
- Para desactivar el modo Vacation (Vacaciones), vuelva a pulsar **Fridge (Refrigerador)**. La temperatura del refrigerador se restablecerá en 7 °C. Tenga en cuenta que los modelos de Tipo A (Cool Select+) y Tipo B (Cool Select Zone) recuperan los ajustes de temperatura del refrigerador.

### (Solo modelos Tipo C)

- Para activar el modo Vacation (Vacaciones), mantenga pulsado **Vacation (Vacaciones)** durante 3 segundos. El indicador de vacaciones se enciende mientras que la pantalla de temperaturas del refrigerador se apaga. La temperatura del refrigerador se controla a menos de 15 °C, pero el congelador sigue activo con la configuración anterior.
- Para desactivar el modo Vacation (Vacaciones), mantenga pulsado **Vacation (Vacaciones)** de nuevo durante 3 segundos. La temperatura del refrigerador vuelve al ajuste de temperatura anterior.

### 📄 NOTA

Es muy recomendable vaciar el compartimento del refrigerador y asegurarse de que la puerta está cerrada.

En los modelos Cool Select+/Cool Select Zone, el modo Vacation (Vacaciones) se controla a menos de 15 °C, como en los ajustes del frigorífico. Sin embargo, en algunos modelos, el indicador correspondiente se apaga.

#### 04 Cool Select+ / Cool Select Zone

<b>Cool Select+ (TIPO A)</b>	<p>Mantenga pulsado <b>Cool Select+</b> durante 3 segundos. A continuación vuelva a pulsarlo para seleccionar el modo deseado. El indicador correspondiente se enciende.</p> <ul style="list-style-type: none"><li>• <b>Fridge (Refrigerador)</b> Si está seleccionada, la Cool Select Zone se ajusta en 3 °C.</li><li>• <b>Soft Freeze (Congelación suave)</b> Si está seleccionada, la Cool Select Zone se ajusta en -5 °C. Resulta útil para guardar carne o pescado durante un periodo más largo.</li><li>• <b>Freezer (Congelador)</b> Si está seleccionada, la Cool Select Zone se ajusta en -12 °C. Resulta útil para conservar verduras congeladas durante un periodo más largo.</li></ul>
<b>Cool Select Zone (TIPO B)</b>	<p>Mantenga pulsado <b>Cool Select Zone</b> durante 3 segundos. A continuación vuelva a pulsarlo para seleccionar el modo deseado. El indicador correspondiente se enciende.</p> <ul style="list-style-type: none"><li>• <b>Fridge (Refrigerador)</b> Si está seleccionada, la Cool Select Zone se ajusta en 3 °C.</li><li>• <b>-1 °C Zone (Zona -1 °C)</b> Si está seleccionada, la Cool Select Zone se ajusta en -1 °C. Resulta útil para guardar alimentos que se conservan poco tiempo.</li><li>• <b>Fast Cooling (Refrigeración rápida)</b> Seleccione esta opción si desea enfriar rápidamente los alimentos. La Cool Select Zone enfría los alimentos a la velocidad máxima durante 60 minutos.</li></ul>

# Funcionamiento

## 05 Alarma de la puerta / Bloqueo de control

Door Alarm (Alarma de la puerta)	Puede establecer la alarma para que actúe como recordatorio. Si la puerta queda abierta durante más de 2 minutos, suena la alarma y el indicador de esta parpadea. Para activar o desactivar la alarma, pulse <b>Door Alarm (Alarma de la puerta)</b> . La alarma viene activada de fábrica.
Control Lock (Bloqueo de control)	Para evitar manipulaciones involuntarias, mantenga pulsado <b>Door Alarm (Alarma de la puerta)</b> durante 3 segundos para activar el Control Lock (Bloqueo de control). Todos los controles se inhabilitarán con el indicador (🔒) activado. Para desactivar, mantenga pulsado otra vez durante 3 segundos. Los controles se habilitarán normalmente.
Device authentication (Autenticación del dispositivo)	Cuando conecte el frigorífico a una aplicación Samsung Smart Home o a dispositivos inteligentes Samsung, como Samsung Smart TV, siga las instrucciones en pantalla de la aplicación o del dispositivo y mantenga pulsado <b>Door Alarm (Alarma de la puerta)</b> durante 5 segundos. La pantalla de la temperatura muestra "on (activado)" durante 5 segundos antes de proceder con la autenticación. Tenga en cuenta que la alarma de la puerta no queda afectada por la autenticación.

## 06 Conexión de red (solo modelos aplicables)

Se puede usar el Smart Home Dongle opcional (se vende por separado) para controlar y supervisar el frigorífico a través de la aplicación Samsung Smart Home. Para obtener más información acerca de Samsung Smart Home, consulte la sección Samsung Smart Home.

### NOTA

- Los sistemas de cifrado recomendados incluyen WPA/TKIP y WPA2/AES. No se admiten otros protocolos de autenticación Wi-Fi más nuevos o no estandarizados.
- Las redes inalámbricas pueden resultar afectadas por los entornos de comunicación inalámbrica que la rodean.
- Si su proveedor de servicios de Internet ha registrado la dirección MAC de su PC o módem para identificación, su Samsung Smart Refrigerator puede fallar al conectarse a Internet. En este caso, póngase en contacto con su proveedor de servicios de Internet para recibir asistencia técnica.
- La configuración de firewall de su sistema de red puede impedir que su Samsung Smart Refrigerator acceda a Internet. Póngase en contacto con su proveedor de servicios de Internet para recibir asistencia técnica. Si el síntoma continúa, póngase en contacto con un centro de servicio local de Samsung o con el establecimiento de compra.
- Para configurar el punto de acceso (PA) inalámbrico, consulte el manual de usuario del PA.
- Los Samsung Smart Refrigerators que incorporan el Samsung Smart Home Dongle admiten los protocolos Wi-Fi 2.4 GHz con IEEE 802.11 b/g/n y Soft-AP (se recomienda IEEE 802.11 n).
- Los enrutadores inalámbricos Wi-Fi no autorizados pueden fallar al conectarse con Samsung Smart Refrigerators aplicables.

## Samsung Smart Home (solo modelos aplicables)

### Instalación

Visite la Google Play Store, Galaxy Apps o la Apple App Store y busque "Samsung Smart Home". Descargue e instale la aplicación Samsung Smart Home proporcionada por Samsung Electronics a su dispositivo inteligente.

### NOTA

- La aplicación Samsung Smart Home está diseñada para Android 4.0 (ICS) o superior, o iOS 7.0 o superior, y está optimizada para teléfonos inteligentes Samsung (series Galaxy S y Galaxy Note). En otros modelos de teléfonos inteligentes, algunas funciones pueden operar de distinta manera.
- Para obtener un rendimiento mejorado, la aplicación Samsung Smart Home estará sujeta a cambios sin previo aviso o a interrupción del soporte de acuerdo con la política del fabricante.

### Cuenta de Samsung

Para usar la aplicación se le requerirá que registre su cuenta de Samsung. Si no tiene una cuenta de Samsung, siga las instrucciones en pantalla de la aplicación para crear una cuenta de Samsung gratuita.

# Funcionamiento

---

## Introducción

1. Inserte el Smart Home Dongle en el puerto correspondiente del frigorífico.
2. Ejecute la aplicación Samsung Smart Home e inicie sesión con su cuenta de Samsung. Los usuarios de iPhone deberán proporcionar los datos de acceso cada vez que accedan a la aplicación.
3. Acceda a **Device (Dispositivo)** > icono + y luego toque **Refrigerator (Frigorífico)**.
4. Siga las instrucciones en pantalla para proporcionar la información necesaria acerca del enrutador y luego toque **Next (Siguiente)**.
5. Mantenga pulsado **Fridge (Refrigerador)** durante más de 5 segundos hasta que aparezca el mensaje "AP" en la pantalla. Su frigorífico se registra en la aplicación.
6. Una vez registrado el dispositivo, el icono del frigorífico aparece en la aplicación Samsung Smart Home.
7. Toque el icono del frigorífico para abrir la página correspondiente.
8. Cuando se establece una conexión de red, el icono de Wi-Fi se ilumina en el frigorífico.

## Aplicación de frigorífico

### Control integrado

Puede controlar y supervisar su frigorífico tanto si está en casa como fuera de ella.

- Toque el icono del frigorífico en la Samsung Smart Home para abrir la página del frigorífico.
- Revise el estado de funcionamiento o la notificación de su frigorífico y cambie las opciones o los ajustes si es necesario.



### NOTA

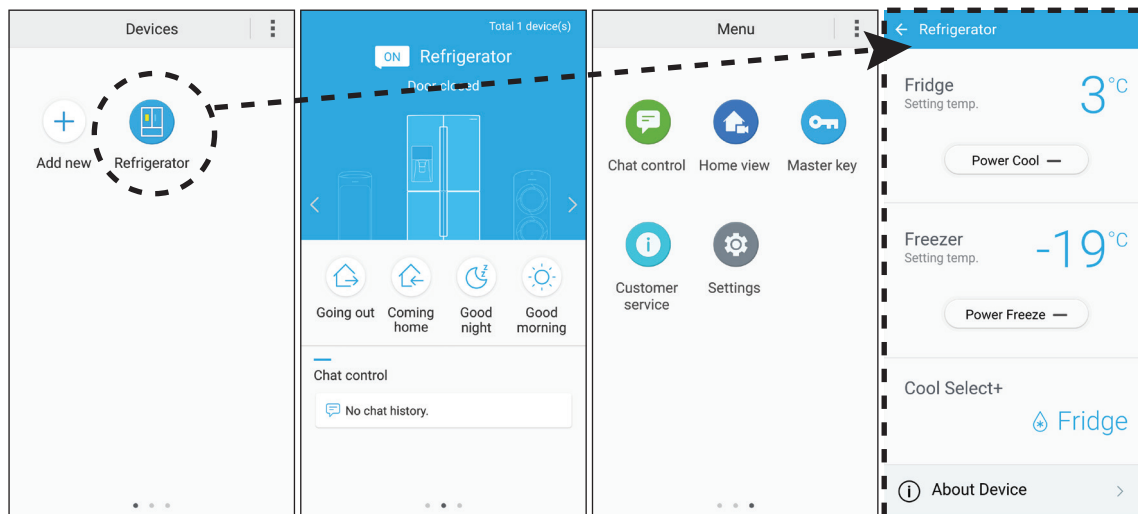
Algunas opciones o ajustes del frigorífico pueden no estar disponible para el mando a distancia.



## Funciones principales

Registre los aparatos domésticos inteligentes Samsung al servidor de Samsung Smart Home para acceder de manera remota.

Descripción del menú

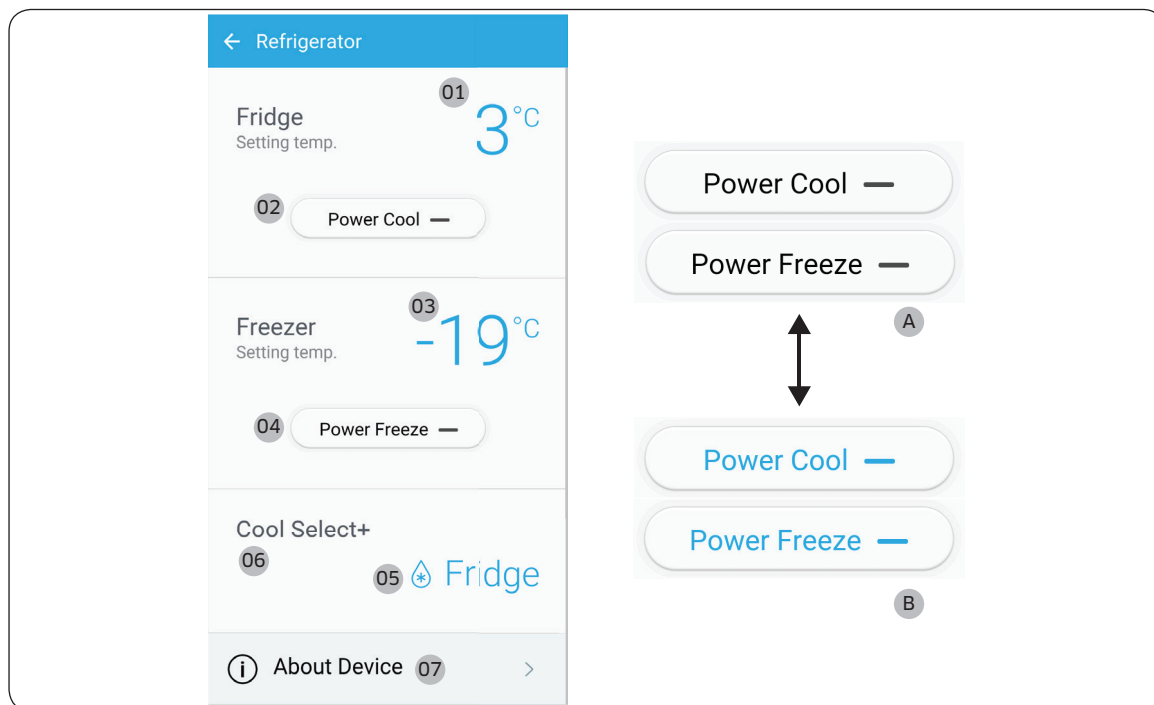


- Toque **Refrigerator (Frigorífico)** para abrir la página de ajustes del frigorífico.
- Deslice para ir a la página siguiente.

<b>Chat control (Control de comunicación)</b>	Puede controlar de manera remota los aparatos domésticos inteligentes Samsung o supervisar el estado de funcionamiento.
<b>Home view (Ver casa)</b> (solo modelos aplicables)	Con la cámara incorporada en un aparato doméstico inteligente Samsung puede supervisar la sala de estar de su casa. Solo está disponible con los modelos aplicables.
<b>Master key (Control de comunicación)</b>	La llave maestra se ha diseñado para controlar el sistema de bloqueo de distintas actividades del usuario, como salir de casa, regresar a casa, acostarse por la noche o despertarse por la mañana. Solo está disponible con los modelos aplicables.
<b>Customer service (Servicio al cliente)</b>	El manual del usuario se puede descargar, y también está disponible la información de contacto para atención al cliente.
<b>Settings (Ajustes)</b>	Puede supervisar el dispositivo conectado y la información de software (versión y licencias de código abierto), y añadir dispositivos o seleccionar un país. Puede simular el funcionamiento del dispositivo actual para demostraciones.

# Funcionamiento

## Ajustes del frigorífico



A: Deshabilitado (negro)

B: Habilitado (azul)

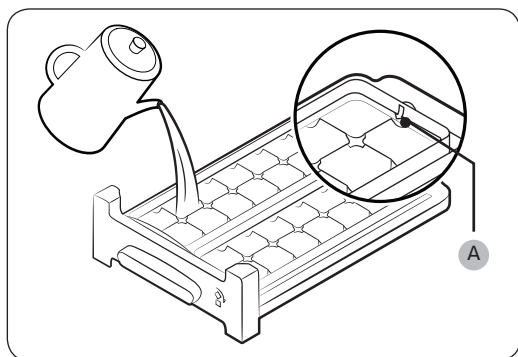
Fridge (Refrigerador)	<p><b>01</b> Muestra la temperatura configurada actualmente en el refrigerador.</p> <p><b>02</b> Puede activar o desactivar el enfriamiento rápido y comprobar los ajustes actuales.</p>
Freezer (Congelador)	<p><b>03</b> Muestra la temperatura configurada actualmente en el congelador.</p> <p><b>04</b> Puede activar o desactivar la congelación rápida y comprobar los ajustes actuales.</p>
Cool Select (Selección de frío)	<p><b>05</b> Muestra el ajuste del modo actual.</p> <p><b>06</b> Según sea el modelo muestra Cool Select+, Cool Select Zone o ninguno.</p>
About Device (Acerca del dispositivo)	<p><b>07</b> Muestra la información del producto incluida la versión actual, el tutorial, la autocomprobación y el servicio de asistencia técnica. El manual del usuario se puede descargar, y también está disponible la información de contacto para atención al cliente.</p> <p><b>Self Check (Autocomprobación)</b></p> <p>La autocomprobación permite comprobar los resultados del diagnóstico del frigorífico. Si detecta algún síntoma anómalo, la autocomprobación muestra una información que se puede utilizar para el servicio al cliente.</p>

## Características especiales

Esta imagen y las funciones especiales de su frigorífico pueden variar en función del modelo y del país.

### Fabricación de hielo (solo modelos aplicables)

#### Máquina de hielo giratoria



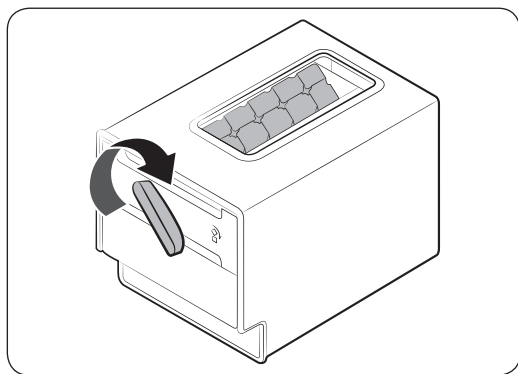
1. Abra la puerta del congelador y deslice la bandeja de hielo hacia afuera.
2. Llene de agua la bandeja hasta el nivel máximo (A) marcado en la parte interna posterior de la bandeja.
3. Vuelva a colocar la bandeja en su lugar.

#### NOTA

El tiempo de fabricación del hielo depende de la temperatura ajustada.

#### NOTA

- Asegúrese de que el depósito de cubitos queda bien colocado debajo de la bandeja de hielo.
- Para dispensar los cubitos, gire la manija del depósito hacia la derecha para vaciar la mitad de los cubitos en el depósito. A continuación, gírela hacia la izquierda para vaciar la otra mitad.
- Extraiga el depósito girándolo levemente y tirando hacia el frente.



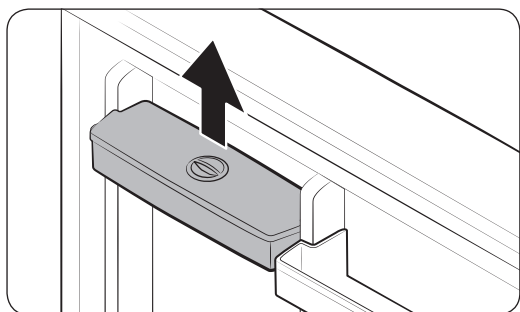
# Funcionamiento

## Dispensador de agua

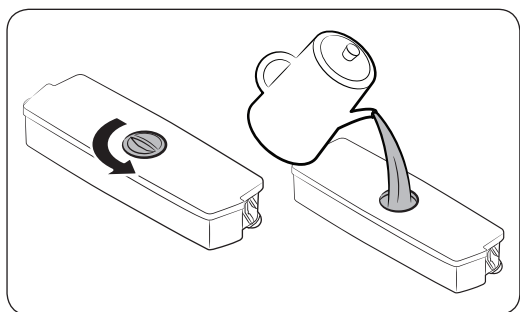
Con el dispensador puede obtener agua sin necesidad de abrir la puerta del refrigerador. El depósito de agua debe llenarse de con agua potable antes de usarlo.

### Para llenar el depósito con agua potable

Abra la puerta y localice el depósito de agua que está en la zona de los estantes de la puerta.



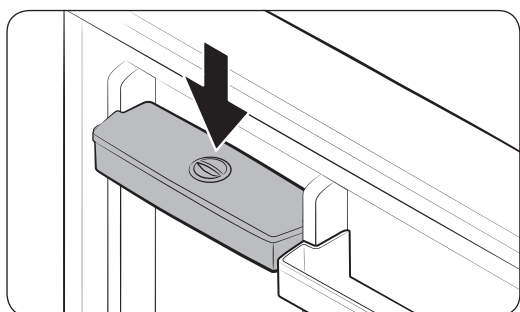
1. Sujete las asas laterales del depósito de agua y levántelo para extraerlo.



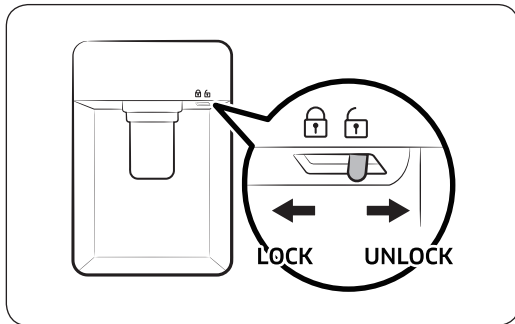
2. Llene el depósito con 2,8 litros como máximo de agua potable. Puede quitar la tapa superior o la cubierta y verter el agua.

### NOTA

Antes de usar el depósito de agua por primera vez, limpie el interior.



3. Vuelva a colocar el depósito de agua y cierre la puerta. Asegúrese de que la salida de agua del depósito queda delante.



4. Ponga un vaso debajo de la salida de agua del dispensador y presione suavemente la palanca de este para obtener agua. Asegúrese de que el dispensador de agua está desbloqueado.

### PRECAUCIÓN

- El dispensador de agua está diseñado para proporcionar agua potable. Llene el depósito únicamente con agua potable. No lo llene con otros líquidos.
- No llene excesivamente el depósito para evitar que desborde.
- No trate de llenar el depósito de agua sin extraerlo de la puerta.
- Asegúrese de que el depósito de agua está bien asentado.
- No utilice el frigorífico sin el depósito de agua. Podría disminuir el rendimiento y la eficiencia.
- Para evitar que el agua se derrame, asegúrese de alinear el vaso con la palanca del dispensador.

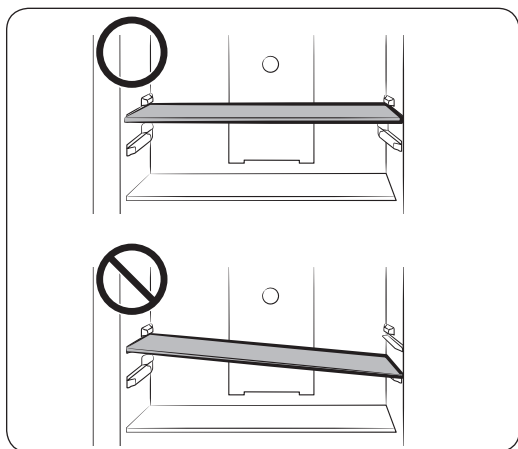
### NOTA

Si necesita disponer de más espacio, puede utilizar el depósito de agua para guardar alimentos. En tal caso, retire la tapa del depósito.

# Mantenimiento

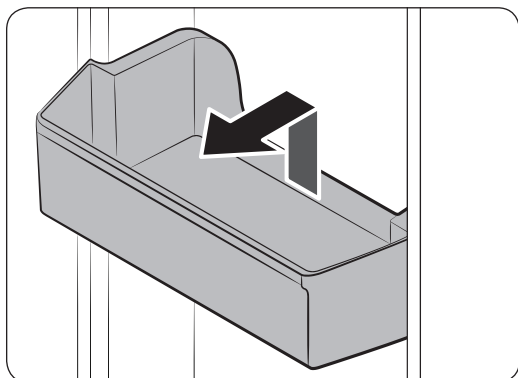
## Manipulación y cuidado

### Estantes del congelador y del refrigerador



- Antes de retirar un estante, abra completamente la puerta. Tire del estante hacia adelante, levántelo y extráigalo.
- Cuando vuelva a montar el estante, asegúrese de que la etiqueta "Front" queda delante.
- No coloque el estante en posición inclinada.

### Baldas de la puerta



Levante ligeramente y extraiga la balda de la puerta.

**⚠ PRECAUCIÓN**

Para evitar accidentes, vacíe las baldas de la puerta antes de retirarlas.

## Limpieza

Utilice regularmente un paño seco para limpiar cualquier sustancia extraña, como polvo o agua, de los terminales del enchufe y los puntos de contacto.

1. Desenchufe el cable de alimentación del frigorífico.
2. Utilice un paño suave y sin pelusa o una toalla de papel humedecidos para limpiar el interior y el exterior del frigorífico.
3. A continuación, seque bien con un paño o una toalla de papel secos.
4. Enchufe el cable de alimentación para encender el frigorífico.

### **NOTA**

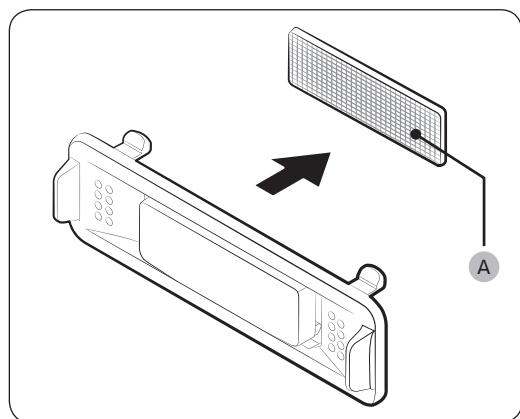
Si ha retirado alguna de las piezas extraíbles, como los estantes, para limpiarlos, consulte la exposición general de la sección de piezas incluidas para asegurarse de que los ha colocado correctamente.

### **ADVERTENCIA**

- No limpie con benceno, disolvente ni detergentes para hogar/automóvil como Clorox™. Podría dañar la superficie del frigorífico y provocar un incendio.
- No rocíe agua sobre el frigorífico. Se podría producir una descarga eléctrica.
- No introduzca los dedos ni otros objetos en el orificio del dispensador.

## Recambio

### Filtro desodorizante (solo modelos aplicables)



Sujetando los lados superior e inferior de la carcasa del filtro, destrábela para ver el **filtro desodorizante (A)**. Reemplace el filtro y vuelva a colocar la carcasa.

### Lámparas y filtro antibacterias

Las lámparas y el filtro antibacterias no son piezas que pueda reemplazar el usuario. No intente sustituirlos usted mismo. Para reemplazarlos, póngase en contacto con un centro local de servicio técnico de Samsung.

# Solución de problemas

Si detecta una situación anormal con el frigorífico, en primer lugar consulte la siguiente tabla y siga las sugerencias.

## General

Síntoma	Acción
No funciona o no enfría.	<ul style="list-style-type: none"><li>• Asegúrese de que el cable de alimentación está conectado correctamente.</li><li>• Asegúrese de que la temperatura está configurada correctamente.</li><li>• Asegúrese de mantener el frigorífico alejado de la luz directa del sol y de las fuentes de calor. De no hacerlo, puede verse afectada la capacidad de enfriamiento.</li><li>• Asegúrese de que hay espacio suficiente entre el frigorífico y las paredes posterior y laterales o el armario. De no hacerlo, puede verse afectada la capacidad de enfriamiento.</li><li>• Demasiados alimentos pueden bloquear la ventilación del frigorífico. Para mantener el funcionamiento normal del frigorífico, no guarde demasiados alimentos en su interior.</li></ul>
Los alimentos del refrigerador se congelan.	<ul style="list-style-type: none"><li>• Compruebe que la temperatura está ajustada a la temperatura más baja. Si no es así, cambie el nivel de la temperatura a más frío u óptimo.</li><li>• Esto ocurre cuando la temperatura ambiental es demasiado baja. Configure una temperatura más alta.</li><li>• Compruebe si los alimentos con altos contenidos de agua se encuentran en la zona más fría del refrigerador o cerca de la salida de ventilación. Si es así, coloque estos alimentos en otros estantes del refrigerador.</li></ul>
Emite ruidos.	<ul style="list-style-type: none"><li>• Asegúrese de que el frigorífico está instalado sobre una superficie estable y plana.</li><li>• Asegúrese de que hay espacio suficiente entre el frigorífico y las paredes posterior y laterales o el armario.</li><li>• Asegúrese de evitar que entren impurezas u objetos extraños dentro o debajo del frigorífico.</li><li>• El frigorífico puede emitir una especie de "tic" desde el interior, lo que ocurre cuando las distintas piezas extraíbles se contraen o se expanden. No se trata de un fallo del sistema.</li></ul>
Las esquinas frontales y los laterales se calientan y forman condensación.	<ul style="list-style-type: none"><li>• Para evitar que se genere condensación, el frigorífico cuenta con tuberías a prueba de calor en las esquinas frontales. Si la temperatura ambiental aumenta, es posible que este sistema no funcione correctamente. No se trata de un fallo del sistema.</li><li>• Puede generarse condensación en la superficie externa del frigorífico si la humedad del aire entra en contacto con la superficie fría del aparato.</li></ul>



Síntoma	Acción
La máquina de hielo no produce hielo.	<ul style="list-style-type: none"> <li>• Debe esperar 12 horas para que el frigorífico produzca hielo.</li> <li>• Asegúrese de que la máquina de hielo no se detiene mientras produce hielo.</li> <li>• Asegúrese de que el congelador está configurado por debajo de 0 °C (o -5 °C en ambientes cálidos).</li> <li>• Asegúrese de que el depósito de agua está lleno de agua.</li> </ul>
El dispensador de agua no funciona.	<ul style="list-style-type: none"> <li>• Compruebe si el depósito de agua está congelado. Si es así, seleccione una temperatura de refrigerador más alta.</li> <li>• Asegúrese de que el depósito de agua está lleno de agua.</li> <li>• Asegúrese de que el depósito de agua está instalado correctamente.</li> <li>• Asegúrese de que el filtro de agua está instalado correctamente.</li> </ul>
Emite un ruido de borboteo.	<ul style="list-style-type: none"> <li>• Este ruido es normal, y lo hace el frigorífico cuando está enfriando.</li> </ul>
Salen malos olores del interior del frigorífico.	<ul style="list-style-type: none"> <li>• Compruebe si hay algún alimento en mal estado. Se recomienda limpiar el frigorífico periódicamente y retirar alimentos en mal estado o sospechosos.</li> <li>• Asegúrese de que los alimentos que despiden un olor fuerte están envueltos herméticamente.</li> </ul>
Se forma escarcha en las paredes interiores.	<ul style="list-style-type: none"> <li>• Asegúrese de que no hay alimentos bloqueando las salidas de ventilación del frigorífico. También es importante disponer los alimentos de manera uniforme para facilitar la ventilación.</li> <li>• Asegúrese de que la puerta está bien cerrada.</li> </ul>
Se forma condensación en las paredes interiores o alrededor de las verduras.	<ul style="list-style-type: none"> <li>• Esto ocurre cuando se guardan alimentos con alto contenido de agua sin cubrirlos o cuando se ha dejado la puerta abierta durante un rato.</li> <li>• Asegúrese de cubrir los alimentos o de ponerlos en recipientes cerrados.</li> </ul>

# Solución de problemas

## Samsung Smart Home

Síntoma	Acción
No se encuentra "Samsung Smart Home" en el mercado de aplicaciones.	<ul style="list-style-type: none"><li>La aplicación Samsung Smart Home está disponible en teléfonos inteligentes que funcionan con Android 4.0 (ICS) o superior o iOS 7.0 o superior.</li></ul>
La aplicación Samsung Smart no funciona.	<ul style="list-style-type: none"><li>La aplicación Smart Home solo está disponible en los modelos aplicables.</li><li>La antigua aplicación Samsung Smart Refrigerator no se puede conectar con los modelos Samsung Smart Home.</li></ul>
La aplicación Samsung Smart Home está instalada pero no está conectada a mi frigorífico.	<ul style="list-style-type: none"><li>Para usar la aplicación debe iniciar sesión en su cuenta de Samsung.</li><li>Asegúrese de que el enrutador funciona adecuadamente.</li><li>Asegúrese de que el Smart Home Dongle está insertado correctamente.</li><li>Si el icono de Wi-Fi de la pantalla del frigorífico está apagado, significa que no se ha establecido aún la conexión de red. En ese caso, use la aplicación Samsung Smart Home para conectarse y registrar el frigorífico en el punto de acceso (PA) de su casa.</li></ul>
No se puede iniciar sesión en la aplicación.	<ul style="list-style-type: none"><li>Para usar la aplicación debe iniciar sesión en su cuenta de Samsung.</li><li>Si no tiene una cuenta de Samsung, siga las instrucciones en pantalla de la aplicación para crear una.</li></ul>
Se muestra un mensaje de error cuando intento registrar el frigorífico.	<ul style="list-style-type: none"><li>La Easy Connection (Conexión fácil) puede fallar debido a la distancia con el punto de acceso (PA) o por interferencias eléctricas del entorno. Espere un momento y vuelva a intentarlo.</li></ul>
La aplicación Samsung Smart Home se ha conectado correctamente al frigorífico, pero no funciona.	<ul style="list-style-type: none"><li>Salga y vuelva a iniciar la aplicación Samsung Smart Home, o desconecte el enrutador y vuelva a conectarlo.</li><li>Quite el Smart Home Dongle y vuelva a conectarlo correctamente. A continuación, vuelva a intentarlo.</li></ul>

# Notas

---

**Contacte con SAMSUNG WORLD WIDE**

Si tiene alguna pregunta o comentario acerca de productos Samsung, por favor contacte con el servicio de atención al cliente de SAMSUNG.

País	Centro de contacto	Sitio web
CYPRUS	8009 4000 only from landline, toll free	www.samsung.com/gr/support
GREECE	80111-SAMSUNG (80111 726 7864) only from land line (+30) 210 6897691 from mobile and land line	
ITALIA	800-SAMSUNG (800.7267864)	www.samsung.com/it/support
PORTUGAL	808 20 7267	www.samsung.com/pt/support
SPAIN	0034902172678 [HHP] 0034902167267	www.samsung.com/es/support



DA68-03370Y-03



# Frigorífico

## Manual do utilizador

RT58\*/RT62\*

Aparelho não encastrável

**SAMSUNG**

# Índice

---

<b>Informações de segurança</b>	<b>3</b>
Símbolos e precauções de segurança importantes:	5
Sinais de aviso importantes relativamente ao transporte e localização	5
Avisos muito importantes relativamente à instalação	6
Chamadas de atenção relativamente à instalação	9
Avisos muito importantes relativamente à utilização	9
Chamadas de atenção relativamente à utilização	14
Chamadas de atenção relativamente à limpeza	16
Avisos muito importantes relativamente à eliminação	17
Sugestões adicionais para uma utilização adequada	18
Sugestões de poupança de energia	19
Este aparelho de uso doméstico destina-se também a ser utilizado em aplicações semelhantes como:	19
Instruções sobre REEE	20
<b>Instalação</b>	<b>21</b>
Visão geral do frigorífico	21
Instalação passo a passo	23
<b>Operações</b>	<b>28</b>
Painel de funções	28
Samsung Smart Home (apenas nos modelos aplicáveis)	35
Funções especiais	40
<b>Manutenção</b>	<b>43</b>
Manuseamento e cuidado	43
Limpeza	44
Substituição	44
<b>Resolução de problemas</b>	<b>45</b>
Geral	45
Samsung Smart Home	47

# Informações de segurança

---

- Antes de utilizar o seu novo frigorífico Samsung, leia atentamente este manual para saber como utilizar de forma segura e eficaz as funcionalidades e funções deste novo aparelho.
- Este aparelho não se destina a ser utilizado por pessoas (incluindo crianças) com capacidades físicas, sensoriais ou mentais reduzidas, nem por pessoas com falta de experiência e conhecimentos, excepto se forem supervisionadas ou lhes tiverem sido dadas instruções sobre a utilização do aparelho por uma pessoa responsável pela sua segurança.
- Este aparelho pode ser utilizado por crianças com idade igual ou superior a oito anos, por pessoas com capacidades mentais, sensoriais ou físicas reduzidas ou por pessoas com falta de experiência e conhecimentos de utilização desde que sejam supervisionadas ou tenham recebido instruções relativas à utilização segura do aparelho e que percebam os eventuais riscos envolvidos. As crianças não devem brincar com o aparelho. A limpeza e manutenção necessárias não devem ser feitas por crianças sem supervisão de um adulto responsável.
- Os avisos e instruções de segurança importantes deste manual não abordam todas as condições e situações que poderão ocorrer.  
É da sua responsabilidade ter bom senso, atenção e cuidado durante a instalação, manutenção e utilização do aparelho.
- Uma vez que as instruções de funcionamento que se seguem abrangem vários modelos, as características do seu frigorífico podem diferir ligeiramente das descritas neste manual, não sendo eventualmente aplicáveis todos os sinais de aviso. Caso tenha alguma dúvida ou problema, contacte o centro de assistência mais perto de si ou procure informações e peça ajuda online acedendo a [www.samsung.com](http://www.samsung.com).
- O gás R-600a ou R-134a é utilizado como refrigerante. Verifique a etiqueta do compressor na parte posterior do aparelho ou a etiqueta de classificação no interior do frigorífico para saber qual o refrigerante utilizado no seu frigorífico. Se este produto contiver gás inflamável (refrigerante R-600a), contacte as autoridades locais para saber como eliminar este produto em segurança.

## Informações de segurança

---

- Para evitar a formação de uma mistura inflamável de gás e ar, na eventualidade de uma fuga no circuito de refrigeração, o tamanho da divisão onde o aparelho poderá ser instalado depende da quantidade de refrigerante utilizado.
- Nunca ligue um aparelho que aparente estar danificado. Em caso de dúvida, consulte o seu distribuidor. A divisão tem de ter 1 m<sup>3</sup> por cada 8 g de refrigerante R-600a no interior do aparelho.  
A quantidade de refrigerante neste aparelho está indicada na placa de identificação que se encontra no interior do mesmo.
- Uma fuga do gás refrigerante dos tubos pode fazer com que se inflame ou provocar uma lesão ocular. Se o refrigerante verter do tubo, evite todo o tipo de chamas, afaste todo o tipo de objectos inflamáveis do produto e ventile imediatamente a divisão.
  - Se não o fizer, poderá provocar um incêndio ou uma explosão.
- É perigoso efectuar operações de assistência neste aparelho se não for um técnico de assistência autorizado.



---

## Símbolos e precauções de segurança importantes:

---

### **AVISO**

Perigos ou práticas pouco seguras que podem resultar em ferimentos graves ou morte.

### **ATENÇÃO**

Perigos ou práticas pouco seguras que podem resultar em ferimentos ligeiros ou danos materiais.

Estes sinais de aviso destinam-se a evitar ferimentos em qualquer pessoa.

Respeite-os.

Depois de ler esta secção, guarde-a num local seguro para referência futura.

---

## Sinais de aviso importantes relativamente ao transporte e localização

---

### **AVISO**

- Quando transportar e instalar o aparelho, deverá ter cuidado para garantir que nenhuma peça do circuito de refrigeração fica danificada.
  - Se houver fugas de refrigerante na tubagem, este poderá entrar em combustão ou provocar danos nos olhos. Se for detectada uma fuga, evite o contacto com chamas ou potenciais fontes de ignição e ventile a divisão na qual se encontra o aparelho durante vários minutos.
  - Este aparelho contém uma pequena quantidade de refrigerante isobutano (R-600a), um gás natural com elevada compatibilidade ambiental, embora seja também combustível. Quando transportar e instalar o aparelho, deverá ter cuidado para garantir que nenhuma peça do circuito de refrigeração fica danificada.



# Informações de segurança

---

## Avisos muito importantes relativamente à instalação

---

### AVISO

- Não instale o frigorífico num local húmido ou num local onde possa ficar em contacto com água.
  - A deterioração do isolamento em componentes eléctricos pode provocar choques eléctricos ou incêndios.
- Não coloque este frigorífico num local com exposição solar directa ou próximo de fogões, aquecedores ou outros aparelhos que emanem calor.
- Não ligue vários aparelhos à mesma extensão eléctrica. O frigorífico deve ser sempre ligado à sua própria tomada eléctrica, devendo esta ter uma tensão nominal igual à indicada na placa sinalética do frigorífico.
  - Deste modo, obtém-se o melhor desempenho possível e também se evita a sobrecarga dos circuitos eléctricos domésticos, o que pode provocar um incêndio resultante de cabos sobreaquecidos.
- Se a tomada estiver solta, não introduza a ficha.
  - Existe o risco de choque eléctrico ou incêndio.
- Não utilize um cabo de alimentação que apresente fissuras ou desgaste na sua extensão ou em qualquer uma das extremidades.
- Não dobre excessivamente o cabo de alimentação nem coloque objectos pesados sobre o mesmo.
- Não puxe nem dobre excessivamente o cabo de alimentação.
- Não torça nem dê nós no cabo de alimentação.
- Não pendure o cabo de alimentação num objecto metálico, não coloque qualquer objecto pesado em cima do cabo de alimentação, não introduza o cabo entre objectos, nem o empurre para o espaço na parte de trás do aparelho.
- Se deslocar o frigorífico, tenha cuidado para não passar por cima do cabo de alimentação nem o danificar.
  - Tal pode resultar num choque eléctrico ou num incêndio.



- Nunca puxe o cabo de alimentação para desligar o frigorífico. Segure sempre bem a ficha e puxe a direito para a retirar da tomada.
  - Se o cabo estiver danificado, pode provocar um curto-circuito, um incêndio e/ou um choque eléctrico.
- Não armazene substâncias explosivas, tais como latas de aerossóis com um propulsor inflamável, neste aparelho.
- Não instale este aparelho perto de um aquecedor ou de materiais inflamáveis.
- Não instale este aparelho num local onde possam ocorrer fugas de gás.
  - Tal pode resultar num choque eléctrico ou num incêndio.
- Antes de utilizar o frigorífico, este tem de ser localizado e instalado correctamente de acordo com as instruções do manual.
- Ligue a ficha na posição correcta com o cabo pendurado.
  - Se ligar a ficha ao contrário, o cabo pode ficar cortado e provocar um incêndio ou choque eléctrico.
- Certifique-se de que a ficha não é esmagada nem danificada pela parte de trás do frigorífico.
- Mantenha os materiais de embalagem fora do alcance das crianças.
  - Existe o risco de morte por asfixia se uma criança colocar os materiais de embalagem na cabeça.
- O aparelho tem de ser posicionado de forma a que a ficha fique acessível após a instalação.
  - Caso contrário, pode provocar um incêndio ou um choque eléctrico devido a fuga eléctrica.
- Não instale este aparelho num local húmido, gorduroso ou sujo, num local com exposição solar directa, nem em contacto com água (chuva).
  - A deterioração do isolamento dos componentes eléctricos pode provocar choques eléctricos ou incêndios.
- Se existir algum pó ou água no frigorífico, desligue a ficha e contacte o seu centro de assistência Samsung Electronics.
  - Caso contrário, existe o risco de incêndio.

## Informações de segurança

---

- Não se coloque em cima do aparelho, nem coloque objectos (tais como roupa, velas acesas, cigarros acesos, pratos, químicos, objectos de metal, etc.) sobre o mesmo.
  - Se o fizer, pode provocar um choque eléctrico, um incêndio, outras falhas no produto ou ferimentos.
- Tem de retirar toda a película protectora de plástico antes de ligar o produto.
- As crianças devem ser vigiadas para impedir que brinquem com os anéis de retenção utilizados para o ajuste da porta ou com os grampos do tubo de água.
  - Existe o risco de morte por asfixia se uma criança engolir um anel de retenção ou um grampo do tubo de água. Mantenha os anéis de retenção e os grampos do tubo de água fora do alcance das crianças.
- O frigorífico tem de estar ligado à terra em segurança.
  - Antes de tentar investigar ou reparar qualquer componente do aparelho, certifique-se sempre de que o frigorífico está ligado à terra. As fugas de corrente podem provocar choques eléctricos.
- Nunca utilize canos de gás, fios de telefone nem outros potenciais pára-raios para a ligação à terra.
  - Tem de efectuar a ligação à terra do frigorífico de modo a evitar fugas de corrente ou choques eléctricos provocados pela fuga de corrente do frigorífico.
  - Tal pode resultar em choque eléctrico, incêndio, explosão ou danos no produto.
- Ligue a ficha de alimentação firmemente na tomada. Não utilize uma ficha ou um cabo de alimentação danificados ou uma tomada solta.
  - Tal pode resultar num choque eléctrico ou num incêndio.
- Se o cabo de alimentação estiver danificado, solicite a sua substituição imediata ao fabricante ou ao respectivo representante da assistência.

- 
- O fusível existente no frigorífico tem de ser substituído por um técnico qualificado ou pela empresa de assistência.
    - Caso contrário, pode provocar um choque eléctrico ou ferimentos.

## Chamadas de atenção relativamente à instalação

---

### ATENÇÃO

- Instale o frigorífico num local com espaço suficiente à volta e sobre uma superfície plana.
  - Mantenha o espaço de ventilação do aparelho e o espaço em redor do mesmo desobstruídos.
- Não coloque alimentos no aparelho no espaço de 2 horas após a instalação e a ligação.
- Recomendamos vivamente que solicite a instalação do frigorífico a um técnico qualificado ou a uma empresa de assistência.
  - Caso contrário, pode provocar um choque eléctrico, incêndio, explosão, danos no produto ou ferimentos.
- Uma sobrecarga em qualquer uma das portas pode fazer com que o frigorífico caia e provoque ferimentos.

## Avisos muito importantes relativamente à utilização

---

### AVISO

- Não introduza a ficha numa tomada com as mãos molhadas.
  - Tal pode provocar um choque eléctrico.
- Não coloque objectos sobre o aparelho.
  - Ao abrir ou fechar a porta, os objectos podem cair e provocar ferimentos e/ou danos materiais.

## Informações de segurança

---

- Não introduza mãos, pés ou objectos metálicos (tais como pauzinhos chineses, etc.) debaixo ou na parte de trás do frigorífico.
  - Tal pode provocar um choque eléctrico ou ferimento.
  - As pontas afiadas podem provocar ferimentos.
- Não toque nas paredes interiores do congelador nem nos produtos guardados no mesmo com as mãos molhadas.
  - Pode ficar com queimaduras de frio.
- Não coloque recipientes com água sobre o frigorífico.
  - Se se entornarem, podem provocar um incêndio ou um choque eléctrico.
- Não coloque objectos ou substâncias voláteis ou inflamáveis (benzeno, diluente, gás propano, álcool, éter, gás de petróleo liquefeito e outros produtos semelhantes) no frigorífico.
  - Este frigorífico destina-se exclusivamente a armazenar alimentos.
  - Tal pode resultar em incêndio ou explosão.
- As crianças devem ser vigiadas para impedir que brinquem com o aparelho.
  - Mantenha os dedos afastados de zonas onde possa entalá-los. Os espaços entre as portas e o armário são muito pequenos. Tenha cuidado ao abrir as portas na presença de crianças.
- Não deixe que as crianças se pendurem na porta nem nos compartimentos da porta. Se o fizerem, podem ferir-se gravemente.
- Não deixe que as crianças entrem no frigorífico. Podem ficar presas no interior.
- Não coloque as mãos debaixo do aparelho.
  - Extremidades afiadas podem provocar ferimentos.
- Não guarde produtos farmacêuticos, materiais científicos ou produtos com requisitos especiais de temperatura no frigorífico.
  - Os produtos que requerem controlos de temperatura rigorosos não devem ser guardados dentro do frigorífico.
- Não coloque nem utilize aparelhos eléctricos dentro do frigorífico/congelador, a menos que sejam de um tipo recomendado pelo fabricante.

- Se lhe cheirar a produtos farmacêuticos ou a fumo, desligue imediatamente a ficha e contacte o centro de assistência da Samsung Electronics.
- Se entrar água ou pó para o frigorífico, desligue a ficha de alimentação e contacte o centro de assistência da Samsung Electronics.
  - Caso contrário, existe o risco de incêndio.
- Não deixe que as crianças subam para as gavetas.
  - As gavetas podem partir-se e fazer com que as crianças escorreguem.
- Não deixe as portas do frigorífico abertas se estiver longe do mesmo e não permita que as crianças entrem no frigorífico.
- Não permita que bebés ou crianças entrem na gaveta do frigorífico.
  - Tal poderá provocar ferimentos ou a morte por asfixia, se ficarem presas no interior.
- Não encha demasiado o frigorífico com alimentos.
  - Ao abrir a porta, pode cair um produto e causar ferimentos ou danos materiais.
- Não vaporize materiais voláteis, tais como insecticidas, sobre a superfície do aparelho.
  - Além de serem prejudiciais para os seres humanos, também podem provocar choques eléctricos, incêndios ou outras falhas no produto.
- Não utilize nem coloque substâncias sensíveis às temperaturas, tais como sprays ou objectos inflamáveis, gelo seco, medicamentos ou produtos químicos perto ou dentro do frigorífico.
- Não utilize um secador de cabelo para secar o interior do frigorífico. Não coloque uma vela acesa no frigorífico para remover maus odores.
  - Tal pode resultar num choque eléctrico ou num incêndio.
- Encha o depósito de água e as cuvetes de gelo apenas com água potável (água mineral ou purificada).
  - Não encha o depósito com chá, sumo ou refrigerantes, pois tal poderá danificar o frigorífico.

## Informações de segurança

---

- Não se coloque em cima do aparelho, nem coloque objectos (tais como roupa, velas acesas, cigarros acesos, pratos, químicos, objectos de metal, etc.) sobre o mesmo. Se o fizer, pode provocar um choque eléctrico, um incêndio, outras falhas no produto ou ferimentos. Não coloque um recipiente cheio de água sobre o aparelho.
  - Se se entornarem, podem provocar um incêndio ou um choque eléctrico.
- Não utilize dispositivos mecânicos ou quaisquer outros meios para acelerar o processo de descongelação, que não sejam os recomendados pelo fabricante.
- Não danifique o circuito de refrigeração.
- Nunca olhe directamente para a lâmpada LED UV por períodos prolongados.
  - Se o fizer, tal poderá resultar em astenopia devido aos raios ultravioletas.
- Não coloque a prateleira do frigorífico ao contrário. O batente da prateleira poderá não funcionar.
  - Tal poderá causar ferimentos decorrentes da queda de uma prateleira de vidro.
- Mantenha os dedos afastados de zonas onde possa entalá-los. Os espaços entre as portas e o armário são muito pequenos. Tenha cuidado ao abrir as portas na presença de crianças.
- Se detectar uma fuga de gás, evite as chamas abertas ou potenciais fontes de ignição e areje a divisão em que o aparelho se encontra, durante vários minutos.
  - Não toque no aparelho nem no cabo de alimentação.
  - Não utilize um ventilador.
  - Uma faísca pode provocar uma explosão ou um incêndio.
- Utilize apenas lâmpadas LED fornecidas pelo fabricante ou pelo representante da assistência.
- As garrafas devem ser guardadas compactamente de modo a não caírem.
- Este produto destina-se apenas ao armazenamento de alimentos num ambiente doméstico.



- Não tente reparar, desmontar ou modificar o frigorífico sozinho.
  - As alterações não autorizadas poderão originar problemas de segurança. Para revertermos uma alteração não autorizada, cobraremos os custos totais das peças e mão-de-obra.
- Não utilize qualquer fusível (tal como cobre, cabo de aço, etc.) para além de um fusível padrão.
- Se o frigorífico tiver de ser reparado ou reinstalado, contacte o centro de assistência mais próximo.
  - Caso contrário, pode provocar um choque eléctrico, incêndio, danos no produto ou ferimentos.
- Se a lâmpada LED interior ou exterior se fundir, contacte o centro de assistência mais próximo.
- Se o frigorífico começar a deitar fumo ou se sentir um cheiro a queimado, desligue o frigorífico imediatamente e contacte o centro de assistência da Samsung Electronics.
  - Caso contrário, pode provocar um choque eléctrico ou um incêndio.
- Desligue a ficha da tomada antes de substituir as lâmpadas interiores do frigorífico.
  - Caso contrário, existe o risco de choque eléctrico.
- Se se deparar com alguma dificuldade no processo de substituição de uma lâmpada não LED, contacte um centro de assistência da Samsung Electronics.
- Se o produto estiver equipado com lâmpadas LED, não desmonte as protecções das lâmpadas nem substitua as lâmpadas LED sem assistência.
  - Contacte um centro de assistência técnica da Samsung.
- Ligue a ficha de alimentação firmemente na tomada.
- Não utilize uma ficha ou um cabo de alimentação danificados ou uma tomada solta.
  - Tal pode resultar num choque eléctrico ou num incêndio.



# Informações de segurança

---

## Chamadas de atenção relativamente à utilização

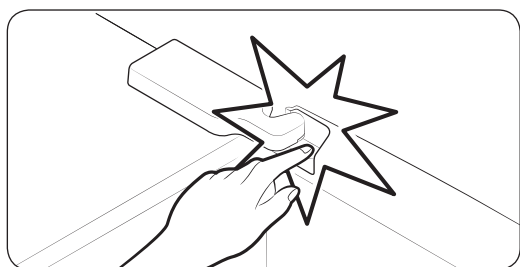
---

### ATENÇÃO

- Não volte a congelar alimentos que tenham descongelado completamente. Não coloque bebidas gaseificadas no compartimento do congelador. Não coloque garrafas ou recipientes de vidro no congelador.
  - Quando o conteúdo congela, o vidro pode partir-se e provocar ferimentos.
- Utilize apenas o módulo de produção de gelo fornecido com o frigorífico.
- Para obter o melhor desempenho possível do aparelho:
  - Não coloque os alimentos muito perto das aberturas de ventilação na parte de trás do frigorífico, dado que podem obstruir a circulação de ar no compartimento do frigorífico.
  - Acondicione muito bem os alimentos, embrulhando-os ou colocando-os em recipientes hermeticamente fechados, antes de os colocar no frigorífico.
  - Não coloque garrafas de vidro nem bebidas com gás no congelador. Podem congelar e partir-se. Os recipientes de bebidas partidos podem provocar ferimentos.
  - Respeite os tempos máximos de conservação e os prazos de validade dos alimentos congelados.
- Não coloque vidro, garrafas ou bebidas com gás no congelador.
  - O recipiente pode congelar e partir, o que pode provocar ferimentos.
- Não coloque bebidas gaseificadas no compartimento do congelador. Não coloque garrafas ou recipientes de vidro no congelador.
  - Quando o conteúdo congela, o vidro pode partir-se e provocar ferimentos e danos materiais.
- Garantia de assistência e alterações.
  - Quaisquer alterações efectuadas por terceiros a este produto final não serão cobertas pelo serviço de garantia da Samsung. Da mesma forma, a Samsung não será responsável por problemas de segurança resultantes de alterações feitas por terceiros.



- Não bloqueie as aberturas de ventilação no interior do frigorífico.
  - Se as aberturas de ventilação estiverem bloqueadas (especialmente se for com um saco de plástico), o frigorífico pode refrigerar em excesso. Se o período de refrigeração for prolongado, o filtro de água pode romper e provocar uma fuga de água.
- Utilize apenas o módulo de produção de gelo fornecido com o frigorífico.
- Limpe o excesso de humidade do interior e deixe as portas abertas.
  - Caso contrário, podem gerar-se odores e bolor.
- Se o frigorífico estiver desligado da fonte de alimentação, deve aguardar, no mínimo, cinco minutos antes de ligá-lo novamente.
- Se o frigorífico ficar molhado com água, desligue o cabo de alimentação da tomada e contacte o centro de assistência da Samsung Electronics.
- Não aplique pressão ou força excessiva nas superfícies de vidro.
  - Vidros partidos poderão resultar em ferimentos e/ou danos materiais.
- Encha o depósito de água e as cuvetes de gelo apenas com água potável (água da torneira, mineral ou purificada).
  - Não encha o depósito com chá ou bebidas desportivas. Tal poderá danificar o frigorífico.



- Tenha cuidado para não entalar os dedos.

- As lâmpadas do congelador e do frigorífico podem desligar-se se as portas do congelador e do frigorífico forem deixadas abertas por mais de 2 segundos.
  - As lâmpadas voltarão a acender-se quando as portas se fecharem e abrirem novamente.



# Informações de segurança

---

- Se o frigorífico ficar cheio de água, contacte o centro de assistência mais próximo.
  - Existe o risco de choque eléctrico ou de incêndio.

## Chamadas de atenção relativamente à limpeza

---

### ATENÇÃO

- Não pulverize água directamente sobre o interior ou exterior do frigorífico.
  - Existe o risco de incêndio ou choque eléctrico.
- Não utilize um secador de cabelo para secar o interior do frigorífico.
- Não coloque velas acesas no interior do frigorífico para remover maus cheiros.
  - Tal pode resultar num choque eléctrico ou num incêndio.
- Não pulverize produtos de limpeza directamente sobre o visor.
  - As letras impressas no visor podem desaparecer.
- Se uma substância estranha, tal como água, entrar para o aparelho, desligue a ficha e contacte o centro de assistência mais próximo.
  - Se não o fizer, pode provocar um incêndio ou um choque eléctrico.
- Utilize um pano limpo e seco para remover quaisquer substâncias estranhas ou pó dos pinos da ficha. Não utilize um pano molhado ou húmido para limpar a ficha.
  - Se o fizer, existe o risco de incêndio ou choque eléctrico.
- Não limpe o aparelho pulverizando-o directamente com água.
- Não utilize benzeno, diluente, Clorox™ nem cloreto para a limpeza.
  - Podem danificar a superfície do aparelho e provocar um incêndio.
- Nunca coloque os dedos nem outros objectos no orifício do dispensador.
  - Tal pode provocar ferimentos ou danos materiais.
- Antes de limpar ou efectuar a manutenção, desligue o aparelho da tomada.
  - Se não o fizer, pode provocar um incêndio ou um choque eléctrico.



---

## Avisos muito importantes relativamente à eliminação

---

### AVISO

- Elimine o material de embalagem deste produto de uma forma não prejudicial para o ambiente.
- Certifique-se de que nenhum dos tubos existentes na parte de trás do frigorífico está danificado antes da eliminação.
- O gás R-600a ou R-134a é utilizado como refrigerante. Verifique a etiqueta do compressor na parte posterior do aparelho ou a etiqueta de classificação no interior do frigorífico para saber qual o refrigerante utilizado no seu frigorífico. Se este frigorífico contiver gás inflamável (refrigerante R-600a), contacte as autoridades locais para saber como eliminar este produto em segurança.
- Ao eliminar este frigorífico, retire a porta/as vedações da porta e o fecho de segurança, para que crianças pequenas ou animais não corram o risco de ficar presos no interior. As crianças devem ser vigiadas para impedir que brinquem com o aparelho. Caso fique presa no interior, uma criança pode magoar-se ou sufocar até à morte.
  - Caso fique presa no interior, uma criança pode magoar-se e sufocar até à morte.
- O ciclopentano é utilizado no isolamento. Os gases existentes no material de isolamento requerem um procedimento de eliminação especial. Contacte as autoridades locais relativamente à eliminação não prejudicial para o ambiente deste produto.
- Mantenha todos os materiais de embalagem fora do alcance das crianças, uma vez que estes podem representar um perigo para as crianças.
  - Se uma criança colocar um saco na cabeça, pode sufocar.

# Informações de segurança

## Sugestões adicionais para uma utilização adequada

- Em caso de falha de energia, contacte a repartição local da sua companhia de electricidade e pergunte quanto tempo irá durar.
  - Por norma, as falhas de energia que são resolvidas no espaço de uma a duas horas não afectam as temperaturas do frigorífico. No entanto, deve abrir a porta do frigorífico o menos possível enquanto a energia não for reposta.
  - Caso a falha de energia se prolongue por mais de 24 horas, retire todos os alimentos congelados e deite-os fora.
- O frigorífico pode não funcionar de forma consistente (os produtos congelados podem descongelar ou a temperatura pode subir demasiado no congelador) se, durante um longo período de tempo, ficar instalado num local em que a temperatura ambiente está constantemente abaixo das temperaturas para as quais o aparelho foi concebido.
- No caso de determinados alimentos, a refrigeração pode não ser adequada para a conservação dos mesmos devido às suas propriedades.
- Este aparelho é “frost free”, o que significa que não há necessidade de o descongelar manualmente. Esta operação é realizada de forma automática.
- O aumento de temperatura durante a descongelação está em conformidade com os requisitos da norma ISO. Se quiser impedir um aumento excessivo da temperatura dos alimentos congelados durante a descongelação do aparelho, embrulhe-os em várias camadas de papel de jornal.
- Não volte a congelar alimentos que tenham descongelado completamente.
- A temperatura da secção (secções) de duas estrelas ou do compartimento (compartimentos) que tem o símbolo de duas estrelas (\*\*\*) é ligeiramente mais elevada do que noutros compartimentos do congelador.  
A localização da secção (secções) de duas estrelas ou do compartimento (compartimentos) pode (podem) variar consoante os produtos; por isso, consulte as instruções e/ou as condições em que são entregues.

---

## Sugestões de poupança de energia

---

- Instale o aparelho num local fresco e seco com ventilação adequada. Certifique-se de que não fica exposto à incidência directa de raios solares e nunca o coloque perto de uma fonte directa de calor (um radiador, por exemplo).
- Com vista à eficiência energética, recomenda-se que não bloqueie as aberturas de ventilação nem as grelhas.
- Deixe arrefecer os alimentos quentes antes de os guardar no aparelho.
- Coloque os alimentos congelados no frigorífico para descongelarem. Deste modo, pode utilizar as baixas temperaturas dos produtos congelados para arrefecer outros alimentos no frigorífico.
- Não mantenha a porta do frigorífico aberta durante muito tempo para colocar ou retirar alimentos. Quanto menos tempo a porta estiver aberta, menos gelo se irá acumular no congelador.
- Recomenda-se que instale o frigorífico com algum espaço livre nos lados e na parte de trás. Estas medidas irão ajudá-lo a reduzir o consumo de energia e a manter as suas contas de electricidade mais baixas.
- Para uma utilização mais eficiente da energia, mantenha todos os acessórios internos, tais como cestos, gavetas e prateleiras, na posição definida pelo fabricante.

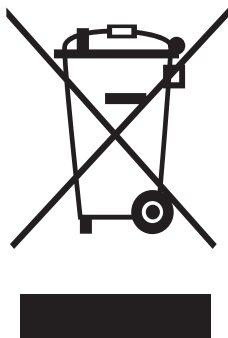
### **Este aparelho de uso doméstico destina-se também a ser utilizado em aplicações semelhantes como:**

---

- em zonas de cozinha de funcionários em lojas, escritórios e em outros ambientes de trabalho;
- em casas de campo/quintas, hotéis, motéis e outros tipos de ambientes residenciais;
- em ambientes tipo pousada;
- em serviços de catering e em outras aplicações semelhantes que não se destinem a retalho.

# Informações de segurança

## Instruções sobre REEE



### Eliminação Correcta Deste Produto (Resíduos de Equipamentos Eléctricos e Electrónicos)

(Aplicável a países cujos sistemas de recolha sejam separados)

Esta marca apresentada no produto, nos acessórios ou na literatura - indica que o produto e os seus acessórios electrónicos (por exemplo, o carregador, o auricular, o cabo USB) não deverão ser eliminados juntamente com os resíduos domésticos no final do seu período de vida útil. Para impedir danos ao ambiente ou à saúde humana causados pela eliminação incontrolada de resíduos, deverá separar estes equipamentos de outros tipos de resíduos e reciclá-los de forma responsável, para promover uma reutilização sustentável dos recursos materiais.

Os utilizadores domésticos deverão contactar o estabelecimento onde adquiriram este produto ou as entidades oficiais locais para obterem informações sobre onde e de que forma podem entregar estes equipamentos para permitir efectuar uma reciclagem segura em termos ambientais.

Os utilizadores profissionais deverão contactar o seu fornecedor e consultar os termos e condições do contrato de compra. Este produto e os seus acessórios electrónicos não deverão ser misturados com outros resíduos comerciais para eliminação.

Para obter informações sobre os compromissos ambientais da Samsung e sobre as obrigações regulamentares específicas de produtos, por exemplo, o regulamento REACH, visite: [samsung.com/uk/aboutsamsung/samsungelectronics/corporatecitizenship/data\\_corner.html](https://samsung.com/uk/aboutsamsung/samsungelectronics/corporatecitizenship/data_corner.html)

(Apenas para produtos vendidos em países europeus.)



# Instalação

Antes de utilizar este frigorífico, siga estas instruções cuidadosamente para garantir uma correcta instalação do mesmo e evitar acidentes.

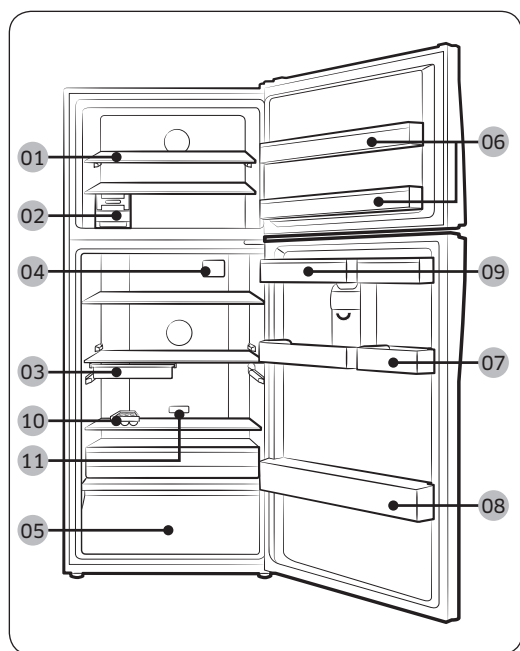
## ⚠ AVISO

- Utilize o frigorífico apenas para o fim a que se destina e de acordo com este manual.
- Qualquer reparação tem de ser efectuada por um técnico qualificado.
- Elimine o material de embalagem do produto em conformidade com os regulamentos locais.

## Visão geral do frigorífico

### 📄 NOTA

Esta imagem pode diferir dos componentes do frigorífico fornecidos consoante o modelo e o país.

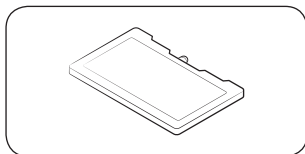


- 01 Prateleira do congelador
- 02 Módulo de produção de gelo
- 03 Compartimento para produtos frescos \*
- 04 Protector antibacteriano \*
- 05 Caixa de vegetais \*
- 06 Compartimento inferior
- 07 Compartimento da porta para diversos produtos
- 08 Compartimento para garrafas
- 09 Depósito de água \*
- 10 Prateleira para ovos
- 11 Desodorizante \*

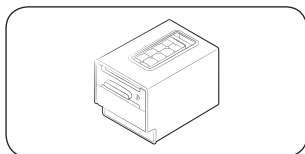
\* apenas nos modelos aplicáveis

# Instalação

## Acessórios opcionais \*



Acumulador de frio: ajuda a manter o frigorífico frio.



Módulo rotativo de produção de gelo: serve para fazer gelo.

\* O seu frigorífico pode não incluir os acessórios opcionais acima listados. O fornecimento de acessórios opcionais depende do modelo e do país.

## Para garantir mais espaço de armazenamento no compartimento do congelador

Retire a prateleira superior, que pode ser solta manualmente, sem necessitar de ferramentas.

- A remoção da prateleira superior não afecta o desempenho térmico nem mecânico do congelador.
- Para retirar ambos os módulos de produção de gelo, comece pelo módulo da direita (aplicável aos modelos com Ice Max).
- Para obter a melhor eficiência energética possível, certifique-se de que todos os cestos, prateleiras e gavetas estão colocados na respectiva posição original.

## Instalação passo a passo

### PASSO 1 Seleccionar um local

Requisitos para o local:

- Superfície sólida e nivelada sem tapete ou pavimento que possa obstruir a ventilação
- Afastado da incidência directa de raios solares
- Espaço adequado para abrir e fechar a porta
- Afastado de uma fonte de calor
- Espaço para a manutenção e assistência
- Intervalo de temperaturas: entre 10 °C e 43 °C

#### Intervalo de temperaturas efectivo

O frigorífico foi concebido para funcionar normalmente no intervalo de temperaturas especificado na respectiva placa de características.

Classe	Símbolo	Intervalo de temperaturas ambiente (°C)	
		IEC 62552 (ISO 15502)	ISO 8561
Temperada alargada	SN	+10 a +32	+10 a +32
Temperada	N	+16 a +32	+16 a +32
Subtropical	ST	+16 a +38	+18 a +38
Tropical	T	+16 a +43	+18 a +43

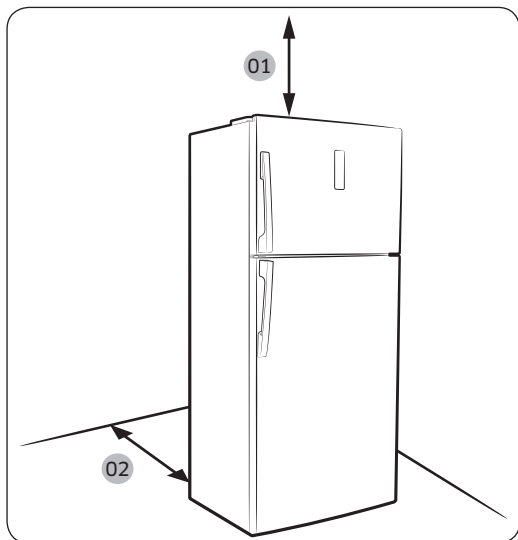
#### NOTA

O desempenho de refrigeração e o consumo de energia do frigorífico podem ser afectados pela temperatura ambiente, pela frequência de abertura da porta e pela localização do aparelho. Recomendamos o ajuste das definições de temperatura conforme adequado.

# Instalação

## Folga

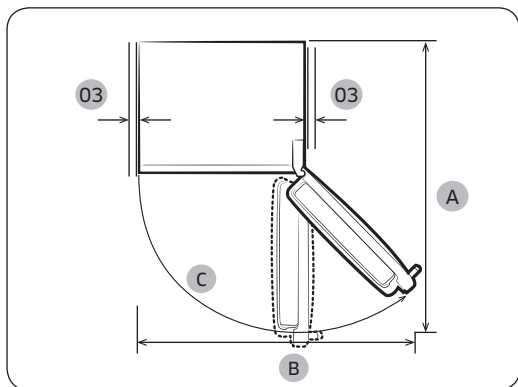
Consulte as imagens e a tabela abaixo para saber os requisitos de espaço para a instalação.



Modelo	A	B	C
RT58	1507	1352	120°
RT62	1507	1352	120°

(unidade: mm)

- 01 100 mm
- 02 50 mm
- 03 pelo menos 50 mm

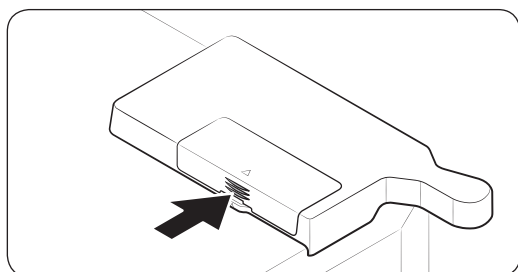


## PASSO 2 Ligação Wi-Fi

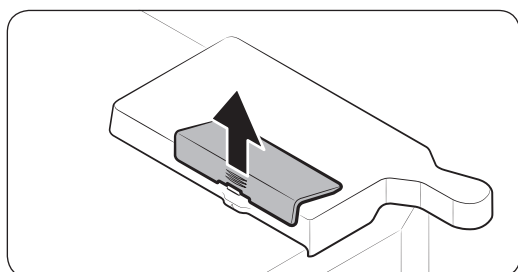
Pode controlar o frigorífico remotamente utilizando o Smart Home Dongle que é vendido em separado. Para comprar o Smart Home Dongle, visite [www.samsung.com](http://www.samsung.com) e siga as informações do produto sobre o dongle.

### ⚠️ ATENÇÃO

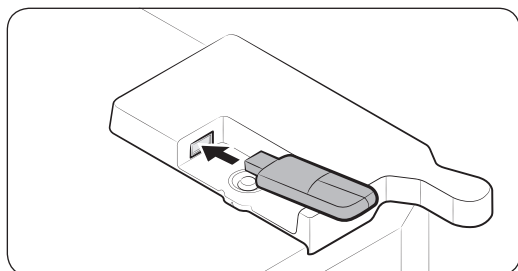
- O Samsung Smart Home Dongle está disponível em dois tipos: um para Samsung Smart TV e o outro para electrodomésticos Samsung.
- Deve adquirir o Samsung Smart Home Dongle para electrodomésticos. Quaisquer outros dongles podem provocar avarias no sistema.



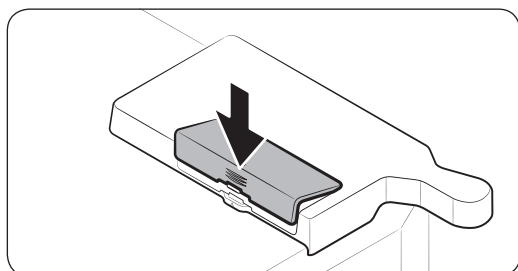
1. Para soltar, carregue na zona da seta indicada na tampa do compartimento do dongle.



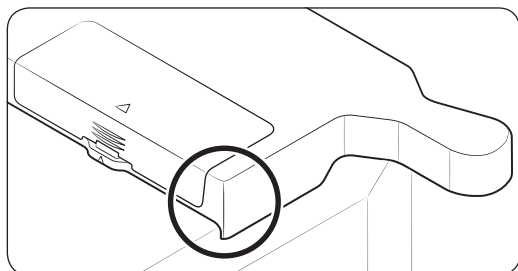
2. Abra a tampa do compartimento do dongle.



3. Insira o Smart Home Dongle na respectiva porta, no sentido certo.



4. Insira primeiro a área superior da tampa do compartimento do dongle e depois feche para prender, como indicado na ilustração.

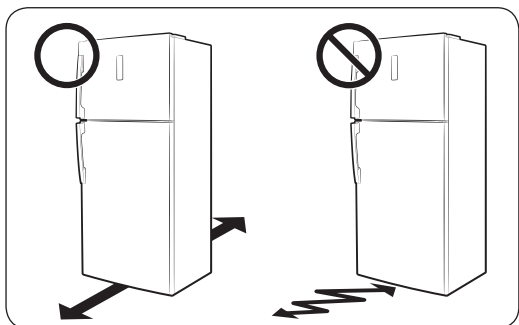


**NOTA**

A área marcada é a tampa do compartimento do dongle opcional, não é uma fissura ou um defeito.

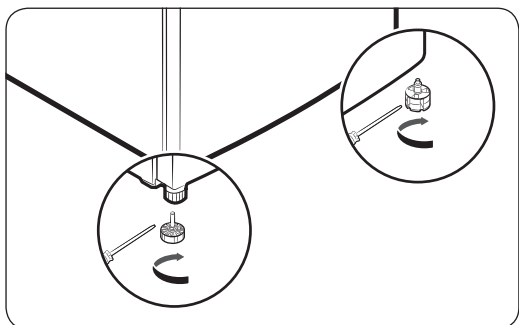
# Instalação

## PASSO 3 Pavimento

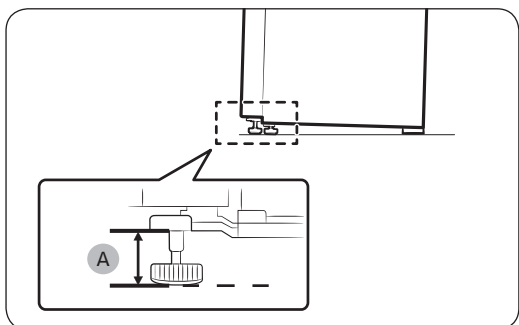


- A superfície de instalação do frigorífico tem de suportar um frigorífico totalmente carregado ou aproximadamente 100 kg.
- Para proteger o pavimento, coloque um pedaço grande de cartão por baixo de cada pé do frigorífico.
- Assim que o frigorífico estiver na sua posição final, desloque-o apenas se for necessário, de modo a proteger o pavimento. Se tiver de o fazer, utilize papel ou tecido grosso como, por exemplo, carpetes usadas, ao longo da trajectória.

## PASSO 4 Ajustar os pés de nivelamento



Nivele o frigorífico ajustando manualmente os pés de nivelamento. Rode os pés de nivelamento no sentido dos ponteiros do relógio para baixar o frigorífico ou no sentido contrário para subir.



Os pés devem ficar a, pelo menos, 35 mm (A) do chão conforme indicado.

---

## **PASSO 5 Definições iniciais**

---

Depois de concluídos os seguintes passos, o frigorífico deverá estar totalmente operacional.

1. Introduza a ficha do cabo de alimentação na tomada para ligar o frigorífico.
2. Abra a porta e verifique se a luz interior se acende.
3. Defina a temperatura para a opção mais fria e aguarde cerca de uma hora. Em seguida, o congelador estará ligeiramente fresco e o motor funcionará de maneira uniforme.
4. Aguarde até que o frigorífico atinja a temperatura definida. Agora o frigorífico está pronto a utilizar.

## **PASSO 6 Verificação final**

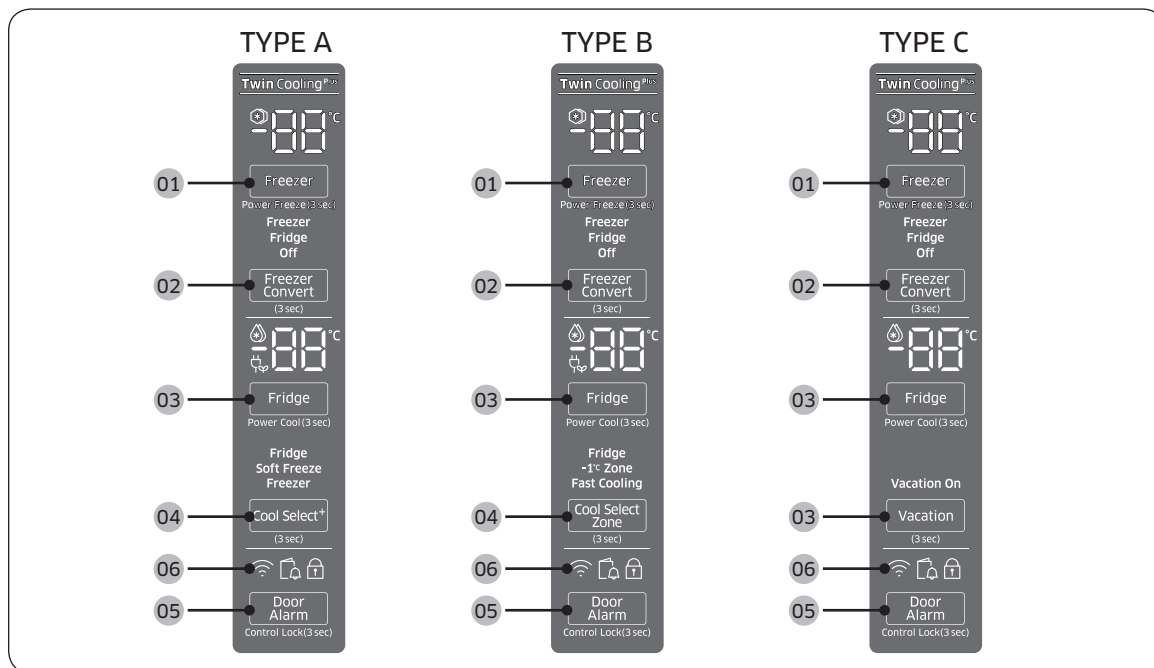
---

Quando a instalação estiver concluída, confirme se:

- O frigorífico está devidamente ligado a uma tomada eléctrica e à terra.
- O frigorífico está instalado sobre uma superfície plana e nivelada com uma folga razoável em relação à parede ou ao armário.
- O frigorífico está nivelado e bem assente no chão.
- A porta abre e fecha livremente e a luz interior se acende automaticamente ao abrir a porta.

# Operações

## Painel de funções



**01** Freezer / Power Freeze  
(Congelador / Congelação rápida)

**02** Freezer Convert (Conversão do congelador)

**03** Fridge / Power Cool / Vacation (Frigorífico / Refrigeração rápida / Férias)

**04** Cool Select+ / Cool Select Zone (Refrigeração seleccionável+ / Compartimento de refrigeração seleccionável) (apenas modelos do Tipo A e Tipo B)

**05** Door Alarm / Control Lock (Alarme da porta / Bloqueio do controlo)

**06** Ligação de rede (apenas nos modelos aplicáveis)



## 01 Congelador / Congelação rápida

<b>Freezer (Congelador)</b>	<p>O botão <b>Freezer (Congelador)</b> pode ser utilizado para definir a temperatura do congelador.</p> <p>As temperaturas disponíveis situam-se entre -15 °C e -23 °C.</p> <p><b>⚠ ATENÇÃO</b></p> <ul style="list-style-type: none"><li>• Para evitar uma avaria do sistema ou que os alimentos se estraguem, não defina a temperatura como -15 °C no Verão (acima de 35 °C).</li><li>• Não guarde garrafas de vidro com líquido no congelador. As garrafas de vidro estalam ou partem-se em pedaços quando o líquido congela.</li></ul>
<b>Power Freeze (Congelação rápida)</b>	<p>Power Freeze (Congelação rápida) permite acelerar o processo de congelação com a ventoinha na velocidade máxima. O congelador funciona na velocidade máxima durante várias horas e depois regressa à temperatura anterior.</p> <ul style="list-style-type: none"><li>• Para activar Power Freeze (Congelação rápida), carregue sem soltar <b>Freezer (Congelador)</b> durante 3 segundos. O indicador correspondente (⊕) acende-se e o frigorífico acelera automaticamente o processo de refrigeração.</li><li>• Para desactivar, carregue sem soltar <b>Freezer (Congelador)</b> novamente durante 3 segundos. O congelador regressa à definição de temperatura anterior.</li><li>• Para congelar uma grande quantidade de alimentos, active Power Freeze (Congelação rápida) pelo menos 20 horas antes de colocar os alimentos no congelador.</li><li>• O congelador funciona na velocidade máxima durante 50 horas e depois regressa à temperatura anterior.</li></ul> <p><b>📄 NOTA</b></p> <p>A utilização de Power Freeze (Congelação rápida) aumenta o consumo de energia. Se não pretender utilizar esta função, desactive-a e certifique-se de que regressa à temperatura anterior.</p>

# Operações

## 02 Conversão do congelador

### Freezer Convert (Conversão do congelador)

Pode utilizar todo o frigorífico no modo Fridge (Frigorífico) ou desligar o congelador.

Para alterar o modo de congelador predefinido, carregue sem soltar **Freezer Convert (Conversão do congelador)** durante 3 segundos para aceder ao modo de selecção. Em seguida, carregue em **Freezer Convert (Conversão do congelador)** para seleccionar o modo pretendido.

O modo é alterado por esta sequência: modo de definição Fridge (Frigorífico) → Off (Desligado) → Freezer (Congelador) → Off (Desligado) → Fridge (Frigorífico).

- Se seleccionar Fridge (Frigorífico), o indicador Fridge (Frigorífico) acende-se. A função Power Freeze (Congelação rápida) é desactivada se estiver activa, tal como a função Ice On (Activação de gelo).
- Se seleccionar Off (Desligado), o indicador Off (Desligado) acende-se. O congelador desliga-se.
- Se seleccionar Freezer (Congelador), os indicadores do congelador acendem-se para a selecção do utilizador. A temperatura predefinida do congelador é -19 °C.

As suas alterações são definidas e activadas passados 10 segundos. Para cancelar ou alterar mais uma vez o modo, carregue sem soltar **Freezer Convert (Conversão do congelador)** novamente durante 3 segundos. Depois, siga as instruções acima mencionadas.

#### **NOTA**

- Se carregar sem soltar em **Freezer Convert (Conversão do congelador)** durante 3 segundos, o frigorífico passa para o modo de selecção onde pode carregar em **Freezer Convert (Conversão do congelador)** para seleccionar um modo diferente.
- Quando as funções de refrigeração ou de congelação estão no “modo Off (Desligado)”, a temperatura do frigorífico ou do congelador permanece abaixo de 15 °C para prevenir o aparecimento de bolor e de odores, utilizando uma tensão baixa.
- O frigorífico ou o congelador não pode ser desligado independentemente.
- Não guarde alimentos ou bebidas no frigorífico quando as funções de refrigeração ou de congelação estiverem no “modo Off (Desligado)”. A temperatura de 15 °C não é suficientemente fria para prevenir a deterioração dos alimentos.




### AVISO

- Não coloque garrafas de vidro com líquido no congelador. Ao cancelar Freezer Convert (Conversão do congelador), as garrafas de vidro podem partir-se ou rebentar no congelador.
- Retire os alimentos congelados do congelador antes de activar Freezer Convert (Conversão do congelador). Os alimentos congelados derretem e estragam-se à medida que a temperatura aumenta (o modo Freezer (Congelador) passa para o modo Fridge (Frigorífico)).
- Retire os alimentos frescos do congelador antes de desactivar Freezer Convert (Conversão do congelador). Os alimentos frescos podem congelar à medida que a temperatura baixa (o modo Fridge (Frigorífico) passa para o modo Freezer (Congelador)).

### NOTA

Se quiser utilizar Freezer Convert (Conversão do congelador), recomendamos vivamente que utilize recipientes de plástico para guardar alimentos, especialmente vegetais.

### 03 Frigorífico / Refrigeração rápida / Férias

<b>Fridge (Frigorífico)</b>	<p>Para ajustar a temperatura do frigorífico, carregue em <b>Fridge (Frigorífico)</b> para seleccionar a temperatura correspondente. Pode alterar a temperatura entre 1 °C e 7 °C (predefinição: 3 °C).</p> <p> <b>ATENÇÃO</b></p> <ul style="list-style-type: none"><li>• No Inverno, não defina o controlo de temperatura como 1 °C. Pode causar problemas no desempenho de refrigeração.</li><li>• No Verão, não defina o controlo de temperatura como 5-7 °C. Também pode causar problemas no desempenho de refrigeração.</li></ul>
<b>Power Cool (Refrigeração rápida)</b>	<p>Power Cool (Refrigeração rápida) permite acelerar o processo de refrigeração com a ventoinha na velocidade máxima. O frigorífico funciona na velocidade máxima durante várias horas e depois regressa à temperatura anterior.</p> <ul style="list-style-type: none"><li>• Para activar Power Cool (Refrigeração rápida), carregue sem soltar <b>Fridge (Frigorífico)</b> durante 3 segundos. O indicador correspondente () acende-se e o frigorífico acelera automaticamente o processo de refrigeração.</li><li>• Para desactivar Power Cool (Refrigeração rápida), carregue sem soltar <b>Fridge (Frigorífico)</b> novamente durante 3 segundos. O frigorífico regressa à definição de temperatura anterior.</li></ul> <p> <b>NOTA</b></p> <p>A utilização de Power Cool (Refrigeração rápida) aumenta o consumo de energia. Se não pretender utilizar esta função, desactive-a e certifique-se de que regressa à temperatura anterior.</p>

# Operações

## Vacation (Férias)

Se for de férias ou em viagem de negócios, ou se não pretender utilizar o frigorífico durante um longo período de tempo, utilize o modo Vacation (Férias).

### (Apenas modelos do Tipo A e Tipo B)

- Para activar o modo Vacation (Férias), carregue em **Fridge (Frigorífico)** com o indicador 1 °C seleccionado. O indicador de férias (☼) acende-se e o visor das temperaturas do frigorífico apaga-se. O visor dos modelos do Tipo A (Refrigeração seleccionável+) e do Tipo B (Compartimento de refrigeração seleccionável) também se apaga. A temperatura do frigorífico será controlada abaixo de 15 °C, mas o congelador permanece activo conforme definido anteriormente.
- Para desactivar o modo Vacation (Férias), carregue novamente em **Fridge (Frigorífico)**. A temperatura do frigorífico regressa aos 7 °C. Note que os modelos do Tipo A (Refrigeração seleccionável+) e do Tipo B (Compartimento de refrigeração seleccionável) regressam às definições de temperatura do frigorífico.

### (Apenas modelos do Tipo C)

- Para activar o modo Vacation (Férias), carregue sem soltar **Vacation (Férias)** durante 3 segundos. O indicador Vacation On (Férias ligado) acende-se e o visor das temperaturas do frigorífico apaga-se. A temperatura do frigorífico será controlada abaixo de 15 °C, mas o congelador permanece activo conforme definido anteriormente.
- Para desactivar o modo Vacation (Férias), carregue sem soltar **Vacation (Férias)** novamente durante 3 segundos. A temperatura do frigorífico regressa à definição anterior.

### **NOTA**

Recomendamos vivamente que esvazie o compartimento do frigorífico e que se certifique de que a porta está fechada.

Para os modelos Refrigeração seleccionável+/Compartimento de refrigeração seleccionável, o modo Vacation (Férias) é controlado a menos de 15 °C, tal como as definições do frigorífico. No entanto (consoante o modelo), o indicador relevante apaga-se.

#### 04 Refrigeração seleccionável+ / Compartimento de refrigeração seleccionável

<b>Cool Select+ (Refrigeração seleccionável+) (TIPO A)</b>	<p>Carregue sem soltar <b>Cool Select+ (Refrigeração seleccionável+)</b> durante 3 segundos. Em seguida, carregue novamente para seleccionar o modo pretendido. O indicador correspondente acende-se.</p> <ul style="list-style-type: none"><li>• <b>Fridge (Frigorífico)</b> Se seleccionado, o Compartimento de refrigeração seleccionável será definido para 3 °C.</li><li>• <b>Soft Freeze (Congelação suave)</b> Se seleccionado, o Compartimento de refrigeração seleccionável será definido para -5 °C. Isto é útil para conservar carne e/ou peixe durante um período prolongado.</li><li>• <b>Freezer (Congelador)</b> Se seleccionado, o Compartimento de refrigeração seleccionável será definido para -12 °C. Isto é útil para conservar vegetais congelados durante um período prolongado.</li></ul>
<b>Cool Select Zone (Compartimento de refrigeração seleccionável) (TIPO B)</b>	<p>Carregue sem soltar <b>Cool Select Zone (Compartimento de refrigeração seleccionável)</b> durante 3 segundos. Em seguida, carregue novamente para seleccionar o modo pretendido. O indicador correspondente acende-se.</p> <ul style="list-style-type: none"><li>• <b>Fridge (Frigorífico)</b> Se seleccionado, o Compartimento de refrigeração seleccionável será definido para 3 °C.</li><li>• <b>-1 °C Zone (Zona -1 °C)</b> Se seleccionado, o Compartimento de refrigeração seleccionável será definido para -1 °C. Isto é útil para conservar alimentos perecíveis.</li><li>• <b>Fast Cooling (Arrefecimento rápido)</b> Selecione esta opção se quiser refrigerar alimentos rapidamente. O Compartimento de refrigeração seleccionável refrigerará alimentos a uma velocidade máxima durante 60 minutos.</li></ul>

# Operações

## 05 Alarme da porta / Bloqueio do controlo

Door Alarm (Alarme da porta)	Pode definir o alarme para emitir um alerta. Se deixar a porta aberta durante mais de 2 minutos, o alarme toca e o indicador do alarme pisca. Pode alternar entre activar e desactivar o alarme carregando em <b>Door Alarm (Alarme da porta)</b> . O alarme vem activado de fábrica.
Control Lock (Bloqueio do controlo)	Para prevenir uma manipulação acidental, carregue sem largar <b>Door Alarm (Alarme da porta)</b> durante 3 segundos para activar o Control Lock (Bloqueio do controlo). Todos os controlos serão desactivados com o indicador (🔒) activo. Para desactivar, carregue sem soltar novamente durante 3 segundos. Os controlos serão activados da forma normal.
Device authentication (Autenticação do dispositivo)	Quando ligar o frigorífico à aplicação Samsung Smart Home ou a dispositivos inteligentes da Samsung como os televisores Samsung Smart, siga as instruções no ecrã da aplicação ou do dispositivo e carregue no botão <b>Door Alarm (Alarme da porta)</b> durante 5 segundos. O painel de temperatura mostrará "on (ligado)" durante 5 segundos antes de avançar para o procedimento de autenticação. Note que a função Door Alarm (Alarme da porta) não será afectada por esta autenticação.

## 06 Ligação de rede (apenas nos modelos aplicáveis)

Pode utilizar o Smart Home Dongle opcional (vendido em separado) para controlar e monitorizar o seu frigorífico através da aplicação Samsung Smart Home. Para mais informações sobre a Samsung Smart Home, consulte a secção Samsung Smart Home.

### NOTA

- Os sistemas de encriptação recomendados incluem WPA/TKIP e WPA2/AES. Não são suportados protocolos de autenticação de Wi-Fi mais recentes ou não padronizados.
- As redes sem fios podem ser afectadas pelo ambiente de comunicação sem fios circundante.
- Se o seu fornecedor de serviço de Internet registou o endereço MAC do seu PC ou modem para efeitos de identificação, poderá não conseguir ligar o seu frigorífico Samsung Smart à Internet. Se isso acontecer, contacte o seu fornecedor de serviço de Internet para obter assistência técnica.
- As definições do firewall do seu sistema de rede podem estar a impedir o acesso do frigorífico Samsung Smart à Internet. Contacte o seu fornecedor de serviço de Internet para obter assistência técnica. Se este sintoma continuar, contacte um centro de assistência ou revendedor Samsung local.
- Para configurar o ponto de acesso (AP) sem fios, consulte o manual do utilizador do AP.
- Os frigoríficos Samsung Smart com o Samsung Smart Home Dongle suportam os protocolos Wi-Fi 2,4 GHz com IEEE 802.11 b/g/n e Soft-AP (recomenda-se o IEEE 802.11 n).
- Os routers sem fios Wi-Fi não autorizados poderão não ligar aos frigoríficos Samsung Smart aplicáveis.

## Samsung Smart Home (apenas nos modelos aplicáveis)

### Instalação

Visite a Google Play Store, a Galaxy Apps ou a Apple App Store e procure “Samsung Smart Home”. Transfira e instale a aplicação Samsung Smart Home fornecida pela Samsung Electronics no seu dispositivo inteligente.

### NOTA

- A aplicação Samsung Smart Home foi concebida para o Android 4.0 (ICS) ou superior, ou o iOS 7.0 ou superior, e está optimizada para os smartphones Samsung (séries Galaxy S e Galaxy Note). Noutros modelos de smartphone, algumas funções podem funcionar de forma diferente.
- Para efeitos de melhoramento do desempenho, a aplicação Samsung Smart Home está sujeita a alterações sem aviso ou à interrupção do suporte, de acordo com a política do fabricante.

### Conta Samsung

Tem de registar a sua conta Samsung para poder utilizar a aplicação. Se não tem uma conta Samsung, siga as instruções no ecrã da aplicação para criar uma conta Samsung gratuita.

# Operações

---

## Introdução

1. Insira o Smart Home Dongle na porta correspondente do seu frigorífico.
2. Execute a aplicação Samsung Smart Home e inicie sessão com a sua conta Samsung. Os utilizadores de iPhone têm de fornecer a informação de início de sessão sempre que acederem à aplicação.
3. Aceda a **Device (Dispositivo)** > ícone + e depois toque em **Refrigerator (Frigorífico)**.
4. Siga as instruções no ecrã para fornecer as informações necessárias sobre o router e em seguida toque em **Next (Seguinte)**.
5. Carregue sem largar em **Fridge (Frigorífico)** durante mais de 5 segundos até a mensagem "AP" aparecer no visor. O seu frigorífico ficará registado na aplicação.
6. Quando terminar o registo do dispositivo, o ícone do frigorífico aparecerá na aplicação Samsung Smart Home.
7. Toque no ícone do frigorífico para abrir a página do frigorífico.
8. Quando se estabelece uma ligação à rede, o ícone Wi-Fi acende-se no frigorífico.

## Aplicação do frigorífico

### Controlo integrado

Pode monitorizar e controlar o seu frigorífico em casa e na rua.

- Toque no ícone do frigorífico na aplicação Samsung Smart Home para abrir a página do frigorífico.
- Verifique o estado de funcionamento ou de notificação do seu frigorífico e altere as opções ou definições se necessário.



### NOTA

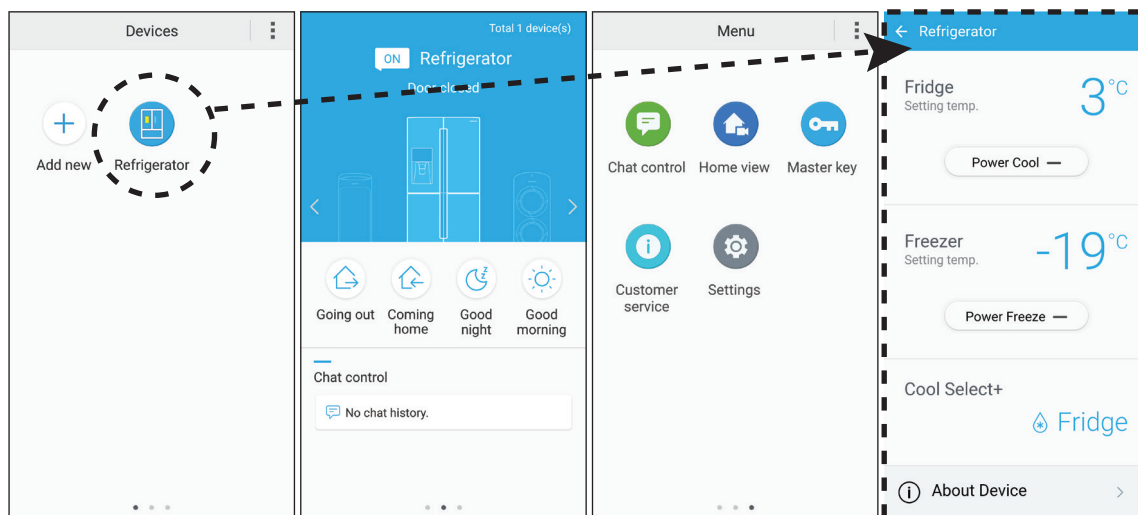
Algumas opções ou definições do frigorífico podem não estar disponíveis com controlo remoto.



## Funções principais

Registe os aparelhos Samsung smart home no servidor Samsung Smart Home para obter acesso remoto.

### Descrição geral do menu

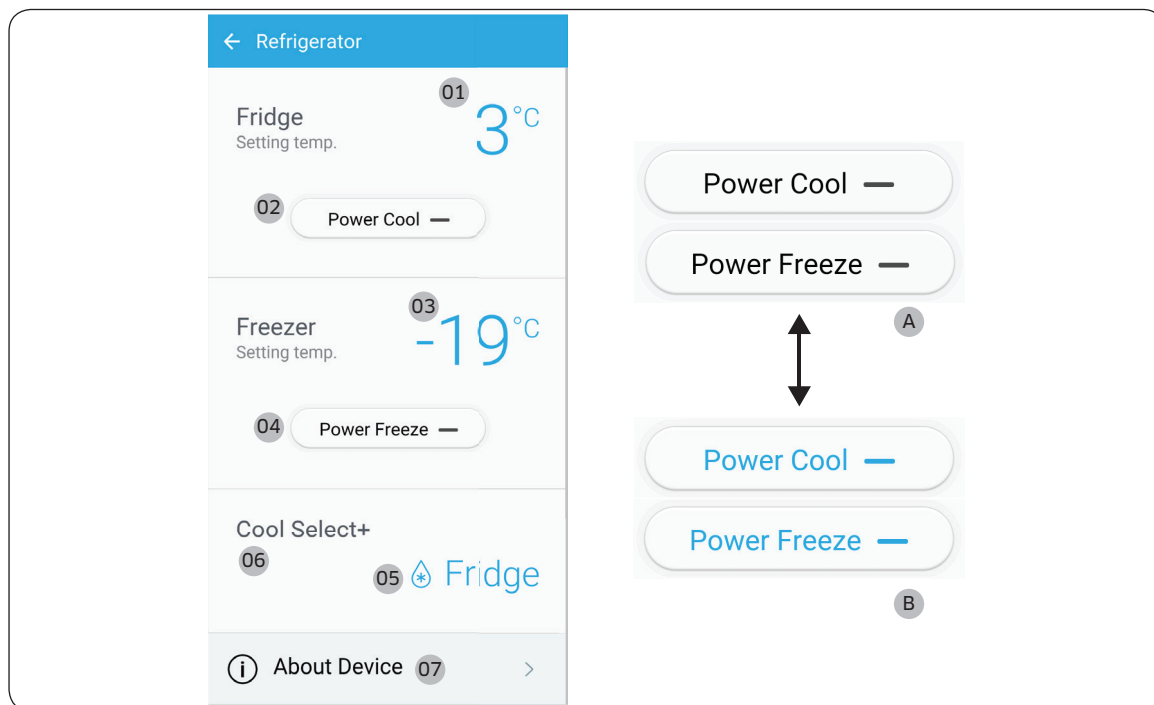


- Toque em **Refrigerator (Frigorífico)** para abrir a página das definições do frigorífico.
- Deslize o dedo para passar para a página seguinte.

<b>Chat control (Controlo por chat)</b>	Pode controlar os seus aparelhos Samsung smart home remotamente ou verificar o seu estado de funcionamento.
<b>Home view (Ver casa)</b> (apenas nos modelos aplicáveis)	Pode ver o que se passa na sua sala de estar utilizando a câmara incorporada de um aparelho Samsung smart home. Isto só está disponível nos modelos aplicáveis.
<b>Master key (Chave-mestra)</b>	A chave-mestra foi concebida para controlar o sistema de bloqueio de diferentes actividades do utilizador como sair de casa, ir para a cama à noite e o despertar matinal. Isto só está disponível nos modelos aplicáveis.
<b>Customer service (Serviço ao cliente)</b>	O manual do utilizador pode ser transferido da Internet, sendo também fornecida a informação de contacto para o apoio ao cliente.
<b>Settings (Definições)</b>	Pode verificar o dispositivo ligado bem como a informação do software (versão e licenças de fonte aberta) e adicionar dispositivos ou seleccionar um país. Pode simular a operação do dispositivo actual para efeitos de demonstração.

# Operações

## Definições do frigorífico



A: Desactivado (preto)

B: Activado (azul)

Fridge (Frigorífico)	<p><b>01</b> Mostra a temperatura actualmente definida para o frigorífico.</p> <p><b>02</b> Pode ligar ou desligar a Power Cool (Refrigeração rápida) e verificar as definições actuais.</p>
Freezer (Congelador)	<p><b>03</b> Mostra a temperatura actualmente definida para o congelador.</p> <p><b>04</b> Pode ligar ou desligar a Power Freeze (Congelação rápida) e verificar as definições actuais.</p>
Cool Select (Refrigeração seleccionável)	<p><b>05</b> Mostra a definição do modo actual.</p> <p><b>06</b> Dependendo do modelo, mostra Cool Select+ (Refrigeração seleccionável+), Cool Select Zone (Compartimento de refrigeração seleccionável) ou nenhum dos dois.</p>

---

About Device (Sobre o dispositivo)

**07** Mostra a informação do produto, incluindo a versão actual, iniciação, Self Check (Auto-verificação) e Help Desk (Balcão de ajuda). O manual do utilizador pode ser transferido da Internet, sendo também fornecida a informação de contacto para o apoio ao cliente.

**Self Check (Auto-verificação)**

Ao consultar Self Check (Auto-verificação), pode verificar os resultados de diagnóstico do seu frigorífico. Se detectar um sintoma anormal, a função Self Check (Auto-verificação) apresenta informação que pode ser utilizada para a assistência ao cliente.

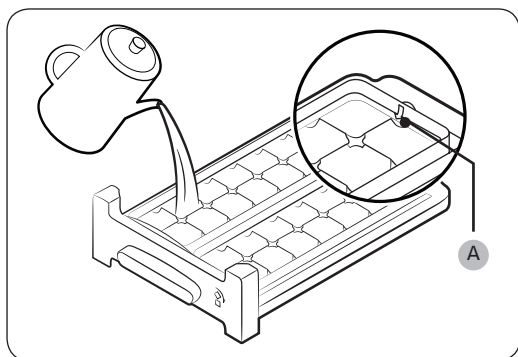
# Operações

## Funções especiais

Esta imagem pode diferir das funções especiais do frigorífico consoante o modelo e o país.

### Produção de gelo (apenas nos modelos aplicáveis)

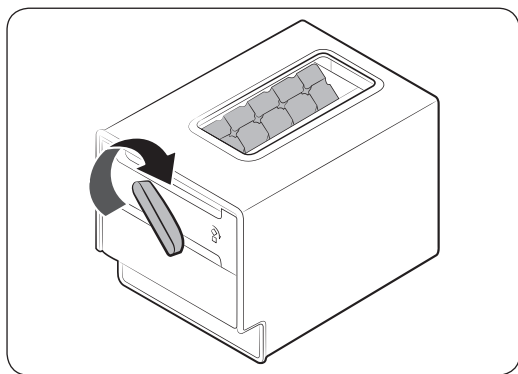
Módulo rotativo de produção de gelo



1. Abra a porta do congelador e faça deslizar a cuvete.
2. Encha a cuvete com água até ao nível máximo (A) indicado no interior da parte de trás.
3. Faça deslizar a cuvete para a posição original.

#### NOTA

O tempo de produção de gelo depende das definições de temperatura.



#### NOTA

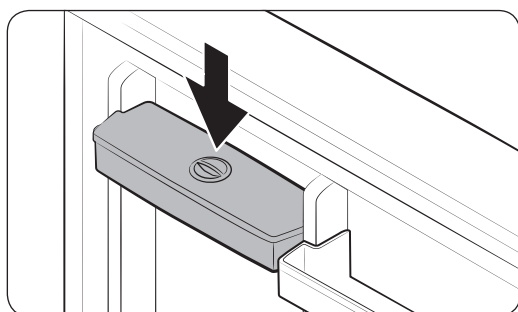
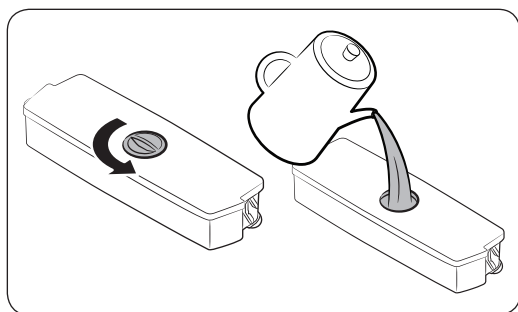
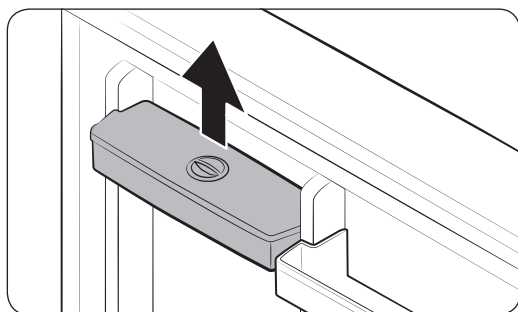
- Certifique-se de que o depósito de cubos de gelo está bem colocado debaixo da cuvete.
- Para tirar os cubos de gelo, rode a pega do depósito para a direita de modo a transferir metade dos cubos de gelo para o depósito. Em seguida, rode-a para a esquerda de modo a transferir a outra metade.
- Retire o depósito rodando-o ligeiramente e puxando-o para a frente.

## Dispensador de água

Com o dispensador de água, pode obter água sem abrir a porta do frigorífico. Antes de utilizar o dispensador, tem de encher o depósito de água com água potável.

### Para encher o depósito de água com água potável

Abra a porta e procure o depósito de água que se encontra na zona de prateleiras da porta.



1. Segure nas pegas de ambos os lados do depósito de água para o levantar e retirar.

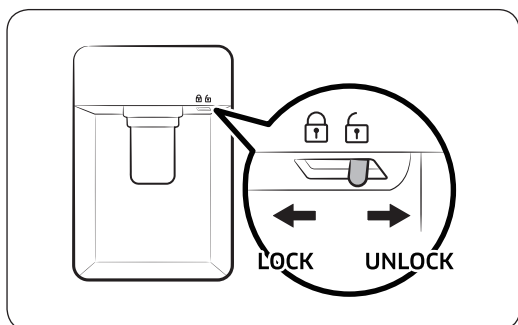
2. Encha o depósito de água com um máximo de 2,8 litros de água potável. Pode retirar a tampa superior ou a cobertura e deitar água.

#### **NOTA**

Antes da primeira utilização, limpe o interior do depósito de água.

3. Reintroduza o depósito de água e feche a porta. Certifique-se de que a saída de água do depósito está virada para a frente.

# Operações



4. Coloque um copo por baixo da saída de água do dispensador e carregue suavemente na patilha do dispensador para obter água. Certifique-se de que o dispensador de água está desbloqueado.

## ATENÇÃO

- O dispensador de água foi concebido para dispensar água potável. Encha o depósito de água apenas com água potável. Não o encha com quaisquer outros líquidos.
- Não encha o depósito de água em excesso porque pode transbordar.
- Não tente encher o depósito de água sem o retirar da porta.
- Certifique-se de que o depósito de água está correctamente assente.
- Não utilize o frigorífico sem o depósito de água. Tal pode reduzir o desempenho e a eficiência.
- Para evitar que a água salpique, certifique-se de que o copo está alinhado com a patilha do dispensador.

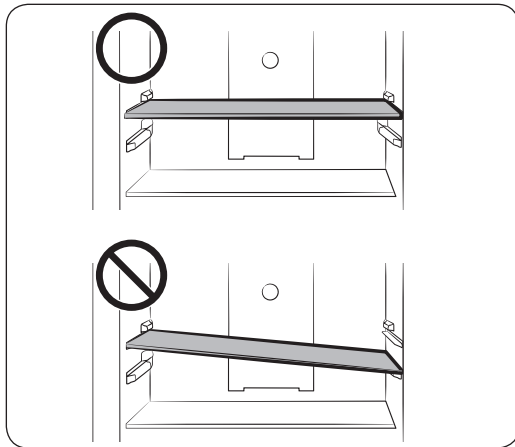
## NOTA

Para garantir mais espaço, pode utilizar o depósito de água para guardar alimentos. Neste caso, retire a tampa do depósito.

# Manutenção

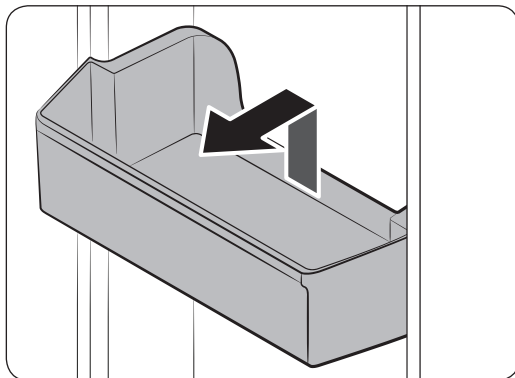
## Manuseamento e cuidado

### Prateleiras do congelador e do frigorífico



- Para retirar uma prateleira, abra primeiro a porta por completo. Puxe a prateleira para a frente, levante-a e, em seguida, remova-a.
- Para voltar a colocar a prateleira, certifique-se de que a indicação “Front” (Frente) da prateleira fica virada para a frente.
- Não tente inclinar a prateleira na respectiva posição.

### Compartimentos da porta



Levante ligeiramente o compartimento da porta e retire-o.

#### **⚠ ATENÇÃO**

Para evitar acidentes, esvazie os compartimentos da porta antes de os retirar.

# Manutenção

## Limpeza

Utilize regularmente um pano seco para remover todas as substâncias estranhas, como pó ou água, dos pontos de contacto e dos terminais da ficha de alimentação.

1. Desligue o cabo de alimentação do frigorífico.
2. Utilize um pano macio sem fibras ou um toalhete de papel humedecido para limpar o interior e o exterior do frigorífico.
3. Quando terminar, utilize um pano ou toalhete de papel seco para secar bem.
4. Introduza a ficha do cabo de alimentação do frigorífico na tomada para ligar o aparelho.

### NOTA

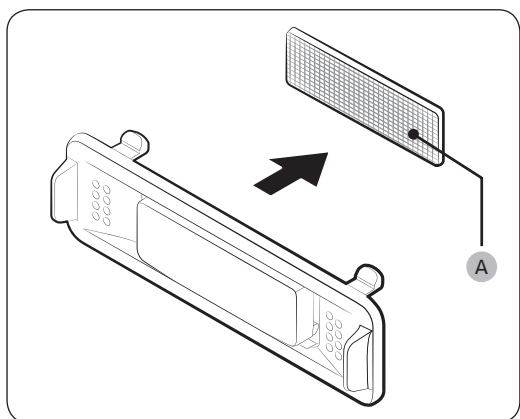
Se tiver retirado componentes amovíveis como prateleiras para a limpeza, consulte o esquema geral na secção "O que está incluído" para se certificar de que volta a colocá-los correctamente.

### AVISO

- Não utilize benzeno, diluente nem detergente doméstico/para automóveis, tal como o Clorox™, para efeitos de limpeza. Podem danificar a superfície do frigorífico e provocar um incêndio.
- Não pulverize água sobre o frigorífico. Pode provocar choques eléctricos.
- Não coloque os dedos nem outros objectos no orifício do dispensador.

## Substituição

### Filtro desodorizante (apenas nos modelos aplicáveis)



Segure nas partes superior e inferior do compartimento do filtro para o desbloquear e mostrar o **filtro desodorizante (A)**. Substitua o filtro e volte a colocar o compartimento do filtro.

### Lâmpadas e filtro antibacteriano

As lâmpadas e o filtro antibacteriano não podem ser substituídos pelo utilizador. Não tente substituí-los sozinho. Para os substituir, contacte um centro de assistência técnica local da Samsung.



# Resolução de problemas

Se detectar uma situação anormal no frigorífico, consulte primeiro a tabela abaixo e experimente as sugestões.

## Geral

Sintoma	Acção
Não funciona ou não efectua a refrigeração.	<ul style="list-style-type: none"><li>• Certifique-se de que o cabo de alimentação está correctamente ligado.</li><li>• Certifique-se de que o controlo de temperatura está correctamente definido.</li><li>• Certifique-se de que o frigorífico está afastado da luz solar directa ou de uma fonte de calor. Se não estiver, o desempenho de refrigeração pode ser afectado.</li><li>• Certifique-se de que o frigorífico tem folga suficiente em relação às paredes traseira e laterais ou ao armário. Se não estiver, o desempenho de refrigeração pode ser afectado.</li><li>• Uma grande quantidade de alimentos pode bloquear a ventilação do frigorífico. Para que o frigorífico funcione normalmente, não coloque grandes quantidades de alimentos no interior.</li></ul>
Os alimentos congelam dentro do frigorífico.	<ul style="list-style-type: none"><li>• Verifique se o controlo de temperatura está definido para a temperatura mais baixa. Se estiver, altere a temperatura para um nível mais alto ou para Optimal (Ideal).</li><li>• Esta situação acontece se a temperatura ambiente estiver demasiado baixa. Defina a temperatura para um nível mais alto.</li><li>• Verifique se os alimentos que têm um elevado teor de água estão colocados na área mais fria do frigorífico ou perto da abertura de ventilação. Se for o caso, mude os alimentos para outras prateleiras do frigorífico.</li></ul>
Emite ruídos.	<ul style="list-style-type: none"><li>• Certifique-se de que o frigorífico está instalado sobre uma superfície estável e plana.</li><li>• Certifique-se de que o frigorífico tem folga suficiente em relação às paredes traseira e laterais ou ao armário.</li><li>• Mantenha o frigorífico livre de impurezas ou objectos estranhos no interior ou por baixo do mesmo.</li><li>• O interior do frigorífico pode emitir um som de tiquetaque, o que ocorre quando os diversos componentes amovíveis se contraem ou expandem. Não se trata de uma avaria do sistema.</li></ul>

# Resolução de problemas

Sintoma	Acção
Os cantos frontais e as partes laterais do ficam quentes e formam condensação.	<ul style="list-style-type: none"><li>• Para evitar a formação de condensação, os cantos frontais do frigorífico estão equipados com tubos resistentes ao calor. Se a temperatura ambiente subir, este equipamento pode não funcionar eficazmente. Não se trata de uma avaria do sistema.</li><li>• Pode formar-se condensação na superfície exterior do frigorífico se o ar húmido entrar em contacto com a superfície fria do frigorífico.</li></ul>
O módulo de produção de gelo não faz gelo.	<ul style="list-style-type: none"><li>• Tem de aguardar 12 horas para que o frigorífico faça gelo.</li><li>• Certifique-se de que o módulo de produção de gelo não é parado enquanto faz gelo.</li><li>• Certifique-se de que o congelador está definido abaixo de 0 °C (ou -5 °C com ar ambiente quente).</li><li>• Certifique-se de que o depósito de água está cheio de água.</li></ul>
O dispensador de água não está a funcionar.	<ul style="list-style-type: none"><li>• Verifique se o depósito de água está congelado. Se estiver, seleccione uma temperatura mais alta para o frigorífico.</li><li>• Certifique-se de que o depósito de água está cheio de água.</li><li>• Certifique-se de que o depósito de água está correctamente instalado.</li><li>• Certifique-se de que o filtro de água está correctamente instalado.</li></ul>
Ouve-se um borbulhar.	<ul style="list-style-type: none"><li>• O frigorífico emite este som durante o processo de refrigeração, o que é normal.</li></ul>
Existe um mau cheiro no interior do frigorífico.	<ul style="list-style-type: none"><li>• Verifique se não há comida estragada. Recomendamos que limpe o frigorífico regularmente e que retire os alimentos que estiverem ou que possam estar estragados.</li><li>• Certifique-se de que os alimentos de cheiro forte estão embrulhados de modo a estarem hermeticamente fechados.</li></ul>
Forma-se gelo nas paredes interiores.	<ul style="list-style-type: none"><li>• Certifique-se de que nenhum alimento está a bloquear as aberturas de ventilação do frigorífico. Também é importante dispor os alimentos de maneira uniforme para a ventilação.</li><li>• Certifique-se de que a porta está correctamente fechada.</li></ul>
Forma-se condensação nas paredes interiores ou à volta dos vegetais.	<ul style="list-style-type: none"><li>• Acontece quando os alimentos com elevado teor de água são armazenados a descoberto ou quando se deixa a porta aberta durante algum tempo.</li><li>• Certifique-se de que os alimentos estão tapados ou colocados em recipientes herméticos.</li></ul>

## Samsung Smart Home

Sintoma	Acção
Não consegui encontrar a “Samsung Smart Home” no mercado das aplicações.	<ul style="list-style-type: none"><li>A aplicação Samsung Smart Home está disponível em smartphones com Android 4.0 (ICS) ou superior, ou iOS 7.0 ou superior.</li></ul>
A aplicação Samsung Smart Home não funciona.	<ul style="list-style-type: none"><li>A aplicação Samsung Smart Home só está disponível nos modelos aplicáveis.</li><li>A antiga aplicação Samsung Smart Refrigerator não se liga aos modelos Samsung Smart Home.</li></ul>
A aplicação Samsung Smart Home está instalada, mas não está ligada ao meu frigorífico.	<ul style="list-style-type: none"><li>Tem de iniciar sessão na sua conta Samsung para utilizar a aplicação.</li><li>Confirme se o seu router está a funcionar normalmente.</li><li>Confirme se o Smart Home Dongle está inserido correctamente.</li><li>Se o ícone do Wi-Fi no visor do frigorífico estiver desligado, significa que ainda não foi estabelecida ligação à rede. Neste caso, utilize a aplicação Samsung Smart Home para ligar e registar o seu frigorífico no ponto de acesso (AP) da sua casa.</li></ul>
Não consegui iniciar sessão na aplicação.	<ul style="list-style-type: none"><li>Tem de iniciar sessão na sua conta Samsung para utilizar a aplicação.</li><li>Se não tem uma conta Samsung, siga as instruções no ecrã da aplicação para criar uma.</li></ul>
Aparece uma mensagem de erro quando tento registar o meu frigorífico.	<ul style="list-style-type: none"><li>A Easy Connection (Ligação simples) pode falhar devido à distância a que se encontra do seu ponto de acesso (AP) ou à interferência eléctrica do ambiente circundante. Espere um momento e tente novamente.</li></ul>
A ligação da aplicação Samsung Smart Home ao meu frigorífico ficou bem feita, mas a aplicação não é executada.	<ul style="list-style-type: none"><li>Saia e reinicie a aplicação Samsung Smart Home, ou desligue e volte a ligar o router.</li><li>Retire o Smart Home Dongle e volte a ligá-lo correctamente. Depois tente novamente.</li></ul>

## Contacte a Samsung Internacional

Se tem algumas dúvidas ou comentários sobre os nossos produtos, por favor contacte a linha de apoio a Clientes Samsung.

País	Centro de assistência	Website
CYPRUS	8009 4000 only from landline, toll free	www.samsung.com/gr/support
GREECE	80111-SAMSUNG (80111 726 7864) only from land line (+30) 210 6897691 from mobile and land line	
ITALIA	800-SAMSUNG (800.7267864)	www.samsung.com/it/support
PORTUGAL	808 20 7267	www.samsung.com/pt/support
SPAIN	0034902172678 [HHP] 0034902167267	www.samsung.com/es/support



DA68-03370Y-03



# Ψυγείο

## Εγχειρίδιο χρήσης

RT58\*/RT62\*

Αυτόνομη συσκευή

**SAMSUNG**

# Περιεχόμενα

<b>Πληροφορίες για την ασφάλεια</b>	<b>3</b>
Σημαντικά σύμβολα ασφαλείας και προφυλάξεις:	5
Σήματα σοβαρής προειδοποίησης για τη μεταφορά και την τοποθέτηση	5
Σοβαρές προειδοποιήσεις για την εγκατάσταση	6
Προφυλάξεις για την εγκατάσταση	9
Σοβαρές προειδοποιήσεις για τη χρήση	9
Προφυλάξεις για τη χρήση	14
Προφυλάξεις για τον καθαρισμό	16
Σοβαρές προειδοποιήσεις για την απόρριψη	17
Πρόσθετες συμβουλές για σωστή χρήση	18
Συμβουλές για την εξοικονόμηση ενέργειας	19
Αυτή η συσκευή προορίζεται για οικιακή χρήση και για άλλες παρόμοιες χρήσεις όπως:	19
Οδηγίες σχετικά με την ένδειξη WEEE	20
<b>Εγκατάσταση</b>	<b>21</b>
Επισκόπηση του ψυγείου	21
Εγκατάσταση βήμα προς βήμα	23
<b>Λειτουργίες</b>	<b>28</b>
Πίνακας δυνατοτήτων	28
Samsung Smart Home (μόνο για τα κατάλληλα μοντέλα)	35
Ειδικές δυνατότητες	40
<b>Συντήρηση</b>	<b>43</b>
Χειρισμός και φροντίδα	43
Καθαρισμός	44
Αντικατάσταση	44
<b>Αντιμέτωπιση προβλημάτων</b>	<b>45</b>
Γενικά	45
Samsung Smart Home	47

## Πληροφορίες για την ασφάλεια

- Προτού χρησιμοποιήσετε το νέο σας ψυγείο Samsung, διαβάστε προσεκτικά αυτό το εγχειρίδιο για να διασφαλίσετε ότι γνωρίζετε πώς να αξιοποιήσετε τις δυνατότητες και τις λειτουργίες που προσφέρει η νέα σας συσκευή, με ασφάλεια και αποτελεσματικά.
- Αυτή η συσκευή δεν προορίζεται για χρήση από άτομα (συμπεριλαμβανομένων των παιδιών) με περιορισμένες σωματικές, αισθητηριακές ή νοητικές ικανότητες ή από άτομα με έλλειψη εμπειρίας και γνώσεων, εκτός αν βρίσκονται υπό την επίβλεψη ή ακολουθούν τις οδηγίες σχετικά με τη χρήση της συσκευής που δίνονται από ένα άτομο που είναι υπεύθυνο για την ασφάλειά τους.
- Αυτή η συσκευή μπορεί να χρησιμοποιηθεί από παιδιά ηλικίας 8 ετών και άνω και από άτομα με περιορισμένες σωματικές, αισθητηριακές ή νοητικές ικανότητες ή με έλλειψη εμπειρίας και γνώσεων, εφόσον βρίσκονται υπό επίβλεψη ή ακολουθούν οδηγίες σχετικά με τη χρήση της συσκευής με ασφαλή τρόπο και κατανοούν τους κινδύνους που ενέχονται. Τα παιδιά απαγορεύεται να παίζουν με τη συσκευή. Ο καθαρισμός και η συντήρηση από τον χρήστη δεν πρέπει να πραγματοποιούνται από παιδιά χωρίς επίβλεψη.
- Οι προειδοποιήσεις και οι σημαντικές οδηγίες για την ασφάλεια που περιλαμβάνονται σε αυτό το εγχειρίδιο δεν καλύπτουν όλες τις πιθανές συνθήκες και καταστάσεις που ενδέχεται να προκύψουν.

Αποτελεί δική σας ευθύνη να ακολουθείτε την κοινή λογική και να είστε προσεκτικοί κατά την εγκατάσταση, τη συντήρηση και τη χρήση της συσκευής.

- Επειδή οι παρακάτω οδηγίες λειτουργίας αφορούν διάφορα μοντέλα, τα χαρακτηριστικά του ψυγείου σας ενδέχεται να διαφέρουν ελαφρώς από εκείνα που περιγράφονται σε αυτό το εγχειρίδιο, ενώ ενδέχεται να μην ισχύουν όλα τα σήματα προειδοποίησης. Αν έχετε ερωτήσεις ή προβληματισμούς, επικοινωνήστε με το πλησιέστερο επισκευαστικό κέντρο ή αναζητήστε βοήθεια και πληροφορίες στο Διαδίκτυο, στη διεύθυνση [www.samsung.com](http://www.samsung.com).
- Ως ψυκτικό μέσο χρησιμοποιείται το R-600a ή το R-134a. Ελέγξτε την ετικέτα του συμπιεστή στο πίσω μέρος της συσκευής ή την ετικέτα τεχνικών στοιχείων στο εσωτερικό του ψυγείου για να δείτε ποιο ψυκτικό μέσο χρησιμοποιείται για το δικό σας ψυγείο. Σε περίπτωση που αυτό το προϊόν περιέχει εύφλεκτο αέριο (ψυκτικό μέσο R-600a), επικοινωνήστε με την αρμόδια τοπική αρχή για να ενημερωθείτε σχετικά με τον ασφαλή τρόπο απόρριψης αυτού του προϊόντος.



## Πληροφορίες για την ασφάλεια

---

- Προκειμένου να αποτραπεί η δημιουργία ενός εύφλεκτου μείγματος αερίου-αέρα αν προκύψει διαρροή στο κύκλωμα ψύξης, το μέγεθος του χώρου στον οποίο μπορεί να τοποθετηθεί η συσκευή εξαρτάται από τη χρησιμοποιούμενη ποσότητα ψυκτικού μέσου.
- Μη θέτετε ποτέ σε λειτουργία μια συσκευή που παρουσιάζει οποιαδήποτε ένδειξη ζημιάς. Αν έχετε αμφιβολίες, συμβουλευτείτε τον τοπικό αντιπρόσωπο. Ο χώρος πρέπει να έχει μέγεθος 1 m<sup>3</sup> για κάθε 8 g ψυκτικού μέσου R-600a που υπάρχουν στο εσωτερικό της συσκευής.  
Η ποσότητα ψυκτικού μέσου που υπάρχει στη δική σας συσκευή αναγράφεται στην πινακίδα αναγνώρισης στο εσωτερικό της συσκευής.
- Το πιτσίλισμα ψυκτικού μέσου από τους σωλήνες μπορεί να προκαλέσει ανάφλεξη ή τραυματισμό στα μάτια. Αν διαρρεύσει ψυκτικό μέσο από τον σωλήνα, αποφύγετε τυχόν γυμνές φλόγες, απομακρύνετε από το προϊόν οτιδήποτε εύφλεκτο και αερίστε αμέσως τον χώρο.
  - Διαφορετικά, ενδέχεται να προκληθεί πυρκαγιά ή έκρηξη.
- Είναι επικίνδυνο αυτή η συσκευή να επισκευάζεται από οποιοδήποτε άλλο άτομο εκτός του εξουσιοδοτημένου τεχνικού σέρβις.





---

## Σημαντικά σύμβολα ασφάλειας και προφυλάξεις:

---

### ΠΡΟΕΙΔΟΠΟΙΗΣΗ

Κίνδυνοι ή μη ασφαλείς πρακτικές που ενδέχεται να προκαλέσουν **σοβαρό τραυματισμό ή θάνατο**.

### ΠΡΟΣΟΧΗ

Κίνδυνοι ή μη ασφαλείς πρακτικές που ενδέχεται να προκαλέσουν **ελαφρύ τραυματισμό ή υλικές ζημιές**.

Σκοπός αυτών των σημάτων προειδοποίησης είναι να μην τραυματιστείτε εσείς ή άλλοι άνθρωποι.

Ακολουθήστε τα σχολαστικά.

Αφού διαβάσετε αυτή την ενότητα, φυλάξτε την σε ασφαλές μέρος για μελλοντική αναφορά.

---

## Σήματα σοβαρής προειδοποίησης για τη μεταφορά και την τοποθέτηση

---

### ΠΡΟΕΙΔΟΠΟΙΗΣΗ

- Κατά τη μεταφορά και την εγκατάσταση της συσκευής, θα πρέπει να είστε προσεκτικοί προκειμένου να μην υποστεί ζημιά κανένα μέρος του κυκλώματος ψύξης.
  - Η διαρροή ψυκτικού μέσου από τους σωλήνες μπορεί να προκαλέσει ανάφλεξη ή τραυματισμό στα μάτια. Αν εντοπίσετε διαρροή, αποφύγετε τυχόν γυμνές φλόγες ή πιθανές πηγές ανάφλεξης και αερίστε για αρκετά λεπτά τον χώρο στον οποίο βρίσκεται η συσκευή.
  - Αυτή η συσκευή περιέχει ως ψυκτικό μέσο μια μικρή ποσότητα ισοβουτανίου (R-600a). Πρόκειται για ένα φυσικό αέριο με υψηλή περιβαλλοντική συμβατότητα, το οποίο ωστόσο είναι εύφλεκτο. Κατά τη μεταφορά και την εγκατάσταση της συσκευής, θα πρέπει να είστε προσεκτικοί προκειμένου να μην υποστεί ζημιά κανένα μέρος του κυκλώματος ψύξης.



# Πληροφορίες για την ασφάλεια

## Σοβαρές προειδοποιήσεις για την εγκατάσταση

### ΠΡΟΕΙΔΟΠΟΙΗΣΗ

- Μην εγκαθιστάτε το ψυγείο σε χώρους με υγρασία ή σε μέρη όπου ενδέχεται να έρθει σε επαφή με νερό.
  - Η φθαρμένη μόνωση των ηλεκτρικών εξαρτημάτων ενδέχεται να προκαλέσει ηλεκτροπληξία ή πυρκαγιά.
- Μην τοποθετείτε αυτό το ψυγείο σε μέρος όπου εκτίθεται σε άμεσο ηλιακό φως ή στη θερμότητα που εκπέμπεται από σόμπες, καλοριφέρ ή άλλες συσκευές.
- Μην συνδέετε πολλές συσκευές στο ίδιο πολύπριζο. Το ψυγείο θα πρέπει πάντα να είναι συνδεδεμένο σε δική του πρίζα, με ονομαστική τιμή τάσης ίδια με την τάση που αναγράφεται στην πινακίδα τεχνικών στοιχείων του ψυγείου.
  - Με τον τρόπο αυτό εξασφαλίζεται η καλύτερη δυνατή απόδοση της συσκευής και αποφεύγεται η υπερφόρτωση των κυκλωμάτων καλωδίωσης της κατοικίας σας, γεγονός που θα μπορούσε να προκαλέσει κίνδυνο πυρκαγιάς λόγω υπερθέρμανσης των καλωδίων.
- Αν η πρίζα είναι χαλαρή, μη συνδέετε το φως τροφοδοσίας.
  - Υπάρχει κίνδυνος ηλεκτροπληξίας ή πυρκαγιάς.
- Μη χρησιμοποιείτε καλώδιο ρεύματος που παρουσιάζει ρωγμές ή ζημιά λόγω τριβής σε όλο το μήκος του ή σε οποιοδήποτε από τα άκρα του.
- Μην κάμπτετε υπερβολικά το καλώδιο ρεύματος και μην τοποθετείτε βαριά αντικείμενα επάνω του.
- Μην τραβάτε και μην κάμπτετε υπερβολικά το καλώδιο ρεύματος.
- Μη συστρέψετε και μη δένετε κόμπο το καλώδιο ρεύματος.
- Μην κρεμάτε το καλώδιο ρεύματος επάνω σε μεταλλικά αντικείμενα, μην τοποθετείτε βαριά αντικείμενα επάνω στο καλώδιο ρεύματος, μην τοποθετείτε το καλώδιο ρεύματος ανάμεσα σε αντικείμενα και μη σπρώχνετε το καλώδιο ρεύματος στον χώρο πίσω από τη συσκευή.
- Όταν μετακινείτε το ψυγείο, προσέχετε να μην αναποδογυρίσει και να μην υποστεί ζημιά το καλώδιο ρεύματος.
  - Ενδέχεται να προκληθεί ηλεκτροπληξία ή πυρκαγιά.



- Μην αποσυνδέετε ποτέ το ψυγείο από την πρίζα τραβώντας το καλώδιο ρεύματος. Να πιάνετε πάντα σταθερά το φις και να το τραβάτε κατευθείαν προς τα έξω από την πρίζα.
  - Τυχόν ζημιά στο καλώδιο ενδέχεται να προκαλέσει βραχυκύκλωμα, πυρκαγιά ή/και ηλεκτροπληξία.
- Μην αποθηκεύετε εκρηκτικά υλικά, όπως δοχεία αεροζόλ με εύφλεκτες προωθητικές ουσίες, σε αυτή τη συσκευή.
- Μην εγκαθιστάτε αυτή τη συσκευή κοντά σε καλοριφέρ ή σε εύφλεκτα υλικά.
- Μην εγκαθιστάτε αυτή τη συσκευή σε μέρη όπου ενδέχεται να διαρρεύσει αέριο.
  - Ενδέχεται να προκληθεί ηλεκτροπληξία ή πυρκαγιά.
- Πριν από τη χρήση, αυτό το ψυγείο πρέπει να τοποθετηθεί σε κατάλληλο σημείο και να εγκατασταθεί σύμφωνα με τις οδηγίες του παρόντος εγχειριδίου.
- Συνδέστε το φις τροφοδοσίας σωστά, με το καλώδιο να κρέμεται προς τα κάτω.
  - Αν συνδέσετε το φις τροφοδοσίας ανάποδα, μπορεί να κοπεί το καλώδιο και να προκληθεί πυρκαγιά ή ηλεκτροπληξία.
- Βεβαιωθείτε ότι το πίσω μέρος του ψυγείου δεν συνθλίβει ούτε προκαλεί ζημιά στο φις τροφοδοσίας.
- Φυλάτε τα υλικά συσκευασίας μακριά από παιδιά.
  - Αν ένα παιδί καλύψει το κεφάλι του με τα υλικά συσκευασίας, υπάρχει κίνδυνος θανάτου λόγω ασφυξίας.
- Η συσκευή πρέπει να τοποθετηθεί με τρόπο που να επιτρέπει την πρόσβαση στο φις μετά την εγκατάσταση.
  - Διαφορετικά, ενδέχεται να προκληθεί ηλεκτροπληξία ή πυρκαγιά λόγω διαρροής ρεύματος.
- Μην εγκαθιστάτε αυτή τη συσκευή σε χώρους με υγρασία, λάδια ή σκόνη ή σε μέρη που είναι εκτεθειμένα σε άμεσο ηλιακό φως ή σε νερό (σταγόνες βροχής).
  - Η φθαρμένη μόνωση των ηλεκτρικών εξαρτημάτων ενδέχεται να προκαλέσει ηλεκτροπληξία ή πυρκαγιά.
- Αν υπάρχει σκόνη ή νερό μέσα στο ψυγείο, αποσυνδέστε το φις τροφοδοσίας και επικοινωνήστε με το τοπικό επισκευαστικό κέντρο της Samsung Electronics.
  - Διαφορετικά υπάρχει κίνδυνος πυρκαγιάς.



## Πληροφορίες για την ασφάλεια

---

- Μην πατάτε επάνω στη συσκευή και μην τοποθετείτε αντικείμενα (όπως ρούχα, αναμμένα κεριά, αναμμένα τσιγάρα, πιάτα, χημικά, μεταλλικά αντικείμενα κ.λπ.) επάνω στη συσκευή.
  - Ενδέχεται να προκληθεί ηλεκτροπληξία, πυρκαγιά, προβλήματα με το προϊόν ή τραυματισμός.
- Προτού συνδέσετε για πρώτη φορά το προϊόν στην πρίζα, πρέπει να αφαιρέσετε όλη την προστατευτική πλαστική μεμβράνη.
- Τα παιδιά θα πρέπει να επιβλέπονται, ώστε να διασφαλίζεται ότι δεν παίζουν με τους δακτυλίους συγκράτησης που χρησιμοποιούνται για τη ρύθμιση της πόρτας ή τα κλιπ του σωλήνα νερού.
  - Αν ένα παιδί καταπιεί έναν δακτύλιο συγκράτησης ή ένα κλιπ του σωλήνα νερού, υπάρχει κίνδυνος θανάτου λόγω ασφυξίας. Φυλάτε τους δακτυλίους συγκράτησης και τα κλιπ του σωλήνα νερού μακριά από παιδιά.
- Το ψυγείο πρέπει να γειώνεται με ασφάλεια.
  - Προτού επιχειρήσετε να επιθεωρήσετε ή να επισκευάσετε οποιοδήποτε μέρος της συσκευής, να βεβαιώνετε πάντα ότι έχετε γειώσει το ψυγείο. Οι διαρροές ρεύματος μπορούν να προκαλέσουν ισχυρή ηλεκτροπληξία.
- Μη χρησιμοποιείτε ποτέ σωλήνες αερίου, τηλεφωνικές γραμμές ή άλλα αντικείμενα που μπορούν να λειτουργήσουν ως αλεξικέραυνα ως ηλεκτρική γείωση.
  - Πρέπει να γειώνετε το ψυγείο, προκειμένου να αποτρέψετε τυχόν διαρροή ηλεκτρικής ενέργειας ή ηλεκτροπληξία λόγω διαρροής ρεύματος από το ψυγείο.
  - Ενδέχεται να προκληθεί ηλεκτροπληξία, πυρκαγιά, έκρηξη ή προβλήματα με το προϊόν.
- Συνδέστε σταθερά το φιν τροφοδοσίας στην πρίζα. Μη χρησιμοποιείτε φιν τροφοδοσίας ή καλώδιο ρεύματος που έχει υποστεί ζημιά ούτε χαλαρή πρίζα.
  - Ενδέχεται να προκληθεί ηλεκτροπληξία ή πυρκαγιά.
- Αν το καλώδιο ρεύματος υποστεί ζημιά, φροντίστε να αντικατασταθεί αμέσως από τον κατασκευαστή ή το τμήμα επισκευών της αντιπροσωπείας του.



- 
- Η ασφάλεια του ψυγείου πρέπει να αντικαθίσταται από εξειδικευμένο τεχνικό ή εταιρεία επισκευών.
    - Διαφορετικά, ενδέχεται να προκληθεί ηλεκτροπληξία ή τραυματισμός.

## Προφυλάξεις για την εγκατάσταση

### ΠΡΟΣΟΧΗ

- Φροντίστε να υπάρχει αρκετός χώρος γύρω από το ψυγείο και εγκαταστήστε το σε επίπεδη επιφάνεια.
  - Διατηρείτε το άνοιγμα εξαερισμού που βρίσκεται στο περίβλημα ή στη βάση της συσκευής ελεύθερο από εμπόδια.
- Μετά την εγκατάσταση και την ενεργοποίηση, αφήστε τη συσκευή να λειτουργήσει για 2 ώρες προτού τη γεμίσετε με τρόφιμα.
- Συνιστούμε ιδιαίτερα το ψυγείο να εγκαθίσταται από εξειδικευμένο τεχνικό ή εταιρεία επισκευών.
  - Διαφορετικά, ενδέχεται να προκληθεί ηλεκτροπληξία, πυρκαγιά, έκρηξη, προβλήματα με το προϊόν ή τραυματισμός.
- Αν οποιαδήποτε από τις πόρτες υπερφορτωθεί, το ψυγείο μπορεί να πέσει και να προκληθεί τραυματισμός.

## Σοβαρές προειδοποιήσεις για τη χρήση

### ΠΡΟΕΙΔΟΠΟΙΗΣΗ

- Μη συνδέετε το φιν τροφοδοσίας στην πρίζα με υγρά χέρια.
  - Ενδέχεται να προκληθεί ηλεκτροπληξία.
- Μην αποθηκεύετε αντικείμενα στο επάνω μέρος της συσκευής.
  - Όταν ανοιγοκλείνετε την πόρτα, τα αντικείμενα ενδέχεται να πέσουν και να προκαλέσουν τραυματισμό ή/και υλικές ζημιές.



## Πληροφορίες για την ασφάλεια

---

- Μην τοποθετείτε τα χέρια σας, τα πόδια σας ή μεταλλικά αντικείμενα (όπως μεταλλικές ράβδους κ.λπ.) στο κάτω ή στο πίσω μέρος του ψυγείου.
  - Ενδέχεται να προκληθεί ηλεκτροπληξία ή τραυματισμός.
  - Τυχόν αιχμηρές άκρες ενδέχεται να προκαλέσουν τραυματισμό.
- Μην αγγίζετε τα εσωτερικά τοιχώματα του καταψύκτη ή τα προϊόντα που φυλάσσονται στον καταψύκτη με υγρά χέρια.
  - Ενδέχεται να προκληθεί κρουπάγημα.
- Μην τοποθετείτε δοχεία με νερό επάνω στο ψυγείο.
  - Αν χυθεί το νερό, υπάρχει κίνδυνος πυρκαγιάς ή ηλεκτροπληξίας.
- Μην διατηρείτε πτητικά ή εύφλεκτα αντικείμενα ή ουσίες (βενζόλιο, διαλυτικά, αέριο προπάνιο, οινόπνευμα, αιθέρα, υγραέριο και άλλα παρόμοια προϊόντα) μέσα στο ψυγείο.
  - Αυτό το ψυγείο προορίζεται αποκλειστικά για τη φύλαξη τροφίμων.
  - Ενδέχεται να προκληθεί πυρκαγιά ή έκρηξη.
- Τα παιδιά θα πρέπει να επιβλέπονται, ώστε να διασφαλίζεται ότι δεν παίζουν με τη συσκευή.
  - Κρατήστε τα δάχτυλά σας μακριά από σημεία όπου θα μπορούσαν να πιαστούν. Τα κενά ανάμεσα στις πόρτες και τον θάλαμο είναι αναγκαστικά μικρά. Αν υπάρχουν παιδιά στο χώρο, να είστε προσεκτικοί όταν ανοίγετε τις πόρτες.
- Μην αφήνετε τα παιδιά να κρέμονται από την πόρτα ή τα ράφια πόρτας. Ενδέχεται να προκληθεί σοβαρός τραυματισμός.
- Μην αφήνετε τα παιδιά να μπαίνουν μέσα στο ψυγείο. Μπορεί να παγιδευτούν.
- Μη βάζετε τα χέρια σας κάτω από τη συσκευή.
  - Τυχόν αιχμηρές άκρες ενδέχεται να προκαλέσουν τραυματισμό.
- Μη φυλάσσετε φαρμακευτικά προϊόντα, επιστημονικά υλικά ή θερμοευαίσθητα προϊόντα μέσα στο ψυγείο.
  - Τα προϊόντα που απαιτούν αυστηρό έλεγχο της θερμοκρασίας δεν πρέπει να φυλάσσονται στο ψυγείο.
- Μην τοποθετείτε και μη χρησιμοποιείτε ηλεκτρικές συσκευές μέσα στο ψυγείο/ καταψύκτη, εκτός αν πρόκειται για τύπο συσκευής που συνιστάται από τον κατασκευαστή.



- Αν μυρίσετε οσμή φαρμάκου ή καπνό, αποσυνδέστε αμέσως το φως τροφοδοσίας και επικοινωνήστε με το τοπικό επισκευαστικό κέντρο της Samsung Electronics.
- Αν υπάρχει σκόνη ή νερό μέσα στο ψυγείο, αποσυνδέστε το φως τροφοδοσίας και επικοινωνήστε με το τοπικό επισκευαστικό κέντρο της Samsung Electronics.
  - Διαφορετικά υπάρχει κίνδυνος πυρκαγιάς.
- Μην αφήνετε τα παιδιά να πατούν επάνω σε συρτάρια.
  - Το συρτάρι ενδέχεται να σπάσει και μπορεί να σκοντάψουν.
- Μην αφήνετε ανοικτές τις πόρτες του ψυγείου ενόσω δεν το επιτηρείτε και μην αφήνετε τα παιδιά να μπαίνουν μέσα στο ψυγείο.
- Μην αφήνετε μωρά ή παιδιά να μπαίνουν μέσα στο συρτάρι.
  - Μπορεί να προκληθεί θάνατος λόγω ασφυξίας εξαιτίας παγίδευσης ή τραυματισμός.
- Μην παραγεμίζετε το ψυγείο με τρόφιμα.
  - Όταν ανοίγετε την πόρτα, κάποιο αντικείμενο ενδέχεται να πέσει και να προκαλέσει τραυματισμό ή υλικές ζημιές.
- Μην ψεκάζετε πτητικά υγρά όπως εντομοκτόνα στην επιφάνεια της συσκευής.
  - Είναι επιβλαβή για τους ανθρώπους και, επιπλέον, ενδέχεται να προκαλέσουν ηλεκτροπληξία, πυρκαγιά ή προβλήματα με το προϊόν.
- Μη χρησιμοποιείτε και μην τοποθετείτε ουσίες ευαίσθητες στη θερμοκρασία, όπως εύφλεκτα σπρέι, εύφλεκτα αντικείμενα, ξηρό πάγο, φάρμακα ή χημικά, κοντά ή μέσα στο ψυγείο.
- Μη χρησιμοποιείτε σεσουάρ για να στεγνώσετε το εσωτερικό του ψυγείου. Μην τοποθετείτε αναμμένα κεριά μέσα στο ψυγείο για την απομάκρυνση των δυσάρεστων οσμών.
  - Ενδέχεται να προκληθεί ηλεκτροπληξία ή πυρκαγιά.
- Γεμίζετε το δοχείο νερού, τον δίσκο πάγου και τις παγοθήκες μόνο με πόσιμο νερό (μεταλλικό ή απιονισμένο νερό).
  - Μη γεμίζετε το δοχείο με τσάι, χυμό ή ενεργειακό ποτό, καθώς ενδέχεται να προκληθεί ζημιά στο ψυγείο.



## Πληροφορίες για την ασφάλεια

---

- Μην πατάτε επάνω στη συσκευή και μην τοποθετείτε αντικείμενα (όπως ρούχα, αναμμένα κεριά, αναμμένα τσιγάρα, πιάτα, χημικά, μεταλλικά αντικείμενα κ.λπ.) επάνω στη συσκευή. Ενδέχεται να προκληθεί ηλεκτροπληξία, πυρκαγιά, προβλήματα με το προϊόν ή τραυματισμός. Μην τοποθετείτε δοχεία με νερό επάνω στη συσκευή.
  - Αν χυθεί το νερό, υπάρχει κίνδυνος πυρκαγιάς ή ηλεκτροπληξίας.
- Μην χρησιμοποιείτε μηχανικές συσκευές ή οποιοδήποτε άλλο μέσο, εκτός από εκείνα που συνιστά ο κατασκευαστής, για να επιταχύνετε τη διαδικασία απόψυξης.
- Μην προκαλείτε ζημιές στο κύκλωμα του ψυκτικού μέσου.
- Μην κοιτάζετε ποτέ κατευθείαν τη λυχνία LED τύπου UV για μεγάλα χρονικά διαστήματα.
  - Ενδέχεται να προκληθεί ασθενοπία, εξαιτίας των υπεριωδών ακτίνων.
- Μην τοποθετείτε τα ράφια του ψυγείου ανάποδα. Δεν θα λειτουργεί η ασφάλεια των ραφιών.
  - Αν πέσει ένα γυάλινο ράφι, ενδέχεται να προκληθεί τραυματισμός.
- Κρατήστε τα δάχτυλά σας μακριά από σημεία όπου θα μπορούσαν να πιαστούν. Τα κενά ανάμεσα στις πόρτες και τον θάλαμο είναι αναγκαστικά μικρά. Αν υπάρχουν παιδιά στο χώρο, να είστε προσεκτικοί όταν ανοίγετε τις πόρτες.
- Αν εντοπίσετε διαρροή αερίου, αποφύγετε τυχόν γυμνές φλόγες ή πιθανές πηγές ανάφλεξης και αερίστε για αρκετά λεπτά τον χώρο στον οποίο βρίσκεται η συσκευή.
  - Μην αγγίζετε τη συσκευή ή το καλώδιο ρεύματος.
  - Μην χρησιμοποιείτε ανεμιστήρα εξαερισμού.
  - Μια σπίθα ενδέχεται να προκαλέσει έκρηξη ή πυρκαγιά.
- Χρησιμοποιείτε μόνο τις λυχνίες LED που παρέχονται από τον κατασκευαστή ή το τμήμα επισκευών της αντιπροσωπείας του.
- Τα μπουκάλια θα πρέπει να τοποθετούνται το ένα πολύ κοντά στο άλλο, ώστε να μην πέσουν έξω από το ψυγείο.
- Αυτό το προϊόν προορίζεται αποκλειστικά για τη φύλαξη τροφίμων σε οικιακό περιβάλλον.





- Μην επιχειρήσετε να επισκευάσετε, να αποσυναρμολογήσετε ή να τροποποιήσετε μόνοι σας το ψυγείο.
  - Μη εξουσιοδοτημένες τροποποιήσεις μπορούν να προκαλέσουν προβλήματα ασφαλείας. Για να αποκαταστήσουμε μια μη εξουσιοδοτημένη τροποποίηση, θα χρεώσουμε το πλήρες κόστος για τα εξαρτήματα και την εργασία.
- Μη χρησιμοποιείτε κανέναν άλλο τύπο ασφάλειας (όπως χαλκού, χαλύβδινου σύρματος κ.λπ.) εκτός από την τυπική ασφάλεια.
- Αν το ψυγείο χρειάζεται να επισκευαστεί ή να μετεγκατασταθεί, επικοινωνήστε με το πλησιέστερο επισκευαστικό κέντρο.
  - Διαφορετικά, ενδέχεται να προκληθεί ηλεκτροπληξία, πυρκαγιά, προβλήματα με το προϊόν ή τραυματισμός.
- Αν η εσωτερική ή η εξωτερική λυχνία LED σταματήσει να λειτουργεί, επικοινωνήστε με το πλησιέστερο επισκευαστικό κέντρο.
- Αν βγαίνει μυρωδιά καμένου ή καπνός από το ψυγείο, αποσυνδέστε το από την πρίζα και επικοινωνήστε με το τοπικό επισκευαστικό κέντρο της Samsung Electronics.
  - Διαφορετικά, ενδέχεται να προκληθεί ηλεκτροπληξία ή πυρκαγιά.
- Προτού αντικαταστήσετε τις εσωτερικές λυχνίες του ψυγείου, αποσυνδέστε το φως τροφοδοσίας από την πρίζα.
  - Διαφορετικά υπάρχει κίνδυνος ηλεκτροπληξίας.
- Αν αντιμετωπίσετε δυσκολίες με την αντικατάσταση μιας λυχνίας που δεν είναι τύπου LED, επικοινωνήστε με ένα επισκευαστικό κέντρο της Samsung.
- Αν το προϊόν διαθέτει λυχνίες LED, μην αποσυναρμολογείτε μόνοι σας τα καλύμματα λυχνιών και τις λυχνίες LED.
  - Επικοινωνήστε με ένα επισκευαστικό κέντρο της Samsung.
- Συνδέστε σταθερά το φως τροφοδοσίας στην πρίζα.
- Μη χρησιμοποιείτε φως τροφοδοσίας ή καλώδιο ρεύματος που έχει υποστεί ζημιά ούτε χαλαρή πρίζα.
  - Ενδέχεται να προκληθεί ηλεκτροπληξία ή πυρκαγιά.



# Πληροφορίες για την ασφάλεια

---

## Προφυλάξεις για τη χρήση

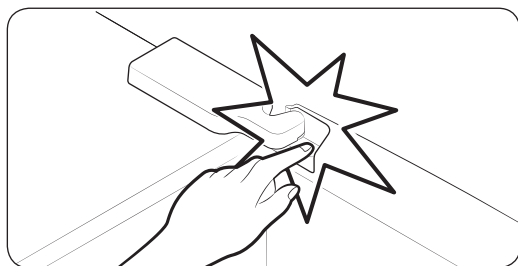
---

### ΠΡΟΣΟΧΗ

- Μην καταψύχετε ξανά κατεψυγμένα τρόφιμα που έχουν ξεπαγώσει εντελώς. Μην τοποθετείτε ανθρακούχα ή αεριούχα ποτά στον θάλαμο του καταψύκτη. Μην τοποθετείτε μπουκάλια ή γυάλινα δοχεία στον καταψύκτη.
  - Όταν το περιεχόμενο παγώσει, το γυαλί ενδέχεται να σπάσει και να προκαλέσει τραυματισμό.
- Χρησιμοποιείτε μόνο τον παρασκευαστή πάγου που παρέχεται με το ψυγείο.
- Για την καλύτερη δυνατή απόδοση του προϊόντος:
  - Μην τοποθετείτε τρόφιμα πολύ κοντά στα ανοίγματα εξαερισμού που βρίσκονται στο πίσω μέρος του ψυγείου, καθώς μπορεί να εμποδίσουν την ελεύθερη κυκλοφορία του αέρα στον θάλαμο του ψυγείου.
  - Τυλίγετε σωστά τα τρόφιμα ή τοποθετείτε τα σε αεροστεγή δοχεία, προτού τα βάλετε στο ψυγείο.
  - Μην τοποθετείτε γυάλινα μπουκάλια ή ανθρακούχα ποτά μέσα στον καταψύκτη. Μπορεί να παγώσουν και να σπάσουν. Τα σπασμένα δοχεία ποτών μπορούν να προκαλέσουν τραυματισμό.
  - Τηρείτε τους μέγιστους χρόνους φύλαξης και τις ημερομηνίες λήξης των κατεψυγμένων προϊόντων.
- Μην τοποθετείτε ποτήρια, μπουκάλια ή ανθρακούχα ποτά μέσα στον καταψύκτη.
  - Το δοχείο ενδέχεται να παγώσει και να σπάσει, καθώς και να προκαλέσει τραυματισμό.
- Μην τοποθετείτε ανθρακούχα ή αεριούχα ποτά στον θάλαμο του καταψύκτη. Μην τοποθετείτε μπουκάλια ή γυάλινα δοχεία στον καταψύκτη.
  - Όταν το περιεχόμενο παγώσει, το γυαλί ενδέχεται να σπάσει και να προκαλέσει τραυματισμό και υλικές ζημιές.



- Εγγύηση επισκευής και τροποποιήσεις
  - Οποιοσδήποτε αλλαγές ή τροποποιήσεις εκτελούνται από τρίτους σε αυτή την ολοκληρωμένη συσκευή δεν καλύπτονται από την εγγύηση επισκευής της Samsung και η Samsung δεν ευθύνεται για προβλήματα ασφαλείας που προκύπτουν εξαιτίας τροποποιήσεων από τρίτους.
- Μη φράζετε τα ανοίγματα εξαερισμού στο εσωτερικό του ψυγείου.
  - Αν τα ανοίγματα εξαερισμού είναι φραγμένα, ειδικά με πλαστική σακούλα, το ψυγείο μπορεί να ψυχθεί υπερβολικά. Αν μια περίοδος ψύξης έχει πολύ μεγάλη διάρκεια, το φίλτρο νερού ενδέχεται να σπάσει και να προκληθεί διαρροή νερού.
- Χρησιμοποιείτε μόνο τον παρασκευαστή πάγου που παρέχεται με το ψυγείο.
- Σκουπίστε την υπερβολική υγρασία που έχει σχηματιστεί στο εσωτερικό του ψυγείου και αφήστε τις πόρτες ανοικτές.
  - Διαφορετικά ενδέχεται να δημιουργηθούν οσμές και μούχλα.
- Αν το ψυγείο αποσυνδεθεί από την παροχή ρεύματος, θα πρέπει να περιμένετε για τουλάχιστον πέντε λεπτά προτού το συνδέσετε ξανά στην πρίζα.
- Αν το ψυγείο βραχεί με νερό, αποσυνδέστε το φινις τροφοδοσίας και επικοινωνήστε με το τοπικό επισκευαστικό κέντρο της Samsung Electronics.
- Μη χτυπάτε και μην ασκείτε υπερβολική δύναμη σε καμία γυάλινη επιφάνεια.
  - Το σπασμένο γυαλί ενδέχεται να προκαλέσει τραυματισμό ή/και υλικές ζημιές.
- Γεμίζετε το δοχείο νερού και τον δίσκο πάγου μόνο με πόσιμο νερό (νερό βρύσης, μεταλλικό νερό ή απιονισμένο νερό).
  - Μη γεμίζετε το δοχείο με τσάι ή ενεργειακό ποτό. Ενδέχεται να προκληθεί ζημιά στο ψυγείο.



- Προσέχετε να μην πιαστούν τα δάχτυλά σας στην πόρτα του ψυγείου.



## Πληροφορίες για την ασφάλεια

---

- Αν οι πόρτες του καταψύκτη και του ψυγείου μείνουν ανοικτές για 2 ή περισσότερα δευτερόλεπτα, οι λυχνίες στον καταψύκτη και στο ψυγείο μπορεί να σβήσουν.
  - Οι λυχνίες θα ανάψουν ξανά όταν οι πόρτες κλείσουν και ανοίξουν ξανά.
- Αν το ψυγείο πλημμυρίσει με νερό, φροντίστε να επικοινωνήσετε με το πλησιέστερο επισκευαστικό κέντρο.
  - Υπάρχει κίνδυνος ηλεκτροπληξίας ή πυρκαγιάς.

### Προφυλάξεις για τον καθαρισμό

---

#### ΠΡΟΣΟΧΗ

- Μην ψεκάζετε νερό κατευθείαν επάνω στην εσωτερική ή στην εξωτερική επιφάνεια του ψυγείου.
  - Υπάρχει κίνδυνος πυρκαγιάς ή ηλεκτροπληξίας.
- Μη χρησιμοποιείτε σεσουάρ για να στεγνώσετε το εσωτερικό του ψυγείου.
- Μην τοποθετείτε αναμμένα κεριά μέσα στο ψυγείο για να απομακρύνετε τις δυσάρεστες οσμές.
  - Ενδέχεται να προκληθεί ηλεκτροπληξία ή πυρκαγιά.
- Μην ψεκάζετε καθαριστικά προϊόντα κατευθείαν επάνω στην οθόνη.
  - Τα γράμματα που είναι τυπωμένα στην οθόνη ενδέχεται να σβηστούν.
- Αν εισχωρήσει στη συσκευή οποιαδήποτε ξένη ουσία όπως το νερό, αποσυνδέστε το φινιρ τροφοδοσίας από την πρίζα και επικοινωνήστε με το πλησιέστερο επισκευαστικό κέντρο.
  - Διαφορετικά, ενδέχεται να προκληθεί ηλεκτροπληξία ή πυρκαγιά.
- Χρησιμοποιήστε ένα καθαρό και στεγνό πανί για να απομακρύνετε τυχόν ξένα σώματα ή σκόνη από τους ακροδέκτες του φινιρ τροφοδοσίας. Μη χρησιμοποιείτε υγρό ή νοτισμένο πανί κατά τον καθαρισμό του φινιρ.
  - Διαφορετικά υπάρχει κίνδυνος πυρκαγιάς ή ηλεκτροπληξίας.
- Μην ψεκάζετε νερό κατευθείαν επάνω στη συσκευή για να την καθαρίσετε.
- Μη χρησιμοποιείτε βενζόλιο, διαλυτικό, λευκαντικό ή χλώριο για τον καθαρισμό.
  - Ενδέχεται να προκαλέσουν ζημιά στην επιφάνεια της συσκευής, καθώς και πυρκαγιά.





- Μη βάζετε ποτέ τα δάχτυλά σας ή άλλα αντικείμενα στην οπή του διανεμητή.
  - Ενδέχεται να προκληθεί τραυματισμός ή υλικές ζημιές.
- Πριν από τον καθαρισμό ή τις εργασίες συντήρησης, να αποσυνδέετε τη συσκευή από την πρίζα.
  - Διαφορετικά, ενδέχεται να προκληθεί ηλεκτροπληξία ή πυρκαγιά.

## Σοβαρές προειδοποιήσεις για την απόρριψη

### ΠΡΟΕΙΔΟΠΟΙΗΣΗ

- Απορρίψτε τα υλικά συσκευασίας αυτού του προϊόντος με τρόπο φιλικό προς το περιβάλλον.
- Πριν από την απόρριψη, βεβαιωθείτε ότι δεν έχει υποστεί ζημιά κανένας από τους σωλήνες που βρίσκονται στο πίσω μέρος του ψυγείου.
- Ως ψυκτικό μέσο χρησιμοποιείται το R-600a ή το R-134a. Ελέγξτε την ετικέτα του συμπιεστή στο πίσω μέρος της συσκευής ή την ετικέτα τεχνικών στοιχείων στο εσωτερικό του ψυγείου για να δείτε ποιο ψυκτικό μέσο χρησιμοποιείται για το δικό σας ψυγείο. Σε περίπτωση που αυτό το ψυγείο περιέχει εύφλεκτο αέριο (ψυκτικό μέσο R-600a), επικοινωνήστε με την αρμόδια τοπική αρχή για να ενημερωθείτε σχετικά με τον ασφαλή τρόπο απόρριψης αυτού του προϊόντος.
- Κατά την απόρριψη αυτού του ψυγείου, αφαιρέστε την πόρτα/στεγανοποιητικά πόρτας και το σύστημα μανδάλωσης της πόρτας, έτσι ώστε να μην μπορεί να παγιδευτεί κάποιο μικρό παιδί ή ζώο στο εσωτερικό του. Τα παιδιά θα πρέπει να επιβλέπονται, ώστε να διασφαλίζεται ότι δεν παίζουν με τη συσκευή. Αν παγιδευτεί μέσα κάποιο παιδί, ενδέχεται να τραυματιστεί και να πεθάνει από ασφυξία.
  - Αν παγιδευτεί μέσα κάποιο παιδί, ενδέχεται να τραυματιστεί και να πεθάνει από ασφυξία.
- Στη μόνωση χρησιμοποιείται κυκλοπεντάνιο. Για τα αέρια που περιέχονται στο μονωτικό υλικό απαιτείται ειδική διαδικασία απόρριψης. Επικοινωνήστε με τις αρμόδιες τοπικές αρχές για να ενημερωθείτε σχετικά με τον περιβαλλοντικά ασφαλή τρόπο απόρριψης αυτού του προϊόντος.





## Πληροφορίες για την ασφάλεια

---

- Φυλάξτε όλα τα υλικά συσκευασίας μακριά από παιδιά, καθώς μπορούν να είναι επικίνδυνα για τα παιδιά.
  - Αν ένα παιδί καλύψει το κεφάλι του με μια σακούλα, μπορεί να πάθει ασφυξία.

### Πρόσθετες συμβουλές για σωστή χρήση

---

- Σε περίπτωση διακοπής ρεύματος, καλέστε το τοπικό γραφείο της εταιρείας παροχής ηλεκτρικού ρεύματος με την οποία συνεργάζεστε και ρωτήστε πόσο θα διαρκέσει η διακοπή.
  - Οι περισσότερες διακοπές ρεύματος που αποκαθίστανται σε μία ή δύο ώρες δεν θα επηρεάσουν τη θερμοκρασία του ψυγείου σας. Ωστόσο, θα πρέπει να ανοίγετε την πόρτα όσο το δυνατόν λιγότερο κατά τη διάρκεια της διακοπής ρεύματος.
  - Αν τυχόν η διακοπή ρεύματος διαρκέσει περισσότερο από 24 ώρες, απομακρύνετε και απορρίψτε όλα τα κατεψυγμένα τρόφιμα.
- Αν τοποθετηθεί για παρατεταμένο χρονικό διάστημα σε μέρος στο οποίο η θερμοκρασία περιβάλλοντος είναι συνεχώς χαμηλότερη από τις θερμοκρασίες για τις οποίες έχει σχεδιαστεί η συσκευή, το ψυγείο ενδέχεται να μη λειτουργεί αξιόπιστα (μπορεί να ξεπαγώσουν τα κατεψυγμένα προϊόντα που περιέχει ή μπορεί να είναι πολύ υψηλή η θερμοκρασία στον θάλαμο κατεψυγμένων τροφίμων).
- Σε περίπτωση ευαίσθητων τροφίμων, το να διατηρούνται υπό ψύξη μπορεί να επηρεάσει αρνητικά τη συντήρησή τους, λόγω των ιδιοτήτων τους.
- Η συσκευή σας είναι «frost free», γεγονός που σημαίνει ότι δεν χρειάζεται να την αποψύξετε. Αυτή η διαδικασία εκτελείται αυτόματα.
- Η αύξηση της θερμοκρασίας κατά την απόψυξη συμμορφώνεται με τις απαιτήσεις ISO. Αν θέλετε να αποτρέψετε υπερβολική αύξηση της θερμοκρασίας των κατεψυγμένων τροφίμων κατά την απόψυξη της συσκευής, τυλίξτε τα κατεψυγμένα τρόφιμα σε αρκετά φύλλα εφημερίδας.
- Μην καταψύχετε ξανά κατεψυγμένα τρόφιμα που έχουν ξεπαγώσει εντελώς.
- Η θερμοκρασία στους χώρους με τα δύο αστέρια ή στους θαλάμους με το σύμβολο των δύο αστεριών (\*\*) είναι ελαφρώς υψηλότερη από εκείνη στους άλλους θαλάμους του καταψύκτη.



Η θέση των χώρων ή των θαλάμων με τα δύο αστέρια βασίζεται στις οδηγίες ή/και στην κατάσταση κατά την παράδοση.

### Συμβουλές για την εξοικονόμηση ενέργειας

- Εγκαταστήστε τη συσκευή σε δροσερό και ξηρό χώρο με επαρκή εξαερισμό. Βεβαιωθείτε ότι δεν εκτίθεται σε άμεσο ηλιακό φως και μην την τοποθετείτε ποτέ κοντά σε άμεση πηγή θερμότητας (για παράδειγμα, καλοριφέρ).
- Για υψηλότερη ενεργειακή απόδοση, συνιστάται να μη φράζετε κανένα από τα ανοίγματα εξαερισμού και τις γρίλιες.
- Αφήνετε τα ζεστά τρόφιμα να κρυώσουν προτού τα τοποθετήσετε μέσα στη συσκευή.
- Τοποθετείτε τα κατεψυγμένα τρόφιμα στο ψυγείο για να ξεπαγώσουν. Στη συνέχεια, μπορείτε να χρησιμοποιήσετε τις χαμηλές θερμοκρασίες των κατεψυγμένων προϊόντων για να ψύξετε τα τρόφιμα που βρίσκονται στο ψυγείο.
- Μην αφήνετε την πόρτα του ψυγείου ανοικτή για πολλή ώρα όταν βάζετε ή βγάζετε τρόφιμα. Όσο λιγότερη ώρα μείνει ανοικτή η πόρτα, τόσο λιγότερος πάγος θα δημιουργηθεί στον καταψύκτη.
- Συνιστάται να εγκαθιστάτε το ψυγείο αφήνοντας χώρο στο πίσω μέρος και στα πλάγια. Με αυτόν τον τρόπο θα μειωθεί η κατανάλωση ενέργειας και ο λογαριασμός του ηλεκτρικού ρεύματος θα διατηρείται σε χαμηλά επίπεδα.
- Για πιο αποδοτική χρήση ενέργειας, να αφήνετε όλα τα εσωτερικά εξαρτήματα όπως καλάθια, συρτάρια και ράφια στη θέση που προβλέπεται από τον κατασκευαστή.

### Αυτή η συσκευή προορίζεται για οικιακή χρήση και για άλλες παρόμοιες χρήσεις όπως:

- χρήση σε χώρους κουζίνας προσωπικού καταστημάτων, γραφείων και σε άλλα εργασιακά περιβάλλοντα,
- χρήση σε αγροικίες και από πελάτες σε ξενοδοχεία, μοτέλ και σε άλλα οικιστικά περιβάλλοντα,
- χρήση σε περιβάλλοντα τύπου πανσιόν,

# Πληροφορίες για την ασφάλεια

- χρήση για κέτερινγκ και άλλες παρόμοιες χρήσεις που δεν σχετίζονται με τη λιανική πώληση.

## Οδηγίες σχετικά με την ένδειξη WEEE



Σωστή Απόρριψη αυτού του Προϊόντος (Απόβλητα Ηλεκτρικού & Ηλεκτρονικού Εξοπλισμού)

(Ισχύει σε χώρες με ξεχωριστά συστήματα συλλογής)

Αυτό το σήμα που εμφανίζεται επάνω στο προϊόν, στα εξαρτήματά του ή στα εγχειρίδια που το συνοδεύουν, υποδεικνύει ότι το προϊόν και τα ηλεκτρονικά του εξαρτήματα (π.χ. φορτιστής, ακουστικά, καλώδιο USB) δεν θα πρέπει να ρίπτονται μαζί με τα υπόλοιπα οικιακά απορρίμματα μετά το τέλος του κύκλου ζωής τους. Προκειμένου να αποφευχθούν ενδεχόμενες βλαβερές συνέπειες στο περιβάλλον ή την υγεία εξαιτίας της ανεξέλεγκτης διάθεσης απορριμμάτων, σας παρακαλούμε να διαχωρίσετε αυτά τα προϊόντα από άλλους τύπους απορριμμάτων και να τα ανακυκλώσετε, ώστε να βοηθήσετε στην βιώσιμη επαναχρησιμοποίηση των υλικών πόρων.

Οι οικιακοί χρήστες θα πρέπει να έλθουν σε επικοινωνία είτε με το κατάστημα απ' όπου αγόρασαν αυτό το προϊόν, είτε με τις κατά τόπους υπηρεσίες, προκειμένου να πληροφορηθούν τις λεπτομέρειες σχετικά με τον τόπο και τον τρόπο με τον οποίο μπορούν να δώσουν αυτά τα προϊόντα για ασφαλή προς το περιβάλλον ανακύκλωση.

Οι επιχειρήσεις-χρήστες θα πρέπει να έλθουν σε επαφή με τον προμηθευτή τους και να ελέγξουν τους όρους και τις προϋποθέσεις του συμβολαίου αγοράς. Αυτό το προϊόν και τα ηλεκτρονικά του εξαρτήματα δεν θα πρέπει να αναμειγνύονται με άλλα συνηθισμένα απορρίμματα προς διάθεση.

Για πληροφορίες σχετικά με τις δεσμεύσεις της Samsung αναφορικά με την προστασία του περιβάλλοντος και τις κανονιστικές υποχρεώσεις αναφορικά με τα συγκεκριμένα προϊόντα π.χ. REACH, επισκεφθείτε την ηλεκτρονική τοποθεσία: [samsung.com/uk/aboutsamsung/samsungelectronics/corporatecitizenship/data\\_corner.html](https://samsung.com/uk/aboutsamsung/samsungelectronics/corporatecitizenship/data_corner.html)

(μόνο για προϊόντα που πωλούνται σε ευρωπαϊκές χώρες)



# Εγκατάσταση

Ακολουθήστε προσεκτικά αυτές τις οδηγίες, για να διασφαλίσετε τη σωστή εγκατάσταση αυτού του ψυγείου και να αποφύγετε τα ατυχήματα πριν από τη χρήση του.

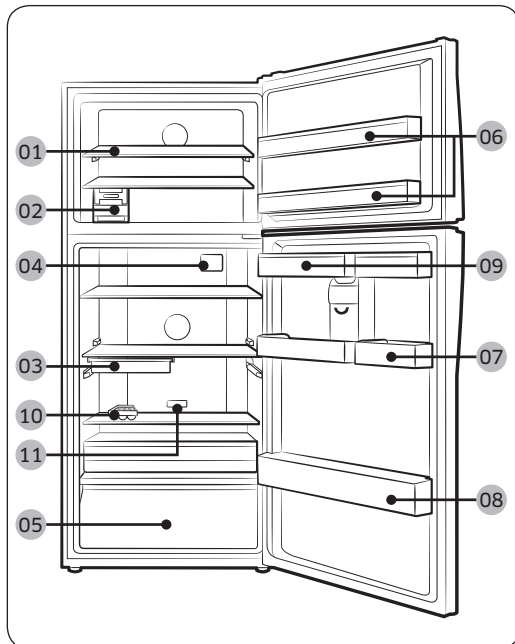
## ⚠ ΠΡΟΕΙΔΟΠΟΙΗΣΗ

- Χρησιμοποιείτε το ψυγείο μόνο για τον σκοπό για τον οποίο προορίζεται, όπως περιγράφεται σε αυτό το εγχειρίδιο.
- Οποιοσδήποτε εργασίες επισκευής πρέπει να εκτελούνται από εξειδικευμένο τεχνικό.
- Απορρίψτε τα υλικά συσκευασίας του προϊόντος σύμφωνα με τους τοπικούς κανονισμούς.

## Επισκόπηση του ψυγείου

### 📄 ΣΗΜΕΙΩΣΗ

Η πραγματική εμφάνιση και τα παρεχόμενα εξαρτήματα του ψυγείου ενδέχεται να διαφέρουν, ανάλογα με το μοντέλο και τη χώρα.

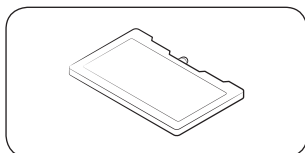


- 01 Ράφι καταψύκτη
- 02 Παρασκευαστής πάγου
- 03 Συρτάρι ντελικατέσεν\*
- 04 Αντιβακτηριακή προστασία \*
- 05 Δοχείο φρούτων\*
- 06 Κάτω ράφι
- 07 Ράφι πόρτας πολλαπλής χρήσης
- 08 Ράφι μπουκαλιών
- 09 Δοχείο νερού\*
- 10 Αυγοθήκη
- 11 Αποσμητική διάταξη\*

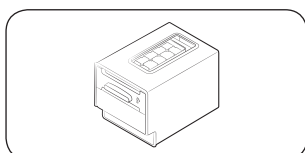
\* μόνο στα κατάλληλα μοντέλα

# Εγκατάσταση

## Προαιρετικά εξαρτήματα\*



**Παγοκύστη:** Βοηθά το ψυγείο να διατηρείται κρύο.



**Περιστρεφόμενος παρασκευαστής πάγου:** Χρησιμοποιείται για την παραγωγή πάγου.

\* Το ψυγείο σας ενδέχεται να μην περιλαμβάνει τα προαιρετικά εξαρτήματα που αναφέρονται παραπάνω. Η διαθεσιμότητα των προαιρετικών εξαρτημάτων εξαρτάται από το μοντέλο και τη χώρα.

## Για να εξασφαλίσετε περισσότερο χώρο φύλαξης στον θάλαμο καταψύκτη

Αφαιρέστε το επάνω ράφι, το οποίο μπορεί να αποσπαστεί χειροκίνητα, χωρίς εργαλείο.

- Η αφαίρεση του επάνω ραφίου δεν επηρεάζει τη θερμική και μηχανική απόδοση του καταψύκτη.
- Για να αφαιρέσετε και τους δύο παρασκευαστές πάγου, αφαιρέστε πρώτα αυτόν στη δεξιά πλευρά (ισχύει για τα μοντέλα Ice Max).
- Για την υψηλότερη δυνατή ενεργειακή απόδοση, βεβαιωθείτε ότι όλα τα ράφια, τα συρτάρια και τα καλάθια βρίσκονται στην αρχική τους θέση.

## Εγκατάσταση βήμα προς βήμα

### ΒΗΜΑ 1 Επιλέξτε μια θέση

Απαιτήσεις θέσης:

- Γερή και επίπεδη επιφάνεια χωρίς χαλί ή υλικό δαπέδου που ενδέχεται να εμποδίσει τον εξαερισμό
- Μακριά από άμεσο ηλιακό φως
- Επαρκής χώρος για άνοιγμα και κλείσιμο της πόρτας
- Μακριά από πηγές θερμότητας
- Χώρος για συντήρηση και επισκευή
- Εύρος θερμοκρασίας: μεταξύ 10 °C και 43 °C

Ενεργό εύρος θερμοκρασίας

Το ψυγείο έχει σχεδιαστεί ώστε να λειτουργεί κανονικά στο εύρος θερμοκρασίας που καθορίζεται από την ονομαστική τιμή της κατηγορίας του.

Κατηγορία	Σύμβολο	Εύρος θερμοκρασίας περιβάλλοντος (°C)	
		IEC 62552 (ISO 15502)	ISO 8561
Εκτεταμένη εύκρατη	SN	+10 έως +32	+10 έως +32
Εύκρατη	N	+16 έως +32	+16 έως +32
Υποτροπική	ST	+16 έως +38	+18 έως +38
Τροπική	T	+16 έως +43	+18 έως +43

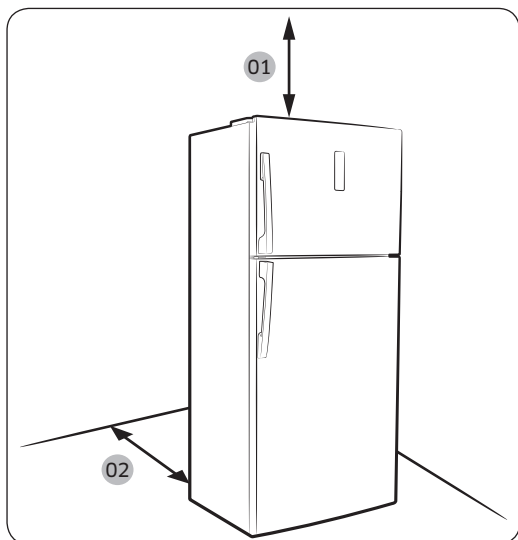
#### ΣΗΜΕΙΩΣΗ

Η απόδοση ψύξης και η κατανάλωση ενέργειας του ψυγείου ενδέχεται να επηρεαστούν από τη θερμοκρασία περιβάλλοντος, τη συχνότητα ανοίγματος της πόρτας και τη θέση του ψυγείου. Συνιστούμε να προσαρμόσετε τις ρυθμίσεις θερμοκρασίας όπως απαιτείται.

# Εγκατάσταση

## Διάκενο

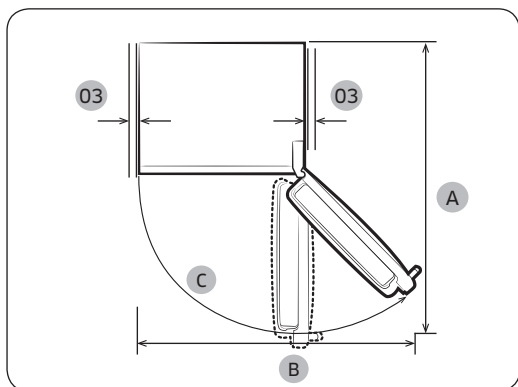
Για τις απαιτήσεις χώρου της εγκατάστασης, ανατρέξτε στις εικόνες και τον πίνακα παρακάτω.



Μοντέλο	A	B	C
RT58	1507	1352	120°
RT62	1507	1352	120°

(μονάδες: mm)

- 01 100 mm
- 02 50 mm
- 03 τουλάχιστον 50 mm

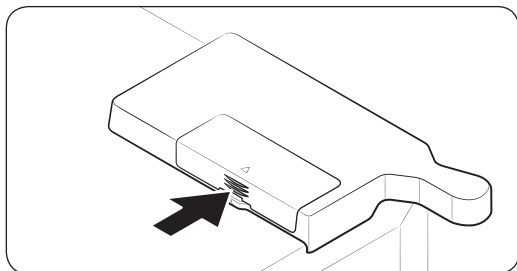


## ΒΗΜΑ 2 Σύνδεση WiFi

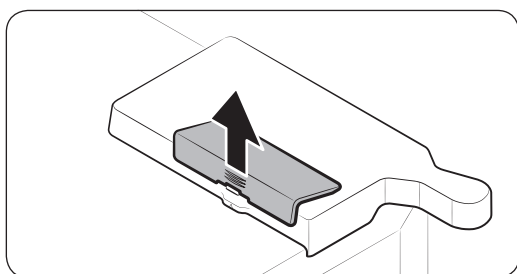
Μπορείτε να ελέγχετε το ψυγείο από απόσταση, χρησιμοποιώντας το κλειδί υλικού Smart Home που πωλείται ξεχωριστά. Για να αγοράσετε το κλειδί υλικού Smart Home, επισκεφτείτε τη διαδικτυακή τοποθεσία [www.samsung.com](http://www.samsung.com) και ακολουθήστε τις οδηγίες προϊόντος σχετικά με το κλειδί υλικού.

### ⚠ ΠΡΟΣΟΧΗ

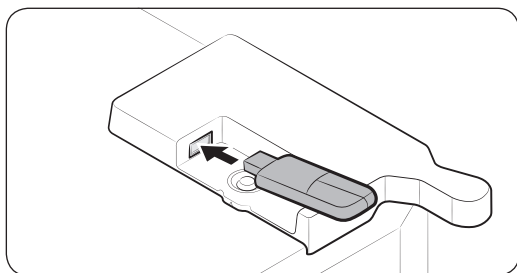
- Υπάρχουν δύο τύποι κλειδιού υλικού Samsung Smart Home: το ένα είναι ειδικό για έξυπνες τηλεοράσεις Samsung και το άλλο είναι ειδικό για οικιακές συσκευές Samsung.
- Πρέπει να αγοράσετε το κλειδί υλικού Samsung Smart Home που είναι ειδικό για οικιακές συσκευές. Οποιοδήποτε άλλο κλειδί υλικού ενδέχεται να προκαλέσει βλάβη στο σύστημα.



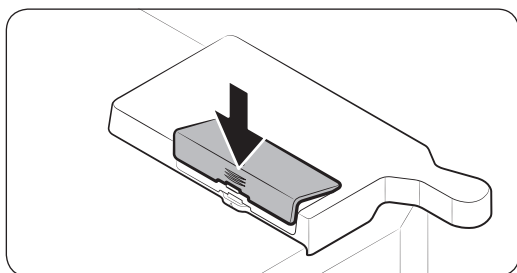
1. Πατήστε για ξεκλείδωμα της περιοχής του καλύμματος του κλειδιού υλικού με το βέλος.



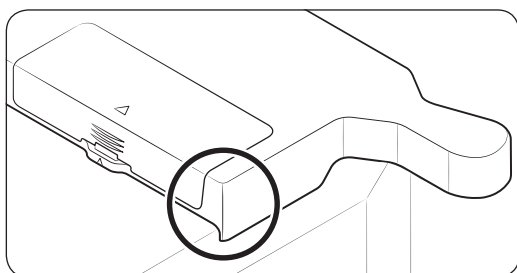
2. Ανοίξτε το κάλυμμα του κλειδιού υλικού.



3. Εισαγάγετε το κλειδί υλικού Smart Home στη θύρα κλειδιού υλικού, με τη σωστή κατεύθυνση.



4. Εισαγάγετε πρώτα την επάνω περιοχή του καλύμματος του κλειδιού υλικού και, στη συνέχεια, κλείστε την κλειδαριά, όπως παρακάτω.

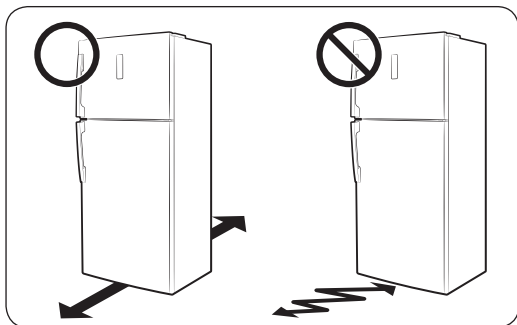


#### ΣΗΜΕΙΩΣΗ

Η επισημασμένη περιοχή είναι το κάλυμμα του προαιρετικού κλειδιού υλικού, όχι κάποιο ράγισμα ή ελάττωμα.

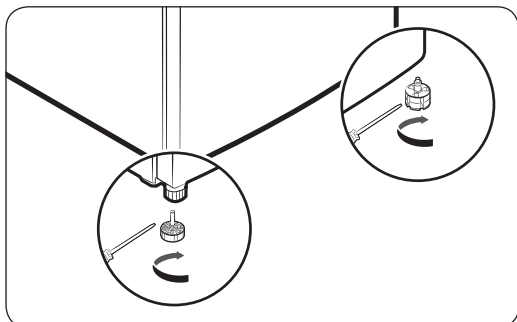
# Εγκατάσταση

## ΒΗΜΑ 3 Δάπεδο

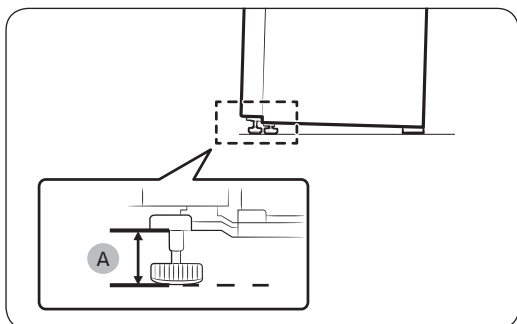


- Η επιφάνεια στην οποία θα εγκατασταθεί το ψυγείο πρέπει να αντέχει το βάρος ενός γεμάτου ψυγείου, δηλαδή περίπου 100 kg.
- Για να προστατεύσετε το δάπεδο, τοποθετήστε ένα μεγάλο κομμάτι χαρτόνι κάτω από το κάθε πόδι του ψυγείου.
- Αφού τοποθετήσετε το ψυγείο στην τελική του θέση, μην το μετακινείτε εκτός αν είναι απαραίτητο, ώστε να προστατεύσετε το δάπεδο. Αν πρέπει να το μετακινήσετε, τοποθετήστε παχύ χαρτί ή ύφασμα, όπως παλιά χαλιά, κατά μήκος της διαδρομής του.

## ΒΗΜΑ 4 Προσαρμογή των ποδιών ευθυγράμμισης



Ευθυγραμμίστε το ψυγείο προσαρμόζοντας τα πόδια ευθυγράμμισης. Περιστρέψτε τα πόδια ευθυγράμμισης δεξιόστροφα για να το χαμηλώσετε ή αριστερόστροφα για να το ανυψώσετε.



Αφήστε τα πόδια σε απόσταση τουλάχιστον 35 mm (A) από το δάπεδο, όπως φαίνεται στην εικόνα.



---

## **ΒΗΜΑ 5 Αρχικές ρυθμίσεις**

---

Μετά την ολοκλήρωση των παρακάτω βημάτων, το ψυγείο θα πρέπει να είναι πλήρως λειτουργικό.

1. Συνδέστε το καλώδιο ρεύματος στην πρίζα για να ενεργοποιήσετε το ψυγείο.
2. Ανοίξτε την πόρτα και βεβαιωθείτε ότι ανάβει η εσωτερική λυχνία.
3. Ρυθμίστε τη θερμοκρασία στη χαμηλότερη τιμή και περιμένετε για περίπου μία ώρα. Στη συνέχεια, ο καταψύκτης θα είναι ελαφρώς κρύος και το μοτέρ θα λειτουργεί ομαλά.
4. Περιμένετε μέχρι το ψυγείο να φτάσει στη ρυθμισμένη θερμοκρασία. Πλέον το ψυγείο είναι έτοιμο για χρήση.

## **ΒΗΜΑ 6 Τελικός έλεγχος**

---

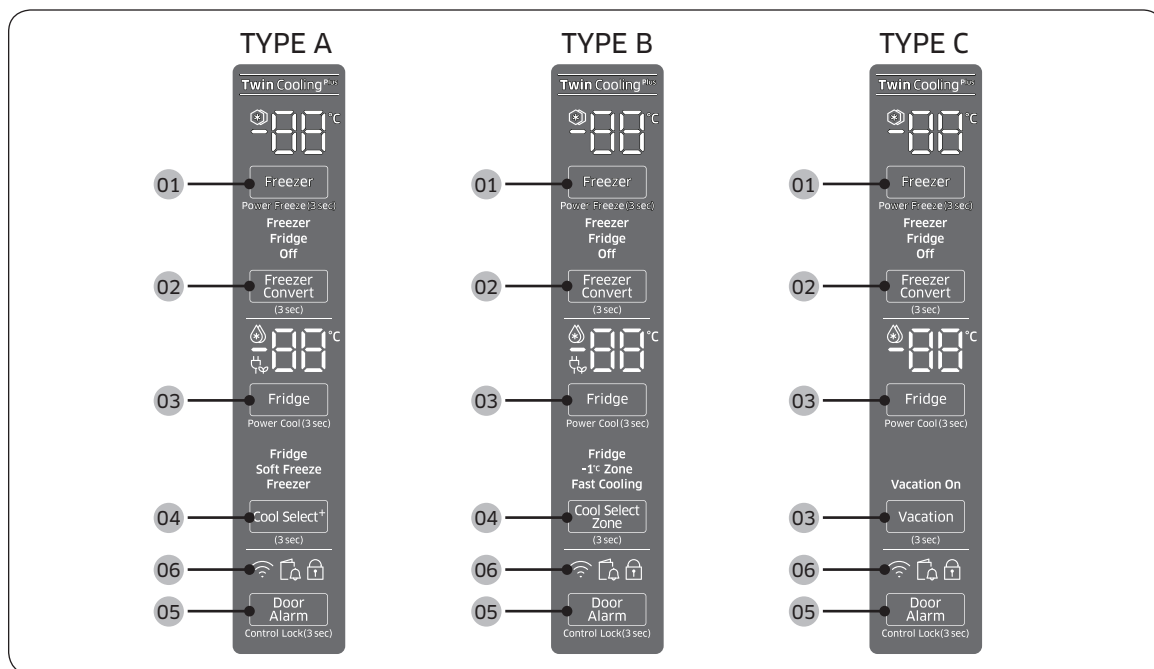
Όταν ολοκληρωθεί η εγκατάσταση, επιβεβαιώστε τα εξής:

- Το ψυγείο είναι συνδεδεμένο σε μια πρίζα και είναι γειωμένο σωστά.
- Το ψυγείο είναι εγκατεστημένο σε μια επίπεδη και ομαλή επιφάνεια, σε εύλογη απόσταση από τον τοίχο ή το ντουλάπι.
- Το ψυγείο είναι οριζόντιο και στηρίζεται σταθερά στο δάπεδο.
- Η πόρτα ανοίγει και κλείνει εύκολα, ενώ η εσωτερική λυχνία ανάβει αυτόματα όταν ανοίγετε την πόρτα.



# Λειτουργίες

## Πίνακας δυνατοτήτων



**01** Freezer / Power Freeze  
(Καταψύκτης / Γρήγορη κατάψυξη)

**02** Freezer Convert (Αλλαγή χρήσης καταψύκτη)

**03** Fridge / Power Cool / Vacation  
(Ψυγείο / Γρήγορη ψύξη / Διακοπές)



**04** Cool Select+ / Cool Select Zone  
(μόνο για τα μοντέλα τύπου A και τύπου B)

**05** Door Alarm / Control Lock  
(Ειδοποίηση πόρτας / Κλείδωμα ελέγχου)

**06** Σύνδεση δικτύου (μόνο στα κατάλληλα μοντέλα)



## 01 Καταψύκτης / Γρήγορη κατάψυξη

<b>Freezer (Καταψύκτης)</b>	<p>Το κουμπί <b>Freezer (Καταψύκτης)</b> μπορεί να χρησιμοποιηθεί για τη ρύθμιση της θερμοκρασίας του καταψύκτη.</p> <p>Διαθέσιμες θερμοκρασίες μεταξύ -15° C και -23° C.</p> <p> <b>ΠΡΟΣΟΧΗ</b></p> <ul style="list-style-type: none"><li>• Για να αποτραπεί η βλάβη στο σύστημα ή η αλλοίωση των τροφίμων, μη ρυθμίζετε τη θερμοκρασία σε -15 °C το καλοκαίρι (θερμοκρασία υψηλότερη από 35 °C).</li><li>• Μην αποθηκεύετε γυάλινα μπουκάλια που περιέχουν υγρά στον καταψύκτη. Τα γυάλινα μπουκάλια θα ραγίσουν ή θα σπάσουν όταν παγώσει το υγρό.</li></ul>
<b>Power Freeze (Γρήγορη κατάψυξη)</b>	<p>Η λειτουργία Power Freeze (Γρήγορη κατάψυξη) επιταχύνει τη διαδικασία κατάψυξης στη μέγιστη ταχύτητα ανεμιστήρα. Ο καταψύκτης λειτουργεί συνεχώς σε πλήρη ισχύ για αρκετές ώρες και, στη συνέχεια, επανέρχεται στην προηγούμενη θερμοκρασία.</p> <ul style="list-style-type: none"><li>• Για να ενεργοποιήσετε τη λειτουργία Power Freeze (Γρήγορη κατάψυξη), πατήστε και κρατήστε πατημένο το κουμπί <b>Freezer (Καταψύκτης)</b> για 3 δευτερόλεπτα. Η αντίστοιχη ενδεικτική λυχνία (⊛) ανάβει και το ψυγείο επιταχύνει αυτόματα τη διαδικασία ψύξης.</li><li>• Για να απενεργοποιήσετε τη λειτουργία, πατήστε και κρατήστε πατημένο ξανά το κουμπί <b>Freezer (Καταψύκτης)</b> για 3 δευτερόλεπτα. Ο καταψύκτης επανέρχεται στην προηγούμενη ρύθμιση θερμοκρασίας.</li><li>• Για να καταψύξετε μεγάλες ποσότητες τροφίμων, ενεργοποιήστε τη λειτουργία Power Freeze (Γρήγορη κατάψυξη) για τουλάχιστον 20 ώρες προτού τοποθετήσετε τα τρόφιμα στον καταψύκτη.</li><li>• Ο καταψύκτης λειτουργεί συνεχώς σε πλήρη ισχύ για 50 ώρες και, στη συνέχεια, επανέρχεται στην προηγούμενη θερμοκρασία.</li></ul> <p> <b>ΣΗΜΕΙΩΣΗ</b></p> <p>Η χρήση της λειτουργίας Power Freeze (Γρήγορη κατάψυξη) αυξάνει την κατανάλωση ενέργειας. Αν δεν σκοπεύετε να τη χρησιμοποιήσετε, φροντίστε να την απενεργοποιήσετε για να επανέλθετε στην προηγούμενη θερμοκρασία.</p>

# Λειτουργίες

## 02 Αλλαγή χρήσης καταψύκτη

### Freezer Convert (Αλλαγή χρήσης καταψύκτη)

Μπορείτε να χρησιμοποιήσετε ολόκληρο το ψυγείο στη λειτουργία Fridge (Ψυγείο) ή να απενεργοποιήσετε τον καταψύκτη.

Για να αλλάξετε την προεπιλεγμένη λειτουργία καταψύκτη, πατήστε και κρατήστε πατημένο το κουμπί **Freezer Convert (Αλλαγή χρήσης καταψύκτη)** για 3 δευτερόλεπτα ώστε να εισέλθετε στη λειτουργία επιλογής. Στη συνέχεια, πατήστε το κουμπί **Freezer Convert (Αλλαγή χρήσης καταψύκτη)** για να επιλέξετε την επιθυμητή λειτουργία.

Η λειτουργία αλλάζει με αυτή τη σειρά: Fridge (Ψυγείο) → Off (Απενεργοποίηση) → Freezer (Καταψύκτης) → Off (Απενεργοποίηση) → Λειτουργία ρύθμισης Fridge (Ψυγείο).

- Αν επιλέξετε Fridge (Ψυγείο), ανάβει η ενδεικτική λυχνία Fridge (Ψυγείο). Η λειτουργία Power Freeze (Γρήγορη κατάψυξη) θα απενεργοποιηθεί αν είναι ενεργή και η λειτουργία Ice On (Ενεργοποίηση πάγου) θα απενεργοποιηθεί αν είναι ενεργοποιημένη.
- Αν επιλέξετε Off (Απενεργοποίηση), ανάβει η ενδεικτική λυχνία Off (Απενεργοποίηση). Ο καταψύκτης θα απενεργοποιηθεί.
- Αν επιλέξετε τη λειτουργία ρύθμισης Freezer (Καταψύκτης), ανάβουν οι ενδεικτικές λυχνίες του καταψύκτη για να τις επιλέξετε. Η προεπιλεγμένη θερμοκρασία καταψύκτη είναι -19 °C.

Οι αλλαγές σας θα ρυθμιστούν και θα ενεργοποιηθούν μετά από 10 δευτερόλεπτα. Για να ακυρώσετε ή να αλλάξετε ξανά τη λειτουργία, πατήστε και κρατήστε πατημένο ξανά το κουμπί **Freezer Convert (Αλλαγή χρήσης καταψύκτη)** για 3 δευτερόλεπτα. Στη συνέχεια, ακολουθήστε τις οδηγίες που αναφέρονται παραπάνω.

#### ΣΗΜΕΙΩΣΗ

- Αν πατήσετε και κρατήσετε πατημένο το κουμπί **Freezer Convert (Αλλαγή χρήσης καταψύκτη)** για 3 δευτερόλεπτα, το ψυγείο μεταβαίνει στη λειτουργία επιλογής, στην οποία μπορείτε να πατήσετε το κουμπί **Freezer Convert (Αλλαγή χρήσης καταψύκτη)** για να επιλέξετε μια διαφορετική λειτουργία.
- Όταν η λειτουργία ψύξης ή κατάψυξης έχει ρυθμιστεί σε 'Off (Απενεργοποίηση)', η θερμοκρασία του ψυγείου ή του καταψύκτη παραμένει χαμηλότερη από 15 °C, για να αποτραπεί η δημιουργία οσμών και μούχλας, με χαμηλή κατανάλωση ηλεκτρικού ρεύματος.
- Το ψυγείο ή ο καταψύκτης δεν μπορεί να απενεργοποιηθεί χωριστά.
- Μην αποθηκεύετε τρόφιμα ή ποτά στο ψυγείο όταν η λειτουργία ψύξης ή κατάψυξης έχει ρυθμιστεί σε λειτουργία 'Off (Απενεργοποίηση)'. Η θερμοκρασία των 15 °C δεν είναι αρκετά χαμηλή ώστε να αποτρέψει την αλλοίωση.






### ΠΡΟΕΙΔΟΠΟΙΗΣΗ

- Μην τοποθετείτε γυάλινα μπουκάλια που περιέχουν υγρά στον καταψύκτη. Όταν ακυρώσετε τη λειτουργία Freezer Convert (Αλλαγή χρήσης καταψύκτη), τα γυάλινα μπουκάλια ενδέχεται να ραγίσουν ή να σπάσουν μέσα στον καταψύκτη.
- Φροντίστε να απομακρύνετε τα κατεψυγμένα τρόφιμα από τον καταψύκτη προτού ενεργοποιήσετε τη λειτουργία Freezer Convert (Αλλαγή χρήσης καταψύκτη). Τα καταψυγμένα τρόφιμα λιώνουν και αλλοιώνονται καθώς η θερμοκρασία αυξάνεται (η λειτουργία Freezer (Καταψύκτης) αλλάζει σε λειτουργία Fridge (Ψυγείο)).
- Φροντίστε να απομακρύνετε τα παγωμένα τρόφιμα από τον καταψύκτη προτού απενεργοποιήσετε τη λειτουργία Freezer Convert (Αλλαγή χρήσης καταψύκτη). Τα παγωμένα τρόφιμα ενδέχεται να καταψυχθούν καθώς η θερμοκρασία αυξάνεται (η λειτουργία Fridge (Ψυγείο) αλλάζει σε λειτουργία Freezer (Καταψύκτης)).

### ΣΗΜΕΙΩΣΗ

Αν θέλετε να χρησιμοποιήσετε τη λειτουργία Freezer Convert (Αλλαγή χρήσης καταψύκτη), συνιστάται ιδιαίτερα να αποθηκεύσετε τα τρόφιμα σε πλαστικά δοχεία, ειδικά τα λαχανικά.

03 Ψυγείο / Γρήγορη ψύξη / Διακοπές

<p><b>Fridge (Ψυγείο)</b></p>	<p>Για να προσαρμόσετε τη θερμοκρασία του ψυγείου, πατήστε το κουμπί <b>Fridge (Ψυγείο)</b> για να επιλέξετε την αντίστοιχη θερμοκρασία. Μπορείτε να αλλάξετε τη θερμοκρασία μεταξύ 1 °C και 7 °C (προεπιλογή: 3 °C).</p> <p> <b>ΠΡΟΣΟΧΗ</b></p> <ul style="list-style-type: none"> <li>• Τον χειμώνα, μη ρυθμίζετε τον διακόπτη ελέγχου θερμοκρασίας σε 1 °C. Ενδέχεται να προκληθούν προβλήματα με την απόδοση ψύξης.</li> <li>• Το καλοκαίρι, μη ρυθμίζετε τον διακόπτη ελέγχου θερμοκρασίας σε 5-7 °C. Ενδέχεται επίσης να προκληθούν προβλήματα με την απόδοση ψύξης.</li> </ul>
<p><b>Power Cool (Γρήγορη ψύξη)</b></p>	<p>Η λειτουργία Power Cool (Γρήγορη ψύξη) επιταχύνει τη διαδικασία ψύξης στη μέγιστη ταχύτητα ανεμιστήρα. Το ψυγείο λειτουργεί συνεχώς σε πλήρη ισχύ για αρκετές ώρες και, στη συνέχεια, επανέρχεται στην προηγούμενη θερμοκρασία.</p> <ul style="list-style-type: none"> <li>• Για να ενεργοποιήσετε τη λειτουργία Power Cool (Γρήγορη ψύξη), πατήστε και κρατήστε πατημένο το κουμπί <b>Fridge (Ψυγείο)</b> για 3 δευτερόλεπτα. Η αντίστοιχη ενδεικτική λυχνία () ανάβει και το ψυγείο επιταχύνει αυτόματα τη διαδικασία ψύξης.</li> <li>• Για να απενεργοποιήσετε τη λειτουργία Power Cool (Γρήγορη ψύξη), πατήστε και κρατήστε πατημένο ξανά το κουμπί <b>Fridge (Ψυγείο)</b> για 3 δευτερόλεπτα. Το ψυγείο επανέρχεται στην προηγούμενη ρύθμιση θερμοκρασίας.</li> </ul> <p> <b>ΣΗΜΕΙΩΣΗ</b></p> <p>Η χρήση της λειτουργίας Power Cool (Γρήγορη ψύξη) αυξάνει την κατανάλωση ενέργειας. Αν δεν σκοπεύετε να τη χρησιμοποιήσετε, φροντίστε να την απενεργοποιήσετε για να επανέλθετε στην προηγούμενη θερμοκρασία.</p>




# Λειτουργίες

## Vacation (Διακοπές)

Αν πρόκειται να λείψετε σε διακοπές ή σε επαγγελματικό ταξίδι, ή αν δεν σκοπεύετε να χρησιμοποιήσετε το ψυγείο για παρατεταμένο χρονικό διάστημα, χρησιμοποιήστε τη λειτουργία Vacation (Διακοπές).

### (μόνο για τα μοντέλα τύπου A και τύπου B)

- Για να ενεργοποιήσετε τη λειτουργία Vacation (Διακοπές), πατήστε το κουμπί **Fridge (Ψυγείο)** με την ενδεικτική λυχνία 1 °C αναμμένη. Η ενδεικτική λυχνία διακοπών (  ) ανάβει, ενώ οι ενδεικτικές λυχνίες θερμοκρασίας ψυγείου σβήνουν. Η οθόνη των μοντέλων τύπου A (Cool Select+) και τύπου B (Cool Select Zone) επίσης απενεργοποιείται. Η θερμοκρασία του ψυγείου θα ελέγχεται ώστε να είναι χαμηλότερη από 15 °C, αλλά ο καταψύκτης θα παραμένει ενεργός στην προηγούμενη ρύθμιση.
- Για να απενεργοποιήσετε τη λειτουργία Vacation (Διακοπές), πατήστε ξανά το κουμπί **Fridge (Ψυγείο)**. Η θερμοκρασία του ψυγείου θα επανέλθει στους 7° C. Σημειώστε ότι τα μοντέλα τύπου A (Cool Select+) και τύπου B (Cool Select zone) επανέρχονται στις ρυθμίσεις θερμοκρασίας του ψυγείου.

### (Μοντέλα τύπου C μόνο)

- Για να ενεργοποιήσετε τη λειτουργία Vacation (Διακοπές), πατήστε και κρατήστε πατημένο το κουμπί **Vacation (Διακοπές)** για 3 δευτερόλεπτα. Η ενδεικτική λυχνία ενεργοποίησης διακοπών ανάβει, ενώ οι ενδεικτικές λυχνίες θερμοκρασίας ψυγείου σβήνουν. Η θερμοκρασία του ψυγείου θα ελέγχεται ώστε να είναι χαμηλότερη από 15 °C, αλλά ο καταψύκτης θα παραμένει ενεργός στην προηγούμενη ρύθμιση.
- Για να ενεργοποιήσετε τη λειτουργία Vacation (Διακοπές), πατήστε και πάλι και κρατήστε πατημένο το κουμπί **Vacation (Διακοπές)** για 3 δευτερόλεπτα. Η θερμοκρασία του ψυγείου επανέρχεται στην προηγούμενη ρύθμιση.

### ΣΗΜΕΙΩΣΗ

Συνιστάται ιδιαίτερα να αδειάζετε τον θάλαμο του ψυγείου και να βεβαιώνετε ότι η πόρτα είναι κλειστή.

Για τα μοντέλα με Cool Select+/Cool Select Zone, η λειτουργία Vacation (Διακοπές) ελέγχεται χαμηλότερα από τους 15° C, όπως οι ρυθμίσεις του ψυγείου. Ωστόσο, η αντίστοιχη ενδεικτική λυχνία σβήνει, ανάλογα με το μοντέλο.

#### 04 Cool Select+ / Cool Select Zone

<b>Cool Select+ (ΤΥΠΟΣ Α)</b>	<p>Πατήστε και κρατήστε πατημένο το κουμπί <b>Cool Select+</b> επί 3 δευτερόλεπτα. Στη συνέχεια, πατήστε και πάλι, για να επιλέξετε την επιθυμητή λειτουργία. Η αντίστοιχη ενδεικτική λυχνία ανάβει.</p> <ul style="list-style-type: none"><li>• <b>Fridge (Ψυγείο)</b> Εάν επιλεγεί, η Cool Select Zone θα ρυθμιστεί στους 3° C.</li><li>• <b>Soft Freeze (Απαλή κατάψυξη)</b> Εάν επιλεγεί, η Cool Select Zone θα ρυθμιστεί στους -5° C. Αυτό είναι χρήσιμο για την αποθήκευση κρέατος ή/και ψαριών για παρατεταμένο χρονικό διάστημα.</li><li>• <b>Καταψύκτης</b> Εάν επιλεγεί, η Cool Select Zone θα ρυθμιστεί στους -12° C. Αυτό είναι χρήσιμο για τη διατήρηση κατεψυγμένων λαχανικών για παρατεταμένο χρονικό διάστημα.</li></ul>
<b>Cool Select Zone (ΤΥΠΟΣ Β)</b>	<p>Πατήστε και κρατήστε πατημένο το κουμπί <b>Cool Select Zone</b> επί 3 δευτερόλεπτα. Στη συνέχεια, πατήστε και πάλι, για να επιλέξετε την επιθυμητή λειτουργία. Η αντίστοιχη ενδεικτική λυχνία ανάβει.</p> <ul style="list-style-type: none"><li>• <b>Fridge (Ψυγείο)</b> Εάν επιλεγεί, η Cool Select Zone θα ρυθμιστεί στους 3° C.</li><li>• <b>Zone -1° C</b> Εάν επιλεγεί, η Cool Select Zone θα ρυθμιστεί στους -1° C. Αυτό είναι χρήσιμο για τη διατήρηση ευπαθών τροφίμων.</li><li>• <b>Fast Cooling (Ταχεία ψύξη)</b> Κάντε αυτή την επιλογή εάν θέλετε να ψύξετε τρόφιμα γρήγορα. Η λειτουργία Cool Select Zone θα ψύξει τρόφιμα στη μέγιστη ταχύτητα, επί 60 λεπτά.</li></ul>

# Λειτουργίες

## 05 Ειδοποίηση πόρτας / Κλείδωμα ελέγχου

<b>Door Alarm</b> (Ειδοποίηση πόρτας)	Μπορείτε να ορίσετε την ειδοποίηση για κάποια υπενθύμιση. Εάν η πόρτα παραμείνει ανοιχτή για περισσότερα από 2 λεπτά, θα ηχεί η ειδοποίηση και θα αναβοσβήνει η ενδεικτική λυχνία ειδοποίησης. Μπορείτε να εναλλάξετε την ενεργοποίηση και την απενεργοποίηση, πατώντας το κουμπί <b>Door Alarm (Ειδοποίηση πόρτας)</b> . Η ειδοποίηση ενεργοποιείται ως εργοστασιακή προεπιλογή.
<b>Control Lock</b> (Κλείδωμα ελέγχου)	Για να αποτραπούν οι τυχαίοι χειρισμοί, πατήστε και κρατήστε πατημένο το κουμπί <b>Door Alarm (Ειδοποίηση πόρτας)</b> επί 3 δευτερόλεπτα, για ενεργοποίηση του Control Lock (Κλειδώματος ελέγχου). Όλα τα χειριστήρια θα είναι απενεργοποιημένα, ενώ η ένδειξη (Ⓔ) είναι ενεργοποιημένη. Για να απενεργοποιήσετε τη λειτουργία, πατήστε και κρατήστε πατημένο ξανά το κουμπί για 3 δευτερόλεπτα. Τα χειριστήρια θα είναι ενεργοποιημένα ως συνήθως.
<b>Device authentication</b> (Έλεγχος ταυτότητας συσκευής)	Όταν συνδέετε το ψυγείο με την εφαρμογή Samsung Smart Home ή έξυπνες συσκευές της Samsung, όπως έξυπνες τηλεοράσεις Samsung, ακολουθήστε τις οδηγίες της εφαρμογής ή της συσκευής στην οθόνη και κρατήστε πατημένο το κουμπί <b>Door Alarm (Ειδοποίηση πόρτας)</b> για 5 δευτερόλεπτα. Προτού ξεκινήσει η διαδικασία ελέγχου ταυτότητας, εμφανίζεται η ένδειξη «on (ενεργοποίηση)» για 5 δευτερόλεπτα στην οθόνη θερμοκρασίας. Σημειώστε ότι η λειτουργία ειδοποίησης πόρτας δεν επηρεάζεται από αυτόν τον έλεγχο ταυτότητας.



06 Σύνδεση δικτύου (μόνο για τα κατάλληλα μοντέλα)

Μπορείτε να χρησιμοποιήσετε το προαιρετικό κλειδί υλικού Smart Home (πωλείται ξεχωριστά) για να ελέγχετε και να παρακολουθείτε το ψυγείο σας μέσω της εφαρμογής Samsung Smart Home. Για περισσότερες πληροφορίες σχετικά με την εφαρμογή Samsung Smart Home, ανατρέξτε στην ενότητα «Samsung Smart Home».

#### ΣΗΜΕΙΩΣΗ

- Τα συνιστώμενα συστήματα κρυπτογράφησης περιλαμβάνουν τα WPA/TKIP και WPA2/AES. Δεν υποστηρίζονται τυχόν νεότερα ή μη τυποποιημένα πρωτόκολλα ελέγχου ταυτότητας Wi-Fi.
- Τα ασύρματα δίκτυα ενδέχεται να επηρεαστούν από το περιβάλλον ασύρματης επικοινωνίας.
- Αν ο πάροχος υπηρεσιών Διαδικτύου έχει καταχωρίσει τη διεύθυνση MAC του υπολογιστή ή του μόντεμ σας ώστε να το αναγνωρίζει, το έξυπνο ψυγείο Samsung ενδέχεται να μη συνδέεται στο Διαδίκτυο. Αν συμβεί αυτό, επικοινωνήστε με τον πάροχο υπηρεσιών Διαδικτύου για τεχνική υποστήριξη.
- Οι ρυθμίσεις τείχους προστασίας του συστήματος δικτύου σας ενδέχεται να αποτρέπουν την πρόσβαση του έξυπνου ψυγείου Samsung στο Διαδίκτυο. Επικοινωνήστε με τον πάροχο υπηρεσιών Διαδικτύου για τεχνική υποστήριξη. Αν αυτό το σύμπτωμα συνεχίζει να παρουσιάζεται, επικοινωνήστε με το τοπικό επισκευαστικό κέντρο ή έμπορο λιανικής της Samsung.
- Για να διαμορφώσετε τις ρυθμίσεις του ασύρματου σημείου πρόσβασης (AP), ανατρέξτε στο εγχειρίδιο χρήσης του σημείου πρόσβασης.
- Τα έξυπνα ψυγεία Samsung που διαθέτουν το κλειδί υλικού Samsung Smart Home υποστηρίζουν τα πρωτόκολλα Wi-Fi 2,4 GHz με IEEE 802.11 b/g/n και Soft-AP (συνιστάται IEEE 802.11 n).
- Οι μη εγκεκριμένοι δρομολογητές ασύρματου δικτύου Wi-Fi ενδέχεται να μη συνδέονται με τα κατάλληλα έξυπνα ψυγεία Samsung.

## Samsung Smart Home (μόνο για τα κατάλληλα μοντέλα)

### Εγκατάσταση

Επισκεφτείτε το Google Play Store, το Galaxy Apps ή το Apple App Store και αναζητήστε την εφαρμογή «Samsung Smart Home». Λάβετε και εγκαταστήστε την εφαρμογή Samsung Smart Home που παρέχεται από τη Samsung Electronics στην έξυπνη συσκευή σας.

#### ΣΗΜΕΙΩΣΗ

- Η εφαρμογή Samsung Smart Home έχει σχεδιαστεί για Android 4.0 (ICS) ή νεότερη έκδοση και iOS 7.0 ή νεότερη έκδοση, ενώ είναι βελτιστοποιημένη για τα smartphone της Samsung (σειρές Galaxy S και Galaxy Note). Σε άλλα μοντέλα smartphone, ορισμένες λειτουργίες ενδέχεται να εκτελούνται διαφορετικά.
- Για βελτιωμένη απόδοση, η εφαρμογή Samsung Smart Home υπόκειται σε αλλαγές χωρίς προειδοποίηση ή διακοπή υποστήριξης, σύμφωνα με την πολιτική του κατασκευαστή.

### Λογαριασμός Samsung

Για να χρησιμοποιήσετε την εφαρμογή, θα πρέπει να καταχωρίσετε το δικό σας λογαριασμό Samsung. Αν δεν διαθέτετε λογαριασμό Samsung, ακολουθήστε τις οδηγίες της εφαρμογής στην οθόνη για να δημιουργήσετε δωρεάν έναν λογαριασμό Samsung.



# Λειτουργίες

## Έναρξη

1. Εισαγάγετε το κλειδί υλικού Smart Home στην αντίστοιχη θύρα του ψυγείου σας.
2. Εκτελέστε την εφαρμογή Samsung Smart Home και συνδεθείτε με το δικό σας λογαριασμό Samsung. Οι χρήστες iPhone απαιτείται να παρέχουν τα στοιχεία σύνδεσης κάθε φορά που αποκτούν πρόσβαση στην εφαρμογή.
3. Προσπελάστε την επιλογή **Device (Συσκευή)** > εικονίδιο + και, στη συνέχεια, πατήστε **Refrigerator (Ψυγείο)**.
4. Ακολουθήστε τις οδηγίες στην οθόνη για να παρέχετε τις απαραίτητες πληροφορίες σχετικά με το δρομολογητή και, στη συνέχεια, πατήστε **Next (Επόμενο)**.
5. Πατήστε και κρατήστε πατημένο το κουμπί **Fridge (Ψυγείο)** για περισσότερα από 5 δευτερόλεπτα, μέχρι να εμφανιστεί στην οθόνη η ένδειξη «AP». Το ψυγείο σας θα καταχωριστεί στην εφαρμογή.
6. Όταν ολοκληρωθεί η καταχώριση της συσκευής, το εικονίδιο του ψυγείου θα εμφανιστεί στην εφαρμογή Samsung Smart Home.
7. Πατήστε το εικονίδιο του ψυγείου, για να ανοίξει η σελίδα του ψυγείου.
8. Όταν πραγματοποιείται σύνδεση στο δίκτυο, ανάβει το εικονίδιο Wi-Fi στο ψυγείο.

## Εφαρμογή ψυγείου

### Ολοκληρωμένος έλεγχος

Μπορείτε να παρακολουθείτε και να ελέγχετε το ψυγείο σας, τόσο στο σπίτι όσο και εν κινήσει.

- Πατήστε το εικονίδιο του ψυγείου στην εφαρμογή Samsung Smart Home, για να ανοίξετε τη σελίδα του ψυγείου.
- Ελέγξτε την κατάσταση λειτουργίας ή την ειδοποίηση του ψυγείου σας και αλλάξτε τις επιλογές ή τις ρυθμίσεις, αν είναι απαραίτητο.



### ΣΗΜΕΙΩΣΗ

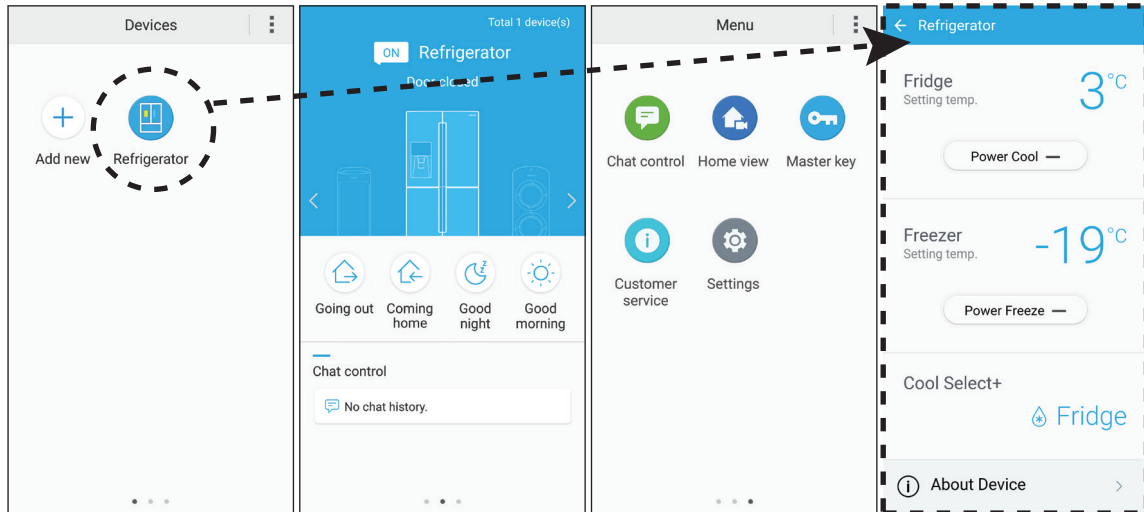
Ορισμένες επιλογές ή ρυθμίσεις του ψυγείου ενδέχεται να μην είναι διαθέσιμες για τηλεχειρισμό.



## Βασικά χαρακτηριστικά

Καταχωρίστε τις συσκευές Samsung smart home στο διακομιστή Samsung Smart Home για απομακρυσμένη πρόσβαση.

## Επισκόπηση μενού

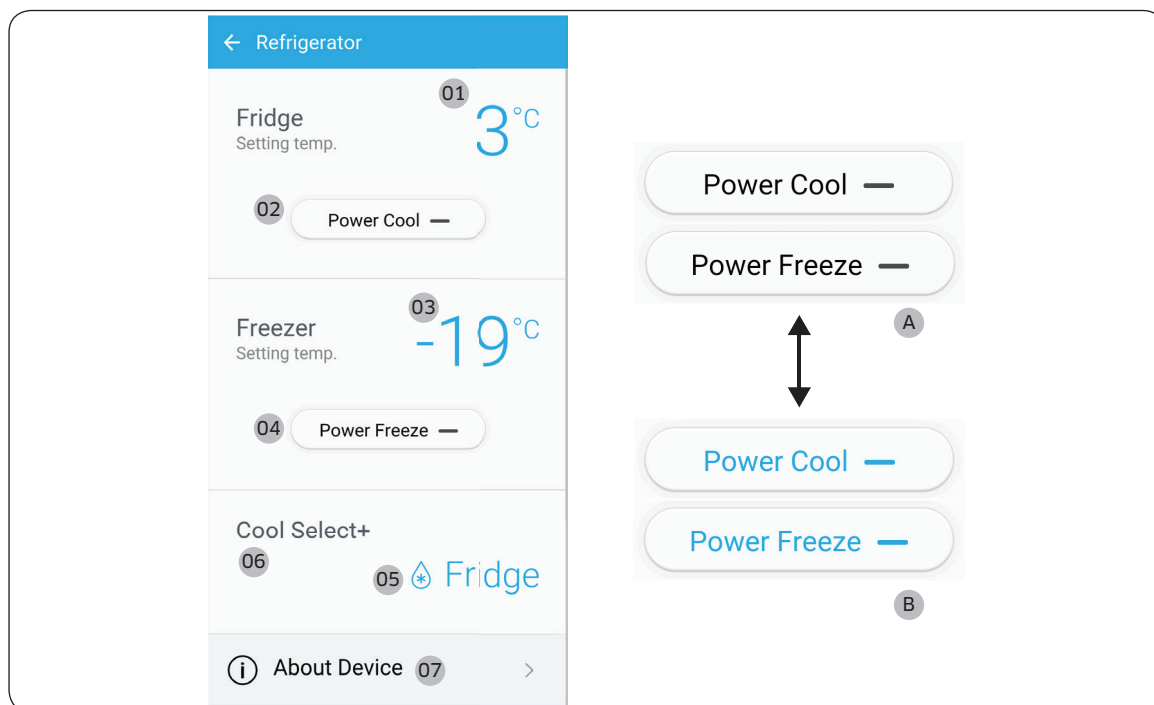


- Πατήστε το κουμπί **Refrigerator (Ψυγείο)** για να ανοίξετε τη σελίδα ρυθμίσεων του ψυγείου.
- Σαρώστε για μετακίνηση στην επόμενη σελίδα.

<b>Chat control (Έλεγχος συνομιλίας)</b>	Μπορείτε να ελέγχετε τις συσκευές Samsung smart home από απόσταση ή να ελέγχετε την κατάσταση λειτουργίας.
<b>Home view (Προβολή σπιτιού) (μόνο για τα κατάλληλα μοντέλα)</b>	Χρησιμοποιώντας την ενσωματωμένη κάμερα μιας συσκευής Samsung smart home, μπορείτε να παρακολουθείτε το σαλόνι σας. Αυτό είναι διαθέσιμο μόνο στα αντίστοιχα μοντέλα.
<b>Master key (Κεντρικό κλειδί)</b>	Το κεντρικό κλειδί είναι σχεδιασμένο για τον έλεγχο του συστήματος κλειδώματος για διαφορετικές δραστηριότητες χρήστη, όπως είναι οι έξοδοι, η επιστροφή στο σπίτι, η ώρα του βραδινού ύπνου και η ώρα του πρωινού ξυπνήματος. Αυτό είναι διαθέσιμο μόνο στα αντίστοιχα μοντέλα.
<b>Customer service (Εξυπηρέτηση πελατών)</b>	Μπορείτε να λάβετε το εγχειρίδιο χρήσης, ενώ παρέχονται επίσης στοιχεία επικοινωνίας για την εξυπηρέτηση πελατών.
<b>Settings (Ρυθμίσεις)</b>	Μπορείτε να ελέγξετε τη συνδεδεμένη συσκευή και τις πληροφορίες λογισμικού (έκδοση και άδειες ανοιχτού κώδικα), καθώς και να προσθέσετε συσκευές ή να επιλέξετε χώρα. Μπορείτε να κάνετε προσομοίωση της λειτουργίας της τρέχουσας συσκευής για λόγους επίδειξης.

# Λειτουργίες

## Ρυθμίσεις ψυγείου



A: Απενεργοποιημένο (μαύρο)

B: Ενεργοποιημένο (μπλε)

<b>Fridge (Ψυγείο)</b>	<p>01 Εμφανίζεται η τρέχουσα ρυθμισμένη θερμοκρασία του ψυγείου.</p> <p>02 Μπορείτε να ενεργοποιήσετε ή να απενεργοποιήσετε τη γρήγορη ψύξη και να ελέγξετε τις τρέχουσες ρυθμίσεις.</p>
<b>Freezer (Καταψύκτης)</b>	<p>03 Εμφανίζεται η τρέχουσα ρυθμισμένη θερμοκρασία του καταψύκτη.</p> <p>04 Μπορείτε να ενεργοποιήσετε ή να απενεργοποιήσετε τη γρήγορη κατάψυξη και να ελέγξετε τις τρέχουσες ρυθμίσεις.</p>
<b>Cool Select (Επιλογή ψύξης)</b>	<p>05 Εμφανίζεται η τρέχουσα ρύθμιση της λειτουργίας.</p> <p>06 Ανάλογα με το μοντέλο, εμφανίζει την ένδειξη Cool Select+, Cool Select Zone ή καμία.</p>

**About Device (Σχετικά με τη συσκευή)**

**07** Εμφανίζονται οι πληροφορίες του προϊόντος, συμπεριλαμβανομένης της τρέχουσας έκδοσης, της εκπαιδευτικής εφαρμογής, του αυτόματου ελέγχου και της γραμμής βοήθειας. Μπορείτε να λάβετε το εγχειρίδιο χρήσης, ενώ παρέχονται επίσης στοιχεία επικοινωνίας για την εξυπηρέτηση πελατών.

**Self Check (Αυτόματος έλεγχος)**

Ανατρέχοντας στον αυτόματο έλεγχο, μπορείτε να ελέγχετε τα αποτελέσματα του διαγνωστικού ελέγχου του ψυγείου σας. Αν παρουσιαστεί κάποιο μη φυσιολογικό σύμπτωμα, ο αυτόματος έλεγχος εμφανίζει έναν κωδικό πληροφοριών που μπορεί να χρησιμοποιηθεί για την εξυπηρέτηση πελατών.

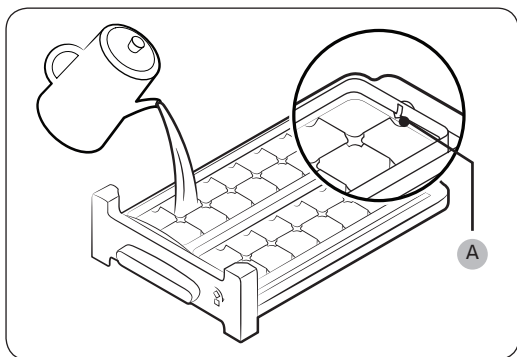
# Λειτουργίες

## Ειδικές δυνατότητες

Η πραγματική εμφάνιση και οι ειδικές λειτουργίες του ψυγείου σας ενδέχεται να διαφέρουν, ανάλογα με το μοντέλο και τη χώρα.

### Παρασκευή πάγου (μόνο στα κατάλληλα μοντέλα)

Περιστρεφόμενος παρασκευαστής πάγου



1. Ανοίξτε την πόρτα του καταψύκτη και σύρετε έξω τον δίσκο πάγου για να τον ανοίξετε.
2. Γεμίστε τον δίσκο με νερό έως την **ένδειξη μέγιστης στάθμης (A)** που σημειώνεται στο πίσω εσωτερικό μέρος του δίσκου.
3. Σύρετε ξανά τον δίσκο στη θέση του.

#### ΣΗΜΕΙΩΣΗ

Ο χρόνος παρασκευής πάγου εξαρτάται από τις ρυθμίσεις θερμοκρασίας.

#### ΣΗΜΕΙΩΣΗ

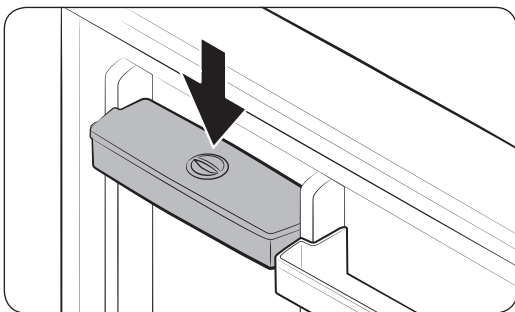
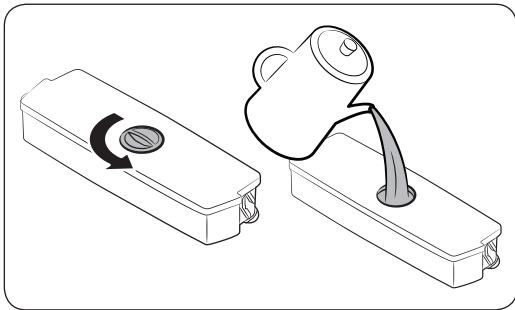
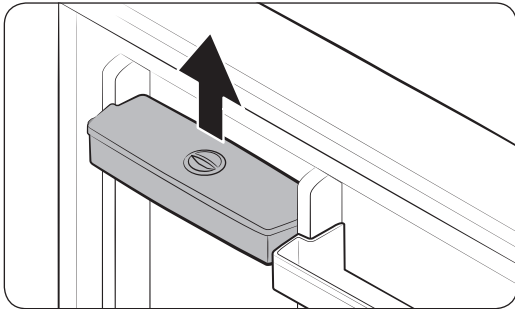
- Βεβαιωθείτε ότι το δοχείο φύλαξης για τα παγάκια βρίσκεται στη θέση του, κάτω από τον δίσκο πάγου.
- Για να πάρετε τα παγάκια, στρέψτε τη λαβή του δοχείου προς τα δεξιά για να αδειάσετε τα μισά παγάκια στο δοχείο. Στη συνέχεια, στρέψτε την προς τα αριστερά για να αδειάσετε τα άλλα μισά.
- Αφαιρέστε το δοχείο, συστρέφοντας ελαφρώς και τραβώντας προς τα εμπρός.

## Διανεμητής νερού

Με τον διανεμητή νερού, μπορείτε να πιείτε νερό χωρίς να ανοίξετε την πόρτα του ψυγείου. Πριν από τη χρήση, το δοχείο του νερού πρέπει να γεμίζεται με πόσιμο νερό.

Για να γεμίσετε το δοχείο του νερού με πόσιμο νερό

Ανοίξτε την πόρτα και εντοπίστε το δοχείο του νερού, που βρίσκεται στην περιοχή των ραφιών της πόρτας.



1. Συγκρατήστε τις χειρολαβές και στις δύο πλευρές του δοχείου του νερού και ανασηκώστε το για να το αφαιρέσετε.

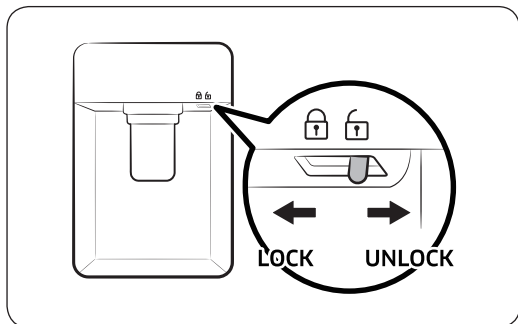
2. Γεμίστε το δοχείο του νερού με πόσιμο νερό, έως τα 2,8 λίτρα. Μπορείτε να αφαιρέσετε είτε το επάνω κάλυμμα είτε το επάνω καπάκι είτε το κάλυμμα και να ρίξετε νερό.

### ΣΗΜΕΙΩΣΗ

Την πρώτη φορά που θα το χρησιμοποιήσετε, καθαρίστε το εσωτερικό του δοχείου του νερού.

3. Επανατοποθετήστε το δοχείο του νερού και κλείστε την πόρτα. Βεβαιωθείτε ότι η έξοδος παροχής νερού του δοχείου νερού είναι στραμμένη προς τα εμπρός.

# Λειτουργίες



4. Τοποθετήστε ένα ποτήρι κάτω από την έξοδο παροχής νερού του διανεμητή και πιέστε απαλά τον μοχλό του διανεμητή για να βγει νερό. Βεβαιωθείτε ότι το φίλτρο νερού έχει απασφαλιστεί.

## ΠΡΟΣΟΧΗ

- Ο διανεμητής νερού είναι σχεδιασμένος για να διανέμει πόσιμο νερό. Γεμίζετε το δοχείο του νερού μόνο με πόσιμο νερό. Μην γεμίζετε το δοχείο του νερού με άλλα υγρά.
- Μην γεμίζετε υπερβολικά το δοχείο του νερού, θα προκληθεί υπερχειλίση.
- Μην επιχειρήσετε να γεμίσετε το δοχείο του νερού χωρίς να το αφαιρέσετε από την πόρτα.
- Βεβαιωθείτε ότι το δοχείο νερού έχει εφαρμόσει σωστά.
- Μην χρησιμοποιείτε το ψυγείο χωρίς το δοχείο νερού. Ενδέχεται να μειωθούν οι επιδόσεις και η απόδοση.
- Για να αποτραπεί η αναπήδηση του νερού, βεβαιωθείτε ότι το ποτήρι είναι ευθυγραμμισμένο με το μοχλό του διανεμητή.

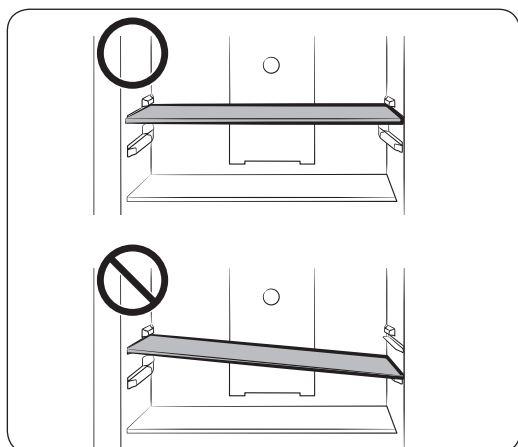
## ΣΗΜΕΙΩΣΗ

Για να εξασφαλίσετε περισσότερο χώρο, μπορείτε να χρησιμοποιήσετε το δοχείο νερού για την αποθήκευση τροφίμων. Σε αυτή την περίπτωση, αφαιρέστε το καπάκι του δοχείου.

# Συντήρηση

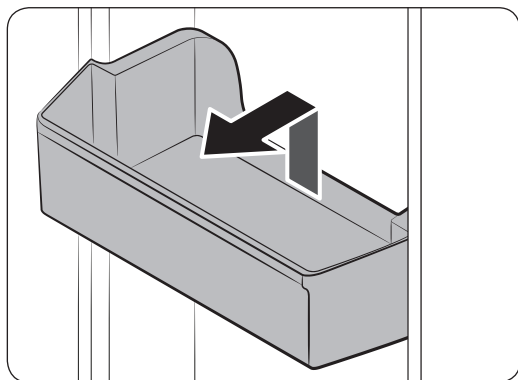
## Χειρισμός και φροντίδα

### Ράφια καταψύκτη και ψυγείου



- Για να αφαιρέσετε ένα ράφι, πρώτα ανοίξτε εντελώς την πόρτα. Τραβήξτε το ράφι προς τα εμπρός, ανασηκώστε το και, στη συνέχεια, τραβήξτε το έξω.
- Όταν επανατοποθετείτε το ράφι, βεβαιωθείτε ότι η ετικέτα «Front» (Εμπρός) του ραφιού είναι στραμμένη προς τα εμπρός.
- Μην επιχειρείτε να τοποθετήσετε το ράφι σε κεκλιμένη θέση.

### Προστατευτικά πόρτας



Ανασηκώστε ελαφρώς και τραβήξτε προς τα έξω το προστατευτικό πόρτας.

#### **⚠ ΠΡΟΣΟΧΗ**

Για να αποφύγετε τα ατυχήματα, αδειάστε τα προστατευτικά πόρτας προτού τα αφαιρέσετε.

# Συντήρηση

## Καθαρισμός

Χρησιμοποιείτε τακτικά ένα στεγνό πανί για να απομακρύνετε όλα τα ξένα σώματα, όπως σκόνη ή νερό, από τους ακροδέκτες και τα σημεία επαφής του φιν τροφοδοσίας.

1. Αποσυνδέστε το καλώδιο ρεύματος του ψυγείου από την πρίζα.
2. Χρησιμοποιήστε ένα βρεγμένο μαλακό πανί που δεν αφήνει χνούδι ή μια χαρτοπετσέτα για να καθαρίσετε το εσωτερικό και το εσωτερικό μέρος του ψυγείου.
3. Όταν τελειώσετε, χρησιμοποιήστε ένα στεγνό πανί ή μια χαρτοπετσέτα για να το στεγνώσετε καλά.
4. Συνδέστε το καλώδιο ρεύματος του ψυγείου στην πρίζα για να ενεργοποιήσετε το ψυγείο.

### ΣΗΜΕΙΩΣΗ

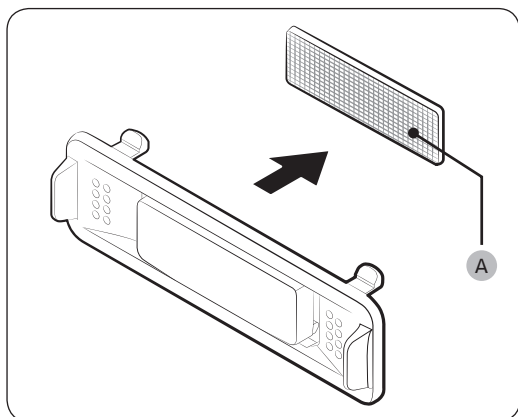
Αν έχετε αφαιρέσει οποιαδήποτε αποσπώμενα εξαρτήματα όπως ράφια για τον καθαρισμό, ανατρέξτε στη γενική διάταξη στην ενότητα περιεχομένων συσκευασίας για να βεβαιωθείτε ότι τα έχετε επανατοποθετήσει σωστά.

### ΠΡΟΕΙΔΟΠΟΙΗΣΗ

- Μη χρησιμοποιείτε βενζόλιο, διαλυτικό ή οικιακό απορρυπαντικό/απορρυπαντικό αυτοκινήτου όπως το Clorox™ για σκοπούς καθαρισμού. Ενδέχεται να προκαλέσουν ζημιά στην επιφάνεια του ψυγείου, καθώς και πυρκαγιά.
- Μην ψεκάζετε νερό επάνω στο ψυγείο. Ενδέχεται να προκληθεί ηλεκτροπληξία.
- Μη βάζετε τα δάχτυλά σας ή άλλα αντικείμενα στην οπή του διανεμητή.

## Αντικατάσταση

### Φίλτρο εξουδετέρωσης οσμών (μόνο στα κατάλληλα μοντέλα)



Ενώ κρατάτε το επάνω και το κάτω μέρος του περιβλήματος φίλτρου, απασφαλίστε το περίβλημα φίλτρου για να φανεί το **φίλτρο εξουδετέρωσης οσμών (A)**. Αντικαταστήστε το φίλτρο και, στη συνέχεια, επανατοποθετήστε το περίβλημα.

### Λυχνίες και αντιβακτηριακό φίλτρο

Ούτε οι λυχνίες ούτε το αντιβακτηριακό φίλτρο μπορούν να επισκευαστούν από το χρήστη. Μην επιχειρείτε να τα αντικαταστήσετε οι ίδιοι. Για να αντικαταστήσετε, επικοινωνήστε με ένα τοπικό κέντρο σέρβις της Samsung.



# Αντιμετώπιση προβλημάτων

Αν αντιμετωπίσετε κάποια μη φυσιολογική κατάσταση με το ψυγείο, ελέγξτε πρώτα τον παρακάτω πίνακα και δοκιμάστε τις προτάσεις.

## Γενικά

Σύμπτωμα	Ενέργεια
Το ψυγείο δεν λειτουργεί ή δεν ψύχεται.	<ul style="list-style-type: none"><li>• Βεβαιωθείτε ότι το καλώδιο ρεύματος είναι συνδεδεμένο σωστά.</li><li>• Βεβαιωθείτε ότι ο διακόπτης ελέγχου θερμοκρασίας έχει ρυθμιστεί σωστά.</li><li>• Φροντίστε να κρατήσετε το ψυγείο μακριά από άμεσο ηλιακό φως και πηγές θερμότητας. Διαφορετικά, ενδέχεται να επηρεαστεί η απόδοση ψύξης.</li><li>• Βεβαιωθείτε ότι το ψυγείο βρίσκεται σε επαρκή απόσταση από τους πίσω και τους πλαϊνούς τοίχους ή το ντουλάπι. Διαφορετικά, ενδέχεται να επηρεαστεί η απόδοση ψύξης.</li><li>• Η μεγάλη ποσότητα τροφίμων ενδέχεται να εμποδίσει τον εξαερισμό του ψυγείου. Για να λειτουργεί κανονικά το ψυγείο, μην τοποθετείτε μεγάλη ποσότητα τροφίμων στο εσωτερικό του.</li></ul>
Τα τρόφιμα στο ψυγείο παγώνουν.	<ul style="list-style-type: none"><li>• Ελέγξτε αν ο διακόπτης ελέγχου θερμοκρασίας έχει ρυθμιστεί στην κατώτατη θερμοκρασία. Αν ναι, αλλάξτε τη θερμοκρασία σε υψηλότερο επίπεδο ή σε Optimal (Βέλτιστη).</li><li>• Αυτό συμβαίνει αν η θερμοκρασία περιβάλλοντος είναι πολύ χαμηλή. Ρυθμίστε τη θερμοκρασία σε υψηλότερο επίπεδο.</li><li>• Ελέγξτε αν τρόφιμα με υψηλή περιεκτικότητα σε νερό έχουν τοποθετηθεί στα ψυχρότερα σημεία του ψυγείου ή κοντά στο άνοιγμα εξαερισμού ψύξης. Αν συμβαίνει αυτό, μετακινήστε τα τρόφιμα σε άλλα ράφια του ψυγείου.</li></ul>
Ακούγονται θόρυβοι.	<ul style="list-style-type: none"><li>• Βεβαιωθείτε ότι το ψυγείο είναι εγκατεστημένο σε μια σταθερή και επίπεδη επιφάνεια.</li><li>• Βεβαιωθείτε ότι το ψυγείο βρίσκεται σε επαρκή απόσταση από τους πίσω και τους πλαϊνούς τοίχους ή το ντουλάπι.</li><li>• Φροντίστε να απομακρύνετε ρύπους και ξένα αντικείμενα, μέσα ή κάτω από το ψυγείο.</li><li>• Ενδέχεται να ακούγεται ένας ρυθμικός ήχος από το εσωτερικό του ψυγείου, ο οποίος προκαλείται από τα διάφορα αποσπώμενα εξαρτήματα που συστέλλονται ή διαστέλλονται. Αυτό δεν αποτελεί βλάβη στο σύστημα.</li></ul>
Οι μπροστινές γωνίες και οι πλευρές είναι ζεστές και έχει δημιουργηθεί υγρασία.	<ul style="list-style-type: none"><li>• Για να αποτραπεί η δημιουργία υγρασίας, το ψυγείο έχει ανθεκτική στη θερμότητα σωλήνωση στις μπροστινές γωνίες. Αν αυξηθεί η θερμοκρασία περιβάλλοντος, ο εξοπλισμός ενδέχεται να μη λειτουργεί αποτελεσματικά. Αυτό δεν αποτελεί βλάβη στο σύστημα.</li><li>• Αν υγρός αέρας έρθει σε επαφή με την κρύα επιφάνεια του ψυγείου, ενδέχεται να δημιουργηθεί υγρασία στην εξωτερική επιφάνεια του ψυγείου.</li></ul>

# Αντιμετώπιση προβλημάτων

Σύμπτωμα	Ενέργεια
Ο παρασκευαστής πάγου δεν παρασκευάζει πάγο.	<ul style="list-style-type: none"><li>• Πρέπει να περιμένετε 12 ώρες μέχρι το ψυγείο να παρασκευάσει πάγο.</li><li>• Βεβαιωθείτε ότι η λειτουργία του παρασκευαστή πάγου δεν διακόπηκε κατά την παρασκευή του πάγου.</li><li>• Βεβαιωθείτε ότι ο καταψύκτης έχει ρυθμιστεί σε θερμοκρασία χαμηλότερη από 0 °C (ή -5 °C με ζεστό αέρα περιβάλλοντος).</li><li>• Βεβαιωθείτε ότι το δοχείο νερού είναι γεμάτο με νερό.</li></ul>
Ο διανεμητής νερού δεν λειτουργεί.	<ul style="list-style-type: none"><li>• Ελέγξτε αν το δοχείο νερού έχει παγώσει. Αν ναι, επιλέξτε μια υψηλότερη θερμοκρασία ψυγείου.</li><li>• Βεβαιωθείτε ότι το δοχείο νερού είναι γεμάτο με νερό.</li><li>• Βεβαιωθείτε ότι το δοχείο νερού έχει τοποθετηθεί σωστά.</li><li>• Βεβαιωθείτε ότι το φίλτρο νερού έχει τοποθετηθεί σωστά.</li></ul>
Ακούγεται ένας ήχος αφρίσματος.	<ul style="list-style-type: none"><li>• Αυτός ο ήχος ακούγεται από το ψυγείο κατά τη διάρκεια της διαδικασίας ψύξης, γεγονός που είναι φυσιολογικό.</li></ul>
Μια άσχημη οσμή βγαίνει από το εσωτερικό του ψυγείου.	<ul style="list-style-type: none"><li>• Ελέγξτε για τυχόν αλλοιωμένα τρόφιμα. Συνιστούμε να καθαρίζετε το ψυγείο σε τακτική βάση και να απομακρύνετε τυχόν αλλοιωμένα ή ύποπτα τρόφιμα.</li><li>• Βεβαιωθείτε ότι τα τρόφιμα με έντονες οσμές είναι τυλιγμένα αεροστεγώς.</li></ul>
Σχηματίζεται πάγος στα εσωτερικά τοιχώματα.	<ul style="list-style-type: none"><li>• Βεβαιωθείτε ότι τα ανοίγματα εξαερισμού του ψυγείου δεν είναι φραγμένα από τρόφιμα. Επίσης, είναι σημαντικό να κατανέμετε τα τρόφιμα ομοιόμορφα για σωστό εξαερισμό.</li><li>• Βεβαιωθείτε ότι η πόρτα έχει κλείσει σωστά.</li></ul>
Δημιουργείται υγρασία στα εσωτερικά τοιχώματα ή γύρω από λαχανικά.	<ul style="list-style-type: none"><li>• Αυτό συμβαίνει όταν τα τρόφιμα με υψηλή περιεκτικότητα σε νερό φυλάσσονται χωρίς κάλυμμα ή η πόρτα έχει μείνει ανοιχτή για πολλή ώρα.</li><li>• Βεβαιωθείτε ότι τα τρόφιμα είναι καλυμμένα ή είναι τοποθετημένα σε στεγανοποιημένα δοχεία.</li></ul>

## Samsung Smart Home

Σύμπτωμα	Ενέργεια
Δεν μπόρεσα να βρω την εφαρμογή «Samsung Smart Home» στην αγορά εφαρμογών.	<ul style="list-style-type: none"><li>• Η εφαρμογή Samsung Smart Home είναι διαθέσιμη σε smartphone που χρησιμοποιούν Android 4.0 (ICS) ή νεότερη έκδοση και iOS 7.0 ή νεότερη έκδοση.</li></ul>
Η εφαρμογή Samsung Smart Home δεν λειτουργεί.	<ul style="list-style-type: none"><li>• Η εφαρμογή Samsung Smart Home είναι διαθέσιμη μόνο στα κατάλληλα μοντέλα.</li><li>• Η παλαιότερη εφαρμογή Samsung Smart Refrigerator δεν μπορεί να συνδεθεί με τα μοντέλα Samsung Smart Home.</li></ul>
Η εφαρμογή Samsung Smart Home είναι εγκατεστημένη, αλλά δεν συνδέεται με το ψυγείο μου.	<ul style="list-style-type: none"><li>• Για να χρησιμοποιήσετε την εφαρμογή, θα πρέπει να συνδεθείτε στο δικό σας λογαριασμό Samsung.</li><li>• Βεβαιωθείτε ότι ο δρομολογητής σας λειτουργεί κανονικά.</li><li>• Βεβαιωθείτε ότι το κλειδί υλικού Smart Home έχει εισαχθεί σωστά.</li><li>• Αν το εικονίδιο Wi-Fi στην οθόνη του ψυγείου είναι σβηστό, αυτό υποδεικνύει ότι δεν έχει πραγματοποιηθεί ακόμα σύνδεση στο δίκτυο. Σε αυτή την περίπτωση, χρησιμοποιήστε την εφαρμογή Samsung Smart Home για να συνδέσετε και να καταχωρίσετε το ψυγείο στο σημείο πρόσβασης (AP) του σπιτιού σας.</li></ul>
Δεν μπόρεσα να συνδεθώ στην εφαρμογή.	<ul style="list-style-type: none"><li>• Για να χρησιμοποιήσετε την εφαρμογή, θα πρέπει να συνδεθείτε στο δικό σας λογαριασμό Samsung.</li><li>• Αν δεν διαθέτετε λογαριασμό Samsung, ακολουθήστε τις οδηγίες της εφαρμογής στην οθονη για να δημιουργήσετε έναν.</li></ul>
Εμφανίζεται ένα μήνυμα σφάλματος όταν προσπαθώ να καταχωρίσω το ψυγείο μου.	<ul style="list-style-type: none"><li>• Η εύκολη σύνδεση ενδέχεται να αποτύχει, λόγω της απόστασης του σημείου πρόσβασης (AP) ή ηλεκτρικών παρεμβολών από το περιβάλλον. Περιμένετε λίγο και προσπαθήστε ξανά.</li></ul>
Η εφαρμογή Samsung Smart Home έχει συνδεθεί επιτυχώς στο ψυγείο μου, αλλά δεν λειτουργεί.	<ul style="list-style-type: none"><li>• Κλείστε και επανεκκινήστε την εφαρμογή Samsung Smart Home ή αποσυνδεθείτε και επανασυνδεθείτε στο δρομολογητή.</li><li>• Αφαιρέστε το κλειδί υλικού Smart Home και επανασυνδέστε το σωστά. Στη συνέχεια, προσπαθήστε ξανά.</li></ul>

Επικοινωνήστε με τη SAMSUNG σε όλο τον κόσμο

Εάν έχετε σχόλια ή ερωτήσεις σχετικά με προϊόντα της Samsung, επικοινωνήστε με το κέντρο εξυπηρέτησης πελατών της SAMSUNG.

Χώρα	Κέντρο επικοινωνίας	Διαδικτυακή τοποθεσία
CYPRUS	8009 4000 only from landline, toll free	www.samsung.com/gr/support
GREECE	80111-SAMSUNG (80111 726 7864) only from land line (+30) 210 6897691 from mobile and land line	
ITALIA	800-SAMSUNG (800.7267864)	www.samsung.com/it/support
PORTUGAL	808 20 7267	www.samsung.com/pt/support
SPAIN	0034902172678 [HHP] 0034902167267	www.samsung.com/es/support



DA68-03370Y-03