



## ○ Canon M Mount

- 1) Record a video in Av, Tv, P, CA or M mode.
- 2) Please note that while recording a video the shutter speed is limited to a minimum of 1/30.

(The procedures above are for the Canon M. The settings for the camera or the menu may vary based on the camera model or due to a functional upgrade. Refer to the camera manual or contact the camera manufacturer for detailed information.)

## ○ Fujifilm X Mount

- 1) Record a video in ƒ mode.

(The procedures above are for the X-Pro1. The settings for the camera or the menu may vary based on the camera model or due to a functional upgrade. Refer to the camera manual or contact the camera manufacturer for detailed information.)

## ○ Sony E Mount

- 1) Record a video in A, S, P or M mode.
- 2) Adjust the exposure by rotating the dial at the back of the camera.

(The procedures above are for the NEX-5. The settings for the camera or the menu may vary based on the camera model or due to a functional upgrade. Refer to the camera manual or contact the camera manufacturer for detailed information.)

## ○ Samsung NX Mount

- 1) Record a video in A, M or ƒ mode.
- 2) Please note that while recording a video the shutter speed is limited to a minimum of 1/30.

(The procedures above are for the NX-200. The settings for the camera or the menu may vary based on the camera model or due to a functional upgrade. Refer to the camera manual or contact the camera manufacturer for detailed information.)

## ○ Four Thirds FT Mount

- 1) Record a video in ƒ, P, A or M.
- 2) Please note that while recording a video the shutter speed is limited to a minimum of 1/30.

(The procedures above are for the E-5. The settings for the camera or the menu may vary based on the camera model or due to a functional upgrade. Refer to the camera manual or contact the camera manufacturer for detailed information.)

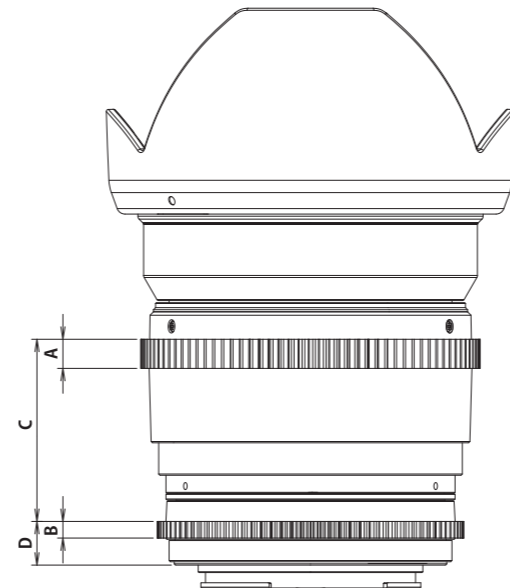
## ○ Micro Four Thirds Mount

- 1) Record a video in ƒ, P, A or M.
- 2) Please note that while recording a video the shutter speed is limited to a minimum of 1/30.

(The procedures above are for the E-5. The settings for the camera or the menu may vary based on the camera model or due to a functional upgrade. Refer to the camera manual or contact the camera manufacturer for detailed information.)

## 7. Specifications

SPECIFICATIONS		T2.2 16mm ED AS UMC CS II									
APERTURE RANGE(T-STOP)		T2.2 to T22									
OPTICAL CONSTRUCTION		13 ELEMENTS IN 11 GROUPS (1 GLASS ASP & 1 HYBRID ASP)									
MINIMUM FOCUSING DISTANCE		0.2m(0.66ft)									
FILTER SIZE		Φ77mm									
MAXIMUM DIAMETER		Φ83mm									
MOUNT		NIKON	CANON EOS	PENTAX K	SONY α	CANON M	FUJIFILM X	SAMSUNG NX	SONY E	FOUR-THIRDS	MICRO FOUR-THIRDS
ANGLE OF VIEW	APS-C	83.1°	79.5°	83.1°	83.1°	79.5°	83.1°	83.1°	83.1°	·	·
	FOUR-THIRDS (4/3")	·	·	·	·	·	·	·	·	67.6°	67.6°
LENGTH(LENS MOUNT TO FRONT)		86.9mm	89.4mm	87.9mm	88.9mm	115.3mm	115.7mm	107.9mm	115.4mm	94.73mm	114.2mm
WEIGHT(CAP,HOOD DETACHABLE)		580g	590g	580g	585g	620g	625g	615g	620g	610g	620g
GEAR	MODULE	0.8									
	A	7mm									
	B	4mm									
	C	43.8mm									
	D	8mm	10.5mm	9mm	10mm	36.4mm	36.8mm	29mm	36.5mm	15.8mm	35.3mm
FOCUS DIAMETER		Φ81.6mm									
APERTURE DIAMETER		Φ70.4mm	Φ73.6mm								



## 8. Troubleshooting

Issue	Causes	Corrective Action
A lens cannot be attached to the camera.	The attachment reference point on the lens is not aligned with the lens attachment reference point on the camera.	Align the attachment reference point on the lens with the lens attachment reference point on the camera.
A lens cannot be detached from the camera.	Incorrect rotation direction for detaching the lens. If you turn the lens while holding the camera, it may cause damage to the lens.	Press the lens release button on the camera, and gently turn the lens to the lens attaching/detaching reference points, in the direction as marked on the camera, and then pull the lens forward.
Blurry images	Incorrect focusing. Insufficient shutter speed or camera shake.	Turn the focusing gear while checking the indication or checking an object visually, set the focus until it becomes clear, and then press the shutter. Steady the camera and take a photograph at a shutter speed of 1/125 secs.
Automatic focusing does not work properly.	A manual focusing lens has trouble with automatic focusing.	Use the focusing gear to adjust the focus.
Dark or too bright pictures	Inappropriate exposure	Adjust the aperture adjustment gear accordingly.
The camera flash is not functioning.	The manual control lens may not be compatible, depending on the camera.	See the camera manual.
The camera finder indication or the display does not display.	This lens does not have an electric contact signal, so there is no communication with the camera through electric signals.	No problem with shooting
Zooming failure	This lens is a single lens.	
This lens cannot be mounted on other cameras.	This lens is designed for its own mount.	Purchase the designated lens mount.
You want to attach our 2X or 1.4X converter lens.	Our converter is designed for the T (M42 screw) mount only. Therefore it cannot be used with this lens.	Use each company's own mount converter. However, be aware that auto focusing is unavailable.

## 9. Safety Precautions

The following precautions are divided into two types according to the level of danger.

<b>⚠ WARNING</b> If this instruction is not followed, it may cause death or severe injury to the user.	<b>⚠ CAUTION</b> If this instruction is not followed, it may cause death or severe injury to the user.
---	---

The following pictograms are used in the below precautions:  
(It shows outbreak of fire in the pictogram on the left.)

Shows prohibition. Inside the pictogram it shows contents of prohibition. (It shows prohibition of dismantling in the pictogram on the left.)	Shows instruction. Inside the pictogram it shows contents of instructions. (It shows instruction of precaution in the pictogram on the left.)
---	---

<b>⚠ WARNING</b>  Don't look at the sun through the lens. It may cause blindness.	<b>⚠ CAUTION</b>  Attach the lens to the camera correctly and ensure the lens is held in place properly, otherwise it may not be removable, or may become loose and cause an accident.	 Don't put excessive pressure on the lens attached to the camera, otherwise it may cause damage to the lens or to the camera mount. Be sure to hold the lens when operating or moving.	 Ensure that the camera operates properly by checking the lens beforehand or by test shooting for important events such as a wedding ceremony and an overseas trip.
 Don't leave the lens within reach of babies, as it may cause injury to the baby if the lens falls or is dropped.	 Don't attempt to modify or alter the lens. It may lead to failure of the camera. Modified or altered lenses may not be repaired.	 Don't leave the lens in direct sunlight. It may cause a fire, depending on lenses that concentrate light on a close object.	 Don't look at the sun directly through a camera with a lens attached. It may cause damage to one's eyesight.

### WARNING!

Do not wet this product or expose it to a moist environment. It may cause a fire or electric shock.

### CAUTION!

- Do not use this product or store it close to devices that generate heat i.e., heaters, thermal regulators, stoves or stereo amplifiers.
- Do not leave the lens in conditions where drastic temperature changes can occur.
- Do not touch the surface of the lens by hand, and avoid making contact with sharp objects.
- Avoid dropping the lens.
- Do not soak the lens in water, and avoid water splashing onto the lens.
- If there are foreign bodies on the lens, use a lens cleaning kit only.
- If the lens hood is cut by the user, it may cause damage to the surface of the lens, as the surface of the lens may make contact with the floor.