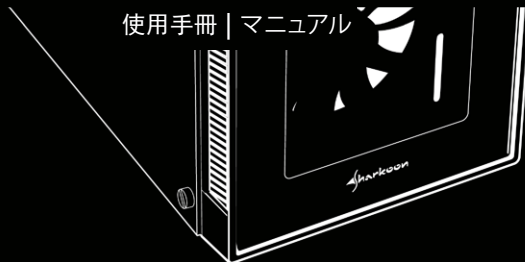


Manual | Anleitung | Manuel | Manuel | Manual | Manual

Handleiding | Instrukcja | Használati útmutató | Manuál | Manuálny

使用手冊 | マニュアル



Specifications

General:

■ Form Factor	ATX
■ Expansion Slots	7
■ Interior Painting	✓
■ Tool-Free Devices Installation	✓
■ Cable Management System	✓
■ Side Panel Tempered Glas 4 mm	✓
■ Color Versions	RGB
■ Weight	8.5 kg
■ Dimensions (L x W x H)	45.2 x 22.0 x 46.5 cm

I/O:

■ USB 3.0 (Top)	2
■ USB 3.0 (Top)	2
■ Audio (Top)	✓

Drive Bays:

■ 3.5"	1
■ 3.5" or 2.5"	2
■ 2.5"	2

Fan Configuration:

■ Front Panel:	3x 120 mm RGB LED Fans (Pre-Installed) or Radiator (Optional)
■ Rear Panel	1x 120 mm RGB LED Fan (Pre-Installed)
■ Top Panel	3x 120 mm or 2x 140 mm Fans (Optional)

Compatibility:

■ Mainboard	Mini-ITX, Micro-ATX, ATX
■ Max. Length Graphics Cards	40.0 cm
■ Max. Height CPU Cooler	16.7 cm
■ Max. Length Power Supply	20.5 cm
■ Max. Height Radiator incl. Fan (Front)	5.5 cm

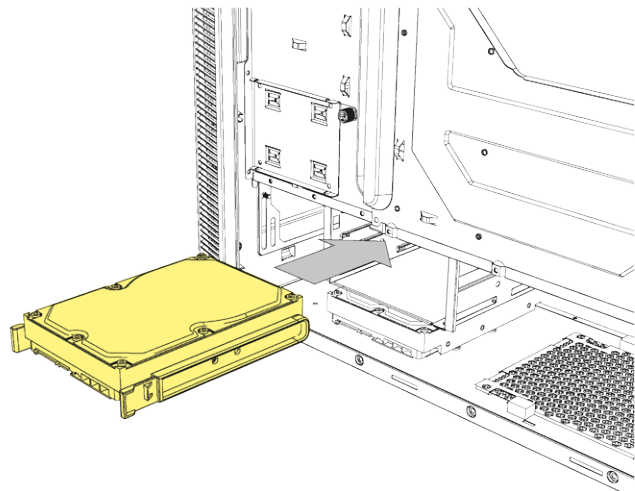
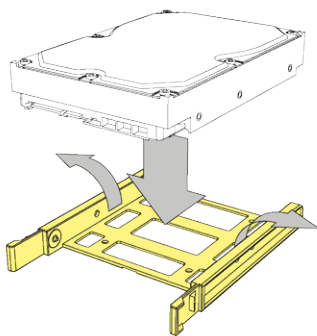
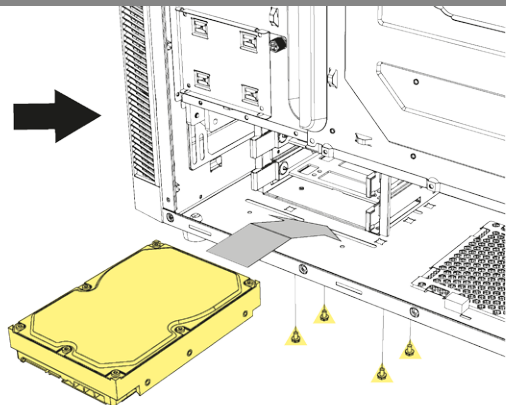
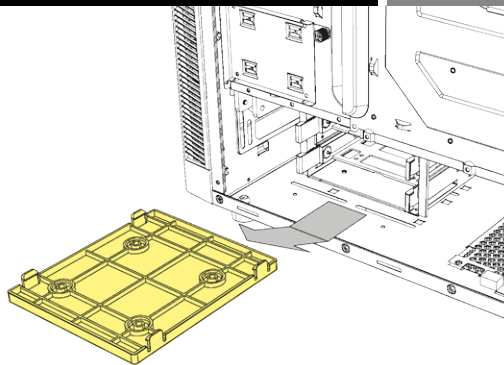
Package Contents:

- TG5 RGB, accessory set, 6-port RGB hub, 5-pin to 4-pin adapter, manual color control, RGB LED Strip S1, manual

3.5" HDD Installation

Einbau 3,5"-HDD
3,5" Installation HDD
3,5" Installazione disco fisso
3,5" Instalación HDD
3,5" Instalação HDD
Installatie 3,5" HDD

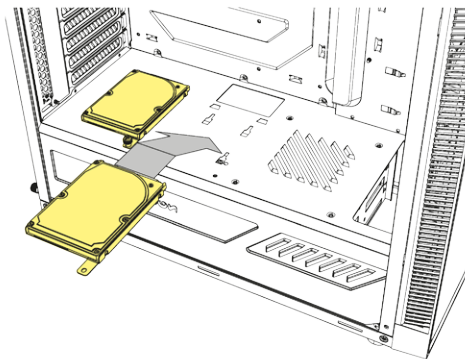
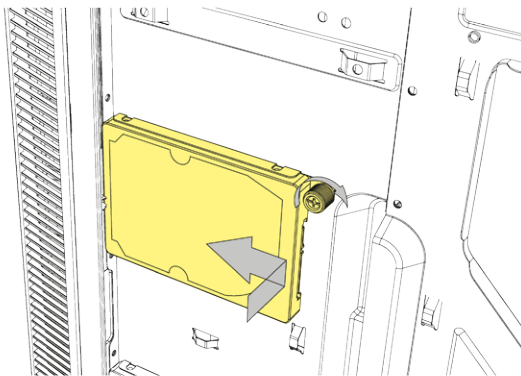
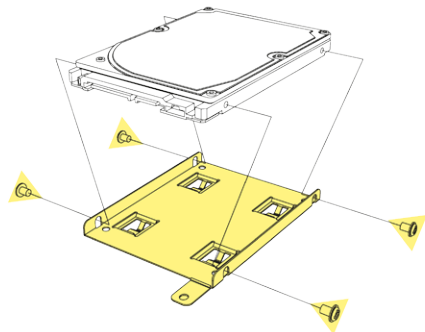
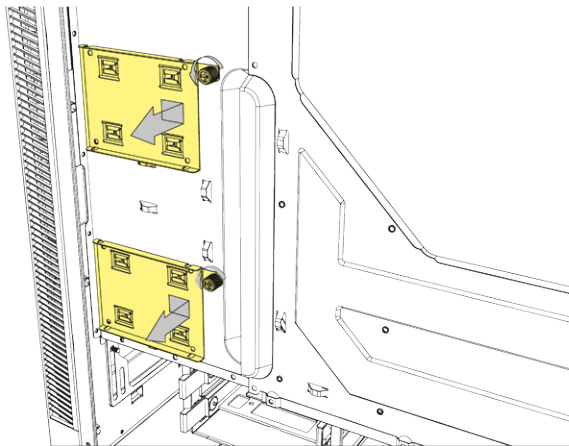
Instalacja dysku 3.5"
3,5" HDD beszerelhetőség
Instalace 3,5" HDD
Instalácia 3,5" HDD
3.5" 硬碟安裝
3.5" ハードディスクの取付け

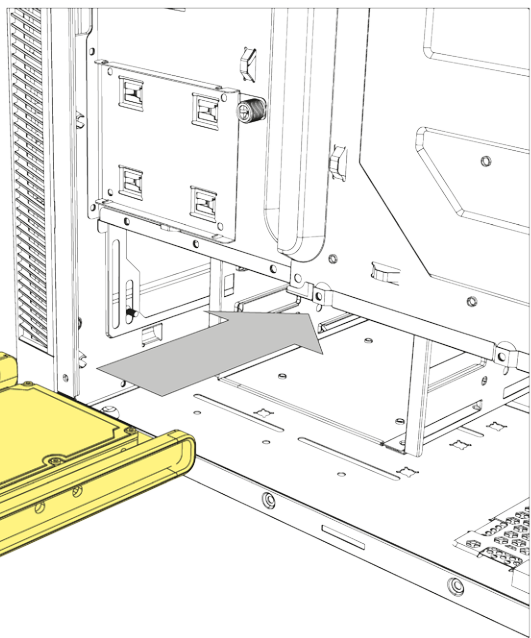
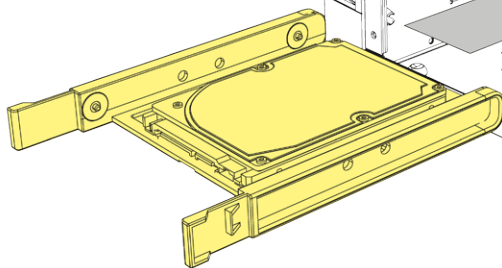
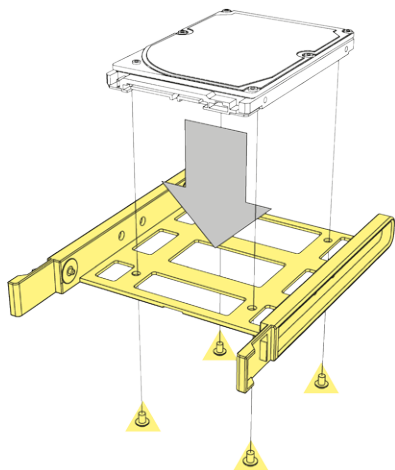


2.5" HDD/SSD Installation

Einbau 2,5"-HDD/SSD
2,5" HDD/SSD Installation
2,5" Installazione disco fisso/unità SSD
2,5" HDD/SSD de instalación
2,5" Instalação HDD/SSD
Installatie 2,5" HDD/SSD

Instalacja dysku 2.5" SSD/HDD
2,5" HDD/SSD beszerelhetőség
Instalace 2,5" HDD/SSD
Instalácia 2,5" HDD/SSD
2.5" 硬碟/SSD 安裝
2.5" HDD/SSD の取付け

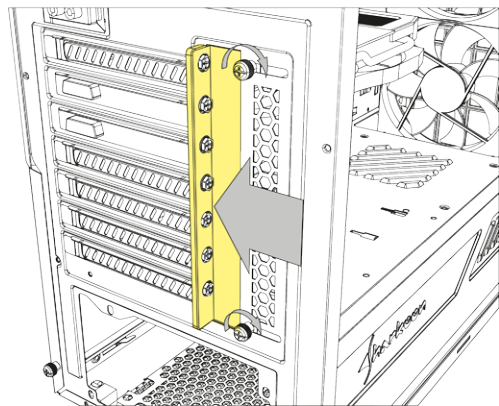
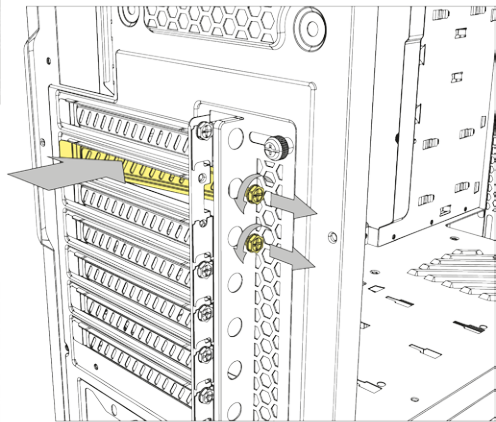
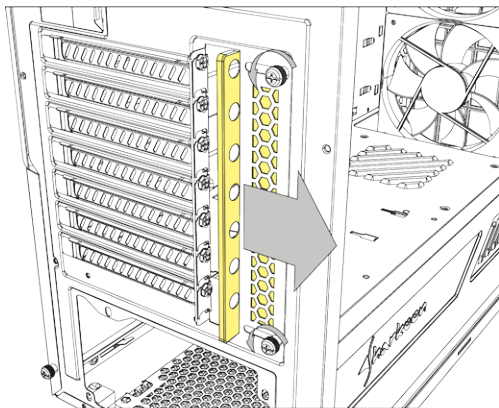




Add-On Cards Installation

Einbau Erweiterungskarten
Add-On de cartes Installation
Installazione Add-On Cards
Tarjetas adicionales de instalación
Instalação Add-On Cartões
Installatie uitbreidingskaarten

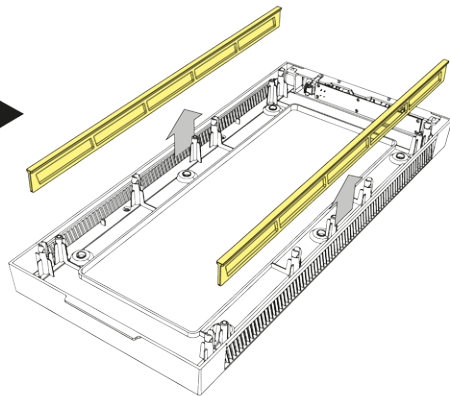
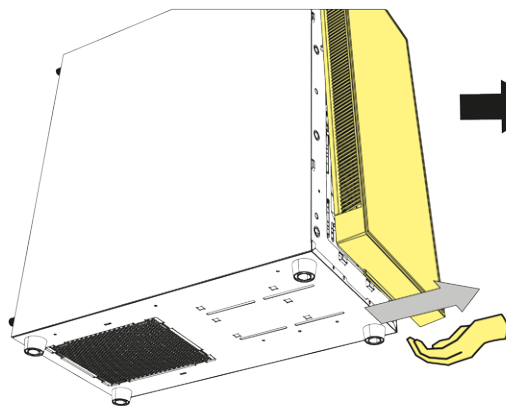
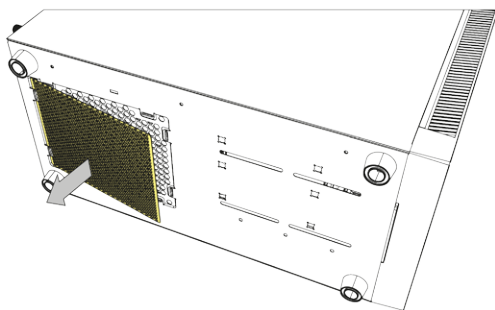
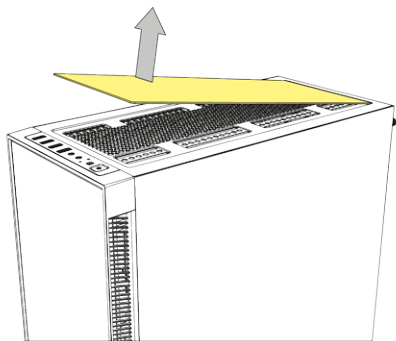
Instalacja kart rozszerzeń
Bővítőkétya beszerelhetőség
Instalace karet na základní desku
Instalácia kariet na základnú dosku
介面卡安裝
増設カードの取付け



Detachable Dust Filter

Herausnehmbarer Staubfilter
Amovibile filtru anti-poussièrè
Filtro antipolvere staccabile
Filtro de polvo desmontable
Filtro de poeira destacável
Afnembaar stoffilter

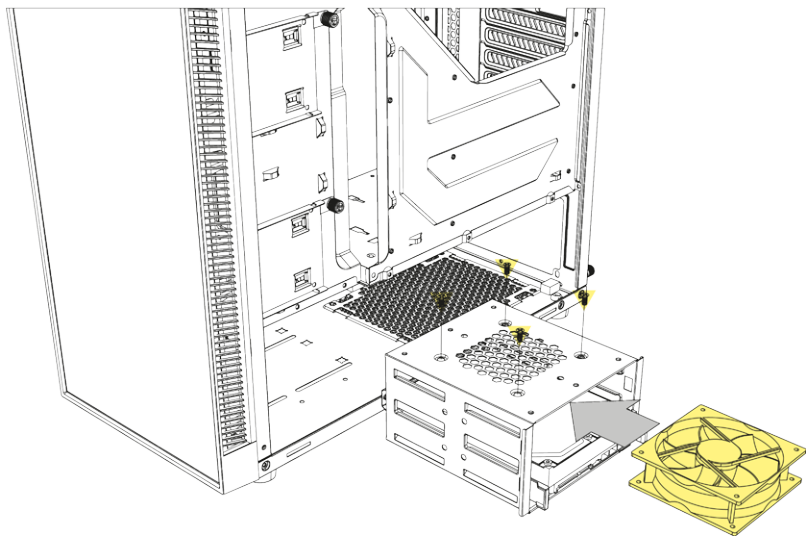
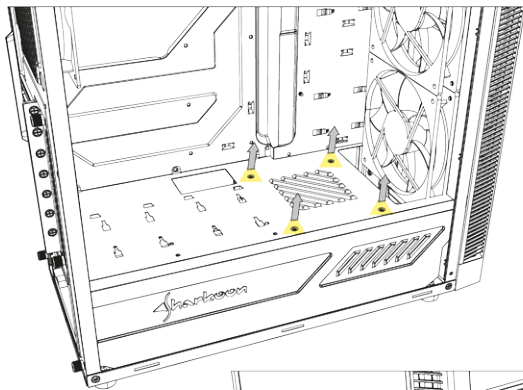
Zdejmowalny filtr przeciukurzowy
Levehető porszűrő
Oddělitelný prachový filtr
Odnímatelný prachový filter
可拆卸式防塵濾網
着脱式ダストフィルター



Extra HDD Cooling Solution

Optionale HDD-Kühlung
Plus Cooling Solution HDD
Soluzione raffreddamento Extra HDD
Solución de refrigeración adicional HDD
Extra HDD solução de resfriamento
Optionele HDD-koeling

Rozwiązanie do chłodzenia HDD
Extra HDD-hűtési megoldás
Instalace extra chlazení HDD
Instalácia extra chladenia pre HDD
硬碟散熱加強方案
追加 HDD の冷却方法



Extra Space for Power Supply Installation

Zusätzlicher Platz für die Netzteil-Installation

Espace supplémentaire pour l'installation de l'alimentation

Spazio extra per l'installazione dell'alimentatore

Espacio extra para la instalación de fuente de alimentación

Espaço extra para a instalação da fonte de alimentação

Extra ruimte voor installatie van voeding

Dodatkové mieste na montáž zasilacza

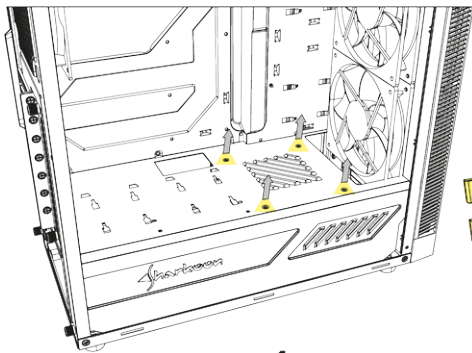
Extra hely a tápegység számára

Extra prostor pro instalaci napájecího zdroje

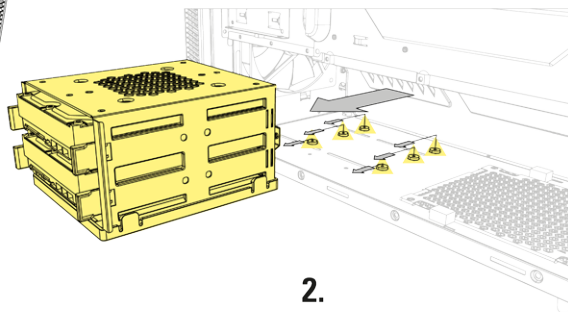
Extra priestor pre inštaláciu napájacieho zdroja

增加電源安裝空間

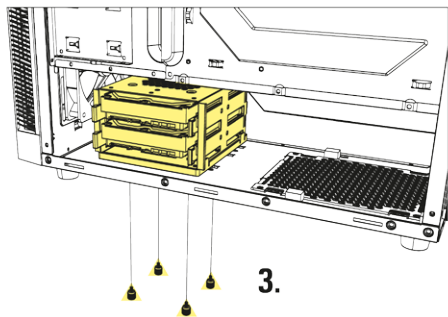
電源ユニット設置用の追加スペース



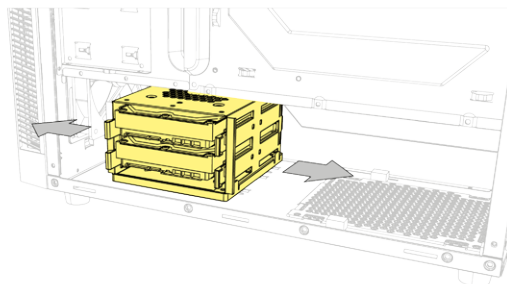
1.



2.



3.



4.

Top Panel Radiator Installation

Radiatoreinbau Gehäuseoberseite

Installation du radiateur du panneau supérieur

Installazione del radiatore sul pannello superiore

Instalación de radiador en el panel superior

Instalação do radiador do painel superior

Bovenpaneel radiator installatie

Montáž chladičky na górnym panelu

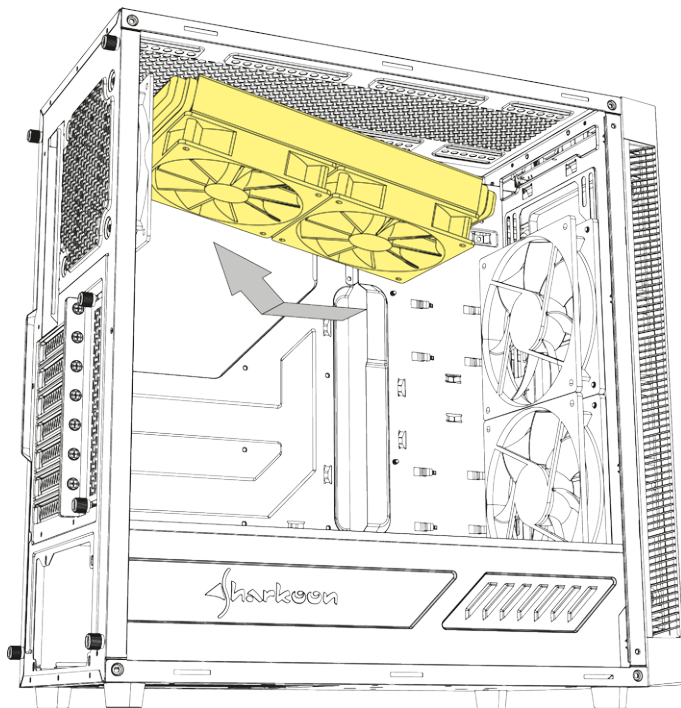
A radiátor felszerelése a felső panelre

Instalace chladiče na horní panel

Montáž chladiča na horný panel

機殻上板水冷排安裝

トップパネルラジエーターの設置

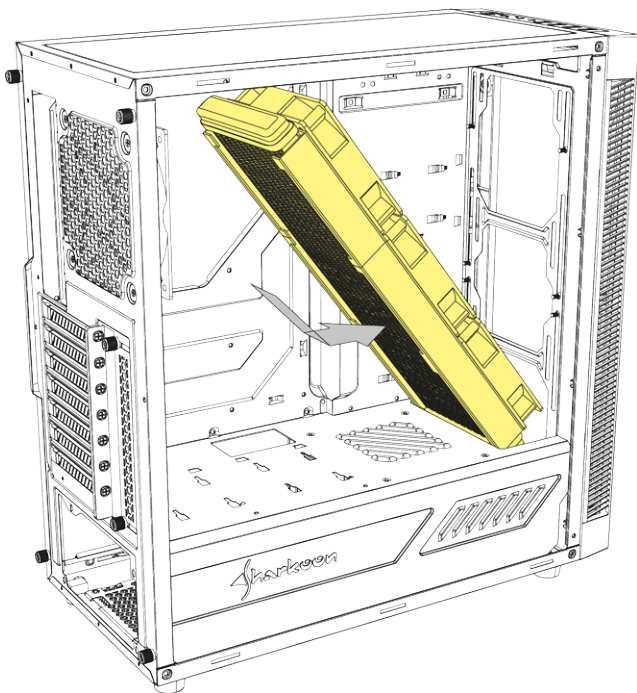


120 mm / 240 mm Radiator

Front Panel Radiator Installation

Radiatoreinbau Gehäusefront
Installation du radiateur du panneau avant
Installazione del radiatore sul pannello frontale
Instalación de radiador en el panel frontal
Instalação do radiador do painel frontal
Voorpaneel radiator installatie

Montaż chłodnicy na panelu przednim
A radiátor felszerelése az előlső panelre
Instalace chladiče na přední panel
機殻前板水冷排安裝
フロントパネルラジエーターの設置



120 mm / 140 mm / 240 mm / 280 mm / 360 mm Radiator

Rear Panel Radiator Installation

Radiatoreinbau Gehäuserückseite

Installation du radiateur du panneau arrière

Installazione del radiatore sul pannello posteriore

Instalación de radiador en el panel posterior

Instalação do radiador do painel traseiro

Achterpaneel radiator installatie

Montáž chladičky na panelu tylném

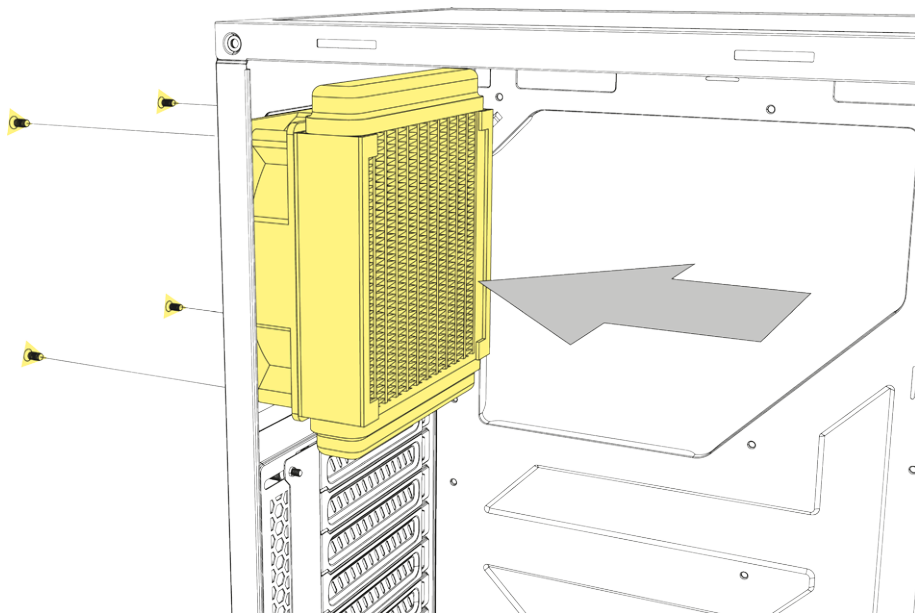
A radiátor felszerelése a hátsó panelre

Instalace chladiče na zadní panel

Montáž chladiča na zadný panel

機殻後板水冷排安裝

リアパネルラジエーターの設置



120 mm Radiator

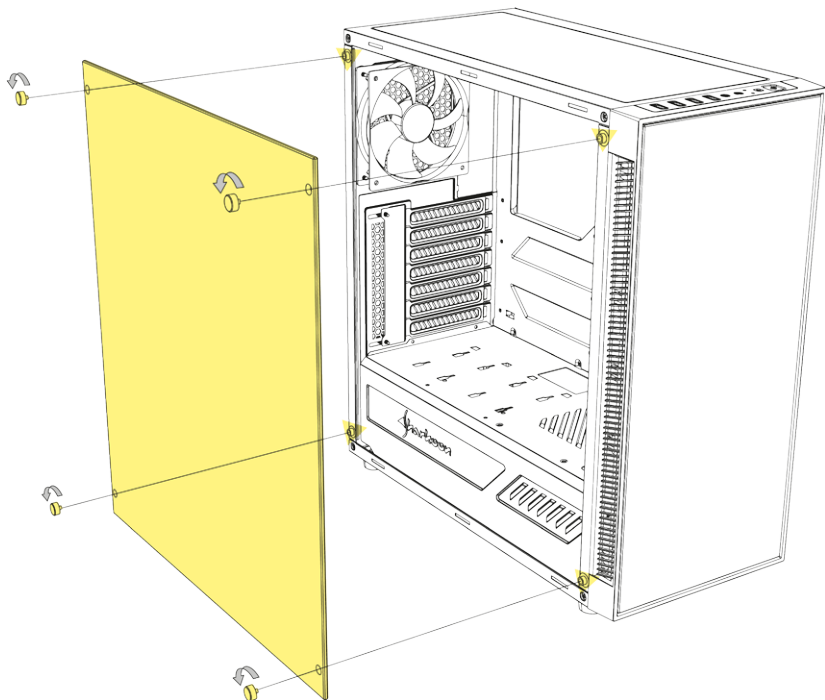
Glass Side Panel Removal

Ausbau Glasseiteenteil

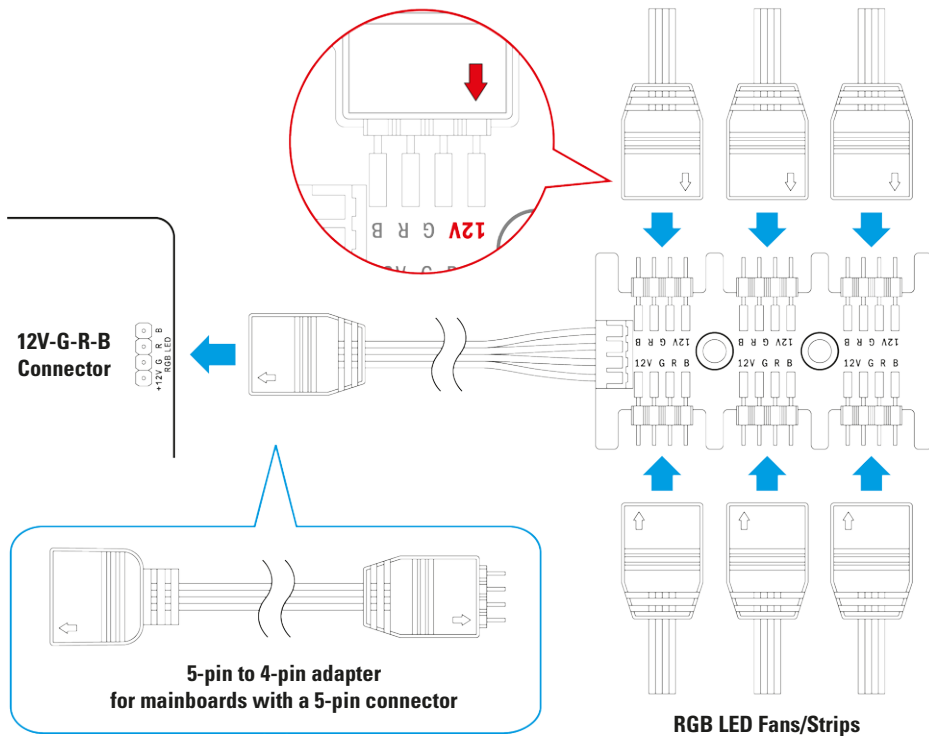
Dépose du panneau latéral en verre
Rimozione del pannello laterale in vetro
Extracción del panel lateral de vidrio
Remoção do painel lateral de vidro
Glazen zijpaneel verwijderen

Zdejmovanie panelu szklanego

Az üveglap panel eltávolítása
Demontáž skleněného bočního panelu
Odmontovanie skleneného bočného panela
移除玻璃側板
ガラスサイドパネルの取り外し

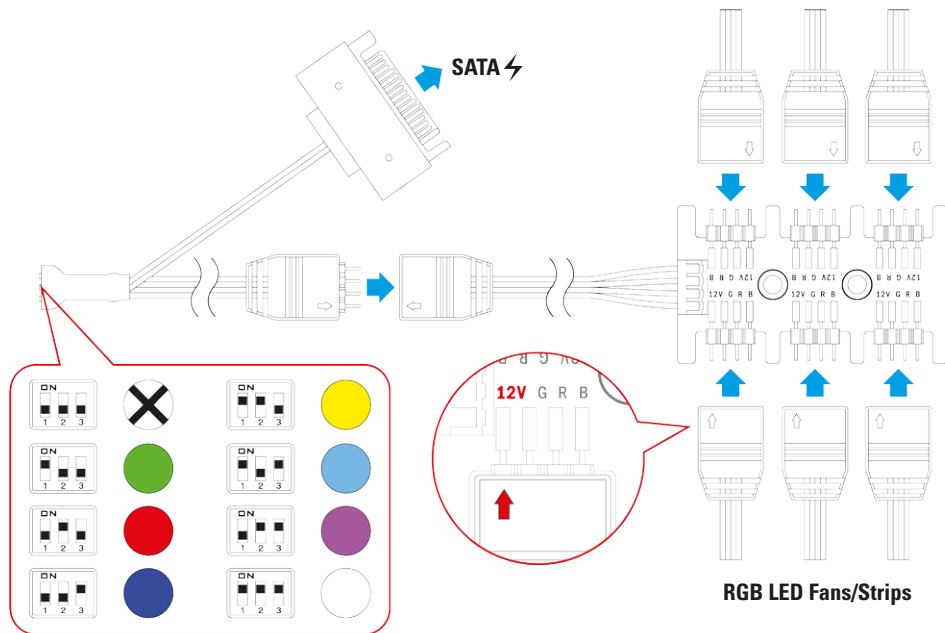


6-Port RGB Hub



The 6-port RGB hub is self-adhesively attached to the case interior and then connected to the mainboard's 12V-G-R-B connector. When connecting any elements, make sure that the 12V contact and the arrow on the corresponding connector are facing each other as shown.

Manual Color Control



To illuminate RGB LED fans and strips on motherboards without a 12V-G-R-B connector, connect the manual color control as shown. The color of the RGB channels can then be selected via the DIP switches.

Note

Safety Instructions

In some cases, certain individuals may experience epileptic seizures if exposed to certain light frequencies, flickering light sources and patterns. Consult your doctor if you or one of your family members suffer from epilepsy. Even some people without a history of seizures or epilepsy may have an undiagnosed ailment. Seek medical attention if any of the following symptoms occur: visual impairment, eye and muscle twitching, loss of consciousness, disorientation, involuntary movements and spasms.

Make sure that the 6-port RGB hub is securely attached to the case interior. Contact with conductive surfaces may cause short-circuit hazard. SHARKOON assumes no liability for any data loss, especially due to improper handling.

Legal Disclaimer

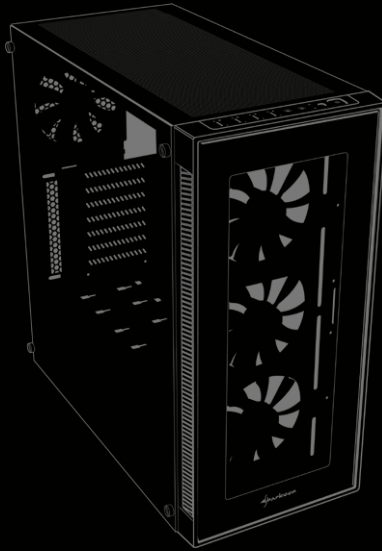
For potential loss of data, especially due to inappropriate handling, SHARKOON assumes no liability. All named products and descriptions are trademarks and/or registered trademarks of the respective manufacturers and are accepted as protected. As a continuing policy of product improvement at SHARKOON, the design and specifications are subject to change without prior notice. National product specifications may vary. All rights reserved especially (also in extracts) for translation, reprinting, reproduction by copying or other technical means. Infringements will lead to compensation. All rights reserved especially in case of assignation of patent or utility patent. Means of delivery and technical modifications reserved.

Disposal of your old products

Your product is designed and manufactured with high quality materials and components, which can be recycled and reused.



When this crossed-out wheeled bin symbol is attached to a product, it means the product is covered by the European Directive 2012/19/EU. Please be informed about the local separate collection system for electrical and electronic products. Please act according to your local rules and do not dispose of your old products with your normal household waste. The correct disposal of your old product will help prevent potential negative consequences to the environment and human health.



SHARKOON Technologies GmbH

Siemensstraße 38

35440 Linden

Germany

© SHARKOON Technologies 2018

info@sharkoon.com

www.sharkoon.com