

SHARP



User manual

HT-SB110

2.0 Soundbar Home Theatre System

EN

DE

ES

IT

FR

PL

Important safety instructions



Please, read these safety instructions and respect the following warnings before the appliance is operated:



The lightning flash with arrowhead symbol, within an equilateral triangle, is intended to alert the user to the presence of uninsulated "dangerous voltage" within the product's enclosure that may be of sufficient magnitude as to constitute a risk of electric shock to persons.



The exclamation point within an equilateral triangle is intended to alert the user to the presence of important operating and maintenance (servicing) instructions in the literature accompanying the appliance.

In order to prevent fire always keep candles and other open flames away from this product.



Warning:

- Always follow basic safety precautions when using this appliance, especially when children are present.
- Children should be supervised to ensure that they do not play with the appliance.
- Do not damage the power cord, neither do not place any heavy objects on it, do not stretch it or bend it. Also do not attach extension cables. Damage to the power cord may occur fire or electric shock.
- If the supply cord is damaged, it must be replaced by the manufacturer, a service agent or similarly qualified persons in order to avoid a hazard.
- Ensure that the unit is plugged into an AC 220-240V 50Hz power outlet. Using higher voltage may cause the unit to malfunction or even fire catching.
- If the power plug does not fit into your outlet, do not force the plug into an electrical socket if it does not fit.
- Turn off the unit before unplugging it from power source to completely switch it off.
- Do not disconnect or connect the power cord with wet hands. It may cause an electric shock.
- Disconnect the power cord if it is not used for a long time.
- Ensure that the mains plug is always easily accessible.
- This product does not contain any parts that are serviceable by the user. In case of a fault, contact the manufacturer or authorised service department. Exposing the internal parts inside the device may endanger your life. The manufacturers guarantee does not extend to faults caused by repairs carried out by unauthorised third parties.
- Do not use this product immediately after unpacking. Wait until it warms up to room temperature before using it.
- Ensure this product is used in moderate climates only (not in tropical/subtropical climates).
- Place product on a flat, stable surface that is not subject to vibrations.
- Ensure the product and its parts is not overhanging the edge of the supporting furniture.
- To reduce the risk of fire, electric shock or damage to this product, do not expose it to direct sunlight, dust, rain and moisture. Never expose it

to dripping or splashing and do not place objects filled with liquids on or near the product.

- Do not place objects filled with liquids, such as vases, on the apparatus.
- Do not install near any heat sources such as radiators, heat registers, stoves, or other apparatus (including amplifiers) that produce heat.
- Do not place the product where the humidity is high and ventilation is poor.
- Ensure a minimum distance of 5 cm around the apparatus for sufficient ventilation. Do not block any ventilation openings of this product. Always ensure that the ventilation openings are not covered with items such as newspapers, table-cloths, curtains, etc.
- NEVER let anyone, especially children, push anything into holes, slots or any other openings in the unit's casing as this could result in a fatal electric shock.
- Storms are dangerous for all electric appliances. If the mains or aerial wiring is struck by lightning, the appliance might get damaged, even if it is turned off. You should disconnect all the cables and connectors of the appliance before a storm.
- Excessive sound pressure from earphones and headphones can cause hearing loss.

Maintenance

- Unplug the power cable from the power source before cleaning the appliance.
- Use a soft and clean rag to clean the outside of the unit. Never clean it with chemicals or detergent.

Batteries

- Observe the correct polarity when inserting the batteries.
- Do not expose batteries to high temperatures and do not place them on locations where the temperature might increase quickly, e.g. near the fire or on the direct sunshine.
- Do not expose batteries to excessive radiant heat, do not throw them into the fire, do not disassemble them and do not try to recharge un-rechargeable batteries. They could leak or explode.
- Never use different batteries together or mix new and old ones.
- When the Remote Control is not to be used for a long time (more than a month), remove the battery from the Remote Control to prevent it from leaking.
- If the batteries leak, wipe away the leakage inside the battery compartment and replace the batteries with new ones.
- Do not use any batteries other than those specified.



Do not ingest battery, chemical burn hazard

- If the battery is swallowed, it can cause severe internal burns in just 2 hours and lead to death. Keep new and used batteries away from children. If the battery compartment does not close securely, stop using the product and keep it away from children. If you think batteries might have been swallowed or placed inside any part of the body, seek immediate medical attention.

Disposal of this equipment and Batteries

- Do not dispose of this product or its batteries as unsorted municipal waste. Return it to a designated collection point for the recycling of WEEE in accordance with local law. By doing so, you will help to conserve resources and protect the environment.
- Most of the EU countries regulate the disposal of batteries by law. Contact your retailer or local authorities for more information.
- The shown above appears on electrical and electronic equipment and batteries (or the packaging) to remind users of this. If "Hg" or "Pb" appears below the symbol, this mean that the battery contains traces of mercury (Hg) or lead (Pb), respectively.



- Users are requested to use existing return facilities for used equipment and batteries.

CE Statement:

- Hereby, Universal Media Corporation s.r.o. declares that this audio device is in compliance with the essential requirements and other relevant provisions of RED Directive 2014/53/EU. <http://www.sharp.eu/av/documents-of-conformity>

Trademarks:

The Bluetooth word mark and logos are registered trademarks owned by Bluetooth SIG., Inc.

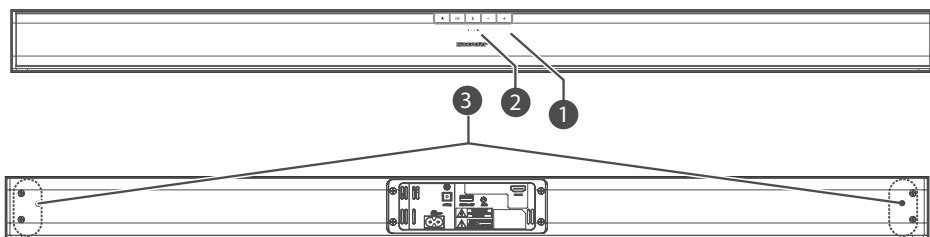


The terms HDMI and HDMI High-Definition Multimedia Interface, and the HDMI Logo are trademarks or registered trademarks of HDMI Licensing, LLC in the United States and other countries.

Accessories

- | | |
|---------------------|----------------------------------|
| • 1x Remote control | • 2x Wall Bracket |
| • 1x User manual | • 1x Set of wall-mounting screws |
| • 1x UK power cord | • 1x Quick start guide |
| • 1x EU power cord | |

Controls



- 1. Remote Control Sensor**
- 2. LED Indicators**
 - Red indicator: In STANDBY mode.
 - Green indicator: In AUX mode.
 - Orange indicator: In Optical mode.
 - Blue indicator: In Bluetooth mode.
 - White indicator: In HDMI ARC mode.

- 3. Wall bracket screws**

- 4. ⏻ button**

Switch the unit between ON and STANDBY mode.

- 5. 🎵 button**

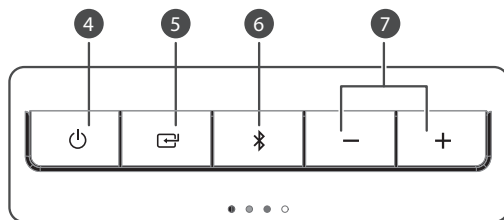
Select the play function.

- 6. 📶 button**

Select the Bluetooth mode. Press and hold to activate the pairing function in Bluetooth mode or disconnect the existing paired Bluetooth device.

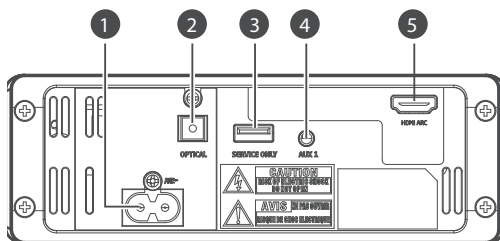
- 7. +/- buttons**

Increase/decrease the volume level.

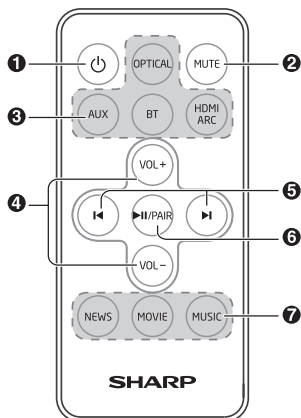


Inputs/Outputs

- 1. AC~ Socket**
Connect power cord.
- 2. OPTICAL Socket**
Optical input jack.
- 3. SERVICE ONLY Socket**
The USB socket is for service only. It is not designed to charge smartphones, tablets or similar devices.
- 4. AUX 1 Socket**
Connect to an external audio device.
- 5. HDMI ARC Socket**
Connect to a TV via HDMI cable.



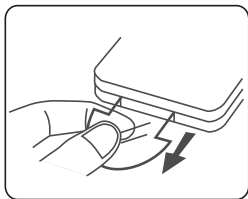
Remote control



1. **⏻** – Switch the unit between ON and STANDBY mode.
2. **MUTE** – Mute or resume the sound.
3. **Function buttons** – Select the play function.
4. **VOL+/VOL-** – Increase/decrease the volume level.
5. **⏮/⏭** – Skip to previous/next track in Bluetooth mode.
6. **⏸/PAIR** – Play/pause/resume playback in Bluetooth mode. Press and hold to activate the pairing function in Bluetooth mode or disconnect the existing paired Bluetooth device.
7. **EQ buttons** – Select a preset sound mode.

First time installation

Remote control preparation

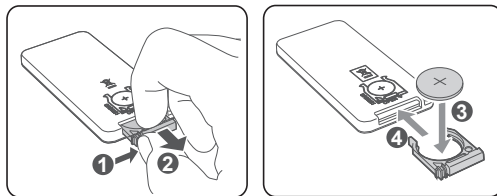


The provided Remote Control allows the unit to be operated from a distance.

- Even if the Remote Control is operated within the effective range 6m, remote control operation may be impossible if there are any obstacles between the unit and the remote control.
- If the Remote Control is operated near other products which generate infrared rays, or if other remote control devices using infra-red rays are used near the unit, it may operate incorrectly. Conversely, the other products may operate incorrectly.

FIRST-TIME USE: The unit has a pre-installed lithium CR2025 battery. Remove the protective tab to activate the remote control battery.

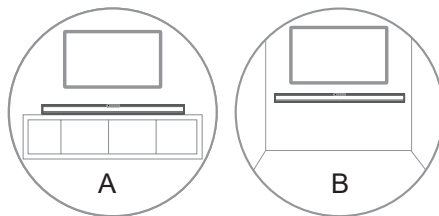
Remote control battery replacement



The remote control requires a CR2025, 3V Lithium battery.

1. Push the tab on the side of the battery tray towards the tray.
2. Now slide the battery tray out of the remote control.
3. Remove the old battery. Place a new CR2025 battery into the battery tray with the correct polarity (+/-) as indicated.
4. Slide the battery tray back into the slot in the remote control.

Placement and Mounting

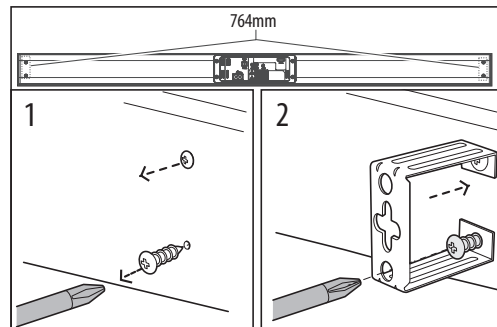


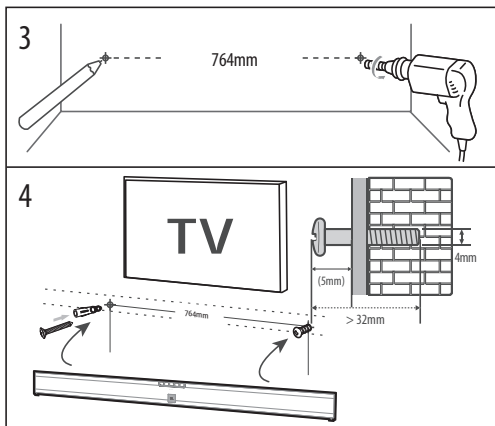
- A: Normal Placement (place Soundbar on leveled surface in front of TV)
B: Wall Mounting

Wall Mounting

NOTE:

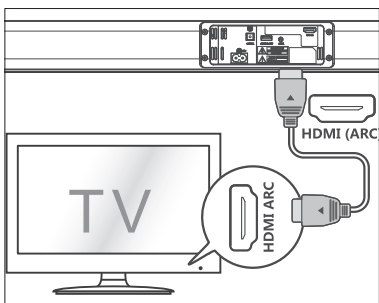
- Installation must be carried out by qualified personnel only. Incorrect assembly can result in severe personal injury and property damage (if you intend to install this product yourself, you must check for installations such as electrical wiring and plumbing that may be buried inside the wall). It is the installer's responsibility to verify that the wall will safely support the total load of the unit and wall brackets.
- Additional tools (not included) are required for the installation.
- Do not overtighten screws.
- Keep this instruction manual for future reference.
- Use an electronic stud finder to check the wall type before drilling and mounting.





1. Remove the screws from the main unit.
2. Attach the wall brackets to the main unit with the screws removed from the main unit.
3. Drill 2 parallel holes (\varnothing 4mm - 8mm each according to wall type) in the wall. The distance between the holes should be 764 mm.
 - Firmly fix 1 dowel into each hole in the wall if necessary.
4. Leave a 5mm gap between the wall and the screw's head. Lift the unit with the attached wall brackets over the heads of the screws and slot into place.

Connections



HDMI ARC input

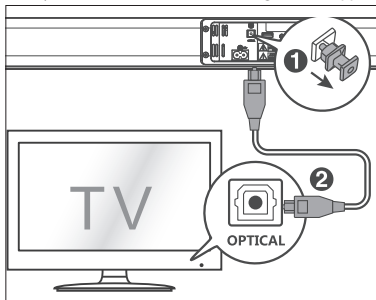
The ARC (Audio Return Channel) function allows you to send audio from your ARC-compliant TV to your sound bar through a single HDMI connection. To enjoy the ARC function, please ensure your TV is both HDMI-CEC and ARC compliant and set up accordingly. When correctly set up, you can use your TV remote control to adjust the volume output (VOL +/- and MUTE) of the sound bar.

– Connect the HDMI cable (not included) from unit's HDMI (ARC) socket to the HDMI (ARC) socket on your ARC compliant TV. Then press the remote control to select HDMI ARC.

TIPS:

- Your TV must support the HDMI-CEC and ARC function. HDMI-CEC and ARC must be set to On.

- The setting method of HDMI-CEC and ARC may differ depending on the TV. For details about ARC function, please refer to your TV owner's manual.
- Only HDMI cables of version 1.4 or higher can support the ARC function.

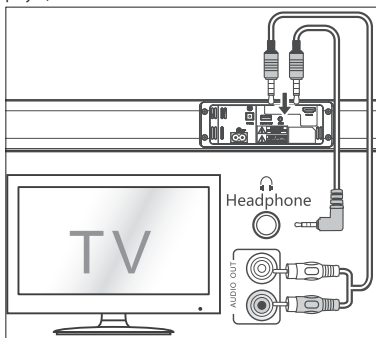


OPTICAL input

- Remove the protective cap of the OPTICAL socket, then connect an OPTICAL cable (not included) to the TV's OPTICAL OUT socket and the OPTICAL socket on the unit.

TIP:

While in HDMI ARC/OPTICAL mode, if there's no sound output from the unit and the HDMI ARC/OPTICAL lights flashes quickly, you may need to activate PCM signal output on your source device (eg. TV, DVD or Blu-ray player).

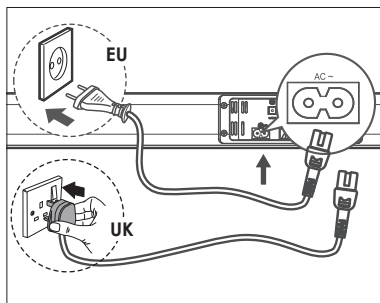


AUX

- A. Use a RCA to 3.5mm audio cable (not included) to connect the TV's audio output sockets to the AUX 1 socket on the unit.
- B. Use a 3.5mm to 3.5mm audio cable (not included) to connect the TV's or external audio device headphone socket to the AUX 1 socket on the unit.

TIP:

When you use the headphone output on the TV set, you will be able to adjust the volume level directly using the TV remote control.




Connect to Power

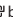
- Before connecting the AC power cord, ensure you have completed all other connections.
- **Risk of product damage!** Ensure that the power supply voltage corresponds to the voltage printed on the back or the underside of the unit.
- Connect the mains cable to the AC~ Socket of the unit and then into a mains socket.

Basic Operation

Standby/ON

- When you first connect the unit to the main socket, the unit will be in STANDBY mode. The POWER indicator will light up red.
- Press the  button on the remote control to switch the main unit ON or OFF.
- Disconnect the main plug from the main socket if you want to switch the unit off completely.
 - If a TV or an external device (Only for AUX socket) is connected, the unit will switch on automatically when the TV or the external device is switched on.
 - When the unit has no input signal for over 15 minutes, it will automatically switch to Standby mode.

Select Modes

Press the  button on the unit repeatedly or press the AUX, BT (Bluetooth), OPTICAL, HDMI ARC buttons on the remote control to select the desired mode.

- Red indicator: In STANDBY mode.
- Green indicator: In AUX mode.
- Orange indicator: In Optical mode.
- Blue indicator: In Bluetooth mode.
- White indicator: In HDMI ARC mode.

Adjust the Volume


- Press the + / - buttons on the unit or press the VOL+ / VOL- buttons on the remote control to adjust the volume.
- If you wish to turn the sound off, press the MUTE button on the remote control. Press the MUTE button again or press the VOL+ / VOL- buttons on the unit or on the remote control to resume normal listening.
- While adjusting the volume, the status indicator flashes quickly.
- While the volume level reaches its maximum level, if you press the VOL+ button again, the status indicator flashes once. While the volume level reaches its minimum level, if you press the VOL- button again, the status indicator flashes once.

Select Equaliser (EQ) Effect

- While playing, press the NEWS or MOVIE or MUSIC buttons on the remote control to select between preset equalisers: Movie (recommended

for viewing movies), Music (recommended for listening to music), NEWS (recommended for listening to NEWS).

AUX/OPTICAL/HDMI ARC

1. Ensure that the unit is connected to the TV or audio device.
2. While in ON mode, press the  button on the unit repeatedly or press the AUX, OPTICAL, HDMI ARC buttons on the remote control to select the desired mode.
3. Operate your audio device directly for playback features.
4. Press the VOL +/- button to adjust the volume to your desired level.

TIP:

While in HDMI ARC/OPTICAL mode, if there's no sound output from the unit and the HDMI ARC/OPTICAL lights flashes quickly, you may need to activate PCM signal output on your source device (eg. TV, DVD or Blu-ray player).


Bluetooth Operation

Pair Bluetooth-enabled Devices


The first time you connect your Bluetooth device to this player, you need to pair your device to this player.

NOTE:

- The operational range between this player and a Bluetooth device is approximately 8 meters (without any object between the Bluetooth device and the unit).
- Before you connect a Bluetooth device to this unit, ensure you know the device's capabilities.
- Compatibility with all Bluetooth devices is not guaranteed.
- Any obstacle between this unit and a Bluetooth device can reduce the operational range.
- If the signal strength is weak, your Bluetooth receiver may disconnect, but it will re-enter pairing mode automatically.

1. While in ON mode, press the (Bluetooth) button on the remote control or on the unit to select Bluetooth mode. The Blue indicator will light flash.
2. Activate your Bluetooth device and select the search mode. "HT-SB110" will appear on your Bluetooth device list.
 - If you cannot find the unit, press and hold the  / PAIR button on the remote control to be searchable. After the "Pairing" voice prompt and the Blue indicator will flash rapidly.
3. Select "HT-SB110" in the pairing list. After the "Paired" voice prompt, the system is successfully connected and the Blue indicator will light up solidly.
4. Begin playing music from the connected Bluetooth device.

To disconnect the Bluetooth function, you can:

- Switch to another function on the unit.
- Disable the Bluetooth function on your device. The device is successfully disconnected from the unit after the "Disconnected" voice prompt.
- Press and hold the  / PAIR button on the remote control.

TIPS:

- Enter "0000" for the password if necessary.
- If no other Bluetooth device pairs with this player in 2 minutes, the player will reconnect to the previous connection.
- The player will also be disconnected when your device is moved beyond the operational range.
- If you want to reconnect your device to this player, place it within the operational range.
- If the device is moved beyond the operational range, when it is brought back, please check if the device is still connected to the player.

- If the connection is lost, follow the instructions above to pair your device to the player again.

Listen to Music from Bluetooth Device

- If the connected Bluetooth device supports Advanced Audio Distribution Profile (A2DP), you can listen to the music stored on the device through the soundbar.
- If the device also supports Audio Video Remote Control Profile (AVRCP), you can use the soundbar's remote control to play music stored on the device.
 1. Pair your device with the player.
 2. Play music via your device (if it supports A2DP).
 3. Use supplied remote control to control play (if it supports AVRCP).
 - To pause/resume play, press the **II** / PAIR button on the remote control.
 - To skip to a track, press the **◀** / **▶** buttons on the remote control.

Troubleshooting

To keep the warranty valid, never try to repair the system yourself. If you encounter problems when using this unit, review the following before requesting service.

No power

Ensure that the AC cord is properly connected.

Ensure that there is power at the AC outlet.

Press standby button on the remote control or soundbar to turn the soundbar on.

No sound

Increase the volume. Press Volume Up on the remote control or on the right side of the soundbar.

Press MUTE on the remote control to ensure the soundbar is not muted.

Press source buttons to select a different input source.

When using either of the Digital input, if there is no audio:

- Try setting the TV output to PCM or
- Connect directly to your Blu-ray/other source, some TVs do not pass through digital audio.

Your TV may be set to variable audio output. Confirm that the audio output setting is set to FIXED or STANDARD, not VARIABLE. Consult your TV's user manual for more detailed information.

If using Bluetooth, ensure that the volume on your source device is turned up and that the device is not muted.

Remote control does not work

Before you press any playback control button, first select the correct source.

Reduce the distance between the remote control and the unit.

Insert the battery with its polarities (+/-) aligned as indicated.

Replace the battery.

Aim the remote control directly at the sensor on the front of the unit.

I hear buzzing or humming

Ensure all cables and wires are securely connected.

Connect a different source device (TV, Blu-ray player, etc) to see if the buzzing persists. If it does not, the problem may be with the original device.

Connect your device to a different input on the soundbar.

I can't find the Bluetooth name of this unit on my Bluetooth device

Ensure the Bluetooth function is activated on your Bluetooth device.

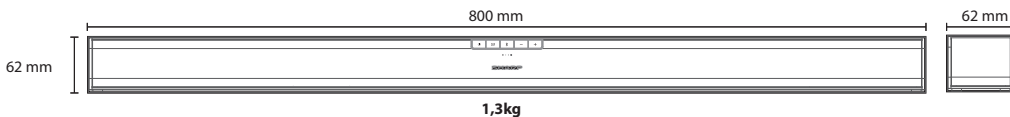
Re-pair the unit with your Bluetooth device.

This is a 15 mins power off function, one of the ERPII standard requirement for saving power

When the unit's external input signal level is too low, the unit will be turned off automatically in 15 minutes. Please increase the volume level of your external device.

Technical specification

Model	HT-SB110
Sound Bar	
Power Supply	AC ~ 220-240V, 50Hz
Power Consumption	30 W
Output Power	2 x 15 W (RMS)
Frequency Response	60Hz - 20KHz
Bluetooth	
Version	V 4.2
Maximum power transmitted	<20 dbm
Frequency bands	2402 MHz ~ 2480 MHz
Remote Control	
Battery Type	CR2025



Wichtige Sicherheitsanweisungen



Bitte lesen Sie sich diese Sicherheitsanweisungen durch und beachten Sie, bevor Sie das Gerät in Betrieb nehmen, auf die folgenden Warnhinweise:



Das Dreieckszeichen mit Blitzsymbol verweist auf nicht isolierte „gefährliche Spannungen“ im Gerätegehäuse, die so hoch sein können, dass sie eine Gefahr von Stromschlägen bilden.



Das Dreieckszeichen mit Ausrufungszeichen verweist auf wichtige Funktions- und Wartungshinweise (Reparatur) in der dem Gerät beigelegten Bedienungsanleitung.

Halten Sie Kerzen und offenes Feuer von diesem Produkt fern, um einen Brand zu vermeiden.



Warnung:

- Halten Sie sich während der Nutzung dieses Geräts immer an die allgemeinen Sicherheitshinweise, insbesondere, wenn Kinder in der Nähe sind.
- Kinder sollten beaufsichtigt werden, um sicherzustellen, dass sie nicht mit dem Gerät spielen.
- Das Stromkabel darf weder beschädigt, noch dürfen schwere Objekte darauf abgelegt werden, außerdem dürfen Sie es nicht dehnen oder verbiegen. Schließen Sie auch keine Verlängerungskabel an. Schäden am Stromkabel können zu einem Feuer oder Stromschlag führen.
- Wenn das Stromversorgungskabel beschädigt ist, muss es vom Hersteller, einem Servicetechniker oder einer ähnlich qualifizierten Person ausgetauscht werden, um Gefährdungen zu vermeiden.
- Stellen Sie sicher, dass die Einheit an eine AC 220-240V 50Hz Steckdose angeschlossen wird. Eine höhere Spannung kann zu Fehlfunktionen oder sogar zu einem Brand führen.
- Wenn der Stecker nicht in die Steckdose passt, dürfen Sie keine Gewalt anwenden, um einen nicht passenden Stecker in die Steckdose zu drücken.
- Schalten Sie die Einheit aus, bevor Sie sie von der Stromversorgung trennen, um sie so vollständig abzuschalten.
- Vermeiden Sie es, das Stromkabel mit nassen Händen anzuschließen oder zu trennen. Dies könnte andernfalls zu einem Stromschlag führen.
- Trennen Sie das Stromkabel, wenn es längere Zeit nicht verwendet wird.
- Stellen Sie sicher, dass der Hauptstecker immer leicht zugänglich ist.
- Dieses Produkt enthält keine Teile, die vom Benutzer gewartet werden können. Setzen Sie sich im Fall eines Defekts mit dem Hersteller oder der autorisierten Kundenabteilung in Verbindung. Teile aus dem Inneren des Geräts freizulegen kann lebensgefährlich sein. Die Garantie der Hersteller gilt nicht für Defekte, die durch von nicht autorisierte Dritten durchgeführte Reparaturen entstehen.
- Benutzen Sie dieses Produkt nicht direkt nach dem Auspacken. Warten Sie, bis es sich auf Zimmertemperatur erwärmt hat, ehe sie es einschalten.
- Stellen Sie sicher, dass dieses Produkt ausschließlich in Umgebungen mit mildem Klima verwendet wird (kein tropisches oder subtropisches Klima).

- Stellen Sie das Produkt auf eine flache, stabile Oberfläche, die keinen Erschütterungen ausgesetzt ist.
- Das Produkt und dessen Teile dürfen nicht über die Kante deelte tragen- den Möbelstücks hinausragen.
- Um das Risiko eines Feuers, Stromschlags oder Schäden an diesem Produkt zu reduzieren, sollten Sie es nicht direktem Sonnenlicht, Staub, Regen oder Feuchtigkeit aussetzen. Setzen Sie es niemals tropfendem oder spritzendem Wasser aus und positionieren Sie keine mit Flüssigkeit gefüllten Objekte auf oder neben dem Produkt.
- Setzen Sie keine mit Flüssigkeit gefüllten Objekte wie Vasen auf das Gerät.
- Installieren Sie das Produkt nicht in der Nähe von Heizquellen, wie etwa Heizungen, Heizregister, Öfen oder anderen Apparaten (einschließlich Verstärker), die Hitze produzieren.
- Platzieren Sie das Gerät nicht an Orten mit hoher Feuchtigkeit und mangelhafter Belüftung.
- Sorgen Sie für einen Mindestabstand von 5 cm rund um das Gerät, um eine ausreichende Belüftung sicherzustellen. Vermeiden Sie es, Belüftungsöffnungen an diesem Produkt zu blockieren. Sorgen Sie immer dafür, dass die Belüftungsöffnungen nicht durch Gegenstände, z. B. Zeitungen, Tischdecken, Gardinen usw. verdeckt sind.
- Lassen Sie NIEMALS jemanden, ganz besonders nicht Kinder, etwas in die Löcher, Spalten oder anderen Öffnungen des Gerätegehäuses stopfen, da dies zu einem folgenschweren Stromschlag führen kann.
- Gewitter sind für alle elektrischen Geräte gefährlich. Wenn das Strom- oder Antennenkabel vom Blitz getroffen wird, kann das Gerät, auch wenn es ausgeschaltet ist, beschädigt werden. Bei einem herannahenden Gewitter sollten Sie alle Kabel und Stecker des Gerätes ausstecken.
- Ein exzessiver Schalldruck von Kopfhörern kann zu einem Hörverlust führen.

Wartung



- Trennen Sie vor dem Reinigen des Geräts das Stromkabel von der Stromquelle.
- Verwenden Sie einen weichen und sauberen Lappen, um die Außenflächen der Einheit zu reinigen. Verwenden Sie beim Reinigen niemals Chemikalien oder Reinigungsmittel.

Batterien

- Achten Sie beim Einlegen der Batterien auf die richtige Polarität.
- Setzen Sie Batterien keinen hohen Temperaturen aus und legen Sie sie nicht an Stellen ab, wo sich die Temperatur schnell erhöht, z. B. neben einem Feuer oder in die direkte Sonneneinstrahlung.
- Setzen Sie Batterien keiner übermäßigen Strahlungswärme aus, werfen Sie sie nicht ins Feuer oder bauen sie auseinander und versuchen Sie nicht, nicht aufladbare Batterien aufzuladen. Sie könnten undicht werden oder explodieren.
- Verwenden Sie niemals unterschiedliche Batterien oder vermischen neue mit alten.
- Wenn Sie die Fernbedienung für längere Zeit nicht verwenden (länger als einen Monat), sollten Sie die Batterie aus der Fernbedienung nehmen, um ein Auslaufen zu verhindern.
- Wenn die Batterien auslaufen, wischen Sie die ausgelaufene Flüssigkeit im Batteriefach weg und ersetzen die Batterien durch neue.
- Verwenden Sie immer nur die angegebenen Batterien.
- **Batterie nicht verschlucken, Gefahr von chemischen Verbrennungen**
- Wenn die Batterie verschluckt wird, kann dies zu schweren inneren Verbrennungen innerhalb von nur 2 Stunden führen und tödlich sein. Bewahren Sie neue und gebrauchte Batterien für Kinder unzugänglich auf. Wenn das Batteriefach nicht fest geschlossen werden kann, sollten Sie das Gerät nicht weiter verwenden und es für Kinder unzugänglich aufbewahren. Wenn Sie vermuten, dass Batterien verschluckt oder in irgendein Körperteil eingeführt wurden, müssen Sie sofort medizinische Hilfe in Anspruch nehmen.



Entsorgung dieses Geräts und von Batterien

- Entsorgen Sie dieses Produkt oder dessen Batterien niemals über den normalen Hausmüll. Geben Sie es entsprechend den gesetzlichen Regelungen vor Ort bei dem für das Recycling von WEEE vorgesehenen Sammelpunkt ab. Damit helfen Sie, Ressourcen einzusparen und die Umwelt zu schützen. 
- In den meisten EU-Ländern gelten für die Entsorgung von Batterien besondere Gesetze und Vorschriften. Weitere Informationen erhalten Sie von Ihrem Händler oder den örtlichen Behörden. 
- Der oben aufgeführte Text erscheint auf elektrischen und elektronischen Geräten und Batterien (oder der Verpackung), um Nutzer entsprechend zu erinnern. Wenn unter dem Symbol „Hg“ oder „Pb“ erscheint, bedeutet dies, dass die Batterie jeweils Spuren von Quecksilber (Hg) oder Blei (Pb) enthält.
- Nutzer werden darum gebeten, für gebrauchte Geräte und Batterien bestehende Rückgabeeinrichtungen zu nutzen.

CE-Konformitätserklärung:

- Die Universal Media Corporation s.r.o erklärt hiermit, dass dieses Audiogerät die wesentlichen Anforderungen und weitere entsprechende Vorschriften der RED-Verordnung 2014/53/EU einhält. <http://www.sharp.eu/av/documents-of-conformity>

Markenzeichen:



Die Bluetooth® Wortmarke und Logos sind geschützte Marken der Bluetooth SIG Inc.

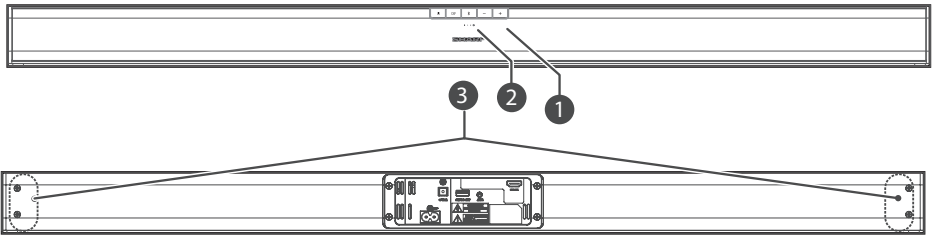


Die Begriffe HDMI und HDMI High-Definition Multimedia Interface sowie das HDMI Logo sind Warenzeichen oder in den Vereinigten Staaten und weiteren Ländern eingetragene Warenzeichen der HDMI Licensing, LLC.

Zubehör

- | | |
|-----------------------|-------------------------------------|
| • 1x Fernbedienung | • 2x Wandhalterung |
| • 1x Benutzerhandbuch | • 1x Satz Wandbefestigungsschrauben |
| • 1x GB Stromkabel | • 1x Schnellstart-Handbuch |
| • 1x EU Stromkabel | |

Steuerelemente



1. Fernbedienungssensor

2. LED-Anzeigen

- Rote Anzeige: Im STANDBY-Modus.
- Grüne Anzeige: Im AUX-Modus.
- Orange Anzeige: Im optischen Modus.
- Blaue Anzeige: Im Bluetooth-Modus.
- Weiße Anzeige: Im HDMI ARC-Modus.

3. Wandhalterungsschrauben

4. ⏻ taste

Zwischen ON und STANDBY-Modus wechseln.

5. 🎮 taste

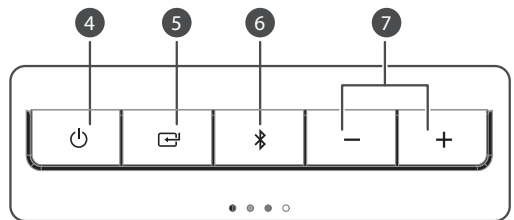
Wählen Sie die Funktion Play.

6. 📶 taste

Wählen Sie einen Bluetooth-Modus. Drücken und halten, um die Funktion Koppeln im Bluetooth-Modus zu aktivieren oder um das bestehende gekoppelte Bluetooth-Gerät zu trennen.

7. +/- tasten

Lautstärke regulieren.



Eingänge/Ausgänge

1. AC~ Steckplatz

Stromkabel anschließen.

2. OPTICAL Steckplatz

Optische Eingangsbuchse.

3. SERVICE ONLY Steckplatz

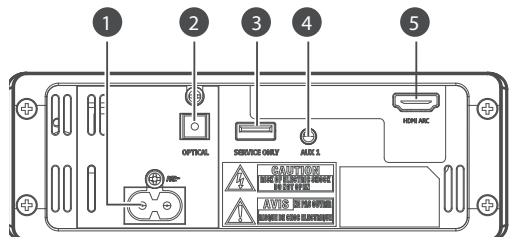
Der USB-Steckplatz dient nur der Wartung. Er eignet sich nicht für das Aufladen von Smartphones, Tablets oder ähnlichen Geräten.

4. AUX 1 Steckplatz

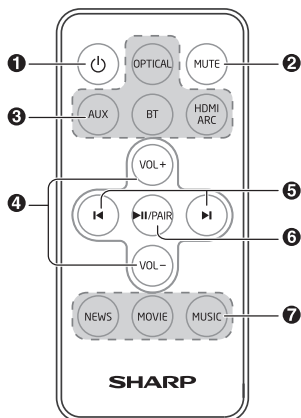
Mit einem externen Audiogerät verbinden.

5. HDMI ARC Anschluß

Über ein HDMI-Kabel mit dem Fernseher verbinden.



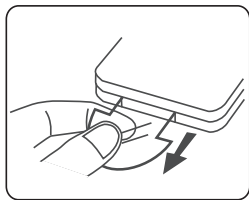
Fernbedienung



1. \odot – Einheit zwischen ON und STANDBY-Modus wechseln.
2. **MUTE** – Stumm oder Ton wieder aktivieren.
3. **Funktionstasten** – Play-Funktion auswählen.
4. **VOL+ / VOL-** – Lautstärke regulieren.
5. **⏮ / ⏭** – Im Bluetooth-Modus zum vorherigen/nächsten Track springen.
6. **⏸ / PAIR** – Wiedergabe im Bluetooth-Modus abspielen/anhalten/weiter abspielen. Drücken und halten, um die Kopplungsfunktion im Bluetooth-Modus zu aktivieren oder um das bestehende Bluetooth-Gerät zu trennen.
7. **EQ Tasten** – Wählen Sie einen voreingestellten Sound-Modus.

Erstmalige Installation

Fernsteuerung einrichten

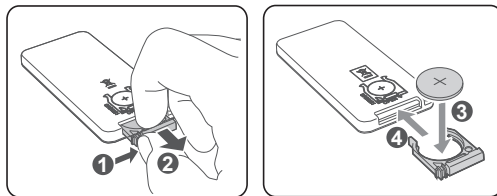


Dank der beigefügten Fernbedienung kann das Gerät aus der Ferne bedient werden.

- Selbst wenn die Fernbedienung innerhalb des effektiven Bereichs von 6 m bedient wird, kann ihr Betrieb unmöglich sein, wenn sich zwischen der Einheit und der Fernbedienung Hindernisse befinden.
- Wenn die Fernbedienung in der Nähe von anderen Produkten, die Infrarotstrahlen generieren, betrieben wird, oder wenn andere Fernsteuerungsgeräte, die Infrarotstrahlen verwenden, in der Nähe der Einheit verwendet werden, arbeitet diese womöglich nicht ordnungsgemäß. Umgekehrt arbeiten auch die anderen Geräte womöglich fehlerhaft.

ERSTMALIGE VERWENDUNG: Die Einheit verfügt über eine vorinstallierte CR2025 Lithiumbatterie. Entfernen Sie die Schutzabdeckung, um die Batterie der Fernbedienung zu aktivieren.

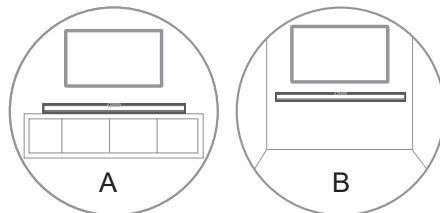
Batterie der Fernbedienung austauschen



Die Fernbedienung benötigt eine CR2025, 3V Lithiumbatterie.

1. Drücken Sie den Verschluss an der Seite des Batteriefachs in Richtung Fach.
2. Dann schieben Sie die Batterieabdeckung aus der Fernbedienung.
3. Entfernen Sie die alte Batterie. Setzen Sie eine neue CR2025 Batterie mit der entsprechend den Angaben korrekten Polarität (+/-) in das Batteriefach.
4. Bringen Sie die Batterieabdeckung wieder an der Fernbedienung an.

Platzierung und Befestigung



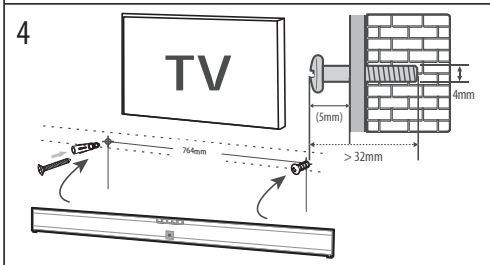
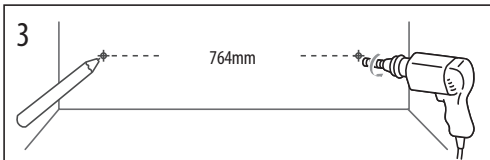
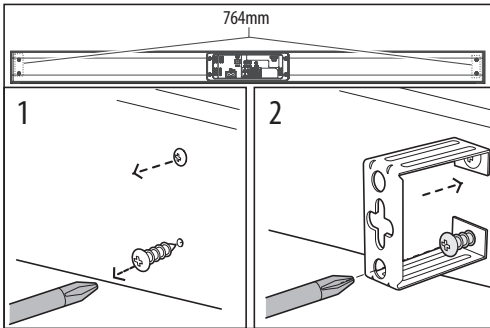
A: Normale Platzierung (Setzen Sie die Soundbar auf eine ebene Oberfläche vor dem Fernseher)

B: Wandmontierung

Wandmontierung

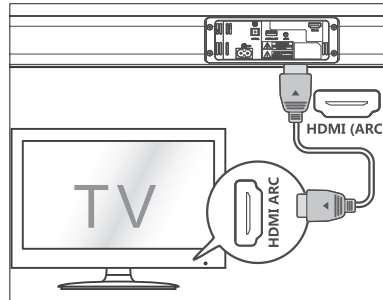
HINWEIS:

- Die Installation darf nur von einem qualifizierten Fachmann vorgenommen werden. Eine unsachgemäße Montage kann zu schweren Verletzungen oder Geräteschäden führen (wenn Sie dieses Produkt selbst installieren möchten, müssen Sie die Wand auf Installationen im Inneren wie elektrische Kabel und Rohrleitungen prüfen). Die Person, welche die Installation vornimmt, muss sicherstellen, dass die Wand die Gesamtlast der Einheit und Halterungsvorrichtungen tragen kann.
- Für die Installation werden zusätzliche Werkzeuge (nicht beigefügt) benötigt.
- Ziehen Sie die Schrauben nicht zu fest.
- Bewahren Sie die Betriebsanleitung zum Nachschlagen zu einem späteren Zeitpunkt auf.
- Nutzen Sie einen elektronischen Balkensucher, um vor dem Bohren und Montieren den Wandtyp zu prüfen.



1. Entfernen Sie die Schrauben aus der Haupteinheit.
2. Nutzen Sie die aus der Haupteinheit entfernten Schrauben, um die Wandhalterungen an der Haupteinheit zu befestigen.
3. Bohren Sie 2 parallele Löcher (jeweils \varnothing 4 mm - 8 mm entsprechend dem Wandtyp) in die Wand. Der Abstand zwischen den Löchern sollte 764 mm betragen. Setzen Sie, wenn nötig, einen Dübel in jedes Loch in der Wand ein.
4. Lassen Sie eine 5 mm große Lücke zwischen der Wand und dem Schraubenkopf. Heben Sie die Einheit mit den angebrachten Wandbefestigungen über die Schraubenköpfe in die entsprechende Position.

Anschlüsse



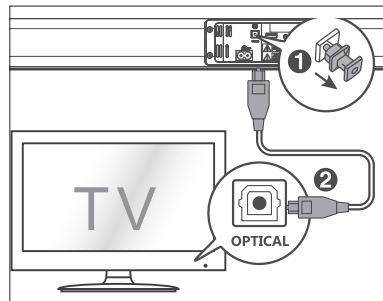
HDMI ARC-Eingang

Die ARC-Funktion (Audio Return Channel) erlaubt Ihnen, Audio von Ihrem ARC-kompatiblen Fernseher über einen einzigen HDMI-Anschluss an Ihre Soundbar zu schicken. Um die ARC-Funktion zu genießen, stellen Sie bitte sicher, dass Ihr Fernseher sowohl HDMI-CEC als auch ARC-kompatibel ist, und richten Sie ihn entsprechend ein. Bei korrekter Einrichtung können Sie Ihre Fernsehfernbedienung nutzen, um die Lautstärke (VOL +/- und MUTE) der Soundbar zu regulieren.

- Schließen Sie das HDMI-Kabel (nicht beigelegt) vom HDMI (ARC)-Steckplatz der Einheit an den HDMI (ARC)-Steckplatz an Ihrem ARC-kompatiblen Fernseher an. Wählen Sie dann per Knopfdruck auf Ihrer Fernbedienung HDMI ARC aus.

TIPPS:

- Ihr Fernseher muss die HDMI-CEC und ARC-Funktion unterstützen. HDMI-CEC und ARC müssen auf On gestellt sein.
- Die Einstellungsmethoden HDMI-CEC und ARC können je nach Fernsehgerät variieren. Für weitere Details zur ARC-Funktion nehmen Sie bitte die Bedienungsanleitung Ihres Fernsehers zur Hand.
- Nur HDMI Kabel der Version 1.4 oder höher unterstützen die ARC Funktion

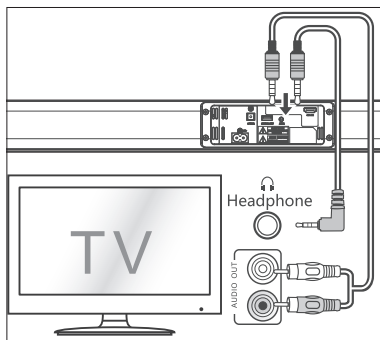


Eingang OPTICAL

- Entfernen Sie die Schutzabdeckung, schließen Sie dann ein OPTICAL-Kabel (nicht enthalten) an den Steckplatz OPTICAL OUT des Fernsehers und den Steckplatz OPTICAL auf der Einheit an.

TIPP:

Wenn im HDMI ARC/OPTICAL-Modus kein Sound von der Einheit kommt und die HDMI ARC/OPTICAL-Lichter schnell blinken, müssen Sie womöglich den PCM-Signalausgang auf Ihrem Quellengerät (z. B. Fernseher, DVD oder Blu-Ray Player) aktivieren.

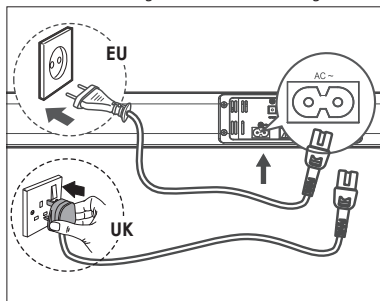


AUX

- Nutzen Sie ein RCA zu 3,5 mm Audiokabel (nicht beigelegt), um die Steckplätze des TV-Audioausgangs mit dem AUX 1-Steckplatz an der Einheit zu verbinden.
- Nutzen Sie ein 3,5 mm zu 3,5 mm Audiokabel (nicht beigelegt), um die Kopfhörersteckplätze des Fernsehers oder externen Audiogeräts mit dem AUX 1-Steckplatz an der Einheit zu verbinden.

TIPP:

Bei Anschluss über den Kopfhörer Ausgang des TV Gerätes, benutzen Sie die TV Fernbedienung um die Lautstärke zu regulieren.



An eine Stromquelle anschließen

- Bevor Sie das Wechselstromkabel anschließen, müssen Sie sicherstellen, dass Sie alle anderen Anschlüsse vorgenommen haben.
- Risiko von Geräteschäden!** Stellen Sie sicher, dass die Stromversorgungsspannung der auf der Rückseite oder Unterseite der Einheit angegebenen Spannung entspricht.
- Schließen Sie das Hauptkabel an den AC~-Steckplatz der Einheit und anschließend an eine Steckdose an.

Allgemeiner Betrieb

Standby/ON

- Wenn Sie die Einheit das erste Mal an eine Steckdose anschließen, befindet sie sich im STANDBY-Modus. Die POWER-Anzeige leuchtet rot auf.
- Drücken Sie die \odot entsprechende Taste auf der Fernbedienung, um die Haupteinheit ein- oder auszuschalten (ON/OFF).
- Ziehen Sie den Hauptstecker aus der Netzsteckdose, wenn Sie die Einheit vollständig abschalten möchten.

- Wenn ein Fernseher oder ein externes Gerät (nur für AUX-Steckplatz) angeschlossen ist, schaltet sich die Einheit automatisch ein, wenn der Fernseher oder das externe Gerät eingeschaltet ist.
- Wenn die Einheit für mehr als 15 Minuten kein Eingangssignal empfängt, wechselt sie automatisch in den Standby-Modus.

Modi wählen

Drücken Sie mehrmals die \square -Taste auf der Einheit oder die Tasten AUX, BT (Bluetooth), OPTICAL, HDMI ARC auf der Fernbedienung, um den gewünschten Modus auszuwählen.

- Rote Anzeige: Im STANDBY-Modus.
- Grüne Anzeige: Im AUX-Modus.
- Orange Anzeige: Im optischen Modus.
- Blaue Anzeige: Im Bluetooth-Modus.
- Weiße Anzeige: Im HDMI ARC-Modus.

Lautstärkeregelung

- Drücken Sie die Tasten + / - auf der Einheit oder tasten VOL+ / VOL- auf der Fernbedienung, um die Lautstärke anzupassen.
- Wenn Sie den Ton vollständig abschalten möchten, drücken Sie die MUTE-Taste auf der Fernbedienung. Drücken Sie die MUTE-Taste erneut oder drücken Sie die Tasten VOL+ / VOL- auf der Einheit oder der Fernbedienung, um den Ton wieder einzuschalten.
- Während des Einstellens der Lautstärke blinkt die Statusanzeige.
- Wenn Sie die Taste VOL+ erneut drücken und die Lautstärke ihre maximale Stufe erreicht hat, blinkt die Statusanzeige einmal auf. Wenn Sie die Taste VOL- erneut drücken und die Lautstärke ihre minimale Stufe erreicht hat, blinkt die Statusanzeige einmal auf.

Equaliser (EQ)-Effekt auswählen

- Drücken Sie während des Abspielens die Tasten NEWS oder MOVIE oder MUSIC auf der Fernbedienung, um aus den voreingestellten Effekten auszuwählen: Movie (empfohlen für das Ansehen von Filmen), Music (empfohlen für das Anhören von Musik), NEWS (empfohlen für das Hören von NACHRICHTEN).

AUX/OPTICAL/HDMI ARC

- Stellen Sie sicher, dass die Einheit an den Fernseher oder das Audiogerät angeschlossen ist.
- Drücken Sie im ON-Modus mehrmals die \square -Taste auf der Einheit oder die Tasten AUX, OPTICAL, HDMI ARC auf der Fernbedienung, um den gewünschten Modus auszuwählen.
- Sie können Ihr Audiogerät direkt für Wiedergabefunktionen nutzen.
- Drücken Sie die Taste VOL +/-, um die Lautstärke auf die gewünschte Stufe zu stellen.

TIPP:

Wenn im HDMI ARC/OPTICAL-Modus kein Sound von der Einheit kommt und die HDMI ARC/OPTICAL-Lichter schnell blinken, müssen Sie womöglich den PCM-Signalausgang auf Ihrem Quellengerät (z. B. Fernseher, DVD oder Blu-Ray Player) aktivieren.

Bluetooth-Betrieb

Bluetooth-fähige Geräte koppeln

Wenn Sie Ihr Bluetooth-Gerät das erste Mal mit diesem Player verbinden, müssen Sie Ihr Gerät an diesen Player koppeln.

HINWEIS:

- Der Betriebsbereich zwischen diesem Player und einem Bluetooth-Gerät beträgt ungefähr 8 Meter (ohne ein Objekt zwischen dem Bluetooth-Gerät und der Einheit).
- Bevor Sie ein Bluetooth-Gerät mit dieser Einheit verbinden, müssen Sie die Eigenschaften des Geräts kennen.

- Eine Kompatibilität mit allen Bluetooth-Geräten kann nicht garantiert werden.
 - Jedes Hindernis zwischen dieser Einheit und einem Bluetooth-Gerät kann den Betriebsbereich reduzieren.
 - Wenn die Signalstärke schwach ist, könnte Ihr Bluetooth-Empfänger möglicherweise nicht verbunden sein, dieser geht jedoch automatisch wieder in den Kopplungsmodus.
1. Drücken Sie im ON-Modus die (Bluetooth) Taste auf der Fernbedienung oder auf der Einheit, um den Bluetooth-Modus auszuwählen. Die Blue-Anzeige leuchtet auf.
 2. Aktivieren Sie Ihr Bluetooth-Gerät und wählen Sie den Suchmodus. „HT-SB110“ erscheint in der Bluetooth-Geräteliste.
 - Wenn Sie die Einheit nicht finden können, drücken und halten Sie zum Suchen die Taste „**MI** / PAIR“ auf der Fernbedienung Nach der „Pairing“-Sprachansage fängt die Blue-Anzeige an, schnell zu blinken.
 3. Wählen Sie in der Kopplungsliste „HT-SB110“ aus. Nach der „Paired“-Sprachansage ist das System erfolgreich verbunden und die Blue-Anzeige leuchtet dauerhaft.
 4. Beginnen Sie mit dem Abspielen von Musik vom verbundenen Bluetooth-Gerät.

Um die Bluetooth-Funktion zu deaktivieren, können Sie Folgendes tun:

- Wechseln Sie zu einer anderen Funktion auf der Einheit.
- Deaktivieren Sie die Bluetooth-Funktion auf Ihrem Gerät. Das Gerät ist nach der „Disconnected“-Sprachansage erfolgreich von der Einheit getrennt.
- Drücken und halten Sie die Taste „**MI** / PAIR“ auf der Fernbedienung

TIPPS:

- Geben Sie, wenn nötig, „0000“ als Passwort ein.
- Wenn innerhalb von zwei Minuten kein anderes Bluetooth-Gerät an diesen Player gekoppelt wird, kehrt der Player wieder zur vorherigen Verbindung zurück.
- Der Player wird auch getrennt, wenn Ihr Gerät den Betriebsbereich verlässt.
- Wenn Sie Ihr Gerät wieder mit diesem Player verbinden möchten, platzieren Sie es innerhalb des Betriebsbereichs.
- Wenn das Gerät den Betriebsbereich verlässt und dann zurückgebracht wird, prüfen Sie bitte, ob das Gerät noch mit dem Player verbunden ist.
- Wenn die Verbindung verloren ist, folgen Sie bitte den oben angegebenen Instruktionen, um Ihr Gerät wieder an den Player zu koppeln.

Musik vom Bluetooth-Gerät hören

- Wenn das verbundene Bluetooth-Gerät Advanced Audio Distribution Profile (A2DP) unterstützt, können Sie über die Soundbar die auf dem Gerät gespeicherte Musik hören.
 - Wenn das Gerät auch Audio Video Remote Control Profile (AVRCP) unterstützt, können Sie die Fernbedienung der Soundbar nutzen, um die auf dem Gerät gespeicherte Musik abzuspielen.
1. Koppeln Sie Ihr Gerät an den Player.
 2. Spielen Sie über Ihr Gerät Musik ab (wenn es A2DP unterstützt).
 3. Verwenden Sie zum Abspielen die mitgelieferte Fernbedienung (wenn diese AVRCP unterstützt).
- Drücken Sie zum Pausieren/weiter Abspielen die Taste **MI** / PAIR auf Ihrer Fernbedienung.
 - Um einen Track zu überspringen, drücken Sie die Tasten **⏮** / **⏭** auf der Fernbedienung.

Stellen Sie sicher, dass das Wechselstromkabel ordnungsgemäß angeschlossen ist.

Stellen Sie sicher, dass die Steckdose ordnungsgemäß funktioniert. Drücken Sie die Standby-Taste auf der Fernbedienung oder Soundbar, um die Soundbar einzuschalten.

Kein Ton

Erhöhen Sie die Lautstärke. Drücken Sie auf der Fernsteuerung oder auf der rechten Seite der Soundbar auf Volume Up.

Drücken Sie MUTE auf der Fernsteuerung, um sicherzustellen, dass die Soundbar nicht auf stumm geschaltet ist.

Drücken Sie die Quellentasten, um eine andere Eingangsquelle auszuwählen.

Beachten Sie Folgendes, wenn Sie bei der Nutzung eines digitalen Eingangs keinen Ton haben:

- Versuchen Sie, den Ausgang des Fernsehers auf PCM zu setzen, oder
- Verbinden Sie ihn direkt mit Ihrem Blu-Ray-Player/einer anderen Quelle. Einige Fernseher geben digitales Audio nicht weiter.

Ihr Fernseher ist womöglich für einen variablen Audio-Ausgang eingestellt.

Bestätigen Sie, dass die Einstellung des Audio-Ausgangs auf FIXED oder STANDARD gesetzt ist, nicht auf VARIABLE. Ziehen Sie für weitere Informationen das Handbuch Ihres Fernsehers zu Rate.

Stellen Sie bei der Verwendung von Bluetooth sicher, dass die Lautstärke Ihres Quellengeräts aufgedreht und Ihr Gerät nicht stummgeschaltet ist.

Fernbedienung funktioniert nicht

Bevor Sie eine Wiedergabetaste drücken, müssen Sie zuerst die richtige Quelle auswählen.

Reduzieren Sie den Abstand zwischen der Fernbedienung und der Einheit.

Setzen Sie die Batterie entsprechend der angezeigten Polarität (+/-) ein.

Ersetzen Sie die Batterie.

Zielen Sie mit der Fernbedienung direkt auf den Sensor vorne an der Einheit.

Ich höre ein Summen oder Brummen

Stellen Sie sicher, dass alle Kabel und Drähte fest angeschlossen sind.

Schließen Sie ein anderes Quellengerät an (Fernseher, Blu-Ray-Player, usw.), um zu prüfen, ob das Summen auch in diesem Fall auftritt. Wenn dies nicht der Fall ist, liegt das Problem womöglich am ursprünglichen Gerät.

Schließen Sie Ihr Gerät an einen anderen Eingang der Soundbar an.

Ich kann den Bluetooth-Namen dieser Einheit nicht auf meinem Bluetooth-Gerät finden

Vergewissern Sie sich, dass die Bluetooth-Funktion auf Ihrem Bluetooth-Gerät aktiviert ist.

Koppeln Sie die Einheit wieder an Ihr Bluetooth-Gerät.

Das Gerät ist mit einer 15-minütigen Stromabschaltfunktion ausgestattet, einer der EPRII-Standardanforderungen zum Einsparen von Strom

Wenn die Stärke des externen Eingangssignals der Einheit zu schwach ist, wird die Einheit nach 15 Minuten automatisch abgeschaltet. Bitte erhöhen Sie die Lautstärke Ihres externen Geräts.

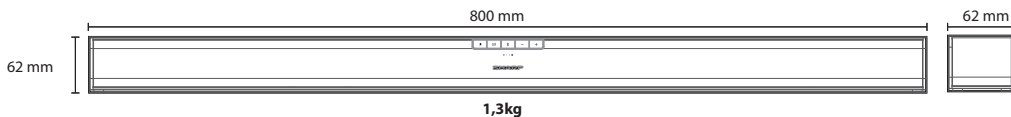
Problembehandlung

Damit die Garantie ihre Gültigkeit behält, dürfen Sie nie versuchen, das System selbst zu reparieren. Wenn Sie Probleme bei der Verwendung der Einheit haben, beschäftigen Sie sich zuerst mit Folgendem, bevor Sie Hilfe anfordern.

Kein Strom

Technische Angaben

Modell	HT-SB110
Soundbar	
Stromversorgung	AC ~ 220-240V, 50Hz
Stromverbrauch	30 W
Ausgangsstrom	2 x 15 W (RMS)
Frequenzabhängigkeit	60Hz - 20KHz
Bluetooth	
Version	V 4.2
Maximaler übertragener Strom	<20 dbm
Frequenzbänder	2402 MHz ~ 2480 MHz
Fernbedienung	
Batterietyp	CR2025



Instrucciones de seguridad importantes



Lea estas instrucciones de seguridad y respete las siguientes advertencias antes de utilizar el aparato:



La finalidad del símbolo del rayo con cabeza de flecha, dentro de un triángulo equilátero, es avisar al usuario de la presencia de "tensión peligrosa" sin aislamiento dentro de la carcasa del producto, que puede ser de suficiente magnitud como para provocar descargas eléctricas para las personas.



La finalidad de la marca de admiración dentro de un triángulo equilátero es avisar al usuario de la presencia de instrucciones importantes de uso y mantenimiento (servicio) en el manual que acompaña al aparato.

Para evitar incendios mantenga siempre las velas u otras llamas al descubierto lejos del producto.



Advertencia:

- Respete siempre las precauciones básicas de seguridad cuando utilice este electrodoméstico, especialmente cuando si hay niños presentes.
- Los niños deben ser supervisados para asegurarse de que no juegan con el aparato.
- No dañe el cable de alimentación, no coloque objetos pesados encima, no lo estire ni lo doble. Asimismo, no conecte alargadores. Los daños en el cable de alimentación pueden ocasionar incendios o descargas eléctricas.
- Si el cable de alimentación presenta algún daño, deberá ser sustituido por el fabricante, el servicio técnico o personas con una cualificación similar para evitar que se produzcan situaciones de peligro.
- Asegúrese de que la unidad está conectada a una toma de corriente de CA de 220-240 V y 50 Hz. El uso de una tensión superior puede causar el mal funcionamiento de la unidad o incluso presentar riesgo de incendio.
- Si el enchufe no encaja en la toma, no lo fuerce.
- Apague la unidad antes de desenchufarla de la corriente para desconectarla por completo.
- No conecte ni desconecte el cable de alimentación con las manos mojadas, ya que podría producirse una descarga eléctrica.
- Desconecte el cable de alimentación si la unidad no se va a utilizar durante un periodo prolongado de tiempo.
- Asegúrese de que el enchufe de alimentación resulta fácilmente accesible.
- Este producto no contiene ninguna pieza que pueda ser reparada por el usuario. En caso de avería, póngase en contacto con el fabricante o el servicio técnico autorizado. La exposición de ciertas partes internas del dispositivo puede poner en peligro su vida. La garantía del fabricante no cubre las averías resultantes de reparaciones llevadas a cabo por terceros.
- No utilice este producto inmediatamente tras desembalar. Espere a que se caliente a la temperatura ambiente antes de utilizarlo.
- Asegúrese de utilizar el producto en climas moderados únicamente (no en climas tropicales o subtropicales).
- Coloque el producto en una superficie plana estable y no expuesta a vibraciones.

- Asegúrese de que el producto y sus partes no sobresalen de los bordes del mueble sobre el que se coloca.
- Para reducir el riesgo de incendio, descarga eléctrica o daño en el producto, no lo exponga directamente a la luz del sol, polvo, lluvia o humedad. No exponga nunca este producto a gotas o derramamientos y no coloque objetos llenos de líquido sobre o cerca de este.
- No coloque objetos con líquidos, como jarrones, sobre el aparato.
- No instale el aparato cerca de ninguna fuente de calor, como radiadores, salidas de aire caliente, estufas u otros aparatos (incluidos amplificadores) que produzcan calor.
- No coloque el producto en espacios húmedos o con ventilación deficiente.
- Asegúrese de dejar una distancia mínima de 5 cm en torno al aparato para garantizar una ventilación adecuada. No obstruya las aberturas de ventilación de este producto. Evite siempre la obstrucción de las ranuras de ventilación con objetos como periódicos, manteles, cortinas, etc.
- No permita que nadie, especialmente los niños, introduzca elementos en los orificios, ranuras ni en ninguna apertura de la carcasa de la unidad, ya que podrían dar lugar a descargas eléctricas mortales.
- Las tormentas son peligrosas para todos los aparatos eléctricos. Si el cable de alimentación o el cableado de la antena es alcanzado por un rayo, el aparato puede resultar dañado, incluso si no está encendido. Debe desconectar todos los cables y conectores del aparato antes de una tormenta.
- La presión acústica excesiva de los auriculares y los cascos puede causar la pérdida del sentido auditivo.

Mantenimiento

- Desenchufe el cable de alimentación de la toma de corriente antes de limpiar la unidad.
- Utilice un paño suave y limpio para limpiar la parte exterior de la unidad. No utilice nunca productos químicos ni detergentes.

Pilas

- Tenga en cuenta la polaridad correcta al insertar las pilas.
- No exponga las pilas a altas temperaturas y no las coloque en lugares en los que la temperatura pueda experimentar cambios bruscos, p. ej., cerca de un fuente de fuego o en contacto directo con la luz solar.
- No exponga las pilas a calor radiante excesivo, no las arroje al fuego, no las desmonte y no intente recargar pilas no recargables, ya que podrían producirse fugas o explotar.
- No combine nunca pilas de diferente tipo y no mezcle pilas nuevas y pilas viejas.
- Si el mando a distancia no se va a utilizar durante un largo periodo de tiempo (más de un mes), retire la pila para evitar fugas.
- Si las baterías presentan fugas, limpie la parte interior del compartimento y sustitúyelas por pilas nuevas.
- No utilice pilas diferentes a las especificadas.

No ingiera las pilas, ya que pueden causar quemaduras químicas.

- La ingestión de pilas puede causar quemaduras internas graves en tan solo 2 horas y producir la muerte. Mantenga las pilas nuevas y usadas lejos de los niños. Si el compartimento de la pila no se cierra correctamente, deje de usar el producto y manténgalo alejado de los niños. Si cree que se pueden haber tragado las pilas o introducido en alguna parte del cuerpo, busque atención médica inmediatamente.

Eliminación de este equipo y las pilas

- No elimine este producto o sus pilas como residuos urbanos no clasificados. Entréguelos en un punto de recogida designado para el reciclado de aparatos electrónicos y eléctricos de acuerdo con la ley local. De esta forma, ayudará a conservar los recursos y a proteger el medio ambiente.



Cd



- La mayor parte de los países de UE regulan la eliminación de las pilas mediante leyes. Póngase en contacto con su distribuidor y con las autoridades locales para obtener más información.
- Se incluye el símbolo anterior en el equipo eléctrico y electrónico, y las baterías (o el embalaje) para recordar a los usuarios de esta circunstancia. Si aparece "Hg" o "Pb" debajo del símbolo, eso significa que las pilas contienen trazas de mercurio (Hg) o plomo (Pb), respectivamente.
- Se solicita a los usuarios que utilicen las instalaciones de devolución existentes para equipos usados.



Declaración CE:

- Por la presente, Universal Media Corporation s.r.o. declara que este dispositivo sonoro cumple los requisitos esenciales y otras disposiciones pertinentes de la Directiva RED 2014/53/UE. <http://www.sharp.eu/av/documents-of-conformity>

Marcas comerciales:



La marca denominativa Bluetooth® y sus logotipos son marcas comerciales propiedad de Bluetooth SIG, Inc.

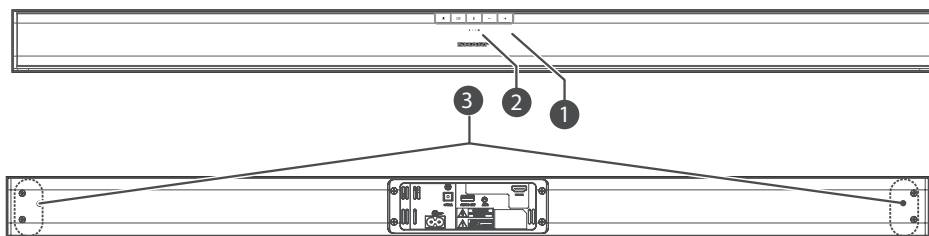


Los términos "HDMI" e "Interfaz multimedia de alta definición HDMI", así como el logotipo HDMI, son marcas comerciales o marcas comerciales registradas de HDMI Licensing, LLC en Estados Unidos y otros países.

Accesorios

- 1x mando a distancia
- 2x soportes de pared
- 1x guía del usuario
- 1x conjunto de tornillos para montaje en pared
- 1x cable de alimentación para el Reino Unido
- 1x Guía de inicio rápido
- 1x cable de alimentación para la UE

Controles



1. Sensor del mando a distancia

2. Indicadores LED

- Indicador rojo: En modo de espera
- Indicador verde: En modo auxiliar
- Indicador naranja: En modo óptico
- Indicador azul: En modo Bluetooth
- Indicador blanco: En modo HDMI ARC.

3. Tornillos para soporte de pared

4. Botón

Permite alternar la unidad entre el modo de encendido y el modo en espera.

5. Botón

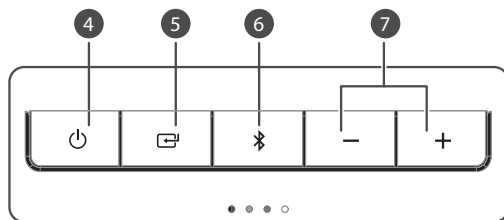
Permite seleccionar la función de reproducción.

6. Botón

Permite seleccionar el modo Bluetooth. Mantenga pulsado para activar la función de emparejamiento en modo Bluetooth o desconecte el dispositivo Bluetooth emparejado existente.

7. +/- botones

Permiten aumentar o reducir el nivel de volumen.



Entradas/salidas

1. Conexión AC~

Conecte el cable de alimentación.

2. Conexión OPTICAL

Conexión de entrada óptica.

3. Conexión SERVICE ONLY

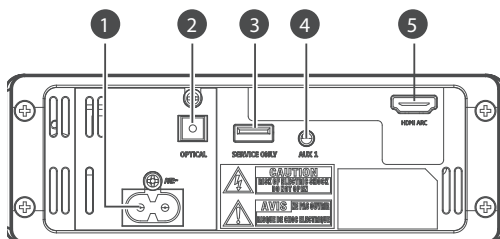
La conexión USB solo es para fines de mantenimiento. No está diseñada para cargar smartphones, tablets o dispositivos similares.

4. Conexión AUX 1

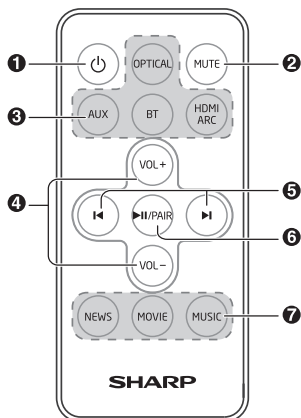
Permite conectar un dispositivo de audio externo.

5. Conexión HDMI ARC

Permite conectar un televisor a través de un cable HDMI.



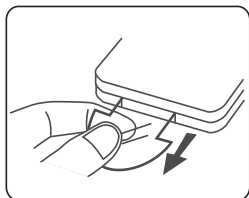
Mando a distancia



1. **⏻** – Permite alternar la unidad entre el modo de encendido y el modo en espera.
2. **MUTE** – Permite silenciar o activar el sonido.
3. **Botones de función** – Permiten seleccionar la función de reproducción.
4. **VOL+/VOL-** – Permiten aumentar o reducir el nivel de sonido.
5. **◀/▶** – Permiten saltar a la pista anterior o siguiente en modo Bluetooth.
6. **⏸/PAIR** – Permite reproducir, realizar una pausa o reanudar la reproducción en modo Bluetooth. Mantenga pulsado para activar la función de emparejamiento en modo Bluetooth o desconecte el dispositivo Bluetooth emparejado existente.
7. **Botones EQ** – Permiten seleccionar el modo de sonido predefinido.

Primera instalación

Preparación del mando a distancia

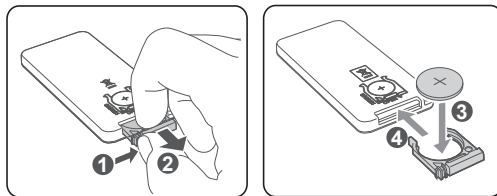


El mando a distancia suministrado permite utilizar la unidad a distancia.

- Incluso si se utiliza dentro de un rango de distancia de 6 m, el mando a distancia puede no responder adecuadamente si existen obstáculos entre la unidad y el mando a distancia.
- Si el mando a distancia se utiliza cerca de otros productos que generan rayos infrarrojos o si otros dispositivos de control remoto utilizan rayos infrarrojos cerca de la unidad, el mando a distancia podría no funcionar correctamente. También podría ocurrir que otros productos no funcionen correctamente.

PRIMER USO: La unidad lleva preinstalada una batería de litio CR2025. Retire la pestaña de protección para activar la pila del mando a distancia.

Colocación de la pila del mando a distancia



El mando a distancia requiere una pila de litio CR2025 de 3 V.

1. Presione la pestaña situada al lado de la bandeja de la pila en dirección al compartimento.
2. A continuación, retire la bandeja de la pila fuera del mando a distancia deslizándola.
3. Retire la pila antigua. Coloque una nueva pila CR2025 en la bandeja de la pila con la polaridad correcta (+/-) como se indica.
4. Deslice la bandeja de la pila en la ranura del mando a distancia.

Colocación y montaje



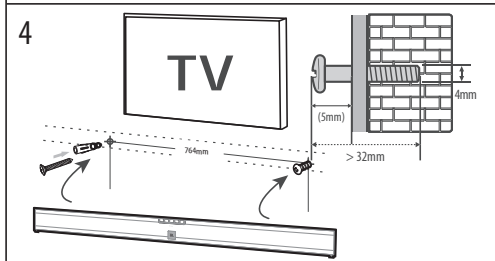
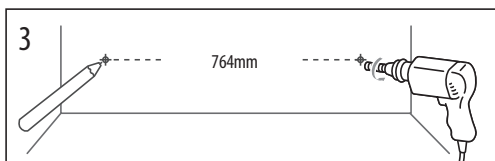
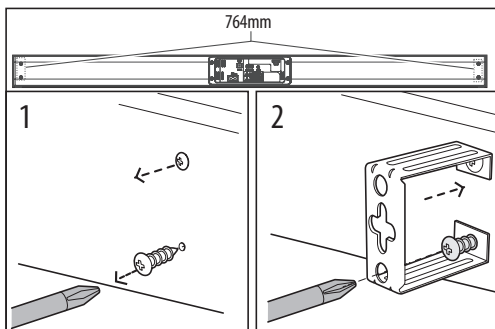
A: Colocación normal (coloque la barra de sonido en una superficie nivelada delante del televisor)

B: Montaje en pared

Montaje en pared

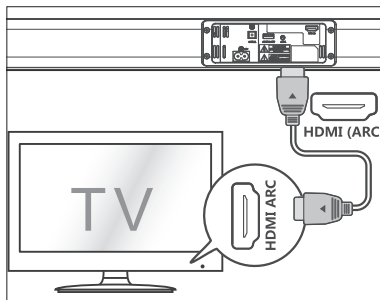
NOTA:

- La instalación debe llevarla a cabo personal cualificado. El montaje incorrecto puede dar lugar a lesiones personales graves o daños en la propiedad (si decide instalar este producto usted mismo, debe comprobar las instalaciones, como los conductos de electricidad o de agua que puedan pasar por detrás de la pared). Es responsabilidad del instalador verificar que la pared puede soportar la carga total de la unidad y los soportes de pared.
- Se necesitan herramientas adicionales (no suministradas) para la instalación.
- No apriete excesivamente los tornillos.
- Conserve el manual de instrucciones para futuras consultas.
- Utilice un detector electrónico de vigas para comprobar el tipo de pared antes de taladrar o montar.



1. Quite los tornillos de la unidad principal.
2. Fije los soportes de pared a la unidad principal con los tornillos retirados de la unidad principal.
3. Taladre dos orificios paralelos (\varnothing 4 mm - 8 mm cada uno en función del tipo de pared) en la pared. La distancia entre los orificios debe ser de 764 mm. Fije firmemente un taco en cada orificio de la pared si fuera necesario.
4. Deje una separación de 5 mm entre la pared y la cabeza del tornillo. Levante la unidad con los soportes de pared suministrados sobre las cabezas de los tornillos y cuélguela.

Conexiones



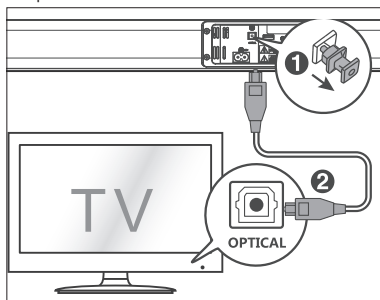
Entrada HDMI ARC

La función ARC (Audio Return Channel) permite enviar audio desde un televisor compatible con ARC a la barra de sonido a través de una única conexión HDMI. Para disfrutar de la función ARC, asegúrese de que su televisor es compatible con HDMI-CEC y ARC, y que configúrelo correspondientemente. Si se configura correctamente, puede utilizar el mando a distancia de su televisor para ajustar la salida de volumen (VOL +/- y MUTE) de su barra de sonido.

- Conecte el cable HDMI (no incluido) desde la conexión HDMI (ARC) de la unidad a la conexión HDMI (ARC) de su televisor compatible con ARC. Pulse el mando a distancia para seleccionar HDMI ARC.

CONSEJO:

- El televisor debe admitir las funciones HDMI-CEC y ARC. Las funciones HDMI-CEC y ARC deben establecerse en activas.
- El método de ajuste de las funciones HDMI-CEC y ARC puede diferir en función del televisor. Para obtener detalles sobre la función ARC, consulte el manual de su televisor.
- Solamente los cables de HDMI con versión 1.4 o superior pueden soportar la función ARC.

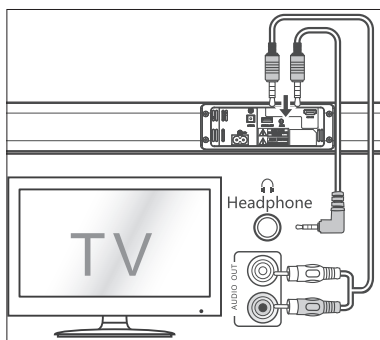


Entrada óptica

- Retire el tapón protector de la conexión OPTICAL, conecte el cable OPTICAL (no incluido) en la conexión OPTICAL OUT del televisor y la conexión OPTICAL en la unidad.

CONSEJO:

En el modo HDMI ARC/OPTICAL, si no se escucha sonido desde la unidad y los indicadores HDMI ARC/OPTICAL parpadean rápidamente, puede que necesite activar la salida de señal PCM en su dispositivo de salida (p. ej., televisor, DVD o reproductor Blu-ray).

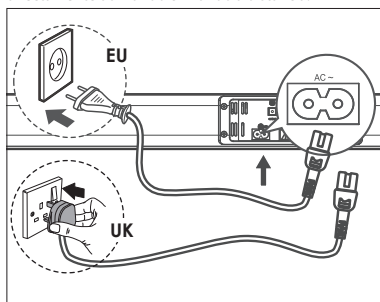


AUX

- Use un cable de audio RCA a 3,5 mm (no suministrado) para conectar las salidas de audio del televisor a una conexión AUX 1 de la unidad.
- Use un cable de audio de 3,5 mm a 3,5 mm (no suministrado) para conectar la salida del televisor o de los auriculares externos del dispositivo a una conexión AUX 1 de la unidad.

CONSEJO:

Cuando utilice la salida de auriculares, usted podrá ajustar el volumen directamente utilizando el mando a distancia.



Conexión a la corriente

- Antes de conectar el cable de alimentación de CA, asegúrese de completar el resto de conexiones.
- Riesgo de daños en el producto.** Asegúrese de que la tensión de alimentación se corresponde con la tensión indicada en la parte posterior de la unidad.
- Conecte el cable principal a la toma AC~ de la unidad y, a continuación, a una toma de corriente.

Funcionamiento básico

Modo en espera/encendido

- La unidad se encenderá en modo de espera cuando se conecta por primera vez a una toma de corriente. El indicador de encendido se iluminará en color rojo.
- Pulse en del mando a distancia para encender o apagar la unidad principal.
- Desconecte el enchufe de la toma de alimentación si desea apagar la unidad completamente.

- Si se ha conectado un televisor o dispositivo externo (solo en el caso de la conexión AUX), la unidad se encenderá automáticamente cuando dichos dispositivos se enciendan.
- Si la unidad no recibe señal de entrada durante más de 15 minutos, se activará automáticamente el modo en espera.

Selección de modos

Pulse el botón de la unidad varias veces o los botones AUX, BT (Bluetooth), OPTICAL o HDMI ARC del mando a distancia para seleccionar el modo deseado.

- Indicador rojo: En modo de espera.
- Indicador verde: En modo auxiliar.
- Indicador naranja: En modo óptico.
- Indicador azul: En modo Bluetooth.
- Indicador blanco: En modo HDMI ARC.

Ajuste del volumen

- Pulse los botones +/- de la unidad o botones VOL+/VOL- del mando a distancia para ajustar el volumen.
- Si desea silenciar el sonido, pulse el botón MUTE del mando a distancia. Pulse el botón MUTE de nuevo o los botones VOL+/VOL- de la unidad o del mando a distancia para reanudar el sonido normal.
- Al ajustar el volumen, el indicador de estado parpadea rápidamente.
- Si pulsa el botón VOL+ cuando el volumen ha alcanzado su nivel máximo, el indicador de estado parpadeará una vez. Si pulsa el botón VOL- cuando el volumen ha alcanzado su nivel mínimo, el indicador de estado parpadeará una vez.

Selección del efecto del ecualizador (EQ)

- Mientras se reproduce sonido, pulse los botones NEWS o MOVIE o MUSIC del mando a distancia para seleccionar entre modos de ecualización predefinidos: Movie (recomendado para ver películas), Music (recomendado para escuchar música), NEWS (recomendado para escuchar NEWS).

AUX/OPTICAL/HDMI ARC

- Asegúrese de que la unidad está conectada al televisor o el dispositivo de audio.
- Con la unidad encendida, pulse el botón varias veces o los botones AUX, OPTICAL o HDMI ARC del mando a distancia para seleccionar el modo deseado.
- Utilice el dispositivo de audio directamente para aplicar funciones de reproducción.
- Pulse el botón VOL +/- para ajustar el volumen al nivel deseado.

CONSEJO:

En el modo HDMI ARC/OPTICAL, si no se escucha sonido desde la unidad y los indicadores HDMI ARC/OPTICAL parpadean rápidamente, puede que necesite activar la salida de señal PCM en su dispositivo de salida (p. ej., televisor, DVD o reproductor Blu-ray).

Funcionamiento de la función Bluetooth

Emparejamiento de dispositivos Bluetooth

La primera vez que conecte su dispositivo Bluetooth al reproductor, necesitará emparejarlo al reproductor.

NOTA:

- El rango operativo entre el reproductor y un dispositivo Bluetooth es de aproximadamente 8 metros (sin ningún objeto entre el dispositivo Bluetooth y la unidad).
- Antes de conectar un dispositivo Bluetooth a esta unidad, asegúrese de conocer las funciones del dispositivo.
- No se garantiza la compatibilidad con todos los dispositivos Bluetooth.

- Cualquier obstáculo entre esta unidad y un dispositivo Bluetooth puede reducir el rango operativo.
 - Si la señal es débil, su receptor Bluetooth puede desconectarse, pero volverá a entrar en modo de emparejamiento automáticamente.
1. Con la unidad encendida, pulse el botón (Bluetooth) de la unidad o del mando a distancia para seleccionar el modo Bluetooth. El indicador azul parpadeará.
 2. Active el dispositivo Bluetooth y seleccione el modo de búsqueda. Aparecerá "HT-SB110" en la lista del dispositivo Bluetooth.
 - Si no puede encontrar la unidad, mantenga pulsado el botón "II / PAIR" del mando a distancia para activar la función de búsqueda. Tras el mensaje sonoro "Pairing", el indicador azul parpadeará visiblemente.
 3. Seleccione "HT-SB110" en la lista de emparejamiento. Tras el mensaje sonoro "Pairing", el sistema se conectará satisfactoriamente y el indicador azul se iluminará sin parpadear.
 4. Empiece a reproducir música desde el dispositivo Bluetooth conectado.

Para desconectar la función Bluetooth, puede:

- Cambiar a otra función de la unidad.
- Desactive la función Bluetooth de su dispositivo. El dispositivo se desconectará correctamente de la unidad después del mensaje de voz "Disconnected".
- Mantenga pulsado el botón "II / PAIR" del mando a distancia.

CONSEJO:

- Introduzca "0000" como contraseña si fuera necesario.
- Si no se empareja otro dispositivo Bluetooth con este reproductor en el transcurso de dos minutos, el reproductor se reconectará a la conexión previa.
- El reproductor también se desconectará cuando el dispositivo deje de estar en el rango operativo.
- Si desea conectar su dispositivo al reproductor, sitúelo dentro del rango operativo.
- Si el dispositivo vuelve a situarse dentro del rango operativo, después de dejar de estarlo, compruebe si sigue conectado al reproductor.
- Si se pierde la conexión, siga las instrucciones anteriores para volver a emparejar el dispositivo al reproductor.

Escuchar música desde un dispositivo Bluetooth

- Si el dispositivo Bluetooth conectado admite Advanced Audio Distribution Profile (A2DP), puede escuchar la música almacenada en dicho dispositivo a través de la barra de sonido.
 - Si el dispositivo también admite Audio Video Remote Control Profile (AVRCP), puede utilizar el mando a distancia de la barra de sonido para reproducir música almacenada en dicho dispositivo.
1. Empareje el dispositivo con el reproductor.
 2. Reproduzca música a través del dispositivo (si admite A2DP).
 3. Use el mando a distancia suministrado para controlar la reproducción (si admite AVRCP).
- Para pausar la reproducción y reanudarla, pulse el botón II / PAIR del mando a distancia.
 - Para saltar una pista, pulse los botones M / M del mando a distancia.

Pulse el botón MUTE del mando a distancia para asegurarse de que la barra de sonido no se ha silenciado.

Pulse los botones de fuente para seleccionar una señal de entrada diferente.

Si no hay audio al usar cualquier de las entradas digitales:

- Pruebe a ajustar la salida del televisor a PCM o
- Conecte directamente a su dispositivo Blu-ray u otra fuente; algunos televisores no transmiten audio digital.

Su televisor puede estar establecido en salida de audio variable. Confirme que el ajuste de salida de audio está configurado en FIXED o STANDARD, no en VARIABLE. Consulte el manual de usuario del televisor para obtener más información.

Si usa Bluetooth, asegúrese de que el volumen de su dispositivo fuente está activado y de que el dispositivo no está en silencio.

El mando a distancia no funciona

Antes de pulsar cualquier botón de control de reproducción, seleccione la fuente correcta.

Reduzca la distancia entre el mando a distancia y la unidad.

Inserte la pila con las polaridades (+/-) alineadas como se indica.

Sustituya la pila.

Dirija el mando distancia directamente hacia el sensor en la parte frontal de la unidad.

Oigo sonido como zumbidos y silbidos

Asegúrese de que todos los cables están correctamente conectados.

Conecte un dispositivo fuente diferente (televisor, reproductor Blu-ray, etc.) para comprobar si el zumbido continúa. Si se deja de oír, el problema puede estar en el dispositivo original.

Conecte el dispositivo a una entrada diferentes en la barra de sonido.

No puedo encontrar el nombre Bluetooth de esta unidad en mi dispositivo Bluetooth

Asegúrese de que la función Bluetooth está activada en su dispositivo Bluetooth.

Vuelva a emparejar la unidad con su dispositivo Bluetooth.

Se trata de una función de apagado tras 15 minutos, uno de los requisitos estándar de ERPII para ahorrar energía

Cuando el nivel de señal de entrada externo de la unidad es demasiado bajo, la unidad se desactivará automáticamente en 15 minutos. Aumente el nivel de volumen del dispositivo externo.

Resolución de problemas

Para conservar la validez de la garantía, no intente reparar nunca el sistema por sí mismo. Si observa problemas al usar esta unidad, revise los siguientes elementos antes de dirigirse al servicio técnico.

No hay alimentación

Asegúrese de que el cable de CA está adecuadamente conectado.

Asegúrese de que la toma de CA tiene corriente.

Pulse el botón de modo en espera del mando a distancia o de la barra de sonido para encender la barra de sonido.

No se oye sonido

Aumente el volumen. Pulse el botón para subir el volumen del mando a distancia o el botón situado en la parte derecha de la barra de sonido.

Especificación técnica

Modelo	HT-SB110
Barra de sonido	
Fuente de alimentación	AC ~ 220-240V, 50Hz
Consumo de electricidad	30 W
Potencia de salida	2 x 15 W (RMS)
Respuesta de frecuencia	60Hz - 20KHz
Bluetooth	
Versión	V 4.2
Potencia máxima transmitida	<20 dbm
Bandas de frecuencia	2402 MHz ~ 2480 MHz
Mando a distancia	
Tipo de batería	CR2025



Importanti istruzioni di sicurezza



Vi preghiamo di leggere queste istruzioni di sicurezza e di rispettare le seguenti avvertenze prima di mettere in funzione l'apparecchio:



Il simbolo del fulmine con una punta di freccia in un triangolo equilatero serve ad avvertire la presenza di un voltaggio pericoloso non isolato all'interno del prodotto di un livello sufficiente a comportare il rischio di shock elettrico per una persona.



Il punto esclamativo in un triangolo equilatero serve ad avvertire la presenza di importanti istruzioni operative e di manutenzione nella documentazione che accompagna l'apparecchio.

Per evitare incendi, tenete sempre lontane dall'apparecchio candele e qualunque altro tipo di fiamma.



Avvertenza:

- Seguire sempre le precauzioni di sicurezza basilari quando si utilizza questo apparecchio, specialmente in presenza di bambini.
- I bambini dovrebbero essere supervisionati per assicurarsi che non giochino con l'apparecchio.
- Non danneggiare il cavo di alimentazione, né riporvi sopra oggetti pesanti, tirarlo o piegarlo. Inoltre, non utilizzare prolunghe. Danni al cavo di alimentazione potrebbero causare incendi o shock elettrici.
- Se il cavo di alimentazione è danneggiato, deve essere sostituito dal produttore, da un agente di servizio o da persone altrettanto qualificate, in modo da evitare pericoli.
- Assicurarsi che l'unità sia connessa a una presa di corrente CA 220-240V 50Hz. Usare un voltaggio superiore può provocare un malfunzionamento dell'unità e persino la formazione di fiamme.
- Non forzare la spina se non si inserisce correttamente nella presa.
- Spegnerne completamente l'unità prima di disconnetterla dall'alimentazione.
- Non disconnettere o connettere il cavo di alimentazione con le mani bagnate. Può provocare uno shock elettrico.
- Scollegare il cavo di alimentazione se non viene usato per molto tempo.
- Assicurarsi che la presa di corrente sia sempre facilmente accessibile.
- Questo prodotto non ha componenti che possano essere riparate dall'utente. In caso di guasto, contattate il produttore o l'agente di servizio autorizzato. Esporre le parti interne al dispositivo può comportare un pericolo di vita. La garanzia non copre danni causati da riparazioni effettuate da terze parti non autorizzate.
- Non utilizzare questo prodotto immediatamente dopo averlo rimosso dall'imballaggio. Attendere che si riscaldi fino a temperatura ambiente prima di usarlo.
- Assicurarsi di usare questo prodotto soltanto in un clima temperato (non in ambienti tropicali o subtropicali).
- Collocare il prodotto su una superficie piana e stabile in modo che non sia sottoposto a vibrazioni.
- Assicurarsi che il prodotto e le sue parti non pendino dal bordo del mobile di supporto.

- Per ridurre il rischio di incendi, shock elettrici o danni al prodotto, non esporlo direttamente a luce del sole, polvere, pioggia o umidità. Non esporlo mai a gocciolamenti e schizzi d'acqua e non collocare oggetti contenenti liquidi sopra o vicino a esso.
- Non collocare oggetti pieni di liquidi, come vasi, sull'apparecchio.
- Non installarlo vicino a fonti di calore come termosifoni, griglie di ventilazione, stufe o altri apparecchi (inclusi amplificatori) che generano calore.
- Non collocare il prodotto in punti con elevata umidità e scarsa ventilazione.
- Assicurare una distanza minima di 5 cm attorno all'apparecchio per una ventilazione sufficiente. Non ostruire le aperture per la ventilazione del prodotto. Assicurarsi che le aperture per la ventilazione siano sgombrere da oggetti come giornali, tovaglie, tendaggi ecc.
- MAI lasciare che qualcuno, specialmente un bambino, inserisca qualcosa nei fori e nelle aperture dell'involucro dell'unità, in quanto ciò potrebbe risultare in uno shock elettrico fatale.
- I temporali sono pericolosi per gli apparecchi elettronici. Se i cavi della rete elettrica o l'antenna vengono colpiti da un fulmine, l'apparecchio potrebbe risultarne danneggiato, anche se spento. E' opportuno scollegare tutti i cavi e i connettori dell'apparecchio prima di un temporale.
- Un'eccessiva pressione sonora da cuffie o auricolari può causare danni all'udito.

Manutenzione

- Disconnetti il cavo di alimentazione dalla presa elettrica prima di pulire l'apparecchio.
- Usare un panno morbido e pulito per pulire l'esterno dell'unità. Non pulire con agenti chimici e detergenti.

Batterie

- Rispettare la corretta polarità quando inserite le batterie.
 - Non esporre le batterie ad alte temperature e non riporle in posti in cui la temperatura possa aumentare velocemente, per esempio vicino a una fiamma o alla luce diretta del sole.
 - Non esporre le batterie a un eccessivo calore radiante, non gettarle nel fuoco, non smontarle e non cercare di ricaricarle se non sono ricaricabili. Potrebbero avere perdite o esplodere.
 - Non usare mai batterie di marche diverse insieme, né mescolare batterie vecchie con nuove.
 - Quando il telecomando non viene usato per lungo tempo (più di un mese), rimuovere la batteria per prevenirne perdite.
 - In caso di perdite di batterie, ripulire la perdita all'interno dello scompartimento e rimpiazzare le batterie vecchie con quelle nuove.
 - Non utilizzare batterie diverse da quelle specificate.
- Non ingerire le batterie: rischio di ustione chimica**
- Se la batteria viene ingerita, può causare gravi ustioni interne in appena due ore e portare alla morte. Tenere batterie nuove e vecchie lontane dai bambini. Se lo scompartimento della batteria non si chiude perfettamente, smettere di usare il prodotto e tenerlo lontano dalla portata dei bambini. In caso di dubbio di ingerimento di batterie o di inserimento in qualsiasi parte del corpo, richiedere immediato supporto medico.



Cd

Smaltimento dell'apparecchio e delle batterie

- Non smaltire questo prodotto insieme a rifiuti non differenziati. Riconsegnarlo in un punto di raccolta apposito per il RAEE (Riciclaggio di Apparecchiature Elettriche ed Elettroniche). Così facendo, contribuirete alla conservazione delle risorse e alla protezione dell'ambiente.
- La maggior parte dei paesi dell'UE regola lo smaltimento delle batterie a norma di legge. Contattare il fornitore o le autorità locali per ulteriori informazioni.
- I simboli mostrati in alto appaiono su apparecchi elettrici ed elettronici e batterie (o sulla relativa confezione) come



promemoria per gli utenti. La presenza di "Hg" o "Pb" sotto il simbolo indica la presenza di tracce di mercurio (Hg) o piombo (Pb).

- Gli utenti sono tenuti a utilizzare le strutture adeguate per lo smaltimento di apparecchi e batterie.

Dichiarazione CE:

- Con la presente, Universal Media Corporation s.r.o. dichiara che questo dispositivo audio soddisfa i requisiti essenziali e le altre disposizioni rilevanti della direttiva RED 2014/53/UE. <http://www.sharp.eu/av/documents-of-conformity>

I marchi:



La parola e i loghi Bluetooth® simbolo sono marchi registrati di proprietà di Bluetooth SIG., Inc.

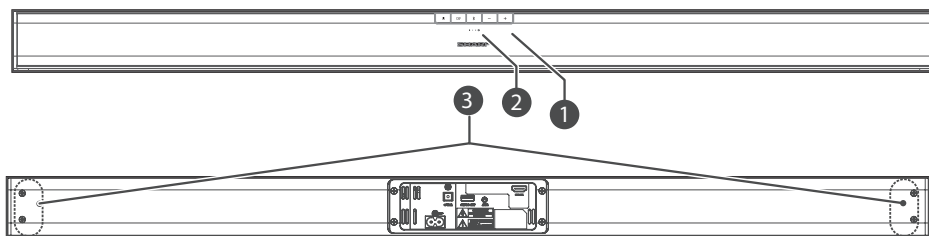


I termini HDMI, il logo HDMI e High-Definition Multimedia Interface sono marchi commerciali o marchi registrati di HDMI Licensing LLC negli USA e in altri paesi.

Accessori

- | | |
|-------------------------------|---|
| • 1x telecomando | • 2x supporti per parete |
| • 1x manuale di istruzioni | • 1x set di viti per il montaggio su parete |
| • 1x cavo di alimentazione UK | • 1x Guida di avvio rapido |
| • 1x cavo di alimentazione EU | |

Controlli



1. Sensore del telecomando

2. Spie LED

- Spia rossa: In modalità STANDBY.
- Spia verde: In modalità AUX.
- Spia arancione: In modalità Optical.
- Spia blu: In modalità Bluetooth.
- Spia bianca: In modalità HDMI ARC.

3. Viti per il montaggio su parete

4. Pulsante

Passa tra modalità ON e STANDBY.

5. Pulsante

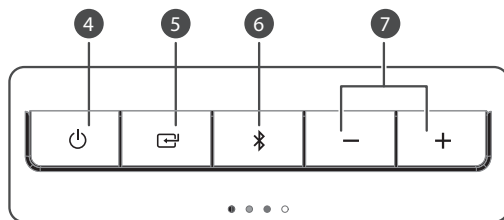
Seleziona la funzione di riproduzione.

6. Pulsante

Seleziona la modalità Bluetooth. Premere e tenere premuto per attivare la funzione di accoppiamento in modalità Bluetooth o per disconnettere il dispositivo attualmente collegato via Bluetooth.

7. +/- Pulsanti

Aumenta/riduce il livello del volume.



Ingressi/Uscite

1. Connettore AC~

Connette il cavo di alimentazione.

2. Connettore OPTICAL

Ingresso cavo Optical.

3. Connettore SERVICE ONLY

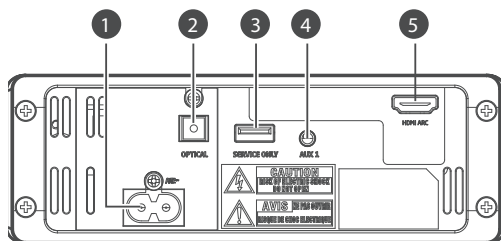
Il connettore USB è solo per uso di servizio. Non è progettato per ricaricare smartphone, tablet o dispositivi simili.

4. Connettore AUX 1

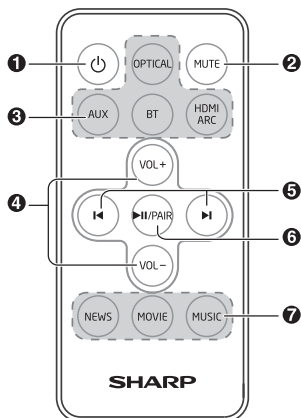
Connette un dispositivo audio esterno.

5. Connettore HDMI ARC

Connette a un televisore tramite cavo HDMI.



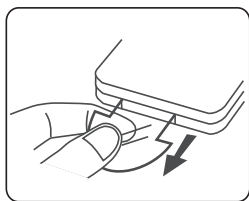
Telecomando



1. – Passa tra modalità ON e STANDBY.
2. **MUTE** – Attiva o disattiva il sonoro.
3. **Pulsanti funzione** – Selezionano la funzione di riproduzione.
4. **VOL+/VOL-** – Aumentano/riducono il livello del volume.
5. – Passa alla traccia successiva/precedente in modalità Bluetooth.
6. **PAIR** – Avvia/ mette in pausa/riprende la riproduzione in modalità Bluetooth. Premere e tenere premuto per attivare la funzione di accoppiamento in modalità Bluetooth o per disconnettere il dispositivo attualmente collegato via Bluetooth.
7. **Pulsanti EQ** – Selezionano una modalità audio preimpostata.

Prima installazione

Preparazione del telecomando

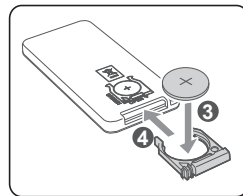
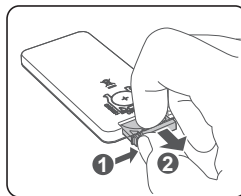


Il telecomando fornito permette di usare il dispositivo dalla distanza.

- Anche se il telecomando viene utilizzato a una distanza funzionale di 6m, il suo corretto funzionamento potrebbe essere impedito da ostacoli posti tra l'unità e il telecomando stesso.
- Se il telecomando viene utilizzato vicino ad altri prodotti che generano raggi infrarossi, oppure se altri telecomandi a infrarossi sono utilizzati vicino all'unità, potrebbe non funzionare correttamente. O, viceversa, altri prodotti potrebbero non funzionare correttamente.

PRIMO UTILIZZO: L'unità contiene una batteria al litio CR2025 preinstallata. Rimuovere la linguetta protettiva per attivare la batteria del telecomando.

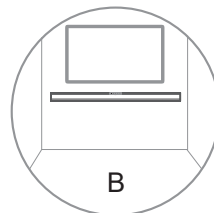
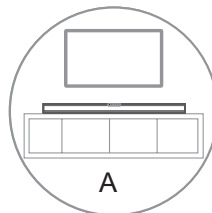
Sostituzione delle batterie del telecomando



Il telecomando richiede una batteria al litio da 3v CR2025.

1. Spingere la linguetta sul lato dello scompartimento della batteria verso lo scompartimento stesso.
2. Ora estrarre lo scompartimento delle batterie dal telecomando facendolo scorrere.
3. Rimuovere la vecchia batteria. Inserire una nuova batteria CR2025 nello scompartimento nella corretta polarità (+/-) come indicato.
4. Far scorrere lo scompartimento all'interno dell'apposito spazio nel telecomando.

Collocazione e montaggio



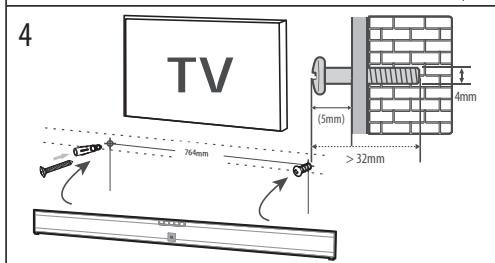
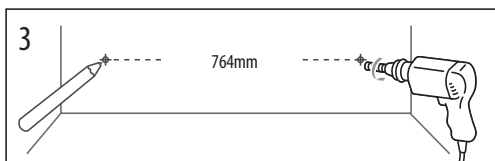
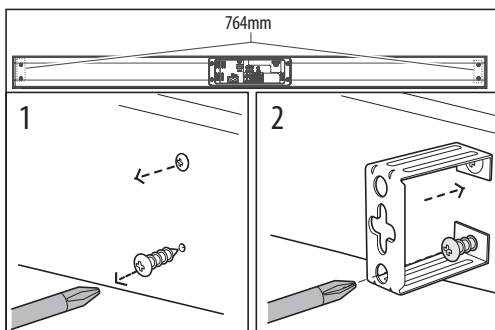
A: Collocazione normale (collocare la soundbar su una superficie piana di fronte al televisore)

B: Montaggio su parete

Montaggio su parete

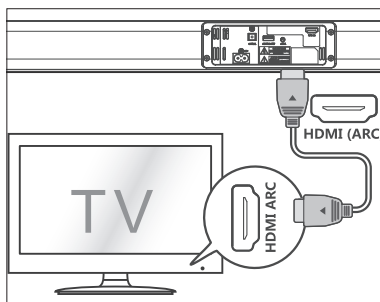
NOTA:

- L'installazione deve essere eseguita soltanto da personale qualificato. L'errato assemblaggio può provocare lesioni personali e danni alla proprietà (se si intende installare il prodotto da sé, è necessario controllare eventuali cavi elettrici o tubature contenute all'interno della parete).
- Si considera responsabilità dell'installatore verificare che il muro possa supportare con sicurezza il carico totale dell'unità e dei supporti.
- Sono richiesti attrezzi aggiuntivi (non inclusi).
- Non stringere eccessivamente le viti.
- Conservare il manuale di istruzioni per consultazioni future.
- Usare un rilevatore elettronico di tubi e cavi per verificare la tipologia di parete prima di trapanare e fissare.



1. Rimuovere le viti dall'unità principale.
2. Fissare i supporti da parete all'unità principale usando le viti rimosse da essa.
3. Trapanare due fori paralleli (\varnothing 4mm - 8mm ciascuno, a seconda del tipo di muro) sulla parete. La distanza tra i fori dovrebbe essere pari a 764 mm. Fissare fermamente 1 spina in ogni foro nel muro se necessario.
4. Lasciare uno spazio di 5mm tra la parete e la testa della vite. Sollevare l'unità con i supporti collegati sopra le teste delle viti e far scorrere il tutto.

Connessioni



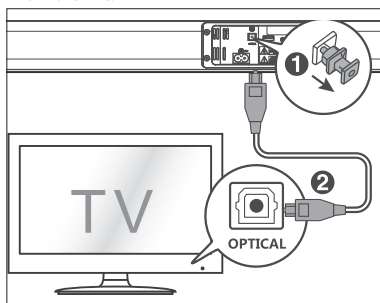
Ingresso HDMI ARC

La funzione ARC (Audio Return Channel) permette di inviare audio da un televisore compatibile con ARC alla soundbar attraverso una singola connessione HDMI. Per sfruttare al meglio la funzione ARC, assicurarsi che il televisore sia compatibile con HDMI-CEC e ARC e che sia impostato correttamente. Se impostato correttamente, sarà possibile usare il telecomando del televisore per regolare il livello del volume (VOL +/- e MUTE) della soundbar.

- Collegare il cavo HDMI (non incluso) dal connettore HDMI (ARC) dell'unità al connettore HDMI (ARC) del televisore compatibile. Quindi usare il telecomando per selezionare HDMI ARC.

SUGGERIMENTI:

- Il televisore deve supportare le funzioni HDMI-CEC e ARC. HDMI-CEC e ARC devono essere impostati come accesi.
- La modalità di selezione di HDMI-CEC e ARC può cambiare a seconda del televisore. Per ulteriori dettagli sulla funzione ARC, consultare il manuale del televisore.
- Solo i cavi HDMI della versione 1.4 o successiva possono supportare la funzione ARC.

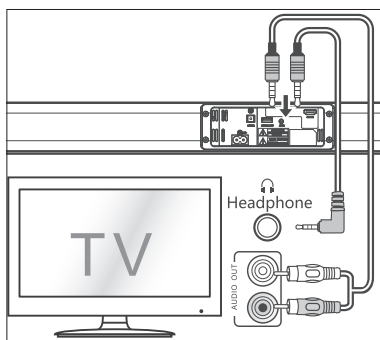


Ingresso OPTICAL

- Rimuovere il coperchio protettivo del connettore OPTICAL, quindi collegare un cavo OPTICAL (non incluso) al connettore corrispondente del televisore e al connettore OPTICAL dell'unità.

SUGGERIMENTO:

Quando si usa la modalità HDMI ARC/OPTICAL, se non viene emesso alcun suono dall'unità e le luci relative a HDMI ARC/OPTICAL lampeggiano velocemente, potrebbe essere necessario attivare l'uscita del segnale PCM sul dispositivo sorgente (ad es. il televisore o il lettore DVD o Blu-ray).

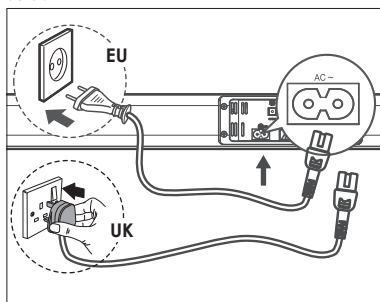


AUX

- Usare un cavo audio da RCA a 3,5mm (non incluso) per connettere le uscite audio del televisore al connettore AUX 1 dell'unità.
- Usare un cavo audio da 3,5mm a 3,5mm (non incluso) per connettere le cuffie del televisore o del dispositivo audio esterno al connettore AUX 1 dell'unità.

SUGGERIMENTO:

Utilizzando le cuffie è possibile modificare il volume usando il telecomando del tv.




Connessione all'alimentazione

- Prima di connettere il cavo di alimentazione CA, assicurarsi di aver completato tutte le altre connessioni.
- C'è il rischio di danneggiare il prodotto!** Assicurarsi che il voltaggio della rete elettrica corrisponda al voltaggio stampato sul retro o sul fondo dell'unità.
- Connettere il cavo di alimentazione al connettore AC~ dell'unità e poi alla presa di corrente.


Uso di base

Standby/Accensione

- Dopo la prima connessione all'alimentazione, l'unità sarà in modalità STANDBY. La spia POWER sarà illuminata di rosso.
- Premere il pulsante  sul telecomando per accendere o spegnere l'unità principale.
- Disconnettere il cavo di alimentazione dalla presa della corrente se si desidera spegnere completamente l'unità.
- Se un televisore o un dispositivo esterno (solo per connettore AUX) viene connesso, l'unità si accende automaticamente all'accensione dell'apparecchio collegato.

- Quando l'unità non riceve alcun segnale di ingresso per oltre 15 minuti, passa automaticamente in modalità Standby.

Selezionare le modalità

Premere il pulsante  sull'unità ripetutamente o premere i pulsanti AUX, BT (Bluetooth), OPTICAL, HDMI ARC sul telecomando per selezionare la modalità desiderata.

- Spia rossa: In modalità STANDBY.
- Spia verde: In modalità AUX.
- Spia arancione: In modalità Optical.
- Spia blu: In modalità Bluetooth.
- Spia bianca: In modalità HDMI ARC.


Regolare il volume

- Premere i pulsanti + / - sull'unità o pulsanti VOL+ / VOL- sul telecomando per regolare il volume.
- Se si desidera disattivare il sonoro, premere il pulsante MUTE sul telecomando. Premere nuovamente MUTE o VOL+ / VOL- sull'unità o sul telecomando per riprendere il normale ascolto.
- Mentre si regola il volume, la spia di stato lampeggia velocemente.
- Quando viene raggiunto il volume massimo e si preme ancora il pulsante VOL+, la spia di stato lampeggia una volta. Quando viene raggiunto il volume massimo e si preme il pulsante VOL-, la spia di stato lampeggia una volta.

Selezionare l'effetto dell'equalizzatore (EQ)

- Durante la riproduzione, premere i pulsanti NEWS, MOVIE o MUSIC sul telecomando per selezionare le equalizzazioni preimpostate: Movie (consigliata per la visione di film), Music (consigliata per l'ascolto della musica), NEWS (consigliata per i notiziari).

AUX/OPTICAL/HDMI ARC

- Assicurarsi che l'unità sia connessa al televisore o al dispositivo audio.
- Quando il dispositivo è acceso, premere il pulsante  sull'unità ripetutamente o premere i pulsanti AUX, OPTICAL, HDMI ARC sul telecomando per selezionare la modalità desiderata.
- Usare direttamente le funzionalità di riproduzione del dispositivo audio.
- Premere il pulsante VOL +/- per regolare il volume al livello desiderato.

SUGGERIMENTO:

Quando si usa la modalità HDMI ARC/OPTICAL, se non viene emesso alcun suono dall'unità e le luci relative a HDMI ARC/OPTICAL lampeggiano velocemente, potrebbe essere necessario attivare l'uscita del segnale PCM sul dispositivo sorgente (ad es. il televisore o il lettore DVD o Blu-ray).

Usare il Bluetooth

Accoppiare dispositivi dotati di Bluetooth

La prima volta che viene connesso un dispositivo Bluetooth a questo lettore, è necessario accoppiarlo.

NOTA:

- La portata massima tra questo lettore e il dispositivo Bluetooth è di circa 8 metri (senza la presenza di oggetti che si frappongano).
- Prima di collegare il dispositivo Bluetooth a questa unità, assicurarsi di conoscere le funzionalità del dispositivo.
- Non è garantita la compatibilità con tutti i dispositivi Bluetooth.
- Qualsiasi ostacolo tra l'unità e il dispositivo Bluetooth può ridurre la portata operativa.
- Se il segnale è debole, il ricevitore Bluetooth potrebbe disconnettersi, ma ritornerà in modalità accoppiamento automaticamente.

- Mentre l'unità è accesa, premere il pulsante Bluetooth sul telecomando o sull'unità per selezionare la modalità Bluetooth. La spia blu lampeggerà lievemente.

2. Attivare il dispositivo Bluetooth e selezionare la modalità di ricerca. "HT-SB110" apparirà sull'elenco dei dispositivi Bluetooth.
 - Se non è possibile trovare l'unità, premere e tenere premuto il pulsante "M/PAIR/PAIR" sul telecomando per renderla visibile. Dopodiché, apparirà il messaggio "Pairing" e la spia blu lampeggerà.
3. Selezionare "HT-SB110" nell'elenco degli accoppiamenti. Dopo il messaggio "Paired", il sistema è correttamente connesso e la spia blu resterà accesa.
4. Ora è possibile cominciare a riprodurre musica dal dispositivo Bluetooth connesso.

Modalità per disconnettere la funzione Bluetooth:

- Passare a un'altra funzione sull'unità.
- Disattivare la funzione Bluetooth sul dispositivo. Questo risulta correttamente disconnesso dall'unità quando appare il messaggio di testo "Disconnected".
- Tenere premuto il pulsante "M/PAIR" sul telecomando.

SUGGERIMENTI:

- Digitare "0000" come password, se necessario.
- Se nell'arco di 2 minuti nessun dispositivo Bluetooth viene accoppiato all'unità, questa si collegherà nuovamente alla connessione precedente.
- L'unità si disconnette anche quando il dispositivo viene allontanato a una distanza maggiore della portata di funzionamento.
- Se si vuole riconnettere il dispositivo all'unità, collocarlo all'interno della portata di collegamento.
- Quando il dispositivo viene allontanato e poi riportato alla portata di funzionamento, controllare che esso risulti ancora connesso.
- Se la connessione viene persa, seguire le istruzioni riportate precedentemente per accoppiare nuovamente il dispositivo all'unità.

Ascoltare musica da un dispositivo Bluetooth

- Se il dispositivo Bluetooth connesso supporta il Profilo Avanzato Distribuzione Audio (A2DP), è possibile ascoltare musica memorizzata sul dispositivo usando la soundbar.
 - Se il dispositivo supporta anche il Profilo Controllo Remoto Audio/Video (AVRCP), è possibile usare il telecomando per riprodurre musica memorizzata sul dispositivo.
1. Accoppiare il dispositivo al lettore.
 2. Riprodurre la musica usando il dispositivo (se supporta A2DP).
 3. Usare il telecomando fornito per controllare la riproduzione (se AVRCP è supportato).
- Per mettere in pausa o riprendere la riproduzione, premere il pulsante M/PAIR sul telecomando.
 - Per saltare una traccia, premere i pulsanti K/▶ sul telecomando.

- Connettere direttamente la sorgente, che sia Blu-ray o altro. Alcuni televisori non trasmettono il segnale audio digitale. Il televisore potrebbe essere impostato su uscite audio variabili. Confermare che l'uscita audio sia impostata su FISSA o STANDARD, e non VARIABLE. Consultare il manuale del televisore per informazioni più dettagliate. In caso di usi di Bluetooth, assicurarsi che il volume sul dispositivo sorgente non sia al minimo e che il dispositivo non sia in muto.

Il telecomando non funziona

- Prima di premere qualsiasi pulsante di controllo della riproduzione, bisogna innanzitutto selezionare la corretta sorgente.
- Ridurre la distanza tra il telecomando e l'unità.
- Inserire la batteria nella giusta polarità (+/-) come indicato.
- Sostituire la batteria.
- Puntare il telecomando direttamente verso il sensore sul lato anteriore dell'unità.

Sento ronzii o fruscii

- Assicurarsi che tutti i cavi e i fili siano connessi saldamente.
- Connettere diverse sorgenti di segnale (TV, lettore Blu-ray, etc) per controllare se il ronzio persiste. Se non è così, il problema potrebbe essere nel dispositivo originale.
- Connettere il dispositivo a un ingresso diverso sulla soundbar.

Non riesco a trovare il nome Bluetooth di questa unità sul dispositivo Bluetooth

- Assicurarsi che la funzione Bluetooth sia attiva sul dispositivo Bluetooth.
- Ripetere la procedura di accoppiamento sul dispositivo Bluetooth.

Questa è una funzione di spegnimento automatico dopo 15 minuti, uno dei requisiti standard ERPII per il risparmio energetico

- Quando il livello del segnale esterno è troppo basso, l'unità si spegnerà automaticamente dopo 15 minuti. Aumentare il livello del volume del dispositivo esterno.

Risoluzione dei problemi

Per far sì che la garanzia resti valida, non tentare mai di riparare il sistema da soli. In caso di problemi con l'unità, consultare quanto segue prima di richiedere assistenza.

Nessuna alimentazione

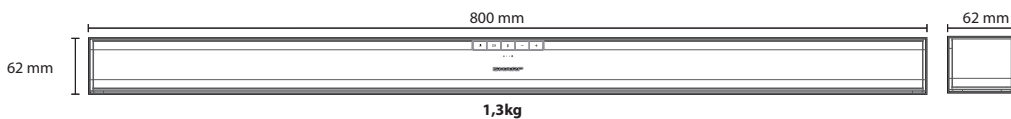
- Assicurarsi che il cavo CA sia connesso correttamente.
- Assicurarsi che la presa CA eroghi corrente.
- Premere il pulsante Standby sul telecomando o sulla soundbar per accenderla.

Nessun suono

- mentare il volume. Premere il pulsante per aumentare il volume sul telecomando o sul lato destro della soundbar.
- Premere MUTE sul telecomando per assicurarsi che l'audio soundbar non sia in muto.
- Premere i pulsanti SOURCE per selezionare una sorgente di ingresso diversa.
- Quando viene usato uno degli ingressi del segnale digitale, se non c'è audio:
 - Provare a impostare l'uscita del televisore su PCM oppure

Specifiche tecniche

Modello	HT-SB110
Soundbar	
Alimentazione	AC ~ 220-240V, 50Hz
Consumo energetico	30 W
Corrente in uscita	2 x 15 W (RMS)
Risposta di frequenza	60Hz - 20KHz
Bluetooth	
Versione	V 4.2
Potenza massima trasmessa	<20 dbm
Bande di frequenza	2402 MHz ~ 2480 MHz
Telecomando	
Tipo di batteria	CR2025



Importantes consignes de sécurité



Svp, lire ces consignes de sécurité et respecter les avertissements suivants avant que l'appareil ne soit actionné :



L'éclair contenu dans un triangle équilatéral est un avertissement à l'attention de l'utilisateur sur la présence, à l'intérieur du produit, de pièces non isolées soumises à une « tension dangereuse », suffisamment élevée pour poser un risque d'électrocution.



Le point d'exclamation contenu dans un triangle équilatéral a pour objet d'appeler l'attention de l'utilisateur sur la présence dans la documentation accompagnant le produit d'instructions importantes d'utilisation et d'entretien (de réparation).

Afin d'éviter un incendie, maintenir toujours les bougies et autres flammes nues éloignées de ce produit.



Avertissement :

- Suivez toujours les précautions basiques de sécurité durant l'utilisation de cet appareil, particulièrement lorsque des enfants sont présents.
- Les enfants doivent être supervisés afin de s'assurer qu'ils ne jouent pas avec l'appareil.
- N'endommagez pas le cordon d'alimentation, ne placez pas d'objets lourds sur celui-ci, ne l'étirez pas et ne le tordez pas. N'utilisez pas non plus de rallonge électrique. Un cordon d'alimentation endommagé peut être source d'incendie ou d'électrocution.
- Si le cordon d'alimentation est endommagé, il doit être remplacé par le fabricant, un agent du service après-vente ou des personnes similairement qualifiées afin d'éviter tout risque.
- Assurez-vous que l'appareil est bien branché dans une prise électrique CA 220-240V 50Hz. Utiliser une tension plus élevée peut endommager l'appareil voir même être cause d'incendie.
- Si votre fiche électrique ne rentre pas dans votre prise murale, ne forcez pas pour la faire rentrer.
- Éteignez l'appareil avant de le débrancher de sa source électrique afin de complètement le désactiver.
- Ne connectez ou ne déconnectez pas le cordon d'alimentation avec des mains mouillées. Ceci peut causer une électrocution.
- Déconnectez le cordon d'alimentation si l'appareil n'est pas utilisé pendant une période prolongée.
- Assurez-vous que la prise principale est toujours facilement accessible.
- Ce produit ne contient aucune pièce réparable par l'utilisateur. En cas de défaut, contactez le fabricant ou le département de service après-vente autorisé. L'exposition aux pièces internes situées à l'intérieur de l'appareil peuvent mettre votre vie en danger. La garantie du fabricant ne couvre pas les défauts provoqués par des réparations effectuées par des tiers non autorisés.
- N'utilisez pas ce produit directement après déballage. Attendez qu'il se réchauffe à la température ambiante avant de l'utiliser.

- Assurez-vous que ce produit est utilisé dans des climats modérés uniquement (et non tropicaux ou sous-tropicaux).
- Placez le produit sur une surface plane et stable sans vibrations.
- Assurez-vous que le produit ou ses pièces ne dépassent pas du bord du meuble le supportant.
- Pour réduire les risques d'incendie, d'électrocution ou de dommages à ce produit, veuillez ne pas l'exposer à la lumière directe du soleil, à la poussière, à la pluie et à l'humidité. Ne l'exposez jamais aux éclaboussures ou égouttements et ne placez pas d'objets remplis d'eau sur ou près du produit.
- Ne placez pas d'objets remplis de liquide, comme des vases sur l'appareil.
- N'installez pas l'appareil à proximité de sources de chaleurs telles que des radiateurs, des chauffages, des cuisinières ou d'autres appareils (y compris des amplificateurs) produisant de la chaleur.
- Ne placez pas de produit dans un emplacement à l'humidité élevée et présentant une mauvaise ventilation.
- Assurez une distance minimum de 5 cm autour de l'appareil afin d'assurer une ventilation suffisante. Ne bloquez pas les entrées de ventilation de ce produit. Assurez-vous toujours que les ouvertures de ventilation ne sont pas recouvertes d'articles tels que journaux, nappes de table, rideaux, etc.
- Ne laissez JAMAIS une personne, et particulièrement un enfant, faire rentrer un objet dans les trous, fentes ou toute autre ouverture du boîtier de l'appareil, ceci pouvant causer une électrocution fatale.
- Les orages sont dangereux pour tous les appareils électriques. Si le secteur ou le câblage aérien est frappé par la foudre, l'appareil peut être endommagé, même s'il était éteint. Vous devez débrancher tous les câbles et connecter de l'appareil avant un orage.
- Un niveau de pression acoustique excessif de casques ou des écouteurs peut causer une perte auditive.

Entretien

- Débranchez le câble d'alimentation de la source de courant avant de nettoyer l'appareil.
- Utilisez un chiffon doux et propre pour nettoyer l'extérieur de l'appareil. Ne nettoyez jamais l'appareil avec des produits chimiques ou détergent.

Piles

- Observez la polarité correcte en insérant les piles.
 - Ne pas exposer les piles aux températures élevées et ne pas les placer dans des endroits où la température pourrait augmenter rapidement, par exemple près d'un feu, ou directement à la lumière solaire.
 - Ne pas exposer les piles à la chaleur rayonnante excessive, ne pas les jeter au feu, ne pas les démonter et ne pas essayer de recharger les piles non-rechargeables. Elles peuvent fuir ou exploser.
 - Ne jamais utiliser ensemble des piles différentes ou mélanger des piles neuves et les usagées.
 - Lorsque la télécommande n'est pas utilisée pendant une période prolongée (plus d'un mois), retirez la pile de la télécommande pour éviter tout risque de fuite.
 - Si les piles fuient, nettoyez les fuites à l'intérieur du compartiment à piles et remplacez les piles par des piles neuves.
 - N'utilisez pas de piles autres que celles spécifiées.
- N'ingérez pas la pile, risque de brûlure chimique**
- Si la pile est ingérée, elle peut causer de sévères brûlures internes en moins de 2 heures voire même la mort. Gardez les piles neuves et usagées hors de la portée des enfants. Si le compartiment de la pile ne ferme pas bien, arrêtez d'utiliser le produit et gardez-le hors de la portée des enfants. Si vous pensez que des piles ont pu être avalées ou placées à l'intérieur d'une partie quelconque du corps, consultez immédiatement un médecin.



Cd

Mise au rebut de cet appareil et des piles

- Ne vous débarrassez pas de ce produit ou des piles avec les déchets ménagers non triés. Renvoyez-la à un point de ramassage et de recyclage WEEE (déchets d'équipements électriques et électroniques) selon la législation en vigueur. Agir ainsi, aide à conserver les ressources et à protéger l'environnement.
- La plupart des pays de l'Union Européenne règlent par la loi la mise au rebut des batteries. Entrer en contact avec le détaillant ou les autorités locales pour plus d'information.
- Le symbole ci-dessus apparaît sur l'équipement électrique et électronique et les piles (ou l'emballage) pour rappeler ce fait à l'utilisateur. Si « Hg » ou « Pb » apparaît sous le symbole, ceci indique que la pile contient des traces de mercure (Hg) ou de plomb (Pb), respectivement.
- Les utilisateur doivent utiliser les centres de ramassage d'équipements et de piles existants.



Déclaration CE :

- Par la présente, Universal Media Corporation déclare que cet appareil audio est conforme aux principales exigences et autres clauses pertinentes de la Directive RED 2014/53/EU. <http://www.sharp.eu/av/documents-of-conformity>

Marques déposées :



La marque et les logos Bluetooth® sont des marques déposées de Bluetooth SIG., Inc.

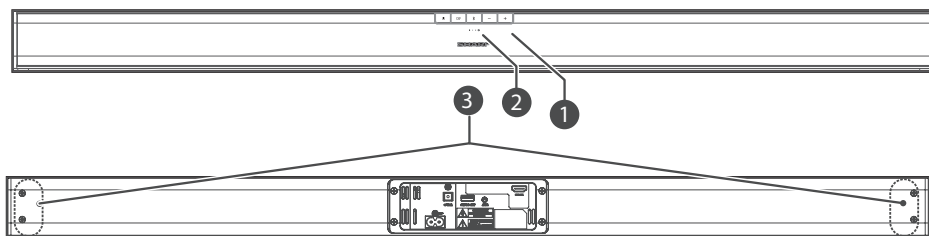


Les termes HDMI et HDMI High-Definition Multimedia Interface et logo HDMI sont protégés par le droit d'auteur et sont la propriété de HDMI Licensing, LLC aux États-Unis et dans d'autres pays.

Accessoires

- | | |
|-------------------------------|---------------------------------------|
| • 1x Télécommande | • 2x Support mural |
| • 1x Manuel d'utilisation | • 1x Ensemble de vis de montage mural |
| • 1x Cordon d'alimentation RU | • 1x Guide de démarrage rapide |
| • 1x Cordon d'alimentation UE | |

Commandes



1. Détecteur de la télécommande

2. Voyant LED

- Voyant rouge : En mode Veille.
- Voyant vert : En mode AUX.
- Voyant orange : En mode Optique.
- Voyant bleu : En mode Bluetooth.
- Voyant blanc : En mode HDMI ARC

3. Vis de support mural

4. ⏻ touche

Allume ou fais passer l'appareil en mode Veille.

5. 📺 touche

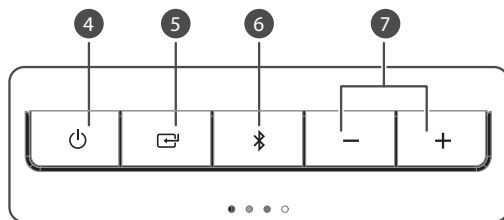
Sélectionne la fonction de lecture.

6. 📶 touche

Sélectionne le mode Bluetooth. Pressez et gardez pressée pour activer la fonction d'appariement en mode Bluetooth ou pour déconnecter l'appareil Bluetooth apparié.

7. +/- touches

Augmente/diminue le niveau de son.



Entrées/Sorties

1. Port AC~

Connecte le cordon d'alimentation.

2. Port OPTICAL

Port d'entrée optique.

3. Port SERVICE ONLY

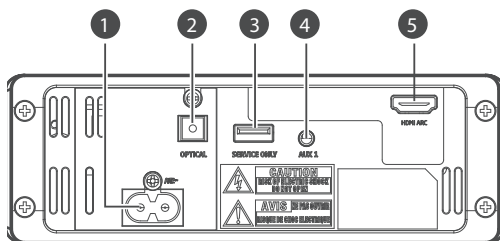
Le port USB n'est utilisé que pour des raisons d'entretien. Il ne doit pas être utilisé pour charger un smartphone, une tablette ou appareil similaire.

4. Port AUX 1

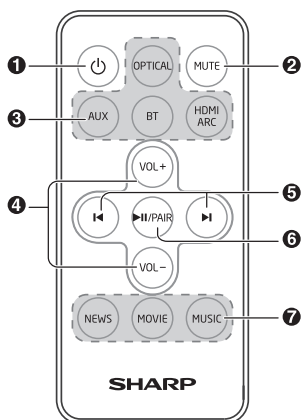
Connecte à un appareil audio externe.

5. Port HMDI ARC

Connecte à un téléviseur via câble HDMI.



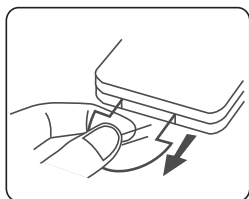
Télécommande



1. – Allume ou fais passer l'appareil en mode Veille.
2. **MUTE** – Coupe ou réactive le son.
3. **Touches de fonction** – Sélectionne la fonction de lecture.
4. **VOL+/VOL-** – Augmente / diminue le niveau de son.
5. – Passe à la piste précédente/suivante en mode Bluetooth.
6. **PAIR** – Lance/pause/reprend la lecture en mode Bluetooth. Appuyez et gardez pressée pour activer la fonction d'appariement en mode Bluetooth ou pour déconnecter l'appareil Bluetooth apparié.
7. **Touches EQ** – Sélectionne un mode sonore pré réglé.

Première installation

Préparation de la télécommande

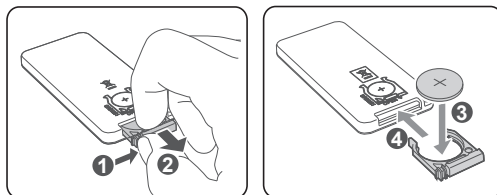


La télécommande fournie permet à l'appareil de fonctionner à distance.

- Même si la télécommande est utilisée dans la gamme effective de 6 m, l'utilisation de la télécommande peut être impossible si des obstacles sont présents entre l'appareil et la télécommande.
- Si la télécommande est utilisée près d'autres produits générant des rayons infrarouges, ou si une autre télécommande utilisant des rayons infrarouges est utilisée près de l'appareil, celle-ci peut ne pas fonctionner correctement. Les autres produits peuvent aussi ne pas fonctionner correctement.

PREMIÈRE UTILISATION : L'unité est équipée d'une pile CR2025 au lithium préinstallée. Retirez l'onglet de protection pour activer la télécommande.

Remplacement de la pile de la télécommande



La télécommande nécessite une pile CR2025 3V au lithium.

1. Poussez l'onglet situé au bord du support de pile vers le support.
2. Faites alors glisser le support de pile hors de la télécommande.
3. Retirez la pile usagée. Placez une nouvelle pile CR2025 dans le support de pile en respectant la polarité (+/-) indiquée.
4. Faites glisser le support de pile dans la télécommande.

Placement et montage



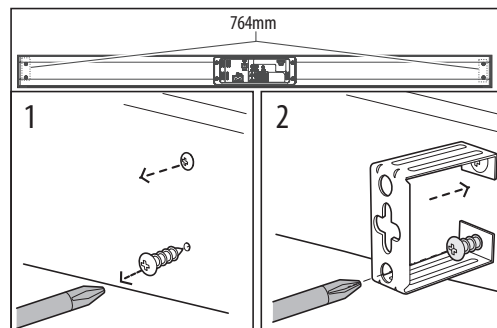
A : Placement normal (placez la barre de son sur une surface plane devant la TV)

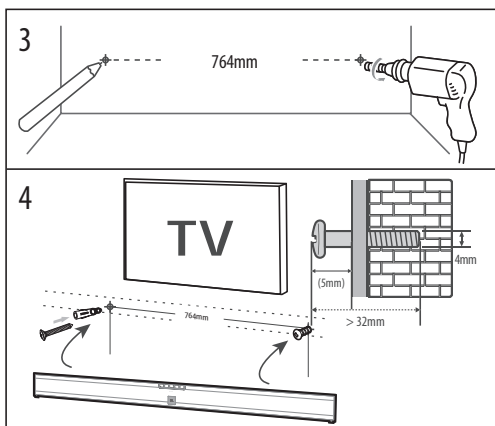
B : Montage mural

Montage mural

NOTE :

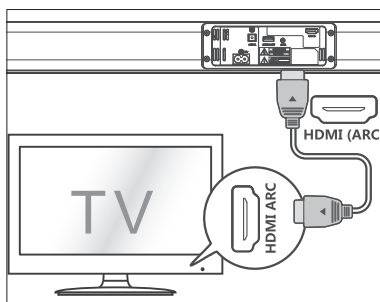
- L'installation doit être effectuée uniquement par du personnel qualifié. Un assemblage incorrect peut causer de graves blessures corporelles et pertes matérielles (si vous pensez installer ce produit vous-même, vous devez vérifier si du câblage électrique, de la plomberie ou autre installation est enterrée sous le mur). C'est la responsabilité de l'installateur de vérifier que le mur peut supporter le poids total de l'appareil et des supports muraux.
- D'autres outils (non inclus) sont requis pour l'installation.
- Ne serrez pas trop les vis.
- Gardez ce manuel d'instruction à titre de référence.
- Utilisez un détecteur électronique de colobage pour vérifier le type de mur avant de percer et d'installer l'appareil.





1. Retirez les vis de l'unité principale.
2. Attachez les supports muraux à l'unité principale avec les vis fournies retirées de l'unité principale.
3. Percez deux trous parallèles (\varnothing 4 mm - 8 mm selon le type de mur) dans le mur. La distance entre les chevilles doit être 764 mm. Fixez fermement une cheville dans chaque trou si nécessaire.
4. Laissez un espace de 5 mm entre le mur et la tête de la vis. Soulevez l'unité avec les supports muraux attachés sur les têtes de vis et faites la rentrer en place.

Connexions



Entrée HDMI ARC

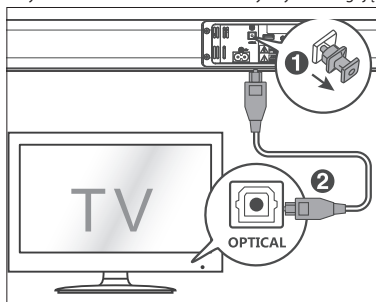
La fonction ARC (Audio Return Channel) vous permet d'envoyer un signal audio depuis votre TV compatible ARC vers votre barre de son à travers un unique câble HDMI. Pour utiliser la fonction ARC, assurez-vous que votre TV est compatible HDMI-CEC et ARC et correctement paramétrée. Lorsqu'elle est correctement paramétrée, vous pouvez utiliser la télécommande de votre TV pour ajuster le volume (VOL +/- et MUTE) de la barre de son.

- Connectez le câble HDMI (non fourni) entre le port HDMI (ARC) de l'appareil et le port HDMI (ARC) de votre TV compatible ARC. Puis utilisez la télécommande pour sélection HDMI ARC.

CONSEILS :

- Votre TV doit être compatible avec les fonction HDMI-CEC et ARC. HDMI-CEC et ARC doivent être activées.

- La méthode d'activation de HDMI-CEC et ARC peut différer suivant le modèle de TV. Pour plus de détails sur la fonction ARC, veuillez vous référer au manuel d'utilisation de votre TV.
- Tylko kable w standardzie 1.4 lub wyższym obsługują ARC.

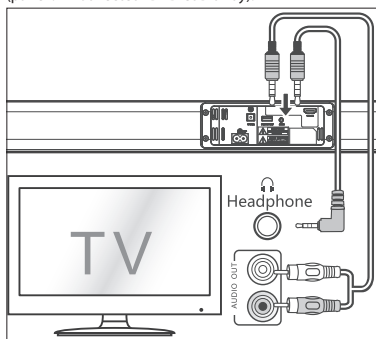


Entrée Optique

- Retirez le capuchon de protection du port Optique, puis connectez le câble Optique (non inclus) entre le port Sortie Optique de votre TV et le port (OPTICAL) de votre appareil.

CONSEIL :

En mode HDMI ARC/Optique, si aucune sortie sonore n'est présente sur l'appareil et si le voyant HDMI ARC/Optique clignote rapidement, vous devez peut être activer la sortie du signal PCM sur votre appareil source (par ex. TV ou lecteur DVD et Blu-ray).

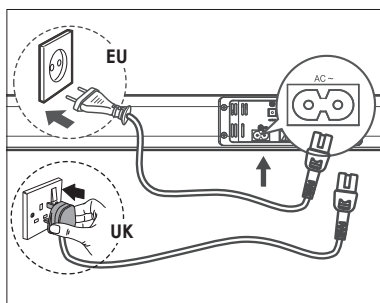


AUX

- A. Utilisez un câble audio RCA vers 3,5 mm (non inclus) pour connecter la sortie audio de votre TV au port AUX1 de l'appareil.
- B. Utilisez un câble audio 3,5 mm vers 3,5 mm (non inclus) pour connecter le port casque de votre TV ou appareil audio externe au port AUX1 de l'appareil.

CONSEIL :

Lorsque vous utilisez la sortie casque sur le téléviseur, vous pourrez régler le volume directement à l'aide de la télécommande du téléviseur.




Raccordement à l'alimentation électrique


- Avant de connecter le cordon d'alimentation, assurez-vous que tous les autres raccordements ont été effectués.
- **Risque d'endommagement du produit !** Assurez-vous que la tension d'alimentation électrique correspond à la tension imprimée à l'arrière ou en-dessous de l'appareil
- Connectez le câble d'alimentation au port d'alimentation de l'appareil puis dans une prise murale.

Fonctionnement de base

Veille/Marche

- Lorsque vous connectez l'appareil pour la première fois, celui-ci reste en mode veille. Le voyant d'alimentation s'allume en rouge.
- Appuyez sur la touche  sur la télécommande pour faire passer l'appareil en mode marche ou arrêt.
- Déconnectez la prise principale de la prise murale si vous souhaitez désactiver complètement l'appareil.
- Si une TV ou un appareil externe (uniquement pour la prise AUX), l'unité s'allumera automatiquement lorsque la TV ou l'appareil externe s'allume.
- Lorsque l'appareil n'a pas de signal en entrée pendant plus de 15 minutes, il passe automatiquement en mode veille.

Sélection de modes

Appuyez sur la touche  sur l'appareil plusieurs fois ou appuyez sur les touches AUX, BT (Bluetooth), OPTICAL (Optique) et HDMI ARC sur la télécommande pour sélectionner le mode désiré.

- Voyant rouge : En mode Veille.
- Voyant vert : En mode AUX.
- Voyant orange : En mode Optique.
- Voyant bleu : En mode Bluetooth.
- Voyant blanc : En mode HDMI ARC


Réglage du volume

- Appuyez sur les touches + / - sur l'appareil ou touches VOL+ / VOL- la télécommande pour ajuster le volume.
- Si vous souhaitez couper le son, appuyez sur la touche MUTE sur la télécommande. Appuyez à nouveau sur la touche MUTE ou les touches VOL+ / VOL- sur l'appareil ou la télécommande pour reprendre la lecture normale.
- Lorsque vous ajustez le volume, le voyant indicateur de statut clignote rapidement.
- Lorsque le niveau de son atteint son niveau maximum, si vous appuyez sur la touche VOL+ à nouveau, le voyant de statut clignote une fois. Lorsque le niveau de son atteint son niveau minimum, si vous appuyez sur la touche VOL- à nouveau, le voyant de statut clignote une fois.

Sélection d'un effet d'égaliseur (EQ)

- Durant la lecture, appuyez sur les touches NEWS (Journal télévisé) ou MOVIE (Film) ou MUSIC (Musique) sur la télécommande pour sélectionner un des égaliseurs pré-réglés : Movie (recommandé par les films), Music (recommandé pour écouter de la musique), NEWS (recommandé pour le journal télévisé).

AUX/OPTICAL/HDMI ARC

1. Assurez-vous que l'appareil est connecté à la TV ou à un appareil audio.
2. En mode marche, appuyez sur la touche  sur l'appareil plusieurs fois ou appuyez sur les touches AUX, OPTICAL (Optique) et HDMI ARC sur la télécommande pour sélectionner le mode désiré.
3. Utilisez directement les fonctions de lecture de votre appareil audio.
4. Appuyez sur les touches VOL+/- pour ajuster le volume au niveau désiré.

CONSEIL :

En mode HDMI ARC/Optique, si aucune sortie sonore n'est présente sur l'appareil et si le voyant HDMI ARC/Optique clignote rapidement, vous devez peut-être activer la sortie du signal PCM sur votre appareil source (par ex. TV ou lecteur DVD et Blu-ray).


Fonction Bluetooth

Appariement d'appareils Bluetooth


La première fois que vous connectez votre appareil Bluetooth à ce lecteur, vous devez appairer votre appareil à ce lecteur.

NOTE :

- La portée de fonctionnement entre ce lecteur et un appareil Bluetooth est environ 8 mètres (sans objet entre l'appareil Bluetooth et l'unité).
- Avant de connecter un appareil Bluetooth à cette unité, assurez-vous que connaître les spécifications de l'appareil.
- La compatibilité avec tous les appareils Bluetooth n'est pas garantie.
- Tout obstacle entre cette unité et un appareil Bluetooth peut réduire la portée de fonctionnement.
- Si la puissance du signal est faible, votre récepteur Bluetooth peut se déconnecter, mais il ré-entra en mode d'appariement automatiquement.

1. En mode marche, appuyez sur la touche (Bluetooth) sur la télécommande ou sur l'appareil pour sélectionner le mode Bluetooth. Le voyant indicateur Bluetooth clignotera.
2. Activez votre appareil Bluetooth et sélectionnez le mode de recherche. « HT-SB110 » apparaîtra sur votre liste d'appareils Bluetooth.
 - Si vous ne pouvez pas trouver l'appareil, appuyez et gardez pressée la touche «  / PAIR » sur la télécommande pour que l'appareil s'affiche. Le message vocal « Pairing » est audible et le voyant bleu clignote rapidement.
3. Sélectionnez « HT-SB110 » dans la liste d'appariement. Après le message vocal « Pairing », le système est correctement connecté et le voyant bleu s'allume constamment.
4. La musique issue de l'appareil Bluetooth est alors audible.

Pour déconnecter la fonction Bluetooth, vous pouvez :

- Passer à une autre fonction sur l'appareil.
- Désactiver la fonction Bluetooth sur votre appareil. L'appareil est correctement déconnecté lorsque le message vocal « Disconnected » est audible.
- Appuyez et gardez pressée la touche «  / PAIR » sur la télécommande.

CONSEILS :

- Entrez « 0000 » comme mot de passe si nécessaire.
- Si aucun autre appareil Bluetooth ne se connecte à l'appareil avant 2 minutes, le lecteur se reconnectera à la précédente connexion.
- Le lecteur sera aussi déconnecté si votre appareil est en dehors de la portée de fonctionnement.

- Si vous souhaitez reconnecter votre appareil au lecteur, placez-le dans la portée de fonctionnement.
- Si l'appareil est déplacé hors de la portée de fonctionnement puis est ramené à proximité du lecteur, vérifiez si l'appareil est toujours connecté au lecteur.
- Si connexion est perdue, suivez les instructions ci-dessus pour appairer à nouveau votre appareil au lecteur.

Écouter de la musique depuis un appareil Bluetooth

- Si l'appareil Bluetooth connecté est compatible avec Advanced Audio Distribution Profile (A2DP), vous pouvez écouter la musique stockée sur l'appareil sur la barre de son.
 - Si l'appareil est aussi compatible avec Audio Video Remote Control Profile (AVRCP), vous pouvez utiliser la télécommande de la barre de son pour lire la musique stockée sur l'appareil.
1. Appariez votre appareil au lecteur.
 2. Lisez de la musique sur votre appareil (si compatible A2DP).
 3. Utilisez la télécommande fournie pour contrôler la lecture (si compatible AVRCP).
- Pour mettre en pause ou reprendre la lecture, pressez la touche **II**/PAIR sur la télécommande.
 - Pour sauter une piste, pressez les touches **II**/**II** sur la télécommande.

issu de l'appareil initial.

Connectez votre appareil à une différente entrée de la barre de son.

Je ne peux pas trouver le nom Bluetooth de cette unité sur mon appareil Bluetooth

Assurez-vous que la fonction Bluetooth est activée sur votre appareil Bluetooth.

Appariez votre appareil Bluetooth à nouveau.

Il existe une fonction de mise à l'arrêt après 15 mins, celle-ci étant l'une des exigences du standard ERII d'économies d'énergie.

Lorsque le signal d'entrée externe de l'unité est trop faible, l'unité s'éteint automatiquement après 15 minutes. Veuillez augmenter le niveau sonore de votre appareil externe.

Dépannage

Pour conserver la validité de la garantie, n'essayez jamais de réparer le système par vous-même. En cas de problèmes durant l'utilisation de cette unité, référez-vous aux conseils ci-dessous avant de contacter le service après-vente.

Le système ne s'allume pas.

Assurez-vous que le cordon d'alimentation est correctement connecté.

Assurez-vous que la prise murale est bien alimentée.

Pressez la touche veille de la télécommande ou de la barre de son pour allumer la barre de son.

Pas de son

de la barre de son.

Pressez MUTE sur la télécommande pour vous assurer que la barre de son n'est pas en sourdine.

Pressez les touches de source pour sélectionner une autre source en entrée.

Lorsque vous utilisez l'une des entrées numériques et si aucun son n'est audible :

- Essayez de régler la sortie de votre TV en mode PCM ou
- Connectez directement votre source Blu-ray ou autre, certaines télévisions ne laissant pas passer les signaux audio numériques.

Vous TV peut être réglée en sortie audio variable. Confirmez que la sortie audio est réglée sur fixe ou standard et non variable. Consultez le manuel d'utilisation de votre TV pour plus d'informations.

Si vous utilisez la fonction Bluetooth, assurez-vous que le volume de votre appareil source est suffisamment élevé et que l'appareil n'est pas en sourdine.

La télécommande ne fonctionne pas.

Avant de presser toute touche de lecture, sélectionnez d'abord la source adéquate.

Réduisez la distance entre la télécommande et l'unité.

Insérez la pile en respectant les polarités (+/-) indiquées.

Remplacez la pile.

Pointez la télécommande directement sur le détecteur sur la partie avant de l'appareil.

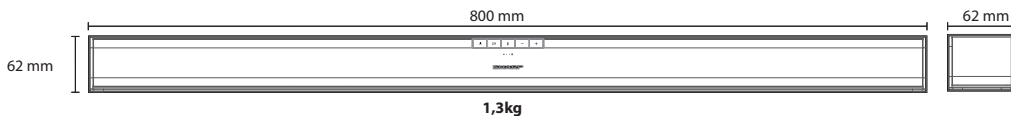
Un bourdonnement est audible

Assurez-vous que tous les câbles sont correctement connectés.

Connectez un autre appareil source (TV, lecteur Blu-ray, etc.) pour vérifier sur le bourdonnement persiste. Si ce n'est pas le cas, le problème peut être

Spécification technique

Modèle	HT-SB110
Barre de son	
Alimentation électrique	AC ~ 220-240V, 50Hz
Consommation électrique	30 W
Puissance de sortie	2 x 15 W (RMS)
Réponse en fréquence	60Hz - 20KHz
Bluetooth	
Version	V 4.2
Puissance maximale transmise	<20 dbm
Bande de fréquences	2402 MHz ~ 2480 MHz
Télécommande	
Type de pile	CR2025



Ważne środki ostrożności



Proszę zapoznać się z niniejszymi instrukcjami bezpieczeństwa i wziąć pod uwagę poniższe ostrzeżenia zanim urządzenie zostanie uruchomione:



Ilkona pioruna z grotem wewnątrz trójkąta równobocznego ostrzega użytkownika przed nieizolowanym, „niebezpiecznym napięciem” w obudowie produktu, które może być na tyle wysokie, że stwarza ryzyko porażenia prądem.



Wykrzyknik wewnątrz trójkąta równobocznego powiadamia użytkownika o ważnych wskazaniach dotyczących obsługi i konserwacji (serwisowania) zawartych w instrukcji obsługi urządzenia.

Żeby zapobiec pożarowi, zawsze trzymaj świece i inne źródła otwartego ognia z daleka od urządzenia.



Ostrzeżenie:

- Zawsze zachowuj podstawowe środki ostrożności podczas korzystania z urządzenia, zwłaszcza w obecności dzieci.
- Nadzoruj dzieci, by nie bawiły się urządzeniem.
- Uważaj, by nie uszkodzić kabla zasilającego: nie stawiaj na nim ciężkich przedmiotów, nie rozciągaj go ani nie wyginaj. Nie podłączaj urządzenia do przedłużaczy. Uszkodzenie kabla zasilającego może spowodować pożar lub porażenie prądem.
- Jeśli przewód zasilający zostanie uszkodzony, należy go wymienić u producenta, w serwisie lub u innej wykwalifikowanej osoby, żeby ochronić się przed zagrożeniem.
- Dopilnuj, by urządzenie zostało podłączone do gniazda zasilania 220-240V~ 50Hz. Używanie wyższego napięcia może powodować awarie, a nawet zapalenie się urządzenia.
- Jeśli wtyczka nie pasuje do twojego gniazдка, nie wciskaj jej na siłę.
- Wyłącz urządzenie przed odłączeniem go od prądu, by całkowicie je wyłączyć.
- Nie odłączaj ani nie podłączaj kabla zasilającego mokrymi rękami. Może to spowodować porażenie prądem.
- Jeśli nie używasz urządzenia przez dłuższy czas, odłącz przewód od prądu.
- Dopilnuj, by wtyczka była zawsze łatwo dostępna.
- Niniejszy produkt nie posiada żadnych części, które może naprawiać użytkownik. W przypadku wystąpienia usterki skontaktuj się z producentem lub autoryzowanym serwisem. Odsłanianie wewnętrznych części urządzenia może stanowić zagrożenie dla życia. Gwarancja nie obejmuje usterek wywołanych naprawami wykonywanymi przez nieupoważnione strony trzecie.
- Nie używaj produktu tuż po rozpokowaniu. Przed użyciem należy odczekać, aż urządzenie nagrzeje się do temperatury pokojowej.
- Urządzenia można używać tylko w umiarkowanym klimacie (nie w klimacie zwrotnikowym i podzwrotnikowym).
- Umieść urządzenie na płaskiej, stabilnej powierzchni, która nie jest narażona na wibracje.

- Dopilnuj, by urządzenie nie wystawało za krawędź mebla, na którym stoi.
- Aby zmniejszyć ryzyko pożaru, porażenia prądem i uszkodzenia produktu, nie wystawiaj go na bezpośrednie działanie światła słonecznego, kurzu, deszczu czy wilgoci. Nigdy nie narażaj urządzenia na zamoczenie lub zachłapanie i nie stawiaj na nim ani w jego pobliżu zbiorników wypełnionych cieczą.
- Nie stawiaj żadnych przedmiotów ani zbiorników z płynami, takich jak wazony itp., na urządzeniu.
- Nie umieszczaj urządzenia w pobliżu źródeł ciepła, takich jak grzejniki, nawiewy, piece czy inne urządzenia (w tym wzmacniacze) emitujące ciepło.
- Nie umieszczaj produktu tam, gdzie wilgotność jest wysoka, a wentylacja słaba.
- Dopilnuj, by zostawić 5 cm wolnego miejsca wokół urządzenia dla zapewnienia odpowiedniej wentylacji. Nie zakrywaj otworów wentylacyjnych urządzenia. Upewnij się, że otwory wentylacyjne nie są zakryte przedmiotami, takimi jak gazety, ściereki, zasłony itp.
- NIGDY nie pozwalaj nikomu, zwłaszcza dziecku, wpychać czegokolwiek w otwory, gniazda i inne szczeliny w obudowie urządzenia: może to skutkować śmiertelnym porażeniem prądem.
- Burze stanowią niebezpieczeństwo dla wszystkich urządzeń elektrycznych. Jeśli przewód zasilający lub przewody antenowe zostaną trafione piorunem, urządzenie może zostać uszkodzone, nawet gdy jest wyłączone. Przed nadejściem burzy należy odłączyć od urządzenia wszystkie przewody i złącza.
- Sluchanie zbyt głośnych dźwięków przez słuchawki douszne i nauszne może powodować utratę słuchu.

Konserwacja

- Przed czyszczeniem urządzenia odłącz przewód zasilający od prądu.
- Do czyszczenia zewnętrznej części obudowy użyj miękkiej, czystej ściereczki. Nigdy nie czyść obudowy chemikaliami ani detergentami.

Baterie

- Zachowaj prawidłową polaryzację, gdy montujesz baterie.
- Nie wystawiaj baterii na działanie wysokich temperatur i nie umieszczaj ich w miejscach, których temperatura może gwałtownie wzrosnąć, np. w pobliżu ognia lub w bezpośrednim świetle słonecznym.
- Nie wystawiaj baterii na działanie nadmiernego ciepła, nie wrzucaj ich do ognia, nie rozmontowuj i nie próbuj ładować zwykłych baterii. Mogłyby wyciec lub eksplodować.
- Nigdy nie stosuj jednocześnie różnych baterii i nie łącz baterii nowych ze starymi.
- Jeśli wiesz, że pilot nie będzie używany przez dłuższy czas (ponad miesiąc), wyjmij z niego baterie, by nie wyciekły.
- Jeśli baterie wyciekną, wytrzyj komorę baterii i zastąp baterie nowymi.
- Nie używaj innych baterii niż wskazane w instrukcji.
- Nie wkładaj baterii do ust - stwarza to ryzyko poparzenia chemicznego.**
- Jeśli bateria zostanie połknięta, może spowodować poważne poparzenia wewnętrzne w zaledwie dwie godziny, czego rezultatem może być śmierć. Trzymaj nowe i stare baterie poza zasięgiem dzieci. Jeśli komora baterii nie zamyka się prawidłowo, przestań używać pilota i trzymaj go poza zasięgiem dzieci. Jeśli podejrzewasz połknięcie baterii lub umieszczenie jej wewnątrz jakiegokolwiek części ciała, natychmiast zgłoś się do lekarza.



Cd

Usuwanie produktu i baterii

- Nie wyrzucaj niniejszego urządzenia do niesortowanych śmieci z gospodarstwa domowego. Oddaj je do wyznaczonego punktu odbioru w celu przetworzenia zgodnie z przepisami WEEE. W ten sposób oszczędzasz zasoby naturalne i chronisz środowisko.



- Większość państw UE posiada przepisy regulujące usuwanie baterii. Więcej informacji możesz uzyskać od sprzedawcy lub lokalnych władz.
- Powyższy symbol umieszczany jest na urządzeniach elektrycznych i elektronicznych oraz bateriach (lub na ich opakowaniach), by przypomnieć użytkownikowi o tej zasadzie. Jeśli pod symbolem pojawia się oznaczenie „Hg” lub „Pb”, oznacza to, że baterie zawierają śladowe ilości rtęci (Hg) lub ołowiu (Pb).
- Użytkownicy powinni zgłaszać się do wyznaczonych punktów odbioru zużytych urządzeń i baterii.



Deklaracja zgodności:

- Universal Media Corporation s.r.o. niniejszym oświadcza, że to urządzenie spełnia zasadnicze wymagania oraz inne odnośne normy określone w dyrektywie RED 2014/53/UE. <http://www.sharp.eu/av/documents-of-conformity>

Znaki handlowe:



Nazwa i logo Bluetooth® są zarejestrowanymi znakami handlowymi firmy Bluetooth SIG, Inc.

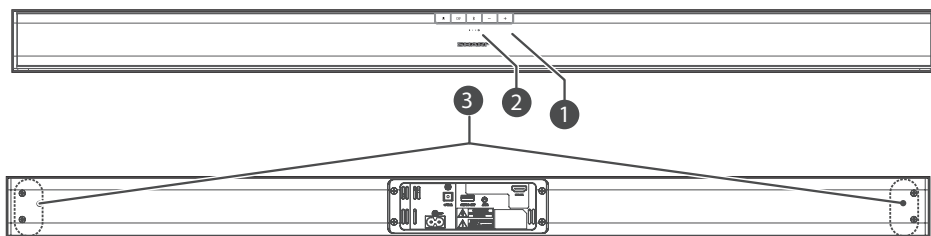


Nazwy HDMI i HDMI High-Definition Multimedia Interface oraz logo HDMI są znakami towarowymi lub zarejestrowanymi znakami towarowymi HDMI Licensing, LLC w Stanach Zjednoczonych i innych krajach.

Akcesoria

- | | |
|---|--------------------------------|
| • 1x Pilot zdalnego sterowania | • 2x Wspornik ścienny |
| • 1x Instrukcja obsługi | • 1x Zestaw wkrętów mocujących |
| • 1x Przewód zasilający dla Wielkiej Brytanii | • 1x Skrócony opis obsługi |
| • 1x Przewód zasilający dla UE | |

Przyciski i wskaźniki



- 1. Czujnik pilota**
- 2. Wskaźniki LED**
 - Czerwony: w trybie czuwania (STANDBY).
 - Zielony: w trybie AUX.
 - Pomarańczowy: w trybie optycznym.
 - Niebieski: w trybie Bluetooth.
 - Biały: w trybie HDMI ARC.

3. Wkręty wspornika ściennego

⏻ Przełącznik

Przełączanie urządzenia między trybem włączonym (ON) a trybem czuwania (STANDBY).

⏮ Przełącznik

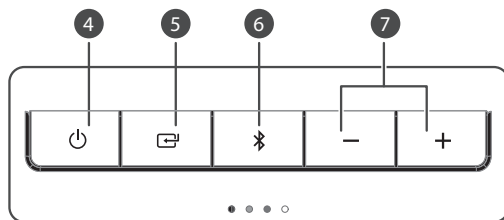
Wybieranie funkcji odtwarzania.

⏪ Przełącznik

Naciśnij i przytrzymaj przycisk, by aktywować parowanie w trybie Bluetooth lub odłączyć sparowane urządzenie.

7. +/- Przełącznik

Zwiększanie/zmniejszanie głośności.



Gniazda wejściowe/wyjściowe

1. AC~ Socket

Podłączenie kabla zasilającego.

2. Gniazdo OPTICAL

Optyczne gniazdo wejściowe jack.

3. SERVICE ONLY Gniazdo

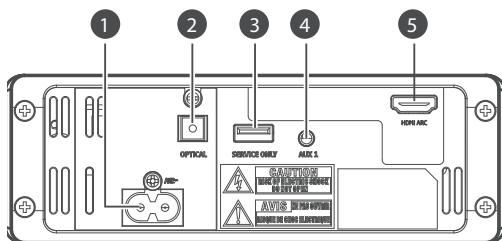
Ten port USB jest gniazdem wyłącznym serwisowym. Nie jest przeznaczony do ładowania smartfonów, tabletów i innych podobnych urządzeń.

4. Gniazdo AUX 1

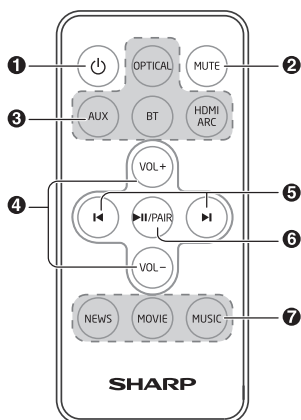
Podłączenie do zewnętrznego urządzenia audio.

5. Gniazdo HMDI ARC

Podłączenie do telewizora za pomocą kabla HDMI.



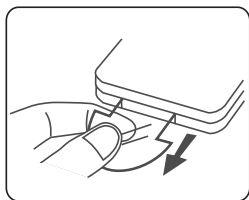
Pilot zdalnego sterowania



1. – Przełączanie urządzenia między trybem włączonym (ON) a trybem czuwania.
2. **MUTE** – Wyłączanie i włączanie dźwięku.
3. **Przyciski funkcyjne** – Wybieranie funkcji odtwarzania.
4. **VOL+ / VOL-** – Zwiększanie/zmniejszanie poziomu głośności.
5. – Poprzednia/następna piosenka w trybie Bluetooth.
6. **PAIR** – Odtwarzanie/pauza/ponowne odtwarzanie w trybie Bluetooth.
Naciśnij i przytrzymaj przycisk, by aktywować parowanie w trybie Bluetooth lub odłączyć sparowane urządzenie.
7. **Przyciski equalizera (EQ)** – wybieranie zaprogramowanego efektu odtwarzania.

Pierwsza instalacja

Przygotowanie pilota



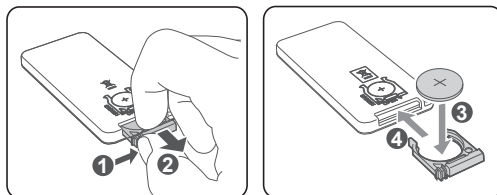
Zawarty w zestawie pilot pozwala na zdalną obsługę urządzenia.

- Nawet jeśli używasz pilota w obrębie jego zasięgu (6 m), jego prawidłowe działanie może być niemożliwe, jeśli między urządzeniem a pilotem znajdują się jakieś przeszkody.
- Jeśli używasz pilota w pobliżu innych urządzeń emitujących fale podczerwone lub innych pilotów wykorzystujących podczerwień, pilot może nie działać prawidłowo. Podobnie inne urządzenia mogą działać nieprawidłowo.

PIERWSZE UŻYCIĘ: pilot jest wyposażony w baterie litowe CR2025.

Zdejmij zakładkę ochronną, by aktywować baterię pilota.

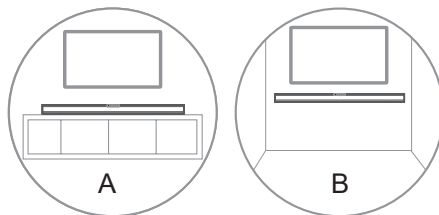
Wymiana baterii pilota



Pilot wymaga litowej baterii CR2025 3V.

1. Wciśnij zakładkę z boku komory baterii w kierunku do komory.
2. Wsuń komorę z pilota.
3. Wyjmij starą baterię. Umieść nową baterię CR2025 w komorze baterii, zachowując polaryzację zgodną ze oznaczeniami (+/-).
4. Wsuń komorę z powrotem do pilota.

Ustawienie i montaż



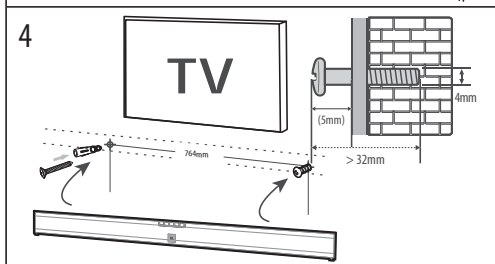
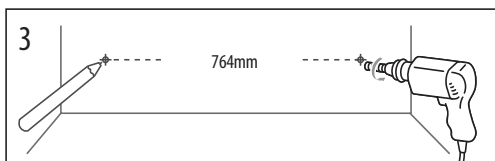
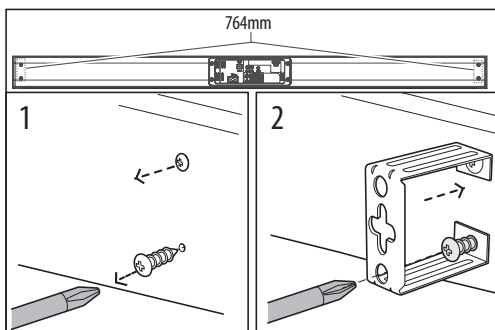
A: Standardowe ustawienie (umieść Soundbar na równej powierzchni przed telewizorem)

B: Montaż ścienny

Montaż ścienny

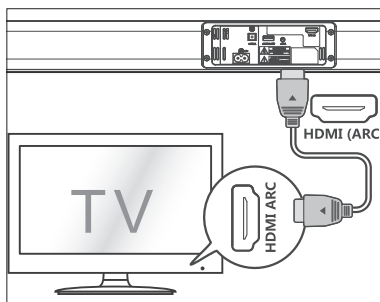
UWAGA:

- Montaż powinien przeprowadzać tylko wykwalifikowany personel. Niepoprawny montaż może powodować poważne obrażenia ciała i szkody materialne (jeśli chcesz montować produkt samodzielnie, najpierw sprawdź, czy w ścianie nie są umieszczone przewody elektryczne lub rury). Sprawdzenie, czy ściana utrzyma całkowity ciężar urządzenia i wsporników ściennych, należy do obowiązków monterzy.
- Do instalacji są wymagane dodatkowe narzędzia (niedostarczane w zestawie).
- Nie wkręcaj wkrętów za mocno.
- Zachowaj instrukcję, abyś w razie potrzeby mógł wrócić do niej w przyszłości.
- Użyj elektronicznego wykrywacza profili, by zidentyfikować rodzaj ściany przed wierceniem i montażem.



1. Zdejmij wkręty z obudowy urządzenia.
2. Przymocuj wsporniki ścienne do urządzenia za pomocą wcześniej zdjętych wkrętów.
3. Wywierć w ścianie dwa równoległe otwory (każdy o średnicy od 4mm do 8mm, w zależności od rodzaju ściany). Odległość między otworami powinna być równa 764 mm. W razie potrzeby dokładnie wciśnij po jednym kołku rozporowym do każdego otworu.
4. Zostaw 5 mm odstępu między ścianą a główką wkrętu. Podnieś urządzenie z przymocowanymi wspornikami i nakieruj otworami na główki wkrętów, by je zamontować.

Złącza



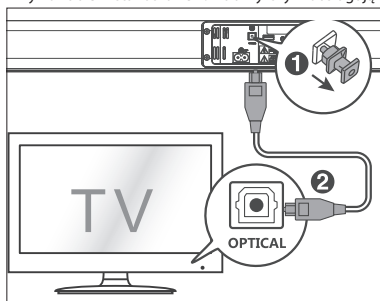
Wejście HDMI ARC

Funkcja ARC (Audio Return Channel) pozwala przesyłać dźwięk z telewizora obsługującego tryb ARC do soundbara za pomocą pojedynczego połączenia HDMI. By skorzystać z funkcji ARC, sprawdź, czy twój telewizor obsługuje funkcje HDMI-CEC i ARC oraz czy jest prawidłowo ustawiony. Przy prawidłowym ustawieniu możesz używać pilota od telewizora do regulacji głośności (VOL +/- i przycisk MUTE) soundbara.

– Podłącz przewód HDMI (niezawarty w zestawie) do gniazda HDMI (ARC) urządzenia oraz do gniazda HDMI (ARC) w twoim telewizorze zgodnym z tym standardem. Naciśnij przycisk na pilocie, by wybrać HDMI ARC.

WSKAZÓWKI:

- Telewizor musi obsługiwać HDMI-CEC oraz funkcję ARC. Funkcje HDMI-CEC i ARC muszą być włączone.
- Metoda włączania funkcji HDMI-CEC i ARC może się różnić w zależności od telewizora. Więcej o funkcji ARC dowiesz się z instrukcji obsługi telewizora.
- Tylko kable w standardzie 1.4 lub wyższym obsługują ARC.

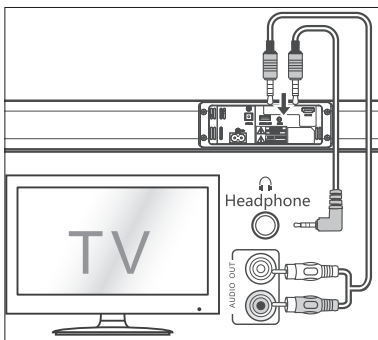


Wejście optyczne (OPTICAL)

- Zdejmij osłonę ochronną gniazda optycznego, a następnie podłącz przewód OPTICAL (niezawarty w zestawie) do wyjścia optycznego telewizora oraz wejścia optycznego urządzenia.

WSKAZÓWKI:

Jeśli w trybie HDMI ARC/OPTICAL nie słyszysz dźwięku, a wskaźniki HDMI ARC/OPTICAL migają szybko, musisz aktywować sygnał PCM na urządzeniu źródłowym (np. telewizorze, odtwarzaczu DVD czy Blu-ray).

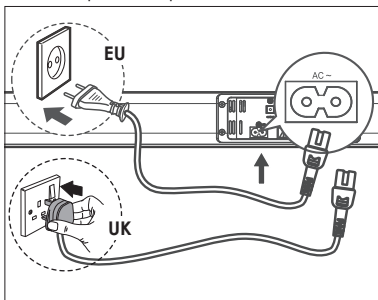


AUX

- Użyj kabla RCA-3,5 mm (niezawarty w zestawie), by połączyć wyjściowe gniazda audio telewizora z gniazdem AUX 1 zestawu.
- Użyj kabla 3,5 mm-3,5 mm (niezawarty w zestawie), by połączyć gniazdo słuchawkowe telewizora lub innego urządzenia zewnętrznego z gniazdem AUX 1 zestawu.

WSKAZÓWKA:

Podczas słuchania dźwięku z TV przez słuchawki regulacja głośności będzie możliwa bezpośrednio z pilota od TV.




Podłączenie do zasilania

- Przed podłączeniem do zasilania upewnij się, że prawidłowo dokonales wszystkich innych połączeń zestawu.
- Ryzyko uszkodzenia produktu!** Upewnij się, że napięcie źródła zasilania odpowiada napięciu wskazanemu z tyłu lub z boku urządzenia.
- Podłącz przewód zasilający do gniazda prądu zmiennego urządzenia, a następnie do gniazdka ściennego.

Podstawy obsługi soundbara

Tryb czuwania/Włączenie

- Po pierwszym podłączeniu urządzenia do prądu zostanie uruchomiony tryb czuwania. Wskaźnik zasilania zapali się na czerwono.
- Naciśnij przycisk  na pilocie, by włączyć (ON) lub wyłączyć (OFF) urządzenie.
- Odłącz wtyczkę od gniazdka, jeśli chcesz całkowicie wyłączyć urządzenie.
 - Jeśli podłączony jest telewizor lub inny odtwarzacz zewnętrzny (tylko dla gniazda AUX), urządzenie automatycznie włączy się po włączeniu telewizora lub odtwarzacza.
- Gdy urządzenie nie odbierze sygnału przez ponad 15 minut, automatycznie przejdzie w tryb czuwania.

Wybór trybu

Naciskaj wielokrotnie przycisk źródła  lub wciśnij przycisk AUX, BT (Bluetooth), OPTICAL albo HDMI ARC na pilocie, by wybrać żądany tryb.

- Czerwony: In STANDBY mode.
- Zielony: w trybie AUX.
- Pomarańczowy: w trybie optycznym.
- Niebieski: w trybie Bluetooth.
- Biały: w trybie HDMI ARC.


Regulacja głośności

- Naciskaj przyciski + / - na urządzeniu lub przyciski VOL+ / VOL- na pilocie, by regulować poziom głośności.
- Jeśli chcesz wyłączyć dźwięk, naciśnij przycisk wyciszenia MUTE na pilocie. Naciśnij ponownie przycisk wyciszenia MUTE lub przyciski VOL+ / VOL- na urządzeniu albo pilocie, by z powrotem włączyć dźwięk.
- Podczas regulacji głośności wskaźnik jej statusu miga szybko.
- Gdy ustawisz maksymalny poziom głośności, po ponownym naciśnięciu przycisku VOL+ wskaźnik mignie raz. Gdy ustawisz minimalny poziom głośności, po ponownym naciśnięciu przycisku VOL- wskaźnik mignie raz.

Wybór efektu equalizera (EQ)

- Podczas odtwarzania naciśnij przycisk NEWS (wiadomości), MOVIE (film) lub MUSIC (muzyka) na pilocie, by wybierać zaprogramowane efekty odtwarzania: MOVIE - film (polecany do oglądania filmów), MUSIC - muzyka (polecany do słuchania muzyki), NEWS - wiadomości (polecany do słuchania wiadomości).

AUX/OPTICAL/HDMI ARC

- Upewnij się, że urządzenie jest podłączone do telewizora lub odtwarzacza audio.
- Gdy urządzenie jest włączone, naciskaj wielokrotnie przycisk źródła  lub wciśnij przycisk AUX, BT (Bluetooth), OPTICAL albo HDMI ARC na pilocie, by wybrać żądany tryb.
- Funkcje odtwarzania dostosuj za pomocą przycisków odtwarzacza audio.
- Naciśnij przycisk VOL +/-, by ustawić poziom głośności.

WSKAZÓWKA:

Jeśli w trybie HDMI ARC/OPTICAL nie słyszysz dźwięku, a wskaźniki HDMI ARC/OPTICAL migają szybko, musisz aktywować sygnał PCM na urządzeniu źródłowym (np. telewizorze, odtwarzaczu DVD czy Blu-ray).

Obsługa trybu Bluetooth

Parowanie urządzeń Bluetooth

Przy pierwszym łączeniu urządzenia Bluetooth z zestawem musisz sparować oba urządzenia.

UWAGA:

- Zasięg sygnału między zestawem a urządzeniem Bluetooth wynosi około 8 metrów (jeśli między urządzeniami nie znajduje się żaden przedmiot).
 - Zanim podłączysz urządzenie Bluetooth do tego zestawu, upewnij się, że znasz jego dane techniczne.
 - Nie wszystkie urządzenia z łącznością Bluetooth są kompatybilne z zestawem.
 - Każdy przedmiot ustawiony między zestawem a urządzeniem Bluetooth może zmniejszać zasięg sygnału.
 - Jeśli sygnał jest za słaby, urządzenie Bluetooth może się rozłączyć, ale wróci automatycznie do trybu parowania.
- Gdy urządzenie jest włączone, naciśnij przycisk (Bluetooth) na pilocie, by wybrać tryb Bluetooth. Zapali się niebieski wskaźnik.

2. Aktywuj urządzenie z łącznością Bluetooth i rozpocznij wyszukiwanie urządzeń. Na liście dostępnych urządzeń pojawi się urządzenie „HT-SB110”:
- Jeśli nie możesz wykryć zestawu, naciśnij i przytrzymaj przycisk parowania „**MI** / PAIR” na pilocie, by go wyszukać. Rozlegnie się komunikat głosowy „Pairing (Parowanie)”, a niebieski wskaźnik zacznie szybko mrugać.
3. Wybierz urządzenie „HT-SB110” z listy dostępnych urządzeń. Po komunikacie głosowym „Paired (Sparowano)” soundbar zostanie prawidłowo podłączony, a wskaźnik zapali się ciąglem światłem.
4. Możesz rozpocząć odtwarzanie muzyki z podłączonego urządzenia zewnętrznego.

By przerwać połączenie Bluetooth, możesz:

- Przełączyć soundbar na inny tryb.
- Dezaktywować funkcję Bluetooth na urządzeniu zewnętrznym. Urządzenia zostaną prawidłowo rozłączone po komunikacie głosowym „Disconnected (Rozłączono)”.
- naciśnięć i przytrzymać przycisk „**MI** / PAIR” na pilocie.

WSKAZÓWKI:

- W razie potrzeby wprowadź hasło „0000”.
- Jeśli przez dwie minuty nie sparujesz z soundbarem żadnego innego urządzenia Bluetooth, zestaw reaktywuje poprzednie połączenie.
- Urządzenia rozłączają się, jeśli urządzenie zewnętrzne znajdzie się poza zasięgiem sygnału.
- W celu ich ponownego połączenia umieść urządzenie zewnętrzne w zasięgu sygnału.
- Po oddaleniu urządzenia i ponownym umieszczeniu go w zasięgu sygnału sprawdź, czy jest nadal podłączone do zestawu.
- Jeśli połączenie zostało przerwane, postępuj zgodnie z powyższymi instrukcjami, by ponownie sparować urządzenia.

Odtwarzanie muzyki z urządzenia Bluetooth.

- Jeśli podłączone urządzenie zewnętrzne obsługuje funkcję Advanced Audio Distribution Profile (A2DP), możesz odtwarzać muzykę na soundbarze.
 - Jeśli urządzenie obsługuje również funkcję Audio Video Remote Control Profile (AVRCP), możesz użyć soundbara, by przełączać utwory przechowywane na urządzeniu Bluetooth.
1. Sparuj urządzenie z zestawem.
 2. Zaczynaj odtwarzać muzykę z urządzenia (jeśli obsługuje funkcję A2DP).
 3. Użyj pilota, by przełączać utwory (jeśli urządzenie obsługuje funkcję AVRCP).
- By zatrzymać lub wznowić odtwarzanie, naciśnij przycisk **MI** / PAIR na pilocie.
 - By przełączyć piosenkę, naciśnij przycisk **◀** / **▶** na pilocie.

Rozwiązywanie problemów

Aby zachować gwarancję, nigdy nie próbuj naprawiać urządzenia samodzielnie. Jeśli podczas użytkowania zestawu wystąpią problemy, przejrzyj poniższą listę przed wezwaniem serwisanta.

Brak zasilania

Upewnij się, że przewód zasilający jest prawidłowo podłączony. Upewnij się, że w gniazdku jest prąd. Naciśnij przycisk Standby na pilocie lub soundbarze, by włączyć soundbar.

Nie słychać dźwięku

Zwiększ głośność. Zwiększ poziom głośności za pomocą przycisku na pilocie lub z prawej strony soundbara. Naciśnij przycisk MUTE na pilocie, by sprawdzić, czy dźwięk nie jest wyciszony. Naciśnij przycisk źródła SOURCE, by wybrać inne źródło sygnału. Jeśli dźwięku nie słychać podczas korzystania z któregośkolwiek wejścia cyfrowego:

- spróbuj przełączyć sygnał wyjściowy na PCM lub
 - połącz się bezpośrednio z odtwarzaczem Blue-ray/innym źródłem – niektóre telewizory nie przesyłają sygnału audio.
- Telewizor może być ustawiony na zmienny sygnał wyjściowy. Upewnij się, że sygnał wyjściowy ustawiony jest na poziom stały (FIXED) lub standardowy (STANDARD), a nie zmienny (VARIABLE). Więcej informacji znajdziesz w instrukcji obsługi telewizora. Jeśli używasz trybu Bluetooth, upewnij się, że głośność urządzenia źródłowego jest włączona i że urządzenie nie jest wyciszone.

Pilot nie działa

Zanim wciśniesz jakikolwiek przycisk sterowania, wybierz właściwe źródło. Zmniejsz dystans między pilotem a zestawem. Włóż baterie, zachowując właściwą polaryzację (+/-). Wymień baterie. Skieruj pilot bezpośrednio na czujnik z przodu urządzenia.

Dźwięk jest brzęczący lub szumiący

Upewnij się, że wszystkie kable są prawidłowo podłączone. Podłącz inne urządzenie źródłowe (telewizor, odtwarzacz Blu-ray itp.), by sprawdzić, czy jakość dźwięku się poprawi. Jeśli nie, może to oznaczać usterkę zestawu. Podłącz urządzenie do innego wejścia soundbara.

Moje urządzenie z łącznością Bluetooth nie wyszukuje soundbara

Upewnij się, że urządzenie zewnętrzne ma aktywną funkcję Bluetooth. Ponownie sparuj soundbar z urządzeniem.

Zestaw posiada funkcję wyłączenia się po 15 minutach, zgodną ze standardem energooszczędności ERP II.

Gdy sygnał wejścia zewnętrznego urządzenia jest zbyt słaby, soundbar wyłączy się automatycznie po 15 minutach. Zwiększ głośność urządzenia zewnętrznego.

Dane techniczne

Model	HT-SB110
Soundbar	
Zasilanie	AC ~ 220-240V, 50Hz
Pobór mocy	30 W
Moc wyjściowa	2 x 15 W (RMS)
Zakres częstotliwości	60Hz - 20KHz
Bluetooth	
Wersja	V 4.2
Maksymalny poziom przekazywanej mocy	<20 dbm
Pasma częstotliwości	2402 MHz ~ 2480 MHz
Pilot zdalnego sterowania	
Rodzaj baterii	CR2025





UMC Poland sp. z o.o.
Ostaszewo 57B, 87-148 Łysomice,
Poland
Made in China

SAU/MAN/0014

www.sharp.eu/av

SHARP
Be Original.