

SHARP



User manual

HT-SB147

2.0 Soundbar

EN

DE

ES

IT

FR

PL

NL

RU

Trademarks:



The Bluetooth® word mark and logos are registered trademarks owned by Bluetooth SIG, Inc.



The terms HDMI, HDMI High-Definition Multimedia Interface, and the HDMI Logo are trademarks or registered trademarks of HDMI Licensing Administrator, Inc.

Important safety instructions



Please, read these safety instructions and respect the following warnings before the appliance is operated:



The lightning flash with arrowhead symbol, within an equilateral triangle, is intended to alert the user to the presence of uninsulated "dangerous voltage" within the product's enclosure that may be of sufficient magnitude as to constitute a risk of electric shock to persons.



The exclamation point within an equilateral triangle is intended to alert the user to the presence of important operating and maintenance (servicing) instructions in the literature accompanying the appliance.

In order to prevent fire always keep candles and other open flames away from this product.



Warning:

- Always follow basic safety precautions when using this appliance, especially when children are present.
- Children should be supervised to ensure that they do not play with the appliance.
- Do not damage the power cord, neither do not place any heavy objects on it, do not stretch it or bend it. Also do not attach extension cables. Damage to the power cord may occur fire or electric shock.
- If the supply cord is damaged, it must be replaced by the manufacturer, a service agent or similarly qualified persons in order to avoid a hazard.
- Ensure that the unit is plugged into an AC 100-240V 50/60Hz power outlet. Using higher voltage may cause the unit to malfunction or even fire catching.
- If the power plug does not fit into your outlet, do not force the plug into an electrical socket if it does not fit.
- Turn off the unit before unplugging it from power source to completely switch it off.
- Do not disconnect or connect the power cord with wet hands. It may cause an electric shock.
- Disconnect the power cord if it is not used for a long time.
- Ensure that the mains plug is always easily accessible.

- This product does not contain any parts that are serviceable by the user. In case of a fault, contact the manufacturer or authorised service department. Exposing the internal parts inside the device may endanger your life. The manufacturers guarantee does not extend to faults caused by repairs carried out by unauthorised third parties.
- Do not use this product immediately after unpacking. Wait until it warms up to room temperature before using it.
- Ensure this product is used in moderate climates only (not in tropical/subtropical climates).
- Place product on a flat, stable surface that is not subject to vibrations.
- Ensure the product and its parts is not overhanging the edge of the supporting furniture.
- To reduce the risk of fire, electric shock or damage to this product, do not expose it to direct sunlight, dust, rain and moisture. Never expose it to dripping or splashing and do not place objects filled with liquids on or near the product.
- Do not place objects filled with liquids, such as vases, on the apparatus.
- Do not install near any heat sources such as radiators, heat registers, stoves, or other apparatus (including amplifiers) that produce heat.
- Do not place the product where the humidity is high and ventilation is poor.
- Ensure a minimum distance of 5 cm around the apparatus for sufficient ventilation. Do not block any ventilation openings of this product. Always ensure that the ventilation openings are not covered with items such as newspapers, table-cloths, curtains, etc.
- NEVER let anyone, especially children, push anything into holes, slots or any other openings in the unit's casing as this could result in a fatal electric shock.
- Storms are dangerous for all electric appliances. If the mains or aerial wiring is struck by lightning, the appliance might get damaged, even if it is turned off. You should disconnect all the cables and connectors of the appliance before a storm.

Maintenance

- Unplug the power cable from the power source before cleaning the appliance.
- Use a soft and clean rag to clean the outside of the unit. Never clean it with chemicals or detergent.

Batteries

- Observe the correct polarity when inserting the batteries.
- Do not expose batteries to high temperatures and do not place them on locations where the temperature might increase quickly, e.g. near the fire or on the direct sunshine.
- Do not expose batteries to excessive radiant heat, do not throw them into the fire, do not disassemble them and do not try to recharge un-rechargeable batteries. They could leak or explode.
- Never use different batteries together or mix new and old ones.
- When the Remote Control is not to be used for a long time (more than a month), remove the battery from the Remote Control to prevent it from leaking.



- If the batteries leak, wipe away the leakage inside the battery compartment and replace the batteries with new ones.
- Do not use any batteries other than those specified.

Do not ingest battery, chemical burn hazard

- If the battery is swallowed, it can cause severe internal burns in just 2 hours and lead to death. Keep new and used batteries away from children. If the battery compartment does not close securely, stop using the product and keep it away from children. If you think batteries might have been swallowed or placed inside any part of the body, seek immediate medical attention.

Disposal of this equipment and Batteries

- Do not dispose of this product or its batteries as unsorted municipal waste. Return it to a designated collection point for the recycling of WEEE in accordance with local law. By doing so, you will help to conserve resources and protect the environment.
- Most of the EU countries regulate the disposal of batteries by law. Contact your retailer or local authorities for more information.
- The shown above appears on electrical and electronic equipment and batteries (or the packaging) to remind users of this. If "Hg" or "Pb" appears below the symbol, this means that the battery contains traces of mercury (Hg) or lead (Pb), respectively.
- Users are requested to use existing return facilities for used equipment and batteries.



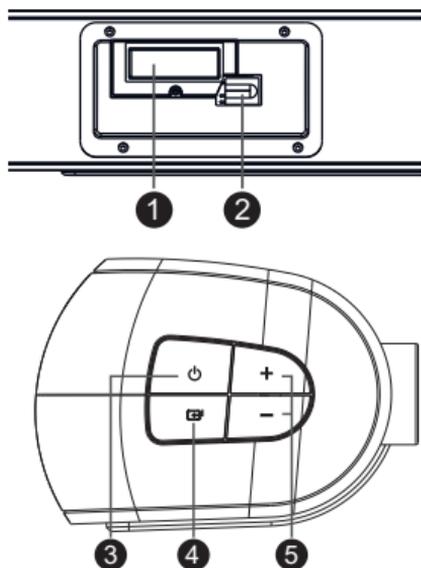
CE and UKCA statement:

- Hereby, Sharp Consumer Electronics Poland sp. z o.o. declares that this audio device is in compliance with the essential requirements and other relevant provisions of RED Directive 2014/53/EU and UK Radio Equipment Regulations 2017.
- The full text of the EU declaration of conformity is available by following the link www.sharpconsumer.com and then entering download section of your model and choosing "CE Statements".

Accessories

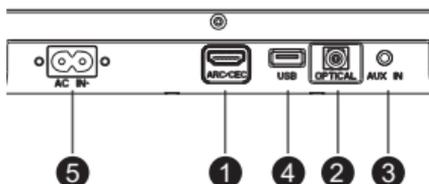
- 1x Remote control
- 1x User guide
- 1x Quick start guide
- 1x Warranty leaflet
- 1x UK power cord
- 1x EU power cord
- 1x Wall mount fixings
- 4x Silicone feet
- 2 x AAA battery

Controls



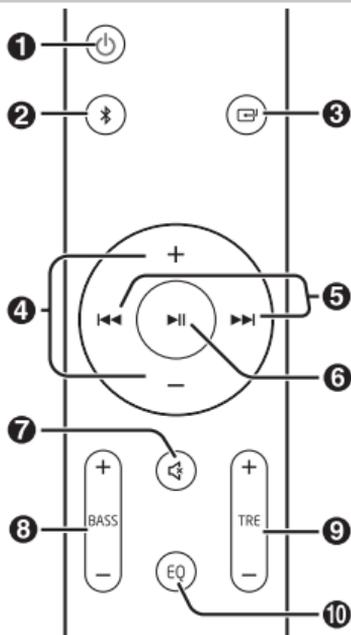
1. **Display Window**
2. **Remote sensor**
3. **Standby** – Switch the unit between ON and STANDBY mode.
4. **Source** – Select the play function.
5. **Volume +/-** – Increase/decrease the volume level.

Inputs/Outputs



1. **ARC/CEC Socket** – Connect to a TV via HDMI cable.
2. **OPTICAL Socket** – Optical input jack.
3. **AUX IN Socket** – Connect to an external audio device.
4. **USB Socket** – Used to connect with the USB flash disk.
5. **AC~ Socket** – Connect power cord.

Remote control



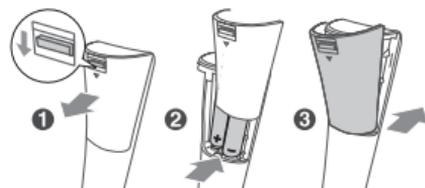
1. **Power** – Switch the unit between ON and STANDBY mode.
2. **Bluetooth** – Select the Bluetooth mode. Press and hold to activate the pairing function in Bluetooth mode or disconnect the existing paired Bluetooth device.

3. – Select the play function.
4. **VOL +/-** – Increase/decrease the volume level.
5. / – Skip to previous/next track in Bluetooth mode.
6. – Play/pause/resume playback in Bluetooth mode.
7. – (MUTE) Mute or resume the sound.
8. **BASS +/-** – Adjust bass level.
9. **TRE +/-** – Adjust treble level.
10. **EQ** – Select a preset sound mode.

RC OPERATIONS

The provided Remote Control allows the unit to be operated from a distance.

- Even if the Remote Control is operated within the effective range of 6m, remote control operation may be impossible if there are any obstacles between the unit and the remote control.
- If the Remote Control is operated near other products which generate infrared rays, or if other remote control devices using infra-red rays are used near the unit, it may operate incorrectly. Conversely, the other products may operate incorrectly.

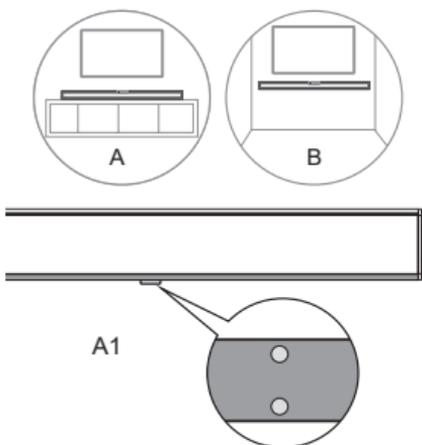


BATTERY INSTALLATION

1. Press and slide the back cover to open the battery compartment of the remote control.
2. Insert two AAA size batteries (included). Make sure the (+) and (-) ends of the batteries match the (+) and (-) ends indicated in the battery compartment.
3. Close the battery compartment cover.

First time installation

Placement and Mounting



A: Normal Placement (A1 - Attach the silicone feet to the bottom of the soundbar.

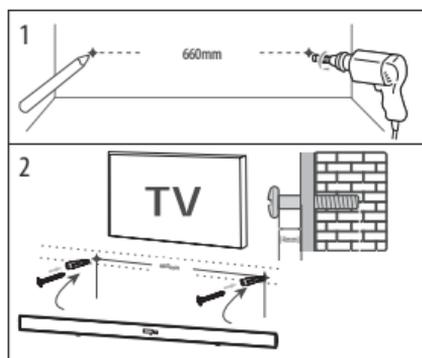
Place Soundbar on leveled surface in front of TV.)

B: Wall Mounting

Wall Mounting

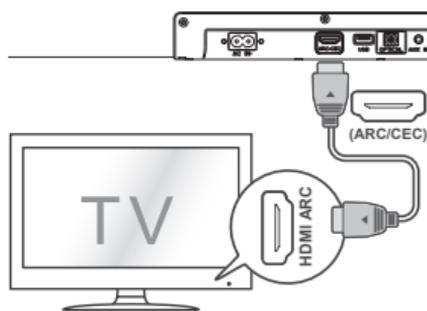
NOTE:

- Installation must be carried out by qualified personnel only. Incorrect assembly can result in severe personal injury and property damage (if you intend to install this product yourself, you must check for installations such as electrical wiring and plumbing that may be buried inside the wall). It is the installer's responsibility to verify that the wall will safely support the total load of the unit and wall brackets.
- Additional tools (not included) are required for the installation.
- Do not overtighten screws.
- Keep this instruction manual for future reference.
- Use an electronic stud finder to check the wall type before drilling and mounting.



1. Drill 2 parallel holes (\varnothing 6mm) in the wall. The distance between the holes should be 660 mm.
 - Firmly fix one plug into each hole in the wall and then insert screws into them.
2. Leave a 4mm gap between the wall and the screw's head. Lift the unit's integrated wall brackets over the heads of the screws and slot into place.

Connections



HDMI ARC input

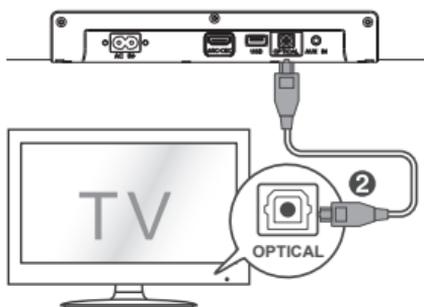
The ARC (Audio Return Channel) function allows you to send audio from your ARC-compliant TV to your sound bar through a single HDMI connection. To enjoy the ARC function, please ensure your TV is both HDMI-CEC and ARC compliant and set up accordingly. When correctly set up, you can use your TV remote control to adjust

the volume output (VOL +/- and MUTE) of the sound bar.

- Connect the HDMI cable (not included) from unit's HDMI (ARC) socket to the HDMI (ARC) socket on your ARC compliant TV. Then press the remote control to select HDMI ARC.

TIPS:

- Your TV must support the HDMI-CEC and ARC function. HDMI-CEC and ARC must be set to On.
- The setting method of HDMI-CEC and ARC may differ depending on the TV. For details about ARC function, please refer to your TV owner's manual.
- While in HDMI ARC mode, if there's no sound output from the unit (the display will show "InVALid"), you may need to activate PCM signal output on your source device (eg. TV, DVD or Blu-ray player).
- Only HDMI cables of version 1.4 or higher can support the ARC function.

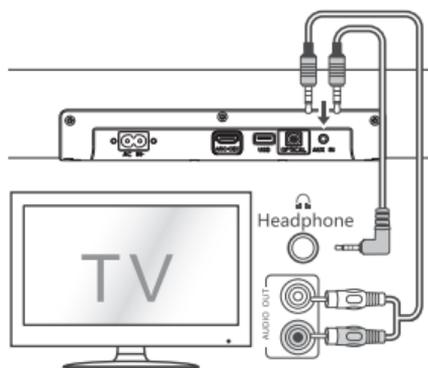


OPTICAL input

- Use the optical cable to connect the optical input of this soundbar to the optical output of VCD, CD, VCR, DVD player.

TIPS:

- While in OPTICAL mode, if there's no sound output from the unit (the display will show "InVALid"), you may need to activate PCM signal output on your source device (eg. TV, DVD or Blu-ray player).

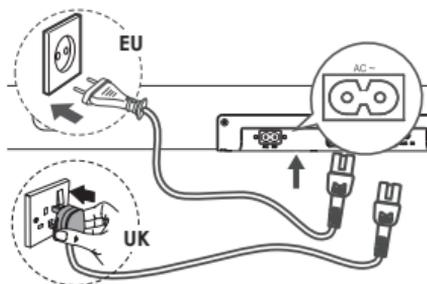


AUX IN

- Use a RCA to 3.5mm audio cable (not included) to connect the TV's audio output sockets to the AUX IN socket on the unit.
- Use a 3.5mm to 3.5mm audio cable (not included) to connect the TV's or external audio device headphone socket to the AUX IN socket on the unit.

TIP:

When you use the headphone output on the TV set, you will be able to adjust the volume level directly using the TV remote control.



Connect to Power

- Before connecting the AC power cord, ensure you have completed all other connections.
- Risk of product damage!** Ensure that the power supply voltage corresponds

to the voltage printed on the back or the underside of the unit.

- Connect the mains cable to the AC IN Socket of the unit and then into a mains socket.

Basic Operation

Standby/ON

- When you first connect the unit to the main socket, the unit will be in STANDBY mode.
- Press the  button on the remote control to switch the main unit ON or OFF.
- Disconnect the main plug from the main socket if you want to switch the unit off completely.
- When the unit has no input signal for over 15 minutes, it will automatically switch to Standby mode.

Select Modes

Press the  button on the unit repeatedly or press the  button on the remote control to select the desired mode.

Adjust the Volume

- Press the + / - buttons on the unit or on the remote control to adjust the volume.
- If you wish to turn the sound off, press the  button on the remote control. Press the  button again or press the +/- buttons on the unit or on the remote control to resume normal listening.

Select Equaliser (EQ) Effect

- While playing, press the EQ button on the remote control to select between preset equalisers: Music - „Eq1“ appears on the display (recommended for listening to music), Movie - „Eq2“ appears on the display (recommended for viewing movies), NEWS - „Eq3“ appears on the display (recommended for listening to NEWS), „Cust“ - Cust appears on the

display (recommended for personal bass/treble settings).

NOTE: Bass/Treble setting is available only in custom preset.

AUX IN/OPTICAL/HDMI ARC

1. Ensure that the unit is connected to the TV or audio device.
2. While in ON mode, press the  button on the unit repeatedly to select the desired mode.
3. Operate your audio device directly for playback features.
4. Press the +/- button to adjust the volume to your desired level.

TIP:

While in HDMI ARC/OPTICAL mode, if there's no sound output from the unit (the display will show "InVALId"), you may need to activate PCM signal output on your source device (eg. TV, DVD or Blu-ray player).

Bluetooth Operation

Pair Bluetooth-enabled Devices

The first time you connect your Bluetooth device to this player, you need to pair your device to this player.

NOTE:

- The operational range between this player and a Bluetooth device is approximately 8 meters (without any object between the Bluetooth device and the unit).
- Before you connect a Bluetooth device to this unit, ensure you know the device's capabilities.
- Compatibility with all Bluetooth devices is not guaranteed.
- Any obstacle between this unit and a Bluetooth device can reduce the operational range.
- If the signal strength is weak, your Bluetooth receiver may disconnect,

but it will re-enter pairing mode automatically.

1. Turn on the soundbar by pressing the standby button.
2. Press the  button on the unit repeatedly or  button on the remote control to select Bluetooth mode. You are in bluetooth mode when you see letters „nobt“ on the display.
3. Enter the Bluetooth search mode on the device you wish to connect to the soundbar.
4. Select **SHARP HT-SB147** from the list.

Your device and the soundbar will now be connected.

- To disconnect your device, switch off the Bluetooth connection or hold down  button, or  button on the remote control for 3 seconds.

TIPS:

- Enter „0000“ for the password if necessary.
- The player will also be disconnected when your device is moved beyond the operational range.
- If you want to reconnect your device to this player, place it within the operational range.
- If the device is moved beyond the operational range, when it is brought back, please check if the device is still connected to the player.
- If the connection is lost, follow the instructions above to pair your device to the player again.

Listen to Music from Bluetooth Device

- If the connected Bluetooth device supports Advanced Audio Distribution Profile (A2DP), you can listen to the music stored on the device through the soundbar'.
- If the device also supports Audio Video Remote Control Profile (AVRCP), you

can use the soundbar's remote control to play music stored on the device.

1. Pair your device with the player.
2. Play music via your device (if it supports A2DP).
3. Use supplied remote control to control play (if it supports AVRCP).
 - To pause/resume play, press the **⏸** button on the remote control.
 - To skip to a track, press the **⏮**/**⏭** buttons on the remote control.

USB Operation

1. Insert USB storage drive into the USB slot on the rear panel.
2. Press **⏻** button repeatedly on the unit or **⏻** button on the remote control to select USB mode.
3. Unit will start playing the MP3 track automatically from the connected USB drive.

If the MP3 playback does not start automatically, press **⏸** button on the remote control.

- To pause/resume play, press the **⏸** button on the remote control.
- To skip to a track, press the **⏮**/**⏭** buttons on the remote control.
- Press and hold **⏭** to fast forward, **⏮** to fast reverse.
- Due to the numerous different file systems and file formats, compatibility with the connected memory media cannot be guaranteed.
- Depending on the size of the data medium, it may take some time for the system to be detected.
- The supported file format is MP3/WAV.
- External hard disks are not supported.
- Supports USB memory key up to 32GB.

Troubleshooting

To keep the warranty valid, never try to repair the system yourself. If you encounter problems when using this unit, review the following before requesting service.

No power

Ensure that the AC cord is properly connected.

Ensure that there is power at the AC outlet.

Press standby button on the remote control or soundbar to turn the soundbar on.

No sound

Increase the volume. Press Volume Up on the remote control or on the right side of the soundbar.

Press **⏻** on the remote control to ensure the soundbar is not muted.

Press source buttons to select a different input source.

When using either of the Digital input, if there is no audio:

- Try setting the TV output to PCM or
- Connect directly to your Blu-ray/other source, some TVs do not pass through digital audio.

Your TV may be set to variable audio output. Confirm that the audio output setting is set to FIXED or STANDARD, not VARIABLE. Consult your TV's user manual for more detailed information.

If using Bluetooth, ensure that the volume on your source device is turned up and that the device is not muted.

Remote control does not work

Before you press any playback control button, first select the correct source.

Reduce the distance between the remote control and the unit.

Insert the battery with its polarities (+/-) aligned as indicated.

Replace the battery.

Aim the remote control directly at the sensor on the front of the unit.

I hear buzzing or humming

Ensure all cables and wires are securely connected.

Connect a different source device (TV, Blu-ray player, etc) to see if the buzzing persists. If it does not, the problem may

be with the original device.
Connect your device to a different input on the soundbar.

I can't find the Bluetooth name of this unit on my Bluetooth device

Ensure the Bluetooth function is activated on your Bluetooth device.
Re-pair the unit with your Bluetooth device.

This is a 15 mins power off function, one of the ERPII standard requirement for saving power

When the unit's external input signal level is too low, the unit will be turned off automatically in 15 minutes. Please increase the volume level of your external device.

Wichtige Sicherheitsanweisungen



Bitte lesen Sie sich diese Sicherheitsanweisungen durch und beachten Sie, bevor Sie das Gerät in Betrieb nehmen, auf die folgenden Warnhinweise:



Das Dreieckszeichen mit Blitzsymbol verweist auf nicht isolierte „gefährliche Spannungen“ im Gerätegehäuse, die so hoch sein können, dass sie eine Gefahr von Stromschlägen bilden.



Das Dreieckszeichen mit Ausrufungszeichen verweist auf wichtige Funktions- und Wartungshinweise (Reparatur) in der dem Gerät beigelegten Bedienungsanleitung.

Halten Sie Kerzen und offenes Feuer von diesem Produkt fern, um einen Brand zu vermeiden.



Warnung:

- Halten Sie sich während der Nutzung dieses Geräts immer an die allgemeinen Sicherheitshinweise, insbesondere, wenn Kinder in der Nähe sind.
- Kinder sollten beaufsichtigt werden, um sicherzustellen, dass sie nicht mit dem Gerät spielen.
- Das Stromkabel darf weder beschädigt, noch dürfen schwere Objekte darauf abgelegt werden, außerdem dürfen Sie es nicht dehnen oder verbiegen. Schließen Sie auch keine Verlängerungskabel an. Schäden am Stromkabel können zu einem Feuer oder Stromschlag führen.
- Wenn das Stromversorgungskabel beschädigt ist, muss es vom Hersteller, einem Servicetechniker oder einer ähnlich qualifizierten Person ausgetauscht werden, um Gefährdungen zu vermeiden.
- Stellen Sie sicher, dass die Einheit an eine AC 100-240V 50/60Hz Steckdose angeschlossen wird. Eine höhere Spannung kann zu Fehlfunktionen oder sogar zu einem Brand führen.
- Wenn der Stecker nicht in die Steckdose passt, dürfen Sie keine Gewalt anwenden, um einen nicht passenden Stecker in die Steckdose zu drücken.
- Schalten Sie die Einheit aus, bevor Sie sie von der Stromversorgung trennen, um sie so vollständig abzuschalten.
- Vermeiden Sie es, das Stromkabel mit nassen Händen anzuschließen oder zu trennen. Dies könnte andernfalls zu einem Stromschlag führen.
- Trennen Sie das Stromkabel, wenn es längere Zeit nicht verwendet wird.

- Stellen Sie sicher, dass der Hauptstecker immer leicht zugänglich ist.
- Dieses Produkt enthält keine Teile, die vom Benutzer gewartet werden können. Setzen Sie sich im Fall eines Defekts mit dem Hersteller oder der autorisierten Kundenabteilung in Verbindung. Teile aus dem Inneren des Geräts freizulegen kann lebensgefährlich sein. Die Garantie der Hersteller gilt nicht für Defekte, die durch von nicht autorisierte Dritten durchgeführte Reparaturen entstehen.
- Benutzen Sie dieses Produkt nicht direkt nach dem Auspacken. Warten Sie, bis es sich auf Zimmertemperatur erwärmt hat, ehe sie es einschalten.
- Stellen Sie sicher, dass dieses Produkt ausschließlich in Umgebungen mit mildem Klima verwendet wird (kein tropisches oder subtropisches Klima).
- Stellen Sie das Produkt auf eine flache, stabile Oberfläche, die keinen Erschütterungen ausgesetzt ist.
- Das Produkt und dessen Teile dürfen nicht über die Kante deelte tragenden Möbelstücks hinausragen.
- Um das Risiko eines Feuers, Stromschlags oder Schäden an diesem Produkt zu reduzieren, sollten Sie es nicht direktem Sonnenlicht, Staub, Regen oder Feuchtigkeit aussetzen. Setzen Sie es niemals tropfendem oder spritzendem Wasser aus und positionieren Sie keine mit Flüssigkeiten gefüllten Objekte auf oder neben dem Produkt.
- Setzen Sie keine mit Flüssigkeit gefüllten Objekte wie Vasen auf das Gerät.
- Installieren Sie das Produkt nicht in der Nähe von Heizquellen, wie etwa Heizungen, Heizregister, Öfen oder anderen Apparaten (einschließlich Verstärker), die Hitze produzieren.
- Platzieren Sie das Gerät nicht an Orten mit hoher Feuchtigkeit und mangelhafter Belüftung.
- Sorgen Sie für einen Mindestabstand von 5 cm rund um das Gerät, um eine ausreichende Belüftung sicherzustellen. Vermeiden Sie es, Belüftungsöffnungen an diesem Produkt zu blockieren. Sorgen Sie immer dafür, dass die Belüftungsöffnungen nicht durch Gegenstände, z. B. Zeitungen, Tischdecken, Gardinen usw. verdeckt sind.
- Lassen Sie NIEMALS jemanden, ganz besonders nicht Kinder, etwas in die Löcher, Spalten oder anderen Öffnungen des Gerätegehäuses stopfen, da dies zu einem folgenschweren Stromschlag führen kann.
- Gewitter sind für alle elektrischen Geräte gefährlich. Wenn das Strom- oder Antennenkabel vom Blitz getroffen wird, kann das Gerät, auch wenn es ausgeschaltet ist, beschädigt werden. Bei einem herannahenden Gewitter sollten Sie alle Kabel und Stecker des Gerätes ausstecken.

Wartung

- Trennen Sie vor dem Reinigen des Geräts das Stromkabel von der Stromquelle.
- Verwenden Sie einen weichen und sauberen Lappen, um die Außenflächen der Einheit zu reinigen. Verwenden Sie beim Reinigen niemals Chemikalien oder Reinigungsmittel.

Batterien

- Achten Sie beim Einlegen der Batterien auf die richtige Polarität.
- Setzen Sie Batterien keinen hohen Temperaturen aus und legen Sie sie nicht an Stellen ab, wo sich die Temperatur schnell erhöht, z. B. neben einem Feuer oder in die direkte Sonneneinstrahlung.
- Setzen Sie Batterien keiner übermäßigen Strahlungswärme aus, werfen Sie sie nicht ins Feuer oder bauen sie auseinander und versuchen Sie nicht, nicht aufladbare Batterien aufzuladen. Sie könnten undicht werden oder explodieren.



- Verwenden Sie niemals unterschiedliche Batterien oder vermischen neue mit alten.
- Wenn Sie die Fernbedienung für längere Zeit nicht verwenden (länger als einen Monat), sollten Sie die Batterie aus der Fernbedienung nehmen, um ein Auslaufen zu verhindern.
- Wenn die Batterien auslaufen, wischen Sie die ausgelaufene Flüssigkeit im Batteriefach weg und ersetzen die Batterien durch neue.
- Verwenden Sie immer nur die angegebenen Batterien.
- **Batterie nicht verschlucken, Gefahr von chemischen Verbrennungen**
- Wenn die Batterie verschluckt wird, kann dies zu schweren inneren Verbrennungen innerhalb von nur 2 Stunden führen und tödlich sein. Bewahren Sie neue und gebrauchte Batterien für Kinder unzugänglich auf. Wenn das Batteriefach nicht fest geschlossen werden kann, sollten Sie das Gerät nicht weiter verwenden und es für Kinder unzugänglich aufbewahren. Wenn Sie vermuten, dass Batterien verschluckt oder in irgendein Körperteil eingeführt wurden, müssen Sie sofort medizinische Hilfe in Anspruch nehmen.

Entsorgung dieses Geräts und von Batterien

- Entsorgen Sie dieses Produkt oder dessen Batterien niemals über den normalen Hausmüll. Geben Sie es entsprechend den gesetzlichen Regelungen vor Ort bei dem für das Recycling von WEEE vorgesehenen Sammelpunkt ab. Damit helfen Sie, Ressourcen einzusparen und die Umwelt zu schützen.
- In den meisten EU-Ländern gelten für die Entsorgung von Batterien besondere Gesetze und Vorschriften. Weitere Informationen erhalten Sie von Ihrem Händler oder den örtlichen Behörden.
- Der oben aufgeführte Text erscheint auf elektrischen und elektronischen Geräten und Batterien (oder der Verpackung), um Nutzer entsprechend zu erinnern. Wenn unter dem Symbol „Hg“ oder „Pb“ erscheint, bedeutet dies, dass die Batterie jeweils Spuren von Quecksilber (Hg) oder Blei (Pb) enthält.
- Nutzer werden darum gebeten, für gebrauchte Geräte und Batterien bestehende Rückgabearrangements zu nutzen.



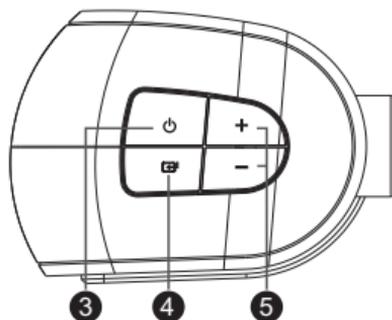
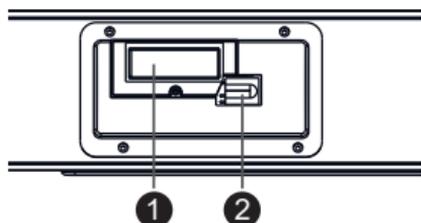
CE- und UKCA-Erklärung:

- Sharp Consumer Electronics Poland Sp. z o.o. erklärt hiermit, dass dieses Audiogerät den wesentlichen Anforderungen und weiteren entsprechenden Vorschriften der RED-Verordnung 2014/53/EU und der britischen Funkgeräteverordnung von 2017 entspricht.
- Der vollständige Text der EU-Konformitätserklärung ist unter folgendem Link verfügbar: www.sharpconsumer.com, und anschließend öffnen Sie den Download-Abschnitt Ihres Modells und wählen „CE-Erklärungen“.

Zubehör

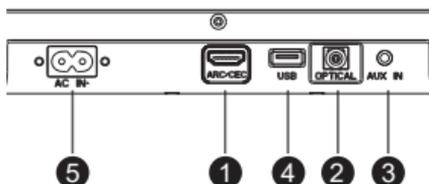
- 1x Fernbedienung
- 1x Benutzerhandbuch
- 1x Schnellstart-Handbuch
- 1x Garantiebroschüre
- 1x GB Stromkabel
- 1x EU Stromkabel
- 1x Befestigungen zur Wandmontage
- 4x Silikon Füße
- 2 x Batterie vom Typ AAA

Steuerelemente



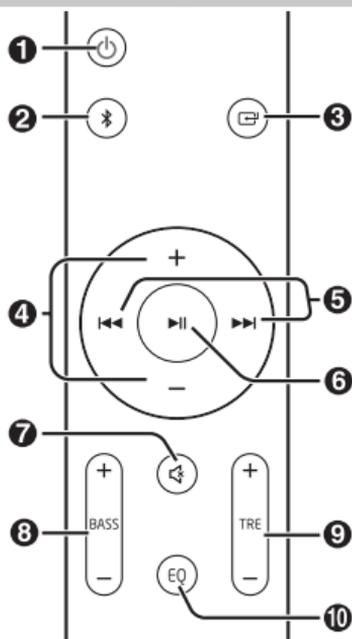
1. **Display-Fenster**
2. **Fernsensor**
3. **Standby** – Zwischen ON und STANDBY-Modus wechseln.
4. **Source** – Wählen Sie die Funktion Play.
5. **Volume +/-** – Lautstärke regulieren.

Eingänge/Ausgänge



1. **ARC/CEC Steckplatz** – Über ein HDMI-Kabel mit dem Fernseher verbinden.
2. **OPTICAL Steckplatz** – Optische Eingangsbuchse.
3. **AUX IN Steckplatz** – Mit einem externen Audiogerät verbinden.
4. **USB-Steckplatz** – Verbindung mit dem USB-Flash-Laufwerk.
5. **AC~ Steckplatz** – Stromkabel anschließen.

Fernbedienung



1. **Standby** – zwischen ON (EIN) und STANDBY-Modus wechseln.
2. **Bluetooth** – wählen Sie den Bluetooth-Modus. Drücken und halten, um die Funktion Koppeln im Bluetooth-Modus zu

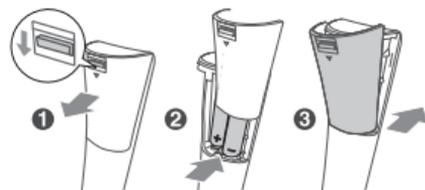
aktivieren oder um das bestehende gekoppelte Bluetooth-Gerät zu trennen.

3.  – wählen Sie die Play-Funktion (Wiedergabe).
4. **VOL+ / VOL-** – Lautstärke regulieren.
5.   – im Bluetooth-Modus zum vorherigen/nächsten Track springen.
6.  – Wiedergabe im Bluetooth-Modus abspielen/pausieren/weiter abspielen.
7.  – (STUMM) Stumm schalten oder Ton erneut einschalten.
8. **BASS +/-** – Basspegel einstellen.
9. **TRE +/-** – Höhenpegel einstellen.
10. **EQ** – Wählen Sie einen voreingestellten Sound-Modus.

RC-FUNKTIONEN

Dank der beigefügten Fernbedienung kann das Gerät aus der Ferne bedient werden.

- Selbst wenn die Fernbedienung innerhalb des effektiven Bereichs von 6 m bedient wird, kann ihr Betrieb unmöglich sein, wenn sich zwischen der Einheit und der Fernbedienung Hindernisse befinden.
- Wenn die Fernbedienung in der Nähe von anderen Produkten, die Infrarotstrahlen generieren, betrieben wird, oder wenn andere Fernsteuerungsgeräte, die Infrarotstrahlen verwenden, in der Nähe der Einheit verwendet werden, arbeitet diese womöglich nicht ordnungsgemäß. Umgekehrt arbeiten auch die anderen Geräte womöglich fehlerhaft.



EINSETZEN DER BATTERIE

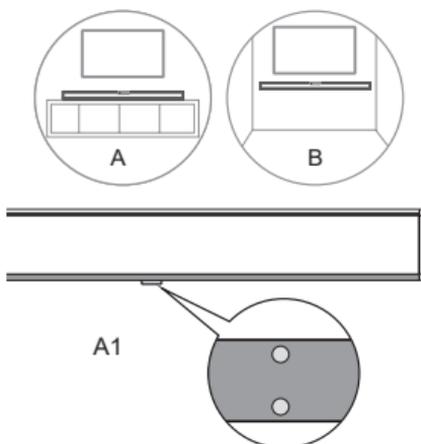
1. Drücken Sie auf die hintere Abdeckung und schieben Sie

sie auf, um das Batteriefach der Fernbedienung zu öffnen.

2. Legen Sie zwei AAA-Batterien ein (beiliegend). Vergewissern Sie sich, dass die Pole (+) und (-) der Batterie entsprechend den Polen (+) und (-) ausgerichtet sind, die im Batteriefach angegeben werden.
3. Schließen Sie die Abdeckung des Batteriefachs.

Erstmalige Installation

Platzierung und Befestigung



A: Normale Platzierung (A1 - Befestigen Sie die Silikon Füße an der Unterseite des Soundbars.

Setzen Sie die Soundbar auf eine ebene Oberfläche vor dem Fernseher)

B: Wandmontierung

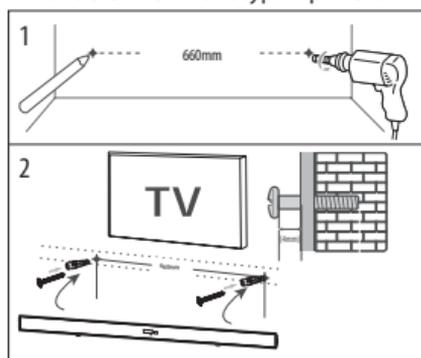
Wandmontierung

HINWEIS:

- Die Installation darf nur von einem qualifizierten Fachmann vorgenommen werden. Eine unsachgemäße Montage kann zu schweren Verletzungen oder Geräteschäden führen (wenn Sie dieses Produkt selbst installieren möchten, müssen Sie die Wand auf Installationen im Inneren wie elektrische Kabel und Rohrleitungen prüfen). Die Person,

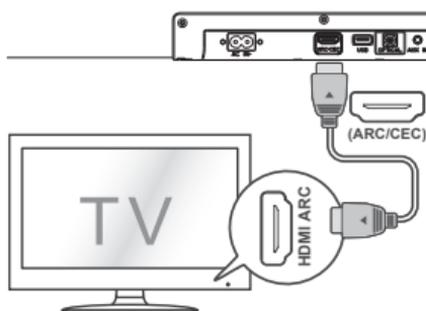
welche die Installation vornimmt, muss sicherstellen, dass die Wand die Gesamtlast der Einheit und Halterungsvorrichtungen tragen kann.

- Für die Installation werden zusätzliche Werkzeuge (nicht beigelegt) benötigt.
- Ziehen Sie die Schrauben nicht zu fest.
- Bewahren Sie die Betriebsanleitung zum Nachschlagen zu einem späteren Zeitpunkt auf.
- Nutzen Sie einen elektronischen Balkensucher, um vor dem Bohren und Montieren den Wandtyp zu prüfen.



1. Bohren Sie 2 parallele Löcher ($\varnothing 6$ mm) in die Wand. Der Abstand zwischen den Löchern sollte 660 mm betragen.
 - Drücken Sie den Dübel in das Loch in der Wand und befestigen Sie dann die Schraube im Dübel.
2. Lassen Sie eine 4 mm große Lücke zwischen der Wand und dem Schraubenkopf. Heben Sie die Einheit mit den angebrachten Wandbefestigungen über die Schraubenköpfe in die entsprechende Position.

Connections



HDMI ARC-Eingang

Die ARC-Funktion (Audio Return Channel) erlaubt Ihnen, Audio von Ihrem ARC-kompatiblen Fernseher über einen einzigen HDMI-Anschluss an Ihre Soundbar zu schicken. Um die ARC-Funktion zu genießen, stellen Sie bitte sicher, dass Ihr Fernseher sowohl HDMI-CEC als auch ARC-kompatibel ist, und richten Sie ihn entsprechend ein. Bei korrekter Einrichtung können Sie Ihre Fernsehfernbedienung nutzen, um die Lautstärke (VOL +/- und MUTE) der Soundbar zu regulieren.

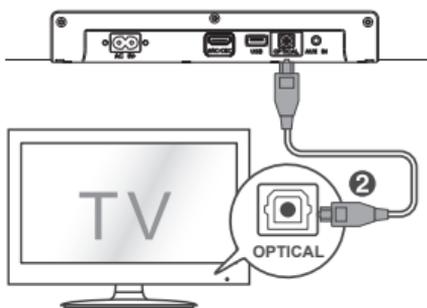
- Schließen Sie das HDMI-Kabel (nicht beigelegt) vom HDMI (ARC)-Steckplatz der Einheit an den HDMI (ARC)-Steckplatz an Ihrem ARC-kompatiblen Fernseher an. Wählen Sie dann per Knopfdruck auf Ihrer Fernbedienung HDMI ARC aus.

TIPPS:

- Ihr Fernseher muss die HDMI-CEC und ARC-Funktion unterstützen. HDMI-CEC und ARC müssen auf On gestellt sein.
- Die Einstellungsmethoden HDMI-CEC und ARC können je nach Fernsehgerät variieren. Für weitere Details zur ARC-Funktion nehmen Sie bitte die Bedienungsanleitung Ihres Fernsehers zur Hand.
- Wenn im Modus HDMI ARC kein Sound von der Einheit kommt (auf der Anzeige erscheint „INVALID“), müssen

Sie womöglich den PCM-Signalausgang auf Ihrem Quellengerät (z. B. Fernseher, DVD oder Blu-Ray Player) aktivieren.

- Nur HDMI-Kabel der Version 1.4 oder höher unterstützen die ARC-Funktion.

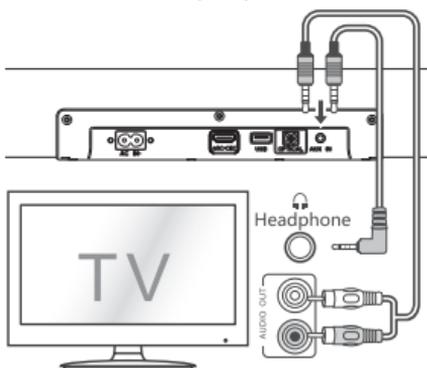


Eingang OPTICAL

- Verwenden Sie das optische Kabel, um den OPTICAL-Eingang dieser Soundbar mit dem OPTICAL-Ausgang des VCD, CD, VCR, DVD-Players zu verbinden.

TIPPS:

- Wenn im Modus OPTICAL kein Sound von der Einheit kommt (auf der Anzeige erscheint „InVALid“), müssen Sie womöglich den PCM-Signalausgang auf Ihrem Quellengerät (z. B. Fernseher, DVD oder Blu-Ray Player) aktivieren.



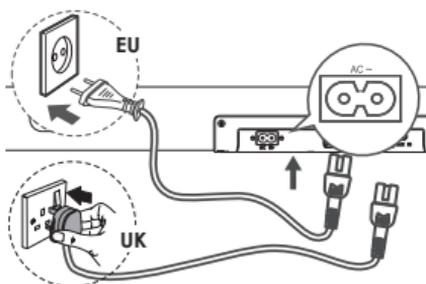
AUX IN

- Nutzen Sie ein RCA zu 3,5 mm Audiokabel (nicht beigelegt), um die Steckplätze des TV-Audioausgangs mit dem AUX IN-Steckplatz an der Einheit zu verbinden.

- Nutzen Sie ein 3,5 mm zu 3,5 mm Audiokabel (nicht beigelegt), um die Kopfhörersteckplätze des Fernsehers oder externen Audiogeräts mit dem AUX IN-Steckplatz an der Einheit zu verbinden.

TIPP:

Bei Anschluss über den Kopfhörer Ausgang des TV Gerätes, benutzen Sie die TV Fernbedienung um die Lautstärke zu regulieren.



An eine Stromquelle anschließen

- Bevor Sie das Wechselstromkabel anschließen, müssen Sie sicherstellen, dass Sie alle anderen Anschlüsse vorgenommen haben.
- **Risiko von Geräteschäden!** Stellen Sie sicher, dass die Stromversorgungsspannung der auf der Rückseite oder Unterseite der Einheit angegebenen Spannung entspricht.
- Schließen Sie das Hauptkabel an den AC~Steckplatz der Einheit und anschließend an eine Steckdose an.

Allgemeiner Betrieb

Standby/ON

- Wenn Sie die Einheit das erste Mal an eine Steckdose anschließen, befindet sie sich im STANDBY-Modus.
- Drücken Sie die Taste auf der Fernbedienung, um die Haupteinheit ein- oder auszuschalten (ON/OFF).

- Ziehen Sie den Hauptstecker aus der Netzsteckdose, wenn Sie die Einheit vollständig abschalten möchten.
- Wenn die Einheit für mehr als 15 Minuten kein Eingangssignal empfängt, wechselt sie automatisch in den Standby-Modus.

Modi wählen

Drücken Sie mehrmals die  Taste auf der Einheit oder die Tasten  auf der Fernbedienung, um den gewünschten Modus auszuwählen.

Lautstärkeregelung

- Drücken Sie die Tasten + / - auf der Einheit oder auf der Fernbedienung, um die Lautstärke anzupassen.
- Wenn Sie den Ton vollständig abschalten möchten, drücken Sie die  -Taste auf der Fernbedienung. Drücken Sie die  -Taste erneut oder drücken Sie die Tasten + / - auf der Einheit oder der Fernbedienung, um den Ton wieder einzuschalten.

Equaliser (EQ)-Effekt auswählen

- Drücken Sie während des Abspielens die EQ-Taste auf der Fernbedienung, um aus den voreingestellten E kten auszuwählen: Music - „Eq1“ Auf der Anzeige erscheint (empfohlen für das Anhören von Musik), Movie - „Eq2“ Auf der Anzeige erscheint (empfohlen für das Ansehen von Filmen), NEWS - „Eq3“ Auf der Anzeige erscheint (empfohlen für das Hören von NACHRICHTEN), „Cust“ - Cust Auf der Anzeige erscheint (empfohlen für persönliche Bass- / Höheneinstellungen).

HINWEIS: Die Einstellung für Bässe / Höhen ist nur in benutzerdefinierten Voreinstellungen verfügbar.

AUX IN/OPTICAL/HDMI ARC

1. Stellen Sie sicher, dass die Einheit an den Fernseher oder das Audiogerät angeschlossen ist.
2. Drücken Sie im ON-Modus mehrmals die  Taste auf der Einheit um den gewünschten Modus auszuwählen.
3. Sie können Ihr Audiogerät direkt für Wiedergabefunktionen nutzen.
4. Drücken Sie die Taste +/-, um die Lautstärke auf die gewünschte Stufe zu stellen.

TIPP:

Wenn im HDMI ARC/OPTICAL-Modus kein Sound von der Einheit kommt (auf der Anzeige erscheint „InVALId“), müssen Sie womöglich den PCM-Signalausgang auf Ihrem Quellengerät (z. B. Fernseher, DVD oder Blu-Ray Player) aktivieren.

Bluetooth-Betrieb

Bluetooth-fähige Geräte koppeln

Wenn Sie Ihr Bluetooth-Gerät das erste Mal mit diesem Player verbinden, müssen Sie Ihr Gerät an diesen Player koppeln.

HINWEIS:

- Der Betriebsbereich zwischen diesem Player und einem Bluetooth-Gerät beträgt ungefähr 8 Meter (ohne ein Objekt zwischen dem Bluetooth-Gerät und der Einheit).
- Bevor Sie ein Bluetooth-Gerät mit dieser Einheit verbinden, müssen Sie die Eigenschaften des Geräts kennen.
- Eine Kompatibilität mit allen Bluetooth-Geräten kann nicht garantiert werden.
- Jedes Hindernis zwischen dieser Einheit und einem Bluetooth-Gerät kann den Betriebsbereich reduzieren.
- Wenn die Signalstärke schwach ist, könnte Ihr Bluetooth-Empfänger möglicherweise nicht verbunden sein, dieser geht jedoch automatisch wieder in den Kopplungsmodus.

1. Schalten Sie die Soundbar durch Drücken der Standby-Taste ein.
2. Drücken Sie wiederholt die -Taste auf der Einheit oder die -Taste auf der Fernbedienung, um den Bluetooth-Modus auszuwählen. Wenn Sie auf dem Display die Buchstaben „nobt“ blinken sehen, befinden Sie sich im Bluetooth-Modus.
3. Gehen Sie auf dem Gerät in den Bluetooth-Suchmodus, wenn Sie eine Verbindung zur Soundbar herstellen möchten.
4. Wählen Sie aus der Liste **SHARP HT-SB147** aus.
5. Ihr Gerät und Ihre Soundbar werden jetzt verbunden.
 - Um Ihr Gerät zu trennen, schalten Sie die Bluetooth-Verbindung aus oder halten die  Taste auf der Fernbedienung für 3 Sekunden gedrückt.

TIPPS:

- Geben Sie, wenn nötig „0000“ als Passwort ein.
- Der Player wird auch getrennt, wenn Ihr Gerät den Betriebsbereich verlässt.
- Wenn Sie Ihr Gerät wieder mit diesem Player verbinden möchten, platzieren Sie es innerhalb des Betriebsbereichs.
- Wenn das Gerät den Betriebsbereich verlässt und dann zurückgebracht wird, prüfen Sie bitte, ob das Gerät noch mit dem Player verbunden ist.
- Wenn die Verbindung verloren ist, folgen Sie bitte den oben angegebenen Instruktionen, um Ihr Gerät wieder an den Player zu koppeln.

Musik vom Bluetooth-Gerät hören

- Wenn das verbundene Bluetooth-Gerät Advanced Audio Distribution Profile (A2DP) unterstützt, können Sie über die Soundbar die auf dem Gerät gespeicherte Musik hören.
- Wenn das Gerät auch Audio Video Remote Control Profile (AVRCP) unterstützt, können Sie die Fernbedienung der Soundbar nutzen, um die auf dem Gerät gespeicherte Musik abzuspielen.
 1. Koppeln Sie Ihr Gerät an den Player.
 2. Spielen Sie über Ihr Gerät Musik ab (wenn es A2DP unterstützt).
 3. Verwenden Sie zum Abspielen die mitgelieferte Fernbedienung (wenn diese AVRCP unterstützt).
 - Drücken Sie zum Pausieren/weiter Abspielen die Taste  auf Ihrer Fernbedienung.
 - Um einen Track zu überspringen, drücken Sie die Tasten  /  auf der Fernbedienung.

USB-Betrieb

1. Stecken Sie das USB-Speichergerät in den USB-Anschluss an der Rückseite.
2. Drücken Sie wiederholt die Taste  am Gerät oder die Taste  auf der Fernbedienung, um den USB-Modus auszuwählen.
3. Das Gerät startet automatisch die Wiedergabe des MP3-Tracks auf dem verbundenen USB-Laufwerk.

Wenn die MP3-Wiedergabe nicht automatisch startet, drücken Sie die Taste  auf der Fernbedienung.

- Drücken Sie zum Pausieren/weiter Abspielen die Taste  auf Ihrer Fernbedienung.
- Um einen Track zu überspringen, drücken Sie die Tasten  /  auf der Fernbedienung.
- Halten Sie die  Taste für einen Schnellvorlauf gedrückt,  für einen Schnellrücklauf gedrückt.
- Da es viele verschiedene Dateisysteme und Dateiformate gibt, kann keine Kompatibilität mit den angeschlossenen Speichermedien gewährleistet werden.

- Je nach Größe des Datenträgers kann es einige Zeit dauern, bis das System erkannt wird.
- Das unterstützte Dateiformat ist MP3/WAV.
- Externe Festplatten werden nicht unterstützt.
- Es werden USB-Speichersticks mit bis zu 32 GB unterstützt.

Problembehandlung

Damit die Garantie ihre Gültigkeit behält, dürfen Sie nie versuchen, das System selbst zu reparieren. Wenn Sie Probleme bei der Verwendung der Einheit haben, beschäftigen Sie sich zuerst mit Folgendem, bevor Sie Hilfe anfordern.

Kein Strom

Stellen Sie sicher, dass das Wechselstromkabel ordnungsgemäß angeschlossen ist.

Stellen Sie sicher, dass die Steckdose ordnungsgemäß funktioniert.

Drücken Sie die Standby-Taste auf der Fernbedienung oder Soundbar, um die Soundbar einzuschalten.

Kein Ton

Erhöhen Sie die Lautstärke. Drücken Sie auf der Fernsteuerung oder auf der rechten Seite der Soundbar auf Volume Up.

Drücken Sie  auf der Fernsteuerung, um sicherzustellen, dass die Soundbar nicht auf stumm geschaltet ist.

Drücken Sie die Quellentasten, um eine andere Eingangsquelle auszuwählen. Beachten Sie Folgendes, wenn Sie bei der Nutzung eines digitalen Eingangs keinen Ton haben:

- Versuchen Sie, den Ausgang des Fernsehers auf PCM zu setzen, oder
- Verbinden Sie ihn direkt mit Ihrem Blu-Ray-Player/einer anderen Quelle. Einige Fernseher geben digitales Audio nicht weiter.

Ihr Fernseher ist womöglich für einen variablen Audio-Ausgang eingestellt. Bestätigen Sie, dass die Einstellung

des Audio-Ausgangs auf FIXED oder STANDARD gesetzt ist, nicht auf VARIABLE. Ziehen Sie für weitere Informationen das Handbuch Ihres Fernsehers zu Rate. Stellen Sie bei der Verwendung von Bluetooth sicher, dass die Lautstärke Ihres Quellengeräts aufgedreht und Ihr Gerät nicht stummgeschaltet ist.

Fernbedienung funktioniert nicht

Bevor Sie eine Wiedergabetaste drücken, müssen Sie zuerst die richtige Quelle auswählen.

Reduzieren Sie den Abstand zwischen der Fernbedienung und der Einheit.

Setzen Sie die Batterie entsprechend der angezeigten Polarität (+/-) ein.

Ersetzen Sie die Batterie.

Zielen Sie mit der Fernbedienung direkt auf den Sensor vorne an der Einheit.

Ich höre ein Summen oder Brummen

Stellen Sie sicher, dass alle Kabel und Drähte fest angeschlossen sind.

Schließen Sie ein anderes Quellengerät an (Fernseher, Blu-Ray-Player, usw.), um zu prüfen, ob das Summen auch in diesem Fall auftritt. Wenn dies nicht der Fall ist, liegt das Problem womöglich am ursprünglichen Gerät.

Schließen Sie Ihr Gerät an einen anderen Eingang der Soundbar an.

Ich kann den Bluetooth-Namen dieser Einheit nicht auf meinem Bluetooth-Gerät finden

Vergewissern Sie sich, dass die Bluetooth-Funktion auf Ihrem Bluetooth-Gerät aktiviert ist.

Koppeln Sie die Einheit wieder an Ihr Bluetooth-Gerät.

Das Gerät ist mit einer 15-minütigen Stromabschaltfunktion ausgestattet, einer der ERPII-Standardanforderungen zum Einsparen von Strom.

Wenn die Stärke des externen Eingangssignals der Einheit zu schwach ist, wird die Einheit nach 15 Minuten automatisch abgeschaltet. Bitte erhöhen Sie die Lautstärke Ihres externen Geräts.

Instrucciones de seguridad importantes



Lea estas instrucciones de seguridad y respete las siguientes advertencias antes de utilizar el aparato:



La finalidad del símbolo del rayo con cabeza de flecha, dentro de un triángulo equilátero, es avisar al usuario de la presencia de "tensión peligrosa" sin aislamiento dentro de la carcasa del producto, que puede ser de suficiente magnitud como para provocar descargas eléctricas para las personas.



La finalidad de la marca de admiración dentro de un triángulo equilátero es avisar al usuario de la presencia de instrucciones importantes de uso y mantenimiento (servicio) en el manual que acompaña al aparato.

Para evitar incendios mantenga siempre las velas u otras llamas al descubierto lejos del producto.



Advertencia:

- Respete siempre las precauciones básicas de seguridad cuando utilice este electrodoméstico, especialmente cuando si hay niños presentes.
- Los niños deben ser supervisados para asegurarse de que no juegan con el aparato.
- No dañe el cable de alimentación, no coloque objetos pesados encima, no lo estire ni lo doble. Asimismo, no conecte alargadores. Los daños en el cable de alimentación pueden ocasionar incendios o descargas eléctricas.
- Si el cable de alimentación presenta algún daño, deberá ser sustituido por el fabricante, el servicio técnico o personas con una cualificación similar para evitar que se produzcan situaciones de peligro.
- Asegúrese de que la unidad está conectada a una toma de corriente de CA de 100-240V y 50/60Hz. El uso de una tensión superior puede causar el mal funcionamiento de la unidad o incluso presentar riesgo de incendio.
- Si el enchufe no encaja en la toma, no lo fuerce.
- Apague la unidad antes de desenchufarla de la corriente para desconectarla por completo.
- No conecte ni desconecte el cable de alimentación con las manos mojadas, ya que podría producirse una descarga eléctrica.
- Desconecte el cable de alimentación si la unidad no se va a utilizar durante un periodo prolongado de tiempo.

- Asegúrese de que el enchufe de alimentación resulta fácilmente accesible.
- Este producto no contiene ninguna pieza que pueda ser reparada por el usuario. En caso de avería, póngase en contacto con el fabricante o el servicio técnico autorizado. La exposición de ciertas partes internas del dispositivo puede poner en peligro su vida. La garantía del fabricante no cubre las averías resultantes de reparaciones llevadas a cabo por terceros.
- No utilice este producto inmediatamente tras desembalar. Espere a que se caliente a la temperatura ambiente antes de utilizarlo.
- Asegúrese de utilizar el producto en climas moderados únicamente (no en climas tropicales o subtropicales).
- Coloque el producto en una superficie plana estable y no expuesta a vibraciones.
- Asegúrese de que el producto y sus partes no sobresalen de los bordes del mueble sobre el que se coloca.
- Para reducir el riesgo de incendio, descarga eléctrica o daño en el producto, no lo exponga directamente a la luz del sol, polvo, lluvia o humedad. No exponga nunca este producto a gotas o derramamientos y no coloque objetos llenos de líquido sobre o cerca de este.
- No coloque objetos con líquidos, como jarrones, sobre el aparato.
- No instale el aparato cerca de ninguna fuente de calor, como radiadores, salidas de aire caliente, estufas u otros aparatos (incluidos amplificadores) que produzcan calor.
- No coloque el producto en espacios húmedos o con ventilación deficiente.
- Asegúrese de dejar una distancia mínima de 5 cm en torno al aparato para garantizar una ventilación adecuada. No obstruya las aberturas de ventilación de este producto. Evite siempre la obstrucción de las ranuras de ventilación con objetos como periódicos, manteles, cortinas, etc.
- No permita que nadie, especialmente los niños, introduzca elementos en los orificios, ranuras ni en ninguna apertura de la carcasa de la unidad, ya que podrían dar lugar a descargas eléctricas mortales.
- Las tormentas son peligrosas para todos los aparatos eléctricos. Si el cable de alimentación o el cableado de la antena es alcanzado por un rayo, el aparato puede resultar dañado, incluso si no está encendido. Debe desconectar todos los cables y conectores del aparato antes de una tormenta.

Mantenimiento

- Desenchufe el cable de alimentación de la toma de corriente antes de limpiar la unidad.
- Utilice un paño suave y limpio para limpiar la parte exterior de la unidad. No utilice nunca productos químicos ni detergentes.

Pilas

- Tenga en cuenta la polaridad correcta al insertar las pilas.
- No exponga las pilas a altas temperaturas y no las coloque en lugares en los que la temperatura pueda experimentar cambios bruscos, p. ej., cerca de un fuente de fuego o en contacto directo con la luz solar.



- No exponga las pilas a calor radiante excesivo, no las arroje al fuego, no las desmonte y no intente recargar pilas no recargables, ya que podrían producirse fugas o explotar.
- No combine nunca pilas de diferente tipo y no mezcle pilas nuevas y pilas viejas.
- Si el mando a distancia no se va a utilizar durante un largo periodo de tiempo (más de un mes), retire la pila para evitar fugas.
- Si las baterías presentan fugas, limpie la parte interior del compartimento y sustitúyalas por pilas nuevas.
- No utilice pilas diferentes a las especificadas.

No ingiera las pilas, ya que pueden causar quemaduras químicas.

- La ingestión de pilas puede causar quemaduras internas graves en tan solo 2 horas y producir la muerte. Mantenga las pilas nuevas y usadas lejos de los niños. Si el compartimento de la pila no se cierra correctamente, deje de usar el producto y manténgalo alejado de los niños. Si cree que se pueden haber tragado las pilas o introducido en alguna parte del cuerpo, busque atención médica inmediatamente.

Eliminación de este equipo y las pilas

- No elimine este producto o sus pilas como residuos urbanos no clasificados. Entréguelos en un punto de recogida designado para el reciclado de aparatos electrónicos y eléctricos de acuerdo con la ley local. De esta forma, ayudará a conservar los recursos y a proteger el medio ambiente.
- La mayor parte de los países de UE regulan la eliminación de las pilas mediante leyes. Póngase en contacto con su distribuidor y con las autoridades locales para obtener más información.
- Se incluye el símbolo anterior en el equipo eléctrico y electrónico, y las baterías (o el embalaje) para recordar a los usuarios de esta circunstancia. Si aparece "Hg" o "Pb" debajo del símbolo, eso significa que las pilas contienen trazas de mercurio (Hg) o plomo (Pb), respectivamente.
- Se solicita a los usuarios que utilicen las instalaciones de devolución existentes para equipos usados.



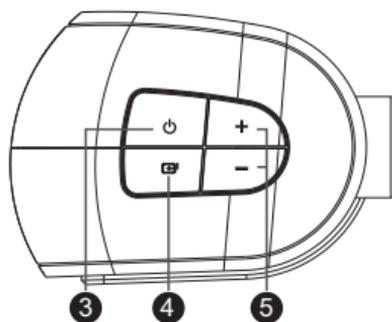
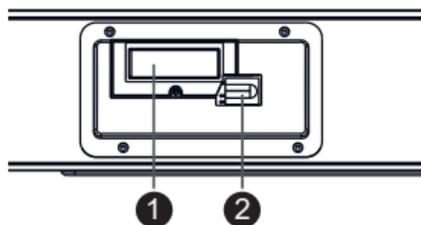
Declaración de CE y de CA del Reino Unido:

- Por la presente, Sharp Consumer Electronics Poland sp. z o.o. declara que este equipo cumple los requisitos esenciales y otras disposiciones pertinentes de la Directiva RED 2014/53/UE y los reglamentos sobre equipos de radio del Reino Unido de 2017.
- El texto completo de la declaración de conformidad de la UE está disponible en el siguiente enlace www.sharpconsumer.com. Una vez en la página, entre en la sección de descarga de su modelo y seleccione «Declaración CE».

Accesorios

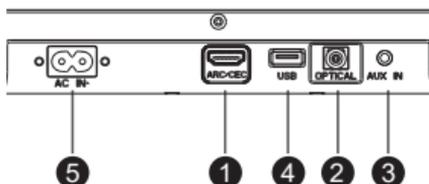
- 1x Mando a distancia
- 1x Guía del usuario
- 1x Guía de inicio rápido
- 1x Folleto de garantía
- 1x Cable de alimentación para el Reino Unido
- 1x Cable de alimentación para la UE
- 1x Accesorios para montaje en pared
- 4x Pies de silicona
- 2x pilas AAA

Controles



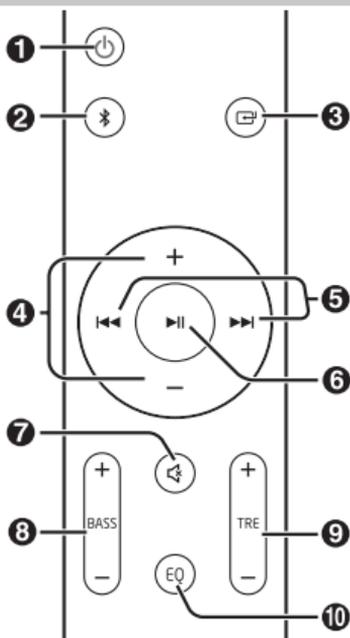
1. **Pantalla**
2. **Sensor remoto**
3. **Botón de estado en espera** – Permite alternar la unidad entre el modo de encendido y el modo en espera.
4. **Botón** – Permite seleccionar la función de reproducción.
5. **Botones +/-** – Permiten aumentar o reducir el nivel de volumen.

Entradas/salidas



1. **ARC/CEC Conexión** – Permite conectar un televisor a través de un cable HDMI.
2. **Conexión OPTICAL** – Conexión de entrada óptica.
3. **Conexión AUX IN** – Permite conectar un dispositivo de audio externo.
4. **Conexión USB** – Se utiliza para conectar una unidad de memoria USB.
5. **Conexión AC~** – Conecte el cable de alimentación.

Mando a distancia



1. **Botón de encendido/apagado** – permite alternar la unidad entre el modo de encendido y el modo en espera.
2. **Botón de Bluetooth** – permite seleccionar el modo Bluetooth.

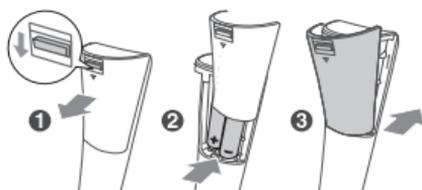
Mantenga pulsado para activar la función de emparejamiento en modo Bluetooth o desconectar el dispositivo Bluetooth emparejado existente.

3. : permite seleccionar la función de reproducción.
4. **VOL +/-**: permite aumentar o reducir el nivel de sonido.
5. **⏮/⏭**: permite saltar a la pista anterior o siguiente en modo Bluetooth.
6. **⏸**: permite reproducir, realizar una pausa o reanudar la reproducción en modo Bluetooth.
7. **🔇 (SILENCIAR)**: permite silenciar o activar el sonido.
8. **BASS +/-**: permite ajustar el nivel de bajos.
9. **TRE +/-**: permite ajustar el nivel de agudos.
10. **EQ**: Permiten seleccionar el modo de sonido predefinido.

OPERACIONES DE RC

El mando a distancia suministrado permite utilizar la unidad a distancia.

- El mando a distancia puede no responder adecuadamente aunque se utiliza dentro de un rango de distancia de 6 m si existen obstáculos entre la unidad y el mando a distancia.
- Si el mando a distancia se utiliza cerca de otros productos que generan rayos infrarrojos o si otros dispositivos de control remoto utilizan rayos infrarrojos cerca de la unidad, el mando a distancia podría no funcionar correctamente. También podría ocurrir que otros productos no funcionen correctamente.

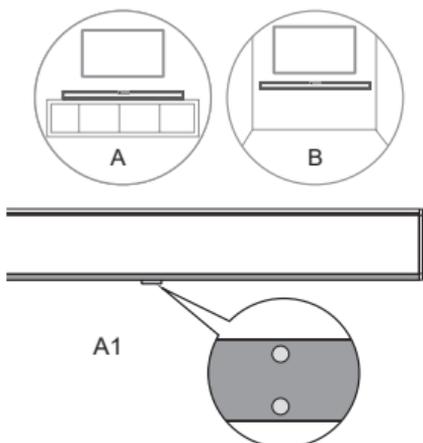


INSTALACIÓN DE PILAS

1. Pulse y deslice la tapa posterior para abrir el compartimento de las pilas del mando a distancia.
2. Inserte dos pilas del tamaño AAA (incluidas). Asegúrese de que los extremos (+) y (-) de las pilas coinciden con las polaridades (+) y (-) indicadas en el compartimento de las pilas.
3. Cierre la tapa de la batería.

Primera instalación

Colocación y montaje



A: Colocación normal (A1 - Coloque los pies de silicona debajo de la barra de sonido).

Coloque la barra de sonido en una superficie nivelada delante del televisor).

B: Montaje en pared.

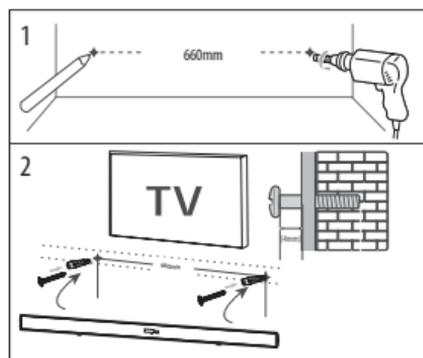
Montaje en pared

NOTA:

- Las instalación debe llevarla a cabo personal cualificado. El montaje incorrecto

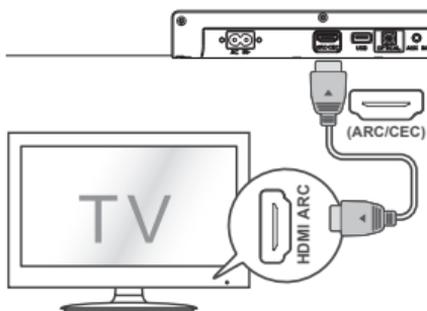
puede dar lugar a lesiones personales graves o daños en la propiedad (si decide instalar este producto usted mismo, debe comprobar las instalaciones, como los conductos de electricidad o de agua que puedan pasar por detrás de la pared). Es responsabilidad del instalador verificar que la pared puede soportar la carga total de la unidad y los soportes de pared.

- Se necesitan herramientas adicionales (no suministradas) para la instalación.
- No apriete excesivamente los tornillos.
- Conserve el manual de instrucciones para futuras consultas.
- Utilice un detector electrónico de vigas para comprobar el tipo de pared antes de taladrar o montar.



1. Taladre dos orificios paralelos (\varnothing 6 mm) en la pared. La distancia entre los orificios debe ser de 660 mm.
 - Coloque firmemente un taco en cada agujero de la pared e inserte los tornillos.
2. Deje una separación de 4 mm entre la pared y la cabeza del tornillo. Levante la unidad con los soportes de pared suministrados sobre las cabezas de los tornillos y cuélguela.

Conexiones



Entrada HDMI ARC

La función ARC (Audio Return Channel) permite enviar audio desde un televisor compatible con ARC a la barra de sonido a través de una única conexión HDMI. Para disfrutar de la función ARC, asegúrese de que su televisor es compatible con HDMI-CEC y ARC, y que configúrelo correspondientemente. Si se configura correctamente, puede utilizar el mando a distancia de su televisor para ajustar la salida de volumen (VOL +/- y MUTE) de su barra de sonido.

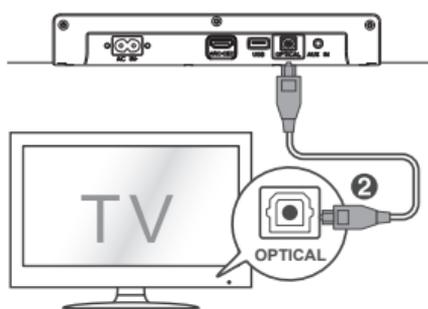
- Conecte el cable HDMI (no incluido) desde la conexión HDMI (ARC) de la unidad a la conexión HDMI (ARC) de su televisor compatible con ARC. Pulse el mando a distancia para seleccionar HDMI ARC.

CONSEJO:

- El televisor debe admitir las funciones HDMI-CEC y ARC. Las funciones HDMI-CEC y ARC deben establecerse en activas.
- El método de ajuste de las funciones HDMI-CEC y ARC puede diferir en función del televisor. Para obtener detalles sobre la función ARC, consulte el manual de su televisor.
- En el modo HDMI ARC, si no se escucha sonido desde la unidad (la pantalla mostrará "INVALID"), puede que necesite activar la salida de señal PCM.

en su dispositivo de salida (p. ej., televisor, DVD o reproductor Blu-ray).

- Solo se pueden utilizar cables HDMI de la versión 1.4 para la función ARC.

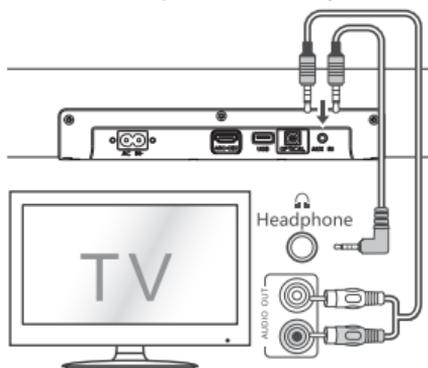


Entrada óptica

- Use el cable óptico para conectar la entrada óptica de esta barra de sonido a la salida óptica del reproductor VCD, CD, VCR o DVD.

CONSEJO:

- En el modo OPTICAL, si no se escucha sonido desde la unidad (la pantalla mostrará "InVALId"), puede que necesite activar la salida de señal PCM en su dispositivo de salida (p. ej., televisor, DVD o reproductor Blu-ray).



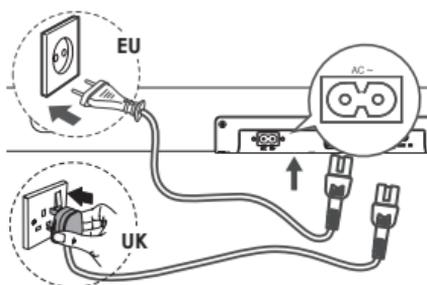
AUX IN

- Use un cable de audio RCA a 3,5 mm (no suministrado) para conectar las salidas de audio del televisor a una conexión AUX IN de la unidad.
- Use un cable de audio de 3,5 mm a 3,5 mm (no suministrado) para

conectar la salida del televisor o de los auriculares externos del dispositivo a una conexión AUX IN de la unidad.

CONSEJO:

Cuando utilice la salida de auriculares, usted podrá ajustar el volumen directamente utilizando el mando a distancia.



Conexión a la corriente

- Antes de conectar el cable de alimentación de CA, asegúrese de completar el resto de conexiones.
- **Riesgo de daños en el producto.** Asegúrese de que la tensión de alimentación se corresponde con la tensión indicada en la parte posterior o inferior de la unidad.
- Conecte el cable principal a la toma AC~ de la unidad y, a continuación, a una toma de corriente.

Funcionamiento básico

Modo en espera/encendido

- La unidad se encenderá en modo de espera cuando se conecta por primera vez a una toma de corriente.
- Pulse en botón del mando a distancia para encender o apagar la unidad principal.
- Desconecte el enchufe de la toma de alimentación si desea apagar la unidad completamente.
- Si la unidad no recibe señal de entrada durante más de 15 minutos, se activará automáticamente el modo en espera.

Selección de modos

Pulse el botón  de la unidad varias veces o los botones  del mando a distancia para seleccionar el modo deseado.

Ajuste del volumen

- Pulse los botones + / - de la unidad o del mando a distancia para ajustar el volumen.
- Si desea silenciar el sonido, pulse el botón  del mando a distancia. Pulse el botón  de nuevo o los botones + / - de la unidad o del mando a distancia para reanudar el sonido normal.

Selección del efecto del ecualizador (EQ)

- Mientras se reproduce sonido, pulse el botón EQ del mando a distancia para seleccionar entre modos de ecualización predeterminados: Music - „Eq1“ Aparecerá en la pantalla. (recomendado para escuchar música), Movie - „Eq2“ Aparecerá en la pantalla. (recomendado para ver películas), NEWS - „Eq3“ Aparecerá en la pantalla. (recomendado para escuchar NEWS), „Cust“ - Cust Aparecerá en la pantalla. (recomendado para ajustes personales de graves / agudos).

NOTA: El ajuste de graves / agudos está disponible solo en preajustes personalizados.

AUX IN/OPTICAL/HDMI ARC

1. Asegúrese de que la unidad está conectada al televisor o el dispositivo de audio.
2. Con la unidad encendida, pulse el botón  varias veces para seleccionar el modo deseado.
3. Utilice el dispositivo de audio directamente para aplicar funciones de reproducción.

4. Pulse el botón +/- para ajustar el volumen al nivel deseado.

CONSEJO:

En el modo HDMI ARC/OPTICAL, si no se escucha sonido desde la unidad (la pantalla mostrará "InVALId"), puede que necesite activar la salida de señal PCM en su dispositivo de salida (p. ej., televisor, DVD o reproductor Blu-ray).

Funcionamiento de la función Bluetooth

Emparejamiento de dispositivos Bluetooth

La primera vez que conecte su dispositivo Bluetooth al reproductor, necesitará emparejarlo al reproductor.

NOTA:

- El rango operativo entre el reproductor y un dispositivo Bluetooth es de aproximadamente 8 metros (sin ningún objeto entre el dispositivo Bluetooth y la unidad).
 - Antes de conectar un dispositivo Bluetooth a esta unidad, asegúrese de conocer las funciones del dispositivo.
 - No se garantiza la compatibilidad con todos los dispositivos Bluetooth.
 - Cualquier obstáculo entre esta unidad y un dispositivo Bluetooth puede reducir el rango operativo.
 - Si la señal es débil, su receptor Bluetooth puede desconectarse, pero volverá a entrar en modo de emparejamiento automáticamente.
1. Active la barra de sonido pulsando el botón en espera.
 2. Pulse el botón  varias veces o el botón  del mando a distancia para seleccionar Bluetooth. Estará en el modo Bluetooth cuando vea las letras "nobt" parpadeando en la pantalla.

3. Introduzca el modo de búsqueda Bluetooth del dispositivo que desea conectar a la barra de sonido.
4. Seleccione **SHARP HT-SB147** de la lista.
5. Su dispositivo y la barra de sonido se conectarán.
 - Para desconectar su dispositivo, desactive la conexión Bluetooth o mantenga pulsado el botón **▶▶** del mando a distancia durante 3 segundos.

CONSEJO:

- Introduzca „0000“ como contraseña si fuera necesario.
- El reproductor también se desconectará cuando el dispositivo deje de estar en el rango operativo.
- Si desea conectar su dispositivo al reproductor, sitúelo dentro del rango operativo.
- Si el dispositivo vuelve a situarse dentro del rango operativo, después de dejar de estarlo, compruebe si sigue conectado al reproductor.
- Si se pierde la conexión, siga las instrucciones anteriores para volver a emparejar el dispositivo al reproductor.

Escuchar música desde un dispositivo Bluetooth

- Si el dispositivo Bluetooth conectado admite Advanced Audio Distribution Profile (A2DP), puede escuchar la música almacenada en dicho dispositivo a través de la barra de sonido.
 - Si el dispositivo también admite Audio Video Remote Control Profile (AVRCP), puede utilizar el mando a distancia de la barra de sonido para reproducir música almacenada en dicho dispositivo.
1. Empareje el dispositivo con el reproductor.
 2. Reproduzca música a través del dispositivo (si admite A2DP).

3. Use el mando a distancia suministrado para controlar la reproducción (si admite AVRCP).
 - Para pausar la reproducción y reanudarla, pulse el botón **▶▶** del mando a distancia.
 - Para saltar una pista, pulse los botones **◀◀ / ▶▶** del mando a distancia.

Funcionamiento de la función USB

1. Inserte la unidad de almacenamiento USB en la ranura USB en el panel posterior.
2. Pulse repetidamente el botón **⏏** de la unidad o el botón **⏏** del mando a distancia para seleccionar el modo USB.
3. La unidad se iniciará reproduciendo la pista MP3 automáticamente desde la unidad USB conectada.

Si el reproductor MP3 no se inicia automáticamente, pulse el botón **▶▶** del mando a distancia.

- Para pausar la reproducción y reanudarla, pulse el botón **▶▶** del mando a distancia.
- Para saltar una pista, pulse los botones **◀◀ / ▶▶** del mando a distancia.
- Mantenga pulsado el botón **▶▶** para avanzar, **◀◀** para retroceder.
- Debido a los numerosos sistemas y formatos de archivos diferentes, no se puede garantizar la compatibilidad con el soporte de memoria conectado.
- El tiempo para la detección del sistema puede tardar dependiendo del tamaño del soporte de datos.
- El formato de archivo admitido es MP3/WAV.
- No se admiten discos duros externos.
- Se admiten memorias USB de hasta 32 GB.

Resolución de problemas

Para conservar la validez de la garantía, no intente reparar nunca el sistema por sí mismo. Si observa problemas al usar esta unidad, revise los siguientes elementos antes de dirigirse al servicio técnico.

No hay alimentación

Asegúrese de que el cable de CA está adecuadamente conectado.

Asegúrese de que la toma de CA tiene corriente.

Pulse el botón de modo en espera del mando a distancia o de la barra de sonido para encender la barra de sonido.

No se oye sonido

Aumente el volumen. Pulse el botón para subir el volumen del mando a distancia o el botón situado en la parte derecha de la barra de sonido.

Pulse el botón  del mando a distancia para asegurarse de que la barra de sonido no se ha silenciado.

Pulse los botones de fuente para seleccionar una señal de entrada diferente.

Si no hay audio al usar cualquier de las entradas digitales:

- Pruebe a ajustar la salida del televisor a PCM o
- Conecte directamente a su dispositivo Blu-ray u otra fuente; algunos televisores no transmiten audio digital.

Su televisor puede estar establecido en salida de audio variable. Confirme que el ajuste de salida de audio está configurado en FIXED o STANDARD, no en VARIABLE.

Consulte el manual de usuario del televisor para obtener más información.

Si usa Bluetooth, asegúrese de que el volumen de su dispositivo fuente está activado y de que el dispositivo no está en silencio.

El mando a distancia no funciona

Antes de pulsar cualquier botón de control de reproducción, seleccione la fuente correcta.

Reduzca la distancia entre el mando a distancia y la unidad.

Inserte la pila con las polaridades (+/-) alineadas como se indica.

Sustituya la pila.

Dirija el mando distancia directamente hacia el sensor en la parte frontal de la unidad.

Oigo sonido como zumbidos y silbidos

Asegúrese de que todos los cables están correctamente conectados.

Conecte un dispositivo fuente diferente (televisor, reproductor Blu-ray, etc.) para comprobar si el zumbido continúa. Si se deja de oír, el problema puede estar en el dispositivo original.

Conecte el dispositivo a una entrada diferentes en la barra de sonido.

No puedo encontrar el nombre Bluetooth de esta unidad en mi dispositivo Bluetooth

Asegúrese de que la función Bluetooth está activada en su dispositivo Bluetooth. Vuelva a emparejar la unidad con su dispositivo Bluetooth.

Se trata de una función de apagado tras 15 minutos, uno de los requisitos estándar de ERPII para ahorrar energía

Cuando el nivel de señal de entrada externo de la unidad es demasiado bajo, la unidad se desactivará automáticamente en 15 minutos.

Aumente el nivel de volumen del dispositivo externo.

Importanti istruzioni di sicurezza



Vi preghiamo di leggere queste istruzioni di sicurezza e di rispettare le seguenti avvertenze prima di mettere in funzione l'apparecchio:



Il simbolo del fulmine con una punta di freccia in un triangolo equilatero serve ad avvertire la presenza di un voltaggio pericoloso non isolato all'interno del prodotto di un livello sufficiente a comportare il rischio di shock elettrico per una persona.



Il punto esclamativo in un triangolo equilatero serve ad avvertire la presenza di importanti istruzioni operative e di manutenzione nella documentazione che accompagna l'apparecchio.

Per evitare incendi, tenete sempre lontane dall'apparecchio candele e qualunque altro tipo di fiamma.



Avvertenza:

- Seguire sempre le precauzioni di sicurezza basilari quando si utilizza questo apparecchio, specialmente in presenza di bambini.
- I bambini dovrebbero essere supervisionati per assicurarsi che non giochino con l'apparecchio.
- Non danneggiare il cavo di alimentazione, né riporvi sopra oggetti pesanti, tirarlo o piegarlo. Inoltre, non utilizzare prolunghe. Danni al cavo di alimentazione potrebbero causare incendi o shock elettrici.
- Se il cavo di alimentazione è danneggiato, deve essere sostituito dal produttore, da un agente di servizio o da persone altrettanto qualificate, in modo da evitare pericoli.
- Assicurarsi che l'unità sia connessa a una presa di corrente CA 100-240V 50/60Hz. Usare un voltaggio superiore può provocare un malfunzionamento dell'unità e persino la formazione di fiamme.
- Non forzare la spina se non si inserisce correttamente nella presa.
- Spegnerne completamente l'unità prima di disconnetterla dall'alimentazione.

- Non disconnettere o connettere il cavo di alimentazione con le mani bagnate. Può provocare uno shock elettrico.
- Scollegare il cavo di alimentazione se non viene usato per molto tempo.
- Assicurarsi che la presa di corrente sia sempre facilmente accessibile.
- Questo prodotto non ha componenti che possano essere riparate dall'utente. In caso di guasto, contattate il produttore o l'agente di servizio autorizzato. Esporre le parti interne al dispositivo può comportare un pericolo di vita. La garanzia non copre danni causati da riparazioni effettuate da terze parti non autorizzate.
- Non utilizzare questo prodotto immediatamente dopo averlo rimosso dall'imballaggio. Attendere che si riscaldi fino a temperatura ambiente prima di usarlo.
- Assicurarsi di usare questo prodotto soltanto in un clima temperato (non in ambienti tropicali o subtropicali).
- Collocare il prodotto su una superficie piana e stabile in modo che non sia sottoposto a vibrazioni.
- Assicurarsi che il prodotto e le sue parti non pendino dal bordo del mobilio di supporto.
- Per ridurre il rischio di incendi, shock elettrici o danni al prodotto, non esporlo direttamente a luce del sole, polvere, pioggia o umidità. Non esporlo mai a gocciolamenti e schizzi d'acqua e non collocare oggetti contenenti liquidi sopra o vicino a esso.
- Non collocare oggetti pieni di liquidi, come vasi, sull'apparecchio.
- Non installarlo vicino a fonti di calore come termosifoni, griglie di ventilazione, stufe o altri apparecchi (inclusi amplificatori) che generano calore.
- Non collocare il prodotto in punti con elevata umidità e scarsa ventilazione.
- Assicurare una distanza minima di 5 cm attorno all'apparecchio per una ventilazione sufficiente. Non ostruire le aperture per la ventilazione del prodotto. Assicurarsi che le aperture per la ventilazione siano sgombrere da oggetti come giornali, tovaglie, tendaggi ecc.
- MAI lasciare che qualcuno, specialmente un bambino, inserisca qualcosa nei fori e nelle aperture dell'involucro dell'unità, in quanto ciò potrebbe risultare in uno shock elettrico fatale.
- I temporali sono pericolosi per gli apparecchi elettronici. Se i cavi della rete elettrica o l'antenna vengono colpiti da un fulmine, l'apparecchio potrebbe risultarne danneggiato, anche se spento. E' opportuno scollegare tutti i cavi e i connettori dell'apparecchio prima di un temporale.

Manutenzione

- Disconnetti il cavo di alimentazione dalla presa elettrica prima di pulire l'apparecchio.
- Usare un panno morbido e pulito per pulire l'esterno dell'unità. Non pulire con agenti chimici e detergenti.

Batterie

- Rispettare la corretta polarità quando inserite le batterie.
- Non esporre le batterie ad alte temperature e non riporle in posti in cui la temperatura possa aumentare velocemente, per esempio vicino a una fiamma o alla luce diretta del sole.



- Non esporre le batterie a un eccessivo calore radiante, non gettarle nel fuoco, non smontarle e non cercare di ricaricarle se non sono ricaricabili. Potrebbero avere perdite o esplodere.
- Non usare mai batterie di marche diverse insieme, né mescolare batterie vecchie con nuove.
- Quando il telecomando non viene usato per lungo tempo (più di un mese), rimuovere la batteria per prevenire perdite.
- In caso di perdite di batterie, ripulire la perdita all'interno dello scompartimento e rimpiazzare le batterie vecchie con quelle nuove.
- Non utilizzare batterie diverse da quelle specificate.

Non ingerire le batterie: rischio di ustione chimica

- Se la batteria viene ingerita, può causare gravi ustioni interne in appena due ore e portare alla morte. Tenere batterie nuove e vecchie lontane dai bambini. Se lo scompartimento della batteria non si chiude perfettamente, smettere di usare il prodotto e tenerlo lontano dalla portata dei bambini. In caso di dubbio di ingerimento di batterie o di inserimento in qualsiasi parte del corpo, richiedere immediato supporto medico.

Smaltimento dell'apparecchio e delle batterie

- Non smaltire questo prodotto insieme a rifiuti non differenziati. Riconsegnarlo in un punto di raccolta apposito per il RAEE (Riciclaggio di Apparecchiature Elettriche ed Elettroniche). Così facendo, contribuirete alla conservazione delle risorse e alla protezione dell'ambiente.
- La maggior parte dei paesi dell'UE regola lo smaltimento delle batterie a norma di legge. Contattare il fornitore o le autorità locali per ulteriori informazioni.
- I simboli mostrati in alto appaiono su apparecchi elettrici ed elettronici e batterie (o sulla relativa confezione) come promemoria per gli utenti. La presenza di "Hg" o 'Pb' sotto il simbolo indica la presenza di tracce di mercurio (Hg) o piombo (Pb).
- Gli utenti sono tenuti a utilizzare le strutture adeguate per lo smaltimento di apparecchi e batterie.



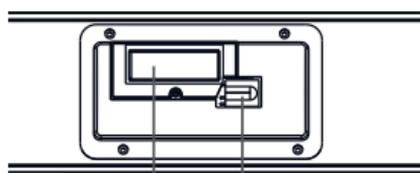
Dichiarazione CE e UKCA:

- Con il presente, Sharp Consumer Electronics Poland sp. z o.o. dichiara che il televisore LED soddisfa i requisiti essenziali e le altre disposizioni rilevanti della direttiva RED 2014/53/EU e delle Normative sulle apparecchiature radio del Regno Unito del 2017.
- Il testo completo della dichiarazione di conformità UE è disponibile seguendo il collegamento www.sharpconsumer.com e successivamente inserendo la sezione di download del tuo modello, quindi selezionando "Dichiarazioni CE".

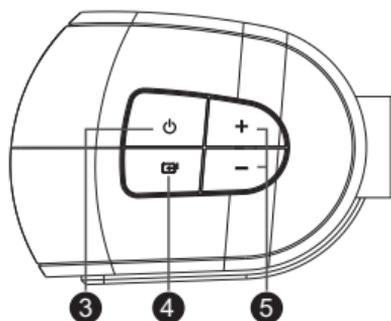
Accessori

- 1x Telecomando
- 1x Manuale di istruzioni
- 1x Guida di avvio rapido
- 1x Foglio di garanzia
- 1x Cavo di alimentazione UK
- 1x Cavo di alimentazione EU
- 1x Fissaggi per parete
- 4x Piedini in silicone
- 2x Batterie AAA

Controlli

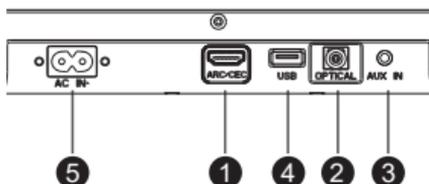


1 2



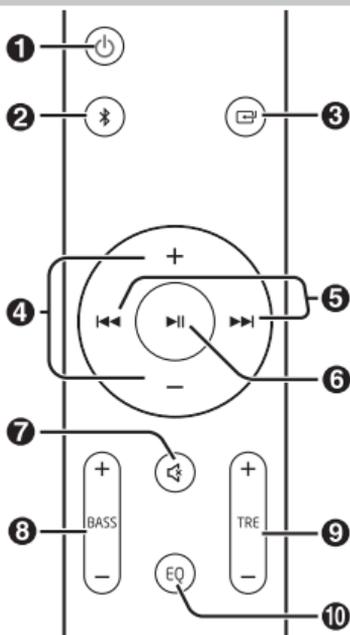
1. **Display**
2. **Sensore remoto**
3. **⏻ Pulsante Standby** – Passa tra modalità ON e STANDBY.
4. **📺 Pulsante SORGENTE** – Seleziona la funzione di riproduzione.
5. **Pulsanti +/-** – Aumenta/riduce il livello del volume.

Ingressi/Uscite



1. **Connettore ARC/CEC** – Connette a un televisore tramite cavo HDMI.
2. **Connettore OPTICAL** – Ingresso cavo Optical.
3. **Connettore AUX IN** – Connette un dispositivo audio esterno.
4. **Connettore USB** – Usato per connettersi al disco flash UB.
5. **Connettore AC~** – Connette il cavo di alimentazione.

Telecomando



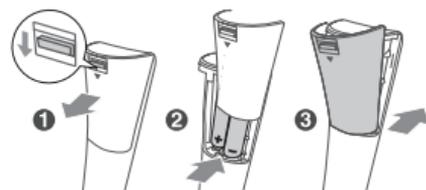
1. **⏻** – passa tra modalità ON e STANDBY.
2. **📶** – seleziona la modalità Bluetooth. Premi e tieni premuto per attivare la funzione di accoppiamento in modalità Bluetooth o per disconnettere il dispositivo attualmente collegato via Bluetooth.

3.  – seleziona la funzione di riproduzione.
4. **VOL+/VOL-** – aumentano/riducono il livello del volume.
5. **◀▶** – passa alla traccia successiva/precedente in modalità Bluetooth.
6. **▶||** – avvia/mette in pausa/riprende la riproduzione in modalità Bluetooth.
7.  (**MUTE**) – attiva o disattiva il sonoro.
8. **BASS +/-** – regola il livello dei bassi.
9. **TRE +/-** – regola il livello degli alti.
10. **EQ** – Selezionano una modalità audio preimpostata.

OPERAZIONI TELECOMANDO

Il telecomando fornito permette di utilizzare l'unità a distanza.

- Anche se il telecomando viene utilizzato a una distanza funzionale di 6m, il suo corretto funzionamento potrebbe essere impedito da ostacoli posti tra l'unità e il telecomando stesso.
- Se il telecomando viene utilizzato vicino ad altri prodotto che generano raggi infrarossi, oppure se altri telecomandi a infrarossi sono utilizzati vicino all'unità, potrebbe non funzionare correttamente. O, viceversa, altri prodotti potrebbero non funzionare correttamente.



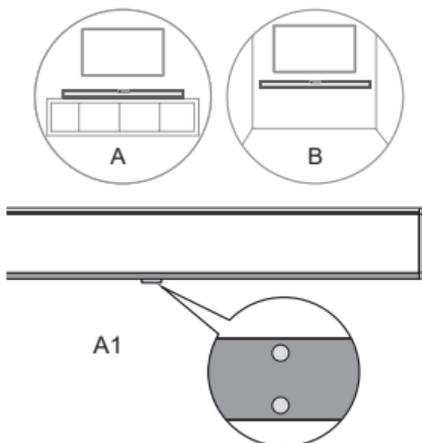
INSTALLAZIONE DELLA BATTERIA

1. Premi e fai scorrere il coperchio posteriore per aprire lo scompartimento delle batterie sul telecomando.
2. Inserisci due batterie di tipo AAA (incluse). Assicurati che le estremità (+) e (-) coincidano con le estremità (+) e (-) indicate nello scompartimento delle batterie.

3. Chiudi il coperchio dello scompartimento delle batterie.

Prima installazione

Collocazione e montaggio



A: Collocazione normale (A1 - Attaccare i piedini in silicone alla parte inferiore della soundbar.

Collocare la soundbar su una superficie piana di fronte al televisore.)

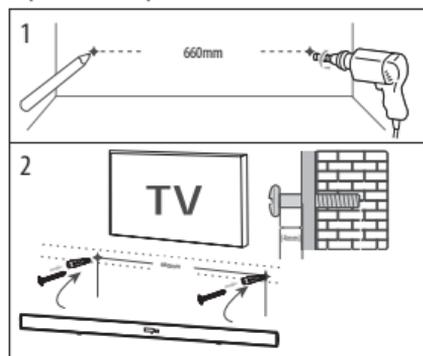
B: Montaggio su parete

Montaggio su parete

NOTA:

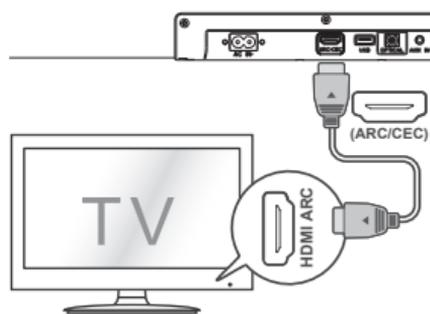
- L'installazione deve essere eseguita soltanto da personale qualificato. L'errato assemblaggio può provocare lesioni personali e danni alla proprietà (se si intende installare il prodotto da sé, è necessario controllare eventuali cavi elettrici o tubature contenute all'interno della parete). Si considera responsabilità dell'installatore verificare che il muro possa supportare con sicurezza il carico totale dell'unità e dei supporti.
- Sono richiesti attrezzi aggiuntivi (non inclusi).
- Non stringere eccessivamente le viti.
- Conservare il manuale di istruzioni per consultazioni future.

- Usare un rilevatore elettronico di tubi e cavi per verificare la tipologia di parete prima di trapanare e fissare.



1. Trapanare due fori paralleli (\varnothing 6 mm) sulla parete. La distanza tra i fori dovrebbe essere pari a 660 mm.
 - Inserire saldamente un tassello in ciascun foro nella parete quindi fissare le viti nei tasselli.
2. Lasciare uno spazio di 4mm tra la parete e la testa della vite. Sollevare l'unità con i supporti collegati sopra le teste delle viti e far scorrere il tutto.

Connessioni



Ingresso HDMI ARC

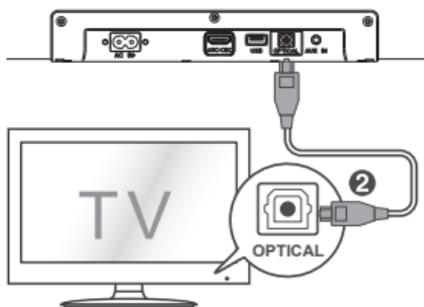
La funzione ARC (Audio Return Channel) permette di inviare audio da un televisore compatibile con ARC alla soundbar attraverso una singola connessione HDMI. Per sfruttare al meglio la funzione ARC, assicurarsi che il televisore sia compatibile con HDMI-CEC e ARC e

che sia impostato correttamente. Se impostato correttamente, sarà possibile usare il telecomando del televisore per regolare il livello del volume (VOL +/- e MUTE) della soundbar.

- Connettere il cavo HDMI (non incluso) dal connettore HDMI (ARC) dell'unità al connettore HDMI (ARC) del televisore compatibile. Quindi usare il telecomando per selezionare HDMI ARC.

SUGGERIMENTI:

- Il televisore deve supportare le funzioni HDMI-CEC e ARC. HDMI-CEC e ARC devono essere impostati come accesi.
- La modalità di selezione di HDMI-CEC e ARC può cambiare a seconda del televisore. Per ulteriori dettagli sulla funzione ARC, consultare il manuale del televisore.
- Quando si usa la modalità HDMI ARC, se non viene emesso alcun suono dall'unità (il display visualizza "InVALId"), potrebbe essere necessario attivare l'uscita del segnale PCM sul dispositivo sorgente (ad es. il televisore o il lettore DVD o Blu-ray).
- Solo i cavi HDMI della versione 1.4 o superiore possono supportare la funzione ARC.

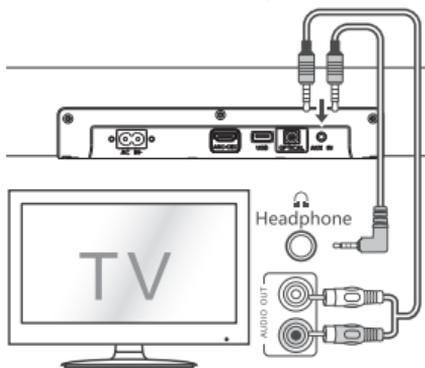


Ingresso OPTICAL

- Usare il cavo ottico per connettere l'ingresso ottico di questo soundbar all'uscita ottica del lettore VCD, CD, VCR, DVD.

SUGGERIMENTI:

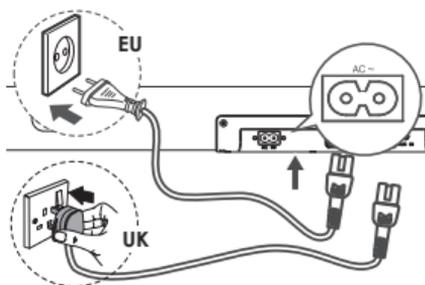
- Quando si usa la modalità OPTICAL, se non viene emesso alcun suono dall'unità (il display visualizza "InVALId"), potrebbe essere necessario attivare l'uscita del segnale PCM sul dispositivo sorgente (ad es. il televisore o il lettore DVD o Blu-ray).

**AUX IN**

- Usare un cavo audio da RCA a 3,5mm (non incluso) per connettere le uscite audio del televisore al connettore AUX IN dell'unità.
- Usare un cavo audio da 3,5mm a 3,5mm (non incluso) per connettere le cuffie del televisore o del dispositivo audio esterno al connettore AUX IN dell'unità.

SUGGERIMENTO:

Utilizzando le cuffie è possibile modificare il volume usando il telecomando del tv.

**Connessione all'alimentazione**

- Prima di connettere il cavo di alimentazione CA, assicurarsi di aver completato tutte le altre connessioni.
- **C'è il rischio di danneggiare il prodotto!** Assicurarsi che il voltaggio della rete elettrica corrisponda al voltaggio stampato sul retro o sul fondo dell'unità.
- Connettere il cavo di alimentazione al connettore AC~ dell'unità e poi alla presa di corrente.

Uso di base**Standby/Accensione**

- Dopo la prima connessione all'alimentazione, l'unità sarà in modalità STANDBY.
- Premere il pulsante sul telecomando per accendere o spegnere l'unità principale.
- Disconnettere il cavo di alimentazione dalla presa della corrente se si desidera spegnere completamente l'unità.
 - Quando l'unità non riceve alcun segnale di ingresso per oltre 15 minuti, passa automaticamente in modalità Standby.

Selezionare le modalità

Premere il pulsante sull'unità ripetutamente o premere i pulsanti sul telecomando per selezionare la modalità desiderata.

Regolare il volume

- Premere i pulsanti + / - sull'unità o sul telecomando per regolare il volume.
- Se si desidera disattivare il sonoro, premere il pulsante sul telecomando. Premere nuovamente o +/- sull'unità o sul telecomando per riprendere il normale ascolto.

Selezionare l'effetto dell'equalizzatore (EQ)

- Durante la riproduzione, premere il pulsante EQ sul telecomando per sele-

zione le equalizzazioni preimpostate: Music - „Eq1“ Sul display apparirà. (consigliata per l'ascolto della musica), Movie - „Eq2“ Sul display apparirà. (consigliata per la visione di film), News - „Eq3“ Sul display apparirà. (consigliata per i notiziari), „Cust“ - Cust Sul display apparirà. (consigliato per le impostazioni personali dei bassi / alti).

NOTA: *l'impostazione Bass / Treble è disponibile solo in preimpostazioni personalizzate.*

AUX IN/OPTICAL/HDMI ARC

1. Assicurarsi che l'unità sia connessa al televisore o al dispositivo audio.
2. Quando il dispositivo è acceso, premere il pulsante  sull'unità ripetutamente per selezionare la modalità desiderata.
3. Usare direttamente le funzionalità di riproduzione del dispositivo audio.
4. Premere il pulsante +/- per regolare il volume al livello desiderato.

SUGGERIMENTO:

Quando si usa la modalità HDMI ARC/OPTICAL, se non viene emesso alcun suono dall'unità (il display visualizza "InVALId"), potrebbe essere necessario attivare l'uscita del segnale PCM sul dispositivo sorgente (ad es. il televisore o il lettore DVD o Blu-ray).

Usare il Bluetooth

Accoppiare dispositivi dotati di Bluetooth

La prima volta che viene connesso un dispositivo Bluetooth a questo lettore, è necessario accoppiarlo.

NOTA:

- La portata massima tra questo lettore e il dispositivo Bluetooth è di circa 8 metri (senza la presenza di oggetti che si frappongano).

- Prima di collegare il dispositivo Bluetooth a questa unità, assicurarsi di conoscere le funzionalità del dispositivo.
- Non è garantita la compatibilità con tutti i dispositivi Bluetooth.
- Qualsiasi ostacolo tra l'unità e il dispositivo Bluetooth può ridurre la portata operativa.
- Se il segnale è debole, il ricevitore Bluetooth potrebbe disconnettersi, ma ritornerà in modalità accoppiamento automaticamente.

1. Accendere il soundbar premendo il pulsante di standby.
2. Premere ripetutamente il pulsante  sull'unità o il pulsante  sul telecomando per selezionare la modalità Bluetooth. Si è in modalità bluetooth quando le lettere "nobt" lampeggiano sul display.
3. Passare alla modalità di ricerca Bluetooth sul dispositivo che si vuole connettere a soundbar.
4. Selezionare **SHARP HT-SB147** dalla lista

Il dispositivo e soundbar sono ora connessi.

- Per disconnettere il dispositivo, disattivare la connessione Bluetooth o tenere premuto il pulsante  sul telecomando per 3 secondi.

SUGGERIMENTI:

- Digitare "0000" come password, se necessario.
- L'unità si disconnette anche quando il dispositivo viene allontanato a una distanza maggiore della portata di funzionamento.
- Se si vuole riconnettere il dispositivo all'unità, collocarlo all'interno della portata di collegamento.
- Quando il dispositivo viene allontanato e poi riportato alla portata di funzionamento, controllare che esso risulti ancora connesso.

- Se la connessione viene persa, seguire le istruzioni riportate precedentemente per accoppiare nuovamente il dispositivo all'unità.

Ascoltare musica da un dispositivo Bluetooth

- Se il dispositivo Bluetooth connesso supporta il Profilo Avanzato Distribuzione Audio (A2DP), è possibile ascoltare musica memorizzata sul dispositivo usando la soundbar.
 - Se il dispositivo supporta anche il Profilo Controllo Remoto Audio/Video (AVRCP), è possibile usare il telecomando per riprodurre musica memorizzata sul dispositivo.
1. Accoppiare il dispositivo al lettore.
 2. Riprodurre la musica usando il dispositivo (se supporta A2DP).
 3. Usare il telecomando fornito per controllare la riproduzione (se AVRCP è supportato).
 - Per mettere in pausa o riprendere la riproduzione, premere il pulsante  sul telecomando.
 - Per saltare una traccia, premere i pulsanti  /  sul telecomando.

Azionare l'USB

1. Inserire il supporto di archiviazione USB nell'alloggiamento USB nel pannello posteriore.
2. Premere ripetutamente il pulsante  sull'unità o il pulsante  sul telecomando per selezionare la modalità USB.
3. L'unità inizia automaticamente la riproduzione della traccia MP3 dal supporto USB connesso.

Se la riproduzione MP3 non si avvia automaticamente, premere il pulsante  sul telecomando.

- Per mettere in pausa o riprendere la riproduzione, premere il pulsante  sul telecomando.
- Per saltare una traccia, premere i pulsanti  /  sul telecomando.
- Tenere premuto  per l'avanzamento veloce,  per il riavvolgimento veloce.
- A causa dei numerosi sistemi e formati di file, non può essere garantita la compatibilità con i contenuti nella memoria connessa.
- A seconda delle dimensioni dei dati, il sistema può richiedere un po' di tempo per essere individuato.
- Il formato di file supportato è MP3/WAV.
- Hard disk esterni non sono supportati.
- Supporta penne USB fino a 32GB.

Risoluzione dei problemi

Per far sì che la garanzia resti valida, non tentare mai di riparare il sistema da soli. In caso di problemi con l'unità, consultare quanto segue prima di richiedere assistenza.

Nessuna alimentazione

Assicurarsi che il cavo CA sia connesso correttamente.

Assicurarsi che la presa CA eroghi corrente.

Premere il pulsante Standby sul telecomando o sulla soundbar per accenderla.

Nessun suono

Aumentare il volume. Premere il pulsante per aumentare il volume sul telecomando o sul lato destro della soundbar.

Premere  sul telecomando per assicurarsi che l'audio soundbar non sia in muto.

Premere i pulsanti SOURCE per selezionare una sorgente di ingresso diversa.

Quando viene usato uno degli ingressi del segnale digitale, se non c'è audio:

- Provare a impostare l'uscita del televisore su PCM oppure
- Connettere direttamente la sorgente, che sia Blu-ray o altro. Alcuni televisori non trasmettono il segnale audio digitale.

Il televisore potrebbe essere impostati su uscite audio variabili. Confermare che l'uscita audio sia impostata su FISSA o STANDARD, e non VARIABILE. Consultare il manuale del televisore per informazioni più dettagliate.

In caso di usi di Bluetooth, assicurarsi che il volume sul dispositivo sorgente non sia al minimo e che il dispositivo non sia in muto.

Il telecomando non funziona

Prima di premere qualsiasi pulsante di controllo della riproduzione, bisogna innanzitutto selezionare la corretta sorgente.

Ridurre la distanza tra il telecomando e l'unità.

Inserire la batteria nella giusta polarità (+/-) come indicato.

Sostituire la batteria.

Puntare il telecomando direttamente verso il sensore sul lato anteriore dell'unità.

Sento ronzii o fruscii

Assicurarsi che tutti i cavi e i fili siano connessi saldamente.

Connettere diverse sorgenti di segnale (TV, lettore Blu-ray, etc) per controllare se il ronzio persiste. Se non è così, il problema potrebbe essere nel dispositivo originale.

Connettere il dispositivo a un ingresso diverso sulla soundbar.

Non riesco a trovare il nome Bluetooth di questa unità sul dispositivo Bluetooth

Assicurarsi che la funzione Bluetooth sia attiva sul dispositivo Bluetooth.

Ripetere la procedura di accoppiamento sul dispositivo Bluetooth.

Questa è una funzione di spegnimento automatico dopo 15 minuti, uno dei requisiti standard ERPII per il risparmio energetico

Quando il livello del segnale esterno è troppo basso, l'unità si spegnerà automaticamente dopo 15 minuti.

Aumentare il livello del volume del dispositivo esterno.

Importantes consignes de sécurité



Svp, lire ces consignes de sécurité et respecter les avertissements suivants avant que l'appareil ne soit actionné :



L'éclair contenu dans un triangle équilatéral est un avertissement à l'attention de l'utilisateur sur la présence, à l'intérieur du produit, de pièces non isolées soumises à une « tension dangereuse », suffisamment élevée pour poser un risque d'électrocution.



Le point d'exclamation contenu dans un triangle équilatéral a pour objet d'appeler l'attention de l'utilisateur sur la présence dans la documentation accompagnant le produit d'instructions importantes d'utilisation et d'entretien (de réparation).

Afin d'éviter un incendie, maintenir toujours les bougies et autres flammes nues éloignées de ce produit.



Avertissement :

- Suivez toujours les précautions basiques de sécurité durant l'utilisation de cet appareil, particulièrement lorsque des enfants sont présents.
- Les enfants doivent être supervisés afin de s'assurer qu'ils ne jouent pas avec l'appareil.
- N'endommagez pas le cordon d'alimentation, ne placez pas d'objets lourds sur celui-ci, ne l'étirez pas et ne le tordez pas. N'utilisez pas non plus de rallonge électrique. Un cordon d'alimentation endommagé peut être source d'incendie ou d'électrocution.
- Si le cordon d'alimentation est endommagé, il doit être remplacé par le fabricant, un agent du service après-vente ou des personnes similairement qualifiées afin d'éviter tout risque.
- Assurez-vous que l'appareil est bien branché dans une prise électrique CA 100-240V 50/60Hz. Utiliser une tension plus élevée peut endommager l'appareil voir même être cause d'incendie.
- Si votre fiche électrique ne rentre pas dans votre prise murale, ne forcez pas pour la faire rentrer.
- Éteignez l'appareil avant de le débrancher de sa source électrique afin de complètement le désactiver.
- Ne connectez ou ne déconnectez pas le cordon d'alimentation avec des mains mouillées. Ceci peut causer une électrocution.

- Déconnectez le cordon d'alimentation si l'appareil n'est pas utilisé pendant une période prolongée.
- Assurez-vous que la prise principale est toujours facilement accessible.
- Ce produit ne contient aucune pièce réparable par l'utilisateur. En cas de défaut, contactez le fabricant ou le département de service après-vente autorisé. L'exposition aux pièces internes situées à l'intérieur de l'appareil peuvent mettre votre vie en danger. La garantie du fabricant ne couvre pas les défauts provoqués par des réparations effectuées par des tiers non autorisés.
- N'utilisez pas ce produit directement après déballage. Attendez qu'il se réchauffe à la température ambiante avant de l'utiliser.
- Assurez-vous que ce produit est utilisé dans des climats modérés uniquement (et non tropicaux ou sous-tropicaux).
- Placez le produit sur une surface plane et stable sans vibrations.
- Assurez-vous que le produit ou ses pièces ne dépassent pas du bord du meuble le supportant.
- Pour réduire les risques d'incendie, d'électrocution ou de dommages à ce produit, veuillez ne pas l'exposer à la lumière directe du soleil, à la poussière, à la pluie et à l'humidité. Ne l'exposez jamais aux éclaboussures ou égouttements et ne placez pas d'objets remplis d'eau sur ou près du produit.
- Ne placez pas d'objets remplis de liquide, comme des vases sur l'appareil.
- N'installez pas l'appareil à proximité de sources de chaleurs telles que des radiateurs, des chauffages, des cuisinières ou d'autres appareils (y compris des amplificateurs) produisant de la chaleur.
- Ne placez pas de produit dans un emplacement à l'humidité élevée et présentant une mauvaise ventilation.
- Assurez une distance minimum de 5 cm autour de l'appareil afin d'assurer une ventilation suffisante. Ne bloquez pas les entrées de ventilation de ce produit. Assurez-vous toujours que les ouvertures de ventilation ne sont pas recouvertes d'articles tels que journaux, nappes de table, rideaux, etc.
- Ne laissez JAMAIS une personne, et particulièrement un enfant, faire rentrer un objet dans les trous, fentes ou toute autre ouverture du boîtier de l'appareil, ceci pouvant causer une électrocution fatale.
- Les orages sont dangereux pour tous les appareils électriques. Si le secteur ou le câblage aérien est frappé par la foudre, l'appareil peut être endommagé, même s'il était éteint. Vous devez débrancher tous les câbles et connecteurs de l'appareil avant un orage.

Entretien

- Débranchez le câble d'alimentation de la source de courant avant de nettoyer l'appareil.
- Utilisez un chiffon doux et propre pour nettoyer l'extérieur de l'appareil. Ne nettoyez jamais l'appareil avec des produits chimiques ou détergent.

Piles

- Observez la polarité correcte en insérant les piles.
- Ne pas exposer les piles aux températures élevées et ne pas les placer dans des endroits où la température pourrait augmenter rapidement, par exemple près d'un feu, ou directement à la lumière solaire.



- Ne pas exposer les piles à la chaleur rayonnante excessive, ne pas les jeter au feu, ne pas les démonter et ne pas essayer de recharger les piles non-rechargeables. Elles peuvent fuir ou exploser.
- Ne jamais utiliser ensemble des piles différentes ou mélanger des piles neuves et les usagées.
- Lorsque la télécommande n'est pas utilisée pendant une période prolongée (plus d'un mois), retirez la pile de la télécommande pour éviter tout risque de fuite.
- Si les piles fuient, nettoyez les fuites à l'intérieur du compartiment à piles et remplacez les piles par des piles neuves.
- N'utilisez pas de piles autres que celles spécifiées.

N'ingérez pas la pile, risque de brûlure chimique

- Si la pile est ingérée, elle peut causer de sévères brûlures internes en moins de 2 heures voire même la mort. Gardez les piles neuves et usagées hors de la portée des enfants. Si le compartiment de la pile ne ferme pas bien, arrêtez d'utiliser le produit et gardez-le hors de la portée des enfants. Si vous pensez que des piles ont pu être avalées ou placées à l'intérieur d'une partie quelconque du corps, consultez immédiatement un médecin.

Mise au rebut de cet appareil et des piles

- Ne vous débarrassez pas de ce produit ou des piles avec les déchets ménagers non triés. Renvoyez-la à un point de ramassage et de recyclage WEEE (déchets d'équipements électriques et électroniques) selon la législation en vigueur. Agir ainsi, aide à conserver les ressources et à



- protéger l'environnement.
- La plupart des pays de l'Union Européenne règlent par la loi la mise au rebut des batteries. Entrer en contact avec le détaillant ou les autorités locales pour plus d'information.
- Le symbole ci-dessus apparait sur l'équipement électrique et électronique et les piles (ou l'emballage) pour rappeler ce fait à l'utilisateur. Si « Hg » ou « Pb » apparait sous le symbole, ceci indique que la pile contient des traces de mercure (Hg) ou de plomb (Pb), respectivement.
- Les utilisateur doivent utiliser les centres de ramassage d'équipements et de piles existants.



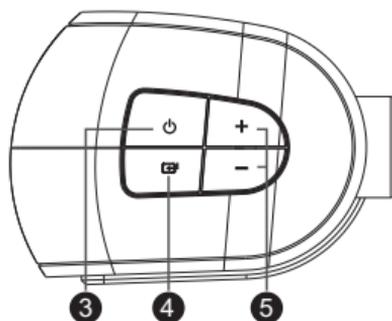
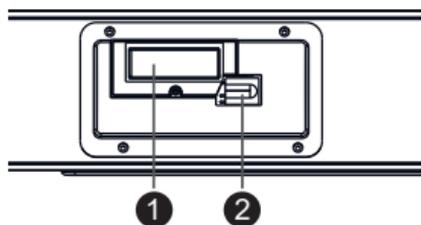
Déclaration CE et UKCA :

- Par la présente, Sharp Consumer Electronics Poland sp. z o.o. déclare que cet équipement est conforme aux exigences essentielles et aux autres dispositions pertinentes de la directive RED 2014/53/UE et de la réglementation sur l'équipement radio du Royaume-Uni.
- Le texte complet de la déclaration de conformité de l'UE est disponible en suivant le lien www.sharpconsumer.com et en entrant ensuite dans la section de téléchargement de votre modèle et en choisissant « CE Statements ».

Accessoires

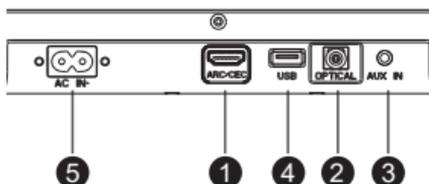
- 1x Télécommande
- 1x Manuel d'utilisation
- 1x Guide de démarrage rapide
- 1x Notice de garantie
- 1x Cordon d'alimentation RU
- 1x Cordon d'alimentation UE
- 1x Fixations murales
- 4x Pieds en silicone
- 2x piles AAA

Commandes



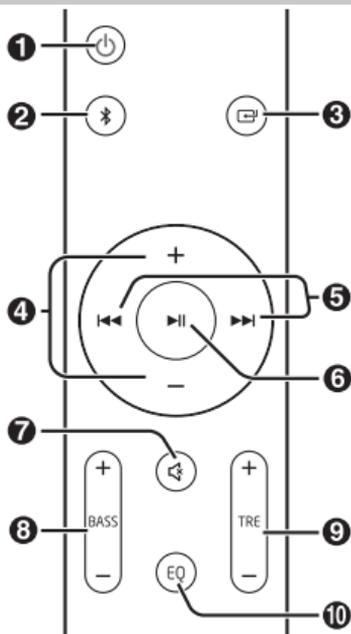
1. **Fenêtre d'affichage**
2. **Capteur télécommande**
3. **⏻ Touche de veille** – Allume ou fais passer l'appareil en mode Veille.
4. **📺 Touche SOURCE** – Sélectionne la fonction de lecture
5. **Touches +/-** – Augmente / diminue le niveau de son.

Entrées/Sorties



1. **Port ARC/CEC** – Connecte à un téléviseur via câble HDMI.
2. **Port OPTICAL** – Port d'entrée optique.
3. **Port AUX IN** – Connecte à un appareil audio externe.
4. **Port USB** – Permet de connecter une clé USB.
5. **Port AC~** – Connecte le cordon d'alimentation.

Télécommande



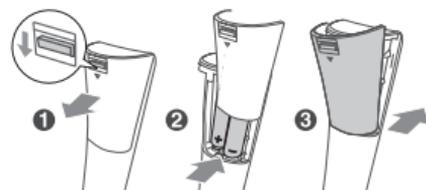
1. **⏻** – Allume ou fais passer l'appareil en mode Veille.
2. **📶** – Sélectionne le mode Bluetooth. Pressez et maintenez la pression pour activer la fonction d'appariement en mode Bluetooth ou pour déconnecter l'appareil Bluetooth apparié.

3.  – Sélectionne la fonction de lecture.
4. **VOL+/VOL-** – Augmente / diminue le niveau de son.
5.  /  – Passe à la piste précédente/ suivante en mode Bluetooth.
6.  – Lecture / pause / reprise de la lecture en mode Bluetooth.
7.  – (MUTE) Coupe ou réactive le son.
8. **BASS +/-** – Règle le niveau des basses.
9. **TRE +/-** – Règle le niveau des aigus.
10. **EQ** – Sélectionne un mode sonore pré-réglé.

OPÉRATIONS TÉLÉCOMMANDE

La télécommande fournie permet à l'appareil d'être utilisé à distance.

- Même si la télécommande est utilisée dans un rayon effectif de 6 m, l'utilisation de la télécommande peut être impossible si des obstacles sont présents entre l'appareil et la télécommande.
- Si la télécommande est utilisée près d'autres produits générant des rayons infrarouges, ou si une autre télécommande utilisant des rayons infrarouges est utilisée près de l'appareil, celle-ci peut ne pas fonctionner correctement. Les autres appareils peuvent aussi ne pas fonctionner correctement.



INSTALLATION DE LA PILE

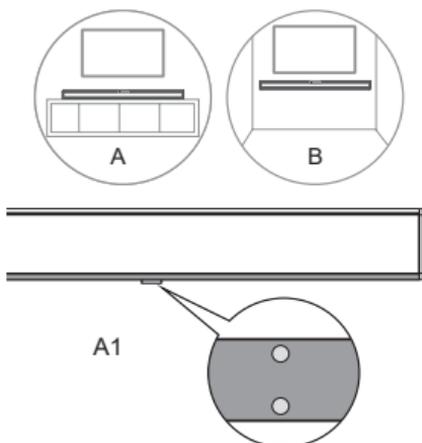
1. Appuyez sur le couvercle arrière et faites-le glisser pour ouvrir le compartiment de la batterie de la télécommande.
2. Insérez deux piles AAA (incluses). Assurez-vous que les extrémités (+) et (-) des piles correspondent aux

extrémités (+) et (-) indiquées dans le compartiment qui leur est réservé.

3. Fermez le couvercle du compartiment à piles.

Première installation

Placement et montage



A: Placement normal (A1 - Fixez les pieds en silicone au bas de la barre de son.

Placez la barre de son sur une surface plane devant la TV.)

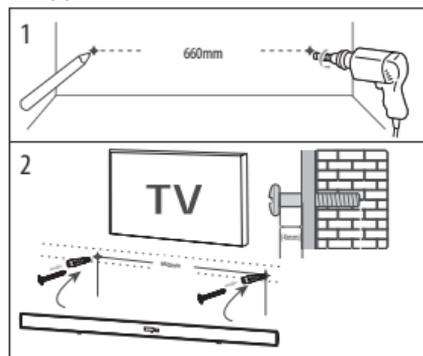
B: Montage mural

Montage mural

NOTE:

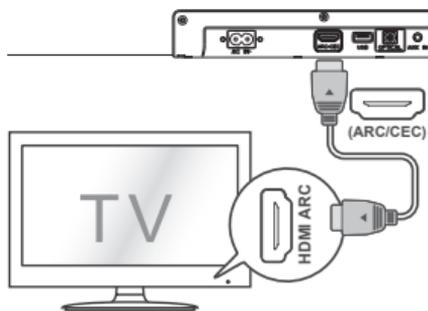
- L'installation doit être effectuée uniquement par du personnel qualifié. Un assemblage incorrect peut causer de graves blessures corporelles et pertes matérielles (si vous pensez installer ce produit vous-même, vous devez vérifier si du câblage électrique, de la plomberie ou autre installation est enterrée sous le mur). C'est la responsabilité de l'installateur de vérifier que le mur peut supporter le poids total de l'appareil et des support muraux.
- D'autres outils (non inclus) sont requis pour l'installation.
- Ne serrez pas trop les vis.

- Gardez ce manuel d'instruction à titre de référence.
- Utilisez un détecteur électronique de colombage pour vérifier le type de mure avant de percer et d'installer l'appareil.



1. Percez deux trous parallèles (\varnothing 6 mm) dans le mur. La distance entre les chevilles doit être 660 mm.
 - Fixez fermement une cheville dans chaque trou du mur, puis insérez les vis dans celles-ci.
2. Laissez un espace de 4 mm entre le mur et la tête de la vis. Soulevez l'unité avec les supports muraux attachés sur les têtes de vis et faites la rentrer en place.

Connexions



Entrée HDMI ARC

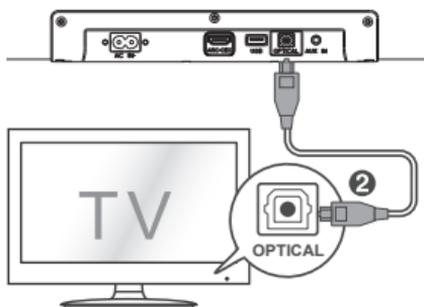
La fonction ARC (Audio Return Channel) vous permet d'envoyer un signal audio

depuis votre TV compatible ARC vers votre barre de son à travers un unique câble HDMI. Pour utiliser la fonction ARC, assurez-vous que votre TV est compatible HDMI-CEC et ARC et correctement paramétrée. Lorsqu'elle cette fonction est correctement paramétrée, vous pouvez utiliser la télécommande de votre TV pour ajuster le volume (VOL +/- et MUTE) de la barre de son.

- Connectez le câble HDMI (non fourni) entre le port HDMI (ARC) de l'appareil et le port HDMI (ARC) de votre TV compatible ARC. Puis utilisez la télécommande pour sélection HDMI ARC.

CONSEILS :

- Votre TV doit être compatible avec les fonction HDMI-CEC et ARC. HDMI-CEC et ARC doivent être activées.
- La méthode d'activation de HDMI-CEC et ARC peut différer suivant le modèle de TV. Pour plus de détails sur la fonction ARC, veuillez vous référer au manuel d'utilisation de votre TV.
- En mode HDMI ARC, si aucune sortie sonore n'est présente (l'écran affiche "InVALid"), vous devez peut être activer la sortie du signal PCM sur votre appareil source (par ex. TV ou lecteur DVD et Blu-ray).
- Uniquement les câbles HDMI de version 1.4 ou ultérieure supportent la fonction ARC.

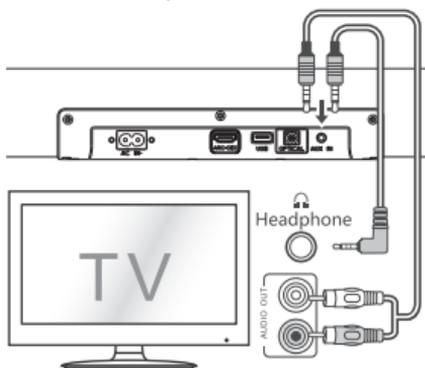


Entrée Optique

- Utilisez le câble optique pour connecter l'entrée optique de cette barre de son à la sortie optique d'un lecteur VCD, CD, VCR ou DVD.

CONSEILS :

- En mode Optique, si aucune sortie sonore n'est présente (l'écran affiche "InVALId"), vous devez peut être activer la sortie du signal PCM sur votre appareil source (par ex. TV ou lecteur DVD et Blu-ray).

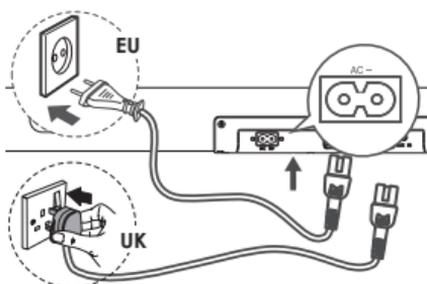


AUX IN

- Utilisez un câble audio RCA vers 3,5 mm (non inclus) pour connecter la sortie audio de votre TV au port AUX IN de l'appareil.
- Utilisez un câble audio 3,5 mm vers 3,5 mm (non inclus) pour connecter le port casque de votre TV ou appareil audio externe au port AUX IN de l'appareil.

CONSEIL :

Lorsque vous utilisez la sortie casque sur le téléviseur, vous pourrez régler le volume directement à l'aide de la télécommande du téléviseur.



Raccordement à l'alimentation électrique

- Avant de connecter le cordon d'alimentation, assurez-vous que tous les autres raccordements ont été effectués.
- Risque d'endommagement du produit !** Assurez-vous que la tension d'alimentation électrique corresponde à la tension imprimée à l'arrière ou en-dessous de l'appareil
- Connectez le câble d'alimentation au port d'alimentation de l'appareil puis dans une prise murale.

Fonctionnement de base

Veille/Marche

- Lorsque vous connectez l'appareil pour la première fois, celui-ci reste en mode veille.
- Pressez la touche  sur la télécommande pour faire passer l'appareil en mode marche ou arrêt.
- Déconnectez la prise principale de la prise murale si vous souhaitez désactiver complètement l'appareil.
- Lorsque l'appareil n'a pas de signal en entrée pendant plus de 15 minutes, il passe automatiquement en mode veille.

Sélection de modes

Pressez les touches  sur l'appareil plusieurs fois ou pressez les touches  sur la télécommande pour sélectionner le mode désiré.

Réglage du volume

- Pressez les touches + / - sur l'appareil ou la télécommande pour ajuster le volume.
- Si vous souhaitez couper le son, pressez la touche  sur la télécommande. Pressez à nouveau la touche  ou les touches + / - sur l'appareil ou la télécommande pour reprendre la lecture normale.

Sélection d'un effet d'égaliseur (EQ)

- Durant la lecture, pressez la touche EQ sur la télécommande pour sélectionner un des égalisateurs pré-réglés: Music - „Eq1“ apparaît à l'écran. (recommandé pour écouter de la musique), Movie - „Eq2“ apparaît à l'écran. (recommandé par les films), News - „Eq3“ apparaît à l'écran. (recommandé pour le journal télévisé), „Cust“ - Cust apparaît à l'écran. (recommandé pour les réglages personnels des graves / aigus).

REMARQUE: le paramètre Bass / Treble est disponible uniquement dans les pré-réglages personnalisés.

AUX IN/OPTICAL/HDMI ARC

1. Assurez-vous que l'appareil est connecté à la TV ou à un appareil audio.
2. En mode marche, pressez les touches  sur l'appareil plusieurs fois pour sélectionner le mode désiré.
3. Utilisez directement les fonctions de lecture de votre appareil audio.
4. Pressez les touches +/- pour ajuster le volume au niveau désiré.

CONSEIL :

En mode HDMI ARC/Optique, si aucun sortie sonore n'est présente (l'écran affiche "InVALId"), vous devez peut être activer la sortie du signal PCM sur votre appareil source (par ex. TV ou lecteur DVD et Blu-ray).

Fonction Bluetooth

Appariement d'appareils Bluetooth

La première fois que vous connectez votre appareil Bluetooth à ce lecteur, vous devez appairier votre appareil à ce lecteur.

NOTE :

- La portée de fonctionnement entre ce lecteur et un appareil Bluetooth est environ 8 mètres (sans objet entre l'appareil Bluetooth et l'unité).
- Avant de connecter un appareil Bluetooth à cette unité, assurez-vous que connaître les spécifications de l'appareil.
- La compatibilité avec tous les appareils Bluetooth n'est pas garantie.
- Tout obstacle entre cette unité et un appareil Bluetooth peut réduire la portée de fonctionnement.
- Si la puissance du signal est faible, votre récepteur Bluetooth peut se déconnecter, mais il ré-entrera en mode d'appariement automatiquement.

1. Allumez la barre de son en appuyant sur le bouton de veille.
2. Appuyez plusieurs fois sur le bouton  de l'appareil ou sur la touche  de la télécommande pour sélectionner le mode Bluetooth. Vous êtes en mode Bluetooth lorsque vous voyez les lettres „nobt“ clignoter sur l'écran.
3. Entrez en mode recherche Bluetooth sur l'appareil que vous souhaitez connecter à la barre de son.
4. Sélectionnez **SHARP HT-SB147** dans la liste
5. Votre appareil et la barre de son sont maintenant connectés.
 - Pour déconnecter votre appareil, désactivez la connexion Bluetooth ou maintenez enfoncée la touche  de la télécommande pendant 3 secondes.

CONSEILS :

- Entrez « 0000 » comme mot de passe si nécessaire.
- Le lecteur sera aussi déconnecté si votre appareil est en dehors de la portée de fonctionnement.
- Si vous souhaitez reconnecter votre appareil au lecteur, placez-le dans la portée de fonctionnement.
- Si l'appareil est déplacé hors de la portée de fonctionnement puis est ramené à proximité du lecteur, vérifiez si l'appareil est toujours connecté au lecteur.
- Si connexion est perdue, suivez les instructions ci-dessus pour apparier à nouveau votre appareil au lecteur.

Écouter de la musique depuis un appareil Bluetooth

- Si l'appareil Bluetooth connecté est compatible avec Advanced Audio Distribution Profile (A2DP), vous pouvez écouter la musique stockée sur l'appareil sur la barre de son.
 - Si l'appareil est aussi compatible avec Audio Video Remote Control Profile (AVRCP), vous pouvez utiliser la télécommande de la barre de son pour lire la musique stockée sur l'appareil.
1. Appariez votre appareil au lecteur.
 2. Lisez de la musique sur votre appareil (si compatible A2DP).
 3. Utilisez la télécommande fournie pour contrôler la lecture (si compatible AVRCP).
- Pour mettre en pause ou reprendre la lecture, pressez la touche **⏸** sur la télécommande.
 - Pour sauter une piste, pressez les touches **⏮** / **⏭** sur la télécommande.

Fonction USB

1. Insérez le lecteur de stockage USB dans la fente USB du panneau arrière.

2. Appuyez sur la touche **⏻** plusieurs fois sur l'appareil ou sur la touche **⏻** sur la télécommande pour sélectionner le mode USB.
3. L'appareil commencera à lire automatiquement la piste MP3 à partir du lecteur USB connecté.

Si la lecture MP3 ne démarre pas automatiquement, appuyez sur la touche **▶** sur la télécommande.

- Pour mettre en pause ou reprendre la lecture, pressez la touche **⏸** sur la télécommande.
- Pour sauter une piste, pressez les touches **⏮** / **⏭** sur la télécommande.
- Appuyez sur la touche **▶** et maintenez-la enfoncée pour effectuer une avance rapide, **⏮** pour effectuer un retour rapide.
- En raison des nombreux systèmes de fichiers et formats de fichiers, la compatibilité avec le support de mémoire connecté ne peut pas être garantie.
- En fonction de la taille du support des données, la détection du système peut prendre un certain temps.
- Le format de fichier pris en charge est MP3/WAV.
- Les disques durs externes ne sont pas pris en charge.
- prend en charge la clé de mémoire USB jusqu'à 32 Go.

Dépannage

Pour conserver la validité de la garantie, n'essayez jamais de réparer le système par vous-même. En cas de problèmes durant l'utilisation de cette unité, référez-vous aux conseils ci-dessous avant de contacter le service après-vente.

Le système ne s'allume pas.

Assurez-vous que le cordon d'alimentation est correctement connecté.

Assurez-vous que la prise murale est bien alimentée.

Pressez la touche veille de la télécommande ou de la barre de son pour allumer la barre de son.

Pas de son

Augmentez le volume. Pressez la touche d'augmentation du volume sur la télécommande ou à droite de la barre de son.

Pressez  sur la télécommande pour vous assurer que la barre de son n'est pas en sourdine.

Pressez les touches de source pour sélectionner une autre source en entrée.

Lorsque vous utilisez l'une des entrée numériques et si aucun son n'est audible :

- Essayez de régler la sortie de votre TV en mode PCM ou
- Connectez directement votre source Blu-ray ou autre, certaines télévisions ne laissant pas passer les signaux audio numériques.

Vous TV peut être réglée en sortie audio variable. Confirmez que la sortie audio est réglée sur fixe ou standard et non variable. Consultez le manuel d'utilisation de votre TV pour plus d'informations. Si vous utilisez la fonction Bluetooth, assurez-vous que le volume de votre appareil source est suffisamment élevé et que l'appareil n'est pas en sourdine.

La télécommande ne fonctionne pas.

Avant de presser toute touche de lecture, sélectionnez d'abord la source adéquate.

Réduisez la distance entre la télécommande et l'unité.

Insérez la pile en respectant les polarités (+/-) indiquées.

Remplacez la pile.

Pointez la télécommande directement sur le détecteur sur la partie avant de l'appareil.

Un bourdonnement est audible

Assurez-vous que tous les câbles sont correctement connectés.

Connectez un autre appareil source (TV,

lecteur Blu-ray, etc.) pour vérifier sur le bourdonnement persiste. Si ce n'est pas le cas, le problème peut être issu de l'appareil initial.

Connectez votre appareil à une différente entrée de la barre de son.

Je ne peux pas trouver le nom Bluetooth de cette unité sur mon appareil Bluetooth

Assurez-vous que la fonction Bluetooth est activée sur votre appareil Bluetooth.

Appariez votre appareil Bluetooth à nouveau.

Il existe une fonction de mise à l'arrêt après 15 mins, celle-ci étant l'une des exigences du standard ERPII d'économies d'énergie.

Lorsque le signal d'entrée externe de l'unité est trop faible, l'unité s'éteint automatiquement après 15 minutes.

Veillez augmenter le niveau sonore de votre appareil externe.

Ważne środki ostrożności



Proszę zapoznać się z niniejszymi instrukcjami bezpieczeństwa i wziąć pod uwagę poniższe ostrzeżenia zanim urządzenie zostanie uruchomione:



Ikona pioruna z grotem wewnątrz trójkąta równobocznego ostrzega użytkownika przed nieizolowanym „niebezpiecznym napięciem” w obudowie produktu, które może być na tyle wysokie, że stwarza ryzyko porażenia prądem.



Wykrzyknik wewnątrz trójkąta równobocznego powiadamia użytkownika o ważnych wskazaniach dotyczących obsługi i konserwacji (serwisowania) zawartych w instrukcji obsługi urządzenia.

Żeby zapobiec pożarowi, zawsze trzymaj świece i inne źródła otwartego ognia z daleka od urządzenia.



Ostrzeżenie:

- Zawsze zachowuj podstawowe środki ostrożności podczas korzystania z urządzenia, zwłaszcza w obecności dzieci.
- Nadzoruj dzieci, by nie bawiły się urządzeniem.
- Uważaj, by nie uszkodzić kabla zasilającego: nie stawiaj na nim ciężkich przedmiotów, nie rozciągaj go ani nie wyginaj. Nie podłączaj urządzenia do przedłużaczy. Uszkodzenie kabla zasilającego może spowodować pożar lub porażenie prądem.
- Jeśli przewód zasilający zostanie uszkodzony, należy go wymienić u producenta, w serwisie lub u innej wykwalifikowanej osoby, żeby ochronić się przed zagrożeniem.
- Dopilnuj, by urządzenie zostało podłączone do gniazda zasilania 100-240V~50/60Hz. Używanie wyższego napięcia może powodować awarie, a nawet zapalenie się urządzenia.
- Jeśli wtyczka nie pasuje do twojego gniazdka, nie wciskaj jej na siłę.
- Wyłącz urządzenie przed odłączeniem go od prądu, by całkowicie je wyłączyć.
- Nie odłączaj ani nie podłączaj kabla zasilającego mokrymi rękami. Może to spowodować porażenie prądem.
- Jeśli nie używasz urządzenia przez dłuższy czas, odłącz przewód od prądu.

- Dopilnuj, by wtyczka była zawsze łatwo dostępna.
- Niniejszy produkt nie posiada żadnych części, które może naprawiać użytkownik. W przypadku wystąpienia usterki skontaktuj się z producentem lub autoryzowanym serwisem. Odsłanianie wewnętrznych części urządzenia może stanowić zagrożenie dla życia. Gwarancja nie obejmuje usterek wywołanych naprawami wykonywanymi przez nieupoważnione strony trzecie.
- Nie używaj produktu tuż po rozpakowaniu. Przed użyciem należy odczekać, aż urządzenie nagrzej się do temperatury pokojowej.
- Urządzenia można używać tylko w umiarkowanym klimacie (nie w klimacie zwrotnikowym i podzwrotnikowym).
- Umieść urządzenie na płaskiej, stabilnej powierzchni, która nie jest narażona na wibracje.
- Dopilnuj, by urządzenie nie wystawało za krawędź mebla, na którym stoi.
- Aby zmniejszyć ryzyko pożaru, porażenia prądem i uszkodzenia produktu, nie wystawiaj go na bezpośrednie działanie światła słonecznego, kurzu, deszczu czy wilgoci. Nigdy nie narażaj urządzenia na zamoczenie lub zachlapanie i nie stawiaj na nim ani w jego pobliżu zbiorników wypełnionych cieczą.
- Nie stawiaj żadnych przedmiotów ani zbiorników z płynami, takich jak wazon y itp., na urządzeniu.
- Nie umieszczaj urządzenia w pobliżu źródeł ciepła, takich jak grzejniki, nawiewy, piece czy inne urządzenia (w tym wzmacniacze) emitujące ciepło.
- Nie umieszczaj produktu tam, gdzie wilgotność jest wysoka, a wentylacja słaba.
- Dopilnuj, by zostawić 5 cm wolnego miejsca wokół urządzenia dla zapewnienia odpowiedniej wentylacji. Nie zakrywaj otworów wentylacyjnych urządzenia. Upewnij się, że otwory wentylacyjne nie są zakryte przedmiotami, takimi jak gazety, ściereki, zasłony itp.
- NIGDY nie pozwalaj nikomu, zwłaszcza dzieciom, wpychać czegokolwiek w otwory, gniazda i inne szczeliny w obudowie urządzenia: może to skutkować śmiertelnym porażeniem prądem.
- Burze stanowią niebezpieczeństwo dla wszystkich urządzeń elektrycznych. Jeśli przewód zasilający lub przewody antenowe zostaną trafione piorunem, urządzenie może zostać uszkodzone, nawet gdy jest wyłączone. Przed nadejściem burzy należy odłączyć od urządzenia wszystkie przewody i złącza.

Konserwacja

- Przed czyszczeniem urządzenia odłącz przewód zasilający od prądu.
- Do czyszczenia zewnętrznej części obudowy użyj miękkiej, czystej ściereczki. Nigdy nie czyść obudowy chemikaliami ani detergentami.

Baterie

- Zachowaj prawidłową polaryzację, gdy montujesz baterie.
- Nie wystawiaj baterii na działanie wysokich temperatur i nie umieszczaj ich w miejscach, których temperatura może gwałtownie wzrosnąć, np. w pobliżu ognia lub w bezpośrednim świetle słonecznym.



- Nie wystawiaj baterii na działanie nadmiernego ciepła, nie wrzucaj ich do ognia, nie rozmontowuj i nie próbuj ładować zwykłych baterii. Mogłyby wyciec lub eksplodować.
- Nigdy nie stosuj jednocześnie różnych baterii i nie łącz baterii nowych ze starymi.
- Jeśli wiesz, że pilot nie będzie używany przez dłuższy czas (ponad miesiąc), wyjmij z niego baterie, by nie wyciekły.
- Jeśli baterie wyciekną, wytrzymaj komorę baterii i zastąp baterie nowymi.
- Nie używaj innych baterii niż wskazane w instrukcji.
- **Nie wkładaj baterii do ust - stwarza to ryzyko poparzenia chemicznego.**
- Jeśli bateria zostanie połączona, może spowodować poważne poparzenia wewnętrzne w zaledwie dwie godziny, czego rezultatem może być śmierć. Trzymaj nowe i stare baterie poza zasięgiem dzieci. Jeśli komora baterii nie zamyka się prawidłowo, przestań używać pilota i trzymaj go poza zasięgiem dzieci. Jeśli podejrzewasz połączenie baterii lub umieszczenie jej wewnątrz jakiegokolwiek części ciała, natychmiast zgłoś się do lekarza.

Usuwanie produktu i baterii

- Nie wyrzucaj niniejszego urządzenia do niesortowanych śmieci z gospodarstwa domowego. Oddaj je do wyznaczonego punktu odbioru w celu przetworzenia zgodnie z przepisami WEEE. W ten sposób oszczędzasz zasoby naturalne i chronisz środowisko.
- Większość państw UE posiada przepisy regulujące usuwanie baterii. Więcej informacji możesz uzyskać od sprzedawcy lub lokalnych władz.
- Powyższy symbol umieszczony jest na urządzeniach elektrycznych i elektronicznych oraz bateriach (lub na ich opakowaniach), by przypomnieć użytkownikowi o tej zasadzie. Jeśli pod symbolem pojawia się oznaczenie „Hg” lub „Pb”, oznacza to, że baterie zawierają śladowe ilości rtęci (Hg) lub ołowiu (Pb).
- Użytkownicy powinni zgłaszać się do wyznaczonych punktów odbioru zużytych urządzeń i baterii.



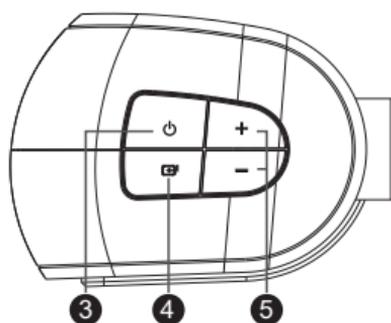
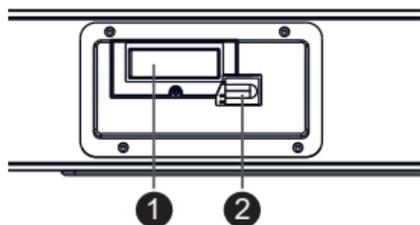
Deklaracja zgodności CE i UKCA:

- Sharp Consumer Electronics Poland sp. z o.o. niniejszym oświadcza, że opisywane urządzenia audio jest zgodne z zasadniczymi wymaganiami oraz innymi stosownymi postanowieniami dyrektywy RED 2014/53/UE i brytyjskich przepisów dotyczących urządzeń radiowych z 2017 roku.
- Pełny tekst deklaracji zgodności UE jest dostępny pod linkiem www.sharpconsumer.com, a następnie należy przejść do sekcji pobierania posiadanego modelu i wybrać „CE Statements” (deklaracja zgodności CE).

Akcesoria

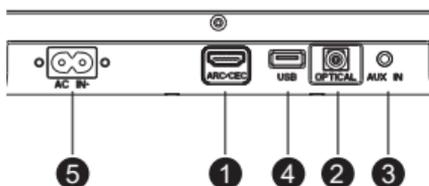
- 1x Pilot zdalnego sterowania
- 1x Instrukcja obsługi
- 1x Skrócony opis obsługi
- 1x Ulotka gwarancyjna
- 1x Przewód zasilający dla Wielkiej Brytanii
- 1x Przewód zasilający dla UE
- 1x Wsporniki do montażu na ścianie
- 4x Silikonowe podkładki
- 2 x bateria AAA

Przyciski i wskaźniki



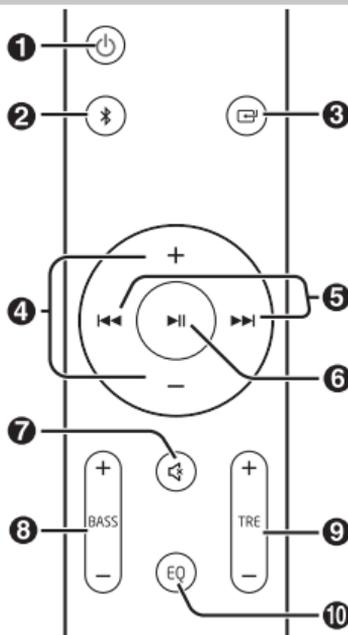
1. **Wyświetlacz**
2. **Czujnik zdalnego sterowania**
3. **Przełącznik Stand by** – Przełączanie urządzenia między trybem włączonym (ON) a trybem czuwania (STANDBY).
4. **Przycisk źródła (SOURCE)** – Wybieranie funkcji odtwarzania.
5. **Przyciski regulacji głośności +/-** – Zwiększanie/zmniejszanie głośności.

Gniazda wejściowe/ wyjściowe



1. **Gniazdo ARC/CEC** – Podłączenie do telewizora za pomocą kabla HDMI.
2. **Gniazdo optyczne** – Optyczne gniazdo wejściowe jack.
3. **Gniazdo AUX IN** – Podłączenie do zewnętrznego urządzenia audio.
4. **Gniazdo serwisowe USB** – Służy do podłączania pendrive'a.
5. **Gniazdo prądu zmiennego** – Podłączenie kabla zasilającego.

Pilot zdalnego sterowania



1. **Przycisk** – przełączanie urządzenia między trybem włączenia a trybem czuwania.
2. **Przycisk** – wybór trybu Bluetooth. Naciśnij i przytrzymaj przycisk, by aktywować parowanie w trybie

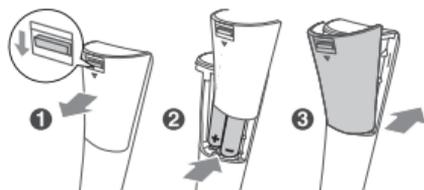
Bluetooth lub odłączyć sparowane urządzenie Bluetooth.

3. **Przycisk** – wybór trybu odtwarzania.
4. **Przyciski VOL +/-** – zwiększanie/zmniejszanie poziomu głośności.
5. **Przyciski** – poprzedni/następny utwór w trybie Bluetooth.
6. **Przycisk** – odtwarzanie/pauza/ponowne odtwarzanie w trybie Bluetooth.
7. **Przycisk** (MUTE) – tymczasowe wyłączenie dźwięku lub włączenie dźwięku.
8. **Przycisk BASS +/-** – regulacja poziomu tonów niskich.
9. **Przycisk TRE +/-** – regulacja poziomu tonów wysokich.
10. **EQ** – wybieranie zaprogramowanego efektu odtwarzania.

ZDALNE STEROWANIE

Dostarczony w zestawie pilot zdalnego sterowania umożliwia zdalną obsługę urządzenia.

- Nawet jeśli używasz pilota w obrębie jego zasięgu (6 m), jego prawidłowe działanie może być niemożliwe, gdy między urządzeniem a pilotem znajdują się jakiegokolwiek przeszkody.
- Jeśli używasz pilota w pobliżu innych urządzeń emitujących fale podczerwone lub innych pilotów wykorzystujących podczerwień, pilot może nie działać prawidłowo. Podobnie inne urządzenia mogą działać nieprawidłowo.



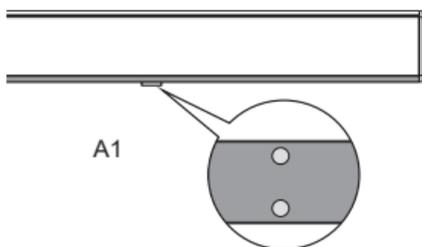
INSTALACJA BATERII

1. Naciśnij i wysuń tylną osłonę, aby otworzyć pojemnik na baterie w pilocie zdalnego sterowania.

2. Włóż 2 baterie typu AAA (dostarczone w zestawie). Wkładając baterie, należy pamiętać o prawidłowej polaryzacji, odpowiadającej symbolom (+) i (-) umieszczonym w pojemniku na baterie.
3. Zamknij osłonę pojemnika na baterie.

Pierwsza instalacja

Ustawienie i montaż



A: Standardowe ustawienie (A1 - Przyklej silikonowe podkładki na spodzie soundbara.

Umieść Soundbar na równej powierzchni przed telewizorem.

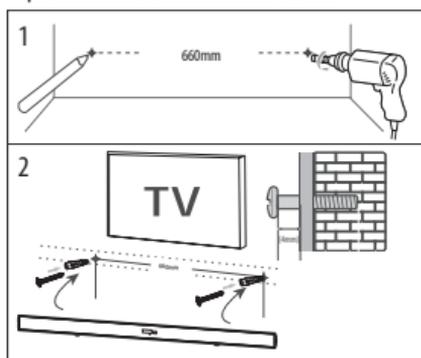
B: Montaż ścienny

Montaż ścienny

UWAGA:

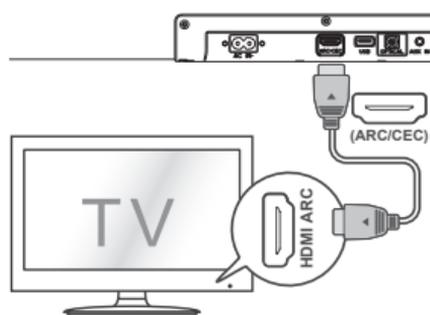
- Montaż powinien przeprowadzać tylko wykwalifikowany personel. Niepoprawny montaż może powodować poważne obrażenia ciała i szkody materialne (jeśli chcesz montować produkt samodzielnie, najpierw sprawdź, czy w ścianie nie są umieszczone przewody elektryczne lub rury). Sprawdzenie, czy ściana utrzyma całkowity ciężar urządzenia i wsporników ściennych, należy do obowiązków montażysty.

- Do instalacji są wymagane dodatkowe narzędzia (nieдостаarczane w zestawie).
- Nie wkręcaj wkrętów za mocno.
- Zachowaj instrukcję, abyś w razie potrzeby mógł wrócić do niej w przyszłości.
- Użyj elektronicznego wykrywacza profili, by zidentyfikować rodzaj ściany przed wierceniem i montażem.



1. Wywierć w ścianie dwa równoległe otwory (\varnothing 6 mm). Odległość między otworami powinna być równa 660 mm.
 - Umieść kółek w każdym otworze w ścianie, a następnie umieść w nich wkręty.
2. Zostaw 4 mm odstęp między ścianą a główką wkrętu. Podnieś urządzenie z przymocowanymi wspornikami i nakieruj otworami na główki wkrętów, by je zamontować.

Złącza



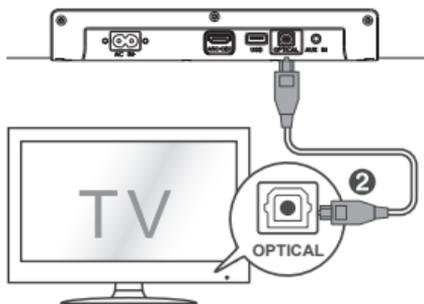
Wejście HDMI ARC

Funkcja ARC (Audio Return Channel) pozwala przesyłać dźwięk z telewizora obsługującego tryb ARC do soundbara za pomocą pojedynczego połączenia HDMI. By skorzystać z funkcji ARC, sprawdź, czy twój telewizor obsługuje funkcje HDMI-CEC i ARC oraz czy jest prawidłowo ustawiony. Przy prawidłowym ustawieniu możesz używać pilota od telewizora do regulacji głośności (VOL +/- i przycisk MUTE) soundbara.

- Podłącz przewód HDMI (niezawarty w zestawie) do gniazda HDMI (ARC) urządzenia oraz do gniazda HDMI (ARC) w twoim telewizorze zgodnym z tym standardem. Naciśnij przycisk na pilocie, by wybrać HDMI ARC.

WSKAZÓWKI:

- Telewizor musi obsługiwać HDMI-CEC oraz funkcję ARC. Funkcje HDMI-CEC i ARC muszą być włączone.
- Metoda włączania funkcji HDMI-CEC i ARC może się różnić w zależności od telewizora. Więcej o funkcji ARC dowiesz się z instrukcji obsługi telewizora.
- Jeśli w trybie HDMI ARC nie słyszysz dźwięku (na wyświetlaczu pojawi się napis "InVALId"), musisz aktywować sygnał PCM na urządzeniu źródłowym (np. telewizorze, odtwarzaczu DVD czy Blu-ray).
- Tylko kable HDMI w wersji 1.4 lub wyższej obsługują funkcję ARC.

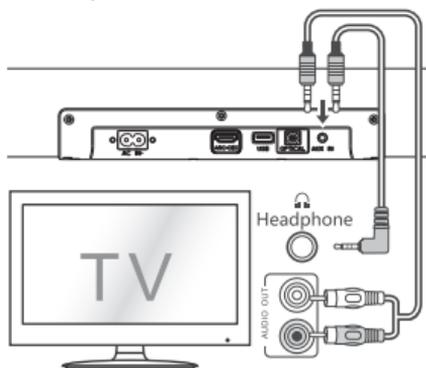


Wejście optyczne (OPTICAL)

- Użyj kabla optycznego, by połączyć wejście optyczne soundbara z wyjściem optycznym urządzenia VCD, CD, VCR czy DVD.

WSKAZÓWKI:

- Jeśli w trybie OPTICAL nie słyszysz dźwięku (na wyświetlaczu pojawi się napis "InVALid"), musisz aktywować sygnał PCM na urządzeniu źródłowym (np. telewizorze, odtwarzaczu DVD czy Blu-ray).

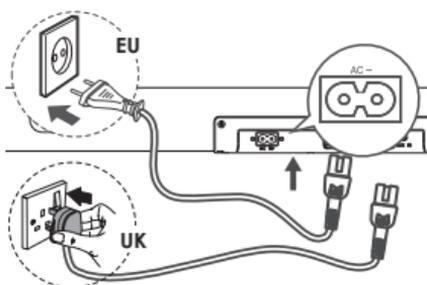


AUX IN

- Użyj kabla RCA-3,5 mm (niezawarty w zestawie), by połączyć wyjściowe gniazda audio telewizora z gniazdem AUX IN zestawu.
- Użyj kabla 3,5 mm-3,5 mm (niezawarty w zestawie), by połączyć gniazdo słuchawkowe telewizora lub innego urządzenia zewnętrznego z gniazdem AUX IN zestawu.

WSKAZÓWKA:

Podczas słuchania dźwięku z TV przez słuchawki regulacja głośności będzie możliwa bezpośrednio z pilota od TV.



Podłączanie do zasilania

- Przed podłączeniem do zasilania upewnij się, że prawidłowo dokonałeś wszystkich innych połączeń zestawu.
- **Ryzyko uszkodzenia produktu!** Upewnij się, że napięcie źródła zasilania odpowiada napięciu wskazanemu z tyłu lub z boku urządzenia.
- Podłącz przewód zasilający do gniazda prądu zmiennego urządzenia, a następnie do gniazdka ściennego.

Podstawy obsługi soundbara

Tryb czuwania (Standby)/ Włączenie (ON)

- Po pierwszym podłączeniu urządzenia do prądu zostanie uruchomiony tryb czuwania.
- Naciśnij przycisk  na pilocie, by włączyć (ON) lub wyłączyć (OFF) urządzenie.
- Odłącz wtyczkę od gniazdka, jeśli chcesz całkowicie wyłączyć urządzenie.
- Gdy urządzenie nie odbierze sygnału przez ponad 15 minut, automatycznie przejdzie w tryb czuwania.

Wybór trybu

Naciskaj wielokrotnie przycisk źródła  lub wciśnij przycisk  na pilocie, by wybrać żądany tryb.

Regulacja głośności

- Naciskaj przyciski + / - na urządzeniu lub na pilocie, by regulować poziom głośności.
- Jeśli chcesz wyłączyć dźwięk, naciśnij przycisk wyciszenia  na pilocie. Naciśnij ponownie przycisk wyciszenia  lub przyciski + / - na urządzeniu albo pilocie, by z powrotem włączyć dźwięk.

Wybór efektu equalizera (EQ)

- Podczas odtwarzania naciśnij przycisk EQ na pilocie, by wybierać zaprogramowane efekty odtwarzania: MUSIC - muzyka - „Eq1” Na wyświetlaczu pojawi się napis. (polecany do słuchania muzyki), MOVIE - film - „Eq2” Na wyświetlaczu pojawi się napis. (polecany do oglądania filmów), NEWS - wiadomości - „Eq3” Na wyświetlaczu pojawi się napis. (polecany do słuchania wiadomości), „Cust” - Cust Na wyświetlaczu pojawi się napis. (zalecane dla osobistych ustawień basów / wysokich tonów).

UWAGA: Ustawienie tonów niskich / wysokich jest dostępne tylko w ustawieniach niestandardowych.

AUX IN/OPTICAL/HDMI ARC

1. Upewnij się, że urządzenie jest podłączone do telewizora lub odtwarzacza audio.
2. Gdy urządzenie jest włączone, naciskaj wielokrotnie przycisk źródła , by wybrać żądany tryb.
3. Funkcje odtwarzania dostosuj za pomocą przycisków odtwarzacza audio.
4. Naciśnij przycisk +/-, by ustawić poziom głośności.

WSKAZÓWKA:

Jeśli w trybie HDMI ARC/OPTICAL nie słyszysz dźwięku (na wyświetlaczu pojawi się napis „InVALId”), musisz aktywować sygnał PCM na urządzeniu źródłowym

(np. telewizorze, odtwarzaczu DVD czy Blu-ray).

Obsługa trybu Bluetooth

Parowanie urządzeń Bluetooth

Przy pierwszym łączeniu urządzenia Bluetooth z zestawem musisz sparować oba urządzenia.

UWAGA:

- Zasięg sygnału między zestawem a urządzeniem Bluetooth wynosi około 8 metrów (jeśli między urządzeniami nie znajduje się żaden przedmiot).
- Zanim podłączysz urządzenie Bluetooth do tego zestawu, upewnij się, że znasz jego dane techniczne.
- Nie wszystkie urządzenia z łącznością Bluetooth są kompatybilne z zestawem.
- Każdy przedmiot ustawiony między zestawem a urządzeniem Bluetooth może zmniejszać zasięg sygnału.
- Jeśli sygnał jest za słaby, urządzenie Bluetooth może się rozłączyć, ale wróci automatycznie do trybu parowania.

1. Włącz soundbar, naciskając przycisk [standby].
2. Naciśnij kilka razy przycisk  na urządzeniu lub raz przycisk  na pilocie, by wybrać tryb Bluetooth. Tryb włączy się, gdy zobaczysz litery “nobt” migające na wyświetlaczu.
3. Uruchom wyszukiwanie na urządzeniu, które chcesz połączyć z soundbarem.
4. Z listy urządzeń wybierz „SHARP HT-SB147”.

Twoje urządzenie i soundbar są już połączone.

- By rozłączyć urządzenia, wyłącz opcję Bluetooth lub przytrzymaj przycisk  na pilocie przez 3 sekundy.

WSKAZÓWKI:

- W razie potrzeby wprowadź hasło „0000”.

- Urządzenia rozłączą się, jeśli urządzenie zewnętrzne znajdzie się poza zasięgiem sygnału.
- W celu ich ponownego połączenia umieść urządzenie zewnętrzne w zasięgu sygnału.
- Po oddaleniu urządzenia i ponownym umieszczeniu go w zasięgu sygnału sprawdź, czy jest nadal podłączone do zestawu.
- Jeśli połączenie zostało przerwane, postępuj zgodnie z powyższymi instrukcjami, by ponownie sparować urządzenia.

Odtwarzanie muzyki z urządzenia Bluetooth.

- Jeśli podłączone urządzenie zewnętrzne obsługuje funkcję Advanced Audio Distribution Profile (A2DP), możesz odtwarzać muzykę na soundbarze.
- Jeśli urządzenie obsługuje również funkcję Audio Video Remote Control Profile (AVRCP), możesz użyć soundbara, by przełączać utwory przechowywane na urządzeniu Bluetooth.

1. Sparuj urządzenie z zestawem.
2. Zaczynaj odtwarzać muzykę z urządzenia (jeśli obsługuje funkcję A2DP).
3. Użyj pilota, by przełączać utwory (jeśli urządzenie obsługuje funkcję AVRCP).
 - By zatrzymać lub wznowić odtwarzanie, naciśnij przycisk **⏏** na pilocie.
 - By przełączyć piosenkę, naciśnij przycisk **⏮** / **⏭** na pilocie.

Obsługa trybu USB

1. Podłącz pamięć USB do gniazda USB na panelu tylnym.
2. Naciśnij kilkakrotnie przycisk **⏏** na urządzeniu głównym lub naciśnij przycisk **⏏** na pilocie, aby wybrać tryb USB.

3. Urządzenie automatycznie rozpocznie odtwarzanie utworu MP3 z podłączonej pamięci USB.

Jeśli odtwarzanie utworu MP3 nie rozpocznie się automatycznie, naciśnij przycisk **⏏** na pilocie.

- By zatrzymać lub wznowić odtwarzanie, naciśnij przycisk **⏏** na pilocie.
- By przełączyć piosenkę, naciśnij przycisk **⏮** / **⏭** na pilocie.
- Naciśnij i przytrzymaj **⏭**, żeby szybko przewijać do przodu, **⏮** żeby szybko przewijać do tyłu.
- Ze względu na wiele różnych systemów i formatów plików nie można zagwarantować kompatybilności opisywanego urządzenia z podłączonym nośnikiem pamięci.
- W zależności od rozmiaru danych wykrycie systemu plików może zająć więcej czasu.
- Obsługiwany format plików to MP3/WAV.
- Zewnętrzne dyski twarde nie są obsługiwane.
- Obsługa pamięci USB o pojemności do 32 GB.

Rozwiązywanie problemów

Aby zachować gwarancję, nigdy nie próbuj naprawiać urządzenia samodzielnie. Jeśli podczas użytkowania zestawu wystąpią problemy, przejrzyj poniższą listę przed wezwaniem serwisanta.

Brak zasilania

Upewnij się, że przewód zasilający jest prawidłowo podłączony.

Upewnij się, że w gniazdku jest prąd. Naciśnij przycisk Standby na pilocie lub soundbarze, by włączyć soundbar.

Nie słychać dźwięku

Zwiększ głośność. Zwiększ poziom głośności za pomocą przycisku na pilocie lub z prawej strony soundbara.

Naciśnij przycisk  na pilocie, by sprawdzić, czy dźwięk nie jest wyciszony. Naciśnij przycisk źródła SOURCE, by wybrać inne źródło sygnału.

Jeśli dźwięku nie słyhać podczas korzystania z któregośkolwiek wejścia cyfrowego:

- spróbuj przełączyć sygnał wyjściowy na PCM lub
- połącz się bezpośrednio z odtwarzaczem Blue-ray/innym źródłem - niektóre telewizory nie przesyłają sygnału audio.

Telewizor może być ustawiony na zmienny sygnał wyjściowy. Upewnij się, że sygnał wyjściowy ustawiony jest na poziom stały (FIXED) lub standardowy (STANDARD), a nie zmienny (VARIABLE). Więcej informacji znajdziesz w instrukcji obsługi telewizora.

Jeśli używasz trybu Bluetooth, upewnij się, że głośność urządzenia źródłowego jest włączona i że urządzenie nie jest wyciszone.

Pilot nie działa

Zanim wciśniesz jakikolwiek przycisk sterowania, wybierz właściwe źródło. Zmniejsz dystans między pilotem a zestawem.

Włóż baterie, zachowując właściwą polaryzację (+/-).

Wymień baterię.

Skieruj pilot bezpośrednio na czujnik z przodu urządzenia.

Dźwięk jest brzęczący lub szumiący

Upewnij się, że wszystkie kable są prawidłowo podłączone.

Podłącz inne urządzenie źródłowe (telewizor, odtwarzacz Blu-ray itp.), by sprawdzić, czy jakość dźwięku się poprawi. Jeśli nie, może to oznaczać usterkę zestawu.

Podłącz urządzenie do innego wejścia soundbara.

Moje urządzenie z łącznością Bluetooth nie wyszukuje soundbara

Upewnij się, że urządzenie zewnętrzne ma aktywną funkcję Bluetooth.

Ponownie sparuj soundbar z urządzeniem.

Zestaw posiada funkcję wyłączenia się po 15 minutach, zgodną ze standardem energooszczędności ERP II.

Gdy sygnał wejścia zewnętrznego urządzenia jest zbyt słaby, soundbar wyłączy się automatycznie po 15 minutach. Zwiększ głośność urządzenia zewnętrznego.

Belangrijke veiligheidsinstructies



Lees deze veiligheidsinstructies en let op de volgende waarschuwingen voordat het apparaat in gebruik wordt genomen:



Een bliksemflits met een pijl in een gelijkzijdige driehoek is bedoeld om de gebruiker te waarschuwen voor de aanwezigheid van niet-geïsoleerde "gevaarlijke spanning" in het product. Deze spanning kan groot genoeg zijn om een risico voor elektrische schokken op te leveren.



Het uitroepteken in een gelijkzijdige driehoek is bedoeld om de gebruiker te waarschuwen voor de aanwezigheid van belangrijke bedienings- en onderhoudsinstructies in de documentatie bij het apparaat.

Om vuur te voorkomen houdt altijd kaarsen en ander open vuur verwijderd van dit product.



Waarschuwing:

- Neem bij het gebruik van dit apparaat altijd de basisvoorzorgsmaatregelen in acht, vooral als er kinderen aanwezig zijn.
- Kinderen dienen onder toezicht te staan om er zeker van te zijn dat ze niet met het apparaat spelen.
- Beschadig het netsnoer niet, plaats er geen zware voorwerpen op en trek het niet uit en buig het niet. Sluit ook geen verlengkabels aan. Schade aan het netsnoer kan brand of elektrische schokken veroorzaken.
- Indien het voedings snoer beschadigd is, moet deze worden vervangen door de fabrikant, een onderhoudsdealer of gelijkwaardig gekwalificeerde personen om gevaar te voorkomen.
- Zorg ervoor dat het apparaat op een stopcontact van AC 100-240 V, 50/60 Hz is aangesloten. Het gebruik van een hogere spanning kan storingen of zelfs brandgevaar veroorzaken.
- Als de stekker niet in uw stopcontact past, moet u de stekker niet met geweld in een stopcontact duwen.
- Schakel het apparaat uit voordat u dit loskoppelt van de stroombron om het volledig uit te schakelen.

- Het netsnoer niet met natte handen loskoppelen of aansluiten. Dit kan een elektrische schok veroorzaken.
- Koppel het netsnoer los als het lange tijd niet wordt gebruikt.
- Zorg ervoor dat de netstekker altijd goed bereikbaar is.
- Dit product bevat geen onderdelen die door de gebruiker kunnen worden gerepareerd. Neem in het geval van een defect contact op met de fabrikant of een geautoriseerde onderhoudsafdeling. Het blootleggen van de interne onderdelen in het apparaat kan uw leven in gevaar brengen. Onder de fabrieksgarantie vallen geen fouten door reparaties uitgevoerd door ongeautoriseerde derden.
- Gebruik dit product niet onmiddellijk na het uitpakken. Wacht tot het apparaat tot kamertemperatuur opwarmt alvorens u het gebruikt.
- Zorg ervoor dat dit product alleen in gematigde klimaten (niet in tropische/subtropische klimaten) wordt gebruikt.
- Plaats het product op een vlakke, stabiele ondergrond die niet onderhevig is aan trillingen.
- Zorg ervoor dat het product niet over de rand hangt van het ondersteunende meubilair.
- Om het risico op elektrische schokken of schade aan dit product te beperken, mag u het product niet blootstellen aan direct zonlicht, stof, regen en vocht. Stel het product nooit bloot aan druipende of spattende vloeistoffen en plaats geen met vloeistof gevulde voorwerpen op of in de buurt van het product.
- Plaats geen met vloeistoffen gevulde voorwerpen, zoals vazen, op het apparaat.
- Installeer het apparaat niet in de buurt van warmtebronnen zoals radiatoren, verwarmingsroosters, fornuizen of andere apparaten (inclusief versterkers) die warmte produceren.
- Plaats het product niet op een plaats waar de luchtvochtigheid hoog is en de ventilatie slecht.
- Zorg voor een minimale afstand van 5 cm rondom het apparaat voor voldoende ventilatie. Blokkeer de ventilatieopeningen van dit product niet. Zorg er altijd voor dat de ventilatieopeningen niet bedekt worden door items zoals kranten, tafelkleden, gordijnen, etc.
- Laat NOOIT iemand, vooral kinderen, iets in gaten, sleuven of andere openingen in de behuizing van het apparaat duwen, omdat dit een dodelijke elektrische schok kan veroorzaken.
- Storm is gevaarlijk voor alle elektrische apparaten. Indien de voeding of antenne door bliksem wordt geraakt kan het apparaat beschadigd raken, zelfs wanneer dit is uitgeschakeld. U moet alle kabels en aansluitingen verwijderen van het apparaat voor een storm.

Maintenance

- Trek de stekker uit het stopcontact voordat u het apparaat schoonmaakt.
- Gebruik een zachte en schone doek om de buitenkant van het apparaat schoon te maken. Reinig het apparaat nooit met chemicaliën of reinigingsmiddel.

Batterijen

- Gebruik de juiste polariteit tijdens het plaatsen van de batterijen.
- Stel de batterijen niet bloot aan hoge temperaturen en plaats deze niet op plaatsen waar de temperatuur snel kan oplopen, bijv. naast het vuur of in direct zonlicht.
- Stel de batterijen niet bloot aan stralende hitte, gooi deze niet in het vuur, haal deze niet uit elkaar en probeer niet onoplaadbare batterijen op te laden. Deze kunnen lekken of ontploffen.
- Gebruik nooit verschillende batterijen of meng nooit nieuwe en oude batterijen.
- Verwijdert u batterij uit de afstandsbediening om lekkage te voorkomen, als de afstandsbediening langere tijd (langer dan een maand) niet gebruikt wordt,
- Als de batterijen lekken, veegt u de gelekte vloeistof in het batterijvak weg en vervangt u de batterijen door nieuwe.
- Gebruik geen andere batterijen dan de gespecificeerde batterijen.



Slik de batterij niet in, gevaar voor chemische brandwonden

- Als de batterij wordt ingeslikt, kan dit binnen 2 uur ernstige inwendige brandwonden veroorzaken en tot de dood leiden. Houd nieuwe en gebruikte batterijen uit de buurt van kinderen. Als het batterijvakje niet goed sluit, gebruik het product dan niet meer en houd het uit de buurt van kinderen. Als u denkt dat batterijen zijn ingeslikt of in een deel van het lichaam zijn geplaatst, dient u onmiddellijk een arts te raadplegen.

Verwijdering van deze apparatuur en batterijen

- Verwijder dit product en de batterijen ervan niet als ongesorteerd huisafval. Breng het afval terug naar een inzamelpunt voor recycling van AEEA in overeenstemming met de lokale wetgeving. Door dit te doen helpt u het behoud van grondstoffen en beschermt u het milieu.
- In de meeste Europese landen is de verwijdering van batterijen gereguleerd. Neem contact op met uw verkoper of plaatselijk autoriteiten voor meer informatie.
- Het bovenstaande staat op elektrische en elektronische apparatuur en batterijen (of de verpakking) om de gebruikers hieraan te herinneren. Als er "Hg" of "Pb" onder het symbool staat, dan betekent dit dat de batterij sporen van respectievelijk kwik (Hg) of lood (Pb) bevat.
- Gebruikers worden verzocht gebruik te maken van bestaande retourfaciliteiten voor gebruikte apparatuur en batterijen.



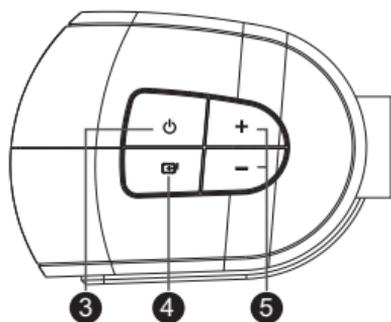
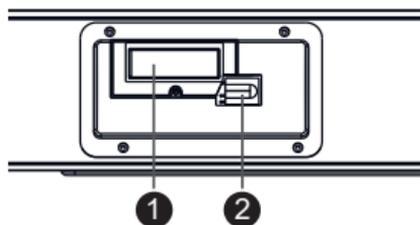
CE- en UKCA-verklaring:

- Hierbij verklaart Sharp Consumer Electronics Poland sp. Z o.o. dat dit audioapparaat voldoet aan de essentiële vereisten en andere relevante bepalingen van de RED richtlijn 2014/53/EU en de Britse voorschriften voor radioapparatuur uit 2017.
- De volledige tekst van de EU-conformiteitsverklaring is beschikbaar via de link www.sharpconsumer.com. Ga vervolgens naar de downloadsectie van uw model en selecteer "CE Statements" (CE-verklaringen).

Accessoires

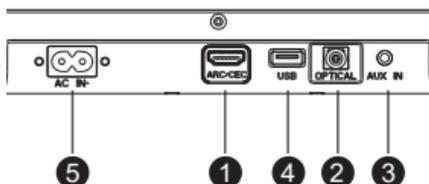
- 1x Afstandsbediening
- 1x Gebruikershandleiding
- 1x Snelle startinstructies
- 1x Garantiebewijs
- 1x UK netsnoer
- 1x EU netsnoer
- 1x Bevestigingselementen voor wandmontage
- 4x siliconen voetjes
- 2x AAA-batterijen

Bediening



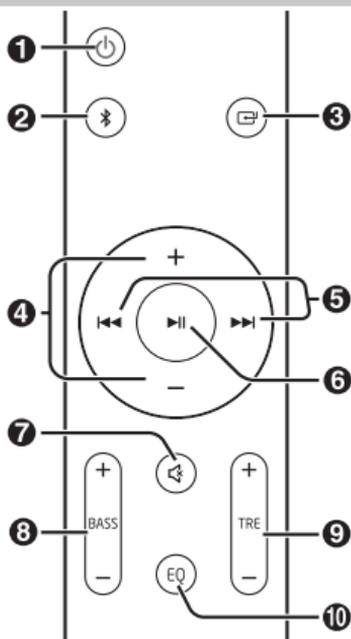
1. **Weergavevenster**
2. **Sensor afstandsbediening**
3. **Stand-by** – Schakelt de unit tussen de modi AAN en STAND-BY.
4. **Source** – Selecteert de afspelfunctie.
5. **Volume +/-** – Om het volume te verhogen/verlagen.

Inputs/outputs



1. **ARC-/CEC-aansluiting** – Aansluiting op een tv via een HDMI-kabel.
2. **OPTICAL-aansluiting** – Aansluiting voor optische ingang.
3. **AUX IN-aansluiting** – Voor aansluiting op een extern audio-apparaat.
4. **USB-aansluiting** – Deze wordt gebruikt voor de aansluiting van een USB-stick.
5. **AC~aansluiting** – Om het netsnoer aan te sluiten..

Afstandsbediening



1. **Power** – Schakelt de unit tussen de modi AAN en Stand-by.
2. **Bluetooth** – Selecteert de Bluetooth-modus. Houd deze toets ingedrukt om de koppelfunctie in Bluetooth-modus

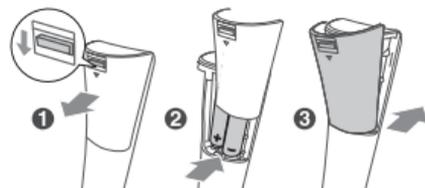
te activeren of om de verbinding met het momenteel gekoppelde Bluetooth-apparaat te verbreken.

3. – Selecteert de afspeelfunctie.
4. **VOL +/-** – Verhoogt/verlaagt het volume.
5. – Naar vorig/volgend nummer in Bluetooth-modus.
6. – Afspelen/pauzeren/afspelen hervatten in Bluetooth-modus.
7. – (MUTE) Dempt of hervat het geluid.
8. **BASS +/-** – Het basniveau aanpassen.
9. **TRE +/-** – Het trebleniveau aanpassen.
10. **EQ** – Selecteert een vooraf ingestelde geluidsmodus.

RC-BEDIENING

Met de meegeleverde afstandsbediening kan het apparaat vanaf een afstand worden bediend.

- Zelfs als de afstandsbediening binnen het effectieve bereik van 6 m wordt bediend, is het mogelijk dat de afstandsbediening niet goed functioneert als er zich obstakels tussen het apparaat en de afstandsbediening bevinden.
- Als de afstandsbediening wordt gebruikt in de buurt van andere producten die infraroodstralen genereren, of als er andere afstandsbedieningsapparaten met infraroodstralen in de buurt van het apparaat worden gebruikt, dan kan het zijn dat de afstandsbediening niet goed werkt. Omgekeerd kunnen ook de andere producten onjuist werken.



INSTALLATIE VAN BATTERIJEN

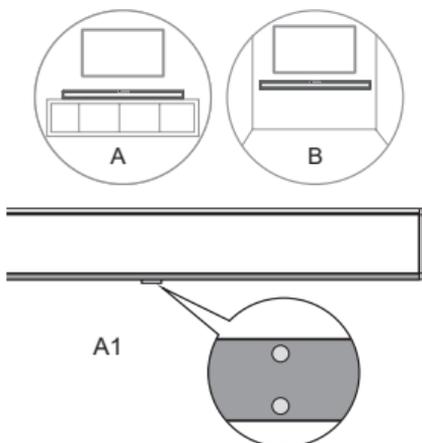
1. Druk op het klepje aan de achterkant en schuif het open

om het batterijvakje van de afstandsbediening te openen.

2. Plaats twee AAA-batterijen (meegeleverd). Zorg ervoor dat de (+) en (-) van de batterijen overeenkomen met de (+) en (-) die in het batterijvak zijn aangegeven.
3. Sluit het klepje van het batterijvak.

Eerste installatie

Plaatsing en montage



A: Normale plaatsing (A1 - Bevestig de siliconen voetjes aan de onderkant van de soundbar.

Plaats de soundbar op een vlakke ondergrond voor de tv.)

B: Wandmontage

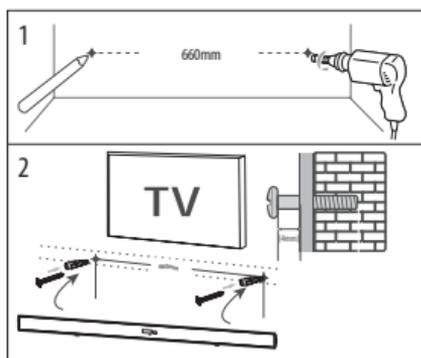
Wandmontage

OPMERKING:

- De installatie mag alleen door gekwalificeerd personeel worden uitgevoerd. Onjuiste montage kan leiden tot ernstig persoonlijk letsel en materiële schade (als u dit product zelf wilt installeren, dient u de muur te controleren op installaties zoals elektrische bedrading en leidingen die in de muur weggewerkt kunnen zijn). Het is de verantwoordelijkheid van de installateur om te controleren of de muur de

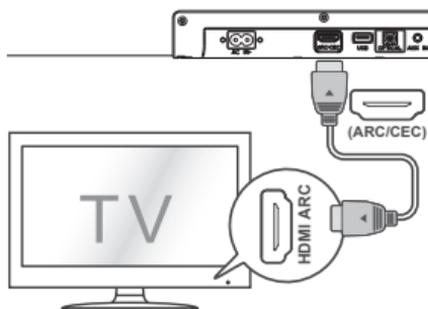
totale belasting van het apparaat en de muurbeugels veilig kan dragen.

- Voor de montage is extra gereedschap (niet meegeleverd) nodig.
- Draai de schroeven niet te vast aan.
- Bewaar deze handleiding voor toekomstig gebruik.
- Gebruik een elektronische balkzoeker om het muurtype te controleren voordat u gaten boort en het apparaat monteert.



1. Boor 2 gaten (Ø 6 mm) naast elkaar in de muur. De afstand tussen de gaten moet 660 mm zijn.
 - Bevestig 1 plug stevig in elk gat in de muur en steek er vervolgens schroeven in.
2. Laat 4 mm ruimte tussen de muur en de schroefkop. Til de geïntegreerde muurbeugels van het apparaat over de kop van de schroeven en hang deze op zijn plaats.

Aansluitingen



HDMI ARC-ingang

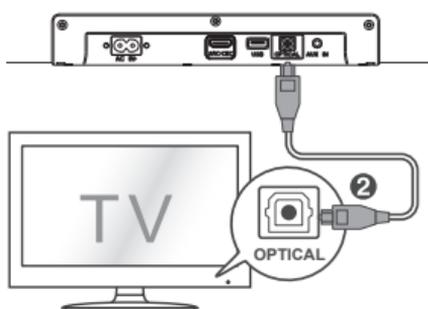
Met de ARC-functie (Audio Return Channel) kunt u audio van uw ARC-compatibele tv via één HDMI-aansluiting naar uw soundbar sturen. Om de ARC-functie te gebruiken, dient u ervoor te zorgen dat uw tv zowel HDMI-CEC- als ARC-compatibel is en overeenkomstig is ingesteld. Als dit correct ingesteld is, kunt u de afstandsbediening van uw tv gebruiken om het volume (VOL +/- en MUTE) van de soundbar aan te passen.

- Sluit de HDMI-kabel aan (niet meegeleverd) tussen de HDMI (ARC)-aansluiting van het apparaat en de HDMI (ARC)-aansluiting van uw ARC-compatibele tv. Gebruik vervolgens de afstandsbediening om HDMI ARC te selecteren.

TIPS:

- Uw tv dient de HDMI-CEC- en ARC-functie te ondersteunen. HDMI-CEC en ARC moeten geactiveerd zijn.
- De instellingsmethode voor HDMI-CEC en ARC kan afhankelijk van de tv variëren. Kijk in de gebruikershandleiding van uw tv voor over de ARC-functie.
- Als er in de HDMI ARC-modus geen geluid wordt weergegeven (de melding "InVALId" verschijnt op het display), dan dient u mogelijk de PCM-signaaluitgang op uw bronapparaat (bijvoorbeeld tv, dvd- of Blu-rayspeler) te activeren.

- Alleen HDMI-kabels van versie 1.4 of hoger ondersteunen de ARC-functie.

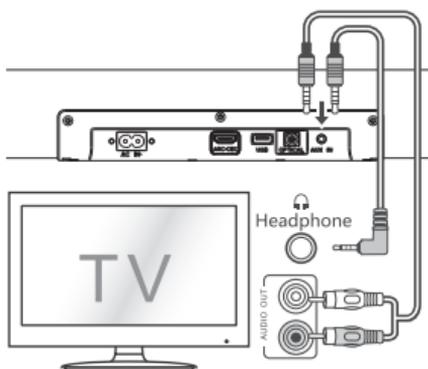


OPTICAL-ingang

- Gebruik de optische kabel om de optische ingang van deze soundbar aan te sluiten op de optische uitgang van de VCD-, CD-, VCR-, DVD-speler.

TIPS:

- Als er in de OPTICAL-modus geen geluid wordt weergegeven (de melding "InVALId" verschijnt op het display), dan dient u mogelijk de PCM-signaaluitgang op uw bronapparaat (bijvoorbeeld tv, dvd- of Blu-rayspeler) te activeren.



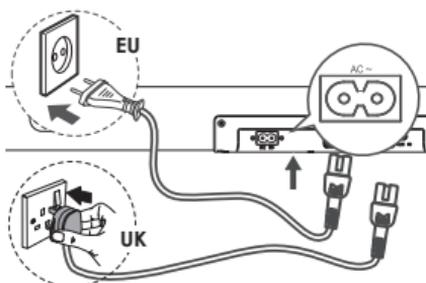
AUX

- Gebruik een RCA naar 3,5 mm audiokabel (niet meegeleverd) om de audio-uitgangsaansluitingen van de tv aan te sluiten op de AUX 1-aansluiting van het apparaat.
- Gebruik een 3,5 mm naar 3,5 mm

audiokabel (niet meegeleverd) om de hoofdtelefoonaansluiting van de tv of externe audioapparaathoofdtelefoon aan te sluiten op de AUX 1-aansluiting van het apparaat.

TIP:

Wanneer u de hoofdtelefoonuitgang op het tv-toestel gebruikt, kunt u het volumeniveau direct via de afstandsbediening van de tv instellen.



Aansluiten op stroomvoorziening

- Voordat u het netsnoer aansluit, dient u ervoor te zorgen dat u alle andere aansluitingen hebt aangebracht.
- **Risico op schade aan het product!** Zorg ervoor dat de voedingsspanning overeenkomt met de spanning die op de achterkant of de onderkant van het apparaat staat.
- Sluit het voedings snoer aan op de AC IN-aansluiting van het apparaat en vervolgens op een stopcontact.

Basisbediening

Stand-by/AAN

- Als u het toestel voor het eerst aansluit op het stopcontact, staat het toestel in de STAND-BY-modus.
- Druk op de knop  van de afstandsbediening om het hoofdapparaat in of uit te schakelen.
- Trek de stekker uit het stopcontact als u het apparaat volledig wilt uitschakelen.

- Wanneer het apparaat gedurende meer dan 15 minuten geen ingangssignaal heeft, dan schakelt het automatisch over naar de Stand-by-modus.

Modi selecteren

Druk herhaaldelijk op de knop  op het apparaat of druk op de knop  op de afstandsbediening om de gewenste modus te selecteren.

Het volume aanpassen

- Druk op de knoppen +/- op het apparaat of op de afstandsbediening om het volume aan te passen.
- Als u het geluid uit wilt schakelen, druk dan op de knop  op de afstandsbediening. Druk nogmaals op de knop  of druk op de knoppen +/- op het apparaat of op de afstandsbediening om het normale luisteren te hervatten.

Het equalizereffect (EQ) selecteren

- Druk tijdens het afspelen op de EQ-knop op de afstandsbediening om een vooringestelde equalizer te kiezen: Muziek - "Eq1" verschijnt op het display (aanbevolen voor het beluisteren van muziek), Film - "Eq2" verschijnt op het display (aanbevolen voor het bekijken van films), NIEUWS - "Eq3" verschijnt op het display (aanbevolen voor het beluisteren van NIEUWS), "Persoonlijk" - Verschijnt op het display (aanbevolen voor persoonlijke instellingen van de bas- en hoge tonen).

OPMERKING: De instellingen van de bas- en hoge tonen zijn alleen beschikbaar in de aangepaste voorinstelling.

AUX IN/OPTICAL/HDMI ARC

1. Zorg ervoor dat het toestel is aangesloten op de tv of het audioapparaat.
 2. In de AAN-modus drukt u herhaaldelijk op de knop  op het apparaat om de gewenste modus te selecteren.
 3. Bedien uw audioapparaat direct voor afspeelfuncties.
 4. Druk op de knop +/- om het volume op het door u gewenste niveau in te stellen.
- TIP:**
Als er in de HDMI ARC/OPTICAL-modus geen geluid wordt weergegeven, dient u mogelijk de PCM-signaaluitgang op uw bronapparaat (bijvoorbeeld tv, dvd- of Blu-rayspeler) te activeren.

Bluetooth-werking

Bluetooth-geschikte apparaten koppelen

De eerste keer dat u uw Bluetooth-apparaat met deze speler verbindt, dient u het apparaat te koppelen aan deze speler.

OPMERKING:

- Het operationele bereik tussen deze speler en een Bluetooth-apparaat is ongeveer 8 meter (zonder objecten tussen het Bluetooth-apparaat en het apparaat).
 - Voordat u een Bluetooth-apparaat op dit toestel aansluit, dient u zich ervan te verzekeren dat u de mogelijkheden van het apparaat kent.
 - Compatibiliteit met alle Bluetooth-apparaten is niet gegarandeerd.
 - Elk obstakel tussen dit apparaat en een Bluetooth-apparaat kan het operationele bereik verkleinen.
 - Als de signaalsterkte zwak is, kan uw Bluetooth-ontvanger de verbinding verbreken, maar deze gaat automatisch opnieuw in de koppelingsmodus over.
1. Schakel de soundbar in door op de stand-byknop te drukken.

2. Druk herhaaldelijk op de knop  op het apparaat of druk op de knop  op de afstandsbediening om de Bluetooth-modus te selecteren. De Bluetooth-modus is geactiveerd als u de letters "nobt" ziet knipperen op het display.
3. Activeer de Bluetooth-zoekmodus op het apparaat dat u wilt verbinden met de soundbar.
4. Selecteer **SHARP HT-SB147** uit de lijst
5. Uw toestel en de soundbar worden nu verbonden.
 - Om uw apparaat los te koppelen, schakelt u de Bluetooth-verbinding uit of houdt u de knop  of de knop  op de afstandsbediening gedurende 3 seconden ingedrukt.

TIPS:

- Voer het wachtwoord "0000" indien nodig in.
- De speler wordt ook losgekoppeld wanneer uw toestel buiten het werkgebied wordt gezet.
- Als u uw toestel opnieuw wilt verbinden met deze speler, plaatst u het binnen het operationele bereik.
- Als het apparaat buiten het werkingsbereik wordt verplaatst, controleer dan bij het terugzetten of het apparaat nog verbonden is met de speler.
- Als de verbinding verbroken is, volgt u de bovenstaande instructies om uw toestel opnieuw te koppelen aan de speler.

Naar muziek op uw Bluetooth-apparaat luisteren

- Als het aangesloten Bluetooth-apparaat Advanced Audio Distribution Profile (A2DP) ondersteunt, kunt u via de soundbar luisteren naar de muziek die op het apparaat is opgeslagen.
- Als het apparaat ook Audio Video Remote Control Profile (AVRCP) ondersteunt, kunt u de afstandsbedie-

ning van de geluidsbalk gebruiken om muziek af te spelen die op het apparaat is opgeslagen.

1. Koppel uw apparaat met de speler.
2. Speel muziek af via uw toestel (als dit A2DP ondersteunt).
3. Gebruik de meegeleverde afstandsbediening om de muziek af te spelen (als deze AVRCP ondersteunt).
 - Om de weergave te pauzeren/hervatten, drukt u op de knop  op de afstandsbediening.
 - Druk op de knoppen  op de afstandsbediening om een nummer over te slaan.

Bediening USB

1. Steek een USB-opslagapparaat in de USB-poort op het achterpaneel.
2. Druk herhaaldelijk op de knop  op het apparaat of op de knop  op de afstandsbediening om de USB-modus te selecteren.
3. Het apparaat begint de MP3-track automatisch af te spelen vanaf het aangesloten USB-opslagapparaat.

Als het afspelen van de MP3 niet automatisch begint, druk dan op de knop  op de afstandsbediening.

- Om de weergave te pauzeren/hervatten, drukt u op de knop  op de afstandsbediening.
- Druk op de knoppen  op de afstandsbediening om een nummer over te slaan.
- Houd  ingedrukt om snel vooruit te spoelen en  om snel terug te spoelen.
- Door de vele verschillende bestandsystemen en bestandsformaten kan de compatibiliteit met de aangesloten geheugenmedia niet worden gegarandeerd.
- Afhankelijk van de grootte van de gegevensdrager kan het enige tijd duren voordat deze wordt gedetecteerd.

- Het ondersteunde bestandsformaat is MP3/WAV.
- Externe harde schijven worden niet ondersteund.
- Ondersteunt USB-sticks tot 32 GB.

Probleemoplossing

Om de garantie te behouden, mag u nooit proberen om het systeem zelf te repareren. Als u problemen ondervindt bij het gebruik van dit toestel, bekijkt u het volgende alvorens u om service vraagt.

Geen stroomtoevoer

Zorg ervoor dat het netsnoer correct is aangesloten.

Zorg ervoor dat er stroom op het stopcontact staat.

Druk op de stand-by-knop van de afstandsbediening of geluidsbalk om de soundbar aan te zetten.

Geen geluid

Verhoog het volume. Druk op VOL + op de afstandsbediening of aan de rechterkant van de soundbar.

Druk op  op de afstandsbediening om er zeker van te zijn dat de soundbar niet gedempt wordt.

Druk op de SOURCE-knoppen om een andere ingangsbron te selecteren.

Bij gebruik van een van beide digitale ingangen, als er geen geluid is:

- Probeer de tv-uitgang in te stellen op PCM of
- sluit de soundbar rechtstreeks aan op uw Blu-ray/andere bron, sommige tv's geven geen digitale audio door.

Uw tv kan ingesteld zijn op een andere audio-uitgang. Controleer of de audio-uitvoeringinstelling is ingesteld op FIXED of STANDARD, niet op VARIABLE. Raadpleeg de gebruikershandleiding van uw tv voor meer gedetailleerde informatie.

Als u Bluetooth gebruikt, controleer

dan of het volume op uw bronapparaat omhoog staat en of het apparaat niet gedempt is.

De afstandsbediening werkt niet

Selecteer eerst de juiste bron, voordat u op een afspreekknop drukt.

Verklein de afstand tussen de afstandsbediening en het apparaat.

Plaats de batterij met de polariteit (+/-) zoals aangegeven.

Vervang de batterij.

Richt de afstandsbediening direct op de sensor aan de voorkant van het apparaat.

Ik hoor gonzen of zoemen

Zorg ervoor dat alle kabels en draden goed zijn aangesloten.

Sluit een ander bronapparaat aan (tv, Blu-rayspeler, etc.) om te kijken of het zoemen aanhoudt. Als dit niet het geval is, kan het probleem zich bij het originele apparaat voordoen.

Sluit uw apparaat aan op een andere ingang op de soundbar.

Ik kan de Bluetooth-naam van dit apparaat niet vinden op mijn Bluetooth-apparaat

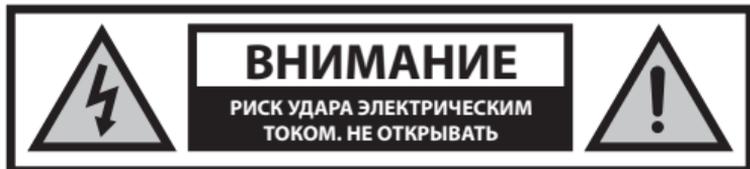
Zorg ervoor dat de Bluetooth-functie op uw Bluetooth-apparaat is geactiveerd.

Koppel het toestel opnieuw met uw Bluetooth-apparaat.

Dit is een uitschakelfunctie van 15 minuten, één van de ERP II-standaardvereisten voor energiebesparing

Wanneer het externe ingangssignaalniveau van het apparaat te zwak is, wordt het toestel na 15 minuten automatisch uitgeschakeld. Verhoog het volumeniveau van uw externe apparaat.

Важные инструкции по технике безопасности



Перед применением данного устройства ознакомьтесь с инструкциями по технике безопасности и примите во внимание следующие предупреждения:



Символ молнии со стрелкой на конце, помещенный в равносторонний треугольник, предупреждает пользователя о неизолированном «опасном напряжении» в кожухе устройства, которое может быть достаточно высоким для того, чтобы создавать угрозу поражения электрическим током.



Восклицательный знак в равностороннем треугольнике уведомляет пользователя о важных инструкциях по эксплуатации и техническому (сервисному) обслуживанию, которые содержатся в сопроводительной документации устройства.

Для предотвращения пожара следует держать свечи и иные источники открытого огня на расстоянии от данного продукта.



Предупреждение:

- В процессе использования устройства всегда соблюдайте основные правила техники безопасности, особенно в присутствии детей.
- Дети должны находиться под надзором, чтобы они не могли играть с устройством.
- Не допускайте повреждения шнура питания, не ставьте на него тяжелые предметы, не растягивайте и не скручивайте его. Также не подсоединяйте к нему удлинительные кабели. Повреждение шнура питания может привести к возгоранию или поражению электрическим током.
- Если шнур питания поврежден, его во избежание возникновения опасных ситуаций должен заменить производитель, сервисный агент или другие лица аналогичной квалификации.
- Устройство нужно подключить к розетке 100–240 В перем. тока, 50/60 Гц. Использование более высокого напряжения может привести к нарушению функционирования устройства и даже возгоранию.
- Если вилка устройства не подходит к розетке, не применяйте силу, чтобы вставить ее.

- Прежде чем отключать устройство от источника питания, выключите его.
- Не подключайте и не отключайте шнур питания мокрыми руками. Это может привести к поражению электрическим током.
- Отключите шнур питания, если устройство не используется в течение длительного времени.
- Вы всегда должны иметь свободный доступ к сетевой вилке.
- Данное изделие не содержит компонентов, техническое обслуживание которых пользователь может осуществлять самостоятельно. В случае возникновения неисправностей следует связаться с производителем или представителем авторизованного сервисного центра. Контакт с некоторыми частями внутри устройства может представлять опасность для жизни. Гарантия производителя не распространяется на неисправности, возникшие вследствие проведения ремонта неуполномоченными третьими лицами.
- Не используйте устройство сразу после распаковки. Перед использованием дождитесь, пока температура устройства не достигнет значения комнатной.
- Данное изделие предназначено для использования только в условиях умеренного климата (не тропического/субтропического).
- Установите изделие на ровную, устойчивую поверхность, не подверженную воздействию вибраций.
- Убедитесь в том, что изделие и его компоненты не нависают над краем мебели, на которую оно установлено.
- Во избежание риска возгорания, поражения электрическим током или повреждения данного изделия не подвергайте его воздействию прямых солнечных лучей, пыли, дождя и влаги. Не допускайте попадания на изделие капель или брызг жидкостей, не ставьте на изделие или рядом с ним наполненные жидкостью емкости.
- Не ставьте на устройство наполненные жидкостью емкости, например вазы.
- Не устанавливайте рядом с ним источники тепла, например радиаторы, обогреватели, печи или другие устройства (включая усилители), вырабатывающие тепло.
- Не устанавливайте изделие в местах с повышенным уровнем влажности и плохой вентиляцией.
- Оставьте вокруг устройства свободный зазор минимум 5 см для обеспечения надлежащей вентиляции. Не закрывайте вентиляционные отверстия данного проекта. Убедитесь в том, что вентиляционные отверстия не закрывают другие предметы, например газеты, скатерти, шторы и т. д.
- НЕ ПОЗВОЛЯЙТЕ никому, особенно детям, вставлять посторонние предметы в порты, слоты и прочие отверстия в корпусе устройства, поскольку это может привести к поражению электрическим током с летальным исходом.
- Бури представляют опасность для всех электрических устройств. Удар молнии в сетевой или воздушный провод может привести к повреждению устройства, даже если оно выключено. Перед грозой необходимо отключить все кабели и провода.

Техническое обслуживание

- Прежде чем приступить к очистке устройства, отключите шнур питания от источника энергии.
- Для очистки внешней поверхности устройства используйте мягкую и чистую салфетку. Никогда не очищайте еще с помощью химических или моющих средств.

Батарейки

- Вставляя батарейки обращайте внимание на полярность.
- Не подвергайте батарейки воздействию высоких температур и не размещайте их в местах, где возможно быстрое повышение температуры, например, вблизи огня или в области воздействия прямых солнечных лучей.
- Не подвергайте батарейки воздействию чрезмерного лучистого тепла, не бросайте их в огонь, не разбирайте их и не пытайтесь повторно зарядить севшие батарейки. Они могут протечь или взорваться.
- Никогда не используйте разные батарейки или комбинацию старых и новых батареек.
- Если пульт дистанционного управления не будет использоваться в течение длительного периода (свыше одного месяца), во избежание протекания батареек выньте их из пульта.
- Если батарейки протекли, вытрите внутреннюю часть отсека для батареек и замените их новыми.
- Используйте только указанные батарейки.



Не допускайте проглатывания батареек, опасность химического ожога

- Проглатывание батареек может привести к возникновению тяжелых внутренних ожогов уже в течение 2 часов и смерти. Держите новые и использованные батарейки в недоступном для детей месте. Если не получается надежно закрыть отсек для батареек, прекратите использование изделия и держите его в недоступном для детей месте. В случае возникновения подозрений относительно проглатывания батареек или попадания их в какую-либо часть организма немедленно обратитесь к врачу.

Утилизация оборудования и батареек

- Не выбрасывайте данное изделие или батарейки вместе с несортированными городскими отходами. Обратитесь на специальный пункт приема отходов электронного и электрического оборудования для последующей утилизации в соответствии с местными законодательными предписаниями. Так вы вносите свой вклад в сохранение ресурсов и защиту окружающей среды.



- В большинстве стран ЕС утилизация батареек регулируется законодательными положениями. Для получения более подробной информации обратитесь к продавцу или местные органы власти.
- Приведенный выше символ наносится на электрическое и электронное оборудование, а также батарейки (или их упаковку) в качестве напоминания. Если под символом имеется обозначение «Hg» или «Pb», это говорит о том, что батарейка содержит следы ртути (Hg) или свинца (Pb) соответственно.
- Пользователи обязаны сдавать отработавшее оборудование и батарейки в существующие пункты возврата.

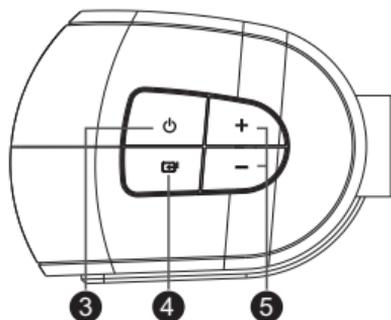
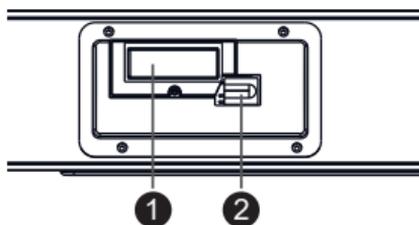
Заявление о соответствии требованиям для получения маркировки CE и UKCA:

- Настоящим компания Sharp Consumer Electronics Poland sp. z o.o. заявляет, что данное аудиоустройство соответствует обязательным требованиям и прочим важным положениям Директивы ЕС по радиооборудованию 2014/53/EU и Директивы Великобритании в отношении радиооборудования от 2017 года.
- Для ознакомления с полным текстом Декларации о соответствии требованиям ЕС перейдите по ссылке www.sharpconsumer.com, откройте раздел загрузки для вашей модели и выберите документ «CE Statements».

Принадлежности

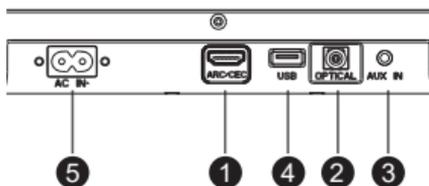
- 1x пульт дистанционного управления
- 1x руководство пользователя
- 1x руководство по быстрому запуску
- 1x гарантийный талон
- 1x UK силовой кабель
- 1x EU силовой кабель
- 1x крепление для настенного монтажа
- 4x силиконовые ножки
- 2x батарейка AAA

Элементы управления



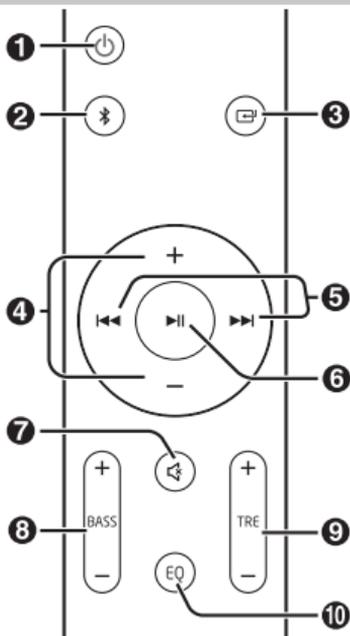
1. **Дисплей**
2. **Дистанционный датчик**
3. **⏻ Режим ожидания** – переключение устройства между режимами работы и ожидания.
4. **📺 Источник** – выбор функции воспроизведения.
5. **Громкость +/-** – повышение/снижение уровня громкости.

Входы/выходы



1. **Разъем ARC/CEC** – подключение к телевизору при помощи кабеля HDMI.
2. **Разъем OPTICAL** – оптический входной разъем.
3. **Разъем AUX IN** – подключение к внешнему аудиоустройству.
4. **Разъем USB** – используется для соединения с USB-накопителем.
5. **Разъем AC~** – подключение шнура питания.

Пульт дистанционного управления



1. **⏻** – переключение устройства между режимами работы и ожидания.
2. **📶** – выбор режима Bluetooth. Нажмите и удерживайте для активации функции сопряжения в

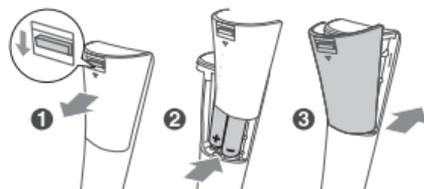
режиме Bluetooth или отсоединения подключенного устройства Bluetooth.

3.  – выбор функции воспроизведения.
4. **Громкость +/-** – повышение/снижение уровня громкости.
5.   – переход к предыдущей/следующей дорожке в режиме Bluetooth.
6.  – воспроизведение/пауза/возобновление воспроизведения в режиме Bluetooth.
7.  – (ВЫКЛЮЧИТЬ ЗВУК) Отключение или повторное включение звука.
8. **BASS +/-** – регулировка уровня нижних частот.
9. **TRE +/-** – регулировка уровня верхних частот.
10. **EQ** – выбор предварительно настроенного режима звучания.

ИСПОЛЬЗОВАНИЕ ПУЛЬТА ДУ

Входящий в комплект пульт ДУ позволяет управлять устройством на расстоянии.

- Даже если пульт ДУ применяется на эффективном расстоянии в 6 м, он может не работать, если между ним и устройством имеются какие-либо препятствия.
- Пульт ДУ может работать неправильно, если он применяется рядом с другими изделиями, которые генерируют инфракрасные лучи, или если рядом с устройством работают другие устройства с пультом дистанционного управления, использующим инфракрасные лучи. В свою очередь другие устройства также могут работать неправильно.



УСТАНОВКА БАТАРЕЙКИ

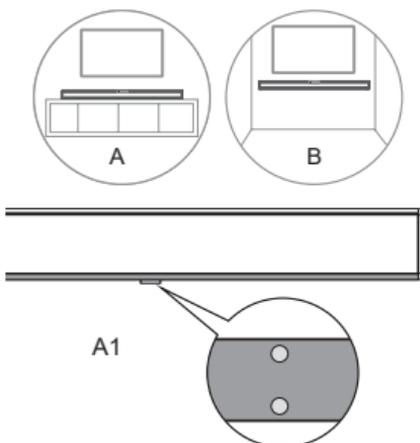
1. Нажмите на заднюю крышку и сдвиньте ее, чтобы открыть отсек для батареек пульта ДУ.
2. Вставьте две батарейки AAA (входят в комплект). Убедитесь в том, что обо-

значения (+) и (-) на концах батареек совпадают с обозначениями (+) и (-) на отсеке для батареек.

3. Закройте крышку отсека для батареек.

Первая установка

Размещение и крепление



A: Обычное размещение (A1 — прикрепите силиконовую ножку к нижней части звуковой панели).

Установите звуковую панель на ровную поверхность перед телевизором.

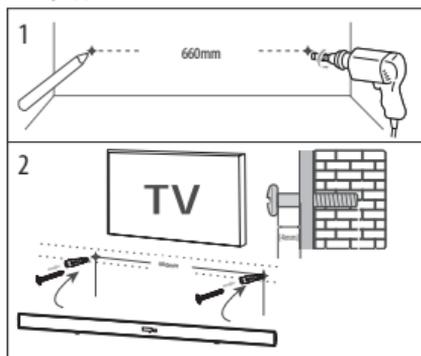
B: Настенный монтаж

Настенный монтаж

ПРИМЕЧАНИЕ.

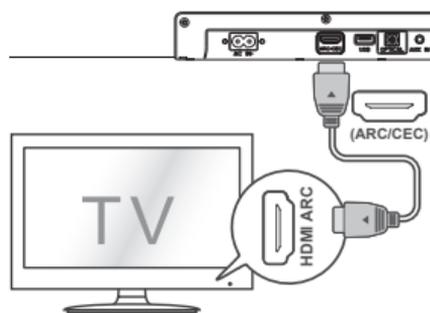
– Работы по монтажу должен выполнять только квалифицированный персонал. Неправильная сборка влечет за собой риск получения серьезных травм или повреждения имущества (если вы собираетесь устанавливать данное изделие самостоятельно, проверьте, не проложены ли в стене коммуникации, например электропроводка или водопроводные трубы). Лицо, производящее установку, несет ответственность за проверку способности стены выдерживать общий вес устройства и кронштейнов для настенного монтажа.

- Для установки требуются дополнительные инструменты (не входят в комплект).
- Не перетягивайте винты.
- Сохраните данное руководство для использования в будущем.
- Прежде чем приступить к сверлению и монтажу, определите тип стены при помощи электронного детектора неоднородностей.



1. Просверлите два параллельных отверстия ($\varnothing 6$ мм) в стене. Расстояние между отверстиями должно составлять 660 мм.
 - В каждом отверстии в стене надежно зафиксируйте по одной пробке, а затем вставьте в них винты.
2. Оставьте между стеной и головкой винта зазор в 4мм. Поднимите встроенные кронштейны устройства для настенного монтажа над головками винтов и установите его на место.

Подключения



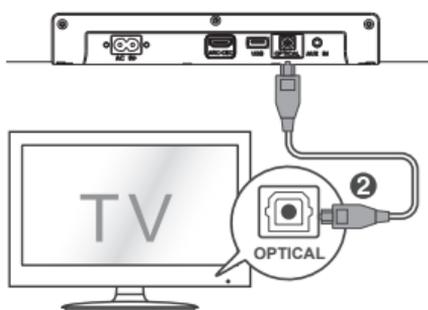
Вход HDMI ARC

Функция ARC (Audio Return Channel, обратный аудиоканал) позволяет передавать аудиосигнал с телевизора с поддержкой технологии ARC на звуковую панель посредством одного разъема HDMI. Для использования функции ARC удостоверьтесь в том, что ваш телевизор поддерживает технологии HDMI-CEC и ARC и произведите соответствующие настройки. При правильной настройке вы можете регулировать громкость звуковой панели при помощи пульта ДУ (кнопки регулировки громкости и отключения звука).

- Подключите кабель HDMI (не входит в комплект) от разъема HDMI (ARC) устройства к разъему HDMI (ARC) телевизора с поддержкой технологии ARC. Затем выберите функцию HDMI ARC при помощи кнопки на пульте ДУ.

СОВЕТЫ:

- Ваш телевизор должен поддерживать функцию HDMI-CEC и ARC. Необходимо включить функции HDMI-CEC и ARC.
- Способы настройки HDMI-CEC и ARC на разных телевизорах могут различаться. Более подробная информация о функции ARC приведена в руководстве по эксплуатации телевизора.
- Если в режиме HDMI ARC устройство не выводит звук (на дисплее появляется сообщение «InVALId» («Ошибка»)), возможно, вам нужно активировать выход сигнала ИКМ на источнике (например, телевизор, проигрыватель DVD или Blu-ray).
- Функцию ARC поддерживают только кабели HDMI версии 1.4. или выше.

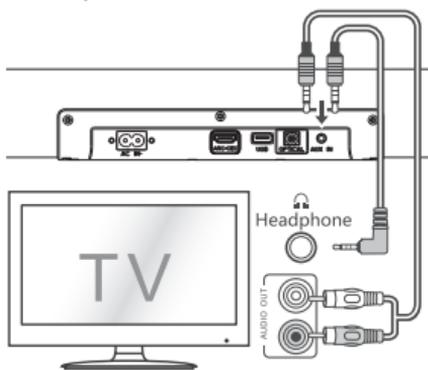


ОПТИЧЕСКИЙ ВХОД

- Используйте оптический кабель для подключения оптического входа данной звуковой панели к оптическому выходу VCD, CD, VCR, DVD плеера.

СОВЕТЫ:

- Если в режиме OPTICAL устройство не выводит звук (на дисплее появляется сообщение «InValid» («Ошибка»)), возможно, вам нужно активировать выход сигнала ИКМ на источнике (например, телевизор, проигрыватель DVD или Blu-ray).



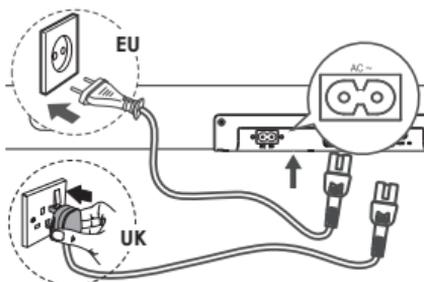
ВХОД AUX IN

- Для соединения аудиовыходов телевизора с разъемом AUX IN на устройстве воспользуйтесь аудиокабелем RCA 3,5 мм (не входит в комплект).
- Для соединения аудиовыходов телевизора или наушников внешнего устройства с разъемом AUX IN на

устройстве используйте аудиокабель 3,5 мм на 3,5 мм (не входит в комплект).

СОВЕТ:

При использовании выхода для наушников на телевизоре вы сможете регулировать громкость непосредственно при помощи пульта ДУ телевизора.



Подключение питания

- Прежде чем подключать шнур питания переменным током, выполните все прочие подключения.
- Риск повреждения изделия!** Убедитесь в том, что напряжение источника питания соответствует напряжению, указанному на этикетке на обратной или нижней стороне устройства.
- Подключите кабель питания к входному разъему переменного тока устройства, а затем к розетке.

Основная эксплуатация

Режим ожидания / работы

- После первого подключения к сетевой розетке устройство находится в режиме ожидания.
- Чтобы включить или выключить основное устройство, нажмите кнопку  на пульте ДУ.
- Чтобы выключить устройство полностью, выньте сетевую вилку из розетки.
- В случае отсутствия входного сигнала в течение более чем 15 минут устройство автоматически переходит в режим ожидания.

Выбор режима

Несколько раз нажмите кнопку  на устройстве или кнопку  на пульте дистанционного управления для перехода в нужный режим.

Регулировка громкости

- Чтобы отрегулировать громкость, нажимайте кнопки + / - на устройстве или пульте ДУ.
- Чтобы выключить звук, нажмите кнопку  на пульте ДУ. Чтобы снова включить звук, еще раз нажмите кнопку  или кнопки + / - на устройстве или пульте ДУ.

Выбор эквалайзера (EQ)

- В процессе воспроизведения на пульте ДУ нажмите кнопку EQ (ЭКВАЛАЙЗЕР), чтобы выбрать предварительно настроенный эквалайзер: Музыка — на экране появляется надпись «Eq1» (рекомендованный режим для прослушивания музыки), Фильм — на экране появляется надпись «Eq2» (рекомендованный режим для просмотра фильмов), НОВОСТИ — на экране появляется надпись «Eq3» (рекомендованный режим для просмотра новостей), «Cust» (Пользовательский) — на экране появляется надпись «Cust» (рекомендованный режим для индивидуальной настройки верхних/нижних частот).

ПРИМЕЧАНИЕ. Настройка верхних/нижних частот доступна только в виде предварительно заданных пользователем параметров.

AUX / OPTICAL / HDMI ARC

1. Убедитесь в том, что устройство подключено к телевизору или аудиоустройству.
2. Несколько раз нажмите кнопку  на включенном устройстве, чтобы выбрать нужный режим.

3. Управляйте функциями воспроизведения непосредственно на аудиоустройстве.
4. Нажмите кнопку +/-, чтобы установить нужный уровень громкости.

СОВЕТ:

Если в режиме OPTICAL устройство не выводит звук (на дисплее появляется сообщение «InVALId» («Ошибка»)), возможно, вам нужно активировать выход сигнала ИКМ на источнике (например, телевизор, проигрыватель DVD или Blu-ray).

Использование Bluetooth

Сопряжение устройств Bluetooth

При первом подключении устройства Bluetooth к данному проигрывателю необходимо выполнить его сопряжение с проигрывателем.

ПРИМЕЧАНИЕ.

- Рабочий диапазон между данным проигрывателем и устройством Bluetooth составляет приблизительно 8 метров (если между устройством Bluetooth и проигрывателем отсутствуют посторонние предметы).
 - Прежде чем подключать устройство Bluetooth к данному проигрывателю, изучите его технические характеристики.
 - Совместимость со всеми устройствами Bluetooth не гарантируется.
 - Любые препятствия между проигрывателем и устройством Bluetooth сокращают рабочий диапазон.
 - Если сигнал слишком слаб, принимающее устройство Bluetooth может отсоединиться, но затем оно снова автоматически войдет в режим сопряжения.
1. Включите звуковую панель, нажав кнопку готовности.
 2. Несколько раз нажмите кнопку  на устройстве или кнопку  на пульте дистанционного управления, чтобы выбрать режим Bluetooth. Если вы видите

мигающие буквы «nobt» на экране, вы в режиме Bluetooth.

3. Войдите в режим поиска Bluetooth на устройстве, которое хотите подключить к звуковой панели.
4. В списке выберите **SHARP HT-SB147**.
5. Теперь ваше устройство и звуковая панель соединены.
 - Для отсоединения устройства выключите Bluetooth соединение или удерживайте кнопку  или кнопку  на пульте дистанционного управления в течение 3 секунд.

СОВЕТ.

- При необходимости введите пароль «0000».
- Проигрыватель также отсоединяется при перемещении устройства за пределы рабочего диапазона.
- Чтобы возобновить соединение между устройством и проигрывателем, разместите его в рабочем диапазоне.
- При перемещении устройства за пределы рабочего диапазона проверьте наличие соединения с проигрывателем после возвращения устройства его обратно.
- В случае разрыва соединения выполните повторное сопряжение устройства с проигрывателем в соответствии с приведенными выше инструкциями.

Прослушивание музыки с устройства Bluetooth

- Если подключенное устройство Bluetooth поддерживает расширенный профиль распределения аудио (A2DP), вы можете слушать через звуковую панель сохраненную на устройстве музыку.
- Если устройство также поддерживает профиль дистанционного управления аудио- и видеоприборами (AVRCP), вы можете управлять воспроизведением сохраненной на устройстве музыки при помощи пульта ДУ звуковой панели.

1. Выполните сопряжение устройства с проигрывателем.
2. Воспроизводите музыку посредством своего устройства (если оно поддерживает A2DP).
3. Управляйте воспроизведением при помощи входящего в комплект пульта ДУ (если устройство поддерживает AVRCP).
 - Чтобы остановить/возобновить воспроизведение, нажмите кнопку  на пульте ДУ.
 - Чтобы пропустить дорожку, нажмите кнопку  на пульте ДУ.

Использование режима USB

1. Вставьте USB-накопитель в USB-разъем на задней панели.
2. Несколько раз нажмите кнопку  на устройстве или кнопку  на пульте ДУ, чтобы выбрать режим USB.
3. Устройство автоматически начнет воспроизведение дорожки MP3 с подключенного USB-накопителя.

Если воспроизведение MP3 не начинается автоматически, нажмите кнопку  на пульте ДУ.

- Чтобы остановить/возобновить воспроизведение, нажмите кнопку  на пульте ДУ.
- Чтобы пропустить дорожку, нажмите кнопку  на пульте ДУ.
- Нажмите и удерживайте кнопку  для быстрой перемотки вперед и кнопку  для быстрой перемотки назад.
- Из-за большого множества различных файловых систем и форматов файлов совместимость с подключенным носителем данных нельзя гарантировать.
- В зависимости от размера носителя данных для обнаружения системы может потребоваться некоторое время.
- Совместимый формат файлов: MP3/WAV.
- Внешние жесткие диски не поддерживаются.

- Совместимость с USB-накопителями до 32 Гб.

Поиск и устранение неисправностей

Для сохранения гарантии не пытайтесь самостоятельно ремонтировать систему. В случае возникновения проблем в процессе эксплуатации устройства ознакомьтесь с приведенной ниже информацией, прежде чем обращаться в сервисную службу.

Отсутствует питание

Проверьте, правильно ли подключен шнур переменного тока.

Убедитесь в том, что розетка переменного тока подает электроэнергию.

Нажмите кнопку режима ожидания на пульте ДУ или звуковой панели, чтобы включить звуковую панель.

Отсутствует звук

Повысьте уровень громкости. Нажмите кнопку увеличения громкости на пульте ДУ или в правой части звуковой панели.

Нажмите кнопку  на пульте ДУ, чтобы убедиться в том, что на звуковой панели не отключен звук.

Нажмите кнопку выбора источника, чтобы выбрать другой источник входного сигнала. В случае отсутствия аудиосигнала при использовании цифрового входа:

- Попробуйте настроить выход телевизора на сигнал ИКМ или
- Подключитесь напрямую к Blu-ray/другому источнику, некоторые телевизоры не работают через цифровой аудиовход.

Ваш телевизор может быть настроен на переменные аудиовыходы. Убедитесь в том, что в настройках аудиовыхода выбрана опция FIXED (ФИКСИРОВАННЫЙ) или STANDARD (СТАНДАРТНЫЙ), а не VARIABLE (ПЕРЕМЕННЫЙ). Более подробная информация приведена в руководстве по эксплуатации телевизора.

При использовании Bluetooth убедитесь

в том, что на источнике включен звук и установлен приемлемый уровень громкости.

Не работает пульт дистанционного управления

Прежде чем нажимать любую кнопку управления воспроизведением, выберите надлежащий источник.

Сократите расстояние между пультом ДУ и устройством.

Вставьте батарейку, соблюдая указанную полярность (+/-).

Замените батарейку.

Направляйте пульт ДУ прямо на датчик, расположенный на передней панели устройства.

Я слышу жужжание или гудение

Убедитесь в том, чтобы все кабели и провода надежно подсоединены.

Подключите другой источник (телевизор, проигрыватель Blu-ray и т. д.), чтобы проверить, сохраняется ли жужжание.

Если нет, возможно, причиной проблемы является исходное устройство.

Подключите устройство к другому входу на звуковой панели.

Я не могу найти Bluetooth-имя данного устройства на моем устройстве Bluetooth

Убедитесь в том, что на устройстве Bluetooth активирована функция Bluetooth.

Выполните сопряжение проигрывателя с устройством Bluetooth еще раз.

Функция отключения через 15 минут в соответствии с одним из требований стандарта ERP II касательно экономии энергии.

Если уровень внешнего сигнала слишком низкий, через 15 минут устройство будет автоматически выключено. Увеличьте уровень громкости на внешнем устройстве.

Technical specification | Technische Angaben Especificación técnica | Specifiche tecniche Spécification technique | Dane techniczne | Technische specificaties | Технические спецификации

EN	DE	ES	IT	FR
Model	Modell	Modelo	Modello	Modèle
Sound Bar	Soundbar	Barra de sonido	Soundbar	Barre de son
Power Supply	Stromversorgung	Fuente de alimentación	Alimentazione	Alimentation électrique
Power Consumption	Stromverbrauch	Consumo de electricidad	Consumo energetico	Consommation électrique
Power Consumption StandBy	Stromverbrauch StandBy	Consumo de electricidad Estado en espera	Consumo energetico StandBy	Consommation électrique De veille
Output Power	Ausgangsstrom	Potencia de salida	Corrente in uscita	Puissance de sortie
Frequency Response	Frequenzabhängigkeit	Respuesta de frecuencia	Risposta di frequenza	Réponse en fréquence
Bluetooth	Bluetooth	Bluetooth	Bluetooth	Bluetooth
Version	Version	Versión	Versione	Version
Frequency bands	Frequenzbänder	Bandas de frecuencia	Bande di frequenza	Bande de fréquences
Remote Control	Fernbedienung	Mando a distancia	Telecomando	Télécommande
Battery Type	Batterietyp	Tipo de batería	Tipo di batteria	Type de pile



KG 1,98kg

PL	NL	RU	
Model	Model	Модель	HT-SB147
Soundbar	Soundbar	Звуковая панель	
Zasilanie	Stroomvoorziening	Электропитание	AC 100-240V~50 Hz/60 Hz
Pobór mocy	Energieverbruik	Энергопотребление	25 W
Pobór mocy StandBy	Energieverbruik stand-bymodus	Энергопотребление в режиме ожидания	<0,5 W
Moc wyjściowa	Uitgangsvermogen	Выходная мощность	2 x 25 W (RMS)
Zakres częstotliwości	Frequentierespons	Частотная характеристика	60 Hz - 20 KHz
Bluetooth	Bluetooth	Bluetooth	
Wersja	Versie	Версия	V4.2
Pasma częstotliwości	Frequentiebanden	Частотные диапазоны	2402 MHz ~ 2480 MHz
Pilot zdalnego sterowania	Afstandsbediening	Пульт дистанционного управления	
Rodzaj baterii	Batterijtype	Тип батареек	2 x AAA



Sharp Consumer Electronics Poland sp. z o.o.
Ostaszewo 57B, 87-148 Łysomice, Poland
Made in China

SAU/MAN/0162

www.sharpconsumer.eu

SHARP