

SHARP



User manual

PS-929

Party Speaker System

EN

DE

ES

IT

FR

PL

Trademarks



The *Bluetooth*® word mark and logos are registered trademarks owned by Bluetooth SIG, Inc.

Important safety instructions



Please, read these safety instructions and respect the following warnings before the appliance is operated:



The lightning flash with arrowhead symbol, within an equilateral triangle, is intended to alert the user to the presence of uninsulated "dangerous voltage" within the product's enclosure that may be of sufficient magnitude as to constitute a risk of electric shock to persons.



The exclamation point within an equilateral triangle is intended to alert the user to the presence of important operating and maintenance (servicing) instructions in the literature accompanying the appliance.



Use only power supply listed in the user manual.



This symbol means that the product should be disposed of in an environmentally friendly manner and not with general household waste.



AC voltage



DC voltage



Class II equipment



For indoor use only



Energy efficiency marking with level VI



Polarity of d.c. power connector

In order to prevent fire always keep candles and other open flames away from this product.



Warning:

- Always follow basic safety precautions when using this appliance, especially when children are present.
- Children should be supervised to ensure that they do not play with the appliance.
- Do not damage the power cord, neither do not place any heavy objects on it, do not stretch it or bend it. Also do not attach extension cables. Damage to the power cord may occur fire or electric shock.
- If the supply cord is damaged, it must be replaced by the manufacturer, a service agent or similarly qualified persons in order to avoid a hazard.
- Ensure that the unit is plugged into an AC 220-240V 50Hz power outlet. Using higher voltage may cause the unit to malfunction or even fire catching.
- If the power plug does not fit into your outlet, do not force the plug into an electrical socket if it does not fit.
- Turn off the unit before unplugging it from power source to completely switch it off.
- Do not disconnect or connect the power cord with wet hands. It may cause an electric shock.
- NOTE: To disconnect the system completely if it not to be used for a long time, remove the AC power plug from the wall outlet.

- Ensure that the mains plug is always easily accessible.
- This product does not contain any parts that are serviceable by the user. In case of a fault, contact the manufacturer or authorised service department. Exposing the internal parts inside the device may endanger your life. The manufacturers guarantee does not extend to faults caused by repairs carried out by unauthorised third parties.
- Do not use this product immediately after unpacking. Wait until it warms up to room temperature before using it.
- Ensure this product is used in moderate climates only (not in tropical/ subtropical climates).
- Place product on a flat, stable surface that is not subject to vibrations.
- Ensure the product and its parts is not overhanging the edge of the supporting furniture.
- To reduce the risk of fire, electric shock or damage to this product, do not expose it to direct sunlight, dust, rain and moisture. Never expose it to dripping or splashing and do not place objects filled with liquids on or near the product.
- Do not place objects filled with liquids, such as vases, on the apparatus.
- Do not install near any heat sources such as radiators, heat registers, stoves, or other apparatus (including amplifiers) that produce heat.
- Do not place the product where the humidity is high and ventilation is poor.
- Don't mount this product on a wall or ceiling.
- Do not place the unit near TVs, speakers and other objects that generate strong magnetic fields.
- Do not leave the unit unattended when it is in use.
- Allow at least 30 cm clearance from the rear and the top of the unit and 5 cm from each side. Do not block any ventilation openings of this product. Always ensure that the ventilation openings are not covered with items such as newspapers, table-cloths, curtains, etc.
- NEVER let anyone, especially children, push anything into holes, slots or any other openings in the unit's casing as this could result in a fatal electric shock.
- Storms are dangerous for all electric appliances. If the mains or aerial wiring is struck by lightning, the appliance might get damaged, even if it is turned off. You should disconnect all the cables and connectors of the appliance before a storm.

Maintenance

- Unplug the power cable from the power source before cleaning the appliance.
- Use a soft and clean rag to clean the outside of the unit. Never clean it with chemicals or detergent.

Power Adaptor

- To disconnect the unit from the mains supply, unplug the lead from the mains socket.
- Only use the supplied mains adaptor as failure to do this may result in a safety risk and/or damage to the unit.

Built-in Battery Care

- Your product is powered by a built-in rechargeable battery.
- The battery can be charged and discharged hundreds of times, but will eventually wear out.
- Unplug the charger from the electrical plug and the product when not in use.
- Do not leave a fully charged battery connected to a charger, since overcharging may shorten its lifetime.
- If left unused, a fully charged battery will lose its charge over time.
- Leaving the product in hot or cold places, such as in a closed car in the summer and winter conditions, will reduce the capacity and life time of the battery.
- Always try to keep your device in a cool, moisture-free environment that's less than 32°C.
- A product with a hot or cold battery may not work temporarily, even when the battery is fully charged. Battery performance is particularly limited in temperatures well below freezing.

- If you plan to store your device for longer than six months, charge the battery to 50% every six months to keep it fresh. Store the device at temperatures between 5 °C and 20 °C.

Battery warning!

- The battery used in this product may present a risk of fire or chemical burn if mistreated.
- Do not attempt to open the product or replace the battery. It is built-in and not changeable. Use of other batteries may present a risk of fire or explosion and the warranty will be terminated.
- Dispose of batteries according to local regulations. Please recycle when possible. Do not dispose as household waste or in a fire as they may explode.
- Batteries may explode if damaged.
- Charging the battery using supplied charger or under the charging condition specified in user manual. Charging the battery under any other conditions may cause the battery to overheat, emit hydrogen gas, leak, ignite or burst.

CAUTION!

1. Important safety considerations

- Do not expose batteries to high temperatures and do not place them on locations where the temperature might increase quickly, e.g. near the fire or on the direct sunshine.
- Do not expose batteries to excessive radiant heat, do not throw them into the fire, do not disassemble them and do not try to recharge un-rechargeable batteries. They could leak or explode.

2. To prevent deterioration or damage to the battery

- Do not drop or subject to strong physical shock.

3. To ensure long battery life

- Do not discharge completely.

How to remove the battery for disposal

RISK OF INJURY. WEAR GLOVES WHEN WORKING!

The battery should be removed by an authorized Sharp service centre.

Not doing so will invalidate any guarantees and warranties on your device.

Step 1: Remove 6 screws on the front grill.

Step 2: Remove the grill.

Step 3: Remove 11 screws on the front cabinet.

Step 4: Remove the front cabinet.

Step 5: On the battery remove 4 screws holding battery in a place.

Step 6: Remove the soldering points between the battery and the wires.

Step 7: Remove the battery from the battery case.

Disposal of this equipment and Batteries

- Do not dispose of this product or its batteries as unsorted municipal waste. Return it to a designated collection point for the recycling of WEEE in accordance with local law. By doing so, you will help to conserve resources and protect the environment.
- Most of the EU countries regulate the disposal of batteries by law. Contact your retailer or local authorities for more information.



- The shown above appears on electrical and electronic equipment and batteries (or the packaging) to remind users of this. If "Hg" or "Pb" appears below the symbol, this means that the battery contains traces of mercury (Hg) or lead (Pb), respectively.
- Users are requested to use existing return facilities for used equipment and batteries.

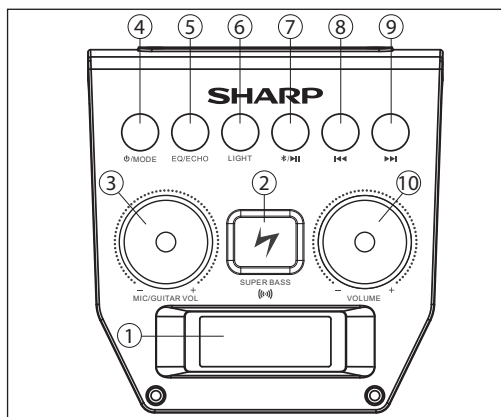
CE Statement:

- Hereby, UMC Poland Sp. z o.o. declares that this audio device is in compliance with the essential requirements and other relevant provisions of RED Directive 2014/53/EU. The full text of the EU declaration of conformity is available by following the link <http://www.sharpconsumer.eu/documents-of-conformity>

What is included in the box

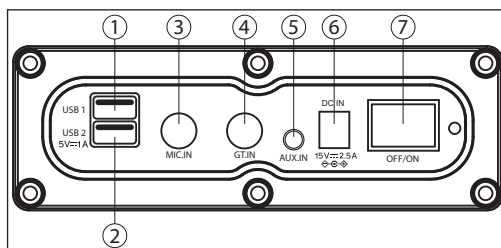
- 1 x PS-929
- 1 x Power Adapter
- 1 x Microphone
- 1 x User Manual
- 1 x Quick start guide
- 1 x Warranty Card

Panels & Controls



TOP VIEW

1. LED display
2. SUPER BASS (⚡) - BASS BOOST/TWS
3. MIC/GUITAR VOL - Microphone/Guitar volume controller
4. Ø/MODE - Mode select/STANDY ON/OFF
5. EQ/ECHO - EQ MODE/Microphone echo effect on/off
6. LIGHT - LED speaker lights control
7. *|| PLAY/PAUSE/PAIR
8. <<< Play previous track
9. >>> Play next track
10. VOLUME - Master volume



REAR VIEW

1. USB - USB port for playback
2. 5V/1A - 5V 1A USB charger
3. MIC.IN - Microphone input
4. GT.IN - Guitar input
5. AUX.IN - Aux input (3.5mm)
6. 15V.IN - DC power 15V input
7. Power switch - Switch device on/off

Operation instruction

Power Connection

Connect the small plug from the supplied AC/DC Adaptor to the DC 15V (In) Jack on the rear of unit then plug the AC/DC Adaptor to a AC wall outlet having AC 100-240V~, 50/60Hz.

Turning On

Switch the POWER switch on the rear of the speaker to the **ON** position. Then press and hold the Ø/MODE button for 2 seconds to switch on. To turn the speaker off, press the Ø/MODE button for a few seconds.

Controlling the master Volume

Rotate the VOLUME knob to select the desired master volume level.

Bass Boost

Press the SUPER BASS button to have extra bass effect, press again to turn off.

EQ Mode select

Press the EQ/ECHO Button on the unit o to activate and set the equalizer effect that best matches the music style: FLAT/CLASSIC/ROCK/POP/JAZZ/LIVE/CLUB/DANCE/HALL/SOFT

Set lighting effect

Press the LIGHT button repeatedly to choose one of the following light effect settings for **speakers & ring** lights:

Screen display	Blink effect
L-01	Multiple colour change
L-02	Red light (in time with music rhythm)
L-03	Green light (in time with music rhythm)
L-04	Blue light (in time with music rhythm)
L-05	Yellow (in time with music rhythm)
L-06	Purple (in time with music rhythm)
L-07	Cyan (in time with music rhythm)
L-08	OFF

A long press the LIGHT button will turn the **speakers & strobe** lights on and off.

Connect Bluetooth audio output device

To connect a Bluetooth audio output device (e.g. smart phone or tablet PC), proceed as follows:

- Switch the speaker on.
- Press the Ø/MODE button once or repeatedly until the screen shows **'bt'** to switch to the Bluetooth mode. The speaker is now in pairing mode. During this time, "BT LOGO" flashes on the display screen. The party speaker will then attempt to automatically connect itself to the last audio output device connected via Bluetooth. If this is not possible, the speaker sends its device identification via Bluetooth and **'bt'** flashes on the screen.
 - Switch on the Bluetooth function on your audio output device and enable search mode. On your audio output device select your speaker **"SHARP PS-929"** from the list of available devices and connect the devices. You may find more information about the Bluetooth function of your playback device in its operating instructions.
 - Input the password 0000 if required. Once successfully connected, there will be a prompt sound and the "BT LOGO" on the screen will be solid.

You can control tracks being played back and the volume of the party speaker on your external device. The functions available when using an audio playback device on the party speaker will depend on your external device and the software used.

Press and hold ***/▶▶** button (for 3sec.) to disconnect the current Bluetooth connection. The PS-929 will prompt "disconnected".

Then other Bluetooth devices can find and pair with the "SHARP PS-929".

AUX-IN OPERATION

You can use the AUX IN connection to connect an external playback device (for example a CD player or MP3 player).

- Connect your audio device to the AUX IN JACK on the rear panel of the unit with an AUX IN cable. (not supplied with the device)
- Press the **◊/MODE** button several times until you see AUX in the display.

The audio signal from your external device will now be played back.

The track being played back is controlled via the external device. The volume can be controlled both on your external device and the party speaker.

USB OPERATION

This unit provides two USB ports, one for playback, and another for charging.

- Insert the USB drive into the **USB** slot 1 on the rear panel of the party speaker.
- It will enter to USB mode, the USB will appear on the display. And it will play the songs from the USB immediately.
- Press **◀◀** or **▶▶** button to select the previous or next track
- Due to the numerous different file systems and file formats, compatibility with the connected memory media cannot be guaranteed.
- Depending on the size of the data medium, it may take some time for the system to be detected.
- The supported file format is MP3/WAV/FLAC.
- External hard disks are not supported.
- supports USB memory key up to 128GB.

USB Charge

The unit has a built-in **5V 1A** charger, to charge an external USB Device:

1. Connect the USB plug from the external USB Device to 5V 1A port on the top of unit.
2. Power on the main unit, then the charging will automatically start.

Connect guitar

The guitar can be used in any operating mode. To connect the guitar, proceed as follows:

- Insert the connection cord (6.3 mm cinch) for the guitar into the guitar plug **GT.IN**.
- Connect the guitar with the connection cord. Use the **MIC/GUITAR VOL** knob to select the desired guitar volume

Connecting a microphone

- Insert the cord of the microphone supplied into the **MIC.IN** plug on the rear of the speaker.
- Use the **MIC/GUITAR VOL** knob to select the desired microphone volume.
- Long press the **EQ/ECHO** button to turn on/off echo effect.

TWS/ True wireless Stereo - Duo Mode

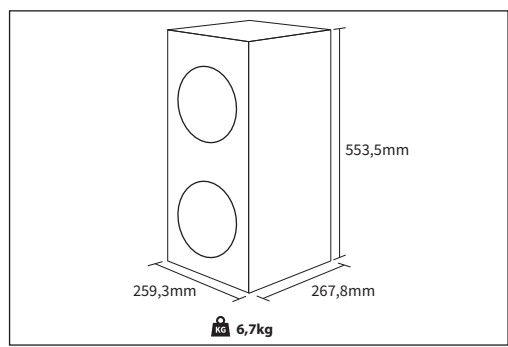
- This allows for two PS-929 party speakers to be connected together as a left and right stereo speakers for a real stereo experience. The first connected speaker is the master one and the second the slave.
- Press and hold the **SUPER BASS** button on the first speaker until the speaker says "Duo Mode pairing" then release the buttons.
- Ensure the second speaker is in Bluetooth mode, did not connected to any devices and ready for pairing.

- Please wait until both speaker says "Duo Mode connected". The speakers are now connected to each other.
- The speaker that display "BT-L" (left speaker) is the master speaker and this is the speaker that you should pair with your phone.
- For Bluetooth pairing to a Bluetooth-out enabled smart device search for "SHARP PS-929" on your device and pair.
- When in Duo Mode and you Power off one speaker both speakers will power off.
- When you Power on the speakers, they need to be turned on individually.
- When both speakers are powered on Duo Mode will automatically reconnect and you will hear "Duo Mode connected".
- To disconnect Duo Mode press and hold **SUPER BASS** button until you hear "Duo Mode disconnected"

Technical specification

Model	P5-929
Rated Power Consumption	20W
Standby Power Consumption	<0.5W
Output Power	2 x 25 W (RMS)
Total max power output	180 W
Frequency Response	40Hz-15KHz
Battery	Built-in lead-acid battery, DC 12V, 54Wh, 4,5Ah
Bluetooth	
Version	V5.0
Maximum power transmitted	<20 dbm
Frequency bands	2402 MHz ~ 2480 MHz
Power Adapter	
Model name	CW1502500RE
Input	AC100-240V ~ 50/60Hz, 1,2A Max
Output	DC 15V ≈2,5A
Manufacturer	Shenzhen Cenwell Technology CO., LTD Address:3F, Building C, Shengshun industrial park, Junxin Road, NiuHu, Guanlan, Shenzhen Tel: 86-0755-84160040

NOTE: Specifications are subject to change for continuous improvement without prior notice.



Wichtige Sicherheitsanweisungen



Bitte lesen Sie sich diese Sicherheitsanweisungen durch und beachten Sie, bevor Sie das Gerät in Betrieb nehmen, auf die folgenden Warnhinweise:



Das Dreieckszeichen mit Blitzsymbol verweist auf nicht isolierte „gefährliche Spannungen“ im Gerätegehäuse, die so hoch sein können, dass sie eine Gefahr von Stromschlägen bilden.



Das Dreieckszeichen mit Ausrufungszeichen verweist auf wichtige Funktions- und Wartungshinweise (Reparatur) in der dem Gerät beigelegten Bedienungsanleitung.



Benutzen Sie nur die Energieversorgung, die in der Bedienungsanleitung angegeben ist.



Dieses Symbol bedeutet, dass das Produkt auf umweltfreundliche Weise und nicht mit dem gewöhnlichen Haushaltsmüll entsorgt werden sollte.



Wechselspannung



Gleichspannung



Gerät der Klasse II



Nur für den Innenbereich



Energieeffizienzkenzeichnung mit Stufe VI



Polarität des Gleichstromsteckers

Halten Sie Kerzen und offenes Feuer von diesem Produkt fern, um einen Brand zu vermeiden.



Warnung:

- Halten Sie sich während der Nutzung dieses Geräts immer an die allgemeinen Sicherheitshinweise, insbesondere, wenn Kinder in der Nähe sind.
- Kinder sollten beaufsichtigt werden, um sicherzustellen, dass sie nicht mit dem Gerät spielen.
- Das Stromkabel darf weder beschädigt, noch dürfen schwere Objekte darauf abgelegt werden, außerdem dürfen Sie es nicht dehnen oder verbiegen. Schließen Sie auch keine Verlängerungskabel an. Schäden am Stromkabel können zu einem Feuer oder Stromschlag führen.
- Wenn das Stromversorgungskabel beschädigt ist, muss es vom Hersteller, einem Servicetechniker oder einer ähnlich qualifizierten Person ausgetauscht werden, um Gefährdungen zu vermeiden.
- Stellen Sie sicher, dass die Einheit an eine AC 220-240V 50Hz Steckdose angeschlossen wird. Eine höhere Spannung kann zu Fehlfunktionen oder sogar zu einem Brand führen.
- Wenn der Stecker nicht in die Steckdose passt, dürfen Sie keine Gewalt anwenden, um einen nicht passenden Stecker in die Steckdose zu drücken.
- Schalten Sie die Einheit aus, bevor Sie sie von der Stromversorgung trennen, um sie so vollständig abzuschalten.

- Vermeiden Sie es, das Stromkabel mit nassen Händen anzuschließen oder zu trennen. Dies könnte andernfalls zu einem Stromschlag führen.
- HINWEIS: Wenn Sie das System für eine längere Nichtbenutzung vom Strom trennen wollen, trennen Sie den Netzstecker von der Wandsteckdose.
- Stellen Sie sicher, dass der Hauptstecker immer leicht zugänglich ist.
- Dieses Produkt enthält keine Teile, die vom Benutzer gewartet werden können. Setzen Sie sich im Fall eines Defekts mit dem Hersteller oder der autorisierten Kundenabteilung in Verbindung. Teile aus dem Inneren des Geräts freizulegen kann lebensgefährlich sein. Die Garantie der Hersteller gilt nicht für Defekte, die durch von nicht autorisierte Dritten durchgeführte Reparaturen entstehen.
- Benutzen Sie dieses Produkt nicht direkt nach dem Auspacken. Warten Sie, bis es sich auf Zimmertemperatur erwärmt hat, ehe sie es einschalten.
- Stellen Sie sicher, dass dieses Produkt ausschließlich in Umgebungen mit mildem Klima verwendet wird (kein tropisches oder subtropisches Klima).
- Stellen Sie das Produkt auf eine flache, stabile Oberfläche, die keinen Erschütterungen ausgesetzt ist.
- Das Produkt und dessen Teile dürfen nicht über die Kante deilete tragenden Möbelstücks hinausragen.
- Um das Risiko eines Feuers, Stromschlags oder Schäden an diesem Produkt zu reduzieren, sollten Sie es nicht direktem Sonnenlicht, Staub, Regen oder Feuchtigkeit aussetzen. Setzen Sie es niemals tropfendem oder spritzendem Wasser aus und positionieren Sie keine mit Flüssigkeiten gefüllten Objekte auf oder neben dem Produkt.
- Setzen Sie keine mit Flüssigkeit gefüllten Objekte wie Vasen auf das Gerät.
- Installieren Sie das Produkt nicht in der Nähe von Heizquellen, wie etwa Heizungen, Heizregister, Öfen oder anderen Apparaten (einschließlich Verstärker), die Hitze produzieren.
- Platzieren Sie das Gerät nicht an Orten mit hoher Feuchtigkeit und mangelhafter Belüftung.
- Befestigen Sie den Lautsprecher nicht an der Wand oder an der Decke.
- Platzieren Sie den Lautsprecher nicht neben Fernsehern, Lautsprechern oder anderen Objekten, die starke Magnetfelder erzeugen.
- Lassen Sie den Lautsprecher bei der Verwendung nicht unbeaufsichtigt.
- Lassen Sie hinter und über dem Lautsprecher mindestens 30 cm und an den Seiten jeweils 5 cm Freiraum. Vermeiden Sie es, Belüftungsöffnungen an diesem Produkt zu blockieren. Sorgen Sie immer dafür, dass die Belüftungsöffnungen nicht durch Gegenstände, z. B. Zeitungen, Tischdecken, Gardinen usw. verdeckt sind.
- Lassen Sie NIEMALS jemanden, ganz besonders nicht Kinder, etwas in die Löcher, Spalten oder anderen Öffnungen des Gerätegehäuses stopfen, da dies zu einem folgenschweren Stromschlag führen kann.
- Gewitter sind für alle elektrischen Geräte gefährlich. Wenn das Strom- oder Antennenkabel vom Blitz getroffen wird, kann das Gerät, auch wenn es ausgeschaltet ist, beschädigt werden. Bei einem herannahenden Gewitter sollten Sie alle Kabel und Stecker des Gerätes ausstecken.

Wartung

- Trennen Sie vor dem Reinigen des Geräts das Stromkabel von der Stromquelle.
- Verwenden Sie einen weichen und sauberen Lappen, um die Außenflächen der Einheit zu reinigen. Verwenden Sie beim Reinigen niemals Chemikalien oder Reinigungsmittel.

Netzadapter

- Um die Einheit von der Stromversorgung zu trennen, trennen Sie das Netzkabel von der Steckdose.
- Benutzen Sie nur den mitgelieferten Netzadapter, andernfalls kann es zu einem Sicherheitsrisiko/einer Beschädigung des Gerätes kommen.

Wartung des eingebauten Akkus

- Ihr Produkt wird durch einen eingebauten Akku mit Strom versorgt.
- Dieser Akku kann Hunderte Male aufgeladen und wieder entladen werden, aber irgendwann wird er nicht mehr funktionieren.
- Trennen Sie das Ladegerät von der elektrischen Steckverbindung und vom Lautsprecher, wenn es nicht benutzt wird.
- Sorgen Sie dafür, dass ein vollständig aufgeladener Akku nicht mit dem Ladegerät verbunden bleibt, da dies seine Lebenszeit verkürzen könnte.
- Wenn Sie einen vollständig aufgeladenen Akku nicht benutzen, verliert er im Laufe der Zeit seine Ladung.
- Wenn Sie den Lautsprecher an heißen oder kalten Orten lassen – wie beispielsweise einem geschlossenen Fahrzeug im Sommer oder Winter – wird die Kapazität und die Lebenszeit des Akkus sinken.
- Bewahren Sie Ihren Lautsprecher immer vorzugsweise in einer kühlen, feuchtigkeitsfreien Umgebung unter 32 °C auf.
- Ein Lautsprecher mit einem heißen oder kalten Akku kann vorübergehend nicht funktionieren, selbst wenn der Akku vollständig geladen ist. Die Akkuleistung wird vor allem bei Temperaturen weit unter dem Gefrierpunkt beeinträchtigt.
- Wenn Sie Ihr Gerät länger als sechs Monate lagern möchten, sollten Sie den Akku alle sechs Monate auf 50 % aufladen, um seine Funktionsfähigkeit zu gewährleisten. Lagern Sie das Gerät bei Temperaturen zwischen 5 °C und 20 °C.

Akkuwarnung!

- Der in diesem Lautsprecher eingebaute Akku kann bei falscher Handhabung eine Brandgefahr oder ein chemisches Risiko darstellen.
- Versuchen Sie nicht den Lautsprecher zu öffnen oder den Akku zu ersetzen. Der Akku ist fest eingebaut und kann nicht ausgetauscht werden. Die Verwendung eines anderen Akkus/einer anderen Batterie kann eine Brandgefahr oder ein Explosionsrisiko darstellen und daraufhin erlischt die Garantie.
- Entsorgen Sie den Akku unter Einhaltung der örtlichen Vorschriften. Führen Sie ihn, wenn möglich, dem Recycling zu. Entsorgen Sie den Akku nicht als Haushaltsabfall und werfen Sie ihn nicht in ein Feuer, da er explodieren könnte.
- Akkus können explodieren, wenn sie beschädigt werden.
- Laden Sie den Akku mit dem mitgelieferten Ladegerät oder unter den in der Anleitung angegebenen Ladebedingungen. Wenn Sie den Akku unter anderen Bedingungen laden, kann der Akku überhitzen, Wasserstoffgas abgeben, auslaufen, sich entzünden oder aufplatzen.

VORSICHT!

1. Wichtige Sicherheitshinweise

- Setzen Sie Batterien keinen hohen Temperaturen aus und legen Sie sie nicht an Stellen ab, wo sich die Temperatur schnell erhöht, z. B. neben einem Feuer oder in die direkte Sonneneinstrahlung.
- Setzen Sie Batterien keiner übermäßigen Strahlungswärme aus, werfen Sie sie nicht ins Feuer oder bauen sie auseinander und versuchen Sie nicht, nicht aufladbare Batterien aufzuladen. Sie könnten undicht werden oder explodieren.

2. Zur Vermeidung von Verschlechterungen oder Schäden am Akku

- Lassen Sie den Akku nicht fallen und setzen ihn keinen schweren Erschütterungen aus.

3. Um eine lange Akkulaufzeit zu garantieren

- Der Akku darf sich nicht vollständig entladen.

Entfernen des Akkus zur Entsorgung

VERLETZUNGSRISIKO. TRAGEN SIE HANDSCHUHE BEIM ARBEITEN!

Der Akku sollte nur durch ein autorisiertes Sharp-Service-Center entfernt werden. Ansonsten erlischt jegliche Garantie und Gewährleistung für Ihr Gerät.

Schritt 1: Entfernen Sie 6 Schrauben am Frontgitter.

Schritt 2: Entfernen Sie das Gitter.

Schritt 3: Entfernen Sie 11 Schrauben am vorderen Gehäuse.

Schritt 4: Entfernen Sie das vordere Gehäuse.

Schritt 5: Entfernen Sie 4 Schrauben, die den Akku befestigen.

Schritt 6: Entfernen Sie die Lötstellen zwischen dem Akku und den Drähten.

Schritt 7: Nehmen Sie den Akku aus dem Batteriefach.

Entsorgung dieses Geräts und von Batterien

- Entsorgen Sie dieses Produkt oder dessen Batterien niemals über den normalen Hausmüll. Geben Sie es entsprechend den gesetzlichen Regelungen von Ort bei dem für das Recycling von WEEE vorgesehenen Sammelpunkt ab. Damit helfen Sie, Ressourcen einzusparen und die Umwelt zu schützen.
- In den meisten EU-Ländern gelten für die Entsorgung von Batterien besondere Gesetze und Vorschriften. Weitere Informationen erhalten Sie von Ihrem Händler oder den örtlichen Behörden.



- Der oben aufgeführte Text erscheint auf elektrischen und elektronischen Geräten und Batterien (oder der Verpackung), um Nutzer entsprechend zu erinnern. Wenn unter dem Symbol „Hg“ oder „Pb“ erscheint, bedeutet dies, dass die Batterie jeweils Spuren von Quecksilber (Hg) oder Blei (Pb) enthält.
- Nutzer werden darum gebeten, für gebrauchte Geräte und Batterien bestehende Rückgabereinrichtungen zu nutzen.

CE-Konformitätserklärung:

- Die Universal Media Corporation sp. z o.o. erklärt hiermit, dass dieses Audiogerät die wesentlichen Anforderungen und weitere entsprechende Vorschriften der RED-Verordnung 2014/53/EU einhält. Der vollständige Text der EU-Konformitätserklärung ist unter folgender Internetadresse erhältlich: <https://www.sharpconsumer.eu/documents-of-conformity/>

Markenzeichen:

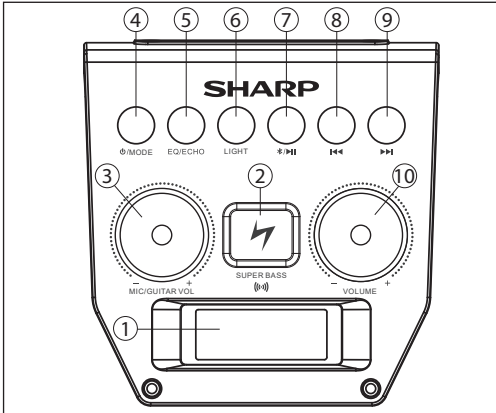


Die Bluetooth® Wortmarke und Logos sind geschützte Marken der Bluetooth SIG Inc.

Was befindet sich im Karton

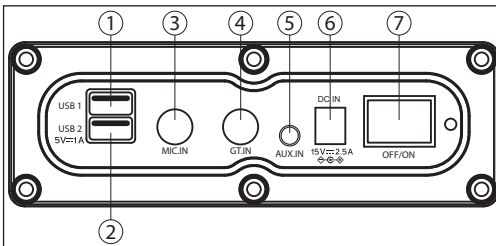
- 1 x PS-929
- 1 x Netzkabel
- 1 x Mikrofon
- 1 x Benutzerhandbuch
- 1 x Schnellstart-Handbuch
- 1 x Garantiekarte

Panels und Bedienelemente



ANSICHT VON OBEN

1. LED-Anzeige
2. SUPER BASS (⚡) – BASS-BOOST/TWS
3. MIC/GUITAR VOL – Lautstärkeregelung für Mikrofon/Gitarre
4. ⏻/MODE – Modusauswahl/STAND-BY EIN/AUS
5. EQ/ECHO – EQ-MODUS/Mikrofon-Echo-Effekt ein/aus
6. LIGHT – Steuerung der LED-Lautsprecherleuchten
7. ⏮/▶ WIEDERGABE/PAUSE/KOPPELN
8. ⏮ Vorheriges Musikstück spielen
9. ▶▶ Nächstes Musikstück spielen
10. VOLUME – Master-Lautstärke



RÜCKANSICHT

1. USB – USB-Anschluss zur Wiedergabe
2. 5V/1A – USB-Ladebuchse 5 V 1 A
3. MIC.IN – Mikrofoneingang
4. GT.IN – Gitarreneingang
5. AUX.IN – Aux-Eingang (3,5 mm)
6. 15V.IN – Gleichstrom-Eingang 15 V
7. Netzschalter – Gerät ein-/ausschalten

Betriebsanleitung

Stromanschluss

Schließen Sie den kleinen Stecker des beiliegenden Wechselstrom-/Gleichstrom-Adapters (AC/DC) an die DC-15-V-Buchse (In) an der Geräterückseite und schließen Sie den Wechselstrom-/Gleichstrom-Adapter (AC/DC) an eine Wechselstrom-Wandsteckdose mit AC 100-240 V~; 50/60 Hz an.

Einschalten

Schalten Sie den Netzschalter an der Rückseite des Lautsprechers in die Position **ON (EIN)**. Halten Sie dann die ⏻/MODE-Taste 2 Sekunden lang gedrückt, um das Gerät einzuschalten. Um den Lautsprecher auszuschalten, drücken Sie die Taste ⏻/MODE einige Sekunden lang.

Einstellen der Master-Lautstärke

Drehen Sie den Regler VOLUME (LAUTSTÄRKE), um den gewünschten Master-Lautstärkepegel auszuwählen.

Bass-Boost

Drücken Sie die Taste SUPER BASS für einen zusätzlichen Basseffekt – und drücken Sie die Taste SUPER BASS erneut, um den zusätzlichen Basseffekt wieder auszuschalten.

EQ-Modusauswahl

Drücken Sie die Taste EQ/ECHO am Gerät, um den Equalizer-Effekt zu aktivieren und einzustellen, der am besten zur aktuell gespielten Musikrichtung passt: FLAT/CLASSIC/ROCK/POP/JAZZ/LIVE/CLUB/DANCE/HALL/SOFT (FLACH/KLASSIK/ROCK/POP/JAZZ/LIVE/CLUB/DANCE/HALL/WEICH)

Beleuchtungseffekt einstellen

Drücken Sie wiederholt die Taste LIGHT (BELEUCHTUNG), um eine der folgenden Einstellungen für den Beleuchtungseffekt für die Leuchten an **Lautsprecher & Ring** auszuwählen:

Bildschirmanzeige	Blinkeffekt
L-01	Mehrfacher Farbwechsel
L-02	Rotes Licht (im Takt mit dem Musikrhythmus)
L-03	Grünes Licht (im Takt mit dem Musikrhythmus)
L-04	Blaues Licht (im Takt mit dem Musikrhythmus)
L-05	Gelb (im Takt mit dem Musikrhythmus)
L-06	Violett (im Takt mit dem Musikrhythmus)
L-07	Cyan (im Takt mit dem Musikrhythmus)
L-08	AUS

Wenn Sie die Taste LIGHT (BELEUCHTUNG) lange gedrückt halten, schaltet sich die Beleuchtung der Leuchten von **Lautsprechern & Stroboskop** ein und aus.

Bluetooth-Audioausgabegerät verbinden

Wenn Sie ein Bluetooth-Audioausgabegerät (z. B. Smartphone oder Tablet-PC) anschließen möchten, halten Sie sich an folgende Anweisungen:

- Schalten Sie den Lautsprecher ein.
- Drücken Sie einmal oder wiederholt die Taste ⏻/MODE, bis auf dem Bildschirm „BT“ angezeigt wird, um in den Bluetooth-Modus zu schalten. Der Lautsprecher ist jetzt im Kopplungsmodus. Während dieser Zeit blinkt auf dem Bildschirm „BT LOGO“.

Der Party-Lautsprecher versucht anschließend, automatisch

eine Verbindung mit dem letzten über Bluetooth verbundenen Audioausgabegerät herzustellen. Wenn das nicht möglich ist, sendet der Lautsprecher seine Geräteidentifikation über Bluetooth und auf dem Bildschirm blinkt „bt“.

- Aktivieren Sie die Bluetooth-Funktion Ihres Audioausgabegeräts und dann den Suchmodus. Wählen Sie auf Ihrem Audioausgabegerät Ihren Lautsprecher „SHARP PS-929“ aus der Liste der verfügbaren Geräte und verbinden Sie die Geräte. Weitere Infos über die Bluetooth-Funktion Ihres Wiedergabegeräts finden Sie in der entsprechenden Bedienungsanleitung.
- Wenn nötig, geben Sie das Passwort 0000 ein. Nach der erfolgreich hergestellten Verbindung ertönt ein Bestätigungsgeschütz und auf dem Bildschirm leuchtet „BT LOGO“.

Über Ihr externes Gerät können Sie die abgespielten Musiktitel und die Lautstärke des Party-Lautsprechers steuern. Die zur Verfügung stehenden Funktionen bei der Verwendung eines Audiowiedergabegeräts auf dem Party-Lautsprecher hängen von Ihrem externen Gerät und der verwendeten Software ab.

Drücken und halten Sie die Taste ***/■** (3 Sekunden lang), um die aktuelle Bluetooth-Verbindung zu trennen. Das Gerät PS-929 zeigt „disconnected“ (getrennt).

Nun können andere Bluetooth-Geräte das Gerät „SHARP PS-929“ finden und sich damit koppeln.

AUX-IN-BETRIEB

Mit dem AUX-IN-Anschluss können Sie ein externes Wiedergabegerät (z. B. einen CD- oder MP3-Player) anschließen.

- Verbinden Sie Ihr Audiogerät mit dem AUX-IN-Anschluss an der Rückseite des Geräts mit einem AUX-IN-Kabel. (nicht im Lieferumfang enthalten)
- Drücken Sie einige Male die Taste **⊕/MODE**, bis AUX auf der Anzeige erscheint.

Nun wird das Audiosignal Ihres externen Geräts wiedergegeben. Der wiedergegebene Musiktitel wird über das externe Gerät gesteuert. Die Lautstärke lässt sich über Ihr externes Gerät und über den Party-Lautsprecher einstellen.

USB-BETRIEB

Dieses Gerät hat zwei USB-Anschlüsse – einen für die Wiedergabe und einen zum Laden.

- Stecken Sie den USB-Stick in den **USB**-Anschluss 1 auf der Rückseite des Party-Lautsprechers.
- Der Lautsprecher schaltet in den USB-Modus und auf der Anzeige erscheint USB. Der Lautsprecher spielt die Musiktitel des USB-Sticks ab.
- Drücken Sie die Taste **◀◀** oder **▶▶**, um den vorherigen oder den nächsten Musiktitel auszuwählen.
- Da es viele verschiedene Dateisysteme und Dateiformate gibt, kann keine Kompatibilität mit den angeschlossenen Speichermedien gewährleistet werden.
- Je nach Größe des Datenträgers kann es einige Zeit dauern, bis das System erkannt wird.
- Das unterstützte Dateiformat ist MP3/WAV/FLAC.
- Externe Festplatten werden nicht unterstützt.
- Es werden USB-Speichersticks mit bis zu 128 GB unterstützt.

USB-Laden

Das Gerät hat ein eingebautes Ladegerät mit **5 V und 1 A**, um ein externes USB-Gerät zu laden:

1. Verbinden Sie den USB-Anschluss des externen USB-Geräts mit dem 5-V-1-A-Anschluss oben am Gerät.
2. Schalten Sie das Hauptgerät ein – nun startet automatisch der Ladevorgang.

Anschluss einer Gitarre

Die Gitarre kann in jeder Betriebsart verwendet werden. Um die Gitarre anzuschließen, machen Sie Folgendes:

- Stecken Sie das Anschlusskabel (Cinch 6,3 mm) für die Gitarre in den Gitarreneingang **GT.IN**.
- Verbinden Sie das Anschlusskabel mit der Gitarre. Benutzen Sie den Drehknopf **MIC/GUITAR VOL**, um die gewünschte Gitarrenlautstärke einzustellen.

Verbinden eines Mikrofons

- Stecken Sie das Kabel des beiliegenden Mikrofons in den Mikrofoneingang **MIC.IN** auf der Rückseite des Lautsprechers.
- Benutzen Sie den Drehknopf **MIC/GUITAR VOL**, um die gewünschte Mikrofonlautstärke einzustellen.
- Drücken Sie lange auf die Taste **EQ/ECHO**, um den Echo-Effekt ein-/auszuschalten.

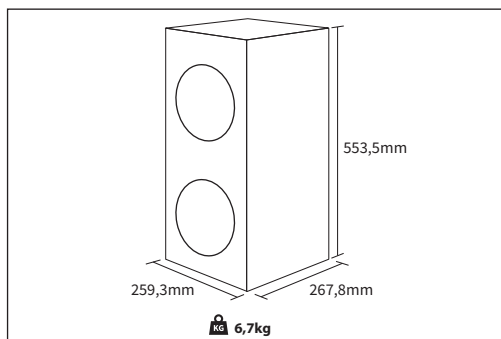
TWS/True-Wireless-Stereo – Duo-Modus

- Hiermit können Sie zwei PS-929-Party-Lautsprecher als linke und rechte Stereolautsprecher miteinander verbinden, um ein echtes Stereoelebnis zu genießen. Der erste angeschlossene Lautsprecher ist der Master und der zweite der Slave.
- Halten Sie die Taste **SUPER BASS** am ersten Lautsprecher gedrückt, bis der Lautsprecher „Duo Mode Pairing“ (Duo-Modus-Pairing) sagt. Lassen Sie die Tasten anschließend wieder los.
- Vergewissern Sie sich, dass sich der zweite Lautsprecher im Bluetooth-Modus befindet, nicht mit irgendwelchen Geräten verbunden ist und zur Kopplung bereit ist.
- Warten Sie, bis beide Lautsprecher „Duo mode connected“ (Duo-Modus verbunden) sagen. Die beiden Lautsprecher sind jetzt miteinander verbunden.
- Der Lautsprecher, bei dem "BT-L" (linker Sprecher) angezeigt wird, ist der Master-Lautsprecher – und dieser Lautsprecher sollte mit Ihrem Telefon verbunden werden.
- Für das Bluetooth-Pairing mit einem Smart-Gerät mit Bluetooth suchen Sie auf Ihrem Gerät nach „SHARP PS-929“ und führen Sie das Pairing durch.
- Wenn Sie im Duo-Modus einen der Lautsprecher ausschalten, schalten sich beide Lautsprecher aus.
- Wenn Sie die Lautsprecher einschalten, müssen Sie die Lautsprecher einzeln einschalten.
- Wenn beide Lautsprecher eingeschaltet sind, wird sich der Duo-Modus automatisch neu verbinden und Sie hören „Duo Mode connected“ (Duo-Modus verbunden).
- Um den Duo-Modus zu trennen, drücken Sie die Taste **SUPER BASS** und halten Sie sie gedrückt, bis Sie „Duo Mode disconnected“ (Duo-Modus getrennt) hören.

Technische Angaben

Modell	P5-929
Leistung or Nennleistung	20W
Standby-Stromverbrauch	<0.5W
Ausgangsstrom	2 x 25 W (RMS)
Maximale Gesamtleistung	180 W
Frequenzabhängigkeit	40Hz-15KHz
Batterie	eingebaute Lead-Acid Batterie, DC 12V, 54Wh, 4,5Ah
Bluetooth	
Version	V5.0
Maximaler übertragener Strom	<20 dbm
Frequenzbänder	2402 MHz ~ 2480 MHz
Power Adapter	
Modellname	CW1502500RE
Eingang	AC100-240V ~ 50/60Hz, 1,2A Max
Ausgang	DC 15V ≈2,5A
Hersteller	Shenzhen Cenwell Technology CO., LTD Address:3F, Building C, Shengshun industrial park, Junxin Road, NiuHu, Guanlan, Shenzhen Tel: 86-0755-84160040

HINWEIS: Die technischen Daten können jederzeit ohne vorherige Nachricht für eine ständige Verbesserung geändert werden.



Instrucciones de seguridad importantes



Lea estas instrucciones de seguridad y respete las siguientes advertencias antes de utilizar el aparato:



La finalidad del símbolo del rayo con cabeza de flecha, dentro de un triángulo equilátero, es avisar al usuario de la presencia de "tensión peligrosa" sin aislamiento dentro de la carcasa del producto, que puede ser de suficiente magnitud como para provocar descargas eléctricas para las personas.



La finalidad de la marca de admiración dentro de un triángulo equilátero es avisar al usuario de la presencia de instrucciones importantes de uso y mantenimiento (servicio) en el manual que acompaña al aparato.



Utilice la fuente de alimentación enumerada en el manual de usuario.



Este símbolo significa que el producto debe eliminarse de manera respetuosa con el medio ambiente y no con los residuos domésticos generales.



Tensión de CA



Tensión de CC



Equipo de clase II



Solo para uso en interiores



Etiquetado de eficiencia energética de nivel VI



Polaridad del conector de corriente continua

Para evitar incendios mantenga siempre las velas u otras llamas al descubierto lejos del producto.



Advertencia:

- Respete siempre las precauciones básicas de seguridad cuando utilice este electrodoméstico, especialmente cuando si hay niños presentes.
- Los niños deben ser supervisados para asegurarse de que no juegan con el aparato.
- No dañe el cable de alimentación, no coloque objetos pesados encima, no lo estire ni lo doble. Asimismo, no conecte alargadores. Los daños en el cable de alimentación pueden ocasionar incendios o descargas eléctricas.
- Si el cable de alimentación presenta algún daño, deberá ser sustituido por el fabricante, el servicio técnico o personas con una cualificación similar para evitar que se produzcan situaciones de peligro.
- Asegúrese de que la unidad está conectada a una toma de corriente de CA de 220-240 V y 50 Hz. El uso de una tensión superior puede causar el mal funcionamiento de la unidad o incluso presentar riesgo de incendio.
- Si el enchufe no encaja en la toma, no lo fuerce.
- Apague la unidad antes de desconectarla de la corriente para desconectarla por completo.
- No conecte ni desconecte el cable de alimentación con las manos mojadas, ya que podría producirse una descarga eléctrica.

- NOTA: Para desconectar el sistema completamente si no se va a utilizar durante un largo periodo de tiempo, retire el cable de alimentación de CA de la toma de corriente.
- Asegúrese de que el enchufe de alimentación resulta fácilmente accesible.
- Este producto no contiene ninguna pieza que pueda ser reparada por el usuario. En caso de avería, póngase en contacto con el fabricante o el servicio técnico autorizado. La exposición de ciertas partes internas del dispositivo puede poner en peligro su vida. La garantía del fabricante no cubre las averías resultantes de reparaciones llevadas a cabo por terceros.
- No utilice este producto inmediatamente tras desembalar. Espere a que se caliente a la temperatura ambiente antes de utilizarlo.
- Asegúrese de utilizar el producto en climas moderados únicamente (no en climas tropicales o subtropicales).
- Coloque el producto en una superficie plana estable y no expuesta a vibraciones.
- Asegúrese de que el producto y sus partes no sobresalen de los bordes del mueble sobre el que se coloca.
- Para reducir el riesgo de incendio, descarga eléctrica o daño en el producto, no lo exponga directamente a la luz del sol, polvo, lluvia o humedad. No exponga nunca este producto a gotas o derramamientos y no coloque objetos llenos de líquido sobre o cerca de este.
- No coloque objetos con líquidos, como jarrones, sobre el aparato.
- No instale el aparato cerca de ninguna fuente de calor, como radiadores, salidas de aire caliente, estufas u otros aparatos (incluidos amplificadores) que produzcan calor.
- No coloque el producto en espacios húmedos o con ventilación deficiente.
- No monte este producto en pared o techo.
- No coloque la unidad cerca de televisores, altavoces y otros objetos que generen campos magnéticos intensos.
- No deje la unidad sin atender mientras se usa.
- Deje al menos 30 cm de espacio libre en la parte posterior y superior de la unidad, y 5 cm en los laterales. No obstruya las aberturas de ventilación de este producto. Evite siempre la obstrucción de las ranuras de ventilación con objetos como periódicos, manteles, cortinas, etc.
- No permita que nadie, especialmente los niños, introduzca elementos en los orificios, ranuras ni en ninguna apertura de la carcasa de la unidad, ya que podrían dar lugar a descargas eléctricas mortales.
- Las tormentas son peligrosas para todos los aparatos eléctricos. Si el cable de alimentación o el cableado de la antena es alcanzado por un rayo, el aparato puede resultar dañado, incluso si no está encendido. Debe desconectar todos los cables y conectores del aparato antes de una tormenta.

Mantenimiento

- Desenchufe el cable de alimentación de la toma de corriente antes de limpiar la unidad.
- Utilice un paño suave y limpio para limpiar la parte exterior de la unidad. No utilice nunca productos químicos ni detergentes.

Adaptador de corriente

- Para desconectar la unidad del suministro eléctrico, desenchufe el cable de la toma de corriente.
- Utilice únicamente el adaptador de red suministrado, de lo contrario podrían producirse riesgos para la seguridad o daños en la unidad.

Cuidado de la batería interna

- El producto se alimenta mediante una batería recargable interna.
- La batería puede cargarse y descargarse cientos de veces, pero con el tiempo se desgastará.
- Desenchufe el cargador de la toma eléctrica y el producto cuando no lo use.
- No deje una batería totalmente cargada conectada a un cargador, ya que la sobrecarga puede reducir su vida útil.
- Si no se usa, una batería totalmente cargada se descargará con el tiempo.

- Si el producto se deja en lugares calientes o fríos, como un coche cerrado en verano o en invierno, se reducirá la capacidad y la vida útil de la batería.
- Intente mantener siempre el dispositivo en un entorno fresco libre de humedad que tenga menos de 32 C.
- Un producto con una batería caliente o fría puede no funcionar temporalmente, incluso si la batería está totalmente cargada. El rendimiento de la batería resulta particularmente limitado en temperaturas por debajo de 0 C.
- Si tiene previsto almacenar el dispositivo más de seis meses, cargue la batería un 50 % cada seis meses para mantenerla en buen estado. Almacene el dispositivo a temperaturas entre 5 °C y 20 °C.

Advertencia relacionada con la batería!

- La batería utilizada en este producto puede presentar riesgo de incendio o de quemaduras químicas si no se trata de la forma adecuada.
- No intente abrir el producto ni sustituir la batería. Se trata de una batería interna no intercambiable. El uso de otras baterías puede presentar un riesgo de incendio o explosión, e invalidar la garantía.
- Elimine las baterías de acuerdo con la normativa local. Recicle cuando sea posible. No elimine como residuo doméstico o en un fuego, ya que podrían explotar.
- Las baterías pueden explotar si se dañan.
- Cargue la batería utilizando el cargador suministrado o de acuerdo con las condiciones de carga especificadas en el manual de instrucciones. La carga de cualquier otra forma puede causar que la batería emita gas hidrógeno, presente fugas, se incendie o explote.

ADVERTENCIA!

1. Consideraciones de seguridad importantes

- No exponga las pilas a altas temperaturas y no las coloque en lugares en los que la temperatura pueda experimentar cambios bruscos, p. ej., cerca de un fuente de fuego o en contacto directo con la luz solar.
- No exponga las pilas a calor radiante excesivo, no las arroje al fuego, no las desmonte y no intente recargar pilas no recargables, ya que podrían producirse fugas o explotar.

2. Para evitar el deterioro o daño de la batería

- No deje caer la batería ni la someta a golpes fuertes.

3. Para garantizar una larga vida útil de la batería

- No descargue completamente.

Cómo retirar la batería para su eliminación

RIESGO DE LESIONES. PÓNGASE GUANTES AL TRABAJAR!

La batería debe retirarse únicamente en un centro de servicio autorizado. De no hacerse así, se anularán todas las garantías del dispositivo.

Paso 1: Extraiga los 6 tornillos de la rejilla frontal.

Paso 2: Extraiga la rejilla.

Paso 3: Extraiga los 11 tornillos de la carcasa delantera.

Paso 4: Extraiga la carcasa delantera.

Paso 5: En la batería retire los 4 tornillos que la sujetan.

Paso 6: Elimine los puntos de soldadura que unen la batería y los cables.

Paso 7: Extraiga la batería de su carcasa.

Eliminación de este equipo y las pilas

- No elimine este producto o sus pilas como residuos urbanos no clasificados. Entréguelos en un punto de recogida designado para el reciclado de aparatos electrónicos y eléctricos de acuerdo con la ley local. De esta forma, ayudará a conservar los recursos y a proteger el medio ambiente.
- La mayor parte de los países de UE regulan la eliminación de las pilas mediante leyes. Póngase en contacto con su distribuidor y con las autoridades locales para obtener más información.



- Se incluye el símbolo anterior en el equipo eléctrico y electrónico, y las baterías (o el embalaje) para recordar a los usuarios de esta circunstancia. Si aparece "Hg" o "Pb" debajo del símbolo, eso significa que las pilas contienen trazas de mercurio (Hg) o plomo (Pb), respectivamente.
- Se solicita a los usuarios que utilicen las instalaciones de devolución existentes para equipos usados.

Declaración CE:

- Por la presente, Universal Media Corporation sp. z o.o. declara que este dispositivo sonoro cumple los requisitos esenciales y otras disposiciones pertinentes de la Directiva RED 2014/53/UE. El texto completo de la declaración de conformidad de la UE está disponible en el siguiente enlace <https://www.sharpconsumer.eu/documents-of-conformity/>

Marcas comerciales:



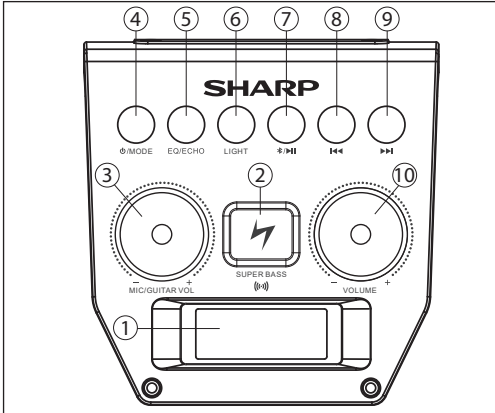
La marca denominativa Bluetooth® y sus logotipos son marcas comerciales propiedad de Bluetooth SIG, Inc.



Contenido de la caja

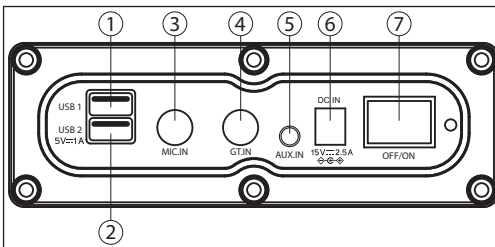
- Un dispositivo PS-929
- Un cable de alimentación para la UE
- Un cable de alimentación para el Reino Unido
- Un micrófono
- Un manual de instrucciones
- Una guía de inicio rápido
- Una tarjeta de garantía

Paneles y controles



VISTA SUPERIOR

1. Pantalla LED
2. SUPER BASS (⚡): acentuación de graves/TWS
3. MIC/GUITAR VOL: control del micrófono/volumen de la guitarra
4. Ø/MODE: selección de modo/modo en espera apagado/encendido
5. EQ/ECHO: modo de ecualizador/efecto de eco de micrófono apagado/encendido
6. LIGHT: control de luces LED del altavoz
7. ⏮/⏪ REPRODUCIR/PONER PAUSA/EMPAREJAR
8. ⏮ Reproducir pista anterior
9. ⏭ Reproducir pista siguiente
10. VOLUME: volumen general



VISTA POSTERIOR

1. USB: puerto USB para reproducción
2. USB 5V/1A - Cargador USB 5V 1A
3. MIC IN: entrada de micrófono
4. GT.IN: entrada de guitarra
5. AUX.IN: entrada auxiliar (3,5 mm)

6. 15V.IN: entrada de potencia CC de 15 V
7. Interruptor de encendido: permite apagar y encender el dispositivo

Instrucciones de uso

Conexión de potencia

Conecte el enchufe pequeño del adaptador de CA/CC suministrado al conector de CC de 15 V (entrada) situado en la parte posterior de la unidad y enchufe el adaptador de CA/CC a una toma de corriente de pared de CA de 100-240 V~; 50/60 Hz.

Encendido

Coloque el interruptor POWER en la parte posterior del altavoz en la posición **ON**.
Luego presione y mantenga presionado el botón Ø/MODE durante 2 segundos para encender.
Para apagar el altavoz, pulse el botón Ø/MODE durante unos segundos.

Control del volumen general

Gire la perilla VOLUME para seleccionar el nivel deseado del volumen general.

Aumento de los bajos

Pulse el botón SUPER BASS para aumentar el efecto de bajo extra; vuelva a pulsarlo para apagarlo.

Selección del modo ecualizador

Pulse el botón EQ/ECHO de la unidad para activar y establecer el efecto de ecualizador que mejor se adapte al estilo de música: FLAT/CLASSIC/ROCK/POP/JAZZ/LIVE/CLUB/DANCE/HALL/SOFT

Efecto luminoso

Pulse el botón LIGHT repetidamente para seleccionar uno de los siguientes efectos luminosos para las luces de los **altavoces y los anillos**:

Pantalla de visualización	Efecto de parpadeo
L-01	Cambio de varios colores
L-02	Luz roja (al ritmo de la música)
L-03	Luz verde (al ritmo de la música)
L-04	Luz azul (al ritmo de la música)
L-05	Luz amarilla (al ritmo de la música)
L-06	Luz morada (al ritmo de la música)
L-07	Luz cian (al ritmo de la música)
L-08	Desactivado

Una pulsación larga del botón LIGHT activará y desactivará los **altavoces y la luz estroboscópica**.

Conexión de un dispositivo de salida de audio Bluetooth

Para conectar un dispositivo de salida de audio Bluetooth (p. ej.: un smartphone o una tableta), proceda de la siguiente forma:

- Encienda el altavoz;
- Pulse el botón Ø/MODE una o varias veces hasta que la pantalla muestre «bt» para activar el modo Bluetooth. Se activará el modo de emparejamiento del dispositivo. Durante este tiempo, parpadeará «BT LOGO» en la pantalla de visualización.

El altavoz para fiestas intentará conectarse automáticamente al último dispositivo de salida enlazado a través de Bluetooth. Si no es posible, el

altavoz enviará su identificación de dispositivo a través de Bluetooth y en la pantalla parpadeará «bt».

- Encienda la función Bluetooth en el dispositivo de salida de audio y active el modo de búsqueda. En el dispositivo de salida de audio, seleccione el altavoz «SHARP PS-929» de la lista de dispositivos disponibles y conecte los dispositivos. Puede encontrar más información sobre la función Bluetooth de su dispositivo de reproducción en las instrucciones de uso.
- Introduzca la contraseña 0000, si es necesario. Cuando se establezca una conexión satisfactoriamente, se emitirá un sonido indicativo y en la pantalla se iluminará de forma permanente «BT LOGO».

Puede controlar las pistas que se están reproduciendo y el volumen del altavoz para fiestas en el dispositivo externo. Las funciones disponibles al utilizar un dispositivo de reproducción de audio en el altavoz para fiestas dependen de su dispositivo externo y del software utilizado.

Mantenga pulsado el botón ***/||** (durante 3 seg.) para desconectar la conexión Bluetooth actual. El dispositivo PS-929 mostrará el mensaje "disconnected" (desconectado).

El resto de dispositivos Bluetooth pueden buscar y emparejarse con la unidad «SHARP PS-929».

ENTRADA AUXILIAR

Puede utilizar la conexión AUX IN para conectar un dispositivo de reproducción externo (por ejemplo, un reproductor de CD o un reproductor MP3).

- Conecte el dispositivo de audio a la entrada AUX IN en el panel superior de la unidad con un cable AUX IN (el cable de audio no se incluye). (No suministrado con el dispositivo).
- Pulse el botón **MODE** varias veces hasta que aparezca AUX en la pantalla.

La señal de audio procedente del dispositivo externo empezará a reproducirse.

La pista que se está reproduciendo se controla mediante el dispositivo externo. El volumen se puede controlar en el dispositivo externo y en el altavoz para fiestas.

USO DEL USB

Esta unidad incorpora dos puertos USB, uno para reproducción y otro para carga.

- Inserte la unidad USB en la ranura **USB 1** en la parte posterior del altavoz para fiestas.
- El altavoz entrará en modo USB y se visualizará USB en la pantalla. A continuación, el dispositivo reproducirá inmediatamente las canciones almacenadas en el USB.
- Pulse el botón **◀◀** o **▶▶** para seleccionar la pista anterior o siguiente.
- Debido a los numerosos sistemas y formatos de archivos diferentes, no se puede garantizar la compatibilidad con el soporte de memoria conectado.
- El tiempo para la detección del sistema puede tardar dependiendo del tamaño del soporte de datos.
- El formato de archivo admitido es MP3/WAV/FLAC.
- No se admiten discos duros externos.
- Se admiten memorias USB de hasta 128 GB.

Carga a través de USB

La unidad incorpora un cargador **5V 1A** que permite cargar un dispositivo USB externo:

1. Conecte el enchufe USB desde el dispositivo USB externo hasta el puerto 5V 1A en la parte superior de la unidad.
2. Encienda la unidad principal. Al hacerlo, la carga se iniciará automáticamente.

Conexión de una guitarra

La guitarra se puede conectar en cualquier modo operativo. Para conectar la guitarra, proceda de la siguiente manera:

- Inserte el cable de conexión (cincha de 6,3 mm) de la guitarra en la toma para la guitarra **GT.IN**.
- Conecte la guitarra con el cable de conexión. Utilice la perilla **MIC/GUITAR VOL** para seleccionar el volumen deseado de la guitarra.

Conexión de un micrófono

- Inserte el cable del micrófono suministrado en la toma **MIC.IN** situada en la parte posterior del altavoz.
- Utilice la perilla **MIC/GUITAR VOL** para seleccionar el volumen deseado del micrófono.
- Pulse de forma prolongada el botón **EQ/ECHO** para activar o desactivar el efecto de eco.

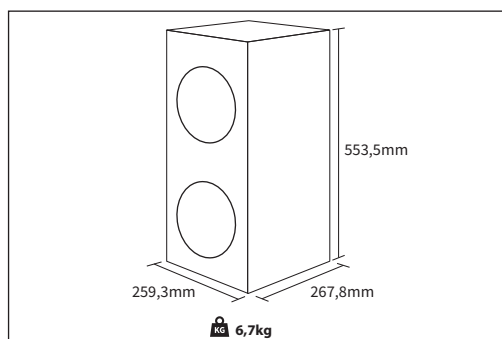
Auténtico estéreo inalámbrico (TWS) - Modo duo

- Esta función permite conectar dos unidades PS-929 como altavoces izquierdo y derecho para disfrutar una auténtica experiencia estéreo. El primer altavoz conectado es el principal y el segundo es el esclavo.
- Mantenga pulsado el botón **SUPER BASS** del primer altavoz hasta que el altavoz diga «Duo Mode pairing» (Emparejamiento en Modo duo) y deje de pulsar el botón.
- Asegúrese de que el segundo altavoz se encuentra en modo Bluetooth, que no está conectado a ningún otro dispositivo y que está listo para el emparejamiento.
- Espere hasta que ambos altavoces digan «Duo mode connected» (Modo duo conectado). Los altavoces están ahora conectados entre sí.
- El altavoz que muestre "BT-L" (altavoz izquierdo) es el altavoz maestro y es el que debe emparejarse con el teléfono.
- Para un emparejamiento Bluetooth a un dispositivo inteligente de salida Bluetooth, busque «SHARP PS-929» en el dispositivo y empareje.
- En Modo duo, si apaga un altavoz, ambos altavoces se apagarán.
- Debe encender los altavoces individualmente.
- Cuando ambos altavoces están encendidos, el Modo duo se reconectará automáticamente y se oirá «Duo Mode connected» (Modo duo conectado).
- Para desconectar el Modo duo, mantenga pulsado el botón **SUPER BASS** hasta que oiga «Duo Mode disconnected» (Modo duo desconectado).

Especificación técnica

Modelo	P5-929
Consumo de Potencia Nominal	20W
Consumo promedio en modo de espera	<0.5W
Potencia de salida	2 x 25 W (RMS)
Potencia máxima total de salida	180 W
Respuesta de frecuencia	40Hz-15KHz
Batería	incorpora batería de ácido-plomo, DC 12V, 54Wh, 4,5Ah
Bluetooth	
Versión	V5.0
Potencia máxima transmitida	<20 dbm
Bandas de frecuencia	2402 MHz ~ 2480 MHz
Adaptador de corriente	
Nombre del modelo	CW1502500RE
Entrada	AC100-240V ~ 50/60Hz, 1,2A Max
Salida	DC 15V ≈2,5A
Fabricante	Shenzhen Cenwell Technology CO., LTD Address:3F, Building C, Shengshun industrial park, Junxin Road, Niuhu, Guanlan, Shenzhen Tel: 86-0755-84160040

NOTA: Las especificaciones están sujetas a cambios sin previo aviso para la introducción continua de mejoras.



Importanti istruzioni di sicurezza



Vi preghiamo di leggere queste istruzioni di sicurezza e di rispettare le seguenti avvertenze prima di mettere in funzione l'apparecchio:



Il simbolo del fulmine con una punta di freccia in un triangolo equilatero serve ad avvertire la presenza di un voltaggio pericoloso non isolato all'interno del prodotto di un livello sufficiente a comportare il rischio di shock elettrico per una persona.



Il punto esclamativo in un triangolo equilatero serve ad avvertire la presenza di importanti istruzioni operative e di manutenzione nella documentazione che accompagna l'apparecchio.



Usare esclusivamente gli alimentatori elencati nel manuale utente



Questo simbolo significa che il prodotto deve essere smaltito in modo rispettoso dell'ambiente, non insieme ai rifiuti domestici.



Tensione AC



Tensione DC



Apparecchiatura di Classe II



Solo per uso interno



Classificazione di efficienza energetica livello VI



Polarità del connettore di corrente d.c.

Per evitare incendi, tenete sempre lontane dall'apparecchio candele e qualunque altro tipo di fiamma.



Avvertenza:

- Seguire sempre le precauzioni di sicurezza basilari quando si utilizza questo apparecchio, specialmente in presenza di bambini.
- I bambini dovrebbero essere supervisionati per assicurarsi che non giochino con l'apparecchio.
- Non danneggiare il cavo di alimentazione, né riporvi sopra oggetti pesanti, tirarlo o piegarlo. Inoltre, non utilizzare prolunghe. Danni al cavo di alimentazione potrebbero causare incendi o shock elettrici.
- Se il cavo di alimentazione è danneggiato, deve essere sostituito dal produttore, da un agente di servizio o da persone altrettanto qualificate, in modo da evitare pericoli.
- Assicurarsi che l'unità sia connessa a una presa di corrente CA 220-240V 50Hz. Usare un voltaggio superiore può provocare un malfunzionamento dell'unità e persino la formazione di fiamme.
- Non forzare la spina se non si inserisce correttamente nella presa.
- Spegnerne completamente l'unità prima di disconnetterla dall'alimentazione.
- Non disconnettere o connettere il cavo di alimentazione con le mani bagnate. Può provocare uno shock elettrico.

- NOTA: per disconnettere completamente il sistema quando non verrà usato per molto tempo, rimuovere la spina di alimentazione AC dalla presa sulla parete.
- Assicurarsi che la presa di corrente sia sempre facilmente accessibile.
- Questo prodotto non ha componenti che possano essere riparate dall'utente. In caso di guasto, contattate il produttore o l'agente di servizio autorizzato. Esporre le parti interne al dispositivo può comportare un pericolo di vita. La garanzia non copre danni causati da riparazioni effettuate da terze parti non autorizzate.
- Non utilizzare questo prodotto immediatamente dopo averlo rimosso dall'imballaggio. Attendere che si riscaldi fino a temperatura ambiente prima di usarlo.
- Assicurarsi di usare questo prodotto soltanto in un clima temperato (non in ambienti tropicali o subtropicali).
- Collocare il prodotto su una superficie piana e stabile in modo che non sia sottoposto a vibrazioni.
- Assicurarsi che il prodotto e le sue parti non pendino dal bordo del mobile di supporto.
- Per ridurre il rischio di incendi, shock elettrici o danni al prodotto, non esporlo direttamente a luce del sole, polvere, pioggia o umidità. Non esporlo mai a gocciolamenti e schizzi d'acqua e non collocare oggetti contenenti liquidi sopra o vicino a esso.
- Non collocare oggetti pieni di liquidi, come vasi, sull'apparecchio.
- Non installarlo vicino a fonti di calore come termosifoni, griglie di ventilazione, stufe o altri apparecchi (inclusi amplificatori) che generano calore.
- Non collocare il prodotto in punti con elevata umidità e scarsa ventilazione.
- Non montare questo prodotto su pareti o tetti.
- Non collocare l'unità vicino televisori, altoparlanti e altri oggetti che generano forti campi magnetici.
- Non lasciare incustodita l'unità quando è in uso.
- Consentire almeno 30 cm di distanza dalla parte posteriore e superiore dell'unità e 5 cm da ciascun lato. Non ostruire le aperture per la ventilazione del prodotto. Assicurarsi che le aperture per la ventilazione siano sgombrere da oggetti come giornali, tovaglie, tendaggi ecc.
- MAI lasciare che qualcuno, specialmente un bambino, inserisca qualcosa nei fori e nelle aperture dell'involucro dell'unità, in quanto ciò potrebbe risultare in uno shock elettrico fatale.
- I temporali sono pericolosi per gli apparecchi elettronici. Se i cavi della rete elettrica o l'antenna vengono colpiti da un fulmine, l'apparecchio potrebbe risultarne danneggiato, anche se spento. È opportuno scolligare tutti i cavi e i connettori dell'apparecchio prima di un temporale.
- Un'eccessiva pressione sonora da cuffie o auricolari può causare danni all'udito.

Manutenzione

- Disconnetti il cavo di alimentazione dalla presa elettrica prima di pulire l'apparecchio.
- Usare un panno morbido e pulito per pulire l'esterno dell'unità. Non pulire con agenti chimici e detergenti.

Adattatore di corrente

- Per disconnettere l'unità dall'alimentatore, disconnettere il cavo dalla presa di corrente.
- Usare solo l'adattatore fornitore perché non fare ciò potrebbe mettere a rischio la sicurezza e/o danneggiare l'unità.

Cura della batteria incorporata

- Il prodotto è alimentato da una batteria ricaricabile incorporata.
- La batteria può essere caricata e scaricata centinaia di volte, ma è soggetto a usura.
- Disconnettere il caricare dalla presa elettrica e dal prodotto quando non è in uso.
- Non lasciare una batteria completamente carica connessa a un caricatore, poiché un caricamento eccessivo ne potrebbe ridurre la vita utile.

- Se non è utilizzata, una batteria completamente carica perderà la propria carica nel corso del tempo.
- Lasciare il prodotto in luoghi freddi o caldi, come un'automobile chiusa in estate o inverno, ridurrà la capacità e la durata della batteria.
- Cercare sempre di mantenere il dispositivo in un ambiente fresco e privo di umidità a meno di 32°C.
- Un prodotto con una batteria calda o fredda potrebbe non funzionare temporaneamente, anche se la batteria è completamente carica. Le prestazioni della batteria sono particolarmente limitate in temperatura inferiori a quelle di congelamento.
- Se si prevede di conservare il proprio dispositivo per più di sei mesi, ricaricare la batteria al 50% ogni sei mesi per mantenerla fresca. Conservare il dispositivo a temperature tra 5°C e 20°C.

Avvertenza sulla batteria!

- La batteria usata in questo prodotto potrebbe presentare rischio d'incendio se non trattata correttamente.
- Non cercare di aprire il prodotto o sostituire la batteria. È incorporata e non sostituibile. L'uso di altre batterie potrebbe presentare rischio d'incendio o esplosione o e la garanzia sarà terminata.
- Smaltire la batteria seguendo le normative locali. Riciclare quando possibile. Non smaltire come rifiuto domestico o nel fuoco poiché potrebbe esplodere.
- Le batterie potrebbero esplodere se danneggiate.
- Ricaricare la batteria usando il caricatore in dotazione o nelle condizioni di ricarica specificate nel manuale di istruzioni. Ricaricare la batteria in ogni altra condizione potrebbe causare il surriscaldamento, emissione di gas idrogeno, perdite, incendi, o esplosioni.

ATTENZIONE!

1. Importanti considerazioni sulla sicurezza

- Non esporre le batterie ad alte temperature e non riporle in posti in cui la temperatura possa aumentare velocemente, per esempio vicino a una fiamma o alla luce diretta del sole.
- Non esporre le batterie a un eccessivo calore radiante, non gettarle nel fuoco, non smontarle e non cercare di ricaricarle se non sono ricaricabili. Potrebbero avere perdite o esplodere.

2. Per prevenire il deterioramento o danni alla batteria

- Non lasciare cadere o sottoporre a shock fisici.

3. Per garantire una durata elevata della batteria

- Non scaricare completamente.

Come rimuovere la batteria per lo smaltimento

RISCHIO DI LESIONI. INDOSSARE GUANTI QUANDO SI LAVORA!

La batteria dovrebbe essere rimossa da un centro assistenza Sharp autorizzato. La mancata osservazione di questa indicazione invaliderà qualsiasi garanzia sul dispositivo.

Passaggio 1: Rimuovere 6 viti sulla griglia frontale.

Passaggio 2: Rimuovere la griglia.

Passaggio 3: Rimuovere 11 viti sulla copertura anteriore.

Passaggio 4: Rimuovere la copertura anteriore.

Passaggio 5: Sulla batteria rimuovere le 4 viti che tengono la batteria al suo posto.

Passaggio 6: Rimuovere i punti di saldatura tra la batteria e i cavi.

Passaggio 7: Rimuovere la batteria dallo scompartimento della batteria.

Smaltimento dell'apparecchio e delle batterie

- Non smaltire questo prodotto insieme a rifiuti non differenziati. Riconsegnarlo in un punto di raccolta apposito per il RAEE (Riciclaggio di Apparecchiature Elettriche ed Elettroniche). Così facendo, contribuirete alla conservazione delle risorse e alla protezione dell'ambiente.
- La maggior parte dei paesi dell'UE regola lo smaltimento delle batterie a norma di legge. Contattare il fornitore o le autorità locali per ulteriori informazioni.



- I simboli mostrati in alto appaiono su apparecchi elettrici ed elettronici e batterie (o sulla relativa confezione) come promemoria per gli utenti. La presenza di "Hg" o "Pb" sotto il simbolo indica la presenza di tracce di mercurio (Hg) o piombo (Pb).
- Gli utenti sono tenuti a utilizzare le strutture adeguate per lo smaltimento di apparecchi e batterie.

Dichiarazione CE:

- Con la presente, Universal Media Corporation sp. z o.o. dichiara che questo dispositivo audio soddisfa i requisiti essenziali e le altre disposizioni rilevanti della direttiva RED 2014/53/UE. Il testo completo della Dichiarazione di conformità UE è disponibile al link seguente <https://www.sharpconsumer.eu/documents-of-conformity/>

I marchi:

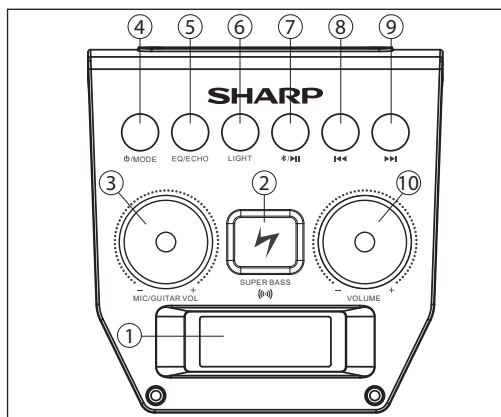


La parola e i loghi Bluetooth® simbolo sono marchi registrati di proprietà di Bluetooth SIG., Inc.

Cosa è compreso nella confezione

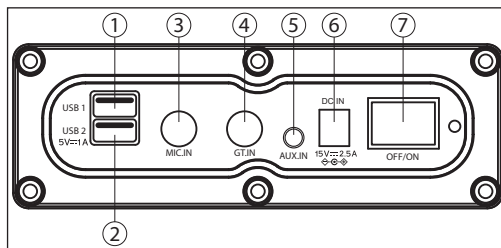
- 1x PS-929
- 1x Cavo di alimentazione
- 1x Microfono
- 1x Manuale utente
- 1x Guida di avvio rapido
- 1x Scheda di garanzia

Pannelli e controlli



VISUALE DALL'ALTO

1. Display LED
2. SUPER BASS (⚡) - ACCENTUAZIONE DI BASSI/TWS
3. MIC/GUITAR VOL - Controllo volume microfono/chitarra
4. Φ/MODE - Selezione modalità/STANDBY ON/OFF
5. EQ/ECHO - MODALITÀ EQ/effetto eco microfono on/off
6. LIGHT - Controllo luci LED altoparlante
7. *//II RIPRODUCI/PAUSA/ACCOPIA
8. II<< Riproduci traccia precedente
9. II>> Riproduci traccia successiva
10. VOLUME - Volume generale



VISUALE POSTERIORE

1. USB - Ingresso USB per riproduzione
2. 5V/1A - Caricabatterie USB 5V 1A
3. MIC.IN - Ingresso microfono
4. GT.IN - Ingresso chitarra
5. AUX.IN - Ingresso AUX (3,5 mm)
6. 15V.IN - Ingresso corrente diretta 15V
7. Pulsante accensione - Accende e spegne il dispositivo

Istruzioni d'uso

Connessione dell'alimentazione

Connettere la piccola spina dall'adattatore CA/CD all'ingresso CD 15 V sul retro dell'unità, poi connettere l'adattatore CA/CD alla presa CA con una corrente CA 100-240 V~; 50/60 Hz.

Accensione

Portare l'interruttore POWER sul retro del diffusore in posizione **ON**. Quindi tenere premuto il tasto Φ/MODE per 2 secondi per accendere. Per spegnere l'altoparlante, premere il pulsante Φ/MODE per alcuni secondi.

Controllare il volume generale

Ruotare la manopola VOLUME per selezionare il livello desiderato di volume generale.

Accentuazione dei bassi

Premere il pulsante SUPER BASS per avere più bassi, premerlo di nuovo per disattivare la funzionalità.

Seleziona modalità EQ

Premere il pulsante EQ/ECHO sull'unità o per attivare e impostare l'effetto equalizzatore che si adatta meglio allo stile della musica: FLAT/CLASSIC/ROCK/POP/JAZZ/LIVE/CLUB/DANCE/HALL/SOFT

Impostare gli effetti luminosi

Premere il pulsante LIGHT ripetutamente per scegliere uno dei seguenti effetti luminosi per luci **altoparlanti e anelli**:

Codice sullo schermo	Effetto lampeggiamento
L-01	Colori multipli
L-02	Luce rossa (a tempo di musica)
L-03	Luce verde (a tempo di musica)
L-04	Luce blu (a tempo di musica)
L-05	Luce gialla (a tempo di musica)
L-06	Luce viola (a tempo di musica)
L-07	Luce azzurra (a tempo di musica)
L-08	SPENTO

Una pressione prolungata del pulsante LIGHT accenderà e spegnerà le luci **altoparlanti e stroboscopiche**.

Connettere un dispositivo di sorgente audio Bluetooth

Per connettere un dispositivo di sorgente audio Bluetooth (ad es. smartphone o tablet), procedere come segue:

- Accendere l'altoparlante.
- Premere il pulsante Φ/MODE una volta o ripetutamente finché lo schermo non mostra 'bt' per passare in modalità Bluetooth. L'altoparlante è ora in modalità accoppiamento. In questa fase, il "LOGO BT" lampeggia sullo schermo.

L'altoparlante da festa tenterà quindi di connettersi automaticamente all'ultimo dispositivo di sorgente audio connesso via Bluetooth. Se non risulta possibile, l'altoparlante invia il suo identificativo dispositivo via Bluetooth e 'bt' lampeggia sullo schermo.

- Passare alla funzione Bluetooth sul dispositivo audio sorgente e attivare la modalità di ricerca. Sul dispositivo di sorgente audio selezionare l'altoparlante "SHARP PS-929" dall'elenco di dispositivi disponibili e

connettere i dispositivi. Ulteriori informazioni sulla funzione Bluetooth sul dispositivo di riproduzione sono disponibili nel suo manuale d'uso.

- Inserire la password 0000 se richiesta. Una volta effettuata la connessione, ci sarà un segnale acustico e il "LOGO BT" apparirà fisso sullo schermo.

È possibile controllare le tracce riprodotte e il volume dell'altoparlante da festa sul dispositivo esterno. Le funzioni disponibili durante l'utilizzo di un dispositivo di riproduzione audio sull'altoparlante da festa dipenderanno dal dispositivo esterno e dal software utilizzato.

Premere e tenere premuto il pulsante ***/||** (per 3 sec.) per interrompere l'attuale connessione Bluetooth. Il PS-929 mostrerà il messaggio "disconnesso".

Gli altri dispositivi Bluetooth possono trovare e accoppiarsi con lo "SHARP PS-929".

FUNZIONAMENTO AUX-IN

È possibile usare l'ingresso AUX IN per connettere un dispositivo di riproduzione esterno (per esempio un lettore CD o MP3).

- Connettere il proprio dispositivo audio alla presa AUX IN sul pannello superiore dell'unità con un cavo AUX. (non fornito con il dispositivo)
- Premere il pulsante **Q/MODE** diverse volte finché non apparirà AUX sul display.

Il segnale audio dal dispositivo esterno verrà ora riprodotto.

La traccia riprodotta sarà controllata attraverso il dispositivo esterno.

Il volume può essere controllato sia sul dispositivo esterno sia sull'altoparlante da festa.

FUNZIONAMENTO USB

Questa unità offre due ingressi USB, uno per la riproduzione e un altro per la ricarica.

- Inserire la memoria USB nell'ingresso **USB 1** sul pannello posteriore dell'altoparlante da festa.
- L'unità passerà in modalità USB e la scritta USB apparirà sul display. Quindi riprodurrà le canzoni dalla memoria USB immediatamente.
- Premere il pulsante **◀◀** o **▶▶** per selezionare la traccia precedente o successiva
- A causa dei numerosi sistemi e formati di file, non può essere garantita la compatibilità con i contenuti nella memoria connessa.
- A seconda delle dimensioni dei dati, il sistema può richiedere un po' di tempo per essere individuato.
- Il formato di file supportato è MP3/WAV/FLAC.
- Hard disk esterni non sono supportati.
- Supporta penne USB fino a 128GB.

Ricarica USB

L'unità ha un caricabatteria integrato da **5V 1A**, per caricare un dispositivo USB esterno:

1. Connettere tramite USB il dispositivo USB esterno all'ingresso da 5V 1A sul lato superiore dell'unità.
2. Accedere l'unità principale, quindi la ricarica comincerà automaticamente.

Connettere una chitarra

La chitarra può essere usata in qualsiasi modalità. Per connettere la chitarra, procedere come segue:

- Inserire il cavo di connessione (jack da 6,3 mm) della chitarra nell'ingresso per chitarra **GT.IN**.
- Connettere la chitarra al cavo di connessione. Usare la manopola **MIC/GUITAR VOL** per selezionare il volume desiderato per la chitarra

Connettere un microfono

- Inserire il cavo del microfono fornito nell'ingresso **MIC.IN** sul retro dell'altoparlante.
- Usare la manopola **MIC/GUITAR VOL** per selezionare il volume desiderato per il microfono.

- Tenere premuto il pulsante **EQ/ECHO** per attivare o disattivare l'effetto eco.

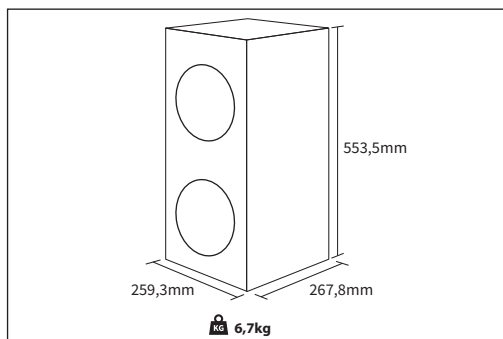
TWS/ True wireless Stereo - Duo Mode

- Permette di connettere tra loro due altoparlanti da festa PS-929 come cassa sinistra e cassa destra per un'autentica esperienza stereo. Il primo altoparlante connesso è quello principale mentre il secondo è quello secondario.
- Accoppiamento stereo wireless a doppio altoparlante per un avvolgente suono stereo.
- Premere e tenere premuti il pulsante **SUPER BASS** sul primo altoparlante finché non senti "Duo Mode pairing", dopodiché lascia i pulsanti.
- Assicurarsi che il secondo altoparlante sia in modalità Bluetooth, che non sia connesso ad altri dispositivi e che sia pronto per l'accoppiamento.
- Aspettare finché entrambi degli altoparlanti non mostrano "Duo mode connected". Gli altoparlanti ora sono connessi l'uno all'altro.
- L'altoparlante che mostra "BT-L" (altoparlante sinistro) è quello principale tra i due ed è quello che deve essere accoppiato al proprio cellulare.
- Per l'accoppiamento Bluetooth a un dispositivo smart dotato di collegamento Bluetooth in uscita, cercare "SHARP PS-929" sul dispositivo ed effettuare l'accoppiamento.
- Quando si spegne un altoparlante in modalità "Duo Mode", si spegneranno entrambi gli altoparlanti.
- Quando si accendono gli altoparlanti, devono essere accesi individualmente.
- Quando entrambi gli altoparlanti sono alimentati, la modalità "Duo Mode" si riconnetterà automaticamente e sentirai "Duo Mode connected".
- Per disconnettere la modalità "Duo Mode", premere e tenere premuto il pulsante **SUPER BASS** su uno degli altoparlanti finché non si sente "Duo Mode disconnected".

Specifiche tecniche

Modello	P5-929
Consumo energetico nominale	20W
Consumo energetico in standby	<0.5W
Corrente in uscita	2 x 25 W (RMS)
Uscita di potenza massima totale	180 W
Risposta di frequenza	40Hz-15KHz
Batteria	batteria al piombo integrata, DC 12V, 54Wh, 4,5Ah
Bluetooth	
Versione	V5.0
Potenza massima trasmessa	<20 dbm
Bande di frequenza	2402 MHz ~ 2480 MHz
Adattatore di corrente	
Nome modello	CW1502500RE
Input	AC100-240V ~ 50/60Hz, 1,2A Max
Output	DC 15V ≈2,5A
Produttore	Shenzhen Cenwell Technology CO., LTD Address:3F, Building C, Shengshun industrial park, Junxin Road, NiuHu, Guanlan, Shenzhen Tel: 86-0755-84160040

NOTA: Le specifiche sono soggette a modifiche per il miglioramento continuo senza previo avviso.



Importantes consignes de sécurité



Svp, lire ces consignes de sécurité et respecter les avertissements suivants avant que l'appareil ne soit actionné :



L'éclair contenu dans un triangle équilatéral est un avertissement à l'attention de l'utilisateur sur la présence, à l'intérieur du produit, de pièces non isolées soumises à une « tension dangereuse », suffisamment élevée pour poser un risque d'électrocution.



Le point d'exclamation contenu dans un triangle équilatéral a pour objet d'appeler l'attention de l'utilisateur sur la présence dans la documentation accompagnant le produit d'instructions importantes d'utilisation et d'entretien (de réparation).



Utilisez uniquement l'alimentation électrique indiquée dans le mode d'emploi.



Ce symbole signifie que le produit doit être éliminé de manière écologique et non avec les ordures ménagères.



Tension alternative



Tension continue



Équipement de classe II



Pour une utilisation en intérieur uniquement



Notation d'efficacité énergétique de niveau VI



Polarité de câble d'alimentation de C.C.

Afin d'éviter un incendie, maintenir toujours les bougies et autres flammes nues éteintes de ce produit.



Avertissement :

- Suivez toujours les précautions basiques de sécurité durant l'utilisation de cet appareil, particulièrement lorsque des enfants sont présents.
- Les enfants doivent être supervisés afin de s'assurer qu'ils ne jouent pas avec l'appareil.
- N'endommagez pas le cordon d'alimentation, ne placez pas d'objets lourds sur celui-ci, ne l'étirez pas et ne le tordez pas. N'utilisez pas non plus de rallonge électrique. Un cordon d'alimentation endommagé peut être source d'incendie ou d'électrocution.
- Si le cordon d'alimentation est endommagé, il doit être remplacé par le fabricant, un agent du service après-vente ou des personnes similairement qualifiées afin d'éviter tout risque.
- Assurez-vous que l'appareil est bien branché dans une prise électrique CA 220-240V 50Hz. Utiliser une tension plus élevée peut endommager l'appareil voir même être cause d'incendie.
- Si votre fiche électrique ne rentre pas dans votre prise murale, ne forcez pas pour la faire rentrer.
- Éteignez l'appareil avant de le débrancher de sa source électrique afin de complètement le désactiver.
- Ne connectez ou ne déconnectez pas le cordon d'alimentation avec des mains mouillées. Ceci peut causer une électrocution.

- NOTES : Pour déconnecter complètement le système lorsqu'il n'est pas utilisé pendant une période prolongée, retirez le cordon d'alimentation CA de la prise murale.
- Assurez-vous que la prise principale est toujours facilement accessible.
- Ce produit ne contient aucune pièce réparable par l'utilisateur. En cas de défaut, contactez le fabricant ou le département de service après-vente autorisé. L'exposition aux pièces internes situées à l'intérieur de l'appareil peuvent mettre votre vie en danger. La garantie du fabricant ne couvre pas les défauts provoqués par des réparations effectuées par des tiers non autorisés.
- N'utilisez pas ce produit directement après déballage. Attendez qu'il se réchauffe à la température ambiante avant de l'utiliser.
- Assurez-vous que ce produit est utilisé dans des climats modérés uniquement (et non tropicaux ou sous-tropicaux).
- Placez le produit sur une surface plane et stable sans vibrations.
- Assurez-vous que le produit ou ses pièces ne dépassent pas du bord du meuble le supportant.
- Pour réduire les risques d'incendie, d'électrocution ou de dommages à ce produit, veuillez ne pas l'exposer à la lumière directe du soleil, à la poussière, à la pluie et à l'humidité. Ne l'exposez jamais aux éclaboussures ou égouttements et ne placez pas d'objets remplis d'eau sur ou près du produit.
- Ne placez pas d'objets remplis de liquide, comme des vases sur l'appareil.
- N'installez pas l'appareil à proximité de sources de chaleurs telles que des radiateurs, des chauffages, des cuisinières ou d'autres appareils (y compris des amplificateurs) produisant de la chaleur.
- Ne placez pas de produit dans un emplacement à l'humidité élevée et présentant une mauvaise ventilation.
- Ne montez pas ce produit au mur ou au plafond.
- Ne placez pas cette unité près de télévisions, d'enceintes ou d'autres objets générant de forts champs magnétiques.
- Ne laissez pas cette unité sans surveillance durant son utilisation.
- Laissez un espace d'au moins 30 cm à l'arrière et en haut de l'appareil et d'au moins 5 cm de chaque côté. Ne bloquez pas les entrées de ventilation de ce produit. Assurez-vous toujours que les ouvertures de ventilation ne sont pas recouvertes d'articles tels que journaux, nappes de table, rideaux, etc.
- Ne laissez JAMAIS une personne, et particulièrement un enfant, faire rentrer un objet dans les trous, fentes ou toute autre ouverture du boîtier de l'appareil, ceci pouvant causer une électrocution fatale.
- Les orages sont dangereux pour tous les appareils électriques. Si le secteur ou le câblage aérien est frappé par la foudre, l'appareil peut être endommagé, même s'il était éteint. Vous devez débrancher tous les câbles et connecteurs de l'appareil avant un orage.

Entretien

- Débranchez le câble d'alimentation de la source de courant avant de nettoyer l'appareil.
- Utilisez un chiffon doux et propre pour nettoyer l'extérieur de l'appareil. Ne nettoyez jamais l'appareil avec des produits chimiques ou détergent.

Adaptateur électrique

- Pour déconnecter l'appareil du réseau d'alimentation, débrancher le fil de la prise de courant.
- N'utilisez que l'adaptateur secteur fourni, faute de quoi cela pourrait entraîner un risque pour la sécurité et / ou endommager l'appareil.

Entretien de la batterie intégrée

- Votre produit est alimenté par une batterie rechargeable intégrée.
- Cette batterie peut être chargée et déchargée des centaines de fois, mais peut s'user après une longue période d'utilisation.
- Débranchez le chargeur et le produit de la prise électrique lorsque celui-ci n'est pas utilisé.
- Ne laissez pas une batterie complètement chargée raccordée au chargeur, surcharger la batterie pouvant diminuer sa durée de vie.
- Si elle n'est pas utilisée, une batterie complètement chargée perdra sa charge au fil du temps.

- Laisser ce produit dans un endroit chaud ou froid, comme dans une voiture verrouillée en été ou en hiver, peut réduire la capacité et la durée de vie de la batterie.
- Essayez toujours de laisser votre appareil dans un environnement frais sans humidité à une température de moins de 32°C.
- Un produit utilisant une batterie chaude ou froide peut ne pas fonctionner temporairement, même si la batterie est complètement chargée. Les performances de batterie sont particulièrement limitées pour les températures bien inférieures à 0°C.
- Si vous prévoyez de ranger votre appareil pendant plus de six mois, chargez-le à 50% tous les six mois pour le conserver en bon état. Conservez l'appareil à des températures comprises entre 5°C et 20°C.



- Le symbole ci-dessus apparaît sur l'équipement électrique et électronique et les piles (ou l'emballage) pour rappeler ce fait à l'utilisateur. Si « Hg » ou « Pb » apparaît sous le symbole, ceci indique que la pile contient des traces de mercure (Hg) ou de plomb (Pb), respectivement.
- Les utilisateurs doivent utiliser les centres de ramassage d'équipements et de piles existants.

Avertissement concernant la batterie !

- La batterie utilisée dans ce produit peut présenter un risque d'incendie ou de brûlure chimique si elle est mal utilisée.
- N'essayez pas d'ouvrir le produit ou de remplacer la batterie. Elle est intégrée et non remplaçable. L'utilisation de batteries autres peut présenter un risque d'incendie et annulera la garantie.
- Mettez les batteries au rebut en respectant la réglementation locale en vigueur. Veuillez recycler lorsque possible. Ne la mettez pas au rebut avec les déchets ménagers et ne la brûlez pas, celle-ci pouvant exploser.
- Les batteries endommagées peuvent exploser.
- Chargez la batterie en utilisant le chargeur fourni et les conditions de charge spécifiées dans le manuel d'instruction. Charger la batterie dans toutes autres conditions peuvent causer une surcharge, une émission de gaz hydrogène, une fuite, un départ de feu ou une rupture de la batterie.

ATTENTION :

1. Considérations importantes de sécurité

- Ne pas exposer les piles aux températures élevées et ne pas les placer dans des endroits où la température pourrait augmenter rapidement, par exemple près d'un feu, ou directement à la lumière solaire.
- Ne pas exposer les piles à la chaleur rayonnante excessive, ne pas les jeter au feu, ne pas les démonter et ne pas essayer de recharger les piles non-rechargeables. Elles peuvent fuir ou exploser.

2. Pour éviter d'endommager la batterie

- Ne la faites pas tomber ou ne la soumettez pas à de violents chocs physiques.

3. Pour assurer une longue durée de vie de la batterie

- Ne déchargez pas complètement la batterie.

Comment enlever la batterie pour sa mise au rebut

RISQUE DE BLESSURE. PORTEZ DES GANTS

LORSQUE VOUS TRAVAILLEZ !

La batterie doit être retirée par un centre de service agréé par Sharp.

Si vous ne le faites pas, toutes les garanties couvrant votre appareil seront invalidées.

Étape 1 : Retirez les 6 vis sur la grille avant.

Étape 2 : Retirez la grille.

Étape 3 : Retirez 11 vis sur le boîtier avant.

Étape 4 : Retirez le boîtier avant.

Étape 5 : Sur la batterie, retirez les 4 vis qui maintiennent la batterie en place.

Étape 6 : Retirez les points de soudage entre la batterie et les fils.

Étape 7 : Retirez les batteries du boîtier de batterie.

Mise au rebut de cet appareil et des piles

- Ne vous débarrassez pas de ce produit ou des piles avec les déchets ménagers non triés. Renvoyez-la à un point de ramassage et de recyclage WEEE (déchets d'équipements électriques et électroniques) selon la législation en vigueur. Agir ainsi, aide à conserver les ressources et à protéger l'environnement.
- La plupart des pays de l'Union Européenne règlent par la loi la mise au rebut des batteries. Entrer en contact avec le détaillant ou les autorités locales pour plus d'information.



Déclaration CE :

- Par la présente, Universal Media Corporation sp. z o.o. déclare que cet appareil audio est conforme aux principales exigences et autres clauses pertinentes de la Directive RED 2014/53/EU. Le texte intégral de la déclaration de conformité de l'UE est disponible en cliquant sur le lien suivant : <https://www.sharpconsumer.eu/documents-of-conformity/>

Marques déposées :

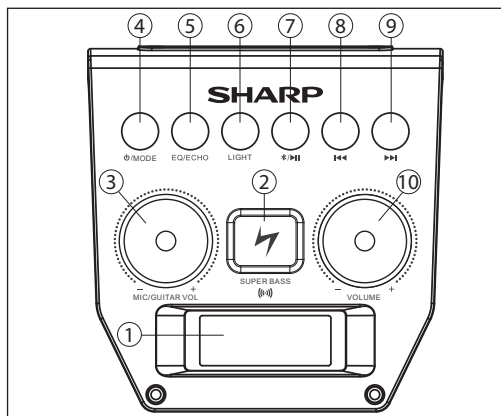


La marque et les logos Bluetooth® sont des marques déposées de Bluetooth SIG., Inc.

Ce qui est inclus dans la boîte

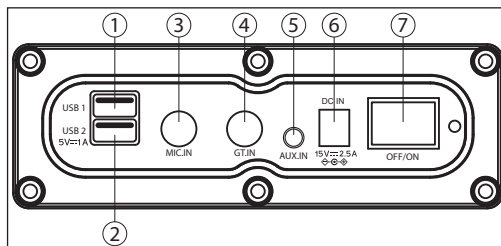
- 1 x PS-929
- 1 x cordon d'alimentation
- 1 x microphone
- 1 x manuel d'utilisation
- 1 x guide de démarrage rapide
- 1 x carte de garantie

Parties & commandes



VUE DE DESSUS

1. Écran LED
2. SUPER BASS (⚡) - RENFORCEMENT DES BASSES TWS
3. MIC/GUITAR VOL - Contrôleur de volume micro/guitare
4. ⏻/MODE - Sélection du mode / STANDBY ON / OFF
5. EQ / ECHO - MODE EQ / effet d'écho du microphone activé/désactivé
6. Contrôle de l'éclairage des haut-parleurs par LUMIÈRE - LED
7. *|| LECTURE/PAUSE/APPARIEMENT
8. ⏮ Lire la piste précédente
9. ⏭ Lire la piste suivante
10. VOLUME - Volume principal



VUE ARRIÈRE

1. USB - port USB pour la lecture
2. Chargeur USB 5V/1A - 5V 1A
3. MIC.IN - Microphone input
4. GT.IN - Entrée guitare
5. AUX.IN - Entrée Aux (3,5mm)
6. 15V.IN - Entrée d'alimentation CC 15V
7. Interrupteur d'alimentation - Allumer/éteindre l'appareil

Instruction de fonctionnement

Connexion d'alimentation

Branchez la petite fiche de l'adaptateur CA/CC fourni à la prise CC 15V (entrée) située à l'arrière de l'appareil, puis branchez l'adaptateur CA/CC sur une prise secteur CA 100-240V~; 50/60Hz.

Allumage

Placez le commutateur POWER à l'arrière de l'enceinte en position **ON**. Appuyez ensuite sur le bouton ⏻/MODE et maintenez-le enfoncé pendant 2 secondes pour allumer.

Pour éteindre le haut-parleur, appuyez sur le bouton ⏻/MODE pendant quelques secondes.

Contrôler le volume principal

Tournez le bouton VOLUME pour sélectionner le niveau de volume principal souhaité.

Renforcement des basses

Appuyez sur le bouton SUPER BASS pour obtenir un effet de basse supplémentaire, appuyez à nouveau pour le désactiver.

Sélection du mode EQ

Appuyez sur le bouton EQ/ECHO de l'unité ou pour activer et régler l'effet d'égaliseur qui correspond le mieux au style de musique : FLAT/CLASSIC/ROCK/POP/JAZZ/LIVE/CLUB/DANCE/HALL/SOFT

Définir l'effet d'éclairage

Appuyez plusieurs fois sur le bouton LIGHT pour choisir l'un des réglages d'effet lumineux suivants pour **les haut-parleurs et les sonneries** :

Écran d'affichage	Effet de clignement
L-01	Changement de couleur multiple
L-02	La lumière rouge (au rythme du rythme de la musique)
L-03	La lumière verte (au rythme du rythme de la musique)
L-04	La lumière bleue (au rythme du rythme de la musique)
L-05	Jaune (au rythme du rythme de la musique)
L-06	Violet (au rythme du rythme de la musique)
L-07	Cyan (au rythme du rythme de la musique)
L-08	Arrêt (OFF)

Appuyez longuement sur le bouton LIGHT pour allumer et éteindre **les haut-parleurs et les lumières stroboscopiques**.

Connecter un périphérique de sortie audio Bluetooth

Pour connecter un périphérique de sortie audio Bluetooth (par exemple un smartphone ou une tablette PC), procédez comme suit :

- Allumez le haut-parleur.
- Appuyez une ou plusieurs fois sur le bouton ⏻/MODE jusqu'à ce que « **bt** » apparaisse à l'écran pour passer en mode Bluetooth. L'enceinte est maintenant en mode d'appariement. Pendant ce temps, « BT LOGO » clignote sur l'écran d'affichage.

Le haut-parleur du groupe tente alors de se connecter automatiquement au dernier périphérique de sortie audio connecté via Bluetooth. Si cela n'est pas possible, le haut-parleur envoie l'identification de son appareil via Bluetooth et le message « **bt** » clignote à l'écran.

- Activez la fonction Bluetooth sur votre périphérique de sortie audio et activez le mode de recherche. Sur votre périphérique de sortie audio, sélectionnez votre haut-parleur « **SHARP PS-929** » dans la liste des périphériques disponibles et connectez les périphériques. Vous pouvez trouver plus d'informations sur la fonction Bluetooth de votre appareil de lecture dans son mode d'emploi.
- Entrez le mot de passe 0000 si nécessaire. Une fois connecté avec succès, un son rapide se fera entendre et le « LOGO BT » sur l'écran se matérialisera.

Vous pouvez contrôler les pistes en cours de lecture et le volume du haut-parleur sur votre périphérique externe. Les fonctions disponibles lors de l'utilisation d'un périphérique de lecture audio sur le haut-parleur dépendent de votre périphérique externe et du logiciel utilisé. Appuyez sur le bouton **▶/||** (pendant 3 secondes) et maintenez-le enfoncé pour déconnecter la connexion Bluetooth en cours. Le PS-929 affichera le message « déconnecté ». Les autres périphériques Bluetooth peuvent ensuite rechercher et apparier le « SHARP PS-929 ».

FONCTIONNEMENT DE L'ENTRÉE AUX

Vous pouvez utiliser la connexion AUX IN pour connecter un appareil de lecture externe (par exemple un lecteur de CD ou un lecteur MP3).

- Connectez votre appareil audio au port JACK AUX IN sur le panneau arrière de l'appareil avec un câble AUX IN. (non fourni avec l'appareil)
- Appuyez plusieurs fois sur le bouton **⊕/MODE** jusqu'à ce que AUX apparaisse à l'écran.

Le signal audio de votre périphérique externe sera maintenant lu. La piste en cours de lecture est contrôlée par le périphérique externe. Le volume peut être contrôlé à la fois sur votre périphérique externe et sur le haut-parleur de groupe.

FONCTIONNEMENT DE L'USB

Cet appareil est doté de deux ports USB, l'un pour la lecture et l'autre pour le chargement.

- Insérez la clé USB dans le port **USB 1** sur le panneau arrière du haut-parleur.
- Il entrera en mode USB, l'USB apparaîtra à l'écran. Et il lira les chansons de la clé USB immédiatement.
- Appuyez sur le bouton **◀◀** ou **▶▶** pour sélectionner la piste précédente ou suivante
- En raison des nombreux systèmes de fichiers et formats de fichiers, la compatibilité avec le support de mémoire connecté ne peut pas être garantie.
- En fonction de la taille du support des données, la détection du système peut prendre un certain temps.
- Le format de fichier pris en charge est MP3/WAV/FLAC.
- Les disques durs externes ne sont pas pris en charge.
- prend en charge la clé de mémoire USB jusqu'à 128 Go.

Charge USB

L'appareil dispose d'un chargeur intégré 5V 1A, permettant de recharger un périphérique USB externe :

1. Connectez la prise USB du périphérique USB externe au port 5V 1A situé sur la partie supérieure de l'appareil.
2. Allumez l'appareil principal, la charge commencera automatiquement.

Connexion de la guitare

La guitare peut être utilisée dans n'importe quel mode de fonctionnement. Pour connecter la guitare, procédez comme suit :

- Insérez le cordon de connexion (6,3 mm) de la guitare dans la prise guitare **GT.IN**.
- Connectez la guitare avec le cordon de connexion. Utilisez le bouton **MIC/GUITAR VOL** pour sélectionner le volume de guitare souhaité.

Connecter un micro

- Insérez le cordon du microphone fourni dans la fiche **MIC.IN** située à l'arrière du haut-parleur
- Utilisez le bouton **MIC/GUITAR VOL** pour sélectionner le volume de microphone souhaité.
- Appuyez longuement sur le bouton **EQ/ECHO** pour activer/désactiver l'effet d'écho.

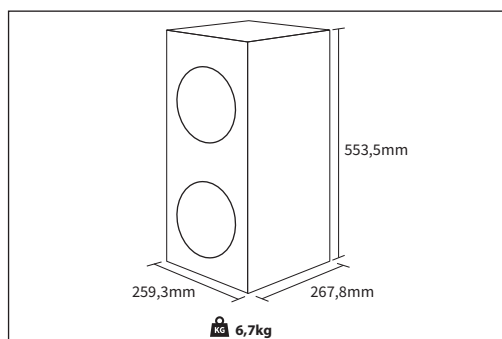
TWS/ True wireless Stereo (Véritable stéréo sans fil) - Mode duo

- Cela permet de connecter deux haut-parleurs PS-929 en tant que haut-parleurs stéréo gauche et droit pour une véritable expérience stéréo. Le premier haut-parleur connecté est le maître (principal) et le second l'esclave.
- Appuyez sur le bouton SUPER BASS de la première enceinte et maintenez-le enfoncé jusqu'à ce que le haut-parleur indique « Couplage en mode Duo », puis relâchez le bouton.
- Assurez-vous que le second haut-parleur est en mode Bluetooth, qu'il n'a été connecté à aucun périphérique et qu'il est prêt pour l'appariement.
- Veuillez patienter jusqu'à ce que les deux haut-parleurs disent « Mode Duo connecté ». Les haut-parleurs sont maintenant connectés l'un à l'autre.
- Le haut-parleur qui affiche "BT-L" (haut-parleur gauche) est le haut-parleur maître (principal) et c'est le haut-parleur que vous devez apparier à votre téléphone.
- Pour l'appariement Bluetooth avec un périphérique intelligent compatible Bluetooth-out, recherchez « SHARP PS-929 » sur votre appareil et effectuez l'appariement.
- En mode Duo et lorsque vous éteignez un haut-parleur, les deux haut-parleurs s'éteindront.
- Lorsque vous allumez les haut-parleurs, ces derniers doivent être allumés individuellement.
- Lorsque les deux haut-parleurs sont allumés en mode Duo ils se reconnecteront automatiquement et vous entendrez « Mode Duo connecté ».
- Pour déconnecter le mode Duo maintenez la touche play enfoncée sur SUPER BASS jusqu'à ce que vous entendiez « Mode Duo déconnecté ».

Spécification technique

Modèle	P5-929
Consommation d'énergie nominale	20W
Consommation d'énergie en mode veille	<0.5W
Puissance de sortie	2 x 25 W (RMS)
Puissance de sortie maximale totale	180 W
Réponse en fréquence	40Hz-15KHz
Batterie	Batterie au plomb intégrée, DC 12V, 54Wh, 4,5Ah
Bluetooth	
Version	V5.0
Puissance maximale transmise	<20 dbm
Bande de fréquences	2402 MHz ~ 2480 MHz
Adaptateur électrique	
Nom du modèle	CW1502500RE
Entrée	AC100-240V ~ 50/60Hz, 1,2A Max
Sortie	DC 15V ≈2,5A
Fabricant	Shenzhen Cenwell Technology CO., LTD Address:3F, Building C, Shengshun industrial park, Junxin Road, NiuHu, Guanlan, Shenzhen Tel: 86-0755-84160040

REMARQUE : Les spécifications peuvent être modifiées sans préavis dans le cadre de l'amélioration constante de l'appareil.



Ważne środki ostrożności



Proszę zapoznać się z niniejszymi instrukcjami bezpieczeństwa i wziąć pod uwagę poniższe ostrzeżenia zanim urządzenie zostanie uruchomione:



Ikona pioruna z grotiem wewnątrz trójkąta równobocznego ostrzega użytkownika przed nieizolowanym „niebezpiecznym napięciem” w obudowie produktu, które może być na tyle wysokie, że stwarza ryzyko porażenia prądem.



Wykrzyknik wewnątrz trójkąta równobocznego powiadamia użytkownika o ważnych wskazaniach dotyczących obsługi i konserwacji (serwisowania) zawartych w instrukcji obsługi urządzenia.



Należy korzystać wyłącznie z zasilacza opisanego w instrukcji obsługi.



Ten symbol oznacza, że produkt należy usuwać w sposób przyjazny dla środowiska, a nie z innymi odpadkami gospodarczymi.



napięcie zmienne



napięcie stałe



urządzenie klasy II



Tylko do użytku w pomieszczeniach



Efektywność energetyczna na poziomie VI



Biegunowość zasilacza prądu stałego

Żeby zapobiec pożarowi, zawsze trzymaj świece i inne źródła otwartego ognia z daleka od urządzenia.



Ostrzeżenie:

- Zawsze zachowuj podstawowe środki ostrożności podczas korzystania z urządzenia, zwłaszcza w obecności dzieci.
- Nadzoruj dzieci, by nie bawiły się urządzeniem.
- Uważaj, by nie uszkodzić kabla zasilającego: nie stawiaj na nim ciężkich przedmiotów, nie rozciągaj go ani nie wyginaj. Nie podłączaj urządzenia do przedłużaczy. Uszkodzenie kabla zasilającego może spowodować pożar lub porażenie prądem.
- Jeśli przewód zasilający zostanie uszkodzony, należy go wymienić u producenta, w serwisie lub u innej wykwalifikowanej osoby, żeby ochronić się przed zagrożeniem.
- Dopilnuj, by urządzenie zostało podłączone do gniazda zasilania 220-240V~ 50Hz. Używanie wyższego napięcia może powodować awarie, a nawet zapalenie się urządzenia.
- Jeśli wtyczka nie pasuje do twojego gniazodka, nie wciskaj jej na siłę.
- Wyłącz urządzenie przed odłączeniem go od prądu, by całkowicie je wyłączyć.
- Nie odłączaj ani nie podłączaj kabla zasilającego mokrymi rękami. Może to spowodować porażenie prądem.
- UWAGA:** Aby całkowicie odciąć zasilanie, gdy zamierzasz nie używać głośnika przez dłuższy czas, odłącz wtyczkę od gniazodka.

- Dopilnuj, by wtyczka była zawsze łatwo dostępna.
- Niniejszy produkt nie posiada żadnych części, które może naprawiać użytkownik. W przypadku wystąpienia usterki skontaktuj się z producentem lub autoryzowanym serwisem. Odsłanianie wewnętrznych części urządzenia może stanowić zagrożenie dla życia. Gwarancja nie obejmuje usterek wywołanych naprawami wykonywanymi przez nieupoważnione strony trzecie.
- Nie używaj produktu tuż po rozpakowaniu. Przed użyciem należy odczekać, aż urządzenie nagrzej się do temperatury pokojowej.
- Urządzenia można używać tylko w umiarkowanym klimacie (nie w klimacie zwrotnikowym i podzwrotnikowym).
- Umieść urządzenie na płaskiej, stabilnej powierzchni, która nie jest narażona na wibracje.
- Dopilnuj, by urządzenie nie wystawało za krawędź mebla, na którym stoi.
- Aby zmniejszyć ryzyko pożaru, porażenia prądem i uszkodzenia produktu, nie wystawiaj go na bezpośrednie działanie światła słonecznego, kurzu, deszczu czy wilgoci. Nigdy nie narażaj urządzenia na zamoczenie lub zachłapanie i nie stawiaj na nim ani w jego pobliżu zbiorników wypełnionych cieczą.
- Nie stawiaj żadnych przedmiotów ani zbiorników z płynami, takich jak wazony itp., na urządzeniu.
- Nie umieszczaj urządzenia w pobliżu źródeł ciepła, takich jak grzejniki, nawiewy, piece czy inne urządzenia (w tym wzmacniacze) emitujące ciepło.
- Nie umieszczaj produktu tam, gdzie wilgotność jest wysoka, a wentylacja słaba.
- Nie montuj głośników na ścianie ani suficie.
- Nie ustawiaj urządzenia obok telewizora, głośników i innych sprzętów, które generują silne pola magnetyczne.
- Podczas korzystania z urządzenia nie zostawiaj go bez nadzoru.
- Zostaw co najmniej 30 cm przestrzeni za i nad urządzeniem oraz 5 cm z obu boków. Nie zakrywaj otworów wentylacyjnych urządzenia. Upewnij się, że otwory wentylacyjne nie są zakryte przedmiotami, takimi jak gazety, ściereki, zasłony itp.
- NIGDY** nie pozwalaj nikomu, zwłaszcza dzieciom, wpychać czegokolwiek w otwory, gniazda i inne szczeliny w obudowie urządzenia: może to skutkować śmiertelnym porażeniem prądem.
- Burze stanowią niebezpieczeństwo dla wszystkich urządzeń elektrycznych. Jeśli przewód zasilający lub przewody antenowe zostaną trafione piorunem, urządzenie może zostać uszkodzone, nawet gdy jest wyłączone. Przed nadejściem burzy należy odłączyć od urządzenia wszystkie przewody i złącza.

Konserwacja

- Przed czyszczeniem urządzenia odłącz przewód zasilający od prądu.
- Do czyszczenia zewnętrznej części obudowy użyj miękkiej, czystej ściereczki. Nigdy nie czyść obudowy chemikalia ani detergentami.

Zasilacz

- Żeby odłączyć urządzenie od zasilania sieciowego, odłącz przewód zasilający od gniazodka elektrycznego.
- Korzystaj wyłącznie z zasilacza dostarczonego w zestawie. Użycie innego zasilacza może spowodować zagrożenie dla bezpieczeństwa i/lub uszkodzenie urządzenia.

Dbanie o akumulator

- Twoje urządzenie jest zasilane wbudowanym akumulatorem.
- Można ładować go ponownie wiele razy, ale jego moc w końcu się wyczerpie.
- Odłącz wtyczkę ładowarki od gniazodka oraz głośnik od ładowarki, gdy ich nie używasz.
- Odłącz akumulator od ładowarki, gdy się w pełni naładuje - przeładowywanie może skrócić jego trwałość.
- W pełni naładowany akumulator, jeśli nie będzie używany, z czasem się rozładuje.

- Zostawianie urządzenia w gorących lub zimnych miejscach, na przykład w zamkniętym samochodzie latem albo zimą, zmniejszy wydajność i trwałość akumulatora.
- Staraj się zawsze przechowywać urządzenie w chłodnym, suchym miejscu, w którym temperatura jest niższa niż 32°C.
- Głośnik z nagrzanym lub zimnym akumulatorem może przez pewien czas nie działać, nawet jeśli akumulator jest w pełni naładowany. Akumulator działa szczególnie słabo podczas mrozów.
- Jeśli planujesz przechowywać urządzenie dłużej niż przez 6 miesięcy, ładuj akumulator do 50% co pół roku, by utrzymać jego wydajność. Urządzenie należy przechowywać w temperaturze od 5°C do 20°C.

Uwaga!

- Jeśli akumulator w tym produkcie nie jest prawidłowo używany, może stwarzać ryzyko pożaru lub poparzenia chemicznego.
- Nie próbuj otwierać głośników ani wymieniać akumulatora. Akumulator jest wbudowany w głośnik i nie jest częścią wymienną. Korzystanie z innych akumulatorów może stwarzać ryzyko pożaru lub wybuchu oraz skutkuje wygaśnięciem gwarancji.
- Używaj akumulatory zgodnie z lokalnymi przepisami. Gdy to możliwe, poddawaj je recyklingowi. Nie utylizuj akumulatorów razem z odpadami domowymi ani nie próbuj ich spalać, ponieważ mogą wybuchnąć.
- Akumulatory mogą wybuchnąć, gdy są uszkodzone.
- Ładuj akumulator za pomocą dostarczonej w zestawie ładowarki i w sposób określony w instrukcji. Ładowanie akumulatora w inny sposób może powodować, że bateria przegrzeje się, zacznie emitować wodor lub przeciekać, zapali się albo pęknie.

OSTRZEŻENIE:

1. Ważne środki ostrożności

- Nie wystawiaj baterii na działanie wysokich temperatur i nie umieszczaj ich w miejscach, których temperatura może gwałtownie wzrosnąć, np. w pobliżu ognia lub w bezpośrednim świetle słonecznym.
- Nie wystawiaj baterii na działanie nadmiernego ciepła, nie wrzucaj ich do ognia, nie rozmontowuj i nie próbuj ładować zwykłych baterii. Mogłyby wyciec lub eksplodować.

2. By zapobiec zużyciu się i uszkodzeniu akumulatora

- nie upuszczaj go ani nie poddawaj dużym obciążeniom.

3. By zapewnić długą trwałość akumulatora:

- Nie rozładowuj akumulatora całkowicie.

Jak wyjąć akumulator, by go zutylizować

RYZYKO URAZU. NOŚ RĘKAWICE PODCZAS

WYKONYWANIA CZYNNOŚCI!

Akumulator może być wyciągnięty tylko przez autoryzowany serwis.

W przeciwnym razie dojdź do unieważnienia wszelkich zobowiązań gwarancyjnych, którymi objęte jest urządzenie.

Krok 1: Wykręć sześć wkrętów z kratki przedniej.

Krok 2: Zdemontuj kratkę.

Krok 3: Wykręć jedenaście wkrętów z obudowy przedniej.

Krok 4: Zdemontuj obudowę przednią.

Krok 5: Odkręć cztery wkręty, które zabezpieczają akumulator.

Krok 6: Usuń luty między akumulatorem a przewodami.

Krok 7: Wyjmij akumulator z pojemnika na akumulator.

Usuwanie produktu i baterii

- Nie wyrzucaj niniejszego urządzenia do niesortowanych śmieci z gospodarstwa domowego. Oddaj je do wyznaczonego punktu odbioru w celu przetworzenia zgodnie z przepisami WEEE. W ten sposób oszczędzasz zasoby naturalne i chronisz środowisko.
- Większość państw UE posiada przepisy regulujące usuwanie baterii. Więcej informacji możesz uzyskać od sprzedawcy lub lokalnych władz.



- Powyższy symbol umieszczony jest na urządzeniach elektrycznych i elektronicznych oraz bateriach (lub na ich opakowaniach), by przypomnieć użytkownikowi o tej zasadzie. Jeśli pod symbolem pojawia się oznaczenie „Hg” lub „Pb”, oznacza to, że baterie zawierają śladowe ilości rtęci (Hg) lub ołowiu (Pb).
- Użytkownicy powinni zgłaszać się do wyznaczonych punktów odbioru zużytych urządzeń i baterii.

Deklaracja zgodności:

- Universal Media Corporation sp. z o.o. niniejszym oświadcza, że to urządzenie spełnia zasadnicze wymagania oraz inne odnośne normy określone w dyrektywie RED 2014/53/UE. Pełen tekst deklaracji zgodności WE jest dostępny pod następującym linkiem: <https://www.sharpcorner.eu/documents-of-conformity/>

Znaki handlowe:



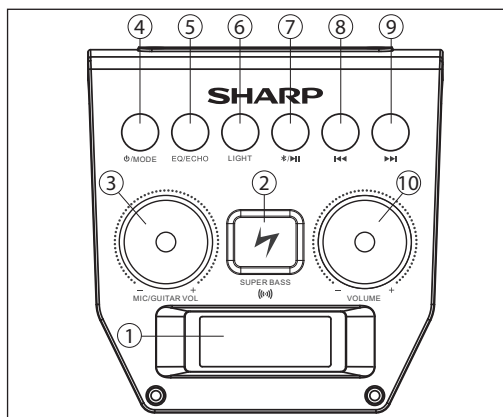
Nazwa i logo Bluetooth® są zarejestrowanymi znakami handlowymi firmy Bluetooth SIG, Inc.



Zawartość opakowania

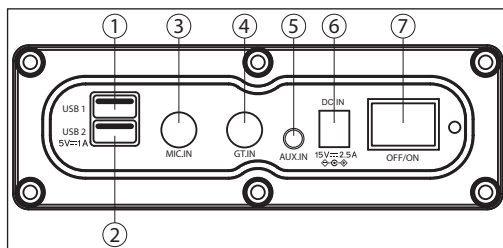
- 1 x głośnik PS-929
- 1 x kabel zasilający
- 1 x mikrofon
- 1 x instrukcja obsługi
- 1 x skrócona instrukcja instalacji
- 1 x karta gwarancyjna

Panele i przyciski



WIDOK Z GÓRY

1. Wyświetlacz LED
2. Przycisk SUPER BASS (🔊) – wzmocnienie tonów niskich/TWS
3. Pokrętko MIC/GUITAR VOL – regulacja poziomu głośności mikrofonu/ gitary
4. Przycisk Φ /MODE – wybór trybu pracy, włączenie/wyłączenie trybu czuwania
5. Przycisk EQ/ECHO – włączenie/wyłączenie trybu EQ/efektu echa mikrofonu
6. Przycisk LIGHT – sterowanie podświetleniem głośników LED
7. Przycisk odtwarzania/pauzy $\blacktriangleright/\blacktriangleleft$
8. Przycisk odtwarzania poprzedniego utworu \blacktriangleleft
9. Przycisk odtwarzania następnego utworu \blacktriangleright
10. Pokrętko VOLUME – regulacja głównego poziomu głośności



WIDOK OD TYŁU

1. Gniazdo USB – port do odtwarzania z pamięci USB
2. Gniazdo 5V-1A – port USB do ładowania (5 V, 1 A)
3. Gniazdo MIC.IN – wejście mikrofonowe

4. Gniazdo GT.IN – wejście gitary
5. Gniazdo AUX.IN – wejście Aux (3,5 mm)
6. Gniazdo 15V.IN – zasilanie prądem stałym 15 V
7. Przełącznik ON/OFF – włączenie/wyłączenie zasilania urządzenia

Instrukcja obsługi

Podłączenie zasilacza

Podłącz małą wtyczkę dostarczonego w zestawie zasilacza do gniazda 15V.IN z tyłu urządzenia, a następnie podłącz zasilacz do gniazdka elektrycznego o napięciu 100–240 V~ (50/60 Hz).

Włączenie zasilania

Ustaw przełącznik POWER z tyłu głośnika w pozycji **ON**.

Następnie naciśnij i przytrzymaj przycisk Φ /MODE przez 2 sekundy, aby włączyć.

Aby wyłączyć głośnik, naciśnij i przytrzymaj przycisk Φ /MODE przez kilka sekund.

Regulacja głównego poziomu głośności

Obróć pokrętko VOLUME, aby ustawić żądany główny poziom głośności.

Wzmocnienie tonów niskich

Naciśnij przycisk SUPER BASS, aby uzyskać efekt wzmocnienia tonów niskich. Naciśnij ponownie, aby wyłączyć.

Ustawienie trybu EQ

Naciśnij przycisk EQ/ECHO na urządzeniu, aby uaktywnić i ustawić efekt korekcji brzmienia najlepiej dopasowany do stylu odtwarzanej muzyki: FLAT/CLASSIC/ROCK/POP/JAZZ/LIVE/CLUB/DANCE/HALL/SOFT

Ustawienie efektu podświetlenia

Naciśnij kilkakrotnie przycisk LIGHT, aby wybrać jedno z poniższych ustawień efektu podświetlenia **głośników i pierścienia** wokół przycisków i pokręteł:

Wskazanie na wyświetlaczu	Efekt pulsowania
L-01	Wielokrotna zmiana kolorów
L-02	Czerwone podświetlenie (pulsujące w rytmie muzyki)
L-03	Zielone podświetlenie (pulsujące w rytmie muzyki)
L-04	Niebieskie podświetlenie (pulsujące w rytmie muzyki)
L-05	Żółte podświetlenie (pulsujące w rytmie muzyki)
L-06	Fioletowe podświetlenie (pulsujące w rytmie muzyki)
L-07	Niebieskozielone podświetlenie (pulsujące w rytmie muzyki)
L-08	WYŁ.

Długie naciśnięcie przycisku LIGHT powoduje włączenie/wyłączenia podświetlenia głośników i **światła** stroboskopowych.

Podłączenie urządzenia wyjściowego audio Bluetooth

Aby podłączyć urządzenia wyjściowego audio Bluetooth (np. smartfon lub tablet PC), przeprowadź następujące czynności:

- Włącz zasilanie głośnika.
- Aby przełączyć urządzenie do trybu Bluetooth, naciśnij przycisk **⊕/MODE** jeden raz lub kilkakrotnie, dopóki na wyświetlaczu nie pojawi się napis „**bt**”. Głośnik znajduje się w trybie parowania. W tym czasie na wyświetlaczu pulsuje napis „**BT LOGO**”.

Głośnik spróbuje automatycznie połączyć się z urządzeniem wyjściowym audio ostatnio podłączonym poprzez Bluetooth. Jeśli nie jest to możliwe, głośnik wysła swoją identyfikację urządzenia poprzez Bluetooth, a na wyświetlaczu pulsuje napis „**bt**”.

- Włącz funkcję Bluetooth w urządzeniu wyjściowym audio i wybierz tryb wyszukiwania. W urządzeniu wyjściowym audio wybierz głośnik „**SHARP PS-929**” z listy dostępnych urządzeń i połącz oba urządzenia. Więcej informacji na temat funkcji Bluetooth urządzenia odtwarzającego można znaleźć w instrukcji obsługi.
- Wprowadź hasło 0000, jeśli to konieczne. Po pomyślnym nawiązaniu połączenie zostanie wyemitowany sygnał, a na wyświetlaczu napis „**BT LOGO**” zacznie świecić światłem ciągłym.

Możesz sterować odtwarzanymi utworami i poziomem głośności głośnika za pomocą urządzenia zewnętrznego. Dostępne funkcje głośnika podczas korzystania z urządzenia odtwarzającego zależą od urządzenia zewnętrznego i używanego oprogramowania.

Naciśnij i przytrzymaj przycisk **⊕/▶** (przez trzy sekundy), aby rozłączyć bieżące połączenie Bluetooth. Głośnik PS-929 wyświetli komunikat „disconnected” (odłączony).

Następnie można wyszukać inne urządzenia Bluetooth i sparować je z głośnikiem „SHARP PS-929”.

ODTWARZANIE Z WEJŚCIA AUX

Za pomocą wejścia AUX.IN możesz podłączyć zewnętrzne urządzenie odtwarzające (np. odtwarzacz CD lub MP3).

- Podłącz urządzenie audio do wejścia AUX.IN znajdującego się na tylnym panelu urządzenia za pomocą przewodu AUX IN. (niezależony do zestawu)
- Naciśnij kilkakrotnie przycisk **⊕/MODE**, dopóki na wyświetlaczu nie pojawi się napis „**AUX**”.

Sygnał audio z urządzenia zewnętrznego zostanie odtworzony.

Odtwarzany utwór jest sterowany za pomocą urządzenia zewnętrznego. Poziom głośności można regulować zarówno w urządzeniu zewnętrznym i głośniku.

ODTWARZANIE Z PAMIĘCI USB

Opisywane urządzenie zapewni dwa porty USB – jeden do odtwarzania, a drugi do ładowania.

- Podłącz pamięć USB do portu **USB 1** na tylnym panelu głośnika.
- Urządzenie zostanie przełączone do trybu USB, a na wyświetlaczu nie pojawi się napis „**USB**”. Natychmiast rozpocznie się odtwarzanie utworów z pamięci USB.
- Przyciskiem **◀◀** lub **▶▶** wybierz poprzedni lub następny utwór.
- Ze względu na wiele różnych systemów i formatów plików nie można zagwarantować kompatybilności opisywanego urządzenia z podłączonym nośnikiem pamięci.
- W zależności od rozmiaru danych wykrycie systemu plików może zająć więcej czasu.
- Obsługiwany format plików to MP3/WAV/FLAC.
- Zewnętrzne dyski twarde nie są obsługiwane.
- Obsługa pamięci USB o pojemności do 128 GB.

Port USB do ładowania

Urządzenie posiada wbudowaną ładowarkę (**5 V, 1 A**) do ładowania zewnętrznych urządzeń USB:

1. Podłącz wtyk USB zewnętrznego urządzenia USB do portu 5V-1A z tyłu urządzenia.
2. Włącz zasilanie urządzenia głównego, a ładowanie rozpocznie się automatycznie.

Podłączenie gitary

Z gitary można korzystać w dowolnym trybie pracy. Aby podłączyć gitarę, przeprowadź następujące czynności:

- Podłącz przewód połączeniowy gitary (6,3 mm cinch) do gniazda wyjściowego gitary **GT.IN**.
- Podłącz gitarę za pomocą przewodu połączeniowego. Pokrętelem **MIC/GUITAR VOL** ustaw żądany poziom głośności gitary.

Podłączenie mikrofonu

- Podłącz przewód dostarczonego w zestawie mikrofonu do gniazda **MIC.IN** znajdującego się z tyłu głośnika.
- Pokrętelem **MIC/GUITAR VOL** ustaw żądany poziom głośności mikrofonu.
- Długie naciśnięcie przycisku **EQ/ECHO** powoduje włączenie/wyłączenie efektu echa.

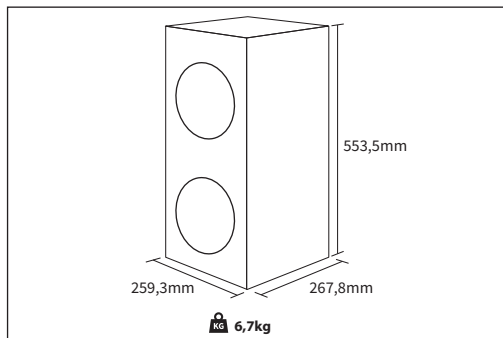
TWS (True Wireless Stereo) – tryb Duo

- Umożliwia równoczesne podłączenie dwóch głośników PS-929 jako lewego i prawego głośnika stereo, a by uzyskać rzeczywisty efekt stereo. Pierwszy podłączony głośnik jest urządzeniem głównym, a drugi podrzędnym.
- Parowanie zestawu bezprzewodowych głośników stereo w trybie Duo w celu uzyskania lepszego brzmienia przestrzennego.
- Naciśnij i przytrzymaj przycisk **SUPER BASS** na pierwszym głośniku, dopóki nie wyemituje on komunikatu „Duo Mode pairing” (parowanie w trybie Duo), a następnie zwolnij przycisk.
- Sprawdź, czy drugi głośnik znajduje się w trybie Bluetooth, nie został podłączony do żadnego urządzenia i jest gotowy do parowania.
- Zaczekać, aż oba głośniki wyemitują komunikat „Duo mode connected” (połączenie w trybie Duo). Głośniki zostały połączone ze sobą.
- Głośnik, który wyświetli napis „**BT-L**” (lewy głośnik), jest urządzeniem głównym i to jest głośnik, który należy sparować z telefonem.
- Aby sparować zestaw głośników z urządzeniem mobilnym w trybie parowania Bluetooth, należy wyszukać głośnik „SHARP PS-929” w urządzeniu mobilnym i sparować je.
- Jeśli w trybie Duo wyłączysz jeden z głośników, oba głośniki zostaną wyłączone.
- Aby włączyć zasilanie obu głośników, należy oddzielnie włączyć każdy głośnik.
- Po włączeniu zasilania obu głośników, zestaw zostanie automatycznie ponownie podłączony w trybie Duo i wyemituje komunikat głosowy „Duo Mode connected” (połączenie w trybie Duo).
- Aby wyłączyć tryb Duo, naciśnij i przytrzymaj przycisk **SUPER BASS**, dopóki nie zostanie wyemitowany komunikat głosowy „Duo Mode disconnected” (tryb Duo wyłączony).

Dane techniczne

Model	P5-929
Znamionowe zużycie energii	20W
Zużycie energii w trybie czuwania	<0.5W
Moc wyjściowa	2 x 25 W (RMS)
Maksymalna moc wyjściowa	180 W
Reakcja na częstotliwość	40Hz-15KHz
Bateria	Wbudowana bateria kwasowo- ołowiowa, DC 12V, 54Wh, 4,5Ah
Bluetooth	
Wersja	V5.0
Maksymalny poziom przekazywanej mocy	<20 dbm
Pasma częstotliwości	2402 MHz ~ 2480 MHz
Zasilacz	
Nazwa modelu	CW1502500RE
Wejście	AC100-240V ~ 50/60Hz, 1,2A Max
Wyjście	DC 15V ≈ 2,5A
Producent	Shenzhen Cenwell Technology CO., LTD Address:3F, Building C, Shengshun industrial park, Junxin Road, Niuhu, Guanlan, Shenzhen Tel: 86-0755-84160040

UWAGA: Dane techniczne podlegają zmianie bez uprzedniego powiadomienia ze względu na nieustanne ulepszanie produktu.











UMC Poland Sp. z o.o.

Ostaszewo 57B, 87-148 Łysomice,
Poland

Made in China

SAU/MAN/0105

www.sharpconsumer.eu

SHARP