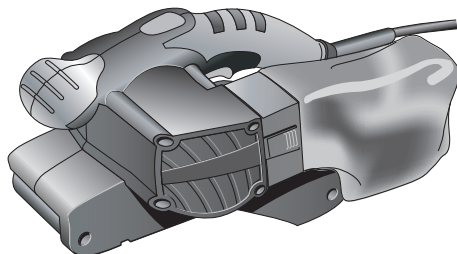
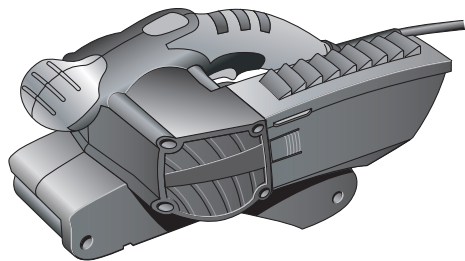


SKIL®

BELT SANDER 1210 (F0151210..) 1215 (F0151215..)



GB	ORIGINAL INSTRUCTIONS	7	GR	ΠΡΩΤΟΤΥΠΟ ΟΔΗΓΙΩΝ ΧΡΗΣΗΣ	59
F	NOTICE ORIGINALE	10	RO	INSTRUCȚIUNI DE FOLOSIRE ORIGINALE	63
D	ORIGINALBETRIEBSANLEITUNG	13	BG	ОРИГИНАЛНО РЪКОВОДСТВО ЗА ЕКСПЛОАТАЦИЯ	66
NL	ORIGINELE GEBRUIKSAANWIJZING	17	SK	PŔVODNÝ NÁVOD NA POUŽITIE	70
S	BRUKSANVISNING I ORIGINAL	20	HR	ORIGINALNE UPUTE ZA RAD	74
DK	ORIGINAL BRUGSANVISNING	23	SRB	ORIGINALNO UPUTSTVO ZA RAD	77
N	ORIGINAL BRUKSANVISNING	26	SLO	IZVIRNA NAVODILA	80
FIN	ALKUPERÄISET OHJEET	29	EST	ALGUPÄRANE KASUTUSJUHEND	83
E	MANUAL ORIGINAL	32	LV	ORIĢINĀLĀ LIETOŠANAS PAMĀCĪBA	86
P	MANUAL ORIGINAL	35	LT	ORIGINALI INSTRUKCIJA	89
I	ISTRUZIONI ORIGINALI	39	MK	ИЗБОРНО УПАТСТВО ЗА РАБОТА	93
H	EREDETI HASZNÁLATI UTASÍTÁS	42	AL	UDHËZIMET ORIGJINALE	96
CZ	PŮVODNÍM NÁVODEM K POUŽÍVÁNÍ	46	AR	دليل الاستعمال	104
TR	ORİJİNAL İŞLETME TALİMATI	49	FA	راهنمای اصلی	102
PL	INSTRUKCJA ORYGINALNA	52			
UA	ОРИГІНАЛЬНА ІНСТРУКЦІЯ З ЕКСПЛУАТАЦІЇ	55			

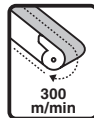
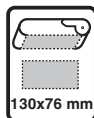
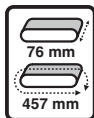


GB	EU Declaration of conformity		We declare under our sole responsibility that the stated products comply with all applicable provisions of the directives and regulations listed below and are in conformity with the following standards.
	Belt sander	Article number	Technical file at:*
F	Déclaration de conformité UE		Nous déclarons sous notre propre responsabilité que les produits décrits sont en conformité avec les directives, règlements normatifs et normes énumérés ci-dessous. Dossier technique auprès de:*
	Ponceuse à bande	Numéro d'article	
D	EU-Konformitätserklärung		Wir erklären in alleiniger Verantwortung, dass die genannten Produkte allen einschlägigen Bestimmungen der nachfolgend aufgeführten Richtlinien und Verordnungen entsprechen und mit folgenden Normen übereinstimmen. Technische Unterlagen bei:*
	Bandschleifer	Sachnummer	
NL	EU-conformiteitsverklaring		Wij verklaren op eigen verantwoordelijkheid dat de genoemde producten voldoen aan alle desbetreffende bepalingen van de hierna genoemde richtlijnen en verordeningen en overeenstemmen met de volgende normen. Technisch dossier bij:*
	Bandschuurmachine	Productnummer	
S	EU-konformitetsförklaring		Vi förklarar under eget ansvar att de nämnda produkterna uppfyller kraven i alla gällande bestämmelser i de nedan angivna direktiven och förordningarna och att de stämmer överens med följande normer. Teknisk dokumentation:*
	Bandslipmaskin	Produktnummer	
DK	EU-overensstemmelseserklæring		Vi erklærer som eneansvarlige, at det beskrevne produkt er i overensstemmelse med alle gældende bestemmelser i følgende direktiver og forordninger og opfylder følgende standarder. Tekniske bilag ved:*
	Båndpudser	Typenummer	
N	EU-samsvarserklæring		Vi erklærer under eneansvar at de nevnte produktene er i overensstemmelse med alle relevante bestemmelser i direktivene og forordningene nedenfor og med følgende standarder. Teknisk dokumentasjon hos:*
	Båndsliper	Produktnummer	
FIN	EU-vaatimustenmukaisuusvakuutus		Vakuutamme täten, että mainitut tuotteet vastaavat kaikkia seuraavien direktiivien ja asetusten asiaankuuluvia vaatimuksia ja ovat seuraavien standardien vaatimusten mukaisia. Tekniset asiakirjat saatavana:*
	Nauhahiomakone	Tuotenumero	
E	Declaración de conformidad UE		Declaramos bajo nuestra exclusiva responsabilidad, que los productos nombrados cumplen con todas las disposiciones correspondientes de las directivas y los reglamentos mencionados a continuación y están en conformidad con las siguientes normas. Documentos técnicos de:*
	Lijadora de banda	Número de artículo	
P	Declaração de conformidade CE		Declaramos sob nossa exclusiva responsabilidade que os produtos mencionados cumprem todas as disposições e os regulamentos indicados e estão em conformidade com as seguintes normas. Documentação técnica pertencente a:*
	Lixadeira de rolos	Número do produto	
I	Dichiarazione di conformità UE		Dichiariamo sotto la nostra piena responsabilità che i prodotti indicati sono conformi a tutte le disposizioni pertinenti delle direttive e dei regolamenti elencati di seguito, nonché alle seguenti normative. Documentazione tecnica presso:*
	Levigatrice a nastro	Codice prodotto	
H	EU konformitási nyilatkozat		Egyedüli felelőséggel kijelentjük, hogy a megnevezett termékek megfelelnek az alábbiakban felsorolásra kerülő irányelvek és rendeletek valamennyi idevágó előírásainak és megfelelnek a következő szabványoknak. Műszaki dokumentumok megőrzési pontja:*
	Szalagcsiszoló	Cikkszám	
CZ	EU prohlášení o shodě		Prohlašujeme na výhradní zodpovědnost, že uvedený výrobek splňuje všechna příslušná ustanovení níže uvedených směrnic a nařízení a je v souladu s následujícími normami. Technické podklady u:*
	Pásová bruska	Objednací číslo	
TR	AB Uygunluk beyanı		Tek sorumlu olarak, tanınlan ürünün aşağıdaki yönetmelik ve direktiflerin geçerli bütün hükümlerine ve aşağıdaki standartlara uygun olduğunu beyan ederiz. Teknik belgelerin bulunduğu yer:*
	Tank zımpara	Ürün kodu	
PL	Deklaracja zgodności UE		Oświadczamy z pełną odpowiedzialnością, że niniejsze produkty odpowiadają wszystkim wymaganiom poniżej wyszczególnionych dyrektyw i rozporządzeń, oraz że są zgodne z następującymi normami. Dokumentacja techniczna:*
	Pilarka tarczowa	Numer katalogowy	
RU	Заявление о соответствии ЕС		Мы заявляем под нашу единоличную ответственность, что названные продукты соответствуют всем действующим предписаниям нижеуказанных директив и распоряжений, а также нижеуказанных норм. Техническая документация хранится у:*
	Ленточная шлифовальная машина	Товарный номер	
UA	Заява про відповідність ЄС		Мизявляємо під нашу одноособову відповідальність, що названі виробі відповідають усім чинним положенням нижчеозначених директив і розпоряджень, а також нижчеозначеним нормам. Технічна документація зберігається у:*
	Стрічковий шліфувальний верстат	Товарний номер	

GR	Δήλωση πιστότητας ΕΕ		Δηλώνουμε με αποκλειστική μας ευθύνη, ότι τα αναφερόμενα προϊόντα αντιστοιχούν σε όλες τις σχετικές διατάξεις των πιο κάτω αναφερόμενων οδηγιών και κανονισμών και ταυτίζονται με τα ακόλουθα πρότυπα. Τεχνικά έγγραφα στη:*	
	Ταινειολεαυτήρας	Αριθμός ευρετηρίου		
RO	Declarație de conformitate UE		Declarăm pe proprie răspundere că produsele menționate corespund tuturor dispozițiilor relevante ale directivei și reglementărilor enumerate în cele ce urmează și sunt în conformitate cu următoarele standarde. Documentație tehnică la:*	
	Лентов шлайф	Număr de identificare		
BG	ЕС декларация за съответствие		С пълна отговорност ние декларираме, че посочените продукти отговарят на всички валидни изисквания на директивите и разпоредбите по-долу и съответства на следните стандарти. Техническа документация при:*	
	Ръчен циркуляр	Каталожен номер		
SK	Pôvodnej EU vyhlásenie o zhode		Vyhlasujeme na výhradnú zodpovednosť, že uvedený výrobok spĺňa všetky príslušné ustanovenia nižšie uvedených smerníc a nariadení a je v súlade s nasledujúcimi normami. Technické podklady má spoločnosť:*	
	Pásová brúška	Vecné číslo		
HR	EU izjava o sukladnosti		Pod punom odgovornošću izjavljujemo da navedeni proizvodi odgovaraju svim relevantnim odredbama direktiva i propisima navedenima u nastavku i da su sukladni sa sljedećim normama. Tehnička dokumentacija se može dobiti kod:*	
	Tračna brusilica	Kataloški broj		
SRB	EU-izjava o usaglašenosti		Na sopstvenu odgovornost izjavljujemo, da navedeni proizvodi odgovaraju svim dotičnim odredbama naknadno navedenih smernica u uredaba i da su u skladu sa sledećim standardima. Tehnička dokumentacija kod:*	
	Tračna brusilica	Broj predmeta		
SLO	Izjava o skladnosti ES		Izjavljamo pod izključno odgovornostjo, da je omenjen izdelek v skladu z vsemi relevantnimi določili direktiv in uredb ter ustreza naslednjim standardom. Tehnična dokumentacija pri:*	
	Tračni brusilnik	Številka artikla		
EST	EL-vastavusdeklaratsioon		Kinnitame ainuvastutajatena, et nimetatud tooted vastavad järgnevalt loetletud direktiivide ja määruste kõiki dele asjaomastele nõuetele ja on kooskõlas järgmistele normidega. Tehnilised dokumendid saadaval:*	
	Lintlihvmasinad	Tootenumber		
LV	Deklarācija par atbilstību EK standartiem		Mēs ar pilnu atbildību paziņojam, ka šeit aplūkoti izstrādājumi atbilst visiem tālāk minētajās direktīvās un rīkojumos ietvertajām saistošajām nostādņēm, kā arī sekojošiem standartiem. Tehniskā dokumentācija no:*	
	Ripzāģis	Izstrādājuma numurs		
LT	ES atitikties deklaracija		Atsakingai pareiškiame, kad išvardyti gaminiai atitinka visus privalomus žemiau nurodytų direktyvų ir reglamentų reikalavimus ir šiuos standartus. Techninė dokumentacija saugoma:*	
	Juostos šlifuoכליס	Gaminio numeris		
MK	EU-Изјава за сообразност		Со целосна одговорност изјавуваме, дека опишаните производи се во согласност со сите релевантни одредби на следните регулативи и прописи и се во согласност со следните норми. Техничка документација кај:*	
	Брусилка со појас	Број на артикл		
AL	EU Deklarata e konformitetit		Ne deklarojmë me përgjegjësinë tonë të vetme se produktet e paraqitura janë në përputhje me të gjitha dispozitat e zbatueshme të direktivave dhe rregulloreve të listuara më poshtë dhe janë në përputhje me standardet si më poshtë. Dosja teknike në:*	
	Smeriluese me rrip	Numri i nenit		
	1210	F0151210..	2006/42/EC	EN 62841-1:2015
	1215	F0151215..	2014/30/EU	EN 62841-2-4:2014
			2011/65/EU	EN 61000-3-2:2014
				EN 61000-3-3:2013
				EN 55014-1:2006 + A1:2009 + A2:2011
				EN 55014-2:2015
				EN 50581:2012
			 * Skil BV Konijnenberg 62 4825 BD Breda The Netherlands	
			Olaf Dijkgraaf Approval Manager 	
			Skil BV, Konijnenberg 62, 4825 BD Breda, NL 04.12.2018	

1 1210

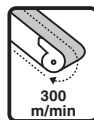
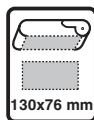
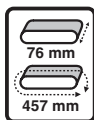
650
Watt



230
-
240
V~
50-60 Hz

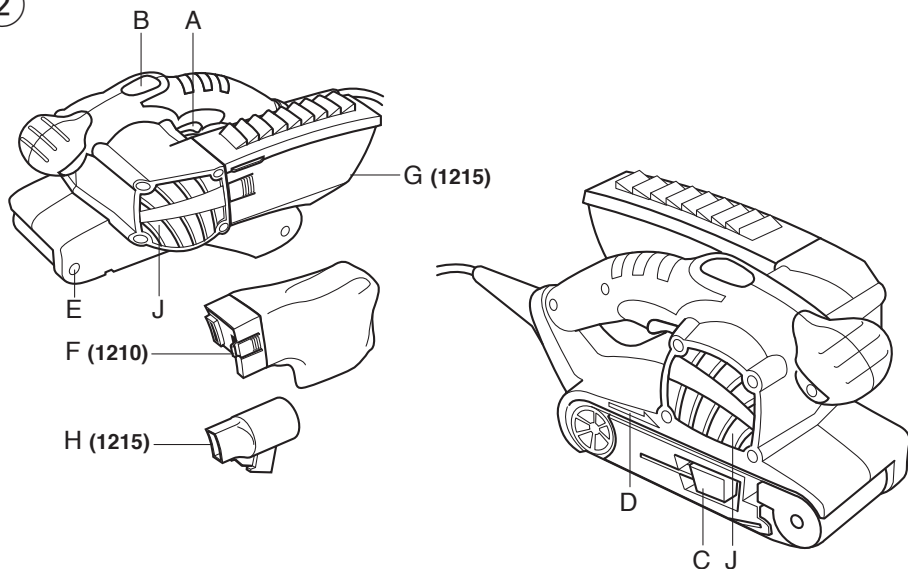
1215

650
Watt



230
-
240
V~
50-60 Hz

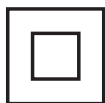
2



3



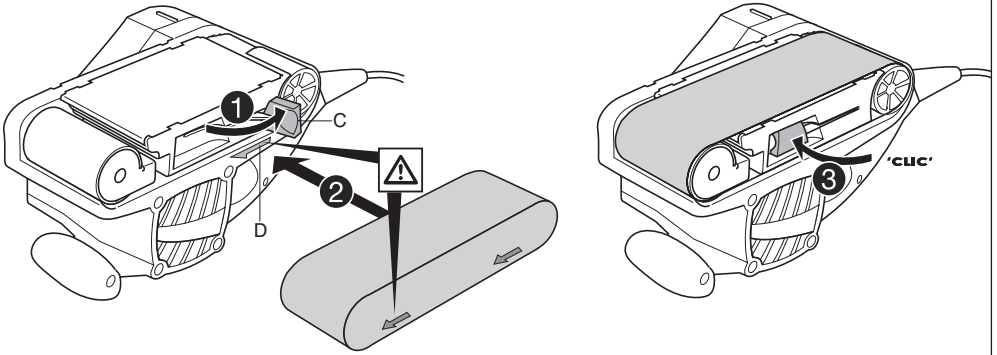
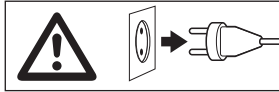
4



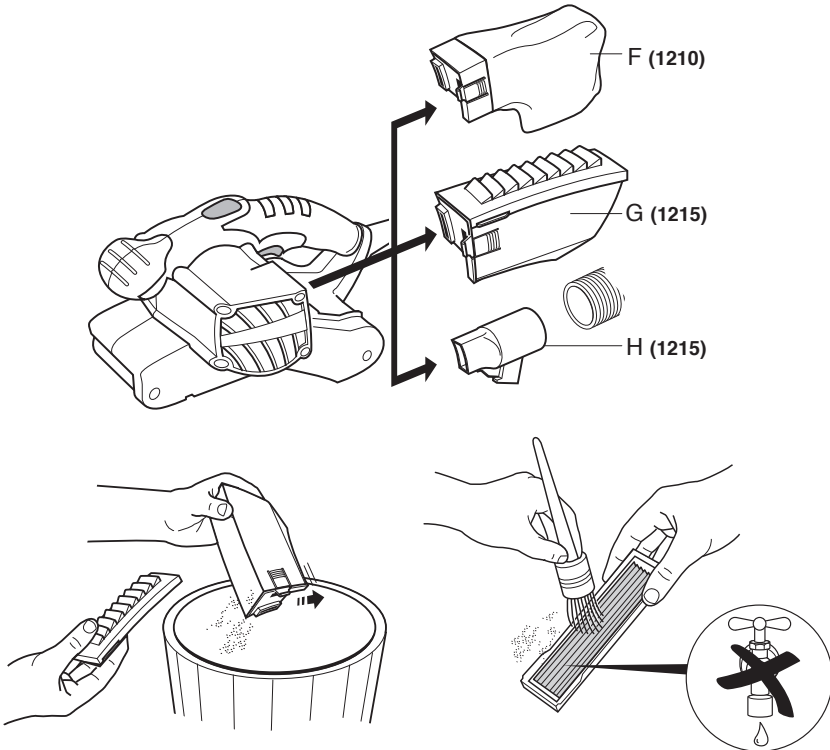
5



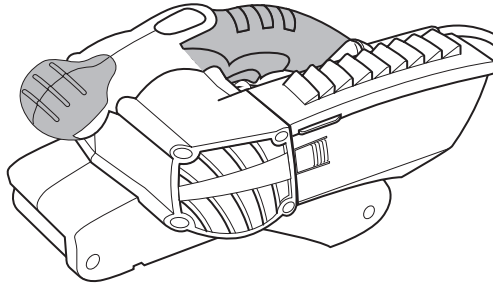
6



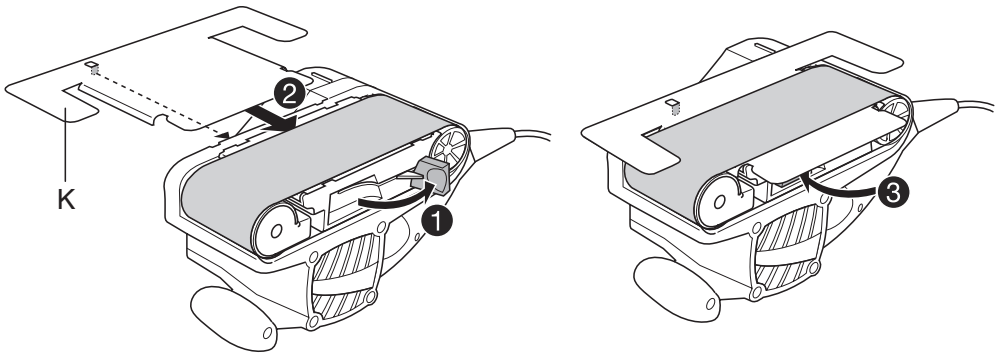
7



8



9



ACCESSORIES



WWW.SKIL.COM

Belt sander

1210/1215

INTRODUCTION

- This tool is intended for dry sanding with high removal performance of wood, plastic, metal, filler and painted surfaces
- This tool is not intended for professional use
- Read and save this instruction manual ③

TECHNICAL DATA ①

TOOL ELEMENTS ②

- A On/off switch
- B Knob for locking on/off switch
- C Lever for changing sanding belt
- D Arrow
- E Screw for adjusting belt centering
- F Dust bag
- G Dust box
- H Vacuum cleaner adapter
- J Ventilation slots
- K Sanding frame

SAFETY

GENERAL POWER TOOL SAFETY WARNINGS

⚠ WARNING Read all safety warnings, instructions, illustrations and specifications provided with this power tool. Failure to follow all instructions listed below may result in electric shock, fire and/or serious injury.

Save all warnings and instructions for future reference.

The term “power tool” in the warnings refers to your mains-operated (corded) power tool or battery-operated (cordless) power tool.

1) WORK AREA SAFETY

- a) **Keep work area clean and well lit.** Cluttered or dark areas invite accidents.
- b) **Do not operate power tools in explosive atmospheres, such as in the presence of flammable liquids, gases or dust.** Power tools create sparks which may ignite the dust or fumes.
- c) **Keep children and bystanders away while operating a power tool.** Distractions can cause you to lose control.

2) ELECTRICAL SAFETY

- a) **Power tool plugs must match the outlet. Never modify the plug in any way. Do not use any adapter plugs with earthed (grounded) power tools.** Unmodified plugs and matching outlets will reduce risk of electric shock.
- b) **Avoid body contact with earthed or grounded surfaces such as pipes, radiators, ranges and refrigerators.** There is an increased risk of electric shock if your body is earthed or grounded.

- c) **Do not expose power tools to rain or wet conditions.** Water entering a power tool will increase the risk of electric shock.
- d) **Do not abuse the cord. Never use the cord for carrying, pulling or unplugging the power tool. Keep cord away from heat, oil, sharp edges or moving parts.** Damaged or entangled cords increase the risk of electric shock.
- e) **When operating a power tool outdoors, use an extension cord suitable for outdoor use.** Use of a cord suitable for outdoor use reduces the risk of electric shock.
- f) **If operating a power tool in a damp location is unavoidable, use a residual current device (RCD) protected supply.** Use of an RCD reduces the risk of electric shock.

3) PERSONAL SAFETY

- a) **Stay alert, watch what you are doing and use common sense when operating a power tool. Do not use a power tool while you are tired or under the influence of drugs, alcohol or medication.** A moment of inattention while operating power tools may result in serious personal injury.
- b) **Use personal protective equipment. Always wear eye protection.** Protective equipment such as dust mask, non-skid safety shoes, hard hat, or hearing protection used for appropriate conditions will reduce personal injuries.
- c) **Prevent unintentional starting. Ensure the switch is in the off-position before connecting to power source and/or battery pack, picking up or carrying the tool.** Carrying power tools with your finger on the switch or energising power tools that have the switch on invites accidents.
- d) **Remove any adjusting key or wrench before turning the power tool on.** A wrench or a key left attached to a rotating part of the power tool may result in personal injury.
- e) **Do not overreach. Keep proper footing and balance at all times.** This enables better control of the power tool in unexpected situations.
- f) **Dress properly. Do not wear loose clothing or jewellery. Keep your hair and clothing away from moving parts.** Loose clothes, jewellery or long hair can be caught in moving parts.
- g) **If devices are provided for the connection of dust extraction and collection facilities, ensure these are connected and properly used.** Use of dust collection can reduce dust-related hazards.
- h) **Do not let familiarity gained from frequent use of tools allow you to become complacent and ignore tool safety principles.** A careless action can cause severe injury within a fraction of a second.

4) POWER TOOL USE AND CARE

- a) **Do not force the power tool. Use the correct power tool for your application.** The correct power tool will do the job better and safer at the rate for which it was designed.
- b) **Do not use the power tool if the switch does not turn it on and off.** Any power tool that cannot be controlled with the switch is dangerous and must be repaired.

- c) **Disconnect the plug from the power source and/or remove the battery pack, if detachable, from the power tool before making any adjustments, changing accessories, or storing power tools.** Such preventive safety measures reduce the risk of starting the power tool accidentally.
- d) **Store idle power tools out of the reach of children and do not allow persons unfamiliar with the power tool or these instructions to operate the power tool.** Power tools are dangerous in the hands of untrained users.
- e) **Maintain power tools and accessories. Check for misalignment or binding of moving parts, breakage of parts and any other condition that may affect the power tool's operation. If damaged, have the power tool repaired before use.** Many accidents are caused by poorly maintained power tools.
- f) **Keep cutting tools sharp and clean.** Properly maintained cutting tools with sharp cutting edges are less likely to bind and are easier to control.
- g) **Use the power tool, accessories and tool bits etc., in accordance with these instructions, taking into account the working conditions and the work to be performed.** Use of the power tool for operations different from those intended could result in a hazardous situation.
- h) **Keep handles and grasping surfaces dry, clean and free from oil and grease.** Slippery handles and grasping surfaces do not allow for safe handling and control of the tool in unexpected situations.

5) SERVICE

- a) **Have your power tool serviced by a qualified repair person using only identical replacement parts.** This will ensure that the safety of the power tool is maintained.

SAFETY INSTRUCTIONS FOR SANDERS

GENERAL

- This tool should not be used by people under the age of 16 years
- This tool is not suitable for wet sanding
- Never use the tool when cord is damaged; have it replaced by a qualified person
- **Do not work materials containing asbestos** (asbestos is considered carcinogenic)
- **Regularly clean the power tool's air vents** (the motor's fan will draw the dust inside the housing and excessive accumulation of powdered metal may cause electrical hazards)
- **Always disconnect plug from power source before making any adjustment or changing any accessory**

ACCESSORIES

- SKIL can assure flawless functioning of the tool only when original accessories are used
- Do not continue to use worn, torn or heavily clogged sanding belts

BEFORE USE

- Always check that the supply voltage is the same as the voltage indicated on the nameplate of the tool (tools with a rating of 230V or 240V can also be connected to a 220V supply)
- Avoid damage that can be caused by screws, nails and other elements in your workpiece; remove them before you start working

- Use completely unrolled and safe extension cords with a capacity of 16 Amps (U.K. 13 Amps)
- The noise level when working can exceed 85 dB(A); wear ear protection
- Dust from material such as paint containing lead, some wood species, minerals and metal may be harmful (contact with or inhalation of the dust may cause allergic reactions and/or respiratory diseases to the operator or bystanders); **wear a dust mask and work with a dust extraction device when connectable**
- Certain kinds of dust are classified as carcinogenic (such as oak and beech dust) especially in conjunction with additives for wood conditioning; **wear a dust mask and work with a dust extraction device when connectable**
- Follow the dust-related national requirements for the materials you want to work with
- Wear protective gloves, safety glasses, close-fitting clothes and hair protection (for long hair)
- **Secure the workpiece** (a workpiece clamped with clamping devices or in a vice is held more securely than by hand)
- When sanding metal, sparks are generated; do not use dust bag/dust box/vacuum cleaner and keep other persons and combustible material from work area

DURING USE

- **Hold the power tool by insulated gripping surfaces, because the sanding surface may contact its own cord** (cutting a "live" wire may make exposed metal parts of the power tool "live" and could give the operator an electric shock)
- Always keep the cord away from moving parts of the tool; direct the cord to the rear, away from the tool
- Do not touch the running sanding belt
- In case of electrical or mechanical malfunction, immediately switch off the tool and disconnect the plug
- If the cord is damaged or cut through while working, do not touch the cord, but immediately disconnect the plug

AFTER USE

- When you put away the tool, switch off the motor and ensure that all moving parts have come to a complete standstill

EXPLANATION OF SYMBOLS ON TOOL

- ③ Read the instruction manual before use
- ④ Double insulation (no earth wire required)
- ⑤ Do not dispose of the tool together with household waste material

WHEN CONNECTING NEW 3-PIN PLUG (U.K. ONLY):

- Do not connect the blue (= neutral) or brown (= live) wire in the cord of this tool to the earth terminal of the plug
- If for any reason the old plug is cut off the cord of this tool, it must be disposed of safely and not left unattended

USE

- On/off switch
 - switch on/off the tool by pulling/releasing trigger A ②
- ! **before the sanding surface reaches the workpiece, you should switch on the tool**
- ! **before switching off the tool, you should lift it from the workpiece**

- Switch locking for continuous use
 - pull trigger A ②
 - press knob B ② with your thumb
 - release the trigger
 - unlock the switch by pulling again trigger A ② and then releasing it
- Quick-changing of sanding belts (CLIC system) ⑥
 - ! **disconnect the plug**
 - lift lever C
 - remove sanding belt
 - insert new belt with arrows printed at inner side of belt pointing in same direction as arrow D on tool
 - push lever back
 - ! **change sanding belts in time**
 - ! **never fold sanding belts**
- Automatic belt centering (ABC)
 - centers belt automatically when switching on tool
 - keeps belt centered while sanding

In case belt runs off tool (mostly caused by inferior belt quality), you should

 - switch on the tool
 - adjust screw E ② till the sanding belt is running in line with the flat side of the tool
 - use new belt, if belt still runs off tool
- Dust suction ⑦
 - empty dust box G/dust bag F regularly for optimal dust pick-up performance
 - when using tool with vacuum cleaner, mount vacuum cleaner adaptor H as illustrated (1215)
 - when necessary, also clean the filter as illustrated
 - ! **do not use dust box/dust bag/vacuum cleaner when sanding metal**
- Holding and guiding the tool ⑧
 - guide the tool parallel to the working surface
 - ! **while working, always hold the tool at the grey-coloured grip area(s)**
 - ! **do not apply too much pressure on the tool; let the sanding surface do the work for you**
 - do not tilt the tool in order to avoid unwanted sanding marks
 - keep ventilation slots J ② uncovered

APPLICATION ADVICE

- For sanding bare wood surfaces move the tool in straight movements in line with the grain
- For sanding all other surfaces move the tool in oval movements over the material
- Mount sanding frame K (SKIL accessory 2610398244) for equalizing surfaces without scratches or grooves, and ensure it is in place securely ⑨
 - ! **sanding frame K becomes hot during use; do not touch it before it has cooled down**
- Never use the same sanding belt for wood and metal
- Recommended sanding belt grits:
 - for removing paint and for sanding of extremely rough wood use coarse grit sizes (40, 60)
 - for sanding of rough or plain wood use medium grit sizes (80, 100, 120)
 - for smoothing of wood and surfaces with old paint as well as for finishing of bare wood use fine grit sizes (180, 240, 320)

- Use different grit sizes when the working surface is rough:
 - start sanding with coarse or medium grit
 - finish with fine grit
- For more tips see www.skil.com

MAINTENANCE / SERVICE

- This tool is not intended for professional use
- Always keep tool and cord clean (especially ventilation slots J ②)
 - remove adhering sanding dust with a brush
 - ! **disconnect the plug before cleaning**
- If the tool should fail despite the care taken in manufacturing and testing procedures, repair should be carried out by an after-sales service centre for SKIL power tools
 - send the tool **undismantled** together with proof of purchase to your dealer or the nearest SKIL service station (addresses as well as the service diagram of the tool are listed on www.skil.com)

ENVIRONMENT

- **Do not dispose of electric tools, accessories and packaging together with household waste material** (only for EU countries)
 - in observance of European Directive 2012/19/EC on waste of electric and electronic equipment and its implementation in accordance with national law, electric tools that have reached the end of their life must be collected separately and returned to an environmentally compatible recycling facility
 - symbol ⑤ will remind you of this when the need for disposing occurs

NOISE / VIBRATION

- Measured in accordance with EN 62841 the sound pressure level of this tool is 87 dB(A) and the sound power level 98 dB(A) (standard deviation: 3 dB), and the vibration 2.1 m/s² (triax vector sum; uncertainty K = 1.5 m/s²)
- The vibration emission level has been measured in accordance with a standardised test given in EN 62841; it may be used to compare one tool with another and as a preliminary assessment of exposure to vibration when using the tool for the applications mentioned
 - using the tool for different applications, or with different or poorly maintained accessories, may significantly **increase** the exposure level
 - the times when the tool is switched off or when it is running but not actually doing the job, may significantly **reduce** the exposure level
- ! **protect yourself against the effects of vibration by maintaining the tool and its accessories, keeping your hands warm, and organizing your work patterns**

Ponceuse à bande

1210/1215

INTRODUCTION

- Cet outil est conçu pour le ponçage à sec avec une grande capacité à enlever la matière du bois, plastique, métal et mastic et des surfaces peintes
- Cet outil n'est conçu pour un usage professionnel
- Lisez et conservez ce manuel d'instruction ③

CARACTERISTIQUES TECHNIQUES ①

ELEMENTS DE L'OUTIL ②

- A Interrupteur marche/arrêt
- B Bouton de verrouillage de l'interrupteur marche/arrêt
- C Levier pour changer la bande de ponçage
- D Flèche
- E Vis pour régler le centrage de la bande
- F Sac à poussière
- G Réservoir à poussière
- H Adaptateur de l'aspirateur
- J Fentes de ventilation
- K Support de ponçage

SECURITE

AVERTISSEMENTS DE SECURITE GENERAUX POUR L'OUTIL ELECTRIQUE

⚠ AVERTISSEMENT Lisez tous les avertissements de sécurité, les instructions, les illustrations et les spécifications fournis avec cet outil électrique. Ne pas suivre les instructions énumérées ci-dessous peut provoquer un choc électrique, un incendie et/ou une blessure sérieuse.

Conservez tous les avertissements et toutes les instructions pour pouvoir s'y reporter ultérieurement.

Le terme "outil électrique" dans les avertissements se rapporte à des outils électriques raccordés au secteur (avec câble de raccordement) et à des outils électriques à batterie (sans câble de raccordement).

1) SECURITE DE LA ZONE DE TRAVAIL

- a) **Maintenez l'endroit de travail propre et bien éclairé.**
Un lieu de travail en désordre ou mal éclairé augmente le risque d'accidents.
- b) **N'utilisez pas l'outil électrique dans un environnement présentant des risques d'explosion et où se trouvent des liquides, des gaz ou poussières inflammables.** Les outils électriques génèrent des étincelles risquant d'enflammer les poussières ou les vapeurs.
- c) **Tenez les enfants et autres personnes éloignés durant l'utilisation de l'outil électrique.** En cas d'inattention vous risquez de perdre le contrôle sur l'outil électrique.

2) SECURITE RELATIVE AU SYSTEME ELECTRIQUE

- a) **La fiche de secteur de l'outil électrique doit être appropriée à la prise de courant. Ne modifiez en aucun cas la fiche. N'utilisez pas de fiches d'adaptateur avec des outils électriques avec mise à la terre.** Les fiches non modifiées et les prises de courant appropriées réduisent le risque de choc électrique.
- b) **Evitez le contact physique avec des surfaces mises à la terre telles que tuyaux, radiateurs, fours et réfrigérateurs.** Il y a un risque élevé de choc électrique au cas où votre corps serait relié à la terre.
- c) **N'exposez pas l'outil électrique à la pluie ou à l'humidité.** La pénétration d'eau dans un outil électrique augmente le risque d'un choc électrique.
- d) **N'utilisez pas le câble à d'autres fins que celles prévues, n'utilisez pas le câble pour porter l'outil électrique ou pour l'accrocher ou encore pour le débrancher de la prise de courant. Maintenez le câble éloigné des sources de chaleur, des parties grasses, des bords tranchants ou des parties de l'outil électrique en rotation.** Un câble endommagé ou torsadé augmente le risque d'un choc électrique.
- e) **Au cas où vous utiliseriez l'outil électrique à l'extérieur, utilisez une rallonge autorisée homologuée pour les applications extérieures.**
L'utilisation d'une rallonge électrique homologuée pour les applications extérieures réduit le risque d'un choc électrique.
- f) **Si l'usage d'un outil dans un emplacement humide est inévitable, utilisez un disjoncteur de fuite à la terre.** L'utilisation d'un disjoncteur de fuite à la terre réduit le risque de choc électrique.

3) SECURITE DES PERSONNES

- a) **Restez vigilant, surveillez ce que vous faites. Faites preuve de bon sens en utilisant l'outil électrique. N'utilisez pas l'outil électrique lorsque vous êtes fatigué ou après avoir consommé de l'alcool, des drogues ou avoir pris des médicaments.** Un moment d'inattention lors de l'utilisation de l'outil électrique peut entraîner de graves blessures sur les personnes.
- b) **Portez des équipements de protection. Portez toujours des lunettes de protection.** Le fait de porter des équipements de protection personnels tels que masque anti-poussières, chaussures de sécurité antidérapantes, casque de protection ou protection acoustique suivant le travail à effectuer, réduit le risque de blessures.
- c) **Evitez tout démarrage intempestif. S'assurez que l'interrupteur est en position arrêté avant de brancher l'outil au secteur et/ou au bloc de batteries, de le ramasser ou de le porter.** Porter les outils en ayant le doigt sur l'interrupteur ou brancher des outils dont l'interrupteur est en position marche est source d'accidents.
- d) **Enlevez tout outil de réglage ou toute clé avant de mettre l'outil électrique en fonctionnement.** Une clé ou un outil se trouvant sur une partie en rotation peut causer des blessures.
- e) **Ne surestimez pas vos capacités. Veillez à garder toujours une position stable et équilibrée.** Ceci vous

permet de mieux contrôler l'outil électrique dans des situations inattendues.

- f) **Portez des vêtements appropriés. Ne portez pas de vêtements amples ni de bijoux. Gardez les cheveux et les vêtements à distance des parties en mouvement.** Des vêtements amples, des bijoux ou des cheveux longs peuvent être happés par des pièces en mouvement.
- g) **Si des dispositifs servant à aspirer ou à recueillir les poussières doivent être utilisés, vérifiez que ceux-ci soient effectivement raccordés et qu'ils sont correctement utilisés.** L'utilisation des collecteurs de poussière réduit les dangers dus aux poussières.
- h) **Restez vigilant et ne pas négligez les principes de sécurité de l'outil sous prétexte que vous avez l'habitude de l'utiliser.** Une fraction de seconde d'inattention peut provoquer une blessure grave.
- 4) UTILISATION ET EMPLOI SOIGNEUX DE L'OUTIL ELECTRIQUE**
- a) **Ne surchargez pas l'outil électrique. Utilisez l'outil électrique approprié au travail à effectuer.** Avec l'outil électrique approprié, vous travaillerez mieux et avec plus de sécurité à la vitesse pour laquelle il est prévu.
- b) **N'utilisez pas un outil électrique dont l'interrupteur est défectueux.** Un outil électrique qui ne peut plus être mis en ou hors fonctionnement est dangereux et doit être réparé.
- c) **Débranchez la fiche de la source d'alimentation et/ou enlevez le bloc de batteries, s'il est amovible, avant tout réglage, changement d'accessoires ou avant de ranger l'outil électrique.** De telles mesures de sécurité préventives réduisent le risque de démarrage accidentel de l'outil électrique.
- d) **Gardez les outils électriques non utilisés hors de portée des enfants. Ne permettez pas l'utilisation de l'outil électrique à des personnes qui ne se sont pas familiarisées avec celui-ci ou qui n'ont pas lu ces instructions.** Les outils électriques sont dangereux lorsqu'ils sont utilisés par des personnes non initiées.
- e) **Observez la maintenance des outils électriques et des accessoires. Vérifiez que les parties en mouvement fonctionnent correctement et qu'elles ne soient pas coincées, et contrôlez si des parties sont cassées ou endommagées de telle sorte que le bon fonctionnement de l'outil électrique s'en trouve entravé. Faites réparer les parties endommagées avant d'utiliser l'outil électrique.** De nombreux accidents sont dus à des outils électriques mal entretenus.
- f) **Maintenez les outils de coupe aiguisés et propres.** Des outils soigneusement entretenus avec des bords tranchants bien aiguisés se coincent moins souvent et peuvent être guidés plus facilement.
- g) **Utilisez l'outil électrique, les accessoires, les outils à monter etc. conformément à ces instructions. Tenez compte également des conditions de travail et du travail à effectuer.** L'utilisation de l'outil électrique à d'autres fins que celles prévues peut entraîner des situations dangereuses.
- h) **Il faut que les poignées et les surfaces de préhension restent sèches, propres et dépourvues d'huiles et de graisses.** Des poignées et des surfaces

de préhension glissantes rendent impossibles la manipulation et le contrôle en toute sécurité de l'outil dans les situations inattendues.

5) SERVICE

- a) **Ne faites réparer votre outil électrique que par un personnel qualifié et seulement avec des pièces de rechange d'origine.** Ceci permet d'assurer la sécurité de l'outil électrique.

INSTRUCTIONS DE SECURITE POUR PONCEUSES

GENERALITES

- Cet outil ne doit pas être utilisé par des personnes de moins de 16 ans
- Cet outil ne convient pas pour des surfaces à poncer imperméabilisées
- N'utilisez jamais d'outil avec un câble endommagé; faites-le remplacer par un technicien qualifié
- **Ne travaillez pas de matériaux contenant de l'amiante** (l'amiante est considérée comme étant cancérigène)
- **Nettoyer régulièrement les ouïes de ventilation de votre outil électroportatif** (la ventilation du moteur aspire de la poussière dans le carter, et de la poussière de métal en trop grande quantité peut causer des dangers électriques)
- **Débranchez toujours l'outil avant tout réglage ou changement d'accessoire**

ACCESSOIRES

- SKIL ne peut se porter garant du bon fonctionnement de cet outil que s'il a été utilisé avec les accessoires d'origine
- N'utilisez plus les bandes de ponçage usées, fissurées ou fortement encrassées

AVANT L'USAGE

- Contrôlez toujours si la tension secteur correspond à la tension indiquée sur la plaquette signalétique de l'outil (les outils conçus pour une tension de 230V ou 240V peuvent également être branchés sur 220V)
- Faites attention aux vis, clous ou autres éléments qui pourraient se trouver dans la pièce à travailler et qui risqueraient d'endommager très fortement votre outil; enlevez-les avant de commencer le travail
- Utilisez un câble de prolongement complètement déroulé et de bonne qualité d'une capacité de 16 A
- Le niveau sonore en fonctionnement peut dépasser 85 dB(A); munissez-vous de casques anti-bruit
- La poussière de matériaux, tels que la peinture contenant du plomb, certaines espèces de bois, certains minéraux et différents métaux, peut être nocive (le contact avec la poussière ou son inhalation peut provoquer des réactions allergiques et/ou des maladies respiratoires chez l'opérateur ou des personnes se trouvant à proximité); **portez un masque antipoussières et travaillez avec un appareil de dépoussiérage lorsqu'il est possible d'en connecter un**
- Certains types de poussières sont classifiés comme étant cancérigènes (tels que la poussière de chêne ou de hêtre), en particulier en combinaison avec des additifs de traitement du bois; **portez un masque antipoussières et travaillez avec un appareil de dépoussiérage lorsqu'il est possible d'en connecter un**

- Suivez les directives nationales relatives au dépoussiérage pour les matériaux à travailler
- Portez des gants de protection, des lunettes de protection, des vêtements près du corps et un protège cheveux (pour des cheveux longs)
- **Fixez solidement la pièce à travailler** (une pièce fixée à l'aide de dispositifs de fixation est davantage assurée que si elle était tenue à la main)
- Lorsque vous poncez du métal, des étincelles se produisent; n'utilisez pas le sac à poussières/le réservoir à poussières/l'aspirateur et tenez toute autre personne ou tout matériel combustible éloignés de votre lieu de travail

PENDANT L'USAGE

- **Tenez l'outil aux poignées isolées, car la surface de ponçage peut entrer en contact avec son propre câble** (couper un fil sous tension peut mettre sous tension les parties métalliques exposées, ce qui pourrait électrocuter l'utilisateur)
- Tenez toujours le câble éloigné des parties mobiles de l'outil; orientez le câble vers l'arrière le plus loin possible de l'outil
- Ne touchez pas la bande de ponçage en rotation
- En cas de dysfonctionnement électrique ou mécanique, mettez directement l'outil hors service et débranchez la fiche
- Si le câble est endommagé ou rompu pendant le travail, n'y touchez pas, mais débranchez immédiatement la prise

APRES L'USAGE

- Lorsque vous rangez votre outil, le moteur doit être coupé et les pièces mobiles complètement arrêtées

EXPLICATION DES SYMBOLES SUR L'OUTIL

- ③ Veuillez lire le mode d'emploi avant d'utiliser l'outil
- ④ Double-isolation (ne nécessite pas de mise à la terre)
- ⑤ Ne jetez pas l'outil dans les ordures ménagères

UTILISATION

- Interrupteur marche/arrêt
 - mettez en marche/arrêtez votre outil en poussant/relâchant la gâchette A ②
 - ! **l'outil doit être mis en marche avant que la surface de ponçage ne touche la pièce à poncer**
 - ! **avant d'arrêter l'outil, vous devriez le soulever de la pièce à travailler**
- Blocage de l'interrupteur pour marche continue
 - appuyez sur la gâchette A ②
 - poussez le bouton B ② à l'aide du pouce
 - relâchez la gâchette
 - déverrouillez l'interrupteur en appuyant à nouveau sur la gâchette A ②
- Remplacement rapide des bandes de ponçage (système CLIC) ⑥
 - ! **débranchez la fiche**
 - soulevez le levier C
 - démontez la bande de ponçage
 - insérez la nouvelle bande, les flèches imprimées à l'intérieur de la bande pointées dans le même direction que la flèche D située sur l'outil
 - rabaissez le levier
 - ! **procédez à temps au changement des bandes de ponçage**
 - ! **ne jamais pliez les bandes de ponçage**

- Centrage automatique de la bande (ABC)
 - centre la bande automatiquement dès que l'équipement est mis en marche
 - maintient la bande centrée pendant le ponçage
- Au cas où la bande se déroule de l'outil (généralement suite à une qualité inférieure de bande):
 - mettez en marche l'outil
 - réglez la vis E ② jusqu'à ce que la bande de ponçage s'aligne avec le côté plat de l'outil
 - renouvelez la bande dans le cas où elle continue à se dérouler de l'outil
- Aspiration de poussières ⑦
 - videz le réservoir G/le sac F régulièrement pour une récupération optimale des poussières
 - lorsque vous utilisez l'outil avec un aspirateur, montez l'adaptateur de l'aspirateur H comme illustré (1215)
 - si nécessaire, nettoyez aussi le filtre, comme illustré
 - ! **n'utilisez pas le réservoir à poussières/le sac à poussières/l'aspirateur pour le ponçage des métaux**
- Tenue et guidage de l'outil ⑧
 - le guidage doit se faire parallèlement à la surface à travailler
 - ! **lorsque vous travaillez, tenez toujours l'outil par la(les) zone(s) de couleur grise**
 - ! **n'appliquez pas une pression excessive sur l'outil; le ponçage se fait de lui-même**
 - n'inclinez pas trop l'outil pour éviter toute marque de ponçage
 - veillez à ce que les fentes de ventilation J ② soient découvertes

CONSEILS D'UTILISATION

- Pour poncer des surfaces de bois nu, déplacez l'outil en mouvements droits dans le sens du grain
- Pour poncer toutes les autres surfaces, faites des mouvements circulaires
- Installez le support de ponçage K (accessoire SKIL 2610398244) pour poncer les surfaces sans produire de rayures, et vérifiez qu'il est bien enclenché ⑨
- ! **à l'usage, le support de ponçage K s'échauffe; ne pas y toucher avant qu'il ne se soit refroidi**
- Ne jamais travaillez le bois et le métal avec une même bande de ponçage
- Grain de bandes de ponçage recommandé:
 - pour enlever la peinture et pour poncer du bois très brut, utilisez du gros grain (40, 60)
 - pour poncer du bois brut ou commun, utilisez du grain moyen (80, 100, 120)
 - pour polir du bois et des surfaces couvertes d'ancienne peinture ainsi que pour polir du bois nu, utilisez du grain fin (180, 240, 320)
- Procédez par étapes, quand la surface à travailler est brute:
 - commencez à poncer avec du grain gros ou moyen
 - terminez par du grain fin
- Pour des suggestions complémentaires voyez www.skil.com

ENTRETIEN / SERVICE APRES-VENTE

- Cet outil n'est pas conçu pour un usage professionnel
- Gardez toujours votre outil et le câble propres (spécialement les aérations J ②)
 - éliminez les poussières de ponçage qui adhèrent à l'outil avec un pinceau
- ! **débranchez la fiche avant le nettoyage**
- Si, malgré tous les soins apportés à la fabrication et au contrôle de l'outil, celui-ci devait avoir un défaut, la réparation ne doit être confiée qu'à une station de service après-vente agréée pour outillage SKIL
 - retournez l'outil **non démonté** avec votre preuve d'achat au revendeur ou au centre de service après-vente SKIL le plus proche (les adresses ainsi que la vue éclatée de l'outil figurent sur www.skil.com)

ENVIRONNEMENT

- **Ne jetez pas les outils électriques, les accessoires et l'emballage dans les ordures ménagères** (pour les pays européens uniquement)
 - conformément à la directive européenne 2012/19/EG relative aux déchets d'équipements électriques ou électroniques, et à sa transposition dans la législation nationale, les outils électriques usés doivent être collectés séparément et faire l'objet d'un recyclage respectueux de l'environnement
 - le symbole ⑤ vous le rappellera au moment de la mise au rebut de l'outil



BRUIT / VIBRATION

- Mesuré selon EN 62841 le niveau de la pression sonore de cet outil est 87 dB(A) et le niveau de la puissance sonore 98 dB(A) (déviation standard: 3 dB), et la vibration 2,1 m/s² (somme vectorielle des trois axes directionnels; incertitude K = 1,5 m/s²)
- Le niveau de vibrations émises a été mesuré conformément à l'essai normalisé de la norme EN 62841; il peut être utilisé pour comparer plusieurs outils et pour réaliser une évaluation préliminaire de l'exposition aux vibrations lors de l'utilisation de l'outil pour les applications mentionnées
 - l'utilisation de l'outil dans d'autres applications, ou avec des accessoires différents ou mal entretenus, peut considérablement **augmenter** le niveau d'exposition
 - la mise hors tension de l'outil et sa non-utilisation pendant qu'il est allumé peuvent considérablement **réduire** le niveau d'exposition
- ! **protégez-vous contre les effets des vibrations par un entretien correct de l'outil et de ses accessoires, en gardant vos mains chaudes et en structurant vos schémas de travail**

D

Bandschleifer

1210/1215

EINLEITUNG

- Dieses Werkzeug ist bestimmt zum trockenen Schleifen mit hoher Abtragsleistung von Holz, Kunststoff, Metall, Spachtelmasse und lackierten Oberflächen
- Dieses Werkzeug eignet sich nicht für den professionellen Einsatz
- Bitte diese Bedienungsanleitung sorgfältig lesen und aufbewahren ③

TECHNISCHE DATEN ①

WERKZEUGKOMPONENTEN ②

- A Ein/Aus-Schalter
- B Knopf zum Verriegeln des Ein/Aus-Schalters
- C Hebel zum Wechseln des Schleifbands
- D Pfeil
- E Schraube zum Justieren der Bandzentrierung
- F Staubbeutel
- G Staubbox
- H Staubsaugersanschluss
- J Lüftungsschlitze
- K Schleifrahmen

SICHERHEIT

ALLGEMEINE SICHERHEITSHINWEISE FÜR ELEKTROWERKZEUGE

⚠️ WARNUNG Lesen Sie alle Sicherheitshinweise, Anweisungen, Gebildungen und technischen Daten, mit denen dieses Elektrowerkzeug versehen ist. Versäumnisse bei der Einhaltung der nachfolgenden Anweisungen können elektrischen Schlag, Brand und/oder schwere Verletzungen verursachen.

Bewahren Sie alle Sicherheitshinweise und Anweisungen für die Zukunft auf.

Der in den Sicherheitshinweisen verwendete Begriff "Elektrowerkzeug" bezieht sich auf netzbetriebene Elektrowerkzeuge (mit Netzkabel) und auf akkubetriebene Elektrowerkzeuge (ohne Netzkabel).

1) ARBEITSPLATZSICHERHEIT

- a) **Halten Sie Ihren Arbeitsbereich sauber und gut beleuchtet.** Unordnung oder unbeleuchtete Arbeitsbereiche können zu Unfällen führen.
- b) **Arbeiten Sie mit dem Elektrowerkzeug nicht in explosionsgefährdeter Umgebung, in der sich brennbare Flüssigkeiten, Gase oder Stäube befinden.** Elektrowerkzeuge erzeugen Funken, die den Staub oder die Dämpfe entzünden können.
- c) **Halten Sie Kinder und andere Personen während der Benutzung des Elektrowerkzeuges fern.** Bei Ablenkung können Sie die Kontrolle über das Elektrowerkzeug verlieren.

2) ELEKTRISCHE SICHERHEIT

- a) **Der Anschlussstecker des Elektrowerkzeuges muss in die Steckdose passen. Der Stecker darf in keiner Weise verändert werden. Verwenden Sie keine Adapterstecker gemeinsam mit schutzgeerdeten Elektrowerkzeugen.** Unveränderte Stecker und passende Steckdosen verringern das Risiko eines elektrischen Schlages.
- b) **Vermeiden Sie Körperkontakt mit geerdeten Oberflächen, wie von Rohren, Heizungen, Herden und Kühlschränken.** Es besteht ein erhöhtes Risiko durch elektrischen Schlag, wenn Ihr Körper geerdet ist.
- c) **Halten Sie das Elektrowerkzeug von Regen oder Nässe fern.** Das Eindringen von Wasser in ein Elektrogerät erhöht das Risiko eines elektrischen Schlages.
- d) **Zweckentfremden Sie das Kabel nicht, um das Elektrowerkzeug zu tragen, aufzuhängen oder um den Stecker aus der Steckdose zu ziehen. Halten Sie das Kabel fern von Hitze, Öl, scharfen Kanten oder sich bewegenden Elektrowerkzeugteilen.** Beschädigte oder verwickelte Kabel erhöhen das Risiko eines elektrischen Schlages.
- e) **Wenn Sie mit einem Elektrowerkzeug im Freien arbeiten, verwenden Sie nur Verlängerungskabel, die auch für den Außenbereich zugelassen sind.** Die Anwendung eines für den Außenbereich geeigneten Verlängerungskabels verringert das Risiko eines elektrischen Schlages.
- f) **Wenn der Betrieb des Elektrowerkzeuges in feuchter Umgebung nicht vermeidbar ist, verwenden Sie einen Fehlerstromschutzschalter.** Der Einsatz eines Fehlerstromschutzschalters vermindert das Risiko eines elektrischen Schlages.

3) SICHERHEIT VON PERSONEN

- a) **Seien Sie aufmerksam, achten Sie darauf, was Sie tun, und gehen Sie mit Vernunft an die Arbeit mit einem Elektrowerkzeug. Benutzen Sie das Elektrowerkzeug nicht, wenn Sie müde sind oder unter dem Einfluss von Drogen, Alkohol oder Medikamenten stehen.** Ein Moment der Unachtsamkeit beim Gebrauch des Elektrowerkzeuges kann zu ernsthaften Verletzungen führen.
- b) **Tragen Sie persönliche Schutzausrüstung und immer eine Schutzbrille.** Das Tragen persönlicher Schutzausrüstung, wie Staubmaske, rutschfeste Sicherheitsschuhe, Schutzhelm oder Gehörschutz, je nach Art und Einsatz des Elektrowerkzeuges, verringert das Risiko von Verletzungen.
- c) **Vermeiden Sie eine unbeabsichtigte Inbetriebnahme. Vergewissern Sie sich, dass das Elektrowerkzeug ausgeschaltet ist, bevor Sie es an die Stromversorgung und/oder den Akku anschließen, es aufnehmen oder tragen.** Wenn Sie beim Tragen des Elektrowerkzeuges den Finger am Schalter haben oder das Elektrowerkzeug eingeschaltet an die Stromversorgung anschließen, kann dies zu Unfällen führen.
- d) **Entfernen Sie Einstellwerkzeuge oder Schraubenschlüssel, bevor Sie das Elektrowerkzeug einschalten.** Ein Werkzeug oder Schlüssel, der sich in einem drehenden

Elektrowerkzeugeteil befindet, kann zu Verletzungen führen.

- e) **Überschätzen Sie sich nicht. Sorgen Sie für einen sicheren Stand und halten Sie jederzeit das Gleichgewicht.** Dadurch können Sie das Elektrowerkzeug in unerwarteten Situationen besser kontrollieren.
 - f) **Tragen Sie geeignete Kleidung. Tragen Sie keine weite Kleidung oder Schmuck. Halten Sie Haare und Kleidung fern von sich bewegenden Teilen.** Lockere Kleidung, Schmuck oder lange Haare können von sich bewegenden Teilen erfasst werden.
 - g) **Wenn Staubabsaug- und -auffangeinrichtungen montiert werden können, vergewissern Sie sich, dass diese angeschlossen sind und richtig verwendet werden.** Verwendung einer Staubabsaugung verringert Gefährdungen durch Staub.
 - h) **Wiegen Sie sich nicht in falscher Sicherheit und setzen Sie sich nicht über die Sicherheitsregeln für Elektrowerkzeuge hinweg, auch wenn Sie nach vielfachem Gebrauch mit dem Elektrowerkzeug vertraut sind.** Achtloses Handeln kann binnen Sekundenbruchteilen zu schweren Verletzungen führen.
- ## 4) SORGFÄLTIGER UMGANG UND GEBRAUCH VON ELEKTROWERKZEUGEN
- a) **Überlasten Sie das Elektrowerkzeug nicht. Verwenden Sie für Ihre Arbeit das dafür bestimmte Elektrowerkzeug.** Mit dem passenden Elektrowerkzeug arbeiten Sie besser und sicherer im angegebenen Leistungsbereich.
 - b) **Benutzen Sie kein Elektrowerkzeug, dessen Schalter defekt ist.** Ein Elektrowerkzeug, das sich nicht mehr ein- oder ausschalten lässt, ist gefährlich und muss repariert werden.
 - c) **Ziehen Sie den Stecker aus der Steckdose und/oder entfernen Sie einen abnehmbaren Akku, bevor Sie Geräteeinstellungen vornehmen, Zubehörteile wechseln oder das Elektrowerkzeug weglegen.** Diese Vorsichtsmaßnahme verhindert den unbeabsichtigten Start des Elektrowerkzeuges.
 - d) **Bewahren Sie unbenutzte Elektrowerkzeuge außerhalb der Reichweite von Kindern auf. Lassen Sie Personen das Elektrowerkzeug nicht benutzen, die mit diesem nicht vertraut sind oder diese Anweisungen nicht gelesen haben.** Elektrowerkzeuge sind gefährlich, wenn Sie von unerfahrenen Personen benutzt werden.
 - e) **Pflegen Sie Elektrowerkzeuge und Zubehör mit Sorgfalt. Kontrollieren Sie, ob bewegliche Elektrowerkzeugteile einwandfrei funktionieren und nicht klemmen, ob Teile gebrochen oder so beschädigt sind, dass die Funktion des Elektrowerkzeuges beeinträchtigt ist. Lassen Sie beschädigte Teile vor dem Einsatz des Elektrowerkzeuges reparieren.** Viele Unfälle haben ihre Ursache in schlecht gewarteten Elektrowerkzeugen.
 - f) **Halten Sie Schneidwerkzeuge scharf und sauber.** Sorgfältig gepflegte Schneidwerkzeuge mit scharfen Schneidkanten verklemmen sich weniger und sind leichter zu führen.
 - g) **Verwenden Sie Elektrowerkzeug, Zubehör, Einsatzwerkzeuge usw. entsprechend diesen**

Anweisungen. Berücksichtigen Sie dabei die Arbeitsbedingungen und die auszuführende Tätigkeit. Der Gebrauch von Elektrowerkzeugen für andere als die vorgesehenen Anwendungen kann zu gefährlichen Situationen führen.

- h) **Halten Sie Griffe und Griffflächen trocken, sauber und frei von Öl und Fett.** Rutschige Griffe und Griffflächen erlauben keine sichere Bedienung und Kontrolle des Elektrowerkzeuges in unvorhergesehenen Situationen.

5) SERVICE

- a) **Lassen Sie Ihr Elektrowerkzeug nur von qualifiziertem Fachpersonal und nur mit Original-Ersatzteilen reparieren.** Damit wird sichergestellt, dass die Sicherheit des Elektrowerkzeuges erhalten bleibt.

SICHERHEITSHINWEISE FÜR SCHLEIFER

ALLGEMEINES

- Der Benutzer dieses Werkzeuges sollte älter als 16 Jahre sein
- Dieses Werkzeug ist für Naßschleifen nicht geeignet
- Werkzeug nicht weiter verwenden, wenn das Kabel beschädigt ist; lassen Sie dieses von einem anerkannten Elektrofachmann ersetzen
- **Bearbeiten Sie kein asbesthaltiges Material** (Asbest gilt als krebserregend)
- **Reinigen Sie regelmäßig die Lüftungsschlitze Ihres Elektrowerkzeugs** (das Motorgebläse zieht Staub in das Gehäuse, und eine starke Ansammlung von Metallstaub kann elektrische Gefahren verursachen)
- **Ziehen Sie grundsätzlich den Netzstecker, bevor Sie beliebige Änderungen an den Einstellungen oder einen Zubehörwechsel vornehmen**

ZUBEHÖR

- SKIL kann nur dann die einwandfreie Funktion des Werkzeuges zusichern, wenn Original-Zubehör verwendet wird
- Verwenden Sie verschlissene, eingerissene oder stark zugesetzte Schleifbänder nicht weiter

VOR DER ANWENDUNG

- Stets nachprüfen, daß die Netzspannung mit der auf dem Typenschild des Werkzeuges angegebenen Spannung übereinstimmt (mit 230V oder 240V beschriftete Werkzeuge können auch an 220V betrieben werden)
- Beschädigungen durch Schrauben, Nägel und ähnliches an Ihrem Werkstück vermeiden; diese vor Arbeitsbeginn entfernen
- Bei Benutzung von Verlängerungskabeln ist darauf zu achten, daß das Kabel vollständig abgerollt ist und eine Kapazität von 16 A hat
- Der Geräuschpegel beim Arbeiten kann 85 dB(A) überschreiten; Gehörschutz tragen
- Staub von Materialien wie Farbe, die Blei enthält, einigen Holzarten, Mineralien und Metall kann schädlich sein (Kontakt mit oder Einatmen des Staubs kann zu allergischen Reaktionen und/oder Atemwegserkrankheiten beim Bediener oder Umstehenden führen); **tragen Sie eine Staubmaske und arbeiten Sie mit einem Staubabsaugungssystem, wenn ein solches angeschlossen werden kann**
- Bestimmte Arten von Staub sind als karzinogen klassifiziert (beispielsweise Eichen- und

Buchenholzstaub), insbesondere in Verbindung mit Zusätzen für die Holzvorbehandlung; **tragen Sie eine Staubmaske und arbeiten Sie mit einem Staubabsaugungssystem, wenn ein solches angeschlossen werden kann**

- Beachten Sie die für Ihr verwendetes Verbrauchsmaterial gültigen nationalen Staubschutzvorgaben
- Tragen Sie Schutzhandschuhe, Schutzbrille, enganliegende Kleidung und Haarschutz (bei langen Haaren)
- **Sichern Sie das Werkstück** (ein mit Spannvorrichtungen oder Schraubstock festgehaltenes Werkstück ist sicherer gehalten als mit der Hand)
- Beim Schleifen von Metall entstehen Funken; verwenden Sie den Staubbeutel/die Staubbox/den Staubsauger nicht und halten Sie andere Personen sowie brennbare Materialien von Ihrem Arbeitsbereich fern

WÄHREND DER ANWENDUNG

- **Fassen Sie das Elektrowerkzeug nur an den isolierten Griffflächen an, da die Schleiffläche mit seinem eigenen Netzkelb in Berührung kommen kann** (ein Einschneiden eines spannungsführenden Kabels kann zu einer Spannungsübertragung auf die ungeschützten Metallteile des Werkzeuges führen und kann so dem Bediener einen Stromschlag versetzen)
- Das Kabel immer von umlaufenden Teilen des Werkzeuges fernhalten; das Kabel nach hinten vom Werkzeug weg führen
- Nicht mit dem laufenden Schleifband in Berührung kommen
- Bei elektrischer oder mechanischer Fehlfunktion das Werkzeug sofort ausschalten und den Netzstecker ziehen
- Wird bei der Arbeit das Kabel beschädigt oder durchtrennt, Kabel nicht berühren, sondern sofort den Netzstecker ziehen

NACH DER ANWENDUNG

- Sobald Sie sich von Ihrem Werkzeug entfernen, sollte dieses ausgeschaltet werden und die sich bewegenden Teile vollkommen zum Stillstand gekommen sein

ERKLÄRUNG DER SYMBOLE AUF DEM WERKZEUG

- ③ Die Bedienungsanleitung vor dem Gebrauch lesen
- ④ Doppelte Isolierung (kein Erdleiter erforderlich)
- ⑤ Das Werkzeug nicht in den Hausmüll werfen

BEDIENUNG

- Ein/Aus-Schalter
 - das Werkzeug wird durch Druck auf/Loslassen von Schalter A ② ein-/ausgeschaltet
 - ! **bevor die Schleiffläche das Werkstück berührt, muß Ihr Werkzeug erst eingeschaltet werden**
 - ! **vor dem Ausschalten des Werkzeuges sollte dieses vom Werkstück abgenommen werden**
- Arretierung des Schalters für Dauerlauf
 - Schalter A ② drücken
 - Knopf B ② mit Ihrem Daumen drücken
 - Schalter lösen
 - lösen Sie die Feststellung durch wieder auf Schalter A ② zu drücken und diese dann loszulassen
- Schneller Wechsel von Schleifbändern (CLIC-System) ⑥
 - ! **Netzstecker ziehen**
 - Hebel C lösen
 - Schleifband herausnehmen

- neues Schleifband einlegen mit den Pfeilen an der Innenseite des Bandes in gleicher Richtung zeigend wie der Pfeil D auf dem Werkzeug
 - Hebel zurückdrücken
 - ! **Schleifband rechtzeitig wechseln**
 - ! **Schleifband nie knicken**
 - Automatische Bandzentrierung (ABC)
 - zentriert das Band beim Einschalten des Werkzeuges automatisch
 - hält das Band beim Schleifen zentriert
- Wenn das Band vom Werkzeug wegläuft (zumeist durch mangelnde Bandqualität verursacht), sollten Sie
- das Werkzeug einschalten
 - Schraube E ② drehen bis das Schleifband in etwa mit der Bänderführseite des Werkzeuges abschließt
 - ein neues Band benutzen, wenn das Band immer noch vom Werkzeug wegläuft
- Staubabsaugung ⑦
 - regelmäßige Entleerung der Staubbox G/des Staubbeutel F sorgt für optimale Staubaufnahme
 - beim Gebrauch des Werkzeuges mit Staubsauger, Staubsaugeranschluß H wie dargestellt montieren (1215)
 - gegebenenfalls auch das Filter laut Darstellung reinigen
- ! **Staubbox/Staubbeutel/Staubsauger nicht beim Schleifen von Metall verwenden**
- Halten und Führen des Werkzeuges ⑧
 - halten Sie Ihr Werkzeug parallel zu der zu bearbeitenden Oberfläche
- ! **Werkzeug beim Arbeiten immer am grauen Griffbereich fassen**
- ! **nicht zu viel Druck auf das Werkzeug ausüben; lassen Sie die Schleiffläche für Sie arbeiten**
- verkanten Sie das Werkzeug nicht, damit ungewollte Schleifspuren vermieden werden
- Lüftungsschlitze J ② unbedeckt halten

ANWENDUNGSHINWEISE

- Für das Abschleifen von unbehandelten Holzoberflächen, bewegen Sie das Werkzeug in geraden Bewegungen entlang der Maserung
- Zum Schleifen anderer Oberflächen das Werkzeug in ovalen Bewegungen über das Material bewegen
- Zum Ausgleichen von Oberflächen ohne Kratzer oder Nuten den Schleifrahmen K (SKIL Zubehör 2610398244) montieren, und darauf achten, dass er sicher angebracht ist ⑨
- ! **Schleifrahmen K wird bei Gebrauch heiß; nicht berühren, bevor er abgekühlt ist**
- Nie mit demselben Schleifband Holz und Metall bearbeiten
- Empfohlene Schleifbandkörnung
 - zum Entfernen von Farbe und zum Schleifen von extrem rohem Holz grobe Körnungsgrößen (40, 60) verwenden
 - zum Schleifen von Rohholz oder einfachem Holz mittlere Körnungsgrößen (80, 100, 120) verwenden
 - zum Glätten von Holz und Oberflächen mit alter Farbe sowie zum Trockenschleifen von unbehandelten Holzoberflächen feine Körnungsgrößen (180, 240, 320) verwenden

- Verwenden Sie verschiedene Körnungsgröße wenn die zu bearbeitende Oberfläche roh ist:
 - schleifen Sie anfangs mit der Grob- oder Mittelkörnung
 - beenden Sie mit der Feinkörnung
- Für mehr Tips siehe www.skil.com

WARTUNG / SERVICE

- Dieses Werkzeug eignet sich nicht für den professionellen Einsatz
- Halten Sie Werkzeug und Kabel immer sauber (insbesondere die Lüftungsschlitze J ②)
 - anhaftenden Schleifstaub mit einem Pinsel entfernen
- ! **Netzstecker vor dem Säubern ziehen**
- Sollte das Elektrowerkzeug trotz sorgfältiger Herstellungs- und Prüfverfahren einmal ausfallen, ist die Reparatur von einer autorisierten Kundendienststelle für SKIL-Elektrowerkzeuge ausführen zu lassen
 - das Werkzeug **unzerlegt**, zusammen mit dem Kaufbeleg, an den Lieferer oder die nächste SKIL-Vertragswerkstätte senden (die Anschriften so wie die Ersatzteilzeichnung des Werkzeuges finden Sie unter www.skil.com)

UMWELT

- **Elektrowerkzeuge, Zubehör und Verpackungen nicht in den Hausmüll werfen** (nur für EU-Länder)
 - gemäss Europäischer Richtlinie 2012/19/EG über Elektro- und Elektronik- Altgeräte und Umsetzung in nationales Recht müssen nicht mehr gebrauchsfähige Elektrowerkzeuge getrennt gesammelt und einer umweltgerechten Wiederverwertung zugeführt werden
 - hieran soll Sie Symbol ⑤ erinnern

GERÄUSCH / VIBRATION

- Gemessen gemäß EN 62841 beträgt der Schalldruckpegel dieses Gerätes 87 dB(A) und der Schalleistungspegel 98 dB(A) (Standardabweichung: 3 dB), und die Vibration 2,1 m/s² (Vektorsumme dreier Richtungen; Unsicherheit K = 1,5 m/s²)
- Die Vibrationsemissionsstufe wurde mit einem standardisierten Test gemäß EN 62841 gemessen; Sie kann verwendet werden, um ein Werkzeug mit einem anderen zu vergleichen und als vorläufige Beurteilung der Vibrationsexposition bei Verwendung des Werkzeugs für die angegebenen Anwendungszwecke
 - die Verwendung des Werkzeugs für andere Anwendungen oder mit anderem oder schlecht gewartetem Zubehör kann die Expositionsstufe erheblich **erhöhen**
 - Zeiten, zu denen das Werkzeug ausgeschaltet ist, oder wenn es läuft aber eigentlich nicht eingesetzt wird, können die Expositionsstufe erheblich **verringern**
- ! **schützen Sie sich vor den Auswirkungen der Vibration durch Wartung des Werkzeugs und des Zubehörs, halten Sie Ihre Hände warm und organisieren Sie Ihren Arbeitsablauf**

Bandschuurmachine 1210/1215

INTRODUCTIE

- Deze machine is bestemd voor het droog schuren met een groot afnamevermogen van hout, kunststof, metaal, plamuur en gelakte oppervlakken
- Deze machine is niet bedoeld voor professioneel gebruik
- Lees en bewaar deze gebruiksaanwijzing ③

TECHNISCHE GEGEVENS ①

MACHINE-ELEMENTEN ②

- A Aan/uit schakelaar
- B Knop voor vergrendelen van aan/uit schakelaar
- C Hendel voor verwisselen van schuurband
- D Pijl
- E Schroef voor bijstellen van bandcentrerings
- F Stofzak
- G Stofcontainer
- H Stofzuigeraansluitstuk
- J Ventilatie-openingen
- K Schuurraam

VEILIGHEID

ALGEMENE VEILIGHEIDSWAARSCHUWINGEN VOOR ELEKTRISCHE GEREEDSCHAPPEN

⚠ WAARSCHUWING Lees alle veiligheidswaarschuwingen, aanwijzingen, afbeeldingen en specificaties die bij dit elektrische gereedschap worden geleverd. Als de hieronder vermelde aanwijzingen niet worden opgevolgd, kan dit een elektrische schok, brand en/of ernstig letsel tot gevolg hebben.

Bewaar alle waarschuwingen en voorschriften voor toekomstig gebruik.

Het in de waarschuwingen gebruikte begrip "elektrisch gereedschap" heeft betrekking op elektrische gereedschappen voor gebruik op het stroomnet (met netsnoer) en op elektrische gereedschappen voor gebruik met een accu (zonder netsnoer).

1) VEILIGHEID VAN DE WERKOMGEVING

- Houd uw werkomgeving schoon en opgeruimd.** Een rommelige of onverlichte werkomgeving kan tot ongevallen leiden.
- Werk met het gereedschap niet in een omgeving met explosiegevaar waarin zich brandbare vloeistoffen, gassen of stof bevinden.** Elektrische gereedschappen veroorzaken vonken die het stof of de dampen tot ontsteking kunnen brengen.
- Houd kinderen en andere personen tijdens het gebruik van het elektrische gereedschap uit de buurt.** Wanneer u wordt afgeleid, kunt u de controle over het gereedschap verliezen.

2) ELEKTRISCHE VEILIGHEID

- De aansluitstekker van het gereedschap moet in het stopcontact passen.** De stekker mag in geen geval worden veranderd. Gebruik geen adapterstekkers in combinatie met geaarde gereedschappen. Onveranderde stekkers en passende stopcontacten beperken het risico van een elektrische schok.
- Voorkom aanraking van het lichaam met geaarde oppervlakken, bijvoorbeeld van buizen, verwarmingen, fornuizen en koelkasten.** Er bestaat een verhoogd risico door een elektrische schok wanneer uw lichaam geaard is.
- Houd het gereedschap uit de buurt van regen en vocht.** Het binnendringen van water in het elektrische gereedschap vergroot het risico van een elektrische schok.
- Gebruik de kabel niet voor een verkeerd doel, om het gereedschap te dragen of op te hangen of om de stekker uit het stopcontact te trekken. Houd de kabel uit de buurt van hitte, olie, scherpe randen en bewegende gereedschapsdelen.** Beschadigde of in de war geraakte kabels vergroten het risico van een elektrische schok.
- Wanneer u buitenshuis met elektrisch gereedschap werkt, dient u alleen verlengkabels te gebruiken die voor gebruik buitenshuis zijn goedgekeurd.** Het gebruik van een voor gebruik buitenshuis geschikte verlengkabel beperkt het risico van een elektrische schok.
- Als het gebruik van het elektrische gereedschap in een vochtige omgeving onvermijdelijk is, dient u een aardlekschakelaar te gebruiken.** Het gebruik van een aardlekschakelaar vermindert het risico van een elektrische schok.

3) VEILIGHEID VAN PERSONEN

- Wees alert, let goed op wat u doet en ga met verstand te werk bij het gebruik van het elektrische gereedschap.** Gebruik het gereedschap niet wanneer u moe bent of onder invloed staat van drugs, alcohol of medicijnen. Een moment van onoplettendheid bij het gebruik van het gereedschap kan tot ernstige verwondingen leiden.
- Draag persoonlijke beschermende uitrusting en altijd een veiligheidsbril.** Het dragen van persoonlijke beschermende uitrusting zoals een stofmasker, slijpvaste werkschoenen, een veiligheidshelm of gehoorbescherming, afhankelijk van de aard en het gebruik van het elektrische gereedschap, vermindert het risico van verwondingen.
- Voorkom per ongeluk inschakelen. Controleer dat het elektrische gereedschap uitgeschakeld is voordat u de stekker in het stopcontact steekt of de accu aansluit en voordat u het gereedschap oppakt of draagt.** Wanneer u bij het dragen van het elektrische gereedschap uw vinger aan de schakelaar hebt of wanneer u het gereedschap ingeschakeld op de stroomvoorziening aansluit, kan dit tot ongevallen leiden.
- Verwijder instelgereedschappen of schroefsleutels voordat u het gereedschap inschakelt.** Een instelgereedschap of sleutel in een draaiend deel van het gereedschap kan tot verwondingen leiden.

- e) **Probeer niet ver te reiken. Zorg ervoor dat u stevig staat en steeds in evenwicht blijft.** Daardoor kunt u het gereedschap in onverwachte situaties beter onder controle houden.
- f) **Draag geschikte kleding. Draag geen loshangende kleding of sieraden. Houd haren en kleding uit de buurt van bewegende delen.** Loshangende kleding, sieraden en lange haren kunnen door bewegende delen worden meegenomen.
- g) **Wanneer stofafzuigings- of stofopvangvoorzieningen kunnen worden gemonteerd, dient u zich ervan te verzekeren dat deze zijn aangesloten en juist worden gebruikt.** Het gebruik van een stofafzuiging beperkt het gevaar door stof.
- h) **Ondanks het feit dat u eventueel heel goed vertrouwd bent met het gebruik van gereedschappen, moet u ervoor zorgen dat u niet nonchalant wordt en veiligheidsvoorschriften voor het gereedschap gaat negeren.** Een onoplettende handeling kan binnen een fractie van een seconde ernstig letsel veroorzaken.
- 4) GEBRUIK EN ONDERHOUD VAN ELEKTRISCHE GEREEDSCHAPPEN**
- a) **Overbelast het gereedschap niet. Gebruik voor uw werkzaamheden het daarvoor bestemde elektrische gereedschap.** Met het passende elektrische gereedschap werkt u beter en veiliger binnen het aangegeven capaciteitsbereik.
- b) **Gebruik geen elektrisch gereedschap waarvan de schakelaar defect is.** Elektrisch gereedschap dat niet meer kan worden in- of uitgeschakeld, is gevaarlijk en moet worden gerepareerd.
- c) **Trek de stekker uit het stopcontact en/of neem de accu (indien uitneembaar) uit het elektrische gereedschap voordat u het elektrische gereedschap instelt, accessoires wisselt of het elektrische gereedschap opbergt.** Deze voorzorgsmaatregel voorkomt onbedoeld starten van het elektrische gereedschap.
- d) **Bewaar niet-gebruikte elektrische gereedschappen buiten bereik van kinderen. Laat het gereedschap niet gebruiken door personen die er niet mee vertrouwd zijn en deze aanwijzingen niet hebben gelezen.** Elektrische gereedschappen zijn gevaarlijk wanneer deze door onervaren personen worden gebruikt.
- e) **Verzorg het gereedschap zorgvuldig. Controleer of bewegende delen van het gereedschap correct functioneren en niet vastklemmen en of onderdelen zodanig gebroken of beschadigd zijn dat de werking van het gereedschap nadelig wordt beïnvloed. Laat beschadigde delen repareren voordat u het gereedschap gebruikt.** Veel ongevallen hebben hun oorzaak in slecht onderhouden elektrische gereedschappen.
- f) **Houd snijdende inzetgereedschappen scherp en schoon.** Zorgvuldig onderhouden snijdende inzetgereedschappen met scherpe snijkanten klemmen minder snel vast en zijn gemakkelijker te geleiden.
- g) **Gebruik elektrische gereedschappen, toebehoren, inzetgereedschappen en dergelijke volgens deze aanwijzingen. Let daarbij op de arbeidsomstandigheden en de uit te voeren**

werkzaamheden. Het gebruik van elektrische gereedschappen voor andere dan de voorziene toepassingen kan tot gevaarlijke situaties leiden.

- h) **Houd handgrepen en greepvlakken droog, schoon en vrij van olie en vet.** Gladde handgrepen en greepvlakken verhinderen dat het gereedschap in onverwachte situaties veilig kan worden gehanteerd en bediend.

5) SERVICE

- a) **Laat het gereedschap alleen repareren door gekwalificeerd en vakkundig personeel en alleen met originele vervangsonderdelen.** Daarmee wordt gewaarborgd dat de veiligheid van het gereedschap in stand blijft.

VEILIGHEIDSVOORSCHRIFTEN VOOR SCHUURMACHINES

ALGEMEEN

- Deze machine mag niet worden gebruikt door personen onder de 16 jaar
- Deze machine is niet geschikt voor schuren met water
- Gebruik de machine niet, wanneer het snoer beschadigd is; laat dit door een erkende vakman vervangen
- **Bewerk geen asbesthoudend materiaal** (asbest geldt als kankerverwekkend)
- **Reinig regelmatig de ventilatie-openingen van de machine** (de motorventilator trekt stof in de behuizing en een sterke ophoping van metaalstof kan elektrische gevaren veroorzaken)
- **Trek altijd de stekker uit het stopcontact voordat u een instelling verandert of een accessoire verwisselt**

ACCESSOIRES

- SKIL kan alleen een correcte werking van de machine garanderen, indien originele accessoires worden gebruikt
- Gebruik versleten, gescheurde of ernstig beschadigde schuurbanden niet meer

VOÓR GEBRUIK

- Controleer altijd of het voltage, dat vermeld staat op het typeplaatje van de machine, overeenkomt met de netspanning (met 230V of 240V aangeduide machines kunnen ook op 220V aangesloten worden)
- Voorkom schade, die kan ontstaan door schroeven, spijkers en andere voorwerpen in uw werkstuk; verwijder deze, voordat u aan een karwei begint
- Gebruik volledig uitgerolde en veilige verlengsnoeren met een capaciteit van 16 Ampère
- Tijdens het werken kan het geluidsniveau 85 dB(A) overschrijden; draag oorbeschermers
- Stof van materiaal zoals loodhoudende verf, sommige houtsoorten, mineralen en metaal kunnen schadelijk zijn (contact met of inademing van de stof kan allergische reacties en/of ademhalingsziekten bij gebruiker of omstanders veroorzaken); **draag een stofmasker en werk met een stofopvangvoorziening als die kan worden aangesloten**
- Bepaalde soorten stof zijn geclassificeerd als kankerverwekkend (zoals stof van eiken en beuken), met name in combinatie met toevoegingsmiddelen voor houtverzorging; **draag een stofmasker en werk met een stofopvangvoorziening als die kan worden aangesloten**

- Neem voor de door u te bewerken materialen de nationale voorschriften aangaande stofopvang in acht
- Draag beschermende handschoenen, veiligheidsbril, nauw sluitende kleding en haarbescherming (bij lange haren)
- **Zet het werkstuk vast** (een werkstuk, dat is vastgezet met klemmen of in een bankschroef, zit steviger vast dan wanneer het met de hand wordt vastgehouden)
- Bij het schuren van metaal ontstaan vonken; gebruik de stofzak/stofcontainer/stofzuiger niet en houd andere personen en brandbaar materiaal van het werkgebied weg

TIJDENS GEBRUIK

- **Houd de elektrische machine vast aan de geïsoleerde greepvlakken omdat het schuuroppervlak contact kan maken met het snoer** (het doorslijpen van een onder spanning staande leiding zet ook de metalen delen van de elektrische machine onder spanning waardoor de gebruiker een schok kan krijgen)
- Houd het snoer altijd verwijderd van de bewegende delen van uw machine; richt het snoer naar achteren, van de machine weg
- Kom niet in aanraking met de draaiende schuurband
- In geval van elektrische of mechanische storing, de machine onmiddellijk uitschakelen en de stekker uit het stopcontact trekken
- Raak het snoer niet aan, als dit tijdens de werkzaamheden wordt beschadigd of doorgesneden, maar trek onmiddellijk de stekker uit het stopcontact

NA GEBRUIK

- Als u de machine wegzet moet de motor uitgeschakeld zijn en de bewegende delen tot stilstand zijn gekomen

UITLEG VAN SYMBOLEN OP MACHINE

- ③ Lees de gebruiksaanwijzing vóór gebruik
- ④ Dubbele isolatie (geen aarddraad nodig)
- ⑤ Geef de machine niet met het huisvuil mee

GEBRUIK

- Aan/uit schakelaar
 - zet uw machine aan/uit door schakelaar A ② in te drukken/los te laten
 - ! **voordat het schuuroppervlak in aanraking komt met het werkstuk, moet u de machine aanzetten**
 - ! **voordat u de machine uitschakelt, dient u deze van het werkstuk op te lichten**
- Vastzetten van schakelaar voor continu gebruik
 - druk trekker A ② in
 - druk op knop B ② met uw duim
 - laat trekker los
 - ontgrendel schakelaar door trekker A ② nog eens in te drukken en dan los te laten
- Snel verwisselen van schuurbanden (CLIC-systeem) ⑥
 - ! **trek de stekker uit het stopcontact**
 - licht hendel C op
 - verwijder schuurband
 - breng nieuwe schuurband aan met pijlen aan binnenkant van band in dezelfde richting wijzend als pijl D op machine
 - druk hendel weer op zijn plaats
 - ! **schuurband tijdig verwisselen**
 - ! **schuurband nooit vouwen**

- Automatische bandcentering (ABC)
 - centreert schuurband automatisch bij aanzetten van machine
 - houdt schuurband gecentreerd tijdens het schuren
- Als schuurband van machine af loopt (meestal veroorzaakt door slechte kwaliteit van band)
 - zet de machine aan
 - stel schroef E ② zodanig in, dat schuurband parallel loopt met platte zijkant van machine
 - gebruik een nieuwe band, als de band van de machine af blijft lopen
- Stofafzuiging ⑦
 - ledig stofcontainer G/stofzak F regelmatig voor optimale stofafzuiging
 - bij gebruik van de machine met stofzuiger stofzuigeraansluitstuk H zoals afgebeeld bevestigen (1215)
 - maak ook het filter schoon, indien nodig
 - ! **gebruik stofcontainer/stofzak/stofzuiger niet bij het schuren van metaal**
- Vasthouden en leiden van de machine ⑧
 - geleid uw machine parallel aan het werkoppervlak
 - ! **houd de machine tijdens het werk altijd vast bij het(de) grijs-gekleurde greepvlak(ken)**
 - ! **oefen niet te veel druk uit op de machine; laat het schuuroppervlak het werk voor u doen**
 - zet uw machine niet schuin op het werkstuk ter voorkoming van ongewenste schuursporen
 - houd ventilatie-openingen J ② onbedekt

TOEPASSINGSADVIES

- Bij kale houten oppervlakken geeft een rechtlijnige beweging met de nerf van het hout mee het beste resultaat
- Bij alle andere oppervlakken de machine in ovale bewegingen over het materiaal bewegen
- Monteer schuurraam K (SKIL accessoire 2610398244) voor het egaliseren van oppervlakken zonder krassen of groeven, en zorg dat het stevig vast zit ⑤
 - ! **schuurraam K wordt heet tijdens gebruik; raak het niet aan voordat het is afgekoeld**
- Gebruik nooit dezelfde schuurband voor hout en metaal
- Aanbevolen schuurbandkorrel:
 - gebruik korrelgrootte "grof" voor het verwijderen van verf en schuren van uiterst ruw hout (40, 60)
 - gebruik korrelgrootte "middel" voor het schuren van ruw of gewoon hout (80, 100, 120)
 - gebruik korrelgrootte "fijn" voor het glad maken van hout en oppervlakken met oude verf evenals voor het afwerken van kaal hout (180, 240, 320)
- Gebruik verschillende korrelgroottes, wanneer het te schuren oppervlak ruw is:
 - begin te schuren met korrel grof of middel
 - eindig met korrel fijn
- Voor meer tips zie www.skil.com

ONDERHOUD / SERVICE

- Deze machine is niet bedoeld voor professioneel gebruik
- Houd machine en snoer altijd schoon (met name de ventilatie-openingen J ②)
 - veeg achtergebleven schuurstof met een kwast weg
 - ! **trek de stekker uit het stopcontact vóór het reinigen**

- Mocht het elektrische gereedschap ondanks zorgvuldige fabricage- en testmethoden toch defect raken, dient de reparatie te worden uitgevoerd door een erkende klantenservice voor SKIL elektrische gereedschappen
 - stuur de machine **ongedemonteerd**, samen met het aankoopbewijs, naar het verkoopadres of het dichtstbijzijnde SKIL service-station (de adressen evenals de onderdeelentekening van de machine vindt u op www.skil.com)

MILIEU

- **Geef electrisch gereedschap, accessoires en verpakkingen niet met het huisvuil mee** (alleen voor EU-landen)
 - volgens de Europese richtlijn 2012/19/EG inzake oude elektrische en elektronische apparaten en de toepassing daarvan binnen de nationale wetgeving, dient afgedankt electrisch gereedschap gescheiden te worden ingezameld en te worden afgevoerd naar een recycle-bedrijf, dat voldoet aan de geldende milieu-eisen
 - symbool  zal u in het afdankstadium hieraan herinneren

GELUID / VIBRATIE


- Gemeten volgens EN 62841 bedraagt het geluidsdruk-niveau van deze machine 87 dB(A) en het geluidsvermogen-niveau 98 dB(A) (standaard deviatie: 3 dB), en de vibratie 2,1 m/s² (vectorsom van drie richtingen; onzekerheid K = 1,5 m/s²)
- Het trillingsemisssion-niveau is gemeten in overeenstemming met een gestandaardiseerde test volgens EN 62841; deze mag worden gebruikt om twee machines met elkaar te vergelijken en als voorlopige beoordeling van de blootstelling aan trilling bij gebruik van de machine voor de vermelde toepassingen
 - gebruik van de machine voor andere toepassingen, of met andere of slecht onderhouden accessoires, kan het blootstellingsniveau aanzienlijk **verhogen**
 - wanneer de machine is uitgeschakeld of wanneer deze loopt maar geen werk verricht, kan dit het blootstellingsniveau aanzienlijk **reduceren**
- ! **bescherm uzelf tegen de gevolgen van trilling door de machine en de accessoires te onderhouden, uw handen warm te houden en uw werkwijze te organiseren**

S

Bandslipmaskin

1210/1215

INTRODUKTION

- Det här verktyget är avsett för torr slipning vid hög nedslipningseffekt av trä, plast, metall, fyllmassa och målade ytor
- Det här verktyget är inte avsett för yrkesmässig användning
- Läs och spara denna instruktionsbok 


TEKNISKA DATA

VERKTYGSELEMENT

- A Till/från strömbrytare
- B Låsknapp för strömbrytare
- C Spak för slipbandsbyte
- D Pil
- E Skruv för bandcentrering
- F Dampmås
- G Dammuppsamlare
- H Dammsugaradapter
- J Ventilationsöppningar
- K Slipram

SÄKERHET

ALLMÄNNA SÄKERHETSANVISNINGAR FÖR ELVERKTYG

 **VARNING** Läs alla säkerhetsvarningar, instruktioner, illustrationer och specifikationer som ingår med detta elverktyg. Fel som uppstår till följd av att instruktionerna nedan inte följts kan orsaka elstöt, brand och/eller allvarliga personskador.

Förvara alla varningar och anvisningar för framtida bruk.

Nedan använt begrepp "elverktyg" hänför sig till nätdrivna elverktyg (med nätsladd) och till batteridrivna elverktyg (sladdlösa).

1) ARBETSPLATSSÄKERHET

- a) **Håll arbetsplatsen ren och välbelyst.** Oordning på arbetsplatsen eller dåligt belyst arbetsområde kan leda till olyckor.
- b) **Använd inte elverktyget i explosionsfarlig omgivning med brännbara vätskor, gaser eller damm.** Elverktygen alstrar gnistor som kan antända dammet eller gaserna.
- c) **Håll under arbetet med elverktyget barn och obehöriga personer på betryggande avstånd.** Om du störs av obehöriga personer kan du förlora kontrollen över elverktyget.

2) ELEKTRISK SÄKERHET

- a) **Elverktygets stickpropp måste passa till vägguttaget. Stickproppen får absolut inte förändras. Använd inte adapterkontakter tillsammans med skyddsjordade elverktyg.** Oförändrade stickproppar och passande vägguttag reducerar risken för elektriskt slag.
- b) **Undvik kroppskontakt med jordade ytor som t. ex. rör, värmeelement, spisar och kylskåp.** Det finns en större risk för elektriskt slag om din kropp är jordad.
- c) **Skydda elverktyget mot regn och väta.** Tränger vatten in i ett elverktyg ökar risken för elektriskt slag.
- d) **Missbruka inte nätsladden och använd den inte för att bära eller hänga upp elverktyget och inte heller för att dra stickproppen ur vägguttaget. Håll nätsladden på avstånd från värme, olja, skarpa kanter och rörliga maskindelar.** Skadade eller tilltrasslade ledningar ökar risken för elektriskt slag.

e) När du arbetar med ett elverktyg utomhus använd endast förlängningssladdar som är godkända för utomhusbruk. Om en lämplig förlängningssladd för utomhusbruk används minskar risken för elektriskt slag.

f) Använd en jordfelsbrytare om det inte är möjligt att undvika elverktygets användning i fuktig miljö. Genom att använda en jordfelsbrytare minskas risken för elstöt.

3) PERSONSÄKERHET

a) Var uppmärksam, kontrollera vad du gör och använd elverktyget med förnuft. Använd inte elverktyget när du är trött eller om du är påverkad av droger, alkohol eller mediciner. Under användning av elverktyg kan även en kort uppmärksamhet leda till allvarliga kroppsskador.

b) Bär alltid personlig skyddsutrustning och skyddsglasögon. Användning av personlig skyddsutrustning som t. ex. dammfiltermask, halkfria säkerhetsskor, skyddshjälm och hörselskydd reducerar alltefter elverktygets typ och användning risken för kroppsskada.

c) Undvik oavsiktlig igångsättning. Kontrollera att elverktyget är fränkopplat innan du ansluter stickproppen till vägguttaget och/eller ansluter/tar bort batteriet, tar upp eller bär elverktyget. Om du bär elverktyget med fingret på strömställaren eller ansluter påkopplat elverktyg till nätströmmen kan olycka uppstå.

d) Ta bort alla inställningsverktyg och skruvnycklar innan du kopplar på elverktyget. Ett verktyg eller en nyckel i en roterande komponent kan medföra kroppsskada.

e) Överskatta inte din förmåga. Se till att du står stadigt och håller balansen. I detta fall kan du lättare kontrollera elverktyget i oväntade situationer.

f) Bär lämpliga kläder. Bär inte löst hängande kläder eller smycken. Håll håret och kläderna på avstånd från de rörliga delarna. Löst hängande kläder, smycken och långt hår kan dras in av roterande delar.

g) Vid elverktyg med dammsugnings- och uppsamlingsutrustning kontrollera att anordningarna är rätt monterade och används på korrekt sätt. Användning av dammsugning minskar de risker damm orsakar.

h) Låt inte vanan att ofta använda verktygen göra att du blir slarvig och ignorerar verktygets säkerhetsprinciper. En vårdslös åtgärd kan leda till allvarlig personskada inom bråkdelen av en sekund.

4) OMSORGSFULL HANTERING OCH ANVÄNDNING AV ELVERKTYG

a) Överbelasta inte elverktyget. Använd för aktuellt arbete avsett elverktyg. Med ett lämpligt elverktyg kan du arbeta bättre och säkrare inom angivet effektområde.

b) Ett elverktyg med defekt strömställare får inte längre användas. Ett elverktyg som inte kan kopplas in eller ur är farligt och måste repareras.

c) Dra stickproppen ur vägguttaget och/eller ta bort batteriet, om det kan tas ut ur elverktyget, innan inställningar utförs, tillbehörsdelar byts ut eller elverktyget lagras. Denna skyddsåtgärd förhindrar oavsiktlig inkoppling av elverktyget.

d) Förvara elverktygen oåtkomliga för barn. Låt elverktyget inte användas av personer som inte är förtrogena med dess användning eller inte läst denna anvisning. Elverktygen är farliga om de används av oerfarna personer.

e) Underhåll elverktyg och tillbehör omsorgsfullt. Kontrollera att rörliga komponenter fungerar felfritt och inte kärvar, att komponenter inte brustit eller skadats; orsaker som kan leda till att elverktygets funktioner påverkas menligt. Låt skadade delar repareras innan elverktyget återanvänds. Många olyckor orsakas av dåligt skötta elverktyg.

f) Håll skärverktygen skarpa och rena. Omsorgsfullt skötta skärverktyg med skarpa eggar kommer inte så lätt i kläm och går lättare att styra.

g) Använd elverktyget, tillbehör, insatsverktyg osv. enligt dessa anvisningar. Ta hänsyn till arbetsvillkoren och arbetsmomenten. Används elverktyget på icke ändamålsenligt sätt kan farliga situationer uppstå.

h) Håll handtag och greppytor torra, rena och fria från olja och fett. Hala handtag och greppytor ger ingen säker hantering och kontroll över verktyget i oväntade situationer.

5) SERVICE

a) Låt elverktyget repareras endast av kvalificerad fackpersonal och med originalreservdelar. Detta garanterar att elverktygets säkerhet upprätthålls.

SÄKERHETSANVISNINGAR FÖR SLIPMASKINER

ALLMÄNT

- Den här maskinen ska inte användas av personer under 16 år
- Denna maskin är inte lämplig till vattenslipning
- Använd ej maskinen om sladden är trasig; låt den byta ut av en kvalificerad person
- **Asbesthaltigt material får inte bearbetas** (asbest anses vara cancerframkallande)
- **Rengör regelbundet elverktygets ventilationsöppningar** (motorfläkten drar in damm i huset och en kraftig anhopning av metalldamm kan orsaka farliga elströmmar)
- **Dra alltid ur stickkontakten från vägguttaget innan du gör någon justering eller byter tillbehör**

TILLBEHÖR

- SKIL kan endast garantera att maskinen fungerar felfritt om originaltillbehör används
- Förslitna, rivna eller kraftigt igensatta slipband får ej användas

FÖRE ANVÄNDNINGEN

- Kontrollera alltid att den tillförda strömtypen stämmer med spänningen som anges på maskinens märkplåt (maskiner med beteckningen 230V eller 240V kan även anslutas till 220V)
- Undvik skador genom att ta bort skruvar, spikar eller andra föremål ur arbetsstycket; ta dem bort innan du startar ett arbete
- Använd helt uttrullade och säkra förlängningssladdar med kapacitet på 16 A
- Ljudnivån vid arbete kan överskrida 85 dB(A); använd hörselskydd

- Viss typ av damm, exempelvis färg som innehåller bly, vissa träsorter, mineraler och metaller kan vara hälsovådliga om de inhaleras (hudkontakt eller inandning kan ge allergisk reaktion och/eller luftvägsproblem/ sjukdom hos personer i närheten); **använd andningsskydd och arbeta med en dammuppsamlare om sådan anslutning finns**
- Vissa typer av damm är klassificerade så som carcinogena (t.ex. ek- och björkdamm) särskilt i kombination med tillsatser för träbehandling; **använd andningsskydd och arbeta med en dammuppsamlare om sådan anslutning finns**
- Följ de nationella krav, som finns angående damm, för de material du skall arbeta med
- Använd skyddshandskar, skyddsglasögon, åtsittande kläder och håmnät (för långt hår)
- **Sätt fast arbetsstycket** (ett arbetsstycke fastsatt med skruvtingar eller i ett skruvstöd är mera stabilt än om det hålls fast för hand)
- Vid slipning av metall bildas gnistor; använd inte dammpåsen/dammuppsamlaren/dammsugare och håll andra personer och antändbart material på avstånd från arbetsområdet

UNDER ANVÄNDNINGEN

- **Håll det elektriska verktyget i de isolerade handtagen/ytorna eftersom sliptytan kan komma i kontakt med elsladden** (om en strömförande sladd skadas kan metalldelar i verktyget också bli strömförande vilket kan ge användaren en elektrisk stöt)
- Håll alltid sladden på säkert avstånd från rörliga maskindelar; för sladden bakåt bort från maskinen
- Berör inte roterande slipband
- I händelse av onormala elektriska eller mekaniska störningar, stäng genast av maskinen och dra ur stickkontakten
- Skadas eller kapas nätsladden under arbetet, rör inte vid sladden utan dra genast ut stickkontakten

EFTER ANVÄNDNINGEN

- När du ställer ifrån dig maskinen måste motorn vara fränslagen och de rörliga delarna ska ha stannat fullständigt

FÖRKLARING AV SYMBOLERNA PÅ VERKTYGET

- ③ Läs bruksanvisningen före användning
- ④ Dubbel isolering (ingen jordning krävs)
- ⑤ Maskinen får inte kastas i hushållssoporna

ANVÄNDNING

- Till/från strömbrytare
 - starta/stäng av maskinen genom att trycka in/släppa på avtryckaren A ②
 - ! **innan sliptytan sätts till arbetsstycket skall maskinen ha startats**
 - ! **maskinen skall tas bort från arbetsstycket innan den stängs av**
- Låsning av strömbrytare för kontinuerlig drift
 - tryck in avtryckaren A ②
 - tryck in knappen B ② med tummen
 - släpp avtryckaren
 - koppla ur låsningen genom att trycka in avtryckaren A ② en gång till och sedan släppa den igen

- Snabbbyte av slipband (CLIC system) ⑥
 - ! **drag ur stickkontakten**
 - lyft spaken C
 - tag bort slipbandet
 - sätt i det nya bandet med pilen, som finns på innersidan av bandet, pekande i samma riktning som pilen D på maskinen
 - tryck tillbaka spaken
 - ! **byt slipbanden i tid**
 - ! **knäck aldrig slipbanden**
 - Automatisk slipbandcentering (ABC)
 - centererar automatiskt slipbandet när maskinen kopplas på
 - håller bandet centrerat under slipningen
- Om bandet lossnar från maskinen (oftast på grund av låg bandkvalitet) gör du följande:
- starta maskinen
 - justera skruven E ② tills slipbandet sitter i linje med utsidan av maskinen
 - använd ett nytt band om bandet lossnar igen
- Dammuppsugning ⑦
 - töm dammuppsamlaren G/dammpåsen F regelbundet för att få bäst dammuppsugning
 - vid användning av maskinen med dammsugare, monter dammsugartillbehör H som bilden visar (1215)
 - rengör också vid behov filtret, enligt bilden
 - ! **använd inte dammuppsamlaren/dammpåsen/dammsugare när du slipar metall**
- Fattnings- och styrningen av maskinen ⑧
 - styr maskinen parallellt mot arbetsytan
 - ! **under arbetet, håll alltid verktyget i det grå greppet**
 - ! **lägg inte för mycket tryck på maskinen; låt sliptytan göra arbetet åt dig**
 - luta ej maskinen för att unvika oönskade slipmärken
 - håll ventilationsöppningarna J ② ej övertäckta

ANVÄNDNINGSTIPS

- Vid slipning av naturträ som ej ska efterbehandlas, ska maskinen föras långsamt med ådringen i virket
- Vid slipning av alla andra ytor skall maskinen röras i ovala rörelser över slipmaterialet
- Montera slipramen K (SKIL tillbehör 2610398244) för planslipning av ytor, utan repor och spår, och se till att den sitter stadigt ⑨
 - ! **slipram K blir varm under användningen; vidrör den inte förrän den har svalnat**
- Använd aldrig samma slipband för trä och metall
- Rekommenderade slipbandkorn:
 - vid borttagning av färg och slipning av extremt ohyvlat trä används grova kornstorlekar (40, 60)
 - vid slipning av ohyvlat eller hyvlat trä används medelgrova kornstorlekar (80, 100, 120)
 - vid finbearbetning av trä och ytor med gammal färg, såväl som slipning av naturträ används fina kornstorlekar (180, 240, 320)
- Använd olika korn vid arbete med ohyvlade ytor:
 - börja slipa med grov eller medium korn
 - avsluta med fin korn
- För fler tips se www.skil.com

UNDERHÅLL / SERVICE

- Det här verktyget är inte avsedd för yrkesmässig användning
- Håll alltid din maskin och sladden ren (speciellt ventilationsöppningarna J ②)
 - avlägsna med en pensel slipdamm som sätter sig på maskinen
- ! **drag ur stickkontakten innan rengöring**
- Om i elverktyget trots exakt tillverkning och sträng kontroll störning skulle uppstå, bör reparation utföras av auktoriserad serviceverkstad för SKIL elverktyg
 - sänd in verktyget i **odemonterat skick** tillsammans med inköpsbevis till försäljaren eller till närmaste SKIL serviceverkstad (adresser till servicestationer och sprängskisser av maskiner finns på www.skil.com)

MILJÖ

- **Elektriska verktyg, tillbehör och förpackning får inte kastas i hushållsoporna** (gäller endast EU-länder)
 - enligt direktivet 2012/19/EG som avser äldre elektrisk och elektronisk utrustning och dess tillämpning enligt nationell lagstiftning ska uttjänta elektriska verktyg sorteras separat och lämnas till miljövänlig återvinning
 - symbolen ⑤ kommer att påminna om detta när det är tid att kassera

LJUD / VIBRATION

- Ljudtrycksnivån som uppmätts enligt EN 62841 är på denna maskin 87 dB(A) och ljudeffektnivån 98 dB(A) (standard deviation: 3 dB), och vibration 2,1 m/s² (vektorsumma i tre riktningar; onoggrannhet K = 1,5 m/s²)
- Vibrationsemissionsvärdet har uppmätts enligt ett standardiserat test i enlighet med EN 62841; detta värde kan användas för att jämföra vibrationen hos olika verktyg och som en ungefärlig uppskattning av hur stor vibration användaren utsätts för när verktyget används enligt det avsedda syftet
 - om verktyget används på ett annat än det avsedda syftet eller med fel eller dåligt underhållna tillbehör kan detta drastiskt **öka** vibrationsnivån
 - när verktyget stängs av eller är på men inte används, kan detta avsevärt **minska** vibrationsnivån
- ! **skydda dig mot vibration genom att underhålla verktyget och dess tillbehör, hålla händerna varma och styra upp ditt arbetssätt**

DK

Båndpudser

1210/1215

INLEDNING

- Dette værktøj er beregnet til tør slibning med stor afslibningsevne af træ, plast, metal, spartelmasse og lakerede overflader
- Dette værktøj er ikke beregnet til professionelt brug
- Læs og gem denne betjeningsvejledning ③

TEKNISKE DATA ①

VÆRKTØJETS DELE ②

- A Tænd/sluk afbryder
- B Knap til fastlåsning af tænd/sluk afbryderen
- C Arm til skift af slibebånd
- D Pil
- E Skruel til justering af båndcentering
- F Støvpose
- G Støvboks
- H Støvsugeradaptore
- J Ventilationshuller
- K Sliberamme

SIKKERHED

GENERELLE SIKKERHEDSINSTRUKSER FOR EL-VÆRKTØJ

⚠ ADVARSEL Læs alle sikkerhedsadvarsler, instruktioner, illustrationer og specifikationer, som følger med el-værktøjet. I tilfælde af manglende overholdelse af anvisningerne nedenfor er der risiko for elektrisk stød, brand og/eller alvorlige personskader.

Gem alle advarsler og instruktioner til senere brug.

Begrebet "el-værktøj" i advarselne refererer til el-værktøj, der kører på lysnettet, (med netkabel) samt akku-værktøj (uden netkabel).

1) SIKKERHED PÅ ARBEJDSPLADSEN

- a) **Sørg for, at arbejdsområdet er rent og ryddeligt.**
Uorden eller uoplyste arbejdsområder øger faren for uheld.
- b) **Brug ikke el-værktøjet i eksplosionstruede omgivelser, hvor der er brændbare væsker, gasser eller støv.** El-værktøjet kan slå gnister, der kan antænde støv eller dampe.
- c) **Sørg for, at andre personer og ikke mindst børn holdes væk fra arbejdsområdet, når el-værktøjet er i brug.** Hvis man distraheres, kan man miste kontrollen over el-værktøjet.

2) ELEKTRISK SIKKERHED

- a) **El-værktøjets stik skal passe til kontakten. Stikket må under ingen omstændigheder ændres. Brug ikke adapterstik sammen med jordforbundet el-værktøj.** Uændrede stik, der passer til kontakterne, nedsætter risikoen for elektrisk stød.
- b) **Undgå kropskontakt med jordforbundne overflader som f.eks. rør, radiatorer, komfurer og køleskabe.** Hvis din krop er jordforbundet, øges risikoen for elektrisk stød.
- c) **El-værktøjet må ikke udsættes for regn eller fugt.** Indtrængning af vand i et el-værktøj øger risikoen for elektrisk stød.
- d) **Brug ikke ledningen til formål, den ikke er beregnet til. Du må aldrig bære el-værktøjet i ledningen, hæng el-værktøjet op i ledningen eller rykke i ledningen for at trække stikket ud af kontakten. Beskyt ledningen mod varme, olie, skarpe kanter eller maskindele, der er i bevægelse.** Beskadigede eller udviklede ledninger øger risikoen for elektrisk stød.

- e) Hvis el-værktøjet benyttes i det fri, må der kun benyttes en forlængerledning, der er egnet til udendørs brug. Brug af forlængerledning til udendørs brug nedsætter risikoen for elektrisk stød.
- f) Hvis det ikke kan undgås at bruge el-værktøjet i fugtige omgivelser, skal der bruges et HFI-relæ. Brug af et HFI-relæ reducerer risikoen for at få elektrisk stød.
- 3) PERSONLIG SIKKERHED**
- a) Det er vigtigt at være opmærksom, se, hvad man laver, og bruge el-værktøjet fornuftigt. Brug ikke noget el-værktøj, hvis du er træt, har nydt alkohol eller er påvirket af medikamenter eller euforiserende stoffer. Få sekunders uopmærksomhed ved brug af el-værktøjet kan føre til alvorlige personskader.
- b) Brug beskyttelsesudstyr og hav altid beskyttelsesbriller på. Brug af sikkerhedsudstyr som f. eks. støvmaske, skridsikret fodtøj, beskyttelseshjelm eller hørevern afhængig af maskintype og anvendelse nedsætter risikoen for personskader.
- c) Undgå utilsigtet igangsætning. Kontrollér, at el-værktøjet er slukket, før du tilslutter det til strømtilførslen og/eller akkuen, løfter eller bærer det. Undgå at bære el-værktøjet med fingeren på afbryderen og sørg for, at el-værktøjet ikke er tændt, når det slutes til nettet, da dette øger risikoen for personskader.
- d) Gør det til en vane altid at fjerne indstillingsværktøj eller skruenøgle, før el-værktøjet tændes. Hvis et stykke værktøj eller en nøgle sidder i en roterende maskindel, er der risiko for personskader.
- e) Undgå en unormal legemsposition. Sørg for at stå sikkert, mens der arbejdes, og kom ikke ud af balance. Dermed har du bedre muligheder for at kontrollere el-værktøjet, hvis der skulle opstå uventede situationer.
- f) Brug egnet arbejdstøj. Undgå løse beklædningsgenstande eller smykker. Hold hår og tøj væk fra dele, der bevæger sig. Dele, der er i bevægelse, kan gribe fat i løstsiddende tøj, smykker eller langt hår.
- g) Hvis støvudsugnings- og opsamlingsudstyr kan monteres, er det vigtigt, at dette tilsluttes og benyttes korrekt. Brug af en støvopsugning kan reducere støvmængden og dermed den fare, der er forbundet støv.
- h) Selvom du kender værktøjet godt og er vant til at bruge det, skal du alligevel være opmærksom og overholde sikkerhedsanvisningerne. Et øjeblik uopmærksomhed kan medføre alvorlige personskader.
- 4) OMHYGGELIG OMGANG MED OG BRUG AF EL-VÆRKTØJ**
- a) Undgå overbelastning af el-værktøjet. Brug altid et el-værktøj, der er beregnet til det stykke arbejde, der skal udføres. Med det passende el-værktøj arbejder man bedst og mest sikkert inden for det angivne effektområde.
- b) Brug ikke et el-værktøj, hvis afbryder er defekt. Et el-værktøj, der ikke kan startes og stoppes, er farligt og skal repareres.
- c) Træk stikket ud af stikkontakten og/eller fjern akkuen, hvis den er aftagelig, før maskinen

indstilles, før skift af tilbehørsdele eller før el-værktøjet lægges til opbevaring. Disse sikkerhedsforanstaltninger forhindrer utilsigtet start af el-værktøjet.

- d) Opbevar ubenyttet el-værktøj uden for børns rækkevidde. Lad aldrig personer, der ikke er fortrolige med el-værktøjet eller ikke har gennemlæst disse instrukser, benytte el-værktøjet. El-værktøj er farligt, hvis det benyttes af ukendte personer.
- e) Vedligehold el-værktøj og tilbehørsdele. Kontrollér, om bevægelige maskindele fungerer korrekt og ikke sidder fast, og om delene er brækket eller beskadiget, således at el-værktøjets funktion påvirkes. Få beskadigede dele repareret, inden el-værktøjet tages i brug. Mange uheld skyldes dårligt vedligeholdte el-værktøjer.
- f) Sørg for, at skæreværktøjer er skarpe og rene. Omhyggeligt vedligeholdte skæreværktøjer med skarpe skærekanter sætter sig ikke så hurtigt fast og er nemmere at føre.
- g) Brug el-værktøj, tilbehør, indsatsværktøj osv. iht. disse instrukser. Tag hensyn til arbejdsforholdene og det arbejde, der skal udføres. Anvendelse af el-værktøjet til formål, som ligger uden for det fastsatte anvendelsesområde, kan føre til farlige situationer.
- h) Hold håndtag og gribeblader tørre, rene og fri for olie og smørefedt. Hvis håndtag og gribeblader er glatte, kan værktøjet ikke håndteres og styres sikkert, hvis der sker noget uventet.
- 5) SERVICE**
- a) Sørg for, at el-værktøj kun repareres af kvalificerede fagfolk og at der kun benyttes originale reservedele. Dermed sikres størst mulig maskinsikkerhed.

SIKKERHEDSINSTRUKSER FOR SLIBEMASKINER

GENERELT

- Dette værktøj må ikke bruges af personer under 16 år
- Denne værktøj er ikke egnet til vandslibning
- Brug ikke værktøjet, hvis kablet er beskadiget; få det skiftet ud af en anerkendt fagmand
- Bearbejd ikke asbestholdigt materiale (asbest er kræftfremkaldende)
- Rengør ventilationsåbningerne på dit el-værktøj med regelmæssige mellemrum (motoren trækker støv ind i huset, og store mængder metalstøv kan være farligt rent elektrisk)
- Fjern altid først stikket fra kontakten, førend De foretager nogle ændringer eller skifter tilbehør

- SKIL kan kun sikre en korrekt funktion af værktøjet, hvis der benyttes originalt tilbehør
- Slidte, revnede eller hårdt angrebne slibeband må ikke benyttes

INDEN BRUG

- Kontrollér altid at forsyningsspændingen er den samme som den spænding, der er anført på værktøjets navneskilt (værktøj med betegnelsen 230V eller 240V kan også tilsluttes til 220V)
- Undgå skader forårsaget af skruer, søm eller andre materialer i arbejdsstykket; fjern disse før De begynder at arbejde

- Anvend helt udrullede og sikre forlængerledninger med en kapacitet på 16 A
- Under arbejde med værktøjet kan lydniveauet overstige 85 dB(A); brug høreværn
- Støv fra materiale som f.eks. maling, der indeholder bly, nogle træsorter, mineraler og metal kan være skadeligt (kontakt med eller indånding af støvet kan forårsage allergiske reaktioner og/eller sygdomme i luftvejene hos den, der anvender værktøjet, eller hos omkringstående); **bær en støvmaske og arbejd med en støvsugningsanordning, hvor en sådan kan sluttes til**
- Visse slags støv er klassificeret som kræftfremkaldende (som f.eks. støv fra eg og bøg) især i forbindelse med tilsejningsstoffer til træbehandling; **bær en støvmaske og arbejd med en støvsugningsanordning, hvor en sådan kan sluttes til**
- Følg de nationale krav, hvad angår støv, for de materialer, du ønsker at arbejde med
- Bær beskyttelseshandsker, beskyttelsesbriller, tætsiddende tøj og hårbeskyttelse (for langt hår)
- **Fastgør emnet** (det er sikrere at holde emner i en fastgøringsanordning eller skruestik end med hånden)
- Ved slibning af metal, opstår gnister; brug ikke støvpose/støvboks/støvsuger og hold andre personer, såvel som brandbare materialer væk fra arbejdsstedet

UNDER BRUG

- **Hold elværktøjet i de isolerede greb, fordi slibeflade kan berøre sin egen ledning** (hvis der slibes i et "levende" kabel, kan det gøre udsatte metaldele på elværktøjet "levende" og kan give operatøren elektrisk stød)
- Hold altid ledningen væk fra værktøjets bevægelige dele; før altid ledningen bagud, væk fra værktøjet
- Undgå berøring med det løbende slibebånd
- I tilfælde af elektrisk eller mekanisk fejlfunktion skal afbryderen straks afbrydes og stikket tages ud af kontakten
- Hvis kablet beskadiges eller skæres over under arbejdet, ikke berør kablet, og straks træk ud stikket

EFTER BRUG

- Efter endt arbejde skal afbryderen afbrydes og alle bevægelige dele være stoppet før værktøjet sættes til side

FORKLARING TIL SYMBOLERNE PÅ VÆRKTØJET

- ③ Læs instruktionen inden brugen
- ④ Dobbelt isolering (jordforbindelse unødvendig)
- ⑤ Værktøj må ikke bortskaffes som almindeligt affald

BETJENING

- Tænd/sluk afbryder
 - start/sluk værktøj ved at trække/slippe aftrækker A ②
 - ! tænd for værktøjet før det berører arbejdsemnet**
 - ! før der slukkes for værktøjet, skal det løftes op fra arbejdsemnet**
- Fastlåsnings af afbryderen til vedvarende drift
 - træk aftrækker A ②
 - tryk knappen B ② ind med tommelfingeren
 - giv slip på aftrækkeren
 - fastlåsnings udløses ved at trække på aftrækker A ② igen og derefter slippe den

- Hurtigt skift af slibebånd (CLIC system) ⑥
 - ! træk stikket ud af kontakten**
 - løft armen C
 - aftag slibebåndet
 - påsæt nyt bånd med pilen D trykt på indersiden af båndet pegende i samme retning som pilen på værktøjet
 - tryk armen på plads igen
 - ! skift slibebånd i tide**
 - ! knæk ikke slibebånd**
- Automatisk centrering af slibebånd (ABC)
 - slibebåndet centrerer automatisk, når der tændes for værktøjet
 - holder slibebåndet centreret under slibning
 - I tilfælde af at slibebåndet løber af værktøjet (skyldes hovedsagelig dårlig kvalitet af slibebånd), gøres følgende
 - tænd værktøjet
 - juster med skruen E ② indtil båndet kører parallelt med værktøjets flade side
 - brug et nyt slibebånd, hvis båndet stadig løber af værktøjet
- Støvsugning ⑦
 - tom støvboks G/støvposen F med regelmæssige mellemrum for optimal støvsugning
 - når værktøjet benyttes med støvsuger, monter støvsugeradapter H som vist på tegningen (1215)
 - rens også filteret som vist, når det er nødvendigt
 - ! brug ikke støvboks/støvposen/støvsuger når metal slibes**
- Håndtering og styring af værktøjet ⑧
 - hold altid værktøjet parallelt med emnets overflade
 - ! under arbejde, hold altid om værktøjet på de grå markerede grebsområde(r)**
 - ! pres ikke for hårdt på værktøjet; lad slibefladen gøre arbejdet for dig**
 - rejs ikke dit værktøj lodret, hvis slibemærker i emnet vil undgås
 - hold ventilationshullerne J ② utildekkede

GODE RÅD

- Ved slibning af ubehandlet træ, anbefales at slibe langs med årener i træet
- Ved slibning af alle andre flader bør værktøjet bevæges i ovale bevægelser over materialet
- Monter sliberammen K (SKIL tilbehør 2610398244) for at glatte fladerne uden skrammer eller fordybninger, og sørg for at den sidder godt fast ⑨
 - ! sliberamme K bliver meget varm under brug, rør ikke ved den før den er kølet af**
- Brug aldrig det samme slibebånd til slibning af metal og træ
- Anbefalet slibebåndkorn:
 - ved fjernelse af maling og ved slibning af meget ru træ bruges grove kornstørrelser (40, 60)
 - ved slibning af ru eller almindelig træ bruges mellem kornstørrelse (80, 100, 120)
 - ved pudsnings af træ og overflader med gammel maling såvel som ved pudsnings af ubehandlet træ bruges fin kornstørrelse (180, 240, 320)
- Brug forskellige kornstørrelser når arbejdsemnets overflade er ru
 - begynd at slibe med en grov eller mellem kornstørrelse
 - slut med en fin kornstørrelse
- For flere tips se www.skil.com

VEDLIGEHOLDELSE/SERVICE

- Dette værktøj er ikke beregnet til professionelt brug
- Hold værktøjet og ledningen ren (især ventilationshullerne J ②)
 - fjern fasthængende slibestøv med en pensel
- ! **træk stikket ud før rensning**
- Skulle el værktøjet trods omhyggelig fabrikation og kontrol holde op med at fungere, skal reparasjonen udføres af et autoriseret serviceværksted for SKIL-elektroværktøj
 - send den **uskilte** værktøjet sammen med et købsbevis til forhandleren eller nærmeste SKIL serviceværksted (adresser og reservedelstegning af værktøjet findes på www.skil.com)

MILJØ

- **Elværktøj, tilbehør og emballage må ikke bortskaffes som almindeligt affald** (kun for EU-lande)
 - i henhold til det europæiske direktiv 2012/19/EF om bortskaffelse af elektriske og elektroniske produkter og gældende national lovgivning, skal brugt elværktøj indsamles separat og bortskaffes på en måde, der skåner miljøet mest muligt
 - symbolet ⑤ erindrer dig om dette, når udskiftning er nødvendig

STØJ / VIBRATION

- Måles efter EN 62841 er lydtrykniveau af dette værktøj 87 dB(A) og lydeffektniveau 98 dB(A) (standard deviation: 3 dB), og vibrationsniveauet 2,1 m/s² (vektorsum for tre retninger; usikkerhed K = 1,5 m/s²)
- Det vibrationsniveau er målt i henhold til den standardiserede test som anført i EN 62841; den kan benyttes til at sammenligne to stykker værktøj og som en foreløbig bedømmelse af udsættelsen for vibrationer, når værktøjet anvendes til de nævnte formål
 - anvendes værktøjet til andre formål eller med andet eller dårligt vedligeholdt tilbehør, kan dette **øge** udsættelsesniveauet betydeligt
 - de tidsrum, hvor værktøjet er slukket, eller hvor det kører uden reelt at udføre noget arbejde, kan **reducere** udsættelsesniveauet betydeligt
- ! **beskyt dig selv imod virkningerne af vibrationer ved at vedligeholde værktøjet og dets tilbehør, ved at holde dine hænder varme og ved at organisere dine arbejdsmonstre**

N

Båndsliper

1210/1215

INTRODUKSJON

- Dette verktøyet er beregnet til tørr sliping med høy slipeeffekt av tre, plast, metall, sparkelmasse og lakkerte overflater
- Dette verktøyet er ikke beregnet på profesjonell bruk
- Les og ta vare på denne brukerveiledningen ③

TEKNISKE DATA ①

VERKTØYELEMENTER ②

- A Av/på bryter
- B Knapp til låsing av av/på-bryter
- C Hendel til skifting av slipebånd
- D Pil
- E Skruel til sentrering av båndet
- F Støvpose
- G Støvboks
- H Støvsugeradapter
- J Ventilasjonsåpninger
- K Sliperamme

SIKKERHET

GENERELLE ADVARSLER FOR ELEKTROVERKTØY

⚠ ADVARSEL Les alle sikkerhetsanvisningene, instruksjonene, illustrasjonene og spesifikasjonene som følger med dette elektroverktøyet. Manglende overholdelse av anvisningene nedenfor kan medføre elektrisk støt, brann og/eller alvorlige personskader.

Ta godt vare på alle advarslene og informasjonene.

Det nedenstående anvendte uttrykk "elektroverktøy" gjelder for strøm-drevne (med ledning) og batteridrevne elektroverktøy (uten ledning).

1) SIKKERHET PÅ ARBEIDSPLASSEN

- a) **Hold arbeidsområdet rent og ryddig.** Rotete arbeidsområder eller arbeidsområder uten lys kan føre til ulykker.
- b) **Ikke arbeid med elektroverktøyet i eksplosjonsutsatte omgivelser – der det befinner seg brennbare væsker, gass eller støv.** Elektroverktøyt lager gnister som kan antenne støv eller damper.
- c) **Hold barn og andre personer unna når elektroverktøyet brukes.** Hvis du blir forstyrret under arbeidet, kan du miste kontrollen over elektroverktøyet.

2) ELEKTRISK SIKKERHET

- a) **Støpselet til elektroverktøyet må passe inn i stikkkontakten. Støpselet må ikke forandres på noen som helst måte. Ikke bruk adapterstøpsler sammen med jordede maskiner.** Bruk av støpsler som ikke er forandret på og passende stikkontakter reduserer risikoen for elektriske støt.
- b) **Unngå kroppskontakt med jordede overflater slik som rør, ovner, komfyrer og kjøleskap.** Det er større fare ved elektriske støt hvis kroppen din er jordet.
- c) **Hold elektroverktøyet unna regn eller fuktighet.** Dersom det kommer vann i et elektroverktøy, øker risikoen for elektriske støt.
- d) **Ikke bruk ledningen til andre formål, f.eks. til å bære elektroverktøyet, henge den opp eller trekke den ut av stikkkontakten. Hold ledningen unna varme, olje, skarpe kanter eller maskindeler som beveger seg.** Med skadede eller opphøpede ledninger øker risikoen for elektriske støt.
- e) **Når du arbeider utendørs med et elektroverktøy, må du kun bruke en skjøteledning som er godkjent til utendørs bruk.** Når du bruker en skjøteledning som er

- egnet for utendørs bruk, reduseres risikoen for elektriske stot.
- f) **Hvis det ikke kan unngås å bruke elektroverktøyet i fuktige omgivelser, må du bruke en jordfeilbryter.** Bruk av en jordfeilbryter reduserer risikoen for elektriske stot.
- 3) PERSONSIKERHET**
- a) **Vær oppmerksom, pass på hva du gjør, gå fornuftig frem når du arbeider med et elektroverktøy. Ikke bruk elektroverktøyet når du er trett eller er påvirket av narkotika, alkohol eller medikamenter.** Et øyeblikks uoppmerksomhet ved bruk av elektroverktøyet kan føre til alvorlige skader.
- b) **Bruk personlig verneutstyr og husk alltid å bruke vernebriller.** Bruk av personlig sikkerhetsutstyr som støvmaske, skilfaste arbeidssko, hjelm eller hørselvern – avhengig av type og bruk av elektroverktøyet – reduserer risikoen for skader.
- c) **Unngå å starte verktøyet ved en feiltagelse. Forvis deg om at elektroverktøyet er slått av før du kobler det til strømmen og/eller batteriet, løfter det opp eller bærer det.** Hvis du holder fingeren på bryteren når du bærer elektroverktøyet eller kobler elektroverktøyet til strømmen i innkoblet tilstand, kan dette føre til uhell.
- d) **Fjern innstillingsverktøy eller skrunøkler før du slår på elektroverktøyet.** Et verktøy eller en nøkkel som befinner seg i en roterende maskindel, kan føre til skader.
- e) **Ikke overvurder deg selv. Sørg for å stå stødig og i balanse.** Dermed kan du kontrollere elektroverktøyet bedre i uventede situasjoner.
- f) **Bruk alltid egnede klær. Ikke bruk vide klær eller smykker. Hold hår og klær unna deler som beveger seg.** Løstsittende tøy, smykker eller langt hår kan komme inn i deler som beveger seg.
- g) **Hvis det kan monteres støvavsug- og oppsamlingsinnretninger, må du forvisse deg om at disse er tilkoblet og brukes på korrekt måte.** Bruk av et støvavsug reduserer farer på grunn av støv.
- h) **Selv når du er blitt vant til verktøyet, må du ikke bli sløv og ignorere sikkerhetsreglene for verktøyet.** En uforsiktig handling kan forårsake alvorlig personskade i løpet av et brøkdels sekund.
- 4) AKTSOM HÅNTERING OG BRUK AV ELEKTROVERKTØY**
- a) **Ikke overbelast elektroverktøyet. Bruk et elektroverktøy som er beregnet til den type arbeid du vil utføre.** Med et passende elektroverktøy arbeider du bedre og sikrere i det angitte efektområdet.
- b) **Ikke bruk elektroverktøy med defekt på-/avbryter.** Et elektroverktøy som ikke lenger kan slås av eller på, er farlig og må repareres.
- c) **Trekk støpselet ut av stikkkontakten og/eller fjern batteriet (hvis demonterbart) før du utfører innstillinger på elektroverktøyet, skifter tilbehørsdeler eller legger elektroverktøyet bort.** Disse tiltakene forhindrer en utilsiktet startung av elektroverktøyet.
- d) **Elektroverktøy som ikke er i bruk må oppbevares utilgjengelig for barn. Ikke la elektroverktøyet brukes av personer som ikke er fortløig med dette eller ikke har lest disse anvisningene.** Elektroverktøy er farlige når de brukes av uerfarne personer.

- e) **Vær nøye med vedlikeholdet av elektroverktøyet og tilbehøret. Kontroller om bevegelige maskindeler fungerer feilfritt og ikke klemmes fast, og om deler er brukt eller skadet, slik at dette innvirker på elektroverktøets funksjon. La skadede deler repareres før elektroverktøyet brukes.** Dårlig vedlikeholdte elektroverktøy er årsaken til mange uhell.
- f) **Hold skjæreverktøyene skarpe og rene.** Godt stelte skjæreverktøy med skarpe skjær setter seg ikke så ofte fast og er lettere å føre.
- g) **Bruk elektroverktøy, tilbehør, verktøy osv. i henhold til disse anvisningene. Ta hensyn til arbeidsforholdene og arbeidet som skal utføres.** Bruk av elektroverktøy til andre formål enn det som er angitt kan føre til farlige situasjoner.
- h) **Hold håndtak og gripeflater tørre, rene og uten olje eller fett.** Glatte håndtak og gripeflater hindrer sikker håndtering og styring av verktøyet i uventede situasjoner.
- 5) SERVICE**
- a) **Maskinen din skal alltid kun repareres av kvalifisert fagpersonale og kun med originale reservedeler.** Slik opprettholdes elektroverktøets sikkerhet.

SIKERHETSANVISNINGER FOR SLIPERE

GENERELL

- Verktøyet må ikke brukes av personer under 16 år
- Dette verktøyet pass er ikke for vannslipping
- Bruk ikke verktøyet dersom kabel er skadet; få den skiftet ut af en anerkendt fagmand
- **Ikke bearbeid asbestholdig material** (asbest kan fremkalle kreft)
- **Rengjør ventilasjonsåpningene til elektroverktøyet med jevne mellomrom** (motorviften trekker støv inn i huset, og en stor oppsamling av metallstøv kan medføre elektrisk fare)
- **Ta alltid ut kontakten før du forandrer innstillinger på sagen eller skifter tilbehør**

TILBEHØR

- SKIL kan kun garantere et feilfritt verktøy dersom original-tilbehør brukes
- Slitte, revnede eller svært belastede pussebånd må ikke brukes videre

FØR BRUK

- Sjekk alltid at tilført spenningen er den samme som oppgitt på verktøets merkeplate (verktøy som er betegnet med 230V eller 240V kan også koples til et 220V strømuttak)
- Ungå skade p.g.a. skruer, spiker eller andre elementer i arbeidsstykket; fjernes før man starter jobben
- Bruk helt utrullet og sikker skjøteledning med en kapasitet på 16 A
- Støynivået under arbeid kan overskride 85 dB(A); bruk hørselvern
- Støv fra materialer som blyholdig maling, visse tresorter, mineraler og metall kan være skadelig (kontakt med eller inhalering av støv kan gi allergiske reaksjoner og/eller sykdommer i åndedretsorganene for brukeren eller personer i nærheten); bruk støvmaske og arbeid med støvfjerningsutstyr når det er mulig
- Visse typer støv er klassifisert som kreftfremkallende (som f.eks. støv fra eik og bøk), spesielt sammen med

tilsetningsstoffer for trebehandling; **bruk støvmaske og arbeid med støvfjerningsutstyr når det er mulig**

- Følg de nasjonale krav, når det gjelder støv for de materialer du ønsker å arbeide med
- Bruk beskyttelseshansker, vernebriller, tettsittende klær og hårnnett (ved langt hår)
- **Sett fast arbeidsstykket** (et arbeidsstykke som er sikret med klemmer, sitter sikrere enn om det holdes fast for hånd)
- Ved sliping av metall vil det gnistre; bruk ikke støvposen/støvboks/støvsuger og hold andre personer og brennbart materiale unna arbeidsområdet

UNDER BRUK

- **Ta kun tak i elektroverktøyet på de isolerte gripeflatene, for slipeflate kan komme i berøring med ledningen** (hvis en strømførende ledning kuttes, kan metalldele på elektroverktøyet bli strømførende og brukeren kan få elektrisk støt)
- Hold alltid kabelaen borte fra bevegelige deler på verktøyet; før kabelaen bakover bort fra verktøyet
- Ikke berør pussebåndet når det er igang
- I tilfelle en elektrisk eller mekanisk svikt, skal verktøyet med en gang slås av og støpslet trekkes ut
- Hvis kabelaen skades eller kappes under arbeid må kabelaen ikke berøres, men støpselet straks trekkes ut

ETTER BRUK

- Når du setter bort verktøyet må bryteren slås av, bevegelige deler må være helt stoppet

FORKLARING AV SYMBOLER PÅ VERKTØY

③ Les instruksjonsboken for bruk

④ Dobbeltisolert (ikke nødvendig med jordingsleder)

⑤ Kast aldri verktøy i husholdningsavfallet

BRUK

- Av/på bryter
 - slå på/av verktøyet ved å trekke inn/frigjøre bryter A ②
 - ! **før slipeflate kommer i kontakt med arbeidsstykket, bør du slå på verktøyet**
 - ! **før verktøyet slås av, løft det bort fra arbeidsstykket**
- Låsning av bryteren for permanent drift
 - trykk inn bryteren A ②
 - trykk inn knappen B ② med tommelen
 - løsne bryteren
 - løsne låsen ved å trykke inn bryter A ② og frigjøre den
- Rask bytting av pussebånd (CLIC system) ⑥
 - ! **trekk ut støpselet av stikkkontakten**
 - løft hendel C
 - ta bort pussebåndet
 - sett i nytt papir med pila på innersiden pekende i samme retning som pila D på verktøyet
 - dytt hendel på plass
 - ! **byt pussebåndet i tide**
 - ! **brett aldri pussebåndet**
- Automatisk sentrering av pussebånd (ABC)
 - senterer båndet automatisk når verktøyet slås på
 - holder båndet sentrert under pussing/slipingHvis pussebåndet kommer av verktøyet (vanligvis p.g.s. dårlig belte kvalitet), bør du
 - slå på verktøyet
 - juster skruen E ② til pussebåndet løper i kant med den flate siden av verktøyet
 - bruke nytt belte hvis det fremdeles kommer av

- Støvoppsuging ⑦
 - tøm støvboksen G/støvposen F regelmessig for optimalt støvavsug
 - ved bruk av verktøyet med støvsugeren, monter støvsugeradapter H som vist på tegningen (1215)
 - når det er nødvendig, regjør også filteret som vist
 - ! **bruk ikke støvboksen/støvposen/støvsugeren ved sliping av metall**
- Grep og styring av verktøyet ⑧
 - før verktøyet parallelt med arbeidsoverflaten
 - ! **under arbeid, hold verktøyet alltid i grått(gråe) grepsområde(r)**
 - ! **ikke øv for mye press på verktøyet; la slipeflaten gjøre jobben for deg**
 - unngå å føre verktøyet på skrå, da dette vil føre til riper
 - hold ventilasjonsåpningen J ② utildekket

BRUKER TIPS

- Ved pussing av tre overflater som skal lakeres før verktøyet rett frem og tilbake med veden
- For all annen pussing av overflate før verktøyet i ovale bevegelser over materialet
- Monter sliperamme K (SKIL tilbehør 2610398244) for utjevning av overflaten uten riper eller spor, og sørg for at den sitter på plass ⑨
 - ! **sliperamme K blir meget varm mens den er i bruk; må ikke røres før den er avkjølt**
- Berbeid aldri tre og metall med samme pussebånd
- Anbefalt pussebånd korning:
 - for fjerning av maling og sliping av ekstremt ujevnt treverk, bruk sandpapir med grov korning (40, 60)
 - for sliping av ujevnt eller uhøvlet treverk, bruk sandpapir med middels korning (80, 100, 120)
 - for finsliping av tre og overflater med gammel maling og finsliping av ubehandlet tre, bruk sandpapir med fin korning (180, 240, 320)
- Bruk forskjellig korning når arbeidsflaten er ujevn:
 - start sliping med grov eller medium korning
 - avslutt med fin korning
- Se flere tips på www.skil.com

VEDLIKEHOLD / SERVICE

- Dette verktøyet er ikke beregnet på profesjonell bruk
- Hold alltid verktøyet og kabelaen ren (spesielt ventilasjonshullene J ②)
 - fjern slipestøv med en pensel
 - ! **dra ut støpselet før rengjøring**
- Hvis elektroverktøyet til tross for omhyggelige produksjons- og kontrollmetoder en gang skulle svikte, må reparasjonen utføres av et autorisert serviceverksted for SKIL-elektroverktøy
 - send verktøyet i **montert** tilstand sammen med kjøpebevis til forhandleren eller nærmeste SKIL servicesenter (adresser liksom service diagram av verktøyet finner du på www.skil.com)

MILJØ

- **Kast aldri elektroverktøy, tilbehør og emballasje i husholdningsavfallet** (kun for EU-land)
 - i henhold til EU-direktiv 2012/19/EF om kasserte elektriske og elektroniske produkter og direktivets iverksetting i nasjonal rett, må elektroverktøy som ikke lenger skal brukes, samles separat og returneres til et miljøvennlig gjenvinningsanlegg
 - symbolet  er påtrykt som en påminnelse når utskifting er nødvendig


STØY / VIBRASJON

- Målt ifølge EN 62841 er lydtryknivået av dette verktøyet 87 dB(A) og lydstyrkenivået 98 dB(A) (standard deviasjon: 3 dB), og vibrasjonsnivået 2,1 m/s² (vektorsum fra tre retninger; usikkerhet K = 1,5 m/s²)
- Det avgitte vibrasjonsnivået er blitt målt i samsvar med en standardisert test som er angitt i EN 62841; den kan brukes til å sammenligne et verktøy med et annet, og som et foreløpig overslag over eksponering for vibrasjoner ved bruk av verktøyet til de oppgavene som er nevnt
 - bruk av verktøyet til andre oppgaver, eller med annet eller mangelfullt vedlikeholdt utstyr, kan gi en vesentlig **økning** av eksponeringsnivået
 - tidsrommene når verktøyet er avslått eller når det går men ikke arbeider, kan gi en vesentlig **reduksjon** av eksponeringsnivået
- ! **beskytt deg selv mot virkningene av vibrasjoner ved å vedlikeholde verktøyet og utstyret, holde hendene varme og organisere arbeidsmåten din**

FIN

Nauhahiomakone 1210/1215

ESITTELY

- Tätä työkalua on tarkoitettu puun, muovin, metallin, spakkelin ja lakattujen pintojen kuivahiontaan suurella hiomateholla
- Tätä työkalua ei ole tarkoitettu ammattikäyttöön
- Lue ja säilytä tämä ohjekirja 


TEKNISET TIEDOT

LAITTEEN OSAT

- A Virtakytkin
- B Virtakytkimen lukitusnappi
- C Vipu hiomanauhojen vaihtamiseksi
- D Nuoli
- E Nauhan keskityksen säätöruuvi
- F Pölypussi
- G Pölylaatikko
- H Pölynimurin sovitin
- J Ilmanvaihto-aukot
- K Hiontakehys

TURVALLISUUS

YLEISET SÄHKÖTYÖKALUJEN TURVALLISUUTEEN LIITTYVÄT VAROITUKSET

 **VAROITUS** Lue kaikki tämän sähkötyökalun mukana toimitetut varoitukset, ohjeet, kuvat ja tekniset tiedot. Alla mainittujen ohjeiden noudattamisen laiminlyönti saattaa aiheuttaa sähköiskun, tulipalon ja/tai vakavan loukkaantumisen.

Säilytä kaikki turvallisuus- ja muut ohjeet tulevaisuutta varten.

Turvallisuusohjeissa käytetty käsite “sähkötyökalu” käsittää verkkokäyttöisiä sähkötyökaluja (verkkojohdolla) ja akkukäyttöisiä sähkötyökaluja (ilman verkkojohtoa).

1) TYÖPAIKAN TURVALLISUUS

- a) **Pidä työskentelyalue puhtaana ja hyvin valaistuna.** Työpaikan epäjärjestys tai valaisemattomat työalueet voivat johtaa tapaturmiin.
- b) **Älä työskentele sähkötyökalulla räjähdysalttiissa ympäristössä, jossa on palavaa nestettä, kaasua tai pölyä.** Sähkötyökalu muodostaa kipinöitä, jotka saattavat sytyttää pölyn tai höyryt.
- c) **Pidä lapset ja sivulliset loitolla sähkötyökalua käyttäessäsi.** Voit menettää laitteesi hallinnan, huomiosi suuntautuessa muualle.

2) SÄHKÖTURVALLISUUS

- a) **Sähkötyökalun pistotulpan tulee sopia pistorasiaan. Pistotulppaa ei saa muuttaa millään tavalla. Älä käytä mitään pistorasia-adaptoreita maadoitettujen sähkötyökalujen kanssa.** Alkuperäisessä kunnossa olevat pistotulpat ja sopivat pistorasiat vähentävät sähköiskun vaaraa.
- b) **Vältä koskettamasta maadoitettuja pintoja, kuten putkia, pattereita, liesiä tai jääkaappeja.** Sähköiskun vaara kasvaa, jos kehosi on maadoitettu.
- c) **Älä aseta sähkötyökalua alttiiksi sateelle tai kosteudelle.** Veden tunkeutuminen sähkötyökalun sisään kasvattaa sähköiskun riskiä.
- d) **Älä käytä verkkojohtoa väärin. Älä käytä sitä sähkötyökalun kantamiseen, vetämiseen tai pistotulpan irrottamiseen pistorasiasta. Pidä johto loitolla kuumuudesta, öljystä, terävistä reunoista ja liikkuvista osista.** Vahingoittuneet tai sokeutuneet johdot kasvattavat sähköiskun vaaraa.
- e) **Käyttäessäsi sähkötyökalua ulkona, käytä ainoastaan ulkokäyttöön soveltuvaa jatkojohtoa.** Ulkokäyttöön soveltuvan jatkojohdon käyttö pienentää sähköiskun vaaraa.
- f) **Jos sähkötyökalun käyttö kosteassa ympäristössä ei ole vältettävissä, tulee käyttää maavuotokatkaisijaa.** Maavuotokatkaisijan käyttö vähentää sähköiskun vaaraa.

3) HENKILÖTURVALLISUUS

- a) **Ole valpas, kiinnitä huomiota työskentelyysi ja noudata tervettä järkeä sähkötyökalua käyttäessäsi. Älä käytä sähkötyökalua, jos olet väsynyt tai huumeiden, alkoholin tahi lääkkeiden vaikutuksen alaisena.** Hetken tarkkaamattomuus sähkötyökalua

- käytettäessä, saattaa johtaa vakavaan loukkaantumiseen.
- b) **Käytä suojavarusteita. Käytä aina suojalaseja.** Henkilökohtaisen suojavarustuksen käyttö, kuten pölynaamarin, luistamattomien turvakkenien, suojakypärän tai kuulonsuojaimien, riippuen sähkötyökalun lajista ja käyttötavasta, vähentää loukkaantumiseriskiä.
- c) **Vältä tahatonta käynnistämistä. Varmista, että sähkötyökalu on poiskytkettyä, ennen kuin liität sen sähköverkkoon ja/tai liität akun, otat sen käteen tai kannat sitä.** Jos kannat sähkötyökalua sormi käynnistyskytkimellä tai kytket sähkötyökalun pistotulpan pistorasiaan, käynnistyskytkimen ollessa käyntiasennossa, altistat itsesi onnettomuuksille.
- d) **Poista kaikki säätötyökalut ja ruuvitaltat, ennen kuin käynnistät sähkötyökalun.** Työkalu tai avain, joka sijaitsee laitteen pyöriässä osassa, saattaa johtaa loukkaantumiseen.
- e) **Älä yliarvioi itseäsi. Huolehdi aina tukevasta seisoma-asennosta ja tasapainosta.** Täten voit paremmin hallita sähkötyökalua odottamattomissa tilanteissa.
- f) **Käytä tarkoitukseen soveltuvia vaatteita. Älä käytä löysiä työvaatteita tai koruja. Pidä hiukset ja vaatteet poissa liikkuvien osien ulottuvilta.** Väljät vaatteet, korut ja pitkät hiukset voivat takertua liikkuviin osiin.
- g) **Jos pölynimu- ja keräilylaitteita voidaan asentaa, tulee sinun tarkistaa, että ne on liitetty ja että ne käytetään oikealla tavalla.** Pölynimulaitteiston käyttö vähentää pölyn aiheuttamia vaaroja.
- h) **Työskentele keskittyneesti ja noudata aina turvallisuusmääräyksiä.** etkellinenkin huolimattomuus voi aiheuttaa vakavia vammoja.
- 4) SÄHKÖTYÖKALUJEN KÄYTTÖ JA HOITO**
- a) **Älä ylikuormita laitetta. Käytä kyseiseen työhön tarkoitettua sähkötyökalua.** Sopivaa sähkötyökalua käyttäen työskentelet paremmin ja varmemmin tehoalueella, jolle sähkötyökalu on tarkoitettu.
- b) **Älä käytä sähkötyökalua, jota ei voida käynnistää ja pysäyttää käynnistyskytkimestä.** Sähkötyökalu, jota ei enää voida käynnistää ja pysäyttää käynnistyskytkimellä, on vaarallinen ja se täytyy korjata.
- c) **Irrota pistotulppa pistorasiasta ja/tai irrota akku (jos irrotettava) sähkötyökalusta, ennen kuin suoritat säätöjä, vaihdat tarvikkeita tai viet sähkötyökalun varastoon.** Nämä turvatoimenpiteet pienentävät sähkötyökalun tahattoman käynnistysriskin.
- d) **Säilytä sähkötyökalut poissa lasten ulottuvilta, kun niitä ei käytetä. Älä anna sellaisten henkilöiden käyttää sähkötyökalua, jotka eivät tunne sitä tai jotka eivät ole lukeneet tätä käyttöohjetta.** Sähkötyökalut ovat vaarallisia, jos niitä käyttävät kokemattomat henkilöt.
- e) **Pidä sähkötyökalut ja tarvikkeet hyvässä kunnossa. Tarkista, että liikkuvat osat toimivat moitteettomasti, eivätkä ole puristuksessa sekä, että siinä ei ole murtuneita tai vahingoittuneita osia, jotka saattaisivat vaikuttaa haitallisesti sähkötyökalun toimintaan. Anna korjauttaa mahdolliset viat ennen**

käyttöönottoa. Monen tapaturman syyt löytyvät huonosti huolletuista laitteista.

- f) **Pidä leikkausterät terävinä ja puhtaina.** Huolessisesti hoidetut leikkaustyökalut, joiden leikkausreunat ovat teräviä, eivät tartu helposti kiinni ja niitä on helpompi hallita.
- g) **Käytä sähkötyökaluja, tarvikkeita, vaihtotyökaluja jne. näiden ohjeiden mukaisesti. Ota tällöin huomioon työolosuhteet ja suoritettava toimenpide.** Sähkötyökalun käyttö muuhun kuin sille määrättyyn käyttöön, saattaa johtaa vaarallisiin tilanteisiin.
- h) **Pidä kahvat ja kädensijat kuivina ja puhtaina (öljytönnä ja rasvattomina).** Jos kahvat ja kädensijat ovat liukkaita, et pysty yllättävissä tilanteissa ohjaamaan ja hallitsemaan työkalua turvallisesti.
- 5) HUOLTO**
- a) **Anna koulutettujen ammattihenkilöiden korjata sähkötyökalusi ja hyväksy korjauksiin vain alkuperäisiä varaosia.** Täten varmistat, että sähkötyökalu säilyy turvallisena.

HIOMAKONEEN TURVALLISUUSOHJEET

YLEISTÄ

- Tätä työkalua saavat käyttää vain 16 vuotta täyttäneet henkilöt
- Tämä kone ei ole tarkoitettu vesihiontaan
- Älä käytä työkalua, kun johto on vioittunut; vaan toimita se valtuutettuun huoltoilikkeeseen
- **Älä koskaan työstä asbestipitoista ainetta** (asbestia pidetään karsinogeenisena)
- **Puhdista sähkötyökalusi tuuletusaukkoja säännöllisesti** (moottorin tuuletin imee pölyä työkalun koteloon, ja voimakas metallipölyn kasautuma voi synnyttää sähköisiä vaaratilanteita)
- **Irrota aina pistotulppa pistorasiasta, ennen kuin suoritat laitteelle mitään säätöjä tai vaihdat tarviketta**

VARUSTEET

- SKIL pystyy takaamaan työkalun moitteettoman toiminnan vain, kun käytetään alkuperäisiä tarvikkeit
- Älä jatka kuluneiden, repeytyneiden tai voimakkaasti tukkeutuneiden nauhojen käyttämistä

ENNEN KÄYTTÖÄ

- Tarkista aina, että syyttöjännite on sama kuin työkalun nimiltaan osoittama jännite (työkalut, joiden jännitetaso on 230V tai 240V, voidaan kytkeä myös 220V tason jännitteeseen)
- Vältä vaaralliset vahingot, jotka voivat aiheutua nauloista, ruuveista tai muista aineista työstettävissä materiaalissa; poista ne ennen työskentelyä aloittamista
- Käytä täysin rullaamattomia ja turvallisia jatkejohtoja, joiden kapasiteetti on 16 ampeeria
- Työskennellessä melutaso saattaa ylittää 85 dB(A); jolloin suositellaan kuulonsuojaimien käyttöä
- Materiaaleista, kuten lyijyittainen maali, jotkut puulajit, mineraalit ja metalli, tuleva pöly voi olla vahingollista (kosketuksiin joutuminen pölyn kanssa tai sen sisään hengittäminen voi aiheuttaa käyttäjälle tai sivustakatsojille allergiareaktioita ja/tai hengitysvaijoja); **käytä pölynaamaria ja työskentele pölynpoistolaitteen kanssa, kun sellainen on liitettävissä**

- Tietentyypiset pölyt on luokiteltu karsinogeenisiksi (kuten tammi- ja pyökkipöly) erityisesti puun käsittelyyn käytettävien lisäaineiden yhteydessä; **käytä pölynaamaria ja työskentele pölynpoistolaitteen kanssa, kun sellainen on liitettävissä**
- Noudata maakohtaisia pölyyn liittyviä sääntöjä
- Käytä suojakäsineitä, suojalasit, vartalonmukaista vaatetusta ja suojaa pitkät hiukset
- **Kiinnitä työstettävä kappale** (kiinnittimeen tai puristimeen kiinnitetty työstettävä kappale pysyy tukevammin paikoillaan kuin käsin pidettäessä)
- Metallia hiottaessa syntyy kipinöitä; älä käytä pölypussia/pölylaatikkoa/pölynimuria ja huolehdi siitä, ettei lähellä ole muita henkilöitä eikä tulenarkoja materiaaleja

KÄYTÖN AIKANA

- **Pidä kiinni laitteen eristetyistä tartuntapinnoista, koska hioma pinnan voi koskea laitteen johtoon** (jos jänniteinen johto vaurioituu, laitteen paljaisiin metalliosiin voi tulla jännite ja laitteen käyttäjä voi saada sähköiskun)
- **Pidä johto aina poissa työkalun liikkuvien osien läheisyydestä**; kohdista johto takaosaa kohti pois työkalusta
- Älä kosketa liikkuvaa hiomanauhaa
- Jos huomaat sähköisen tai mekaanisen vian, sammuta kone heti ja irrota liitosjohto pistorasiasta
- Jos sähköjohto vahingoittuu tai katkeaa työn aikana ei johtoa saa koskettaa, vaan pistotulppa on välittömästi irrotettava pistorasiasta

KÄYTÖN JÄLKEEN

- Kun panet koneen pois, sammuta moottori ja varmista, että kaikki liikkuvat osat ovat pysähtyneet

TYÖKALUN SYMBOLIEN SELITYKSET

- ③ Lue käyttöohjeet ennen käyttöä
- ④ Kaksoiseristys (ei tarvita maajohtoa)
- ⑤ Älä häviitä konettasi tavallisen kotitalousjätteen mukana

KÄYTTÖ

- Virtakytkin
 - käynnistä/sammuta koneesi painamalla/vapauttamalla kytkintä A ②
 - ! **koneen tulee olla käynnissä ennen kuin se koskettaa työkalua**
 - ! **ennen koneen sammuttamista se tulee nostaa irti työkalusta**
- Kytkimen lukitseminen jatkuvaa käyttöä varten
 - paina kytkintä A ②
 - paina nuppia B ② peukalollasi
 - vapauta kytkintä
 - irrota lukitus painamalla uudelleen kytkintä A ② ja vapauttamalla se
- Hiomanauhojen nopea vaihtaminen (CLIC-järjestelmä) ⑥
 - ! **vedä pistoke pistorasiasta**
 - nosta vipu C
 - irrota hiomanauha
 - asenna uusi nauha siinä olevien nuolien osoittamaan pyörimissuuntaan koneen nuolien D mukaisesti
 - paina vipu takaisin
 - ! **vaihda hiomanauhat uusiin ajoissa**
 - ! **älä koskaan taivuta hiomanauhoja**
- Automaattinen nauhan keskitys (ABC)
 - keskittää nauhan automaattisesti työkalu kytkettäessä
 - pitää nauhan keskitettynä hionnan aikana

Jos nauha vierittyy pois työkalusta (yleensä heikkolaatuisen nauhan aiheuttamana), suorita seuraavat toimenpiteet

- käynnistä kone
- käännä ruuvista E ② niin, että nauha pyörii koneen suoran sivun tasalla
- käytä uutta nauhaa, jos nauha edelleen vierittyy pois
- Pölynimu ⑦
 - tyhjennä pölylaatikkoa G/pölypussi F säännöllisesti optimaalisen pölynimurin saavuttamiseksi
 - käyttäessäsi konetta pölynimurin kanssa pölynimuria, asenna pölynimurin adapteri H kuvan mukaisesti (1215)
 - kun tarpeen, puhdista myös suodatinta kuvatulla tavalla
 - ! **älä käytä pölylaatikkoa/pölypussi/pölynimuria metallihionnassa**
- Koneen pitäminen ja ohjaaminen ⑧
 - ohjaa koneen työstettävän pinnan suuntaisesti
 - ! **pidä työkalusta kiinni aina työskentelyn aikana harmaan värisestä kädensija(oista)**
 - ! **älä kohdista liian paljon painetta työkaluun, anna sen tehdä työtä puolestasi**
 - älä kallista konetta, kallistaminen voi aiheuttaa syviä ei-toivottuja hiontajälkiä
 - pidä ilmanvaihto-aukkoja J ② peittämättöminä

VINKKEJÄ


- Hiottaessa paljaita puupintoja liikuta konetta puun syiden suuntaisesti
- Muita pintoja hiottaessa liikuta konetta soikein liikkein
- Asenna hiontakehyks K (SKIL tarvikkeita 2610398244) naarmuttomien tai irattomien pintojen tasaamista varten, ja varmista, että se on kunnolla paikallaan ⑨
 - ! **hiontakehyks K kuumenee käytön aikana; älä koske kehukseen ennen kuin se on jäähtynyt**
- Älä koskaan hio puuta ja metallia samalla hiomanauhalla
- Hiomanauhatarkeus suositus:
 - käytä maalin poistamiseen ja erittäin karkean puun hiontaan karkeita papereita (40, 60)
 - käytä karkean tai höylätyn puun hiontaan keskikarkeita papereita (80, 100, 120)
 - käytä puun ja öljymaalilla käsiteltyjen pintojen tasoittamiseen sekä paljaan puun viimeistelyyn hienoja papereita (180, 240, 320)
- Käytä eri hiomapaperikarkeuksia kun hiot karkeaa pintaa:
 - aloita karkealla tai keskikarkealla
 - viimeistele työ hienolla
- Lisävinkkejä on tarjolla web-osoitteessa www.skil.com

HOITO / HUOLTO

- Tätä työkalua ei ole tarkoitettu ammattikäyttöön
- Pidä työkalu ja johto puhtaina (varmista erityisesti ilma-aukkojen puhtaus J ②)
 - poista kiinnitarttunut pöly siveltimellä
 - ! **irrota liitosjohto aina puhdistuksen ajaksi pistorasiasta**

- Jos sähkötyökalussa, huolellisesta valmistuksesta ja koestusmenettelystä huolimatta esiintyy vikaa, tulee korjaus antaa SKIL sopimushuollon tehtäväksi
- toimita työkalu sitä osiin **purkamatta** lähimpään SKIL-huoltoon (osoitteet ja työkalun huoltokaava ovat tarjolla web-osoitteessa www.skil.com) ostotodiste mukaan liitettynä

YMPÄRISTÖNSUOJELU

- **Älä hävitä sähkötyökalua, tarvikkeita tai pakkausta tavallisen kotitalousjätteen mukana** (koskee vain EU-maita)
 - vanhoja sähkö- ja elektroniikkalaitteita koskevan EU-direktiivin 2012/19/ETY ja sen maakohtaisten sovellusten mukaisesti käytetyt sähkötyökalut on toimitettava ongelmajätteen keräyspisteeseen ja ohjattava ympäristöstä välttämättömästi kierrätykseen
 - symboli  muistuttaa tästä, kun käytöstä poisto tulee ajankohtaiseksi

MELU / TÄRINÄ


- Mitattuna EN 62841 mukaan työkalun melutaso on 87 dB(A) ja yleensä työkalun äänen voimakkuus on 98 dB(A) (keskihajonta: 3 dB), ja tärinän voimakkuus 2,1 m/s² (kolmen suunnan vektorisumma; epävarmuus K = 1,5 m/s²)
- Tärinäsaiteilytaso on mitattu standardin EN 62841 mukaisen standarditestin mukaisesti; sitä voidaan käyttää verrattaessa yhtä laitetta toiseen sekä alustavana tärinälle altistumisen arviona käytettäessä laitetta manituissa käyttötarkoituksissa
 - laitteen käyttö eri käyttötarkoituksiin tai erilaisten tai huonosti ylläpidettyjen lisälaitteiden kanssa voi **lisätä** merkittävästi altistumistasoa
 - laitteen ollessa sammuksissa tai kun se on käynnissä, mutta sillä ei tehdä työtä, altistumistaso voi olla huomattavasti **pienempi**
- ! **suojaudu tärinän vaikutuksilta ylläpitämällä laite ja sen lisävarusteet, pitämällä kädet lämpiminä ja järjestämällä työmenetelmät**

E

Lijadora de banda

1210/1215

INTRODUCCIÓN

- Esta herramienta está diseñada para lijar en seco madera, materiales plásticos, metal, emplastecido y superficies pintadas, con un elevado rendimiento en el arranque de material
- Esta herramienta no está concebida para uso profesional
- Lea y conserve este manual de instrucciones 


DATOS TÉCNICOS

ELEMENTOS DE LA HERRAMIENTA

- A Interruptor de activación/desactivación
- B Botón de bloqueo del interruptor On/off
- C Palanca para cambiar la banda de lija
- D Flecha
- E Tornillo para ajustar el centrado de la banda
- F Bolsa de polvo
- G Caja de polvo
- H Adaptador para aspirador
- J Ranuras de ventilación
- K Marco de lijado

SEGURIDAD

ADVERTENCIAS DE PELIGRO GENERALES PARA HERRAMIENTAS ELÉCTRICAS

 **ADVERTENCIA** Lea íntegramente las advertencias de peligro, las instrucciones, las ilustraciones y las especificaciones entregadas con esta herramienta eléctrica. En caso de no atenerse a las instrucciones siguientes, ello puede ocasionar una descarga eléctrica, un incendio y/o una lesión grave.

Guardar todas las advertencias de peligro e instrucciones para futuras consultas.

El término "herramienta eléctrica" empleado en las siguientes advertencias de peligro se refiere a herramientas eléctricas de conexión a la red (con cable de red) y a herramientas eléctricas accionadas por acumulador (o sea, sin cable de red).

1) SEGURIDAD DEL PUESTO DE TRABAJO

- a) **Mantenga limpia y bien iluminada su área de trabajo.** El desorden o una iluminación deficiente en las áreas de trabajo pueden provocar accidentes.
- b) **No utilice la herramienta eléctrica en un entorno con peligro de explosión, en el que se encuentren combustibles líquidos, gases o material en polvo.** Las herramientas eléctricas producen chispas que pueden llegar a inflamar los materiales en polvo o vapores.
- c) **Mantenga alejados a los niños y otras personas de su área de trabajo al emplear la herramienta eléctrica.** Una distracción le puede hacer perder el control sobre la herramienta.

2) SEGURIDAD ELÉCTRICA

- a) **El enchufe de la herramienta eléctrica debe corresponder a la toma de corriente utilizada. No es admisible modificar el enchufe en forma alguna. No emplear adaptadores en herramientas eléctricas dotadas con una toma de tierra.** Los enchufes sin modificar adecuados a las respectivas tomas de corriente reducen el riesgo de una descarga eléctrica.
- b) **Evite que su cuerpo toque partes conectadas a tierra como tuberías, radiadores, cocinas y refrigeradores.** El riesgo a quedar expuesto a una descarga eléctrica es mayor si su cuerpo tiene contacto con tomas de tierra.
- c) **No exponga las herramientas eléctricas a la lluvia o a condiciones de humedad.** Existe el peligro de recibir

una descarga eléctrica si penetran líquidos en la herramienta eléctrica.

- d) **No utilice el cable de red para transportar o colgar la herramienta eléctrica, ni tire de él para sacar el enchufe de la toma de corriente. Mantenga el cable de red alejado del calor, aceite, esquinas cortantes o piezas móviles.** Los cables de red dañados o enredados pueden provocar una descarga eléctrica.
- e) **Al trabajar con la herramienta eléctrica en la intemperie utilice solamente cables de prolongación homologados para su uso en exteriores.** La utilización de un cable de prolongación adecuado para su uso en exteriores reduce el riesgo de una descarga eléctrica.
- f) **Si el funcionamiento de una herramienta eléctrica en un lugar húmedo fuese inevitable, utilice un cortacircuito de fuga a tierra.** El uso de un cortacircuito de fuga a tierra reduce el riesgo de descarga eléctrica.

3) SEGURIDAD DE PERSONAS

- a) **Esté atento y emplee la herramienta eléctrica con prudencia. No utilice la herramienta eléctrica si estuviese cansado, ni bajo los efectos de alcohol, drogas o medicamentos.** El no estar atento durante el uso de una herramienta eléctrica puede provocar serias lesiones.
- b) **Utilice un equipo de protección personal y en todo caso unas gafas de protección.** El riesgo a lesionarse se reduce considerablemente si, dependiendo del tipo y la aplicación de la herramienta eléctrica empleada, se utiliza un equipo de protección adecuado como una mascarilla antipolvo, zapatos de seguridad con suela antideslizante, casco, o protectores auditivos.
- c) **Evite una puesta en marcha fortuita. Asegurarse de que la herramienta eléctrica esté desconectada antes de conectarla a la toma de corriente y/o al montar el acumulador, al recogerla, y al transportarla.** Si transporta la herramienta eléctrica sujetándola por el interruptor de conexión/desconexión, o si introduce el enchufe en la toma de corriente con la herramienta eléctrica conectada, ello puede dar lugar a un accidente.
- d) **Retire las herramientas de ajuste o llaves fijas antes de conectar la herramienta eléctrica.** Una herramienta o llave colocada en una pieza rotativa puede producir lesiones graves al accionar la herramienta eléctrica.
- e) **Sea precavido. Trabaje sobre una base firme y mantenga el equilibrio en todo momento.** Ello le permitirá controlar mejor la herramienta eléctrica en caso de presentarse una situación inesperada.
- f) **Lleve puesta una vestimenta de trabajo adecuada. No utilice vestimenta amplia ni joyas. Mantenga su pelo y vestimenta alejados de las piezas móviles.** La vestimenta suelta, las joyas y el pelo largo se pueden enganchar con las piezas en movimiento.
- g) **Siempre que sea posible utilizar equipos de aspiración o captación de polvo, asegúrese que éstos estén montados y que sean utilizados correctamente.** El empleo de estos equipos reduce los riesgos derivados del polvo.
- h) **No permita que la familiaridad ganada por el uso frecuente de la herramienta eléctrica lo deje creerse seguro e ignorar las normas de seguridad.** Una acción negligente puede causar lesiones graves en una fracción de segundo.

4) CUIDADO Y UTILIZACIÓN DE HERRAMIENTAS ELÉCTRICAS

- a) **No sobrecargue la herramienta eléctrica. Use la herramienta eléctrica prevista para el trabajo a realizar.** Con la herramienta eléctrica adecuada podrá trabajar mejor y con mayor seguridad dentro del margen de potencia indicado.
 - b) **No utilice herramientas eléctricas con un interruptor defectuoso.** Las herramientas eléctricas que no se puedan conectar o desconectar son peligrosas y deben repararse.
 - c) **Saque el enchufe de la red y/o retire el acumulador desmontable de la herramienta eléctrica, antes de realizar un ajuste, cambiar de accesorio o al guardar la herramienta eléctrica.** Esta medida preventiva reduce el riesgo de conectar accidentalmente la herramienta eléctrica.
 - d) **Guarde las herramientas eléctricas fuera del alcance de los niños y de las personas que no estén familiarizadas con su uso.** Las herramientas eléctricas utilizadas por personas inexpertas son peligrosas.
 - e) **Cuide la herramienta eléctrica y los accesorios con esmero. Controle si funcionan correctamente, sin atascarse, las partes móviles de la herramienta eléctrica, y si existen partes rotas o deterioradas que pudieran afectar al funcionamiento de la herramienta eléctrica. Si la herramienta eléctrica estuviese defectuosa haga repararla antes de volver a utilizarla.** Muchos de los accidentes se deben a herramientas eléctricas con un mantenimiento deficiente.
 - f) **Mantenga los útiles limpios y afilados.** Los útiles mantenidos correctamente se dejan guiar y controlar mejor.
 - g) **Utilice herramientas eléctricas, accesorios, útiles, etc. de acuerdo con estas instrucciones, teniendo en cuenta las condiciones de trabajo y la tarea a realizar.** El uso de herramientas eléctricas para trabajos diferentes de aquellos para los que han sido concebidas puede resultar peligroso.
 - h) **Mantenga las empuñaduras y las superficies de las empuñaduras secas, limpias y libres de aceite y grasa.** Las empuñaduras y las superficies de las empuñaduras resbaladizas no permiten un manejo y control seguro de la herramienta eléctrica en situaciones imprevistas.
- ### 5) SERVICIO
- a) **Únicamente haga reparar su herramienta eléctrica por un profesional, empleando exclusivamente piezas de repuesto originales.** Solamente así se mantiene la seguridad de la herramienta eléctrica.

INSTRUCCIONES DE SEGURIDAD PARA LIJADORAS

GENERAL

- Esta herramienta no debe utilizarse por personas menores de 16 años
- Esta herramienta no es adecuada para lijar con agua
- No utilizar la herramienta cuando el cable esté dañado; hágalo cambiar por una persona calificada
- **No trabaje materiales que contengan amianto** (el amianto es cancerígeno)
- **Limpie periódicamente las rejillas de ventilación de su herramienta eléctrica** (el ventilador del motor aspira

polvo hacia el interior de la carcasa, y en caso de una acumulación fuerte de polvo metálico ello le puede provocar una descarga eléctrica)

- **Desenchufar siempre la herramienta antes de realizar cualquier ajuste o cambiar algún accesorio**

ACCESORIOS

- SKIL únicamente puede garantizar un funcionamiento correcto de la herramienta al emplear accesorios originales
- No utilizar bandas de lijado desgastadas, desgarradas o excesivamente embazadas

ANTES DEL USO

- Compruebe siempre que la tensión de alimentación es la misma que la indicada en la placa de características de la herramienta (las herramientas de 230V o 240V pueden conectarse también a 220V)
- Evite los daños que puedan causar los tornillos, clavos y otros objetos sobre la pieza de trabajo; retírelos antes de empezar a trabajar
- Utilice cables de extensión seguros y completamente desenrollados con una capacidad de 16 amperios
- El nivel de ruido, con la herramienta trabajando, podrá sobrepasar 85 dB(A); usar protectores auditivos
- El polvo del material, como por ejemplo la pintura que contiene plomo, algunas especies de madera, minerales y metal podrían ser dañinos (el contacto o inhalación del polvo podría producir reacciones alérgicas y/o trastornos respiratorios al operador u otras personas cerca); **utilice una máscara contra el polvo y trabaje con un dispositivo de extracción de polvo cuando lo conecte**
- Ciertos tipos de polvo están catalogados como cancerígenos (por ejemplo el polvo de roble y de haya) especialmente junto con aditivos para el acondicionamiento de la madera; **utilice una máscara contra el polvo y trabaje con un dispositivo de extracción de polvo cuando lo conecte**
- Siga la normativa nacional en cuanto a extracción de polvo, en función de los materiales que vayan a ser utilizados
- Llevar guantes protectores, gafas de protección, vestimenta ceñida al cuerpo y protección adecuada para pelo largo
- **Asegure la pieza de trabajo** (una pieza de trabajo fijada con unos dispositivos de sujeción o en un tornillo de banco, se mantiene sujeta de forma mucho más segura que con la mano)
- Al lijar metal se generen chispas; no utilice la bolsa de polvo/la caja de polvo/el aspirador y mantenga otras personas y materiales combustibles alejados de la zona de trabajo

DURANTE EL USO

- **Sujete la herramienta por las superficies de agarre aisladas, ya que es posible que la superficie para lijar haga contacto con su propio cable de alimentación** (cortar un cable bajo tensión también puede conectar las partes metálicas expuestas de la herramienta y podría dar una sacudida eléctrica al operario)
- Mantenga siempre el cable lejos de las partes móviles de la herramienta; mantenga el cable detrás de usted, lejos de la herramienta

- Evitar el contacto con la banda de lijado en marcha
- En el caso de que se produjera un mal funcionamiento eléctrico o mecánico, apague inmediatamente la herramienta y desconecte el enchufe
- Si llega a dañarse o cortarse el cable eléctrico durante el trabajo, no tocar el cable, sino extraer inmediatamente el enchufe de la red

DESPUÉS DEL USO

- Ponga atención al guardar su herramienta de que el motor está apagado y las partes móviles están parados

EXPLICACIÓN DE LOS SÍMBOLOS DE LA HERRAMIENTA

- ③ Lea el manual de instrucciones antes de utilizarla
- ④ Doble aislamiento (no requiere cable de tierra)
- ⑤ No deseché la herramienta junta con los residuos domésticos

USO

- Interruptor On/Off
 - ponga en marcha/pare su herramienta apretando/ soltando el gatillo A ②
 - ! **antes de trabajar sobre una pieza, se debe poner en marcha su herramienta**
 - ! **antes de desactivar la herramienta, debe retirarla de la pieza de trabajo**
 - Bloqueo del interruptor para uso permanente
 - apriete el gatillo A ②
 - apriete el botón B ② con su dedo pulgar
 - suelte el gatillo
 - apaga la herramienta apretando el gatillo A ② una vez más y luego soltándolo
 - Para cambiar rápidamente las bandas de lijado (sistema CLIC) ⑥
 - ! **desenchufar la herramienta**
 - levante la palanca C
 - desmonte la banda de lijado
 - introduzca una nueva banda, de modo que las flechas estampadas en el lado interior de la banda apunten en la misma dirección que la flecha D en la herramienta
 - baje la palanca
 - ! **cambiar a tiempo las bandas de lijado**
 - ! **no doblar jamás las bandas de lijado**
 - Centrado automático de las bandas (ABC)
 - cuando se enciende la herramienta, se centra la banda automáticamente
 - mantiene centrada la banda durante el lijado
- En caso de que la banda se desprenda de la herramienta (causado casi siempre por bandas de calidad inferior), deberá
- ponga en marcha la herramienta
 - ajuste el tornillo E ② hasta que la banda de lijado entre con el lado bajo de la herramienta
 - utilice una banda nueva si se sigue desprendiendo
- Aspiración de polvo ⑦
 - vacíe la caja G/la bolsa F con regularidad para una aspiración optimal del polvo
 - cuando use su herramienta con el aspirador, monte el adaptador para el aspirador H tal como se muestra en la ilustración (1215)

- cuando sea necesario, limpie también el filtro de la forma ilustrada
- ! **no utilice la caja de polvo/la bolsa de polvo/el aspirador al lijar metal**
- Sujeción y manejo de la herramienta ⑧
 - guíe su herramienta paralela a la superficie de trabajo
 - ! **durante el trabajo, sujete siempre la herramienta por la(s) zona(s) de empuñadura de color gris**
 - ! **no ejerza demasiada presión en la herramienta; deje que la superficie para lijar haga su trabajo**
 - no incline su herramienta para evitar marcas de lijado no deseadas
 - mantenga las ranuras de ventilación J ② descubiertas

CONSEJOS DE APLICACIÓN

- Para los superficies de madera no pintadas es un movimiento rectilíneo en dirección de la nervadura da un mayor rendimiento
- Para lijar otro tipo de superficies mueva la herramienta sobre el material con movimientos ovales
- Monte el marco de lijado K (accesorio SKIL 2610398244) para igualar superficies sin arañazos ni surcos, y asegúrese de que esté bien sujeto ⑨
 - ! **el marco de lijado K se calienta durante su uso; no lo toque hasta que se haya enfriado**
- No tratar jamás madera y metal con la misma banda de lija
- Grano recomendado de las bandas de lijado:
 - para quitar pintura y para lijar madera muy basta, use lijas de grano grueso (40, 60)
 - para lijar madera en crudo o lisa, use lijas de grano medio (80, 100, 120)
 - para pulir madera y superficies con pintura vieja, o también para el acabado de madera sin pintar, use lijas de grano fino (180, 240, 320)
- Utilice diferentes granos de lija si la superficie a trabajar es basta:
 - empiece con el grano basto o medio
 - acabe con grano fino
- Para más consejos vea www.skil.com

MANTENIMIENTO / SERVICIO

- Esta herramienta no está concebida para uso profesional
- Mantenga limpio el cable eléctrico y la herramienta (sobre todo las ranuras de ventilación J ②)
 - eliminar el polvo adherido con un pincel
 - ! **desenchufar la herramienta antes de limpiar**
- Si a pesar de los esmerados procesos de fabricación y control, la herramienta llegase a averiarse, la reparación deberá encargarse a un servicio técnico autorizado para herramientas eléctricas SKIL
 - envíe la herramienta **sin desmontar** junto con una prueba de su compra a su distribuidor o a la estación de servicio más cercana de SKIL (los nombres así como el despiece de piezas de la herramienta figuran en www.skil.com)

AMBIENTE

- **No deseches las herramientas eléctricas, los accesorios y embalajes junto con los residuos domésticos** (sólo para países de la Unión Europea)
 - de conformidad con la Directiva Europea 2012/19/CE sobre residuos de aparatos eléctricos y electrónicos y su aplicación de acuerdo con la legislación nacional, las herramientas eléctricas cuya vida útil haya llegado a su fin se deberán recoger por separado y trasladar a una planta de reciclaje que cumpla con las exigencias ecológicas
 - símbolo ⑤ llamará su atención en caso de necesidad de tirarlas

RUIDOS / VIBRACIONES

- Medido según EN 62841 el nivel de la presión acústica de esta herramienta se eleva a 87 dB(A) y el nivel de la potencia acústica a 98 dB(A) (desviación estándar: 3 dB), y la vibración a 2,1 m/s² (suma vectorial de tres direcciones; incertidumbre K = 1,5 m/s²)
- El nivel de emisión de vibraciones ha sido medido según una prueba estándar proporcionada en EN 62841; puede utilizarse para comparar una herramienta con otra y como valoración preliminar de la exposición a las vibraciones al utilizar la herramienta con las aplicaciones mencionadas
 - al utilizarla para distintas aplicaciones o con accesorios diferentes o con un mantenimiento deficiente, podría **augmentar** de forma notable el nivel de exposición
 - en las ocasiones en que se apaga la herramienta o cuando está funcionando pero no está realizando ningún trabajo, se podría **reducir** el nivel de exposición de forma importante
- ! **protéjase contra los efectos de la vibración realizando el mantenimiento de la herramienta y sus accesorios, manteniendo sus manos calientes y organizando sus patrones de trabajo**



P

Lixadeira de rolos

1210/1215

INTRODUÇÃO

- Esta ferramenta é determinada para lixar a seco madeira, plástico, metal, mastique e superficies pintadas, com alta força abrasiva
- Esta ferramenta não se destina a utilização profissional
- Leia e guarde este manual de instruções ③

DADOS TÉCNICOS ①

ELEMENTOS DA FERRAMENTA ②

- A Interruptor para ligar/desligar
- B Botão do interruptor para bloquear/desbloquear
- C Patilha para mudar a cinta da lixadeira
- D Seta
- E Parafuso para regular a centragem da cinta
- F Saco do pó
- G Caixa do pó
- H Adaptador para aspirador
- J Aberturas de ventilação
- K Marco da lixadeira

SEGURANÇA

INDICAÇÕES GERAIS DE SEGURANÇA PARA FERRAMENTAS ELÉTRICAS

⚠ ATENÇÃO Devem ser lidas todas as indicações de segurança, instruções, ilustrações e especificações desta ferramenta eléctrica. O desrespeito das instruções apresentadas abaixo pode causar choque elétrico, incêndio e/ou graves lesões.

Guarde bem todas as advertências e instruções para futura referência.

O termo “ferramenta eléctrica” utilizado a seguir nas indicações de advertência, refere-se a ferramentas eléctricas operadas com corrente de rede (com cabo de rede) e a ferramentas eléctricas operadas com acumulador (sem cabo de rede).

1) SEGURANÇA DA ÁREA DE TRABALHO

- a) **Mantenha a sua área de trabalho limpa e arrumada.** Desordem ou áreas de trabalho com fraca iluminação podem causar acidentes.
- b) **Não trabalhar com a ferramenta eléctrica em áreas com risco de explosão, nas quais se encontrem líquidos, gases ou pós inflamáveis.** Ferramentas eléctricas produzem faíscas que podem provocar a ignição de pó e vapores.
- c) **Mantenha crianças e outras pessoas afastadas da ferramenta eléctrica durante o trabalho com a ferramenta.** Distrações podem causar a falta de controle sobre o aparelho.

2) SEGURANÇA ELÉTRICA

- a) **A ficha das ferramentas eléctricas devem caber na tomada. A ficha não deve ser modificada de modo algum. Não utilize quaisquer fichas de adaptação junto com ferramentas eléctricas ligadas à terra.** Fichas sem modificações e tomadas adequadas reduzem o risco de choques eléctricos.
- b) **Evite que o corpo entre em contacto com superfícies ligadas à terra, como por exemplo tubos, radiadores, fogões e geladeiras.** Há um risco elevado de choques eléctricos, caso o corpo for ligado à terra.
- c) **A ferramenta eléctrica não deve ser exposta à chuva nem humidade.** A penetração de água na ferramenta eléctrica aumenta o risco de choques eléctricos.

- d) **O cabo do aparelho não deve ser utilizado para o transporte, para pendurar o aparelho, nem para puxar a ficha da tomada. Mantenha o cabo afastado de calor, óleo, cantos afiados ou partes em movimento do aparelho.** Cabos danificados ou torcidos aumentam o risco de choques eléctricos.
 - e) **Ao trabalhar com a ferramenta eléctrica ao ar livre, use um cabo de extensão apropriado para áreas externas.** O uso de um cabo apropriado para áreas externas reduz o risco de choques eléctricos.
 - f) **Se não for possível evitar o funcionamento da ferramenta eléctrica em áreas húmidas, deverá ser utilizado um disjuntor de corrente de avaria.** A utilização de um disjuntor de corrente de avaria reduz o risco de um choque eléctrico.
- #### 3) SEGURANÇA DE PESSOAS
- a) **Esteja alerta, observe o que está a fazer, e tenha prudência ao trabalhar com a ferramenta eléctrica. Não use a ferramenta eléctrica se estiver fatigado ou sob a influência de drogas, álcool ou medicamentos.** Um momento de falta de atenção durante a operação da ferramenta eléctrica pode causar graves lesões.
 - b) **Utilizar equipamento de protecção pessoal e sempre óculos de protecção.** A utilização de equipamento de protecção pessoal, como máscara de protecção contra pó, sapatos de segurança antiderrapantes, capacete de segurança ou protecção auricular, de acordo com o tipo e aplicação da ferramenta eléctrica, reduz o risco de lesões.
 - c) **Evitar uma colocação em funcionamento involuntária. Assegure-se de que a ferramenta eléctrica esteja desligada, antes de conectá-la à alimentação de rede e/ou ao acumulador, antes de levantá-la ou de transportá-la.** Se tiver o dedo no interruptor ao transportar a ferramenta eléctrica ou se o aparelho for conectado à alimentação de rede enquanto estiver ligado, poderão ocorrer acidentes.
 - d) **Remover chaves de ajustes ou chaves de fenda, antes de ligar a ferramenta eléctrica.** Uma chave de fenda ou chave de ajuste que se encontre numa parte móvel do aparelho, pode levar a lesões.
 - e) **Não se sobrestime. Mantenha uma posição firme e mantenha sempre o equilíbrio.** Desta forma poderá ser mais fácil controlar o aparelho em situações inesperadas.
 - f) **Use roupa apropriada. Não use roupa larga ou jóias. Mantenha os cabelos e roupas afastados de partes em movimento.** Roupas largas, jóias ou cabelos longos podem ser agarradas por partes em movimento.
 - g) **Se for prevista a montagem de dispositivos de aspiração de pó e de dispositivos de recolha, assegure-se de que estão conectados e que sejam utilizados de forma correcta.** A utilização de uma aspiração de pó pode reduzir o perigo devido ao pó.
 - h) **Não deixe que a familiaridade resultante de uma utilização frequente de ferramentas permita que você se torne complacente e ignore os princípios de segurança da ferramenta.** Uma ação descuidada pode causar ferimentos graves numa fração de segundo.

4) USO E TRATAMENTO DE FERRAMENTAS ELÉTRICAS

- a) **Não sobrecarregue a ferramenta eléctrica. Use para o seu trabalho a ferramenta eléctrica correcta.** A ferramenta correcta realizará o trabalho de forma melhor e mais segura dentro da faixa de potência indicada.
- b) **Não utilize a ferramenta eléctrica se o interruptor não puder ser ligado nem desligado.** Qualquer ferramenta eléctrica que não possa ser controlada através do interruptor de ligar-desligar, é perigosa e deve ser reparada.
- c) **Puxar a ficha da tomada e/ou remover o acumulador, se amovível, antes de executar ajustes na ferramenta, de substituir acessórios ou de guardar a ferramenta.** Esta medida de segurança evita que a ferramenta eléctrica seja ligada acidentalmente.
- d) **Guarde ferramentas eléctricas que não estiverem sendo utilizadas, for a do alcance de crianças. Não permita que o aparelho seja utilizado por pessoas não familiarizadas com o mesmo ou que não tenham lido estas instruções.** Ferramentas eléctricas são perigosas nas mãos de pessoas sem treinamento.
- e) **Trate a ferramenta eléctrica e os acessórios com cuidado. Verifique se as partes móveis do aparelho funcionam perfeitamente e não emperram, se há peças quebradas ou danificadas, que possam influenciar o funcionamento do aparelho. Peças danificadas devem ser reparadas antes da utilização do aparelho.** Muitos acidentes tem como causa uma manutenção insuficiente das ferramentas eléctricas.
- f) **Mantenha as ferramentas de corte sempre afiadas e limpas.** Ferramentas de cortes devidamente tratadas, com cantos afiados travam com menos frequência e podem ser controladas com maior facilidade.
- g) **Use a ferramenta eléctrica, os acessórios os bits da ferramenta etc., de acordo com estas instruções. Considere também as condições de trabalho e o trabalho a ser efectuado.** A utilização da ferramenta eléctrica para outros fins que os previstos, pode resultar em situações perigosas.
- h) **Mantenha os punhos e as superfícies de agarrar secas, limpas e livres de óleo e massa consistente.** Punhos e superfícies de agarrar escorregadias não permitem o manuseio e controle seguros da ferramenta em situações inesperadas.

5) SERVIÇO

- a) **A sua ferramenta eléctrica só deve ser reparada por pessoal qualificado e só devem ser colocadas peças sobressalentes originais.** Desta forma é assegurada a segurança da ferramenta eléctrica.

INSTRUÇÕES DE SEGURANÇA PARA LIXADEIRAS

GENERAL

- Esta ferramenta não deve ser utilizada por pessoas menores de 16 anos
- Esta ferramenta não é aconselhada para trabalhos em superfícies molhadas
- Não utilizar ferramenta caso o fio esteja danificado; mandando-o substituir por pessoal qualificado
- **Não processar material que contenha asbesto** (asbesto é considerado como sendo cancerígeno)

- **Limpar regularmente as aberturas de ventilação da sua ferramenta eléctrica** (a ventoinha do motor puxa pó para dentro da carcaça, e uma grande quantidade de pó de metal pode causar perigos eléctricos)
- **Desligue sempre a ficha da tomada antes de proceder a qualquer ajustamento ou troca de acessório**

ACESSÓRIOS

- A SKIL só pode garantir um funcionamento perfeito da ferramenta, quando utilizada com os acessórios originais
- Cintas de lixadeira gastas, rasgadas ou muito sujos não devem continuar a ser utilizadas

ANTES DA UTILIZAÇÃO

- Certifique-se sempre de que a tensão de alimentação está de acordo com a tensão indicada na placa de identificação da ferramenta (ferramentas com a indicação de 230V ou 240V também podem ser ligadas a uma fonte de 220V)
- Evite danificar a ferramenta em superfícies com pregos ou parafusos; remova-os antes de começar a trabalhar
- Utilize extensões completamente desenroladas e seguras, com uma capacidade de 16 Amp
- O nível de ruído durante o trabalho pode exceder 85 dB(A); utilize protectores auriculares
- O pó do material, como tinta com chumbo, algumas espécies de madeira, minerais e metais, pode ser prejudicial (contacto ou inalação do pó pode provocar reacções alérgicas e/ou doenças respiratórias ao operador ou às pessoas presentes); **use máscara respiratória e trabalhe com um dispositivo de extracção de pó quando ligado a**
- Determinados tipos de pó são classificados como substâncias cancerígenas (como pó de carvalho e faia), em especial, juntamente com aditivos para acondicionamento da madeira; **use máscara respiratória e trabalhe com um dispositivo de extracção de pó quando ligado a**
- Siga o regulamento nacional quanto a extração de pó, em função dos materiais que vão ser utilizados
- Usar luvas protectoras, óculos de protecção, roupas justas e uma protecção para cabelos (no caso de cabelos compridos)
- **Fixe a peça de trabalho** (uma peça de trabalho fixa com dispositivos de fixação ou num torno fica melhor fixa do que manualmente)
- **ÃO lixar metais, devido às faíscas produzidas, não utilize o saco de pó/a caixa de pó/o aspirador e mantenha afastadas outras pessoas e materiais combustíveis à área de trabalho**

DURANTE A UTILIZAÇÃO

- **Segure a ferramenta eléctrica pelas superfícies de fixação, porque a superfície de lixagem pode contactar com o cabo** (o corte de um fio “eléctrico” pode expor as peças metálicas da ferramenta eléctrica e pode originar um choque eléctrico no operador)
- Mantenha sempre o fio afastado das peças rotativas da ferramenta; coloque o fio para trás, fora do alcance da ferramenta
- Não entrar em contacto com a cinta de lixadeira em funcionamento
- Em caso de anomalias eléctricas ou mecânicas, desligue imediatamente a ferramenta e tire a ficha da tomada

- Caso o fio for danificado ou cortado durante o trabalho, não toque no fio, mas tire imediatamente a ficha da tomada

APÓS A UTILIZAÇÃO

- Quando guardar a ferramenta, deverá certificar-se que o motor esta devidamente parado assim como todas as peças rotativas

EXPLICAÇÃO DOS SÍMBOLOS DA FERRAMENTA

- ③ Leia o manual de instruções antes de utilizar o equipamento
- ④ Isolamento duplo (nenhum fio de terra necessário)
- ⑤ Não deite a ferramenta no lixo doméstico

MANUSEAMENTO

- Interruptor para ligar/desligar
 - ligue/desligue a ferramenta premindo/soltando o gatilho A ②
 - ! **a ferramenta deve estar ligada antes que a base alcance a peça a trabalhar**
 - ! **antes de desligar a ferramenta, deve levantá-la da peça de trabalho**
- Fixação do interruptor para utilização contínua
 - premir o gatilho A ②
 - apertar o botão B ② com o polegar
 - soltar o gatilho
 - desligue o interruptor apertando de novo o gatilho A ② e soltando-o de seguida
- Substituição rápida das cintas da lixadeira (sistema CLIC) ⑥
 - ! **desligar da fonte de corrente**
 - levante a patilha C
 - retire a cinta
 - coloque uma nova cinta com as setas imprimadas no interior da mesma apontando na mesma direcção da seta D da ferramenta
 - abaixe a patilha
 - ! **mudar as cintas de lixadeira atempadamente**
 - ! **nunca dobrar as cintas de lixadeira**
- Centragem automática da cinta (ABC)
 - centra automaticamente a cinta quando a ferramenta é ligada
 - mantém a cinta centrada durante a lixagem

Caso a cinta saia da ferramenta (o que é na maior parte das vezes causado por má qualidade da cinta), faça o seguinte

 - ligue a ferramenta
 - aparafuse o parafuso E ② até a cinta correr paralela a parte chata da ferramenta
 - utilize outra cinta se esta continuar a sair da ferramenta
- Aspiração de pó ⑦
 - esvazie periodicamente a caixa G/o saco F para uma melhor recolha do pó
 - quando utilizar a ferramenta com o aspirador, monte o adaptador para aspirador H como ilustrado (1215)
 - quando necessário, limpe também o filtro conforme ilustrado
 - ! **não utilizar a caixa de recolha do pó/o saco de pó/o aspirador ao lixar metais**
- Segurar e guiar a ferramenta ⑧
 - guie a ferramenta paralelamente à peça a trabalhar
 - ! **durante o trabalho, segure sempre a ferramenta na(s) área(s) de fixação cinzenta(s)**

- ! **não aplique demasiada pressão na ferramenta; deixe que a ferramenta trabalhe por si**

- não incline a ferramenta de modo a evitar marcas indesejadas
- mantenha as aberturas de ventilação J ② destapadas

CONSELHOS DE APLICAÇÃO

- Para trabalhar com a lixadeira em superfícies de madeira não aplainada deverá fazer movimentos em linha recta e sempre no sentido dos veios da madeira
- Para lixar todas as outras superfícies faça movimentos ovais com a ferramenta sobre o material
- Instale o marco da lixadeira K (acessório SKIL 2610398244) para alisar superfícies com riscos ou ranhuras, e certifique-se de que está bem fixo no lugar ⑨
 - ! **o marco da lixadeira K aquece durante a utilização; não toque no marco antes que elo arrefeça**
- Nunca trabalhar madeira e metal com a mesma cinta de lixa
- Grãos de cintas de lixadeira recomendados:
 - para remover tinta e lixar madeira extremamente irregular, utilize grãos de lixa grossos (40, 60)
 - para lixar madeira plana ou irregular, utilize grãos de lixa médios (80, 100, 120)
 - para alisar madeira e superfícies com tinta velhas, assim como fazer o acabamento de madeira em bruto, utilize grãos de lixa finos (180, 240, 320)
- Use diferentes grãos de lixa quando trabalhar madeira dura:
 - comece com grão grosso ou médio
 - acabe com grão fino
- Para mais sugestões consulte www.skil.com

MANUTENÇÃO / SERVIÇO

- Esta ferramenta não se destina a utilização profissional
- Mantenha a ferramenta e o fio sempre limpos (especialmente as ranhuras de respiração J ②)
 - remover o pó de lixa aderido com um pincel
 - ! **desligar a ferramenta da fonte de corrente antes de limpar**
- Se a ferramenta falhar apesar de cuidadosos processos de fabricação e de teste, a reparação deverá ser executada por uma oficina de serviço autorizada para ferramentas eléctricas SKIL
 - envie a ferramenta **sem desmontar**, juntamente com a prova de compra, para o seu revendedor ou para o centro de assistência SKIL mais próximo (os endereços assim como a mapa de peças da ferramenta estão mencionados no www.skil.com)

AMBIENTE

- **Não deite ferramentas eléctricas, acessórios e embalagem no lixo doméstico** (apenas para países da UE)
 - de acordo com a directiva europeia 2012/19/CE sobre ferramentas eléctricas e electrónicas usadas e a transposição para as leis nacionais, as ferramentas eléctricas usadas devem ser recolhidas em separado

e encaminhadas a uma instalação de reciclagem dos materiais ecológica

- símbolo ⑥ lhe avisará em caso de necessidade de arranja-las

RUÍDO / VIBRAÇÃO

- Medido segundo EN 62841 o nível de pressão acústica desta ferramenta é 87 dB(A) e o nível de potência acústica 98 dB(A) (espaço de erro: 3 dB), e a vibração 2,1 m/s² (soma de vectores de três direcções; incerteza K = 1,5 m/s²)
 - O nível de emissão de vibrações foi medido de acordo com um teste normalizado fornecido na EN 62841; pode ser utilizado para comparar uma ferramenta com outra e como uma avaliação preliminar de exposição à vibração quando utilizar a ferramenta para as aplicações mencionadas
 - utilizar a ferramenta para diferentes aplicações ou com acessórios diferentes ou mantidos deficientemente, pode **umentar** significativamente o nível de exposição
 - o número de vezes que a ferramenta é desligada ou quando estiver a trabalhar sem fazer nada, pode **reduzir** significativamente o nível de exposição
- ! proteja-se contra os efeitos da vibração, mantendo a ferramenta e os acessórios, mantendo as mãos quentes e organizando os padrões de trabalho**

I

Levigatrice a nastro

1210/1215

INTRODUZIONE

- Questo utensile serve per la smerigliatura a secco del legno, della plastica, di metallo, del riempimento e delle superfici verniciate, con elevato asportazione del material
- Questo utensile non è inteso per un uso professionale
- Leggete e conservate questo manuale di istruzione ③

DATI TECNICI ①

ELEMENTI UTENSILE ②

- A Interruttore di acceso/spento
- B Pulsante di bloccaggio dell'interruttore
- C Leva per sostituire il nastro abrasivo
- D Freccia
- E Vite per centrare il nastro
- F Sacchetto della polvere
- G Scatola della polvere
- H Adattatore per aspirapolvere
- J Feritoie di ventilazione
- K Cornice di levigatura

SICUREZZA

AVVERTENZE GENERALI DI PERICOLO PER ELETTROUTENSILI

AVVERTENZA Leggere tutte le avvertenze di pericolo, le istruzioni operative, le figure e le specifiche accluse al presente elettroutensile. Il mancato rispetto di tutte le istruzioni sottoelencate potrà comportare il pericolo di scosse elettriche, incendi e/o gravi lesioni.

Conservare tutte le avvertenze di pericolo e le istruzioni operative per ogni esigenza futura.

Il termine "elettroutensile" utilizzato nelle avvertenze di pericolo si riferisce ad elettroutensili alimentati dalla rete (con linea di allacciamento) ed ad elettroutensili alimentati a batteria (senza linea di allacciamento).

1) SICUREZZA DELLA POSTAZIONE DI LAVORO

- a) **Mantenere pulito ed ordinato il posto di lavoro.** Il disordine o le zone di lavoro non illuminate possono essere fonte di incidenti.
- b) **Evitare d'impiegare l'elettroutensile in ambienti soggetti al rischio di esplosioni nei quali si trovino liquidi, gas o polveri infiammabili.** Gli elettroutensili producono scintille che possono far infiammare la polvere o i gas.
- c) **Mantenere lontani i bambini ed altre persone durante l'impiego dell'elettroutensile.** Eventuali distrazioni potranno comportare la perdita del controllo sull'elettroutensile.

2) SICUREZZA ELETRICA

- a) **La spina per la presa di corrente dovrà essere adatta alla presa. Evitare assolutamente di apportare modifiche alla spina. Non impiegare spine adattatrici assieme ad elettroutensili con collegamento a terra.** Le spine non modificate e le prese adatte allo scopo riducono il rischio di scosse elettriche.
- b) **Evitare il contatto fisico con superfici collegate a terra, come tubi, riscaldamenti, cucine elettriche e frigoriferi.** Sussiste un maggior rischio di scosse elettriche nel momento in cui il corpo è messo a massa.
- c) **Custodire l'elettroutensile al riparo dalla pioggia o dall'umidità.** L'eventuale infiltrazione di acqua in un elettroutensile va ad aumentare il rischio d'insorgenza di scosse elettriche.
- d) **Non usare il cavo per scopi diversi da quelli previsti al fine di trasportare o appendere l'elettroutensile, oppure di togliere la spina dalla presa di corrente. Mantenere l'elettroutensile al riparo da fonti di calore, dall'olio, dagli spigoli o da pezzi in movimento.** I cavi danneggiati o aggrovigliati aumentano il rischio d'insorgenza di scosse elettriche.
- e) **Qualora si voglia usare l'elettroutensile all'aperto, impiegare solo ed esclusivamente cavi di prolunga omologati per l'impiego all'esterno.** L'uso di un cavo di prolunga omologato per l'impiego all'esterno riduce il rischio d'insorgenza di scosse elettriche.
- f) **Qualora non fosse possibile evitare di utilizzare l'elettroutensile in ambiente umido, utilizzare un**

interruttore di messa a terra. L'uso di un interruttore di messa a terra riduce il rischio di una scossa elettrica.

3) SICUREZZA DELLE PERSONE

- a) **È importante concentrarsi su ciò che si sta facendo e a maneggiare con giudizio l'elettrotensile durante le operazioni di lavoro. Non utilizzare l'elettrotensile in caso di stanchezza o sotto l'effetto di droghe, bevande alcoliche e medicinali.** Un attimo di distrazione durante l'uso dell'elettrotensile potrà causare lesioni gravi.
- b) **Indossare sempre equipaggiamento protettivo individuale. Usare sempre protezioni per gli occhi.** Se si avrà cura d'indossare equipaggiamento protettivo individuale come la maschera antipolvere, la calzatura antidistrucchiolevole di sicurezza, il casco protettivo o la protezione dell'udito, a seconda dell'impiego previsto per l'elettrotensile, si potrà ridurre il rischio di ferite.
- c) **Evitare l'accensione involontaria dell'elettrotensile. Prima di collegarlo alla rete di alimentazione elettrica e/o alla batteria ricaricabile, prima di prenderlo oppure prima di iniziare a trasportarlo, assicurarsi che l'elettrotensile sia spento.** Tenendo il dito sopra l'interruttore mentre si trasporta l'elettrotensile oppure collegandolo all'alimentazione di corrente con l'interruttore inserito, si vengono a creare situazioni pericolose in cui possono verificarsi seri incidenti.
- d) **Togliere gli attrezzi di regolazione o la chiave inglese prima di accendere l'elettrotensile.** Un elettrotensile o una chiave inglese che si trovino in una parte dell'elettrotensile in rotazione potranno causare lesioni.
- e) **È importante non sopravvalutarsi. Avere cura di mettersi in posizione sicura e di mantenere l'equilibrio.** In tale maniera sarà possibile controllare meglio l'elettrotensile in situazioni inaspettate.
- f) **Indossare vestiti adeguati. Evitare di indossare vestiti lenti o gioielli. Tenere capelli e vestiti lontani da parti in movimento.** Vestiti lenti, gioielli o capelli lunghi potranno impigliarsi in pezzi in movimento.
- g) **Se sussiste la possibilità di montare dispositivi di aspirazione o di captazione della polvere, assicurarsi che gli stessi siano stati installati correttamente e vengano utilizzati senza errori.** L'utilizzo di un'aspirazione polvere può ridurre lo svilupparsi di situazioni pericolose dovute alla polvere.
- h) **Una volta presa confidenza con gli utensili, evitare di trascurare le norme di sicurezza.** Una mancanza di attenzione può causare gravi lesioni in una frazione di secondo.
- ### 4) MANEGGIO ED IMPIEGO ACCURATO DI ELETTROTENSILI
- a) **Non sovraccaricare l'elettrotensile. Impiegare l'elettrotensile adatto per sbrigare il lavoro.** Utilizzando l'elettrotensile adatto si potrà lavorare meglio e con maggior sicurezza nell'ambito della gamma di potenza indicata.
- b) **Non utilizzare elettrotensili con interruttori difettosi.** Un elettrotensile che non si può più accendere o spegnere è pericoloso e dovrà essere riparato.

- c) **Prima di procedere ad operazioni di regolazione sull'elettrotensile, prima di sostituire parti accessorie oppure prima di posare l'elettrotensile al termine di un lavoro, estrarre sempre la spina dalla presa della corrente e/o estrarre la batteria ricaricabile, se rimovibile.** Tale precauzione eviterà che l'elettrotensile possa essere messo in funzione inavvertitamente.
- d) **Custodire gli elettrotensili non utilizzati al di fuori della portata dei bambini. Non fare usare l'elettrotensile a persone che non sono abituate ad usarlo o che non abbiano letto le presenti istruzioni.** Gli elettrotensili sono pericolosi se utilizzati da persone inesperte.
- e) **Eseguire la manutenzione degli elettrotensili e degli accessori. Verificare che le parti mobili dell'elettrotensile funzionino perfettamente e non s'inzeppino, che non ci siano pezzi rotti o danneggiati al punto tale da limitare la funzione dell'elettrotensile stesso. Far riparare le parti danneggiate prima d'impiegare l'elettrotensile.** Numerosi incidenti vengono causati da elettrotensili la cui manutenzione è stata effettuata poco accuratamente.
- f) **Mantenere affilati e puliti gli elettrotensili da taglio.** Gli elettrotensili da taglio curati con particolare attenzione e con taglienti affilati s'inzeppano meno frequentemente e sono più facili da condurre.
- g) **Utilizzare elettrotensili, accessori, attrezzi, ecc. in conformità con le presenti istruzioni. Osservare le condizioni di lavoro ed il lavoro da eseguirsi durante l'impiego.** L'impiego di elettrotensili per usi diversi da quelli consentiti potrà dar luogo a situazioni di pericolo.
- h) **Mantenere impugnature e superfici di presa asciutte, pulite e prive di olio e grasso.** Impugnature e superfici di presa scivolose non consentono di manipolare e controllare l'utensile in caso di situazioni inaspettate.
- ### 5) ASSISTENZA
- a) **Fare riparare l'elettrotensile solo ed esclusivamente da personale specializzato e solo impiegando pezzi di ricambio originali.** In tale maniera potrà essere salvaguardata la sicurezza dell'elettrotensile.

ISTRUZIONI DI SICUREZZA PER LEVIGATRICI

NOTE GENERALI

- Questo utensile non dev'essere utilizzato da persone di età inferiore ai 16 anni
- Questo utensile non può lavorare con acqua
- Non usare l'utensile quando il cavo è danneggiato; farlo sostituire da personale qualificato
- **Non lavorare mai materiali contenenti amianto** (l'amianto è ritenuto materiale cancerogeno)
- **Pulire regolarmente le feritoie di ventilazione dell'elettrotensile in dotazione** (il ventilatore del motore attira polvere nella carcassa ed una forte raccolta di polvere di metallo può provocare pericoli di origine elettrica)
- **Staccate sempre la spina dell'utensile prima di effettuare regolazioni o cambiare gli accessori**

ACCESSORI

- La SKIL garantisce un perfetto funzionamento dell'utensile soltanto se vengono utilizzati accessori originali
- Non continuare ad usare nastri usurati, stagliati oppure già troppo carichi di materiale levigato

PRIMA DELL'USO

- Controllare che la tensione dell'alimentazione sia la stessa di quella indicata sulla targhetta dell'utensile (gli utensili con l'indicazione di 230V o 240V possono essere collegati anche alla rete di 220V)
- Evitate possibili danneggiamenti da viti e chiodi sporgenti; rimuoverli prima di iniziare la lavorazione
- Usare cavi di prolunga completamente srotolati e sicure con una capacità di 16 Amp
- Durante le operazioni di lavoro il livello di rumorosità può superare 85 dB(A); utilizzare le cuffie di protezione
- Le polveri di materiali come vernici contenenti piombo, alcune specie di legno, minerali e metallo possono essere nocive (il contatto con queste polveri o la loro inalazione possono causare reazioni allergiche e/o disturbi respiratori all'operatore o ad altre persone presenti sul posto); **indossare una maschera protettiva per la polvere e utilizzare un dispositivo per l'estrazione della polvere se è presente una presa di collegamento**
- Alcuni tipi di polvere sono classificati come cancerogeni (quali le polveri di quercia e faggio) specialmente se associate ad additivi per il trattamento del legno; **indossare una maschera protettiva per la polvere e utilizzare un dispositivo per l'estrazione della polvere se è presente una presa di collegamento**
- Rispettare le istruzioni nazionali riguardanti l'estrazione della polvere per i materiali in lavorazione
- Portare guanti protettivi, occhiali di protezione, abiti adatti ed aderenti al corpo e una protezione per i capelli (in caso di capelli lunghi)
- **Fissare il pezzo da lavorare** (un pezzo in lavorazione rimane bloccato in posizione con maggiore sicurezza se fissato con appositi dispositivi di serraggio o con una morsa e non tenendolo con la mano)
- Nella levigatura del metallo vengono generate scintille; non usare il sacchetto raccogli-polvere/la scatola raccogli-polvere/l'aspirapolvere e allontanare altre persone e materiali infiammabili dall'area di lavoro

DURANTE L'USO

- **Tenere l'utensile elettrico dalle superfici di serraggio isolate perché la superficie levigante potrebbe entrare a contatto con il proprio cavo** (il taglio di un filo "sotto tensione" trasferisce tensione alle parti metalliche esposte dell'utensile elettrico e potrebbe provocare una scossa elettrica all'operatore)
- Mantenere sempre il cavo distante dalle parti in movimento dell'utensile; spingere il cavo verso la parte posteriore, distante dall'utensile
- Evitare di toccare il nastro mentre questo si trova in movimento
- Nel caso di cattivo funzionamento elettrico o meccanico, spegnete subito l'utensile e staccate la spina
- Se durante un'operazione di lavoro viene danneggiato oppure troncato il cavo, non toccare il cavo ma estrarre immediatamente la spina dalla presa

DOPO L'USO

- Quando riponete l'utensile accertatevi che non ci siano parti in movimento e che il motore sia spento

SPIEGAZIONE DEI SIMBOLI PRESENTI SULL'UTENSILE

- ③ Leggere il manuale di istruzioni prima dell'uso
- ④ Doppio isolamento (non è necessario alcun cavo di terra)
- ⑤ Non gettare l'utensile tra i rifiuti domestici

USO

- Interruttore di acceso/spento
 - per accendere/spegnere il vostro utensile schiacciare/rilasciare l'interruttore A ②
- ! **prima che la superficie levigante raggiunga il pezzo in lavorazione, l'utensile deve essere acceso**
- ! **prima di spegnere l'utensile, dovrete sollevarlo dal pezzo di lavorazione**
- Blocco dell'interruttore per il funzionamento continuo
 - schiacciare l'interruttore A ②
 - premere il pulsante B ② con il pollice
 - rilasciare l'interruttore
 - per sbloccarlo schiacciare nuovamente l'interruttore A ② e poi rilasciarlo
- Cambiamento rapido dei nastri abrasivi (sistema CLIC) ⑥
 - ! **estrarre la spina dalla presa**
 - alzate la leva C
 - asportate il nastro abrasivo
 - inserite il nuovo nastro, le frecce stampate al suo interno corrispondenti alla direzione della freccia D sull'utensile
 - abbassate la leva
 - ! **cambiare i nastri abrasivi per tempo**
 - ! **mai piegare i nastri abrasivi**
- Centraggio automatico del nastro (ABC)
 - centra il nastro automaticamente quando si accende l'utensile
 - mantiene il nastro centrato durante la levigaturaIn caso il nastro salta (per lo più a causa dalla qualità inferiore del nastro), dovete
 - accendete l'utensile
 - regolate la vite E ② finché il nastro abrasivo scorra in linea con la parte piana dell'utensile
 - usate un nuovo nastro, se questo continua a slittare dall'utensile
- Aspirazione della polvere ⑦
 - svuotare regolarmente la scatola G/il sacchetto F per ottimale raccolta della polvere
 - quando si usa l'utensile con l'aspiratore della polvere, montare l'adattatore per aspirapolvere H come da illustrazione (1215)
 - quando necessario, pulire anche il filtro come illustrato
 - ! **non usare la scatola raccogli-polvere/il sacchetto raccogli-polvere/l'aspirapolvere durante al smerigliatura del metallo**
- Tenuta e guida dell'utensile ⑧
 - tenere l'utensile parallelo alla superficie di lavoro
 - ! **durante la lavorazione, impugnare l'utensile sempre in corrispondenza della(e) area(e) grigia(e)**

! non applicare troppa pressione all'utensile; lasciare che sia la superficie levigante a lavorare per voi

- non inclinare l'utensile per evitare segni di levigatura non voluti
- tenere scoperte le feritoie di ventilazione J ②

CONSIGLIO PRATICO

- Per levigare superfici rugose in legno, dare all'utensile movimenti dritti lungo le venature del legno
- Per levigare ogni altra superficie, muovere ovalmente l'utensile sul materiale
- Montare la cornice di levigatura K (accessori SKIL 2610398244) per pareggiare le superfici senza graffi o scanalature, ed assicurarsi che sia in posizione con sicurezza ④

! la cornice di levigatura K diventa calda durante l'uso; non toccatela prima che si sia raffreddata

- Mai eseguire lavorazioni con lo stesso nastro abrasivo su legno e su metallo
- Nastri abrasivi a grana raccomandata per i seguenti usi:
 - per rimuovere vernice e per la sabbatura di legno particolarmente ruvido, utilizzare una grana ruvida (40, 60)
 - per la sabbatura di legno ruvido o grezzo, utilizzare una grana media (80, 100, 120)
 - per levigare legno e superfici con vernice vecchia e per la finitura di legno nudo, utilizzare una grana fine (180, 240, 320)
- Uso di diverse dimensioni di grana per superfici ruvide:
 - iniziare con un foglio a grana ruvida o media
 - terminare con un foglio a grana fine
- Per altri consigli consultare il sito www.skil.com

MANUTENZIONE / ASSISTENZA

- Questo utensile non è inteso per un uso professionale
- Tenete sempre puliti utensile e cavo (soprattutto le feritoie di ventilazione J ②)

- asportare con un pennello la polvere da levigatura che sia rimasta attaccata

! prima di pulire estrarre la spina dalla presa

- Se nonostante gli accurati procedimenti di produzione e di controllo l'utensile dovesse guastarsi, la riparazione va fatta effettuare da un punto di assistenza autorizzato per gli elettrodomestici SKIL
 - inviare l'utensile **non smontato** assieme alle prove di acquisto al rivenditore oppure al più vicino centro assistenza SKIL (l'indirizzo ed il disegno delle parti di ricambio dell'utensile sono riportati su www.skil.com)

TUTELA DELL'AMBIENTE

- **Non gettare l'utensile elettrico, gli accessori e l'imballaggio tra i rifiuti domestici** (solo per paesi UE)
 - secondo la Direttiva Europea 2012/19/CE sui rifiuti di utensili elettrici ed elettronici e la sua attuazione in conformità alle norme nazionali, gli utensili elettrici esausti devono essere raccolti separatamente, al fine di essere reimpiegati in modo eco-compatibile
 - il simbolo ⑤ vi ricorderà questo fatto quando dovrete eliminarlo

RUMOROSITÀ / VIBRAZIONE

• Misurato in conformità al EN 62841 il livello di pressione acustica di questo utensile è 87 dB(A) ed il livello di potenza acustica 98 dB(A) (deviazione standard: 3 dB), e la vibrazione 2,1 m/s² (somma dei vettori in tre direzioni; incertezza K = 1,5 m/s²)

• Il livello di emissione delle vibrazioni è stato misurato in conformità a un test standardizzato stabilito dalla norma EN 62841; questo valore può essere utilizzato per mettere a confronto un l'utensile con un altro o come valutazione preliminare di esposizione alla vibrazione quando si impiega l'utensile per le applicazioni menzionate

- se si utilizza l'utensile per applicazioni diverse, oppure con accessori differenti o in scarse condizioni, il livello di esposizione potrebbe **aumentare** notevolmente
- i momenti in cui l'utensile è spento oppure è in funzione ma non viene effettivamente utilizzato per il lavoro, possono contribuire a **ridurre** il livello di esposizione

! proteggersi dagli effetti della vibrazione effettuando la manutenzione dell'utensile e dei relativi accessori, mantenendo le mani calde e organizzando i metodi di lavoro

H

Szalagcsiszoló

1210/1215

BEVEZETÉS

- Ez a szerszám fa, műanyagok, fémek, kitöltő anyagokkal bevont vagy festett felületek nagy teljesítménnyel történő szárazcsiszolására szolgál
- Ez a szerszám nem professzionális használatra készült
- Olvassa el figyelmesen és őrizze meg a használati utasítást ③

MŰSZAKI ADATOK ①

SZERSZÁMGÉP ELEMEI ②

- A Be/ki kapcsológomb
- B Bekapcsolást reteszelő gomb
- C Csiszolószalag kioldó kar
- D Nyíl
- E Szalag központozító állítócsavar
- F Porzsák
- G Porzsák
- H Porszívó illesztőegység
- J Szellőzőnyílások
- K Csiszolókeret

BIZTONSÁG

ÁLTALÁNOS BIZTONSÁGI ELŐÍRÁSOK AZ ELEKTROMOS KÉZISZERSZÁMOKHOZ

FIGYELMEZTETÉS Olvassa el az ehhez a kéziszerszámhoz mellékelt összes biztonsági figyelmeztetést, előírást, illusztrációt és specifikációt. Az alábbiakban felsorolt előírások betartásának elmulasztása áramütésekhez, tűzhöz és/vagy súlyos testi sérülésekhez vezethet.

Őrizze meg a jövőbeli használatra is valamennyi biztonsági előírást és utasítást.

Az alább alkalmazott "elektromos kéziszerszám" fogalom a hálózati elektromos kéziszerszámokat (hálózati csatlakozó kábelrel) és az akkumulátoros elektromos kéziszerszámokat (hálózati csatlakozó kábel nélkül) foglalja magában.

1) MUNKAHELYI BIZTONSÁG

- Tartsa tisztán és tartsa rendben a munkahelyét.**
Rendetlen munkahelyek vagy megvilágítatlan munkaterületek balesetekhez vezethetnek.
- Ne dolgozzon az elektromos kéziszerszámmal olyan robbanásveszélyes környezetben, ahol éghető folyadékok, gázok vagy porok vannak.** Az elektromos kéziszerszámok szikrákat bocsáthatnak ki, amelyek meggyújthatják a port vagy a gőzöket.
- Tartsa távol a gyerekeket és az idegen személyeket a munkahelytől, ha az elektromos kéziszerszámot használja.** Ha elvonják a figyelmét a munkától, könnyen elvesztheti az uralmát a berendezés felett.

2) ELEKTROMOS BIZTONSÁGI ELŐÍRÁSOK

- A készülék csatlakozó dugójának bele kell illeszkednie a dugaszolóaljzatba. A csatlakozó dugót semmilyen módon nem szabad megváltoztatni. Védőföldeléssel ellátott készülékekkel kapcsolatban ne használjon csatlakozó adaptert.** A változtatás nélküli csatlakozó dugók és a megfelelő dugaszoló aljzatok csökkentik az áramütés kockázatát.
- Ne érjen hozzá földelt felületekhez, mint csövekhez, fűtőtestekhez, kályhákhoz és hűtőszekrényekhez.** Az áramütési veszély megnövekszik, ha a teste le van földelve.
- Tartsa távol az elektromos kéziszerszámot az esőtől és a nedvesség hatásaitól.** Ha víz hatol be egy elektromos kéziszerszámba, ez megnöveli az áramütés veszélyét.
- Ne használja a kábelt a rendeltetésétől eltérő célokra, vagyis a szerszámot soha ne hordozza vagy akassza fel a kábelnél fogva, és soha ne húzza ki a hálózati csatlakozó dugót a kábelnél fogva.** Tartsa távol a kábelt hőforrásoktól, olajtól, éles élektől, sarkaktól és mozgó gépalkatrészekről. Egy megrongálódott vagy csomókkal teli kábel megnöveli az áramütés veszélyét.
- Ha egy elektromos kéziszerszámmal a szabad ég alatt dolgozik, csak a szabadban való használatra engedélyezett hosszabbítót használjon.** A szabadban való használatra engedélyezett hosszabbító használatának csökkenti az áramütés veszélyét.

f) **Ha nem lehet elkerülni az elektromos kéziszerszám nedves környezetben való használatát, alkalmazzon egy földzárlat megszakítót.** Egy földzárlat megszakító alkalmazása csökkenti az áramütés kockázatát.

3) SZEMÉLYI BIZTONSÁGI ELŐÍRÁSOK

- Munka közben mindig figyeljen, ügyeljen arra, amit csinál, és meggondoltan dolgozzon az elektromos kéziszerszámmal.** Ha fáradt, ha kábítószerek vagy alkohol hatása alatt áll, vagy orvságokat vett be, ne használja a berendezést. A berendezéssel végzett munka közben már egy pillanatnyi figyelmetlenség is komoly sérülésekhez vezethet.
 - Viseljen személyi védőfelszerelést és mindig viseljen védőszemüveget.** A személyi védőfelszerelések, mint porvédő álc, csúszásbiztos védőcipő, védősapka és fülvédő használata az elektromos kéziszerszám használata jellegének megfelelően csökkenti a személyes sérülések kockázatát.
 - Kerülje el a készülék akaratlan üzembe helyezését.** Győződjön meg arról, hogy az elektromos kéziszerszám ki van kapcsolva, mielőtt bedugná a csatlakozó dugót a dugaszolóaljzatba, csatlakoztatná az akkumulátor-csomagot, és mielőtt felvenné és vinni kezdené az elektromos kéziszerszámot. Ha az elektromos kéziszerszám felemelése közben az ujját a kapcsolón tarja, vagy ha a készüléket bekapcsolt állapotban csatlakoztatja az áramforráshoz, ez balesetekhez vezethet.
 - Az elektromos kéziszerszám bekapcsolása előtt okvetlenül távolítsa el a beállító szerszámokat vagy csavarkulcsokat.** Az elektromos kéziszerszám forgó részeiben felejtett beállító szerszám vagy csavarkulcs sérüléseket okozhat.
 - Ne becsülje túl önmagát.** Kerülje el a normálistól eltérő testtartást, ügyeljen arra, hogy mindig biztosan álljon és az egyensúlyát megtartsa. Így az elektromos kéziszerszám felett váratlan helyzetekben is jobban tud uralkodni.
 - Viseljen megfelelő ruhát.** Ne viseljen bő ruhát vagy ékszereket. Tartsa távol a haját és a ruháját a mozgó részekről. A bő ruhát, az ékszereket és a hosszú haját a mozgó alkatrészek magukkal ránthatják.
 - Ha az elektromos kéziszerszámra fel lehet szerelni a por elszívásához és összegyűjtéséhez szükséges berendezéseket, ellenőrizze, hogy azok megfelelő módon hozzá vannak kapcsolva a készülékhez és rendeltetésüknek megfelelően működnek.** A porgyűjtő berendezések használata csökkenti a munka során keletkező por veszélyes hatását.
 - Ne hagyja, hogy az elektromos kéziszerszám gyakori használata során szerzett tapasztalatok olyan önelégültté tegyék, hogy figyelmen kívül hagyja az idevonatkozó biztonsági alapelveket.** Egy gondatlan művelet egy másodperc törtrésze alatt súlyos sérüléseket okozhat.
- ### 4) AZ ELEKTROMOS KÉZISZERSZÁMOK GONDOS KEZELÉSE ÉS HASZNÁLATA
- Ne terhelje túl az elektromos kéziszerszámot.** A munkájához csak az arra szolgáló elektromos kéziszerszámmal használja. Egy alkalmas elektromos kéziszerszámmal a megadott teljesítménytartományon belül jobban és biztonságosabban lehet dolgozni.

- b) Ne használjon olyan elektromos kéziszerszámot, amelynek a kapcsolója elromlott. Egy olyan elektromos kéziszerszám, amelyet nem lehet sem be-, sem kikapcsolni, veszélyes és meg kell javíttatni.
 - c) **Húzza ki a csatlakozó dugót a dugaszolóaljzatból és/vagy távolítsa el az akkumulátor-csomagot (ha az leválasztható) az elektromos kéziszerszámtól, mielőtt az elektromos kéziszerszámon beállítási munkákat végez, tartozékokat cserél vagy a szerszámot tárolásra elteszi.** Ez az elővigyázatossági intézkedés meggátolja a szerszám akaratlan üzembé helyezését.
 - d) **A használaton kívüli elektromos kéziszerszámokat olyan helyen tárolja, ahol azokhoz gyerekek ne férhess nek hozzá. Ne hagyja, hogy olyan személyek használják az elektromos kéziszerszámot, akik nem ismerik a szerszámot, vagy nem olvasták el ezt az útmutatót.** Az elektromos kéziszerszámok veszélyesek, ha azokat gyakorlatlan személyek használják.
 - e) **Az elektromos kéziszerszámot és tartozékait gondosan tartsa karban. Ellenőrizze, hogy a mozgó alkatrészek kifogástalanul működnek-e, nincsenek-e beszorulva, és nincsenek-e eltörve vagy megrongálódva olyan alkatrészek, amelyek hatással lehetnek az elektromos kéziszerszám működésére. A megrongálódott részeket a készülék használata előtt javíttassa meg.** Sok olyan baleset történik, amelyet az elektromos kéziszerszám nem kielégítő karbantartására lehet visszavezetni.
 - f) **Tartsa tisztán és éles állapotban a vágószerszámokat.** Az éles vágóélekkel rendelkező és gondosan ápolat vágószerszámok ritkábban ékelődnek be és azokat könnyebben lehet vezetni és irányítani.
 - g) **Az elektromos kéziszerszámokat, tartozékokat, betétszerszámokat stb. csak ezen előírásoknak használja. Vegye figyelembe a munkafeltételeket és a kivitelezendő munka sajátosságait.** Az elektromos kéziszerszám eredeti rendeltetésétől eltérő célokra való alkalmazása veszélyes helyzetekhez vezethet.
 - h) **Tartsa szárazon, tisztán és olaj- és zsírmentes állapotban a fogantyúkat és markoló felületeket.** A csúszós fogantyúk és markoló felületek váratlan helyzetekben lehetetlenné teszik az elektromos kéziszerszám biztonságos kezelését és irányítását.
- 5) SZERVIZ**
- a) **Az elektromos kéziszerszámot csak szakképzett személyzet és csak eredeti pótalkatrészek felhasználásával javíthatja.** Ez biztosítja, hogy az elektromos kéziszerszám biztonságos szerszám maradjon.

BIZTONSÁGI ELŐÍRÁSOK CSISZOLÓKHOZ

ÁLTALÁNOS TUDNIVALÓK

- A készüléket csak 16 éven felüli személyek használják
- Ez a készülék nedves csiszolási munkálatokhoz nem használható
- Soha ne használja a szerszámot ha a kábel sérült; cseréltesse ki szakértő által
- **Ne munkáljon meg a berendezéssel azbeszttel tartalmazó anyagokat** (az azbeszttel rákkeltő hatása van)

- **Tisztítsa meg rendszeresen az elektromos kéziszerszáma szellőzőnyílásait** (a motor ventilátorra beszívja a port a házba, és nagyobb mennyiségű fémpor felhalmozódása elektromos veszélyekhez vezethet)
- **Mindig húzza ki a dugaszolóaljzatot mielőtt tartozékokat cserélne vagy bármit változtatna a gép beállításán**

TARTOZÉKOK

- SKIL cég kizárólag eredeti alkatrészek és kiegészítők alkalmazása esetén tudja garantálni a gép problémamentes működését
- Ne üzemeltesse a csiszológépet kopott, szakadt vagy erősen szoruló csiszolószalaggal

HASZNÁLAT ELŐTT

- Mindig ellenőrizze, hogy a hálózati feszültség megegyezik-e a gép adattábláján feltüntetett értékkel (a 230V vagy 240V jelzésű gépek 220V feszültségre is csatlakoztathatók)
- Ügyeljen arra, hogy a munkadarabban lévő csavar, szög vagy hasonló sérüléseket ne okozhasson; a munka megkezdése előtt eltávolítandó
- Használjon teljesben letekert és biztonságos hosszabbítókábel, 16 A-es teljesítménnyel
- Munka közben a zaj meghaladhatja a 85 dB(A); használjon fülvédőt
- Az anyagból származó por (mint például az ólomot, néhány fafajtát, ásványi anyagokat és fémeket tartalmazó festék) káros lehet (a por érintése vagy belégzése allergiás reakciókat és/vagy légzőszervi betegségeket okozhat a kezelő, illetve a közelben állók esetében); **viseljen pormaszkot és amennyiben csatlakoztatható, dolgozzon porszívó berendezéssel**
- Bizonyos porfajták rákkeltő besorolással rendelkeznek (ilyen például a tölgy- és a bükkfa pora), különösen a fa kondicionálására szolgáló adalékokkal együtt; **viseljen pormaszkot és amennyiben csatlakoztatható, dolgozzon porszívó berendezéssel**
- Kövesse a por kezelésével kapcsolatos helyi előírásokat azon termékkel kapcsolatban, amellyel dolgozni kíván
- Viseljen védőkesztyűt, védőszemüveget, testhez álló ruházatot és ügyeljen haja védelmére (hosszú haj esetén)
- **Rögzítse a munkadarabot** (befogókészülékkel vagy satuval befogott munkadarabot sokkal biztonságosabban lehet rögzíteni mint a kézzel tartottat)
- Fém csiszolásiakor szikra keletkezik; ne használjon porzsákt/porszívót; ügyeljen arra, hogy senki ne tartózkodjon a munkaterületen, és ne legyen a közelben gyúlékony anyag

HASZNÁLAT KÖZBEN

- **Az elektromos kéziszerszámot csak a szigetelt fogantyúfelületeknél fogja meg, mert a csiszolás felület elérheti a készülék saját hálózati vezetékét** (ha az elektromos kéziszerszám elvág egy feszültség alatt álló vezetékét, a fémrészei szintén feszültség alá kerülnek, ami áramütéshez vezet)
- A gép mozgó részétől mindig tartsa távol az elektromos kábelt; terelje a tápkábelt a gép hátulja felé, a géptől elfelé
- Ne nyúljon a mozgásban lévő csiszolószalaghoz

- Normálístól eltérő működés valamint szokatlan, idegen hangok esetén a készüléket azonnal kapcsolja ki és a kábelt húzza ki a fali dugaszoló aljzatról
- Ha a kábel munka közben megsérül vagy el van vága, ne érjen a kábelhoz, hanem azonnal húzza ki a konektorból

A HASZNÁLATOT KÖVETŐEN

- A gépet soha ne hagyja bekapcsolt állapotban, ha már nem dolgozik vele

A SZERSZÁMON TALÁLHATÓ SZIMBÓLUMOK MAGYARÁZATA

- ③ Használat előtt olvassa el a használati utasítást
- ④ Kettős szigetelés (földelővezeték nem szükséges)
- ⑤ A gépet ne dobja a háztartási szemétkébe

KEZELÉS

- Be/Ki kapcsológomb
 - a gépet az A ② kapcsoló lenyomásával bekapcsoljuk és felengedésével kikapcsoljuk
 - ! **először kapcsoljuk be a gépet, és csak azután vezessük a munkadarabra**
 - ! **kikapcsolás előtt készülékét távolítsa el a munkadarabtól**
- Kapcsolórögzitő folyamatos használat esetére
 - nyomjuk be az A ② kapcsolót
 - nyomjuk be a B ② gombot
 - engedjük el a kapcsolót
 - a rögzítés kioldása az A ② kapcsoló újbóli lenyomásával történik
- Csiszolószalag gyors cseréje (CLIC-rendszer) ⑥
 - ! **húzzuk ki a kábel dugóját a csatlakozó aljzatról**
 - emeljük fel a C kart
 - vegyük ki a csiszolószalagot
 - helyezzük be az új szalagot úgy, hogy a szalag belső oldalára nyomtatott nyíl D ugyanabba az irányba mutasson mint a gépen
 - a kart vissza nyomja le
 - ! **időben cseréljük ki a csiszolószalagot**
 - ! **a csiszolószalagot soha ne hajtogassuk össze**
- Automatikus szalagközpontosítás (ABC)
 - a gép felkapcsolásakor automatikusan középre helyezi a szalagot
 - csiszolás során közepén tartja a szalagot

Abban az esetben, ha a szalag lecsúszik a gépről (leginkább a gyengébb minőségűek esetén fordul elő) a tennivaló a következő:

 - kapcsolja be a gépet
 - az E ② csavarral állítsuk be addig, amíg a csiszolószalag a gép lapos oldalán nem fut
 - használjunk új szalagot, amennyiben az még ezek után is lecsúszik
- Por elszívás ⑦
 - a porzsákat G/F időben történő ürítése segíti a tökéletes porgyűjtést
 - ha a gépet porszívóval használja, az H porszívó illesztőegységet szerelje fel az illusztráció szerint (1215)
 - szükség szerint tisztítsa meg a szűrőből is az ábrán látható módon
 - ! **ne használjon porzsákat/porszívót fém csiszolásakor**
- A gép vezetése és tartása ⑧
 - a gépet tartsa párhuzamosan a megmunkálandó felülettel

- ! **munka közben mindvégig tartsa gépet a szürke színű markolati terület(ek)en**
- ! **ne gyakoroljon túl nagy nyomást a gépre; hagyja azt egyedül dolgozni**
- mindig a teljes felülettel csiszoljon, hogy a nemkívánatos csiszolási nyomokat elkerülje
- a szellőzőnyílásokat J ② mindig tartsa szabadon

HASZNÁLAT

- Kezeletlen, durva felületeknél a gépet egyenes vonalban az anyag széleivel párhuzamosan vezessük
- Az összes egyéb felület csiszolásakor a szerszámot ovális mozdulatokkal vigyük végig a felületen
- Az K csiszolókeretet karcoktól (2610398244 SKIL tartozék) és hornyoktól mentes felületek kiegyenlítésére javasolt felszerelni, és ügyeljen arra, hogy az biztonságosan a helyén legyen ③
- ! **használat közben az K csiszolókeret felmelegszik, ne érintse meg, amíg le nem hűlt**
- Soha ne használjuk ugyanazt a csiszolószalagot fa és fém esetén
- Ajánlott szemcsefinomságok:
 - festék eltávolításához és nagyon durva fafelület csiszolásához használjon nagy szemcse nagyságú csiszolópapírt (40, 60)
 - durva vagy sima fafelület csiszolásához használjon közepes szemcse nagyságú csiszolópapírt (80, 100, 120)
 - régi festékréteget hordozó fafelület és festetlen fafelület simítására használjon finom szemcse nagyságú csiszolópapírt (180, 240, 320)
- Nyers felület megmunkálásánál használjunk különböző szemcse nagyságú csiszolópapírt:
 - először durva vagy közepes szemcse nagyságú
 - végül finom szemcse
- A www.skil.com címen még több ötletet és javaslatot talál

KARBANTARTÁS / SZERVIZ

- A szerszám nem professzionális használatra készült
- Mindig tartsa tisztán a gépet és a vezetékét (különös tekintettel a szellőzőnyílásokra J ②)
 - kefe segítségével távolítsa el a szerszámmra tapadt csiszolóport
 - ! **tisztítás előtt húzza ki a csatlakozódugót**
- Ha a gép a gondos gyártási és ellenőrzési eljárás ellenére egyszer mégis meghibásodna, akkor a javítással csak SKIL elektromos kéziszerszám-műhely ügyfélszolgálatát szabad megbízni
 - küldje az **összeszerelt** gépet a vásárlást bizonyító számlával együtt a kereskedő vagy a legközelebbi SKIL szervizállomás címére (a címlista és a gép szervizdiagramja a www.skil.com címen található)

KÖRNYEZET

- **Az elektromos kéziszerszámokat, tartozékokat és csomagolást ne dobja a háztartási szemétkébe** (csak EU-országok számára)
- a használt villamos és elektronikai készülékekről szóló 2012/19/EK irányelv és annak a nemzeti jogba való átültetése szerint az elhasznált elektromos

kézszerszámokat külön kell gyűjteni, és környezetbarát módon újra kell hasznosítani

- erre emlékeztet a ⑤ jelzés, amennyiben felmerül az intézkedésre való igény

ZAJ / REZGÉS

- Az EN 62841 alapján végzett mérések szerint ezen készülék hangnyomás szintje 87 dB(A) a hangteljesítmény szintje 98 dB(A) (normál eltérés: 3 dB), a rezgésszám 2,1 m/s² (a három irány vektorösszege; szórás K = 1,5 m/s²)
 - A rezgés-kibocsátási szint mérése az EN 62841 szabványban meghatározott szabványosított teszttel összhangban történt; ez egy eszköznek egy másik eszközzel történő összehasonlítására, illetve a rezgésnek való kitettség előzetes felmérésére használható fel az eszköznek az említett alkalmazásokra történő felhasználása során
 - az eszköznek eltérő alkalmazásokra, vagy eltérő, illetve rosszul karbantartott tartozékokkal történő felhasználása jelentősen **emelheti** a kitettség szintjét
 - az idő, amikor az eszközök ki van kapcsolva, vagy amikor ugyan működik, de ténylegesen nem végez munkát, jelentősen **csökkentheti** a kitettség szintjét
- ! az eszköz és tartozékai karbantartásával, kezének melegen tartásával, és munkavégzésének megszervezésével védje meg magát a rezgések hatásaitól**

②

Pásová bruska

1210/1215

ÚVOD

- Toto nářadí je určeno k broušení dřeva za sucha, plastů, kovů, tmelu a lakovaných povrchů větším opotřebením
- Tento nástroj není určen k profesionálnímu použití
- Tento návod s pokyny si pečlivě přečtěte a uschovejte ③

TECHNICKÁ DATA ①

SOUČÁSTI NÁSTROJE ②

- A Spínač "zapnuto/vypnuto"
- B Knoflík pro zajištění hlavního spínače "zapnuto/vypnuto"
- C Páčka pro výměnu brusného pásu
- D Šipka
- E Šroub pro nastavení vystředění pásu
- F Prachový sáček
- G Prachová schránka
- H Adaptér vysavače
- J Větrací šterbiny
- K Brusný rám

BEZPEČNOST

OBEČNÉ BEZPEČNOSTNÍ POKYNY PRO ELEKTRONÁŘADÍ

VAROVÁNÍ Přečtěte si všechny bezpečnostní pokyny, výstrahy, zobrazení a specifikace k tomuto elektrónářadí. Nedodržování všech níže uvedených pokynů může mít za následek úraz elektrickým proudem, požár a/nebo těžké poranění.

Všechny pokyny a výstrahy uchovejte pro budoucí potřebu.

Ve varovných upozorněních použitý pojem "elektronářadí" se vztahuje na elektronářadí provozované na el. síti (se síťovým kabelem) a na elektronářadí provozované na akumulátoru (bez síťového kabelu).

1) BEZPEČNOST PRACOVNÍHO MÍSTA

- Udržujte Vaše pracovní místo čisté a uklizené.**
Nepořádek nebo neosvětlené pracovní oblasti mohou vést k úrazům.
- Se strojem nepracujte v prostředích ohrožených explozí, kde se nacházejí hořlavé kapaliny, plyny nebo prach.** Elektronářadí vytváří jiskry, které mohou prach nebo páry zapálit.
- Děti a jiné osoby udržujte při použití elektronářadí daleko od Vašeho pracovního místa.** Při rozptýlení můžete ztratit kontrolu nad strojem.

2) ELEKTRICKÁ BEZPEČNOST

- Připojovací zástrčka stroje musí lícovat se zásuvkou. Zástrčka nesmí být žádným způsobem upravena. Společně se stroji s ochranným uzemněním nepoužívejte žádné adaptérové zástrčky.** Neupravené zástrčky a vhodné zásuvky snižují riziko elektrického úderu.
- Zabraňte kontaktu těla s uzemněnými povrchy, jako např. potrubí, topení, sporáky a chladničky.** Je-li Vaše tělo uzemněno, existuje zvýšené riziko elektrického úderu.
- Chraňte stroj před deštěm a vlhkem.** Vniknutí vody do elektrického stroje zvyšuje nebezpečí elektrického úderu.
- Dbejte na účel kabelu, nepoužívejte jej k nošení či zavěšení stroje nebo vytažení zástrčky ze zásuvky. Udržujte kabel daleko od tepla, oleje, ostrých hran nebo pohyblivých dílů stroje.** Poškozené nebo spletené kabely zvyšují riziko elektrického úderu.
- Pokud pracujete s elektronářadím venku, použijte pouze takové prodlužovací kabely, které jsou schváleny i pro venkovní použití.** Použití prodlužovacího kabelu, jež je vhodný pro použití venku, snižuje riziko elektrického úderu.
- Pokud se nelze vyhnout provozu elektronářadí ve vlhkém prostředí, použijte ochranný jistič.** Nasazení ochranného jističe snižuje riziko úderu elektrickým proudem.

3) BEZPEČNOST OSOB

- Buďte pozorní, dávejte pozor na to, co děláte a přistupujte k práci s elektronářadím rozumně. Stroj nepoužívejte pokud jste unavení nebo pod vlivem drog, alkoholu nebo léků.** Moment nepozornosti při použití elektronářadí může vést k vážným poraněním.

- b) **Noste osobní ochranné pomůcky a vždy ochranné brýle.** Nošení osobních ochranných pomůcek jako maska proti prachu, bezpečnostní obuv s protiskluzovou podrážkou, ochranná přilba nebo sluchátka, podle druhu nasazení elektronářadí, snižují riziko poranění.
- c) **Zabraňte neúmyslnému uvedení do provozu. Přesvědčte se, že je elektronářadí vypnuté dříve než jej uchopíte, poneseťe či připojíte na zdroj proudu a/ nebo akumulátor.** Máte-li při nošení elektronářadí prst na spínači nebo pokud stroj připojíte ke zdroji proudu zapnutý, pak to může vést k úrazům.
- d) **Než stroj zapnete, odstraňte seřizovací nástroje nebo šroubovák.** Nástroj nebo klíč, který se nachází v otáčivém dílu stroje, může vést k poranění.
- e) **Nepřeceňujte se. Zajistěte si bezpečný postoj a vždy udržujte rovnováhu.** Tím můžete stroj v neočekávaných situacích lépe kontrolovat.
- f) **Noste vhodný oděv. Nenoste žádný volný oděv nebo šperky. Vlasy a oděv udržujte daleko od pohybujících se dílů.** Volný oděv, šperky nebo dlouhé vlasy mohou být zachyceny pohybujícími se díly.
- g) **Lze-li namontovat odsávací či zachycující přípravky, přesvědčte se, že jsou připojeny a správně použity.** Použití odsávání prachu může snížit ohrožení prachem.
- h) **Dbejte na to, abyste při častém používání nářadí nebyli méně ostražití a nezapomínali na bezpečnostní zásady.** Nedbalé ovládání může způsobit těžké poranění za zlomek sekundy.
- 4) **SVĚDOMITĚ ZACHÁZENÍ A POUŽÍVÁNÍ ELEKTRONÁŘADÍ**
- a) **Stroj nepřetěžujte. Pro svou práci použijte k tomu určený stroj.** S vhodným elektronářadím budete pracovat v udané oblasti výkonu lépe a bezpečněji.
- b) **Nepoužívejte žádné elektronářadí, jehož spínač je vadný.** Elektronářadí, které nelze zapnout či vypnout je nebezpečné a musí se opravit.
- c) **Než provedete seřízení stroje, výměnu dílů příslušenství nebo stroj odložíte, vytáhněte zástrčku ze zásuvky a/nebo odstraňte odpojitelný akumulátor.** Toto preventivní opatření zabrání neúmyslnému zapnutí stroje.
- d) **Uchovávejte nepoužívané elektronářadí mimo dosah dětí. Nenechte stroj používat osobám, které se strojem nejsou seznámeny nebo nečetly tyto pokyny.** Elektronářadí je nebezpečné, je-li používáno nezkušenými osobami.
- e) **Pečujte o elektronářadí a příslušenství svědomitě. Zkontrolujte, zda pohyblivé díly stroje bezvadně fungují a nevzpříčují se, zda díly nejsou zlomené nebo poškozené tak, že je omezena funkce stroje. Poškozené díly nechte před nasazením stroje opravit.** Mnoho úrazů má příčinu ve špatně udržovaném elektronářadí.
- f) **Řezné nástroje udržujte ostré a čisté.** Pečlivě ošetřované řezné nástroje s ostrými řeznými hranami se méně vzpříčují a dají se lehčeji vést.
- g) **Používejte elektronářadí, příslušenství, nasazovací nástroje apod. podle těchto pokynů. Respektujte přitom pracovní podmínky a prováděnou činnost.** Použití elektronářadí pro jiné než určující použití může vést k nebezpečným situacím.

- h) **Udržujte rukojeti a úchytné plochy suché, čisté a bez oleje amaziva.** Kluzké rukojeti a úchytné plochy neumožňují bezpečnou manipulaci a ovládání nářadí v neočekávaných situacích.

5) SERVIS

- a) **Nechte Váš stroj opravit pouze kvalifikovaným odborným personálem a pouze s originálními náhradními díly.** Tím bude zajištěno, že bezpečnost stroje zůstane zachována.

BEZPEČNOSTNÍ PŘEDPISY PRO BRUSKY

OBECNĚ

- Tento nástroj nesmí používat osoby mladší 16 let
- Tento nářadí není vhodný k broušení za mokra
- Pila se nesmí používat, je-li její přívodní šňůra poškozená; nechte si je kvalifikovaným pracovníkem vyměnit
- **Neopracovávejte žádný materiál obsahující azbest** (azbest je karcinogenní)
- **Čistěte pravidelně větrací otvory Vašeho elektronářadí** (ventilátor motoru vtahuje do tělesa prach a silné nahromadění kovového prachu může způsobit elektrická rizika)
- **Před seřizováním, měněním pilových listů a příslušenství, vždy vytáhněte zástrčku nářadí z el. sítě**

PŘÍSLUŠENSTVÍ

- SKIL zajistí bezvadnou funkci nářadí pouze tehdy, používáte-li původní značkové
- Opatřebované, natřené nebo zanesené brusný pás vždy ihned vyměňte

PŘED POUŽITÍM

- Vždy zkontrolujte, zda je napájecí napětí stejné jako napětí uvedené na typovém štítku nástroje (nářadí určené k napájení 230V nebo 240V lze použít též v síti 220V)
- Vrtáčko nepoužívejte je-li navlhla a nepracuje v blízkosti snadno zápalných nebo výbušných materiálů; před zahájením práce je odstraňte
- Používejte zcela rozvinuté a bezpečně prodlužovací šňůry o kapacitě 16 ampér
- Hladina hluku může při práci přesáhnout 85 dB(A); vhodným prostředkem si chraňte udi
- Prach z látek, jako jsou barvy obsahující olovo, některé druhy dřeva, minerály a kovy, může být škodlivý (kontakt s prachem nebo jeho vdechnutí může způsobit alergickou reakci a/nebo vyvolat respirační choroby u oslabených nebo přibližujících); **noste protiprachovou masku a pracujte se zařízením na odsávání prachu, pokud je možné jej připojit**
- Některé druhy prachu jsou klasifikovány jako karcinogenní (například dubový a bukový prach) zejména ve spojení s přísadami pro úpravu dřeva; **noste protiprachovou masku a pracujte se zařízením na odsávání prachu, pokud je možné jej připojit**
- Dodržujte stanovená nařízení pro práci v prašném prostředí
- Při práci použijte ochranné rukavice, ochranné brýle, sítku na vlasy (dlouhé) a oděv, který se nástrojem nemůže zachytit

- **Zajistěte obráběný díl** (obráběný díl uchycený pomocí upínacích zařízení nebo ve svěráku je mnohem bezpečnější než v ruce)
- Při broušení vznikají jiskry; nepoužívejte prachový sáček/lapač prachu/odsávání a pracoviště udržujte čisté a nepouštějte k němu neoprávněné osoby

BĚHEM POUŽITÍ

- **Držte elektronářadí na izolovaných uchopovacích plochách, protože brusná plocha se může dotknout vlastního kabelu** (kontakt s vodičem "pod proudem" způsobí přenos proudu do neizolovaných částí nástroje a přivedí uživateli úraz)
- Šňůru udržujte vždy mimo dosah pohyblivých částí nástroje; šňůru nasměrujte dozadu, pryč od nástroje
- Nedotýkejte se pohybujícího se brusného pásu
- V případě atypického chování nebo cizích hluků ihned vypněte nářadí a vytáhněte zástrčku
- Jestliže přivodní šňůru při práci podkódníte nebo proříznete, nedotýkejte se jí a okamžitě ji vytáhněte ze síťové zásuvky

PO POUŽITÍ

- Jakmile se hodláte vzdálit od nářadí, měl byste ho vypnout a vyčkat, dokud se pohybující části nezastaví

VYSVĚTLENÍ SYMBOLŮ NA NÁŘADÍ

- ③ Před použitím si přečtete návod k použití
- ④ Dvojitá izolace (není nutný zemnicí drát)
- ⑤ Nářadí nevyhazujte do komunálního odpadu

OBSLUHA

- Spínač "zapnuto/vypnuto"
 - zapněte/vypněte nářadí stisknutím/uvolněním vypínače A ②
 - ! **brusku nejprve zapněte a pak přiložte brousící plochou na obráběný předmět**
 - ! **před vypnutím nářadí nejprve odejměte od obrobku**
- Aretace spínače pro nepřetržitě použití
 - stiskem vypínače A ②
 - stiskněte knoflík B ② palcem
 - vypínač uvolnit
 - dalším stisknutím vypínače A ② se knoflík uvolní
- Rychlá výměna brusného pásu (systém CLIC) ⑥
 - ! **rozpojte přivodní šňůru**
 - uvolnit páku napínání C
 - vyjmout brusný pás
 - vložit nový brusný pás se šipkami na vnitřní straně pásu ukazující ve stejném směru jako šipka D na nářadí
 - páku napínání ztlachtit napětí
 - ! **brusný pás vyměňte věs**
 - ! **brusné pásy se nesmí překládat**
- Automatické středování pásu (ABC)
 - při zapnutí nástroje pás automaticky vystředuje
 - při broušení udržuje pás vystředovaný
 V případě, že pás z nástroje sklouzne (způsobeno většinou nekvalitním pásem), musíte
 - zapněte nářadí
 - šroub E ② otočit až se brusný pás téměř uzavře se stranou zavádění pásu nářadí
 - jestliže pás opět sklouzne, vyměňte jej
- Odsávání prachu ⑦
 - k zajištění optimálního odsávání prachu pravidelně vyprázdněte lapač G/sáček F
 - při používání nářadí s odsávaním, namontovat otvor odsávání H, jak to ukazuje obrázek (1215)

- v případě potřeby též vyčistěte filtru podle obrázku
- ! **při broušení kovů lapač prachu/prachový sáček/vysavač nepoužívejte**
- Držení a vedení nástroje ⑧
 - udržujte brusku rovnoběžně s obráběnou plochou
 - ! **při práci vždy držte nástroj v šedě zabarvené oblasti rukojeti**
 - ! **na nářadí přílid netlačte, nechte pracovat brousící plochu za vás**
 - zabráníte tak vzniku nežadoucích rýh na obráběném materiálu
 - udržujte větrací štěrby J ② nezakryté

NÁVOD K POUŽITÍ

- Pro hrubé broušení pohybuje nářadím v podélném směru
- Pro dosažení jemného povrchu je nutné se pohybovat po povrchu kroužením
- Upevněte brusný rám K (SKIL příslušenství 2610398244) v případě, že potřebujete vyrovnat povrchy bez poškrábání nebo drážek, a zkontrolujte, zda je pevně na místě ⑨
- ! **brusný rám K se během používání velmi zahřívá; nedotýkejte se ho, dokud nevychladne**
- Dřevo a kovy se nesmí brousit stejným brusným pásem
- Doporučená zrnitost brusného pásu
 - k odstraňování nátěrů a broušení hrubého dřevěného povrchu použijte hrubozrný brusný materiál (40, 60)
 - k broušení hrubého nebo hladkého dřeva použijte brusný materiál se střední zrnitostí (80, 100, 120)
 - k vyhlazování dřeva a povrchů se starým nátěrem a ke konečné úpravě neošetřeného dřeva použijte brusný materiál s jemnou zrnitostí (180, 240, 320)
- Použijte různé změní, jestliže je opracovaná plocha hrubá
 - zpočátku použijte papír se hrubým nebo středním zrněním
 - práci dokončete papírem s jemným zrněním
- Další tipy najdete na www.skil.com

ÚDRŽBA / SERVIS

- Tento nástroj není určen k profesionálnímu použití
- Nástroj a přivodní šňůru udržujte čisté (zejména větrací štěrby J ②)
 - brusný prach Inoucí k nástroji odstraňte kartáčem
- ! **před čištěním odpojte zástrčku**
- Pokud dojde i přes pečlivou výrobu a náročnou kontrolu k poruše nástroje, světe provedení opravy autorizovanému servisnímu středisku pro elektronářadí firmy SKIL
 - zašlete nástroj **nerozebraný** spolu s potvrzením o nákupu své prodejně nebo nejbližšímu servisu značky SKIL (adresy a servisní schéma nástroje najdete na www.skil.com)

ŽIVOTNÍ PROSTŘEDÍ

- **Elektrické nářadí, doplňky a balení nevyhazujte do komunálního odpadu** (jen pro státy EU)
 - podle evropské směrnice 2012/19/EG o nakládání s použitými elektrickými a elektronickými zařízeními a odpovídajících ustanovení právních předpisů jednotlivých zemí se použitá elektrická nářadí, musí

sbírat odděleně od ostatního odpadu a podrobit ekologicky šetrnému recyklování

- symbol ⑤ na to upozorňuje

HLUČNOSTI / VIBRACÍ

- Měřeno podle EN 62841 činí tlak hlukové vlny tohoto přístroje 87 dB(A) a dávka hlučnosti 98 dB(A) (standardní odchylka: 3 dB), a vibrací 2,1 m/s² (vektorový součet tří os; nepřesnost K = 1,5 m/s²)
 - Úroveň vibrací byla měřena v souladu se standardizovaným testem podle EN 62841; je možné ji použít ke srovnání jednoho přístroje s druhým a jako předběžně posouzení vystavování se vibracím při používání přístroje k uvedeným aplikacím
 - používání přístroje k jiným aplikacím nebo s jiným či špatně udržovaným příslušenstvím může zásadně **zvýšit** úroveň vystavení se vibracím
 - doba, kdy je přístroj vypnutý nebo kdy běží, ale ve skutečnosti není využíván, může zásadně **snižit** úroveň vystavení se vibracím
- ! chráňte se před následky vibrací tak, že budete dbát na údržbu přístroje a příslušenství, budete si udržovat teplé ruce a uspořádáte si své pracovní postupy**

TR

Tank zmpara

1210/1215

GİRİS

- Bu aletle tahta, plastik, metal, macunlu ve boyalı yüzeylerin zmparalanması için geliştirilmiştir, zmparalama performansı oldukça yüksektir
- Bu alet profesyonel kullanıma yönelik değildir
- Bu kullanma kılavuzunu okuyun ve saklayın ③

TEKNİK VERİLER ①

ALET BİLEŞENLERİ ②

- A Açma/kapama şalteri
- B Açma/kapama şalteri kilit düğmesi
- C Zmpara kayışını değiştirme kol
- D Ok
- E Kayış ortalama vidası
- F Toz torbası
- G Toz torbası
- H Süpürge bağlantısı
- J Havalandırma yuvaları
- K Zmpara çerçevesi

GÜVENLİK

GENEL ELEKTRİKLİ EL ALETİ GÜVENLİK UYARILARI

⚠ UYARI Bu elektrikli el aletiyle birlikte gelen tüm güvenlik uyarılarını, talimatları, resim ve açıklamaları okuyun. Aşağıda bulunan talimatlara uyulmaması elektrik çarpmalarına, yangınlara ve/veya ağır y aralanmalara neden olabilir.

Tüm uyarı ve talimatları ileride kullanmak üzere saklayın.

Uyarı ve talimat hükümlerinde kullanılan “elektrikli el aleti” kavramı, akım şebekesine bağlı (şebeke bağlantı kablosu ile) aletlerle akü ile çalışan aletleri (akım şebekesine bağlantısı olmayan aletler) kapsamaktadır.

1) ÇALIŞMA YERİ GÜVENLİĞİ

- a) **Çalıştığınız yeri temiz ve düzenli tutun.** İşyerindeki düzensizlik veya yetersiz aydınlatma kazalara neden olabilir.
- b) **Yanıcı sıvıların, gazların veya tozların bulunduğunu patlama tehlikesi olan yer ve mekânlarda aletinize çalışmayın.** Elektrikli el aletleri, toz veya buharların tutuşmasına veya yanmasına neden olan kıvılcımlar çıkarırlar.
- c) **Elektrikli el aletinize çalışırken çocukları ve başkalarını çalışma alanınızın uzağında tutun.** Yakınızdaki bulunan kişiler dikkatinizi dağıtabilir ve bu da alet üzerindeki kontrolünüzü kaybetmenize neden olabilir.

2) ELEKTRİKSEL GÜVENLİK

- a) **Aletinizi bağlantı fişi prize uymalıdır. Fişi hiçbir şekilde değiştirmeyin. Koruyucu topraklamalı aletlerle adaptörlü fiş kullanmayın.** Değiştirilmemiş, orijinal fiş ve uygun prizler elektrik çarpma tehlikesini azaltır.
 - b) **Borular, kalorifer tesisatı, ısıtıcılar ve buzdolapları gibi topraklanmış yüzeylerle bedensel temasa gelmekten kaçınınız.** Eğer bedeniniz topraklanacak olursa yüksek bir elektrik çarpma tehlikesi ortaya çıkar.
 - c) **Aletinizi yağmur ve nemden koruyun.** Elektrikli el aletin içine suyun sızması elektrik çarpma tehlikesini yükseltir.
 - d) **Kabloyu kendi amacı dışında kullanmayın; örneğin aleti kablodan tutarak taşımayın, aleti kablo ile asmayın veya kablodan çekerek fişi prizden çıkarmayın. Kabloyu aşırı sıcaktan, yağlardan, keskin kenarlı cisimlerden veya aletin hareketli parçalarından uzak tutun.** Hasarlı veya dolaşmış kablo elektrik çarpma tehlikesini yükseltir.
 - e) **Elektrikli el aletinize açık havada çalışırken mutlaka açık havada kullanılmaya müsadele uzatma kablosu kullanınız.** Açık havada kullanılmaya uygun ve müsadele uzatma kablosunun kullanılması elektrik çarpma tehlikesini azaltır.
 - f) **Elektrikli el aletin nemli ortamlarda çalıştırılması şartsa, mutlaka toprak kaçağı devre kesicisi kullanınız.** Toprak kaçağı devre kesicisi kullanımı elektrik çarpma tehlikesini azaltır.
- ### 3) KİŞİLERİN GÜVENLİĞİ
- a) **Dikkatli olun, ne yaptığınıza dikkat edin ve elektrikli el aletinize çalışırken makul hareket edin.**

Yorgunsanız, hap, ilaç veya alkol almışsanız aletinizi kullanmayın. Aletinizi kullanırken bir anlık dikkatsizliğiniz ciddi yaralanmalara yol açabilir.

- b) **Daima kişisel korunma donanımları ve bir koruyucu gözlük kullanın.** Elektrikli el aletinin türü ve kullanımına uygun olarak kullanacağınız toz maskesi, kaymayan sağlam iş ayakkabıları, koruyucu kask veya koruyucu kulaklık gibi kişisel korunma donanımlarını kullanmanız yaralanma tehlikesini büyük ölçüde azaltır.
- c) **Aleti yanlışlıkla çalıştırmaktan kaçının. Akım ikmal şebekesine ve/veya aküye bağlamadan, elinize alıp taşımadan önce elektrikli el aletinin kapalı durumda olduğundan emin olun.** Elektrikli el aletini parmağınız şalter üzerinde dururken taşırsanız ve alet aşıkken fişi prize sokarsanız kazalara neden olabilirsiniz.
- d) **Aleti çalıştırmadan önce ayar aletlerini veya tornavidaları aletten uzaklaştırın.** Dönen alet parçasına temas halinde bulunan bir uç veya anahtar yaralanmalara neden olabilir.
- e) **Kendinize çok fazla güvenmeyin. Duruşunuzun güvenli olmasına dikkat edin ve daima dengenizi koruyun.** Bu sayede aletinizi beklenmedik durumlarda daha iyi kontrol edersiniz.
- f) **Uygun iş elbiseleri giyin. Geniş giysiler giymeyin ve takı takmayın. Saçlarınızı ve giysilerinizi aletin hareketli parçalarından uzak tutun.** Bol giysiler, takılar veya uzun saçlar aletin hareketli parçaları tarafından tutulabilir.
- g) **Aletinize toz emme donanımı ve toz tutma donanımı takılabiliyorsa, bunların bağlı olup olmadığını ve doğru işlev görüp görmediklerini kontrol edin.** Toz emme donanımının kullanımı tozdan kaynaklanabilecek tehlikeleri azaltır.
- h) **Aletleri sık kullanmanız sebebiyle kazandığınız alışkanlıklar, güvenlik prensiplerine uymazı önlememelidir.** Dikkatsiz bir hareket, bir anda ciddi yaralanmalara yol açabilir.
- 4) **ELEKTRİKLİ EL ALETLERİYLE DİKKATLİ ÇALIŞMAK VE ALETİ DOĞRU KULLANMAK**
- a) **Aletinizi aşırı ölçüde zorlamayın. İşinize uygun elektrikli el aletini kullanın.** Uygun elektrikli el aleti ile belirtilen performans alanında daha iyi ve daha güvenli çalışırsınız.
- b) **Açma/kapama şalteri arızalı olan elektrikli el aletini kullanmayın.** Açılıp kapanamayan bir elektrikli el aleti tehlikelidir ve onarılması gerekir.
- c) **Alette bir ayarlama işleme başlamadan, herhangi bir aksesuarı değiştirirken veya aleti elinizden bırakırken fişi prizden çekin veya aküyü çıkarın.** Bu önlem, elektrikli el aletinin yanlışlıkla çalışmasını önler.
- d) **Kullanım dışında iken elektrikli el aletinizi çocukların ulaşamayacağı bir yerde saklayın. Aleti kullanmayı bilmeyen veya bu güvenlik talimatını okumayan kişilerin aleti kullanmasına izin vermeyin.** Deneyimsiz kişiler tarafından kullanıldıkları takdirde elektrikli el aletleri tehlikeli olabilirler.
- e) **Elektrikli el aletinizin ve aksesuarlarınızın bakımını özenle yapın.** Aletin hareketli parçalarının kusursuz işlev görüp görmediklerini ve sıkışmadıklarını, parçaların kırık veya hasarlı olup olmadıklarını kontrol edin, aksi takdirde alet işlevini tam olarak yerine getiremez. Aletinizi kullanmadan önce hasarlı

parçaları onartın. Birçok iş kazası aletlerin kötü ve yetersiz bakımından kaynaklanır.

- f) **Kesici uçları keskin ve temiz tutun.** İyi bakım görmüş kesici uçlar daha ender sıkışır ve daha iyi yönlendirilirler.
- g) **Elektrikli el aletlerini, aksesuarı, uçları ve benzerlerini bu güvenlik talimatına uygun olarak kullanın. Aletinizi kullanırken çalışmaya koşullarını ve yaptığınız işi daima dikkate alın.** Elektrikli el aletlerini kendileri için öngörülen işlerin dışında kullanmak tehlikeli durumların ortaya çıkmasına neden olabilir.
- h) **Tutamak ve kavrama yüzeylerini kuru, yağsız ve temiz tutun.** Kaygan tutamak ve kavrama yüzeyleri, aletin beklenmeyen durumlarda güvenli şekilde tutulmasını ve kontrol edilmesini engeller.
- 5) **SERVİS**
- a) **Aleti nizi sadece uzman bir elemana ve orijinal yedek parçalar kullanılarak onartın.** Böylelikle aletin güvenliğini korumuş olursunuz.

ZIMPARALARA İÇİN GÜVENLİK TALİMATI

GENEL

- Bu alet 16 yaşının altındaki kişiler tarafından kullanılmamalıdır
- Bu alet sulu zimparalama işlerine uygun değildir
- Kordon hasarlı iken cihazı kesinlikle kullanmayınız; uzman bir kişi tarafından değiştiriniz
- **Bu aletle asbest içeren malzemeleri işlemeyin** (asbest kanserojen bir madde kabul edilir)
- **Elektrikli el aletinizin havalandırma deliklerini düzenli olarak temizleyin** (motor fanı tozları aletin gövdesine çeker ve biriken metal tozları elektrik çarpmasına neden olabilir)
- **İsteddiğiniz ayar değişikliklerini ve aksesuar değişikliklerini yapmadan önce mutlaka şebeke fişini prizden çekin**

AKSESUARLAR

- SKIL sadece orijinal aksesuarlar kullanıldığında aletin düzgün çalışmasını garanti eder
- Aşınmış, yırtılmış veya gözenekleri aşın ölçüde dolmuş zimpara şeritlerini kullanmayın

KULLANMADAN ÖNCE

- Güç geriliminin, aletin özellik plakasında belirtilen voltaj değeriyle aynı olduğunu sık sık kontrol edin (230V veya 240V aletler 220V kaynağa bağlanabilir)
- İş parçasının vida, çivi ve benzeri malzeme tarafından hasar görmemesi için dikkatli olun; çalışmaya başlamadan önce bunları çıkartın
- Tamamen kusursuz ve güvenli 16 Amp uzatma kabloları kullanın
- Cihaz çalışırken gürültü seviyesi 85 dB(A) desibele kadar çıkabilir; kulak koruyucu kullanınız
- Kurşun içeren boya, bazı ahşap türleri, mineral ve metal gibi malzemelerden çıkan toz zararlı olabilir (tozla temasta bulunulması veya solunması operatörde veya yakında bulunan kişilerde alerjik reaksiyonlara ve/veya solunum yolu hastalıklarına neden olabilir); **toz maskesi takın ve toz ekstraksiyon cihazıyla çalışın (bağlanabiliyorsa)**
- Bazı toz tipleri (örneğin meşe ve kayın ağacı tozu), bilhassa ahşap yenileme katkı maddeleriyle birlikte,

karsinojenik olarak sınıflandırılır; **toz maskesi takın ve toz ekstraksiyon cihazı ile çalışın (bağlanabiliyorsa)**

- Çalışmak istediğiniz malzemelerin, toz ile ilgili ulusal taleplerini takip ediniz
- Koruyucu iş eldivenleri giyin, koruyucu gözlük, dar giysiler ve saç koruyucu (saçlarınız uzunsa)
- **Çalıştığınız parçayı sabitleyin** (kıskaçlarla ya da genellikle sabitlenmiş bir iş parçası elle tutulan işten daha güvenlidir)
- Metalleri zımparalarken sırasında kivilcimlar oluşur; toz torbası/elektrik süpürgesi kullanmayın ve diğer çalışanlar ve yanıcı malzemeleri çalışma alanınızdan uzak tutunuz

KULLANIM SIRASINDA

- **Zımpara yüzeyi kendi kablosuna temas edebileceği için elektrikli aleti izolasyonlu tutamaklardan tutun** (akım ileten elektrik kablosunun kesilmesi aletin metal parçalarının da elektrik akımına maruz kalmasına ve kullanan kişiyi elektrik çarpmasına neden olabilir)
- Kabloyu her zaman aletin hareketli parçalarından uzak tutun; kabloyu arka tarafta araçtan uzakta bulundurun
- Hareket halindeki zımpara şeridine dokunmayın
- Elektriksel veya mekaniksel hatalı çalışma durumunda aleti hemen kapatın ve fişi çekin
- Eğer cihazı kullanırken kordon hasar görür yada kesilirse, kordona kesinlikle dokunmayınız ve derhal fişi çekiniz

KULLANIMDAN SONRA

- Aletinizi bırakıp gitmeden önce mutlaka kapatın ve döner parçaların tam olarak durmasını bekleyin

ALET ÜZERİNDEKİ SİMGELEİNİ AÇIKLAMASI

- ③ Kullanmadan önce kılavuzu okuyun
- ④ Çift yalıtım (topraklama kablosu gerekli değildir)
- ⑤ Aleti evdeki çöp kutusuna atmayınız

KULLANIM

- Açma / kapama şalteri
 - bu alet A ② şalterine basmak ve bu şalteri bırakmak suretiyle açıp kapanır
- **! aletin zımparalama yüzeyi iş parçasına temas etmeden önce aletin çalıştırılması gerekir**
- **! aleti kapatmadan önce iş parçası üzerinden kaldırım**
- Sürekli kullanım için anahtar kilitleme
 - A ② şalterine basın
 - B ② düğmesine başparmagınızla bastırın
 - şalterin boşaltılması
 - A ② şalterine tekrar basıp bırakmak suretiyle şalteri sabit konumdan kurtarın
- Zımpara şeritlerinin çabuk değiştirilmesi (CLIC sistemi) ⑥
 - **! şebeke fisini çekin**
 - germe kolunu C gevşetin
 - zımpara şeritini çıkarın
 - şeritin iç kısmındaki oklar D ile alet üzerindeki okun yönü aynı olacak biçimde yeni zımpara şeritini yerine yerleştirin
 - germe kolunu geri bastırın
 - **! zımpara şeritlerini zamanında değiştirin**
 - **! zımpara şeritlerini asla katlamayın**
- Zımpara şeridinin otomatik olarak merkeze getirilmesi (ABC)
 - alet çalıştırıldığında şerit otomatik olarak merkeze getirilir

- zımparalarken şeridin merkezde kalmasını sağlar
- Şeridin aletten çıkması durumunda (genellikle şerit kalitesinin yetersiz olması nedeniyle meydana gelir), şunları yapmanız gerekir
 - aleti değiştirin
 - zımpara şeriti aletin şerit yönlendirme tarafına oturuncaya kadar vidayı E ② çevirin
 - zımpara şeridi hâlâ aletten çıkıyorsa, yeni şerit kullanın
- Toz emme ⑦
 - toz torbasının G/F düzenli olarak temizlenmesi toz tutma kapasitesini optimal düzeyde tutar
 - aleti elektrikli süpürgesiyle kullanırken veya kullanılmazken vakum H adaptörünü örnekte gösterildiği gibi yerleştirin (1215)
 - gerektiğinde, filtre de gösterildiği gibi temizleyin
- **! metalleri zımparalarken toz torbası/elektrik süpürgesini kullanmayın**
- Aletin tutulması ve kullanılması ⑧
 - aleti, işlediğiniz yüzeye paralel olarak tutun
 - **! çalışma esnasında, aleti daima gri renkli bölge(ler)den tutun(uz)**
 - **! alet üzerinde fazla baskı uygulamayın; bırakın aletin zımparalama yüzeyi sizin için çalışsın**
 - aletin yüzeye olan paralellliğini bozmayın, aksi takdirde işlenen yüzeyde istenmeyen zımpara izleri oluşur
 - havalandırma yuvalarını J ② açık tutun

UYGULAMA

- Hiç işlem görmemiş tahta yüzeylerini işlemek üzere aleti tahtanın demarları boyunca hareket ettirin
- Diğer yüzeyleri işlemek için aleti iş parçasının üzerinde oval hareketlerle hareket ettirin
- Yüzeyleri çizik veya oluklar oluşmadan eşitlemek için K (SKIL aksesuarı 2610398244) zımpara çerçevesini monte edin, ve yerine sağlam oturduğundan emin olun ⑨
 - **! kullanım sırasında zımpara çerçevesi K aşırı ısınabilir; soğuyana kadar elle temas etmeyiniz**
- Ayın zımpara şeritini ile hiçbir zaman hem tahta, hem de metalleri zımparalamayın
- Önerilen zımpara şeridi kum kalınlıkları
 - boya çıkarmak ve son derece pürüzlü odunları zımparalamak için kalın boyda kum (40, 60) kullanın
 - pürüzlü ve düz odunları zımparalamak için orta boy kum (80, 100, 120) kullanın
 - odun ve yüzeyleri eski bir boya ile düzeltmek ve çıplak odunları cilalamak için ince boy kum (180, 240, 320) kullanın
- İşlediğiniz yüzey ham ise çeşitli kum büyüklüğündeki zımpara kağıtları kullanın:
 - başlangıçta iri veya orta kum büyüklüğündeki zımpara kağıtları ile çalışın
 - işin sonunda ince kum kalınlığındaki zımpara kağıtları kullanın
- Daha fazla ipucu için www.skil.com sitesini gezin

BAKIM / SERVİS

- Bu alet profesyonel kullanıma yönelik değildir
- Aleti ve kablosunu daima temiz tutun (özellikle havalandırma yuvalarını J ②)
- yapışan zımpara tozunu bir fırça ile temizleyin
- **! temizlemeden önce, cihazın fişini prizden çekin**

- Dikkatli biçimde yürütülen üretim ve test yöntemlerine rağmen aleti arıza yapacak olursa, onarım SKIL elektrikli aletleri için yetkili bir serviste yapılmalıdır
 - aleti ambalajıyla birlikte satın alma belgenizide ekleyerek satıcınıza veya en yakın SKIL servisine ulaştırın (adresler ve aletin servis şemaları www.skil.com adresinde listelenmiştir)

ÇEVRE

- **Elektrikli aletlerini, aksesuarları ve ambalajları evdeki çöp kutusuna atmayınız** (sadece AB ülkeleri için)
 - kullanılmış elektrikli aletleri, elektrik ve elektronik eski cihazlar hakkındaki 2012/19/EC Avrupa yönergelerine göre ve bu yönergeler ulusal hukuk kurallarına göre uyarlanarak, ayrı olarak toplanmalı ve çevre şartlarına uygun bir şekilde tekrar değerlendirilmeye gönderilmelidir
 - sembol ⑤ size bunu anımsatmalıdır

GÜRÜLTÜ / TİTREŞİM

- Ölçülen EN 62841 göre ses basıncı bu makinanın seviyesi 87 dB(A) ve çalışma sırasındaki gürültü 98 dB(A) (standart sapma: 3 dB), ve titreşim 2,1 m/s² (üç yönün vektör toplamı; tolerans K = 1,5 m/s²)
 - Titreşim emisyon seviyesi EN 62841'te sunulan standart teste göre ölçülmüştür; bu seviye, bir aleti bir başkasıyla karşılaştırmak amacıyla ve aletin söz konusu uygulamalarda kullanılması sırasında titreşime maruz kalma derecesinin ön değerlendirmesi olarak kullanılabilir
 - aletin farklı uygulamalar için veya farklı ya da bakımı yetersiz yapılmış aksesuarlarla kullanılması, maruz kalma seviyesini belirgin biçimde **artırabilir**
 - aletin kapalı olduğu veya çalıştığı ancak gerçek anlamda iş yapmadığı zamanlarda, maruz kalma seviyesi belirgin biçimde **azalabilir**
- ! aletin ve aksesuarlarının bakımını yaparak, ellerinizi sıcak tutarak ve iş modellerinizi düzenleyerek kendinizi titreşimin etkilerinden koruyun**

PL

Szlifierka taśmowa

1210/1215

WSTĘP

- Niniejsze narzędzie przeznaczone jest do szlifowania na sucho, usuwając dużą ilość materiału z powierzchni: drewnianych, plastikowych, metalowych, kitu i powierzchni pomalowanych
- Narzędzie nie jest przeznaczone do zastosowań profesjonalnych
- Przeczytać i zachować niniejszą instrukcję obsługi ③

DANE TECHNICZNE ①

ELEMENTY NARZĘDZIA ②

- A Właznik/wyłącznik
- B Przycisk blokady przełącznika zasilania
- C Dźwignia wymiany taśmy ścierniej
- D Strzałka
- E Wkręt regulacji centrowania taśmy
- F Worek na pył
- G Odpylnik
- H Adapter odsysacza trocin
- J Szczeliny wentylacyjne
- K Rama szlifierska

BEZPIECZEŃSTWO

OGÓLNE OSTRZEŻENIA DOTYCZĄCE BEZPIECZEŃSTWA UŻYTKOWANIA ELEKTRONARZĘDZIA

! OSTRZEŻENIE Należy przeczytać wszystkie ostrzeżenia i wskazówki dotyczące bezpieczeństwa użytkowania oraz przestudiować wszystkie rysunki i parametry techniczne, dostarczone wraz z niniejszym elektronarzędziem. Nieprzestrzeganie poniższych wskazówek może stać się przyczyną porażenia prądem elektrycznym, pożaru lub/i poważnych obrażeń ciała.

Wszystkie ostrzeżenia i wskazówki należy zachować do dalszego zastosowania.

Użyte w poniższym tekście pojęcie "elektronarzędzie" odnosi się do elektronarzędzi zasilanych energią elektryczną z sieci (z przewodem zasilającym) i do elektronarzędzi zasilanych akumulatorami (bez przewodu zasilającego).

1) BEZPIECZEŃSTWO MIEJSCA PRACY

- a) **Miejsce pracy należy utrzymywać w czystości i dobrze oświetlone.** Nieporządek lub nie oświetlone miejsce pracy mogą doprowadzić do wypadków.
- b) **Nie należy pracować tym narzędziem w otoczeniu zagrożonym wybuchem, w którym znajdują się np. łatwopalne ciecze, gazy lub pyły.** Elektronarzędzia wytwarzają iskry, które mogą podpalić ten pył lub pary.
- c) **Elektronarzędzie trzymać podczas pracy z daleka od dzieci i innych osób.** Przy nieuwadze można stracić kontrolę nad narzędziem.

2) BEZPIECZEŃSTWO ELEKTRYCZNE

- a) **Wtyczka urządzenia musi pasować do gniazda. Nie wolno modyfikować wtyczki w jakikolwiek sposób. Nie należy używać wtyczek adapterowych razem z uziemnionymi narzędziami.** Nieziemnione wtyczki i pasujące gniazda zmniejszają ryzyko porażenia prądem.
- b) **Należy unikać kontaktu z uziemnionymi powierzchniami jak rury, grzejniki, piece i lodówki.** Istnieje zwiększone ryzyko porażenia prądem, gdy Państwa ciało jest uziemnione.
- c) **Urządzenie należy przechowywać zabezpieczone przed deszczem i wilgocią.** Wniknięcie wody do elektronarzędzia podwyższa ryzyko porażenia prądem.
- d) **Nigdy nie należy używać kabla do innych czynności. Nigdy nie używać kabla do noszenia urządzenia za kabel, zawieszenia lub do wyciągania wtyczki z**

- gniazda. Kabel należy trzymać z daleka od wysokich temperatur, oleju, ostrych krawędzi lub ruchomych części urządzenia. Uszkodzone lub poplątane kable zwiększają ryzyko porażenia prądem.
- e) **W przypadku, kiedy elektronarzędziem pracuje się na świeżym powietrzu należy używać kabla przedłużającego, który dopuszczony jest do używania na zewnątrz.** Użycie dopuszczony do używania na zewnątrz kabla przedłużającego zmniejsza ryzyko porażenia prądem.
- f) **Jeżeli nie da się uniknąć zastosowania elektronarzędzia w wilgotnym otoczeniu, należy użyć wyłącznika ochronnego różnicowo-prądowego.** Zastosowanie wyłącznika ochronnego różnicowo-prądowego zmniejsza ryzyko porażenia prądem.
- ### 3) BEZPIECZEŃSTWO OSÓB
- a) **Należy być uważnym, uważać na to co się robi i pracę elektronarzędziem rozpocząć z rozsądkiem. Nie należy używać urządzenia gdy jest się zmęczonym lub pod wpływem narkotyków, alkoholu lub lekarstw.** Moment nieuwagi przy użyciu urządzenia może doprowadzić do poważnych urażeń ciała.
- b) **Należy nosić osobiste wyposażenie ochronne i zawsze okulary ochronne.** Noszenie osobistego wyposażenia ochronnego jak maska przeciwpyłowa, nie ślizgające się buty robocze, hełm ochronny lub ochrona słuchu, w zależności od rodzaju i zastosowania elektronarzędzia zmniejsza ryzyko obrażeń ciała.
- c) **Należy unikać niezamierzonego uruchomienia narzędzia. Przed włożeniem wtyczki do gniazdka i/lub podłączeniem do akumulatora, a także przed podniesieniem lub przeniesieniem elektronarzędzia, należy upewnić się, że elektronarzędzie jest wyłączone.** Trzymanie palca na wyłączniku podczas przenoszenia elektronarzędzia lub podłączenia do prądu uszkodzonego narzędzia, może stać się przyczyną wypadków.
- d) **Zanim urządzenie zostanie włączone należy usunąć narzędzia nastawcze lub klucze.** Narzędzie lub klucz, które znajdują się w ruchomych częściach urządzenia mogą doprowadzić do obrażeń ciała.
- e) **Nie należy przeceniać swoich możliwości. Należy dbać o bezpieczną pozycję pracy i zawsze utrzymywać równowagę.** Przez to możliwa jest lepsza kontrola urządzenia w nieprzewidzianych sytuacjach.
- f) **Należy nosić odpowiednie ubranie. Nie należy nosić luźnego ubrania lub biżuterii. Włosy i ubranie należy trzymać z daleka od ruchomych elementów .[e]** Luźne ubranie, biżuteria lub długie włosy mogą zostać pociągnięte przez poruszające się części.
- g) **W przypadku, kiedy możliwe jest zamontowanie urządzeń odsysających lub podchwytyjących należy upewnić się, czy są one właściwie podłączone i prawidłowo użyte.** Użycie urządzenia odsysającego pył może zmniejszyć zagrożenie pyłami.
- h) **Nie wolno pozwolić, aby rutyna nabyta w wyniku wielokrotnego użycia elektronarzędzia, zastąpiła ściśle przestrzeganie zasad bezpieczeństwa.** Niedbale obsługiwane elektronarzędzie może w ułamku sekundy wyrządzić istotne szkody lub spowodować ciężkie obrażenia.

4) UWAŻNE OBCOWANIE ORAZ UŻYCIE ELEKTRONARZĘDZIA

- a) **Nie należy przeciążać urządzenia. Do pracy używać należy elektronarzędzia, które jest do tego przewidziane.** Odpowiednim narzędziem pracuje się lepiej i bezpieczniej w podanym zakresie sprawności.
- b) **Nie należy używać elektronarzędzia, którego włącznik/wyłącznik jest uszkodzony.** Elektronarzędzie, którego nie można włączyć lub wyłączyć jest niebezpieczne i musi zostać naprawione.
- c) **Przed rozpoczęciem jakichkolwiek prac nastawczych, przed wymianą osprzętu lub przed odłożeniem elektronarzędzia należy wyjąć wtyczkę z gniazda sieciowego i/lub usunąć akumulator.** Ten srodek ostrożności zapobiega niezamierzonemu włączeniu się urządzenia.
- d) **Nie używane elektronarzędzia należy przechowywać poza zasięgiem dzieci. Nie należy udostępniać narzędzia osobom, które jego nie umieją lub nie przeczytały tych przepisów.** Używane przez niedoświadczone osoby elektronarzędzia są niebezpieczne.
- e) **Elektronarzędzia i osprzęt należy utrzymywać w nienagannym stanie technicznym. Należy kontrolować, czy ruchome części urządzenia funkcjonują bez zarzutu i nie są zablokowane, czy części nie są pęknięte lub uszkodzone, co mogłoby mieć wpływ na prawidłowe funkcjonowanie urządzenia. Uszkodzone narzędzie należy przed użyciem urządzenia oddać do naprawy.** Wiele wypadków spowodowanych jest przez niewłaściwą konserwację elektronarzędzi.
- f) **Osprzęt tnący należy utrzymywać ostry i czysty.** Starannie pielęgnowany osprzęt tnący z ostrymi krawędziami tnącymi blokuje się rzadziej i łatwiej się używa.
- g) **Elektronarzędzia, osprzęt, narzędzia itd. należy używać odpowiednio do tych przepisów. Uwzględnić należy przy tym warunki pracy i czynność do wykonania.** Użycie elektronarzędzi do innych niż przewidziane prace może doprowadzić do niebezpiecznych sytuacji.
- h) **Uchwyty i powierzchnie chwytowe powinny być zawsze suche, czyste, niezabrudzone olejem ani smarem.** Śliskie uchwyty i powierzchnie chwytowe nie pozwalają na bezpieczne trzymanie narzędzia i kontrolę nad nim w nieoczekiwanych sytuacjach.

5) SERWIS

- a) **Naprawę urządzenia należy zlecić jedynie kwalifikowanemu fachowcowi i przy użyciu oryginalnych części zamiennych.** To gwarantuje, że bezpieczeństwo użytkowania zostanie zachowane.

PRZEPISY BEZPIECZEŃSTWA SZLIPIEREK

OGÓLNE

- Narzędzie nie powinny używać dzieci poniżej 16 roku życia
- Elektronarzędzie nie jest przystosowane do szlifowania na mokro
- Pod żadnym pozorem nie wolno korzystać z narzędzia z uszkodzonym przewodem; zleć jego wymianę wykwalifikowanej osobie

- **Nie należy obrabiać materiału zawierającego azbest** (azbest jest rakotwórczy)
- **Należy regularnie oczyszczać szczeliny wentylacyjne Państwa elektronarzędzia** (dmuchawa silnika wciąga pył do obudowy, a duże nagromadzenie pyłu metalowego może spowodować zagrożenie elektryczne)
- **Przed przystąpieniem do wykonywania jakichkolwiek czynności przy narzędziu, w czasie przerw w pracy jak również po jej zakończeniu wyjąć wtyczkę z gniazda sieciowego**

AKCESORIA

- SKIL może zagwarantować bezawaryjne działanie narzędzia tylko przy korzystaniu z oryginalnego wyposażenia dodatkowego
- Nie należy korzystać ze zużytychł podartych albo mocno zapachanych taśm ściernych

PRZED UŻYCIEM

- Każdorazowo należy sprawdzać, czy napięcie zasilania jest zgodne z napięciem podanym na tabliczce znamionowej urządzenia (narzędzia na napięcie znamionowe 230V lub 240V zasilac można także napięciem 220V)
- Uwaga na gwoździe, śruby i inne twarde przedmioty; przed przystąpieniem do obróbki powinny być usunięte z obrabianego przedmiotu; usunąć je przed rozpoczęciem pracy
- W przypadku korzystania z kabla przedłużającego należy zwrócić uwagę, aby był maksymalnie nawinięty na bęben oraz był przystosowany do przewodzenia prądu o natężeniu przynajmniej 16 A
- Poziom hałas podczas pracy może przekraczać 85 dB(A); używać naszniki do ochrony słuchu
- Pył pochodzący z takich materiałów, jak farby zawierające ołów, niektóre gatunki drzewa, minerały i metal może być szkodliwy (kontakt z nim lub wdychanie takiego pyłu może powodować reakcje alergiczne i/lub niewydolność oddechową u operatora lub osób towarzyszących); **należy zakładać maskę przeciwpyłową i pracować z urządzeniem odsysającym, jeżeli można je podłączyć**
- Niektóre rodzaje pyłu są zaklasyfikowane jako rakotwórcze (takie, jak pył dębu i buka) szczególnie w połączeniu z dodatkami do kondycjonowania drewna; **należy zakładać maskę przeciwpyłową i pracować z urządzeniem odsysającym pył, jeżeli można je podłączyć**
- Należy stosować się do lokalnych wymogów dotyczących pracy w otoczeniu pyłu powstającego podczas obróbki materiału
- Do pracy należy nosić rękawice ochronne, okulary ochronne, dopasowane ubranie, oraz nakrycie głowy (w przypadku długich włosów)
- **Należy zabezpieczyć miejsce przeznaczone do zszycia** (miejsce przeznaczone do zszycia umieszczone w zaciskach lub imadle jest utrzymywane w miejscu bezpieczniejszej niż w ręku)
- Przy szlifowaniu metalu występuje iskrzenie; nie wolno wtedy korzystać z worków na pył/odpylnika/odkurzacza a z obszaru pracy należy usunąć wszelkie materiały palne i zabronić tam wstępu osobom trzecim

PODCZAS UŻYWANIA

- **Elektronarzędzie należy dotykać jedynie przy izolowanych powierzchniach uchwytu, ponieważ szlifowanie powierzchni może dotknąć własnego przewodu** (przecięcie przewodów pod napięciem może spowodować porażenie operatora prądem)
- Kabel zasilający powinien stale znajdować się w bezpiecznej odległości od wirującej części elektronarzędzia; kabel zasilający zawsze prowadzić z tyłu elektronarzędzia
- Nie wolno dotykać poruszającej się taśmy ściernej
- W przypadku wadliwego działania mechanicznych lub elektrycznych elementów urządzenia, należy bezzwocznie odłączyć narzędzie i wyjąć wtyczkę
- W przypadku uszkodzenia lub przecięcia przewodu podczas pracy, nie wolno go dotykać, tylko należy natychmiast wyciągnąć z gniazdka wtyczkę

PO UŻYCIU

- Przed pozostawieniem elektronarzędzia należy odłączyć zasilanie elektryczne i odczekać do całkowitego zatrzymania się wrzeciona

OBJAŚNIENIE SYMBOLI NA NARZĘDZIU

- ③ Przed użyciem przeczytaj instrukcję obsługi
- ④ Podwójna izolacja (brak uziemienia)
- ⑤ Nie wyrzucaj narzędzie wraz z odpadami z gospodarstwa domowego

UŻYTKOWANIE

- Włacznik/wyłacznik
 - elektronarzędzie włączane/wyłaczone jest poprzez wciśnięcie/zwolnienie włącznika/wyłacznika A ②
 - ! **przed przystawieniem taśmy ścierniej do powierzchni obrabianego przedmiotu należy uprzednio uruchomić elektronarzędzie**
 - ! **przed wyłączeniem narzędzia należy unieść je ponad obrabiany przedmiot**
 - Blokada włącznika dla pracy ciągłej
 - wciśnąć włącznik/wyłacznik A ②
 - kciukiem wciśnąć przycisk B ②
 - zwolnić włącznik/wyłacznik
 - zwalnianie blokady następuje poprzez ponowne wciśnięcie i zwolnienie włącznika/wyłacznika A ②
 - Szybka wymiana taśm ściernych (system CLIC) ⑥
 - ! **wyjąć wtyk z gniazda sieciowego**
 - odchylić dźwignię mocującą C
 - wyjąć taśmę szlifierną
 - założyć nową taśmę zwracając uwagę aby strzałka na wewnętrznej stronie taśmy wskazywała ten sam kierunek co i strzałka D na elektronarzędziu
 - odchylić dźwignię w jej pierwotne położenie
 - ! **należy terminowo wymieniać taśmy ściernie**
 - ! **nie należy nigdy łać zamywać taśm ściernych**
 - Automataczne centrowanie taśmy ścierniej (ABC)
 - automatycznie centruje taśmę z chwilą włączenia elektronarzędzia
 - utrzymuje taśmę w tej pozycji podczas szlifowania
- W przypadku zsunięcia się taśmy z elektronarzędzia (jest to na ogół spowodowane złą jakością taśmy), należy
- włączyć narzędzie
 - pokręcać wkręt E ② do momentu wyregulowania biegu taśmą tak aby nie wybiegła ona poza rolki elektronarzędzia
 - jeśli taśma nadal się zsuwał należy ją wymienić na nową

- Odsysanie pyłu ⑦
 - w celu zapewnienia optymalnego odpylania należy regularnie opróżnić odpylnika G/worka na pył F
 - w przypadku używania elektronarzędzia z odkurzaczem, należy zamontować adapter H według rysunku (1215)
 - gdy to konieczne, wyczyść także filtra jak pokazano
- ! **nie używać odpylnika/worka na pył/odkurzacza przy szlifowaniu metalu**
- Utrzymywanie i prowadzenie narzędzia ⑧
 - elektronarzędzie prowadzić równoległe do powierzchni obrabianego przedmiotu
- ! **podczas pracy zawsze trzymać narzędzie za uchwyt(y) ograniczone szarym kolorem**
- ! **nie wyierać zbyt dużego nacisku na elektronarzędzie; pozwólmy maszynie pracować za nas**
- nie należy przechylać elektronarzędzia dzięki czernu unikniemy wyszlifowywania niepożądanych zagłębień
- szczeliny wentylacyjne J ② powinny być odkryte

WSKAZÓWKI UŻYTKOWANIA

- W celu oszlifowania surowej powierzchni drewnianej elektronarzędzie prowadzić prostoliniowo! wzdłuż stojów
- Przy obróbce innego rodzaju powierzchni elektronarzędzie prowadzić ruchami owalnymi
- Zamontuj ramę szlifierskiej K (osprzęt SKIL 2610398244) do wyrównywania powierzchni bez zadrapań lub wyżłobień, i sprawdź, czy jest osadzona pewnie na miejscu ⑨
- ! **rama szlifierska K nagrzewa się podczas pracy narzędzia; nie należy jej dotykać przed ostygnięciem**
- Nie należy nigdy korzystać z tej samej taśmy do szlifowania drewna i metalu
- Zalecane granulacje papierów
 - do usuwania farb i szlifowania skrajnie nieobrobionych drewnianych powierzchni surowych należy stosować grube granulacje (40, 60)
 - do szlifowania nieobrobionych powierzchni drewnianych należy stosować średnie granulacje (80, 100, 120)
 - do wygładzania powierzchni drewnianych oraz pokrytych starą powłoką malarską, a także do oszlifowywania drewna nieobrobionego należy stosować drobne granulacje (180, 240, 320)
- W przypadku obróbki powierzchni surowej należy stosować różne granulacje papierów:
 - należy rozpoczynać od granulacji grubej lub średniej
 - zakończyć obróbkę stosując papiery o granulacji drobnej
- Więcej wskazówek można znaleźć pod adresem www.skil.com

KONSERWACJA / SERWIS

- Narzędzie nie jest przeznaczone do zastosowań profesjonalnych
- Zawsze dbać o czystość narzędzia i przewodu zasilającego (a szczególnie otworów wentylacyjnych J ②)
 - usunąć nagromadzony pył posugując się szczotką

! **przed przystąpieniem do czyszczenia należy wyjąć wtyk z gniazda sieciowego**

- Jeśli narzędzie, mimo dokładnej i wszechstronnej kontroli produkcyjnej ulegnie kiedykolwiek awarii, naprawę powinien przeprowadzić autoryzowany serwis elektronarzędzi firmy SKIL
 - odesłać **nierozebrany** narzędzie, wraz z dowodem zakupu, do dealera lub do najbliższego punktu usługowego SKIL (adresy oraz diagram serwisowy narzędzenia znajdują się na stronach www.skil.com)

ŚRODOWISKO

- **Nie wyrzucaj elektronarzędzi, akcesoriów i opakowania wraz z odpadami z gospodarstwa domowego** (dotyczy tylko państw UE)
 - zgodnie z Europejską Dyrektywą 2012/19/WE w sprawie zużytego sprzętu elektrotechnicznego i elektronicznego oraz dostosowaniem jej do prawa krajowego, zużyte elektronarzędzia należy posegregować i zutylizować w sposób przyjazny dla środowiska
 - w przypadku potrzeby pozbycia się narzędzia, akcesoriów i opakowania - symbol ⑤ przypomni Ci o tym

HAŁASU / WIBRACJE

- Pomiarów dokonano zgodnie z normą EN 62841 ciśnienie akustyczne narzędzia wynosi 87 dB(A) zaś poziom mocy akustycznej 98 dB(A) (poziom odchylenie: 3 dB), zaś wibracje 2,1 m/s² (suma wektorowa z trzech kierunków; błąd pomiaru K = 1,5 m/s²)
- Poziom emisji wibracji został zmierzony zgodnie z testem standaryzowanym podanym w EN 62841; może służyć do porównania jednego narzędzia z innym i jako ocena wstępna narażenia na wibracje w trakcie używania narzędzia do wymienionych zadań
 - używanie narzędzia do innych zadań, lub z innymi albo źle utrzymanymi akcesoriami, może znacząco **większyć** poziom narażenia
 - przypadki, kiedy narzędzie jest wylączone lub jest czynne, ale aktualnie nie wykonuje zadania, mogą znacząco **zmniejszyć** poziom narażenia
- ! **należy chronić się przed skutkami wibracji przez konserwację narzędzia i jego akcesoriów, zakładanie rękawic i właściwą organizację pracy**

UA

Стрічковий шліфувальний верстат 1210/1215

ВСТУП

- Цей інструмент призначений для сухого шліфування дерева, забарвлених поверхонь, пластиків і фарбованих поверхонь
- Цей інструмент не придатний для промислового використання
- Прочитайте і збережіть цю Інструкцію з експлуатації ③

ТЕХНІЧНІ ДАНІ ①

ЕЛЕМЕНТИ ІНСТРУМЕНТА ②

- A Вимикач живлення
- B Ручка блокування вимикача
- C Важіль для заміни шліфувальної стрічки
- D Стрілка
- E Гвинт для регулювання центрування стрічки
- F Мішок
- G Пиловловлювач
- H Адаптер пилососу
- J Вентиляційні отвори
- K Шліфувальна рамка

БЕЗПЕКА

ЗАГАЛЬНІ ВКАЗІВКИ З ТЕХНІКИ БЕЗПЕКИ ПОВОДЖЕННЯ З ЕЛЕКТРОІНСТРУМЕНТАМИ

▲ ПОПЕРЕДЖЕННЯ Прочитайте всі вказівки з техніки безпеки, інструкції, ілюстрації та специфікації, надані з цим електроінструментом. Невиконання усіх поданих нижче інструкцій може призвести до ураження електричним струмом, пожежі і/або серйозної травми.

Добре зберігайте на майбутнє ці попередження і вказівки.

Під поняттям "електроприлад" в цих попередженнях мається на увазі електроприлад, що працює від мережі (з електрокабелем) або від акумуляторної батареї (без електрокабелю).

1) БЕЗПЕКА НА РОБОЧОМУ МІСЦІ

- a) **Примайте своє робоче місце в чистоті та прибирайте його.** Безлад або погане освітлення на робочому місці можуть призводити до нещасних випадків.
- b) **Не працюйте з приладом у середовищі, де існує небезпека вибуху внаслідок присутності горючих рідин, газів або пилу.** Електроприлади можуть породжувати іскри, від яких може займатися пил або пари.
- c) **Під час працювання з приладом не підпускайте до робочого місця дітей та інших людей.** Ви можете втратити контроль над приладом, якщо Ваша увага буде відвернута.

2) ЕЛЕКТРИЧНА БЕЗПЕКА

- a) **Штепсель приладу повинен пасувати до розетки. Не дозволяється що-небудь міняти в штепселі. Для роботи з приладами, що мають захисне заземлення, не використовуйте адаптери.** Використання оригінального штепселя та належної розетки зменшує ризик удару електричним струмом.
- b) **Уникайте контакту частей тіла із заземленими поверхнями, як напр., трубами, батареями опалення, печами та холодильниками.** Коли Ваше тіло заземлене, існує збільшена небезпека удару електричним струмом.

- c) **Захищайте прилад від дощу та вологи.** Попадання води в електроінструмент збільшує ризик удару електричним струмом.
- d) **Не використовуйте кабель для перенесення приладу, підвішування або витягування штепселя з розетки. Захищайте кабель від жару, олії, гострих країв та деталей приладу, що рухаються.** Пошкодження або закручений кабель збільшує ризик удару електричним струмом.
- e) **Для зовнішніх робіт обов'язково використовуйте лише такий подовжувач, що допущений для зовнішніх робіт.** Використання подовжувача, що розрахований на зовнішні роботи, зменшує ризик удару електричним струмом.
- f) **Якщо не можна запобігти використанню електроприладу у вологому середовищі, використовуйте пристрій захисту від витоку в землю.** Використання зрострою захисту від витоку в землю зменшує ризик удару електричним струмом.

3) БЕЗПЕКА ЛЮДЕЙ

- a) **Будьте уважними, слідуйте за тим, що Ви робите, та розсудливо поводьтеся під час роботи з електроприладом. Не користуйтеся приладом, якщо Ви стомлені або знаходитесь під дією наркотиків, спиртних напоїв або лік.** Мить неуважності при користуванні приладом може призводити до серйозних травм.
- b) **Вдягайте особисте захисне спорядження та обов'язково вдягайте захисні окуляри.** Вдягання особистого захисного спорядження, як напр., - в залежності від виду робіт - захисної маски, спецвзуття, що не ковзається, каски або навушників, зменшує ризик травм.
- c) **Уникайте ненавмисного вмикання. Перш ніж вмикати електроприлад в електромережу або встромляти акумуляторну батарею, брати його в руки або переносити, впевніться в тому, що електроприлад вимкнений.** Тримання пальця на вимикач під час перенесення електроприладу або встромляння в розетку увімкненого приладу може призводити до травм.
- d) **Перед тим, як вмикати прилад, приборіть налагоджувальні інструменти та гайковий ключ.** Знаходження налагоджувального інструмента або ключа в деталі, що обертається, може призводити до травм.
- e) **Не переоцінюйте себе. Зберігайте стійке положення та завжди зберігайте рівновагу.** Це дозволить Вам краще зберігати контроль над приладом у несподіваних ситуаціях.
- f) **Вдягайте придатний одяг. Не вдягайте просторий одяг та прикраси. Не підставляйте волосся й одяг до деталей, що рухаються.** Просторий одяга, прикраси та довге волосся можуть попадати в деталі, що рухаються.
- g) **Якщо існує можливість монтувати пиловодсмоктувальні або пилоуловлювальні пристрої, переконайтеся, щоб вони були добре під'єднані та правильно використовувалися.** Використання пиловодсмоктувального пристрою може зменшити небезпеки, зумовлені пилом.

- h) **Добре знання електроінструментів, отримане в результаті частого їх використання, не повинно призводити до самовпевненості й ігнорування принципів техніки безпеки.** Необережна дія може в одну мить призвести до важкої травми.
- 4) **ПРАВИЛЬНЕ ПОВОДЖЕННЯ ТА КОРИСТУВАННЯ ЕЛЕКТРОПРИЛАДАМИ**
- a) **Не перевантажуйте прилад. Використовуйте такий прилад, що спеціально призначений для певної роботи.** З придатним приладом Ви з меншим ризиком отримаєте кращі результати роботи, якщо будете працювати в зазначеному діапазоні потужності.
- b) **Не користуйтеся приладом з пошкодженим вимикачем.** Прилад, який не можна увімкнути або вимкнути, є небезпечним і його треба відремонтувати.
- c) **Перед тим, як регулювати що-небудь на приладі, міняйте приладдя або ховати прилад, витягніть штепсель із розетки та/або витягніть акумуляторну батарею, якщо вона знається.** Ці попереджувальні заходи з техніки безпеки зменшують ризик ненавмисного запуску приладу.
- d) **Зберігайте електроприлади, якими Ви саме не користуєтесь, далеко від дітей. Не дозволяйте користуватися електроприладом особам, що не знайомі з його роботою або не читали ці вказівки.** У разі застосування недосвідченими особами прилади несуть в собі небезпеку.
- e) **Старанно доглядайте за електроінструментами і приладдям.** Перевірте, щоб рухомі деталі приладу бездоганно працювали та не заїдали, не були поламаними або настільки пошкодженими, щоб це могло вплинути на функціонування приладу. Пошкоджені деталі треба відремонтувати в авторизованій майстерні, перш ніж ними можна знову користуватися. Велика кількість нещасних випадків спричиняється поганим доглядом за електроприладами.
- f) **Тримайте різальні інструменти добре нагостреними та в чистоті.** Старанно доглянути різальні інструменти з гострим різальним краєм менше застряють та їх легше вести.
- g) **Використовуйте електроприлади, приладдя до них, робочі інструменти т.і. відповідно до цих вказівок.** Беріть до уваги при цьому умови роботи та специфіку виконуваної роботи. Використання електроприладів для робіт, для яких вони не передбачені, може призводити до небезпечних ситуацій.
- h) **Тримайте рукоятки і поверхні захвату сухими і чистими, слідуйте, щоб на них не було оливи або густого мастила.** Слизькі рукоятки і поверхні захвату унеможливають безпечне поводження з електроінструментом та його контролювання в неочікуваних ситуаціях.
- 5) **СЕРВІС**
- a) **Віддавайте свій прилад на ремонт лише кваліфікованим фахівцям та лише з використанням оригінальних запчастин.** Це забезпечить безпечність приладу на довгий час.

ПРАВИЛА ТЕХНІКИ БЕЗПЕКИ ДЛЯ ШЛІФУВАЛЬНОЇ МАШИНИ

ЗАГАЛЬНЕ

- Цей інструмент не можна використовувати особам віком до 16 років
 - Цей інструмент не підходить для мокрої шліфівки
 - Ніколи не використовуйте інструмент з пошкодженим шнуром; його повинен замінити кваліфікований фахівець
 - **Не обробляйте матеріали, що містять асбест** (асбест вважається канцерогенним)
 - **Регулярно очищайте вентиляційні щілини Вашого електроприладу** (вентилятор електромотора затягує пилю в корпус, сильне накопичення металевого пилю може призвести до електричної небезпеки)
 - **Перед регулюванням або заміною приладдя обов'язково вийміть вилку із сітьової розетки**
- ### **АКСЕСУАРИ**
- SKIL гарантує надійну роботу інструмента тільки при використанні відповідного приладдя
 - Не використовуйте зношені, порвані або засмічені шліфувальні стрічки

ПЕРЕД ВИКОРИСТАННЯМ

- Перед роботою перевірте відповідність струму в мережі із струмом, позначені на інструменті (інструменти, розраховані на 230В або 240В, також можуть підключатися до мережі 220В)
- Не допускайте пошкоджень, які можуть нанести шурпи, цвяхи і інші елементи вашої виробу; видаліть їх перед початком роботи
- Використовуйте повністю розгорнений шнур подовжувача, який може витримувати навантаження в 16 Ампер
- Рівень шуму при роботі може перевищувати 85 дБ(а); використовуйте навушники
- Пил від таких матеріалів, як свинцовоутримуюча фарба, деякі породи дерева, мінерали й метал, може бути шкідливим (контакт із таким пилом або його вдихання може стати причиною виникнення в оператора або осіб, що перебувають поруч, алергійних реакцій і/або респіраторних захворювань); **надягайте респіратор і працюйте з пиловидальючим пристроєм під час увімкнення інструмента**
- Деякі види пилю класифікуються як канцерогенні (наприклад, дубовий або буковий пилю), особливо в сполученні з добавками для кондиціонування деревини; **надягайте респіратор і працюйте з пиловидальючим пристроєм під час увімкнення інструмента**
- Слідуйте інструкціям по роботі з матеріалами, продукуючими пилю
- Надягайте захисні рукавички, окуляри безпеки, щільно облягаючий одяг і захисну шапочку (для довгого волосся)
- **Зафіксуйте оброблювану деталь** (оброблювана деталь, зафіксована за допомогою затискних пристроїв або лещат, закріплюється краще, ніж вручну)

- При обробці металу можуть з'являтися іскри; не використовуйте мішок/пилловловлювач/пилосос і видаліть займість матеріали з робочої зони

ПІД ЧАС ВИКОРИСТАННЯ

- **Тримайте електричний інструмент за ізольовані рукоятки, тому що шліфування поверхні може зачепити власний шнур живлення** (перерізання дроту під напругою призведе до проходження електричного струму через металеві деталі інструменту та до ураження оператора струмом)
- Не дозволяйте шнуру живлення стикатися з рухомими частинами інструменту; завжди викладайте шнур за задньою частиною інструменту
- Не торкайтеся рухомої шліфувальної стрічки
- У разі електричної або механічної несправності, негайно відключіть інструмент і вимкніть з розетки
- Якщо шнур пошкоджений або прорізаний при роботі, не доторкайтеся до нього і негайно витягніть його з розетки

ПІСЛЯ ВИКОРИСТАННЯ

- Коли ви закінчили роботу з інструментом, вимкніть мотор і переконайтеся, що всі рухомі частини повністю зупинилися

ПОЯСНЕННЯ ДО УМОВНИХ ПОЗНАЧОК НА ІНСТРУМЕНТІ

- ③ Перед використанням прочитайте інструкцію із застосування
- ④ Подвійна ізоляція (заземлюючий провід не потрібен)
- ⑤ Не викидайте інструмент разом зі звичайним сміттям

ВИКОРИСТАННЯ

- Вимикач
 - інструмент вмикається/вимикається натисканням/відпусканням гачка А ②
- ! **перш ніж прикласти робочу поверхню до виробу потрібно влючити інструмент**
- ! **перш ніж вимкнути інструмент, його треба відвести від оброблюваного виробу**
- Блокування вимикача для тривалої роботи
 - потягнути за гачок А ②
 - натиснути на ручку В ② великим пальцем
 - відпустити гачок
 - розблокувати вимикач, знову потягнувши за гачок А ② і відпустивши його
- Швидка заміна шліфувальної стрічки (система CLIC) ⑥
 - ! **вийняти вилку з розетки**
 - підняти важіль С
 - зняти шліфувальну стрічку
 - вставити нову стрічку таким чином, щоб стрічки, нанесені з внутрішнього боку, вказували у тому самому напрямку, що й стрічка D на інструменті
 - опустити важіль
 - ! **завжди вчасно замініть шліфувальну стрічку**
 - ! **ніколи не складайте шліфувальні стрічки**
- Автоматичне центрування стрічки (система ABC)
 - автоматично центрує стрічку при вмиканні інструмента
 - утримує стрічку центрованою під час шліфування

У випадку, якщо стрічка зійде з інструмента (найчастіше пояснюється поганою якістю стрічки), сліди

- увімкніть інструмент
- відрегулювати гвинт Е ②, поки шліфувальна стрічка рухається паралельно до плоского боку інструмента
- якщо стрічка й надалі сходить з інструмента, встановити нову стрічку
- Пилловловлювання ⑦
 - регулярно спорожняйте пилловловлювач G/мішок F для оптимального засмокування пилу
 - коли працюєте інструментом з пилевсмоктувачем, встановіть адаптер для пилевсмоктувача H так, як показано на малюнку (1215)
 - за необхідності також очищуйте фільтр, як показано на малюнку
- ! **не використовуйте пилловловлювач/мішок/пилосос при шліфуванні металу**
- Утримування і робота інструментом ⑧
 - направляйте інструмент паралельно робочій поверхні
- ! **під час роботи, завжди тримайте інструмент за частини захвату сірого кольору**
- ! **не прикладайте до інструменту дуже великий тиск**
 - не нахилийте інструмент, щоб уникати небажаних ділянок
 - тримайте вентиляційні отвори J ② незакритими

ПОРАДИ ПО ВИКОРИСТАННЮ

- Для шліфування необроблених дерев'яних поверхонь проводьте інструментом рівними рухами вздовж волокон
- Для шліфування усіх інших поверхонь проводьте інструментом овальними рухами по матеріалу
- Встановіть шліфувальна рамка К (аксесуар SKIL 2610398244) для вирівнювання поверхонь без подряпин та жолобків, та переконайтеся в тому, що вона надійно встановлена ⑨
- ! **під час роботи шліфувальна рамка розігрівається; не доторкайтесь до неї поки вона не охолоне**
- Ніколи не використовуйте одну і ту саму шліфувальну стрічку для дерева та металу
- Рекомендована зернистість шліфувальної стрічки:
 - для видалення фарби та шліфування повністю необробленої деревини використовуйте грубий розмір зерна (40, 60)
 - для шліфування необробленої чи обробленої деревини використовуйте середній розмір зерна (80, 100, 120)
 - для шліфування дерева та поверхонь із старою фарбою, а також для фінішної обробки необробленої деревини використовуйте дрібний розмір зерна (180, 240, 320)
- Використовуйте різні наждачні листи для необробленої поверхні:
 - починайте шліфувати крупним або середнім листом
 - завершуйте дрібним
- Див додаткову інформацію на www.skil.com

ДОГЛЯД/ОБСЛУГОВУВАННЯ

- Цей інструмент не придатний для промислового використання
- Завжди тримайте інструмент та його шнур в чистоті (особливо вентиляційні отвори J ②)
 - видаліть налиплий пил щіткою
- ! **перед чисткою інструменту необхідно роз'єднати штепсельний роз'єм**
- Якщо незважаючи на ретельну технологію виготовлення і перевірки інструмент все-таки вийде з ладу, його ремонт дозволяється виконувати лише в авторизованій сервісній майстерні для електроприладів SKIL
 - надішліть **нерозібраний** інструмент разом з доказом купівлі до Вашого дилера або до найближчого центру обслуговування SKIL (адреси, а також діаграма обслуговування пристрою, подаються на сайті www.skil.com)

ОХОРОНА НАВКОЛИШНЬОЇ СЕРЕДИ

- **Не викидайте електроінструмент, належності та упакування разом зі звичайним сміттям** (тільки для країн ЄС)
 - відповідно до європейської директиви 2012/19/ЄС щодо утилізації старих електричних та електронних приладів, в залежності з місцевим законодавством, електроінструмент, який перебував в експлуатації повинен бути утилізований окремо, безпечним для навколишнього середовища шляхом
 - малюнок ⑤ нагадує вам про це

ШУМ / ВІБРАЦІЯ

- Зміряний відповідно до EN 62841 рівень тиску звуку даного інструменту 87 дБ(А) і потужність звуку 98 дБ(А) (стандартне відхилення: 3 дБ), і вібрація 2,1 м/с² (векторна сума трьох напрямків; похибка K = 1,5 м/с²)
- Рівень вібрації було виміряно у відповідності зі стандартизованим випробуванням, що міститься в EN 62841; дана характеристика може використовуватися для порівняння одного інструмента з іншим, а також для попередньої оцінки впливу вібрації під час застосування даного інструмента для вказаних цілей
 - при використанні інструмента в інших цілях або з іншими/несправними допоміжними пристосуваннями рівень впливу вібрації може значно **підвищуватися**
 - у періоди, коли інструмент вимкнений або функціонує без фактичного виконання роботи, рівень впливу вібрації може значно **знижуватися**
- ! **захищайте себе від впливу вібрації, підтримуючи інструмент і його допоміжні пристосування в справному стані, підтримуючи руки в теплі, а також правильно організовуючи свій робочий процес**

GR

Ταινιολεϊαντήρας

1210/1215

ΕΙΣΑΓΩΓΗ

- Αυτό το εργαλείο προορίζεται για την υπό υψηλή αφαίρεση υλικού ξηρή λείανση ξύλου, πλαστικών, μετάλλων, στόκου και βερνικωμένων επιφανειών
- Αυτό το εργαλείο δεν προορίζεται για επαγγελματική χρήση
- Διαβάστε και φυλάξτε αυτές τις οδηγίες χρήσεως ③

ΤΕΧΝΙΚΑ ΧΑΡΑΚΤΗΡΙΣΤΙΚΑ ①

ΜΕΡΗ ΤΟΥ ΕΡΓΑΛΕΙΟΥ ②

- A Διακόπτης εκκίνησης/στάσης
- B Κομπί ασφάλισης του διακόπτη Εκκίνησης/Στάσης
- C Μοχλός αλλαγής σμυριδοταινίας
- D Βέλος
- E Βίδα ρύθμισης κεντραρίσματος σμυριδοταινίας
- F Σάκκο συλλογής σκόνης
- G Δοχείο συλλογής σκόνης
- H Προσαρμοστικό της ηλεκτρικής σκούπας
- J Σχισμός αερισμού
- K Πλαίσιο λείανσης

ΑΣΦΑΛΕΙΑ

ΓΕΝΙΚΕΣ ΥΠΟΔΕΙΞΕΙΣ ΑΣΦΑΛΕΙΑΣ ΓΙΑ ΗΛΕΚΤΡΙΚΑ ΕΡΓΑΛΕΙΑ

ΠΡΟΕΙΔΟΠΟΙΗΣΗ Διαβάστε όλες τις υποδείξεις ασφαλείας, οδηγίες, εικονογραφήσεις και όλα τα τεχνικά στοιχεία, που συνοδεύουν αυτό το ηλεκτρικό εργαλείο. Αμέλειες κατά την τήρηση των ακόλουθων υποδείξεων μπορεί να προκαλέσουν ηλεκτροπληξία, πυρκαγιά και/ή σοβαρούς τραυματισμούς.

Φυλάξτε όλες τις υποδείξεις ασφαλείας και τις οδηγίες για το μέλλον.

Ο ορισμός “ηλεκτρικό εργαλείο” που χρησιμοποιείται στις προειδοποιητικές υποδείξεις αναφέρεται σε ηλεκτρικά εργαλεία που τροφοδοτούνται από το ηλεκτρικό δίκτυο (με ηλεκτρικό καλώδιο) καθώς και σε ηλεκτρικά εργαλεία που τροφοδοτούνται από μπαταρία (χωρίς ηλεκτρικό καλώδιο).

1) ΑΣΦΑΛΕΙΑ ΣΤΟ ΧΩΡΟ ΕΡΓΑΣΙΑΣ

- a) Διατηρείτε το χώρο που εργάζεστε καθαρό και καλά φωτισμένο. Αταξία στο χώρο που εργάζεστε ή μη φωτισμένες περιοχές εργασίας μπορεί να οδηγήσουν σε ατυχήματα.
- b) Μην εργάζεστε με το ηλεκτρικό εργαλείο σε περιβάλλον που υπάρχει κίνδυνος έκρηξης, στο οποίο υπάρχει ευφλέκτα υγρά, αέρια ή σκόνη. Τα ηλεκτρικά εργαλεία μπορεί να δημιουργήσουν σπινθηρισμό ο οποίος μπορεί να αναφλέξει τη σκόνη ή τις αναθυμιάσεις.
- c) Όταν χρησιμοποιείτε το ηλεκτρικό εργαλείο κρατάτε τα παιδιά κι άλλα τυχόν πρόσωπα μακριά

από το χώρο που εργάζεσθε. Σε περίπτωση που άλλα άτομα αποσπάσουν την προσοχή σας μπορεί να χάσετε τον έλεγχο του μηχανήματος.

2) ΗΛΕΚΤΡΙΚΗ ΑΣΦΑΛΕΙΑ

- a) Το φως του καλώδιου του ηλεκτρικού εργαλείου πρέπει να ταιριάζει στην αντίστοιχη πρίζα. Δεν επιτρέπεται με κανένα τρόπο η μετασκευή του φως. Μη χρησιμοποιείτε προσαρμοστικά φως σε συνδυασμό με ηλεκτρικά εργαλεία συνδεδεμένα με τη γη (γειωμένα). Αθικτα φως και κατάλληλες πρίζες μειώνουν τον κίνδυνο ηλεκτροπληξίας.
- b) Αποφεύγετε την επαφή του σώματος σας με γειωμένες επιφάνειες όπως σωλήνες, θερμαντικά σώματα (καλοριφέρ), κουζίνες και ψυγεία. Όταν το σώμα σας είναι γειωμένο αυξάνεται ο κίνδυνος ηλεκτροπληξίας.
- c) Μην εκθέτετε το ηλεκτρικό εργαλείο στη βροχή ή την υγρασία. Η διείσδυση νερού στο ηλεκτρικό εργαλείο αυξάνει τον κίνδυνο ηλεκτροπληξίας.
- d) Μη χρησιμοποιείτε το καλώδιο για να μεταφέρετε ή ν' αναρτήσετε το ηλεκτρικό εργαλείο ή για να βγάλετε το φως από την πρίζα. Κρατάτε το καλώδιο μακριά από υψηλές θερμοκρασίες, λάδια, κοφτερές ακμές ή κινούμενα εξαρτήματα. Τυχόν χαλασμένα ή μπερδεμένα καλώδια αυξάνουν τον κίνδυνο ηλεκτροπληξίας.
- e) Όταν εργάζεσθε με το ηλεκτρικό εργαλείο στο ύπαιθρο χρησιμοποιείτε πάντοτε καλώδια επιμήκυνσης (μπαλαντάζες) που έχουν εγκριθεί για χρήση σε εξωτερικούς χώρους. Η χρήση καλωδίων επιμήκυνσης εγκριμένων για εργασία σε εξωτερικούς χώρους μειώνει τον κίνδυνο ηλεκτροπληξίας.
- f) Όταν η χρήση του ηλεκτρικού εργαλείου σε υγρό περιβάλλον είναι αναπόφευκτη, τότε χρησιμοποιήστε έναν προστατευτικό διακόπτη διαρροής. Η χρήση ενός προστατευτικού διακόπτη διαρροής ελαττώνει τον κίνδυνο ηλεκτροπληξίας.

3) ΑΣΦΑΛΕΙΑ ΠΡΟΣΩΠΩΝ

- a) Να είσθε πάντοτε προσεκτικός/προσεκτική, να δίνετε προσοχή στην εργασία που κάνετε και να χειριζέσθε το ηλεκτρικό εργαλείο με περίσκεψη. Μην κάνετε χρήση του ηλεκτρικού εργαλείου όταν είσθε κουρασμένος/κουρασμένη ή όταν βρισκόσθε υπό την επιρροή ναρκωτικών, οιοπονεύματος ή φαρμάκων. Μια στιγμήα απροσεξία κατά το χειρισμό του ηλεκτρικού εργαλείου μπορεί να οδηγήσει σε σοβαρούς τραυματισμούς.
- b) Φοράτε προστατευτικά ενδύματα και πάντοτε προστατευτικά γυαλιά. Όταν φοράτε ενδύματα ασφαλείας, ανάλογα με το υπό χρήση ηλεκτρικό εργαλείο, όπως προσωπίδα προστασίας από σκόνη, αντιολισθηκά παπούτσια ασφαλείας, κράνη ή ωτασπίδες, μειώνεται ο κίνδυνος τραυματισμών.
- c) Αποφεύγετε την αβέλητη εκκίνηση. Βεβαιωθείτε ότι το ηλεκτρικό εργαλείο έχει αποσυνευχτεί πριν το συνδέσετε με το ηλεκτρικό δίκτυο ή/και με την μπαταρία καθώς και πριν το παραλάβετε ή το μεταφέρετε. Όταν μεταφέρετε το ηλεκτρικό εργαλείο έχοντας το δάχτυλό σας στο διακόπτη ή όταν συνδέσετε το μηχανήμα με την πηγή ρεύματος όταν

αυτό είναι ακόμη συζευγμένο, τότε δημιουργείται κίνδυνος τραυματισμών.

- d) Αφαιρείτε από τα ηλεκτρικά εργαλεία πριν τα θέσετε σε λειτουργία τυχόν συναρμολογημένα χρησιμοποιήσιμα εργαλεία ή κλειδιά. Ένα εργαλείο ή κλειδί συναρμολογημένο στο περιστρεφόμενο εξάρτημα ενός ηλεκτρικού εργαλείου μπορεί να οδηγήσει σε τραυματισμούς.
 - e) Μην υπερκτιμάτε τον εαυτό σας. Φροντίζετε για την ασφαλή στήριξη του σώματος σας και διατηρείτε πάντοτε την ισορροπία σας. Αυτό σας επιτρέπει τον καλύτερο έλεγχο το ηλεκτρικού εργαλείου σε περιπτώσεις απροσδόκτων καταστάσεων.
 - f) Φοράτε κατάλληλη ενδυμασία εργασίας. Μη φοράτε φαρδιά ρούχα ή κοσμήματα. Κρατάτε τα μαλλιά και τα ρούχα σας μακριά από κινούμενα εξαρτήματα. Χαλαρή ενδυμασία, κοσμήματα και μακριά μαλλιά μπορεί να εμπλακούν στα κινούμενα εξαρτήματα.
 - g) Αν υπάρχει η δυνατότητα συναρμολόγησης διατάξεων αναρρόφησης ή συλλογής σκόνης, βεβαιωθείτε αν οι διατάξεις αυτές είναι συνδεδεμένες καθώς κι αν χρησιμοποιούνται σωστά. Η χρήση μιας αναρρόφησης σκόνης μπορεί να ελαττώσει τον κίνδυνο που προκαλείται από τη σκόνη.
 - h) Μην εφισυχαζέτε σε μια λάθος ασφάλεια και μην αφήφατε τους κανόνες ασφαλείας για τα ηλεκτρικά εργαλεία, ακόμα και όταν μετά από συχνή χρήση είστε εξοικειωμένοι με το εργαλείο. Ένας απρόσεκτος χειρισμός μπορεί μέσα σε κλάσματα του δευτερολέπτου να οδηγήσει σε σοβαρούς τραυματισμούς.
- ## 4) ΧΡΗΣΗ ΚΙ ΕΠΙΜΕΛΗΣ ΧΕΙΡΙΣΜΟΣ ΤΩΝ ΗΛΕΚΤΡΙΚΩΝ ΕΡΓΑΛΕΙΩΝ
- a) Μην υπερφορτώνετε το ηλεκτρικό εργαλείο. Χρησιμοποιείτε για την εκάστοτε εργασία σας το ηλεκτρικό εργαλείο που προορίζεται γι' αυτήν. Με το κατάλληλο ηλεκτρικό εργαλείο εργάζεσθε καλύτερα και ασφαλέστερα στην αναφερόμενη περιοχή ισχύος.
 - b) Μη χρησιμοποιήσετε ποτέ ένα ηλεκτρικό εργαλείο του οποίου ο διακόπτης ON/OFF είναι χαλασμένος. Ένα ηλεκτρικό εργαλείο το οποίο δεν μπορεί να τεθεί πλέον σε ή εκτός λειτουργίας είναι επικίνδυνο και πρέπει να επισκευαστεί.
 - c) Τραβήξετε το φως από την πρίζα και/ή απομακρύνετε μια αποσπώμενη μπαταρία, προτού εκτελέσετε ρυθμίσεις στο ηλεκτρικό εργαλείο, προτού αλλάξετε εξαρτήματα ή φυλάξετε το ηλεκτρικό εργαλείο. Αυτά τα προληπτικά μέτρα ασφαλείας μειώνουν τον κίνδυνο από τυχόν αβέλητη εκκίνηση του ηλεκτρικού εργαλείου.
 - d) Διαφυλάγετε τα ηλεκτρικά εργαλεία που δε χρησιμοποιείτε μακριά από παιδιά. Μην αφήνετε άτομα που δεν είναι εξοικειωμένα με το ηλεκτρικό εργαλείο ή δεν έχουν διαβάσει αυτές τις οδηγίες χρήσης να το χρησιμοποιήσουν. Τα ηλεκτρικά εργαλεία είναι επικίνδυνα όταν χρησιμοποιούνται από άπειρα πρόσωπα.
 - e) Φροντίζετε τα ηλεκτρικά εργαλεία και τα εξάρτημα με επιμέλεια. Ελέγχετε, αν τα κινούμενα εξαρτήματα λειτουργούν άψογα, χωρίς να μπλοκάρουν, ή μήπως έχουν σπάσει ή φθαρεί

τυχόν εξαρτήματα τα οποία επηρεάζουν τον τρόπο λειτουργίας του ηλεκτρικού εργαλείου.

Δώστε αυτά τα χαλασμένα εξαρτήματα για επισκευή πριν τα ξαναχρησιμοποιήσετε. Η κακή συντήρηση των ηλεκτρικών εργαλείων αποτελεί αιτία πολλών ατυχημάτων.

- f) **Διατηρείτε τα κοπτικά εργαλεία κοφτερά και καθαρά.** Τα κοπτικά εργαλεία που συντηρούνται με προσοχή μπορούν να οδηγηθούν εύκολα και να ελεγχθούν καλύτερα.
- g) **Χρησιμοποιείτε τα ηλεκτρικά εργαλεία, τα εξαρτήματα, τα χρησιμοποιήσιμα εργαλεία κτλ. σύμφωνα με τις παρούσες οδηγίες καθώς. Λαμβάνετε ταυτόχρονα υπόψη σας τις συνθήκες εργασίας και την υπό εκτέλεση εργασία.** Η χρήση του ηλεκτρικού εργαλείου για άλλες εκτός από τις προβλεπόμενες εργασίες μπορεί να δημιουργήσει επικίνδυνες καταστάσεις.
- h) **Διατηρείτε τις λαβές και επιφάνειες λαβής στεγνές, καθαρές και ελεύθερες από λάδι και γράσο.** Οι ολισθηρές λαβές και επιφάνειες λαβής δεν επιτρέπουν κανέναν ασφαλή χειρισμό και έλεγχο του ηλεκτρικού εργαλείου σε τυχόν απρόβλεπτες καταστάσεις.
- 5) SERVICE**
- a) **Δίνετε το ηλεκτρικό σας εργαλείο για επισκευή από άριστα ειδικευμένο προσωπικό, μόνο με γνήσια ανταλλακτικά.** Ετσι εξασφαλίζεται η διατήρηση της ασφάλειας του ηλεκτρικού εργαλείου.

ΥΠΟΔΕΙΞΙΣ ΑΣΦΑΛΕΙΑΣ ΓΙΑ ΤΡΙΒΕΙΑ

ΓΕΝΙΚΑ

- Αυτό το εργαλείο δεν πρέπει να χρησιμοποιείται από άτομα κάτω των 16 ετών
- Αυτό το εργαλείο δεν είναι κατάλληλο για λείανση με γρήση υγρών
- Ποτέ μη χρησιμοποιείτε το εργαλείο όταν έχει υποστεί βλάβη το καλώδιο - το καλώδιο θα πρέπει να αντικατασταθεί από έναν εξειδικευμένο τεχνίτη
- **Μην κατεργάζεστε υλικά που περιέχουν αμιάντο** (το αμιάντο θεωρείται σαν καρκινογόνο υλικό)
- **Να καθαρίζετε τακτικά τις σχισμές αερισμού του ηλεκτρικού εργαλείου σας** (ο ανεμιστήρας του κινητήρα τραβάει σκόνη μέσα στο περίβλημα και η συσσώρευση μεταλλικής σκόνης μπορεί να δημιουργήσει ηλεκτρικούς κινδύνους)
- **Πάντα να αποσυνδέεται την πρίζα από το ηλεκτρικό δίκτυο πριν κάνετε κάποια ρύθμιση ή αλλάξετε εξάρτημα**

ΕΞΑΡΤΗΜΑΤΑ

- Η SKIL εγγυάται την τέλεια λειτουργία του εργαλείου μόνο όταν χρησιμοποιούνται αυθεντικά εξαρτήματα
- Δεν επιτρέπεται η περαιτέρω χρήση συμριδοταινιών που έχουν φθαρεί, σχιστεί ή έχουν χάσει τη λειαντική τους ικανότητα

ΠΡΙΝ ΑΠΟ ΤΗ ΧΡΗΣΗ

- Βεβαιωθείτε ότι η τάση που παρεχόμενου ρεύματος είναι ίδια με την τάση που υποδεικνύεται στην πινακίδα δεδομένων του εργαλείου (εργαλεία που φέρουν την ένδειξη 230V ή 240V μπορούν να συνδεθούν επίσης σε πρίζα 220V)

- Προφυλάξτε το εργαλείο από τυχόν φθορές από ξένα σώματα (βίδες, καρφιά ή άλλα) που ίσως είναι μέσα στο κομμάτι που θα δουλέψετε - αφαιρέστε τα πριν αρχίσετε την εργασία
 - Χρησιμοποιείτε ασφαλείς, τελειώς ξετυλιγμένες προεκτάσεις καλωδίου με χωρητικότητα 16 Amps
 - Η ηχητική στάθμη κατά την εργασία ενδέχεται να ξεπεράσει τα 85 dB(A) - γι' αυτό θα πρέπει να φοράτε προστασία ακοής
 - Η σκόνη από υλικά όπως μπιγιές που περιέχουν μόλυβδο, ορισμένα είδη ξύλου, ανόργανα στοιχεία και μέταλλα μπορεί να είναι επιβλαβής (η επαφή ή η εισπνοή της σκόνης μπορεί να προκαλέσει αλλεργικές αντιδράσεις ή/και αναπνευστικές ασθένειες στον χειριστή ή σε άτομα που παρίστανται) - **να φοράτε προσωπίδα προστασίας από τη σκόνη και να εργάζεστε με συσκευή αφαίρεσης σκόνης όταν είναι δυνατό**
 - Ορισμένα είδη σκόνης ταξινομούνται ως καρκινογόνα (όπως η σκόνη από τη δρυ ή την οξιά) ιδιαίτερα σε συνδυασμό με πρόσθετα συντήρησης ξύλου - **να φοράτε προσωπίδα προστασίας από τη σκόνη και να εργάζεστε με συσκευή αφαίρεσης σκόνης όταν είναι δυνατό**
 - Ακολουθήστε τις σχετικές με σκόνη εθνικές διατάξεις για τα υλικά που θέλετε να εργαστείτε
 - Φοράτε προστατευτικά γάντια, προστατευτικά γυαλιά, εφαρμοστά ενδύματα και κάλυμμα μαλλιών (για μακριά μαλλιά)
 - **Στερεώστε το κομμάτι εργασίας** (το κομμάτι εργασίας συγκρατείται καλύτερα με σφιγκτήρες ή σε μέγγηνη παρά με το χέρι)
 - Όταν λειάνετε μέταλλα παράγονται σπινθήρες - μη χρησιμοποιείτε το σάκκο συλλογής σκόνης/το δοχείο συλλογής σκόνης/την ηλεκτρική σκούπα και απομακρύνετε άλλα άτομα και εύφλετα υλικά από τον χώρο εργασίας
- ΚΑΤΑ ΤΗ ΧΡΗΣΗ**
- **Κρατήστε το ηλεκτρικό εργαλείο από τις μονωμένες επιφάνειες συγκράτησης, καθώς η λειαντική επιφάνεια μπορεί να έρθει σε επαφή με το δικό της καλώδιο** (το κόψιμο ενός ηλεκτροφόρου καλωδίου ενδέχεται να κάνει ηλεκτροφόρα τα προσβάσιμα μεταλλικά μέρη και να προκληθεί ηλεκτροπληξία στον χειριστή)
 - Να κρατάτε πάντα το καλώδιο μακριά από τα κινούμενα μέρη του εργαλείου σας - κρατάτε το καλώδιο προς τα πίσω, μακριά από το εργαλείο
 - Μην έρχεστε σε επαφή με την κινούμενη συμριδοταινία
 - Σε περίπτωση ηλεκτρικής ή μηχανικής δυσλειτουργίας, σταματήστε αμέσως το εργαλείο και βγάλτε το από την πρίζα
 - Σε περίπτωση που υποστεί βλάβη ή κοπεί το καλώδιο κατά την εργασία, μην αγγίζετε το καλώδιο, αλλά αποσυνδέστε αμέσως το φως από την πρίζα
- ΜΕΤΑ ΤΗ ΧΡΗΣΗ**
- Όταν τελειώνετε την δουλειά σας και ακουμπάτε το εργαλείο στο πλάι, κλείστε τον διακόπτη και βεβαιωθείτε ότι όλα τα κινούμενα μέρη του έχουν σταματήσει εντελώς

ΕΠΕΞΗΓΗΣΗ ΤΩΝ ΣΥΜΒΟΛΩΝ ΣΤΟ ΕΡΓΑΛΕΙΟ

- ③ Διαβάστε το εγχειρίδιο οδηγιών πριν από τη χρήση
- ④ Διπλή μόνωση (δεν απαιτείται καλώδιο γείωσης)
- ⑤ Μην πετάτε το εργαλείο στον κάδο οικιακών απορριμμάτων

ΧΡΗΣΗ

- Διακόπτης Εκκίνησης/Στάσης (ON/OFF)
 - ξεκινάτε/σταματάτε το εργαλείο σας τραβώντας/απελευθερώνοντας την σκανδάλη A ②
 - ! **πρέπει να ξεκινήσετε το εργαλείο πριν η λειαντική επιφάνεια (το γυαλόχαρτο) φθάσει το κομμάτι που κατεργάζεστε**
 - ! **προτού σταματήσετε το εργαλείο πρέπει να το ανασηκώσετε από το κατεργαζόμενο κομμάτι**
- Ασφάλιση του διακόπτη για συνεχή λειτουργία
 - τραβήξτε τη σκανδάλη A ②
 - πιέστε το κουμπί B ② με τον αντίχειρα
 - απελευθερώστε τη σκανδάλη
 - απασφαλίστε το διακόπτη τραβώντας πάλι τη σκανδάλη A ② και μετά απελευθερώνοντας της
- Ταχεία αλλαγή της σμυριδοταινίας (σύστημα CLIC) ⑥
 - ! **βγάλτε το φιν από την πρίζα**
 - ανασηκώστε το μοχλό C
 - αφαιρέστε τη σμυριδοταινία
 - τοποθετήστε καινούργια σμυριδοταινία προσέχοντας ώστε τα τόξα που είναι τυπωμένα στο εσωτερικό της να δείχνουν στην ίδια κατεύθυνση με το βέλος D που είναι επάνω στο εργαλείο
 - σπρώξτε πίσω το μοχλό
 - ! **αλλάξτε εγκαίρως τη σμυριδοταινία**
 - ! **ποτέ μη διπλώνετε τη σμυριδοταινία**
- Αυτόματο κεντράρισμα της σμυριδοταινίας (ABC)
 - η σμυριδοταινία κεντράρει αυτόματα κατά τη θέση σε λειτουργία του εργαλείου
 - η σμυριδοταινία μένει στη θέση της κατά τη λείανση
 - Σε περίπτωση που η ταινία γλιστρήσει από το εργαλείο (συνήθως σαν αποτέλεσμα της χρήσης σμυριδοταινίας κατώτερης ποιότητας), θα πρέπει να
 - ενεργοποιήσετε το εργαλείο
 - ρυθμίστε τη βίδα E ② μέχρι το σημείο όπου η σμυριδοταινία κινείται σε ευθεία γραμμή με τη πλατεία πλευρά του εργαλείου
 - χρησιμοποιήσετε μια νέα ταινία αν η ταινία εξακολουθεί να γλιστράει από το εργαλείο
- Απορρόφηση σκόνης ⑦
 - να αδειάζετε κανονικά το δοχείο G/σάκκο F για καλύτερη απορρόφηση της σκόνης
 - όταν χρησιμοποιείτε το εργαλείο σε συνδυασμό με την ηλεκτρική σκούπα, τοποθετήστε το συστ. προσαρμογής ηλεκτρικής κούπας H όπως δείχνει η εικόνα (1215)
 - όποτε κρίνεται απαραίτητο, να καθαρίζετε και το φίλτρο όπως δείχνει η εικόνα
 - ! **μη χρησιμοποιείτε το δοχείο συλλογής σκόνης/σάκκο συλλογής σκόνης/την ηλεκτρική σκούπα όταν λειανείτε μέταλλα**
- Πώς να κρατάτε και να οδηγείτε το εργαλείο ⑧
 - οδηγείτε το εργαλείο σας παράλληλα προς την επιφάνεια εργασίας
 - ! **ενώ εργάζεστε, να κρατάτε πάντα το εργαλείο από τη/τις λαβή/ές με γκρι χρώμα**

- ! **μην εφαρμόζετε υπερβολική πίεση στο εργαλείο - αφήστε την λειαντική επιφάνεια να δουλέψει για σας**
- μην κινείτε απότομα και μη γέρνετε το εργαλείο για να αποφύγετε σημάδια στη λειανόμενη επιφάνεια
- κρατάτε τις σχισμές αερισμού J ② ακάλυπτες


ΟΔΗΓΙΕΣ ΕΦΑΡΜΟΓΗΣ

- Για τη λείανση της επιφάνειας γυμνού ξύλου να κινείτε πάντα το εργαλείο σας σε ευθεία με τα νερά του ξύλου
- Για τη λείανση οποιασδήποτε άλλης επιφάνειας να κινείτε το εργαλείο με οβλή κινήσεις πάνω στο υλικό
- Τοποθετήστε το πλαίσιο λείανσης K (εξάρτημα SKIL 2610398244) για να ισοσταθμιστούν οι επιφάνειες χωρίς γρατσουνιές ή αυλακώσεις, και βεβαιωθείτε ότι βρίσκεται σωστά στη θέση του ⑨
- ! **το πλαίσιο λείανσης K ζεσταίνεται κατά την χρήση, γι' αυτό μην το αγγίζετε μέχρι να κρυώσει**
- Ποτέ μην κατεργάζεστε ξύλα και μέταλλα με την ίδια σμυριδοταινία
- Συνιστώμενες ποιότητες σμυριδοταινίας:
 - για την αφαίρεση χρωμάτων και για το τρίψιμο εξαιρετικά άγριου ξύλου χρησιμοποιήστε χονδρό νούμερο γυαλόχαρτο (40, 60)
 - για το τρίψιμο άγριου ή κοινού ξύλου χρησιμοποιήστε μεσαίο νούμερο γυαλόχαρτο (80, 100, 120)
 - για την εξομάλυνξη ξύλου και επιφανειών με παλαιά χρώματα καθώς και για το φινίρισμα ακάλυπτου ξύλου χρησιμοποιήστε φιλό νούμερο γυαλόχαρτο (180, 240, 320)
- Να χρησιμοποιείτε διάφορα μεγέθη κόκκων όταν η επιφάνεια που κατεργάζεστε είναι άγρια:
 - ξεκινήστε τη λείανση με χονδρούς κόκκους ή μεσαίου μεγέθους κόκκους
 - τελειώστε την κατεργασία με λεπτούς κόκκους
- Για περισσότερες συμβουλές δείτε www.skil.com

ΣΥΝΤΗΡΗΣΗ / ΣΕΡΒΙΣ

- Αυτό το εργαλείο δεν προορίζεται για επαγγελματική χρήση
- Κρατάτε πάντοτε το εργαλείο και το καλώδιο καθαρά (και ιδιαίτερα τις θυρίδες αερισμού J ②)
 - απομακρύνετε την κολλημένη σκόνη μ' ένα πινέλο
 - ! **αφαιρέστε την πρίζα πριν το καθάρισμα**
- Αν παρ' όλες τις επιμελημένες μεθόδους κατασκευής και ελέγχου το εργαλείο σταματήσει κάποτε να λειτουργεί, τότε η επισκευή του πρέπει να ανατεθεί σ' ένα εξουσιοδοτημένο συνεργείο για ηλεκτρικά εργαλεία της SKIL
 - στείλτε το εργαλείο **χωρίς να το αποσυρμολογήσετε** μαζί με την απόδειξη αγοράς στο κατάστημα από το οποίο το αγοράσατε ή στον πλησιέστερο σταθμό τεχνικής εξυπηρέτησης της SKIL (θα βρείτε τις διευθύνσεις και το διάγραμμα συντήρησης του εργαλείου στην ιστοσελίδα www.skil.com)

ΠΕΡΙΒΑΛΛΟΝ

- **Μην πετάτε τα ηλεκτρικά εργαλεία, εξαρτήματα και συσκευασία στον κάδο οικιακών απορριμμάτων** (μόνο για τις χώρες της ΕΕ)
 - σύμφωνα με την ευρωπαϊκή οδηγία 2012/19/ΕΚ περί ηλεκτρικών και ηλεκτρονικών συσκευών και την ενσωμάτωσή της στο εθνικό δίκαιο, τα ηλεκτρικά εργαλεία πρέπει να συλλέγονται ξεχωριστά και να επιστρέφονται για ανακύκλωση με τρόπο φιλικό προς το περιβάλλον
 - το σύμβολο  θα σας το θυμήσει αυτό όταν έλθει η ώρα να πετάξετε τις


ΘΟΥΒΟΣ / ΚΡΑΔΑΣΜΟΣ

- Μετρημένη σύμφωνα με EN 62841 η στάθμη ακουστικής πίεσης αυτού του εργαλείου ανέρχεται σε 87 dB(A) και η στάθμη ηχητικής ισχύος σε 98 dB(A) (κοινή απόκλιση: 3 dB), και ο κραδασμός σε 2,1 m/s² (άθροισμα ανυσμάτων τριών κατευθύνσεων - ανασφάλεια K = 1,5 m/s²)
- Το επίπεδο παραγωγής κραδασμών έχει μετρηθεί σύμφωνα με μια τυποποιημένη δοκιμή που αναφέρεται στο πρότυπο EN 62841 - μπορεί να χρησιμοποιηθεί για τη σύγκριση ενός εργαλείου με ένα άλλο, καθώς και ως προκαταρκτική αξιολόγηση της έκθεσης στους κραδασμούς όταν το εργαλείο χρησιμοποιείται για τις εφαρμογές που αναφέρονται
 - η χρήση του εργαλείου για διαφορετικές εφαρμογές ή με διαφορετικά ή κακοσυντηρημένα εξαρτήματα μπορεί να αυξήσει σημαντικά το επίπεδο έκθεσης
 - όταν το εργαλείο είναι απενεργοποιημένο ή δουλεύει αλλά δεν εκτελεί την εργασία, το επίπεδο έκθεσης μπορεί να μειωθεί σημαντικά
- ! **προστατευτείτε από τις επιδράσεις των κραδασμών συντηρώντας σωστά το εργαλείο και τα εξαρτήματά του, διατηρώντας τα χέρια σας ζεστά και οργανώνοντας τον τρόπο εργασίας σας**

RO

Șlefuitor cu banda 1210/1215

INTRODUCERE

- Această sculă se utilizează pentru șlefuirea uscată, cu performanțe ridicate, a lemnului, plasticului, metalului, chitului și a suprafețelor vopsite
- Această sculă nu este destinată utilizării profesionale
- Citiți și păstrați acest manual de instrucțiuni 


DATE TEHNICE

ELEMENTELE SCULEI

- A Întrerupător pornit/oprit
- B Buton de blocare a întrerupătorului pornit/oprit
- C Manetă pentru schimbarea bandei de șlefuire
- D Șăgeată
- E Șurub pentru ajustarea centrării benzii
- F Sacul pentru praf
- G Casetă pentru praf
- H Adaptor aspiratorului
- J Fantele de ventilație
- K Rama de șlefuire

SIGURANȚA

INSTRUCȚIUNI GENERALE DE SIGURANȚĂ PENTRU SCULE ELECTRICE

 **AVERTISMENT** Citiți toate avertizările, instrucțiunile, ilustrațiile și specificațiile puse la dispoziție împreună cu această sculă electrică. Nerespectarea instrucțiunilor menționate mai jos poate duce la electrocutare, incendiu și/ sau vătămări corporale grave.

Păstrați toate avertizările și instrucțiunile în vederea consultării ulterioare.

Termenul de “sculă electrică” folosit în indicațiile de avertizare se referă la sculele electrice alimentate de la rețea (cu cablu de alimentare) și la sculele electrice cu acumulator (fără cablu de alimentare).

1) SIGURANȚA LA LOCUL DE MUNCĂ

- Păstrați-vă locul de muncă curat și bine iluminat.** Dezordinea la locul de muncă sau existența unor sectoare de lucru neiluminate poate duce la accidente.
- Nu folosiți mașina în medii cu pericol de explozie, acolo unde există lichide, gaze sau pulberi inflamabile.** Sculele electrice pot produce scântei care să aprindă pulberile sau vaporii.
- Nu permiteți accesul copiilor și al altor persoane în timpul lucrului cu mașina.** Dacă vi se distrage atenția puteți pierde controlul asupra mașinii.

2) SECURITATE ELECTRICĂ

- Ștecherul de racordare a mașinii trebuie să se potrivească cu priza de alimentare. Nu este permisă în nici-un caz modificarea ștecherului. Nu folosiți adaptoare pentru ștechere la mașinile legate la pământ.** Ștecherele nemodificate și prizele de curent adecvate acestora reduc riscul de electrocutare.
- Evitați contactul corporal cu suprafețe legate la pământ ca țevi, radiatoare, plite electrice și frigider.** Există un risc crescut de electrocutare atunci când corpul dv. este și el legat la pământ.
- Nu lăsați mașina afară în ploaie sau în medii umede.** Riscul de electrocutare crește atunci când într-o sculă electrică pătrunde apă.
- Nu trageți niciodată mașina de cordonul de alimentare pentru a o transporta, a o atârna sau a scoate ștecherul din priza de curent. Feriți cordonul de alimentare de căldură, ulei, muchii ascuțite sau de subsanșle aflate în mișcare.** Un cordon de

- alimentare deteriorat sau înfășurat mărește riscul de electrocutare.
- e) **Atunci când lucrați cu scula electrică în aer liber, folosiți numai cordonae prelungitoare autorizate pentru exterior.** Întrebuințarea unui cordon prelungitor adecvat utilizării în aer liber reduce riscul de electrocutare.
- f) **Atunci când nu poate fi evitată utilizarea sculei electrice în mediu umed, folosiți un întrerupător de circuit cu împământare.** Folosirea unei întrerupător de circuit cu împământare reduce riscul de electrocutare.
- 3) SECURITATEA PERSOANELOR**
- a) **Fiiți vigilenți, fiiți atenți la ceea ce faceți și procedați rațional atunci când lucrați cu scula electrică. Nu folosiți mașina dacă sunteți obosiți sau vă aflați sub influența drogurilor, alcoolului sau a medicamentelor.** Un moment de neatenție în timpul lucrului cu mașina poate duce la răni grave.
- b) **Purtați echipament de protecție personală și întotdeauna ochelari de protecție.** Folosirea echipamentelor de protecție a persoanei ca mască de protecție împotriva prafului, încălțăminte antiderapantă, cască de protecție sau aparat de protecție auditivă, în funcție de tipul și domeniul de folosire al sculei electrice, reduce riscul rănilor.
- c) **Evitați o punere în funcțiune involuntară. Înainte de a introduce ștecherul în priză și/sau de a introduce acumulatorul în scula electrică, de a o ridica sau de a o transporta, asigurați-vă că aceasta este oprită.** Dacă atunci când transportați scula electrică țineți degetul pe întrerupător sau dacă porniți scula electrică înainte de a o racorda la rețeaua de curent, puteți provoca accidente.
- d) **Înainte de a pune mașina în funcțiune scoateți afară cheile reglabile și fixe.** O cheie reglabilă sau fixă, aflată într-o componentă de mașină care se rotește, poate provoca răni.
- e) **Nu vă supraapreciați. Asigurați-vă o poziție stabilă și păstrați-vă întotdeauna echilibrul.** Astfel veți putea controla mai bine mașina în situații neașteptate.
- f) **Purtați îmbrăcăminte de lucru adecvată. Nu purtați haine largi sau podoabe. Feriți părul și îmbrăcămintea de piesele aflate în mișcare.** Îmbrăcămintea largă, podoabele și părul lung pot fi prinse de piesele aflate în mișcare.
- g) **Dacă există posibilitatea montării de echipamente și instalații de aspirare și colectare a prafului, asigurați-vă că acestea sunt conectate și folosite corect.** Folosirea unei instalații de aspirare a prafului poate duce la reducerea poluării cu praf.
- h) **Nu vă lăsați amăgiți de ușurința în operare dobândită în urma folosirii frecvente a sculelor electrice și nu ignorați principiile de siguranță ale acestora.** Neglijența poate provoca, într-o fracțiune de secundă, vătămări corporale grave
- 4) MANEVRAȚI ȘI FOLOSIȚI CU GRIJĂ SCULELE ELECTRICE**
- a) **Nu suprasolicitați mașina. Folosiți scula electrică destinată executării lucrării dumneavoastră.** Cu scula electrică potrivită lucrăți mai bine și mai sigur în domeniul de putere specificat.

- b) **Nu folosiți scula electrică dacă are întrerupătorul defect.** O sculă electrică, care nu mai poate fi pornită sau oprită este periculoasă și trebuie reparată.
- c) **Scoateți ștecherul afară din priză și/sau îndepărtați acumulatorul dacă este detașabil, înainte de a executa reglaje, a schimba accesoriu sau a depozita scula electrică.** Această măsură preventivă reduce riscul unei porniri involuntare a mașinii.
- d) **În caz de nefolosire păstrați mașinile la loc inaccesibil copiilor. Nu permiteți persoanelor care nu sunt familiarizate cu mașina sau care n-au citit prezentele instrucțiuni, să folosească mașina.** Sculele electrice sunt periculoase atunci când sunt folosite de persoane fără experiență.
- e) **Întrețineți sculele electrice și accesoriile acestora. Controlați dacă componentele mobile funcționează corect și dacă nu se blochează, dacă nu există piese defecte sau deteriorate, care să afecteze funcționarea mașinii. Înainte de a repune în funcțiune mașina, duceți-o la un atelier de asistență service pentru repararea sau înlocuirea pieselor deteriorate.** Multe accidente s-au datorat întreținerii defectuoase a sculelor electrice.
- f) **Păstrați accesoriile bine ascuțite și curate.** Accesoriile atent întreținute, cu muchii tăietoare bine ascuțite se blochează mai greu și pot fi conduse mai ușor.
- g) **Folosiți sculele electrice, accesoriile, dispozitivele de lucru etc. conform prezentelor instrucțiuni. Țineți seama de condițiile de lucru și de lucrarea care trebuie executată.** Întrebuințarea unor scule electrice destinate altor utilizări decât cele preconizate, poate duce la situații periculoase.
- h) **Mentineți mânerul și zonele de prindere uscate, curate și feriți-le de ulei și unsoare.** Mânerul și zonele de prindere alunecoase nu permit manevrarea și controlul sigur al sculei electrice în situații neașteptate.
- 5) SERVICIU**
- a) **Permiteți repararea mașinii dumneavoastră numai de către un specialist calificat și numai cu piese de schimb originale.** În acest mod este garantată menținerea siguranței de exploatare a mașinii.

INSTRUCȚIUNI DE SIGURANȚĂ PENTRU ȘLEFUITOARE

GENERALITĂȚI

- Această sculă nu trebuie să fie folosit de persoane sub 16 ani
- Această sculă nu este destinată pentru șlefuire umedă
- Nu folosiți scula atunci când cordonul sau prezintă defecțiuni; înlocuirea lor se va efectua de o persoană autorizată
- **Nu prelucrați materiale care conțin azbest** (azbestul este considerat a fi cancerigen)
- **Curățați regulat fantele de aerisire ale sculei dumneavoastră electrice** (ventilatorului motorului atrage praf în carcasă iar acumularea puternică de pulberi metalice poate provoca pericolul electrice)
- **Decuplați întotdeauna ștecherul de la sursa de alimentare înainte de a face o reglare sau o schimbare de accesoriu**

ACCESORII

- SKIL garantează funcționarea perfectă a aparatului numai dacă sunt folosite accesoriile originale
- Nu continuați să folosiți benzi de șlefuire uzate, rupte sau extrem de îmbăcsite

ÎNAINTEA UTILIZĂRII

- Verificați întotdeauna dacă tensiunea de alimentare este aceeași cu tensiunea indicată pe plăcuța de identificare a sculei (sculele cu o specificație de 230V și 240V pot fi conectate și la alimentare de 220V)
- Evitați daunele provocate de șuruburi, țiște și alte elemente din timpul lucrului; înlăturați aceste elemente înainte de a trece la acțiune
- Folosiți cabluri de prelungire derulate complet, protejate/izolate, cu o capacitate de 16 amperi
- Când este utilizat, nivelul de zgomot poate depăși 85 dB(A); este necesar să purtați echipament de protecție pentru urechi
- Praful rezultat din materiale precum vopseaua care conține plumb, unele specii de lemn, minerale și metale poate fi periculos (contactul cu praful sau inhalarea acestuia poate provoca reacții alergice și/sau afecțiuni respiratorii operatorului sau persoanelor care stau în apropiere); **purtați o mască de praf și lucrați cu un dispozitiv de extragere a prafului când poate fi conectat**
- Anumite tipuri de praf sunt clasificate ca fiind cancerigene (cum ar fi praful de stejar și fag) în special în combinație cu aditivi pentru tratarea lemnului; **purtați o mască de praf și lucrați cu un dispozitiv de extragere a prafului când poate fi conectat**
- Respectați reglementările naționale referitoare la aspirația prafului în funcție de materialele de lucru folosite
- Utilizați întotdeauna mănuși de protecție, ochelari de protecție, îmbrăcăminte strânsă pe corp și articole de protecție a părului (în caz de păr lung)
- **Securizați piesa de lucru** (o piesă de lucru fixată cu clame sau într-o menghină este ținută mult mai în siguranță decât manual)
- În timpul șlefuirii de metale sunt împrăștiate scântei; nu folosiți sacul pentru praf/casetă pentru praf/aspiratorul și nu permiteți prezența altor persoane sau a unor materiale inflamabile în perimetrul de activitate

ÎN TIMPUL FUNCȚIONĂRII

- **Apucați mașina de mâneru izolate, deoarece ca suprafața de șlefuire poate atinge propriul ei cordon** (tăierea unui cablu electric "aflat sub tensiune" poate determina "punerea sub tensiune" a părților metalice expuse ale mașinii și poate cauza electrocutarea operatorului)
- Feriți întotdeauna cordonul de părțile în mișcare ale sculei; orientați cordonul spre spate, la distanță de sculă
- Nu atingeți banda mobilă de șlefuire
- În cazul unor defecțiuni electrice sau mecanice deconectați imediat instrumentul și scoateți șnurul din priză
- În cazul în care cordonul este deteriorat sau secționat în timpul lucrului, nu atingeți cordonul, dar deconectați imediat de la priză

DUPĂ UTILIZARE

- Când puneți instrumentul la o parte, deconectați motorul și asigurați-vă că toate elementele mobile și-au oprit complet mișcarea

EXPLICAȚIA SIMBOLURILOR DE PE INSTRUMENT

- ③ Citiți manual de instrucțiuni înainte de utilizare
- ④ Izolație dublă (nu este necesar fir de împământare)
- ⑤ Nu aruncați instrumentul direct la pubelele de gunoi

UTILIZAREA

- Întrerupătorul pornit/oprit
 - porniți/opriți instrumentul prin tragerea/decuplarea declansatorului A ②
 - ! **înainte ca suprafața de șlefuire să atingă piesa de prelucrat, va trebui să porniți instrumentul**
 - ! **înainte de oprirea sculei, trebuie să o ridicați de pe piesa de prelucrat**
 - Întrerupător-blocare pentru uz continuu
 - trageți declansatorul A ②
 - apăsați cu degetul gros butonul A ②
 - decuplați declansatorul
 - deblocați întrerupătorul prin tragerea din nou a declansatorului A ②, urmată de decuplarea acestuia
 - Schimbarea rapidă a banda de șlefuire (sistemul CLIC) ⑥
 - ! **deconectați priză**
 - ridicați manetă C
 - înlăturați banda de șlefuire
 - introduceți noua bandă cu săgețile imprimate la partea interioară a benzii îndreptate în aceeași direcție ca săgeata D de pe instrument
 - apăsați manetă la loc
 - ! **schimbați benzile de șlefuire la timp**
 - ! **nu îndoiți niciodată benzile de șlefuire**
 - Centrarea automată a benzii (ABC)
 - banda se centrează în mod automat în momentul conectării instrumentului
 - banda se menține centrata în timpul șlefurii
- În cazul în care banda se abate de la centrul instrumentului (în majoritatea cazurilor datorită calității inferioare a benzii), va trebui să
- porniți scula
 - ajustați surubul E ② până când banda de șlefuire va funcționa pe aceeași linie cu partea plată a instrumentului
 - dacă banda se abate încă de la centru, utilizați una nouă
- Aspirarea a prafului ⑦
 - goliți regulat casetă G/sacul F pentru realizarea unui randament optimal de aspirare a prafului
 - atunci când instrumentul este folosit cu aspirator, montați adaptorul pentru aspiratorul H așa cum este ilustrat (1215)
 - dacă este necesar, curățați și filtrul, conform ilustrației
 - ! **nu folosiți casetă pentru praf/sacul pentru praf/aspiratorul când șlefuiți metale**
 - Mânuirea și dirijarea sculei ⑧
 - dirijați instrumentul paralel cu suprafața de prelucrat
 - ! **în timp ce lucrați, țineți întotdeauna scula de zonă (zonele) de prindere colorate gri**

- ! **nu aplicați presiune prea mare asupra instrumentului; lăsați ca suprafața de șlefuire să lucreze pentru dumneavoastră**
- nu înclinați instrumentul, pentru a evita semne nedorite de șlefuire
- mențineți fantele de ventilație J ② neacoperite

SFATURI PENTRU UTILIZARE

- Pentru șlefuirea suprafețelor neprelucrate de lemn, deplasați instrumentul cu mișcări rectilinii în direcția fibrei
- Pentru șlefuirea altor suprafețe, deplasați instrumentul cu mișcări circulare pe suprafața materialului
- Montați rama de șlefuire K (accesoriul SKIL 2610398244) pentru egalizarea suprafețelor fără zgârieturi sau șanfluri, și asigurați-vă că este bine fixat ⑨

! **rama de șlefuire K devine fierbinte în timpul utilizării; nu o atingeți până nu s-a răcit**

- Nu folosiți niciodată aceeași bandă de șlefuit pentru lemn și metal
- Granulația recomandată a benzii de șlefuire:
 - pentru îndepărtarea vopselei și șlefuirea lemnului foarte brut utilizați granulații aspre (40, 60)
 - pentru șlefuirea lemnului brut sau neted utilizați granulații medii (80, 100, 120)
 - pentru netezirea lemnului și a suprafețelor cu vopsea veche, precum și finisarea lemnului neprelucrat utilizați granulații fine (180, 240, 320)
- Utilizați diferite granulații când suprafața de prelucrat este brută:
 - începeți șlefuirea cu o granulație aspră sau medie
 - finisați cu o granulație fină
- A se vedea alte recomandări la www.skil.com

ÎNTREȚINERE / SERVICE

- Această sculă nu este destinată utilizării profesionale
- Păstrați aparatul și cablul curat (mai ales fantele de ventilație J ②)
 - înlăturați cu o perie praful rămas de la șlefuire
- ! **deconectați de la priză înainte de a curăța**
- Dacă în ciuda procedurilor de fabricație și control riguroase scula are totuși o pană, repararea acesteia se va face numai la un atelier de asistență service autorizat pentru scule electrice SKIL
 - trimiteți scula **în totalitatea lui** cu bonul de cumpărare la distribuitorul sau la centrul de service SKIL cel mai apropiat (adrese și diagrame de service se găsesc la www.skil.com)

MEDIUL

- **Nu aruncați sculele electrice, accesoriile sau ambalajele direct la pubelele de gunoi** (numai pentru țările din Comunitatea Europeană)
 - Directiva Europeană 2012/19/EC face referire la modul de aruncare a echipamentelor electrice și electronice și modul de aplicare a normelor în conformitate cu legislația națională; sculele electrice în momentul în care au atins un grad avansat de uzură și trebuie aruncate, ele trebuie colectate separat și reciclate într-un mod ce respectă normele de protecție a mediului înconjurător
 - simbolul ⑥ vă va reaminti acest lucru

ZGOMOT / VIBRAȚII

- Măsurat în conformitate cu EN 62841 nivelul de presiune a sunetului generat de acest instrument este de 87 dB(A) iar nivelul de putere a sunetului 98 dB(A) (abaterea standard: 3 dB), iar nivelul vibrațiilor 2,1 m/s² (suma vectorială a trei direcții; incertitudine K = 1,5 m/s²)
- Nivelul emisiilor de vibrații a fost măsurat în conformitate cu un test standardizat precizat în EN 62841; poate fi folosit pentru a compara o sculă cu alta și ca evaluare preliminară a expunerii la vibrații atunci când folosiți scula pentru aplicațiile menționate
 - utilizarea sculei pentru aplicații diferite sau cu accesorii diferite și prost întreținute poate **crește** semnificativ nivelul de expunere
 - momentele în care scula este oprită sau când funcționează dar nu execută nicio lucrare, pot **reduce** semnificativ nivelul de expunere
- ! **protejați-vă împotriva efectelor vibrațiilor prin întreținerea sculei și a accesoriilor sale, păstrând mâinile calde și organizând procesele de lucru**

BG

Лентов шлайф

1210/1215

УВОД

- Този инструмент е предназначен за сухо шлифоване с висока производителност на дърво, пластмаса, метал, запълвач материал и боядисани повърхности
- Този инструмент не е предназначен за професионална употреба
- Прочетете и пазете това ръководство за работа ③

ТЕХНИЧЕСКИ ДАННИ ①

ЕЛЕМЕНТИ НА ИНСТРУМЕНТА ②

- A** Прекъсвач за включване/изключване
- B** Бутон за блокиране на електрическия ключ
- C** Лост за смяна на абразивната лента
- D** Стрелка
- E** Винт за регулиране центровката на абразивната лента
- F** Торбичката за прах
- G** Колектор за прах
- H** Адаптер за прахосмукачка
- J** Вентилационните отвори
- K** Шлифовъчната рамка

БЕЗОПАСНОСТ

ОБЩИ УКАЗАНИЯ ЗА БЕЗОПАСНА РАБОТА С ЕЛЕКТРОИНСТРУМЕНТИ

ВНИМАНИЕ Прочетете всички предупреждения, указания, запознайте се с фигурите и техническите характеристики, приложени към електроинструмента. Пропуски при спазването на указанията по-долу могат да предизвикат токов удар и/или тежки травми.

Запазете всички предупреждения и указания за ползване в бъдеще.

Използваният по-долу термин "електроинструмент" се отнася до захранвани от електрическата мрежа електроинструменти (със захранващ кабел) и до захранвани от акумулаторна батерия електроинструменти (без захранващ кабел).

1) БЕЗОПАСНОСТ НА РАБОТНОТО МЯСТО

- a) **Поддържайте работното си място чисто и подредено.** Безпорядъкът или недостатъчното осветление могат да спомогнат за възникването на трудова злополука.
- b) **Не работете с електроинструмента в среда с повишена опасност от възникване на експлозия, в близост до леснозапалими течности, газове или прахообразни материали.** По време на работа в електроинструментите се отделят искри, които могат да възпламенят прахообразни материали или пари.
- c) **Дръжте деца и странични лица на безопасно разстояние, докато работите с електроинструмента.** Ако вниманието Ви бъде отклонено, може да загубите контрола над електроинструмента.

2) БЕЗОПАСНОСТ ПРИ РАБОТА С ЕЛЕКТРИЧЕСКИ ТОК

- a) **Щепселът на електроинструмента трябва да е подходящ за ползвания контакт. В никакъв случай не се допуска изменение на конструкцията на щепсела.** Когато работите със заунулни електроуреди, не използвайте адаптери за щепсела. Ползването на оригинални щепсели и контакти намалява риска от възникване на токов удар.
- b) **Избягвайте допира на тялото Ви до заземени тела, напр. тръби, отоплителни уреди, пещи и хладилници.** Когато тялото Ви е заземено, рискът от възникване на токов удар е по-голям.
- c) **Предпазвайте електроинструмента си от дъжд и влага.** Проникването на вода в електроинструмента повишава опасността от токов удар.
- d) **Не използвайте захранващия кабел за цели, за които той не е предвиден, напр. за да носите електроинструмента за кабела или да извадите щепсела от контакта.** Предпазвайте кабела от нагриване, омасляване, допир до остри ръбове или до подвижни звена на машини. Повредени или усукани кабели увеличават риска от възникване на токов удар.

- e) **Когато работите с електроинструмент навън, използвайте само удължителни кабели, предназначени за работа на открито.** Използването на удължител, предназначен за работа на открито, намалява риска от възникване на токов удар.
 - f) **Ако се налага използването на електроинструмента във влажна среда, използвайте предпазен прекъсвач за утечни токове.** Използването на предпазен прекъсвач за утечни токове намалява опасността от възникване на токов удар.
- ### 3) БЕЗОПАСЕН НАЧИН НА РАБОТА
- a) **Бъдете концентрирани, следете внимателно действията си и постъпвайте предпазливо и разумно. Не използвайте електроинструмента, когато сте уморени или под влиянието на наркотични вещества, алкохол или упойващи лекарства.** Един миг разсеяност при работа с електроинструмент може да има за последствие изключително тежки наранявания.
 - b) **Работете с предпазващо работно облекло и винаги с предпазни очила.** Носенето на подходящи за ползвания електроинструмент и извършваната дейност лични предпазни средства, като дихателна маска, здрави плътнотатворени обувки със стабилен грайфер, защитна каска или шумозаглушители (антифони), намалява риска от възникване на трудова злополука.
 - c) **Избягвайте опасността от включване на електроинструмента по невнимание. Преди да включите щепсела в захранващата мрежа или да поставите акумулаторната батерия, се уверявайте, че пусковият прекъсвач е в положение изключено.** Ако, когато носите електроинструмента, държите пръста си върху пусковия прекъсвач, или ако подавате захранващо напрежение на електроинструмента, когато е включен, съществува опасност от възникване на трудова злополука.
 - d) **Преди да включите електроинструмента, се уверявайте, че сте отстранили от него всички помощни инструменти и гаечни ключове.** Помощен инструмент, забравен на въртящо се звено, може да причини травми.
 - e) **Не надценявайте възможностите си. Работете в стабилно положение на тялото и във всеки момент поддържайте равновесие.** Така ще можете да контролирате електроинструмента по-добре и по-безопасно, ако възникне неочаквана ситуация.
 - f) **Работете с подходящо облекло. Не работете с широки дрехи или украшения. Дръжте косата и дрехите си на безопасно разстояние от движещи се звена.** Широките дрехи, украшенията, дългите коси могат да бъдат захванати и увлечени от въртящи се звена.
 - g) **Ако е възможно използването на външна аспирационна система, се уверявайте, че тя е включена и функционира изправно.** Използването на аспирационна система намалява

рисковете, дължащи се на отделящата се при работа прах.

- h) **Доброто познание на електроинструмента вследствие на честа работа с него не е повод за намаляване на вниманието и пренебрегване на мерките за безопасност.** Едно невнимателно действие може да предизвика тежки наранявания само за части от секундата.

4) ВНИМАТЕЛНО ОТНОШЕНИЕ КЪМ ЕЛЕКТРОИНСТРУМЕНТИ

- a) **Не претоварвайте електроинструмента. Използвайте електроинструментите само съобразно тяхното предназначение.** Ще работите по-добре и по-безопасно, когато използвате подходящия електроинструмент в зададения от производителя диапазон на натоварване.
- b) **Не използвайте електроинструмент, чиито пусков прекъсвач е повреден.** Електроинструмент, който не може да бъде изключван и включван по предвидения от производителя начин, е опасен и трябва да бъде ремонтиран.
- c) **Преди да извършвате каквито и да е дейности по електроинструмента, напр. настройване, смяна на работен инструмент, както и когато го прибирате, изключвайте щепсела от контакта, респ. изваждайте батерията, ако е възможно.** Тази мярка премахва опасността от задействане на електроинструмента по невнимание.
- d) **Съхранявайте електроинструментите на места, където не могат да бъдат достигнати от деца. Не допускайте те да бъдат използвани от лица, които не са запознати с начина на работа с тях и не са прочели тези инструкции.** Когато са в ръцете на неопитни потребители, електроинструментите могат да бъдат изключително опасни.
- e) **Поддържайте добре електроинструментите си и аксесоарите им. Проверявайте дали подвижните звена функционират безукорно, дали не заклинват, дали има счупени или повредени детайли, които нарушават или изменят функциите на електроинструмента. Преди да използвате електроинструмента, се погрижете повредените детайли да бъдат ремонтирани.** Много от трудовите злополуки се дължат на недобре поддържани електроинструменти и уреди.
- f) **Поддържайте режещите инструменти винаги добре заточени и чисти.** Добре поддържаните режещи инструменти с остри ръбове оказват по-малко съпротивление и се водят по-леко.
- g) **Използвайте електроинструментите, допълнителните приспособления, работните инструменти и т.н., съобразно инструкциите на производителя. С дейности и процедури, евентуално предписани от различни нормативни документи.** Използването на електроинструменти за различни от предвидените от производителя приложения повишава опасността от възникване на трудови злополуки.
- h) **Поддържайте дръжките и ръкохватките сухи, чисти и неомаслени.** Хлъзгавите дръжки и ръкохватки не позволяват безопасната работа и

доброто контролиране на електроинструмента при възникване на неочаквана ситуация.

5) ПОДДЪРЖАНЕ

- a) **Допускайте ремонтът на електроинструментите Ви да се извършва само от квалифицирани специалисти и само с използването на оригинални резервни части.** По този начин се гарантира съхраняване на безопасността на електроинструмента.

УКАЗАНИЯ ЗА БЕЗОПАСНА РАБОТА ЗА ШЛИФОВЪЧНА МАШИНИ

ОБЩИ

- Машината не трябва да се използва от лица под 16 години
- Уредът не е подходящ за мокро шлифование
- Не използвайте инструмента, когато е повреден шнурът; замената му следва да се извърши от квалифицирано лице
- **Не обработвайте азбестосъдържащ материал** (азбестът е канцерогенен)
- **Редовно почиствайте вентилационните отвори на Вашия електроинструмент** (турбината на електродвигателя засмуква прах в корпуса, а натрупването на метален прах увеличава опасността от токов удар)
- **Преди извършването на каквато и да било настройка или смяна на принадлежност винаги изваждайте щепсела от контакта на електрозахранването**

ДОПЪЛНИТЕЛНИ АКСЕСОАРИ

- SKIL може да осигури безаварийна работа на електроинструмента само ако се използват оригинални допълнителни приспособления
- Не използвайте износени, разкъсани или силно замърсени шлифовъчни ленти

ПРЕДИ УПОТРЕБА

- Преди включване на инструмента в контакта се уверете, че мрежовото напрежение отговаря на напрежението, обозначено на фирмената табелка на инструмента (инструментите с номинално напрежение 230V или 240V могат да бъдат включени и към захранване с напрежение 220V)
- Избягвайте повреди, които могат да бъдат причинени от винтове, гвоздеи и други метални елементи в обработвания детайл; отстранете ги преди да започнете работа
- Използвайте напълно развити и обезопасени разклонители с капацитет 16 A
- При работа нивото на шума може да надвиши 85 dB(A); носете антифони
- Прахът от някои материали, като например съдържаща олово боя, някои видове дървесина, минерали и метали може да бъде вреден (контакт или вдишване на такъв прах могат да причинят алергични реакции и/или респираторни заболявания на оператора или стоящите наблизо лица); **използвайте противопрахова маска и работете с аспириращо прахта устройство, когато такова може да бъде свързано**
- Определени видове прах са класифицирани като карциногенни (като прах от дъб и бук) особено

когато са комбинирани с добавки за подобряване на състоянието на дървесината; **използвайте противопопрахова масна и работете с аспириращо прахта устройство, когато такова може да бъде свързано**

- Следвайте дефинираните по БДС изисквания относно запрашеността за материалите, които желаете да обработвате
- Носете предпазни ръкавици, очила за безопасност, прилепващо по тялото облекло и вземете предпазни мерки за косата си (при дълга коса)
- **Обезопасете работния материал** (материал, затегнат в затягащ инструмент или в менгеме е по-устойчив, отколкото ако се държи в ръка)
- При шлифване на метал се образуват искри; не използвайте торъчката за прах/колектор за прах/прахосмукачката и дръжте други лица и възпламеняващ се материал извън обсега на действие

ПРИ УПОТРЕБА

- **Дръжте инструмента за изолираните повърхности на ръкохватката, понеже шлифовъчната повърхност може да опре в неговия захранващ кабел** (прерязването на "фазовия" кабел може да доведе до наличие на напрежение на откритите метални части на инструмента и да причини удар от електрически ток на оператора)
- Винаги отвеждайте захранващият кабел далеч от движещите се звена на електроинструмента; прехвърлете кабела отзад, далеч от електроинструмента
- Не докосвайте шлифовъчната лента
- В случай на електрическа или механична неизправност, изключете незабавно апарата и прекъснете контакта с електрическата мрежа
- Ако кабелът се повреди или среже по време на работа, не го докосвайте, веднага изключете щепсела, никога не използвайте инструмента с повреден кабел

СЛЕД РАБОТА

- Преди да приберете инструмента, изключете мотора и се уверете, че всички движещи се части са преустановили движението

ОБЯСНЕНИЕ НА СИМВОЛИТЕ ПО ИНСТРУМЕНТА

- ③ Преди употреба прочетете ръководството с указания
- ④ Двойна изолация (не се изисква кабел за заземяване)
- ⑤ Не извърляйте инструмента заедно с битови отпадъци

УПОТРЕБА

- Включване/изключване
 - включвайте/изключвайте апарата чрез натискане/отпускане на спусък А ②
- ! **включете апарата преди да докосне работната повърхност**
- ! **преди да изключите инструмента, трябва да я вдигнете от работната повърхност**
- Застопоряване на включващия спусък за непрекъсната работа
 - натиснете спусък А ②
 - натиснете бутон В ② с палеца

- отпуснете спусъка
- освободете механизма от застопорено положение като натиснете отново спусък А ② и го отпуснете
- Бързо сменяне на шлифовъчната лента (CLIC-система) ⑥

- ! **изключете щепсела**
- повдигнете лоста С
- отстранете шлифовъчната лента
- поставете нова лента като стрелката, отпечатана на вътрешната страна на лентата трябва да показва същата посока на стрелка D, намираща се върху апарата
- затворете лоста
- ! **сменяйте своевременно шлифовъчните ленти**
- ! **не сгъвайте никога шлифовъчните ленти**
- Автоматично центриране на лентата (ABC)
 - центрира лентата автоматично при включване на апарата
 - поддържа лентата центрирана по време на шлифването

В случай, че лентата излезе от апарата (в повечето случаи в резултат на употреба на ниско-качество лента), предприемете следното:

- включете инструмента
- регулирайте с винт Е ② шлифовъчната лента докато тя прилегне на плоската страна на апарата
- сменете лентата с нова, ако продължава да излиза от апарата
- Изсмукване на праха ⑦
 - изпразвайте колектор G/торбичката F редовно за оптимален резултат при прахосмукването
 - при използване на прахосмукачка, монтирайте адаптора за прахосмукачката H, както е показано (1215)
 - когато е необходимо, почистете филтъра, както е показано
- ! **не използвайте колектор за прах/торбичната за прах/прахосмукачка при шлифване на метал**
- Държане и насочване на инструмента ⑧
 - движете апарата успоредно на работната повърхност

- ! **по време на работа, винаги дръжте уреда за оцветената(ите) в сиво зона(и) за хващане**
- ! **не упражнявайте особен натиск върху апарата; оставете шлифовъчната повърхност сама да върши работа**
- не повдигайте апарата за да предотвратите нежелателни следи по работната повърхност
- оставяйте вентилационните отвори J ② непокрити

УКАЗАНИЯ ЗА РАБОТА

- При шлифване на голи дървени повърхности движете апарата с надлъжни движения по посока на нерв на дървото
- При шлифване на всички други повърхности, извършвайте кръгови движения с апарата върху материала
- Монтирайте шлифовъчната рамката K (анксоар SKIL 2610398244), за да подравните повърхнините без

драскотини или вдлъбнатини, и се уверете, че е поставен добре на място ⑨

! по време на шлифовъчната рамка се загрева; не я докосвайте докато не изстине напълно

- Не използвайте никога една и съща шлифовъчна лента за дърво и метал
- Препоръчва се шлифовъчна хартия със следната зърнистост:
 - за остраняване на боя и за шлифоване на много необработено дърво, използвайте груби едрозърнести пясъчинки с размери (40, 60)
 - за шлифоване на необработено или обикновено дърво, използвайте средни едрозърнести пясъчинки с размери (80, 100, 120)
 - за изглаждане на дървен материал и повърхности със стара боя, както и за окончателно обработване на голо дърво, използвайте фини пясъчинки с размери (180, 240, 320)
- Използвайте при грапава повърхност различна зърнистост на шлифовъчната хартия
 - започнете с едра и средна зърнистост
 - завършете политура с фина зърнистост
- За повече полезни указания вж. www.skil.com

ПОДДРЪЖКА / СЕРВИЗ

- Този инструмент не е предназначен за професионална употреба
- Поддържайте винаги електроинструмента и захранващия кабел чисти (особено вентилационните отвори J ②)
 - почиствайте полепил се срутков прах с четка
- ! преди почистване изключете щепсела**
- Ако въпреки прецизното производство и внимателно изпитване възникне повреда, инструментата да се занесе за ремонт в оторизиран сервиз за електроинструменти на SKIL
 - занесете инструментата в неразглобен вид заедно с доказателство за покупката му в търговския обект, откъдето сте го закупили, или в най-близкия сервиз на SKIL (адресите, както и схемата за сервизно обслужване на електроинструмента, можете да намерите на адрес www.skil.com)

ОПАЗВАНЕ НА ОКОЛНАТА СРЕДА

- **Не изхвърляйте електроуредите, приспособленията и опаковките заедно с битови отпадъци** (само за страни от ЕС)
 - съобразно Директивата на ЕС 2012/19/EG относно износените електрически и електронни уреди и отразяването ѝ в националното законодателство износените електроуреди следва да се събират отделно и да се предават за рециклиране според изискванията за опазване на околната среда
 - за това указва символът ⑤ тогава когато трябва да бъдат унищожени

ШУМ / ВИБРАЦИИ

- Измерено в съответствие с EN 62841 нивото на звуково налягане на този инструмент е 87 dB(A) а нивото на звукова мощност е 98 dB(A) (стандартно отклонение: 3 dB), а вибрациите са 2,1 m/c² (векторната сума по трите направления; неопределеност K = 1,5 m/c²)
- Нивото на предадените вибрации е измерено в съответствие със стандартизирания тест, определен в EN 62841; то може да се използва за сравнение на един инструмент с друг и като предварителна оценка на подлагането на вибрации при използването на инструмента за посочените приложения
 - използването на инструмента за различни от тези приложения или с други, или лошо поддържани аксесоари може значително **да повиши** нивото на което сте подложени
 - периодите от време, когато инструментата е изключен или съответно включен, но с него не се работи в момента могат значително **да намалят** нивото на което сте подложени
- ! предпазвайте се от ефектите от вибрациите, като поддържате инструментата и аксесоарите му, пазите ръцете си топли и организирате вашите модели на работа**

SK

Pásová brúska

1210/1215

ÚVOD

- Tento nástroj je určený na brúsenie na sucho; nástroj má vysoký brúsný výkon a môžete ho použiť na brúsenie dreva, plastu, kovu, tmelov a lakovaných alebo farbených povrchov
- Tento nástroj nie je vhodný pre profesionálne použitie
- Prečítajte a uschovajte tento návod na použitie ③

TECHNICKÉ ÚDAJE ①

ČASTI NÁSTROJA ②

- A Spínač zapnutie/vypnutie
- B Tlačidlo na zaistenie vypínača
- C Páčka na výmenu brúsneho pásu
- D Šípka
- E Skrutka na centrovanie brúsneho pásu
- F Prachové vrecko
- G Prachová schránka
- H Adaptér na vysávač
- J Vetracie štrbiny
- K Brúsny rám

BEZPEČNOSŤ

VŠEOBECNÉ BEZPEČNOSTNÉ UPOZORNENIA TÝKAJÚCE SA ELEKTRICKÉHO NÁRADIA

⚠ POZOR Prečítajte si všetky bezpečnostné upozornenia, pokyny, ilustrácie a špecifikácie dodané s týmto elektrickým náradím. Zanedbanie dodržiavania všetkých uvedených pokynov textu môže mať za následok zásah elektrickým prúdom, spôsobíť požiar a/alebo ťažké poranenie.

Všetky upozornenia a pokyny si odložte na ďalšie použitie.

Pojem ručné "elektrické náradie" používaný v nasledujúcom texte sa vzťahuje na ručné elektrické náradie napájané zo siete (s prírodnou šnúrou) a na ručné elektrické náradie napájané akumulátorovou batériou (bez prírodnej šnúry).

1) BEZPEČNOSŤ NA PRACOVISKU

- Udržiavajte svoje pracovisko čisté a upratané.**
Neporiadok na pracovisku alebo neosvetlené časti pracoviska môžu viesť k úrazom.
- Nepracujte elektrickým náradím v prostredí ohrozenom výbuchom, v ktorom sa nachádzajú horľavé kvapaliny, plyny alebo prach.** Elektrické náradie produkuje iskry, ktoré môžu prach alebo pary zapáliť.
- Deti a iné osoby udržiavajte počas práce od ručného elektrického náradia v dostatočnej vzdialenosti.** V prípade odpútania Vašej pozornosti by ste mohli stratiť kontrolu nad náradím.

2) ELEKTRICKÁ BEZPEČNOSŤ

- Zástrčka prírodnej šnúry sa musí hodiť do napájacej zásuvky. Zástrčka sa v žiadnom prípade nesmie meniť.** Pri uzemnených spotrebičoch nepoužívajte spolu s nimi žiadne adaptéry. Nezmenená zástrčka a vhodná zásuvka znižujú riziko zásahu elektrickým prúdom.
- Vyhýbajte sa telesnému kontaktu s povrchovými plochami uzemnených spotrebičov, ako sú elektrické rúry, vyhrievacie telesá, sporáky a chladničky.** Keď je Vaše telo uzemnené, riziko zásahu elektrickým prúdom je vyššie.
- Chráňte ručné elektrické náradie pred dažďom a vlhkom.** Vniknutie vody do ručného elektrického náradia zvyšuje riziko zásahu elektrickým prúdom.
- Nepoužívajte prírodnú šnúru na prenášanie náradia, na jeho vešanie, ani za ňu nevyťahujte zástrčku zo zásuvky. Prírodnú šnúru chráňte pred horúčkovou, olejom, ostrými hranami alebo pohybujúcimi sa časťami náradia.** Poškodené alebo zauzlené šnúry zvyšujú riziko zásahu elektrickým prúdom.
- Ak pracujete s ručným elektrickým náradím vonku, používajte len také predĺžovacie šnúry, ktoré sú schválené pre použitie vo vonkajších priestoroch.** Použitie predĺžovacej šnúry určenej do vonkajšieho prostredia znižuje riziko zásahu elektrickým prúdom.
- Ak sa nedá vyhnúť použitiu ručného elektrického náradia vo vlhkom prostredí, použite prerušovač**

uzemňovacieho obvodu. Používanie prerušovača uzemňovacieho obvodu znižuje riziko zásahu elektrickým prúdom.

3) BEZPEČNOSŤ OSÔB

- buďte pozorní, dávajte pozor na to, čo robíte a k práci s elektrickým náradím pristupujte rozumne. Nepoužívajte elektrické náradie, keď ste unavení alebo keď ste pod vplyvom drog, alkoholu alebo liekov.** Chvilka nepozornosti pri používaní náradia môže viesť k vážnym poraneniam.
 - Noste osobné ochranné pomôcky, ochranný odev a vždy majte nasadené ochranné okuliare.** Nosenie pracovného odevu a používanie ochranných pomôcok ako ochrannej dýchacej masky, bezpečnostných protišmykových topánok, prilby alebo chrániča sluchu, podľa druhu elektrického náradia, znižuje riziko poranenia.
 - Vyhýbajte sa neúmyselnému uvedeniu ručného elektrického náradia do činnosti. Pred zasunutím zástrčky do zásuvky a/alebo pred pripojením akumulátora, pred chytením alebo prenášaním ručného elektrického náradia sa vždy presvedčte sa, či je ručné elektrické náradie vypnuté.** Ak budete mať pri prenášaní ručného elektrického náradia prst na vypínači, alebo ak ručné elektrické náradie pripojíte na elektrickú sieť zapnutú, môže to mať za následok nehodu.
 - Skôr ako ručné elektrické náradie zapnete, odstráňte nastavovacie a montážne nástroje.** Nástroj alebo kľúč, ktorý sa nachádza v pohyblivej časti náradia, môže spôsobiť poranenie.
 - Neprecaňte sa. Zabezpečte si pevný postoj a neprestajne udržiavajte rovnováhu.** Takto budete môcť ručné elektrické náradie v neočakávaných situáciách lepšie kontrolovať.
 - Pri práci noste vhodný pracovný odev. Nenoste široké odevy a nemajte na sebe šperky. Vyvarujte sa toho, aby sa vaše vlasy a odev dostali do blízkosti pohyblivých častí.** Voľný odev, dlhé vlasy alebo šperky môžu byť zachytené rotujúcimi časťami ručného elektrického náradia.
 - Ak možno namontovať zariadenie na odsávanie alebo zachytávanie prachu, presvedčte sa, či je pripojené a správne používané.** Používanie odsávacieho zariadenia a zariadenia na zachytávanie prachu znižuje riziko ohrozenia zdravia prachom.
 - Nepodliehajte falošnému pocitu istoty získanej z častého používania náradia a nekonajte v rozpore s princípmi bezpečného používania náradia.** Nepozorná práca môže v priebehu zlomkov sekundy viesť k ťažkému poraneniu.
- ### 4) STAROSTLIVÉ ZAOBCHÁDZANIE S ELEKTRICKÝM NÁRADÍM A JEHO POUŽÍVANIE
- Náradie nepreťažujte. Pre svoju prácu používajte určené elektrické náradie.** Pomocou vhodného ručného elektrického náradia budete môcť v uvedenom rozsahu výkonu pracovať lepšie a bezpečnejšie.
 - Nepoužívajte žiadne ručné elektrické náradie, ktoré má pokazený vypínač.** Ručné elektrické náradie, ktoré sa už nedá zapínať alebo vypínať, je nebezpečné a treba ho dať opraviť.

- c) **Skôr ako začnete náradie nastavovať alebo prestavovať, vymieňať príslušenstvo alebo ako odložíte náradie, vždy vytiahnite koncovku sieťovej šnúry zo zásuvky a/alebo vyberte akumulátor, ak sa dá vybrať.** Toto preventívne opatrenie zabraňuje neúmyselnému spusteniu ručného elektrického náradia.
- d) **Nepoužívajte ručné elektrické náradie uschovávané mimo dosahu detí. Nedopusťte, aby ručné elektrické náradie používali osoby, ktoré s ním nie sú dôkladne oboznámené, alebo ktoré si neprečítali tento Návod na používanie.** Ak ručné elektrické náradie používajú neskusené osoby, stáva sa nebezpečným nástrojom.
- e) **Ručné elektrické náradie a príslušenstvo starostlivo ošetrte.** Skontrolujte, či pohyblivé súčiastky náradia bezchybne fungujú a neblokujú a či nie sú zlomené alebo poškodené niektoré súčiastky, ktoré by mohli negatívne ovplyvniť fungovanie ručného elektrického náradia. Pred použitím ručného elektrického náradia dajte poškodené súčiastky opraviť. Nejednen úraz bol spôsobený zle udržiavaným náradím.
- f) **Používané nástroje udržiavajte ostré a čisté.** Starostlivo ošetrované nástroje s ostrými reznými hranami sa menej často zablokujú a ich vedenie je podstatne ľahšie.
- g) **Používajte ručné elektrické náradie, príslušenstvo, pracovné nástroje a pod. podľa týchto pokynov. Zohľadnite pritom konkrétne pracovné podmienky a činnosť, ktorú máte vykonať.** Používanie ručného elektrického náradia na iné ako určené účely môže viesť k nebezpečným situáciám.
- h) **Rukováti a úchopové povrchy udržiavajte suché, čisté a bez oleja alebo mazacieho tuku.** Šmyklivé rukováti a úchopové povrchy neumožňujú bezpečnú manipuláciu a ovládanie náradia v neočakávaných situáciách.
- 5) SERVIS**
- a) **Ručné elektrické náradie zverte do opravy len kvalifikovanému personálu a používajte len originálne náhradné súčiastky.** Tým sa zabezpečí zachovanie bezpečnosti ručného elektrického náradia.

BEZPEČNOSTNÉ POKYNY PRE BRÚSKY

VŠEOBECNE

- Tento nástroj by nemali používať osoby mladšie ako 16 rokov
 - Tento nástroj sa nehodí na brúsenie vlhkého povrchu
 - Nikdy nepoužívajte nástroj ak je šnúra poškodená; šnúru musí vymeniť kvalifikovaná osoba
 - **Neobrábajte materiál, ktorý obsahuje azbest** (azbest sa považuje za rakovinotvorný materiál)
 - **Pravidelne čistite vetracie otvory svojho ručného elektrického náradia** (ventilátor motora vŕha do telesa náradia prach a veľké nahromadenie kovového prachu by mohlo spôsobiť vznik nebezpečného zásahu elektrickým prúdom)
 - **Pri nastavovaní alebo výmene príslušenstva vždy vytiahnite prívodný kábel zo zásuvky**
- PRÍSLUŠENSTVO**
- SKIL zabezpečí hladký chod nástroja len ak sa používa pôvodné príslušenstvo

- Opatrebovaný, natrhnutý alebo zanesený brúsny pás ihneď vymeňte

PRED POUŽITÍM

- Vždy skontrolujte či je napájacie napätie rovnaké ako napätie uvedené na štítku nástroja (nástroj s menovitým napätím 230V alebo 240V môžete pripojiť aj do siete s napätím 220V)
- Zabránite poškodeniu náradia skrutkami, klincami a inými kovovými predmetmi v obrobku; zoberte ich dole prv než začnete pracovať
- Používajte úplne odmotanú a bezpečnú predlžovaciu šnúru s kapacitou 16 A
- Hlasitosť zapnutého prístroja môže byť viac aké 85 dB(A); chráňte si uši ochrannými krycimi prostriedkami
- Prach z materiálu, akým je náter obsahujúci olovo, niektoré druhy dreva, minerály a kovy môže byť škodlivý (styk alebo nadýchanie prachu môže spôsobiť alergické reakcie a/alebo respiračné ochorenia obsluhu a okolostojacich osôb); **používajte ochrannú masku tváre a pracujte so zariadením na odsávanie prachu, ak je takéto zariadenie možné pripojiť**
- Určité druhy prachu sú klasifikované ako karcinogénne (akým dubový a bukový prach), a to hlavne v spojení s prísadami pre úpravu dreva; **používajte ochrannú masku tváre a pracujte so zariadením na odsávanie prachu, ak je takéto zariadenie možné pripojiť**
- Dodržujte stanovené nariadenia pre prácu v prašnom prostredí
- Používajte ochranné rukavice, ochranné okuliare, priliehavý oblek a v prípade dlhých vlasov aj pokrývku hlavy
- **Zaistite obrábaný diel** (obrábaný diel uchytený pomocou upínacích zariadení alebo vo zveráku je oveľa bezpečnejší kým v ruke)
- Pri brúsení sa tvoria iskry; nepoužívajte vrecko na prach/prachová schránka/vysávač a dbajte na to, aby sa v pracovnom priestore nezdržovala iná osoba a nebol horľavý materiál

POČAS PRÁCE

- **Elektrické náradie držte za izolované plochy rukováti, pretože brusná plocha by sa mohol dotknúť vlastnej prívodnej šnúry** (kontakt s vedením, ktoré je pod napätím, spôsobí, že aj kovové súčiastky náradia sa dostanú pod napätie, čo môže spôsobiť zásah operátora elektrickým prúdom)
- Elektrickú šnúru udržiavte vždy mimo pohybujúcich sa častí nástroja; elektrickú šnúru vždy smerujte dozadu, mimo nástroja
- Nedotýkajte sa pohybujúceho sa brúsneho pásu
- V prípade elektrickej alebo mechanickej poruchy zastavte okamžite nástroj a vytiahnite zástrčku z nástennej zásuvky
- Ak je sieťová šnúra poškodená alebo ak sa prežeze počas prevádzky, nedotýkajte sa jej ale ju ihneď odpojte z hlavnej elektrickej siete

PO PRÁCI

- Skôr než nástroj položíte, presvedčte sa že je motor vypnutý a že sú všetky pohyblivé súčiastky zastavené

VYSVETLENIE SYMBOLOV NA NÁSTROJI

- ③ Pred použitím si prečítajte návod na obsluhu
- ④ Dvojité izolácia (nevyžaduje sa uzemňovací kábel)
- ⑤ Nástroj nevyhadzujte do komunálneho odpadu

POUŽITIE

- Vypínač zapnutie/vypnutie
 - nástroj zapnite/vypnite stlačením/uvolnením vypínača A ②
 - ! **nástroj je treba zapnúť predtým než sa dotkne povrchu brúseného kusu**
 - ! **pred vypnutím nástroja by ste ho mali zdvihnúť z miesta obrábania**
- Aretácia vypínača pri nepretržitom používaní
 - stlačte vypínač A ②
 - palcom stlačte tlačidlo B ②
 - uvoľnite vypínač
 - zaistenie uvoľníte opätovným stlačením vypínača A ② a jeho uvoľnením
- Rýchla výmena brúsneho pásu (systém CLIC) ⑥
 - ! **odpojte zástrčku**
 - uvoľnite poistku C
 - odstráňte brúsny pás
 - vložte nový brúsny pás tak, aby šípky na jeho vnútornej strane smerovali rovnako ako šípka D na nástroje
 - zatlačte poistku naspäť
 - ! **brúsny pás priebežne vymieňajte**
 - ! **brúsny pás nikdy neskladajte**
- Automatické centrovanie brúsneho pásu (ABC)
 - pri zapnutí nástroja sa brúsny pás automaticky vycentruje
 - počas brúsenia udržuje brúsny pás vycentrovaný
 - Ak sa brúsny pás uvoľní z nástroja (väčšinou kvôli nízkej kvalite pásu):
 - nástroj zapnite
 - nastavte skrutku E ② tak, aby bol brúsny pás umiestnený súbežne s plochou stranou nástroja
 - ak sa brúsny pás neustále uvoľňuje z nástroja, použite nový brúsny pás
- Odsávanie prachu ⑦
 - vyprázdňte schránka G/vrecko F pravidelne aby sa čo najviac zvýšil výkon sania prachu
 - keď používate nástroj s vysávačom, namontujte adaptér H vysávača podľa obrázku (1215)
 - ak je to potrebné, vyčistite aj filter, podľa obrázku
 - ! **nepoužívajte prachová schránka/prachové vrecko/vysávač keď brúsíte kov**
- Držanie a vedenie nástroja ⑧
 - nástrojom pohybujte rovnoobežne s pracovným kusom
 - ! **počas práce vždy držte nástroj v oblasti sivého držadla(iel)**
 - ! **pri práci netlačte príliš silno na nástroj, nechajte ho voľne pohybovať po brúsenom kuse**
 - nástroj sa nemá klopiť lebo týmto dôjde k tvorbe rýh na brúsenej ploche
 - vetracie štrbiny J ② udržujte nezakryté

RADU NA POUŽITIE

- Pri brúsení čistých drevených povrchov pohybujte nástrojom rovnými ťahmi v smere zrna
- Pri brúsení všetkých ostatných povrchov pohybujte nástrojom krúživými ťahmi
- Ak nechcete na brúsenom povrchu spôsobiť škrabance alebo rhy, použite brúsny rám K (príslušenstvo SKIL 2610398244), a skontrolujte, či drží pevne na svojom mieste ⑨
 - ! **počas práce je brúsny rám K veľmi horúci; nedotýkajte sa ho, až kým nevychladne**

- Nikdy nepoužívajte rovnaký brúsny pás na brúsenie dreva a kovu
- Odporúčaná zrnitosť brúsneho papiera:
 - na odstránenie náterov a pri brúsení extrémne drsného dreveného povrchu použite brúsny papier s veľkým zrnom (40, 60)
 - na brúsenie rovného dreveného povrchu použite brúsny papier so stredne veľkým zrnom (80, 100, 120)
 - na vyhladenie dreva alebo povrchov so starými nátermi, ako aj na konečnú úpravu surového dreva používajte brúsny papier s jemným zrnom (180, 240, 320)
- K úprave hrubých povrchov používajte brúsne pásy s rôznou zrnou veľkosťou
 - najprv použijte hrubozrný alebo strednozrný pás
 - k dokončeniu slúži jemnozrný pás
- Viac rád nájdete na www.skil.com

ÚDRŽBA / SERVIS

- Tento nástroj nie je vhodný pre profesionálne použitie
- Nástroj a sieťový šnúru udržujte stále čisté (zvlášť vetracie štrbiny J ②)
 - pomocou kefy odstráňte nalepený brúsny prach
 - ! **pred čistením odpojte z elektrickej siete**
- Ak by nástroj napriek starostlivej výrobe a kontrole predsa len prestal niekedy fungovať, treba dať opravu vykonať autorizovanej servisnej opravovni elektrického náradia SKIL
 - pošlite nástroj **bez rozmontovania** spolu s dôkazom o kúpe; vášmu dilerovi alebo do najbližšieho servisného strediska SKIL (zoznam adries servisných stredísk a servisný diagram nástroja sú uvedené na www.skil.com)

ŽIVOTNÉ PROSTREDIE

- **Elektrické náradie, príslušenstvo a balenia nevyhadzujte do komunálneho odpadu** (len pre štáty EÚ)
 - podľa európskej smernice 2012/19/EG o nakladaní s použitými elektrickými a elektronickými zariadeniami a zodpovedajúcich ustanovení právnych predpisov jednotlivých krajín sa použité elektrické náradie musí zbierať oddelene od ostatného odpadu a podrobiť ekologicky šetrnej recyklácii
 - pripomenie vám to symbol ⑤, keď ju bude treba likvidovať

HLUKU / VIBRÁCIÁCH

- Merané podľa EN 62841 je úroveň akustického tlaku tohto nástroja 87 dB(A) a úroveň akustického výkonu je 98 dB(A) (štandardná odchýlka: 3 dB), a vibrácie sú 2,1 m/s² (súčet vektorov troch smerov; nepresnosť K = 1,5 m/s²)
- Hladina emisií od vibrácií bola nameraná v súlade s normalizovaným testom uvedeným v norme EN 62841; môže sa používať na vzájomné porovnávanie náradí a na predbežné posúdenie vystavenia účinkom vibrácií pri používaní náradia pre uvedené aplikácie
 - používanie náradia na rôzne aplikácie, alebo v spojení s rôznymi alebo nedostatočne udržiavanými doplnkami môže značne **zvýšiť** úroveň vystavenia

- časovne doby počas ktorých je je náradie vypnuté alebo počas ktorých náradie beží ale v skutočnosti nevykonáva prácu môžu značne **znižit'** úroveň vystavenia

! **chráňte sa pred účinkami vibrácií tak, že budete náradie a jeho príslušenstvo správne udržiavať, tak že nebudete pracovať so studenými rukami a tak že si svoje pracovné postupy správne zorganizujete**

HR

Tračna brusilica

1210/1215

UVOD

- Ovaj je uređaj predviđen suhom brušenju i posjeduje veliku mogućnost uklanjanja drveta, plastike, metala te kitanih i obojanih površina
- Ovaj uređaj nije namijenjen profesionalnoj upotrebi
- Pažljivo pročitajte i sačuvajte ove upute za rukovanje ③

TEHNIČKI PODACI ①

DIJELOVI ALATA ②

- A Prekidač uključeno/isključeno
- B Gumb za zaključavanje prekidača za uključivanje/isključivanje
- C Ručica za zamjenu brusne trake
- D Strelica
- E Vijak za centriranje trake
- F Vrećica za prašinu
- G Dodatak za prašinu
- H Priključak usisavača prašine
- J Otvori za strujanje zraka
- K Brusni okvir

SIGURNOST

OPĆA SIGURNOSNA UPOZORENJA ZA ELEKTRIČNE ALATE

! **UPOZORENJE** Pročitajte sva sigurnosna upozorenja, upute, ilustracije i specifikacije koje se isporučuju s ovim električnim alatom. Nepoštivanje dolje navedenih uputa može uzrokovati električni udar, požar i/ili ozbiljne ozljede.

Sva upozorenja i upute sačuvajte kao referencu za buduće upotrebe.

U daljnjem tekstu korišten pojam "električni alat" odnosi se na električne alate s priključkom na električnu mrežu (s mrežnim kablom) i na električne alate s napajanjem iz aku baterije (bez mrežnog kabela).

1) SIGURNOST NA RADNOM MJESTU

- a) **Vaše radno područje održavajte čisto i uredno.** Neured ili neosvijetljeno radno područje mogu doći do nezgoda.

- b) **S uređajem ne radite u okolini ugroženoj eksplozijom, u kojoj se nalaze zapaljive tekućine, plinovi ili prašina.** Električni alati proizvode iskre koje mogu zapaliti prašinu ili pare.
- c) **Djecu i ostale osobe držite dalje tijekom korištenja električnog alata.** Ako bi skrenuli pozornost sa posla mogli bi izgubiti kontrolu nad uređajem.

2) ELEKTRIČNA SIGURNOST

- a) **Priključni utikač uređaja treba odgovarati utičnici.** Na utikaču se ni u kojem slučaju ne smiju izvoditi izmjene. **Ne koristite adapterske utikače zajedno sa uređajima koji su zaštićeni uzemljenjem.** Originalni utikač i odgovarajuće utičnice smanjuju opasnost od električnog udara.
- b) **Izbjegavajte dodir tijela s uzemljenim površinama kao što su cijevi, centralno grijanje, štednjaci i hladnjaci.** Postoji povećana opasnost od električnog udara ako je vaše tijelo uzemljeno.
- c) **Držite uređaj dalje od kiše ili vlage.** Prodiranje vode u električni uređaj povećava opasnost od električnog udara.
- d) **Priključni kabel ne koristite za nošenje, vješanje ili za izvlačenje utikača iz utičnice.** Držite kabel dalje od izvora topline, ulja, oštrih rubova ili pomičnih dijelova uređaja. Oštećen ili usukan kabel povećava opasnost od električnog udara.
- e) **Ako s električnim uređajem radite na otvorenom, koristite samo produžni kabel odobren za uporabu na otvorenom.** Primjena produžnog kabela prikladnog za uporabu na otvorenom smanjuje opasnost od električnog udara.
- f) **Ako se ne može izbjeći uporaba električnog alata u vlažnoj okolini, upotrijebite sigurnosna sklopka za propuštanje u zemlju.** Upotrebom sigurnosne sklopke za propuštanje u zemlju smanjuje se opasnost od električnog udara.

3) SIGURNOST LJUDI

- a) **Budite oprezni, pazite što činite i postupajte razumno kod rada s električnim alatom.** Ne koristite uređaj ako ste umorni ili pod utjecajem opojnih sredstava, alkohola ili lijekova. Trenutak nepažnje kod uporabe uređaja može doći do ozbiljnih ozljeda.
- b) **Nosite sredstva osobne zaštite i uvijek zaštitne naočale.** Nošenje sredstava osobne zaštite, kao što je zaštitna maska, sigurnosne cipele koje ne klize, zaštitne kacige ili štitnika za sluh, ovisno od vrste i primjene električnog alata, smanjuje opasnost od nezgoda.
- c) **Izbjegavajte nehotično puštanje u rad. Prije nego što ćete utaknuti utikač u utičnicu i/ili staviti aku-bateriju, provjerite je li električni alat isključen.** Ako kod nošenja električnog alata imate prst na prekidaču ili se uključeni uređaj priključi na električno napajanje, to može dovesti do nezgoda.
- d) **Prije nego što uređaj uključite, uklonite alate za podešavanje ili vijčane ključeve.** Alat ili ključ koji se nalazi u rotirajućem dijelu uređaja može doći do nezgoda.
- e) **Ne precjenjujte svoje sposobnosti. Zauzmite siguran i stabilan položaj tijela i držite u svakom trenutku ravnotežu.** Na taj način možete uređaj bolje kontrolirati u neočekivanim situacijama.

- f) **Nosite prikladnu odjeću. Ne nosite široku odjeću ili nakit. Kosu i odjeću držite dalje od pomičnih dijelova.** Široku odjeću, dugu kosu ili nakit mogu zahvatiti pomični dijelovi.
- g) **Ako se mogu montirati naprave za usisavanje i hvatanje prašine, provjerite da li su iste priključene i da li se pravilno koriste.** Primjena naprave za usisavanje može smanjiti ugroženost od prašine.
- h) **Nemojte postati previše bezbrižni i zanemariti sigurnosne upute zato što alat često upotrebljavate i smatrate da ste ga dobro poznali.** Samo jedan trenutak nepažnje dovoljan je za nastanak ozbiljnih ozljeda.

4) BRIŽLJIVA UPORABA ELEKTRIČNIH ALATA

- a) **Ne preopterećujte uređaj. Koristite za vaše radove za to predviđen električni alat.** S odgovarajućim električnim alatom radit ćete bolje i sigurnije, u navedenom području učinka.
- b) **Ne koristite električni alat čiji je prekidač neispravan.** Električni alat koji se više ne može uključiti ili isključiti, opasan je i treba se popraviti.
- c) **Alat prije podešavanja, izmjene pribora i odlaganja isključite iz izvora napajanja i/ili izvadite komplet baterije, ako se vadi iz uređaja.** Ovim mjerama opreza izbjeći će se nehotično uključivanje električnog alata.
- d) **Nekorištene električne alate spremite izvan doseg djece. Ne dopustite da uređaj koriste osobe koje s njim nisu upoznate ili koje nisu pročitale upute za uporabu.** Električni alati su opasni ako ih koriste neiskusne osobe.
- e) **Redovno održavajte električne alate i pribor. Kontrolirajte da li pomični dijelovi uređaja besprijekorno rade i da nisu zaglavljani, te da li su dijelovi polomljeni ili tako oštećeni da negativno djeluju na funkciju uređaja. Popravite oštećene dijelove prije uporabe uređaja.** Mnoge nezgode imaju svoj uzrok u loše održanim uređajima.
- f) **Rezne alate održavajte ostrim i čistim.** Pažljivo održavani rezni alati s ostrim oštricama neće se zaglaviti i lakši su za vođenje.
- g) **Koristite električne alate, pribor, radne alate, itd., prema navedenim uputama. Pri tome uzmete u obzir radne uvjete i radove koje se izvode.** Uporaba električnih alata za neke druge primjene različite od predviđenih, može doći do opasnih situacija.
- h) **Ručke i zahvatne površine održavajte suhima, čistima i pazite da na njih ne dospiju ulje ili mast.** Skliske ručke i zahvatne površine onemogućuju sigurno rukovanje i alat se teško kontrolira u neočekivanim situacijama.

5) SERVISIRANJE

- a) **Popravak uređaja prepustite samo kvalificiranom stručnom osoblju i samo s originalnim rezervnim dijelovima.** Na taj će se način postići održanje stalne sigurnosti uređaja.

UPUTE ZA SIGURAN RAD S BRUSILICAMA

OPĆENITO

- Uređaj ne bi smjele koristiti osobe mlađe od 16 godina
- Ovaj je uređaj nije prikladan za mokro brušenje
- Nikad ne upotrebljavajte alat kad su kabel oštećeni; nekada iz zamijeni kvalificirana osoba

- **Ne obrađujte materijal koji sadrži azbest** (azbest se smatra kancerogenim)
- **Redovito čistite otvore za hlađenje vašeg električnog alata** (ventilator motora uvlači prašinu u kućište, a veće nakupljanje metalne prašine može uzrokovati električne opasnosti)
- **Prije svih radova održavanja, podešavanja ili izmjene alata i pribora treba izvući utikač iz mrežne utičnice**

PRIBOR

- SKIL može osigurati besprijekoran rad uređaja samo ako se koristi originalni pribor
- Ne koristite istrošene, oštećene ili jako zapunjene brusne trake

PRIJE UPORABE

- Uvijek provjerite je li napon napajanja isti kao onaj naveden na tipskoj pločici uređaja (uređaji označeni s 230V ili 240V mogu raditi i na 220V)
- Izbjegavajte oštećenja od vijaka, čavala i sličnih predmeta na vašem izratku; prije početka rada ih izvadite
- Upotrebljavajte samo neodmotane i zaštićene produžne kabele kapaciteta 16 ampera
- Razina buke kod rada može premašiti 85 dB(A); nositi štitnike za sluh
- Prašina od materijala kao što su boje koje sadrže olovo, neke vrste drveća, minerala i metal mogu biti opasne (dodir s prašinom ili njeno udisanje mogu prouzročiti alergične reakcije i/ili respiratorna oboljenja rukovatelja ili posmatrača); **nosite masku za zaštitu od prašine i radite s uređajem za ekstrakciju prašine ukoliko ga možete priključiti**
- Određene vrste prašine klasificiraju se kao karcinogenske (kao što su prašina hrastovine i bukovine), osobito u sudejstvu s aditivima za kondicioniranje drveta; **nosite masku za zaštitu od prašine i radite s uređajem za ekstrakciju prašine ukoliko ga možete priključiti**
- Nacionalni uvjeti za materijale s kojima želite raditi
- Nosite zaštitne rukavice, zaštitne naočale, tijesno pripijenu odjeću i mrežicu za kosu (ako nosite dugu kosu)
- **Osigurajte izradak** (izradak je sigurnije pričvršćen pomoću stezaljke ili škripa nego da ga držite rukom)
- Kod brušenja metala dolazi od iskrenja; ne koristite vrećicu za prašinu/dodatak za prašinu/usisivač prašine, a ostale osobe kao i zapaljive materijale držite dalje od radnog područja

TIJEKOM UPORABE

- **Uređaj držite samo na izoliranim ručkama jer brusna površina može doći u dodir s vlastitim kabelom** (rezanje vodova pod naponom stavljaju metalne dijelove električnog alata pod napon, što bi dovelo do električnog udara)
 - Kabel uvijek držati dalje od rotirajućih dijelova uređaja; kabel povlačiti iza uređaja
 - Ne dodirujte brusnu traku tijekom rada
 - U slučaju neobičajenog ponašanja uređaja ili neobičnih šumova, uređaj treba odmah isključiti i izvući utikač iz mrežne utičnice
 - Ako se tijekom rada priključni kabel ošteti ili odreže, ne dirati priključni kabel, nego odmah izvući mrežni utikač
- #### NAKON UPORABE
- Čim se odmaknete od alata trebate ga isključiti, a pomični se dijelovi trebaju potpuno zaustaviti

POJAŠNENJE SIMBOLA NA UREĐAJU

- ③ Prije upotrebe pročitajte korisnički priručnik
- ④ Dvostruka izolacija (dozerna žica nije potrebna)
- ⑤ Uređaj ne bacajte u kućni otpad

POSLUŽIVANJE

- Prekidač za uključivanje/isključivanje
 - uređaj uključite/isključite povlačenjem/otpuštanjem prekidača A ②
 - ! **prije nego što brusna površina trake dodirne izradak, uređaj se treba prvo uključiti**
 - ! **prije isključivanja alata, isti se treba skinuti sa izratka**
- Aretiranje prekidača za stalan rad
 - povucite prekidač A ②
 - palcem pritisnite gumb B ②
 - otpustite prekidač
 - prekidač otključajte tako da prekidač A ② ponovo povučete, a zatim otpustite
- Brza zamjena brusnih traka (CLIC sustav) ⑥
 - ! **izvući mrežni utikač**
 - podignite ručicu C
 - uklonite brusnu traku
 - novu traku umetnite tako da su strelice s unutarnje strane trake okrenute u smjeru strelice D prikazane na uređaju
 - ručicu gurnite natrag
 - ! **brusne trake mijenjajte pravodobno**
 - ! **ne savijajte brusne trake**
- Automatsko centriranje brusne trake (ABC)
 - pri uključivanju uređaja automatski centrirna traku
 - pazite da brusne trake tijekom brušenja budu centrirane
 - Kada se traka skida sa uređaja, treba se
 - uključite uređaj
 - prilagodite vijak E ② tako da se brusna traka nalazi u ravnini s ravnom površinom uređaja
 - ako brusna traka i dalje spada s uređaja, zamijenite je novom
- Usisavanje prašine ⑦
 - redovito prazniti dodatak G/vrećicu F jamči se optimalno usisavanje prašine
 - kod uporabe uređaja sa usisavača prašine, priključak usisavača prašine H montirati kako je prikazano (1215)
 - u slučaju potrebe očistite filter, kao na ilustraciji
 - ! **dodatak za prašinu/vrećicu za prašinu/usisavač ne koristiti kod brušenja metala**
- Držanje i vođenje uređaja ⑧
 - držite vaš uređaj paralelno s obrađivanom površinom
 - ! **alat kod primjene, držati samo na sivo označenim područjima**
 - ! **! kod obrade površine ne djelovati prevelikim pritiskom na uređaj**
 - ne nagibajte uređaj, na taj će se način izbjeći neželjeni tragovi brušenja
 - otvore za strujanje zraka J ② držite nepokriveno

SAVJETI ZA PRIMJENU

- Pri brušenju neobrađenih drvenih površina uređaj pomičite ravnim pokretima, prateći šare drveta
- Pri brušenju svih drugih površina uređaj preko materijala pomičite ovalnim pokretima

- Za izjednačavanje površina bez ogrebotina ili žlijebova ugradite okvir brusilice K (SKIL pribor 2610398244), i provjerite je li dobro namješten ⑨

! **okvir brusilice K se zagrije prilikom uporabe; ne dirati ga prije nego što se ohladi**

- Nikad ne koristite istu brusnu traku za obradu drveta i metala
- Preporučene granulacije brusne trake:
 - za skidanje stare boje i brušenje izuzetno hrapavog drva koristite hrapavi papir (zrnatost 40, 60)
 - za brušenje hrapavog ili sirovog drva koristite papir (zrnatost 80, 100, 120)
 - za ravnjanje drva ili površina prebojanih starom bojom kao i završnu obradu neobrađenog drva koristite glatki papir (zrnatost 180, 240, 320)
- Ako je obrađivana površina hrapava, koristite različite veličine zrnatosti:
 - u početku brusite s grubom i srednjom zrnatošću
 - završite sa finom zrnatošću
- Dodatne savjete možete naći na adresi www.skil.com

ODRŽAVANJE / SERVISIRANJE

- Ovaj uređaj nije namijenjen profesionalnoj upotrebi
- Održavajte čistim uređaj i kabel (osobito otvore za hlađenje J ②)
 - nakupljenu prašinu od brušenja očistite četkom
 - ! **prije čišćenja treba izvući mrežni utikač**
- Ako bi uređaj unatoč brižljivih postupaka izrade i ispitivanja ipak prestao raditi, popravak treba prepustiti ovlaštenom servisu za SKIL električne alate
 - uređaj treba **nerastavljeno** predati, zajedno s računom o kupnji u najbližu SKIL ugovornu servisnu radionicu (popise servisa, kao i oznake rezervnih dijelova uređaja možete naći na adresi www.skil.com)

ZAŠTITA OKOLIŠA

- **Električne alate, pribor i ambalažu ne bacajte u kućni otpad** (samo za EU-države)
 - prema Europskoj direktivi 2012/19/EG o staroj električnoj i elektroničkoj opremi i njenoj primjeni u skladu sa nacionalnim zakonom, istrošeni električni alati moraju se sakupljati odvojeno i odvesti u posebne pogone za reciklažu
 - na to podsjeća simbol ⑤ kada se javi potreba za odlaganjem

BUKA / VIBRACIJA

- Mjereno prema EN 62841 prag zvučnog tlaka ovog električnog alata iznosi 87 dB(A) a jakost zvuka 98 dB(A) (standardna devijacija: 3 dB), a vibracija 2,1 m/s² (vektorski zbroj u tri smjera; nesigurnost K = 1,5 m/s²)
- Razina emitiranja vibracija izmjerena je sukladno normiranom testu danom u EN 62841; ona se može koristiti za usporedbu jedne alatke s drugom, te preliminarnu procjenu izloženosti vibracijama pri uporabi alatke za navedene namjene
 - uporaba ove alatke za druge namjene ili s drugim ili slabo održavanim nastavcima, može u značajnoj mjeri **uvećati** razinu izloženosti

- vrijeme tokom kojega je alatka isključena, ili je uključena ali se njome ne radi, može značajno **umanjiti** razinu izloženosti
- ! **zaštitite se od posljedica vibracija održavanjem alatke i njezinih nastavaka, održavanjem Vaših ruku toplima, te organiziranjem Vaših obrazaca rada**

SRB

Tračna brusilica

1210/1215

UPUTSTVO

- Ovaj alat je namenjen za suvo brušenje i uspešno uklanjanje drveta, plastike, metala, materijala za ispunu i obojenih površina
- Ovaj alat nije namenjen za profesionalnu upotrebu
- Pažljivo pročitajte i sačuvajte ova uputstva za rukovanje

③

TEHNIČKI PODACI ①

ELEMENTI ALATA ②

- A Prekidač za uključivanje/isključivanje
- B Dugme za zaključavanje prekidača za uključivanje/isključivanje
- C Ručica za promenu brusnog papira
- D Strelica
- E Šraf za centriranje brusnog papira
- F Kesa za prašinu
- G Dodatak za prašinu
- H Adapter za usisivač
- J Prorezi za hlađenje
- K Brusni okvir

SIGURNOST

OPŠTA SIGURNOSNA UPOZORENJA ZA ELEKTRIČNI ALAT

⚠ UPOZORENJE Pročitajte sva sigurnosna upozorenja, uputstva, ilustracije i specifikacije isporučene uz ovaj električni alat. Propusti kod pridržavanja svih dole navedenih uputstava mogu imati za posledicu električni udar, požar i/ili teške povrede.

Sačuvajte sva upozorenja i uputstva za buduću upotrebu. Pojam upotrebljen u upozorenjima "električni alat" odnos

i se na električne alate sa radom na mreži (sa mrežnim kablom) i na električne alate sa radom na akumulator (bez mrežnog kabla).

1) SIGURNOST NA RADNOM MESTU

- a) **Držite Vaše područje rada čisto i pospremljeno.** Nered ili neosvetljena radna područja mogu voditi nesrećama.
- b) **Ne koristite električni alat tamo gde postoji opasnost od eksplozije kao npr. u prisustvu**

zapaljivih tečnosti, gasova ili prašine. Električni alati proizvode varnice, koje mogu zapaliti prašinu ili isparenja.

- c) **Za vreme korišćenja električnog alata držite podalje decu i druge osobe.** Kod skretanja možete izgubiti kontrolu nad alatom.

2) ELEKTRIČNA SIGURNOST

- a) **Utikač električnog alata mora odgovarati utičnici.** Nikada nemojte modifikovati utikač. **Ne upotrebljavajte adaptore utikača sa uzemljenim električnim alatom.** Nemodifikovani utikači i odgovarajuće utičnice smanjuju rizik od električnog udara.
- b) **Izbegavajte telesni kontakt sa uzemljenim gornjim površinama, kao što su cevi, grejanja, šporeti i rashladni ormani.** Postoji povećani rizik od električnog udara, ako je Vaše telo uzemljeno.
- c) **Ne izlažite električni alat kiši ili vlažnim uslovima.** Prodor vode u električni alat povećava rizik od električnog udara.
- d) **Ne zloupotrebljavajte kabl.** Nikada nemojte koristiti kabl za nošenje i vučenje električnog alata ili za izvlačenje iz utičnice. **Držite kabl dalje od vreline, ulja, oštih ivica ili pokretnih delova.** Oštećeni ili umršeni kablovi povećavaju rizik električnog udara.
- e) **Ako sa nekim električnim alatom radite u prirodi, upotrebljavajte samo produžne kablove koji su dozvoljeni za spoljno područje.** Upotreba produžnog kabla pogodnog za spoljno područje smanjuje rizik od električnog udara.
- f) **Ako rad električnog alata ne može da se izbegne u vlažnoj okolini, koristite prekidač strujne zaštite pri kvaru.** Upotreba prekidača strujne zaštite pri kvaru smanjuje rizik od električnog udara.

3) SIGURNOST OSOBA

- a) **Budite oprezni, pazite na to šta radite i razumno rukujte Vašim električnim alatom. Ne koristite električni alat dok ste umorni ili pod uticajem narkotika, alkohola ili lekova.** Momenat nepažnje kod upotrebe električnog alata može rezultirati ozbiljnim povredama.
- b) **Nosite ličnu zaštitnu opremu i uvek zaštitne naočare.** Nošenje lične zaštitne opreme, kao maske za prašinu, sigurnosne cipele koje ne klizaju, zaštitni šlem ili zaštitu za sluh, zavisno od vrste i upotrebe električnog alata, smanjujete rizik od povreda.
- c) **Sprečite nenamerno puštanje u rad. Pre priključivanja na struju i/ili na akumulatorsku bateriju, podizanja ili nošenja alata uverite se da je prekidač isključen.** Nošenje električnog alata sa prstom na prekidaču ili priključivanje na struju uključenog električnog alata vodi do nesreće.
- d) **Uklonite bilo kakve ključeve za podešavanje ili ključeve za zavrtnjeve, pre nego što uključite električni alat.** Ostavljanje ključa za zavrtnjeve ili ključa prikacene na rotirajući deo električnog alata može rezultirati ličnom povredom.
- e) **Ne zauzimajte neadekvatan položaj. Sve vreme držite ravnotežu i pravilan položaj nogu.** Ovo omogućava bolje upravljanje električnim alatom u neočekivanim situacijama.

- f) **Nosite pogodno odelo. Ne nosite široko odelo ili nakit. Držite kosu i odeću dalje od pokretnih delova.** Opušteno odelo, nakit ili duža kosa mogu biti zahvaćeni od rotirajućih delova.
- g) **Ako se mogu montirati uređaji za usisavanje prašine i uređaji za hvatanje prašine, uverite se da li su priključeni i ispravno koriste.** Upotreba usisavanja prašine može smanjiti opasnosti od prašine.
- h) **Ne dozvolite da pouzdanje koje ste stekli čestom upotrebom alata utiče na to da postanete neoprezni i da zanemarite sigurnosne principe za upotrebu alata.** Neoprezno delovanje može prouzrokovati teške povrede u deliću sekunde.

4) BRIŽLJIVO OPHODJENJE I KORIŠĆENJE ELEKTRIČNIH ALATA

- a) **Ne preopterećujte električni alat. Koristite električni alat koji odgovara Vašoj primeni.** Sa odgovarajućim električnim alatom radite bolje i sigurnije tempom za koji je projektovan.
- b) **Ne upotrebljavajte električni alat, čiji je prekidač u kvaru.** Električni alat koji više ne može da se uključi ili isključi je opasan i mora da se popravi.
- c) **Izvućite utikač iz utičnice i/ili izvadite akumulatorsku bateriju, ukoliko je to moguće, iz električnog alata pre nego što izvršite bilo kakva podešavanja, promenu pribora ili pre nego što uskladištite električni alat.** Takve preventivne sigurnosne mere smanjuju rizik od slučajnog pokretanja električnog alata.
- d) **Čuvajte električne alate koje ne koristite izvan domašaja dece i ne dozvoljavajte osobama, koje nisu upoznate sa ovim električnim alatom ili sa ovim uputstvima, da rukuju električnim alatom.** U rukama neobučениh korisnika električni alati postaju opasni.
- e) **Održavajte električni alat i pribore. Proverite da li su pokretni delovi u ravni i da li negde zapinju, da nije došlo do lomljenja delova i svako drugo stanje koje može uticati na rad električnog alata. Ukoliko je oštećen, odnesite električni alat na popravku pre korišćenja.** Mnoge nesreće su prouzrokovane lošim održavanjem električnih alata.
- f) **Držite alate za sečenja oštre i čiste.** Brižljivo negovani alati za sečenje sa oštrim sečivima manje slepljuju i lakše se vode.
- g) **Upotrebljavajte električne alate, pribor, alate koji se umeću itd. prema ovim uputstvima. Obratite pažnju pritom na uputstva za rad i posao koji treba izvesti.** Upotreba električnih alata za druge od propisanih namena može voditi opasnim situacijama.
- h) **Održavajte drške i prihvatne površine suvim, čistim i bez ostataka ulja ili masnoće.** Klizave drške ili prihvatne površine ne omogućavaju bezbedno rukovanje i upravljanje alatom u neočekivanim situacijama.

5) SERVISIRANJE

- a) **Vaš električni alat dajte na servisiranje samo kvalifikovanom licu za popravku, koristeći pritom samo identične rezervne delove.** Ovo će osigurati očuvanje bezbednosti električnog alata.

UPUTSTVA O SIGURNOSTI SA BRUSILICOM

OPŠTA

- Ovaj alat ne treba da koriste osobe ispod 16 godina
- Ovaj alat nije podesan za mokro brušenje

- Nikada nemojte da koristite alat ako je kabl oštećen; zamenu kabla mora da obavi stručno lice
- **Ne obrađujte nikakav materijal koji sadrži azbest** (azbest važi kao izazivač raka)
- **Čistite redovno proreze za ventilaciju Vašeg električnog pribora** (motorna duvaljka vuče prašinu u kućište i veće sakupljanje metalne prašine može prouzrokovati električnu opasnost)
- **Obavezno iskopčajte alat iz električne utičnice pre nego što izvršite bilo kakva podešavanja ili zamenu pribora**

PRIBOR

- SKIL može priznati garanciju samo ukoliko je korišćen originalni pribor
- Nemojte da koristite istrošene, pohabane ili veoma zapušene brusne papire

PRE UPOTREBE

- Uvek se uverite da je napon struje isti kao i napon naveden na pločici sa nazivom alatu (alati na kojima je naveden napon od 230V ili 240V mogu da rade i na 220V)
- Izbegavajte oštećenja od šrafova, eksera i drugih predmeta na vašem području rada; uklonite ih pre nego što započnete rad
- Produžni kabl koji koristite mora da bude savsiv odmotan i siguran, sa kapacitetom od 16 A
- Buka koju alat proizvodi tokom rada može da premaši 85 dB(A); nosite zaštitu za sluh
- Prašina od materijala, kao što su boja koja sadrži olovo, neke vrste drveta, minerali i metal, može biti opasna (dodir ili udisanje prašine može prouzrokovati alergijske reakcije i/ili respiratorna oboljenja rukovaoaca i lica u blizini); **nosite masku protiv prašine i radite uz uključeni uređaj za ekstrakciju prašine kada radite na mestima gde ju je moguće priključiti**
- Određene vrste prašine su klasifikovane kao kancerogene (kao što su prašina hrastovine i bukovine), posebno u sadejstvu sa aditivima za pripremu drveta; **nosite masku protiv prašine i radite uz uključeni uređaj za ekstrakciju prašine kada radite na mestima gde ju je moguće priključiti**
- Prati nacionalne propise vezane za prašinu koja se proizvodi prilikom rada na obrađivanom materijalima
- Nosite zaštitne rukavice, zaštitne naočari, odeću pripijenu uz telo i zaštitu za kosu (ukoliko je dugačka)
- **Obezbedite radni predmet** (radni predmet stegnut pomoću stega ili nečeg sličnog je mnogo stabilniji neko kada se drži rukom)
- Kod brušenja metala, dolazi do varničenja; nemojte da koristite kesu za prašinu/dodatak za prašinu/usisivač, a ostale osobe i zapaljivi materijali treba da budu dalje od područja rada

TOKOM UPOTREBE

- **Hvatajte električni alat za izolovane hvataljke zato što brusna površina može da dodirne svoj kabl** (presecanje žice pod naponom može da izloži metalne delove električnog alata naponu i izazove električni udar kod rukovaoaca)
- Kabl uvek držite podalje od pokretnih delova alata; uvek ga treba držati iza alata
- Nemojte dodirivati brusni papir kada je alat uključen
- U slučaju da dođe do električnog ili mehaničkog kvara, odmah isključite alat i iskopčajte ga iz utičnice

- Ako se kabl ošteti ili preseče u toku rada, odmah ga iskopčajte i nemojte ga dodirivati

NAKON UPOTREBE

- Kada završite rad sa alatom, isključite motor i proverite da li su se zaustavili svi pokretni delovi

OBJAŠNJENJE SIMBOLA NA ALATU

- ③ Pročitajte uputstvo za korišćenje pre prve upotrebe
- ④ Dvostruka izolacija (nije potrebna žica za uzemljenje)
- ⑤ Alat ne odlažite u kućne otpatke

UPUTSTVO ZA KORIŠĆENJE

- Prekidač za uključivanje/isključivanje
 - uključite/isključite alat povlačenjem/otpuštanjem obarača A ②
 - ! **alat treba da uključite pre nego što brusna površina dodirne područja rada**
 - ! **uređaj treba da ga podignete sa područja rada pre nego što ga isključite**
- Učvršćivanje prekidača za stalno bušenje
 - povucite obarač A ②
 - pritisnite dugme B ② palcem
 - pustite obarač
 - otključajte prekidač ponovnim povlačenjem obarača A ② i otpuštanjem
- Brza zamena brusnih papira (CLIC sistem) ⑥
 - ! **iskopčajte utikač**
 - podignite ručicu C
 - uklonite brusni papir
 - umetnite novi brusni papir sa strelicama utisnutim sa unutrašnje strane usmerenim u istom pravcu kao i strelica D na alatu
 - gurnite ručicu unazad
 - ! **na vreme menjajte brusne papire**
 - ! **nikada nemojte savijati brusne papire**
- Automatsko centriranje brusnog papira (ABC)
 - automatski centriraju brusni papir prilikom uključivanja alata
 - održava centriranje brusnog papira prilikom brušenja
 - U slučaju da brusni papir spadne sa alata (uglavnom zbog lošijeg kvaliteta brusnog papira), trebalo bi da
 - uključite alat
 - podesite šraf E ② da bi se brusni papir poravnao sa ravnom stranom alata
 - upotrebite novi brusni papir, ako stari još uvek spada sa alata
- Usisavanje prašine ⑦
 - radi optimalnog usisavanja prašine redovno praznite dodatak G/kesu F
 - ako koristite alat sa usisivača, montirajte adapter za usisivač H kao što je prikazano na slici (1215)
 - po potrebi čistite filter kao što je prikazano na slici
 - ! **nemojte da koristite dodatak za prašinu/kesu za prašinu/usisivač kada brusite metal**
- Držanje i upravljanje alata ⑧
 - držite alat paralelno sa površinom koju obrađujete
 - ! **dok radite, uvek držite alat za mesto(a) koje(a) su označena sivom bojom**
 - ! **nemojte mnogo da pritisnete električni alat na površinu za brušenje**
 - nemojte da naginjete alat, da biste izbegli pojavljivanje neželjenih tragova brušenja
 - prerezi za hlađenje J ② moraju da budu otvoreni

SAVETI ZA PRIMENU

- Prilikom brušenja neobrađenog drveta pomerajte alat pravolinijski prateći šare drveta
- Prilikom brušenja svih ostalih površina pomerajte alat kružnim pokretima
- Postavite brusni okvir K (SKIL pribor 2610398244) za izjednačavanje površina bez ogrebotina ili žlebova, i proverite da li je dobro namešten ⑨
- ! **brusni okvir K zagreva se prilikom upotrebe; ne dodirujte ga dok se ne ohladi**
- Nemojte nikada da koristite isti brusni papir za drvo i metal
- Preporučena zrnastost brusnog papira:
 - za uklanjanje boje, a za brušenje veoma hrapavog drveta koristite brusni papir grube zrnastosti (40, 60)
 - za brušenje hrapavog ili sirovog drveta koristite brusni papir srednje zrnastosti (80, 100, 120)
 - za glačanje drveta i površina sa starom bojom kao i za finu obradu neobrađenog drveta koristite brusni papir fine zrnastosti (180, 240, 320)
- Koristite različit stepen zrnastosti kada je površina za obradu hrapava:
 - brušenje započinite papirom sa grubom ili srednjom zrnastošću
 - završite papirom sa finom zrnastošću
- Za više saveta pogledajte www.skil.com

ODRŽAVANJE / SERVIS

- Ovaj alat nije namenjen za profesionalnu upotrebu
- Alat i kabl uvek održavajte čistim (posebno otvore za hlađenje J ②)
 - četkicom uklonite nakupljenu prašinu od brušenja
 - ! **pre čišćenja iskopčajte kabl iz utičnice**
- Ako bi alat i pored brižljivog postupka izrade i kontrole nekada otkazao, popravku mora vršiti neki autorizovani servis za SKIL-električne alate
 - pošaljite **nerastavljeni** alat zajedno sa potvrdom o kupovini vašem nabavljaču ili najbližem SKIL servisu (adrese i oznake rezervnih delova možete naći na www.skil.com)

ZAŠTITA OKOLINE

- **Električne alate, pribora i ambalaže ne odlažite u kućne otpatke** (samo za EU-države)
 - prema Evropskoj direktivi 2012/19/EG o staroj električnoj i elektronskoj opremi i njenoj upotrebi u skladu sa nacionalnim pravom, električni alati koji su istrošeni moraju biti sakupljeni odvojeno i dostavljeni pogonu za reciklažu
 - simbol ⑤ će vas podsetiti na to

BUKA / VIBRACIJE

- Mereno u skladu sa EN 62841 nivo pritiska zvuka ovog alata iznosi 87 dB(A) a jačina zvuka 98 dB(A) (normalno odstupanje: 3 dB), a vibracija 2,1 m/s² (zbir vektora tri pravca; nesigurnost K = 1,5 m/s²)
- Nivo emisije vibracija izmeren je u skladu sa standardizovanim testom datim u EN 62841; on se može koristiti za upoređenje jedne alatke sa drugom, kao i za

preliminarnu procenu izloženosti vibracijama pri korišćenju ove alatke za pomenute namene

- korišćenje alatke u drugačije svrhe ili sa drugačijim ili slabo održanim nastavcima može značajno **povečati** nivo izloženosti
- vreme kada je alatka isključena ili kada je uključena, ali se njome ne radi, može značajno **zmanjiti** nivo izloženosti

! zaštitite se od posledica vibracija održavanjem alatke i njenih nastavaka, održavajući Vaše ruke toplim i organizovanjem Vaših radnih obrazaca

SLO

Tračni brusilnik 1210/1215

UVOD

- To orodje je namenjeno za suho brušenje z velikim učinkom odstranjenja lesa, plastike, kovine, polnil in barvanih površin
- To orodje ni namenjeno profesionalni uporabi
- Preberite in shranite navodila za uporabo ③

TEHNIČNI PODATKI ①

DELI ORODJA ②

- A** Stikalo vklopi/izklopi
- B** Gumb za aretacijo stikala za vklop/izklop
- C** Ročica za zamenjavo brusnega traku
- D** Puščica
- E** Vijak za prilagoditev centriranja brusnega traku
- F** Vrečka za prah
- G** Dodatek za prah
- H** Adapter za sesalnik
- J** Ventilacijske reže
- K** Okvir za brušenje

VARNOST

SPLOŠNA VARNOSTNA OPOZORILA ZA ELEKTRIČNA ORODJA

⚠ OPOZORILO Preberite vsa varnostna opozorila, navodila, ilustracije in specifikacije, ki so priložene temu električnemu orodju. Če spodaj navedenih napotkov ne upoštevate, lahko pride do električnega udara, požara in/ali težke poškodbe.

Vsa opozorila in navodila shranite, saj jih boste v prihodnosti morda potrebovali.

Pojem "električno orodje", ki se pojavlja v nadaljnjem besedilu, se nanaša na električna orodja z električnim pogonom (z električnim kablom) in na akumulatorska električna orodja (brez električnega kabla).

1) VARNOST NA DELOVNEM MESTU

- a) **Poskrbite, da bo Vaše delovno mesto vedno čisto in urejeno.** Nered ali neosvetljena delovna področja lahko povzročijo nezgode.

- b) **Prosimo, da orodja ne uporabljate v okolju, kjer je nevarnost za eksplozije in v katerem se nahajajo gorljive tekočine, plini in prah.** Električna orodja povzročajo iskrenje, zato se gorljivi prah ali pare lahko vnamejo.
- c) **Ne dovolite otrokom in drugim osebam, da bi se medtem ko delate, približali električnemu orodju.** Druge osebe lahko odvrnejo Vašo pozornost drugim in izgubili boste nadzor nad orodje.

2) ELEKTRIČNA VARNOST

- a) **Vtič mora ustrezati električni vtičnici in ga pod nobenim pogojem ne smete spreminjati.** Uporaba adapterskih vtičev v kombinaciji z ozemljena orodja ni dovoljena. Originalni oziroma nespremenjeni vtiči in ustrezne vtičnice zmanjšujejo tveganje električnega udara.
- b) **Izogibajte se telesnemu stiku z ozemljenimi površinami, na primer s cevmi, grelci, štedilniki in hladilniki.** Če je ozemljeno tudi vaše telo, obstaja povečano tveganje električnega udara.
- c) **Zavarujte orodje pred dežjem ali vlago.** Vdor vode v električno orodje povečuje tveganje električnega udara.
- d) **Električnega kabla ne uporabljajte za prenašanje ali obežanje orodja in ne vlečite vtič iz vtičnice tako, da vlečete za kabel.** Zavarujte kabel pred vročino, oljem, ostrimi robovi in premikajočimi se deli orodja. Poškodovani ali prepleteni kabli povečujejo tveganje električnega udara.
- e) **Če z električnim orodjem delate na prostem, uporabljajte izključno kabelski podaljšek, ki je atestiran za delo na prostem.** Uporaba kabelskega podaljška, primerne za delo na prostem, zmanjšuje tveganje električnega udara.
- f) **Če je uporaba električnega orodja v vlažnem okolju neizogibna, uporabljajte prekinjevalec električnega tokokroga.** Prekinjevalca električnega tokokroga zmanjšuje tveganje električnega udara.

3) OSEBNA VARNOST

- a) **Bodite zbrani in pazite, kaj delate. Dela z električnim orodjem se lotite razumno. Nikoli ne uporabljajte orodja, če ste utrujeni in če ste pod vplivom mamil, alkohola ali zdravil.** En sam trenutek nepazljivosti pri uporabi orodja ima lahko za posledico resne telesne poškodbe.
- b) **Uporabljajte osebna zaščitna sredstva in vedno nosite zaščitna očala.** Uporaba osebnih zaščitnih sredstev, na primer maske proti prahu, nedrsečih zaščitnih čevljev, zaščitne čelade in slušnikov, odvisno od vrste in uporabe električnega orodja, zmanjšuje tveganje telesnih poškodb.
- c) **Izogibajte se nenamernemu zagonu. Pred priključitvijo električnega orodja na električno omrežje in/ali na akumulator in pred dviganjem ali nošenjem se prepričajte, če je električno orodje izklopljeno.** Prenašanje naprave s prstom na stikalu ali priključitev vklopljenega električnega orodja na električno omrežje je lahko vzrok za nezgodo.
- d) **Pred vklopom orodja odstranite z nje nastavitvena orodja ali vijadni ključ.** Orodje ali ključ, ki se nahajata na vrtečem se delu električnega orodja, lahko povzročita nezgodo.

- e) **Ne precenjujte se in poskrbite za varno stojišče in stalno ravnotežje.** Tako boste lahko v nepričakovani situaciji bolje obvladali orodje.
- f) **Oblecite se primerno. Ne nosite ohlapnih oblačil ali nakita. Las in oblačil ne približujte premikajočim se delom.** Ohlapna oblačila, nakit ali dolgi lasje se lahko ujamejo v premikajoče se dele.
- g) **Če je možno na orodje namestiti priprave za odsesavanje in prestrezanje prahu, prepričajte se, ali so le-te priključene in, če jih pravilno uporabljate.** Uporaba priprave za odsesavanje prahu zmanjšuje zdravstveno ogroženost zaradi prahu.
- h) **Naj seznanjenost z orodjem, ki jo pridobite s pogosto uporabo, ne bo razlog za to, da postanete lahkomišeln in ignorirate varnostna načela.** V delčku sekunde lahko nepozorno dejanje pripelje do hude poškodbe.
- 4) RAVNANJE IN NEGA ROČNEGA ORODJA**
- a) **Ne preobremenjujte orodja. Za določeno delo uporabljajte električno orodje, ki je predvideno za opravljanje tega dela.** Z ustreznim električnim orodjem boste delo opravili bolje in varneje, ker je bilo v ta namen tudi konstruirano.
- b) **Električno orodje, ki ima pokvarjeno stikalo, ne uporabljajte.** Električno orodje, ki ga ni možno vklopiti ali izklopiti, je nevarno in ga je potrebno popraviti.
- c) **Izvalcite vtič iz vtičnice in/ali odstranite akumulatorsko baterijo, če jo je mogoče izvzeti, še preden orodje popravljate, menjujete pribor ali ga shranite.** Ti preventivni varnostni ukrepi zmanjšajo tveganje za nenamenski zagon orodja.
- d) **Kadar orodja ne uporabljate ga shranjujte izven dosega otrok. Osebam, ki orodja ne poznajo ali niso prebrale teh navodil, orodja ne dovolite uporabljati.** Električna orodja so nevarna, če jih uporabljajo neizkušene osebe.
- e) **Vzdržujte električna orodja in pribor. Preverite, če premikajoči se deli orodja delujejo brezhibno in če se ne zatikajo, oziroma, če kakšen del orodja ni zlomljen ali poškodovan do te mere, da bi oviral njegovo delovanje. Pred nadaljnjo uporabo je potrebno poškodovani del popraviti.** Vzrok za številne nezgode so ravno slabo vzdrževana električna orodja.
- f) **Rezalna orodja naj bodo ostra in čista.** Skrbno negovana rezalna orodja z ostrimi rezili se manj zatikajo in so bolj vodljiva.
- g) **Električna orodja, pribor, nastavke in podobno uporabljajte v skladu s temi navodili. Pri tem upoštevajte delovne pogoje in vrsto dela, ki ga nameravate opraviti.** Zaradi uporabe električnega orodja v druge, nepredvidene namene, lahko nastanejo nevarne situacije.
- h) **Ročaji in površine za prijetje naj bodo suhe, čiste in brez olja ali maščobe.** Gladki ročaji in površine za prijetje ne omogočajo varne uporabe in nadzora orodja v nepričakovanih situacijah.
- 5) SERVISIRANJE**
- a) **Popravilo orodja lahko opravi samo usposobljena strokovna oseba in to izključno z originalnimi nadomestnimi deli.** Le tako bo ohranjena nadaljnja varnost orodja.

VARNOSTNA NAVODILA ZA UPORABO BRUSILNIKA

SPLOŠNO

- Orodja naj ne bi uporabljale osebe mlajše od 16 let
- To orodje ni primerno za uporabo v mokrih okoljih
- Nikoli ne uporabljajte orodja, če je kabel poškodovan; okvaro naj odpravi strokovnjak
- **Ne obdelujte materiala, ki vsebuje azbest** (azbest povzroča rakasta obolenja)
- **Prezračevalne reže električnega orodja morate redno čistiti** (ventilator motorja povleče v ohišje prah in velika količina nabranega prahu je lahko vzrok za električno nevarnost)
- **Vedno izvlecite električni vtič iz vtičnice preden spreminjate nastavitve ali menjate pribor**

PRIBOR

- SKIL zagotavlja brezhibno delovanje orodja le z uporabo originalnega dodatnega pribora
- Ne nadaljujte delo z izrabljenim, poškodovanim ali močno nagubanim brusnim trakom

PRED UPORABO

- Vedno preverite, če je napetost omrežja enaka napetosti, ki je navedena na tablici orodja (orodje z nazivno napetostjo 230V ali 240V lahko priključite tudi na napetost 220V)
- Izogibajte se poškodb zaradi vijakov, žebeljev ali drugih elementov v obdelovancu; odstranite jih pred začetkom dela
- Uporabljajte povsem iztegnjene in varne električne podaljške, z jakostjo 16 amperov
- Med delom lahko nivo hrupa presega 85 dB(A); uporabljajte zaščito proti hrupu
- Prah materialov, kot so barve, ki vsebujejo svinec, nekatere vrste lesa, mineralov ali kovin so lahko škodljivi (ob stiku ali vdihavanju lahko prah pri delavcu ali pri drugih prisotnih povzroči alergijsko reakcijo in/ali boleznih dihal); **nosite masko za prah in pri delu uporabljajte napravo za odsesavanje prahu, kjer je le-to možno priključiti**
- Nekatere vrste prahu so klasificirane kot kancerogene (kot npr. prah hrasta in bukke) še posebno ob sočasni uporabi z dodatki za obdelavo lesa; **nosite masko za prah in pri delu uporabljajte napravo za odsesavanje prahu, kjer je le-to možno priključiti**
- Upoštevajte nacionalne zahteve glede prahu za materiale katere želite obdelovati
- Uporabljajte zaščitne rokavice, zaščitna očala, tesno oprijeta oblačila in zaščito za lase (velja za dolge lase)
- **Zavarujte obdelovanec** (obdelovanec stisnjen v prižemi ali prirežu je bolj varen kot v roki)
- Pri brušenju kovinskih delov se iskri; ne uporabljajte vrečke za prah/dodatka za prah/sesalnika z delovnega področja odstranite vnetljive materiale in ne dovolite, da se področju dela približujejo druge osebe

MED UPORABO

- **Orodje držite za izolirane dele ročaja za primer, ker je lahko pride brusno površino v stik z lastnim priključnim kablom** (stik z vodnikom pod napetostjo povzroči, da so pod napetostjo tudi izpostavljeni kovinski deli orodja, kar lahko povzroči električni udar za uporabnika)

- Kabel naj bo vedno odmaknjen od gibljivih delov stroja; usmerite ga proti zadnjemu delu, stran od stroja
- Ne dotikajte se brusnega traku, ko se le-ta giblje
- Če pride do električnih ali mehanskih okvar, takoj izklopite stroj in izvlecite vtikač iz vtičnice
- Če je priključni kabel poškodovan ali se med delom pretrga se ga ne dotikajte, temveč takoj potegnite električni vtiakač iz vtičnice

PO UPORABI

- Ko orodje postavite v stran, izklopite motor in pazite, da se vsi premikajoči se deli orodja popolnoma zaustavijo

POJASNILO OZNAK NA ORODJU

- ③ Pred uporabo preberite navodila za uporabo
- ④ Dvojna izolacija (ozemljitveni kabel ni potreben)
- ⑤ Orodja ne odstranjujte s hišnimi odpadki

UPORABA

- Stikalo vklopi/izklopi
 - izklopite/vklopite orodje tako, da pritisnete/sprostite stikalo A ②
 - ! **orodje bi morali vklopiti, preden se z brusno površino dotaknete predmeta, ki ga obdelujete**
 - ! **preden orodje izklopite, bi ga morali odmakniti od predmeta, ki ga obdelujete**
- Aretacija stikala
 - pritisnite stikalo A ②
 - s palcem pritisnite gumb B ②
 - sprostite stikalo
 - aretacijo stikala prekinete s ponovnim pritiskom in sprostitev stikala A ②
- Hitra menjava brusnega traku (CLIC sistem) ⑥
 - ! **izključite vtiakač**
 - dvignite ročico C
 - odstranite brusni trak
 - namestite nov brusni trak tako, da bodo natisnjene puščice na notranji strani traku obrnjene v isto smer kot puščica D na orodju
 - pritisnite ročico nazaj
 - ! **brusni trak zamenjajte pravočasno**
 - ! **nikoli ne pregibajte brusnih trakov**
- Samodejno centriranje brusnega traku (ABC)
 - trak se samodejno centrira, ko je stikalo orodja vključeno
 - med brušenjem zagotavlja centriranje traku

V primeru uhajanja traku s tekalne površine na orodju (največkrat je vzrok v nezadovoljivi kvaliteti traku), napravite naslednje:

 - vklopite orodje
 - nastavite vijak E ② dokler brusni trak ne teče poravnano z ravno stranjo orodja
 - če trak še vedno uhaja s tekalne površine, vzemite novega
- Odsesavanje prahu ⑦
 - redno praznite dodatka za prah G/vrečke za prah F za najboljše delovanje
 - če uporabljate orodje s sesalnikom za prah namestite adapter za sesalnik H, kot je prikazano (1215)
 - če je potrebno, očistite tudi filtra, kot je prikazano
 - ! **dodatka za prah/vrečke za prah/sesalnika ne uporabljajte pri brušenju kovine**

- Držanje in vodenje orodja ⑧
 - orodje naj teče vzporedno z delovno površino
 - ! **med delom vedno držite orodje za sivo obarvano mesto prijema**
 - ! **na brusilnik ne pritiskajte premočno; naj to namesto vas naredi brusna površina**
 - da bi se izognili neželjenim brusnim madežem, orodja med delom ne nagibajte
 - ventilacijske reže J ② morajo biti nepokrite

UPORABNI NASVETI

- Za brušenje golih lesenih površin orodje premikajte v ravnih gibih v smeri vlaken
- Za brušenje ostalih površin orodje premikajte v ovalnih gibih po obdelovancu
- Namestite okvir za brušenje K (SKIL pribor 2610398244), da bi izravnali površino brez prask ali brazd, in se prepričajte, da se pravilno na svojem mestu ⑨
- ! **brusni okvir K se med uporabo segreva; ne dotikajte se ga dokler se ne ohladi**
- Nikoli ne uporabite istega brusnega traku za les in kovino
- Priporočljiva zrnatost brusnega traku:
 - za odstranjevanje barve in za brušenje izredno trdega lesa uporabite brusni papir grobe zrnatosti (40, 60)
 - za brušenje hrapavega ali gladkega lesa uporabite brusni papir srednje zrnatosti (80, 100, 120)
 - za glajenje lesa in površin s staro barvo ter za končno obdelavo surovega lesa uporabite brusni papir fine zrnatosti (180, 240, 320)
- Če je delovna površina hrapava, uporabljajte različno zrnatost brusnega papirja:
 - začnite brusiti z brusnim papirjem grobe ali srednje grobe zrnatosti
 - zaključite z brusnim papirjem fine zrnatosti
- Za več nasvetov glejte pod www.skil.com

VZDRŽEVANJE/SERVISIRANJE

- Orodje ni namenjeno profesionalni uporabi
- Priključni kabel in orodje naj bosta vedno čista (posebej še prezračevalne odprtine J ②)
- brusni prah odstranjujte s ščetko
- ! **izvlecite vtiakač iz vtičnice pred čiščenjem**
- Če bi kljub skrbnim postopkom izdelave in preizkušanja prišlo do izpada delovanja orodja, naj popravilo opravi servisna delavnica, pooblaščen za popravila SKILevih električnih orodij
 - pošljite **nerazstavljeno** orodje skupaj s potrdilom o nakupu pri vašemu prodajalcu v najbližjo SKIL servisno delavnico (naslovi, kot tudi spisek rezervnih delov se nahaja na www.skil.com)

OKOLJE

- **Elektriline orodja, pribora in embalaže ne odstranijate s hišnimi odpadki** (samo za države EU)
 - v skladu z Evropsko direktivo 2012/19/EG o odpadnih električni in elektronski opremi in z njenim izvajanjem v nacionalni zakonodaji je treba električna orodja ob koncu njihove življenjske dobe ločeno zbirati in jih predati v postopek okolju prijaznega recikliranja
 - ko je potrebno odstranjevanje, naj vas o načinu spomni simbol ⑤

HRUP / VIBRACIJA

- Izmerjeno v skladu s predpisom EN 62841 je raven zvočnega pritiska za to orodje 87 dB(A) in jakosti zvoka 98 dB(A) (standarden odmik: 3 dB), in vibracija 2,1 m/s² (vektorska vsota treh smeri; netočnost K = 1,5 m/s²)
- Raven oddajanja vibracij je bila izmerjena v skladu s standardiziranimi testi, navedenimi v EN 62841; uporabiti jo je mogoče za primerjavo različnih orodij med seboj in za predhodno primerjavo izpostavljenosti vibracijam pri uporabi orodja za namene, ki so omenjeni
 - uporaba orodja za drugačne namene ali uporaba skupaj z drugimi, slabo vzdrževanimi nastavki lahko znatno **poveča** raven izpostavljenosti
 - čas, ko je orodje izklopljeno ali ko teče, vendar z njim ne delamo, lahko znatno **zmanjša** raven izpostavljenosti
- ! **pred posledicami vibracij se zaščitite z vzdrževanjem orodja in pripadajočih nastavkov, ter tako, da so vaše roke tople, vaši delovni vzorci pa organizirani**

EST

Lintlihvmasinad

1210/1215

SISSEJUHATUS

- See on tōhus tōõriist, mis on ette nāhtud puit-, plast-, metall-, pahteldatud ja vārvitud pindade lihvimiseks
- See tōõriist pole mōeldud professionaalseks kasutamiseks
- Palun lugege kāesolev kasutusjuhend hoolikalt lābi ja hoidke alles ③

TEHNILISED ANDMED ①

SEADME OSAD ②

- A Tōõlūliti (sisse/vālja)
- B Sisse-/vāljalūlitusnupu lukustusnupp
- C Lihvimislindi pingutushoob
- D Nool
- E Lindi tsentreerimise reguleerkrui
- F Tolmukott
- G Tolmukott
- H Tolmuimejaadapteri
- J Ōhutusavad
- K Lihvimisraam

OHUTUS

ŪLDISED OHUTUSNŌUDEDE ELEKTRILISTE TŌŌRIISTADE KASUTAMISEL

⚠ TĀHELEPANU Lugege lābi kōik elektrilise tōõriistaga kaasas olevad ohutusnōuded ja juhised ning tutvuge jooniste ja tehniliste andmetega. Ohutusnōuete ja juhiste eiramise tagajāreks vōib olla elektrilōök, tulekahju ja/vōi rasked vigastused.

Hoidke kōik ohutusnōuded ja juhised edaspidiseks alles.

Allpool kasutatud mōiste "elektriline tōõriist" kāib vōrguitoetega (toitejuhtmega) elektriliste tōõriistade ja akutoetega (ilma toitejuhtmeta) elektriliste tōõriistade kohta.

1) OHUTUSNŌUDEDE TŌŌPIIRKONNAS

- a) **Hoidke tōōkoht puhas ja korras.** Segadus vōi valgustamata tōōpiirkonnad vōivad pōhjustada ōnnetusi.
- b) **Ārge kasutage seadet plahvatusohtlikus keskkonnas, kus leidub tuleohtlikke vedelikke, gaase vōi tolmu.** Elektrilistest tōõriistadest lōõb sādemeid, mis vōivad tolmu vōi auru sūudata.
- c) **Kui kasutate elektrilist tōõriista, hoidke lapsed ja teised isikud tōōkohast eemal.** Kui Teie tāhelepanu kōrvale juhitakse, vōib seade Teie kontrolli alt vāljuda.

2) ELEKTRIOHUTUS

- a) **Seadme pistik peab pistikupessa sobima.** Pistiku kallal ei tohi teha mingeid muudatusi. Ārge kasutage kaitsemaandusega seadmete puhul adapterpistikuid. Muutmata pistikud ja sobivad pistikupesad vāhendavad elektrilōõgi saamise riski.
- b) **Vāltige kehakontakti maandatud pindadega, nagu torud, radiaatorid, pliidad ja kŭlmikud.** Kui Teie keha on maandatud, on elektrilōõgi risk suurem.
- c) **Hoidke seadet vihma ja niiskuse eest.** Kui elektriseadmesse on sattunud vett, on elektrilōõgi saamise risk suurem.
- d) **Ārge kasutage toitejuhet selleks mitte ettenāhtud otstarbel seadme kandmiseks, ūlesriputamiseks ega pistiku pistikupesast vāljatōmbamiseks.** Hoidke toitejuhet kuumuse, ōli, teravate servade ja seadme liikuvate osade eest. Kahjustatud vōi keeruldālnud toitejuhtmed suurendavad elektrilōõgi saamise riski.
- e) **Kui tōōtate elektrilise tōõriistaga vabas ōhus, kasutage ainult selliseid pikendusjuhtmeid, mida on lubatud kasutada ka vālistingimustes.** Vālistingimustes kasutamiseks sobiva pikendusjuhtme kasutamine vāhendab elektrilōõgi saamise riski.
- f) **Kui elektrilise tōõriista kasutamine niiskes keskkonnas on vāltimatu, kasutage maandusega lekkevoolukaitsset.** Maandusega lekkevoolukaitsme kasutamine vāhendab elektrilōõgi ohtu.

3) INIMESTE TURVALISUS

- a) **Olge tāhelepanelik, jālgige, mida Te teete, ning toimige elektrilise tōõriistaga tōōtades mōistlikult.** Ārge kasutage seadet, kui olete vāsinud vōi uimastite, alkoholi vōi ravimite mōju all. Hetkeline tāhelepanematus seadme kasutamisel vōib pōhjustada tōõiseid vigastusi.

- b) **Kandke isikukaitsevahendeid ja alati kaitseprille.** Isikukaitsevahendite, nagu tolmu mask, libisemiskindlad turvajalatsid, kaitsekiiver või kuulmiskaitsevahendid, kandmine – sõltuvalt elektrilise tööriista tüübist ja kasutusala – vähendab vigastuste riski.
- c) **Vältige seadme tahtmatut käivitamist. Enne pistiku ühendamist pistikupesassa, aku ühendamist seadme külge, seadme ülestõstmist ja kandmist veenduge, et elektriline tööriist on välja lülitatud.** Kui hoiate elektrilise tööriista kandmisel sõrme lülil või ühendate vooluvõrku sisselülitatud seadme, võivad tagajärjeks olla õnnetused.
- d) **Enne seadme sisselülitamist eemaldage selle küljest reguleerimis- või mutrivõtmed.** Seadme pöörleva osa küljes olev reguleerimis- või mutrivõti võib põhjustada vigastusi.
- e) **Ärge hinnake end üle. Võtke stabiilne tööasend ja hoidke kogu aeg tasakaalu.** Nii saate seadet ootamatutes olukordades paremini kontrollida.
- f) **Kandke sobivat rõivastust. Ärge kandke laiu riideid ega ehteid. Hoidke juukseid ja rõivad seadme liikuvatest osadest eemal.** Lotendavad riided, ehted või pikad juukseid võivad sattuda seadme liikuvate osade vahele.
- g) **Kui on võimalik paigaldada tolmu eemaldus- ja tolmu kogumisseadiseid/seadmeid, veenduge, et need oleksid seadmega ühendatud ja et neid kasutataks õigesti.** Tolmu eemaldusseadise kasutamine vähendab tolmu põhjustatud ohte.
- h) **Ärge muutuge tööriista sagedasest kasutamisest hooletuks ja ärge eirake ohutusnõudeid.** Hooletus võib sekundi murdosa jooksul kaasa tuua raskeid vigastusi.
- 4) ELEKTRILISTE TÖÖRIISTADE HOOLIKAS KÄSITSEMINEN JA KASUTAMINE**
- a) **Ärge koormake seadet üle. Kasutage töö tegemiseks selleks ettenähtud elektrilist tööriista.** Sobiva elektrilise tööriistaga töötate paremini ja turvalisemalt ettenähtud võimsusvahemikus.
- b) **Ärge kasutage elektrilist tööriista, mille lüliti on rikkis.** Elektriline tööriist, mida ei ole enam võimalik sisse ja välja lülitada, on ohtlik ning seda tuleb remontida.
- c) **Tõmmake pistik pistikupesast välja ja/või eemaldage seadmest aku, kui on eemaldatav, enne seadme reguleerimist, tarvikute vahetamist ja seadme ärapanekut.** See ettevaatusabinõu väldib seadme tahtmatut käivitamist.
- d) **Kasutusvälisel ajal hoidke elektrilisi tööriistu lastele kättesaamatult. Ärge laske seadet kasutada isikutel, kes seda ei tunne või pole siintoodud juhiseid lugenud.** Kogenematute kasutajate käes kujutavad elektrilised tööriistad ohtu.
- e) **Hoolitsege elektriliste tööriistade ja tarvikute eest korralikult. Kontrollige, kas seadme liikuvad osad funktsioneerivad korralikult ja ei kiildu kinni, ning ega mõned osad ei ole katki või sel määral kahjustatud, et võiksid mõjutada seadme töökindlust. Laske kahjustatud osad enne seadme kasutamist parandada.** Paljude õnnetuste põhjuseks on halvasti hooldatud elektrilised tööriistad.

- f) **Hoidke lõiketarvikud teravad ja puhtad.** Hoolikalt hoitud, teravate lõikeservadega lõiketarvikud kiilduvad harvemini kinni ja neid on lihtsam juhtida.
- g) **Kasutage elektrilist tööriista, lisavarustust, tarvikuid jne vastavalt siintoodud juhistele. Arvestage seejuures töötingimuste ja teostatava töö iseloomuga.** Elektriliste tööriistade kasutamine mitte ettenähtud otstarbel võib põhjustada ohtlikke olukordi.
- h) **Hoidke käepidemed ja haardepinnad kuiva ja puhtana ning vabana õlist ja määrdeainetest.** Libedad käepidemed ja haardepinnad ei luba tööriista ohutult käsitseda ja ootamatutes olukordades kontrolli all hoida.
- 5) TEENINDUS**
- a) **Laske seadet parandada ainult kvalifitseeritud spetsialistidel ja ainult originaalvaruosadega.** Nii tagate seadme püsimise turvalisena.

OHUTUSJUHISED LIHVAMASINATE KOHTA

ÜLDIST

- Tööriista kasutaja peab olema vähemalt 16 aastat vana
- See tööriist ei sobi märglihvamiseks
- Ärge kunagi kasutage kahjustatud toitejuhtmega tööriista; laske toitejuhe remonditöökojas välja vahetada
- **Asbestisaldava materjali töötlemine on keelatud** (asbest võib tekitada vähki)
- **Puhastage regulaarselt tööriista tuulutusavasid** (töötav mootor tõmbab korpusesse tolmu ning kogunev metallitolm võib vähendada elektriohutust)
- **Enne seadme reguleerimist või tarviku vahetust eemaldage seade vooluvõrgust (tõmmake pistik pistikupesast välja)**

TARVIKUD

- SKIL tagab seadme häireteta töö üksnes originaaltarvikute kasutamisel
- Ärge kasutage ülemäära kulunud, rebenenud või muul viisil vigastatud lihvimislinte

ENNE KASUTAMIST

- Kontrollige alati, kas võrgupinge ühtib tööriista andesildil toodud pingega (andesildil toodud 230V või 240V korral võib tööriistad kasutada ka 220V võrgupinge puhul)
- Väliste töödeldavas esemes olevatest kruvidest, naeltest vms põhjustatud kahjustusi; eemaldage need enne töö alustamist
- Pikendusjuhtmete kasutamisel jälgige, et juhe oleks lõpuni lahti keritud ja vastaks 16 A voolutugevusele
- Töötamise ajal võib müra tase ületada 85 dB(A); kandke kuulmiskaitsevahendeid
- Värviga kaetud juhtmed, mõned puuduliigid, mineraalid ja metall eraldavad tolmu, mis võib olla kahjulik (kokkupuude tolmu või selle sissehingamine võib seadme kasutajal või läheduses viibival inimesel põhjustada allergilisi reaktsioone ja/või hingamisteede haigusi); **kandke tolmu maski ja vajaduse korral töötage külgeühendatava tolmu eemaldusseadmega**
- Teatud tüüpi tolmu on klassifitseeritud kantserogeenena (nt tammest ja kasest eralduv tolmu), eriti koos puudu niiskuse reguleerimiseks kasutatavate lisanditega; **kandke tolmu maski ja vajaduse korral töötage külgeühendatava tolmu eemaldusseadmega**

- Erinevate materjalide töötlemisel tekkiva tolmu käitlemisel tuleb järgida kehtivaid nõudeid
- Kandke kaitsekindaid ja kaitseprille, pikad juuksed kaitske nt peakattega; ärge kandke töö ajal laiu, lotendavaid riideid
- **Fikseerige toorik** (fiksaatoriga kinnitatud või kruustangide vahele pandud toorik püsib kindlamini paigal kui lihtsalt käega hoides)
- Metallide lihvimisel lendub sädemeid; ärge kasutage tolmukest/tolmuimejat ning jälgige, et läheduses ei oleks teisi inimesi ega tuleohtlikke materjale

KASUTAMISE AJAL

- **Hoidke elektritööriista isoleeritud haardepinnast, kuna lihvimispind võib puutuda kokku tööriista enda juhtmega** (voolu all oleva juhtme löikamisel võivad elektritööriista metallosad pingestuda ja anda operaatorile elektrilöögi)
- Vältige toitejuhtme kokkupuutumist seadme pöörlevate osadega; hoidke toitejuhet alati tööriistast eemal, tagapool
- Vältige kokkupuudet jooksva lihvimisliindiga
- Seadme elektrilise või mehhaanilise häire korral lülitage seade viivitamatult välja ja eemaldage pistik vooluvõrgust
- Kui toitejuhe saab töötamise ajal kahjustada või see lõigatakse läbi, ärge toitejuhet puutuge, vaid eemaldage koheselt pistik vooluvõrgust

PÄRAST KASUTAMIST

- Enne tööriista juurest lahkumist lülitage see välja ning oodake, kuni selle liikuvad osad on täielikult seiskunud

TÖÖRIISTAL OLEVATE SÜMBOLITE SELGITUS

- ③ Enne kasutamist tutvuge kasutusjuhendiga
- ④ Topelisolatsioon (maandusjuhe pole vajalik)
- ⑤ Ärge visake kasutuskölbmatuks muutunud tööriista ära koos olmejäätmetega

KASUTAMINE

- Töölülitit (sisse/välja)
 - seadme sisselülitamiseks/väljalülitamiseks vajutage/vabastage töölülitile A ②
 - ! **enne lihvitava pinna kokkupuutumist töödeldava esemega tuleb tööriist sisse lülitada**
 - ! **enne tööriista väljalülitamist tuleb see töödeldavalt esemelt eemaldada**
- Lülitit lukustamine pidevaks tööks
 - vajutage töölülitile A ②
 - vajutage pöidlaga nupule B ②
 - vabastage töölülitit
 - fikseeringu vabastamiseks vajutage uuesti töölülitile A ② ja vabastage see
- Lihvimisliintide kiire vahetamine (CLIC-süsteem) ⑥
 - ! **eemaldage seade vooluvõrgust**
 - vabastage pingutusshoob C
 - eemaldage lihvimisliint
 - paigaldage uus lihvimisliint, jälgides, et lindi siseküljel olevate noolte ja tööriistal oleva noole D suunad ühtiksid
 - suruge pingutusshoob oma asendisse tagasi
 - ! **vahetage lihvimisliinti õigeaegselt**
 - ! **ärge kunagi murdke lihvimisliinti**
- Lindi automaatne tsentreerimine (ABC)
 - tsentreerib lindi tööriista sisselülitamisel automaatselt
 - hoiab lindi lihvimise ajal tsentreerituna

Kui lint jookseb tööriistalt maha (põhjuseks enamasti lindi kehv kvaliteet), tuleks toimida järgnevalt

- lülitage seade sisse
- keerake kruvi E ② kuni lint kulgeb tööriista lameda küljega paralleelselt
- kui lint jookseb ikka tööriistalt maha, võtke kasutusele uus lint
- Tolmu eemaldamine ⑦
 - tühjendage tolmukest G/F regulaarselt, see tagab optimaalse tolmuimevõimsuse säilimise
 - tööriista kasutamisel tolmuimejaga või ilma paigaldage tolmuimeja adapter H nagu joonisel näidatud (1215)
 - vajadusel puhastage ka filtrit vastavalt joonisele
 - ! **ärge kasutage tolmukesti/tolmuimejat metalli lihvimisel**
- Tööriista hoidmine ja juhtimine ⑧
 - hoidke tööriista paralleelselt töödeldava pinnaga
 - ! **töötamise ajal hoidke tööriista kinni korpuse ja käepideme halli värvi osadest**
 - ! **ärge suruge tööriistale liigselt; laske lihvitaval pinnal enda heaks töötada**
 - vältimaks soovimatuid lihvimisjärgi ärge kallutage tööriista
 - hoidke õhutusavad J ② kinnikatmata

TÖÖJUHISED


- Töötlemata puitpindade lihvimisel liigutage tööriista sirgjoones piki puidu tekstuurit
- Muude materjalide lihvimisel liigutage tööriista ovaalselt üle materjali
- Kui soovite erinevaid pindu üksteise suhtes tasandada, paigaldage lihvimisraam K (SKIL lisatarvik 2610398244), vältimaks kriimustuste ja vagude teket, ja veenduge, et see on kindlalt kinni ⑨
- ! **lihvimisraam K muutub töö käigus väga kuumaks; ärge puutuge seda enne, kui see on maha jahtunud**
- Ärge kunagi töödelge ühe ja sama lihvimisliindiga puitu ja metalli
- Soovituslik liivapaberilindi karedus:
 - värvi eemaldamiseks ja väga ebatasase puidu lihvimiseks kasutage jämedate teradega suurus (40, 60)
 - kareda või tavalise puidu lihvimiseks kasutage keskmiste teradega suurus (80, 100, 120)
 - puidu ja vana värviga pindade silendamiseks ning palja puidu viimistlemiseks kasutage peene tera suurus (180, 240, 320)
- Kui töödeldav pind on kare, kasutage erineva karedusega liivpabereid:
 - lihvide algul jämeda või keskmise karedusega liivpaberiga
 - lõpetage vähekareda liivpaberiga
- Rohkem nõuandeid leiате aadressil www.skil.com

HOOLDUS/TEENINDUS

- Tööriist pole mõeldud professionaalseks kasutamiseks
- Hoidke seade ja toitejuhe alati puhtad (eriti õhutusavad J ②)
- külgekleepunud lihvimistolm eemaldage pintsliga
- ! **enne puhastamist eemaldage seade vooluvõrgust**

- Tööriist on hoolikalt valmistatud ja testitud; kui tööriist sellest hoolimata rikki läheb, tuleb see lasta parandada SKILi elektriliste käsitööriistade volitatud remonditöökojas
- toimetage **lahtimonteerimata** seade koos ostukviitungiga tarnijale või lähimasse SKILi lepingulisse töökotta (aadressid ja tööriista varuosade joonise leiata aadressil www.skil.com)

KESKKOND

- **Ärge visake kasutuskõlbmatuks muutunud elektrilisi tööriistu, lisatarvikuid ja pakendeid ära koos olmejäätmetega** (üksnes EL liikmesriikidele)
- vastavalt Euroopa Parlamendi ja nõukogu direktiivile 2012/19/EÜ elektri- ja elektroonikaseadmete jäätmete kohta ning direktiivi nõuete kohaldamisele liikmesriikides tuleb kasutuskõlbmatuks muutunud elektrilised tööriistad koguda eraldi ja keskkonnasäästlikult korduvkasutada või ringlusse võtta
- seda meenutab Teile sümbol 


MÜRA / VIBRATSIOON

- Vastavalt kooskõlas normiga EN 62841 läbi viidud mõõtmistele on tööriista helirõhk 87 dB(A) ja helitugevus 98 dB(A) (standardkõrvalekalle: 3 dB), ja vibratsioon 2,1 m/s² (kolme telje vektorsumma; mõõtemääramatus K = 1,5 m/s²)
- Tekkiva vibratsiooni tase on mõõdetud vastavalt standardis EN 62841 kirjeldatud standarditud testile; seda võib kasutada tööriistade võrdlemiseks ja tööriista kasutamisel ettenähtud töödeks esineva vibratsiooni esialgseks hindamiseks
- tööriista kasutamisel muudeks rakendusteks või teiste/ halvasti hooldatud tarvikute kasutamisel võib vibratsioon märkimisväärselt **suureneda**
- ajal, kui tööriist on väljalülitatud või on küll sisselülitatud, kuid tegelikult seda ei kasutata, võib vibratsioon märkimisväärselt **väheneda**
- ! **enda kaitsmiseks vibratsiooni eest hooldage tööriista ja selle tarvikuid korralikult, hoidke oma käed soojad ja tagage sujuv töökorraldus**

LV

Lentes slīpmašīna 1210/1215

IEVADS

- Šis instruments ir paredzēts efektīvai koka, plastmasas, metāla, špakteles un krāsotu virsmu sausajai slīpēšanai
- Šis instruments nav paredzēts profesionālai lietošanai
- Izlasiet un saglabājiet šo pamācību 


TEHNISKIE PARAMETRI

INSTRUMENTA ELEMENTI

- A Ieslēdzējs
- B Ieslēdzēja fiksators
- C Svira slīpēšanas lentes nomainīgai
- D Bultīna
- E Skrūve lentes centrējuma regulēšanai
- F Putekļu maiss
- G Putekļu konteiners
- H Putekļsūcēja adapters
- J Ventilācijas atveres
- K Slīpēšanas rāmis

DROŠĪBA

VISPĀRĒJIE NOTEIKUMI ELEKTROINSTRUMENTU DROŠAI LIETOŠANAI

 **BRĪDINĀJUMS** Izlasiet drošības noteikumus un instrukcijas, aplūkojiet ilustrācijas un iepazīstieties ar specifikācijām, kas tiek piegādātas kopā ar šo elektroinstrumentu. Šeit sniegto drošības noteikumu un instrukciju neievērošana var izraisīt aizdegšanos un būt par cēloni elektriskam triecienam vai nopietnam savainojumam.

Saglabājiet visus drošības noteikumus un instrukcijas turpmākai izmantošanai.

Turpmākajā izklāstā lietotais apzīmējums “elektroinstruments” attiecas gan uz tīkla elektroinstrumentiem (ar elektrokabeli), gan arī uz akumulatora elektroinstrumentiem (bez elektrokabeļā).

1) DROŠĪBA DARBA VIETĀ

- a) **Sekojiēt, lai darba vieta būtu tīra un sakārtota.**
Nekārtīgā darba vietā vai sliktā apgaismojumā var viegli notikt nelaimes gadījums.
- b) **Nelietojiet elektroinstrumentu eksplozīvu vai ugunsnedrošu vielu tuvumā un vietās ar paaugstinātu gāzes vai putekļu saturu gaisā.** Darba laikā instruments nedaudz dzirksteļo, un tas var izsaukt viegli degošu putekļu vai tvaiku aizdegšanos.
- c) **Lietojot elektroinstrumentu, neļaujiet nepiederošām personām un jo īpaši bērniem tuvoties darba vietai.** Citu personu klātbūtne var novērst uzmanību, un tā rezultātā jūs varat zaudēt kontroli pār instrumentu.

2) ELEKTRODROŠĪBA

- a) **Elektroinstrumenta kontaktdakšai jābūt piemērotai elektroīkla kontaktlīdžai. Kontaktdakšas konstrukciju nedrīkst nekādā veidā mainīt. Nelietojiet kontaktdakšas salāgotājus, ja elektroinstruments caur kabeli tiek savienots ar aizsargzemeņa ķēdi.** Neizmainītas konstrukcijas kontaktdakša, kas piemērota kontaktlīdžai, ļauj samazināt elektriskā trieciena saņemšanas risku.
- b) **Darba laikā nepieskarieties saņemtiem priekšmetiem, piemēram, caurulēm, radiatoriem, plītiem vai ledusskapjiem.** Pieskaroties saņemtiem virsmām, pieaug risks saņemt elektrisko triecienu.
- c) **Nelietojiet elektroinstrumentu lietus laikā, neturiet to mitrumā.** Mitrumam iekļūstot instrumentā, pieaug risks saņemt elektrisko triecienu.

- d) **Nenesiet un nepiekariet elektroinstrumentu aiz elektrokabeļa. Neraujiet aiz kabeļa, ja vēlaties atvienot instrumentu no elektrotīkla kontaktligzdas. Sargājiet elektrokabeļi no karstuma, eļļas, asām šķautnēm un instrumenta kustīgajām daļām.** Bojāts vai samezgļojies elektrokabeļis var būt par cēloni elektriskajam triecienam.
- e) **Darbinot elektroinstrumentu ārpus telpām, izmantojiet tā pievienošanai vienīgi tādus pagarinātājkabeļus, kuru lietošana ārpus telpām ir atļauta.** Lietojot elektrokabeļi, kas piemērots darbam ārpus telpām, samazinās risks saņemt elektrisko triecienu.
- f) **Ja elektroinstrumentu tomēr nepieciešams lietot vietās ar paaugstinātu mitrumu, izmantojiet tā pievienošanai noplūdes strāvas aizsargreleju.** Lietojot noplūdes strāvas aizsargreleju, samazinās risks saņemt elektrisko triecienu.

3) PERSONISKĀ DROŠĪBA

- a) **Darba laikā saglabājiet paškontroli un rīkojieties saskaņā ar veselo saprātu. Pārtrauciet darbu, ja jūtaties noguris vai atrodaties alkohola, narkotiku vai medikamentu izraisītā reibumā.** Strādājot ar elektroinstrumentu, pat viens neuzmanības mirklis var būt par cēloni nopietnam savainojumam.
- b) **Izmantojiet individuālos darba aizsardzības līdzekļus un darba laikā vienmēr nēsājiet aizsargbrilles.** Individuālo darba aizsardzības līdzekļu (puteķļu maskas, neslidošu apavu un aizsargķiveres vai ausu aizsargu) pielietošana atbilstoši elektroinstrumenta tipam un veicamā darba raksturam ļauj izvairīties no savainojumiem.
- c) **Nepieļaujiet elektroinstrumenta patvaļīgu ieslēgšanos. Pirms elektroinstrumenta pievienošanas elektrotīklam, akumulatora ievietošanas vai izņemšanas, kā arī pirms elektroinstrumenta pārņemšanas pārlicinieties, ka tas ir izslēgts.** Pārnesot elektroinstrumentu, ja pirksts atrodas uz ieslēdzēja, kā arī pievienojot to elektrobarošanas avotam laikā, kad elektroinstrumentis ir ieslēgts, var viegli notikt nelaimes gadījums.
- d) **Pirms instrumenta ieslēgšanas neaizmirstiet izņemt no tā regulējošos instrumentus vai skrūvjatslēgas.** Patronatslēga vai skrūvjatslēga, kas instrumenta ieslēgšanas brīdī nav izņemta no tā, var radīt savainojumu.
- e) **Strādājot ar elektroinstrumentu, ieturiet stingru stāju. Darba laikā vienmēr saglabājiet līdzsvaru un centieties nepaslidēt.** Tas atvieglos instrumenta vadību neparedzētās situācijās.
- f) **Izvēlieties darbam piemērotu apģērbu. Darba laikā nenēsājiet brīvi plandošas drēbes un rotaslietas. Netuviniet garus matus un drēbes elektroinstrumenta kustīgajām daļām.** Vaļīgās drēbes, rotaslietas un gari mati var iekerties instrumenta kustīgajās daļās.
- g) **Ja elektroinstrumenta konstrukcija ļauj tam pievienot ārējo puteķļu uzsūkšanas vai savākšanas/uzkrāšanas ierīci, sekojiet, lai tā tiktu pievienota elektroinstrumentam un pareizi darbotos.** Pielietojot puteķļu uzsūkšanu vai savākšanu/uzkrāšanu, samazinās to kaitīgā ietekme uz strādājošās personas veselību.

- h) **Nepaļaujieties uz iemaņām, kas tiek iegūtas, bieži lietojot instrumentus, neieslīgstiet pašapmierinātība un neignorējiet instrumenta drošas lietošanas principus.** Neuzmanīgas rīcības dēļ dažās sekundēs daļās var būt nopietnu savainojumu.

4) ELEKTROINSTRUMENTU LIETOŠANA UN APKOPE

- a) **Nepārslogojiet elektroinstrumentu. Katram darbam izvēlieties piemērotu instrumentu.** Elektroinstrumentus darbosies labāk un drošāk pie nominālās slodzes.
- b) **Nelietojiet elektroinstrumentu, ja ir bojāts tā ieslēdzējs.** Elektroinstrumentus, ko nevar ieslēgt un izslēgt, ir bīstams lietošanai un to nepieciešams remontēt.
- c) **Pirms elektroinstrumenta apkopes, regulēšanas vai darbinstrumenta nomaņās atvienojiet tā kontaktdakšu no barojošā elektrotīkla vai izņemiet no tā akumulatoru, ja tas ir izņemams.** Šādi iespējams samazināt elektroinstrumenta neaūšas ieslēgšanās risku.
- d) **Elektroinstrumentu, kas netiek darbināts, uzglabājiet piemērotā vietā, kur tas nav sasniedzams bērniem un personām, kuras neprot rīkoties ar instrumentu.** Ja elektroinstrumentu lieto nekompetentas personas, tas var apdraudēt cilvēku veselību.
- e) **Savlaicīgi apkalpojiet elektroinstrumentus un to piederumus. Pārbaudiet, vai kustīgās daļās darbojas bez traucējumiem un nav iespīlētas, vai kāda no daļām nav salauzta vai bojāta, vai katra no tām pareizi funkcionē un pilda tai paredzēto uzdevumu. Nodrošiniet, lai bojātās daļas tiktu savlaicīgi nomainītas vai remontētas pilnvarotā remontu darbnīcā.** Daudzi nelaimes gadījumi notiek tāpēc, ka elektroinstrumenti pirms lietošanas nav pienācīgi apkalpoti.
- f) **Savlaicīgi notifyiet uzasiniet griezošos darbinstrumentus.** Rūpīgi kopti instrumenti, kas apgādāti ar asiem griezējinstrumentiem, ļauj strādāt daudz ražīgāk un ir vieglāk vadāmi.
- g) **Lietojiet vienīgi tādus elektroinstrumentus, papildpiederumus, darbinstrumentus utt., kas paredzēti attiecīgajam pielietojuma veidam. Bez tam jāņem vērā arī konkrētie darba apstākļi un pielietojuma īpatnības.** Elektroinstrumentu lietošana citiem mērķiem, nekā to ir paredzējusi ražotājfirma, ir bīstama un var novest pie neparedzamām sekām.
- h) **Uzturiet elektroinstrumenta rokrurus un noturvirsmas sausas un tīras, sargājiet tās no eļļas un smērvielām.** Slideni rokruri un noturvirsmas traucē efektīvi rīkoties ar elektroinstrumentu un to droši vadīt neparedzētās situācijās.

5) APKALPOŠANA

- a) **Nodrošiniet, lai Instrumenta remontu veiktu kvalificēts personāls, nomaņai izmantojot oriģinālas rezerves daļas un piederumus.** Tikai tā iespējams panākt instrumenta ilgstošu un nevainojamu darbību bez atteikumiem.

DARBA DROŠĪBAS NOTEIKUMI SLĪPMAŠĪNĀM

VISPĀRĒJA INFORMĀCIJA

- Šo instrumentu nedrīkst izmantot personas, kas jaunākas par 16 gadiem

- Šis instruments nav paredzēts mitrai slīpēšanai
- Neizmantojiet instrumentu, ja tam ir bojāts elektrokabelis; tā nomaīnu drīkst veikt tikai pieredzējis speciālists
- **Neapstrādājiet materiālus, kas satur azbestu** (azbestam piemīt kancerogēnas īpašības)
- **Regulāri tīriet elektroinstrumenta ventilācijas atveres** (dzinēju ventilējošā gaisa plūsma ieviek putekļus instrumenta korpusā, bet liela metāla putekļu daudzuma uzkrāšanās var būt par cēloni elektrotraumai)
- **Pirms instrumenta regulēšanas vai piederumu nomaīnas atvienojiet to no barojošā elektrotīkla**

PAPILDPIEDERUMI

- Firma SKIL garantē instrumenta nevainojamu darbību tikai tad, ja tiek lietoti oriģinālie papildpiederumi
- Nelietojiet nodilušas, ieplēstas vai ar apstrādājamo materiālu daļiņām stipri piesārņotas slīplentes

PIRMS DARBA UZSĀKŠANAS

- Vienmēr pārlicinieties, ka spriegums, kas uzrādīts uz instrumenta marķējuma plāksnītes, atbilst padeves spriegumam elektrotīklā (230V vai 240V spriegumam paredzētie instrumenti var darboties arī no 220V elektrotīkla)
- Izvairieties no instrumenta bojājumiem, ko var radīt apstrādājamajā priekšmetā esošās skrūves, naglas vai citi līdzīgi objekti; pirms darba uzsākšanas atbrīvojiet apstrādājamo materiālu no šādiem priekšmetiem
- Lietojiet pilnīgi atļūtus un drošus pagarinātājkabeļus, kas paredzēti 16 A strāvai
- Darba laikā instrumenta radītā trokšņa līmenis var pārsniegt 85 dB(A); lietojiet ausu aizsargus
- Materiāla (piemēram, svīnu saturošas krāsas, dažu koka šķirņu, minerālu un metāla) putekļi var būt kaitīgi (saskare ar putekļiem vai to ieelpošana var izraisīt alerģiskas reakcijas un/vai elpošanas ceļu saslimšanas operatoram vai klātesošajiem); **izmantojiet putekļu masku un putekļsūcēju, ja to iespējams pievienot**
- Dažu veidu putekļi ir klasificēti kā kancerogēni (piemēram, ozola vai dižskābarža putekļi), jo īpaši apvienojumā ar koksnes kondicionēšanas piedevām; **izmantojiet putekļu masku un putekļsūcēju, ja to iespējams pievienot**
- Ievērojiet ar putekļu savākšanu saistītos nacionālos noteikumus, kas attiecas uz apstrādājamajiem materiāliem
- Darba laikā nēsājiet aizsargcimdus un aizsargbrilles, uzvelciet piegulošas drēbes un nosedziet matus ar saturošu galvassegu (ja jums ir gari mati)
- **Nostipriniet apstrādājamo detaļu** (to ir drošāk nostiprināt ar spailēm vai skrūvspilēm, nevis turēt rokā)
- Slīpējot metālu, veidojas dzirksteles; šādā gadījumā neizmantojiet putekļu maisu/putekļu konteineru/ putekļsūcēju un sekojiet, lai darba vietas tuvumā neatrastos citas personas vai ugunsnedroši materiāli

DARBA LAIKĀ

- **Turiet instrumentu tikai aiz izolētas satvervirsmas, tāpēc ka slīpēšanas virsma var skart paša instrumenta kabeli** (pārgriežot spriegumu nesošus vadus, šis spriegums var nonākt uz instrumenta metāla daļām un var radīt operatoram elektrisko triecienu)
- Darba laikā sekojiet, lai elektrokabelis atrastos drošā attālumā no instrumenta kustīgajām daļām un stieptos prom no darba vietas virzienā uz aizmuguri

- Nepieskarieties kustīgajai slīplentei
- Elektriska vai mehāniska rakstura kļūmes gadījumā nekavējoties izslēdziet instrumentu un atvienojiet kabeļa kontaktdakšu no elektrotīkla
- Ja darba laikā tiek pārgriezts vai citādi mehāniski bojāts instrumenta elektrokabelis, nepieskarieties tam, bet nekavējoties atvienojiet elektrokabeļa kontaktdakšu no barojošā elektrotīkla

PĒC DARBA PABEIGŠANAS

- Pirms instrumenta novietošanas izslēdziet tā elektrodzinēju un nogaidiet, līdz ir pilnīgi apstājušās visas instrumenta kustīgās daļas

UZ INSTRUMENTA ATTĒLOTO SIMBOLU

SKAIDROJUMS

- ③ Pirms izstrādājuma lietošanas izlasiet tā lietošanas pamācību
- ④ Divkārsā izolācija (nav jālieto zemējuma vads)
- ⑤ Neizmēriet nolietoto instrumentu sadzīves atkritumu tvērtnei

DARBS

- Ieslēgšana/izslēgšana
 - lai ieslēgtu/izslēgtu instrumentu, nospiediet/atlaidiet ieslēdzēju A ②
 - ! **instrumentam jābūt ieslēgtam jau pirms slīpēšanas loksnes saskaršanās ar apstrādājamā priekšmeta virsmu**
 - ! **pirms instrumenta izslēgšanas paceliet to no apstrādājamā priekšmeta virsmas**
 - Instrumenta ieslēgšana ilgstošai darbībai, fiksējot tā ieslēdzēju
 - nospiediet ieslēdzēju A ②
 - ar ītkšņi nospiediet pogu B ②
 - atlaidiet ieslēdzēju
 - defiksējiet taustiņu, atkārtoti nospiežot un atlaižot ieslēdzēju A ②
 - Ātrā slīplentes nomaīna (sistēma CLIC) ⑥
 - ! **atvienojiet instrumentu no elektrotīkla**
 - paceliet sviru C
 - noņemiet slīplenti
 - ievietojiet jauno slīplenti, sekojot, lai uz slīplentes iekšējās virsmas attēloto bultu virziens sakristu ar bultas D virzienu uz instrumenta
 - nolaidiet sviru atpakaļ savā vietā
 - ! **savlaicīgi nomainiet slīplentes**
 - ! **nesalociet slīplentes**
 - Automātiskā slīplentes centrēšana (ABC)
 - ieslēdzot instrumentu, slīplente tiek automātiski iecentrēta
 - slīplentes centrējums tiek nodrošināts arī slīpēšanas laikā
- Gadījumā, ja instrumenta slīplente regulāri novirzās, (visbiežāk tam par iemeslu ir lietojamās slīplentes zemā kvalitāte), rīkojieties šādi
- ieslēdziet instrumentu
 - regulējot skrūvi E ②, panāciet, lai slīplente kustētos paralēli instrumenta plakanajai pusei
 - ja slīplente turpina novirzīties no vadotnes centra, nomainiet to pret jaunu

- Putekļu uzsūkšana ⑦
 - lai nodrošinātu optimālu putekļu uzsūkšanu, regulāri iztukšojiet konteineru G/maisu F
 - lietojot slīpmašīnu ar vai bez putekļsūcēja, pievienojiet instrumentam putekļsūcēja adapteru H, kā parādīts attēlā (1215)
 - ja nepieciešams, iztīriet arī filtru, kā parādīts attēlā
 - ! **nelietojiet putekļu konteineru/putekļu maisu/putekļsūcēju, slīpējot metālu**
- Instrumenta turēšana un vadīšana ⑧
 - darba laikā virziet instrumentu paralēli apstrādājamajai virsmai
 - ! **darba laikā vienmēr turiet instrumentu aiz pelēkās krāsas noturvirsmas(ām)**
 - ! **neizdariet uz instrumentu pārāk lielu spiedienu; ļaujiet slīpēšanas loksnei darīt darbu jūsu vietā**
 - lai novērstu nevēlamu šķīvu veidošanos uz apstrādājamās virsmas, darba laikā nolieciet instrumentu sānu virzienā
 - nenosprostojiet instrumenta ventilācijas atveres J ②

PRAKTISKI PADOMI

- Slīpējot nepārklātas koka virsmas, virziet instrumentu taisniem gājieniem koksnes šķiedru garenvirzienā
- Slīpējot visas pārējās virsmas, pārvietojiet instrumentu ovālām kustībām pa apstrādājamā materiāla virsmu
- Uzlieciet slīpēšanas rāmi K (SKIL papildpiederums 2610398244), lai nolīdzinātu virsmas, neradot skrambas un rievās, un pārliecinieties, ka tas ir droši nostiprināts ⑨
 - ! **darba gaitā slīpēšanas rāmis K stipri sakarst, tāpēc nepieskarieties tam, pirms rāmis nav atdzisis**
- Nelietojiet metāla un koka virsmu slīpēšanai vienu un to pašu slīplenti
- Ieteicamais slīpēšanas lenšu rupjums:
 - krāsas noņemšanai un sevišķi raupja koka slīpēšanai izmantot rupjas graudainības loksnes (40, 60)
 - raupju vai līdzenu koka virsmu slīpēšanai izmantot vidējas graudainības loksnes (80, 100, 120)
 - koka un virsmu, uz kurām ir veca krāsa, izlīdzināšanai un nepārklātu koka virsmu apstrādei izmantot smalkas graudainības loksnes (180, 240, 320)
- Raupju virsmu slīpēšanu veiciet pakāpeniski, izmantojot dažādas graudainības slīpēšanas loksnes:
 - uzsāciet slīpēšanu, izmantojot slīpēšanas loksnes ar rupju vai vidēju graudainību
 - nobeidziet slīpēšanu, izmantojot slīpēšanas loksnes ar smalku graudainību
- Papildu ieteikumi ir sniegti datorīkļa vietnē www.skil.com

APKALPOŠANA / APKOPE

- Šis darbarīks nav paredzēts profesionālai lietošanai
- Uzturiet tīru instrumentu un elektrokabeli (īpaši ventilācijas atveres J ②)
 - ar suku notīriet no instrumenta tam pielīpušos putekļus
- ! **pirms instrumenta tīrīšanas atvienojiet to no elektrotīkla**

- Ja, neraugoties uz augsto izgatavošanas kvalitāti un rūpīgo pēcražošanas pārbaudi, instruments tomēr sabojājās, tas jānogādā remontam firmas SKIL pilnvarotā elektroinstrumentu remonta darbnīcā
 - nogādājiet instrumentu **neizjauktā veidā** kopā ar iegādes dokumentiem tuvākajā tirdzniecības vietā vai firmas SKIL pilnvarotā pēciegādes apkalpošanas un remonta iestādē (adreses un instrumenta apkalpošanas shēma ir sniegta interneta vietnē www.skil.com)

APKĀRTĒJĀS VIDES AIZSARDZĪBA

- **Neizmetiet elektroiekārtas, piederumus un iesaiņojuma materiālus sadzīves atkritumos** (tikai ES valstīm)
 - saskaņā ar Eiropas Savienības direktīvu 2012/19/ES par nolietotajām elektriskajām un elektroniskajām iekārtām un tās atspoguļojumiem nacionālajā likumdošanā, nolietotās elektroiekārtas ir jāsavāc, jāizjauc un jānogādā atbilstoši pārstrādei apkārtējai videi nekaitīgā veidā
 - īpašs simbols ⑤ atgādina par nepieciešamību izstrādājumus izmantot videi nekaitīgā veidā

TROKSNIS / VIBRĀCIJA

- Saskaņā ar standartu EN 62841 noteiktais instrumenta radītā trokšņa skaņas spiediena līmenis ir 87 dB(A) un skaņas jaudas līmenis ir 98 dB(A) (pie tipiskās izkliedes 3 dB), un vibrācijas paātrinājums ir 2,1 m/s² (vektoru summa trijos virzienos; izklide K = 1,5 m/s²)
- Vibrācijas līmenis ir noteikts, izmantojot standartā EN 62841 paredzēto procedūru; to var izmantot, lai salīdzinātu instrumentus un provizoriski izvērtētu vibrācijas iedarbību, lietojot instrumentu minētajiem mērķiem
 - instrumenta izmantošana citiem mērķiem vai ar citiem vai nepietiekami koptiem piederumiem var ievērojami palielināt kopējo vibrācijas iedarbības pakāpi
 - laika periodi, kad instruments ir izslēgts vai arī ir ieslēgts, taču darbs ar to nenotiek, var ievērojami samazināt kopējo vibrācijas iedarbības pakāpi
- ! **pasargājiet sevi no vibrācijas iedarbības, veicot instrumenta un tā piederumu tehnisko apkopi, novēršot roku atdzišanu un pareizi organizējot darbu**

LT

Juostos šlifuoklis

1210/1215

ĪVADAS

- Šis prietaiss skirtas sausam šlifavimui ir īpač gerai nuvalo medinius, plastikinius, metalinius, glaištutus ir dažytus paviršius
- Šis įrankis neskirtas profesionaliam naudojimui
- Perskaitykite ir išsaugokite šią naudojimo instrukciją ③

TECHNINIAI DUOMENYS ①

PRIETAISO ELEMENTAI ²

- A Įjungimo/išjungimo jungiklis
- B Rankenėlė įjungimo/išjungimo jungikliui užrakinti
- C Svertas šlifavimo juostai pakeisti
- D Rodyklė
- E Varžtas juostos centravimui reguliuoti
- F Dulkių maišelis
- G Dulkių dėžutė
- H Dulkių nusiurbimo atvamzdį
- J Ventiliacinės angos
- K Šlifavimo rėmelis

SAUGA

BENDRIEJI ELEKTRINIŲ ĮRANKIŲ SAUGOS ĮSPĖJIMAI

⚠ ĮSPĖJIMAS Perskaitykite visus su šiuo elektriniu įrankiu pateikiamus saugos įspėjimus, instrukcijas, peržiūrėkite iliustracijas ir specifikacijas. Jei nepaisysite visų žemiau pateiktų instrukcijų, galite patirti elektros smūgį, sukelti gaisrą ir sunkiai susižaloti arba sužaloti kitus asmenis.

Išsaugokite visus perspėjimus ir instrukcijas, kad vėliau galėtumėte pasinaudoti.

Toliau pateiktame tekste vartojama sąvoka “elektrinis įrankis” apibūdina įrankius, maitinamus iš elektros tinklo (su maitinimo laidu), ir akumuliatorinius įrankius (be maitinimo laido).

1) DARBO VIETOS SAUGUMAS

- a) **Darbo vieta turi būti švari ir tvarkinga.** Tinkama ar blogai apšviesta darbo vieta gali tapti nelaimingų atsitikimų priežastimi.
- b) **Nedirbkite tokioje aplinkoje, kur yra degių skysčių, dujų ar dulkių.** Elektriniai įrankiai gali kibirkščiuoti, o nuo kibirkščių dulkės arba susikaupę garai gali užsidegti.
- c) **Dirbdami su elektriniu įrankiu neieškite šalia būti žiūrovams, vaikams ir lankytojams.** Nukreipę dėmesį į kitus asmenis galite nebesuvaldyti prietaiso.

2) ELEKTROSAUGA

- a) **Maitinimo laido kištukas turi atitikti tinklo rozetės tipą.** Kištuko jokiū būdu negalima modifikuoti. **Nenaudokite jokių kištuko adapterių su žemintais prietaisais.** Originalūs kištukai, tiksliai tinkantys elektros tinklo rozetei, sumažina elektros smūgio pavojų.
- b) **Venkite kūno kontakto su žemintais paviršiais, tokiais kaip vamzdžiai, šildytuvai, viryklės ar šaldytuvai.** Egzistuoja padidinta elektros smūgio rizika, jei Jūsų kūnas bus žemintas.
- c) **Saugokite prietaisą nuo lietaus ir drėgmės.** Jei vanduo patenka į elektrinį prietaisą, padidėja elektros smūgio rizika.
- d) **Nenaudokite maitinimo laido ne pagal paskirtį, t. y. neneškite prietaiso paėmę už laido, nekabinkite prietaiso už laido, netraukite už jo, norėdami išjungti kištuką iš rozetės. Laidą klokite taip, kad jo neveiktų karštis, jis neišsitemptų alyva ir jo nepažeistų aštrios detalės ar judančios prietaiso dalys.** Pažeisti arba susipynę laidai gali tapti elektros smūgio priežastimi.

e) **Jei su elektriniu įrankiu dirbate lauke, naudokite tik tokius ilginimo kabelius, kurie tinka lauko darbams.** Naudojant lauko darbams pritaikytus ilginimo kabelius, sumažinamas elektros smūgio pavojus.

f) **Jei su elektriniu įrankiu neišvengiamai reikia dirbti drėgnoje aplinkoje, naudokite įžeminimo grandinės pertraukiklį.** Naudojant įžeminimo grandinės pertraukiklį, sumažėja elektros smūgio pavojus.

3) ŽMONIŲ SAUGA

- a) **Būkite atidūs, sutelkite dėmesį į tai, ką Jūs darote ir, dirbdami su elektriniu įrankiu, vadovaukitės sveiku protu. Nedirbkite su prietaisu, jei esate pavargę arba vartojote narkotikus, alkoholį ar medikamentus.** Akimirksnio neatidumas naudojant prietaisą gali tapti rimtų sužalojimų priežastimi.
 - b) **Naudokite asmenines apsaugos priemones ir visuomet užsidėkite apsauginius akinius.** Naudojant asmenines apsaugos priemones, pvz., respiratorių ar apsauginę kaukę, neslystančius batus, apsauginį šalną, klausos apsaugos priemones ir kt., rekomenduojamas dirbant su tam tikros rūšies įrankiais, sumažėja rizika susižeisti.
 - c) **Saugokitės, kad neįjungtumėte prietaiso atsitiktinai. Prieš prijungdami elektrinį įrankį prie elektros tinklo ir/arba akumuliatoriaus, prieš pakeldami ar nešdami įsitikinkite, kad jis yra išjungtas.** Jeigu nešdami elektrinį įrankį pirštą laikysite ant jungiklio arba prietaisą įjungsitė į elektros tinklą, kai jungiklis yra įjungtas, gali įvykti nelaimingas atsitikimas.
 - d) **Prieš įjungdami prietaisą pašalinkite reguliavimo įrankius arba veržlių raktus.** Prietaiso besisukančioje dalyje esantis įrankis ar raktas gali tapti sužalojimų priežastimi.
 - e) **Nepervertinkite savo galimybių. Dirbdami atsistokite patikimai ir visada išlaikykite pusiausvyrą.** Patikima stovėseną ir tinkama kūno laikysena leis geriau kontroliuoti prietaisą netikėtose situacijose.
 - f) **Dėvėkite tinkamą aprangą. Nedėvėkite plačių drabužių ir papuošalų. Saugokite plaukus ir drabužius nuo besisukančių elektrinio įrankio dalių.** Laisvus drabužius, papuošalus bei ilgus plaukus gali įtraukti besisukančios dalys.
 - g) **Jei yra numatyta galimybė prijungti dulkių nusiurbimo ar surinkimo įrenginius, visada įsitikinkite, ar jie yra prijungti ir ar teisingai naudojami.** Naudojant dulkių nusiurbimo įrenginius sumažėja kenksmingas dulkių poveikis.
 - h) **Dažnai naudodami įrankį ir gerai su juo susipažinę pernelyg neatsipalaiduokite ir nepradėkite nepaisyti įrankio saugos principų.** Neatidus veiksmas gali sukelti sunkią traumą per sekundės dalį.
- ### 4) RŪPESTINGA ELEKTRINIŲ ĮRANKIŲ PRIEŽIŪRA IR NAUDOJIMAS
- a) **Neperkraukite prietaiso. Naudokite Jūsų darbui tinkamą elektrinį įrankį.** Su tinkamu elektriniu įrankiu Jūs dirbsite geriau ir saugiau, jei neviršysite nurodyto galtingumo.
 - b) **Nenaudokite elektrinio įrankio su sugedusiu jungikliu.** Elektrinis įrankis, kurio nebeįgalima įjungti ar išjungti, yra pavojingas ir jį reikia remontuoti.
 - c) **Prieš reguliuodami prietaisą, keisdami darbo įrankius ar prieš valydami prietaisą, iš elektros**

tinklo lizdo ištraukite kištuką ir/arba išimkite akumuliatorių, jeigu jis išimamas. Ši saugumo priemonė apsaugos jus nuo netikėto prietaiso įsijungimo.

- d) **Nenaudojama prietaisą sandėliuokite vaikams ir nemokantiems juo naudotis asmenims neprieinamoje vietoje.** Elektriniai įrankiai yra pavojingi, kai juos naudoja nepatyrę asmenys.
- e) **Priziūrėkite elektrinį įrankį ir priedus. Tikrinkite, ar besisukančios prietaiso dalys tinkamai veikia ir niekur nekliūva, ar nėra sulūžusių ar šiaip pažeistų dalių, kurios įtakotų prietaiso veikimą.** Prieš vėl naudojant prietaisą pažeistos prietaiso dalys turi būti suremontuotos. Daugelio nelaimingų atsitikimų priežastis yra blogai priziūrimi elektriniai įrankiai.
- f) **Pjovimo įrankiai turi būti aštrūs ir švarūs.** Rūpestingai priziūrėti pjovimo įrankiai su aštriomis pjaujamosiomis briaunomis mažiau stringa ir juos yra lengviau valdyti.
- g) **Elektrinį įrankį, papildomą įrangą, darbo įrankius ir t. t. naudokite taip, kaip nurodyta šioje instrukcijoje. Taip pat atsivėlkite į darbo sąlygas bei atliekamo darbo pobūdį.** Naudojant elektrinius įrankius ne pagal jų paskirtį galima sukelti pavojingas situacijas.
- h) **Rankenos ir suėmimo paviršiai turi būti sausi, švarūs, ant jų neturi būti alyvos ir tepalų.** Dėl slidžių rankenų ir suėmimo paviršių negalėsite saugiai išlaikyti ir suvaldyti įrankio netikėtose situacijose.

5) APTARNAVIMAS

- a) **Prietaisą turi remontuoti tik kvalifikuotas specialistas ir naudoti tik originalias atsargines dalis.** Taip galima garantuoti, jog prietaisas išliks saugus.

SAUGOS NUORODOS DIRBANTIEMS SU ŠLIFAVIMO PRIETAISAIŠ

BENDROJI DALIS

- Šį prietaisą turėtų naudoti tik asmenys, kuriems 16 ir daugiau metų
- Šis prietaisas netinka ruošiniams šlifuoti šlapiuoju būdu
- Prietaisą su pažeistu kabeliu naudoti draudžiama; jį turi pakeisti kvalifikuotas elektrikas
- **Draudžiama apdirbti medžiagas, kurių sudėtyje yra asbesto** (asbestas pasižymi vėžį sukeliančiu poveikiu)
- **Reguliariai valykite ventiliacines angas Jūsų prietaiso korpuse** (variklio ventiliatorius siurbia dulkes į korpusą, ir, susikaupus daug metalo dulkių, gali kilti elektros smūgio pavojus)
- **Prieš reguliuojant prietaisą arba keičiant darbo įrankius, ištraukite kištuką iš el. tinklo lizdo**

PAPILDOMA ĮRANGA

- SKIL gali garantuoti neprikaištingą prietaiso veikimą tik tuo atveju, jei naudojama originali papildoma įranga ir priedai
- Draudžiama naudoti nusidėvėjusias, įtrūkusias ar labai užterštas šlifavimo popieriaus juostas

PRIEŠ EKSPLOATACIJĄ

- Visada patikrinkite, ar elektros tinklo įtampa sutampa su įtampos dydžiu, nurodytu prietaiso vardinėje lentelėje (prietaisus su nurodyta įtampa 230V ir 240V galima jungti į 220V įtampos elektros tinklą)
- Saugokite, kad nepažeistumėte prietaiso į ruošinyje esančius varžtus, vinius ir pan; prieš pradėdami darbą juos pašalinkite

- Naudodami ilginamuosius kabelius atkreipkite dėmesį į tai, kad kabelis būtų iki galo išvyniotas ir būtų pritaikytas 16 A elektros srovei
- Darbo metu triukšmo lygis gali viršyti 85 dB(A); naudoti klausos apsaugos priemonės
- Kai kurių medžiagų, kaip antai dažų, kurių sudėtyje yra švino, kai kurių medžių rūšių medienos, mineralų ir metalo dulksės gali būti kenksmingos (kontaktais su šiomis dulėmis arba įkvėptos dulksės gali sukelti operatoriui arba šalia esantiems žmonėms alergines reakcijas ir/arba kvėpavimo sistemos susirgimus); **mūvėkite priešdulkinę puskaukę arba dirbdami naudokite dulkių ištraukimo įrenginį, jei jį galima prijungti**
- Kai kurių rūšių dulksės priskiriamos kancerogeninėms (pvz., ažuolo arba buko medienos dulksės), ypač susimaišiusios su medienos taurinimui naudojamais priedais; **mūvėkite priešdulkinę puskaukę arba dirbdami naudokite dulkių ištraukimo įrenginį, jei jį galima prijungti**
- Vadovaukitės Jūsų šalyje taikomų direktyvų reikalavimais, skirtais medžiagoms, su kuriomis norite dirbti
- Užsidėkite apsauginius pirštines, užsidėkite apsauginius akinius, dėvėkite prikludusius drabužius ir apsauginę kepuraitę (jei Jūsų plaukai ilgi)
- **Saugiai laikykite tvirtinamą dirbinį** (dirbinį, kuris segamas ar kalamas kabių kalimo įrankiais, saugiau laikyti spaustuvu nei ranka)
- Šlifuojant metalą kyla kibirkštys; nenaudokite dulkių maišelių/dulkių dėžutės/dulkių siurblio ir pasirūpinkite, kad Jums dirbant aplink nebūtų kitų asmenų, kuriuos galėtų sužeisti lekiančios kibirkštys, o taip pat - degių medžiagų

EKSPLOATACIJA

- **Elektrinį prietaisą laikykite už izoliuotų rankenų, nes šlifavimo paviršiumi gali kliudyti paties prietaiso maitinimo laidą** (įpjovus laidą, kurio teka elektros srovė, atvirose metalinėse elektrinio prietaiso dalyse atsiranda įtampa ir naudojotas gali gauti elektros smūgi)
- Pasirūpinkite, kad maitinimo kabelis nebūtų arti besisukančių prietaiso dalių; klokite jį kuo toliau už prietaiso
- Nelieskite besisukančios šlifavimo popieriaus juostos
- Atsiradus mechaninio ar elektrinio pobūdžio trukdžiams, tuojau pat išjunkite prietaisą ir ištraukite kištuką iš elektros tinklo lizdo
- Jei dirbant bus pažeistas ar nutrauktas kabelis, būtina noliečiant kabelio tuojau pat ištraukti kištuką iš elektros tinklo lizdo

PO EKSPLOATACIJOS

- Prieš padėdami prietaisą jį išjunkite ir palaukite, kol visos besisukančios jo dalys visiškai sustos

ANT PRIETAISO ESANČY SIMBOLIŲ REIKŠMĖS

- ③ Prieš naudodami įrankį perskaitykite instrukciją vadovą
- ④ Dviguba izoliacija (įžeminimo laido nereikia)
- ⑤ Nemeskite prietaisus į buitinių atliekų konteinerius

NAUDOJIMAS

- Įjungimo/išjungimo jungiklis
 - prietaisas įjungiamas/išjungiamas nuspaudžiant/atleidžiant jungiklį A ②
 - ! **visų pirma įjunkite prietaisą ir tik po to pradėkite šlifuoti, t.y. šlifavimo plokštė ruošinį turi paliesti prietaisui esant jau įjungtam**
 - ! **prieš išjungdami prietaisą atitraukite jį nuo ruošinio**
 - Jungiklio fiksavimas ilgalaikiam darbui
 - nuspauskite jungiklį A ②
 - nykščiu nuspauskite mygtuką B ②
 - atleiskite jungiklį
 - fiksavimą galite išjungti vėl nuspausdami jungiklį A ② ir jį atleisdami
 - Greitas šlifavimo juostos pakeitimas (sistema CLIC) ⑥
 - ! **ištraukite kištuką iš elektros lizdo**
 - atlaisvinkite svirtį C
 - išimkite šlifavimo juostą
 - įdėkite naują šlifavimo juostą; vidinėje juostos pusėje esančių rodyklių kryptis turi sutapti su ant prietaiso esančia rodykle D
 - grąžinkite svirtį atgal
 - ! **laiku pakeiskite šlifavimo juostą**
 - ! **šlifavimo juostų nelankstykite**
 - Automatinis juostos centravimas (ABC)
 - Įjungus prietaisą, juosta centruojasi automatiškai
 - šlifavimo metu juosta visuomet išlaikoma reikiamoje padėtyje
- Jei juosta vis tik nuslenka nuo ritinėlio (tai gali atsitikti naudojant prastos kokybės juostas), reikia sistemą sureguliuoti iš naujo
- įjunkite prietaisą
 - sukite varžtą E ② tol, kol šlifavimo juostos kraštas atsidurs maždaug ties šlifavimo plokštumos kraštu juostos uždėjimo pusėje
 - jei juosta vis tiek nuslenka, pakeiskite šlifavimo juostą
- Dulkių nusiurbimas ⑦
 - reguliariai išvalykite dėžutę G/maišelį F, tuomet dulkių nusiurbimas bus optimalus
 - naudodami prietaisą su dulkių siurbliu ar be jo, dulkių nusiurbimo atvamzdį H sumontuokite taip, kaip parodyta paveikslėlyje (1215)
 - prireikus, kaip parodyta paveikslėlyje, išvalykite filtro
- ! **nenaukite dulkių dėžutės/dulkių maišelio/dulkių siurblio šlifuodami metalą**
- Prietaiso laikymas ir valdymas ⑧
 - prietaisą laikykite lygiagrečiai apdirbamam paviršiui
- ! **dirbdami laikykite prietaisą už pilkos spalvos suėmimo vietos(-ų)**
- ! **nepauskite prietaiso per stipriai; leiskite šlifavimo plokšte atlikti darbą už jus**
- nevartykite prietaiso, nes šlifuojuojant gali likti įbrėžimų
- ventiliacines angas J ② laikykite neuždengtas

NAUDOJIMO PATARIMAI

- Rupus neapdirbtų medinių paviršių šlifavimas: šlifaukite tiesiais judesiais išilgai plaušo
- Kitų paviršių šlifavimas: šlifaukite ovaliais judesiais

- Sumontuokite šlifavimo rėmelį K (SKIL papildoma įranga 2610398244) paviršiams lyginti bei įbrėžimų ar griovelių, ir įsitikinkite, kad jis yra patikimai įstatytas ⑨
- ! **darbo metu šlifavimo rėmelis K labai įkaista; nelieskite jų rankomis, kol neatauš**
- Niekuomet ta pačia juosta nešlifaukite io ir metalo
- Rekomenduojami šlifavimo juostos rupumai:
 - nuimti dažus ir nušlifuoti itin šiurkščius medinius paviršius, didelio grūdėtumo (40, 60)
 - šlifuoti šiurkščią ar neapdorotą medieną, vidutinio grūdėtumo (80, 100, 120)
 - nupoliruoti medieną ir paviršius su senais dažais bei neapdorotą medieną, smulkaus grūdėtumo (180, 240, 320)
- Šlifuojami grubius paviršius naudokite skirtingo rupumo šlifavimo popierių:
 - iš pradžių šlifaukite rupiu arba vidutinio rupumo popieriumi
 - baigdami šlifuoti naudokite smulkaus rupumo popierių
- Daugiau patarimų rasite internete www.skil.com

PRIEŽIŪRA / SERVISAS

- Šis įrankis neskirtas profesionaliam naudojimui
- Periodiškai valykite prietaisą ir kabeį (ypač ventiliacines angas J ②)
 - susikaupusias šlifavimo dulkes išvalykite šepetėliu
- ! **prieš valydami ištraukite kištuką iš elektros tinklo lizdo**
- Jeigu prietaisas, nepaisant gamykloje atliekamo kruopštaus gamybos ir kontrolės proceso, vis dėlto sugestų, jo remontas turi būti atliekamas įgaliotose SKIL elektrinių įrankių remonto dirbtuvėse
 - **neišardytą** prietaisą kartu su pirkimo čekiu siųskite tiekėjui arba į artimiausią SKIL firmos įgaliotą elektros prietaisų techninio aptarnavimo tarnybą (adresus bei atsarginių dalių brėžinius rasite www.skil.com)

APLINKOSAUGA

- **Nemeskite elektrinių įrankių, papildomos įrangos ir pakuotės į buitinių atliekų konteinerius** (galioja tik ES valstybėms)
 - pagal ES Direktyvą 2012/19/EG dėl naudotų elektrinių ir elektroninių prietaisų atliekų utilizavimo ir pagal vietinius valstybės įstatymus atitarnavę elektriniai įrankiai turi būti surenkami atskirai ir gabunami į antrinių žaliavų tvarkymo vietas, kur jie turi būti sunaikinami ar perdirbami aplinkai nekenksmingu būdu
 - apie tai primins simbolis ⑥, kai reikės išmesti atitarnavusį prietaisą

TRIUKŠMINGUMAS / VIBRACIJA

- Šio prietaiso triukšmingumas buvo išmatuotas pagal EN 62841 reikalavimus; keliamo triukšmo garso slėgio lygis siekia 87 dB(A) ir akustinio galingumo lygis 98 dB(A) (standartinis nuokrypis: 3 dB), ir vibracijos 2,1 m/s² (trijų krypčių atstojamasis vektorius; paklaida K = 1,5 m/s²)
- Vibracijos sklaidos lygis išmatuotas pagal standarte EN 62841 išdėstytus standartizuoto bandymo reikalavimus; ši vertė gali būti naudojama vienam įrankiui palyginti su

- kitu bei išankstiniam vibracijos poveikiui įvertinti, kai įrankis naudojamas paminėtais būdais
- naudojant įrankį kitokiais būdais arba su kitokiais bei netinkamai prižiūrimais priedais, gali žymiai padidėti poveikio lygis
 - laikotarpiais, kai įrankis išjungtas arba yra įjungtas, tačiau juo nedirbama, gali žymiai sumažėti poveikio lygis
- ! apsisaugokite nuo vibracijos poveikio prižiūredami įrankį ir jo priedus, laikydami rankas šiltais ir derindami darbo ciklus su pertraukėlėmis**

МК

Брусилка со појас 1210/1215

УПАТСТВО

- Овој алат е наменет за суво брусење и фина обработка на дрво, пластика, метал и гитувани и обоени површини
- Овој алат не е наменет за професионална употреба
- Внимателно прочитајте го и зачувајте го ова упатство за ракување ③

ТЕХНИЧКИ ПОДАТОЦИ ①

ЕЛЕМЕНТИ НА АЛАТОТ ②

- A Прекинувач за вклучување/исклучување
- B Копче за блокирање на прекинувачот за вклучување/исклучување
- C Рачка за промена на брусната хартија
- D Стрелка
- E Шраф за центрирање на брусната хартија
- F Кеса за прашина
- G Кутија за прашина
- H Адаптер за правосмукалната
- J Отвори за вентилација
- K Брусна рамка

БЕЗБЕДНОСТ

ОПШТИ ПРЕДУПРЕДУВАЊА ЗА БЕЗБЕДНОСТ НА ЕЛЕКТРИЧНИТЕ АЛАТИ

! **ПРЕДУПРЕДУВАЊЕ** Прочитајте ги сите безбедносни предупредувања, илустрации и спецификации дадени со овој електричен алат. Грешките настанати како резултат на непридржување до сите инструкции дадени подолу може да предизвикаат електричен удар, пожар и/или тешки повреди.

Чувајте ги сите предупредувања и упатства за понатамошно упатување.

Поимот “електричен алат”, кој се користи во понатамошниот текст, се однесува на вашиот електричен алат (со приклучен кабел) и на електрични алати со погон на батерии (без приклучен кабел).

1) БЕЗБЕДНОСТ НА РАБОТНОТО МЕСТО

- a) **Одржувајте го вашето работно место чисто и уредно.** Неуреден или темен работен простор може да предизвикаат незгоди.
- b) **Немојте да работите со уредот во средина во која има опасност од експлозија, во која има запалливи течности, гасови и прашина.** Електричните алати произведуваат искри кои можат да запалат прашина или параа.
- c) **За време на употребата на електричниот алат, децата и останатите лица држете ги подалеку од местото каде работите.** Одвркање, би можеле да изгубите контрола врз уредот.

2) ЕЛЕКТРИЧНА СИГУРНОСТ

- a) **Утикач мора да одговара на приклученост.** Никако не смее да се прават измени на штекерот. Не користете адаптерски штекер заедно со уредот кој е заштитно заземјен. Не променети штекери и соодветни приклучоци го намалуваат ризикот од електричен удар.
 - b) **Избегнувајте допир на телото со заземјени површини, како што се цевки, радијатори, рерни и фрижидери.** Постои зголемена опасност од струен удар, доколку Вашето тело е заземјено.
 - c) **Чувајте го уредот подалеку од дожд и влага.** Продирањето на вода во електричниот уред ја зголемува опасноста од струен удар.
 - d) **Не злоупотребувајте го приклучниот кабел за носење, бесење на уредот или за извлекување на штекерот од мрежниот приклучок.** Чувајте го кабелот подалеку од топлина, масло, остри рабови или деловите на апаратот кои се движат. Оштетени или заплеткани кабли ја зголемуваат опасноста од струен удар.
 - e) **Кога го употребувате полначен надвор, користете продолжен кабел кој е соодветен за употреба на отворен простор.** Примената на продолжен кабел соодветен за работа на отворен простор ја намалува опасноста од струен удар.
 - f) **Доколку не може да се избегне работа со електричниот алат во влажна средина, користете прекинувач за струјна заштита при технички проблеми.** Употребата на прекинувачот за струјна заштита при технички проблеми го намалува ризикот од електричен удар.
- #### 3) БЕЗБЕДНОСТ НА ЛУЃЕ
- a) **Бидете внимателни, внимавајте што правите и постапувајте внимателно додена работите со електричниот алат. Не работете со уредот доколку сте уморни или под дејство на дрога, алкохол или лекови.** Еден момент на невнимание при употребата може да доведе до сеиозни повреди.
 - b) **Носете ја личната заштитна опрема и секогаш носете заштитни очила.** Носењето на личната заштитна опрема, како што е маската за прашина, безбедносната облека која не се лизга, заштитен шлем или штитник за слух, зависно од видот и примената на електричниот алат, ја намалува опасноста од повреда.
 - c) **Избегнувајте невнимателно вклучување за време на работата. Осигурајте се прекинувачот да биде во “OFF” позиција пред да го ставите**

- штекерот во приклучокот.** Доколку го носите електричниот алат со прстот на прекинувачот или го приклучувате апаратот кој е приклучен со напонување на струја, може да предизвикате незгоди.
- d) **Пред вклучување на уредот, тргнете ги алатите за подесување или клучот за навртување.** Алатот или клучот кој се наоѓа во вртливиот дел на уредот, може да предизвика незгода.
- e) **Не ги преценувајте своите способности.** Завземете сигурен и стабилен став и во секој момент одржувајте рамнотежа. На тој начин можете подобро да го контролирате уредот во неочекувани ситуации.
- f) **Носете соодветна облека. Не носете широка облека или накит.** Носата и алиштата треба да бидат подалеку од подвижните делови. Широка облека, накитот или долгата коса може да се закачат за подвижните делови.
- g) **Доколку може да се монтираат направи за вшмукување и фаќање прашина, проверете дали се вклучени и дали можат исправно да се користат.** Примената на овие направи ја намалува опасноста од прашината.
- h) **Не дозволувајте искуството стеннато со честа употреба на алатите да ве направи спокојни и да ги игнорирате безбедносните принципи при неговото користење.** Невнимателно движење може да предизвика сериозни повреди во дел од секунда.
- 4) ВНИМАТЕЛНА УПОТРЕБА И РАКУВАЊЕ СО ЕЛЕКТРИЧНИТЕ АЛАТИ**
- a) **Не го преоперетувајте уредот.** При вашата работа користете го предвидениот електричен алат за таа употреба. Со соодветниот електричен алат ќе работите подобро и посигурно во наведената функционална област.
- b) **Не користете електричен алат чиј прекинувач е неисправен.** Електричниот алат кој повеќе не може да се вклучува и исклучува е опасен и мора да се поправи.
- c) **Исклучете го електричниот алат од струја и/или извадете го комплетот со батерии, ако се одделува, пред да правите неканви прилагодувања, менувате дополнителна опрема или да го складирате електричниот алат.** Со овие мерки на внимателност ќе се избегне невнимателното вклучување на уредот.
- d) **Тргнете го електричниот алат кој не го користите од допирот на децата.** Не допуштајте работа со уредот на лица кои не се запознаени со него или кои го немаат прочитано ова упатство. Електричните алати се опасни доколку со нив работат неискусни лица.
- e) **Одржувајте го електричниот алат и дополнителната опрема.** Имајте контрола околу тоа дали движечните делови на уредот работат беспрекорно и дали не се заглавени, дали деловите се скршени или оштетени до таа мерка што не може да се обезбеди функционирање на уредот. Пред примената, овие оштетени делови
- треба да се поправат.** Причина за многу незгоди е лошо одржуваниот електричен алат.
- f) **Алатите за сечење одржувајте ги остри и чисти.** Внимателно одржувани алати за сечење со остри отчрпци помалку ќе се заглавуваат и со нив работата ќе биде полесна.
- g) **Електричниот алат, прибор, работни алати итн., треба да ги користите според овие упатства, и на начин кој е опишан за соодветниот тип на уред.** При тоа, земете ги предвид работните услови и работата која се извршува. Употребата на електричните алати за други цели кои не се предвидени, може да предизвика опасни ситуации.
- h) **Рачките и површините за држење одржувајте ги суви, чисти и неизмастени.** Рачките и површините за држење што се лизгаат не овозможуваат безбедно ракување и контрола на алатот во неочекувани ситуации.
- 5) СЕРВИСИРАЊЕ**
- a) **Електричниот алат сервисирајте го кај квалификувано лице кое користи само идентични резервни делови.** Со ова се обезбедува безбедно одржување на електричниот алат.

БЕЗБЕДНОСНИ УПАТСТВА ЗА БРУСИЛКА

ОПШТИ

- Овој алат не треба да го користат лица под 16 години
- Овој алат не е соодветен за брусење во влажна средина
- Никогаш не користете алат ако кабелот е оштетен; замената на кабелот мора да ја изврши стручно лице
- **Не обработувајте никанов материјал кој содржи азбест** (азбестот важи за предизвикувач на рак)
- **Редовно чистете ги отворите за вентилација на алатот** (вентилаторот на моторот вовлекува прашина во куќиштето, а прекумерната акумулација на иситнет метал може да предизвика електричен удар)
- **Обезбедете се алатот да е исклучен од струја пред да вршите било какво подесување или замена на приборот**

ПРИБОР

- SKIL може да признае гаранција само доколку е користен оригинален прибор
- Не користете истрошен, изабен или премногу зачепен појас за брусење

ПРЕД УПОТРЕБА

- Секогаш проверувајте напонот да е ист со оној кој е назначен на плочката на алатот (алатите за напон од 230V или 240V исто така може да се поврзат и на напон од 220V)
- Избегнувајте оштетувања од штрафови, шајки и други предмети во местото каде работите; тргнете ги пред да почнете со работа
- Продолжениот кабел кој го користите, мора да биде сосема одмотан и безбеден, со капацитет од 16 A
- Нивото на бучава додека работите може да изнесува повеќе од 85 dB(A); носете заштита за ушите
- Прашината од материјали како боја која содржи олово, некои видови дрво, минерали и метали, може да биде штетна за здравјето (контактот со прашината или нејзиното вдишување може да

шредизвика алергии и/или болести на дишните органи за оној кој работи со алатот или луѓето во близина); **носете масна за прашина и работете со правосмукалки доколку можете да ги поврзете**

- Некои видови на прашина се канцерогени (како на пример прашина од даб или бука), особено заедно со адитиви за одржување на дрвото; **носете масна за прашина и работете со правосмукалки доколку можете да ги поврзете**
- Следете ги процедурите на вашата земја за прашина која се јавува како резултат од материјалите со кои работите
- Носете заштитни ракавици, заштитни очила, тесна облека и заштита за коса (доколку имате долга коса)
- **Зацврстете го материјалот кој го обработувате** (обработка која е зацврстена со стеги или во менгема е побезбедна отколку да ја држите со раце)
- При брусење на метал доаѓа до појава на искри; не користете несата за прашина/кутија за прашина/ правосмукалка а останатите лица и запаливи материјали треба да се наоѓаат подалеку од местото каде се работи

ВО ТЕКОТ НА УПОТРЕБАТА

- **Држете го алатот под напон за изолираните површини на држење бидејќи брусна површина може да го пресече кабелот** (ако се пресече жица под напон, металните делови на алатот ќе се електрифицираат и може да предизвикаат електричен шок за работникот)
- Кабелот секогаш држете го подалеку од деловите на алатот кои се движат; кабелот држете го на задната страна, на страна од алатот
- Не допирајте го појасот за брусење кој се движи
- Во случај да дојде до електричен или механички дефект, веднаш исклучете го алатот и исклучете го од приклучокот
- Ако кабелот се оштети или пресече за време на работата, веднаш исклучете го и не го допирајте

ПО УПОТРЕБА

- Кога ќе ја завршите работата со алатот, исклучете го моторот и проверете дали сите подвижни делови се застанати

ОБЈАСНУВАЊЕ ЗА СИМБОЛИТЕ ЗА АЛАТОТ

- ③ Пред употреба прочитајте го прирачникот за употреба
- ④ Двојна изолација (не е потребна заземна жица)
- ⑤ Не фрлајте го алатот заедно со другиот отпад од домаќинството

УПОТРЕБА

- Прекинувач за вклучување/исклучување
 - алатот вклучете/исклучете го со повлекување/пуштање на прекинувачот А ②
 - ! **алатот треба да го вклучите пред брусната површина да го допре местото каде ќе работите**
 - ! **уредот треба да се подигне од работната површина пред тој да биде исклучен**
- Блокирање на прекинувачот за постојана употреба
 - повлечете го прекинувачот А ②
 - притиснете го копчето В ② со палецот
 - пуштете го прекинувачот

- отклучете го прекинувачот со повторно повлекување на прекинувачот А ② и отпуштање
- Брзо менување на појасите за пескареење (CLIC-систем) ⑥
 - ! **извлечете го приклучокот ако кабелот**
 - подигнете ја рачката С
 - отстранете го брусниот појас
 - вметнете нов брусен појас со стрелка која е втисната од внатрешната страна, насочена во иста насока како и стрелката D на алатот
 - рачката турнете ја назад
 - ! **на време менувајте ги брусните појаси**
 - ! **никогаш не витнајте ја брусните појаси**
- Автоматско центрирање на појасот (ABC)
 - го центрира појасот автоматски кога ќе се вклучи алатот
 - го одржува појасот центриран при пескареење
- Во случај појасот да падне од алатот (најчесто заради полошиот квалитет на појасот), би требало да
 - вклучете го алатот
 - подесите шрафот Е ② за брусниот појас, да се порамни со рамната страна на алатот
 - употребите нова брусна хартија, доколку старата се уште паѓа од алатот
- Вшмукување прашина ⑦
 - редовно празнете ја кутијата за прашина G/несата за прашина F за оптимално собирање на прашина
 - кога го користите алатот со правосмукалка, монтирајте го адаптерот за правосмукалната H, како што е опишано (1215)
 - кога е неопходно, исто така, чистете ги филтерот, како што е опишано
- ! **не користете ја кутијата за прашина/несата за прашина/правосмукалната за собирање прашина кога брусите метал**
- Држење и насочување на алатот ⑧
 - држете го алатот паралелно со површината која ја обработувате
 - ! **додена работите, секогаш држете го алатот за местото (местата) кое (кои) се означени со сива боја**
 - ! **не применувајте многу притисок врз алатот и оставете ја површината за чистење да ја заврши работата за вас**
 - не го навалувајте алатот за да избегнете појава на несакани траги од брусењето
 - отворите за ладење J ② држете ги отворени

СОВЕТИ ЗА ПРИМЕНА

- При брусење на необработено дрво, движете го алатот правилноински следејќи ги шарите на дрвото
- При брусење на други површини, движете го алатот со кружни движења
- Поставете ја брусната рамка K (SKIL прибор 2610398244) за изедначување на површината, без гребаници и жлебови и проверете дали е добро наместена
 - ! **брусната рамка K се загрева при употреба; не ја допирајте додена не се олади**
- Никогаш не користете ја истат брусниот појас и за дрво и за метал

- Препорачани шмиргли за појасот за пескарење:
 - користете груба шмиргла (40, 60) за отстранување боја и за брусење на исклучително грубо дрво
 - користете средно груба шмиргла (80, 100, 120) за брусење грубо или мазно дрво
 - користете фина шмиргла за мазнење на дрво и површини со стара боја, како и за завршна обработка на голо дрво (180, 240, 320)
- Користете разни големини на шмиргли кога површината е груба:
 - започнете да пескарите со груба или средна шмиргла
 - завршете со фината шмиргла
- Многу други совети можете да најдете на www.skil.com

ОДРЖУВАЊЕ/СЕРВИСИРАЊЕ

- Овој алат не е наменет за професионална употреба
- Алатот и кабелот секогаш да се одржуваат чисти (особено отворите за ладење J ②)
 - со четкичка отстранете ја насобраната прашина од брусењето
- ! **пред чистење извадете го алатот од приклучонок**
- Доколку алатот и покрај внимателното работење и контрола некогаш откаже, поправката мора да ја изврши некој овластен SKIL сервис за електрични алати
 - во случај на примедба, испратете го алатот **нерасклопен**, заедно со сметкопотврдата, до вашиот продавач или најблискиот SKIL сервис (адресите се наведени на www.skil.com)

ЗАШТИТА НА ЖИВОТНАТА СРЕДИНА

- **Не се ослободувајте од елентични алати, уреди или амбалажа преку нивно фрлање во домашното губре** (само за земјите на ЕУ)
 - според Европската Директива 2012/19/ЕС за ослободување од електрична и електронска опрема и нејзина имплементација во согласност со националните закони, електричните алати кои го достигнале крајот на својот животен век мора да бидат собрани посебно и да бидат вратени во соодветен објект за рециклирање
 - симболот ⑤ ќе ве потсетува на ова кога ќе дојде време алатот да го фрлите

БУЧАВА / ВИБРАЦИИ

- Мерео во согласност со EN 62841 нивото на звучен притисок е 87 dB(A) а нивото на звучна моќност 98 dB(A) (стандардно отстапување: 3 dB), и вибрација 2,1 m/c² (векторски збир на трите показатели; несигурност K = 1.5 m/c²)

- Нивото на емитирање на вибрации кое е наведено на задниот дел на ова упатство е измерено во согласност со стандардизираниот тест даден во EN 62841; може да се користи за да се спореди еден алат со друг, и како првична оценка за изложеноста на вибрации кога се користи алатот за споменатите примени
 - користењето на алатот за разни примени, или со различни или неправилно чувани делови, може да доведе до значајно **зголемување** на нивото на изложеност
 - кога алатот е исклучен или кога алатот е вклучен но не врши некаква работа, може да дојде до значително **намалување** на нивото а изложеност
- ! **заштитете се од ефектите на вибрациите преку одржување на алатот и неговите делови, одржување на топлината во вашите раце, и организирање на вашата работа**

AL

Smeriluese me rrip

1210/1215

HVRJE

- Kjo vegël është e projektuar për smerilimin e thatë me një rendiment të lartë heqjeje në sipërfaqe druri, pastike, metalike, mbushëse dhe të lyera
- Kjo vegël nuk është e projektuar për përdorim profesional
- Lexoni dhe ruani këtë manual të përdorimit ③

TË DHËNAT TEKNIKE ①

ELEMENTET E VEGËL ②

- A Çelësi i ndezjes/fikjes
- B Kapësja për bllokimin e çelësit të ndezjes/fikjes
- C Leva për ndërrimin e rripit të smerilimit
- D Shigjeta
- E Vida për rregullimin e centrimt të rripit
- F Qesja e pluhurave
- G Kutia e pluhurave
- H Përshatësi i fshesës me korrent
- J Të çarat e ajrosjes
- K Korniza e smerilimit

SIGURIA

PARALAJMËRIME TË PËRGJITHSHME TË SIGURISË PËR PAJISJET ELEKTRIKE

⚠ PARALAJMËRIM Lexoni të gjitha paralajmërimet e sigurisë, udhëzimet, ilustrimet dhe specifikimet e paraqitura me këtë vegël pune. Mosrespektimi i të gjitha udhëzimeve të renditura më poshtë mund të rezultojë në goditje elektrike, zjarr dhe/ose dëmtime të rënda.

Ruani të gjitha paralajmërimet dhe udhëzimet për referencë në të ardhmen.

Termi "pajisje elektrike" në paralajmërimet e referohet pajisjes elektrike që përdoret nga priza (me kablo) ose pajisjes elektrike me bateri (pa kablo).

1) SIGURIA E ZONËS SË PUNËS

- a) **Mbajeni zonën e punës të pastër dhe të ndriçuar mirë.** Zonat e çrregullta ose të errëta janë një ftesë për aksidente.
- b) **Mos i përdorni pajisjet elektrike në situata me mundësi shpërthimi, si në prani të lëngjeve, gazeve ose pluhurave të djegshëm.** Pajisjet elektrike shkaktojnë shkëndija që mund të ndezin pluhurat ose avujt.
- c) **Mbajini fëmijët dhe personat e tjerë larg gjatë përdorimit të veglës së punës.** Tërheqja e vëmendjes mund të shkaktojë humbjen e kontrollit.

2) SIGURIA ELEKTRIKE

- a) **Spinat e veglës së punës duhet të përputhen me prizën. Mos modifikoni kurrë spinën në asnjë mënyrë. Mos përdorni asnjë spinë përshtatëse me veglat e punës me tokëzim.** Spinat e pamodifikuara dhe prizat përshtatëse do të zvogëlojnë rrezikun e goditjes elektrike.
- b) **Shmangni kontaktin trupor me sipërfaqe të tokëzuara si tuba, radiatorë, soba dhe frigoriferë.** Ka një rrezik më të madh të goditjeve elektrike nëse trupi është i tokëzuar.
- c) **Mos ekspozoni veglat e punës në shi ose në kushte me lagështi.** Uji që hyn në veglën e punës do të rritë rrezikun e goditjes elektrike.
- d) **Mos abuzoni me kordonin. Mos e përdorni kurrë kordonin për transportin, tërheqjen ose heqjen e spinës së veglës së punës.** Mbajeni kordonin larg nga nxehtësia, vaji, anët e mprehta ose pjesët që lëvizin. Kordonët e dëmtuar ose e bllokuar rrisin rrezikun e goditjes elektrike.
- e) **Kur përdorni një vegël pune në mjedise të jashtme, përdorni një kordon zgjatues të përshtatshëm për përdorim në mjedise të jashtme.** Përdorimi i një kordon të përshtatshëm për përdorime në mjedise të jashtme zvogëlon rrezikun e goditjes elektrike.
- f) **Nëse përdorimi i veglës së punës në një vend me lagështi është i pashmangshëm, përdorni një automat çarku me shkarkesë me tokëzim.** Përdorimi i një automati me shkarkesë me tokëzim zvogëlon rrezikun e goditjes elektrike.

3) SIGURIA PERSONALE

- a) **Qëndroni në gatishmëri, shikoni se çfarë po bëni dhe përdorni gjykimin kur përdorni një vegël pune.** Mos e përdorni një vegël pune kur jeni i lodhur ose nën ndikimin e ilaçeve, alkoolit ose mjekimit. Një moment humbje e vëmendjes gjatë përdorimit të veglave të punës mund të shkaktojë dëmtime të rënda personale.
- b) **Përdorni pajisje personale mbrojtëse. Mbani gjithmonë pajisje për mbrojtjen e syve.** Pajisjet mbrojtëse si maska kundër pluhurit, këpucët që nuk rrëshqasin, kaskat ose pajisjet për mbrojtjen e veshëve për kushtet përkatëse do të zvogëlojnë dëmtimet personale.
- c) **Parandaloni ndezjen e rastësishme. Sigurohuni që çelësi është në pozicionin fikur para se të lidhni burimin e energjisë dhe/ose baterinë, para se të merrni ose të transportoni pajisjen.** Transportimi i veglave të punës me gishtin në çelës ose aktivizimi i veglave të punës që kanë çelësin të ndezur është një ftesë për aksidente.

- d) **Hiqni çdo çelës ose çelës përshtatës para ndezjes së veglës së punës.** Një çelës i lënë i lidhur me një pjesë rrotulluese të veglës së punës mund të shkaktojë dëmtime personale.
- e) **Mos u zgjasni. Mbani një vendosje të mirë të këmbëve dhe një ekuilibër të mirë në çdo moment.** Kjo gjë bën të mundur një kontroll më të mirë të veglës së punës në situata të papritura.
- f) **Vishuni në mënyrën e duhur. Mos vishni veshje të gjera ose bizhuteri. Mbani flokët, veshjet dhe dorashkat larg nga pjesët lëvizëse.** Veshjet e gjera, bizhuteritë ose flokët e gjatë mund të kapen nga pjesët në lëvizje.
- g) **Nëse janë ofruar pajisje për lidhjen e pajisjeve të mbljedhjes dhe nxjerrjes së pluhurave, sigurohuni që ato të jenë të lidhura dhe të përdoren si duhet.** Përdorimi i mbljedhjes së pluhurave mund të zvogëlojë rreziqet në lidhje me pluhurat.
- h) **Mos lejoni që familjarizimi i fituar nga përdorimi i shpeshtë i veglave t'ju lejojë të tregoheni të vetëkënaqur dhe të shpërfillni parimet e sigurisë për pajisjet.** Një veprim i pakujdesshëm mund të shkaktojë dëmtime të rënda në më pak se një sekondë.

4) PËRDORIMI DHE KUJDESI PËR VEGLËN E PUNËS

- a) **Mos ushtroni forcë mbi veglën e punës. Përdorni veglën e punës të duhur për përdorimin tuaj.** Vegla e punës e duhur do të realizojë një punë më të mirë dhe më të sigurt dhe me shpejtësinë që ajo është e projektuar.
- b) **Mos përdorni veglën e punës nëse çelësi nuk e ndez apo e fik.** Çdo vegël pune që nuk mund të kontrollohet me anë të çelësit është e rrezikshme dhe duhet të riparohet.
- c) **Shkëputni spinën nga burimi i energjisë dhe/ose baterinë nga vegla e punës para se të bëni rregullime të tjera, të ndryshoni aksesorët ose të ruani veglat e punës.** Këto masa parandaluese të sigurisë ulin rrezikun e ndezjes aksidentale të veglës së punës.
- d) **Mbani veglat e punës larg fëmijëve dhe mos lejoni personat e pamësuar me veglën e punës ose këto udhëzime për përdorimin e pajisjes.** Veglat e punës janë të rrezikshme në duart e përdoruesve të patrajnuar.
- e) **Mirëmbani veglat e punës. Kontrolloni për mospërshtatje ose bllokim të pjesëve lëvizëse, thyerje të pjesëve dhe gjendje të tjera që mund të ndikojnë në funksionimin e veglës së punës. Nëse dëmtohet, riparoheni veglën e punës para përdorimit.** Shumë aksidente shkaktohen nga veglat e punës jo të mirëmbajtura si duhet.
- f) **Mbajini pajisjet prerëse të pastra dhe të mprehta.** Pajisjet e prerjes të mirëmbajtura dhe me anë të mprehta kanë më pak mundësi për t'u bllokuar dhe janë më të lehta për t'u kontrolluar.
- g) **Përdorni veglat e punës, aksesorët dhe puntot, etj. në përputhje me këto udhëzime, duke marrë parasysh kushtet e punës dhe punën që do të kryhet.** Përdorimi i veglave për përdorime të ndryshme nga ato të përcaktuara mund të shkaktojë rreziqe.
- h) **Mbajini dorezat dhe sipërfaqet ku mbaheni të thata, të pastra dhe pa vajra ose graso.** Dorezat dhe sipërfaqet ku mbaheni, kur janë të rrëshqitshme, nuk ju

lejojnë ta menaxhoni dhe ta kontrolloni në mënyrë të sigurt pajisjen në situata të papritura.

5) SHËRBIMI

- a) **Shërbimi i veglës së punës duhet të kryhet nga një person i kualifikuar për riparimet duke përdorur vetëm pjesë ndërrimi identike.** Kjo gjë do të sigurojë ruajtjen e sigurisë së veglave të punës.

UDHËZIMET PËR SIGURINË PËR SMERILUESET

TË PËRGJITHSHME

- Kjo pajisje nuk duhet të përdoret nga personat nën moshën 16 vjeç
- Kjo vegël nuk është e përshtatshme për smerilim në lagështi
- Mos e përdorni kurrë veglën kur kordoni është i dëmtuar; zëvendësojeni nga një person i kualifikuar
- **Mos punoni me materiale që përmbajnë asbest** (asbesti konsiderohet kancerogjen)
- **Pastroni rregullisht vrimat e ajrimit të veglës së punës** (ventilatori i motorit tërheq pluhurat në kasë dhe grumbullimi i tepërt i metaleve në formë pluhuri mund të shkaktojë rrezik nga elektriciteti)
- **Shkëputni gjithmonë spinën nga burimi i energjisë para kryerjes së rregulimeve ose ndryshimeve të aksesorëve**

AKSESORËT

- SKIL mund të garantojë funksionimin pa probleme të veglës vetëm kur përdoren aksesorët origjinalë
- Mos vazhdoni të përdorni rripat e smerilimit të konsumuar, të çarë ose shumë të bllokuar

PARA PËRDORIMIT

- Kontrolli gjithmonë që voltazhi i energjisë të jetë i njëjtë si voltazhi që tregohet në etiketën e veglës (veglat me klasifikimin 230 V ose 240 V mund të lidhen po ashtu me një burim 220 V)
- Shmangni dëmtimet që mund të shkaktohen nga vidat, gozhdët dhe elementet e tjera në materialin e punës; hiqni ato para se të filloni punën
- Përdorni kordonë të pahapur dhe të sigurt për zgjatime, me një kapacitet 16 amper
- Niveli i zhurmës gjatë punës mund të kalojë 85 dB(A); mbani mbrojtëse për veshët
- Pluhurat nga materialet si boja me plumb, disa lloje drurësh, mineralesh dhe metalesh mund të jenë të dëmshme (kontakti ose thithja e pluhurave mund të shkaktojë reagime alergjike dhe/ose sëmundje respiratore për përdoruesin ose personat përreth); **mbani një maskë për pluhurat dhe punoni me një pajisje për heqjen e pluhurave kur mund të lidhet**
- Disa lloje pluhurash skanë klasifikuar si kancerogjene (si pluhuri i lisit dhe i ahut) veçanërisht në ndërthurje me lëndët shtesë për kondicionimin e drurit; **mbani një maskë për pluhurat dhe punoni me një pajisje për heqjen e pluhurave kur mund të lidhet**
- Respektoni kërkesat kombëtare në lidhje me pluhurat për materialet me të cilat dëshironi të punoni
- Mbani doreza mbrojtëse, syze mbrojtëse, rroba të ngushta dhe mbrojtëse për flokët (për flokët e gjatë)
- **Siguroni materialin e punës** (një material i shtrënguar me një pajisje shtrëngimi ose morsë mbahet në mënyrë më të sigurt se sa me dorë)

- Kur smeriloni metale, krijohen shkëndija; mos përdorni qese pluhurash/kuti pluhurash/fshesë me korrent dhe mbajini personat e tjera dhe materialet e djegshme larg nga zona e punës

GJATË PËRDORIMIT

- **Mbajeni pajisjen elektrike nga sipërfaqja e izoluar të kapjes sepse sipërfaqja lëmues mund të bjerë në kontakt me kordonin e tij** (prejra e një teli me energji elektrike mund të bëjë që pjesët metalike të ekspozuara të përcjellin energjinë dhe të shkaktojnë goditjen elektrike të përdoruesit)
- Mbajeni gjithmonë kordonin larg nga pjesët e lëvizshme të veglës; drejtojeni kordonin në anën e pasme, larg nga vegla
- Mos e prekni rripin e smerilimit gjatë punës
- Në rast të një defekti elektrik ose mekanik, fikni menjëherë pajisjen dhe hiqni spinën
- Nëse kordoni dëmtohet ose pritët gjatë punës, mos e prekni kordonin por hiqni menjëherë spinën

PAS PËRDORIMIT

- Kur ta largoni pajisjen, fikeni motorin dhe sigurohuni që të gjitha pjesët lëvizëse të kenë ndalur plotësisht

SHPJEGIMI I SIMBOLEVE NË VEGËL

- ③ Lexoni manualin e udhëzimeve para përdorimit
- ④ Izolim i dyfishtë (nuk kërkohet tokëzim)
- ⑤ Mos e hidhni veglën bashkë me materialet e mbetjeve familjare

PËRDORIMI

- Çelësi i ndezjes/fikjes
 - ndizeni/fikeni pajisjen duke tërhequr/lëshuar çelësin A ②
- ! **para se sipërfaqja e smerilimit të arrijë te materiali i punës, duhet ta ndizni pajisjen**
- ! **para se ta fikni veglën, ju duhet ta ngrini atë nga materiali i punës**
- Bllokimi i çelësit për përdorim në vazhdim
 - tërhiqni çelësin A ②
 - shtypni kapësen B ② me gishtin e madh
 - lëshoni çelësin
 - zhblokoni çelësin duke tërhequr përsëri çelësin A ② dhe më pas lëshojeni atë
- Ndërrimi i shpejtë i rripave smerilues (sistemi CLIC) ⑥
 - ! **hiqni spinën**
 - leva e ngriçes C
 - hiqni rripin e smerilimit
 - futni një rrip të ri me shigjetat e printuara në anën e brendshme të rripit që tregojnë në të njëjtin drejtim si shigjeta D në pajisje
 - shtyjeni prapa levën
 - ! **ndërroni në kohë rripat e smerilimit**
 - ! **mos i palosni kurrë rripat e smerilimit**
- Centrimi automatik i rripit (ABC)
 - centron rripin automatikisht kur ndizni pajisjen
 - mban rripin të centruar gjatë smerilimitNë rast se rripin del nga pajisja (që shkaktohet kryesisht nga një cilësi më e ulët e rripit), ju duhet
 - ndizni veglën
 - të rregulloni vidën E ② deri sa rripin e smerilimit të punojë në linjë me anë e rrafshët të pajisjes
 - përdorni një rrip të ri, nëse rripin del ende nga pajisja

- Thithja e pluhurave^⑦
 - boshatisni kutinë e pluhurave G/qesen e pluhurave F rregullisht për një rendiment optimal të mbledhjen e pluhurave
 - kur përdorni pajisjen me fshesë më korrent, montoni përshtatësin e fshesës me korrent H si në ilustrim (1215)
 - kur është e nevojshme, edhe pastroni filtrin si në ilustrim
- ! **mos përdorni kutinë e pluhurave/qesen e pluhurave/fshesën me korrent kur smeriloni metale**
- Mbatja dhe drejtimi i veglës^⑧
 - lëvizni pajisjen paralel me sipërfaqen e punës
- ! **gjatë punës, mbajeni gjithmonë veglën në zonën(at) e dorëzës me ngjyrë gri**
- ! **mos ushtroni shumë tryzni mbi pajisje; lëri sipërfaqen e smerilimit që të punojë për ju**
- mos e anoni veglën për të shmangur shenja të padëshiruara nga smerilimi
- mbajini të çarat e ajrimit J^② të pambuluara

KËSHILLË PËR PËRDORIMIN

- Për smerilimin e sipërfaqeve të thjeshta të drurit, lëvizni pajisjen me lëvizje të drejta në drejtimin e fibrës së drurit
- Për smerilimin e të gjitha sipërfaqeve të tjera, lëvizni pajisjen me lëvizje në formë vezake mbi material
- Montoni kornizën e smerilimit K (aksesori 2610398244 nga SKIL) për barazimin e sipërfaqeve pa gërvishje ose kanale, dhe sigurohuni që të jetë e vendosur fort^⑨
- ! **korniza e smerilimit K nxehet gjatë përdorimit; mos e prekni para se të jetë ftohur**
- Mos përdorni kurrë të njëjtin rrip smerilimi për dru dhe për metale
- Aftësitë gërryese të rekomanduara për rripin e smerilimit:
 - për heqjen e bojës dhe për smerilimin e drurit shumë të ashpër, përdorni nivele të ashpra të aftësisë gërryese (40, 60)
 - për smerilimin e drurit të ashpër ose të thjeshtë, përdorni nivele mesatare të aftësisë gërryese (80, 100, 120)
 - për zbutjen e drurit ose të sipërfaqeve me bojë të vjetër, si dhe për lustër në dru të thjeshtë, përdorni nivele për aftësi gërryese të imët (180, 240, 320)
- Përdorni nivele të ndryshme të aftësisë gërryese kur sipërfaqja e punës është e ashpër:
 - filloni smerilimin me aftësi gërryese të ashpër ose mesatare
 - lustroni me aftësi gërryese të imët
- Për më shumë këshilla, vizitoni www.skil.com

MIRËMBAJTJA / SHËRBIMI

- Kjo vegël nuk është e projektuar për përdorim profesional
- Mbjani gjithmonë veglën dhe kordonin të pastër (veçanërisht të çarat e ajrosjes J^②)
 - hiqni pluhurin e smerilimit që ngjitet me anë të një furçe
- ! **shkëputni spinën para pastrimit**

- Nëse pajisja ka defekt pavarësisht kujdesit në prodhim dhe procedurat e provave, riparimi duhet të kryhet nga një qendër e shërbimit pas shitjes për veglat e punës të SKIL
 - dërgoni veglën **të çmontuar** së bashku me vërtetimin e blerjes të shitësi ose të qendra më e afërt e shërbimit e SKIL (adresat si dhe diagrami i shërbimit i veglës janë të paraqitura në www.skil.com)

MJEDISI

- **Mos i hidhni veglat elektrike, aksesorët dhe paketimin së bashku me materialet e mbeturinave familjare** (vetëm për vendet e BE-së)
 - në respektim të Direktivës evropiane 2012/19/EC për pajisjet elektrike dhe elektronike si mbetje dhe zbatimin e saj në përputhje me ligjet kombëtare, pajisjet elektrike që kanë arritur në fund të jetëgjatësisë së tyre duhet të mblidhen të ndara dhe të kthehen në një objekt riciklimi në përputhje me mjedisin.
 - simboli ^⑤ do t'ju kujtojë për këtë gjë kur të jetë nevojta për t'i hedhur

ZHURMA / VIBRIMI

- E matur në përputhje me EN 62841, niveli i trysnisë së tingullit i kësaj pajisje është 87 dB(A) dhe niveli i fuqisë së tingullit 98 dB(A) (shmangia standarde: 3 dB) dhe vibrimi 2,1 m/s² (shuma vektor i tre drejtime; pasiguria K = 1,5 m/s²)
- Niveli i emetimit të vibrimit është matur në përputhje me një provë të standardizuar të dhënë në EN 62841; ajo mund të përdoret për të krahasuar një vegël me një tjetër dhe si një vlerësim paraprak i ekspozimit ndaj vibrimit kur përdorni pajisjen për proceset e përmendura
 - përdorimi i pajisjes për procese të ndryshme, ose me aksesorë të ndryshëm dhe të mirëmbajtur keq, mund të **rritë** ndjeshëm nivelin e ekspozimit
 - kohët kur pajisja është e fikur dhe kur është e ndezur por jo në punë, mund të **zvogëlojnë** ndjeshëm nivelin e ekspozimit
- ! **mbroni veten nga efektet e vibrimit duke mirëmbajtur pajisjen dhe aksesorët e saj, duke i mbajtur duart e ngrohta dhe duke organizuar mënyrën tuaj të punës**

استارت را برای استفاده پیوسته قفل کنید

- استارت را فشار دهید A (۲)
- با انگشت شست خود دکمه B (۲) را فشار دهید
- استارت را رها کنید
- برای رها کردن کلید استارت A (۱) را دوباره فشار داده و سپس رها کنید
- تعویض سریع نوارهای سنباده (سیستم CLIC) (۱)
- ! **سیم برق را از برق جدا کنید/کشید**
- اهرم را بلند کنید C
- نوار سنباده را بردارید
- نوار جدید را طوری قرار دهید که پیکان های چاپ شده در قسمت داخلی نوار در جهت مشابه پیکان D روی ابزار باشند
- اهرم را به عقب برگردانید
- ! **نوارهای سنباده را به موقع تعویض کنید**
- ! **هرگز نوارهای سنباده را تا نکنید**
- تنظیم خودکار قرارگیری نوار در مرکز (ABC)
- هنگام روشن کردن ابزار نوار را بطور خودکار در مرکز تنظیم می کند
- در هنگام سنباده زنی، نوار را در مرکز نگه می دارد
- اگر نوار از روی ابزار خارج می شود (معمولاً به دلیل کیفیت نامناسب نوار)، باید ابزار را روشن کنید
- پیچ E (۱) را بچرخانید تا نوار سنباده بصورت هم خط با قسمت تخت ابزار حرکت کند
- اگر باز هم نوار از روی ابزار خارج می شود از یک نوار نو استفاده کنید
- مکش گرد و غبار V (۵)
- به منظور حفظ کیفیت بهینه جمع آوری گردوغبار باید جعبه جمع آوری گرد و غبار G/کیسه جمع آوری گرد و غبار F را بطور مرتب خالی کنید
- هنگام استفاده از ابزار با جارو برقی، مبدل جارو برقی H را مطابق شکل سوار کنید (۵۱۲۱)
- در صورت لزوم، فیلتر را نیز مطابق شکل تمیز کنید
- ! **هنگام سنباده زنی فلزات نباید از جعبه جمع آوری گرد و غبار/کیسه جمع آوری گرد و غبار/جاروبرقی استفاده کنید**
- نگهداشتن و هدایت ابزار A (۸)
- ابزار را موازی سطح کار حرکت دهید
- ! **هنگام کار باید همیشه ابزار را از جا(های) دست خاکستری رنگ بگیرید**
- ! **فشار بیش از حد به ابزار وارد نکنید؛ بگذارید سطح سنباده به جای شما کار کند**
- برای جلوگیری از ایجاد ردهای ناخواسته سنباده هرگز ابزار را کج نکنید
- شیارهای تهبویه L (۲) را مسدود نکنید

توصیه های کاربردی

- برای سنباده زنی سطوح چوبی بدون روکش، ابزار را با حرکت های مستقیم هم راستا با دانه بندی سطح کار حرکت دهید
- برای سنباده زنی کلیه سطوح دیگر ابزار را با حرکت های بیضی شکل بروی سطح کار حرکت دهید
- قاب سنباده K (متعلقات اسکیل شماره قطعه ۲۹۸۲۴۴-۲۶۱۰ برای همسان کردن سطوح فاقد خراش یا شیار سوار کرده، و اطمینان حاصل کنید که محکم در جای خود قرار گرفته باشد) (۳)
- ! **قاب سنباده K در حین استفاده داغ می شود؛ قبل از خنک شدن به آن دست نزنید**
- هرگز از یک نوار سنباده یکسان برای چوب و فلزات استفاده نکنید
- درجه بندی پیشنهادی نوار سنباده:
- برای پاک کردن رنگ و سنباده زنی چوب های بسیار ضخمت از درجه بندی های درشت ۴۰، ۶۰ استفاده کنید
- برای سنباده زنی چوب ضخمت یا هموار از درجه بندی های متوسط استفاده کنید ۸۰، ۱۰۰، ۱۲۰
- برای صاف کردن چوب و سطوح دارای رنگ کهنه و نیز پرداخت کاری چوب تخت از درجه بندی های ریز ۱۸۰، ۲۴۰، ۳۲۰ استفاده کنید
- اگر سطح خیلی زخمخت است از چند نوع درجه بندی استفاده کنید:
- ابتدا با درجه بندی زیر یا متوسط سنباده بزنید
- کار را با درجه بندی نرم به پایان ببرید
- برای نکات بیشتر به www.skil.com مراجعه کنید

نگهداری / سرویس- خدمات

- این ابزار برای مصارف حرفه ای مناسب نیست
- همیشه ابزار و سیم برق را تمیز نگه دارید (بخصوص شیارهای تهبویه L (۲))
- گره های چسبیده سنباده را با یک برس پاک کنید
- ! **پیش از تمیز کردن سیم برق را از برق بکشید**
- اگر ابزار علییرغم تمام وقت و مراقبتی که در فرآیندهای تولید و تست بکار برده شده از کار افتاد، تعمیرات باید فقط در مراکز خدمات پس از فروش ابزارهای برقی SKIL انجام شود
- ابزار را بصورت بازنشده همراه با رسید خرید به فروشنده یا نزدیک ترین مرکز خدمات رسانی SKIL بفرستید (آدرسها به همراه نمودار نقشه های سرویس ابزار در www.skil.com موجود است)

محیط زیست

- ابزارهای برقی، لوازم و متعلقات و بسته بندی آنها را نباید همراه با زباله های عادی خانگی دور انداخت (فقط مخصوص کشورهای عضو اتحادیه اروپا)
- با توجه به مصوبه اروپایی ۲۰۱۲/۱۹/EC اروپا درباره لوازم برقی و الکترونیکی مستعمل و اجرای این مصوبه مطابق با قوانین کشوری، ابزارهای برقی که به پایان عمر مفید خود رسیده اند باید جداگانه جمع آوری شده و به یک مرکز بازیافت مناسب و سازگار با محیط زیست انتقال یابند
- نمادعلامت (۵) یادآور این مسئله در هنگام دور انداختن است

صدا / ارتعاشات

- اندازه گیری ها بر اساس استاندارد EN ۱۲۸۴۱ انجام و مشخص شده که میزان فشار صوتی این ابزار ۸۷ دسی بل و میزان توان صوتی آن ۹۸ دسی بل (با انحراف استاندارد: ۳ دسی بل). میزان ارتعاشات ۲,۱ متر/مخزور ثانیه می باشد (جمع بردارهای سه جهت $K = 1,5$ متر/مخزور ثانیه)
- میزان انتشار ارتعاشات بر اساس تست استاندارد شده ای که در EN ۱۲۸۴۱ معرفی شده است اندازه گیری گردید؛ از این ارقام می توان برای مقایسه یک ابزار با دیگری و بعنوان ارزیابی اولیه در معرض قرارگیری ارتعاشات هنگام کار با ابزار در کاربری های فوق استفاده کرد
- استفاده کردن از ابزار برای کاربردهای متفاوت، یا با لوازم و متعلقات متفاوت فرقی به لوازم و متعلقاتی که بد نگهداری شده اند، می تواند میزان در معرض قرارگیری را بطور قابل ملاحظه ای افزایش دهد
- مواقعی که ابزار خاموش است یا روشن است ولی کاری با آن انجام نمی شود، میزان در معرض قرارگیری بطور قابل توجهی کاهش می یابد
- ! **با نگهداری مناسب از ابزار و لوازم و متعلقات آن، گرم نگهداشتن دست های خود، و سازمان دهی طرح های کاری می توانید خود را در برابر اثرات ارتعاش محافظت کنید**

دستگاه، باید دقت کنید که ابزار الکتریکی خاموش باشد. در صورتیکه هنگام حمل دستگاه انگشت شما روی دکمه قطع و وصل باشد و یا دستگاه را در حالت روشن به برق بزنید. ممکن است سوانح کاری پیش آید.

ث قبل از روشن کردن ابزار الکتریکی، باید همه ابزار های تنظیم کننده و آچار ها را از روی دستگاه بردارید. ابزار آچارهایی که روی بخش های چرخنده دستگاه قرار دارند. می توانند باعث ایجاد جراحت شوند.

ج پیش از حد به آنها نزدیک نشوید. برای کار جای مطمئن برای خود انتخاب کرده و تعادل خود را همواره حفظ کنید. به این ترتیب می توانید ابزار الکتریکی را در وضعیت های غیر منتظره بهتر تحت کنترل داشته باشید.

ح لباس مناسب بپوشید. از پوشیدن لباس های فراخ و حمل زینت آلات خود داری کنید. موها، لباس و دستکش ها را از بخش های درحال چرخش دستگاه دور نگهدارید. لباس های فراخ موی بلند و زینت آلات ممکن است در قسمت های درحال چرخش دستگاه گیر کنند.

خ در صورتیکه می توانید وسایل مکش گرد و غبار و یا وسیله جذب زانده را به دستگاه نصب کنید، باید مطمئن شوید که این وسایل نصب و درست استفاده می شوند. استفاده از وسایل مکش گرد و غبار مصونیت شما را در برابر گرد و غبار زیاد تر می کند.

د اجازه ندهید آشنایی و تسلط حاصل از استفاده مکرر از ابزارها باعث شود احساس نیاز به رعایت قواعد نکرده و به قوانین ایمنی ابزار بی توجهی کنید یک عمل از روی بی دقتی می تواند در کسری از ثانیه موجب جراحت شدید شود

۴ استفاده صحیح از ابزار الکتریکی و مراقبت از آن

ا از وارد کردن فشار زیاد روی دستگاه خود داری کنید. برای هر کاری، از ابزار الکتریکی مناسب با آن استفاده کنید. بکار گرفتن ابزار الکتریکی مناسب باعث می شود که بتوانید از توان دستگاه بهتر و با اطمینان بیشتر استفاده کنید.

ب در صورت ابراد در کلید قطع و وصل ابزار برقی، از دستگاه استفاده نکنید. ابزار الکتریکی که نمی توان آنها را قطع و وصل کرد. خطرناک بوده و باید تعمیر شوند.

ث قبل از تنظیم ابزار الکتریکی، تعویض متعلقات و یا کنار گذاشتن آن. دوشاخه را از برق کشیده و یا باتری آنرا خارج کنید. رعایت این اقدامات پیشگیری ایمنی از راه افتادن ناخواسته ابزار الکتریکی جلوگیری می کند.

ث ابزار الکتریکی را در صورت عدم استفاده، از دسترس کودکان دور نگهدارید. اجازه ندهید که افراد نا وارد و یا اشخاصی که این دفترچه راهنما را نخوانده اند، با این دستگاه کار کنند. قرار گرفتن ابزار الکتریکی در دست افراد ناوارد و بی تجربه خطرناک است.

ج از ابزار الکتریکی خوب مراقبت کنید. مواظب باشید که قسمت های متحرک دستگاه خوب کار کرده و گیر نکند. همچنین دقت کنید که قطعات ابزار الکتریکی شکسته و یا آسیب دیده نباشند. قطعات آسیب دیده را قبل از شروع به کار تعمیر کنید. علت بسیاری از سوانح کاری، عدم مراقبت کامل از ابزارهای الکتریکی می باشد.

ح ابزار برش را تیز و نو نگهدارید. ابزار برشی که خوب مراقبت شده و از لبه های تیز برخوردار است، کمتر در قطعه کار گیر کرده و بهتر قابل هدایت می باشند.

خ ابزارهای الکتریکی، متعلقات، ابزار که روی دستگاه نصب می شوند و غیره را مطابق دستورات این جزوه راهنما طوری به کار گیرید که با مدل این دستگاه تناسب داشته باشند. همچنین به شرایط کاری و نوع کار توجه کنید. کاربرد ابزار برقی برای موارد کاری که برای آن در نظر گرفته نشده است، میتواند شرایط خطرناکی را منجر شود.

د دسته ها و سطوح دستگیره ها را خشک، تمیز و عاری از روغن و گریس نگه دارید با دسته ها و سطوح دستگیره های لیز می توان در شرایط غیرمنتظره بطور ایمن با ابزار کار کرد و کنترل آنها داشت

۵ سرویس
ا تعمیر ابزار الکتریکی فقط به متخصصین حرفه ای رجوع کرده و از وسایل یکدیگی اصل استفاده کنید. این باعث خواهد شد که ایمنی دستگاه شما تضمین گردد.

هشدارهای ایمنی این دستگاه های سنبناده زن

عمومی

- افراد کمتر از ۱۶ سال نباید با این دستگاه کار کنند
- این ابزار برای سنبناده زنی تر مناسب نیست
- وقتی که سیم برق ابزار آسیب دیده هرگز از آن استفاده نکنید و از یک فرد متخصص بخواهید آنرا برای شما عوض کند
- با موادی حیوانی آمیزت کار نکنید (آزمست سرطان بااست)

• منافذ تهویه هوای ابزار برقی را بطور مرتب تمیز کنید (فن موتور گرد و غبار بیرون را به داخل مخطفه ابزار می کشد و جمع شدن بیش از اندازه براده و ذرات فلز در آنجا باعث بروز مخاطرات برقی می شود)

• قبل از هرگونه تنظیم یا تعویض کردن لوازم و ملحمتعلقات حتماً باید سیم برق دستگاه را از پریز بکشید

متعلقات

• SKIL در صورتی که از متعلقات اصلی استفاده کنید عملکرد بدون مشکل ابزار را تضمین می نماید

• از ابزارهای سنبناده مستعمل، پاره یا انباشته از ذرات استفاده نکنید

• پیش از استفاده همیشه مطمئن شوید که ولتاژ ورودی دستگاه برابر ولتاژی باشد که روی پلاک دستگاه نوشته شده است (ابزارهایی که ولتاژ ورودی آنها ۲۰ یا ۲۴۰ ولت مشخص شده است می توانند با برق ۲۲۰ ولت هم کار کنند)

• پنچ ها، میخ ها و سایر اجزا دیگر می توانند به قطعه کاری شما آسیب بزنند؛ بنابراین پیش از شروع کار آنها را بردارید

• سیم های رابط برق باید کاملاً باز شده و ایمن باشند. از سیم هایی با زده بندی ۱۶ آمپر

• میزان صدای تولید شده توسط این ابزار در حین کار می تواند از ۸۵ می بل بیشتر شود؛ از گوشی های محافظ استفاده کنید

• گرد و خاکی که از موادی مانند رنگ های حاوی سرب، برخی گونه های چوب، مواد معدنی و فلزات بلند می شود می تواند خطرناک باشد (ماس با این گرد و خاکها و یا تنفس آنها می تواند در کاربران ابزار یا افراد نزدیک به محل کار واکنش های حساسیتی دایا بیماری های تنفسی ایجاد کند؛ یک ماسک مخصوص گرد و خاک بزنید و در صورت امکان از یک وسیله مکش گرد و خاک استفاده کنید

• برخی از گرد و خاکها (مانند گرد و خاکی که از چوب بلوط یا راش بلند می شود) علی الخصوص در مجاری آفزونی های مخصوص چوب، سرطان ها ایجاد می کنند؛ یک ماسک مخصوص گرد و خاک بزنید و در صورت امکان از یک وسیله مکش گرد و خاک استفاده کنید

• از مقررات ملی مربوط به گرد و خاک موادی که می خواهید با آنها کار کنید پیروی نمایید

• از دستکش محافظ، عینک ایمنی، لباسهای غیر گشاد و محافظ مو (برای موهای بلند) استفاده کنید

• قطعه کاری را محکم کنید (اگر قطعه کاری را با گیره های جاری یا گیره های رومیزی ثابت کنید بسیار مطمئن تر از گرفتن آن با دست خواهد بود)

• هنگام سنبناده زنی فلزات، جرقه تولید می شود؛ از کیسه جمع آوری گرد و غبار/ جمع آوری گرد و غبار/ جاروبرقی استفاده نکرده و افراد دیگر و مواد قابل اشتعال را از محل کار دور نگه دارید

• در حین استفاده حتماً باید ابزار را از جای دستهای مخصوص عایق آن بگیرید، چون امکان دارد سطح سنبناده به آن یا سیم خود ابزار تماس پیدا کند (بریدن سیم های "برق دار" می تواند در بخشهای فلزی دستگاه نیز جریان "برق" تولید کرده و در اپراتور برق گرفتگی ایجاد کند)

• همیشه سیم برق را از بخشهای متحرک ابزار دور بگیرید؛ سیم را به سمت پشت، دور و از ابزار بگیرید

• به نوار سنبناده در حال حرکت دست نزنید

• در صورت بروز اشکالات برقی یا مکانیکی فوراً ابزار را خاموش کرده و سیم برق آنرا از پریز بکشید

• اگر سیم برق آسیب دیده یا بریده شده باشد، هرگز به سیم دست نزنید، اما فوراً آنرا از پریز بکشید

• بعد از استفاده وقتی که کار شما با بزار تمام شد، حتماً موتور آنرا خاموش کرده و مطمئن شوید که تمام بخشهای متحرک آن از حرکت ایستاده اند

• شرح علائم و نمادهای روی ابزار

① پیش از کار حتماً دفترچه راهنما را مطالعه کنید
② عایق دوگانه (نیازی به سیم اتصال به زمین - ارت نیست)
③ ابزار را همراه زباله های خانگی دور نیندازید

استفاده

- کلید روشن/خاموش
- با فشار دادن/رها کردن استارت ① ابزار را روشن/خاموش کنید
- ! شما باید ابزار را پیش از رسیدن سطح سنبناده به قطعه کاری روشن کنید
- ! ابزار را بعد از خاموش کردن از روی قطعه کاری برداشت

- استخدم أحجام صخور رملية مختلفة عندما يكون سطح العمل خشن:
- ابدأ الصنفرة باستخدام الصخور الرملية الخشنة أو المتوسطة؛
- قم بالتشطيب باستخدام صخور رملية ناعمة؛
- لزيد من التفاصيل زر موقعنا www.skil.com

الصيانة / الخدمة

- لم يتم تصميم هذه الأداة للاستخدام الاحترافي؛
- احرص دائماً على نظافة الأداة والسلك (وخصوصاً فتحات التهوية ل ①)؛
- قم بإزالة الغبار المتصق الناتج عن الصنفرة باستخدام فرشاة؛
- ! أفضل القابض قبل التنظيف
- إذا تعذر تشغيل الأداة على الرغم من الحذر الشديد في إجراءات التصنيع والاختبار، فيجب القيام بالإصلاحات بواسطة مركز خدمة ما بعد البيع لأدوات الطاقة التابع لشركة SKIL.
- قم بإرسال الأداة دون تفكيكها بالإضافة إلى إثبات الشراء إلى البائع أو أقرب محطة خدمة (خدمة) SKIL العناوين بالإضافة إلى مخطط الخدمة متاح على www.skil.com

البيئة المحيطة

- لا تتخلص من الأدوات الكهربائية والملحقات ومواد التغليف مع النفايات المنزلية (لدول الاتحاد الأوروبي فقط)؛
- وفقاً للتوجيه الأوروبي 2012/19/EC حول نفايات المعدات الكهربائية والإلكترونية وتطبيقه بالتوافق مع القانون المحلي، يجب جميع الأدوات الكهربائية منتهية الصلاحية بشكل منفصل وإرسالها إلى أحد منشآت إعادة التصنيع المتوافقة مع البيئة؛
- سيذكر الرمز ⑤ بهذا عند الحاجة إلى التخلص من أية أداة؛

الضوضاء / الاهتزاز

- عند القياس بالتوافق مع EN ٦٢٨٤١ يكون مستوى ضغط صوت هذه الأداة هو ٨٧ ديسيبل (أ) ومستوى طاقة الصوت ٩٨ ديسيبل (أ) (الانحراف المعياري ٣ : ديسيبل). والاهتزاز ٢,١ م/ث^٢ مجموع المتجهات بثلاثة؛ K غير مؤكد ١,٥ = م/ث^٢)
- تم قياس مستوى الاهتزازات بالتوافق مع الاختبار المعياري المحدد في EN ٦٢٨٤١؛ يمكن استخدامه لمقارنة أداة بأداة أخرى وكنقصيم تمهيداً لتعرض للاهتزاز عند استخدام الأداة في التطبيقات الموضحة؛
- قد يؤدي استخدام الأداة في تطبيقات مختلفة أو مع ملحقات مختلفة ذات ذات صيانة رديئة إلى زيادة مستوى التعرض بصورة كبيرة؛
- إن الفترة الزمنية التي يتم خلالها إيقاف تشغيل الأداة أو عندما تكون قيد التشغيل لكنها لا تؤدي أية مهام، تؤدي إلى تقليل مستوى التعرض بصورة كبيرة؛
- ! قم بحماية نفسك من تأثيرات الاهتزاز من خلال صيانة الأداة وملحقاتها. وحفاظ على يدك دائفتين وتنظيم أعطاط العمل لديك؛

FA

١٢١٠/١٢١٥

سنباده نواری

مقدمه

- این ابزار صرفاً برای سنباده زنی خشک با قابلیت برداشت زیاد جهت چوب، پلاستیک، فلزات، بتونه و سطوح رنگ شده طراحی شده است
- این ابزار برای مصارف حرفه ای مناسب نیست
- لطفاً این دفترچه راهنما را مطالعه کرده و نگهدارید ②

اطلاعات فنی ①

اجزای ابزار ②

- A کلید روشن/خاموش
- B کلید گردان برای قفل کردن کلید روشن/خاموش
- C اهرم عوض کردن نوار سنباده
- D پیکان
- E پیچ تنظیم فرارگیری نوار در مرکز

- F کیسه جمع آوری گرد و غبار
- G جعبه جمع آوری گرد و غبار
- H مبدل جاروبرقی
- J شیارهای تهویه
- K قاب سنباده

ایمنی

راهنمای های ایمنی عمومی برای ابزارهای الکتریکی

Ⓐ تمامی هشدارهای ایمنی، دستورالعمل ها، تصاویر و مشخصات فنی ارائه شده همراه با این ابزار الکتریکی را مطالعه کنید. در صورت عدم رعایت تمام دستورالعمل های زیر خطر برق گرفتگی، آتش سوزی و/یا بروز جراحت شدید وجود خواهد داشت.

همه هشدارها و راهنمائی ها را برای استفاده آتی نگهداری کنید.

در این هشدارها عبارات «ابزار الکتریکی» به معنی ابزارهای الکتریکی فاقد باتری (با سیم برق) و با ابزارهای الکتریکی باتری دار (شارژی) است.

ایمنی محل کار

- 1) محل کار خود را تمیز، مرتب و مجهز به نور کافی نگهدارید. محیط کار نامرتب و کم نور میتواند باعث سوانح کاری شود.
- 2) با ابزار الکتریکی در محیط هایی که در آن خطر انفجار وجود داشته و حاوی مایعات، گازها و غبارها محترقه باشد، کار نکنید. ابزارهای الکتریکی جرقه های ایجاد می کنند که می توانند باعث آتش گرفتن گرد و بخار های موجود در هوا شوند.
- 3) هنگام کار با ابزار الکتریکی، کودکان و سایر افراد را از دستگاه دور نگهدارید. در صورتیکه حواس شما پرت شود، ممکن است کنترل دستگاه از دست شما خارج شود.
- 4) ایمنی الکتریکی

- 1) دوشاخه ابزار الکتریکی باید با پریز برق تناسب داشته باشد. هیچگونه تغییری در دوشاخه ندهید. مبدل دوشاخه نباید همراه با ابزار الکتریکی دارای اتصال به زمین (ارت شده) استفاده شود. مبدل دوشاخه نباید همراه با ابزار الکتریکی دارای اتصال به زمین (ارت شده) استفاده شود.
- 2) از تماس بدنی با قطعات دارای سیم اتصال به زمین (ارت شده) مانند لوله، شوفاژ، اجاق برقی و یخچال خود داری کنید. در صورتیکه بدن شما با سیم دارای اتصال به زمین (ارت شده) تماس پیدا کند، خطر برق گرفتگی بیشتر خواهد شد.
- 3) دستگاه را از باران و رطوبت دور نگهدارید. نفوذ آب به ابزار الکتریکی، خطر شوک الکتریکی را افزایش می دهد.
- 4) از سیم به درستی استفاده کنید. از سیم دستگاه برای کارهایی چون حمل ابزار الکتریکی، آویزان کردن آن و یا خارج کردن دوشاخه از برق استفاده نکنید. دستگاه را در مقابل حرارت، روغن، لبه های تیز و بخش های متحرک دستگاه دور نگهدارید. کابل های آسیب دیده و یا گره خورده خطر شوک الکتریکی را افزایش می دهند.

- 3) در صورتیکه با ابزار الکتریکی در محیط باز کار می کنید، تنها از کابل ر باطی استفاده کنید که برای محیط باز نیز مناسب باشد. کابل های رابط مناسب برای محیط باز، خطر برق گرفتگی را کم می کنند.
- 4) در صورت لزوم کار با محیط و سیم و اماکن مرطوب، در اینصورت باید از یک کلید حفاظتی جریان خطا و نشستی زمین (کلید قطع کننده اتصال با زمین) استفاده کنید. استفاده از کلید حفاظتی جریان خطا و نشستی زمین خطر برق گرفتگی را کمتر می کند.

رعایت ایمنی اشخاص

- 1) حواس خود را خوب جمع کنید، به کار خود دقت کنید و با فکر و هوش کامل با ابزار الکتریکی کار کنید. در صورت خستگی و یا در صورتیکه مواد مخدر، الکل و دارو استفاده کرده اید، با ابزار الکتریکی کار نکنید. یک لحظه بی توجهی هنگام کار با ابزار الکتریکی، میتواند جراحت های شدیدی به همراه داشته باشد.

- 2) همواره از تجهیزات ایمنی شخصی استفاده کنید. همواره از عینک ایمنی استفاده کنید. استفاده از تجهیزات ایمنی مانند ماسک ایمنی کفش های ایمنی ضد لغزش، کلاه ایمنی و گوشی ایمنی متناسب با نوع کار با ابزار الکتریکی، خطر مجروح شدن را تقلیل می دهد.
- 3) متواظب باشید که ابزار الکتریکی بطور ناخواسته بکار نیفتد. قبل از وارد کردن دوشاخه دستگاه در پریز برق، اتصال آن به باطری، برداشتن آن و یا حمل

تعليمات السلامة الخاصة بأدوات الصنفرة الرملية

معلومات عامة

- لا يجب استخدام هذه الأداة من قبل الأشخاص الأقل من 16 عام؛
- هذه الأداة غير مناسبة للصنفرة الرطبة
- يحظر نهائيًا استخدام الأداة في حالة تلف السلك. بل قم باستبداله من قبل أحد الأفراد المؤهلين
- لا تعمل باستخدام مواد تشتمل على الأسبستوس (يعتبر الأسبستوس مادة مسرطنة)؛
- نظف فتحات التهوية بالأداة الكهربائية بانتظام (ستقوم مروحة المحرك بسحب الغبار إلى داخل الميت. وفرط تراكم غبار المعادن قد يشكل مخاطر كهربائية)؛
- احرص دائمًا على فصل القابض من مصدر الطاقة قبل القيام بأية عمليات ضبط أو تغيير أية ملحقات؛

الملحقات

- تضمن SKIL التشغيل السليم للأداة فقط عند استخدام الملحقات الأصلية؛
- لا تستمر في استخدام سيور الصنفرة التالفة أو الممزقة أو المسدودة بشكل كبير؛

قبل الاستخدام

- تأكد دائمًا من أن الفولت الزود هو نفسه المشار إليه على اللوحة الخاصة بالأداة (يمكن كذلك توصيل الأدوات ذات التصنيف ٢٣٠ فولت أو ٢٤٠ فولت بمصدر إمداد ٢٢٠ فولت)؛
- جنب التلف الذي قد تنتسب فيه البراغي والمسامير والعناصر الأخرى الموجودة في القطعة التي تعمل بها. قم بفكهم قبل بدء العمل؛
- استخدم أسلاك تمديد مفكوكة تمامًا وأمنة سعة ١٦ أمبير (١٣) أمبير في بريطانيا العظمى)
- قد يزيد مستوى الضوضاء أثناء العمل عن ٨٥ ديسيبل (أ)، لذا قم بارتداء واقيات للأذن الغيار الناتج من المواد كالطلاء الذي يحتوي على رصاص وبعض أنواع الأخشاب والمعادن والمكونات المعدنية قد يكون ضارًا (ملاصقة أو استنشاق الغبار قد تنتسب في إصابة المثلثين أو من يجاوره بأمراض الحساسية) وأيضًا أمراض الجهاز التنفسي؛
- قم بارتداء قناع للغبار مع العمل باستخدام جهاز شفط للغبار، طالما أمكن توصيله
- ثمة أنواع معينة من الغبار تُصنّف على أنها مواد مسببة للسرطان (مثل غبار خشب البليوط والزنان) خاصة عند استخدامها مع مواد مضافة لمعالجة الخشب؛
- قم بارتداء قناع للغبار مع العمل باستخدام جهاز شفط للغبار، طالما أمكن توصيله
- الترزم بالمتطلبات الوطنية الخاصة بالغبار عند العمل باستخدام المواد المطلوبة
- قم بارتداء قفازات واقية ونظارات واقية وملابس محكمة على الجسم وواقية الشعر (للشعر الطويل)؛
- ثبت قطعة العمل (الإسماك) بقطعة عمل مثبتة بأجهزة تثبيت أو في ملزمة أكثر أمانًا من مسكها باليد؛
- عند صنفرة المعادن، تولد شرارة، لا تقم باستخدام كيس الغبار/صندوق الغبار/الكنسة الكهربائية واحرص على بقاء الأفراد والمواد الأخرى القابلة للاشتعال بعيدًا عن منطقة العمل؛

أثناء الاستخدام

- اصمك بالأداة الكهربائية بواسطة أسطح إمساك معزولة لأن سطح الصنفرة قد يلامس سلك الطاقة الخاص به (قطع سلك «متصل بالكهرباء» قد يؤدي إلى «وصول التيار الكهربائي» إلى أجزاء معدنية مكشوفة بالأداة الكهربائية وقد يعرض المشغل للصدمة الكهربائية)
- حافظ دائمًا على بقاء السلك بعيدًا عن الأجزاء المتحركة بالأداة، ووجه السلك للخلف بعيدًا عن الأداة؛
- لا تلمس سير الصنفرة الدائر؛
- في حالة حدوث خلل كهربائي أو ميكانيكي، أوقف تشغيل الأداة فورًا وافصل القابض؛
- في حالة تعرض السلك للتلف أو لقطع أثناء العمل، لا تلمس السلك وافصل القابض فورًا
- بعد الاستخدام
- عندما تضع الأداة جانبًا، أوقف تشغيل المحرك وتأكد من توقف جميع الأجزاء المتحركة بشكل تام

شرح الرموز الموجودة على الأداة

- ① قم بقرارة دليل الإرشادات قبل الاستخدام
- ② العزل المرذوق (لا يلزم سلك أرضي)
- ③ لا تنخلص من الأداة مع النفايات المنزلية؛

الاستخدام

مفتاح التشغيل/الإيقاف

- قم بتشغيل/إيقاف تشغيل الأداة عن طريق ضغط/خروج الزناد A ①
- ! قبل ملامسة سطح الصنفرة لقطعة العمل، يجب عليك القيام بتشغيل الأداة؛
- ! قبل إيقاف تشغيل الأداة، يجب أن ترفعها عن قطعة العمل؛
- قم بفتح المفتاح للاستخدام المتواصل؛
- اضغط على الزناد A ①؛
- اضغط على الزناد B ① بإبهامك؛
- حرر الزناد؛
- افتح قفل المفتاح بالضغط مرة أخرى على الزناد A ① ثم قم بتحريره؛

التغيير السريع لسيور الصنفرة (نظام CLIC) ①

- ! أفضل القابض؛
- ارفع الزناد C
- قم بإزالة سير الصنفرة؛
- ادخل أسير جديد بحيث يشير السهمان المطبوعان على الجانب الداخلي من السير في نفس اتجاه سهم D الموجود على الأداة؛
- ادفع الزناد لإعادته إلى موضعه؛
- ! قم بتغيير سيور الصنفرة في الموعد المحدد؛
- ! جنب تمامًا سيور الصنفرة؛
- مركز السير التلقائي (ABC)
- يعمل على مركزة السير تلقائيًا عند تشغيل الأداة؛
- يحافظ على مركزة السير أثناء الصنفرة؛
- في حالة انفصال السير عن الأداة (غالبًا ما يحدث في حالة استخدام سير ذي جودة منخفضة)، يجب عليك؛

شغل الأداة؛

- اضبط البرغي E ① حتى يدور سير الصنفرة على استقامة واحدة مع الجانب المسطح من الأداة؛
- استخدم سير جديد في حالة استمرار حالة انفصال السير عن الأداة؛
- شفط الغبار ⑤
- قم بتفريغ صندوق الغبار K/جيس F بانتظام للحصول على أفضل أداء لالتقاط الغبار؛
- عند استخدام أداة مزودة بمكنسة كهربائية، قم بتركيب مهايئ المكنسة الكهربائية H كما هو موضح في الشكل: (٥١٢١)
- إذا استدعى الأمر، نظّف أيضًا المرشح كما هو موضح في الشكل؛
- ! لا تستخدم صندوق الغبار/كيس الغبار/المكنسة الكهربائية عند صنفرة المعادن؛

إمسك الأداة وتوجيهها ①

- قم بتوجيه الأداة بشكل موازي لسطح العمل؛
- ! أثناء العمل، امسك الأداة دائمًا من منطقة (مناطق) المقبض رمادية اللون؛
- ! لا تضغط بشدة على الأداة، ودع سطح الصنفرة يقوم بالعمل؛
- لا تقم بإمالة الأداة حتى تنفاد حدوث علامات صنفرة غير مرغوبة؛
- احرص على أن تكون فتحات التهوية J ① غير مغطاة؛

توصيات الاستخدام

- لصنفرة الأسطح الخشبية المكشوفة، حرك الأداة في حركات مستقيمة بشكل موازي للحبيبات؛
- لصنفرة جميع الأسطح الأخرى، حرك الأداة في حركات بيضاوية فوق المادة؛
- ركّب إطار الصنفرة K (متوفر كمكبح SKIL رقم ٣٩٨٤٤) ٢١٠ لساواة الأسطح دون خدوش أو جأوف. وتأكد من تثبيته في موضعه بإحكام ④
- ! يصعب إطار الصنفرة K ساخنًا أثناء الاستخدام، فلا تلمسه قبل أن يبرد؛
- جنب تمامًا استخدام نفس سير الصنفرة مع الأخشاب والمعادن؛
- الحصاء الموصى بها لسير الصنفرة؛
- لإزالة الطلاء ولصنفرة الخشب شديد الخشونة، استخدم الحصاء الخشنة أحجام ٤٠، ١٠٠؛
- لصنفرة الخشب الخشن أو العادي، استخدم الحصاء المتوسطة أحجام ٨٠، ١٠٠، ١٢٠؛
- لتلميس الخشب والأسطح ذات الطلاء القديم بالإضافة إلى تشطيب الخشب المكشوف، استخدم الحصاء الناعمة أحجام ١٨٠، ٢٤٠، ٣٢٠؛

مقدمة

- تم تصميم هذه الأداة للصفرية الجافة ذات القدرة العالية على الكشط للأشباب والبلاستيك والمعادن والحشوات والأسطح المطلية؛
- لم يتم تصميم هذه الأداة للاستخدام الاحترافي؛
- اقرأ دليل التعليمات هذا واحتفظ به (٢)

البيانات الفنية ①

مكونات الأداة ②

- A مفتاح التشغيل/إيقاف
- B زر لفتح فتحة التشغيل/إيقاف التشغيل
- C ذراع تغيير سير الصفرية؛
- D سهم؛
- E برغي لضبط تركز السير؛
- F كيس غبار
- G صندوق الغبار؛
- H مهاتبي المنكسة الكهربائية؛
- J فتحات التهوية
- K إطار الصفرية؛

أمان

تحذيرات السلامة العامة للأداة الكهربائية

⚠ خذير اقرأ كل تحذيرات السلامة والتعليمات والأشكال الإيضاحية والوصافات المرفقة مع هذه الأداة الكهربائية؛ فقد يؤدي الإخفاق في الالتزام بكل التعليمات المدرجة أدناه إلى التعرض لصدمة كهربائية وأ/أو حريق وأ/أو إصابة خطيرة؛

احتفظ بكل التحذيرات للرجوع إليها في المستقبل

يشير المصطلح «الأداة الكهربائية» في التحذيرات إلى الأداة الكهربائية الخاصة بك التي تعمل بطاقة المأخذ الرئيسي (باستخدام سلك) أو بطاقة البطارية (بدون سلك)؛

١) الأمان بمكان الشغل

- ١) حافظ على نظافة وحسن إضاءة مكان شغلك الفوضوية في مكان الشغل ومجالات العمل الغير مضاهة قد تؤدي إلى حدوث الحوادث.
- ب) لا تشغل بالعدة الكهربائية في محيط معرض لخطر الانفجار والذي تتوفر فيه السوائل والغازات أو الأغبرة القابلة للإشتعال. العدد الكهربائية تشكل الشر الذي قد يتطاير فيشعل الأغبرة والأبخرة.
- ت) حافظ على بقاء الأطفال وغيرهم من الأشخاص على بعد عندما تستعمل العدة الكهربائية؛ قد تفقد السيطرة على الجهاز عند التلهي.

٢) الأمان الكهربائي

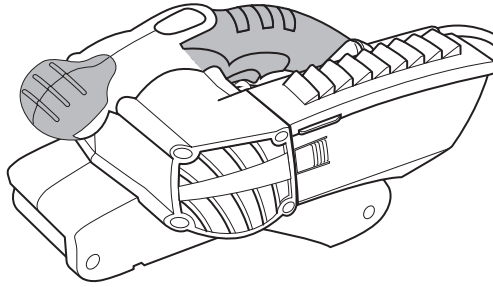
- ١) يجب أن يتعلم قابس وصل العدة الكهربائية مع المقبس. لا يجوز تغيير القابس بأي حال من الأحوال. لا تستعمل القوابس المهاتبة مع العدد الكهربائية المؤرضة تأريض وقائي. تخفض القوابس التي لم يتم تغييرها والمقابس الملائمة من خطر الصدمات الكهربائية.
- ب) تجنب لامسة السطوح المؤرضة كالألنابيب وراياتورات التدفئة والمدافئ البرادات بواسطة جسمك. يزداد خطر الصدمات الكهربائية عندما يكون جسمك موزن.
- ت) أبعد العدة الكهربائية عن الأمطار والرطوبة. يزداد خطر الصدمات الكهربائية إن تسرب الماء إلى داخل العدة الكهربائية.
- ث) يجب عدم إساءة استخدام الكابل. لا تنسى استعمال الكابل حمل العدة الكهربائية أو تعليقها أو لسحب القابس من المقبس. حافظ على إبعاد الكابل عن الحرارة والزيت والحواف الحادة أو عن أجزاء الجهاز المتحركة. تزيد الكابلات التالفة أو المتشاككة من خطر الصدمات الكهربائية.
- ج) استخدم فقط كابلات التمديد الصالحة للاستعمال الخارجى أيضا عندما تشغل بالعدة الكهربائية في الحلاء. يخفض استعمال كابل تمديد مخصص للإستعمال الخارجى من خطر الصدمات الكهربائية.

ح) إن لم يكن بالإمكان عدم تشغيل العدة الكهربائية في الأجواء الرطبة. فاستخدم مفتاح للوقاية من التيار المتردد. إن استخدام مفتاح للوقاية من التيار المتردد يقلل خطر الصدمات الكهربائية.

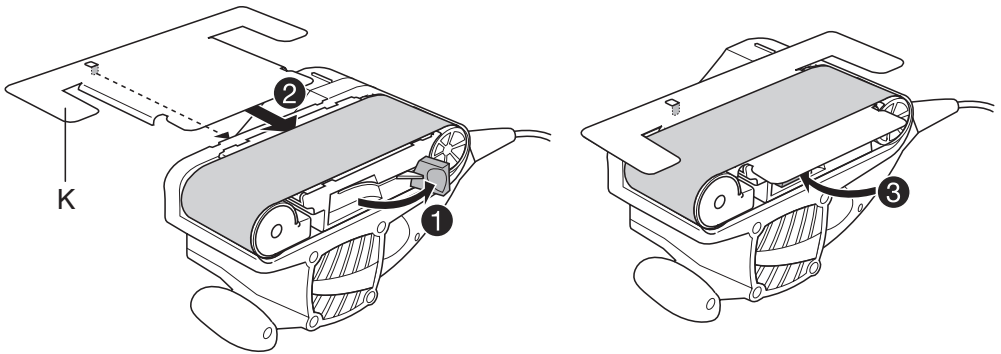
٣) أمان الأشخاص

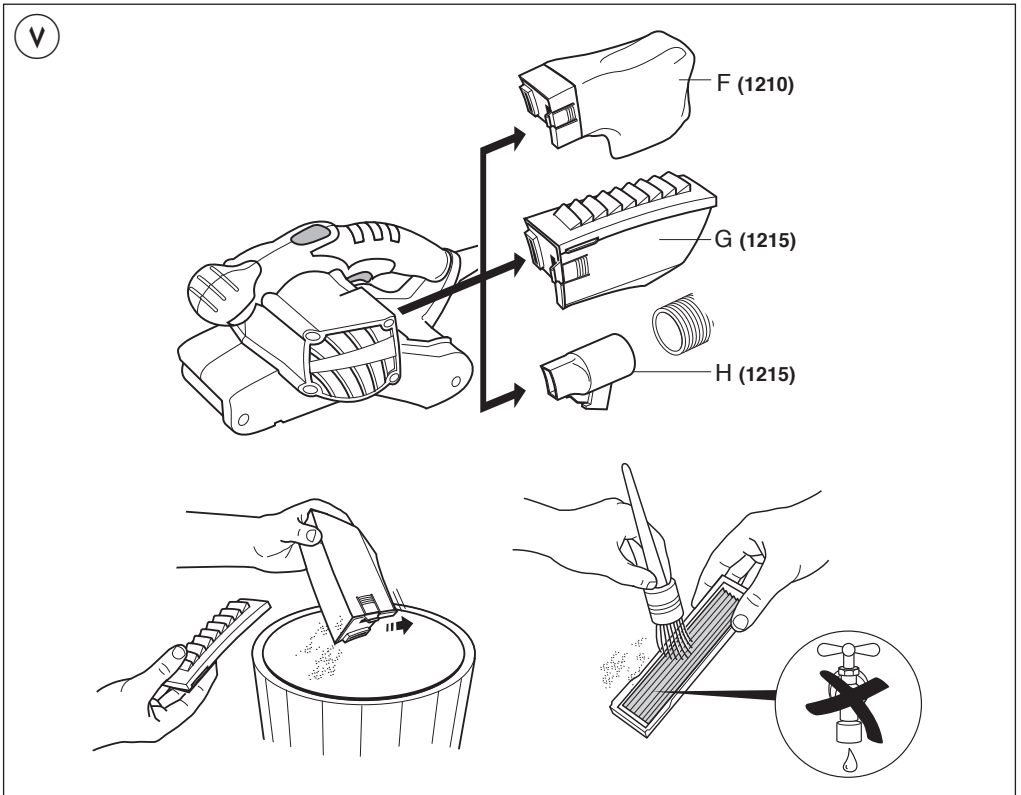
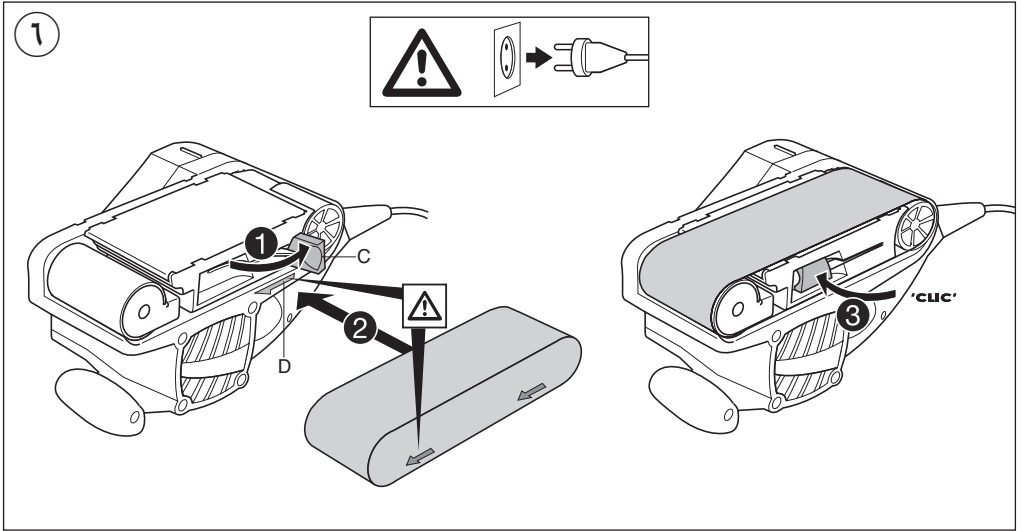
- ١) كن يقظا وأنتبه إلى ما تفعله وقم بالعمل بواسطة العدة الكهربائية بتعتقل. لا تستخدم عدة كهربائية عندما تكون متعب أو عندما تكون تحت تأثير المخدرات أو الكحول أو الأدوية. عدم الإبتناء للحظة واحدة عند استخدام العدة الكهربائية قد يؤدي إلى إصابة خطيرة.
- ب) ارتد عناد الوقاية الخاص. وارتد دائما نظارات واقية. يجب إرتداء عناد الوقاية الخاص. كتنافس الوقاية من الغبار وأخذية الأمان الواقية من الإرتلاق والحوذ واقية الأذن. حسب نوع واستعمال العدة الكهربائية. من خطر الإصابة بجروح.
- ت) تجنب التشغيل بشكل غير مقصود. تأكد من كون العدة الكهربائية مطفأة قبل وصلها بإمداد التيار الكهربائي و/أو بالمركم، وقيل رفعها أو حملها. إن كنت تضع إصبعك على المفتاح أثناء حمل العدة الكهربائية أو إن وصلت الجهاز بالشبكة الكهربائية عندما يكون قيد التشغيل. فقد يؤدي ذلك إلى حدوث الحوادث.
- ث) انزع عدد الضبط أو مفتاح الربط قبل تشغيل العدة الكهربائية. قد تؤدي العدة أو الأفعال المتواجدة في جزء دوار من الجهاز إلى الإصابة بجروح.
- ج) تجنب أوضاع الجسد غير الطبيعية. قف بأمان وحافظ على توازنك دائما. سيسمح لك ذلك من السيطرة على الجهاز بشكل أفضل في المواقف غير المتوقعة.
- ح) ارتد ملابس مناسبة. لا ترتدي الثياب الفضفاضة أو الخلي. حافظ على إبقاء الشعر والثياب والقفازات على بعد عن أجزاء الجهاز المتحركة. قد تتشابك الثياب الفضفاضة والخلي والشعر الطويل بالأجزاء المتحركة.
- خ) إن جاز تركيب جهاز شفط وجميع الغبار. فتأكد من أنها موصولة وبأنه يتم استخدامها بشكل سليم. قد يقلل استخدام تجهيزات لشفط الأغبرة من المخاطر الناتجة عن الأغبرة.
- د) لا تدع أعتيادك على الاستخدام المتكرر للأدوات يسمح لك بتجاهل مبادئ سلامة الأداة؛ قد يتسبب الاستخدام بدون تكرار في حدوث إصابة بالغة في غضون ثواني؛
- ٤) حسن معاملة واستخدام العدد الكهربائية
- ١) لا تطرف في تحميل الجهاز. استخدم لتنفيذ أشغالك العدة الكهربائية المخصصة لذلك. إنك تعمل بشكل أفضل وأكثر أمانا بواسطة العدة الكهربائية الملائمة في مجال الأداء المذكور.
- ب) لا تستخدم العدة الكهربائية إن كان مفتاح تشغيلها تالف. العدة الكهربائية التي لم تعد تسمح بتشغيلها أو بإطافئها خطيرة ويجب أن يتم تصليحها.
- ت) اسحب القابس من المقبس و / أو انزع المركم قبل ضبط الجهاز وقيل إستبدال التوابع أو قبل وضع الجهاز جانباً. تمنع إجراءات الاحتياط هذه تشغيل العدة الكهربائية بشكل غير مقصود.
- ث) احتفظ بالعدد الكهربائية التي لا يتم استخدامها بعيدا عن متال الأطفال. لا تسمح باستخدام العدة الكهربائية لمن لا خبرة له بها أو لمن لم يقرأ تلك التعليمات. العدد الكهربائية خطيرة إن تم استخدامها من قبل أشخاص دون خبرة.
- ج) اعن بالعدة الكهربائية بشكل جيد. تفحص عما إذا كانت أجزاء الجهاز المتحركة تعمل بشكل سليم وبأنها غير مستعصية عن الحركة أو إن كانت هناك أجزاء مكسورة أو تالفة لدرجة تؤثر فيها على حسن أداء العدة الكهربائية. ينبغي تصليح هذه الأجزاء التالفة قبل إعادة تشغيل الجهاز. الكثير من الحوادث مصدرها العدد الكهربائية التي تم صيانتها بشكل ردي؛
- ح) حافظ على إبقاء عدد القطع نظيفة وحادة. إن عدد القطع ذات حواف القطع الحادة التي تم صيانتها بعناية تكليس بشكل أقل ويمكن توجيهها بشكل أيسر.
- خ) استخدم العدد الكهربائية والتوابع وعدد الشغل والرخ حسب هذه التعليمات تراعى أثناء ذلك شروط الشغل والعمل المراد تنفيذه. استخدام العدد الكهربائية لغير الأشغال المخصصة لأجلها قد يؤدي إلى حدوث الحالات الخطيرة.
- د) احرص على جفاف المقابض وأسطح الإمساك ونظافتها وخلوها من الزيت والشحوم؛ لا تسمح للمقابض وأسطح الإمساك الرطبة بالاستخدام والتحكم الأمان في الأداة في الحالات غير المتوقعة؛
- ٥) الخدمة
- ١) اسمح بتصليح عدتك الكهربائية فقط من قبل المتخصصين فقط. باستخدام قطع الغيار الأصلية. يؤمن ذلك المحافظة على أمان الجهاز.

8



9





1

1210

650
Watt

2,8 kg

76 mm
457 mm

130x76 mm

300
m/min

230
-
240
V~
50-60 Hz

1215

650
Watt

2,9 kg

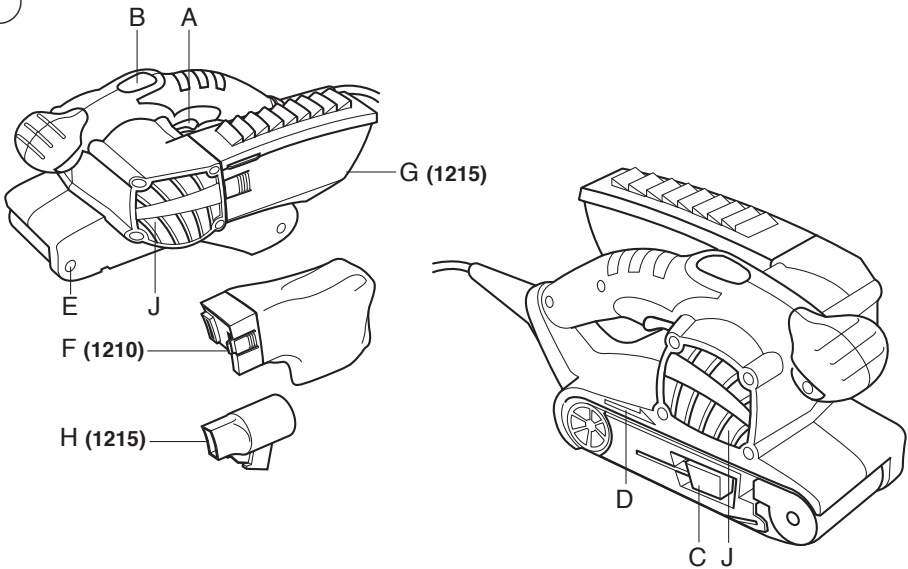
76 mm
457 mm

130x76 mm

300
m/min

230
-
240
V~
50-60 Hz

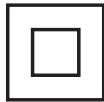
2



3



Σ



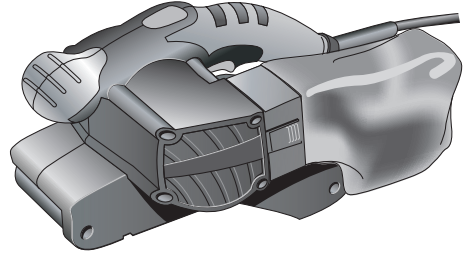
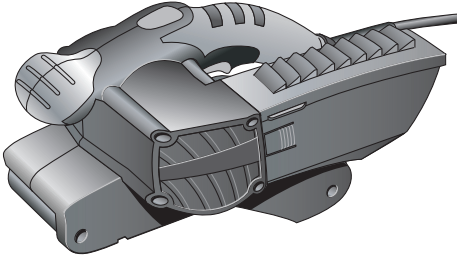
Δ



أداة صنفرة رملية بالسيير

1210
1215

SKIL®



دليل الاستعمال
راهنماي اصلي

AR

FA

