



USER MANUAL



Page 2	<b>1 Important directions for safety and the environment</b>
	1.1 For your safety
	1.2 Caring for the environment
	1.3 Cleaning, sanitization and maintenance of the ice and/or water dispenser (if present)
4	<b>2 Installation</b>
	2.1 Installation
	2.2 Connection to the electrical power supply
	2.3 Connection to the water system
6	<b>3 Before starting</b>
	3.1 Know your appliance
	3.2 Main features
	3.3 Main components
	3.4 Electronic Control
	3.5 Main control panel
10	<b>4 Appliance switching on and off</b>
	4.1 Switching on and off
	4.2 How to adjust the temperature for different requirements
	4.3 Ice Maker activation
	4.4 Information and malfunction messages on the display
11	<b>5 Settings and Special Functions</b>
	5.1 Customization and language settings
	5.2 Special functions activated through the Menu
	5.3 Basic settings of the Menu
16	<b>6 Internal Layout</b>
	6.1 Internal Layout (positioning, adjustment, removal)
18	<b>7 Activation and use of the Ice Maker</b>
	7.1 Activation and use of the Ice Maker
	7.2 Water Filter
20	<b>8 Lighting</b>
	8.1 Lighting
21	<b>9 Food Preservation</b>
	9.1 Recommendations for preserving fresh food
	9.2 Recommendations for preserving frozen food
22	<b>10 Recommended times for Food Preservation</b>
23	<b>11 Care and Cleaning</b>
	11.1 Care and Cleaning
	11.2 Condenser cleaning
	11.3 Internal cleaning
24	<b>12 Troubleshooting Guide</b>
	12.1 Troubleshooting Guide
	12.2 Malfunction messages appearing on the display
26	<b>13 Menu Map</b>
	13.1 Functions
	13.2 Setting

# 1 Important directions for safety and the environment

## 1.1 For your safety



### Notes

Recommendations for correct use of the appliance



### Important

Directions for avoiding appliance damage



### Warning

Indications for avoiding injury to people

- If this appliance is replacing an existing appliance which must be removed or disposed of, make sure that it does not become a dangerous trap for children by cutting its power supply cable and rendering it impossible to close the door. Use the same caution at the end of the lifespan of the new appliance.
- This appliance is designed to refrigerate beverages and foods and is intended for domestic use.
- The appliance must be installed by following the instructions in the Installation Guide, particular care should be taken not to obstruct the vent openings of the appliance and of the built-in units.
- The appliance features a concentrated lighting system with LED lamps. Do not stare into these lamps when they are on to avoid possible eyesight damage. This warning is also contained on the label attached to the inside of the refrigerator door.
- When the freezer is functioning do not touch the inner surfaces in stainless steel with wet or damp hands, since skin may stick to the very cold surfaces.
- Do not use any type of electrical equipment inside of the food conservation compartments.
- When positioning the shelves, do not place fingers in the shelf slide guides.
- Do not position containers of flammable liquids near the appliance.
- Completely switch off the appliance and unplug the power supply cable during cleaning operations. If the plug is not easily reached, it is a good idea to turn off the breaker or remove the fuse that controls the socket that the appliance is connected to.
- The packaging parts can be dangerous for children: do not allow children to play with the plastic bags, plastic film or Styrofoam.
- Any repairs must be performed by a qualified Smeg Service technician.
- This appliance is not intended for use by persons (including children) with reduced physical, sensory or lack of experience and knowledge unless they have been given supervision or instruction concerning use of the appliance by a person responsible for their safety. Children should be supervised to ensure that they do not play with the appliance.
- Do not damage the appliance refrigerant circuit pipes.
- Do not store explosive substances such as aerosol cans with a flammable propellant in this appliance.



## Caring for the environment 1.2



- Pay special attention to correct disposal procedure for all the packaging materials.
- The appliance must not be disposed of with urban waste. Contact local waste disposal centers for on how to dispose of recyclable waste.
- Prior to disposal, cut the power supply cord and make it impossible to close the door.
- During disposal, avoid damage to the refrigeration circuit.
- The appliance does not contain hazardous substances for the atmospheric ozone layer, neither in the refrigeration circuit nor in the insulation.

## Cleaning, sanitization and maintenance of the ice and/or water dispenser (if present) 1.3

Failure to follow the instructions regarding sanitizing can compromise the hygienic safety of the water dispensed.

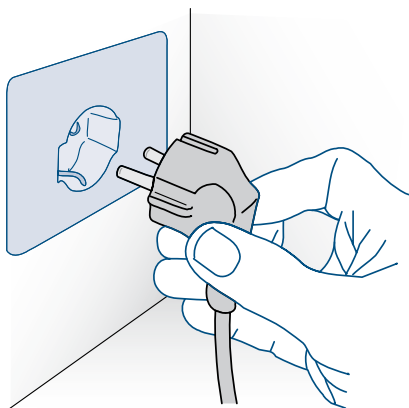
- When using the appliance for the first time and every time the filter is changed, it is recommended to let the water flow in the circuit using the "Manual Cleaning" and discard the ice produced in the first 24 hours.
- If the water dispenser has not been used for more than 4/5 days, it is advisable to clean the circuit and run off the first litre of water.
- Reposition the removable water dispenser (if present), ensuring your hands are hygienically clean.
- Clean the ice bucket or drawer regularly but using only drinking water.
- The filter must be changed when indicated on the control panel or when the ice/water dispenser has not been used for more than 30 days.
- With each filter replacement, sanitise the ice and/or water distribution system using a food grade disinfectant (with sodium hypochlorite), which does not alter the characteristics of the materials, or use the "Sanitising Kit" available from the After-Sales Service. Rinse with at least 2 litres of water before use.
- Only original spare parts supplied by the manufacturer should be used when replacing components in the ice and water dispenser.
- Any work on the appliance must be carried out by a qualified technician or the After-sales Service.

## 2 Installation

### 2.1 Installation

Make sure that installation is performed correctly, adhering to all directions in the specific installation manual provided with the appliance.

### 2.2 Connection to the electrical power supply

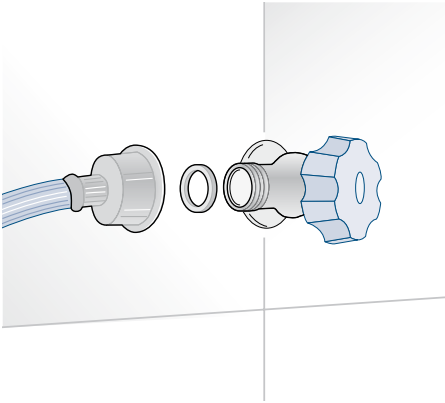


The appliance is equipped with a Schuko type 16A plug and must be connected to the electrical power supply through a corresponding Schuko socket.

Do not use extension cords and/or multiple adapters for the power supply connection.



**Do not use extension cords and/or multiple adapters for the power supply connection.**

Connection to the water system **2.3**

The models provided with Ice Maker require a connection to the domestic water supply system. This can be executed through the provided water hose with 3/4" threading.

The system pressure must be between 0.05 MPa and 0.5 MPa (between 0.5 Bar and 5 Bar).

Different pressures can cause malfunctions or leaks in the water system. The appliance should be supplied only with drinkable water.



**The appliance should be supplied only with drinkable water.**



**Make sure that installation is performed correctly, according to all of the directions in the specific installation manual provided with the appliance.**



**Do not attempt to use a locally sourced garden hose threaded adapter or braided supply line. It will strip the threads on the appliance water connection solenoid.**

## 3 Before starting

### 3.1 Know your appliance

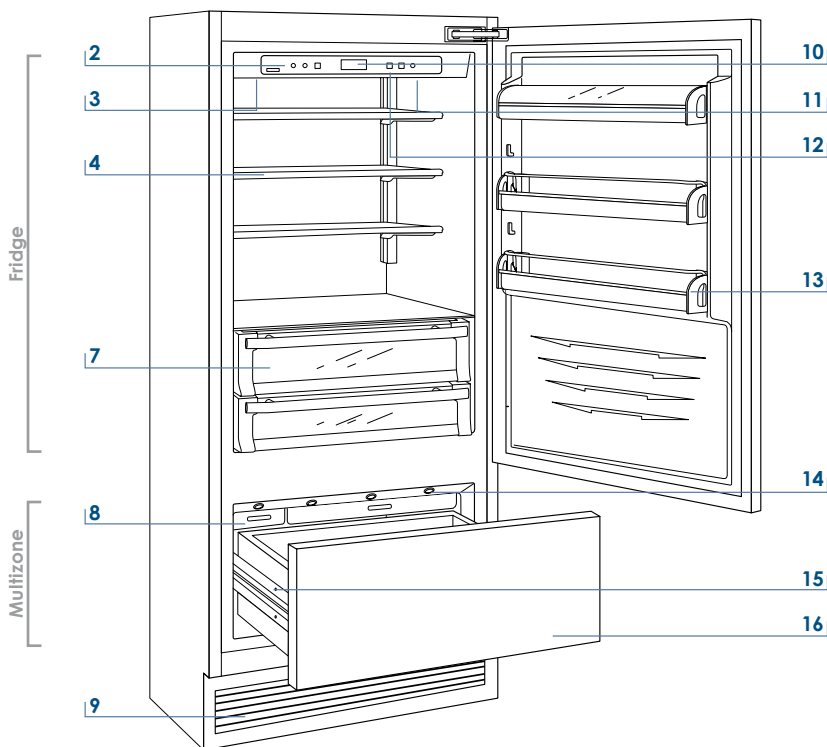
Congratulations for having purchased your new Smeg: from now on you can use our innovative conservation system, which will allow you to keep all of your food in the best way possible.

This manual will answer most of your questions about the product's features. Should you require further information, please check our website

**[www.smeg.com](http://www.smeg.com)**

### 3.2 Main features

- The Smeg Multizone refrigeration system and the efficient separation of internal compartments ensures maximum freshness and offers excellent conservation of foods in the three compartments: refrigerator, Multizone.
- It is also possible, should there be a need, to further increase the flexibility of the appliance by making the freezer compartment operate as a refrigerator or as a Multizone compartment
- Electronic control guarantees constant temperature and humidity levels set by the user and provides real-time compartment temperature readings.
- An interactive menu (Menu) allows customized management of appliance functions and the visualization of functioning messages
- Power save features to reduce consumption during Holiday periods
- Ice Maker for automatic ice production of variable cube size
- Easily replaceable water filter located inside the refrigerator
- Stainless steel surface both inside and outside, with fine aluminum trim
- Patented hinge system that permits automatic door closing
- External drawers with to self-closing system
- Localized lighting with LEDs
- Anti-tipping system by means of wall mounting brackets



**Single drawer Fridge**

- 2** Control panel with Menu
- 3** Water Filter
- 4** Patented shelf positioning system
- 7** Drawer with controlled humidity
- 8** Automatic icemaker
- 9** Double refrigeration system
- 10** Temperature display
- 11** Sound signals
- 12** Holiday function
- 13** Spacious door shelves
- 14** Innovative lighting
- 15** Automatic door and drawer closure
- 16** Freezer compartment that can be transformed into a refrigerator or 0°C compartment (Multizone function)

## 3 Before starting

### 3.4 Electronic Control

The electronic control system maintains constant temperature on the two compartments and visualizes it on the control panel display.

It also allows user interaction making it possible to personalize settings of the various functions and to receive sound and/or visual messages should occur any malfunction in the appliance.

### 3.5 Main control panel




	1	2	3	4	5	6	7	8	9	
1		<b>Unit</b>	Switches the appliance (all compartments) between ON and STAND BY (press for three seconds).							
2		<b>Fridge</b>	Allows switching on and off of only the refrigerator compartment (press for three seconds).							
3		<b>Menu</b>	Allows access to the appliance function menu							
4		<b>Up/down Fridge</b>	Using the Up and Down buttons, it is possible to change the set temperature of the refrigerator and navigate through the interactive menu.							
5		<b>Display</b>	It shows the temperature of the refrigerator and freezer compartments, the date and time, Menu functions and visual messages.							
6		<b>Up/Down Freezer (Multizone)</b>	By selecting Up/Down the preset temperature can be changed according to the selected function mode (freezer, refrigerator, 0°C).							
7		<b>Enter</b>	Confirms activation or deactivation of the selections made in the Menu.							
8		<b>Ice maker</b>	Allows activating or deactivating the automatic ice production.							
9		<b>Alarm</b>	Blinks to signal user alerts such as door left open, also in combination with a sound signal which can be deactivated by pressing the button.							


**First startup** When the appliance is connected to the electrical power supply but has not yet been switched on, the display shows the message


**Stand by**

This is a safety message to warn that the appliance is connected to the mains, and all the panel buttons are off.

To switch on all the appliance compartments, press the Unit button  for three seconds.


**Switching off the Refrigerator** When the appliance is first switched on the Multizone compartment is set to the "freezer" mode. After switching on it remains always on and can be switched off only by switching off the complete appliance.

**Restarting** Use the same buttons to restart. The freezer compartment always stays on and cannot be switched off except by completely switching off the appliance by pressing the Unit button  for three seconds.

**Switching off for long periods** During long absence periods it is recommended to switch off the refrigerator by pressing the Unit button  for three seconds and disconnecting the electrical plug or the breaker controlling the socket.

Completely empty the refrigerator, clean and dry it and leave the doors and drawers partially open to prevent unpleasant odors.



**If at the first startup the Standby message does not appear, but another message appears, it means that the appliance has already started the cooling process. If this is the case, deactivate any possible sound signal by pressing the Alarm button , close the door and wait until the set temperature is reached.**

**During the first startup, it will not be possible to use the Menu to modify the factory settings until the preset temperature has been reached.**

**Each time the appliance is switched on it goes through a self-diagnosis procedure lasting three minutes before completely starting up.**

**If only the refrigerator compartment is switched off, the specific fan will continue to operate to prevent the formation of unpleasant odors and mold.**

**Before switching off the appliance for a long period of time, remove all of the items inside and leave the doors and drawers open to prevent the formation of unpleasant odors and mold.**

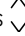

## 4 Appliance switching on and off

### 4.2 How to adjust the temperature for different requirements

Each model has been carefully tested before leaving the factory and is adjusted in such a way to ensure high performance and low consumption. Usually, it is not necessary to modify the settings. Nevertheless, according to special needs, it is possible to modify the set temperatures as follows:

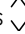
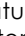
#### Refrigeration Compartment

From +2°C to +8°C (from 35.6°F to 46.4°F), the recommended preset temperature is +5°C (41°F).

To adjust the temperature use the Up/Down buttons  . Upon touching these buttons the newly set temperature will appear in the display. To modify this temperature, use the buttons until reaching the desired temperature.

#### Freezer Compartment (Multizone)

From -15°C to -22°C (from 5°F to -7.6°F), the recommended temperature is preset at -18° (0°F).

To adjust the temperature use the Up/Down buttons  . Upon touching these buttons the newly set temperature will appear in the display. To modify this temperature, use the buttons until reaching the desired temperature.


In case the compartment is used as refrigerator or 0°C compartment (Multizone function) the recommended and preset temperatures will correspond to those indicated for the respective compartments.


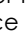


The temperature shown can vary slightly in respect to the set temperature following frequent openings of the doors or insertion of room temperature foods or large quantities of foods.

6 to 12 hours are necessary to reach the selected temperature.

### 4.3 Ice Maker Activation

The Ice Maker button  located on the main control panel permits activation of the automatic icemaker. The button is illuminated when the icemaker is functioning.

A prewash of the hydraulic circuit should be performed before activating the Ice Maker for the first time. To do this touch at the same time buttons Enter  and Ice Maker .

After a few minutes the Ice Maker can be activated.

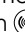


Do not activate the Ice Maker unless the appliance is connected to the water mains.

### 4.4 Information and malfunction messages on the display

An integrated control system provides information through lighted signals or text messages visualized on the display.

The information signal is always visualized with a fixed text message, while a malfunction signal is visualized with blinking text.

The sound signal that accompanies some malfunction signals can be deactivated by pressing the Alarm button  on the main control panel.

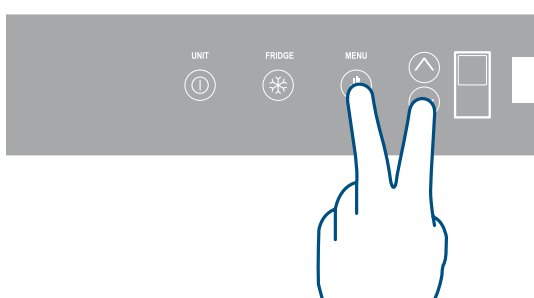
The list of malfunction signals is located at the back of this manual.





To prevent an inadvertent change to the settings the keypad is automatically locked after a certain period of time.

To re-activate the Menu function, press simultaneously the Menu button (M) and the Down button (↓) for at least three seconds.



It is possible to customized the functions of your Smeg to adapt it to diverse usage needs, resetting the main parameters (Settings) or activating special functions (Functions).

Functions are visualized on the main display by pressing the Menu button (M).

The Up/Down buttons (↑/↓) permit scrolling the available functions, which can be selected by pressing the Enter button (↵). The display visualizes the current functioning status.

Using the Up/Down buttons (↑/↓), it is also possible to scroll through the selected function, activating or deactivating by pressing the Enter button (↵). Once the function is confirmed, the display will automatically visualize the main menu to select other functions.

At any time it is possible to return to the previous selection through the SmegAccess button (A).

The language of the messages appearing on the display can be changed by operating as follows:

Enter the Menu by pressing the Menu button (M) select Settings via the Up/Down buttons (↑/↓) and confirm via Enter (↵). Then select the Language function and the desired language.

Special functions activated through the Menu **5.2**

To use special functions, select the Menu button (M) and use the Up/Down button (↑/↓) to access the menu, confirming the selection (↵).

**Super Cooling**

The function lowers the refrigerator temperature to +2°C (35.6°F) for 12 hours, permitting more rapid cooling of food that has just been placed in. Once the 12 hours have expired, the function deactivates automatically, returning to the previously set temperature. It is possible to program a timed activation of the function. After a prolonged interruption of electrical current, it is necessary to reactivate the function.

How to activate

Functions → (↵) → (↑/↓) Super Cooling → (↵) → (↑/↓)  
 Super Cool ON/OFF → (↵) → (↑/↓) Super Cool ON

How to deactivate

Functions → (↵) → (↑/↓) Super Cooling → (↵) → (↑/↓)  
 Super Cool ON/OFF → (↵) → (↑/↓) Super Cool OFF

How to program timed activation

Functions → (↵) → (↑/↓) Super Cooling → (↵) → (↑/↓)  
 Super Cool Time → (↵) → (↑/↓) Set Hours: 1 → (↵)

It is possible to program the function with a delay of 1 to 12 hours.



The various Shopping Modes help prepare the cooling, Fridge and Multizone compartments for the introduction of a heat load which can consist of fresh food or other items which may have warmed during transport. The more quickly an item can be cooled or frozen the better it will be preserved.

This mode can also be effective at maintaining compartment temperatures while entertaining when higher than average door and drawer openings are anticipated.

## Holiday fridge Holiday Fridge

This function (recommended in case of prolonged absences since it allows considerable energy savings) brings the refrigerator compartment temperature to +14°C (57.2°F). It is possible to program the duration, or it can be manually deactivated upon re-entry after a period of absence. This function remains active even if during the period of absence there is a prolonged interruption of electrical power.

- How to activate Functions →  →   Holiday Fridge →  →    
 Holiday ON/OFF →  →   Holiday ON →
- How to deactivate upon re-entry Functions →  →   Holiday Fridge →  →    
 Holiday ON/OFF →  →   Holiday OFF →
- How to program the duration Functions →  →   Holiday Fridge →  →    
 Holiday Time →  →   Set Days: 1 →

It is possible to program a period from 1 to 90 days.

## Shopping Multizone

This function must be activated at least 24 hours before inserting room temperature items into the freezer, or several hours before placing into the freezer previously frozen items which have been subject to a slight temperature rise. This function is automatically deactivated when the programmed time period expires. It is possible to program timed activation of the function.

If interrupted by a prolonged interruption of the electrical power, it is necessary to reactivate the function.

- How to activate Functions →  →   Shopping Multiz →  →    
 Shopping Multizone ON/OFF →  →   Shopping ON
- How to deactivate Functions →  →   Shopping Multiz →  →    
 Shopping Multizone ON/OFF →  →   Super Cool OFF
- How to program timed activation Functions →  →   Shopping Multiz →  →    
 Shopping Time →  →   Set Hours: 1 →

It is possible to program the function with a delay of 1 to 12 hours.

**Holiday Multizone** This function (recommended in case of prolonged absences since it allows considerable energy savings) brings the Multizone compartment temperature to - 18°C (46.4°F). It is possible to program the duration, or it can be manually deactivated upon re-entry after a period of absence. This function remains active even if during the period of absence there is a prolonged interruption of electrical power.

How to activate

Functions → → Holiday Multiz → →   
 Holiday Multizone ON/OFF → → Holiday ON →

How to deactivate upon re-entry

Functions → → Holiday Multiz → →   
 Holiday Multizone ON/OFF → → Holiday OFF →

How to program the duration

Functions → → Holiday Multiz → →   
 Holiday Time → → Set Days: 1 →

It is possible to program a period from 1 to 90 days.

**Bottle Cooler** This function can be activated when it is necessary to cool off beverages quickly, by placing them inside the freezer compartment. It is possible to select a duration of 1 to 45 minutes. A sound signal will indicated when the optimal temperature has been reached. After removing the beverages, deactivate the sound signal by pressing the Alarm button .

How to activate

Functions → → Bottle Cooler → →   
 Bottle Cooler ON/OFF → → Bottle Cooler ON -

How to deactivate

Functions → → Bottle Cooler → →   
 Bottle Cooler ON/OFF → → Bottle Cooler OFF

How to program the duration

Functions → → Bottle Cooler → →   
 Set Cooling Time → Set time : 20 min → →

**Ice Maker** The IceMaker function permits selecting the size of the ice cubes, by choosing between Large (base setting) or Medium, and activation of the SuperIce function, which increases the quantity of produced ice. The SuperIce function deactivates automatically after 24 hours.

How to activate the cube size function

Functions → → Ice Maker → →   
 Set Cube Size → → Size: Large → →

How to deactivate

Functions → → Ice Maker → →   
 Set Cube Size → → Size: Medium → →

How to activate the SuperIce function

Functions → → Ice Maker → →   
 SuperIce ON/OFF → → SuperIce ON →

How to deactivate

Functions → → Ice Maker → →   
 SuperIce ON/OFF → → SuperIce OFF →

## 5 Settings and Special Functions

**Sabbath Mode (Optional)** The function makes it possible to comply to certain religious observances requiring that the operation of the appliance is not affected by the opening or closing of the doors (the thermostatic control, the inner lighting and the ice maker are deactivated).

**How to activate** Functions → → Sabbath Mode → → Sabbath Mode ON/OFF → → Sabbath Mode ON →

**How to deactivate** Functions → → Sabbath Mode → → Sabbath Mode ON/OFF → → Sabbath Mode OFF →

**Water Filter** The View Status function permits visualizing the time left before the filter needs to be replaced.

**How to check the status of the filter** Functions → → Water Filter → → Filter Status → → View Status →

**Reset Filter** The Reset Filter function sets to zero the time left before the filter needs to be replaced. It is necessary to set the meter to zero each time the cartridge is replaced. When the message "Change Filter" will appear on the display press the Enter key for 5 seconds.

**How to set the filtered water meter to zero** Functions → → Water Filter → → Filter Status → → Filter Reset →

**Bypass Filter** This function is to be activated when it is not necessary to filter the water, because excellent quality water is already available from the home water system.

**How to activate filter Bypass** Functions → → Water Filter → → Filter Status → → Filter Bypass → → Filter Bypass ON →

**How to deactivate filter Bypass** Functions → → Water Filter → → Filter Status → → Filter Bypass → → Filter Bypass OFF →



**Manual Clean, Water Filter** If ice production has been disabled or unused for a long period it is recommended to perform a Manual Clean function to flush out water which has sat in the system during this period. Repeat the operation until the water is clean.

**How to manually clean the filter** Functions → → Water Filter → → Manual Clean → → Enter to confirm →



Correctly position the ice tray or another suitable container under the IceMaker to collect water, then close the drawer.  
At the end of the operation, wash the tray.







## Basic settings of the Menu 5.3








Select the Menu button  and used the Up/Down button  to select Settings.

**Multizone Options**

The freezer compartment can, if required, be converted to the refrigeration or 0°C operating mode.





**How to set the Fridge function**  
Settings →  →  Multizone Options →  →   
Fridge →  →  Enter to confirm → 

**How to set the 0°C function**  
Settings →  →  Multizone Options →  →   
Fresco →  →  Enter to confirm → 

**How to revert to the Freezer function**  
Settings →  →  Multizone Options →  →   
Freezer →  →  Enter to confirm → 

**Default Setting**


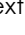
This offers the possibility to reset default factory settings and cancels any previous changes.







**How to reset default settings**  
Settings →  →  Default Setting →   
Enter to confirm → 



**ATTENTION:** If the default settings are restored, the default mode of the Multizone compartment is freezer mode. If it was previously being used in refrigerator or 0°C mode be sure to set it back to your desired setting.

**Date****Set Date**








The display will show the date in the format dd:mm:yy (day:month:year), the day will blink. Use the Up/Down buttons  to modify the setting, confirm with Enter  to go on to the next setting; once the year is confirmed the date will be set.

**How to set the date**  
Settings →  →  Date →  →  Set Date  
→  DATE: 01-01-2009 → 



**Show Date**

Using this function it is possible to deactivate/activate the date visualization on the display.

**How to activate the date**  
Settings →  →  Date →  →  Show Date  
→  →  DATE: 01-01-2009 On → 

**How to deactivate the date**  
Settings →  →  Date →  →  Show Date  
→  →  DATE: 01-01-2009 Off → 

**Time****Set Time**

The display shows the hours and minutes in the format hh:mm and with hh: blinking. Use the Up/Down buttons  to modify the setting and then confirm by pressing Enter  to go on to the next setting. Once the minutes are confirmed, the time will be set.

**How to set the time**  
Settings →  →  Time →  →  Set Time  
→  →  TIME: 01:01 → 



After 6 months from the adjustment date / time will appear on the display the message "Check Condenser", you will have to check and clean the condenser area (as described on p. 23). Press the Enter button for 5 seconds to delete the message from the display.

## 5-6 Internal Layout

**Set 12/24** This function selects the display at 12 or 24 h.

How to set the display to 12 h Settings → ⊙ → ^ Time → ⊙ → ^ Set View → ⊙ → ^  
Set: 12 → ⊙ → ^

How to set the display to 24 h Settings → ⊙ → ^ Time → ⊙ → ^ Set View → ⊙ → ^  
Set: 24 → ⊙ → ^

**Show Time** Through this function it is possible to activate/deactivate the constant visualization of the time.

How to activate the permanent time Settings → ⊙ → ^ Time → ⊙ → ^ Show Time  
→ ⊙ → ^ TIME: 01:01 On → ⊙

How to deactivate Settings → ⊙ → ^ Time → ⊙ → ^ Show Time  
→ ⊙ → ^ TIME: 01:01 Off → ⊙

**Language** The function allows selection of the language for the display messages.

Italian Settings → ⊙ → ^ Language → ⊙ → ^ italiano → ⊙

English Settings → ⊙ → ^ Language → ⊙ → ^ english → ⊙

French Settings → ⊙ → ^ Language → ⊙ → ^ français → ⊙

German Settings → ⊙ → ^ Language → ⊙ → ^ deutsch → ⊙

Spanish Settings → ⊙ → ^ Language → ⊙ → ^ español → ⊙

**Set °C/°F** This function permits visualizing the temperature in Centigrade or Fahrenheit degrees. Normally, the appliance is set for visualization in centigrade degrees.

How to set the temperature in Centigrade Settings → ⊙ → ^ Set 'C/'F → ⊙ → ^ Set 'C → ⊙

How to set the temperature in Fahrenheit Settings → ⊙ → ^ Set 'C/'F → ⊙ → ^ Set 'F → ⊙

**Showroom Mode**

How to activate Settings → ⊙ → ^ ShowRoom Mode → ⊙ → ^ On → ⊙

How to deactivate Settings → ⊙ → ^ ShowRoom Mode → ⊙ → ^ Off → ⊙

**Child Lock**

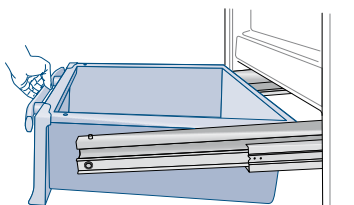
How to activate Settings → ⊙ → ^ Child Lock → ⊙ → ^ On → ⊙

How to deactivate Settings → ⊙ → ^ Child Lock → ⊙ → ^ Off → ⊙

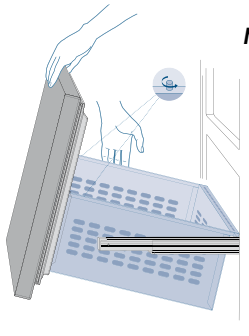
### 6.1 Internal Layout (positioning, adjustment, removal)

#### 0°C Drawer

Fixed to the slide guides with two thumbscrews.



■ to remove the drawer, unscrew the thumbscrews and remove the drawer.

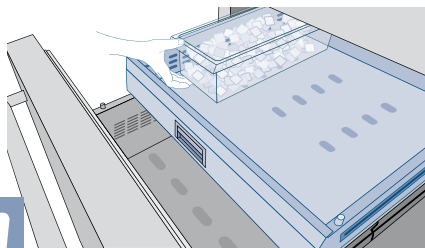


**Multizone Drawer**

The upper Multizone can be removed using the same method used for the 0°C drawer

- to remove the inner Multizone drawer unscrew the thumbscrews.

**When replacing the drawers, make certain the back of the drawers engage under the clips on the slide guides.**



**Ice Tray**

Located in the upper drawer of the freezer compartment

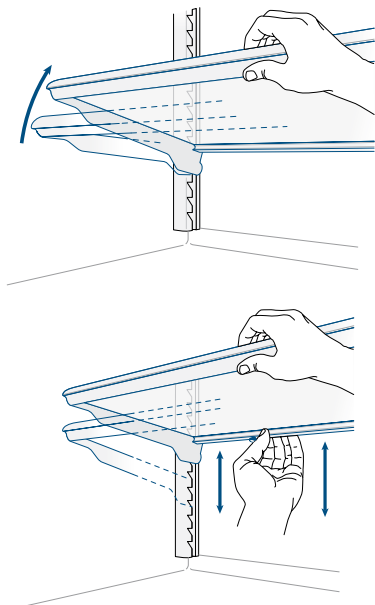
- after removal, make sure to reposition it correctly.



**Do not place hands or fingers near the Icemaker when in function.**

**Shelves**

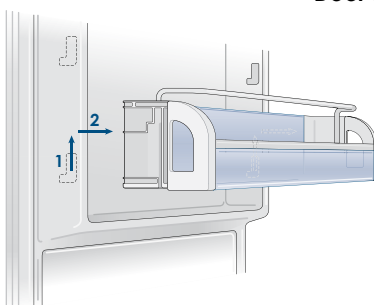
The shelves are sliding and can be easily re-positioned by the user as follows:



- lift or lower the shelf to the desired position
- re-tighten the locking knob
- Remove top caps and to remove a shelf it is necessary to slide it up to the top

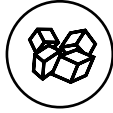
**Door Shelves**

The door shelves can be easily removed for cleaning



- Remove top caps
- Hold the door shelf at the sides and push it upwards to release it from its seat, then pull it outwards.
- Reverse the procedure to reinstall.

## 7.1 Activation and use of the Ice Maker



If the ice is not used frequently is advisable to empty the ice bin once every 8-10 days.

It is normal that some ice cubes stick to one another. If the ice is not frequently used, the older cubes can become opaque, and will have a strange flavor and become smaller.


The Icemaker automatically deactivates if the Holiday function is activated.

When the Icemaker is started for the first time, it is recommended to dispose of the first full bin of ice.

If the equipment has been switched off for a month or more, it is recommended to perform a water cleaning cycle.


The ice maker will only produce ice with the Multizone compartment set to Freezer Mode. The ice maker will continue to operate even when the ice bin is not in position

#### Do the ice cubes have an unusual odor?

To activate the Ice Maker after installation of the appliance, press the Icemaker button .

Please note that 12 to 24 hours are necessary before ice production may begin. The production is of 10 cubes per cycle in approximately 10 cycles in 24 hours.

The yield depends on the temperature set in the freezer, the room temperature and the frequency of door opening.

If the appliance is operating without being connected to the water system, make sure that the Icemaker is deactivated by pressing the button .

The Ice Maker produces ice until the ice tray is full and will automatically stop once the maximum level is reached.

With the SuperIce function, it is possible to increase the quantity of ice produced a 24 hours, while the Set Cube Size function permits selection of the size of the produced ice cubes.

At factory default settings Ice Maker can produce approx. 100 ice cubes within 24 hours.

Ice is a porous material which can absorb odors from the environment. Ice cubes which have been in the ice cube container for a long time may absorb odors, stick together and slowly become smaller.

We recommend that old ice cubes not be used.

Other means of preventing odors:

- The ice cube container should be cleaned occasionally with warm water. Make sure that you switch off the ice maker before clearing the container. Rinse out and wipe dry.
- Check the contents of the freezer for spoiled or out-of-date food. All odorous foods should be wrapped thoroughly or stored in airtight containers to prevent the build-up of odors.
- The water filter may have to be replaced in some models.
- In some cases the quality of the water connection in the house should be checked.

#### Operating noises Quite normal noises

- Grumbling: refrigerating unit is running. Fan in the recirculating air system is running.
- Bubbling, humming or gurgling noises: refrigerant is flowing through the tubes.
- Clicking: motor is switching on or off. Solenoid valve on the water connection is opening/closing.
- Rumbling: ice cubes are falling into the ice cube container.
- Note: the appliance is powered by two independent compressors. It is therefore normal to always have one of two compressors in operation.



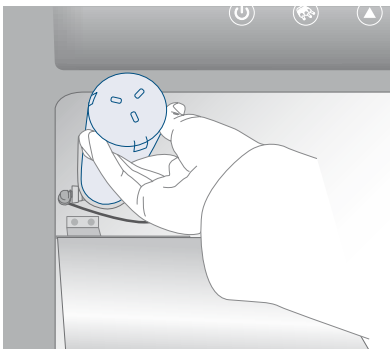
Do not place any bottles or food for rapid cooling in the ice cube container. The ice maker may become blocked and be damaged.



The Water Filter makes available high-quality water for the production of ice cubes. It provides up to 3000 liters of water for a maximum time of 12 months.

On some models, on the upper right of the control panel it is possible to monitor the use status of the filter: when the entire area is illuminated the filter has just been replaced; the white illuminated area indicates that the filter capacity is below 20%. When the filter is nearly expired the message "Change Filter" will appear on the display.

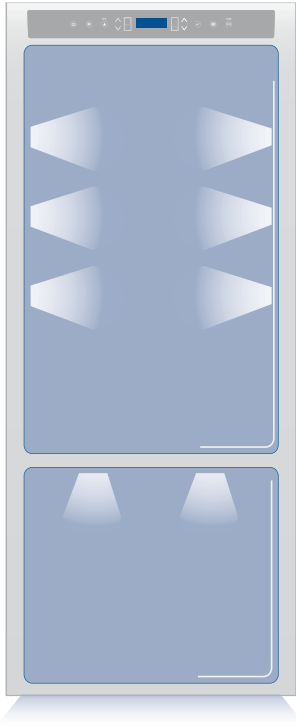
#### Filter Replacement



Prior to changing the filter, switch off the Ice Maker by pressing the Ice-Maker button. Then enter the Smeg Access Menu and set "Manual Clean" function. At the end of the cleaning cycle remove the water from the ice tray and wipe it dry.

Carefully rotate the filter cartridge for a quarter rotation in a counter clockwise direction until it detaches from its housing. It is normal for a small quantity of water to come out. Remove the cap of the new cartridge and insert it into the housing by gently rotating it for a quarter rotation in a clockwise direction until it locks into place.

### 8.1 Lighting



To provide optimum interior lighting, LED strips illuminate the refrigerator compartment from the top and sets of LED lights directly illuminate different areas of the refrigerator compartment and the freezer drawer.

In case of malfunction and/or wearing out of the lighting system, the repair should be carried out by a qualified Smeg Service technician.

Recommendations for preserving fresh food 9.1



**Vegetables**

Wash vegetables in cold water and dry well. Place vegetables in vacuum packed containers, plastic containers or vegetable bags in a 0°C Drawer.



**Fruit**

Wash and dry fresh fruit. Pack very aromatic fruit in plastic bags. Fruit should be placed in the high humidity 0°C compartment.



**Packaged meat**

Place in the refrigerator in its original packaging. After opening, wrap the remaining food in plastic bags or aluminum foil.



**Fresh meat, fish and poultry**

Remove the original packaging, then put in plastic bags or containers and immediately place in the refrigerator.



**Eggs**

Place the eggs in their package or container into the refrigerator without washing them. Check the "best before" date and at any rate use the eggs within two weeks of purchasing.



**Milk, cream and fresh cheeses**

These should be kept in their original closed packaging. Place these on refrigerator shelves and consume these within five days of purchase.



**Cheeses**

Place these in the 0°C drawer in their original packaging. Once opened, close these hermetically in plastic bags or aluminum foil.

**Leftovers**

Let these cool off and cover hermetically with aluminum foil or place in sealed containers to prevent drying or the spread of odors.

Recommendations for preserving frozen food 9.2



**Frozen food**

Place food in plastic bags for the freezer. These bags must be hermetically sealed against air and humidity. Do not refreeze defrosted meat.



**Ice cream**

The firmness of ice cream depends on the quantity of cream that it contains. In general, high-quality ice cream has large amounts of cream, therefore a very low temperature in the freezer will be necessary to maintain its firmness.

Consequently, ice cream without much firmness is not necessarily an indication of a temperature problem as raised above normal levels.



**After a prolonged interruption of electrical power, once the electrical power is reactivated, an audible signal will indicate if the temperature has raised above normal levels. In addition to this the display will show for one minute the highest temperature detected inside the compartments, to allow the user to decide how to better use the food items.**

**After one minute the display will resume normal operation, while the Alarm button (🔔) will continue to blink.**

**Press the Alarm button (🔔) to display the highest recorded temperatures.**

# 10 Recommended times for Food Preservation

Fresh foods	Preservation area	Time
<b>Raw meats</b>		
Large cuts	0°C Compartment	4 days
Beef steaks, poultry and wild game	0°C Compartment	3 days
Ground meat	0°C Compartment	1-2 days
Carpaccio	0°C Compartment	Immediately
<b>Cooked meat</b>		
Boiled meat and roasted meat	Refrigerator Compartment	2 days
Meat sauce	Refrigerator Compartment	6 days
<b>Fish</b>		
Raw and cooked fish	0°C Compartment	2 days
<b>Other</b>		
Soups and broths	Refrigerator Compartment	2 days
Pasta	Refrigerator Compartment	2 days
Opened cold cuts	0°C Compartment	3 days
Fresh cheeses	0°C Compartment	2-3 days
Well sealed aged cheeses	Refrigerator Compartment	Several months
Eggs (fresh and unwashed)	Refrigerator Compartment	2 weeks
Opened cans	Refrigerator Compartment	2-3 days
Raw vegetables (in perforated bags)	0°C Compartment	1 week
Frozen foods	Preservation area	Time
Beef, veal, lamb and goat meat	Freezer Compartment	(steaks) 6-12 months
Beef, veal, lamb and goat meat	Freezer Compartment	(Meat with bone) 4-6 months
Ground beef	Freezer Compartment	1-2 months
Pork	Freezer Compartment	(Without bones) 4-6 months
Pork	Freezer Compartment	(With bones) 2-3 months
Ground pork	Freezer Compartment	1-2 months
Meat leftovers	Freezer Compartment	2-3 months
Whole chicken and turkey	Freezer Compartment	8-12 months
Goose, duck and pheasant	Freezer Compartment	4-8 months
Fish	Freezer Compartment	1-2 months
Shellfish	Freezer Compartment	2-3 months
Cooked food	Freezer Compartment	1-2 months
Vegetables	Freezer Compartment	8-12 months
Fruit	Freezer Compartment	6-12 months
Desserts and cakes	Freezer Compartment	2-3 months

## Care and Cleaning 11.1



**Scrupulously follow the detailed directions that can be found in the provided kit and never use abrasive or metallic products which could scratch and damage the satin finishing on the appliance permanently. Before performing any sort of cleaning, disconnect the appliance from the electrical power supply. Make sure you do not damage the refrigerant circuit in any way.**

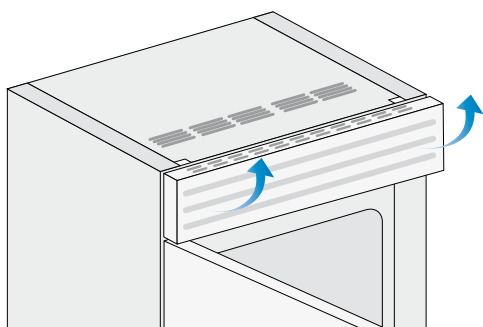
To clean the parts made of steel use a microfiber cloth and the sponge provided in the kit with the appliance. Always use the cloth and sponge in the direction of the steel's satin finish.

Every now and then, to polish the steel, wipe with a slightly damp micro-fiber cloth.

Do not use the sponge on aluminium parts, such as the handles and the profiles of the glass shelves.

You should use special care to keep the ventilation openings in the appliance or in the cabinet that houses it free of obstructions.

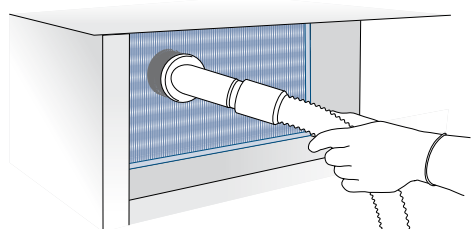
## Condenser cleaning 11.2



A ventilation grille is located either at the top of the appliance or at the bottom according to the model type.

To clean it use a vacuum cleaner with a soft brush attachment at maximum power, sweeping it along the vent slits. In case of a significant dust build up, the ventilation grille can be removed to allow a more accurate cleaning.

Take care also to check the condition of the finned condenser and clean it from dust if needed.



Operate as follows:

- Switch off the appliance by pressing the Unit button on the main control panel for approx 3 seconds.
- On models with ventilation at the base remove the grille at the bottom (magnetically attached) and take it off. On models with ventilation lift the grille as shown in the picture.
- Thoroughly clean the grille and the foam filter, by means of a vacuum cleaner and the soft brush attachment.
- Wait approx 30 minutes, until the finned condenser cools down to room temperature, then clean it thoroughly from any dust build up as shown in the picture, taking care not to damage it.
- Start up the appliance again, by pressing the Unit button on the main control panel for approx 3 seconds.



**The edges of the condenser are sharp, therefore use adequate protection for the hands and arms when cleaning the condenser.**

## Internal cleaning 11.3



**Do not use water on the electrical parts, lights and control panel.**

Clean the internal and removable parts by washing them with a solution of lukewarm water, a small amount of dishwashing detergent.

Rinse and dry right away.

Do not use mechanical devices or other methods to speed up defrosting.



**Do not bring cold glass parts into contact with boiling water.**


**Do not wash any parts of the refrigerator in a dishwashing machine since this could damage or irreparably deform the parts.**

## 12.1 Troubleshooting Guide

If you notice malfunctions in your appliance, use this guide before calling for service: this guide can help you personally resolve the problem or could provide important information to be conveyed to the service technician to ensure rapid and effective repair.

<b>Malfunction message</b>	A malfunction is usually indicated by a message on the display. Problems that cannot be solved by the user are signaled through a malfunction code.
<b>The refrigerator or the freezer does not work</b>	Is the appliance connected to the electrical power supply? Is electrical power available at the electricity socket? Is the Unit button  activated? Is the unit in 'Demo' Mode?
<b>The refrigerator or the freezer is warmer than usual</b>	Does the display show a malfunction code? Is the temperature adjusted correctly? Were the doors or drawers open for a long period of time? Were large quantities of food recently inserted? Is the unit in 'Demo' Mode?
<b>The appliance remains in function for a long time period</b>	Bear in mind that during very hot weather and with very high temperatures in the room it is normal that the compressor remains on for prolonged periods of time. Were the doors or drawers open for a long period of time? Were large quantities of food recently inserted? Check that the doors are closed and that the food or containers do not obstruct the perfect closure of the door. Is one or more compartments in Shopping Mode?
<b>If you hear unusual noises</b>	It is normal to hear noises from the ventilators or compressors during operation or during the defrost phase. Noise could be more marked depending on the position of the appliance and the surrounding environment.
<b>Condensation inside and outside of the refrigerator</b>	If the climate is very humid, the formation of condensation is normal. Opening the door or drawers for prolonged periods of time can contribute to the formation of condensation. In any case, make sure that the doors are always perfectly closed.
<b>Ice or frost build up inside the refrigerator or freezer</b>	Did you leave the doors open for a long period of time? Do the doors close perfectly? If the doors do not close perfectly, contact your installer. In case of frost or ice build up in the Crisper-0°C compartment, due to frequent and prolonged opening of the doors, deactivate the Crisper-0°C function via the button on the control panel. Wait until the frost or ice melt, then remove the drawer and dry the sides and bottom of the compartment.
<b>Unpleasant odors inside the refrigerator</b>	Clean the appliance completely according to the instructions. Hermetically cover all the food. Do not conserve food for prolonged periods of time.
<b>The doors are difficult to open</b>	The appliance is designed to ensure a fully hermetic closure. When the door is closed, a vacuum condition can occur: in this case it is necessary to wait a few seconds until the pressure balances before opening the door.

**The Ice Maker does not work**

Make sure that the Ice Maker is on (Icemaker button  on). To switch on the Ice Maker press the button. Make sure that the appliance is connected to the water supply.

**The Ice Maker does not produce sufficient amounts of ice**

On average, the Ice Maker produces approximately 10 cubes of ice every two and half hours.

**The ice cubes freeze into one block**

If the ice is not used frequently, it is possible that blocks of ice may form. It is recommended to remove the block of ice cubes and then let the Ice Maker fill the ice tray again.

**The ice has an unusual flavor or color**



If the unit you purchased was used as a show-room model it may be in a special energy-saving mode called Demo Mode where the appliance appears to be operating (lights work and false temperatures are displayed) but no cooling actually takes place. If you suspect your appliance is in Demo Mode please contact your point of purchase for assistance with disabling this feature.

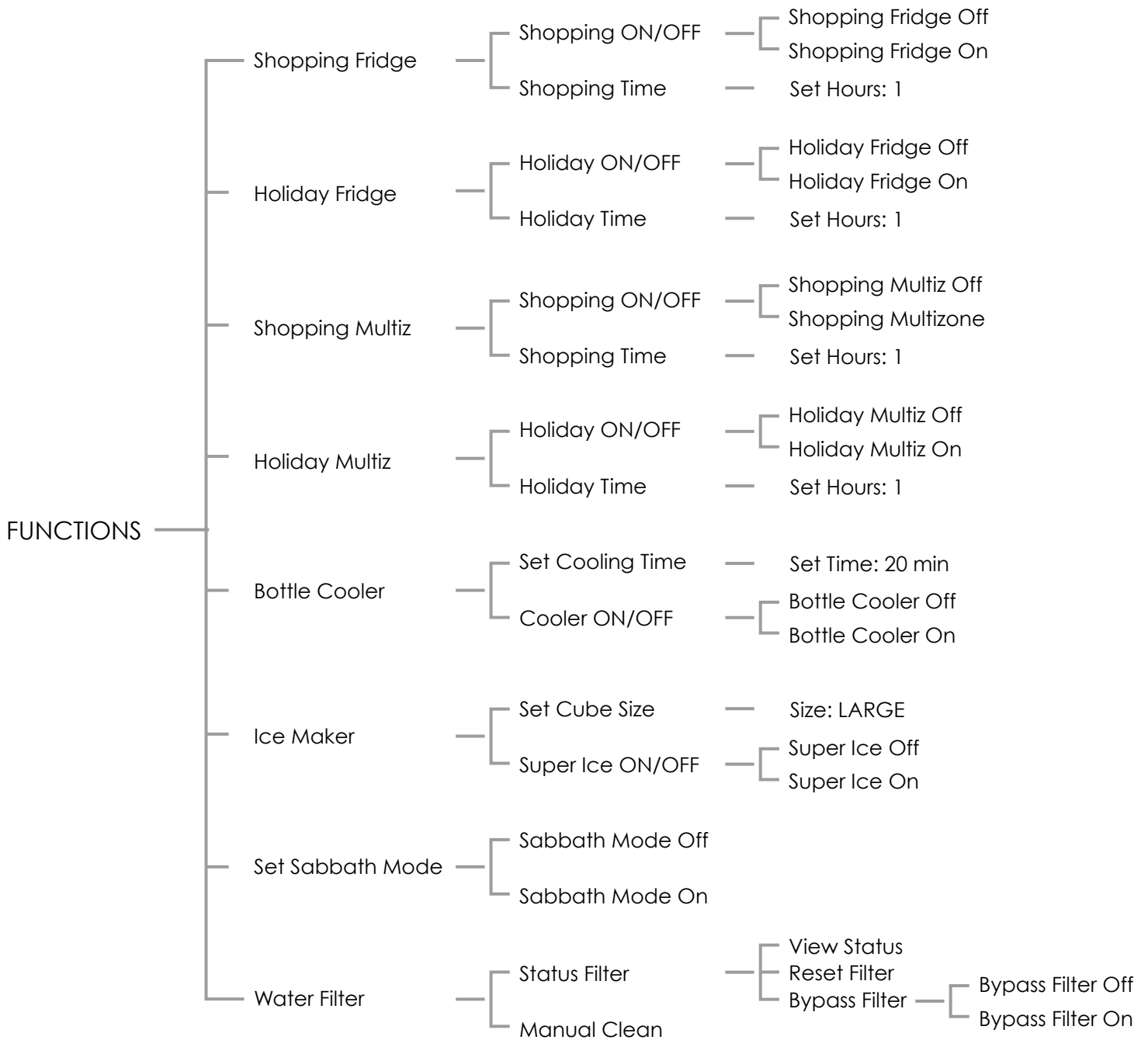
When the Ice Maker is started for the first time, it is recommended to empty the first full tray of ice cubes. If the refrigerator was switched off for more than one month or if the cartridge was not changed for more than six months, it could be necessary to replace the filter cartridge. Contact a plumber or a water treatment expert to make sure that the problem is not due to the water supply.

## Malfunction indications appearing on the display 12.2

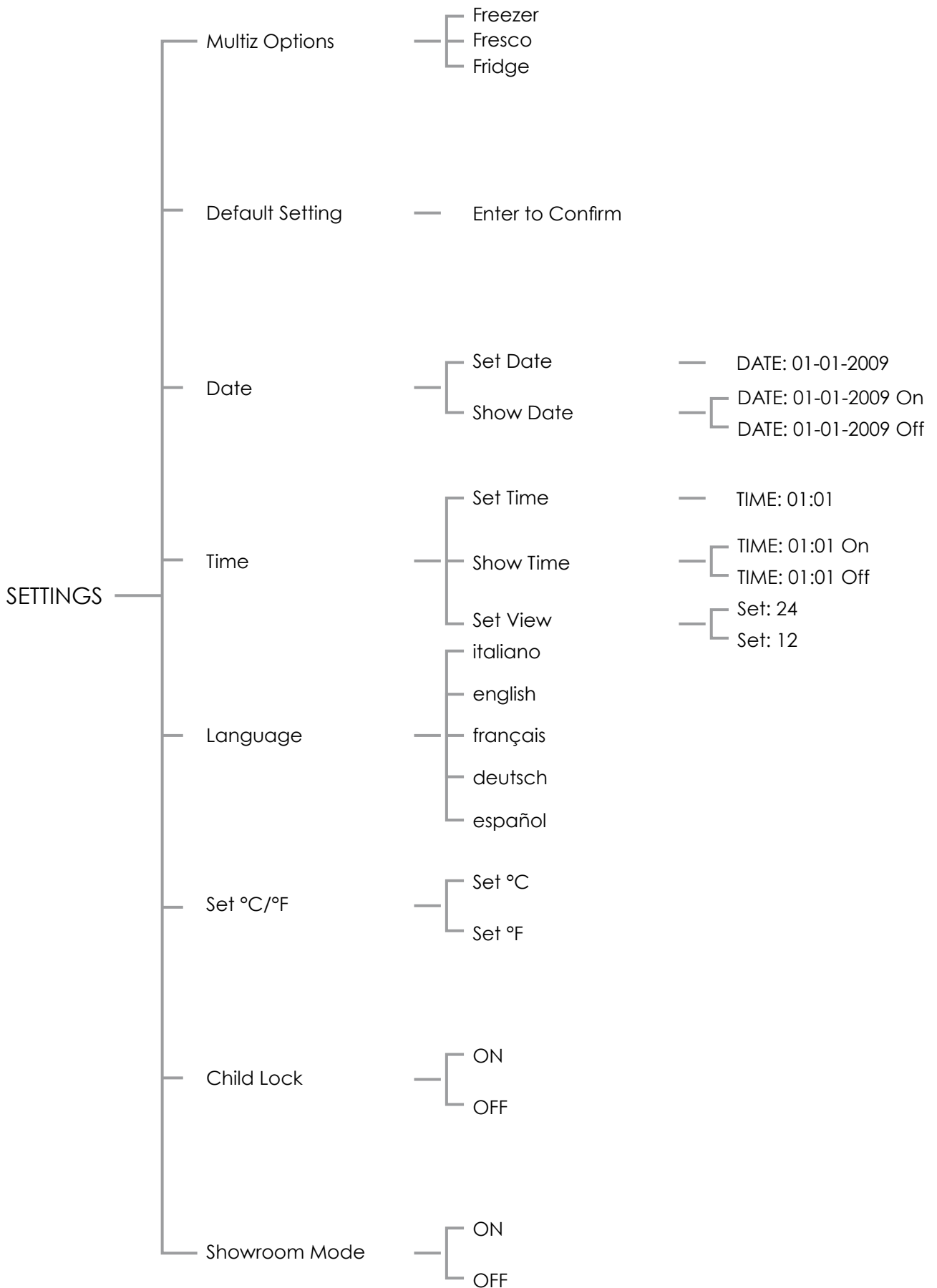
Display message	Malfunction description
<b>Power Failure!!</b>	Prolonged interruption of electrical power the appliance resumes work automatically, the display shows the warmest temperatures achieved
<b>Door Fridge OPEN</b>	Fridge door open the message appears after few minutes from the door opening
<b>Multizone OPEN</b>	Freezer door open the message appears after few minutes from the door opening
<b>Replace filter</b>	Replace filter cartridge the message appears after 365 days (Note: regular date and time)
<b>Fridge too warm</b>	Fridge too warm see Troubleshooting Guide
<b>Fridge too cold</b>	Fridge too cold wait for 12 hours: if malfunction persists call Customer Care for advice
<b>MultiTemp too warm</b>	Freezer too warm see Troubleshooting Guide
<b>MultiTemp too cold</b>	Freezer too cold wait for 12 hours: if malfunction persists call Customer Care for advice
<b>Error Code...</b>	Functional problems call Customer Care who may help you to solve the problem or put you in contact with the nearest Service Agent

# 13 Smeg Access Menu Map

## 13.1 Functions















# INSTALLATION GUIDE

**IMPORTANT**

- Dimensions in parentheses are in inches.
- Weights in parentheses are in pounds.
- Temperatures in parentheses are in Fahrenheit degrees.

### *Important Instructions*

- Page 2 **Important safety instructions**  
**Children safety**

### *Technical requirements*

- 4 **Appliance features and installation requirements**  
5 **Installation niche features: Integrated**  
6 **Installation niche features: Free-Standing**

### *Preparing to install*

- 7 **Transport to installation site and unpacking**  
8 **Electrical and Water connection**  
11 **Levelling**

### *Panels mounting*

- 12 **Decorative door and Bottom-Drawer panels layout**  
14 **Decorative panels layout for Fridge with one Bottom-Drawer**  
15 **Decorative panels layout for Fridge with Glass door and one Bottom-Drawer**  
16 **Panels Dimensions One Bottom - Drawer (models)**  
17 **Mounting panels to the door and the drawer**

### *Installation*

- 19 **Built-in installation of single appliance**  
20 **Built-in installation of two or more appliances**  
22 **Free-standing installation two or more appliances**

### *Completing the installation*

- 23 **Anti-tipping safety assembly**  
26 **Mounting the handles on stainless front**  
27 **Ventilation**  
29 **Post installation control**  
30 **Start Up**





## Important safety instruction

## Symbols used in the Guide

**Note**

Tips for the correct use of the appliance

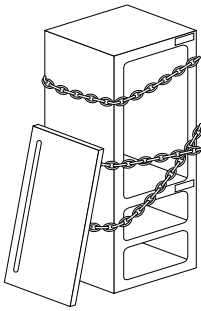
**Important**

Directions to avoid appliance damage

**Warning**

directions to prevent injury

## Children safety



If this appliance is replacing an existing appliance which must be removed or disposed of, make sure that it does not become a dangerous trap for children by cutting its power supply cable and rendering it impossible to close the door.

Use the same caution at the end of the lifespan of the new appliance.

## Appliance features and installation requirements

<b>Appliance dimensions Integrated</b>	60 Series	w: 599 mm (23 5/8") / h: 2050 mm (80 3/4") / d: 610 mm (24")
	75 Series	w: 749 mm (29 1/2") / h: 2050 mm (80 3/4") / d: 610 mm (24")
	90 Series	w: 899 mm (35 3/8") / h: 2050 mm (80 3/4") / d: 610 mm (24")
<b>Appliance dimensions Free-Standing</b>	60 Series	w: 586 mm (23") / h: 2120 mm (84") / d: 635 mm (25")
	75 Series	w: 736 mm (29") / h: 2120 mm (84") / d: 635 mm (25")
	90 Series	w: 8869 mm (34 7/8") / h: 2120 mm (84") / d: 635 mm (25")
<b>Appliance dimensions Integrated</b>	60 Series	w: 650 mm (25 5/8") / h: 2210 mm (87") / d: 800 mm (31 1/2")
	75 Series	w: 800 mm (31 1/2") / h: 2210 mm (87") / d: 800 mm (31 1/2")
	90 Series	w: 950 mm (37 3/8") / h: 2210 mm (87") / d: 800 mm (31 1/2")
<b>Appliance dimensions Free-Standing</b>	60 Series	w: 650 mm (25 5/8") / h: 2260 mm (89") / d: 800 mm (31 1/2")
	75 Series	w: 800 mm (31 1/2") / h: 2260 mm (89") / d: 800 mm (31 1/2")
	90 Series	w: 950 mm (37 3/8") / h: 2260 mm (89") / d: 800 mm (31 1/2")
<b>Weight with packaging</b>	60 Series	up to 230 kg (507 lb)
	75 Series	up to 275 kg (606 lb)
	90 Series	up to 295 kg (650 lb)
<b>Voltage</b>	Europe Version: AC 220-240V 50 Hz / North America Version: 110V 60Hz	
<b>Power supply cable</b>	Europe Version: Schuko 16 A plug / North America Version: 15 A	
<b>Potable water supply pressure</b>	from 0.1 MPa to 0.5 MPa (1 Bar - 5 Bar)	
<b>Water supply tube</b>	3/4" female attachment	
<b>Provided installation accessories</b>	<ul style="list-style-type: none"> <li>■ Customized panels mounting Kit</li> <li>■ Anti-tipping Kit (B04000200)</li> <li>■ Lateral connecting kit (KCLIT/KCLIH)</li> <li>■ 4 mm (1/8") allen wrench</li> </ul>	
<b>Additional equipment necessary</b>	<ul style="list-style-type: none"> <li>■ Phillips head screwdriver</li> <li>■ wood and percussion drill</li> <li>■ 2.5 mm (1/8") bit for wood</li> <li>■ 8 mm (3/8") bit for walls</li> <li>■ 17 mm (3/4") wrench</li> </ul>	

Installation niche features: Integrated Series

- A** area to be left clear for the anti-tipping brackets
- E** area to be left clear for the power supply cable
- W** area to be left clear for the water supply hose

**Minimum Niche Height**

2064 mm (81 1/4")

**Minimum Niche Width**

RI96: 900 mm (35 1/2")  
 RI76: 750 mm (29 5/8")  
 WI66: 600 mm (23 3/4")

**Door Swing Clearance**

RI96: 1470 mm (57 7/8")  
 RI76: 1320 mm (52")  
 WI66: 1170 mm (46")

**Door Opening Angle**

105°

**Width**

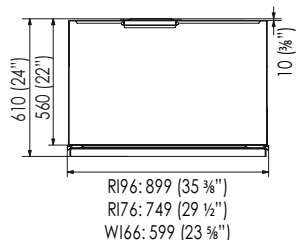
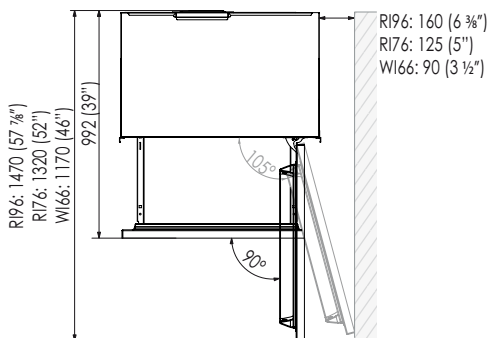
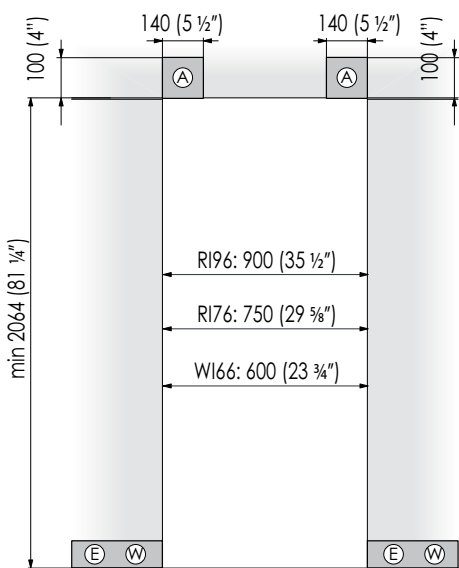
RI96: 899 mm (35 3/8")  
 RI76: 749 mm (29 1/2")  
 WI66: 599 mm (23 5/8")

**Height**

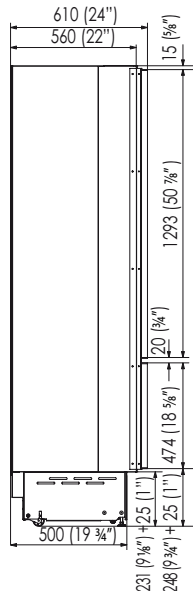
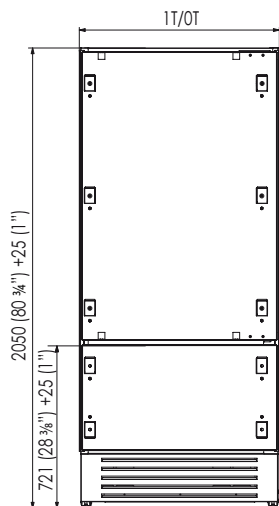
2050 mm (80 3/4") + 25 mm (1")

**Depth with door (without panel)**

610 mm (24")



**Important:** A 90° door opening is sufficient to allow opening and full extraction of the inner drawers, even if the appliance is installed directly adjacent to a wall. Should an opening at 105° be desired, then the appliance should be positioned at the distance from the wall described in figure.



## Installation niche features: Free-Standing Series

- A** area to be left clear for the anti-tipping brackets
- E** area to be left clear for the power supply cable
- W** and water supply hose

### Minimum Niche Height

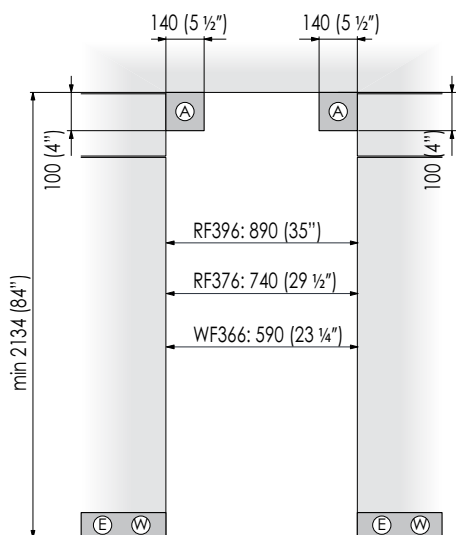
2134 mm (84")

### Minimum Niche Width

RF396: 890 mm (35")  
 RF376: 740 mm (29 1/2")  
 WF366: 590 mm (23 1/4")

### Door Swing Clearance

RF396: 1470 mm (57 7/8")  
 RF376: 1320 mm (52")  
 WF366: 1170 mm (46")



### Door Opening Angle

105°

### Width

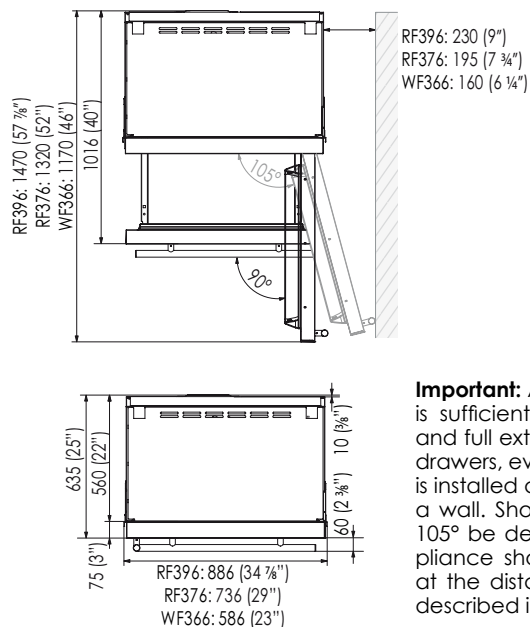
RF396: 886 mm (34 7/8")  
 RF376: 736 mm (29")  
 WF366: 586 mm (23")

### Height

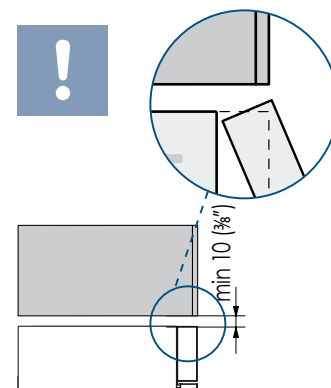
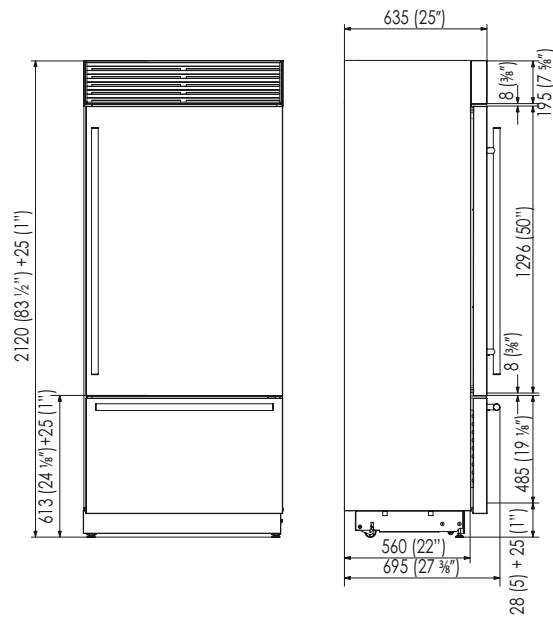
2120 mm (83 1/2") + 25 mm (1")

### Depth with door

635 mm (25")



**Important:** A 90° door opening is sufficient to allow opening and full extraction of the inner drawers, even if the appliance is installed directly adjacent to a wall. Should an opening at 105° be desired, then the appliance should be positioned at the distance from the wall described in figure.



## Preparing the installation

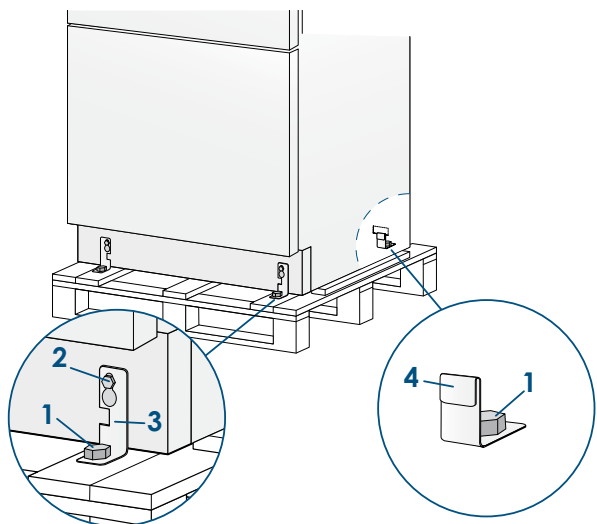
**Transport to installation site and unpacking**

Since this is a large and heavy appliance, before transporting the appliance, check the access to the location where it will be installed (door size, manoeuvring space in stairwells, etc.).

The appliance is attached to the base of the packaging (pallet) through four bolts which can be removed using a 17 mm (3/4") wrench. It is recommended to use a manual transporting device to move the appliance to the installation site, and only at this point to remove the base of the packaging.

The appliance should always be transported in an erect position. If this is not possible, transport the appliance laying on its rear side.

Once at the installation site, the appliance, which is equipped with four wheels, can be taken off the pallet and positioned in the installation area.

**Operate as follows:**

- Take off the four bolts ① securing the appliance to the pallet by means of a 17 mm (3/4") open spanner.
- Remove the fixing brackets ③ and ④.
- To remove the front fixing bracket ③, unscrew for one or two turns the rear wheel adjusting bolt ② by means of a 13 mm (1/2") box spanner, avoiding too much strenght while tightening the nut, which could damage the leveling feet adjusting system.
- From the back of the unit and by means of a suitable, high duty hand trolley, take off the appliance and place it on the floor.



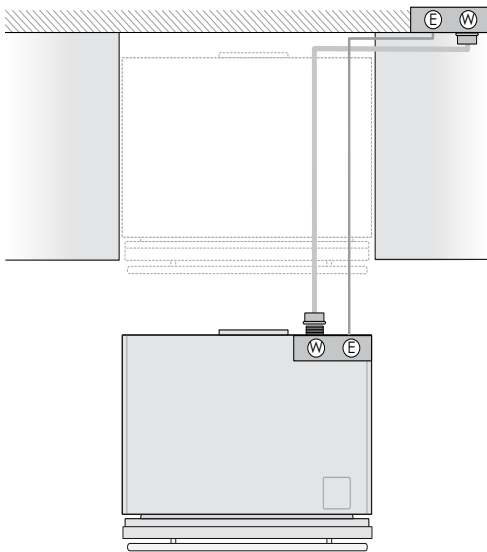
**The appliance is very heavy.  
Take maximum care during handling to avoid injury.**



**The appliance should always be transported in an erect position.  
Avoid at all costs leaning it on its front side.**

Be very careful to avoid any damage to floors. Delicate floors should be protected with plywood, hard cardboard or similar material panels.

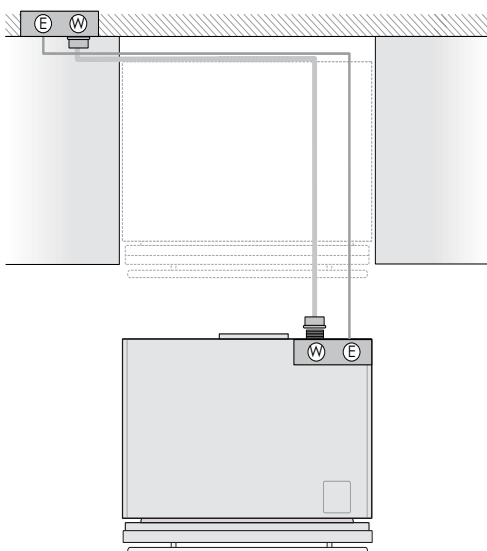
## Electrical and Water connection



A Schuko 16 A socket with an efficient grounding should be made available for the electrical mains connection, as well as an omnipolar switch which can easily be reached when the appliance is installed.

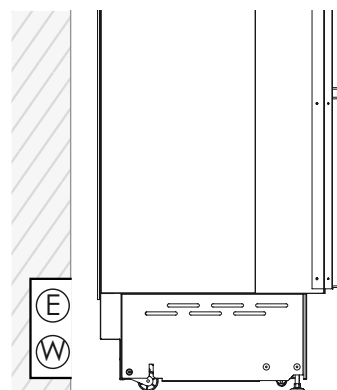
To connect to the water supply system (for appliances equipped with ice makers) a tap with a male 3/4" connection should be provided, which must also be easily accessible once the appliance is installed. The appliance is provided with a water supply hose and seal kit which is suitable for high water pressure and complies the Food Regulations. The water filter cartridge, which is provided with the appliance, should be installed according to the accompanying instructions. Use only the new hose and the new gaskets which are supplied with the appliance. Discard any hose and gasket which may have already been installed.

Electrical cord length: 2,0 mt (78 3/4")  
Water connection line length: 2,5 mt (98 3/8")

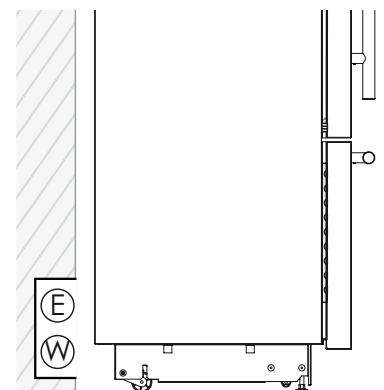


### Electrical and water supply behind the unit

#### Integrated and Classic Series



#### StandPlus and Free-Standing Series




The Built-in filter cannot make it safe to drink any water which is not suitable for human consumption.



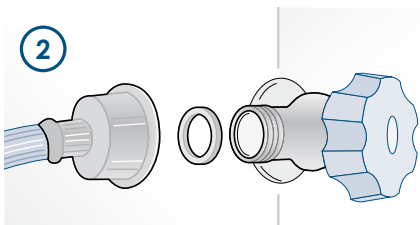
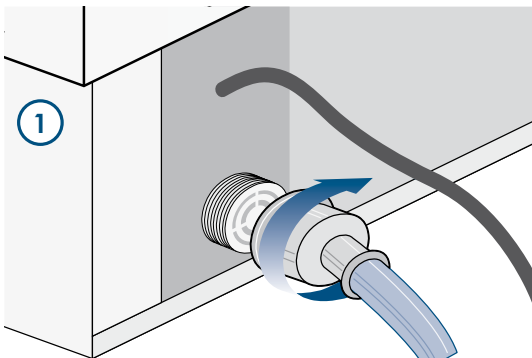
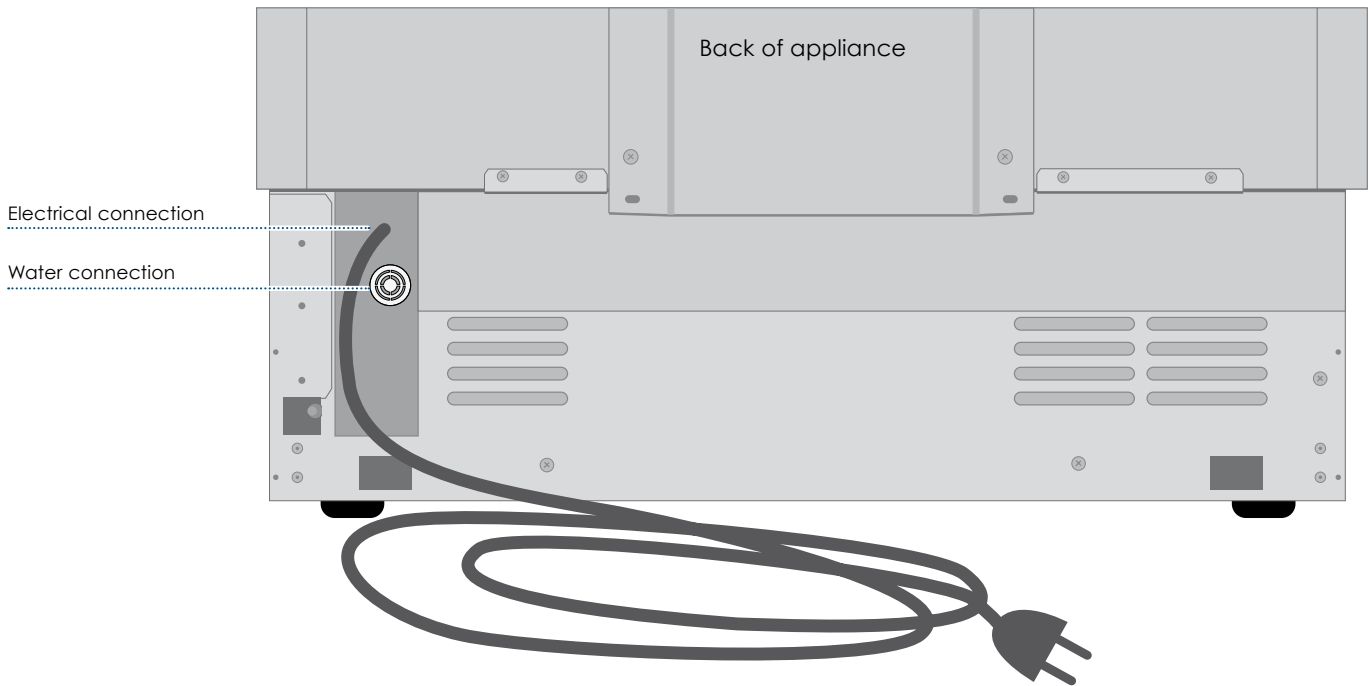
The appliance should be connected only to a drinkable water supply system.




Do not use extension cords or adapters. Once the appliance has been connected to the water system, turn the Ice Maker off (touch the button  on control panel to switch it off) before the main water is shut off.

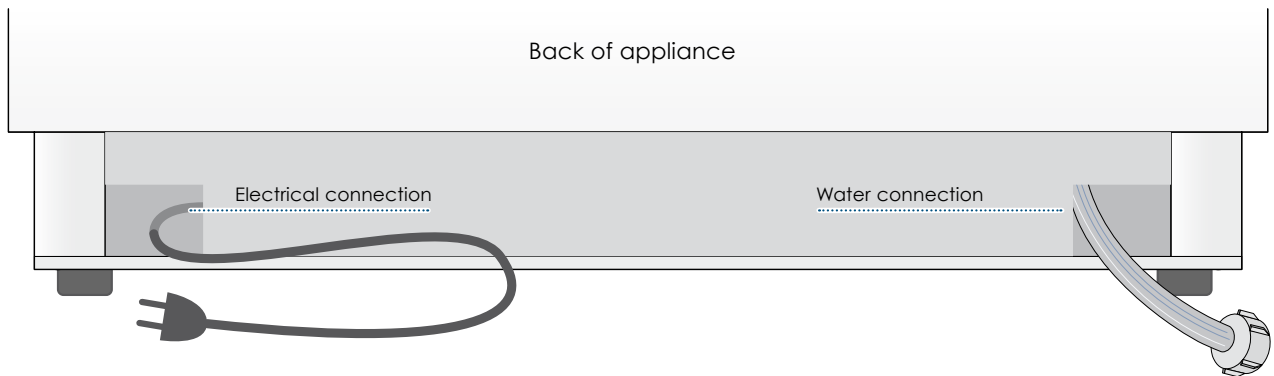
## Energy: Alternatives and Home Automation

If energy is supplied through an alternative energy power source (solar, geothermal, etc..) or if home automation systems are installed, it is necessary to install the Alternative Energy Kit to integrate the unit into the power grid.

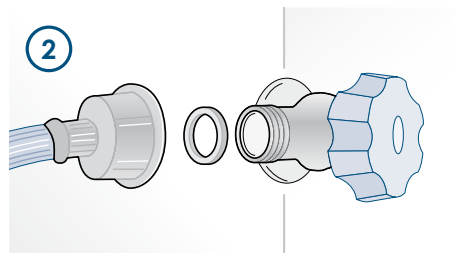
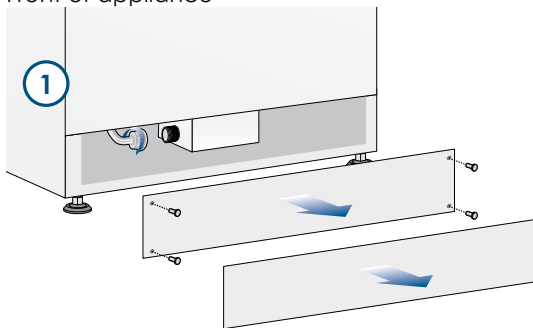


Operate as follows:

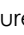
- Unwind the electric cable and connect it directly to the wall socket.
- Make sure the appliance is in the Stand-by condition and that all lights are off; should it be not so press the Unit button  to switch it off.
- Fit one end of the water hose onto the connector at the appliance's back ①.
- Fit the other end of the hose to the water tap, use the gaskets provided in the Owner's Kit ②.



Front of appliance



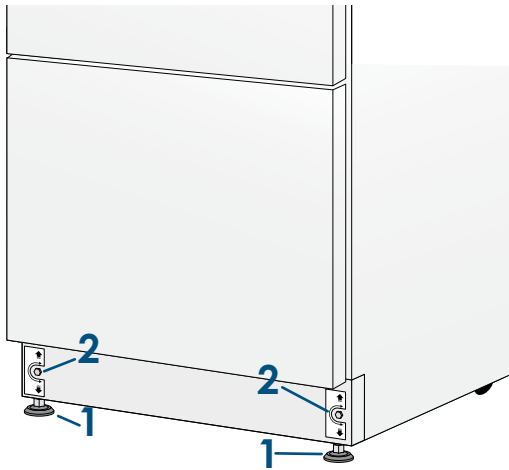
Operate as follows:

- Unwind the electric cable and connect it directly to the wall socket.
- Make sure the appliance is in the Stand-by condition and that all lights are off; should it be not so press the Unit button  to switch it off.
- Connect the water line to the threaded connection at the base of the unit, as in figure **1**.
- Fit the other end of the hose to the water tap, use the gaskets provided in the Owner's Kit **2**.



## Levelling

Adjust the appliance level by means of the front levelling feet and the rear adjustable wheels.



Operate as follows:

- After removing the bottom plinth or grille (it is kept in position by magnets), adjust the height of the levelling feet (1) by means of a 17 mm (3/4") open spanner.
- Then adjust the height of the rear wheels by turning the front adjusting bolts (2) clockwise or anticlockwise as it may be required.
- Remount the bottom plinth or grille.

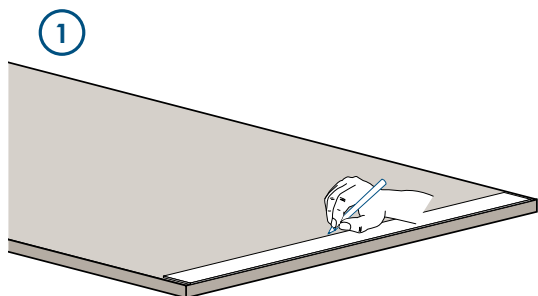
## Decorative door and bottom-drawer panels layout

The dimensions of the panels are indicated in the table and drawings on pages 18-21.

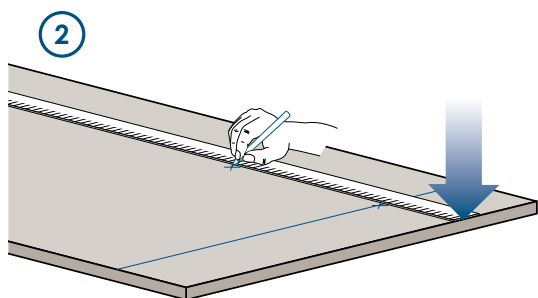
Nevertheless, according to the requirements for aligning with other kitchen structures, the door panel can be higher than the upper edge of the refrigerator door, and the drawer panel can be lower than the edge of the drawer.

The panels must be mounted using special braces which attach to adjustable devices provided on the door and drawer and with brackets that anchor and adjust the panel's vertical direction.

Braces, brackets and fixing screws are provided with the appliance and must be applied to the panel as indicated.



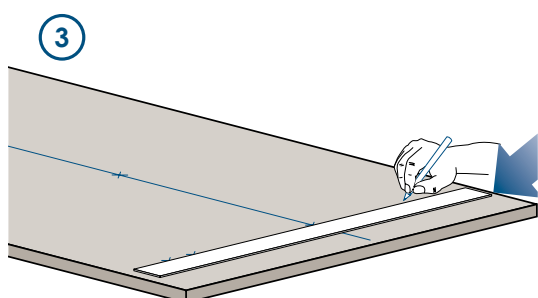
Operate as follows:



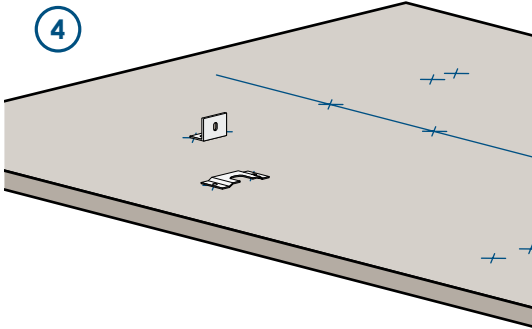
To prepare the panels to be mounted on the appliance, follow these steps, working on the back of the panel.

### Door Panel

- Trace, a line dividing the panel width in half (1).
- Starting from the Bottom edge of the panel, mark the positioning of the brackets (2).

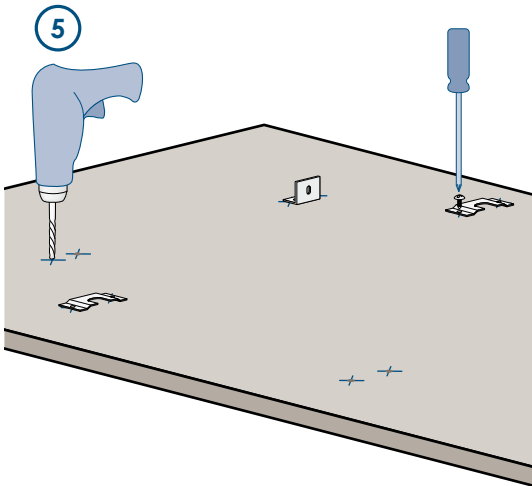


- Following the corresponding table, mark the external and then the internal hole (3).



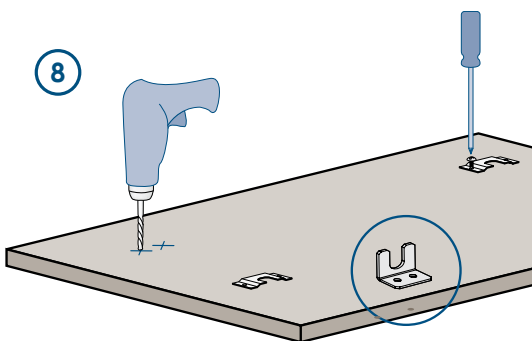
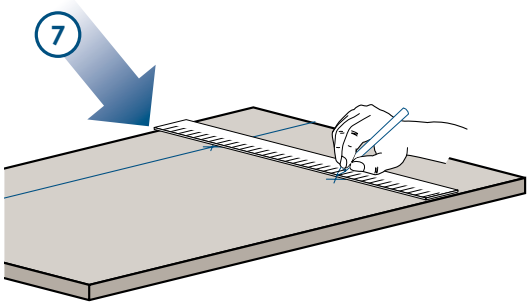
- Position the brackets on each set of marks to make sure they are aligned (4), then drill holes through the panel (pay close attention to the panel's thickness) (5).

- Screw the brackets in place (6).

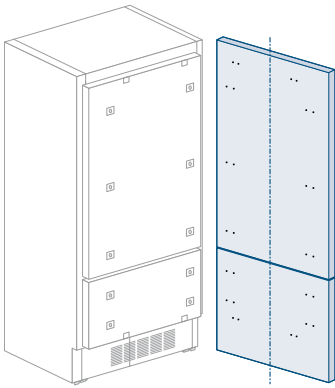


**Drawer Panel**

- When preparing the Drawer Panel, follow the same instructions as per the door panel, but make sure measurements are taken starting from the top edge (7). The support bracket faces the opposite way (8) (note imgs 4 and 8).

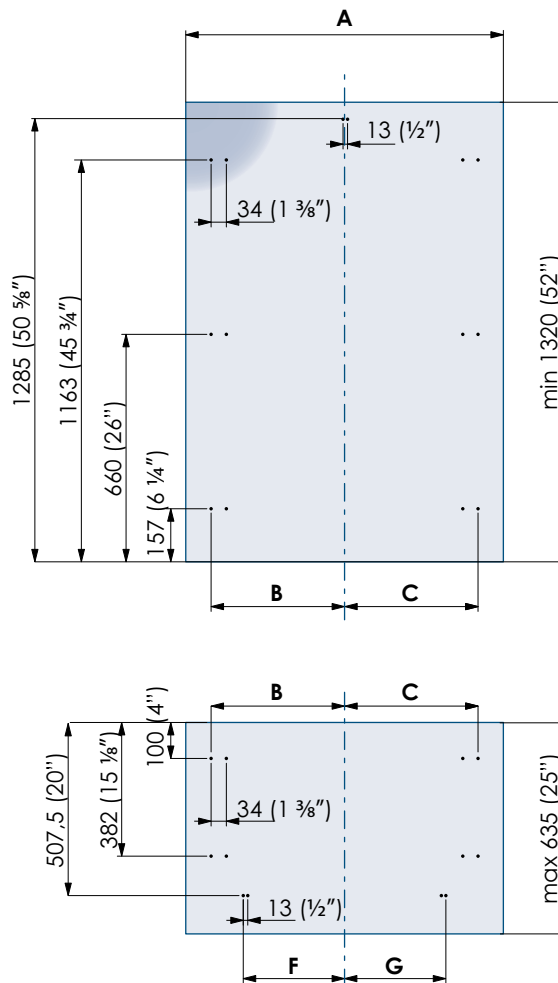


Decorative panels layout for Fridge with one Bottom-Drawer

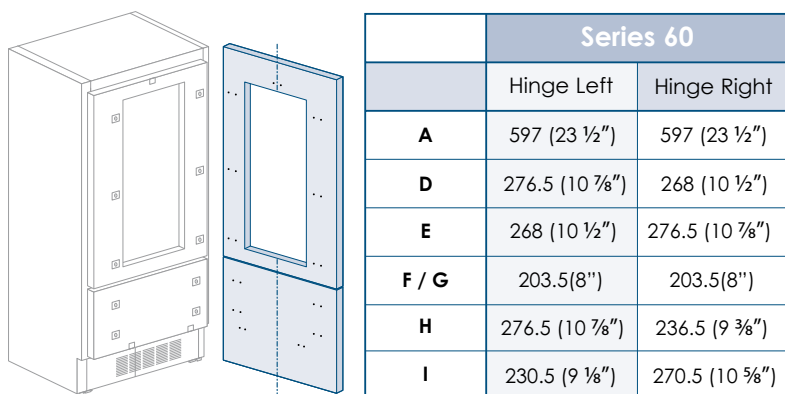


	Series 90	Series 75
<b>A</b>	897 (35 1/4")	747 (29 3/8")
<b>B</b>	418 (16 1/2")	343 (13 1/2")
<b>C</b>	418 (16 1/2")	343 (13 1/2")
<b>F / G</b>	354.5 (14")	279.5 (11")

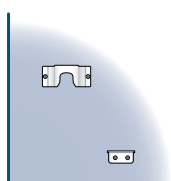
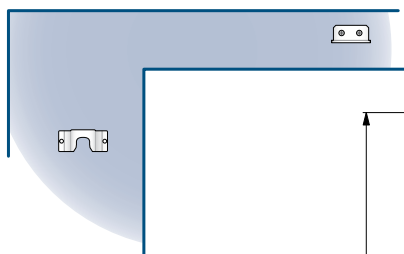
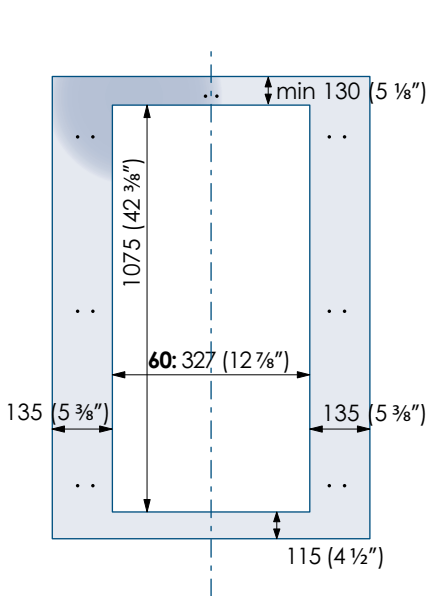
Holes positions



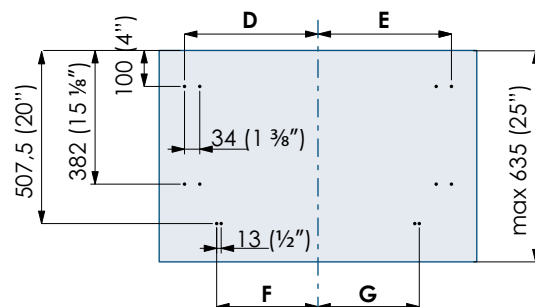
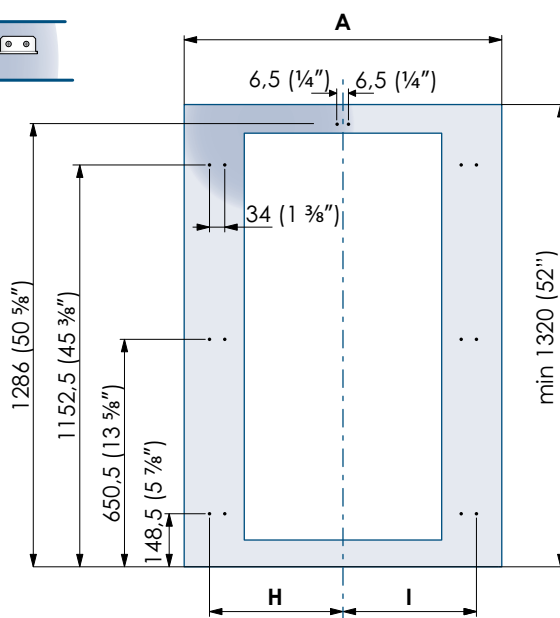
Decorative panels layout for Fridge with glass door and one Bottom-Drawer



Door window dimensions



Holes positions

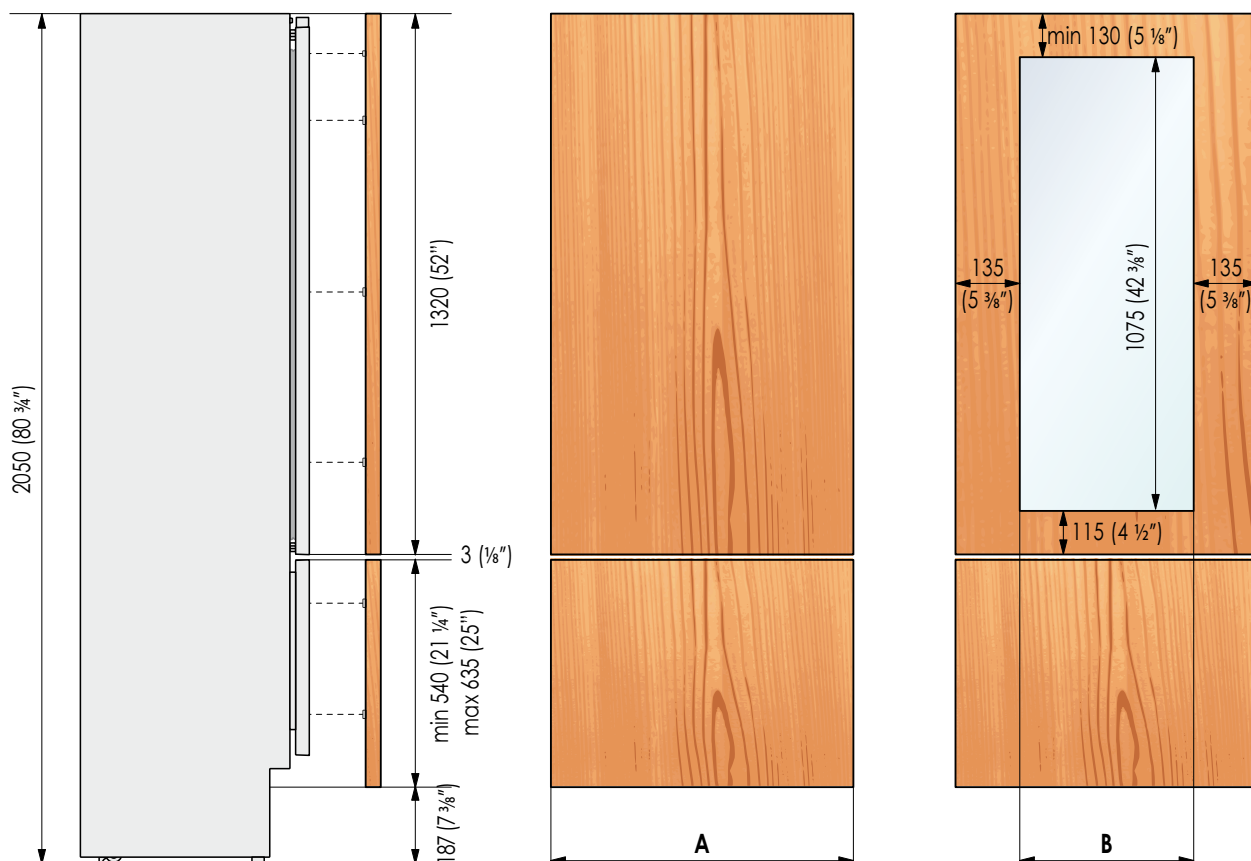


## Panels Dimensions One Bottom - Drawer

Panels with width ranging between 18 mm (3/4 in) and 28 mm (1 1/8 in).

Door panels with weight max of 23 kg (51 lb) and drawer panels with weight max of 11kg (25 lb)

Series	Door/Drawer Width A	Door Cutout Width B
899	897 (35 1/4")	-
749	747 (29 3/8")	-
599	597 (23 3/4")	327 (12 7/8")



### Examples of calculation

- Integration in a kitchen column of total height 2160 mm (85") and 150 mm (6") kickplate.  
(NOTE: In calculating the adjustment foot is considered to 0).

#### Drawer Calculation:

$$\text{Kickplate } 187 - 150 = 37 \text{ mm (1 1/2")} \rightarrow 540 + 37 = \mathbf{577 \text{ mm (22 3/4")}}$$

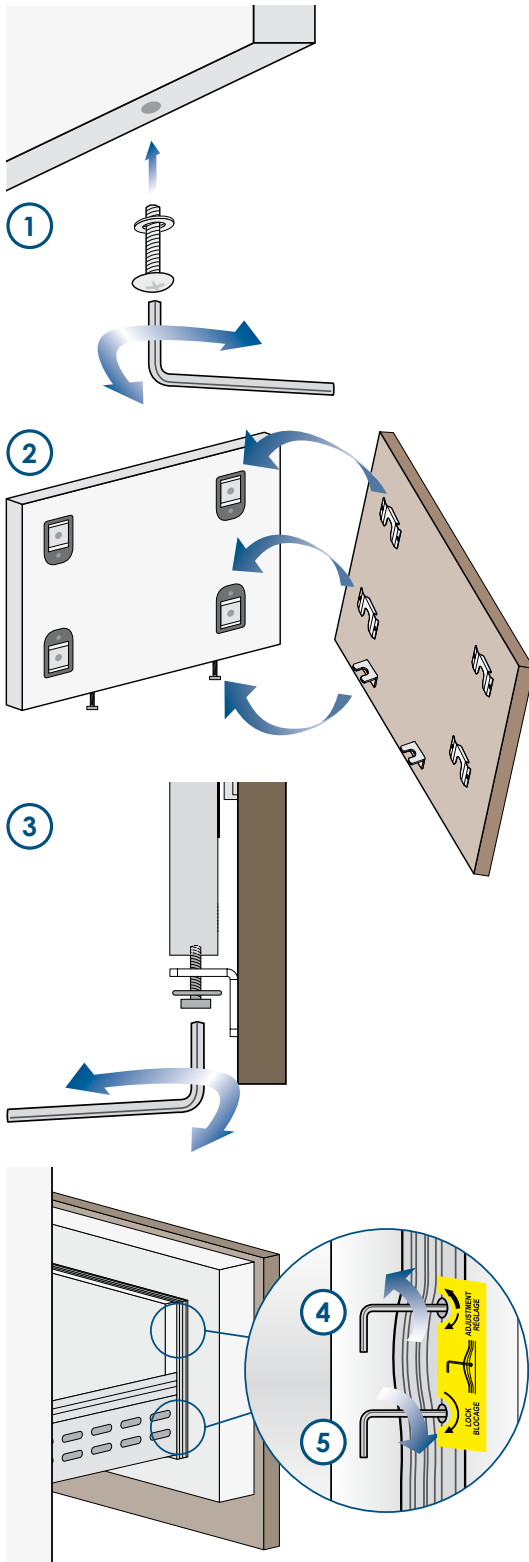
#### Upper Panel Calculation:

$$2160 - 2050 = 110 \text{ mm (4 3/8")} \rightarrow 1320 + 110 = \mathbf{1430 \text{ mm (56 1/4")}}$$

#### Total Height Calculation:

$$150 + 577 + 3 + 1430 = \mathbf{2160 \text{ mm (85")}}$$

## Mounting panels to the door and the drawer



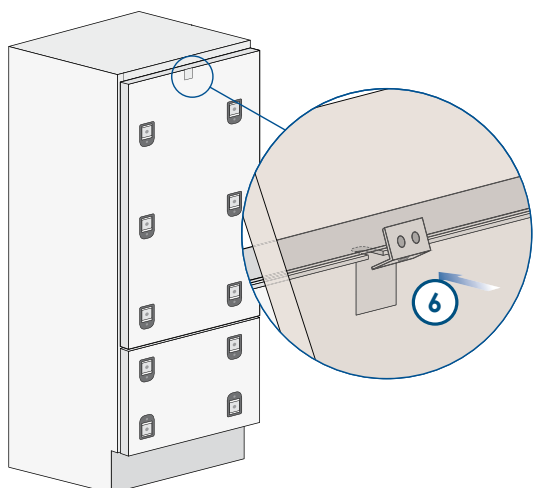
Once all brackets and small brackets have been applied to the panels, you can begin installing the bottom drawer.

Operate as follows:

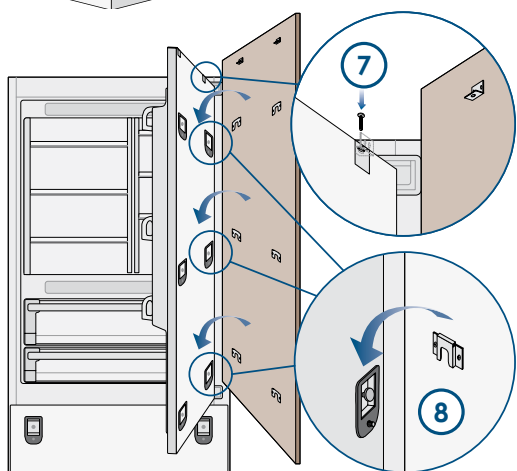
- Partially tighten the screw to the fixing ①.
- Hook the bottom drawer panel starting from the fixings on the bottom ②.
- It is now possible to align panels to adjacent cabinets in height using the lower alignment brackets, ③ tightening or untightening the screws into position as needed. With the screw slightly tightened, move the panel sideways to align it to the other panels on the unit or other adjacent structures.
- Depth alignment: working from the inside of the drawer, after lifting up the magnetic seal, adjust the panel position so it is closer to or further away from the door using the holes ④ and then secure the panel using the holes ⑤.



Once the front panel has been adjusted, check that the gasket has been repositioned correctly to assure the door/drawer are closing correctly and avoid operational errors of the unit.

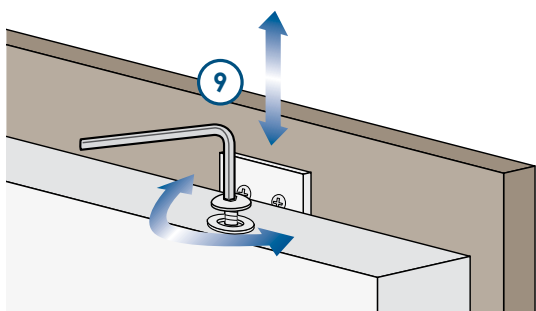


■ Hook the panel to the fixing devices starting from the top aligning bracket (6).

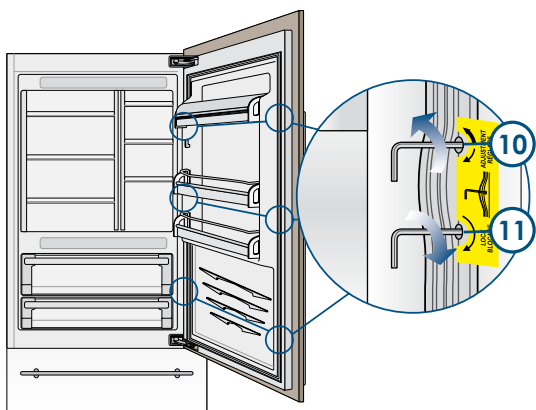


■ At this point, alignment between the panel and adjacent cabinets can be adjusted using the alignment bracket and small brackets (7) and (8).

■ Vertical alignment: tighten or loosen the screw in the brackets to raise or lower the panel (9).



■ Depth alignment: working from the inside of the door, after lifting up the magnetic seal, adjust the panel position so it is closer to or further away from the door using the holes (10) and then fix the panel in position using the holes (11).



Once the front panel has been adjusted, check that the gasket has been repositioned correctly to assure the door/drawer are closing correctly and avoid operational errors of the unit.



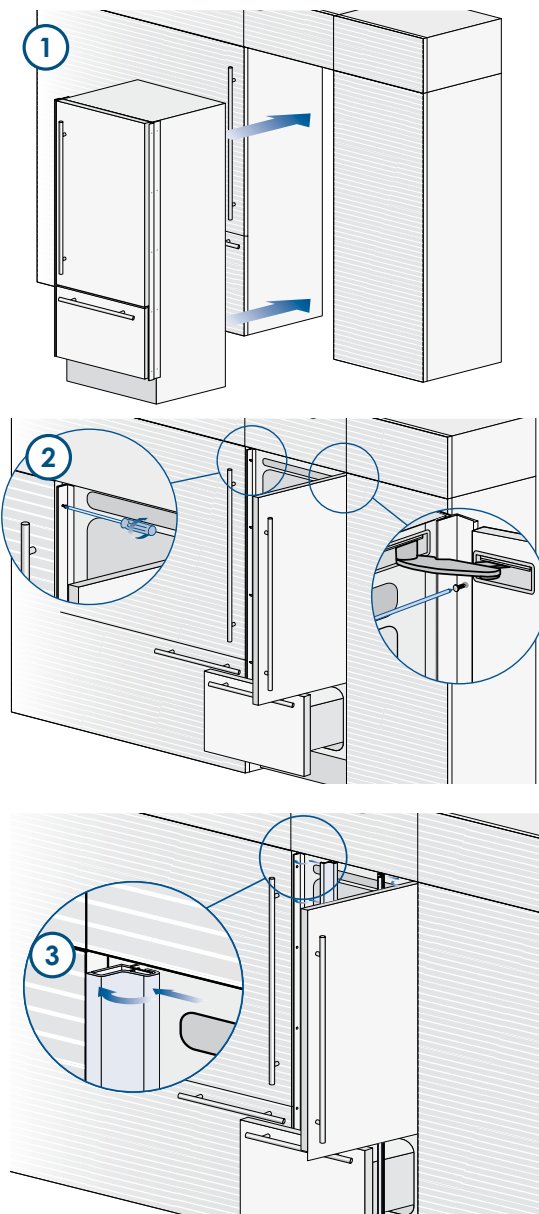
Installation

**Built-in installation single appliance**

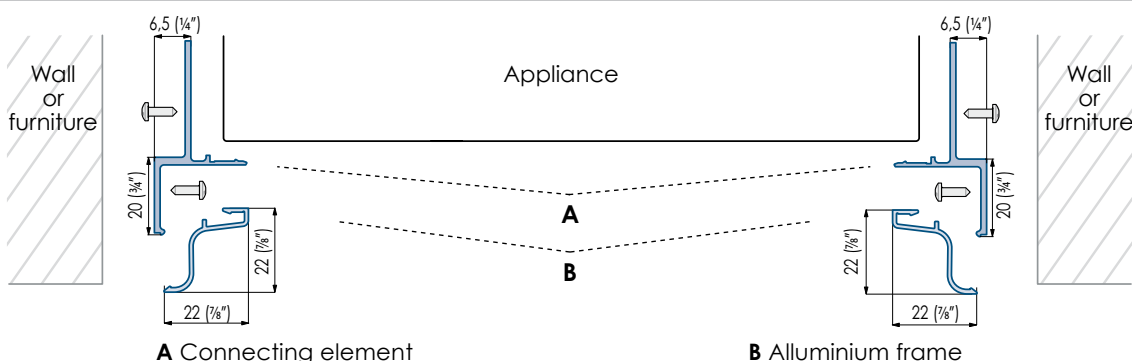
For a built-in installation, to close gaps between the appliance and the adjacent cabinets, special side profiles and aluminum covering frames are provided.

Operate as follows:

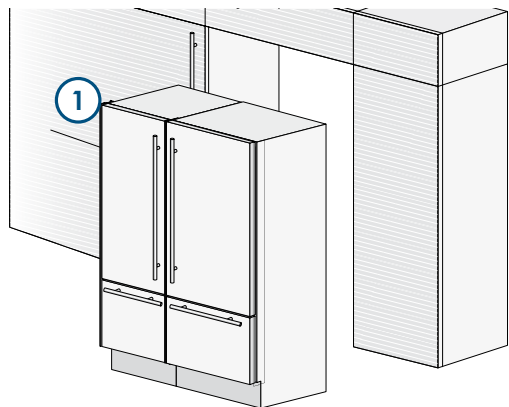
- Push the appliance into the installation niche **①**.
- If the unit is to be installed inside a niche or within an enclosed structure, **it is necessary to design a ventilation shaft at the back of the niche to assure proper ventilation at the back of the unit.** A 5 mm gap is sufficient to prevent overheating. Always mount front panels on door and drawer before pushing the unit into its final position inside the niche or structure.
- Secure the appliance to the adjacent cabinets by fixing to these the side profiles previously mounted on the appliance **②**. To make this operation easier keep the door and the drawer open.
- Check the levelling of the appliance, adjusting its feet and wheels to correct it.
- Mount the profiles the covering frames: first insert them laterally and then push firmly until a "click" is heard **③**.



**Side profiles mounting**



### Built-in installation two or more appliances



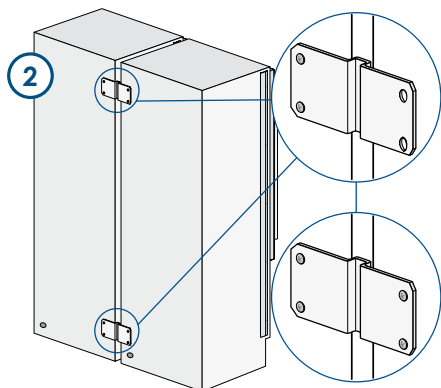
Required accessories to be ordered separately:

- Central connection Kit

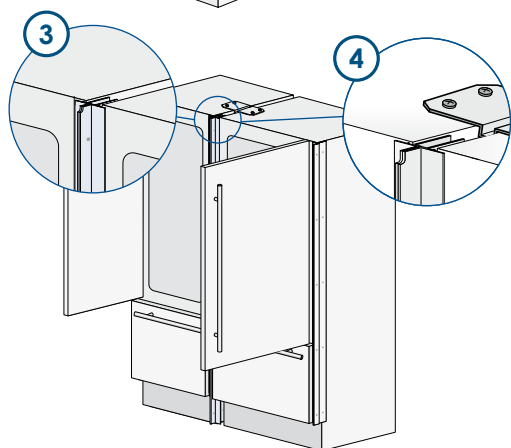
Special side profiles and aluminum covering frames are provided for closing gaps between the appliance and the adjacent cabinets.

Operate as follows:

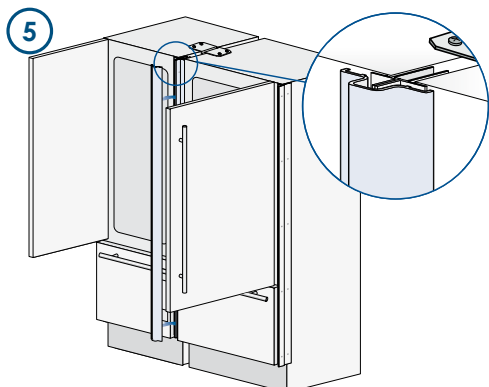
- Position the appliances in front of the installation area, leaving enough space to operate at their back ①.



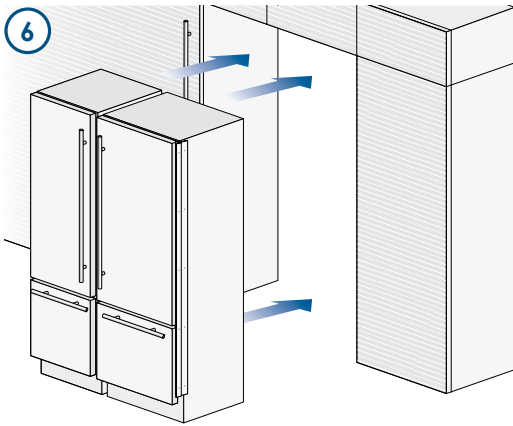
- Move at the back of the appliances to mount the joining brackets: fix on side of the top and lower brackets to one of the appliances and subsequently to the other ②.



- Place the two units side by side and join them at the front attaching the two profiles with the supplied screws ③. Attach the bracket on top of the units as per figure ④.



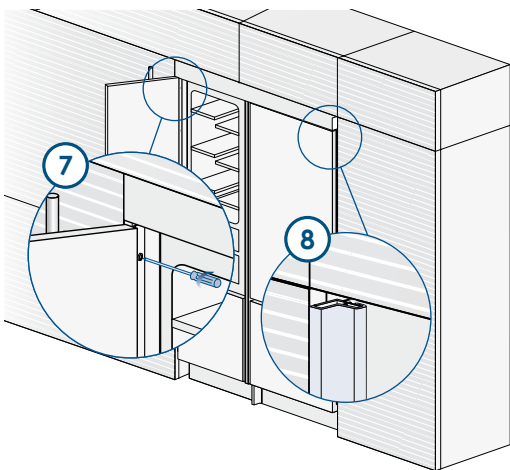
- Finish off by mounting the central cover frame onto the central profiles, by pushing it until a click is heard ⑤.



- Once completed the previous steps, push the units in their final position (6).

If the units are to be installed inside a niche or within an enclosed structure, **it is necessary to design a ventilation shaft at the back of the niche to assure proper ventilation at the back of the unit.** A 5 mm gap is sufficient to prevent overheating. Always mount front panels on door and drawer before pushing the unit into its final position inside the niche or structure.

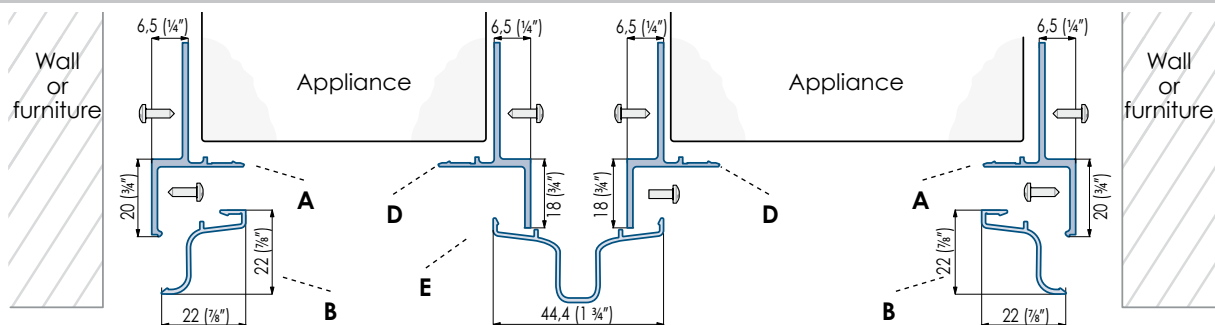
- Check the levelling of the appliance, adjusting its feet and wheels to correct it.



- Secure the appliance to the adjacent cabinets by fixing to these the side profiles previously mounted on the appliance (7). To make this operation easier keep the door and the drawer open.

- Mount the covering frames onto the profiles, first insert them laterally and then push firmly until a "click" is heard (8).

### Side and central profiles mounting

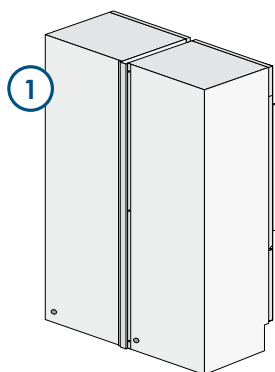


**A** Connecting element  
**B** Aluminium frame

**D** Connecting element  
**E** Aluminium frame

**Free-standing installation  
two or more appliances**

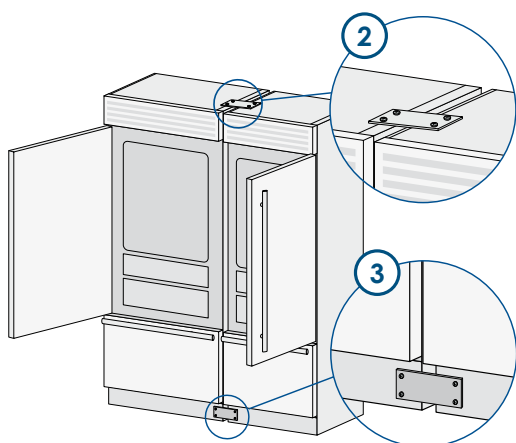
Operate as follows:



- Position the appliances in front of the installation area, leaving enough space to operate at their back.

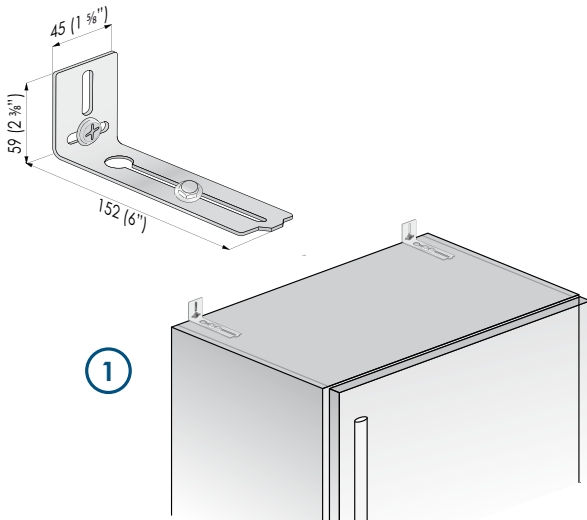
- Move at the back of the appliances to mount the joining profile (1)

- Place the two units side by side and join them at the front attach the bracket on top of the units as per figure (2) and at the bottom (3).



- Check the levelling of the appliance, adjusting its feet and wheels to correct it.

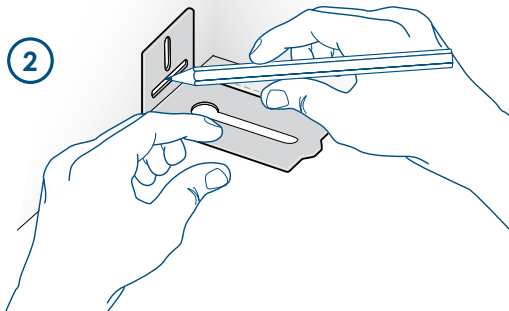
## Anti-tipping safety assembly



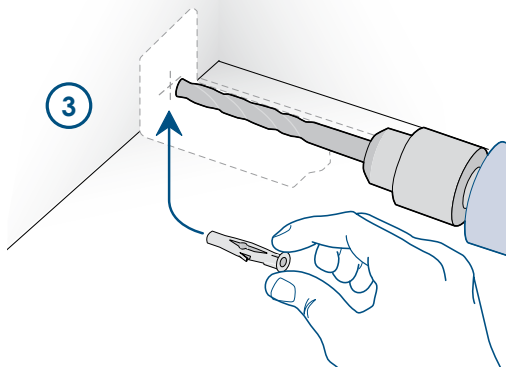
To prevent the appliance from tipping over an extra-long kit is available up on request if the appliance needs to remain distanced from the wall, it is mandatory to install two brackets on the upper part of the appliance for fixing it securely to the wall.

Operate as follows:

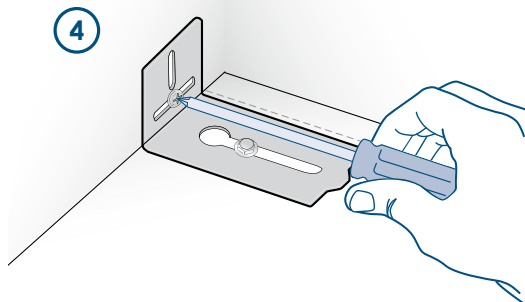
- The brackets should be applied as illustrated using the provided screws and expansion plugs. Place a bracket on the top of the appliance in correspondence to the fixing holes and against the wall ①.



- Mark up the holes position on the wall ②.



- Drill the wall with an 8 mm (3/8") bit and insert the expansion plug ③.



- Reposition the bracket and fix it first to the cabinet and then to the wall ④.



**To avoid danger of the appliance tipping over it is mandatory to secure the appliance to the wall by means of two special brackets.**

## Anti-tipping safety assembly

To avoid danger of the appliance tipping over when opening full doors and drawers, it is mandatory to install two brackets on the upper part of the appliance for fixing it securely to the wall. The brackets should be applied as illustrated using the provided screws and expansion plugs.

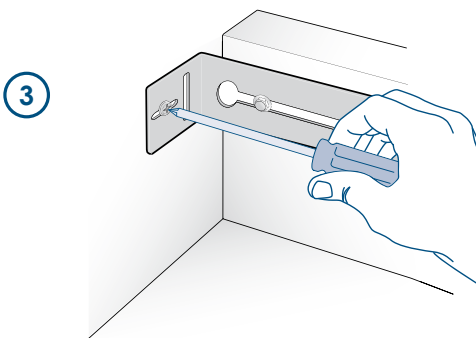
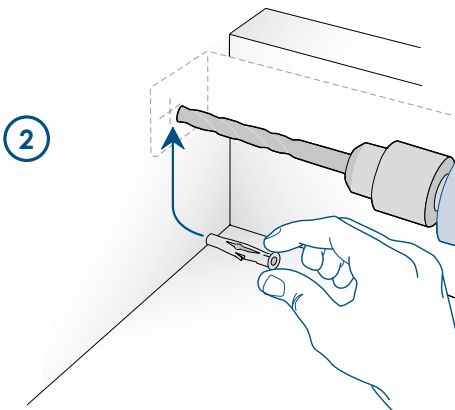
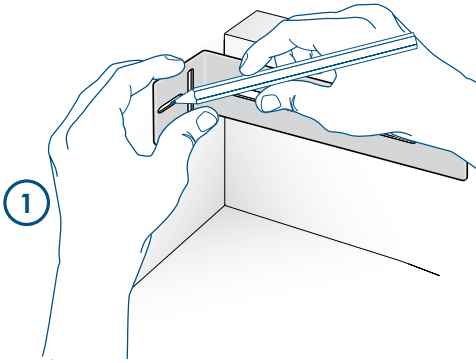
Operate as follows:

- Place a bracket on the top of the appliance in correspondence to the fixing holes and against the wall ①.

- Mark up the holes position on the wall ②.

- Drill the wall with an 8 mm (3/8") bit and insert the expansion plug ③.

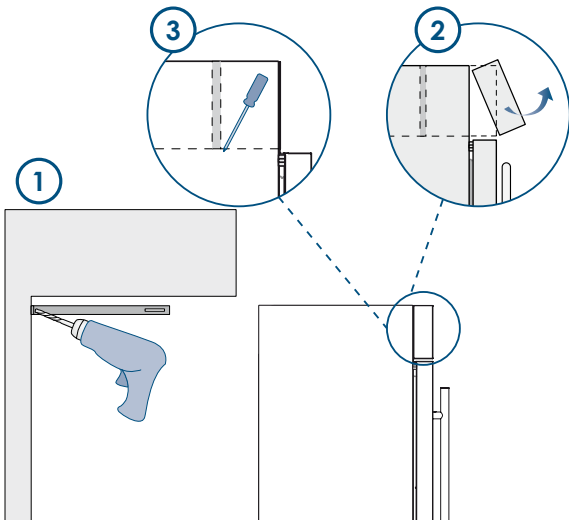
- Reposition the bracket and fix it first to the cabinet and then to the wall ④.



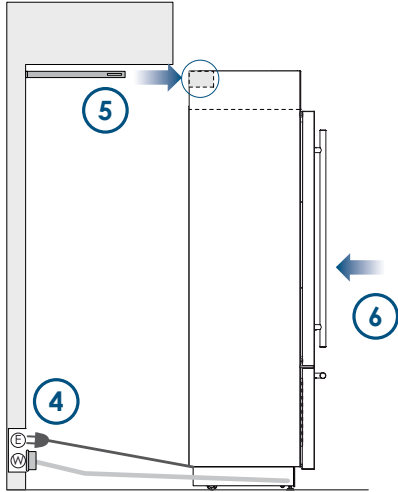
**To avoid danger of the appliance tipping over it is mandatory to secure the appliance to the wall by means of two special brackets.**

**Anti-tipping safety assembly: full integration**

- Fit the brackets and secure them to the wall (1), remove the ventilation grid (2) and the frontal closing (3).

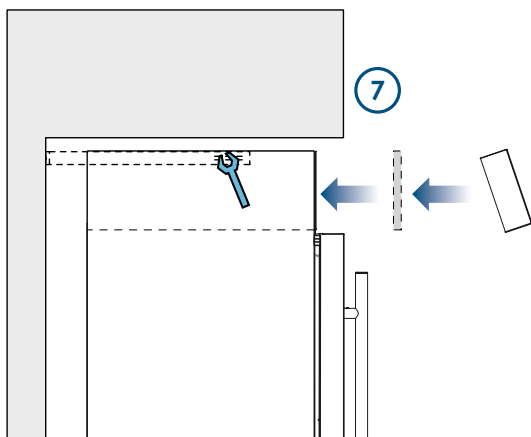


- Make the electrical and water connection (4) (see page 8) and push the unit (5).

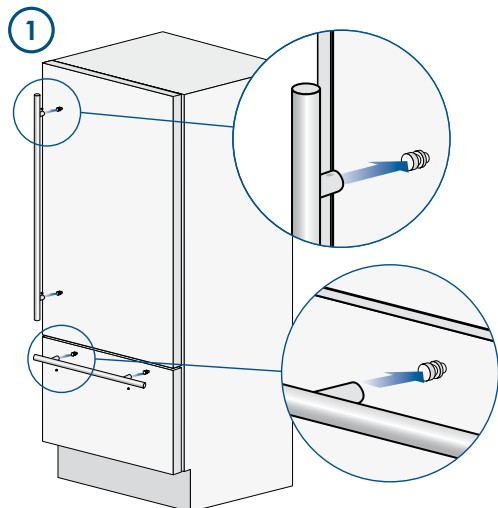


- Insert the brackets to the rear holes (6).

- Fix brackets and reinstall the removed parts (7).



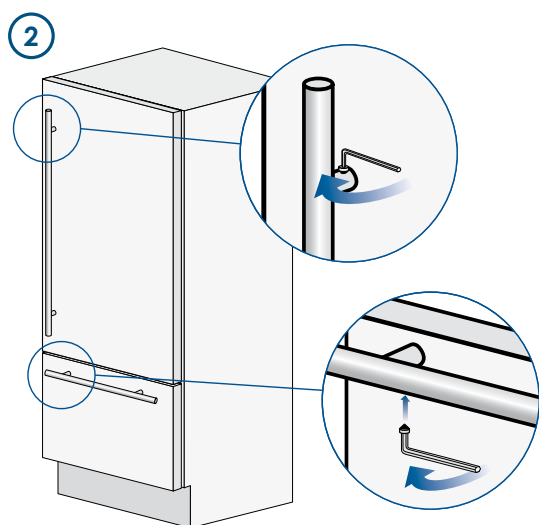
## Mounting the handles on stainless front



To mount the handles onto the door and the drawer operate as follows:

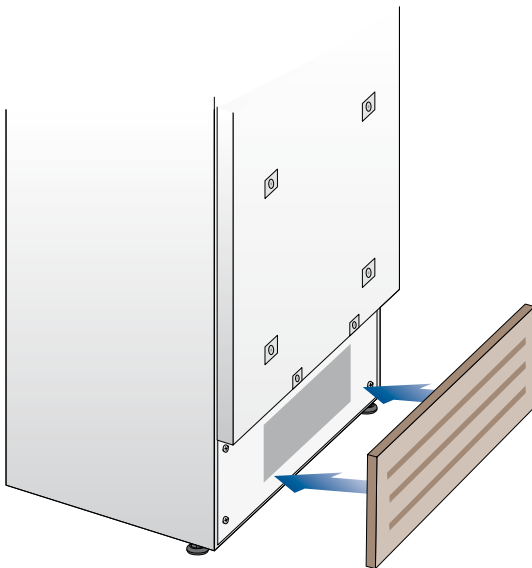
Operate as follows:

- Insert the two handle spacers onto the supports already available on the door and the drawer ①.
- Screw in the Allen screws available on the handle ②.




The screws must be tightened in by means of a 2.5 mm (1/8") hex wrench.

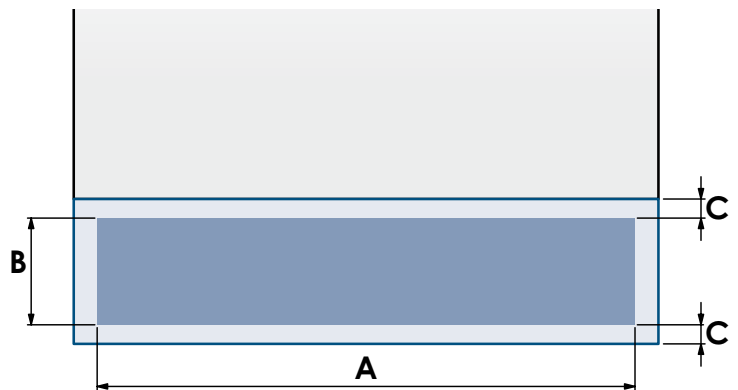




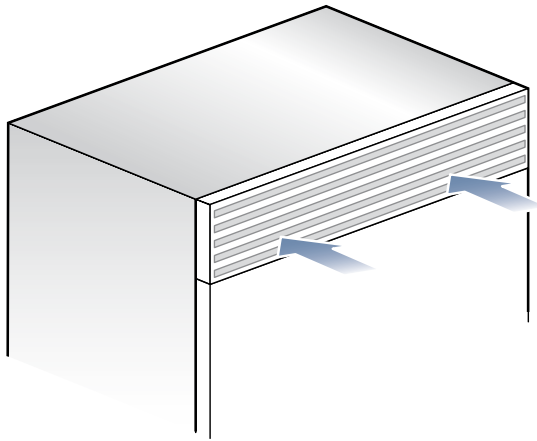
A forced air system assures ventilation through a grille positioned in the lower front part of the unit. If the kitchen design includes a kickplate, the latter has to be punched in order to maintain a satisfactory air flow, as described in the drawing. Holes can be in any shape and size, as long as the total area of the punched part equals 50% of the kickplate area.

In this case, to guarantee a better air flow, it is advisable to remove the front grille included with the unit. The grille is secured to the unit with magnetic plates and can be easily removed even by the end user, to provide for regular cleaning procedures and remove dust. If the grille is partially covered by the kitchen kickplate, it is advisable to remove the grille in order to provide for a better airflow.

	899 Series	749 Series	599 Series
<b>A</b>	860 (33 7/8")	740 (29 1/8")	560 (22")
<b>B</b>	> 100 (4")		
<b>C</b>	10 (3/8")		
	50%		



## Ventilation



Ventilation is insured by a forced air system through a grille located in the upper part of the appliance.

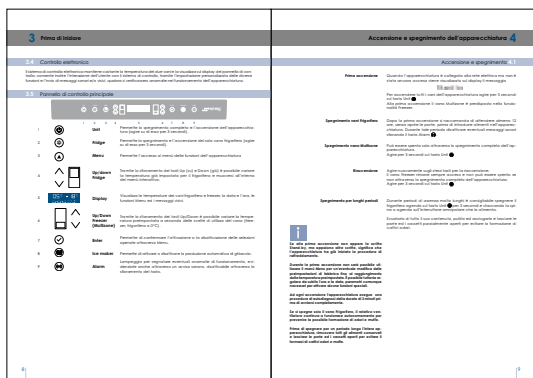
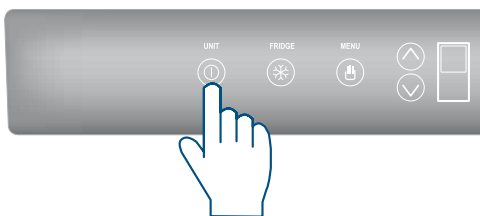
This grille should never be covered by panels or any other devices that could reduce its efficiency.

Please refer to page 5-6 to ensure correct air circulation.



## Post installation control

- Check that the front levelling feet have been properly installed.
- Check that the connection to the water system does not have any leaks and that the closing tap is easily accessible.
- Check that the electrical connection is correctly installed and that the multipole switch and socket are easily accessible.
- Check the perfect alignment of the appliance with adjacent structures.
- Check that all adhesive tape and external or internal temporary protective devices have been removed.
- Check the perfect closing of the doors and the smooth sliding of the drawers and shelves.

Start up



■ To start the appliance, connect the plug to the electrical mains: at this point, when opening the door, the control panel will usually visualize the message "Stand by", and all the panel keys be off

■ To turn on all the appliance compartments, press the Unit  button for three seconds. The display will show the message "Initial test" for approx. 2 minutes. After this phase the compressors will start up and remain on until the default temperature set up in the factory is reached. Do bear in mind that this condition could last several hours. If the appliance is provided with an Ice Maker, prior to switching it on make sure that the water filter cartridge is installed, then fill the water system. To this purpose switch off the Ice Maker and perform a manual clean procedure. At the end switch the Ice Maker on again by touching the  button.

■ For further information about the appliance operation, refer to the User Manual.



**If at the first start - up the message Stand by does not appear, but other messages appear, such as Fridge too warm, Fresco too warm, Freezer too warm, or sound signals are activated, it means that the appliance has already started the cooling process.**

**If this is the case, deactivate any possible acoustic signals by pressing the Alarm button, close the door and wait until the set temperature is reached.**



**It is necessary to let the unit reach the correct temperature before foods are stored inside.**







