

SONY[®]

5-016-717-11 (1)

Data Projector

Operating Instructions

Before operating the unit, please read this manual and supplied Quick Reference Manual thoroughly and retain them for future reference.

VPL-FHZ131L/FHZ101L/FHZ91L

Not all models are available in all countries and area.
Please check with your local Sony Authorized Dealer.

HDMI  **HDBT**[™]

Table of Contents

Location of Controls

Main Unit	4
Terminals	5
Remote Commander and Control Panel	6

Connections and Preparations

Connecting the Projector	8
Connecting to a Computer	8
Connecting to a Video Device	9
Connecting to an External Monitor	10
Connecting to a Network Equipment	11
Connecting to a HDBaseT™ Device	11
Attaching the Projection Lens	13
Removing the Projection Lens	13
Attaching the Terminal Cover	14
Removing the Terminal Cover	14
Installing the Optional Adaptor	15

Projecting/Adjusting an Image

Projecting an Image	16
Turning Off the Power	16
Adjusting the Projected Image	17
Focusing the image (Focus)	17
Adjusting the image size (Zoom)	17
Adjusting the position of the image (Lens shift)	17
Correcting for Trapezoidal Distortion of the Projected Image (Keystone Adjustment)	18
Correcting Image Twist (Warp Correction Feature)	19
Blending Projections from Multiple Projectors on a Screen	20
Using Convenient Functions	21
Selecting the Stored Picture Settings (Picture Position Function) (Specified Lens Only)	21
Enlarging a Part of the Image (Digital Zoom Function)	22

Projecting Images with Two Pictures Simultaneously (Two-Picture Display Function)	22
---	----

Adjustments and Settings Using a Menu

Using a Menu	23
Projection Setting Menu	24
The Screen Menu	27
The Function Menu	29
The Operation Menu	30
The Connection/Power Menu	31
The Installation Menu	33
The Information Menu	36

Network Features

Using Network Features	37
Displaying the Control Window of the Projector with a Web Browser	37
Confirming the Settings for the Projector	38
Operating the Projector from a Computer	38
Using the e-mail Report Function	38
Configure the Network Settings	40
Setting the Control Protocol of the Projector	41
About the HTML Viewer Function	43
Using the Software Update Function	45

Error Handling

Indicators	46
Messages List	48
Troubleshooting	49

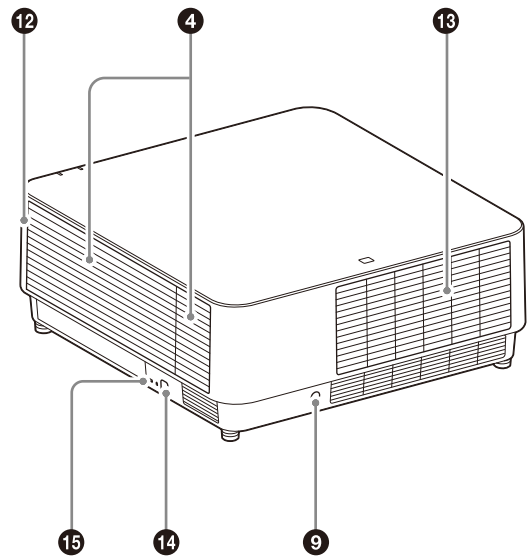
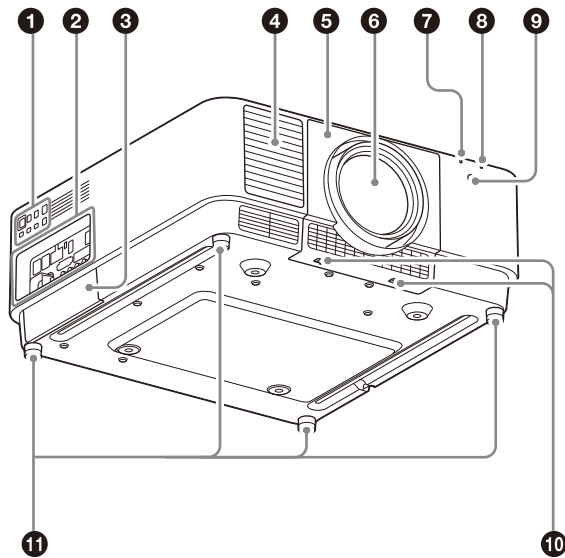
Others

Cleaning the Air Filter	51
Updating the Software	52
Updating the Software via the USB Memory	52
Updating the Software via the Network	52

Specifications53
 Pin assignment 56
 Acceptable Input Signals57
Projection Distance and Lens Shift Range 58
Dimensions 61
About Trademarks 63
NOTICES AND LICENSES FOR SOFTWARE USED IN
THIS PRODUCT 63

Location of Controls

Main Unit



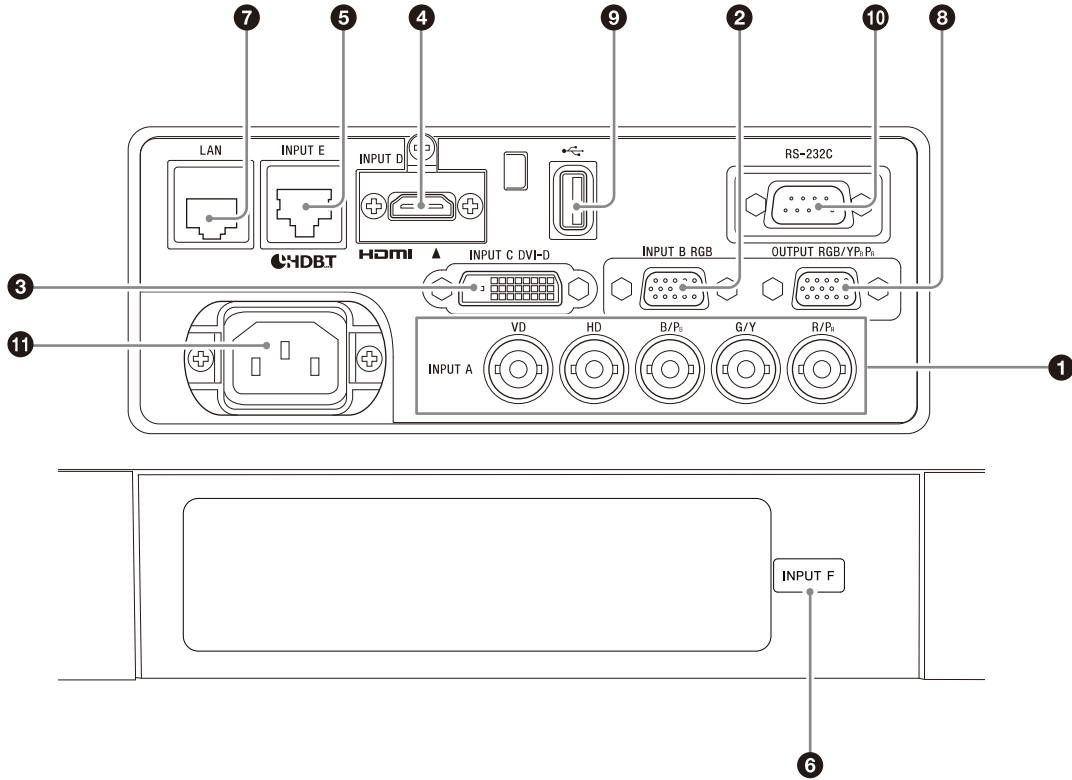
- ❶ **Control panel (page 6)**
- ❷ **Terminals (page 5)**
- ❸ **Optional adaptor slot (page 15)**
An optional adaptor (not supplied) can be attached.
- ❹ **Ventilation holes (intake)**
- ❺ **Lens cover (page 13)**
- ❻ **Lens (not supplied) (page 13)**
- ❼ **ON/STANDBY indicator (page 46)**
- ❽ **WARNING indicator (page 46)**
- ❾ **Remote control receiver**
Located at the front and rear of the projector.
- ❿ **LENS COVER RELEASE buttons (page 13)**
- ⓫ **Adjustable feet (page 17)**
- ⓬ **Filter cover (page 51)**
- ⓭ **Ventilation holes (exhaust)**

- ⓮ **Antitheft bar**
Connects to a commercially available antitheft chain or wire.
- ⓯ **Antitheft lock**
Connects to an optional antitheft cable manufactured by Kensington. For details, visit the Kensington's website. <http://www.kensington.com/>

Caution

Do not place anything near the ventilation holes. The temperature may rise inside the unit, leading to a possible malfunction or fire. Do not place your hand or easily deformable objects near the ventilation holes (exhaust) and its vicinity. Doing so may cause burns or deformation.

Terminals



1 INPUT A

Video: RGB/YP_BP_R input terminal (RGB HD VD/YP_BP_R)

2 INPUT B

Video: RGB input terminal (RGB)

3 INPUT C

Video: DVI-D input terminal (DVI-D)

4 INPUT D

Video: HDMI input terminal (HDMI)

5 INPUT E

HDBaseT terminal

6 INPUT F

For details on available optional adaptors, see "Optional accessories" (page 54).

7 LAN terminal (page 11)

Available as INPUT G when using for the HTML viewer function (page 43).

8 OUTPUT

Video: RGB/YP_BP_R output terminal (RGB/YP_BP_R)

This terminal outputs projected images. The images are output when a computer signal is input from the RGB input terminal (INPUT A, INPUT B) or a video signal is input from the YP_BP_R input terminal (INPUT A).

9 USB port

For the HTML viewer and updating the software (page 43, 45).

Available as INPUT G when using for the HTML viewer function (page 43).

Note

USB hub is not available on the USB port.

10 RS-232C terminal

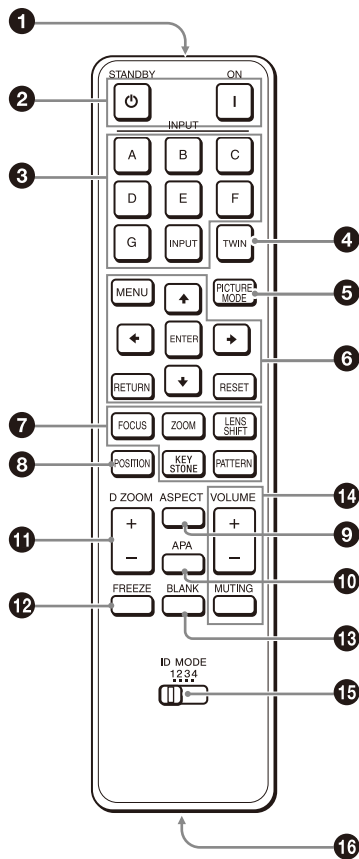
RS-232C compatible control terminal

11 AC IN (~) socket

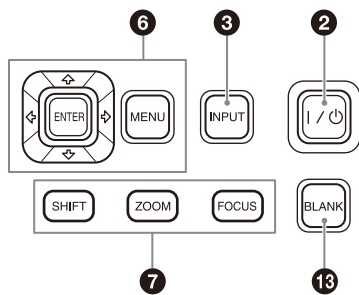
Connects the supplied AC power cord.

Remote Commander and Control Panel

Remote Commander



Control Panel



1 Infrared transmitter

2 I (On) key / ⏻ (Standby) key

Turns on the projector or enters the standby mode.

3 INPUT key

Selecting an input signal (page 16).

4 TWIN (Twin Picture) key

You can project the images from two input signals on the screen as a main picture and subpicture at the same time (page 22).

5 PICTURE MODE key

Changes the picture quality mode.

Note

When "Intelligent Setting" in the Projection Setting menu is set to "On," "Picture Mode" cannot be set (page 24).

6 MENU key / ENTER key / ⬅️ / ➡️ / ⬆️ / ⬇️ (arrow) keys / RETURN key / RESET key

Operating a menu (page 23).

7 FOCUS key

Use this key when attaching the electric focus lens (page 17).

ZOOM key

Use this key when attaching the electric zoom lens (page 17).

LENS SHIFT / SHIFT key / PATTERN key / KEYSTONE key

Use this key when adjusting the projected image (page 17).

8 POSITION (Picture Position) key

You can store up to six combinations of lens settings (focus, picture size (Zoom), picture position (Lens shift)) (page 21).

9 ASPECT key

Changes the aspect ratio of the projected image (page 28).

10 APA (Auto Pixel Alignment) key

Automatically adjusts a picture to its clearest while a signal from a computer is input via the RGB input terminal (INPUT A, INPUT B). You can cancel the adjustment by pressing the APA key again while adjusting.

11 D ZOOM (Digital Zoom) key

Enlarges a part of the image while projecting (page 22).

12 FREEZE key

Pauses a projected image. Press again to restore the image. Use this key when inputting a computer signal.

- 13 **BLANK key**
Temporarily cuts off the image. Press again to restore the image.
- 14 **VOLUME key/ MUTING key**
Not in use for the projector.
- 15 **ID MODE switch (page 30)**
Sets an ID mode of the Remote Commander. If you assign a different ID number to each projector when multiple projectors are used, you can control only the projector with the same ID mode as that of the Remote Commander.
- 16 **CONTROL S output terminal**
Not in use for the projector.

About Remote Commander operation

- Direct the Remote Commander toward the remote control receiver.
- The shorter the distance between the Remote Commander and the projector is, the wider the angle within which the Remote Commander can control the projector becomes.
- If there is any obstruction between the Remote Commander and the remote control receiver on the projector, the projector may not be able to receive signals from the Remote Commander.

Connections and Preparations

Connecting the Projector

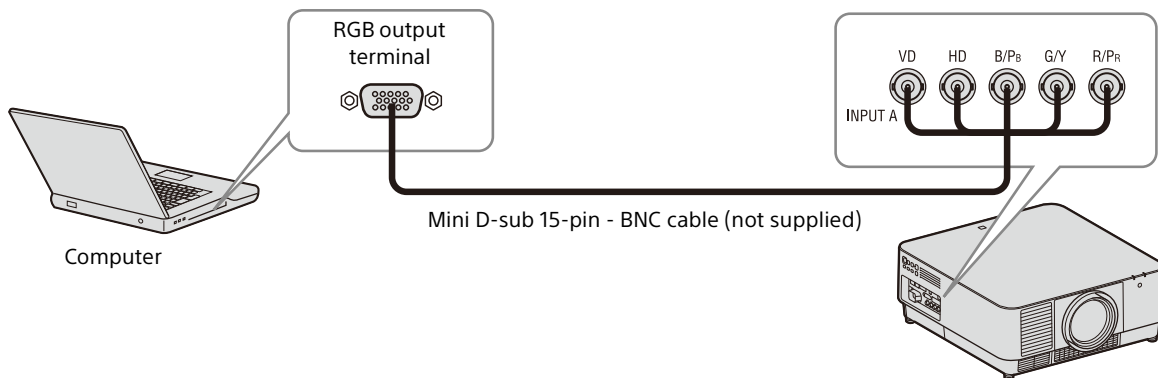
Notes

- Turn off all devices before making any connections.
- Use the proper cables for each connection.
- Insert the cable plugs firmly; Loose connections may reduce performance of picture signals or cause a malfunction. When unplugging a cable, be sure to grip the plug and not the cable itself.
- For more information, also refer to the instruction manual of the device to be connected.

Connecting to a Computer

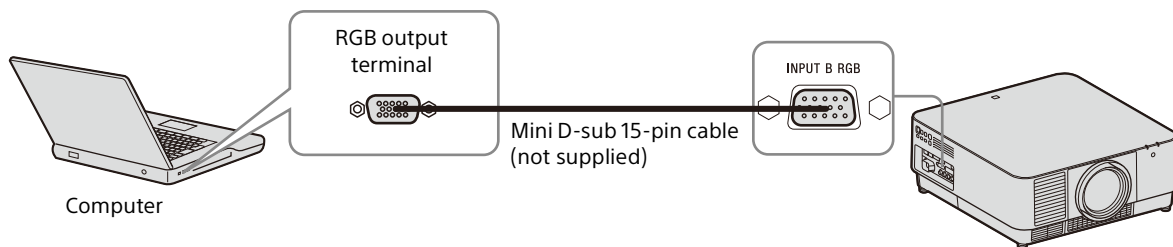
INPUT A

This terminal is used when connecting the projector to a computer over a long distance.



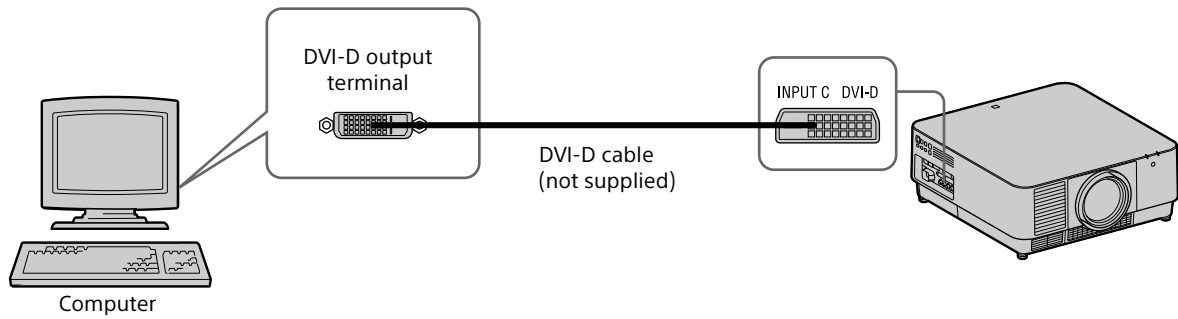
INPUT B

This terminal is used when connecting the projector to a computer with a RGB output terminal. It is recommended that you set the resolution of your computer to 1920 × 1200 pixels for the external monitor.



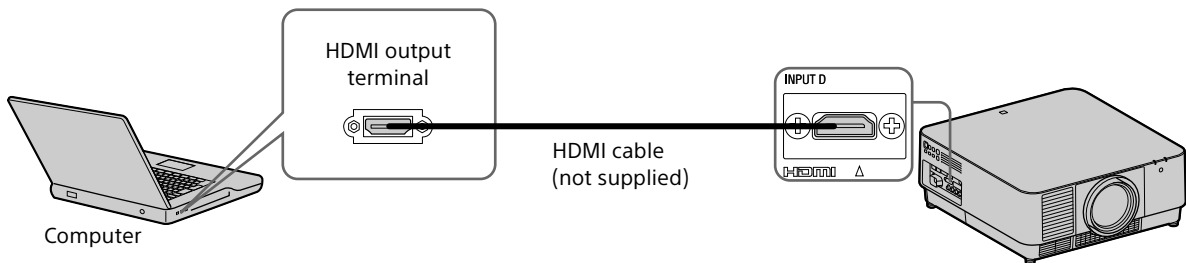
INPUT C

This terminal is used when connecting the projector to a computer with a DVI-D output terminal.



INPUT D

This terminal is used when connecting the projector to a computer with a HDMI output terminal.



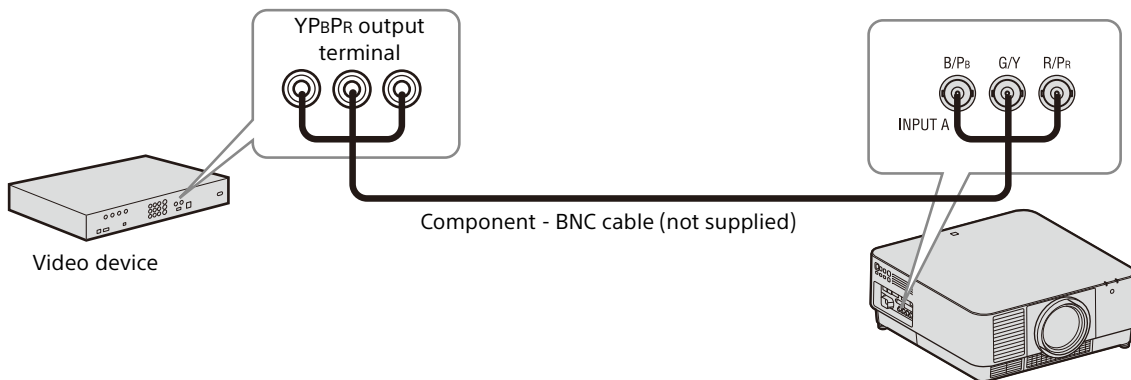
Notes

- Use HDMI-compatible device which has the HDMI Logo.
- Use a high speed HDMI cable(s) on which the cable type logo is specified. (Sony products are recommended.)
- The HDMI terminal of this projector is not compatible with DSD (Direct Stream Digital) signal or CEC (Consumer Electronics Control) signal.

Connecting to a Video Device

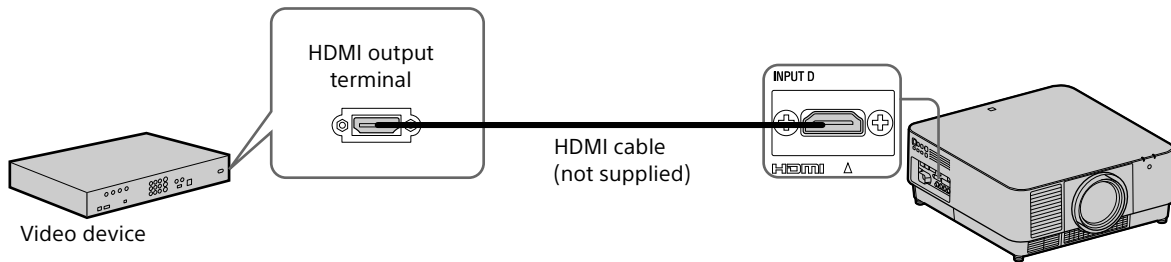
INPUT A

This terminal is used when connecting the projector to a video device over a long distance.



INPUT D

This terminal is used when connecting the projector to a video device with a HDMI output terminal.

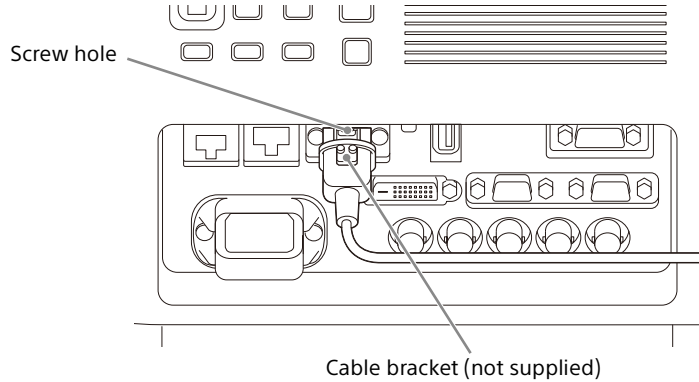


Notes

- Use an HDMI cable with the HDMI logo.
- The HDMI terminal of this projector is not compatible with DSD (Direct Stream Digital) signal or CEC (Consumer Electronics Control) signal.

To fix the HDMI cable

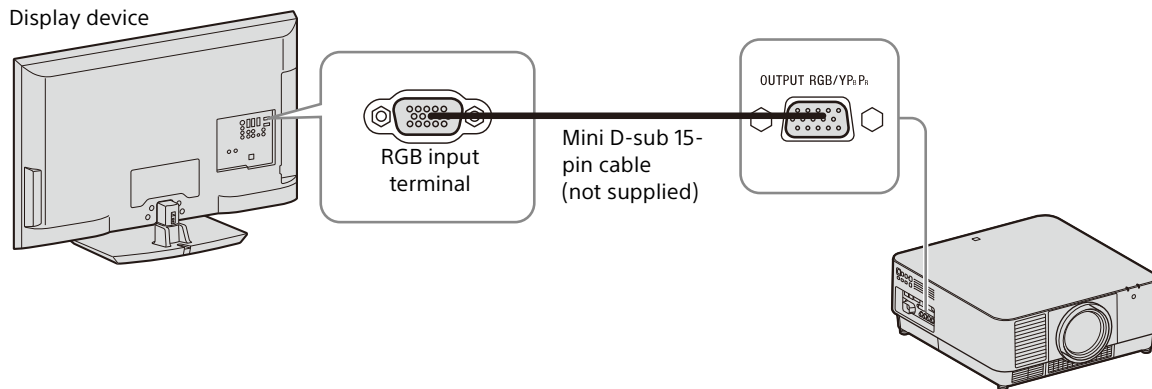
As shown in the following figure, fix the HDMI cable to the screw hole above the terminal using a commercially available-cable bracket.



Connecting to an External Monitor

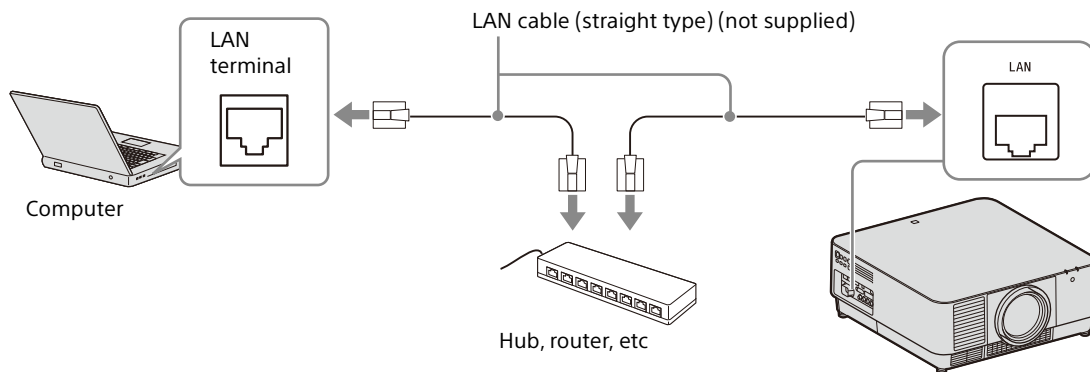
OUTPUT

This terminal outputs projected images. The images are output when a computer signal is input from the RGB input terminal (INPUT A, INPUT B) or a video signal is input from the YP_BP_R input terminal (INPUT A).



Connecting to a Network Equipment

Using a LAN terminal



Notes

- When using network features via the LAN terminal, be sure to check if "LAN Setting" is set to "LAN Port" (page 31).
- Connect the projector to the network that is constructed to control the access from the internet, such as LAN. If the projector is connected directly to the internet, the security risk is increased.

When you monitor and control the projector via the network, access the Setup page of the projector (page 41) via a Web browser and enable the desired control protocol.

Connecting to a HDBaseT™ Device

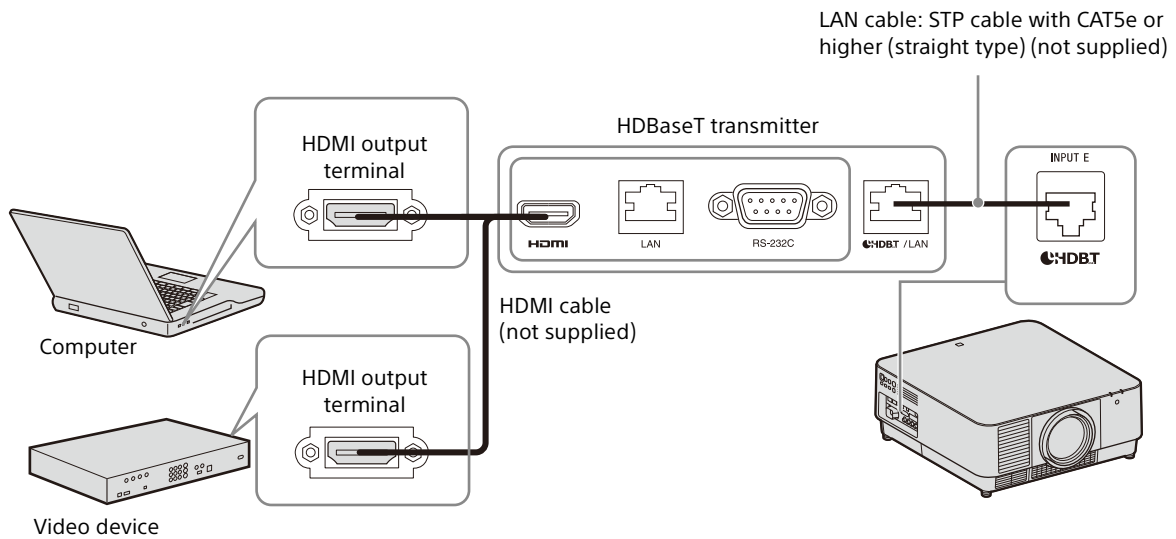
The HDBaseT transmitter is used when connecting the projector to a computer, video device, or network equipment.

Notes for connecting this unit to the HDBaseT transmitter

- Ask a professional or Sony dealer to perform wiring. If wiring has been insufficiently performed, it affects the transmission characteristics of the cable, and causes broken or unstable images.
- Connect the cable directly to the HDBaseT transmitter without going through a hub or router.
- Use cables that meet the following conditions.
 - CAT5e or higher
 - Shielded type (covering connectors)
 - Straight wire connection
 - Single wire
- When installing the cables, use a cable tester, cable analyzer, or similar device to check if the cables meet the CAT5e or higher requirement. If there is a transit connector between this unit and the HDBaseT transmitter, include it when measuring.
- To reduce the affect of noise, install and use the cable in a manner where it is not rolled up and it is as straight as possible.
- Install the cable away from the other cables (especially the power cable).
- When installing multiple cables, do not bind them and keep the running parallel distance as short as possible.
- The transmittable distance of the cable is 100 m (approx. 328 feet) maximum. If it exceeds 100 m (approx. 328 feet), it may cause broken images or a malfunction in LAN communication. Do not use the HDBaseT transmitter beyond the maximum transmittable distance of the cable.
- For operation or function problems caused by devices of other manufacturers, contact the relevant manufacturer.

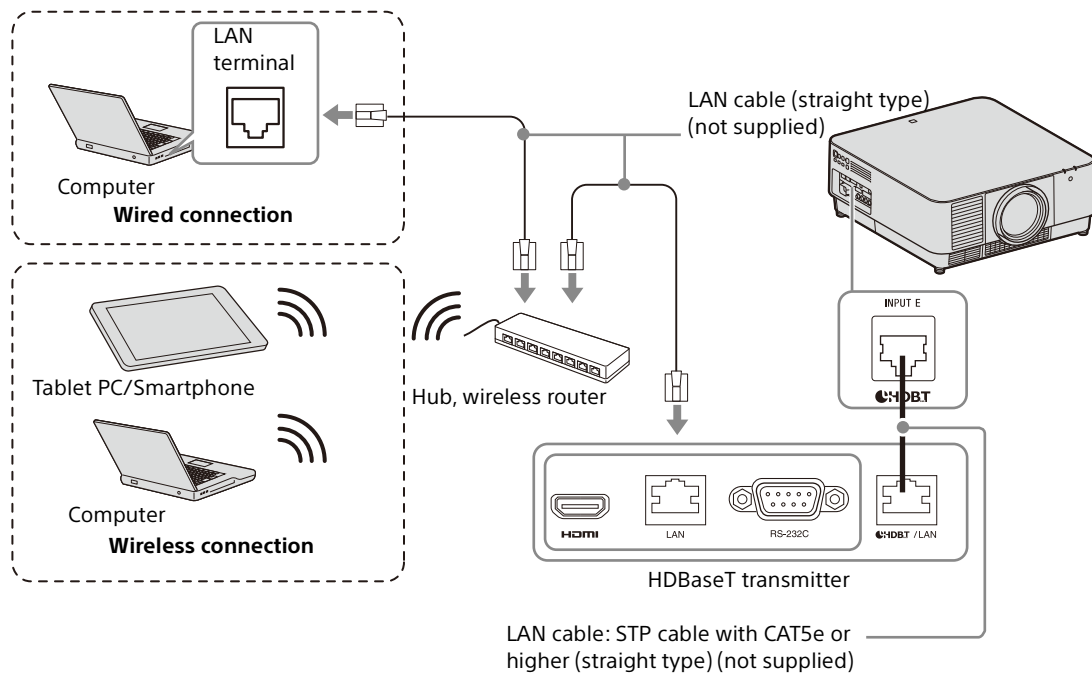
Connecting to a computer/video device

INPUT E



Connecting to a network equipment (using an HDBaseT terminal)

The HDBaseT terminal is used when connecting the projector to a network equipment to control the projector.



Notes

- When using network features, be sure to check if "LAN Setting" is set to "via HDBaseT" (page 31).
- Connect the projector directly to the HDBaseT transmitter without going through a hub or router.
- Set "Extron XTP" in the Connection/Power menu to "On" when connecting to XTP Systems manufactured by Extron Electronics (page 31).

When you monitor and control the projector via the network, access the Setup page of the projector (page 41) via a Web browser and enable the desired control protocol.

Attaching the Projection Lens

Notes

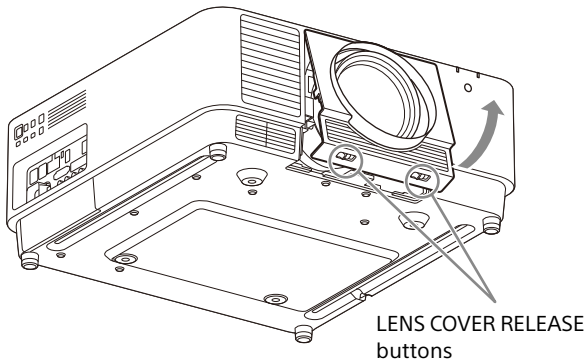
- Avoid removing/attaching the lens with the projector installed suspended from a ceiling.
- For usable projection lenses, see "Optional accessories" (page 54).
- Do not attach any lens other than the specified accessory lens sold separately.
- Be careful not to drop the projection lens.
- Avoid touching the lens surface.

- 1 Turn off the projector, then unplug the AC power cord from the wall outlet.

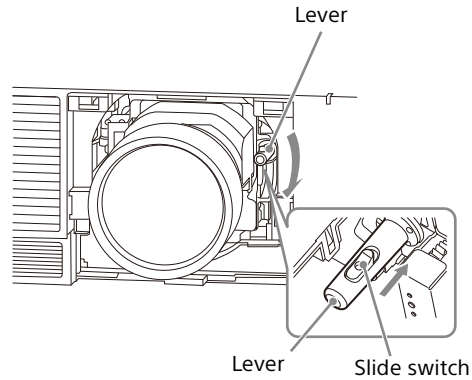
Caution

When replacing the lens, your eyes may be damaged if a strong light accidentally gets into your eyes. Before replacing the lens, turn off the projector and then unplug the AC power cord.

- 2 Remove the lens cover. While sliding the LENS COVER RELEASE buttons inward, pull out the lens cover until it clicks into place.



- 3 Turn the contact substrate to the left facing the front of the lens and insert the lens to the end.
- 4 While pressing the slide switch, lower the lever until it clicks into place.



- 5 Attach the lens cover. Hang the upper side of the lens cover on the top cover of the projector and press it until it clicks into place. Then, while sliding the LENS COVER RELEASE buttons inward, insert the lens cover.

Even when the lens is attached, you can attach/remove the lens cover in the same way.

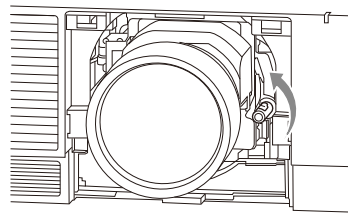
Removing the Projection Lens

- 1 Return the projection lens to the center position. While the projector is turned on, press the LENS SHIFT key on the Remote Commander, then press the RESET key on it. The projection lens returns to the center position.
- 2 Turn off the projector, then unplug the AC power cord from the wall outlet.

Caution

When replacing the lens, your eyes may be damaged if a strong light accidentally gets into your eyes. Before replacing the lens, turn off the projector and then unplug the AC power cord.

- 3 Remove the lens cover.
- 4 While pressing the slide switch, move the lever up to the limit, and pull the lens straight out.



- 5 Attach the lens cover.

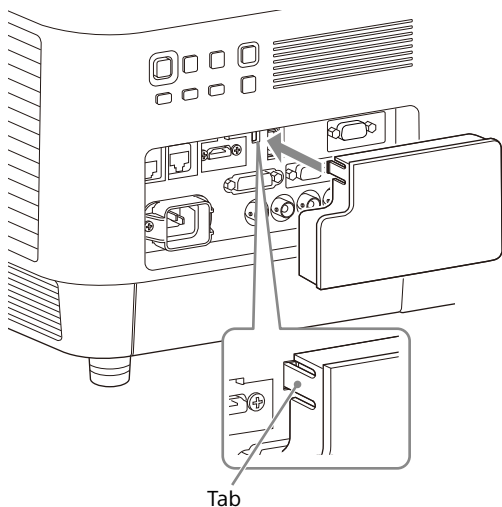
Attaching the Terminal Cover

You can attach the supplied terminal cover when the LAN terminal, INPUT D (HDMI), or INPUT E (HDBaseT) is limited to use for connection. Attaching the supplied terminal cover prevents dust from entering the terminals and maintains a neat appearance.

Note

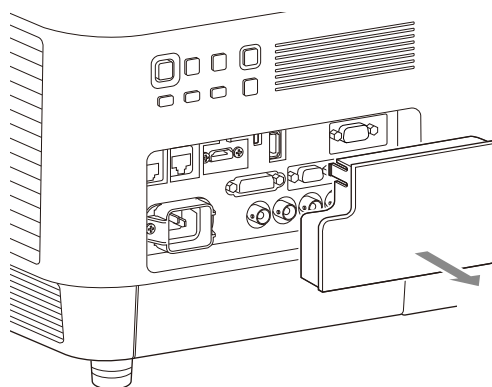
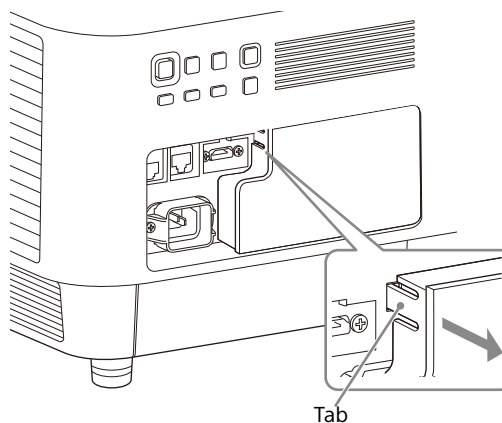
The terminal cover may not be attached depending on the condition of the connected cables or installation methods, such as directly placing the unit on the floor. However, this has no impact on normal use.

- 1 Insert the tab of the terminal cover into the slot and attach the terminal cover. Make sure that the tab of the terminal cover is firmly inserted.



Removing the Terminal Cover

- 1 Pull out the terminal cover while pressing the tab.



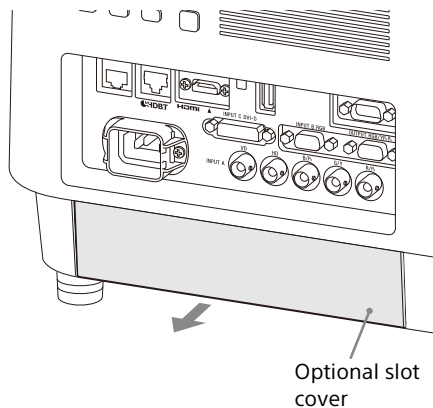
Installing the Optional Adaptor

When installing an optional adaptor (not supplied) into the optional adaptor slot on the terminals of the projector, you can use the optional adaptor as INPUT F.

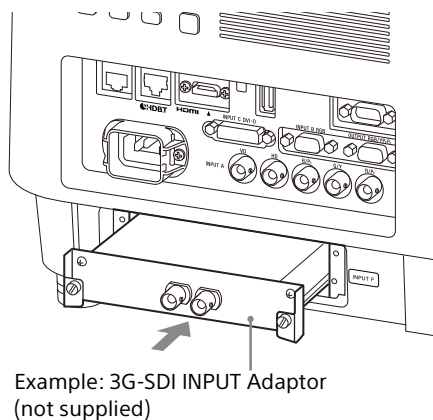
Notes

- Be sure to retain the optional slot cover removed when installing the optional adaptor. When removing the optional adaptor, attach the cover.
- For details on available optional adaptors, see “Optional accessories” (page 54).
- Do not install optional adaptors other than the one specified as the optional accessory.
- For details on how to use, also refer to the operating instructions of the optional adaptor.

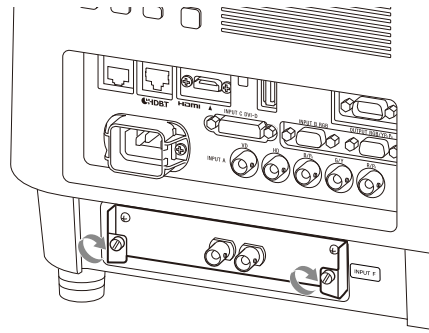
- 1 Turn off the projector, then unplug the AC power cord from the wall outlet.
- 2 To remove the optional slot cover attached to the terminals, press the lower part of the optional slot cover.



- 3 Insert the optional adaptor as far as it goes.



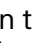
- 4 Tighten the two screws on the optional adaptor.



Projecting/Adjusting an Image

Projecting an Image

The size of a projected image depends on the attached lens or the distance between the projector and screen. Place the projector so that the projected image fits the screen size. For details on projection distances and projected image sizes, see "Projection Distance and Lens Shift Range" (page 58).

- 1 Plug the AC power cord into a wall outlet.
- 2 Connect all necessary devices to the projector (page 8).
- 3 Turn on the projector.
Press the I/⏻ key on the main unit or the I key on the Remote Commander.
- 4 Turn on the connected device.
- 5 Select the input source.
Press the INPUT key on the projector or on the Remote Commander to display the input select window. Press the INPUT key repeatedly or the ▲/▼ key to select an image to be projected. The signal icon  appears on the right side in the input select window when a signal is input.*¹
Also, you can select an input signal on the Remote Commander.
- 6 Change the computer screen output destination to an external display.
How to change the output destination varies depending on the type of computer.

(Example)



- 7 Adjust the projected image (page 17).

Turning Off the Power

- 1 Press the I/⏻ key on the main unit or the ⏻ key on the Remote Commander.
The shutdown process is started and the projector enters the standby mode.
For long-term use, turn off the projector when not in use.
- 2 Unplug the AC power cord from the wall outlet.

Adjusting the Projected Image

Focusing the image (Focus)

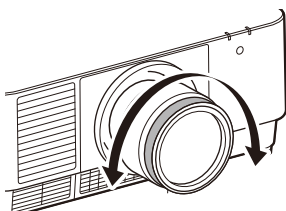


When attaching the Electric focus lens

Press the FOCUS key on the projector or the Remote Commander then press the $\uparrow/\downarrow/\leftarrow/\rightarrow$ key.

When attaching the Manual focus lens

Turn the focus ring.



Adjusting the image size (Zoom)

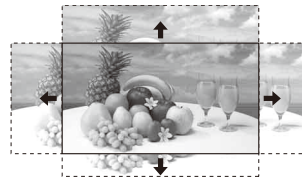


When attaching the Electric zoom lens

Press the ZOOM key on the projector or the Remote Commander then press the $\uparrow/\downarrow/\leftarrow/\rightarrow$ key.

Adjusting the position of the image (Lens shift)

Press the LENS SHIFT/SHIFT key on the projector or the Remote Commander then press the $\uparrow/\downarrow/\leftarrow/\rightarrow$ key.

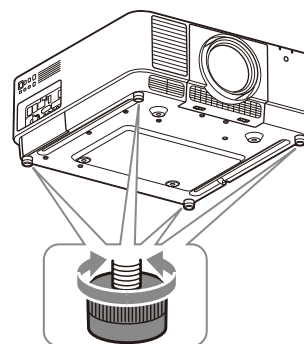


To return the lens to the center position of the projected image

Press the RESET key on the Remote Commander while adjusting the position of the image.

Adjusting the tilt of the projector with the adjustable feet

When the projector is placed on an uneven surface, adjust it using the adjustable feet.



Notes

- Be careful not to pinch your fingers.
- Do not push hard on the top of the projector with the adjustable feet extended. It may cause a malfunction.

Displaying a pattern for adjusting an image

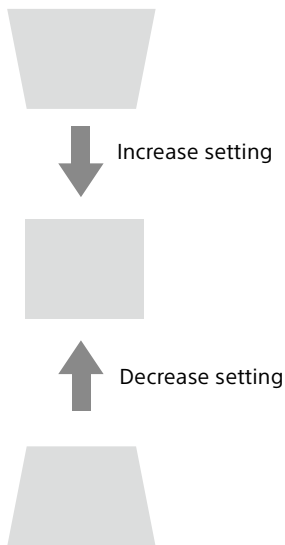
You can display a pattern for adjusting the projected image with the PATTERN key on the Remote Commander. Use \uparrow/\downarrow to change the pattern and \leftarrow/\rightarrow to change its color. Press the PATTERN key again to restore the previous image.

Correcting for Trapezoidal Distortion of the Projected Image (Keystone Adjustment)

If the screen is tilted, or you are projecting from an oblique angle, perform keystone adjustment.

If the projected image is trapezoidally-distorted in the vertical plane

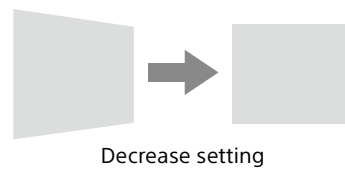
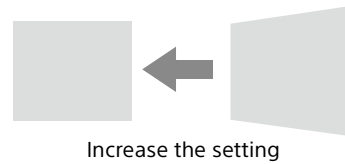
- 1 Press the KEYSTONE key on the Remote Commander once or select "Screen Fitting" in the Installation menu (page 33).
- 2 Select "V Keystone."
- 3 Adjust the value using \leftarrow/\rightarrow .
The higher the setting, the narrower the top of the projected image. The lower the setting, the narrower the bottom of the projected image.



Press the RESET key to restore the projected image before adjustment.*¹

If the projected image is trapezoidally-distorted in the lateral plane

- 1 Press the KEYSTONE key on the Remote Commander once or select "Screen Fitting" in the Installation menu (page 33).
- 2 Select "H Keystone."
- 3 Adjust the value using \leftarrow/\rightarrow .
The higher the setting, the narrower the right side of the projected image. The lower the setting, the narrower the left side of the projected image.



Press the RESET key to restore the projected image before adjustment.*¹

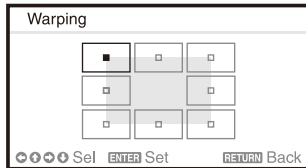
*1: The setting may not be reset depending on the combination of adjustment values of the Screen Fitting setting items. In this case, reset all of the Screen Fitting setting items.

Notes

- Keystone adjustment is an electronic correction. Consequently the image quality may deteriorate.
- Depending on the position adjusted with the lens shift feature, performing keystone adjustment may change the aspect ratio of the original image, or the projected image may be distorted.

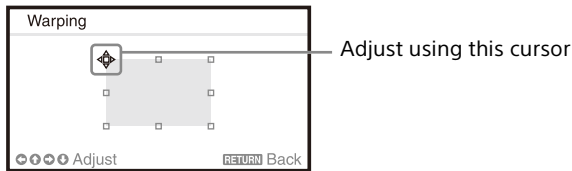
Correcting Image Twist (Warp Correction Feature)

- 1 Press the KEYSTONE key on the Remote Commander once or select "Screen Fitting" in the Installation menu (page 33).
- 2 Select "Warping."
The guide is displayed.

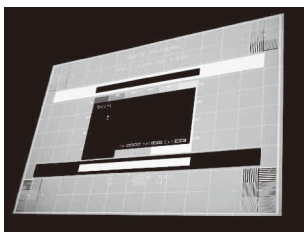


When correcting the corner(s) of the image

- 1 Move ■ using ↑/↓/←/→ to select the corner you want to correct.
- 2 Press the ENTER key.
The cursor appears.



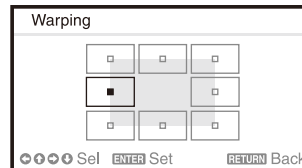
- 3 Adjust the position of the corner you want to correct, using ↑/↓/←/→.



Press the RESET key to restore the projected image before adjustment.*1

When correcting deflection on the left/right side of the image

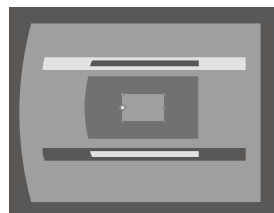
- 1 Move ■ using ↑/↓/←/→ to select the side you want to correct.



- 2 Press the ENTER key.
The cursor appears.



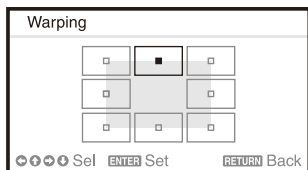
- 3 Adjust the deflection of the side, using ↑/↓/←/→.
You can adjust the center point of deflection using ↑/↓. For the range of deflection, use ←/→. You can separately adjust the left/right side.



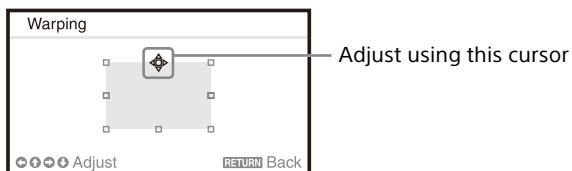
Press the RESET key to restore the projected image before adjustment.*1

When correcting deflection on the top/bottom side of the image

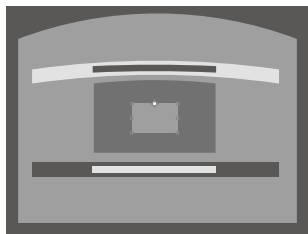
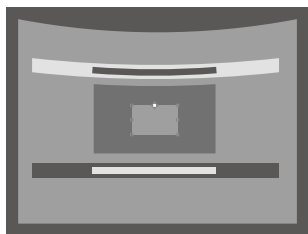
- 1 Move **■** using **↑/↓/←/→** to select the side you want to correct.



- 2 Press the ENTER key. The cursor appears.



- 3 Adjust the deflection of the side, using **↑/↓/←/→**. You can adjust the center point of deflection using **←/→**. For the range of deflection, use **↑/↓**. You can separately adjust the top/bottom side.



Press the RESET key to restore the projected image before adjustment.*1

*1: The setting may not be reset depending on the combination of adjustment values of the Screen Fitting setting items. In this case, reset all of the Screen Fitting setting items.

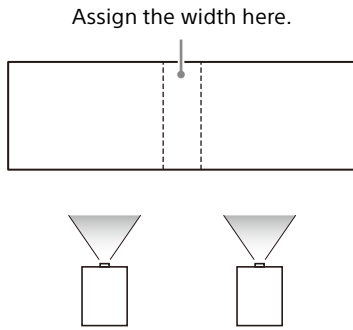
Blending Projections from Multiple Projectors on a Screen

Notes

- Depending on the blending start position or the blending width, the menu may overlap with the blending area and become invisible. If you want to operate the projector while viewing the menu, set "Edge Blending" to "Off" once and make adjustments. Then, set "Edge Blending" to "On."
- The procedure shown above is for general guidance. You may adjust the settings to the situation.
- When multiple projectors are set up in a line, the temperature inside the projectors may increase due to exhaust vent proximity, and an error indication may result. In this case, space the projectors farther apart and/or install deflection partitioning between them. For more details, consult with qualified Sony personnel.

- 1 Place the projectors. Input a pattern, etc., to adjust the projected positions from multiple projectors.
- 2 Set the ID mode. Set a different ID mode for each projector (page 30).
- 3 Set the picture mode. Set "Picture Mode" of the multiple projectors to "Multi Screen" (page 24).
- 4 Unify the color space. Set the color space of the multiple projectors to the same mode (Custom 1 to 3) (page 25). R/G/B can be finely adjusted as necessary.
- 5 Adjust the color matching setting. Finely adjust each tone as necessary (page 33).
- 6 Set the Edge Blending setting. When overlaying multiple projections, the Edge Blending setting is available. Select "Multi Screen" in the Installation menu, then select "Edge Blending" (page 33).
- 7 Enable the Edge Blending function. In "Blend Settings" of the Installation menu, set "Edge Blending" to "On" for each blending position (page 33).

- 8** Set the blending width.
Set the blending width according to the overlapping range for the source signal.



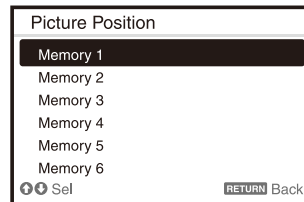
- 9** Finely adjust the overlapped area of the image.
You can adjust it in "Blend Fitting" of the Installation menu (page 33).
- 10** Adjust each correction zone for the most uniform black level between each zone.
You can adjust it by "Zone Black Level." During this adjustment, a black image is automatically projected (page 34).

Using Convenient Functions

Selecting the Stored Picture Settings (Picture Position Function) (Specified Lens Only)

Using the POSITION key on the Remote Commander, you can select one of the combinations of lens settings (focus, picture size (Zoom), picture position (Lens shift)) from six stored settings. When you select the lens settings, the lens move to the stored position of the image (page 30).

- 1** Press the POSITION key.
The Picture Position selecting palette is displayed.



- 2** Press the POSITION key repeatedly, or press ▲/▼ to select the lens settings.
The selected setting is called up from "Memory 1" to "Memory 6."

Store or delete the lens settings in "Picture Position" of the Screen menu (page 27).

Notes

- After you have selected and confirmed the lens settings, the lens starts to move. Do not touch the lens or place anything near the lens. Doing so may cause injury or a malfunction.
- If you press any key on the Remote Commander or the unit while the lens is moving, the lens stops. In this case, select the lens settings again or adjust the projected position.
- The Picture Position function is not guaranteed to reproduce the lens settings precisely.
- For details on the specified lens, see "Optional accessories" (page 54).

Enlarging a Part of the Image (Digital Zoom Function)

Using the D ZOOM (Digital Zoom) key on the Remote Commander, you can enlarge a part of the image while projecting. This function is available when a computer signal is input.

Note

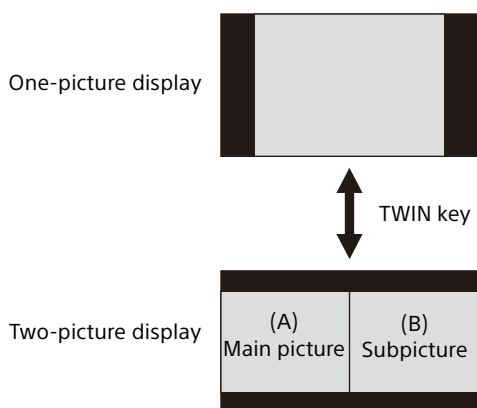
The D ZOOM (Digital Zoom) key may not be enabled depending on the resolution of the input signal or when displaying two pictures.

- 1 Press the D ZOOM + key to display the digital zoom icon on the projected image.
- 2 Press the $\uparrow/\downarrow/\leftarrow/\rightarrow$ keys to move the digital zoom icon to the point on the image you wish to enlarge.
- 3 Press the D ZOOM + key or the D ZOOM - key repeatedly to change the enlargement ratio. The image can be enlarged up to 4 times.

Press the RESET key to restore the previous image.

Projecting Images with Two Pictures Simultaneously (Two-Picture Display Function)

You can project images from two input signals on the screen as a main picture and subpicture at the same time. To switch between main and sub pictures, press the TWIN key on the Remote Commander.



You can select the image to project to the main picture.
The subpicture is preset to source the signal input from INPUT B.

Combinations of input signals

Main picture	Subpicture
INPUT A (RGB/YPbPr)	INPUT B (RGB)
INPUT B (RGB)	-
INPUT C (DVI-D)	INPUT B (RGB)
INPUT D (HDMI)	
INPUT E (HDBaseT)	
INPUT F (Optional adaptor)	

Notes

- When "Screen Aspect" (page 34) is set to "4:3," the two-picture display function is not available.
- While displaying two pictures, the input signal icon Ⓢ does not appear in the input select window (page 16).
- Picture settings set for one picture may not be reflected as two pictures.
- While displaying two pictures, the I (On) key, ⏻ (standby) key, INPUT key, and BLANK key are available.

Adjustments and Settings Using a Menu

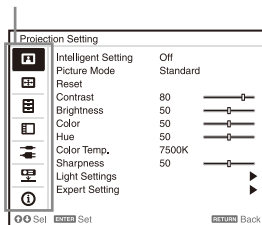
Using a Menu

Note

The following menu displays used for the explanation may be different depending on the model you are using.

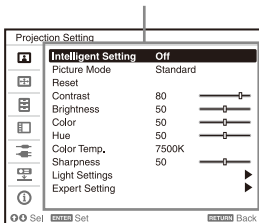
- 1 Press the MENU key to display the menu.
- 2 Select the setting menu.
Use the \uparrow or \downarrow key to select the setting menu, then press the \rightarrow or ENTER key.

Setting menu



- 3 Select the setting item.
Use the \uparrow or \downarrow key to select the setting item, then press the \rightarrow or ENTER key.
To return to the selection screen of the setting menu, press the \leftarrow key or RETURN key.

Setting items

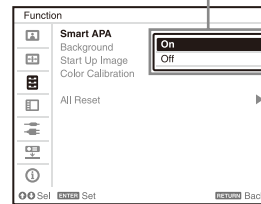


- 4 Make the setting or adjustment for the selected item.
Menu operation differs depending on the setting item. When the next menu window is displayed, follow step 3 to set and adjust the selected item.
To reset the setting value of an item to its factory preset value, press the RESET key during setting or adjusting.

Using a pop-up menu

Press the \uparrow / \downarrow / \leftarrow / \rightarrow key to select an item.
Press the ENTER key to register the setting and return to the previous screen.

Selecting items



Using the setting menu

Press the \uparrow or \downarrow key to select the item.
Press the ENTER key to register the setting and return to the previous screen.

Using the adjustment menu

To increase the number, press the \uparrow or \rightarrow key and to decrease the number, press the \downarrow or \leftarrow key.
Press the ENTER key to register the setting and return to the previous screen.



- 5 Press the MENU key to clear the menu.
The menu disappears automatically if no key is pressed for a while.

Projection Setting Menu

The Projection Setting menu is used for optimum settings appropriate to the installation location and picture adjustments for input signals.

Setting items	Description
Intelligent Setting	<p>On/Off: When you set to "On," you can optimize the picture settings, light settings, and system cooling performance (fan rotation speed) by selecting the installation location from "Location" according to the environment in which the projector is used. This setting is for stable and prolonged use of the projector.</p> <p>Location: Select usage location of the projector from the following options. If you cannot find the appropriate option in "Location," select the closest one.</p> <p>Note Usage location cannot be selected from "Location" for each input terminal.</p> <p>Meeting/Class Room: Sharply projects text and graphics. This is suitable for use in meeting rooms or classrooms.</p> <p>Museum: Precisely reproduces colors. This is suitable for use in quiet places, such as galleries or museums.</p> <p>Entertainment: Produces well-contrasted pictures. This is suitable for use at theme parks, public entertainment facilities, conference rooms in the exhibition hall, and so on.</p> <p>Multi Screen: This is suitable when simultaneously using multiple projectors for projections, such as blending projections or projections from multiple projectors set up side-by-side.</p>
Picture Mode	<p>Dynamic: Emphasizes the contrast to produce a "dynamic" picture.</p> <p>Standard: Makes the picture be natural and well balanced.</p> <p>Brightness Priority: Makes the picture bright to suit a bright environment.</p> <p>Multi Screen: Optimizes the picture quality to suit projecting using multiple projectors.</p> <p>sRGB: Displays the picture quality with sRGB color gamut. (For VPL-FHZ131L only)</p> <p>Note When "Intelligent Setting" is set to "On," "Picture Mode" cannot be set.</p>
Reset	Each item in "Projection Setting" is initialized to its factory preset value. However, "Intelligent Setting," "Picture Mode," and "Color Temp." ("Custom 1," "Custom 2," "Custom 3," and "Custom 4") do not return to the factory preset values.
Contrast	The higher the setting, the greater the contrast. The lower the setting, the lower the contrast.
Brightness	The higher the setting, the brighter the picture. The lower the setting, the darker the picture.
Color	The higher the setting, the greater the intensity. The lower the setting, the lower the intensity.
Hue	The higher the setting, the more greenish the picture becomes. The lower the setting, the more reddish the picture becomes.
Color Temp.	<p>9300K/7500K/6500K: The higher the temperature, the more bluish the picture. The lower the temperature, the more reddish the picture.</p> <p>Brightness Priority 1: Projects images at the maximum brightness.</p> <p>Brightness Priority 2: Projects bright images.</p> <p>Custom 1/ Custom 2/ Custom 3/ Custom 4: An adjusted color temperature setting can be stored for each item.</p> <p>The factory settings are as follows: "Custom 1": same as the "9300K" setting, "Custom 2": same as the "7500K" setting, "Custom 3": same as the "6500K" setting, "Custom 4": same as the "Brightness Priority 1" setting.</p>
Sharpness	The higher the setting, the sharper the picture. The lower the setting, the softer the picture.

Setting items	Description
Light Settings	
Dynamic Control	On/Off: Brightness is adjusted automatically according to image content. Dark images are projected with brightness adjusted, leading to energy-saving. Bright images are projected brightly, without adjusting brightness.
Light Output Mode	Adjusts brightness of the light source. Standard: The image becomes brighter, and power consumption becomes higher. Middle: Power consumption becomes lower; however, the image will darken. Low: Power consumption becomes even lower and the image will darken further. Extended: The images becomes dark but extended projection is enabled. Custom: You can adjust brightness as prefer. Note When "Intelligent Setting" is set to "On," only "Custom" of "Light Output Mode" in "Light Settings" is selectable and other items cannot be set.
Constant Brightness	On/Off: Available when "Light Output Mode" is set to "Standard," "Middle," "Low," or "Custom." Outputs with a constant brightness at the light source output (approximately 85%) that reduces the percentage of each mode. The projector may not be able to maintain the brightness in an environment with a lot of dust and dirt.
Expert Setting	
Reality Creation	Adjusts the detail and noise processing of images. (Super-resolution function) On: Adjusts the settings of "Reality Creation." Resolution: When you increase the setting value, the texture and detail of the image become sharper. Noise Filtering: When you increase the setting value, the noise (picture roughness) becomes less prominent. Test: On/Off: Switches "On" and "Off" at a certain frequency to check the effect of "Reality Creation." The display position of the status during the test works together with the "Menu Position" setting (page 30). Off: The "Reality Creation" function is not applied. Note Depending on the input signals, image noise may become more prominent. In that case, adjust the settings of "Reality Creation" before use.
Contrast Enhancer	Corrects the level of bright and dark parts automatically to optimize contrast according to a scene. Increases image sharpness and makes image dynamic. High/Middle/Low: You can adjust the contrast enhancer. Off: The "Contrast Enhancer" function is not applied.
Gamma Mode	2.2: Equivalent to a 2.2 gamma curve. 2.4: Equivalent to a 2.4 gamma curve. Gamma 3: Applies a gamma curve that prioritizes the brightness to suit use in a relatively bright environment. Gamma 4: Enhances black and white contrast to suit use in a relatively dark environment. DICOM GSDF Sim.: Gamma setting is in accordance with the Grayscale Standard Display Function (GSDF) of the Digital Imaging and Communications in Medicine (DICOM) standards. Available when a computer signal is input from the DVI-D input terminal (INPUT C), HDMI input terminal (INPUT D), or HDBaseT input terminal (INPUT E). This projector is not to be used as a device for medical diagnosis.
Color Space	Converts the color space. Custom 1: Produces images with vivid colors. Custom 2: Produces images with muted colors. Custom 3: Reproduces image colors true to the original image source. You can select R/G/B for the selected color space and adjust the R/G/B chromaticity points in the x and y directions in the CIExy chromaticity diagram respectively. Color Select: Select the color to adjust from "Red," "Green," and "Blue." Cyan - Red (x): Adjusts the chromaticity point of the selected color toward cyan-red (x). Magenta - Green (y): Adjusts the chromaticity point of the selected color toward magenta-green (y).

Setting items	Description
Color Correction	<p>On: Adjusts the hue, saturation, and brightness for the selected color. Repeat steps 1 and 2 described below to specify the target color.</p> <ol style="list-style-type: none"> 1 Press $\blacktriangle/\blacktriangledown$ to select "Color Select," then press $\blacktriangleleft/\blacktriangleright$ to select the color you want to adjust among "Red," "Yellow," "Green," "Cyan," "Blue," and "Magenta." 2 Press $\blacktriangle/\blacktriangledown$ to select "Hue," "Saturation" or "Brightness," then adjust them to suit your taste using $\blacktriangleleft/\blacktriangleright$ while watching the projected picture. <p>Off: The "Color Correction" function is not applied.</p>
Film Mode	<p>When a video signal is input, this option is available. When a progressive signal is input, this option is not available.</p> <p>Auto: Precisely reproduces the image from a film source to suit the original film source. Normally, select this option.</p> <p>Off: Select this option if the images are rough around the edges when "Auto" is selected.</p>

The Screen Menu

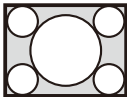
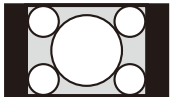
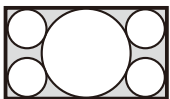
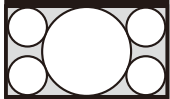
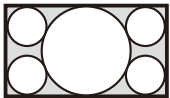
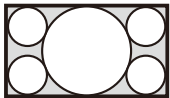
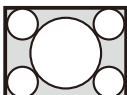
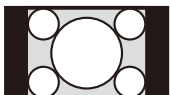
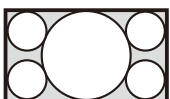
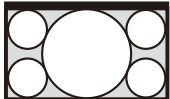
For adjusting the size, position, and aspect ratio of the projected image for each input signal.

Setting items	Description
Picture Position	<p>You can store up to six picture positions as combinations of lens settings (focus, picture size (Zoom), picture position (Lens shift)) (page 30). After setting the focus, picture size, and picture position, select from "Save," "Delete," or "Select."</p> <p>Save: Stores the current lens settings (focus, picture size, picture position) in the selected Memory 1 to 6. If a setting is already stored in that position, it is overwritten.</p> <p>Delete: Deletes the stored setting. When the setting is deleted, "Select" is not available.</p> <p>Select: Calls up the selected lens settings.</p> <p>Notes</p> <ul style="list-style-type: none"> • When using a non-Picture Position supported-lens, you cannot select the setting in "Picture Position." For details on the specified lens, see "Optional accessories" (page 54). • After you have selected and confirmed the lens settings, the lens starts to move. Do not touch the lens and the area around the lens, otherwise it may cause injury or a malfunction. • If you press any key on the Remote Commander or the unit while the lens is moving, the lens stops. In this case, select the lens settings again or adjust the projected position. • The Picture Position function is not guaranteed to reproduce the lens settings precisely.
Aspect ^{*1}	Changes the aspect ratio of the projected image (page 28).
When the computer signal is input	<p>Full 1: Displays the image to fit the maximum projected image size without changing the aspect ratio of the input signal.</p> <p>Full 2: Displays the image to fit the maximum projected image size.</p> <p>Normal: Displays the image on the center point of the projected image without changing the resolution of the input signal or enlarging the image.</p>
When the video signal is input	<p>4:3: Displays the image to fit the maximum projected image size with an aspect ratio fixed to 4:3.</p> <p>16:9: Displays the image to fit the maximum projected image size with an aspect ratio fixed to 16:9.</p> <p>Full: Displays the image to fit the maximum projected image size.</p> <p>Zoom: Display the center point of the projected image to zoom.</p>
V Center ^{*2 *3}	Adjust the whole projected image by moving up and down on the screen. As the selected number increases, the screen moves up, and as the selected number decreases, the projected image moves down.
Vertical Size ^{*2 *3}	Reduces or enlarges the image vertically. The projected image is enlarged as the setting increases and reduced as the setting decreases. If the subtitle of a movie, etc. cannot be seen, use this together with "V Center."
Overscan ^{*2}	On/Off: Hides the outline of the image when set to "On." Select "On" if noise appears along the edge of the image.
Adjust Signal ^{*4}	Adjusts the image of a computer signal. Use this item if the edge of the image is cut and reception is bad.
APA ^{*5 *6}	Automatically adjusts the projected image to an optimum quality when you press the ENTER key.
Phase ^{*5}	Adjusts the dot phase of the display pixel and the input signal. Set to the value where looks clearest.
Pitch ^{*5}	The higher the setting, the wider the horizontal image elements (pitch). The lower the setting, the narrower the horizontal image elements (pitch).
Shift ^{*4}	<p>H: The higher the setting, the farther right the image is projected on the screen. The lower the setting, the image farther left.</p> <p>V: The higher the setting, the farther up the image is projected on the screen. The lower the setting, the image farther down.</p>

Notes

- *1: • Note that if the projector is used for profit or for public viewing, modifying the original picture by switching to the aspect mode may constitute an infringement of the rights of authors or producers, which are legally protected.
 - Depending on the input signal or "Screen Aspect" setting, setting items for aspect ratio or some other setting items cannot be set in some cases, or changing the aspect ratio setting may have no effect.
 - A part of the image may be displayed in black, depending on the setting item.
- *2: Available when a video signal is input from the YPbPr input terminal (INPUT A), DVI-D input terminal, HDMI input terminal, HDBaseT input terminal, or optional adaptor.
- *3: Available when "Aspect" is "Zoom" and "Screen Aspect" is 16:10 or 16:9.
- *4: Available when a computer signal is input from the RGB input terminal (INPUT A, INPUT B) or a video signal is input from the YPbPr input terminal (INPUT A). This option is available only when "Aspect" is set to "Zoom."
- *5: Available when a computer signal is input from the RGB input terminal (INPUT A, INPUT B).
- *6: If the projected image includes a large amount of black portion around it, the APA function will not work properly and a part of the image may not be displayed on the screen. In addition, an optimum image cannot be obtained, depending on the type of input signal. In this case, adjust the "Phase," "Pitch," and "Shift" items manually.

Aspect

	Input signal	Recommended setting value and projected image
Computer signal	(4:3) 	(Full 1) ^{*1 *2} 
	(16:9) 	(Full 1) ^{*1 *2} 
	(16:10) 	(Full 1) ^{*1} 
Video signal	(4:3) 	(4:3) ^{*3 *5} 
	(16:9) 	(16:9) ^{*4 *5} 

*1: If you select "Normal," the image is projected in the same resolution as the input signal without changing the aspect ratio of the original image.



*2: If you select "Full 2," the image is projected to fit the projected image size, regardless of the aspect ratio of the image.



*3: Depending on the input signal, the projected image may be projected as illustrated below. In this a case, select "16:9."



*4: Depending on the input signal, the image may be projected as illustrated below. In this a case, select "Zoom."



*5: If you select "Full," the image is projected to fit the projected image size, regardless of the aspect ratio of the image.



The Function Menu

The Function menu is used for setting various functions of the projector.

Setting items	Description
Smart APA	On/Off: When set to "On," executes APA automatically when a signal is input. Executes APA when a computer signal is input via the RGB input terminal (INPUT A, INPUT B).
Background	Enabled when INPUT A, INPUT B, INPUT C, or INPUT D is selected. Blue/Black/Image/Input-G: Sets the background for when there is no input signal. When set to "Image," the Start Up Image is displayed. When using the two-picture display mode and there is no input signal, the background will be black even if you set this item to "Image." When set to "Input-G," the background changes to INPUT G. The setting is not updated immediately even when selecting "Input-G." It is reflected the next time when there is no input signal (page 43).
Start Up Image	On/Off: When set to "On," the Start Up Image is displayed on the screen upon startup of the projector.
Color Calibration	Corrects color drift on the entire screen that has occurred over time. The color calibration pattern is displayed while selecting this menu. When you press the I/⏻ key on the projector or the ⏻ key on the Remote Commander, the pattern is turned off and this menu is disabled. Color drift may not be corrected properly due to environmental factors, such as temperature and dust, or changes over time. Auto: If you select "On," it corrects color drift automatically when the projector is turned off after certain time of use. Start: When twenty minutes have passed after the light has been turned on, it immediately corrects color drift. Return: Restores the settings when performing the previous color calibration. You cannot select this if you have not performed the color calibration. Reset: Restores the factory default settings.
All Reset	All settings are initialized to their factory preset values.

The Operation Menu

The Operation menu is used for setting for the operations by using the menu or the Remote Commander.

Setting items	Description
Language	Selects the language used in the menu and on-screen displays.
Menu Position	Bottom Left/Center: For selecting the position of the menu displayed on the projected image.
Status	<p>On: All on-screen statuses are enabled. Off: Displays only the menus and warning messages. All Off: Turns off the on-screen displays, other than certain menus.</p> <p>Notes</p> <ul style="list-style-type: none"> • When "All Off" is selected, a warning message for high temperature is not displayed, so users are advised to use the projector at their own risk. • Note that Sony is not liable for failure of the unit or any accident caused by selecting "All Off."
IR Receiver	Front & Rear/Front/Rear: Selects the remote control receivers (IR Receiver) on the front and rear of the projector.
ID Mode	All/1/2/3/4: Assigns an ID number to the projector. When set to "All," you can control the projector with the Remote Commander independently of the assigned ID Mode. Refer also to "ID MODE switch" of the Remote Commander on page 7.
Security Lock	<p>On/Off: This function enables restriction of the projector to authorized users by password. The setting procedures for security locking are as follows:</p> <ol style="list-style-type: none"> 1 Select "On" then press the ENTER key to display the setting menu. 2 Input the password with the MENU, $\uparrow/\downarrow/\leftarrow/\rightarrow$, and ENTER keys. (The default password setting is "ENTER, ENTER, ENTER, ENTER.") 3 Input a new password with the MENU, $\uparrow/\downarrow/\leftarrow/\rightarrow$, and ENTER keys. 4 Enter the password again to confirm. <p>Enter the password when you turn on the projector after disconnecting and reconnecting the AC power cord. When it is set to "Off," you can cancel the security lock. You are required to input the password again. If you fail to enter the correct password after three consecutive times, the projector cannot be used. In this case, press the I/⏻ key to go standby mode then turn on the power again.</p> <p>Note</p> <p>You will not be able to use the projector if you forget your password. Contact qualified Sony personnel for further assistance. You are required to inform the projector serial number and your identity for verification. (This process may differ in other countries/regions.) Once your identity has been confirmed, we will provide you with the password.</p>
Control Key Lock	<p>On/Off: When set to "On," locks all the control keys of the projector. However, you can enable operation by performing the following even when "Control Key Lock" is set to "On."</p> <ul style="list-style-type: none"> • Press and hold the I/⏻ key for approximately 10 seconds during standby mode. <ul style="list-style-type: none"> → The projector turns on. • Press and hold the MENU key for approximately 10 seconds during power on. <ul style="list-style-type: none"> → "Control Key Lock" is set to "Off" and enables operation of all control panel keys on the projector.
Lens Control	On/Off: When set to "On," you can adjust the lens (focus, zoom, and lens shift) from the Remote commander or the projector. To prevent unintentional operation, set it to "Off" after adjusting the lens.

The Connection/Power Menu

The Connection/Power menu is used for setting for the connections and power.







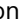

Setting items	Description
Network Setting	
IPv4 Setting ^{*1 *3}	
IP Address Setup	Auto(DHCP): The IP address is assigned automatically from the DHCP server such as a router. Manual: To specify the IP Address manually.
IP Address/ Subnet Mask/ Default Gateway/Primary DNS/Secondary DNS	When "Manual" is selected for "IP Address Setup," select the item with the ◀ or ▶ key and input the value with ▲ or ▼ key. When all items are entered, select "Apply" then press the ENTER key. The entered settings will be registered.
IPv6 Information	Displays the IPv6 address information. When setting the address of IPv6, set it from the browser (page 41).
HDBaseT Settings	
LAN Setting	via HDBaseT/LAN Port: You can select either via the LAN of the HDBaseT device connected to the HDBaseT terminal or via the network connection with the LAN terminal of the main unit. ^{*2 *3}
RS-232C Setting	via HDBaseT: You can connect this unit to the RS-232C terminal via the HDBaseT transmitter. (Baud rate: 9,600 bps) RS-232C: Use when connecting to the RS-232C terminal of this unit directly. (Baud rate: 38,400 bps)
Extron XTP	On/Off: Set to "On" when connecting the HDBaseT terminal of this unit to XTP Systems ^{*4} manufactured by Extron Electronics. Set to "Off" when connecting to other equipment.
Dynamic Range ^{*5}	Sets the image input level of the INPUT C/D/E/F terminal. Auto: Distinguishes the image input level automatically. Limited: Set when the image input level is 16-235. Full: Set when the image input level is 0-255.
HDMI Cable	Long/Normal: Select "Long" when the image is disturbed or not projected.
Input-A Signal Sel.	Auto/Computer/Video GBR/Component: When set to "Auto," selects the type of video signal input automatically when "Input-A" is selected with the INPUT key. ^{*6}
Input-G Cont. Sel.	USB/Network: Sets the content for the HTML viewer. You can select "USB" or "Network" to load a file (page 43).
ECO	
Auto Power Saving ^{*7}	
With No Input	Light Cutoff: The light turns off automatically and power consumption is reduced if no signal is input for about two minutes. The light turns on again when a signal is input or any key is pressed. In Light Cutoff, the ON/STANDBY indicator lights in orange (page 46). Standby ^{*8}: If no signal is input to the unit for about two minutes, the power turns off automatically, and the unit enters standby mode. Off: The "With No Input" function is disabled.
With Static Signal	Light Dimming ^{*9 *10}: If an image does not change for about 10 seconds, light output is gradually reduced (approximately 10% to 15% ^{*11}) from that set in the Light Output Mode. This setting provides a convenient way to reduce power consumption. In addition, the light automatically darkens slowly to approximately 30% of its light output if the selected time ("5 min.," "10 min.," "15 min.," "20 min.," or "Demo.") elapses with no change to input signal. While dimming the light, the message "Light Dimming" appears. If you select "Demo.," the image will start to darken about 40 seconds later. When any change in signal is detected, or an operation (Remote Commander or control panel) is performed, normal brightness is restored. Off: The "With Static Signal" function is disabled.
Standby Mode ^{*12}	Standard/Low: When set to "Standard," power consumption becomes higher in Standby mode. For details, see "Power consumption (Networked Standby Mode)" in "Specifications" (page 54).

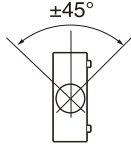
Setting items	Description
Quick Reboot	Off/10 min./30 min.: After you turn off the power, the projector is in standby mode for a quick start within the specified time (10 minutes or 30 minutes). The ON/STANDBY indicator lights in orange when the projector is in standby mode (page 46).
Direct Power On	On/Off: When you select "On" and plug the projector, the projection starts without going into standby mode. You can also unplug the AC power cord without going into standby mode when you turn off the projector. You may unplug the AC power cord without going into standby mode.

- *1: Set the IP address of this unit manually after connecting to the network. If this unit is not connected to the network, the setting is not enabled.
- *2: When connecting via HDBaseT, only the 100BASE-TX can be used for connection. When using the LAN terminal of the main unit, you can connect with the 10BASE-T/100BASE-TX/1000BASE-T.
- *3: The IP addresses when using HDBaseT and when using the LAN terminal should be set respectively.
 - Setting the IP address when using a LAN via HDBaseT.
Set "LAN Setting" to "via HDBaseT" in "HDBaseT Settings," then set the IP address in "Network Setting."
 - Setting the IP address when using the LAN terminal.
Set "LAN Setting" to "LAN Port" in "HDBaseT Settings," then set the IP address in "Network Setting."
- *4: For details on XTP Systems, refer to the product catalog or brochure from Extron Electronics.
- *5: If the image input setting of the HDMI connection device is not correct, the brighter part becomes too bright and the darker part becomes too dark.
- *6: Depending on the input video signal, the optimal signal type may not be selected. Set manually according to the connected device.
- *7: The "Auto Power Saving" function is not enabled for INPUT G.
- *8: Select "Off" to avoid entering standby mode when there is no input signal.
- *9: A change in signal may not be detected depending on the input image. If "With No Input" is set, it takes priority.
- *10: As the light is dimmed gradually, you may not notice any change in brightness.
- *11: This varies depending on the "Light Output Mode" setting (page 25).
- *12: When "Standby Mode" is set to "Low," the network and network control function cannot be operated while the projector is in standby mode.

The Installation Menu

The Installation menu is used for installing the projector.

Setting items	Description
Screen Fitting	<p>Adjusts the distortion of the projected image that occurs due to installation conditions or when a portion of the image spreads beyond the screen.</p> <p>Since the Keystone/Warping/Linearity adjustment is an electronic correction, the image may deteriorate.</p> <p>Warping: Select an adjustment point and move it vertically/horizontally to adjust the image distortion.</p> <p>V Keystone: Adjusts the vertical keystone distortion. The higher the setting, the narrower the upper side of the projected image. The lower the setting, the narrower the lower side of the projected image. *1</p> <p>H Keystone: Adjusts the horizontal keystone distortion. The higher the setting, the shorter the right side of the projected image. The lower the setting, the shorter the left side of the projected image. *1</p> <p>V Linearity: Adjusts the projected image so that the height of the upper half and lower half will be the same. The higher the setting, the narrower the upper half of the projected image. The lower the setting, the narrower the lower half of the projected image.</p> <p>H Linearity: Adjusts the projected image so that the width of the right half and left half will be the same. The higher the setting, the narrower the right half of the projected image. The lower the setting, the narrower the left half of the projected image.</p> <p>Reset: Resets all of the Screen Fitting items.</p>
Multi Screen	<p>When composing one screen with multiple projections, you can overlap portions of different projections or tile the projections.</p>
Color Space	<p>Changes the color space. The same adjustments as in "Color Space" (page 25) in the Projection Setting menu are available. The color gamut is independently adjusted when "Picture Mode" is set to "sRGB." When "Picture Mode" is set to another mode, the color gamut is adjusted in a common setting.</p>
Color Matching	<p>Adjusts the overall brightness and hue of the projected image.</p> <p>The brightness and color of the projected image may not match completely, even after you adjust "Brightness" and "Color."</p> <p>Adjust: Select one of 6 signal levels and adjust the brightness or hue.</p> <p>Level 1 - 6: Select the brightness level to adjust.</p> <p>Brightness: Adjusts the brightness of the selected brightness level.</p> <p>Color: Adjusts the hue of the selected brightness level.</p> <p>Reset: Resets all of the adjusted values.</p>
Edge Blending	<p>Reset: Resets all of the Blend Settings, Blend Fitting, and Zone Black Level values.</p>
Blend Settings	<p>Configure the Edge Blending setting for the top, bottom, right, and left of the screen respectively.</p> <p>Left/Right/Top/Bottom: Set the Edge Blending effect for each position.</p> <p>Edge Blending: Set "On" to set "Blending Range" or "Blend Start Pos."</p> <p>Blending Range: Set the width where images are overlapped.</p> <p>Blend Start Pos.: Set the start position from which images are overlapped.</p> <p>Blend Cursor: Displays the cursors at the start and end positions for edge blending. When set to "On," the cursors are displayed during Blend settings.</p> <p>Start Pos. Color: Select the color of the cursor that indicates the start position.</p> <p>End Pos. Color: Select the color of the cursor that indicates the end position.</p> <p>Reset: Resets all of the Blend Settings values.</p>
Blend Fitting	<p>Finely adjusts the overlapped part.</p> <p>Adjust: Specify a position in the overlapped area and move image pixels.</p> <p>Use /// to select the position to adjust. Press the ENTER key to determine the position and use /// to move the image pixels vertically/horizontally so that neighboring images overlap.</p> <p>Reset: Resets all of the Blend Fitting values.</p>

Setting items	Description
Zone Black Level *2 *3 *4	<p>Adjusts so that the overlapped part is not noticeably bright when a dark image is displayed.</p> <p>Select the correction zone "Adjust Zone 1" through "Adjust Zone 9," and set the adjustment values.</p> <p>Zone Fitting: Adjusts the area of each correction zone.</p> <p>Adjust: Specifies the position of the marginal line of each correction zone.</p> <p>Select the adjusting position using $\blacktriangle/\blacktriangledown/\blacktriangleleft/\blacktriangleright$. Press the ENTER key to determine the position and use $\blacktriangle/\blacktriangledown/\blacktriangleleft/\blacktriangleright$ to move the image pixels vertically/horizontally so that the area of each correction zone is adjusted.</p> <p>Reset: Resets all of the Zone Fitting values.</p> <p>Black Level Adj.: Adjusts the brightness of each correction zone.</p> <p>Reset: Resets all of the Black Level values.</p> <p>Reset: Resets all of the Zone Black Level values.</p>
Image Split	<p>Off/Left-side Area/Right-side Area: Divides the input signal from the computer in half, and displays an enlarged image of the left-side or right-side area on the screen.</p> <p>If the Screen Aspect is set to 16:10 and input signal is 16:10 or 16:9, the image will be projected at the correct aspect. This function is not available when displaying two pictures.</p>
Image Flip	<p>HV/H/V/Off/Auto: Flips the projected image horizontally and/or vertically according to the installation method.</p>
High Altitude Mode	<p>On/Auto: Set to "On" when using the projector at an altitude of 1,500 m or higher. Continuing to use the wrong setting may affect component reliability.</p>
Filter Cleaning	<p>Turns off the projector and cleans the air filter in standby mode.</p> <p>Normally, filter cleaning is performed periodically and automatically when turning off the power. However, it is not performed when "Direct Power On" is set to "On" (page 32). Periodically performing "Filter Cleaning" in the above menu is recommended. Filter cleaning is not performed if the AC power cord is unplugged or the projector is placed at an angle as shown below.</p>
	
Screen Aspect	<p>16:10/16:9/4:3: For switching the display area to suit to the screen.</p>
Blanking	<p>This feature allows you to adjust the displayable region within the four directions of the projection surface.</p> <p>When the projected image is displayed smaller than the entire projection surface using the Aspect or Screen Aspect setting, blanking may not be applied.</p> <p>Select the edge to adjust from "Left," "Right," "Top," and "Bottom" using the $\blacktriangle/\blacktriangledown$ keys.</p> <p>Adjust the amount of blanking using the $\blacktriangleleft/\blacktriangleright$ keys.</p>
Panel Alignment	<p>This feature allows you to adjust the gaps in the color of characters or the picture.</p> <p>When set to "On," "Adjust Color" and "Pattern Color" can be assigned and adjusted.</p> <p>Depending on the adjustment value of "Panel Alignment," the color and resolution may be changed.</p> <p>Adjust Item: Selects how to make adjustments from below.</p> <p>Shift: Shifts the whole picture and makes adjustments.</p> <p>Zone: Selects the desired range and makes adjustments.</p> <p>Adjust Color: Assigns the desired color to adjust the gaps in color. Select "R" (Red) or "B" (Blue) to make adjustments based on "G" (Green).</p> <p>Pattern Color: Select "R/G" (Red and Green) or "R/G/B" (White, all colors) when "Adjust Color" is "R" (Red). Select "B/G" (Blue and Green) or "R/G/B" (White, all colors) when the "Adjust Color" is "B" (Blue).</p> <p>Adjust: The shift adjustment and zone adjustment of the color selected in "Adjust Color" can be made with $\blacktriangle/\blacktriangledown/\blacktriangleleft/\blacktriangleright$ keys.</p> <p>Reset: The panel alignment settings are initialized to their factory preset values.</p>

Setting items	Description
Uniformity	<p>This feature allows you to adjust color uniformity. Select the appropriate brightness level from level 0 to level 11. Also, select the desired range to adjust the color.</p> <p>Level: Select the brightness level (0-11) to adjust the brightness of the screen.</p> <p>Area: Top Left: Select the top-left point to specify the adjustment range.</p> <p>Area: Bottom Right: Select the bottom-right point to specify the adjustment range.</p> <p>R: Adjusts the red level in the selected range.</p> <p>G: Adjusts the green level in the selected range.</p> <p>B: Adjusts the blue level in the selected range.</p> <p>Reset: Resets all of the adjusted values.</p>

- *1: Depending on the position adjusted with the lens shift feature, the aspect ratio of the image may change from the original or projected image may be distorted with Keystone adjustment.
- *2: You cannot adjust anything other than the targeted adjustment zones in "Zone Black Level."
- *3: When selecting the correction zone of "Zone Black Level" the targeted correction zone flashes twice.
- *4: When entering the Zone Fitting adjustment, the whole screen flashes twice to indicate the division state of the area.

① The Information Menu

The Information menu enables you to confirm various information on the projector, such as the total usage hours of a light.

Items	Description
Model Name	Displays the model name.
Serial No.	Displays the serial number.
fH (horizontal frequency)/ fV (vertical frequency)	Displays the horizontal frequency/vertical frequency/signal type of the current input signal. These items may not be displayed depending on the input signal.
Light Timer	Indicates the total usage time of a light.

Network Features

Using Network Features

Connection to the network allows you to perform the following.

Use the projector with only necessary functions enabled.

- Checking the current status of the projector.
- Remotely controlling the projector.
- Receiving the e-mail report for the projector.
- Making the network settings for the projector.
- Monitoring networks and supporting control protocol (Advertisement, ADCP, PJ Talk, PJ Link, SNMP, AMX DDDP [Dynamic Device Discovery Protocol], Crestron RoomView).
- Using the HTML Viewer Function.
- Setting the time for the HTML viewer.
- Restoring the network settings to their factory defaults.
- Using the Software Update Function.

Notes

- When connecting this projector with the network, consult with the network administrator. The network must be secured.
- When using this projector connected with the network, access the control window via a Web browser and change the access limitation of the factory preset values (page 37). It is recommended to change the password regularly.
- When the setting on the Web browser is completed, close the Web browser to log out.
- Supported Web browsers are Internet Explorer (version 11 or later), Safari, and Chrome.
- The menu displays only English.
- If the browser of your computer is set to [Use a proxy server] when you have access to the projector from your computer, click the check mark to set accessing without using a proxy server.
- SNMP, AMX DDDP, and Crestron RoomView do not support IPv6.
- The following menu displays used for the explanation may be different depending on the model you are using.

Displaying the Control Window of the Projector with a Web Browser

- 1 Connect the LAN cable (page 11).
- 2 Set the network settings for the projector using "Network Setting" in the Connection/Power menu (page 31).
- 3 Start a Web browser on the computer, enter the following in the address field, then press the Enter key on your computer.

http://xxx.xxx.xxx.xxx

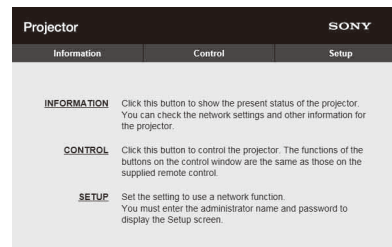
(xxx.xxx.xxx.xxx: IP address for the projector)

When connecting with the IPv6 address

http://[xxxx:xxxx:••• xxxx]

You can confirm the IP address of the projector under "Network Setting" in the Connection/Power menu (page 31).

The following window appears in the Web browser.

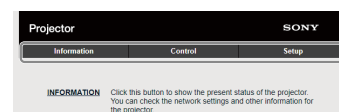


Once you make the network settings, you can open the control window only by performing step 3 of this procedure.

Operating the control window

Switching the page

Click one of the Page Switching buttons to display the desired setting page.



Page Switching buttons

Setting the access limitation

You can limit a user for accessing any particular page.

- Administrator:** Allowed access to all pages
- User:** Allowed access to all pages except the Setup page

When you access the Setup page for the first time, input "root" as the user name and "Projector" as the password in the authentication dialog. When you log in for the first time, the window that prompts you to change the password is displayed. Follow the instructions on the screen to change the password. The name of the administrator is preset to "root."

Set Password
This is the first access to this page.
Please change the administrator's password to continue.

New Password:

Confirm:

Projector SONY

Information Control Setup

Owner Information Administrator
Name: root
Password:
Confirm Password:

User
Name:
Password:
Confirm Password:

Entry area for [Administrator]

Entry area for [User]

The password can be changed in the Password page in the Setup page.

The password of the administrator and user should be 8 to 16 characters that includes both alphabet and numeric characters. Alphabet is case-sensitive.

The default password "Projector" cannot be set as a new password.

Note

If you forget your password, consult with qualified Sony personnel. The password will be reset with your permission.

Confirming the Settings for the Projector

You can confirm the current settings for the projector on the Information page.

Projector SONY

Information Control Setup

Information
PROJECTOR Model Name
Serial No
Location

STATUS Power Input

NETWORK IPv4
IP Address Setup
IP Address
Subnet Mask
Default Gateway
IPv6
IPv6 Address Setup
IPv6 Address
Prefix
IPv6 Address2
Prefix2
Default Gateway
MAC Address

Information area

Operating the Projector from a Computer

You can control the projector from the computer on the Control page.

The functions of the buttons shown in the operation area are the same as those of the keys on the supplied Remote Commander.

Projector SONY

Information Control Setup

INPUT INPUT A INPUT B INPUT C INPUT D INPUT E INPUT F INPUT G

FREEZE BLANK MUTEING APA

LENS ZOOM SHIFT FOCUS

ASPECT KEYSTONE POSITION

MENU ENTER RETURN RESET PIC. MODE

Operation area

Using the e-mail Report Function

Set the e-mail report function on the Setup page. Entered values will not be applied unless you click on [Apply].

Notes

- The e-mail report function is not available on the network where Outbound Port25 Blocking is used and cannot connect to the SMTP server.
- You cannot enter the following characters in the text box: " ' , " " " \ " " & " " < " " > "

- 1 Click on [Owner information] to enter the owner information recorded in the e-mail report.

Owner information button

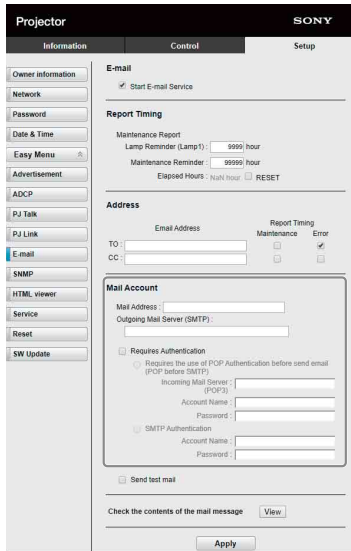
- 2 Click on [Advanced Menu], then [E-mail] to display the E-mail page.
Set the timing of the e-mail report.
Start E-mail Service: Set the E-mail function to enabled or disabled.
Maintenance Reminder: Set the timing for maintenance. To reset Maintenance Reminder, check the RESET box and then click on [Apply].

Advanced Menu button

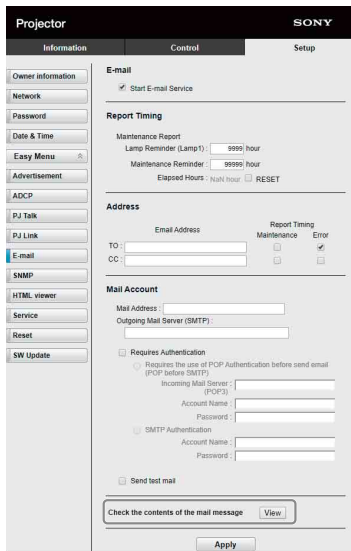
E-mail button

- 3 Enter the outgoing e-mail address in the Address box then check the Report Timing box of the e-mail report to be sent.

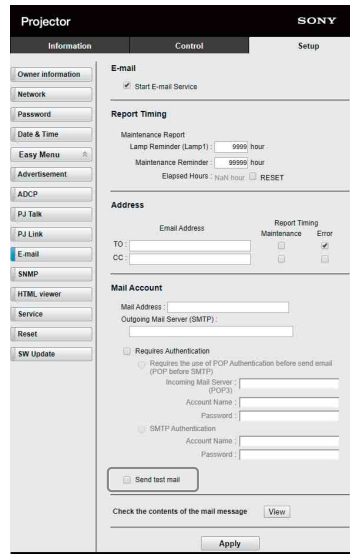
- 4 Set the mail account for sending e-mail reports.
Mail Address: Enter the e-mail address.
Outgoing Mail Server (SMTP): Enter the address of outgoing mail server (SMTP).
Required Authentication: Check this box if authentication is required for sending e-mail.
Requires the use of POP Authentication before send email (POP before SMTP): Check this box to arrange for POP authentication to be performed before sending e-mail.
Incoming Mail Server (POP3): Enter the address of the incoming-mail server (POP3) to be used for POP3 authentication.
Account Name: Enter the mail account.
Password: Enter the password.
SMTP Authentication: Check this box to arrange for SMTP authentication to be performed before sending e-mail.
Account Name: Enter the mail account.
Password: Enter the password.



- 5 Confirm the content of the e-mail report. When you click on [View], the content of the e-mail report are displayed.



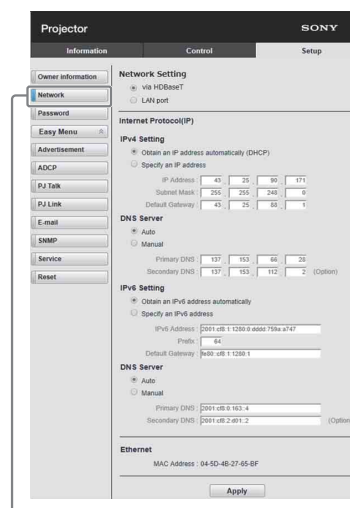
- 6 Send the test mail. To send your test mail to the preset e-mail address, check the Send test mail box then click on [Apply].



Configure the Network Settings

You can configure the network settings for the projector in "Network Setting" of the Connection/Power menu. Also, you can set the network function on the Setup page. Entered values on the Setup page will not be applied unless you click on [Apply].

- 1 Click on [Network] to display the Network page.



Network button

- 2 Set the Internet protocol in [Network Setting].
Via HDBaseT: Set the network settings for the HDBaseT terminal.
LAN port: Set the network settings for the LAN port.

- 3 Set the items for Internet protocol.

(a) IPv4/IPv6 address

Obtain an IP address automatically (DHCP):

Automatically provides the IP Address provided by a DHCP server.

Specify an IP address: Set the network manually.

-IP Address: Input the IP address of the projector.

-Prefix: For IPv6, input the prefix (bit) of the projector.

-Subnet Mask: Input the subnet mask of the projector.

-Default Gateway: Input the default gateway of the projector.

(b) DNS server

Auto: Automatically provides the IP Address provided by a DHCP server.

Manual

-Primary DNS: Input the primary DNS server of the projector.

-Secondary DNS: Input the secondary DNS server of the projector.

- 4 Set the items for Ethernet.

MAC Address: Displays the MAC address of the projector.

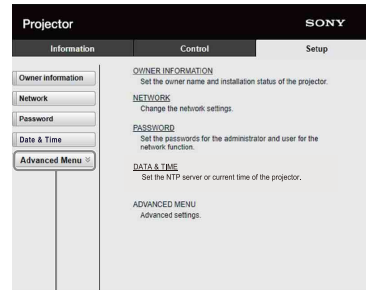
Note

Different MAC addresses for the HDBaseT terminal or LAN port are provided to the projector. The DHCP server provides different IP addresses/ DNS for the HDBaseT terminal or LAN port.

Setting the Control Protocol of the Projector

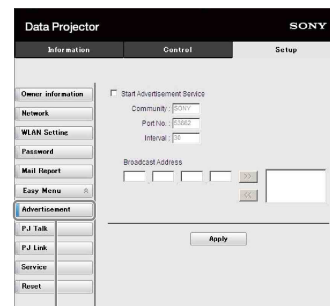
Change the settings for the control protocol on the Setup page. Entered values will not be applied unless you click on [Apply].

- 1 Click on [Advanced Menu] to display the Setup page.



Advanced Menu button

- 2 Click on [Advertisement] to display the Advertisement page.



Advertisement button

Start Advertisement Service: Set

Advertisement to enabled or disabled.

Items for Advertisement are enabled only when this function is enabled.

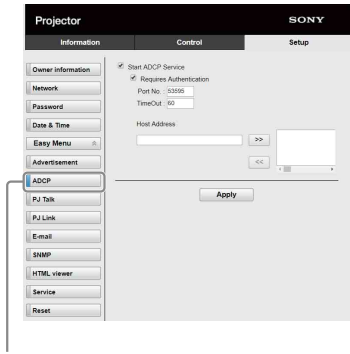
-Community: Input the community name for Advertisement and PJ Talk. If the community name for Advertisement is changed, the one for PJ Talk will also be changed. Only four alphanumeric characters can be input. The factory default setting is "SONY." To avoid unwanted access to the projector from other computers, changing the community name of the factory default is recommended.

-Port No.: Input the transmit port of Advertisement. The factory default setting is "53862."

-Interval: Input the transmission interval (seconds) of Advertisement. The factory default setting is "30."

-Broadcast Address: Input the destination of data via Advertisement. If nothing is input, the data will be broadcast in the same subnetwork.

3 Click on [ADCP] to display the ADCP page.



ADCP button

Start ADCP Service: Set ADCP to enabled or disabled. Items for ADCP are enabled only when this function is enabled.

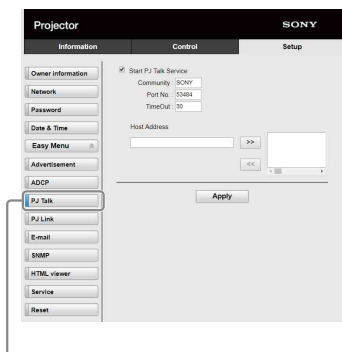
-Requires Authentication: Set the authentication for ADCP to enabled or disabled. The password is the same as that of the Web page administrator.

-Port No.: Input the server port of ADCP. The factory default setting is "53595."

-Timeout: Input the time (seconds) until ADCP communication is terminated in case it is disconnected. The factory default setting is "60."

-Host Address: Input the IP address that the ADCP server is allowed to receive. If no IP address is input, receiving commands will be allowed from any IP address. From the moment the IP address is input, access will be allowed only from that input IP address. For security reasons, it is recommended to input an IP address to restrict access.

4 Click on [PJ Talk] to display the PJ Talk page.



PJ Talk button

Start PJ Talk Service: Set PJ Talk to enabled or disabled. Items for PJ Talk are enabled only when this function is enabled.

-Community: Input the community name of Advertisement and PJ Talk. If the community name for PJ Talk is changed, the one for Advertisement will also be changed. Only four alphanumeric characters can be input. The factory default setting is "SONY." To avoid unwanted access to the projector from other computers, changing the community name of the factory default is recommended.

-Port No.: Input the server port of PJ Talk. The factory default setting is "53484."

-Timeout: Input the time (seconds) until PJ Talk communication is terminated in case it is disconnected. The factory default setting is "30."

-Host Address: Input the IP address that the PJ Talk server is allowed to receive. If no IP address is input, receiving commands will be allowed from any IP address. From the moment the IP address is input, access will be allowed only from that input IP address. For security reasons, it is recommended to input an IP address to restrict access.

5 Click on [PJ Link] to display the PJ Link page.



PJ Link button

Start PJ Link Service: Set PJ Link to enabled or disabled. Items for PJ Link are enabled only when this function is enabled.

-Requires Authentication: Set the authentication for PJ Link to enabled or disabled.

-Password: Input the authentication password for PJ Link.

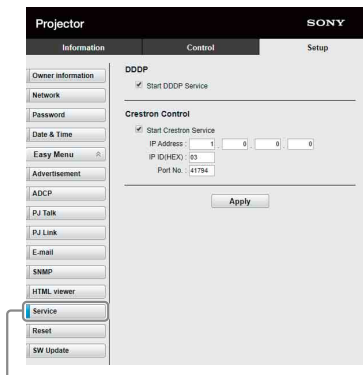
- 6 Click on [PJ Control API] to display the PJ Control API page.



PJ Control API button

- Start PJ Control API Service:** Set PJ Control API to enabled or disabled.
- Requires Authentication:** Set the authentication for PJ Control API to enabled or disabled.
 - PSK(Pre-Shared Key):** Input the PSK (Pre-Shared Key) for authentication. Only 8 to 63 alphanumeric characters can be input.

- 7 Click on [Service] to display the Service page. The system service function is set.

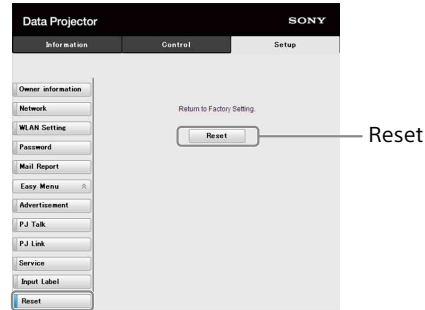


Service button

- Start DDDP Service:** Set DDDP to enabled or disabled. For details, refer to the DDDP specifications from AMX Corporation.
- Crestron Control:** Set Crestron Control to enabled or disabled. For details, refer to the product catalogues, etc., from Crestron Corporation.
- IP Address:** Input the Crestron system server.
 - IP ID(HEX):** Input the IP ID(HEX) for the CIP protocol.
 - Port No.:** Input the port number for the CIP protocol server.

Resetting the network settings

Reset the network settings to their factory defaults.



Reset button

Reset: Reset all Web browser settings to their factory defaults.

About the HTML Viewer Function

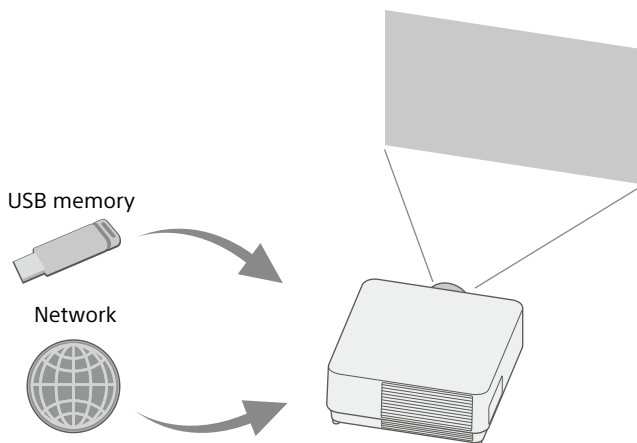
You can set the HTML viewer (INPUT G) as the background when no signal is input to the projector or the projector is not operated. Select "Input-G" in "Background" of the Function menu when using the HTML viewer. When no signal is detected, the input source automatically switches to INPUT G. When an input signal is detected, it switches from INPUT G to the previous input signal.

Recommended format for still images (For tag)

Format	Resolution
JPEG	Up to 1920×1080
PNG	
BMP	
GIF	

The HTML viewer function is displayed by INPUT G. Switch to INPUT G using the input key on the Remote Commander.

The HTML file can be loaded from the network or USB memory.



About the content

- The content is displayed at 1920×1080 fixed resolution.
- You can set the time used on the HTML viewer in the Date & Time page (page 45).
- You can reload the content using the ENTER key on the Remote Commander or the unit.

Displaying the HTML content of the USB memory on the HTML viewer

- 1 Set "Input-G Cont. Sel." to "USB" in the Connection/Power menu (page 31).
- 2 Prepare HTML content.
The HTML content consists of element of title, image, and text and index.html is specified as the file name.
- 3 Store the HTML content in the root folder of a USB memory.
The root folder is the first or top-most directory in a hierarchy of the USB memory.
- 4 Insert the USB memory to the USB port of the main unit (page 5).

Displaying the HTML content on the HTML viewer via the network

- 1 Set "Input-G Cont. Sel." to "Network" in the Connection/Power menu (page 31).
- 2 Configure the network settings (page 31).

- 3 Specify the HTML content location in the network.

Setting the HTML viewer



HTML viewer button

Read the HTML contents from inserted USB memory: Read an HTML file from the USB memory.

Playback contents from URL (HTTP server): Load an HTML file via a network.

URI: When loading the content via a network, enter the content location (URI).

Address: When loading the content via a network, enter the address of the proxy server used in the network.

Refer to the following and enter the address. Do not enter schemes such as http.

For example: sample_proxy.proxy.com

Port: When loading the content via a network, enter the port of the proxy server used in the network.

URL Control Access List *1: Enter the URL for the HTML file to access to.

*1 Enter the full URL including the URL that you entered in the URI field.
The HTML file will be denied access to the URL without entries and the content is not displayed.

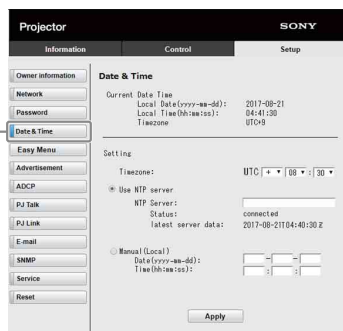
Notes

- While displaying two pictures, the background will be black even if "Background" is set to "Input-G" in the Function menu.
- The USB 2.0 memory device of up to 8 GB is available for the projector. However, all the USB memory devices are not guaranteed for use on the projector.
When you format the USB memory, make sure to do so with a FAT32 file system. If you format the USB memory with a file system other than FAT32, you cannot use the USB memory for the projector.
- The same languages used in the projector are supported. However, special characters may not be displayed. You cannot add more fonts and languages.

- The HTML content should be less than 512 MB. HTML content larger than 512 MB may not be displayed appropriately.
- Some types of content or the network environment may affect the connection quality such. For example, loading may take a longer time.
- The "Auto Power Saving" function is not enabled while using the HTML viewer (page 31).
- The HTML viewer does not have an interface to work on the content, such as selecting a button or link displayed on the content. You cannot close the window, warning dialog, or authentication message on the content. Scrolling a window on the HTML viewer is not available. Set the content size in advance to fit in the window of the projector.
- Browser extensions, such as plug-in cannot be installed on the projector.
- The content cannot be displayed if it is encrypted by protocol such as SSL or TLS.

Setting the time (for the HTML viewer)

You can set the date and time for the HTML viewer. Use the date and time set in advance for INPUT G (HTML viewer). You can set the time in [Manual (Local)] or [NTP Server].



Date & Time button

Current Date Time: Display the current date and time by local time.

Setting: Enter the following items to set the date and time.

-Timezone: Set the time zone. Summer time is unavailable.

-Use NTP server: Select when obtaining the time via a network (NTP server).

-NTP Server: Enter the NTP server.

-Status: Display the connection status to the NTP server.

-latest server data: Display the information last obtained from the NTP server.

Manual(Local): Select when setting the date and time manually.

Date(yyyy-mm-dd): Enter the date.

Time(hh:mm:ss): Enter the time.

Using the Software Update Function

You can update the software of the projector via the network.

The update files can be downloaded from the following Sony website. For details, see "Updating the Software" (page 52).

Note

You can update the software via a network when Power status is in STANDBY.

- 1 Click on [SW Update] to display the SW Update page.



SW Update button

System Info.: Check the software version.

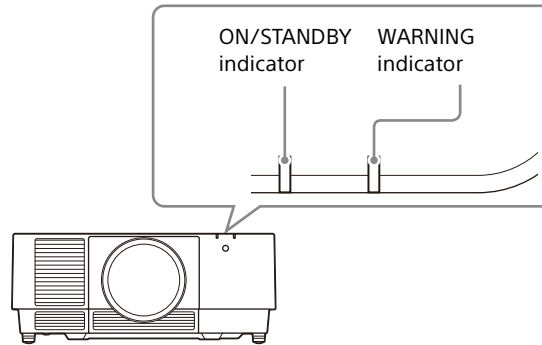
Power status: Check the power source status of the projector.

Select File: Select the file to be updated.

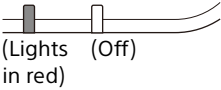
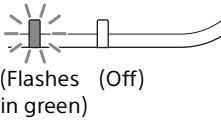
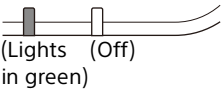
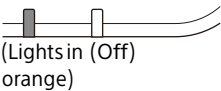
Error Handling

Indicators

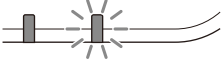
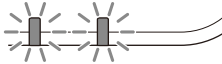
You can check the projector status or abnormality by checking the lighting/flashing status of the ON/STANDBY indicator and WARNING indicator on the front. If the indicators flash in red, address the problem in accordance with "Warning indication and remedies" (page 47).



Status indication

Indicator status	Operating status	Description
 (Lights in red) (Off)	Standby	The power is supplied to the projector and the projector is in a standby mode according to the setting.
 (Flashes in green) (Off)	Warm-up	The projector warms up after it is turned on, or the software update is in progress.
 (Lights in green) (Off)	Ready	The projector is ready for projection.
 (Lights in orange) (Off)	Other standby status	The projector is in With No Input (Light Cutoff), or Quick Reboot standby mode.

Warning indication and remedies

Indicator status	Number of flashes	Meaning/Remedies
 (Lights in red) (Flashes in red)	Twice	The filter cover or air filter is not installed securely. Check how the filter cover or air filter is attached and install it securely (page 51).
	Three times	The light source does not light properly. Unplug the AC power cord and make sure the ON/STANDBY indicator turns off, then plug the AC power cord into the wall outlet and turn on the projector.
	Four times	An error is detected when updating the software of the unit. Unplug the AC power cord and make sure the ON/STANDBY indicator turns off. Check the USB or LAN connection before plugging the AC power cord into the wall outlet and turning on the projector. Then update the software again (page 52).
	Six times	A strong shock to the projector is detected. If there is no visible abnormality, unplug the AC power cord and make sure the ON/STANDBY indicator turns off, then plug the AC power cord into the wall outlet and turn on the projector.
	Eight times	The lens is not attached appropriately. Check how the lens is attached and install it securely (page 13).
 (Flashes in red) (Flashes in red) Both indicators flash	Twice	The temperature in the projector is abnormal. Perform the following. <ul style="list-style-type: none"> • Check if the air filter is clogged, then clean or replace it (page 51). • Check if the ventilation holes (intake/exhaust) are not blocked by the wall or an object and secure a sufficient gap (page 4). • Check the ambient temperature and use the projector within the range of operating temperature (page 53).

If the indicators flash in a manner other than described above, unplug the AC power cord and make sure the ON/STANDBY indicator turns off, then plug the AC power cord into the wall outlet and turn on the projector.

If the problem still persists, consult with qualified Sony personnel.

Messages List

When any of the following messages appears on the projected image, solve the problem as shown in the next table.

Message	Description/Remedy
Clean the filter. Projector temperature is high. Switching to High Altitude Mode.	Temperature in the projector has increased. As a countermeasure against use at an altitude of 1,500 m or higher, set "High Altitude Mode" to "On." If you are not using the projector at a high altitude, perform the remedies below and set "High Altitude Mode" to "Auto" (page 34). <ul style="list-style-type: none"> • Check that the air filter is clogged, then clean or replace it (page 51). • Check that the ventilation holes (intake/exhaust) are not blocked by a wall or an object and secure a sufficient gap (page 4). • Check the ambient temperature and use the projector within the range of operating temperature (page 53).
Clean the filter. Projector temperature is high. The light will turn off in 1 minute.	Temperature in the projector has increased. Perform the remedies below. <ul style="list-style-type: none"> • Check that the air filter is clogged, then clean or replace it (page 51). • Check that the ventilation holes (intake/exhaust) are not blocked by a wall or an object and secure a sufficient gap (page 4). • Check the ambient temperature and use the projector within the range of operating temperature (page 53). • "High Altitude Mode" on this projector is set to "On." Set the setting that suits the operating environment.
Frequency is out of range!	Change the output setting of the connected device to one for signals supported by the projector (page 57).
Please check Input-A Signal Sel.	Set "Input-A Signal Sel." to "Auto" or select the input signal type to suit to the input signal (page 31).
Not applicable!	Press the appropriate key on the Remote Commander or control panel (page 6).
The control keys are locked!	"Control Key Lock" is set to "On" (page 30).
Lens Control is locked!	"Lens Control" is set to "Off" (page 30).
Light Dimming	Reduces light output when "With Static Signal" is set (page 31). When any change in signal is detected, or an operation (Remote Commander or control panel) is performed, normal brightness is restored.
Constant Brightness cannot be maintained.	Although "Constant Brightness" is selected, the brightness cannot be maintained due to the lifetime of the light source (page 25). Consult with qualified Sony personnel.
Filter cleaning will start. Tapping sounds will occur.	Turn off the projector and clean the air filter in standby mode (page 34).

Troubleshooting

Check the following before asking for repair service. If the problem still persists, consult with qualified Sony personnel.

Power

Symptom	Remedy
The power is not turned on.	Check if the AC power cord is firmly connected. When the "Control Key Lock" is set to "On," you cannot turn on the projector using the I/⏻ key on the projector (page 30). Check how the air filter is attached and install it securely (page 51).

Picture

Symptom	Remedy
No image	Check if the connecting cable is connected to external device properly (page 8). Check if the computer signal is set for output to an external monitor. If you set your computer, such as a notebook computer, to output the signal to both your computer's display and an external monitor, an image may not appropriately displayed on the external monitor. Set your computer to output the signal to only an external monitor (page 16). Check if the input source is correctly selected (page 16). Check if an image is cut off (page 7). During "Zone Black Level" adjustment, a black image is automatically projected (page 34).
No image/image disturbance	Set "HDMI Cable" to "Long" (page 31).
The color of image has changed.	The color calibration may have been performed. To restore the color or the factory default settings, select "Return" or "Reset" in "Color Calibration" (page 29).
Unintended images are output.	The color calibration may be being performed. While performing the color calibration, the color calibration pattern is displayed automatically. Wait until the pattern turns off after completing the color calibration. When you press the I/⏻ key on the projector or the ⏻ key on the Remote Commander, the pattern is turned off and the color calibration function is disabled (page 6, 29).
Flicker in the screen occurs.	Flicker in the screen may occur transiently due to switching signals, but it is not malfunction.

On-screen display

Symptom	Remedy
On-screen display does not appear.	The on-screen display does not appear when "Status" in the Operation menu is set to "Off" or "All Off" (page 30).
The aspect ratio is not correct./An image is displayed smaller./A part of image does not appear.	The image may not be displayed correctly with an input signal the projector cannot interpret correctly. In such a case, set "Aspect" manually (page 27, 28). Check if "Screen Aspect" is correctly selected (page 34).
The image is a trapezoid.	The images become trapezoidal because of the projection angle. In such a case, you can correct the trapezoidal distortion, using a Keystone feature (page 6, 18, 33).
Edges of the image are cut off or dark.	If you use the lens shift function over the recommended lens shift range, edges of the image may be cut off or appear dark. Use a setting within the normal range for the lens shift function (page 58).
The image is distorted.	Warping is set. Disable the warp correction feature (page 19, 33).

Symptom	Remedy
The image is dark/too bright.	<p>The settings for "Brightness," "Contrast," and "Light Output Mode" affect brightness of the image. Check if the value is appropriate (page 24).</p> <p>"With Static Signal" is set to "On" (page 31).</p> <p>When video signal is not input, the light is dimmed to reduce power consumption (page 31).</p> <p>When the temperature around the unit is high, the brightness may be reduced to protect the unit.</p>
The image is not clear.	<p>Check if the projector is in focus (page 17).</p> <p>The picture will not be clear if condensation has accumulated on the lens. In such a case, let the projector sit for about two hours with the power on.</p>
Noise appears on the image.	<p>Check if the connecting cable is connected to external device properly (page 8).</p>

Remote Commander

Symptom	Remedy
The Remote Commander does not work.	<p>Check that the batteries are installed correctly.</p> <p>Check that the batteries are not exhausted.</p> <p>Check if the "ID Mode" of the projector corresponds to that of the Remote Commander (page 7, 30).</p> <p>Check the setting for "IR Receiver" (page 30).</p>

Others

Symptom	Remedy
The fan is noisy.	<p>The sound from the fan is often greater than normal to cool the light source in the following cases (page 25, 34).</p> <ul style="list-style-type: none"> • When "Light Output Mode" is set to "Standard." • When "Location" in "Intelligent Setting" is set to "Entertainment." • The projector is in at high altitude ("High Altitude Mode" is set to "On") • Temperature is very high. <p>• Check that the air filter is clogged, then clean or replace it (page 51).</p> <p>• Check that the ventilation holes (intake/exhaust) are not blocked by a wall or an object and secure a sufficient gap (page 4).</p>
The network is not available.	<ul style="list-style-type: none"> • The router may not be appropriately set. For details on the settings, refer to the operating instructions or Website of the router, or consult a relevant manufacturer. • Check the LAN cable connection. Unplug the AC power cord and wait for a while, then plug the AC power cord into a wall outlet and turn on the projector by using the I (On) key on the control panel.

Cleaning the Air Filter

When the message that prompts cleaning the air filter appears, clean the air filter.

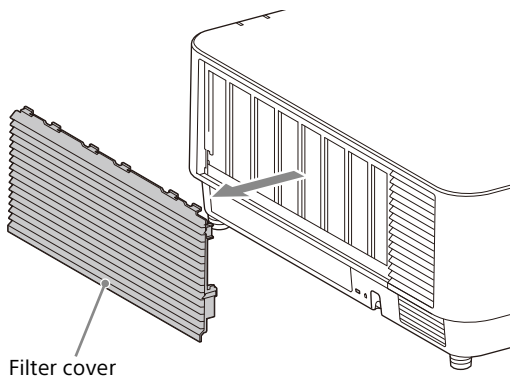
If the dust cannot be removed from the air filter even after cleaning, replace the air filter with a new one.

For details on a new air filter, consult with qualified Sony personnel.

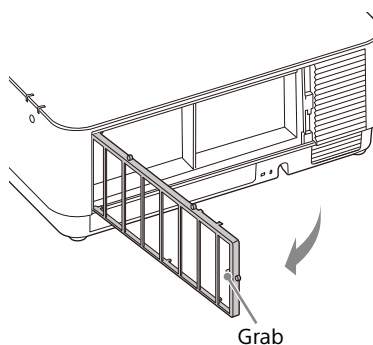
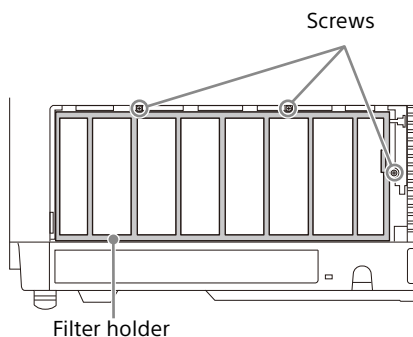
Caution

If you continue to use the projector even after the message is displayed, dust may accumulate, clogging it. As a result, the temperature may rise inside the unit, leading to a possible malfunction or fire.

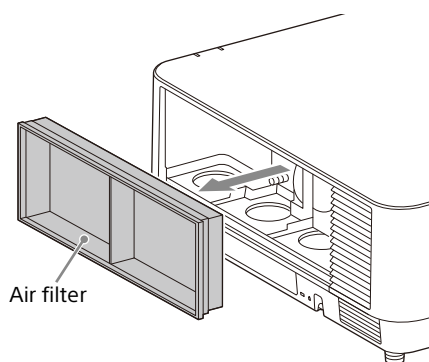
- 1 Turn off the projector and disconnect the AC power cord from a wall outlet.
- 2 Slide the filter cover downward by pushing its upper corners on both sides to remove the filter cover.



- 3 Loosen the three screws and pull out the filter holder by pinching the grab on the right side and rotating the filter holder.

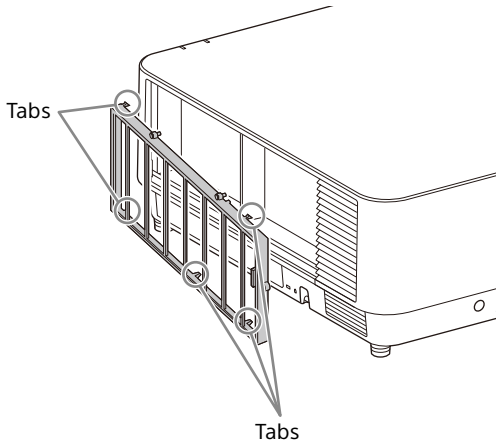


- 4 Pull out the air filter from the main unit.

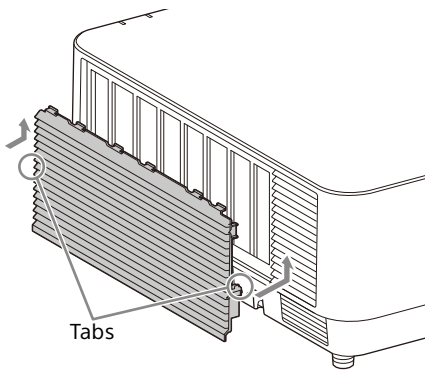


- 5 Clean the air filter with a vacuum cleaner.

- 6** Replace the air filter and attach the filter holder.
When attaching the filter holder, first insert the two tabs on the left, insert the three tabs on the right, and tighten the three screws.



- 7** Insert the tabs on the filter cover and slide the filter cover upward.



Note

Be sure to attach the air filter firmly; the power cannot be turned on if it is not attached securely.

Updating the Software

Updating the Software via the USB Memory

To update the software of the unit, download files for update to your computer. Copy the downloaded files to your USB memory and insert the USB memory to the USB port of the unit.

You are required to prepare a USB memory device, and the environment that your computer can be connected to the Internet and update files can be written on the USB memory.

The update files can be downloaded from the Sony website.

For details, refer to the following website.

<https://pro.sony.com>

<https://www.sony.jp/vpl/> (Access from Japan)

Updating the Software via the Network

To update the software of the unit via the network, connect the computer to the LAN that the projector is connected to.

The update files can be downloaded from the Sony website.

For details, refer to the website or "Using the Software Update Function" on page 45.

<https://pro.sony.com>

<https://www.sony.jp/vpl/> (Access from Japan)

Notes

- USB 2.0 memory device up to 8 GB is available for the projector. However, all the USB memory devices are not guaranteed for use on the projector.
When you format the USB memory, make sure to do so with a FAT32 file system. If you format the USB memory with a file system other than FAT32, you cannot use the USB memory for the projector.
- Some USB memory devices may not be supported. For details, refer to the above website.
- Depending on the environment, it may take about 80 minutes to update.
- Do not unplug the power cable while updating the software.

Specifications

Item	Description	
Display system	3 LCD system	
Display device	Size of effective display area	1.0" (25.4 mm) × 3, Aspect ratio 16:10
	Number of pixels	6,912,000 (1920 × 1200 × 3) pixels
Light source	Laser diode	
Projected image size	40 inches to 600 inches (1.02 m to 15.24 m)	
Light output	VPL-FHZ131L: 13,000 lm ^{*1} (when "Light Output Mode" is set to "Standard") VPL-FHZ101L: 10,000 lm ^{*1} (when "Light Output Mode" is set to "Standard") VPL-FHZ91L: 9,000 lm ^{*1} (when "Light Output Mode" is set to "Standard")	
Displayable scanning frequency ^{*2}	Horizontal: 15 kHz to 92 kHz, Vertical: 48 Hz to 92 Hz	
Display resolution ^{*2}	Computer signal input	Maximum display resolution: 1920 × 1200 dots
	Video signal input	480/60i, 576/50i, 480/60p, 576/50p, 720/60p, 720/50p, 1080/60i, 1080/50i, 1080/60p, 1080/50p, 1080/30p, 1080/24p
Computer and video signal input/output	INPUT A	RGB/YPbPr input terminal: 5BNC female, G with sync/Y: 1 Vp-p ± 2 dB, sync negative, 75 ohms terminated, RGB/PbPr: 0.7 Vp-p ± 2 dB, 75 ohms terminated, Sync signal: TTL level high impedance, positive/negative
	INPUT B	RGB input terminal: Mini D-sub 15-pin female, RGB: 0.7 Vp-p ± 2 dB, 75 ohms terminated, Sync signal: TTL level high impedance, positive/negative
	INPUT C	DVI-D input terminal: DVI-D 24-pin (Single link), DVI 1.0 compliant, HDCP support
	INPUT D	HDMI input terminal: HDMI 19-pin, digital RGB/YPbPr, HDCP support
	INPUT E	HDBaseT terminal: RJ45 HDBaseT transmittable signal: HDMI (Video), RS-232C, Ethernet (100BASE-TX) HDBaseT LAN cable: STP cable with CAT5e or higher (straight type) (not supplied), Maximum length: 100 m
	OUTPUT	MONITOR output terminal: Mini D-sub 15-pin female, G with sync/Y: 1 Vp-p ± 2 dB, sync negative, 75 ohms terminated, RGB/PbPr: 0.7 Vp-p ± 2 dB, 75 ohms terminated, Sync signal: HD, VD 4 V (open), 1 Vp-p (75 ohms), positive/negative
Control signal input/output	RS-232C terminal: D-Sub 9 pin male	
	LAN terminal: RJ45, 10BASE-T/100BASE-TX/1000BASE-T	
Operating temperature	0°C to 45°C (32 °F to 113 °F)	
Operating humidity	20% to 80% (no condensation)	
Storage temperature	-10°C to +60°C (14°F to 140°F)	
Storage humidity	20% to 80% (no condensation)	
Power required	VPL-FHZ131L: AC 100 V to 240 V, 10.8 A to 4.4 A, 50/60 Hz VPL-FHZ101L: AC 100 V to 240 V, 8.4 A to 3.4 A, 50/60 Hz VPL-FHZ91L: AC 100 V to 240 V, 8.4 A to 3.4 A, 50/60 Hz	
Power consumption	AC 100 V to 120 V	VPL-FHZ131L: 1,076 W VPL-FHZ101L: 840 W VPL-FHZ91L: 840 W
	AC 220 V to 240 V	VPL-FHZ131L: 1,033 W VPL-FHZ101L: 814 W VPL-FHZ91L: 814 W

Item	Description	
Power consumption (Standby Mode)	AC 100 V to 120 V	0.50 W (when "Standby Mode" is set to "Low")
	AC 220 V to 240 V	0.50 W (when "Standby Mode" is set to "Low")
Power consumption (Networked Standby Mode)	AC 100 V to 120 V	21.6 W (LAN), 26.5 W (HDBaseT), 26.6 W (All Terminals and Networks Connected) (when "Standby Mode" is set to "Standard")
	AC 220 V to 240 V	21.3 W (LAN), 26.5 W (HDBaseT), 26.6 W (All Terminals and Networks Connected) (when "Standby Mode" is set to "Standard")
Heat dissipation	AC 100 V to 120 V	VPL-FHZ131L: 3,671 BTU/h VPL-FHZ101L: 2,866 BTU/h VPL-FHZ91L: 2,866 BTU/h
	AC 220 V to 240 V	VPL-FHZ131L: 3,524 BTU/h VPL-FHZ101L: 2,777 BTU/h VPL-FHZ91L: 2,777 BTU/h
Outside dimensions		544x225x572 mm (21 13/32" x 8 27/32" x 22 17/32") (W/H/D)
		544x205x564 mm (21 13/32" x 8 1/16" x 22 7/32") (W/H/D) (without protrusions)
Mass		VPL-FHZ131L: Approx. 27 kg (58 lb) VPL-FHZ101L: Approx. 26 kg (58 lb) VPL-FHZ91L: Approx. 26 kg (58 lb)
Supplied accessories		See "Checking the Supplied Accessories" in the supplied Quick Reference Manual.

*1: When attaching VPLL-Z4019.

*2: For details, refer to "Acceptable Input Signals" on page 57.

Optional accessories

- Not all optional accessories are available in all countries and area. Please check with your local Sony Authorized Dealer.
- Information on accessories in this manual is current as of April 2020.
- For details on the optional accessories, refer to their operating instructions.

Item	Description
Projection Lens VPLL-4008	Manual focus Projected image size: 40" to 600" (1.02 m to 15.24 m) Maximum external dimensions (W×H×D): 148×133×240 mm (5 13/16"×5 1/4"×9 7/16") Mass: Approx. 2.6 kg (5.6 lb)
Projection Lens VPLL-Z4111	Electric focus/zoom Picture Position supported-lens Projected image size: 60" to 600" (1.52 m to 15.24 m) Maximum external dimensions (W×H×D): 158×150×263 mm (6 7/32"×5 29/32"×10 11/32") Mass: Approx. 4.0 kg (8.8 lb)
Projection Lens VPLL-Z4015	Electric focus/zoom Projected image size: 40" to 600" (1.02 m to 15.24 m) Maximum external dimensions (W×H×D): 148×133×231 mm (5 13/16"×5 1/4"×9 3/32") Mass: Approx. 3.0 kg (6.6 lb)
Projection Lens VPLL-Z4019	Electric focus/zoom Projected image size: 40" to 600" (1.02 m to 15.24 m) Maximum external dimensions (W×H×D): 148×133×212 mm (5 13/16"×5 1/4"×8 11/32") Mass: Approx. 3.0 kg (6.6 lb)
Projection Lens VPLL-Z4025	Electric focus/zoom Projected image size: 40" to 600" (1.02 m to 15.24 m) Maximum external dimensions (W×H×D): 148×133×243 mm (5 13/16"×5 1/4"×9 9/16") Mass: Approx. 2.8 kg (6.2 lb)

Item	Description
Projection Lens VPLL-Z4045	Electric focus/zoom Projected image size: 60" to 600" (1.52 m to 15.24 m) Maximum external dimensions (W×H×D): 148×133×235 mm (5 13/16"×5 1/4"×9 1/4") Mass: Approx. 3.0 kg (6.6 lb)
Projection Lens VPLL-Z4107	Electric focus/zoom Projected image size: 60" to 600" (1.52 m to 15.24 m) Maximum external dimensions (W×H×D): 158 × 143 × 266 mm (6 7/32" × 5 5/8" × 10 15/32") Mass: Approx. 3.3 kg (7.2 lb)
3G-SDI INPUT Adaptor BKM-PJ20	For details, refer to the operating instructions of BKM-PJ20.

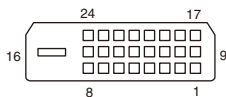
Note

The values for mass and dimensions are approximate.

Design and specifications of the unit, including the optional accessories, are subject to change without notice.

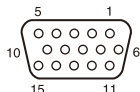
Pin assignment

DVI-D terminal (DVI-D, female)



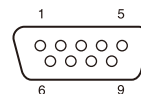
1	T.M.D.S. Data2-	14	+5 V Power
2	T.M.D.S. Data2+	15	Ground (return for +5 V)
3	T.M.D.S. Data2 Shield	16	Hot Plug Detect
4	NC	17	T.M.D.S. Data0-
5	NC	18	T.M.D.S. Data0+
6	DDC Clock	19	T.M.D.S. Data0 Shield
7	DDC Data	20	NC
8	NC	21	NC
9	T.M.D.S. Data1-	22	T.M.D.S. Clock Shield
10	T.M.D.S. Data1+	23	T.M.D.S. Clock+
11	T.M.D.S. Data1 Shield	24	T.M.D.S. Clock-
12	NC		
13	NC		

RGB input terminal (Mini D-sub 15-pin, female)



1	Video input (red) R	9	Power supply input for DDC
2	Video input (green) G	10	GND
3	Video input (blue) B	11	GND
4	GND	12	DDC/SDA
5	RESERVE	13	Horizontal sync signal
6	GND (R)	14	Vertical sync signal
7	GND (G)	15	DDC/SCL
8	GND (B)		

RS-232C terminal (D-Sub 9-pin, male)



1	NC	6	NC
2	RXDA	7	RTS
3	TXDA	8	CTS
4	DTR	9	NC
5	GND		

HDMI terminal (HDMI, female)



1	T.M.D.S. Data2+	11	T.M.D.S. Clock Shield
2	T.M.D.S. Data2 Shield	12	T.M.D.S. Clock-
3	T.M.D.S. Data2-	13	NC
4	T.M.D.S. Data1+	14	RESERVED (N.C.)
5	T.M.D.S. Data1 Shield	15	SCL
6	T.M.D.S. Data1-	16	SDA
7	T.M.D.S. Data0+	17	GND
8	T.M.D.S. Data0 Shield	18	+5V Power
9	T.M.D.S. Data0-	19	Hot Plug Detect
10	T.M.D.S. Clock+		

Acceptable Input Signals

Computer signal

Resolution	fH [kHz]/ fV [Hz]	Input terminal	
		INPUT A/ INPUT B	INPUT C/ INPUT D/ INPUT E
640 × 350	31.5/70	●	–
	37.9/85	●	–
640 × 400	31.5/70	●	–
	37.9/85	●	–
640 × 480	31.5/60	●	●
	35.0/67	●	–
	37.9/73	●	–
	37.5/75	●	–
	43.3/85	●	–
800 × 600	35.2/56	●	–
	37.9/60	●	●
	48.1/72	●	–
	46.9/75	●	–
	53.7/85	●	–
832 × 624	49.7/75	●	–
1024 × 768	48.4/60	●	●
	56.5/70	●	–
	60.0/75	●	–
	68.7/85	●	–
1152 × 864	64.0/70	●	–
	67.5/75	●	–
	77.5/85	●	–
1152 × 900	61.8/66	●	–
1280 × 960	60.0/60	●	●
	75.0/75	●	–
1280 × 1024	64.0/60	●	●
	80.0/75	●	–
	91.1/85	●	–
1400 × 1050	65.3/60	●	●
1600 × 1200	75.0/60	●	●
1280 × 768	47.8/60	●	●
1280 × 720	45.0/60	●	● ^{*1}
1920 × 1080	67.5/60	–	● ^{*1}
1366 × 768	47.7/60	●	●
1440 × 900	55.9/60	●	●
1680 × 1050	65.3/60	●	●
1280 × 800	49.7/60	●	●
1920 × 1200	74.0/60	● ^{*2}	● ^{*2}
1600 × 900	60.0/60	● ^{*2}	● ^{*2}

Video signal

Signal	fV [Hz]	Input terminal		
		INPUT A/ INPUT B	INPUT C/ INPUT D/ INPUT E	INPUT F ^{*3}
480i	60	●	●	●
576i	50	●	●	●
480p	60	●	●	–
576p	50	●	●	–
1080i	60	●	●	●
1080i	50	●	●	●
720p	60	●	● ^{*1}	●
720p	50	●	●	●
1080p	60	–	● ^{*1}	●
1080p	50	–	●	●
1080p	30	–	–	●
1080p	24	–	●	●

*1: INPUT C is determined as a computer signal; INPUT D/
INPUT E is determined as a video signal.

*2: Available for VESA Reduced Blanking signal only.

*3: Available for BKM-PJ20 only.

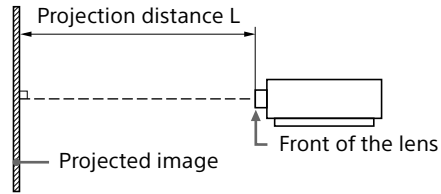
Notes

- When you input a signal other than the signals listed in the table, the picture may not be displayed appropriately.
- An input signal meant for screen resolution different from that of the panel will not be displayed in its original resolution. Text and lines may be uneven.
- Some actual value may differ slightly from the design values given in the table.

Projection Distance and Lens Shift Range

Projection distance

The projection distance refers to the distance between the front of the lens and the projected surface.



Unit: m (inches)

Projection image size		Projection distance L						
Diagonal	Width × Height	VPLL-4008	VPLL-Z4111	VPLL-Z4015	VPLL-Z4019	VPLL-Z4025	VPLL-Z4045	VPLL-Z4107
80" (2.03 m)	1.72×1.08 (68×42)	1.70 (67)	2.23 - 3.36 (88 - 132)	3.06 - 4.24 (121 - 167)	4.04 - 5.37 (159 - 211)	4.99 - 9.78 (197 - 385)	9.33 - 12.92 (368 - 508)	1.29 - 1.59 (51 - 62)
100" (2.54 m)	2.15×1.35 (85×53)	2.14 (84)	2.81 - 4.22 (111 - 166)	3.85 - 5.33 (152 - 209)	5.08 - 6.74 (200 - 265)	6.27 - 12.27 (247 - 483)	11.71 - 16.15 (461 - 635)	1.63 - 2.00 (64 - 78)
120" (3.05 m)	2.58×1.62 (102×64)	2.58 (102)	3.38 - 5.08 (133 - 200)	4.65 - 6.41 (183 - 252)	6.12 - 8.12 (241 - 319)	7.56 - 14.75 (298 - 580)	14.10 - 19.38 (555 - 763)	1.96 - 2.41 (77 - 94)
150" (3.81 m)	3.23×2.02 (127×79)	3.25 (128)	4.24 - 6.37 (167 - 250)	5.83 - 8.04 (230 - 316)	7.68 - 10.18 (303 - 400)	9.49 - 18.48 (374 - 727)	17.67 - 24.23 (696 - 953)	2.46 - 3.02 (97 - 119)
200" (5.08 m)	4.31×2.69 (170×106)	4.36 (172)	5.68 - 8.52 (224 - 335)	7.81 - 10.76 (308 - 423)	10.28 - 13.61 (405 - 536)	12.70 - 24.69 (500 - 972)	23.63 - 32.30 (931 - 1,271)	3.29 - 4.04 (130 - 159)

Projection distance formula

D: Projection image size (")

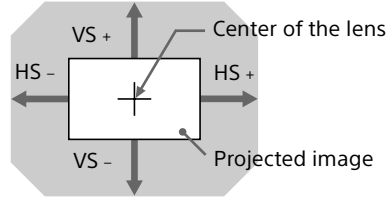
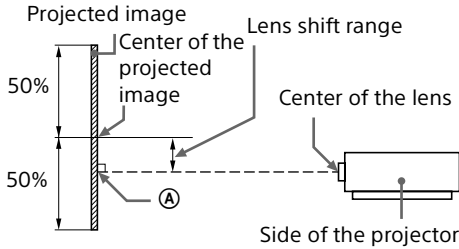
Example) Enter 80 in D for the 80" projection image size.

Unit: m (inches)

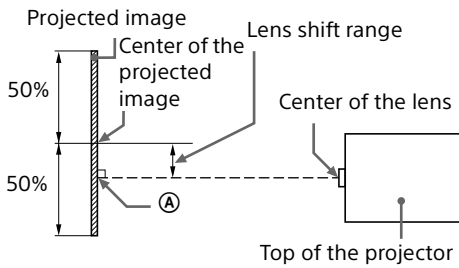
Lens	Projection distance L (minimal length)	Projection distance L (maximal length)
VPLL-4008	$L=0.022186 \times D - 0.0777$ ($L=0.873473 \times D - 3.0591$)	$L=0.000000 \times D + 0.0000$ ($L=0.000000 \times D + 0.0000$)
VPLL-Z4111	$L=0.028726 \times D - 0.0718$ ($L=1.130955 \times D - 2.8266$)	$L=0.042976 \times D - 0.0712$ ($L=1.691987 \times D - 2.8024$)
VPLL-Z4015	$L=0.039555 \times D - 0.1063$ ($L=1.557266 \times D - 4.1850$)	$L=0.054349 \times D - 0.1045$ ($L=2.139713 \times D - 4.1142$)
VPLL-Z4019	$L=0.052005 \times D - 0.1235$ ($L=2.047436 \times D - 4.8622$)	$L=0.068702 \times D - 0.1224$ ($L=2.704809 \times D - 4.8189$)
VPLL-Z4025	$L=0.064245 \times D - 0.1553$ ($L=2.529325 \times D - 6.1142$)	$L=0.124243 \times D - 0.1541$ ($L=4.891449 \times D - 6.0669$)
VPLL-Z4045	$L=0.119195 \times D - 0.2113$ ($L=4.692699 \times D - 8.3189$)	$L=0.161544 \times D - 0.0000$ ($L=6.359987 \times D - 0.0000$)
VPLL-Z4107	$L=0.016620 \times D - 0.0417$ ($L=0.654341 \times D - 1.6435$)	$L=0.020437 \times D - 0.0404$ ($L=0.804612 \times D - 1.5916$)

Lens shift range

The lens shift range represents the distance in percent (%) by which the lens can be shifted from the center of the projected image. The lens shift range is regarded as 0% when the point (A) in the illustration (point where a line drawn from the center of the lens and the projected image cross at right angles) is aligned with the center of the projected image and full width or full height of the projected image is regarded as 100%.

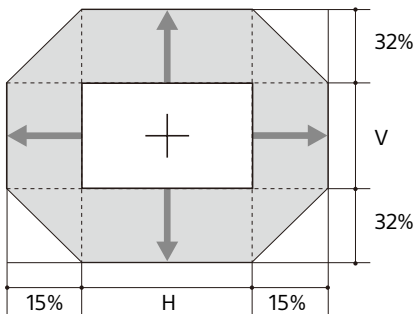


Shaded region: Lens shift range



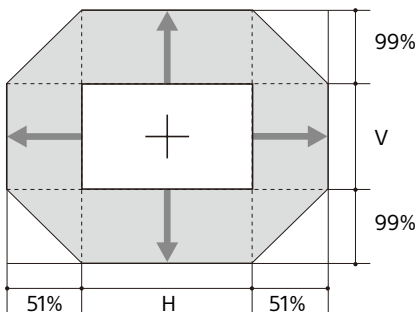
- VS +: Vertical lens shift range (up) [%]
- VS -: Vertical lens shift range (down) [%]
- HS +: Horizontal lens shift range (right) [%]
- HS -: Horizontal lens shift range (left) [%]

■ VPLL-4008



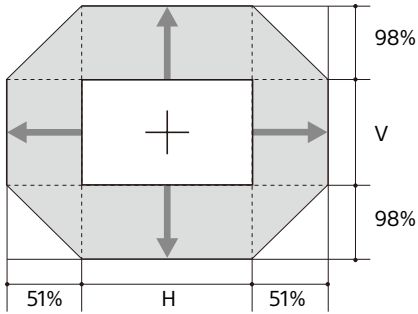
$$\begin{aligned}
 VS + &= 32 - 2.133 \times (HS + \text{ or } HS -) [\%] \\
 VS - &= 32 - 2.133 \times (HS + \text{ or } HS -) [\%] \\
 HS + &= HS - = 15 - 0.469 \times VS + [\%] \\
 HS + &= HS - = 15 - 0.469 \times VS - [\%]
 \end{aligned}$$

■ VPLL-Z4111



$$\begin{aligned}
 VS + &= 99 - 1.941 \times (HS + \text{ or } HS -) [\%] \\
 VS - &= 99 - 1.941 \times (HS + \text{ or } HS -) [\%] \\
 HS + &= HS - = 51 - 0.515 \times VS + [\%] \\
 HS + &= HS - = 51 - 0.515 \times VS - [\%]
 \end{aligned}$$

■ VPLL-Z4015



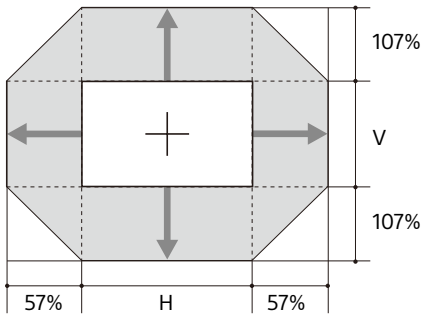
$$VS + = 98 - 1.922 \times (HS + \text{ or } HS -) [\%]$$

$$VS - = 98 - 1.922 \times (HS + \text{ or } HS -) [\%]$$

$$HS + = HS - = 51 - 0.520 \times VS + [\%]$$

$$HS + = HS - = 51 - 0.520 \times VS - [\%]$$

■ VPLL-Z4019/VPLL-Z4025/VPLL-Z4045



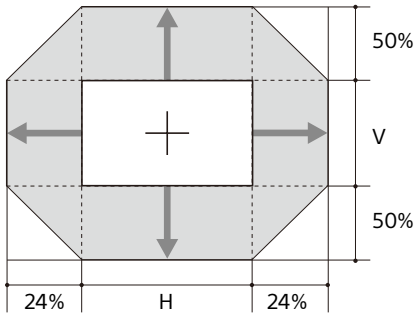
$$VS + = 107 - 1.877 \times (HS + \text{ or } HS -) [\%]$$

$$VS - = 107 - 1.877 \times (HS + \text{ or } HS -) [\%]$$

$$HS + = HS - = 57 - 0.533 \times VS + [\%]$$

$$HS + = HS - = 57 - 0.533 \times VS - [\%]$$

■ VPLL-Z4107



$$VS + = 50 - 2.083 \times (HS + \text{ or } HS -) [\%]$$

$$VS - = 50 - 2.083 \times (HS + \text{ or } HS -) [\%]$$

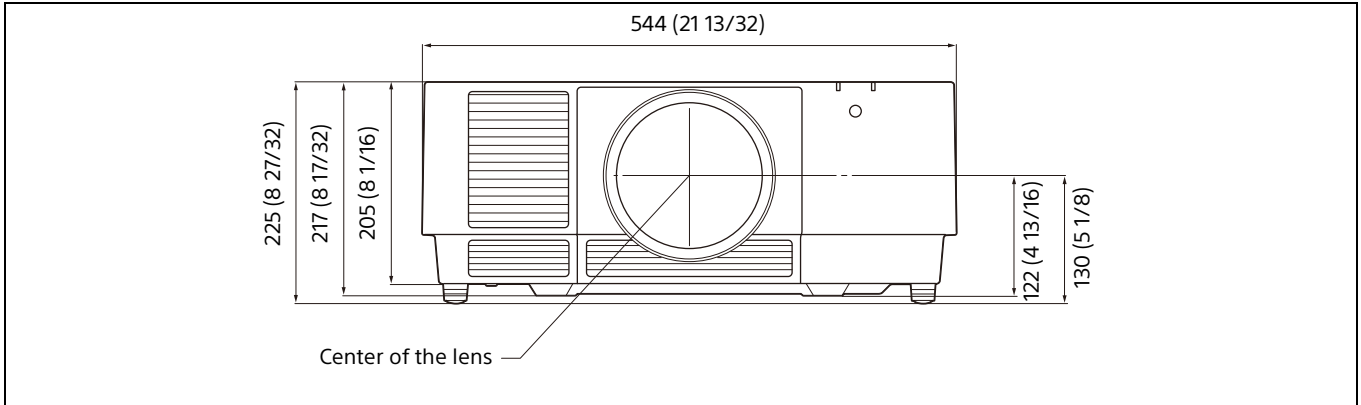
$$HS + = HS - = 24 - 0.480 \times VS + [\%]$$

$$HS + = HS - = 24 - 0.480 \times VS - [\%]$$

Dimensions

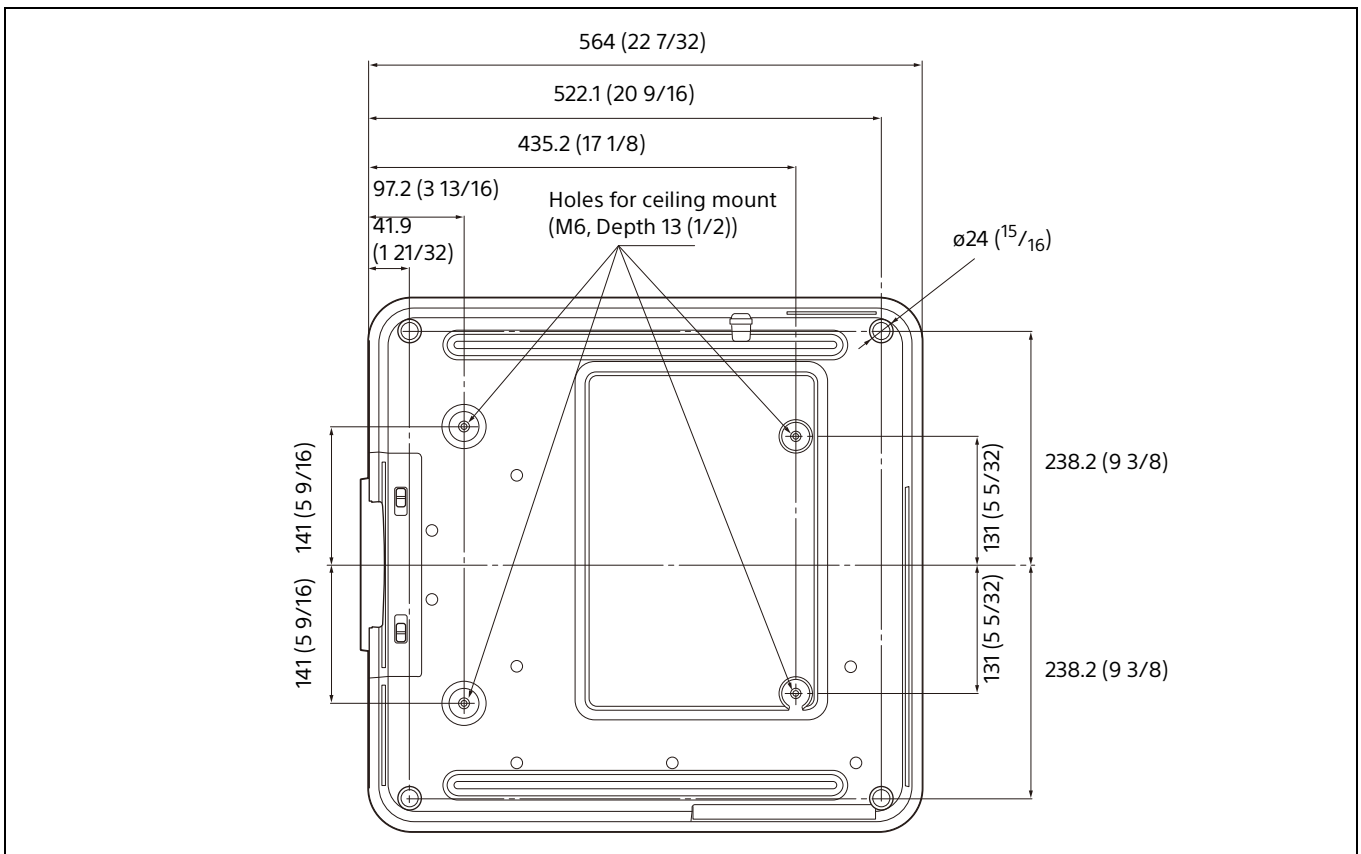
Front

Unit: mm (inches)



Bottom

Unit: mm (inches)

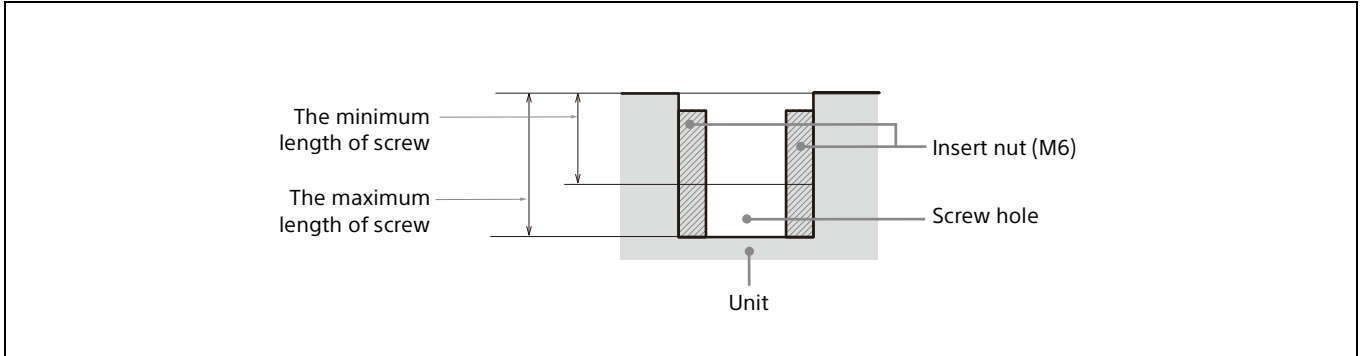


Holes for the ceiling mount

Use the screws with a length of 6.5 mm (1/4 inch, minimum) to 13 mm (1/2 inch, maximum) for the ceiling mount.

Recommended tightening torque (tension when turning a screw towards the direction of rotation):

1.4 ± 0.2 N-m



About Trademarks

- Adobe Acrobat is a trademark of Adobe Systems Incorporated.
- Kensington is a registered trademark of Kensington Technology Group.
- Internet Explorer is a registered trademark of Microsoft Corporation in the United States and/or other countries.
- Safari is a registered trademark of Apple Corporation in the United States and/or other countries.
- Chrome is a trademark of Google LLC.
- PJLink is a registered trademark of Japan Business Machine and Information System Industries Association.
- AMX is a trademark of AMX Corporation.
- The terms HDMI and HDMI High-Definition Multimedia Interface, and the HDMI Logo are trademarks or registered trademarks of HDMI Licensing Administrator, Inc. in the United States and other countries.
- Crestron RoomView is a trademark of Crestron Corporation.
- HDBaseT™ and the HDBaseT Alliance logo are trademarks of the HDBaseT Alliance.
- Extron and XTP Systems are trademarks of RGB Systems, Inc.
- All other trademarks and registered trademarks are trademarks or registered trademarks of their respective holders. In this manual, ™ and ® marks are not specified.

NOTICES AND LICENSES FOR SOFTWARE USED IN THIS PRODUCT

Refer to “Software License Information” supplied separately.

