

SONY[®]

5-038-071-22(1)

Video Projector

Setup Guide _____ **GB**

Manuel de configuration ___ **FR**

Guía de configuración ____ **ES**

Installationsanleitung ____ **DE**

Guida di configurazione ____ **IT**

VPL-XW5000

About This Manual

This Setup Guide explains the installation and basic operations for projecting pictures. Before operating the unit, please read this manual thoroughly and retain it for future reference. Refer to "About Indicators" as necessary. For details on the operations, refer to the Help Guide (Web operating instructions).

Step 1

PreparingPage 9

Step 2

Installing the Unit Page 10

Step 3

Connecting the Unit Page 12

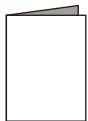
Step 4

Projecting..... Page 13

About IndicatorsPage 14

Dimensions.....Page 15

Manuals supplied



Setup Guide (this document)

Explains the installation and basic operations for projecting pictures.



Help Guide (Web operating instructions)

Explains the features of the unit and how to use in detail. You can view the Help Guide on a smartphone or computer.

<https://rd1.sony.net/help/vpl/xw5000/en/>



When using the product, do not use it for purposes other than those described in the instruction manual.

WARNING

To reduce the risk of fire or electric shock, do not expose this apparatus to rain or moisture. To avoid electrical shock, do not open the cabinet. Refer servicing to qualified personnel only.

WARNING

When installing the unit, incorporate a readily accessible disconnect device in the fixed wiring, or connect the power plug to an easily accessible socket-outlet near the unit. If a fault should occur during operation of the unit, operate the disconnect device to switch the power supply off, or disconnect the power plug.

CAUTION

For safety, do not connect the connector for peripheral device wiring that might have excessive voltage to the following port:

- LAN

WARNING

1. Use the approved Power Cord (2-core mains lead) / Appliance Connector / Plug that conforms to the safety regulations of each country/region if applicable.
2. Use the Power Cord (2-core mains lead) / Appliance Connector / Plug conforming to the proper ratings (Voltage, Ampere).

If you have questions on the use of the above Power Cord / Appliance Connector / Plug, please consult a qualified service personnel.

IMPORTANT

The nameplate is located in the following location on the unit.

- Side

CAUTION

- Danger of explosion if battery is incorrectly replaced. Replace only with the same or equivalent type recommended by the manufacturer.
- When you dispose of the battery or the product, you must obey the law in the corresponding area or country. Do not dispose of the battery or the

- product in a fire or a hot oven, or mechanically crush or cut the battery. It may explode or cause a fire. Do not subject the battery to extremely low air pressure that may result in an explosion or the leakage of flammable liquid or gas.
- Do not place the battery in a high temperature place, such as under direct sunlight or near fire. It may ignite, explode, or cause a fire. Do not immerse or wet the battery in water or seawater. This may cause an electric shock.

CAUTION

The following size and number of batteries are required for the remote control.

- Size: AA (R6)
- Number of battery(ies): Two pieces

To avoid risk of explosion, use only the following type of battery.

- Manganese batteries



This symbol is intended to alert the user to the presence of important operating and maintenance (servicing) instructions in the literature accompanying the appliance.

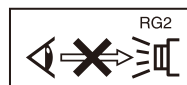
For kundene i Norge

Dette utstyret kan kobles til et IT-strømfordelingssystem.



**IEC 60825-1:2014
CLASS 1 LASER PRODUCT**

- This product complies with EN 60825-1:2014+A11:2021.
- This product complies with EN 50689:2021.
- This product is designed to project images on a wall or screen.



As with any bright light source, do not stare into the beam, RG2 IEC 62471-5:2015.

WARNING: Do not look into the lens while in use.

Caution

Use of controls or adjustments or performance of procedures other than those specified herein may result in hazardous radiation exposure.

Caution

The use of optical instruments with this product will increase eye hazard.

För kunderna i Sverige



IEC 60825-1:2014
LASERPRODUKT AV KLASST 1

- Denna produkt överensstämmer med EN60825-1:2014+A11:2021.
- Denna produkt överensstämmer med EN50689:2021.
- Denna produkt har utformats för att projicera bilder på en vägg eller en skärm.



Precis som med alla starka ljuskällor bör man inte titta direkt i strålen, RG2 IEC 62471-5:2015.

WARNING: Titta aldrig in i projektorns lens medan den används.

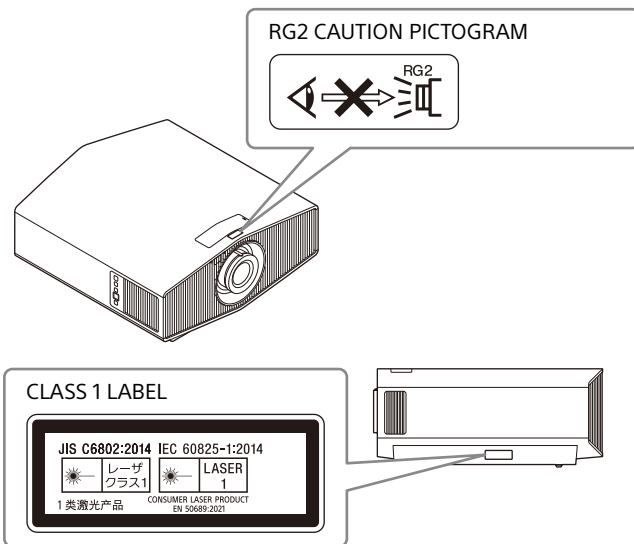
Försiktighet!

Användandet av kontroller eller justeringar eller utförandet av andra procedurer än de som specificeras här kan resultera i exponering av farlig strålning.

Försiktighet!

Användandet av optiska instrument med denna produkt ökar risk för ögonskada.

Location information of the labels

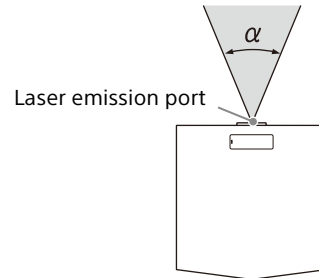


Light source specifications

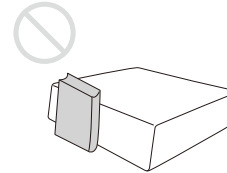
4.8 W laser diodes × 14
Wavelength: 450 - 460 nm

Beam divergence angle from lens of this unit

Zoom maximum: $\alpha = 39.9^\circ$
Zoom minimum: $\alpha = 25.5^\circ$



Do not place any object in front of the lens that may block the light during projection. Heat from the light may damage the object.



Türkiye'deki müşteriler için AEEE Yönetmeliğine Uygundur

For the customers in the U.S.A.

SONY LIMITED WARRANTY - Please visit www.sony.com/psa/warranty for important information and complete terms and conditions of Sony's limited warranty applicable to this product.

For the customers in Canada

SONY LIMITED WARRANTY - Please visit www.sony.com/psa/warranty for important information and complete terms and conditions of Sony's limited warranty applicable to this product.

For the customers in Europe

Sony Professional Solutions Europe - Standard Warranty and Exceptions on Standard Warranty. Please visit <https://pro.sony/support-services/primessupport/support-professional-solutions-europe-standard-product-warranty> for important information and complete terms and conditions.

For the customers in Korea

SONY LIMITED WARRANTY - Please visit https://pro.sony/ko_KR/support-services for important information and complete terms and conditions of Sony's limited warranty applicable to this product.

Precautions

On safety

- Check that the operating voltage of your unit is identical with the voltage of your local power supply.
- Should any liquid or solid object fall into the cabinet, unplug the unit and have it checked by qualified personnel before operating it further.
- Unplug the unit from the wall outlet if it is not to be used for several days.
- To disconnect the cord, pull it out by the plug. Never pull the cord itself.
- The wall outlet should be near the unit and easily accessible.
- The unit is not disconnected to the AC power source (mains) as long as it is connected to the wall outlet, even if the unit itself has been turned off.
- Do not look into the lens while in use.
- Do not place your hand or objects near the ventilation holes. The air coming out is hot.

On preventing internal heat build-up

After you turn off the power with the I/⏻ (On/Standby) button, do not disconnect the unit from the wall outlet while the cooling fan is still running.

Caution

This unit is equipped with ventilation holes (intake/exhaust). Do not block or place anything near these holes, or internal heat build-up may occur, causing picture degradation or damage to the unit.

On repacking

Save the original shipping carton and packing material; they will come in handy if you ever have to ship your unit. For maximum protection, repack your unit as it was originally packed at the factory.

On inspection of light source related parts

Since the unit uses a laser, when adjusting or inspecting the light source related parts, particular attention and a safe environment are necessary. Be sure to consult with qualified Sony personnel (charged).

Note on leaving unused for long periods

If the unit is not used for a long period of time, malfunction or a drop in performance can occur. To avoid this, periodically turn on the power and operate the unit.

On LCD Projector

The LCD projector is manufactured using high-precision technology. You may, however, see tiny black points and/or bright points (red, blue, or green) that continuously appear on the LCD projector. This is a normal result of the manufacturing process and does not indicate a malfunction.

Also, when you use multiple LCD projectors to project onto a screen, even if they are of the same model, the color reproduction among projectors may vary, since color balance may be set differently from one projector to the next.

On condensation

If the room temperature where the projector is installed changes rapidly, or if the projector is moved suddenly from a cold to a warm place, condensation in the projector may occur. As the condensation may cause malfunction, be careful in adjusting temperature settings of the air conditioner. If condensation occurs, leave the projector turned on for about two hours before use.

Notes on security

- SONY WILL NOT BE LIABLE FOR DAMAGES OF ANY KIND RESULTING FROM A FAILURE TO IMPLEMENT PROPER SECURITY MEASURES ON TRANSMISSION DEVICES, UNAVOIDABLE DATA LEAKS RESULTING FROM TRANSMISSION SPECIFICATIONS, OR SECURITY PROBLEMS OF ANY KIND.
- Depending on the operating environment, unauthorized third parties on the network may be able to access the unit. When connecting the unit to the network, be sure to confirm that the network is protected securely.
- From a safety standpoint, when using the unit connected with the network, it is strongly recommended to access the Control window via a Web browser and change the access limitation settings from the factory preset values. Also, it is recommended that you set a password with a sufficiently long character string that is hard to guess by others, and that you store it safely.

- Do not browse any other website in the Web browser while making settings or after making settings. Since the login status remains in the Web browser, close the Web browser when you complete the settings to prevent unauthorized third parties from using the unit or harmful programs from running.
- When connecting this product to a network, connect via a system that provides a protection function, such as a router or firewall. If connected without such protection, security issues may occur.

Do not place this product close to medical devices

This product (including accessories) has magnet(s) which may interfere with pacemakers, programmable shunt valves for hydrocephalus treatment, or other medical devices. Do not place this product close to persons who use such medical devices. Consult your doctor before using this product if you use any such medical device.

SONY WILL NOT BE LIABLE FOR DAMAGES OF ANY KIND RESULTING FROM THE USE OF THIS UNIT FOR PURPOSES OTHER THAN GENERAL HOME USE, EITHER DURING THE WARRANTY PERIOD OR AFTER EXPIRATION OF THE WARRANTY.

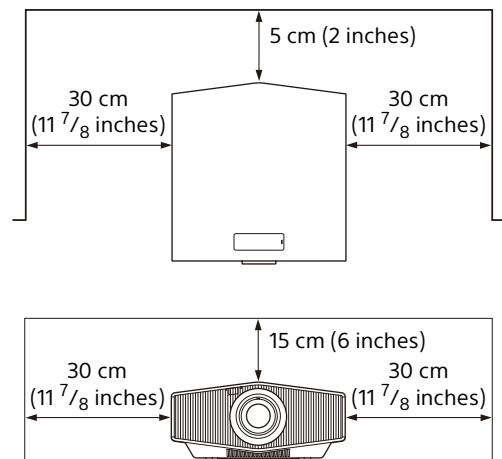
Notes on Installation and Usage

Unsuitable installation

Do not place the unit in the following situations, which may cause malfunction or damage to the unit.

Near walls

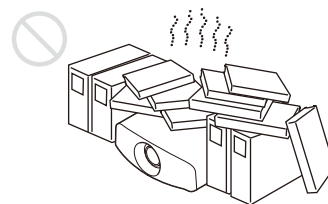
To maintain the performance and reliability of the unit, leave space between walls and the unit as illustrated.



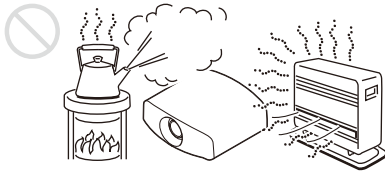
Note that the wall on the ventilation holes side may become hot. Air from air conditioners or the ventilation holes of this unit or other devices, may cause oscillation on the screen. Be sure not to install this unit in the area where the air from air conditioners or the ventilation holes of these devices reach to the front side of this unit.

Poorly ventilated location

Leave space of more than 30 cm (11 7/8 inches) around the unit.

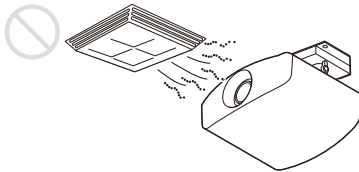


Hot and humid



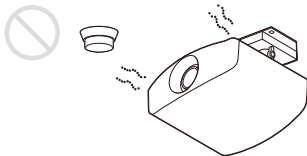
Locations subject to direct cool or warm air from an air-conditioner

Installing the unit in such a location may cause a malfunction of the unit due to moisture condensation or rise in temperature.

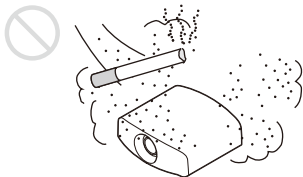


Near a heat or smoke sensor

Malfunction of the sensor may occur.



Very dusty and extremely smoky locations



Unsuitable Conditions

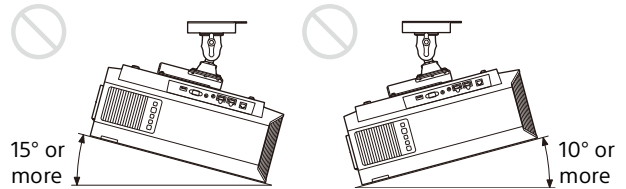
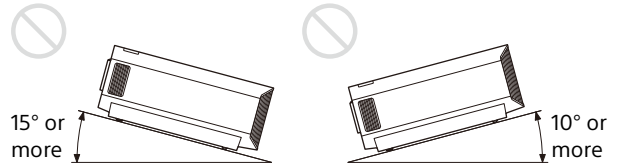
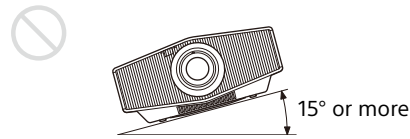
Do not do any of the following while using the unit.

Tilting front/rear and left/right


Avoid using the unit tilted at an angle, as shown in the following illustrations.

Do not install the unit anywhere other than on a level surface or on the ceiling. Installing the unit in such a location may result in uneven color uniformity.

If the unit is tilted up or down, the image on the screen may be trapezoidal. Position the unit so that the lens is parallel to the screen.



When installing the unit at high altitudes

When using the unit in a location at an altitude of 1,000 m (approx. 3,280 feet) or higher, appropriately set "High Altitude Mode" in the Setup  menu. Failing to do so could have adverse effects, such as reducing the reliability of certain components.

Safety precautions for installing the unit on a ceiling

- Never mount the projector on the ceiling or move it by yourself. Be sure to consult with qualified Sony personnel (charged).
- When installing the unit on a ceiling, be sure to use a safety wire, etc., to prevent the unit from falling. Entrust the installation to an experienced contractor or installer.

For dealers

Be sure to secure the cabinet cover firmly when installing to the ceiling firmly.

License Notice

Refer to “Notice on the Software” in the Help Guide and read the contents of the license.

Checking the Supplied Accessories

Check the carton to make sure it contains the following items:

- Remote control RM-PJ28 (1)
- Size AA (R6) batteries (2)
- Lens cap (1)

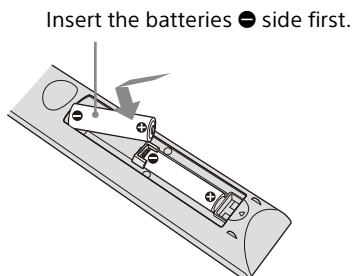
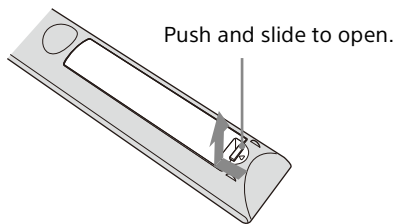
When you purchase the projector, a lens cap is on the lens.

- AC power cord (1)
- Setup Guide (this manual) (1)

Removing the lens cap

Remove the lens cap before you use the projector.

Inserting the Batteries into the Remote Control



Caution when handling the remote control

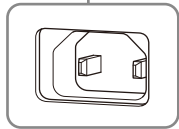
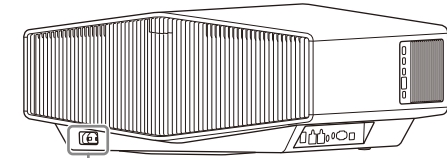
- Handle the remote control with care. Do not drop it, and do not step on or spill liquids on it.
- Do not place the remote control in a location near a heat source, a place subject to direct sunlight, or a damp room.

Step 2

Installing the Unit

- 1 Position the unit so that the lens is parallel to the screen.
- 2 After connecting the AC power cord to the unit, plug the AC power cord into a wall outlet.

Rear of the unit



Front of the unit

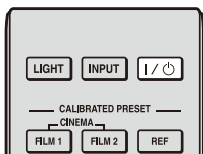


Lights in red.

Note

After connecting the AC power cord to the unit, the ON/STANDBY indicator may blink in orange. You may not be able to control the unit while the indicator is blinking, but this is not a malfunction. Wait until it stops blinking and remains lit in red.

- 3 Press the I/⏻ (On/Standby) button to turn on the unit.

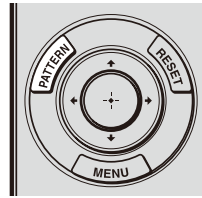


Front of the unit



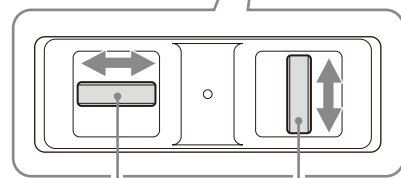
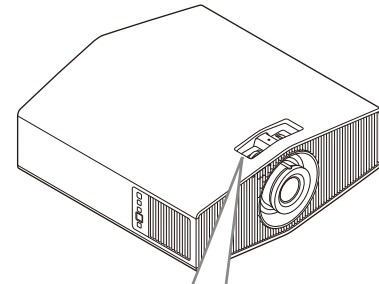
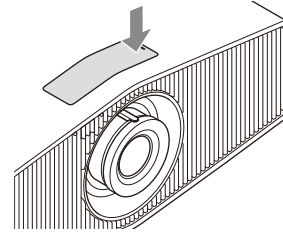
The ON/STANDBY indicator flashes in green, then it lights in green.

- 4 Press the LENS button on the control panel or the PATTERN button on the remote control to display a test signal for performing adjustments.



- 1 Open the lid on the top of the unit, then move both lens shift dials to adjust the picture position.

Push to open



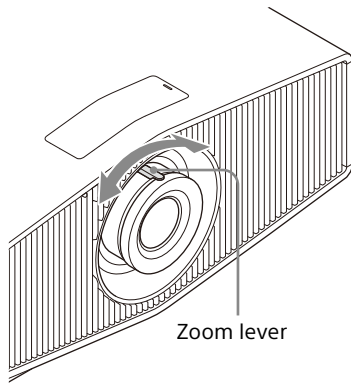
To adjust the horizontal position

To adjust the vertical position

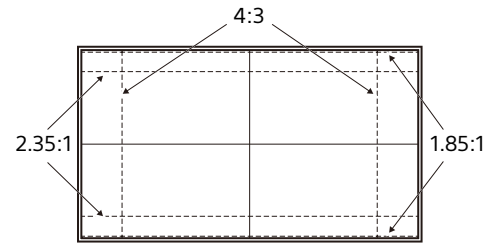
Notes

- After adjusting the picture position, attach the lid to its original position.
- When installing the unit on the ceiling and opening the lid of the shift dial, the lid may fall. Be careful when opening and closing the lid, and operating the dial.

- 2 Adjust the picture size using the zoom lever.

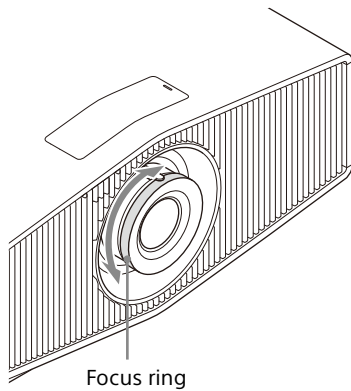


Lens adjustment window (test pattern)



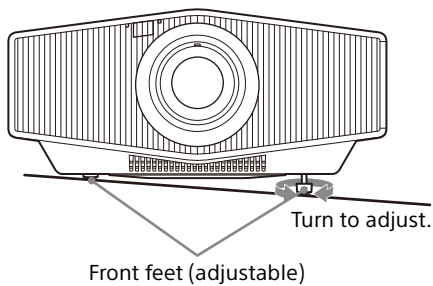
The dashed lines show the angle of view of each aspect ratio.

- 3 Adjust the focus using the focus ring.



To adjust the tilt of the installation surface

If the unit is installed on an uneven surface, use the front feet (adjustable) to keep the unit level.



Notes

- Note that if the unit is tilted up or down, the projected image will be distorted in a trapezoidal shape.
- Be careful not to pinch your fingers when rotating the front feet (adjustable).

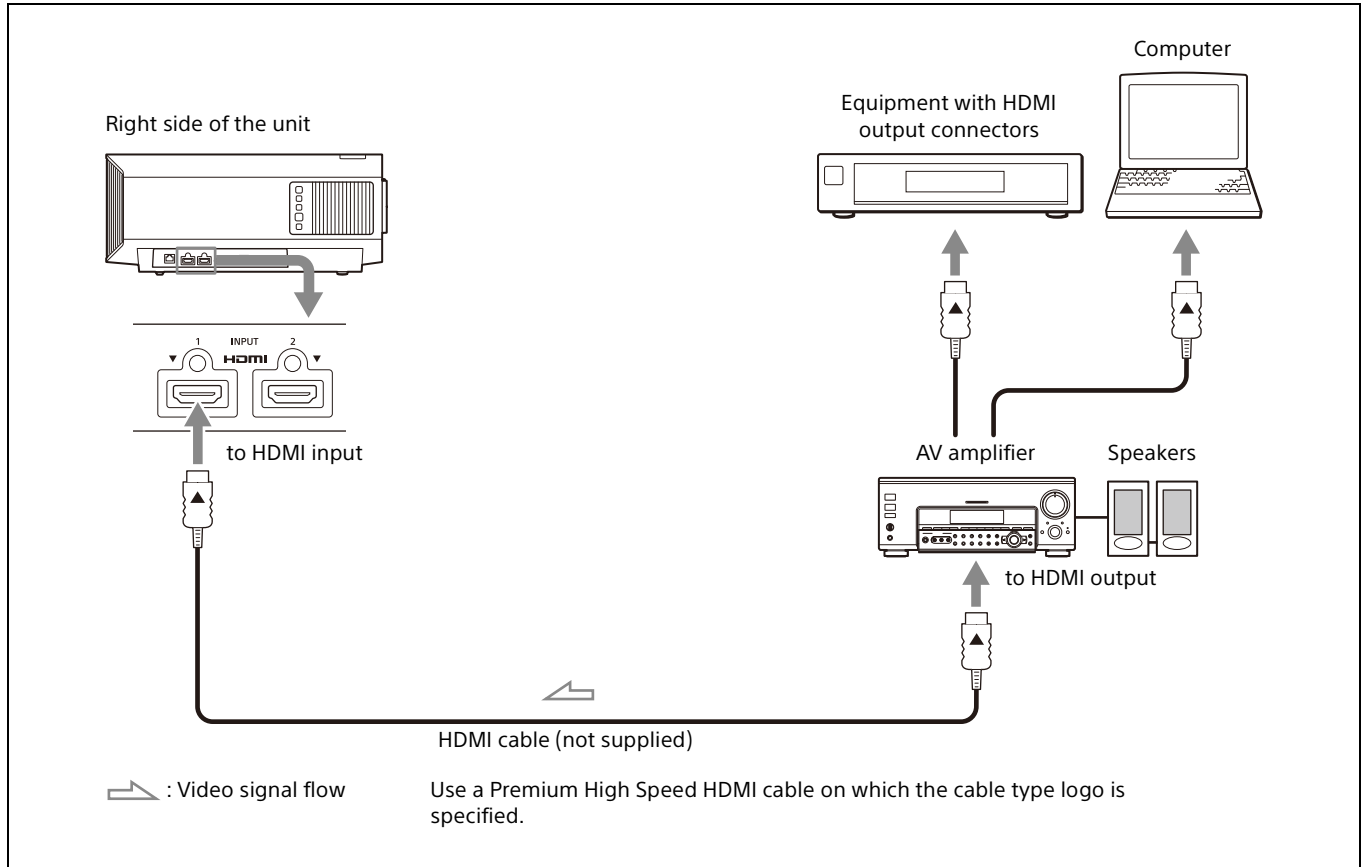
For more information, refer to "Installation and Connections" in the Help Guide.

Step 3

Connecting the Unit

When making connections, be sure to do the following:

- Turn off all devices before making any connections.
- Use the proper cables for each connection.
- Insert the cable plugs firmly; Loose connections may reduce performance of picture signals or cause a malfunction. When unplugging a cable, be sure to grip the plug, not the cable itself.
- For more information, refer also to the instruction manual of the device to be connected.



When you monitor and control the projector via the network, access the Setup page of the projector (refer to "Using Network Features" in the Help Guide) via a Web browser and enable the desired control protocol.

For more information, refer to "Installation and Connections" in the Help Guide.

Step 4

Projecting

Projecting the Picture

- 1 Turn on both the unit and the device connected to the unit.
- 2 Press INPUT to display the input palette on the screen.
- 3 Select the device from which you want to display images.
Press INPUT repeatedly or press $\uparrow/\downarrow/\oplus$ (enter) to select the device from which to project.

Turning Off the Power

- 1 Press the I/⏻ (On/Standby) button.
The message "POWER OFF?" appears.
- 2 Press the I/⏻ (On/Standby) button again before the message disappears.
The ON/STANDBY indicator flashes in green and the fan continues to run to reduce the internal heat.

The fan stops and the ON/STANDBY indicator changes from flashing green to remaining red.

The power is turned off completely, and you can disconnect the AC power cord.

Note

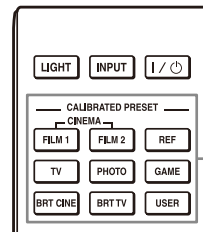
Never disconnect the AC power cord while the indicator is flashing.

Tip


You can turn off the unit by holding the I/⏻ (On/Standby) button for about 1 second, instead of performing the above steps.

Selecting the Picture Viewing Mode

Press one of the CALIBRATED PRESET buttons.



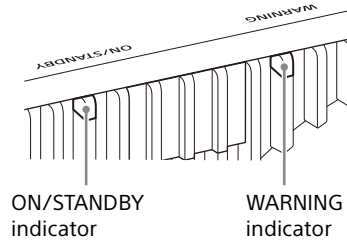
CALIBRATED PRESET buttons

Setting items	Description
CINEMA FILM 1 (Cinema Film 1)	Image quality suited for reproducing the wide dynamic and clear images typical of master positive film.
CINEMA FILM 2 (Cinema Film 2)	Image quality suited for reproducing the rich tone and color typical of a movie theater, based on "Cinema Film 1."
REF (Reference)	Image quality suited for reproducing the original image quality faithfully, or to enjoy the image quality without any adjustment.
TV (TV)	Image quality suited for watching TV programs, sports, concerts, and other video images.
PHOTO (Photo)	Image quality suited for viewing still images taken with a digital camera and other devices.
GAME (Game)	Image quality suited for gaming, with well-modulated colors and fast response.
BRT CINE (Bright Cinema)	Image quality suited for watching movies in a bright room.
BRT TV (Bright TV)	Image quality suited for watching TV programs, sports, concerts, and other video images in a bright room.
USER (User)	You can set and adjust the image quality to suit your taste, then you can save the setting. The default setting is the same as "Reference."
IMAX Enhanced	Image quality suited for watching IMAX Enhanced contents. Press the MENU button and select from "Calib. Preset" in the Picture  menu.

For more information, refer to "Projecting" in the Help Guide.

About Indicators

The ON/STANDBY or WARNING indicator lights up or flashes if there is any trouble with your projector. If there is any problem or an error message appears on the screen, refer to "Error Handling" in the Help Guide.



Flashing/Lighting indicators	The number of flashes	Cause and Remedy
<p>(Lights in red) (Flashes in red)</p>	Three times	The unit does not light properly due to an abnormality of the light source and light source power. Turn off, then turn on the power after a while. If the symptom persists, consult with qualified Sony personnel.
<p>(Flashes in red) (Flashes in red) Both indicators flash</p>	Twice	The internal temperature is unusually high. Check to ensure that nothing is blocking the ventilation holes and the unit is not being used at high altitudes.
	Three times	The fan is broken. Consult with qualified Sony personnel.

Note

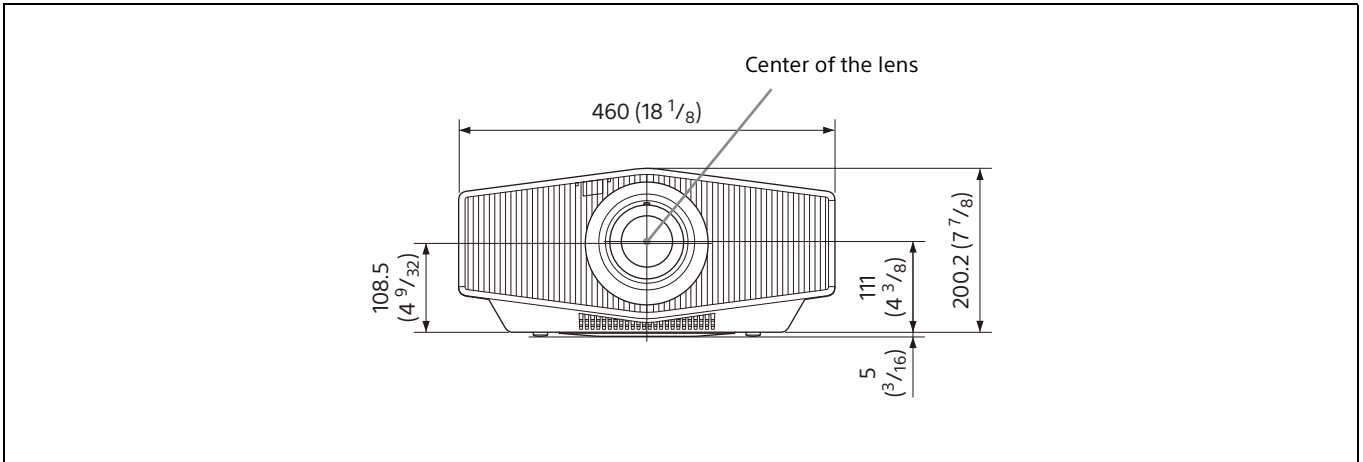
If the symptom persists even after carrying out the above methods, consult with qualified Sony personnel.
If the indicator starts flashing in a way of other than the above, turn off, and then turn on the power with the I/⏻ (On/Standby) button on the remote control or control panel of the unit.
If the symptom is shown again, consult with qualified Sony personnel.

If there is any problem or an error message appears on the screen, refer to "Error Handling" in the Help Guide.

Dimensions

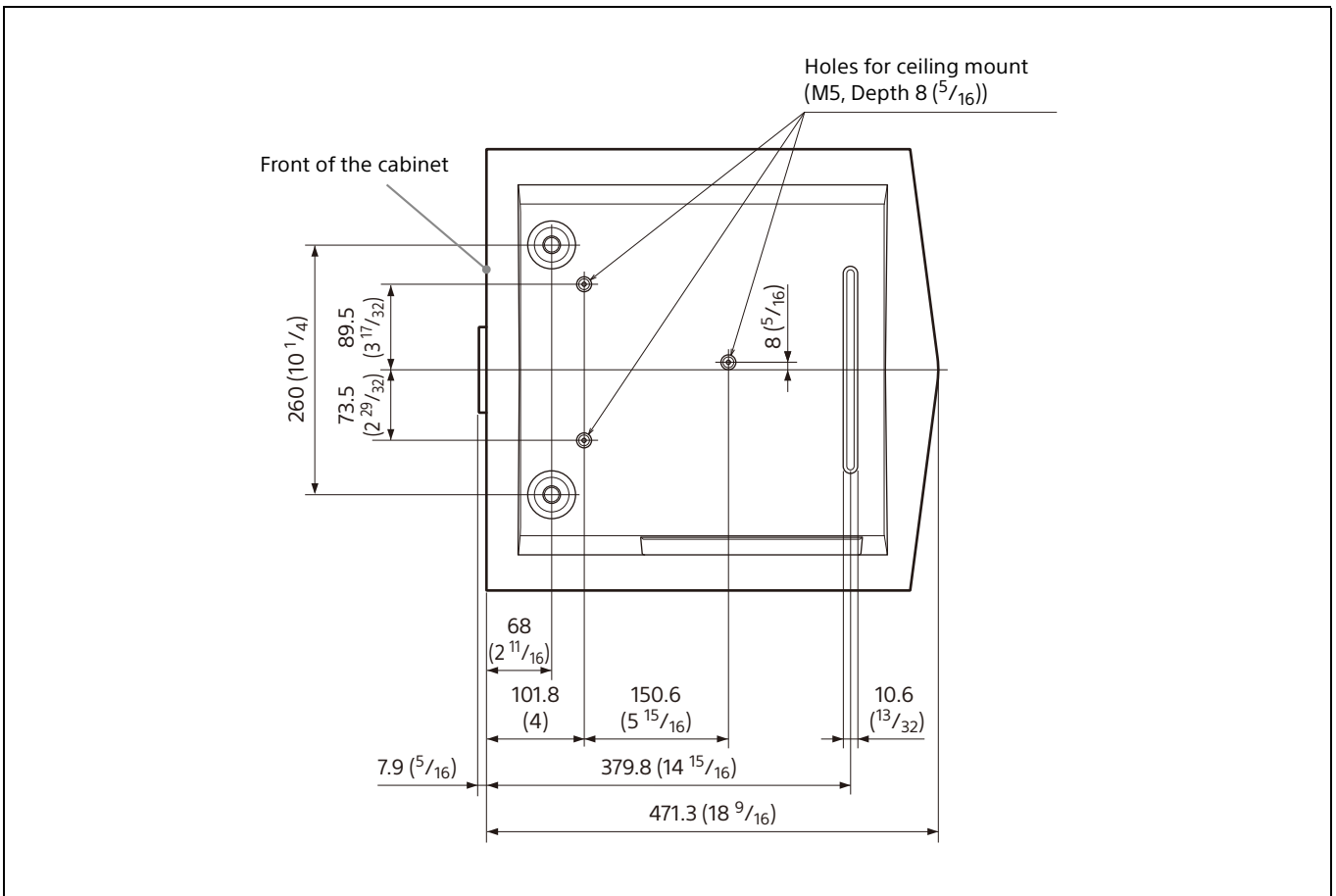
Front

Unit: mm (inches)



Bottom

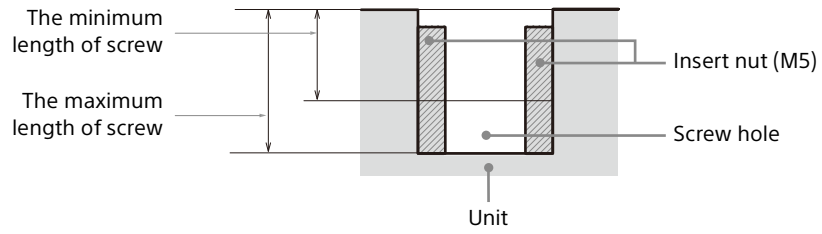
Unit: mm (inches)



Note

Holes for the ceiling mount

Use the screws with a length of 6.4 mm ($1/4$ inches, minimum) to 8.0 mm ($5/16$ inches, maximum) for the ceiling mount. Recommended tightening torque (tension when turning a screw towards the direction of rotation): 1.4 ± 0.2 N-m



À propos de ce manuel

Le Manuel de configuration décrit l'installation et les procédures de base de projection des images. Avant d'utiliser l'appareil, veuillez lire attentivement ce manuel et le conserver pour future référence. Reportez-vous à la section « À propos des indicateurs », le cas échéant. Pour plus d'informations sur l'utilisation, reportez-vous au Guide d'aide (Mode d'emploi en ligne).

Étape 1

Préparation Page 25

Étape 2

Installation de l'appareil Page 26

Étape 3

Raccordement de l'appareil Page 28

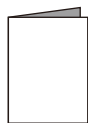
Étape 4

Projection Page 29

À propos des indicateurs Page 31

Dimensions Page 32

Manuels fournis



Manuel de configuration (ce document)

Décrit l'installation et les procédures de base de projection des images.



Guide d'aide (Mode d'emploi en ligne)

Décrit les fonctionnalités de l'appareil et leur utilisation détaillée. Vous pouvez afficher le Guide d'aide sur un smartphone ou un ordinateur.

<https://rd1.sony.net/help/vpl/xw5000/fr/>



N'utilisez pas ce produit à des fins autres que celles décrites dans le manuel d'instructions.

AVERTISSEMENT

Afin de réduire les risques d'incendie ou d'électrocution, ne pas exposer cet appareil à la pluie ou à l'humidité.

Afin d'écartier tout risque d'électrocution, garder le coffret fermé. Ne confier l'entretien de l'appareil qu'à un personnel qualifié.

AVERTISSEMENT

Lors de l'installation de l'appareil, incorporer un dispositif de coupure dans le câblage fixe ou brancher la fiche d'alimentation dans une prise murale facilement accessible proche de l'appareil. En cas de problème lors du fonctionnement de l'appareil, enclencher le dispositif de coupure d'alimentation ou débrancher la fiche d'alimentation.

ATTENTION

Par mesure de sécurité, ne raccordez pas le connecteur pour le câblage de périphériques pouvant avoir une tension excessive au port suivant :

- LAN

AVERTISSEMENT

1. Utilisez un cordon d'alimentation (câble secteur à 2 fils)/fiche femelle/fiche mâle conformes à la réglementation de sécurité locale/régionale applicable.
2. Utilisez un cordon d'alimentation (câble secteur à 2 fils)/fiche femelle/fiche mâle avec des caractéristiques nominales (tension, ampérage) appropriées.

Pour toute question sur l'utilisation du cordon d'alimentation/fiche femelle/fiche mâle ci-dessus, consultez un technicien du service après-vente qualifié.

IMPORTANT

La plaque signalétique se situe à l'endroit suivant sur l'appareil.

- Côté

ATTENTION

- Il y a danger d'explosion s'il y a remplacement incorrect de la batterie. Remplacer uniquement

avec une batterie du même type ou d'un type équivalent recommandé par le constructeur.

- Lors de la mise au rebut de la batterie ou du produit, vous devez respecter la loi de la région ou du pays concerné. Ne mettez pas la batterie ou le produit au rebut dans un feu ou un four chaud, ou n'écrasez pas mécaniquement la batterie et ne la coupez pas. Elle risque d'exploser ou de provoquer un incendie. Ne soumettez pas la batterie à une pression d'air extrêmement basse qui pourrait entraîner une explosion ou une fuite de liquide ou de gaz inflammable.
- Ne placez pas la batterie dans un endroit à température élevée, tel qu'à la lumière directe du soleil ou à proximité d'un feu. Elle risque de prendre feu, d'exploser ou de provoquer un incendie. Ne plongez pas et ne mouillez pas la batterie dans de l'eau douce ou de l'eau de mer. Cela risque de provoquer une électrocution.

ATTENTION

La taille et le nombre de piles suivants sont requis pour la télécommande.

- Taille : AA (R6)
 - Nombre de pile(s) : deux pièces
- Pour éviter tout risque d'explosion, utilisez uniquement le type de pile suivant.
- Piles au manganèse



Le symbole avertit l'utilisateur de la présence d'importantes instructions concernant le fonctionnement et la maintenance (entretien) dans la documentation qui accompagne l'appareil.



**IEC 60825-1:2014
PRODUIT LASER DE CLASSE 1**

- Ce produit respecte la norme EN 60825-1:2014+A11:2021.
- Ce produit respecte la norme EN 50689:2021.
- Ce produit est conçu pour projeter des images sur un mur ou un écran.



Comme pour n'importe quelle source de lumière vive, ne regardez pas fixement le faisceau, RG2 IEC 62471-5:2015.

AVERTISSEMENT

Ne regardez pas dans l'objectif pendant son utilisation.

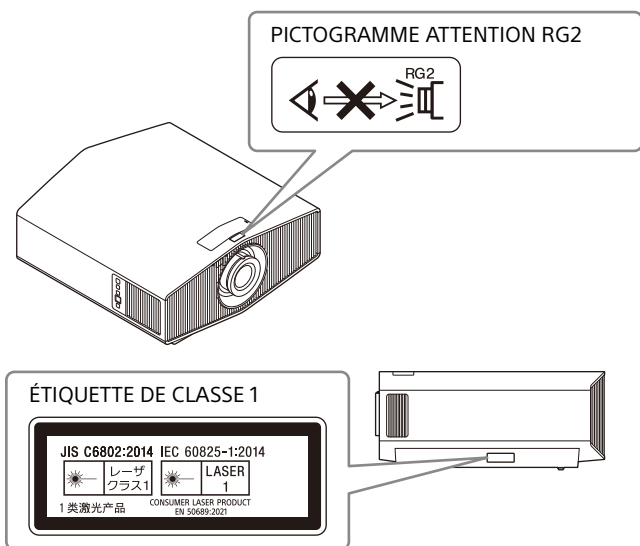
ATTENTION

L'emploi de commandes ou ajustements ou l'exécution de procédures autres que celles spécifiées ici peut provoquer une exposition dangereuse au rayonnement.

ATTENTION

L'emploi d'instruments optiques avec ce produit augmentera les risques pour les yeux.

Informations sur l'emplacement des étiquettes



Spécifications de la source lumineuse

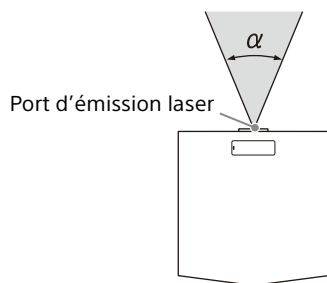
Diodes laser 4,8 W × 14

Longueur d'onde : 450 - 460 nm

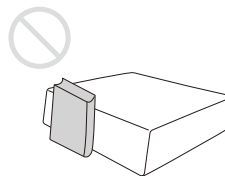
Angle de divergence du faisceau par rapport à l'objectif de cet appareil

Zoom maximum : $\alpha = 39,9^\circ$

Zoom minimum : $\alpha = 25,5^\circ$



Ne placez aucun objet devant l'objectif pour éviter de bloquer la lumière durant la projection. La chaleur provenant de la lumière risque d'endommager l'objet.



Pour les clients en Europe

Fabricant : Sony Corporation, 1-7-1 Konan Minato-ku Tokyo, 108-0075 Japon

Pour toute question relative à la conformité des produits dans l'UE : Sony Belgium, bijkantoor van Sony Europe B.V., Da Vincilaan 7-D1, 1930 Zaventem, Belgique

Précautions

À propos de la sécurité

- Assurez-vous que la tension de service de votre appareil est identique à la tension de votre source d'alimentation locale.
- Si du liquide ou un objet quelconque venait à pénétrer dans le boîtier, débranchez l'appareil et faites-le vérifier par un technicien qualifié avant la remise en service.
- Débranchez l'appareil de la prise murale en cas d'inutilisation pendant plusieurs jours.
- Pour débrancher le cordon, tirez-le par la fiche. Ne tirez jamais directement sur le cordon.
- La prise murale doit se trouver à proximité de l'appareil et être facile d'accès.
- L'appareil n'est pas débranché de la source d'alimentation secteur tant qu'il reste branché à la prise murale, même s'il a été mis hors tension.
- Ne regardez pas dans l'objectif pendant son utilisation.
- Ne placez pas la main ou des objets à proximité des orifices de ventilation. L'air expulsé est brûlant.

À propos de la prévention de l'accumulation de chaleur interne

Après avoir mis l'appareil hors tension au moyen du bouton I/⏻ (marche/veille), ne le débranchez pas de la prise murale tant que le ventilateur de refroidissement tourne.

Attention

Cet appareil est doté d'orifices de ventilation (prise/sortie d'air). N'obstruez pas ces orifices et ne placez rien à proximité, car cela risquerait de provoquer une surchauffe interne pouvant entraîner une altération de l'image ou un endommagement de l'appareil.

À propos du emballage

Conservez le carton d'emballage et le matériel d'emballage d'origine ; ils vous seront très utiles si vous devez un jour expédier l'appareil. Pour assurer une protection maximale, remballiez l'appareil tel qu'il avait été emballé en usine.

À propos du contrôle des pièces de la source d'éclairage

Étant donné que l'appareil utilise un laser, une attention particulière et un environnement sûr

sont nécessaires lors du réglage ou du contrôle des pièces de la source d'éclairage. Veuillez à vous adresser à un technicien Sony agréé (service payant).

Remarque concernant la non-utilisation de l'appareil pendant de longues périodes

Si l'appareil n'est pas utilisé pendant une longue période, cela peut occasionner un dysfonctionnement ou une baisse des performances. Pour éviter cela, mettez régulièrement l'appareil sous tension et faites-le fonctionner.

À propos du projecteur LCD

Le projecteur LCD est fabriqué au moyen d'une technologie de haute précision. Il se peut toutefois que vous constatiez que de petits points noirs et/ou lumineux (rouges, bleus ou verts) apparaissent continuellement sur le projecteur LCD. Ceci est un résultat normal du processus de fabrication et n'est pas le signe d'un dysfonctionnement.

Si vous utilisez plusieurs projecteurs LCD pour projeter sur un écran, la reproduction des couleurs peut varier selon les projecteurs, même s'ils sont du même modèle. Ceci est dû au fait que l'équilibre des couleurs peut être réglé différemment sur les projecteurs.

Remarque concernant la condensation

Si la pièce dans laquelle le projecteur est installé subit de brusques changements de températures ou si vous déplacez le projecteur d'un endroit froid à un endroit chaud, de la condensation peut se former à l'intérieur du projecteur. Étant donné que la condensation peut provoquer un dysfonctionnement, réglez la température de votre climatiseur avec précaution. Si de la condensation se forme, laissez le projecteur allumé pendant deux heures avant de l'utiliser.

Remarques concernant la sécurité

- Sony ne peut être tenue responsable de tout dommage, de quelque nature que ce soit, résultant d'une incapacité à mettre en place des mesures de sécurité adaptées pour les dispositifs de transmission, de fuites de données inévitables dues aux spécifications de transmission ou de tout autre problème de sécurité.
- Selon l'environnement d'exploitation, il est possible que des tiers non autorisés sur le réseau puissent accéder à l'appareil. Avant de

connecter l'appareil au réseau, vérifiez que le réseau est bien protégé.

- Pour des raisons de sécurité, lors de l'utilisation de cet appareil connecté au réseau, il est fortement recommandé d'accéder à la fenêtre de commande via un navigateur Web et de modifier la limitation d'accès des valeurs d'usine préétablies.

Il est recommandé de définir un mot de passe avec une chaîne de caractères suffisamment longue, difficile à deviner par les autres, et de le stocker en toute sécurité.

- Ne consultez aucun autre site Web dans le navigateur Web pendant ou après la configuration. Étant donné que l'état de connexion est conservé dans le navigateur Web, fermez ce dernier lorsque la configuration est terminée pour empêcher tout tiers non autorisé d'utiliser l'appareil ou d'exécuter des programmes malveillants.
- Lorsque vous connectez ce produit à un réseau, connectez-le via un système fournissant une fonction de protection, tel qu'un routeur ou un pare-feu. Si vous vous connectez sans cette protection, des problèmes de sécurité pourraient survenir.

Ne placez pas ce produit près d'appareils médicaux

Ce produit (y compris les accessoires) comporte un ou des aimants qui peuvent perturber les stimulateurs cardiaques, les valves de dérivation programmables pour le traitement de l'hydrocéphalie ou d'autres appareils médicaux. Ne placez pas ce produit près de personnes utilisant ce type d'appareil médical. Consultez votre médecin avant d'utiliser ce produit si vous utilisez ce type d'appareil médical.

SONY NE PEUT ÊTRE TENUE RESPONSABLE DE TOUT DOMMAGE, DE QUELQUE NATURE QUE CE SOIT, RÉSULTANT DE L'UTILISATION DE CET APPAREIL À D'AUTRES FINS QU'UN USAGE DOMESTIQUE ORDINAIRE PENDANT LA PÉRIODE DE GARANTIE OU APRÈS L'EXPIRATION DE CELLE-CI.

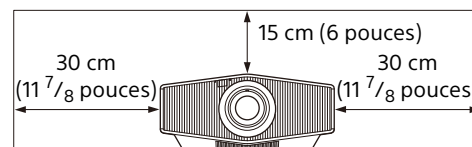
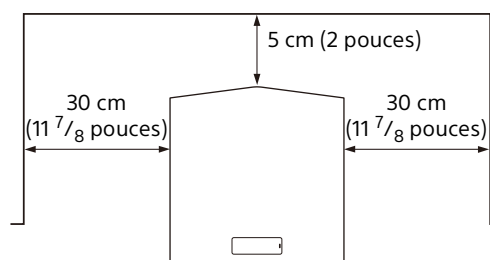
Remarques concernant l'installation et l'utilisation

Installation déconseillée

Ne placez pas l'appareil dans les positions suivantes, ce qui risquerait de provoquer un dysfonctionnement ou des dommages.

Murs proches

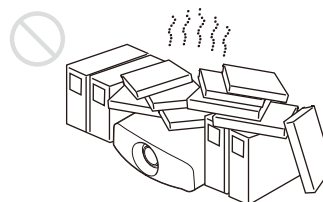
Afin de maintenir les performances et la fiabilité de l'appareil, laissez un dégagement entre les murs et l'appareil tel qu'illustré.



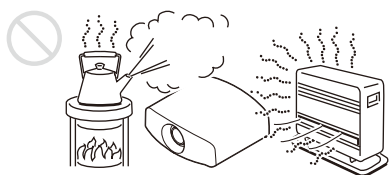
Remarquez que le mur situé du côté des orifices de ventilation peut devenir brûlant. Les flux d'air des climatiseurs ou des orifices de ventilation de cet appareil, ou d'autres, peuvent faire osciller l'écran. Veillez à ne pas installer cet appareil dans un endroit où sa face avant risque d'être soumise aux flux d'air des climatiseurs ou des orifices de ventilation de ces autres appareils.

Endroits mal aérés

Laissez un dégagement de plus de 30 cm (11 7/8 pouces) autour de l'appareil.

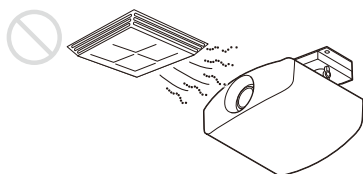


Endroits chauds et humides



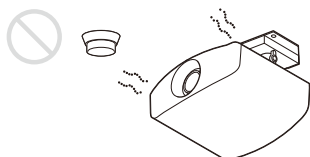
Endroits directement exposés au souffle froid ou chaud d'un climatiseur

L'installation de l'appareil dans de tels endroits pourrait provoquer un dysfonctionnement sous l'effet de la condensation d'humidité ou de l'élévation de température.

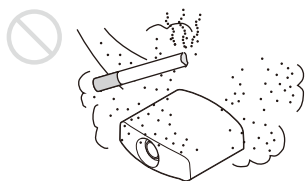


Proximité d'un détecteur de chaleur ou de fumée

Il pourrait en résulter un dysfonctionnement du capteur.



Endroits très poussiéreux ou enfumés



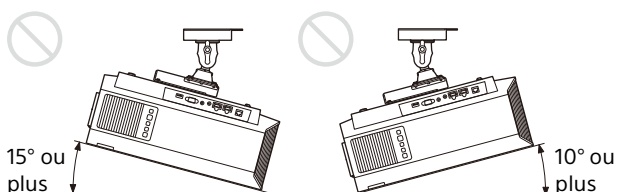
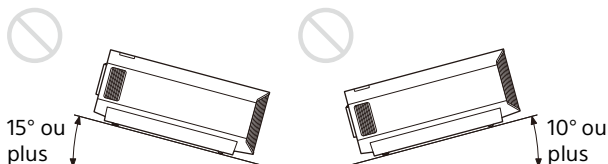
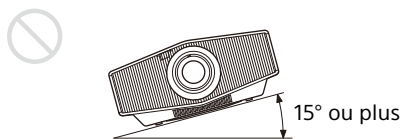
Conditions inappropriées

Évitez ce qui suit pendant l'utilisation de l'appareil.


Inclinaison vers l'avant/arrière et vers la gauche/droite

Évitez d'utiliser l'appareil s'il est incliné comme dans les illustrations suivantes. N'installez pas l'appareil sur une surface non plane ou au plafond. L'installation de l'appareil dans un tel emplacement peut générer des couleurs non uniformes.

Si l'appareil est incliné vers le haut ou le bas, l'image à l'écran peut-être trapézoïdale. Installez l'appareil de sorte que l'objectif soit parallèle à l'écran.



Lors de l'installation de l'appareil à haute altitude

Si l'appareil est utilisé à une altitude de 1 000 m (environ 3 280 pieds) ou plus, réglez de façon appropriée l'option « Mode haute altit. » dans le menu Réglage . Si cela n'est pas effectué alors que l'on utilise l'appareil à haute altitude, des effets négatifs peuvent s'ensuivre, tels qu'une baisse de fiabilité de certains composants.

Consignes de sécurité concernant l'installation de l'appareil au plafond

- Ne montez jamais le projecteur au plafond et ne le déplacez jamais par vos propres moyens. Veillez à vous adresser à un technicien Sony agréé (service payant).
- Pour installer l'appareil au plafond, veillez à utiliser un fil de sécurité, etc., pour empêcher la chute de l'appareil. Confiez l'installation à un prestataire ou à un installateur expérimenté.

Pour les revendeurs

Veillez à fixer fermement le couvercle du boîtier lors de l'installation au plafond.

Avis de licence

Reportez-vous à la section « Avis sur le logiciel » du Guide d'aide et lisez le contenu de la licence.

Vérification des accessoires fournis

Vérifiez si le carton renferme bien tous les éléments suivants :

- Télécommande RM-PJ28 (1)
- Piles de format AA (R6) (2)
- Capuchon d'objectif (1)

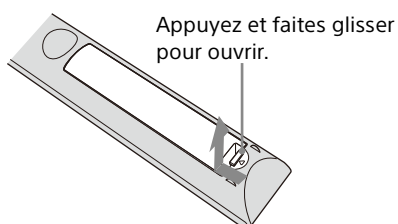
Au moment de l'achat, un capuchon d'objectif recouvre l'objectif du projecteur.


- Cordon d'alimentation secteur (1)
- Manuel de configuration (ce manuel) (1)

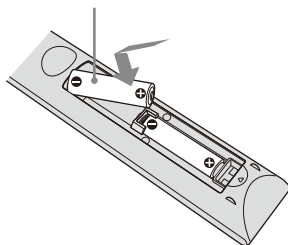
Retrait du capuchon d'objectif

Retirez le capuchon d'objectif avant d'utiliser le projecteur.

Insertion des piles dans la télécommande



Insérez le côté  des piles en premier.



Précautions lors de la manipulation de la télécommande

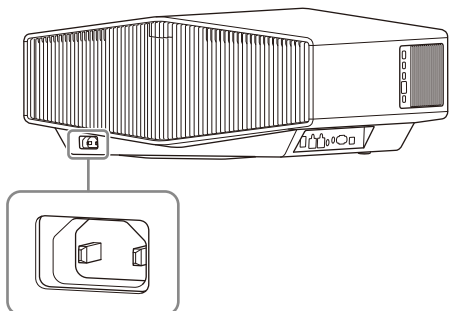
- Manipulez la télécommande avec précaution. Ne la laissez pas tomber, ne marchez pas dessus et ne renversez aucun liquide dessus.
- Ne placez pas la télécommande à proximité d'une source de chaleur, dans un endroit exposé aux rayons directs du soleil ou dans une pièce humide.

Étape 2

Installation de l'appareil

- 1 Positionnez l'appareil de façon à ce que l'objectif soit parallèle à l'écran.
- 2 Après avoir branché le cordon d'alimentation secteur à l'appareil, branchez le cordon d'alimentation secteur à une prise murale.

Arrière de l'appareil



Avant de l'appareil



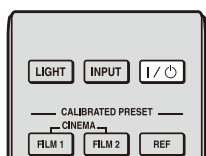
S'allume en rouge.

Remarque

Une fois le cordon d'alimentation secteur raccordé à l'appareil, l'indicateur ON/STANDBY peut clignoter en orange.

Vous ne pourrez peut-être pas commander l'appareil pendant que l'indicateur clignote, mais ce n'est pas un dysfonctionnement. Attendez que l'indicateur cesse de clignoter et devienne rouge fixe.

- 3 Appuyez sur le bouton I/⏻ (Marche/Veille) pour mettre l'appareil sous tension.

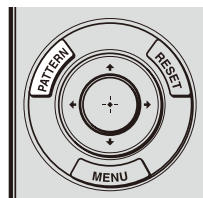


Avant de l'appareil



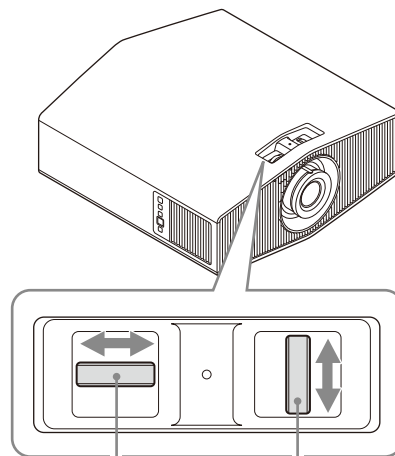
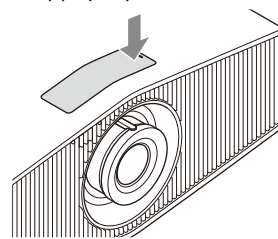
L'indicateur ON/STANDBY clignote en vert, puis s'allume en vert.

- 4 Appuyez sur le bouton LENS du panneau de commande ou sur le bouton PATTERN de la télécommande pour afficher un signal de test en vue de procéder aux réglages.



- 1 Ouvrez le couvercle sur le dessus de l'appareil, puis déplacez les deux molettes de déplacement d'objectif pour régler la position de l'image.

Appuyez pour ouvrir



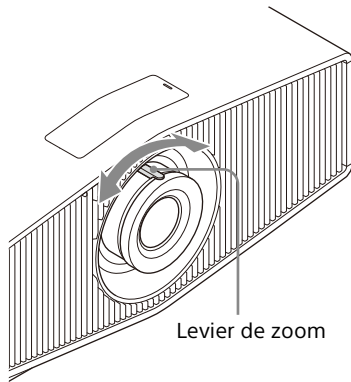
Pour régler la position horizontale

Pour régler la position verticale

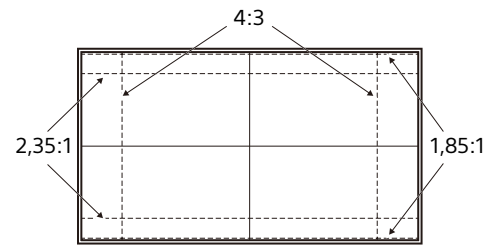
Remarques

- Après avoir réglé la position de l'image, remettez le couvercle dans sa position d'origine.
- Lors de l'installation de l'appareil au plafond et de l'ouverture du couvercle de la molette de déplacement, le couvercle peut tomber. Prudence lors de l'ouverture et de la fermeture du couvercle et de l'utilisation de la molette.

- 2 Réglez la taille de l'image à l'aide du levier de zoom.

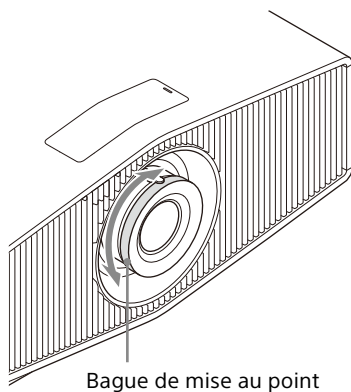


Fenêtre de réglage de l'objectif (mire d'essai)



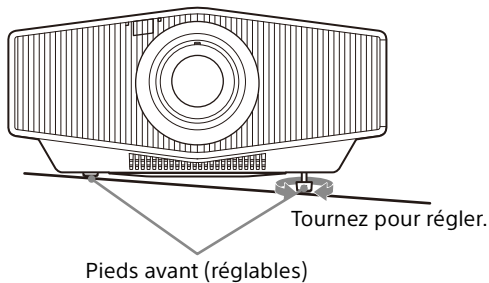
Les lignes pointillées indiquent l'angle de vue de chaque rapport de format.

- 3 Réglez la mise au point à l'aide de la bague de mise au point.



Pour régler l'inclinaison par rapport à la surface d'installation

Si vous installez l'appareil sur une surface inégale, utilisez les pieds avant (réglables) pour le maintenir à l'horizontale.



Remarques

- Notez que si l'appareil est incliné vers le haut ou le bas, l'image projetée sera déformée en une forme trapézoïdale.
- Veillez à ne pas vous pincer les doigts lors de la rotation des pieds avant (réglables).

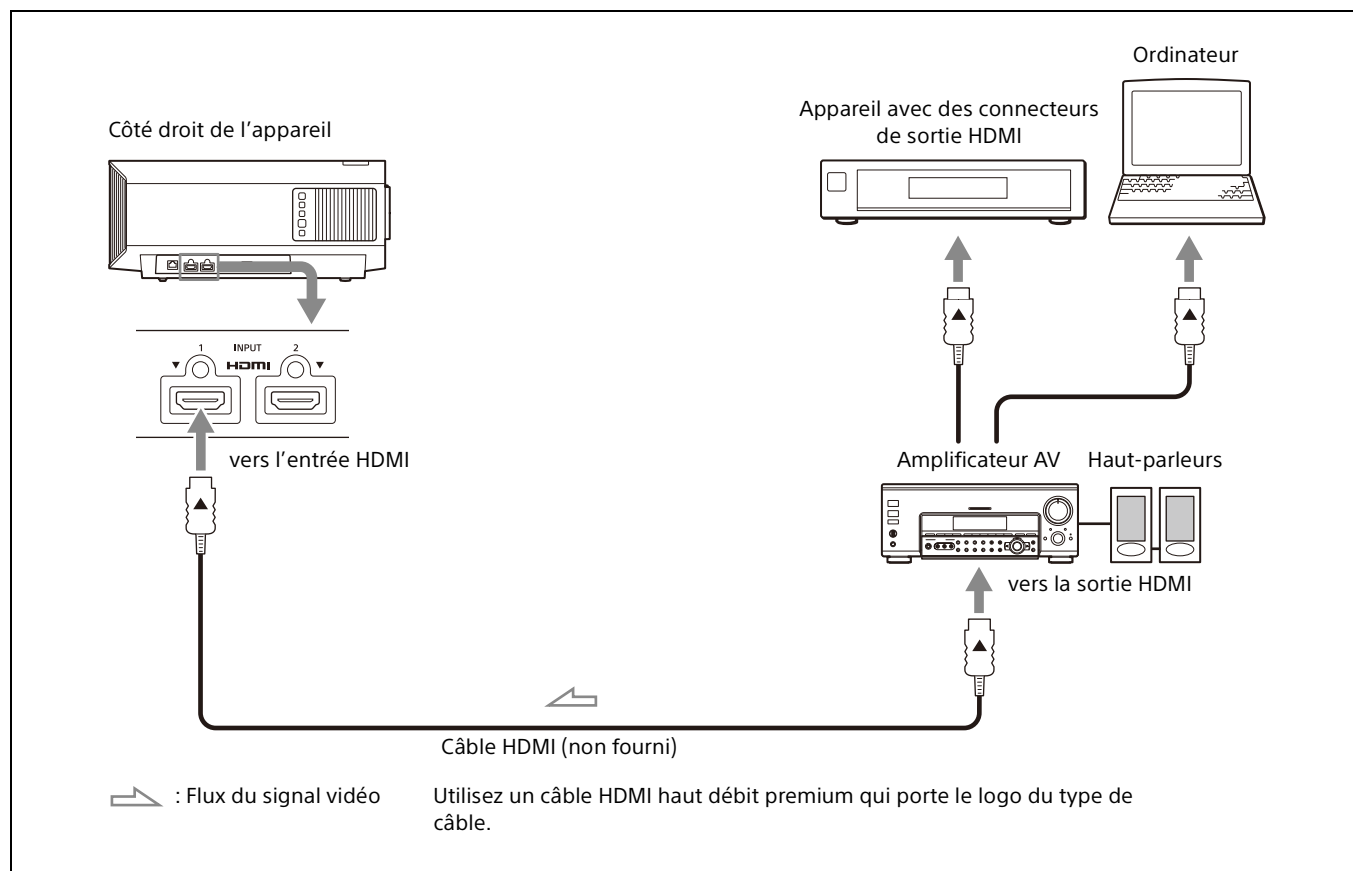
Pour plus d'informations reportez-vous à la section « Installation et raccordements » du Guide d'aide.

Étape 3

Raccordement de l'appareil

Lors de l'exécution des raccordements, vous devez procéder comme suit :

- Mettez tous les appareils hors tension avant tout raccordement.
- Utilisez les câbles appropriés pour chaque raccordement.
- Insérez les fiches de câble à fond ; de mauvais contacts peuvent réduire les performances des signaux d'image ou entraîner des dysfonctionnements. Débranchez un câble en le tenant par sa fiche ; ne tirez pas sur le câble lui-même.
- Pour plus d'informations, consultez également le mode d'emploi du périphérique à raccorder.



Pour surveiller et commander le projecteur via le réseau, accédez à la page Configuration du projecteur (reportez-vous à la section « Utilisation des fonctionnalités réseau » du Guide d'aide) via un navigateur Web et activez le protocole de contrôle souhaité.

Pour plus d'informations reportez-vous à la section « Installation et raccordements » du Guide d'aide.

Projection de l'image

- 1 Mettez sous tension cet appareil et le périphérique qui y est raccordé.
- 2 Appuyez sur INPUT pour afficher la palette d'entrée sur l'écran.
- 3 Sélectionnez le périphérique à partir duquel vous voulez afficher les images.
Appuyez plusieurs fois sur INPUT ou sur \uparrow/\downarrow (entrée) pour sélectionner le périphérique à utiliser pour la projection.

Mise hors tension

- 1 Appuyez sur le bouton I/⏻ (Marche/Veille). Le message « METTRE HORS TENSION? » apparaît sur l'écran.
- 2 Appuyez une nouvelle fois sur le bouton I/⏻ (Marche/Veille) avant que le message disparaisse.
L'indicateur ON/STANDBY clignote en vert et le ventilateur continue à tourner pour abaisser la température interne.

Le ventilateur s'arrête et l'indicateur ON/STANDBY cesse de clignoter en vert pour s'allumer en rouge.

Vous pourrez couper complètement l'alimentation, puis débrancher le cordon d'alimentation secteur.

Remarque

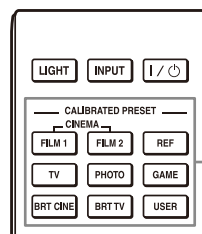
Ne jamais débrancher le cordon d'alimentation secteur lorsque l'indicateur clignote.

Conseil

Vous pouvez mettre l'appareil hors tension en maintenant le bouton I/⏻ (Marche/Veille) enfoncé pendant 1 seconde environ, plutôt qu'en suivant les étapes ci-dessus.


Sélection du mode d'affichage de l'image

Appuyez sur l'un des boutons CALIBRATED PRESET.



Boutons CALIBRATED PRESET

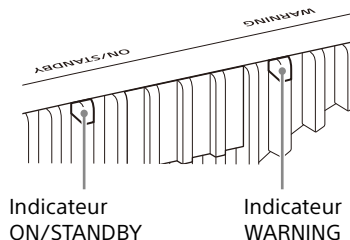
Paramètres	Description
CINEMA FILM 1 (Cinéma Film 1)	Qualité d'image adaptée à la reproduction d'images hautement dynamiques et nettes, typiques d'un chef-d'œuvre du cinéma.
CINEMA FILM 2 (Cinéma Film 2)	Qualité d'image adéquate pour la reproduction de tons riches et de couleurs dignes du cinéma, en fonction de l'option « Cinéma Film 1 ».
REF (Référence)	Qualité d'image adéquate pour reproduire fidèlement la qualité d'image d'origine ou pour profiter de la qualité d'image sans aucun réglage.
TV (TV)	Qualité d'image adéquate pour regarder des programmes TV, du sport, des concerts et d'autres images vidéo.
PHOTO (Photo)	Qualité d'image adéquate pour regarder des images fixes provenant d'un appareil photo numérique et d'autres dispositifs.
GAME (Jeu)	Qualité d'image adaptée aux jeux, avec des couleurs bien modulées et une réponse rapide.
BRT CINE (Cinéma lumière)	Qualité d'image adéquate pour regarder des films dans une pièce lumineuse.
BRT TV (TV lumière)	Qualité d'image adéquate pour regarder des programmes TV, du sport, des concerts et d'autres images vidéo dans une pièce lumineuse.
USER (Utilisateur)	Vous pouvez régler et ajuster la qualité de l'image selon vos goûts, puis enregistrer le paramètre. Le réglage en usine par défaut est identique à « Référence ».

Paramètres	Description
IMAX Enhanced	Qualité d'image adéquate pour regarder des contenus IMAX Enhanced. Appuyez sur le bouton MENU et sélectionnez parmi « Prérégl. étalon. » dans le menu Image  .

Pour plus d'informations reportez-vous à la section « Projection » du Guide d'aide.

À propos des indicateurs

L'indicateur ON/STANDBY ou WARNING s'allume ou clignote en cas de problème sur le projecteur. En cas de problème ou si un message d'erreur apparaît à l'écran, reportez-vous à la section « Gestion des erreurs » du Guide d'aide.



Clignotement/Éclairage des indicateurs	Nombre de clignotements	Cause et remède
<p>(S'allume en rouge) (Clignote en rouge)</p>	Trois fois	L'appareil ne s'allume pas correctement en raison d'une anomalie de la source lumineuse et de l'alimentation de la source lumineuse. Mettez hors tension l'appareil, puis remettez-le sous tension. Si ce symptôme persiste, consultez le service après-vente Sony.
<p>(Clignote en rouge) (Clignote en rouge) Les deux indicateurs clignotent</p>	Deux fois	La température à l'intérieur du projecteur est anormalement élevée. Assurez-vous que rien ne colmate les orifices de ventilation et que l'appareil n'est pas utilisé à haute altitude.
	Trois fois	Le ventilateur est endommagé. Consultez le service après-vente Sony.

Remarque

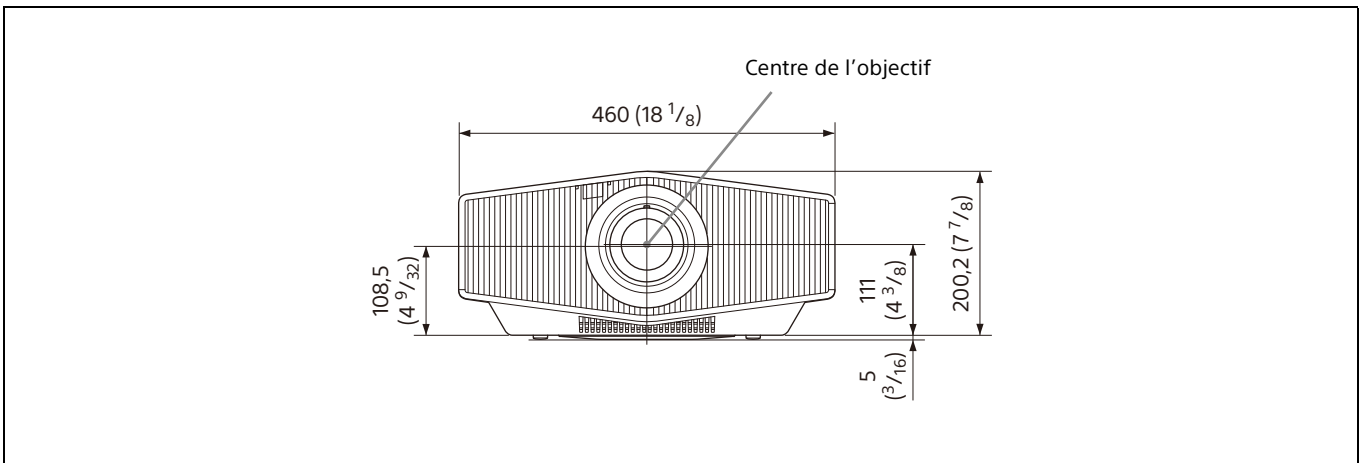
Si le symptôme persiste même après avoir suivi les méthodes décrites ci-dessus, consultez le service après-vente Sony. Si l'indicateur se met à clignoter d'une manière qui n'est pas décrite ci-dessus, éteignez et rallumez l'appareil en appuyant sur le bouton I/⏻ (Marche/Veille) de la télécommande ou du panneau de commande de l'appareil. Si le symptôme s'affiche toujours, consultez le service après-vente Sony.

En cas de problème ou si un message d'erreur apparaît à l'écran, reportez-vous à la section « Gestion des erreurs » du Guide d'aide.

Dimensions

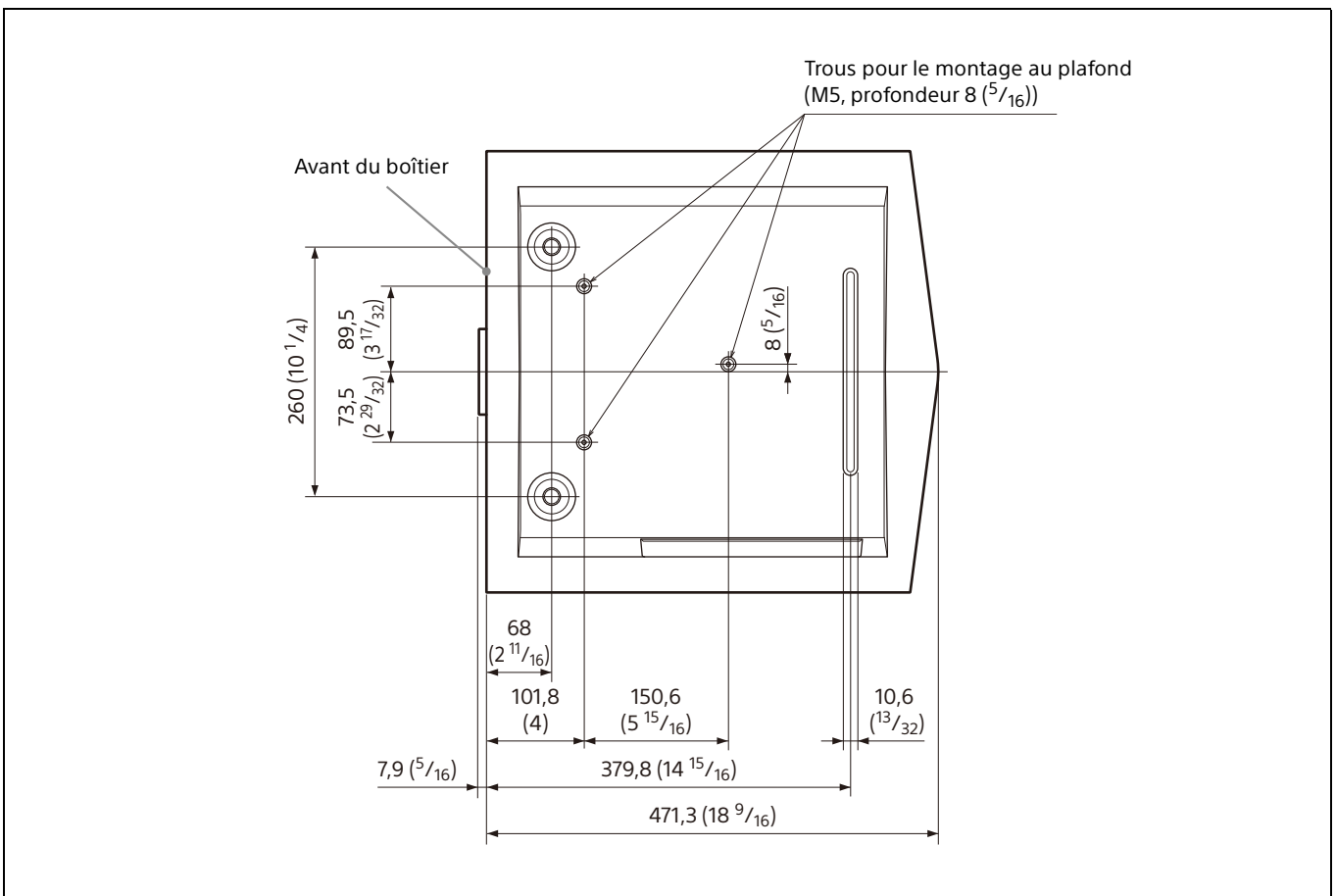
Avant

Unité : mm (pouces)



Dessous

Unité : mm (pouces)

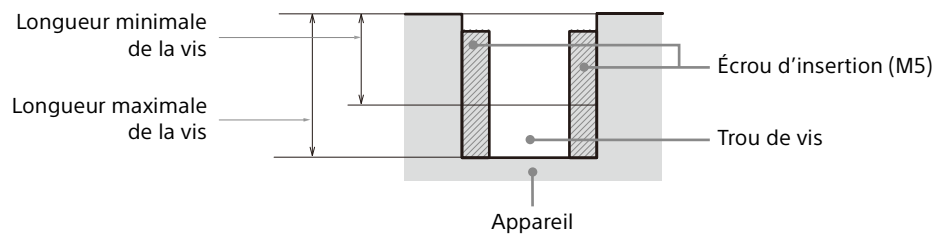


Remarque

Trous pour le montage au plafond

Utilisez des vis d'une longueur de 6,4 mm ($1/4$ pouces minimum) à 8,0 mm ($5/16$ pouces maximum) pour le montage au plafond.

Couple de serrage recommandé (tension au moment de faire tourner les vis dans le sens de rotation) : $1,4 \pm 0,2$ N-m



Acerca de este manual

Esta Guía de configuración explica la instalación y las operaciones básicas para la proyección de imágenes.

Antes de poner en funcionamiento la unidad, lea detenidamente este manual y consérvelo para referencias futuras.

Consulte "Indicadores" cuando sea necesario.

Para conocer los detalles de las operaciones, consulte la Guía de ayuda (manual de instrucciones de la web).

Paso 1

Preparación..... Página 41

Paso 2

Instalación de la unidadPágina 42

Paso 3

Conexión de la unidadPágina 44

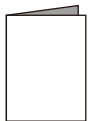
Paso 4

Proyección.....Página 45

Indicadores..... Página 47

Dimensiones.....Página 48

Manuales suministrados



Guía de configuración (este documento)

Explica la instalación y las operaciones básicas para la proyección de imágenes.



Guía de ayuda (Manual de instrucciones de la web)

Explica detalladamente las características de la unidad y su uso. Puede consultar la Guía de ayuda en un teléfono inteligente o en un ordenador.

<https://rd1.sony.net/help/vpl/xw5000/es/>



Al utilizar el producto, no lo use con finalidades distintas de las especificadas en el Manual de instrucciones.

ADVERTENCIA

Para reducir el riesgo de incendio o electrocución, no exponga este aparato a la lluvia ni a la humedad.

Para evitar descargas eléctricas, no abra el aparato. Solicite asistencia técnica únicamente a personal especializado.

ADVERTENCIA

Al instalar la unidad, incluya un dispositivo de desconexión fácilmente accesible en el cableado fijo, o conecte el enchufe de alimentación a una toma de corriente fácilmente accesible cerca de la unidad. Si se produce una anomalía durante el funcionamiento de la unidad, accione el dispositivo de desconexión para desactivar la alimentación o desconecte el enchufe de alimentación.

PRECAUCIÓN

Por razones de seguridad, no conecte el conector de los cables de dispositivos periféricos que puedan tener demasiado voltaje en el siguiente puerto:

- LAN

ADVERTENCIA

1. Utilice un cable de alimentación (cable de alimentación de 2 hilos)/conector/enchufe del aparato recomendado que cumpla con la normativa de seguridad de cada país/región, si procede.
2. Utilice un cable de alimentación (cable de alimentación de 2 hilos)/conector/enchufe del aparato que cumpla con los valores nominales correspondientes en cuanto a tensión y amperaje.

Si tiene alguna duda sobre el uso del cable de alimentación/conector/enchufe del aparato, consulte a un técnico de servicio cualificado.

IMPORTANTE

La placa de características está situada en la siguiente ubicación de la unidad.

- Lado

PRECAUCIÓN

- Peligro de explosión si se sustituye la batería por una del tipo incorrecto. Reemplace la batería solamente por otra del mismo tipo o de un tipo equivalente recomendado por el fabricante.
- Cuando deseche la batería o el producto, debe cumplir con la legislación de su área o país. No deseche la batería o el producto en el fuego o en un horno caliente, ni la corte o aplaste mecánicamente. Podría explotar o provocar un incendio. No someta a la batería a una presión de aire extremadamente baja ya que podría dar lugar a una explosión o a la fuga de gas o líquido inflamable.
- No coloque la batería en un lugar donde la temperatura sea elevada; por ejemplo, bajo la luz directa del sol o cerca del fuego. Podría prenderse, explotar o provocar un incendio. No sumerja ni humedezca la batería con agua o agua de mar. Podría producirse una descarga eléctrica.

PRECAUCIÓN

Se necesitan los tamaños y el número de pilas siguientes para el mando a distancia.

- Tamaño: AA (R6)
- Número de pilas: Dos piezas

Para evitar el riesgo de explosión, utilice únicamente el siguiente tipo de pilas.

- Baterías de manganeso

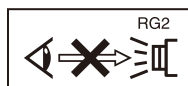


Este símbolo tiene como objetivo alertar al usuario de la presencia de instrucciones importantes de funcionamiento y mantenimiento (servicio) que acompañan al aparato.



**IEC 60825-1:2014
PRODUCTO LÁSER DE CLASE 1**

- Este producto cumple con la norma EN 60825-1:2014+A11:2021.
- Este producto cumple con la norma EN 50689:2021.
- Este producto está diseñado para proyectar imágenes en una pared o pantalla.



Al igual que con cualquier fuente de luz brillante, no mire fijamente al haz de luz, RG2 IEC 62471-5:2015.

ADVERTENCIA

No examine la lente mientras la utilice.

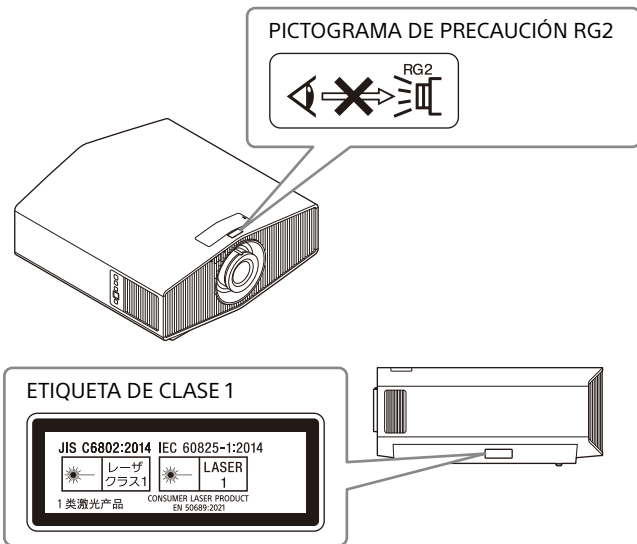
PRECAUCIÓN

La utilización de controles o ajustes, o la realización de procedimientos no especificados aquí pueden resultar en la exposición a radiación peligrosa.

PRECAUCIÓN

El uso de instrumentos ópticos con este producto aumentará el peligro para los ojos.

Información sobre la posición de las etiquetas



Especificaciones de la fuente de luz

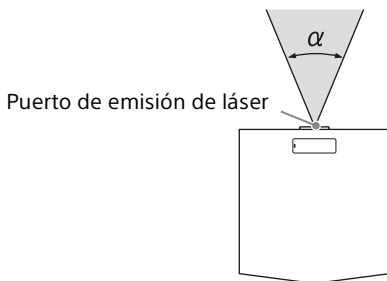
Diodos láser de 4,8 W × 14

Longitud de onda: 450 - 460 nm

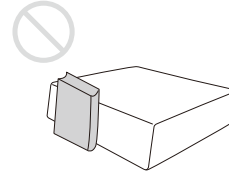
Ángulo de divergencia del haz de luz desde la lente de esta unidad

Zoom máximo: $\alpha = 39,9^\circ$

Zoom mínimo: $\alpha = 25,5^\circ$



No coloque delante del objetivo ningún objeto que pueda bloquear la luz durante la proyección. El calor de la luz puede provocar daños en el objeto.



Para los clientes de Europa

Fabricante: Sony Corporation, 1-7-1 Konan Minato-ku Tokyo, 108-0075 Japón

Para la conformidad del producto en la UE: Sony Belgium, bijkantoor van Sony Europe B.V., Davincilaan 7-D1, 1930 Zaventem, Bélgica

Precauciones

Seguridad

- Compruebe que la tensión de funcionamiento de la unidad sea la misma que la del suministro eléctrico local.
- Si se introduce algún objeto sólido o líquido en la unidad, desenchúfela y haga que sea revisada por personal especializado antes de volver a utilizarla.
- Desenchufe la unidad de la toma de pared cuando no vaya a utilizarla durante varios días.
- Para desconectar el cable, tire del enchufe. Nunca tire del propio cable.
- La toma de pared debe encontrarse cerca de la unidad y ser de fácil acceso.
- La unidad no estará desconectada de la fuente de alimentación de CA mientras esté conectada a la toma de pared, aunque haya apagado la unidad.
- No mire a la lente mientras la unidad esté en funcionamiento.
- No coloque la mano ni ningún objeto cerca de los orificios de ventilación. El aire que sale es caliente.

Prevención del calentamiento interno

Después de apagar la alimentación con el botón I/⏻ (encendido/espera), no desconecte la unidad de la toma de pared mientras el ventilador de refrigeración esté en funcionamiento.

Precaución

Esta unidad está equipada con orificios de ventilación (entrada/salida). No bloquee dichos orificios ni coloque nada cerca de ellos, ya que si lo hace puede producirse un calentamiento interno, que puede provocar el deterioro de la imagen o daños a la unidad.

Embalaje

Guarde la caja y los materiales de embalaje originales, ya que resultarán útiles si alguna vez tiene que enviar la unidad. Para obtener la máxima protección, vuelva a embalar la unidad como se embolsó originalmente en fábrica.

Revisión de componentes relacionados con la fuente de luz

La unidad utiliza un láser, por lo que al realizar un ajuste o la revisión de componentes relacionados

con la fuente de luz, es necesario trabajar con las máximas precauciones y en un entorno seguro. Pida siempre consejo a un técnico de Sony cualificado (servicio de pago).

Nota acerca de no usar la unidad durante largos períodos de tiempo

Si la unidad no se usa durante un período de tiempo prolongado, puede producirse un mal funcionamiento o una disminución del rendimiento. Para evitarlo, encienda periódicamente la unidad y hágala funcionar.

Proyector LCD

El proyector LCD está fabricado con tecnología de alta precisión. No obstante, es posible que se observen pequeños puntos negros o brillantes (rojos, azules o verdes), o ambos, de forma continua en el proyector LCD. Se trata de un resultado normal del proceso de fabricación y no indica fallo de funcionamiento.

Además, si utiliza varios proyectores LCD para proyectar en una pantalla, es posible que la reproducción de colores no sea igual en todos los proyectores, incluso si son del mismo modelo, ya que el balance de color puede estar configurado de manera distinta de un proyector a otro.

Acerca de la condensación

Si la temperatura de la habitación en la que se instala el proyector cambia rápidamente, o si el proyector se traslada súbitamente de un lugar muy frío a uno muy cálido, es posible que se produzca condensación en el proyector. La condensación puede provocar errores de funcionamiento, por lo que debe prestarse atención al ajustar la temperatura del aire acondicionado. Si se produce condensación, deje el proyector encendido durante dos horas antes de utilizarlo.

Notas sobre seguridad

- SONY NO SE HACE RESPONSABLE POR DAÑOS DE NINGÚN TIPO DEBIDOS A LA OMISIÓN DE LAS MEDIDAS DE SEGURIDAD ADECUADAS EN DISPOSITIVOS DE TRANSMISIÓN, FUGAS DE DATOS INEVITABLES DERIVADAS DE LAS ESPECIFICACIONES DE TRANSMISIÓN O PROBLEMAS DE SEGURIDAD DE CUALQUIER TIPO.
- Según el tipo de entorno operativo, es posible que terceras partes no autorizadas puedan acceder a la unidad a través de la red. Cuando

conecte la unidad a la red, confirme siempre que la red está correctamente protegida.

- Desde el punto de vista de la seguridad, al utilizar la unidad conectada a la red, se recomienda encarecidamente acceder a la ventana de control a través de un navegador web y modificar la limitación de acceso de los valores predeterminados de fábrica. Asimismo, se recomienda establecer una contraseña con una cadena de caracteres suficientemente larga, que sea difícil de adivinar por los demás, y que deberá guardar de forma segura.
- No visite otros sitios web con el navegador web mientras ajuste la configuración o justo después. El navegador web recuerda los ajustes de inicio de sesión, por lo que debe cerrarlo al completar la configuración para evitar que terceros no autorizados utilicen la unidad o para evitar la instalación de programas maliciosos.
- Cuando conecte este producto a una red, conéctelo mediante un sistema con función de protección como, por ejemplo, un router o un firewall. Si se conecta sin dicha protección, pueden producirse problemas de seguridad.

No poner este producto cerca de aparatos médicos

Este producto (incluyendo los accesorios) tiene un imán (o imanes) que puede interferir con marcapasos, válvulas de derivación programables para el tratamiento de la hidrocefalia, o con otros aparatos médicos. No ponga el producto cerca de personas que utilicen dichos aparatos médicos. Consulte con su médico antes de utilizar este producto si utiliza cualquiera de dichos aparatos médicos.

SONY NO SE HACE RESPONSABLE POR DAÑOS DE NINGÚN TIPO DERIVADOS DE LA UTILIZACIÓN DE ESTA UNIDAD CON FINALIDADES DIFERENTES A LAS DE UN USO DOMÉSTICO GENERAL, YA SEA DURANTE EL PERÍODO DE GARANTÍA O UNA VEZ VENCIDO DICHO PERÍODO.

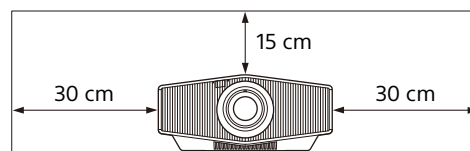
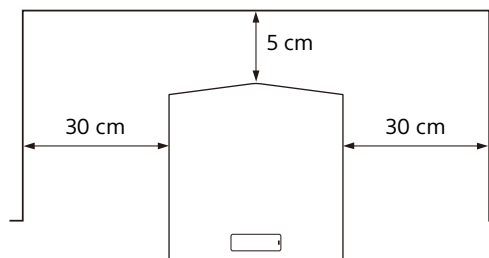
Notas sobre la instalación y el uso

Instalación inadecuada

No ponga la unidad en las siguientes situaciones, en las que puede sufrir daños o averías.

Cerca de paredes

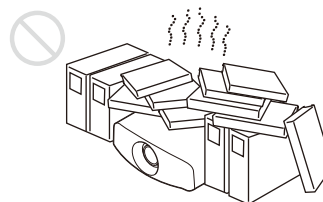
Para garantizar un funcionamiento fiable y óptimo de la unidad, deje un espacio entre la pared y la unidad, tal y como se muestra en la ilustración.



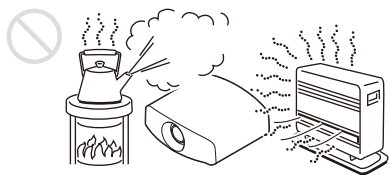
La pared situada junto a los orificios de ventilación puede alcanzar temperaturas elevadas. El aire procedente de un equipo de aire acondicionado o de los orificios de ventilación de esta unidad o de otros dispositivos puede provocar oscilaciones en la pantalla. No instale la unidad en un sitio donde la parte delantera de la misma reciba el aire de equipos de aire acondicionado o de los orificios de ventilación de otros dispositivos.

Ubicaciones escasamente ventiladas

Deje un espacio superior a 30 cm alrededor de la unidad.

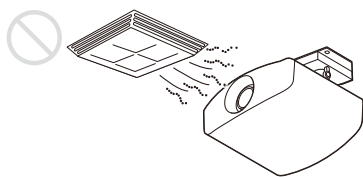


Lugares cálidos y húmedos



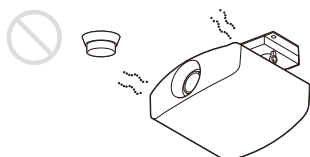
Lugares expuestos directamente al aire frío o caliente emitido por un equipo de aire acondicionado

Si instala la unidad en un lugar con estas características, es posible que el funcionamiento no sea correcto a causa de la condensación de humedad o del aumento de la temperatura.

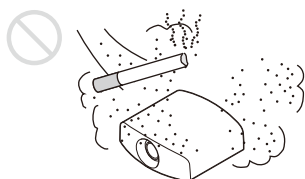


Cerca de un detector de calor o humo

Puede que el detector no funcione correctamente.



Lugares con mucho polvo o humo excesivo



Condiciones inadecuadas

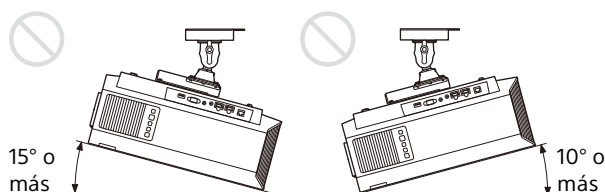
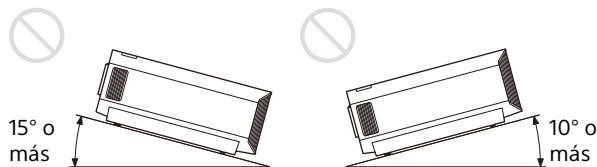
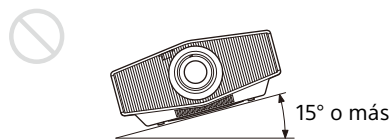
No haga lo siguiente mientras usa la unidad.

Inclinación hacia delante/atrás y a derecha/izquierda


Evite el uso de la unidad en una posición inclinada, tal y como se muestra en las siguientes ilustraciones.

No instale la unidad en ningún lugar que no sea una superficie nivelada o el techo. La instalación de la unidad en una ubicación de ese tipo puede provocar una uniformidad de color desigual.

Si la unidad se inclina hacia arriba o hacia abajo, la imagen de la pantalla puede ser trapezoidal. Coloque la unidad de forma que la lente esté paralela a la pantalla.



Instalación de la unidad a grandes altitudes

Si utiliza la unidad en lugares con una altitud de 1.000 m o más, configure la opción "Modo gran altitud" del menú Configuración  en el ajuste adecuado. De lo contrario pueden producirse efectos adversos, tales como la reducción de la fiabilidad de determinados componentes.

Precauciones de seguridad para instalar la unidad en el techo

- Nunca instale el proyector en el techo ni lo desplace sin ayuda. Pida siempre consejo a un técnico de Sony cualificado (servicio de pago).
- Si instala la unidad en el techo, utilice un cable de seguridad o un sistema similar para evitar que la unidad se desprenda. Confíe siempre la instalación a un proveedor o instalador experimentado.

Para los distribuidores

Fije bien la tapa de la carcasa cuando lo instale en el techo.

Nota sobre la licencia

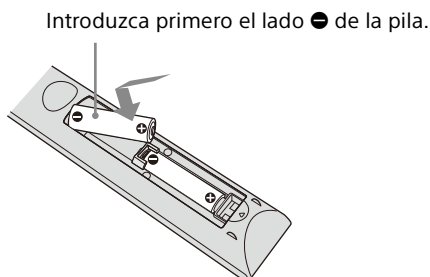
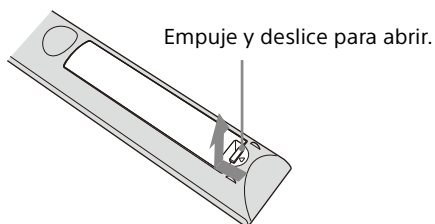
Consulte el apartado “Nota sobre el software” en la Guía de ayuda y lea el contenido de la licencia.

Comprobación de los accesorios suministrados

Compruebe que la caja contenga los siguientes elementos:

- Mando a distancia RM-PJ28 (1)
- Pilas de tamaño AA (R6) (2)
- Tapa del objetivo (1)
Cuando se adquiere el proyector, el objetivo incluye una tapa del objetivo.
- Cable de alimentación de CA (1)
- Guía de configuración (este manual) (1)

Introducción de las pilas en el mando a distancia



Precauciones al manipular el mando a distancia

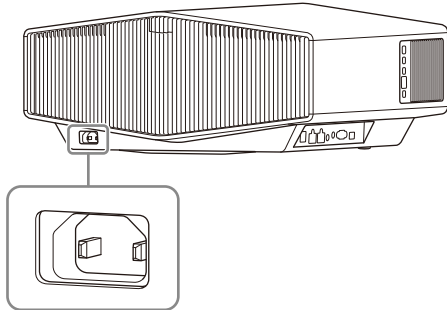
- Manipule con cuidado el mando a distancia. No lo deje caer y no lo pise ni derrame líquidos sobre él.
- No ponga el mando a distancia cerca de fuentes de calor, bajo la luz directa del sol ni en lugares húmedos.

Cómo quitar la tapa del objetivo

Quite la tapa del objetivo antes de utilizar el proyector.

- 1 Coloque la unidad de modo que el objetivo quede paralelo a la pantalla.
- 2 Después de conectar el cable de alimentación de CA a la unidad, enchufe el cable de alimentación de CA en una toma mural.

Parte posterior de la unidad



Parte frontal de la unidad



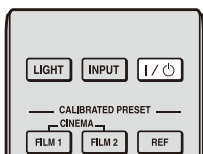
Se ilumina en rojo.

Nota

Después de conectar el cable de alimentación de CA a la unidad, el indicador ON/STANDBY puede parpadear en naranja.

Es posible que no pueda controlar la unidad mientras el indicador parpadea, pero esto no es un mal funcionamiento. Espere hasta que deje de parpadear y permanezca encendido en rojo.

- 3 Pulse el botón I/⏻ (encendido/en espera) para encender la unidad.

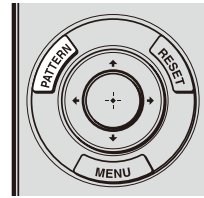


Parte frontal de la unidad



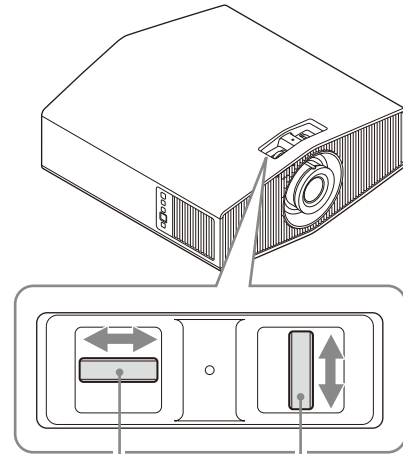
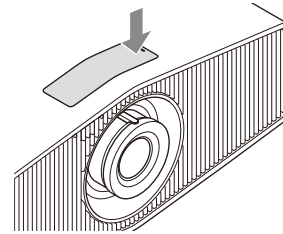
El indicador ON/STANDBY parpadea en verde y luego se enciende en verde.

- 4 Pulse el botón LENS en el panel de control o el botón PATTERN en el mando a distancia para visualizar una señal de prueba para realizar los ajustes.



- 1 Abra la tapa de la parte superior de la unidad y mueva los dos diales de desplazamiento del objetivo para ajustar la posición de la imagen.

Presionar para abrir



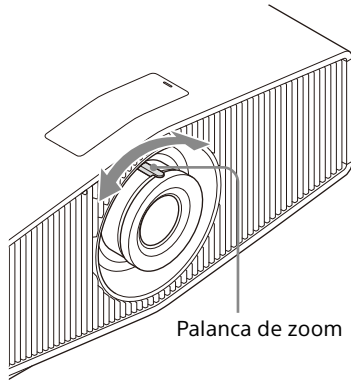
Para ajustar la posición horizontal

Para ajustar la posición vertical

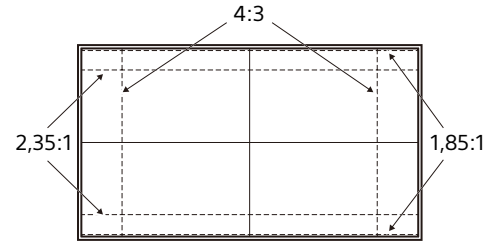
Notas

- Después de ajustar la posición de la imagen, coloque la tapa en su posición original.
- Cuando se instala la unidad en el techo y se abre la tapa del dial de cambio, la tapa puede caer. Tenga cuidado al abrir y cerrar la tapa, y al manejar el dial.

- 2 Ajuste el tamaño de la imagen con la palanca del zoom.

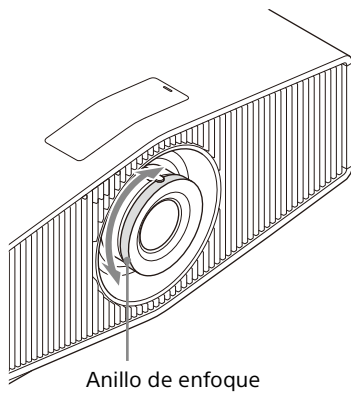


Ventana de ajuste del objetivo (patrón de prueba)



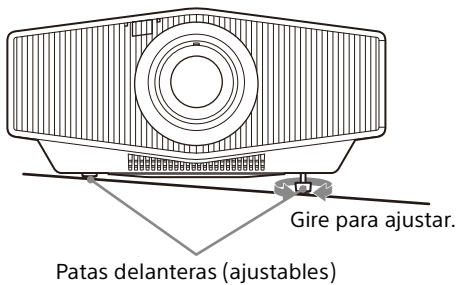
Las líneas de puntos indican el ángulo de visualización de cada relación de aspecto.

- 3 Ajuste el enfoque con el anillo de enfoque.



Para ajustar la inclinación de la superficie de instalación

Si la unidad se instala en una superficie irregular, utilice las patas delanteras (ajustables) para mantener la unidad nivelada.



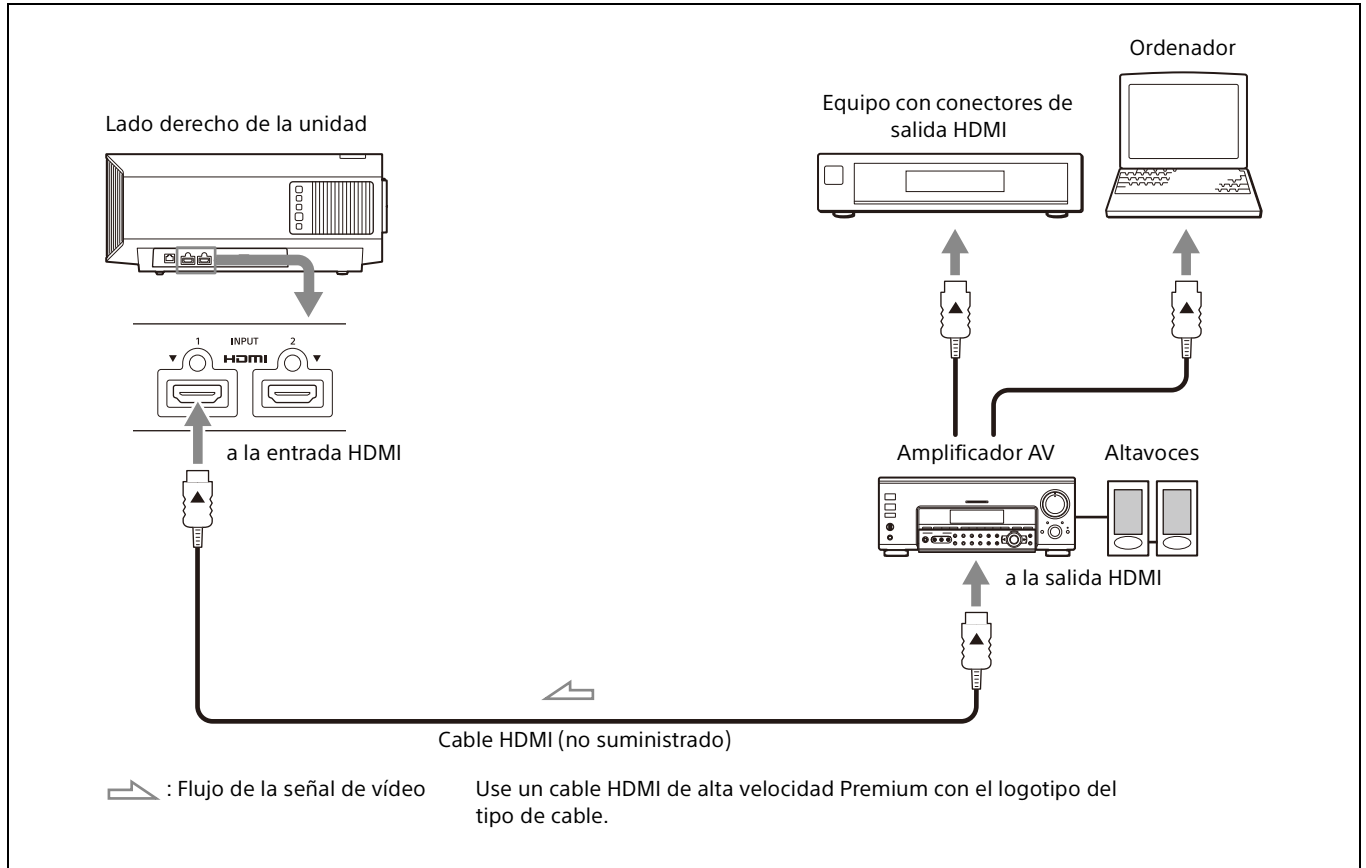
Notas

- Tenga en cuenta que si la unidad está inclinada hacia arriba o hacia abajo, la imagen proyectada se verá distorsionada con forma trapezoidal.
- Tenga cuidado para evitar engancharse los dedos al girar las patas delanteras (ajustables).

Para obtener más información, consulte "Instalación y conexiones" en la Guía de ayuda.

Cuando haga las conexiones, asegúrese de hacer lo siguiente:

- Apague todos los dispositivos antes de realizar cualquier conexión.
- Utilice los cables apropiados para cada conexión.
- Inserte firmemente los enchufes de los cables; las conexiones mal realizadas pueden reducir la calidad de las señales de imagen o provocar una avería. Cuando desconecte un cable, asegúrese de sujetarlo por el enchufe y no del cable.
- Para obtener más información, consulte también los manuales de instrucciones del dispositivo que vaya a conectar.



Al supervisar y controlar el proyector a través de la red, acceda a la página Setup del proyector (consulte "Uso de las funciones de red" en la Guía de ayuda) a través de un navegador web y active el protocolo de control que desee.

Para obtener más información, consulte "Instalación y conexiones" en la Guía de ayuda.

Proyección de la imagen

- 1 Encienda la unidad y los dispositivos conectados a la unidad.
- 2 Pulse INPUT para visualizar las diferentes opciones de entradas en la pantalla.
- 3 Seleccione el dispositivo desde el que desea visualizar las imágenes.
Pulse INPUT repetidamente o pulse $\uparrow/\downarrow/\oplus$ (intro) para seleccionar el dispositivo cuyas imágenes desea utilizar para la proyección.

Apagado de la alimentación

- 1 Pulse el botón I/⏻ (encendido/en espera). Aparecerá el mensaje "DESACTIVAR?".
- 2 Pulse el botón I/⏻ (encendido/en espera) de nuevo antes de que el desaparezca el mensaje.
El indicador ON/STANDBY parpadeará en verde y el ventilador seguirá funcionando para reducir el calor acumulado en el interior de la unidad.

El ventilador se detiene y el indicador ON/STANDBY deja de parpadear en verde y se ilumina en rojo fijo.

Se ha desconectado por completo y puede desconectar el cable de alimentación de CA.

Nota

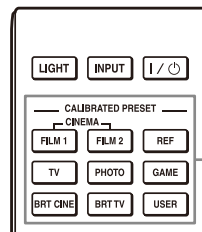
No desconecte nunca el cable de alimentación de CA con el indicador parpadeando.

Sugerencia

Puede apagar la unidad manteniendo pulsado el botón I/⏻ (encendido/en espera) durante aproximadamente 1 segundo, en lugar de realizar los pasos indicados arriba.


Selección del modo de visualización de la imagen

Pulse uno de los botones CALIBRATED PRESET.



Botones CALIBRATED PRESET

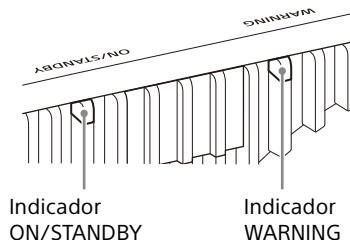
Elementos de configuración	Descripción
CINEMA FILM 1 (Cine Film 1)	Calidad de imagen adecuada para reproducir imágenes con gran dinamismo y claridad; calidad habitual del positivo de película.
CINEMA FILM 2 (Cine Film 2)	Calidad de imagen adecuada para reproducir los colores densos y de gran tonalidad habituales de las salas de cine, basada en "Cine Film 1".
REF (Referencia)	Una configuración de calidad de imagen adecuada para reproducir de forma fiel la calidad original de la imagen, o para disfrutar de buena calidad de imagen sin tener que realizar ningún ajuste.
TV (TV)	Calidad de imagen adecuada para ver programas de televisión, deportes, conciertos y otras imágenes en vídeo.
PHOTO (Foto)	Calidad de imagen adecuada para proyectar imágenes fijas tomadas con una cámara digital.
GAME (Juego)	Calidad de imagen adecuada para juegos; colores de alta modulación y respuesta rápida.
BRT CINE (Cine brillante)	Calidad de imagen adecuada para reproducir vídeos en un entorno con iluminación, como una sala de estar.
BRT TV (TV brillante)	Calidad de imagen adecuada para ver programas de televisión, deportes, conciertos y otras imágenes de vídeo en un entorno con iluminación, como una sala de estar.
USER (Usuario)	Ajusta la calidad de la imagen para adaptarse a sus necesidades y, a continuación, guarda el ajuste. La configuración por defecto es la misma que la de "Referencia".

Elementos de configuración	Descripción
IMAX Enhanced	Calidad de imagen adecuada para ver contenidos IMAX Enhanced. Pulse el botón MENU y seleccione entre "Presele. calib." en el menú Imagen  .

Para obtener más información, consulte "Proyección" en la Guía de ayuda.

Indicadores

El indicador ON/STANDBY o WARNING se enciende o parpadea si hay algún problema con el proyector. Si hay algún problema o aparece un mensaje de error en la pantalla, consulte "Gestión de errores" en la Guía de ayuda.



Indicadores de iluminación/ parpadeo	El número de parpadeos	Causa y solución
<p>(Se enciende en rojo) (Parpadea en rojo)</p>	Tres veces	La unidad no se ilumina correctamente a causa de un problema en la fuente de luz y la alimentación de la fuente de luz. Apague la unidad y vuelva a encenderla al cabo de unos instantes. Si el problema continúa, consulte con personal cualificado de Sony.
<p>(Parpadea en rojo) (Parpadea en rojo)</p> <p>Ambos indicadores parpadean</p>	Dos veces	La temperatura interna es anormalmente alta. Compruebe que no haya nada bloqueando los orificios de ventilación y que la unidad no se está utilizando a altitudes elevadas.
	Tres veces	El ventilador está roto. Consulte con personal especializado de Sony.

Nota

Si los síntomas persisten, incluso después de emplear los métodos mencionados, consulte con personal cualificado de Sony.

Si el indicador empieza a parpadear de una forma diferente a la indicada, desconecte y después conecte la alimentación con el botón I/⏻ (encendido/en espera), del mando a distancia o del panel de control de la unidad.

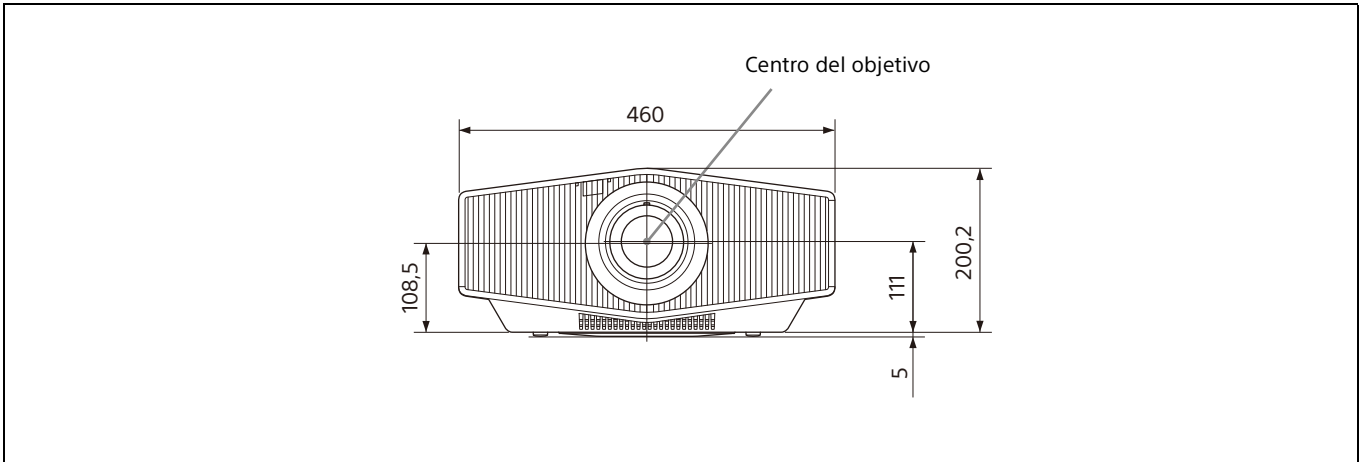
Si el síntoma vuelve a aparecer, consulte con personal cualificado de Sony.

Si hay algún problema o aparece un mensaje de error en la pantalla, consulte "Gestión de errores" en la Guía de ayuda.

Dimensiones

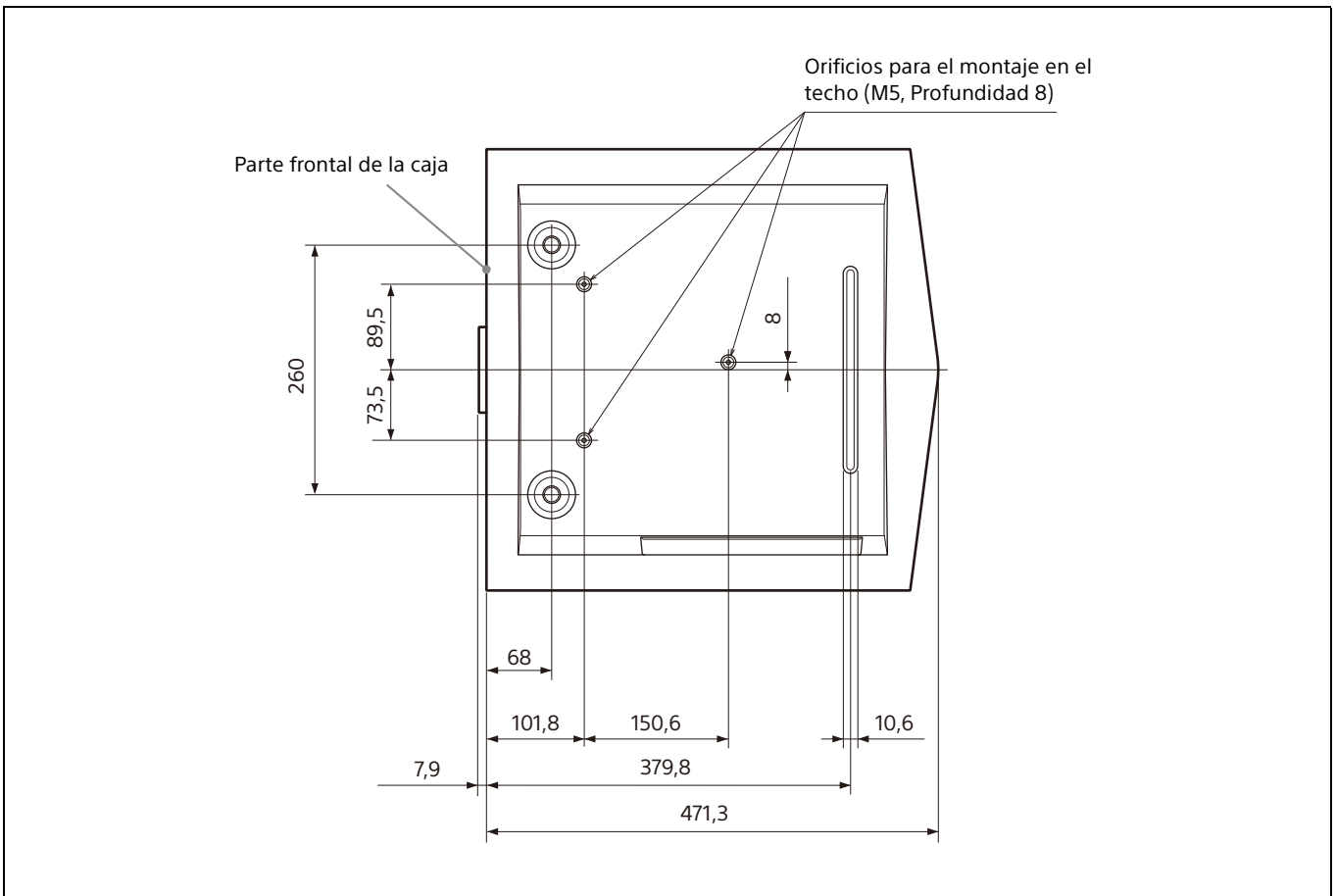
Parte frontal

Unidad: mm



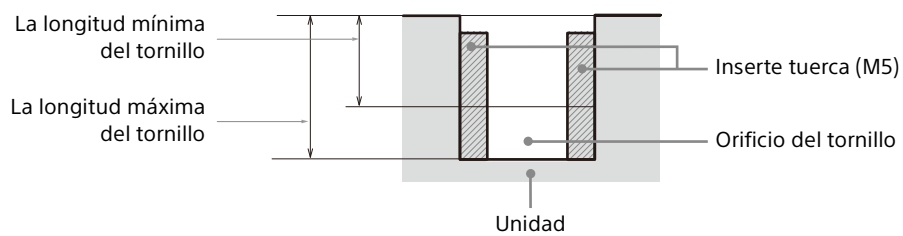
Parte inferior

Unidad: mm



Nota**Orificios para el montaje en el techo**

Utilice los tornillos con una longitud de 6,4 mm mínima a 8,0 mm máximo para el montaje en el techo.
Par de apriete recomendado (tensión al girar un tornillo hacia el sentido de giro): $1,4 \pm 0,2$ N-m



Zu dieser Anleitung

Diese Installationsanleitung beschreibt die Installation und die grundlegenden Bedienvorgänge zum Projizieren von Bildern.

Bitte lesen Sie dieses Handbuch vor der Benutzung des Geräts sorgfältig durch und bewahren Sie es zum späteren Nachschlagen auf.

Schlagen Sie bei Bedarf unter „Hinweis zu den Anzeigen“ nach.

Einzelheiten zum Betrieb finden Sie in der Hilfe (Bedienungsanleitung im Internet).

Schritt 1

Vorbereitungen Seite 57

Schritt 2

Installieren des Geräts Seite 58

Schritt 3

Anschließen des Geräts Seite 60

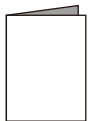
Schritt 4

Projizieren Seite 61

Hinweis zu den Anzeigen Seite 63

Abmessungen Seite 64

Mitgelieferte Dokumentation



Installationsanleitung (dieses Dokument)

Beschreibt die Installation und die grundlegenden Bedienvorgänge zum Projizieren von Bildern.



Hilfe (Bedienungsanleitung im Internet)

Erläutert detailliert die Funktionen des Geräts und seinen Gebrauch. Sie können die Hilfe auf einem Smartphone oder Computer anzeigen.

<https://rd1.sony.net/help/vpl/xw5000/de/>



Verwenden Sie das Produkt ausschließlich zu den in dieser Anleitung beschriebenen Zwecken.

WARNUNG

Um die Gefahr von Bränden oder elektrischen Schlägen zu verringern, darf dieses Gerät nicht Regen oder Feuchtigkeit ausgesetzt werden. Um einen elektrischen Schlag zu vermeiden, darf das Gehäuse nicht geöffnet werden. Überlassen Sie Wartungsarbeiten stets nur qualifiziertem Fachpersonal.

WARNUNG

Beim Einbau des Geräts ist daher im Festkabel ein leicht zugänglicher Unterbrecher einzufügen, oder der Netzstecker muss mit einer in der Nähe des Geräts befindlichen, leicht zugänglichen Wandsteckdose verbunden werden. Wenn während des Betriebs eine Funktionsstörung auftritt, ist der Unterbrecher zu betätigen bzw. der Netzstecker abzuziehen, damit die Stromversorgung zum Gerät unterbrochen wird.

VORSICHT

Aus Sicherheitsgründen nicht mit einem Peripheriegerät-Anschluss verbinden, der zu starke Spannung für die nachstehende Buchse haben könnte:

- LAN

WARNUNG

1. Verwenden Sie ein geprüftes Netzkabel (2-adriges Stromkabel)/einen geprüften Geräteanschluss/einen geprüften Stecker entsprechend den Sicherheitsvorschriften, die im betreffenden Land/in der betreffenden Region gelten.
2. Verwenden Sie ein Netzkabel (2-adriges Stromkabel)/einen Geräteanschluss/einen Stecker mit den geeigneten Anschlusswerten (Volt, Ampere).

Wenn Sie Fragen zur Verwendung von Netzkabel/ Geräteanschluss/Stecker haben, wenden Sie sich bitte an qualifiziertes Kundendienstpersonal.

WICHTIG

Das Namensschild befindet sich an der folgenden Stelle des Gerätes:

- Seite

VORSICHT

- Explosionsgefahr bei Verwendung falscher Batterien. Batterien nur durch den vom Hersteller empfohlenen oder einen gleichwertigen Typ ersetzen.
- Beachten Sie beim der Entsorgung des Akkus oder des Geräts die örtlichen Vorschriften. Entsorgen Sie den Akku oder das Gerät nicht durch Verbrennen. Erhitzen Sie den Akku nicht, und beschädigen Sie ihn nicht. Andernfalls besteht Explosions- und Brandgefahr. Setzen Sie den Akku keinem extrem niedrigen Luftdruck aus, der zu einer Explosion oder dem Austreten brennbarer Flüssigkeiten oder Gase führen könnte.
- Setzen Sie den Akku keinen hohen Temperaturen aus wie etwa in direkter Sonneneinstrahlung oder in der Nähe von Wärmequellen. Er kann sich entzünden, explodieren oder einen Brand verursachen. Halten Sie den Akku fern von Wasser und Salzwasser. Andernfalls besteht Stromschlaggefahr.

VORSICHT

Batterien der folgenden Größe und in folgender Anzahl sind für die Fernbedienung erforderlich:

- Größe: AA (R6)
- Batterieanzahl: Zwei Stück

Verwenden Sie nur den folgenden Batterietyp, da andernfalls Explosionsgefahr besteht:

- Manganbatterien

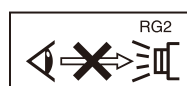


Das Symbol ist dafür vorgesehen, den Benutzer auf wichtige Betriebs- und Wartungshinweise in der Dokumentation zur Anwendung aufmerksam zu machen.



**IEC 60825-1:2014
LASERPRODUKT DER KLASSE 1**

- Dieses Produkt entspricht EN 60825-1:2014+A11:2021.
- Dieses Produkt entspricht EN 50689:2021.
- Dieses Produkt ist auf das Projizieren von Bildern auf eine Wand oder eine andere Projektionsfläche ausgelegt.



Schauen Sie wie bei jeder hellen Lichtquelle nicht in den Strahl, siehe RG2 IEC 62471-5:2015.

WARNUNG

Schauen Sie nicht in das Objektiv, während es verwendet wird.

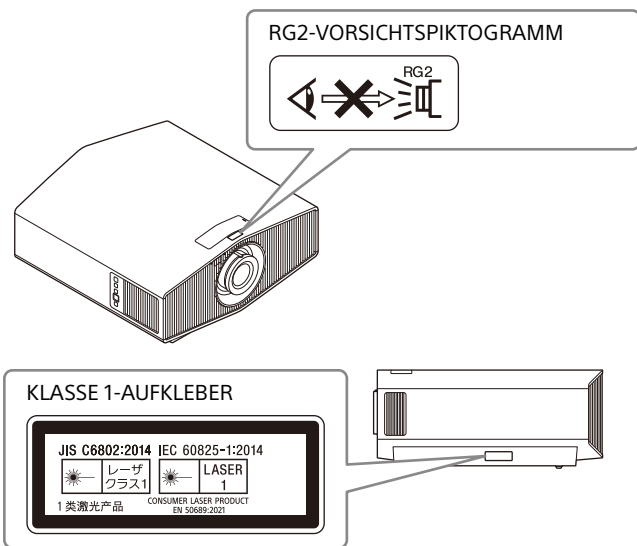
VORSICHT

Bei Betätigung von Bedien- und Einstellteilen oder Ausführung von Bedienvorgängen, die nicht ausdrücklich in dieser Bedienungsanleitung aufgeführt sind, droht u.U. die Einwirkung gefährlicher Laserstrahlung.

VORSICHT

Der Einsatz von optischen Hilfen bei Benutzung dieses Produktes verstärkt die Gefahr von Augenschäden.

Position der Aufkleber



Technische Daten der Lichtquelle

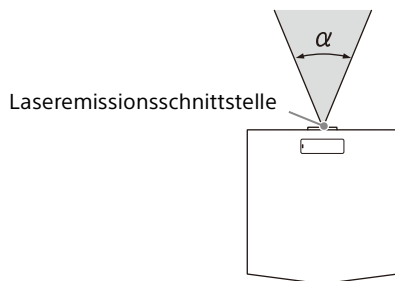
4,8-W-Laserdioden × 14

Wellenlänge: 450 - 460 nm

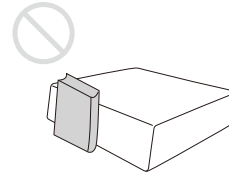
Ablenkungswinkel des Strahls vom Objektiv dieses Geräts

Maximaler Zoom: $\alpha = 39,9^\circ$

Minimaler Zoom: $\alpha = 25,5^\circ$



Stellen Sie keinen Gegenstand, der das Licht während der Projektion blockiert, vor das Objektiv. Andernfalls besteht die Gefahr, dass der Gegenstand durch die Hitze vom Licht beschädigt wird.



Für Kunden in Europa

Hersteller: Sony Corporation, 1-7-1 Konan Minato-ku Tokio, 108-0075 Japan

Für EU Produktkonformität: Sony Belgium, bijkantoor van Sony Europe B.V., Da Vincilaan 7-D1, 1930 Zaventem, Belgien

Sicherheitsmaßnahmen

Info zur Sicherheit

- Achten Sie darauf, dass die Betriebsspannung des Geräts der lokalen Stromversorgung entspricht.
- Sollten Fremdkörper oder Flüssigkeiten in das Gehäuse gelangen, trennen Sie das Gerät von der Netzsteckdose. Lassen Sie das Gerät von qualifiziertem Fachpersonal überprüfen, bevor Sie es wieder benutzen.
- Soll das Gerät mehrere Tage nicht verwendet werden, ziehen Sie den Netzstecker aus der Netzsteckdose.
- Um das Kabel herauszuziehen, ziehen Sie am Stecker. Ziehen Sie niemals am Kabel.
- Die Netzsteckdose sollte sich in der Nähe des Gerätes befinden und leicht zugänglich sein.
- Das Gerät bleibt auch in ausgeschaltetem Zustand mit dem Stromnetz verbunden, solange das Netzkabel mit der Netzsteckdose verbunden ist.
- Schauen Sie während des Betriebs nicht in das Objektiv.
- Halten Sie Hände und Gegenstände von den Lüftungsöffnungen fern. Die ausströmende Luft ist heiß.

Hinweis zum Vermeiden eines internen Wärmestaus

Trennen Sie das Gerät nach dem Ausschalten mit der Taste I/⏻ (Ein/Bereitschaft) nicht von der Netzsteckdose, solange der Lüfter läuft.

Vorsicht

Dieses Gerät ist mit Lüftungsöffnungen (Einlass/Auslass) ausgestattet. Blockieren Sie diese Öffnungen nicht und stellen Sie nichts davor. Andernfalls kann sich ein interner Wärmestau bilden, der die Bildqualität beeinträchtigt oder Schäden am Gerät verursacht.

Hinweis zum Wiederverpacken

Bewahren Sie Originalkarton und Originalverpackungsmaterialien gut auf für den Fall, dass Sie das Gerät einmal transportieren müssen. Beim Transport ist das Gerät am besten geschützt, wenn Sie es wieder so verpacken, wie es werkseitig geliefert wurde.

Hinweis zur Inspektion von zur Lichtquelle gehörenden Teilen

Da das Gerät mit einem Laser arbeitet, sind bei der Einstellung oder Inspektion von zur Lichtquelle gehörenden Teilen besondere Vorsicht und eine sichere Umgebung erforderlich. Wenden Sie sich dazu unbedingt an qualifizierte Sony-Fachleute (kostenpflichtig).

Hinweis zu längerem Nichtgebrauch

Wenn das Gerät lange Zeit nicht verwendet wird, kann es zu einer Fehlfunktion oder einem Leistungsabfall kommen. Um dies zu vermeiden, schalten Sie das Gerät regelmäßig ein und bedienen Sie es.

Hinweis zum LCD-Projektor

Der LCD-Projektor wurde unter Einsatz von Präzisionstechnologie hergestellt. Es kann jedoch sein, dass im Projektionsbild des LCD-Projektors ständig winzige schwarze und/oder helle Punkte (rote, blaue oder grüne) enthalten sind. Dies ist ein normales Ergebnis des Herstellungsprozesses und ist kein Anzeichen für eine Funktionsstörung. Wenn Sie mehrere LCD-Projektoren für die Projizierung auf einer Leinwand verwenden, kann außerdem selbst bei identischen Modellen die Farbwiedergabe bei den verschiedenen Projektoren variieren, da für jeden Projektor eigene Einstellungen der Farbbalance vorgenommen werden können.

Hinweis zur Kondensation

Wenn sich die Temperatur in dem Raum, in dem der Projektor aufgestellt ist, schnell ändert oder wenn der Projektor plötzlich von einem kalten an einen warmen Ort gebracht wird, kann es im Inneren des Projektors zu einer Kondensation kommen. Da die Kondensation zu einer Fehlfunktion führen kann, sollten Sie bei den Temperatureinstellungen einer Klimaanlage vorsichtig sein.

Lassen Sie den Projektor vor der Verwendung ungefähr zwei Stunden eingeschaltet, wenn es zu einer Kondensation gekommen ist.

Hinweise zur Sicherheit

- SONY KANN KEINE HAFTUNG FÜR SCHÄDEN JEDER ART DURCH UNTERLASSENE GEEIGNETE SICHERHEITSMASSNAHMEN AN ÜBERTRAGUNGSGERÄTEN, DURCH UNVERMEIDBARE DATENPREISGABE AUFGRUND

DER ÜBERTRAGUNGSSPEZIFIKATIONEN ODER DURCH SICHERHEITSPROBLEME JEGLICHER ART ÜBERNEHMEN.

- Je nach Betriebsumgebung können unbefugte Dritte im Netzwerk unter Umständen auf dieses Gerät zugreifen. Achten Sie beim Verbinden des Geräts mit dem Netzwerk darauf, dass das Netzwerk gut abgesichert ist.
- Vom Sicherheitsstandpunkt sollten Sie unbedingt über einen Webbrowser auf das Steuerfenster zugreifen und die werkseitig eingestellten Werte für die Zugriffseinschränkung ändern, wenn das Gerät mit dem Netzwerk verbunden ist. Außerdem wird empfohlen, ein Passwort mit einer ausreichend langen, für andere schwer zu erratenden Zeichenkette zu setzen und sicher aufzubewahren.
- Rufen Sie keine andere Website im Webbrowser auf, während Sie Einstellungen vornehmen oder nachdem Sie Einstellungen vorgenommen haben. Da der Anmeldestatus beim Webbrowser gespeichert bleibt, schließen Sie den Webbrowser, wenn Sie die Einstellungen abgeschlossen haben, um zu verhindern, dass unautorisierte Dritte das Gerät nutzen oder schädliche Programme ausgeführt werden.
- Schließen Sie dieses Produkt beim Verbinden mit einem Netzwerk über ein System an, das eine Schutzfunktion bietet, wie etwa ein Router oder eine Firewall. Andernfalls können Sicherheitsprobleme auftreten.

Dieses Produkt nicht in der Nähe von medizinischen Geräten aufstellen

Dieses Produkt (einschließlich der Zubehörteile) enthält einen oder mehrere Magnete, die Herzschrittmacher, programmierbare Shunt-Ventile für die Behandlung von Hydrozephalus oder andere medizinische Geräte beeinträchtigen können. Stellen Sie dieses Produkt nicht in der Nähe von Personen auf, die solche medizinischen Geräte verwenden. Konsultieren Sie Ihren Arzt vor der Benutzung dieses Produkts, falls Sie ein solches medizinisches Gerät verwenden.

SONY ÜBERNIMMT WÄHREND ODER NACH ABLAUF DES GARANTIEZEITRAUMS KEINE HAFTUNG FÜR SCHÄDEN JEDER ART DURCH VERWENDUNG DIESES GERÄTS FÜR ANDERE ALS ALLGEMEINE PRIVATE ZWECKE.

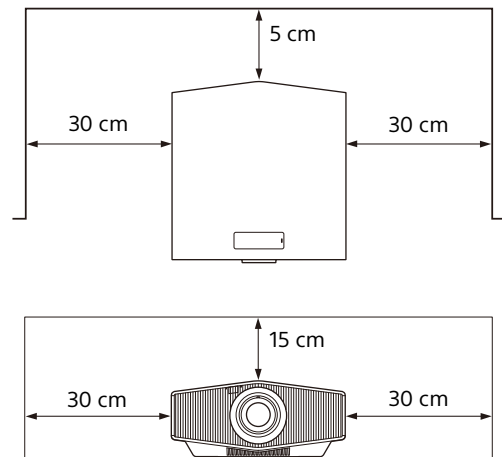
Hinweise zu Installation und Gebrauch

Ungeeignete Installationsorte

Stellen Sie das Gerät nicht an Orten auf, an denen es folgenden Bedingungen ausgesetzt ist. Andernfalls kann es zu Fehlfunktionen oder Schäden am Gerät kommen.

In der Nähe einer Wand

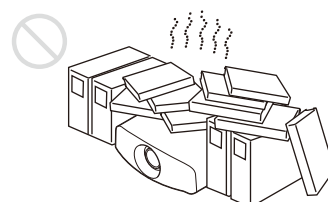
Um eine Beeinträchtigung der Leistung und Zuverlässigkeit des Geräts zu vermeiden, lassen Sie zwischen der Wand und dem Gerät ausreichend Platz, wie in der Abbildung gezeigt.



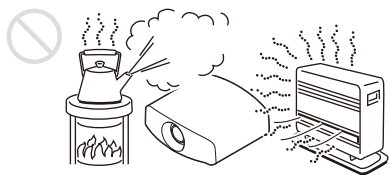
Beachten Sie, dass die Wand an der Seite mit den Lüftungsöffnungen heiß werden kann. Aufgrund des Luftstroms von Klimaanlage oder den Lüftungsöffnungen dieses Geräts oder anderer Geräte kann es auf der Leinwand zu Schwankungen kommen. Achten Sie darauf, dieses Gerät so aufzustellen, dass der Luftstrom von Klimaanlage oder den Lüftungsöffnungen anderer Geräte die Vorderseite dieses Geräts nicht erreicht.

Schlechte Belüftung

Halten Sie einen Abstand von mindestens 30 cm um das Gerät ein.

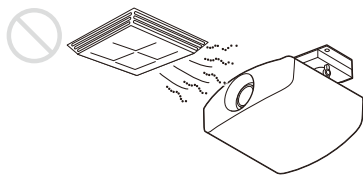


Hitze und Feuchtigkeit



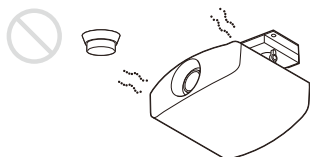
Orte, die direkt dem kalten oder warmen Luftstrom einer Klimaanlage ausgesetzt sind

Wenn Sie das Gerät an einem solchen Ort installieren, kann es aufgrund von Feuchtigkeitskondensation oder eines Temperaturanstiegs zu Fehlfunktionen des Geräts kommen.

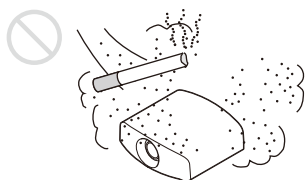


In der Nähe eines Wärmefühlers oder Rauchmelders

An einem solchen Gerät kann es zu einer Fehlfunktion kommen.



Viel Staub und sehr viel Rauch



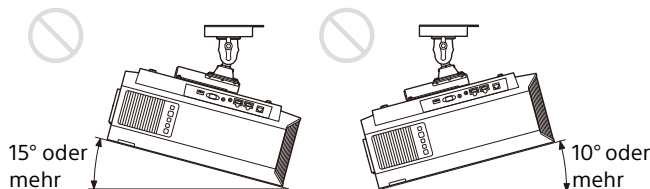
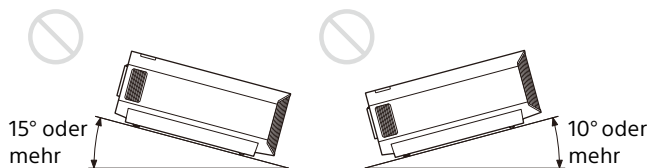
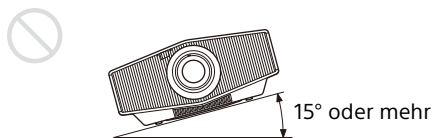
Ungeeignetes Vorgehen

Vermeiden Sie während des Betriebs des Geräts Folgendes.


Neigen nach vorne/hinten und nach links/rechts

Vermeiden Sie die Benutzung des Geräts bei einer Neigung, wie in den folgenden Abbildungen dargestellt.

Installieren Sie das Gerät ausschließlich auf einer ebenen Fläche oder an der Decke. Andernfalls kann es zu Farbungleichmäßigkeiten kommen. Wenn das Gerät nach oben oder unten geneigt ist, wird das Bild auf der Projektionsfläche möglicherweise trapezförmig verzerrt angezeigt. Positionieren Sie das Gerät so, dass das Objektiv parallel zur Projektionsfläche ausgerichtet ist.



Bei Installation des Geräts in Höhenlagen

Wenn Sie den Projektor in Höhenlagen über 1.000 m benutzen, legen Sie „Höhenlagenmodus“ im Menü Einrichtung  entsprechend fest. Andernfalls kann dies negative Folgen haben, wie z. B. die Verschlechterung der Zuverlässigkeit bestimmter Komponenten.

Sicherheitshinweise zur Montage des Geräts an der Decke

- Installieren Sie den Projektor auf keinen Fall selbst an der Decke und transportieren Sie ihn auch nicht alleine. Wenden Sie sich dazu unbedingt an qualifizierte Sony-Fachleute (kostenpflichtig).
- Verwenden Sie bei der Montage des Geräts an der Decke unbedingt einen Sicherungsdraht o. Ä., damit das Gerät nicht herunterfallen kann. Beauftragen Sie erfahrenes Fachpersonal mit der Montage.

Hinweise für Händler

Achten Sie bei der sicheren Montage an der Decke darauf, die Gehäuseabdeckung sicher zu befestigen.

Lizenzhinweis

Schlagen Sie bitte unter „Hinweis zur Software“ in der Hilfe nach und lesen Sie den Inhalt der Lizenz.

Überprüfen des mitgelieferten Zubehörs

Bitte überprüfen Sie, ob alle folgenden Gegenstände im Lieferkarton enthalten sind:

- Fernbedienung RM-PJ28 (1)
- Batterien der Größe AA (R6) (2)
- Objektivdeckel (1)

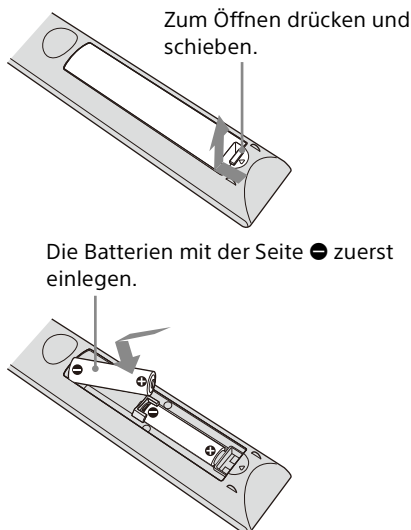
Im Auslieferungszustand sitzt ein Objektivdeckel auf dem Objektiv.

- Netzkabel (1)
- Installationsanleitung (diese Anleitung) (1)

Abnehmen des Objektivdeckels

Nehmen Sie den Objektivdeckel vor der Verwendung des Projektors ab.

Einlegen der Batterien in die Fernbedienung



Vorsichtshinweise beim Umgang mit der Fernbedienung

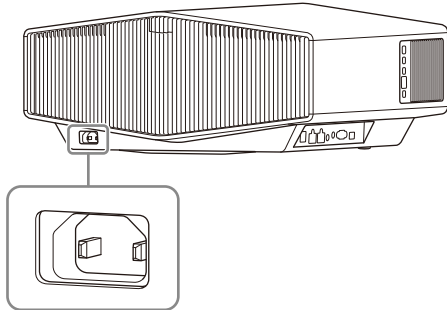
- Gehen Sie sorgfältig mit der Fernbedienung um. Lassen Sie sie nicht fallen, treten Sie nicht darauf und verschütten Sie keine Flüssigkeiten darauf.
- Legen Sie die Fernbedienung nicht in die Nähe von Wärmequellen oder an Orte, an denen sie direktem Sonnenlicht oder Feuchtigkeit ausgesetzt ist.

Schritt 2

Installieren des Geräts

- 1 Positionieren Sie das Gerät so, dass das Objektiv parallel zur Projektionsfläche ausgerichtet ist.
- 2 Schließen Sie das Netzkabel erst an dieses Gerät und dann an eine Netzsteckdose an.

Rückseite des Geräts



Vorderseite des Geräts

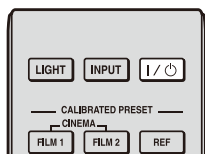


Leuchtet rot.

Hinweis

Nachdem Sie das Netzkabel mit dem Gerät verbunden haben, blinkt möglicherweise die Anzeige ON/STANDBY orange. Sie können das Gerät möglicherweise nicht steuern, während die Anzeige blinkt, aber das ist keine Fehlfunktion. Warten Sie, bis die Anzeige nicht mehr blinkt, sondern rot leuchtet.

- 3 Schalten Sie das Gerät mit der Taste I/⏻ (Ein/Bereitschaft) ein.

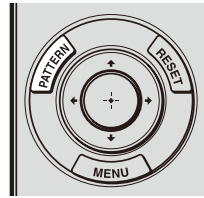


Vorderseite des Geräts



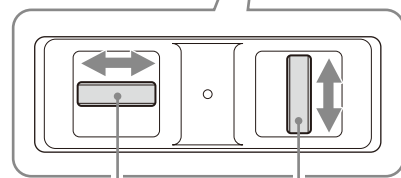
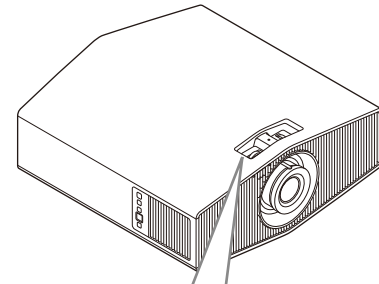
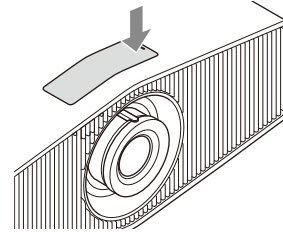
Die Anzeige ON/STANDBY blinkt grün und leuchtet dann grün.

- 4 Drücken Sie die Taste LENS auf dem Bedienfeld oder die Taste PATTERN auf der Fernbedienung, um ein Testsignal zum Vornehmen von Einstellungen anzuzeigen.



- 1 Öffnen Sie den Deckel oben am Gerät und bewegen Sie zum Einstellen der Bildposition die beiden Objektivverschiebungsregler.

Zum Öffnen hier drücken



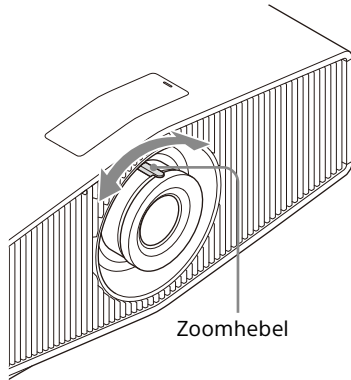
Zum Einstellen der Horizontalposition

Zum Einstellen der Vertikalposition

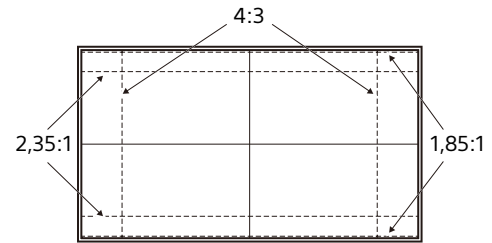
Hinweise

- Bringen Sie nach dem Einstellen der Bildposition den Deckel wieder an seiner ursprünglichen Position an.
- Wenn das Gerät an der Decke montiert wird und Sie den Deckel über den Reglern öffnen, kann der Deckel herunterfallen. Seien Sie beim Öffnen und Schließen des Deckels und Bedienen des Reglers vorsichtig.

- 2 Stellen Sie die Bildgröße mit dem Zoomhebel ein.

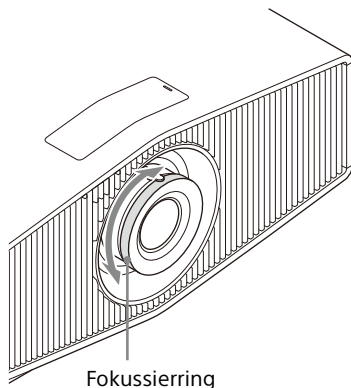


Objektiveinstellfenster (Testmuster)



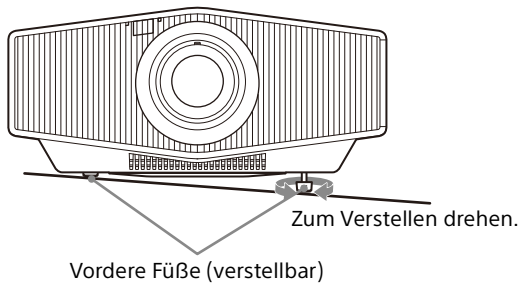
Die gestrichelten Linien geben den Blickwinkel beim jeweiligen Seitenverhältnis an.

- 3 Stellen Sie den Fokus mit dem Fokussierring ein.



So gleichen Sie die Neigung der Aufstellfläche aus

Wenn das Gerät auf einer unebenen Oberfläche aufgestellt wird, können Sie es mit den vorderen Füßen (verstellbar) waagrecht ausrichten.



Hinweise

- Beachten Sie, dass wenn das Gerät nach oben oder unten geneigt ist, das projizierte Bild möglicherweise trapezförmig verzerrt angezeigt wird.
- Achten Sie darauf, sich beim Drehen der vorderen Füße (verstellbar) nicht die Finger einzuklemmen.

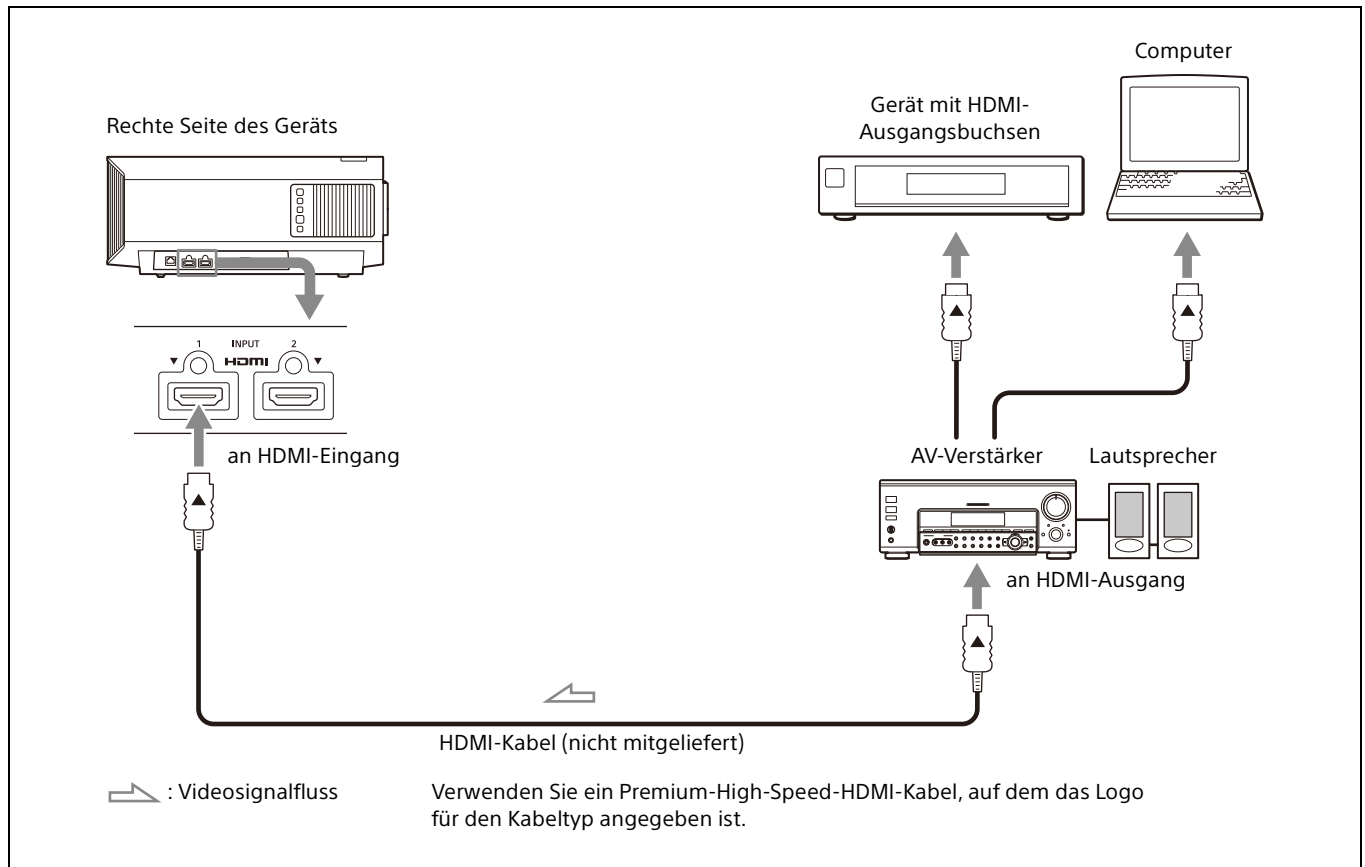
Weitere Informationen dazu finden Sie unter „Installation und Anschlüsse“ in der Hilfe.

Schritt 3

Anschließen des Geräts

Achten Sie beim Vornehmen der Anschlüsse auf Folgendes:

- Schalten Sie alle Geräte aus, bevor Sie irgendwelche Anschlüsse vornehmen.
- Verwenden Sie für jede Verbindung die korrekten Kabel.
- Stecken Sie die Kabelstecker fest hinein. Lose Verbindungen können die Bildqualität beeinträchtigen oder zu einer Fehlfunktion führen. Ziehen Sie beim Herausziehen eines Kabels immer am Stecker, nicht am Kabel selbst.
- Weitere Informationen dazu finden Sie auch in der Bedienungsanleitung zum anzuschließenden Gerät.



Wenn Sie den Projektor über das Netzwerk überwachen und steuern, greifen Sie über einen Webbrowser auf die Seite „Setup“ des Projektors zu (siehe „Die Netzwerkfunktionen“ in der Hilfe) und aktivieren Sie das gewünschte Steuerprotokoll.

Weitere Informationen dazu finden Sie unter „Installation und Anschlüsse“ in der Hilfe.

Projizieren des Bildes

- 1 Schalten Sie sowohl dieses Gerät als auch das angeschlossene Gerät ein.
- 2 Drücken Sie INPUT, um auf der Projektionsfläche eine Liste der Eingangsgeräte anzuzeigen.
- 3 Wählen Sie das Gerät, auf dem sich die Bilder befinden, die angezeigt werden sollen. Drücken Sie wiederholt INPUT oder drücken Sie $\uparrow/\downarrow/\oplus$ (Eingabe), um das gewünschte Gerät für die Projektion zu wählen.

Ausschalten des Geräts

- 1 Drücken Sie die Taste I/⏻ (Ein/Bereitschaft). Die Meldung „AUSSCHALTEN?“ wird angezeigt.
- 2 Drücken Sie die Taste I/⏻ (Ein/Bereitschaft) erneut, bevor die Meldung ausgeblendet wird. Die Anzeige ON/STANDBY blinkt grün und der Lüfter läuft weiter, um die interne Wärme abzuleiten.

Der Lüfter hält an und die Anzeige ON/STANDBY blinkt nicht mehr grün, sondern leuchtet stetig rot.

Das Gerät wird vollständig ausgeschaltet und Sie können das Netzkabel lösen.

Hinweis

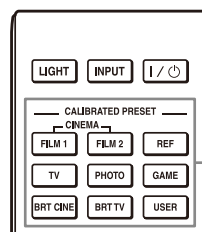
Ziehen Sie auf keinen Fall den Stecker des Netzkabels aus der Steckdose, solange die Anzeige blinkt.

Tipp

Anstatt die obigen Schritte auszuführen, können Sie das Gerät auch ausschalten, indem Sie die Taste I/⏻ (Ein/Bereitschaft) etwa 1 Sekunde lang gedrückt halten.


Auswählen des Bildbetrachtungsmodus

Drücken Sie eine der CALIBRATED PRESET-Tasten.



CALIBRATED PRESET-Tasten

Einstelloptionen	Beschreibung
CINEMA FILM 1 (Kino Film 1)	Optimale Bildqualität zur Reproduktion der für einen Master-Positivfilm typischen klaren Bilder mit großem Dynamikbereich.
CINEMA FILM 2 (Kino Film 2)	Bildqualität basierend auf „Kino Film 1“, optimal zur Reproduktion der für ein Kino typischen intensiven Töne und Farben.
REF (Referenz)	Optimale Bildqualität zur Reproduktion originalgetreuer Bilder oder Bilder ohne Anpassungen.
TV (TV)	Optimale Bildqualität für die Wiedergabe von Fernsehsendungen, Sport-, Konzert- und anderen Videoaufnahmen.
PHOTO (Foto)	Optimale Bildqualität für die Anzeige von mit einer Digitalkamera oder anderen Geräten aufgenommenen Standbildern.
GAME (Spiel)	Optimale Bildqualität für Spiele mit guter Farbmodulation und schneller Reaktion.
BRT CINE (Kino hell)	Optimale Bildqualität zur Wiedergabe von Filmen in einem hellen Raum.
BRT TV (TV hell)	Optimale Bildqualität für die Wiedergabe von Fernsehsendungen, Sport-, Konzert- und anderen Videoaufnahmen in einem hellen Raum.
USER (Benutzer)	Sie können die Bildqualität ganz nach Ihrem Geschmack einstellen und die Einstellung dann speichern. Die Standardeinstellung entspricht der von „Referenz“.

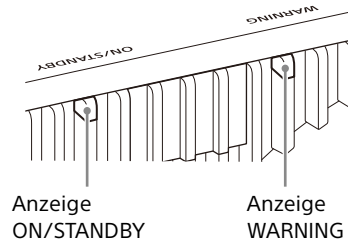
Einstelloptionen	Beschreibung
IMAX Enhanced	Optimale Bildqualität zur Wiedergabe von IMAX Enhanced-Inhalten. Drücken Sie die Taste MENU und wählen Sie eine Option unter „Voreinst. Kal.“ im Menü „Bild“  aus.

Weitere Informationen dazu finden Sie unter „Projizieren“ in der Hilfe.

Hinweis zu den Anzeigen

Die Anzeige ON/STANDBY oder WARNING leuchtet oder blinkt, falls eine Störung an Ihrem Projektor vorliegt.

Sollte ein Problem auftreten oder eine Fehlermeldung angezeigt werden, schlagen Sie unter „Fehlerbehandlung“ in der Hilfe nach.



Anzeigen blinken/leuchten	Anzahl des Blinkens	Ursache und Abhilfemaßnahme
<p>(Leuchtet rot) (Blinkt rot)</p>	Dreimal	Aufgrund einer Störung an der Lichtquelle oder der Stromversorgung der Lichtquelle ist die Lichtausgabe am Gerät nicht einwandfrei. Schalten Sie das Gerät aus und nach einer Weile wieder ein. Sollte die Störung bestehen bleiben, wenden Sie sich an qualifiziertes Sony-Personal.
<p>(Blinkt rot) (Blinkt rot) Beide Anzeigen blinken</p>	Zweimal	Die interne Temperatur ist ungewöhnlich hoch. Vergewissern Sie sich, dass die Lüftungsöffnungen nicht blockiert sind und das Gerät nicht in einer Höhenlage verwendet wird.
	Dreimal	Der Lüfter ist beschädigt. Wenden Sie sich bitte an qualifiziertes Sony-Personal.

Hinweis

Falls die Störung trotz der obigen Maßnahmen bestehen bleibt, wenden Sie sich an qualifiziertes Sony-Personal.

Falls die Anzeige anders als oben erläutert zu blinken beginnt, schalten Sie das Gerät aus und dann mit der Taste I/⏻ (Ein/Bereitschaft) auf der Fernbedienung oder am Bedienfeld des Geräts wieder ein.

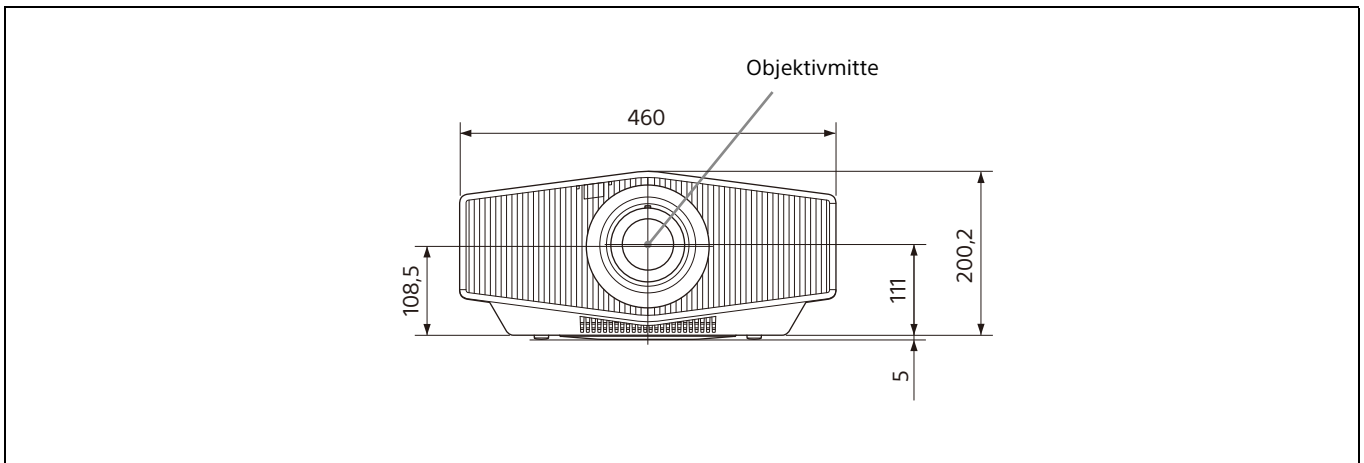
Sollte die Störung bestehen bleiben, wenden Sie sich an qualifiziertes Sony-Personal.

Sollte ein Problem auftreten oder eine Fehlermeldung angezeigt werden, schlagen Sie unter „Fehlerbehandlung“ in der Hilfe nach.

Abmessungen

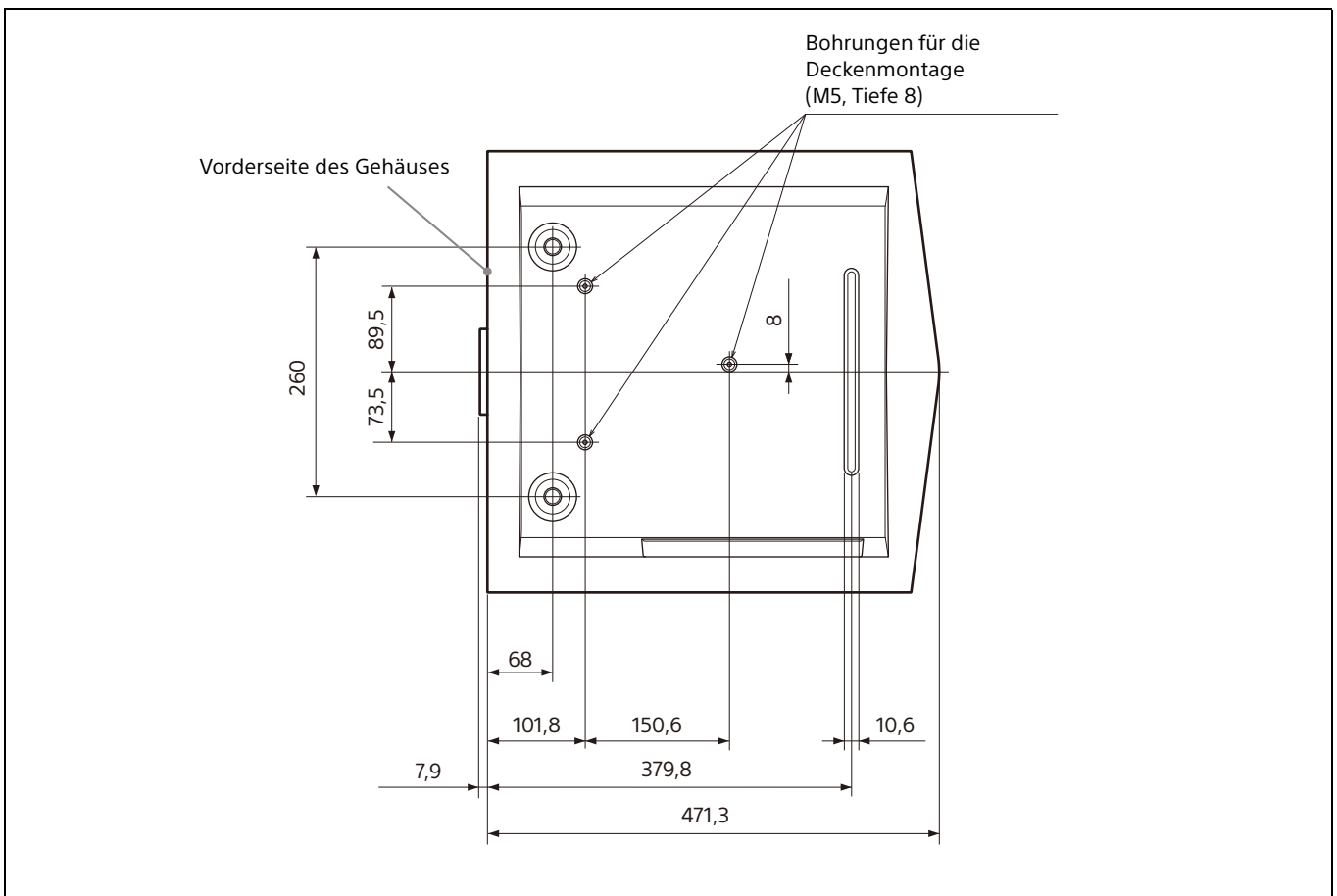
Vorderseite

Einheit: mm



Unterseite

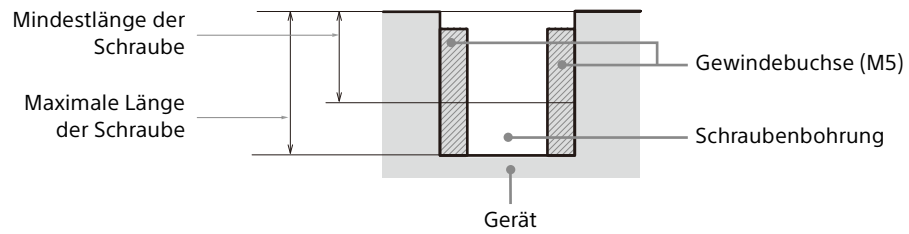
Einheit: mm



Hinweis

Bohrungen für die Deckenmontage

Verwenden Sie für die Deckenmontage Schrauben, deren Länge mindestens 6,4 mm und maximal 8,0 mm beträgt.
Empfohlenes Anzugsdrehmoment (Spannung beim Drehen einer Schraube in Drehrichtung): $1,4 \pm 0,2$ N-m



Informazioni sul presente manuale

La presente Guida di configurazione descrive l'installazione e le operazioni di base per la proiezione di immagini.

Leggere attentamente questo manuale prima di utilizzare l'unità, e conservarlo per riferimenti futuri. Vedere "Informazioni sulle spie" se necessario.

Per i dettagli sulle operazioni, consultare la Guida (Istruzioni d'uso online).

Punto 1

Preparazione..... Pagina 73

Punto 2

Installazione dell'unità..... Pagina 74

Punto 3

Connessione dell'unità Pagina 76

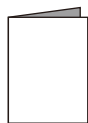
Punto 4

Proiezione Pagina 77

Informazioni sulle spie..... Pagina 79

DimensioniPagina 80

Manuali in dotazione



Guida di configurazione (il presente manuale)

Descrive l'installazione e le operazioni di base per la proiezione di immagini.



Guida (Istruzioni d'uso online)

Descrive in dettaglio le caratteristiche dell'unità e come utilizzarla. È possibile visualizzare la Guida su uno smartphone o un computer.

<https://rd1.sony.net/help/vpl/xw5000/it/>



Quando si utilizza il prodotto, non utilizzarlo per scopi diversi da quelli descritti nel manuale di istruzioni.

AVVERTENZA

Per ridurre il rischio di incendi o scosse elettriche, non esporre questo apparato alla pioggia o all'umidità.

Per evitare scosse elettriche, non aprire l'involucro. Per l'assistenza rivolgersi unicamente a personale qualificato.

AVVERTENZA

Durante l'installazione dell'apparecchio, incorporare un dispositivo di scollegamento prontamente accessibile nel cablaggio fisso, oppure collegare la spina di alimentazione ad una presa di corrente facilmente accessibile vicina all'apparecchio. Qualora si verifichi un guasto durante il funzionamento dell'apparecchio, azionare il dispositivo di scollegamento in modo che interrompa il flusso di corrente oppure scollegare la spina di alimentazione.

ATTENZIONE

Per ragioni di sicurezza, non collegare alla porta indicata di seguito un connettore di cablaggio di dispositivi periferici su cui potrebbe essere presente una tensione eccessiva:

- LAN

AVVERTENZA

1. Utilizzare il cavo di alimentazione (a 2 conduttori) / connettore per l'apparecchio / spina conforme alle normative sulla sicurezza in vigore nel paese o nella regione geografica di utilizzo.
2. Utilizzare il cavo di alimentazione (a 2 conduttori) / connettore per l'apparecchio / spina adatto alle caratteristiche di tensione e corrente della rete elettrica.

In caso di domande relative all'uso del cavo di alimentazione / connettore per l'apparecchio / spina di cui sopra, rivolgersi a personale qualificato.

IMPORTANTE

La targhetta di identificazione dell'apparecchio è situata nella posizione indicata di seguito:

- Parte laterale

ATTENZIONE

- Pericolo di esplosione in caso di sostituzione incorretta della batteria. Sostituire la batteria con una uguale o equivalente seguendo le raccomandazioni del produttore.
- Smaltire la batteria o il prodotto in conformità con le normative vigenti nella regione o paese di utilizzo. Non smaltire la batteria o il prodotto in forni ad alta temperatura o nel fuoco. Non tagliare né frantumare meccanicamente la batteria. Questo potrebbe causarne l'esplosione o dar luogo a incendi. Non esporre la batteria a pressioni atmosferiche estremamente basse. Questo potrebbe causare esplosioni o perdite di gas o liquidi infiammabili.
- Non esporre la batteria ad elevate temperature, come ad esempio sotto luce solare diretta o in prossimità di fiamme per evitare che possa prendere fuoco, esplodere o causare incendi. Non immergere né bagnare la batteria in acqua. Questo potrebbe causare scariche elettriche.

ATTENZIONE

Il telecomando richiede il seguente tipo e il seguente numero di batterie:

- Formato: AA (R6)
- Numero di batterie: Due pezzi

Per evitare il rischio di esplosioni, utilizzare unicamente batterie di tipo:

- Batterie al manganese



Questo simbolo ha lo scopo di segnalare all'utente la presenza di importanti istruzioni relative all'uso e alla manutenzione del prodotto nella documentazione che lo accompagna.



IEC 60825-1:2014
PRODUCTO LÁSER DE CLASE 1

- Questo prodotto è conforme a EN 60825-1:2014+A11:2021.
- Questo prodotto è conforme a EN 50689:2021.
- Questo prodotto è progettato per la proiezione di immagini su una parete o su uno schermo.



Come per qualsiasi sorgente luminosa intensa, non fissare direttamente il fascio di luce, RG2 IEC 62471-5:2015.

AVVERTENZA

Non guardare nella lente durante l'uso.

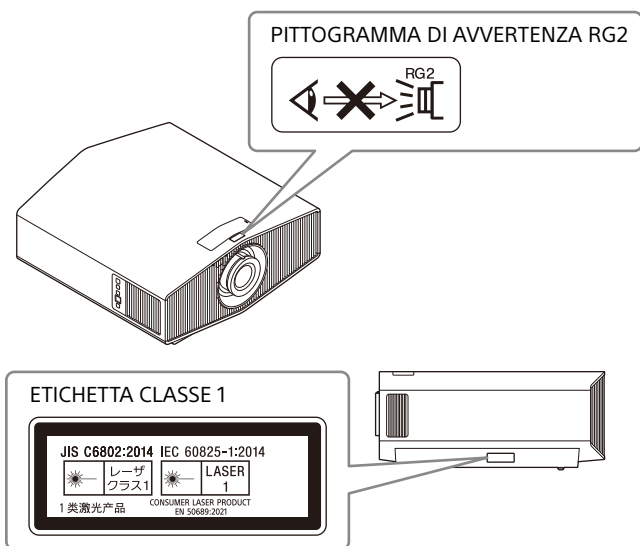
ATTENZIONE

L'uso di comandi o regolazioni o l'esecuzione di procedimenti diversi da quelli specificati in questo manuale possono causare esposizione a radiazioni pericolose.

ATTENZIONE

L'uso di strumenti ottici con questo prodotto aumenta il rischio di danni alla vista.

Informazioni sulla posizione delle etichette



Specifiche sorgente luminosa

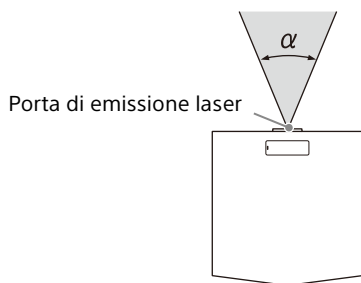
Diodi laser 4,8 W × 14

Lunghezza d'onda: 450 - 460 nm

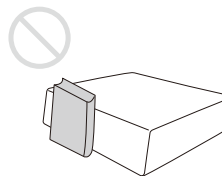
Angolo di divergenza del raggio dall'obiettivo dell'unità

Zoom max: $\alpha = 39,9^\circ$

Zoom min: $\alpha = 25,5^\circ$



Non collocare oggetti di fronte all'obiettivo in grado di coprire la luce durante la proiezione. Il calore emesso dalla lampada potrebbe danneggiare l'oggetto.



Per i clienti in Europa

Produttore: Sony Corporation, 1-7-1 Konan Minato-ku Tokyo, 108-0075 Giappone

Per la conformità del prodotto in ambito UE: Sony Belgium, bijkantoor van Sony Europe B.V., Davincilaan 7-D1, 1930 Zaventem, Belgio

Precauzioni

Sicurezza

- Verificare che la tensione di funzionamento dell'unità corrisponda alla tensione della rete elettrica locale.
- Se liquidi o solidi dovessero cadere nel mobile, scollegare l'unità e farla controllare da personale qualificato prima di usarla nuovamente.
- Se l'unità non sarà utilizzata per diversi giorni, scollegarla dalla presa di rete.
- Per scollegare il cavo, estrarlo afferrando la spina. Non tirare mai direttamente il cavo.
- La presa di rete dovrebbe essere vicina all'unità e facilmente accessibile.
- L'unità non è scollegata dalla sorgente di alimentazione CA (rete elettrica) finché è collegata alla presa di rete, anche se l'unità stessa è stata spenta.
- Non guardare nella lente durante l'uso.
- Non mettere le mani o degli oggetti vicino alle prese di ventilazione. L'aria che ne fuoriesce è calda.

Prevenzione del surriscaldamento interno

Dopo aver spento l'alimentazione con il pulsante I/⏻ (accensione/attesa), non scollegare l'unità dalla presa di rete mentre la ventola di raffreddamento è ancora in funzione.

Attenzione

Questa unità è dotata di prese di ventilazione (aspirazione/scarico). Non ostruire o mettere alcun oggetto vicino a queste aperture; potrebbe verificarsi surriscaldamento interno, provocando un peggioramento dell'immagine o danneggiamento dell'unità.

Imballaggio

Conservare la scatola e il materiale di imballaggio originale, poiché potrebbero servire se fosse necessario spedire l'unità. Per ottenere la massima protezione, imballare l'unità nello stesso modo in cui è stato imballato in stabilimento.

Controllo delle parti relative alla sorgente luminosa

Poiché l'unità utilizza un laser, quando vengono regolate o ispezionate le parti relative alla sorgente luminosa, è necessario prestare particolare attenzione e operare in un ambiente

sicuro. Per l'installazione rivolgersi a personale Sony qualificato (a pagamento).

Nota in caso di lunghi periodi di mancato utilizzo

Se l'unità non viene utilizzata per un lungo periodo di tempo, potrebbero verificarsi malfunzionamenti o un calo delle prestazioni. Per evitare tali problemi, accendere periodicamente l'alimentazione e utilizzare l'unità.

Proiettore LCD

Il proiettore LCD è prodotto con una tecnologia di alta precisione. Tuttavia potrebbero essere visibili dei puntini neri e/o luminosi (rossi, blu o verdi) che appaiono in modo permanente sul proiettore LCD. Questo è un risultato normale del processo di fabbricazione e non costituisce un guasto. Inoltre, usando più proiettori LCD per proiettare su uno schermo, anche se sono dello stesso modello, la riproduzione dei colori dei vari proiettori potrebbe essere diversa in quanto il bilanciamento dei colori potrebbe essere impostato diversamente da un proiettore all'altro.

Informazioni sulla condensa

Se la temperatura dell'ambiente dove il proiettore installato cambia rapidamente, o se il proiettore viene improvvisamente spostato da una stanza fredda a una calda, è possibile che sul proiettore si formi condensa. Dato che la condensa può provocare malfunzionamenti, prestare attenzione alle regolazioni delle impostazioni di temperatura del condizionatore d'aria. Se si forma condensa, lasciare il proiettore acceso per circa due ore prima dell'uso.

Note sulla sicurezza

- SONY NON SARÀ RESPONSABILE PER DANNI DI QUALSIASI TIPO RISULTANTI DALLA MANCATA IMPLEMENTAZIONE DI ADEGUATE MISURE DI SICUREZZA SUI DISPOSITIVI DI TRASMISSIONE, DA INEVITABILI PERDITE O FUGHE DI DATI RISULTANTI DALLE SPECIFICHE TECNICHE DELLA TRASMISSIONE O DA PROBLEMATICHE RELATIVE ALLA SICUREZZA DI QUALSIASI TIPO.
- A seconda dell'ambiente operativo, il sistema potrebbe risultare accessibile in rete a terzi non autorizzati. Prima di collegare l'apparecchio in rete, assicurarsi che la rete sia protetta in modo sicuro.
- Dal punto di vista della sicurezza, quando si utilizza l'apparecchio connesso a una rete, si raccomanda fortemente di accedere alla finestra

di controllo tramite un browser Web e modificare le impostazioni di controllo degli accessi cambiando le impostazioni predefinite di fabbrica.

Inoltre, si consiglia di impostare una password di lunghezza sufficiente e che non possa essere indovinata facilmente da altri, quindi conservarla in maniera sicura.

- Durante l'esecuzione di impostazioni o dopo aver eseguito impostazioni, non visitare nessun altro sito Web con il browser Web. Dato che le impostazioni di accesso permangono nel browser Web, chiudere sempre il browser Web dopo avere eseguito le impostazioni per impedire l'utilizzo dell'apparecchio da parte di terzi non autorizzati o l'esecuzione di programmi dannosi.
- Il collegamento del prodotto a una rete deve essere realizzato mediante un sistema in grado di fornire funzioni di protezione, ad esempio un router o un firewall. In caso di collegamento senza tale protezione si potrebbero verificare problemi di sicurezza.

Non collocare questo prodotto nelle vicinanze di dispositivi medici

Questo prodotto (accessori inclusi) contiene magneti che potrebbero interferire con pacemaker, valvole shunt programmabili per il trattamento dell'idrocefalo o altri dispositivi medici. Non collocare questo prodotto nelle vicinanze di persone che fanno uso di tali dispositivi medici. Consultare il proprio medico prima di usare questo prodotto se si fa uso di dispositivi medici.

SONY NON SARÀ RESPONSABILE DI DANNI DI QUALSIASI TIPO RISULTANTI DALL'UTILIZZO DI QUESTA UNITÀ PER SCOPI DIFFERENTI DA QUELLI DI UTILIZZO DOMESTICO GENERALE, SIA DURANTE IL PERIODO DI GARANZIA, SIA DOPO LA SUA SCADENZA.

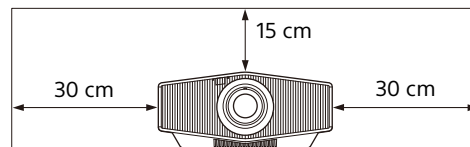
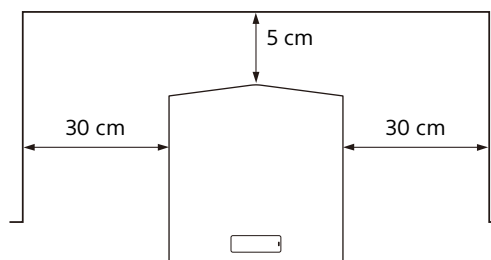
Note su installazione e utilizzo

Posizioni di installazione inadatte

Non installare l'unità nelle seguenti condizioni, che potrebbero causare malfunzionamenti o danneggiarla.

Vicino alle pareti

Per mantenere le prestazioni e l'affidabilità dell'unità, lasciare uno spazio tra le pareti e l'unità, come illustrato.

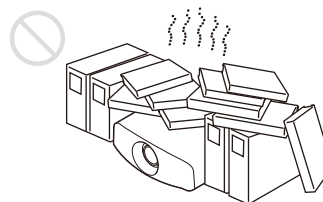


Tenere presente che la parete sul lato delle prese di ventilazione può scaldarsi.

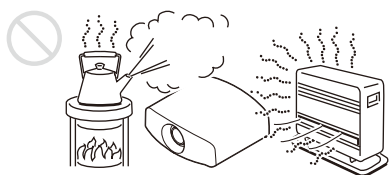
L'aria proveniente da condizionatori o dalle prese di ventilazione di questa unità o altri dispositivi può provocare oscillazione sullo schermo. Verificare di non installare questa unità in posizioni dove l'aria proveniente da condizionatori o dalle prese di ventilazione di questi dispositivi raggiunga la parte anteriore dell'unità.

Posizioni con ventilazione insufficiente

Lasciare uno spazio di almeno 30 cm intorno all'unità.

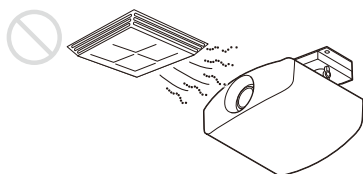


Caldo e umido



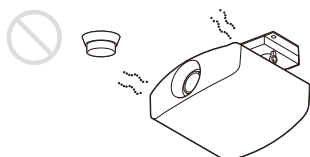
Posizioni esposte a flusso diretto di aria fresca o calda proveniente da un condizionatore

Installando l'unità in tali posizioni, potrebbe verificarsi un suo malfunzionamento causato dalla condensazione dell'umidità o dall'aumento della temperatura.

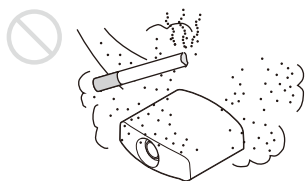


Vicino a un sensore di calore o di fumo

Potrebbe verificarsi un malfunzionamento del sensore.



Posizioni molto polverose o estremamente fumose



Condizioni non idonee

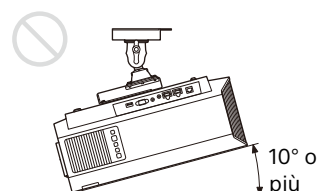
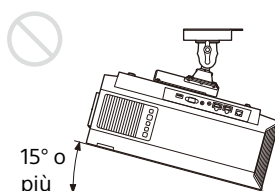
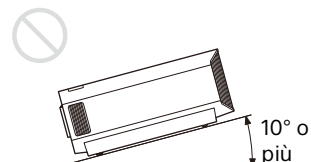
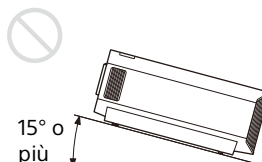
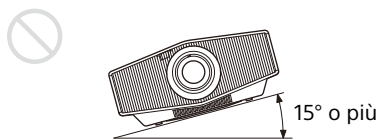
Durante l'uso dell'unità, non effettuare alcuna delle operazioni che seguono.

Inclinare avanti/indietro e sinistra/destra


Non usare l'unità inclinata, come mostrato nelle illustrazioni seguenti.

Non installare l'unità altrove che su una superficie in piano o sul soffitto. Installando l'unità in tale posizione si può provocare mancanza di uniformità del colore.

Se si inclina l'unità verso l'alto o il basso, l'immagine sullo schermo potrebbe risultare trapezoidale. Posizionare l'unità in modo che l'obiettivo sia parallelo allo schermo.



Installazione dell'unità a quota elevata

Quando si usa l'unità in un luogo che si trova a una quota di 1.000 m o superiore, impostare opportunamente "Modo quota el." nel menu Impostazione . In caso contrario potrebbero presentarsi effetti negativi, come la riduzione dell'affidabilità di alcuni componenti.

Precauzioni di sicurezza per l'installazione dell'unità sul soffitto

- Non montare mai il proiettore sul soffitto né spostarlo da soli. Per l'installazione rivolgersi a personale Sony qualificato (a pagamento).
- Se si installa l'unità sul soffitto, accertarsi di utilizzare un cavetto di sicurezza, ecc., per impedire la caduta dell'unità. Affidare l'installazione a un installatore specializzato.

Per i rivenditori

Fissare il coperchio del mobile saldamente quando si installa sul soffitto.

Avviso sulla licenza

Vedere "Avviso sul software" nella Guida e leggere il contenuto della licenza.

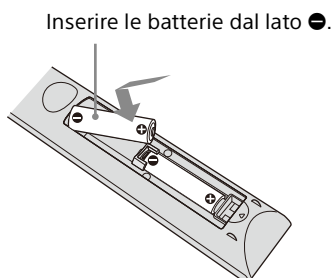
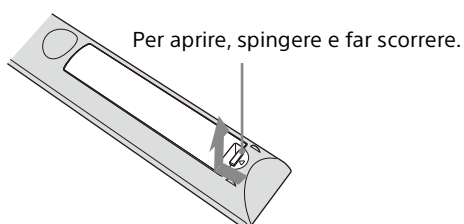
Verifica degli accessori in dotazione

Verificare che la confezione contenga tutti gli elementi indicati di seguito:

- Telecomando RM-PJ28 (1)
- Pile AA (R6) (2)
- Copriobiettivo (1)
All'acquisto del proiettore, sull'obiettivo è applicato un copriobiettivo.
- Cavo di alimentazione CA (1)
- Guida di configurazione (il presente manuale) (1)

Rimozione del copriobiettivo

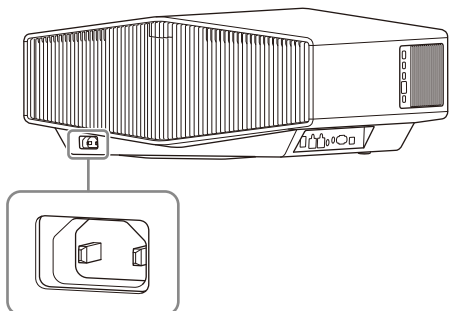
Rimuovere il copriobiettivo prima di utilizzare il proiettore.

Inserimento delle batterie nel telecomando**Avvertenza quando si utilizza il telecomando**

- Maneggiare il telecomando con cura. Non farlo cadere e non calpestarlo o rovesciare su di esso liquidi.
- Non mettere il telecomando in posizioni vicine a sorgenti di calore, esposte a luce solare diretta o in un locale umido.

- 1 Posizionare l'unità in modo che l'obiettivo sia parallelo allo schermo.
- 2 Dopo aver collegato il cavo di alimentazione CA all'unità, collegarlo a una presa della rete elettrica.

Parte posteriore dell'unità



Parte anteriore dell'unità



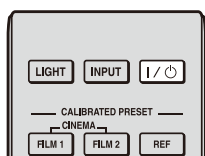
Si illumina in rosso.

Nota

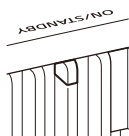
Dopo aver collegato il cavo di alimentazione CA all'unità, la spia ON/STANDBY potrebbe lampeggiare in arancione.

Potrebbe non essere possibile controllare l'unità mentre la spia lampeggia, tuttavia non si tratta di un malfunzionamento. Attendere che la spia smetta di lampeggiare e che si illumini in rosso.

- 3 Premere il pulsante I/⏻ (On/Standby) per accendere l'unità.

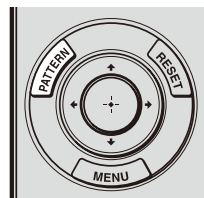


Parte anteriore dell'unità



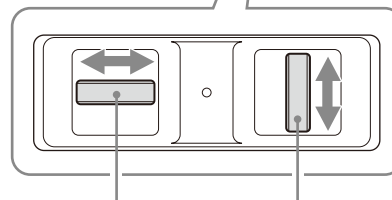
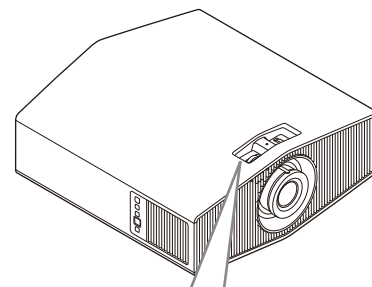
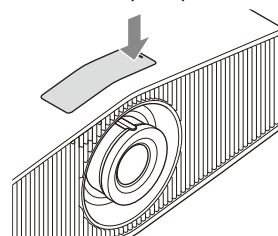
La spia ON/STANDBY lampeggia in verde, quindi si illumina in verde.

- 4 Premere il pulsante LENS sul pannello di controllo o il pulsante PATTERN sul telecomando per visualizzare un segnale di prova ed effettuare le regolazioni.



- 1 Aprire il coperchio sulla parte superiore dell'unità, quindi muovere entrambe le ghiera di spostamento per regolare la posizione dell'immagine.

Premere per aprire



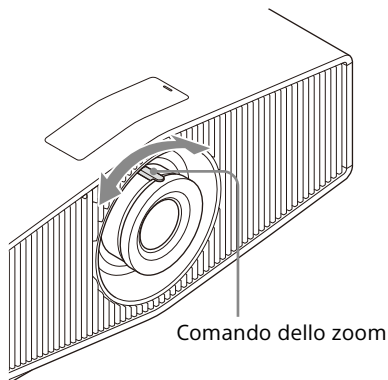
Per regolare la posizione orizzontale

Per regolare la posizione verticale

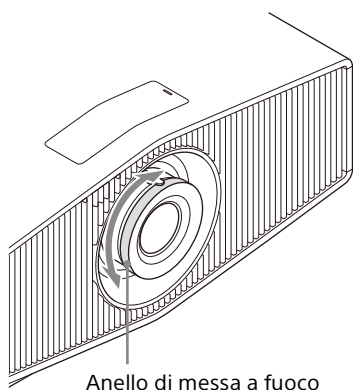
Note

- Dopo aver regolato la posizione dell'immagine, riposizionare il coperchio.
- Quando si installa l'unità a soffitto e si apre il coperchio delle ghiera di spostamento, il coperchio potrebbe cadere. Aprire e chiudere il coperchio ed effettuare le regolazioni prestando particolare attenzione.

- 2 Regolare la dimensione dell'immagine utilizzando il comando dello zoom.

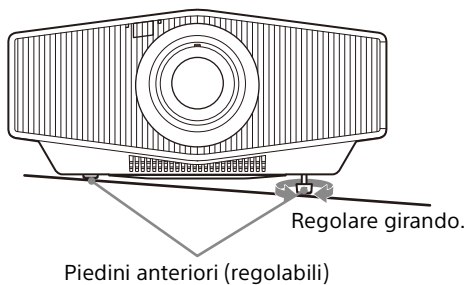


- 3 Regolare la messa a fuoco utilizzando l'anello di messa a fuoco.



Regolazione dell'inclinazione della superficie di installazione

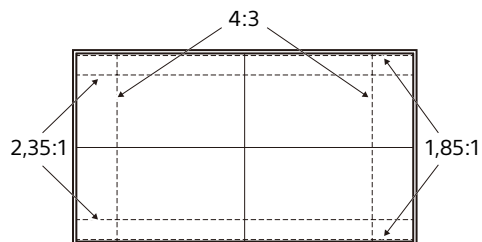
Se l'unità è installata su una superficie irregolare, usare i piedini anteriori (regolabili) per metterla in piano.



Note

- Si ricorda che se si inclina l'unità verso l'alto o verso il basso, l'immagine proiettata verrà distorta in una forma trapezoidale.
- Fare attenzione a non provocarsi lesioni alle dita quando si ruotano i piedini anteriori (regolabili).

Finestra di regolazione obiettivo (modello di prova)

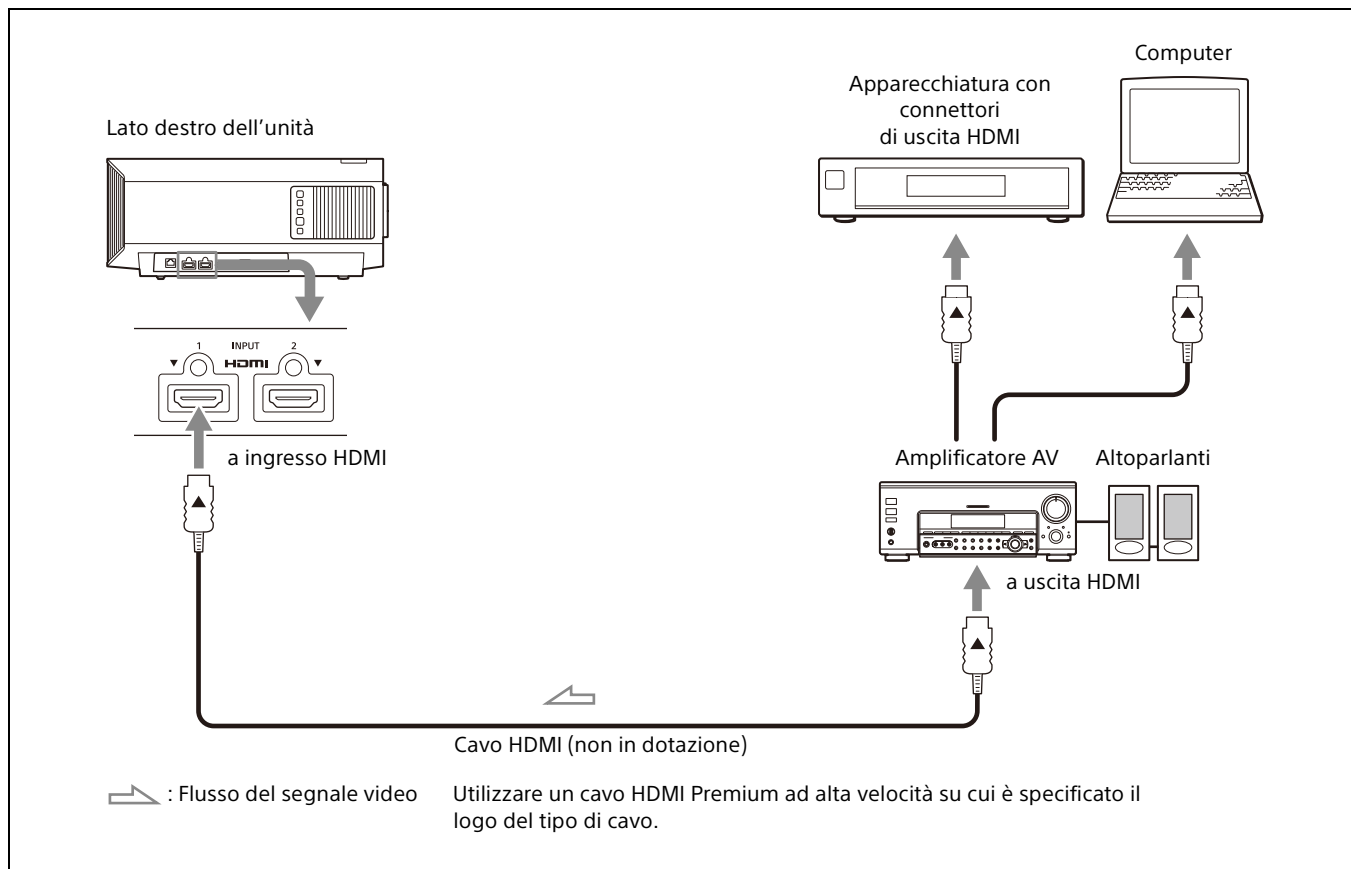


Le linee tratteggiate mostrano l'angolo visuale per ciascun formato.

Per i dettagli, consultare "Installazione e collegamenti" nella Guida.

Effettuare i collegamenti osservando quanto segue:

- Spegnere tutti i dispositivi prima di effettuare qualsiasi collegamento.
- Usare cavi adatti a ciascun collegamento.
- Inserire saldamente le spine dei cavi; eventuali collegamenti instabili potrebbero ridurre le prestazioni dei segnali di immagine o causare malfunzionamenti. Per scollegare un cavo, afferrare la spina, non il cavo stesso.
- Per maggiori informazioni, vedere anche il manuale d'uso del dispositivo da collegare.



Quando si monitora e controlla il proiettore tramite rete, accedere alla pagina Setup del proiettore (vedere "Uso delle funzionalità di rete" nella Guida) con un browser Web e attivare il protocollo di controllo desiderato.

Per i dettagli, consultare "Installazione e collegamenti" nella Guida.

Proiezione dell'immagine

- 1 Accendere l'unità e il dispositivo ad essa collegato.
- 2 Premere INPUT per visualizzare sullo schermo gli ingressi disponibili.
- 3 Selezionare il dispositivo dal quale visualizzare le immagini.
Premere ripetutamente INPUT o premere **↑/↓/⊕** (invio) per selezionare il dispositivo da cui proiettare le immagini.

Spegnimento dell'alimentazione

- 1 Premere il pulsante I/⏻ (On/Standby). Viene visualizzato il messaggio "DISATTIVARE?".
- 2 Premere il pulsante I/⏻ (On/Standby) prima che il messaggio scompaia.
La spia ON/STANDBY lampeggia in verde e la ventola continua a ruotare per ridurre il calore interno.

La ventola si arresta e la spia ON/STANDBY passa da luce verde lampeggiante a rosso fisso.

L'alimentazione è completamente disattivata e ora è possibile scollegare il cavo di alimentazione CA.

Nota

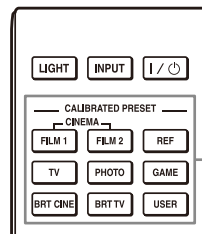
Non scollegare mai il cavo di alimentazione CA mentre l'indicatore lampeggia.

Suggerimento

È possibile spegnere l'unità tenendo premuto il pulsante I/⏻ (On/Standby) per circa 1 secondo, invece di eseguire la procedura precedentemente indicata.


Selezione della modalità di visualizzazione dell'immagine

Premere uno dei pulsanti CALIBRATED PRESET.



Pulsanti CALIBRATED PRESET

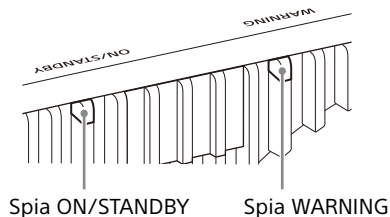
Voci di impostazione	Descrizione
CINEMA FILM 1 (Cinema Film 1)	Qualità dell'immagine adatta per riprodurre le immagini nitide e altamente dinamiche tipiche della pellicola positiva master.
CINEMA FILM 2 (Cinema Film 2)	Qualità dell'immagine adatta per riprodurre la ricca tonalità e il colore tipici del cinema, in base a "Cinema Film 1".
REF (Riferimento)	Un'impostazione di qualità immagine adatta per la riproduzione fedele della qualità dell'immagine originale, oppure per ottenere la qualità dell'immagine senza regolazioni.
TV (TV)	Qualità dell'immagine adatta per guardare programmi televisivi, sport, concerti e altre immagini video.
PHOTO (Foto)	Qualità dell'immagine ideale per proiettare fotografie scattate con una fotocamera digitale.
GAME (Gioco)	Qualità dell'immagine adatta per giochi, con colori ben modulati e rapidità della risposta.
BRT CINE (Lumin. Cinema)	Qualità dell'immagine adatta per guardare film in un ambiente luminoso.
BRT TV (Luminosità TV)	Qualità dell'immagine adatta per guardare programmi televisivi, sport, concerti e altre immagini video in un ambiente luminoso.
USER (Utente)	Consente di impostare e regolare la qualità dell'immagine in base ai propri gusti e di salvare l'impostazione. L'impostazione predefinita è uguale a "Riferimento".

Voci di impostazione	Descrizione
IMAX Enhanced	Qualità dell'immagine adatta per guardare contenuti IMAX Enhanced. Premere il pulsante MENU e selezionare da "Preset calib." nel menu Immagine  .

Per i dettagli, consultare "Proiezione" nella Guida.

Informazioni sulle spie

La spia ON/STANDBY o WARNING si illumina o lampeggia in caso di problemi del proiettore. Se si riscontrano problemi oppure sullo schermo viene visualizzato un messaggio di errore, consultare "Gestione degli errori" nella Guida.



Spie illuminate/lampeggianti	Numero di lampeggi	Causa e rimedio
<p>(Si illumina in rosso) (Lampeggia in rosso)</p>	Tre volte	L'unità non si illumina correttamente a causa di un'anomalia della sorgente luminosa e relativa alimentazione. Spegner e riaccendere dopo alcuni istanti. Se il problema persiste, rivolgersi a personale Sony qualificato.
<p>(Lampeggia in rosso) (Lampeggia in rosso) Entrambe le spie lampeggiano</p>	Due volte	La temperatura interna è insolitamente elevata. Verificare che le prese di ventilazione non siano ostruite e che l'unità non venga usata a quota elevata.
	Tre volte	La ventola è guasta. Rivolgersi a personale Sony qualificato.

Nota

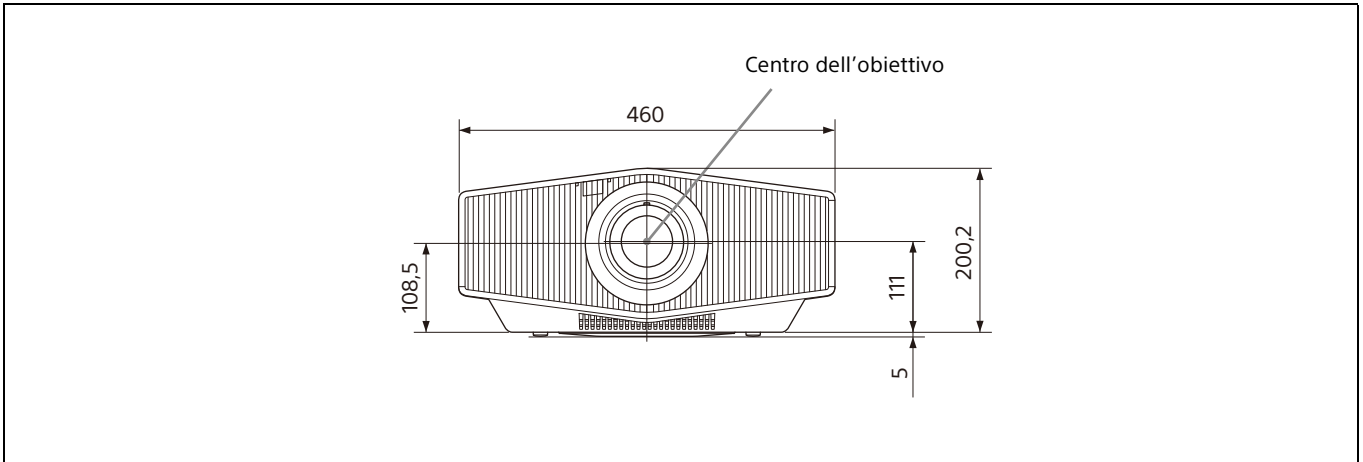
Se il problema persiste anche dopo aver effettuato le precedenti operazioni, rivolgersi a personale Sony qualificato.
Se le spie lampeggiano in modo differente da quello indicato sopra, spegnere e riaccendere utilizzando il pulsante I/⏻ (On/Standby) sul telecomando o sul pannello di controllo dell'unità.
Se il sintomo si presenta nuovamente, rivolgersi a personale Sony qualificato.

Se si riscontrano problemi oppure sullo schermo viene visualizzato un messaggio di errore, consultare "Gestione degli errori" nella Guida.

Dimensioni

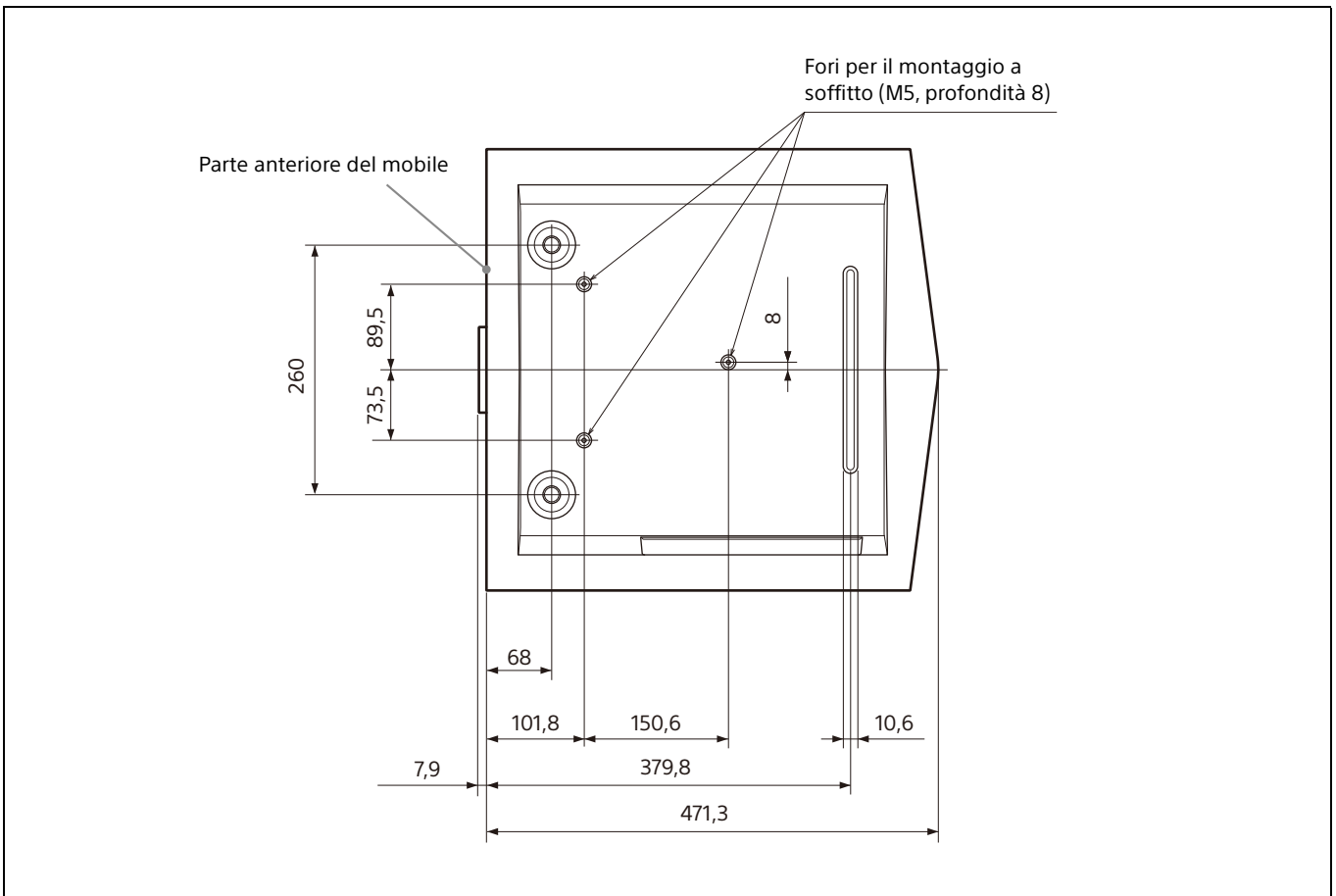
Parte anteriore

Unità: mm



Parte inferiore

Unità: mm



Nota**Fori per il montaggio a soffitto**

Utilizzare viti di lunghezza da 6,4 mm a 8,0 mm per il montaggio a soffitto.

Coppia di serraggio consigliata (tensione di rotazione di una vite nella direzione di serraggio): $1,4 \pm 0,2$ N-m

