



Questo manuale d'istruzione è fornito da trovaprezzi.it. Scopri tutte le offerte per [Sony WH-CH700N](#)

Nero o cerca il tuo prodotto tra le [migliori offerte di Cuffie e Microfoni](#)

Questo manuale d'istruzione è fornito da trovaprezzi.it. Scopri tutte le offerte per [Sony WH-CH700N](#)

Nero o cerca il tuo prodotto tra le [migliori offerte di Cuffie e Microfoni](#)

SONY

Wireless Noise Canceling Stereo Headset

Casque stéréo sans fil réducteur de bruits

Auriculares estéreo inalámbricos con función de supresión de ruido

Reference Guide	US
Manuel de référence	FR
Guía de referencia	ES



DIGITAL NC



* 4 7 2 9 8 2 0 1 1 *

WH-CH700N

English

FOR UNITED STATES CUSTOMERS. NOT APPLICABLE IN CANADA, INCLUDING IN THE PROVINCE OF QUEBEC. POUR LES CONSOMMATEURS AUX ÉTATS-UNIS. NON APPLICABLE AU CANADA, Y COMPRIS LA PROVINCE DE QUÉBEC.

This device complies with Part 15 of the FCC Rules. Operation is subject to the following two conditions: (1) this device may not cause harmful interference, and (2) this device must accept any interference received, including interference that may cause undesired operation.

You are cautioned that any changes or modifications not expressly approved in this manual could void your authority to operate this equipment.

This equipment must not be co-located or operated in conjunction with any other antenna or transmitter.

Note
This equipment has been tested and found to comply with the limits for a Class B digital device, pursuant to Part 15 of the FCC Rules. These limits are designed to provide reasonable protection against harmful interference in a residential installation. This equipment generates, uses and can radiate radio frequency energy and, if not installed and used in accordance with the instructions, may cause harmful interference to radio communications. However, there is no guarantee that interference will not occur in a particular installation. If this equipment does cause harmful interference to radio or television reception, which can be determined by turning the equipment off and on, the user is encouraged to try to correct the interference by one or more of the following measures:
– Reorient or relocate the receiving antenna.
– Increase the separation between the equipment and receiver.
– Connect the equipment into an outlet on a circuit different from that to which the receiver is connected.
– Consult the dealer or an experienced radio/TV technician for help.

This device complies with Industry Canada's licence-exempt RSSs. Operation is subject to the following two conditions:
(1) This device may not cause interference;
and
(2) This device must accept any interference, including interference that may cause undesired operation of the device.

This equipment complies with FCC/IC radiation exposure limits set forth for an uncontrolled environment and meets the FCC radio frequency (RF) Exposure Guidelines and RSS-102 of the IC radio frequency (RF) Exposure rules. This equipment has very low levels of RF energy that is deemed to comply without testing of specific absorption rate (SAR).

The Bluetooth® word mark and logos are registered trademarks owned by the Bluetooth SIG, Inc. and any use of such marks by Sony Corporation is under license.

The N-Mark is a trademark or registered trademark of NFC Forum, Inc. in the United States and in other countries.

Windows is a registered trademark or trademark of Microsoft Corporation in the United States and/or other countries.

Mac, OS X, iPhone and iPod touch are trademarks of Apple Inc., registered in the U.S. and other countries.

*Made for iPod® and *Made for iPhone® mean that an electronic accessory has been designed to connect specifically to iPod or

iPhone, respectively, and has been certified by the developer to meet Apple performance standards. Apple is not responsible for the operation of this device or its compliance with safety and regulatory standards. Please note that the use of this accessory with iPod or iPhone may affect wireless performance.

Qualcomm® aptX™ audio is a product of Qualcomm Technologies International, Ltd.
Qualcomm is a trademark of Qualcomm Incorporated, registered in the United States and other countries, used with permission. aptX is a trademark of Qualcomm Technologies International, Ltd., registered in the United States and other countries, used with permission.
Android is a trademark of Google Inc.
Other trademarks and trade names are those of their respective owners.

©2018 Sony Corporation
Printed in Malaysia

iPhone, respectively, and has been certified by the developer to meet Apple performance standards. Apple is not responsible for the operation of this device or its compliance with safety and regulatory standards. Please note that the use of this accessory with iPod or iPhone may affect wireless performance.

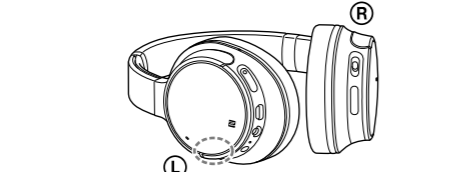
Qualcomm® aptX™ audio is a product of Qualcomm Technologies International, Ltd.
Qualcomm is a trademark of Qualcomm Incorporated, registered in the United States and other countries, used with permission. aptX is a trademark of Qualcomm Technologies International, Ltd., registered in the United States and other countries, used with permission.
Android is a trademark of Google Inc.
Other trademarks and trade names are those of their respective owners.

©2018 Sony Corporation
Printed in Malaysia

Precautions

On BLUETOOTH® communications

- Bluetooth wireless technology operates within a range of about 10 m (30 feet). Maximum communication range may vary depending on obstacles (human body, metal, wall, etc.) or electromagnetic environment.
- Bluetooth communications may be disabled, or noise or audio dropout may occur under the following conditions.
 - There is a human body between the unit and the Bluetooth device.
 - This situation may be improved by placing the Bluetooth device facing the antenna of the unit.
 - There is an obstacle, such as metal or a wall, between the unit and the Bluetooth device.
 - A Wi-Fi device or microwave oven is in use, or microwaves are emitted near the unit.
 - The antenna is built into the unit as illustrated in the dotted line. The sensitivity of the Bluetooth communications will improve by removing any obstacles between the connected Bluetooth device and the antenna of this unit.



- Because Bluetooth devices and Wi-Fi (IEEE802.11b/g/n) use the same frequency (2.4 GHz), microwave interference may occur resulting in noise or audio dropout or communications being disabled if this unit is used near a Wi-Fi device. In such a case, perform the following.
 - Use this unit at least 10 m (30 feet) away from the Wi-Fi device.
 - If this unit is used within 10 m (30 feet) of a Wi-Fi device, turn off the Wi-Fi device.
- Install this unit and the Bluetooth device as near to each other as possible.
- Microwaves emitting from a Bluetooth device may affect the operation of electronic medical devices. Turn off this unit and other Bluetooth devices in the following locations, as it may cause an accident:
 - where inflammable gas is present, in a hospital, or a petrol station
 - near automatic doors or a fire alarm.
- Due to the characteristic of the wireless technology, the sound played on this unit is delayed from the sound and music played on the sending device. Therefore, the image and sound may be misaligned when viewing a movie or playing a game.

- Do not use the unit on an airplane. Radio waves may affect instruments, causing an accident due to malfunction.
- This unit supports security capabilities that comply with the Bluetooth standard to provide a secure connection when the Bluetooth wireless technology is used, but security may not be enough depending on the setting. Be careful when communicating using Bluetooth wireless technology.
- We do not take any responsibility for the leakage of information during Bluetooth communications.
- Connection with all Bluetooth devices cannot be guaranteed.
 - A device featuring Bluetooth function is required to conform to the Bluetooth standard specified by Bluetooth SIG, Inc. and be authenticated.
 - Even if the connected device conforms to the above mentioned Bluetooth standard, some devices may not be connected or work correctly, depending on the features or specifications of the device.
 - While talking on the phone hands free, noise may occur, depending on the device or communication environment.
- Depending on the device to be connected, it may require some time to start communications.

If sound skips frequently during playback

- The situation may be improved by setting the sound quality mode to "priority on stable connection." For details, refer to the Help Guide.
- The situation may be improved by changing the wireless playback quality settings or fixing the wireless playback mode to SBC on the transmitting device. For details, refer to the operating instructions supplied with the transmitting device.
- If you are using a smartphone, the situation may be improved by shutting down unnecessary applications or rebooting the smartphone.

On the use of calling apps for smartphones and computers

- This unit supports normal incoming calls only. Calling apps for smartphones and computers are not supported.

On charging the unit

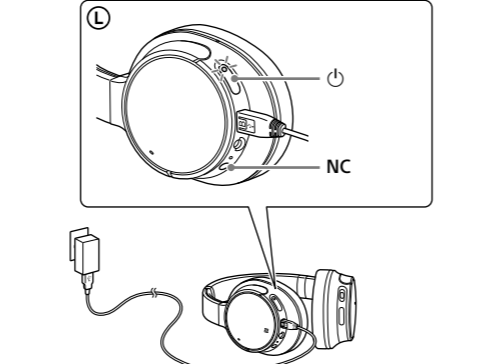
- This unit can be charged using USB only. Personal computer with USB port is required for charging.
- This unit cannot be turned on, nor can the Bluetooth and noise canceling functions be used, during charging.
- You can use the unit by connecting the supplied headphone cable, even while charging the unit.
- If you do not use the unit for a long time, the rechargeable battery may not be able to keep sufficient charge. The battery will be able to keep a charge properly after repeatedly discharging and charging several times.
- If you store the unit for a long time, charge the battery once every half year to prevent over-discharge.
- If the length of time you can use the unit became extremely short, the rechargeable battery should be replaced with a new one. Please contact your nearest Sony dealer for a battery replacement.

Note on static electricity

- Static electricity accumulated in the body may cause mild tingling in your ears. To minimize the effect, wear clothes made from natural materials.

If the unit does not operate properly

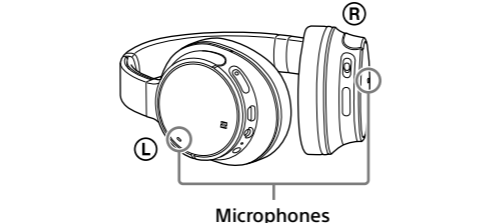
- Press the and NC buttons simultaneously while charging. The unit will be reset. Pairing information is not deleted.



- If the problem persists even after the resetting operation above, initialize the unit as follows.
 - Disconnect the micro-USB cable from the micro-USB port, turn off the unit, then hold down the and buttons simultaneously for more than 7 seconds. The indicator (blue) flashes 4 times, and the unit is reset to the factory settings. All pairing information is deleted.
 - After the unit is initialized, it may not connect to your iPhone or computer. In this case, delete the pairing information of the unit from the iPhone or computer, and then pair them again.

What is noise canceling?

- The noise canceling circuit actually senses outside noise with built-in microphones and sends an equal-but-opposite canceling signal to the unit.
 - The noise canceling effect may not be pronounced in a very quiet environment, or some noise may be heard.
 - The noise canceling effect may vary depending on how you wear the unit.
 - The noise canceling function works for noise in the low frequency band primarily. Although noise is reduced, it is not canceled completely.
 - When you use the unit in a train or a car, noise may occur depending on street conditions.
 - Mobile phones may cause interference and noise. Should this occur, locate the unit further away from the mobile phone.
 - Do not cover the microphones of the headset (Microphones) with your hands. The noise canceling function may not work properly.



On wearing the unit

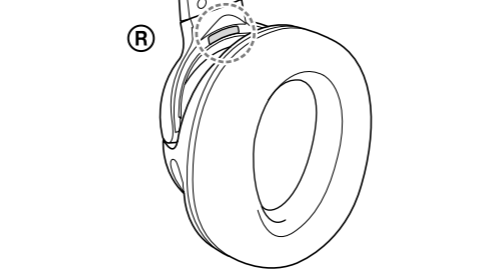
- Because the headphones are of a high density enclosure, forcing them against your ears may result in eardrum damage. Pressing the headphones against your ears may produce a diaphragm click sound. This is not a malfunction.

Others

- When you use the unit as wired headphones, use the supplied headphone cable only. Make sure that the headphone cable is firmly inserted.
- Do not place this unit in a place exposed to humidity, dust, soot or steam, or in a car or place subject to direct sunlight.
- Using the Bluetooth device may not function on mobile phones, depending on radio wave conditions and location where the equipment is being used.
- High volume may affect your hearing.
- For traffic safety, do not use while driving or cycling.
- Do not use the unit in places where it would be dangerous if you are unable to hear ambient sound, such as at railroad crossings, train station platforms, and construction sites.
- Do not put weight or pressure on this unit as it may cause the unit to deform during long storage.
- Do not subject the unit to excessive shock.
- Clean the unit with a soft dry cloth.
- Do not expose the unit to water. The unit is not waterproof. Remember to follow the precautions below.
 - Be careful not to drop the unit into a sink or other container filled with water.
 - Do not use the unit in humid locations or bad weather, such as in the rain or snow.
 - Do not get the unit wet.
 - If you touch the unit with wet hands, or put the unit in a damp article of clothing, the unit may get wet and this may cause a malfunction of the unit.
- If you experience discomfort after using the unit, stop using the unit immediately.
- The earpads may deteriorate due to long term storage or use.
- If you have any questions or problems concerning this unit that are not covered in this manual, please consult your nearest Sony dealer.

Optional replacement earpads can be ordered from your nearest authorized Sony retailer or www.sony.com.

Location of the serial number label



Compatible iPhone/iPod models

You can use the unit with only the following models. Update your iPhone or iPod to the latest software before use.

- iPhone 7 Plus
 - iPhone 7
 - iPhone SE
 - iPhone 6S Plus
 - iPhone 6s
 - iPhone 6 Plus
 - iPhone 6
 - iPhone 5s
 - iPhone 5c
 - iPhone 5
 - iPod touch (6th generation)
- (As of December 2017)

Specifications

General

Communication system: Bluetooth Specification version 4.1
Output: Bluetooth Specification Power Class 2
Maximum communication range: Line of sight approx. 10 m (30 ft)
Frequency band: 2.4 GHz band (2.4000 GHz - 2.4835 GHz)
Compatible Bluetooth profiles:
A2DP (Advanced Audio Distribution Profile)
AVRCP (Audio Video Remote Control Profile)
HFP (Hands-free Profile)
HSP (Headset Profile)
Supported Codec: SBC¹⁾, AAC²⁾, aptX, aptX HD
Supported content protection method: SCMS-T
Transmission range (A2DP):
20 Hz - 20,000 Hz (Sampling frequency 44.1 kHz)
Included items:
Wireless noise canceling stereo headset (1)
Micro-USB cable (approx. 50 cm (19 3/4 in.)) (1)
Headphone cable (approx. 1.2 m (47 1/4 in.)) (1)
Reference Guide (this sheet) (1)
Operating Instructions (1)
Other documents (1 set)

Wireless noise canceling stereo headset

Power source:
DC 3.65 V. Built-in lithium-ion rechargeable battery
DC 5 V. When charged using USB
Mass: Approx. 240 g (8.47 oz)
Operating temperature: 0 °C to 40 °C (32 °F to 104 °F)
Usage hours:
When connecting via the Bluetooth device
Music playback time:
Max. 35 hours (NC ON), Max. 40 hours (NC OFF)
Communication time:
Max. 35 hours (NC ON), Max. 40 hours (NC OFF)
Standby time:
Max. 35 hours (NC ON), Max. 200 hours (NC OFF)
When connecting via the headphone cable with NC ON:
Max. 50 hours
Note: Usage hours may be shorter depending on the Codec and the conditions of use.

Charging time:
Approx. 7 hours
(About 60 minutes of music playback is possible after 10 minutes charging.)
Note: Charging and usage hours may be different depending on the conditions of use.

Charging temperature: 5 °C to 35 °C (41 °F to 95 °F)

Receiver

Type: Closed, Dynamic
Driver unit: 40 mm
Frequency response:
7 Hz - 20,000 Hz (JEITA) (when connecting via the headphone cable with the unit turned on)
Impedance:
22 Ω (1 kHz) (when connecting via the headphone cable with the unit turned on)
48 Ω (1 kHz) (when connecting via the headphone cable with the unit turned off)

Sensitivity:
97 dB/mW (when connecting via the headphone cable with the unit turned on)
98 dB/mW (when connecting via the headphone cable with the unit turned off)

Microphone

Type: Electret condenser
Directivity: Omni directional
Effective frequency range: 50 Hz - 8,000 Hz

System requirements for battery charge using USB

USB AC adaptor
A commercially available USB AC adaptor capable of feeding in more than 0.5 A (500 mA)

Personal Computer
(As of December 2017)
Personal Computer with pre-installed with any of the following operating systems and USB port:

Operating Systems
(when using Windows)
Windows® 10 Home / Windows® 10 Pro
Windows® 8.1 / Windows® 8.1 Pro
Windows® 8 / Windows® 8 Pro
Windows® 7

Home Basic / Home Premium / Professional / Ultimate
(when using Mac)
Mac OS X (version 10.9 or later)

Design and specifications are subject to change without notice.

Français

Le présent appareil est conforme aux CNR d'Industrie Canada applicables aux appareils radio exempts de licence. L'exploitation est autorisée aux deux conditions suivantes:
1) l'appareil ne doit pas produire de brouillage;
2) l'utilisateur de l'appareil doit accepter tout brouillage radioélectrique subi, même si le brouillage est susceptible d'en compromettre le fonctionnement.

Cet équipement est conforme aux limites d'exposition aux rayonnements énoncées pour un environnement non contrôlé et respecte les règles les radioélectriques (RF) de la FCC, lignes directrices d'exposition et d'exposition aux fréquences radioélectriques (RF) CMR-102 de l'IC. Cet équipement émet une énergie RF très faible qui est considérée comme conforme sans évaluation du débit d'absorption spécifique (DAS).

La marque et les logos Bluetooth® sont des marques déposées de Bluetooth SIG, Inc. qui sont utilisées sous licence uniquement par Sony Corporation.

N-Mark est une marque commerciale ou une marque déposée de NFC Forum, Inc. aux États-Unis et dans d'autres pays.

Windows est une marque déposée ou une marque de commerce de Microsoft Corporation aux États-Unis et/ou dans d'autres pays.

Mac, OS X, iPhone et iPod touch sont des marques commerciales d'Apple Inc., déposées aux États-Unis et dans d'autres pays.

Les mentions « Made for iPod » et « Made for iPhone » signifient qu'un accessoire électronique a été conçu spécifiquement pour être connecté à un iPod ou un iPhone, respectivement, et que son fabricant certifie qu'il répond aux normes de performance Apple. Apple n'est pas responsable du bon fonctionnement de cet appareil ni de sa conformité aux normes réglementaires et de sécurité. Veuillez noter que l'utilisation de cet accessoire avec un iPod ou un iPhone peut avoir un impact sur les performances de la connexion sans fil.

Qualcomm® aptX™ audio est un produit de Qualcomm Technologies International, Ltd.
Qualcomm est une marque de commerce de Qualcomm Incorporated, déposée aux États-Unis et dans d'autres pays, utilisée avec autorisation. aptX est une marque de commerce de Qualcomm Technologies International, Ltd., déposée aux États-Unis et dans d'autres pays, utilisée avec autorisation.

Android est une marque commerciale de Google Inc.

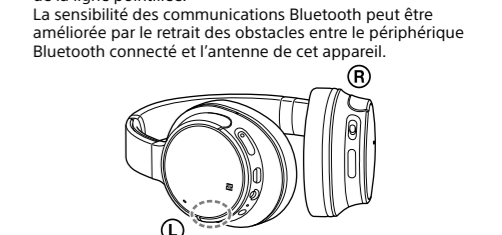
Les autres marques commerciales et noms commerciaux appartiennent à leurs propriétaires respectifs.

Précautions

Communications BLUETOOTH®

- La technologie sans fil Bluetooth fonctionne dans un rayon d'environ 10 m (30 pieds). La portée de communication maximale peut varier en fonction des obstacles (personnes, objets métalliques, murs, etc.) ou de l'environnement électromagnétique.
- Les communications Bluetooth peuvent être désactivées ou du bruit ou une diminution sonore peut survenir dans les conditions suivantes.
 - Une personne se trouve entre l'appareil et le périphérique Bluetooth.
 - Vous pourriez améliorer la situation en plaçant le périphérique Bluetooth face à l'antenne de l'appareil.
 - Un obstacle, par exemple un mur, un objet métallique ou un mur, se trouve entre l'appareil et le périphérique Bluetooth.
 - Un périphérique Wi-Fi ou un autre micro-onde est utilisé ou des hyperfréquences sont émises à proximité de l'appareil.
 - L'antenne est intégrée dans l'appareil, comme illustré à l'aide de la ligne pointillée.

La sensibilité des communications Bluetooth peut être améliorée par le retrait des obstacles entre le périphérique Bluetooth connecté et l'antenne de cet appareil.



- Comme les périphériques Bluetooth et Wi-Fi (IEEE802.11b/g/n) utilisent la même fréquence (2,4 GHz), des interférences en hyperfréquences peuvent se produire et entraîner des parasites, des pertes de niveau audio ou l'interruption des communications si cet appareil est utilisé à proximité d'un périphérique Wi-Fi. En pareil cas, prenez les mesures suivantes.
 - Utilisez cet appareil à une distance d'au moins 10 m (30 pieds) du périphérique Wi-Fi.
 - Si cet appareil est utilisé à moins de 10 m (30 pieds) d'un périphérique Wi-Fi, éteignez le périphérique Wi-Fi.
 - Installez cet appareil et le périphérique Bluetooth aussi près que possible l'un de l'autre.
- Les émissions d'hyperfréquences d'un périphérique Bluetooth peuvent perturber le fonctionnement des appareils médicaux électroniques. Pour éviter de causer un accident, éteignez cet appareil et les autres périphériques Bluetooth dans les endroits suivants:
 - en présence de gaz inflammable, dans un hôpital ou une station-service
 - à proximité de portes automatiques ou d'un avertisseur d'incendie.

- En raison des caractéristiques de la technologie sans fil, le son reproduit sur cet appareil est décalé par rapport au son et à la musique en cours de lecture sur le périphérique émetteur. Par conséquent, l'image et le son peuvent être désalignés lorsque vous visionnez un film ou jouez à un jeu.
- N'utilisez pas l'appareil dans un avion. Les ondes radio risquent de perturber les instruments et de provoquer un accident en raison d'un problème de fonctionnement.
- Cet appareil prend en charge les caractéristiques de sécurité conformes à la norme Bluetooth pour offrir une connexion sécurisée lors de l'utilisation de la technologie sans fil Bluetooth; cependant, la sécurité pourrait être insuffisante selon le réglage. Soyez prudent lorsque vous communiquez au moyen de la technologie sans fil Bluetooth.
- Nous ne pouvons être tenus responsables de la fuite d'informations survenant lors de communications Bluetooth.
- La connexion ne peut pas être garantie avec tous les périphériques Bluetooth.
 - Un périphérique doté de la fonction Bluetooth est nécessaire pour la conformité à la norme Bluetooth spécifiée par Bluetooth SIG, Inc. et pour l'authentification.
 - Même si le périphérique connecté est conforme à la norme Bluetooth mentionnée précédemment, certains périphériques peuvent ne pas se connecter ou ne pas fonctionner correctement, selon leurs caractéristiques ou spécifications.
 - Selon le périphérique ou l'environnement de communication, des parasites peuvent se produire lors des communications téléphoniques en mains libres.
- Selon le périphérique à connecter, le démarrage des communications peut prendre un certain temps.

Si le son est fréquemment saccadé pendant la lecture

- Vous pourriez améliorer la situation en réglant le mode de qualité sonore à « priorité à la connexion stable ». Pour plus de détails, reportez-vous au manuel d'aide.
- Vous pourriez améliorer la situation en modifiant les réglages de qualité de lecture sans fil ou en réglant le mode de lecture sans fil à SBC sur le périphérique émetteur. Pour plus de détails, reportez-vous au mode d'emploi fourni avec le périphérique émetteur.
- Si vous utilisez un téléphone intelligent, vous pourriez améliorer la situation en fermant des applications inutiles ou en redémarrant le téléphone intelligent.

À propos de l'utilisation d'applications d'appel pour les téléphones intelligents et ordinateurs

- Cet appareil prend uniquement en charge les appels entrants normaux. Les applications d'appel pour les téléphones intelligents et ordinateurs ne sont pas prises en charge.

Chargement de l'appareil

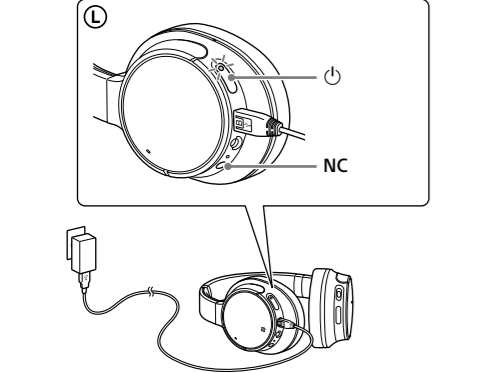
- Cet appareil peut être chargé uniquement par USB. Un ordinateur personnel avec port USB est requis pour le chargement.
- Lors du chargement, il n’est pas possible de mettre cet appareil en marche ni d'utiliser les fonctions Bluetooth et de réduction de bruits.
- Vous pouvez utiliser l'appareil en connectant le câble de casque d'écoute fourni, même pendant le chargement de l'appareil.
- Si vous n'utilisez pas l'appareil pendant une période prolongée, la batterie rechargeable risque de ne pas fournir une charge suffisante. La batterie pourra fournir une charge adéquate après plusieurs chargements et déchargements.
- Si vous rangez l'appareil pendant une période prolongée, chargez la batterie tous les six mois pour éviter un déchargement excessif.
- Si la durée d'utilisation de l'appareil devient très courte, vous devez remplacer la batterie rechargeable par une nouvelle. Veuillez contacter votre détaillant Sony le plus proche afin de remplacer la batterie.

Remarque à propos de l'électricité statique

- L'électricité statique accumulée dans votre corps peut causer de légers fourmillements dans vos oreilles. Vous pouvez atténuer cet effet en portant des vêtements en matière naturelle.

Si l'appareil ne fonctionne pas correctement

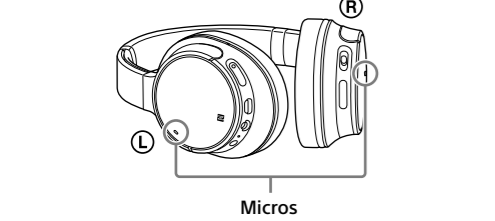
- Réinitialisez l'appareil.
- Appuyez sur les boutons ⏻ et **NC** simultanément pendant le chargement. L'appareil sera réinitialisé. Les informations de jumelage ne sont pas supprimées.



- Si le problème persiste même après l'opération de réinitialisation ci-dessus, initialisez l'appareil comme suit. Déconnectez le câble micro-USB du port micro-USB, éteignez l'appareil, puis maintenez enfoncés les boutons ⏻ et **■** simultanément pendant plus de 7 secondes. Le témoin (bleu) clignote 4 fois et l'appareil est réinitialisé à ses paramètres d'usine. Toutes les informations de jumelage sont supprimées.
- Une fois l'appareil initialisé, il pourrait ne pas se connecter à votre iPhone ou ordinateur. En pareil cas, supprimez les informations de jumelage de l'appareil sur le iPhone ou l'ordinateur, puis jumelez-les de nouveau.

Qu'est-ce que la réduction de bruits?

- Le circuit de réduction de bruits capte les bruits extérieurs à l'aide de micros intégrés et envoie à l'appareil un signal de réduction de niveau identique, mais opposé.
 - Il est possible que l'effet de la réduction de bruits ne soit pas très prononcé dans un environnement très silencieux ou certains bruits peuvent être audibles.
- L'effet de la réduction de bruits peut varier selon la façon dont vous portez l'appareil.
- La fonction de réduction de bruits fonctionne principalement pour la bande des basses fréquences. Bien que les bruits soient atténués, ils ne sont pas complètement inaudibles.
- Lorsque vous utilisez l'appareil dans un train ou une voiture, des bruits peuvent se produire en fonction de l'état de la route.
- Les téléphones cellulaires peuvent générer des interférences et des parasites. Si cela se produit, éloignez l'appareil du téléphone cellulaire.
- Ne couvrez pas les micros du casque (Micros) avec les mains. La fonction de réduction de bruits pourrait ne pas fonctionner correctement.



À propos du port de l'appareil

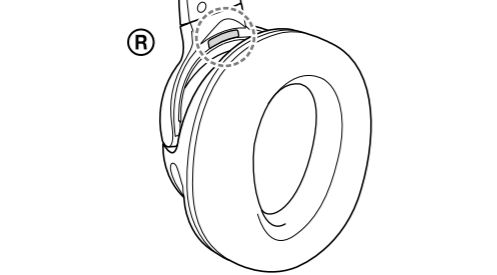
- Puisque le casque d'écoute dispose d'une enceinte haute densité, la pression contre les oreilles pourrait endommager les tympans. Le fait de presser le casque d'écoute contre vos oreilles peut générer un déclin sonore de diaphragme. Il ne s'agit pas d'une déféctuosité.

Autres

- Pour utiliser l'appareil en tant que casque d'écoute avec câble, utilisez uniquement le câble de casque d'écoute fourni. Assurez-vous d'insérer fermement le câble de casque d'écoute. Ne placez pas cet appareil dans un endroit exposé à l'humidité, la poussière, la suie ou la vapeur et ne le laissez pas dans une voiture ou un endroit exposé à la lumière directe du soleil.
- Le périphérique Bluetooth peut ne pas fonctionner avec les téléphones cellulaires, selon les conditions des ondes radio et l'endroit où l'appareil est utilisé.
- Vous risquez de subir des lésions auditives si vous utilisez cet appareil à un volume trop élevé.
- Pour des raisons de sécurité, ne l'utilisez pas en voiture ou à vélo.
- N'utilisez pas l'appareil dans des endroits où il serait dangereux de ne pas entendre les sons ambiants, comme des passages à niveau, des quais de gare et des sites de construction.
- N'appliquez aucun poids ou n'exercez aucune pression sur cet appareil, car cela pourrait le déformer lors des longues périodes de rangement.
- Ne soumettez pas l'appareil à un choc excessif.
- Netoyez l'appareil avec un chiffon doux et sec.
- N'exposez pas l'appareil à l'eau. L'appareil n'est pas étanche. Souvenez-vous d'observer les précautions ci-dessous.
 - Veillez à ne pas échapper l'appareil dans un évier ou tout autre récipient rempli d'eau.
 - N'utilisez pas l'appareil dans des endroits humides ou par mauvais temps, notamment sous la pluie ou la neige.
 - Ne laissez pas l'appareil se faire mouiller.
- Si vous touchez l'appareil pendant que vous avez les mains mouillées, ou encore si vous placez l'appareil dans un article ou vêtement humide, l'appareil pourrait se faire mouiller et un problème de fonctionnement risque de survenir.
- Si vous éprouvez une sensation désagréable après avoir utilisé l'appareil, cessez de l'utiliser immédiatement.
- Les oreillettes peuvent se détériorer à la suite d'un rangement ou d'une utilisation pendant une période prolongée.
- En cas de questions ou de problèmes concernant cet appareil qui ne sont pas abordés dans ce manuel, veuillez contacter votre détaillant Sony le plus proche.

Des oreillettes de rechange en option peuvent être commandées auprès de votre détaillant Sony le plus proche ou sur le site www.sony.com.

Emplacement de l'étiquette de numéro de série



Modèles de iPhone/iPod compatibles

Vous pouvez utiliser l'appareil uniquement avec les modèles suivants. Mettez à jour le logiciel de votre iPhone ou iPod avant l'utilisation.

- iPhone 7 Plus
- iPhone 7
- iPhone SE
- iPhone 6s Plus
- iPhone 6s
- iPhone 6 Plus
- iPhone 6
- iPhone 5s
- iPhone 5c
- iPhone 5

• iPod touch (6e génération) (À compter de décembre 2017)

Spécifications

Généralités

Système de communication : Spécification Bluetooth version 4.1
Sortie : Spécification Bluetooth pour classe de puissance 2
Portée de communication maximale : En ligne directe, environ 10 m (30 pi)¹⁾

Bande de fréquence : Bande 2,4 GHz (2,4000 GHz – 2,4835 GHz)

Profils Bluetooth compatibles²⁾ :
A2DP (Advanced Audio Distribution Profile)
AVRCP (Audio Video Remote Control Profile)
HFP (Hands-free Profile)
HSP (Headset Profile)

Codescs pris en charge³⁾ : SBC⁴⁾, AAC⁵⁾, aptX, aptX HD

Méthode de protection de contenu prise en charge : SCMS-T

Plage de transmission (A2DP) : 20 Hz – 20 000 Hz (fréquence d'échantillonnage de 44,1 kHz)

Éléments inclus :

- Casque stéréo sans fil réducteur de bruits (1)
- Câble micro-USB (environ 50 cm (19 3/4 po)) (1)
- Câble de casque d'écoute (environ 1,2 m (47 1/4 po)) (1)
- Manuel de référence (ce feuillet) (1)
- Mode d'emploi (1)
- Autres documents (1 ensemble)

- La portée réelle varie en fonction de nombreux facteurs, tels que la présence d'obstacles entre les périphériques, les champs magnétiques autour des fours à micro-ondes, l'électricité statique, la sensibilité de la réception, les performances de l'antenne, le système d'exploitation ou les applications logicielles, etc.
- Les profils standard Bluetooth indiquent la fonction des communications Bluetooth entre les périphériques.
- Codec : Format de conversion et compression du signal audio
- Codec de sous-bande
- Codage audio avancé

Casque stéréo sans fil réducteur de bruits

Source d'alimentation : 3,65 V CC : Batterie rechargeable au lithium-ion intégrée 5 V CC : Lors du chargement par USB
Masse : Environ 240 g (8,47 oz)

Température de fonctionnement : 0 °C à 40 °C (32 °F à 104 °F)

Nombre d'heures d'utilisation :

Lors de la connexion via le périphérique Bluetooth

Durée de lecture musicale :

Max. 35 heures (fonction NC activée),

Max. 40 heures (fonction NC désactivée)

Durée de communication :

Max. 35 heures (fonction NC activée),

Max. 40 heures (fonction NC désactivée)

Durée de veille :

Max. 35 heures (fonction NC activée),

Max. 200 heures (fonction NC désactivée)

Lors de la connexion via le câble de casque d'écoute avec fonction NC activée :

Max. 50 heures

Remarque : Le nombre d'heures d'utilisation peut être inférieur, selon le codec et les conditions d'utilisation.

Durée de chargement :

Environ 7 heures

(Environ 60 minutes de lecture musicale sont possibles après un chargement de 10 minutes.)

Remarque : Le nombre d'heures de chargement peut être différent, selon les conditions d'utilisation.

Température de chargement : 5 °C à 35 °C (41 °F à 95 °F)

Récepteur
Type : fermé, dynamique
Transducteur : 40 mm
Réponse en fréquence : 7 Hz – 20 000 Hz (JEITA) (lors de la connexion via le câble de casque d'écoute pendant que l'appareil est en marche)
Impédance : 22 Ω (1 kHz) (lors de la connexion via le câble de casque d'écoute pendant que l'appareil est en marche)
48 Ω (1 kHz) (lors de la connexion via le câble de casque d'écoute pendant que l'appareil est éteint)
Sensibilité : 97 dB/mW (lors de la connexion via le câble de casque d'écoute pendant que l'appareil est en marche)
98 dB/mW (lors de la connexion via le câble de casque d'écoute pendant que l'appareil est éteint)

Micro

Type : condensateur à électret

Directivité : omnidirectionnel

Plage de fréquences efficace : 50 Hz – 8 000 Hz

Configuration requise pour la charge de la batterie via USB

Adaptateur CA USB
Un adaptateur CA USB disponible sur le marché, capable de délivrer un courant supérieur à 0,5 A (500 mA)

Ordinateur personnel

(À compter de décembre 2017)

Un ordinateur personnel équipé de un des systèmes d'exploitation suivants et d'un port USB :

Systèmes d'exploitation (lors de l'utilisation de Windows)
Windows® 10 Home / Windows® 10 Pro
Windows® 8.1 / Windows® 8.1 Pro
Windows® 8 / Windows® 8 Pro
Windows® 7

Home Basic / Home Premium / Professional / Ultimate

(lors de l'utilisation d'un Mac)
Mac OS X (version 10.9 ou plus récente)

La conception et les spécifications peuvent être modifiées sans préavis.

Español

La marca de la palabra y logotipos Bluetooth® son marcas comerciales registradas y son propiedad de Bluetooth SIG, Inc., y Sony Corporation posee licencia para utilizar cualquiera de dichas marcas.

N-Mark es una marca comercial o una marca comercial registrada de NFC Forum, Inc. en los Estados Unidos y en otros países.

Windows es una marca registrada o marca comercial de Microsoft Corporation en los Estados Unidos y otros países.

Mac, OS X, iPhone y iPod touch son marcas comerciales de Apple Inc., registradas en los Estados Unidos y otros países.

“Made for iPod” y “Made for iPhone” significan que un accesorio electrónico ha sido diseñado específicamente para conectarse con iPod o iPhone. Respectivamente, ha sido certificado por el desarrollador para cumplir con los estándares de rendimiento de Apple. En ningún caso Apple se hace responsable de la operación de este dispositivo o de su cumplimiento con los estándares de regulación y seguridad. Por favor, tenga en cuenta que el uso de este accesorio con el iPod o iPhone puede afectar el rendimiento inalámbrico.

Qualcomm® aptX™ audio es un producto de Qualcomm Technologies International, Ltd. Qualcomm es una marca comercial de Qualcomm Incorporated registrada en los Estados Unidos y otros países y utilizada bajo permiso autorizado. aptX es una marca comercial de Qualcomm Technologies International, Ltd. registrada en los Estados Unidos y utilizada bajo permiso autorizado.

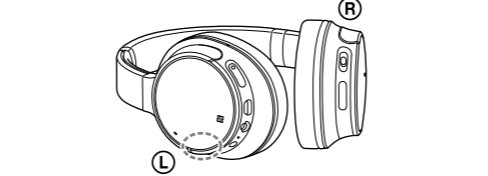
Android es una marca registrada de Google Inc.

Las demás marcas y nombres comerciales pertenecen a sus respectivos propietarios.

Precauciones

Sobre las comunicaciones BLUETOOTH®

- La tecnología inalámbrica Bluetooth opera dentro de un rango de alrededor de 10 m. El alcance máximo de la comunicación puede variar dependiendo de los obstáculos (cuerpo humano, metales, paredes, etc.) o el entorno electromagnético.
- Es posible que las comunicaciones por Bluetooth no estén habilitadas, o puede producirse ruido o pérdida de audio en las siguientes condiciones.
 - Hay una persona entre la unidad y el dispositivo Bluetooth. La situación puede mejorr colocando el dispositivo Bluetooth frente a la antena de la unidad.
 - Hay un obstáculo, como un objeto metálico o una pared, entre la unidad y el dispositivo Bluetooth.
 - Hay un dispositivo con Wi-Fi o un horno de microondas en uso, o se emiten microondas cerca de la unidad.
 - La antena está incorporada a la unidad según se ilustra en la línea punteada.
- La sensibilidad de las comunicaciones por Bluetooth mejorará al eliminar cualquier obstáculo entre el dispositivo Bluetooth conectado y la antena de esta unidad.



- Debido a que los dispositivos Bluetooth y Wi-Fi (IEEE802.11b/g/n) utilizan la misma frecuencia (2,4 GHz), puede ocurrir una interferencia de microondas que resulte en ruido o pérdida de audio, o que se deshabiliten las comunicaciones si esta unidad se utiliza cerca de un dispositivo Wi-Fi. En dicho caso, realice lo siguiente:
 - Utilice esta unidad al menos a 10 m de distancia del dispositivo Wi-Fi.
 - Si esta unidad se utiliza dentro de los 10 m de un dispositivo Wi-Fi, apague el dispositivo Wi-Fi.
 - Instale esta unidad y el dispositivo Bluetooth tan cerca entre sí como sea posible.

- Las microondas que se emiten desde un dispositivo Bluetooth pueden afectar la operación de los dispositivos médicos electrónicos. Apague esta unidad y otros dispositivos Bluetooth en las siguientes ubicaciones, ya que pueden causar un accidente:
 - donde haya gas inflamable presente, en un hospital, o en una estación de servicio
 - cerca de puertas automáticas o una alarma contra incendios.
- Dadas las características de la tecnología inalámbrica, el sonido que se reproduce en esta unidad está retrasado con respecto a aquel que se reproduce en el dispositivo emisor. Por lo tanto, la imagen y el sonido podría estar desalineado al mirar una película o jugar un videojuego.
- No utilice esta unidad en un avión. Las ondas de radio pueden afectar los instrumentos, causando un accidente debido a un mal funcionamiento.
- Esta unidad es compatible con capacidades de seguridad que cumplen con el estándar Bluetooth para ofrecer una conexión segura cuando se utiliza la tecnología inalámbrica Bluetooth, pero la seguridad puede no ser suficiente dependiendo de los ajustes. Tenga cuidado al comunicarse utilizando la tecnología inalámbrica Bluetooth.
- No nos hacemos responsables por cualquier filtración de información durante las comunicaciones Bluetooth.
- No se puede garantizar la conexión con todos los dispositivos Bluetooth.
 - Se necesita un dispositivo que cuente con la función Bluetooth para conformar el estándar Bluetooth especificado por Bluetooth SIG, Inc. y debe autenticarse.
 - Incluso si el dispositivo conectado conforma el estándar Bluetooth mencionado con anterioridad, puede ser que algunos dispositivos no se conecten o no funcionen correctamente, dependiendo de las características o especificaciones del dispositivo.
 - Pueden ocurrir ruidos mientras habla por teléfono manos libres, dependiendo del dispositivo o del entorno de comunicación.
- Puede ser necesario cierto tiempo para comenzar las comunicaciones dependiendo del dispositivo a conectar.

Si el sonido salta con frecuencia durante la reproducción

- La situación se puede mejorar al configurar el modo de la calidad del sonido a “prioridad con conexión estable”. Para más detalles, consulte la Guía de ayuda.

- La situación se puede mejorar al cambiar los ajustes de calidad de reproducción inalámbrica o al fijar el modo de reproducción inalámbrica a SBC en el dispositivo transmisor. Para obtener más detalles, consulte las instrucciones de operación suministradas con el dispositivo transmisor.

- Si usted está utilizando un smartphone, la situación podría mejorar al cerrar las aplicaciones innecesarias o al reiniciar el smartphone.

Cuando utilice aplicaciones de llamadas para smartphones y computadoras
Esta unidad admite solo llamadas entrantes normales. No se admiten aplicaciones de llamadas para smartphones y computadoras.

Al cargar la unidad

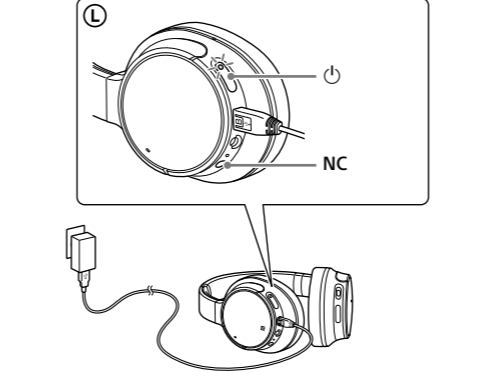
- Esta unidad solo se puede cargar mediante USB. Se requiere una computadora personal con un puerto USB para realizar la carga.
- Esta unidad no se puede encender, ni se puede utilizar la función Bluetooth y de cancelación de ruido, durante la carga.
- Puede utilizar la unidad conectando el cable de auricular suministrado, aun durante la carga.
- Si no utiliza la unidad por un largo tiempo, puede que la batería recargable no almacene la suficiente carga. La batería podrá almacenar una carga en forma adecuada tras descargarla y cargarla en forma repetida.
- Si almacena la unidad por un largo tiempo, cargue la batería una vez cada seis meses para prevenir una descarga excesiva.
- Si el plazo de tiempo que usa la unidad se vuelve extremadamente corto, se deberá reemplazar la batería recargable por una nueva. Comuníquese con su distribuidor Sony más cercano por un reemplazo de la batería.

Nota sobre la electricidad estática

- La electricidad estática acumulada en el cuerpo puede causar un ligero hormigueo en sus orejas. Para minimizar el efecto, utilice ropa de materiales naturales.

Si la unidad no opera en forma adecuada

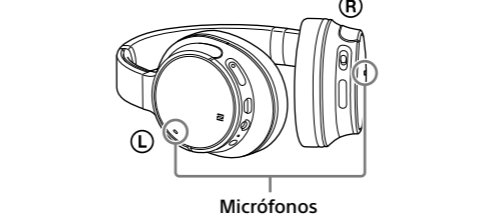
- Reinicie la unidad.
- Presione los botones ⏻ y **NC** simultáneamente durante la carga. Se reiniciará la unidad. No se elimina la información de emparejamiento.



- Si el problema persiste incluso después de la operación de reinicio anterior, inicie la unidad de la siguiente manera: Desconecte el cable micro-USB del puerto micro-USB y apague la unidad. Luego, mantenga presionados los botones ⏻ y **■** simultáneamente por más de 7 segundos. El indicador (azul) parpadea 4 veces, y la unidad se reinicia con los ajustes de fábrica. Se elimina toda la información de emparejamiento.
- Una vez que se inicializa la unidad, puede que no se conecte a su iPhone o a su computadora. En este caso, elimine la información de emparejamiento de la unidad desde el iPhone o la computadora, y luego vuelva a emparejarlos.

¿Qué es la cancelación de ruido?

- El circuito de cancelación de ruido percibe los ruidos del exterior con micrófonos incorporados y envía a la unidad una señal de cancelación igual pero opuesta.
 - El efecto de cancelación de ruido podría no notarse en ambientes silenciosos, o podría oirse algún ruido.
 - El efecto de cancelación de ruido podría variar dependiendo de la manera en que utiliza la unidad.
- La función de cancelación de ruido funciona primordialmente para ruidos en la banda de frecuencia baja. Aunque el ruido se reduce, no se cancela completamente.
- Cuando utiliza la unidad en el tren o en auto, podría oír ruidos dependiendo de las condiciones externas.
- Los teléfonos móviles pueden causar interferencia y ruido. Si esto ocurre, ubique la unidad lejos de su teléfono móvil.
- No cubra los micrófonos del los auriculares (Micrófonos) con sus manos. La función de cancelación de ruido podría no funcionar correctamente.



Al usar la unidad

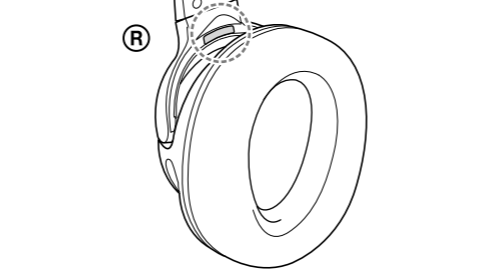
- Dado el cerramiento de los cascos de los auriculares es de alta densidad, si presiona los auriculares contra los oídos, podría dañar los tímpanos.
- Presionar los auriculares contra los oídos podría producir un chasquido en el diafragma. Se trata de un mal funcionamiento.

Otros

- Cuando utilice la unidad como auriculares con cable, utilice solamente el cable de auricular suministrado. Asegúrese de que el cable de auricular esté firmemente insertado.
- No coloque esta unidad en un lugar con humedad, polvo, hollín o vapor, ni lo deje en un auto o expuesto a la luz solar directa.
- La utilización del dispositivo Bluetooth puede no funcionar en teléfonos móviles, dependiendo de las condiciones de la onda de radio y la ubicación en la que se utiliza el equipo.
- Si utiliza los auriculares a un volumen alto, puede dañar sus oídos.
- Por seguridad vial, no utilice esta unidad mientras conduce o anda en bicicleta.
- No utilice la unidad en lugares donde podría ser peligroso si no es capaz de escuchar el sonido ambiente, como cruces de ferrocarril, plataformas de estaciones de tren y sitios en construcción.
- No ponga peso ni aplique presión sobre esta unidad ya que puede causar que la unidad se deforme durante el almacenamiento a largo plazo.
- No someta la unidad a golpes excesivos.
- Limpie la unidad con un paño suave.
- No exponga la unidad al agua. La unidad no es resistente al agua. Recuerde seguir las precauciones a continuación.
 - Tenga cuidado de no dejar caer la unidad en un lavabo u otro contenedor lleno de agua.
 - No utilice la unidad en lugares húmedos o con malas condiciones climáticas, como la lluvia o la nieve.
 - No permita que la unidad se moje.
- Si toca la unidad con las manos mojadas, o coloca la unidad sobre una prenda mojada, la unidad se puede mojar y esto puede causar un mal funcionamiento.
- Si experimenta incomodidad tras utilizar la unidad, deje de utilizarla de inmediato.
- Las almohadillas pueden deteriorarse debido al uso o almacenamiento prolongado.
- Si tiene consultas o problemas con respecto a esta unidad que no se cubren en este manual, consulte a su distribuidor Sony más cercano.

Otras almohadillas de recambio opcionales se pueden encargar al vendedor autorizado de Sony más cercano o en www.sony.com.

Ubicación de la etiqueta con número de serie



Modelos de iPhone/iPod compatibles

La unidad puede utilizarse únicamente con los siguientes modelos. Actualice su iPhone o iPod a la última versión del software disponible antes de usarlo.

- iPhone 7 Plus
- iPhone 7
- iPhone SE
- iPhone 6s Plus
- iPhone 6s
- iPhone 6 Plus
- iPhone 6
- iPhone 5s
- iPhone 5c
- iPhone 5
- iPod touch (6.a generación) (Desde diciembre de 2017)

Especificaciones

Generales

Sistema de comunicación : Especificación Bluetooth versión 4.1
Salida : Especificación Bluetooth Clase Energética 2
Rango máximo de comunicación : En línea recta aprox. 10 m¹⁾

Banda de frecuencia: Banda de 2,4 GHz (2,4000 GHz – 2,4835 GHz)

Perfiles Bluetooth compatibles²⁾ :

A2DP (Perfil de distribución de audio avanzada)

AVRCP (Perfil de control remoto de audio y video)

HFP (Perfil de manos libres)

HSP (Perfil de auriculares)

Códec compatible³⁾: SBC⁴⁾, AAC⁵⁾, aptX, aptX HD

Método de protección de contenido compatible: SCMS-T

Rango de transmisión (A2DP) :

20 Hz – 20 000 Hz (Frecuencia de muestreo 44,1 kHz)

Artículos incluidos:

- Auriculares estéreo inalámbricos con función de supresión de ruido (1)
- Cable micro-USB (aprox. 50 cm) (1)
- Cable de auricular (aprox. 1,2 m) (1)
- Guía de referencia (este documento) (1)
- Manual de instrucciones (1)
- Otros documentos (1 conjunto)

- El rango real variará dependiendo de factores como obstáculos entre los dispositivos, campos magnéticos alrededor de un horno de microondas, electricidad estática, sensibilidad de la recepción, rendimiento de la antena, sistema operativo, aplicación de software, etc.
- Los perfiles del estándar Bluetooth indican la finalidad de las comunicaciones Bluetooth entre dispositivos.
- Codec : Formato de compresión y conversión de señal de audio
- Codec subbanda
- Codificación de audio avanzada

Auriculares estéreo inalámbricos con función de supresión de ruido

Fuente de alimentación : cc de 3,65 V: batería recargable de iones de litio incorporada cc de 5 V: al recargarse mediante USB
Masa: Aprox. 240 g
Temperatura de funcionamiento : de 0 °C a 40 °C
Horas de uso :

Al utilizar una conexión a través del dispositivo Bluetooth
Tiempo de reproducción de la música:
Máx. 35 horas (CR ACTIVADO),
Máx. 40 horas (CR DESACTIVADO)
Tiempo de comunicación:
Máx. 35 horas (CR ACTIVADO),
Máx. 40 horas (CR DESACTIVADO)
Tiempo en espera:
Máx. 35 horas (CR ACTIVADO),
Máx. 200 horas (CR DESACTIVADO)
Cuando se conecta por medio del cable de auricular con NC ACTIVADO:
Máx. 50 horas
Nota: Las horas de uso pueden ser más breves dependiendo del Códec y las condiciones de uso.

Tiempo de carga:
Aprox. 7 horas
(Alrededor de 60 minutos de reproducción de música luego de 10 minutos de carga.)
Nota: Las horas de carga pueden variar dependiendo de las condiciones de uso.

Temperatura de carga: 5 °C a 35 °C

Receptor

Tipo: cerrado, dinámico

Unidad auricular: 40 mm

Respuesta de frecuencia: 7 Hz – 20 000 Hz (JEITA) (Cuando se conecta por medio del cable de auricular con la unidad encendida)

Impedancia: 22 Ω (1 kHz) (Cuando se conecta por medio del cable de auricular con la unidad encendida)
48 Ω (1 kHz) (Cuando se conecta por medio del cable de auricular con la unidad apagada)

Sensibilidad: 97 dB/mW (Cuando se conecta por medio del cable de auricular con la unidad encendida)
98 dB/mW (Cuando se conecta por medio del cable de auricular con la unidad apagada)

Micrófono

Tipo