

Ben

Operating instructions

Gebrauchsanweisung

Mode d'emploi

Istruzioni per l'uso

Manual de instrucciones

Gebruiksaanwijzing

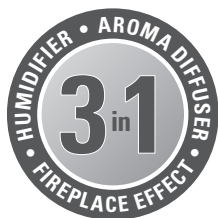
Brugsanvisning

Käyttöohje

Bruksanvisning

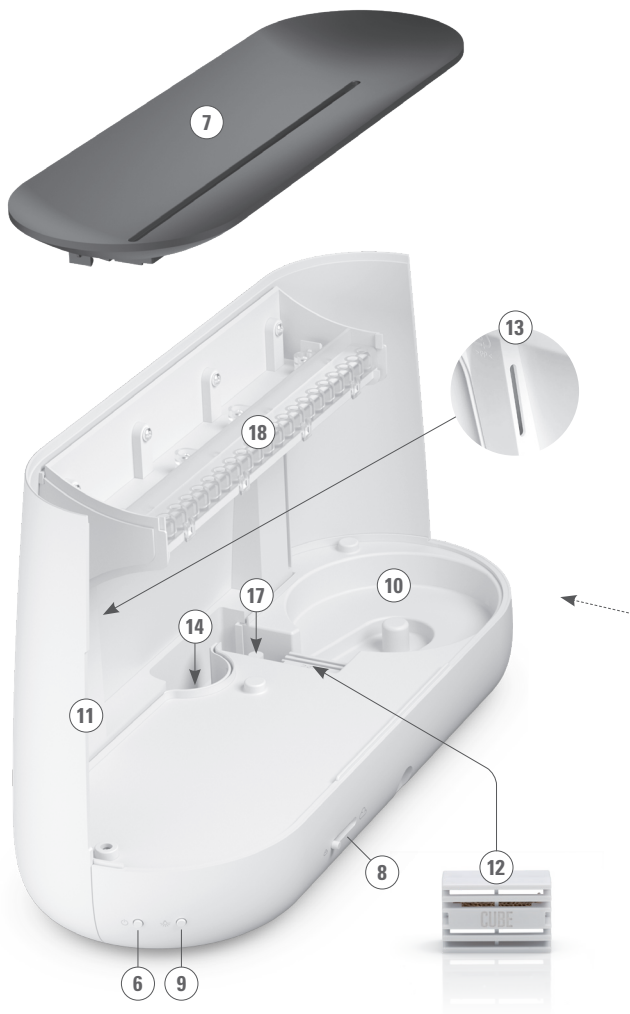
Bruksanvisning

Инструкция по эксплуатации



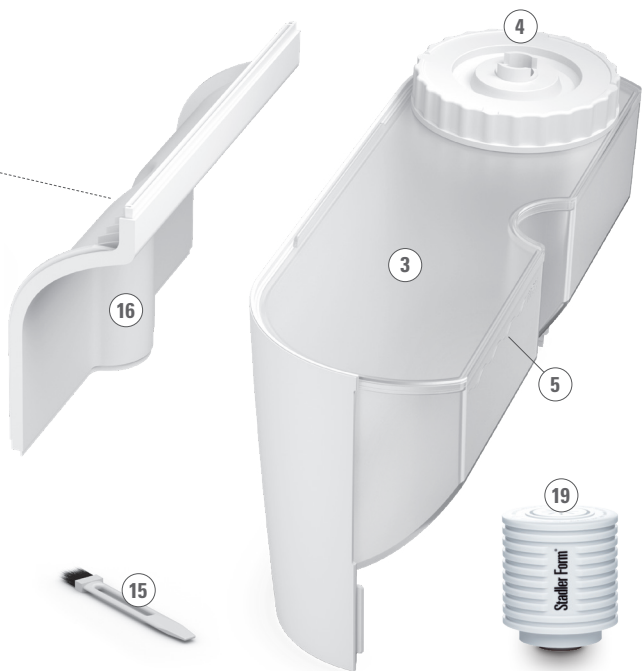
Stadler Form®

Ben



2 YEARS WARRANTY • 2 ANNIÉES DE GARANTIE • 2 JAHRRE GARANTIE

2



- EN:** Optional accessory
- DE:** Optionales Zubehör
- FR:** Accessoire optionnel
- IT:** Accessorio opzionale
- ES:** Accesorio opcional
- NL:** Optionele accessoire
- DA:** Ekstraudstyr
- FI:** Vaihtoehtoinen lisävaruste
- NO:** Valgfritt tilbehør
- SE:** Extra tillbehör
- RU:** Аксессуар, опционально

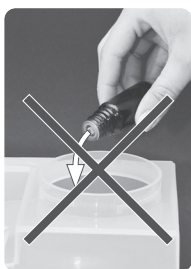
Water testing strip

WASSERTTESTSTREIFEN / BANDELETTE TESTEUR / TEST STRICIA
PAPEL INDICATOR / TESTSTROOK / TESTSTRIBEN / KOELIUSKAT
TESTSTRIMMEL / TESTREMSA / ТЕСТОВЫЙ ИНДИКАТОР



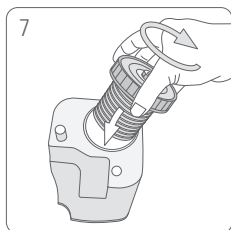
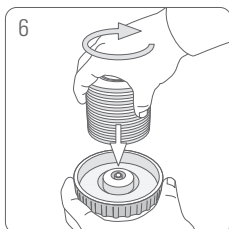
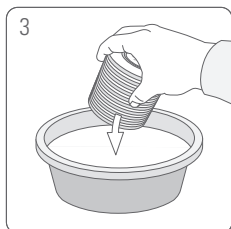
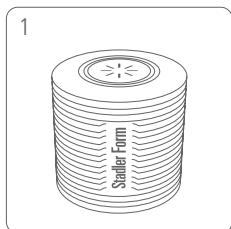
Fragrance

DUFTSTOFFE / PARFUMS / FRAGRANZE PERFUMAR / REUKSTOFFEN
DUFTSTOFFER / TUOKSUT / PARFYME / PARFYM / АРОМАТИЗАТОР



Setting up

SOAK CARTRIDGE / KARTUSCHE EINWEICHEN / TREMPER LA CARTOUCHE



EN: Optional accessory

DE: Optionales Zubehör

FR: Accessoire optionnel

IT: Accessorio opzionale

ES: Accesorio opcional

NL: Optionele accessoire

DA: Ekstraudstyr

FI: Vaihtoehtoinen lisävaruste

NO: Valgfritt tilbehør

SE: Extra tillbehör

RU: Аксессуар, опционально



Share your feedback about Ben on:
Teilen Sie Ihr Feedback von Ben auf:
Partagez votre commentaire sur Ben :
www.stadlerform.com/Reviews



For frequently asked questions go to:
Für häufig gestellte Fragen besuchen Sie:
Trouvez la foire aux questions sur :
www.stadlerform.com/Ben/support



Download instruction manual:
Bedienungsanleitung hier herunterladen:
Téléchargez le mode d'emploi :
www.stadlerform.com/Ben/manual



Watch the video of Ben:
Schauen Sie sich das Video zu Ben an:
Regardez la vidéo du Ben :
www.stadlerform.com/Ben/video



You **Tube**

Congratulations! You have just purchased BEN, the exceptional 3 in 1 appliance (humidifier, aroma diffuser and fireplace effect). It will give you great pleasure and improve the indoor air for you.

As with all domestic electrical appliances, particular care is needed with this model also, in order to avoid injury, fire damage or damage to the appliance. Please study these operating instructions carefully before using the appliance for the first time and follow the safety advice on the appliance itself.

Description of the appliance

The appliance consists of the following main components:

1. Power adapter
2. Power adapter connection
3. Water tank
4. Tank cover
5. Maximum mark
6. On/off button
7. Lid & Mist outlet
8. Variable output controller (Humidification and aroma diffusion)
9. Button for night mode (LEDs normal, dimmed or off)
10. Water tray (fragrances can be added to this if wished)
11. Water level indicator if the water tank is in place
12. Water Cube™
13. Air outlet opening (Caution: no water may enter this opening!)
14. Ultrasonic membrane
15. Cleaning brush
16. Cover
17. Floating switch
18. LED strip for the fireplace effect
19. Anticalc cartridge (optional: see "Before setup")

How your product works

Ben is a 3 in 1 appliance – humidifier, aroma diffuser and fireplace effect. A membrane which vibrates by means of ultrasound divides water into minuscule droplets, which are then distributed by a ventilator as a mist around the room, where it evaporates. If an essential oil is added to the water, this is also nebulised and blown into the air with the mist. The dimmable Amber Light™ creates the unique fireplace effect by bathing the mist in an amber-coloured light.

Important safety instructions

Please read through the operating instructions carefully before you use the appliance for the first time and keep them safely for later reference; if necessary pass them on to the next owner.

- Stadler Form refuses all liability for loss or damage which arises as a result of failure to follow these operating instructions.
- The appliance is only to be used in the home for the purposes described in these instructions. Unauthorised use and technical modifications to the appliance can lead to danger to life and health.
- Use and keep the device out of reach of children.

- This appliance can be used by children aged from 8 years and above and persons with reduced physical, sensory or mental capabilities or lack of experience and knowledge if they have been given supervision or instruction concerning use of the appliance in a safe way and understand the hazards involved. Children shall not play with the appliance. Cleaning and user maintenance shall not be made by children without supervision.
- Only connect the cable to alternating current. Observe the voltage information given on the appliance.
- Do not use damaged extension cords.
- Do not run the power cord over sharp edges and make sure that it does not get trapped.
- Do not pull the plug from the socket with wet hands or by holding on to the power cord.
- Do not use the appliance in immediate vicinity of a bath tub, a shower or a swimming pool (observe a minimum distance of 3 m). Place the appliance such that a person in the bath tub cannot touch the appliance.
- Keep the device away from heat sources.
- Do not place the appliance near a heat source. Do not subject the power cord to direct heat (such as a heated hotplate, open flames, hot iron sole plates or heaters for example). Protect power cords from oil.
- See to it that the appliance is properly positioned to ensure a high stability during its operation and make sure that no one can trip over the power cord.
- The appliance is not splash-proof.
- For indoor use only.
- Do not store the appliance outdoors.
- Store the appliance in a dry place inaccessible to children (pack the appliance).
- If the power cord is damaged, it must be replaced by the manufacturer or a repair shop authorized by the manufacturer or by similarly qualified persons in order to avoid a hazard.
- Only use the adapter provided by the manufacturer.
- Only use fragrances, aromas or essential oils that do NOT contain alcohol. Alcohol can damage the appliance. Appliances that are damaged by such additives are not covered by the warranty.
- Make sure that the appliance is placed on a surface that is not sensitive to moisture (avoid parquet flooring or delicate carpets).
- Do not permit the area around the humidifier to become damp or wet. If dampness occurs, turn the output of the humidifier down. If the humidifier output volume cannot be turned down, use the humidifier intermittently. Do not allow absorbent materials, such as carpeting, curtains, drapes, or tablecloths, to become damp.
- Be aware that high humidity levels may encourage the growth of biological organisms in the environment.
- Unplug the appliance during filling and cleaning.
- Never leave water in the water tank when the appliance is not in use.
- Clean the water tank every 3 days
- Empty and clean the humidifier before storage. Clean the humidifier before next use.
- Warning: Micro-organisms that may be present in the water or in the environment where the appliance is used or stored, can grow in the water tank and be blown in the air causing very serious health risks.

Before setup: Anticalc cartridge and water hardness (optional accessory)

The anticalc cartridge reduces the limescale in the water and the undesirable emission of limescale particles into the surroundings. Effective for one to three months, depending on water hardness (see table).

With a water hardness above > 7° dH, we recommend the use of the anticalc cartridge (19) to inhibit lime deposits. Test your water's hardness (= lime content) with the included testing strip (see page 4). If the strip shows 2 pink boxes, your water hardness is > 7° dH.

1. Dip the testing strips into the water for a second
2. After around one minute, the results can be seen on the testing strips. Some of the green boxes change colour into pink. The water hardness is shown by how many boxes turn pink. Example: If three boxes are pink, then the water hardness is > 14° dH.

Important: Soak the anticalc cartridge in a water bath for 24 hours before the first use (not in the water tank!). The resin has to absorb water to reach high performance.

The period of time that the cartridge is effective for depends on the hardness of the water.

Number of pink boxes	Water hardness	Degree of hardness (°dH)	Cartridge will last for (with 2.5 liter/day)	
			Days	Liter
0/1	Soft	From 4°dH	140 days	approx. 360 L
2	Moderately hard	From 7°dH	70 days	approx. 180 L
3	Hard	From 14°dH	50 days	approx. 120 L
4	Very hard	From 21°dH	25 days	approx. 60 L

With a water hardness above 21° dH, we can no longer recommend the use of an ultrasonic air humidifier. We recommend that you use an evaporative humidifier to increase humidity in your house (e.g. Oskar humidifier made by Stadler Form).

The unit only works properly with untreated water. Do not use where there are water softeners and water ionisers in operation. However, Ben may be operated from a drinking water filter system (e.g. Brita). Should you be unsure about the quality or composition of the water in your area, contact the caretaker or the provider of drinking water.

Setting up / operation

1. Put Ben in the desired location on a flat surface. Connect the power adapter (1) to the unit (2) and plug the adapter (1) into a suitable socket.
2. Lift up the water tank (3) to the side, out of the way. Unscrew the tank lid (4) and fill the water tank to the maximum mark (5) with clean, cold tap water. Then put the tank into the appliance. To do this, position the

- water tank (3) sideways again, diagonal to Ben, and lift the water tank up and insert it again. Important: Please do not move Ben when it is filled with water. The water could splash out of the interior tank and into the electronics.
3. Next, start Ben by pressing the On/Off button (6). The LEDs for the fire-place effect will then light up, and the mist will be visible as it comes out of the appliance (7) at variable output controller (8) height.
 4. By turning the variable output controller (8), you can adjust the humidifier output as you wish.
 5. If you are disturbed by the brightness of the illuminated mist (in the bedroom, for example), you can reduce the brightness of the LEDs by pressing the dimmer button (9). You can choose between three different modes:
 - Normal mode (default mode)
 - Dimmed mode (push once)
 - Lights-out mode (push twice)
 - By pushing the dimmer button once more, you can go back into normal mode.
 6. You can also use Ben to fragrance the room. We ask that you be sparing when dealing with fragrances as too much can lead to malfunctions and damage to the unit. To use fragrances, remove the water tank (3) from the unit and trickle the fragrance directly into the water tray (10) (see page 5). Add a maximum of 2–3 drops of fragrance per full tank of water. Install the water tank back into the unit.

Tip: Would you like to change the fragrance? Remove the water tank from the unit, pour the remaining water out and clean the humidifier (see «Cleaning»). Now Ben is ready to distribute a different fragrance of your choice around the room. The intensity with which the aroma is diffused can be adjusted smoothly by sliding the variable output controller.
 7. The water level indicator (11) glows red when the water needs to be re-filled. Remove the water tank (3) and fill it up with tap water. Replace the water tank. The appliance will resume operation after a few seconds.
 8. Would you like to refill the water during operation? You can simply remove the water tank (3) and fill it up. The unit will operate for around a further 5 to 10 minutes with the water that remains in the system. Put the water tank back into the unit within this time period and Ben can continue operation without stopping at all.

Note: Should you see droplets (or other signs of dampness) on or around the unit, this is condensed water from the humidifier. This means that the air can no longer absorb the moisture from the humidifier. Please reduce the humidifier output until you can no longer see any droplets.

Cleaning

Before each piece of maintenance and after every use, turn off the unit and remove the plug from the plug socket. Before you clean Ben, the power adapter (1) must be separated from the power adapter connection (2).

Attention: Never submerge the unit in water (danger of short circuiting).

- For hygienic reasons and to ensure proper operation, we recommend the following cleaning intervals.
- **Daily:** Fill the water tank (3) with fresh, cold tap water. If the appliance is not used for several days, empty the water from the water tray (10) be-

forehand and if necessary, clean it with a bit of dish detergent and a clean cloth. Fill fresh water into the water tank (3), before putting the appliance back into operation.

- **Every 2 weeks:** First remove the water tank (3), the lid (7), the cover (16) and the Water Cube™ (12). Clean the inside of the water tray (10,14,17) thoroughly with a bit of dish detergent, warm water and a soft, clean cloth, sponge or brush. Use diluted descaling agent (mix according to the manufacturer's instructions) for lime deposits. Then rinse the water tray (10) thoroughly with cold water and put the water tank (3), the lid (7), the cover (16) and the Water Cube back in.
- **Descaling at least 1x per month.** Remove the water tank (3) the lid (7), the cover (16) and the Water Cube (12). If limescale deposits form in the water tray (10) we recommend using Stadler Form Cleaner & Descaler (www.stadlerform.com/accessories). Alternatively, you can use a household decalcifier or vinegar. Fill a cup with 200 ml of tap water mixed with descaling agent (mix according to the manufacturer's instructions). Pour the liquid carefully into the water tray (10). Be sure that no liquid enters the air outlet opening (13). This will damage the appliance and will void any claim to the warranty.
- Let the descaling agent allow to take effect according to manufacturer's instructions (approx. 30 min.). Check in the water tray (10) if the limescale on the ultrasonic membrane (14) has dissolved.
- If limescale residue remains, the ultrasonic membrane (14) can be cleaned with the help of the cleaning brush (15) (front- and backside). Do not try to scrape them with a hard object.
- For stubborn limescale, we recommend descaling the appliance several times in a row.
- To rinse, now fill the cup with 200 ml of tap water and carefully pour the liquid into the water tray (10). Pour the water out of the appliance at the front right corner. Repeat the process until there is no more descaling agent in the water tray (10). Place the Water Cube (12), the lid (7), the cover (16) and the water tank (3) back into the appliance.
- **Regularly as required:** For external cleaning, rub with a damp cloth and then dry thoroughly. If the top of the lid (7) shows water and/or fragrance deposits, please clean it using a damp cloth and a bit of dish detergent.
- **At the end of the season:** Before putting away the appliance at the end of the season, decalcify as described above. Then clean it thoroughly inside and out and let it dry completely. Insert a new Water Cube (12) and anticalc cartridge (19, optional) in order for your appliance to be ready for the start of the next season. Do not put the appliance away with a used anticalc cartridge in place, as the granules inside will remain moist for a long time.

Replacement of the anticalc cartridge (optional accessory)

- Please find the recommended replacement intervals in the table (see «Before setup»).
- Tip: The efficiency of the cartridge can be inspected with a simple test. Hold a small mirror in the mist for a few seconds. If there are then white deposits (calcium carbonate) on the mirror, then the cartridge needs changing.

- The anticalc cartridge (19) is located on the inner side of the tank cap (4). First screw the tank cap off the water tank (3) and then screw the cartridge from the tank cap. Dispose of the cartridge in the domestic waste. Soak the anticalc cartridge in a water bath for 24 hours before the first use (not in the water tank (3)!). The resin has to absorb water to reach high performance.
- Keep the tank cap when replacing the cartridge!

Water Cube™ – optimal hygiene for your air humidifier

The Water Cube™ (12) by Stadler Form provides optimal hygiene in your air humidifier. It keeps your humidifier running smoothly, extending its lifespan. The Water Cube™ (12) even works when your appliance is switched off, so the humidifier stays fresh all season long. We recommend replacing the Water Cube™ at the start of the humidifier season.

Repairs

- Repairs to electrical appliances must only be carried out by a qualified electrical technician. If improper repairs are carried out, the warranty lapses and all liability is refused.
- Never operate the appliance if the adaptor or plug is damaged, after it has malfunctioned, if it has been dropped or has been damaged in any other way (cracks/breaks in the casing).
- Do not push any object into the appliance.
- If the appliance is beyond repair, make it unusable immediately by cutting through the cable and hand it in at the collection point provided for the purpose.
- In the event of a repair, the following points must be observed before the appliance is shipped or taken to the dealer: completely empty the water in the appliance (water tray and any water tank), remove any filters and/or anti-limescale cartridges and allow the appliance to dry completely. Appliances containing residual water may be damaged during transport, invalidating the warranty

Disposal

The European directive 2012 / 19 / CE on Waste Electrical and Electronic Equipment (WEEE), requires that old household electrical appliances must not be disposed in the normal unsorted municipal waste stream. Old appliances must be collected separately in order to optimize the recovery and recycling of the materials they contain and reduce the impact on human health and the environment. The crossed out "wheeled bin" symbol on the product reminds you of your obligation, that when you dispose of the appliance it must be separately collected. Consumers should contact their local authority or retailer for information concerning the correct disposal of their old appliance.



Specifications

Rated voltage	100–240V / 50/60Hz
Power output	24W
Humidity output	up to 160 g/h
Room size (up to)	25 m ² / 63 m ³
Running time	approx. 3 days
Dimensions	338 x 206 x 134 mm (width x height x depth)
Weight	1.7 kg
Water tank capacity	2.5 Liter
Sound level	27 – 30 dB(A)
Complies with EU regulations	CE / WEEE / RoHS / EAC

All rights for any technical modifications are reserved



Deutsch

Gratulation! Sie haben soeben das aussergewöhnliche 3 in 1 Gerät (Luftbefeuchter, Aroma Diffusor & Effektfeuer) BEN erworben. Er wird Ihnen viel Freude machen und die Raumluft für Sie verbessern.

Wie bei allen elektrischen Haushaltsgeräten wird auch bei diesem Gerät zur Vermeidung von Verletzungen, Brand- oder Geräteschäden besondere Sorgfalt verlangt. Bitte studieren Sie die vorliegende Betriebsanleitung vor der Inbetriebnahme und beachten Sie die Sicherheitshinweise auf dem Gerät.

Gerätebeschreibung

Das Gerät besteht aus den folgenden Komponenten:

1. Netzadapter
2. Anschluss für Netzadapter
3. Wassertank
4. Tankdeckel
5. Maximalmarke
6. Ein/Aus-Knopf
7. Deckel
8. Leistungsregler stufenlos (Befeuchtung & Aroma)
9. Knopf für den LED-Dimmer (normal, gedimmt, ausgeschaltet)
10. Wasserwanne (hier können optional Duftstoffe eingeträufelt werden)
11. Wasserstandanzeige bei eingesetztem Wassertank
12. Water Cube™
13. Luftaustrittsöffnung (Achtung, es darf kein Wasser in die Öffnung treten!)
14. Ultraschallmembrane
15. Reinigungsbürste
16. Abdeckung
17. Schwimmerschalter
18. LED-Streifen für das Effektfeuer
19. Antikalkkartusche (optional: siehe «Vor der Inbetriebnahme»)

So funktioniert Ihr Gerät

Ben ist ein 3 in 1 Gerät: Luftbefeuchter, Aroma Diffusor und Effektfeuer. Eine mit Ultraschall schwingende Membrane teilt Wasser in kleinste Tröpfchen auf, welche danach als Nebel mit einem Ventilator in den Raum verteilt werden und dort verdunsten. Wird ein ätherisches Öl dazugegeben, wird dieses auch zerstäubt und mit dem Nebel in die Luft geblasen. Das dimmbare Amber Light™ erzeugt das einzigartige Effektfeuer, in dem es den Nebel in bernsteinfarbenes Licht taucht.

Wichtige Sicherheitshinweise

Bitte lesen Sie die Gebrauchsanleitung genau durch, bevor Sie das Gerät das erste Mal in Betrieb nehmen und bewahren Sie sie zum späteren Nachschlagen gut auf, geben Sie sie ggf. an den Nachbesitzer weiter.

- Für Schäden, die durch Nichtbeachten dieser Gebrauchsanleitung entstehen, lehnt Stadler Form jegliche Haftung ab.
- Das Gerät ist nur im Haushalt für die in dieser Gebrauchsanweisung beschriebenen Zwecke zu benutzen. Ein nicht bestimmungsgemässer Gebrauch sowie technische Veränderungen am Gerät können zu Gefahren für Gesundheit und Leben führen.
- Das Gerät ausser Reichweite von Kindern in Betrieb nehmen und aufbewahren.

- Dieses Gerät kann von Kindern ab 8 Jahren und Personen mit eingeschränkten körperlichen, sensorischen oder geistigen Fähigkeiten, aber auch von unerfahrenen und unwissenden Personen verwendet werden, sofern diese das Gerät unter Aufsicht verwenden oder von einer anderen Person über die sichere Verwendung des Gerätes unterwiesen wurden und sich der damit verbundenen Gefahren bewusst sind. Kinder sollten nicht mit dem Gerät spielen. Kinder sollten das Gerät nur unter Aufsicht reinigen und pflegen.
- Schliessen Sie das Kabel nur an Wechselstrom an. Achten Sie auf die Spannungsangaben auf dem Gerät.
- Keine beschädigten Verlängerungskabel verwenden.
- Das Netzkabel nicht über scharfe Kanten ziehen oder einklemmen. Den Stecker nie am Netzkabel oder mit nassen Händen aus der Steckdose ziehen.
- Dieses Gerät nicht in unmittelbarer Nähe einer Badewanne, einer Dusche oder eines Schwimmbeckens benutzen (Mindestabstand von 3 m einhalten). Gerät so aufstellen, dass Personen das Gerät von der Badewanne aus nicht berühren können.
- Gerät von Zündquellen fernhalten.
- Gerät nicht in der Nähe einer Wärmequelle aufstellen. Das Netzkabel keiner direkten Hitzeeinwirkung (wie z.B. heisse Herdplatten, offene Flammen, heisse Bügeleisen oder Heizöfen) aussetzen. Netzkabel vor Öl schützen.
- Darauf achten, dass das Gerät beim Betrieb eine gute Standfestigkeit besitzt und nicht über das Netzkabel gestolpert werden kann.
- Das Gerät ist nicht spritzwassergeschützt.
- Das Gerät ist nur zur Verwendung in Innenräumen geeignet.
- Das Gerät nicht im Freien aufbewahren.
- Das Gerät an einem trockenen und für Kinder unzugänglichen Ort aufbewahren (einpacken).
- Wenn das Netzkabel beschädigt ist, muss es vom Hersteller oder in einer vom Hersteller zugelassenen Werkstatt oder von ähnlich qualifizierten Personen ersetzt werden, um Gefahren zu vermeiden.
- Verwenden Sie nur den vom Hersteller mitgelieferten Adapter.
- Nur Duftstoffe, Aromaöle oder ätherische Öle verwenden, die KEINEN Alkohol enthalten. Alkohol kann das Gerät beschädigen. Geräte, die durch solche Zusätze beschädigt werden, sind von der Garantie ausgeschlossen.
- Stellen Sie sicher, dass das Gerät auf einer gegen Feuchtigkeit unempfindlichen Fläche steht (Parkett oder empfindliche Teppiche vermeiden).
- Bereich um den Befeuchter nicht feucht oder nass werden lassen. Wenn Feuchtigkeit auftritt, Leistung des Befeuchters senken. Wenn die Ausgabemenge des Befeuchters nicht gesenkt werden kann, Befeuchter zeitweise verwenden. Saugfähige Materialien wie Teppiche, Vorhänge, Gardinen oder Tischdecken nicht feucht werden lassen.
- Beachten Sie, dass hohe Luftfeuchtigkeit das Wachstum biologischer Organismen in der Umwelt fördern kann.
- Beim Füllen und Reinigen des Geräts Netzstecker aus der Steckdose ziehen.
- Niemals Wasser im Wassertank lassen, wenn das Gerät nicht in Gebrauch ist.
- Wassertank alle 3 Tage reinigen.
- Befeuchter vor der Lagerung entleeren und reinigen. Befeuchter vor dem nächsten Gebrauch reinigen.

- **Warnung:** Eventuell vorhandene Mikroorganismen im Wasser oder in der Umgebung, in der das Gerät verwendet oder gelagert wird, können im Wassertank wachsen und in die Luft geblasen werden, was sehr ernste Gesundheitsrisiken verursacht.

Vor der Inbetriebnahme: Antikalkkartusche und Wasserhärte (optionales Zubehör)

Die Antikalkkartusche vermindert den Kalkgehalt im Wasser und somit den unerwünschten Ausstoss von Kalkpartikeln in die Umgebung. Wirkt je nach Wasserhärte ein bis drei Monate (siehe Tabelle).

Ab einer Wasserhärte von über 7 ° dH empfehlen wir Ihnen den Einsatz unserer Antikalkkartusche (19), um Kalkablagerungen zu vermindern. Testen Sie die Wasserhärte (= Kalkgehalt) mit dem mitgelieferten Teststreifen (siehe Seite 4). Zeigt der Teststreifen 2 rosafarbige Felder, hat das Wasser einen Härtegrad von > 7 ° dH.

1. Teststreifen eine Sekunde lang ins Wasser tauchen.
2. Nach ca. einer Minute ist das Ergebnis auf dem Teststreifen sichtbar. Einige der grünen Felder wechseln ihre Farbe zu rosa. Die Wasserhärte wird durch die Anzahl rosafarbener Felder angezeigt. Beispiel: Bei drei rosafarbenen Feldern hat das Wasser den Härtegrad > 14 ° dH.

Wichtig: Legen Sie die Antikalkkartusche vor der ersten Verwendung 24 Stunden in Wasser ein (nicht im Wassertank!). Das Granulat muss zuerst Wasser aufnehmen, um die volle Leistungsfähigkeit zu erreichen.

Die Wirkungsdauer der Kartusche hängt von der Wasserhärte ab.

Rosa Felder	Wasserhärte	Härtegrad (°dH)	Kartusche reicht für (bei 2.5 Liter/Tag)	
			Tage	Liter
0/1	Weich	Ab 4 °dH	140 Tage	ca. 360L
2	Mittelhart	Ab 7 °dH	70 Tage	ca. 180L
3	Eher hart	Ab 14 °dH	50 Tage	ca. 120L
4	Sehr hart	Ab 21 °dH	25 Tage	ca. 60L

Ab einer Wasserhärte von über 21 ° dH können wir Ihnen den Betrieb eines Ultraschall Luftbefeuchters nicht mehr empfehlen. Wir empfehlen Ihnen Ihre Luft mit einem Luftbefeuchter nach dem Verdunsterprinzip zu befeuchten (z.B. Oskar Verdunster von Stadler Form).

Das Gerät funktioniert nur einwandfrei mit unbehandeltem Wasser. Nicht einsetzen bei Enthärtungsanlagen und Ionenaustauschern. Ben darf jedoch mit Wasser aus einem Tischwasserfiltersystem betrieben werden (z.B. Brita). Sind Sie unsicher über die Qualität oder Zusammenstellung Ihres Wassers, nehmen Sie mit dem Hauswart oder dem Trinkwasserversorger Kontakt auf.

Inbetriebnahme / Bedienung

1. Stellen Sie Ben an den gewünschten Platz auf einen flachen Untergrund. Schliessen Sie den Netzadapter (1) ans Gerät (2) an und stecken Sie den Adapter (1) in eine geeignete Steckdose.
2. Klappen Sie den Wassertank (3) zur Seite weg. Schrauben Sie den Tankdeckel (4) ab und füllen Sie den Wassertank bis zur Maximalmarke (5) mit sauberem und kaltem Leitungswasser. Platzieren Sie anschliessend den Tank im Gerät. Hierzu stellen Sie den Wassertank (3) wieder seitlich, diagonal zu Ben hin und klappen den Wassertank nach oben hin wieder zu. Wichtig: Bitte transportieren Sie Ben nicht, solange dieser mit Wasser gefüllt ist. Das Wasser könnte über die innere Wanne in die Elektronik laufen.
3. Nehmen Sie anschliessend Ben in Betrieb indem Sie den Ein/Aus-Knopf (6) drücken. Danach leuchten die LEDs für das Effektfeuer auf, und der Nebel tritt auf der Stufe des Leistungsreglers (8) sichtbar aus dem Gerät aus (7).
4. Durch Verschieben des Leistungsreglers (8) können Sie die Befeuchtungsleistung nach Ihrem Wohlfühlen verändern.
5. Wenn Sie sich durch die Helligkeit des beleuchteten Nebels gestört fühlen (im Schlafzimmer zum Beispiel), können sie die Leuchtintensität der LED durch Drücken des Dimmer-Knopfes (9) reduzieren. Sie können zwischen drei verschiedenen Modi wählen:
 - Normaler Modus (standardmässig eingeschaltet)
 - Gedimmter Modus (einmal drücken)
 - Licht-aus Modus (zweimal drücken)
 - Durch nochmaliges Drücken des Dimmer-Schalters können Sie wieder in den Normalen Modus wechseln.
6. Sie können mit Ben Duftstoffe im Raum verteilen. Wir bitten Sie im Umgang mit Duftstoffen äusserst sparsam zu sein, da eine zu grosse Dosierung zu Fehlfunktionen und zu Schäden am Gerät führen kann. Zur Verwendung von Duftstoffen entfernen Sie den Wassertank (3) aus dem Gerät und träufeln die Duftstoffe direkt ins Wasser (10) (siehe Seite 5). Geben Sie maximal 2–3 Tropfen des Duftstoffes pro Tankfüllung in den Luftbefeuchter. Setzen Sie den Wassertank nun wieder ein.

Tipp: Möchten Sie den Duftstoff wechseln, entfernen Sie den Wassertank (3) aus dem Gerät, schütten das im Gerät verbliebene Wasser weg und reinigen Sie den Luftbefeuchter (siehe «Reinigung»). Nun ist Ben wieder bereit, einen anderen Duftstoff Ihrer Wahl im Raum zu verbreiten. Die Intensität der Aroma Diffusion kann durch Verschieben des Leistungsreglers stufenlos angepasst werden.
7. Die Wasserstandanzeige (11) leuchtet rot auf, wenn Wasser nachgefüllt werden muss. Entfernen Sie dafür den Wassertank (3) und füllen Sie diesen am Wasserhahn mit Leitungswasser auf. Setzen Sie den Wassertank wieder ein. Das Gerät nimmt nach ein paar Sekunden seinen Betrieb wieder auf.
8. Möchten Sie das Wasser während dem Betrieb nachfüllen, können Sie den Wassertank (3) entfernen und auffüllen. Das Gerät wird mit dem verbleibenden Wasser ca. 5–10 Minuten weiter funktionieren. Setzen Sie den Wassertank in dieser Zeitdauer wieder ein und Ben kann seinen Dienst ohne Unterbruch fortführen.

Hinweis: Sollten Sie Tropfen (oder andere Spuren von Feuchtigkeit) auf oder um das Gerät feststellen, handelt es sich um kondensiertes Wasser aus dem Luftbefeuchter. Das heisst, dass die Luft die Feuchtigkeit vom Luftbefeuchter nicht mehr aufnehmen kann. Bitte regeln Sie die Befeuchtungsleistung entsprechend nach unten, bis keine Tropfen mehr sichtbar sind.

Reinigung

Vor jeder Wartung und nach jedem Gebrauch das Gerät ausschalten und den Netzadapter von der Steckdose trennen. Bevor Sie Ben reinigen, muss der Netzadapter (1) am Anschluss (2) ausgesteckt werden.

Achtung: Das Gerät nie ins Wasser tauchen (Kurzschlussgefahr).

- Aus hygienischen Gründen und zur Sicherstellung des einwandfreien Betriebs, empfehlen wir folgende Reinigungsintervalle.
- **Täglich:** Wassertank (3) mit frischem, kaltem Leitungswasser auffüllen. Wird das Gerät mehrere Tage nicht benutzt, leeren Sie vorab das Wasser aus der Wasserwanne (10) und reinigen sie bei Bedarf mit etwas Spülmittel und einem sauberen Tuch. Füllen Sie frisches Wasser in den Wassertank (3), bevor Sie das Gerät wieder in Betrieb nehmen.
- **Alle 2 Wochen:** Entfernen Sie zuerst den Wassertank (3), den Deckel (7), die Abdeckung (16) und den Water Cube™ (12). Reinigen Sie das Innere der Wasserwanne (10, 14, 17) gründlich mit etwas Spülmittel, warmem Wasser und einem weichen, sauberen Tuch, Schwamm oder Bürste. Bei Kalkablagerungen im Wassertank verwenden Sie mit Wasser verdünntes Entkalkungsmittel (Mischverhältnis nach Herstellerangaben). Spülen Sie danach die Wasserwanne (10) mit kaltem Wasser gut aus und setzen den Wassertank (3), den Deckel (7), die Abdeckung (16) und den Water Cube wieder ein.
- **Entkalkung mind. 1x pro Monat durchführen.** Entfernen Sie den Wassertank (3) den Deckel (7), die Abdeckung (16) und den Water Cube (12). Bei Kalkablagerungen in der Wasserwanne (10) empfehlen wir, den Stadler Form Reiniger & Entkalker zu verwenden (www.stadlerform.com/zubehoer). Alternativ können Sie einen Haushaltentkalker oder Essig verwenden. Füllen Sie eine Tasse mit 200ml Leitungswasser vermischt mit Entkalkungsmittel (Mischverhältnis nach Herstellerangaben). Lassen Sie die Flüssigkeit vorsichtig in die Wasserwanne (10) fließen. Achten Sie darauf, dass keine Flüssigkeit in den Luftaustrittsöffnung (13) gelangt. Dies beschädigt das Gerät, wodurch jeglicher Anspruch auf Garantie erlischt.
- Lassen Sie das Entkalkungsmittel gemäss Herstellerangaben einwirken (ca. 30 min.). Überprüfen Sie nun in der Wasserwanne (10), ob sich der Kalk auf der Ultraschallmembrane (14) gelöst hat.
- Sollten nicht alle Kalk-Rückstände entfernt worden sein, kann mit Hilfe der Reinigungsbürste (15) (Vorder- und Rückseite) die Ultraschallmembrane (14) gereinigt werden. Versuchen Sie nicht, diese mit einem harten Gegenstand freizukratzen.
- Bei hartnäckigen Verkalkungen empfehlen wir das Gerät mehrmals nacheinander zu entkalken.
- Zum Ausspülen füllen Sie nun die Tasse mit 200ml Leitungswasser und lassen die Flüssigkeit vorsichtig in die Wasserwanne (10) fließen. Schütten Sie das Wasser über die rechte vordere Ecke aus dem Gerät. Wiederholen Sie diesen Vorgang, bis sich kein Entkalkungsmittel mehr in der Wasserwanne (10) befindet. Platzieren Sie Water Cube (12), den Deckel (7), die Abdeckung (16) und Wassertank (3).

- **Regelmässig nach Bedarf:** Zur äusseren Reinigung mit einem feuchten Lappen abreiben und danach, gut trocknen. Wenn der Deckel (7) oben Ablagerungen vom Wasser und/oder von Duftstoffen aufweist, reinigen Sie ihn mit einem feuchten Lappen und einem Spritzer Geschirrspülmittel.
- **Am Ende der Saison:** Bevor Sie das Gerät am Ende der Saison verstauen, führen Sie die Entkalkung wie oben beschrieben durch. Anschliessend reinigen Sie es gründlich von innen und aussen und lassen es komplett trocknen. Setzen Sie einen neuen Water Cube (12) und Antikalkkartusche (19, optional) ein, damit ihr Gerät zum Start der nächsten Saison betriebsbereit ist. Verstauen Sie das Gerät nicht mit einer benutzten Antikalkkartusche, da das Granulat innen über längere Zeit feucht bleibt.

Wechsel der Antikalkkartusche (optionales Zubehör)

- Die empfohlenen Wechselintervalle finden Sie in der Tabelle (siehe «Vor der Inbetriebnahme»).
- Tipp: Die Funktion der Kartusche kann mit einem einfachen Test überprüft werden: Halten Sie einen kleinen Spiegel für ein paar Sekunden in den Nebel. Falls sich auf dem Spiegel anschliessend weisser (Kalk-) Niederschlag befindet, muss die Kartusche ersetzt werden.
- Die Kartusche (19) befindet sich auf der Innenseite des Tankdeckels (4). Schrauben Sie zuerst den Tankdeckel vom Wassertank (3) und dann die Kartusche vom Tankdeckel. Entsorgen Sie die Kartusche im Hausmüll. Bevor Sie die neue Antikalkkartusche auf die Innenseite des Tankdeckels schrauben, legen Sie sie 24 h in Wasser ein (nicht im Wassertank (3)!).
- Werfen Sie den Tankdeckel beim Kartuschenwechsel nicht weg!

Water Cube™ – optimale Hygiene für Ihren Luftbefeuchter

Der Water Cube™ (12) von Stadler Form sorgt für eine optimale Hygiene in Ihrem Luftbefeuchter. Der Einsatz des Water Cubes führt zu einem einwandfreien Betrieb des Luftbefeuchters und verlängert die Lebensdauer des Geräts. Der Water Cube™ (12) wirkt auch bei ausgeschaltetem Gerät und hält den Luftbefeuchter eine Saison lang frisch. Wir empfehlen, den Water Cube™ zu Beginn jeder Luftbefeuchter-Saison zu erneuern.

Reparaturen

- Reparaturen an Elektrogeräten (Wechseln des Netzkabels) dürfen nur von instruierten Fachkräften durchgeführt werden. Bei unsachgemässen Reparaturen erlischt die Garantie und jegliche Haftung wird abgelehnt.
- Nehmen Sie das Gerät nie in Betrieb, wenn ein Kabel oder Stecker beschädigt ist, nach Fehlfunktionen des Gerätes, wenn dieses heruntergefallen ist oder auf eine andere Art beschädigt wurde (Risse/Brüche am Gehäuse).
- Nicht mit irgendwelchen Gegenständen in das Gerät eindringen.
- Ausgedientes Gerät sofort unbrauchbar machen (Netzkabel durchtrennen) und bei der dafür vorgesehenen Sammelstelle abgeben.
- Im Falle einer Reparatur müssen folgende Punkte beachtet werden, bevor das Gerät verschickt oder zum Händler gebracht wird: das Wasser im Gerät komplett ausleeren (Wasserwanne und allfälliger Wassertank), etwaige Filter und/oder Antikalkkartuschen entfernen und das Gerät vollständig trocknen lassen. Geräte mit Restwasser werden während des Transports beschädigt. Die Garantie erlischt in diesem Falle.

Entsorgung

Die europäische Richtlinie 2012 / 19 / CE über Elektro- und Elektronik-Altgeräte (WEEE) verlangt, dass elektrische Haushaltsgeräte nicht über den Restmüll oder sonstigen Haushaltsabfall entsorgt werden dürfen, sondern an Sammelpunkten für das Recycling von elektrischen und elektronischen Geräten abgegeben werden müssen. So können die Verwertung der enthaltenen Materialien optimiert und ihre Auswirkungen auf die menschliche Gesundheit und die Umwelt reduziert werden. Das durchgestrichene Abfalltonnensymbol auf dem Produkt erinnert Sie an diese Verpflichtung. Bitte fragen Sie bei Ihrer Gemeindeverwaltung nach der zuständigen Entsorgungsstelle.



Technische Daten

Nennspannung	100–240 V / 50/60 Hz
Nennleistung	24 W
Befeuchtungsleistung	bis 160 g/h
Raumgrösse (Bis)	25 m ² / 63 m ³
Laufzeit	ca. 3 Tage
Abmessungen	338 x 206 x 134 mm (Breite x Höhe x Tiefe)
Gewicht	1.7 kg
Wassertank Kapazität	2.5 Liter
Schalldruckpegel	27 – 30 dB(A)
Erfüllt EU-Vorschrift	CE / WEEE / RoHS / EAC

Technische Änderungen vorbehalten



Félicitations ! Vous venez d'acheter BEN, l'appareil 3 en 1 (humidificateur, diffuseur d'arômes et effet cheminée) sortant de l'ordinaire. Nous espérons que cet appareil vous donnera entière satisfaction et améliorera l'air intérieur pour vous.

Comme pour tous les appareils ménagers électriques, il est important d'entretenir cet appareil correctement afin d'éviter les blessures, les incendies ou les dommages. Veuillez lire attentivement le présent mode d'emploi avant la mise en service et respecter les conseils de sécurité indiqués sur l'appareil.

Description de l'appareil

L'appareil est composé des éléments principaux suivants :

1. Adaptateur électrique
2. Port de l'adaptateur électrique
3. Réservoir d'eau
4. Couvercle du réservoir d'eau
5. Marque niveau maximum
6. Bouton marche/arrêt
7. Couvercle & Sortie de brume
8. Régulateur de puissance, par degrés (humidification et diffusion d'arômes)
9. Bouton pour mode nuit (éclairage DEL normal, faible ou à l'arrêt)
10. Base d'eau (il est possible d'y ajouter quelques gouttes de parfum)
11. Témoin de niveau d'eau lorsque le réservoir est en place
12. Water Cube™
13. Sortie d'air (Attention à ne pas y laisser pénétrer de l'eau !)
14. Membrane à ultrasons
15. Brosse de nettoyage
16. Partie supérieure
17. Interrupteur à flotteur
18. Bandes LED pour l'effet cheminée
19. Cartouche anticalcaire (optionnel: voyez « Avant la mise en marche »)

Fonctionnement de votre appareil

Ben est un appareil 3 en 1 : humidificateur, diffuseur d'arômes et effet cheminée. Une membrane à vibration par ultrasons divise l'eau en petites gouttelettes. Ces dernières sont ensuite réparties sous forme de brume dans la pièce et s'y évaporent. Si une huile essentielle est ajoutée, elle sera également pulvérisée et diffusée dans l'air avec la brume. La lumière à intensité réglable Amber Light™ produit l'exceptionnel effet cheminée en plongeant la brume dans une lumière ambrée.

Conseils de sécurité importants

Veuillez lire attentivement le mode d'emploi avant la première mise en service de l'appareil et conservez-le pour toute consultation ultérieure ou remettez-le, le cas échéant, au nouveau propriétaire.

- La société Stadler Form décline toute responsabilité des dommages résultant du non-respect des indications données dans ce mode d'emploi.
- Cet appareil ne doit être utilisé qu'aux fins domestiques décrites dans ce mode d'emploi. Toute utilisation contraire à sa destination ainsi que toute modification technique apportée à l'appareil peut entraîner des risques pour la santé et la vie.

- Faites fonctionner et rangez l'appareil hors de la portée des enfants.
- Cet appareil peut être utilisé par les enfants âgés de 8 ans et plus et les personnes aux capacités physiques, sensorielles ou mentales réduites ou ne disposant pas de l'expérience ou de la connaissance nécessaire, sous surveillance ou s'ils ont reçu les instructions concernant l'utilisation de l'appareil et s'ils comprennent les dangers impliqués. Les enfants ne doivent pas jouer avec l'appareil. Les opérations de nettoyage et d'entretien ne doivent pas être effectuées par des enfants sans surveillance.
- Ne branchez le câble qu'au courant alternatif. Tenez compte des indications de tension situées sur l'appareil.
- Ne pas utiliser de rallonge électrique endommagée.
- Ne pas faire passer ou coincer le câble d'alimentation par-dessus des arêtes vives. Ne jamais retirer la fiche de courant de la prise en tirant sur le câble d'alimentation ou en ayant les mains mouillées.
- Ne pas utiliser cet appareil à proximité immédiate d'une baignoire, d'une douche ou d'une piscine (respecter une distance minimum de 3 m). Placer l'appareil de telle façon à ce que personne ne puisse le toucher à partir de la baignoire.
- Tenir l'appareil à l'écart de toute source d'inflammation.
- Ne pas placer l'appareil à proximité directe d'une source de chaleur. Ne pas exposer le câble d'alimentation à la chaleur (comme p. ex. une plaque chaude de cuisinière, flammes nues, semelle chaude de fer à repasser ou poêles). Protéger le câble d'alimentation de tout contact avec de l'huile.
- Veiller à ce que l'appareil ait une bonne stabilité lors de son fonctionnement et que l'on ne puisse pas trébucher sur le câble d'alimentation.
- Cet appareil n'est pas protégé contre les projections d'eau.
- Pour usage intérieur uniquement.
- L'appareil ne doit pas être conservé à l'extérieur.
- Conserver l'appareil à un endroit sec et hors de portée des enfants (l'emballer).
- Si le cordon d'alimentation est endommagé, le faire remplacer par le fabricant ou par un atelier agréé par le fabricant ou des personnes qualifiées en conséquence, afin d'éviter tout danger.
- Veuillez utiliser uniquement l'adaptateur fourni par le fabricant.
- N'utilisez que des parfums, arômes ou huiles essentielles qui NE contiennent PAS d'alcool. L'alcool peut endommager l'appareil. Les appareils endommagés par de tels additifs ne sont pas couverts par la garantie.
- Assurez-vous de poser l'appareil sur une surface ne craignant pas l'humidité (évitiez le parquet ou les tapis fragiles).
- Ne pas laisser la zone située autour de l'humidificateur devenir humide ou mouillée. En présence d'humidité, diminuer la puissance de l'humidificateur. Si la quantité émise par l'humidificateur ne peut pas être réduite, ne l'utiliser que temporairement. Ne pas laisser les matières absorbantes comme les tapis, les rideaux, les voilages ou les nappes prendre l'humidité.
- Veuillez noter qu'une humidité de l'air élevée peut entraîner la croissance d'organismes vivants aux alentours de l'appareil.
- Débrancher l'appareil lors de son remplissage et de son nettoyage.
- Ne jamais laisser d'eau dans le réservoir lorsque l'appareil n'est pas utilisé.
- Nettoyer le réservoir d'eau tous les trois jours.
- Vider et nettoyer l'humidificateur avant de le ranger. Nettoyer l'humidificateur avant de le remettre en service.

- Avertissement : des microorganismes éventuellement présents dans l'eau ou aux alentours du lieu d'utilisation ou de stockage de l'appareil peuvent se développer dans le réservoir d'eau et être soufflés dans l'air, ce qui entraîne des risques très sévères pour la santé.

Avant la mise en marche : Cartouche anticalcaire et dureté de l'eau (accessoire optionnel)

La cartouche anticalcaire adoucit l'eau dure et évite ainsi la libération indésirable de particules de calcaire dans l'espace environnant. Elle fonctionne 1 à 3 mois selon la dureté de l'eau (voyez le tableau).

Avec une dureté de l'eau plus de 7° dH, nous vous recommandons l'utilisation de la cartouche anticalcaire (19). Tester la dureté de l'eau (= teneur en calcaire) à l'aide de la bandelette-test fournie (voyez page 4). Deux champs de couleur rose indiquent que l'eau a un degré de dureté de > 7° dH.

1. Plongez la bandelette-test une seconde dans l'eau
2. Le résultat est visible sur la bandelette au bout d'une minute environ. Certains champs verts virent au rose. La dureté de l'eau est indiquée par le nombre de champs de couleur rose. Exemple : Trois champs de couleur rose indiquent que l'eau a un degré de dureté de > 14° dH

Important : Veuillez svp mettre la cartouche anticalcaire dans un bain d'eau pour 24 heures avant la première utilisation (ne pas dans le réservoir d'eau !). Ceci permet les granulés d'absorber de l'eau pour atteindre la capacité maximale.

La durée d'efficacité de la cartouche dépend de la dureté de l'eau.

Champs de couleur rose	Dureté de l'eau	Degré de dureté (°dH)	Cartouche suffisante pour (avec 2.5 litres/jour)	
			Jours	Litres
0/1	Douce	à partir de 4 °dH	140 jours	env. 360L
2	Moyennement dure	à partir de 7 °dH	70 jours	env. 180L
3	Plutôt dure	à partir de 14 °dH	50 jours	env. 120L
4	Très dure	à partir de 21 °dH	25 jours	env. 60L

À partir d'une dureté supérieure à 21 ° dH, nous ne pouvons plus vous recommander d'utiliser un humidificateur à ultrasons. Nous vous recommandons d'humidifier votre air à l'aide d'un humidificateur d'air conforme au principe de l'évaporateur (ex. l'humidificateur évaporateur Oskar de Stadler Form).

L'appareil fonctionne correctement uniquement avec de l'eau non traitée. Ne pas l'utiliser avec des adoucisseurs et des échangeurs d'ions. L'appareil Ben peut toutefois fonctionner avec de l'eau filtrée par un système de filtration d'eau (ex. Brita). Si vous doutez de la qualité ou de la composition de votre eau, contactez votre régie ou votre distributeur d'eau courante.

Mise en marche / Manipulation

1. Posez l'appareil Ben à l'endroit voulu sur une surface plane. Branchez l'adaptateur électrique (1) à l'appareil (2) puis sur la prise appropriée.
2. Basculez latéralement le réservoir d'eau (3). Dévissez le couvercle du réservoir (4) et remplissez ce dernier jusqu'à la marque niveau maximum (5) avec de l'eau du robinet propre et froide. Puis replacez le réservoir dans l'appareil. Pour ce faire, tenez à nouveau le réservoir d'eau (3) penché en diagonale par rapport à Ben et rebasculez-le vers le haut. Important: ne transportez pas l'appareil Ben tant qu'il est rempli d'eau. L'eau pourrait passer par dessus la cuve et couler dans le système électronique.
3. Mettez ensuite l'appareil Ben en route en appuyant sur le bouton marche-arrêt (6). Les LED pour l'effet cheminée s'allument et la brume s'échappe visiblement de l'appareil (7) selon le degré du régulateur de puissance (8).
4. Déplacez le régulateur de puissance (8) pour changer le degré d'humidification à votre guise.
5. Si vous êtes gêné(e) par la luminosité de la brume illuminée (par ex. dans la chambre à coucher), vous pouvez réduire l'intensité de la LED en appuyant sur le commutateur de gradation d'intensité (9). Vous pouvez choisir entre trois modes différents :
 - Mode normal (allumage standard)
 - Mode tamisé (appuyez une fois)
 - Mode lumière éteinte (appuyez deux fois)
 - Pour revenir au mode normal, il suffit d'appuyer à nouveau sur le bouton.
6. Avec l'humidificateur Ben, vous pouvez diffuser du parfum dans la pièce. Nous vous prions d'utiliser le parfum très modérément car un trop gros dosage peut entraîner un dysfonctionnement et un endommagement de l'appareil. Pour utiliser des parfums, retirez le réservoir d'eau (3) de l'appareil et versez le parfum directement dans l'eau (10) (voir page 5). Déposez 2 à 3 gouttes de parfum au maximum par remplissage du réservoir de l'humidificateur. Insérez à nouveau le réservoir.

Conseil : Si vous souhaitez changer de parfum, retirez le réservoir d'eau (3) de l'appareil, jetez l'eau restant dans l'appareil et nettoyez l'humidificateur (voir « Nettoyage »). L'appareil Ben est alors prêt à diffuser un autre parfum de votre choix dans la pièce. L'intensité de la diffusion d'arômes peut être réglée en continu en déplaçant le régulateur de puissance.
7. Le témoin de niveau d'eau (11) s'allume en rouge lorsqu'il faut faire l'appoint en eau. Pour ce faire, retirez le réservoir d'eau (3) et remplissez-le d'eau courante. Remettez le réservoir d'eau. L'appareil reprend son fonctionnement après quelques secondes.
8. Si vous souhaitez ajouter de l'eau dans le réservoir pendant le fonctionnement de l'appareil, vous pouvez retirer le réservoir (3) et le remplir. L'appareil continuera de fonctionner avec l'eau restante pendant env. 5 à 10 minutes. Insérez à nouveau le réservoir dans les 5 à 10 minutes et l'appareil Ben peut continuer à fonctionner sans interruption.

Remarque : Si vous constatez la présence de gouttes (ou autre traces d'humidité) sur ou autour de l'appareil, il s'agit d'eau condensée due à l'humidificateur. Cela indique que l'air ne peut plus absorber l'humidité de l'humidificateur d'air. Veuillez diminuer la puissance d'humidification jusqu'à ce que les gouttes disparaissent.

Nettoyage

L'appareil doit être débranché avant chaque entretien et après chaque utilisation, et l'adaptateur électrique doit être retiré de la prise. Avant de nettoyer l'appareil Ben, retirez l'adaptateur électrique (1) du port (2).

Attention : Ne mouillez jamais l'appareil (risque de court-circuit).

- Pour des raisons d'hygiène et pour garantir un fonctionnement parfait, nous vous conseillons les intervalles de nettoyage suivants.
- **Tous les jours :** remplissez le réservoir d'eau (3) avec de l'eau fraîche du robinet. Si l'appareil ne sert pas pendant quelques jours, videz l'eau de la base d'eau (10) et nettoyez cette dernière au besoin avec un peu de liquide vaisselle et un chiffon propre. Remettez de l'eau fraîche dans le réservoir d'eau (3), avant de remettre l'appareil en service.
- **Toutes les 2 semaines :** retirez d'abord le réservoir d'eau (3), le couvercle (7), la partie supérieure (16) et le Water Cube™ (12). Nettoyez minutieusement l'intérieur de la base d'eau (10,14,17) avec un peu de liquide vaisselle, de l'eau chaude et une éponge, une brosse ou un chiffon doux et propres. Utilisez des détartrants dilués (mixés en respectant les consignes du fabricant) pour les dépôts calcaires. Rincez ensuite la base d'eau (10) minutieusement à l'eau froide, remettez le réservoir d'eau (3), le couvercle (7), la partie supérieure (16) et le Water Cube.
- **Détartrage au moins 1 fois par mois.** Retirez le réservoir d'eau (3), le couvercle (7), la partie supérieure (16) et le Water Cube (12). En cas de dépôts de calcaire dans la base d'eau (10), nous conseillons d'utiliser le nettoyant et détartrant Stadler Form (www.stadlerform.com/acces-soires). Mais vous pouvez également utiliser un détartrant ménager ou du vinaigre. Versez dans un verre 200 ml d'eau du robinet mélangée à un détartrant (faites le mélange dans le respect des instructions du fabricant). Versez avec soin le liquide obtenu dans la base d'eau (10). Veuillez bien à ce qu'aucun liquide ne pénètre dans la sortie d'air (13). Cela risque d'endommager l'appareil et annuler la garantie.
- Laissez le détartrant faire effet selon les instructions du fabricant (env. 30 min.). Vérifiez dans la base à eau (10) que le tartre sur la membrane ultrasonique (14) soit dissout.
- Si des résidus de tartre résistent, la membrane ultrasonique (14) peut être nettoyée à l'aide de la brosse de nettoyage (15) (l'avant et l'arrière). N'essayez pas de les gratter avec un objet dur.
- En cas d'entartrage tenace, nous vous recommandons de détartrer l'appareil plusieurs fois de suite.
- Pour rincer, versez 200 ml d'eau de fontaine dans un verre, puis versez le liquide avec soin dans la base d'eau (10). Évacuez l'eau de l'appareil via son coin avant droit. Répétez ainsi le processus jusqu'à ce qu'il n'y ait plus de détartrant dans la base d'eau (10). Remettez le Water Cube (12), le couvercle (7), la partie supérieure (16) et le réservoir d'eau (3) à leurs places respectives sur l'appareil.
- **Régulièrement selon les besoins :** passez un chiffon humide pour le nettoyage extérieur et séchez bien. Lorsque le couvercle (7) présente des dépôts d'eau et/ou de parfum, veuillez le nettoyer avec un chiffon humide et une goutte de liquide vaisselle.
- **À la fin de la saison :** Avant de ranger l'appareil à la fin de la saison, effectuez le détartrage comme décrit ci-dessus. Ensuite, nettoyez l'appareil minutieusement à l'intérieur et à l'extérieur et laissez-le sécher com-

plètement. Mettez en place un nouveau Water Cube (12) et une nouvelle cartouche anticalcaire (19, en option) pour que votre appareil soit prêt à reprendre du service la saison prochaine. Ne rangez pas l'appareil avec une cartouche anticalcaire utilisée, car les granulés qu'elle contient restent humides longtemps.

Changement de cartouche anticalcaire (accessoire optionnel)

- Dans le tableau (voyez « Avant la mise en marche ») sont indiquées les durées d'utilisation des cartouches.
- Conseil : Le fonctionnement de la cartouche peut être vérifié par un test simple : tenez un petit miroir dans la brume quelques secondes. Si le miroir présente un dépôt (de calcaire) blanc, il faut changer la cartouche.
- La cartouche anticalcaire (19) se trouve à l'intérieur du couvercle du réservoir d'eau (4). Dévissez le couvercle, puis dévissez la cartouche du couvercle. La cartouche peut être jetée avec les ordures ménagères. Avant la première utilisation, laissez tremper la cartouche anticalcaire dans un récipient contenant de l'eau pendant 24 h (mais pas dans le réservoir (3) !). La résine doit se gorger d'eau pour développer toutes ses performances.
- Ne pas jeter le bouchon du réservoir lors du changement de cartouche !

Water Cube™ – Hygiène optimale pour votre humidificateur

Le Water Cube™ (12) de Stadler Form garantit une hygiène optimale pour votre humidificateur. L'utilisation du Water Cube™ permet un excellent fonctionnement de l'humidificateur et prolonge sa durée de vie. Le Water Cube™ (12) agit également sur les appareils éteints et garde l'humidificateur frais pour une saison. Nous conseillons de renouveler le Water Cube au début de chaque début de saison d'humidification.

Réparations

- Les réparations sur les appareils électriques ne doivent être effectuées que par des électriciens qualifiés. La garantie s'éteint et toute responsabilité est exclue en cas de réparations non conformes aux règles de l'art.
- Ne mettez jamais l'appareil en service en cas d'endommagement d'un cordon ou d'une fiche, après un dysfonctionnement de l'appareil causé par une chute ou par une autre détérioration de l'appareil (boîtier fissuré/cassé).
- Ne pas pénétrer avec des objets quelconques dans l'appareil.
- Arrivé au bout de sa durée de vie, l'appareil doit immédiatement être rendu inutilisable (sectionner le cordon d'alimentation) et être déposé dans une déchetterie prévue à cet effet.
- Dans le cas d'une réparation, veuillez tenir compte des points suivants avant d'envoyer l'appareil ou de le ramener en magasin: videz entièrement l'eau de l'appareil (bac à eau ou réservoir à eau éventuel), retirez les filtres et/ou les cartouches anticalcaire et laissez complètement sécher l'appareil. Les appareils contenant des restes d'eau s'abîment pendant le transport. La garantie devient alors caduque.

Élimination

Conformément à la directive européenne 2012 / 19 / EC sur la mise au rebut des déchets d'équipements électriques et électroniques (DEEE), les appareils ménagers usés ne doivent pas être jetés avec les déchets non triés. Ces appareils usés doivent être collectés séparément des déchets ménagers pour optimiser la récupération et le recyclage de leurs composants dans le but de réduire les effets négatifs sur la santé humaine et sur l'environnement. Le symbole de poubelle avec roulettes et croix indique que ces produits doivent être collectés et mis au rebut séparément des ordures ménagères. Les consommateurs doivent contacter les autorités locales ou leurs revendeurs concernant la mise au rebut de leurs vieux appareils.



Caractéristiques techniques

Tension nominale	100–240 V / 50/60 Hz
Puissance nominale	24 W
Émission d'humidité	jusqu'à 160 g/h
Surface (Maximum)	25 m ² / 63 m ³
Heures d'opération	env. 3 jours
Dimensions	338 x 206 x 134 mm (largeur x hauteur x profondeur)
Poids	1,7 kg
Contenance du réservoir d'eau	2,5 Litres
Niveau de bruit	27 – 30 dB(A)
Conforme à la réglementation UE	CE / DEEE / RoHS / EAC

Sous réserve de modifications techniques



Italiano

Congratulazioni! Ha appena acquistato l'eccezionale dispositivo 3 in 1 (umidificatore d'aria, diffusore di aromi ed effetto caminetto) BEN. Sarà estremamente piacevole e migliorerà l'aria nell'ambiente per voi.

Come con tutte le apparecchiature elettriche domestiche, è necessaria particolare attenzione anche con questo modello, al fine di evitare infortuni, danni da incendio o danni al dispositivo. Studiare con attenzione queste istruzioni per l'uso prima di utilizzare il dispositivo per la prima volta e seguire tutte le istruzioni di sicurezza fornite con esso.

Descrizione dell'apparecchio

L'apparecchio consiste delle seguenti componenti principali:

1. Alimentatore
2. Collegamento per l'alimentatore
3. Serbatoio dell'acqua
4. Coperchio serbatoio
5. Segno di massimo
6. Pulsante ON/OFF
7. Coperchio & Uscita nebulizzazione
8. Controllo dell'uscita variabile (umidificazione e diffusione degli aromi)
9. Interruttore per la regolazione della luminosità (normale, tenue, spento)
10. Vaschetta acqua (qui, se si desidera, è possibile aggiungere le fragranze)
11. Indicatore livello dell'acqua con serbatoio dell'acqua inserito
12. Water Cube™
13. Uscita d'aria (Attenzione: non lasciare penetrare l'acqua!)
14. Membrana ad ultrasuoni
15. Spazzola di pulizia
16. Copertura
17. Interruttore fluttuante
18. Strisce LED per l'effetto caminetto
19. Cartuccia anticalcare (opzionale: vedere "Prima del utilizzo")

Ecco come funziona il dispositivo

Ben è un dispositivo 3 in 1: umidificatore d'aria, diffusore di aromi ed effetto caminetto. Una membrana che oscilla con gli ultrasuoni scompone l'acqua in minuscole goccioline che un ventilatore nebulizza nella stanza, dove evaporano. Aggiungendo un olio essenziale, anche questo viene nebulizzato e immesso nell'aria. La Amber Light™ dimmerabile genera l'eccezionale effetto caminetto donando alla nebbia una luce ambrata.

Importanti istruzioni di sicurezza

Prima di utilizzare il deumidificatore leggere attentamente le istruzioni per l'uso. Dopo aver letto le istruzioni per l'uso, conservarle con cura per la futura consultazione.

- La Stadler Form respinge ogni responsabilità per la perdita o danni che incorrano come risultato di un mancato rispetto di queste istruzioni d'uso.
- L'apparecchio dev'essere usato solo in casa e per gli scopi descritti in queste istruzioni. L'uso non autorizzato e le modifiche tecniche all'apparecchio possono portare a pericoli per la vita e la salute.
- Utilizzare e tenere l'apparecchio fuori dalla portata dei bambini.
- Questo apparecchio può essere utilizzato da bambini di età superiore agli 8 anni e persone con ridotte capacità mentali, fisiche o sensoriali o prive

di esperienza e conoscenze in merito, in presenza di altre persone che ne sorvegliano l'operato o ricevano istruzioni sull'uso dell'apparecchio in modo sicuro e ne comprendano i pericoli. I bambini non devono giocare con l'apparecchio. Pulizia e manutenzione non deve essere effettuata da bambini senza supervisione.

- Collegate il cavo solo alla corrente alternata. Rispettate le informazioni sul voltaggio riportate sull'apparecchio.
- Non utilizzate prolunghe.
- Non fate scorrere il cavo su bordi taglienti ed assicuratevi che non rimanga incastrato. Non tirate il cavo dalla presa con mani umide o afferrando il cavo stesso.
- Non utilizzate quest'apparecchio nelle immediate vicinanze di una vasca, una doccia o una piscina (rispettate una distanza minima di 3 m). Posizionate l'apparecchio in modo che una persona dentro la vasca non possa toccare l'apparecchio.
- Tenere l'apparecchio lontano da fonti di innesco.
- Non posizionate l'apparecchio vicino ad una sorgente di calore. Non sottoponete il cavo di alimentazione al calore diretto (come piastre, fiamme libere, ferri da stiro caldi o caloriferi per esempio). Proteggete i cavi di alimentazione dall'olio.
- Fate in modo che l'apparecchio sia posizionato appropriatamente per assicurare una buona stabilità durante il suo funzionamento ed assicuratevi che nessuno possa inciampare sul cavo.
- L'apparecchio non è impermeabilizzato.
- Solo per uso interno.
- Non conservare questo apparecchio all'esterno.
- Riponete l'apparecchio in un luogo asciutto inaccessibile ai bambini (rimettete l'apparecchio nella confezione).
- Se il cavo di alimentazione è danneggiato, dev'essere sostituito dal produttore, dal responsabile della manutenzione o da una persona similmente qualificata per evitare pericoli.
- Utilizzare esclusivamente l'adattatore fornito dal produttore.
- Utilizzare solo fragranze, aromi od oli essenziali che NON contengono alcool. L'alcool può danneggiare l'apparecchio. Gli apparecchi danneggiati da tali additivi non sono coperti da garanzia.
- Assicurarvi che il dispositivo sia posizionato su una superficie non sensibile all'umidità (evitare parquet o tappeti delicati).
- Evitare che l'area attorno all'umidificatore diventi umida o bagnata. In caso di umidità, ridurre la potenza dell'umidificatore. Se non è possibile ridurre la quantità di umidità generata, utilizzare l'umidificatore meno frequentemente. Evitare che materiali assorbenti come tappeti, tende, tendaggi, tovaglie e copritavoli diventino umidi.
- L'elevata umidità dell'aria può favorire la proliferazione di organismi biologici nell'ambiente.
- Per riempire e pulire l'apparecchio, estrarre la spina dalla presa elettrica.
- Non lasciare mai acqua nel contenitore dell'acqua quando l'apparecchio non è in uso.
- Pulire il contenitore dell'acqua dell'acqua ogni tre giorni.
- Svuotare e pulire l'umidificatore prima di riporlo. Pulire l'umidificatore prima dell'utilizzo successivo.

- Avvertenza: eventuali microrganismi presenti nell'acqua o nell'ambiente in cui è usato o conservato l'apparecchio possono proliferare nel contenitore dell'acqua ed essere immessi nell'aria, con rischi molto gravi per la salute.

Prima del utilizzo: Cartuccia anticalcare e durezza dell'acqua (accessorio opzionale)

La cartuccia anticalcare riduce il calcare dell'acqua e l'emissione indesiderata delle particelle di calcare nell'ambiente circostante. Efficace per un periodo da uno a tre mesi, in base alla durezza dell'acqua (consultare la tabella).

Con una durezza dell'acqua superiore a 7° dH si consiglia l'uso della cartuccia anticalcare (19) per evitare depositi calcarei.

Testa la durezza dell'acqua (= contenuto di calcare) con la striscia di test inclusa (vedere pagina 4). Se sulla striscia compaiono due riquadri rosa, la durezza dell'acqua è superiore a 7° dH.

1. Immergete le strisce di test nell'acqua per un secondo
2. Dopo circa un minuto, il risultato può essere visto sulle strisce da test. Alcuni dei riquadri verdi diventano rosa. La durezza dell'acqua è mostrata da quanti riquadri diventano rosa. Esempio: Se tre riquadri sono rosa, allora la durezza dell'acqua è > 14° dH.

Importante: Tenere in ammollo la cartuccia anticalcare per 24 ore prima del primo utilizzo (non nel serbatoio dell'acqua!). Per garantire ottime prestazioni, la resina deve assorbire l'acqua.

La durata del tempo in cui la cartuccia è efficace dipende dalla durezza dell'acqua.

Numero dei riquadri rosa	Durezza dell'acqua	Grado di durezza (°dH)	La cartuccia durerà per (con 2.5 litri/giorno)	
			Giorni	Litri
0/1	Dolce	Da 4 °dH	140 giorni	circa 360L
2	Moderatamente dura	Da 7 °dH	70 giorni	circa 180L
3	Dura	Da 14 °dH	50 giorni	circa 120L
4	Molto dura	Da 21 °dH	25 Tage	circa 60L

Con una durezza dell'acqua che arrivi a 21° dH, non possiamo più raccomandare l'utilizzo dell'umidificatore per aria ad ultrasuoni. Vi raccomandiamo di usare un umidificatore a ventola per aumentare l'umidità in casa vostra (per esempio l'umidificatore Oskar prodotto dalla Stadler Form).

Nota

L'unità lavora bene solo con acqua non trattata. Non utilizzateli dove ci siano addolcitori dell'acqua o ionizzatori in uso. Ad ogni modo, Ben può utilizzare acqua filtrata da un sistema per l'acqua da bere (per esempio Brita). Se non dovete essere sicuri della qualità della composizione dell'acqua nella vostra area, contattate il gestore della fornitura di servizi di acqua potabile.

Impostazione / Utilizzo

1. Posizionate Ben nella posizione desiderata su una superficie piana. Collegare l'adattatore di rete (1) al dispositivo (2) e inserire l'adattatore (1) in una presa adatta.
2. Estrarre il serbatoio dell'acqua (3) inclinandolo. Svitare il tappo del serbatoio (4) e riempire il serbatoio fino al limite massimo indicato (5) con acqua di rubinetto pulita e fredda. Quindi posizionare il serbatoio nel dispositivo. A tale scopo inserire nuovamente il serbatoio dell'acqua (3), ponendolo diagonalmente rispetto a Ben e inclinandolo verso l'alto. Importante: Non spostate Ben quando è pieno d'acqua. L'acqua potrebbe uscire dal serbatoio interno sulle componenti elettroniche.
3. A questo punto mettere in funzione Ben premendo il pulsante On/Off (6). Successivamente si accendono i LED per l'effetto caminetto e la nebbia esce visibilmente dal dispositivo (7) all'altezza del regolatore di potenza (8).
4. Girando il controllo di uscita variabile (8), potete regolare l'uscita dell'umidificatore come preferite.
5. Se la nebbia illuminata disturba (ad esempio in camera da letto) è possibile ridurre la luminosità del LED premendo l'interruttore per la regolazione della luminosità (9). Potete scegliere tra tre diverse modalità:
 - Modalità normale (modalità predefinita)
 - Modalità attenuata (premete una volta)
 - Modalità luci spente (premete due volte)
 - Premendo ancora una volta il tasto per attenuare, potete tornare alla modalità normale.
6. Potete anche usare Ben per profumare l'aria. Siate parsimoniosi quando usate le essenze perché un eccesso può portare a malfunzionamenti e a danni all'unità. Per usare le essenze, rimuovete il serbatoio dell'acqua (3) dall'unità e versate l'essenza direttamente nell'acqua (10) (vedete pagina 5). Aggiungete un massimo di 2–3 gocce di essenza in un serbatoio pieno d'acqua. Reinstallate il serbatoio dell'acqua sull'unità.

Suggerimento: Volete cambiare la fragranza? Rimuovete il serbatoio dell'acqua (3) dall'unità, svuotatelo dall'acqua rimanente e pulite l'umidificatore (vedete la «Pulizia»). Adesso Ben è pronto a spargere una fragranza diversa di vostra scelta nella stanza. L'intensità della diffusione dell'aroma può essere regolata a piacere spostando il regolatore di potenza.
7. L'indicatore del livello dell'acqua (11) si accende (rosso) quando è necessario rabboccare l'acqua. Rimuovete il serbatoio (3) e riempitelo con acqua di rubinetto. Reinscrivere il serbatoio dell'acqua. Dopo un paio di secondi l'apparecchio riprende il funzionamento.
8. Volete riempirlo durante l'utilizzo? Potete semplicemente togliere il serbatoio (3) e riempirlo. L'unità funzionerà per 5/10 minuti con l'acqua rimasta nel sistema. Rimettete il serbatoio sull'unità in questo lasso di tempo e Ben può continuare a funzionare senza fermarsi.

Nota: Se doveste vedere gocce (o altri segni di umidità) sopra o attorno all'apparecchio, allora c'è acqua di condensa che viene all'umidificatore. Questo indica che l'aria non può più assorbire l'umidità da esso. Ridurre la potenza di umidificazione finché non sono più visibili gocce.

Pulizia

Prima di ogni fase della manutenzione e dopo ogni uso, spegnete l'unità e rimuovete la spina dalla presa. Prima di pulire Ben, l'alimentatore (1) dev'essere separato dal collegamento dell'alimentatore (2).

Attenzione: Non immergete mai l'unità in acqua (pericolo di corto circuito).

- Per motivi igienici e per garantire un funzionamento corretto, si consiglia di rispettare i seguenti intervalli di pulizia.
- **Quotidianamente:** riempire il serbatoio (3) di acqua corrente fredda. Se il dispositivo non viene utilizzato per più giorni, svuotare l'acqua nella vaschetta (10) ed eventualmente lavarlo con detersivo e un panno pulito. Riempire il serbatoio (3), solo prima di utilizzare nuovamente il dispositivo.
- **Ogni 2 settimane:** rimuovere innanzitutto il serbatoio (3), il coperchio (7), la copertura (16) e il Water Cube™ (12). Pulire accuratamente l'interno della vaschetta (10, 14, 17) con acqua calda, detersivo un panno, una spugna o spazzola morbida e pulita. Per i depositi di calcare usare un agente anticalcare diluito (miscelare secondo le istruzioni del fabbricante). Quindi sciacquare accuratamente la vaschetta (10) con acqua fredda, reinsertire il serbatoio (3), il coperchio (7), la copertura (16) e il Water Cube™.
- **Decalcificazione almeno 1 volta al mese.** Rimuovere il serbatoio dell'acqua (3), den Deckel (7), die Abdeckung (16) e il Water Cube (12). In presenza di depositi di calcare nella vaschetta dell'acqua (10) si consiglia di utilizzare Stadler Form Pulitore & Anticalcare (www.stadlerform.com/accessoires). In alternativa, è possibile utilizzare un decalcificante per uso domestico o aceto. Riempire una tazza con 200ml di acqua del rubinetto miscelata a un agente anticalcare (miscelare secondo le istruzioni del fabbricante). Versare con attenzione il liquido nella vaschetta dell'acqua (10). Accertarsi che il liquido non entri nella uscita d'aria (13). Il dispositivo ne risulterebbe danneggiato, con annullamento della garanzia.
- Attendete che l'agente di decalcificazione abbia effetto secondo quanto indicato dalle istruzioni del produttore (circa 30 min.). Controllate se il calcare sulla membrana ultrasonica (14) nella vaschetta dell'acqua (10) si è dissolto.
- Se rimangono residui di calcare, si può pulire la membrana ultrasonica (14) con l'aiuto di uno spazzola (15) (anteriormente e posteriormente). Non tentare di staccarli con un oggetto duro.
- Per il calcare più ostinato, si consiglia di ripetere la procedura di decalcificazione più volte di seguito.
- Per risciacquare, riempire la tazza con 200ml di acqua del rubinetto e versare con attenzione il liquido nella vaschetta (10). Eliminare l'acqua dall'apparecchio tramite l'angolo anteriore destro. Ripetere il processo finché la vaschetta (10) dell'acqua non contiene più agente anticalcare. Riposizionare il Water Cube (12), il coperchio (7), la copertura (16) il serbatoio dell'acqua (3) nel dispositivo.
- **Regolarmente, secondo necessità:** Per pulire l'esterno, passatelo con un panno umido e quindi asciugatelo bene. Se sulla parte superiore del coperchio (7) sono presenti depositi di acqua e/o fragranze, pulirlo con un panno umido e una goccia di detergente per piatti.

- **Alla fine della stagione:** prima di riporre il dispositivo a fine stagione, eseguire la decalcificazione come descritto sopra. Poi pulirlo accuratamente dentro e fuori e lasciarlo asciugare completamente. Inserire un nuovo Water Cube (12) e una cartuccia anticalcare (19, facoltativa) in modo che il dispositivo sia pronto per l'inizio della prossima stagione. Non riporre il dispositivo con una cartuccia anticalcare usata perché il granulato all'interno resta umido per molto tempo.

Sostituzione della cartuccia anticalcare (accessorio opzionale)

- I tempi di sostituzione consigliati sono indicati nella tabella (consultare la sezione «Prima del montaggio»).
- Suggerimento: L'efficacia della cartuccia può essere controllata con un semplice test. Tenete un piccolo specchio davanti al nebulizzatore per qualche secondo. Se ci sono depositi bianchi (carbonato di calcio) sullo specchio, allora la cartuccia dev'essere sostituita.
- La cartuccia anticalcare (19) è situata nel lato interno del tappo del serbatoio (4). Svitare prima il tappo del serbatoio (3), quindi svitare la cartuccia dal tappo. Smaltire la cartuccia con i rifiuti domestici. Tenere in ammollo la cartuccia anticalcare per 24 ore prima del primo utilizzo (non nel serbatoio dell'acqua (3)!). Per garantire ottime prestazioni, la resina deve assorbire l'acqua.
- Quando si sostituisce la cartuccia, conservare il tappo del serbatoio!

Water Cube™ – igiene ottimale per il suo umidificatore

Il Water Cube™ (12) di Stadler Form assicura un'igiene ottimale nel suo umidificatore. L'impiego del Water Cube™ consente un utilizzo impeccabile dell'umidificatore e ne prolunga la durata. Il Water Cube™ (12) agisce anche con l'apparecchio spento e ne assicura la freschezza per tutta la stagione. Si consiglia la sostituzione del Water Cube™ all'inizio di ogni stagione di utilizzo dell'umidificatore.

Riparazione

- Le riparazioni agli apparecchi elettrici devono essere effettuate solo da tecnici elettricisti qualificati. Se vengono effettuate riparazioni improprie, la garanzia viene annullata e tutte le responsabilità sono rifiutate.
- Non utilizzate mai l'apparecchio se l'alimentatore o la spina sono danneggiati, dopo un malfunzionamento, se è stato fatto cadere o è stato danneggiato in qualunque altro modo (rottture/crepe nell'involucro).
- Non spingete oggetti nell'apparecchio.
- Se l'apparecchio è irreparabile, rendetelo inutilizzabile immediatamente e consegnatelo al punto di raccolta appropriato.
- In caso di riparazione, prima di spedire o di consegnare l'apparecchio al rivenditore, occorre osservare i seguenti punti: svuotare completamente l'acqua dall'apparecchio (vaschetta dell'acqua ed eventualmente serbatoio dell'acqua), rimuovere, se presenti, i filtri umidificatore e le cartucce anticalcare e far asciugare l'apparecchio completamente. Gli apparecchi con residui d'acqua rischiano di essere danneggiati durante il trasporto. In questo caso decade il diritto di garanzia.

Smaltimento

La Direttiva Europea 2012 / 19 / CE sullo Smaltimento dei rifiuti elettrici ed elettronici (WEEE) prevede che i dispositivi elettrici domestici usati non devono essere smaltiti nelle discariche municipali di rifiuti indifferenziati. I dispositivi usati devono essere raccolti separatamente in modo da ottimizzare il recupero e il riciclaggio dei materiali in essi contenuti e ridurre l'impatto sulla salute e sull'ambiente. Il simbolo del "cestino con ruote" barrato sul prodotto ricorda l'obbligo di smaltire il dispositivo mediante raccolta differenziata. I consumatori devono contattare le autorità locali o il rivenditore per informazioni relative al corretto smaltimento di dispositivi usati.



Specifiche

Voltaggio	100–240 V / 50/60 Hz
Uscita	24 W
Emissione umidità	fino a 160 g/h
Dimensioni dell'ambiente (fino a)	25 m ² / 63 m ³
Tempo di funzionamento	circa 3 giorni
Dimensioni	338 x 206 x 134 mm (larghezza x altezza x profondità)
Peso	1.7 kg
Capacità del serbatoio acqua	2.5 Litri
Rumorosità	27 – 30 dB(A)
Conforme con i regolamenti UE	CE / WEEE / RoHS / EAC

Tutti i diritti relativi a qualsiasi modifica tecnica sono riservati



¡Enhorabuena! Ha adquirido el extraordinario aparato 3 en 1 (humidificador, difusor de aroma y simulador de fuego) BEN. Quedará encantado con sus beneficios y mejorará la calidad del aire ambiente.

Como con todos los aparatos electrodomésticos también este aparato exige un especial cuidado para evitar heridas, daños causados por incendios o daños en el aparato. Le rogamos por lo tanto que lea detenidamente el presente manual de instrucciones antes de proceder a su puesta en marcha y preste atención a las advertencias de seguridad indicadas en el aparato.

Descripción del aparato

El aparato tiene los siguientes componentes principales:

1. Adaptador de red
2. Conexión para el adaptador
3. Depósito de agua
4. Tapa del depósito
5. Marca de nivel máximo
6. Botón de encendido/apagado
7. Tapa & Salida de vapor
8. Regulador de potencia continuo (Humidificación y difusión de aroma)
9. Botón para el regulador de intensidad del LED (normal, atenuado, apagado)
10. Bandeja de agua
(opcionalmente, aquí se pueden añadir algunas gotas de fragancia)
11. Indicador del nivel de agua con el tanque de agua colocado
12. Water Cube™
13. Salida de aire (Precaución: ¡no puede entrar agua en esta abertura!)
14. Membrana ultrasónica
15. Pincel de limpieza
16. Cubierta de la carcasa
17. Interruptor de flotador
18. Líneas LED para el efecto de fuego
19. Cartucho antical
(opcional: consulte "Antes de la puesta en funcionamiento")

Así funciona su aparato

Ben es un aparato 3 en 1: humidificador, difusor de aroma y simulador de fuego. Una membrana que vibra con ultrasonidos divide el agua en gotas minúsculas que, gracias a un ventilador, se distribuyen en forma de niebla por la habitación y se evaporan allí. Si se añade algún aceite esencial, este también se atomizará y se liberará en el aire junto con la niebla. La luz atenuable Amber Light™ crea un efecto único similar al fuego que baña la niebla en una luz de color ámbar.

Advertencias de seguridad importantes

Por favor, lea detenidamente el manual de instrucciones antes de poner en marcha por primera vez el aparato y guárdelas bien por si necesitara consultarlas de nuevo más adelante o, dado el caso, pasárselas a un futuro nuevo propietario.

- Stadler Form declina cualquier responsabilidad por los daños resultantes de una utilización del aparato no conforme a este manual de instrucciones.
- El aparato sólo se ha de utilizar en el hogar y con los fines descritos en este manual de instrucciones. Una utilización no conforme a las disposi-

ciones así como modificaciones técnicas en el aparato pueden poner en peligro la salud y la vida.

- Emplear y guardar el aparato fuera del alcance de los niños.
- Este aparato pueden usarlo los niños mayores de 8 años y aquellas personas con capacidades físicas, sensoriales o mentales reducidas o con falta de experiencia siempre y cuando se les haya dado una formación o supervisión respecto al uso del aparato de una forma segura y entiendan los riesgos que implica. Los niños no deben jugar con el aparato. La limpieza y el mantenimiento del usuario no deben hacerlo niños sin supervisión.
- Conecte el cable sólo a la corriente alterna. En el aparato, fíjese en las indicaciones sobre el voltaje.
- No utilice ningún cable alargador estropeado.
- No pase el cable de red sobre bordes afilados ni lo pise. Nunca tire del enchufe del cable de red ni lo extraiga de la toma de corriente con las manos mojadas.
- No emplee el aparato de aire cerca de bañeras, duchas o piscinas (mantenga una distancia mínima de 3 m). Coloque el aparato de manera que no sea posible tocarlo al salir de la bañera.
- Mantener el aparato alejados de fuentes de ignición.
- No sitúe el aparato cerca de un foco calorífico. No exponga el cable de red directamente al calor (como p.ej. fogones calientes, llamas, planchas calientes o estufas). Proteja el cable de red del aceite.
- Asegúrese de que, durante su funcionamiento, el aparato mantiene una buena estabilidad y que no tropieza con el cable de red.
- El aparato no está protegido contra salpicaduras de agua.
- Sólo para uso en el interior del hogar.
- No guarde el aparato en el exterior.
- Mantenga (empaquete) el aparato en un lugar seco e inaccesible para los niños.
- En caso de que el cable de red esté dañado, debe ser sustituido por el fabricante o un taller autorizado por el fabricante o personas calificadas para evitar cualquier riesgo.
- Utilice únicamente el adaptador proporcionado por el fabricante.
- Sólo use fragancias, aromas o aceites esenciales que NO contienen alcohol. El alcohol puede dañar el aparato. Aquellas aparatos que presenten daños por tales aditivos no están cubiertos por la garantía.
- Asegúrese de que el aparato se halle sobre una superficie resistente a la humedad (evitar el parqué o las moquetas delicadas).
- No dejar humedecida ni mojada la zona alrededor del humidificador. Con la humedad, la potencia del humidificador se reduce. Si no se puede reducir el caudal de salida del humidificador, utilizarlo solo de forma periódica. No deje que se humedezcan materiales absorbentes tales como alfombras, cortinas, visillos o manteles.
- Tenga en cuenta que una alta humedad del aire puede fomentar el crecimiento de organismos biológicos en el entorno.
- Antes de llenar y limpiar el aparato, retirar la clavija del enchufe.
- No dejar nunca agua en el depósito de agua si el aparato no está en uso.
- Limpiar el depósito de agua cada 3 días.
- Vaciar y limpiar el humidificador antes de guardarlo. Limpiar el humidificador antes del primer uso.

- Atención: los posibles microorganismos que pudiera haber en el agua o en el entorno en el que se emplee o almacene el aparato pueden crecer en el depósito de agua y ser expulsados al aire, lo que puede suponer serios riesgos para la salud.

Antes de la puesta en funcionamiento: Cartucho antical y dureza del agua (accesorio opcional)

El cartucho antical reduce la cantidad de cal del agua y la emisión no deseada de partículas de cal en los alrededores. Efectivo durante uno a tres meses dependiendo de la dureza del agua (véase la tabla).

Con una dureza del agua superior a 7 ° dH, se recomienda el uso del cartucho antical (19) para inhibir los depósitos calcáreos. Pruebe la dureza (= contenido de cal) del agua con la tira de prueba incluida (consulte la página 4). Si la tira muestra 2 cajas de color rosa, la dureza del agua es > 7 ° dH.

1. Sumerja la tira durante un segundo en el agua
2. Después de aprox. un minuto podrá ver el resultado. Algunos de los campos verdes pasarán a ser de color rosa. El número de campos de color rosa indica la dureza del agua. Ejemplo: Si tiene tres campos de color rosa, el agua tiene el grado de dureza > 14 ° dH.

Importante: Empape el cartucho antical en un baño de agua durante 24 horas antes de utilizarlo por primera vez (¡no en el depósito de agua!). La resina tiene que absorber el agua para alcanzar su máximo rendimiento.

La duración del efecto del cartucho depende de la dureza del agua.

Campos rosa	Dureza del agua	Grado de dureza (°dH)	El cartucho sirve para (con 2.5 litros/día)	
			Días	Litros
0/1	Blanda	De 4 °dH	140 días	aprox. 360 L
2	Moderadamente dura	De 7 °dH	70 días	aprox. 180 L
3	Dura	De 14 °dH	50 días	aprox. 120 L
4	Muy dura	De 21 °dH	25 días	aprox. 60 L

A partir de una dureza del agua de más de 21 ° dH, le recomendamos que no utilice un humidificador de aire ultrasónico, sino que humidifique el aire por el principio de evaporación (p.ej. con el humidificador Oskar de la marca Stadler Form).

El aparato sólo funcionará sin problemas con agua bruta. No lo ponga en funcionamiento en instalaciones descalcificadoras o intercambiadores de iones. No obstante, Ben se puede utilizar con el agua de un sistema de filtrado de agua de mesa (p. ej. Brita). Si no está seguro de la calidad o de la composición del agua, póngase en contacto con el conserje o con el proveedor de agua potable.

Puesta en funcionamiento / manejo

1. Coloque a Ben en el lugar deseado sobre un suelo plano. Conecte el adaptador de red (1) al aparato (2) e inserte el adaptador (1) en un enchufe adecuado.
 2. Abata el tanque de agua (3) hacia el lado. Desenrosque la tapa del tanque (4) y rellene el tanque de agua hasta la marca de máximo (5) con agua limpia y fría. A continuación, coloque el tanque en el aparato. Para ello, vuelva a colocar el tanque de agua (3) de lado, en diagonal con respecto a Ben, y ciérrelo de nuevo. Importante: no mueva a Ben de sitio mientras tenga agua dentro. El agua podría salirse y llegar a los componentes electrónicos.
 3. A continuación, ponga a Ben en funcionamiento pulsando el botón de encendido/apagado (6). Los LED de simulación de fuego se encenderán y la niebla saldrá de forma visible del aparato (7) según el nivel elegido en el regulador de potencia (8).
 4. Con el regulador de potencia (8) podrá modificar la potencia de humidificación según desee.
 5. Si le molesta la luminosidad del vapor iluminado (por ejemplo, en el dormitorio), puede reducir la intensidad de la luz del LED pulsando el botón para el regulador de intensidad del LED (9). Puede optar por tres modos diferentes:
 - Modo normal (se activa de manera estándar)
 - Modo atenuado (pulse una vez)
 - Modo luz apagada (pulse dos veces)
 - Si vuelve a pulsar el interruptor del regulador de luz cambiará de nuevo al modo normal.
 6. Con Ben podrá perfumar la habitación. Le rogamos que dosifique al máximo las sustancias aromáticas, ya que, si emplea demasiada cantidad, puede causar fallos en el funcionamiento y desperfectos en el aparato. Para utilizar las sustancias aromáticas, extraiga el depósito (3) del aparato y añada unas gotas directamente al agua (10) (véase página 5). Añada como máximo 2–3 gotas de la sustancia por depósito lleno de agua. Vuelva a montar el depósito.
- Consejo:** si desea cambiar de aroma, retire el depósito de agua del aparato (3), vacíe el agua que quede dentro y limpie el humidificador (véase «Limpieza»). Una vez limpio, Ben estará listo para volver a perfumar la habitación con el aroma que desee. La intensidad de la difusión de aroma se puede ajustar deslizando el regulador de potencia.
7. El indicador del nivel de agua (11) se ilumina en rojo cuando se hace necesario añadir agua. Para ello, extraiga el depósito de agua (3) y llénelo con agua del grifo. Vuelva a colocar el depósito de agua. El aparato volverá a ponerse en funcionamiento pasados unos segundos.
 8. Si desea añadir más agua mientras el aparato esté en marcha, podrá quitar y rellenar el depósito (3) sin problemas. El aparato seguirá funcionando con el agua que quede durante aprox. 5–10 minutos. Si vuelve a colocar el depósito en este intervalo de tiempo, Ben funcionará sin interrupciones.

Atención: Si observase gotas (u otros signos de humedad) sobre el aparato o alrededor de éste, se trata de agua condensada del humidificador de aire. Esto significa que el aire no puede absorber la humedad del humidificador. Regule la potencia de humidificación hacia abajo, hasta que no se vean más gotas.

Limpieza

Antes de cualquier operación de mantenimiento y después de cada uso, apague el aparato y saque el adaptador de red del enchufe. Antes de limpiar a Ben, saque el adaptador de red (1) de la conexión (2).

Atención: no sumerja el aparato en agua (peligro de cortocircuito).

- Por motivos de higiene, y para asegurar un funcionamiento sin errores, le recomendamos que respete los siguientes intervalos de limpieza.
- **Diario:** Llenar el tanque de agua (3) con agua fresca corriente. Si el aparato no va a ser utilizado durante varios días, vacíe antes el agua de la bandeja de agua (10) y, de ser necesario, límpiela con un detergente y un paño limpio. Vierta agua fresca en el tanque de agua (3), antes de volver a poner el aparato en funcionamiento.
- **Cada 2 semanas:** En primer lugar, retire el tanque de agua (3), la tapa (7), la cubierta de la carcasa (16) y el Water Cube™ (12). Limpie minuciosamente el interior de la bandeja de agua (10,14,17) utilizando para ello detergente, agua caliente y un paño limpio y suave, un cepillo o un estropajo. En caso de que se produzcan incrustaciones de cal, utilice un producto descalcificador diluido (mezcle de acuerdo con las instrucciones del fabricante). A continuación enjuague bien la bandeja de agua (10) con agua fría y vuelva a colocar el tanque de agua (3), la tapa (7), la cubierta de la carcasa (16) y el Water Cube.
- **Haga una descalcificación al menos una vez al mes.** Retire el tanque de agua (3), la tapa (7), la cubierta de la carcasa (16) y el Water Cube (12). En el caso de haber depósitos de cal en la bandeja de agua (10) le recomendamos el uso del limpiador y descalcificador de Stadler Form (www.stadlerform.com/accessories). De forma alternativa también puede usar un descalcificador de uso doméstico o vinagre. Llene una taza con 200ml de agua del grifo mezclada con un producto descalcificador (mezcle de acuerdo con las instrucciones del fabricante). Vierta el líquido con cuidado en la bandeja de agua (10). Asegúrese de que no entre líquido en la salida de aire (13). Esto dañaría el aparato y anularía cualquier reclamación de la garantía.
- Deje que haga efecto el agente de descalcificación de acuerdo con las instrucciones del fabricante (aprox. 30 minutos). Compruebe en la bandeja de agua (10) si se ha disuelto la cal en la membrana ultrasónica (14)
- Si quedan residuos calcáreos, puede limpiarse la membrana ultrasónica (14) con la ayuda del pincel (15) (lado delantero y trasero). No intente rascarlas la membrana con un objeto duro.
- Si quedan residuos calcáreos difíciles de limpiar, recomendamos descalcificar el dispositivo varias veces seguidas.
- Para enjuagarlo, llene una taza con 200ml de agua del grifo y vierta el líquido con cuidado en la bandeja de agua (10). Tire el agua del aparato por la esquina delantera derecha. Repita el proceso hasta que no quede producto descalcificador en la bandeja de agua (10). Vuelva a colocar el Water Cube (12), la tapa (7), la cubierta de la carcasa (16) y el tanque de agua (2) en el aparato.
- **Regularmente según sea necesario:** Para la limpieza exterior, frótelo con un paño húmedo y después séquelo bien. Si la tapa (7) presenta depósitos de agua y/o fragancias en la parte superior, límpiela con un paño húmedo y una pizca de líquido lavavajillas.

- **Al final de la temporada:** antes de guardar el aparato al final de la temporada, ejecute el descalcificación tal y como se describe más arriba. A continuación, limpie minuciosamente tanto la parte interior como la exterior y déjelo secar por completo. Coloque un nuevo Water Cube (12) y cartuchos antical (19, opcionales) para que su aparato esté listo para su uso al inicio de la siguiente temporada. No guarde el aparato con un cartucho antical usado ya que el granulado permanecerá húmedo en el interior durante mucho tiempo.

Sustitución de un cartucho antical (accesorio opcional)

- Por favor, busque los intervalos de sustitución recomendados en la tabla (véase «Antes de la puesta en funcionamiento»).
- Consejo: Podrá comprobar la función del cartucho de un modo muy sencillo: exponga un espejo pequeño al vapor durante un par de segundos. Si después de retirarlo observa un precipitado blanco (de cal) sobre el espejo, es necesario cambiar el cartucho.
- El cartucho antical (19) se encuentra situado en el lateral interno de la tapa del depósito (4). En primer lugar, desatornille la tapa del depósito (3) y posteriormente atornille el cartucho desde la tapa del depósito. Deshágase del cartucho como si fuera un residuo doméstico. Empape el cartucho antical en un baño de agua durante 24 horas antes de utilizarlo por primera vez (¡no en el depósito de agua (3)!). La resina tiene que absorber el agua para alcanzar su máximo rendimiento.
- ¡Guarde la tapa del depósito cuando sustituya el cartucho!

Water Cube™: una higiene óptima para su humidificador

Water Cube™ (12), de Stadler Form, aporta una higiene óptima a su humidificador. El uso de Water Cube permitirá que su humidificador disfrute de un funcionamiento óptimo y prolongará la vida de dicho aparato. Water Cube (12) funciona incluso con el aparato desconectado y mantiene el humidificador limpio durante toda la temporada. Le recomendamos cambiar el Water Cube al comienzo de cada nueva temporada de uso del humidificador.

Reparaciones

- Las reparaciones en los aparatos eléctricos (cambio del cable) sólo han de ser llevadas a cabo por personal especializado y debidamente formado.
- En caso de haberse procedido a reparaciones indebidas, la garantía deja de tener efecto y se declina cualquier responsabilidad.
- Nunca ponga en marcha el aparato si el cable o el enchufe están estropeados, si falla alguna de las funciones, si el aparato se ha caído o si ha sufrido algún otro desperfecto (rajas/roturas en el chasis).
- No introducir ningún tipo de objetos en el aparato.
- Una vez llegado el aparato al final de su vida útil, inutilizarlo inmediatamente (separar el cable) y entregarlo en el centro de recogida previsto a tal efecto.
- En caso de llevarse a cabo labores de reparación se deberán tener en cuenta los siguientes puntos antes de enviar o llevar el aparato al comerciante: vaciar por completo el agua del aparato (bandeja de agua y, eventualmente, tanque de agua), retirar posibles filtros del humidificador y/o cartuchos antical y dejar que el aparato se seque del todo. Aquellos aparatos que no se vacíen correctamente sufrirán daños durante el transporte. En estos casos, la garantía se extinguirá.

Eliminación

La directiva europea 2012 / 19 / CE sobre residuos de equipos eléctricos y electrónicos (WEEE), exige que los aparatos eléctricos domésticos antiguos no deben eliminarse en la recogida de residuos municipal normal sin clasificar. Los aparatos antiguos deben recogerse de forma separada para optimizar la recuperación y el reciclaje de los materiales y reducir el impacto sobre la salud humana y el medioambiente. El símbolo del "cubo de basura" tachado en el producto le recuerda su obligación de que, cuando se deshaga del aparato, debe recogerse de forma separada. Los consumidores deben ponerse en contacto con las autoridades locales o con el distribuidor para obtener información respecto a la correcta eliminación del aparato antiguo.



Datos técnicos

Tensión nominal	100–240 V / 50/60 Hz
Potencia	24 W
Salida de humedad	de hasta 160 g/h
Tamaño de la habitación (hasta)	25 m ² / 63 m ³
Tiempo de funcionamiento	aprox. 3 días
Dimensiones	338 x 206 x 134 mm (ancho x alto x largo)
Peso	1.7 kg
Capacidad del tanque de agua	2.5 Litros
Nivel de intensidad acústica	27 – 30 dB(A)
Cumple la norma UE	CE / WEEE / RoHS / EAC

Quedan reservadas modificaciones técnicas



Nederlands

Gefeliciteerd! U heeft zojuist het bijzondere 3-in-1 apparaat (luchtbevochtiger, aromadiffuser & vlameffect) BEN aangeschaft. Hij zal u veel plezier doen en de ruimtelucht voor u verbeteren.

Zoals met alle elektronische apparaten, is zorgvuldig gebruik noodzakelijk om verwonding, brandschade of schade aan het apparaat te vermijden. Bestudeer de instructies nauwkeurig en volg de adviezen op het apparaat zelf, alvorens het apparaat voor het eerst te gebruiken.

Apparaatbeschrijving

Het apparaat bestaat uit de volgende onderdelen:

1. Netadapter
2. Aansluiting voor netadapter
3. Watertank
4. Tankdeksel
5. Maximaal markering
6. Aan-uitknop
7. Deksel & Nevelafvoer
8. Vermogensregelaar traploos (output) (bevochtiging & aromadiffusie)
9. Dimmer-knop (normaal, gedimd, licht uit)
10. Waterlade (hier kunt u geurstoffen toevoegen)
11. Indicator voor waterpeil als de watertank in het apparaat zit
12. Water Cube™
13. Luchtuitlaat (let op: er mag geen water in deze opening binnendringen!)
14. Membraan met ultrasone golven
15. Reinigingsborstel
16. Afdekkap
17. Vlotterschakelaar
18. Led-strip voor haardvuureffect
19. Antikalkcartouche (Optioneel: zie "Voor de ingebruikname")

Zo werkt uw apparaat

Ben is een 3-in-1 apparaat: luchtbevochtiger, aromadiffuser en haardvuureffect. Een membraan dat met ultrageluid trilt, splitst het water in minuscule druppeltjes, die vervolgens als nevel met een ventilator in de ruimte worden verspreid en daar verdampen. Als u een etherische olie toevoegt, wordt deze ook verneveld en met de nevel de lucht in geblazen. Het dimbare Amber Light™ creëert het unieke haardvuureffect, waarbij de nevel in amberkleurig licht wordt gedompeld.

Belangrijke veiligheidsinstructies

Lees de instructies zorgvuldig door voordat u het apparaat voor het eerst gebruikt en bewaar deze handleiding voor later gebruik; geef hem, indien nodig, door aan de volgende eigenaar.

- Stadler Form is op geen enkele wijze aansprakelijk voor verlies of schade ten gevolge van het nalaten van deze instructies.
- Het apparaat dient alleen in huis te worden gebruikt of voor de doeleinden die in deze instructies worden beschreven. Interferentie op het toestel door onbevoegden kan leiden tot gevaar voor de gezondheid.
- Bedien en bewaar het apparaat buiten bereik van kinderen.
- Dit apparaat kan worden gebruikt door kinderen van 8 jaar en ouder en personen met gereduceerde fysieke, zintuiglijke of mentale capaciteiten

of met een tekort aan ervaring en kennis, vooropgesteld dat ze onder toezicht staan of instructies hebben gekregen m.b.t. het gebruik van het apparaat op een veilige wijze en begrijpen welke gevaren er kunnen optreden. Laat kinderen het apparaat niet als speelgoed gebruiken. Reiniging en gebruikersonderhoud mogen niet door kinderen zonder toezicht worden uitgevoerd.

- Sluit de kabel alleen op wisselstroom aan. Let op de spanningsgegevens op het apparaat.
- Gebruik geen beschadigde verlengkabels.
- De netkabel mag niet over scherpe kanten heen worden getrokken of worden vastgeklemd. De stekker mag nooit aan de netkabel of met natte handen uit de contactdoos worden getrokken.
- Deze apparaat mag niet bij een ligbad, een douche of een zwembad worden gebruikt (minimumafstand van 3m aanhouden). Plaats het apparaat zo dat personen het apparaat vanaf de rand van het ligbad niet kunnen aanraken.
- Houd het apparaat uit de buurt van ontstekingsbronnen.
- Plaats het apparaat niet in de buurt van een warmtebron. De netkabel mag niet aan rechtstreekse hittewerking (bijv. heet fornuisplaat, open vlammen, hete strijkzool of kachel) worden blootgesteld, netkabel tegen olie beschermen.
- Let erop dat het apparaat bij het gebruik een goede stabiliteit heeft en men niet over de netkabel kan struikelen.
- Het apparaat is niet tegen spattend water beschermd.
- Uitsluitend voor gebruik binnenshuis.
- Het apparaat niet buitenshuis opbergen.
- Het apparaat op een droge en voor kinderen niet toegankelijke plaats bewaren (inpakken).
- Als de netkabel beschadigd is, dient deze door de fabrikant of een door de fabrikant goedgekeurd servicebedrijf of soortgelijk gekwalificeerd personeel te worden vervangen om gevaarlijke situaties te voorkomen.
- Alleen met de meegeleverde adaptor gebruiken.
- Gebruik uitsluitend geurtjes, aroma's of essentiële oliën die GEEN alcohol bevatten. Alcohol kan het apparaat beschadigen. Apparatuur beschadigd door dergelijke additieven wordt niet door de garantie gedekt.
- Zorg ervoor dat het apparaat op een oppervlak staat dat niet gevoelig is voor vocht (vermijd parket of kwetsbare tapijten).
- Zorg ervoor dat de ruimte rond de luchtbevochtiger niet vochtig of nat wordt. Als er vocht optreedt, verlaag dan het vermogen van de luchtbevochtiger. Als het vermogen van de luchtbevochtiger niet kan worden verlaagd, gebruik de luchtbevochtiger dan met tussenpozen. Zorg ervoor dat absorberende materialen zoals tapijten, gordijnen, vitrage of tafelkleden niet nat worden.
- Let op: een hoge vochtigheidsgraad kan de groei van biologische organismen in de omgeving bevorderen.
- Trek de stekker van de luchtbevochtiger uit het stopcontact tijdens het vullen en schoonmaken.
- Laat nooit water in het waterreservoir staan wanneer het apparaat niet in gebruik is.
- Maak het waterreservoir om de 3 dagen schoon.
- Leeg en reinig de luchtbevochtiger voordat u hem opbergt. Reinig de luchtbevochtiger voor het volgende gebruik.

- Waarschuwing: in het water of in de omgeving waar het apparaat wordt gebruikt of opgeborgen kunnen micro-organismen aanwezig zijn. Deze kunnen in het waterreservoir groeien en in de lucht worden geblazen, waardoor zeer ernstige gezondheidsrisico's ontstaan.

Voor de ingebruikname: Antikalkcartouche en waterhardheid (optionele accessoire)

De antikalkcartouche vermindert de kalkdeeltjes in het water en de ongewenste uitstoot van kalkdeeltjes in de omgeving. Voor één tot drie maanden effectief, afhankelijk van de hardheid van het water (zie tabel).

Bij een waterhardheid boven > 7° dH raden wij het gebruik aan van de antikalkcartouche (19) om kalkafzetting te voorkomen. Test de hardheid (= kalkgehalte) van uw water met de bijgevoegde teststrook (zie pagina 4). Als de strook 2 roze vakjes heeft, is uw waterhardheid > 7° dH.

1. Teststrook een seconde lang onder water houden
2. Na ca. een minuut is het resultaat zichtbaar op de teststrook. Enkele van de groene velden worden roze. De waterhardheid wordt door het aantal roze gekleurde velden getoond. Voorbeeld: Bij drie roze gekleurde velden heeft het water de hardheidsgraad > 14° dH.

Belangrijk: Week de antikalkcartouche vóór het eerste gebruik voor 24 uur in een bad met water (niet in de watertank!). Het hars moet het water absorberen om hoge prestaties te bereiken.

De werkingsduur van de cartouche hangt af van de waterhardheid.

Roze velden	Waterhardheid	Hardheidsgraad (°dH)	Cartouche is toereikend voor (bij 2.5 liter/dag)	
			Dagen	Liter
0/1	Zacht	Vanaf 4°dH	140 dagen	ca. 360L
2	Middelhard	Vanaf 7°dH	70 dagen	ca. 180L
3	Veeleer hard	Vanaf 14°dH	50 dagen	ca. 120L
4	Erg hard	Vanaf 21°dH	25 dagen	ca. 60L

Vanaf een waterhardheid van meer dan 21° dH kunnen wij het gebruik van een luchtbevochtiger met ultrasone golven niet meer aanbevelen. Wij bevelen u aan om uw lucht met een luchtbevochtiger volgens het verdampingsprincipe te bevochtigen (bijv. Oskar verdamer van Stadler Form).

Het apparaat functioneert alleen correct met onbehandeld water. Niet inzetten bij onthardingsinstallaties en ionenuitwisselaars. Ben mag echter wel met water op een tafelwaterfiltersysteem uitgevoerd worden (bijv. Brita). Bent u onzeker over de kwaliteit of samenstelling van uw water, neem dan contact op met de huismeester of de drinkwaterverzorger.

Ingebruikname / bediening

1. Plaats Ben op de gewenste plek op een platte bodem. Sluit de netadapter (1) aan op het apparaat (2) en steek de adapter (1) in een geschikt stopcontact.
2. Klap de watertank (3) zijdelings weg. Schroef de tankdeksel (4) af en vul de watertank tot aan de maximaal markering (5) met schoon en koud leidingwater. Zet de watertank in het apparaat. Zet de watertank (3) er weer zijdelings, diagonaal ten opzichte van Ben in en klap de watertank naar boven toe weer dicht. Belangrijk: transporteer Ben niet zolang hij met water gevuld is. Het water kan over de binnenste bak in de elektronica lopen.
3. Neem aansluitend Ben in gebruik door op de Aan-uitknop (6) te drukken. Neem Ben in gebruik met de aan-uitknop (6). De led-lampjes voor het vlammeffect gaan branden en de nevel komt afhankelijk van de instelling van de vermogensregelaar (8) zichtbaar uit het apparaat (7).
4. Door het verschuiven van de vermogensregelaar (8) kunt u het bevochtigingsvermogen wijzigen naar uw welbehagen.
5. Als u de helderheid van de verlichte mist storend vindt (bijvoorbeeld in de slaapkamer), dan kunt u de lichtintensiteit van de led verminderen door op de dimmer-knop (9) te drukken. U kunt uit drie verschillende modi kiezen:
 - Normale modus (standaard ingeschakeld)
 - Gedimde modus (een keer indrukken)
 - Licht-uit modus (twee keer indrukken)
 - Door nog een keer de dimmer-schakelaar in te drukken, kunt u weer terugkeren naar de normale modus.
6. U kunt met Ben reukstoffen in de ruimte verdelen. Wij vragen u om met de omgang van reukstoffen uiterst spaarzaam te zijn, omdat een te grote dosering kan leiden tot foute functies en tot schade aan het apparaat. Voor het gebruiken van reukstoffen verwijdert u de watertank (3) uit het apparaat en druppelt de reukstoffen direct in het water (10) (zie pagina 5). Stop maximaal 2–3 druppels van de reukstof per tankvulling in de luchtbevochtiger. Schakel de watertank nu weer in.

Tip: wilt u de reukstof verwisselen, verwijder dan de watertank (3) uit het apparaat, giet het in het apparaat overgebleven water weg en reinig de luchtbevochtiger (zie «Reiniging»). Nu is de Ben weer klaar om een andere reukstof naar keuze in de ruimte te verspreiden. De intensiteit van de aromadiffusie kunt u traploos aanpassen door de vermogensregelaar te verschuiven.
7. Het lampje van de waterstand (11) brandt rood als er water moet worden bijgevoerd. Verwijder daarvoor de watertank (3) en vul deze onder de waterkraan met leidingwater bij. Zet het waterreservoir weer in het apparaat. Het apparaat gaat na enkele seconden weer aan.
8. Wilt u het water tijdens het gebruik bijvullen, dan kunt u de watertank (3) verwijderen en bijvullen. Het apparaat zal met het overgebleven water ca. 5–10 minuten verder functioneren. Zet de watertank er in deze periode weer in en Ben kan zijn dienst zonder onderbreking voortzetten.

Aanwijzing: Mocht u druppels (of andere sporen van vochtigheid) op of rond het apparaat vaststellen, dan gaat het om gecondenseerd water uit de luchtbevochtiger. Dat betekent dat de lucht de vochtigheid van de luchtbevochtiger niet meer kan opnemen. Regel het bevochtigingsvermogen naar beneden tot er geen druppels meer zichtbaar zijn.

Reiniging

Voor ieder onderhoud en na ieder gebruik het apparaat uitschakelen en de netadapter uit het stopcontact halen. Voordat u Ben reinigt, moet de stekker van de netadapter (1) op de aansluiting (2) uit het stopcontact gehaald worden.

Let op: het apparaat nooit in water onderdompelen (kortsluitingsgevaar).

- Om hygiënische redenen en om een goede werking te garanderen, raden wij de volgende reinigingsintervallen aan:
- **Dagelijks:** vul het watertank (3) met schoon, koud leidingwater. Als het apparaat enkele dagen niet gebruikt wordt, laat dan eerst het water uit het de waterlade (10) lopen en maak het eventueel schoon met een beetje afwasmiddel en een schoon doekje. Vul het watertank (3), met schoon water voordat u het apparaat weer in gebruik neemt.
- **Om de 2 weken:** verwijder eerst het watertank (3), de deksel (7), de afdekkap (16) en de Water Cube™ (12). Reinig de binnenkant van de waterlade (10,14,17) grondig met een beetje afwasmiddel, warm water, een schoon doekje, spons of borstel. Gebruik bij kalkaanslag een met water verdund ontkalkingsmiddel (verhouding volgens de instructies van de fabrikant). Spoel vervolgens de waterlade (10) goed af met koud water en zet watertank (3), de deksel (7), de afdekkap (16) en de Water Cube er weer in.
- **Maak ten minste 1x per maand ontkalking.** Verwijder vervolgens de watertank (3), de deksel (7), de afdekkap (16), en de Water Cube (12). Bij kalkaanslag in de waterlade (10) adviseren wij de Stadler Form Reiniger & Ontkalker te gebruiken (www.stadlerform.com/accessories). U kunt ook een huishoudelijke ontkalker of azijn gebruiken. Vul een dop met 200 ml leidingwater, gemengd met een ontkalkingsmiddel (verhouding volgens de instructies van de fabrikant). Giet de vloeistof zorgvuldig in de waterlade (10). Let op dat er geen vloeistof in de luchttuitlaatopening (13). Hierdoor kan het apparaat beschadigd raken en vervalt de garantie.
- Laat de ontkalker inwerken volgens de aanwijzingen van de fabrikant (ong. 30 min). Controleer in de waterlade (10) of de kalk op het ultrasone membraan (14) is opgelost
- Mochten er kalkresten achtergebleven zijn, dan kunt u het ultrasone membraan (14) reinigen met de reinigingsborstel (15) (voor- en achterzijde). Probeer nooit de kalk met een scherp voorwerp af te krabben.
- Voor hardnekkige kalkaanslag adviseren wij u om deze procedure meerdere keren uit te voeren
- Vul de beker nu met 200 ml leidingwater om het apparaat te spoelen. Giet de vloeistof voorzichtig in de waterlade (10). Giet het water via de rechterhoek aan de voorkant uit het apparaat. Herhaal dit totdat er geen ontkalkingsmiddel meer in de waterlade (10) zit. Plaats Water Cube (12), de deksel (7), de afdekkap (16)) en watertank (3) weer in het apparaat.
- **Tussendoor als u dat nodig vindt:** maak de buitenkant van het apparaat schoon met een vochtig doekje en droog het daarna goed af. Als er zich op de bovenkant van de deksel (7) water en/of geurstoffen hebben afgezet, reinigt u dit met een vochtige doek en een beetje afwasmiddel.

- **Aan het einde van het seizoen:** voordat u het apparaat aan het einde van het seizoen opbergt, voert u de ontkalking zoals hierboven beschreven uit. Daarna maakt u het van binnen en buiten grondig schoon en laat u het volledig drogen. Zet een nieuwe Water Cube (12) en antikalkpatroon (19, optioneel) in het apparaat, zodat het voor het begin van het volgende seizoen klaar is voor gebruik. Berg het apparaat niet op met een antikalkpatroon erin, omdat de korrels in het patroon langere tijd vochtig blijven.

Vervangen van de antikalkcartouche (optionele accessoire)

- In de tabel vindt u de aanbevolen vervangingsintervallen (zie «Voor de ingebruikname»).
- Tip: De functie van de cartouche kan met een eenvoudige test gecontroleerd worden: houd een kleine spiegel een paar seconden in de nevel. Indien er zich aansluitend op de spiegel witte (kalk-) aanslag bevindt, moet de cartouche vervangen worden.
- De antikalkcartouche (19) is aan de binnenzijde van de tankdop (4) te vinden. Schroef eerst de tankdop uit de watertank (3) en schroef dan de patroon van de tankdop. Werp de patroon bij het huishoudelijk afval weg. Week de vóór het eerste gebruik voor 24 uur in een bad met water (niet in de watertank (3)!). Het hars moet het water absorberen om hoge prestaties te bereiken.
- Houd de tankdop bij het vervangen van de patroon!

Water Cube™ – optimale hygiëne voor uw luchtbevochtiger

De Water Cube™ (12) van Stadler Form zorgt voor optimale hygiëne in uw luchtbevochtiger. Het gebruik van de Water Cube leidt tot een perfecte werking van de luchtbevochtiger en verlengt de levensduur van het apparaat. De Water Cube™ (12) werkt ook als het apparaat is uitgeschakeld en houdt de luchtbevochtiger een seizoen lang vers. Wij raden aan om de Water Cube™ aan het begin van elk bevochtigingsseizoen te vervangen.

Reparaties

- Reparaties aan het toestel dienen te worden verricht door een erkende reparateur. Als onbevoegden interferentie hebben gemaakt op het toestel, dan vervalt de garantie evenals de aansprakelijkheid van Stadler Form.
- Zet het toestel nooit aan wanneer de adapter of de stop beschadigd is, nadat het defect is geweest, het gevallen is of op een andere manier is beschadigd. (barsten/onderbrekingen in het omhulsel).
- Duw geen voorwerp in het toestel. Haal het zuiveringssysteem niet uit elkaar.
- Als het toestel niet meer te repareren is, maak het dan onmiddellijk onbruikbaar en geef het af op het inzamelingspunt.
- Neem in geval van reparatie de volgende punten in acht voordat het apparaat wordt verzonden of naar de dealer wordt gebracht: waterbakje en eventuele watertank volledig legen, eventuele filters en/of antikalkpatronen verwijderen en het apparaat volledig laten drogen. Restwater beschadigt het apparaat tijdens het transport. De garantie vervalt in dat geval.

Verwijdering

De Europese richtlijn 2012 / 19 / EG inzake Afval van Elektrische en Elektronische Apparatuur (AEEA), vereist dat oude elektrische huishoudapparaten niet in de normale gemeentelijke ongesorteerde afvalstroom mogen worden weggegooid. Oude apparaten moeten apart worden ingezameld om recycling en hergebruik van de materialen daarin te optimaliseren en de gevolgen op het milieu en de volksgezondheid te verminderen. Het symbool met de doorgekruiste "vuilnisbak op wieltjes" op het product, herinnert u aan uw verplichting, dat het toestel bij verwijdering gescheiden ingezameld moet worden. Consumenten moeten contact opnemen met hun lokale autoriteit of verkoper voor informatie betreffende de juiste verwijdering van hun oude toestel.



Specificaties

Nominale spanning	100–240V / 50/60 Hz
Nominale vermogen	24 W
Vochtigheidsuitgang	tot op 160 g/h
Oppervlakte ruimte (tot)	25 m ² / 63 m ³
Looptijd	ca. 3 dagen
Afmetingen	338 x 206 x 134 mm (breedte x hoogte x diepte)
Gewicht	179 kg
Capaciteit watertank	2.5 Liter
Geluidsrempel	27 – 30 dB(A)
EU-verordening	CE / AEEA / RoHS / EAC

De inhoud van deze gebruiksaanwijzing kan zonder voorafgaand bericht worden gewijzigd



Tillykke! Du har lige anskaffet dig det usædvanlige 3-i-1 apparat (luftfugter, aroma diffusor & flammeeffekt) BEN. Den vil give Dig stor fornøjelse, når luften omkring Dig trænger til at blive renset.

Som med alle elektriske husholdningsapparater er særlig pleje en nødvendighed også med dette produkt, for at undgå fysisk skade, brandskade eller beskadigelse af produktet. Læs venligst denne brugsanvisning grundigt før produktet tages i brug, og følg sikkerhedsanvisningerne på selve produktet.

Beskrivelse af apparatet

Apparatet består af følgende hoveddele:

1. Adapter
2. Tilslutning til adapter
3. Vandtank
4. Tankdæksel
5. Maksimumsmærke
6. Tænd/sluk-knap
7. Deckel & Dampudløb
8. Trinløs strømkontrol (fugtning & aroma diffusion)
9. Lysdæmperknap (normal, dæmpet, slukket)
10. Vandbakke (her kan du valgfrit dryppe duftstoffer i)
11. Vandstandsviser med isat vandtank
12. Water Cube™
13. Åbning til luftudløb
(Advarsel: der må ikke komme vand ind i denne åbning!)
14. Ultralydmembran
15. Rengøringsbørste
16. Afdækning
17. Svømmerafbryder
18. LED-strip til flammeeffekten
19. Antikalkpatron (Valgfrit: se "Før ibrugtagning")

Sådan fungerer dit apparat

Ben er et 3-i-1 apparat: Luftfugter, aroma diffusor og flammeeffekt. En membran, der svinger med ultralyd, deler vandet op i minidråber, som derefter med en ventilator fordeles ud i rummet som tåge og derefter fordampes. Hvis der tilsættes æterisk olie, bliver det også forstøvet og blæses ud i luften med tågen. Det dæmpbare Amber Light™ genererer den helt unikke flammeeffekt ved at tilføre tågen et ravfarvet lys.

Vigtige sikkerhedsinstruktioner

Læs brugsvejledningen, før Du bruger apparatet første gang og gem vejledningen; hvis nødvendigt skal den også gemmes til næste ejer

- Stadler Forms distributør dækker ikke skader, der er opstået som følge af misligholdelse eller forkert brug af apparatet.
- Apparatet må kun bruges i hjemmet med det formål, der er beskrevet i vejledningen. Ukorrekt brug samt udførelse af tekniske ændringer på apparatet kann være farligt for liv og helbred.
- Start og opbevar apparatet uden for børns rækkevidde.
- Dette apparat kan anvendes af børn fra 8 år og opefter og af personer med nedsatte fysiske, sanse- eller psykiske evner eller med manglende erfaring og kendskab, hvis de har været under opsyn og har modtaget

undervisning i, hvordan apparatet kan bruges på sikker måde, og hvis de har forstået, hvilke eventuelle farer der kan være. Børn må ikke lege med apparatet. Rengøring og vedligeholdelse må ikke udføres af børn uden opsyn.

- Tilslut kun kablet til vekselstrøm. Læg mærke til apparatets spændingsangivelser.
- Benyt ikke en beskadiget forlængerledning.
- Træk ikke kablet over skarpe kanter og lad det ikke komme i klemme. Træk aldrig stikket ud ved at holde i kablet og træk aldrig stikket ud af stikkontakten med våde hænder.
- Benyt ikke apparatet i umiddelbar nærhed af badekar, brusebad eller badebassin (overhold mindsteafstanden på 3m). Stil apparatet således at det ikke kan berøres fra et badekar.
- Apparatet må ikke komme i berøring med kilder, der kan forårsage antænding.
- Stil ikke apparatet i nærheden af en varmekilde. Netkablet bør ikke udsættes for direkte varmepåvirkning (fra f.eks. komfurplade, åben ild, varmt strygejern eller varmeovn). Beskyt netkablet mod olie.
- Ikke kan snuble over netkablet.
- Apparatet tåler ikke vandsprøjt.
- Kun til indendørs brug.
- Opbevar ikke apparatet udendørs.
- Apparatet bør opbevares på et tørt og for børn utilgængeligt sted (pakkes sammen).
- Hvis strømforsyningskablet er beskadiget, skal det udskiftes af producenten eller hos en reparatør, der er autoriseret af producenten, eller af en lignende kvalificeret tekniker for at undgå skade.
- Brug kun producentens medleverede adapter.
- Brug kun dufte, aromaer og æteriske olier, der IKKE indeholder alkohol. Alkohol kan beskadige apparatet. Apparater, der er beskadiget på grund af sådanne tilsætningsstoffer, er ikke dækket af garantien.
- Sørg for, at apparatet står på en flade, der er tåler fugt (undgå parketgulv eller sarte tæpper).
- Området omkring luftfugteren må ikke være fugtig eller våd. Hvis der opstår fugt, skal luftfugterens ydelsesniveau sænkes. Kan ydelsesniveauet ikke sænkes, må apparatet kun anvendes ind imellem. Sugende stoffer som tæpper, forhæng, gardiner eller duge må ikke blive fugtige.
- Bemærk venligst, at høj luftfugtighed kan fremme væksten af biologiske organismer i miljøet.
- Tag stikket ud af stikkontakten under rengøring af apparatet.
- Der må aldrig stå vand i vandbeholder, når apparatet ikke er i brug.
- Rengør vandbeholderen hver 3. dag.
- Tøm og rengør luftfugteren, før den stilles væk. Rengør luftfugteren, før den bruges næste gang.
- Advarsel: Eventuelle mikroorganismer i vandet eller i omgivelserne, hvor apparatet anvendes og opbevares, kan vokse i vandbeholderen og blæses ud i luften, hvilket forårsager alvorlig sundhedsrisiko.

Før ibrugtagning: Antikalkpatron og vandets hårdhed (ekstraudstyr)

Antikalkpatronen reducerer kalkaflejringer i vandet og den uønskede dannelse af kalkpartikler i omgivelserne. Effektiv i en til tre måneder, afhængig af vandets hårdhedsgrad (se tabellen).

Hvis vandets hårdhed er på over > 7° dH, anbefaler vi, at man bruger patronen med antikalk (19) for at begrænse aflejringer af kalk. Test hårdheden af dit vand (= indholdet af kalk) med den medfølgende teststrip (se side 4). Hvis strippen viser 2 lyserøde felter, er hårdheden af dit vand > 7° dH. "

1. Dyp teststripen i vandet i 1 sekund.
2. Efter ca. et minut er resultatet synligt på teststripen. Nogle af de grønne felter vil skifte farve til rosa. Vandets hårdhed vises ud fra antallet af rosafarvede felter. Eksempel: Ved tre rosafarvede felter har vandet en hårdhedsgrad > 14° dH.

Vigtigt: Læg antikalkpatronen i vandbad i 24 timer før dens første brug (ikke i vandbeholderen!). Kunstharpiksen er nødt til at absorbere vand for at kunne yde sit bedste.

Levetiden for patronen afhænger af vandets hårdhed.

Rosa felter	Vandets hårdhed	Hårdhedsgrad (°dH)	Patronen rækker antal (ved 2.5 liter/dag)	
			Dage	Liter
0/1	Blødt	Fra 4 °dH	140 dage	ca. 360 L
2	Middelhårdt	Fra 7 °dH	70 dage	ca. 180 L
3	Mere hårdt	Fra 14 °dH	50 dage	ca. 120 L
4	Meget hårdt	Fra 21 °dH	25 dage	ca. 60 L

Hvis vandets hårdhed er over 21° dH, kan vi ikke anbefale brug af en ultralydslugtuger. Vi anbefaler dig at benytte en luftfugter, som er baseret på et fordampningsprincip (f.eks. Oskar Fordamper fra Stadler Form).

For at apparatet kan fungere upåklageligt, skal der bruges ubehandlet vand. Det må ikke anvendes til blødgøring af vandet eller ionudveksling. Ben kan dog betjenes med vand fra et grundvandsspejlet filtersystem (f.eks. Brita). Hvis du er i tvivl om kvaliteten eller sammensætning af vandet, kontakt da din vicevært eller din drikkevandsleverandør.

Ibrugtagning / betjening

1. Stil Ben på den ønskede plads på en plan overflade. Tilslut strømadapteren (1) til apparatet (2) og sæt adapteren (1) i en egnet stikkontakt.
2. Vip vandtanken (3) ud til siden. Skru tankdækslet (4) af og fyld vandtanken op til maksimummærket (5) med rent, koldt vand fra vandhanen. Sæt derefter tanken ind i apparatet. Dertil skal vandtanken (3) stilles i siden igen, diagonalt med Ben, og vandtanken vippes opad igen, så den lukkes. **Vigtigt:** Flyt ikke på Ben, så længe der er vandet i tanken. Vandet kan i så fald løbe ind i de indre elektroniske kar.
3. Tænd derefter for Ben igen ved at trykke på Tænd/sluk-knappen (6). Derefter lyser LED'erne i flammeeffekten, og tågen siver synligt ud af apparatet (7) på det trin, der er indstillet på strømkontrollen (8).
4. Ved at skyde strømkontrollen (8) kan du ændre på fugtigheden efter for-godtbefindende.

5. Hvis lysskæret fra den oplyste tåge generer dig (for eksempel i soveværelset), kan skæret fra LED-lampen dæmpes ved at trykke på lyd-dæmperknappen (9). Du kan vælge imellem tre forskellige tilstande:
 - Normal modus (tændes som standard)
 - Dæmpet modus (tryk en gang)
 - Lys slukket modus (tryk to gange)
 - Ved endnu en gang at trykke på dæmpe-kontakten kan du skifte om til normal modus.
6. Med Ben kan du fordele duftstoffer i rummet. Vi beder dig om i omgangen med duftstoffer at være yderst sparsommelig, da en stor dosering kan føre til fejlfunktioner og skader på apparatet. For at bringe duftstoffet i anvendelse fjerner du vandtanken (2) fra apparatet og hælder duftstoffet direkte ned i vandet (se billedet 5). Anvend maksimalt 1–2 dråber per tankfyldning i luftfugteren. Sæt herefter vandtanken ind i apparatet igen.
Tip: Hvis du vil udskifte duftstoffet, tager du vandtanken ud af apparatet, hælder det resterende vand i tanken ud og rengør luftfugteren (se «Rengøring»). Nu er Ben igen klar til at fordele et andet duftstof efter dit valg i rummet. Intensiteten af aroma diffusionen kan tilpasses trinløst ved at skyde strømkontrollen.
7. Vandstandsviseren (11) lyser rødt, når der skal fyldes vand efter. Fjern derfor vandtanken (3) og fyld denne med vand fra vandhanen. Sæt vandtanken på igen. Efter et par sekunder starter apparatet igen.
8. Hvis du ønsker at fylde vand på, mens apparatet er i brug, kan du fjerne vandtanken (3) og fylde den op. Apparatet kan fungere i ca. 5–10 minutter med det resterende vand. Sæt vandtanken tilbage inden for dette tidsrum, og Ben kan dermed fortsætte med at fungere uden afbrydelse.

Advarsel: Hvis du opdager dryppen (eller andre tegn på fugtighed) på eller ved apparatet, kommer det af kondenseret vand fra luftfugteren. Det betyder, at fugten fra luften fra luftfugteren ikke længere kan opfanges. Stil nu befugtningseffekten af luften lavere, indtil der ikke længere ses dråber.

Rengøring

Før hvert eftersyn og efter hver brug skal apparatet slukkes, og adapteren skal tages ud af stikdåsen. Før du rengør Ben, skal adapteren (1) være taget ud af tilslutningen til adapteren (2).

Advarsel: Nedsænk aldrig apparatet i vand (fare for kortslutning).

- Af hygiejniske grunde og for at sikre korrekt drift anbefaler vi følgende rensningsintervaller.
- **Hver dag:** Fyld vandtanken (3) op med rent, koldt postevand. Hvis apparatet ikke skal bruges flere dage i træk, så tøm vandet ud af vandbassinet (10) og rengør denne ved behov med lidt opvaskemiddel og en ren klud. Fyld rent vand i vandtanken (3), før du tager apparatet i brug igen.
- **Hver 2. uge:** Tag først vandtanken (3), låget (7), afdækningen (16) og Water Cube™ (12). Rens indersiden af vandbakken (10,14,17) grundigt med lidt opvaskemiddel, varmt vand og en ren, blød klud, en svamp eller en børste. Brug fortyndet afkalkningsmiddel (blanding ifølge producentens anvisninger) til kalkaflejringer i vandtanken. Skyl derefter vandbakken (10) godt igennem med koldt vand og sæt vandtanken (3), låget (7), afdækningen (16) og Water Cube i igen.
- **Afkalkning mindst 1 gang om måneden.** Fjern vandtanken (3), låget (7), afdækningen (16) og Water Cube (12). Ved kalkaflejringer i vandbak-

ken (10) anbefaler vi at bruge Stadler Form Rengørings- & Afkalkningsmiddel (www.stadlerform.com/accessories). Alternativt kan du også bruge et normalt afkalkningsmiddel eller eddike. Fyld en kop med 200 ml postevand blandet med afkalkningsmiddel (blanding ifølge producentens anvisninger). Hæld væsken forsigtigt ned i vandbakken (10). Sørg for, at der ikke kommer væske ind i luftudløbsåbningen (13). Dette vil beskadige apparatet og ugyldiggøre garantien.

- Lad afkalkningsmidlet virke i henhold til producentens anvisninger (cirka 30 min.). Kontroller i vandbakken (10), at kalkaflejringerne på ultralydmembranen (14) er blevet opløst. OBS: vandet og varmepladen er varme, fare for skoldning!
- Hvis der er kalkrester, kan ultralydmembranen (14) renses ved hjælp af rengøringsbørsten (15) (for- og bagside). Forsøg ikke at skrabe det af med en hård genstand.
- I tilfælde af genstridige kalkaflejringer anbefaler vi afkalkning af apparatet flere gange i træk.
- Apparatet skylles ved at fylde koppen med 200 ml postevand og hælde det omhyggeligt ned i vandbakken (10). Hæld vandet ud af apparatet over forreste højre hjørne. Gentag processen, indtil der ikke er mere afkalkningsmiddel i vandbakken (10). Sæt Water Cube (12), låget (7), afdækningen (16) og vandtanken (3) tilbage i apparatet.
- **Regelmæssigt efter behov:** For ydre rengøring tørres apparatet af med en fugtig klud og tørres herefter godt. Hvis låget (7) foroven har aflejringer af vand og / eller duftstoffer, skal det renses af med en fugtig klud og lidt opvaskemiddel.
- **Når sæsonen er slut:** Før apparatet stilles væk ved sæsonens slut, skal der foretages en afkalkning som beskrevet ovenfor. Til sidst rengøres apparatet grundigt indeni og udenpå; lad det få lov at tørre helt. Sæt en ny Water Cube (12) og en ny antikalkpatron (19) i, valgfrit, så er apparatet klar til næste sæson. Apparatet må ikke stilles væk med en brugt antikalkpatron, da granulatet indvendig forbliver fugtigt over en længere periode.

Udskiftning af antikalkpatron (ekstraudstyr)

- Se de anbefalede udskiftningsintervaller i tabellen (se «Før ibrugtagning»).
- Tip: Patronens funktion kan efterprøves med en enkel test: Hold et lille spejl op mod dampen i et par sekunder. Hvis der herefter forekommer hvidt (kalk-)bundfald, skal patronen udskiftes.
- Antikalkpatronen (19) er placeret på indersiden af vandtankens låg (4). Skru først låget af vandtanken (3), og skru herefter patronen af låget. Du kan bortskaffe patronen i det almindelige husholdningsaffald. Læg antikalkpatronen i vandbad i 24 timer før dens første brug (ikke i vandbeholderen (3)!). Kunstharpiksen er nødt til at absorbere vand for at kunne yde sit bedste.
- Hold fast i beholderdækslet, når du udskifter patronen!

Water Cube™ – optimal hygiejne til din luftfugter

Water Cube™ (12) fra Stadler Form sørger for optimal hygiejne i din luftfugter. Brug af Water Cube™ giver fejlfri drift af luftfugteren og forlænger apparatets levetid. Water Cube™ (12) virker også, når apparatet er slukket og holder luftfugteren ren og frisk gennem hele sæsonen. Vi anbefaler at udskifte Water Cube™ hvert år, når luftfugtersæsonen starter.

Reparation

- Reparationer af elektriske apparater må kun udføres af en kvalificeret, elektrisk tekniker. Udføres der upassende reparationer bortfalder garantien og ethvert ansvar fra producentens side.
- Brug aldrig apparatet, hvis et kabel eller stik er beskadiget, efter der har været driftsfejl, hvis det har været udsat for tab, eller der er synlige tegn på skade.
- Indfør ikke nogen former for genstande i apparatet.
- Hvis apparatet ikke kan repareres skal det gøres ubrugeligt (klip ledningen af) og aflever det på en genbrugsstation.
- I tilfælde af en reparation skal der tages højde for følgende, før apparatet sendes afsted eller afleveres hos forhandleren: Tøm alt vandet ud af apparatet (vandbakken og en eventuel vandbeholder), fjern eventuelle filtre og/eller antikalkpatroner og lad apparatet tørre fuldstændig ud. Hvis der er vandrester i apparatet under transporten, bliver apparatet beskadiget. I det tilfælde bortfalder garantien.

Bortskaffelse

EU-direktiv 2012 / 19 / CE om WEEE kræver, at brugte elektriske husholdningsapparater ikke bortskaffes sammen med almindeligt affald. Brugte apparater skal indsamles separat for optimal genbrug og genanvendelse af apparatets elementer og reduktion af miljøpåvirkning og helbredsrisici. Symbolet med skraldespanden med et kryds over på produktet er en påmindelse til dig om din forpligtelse til at bortskaffe apparatet separat. Du bør kontakte de lokale myndigheder eller forhandleren for at få oplysninger om korrekt bortskaffning af brugte apparater.



Specifikationer

Mærkespænding	100–240 V / 50/60 Hz
Mærkeeffekt	24 W
Befugtning	på op til 160 g/h
Rummets størrelse (op til)	25 m ² / 63 m ³
Driftstid	ca. 3 dage
Mål	338 x 206 x 134 mm (bredde x højde x dybde)
Vægt	1.7 kg
Vandtankens kapacitet	2.5 Liter
Støjniveau	27 – 30 dB(A)
I overensstemmelse med EU godkendelse	CE / WEEE / RoHS / EAC

Der tages forbehold for tekniske ændringer



Onneksi olkoon! Olet juuri hankkinut ainutlaatuisen 3-in-1 -laitteen (ilmankostutin, aromidiffuusori & tehosteliekki) nimeltä BEN. Laite tarjoaa nautinnollisempaa oloa parantaen huoneen ilmanlaatua.

Kuten kaikkien kotitalouden sähkölaitteiden kanssa, myös tämän mallin kanssa tulee noudattaa erityistä huolellisuutta, jotta laite välttyy vahingoilta tai palovaurioilta. Lue nämä käyttöohjeet ensin huolellisesti ennen laitteen ensimmäistä käyttöä ja noudata laitteen turvaohjeita.

Laitteen kuvaus

Laite koostuu seuraavista osista:

1. Virtajohto
2. Virtajohdon liitäntä
3. Vesitankki
4. Säiliön kansi
5. Maksimimerkki
6. Päälle-/Pois-nuppia
7. Kansi & Sumutinaukko
8. Säädettävä lähtöohjain (kostutus & aromidiffuusio)
9. LED-himmennyskytkin (normaali, himmennetty, valot pois päältä)
10. Vesisäiliö (siihen voidaan valinnaisesti lisätä tuoksuaineita)
11. Veden tason ilmaisin kun vesisäiliö on asetettu paikalleen
12. Water Cube™
13. Kuumennuslevyn suojus (huomio: tähän aukkoon ei saa päästä vettä!)
14. Ultraäänikalvo
15. Puhdistusharja
16. Suojus
17. Pintakytkin
18. LED-kaistale tehosteliekkiä varten
19. Kalkinpoistopatruuna (Vaihtoehtoisesti: katso "Ennen käyttöönottoa")

Näin laitteesi toimii

Ben on 3-in-1 -laite: ilmankostutin, aromidiffuusori ja tehosteliekki. Ultraäänin avulla värähtelevä kalvo jakaa veden pikkuruisiin pisaroihin, jotka sitten levitetään tuulettimen avulla sumuna huoneeseen ja haihtuvat siellä. Jos lisätään eteeristä öljyä, niin sekin hajotetaan ja puhalletaan sumun myötä ilmaan. Himmennettävä Amber Light™ luo ainutlaatuisen tehosteliekin heijastamalla sumuun meripihkanväristä valoa.

Tärkeitä turvallisuusohjeita

Lue käyttöohjeet huolellisesti ennen ensimmäistä käyttökertaa ja säilytä ohjeet myöhempää tarvetta varten. Toimita ohjeet tarvittaessa myös seuraavalle omistajalle.

- Stadler Form ei ole missään tapauksessa vastuussa vaurioista tai menetyksistä, jotka johtuvat näiden ohjeiden noudattamatta jättämisestä.
- Laite on tarkoitettu ainoastaan kotitalouskäyttöön näiden ohjeiden mukaisella tavalla. Laitteen vääränlainen käyttö ja muokkaaminen voi johtaa hengenvaarallisiin tilanteisiin.
- Käytä laitetta sekä säilytä ne poissa lasten ulottuvilta.
- Vähintään 8 vuotta täyttäneet lapset ja sellaiset henkilöt, joiden fyysiset, sensoriset tai henkiset kyvyt eivät ole tähän riittäviä tai joilla ei ole laitteen tuntemusta tai kokemusta sen käytöstä, saavat käyttää tätä laitetta

ainoastaan silloin, kun heidän turvallisuudestaan vastaava henkilö valvoo heitä. Lasten ei tule leikkiä laitteen kanssa. Lapset eivät saa puhdistaa tai huoltaa laitetta ilman valvontaa.

- Liitä virtajohto vain vaihtovirtaverkkoon. Tarkista laitteen käyttöjännite.
- Älä käytä vaurioitunutta jatkojohtoa.
- Älä altista virtajohtoa teräville reunoille ja varmista, ettei se jää puristuksiin. Älä irrota pistoketta pistorasiasta märillä käsillä tai vetämällä virtajohdosta.
- Älä käytä laitetta kylpyammeen, suihkun tai uima-altaan välittömässä läheisyydessä (vähintään 3 m etäisyys). Sijoita laite siten, ettei kylpyammeessa oleva henkilö ylety laitteeseen.
- Pidä laite etäällä palonlähteistä.
- Älä sijoita laitetta lämmönlähteen läheisyyteen. Älä altista virtajohtoa suoralle lämmölle (kuten liesi, avoliekit, kuumat metallinkappaleet tai lämmittimet, jne.). Älä altista virtajohtoa öljylle.
- Varmista, että laite on sijoitettu tukevalle, tasaiselle pinnalle käytön aikana ja varmista, ettei virtajohto aiheuta kompastumisvaaraa.
- Laite ei ole roiskeenkestävä.
- Vain sisäkäyttöön.
- Älä säilytä laitetta ulkona.
- Säilytä laitetta kuivassa paikassa lasten ulottumattomissa (alkuperäispakkauksessa).
- Jos virtajohto on vaurioitunut, valmistajan, valtuutetun huoltoliikkeen tai vastaavan ammattitaitoisen henkilön on vaihdettava se vahinkojen välttämiseksi.
- Käytä ainoastaan valmistajan toimittamaa adapteria.
- Käytä vain tuoksuja, aromeja ja eteerisiä öljyjä, jotka EI sisällä alkoholia. Alkoholi voi vahingoittaa laitetta. Takuu ei kata sellaisten lisäaineiden vaurioittamia laitteita.
- Varmista, että laite on kosteutta kestäväällä tasaisella alustalla (ei mielellään parketin tai herkän maton päällä).
- Älä anna kostuttimen ympärillä olevan alueen kostua tai tulla märäksi. Jos kosteutta pursuu pois, alenna kostuttimen tehoa. Jos kostuttimen antomäärää ei voi alentaa, käytä kostutinta vain ajoittain. Älä anna imukykyisten materiaalien kuten mattojen, verhojen, ikkunaverhojen tai pöytäliinojen kostua.
- Ota huomioon, että korkea ilmankosteus saattaa edistää biologisten organismien kasvua ympäristössä.
- Vedä verkkopistoke pistorasiasta aina täytön ja puhdistuksen ajaksi.
- Älä koskaan jätä vettä vesisäiliöön, kun laitetta ei käytetä.
- Puhdista vesisäiliö 3 päivän välein.
- Tyhjennä ja puhdista kostutin ennen varastointia. Puhdista kostutin ennen seuraavaa käyttöä.
- Varoitus: Vedessä tai laitteen käyttö- tai säilytysympäristössä mahdollisesti olevat pieneliöt saattavat kasvaa vesisäiliössä ja joutua sieltä puhalletuksi ilmaan, ja tästä aiheutuu erittäin vakavia vaaroja terveydelle.

Ennen käyttöönottoa: Kalkinpoistopatruuna ja veden kovuus (vaihtoehtoinen lisävaruste)

Kalkinpoistopatruuna vähentää kalkkisaostumia vedestä sekä epätoivottuja kalkkihiukkaspäästöjä ympäristöön. Teho säilyy yhdestä kolmeen kuukauden riippuen veden kovuudesta (katso taulukko).

Jos veden kovuus on > 7 ° dH, suosittelemme käyttämään kalkinpoistopatruunaa (19) rajoittamaan kalkkisaostumia. Testaa veden kovuus (= kalkkisisältö) mukana olevalla testiliuskalla (katso sivu 4). Jos testiliuskassa on kaksi vaaleanpunaista ruutua, veden kovuus on > 7 ° dH.

1. Kasta testiliuskat veteen sekunnin ajaksi.
2. Tulokset näkyvät liuskoilla noin minuutin kuluttua. Jotkin vihreistä ruuduista muuttuvat vaaleanpunaisiksi. Vaaleanpunaisten ruutujen määrä ilmaisee veden kovuuden. Esimerkki: Jos näet kolme vaaleanpunaista ruutua, veden kovuus on > 14 ° dHsta.

Tärkeää: Liota kalkinpoistopatruunaa vesihauteessa 24 tuntia ennen ensimmäistä käyttökertaa (ei vesisäiliössä!). Kumin täytyy imeä vettä saavuttaakseen hyvän suorituskyvyn.

Suodatinpatruunan käyttöikä riippuu veden kovuudesta.

Ruusunvärisiä kaistoja	Veden kovuus	Kovuusaste (°dH)	Kartussi riittää (2.5 litraa / päivä)	
			Päivää	Litraa
0/1	Pehmeä	4 °dHsta lähtien	140 päivää	ca. 360L
2	Puolikova	7 °dHsta lähtien	70 päivää	ca. 180L
3	Vähän ovempi	14 °dHsta lähtien	50 päivää	ca. 120L
4	Hyvin kova	21 °dHsta lähtien	25 päivää	ca. 60L

Jos veden kovuus lähestyy tasoa 21 ° dH, ultraääni-ilmankostuttimen käyttöä ei suositella. Suosittelemme, että käytät tässä tapauksessa tuulettimella varustettua kostutinta (esim. Stadler Formin Oskar-kostutinta).

Laitte toimii oikein ainoastaan käsittelemättömällä vedellä. Älä käytä laitetta pehennysaineiden tai ionisoijien kanssa. Ben ilmankostutinta voidaan kuitenkin käyttää juomavesisuodattimen kautta (esim. Brita). Jos et ole varma paikallisen veden laadusta tai koostumuksesta, ota yhteyttä paikalliseen vesihuoltoon.

Käyttöönotto / käyttö

1. Sijoita Ben haluttuun kohtaan tasaiselle pinnalle. Liitä verkkosovitin (1) laitteeseen (2) ja työnnä sovitin (1) sopivaan pistorasiaan.
2. Käännä vesisäiliö (3) sivulle pois. Kierrä säiliön kansi (4) pois ja täytä vesisäiliö enimmäismerkkiin (5) saakka puhtaalla, kylmällä vesijohtovedellä. Sijoita vesisäiliö sitten laitteeseen. Tätä varten aseta vesisäiliö (3) jälleen sivulle, viistottain Beniin päin ja käännä vesisäiliön ylöspäin jälleen kiinni. Tärkeää: Älä siirrä Benia silloin, kun se on täytetty vedellä. Muutoin laitteen sisäosiin voi roiskua vettä.
3. Käynnistä Ben sitten painamalla päälle/pois-nuppia (6). Sen jälkeen tehosteliekin LED:it syttyvät palamaan, ja sumu purkautuu kosteustason säätimeen (8) säädetyn tehon mukaisesti näkyvänä laitteesta (7).

4. Kosteustason säätimen (8) avulla voit säätää kostuttimen tehoa halua-mallasi tavalla.
5. Jos valaistun sumun kirkkaus häiritsee (esimerkiksi makuuhuoneessa), voit vähentää kaikkien LED-merkkivalojen kirkkautta painamalla himmen-nyskytkintä (9). Voit valita kolmen eri tilan välillä:
 - Normaali (oletustila)
 - Himmennetty (paina kerran)
 - Merkkivalot pois päältä (paina kahdesti)
 - Voit palata normaaliin tilaan painamalla painiketta vielä kerran.
6. Voit myös käyttää Ben huoneen hajustamiseen. Hajusteiden käytön kanssa on oltava varovainen, koska liian suuri määrä voi johtaa vikoihin ja laitteen vaurioitumiseen. Käyttääksesi hajusteita, irrota vesisäiliö (3) laitteesta ja lisää hajustetta suoraan veteen (10) (ks. sivu 5). Lisää enin-tään 2–3 pisaraa täyttä vesisäiliöllistä kohden. Asenna vesisäiliö takaisin laitteeseen.

Vinkki: Haluatko vaihtaa hajustetta? Irrota vesisäiliö (3) laitteesta, kaada jäljellä oleva vesi pois ja puhdista kostutin (ks. «Puhdistaminen»). Nyt lai-te voi levittää toista tuoksua huoneeseen. Aromidiffusion voimakkutta voidaan sovittaa portaattomasti työntämällä kosteustason säädintä.
7. Veden tason ilmaisiin (11) syttyy palamaan punaisena, kun vettä täytyy lisätä. Irrota vesisäiliö (3) ja täytä se hanavedellä. Pane vesisäiliö takaisin paikalleen. Laite jatkaa toimintaansa muutaman sekunnin kuluttua.
8. Haluatko täyttää vesisäiliön (3) käytön aikana? Voit yksinkertaisesti ir-rottaa vesisäiliön ja täyttää sen. Laite toimii n. 5–10 minuuttia järjestel-mässä olevan veden varassa. Asenna tällä aikavälillä vesisäiliö takaisin laitteeseen, jotta se voi jatkaa toimintaa katkeamatta.

Huomio: Jos näet pisaroita (tai muita merkkejä kosteudesta) laitteen pääl-lä tai ympärillä, kostuttimesta kondensoituu vettä laitteen pinnalle. Tämä merkitsee sitä, että ilma ei pysty enää vastaanottamaan kosteutta. Säädä kostutustehoa vastaavasti alhaisemmaksi, kunnes pisaroita ei enää näy.

Puhdistaminen

Ennen jokaista huoltoa ja jokaisen käyttökerran jälkeen, muista sammuttaa laite ja irrottaa se verkkovirrasta. Ennen kuin puhdistat laitetta, virtajohto (1) on irrotettava liitännästä (2).

Huomio: Älä koskaan upota laitetta veteen (oikosulun vaara).

- Hygieenisistä syistä ja moitteettoman käytön varmistamiseksi suositte-lemme seuraavia puhdistuksen aikavälejä.
- **Päivittäin:** Täytä vesisäiliö (3) raikkaalla, kylmällä vesijohtovedellä. Jos laitetta ei käytetä useampaan päivään, tyhjennä sitä ennen vesi vesial-taasta (10) ja puhdista se tarvittaessa käyttäen hieman astianpesuainet-ta ja puhdasta liinaa. Lisää uutta vettä vesisäiliöön (3), ennen kuin otat laitteen uudelleen käyttöön.
- **2 viikon välein:** Poista ensin vesisäiliö (3), kansi (7), suojus (16) sekä Wa-ter Cube™ (12). Puhdista sisäpuoli vesialtaan (10,14,17) sisäpuoli välein perusteellisesti käyttäen hieman astianpesuainetta, lämmintä vettä ja puhdasta liinaa, sientä tai harjaa. Käytä vesisäiliön kalkkijäämien pois-tamiseen laimennettua kalkinpoistoainetta (sekoita valmistajan ohjeiden mukaan). Huuhtelee sitten vesiallas (10) perusteellisesti kylmällä vedellä ja pane vesisäiliö (3), kansi (7), suojus (16) sekä Water Cube jälleen pai-kalleen.

- **Kalkinpoisto vähintään kerran kuukaudessa.** Irrota vesisäiliö (3), kansi (7), suojus (16) ja Water Cube (12). Jos vesialtaaseen (10) on kertynyt kalkkia, suosittelemme käyttämään Stadler Form Puhdistus- & Kalkinpoistoainetta (www.stadlerform.com/accessories). Vaihtoehtoisesti voit käyttää kotitalouskalkinpoistoainetta tai etikkaan. Täytä kuppi 200 ml vesijohtovettä, johon on sekoitettu kalkinpoistoainetta (sekoita valmistajan ohjeiden mukaisesti). Kaada neste varovasti ilmanpesimen vesisäiliöön (10). Varmista, ettei nestettä pääse ilmanpäästöaukkoon (13). Tämä vaurioittaa laitetta ja kaikki takuuvaateet raukeavat.
- Anna kalkinpoistoaineen vaikuttaa valmistajan ohjeiden mukaisesti (noin 30 min). Tarkista, onko kalkki irronnut vesialustan (10) ultraäänikalvosta (14).
- Jos kalkkijäämiä on jäljellä, ultraäänikalvo (14) voidaan puhdistaa puhdistusharjalla (15) (etu- ja takapuolelta). Älä rapsuta niitä kovalla esineellä.
- Vaikeiden kalkkikertymien poistamiseen suositellaan kalkinpoiston suorittamista useita kertoja peräkkäin.
- Täytä kuppiin 200 ml vesijohtovettä huuhtelua varten ja kaada neste varovasti vesialtaaseen (10). Kaada vesi laitteesta oikean etukulman yli. Toista menettely, kunnes vesialtaassa (10) ei enää ole kalkinpoistoainetta. Asenna Water Cube (12), kansi (7), suojus (16) ja vesisäiliö (3) takaisin laitteeseen.
- **Säännöllisesti tarvittaessa:** Puhdista ulko-osat kostealla liinalla ja kuivaa hyvin. Jos kannessa (7) näkyy ylhäällä vettä ja/tai hajusteaineiden kertymiä, puhdista se käyttäen kosteaa liinaa ja hieman astianpesuainetta.
- **Kauden lopussa:** Ennen kuin panet laitteen kauden lopussa säiliöön, käytä kalkinpoisto yllä kuvatulla tavalla. Puhdista se tämän jälkeen huolellisesti sisältä ja ulkoa ja anna laitteen kuivua kokonaan. Pane uusi Water Cube (12) sekä kalkinpoistopatruuna (19, valinnainen) paikalleen, jotta laitteesi on valmiina käyttöön seuraavan kauden alkaessa. Älä säilytä laitetta käytetyn kalkinpoistopatruunan kera, koska sen sisällä olevat rakeet säilyvät kauan kosteina.

Kalkinpoistopatruunan vaihtaminen (vaihtoehtoinen lisävaruste)

- Löydät suositellut vaihtovälit taulukosta (katso «Ennen käyttöönottoa»).
- **Vinkki:** Patruunan tehokkuus voidaan todeta yksinkertaisella testillä. Pidä pientä peiliä sumussa muutaman sekunnin ajan. Jos havaitset valkoisia jäänteitä (kalsiumkarbonaatti) peilissä, patruuna on vaihdettava.
- Kalkinpoistopatruuna (19) sijaitsee säiliön kannen sisäpuolella (4). Ruuvaa ensin säiliön kansi irti vesisäiliöstä (3), ruuvaa sitten patruuna irti säiliön kannesta. Hävitä patruuna talousjätteen mukana. Liota kalkinpoistopatruunaa vesihauteessa 24 tuntia ennen ensimmäistä käyttökertaa (ei vesisäiliössä (3)!). Kumin täytyy imeä vettä saavuttaakseen hyvän suorituskyvyn.
- Pidä säiliön kantta, kun asetat patruunan!

Water Cube™ – ilmankostuttimesi optimaalisen hygienian takaaja

Stadler Formin Water Cube™ (12) huolehtii ilmankostuttimesi optimaalisesta hygieenisyydestä. Water Cuben käyttö varmistaa ilmankostuttimen moitteettoman käytön ja pidentää laitteen elinikää. Water Cube™ (12) vaikuttaa myös laitteen ollessa sammutettuna ja pitää ilmankostuttimen raikkaana koko kauden ajan. Suosittelemme vaihtamaan uuden Water Cuben aina joka ilmankostutuskauden alkaessa.

Korjaukset

- Sähkölaitteiden korjauksia (verkkokaapelin vaihto) saa suorittaa yksinomaan opetettu ammattihenkilökunta. Asiantuntemattomien suorittamisessa korjauksissa takuu lakkaa olemasta voimassa ja kaikki vastuu hylätään.
- Älkää koskaan käyttäkö laitetta, jos kaapeli tai pistoke ovat vahingoittuneet, jos laite toimii väärin, jos se on pudonnut maahan tai muuten vioittunut (halkeamia/murtumia suojuksessa).
- Älkää työntäkö minkäänlaisia esineitä laitteeseen.
- Jos laitetta ei voi enää korjata, tee se käyttökelvottomaksi välittömästi ja vie se keräyspisteeseen (verkkokaapeli katkaistaan).
- Siinä tapauksessa, että laite täytyy korjata, on huomioitava seuraavat asiat ennen laitteen lähettämistä tai liikkeeseen viemistä: laitteessa oleva vesi (vesisäiliö ja mahdollisesti vesiallas) on laskettava kokonaan pois, mahdolliset suodattimet ja/tai kalkinestopatruunat poistettava ja laitteen on annettava kuivaa kokonaan. Laitteessa oleva jäämävesi vahingoittaa sitä kuljetuksen aikana. Tässä tapauksessa takuu raukeaa.

Jätehuolto

Euroopan parlamentin ja neuvoston direktiivi 2012 / 19 / CE Sähkö- ja elektroniikkalaiteromusta (WEEE) edellyttää, ettei vanhoja kotitalouksien sähkölaitteita saa hävittää lajittelemattoman yhdyskuntajätteen mukana. Vanhat laitteet on kerättävä erikseen materiaalien palautuksen- ja kierrättämisen optimoimiseksi sekä terveys- ja ympäristövaikutuksien vähentämiseksi. Tuotteen yliviivattu roskakori -merkintä muistuttaa siitä, että sinun velvollisuutesi on hävittää laite erikseen. Kuluttajia kehoitetaan ottamaan yhteyttä paikallisiin viranomaisiin tai tuotteen jälleenmyyjään saadakseen lisätietoja vanhan laitteen asianmukaisesta hävittämisestä.



Tekniset tiedot

Nimellisjännite	100–240 V / 50/60 Hz
Teho	24 W
Kostutusteho	jopa 160 g/h
Huoneen koko (enintään)	25 m ² / 63 m ³
Käyntiaika	n. 3 päivää
Mitat	338 x 206 x 134 mm (leveys x korkeus x syvyys)
Paino	1.7 kg
Vesitankin tilavuus	2.5 Litraa
Melutaso	27 – 30 dB(A)
Noudattaa EU-määräyksiä	CE / WEEE / RoHS / EAC

Oikeudet muutoksiin pidätetään



Gratulerer! Du har nettopp kjøpt det enestående 3-i-1-apparatet (luftfukter, aromadiffusor & effektild) BEN. Den vil gi deg mye nytelse og forbedre innendørsluften for deg.

Som med alle elektriske husholdningsartikler er det nødvendig å utvise særlig hensyn til bruk av denne modellen, for å unngå personskader, brann eller produktskader. Vennligst les nøye gjennom disse driftsinstruksjonene før du tar i bruk apparatet for første gang, og følg sikkerhetsinstruksene på selve apparatet.

Beskrivelse av apparatet

Apparatet består av følgende hoveddeler:

1. Strømadapter
2. Strømadapterkontakt
3. Vannbeholder
4. Beholderdeksel
5. Maksimumsmerke
6. Av/på-knapp
7. Lokk & Tåkeuttak
8. Variable utgangskontroll (fukting og aromadiffusjon)
9. Dimmer-knapp (normal, dimmet, lys-av)
10. Vannskuff (her kan duftstoffer dryppes inn etter valg)
11. Vannivåindikator ved innsatt vanntank
12. Water Cube™
13. Åpning for luftutløp
(OBS: Det må ikke komme noe vann inn i denne åpningen!)
14. Ultralydmembran
15. Rengjøringsbørste
16. Tildekning
17. Flytende bryter
18. LED-strimler for effektild
19. Antikalkpatron (Valgfritt: Se "Før installasjon")

Slik fungerer apparatet ditt

Ben er et 3-i-1-apparat: Luftfukter, aromadiffusor og effektild. En membran som vibrerer med ultralyd deler vannet inn i bittesmå dråper, som deretter blir fordelt med en ventilator som tåke i rommet og fordunster der. Når man tilsetter en eterisk olje, blir denne også forstøvet og blåst med tåken inn i luften. Det dimbare Amber Light™ lager den enestående effektilden, ved at det dykker tåken i et ravfarget lys.

Viktige sikkerhetsinstrukser

Vennligst les nøye gjennom driftsinstruksjonene før du tar i bruk apparatet for første gang, og ta vare på dem for senere referansebruk, f.eks. dersom du gir viften videre til en ny eier.

- Stadler Form nekter alt ansvar innen tap eller skader som oppstår som en følge av mangelfull oppfølging av disse driftsinstruksjonene.
- Apparatet er kun tiltenkt bruk i hjemme for de formål beskrevet i disse instruksjonene. Uautorisert bruk og tekniske modifikasjoner på apparatet kan føre til far for helse og liv.
- Start og oppbevar apparatet utilgjengelig for barn.

- Dette apparatet kan brukes av barn over 8 år og personer med reduserte fysiske, sensoriske eller mentale evner, eller mangel på erfaring og kunnskap, dersom de er under oppsyn av noen ansvarlig for dem eller har mottatt instruksjoner vedrørende bruk av apparatet på en trygg måte og forstår farene involvert. Barn må ikke leke med apparatet. Rengjøring og vedlikehold må ikke utføres av barn uten oppsyn.
- Kun koble kabelen til vekselstrøm. Noter deg spenningsinformasjonen oppgitt på apparatet.
- Ikke bruk skjøteledninger med skader.
- Ikke dra strømkabelen over skarpe kanter og sørg for at den ikke klemmes mellom gjenstander. Ikke napp kabelen ut av stikkkontakten, og ikke fjern kabelen med våte hender.
- Ikke bruk dette apparatet i umiddelbar nærhet av badekar, dusj eller svømmebasseng (opprethold en minimumsdistanse på 3 m). Plasser apparatet slik at man ikke kan nå det fra badekaret.
- Hold apparatet på avstand til påtunnelige kilder.
- Ikke plasser apparatet i nærheten av en varmekilde. Ikke utsett strømkabelen for direkte varme (som i nærheten av en kokeplate, åpen ild, varme jernplater eller ovner, for eksempel). Beskytt strømkabelen mot oljete væsker.
- Sørg for at apparatet er forsvarlig posisjonert for å sikre høy stabilitet under driftsmodus, og sørg for at ingen kan snuble i strømkabelen.
- Apparatet er ikke sprutsikkert.
- Kun for innendørs bruk.
- Ikke oppbevar apparatet utendørs.
- Lagre apparatet på et tørt sted hvor barn ikke kan nå det (pakk apparatet inn).
- Dersom strømkabelen er skadet må den erstattes av produsenten eller et verksted som er autorisert av produsenten eller av en tilsvarende kvalifisert person for å forhindre skader.
- Bruk bare adapteren som følger med fra produsenten.
- Kun bruk dufter, aromaer og eteriske oljer som IKKE inneholder alkohol. Alkohol kan skade apparatet. Apparater som skades av slike tilsetningsstoffer dekkes ikke av garantien.
- Forviss deg om at apparatet står på et underlag som tåler fuktighet (unngå parkett og ømfintlige tepper).
- Ikke la området rundt luftfukteren bli fuktig eller vått. Hvis det oppstår fuktighet, sett ned styrken på luftfukteren. Hvis luftfukterens utslippsmengde ikke lar seg redusere, bør apparatet kun brukes til tider. Ikke la absorberende materialer slik som tepper, gardiner eller duker bli fuktige.
- Vær OBS på at høy luftfuktighet kan fremme vekst av biologiske organismer i miljøet.
- Ta støpselet ut av stikkkontakten under påfylling og rengjøring av apparatet.
- Vann må aldri bli stående i vannbeholder, hvis apparatet ikke er i bruk.
- Rengjør vannbeholderen hver 3. dag.
- Tømm og rengjør luftfukteren før lagring. Rengjør luftfukteren før neste gangs bruk.
- Advarsel: eventuelle mikroorganismer som finnes i vannet eller i omgivelsene der apparatet brukes eller lagres, kan gro i vannbeholderen og blåses ut i luften, noe som kan føre til meget avlorlige helsefarer.

Før installasjon: Antikalkpatron og vannhardhet (valgfritt tilbehør)

Antikalkpatronen reduserer kalken i vannet og det uønskede utslippet av kalkavleiringer i omgivelsene. Effektiv for en til tre måneder, avhengig av vannhardheten (se tabell).

Med en vannhardhet over 7° dH, anbefaler vi at det brukes en antikalkpatron (19) for å forhindre kalkavleiringer. Test vannets hardhet (kalkinnhold) med den medfølgende teststrimmelen (se side 4). Hvis strimmelen viser to rosa bokser, er vannhardheten > 7° dH. ”

1. Dypp teststrimlene i vannet i et sekund.
2. Etter rundt ett minutt kan resultatet sees på teststrimmelen. Noen av de grønne boksene endrer farge til rosa. Vannhardheten vises ved hvor mange bokser som blir rosa. Eksempel: Dersom tre bokser er rosa, er vannhardheten > 14° dH.

Viktig: Bløtlegg antikalkpatronen i et vannbad i 24 timer før førstegangsbruk (ikke i vannbeholderen!). Harpiksen er nødt til å absorbere vann for å nå høy ytelse.

Tidsperioden patronen er effektiv avhenger av vannhardheten.

Antall rosa bokser	Vannhardhet	Hardhetsgrad (°dH)	Patronen vil vare i (med 2.5 liter/dag)	
			Dager	Liter
0/1	Mykt	Fra 4°dH	140 dager	rundt 360L
2	Moderat hardt	Fra 7°dH	70 dager	rundt 180L
3	Hardt	Fra 14°dH	50 dager	rundt 120L
4	Veldig hardt	Fra 21°dH	25 dager	rundt 60L

Med en vannhardhet over 21° dH, kan vi ikke lenger anbefale bruk av en ultrasonisk luftfukter. Vi anbefaler at du bruker en fordampingsluftfukter for å øke fuktigheten i huset ditt (f.eks. luftfukteren Oskar fra Stadler Form).

Enheten fungerer best med ubehandlet vann. Ikke bruk med vannmyknere eller vannionisatorer. Ben kan imidlertid brukes med et drikkevannfiltreringssystem (f.eks. Brita). Skulle du være usikker angående kvaliteten eller sammensetningen av vannet i området ditt, ta kontakt med vaktmesteren eller leverandøren av drikkevannet.

Installasjon / drift

1. Plasser Ben i en ønsket posisjon på en flat overflate. Koble strømadapteren (1) til apparatet (2) og stikk adapteren (1) i en egnet stikkontakt.
2. Sving vanntanken (3) vekk mot siden. Skru av tanklokket (4) og fyll vanntanken opp til maksimalmerket (5) med rent og kaldt ledningsvann. Plasser så tanken inn i apparatet. Sett da vanntanken (3) mot siden igjen, diagonalt mot Ben, og slå vanntanken igjen oppover. Viktig: Ikke flytt på Ben mens den er fylt med vann. Vannet kan skvulpe ut av beholderen og havne i det elektriske.

3. Sett så Ben i drift igjen ved å trykke på på/av-knappen (6). Deretter lyser LEDene for effekt ilden opp, og tåken kommer synlig ut av apparatet (7) på trinnet for utgangskontrollen (8).
4. Ved å vri på den variable utgangskontrollen (8), kan du justere luftfukterens ytelse som du ønsker.
5. Hvis lyset fra den opplyste tåken plager deg (f.eks. på soverommet), kan du redusere intensiteten i LED-ene med dimmeknappen (9). Du kan velge mellom tre forskjellige moduser:
 - Normalmodus (standardmodus)
 - Dempet modus (trykk én gang)
 - Mørk modus (trykk to ganger)
 - Ved å trykke på knappen én gang til går du tilbake til normalmodus.
6. Du kan også bruke Ben for å spre lukt i rommet. Vi ber om at du er sparsom når du behandler dufter, siden for mye kan føre til feilfunksjonering og skade på enheten. For å bruke dufter, fjern vannbeholderen (3) fra enheten og drypp duften direkte i vannet (10) (se side 5). Legg i maksimalt 2–3 dråper med duft per fulle beholder med vann. Plasser vannbeholderen tilbake i enheten.
Tips: Ønsker du å endre duft? Fjern vannbeholderen (3) fra enheten, hell det gjenværende vannet ut og rengjør luftfukteren (se «Rengjøring»). Nå er Ben klar til å spre en ulik duft som du velger rundt i rommet. Aromadiffusjonens intensitet kan tilpasses trinnløst ved å skyve på utgangskontrollen.
7. Vannivåindikatoren (11) lyser rødt når det må fylles på vann. Fjern vannbeholderen (3) og fyll den med springvann. Sett vanntanken inn igjen. Etter noen få sekunder gjenopptar apparatet driften igjen.
8. Ønsker du å fylle på vann under drift? Du kan enkelt fjerne vannbeholderen (3) og fylle den opp. Enheten vil være i drift i ytterligere 5–10 minutter med vannet som gjenstår i systemet. Plasser vannbeholderen tilbake i enheten innen denne tidsperioden, og Ben kan fortsette drift uten å stanse opp.

Merknad: Skulle du se dråper (eller andre tegn på fuktighet) på eller rundt enheten, så er dette kondensert vann fra luftfukteren. Dette vil si at luften ikke lenger kan absorbere fuktigheten fra luftfukteren. Reguler fukteeffekten tilsvarende nedover, til man ikke kan se noen dråper.

Rengjøring

Før hver vedlikeholdsøkt og etter hvert bruk, slå av enheten og fjern pluggen fra stikkontakten. Før du rengjør Ben må strømadapteren (1) separeres fra strømadapterkontakten (2).

Obs: Aldri senk enheten i vann (fare for kortslutning).

- Av hygieniske grunner og for å garantere sikker drift, anbefaler vi følgende rengjøringsintervaller.
- **Daglig:** Fyll opp vanntanken (3) med friskt, kaldt vann fra springen. Brukes apparatet ikke i flere dager, må først vannskuffen (10) tømmes for vann og eventuelt rengjøres med litt oppvaskmiddel og en ren klut. Før apparatet tas i bruk på nytt, må det fylles på friskt vann i vanntanken (3).
- **Annenhver uke:** Først fjernes vanntanken (3), lokket (7), tildekningen (16) og Water Cube™ (12). Annenhver uke rengjøres vannskuffen(10,14,17) innvendig grundig med litt oppvaskmiddel, varmt vann og en myk, ren klut, svamp eller børste. Bruk fortennet avkalkningsmiddel (blandes iht. produsentens anvisninger) for kalkavleiringer. Deretter skylles vannskuffen (10) godt med kaldt vann og vanntanken (3), lokket (7), tildekningen (16) og Water Cube settes inn igjen.

- **Avkalking minst én gang i måneden.** Fjernes vanntanken (3), lokket (7), tildekningen (16) og water cube (12). Ved kalkavleiringer i vannskuffen (10) anbefales det å bruke Stadler Form Rengjørings- & Avkalkingsmiddel (www.stadlerform.com/accessories). Alternativt kan det brukes et husholdnings-avkalkningsmiddel eller eddik. Fyll en kopp med 2dl springvann som er blandet med avkalkningsmiddel (bland iht. produsentens anvisninger). Hell væsken forsiktig ned i vannskuffen (10). Pass på at det ikke trenger væske inn i åpningen for luftutløpet (13). Det vil skade apparatet, og føre til at garantien blir ugyldig.
- Gi avkalkningsmiddelet tid til å virke i henhold til produsentens anbefalinger (ca. 30 min.). Sjekk vannskuffen (10) for å se om kalkavleiringen på ultralyd-membranen (14) har blitt oppløst.
- Hvis det fremdeles finnes kalkrester, kan den ultrasoniske membranen (14) renses ved hjelp av rengjøringsbørsten (15) (for- og bakside). Ikke prøv å skrape disse av med en hard gjenstand.
- For avleiringer som er vanskelig å fjerne, anbefaler vi å avkalke apparatet flere ganger.
- For å skylle, fyller du koppen med 2dl springvann og heller det forsiktig ned i vannskuffen (10). Hell vannet ut av apparatet over hjørnet foran til høyre. Gjenta denne prosessen til det ikke finnes mer avkalkningsmiddel i vannskuffen (10). Sett water cube (12), lokket (7), tildekningen (16) og vanntanken (3) på plass i apparatet.
- **Regelmessig etter behov:** For å rengjøre utsiden, tørk med en fuktig klut og tørk så godt. Når lokket (7) har avleiringer fra vann og/eller duftstoffer, rengjør det med en fuktig klut og litt oppvaskmiddel.
- **På slutten av sesongen:** Før du pakker bort apparatet når sesongen er over, skal du gjennomføre en avkalking slik det beskrives ovenfor. Deretter tørker du det grundig av både inni og utenpå med en fuktig klut og lar det tørke helt. Sett inn ny Water Cube (12) og antikalkpatron (19, valgfritt tilbehør) for å gjøre apparatet startklart til nest sesong. Ikke sett bort apparatet med en brukt antikalkpatron, fordi granulatet innvendig holder seg fuktig lenge.

Skifte ut antikalkpatronen (valgfritt tilbehør)

- Vennligst finn de anbefalte utskiftningsintervallene i tabellen (se «Før installasjon»).
- Tips: Effektiviteten til patronen kan inspiseres ved en enkel test. Hold et lite speil i tåken i et par sekunder. Dersom det dukker opp hvite avleiringer (kalsiumkarbonat) på speilet, behøver patronen å skiftes ut.
- Antikalkpatronen (19) er å finne på innsiden av beholderdeksel (4). Skru først av beholderdeksel av vannbeholderen (3) og deretter fjern patronen fra deksel. Avhend patronen blant husholdningsavfallet ditt. Bløtlegg antikalkpatronen i et vannbad i 24 timer før førstegangsbruk (ikke i vannbeholderen (3)!). Harpiksen er nødt til å absorbere vann for å nå høy ytelse.
- Behold beholderdeksel når du skifter ut patronen!

Water Cube™ – optimal hygiene for luftfukteren din

Water Cube™ (12) fra Stadler Form sørger for å holde luftfukteren din frisk og hygienisk. Water Cubes forbedrer bruken og forlenger levetiden til luftfukteren din. Water Cubes (12) virker selv om luftfukteren er koblet ut og holder den frisk gjennom en hel sesong. Vi anbefaler å bytte til ny Water Cube™ i begynnelsen av luftfukter-sesongen.

Reparasjoner

- Reparasjoner på dette produktet må kun utføres av kvalifiserte teknikere. Dersom det utføres urettmessige reparasjoner utløper garantien og alt ansvarshold.
- Aldri bruk apparatet dersom adapteren eller kontakten er skadet, etter det har feilfunksjonert, dersom det har blitt mistet eller skadet på noen som helst måte (sprekker/spriker i kabinettet).
- Ikke press gjenstander inn i apparatet. Ikke demonter apparatet.
- Dersom apparatet er utenfor reparasjonsmuligheter, gjør det ubrukbart umiddelbart og lever det til et returpunkt gitt til formålet.
- I tilfelle reparasjon må disse punktene følges før apparatet sendes eller bringes til forhandleren: Apparatet må tømmes for vann (vannbeholder eller evt. løs tank), luftfukterfilter og/eller antikalk-patroner skal fjernes og apparatet få tørke helt. Rester av vann ødelegger apparatet når det transporteres. Det vil også medføre at garantien opphører.

Avhending

EU-direktiv 2012 / 19 / EF vedrørende elektriske og elektroniske apparater (Waste Electrical and Electronic Equipment - WEEE) sier at gamle elektriske husholdningsapparater ikke må kastes som vanlig restavfall. Gamle apparater må samles inn separat for å optimalisere gjenbruk og resirkulering av materialene de inneholder og redusere påvirkningen på menneskers helse og miljøet. Det overkryssede søppelkassesymbolet er for å minne om din forpliktelse om at du når du kaster apparatet må det samles inn separat. Forbrukerne må kontakte lokale myndigheter eller forhandler for informasjon angående riktig avhending av sitt gamle apparat.



Spesifikasjoner

Rangert spenning	100–240 V / 50/60 Hz
Utgangseffekt	24 W
Fukteeffekt	opp til 160 g/h
Romstørrelse (opptil)	25 m ² / 63 m ³
Kjøretid	ca. 3 dager
Dimensjoner	338 x 206 x 134 mm (bredde x høyde x dybde)
Vekt	1.7 kg
Tankekapasitet	2.5 Liter
Lydnivå	27 – 30 dB (A)
I samsvar med EU-forskrifter	CE / WEEE / RoHS / EAC

Alle rettigheter ovenfor tekniske modifikasjoner er forbeholdt



Grattis! Du har just köpt den ovanliga 3-i-1 apparaten (luftfuktare, doftspredare & effektbrasa) BEN. Den kommer att ge dig stor glädje och förbättra din inomhusluft.

Som med alla elektriska hushållsapparater krävs det att du är extra försiktig med den här modellen också, för att undvika personsador, brandsador eller skador på apparaten. Läs denna bruksanvisning noggrant innan du använder apparaten för första gången och följ säkerhetsanvisningarna på själva apparaten.

Beskrivning av apparaten

Apparaten består av följande huvuddelar:

1. Nätadapter
2. Anslutning för nätadapter
3. Vattentank
4. Tanklucka
5. Maximummärke
6. På / Av-knapp
7. Lock & Ångutsläpp
8. Variabel regulatorutgång (luftfuktare & doftspredare)
9. Knapp för LED-dimmer (normalt, nedtonat, avstängt)
10. Vattenbricka (här kan du ge några droppar doftämne i vattnet om du vill)
11. Indikator för vattennivå när vattentanken är insatt
12. Water Cube™
13. Öppning för luftutlopp
(varning: inget vatten får komma in i denna öppning)
14. Ultraljudsmembran
15. Rengöringsborste
16. Täcklock
17. Flottörbrytare
18. LED-remsa för effektbrasan
19. Antikalkpatron (Valfritt: se "Före installationen")

Så här fungerar din enhet

Ben är en 3-i-1 apparat: luftfuktare, doftspredare och effektbrasa. En membran svänger med ultraljud och finfördelar vattnet i mycket små droppar. En fläkt fördelar dropparna som dimma i rummet där dropparna avdunstar. Om eterisk olja tillsätts finfördelas även den för att blåsas ut i luften tillsammans med vattendimman. Det dimningsbara Amber Light™ skapar den unika effektbrasan som gör att dimman lyser brandgult.

Viktiga säkerhetsanvisningar

Läs igenom bruksanvisningen noga innan du använder apparaten för första gången och håll den i säkert förvar för framtida referens, vid behov ger du den vidare till nästa ägare.

- Stadler Form avser sig allt ansvar för förlust eller skada som uppstår på grund av att bruksanvisningen inte följts.
- Apparaten får endast användas i hemmet för de ändamål som beskrivs i denna bruksanvisning. Otillåten användning och tekniska ändringar på apparaten kan leda till fara för liv och hälsa.
- Starta och förvara enheten utom räckhåll för barn.

- Denna apparat kan användas av barn från 8 år och uppåt och personer med nedsatt fysisk eller mental förmåga eller brist på erfarenhet och kunskap, om de övervakas eller får instruktioner angående användning av apparaten på ett säkert sätt och förstår de inblandade riskerna. Barn ska inte leka med apparaten. Rengöring och underhåll får inte göras av barn utan tillsyn.
- Anslut endast kabeln till växelström. Observera spänningsinformationen på apparaten.
- Använd inte skadade förlängningskablar.
- Dra inte nätsladden över vassa kanter och se till att den inte kommer i kläm. Dra inte ut kontakten ur vägguttaget med våta händer eller genom att hålla i sladden.
- Använd inte denna apparat i omedelbar närhet av badkar, dusch eller simbassäng (minsta avstånd är 3 m). Placera apparaten så att en person som befinner sig i badkaret inte kan röra apparaten.
- Håll enheten borta från antändningskällor.
- Placera inte apparaten nära en värmekälla. Utsätt inte sladden för direkt värme (som t.ex. en uppvärmd värmeplatta, öppen eld, hett strykjärn, eller värmeelement). Skydda nätsladdar från olja.
- Se till att apparaten är korrekt placerad för att säkerställa en hög stabilitet under dess drift och se till att ingen kan snubbla över nätsladden.
- Apparaten är inte stänkskyddad.
- Endast för inomhusbruk.
- Förvara inte apparaten utomhus.
- Förvara apparaten på en torr plats, oåtkomlig för barn (packa in apparaten).
- Om nätsladden är skadad, måste den bytas ut av tillverkaren eller av en verkstad som godkänts av tillverkaren eller av liknande kvalificerade personer för att undvika fara.
- Använd endast den adapter som levereras från tillverkaren.
- Använd endast parfym, dofter eller eteriska oljor som INTE innehåller alkohol. Alkohol kan skada apparaten. Apparater som är skadade av sådana tillsatser omfattas inte av garantin.
- Se till att enheten placeras på en yta som inte är känslig för fukt (undvik parkett eller känsliga mattor).
- Låt inte området runt luftfuktaren bli fuktigt eller vått. Sänk luftfuktarens effekt om fukt uppstår. Om luftfuktarens utmatningsmängd inte kan sänkas, använd endast luftfuktaren ibland. Låt inte absorberande material som mattor, draperier, gardiner eller dukar bli fuktiga.
- Var medveten om att hög luftfuktighet kan främja tillväxt av biologiska organismer i omgivningen.
- Dra ut kontakten ur uttaget när du fyller och rengör enheten.
- Låt aldrig vatten vara kvar i vattenbehållaren när enheten inte används.
- Rengör vattenbehållaren var tredje dag.
- Töm och rengör luftfuktaren före förvaring. Rengör luftfuktaren före nästa användning.
- Varning: Mikroorganismer som eventuellt finns i vattnet eller i den omgivning där enheten används eller förvaras kan växa i vattenbehållaren och blåsas ut i luften och orsaka mycket allvarliga hälsorisker.

Före installationen: Antikalkpatron och vattenhårdhet (extra tillbehör)

Antikalkpatronen minskar kalkavlagringarna i vattnet och oönskat utsläpp av kalkpartiklar i omgivningen. Den är effektiv i en till tre månader, beroende på vattnets hårdhet (se tabell).

Med en vattenhårdhet över > 7° dH rekommenderar vi att du använder antikalkpatronen (19) för att inhibera kalkavlagringar. Testa vattnets hårdhet (= kalkhalt) med det medföljande testbandet (se sidan 4). Om bandet visar 2 rosa rutor är vattenhårdheten > 7° dH. "

1. Doppa testbanden i vattnet under en sekund
2. Efter cirka en minut kan resultaten ses på testbanden. Några av de gröna rutorna ändrar färg till rosa. Vattnets hårdhet visas genom hur många rutor som blir rosa. Exempel: Om tre rutor är rosa, då ligger vattenhårdheten > 14° dH.

Viktigt: Lägg antikalkpatronen i blöt i ett vattenbad under 24 timmar innan den används för första gången (inte i vattentanken!). Hartset måste absorbera vatten för att nå hög prestanda.

Tidsperioden som patronen fungerar effektivt beror på vattnets hårdhet.

Antal rosa utror	Vattenhårdhet	Hårdhetsgrad (°dH)	Patronen räcker (med 2.5 liter/dag)	
			Dagar	Liter
0/1	Mjuk	Från 4 °dH	140 dagar	runt 360L
2	Måttligt hårt	Från 7 °dH	70 dagar	runt 180L
3	Hårt	Från 14 °dH	50 dagar	runt 120L
4	Mycket hårt	Från 21 °dH	25 dagar	runt 60L

Med en vattenhårdhet på över 21° dH, kan vi inte längre rekommendera att du använder en luftfuktare med ultraljud. Vi rekommenderar att du använder en luftfuktare med ånga för att öka luftfuktigheten i ditt hus (t.ex. Oskar luftfuktare tillverkad av Stadler Form).

Apparaten fungerar bara på rätt sätt med obehandlat vatten. Använd inte där det finns vattenavhårdare och vattenjonisatorer i drift. Ben kan emellertid användas med dricksvatten från ett filtersystem (t.ex. Brita). Skulle du vara osäker på kvaliteten eller sammansättningen av vattnet i ditt område, kontakta fastighetsskötaren eller leverantören av dricksvatten.

Inställning / drift

1. Placera Ben i ett önskat område på en plan yta. Anslut nätverksadaptern (1) till apparaten (2) och koppla in adaptern (1) i ett lämpligt uttag.
2. Fäll ut vattentanken (3) åt sidan. Skruva loss tanklocket (4) och fyll upp vattentanken till max-märket (5) med rent, kallt kranvatten. Placera sedan tanken i apparaten. Gör detta genom att vrida vattentanken (3) i sidled, diagonalt mot Ben och fälla i vattentanken uppåt så att den är stängd. Viktigt: Flytta inte på Ben när den är fylld med vatten. Vattnet kan stänka ut från den inre tanken och komma in i elektroniken.
3. Ta sedan Ben i drift genom att trycka på On/Off-knappen (6). Därefter tänds lysdioderna för effektbrasan och dimman släpps synligt ut ur apparaten (7) enligt effektregulatorns (8) inställning.
4. Genom att vrida den variabla regulatorutgången (8), kan du justera luftfuktarens utgång som du vill.

5. Om du störs av den belysta dimmans ljusstyrka (t.ex. i sovrummet) kan du minska lysdiodens ljusintensitet genom att trycka på dimmerknappen (9). Välj mellan tre olika lägen:
 - Normalläge (standardläge)
 - Dämpat läge (tryck en gång)
 - Släckningsläge (tryck två gånger)
 - Genom att trycka på dimmer-knappen ytterligare en gång kan du gå tillbaka till normalläge.
6. Du kan också använda Ben för att sprida ut doft i rummet. Vi ber dig att vara sparsam när du hanterar dofter eftersom för mycket kan leda till funktionsstörningar och skador på apparaten. För att använda dofter tar du bort vattenbehållaren (3) från apparaten och droppar doften direkt i vattnet (10) (se sidan 5). Håll maximalt 2–3 droppar doft per full tank vatten. Montera tillbaka vattentanken i apparaten.

Tips: Vill du byta doft? Avlägsna vattenbehållaren(3) från apparaten, håll ut resten av vattnet och rengör luftfuktaren (se «Rengöring»). Nu är Ben redo att sprida ut en annan doft som du vill ha i rummet. Doftspridningseffektens intensitet kan justeras genom att man förskjuter effektregulatorn.
7. Om vatten måste fyllas på tänds indikatorn för vattennivån (11). Avlägsna vattenbehållaren (3) och fyll den med kranvatten. Sätt i vattentanken igen. Apparaten återupptar driften efter ett par sekunder.
8. Vill du fylla på vatten under drift? Du kan enkelt ta bort vattentanken (3) och fylla den. Apparaten fungerar i ungefär 5 till 10 minuter med vatten som finns kvar i systemet. Sätt tillbaka vattenbehållaren i apparaten inom denna tidsperiod och Ben kan fortsätta fungera utan att stanna alls.

Notera: Om du ser droppar (eller andra tecken på fukt) på eller runt apparaten, är detta kondenserat vatten från luftfuktaren. Detta innebär att luften inte längre kan absorbera fukt från luftfuktaren. Sänk luftfuktarens effekt tills inga droppar syns längre.

Rengöring

Före allt underhåll och efter varje användning, stänger du av apparaten och drar ut kontakten ur vägguttaget. Innan du rengör Ben, måste nätadaptern (1) separeras från nätadapterns anslutning (2).

Observera: Doppa inte apparaten i vatten (risk för kortslutning).

- Av hygieniska skäl och för att säkerställa en korrekt funktion rekommenderar vi följande rengöringsintervall.
- **Dagligen:** Fyll vattentanken (3) med färskt, kallt kranvatten. Om enheten inte används på flera dagar, töm först vattnet ur vattenkaret (10) och rengör den vid behov med lite diskmedel och en ren trasa. Fyll färskt vatten i vattentanken (3) innan enheten tas i drift igen.
- **Varannan vecka:** Avlägsna först vattentanken (3), locket (7), täcklocket (16) och Water Cube™ (12). Rengör insidan av vattenkaret (10,14,17) noggrant varannan vecka med lite diskmedel, varmt vatten och en mjuk, ren trasa, svamp eller borste. Använd utspätt avkalkningsmedel (blandningsförhållande enligt tillverkarens anvisningar) för kalkavlagringar. Skölj sedan vattenkaret (10) noggrant med kallt vatten och sätt i vattentanken (3), locket (7), täcklocket (16) och Water Cube igen.

- **Avkalkning minst 1x per månad.** Ta bort vattentanken (3), locket (7), täcklocket (16) och Water Cube (12). Om det finns kalkavlagringar i vattenbrickan (10) rekommenderas Stadler Form rengörings- & avkalkningsmedel (www.stadlerform.com/accessories). Alternativt kan du använda hushålls-avkalkningsmedel eller vinäger. Fyll en kopp med 2 dl kranvatten blandat med avkalkningsmedel (blandningsförhållande i enlighet med tillverkarens instruktioner). Häll vätskan försiktigt på vattenbehållaren (10). Se till att ingen vätska kommer in i öppningen för luftutlopp (13). Detta kan skada apparaten och upphäver alla garantianspråk.
- Låt avkalkningsmedlet verka enligt tillverkarens anvisningar (ca 30 min.). Kontrollera vattentråget (10) för att se om kalkavlagringen på ultraljudsmembranet (14) har lösts upp.
- Om det fortfarande finns kalkrester kvar kan ultraljudsmembranet (14) rengöras med hjälp av rengöringsborsten (15) (fram- och baksidan). Försök inte att skrapa dem med ett hårt föremål.
- För envisa kalkavlagringar rekommenderar vi att apparaten avkalkas flera gånger i rad.
- Skölj genom att fylla koppen med 2 dl kranvatten och häll försiktigt vätskan i vattenbehållaren (10). Häll ut vattnet ur apparaten via det främre hörnet till höger. Upprepa processen tills det inte finns något avkalkningsmedel kvar i vattenbehållaren (5). Sätt tillbaka Water Cube (12), locket (7), täcklocket (16) och vattentanken (3) i apparaten.
- **Regelbundet vid behov:** För att rengöra utsidan, torka av med en fuktig trasa och torka sedan ordentligt. Om locket (7) har kalkavlagringar och/eller avlagringar av doftämnen på ovensidan, ska den rengöras med en fuktig trasa och lite diskmedel.
- **I slutet av säsongen:** Genomför avkalkning enligt beskrivningen ovan innan du packar undan enheten i slutet av säsongen. Rengör den sedan ordentligt in- och utvändigt och låt den torka helt. Sätt i en ny Water Cube (12) och antikalkpatron (19, tillval) för att din apparat ska vara driftklar när nästa säsong börjar. Stuva inte undan apparaten med en använd antikalkpatron eftersom granulatet inne i patronen förblir fuktigt under längre tid.

Byte av antikalkpatronen (extra tillbehör)

- Se rekommenderade bytesintervaller i tabellen (se "Före installationen").
- Tips: Patronens effektivitet kan kontrolleras med ett enkelt test. Håll en liten spegel i ångan under några sekunder. Om det sedan finns vita avlagringar (kalciumkarbonat) på spegeln, behöver patronen bytas ut.
- Antikalkpatronen (19) är placerad på tanklockets (4) inre sida. Skruva först bort tanklocket från vattentanken (3) och skruva sedan ut patronen ur tanklocket. Kassera patronen i hushållssoporna. Lägg antikalkpatronen i blöt i ett vattenbad under 24 timmar innan den används för första gången (inte i vattentanken (3)!). Hartset måste absorbera vatten för att nå hög prestanda.
- Behåll tanklocket när du byter patronen!

Water Cube™ – optimal hygien för din luftfuktare

Water Cube™ (12) från Stadler Form sörjer för en optimal hygien i din luftfuktare. Användningen av Water Cubes leder till en felfri drift för luftfuktaren och förlänger enhetens livslängd. Water Cube™ (12) verkar även när enheten är avstängd och håller luftfuktaren fräsch under en säsong. Vi rekommenderar att Water Cube™ byts ut i början av varje luftfuktarsäsong.

Reparationer

- Reparationer av elektriska apparater får endast utföras av en kvalificerad eltekniker. Om felaktiga reparationer utförs, upphör garantin att gälla och allt ansvar frånsägs.
- Använd aldrig apparaten om en kabel eller kontakt är skadad, om den har funktionsfel, om den har tappats eller blivit skadad på något annat sätt (sprickor/brister i höljet).
- Tryck inte in några föremål i apparaten. Ta inte isär apparaten.
- Om apparaten inte går att reparera, gör den obrukbar omedelbart och lämna in den på en lämplig återvinningsstation.
- Vid reparation måste följande punkter beaktas innan apparaten skickas eller tas till återförsäljaren: Töm ut allt vatten ur apparaten (vattentråg och eventuell vattentank), avlägsna eventuella luftfuktarfilter och/eller antikalkpatroner och låt apparaten torka helt. Apparaten skadas om den transporteras med restvatten i. Garantin upphör då att gälla.

Kassering

Det europeiska direktivet 2012 / 19 / CE om avfall från elektrisk och elektronisk utrustning (WEEE), kräver att gammal hushållselektronik INTE kastas i det normala sorterade avfallet. Förbrukad utrustning måste samlas in separat för att optimera återanvändning och återvinning av det material som de innehåller och för minska påverkan på människors hälsa och på miljön. Symbolen med den överkorsade "soptunnan" på produkten påminner dig om din skyldighet att apparaten måste samlas in separat när det kasseras. Du kan kontakta din lokala myndighet eller återförsäljare för information om korrekt kassering av förbrukad elektronisk utrustning.



Specifikationer

Märkspänning	100–240 V / 50/60 Hz
Utgående effekt	24 W
Fuktutgång	upp till 160 g/h
Rumsstorlek (upp till)	25 m ² / 63 m ³
Drifttiden	ca 3 dygn
Mått	338 x 206 x 134 mm (bredd x höjd x djup)
Vikt	1.7 kg
Vattentankskapacitet	2.5 Liter
Ljudnivå	27 – 30 dB (A)
Uppfyller EU:s regler	CE / WEEE / RoHS / EAC

Alla rättigheter för tekniska ändringar förbehålles



Поздравляем! Вы только что приобрели уникальный прибор 3 в 1 (увлажнитель воздуха, ароматизатор и искусственный камин) BEN. Использование этого устройства позволит улучшить воздух в помещении, а эксплуатация доставит несомненное удовольствие.

При эксплуатации увлажнителя воздуха, а также иных электроприборов, следует обращать особое внимание на меры безопасности. Прежде, чем использовать этот электроприбор, внимательно прочтите инструкцию. Во избежание травм или повреждений имущества, строго следуйте приведенным в данной инструкции рекомендациям.

Описание устройства

Устройство состоит из следующих компонентов:

1. Адаптер электропитания
2. Разъем подключения адаптера электропитания
3. Резервуар для воды
4. Крышка резервуара для воды
5. Отметка максимального уровня воды
6. Кнопка питания
7. Крышка & Распылитель
8. Регулятор интенсивности увлажнения (Увлажнение и ароматизация)
9. Кнопка регулировки яркости светодиодных индикаторов (обычный режим, приглушенная яркость, без подсветки)
10. Лоток для воды (при желании сюда можно добавить несколько капель арома масла)
11. Указатель уровня вод
12. Water Cube™
13. Впускное отверстие для воздуха (Внимание! В это отверстие не должна попадать вода)
14. Мембрана ультразвукового генератора
15. Щеточка для чистки
16. Съёмная панель
17. Поплавковый датчик уровня воды
18. Светодиодные полосы (для эффекта пламени)
19. Картридж Anticalc для предотвращения минеральных отложений (Вариант: см "Перед первым использованием")

Принцип работы прибора

Ben — это устройство 3 в 1: увлажнитель воздуха, ароматизатор и искусственный камин. Мембрана, вибрирующая под воздействием ультразвука, расщепляет воду на мельчайшие капельки, которые затем в виде тумана распространяются вентилятором в помещении и там испаряются. При добавлении эфирного масла оно также распыляется и выдувается в воздух вместе с туманом. Эффект Янтарное пламя™ с регулируемой яркостью создает уникальный эффект огня: туман купается в янтарном свете.

Важные указания по безопасности

Сохраните эту инструкцию для дальнейших справок, а в случае передачи увлажнителя воздуха другому владельцу, передайте инструкцию вместе с электроприбором.

- Изготовитель не несет ответственности за любые травмы или ущербы, возникшие вследствие неправильной эксплуатации электроприбора.
- Увлажнитель воздуха является бытовым электроприбором и предназначен для использования только в домашних условиях в строгом соответствии с инструкцией по эксплуатации. Неправильная эксплуатация и техническая модификация устройства могут создать условия, опасные для жизни и здоровья пользователя.
- Используйте и храните прибор в недоступном для детей месте.
- Этот электроприбор не предназначен для использования детьми до 8 лет или недееспособными взрослыми без надлежащего контроля, а также лицами, не имеющими достаточных навыков по использованию электроприборов и не знакомыми с инструкцией по эксплуатации. Детям категорически запрещено играть с прибором. Чистка и установка прибора может производиться детьми исключительно под присмотром взрослых.
- Перед подключением увлажнителя воздуха к электросети удостоверьтесь в том, что напряжение электросети соответствует напряжению, паспортизированному для данного электроприбора.
- Не используйте при подключении поврежденные или перегруженные удлинители.
- Следите за тем, чтобы сетевой шнур не касался поверхностей, способных повредить шнур, не запутывался и не перекручивался. Не прикасайтесь к сетевому шнуру или его вилке мокрыми руками.
- Не эксплуатируйте электроприборы в местах с повышенной влажностью. Во избежание поражения электрическим током запрещается эксплуатировать электроприборы в непосредственной близости ванны, душа или бассейна (минимальное расстояние 3 м). Устанавливайте прибор так, чтобы он не мешался.
- Используйте прибор вдали от источников воспламенения.
- Не устанавливайте увлажнитель воздуха рядом с источниками тепла. Не допускайте, чтобы сетевой шнур касался горячих поверхностей любых нагревательных приборов, не допускайте контакта сетевого шнура с маслянистыми веществами.
- Следите за тем, чтобы нельзя было споткнуться о сетевой шнур при хождении по комнате.
- Увлажнитель воздуха не является водонепроницаемым
- Не эксплуатируйте увлажнитель воздуха вне помещений.
- Не храните увлажнитель на улице.
- Для хранения упакуйте прибор в коробку и храните в сухом помещении, в местах, недоступных для детей.
- Пользуйтесь только адаптером производителя, входящим в комплектацию прибора.
- Используйте только ароматические средства или эфирные масла, НЕ содержащие спирта. Спирт может повредить прибор. На приборы, поврежденные вследствие использования таких веществ, гарантия не распространяется.
- Удостоверьтесь в том, что прибор стоит на невосприимчивой к влаге поверхности (не ставьте прибор на паркет или ковер).
- Следите за тем, чтобы в окружении прибора не образовывалась влага. При образовании влаги уменьшите мощность увлажнителя.

Если количество выпускаемого увлажнителем воздуха не может быть уменьшено, используйте прибор периодически. Избегайте намочания впитывающих влагу материалов, таких как ковры, шторы, гардины или скатерти.

- Учитывайте, что высокая влажность воздуха может способствовать размножению биологических организмов в окружающей среде.
- При наполнении и очистке прибора отключайте его от электросети.
- Никогда не оставляйте воду в резервуаре для воды, если прибор не используется.
- Очищайте резервуар для воды каждые 3 дня.
- Прежде чем убрать увлажнитель воздуха на хранение, слейте воду и очистите прибор. Перед последующей эксплуатацией очистите увлажнитель воздуха.
- Предостережение: микроорганизмы, имеющиеся в воде или в окружающей среде, в которой эксплуатируется или хранится прибор, могут размножиться в резервуаре для воды и, выделяясь с парами в воздух, могут создавать серьезную опасность для здоровья.

Перед первым использованием: картридж Anticalc и жесткость воды (аксессуар, опционально)

Картридж Anticalc необходим для уменьшения концентрации кальция, накипи и извести в воде. Эффективен от 1 до 3 месяцев в зависимости от жесткости воды.

Если жесткость воды превышает 7° dH, рекомендуем пользоваться картриджем против накипи (19) для предотвращения известковых отложений. Уровень жесткости воды (т. е. содержание извести) можно проверить при помощи тест-полосок, входящих в комплект (см. стр. 4). Если тест-полоска показывает две розовые ячейки, жесткость вашей воды превышает 7° dH.

1. Опустите тест-полоску на 1 секунду в воду.
2. Примерно через минуту оцените результат по количеству ячеек на тест-полоске, изменивших окраску. Например, три розовые ячейки соответствуют уровню жесткости 14° dH.

Примечание. Перед первым использованием увлажнителя опустите картридж Anticalc в воду комнатной температуры на 24 часа. По истечении этого срока вставьте картридж в отведенное для него место.

Количество розовых ячеек	Жесткость воды	Степень жесткости (°Ж)	Картриджа хватит на (при использовании 2.5 литров в день)	
			дни	литры
0/1	мягкая	От 4°Ж	140 дней	~ 360 л
2	умеренно жесткая	От 7°Ж	70 дней	~ 180 л
3	жесткая	От 14°Ж	50 дней	~ 120 л
4	очень жесткая	От 21°Ж	25 дней	~ 60 л

При жесткости воды свыше 21° dH использование ультразвукового увлажнителя воздуха не рекомендуется. В таком случае лучше восполь-

зваться увлажнителем традиционного типа, таким, как модель Оскар от компании Stadler Form.

Увлажнитель предназначен для работы с обычной водопроводной водой или с питьевой водой. Не используйте для предварительного смягчения или очистки воды какие-либо иные дополнительные средства или устройства. Не используйте минеральную воду или иные жидкости, кроме воды.

Настройка / эксплуатация

1. Установите Веп в желаемом месте на ровную поверхность. Подключите сетевой адаптер (1) к устройству и вставьте вилку адаптера (2) в соответствующую розетку.
2. Снимите бак для воды (3). Открутите крышку бака (4) и наполните бак для воды до максимальной отметки (5) чистой и холодной водопроводной водой. Затем зафиксруйте бак. Для этого снова поставьте бак для воды (3) сбоку, по диагонали к устройству Веп и возвратите бак для воды назад на свое место.
Примечание: Не перемещайте увлажнитель воздуха с наполненным резервуаром— вода может выплеснуться из внутренней емкости и повредить электронные компоненты устройства.
3. Затем включите Веп, нажав кнопку включения/выключения (6). После этого загорятся светодиоды эффекта огня, при регулировке мощности (8) видимость тумана, выходящего из распылителя (7), изменяется.
4. Задайте нужный уровень интенсивности увлажнения при помощи регулятора (8).
5. Если Вам мешает подсветка пара (например, в спальне), Вы можете уменьшить яркость светодиодов нажатием на кнопку регулировки яркости (9). Можно выбрать один из трех режимов:
 - Нормальный режим (по умолчанию)
 - Режим сна (1 нажатие)
 - Подсветка отключена (2 нажатия)
 - Нормальный режим (еще 1 нажатие)
6. Вы можете использовать увлажнитель и для ароматизации воздуха в помещении. Для этого снимите резервуар (3) и добавьте 2-3 капли ароматического средства непосредственно во внутреннюю емкость (10) с водой, как показано на рисунке. Не добавляйте арома масла в резервуар с водой! Используйте ароматические вещества умеренно, чтобы не повредить увлажнитель.
Совет: для смены ароматов снимите резервуар, вылейте из внутренней емкости воду (3) и выполните чистку, как описано в соответствующем разделе инструкции. После этого можно использовать новое ароматическое средство. Интенсивность распространения аромата можно плавно регулировать перемещением регулятора мощности.
7. Если необходимо долить воду, указатель уровня воды (11) загорается красным цветом. Снова установите резервуар для воды. Прибор возобновит работу через несколько секунд.
8. Вы можете доливать воду в резервуар (3) по мере необходимости, не выключая увлажнитель воздуха. Воды во внутренней емкости

достаточно для работы увлажнителя в течение 5-10 минут без установленного резервуара.

Примечание. Если Вы обнаружите признаки сырости на предметах вокруг увлажнителя, это означает, что в помещении избыточная влажность. Уменьшайте мощность увлажнения до тех пор, пока капли не перестанут быть видимыми.

Чистка

Перед чисткой, а также после каждого использования, обязательно выньте адаптер питания (1) из разъема (2).

Внимание. Во избежание поражения электротоком никогда не погружайте электроприбор в воду.

- Из гигиенических соображений и для обеспечения бесперебойной работы прибора мы рекомендуем следующие интервалы очистки.
- **Ежедневно:** Наполняйте резервуар для воды (3) свежей холодной водопроводной водой. Если прибор не использовался несколько дней, то предварительно вылейте воду из лотка для воды (10) и при необходимости очистите его, используя небольшое количество средства для мытья посуды и чистую салфетку. Прежде чем снова включить прибор, налейте свежую воду в резервуар для воды (3).
- **Каждые 2 недели:** Сначала снимите резервуар для воды (3), крышку (7), элемент кожуха (16) и Water Cube™ (12). Тщательно очистите лоток для воды (10,14,17) изнутри, используя небольшое количество средства для мытья посуды, теплую воду, чистую мягкую салфетку, губку или щетку. Для удаления известкового налета используйте раствор средства для очистки накипи (приготовьте раствор в соответствии с инструкциями производителя). Затем хорошо промойте резервуар для воды (10) холодной водой и снова установите резервуар для воды (3), крышка (7), панель (16) и Water Cube.
- **Выполняйте декальцинацию как минимум раз в месяц.** снимите резервуар для воды (3), крышку (7), панель (16) и Water Cube (12). При наличии известковых отложений в поддоне для воды (10) рекомендуется использовать средство Stadler Form Средство для очистки и удаления накипи (www.stadlerform.com/accessories). Альтернативно Вы можете использовать бытовое средство для удаления накипи или уксус. Налейте в чашку 200 мл водопроводной воды и добавьте средство для удаления накипи (приготовьте раствор в соответствии с инструкциями производителя). Аккуратно вылейте этот раствор в лоток для воды (10). Убедитесь в том, что жидкость не попала во впускное отверстие для воздуха (13). Это может повредить устройство и привести к аннулированию гарантии.
- Оставьте средство для удаления накипи на некоторое время согласно инструкциям изготовителя (прибл. 30 мин.). Осмотрите лоток для воды (10), чтобы понять, удален ли известковый налет с ультразвуковой мембраны (14).
- Если известковый налет сохраняется, ультразвуковую мембрану (14) можно очистить при помощи щетки (15) (двусторонней). Запрещается скоблить мембрану с помощью твердых предметов.
- Если известковый налет очень твердый, рекомендуется включить режим очистки и провести удаление накипи несколько раз подряд.

- Для споласкивания налейте в чашку 200 мл водопроводной воды и аккуратно вылейте воду в лоток для воды (10). Выливайте воду из устройства через правый передний угол. Повторяйте эту процедуру до тех пор, пока из лотка для воды (10) не будет удалено все средство для очистки накипи. Установите Water Cube (12), крышка (7), панель (16) и резервуар для воды (3) назад в устройство.
- **Регулярно при необходимости:** Для наружной очистки протрите корпус влажной тряпочкой, а затем тщательно высушите. При образовании на верхней части крышки (7) отложений от воды и/или масел очистите ее влажной тканевой салфеткой с небольшим количеством средства для мытья посуды.
- **По окончании сезона эксплуатации:** По окончании сезона эксплуатации, прежде чем убрать прибор, удалите накипь, как описано выше. Затем тщательно очистите прибор изнутри и снаружи и хорошо просушите. Установите новый Water Cube (12) и картридж против накипи (19, дополнительно), чтобы ваше устройство было готово к работе в следующем сезоне. Не храните устройство с использованным картриджем против накипи, так как гранулят внутри сохраняет влажность в течение длительного времени.

Картридж против накипи (аксессуар, опционально)

- Рекомендуемые интервалы для замены картриджа можно посмотреть в таблице выше.
- Совет: для проверки эффективности картриджа проведите простой тест – подержите над распылителем в течение нескольких секунд маленькое зеркало. Если на зеркале останется белый налет, то картридж Anticalc необходимо заменить.
- Перед первым использованием увлажнителя опустите картридж Anticalc (19) в воду комнатной температуры на 24 часа. По истечении этого срока вставьте картридж в отведенное для него место. Картридж прикручивается на внутреннюю сторону крышки (4) резервуара для воды. Сначала снимите крышку с резервуара для воды (3), затем прикрепите картридж к внутренней стороне крышки.
- Не выбрасывайте крышку резервуара для воды при замене картриджа!

Бактерицидный картридж Water Cube™ – оптимальная гигиена для Вашего увлажнителя воздуха

Бактерицидный картридж Water Cube™ (12) от Stadler Form обеспечит оптимальную гигиену Вашего увлажнителя воздуха. Использование бактерицидного картриджа Water Cube™ способствует безупречной работе увлажнителя воздуха и продлевает срок службы прибора. Бактерицидный картридж Water Cube™(12) продолжает работать, даже когда прибор выключен, поддерживая таким образом оптимальную бактериальную среду в течение всего сезона эксплуатации. Перед началом каждого сезона увлажнения воздуха рекомендуется заменять бактерицидный картридж.

Ремонт и устранение неисправностей

- В целях безопасности ремонт электроприбора должен осуществляться только квалифицированными специалистами авторизованного сервисного центра. Гарантия не распространяется на неисправности, обусловленные неквалифицированным ремонтом, а также неправильной эксплуатацией электроприбора.
- Запрещается использование неисправного электроприбора, а также при механических или иных повреждениях самого электроприбора, сетевого шнура или его вилки.
- Никогда не вставляйте никакие посторонние предметы в отверстия в корпусе электроприбора.
- Если устройство не пригодно к ремонту, обрежьте сетевой шнур и сдайте в специальные пункты приема.
- В случае ремонта, прежде чем отправить прибор или отвезти его дилеру, необходимо соблюдать следующие требования: полностью слейте воду из прибора (из лотка или резервуара для воды), удалите все фильтры увлажнителя и / или картриджи против образования накипи и хорошо просушите прибор. Если в приборе осталась вода, то во время транспортировки он будет поврежден. В таком случае гарантия аннулируется.

Утилизация

Позаботьтесь об окружающей среде! Не выбрасывайте неисправные электроприборы вместе с бытовыми отходами. Обратитесь для этих целей в специализированный пункт утилизации электроприборов. Адреса пунктов приема бытовых электроприборов на переработку Вы можете получить в муниципальных службах Вашего города. Неправильная утилизация электроприборов наносит непоправимый вред окружающей среде. При замене неисправного электроприбора на новый юридическую ответственность за утилизацию должен нести продавец.



Спецификация

Номинальное напряжение / частота	100–240В / 50/60Гц
Потребляемая мощность	24 Вт
Расход воды	до 160 мл/ч
Обслуживаемая площадь	25 м ² / 63 м ³
время работы	примерно 3 дня
Габариты	338 x 206 x 134 мм (длина x высота x глубина)
Масса	примерно 1.7 кг
Емкость резервуара	2.5 л
Уровень шума	27-30 дБ (А)
Соответствует европейским правилам безопасности	CE / WEE / RoHS / EAC

Производитель сохраняет за собой право на внесение изменений в технические характеристики, комплектацию и конструкцию данной модели без предварительного уведомления.

Электронную версию инструкции можно скачать на нашем сайте:

www.stadlerform.ru

Информация о сертификации

Товар сертифицирован в соответствии с законом «О защите прав потребителей».

Установленный производителем в соответствии с п.2 ст.5 Федерального Закона РФ «О защите прав потребителей» срок службы для данного изделия равен 5 годам, при условии, что изделие используется в строгом соответствии с настоящей инструкцией по эксплуатации и применяемыми техническими стандартами.

Гарантийный срок

Гарантийный срок составляет 12 месяцев с документально подтвержденной даты продажи Оборудования/Изделия Потребителю Продавцом. В случае отсутствия у Потребителя документов, подтверждающих дату покупки, гарантийный срок рассчитывается с даты изготовления.

Дата изготовления

Дата изготовления зашифрована в виде группы цифр в серийном номере, расположенном на корпусе прибора.

Пример: 78901 1511 123456

78901 – код поставщика

15 – последние две цифры года

11 – номер месяца

123456 – номер продукта

Дату изготовления следует читать:

78901 **1511** 123456 – 2015 год, ноябрь.



Warranty/Garantie/Garantie/Garanzia/Garantía Garantie/Garanti/Takuu/Garanti/Garanti

2 Years warranty

This warranty covers defects of construction, manufacturing and material. Excluded are all wearing parts and improper usage, or consequential damages due to lack of cleaning and/or descaling of the appliance.

2 Jahre Garantie

Diese umfasst Konstruktions-, Produktions-, sowie Materialfehler. Ausgenommen sind sämtliche Verschleissteile und unsachgemässe Benutzung, sowie Folgeschäden durch mangelnde Reinigung und/oder Entkalkung des Gerätes.

Garantie 2 ans

La présente garantie couvre les défauts matériels, de construction et de fabrication. En revanche, elle exclut toutes les pièces d'usure normale, ainsi que tout dommage résultant de la négligence ou consécutif à un défaut d'entretien/de détartrage de l'appareil.

2 anni di garanzia

Questagaranzia copre difetti di costruzione, di produzione e di materiale. Tutte le parti di abrasione sono escluse e altresì l'uso o la manutenzione inappropriata dovuti alla mancanza di pulizia e/o disincrostazione dell'apparecchio.

2 años de garantía

Estagarantíacubre los defectos de construcción, fabricación y materiales. Están excluidas todas las piezas de desgaste y el uso indebido, o los daños indirectos provocados por la falta de limpieza y/o el descascarillado del dispositivo.

2 jaar garantie

Deze omvat constructie-, productie- en materiaalfouten. Uitgesloten zijn alle slijtageonderdelen en onoordeelkundig gebruik, plus gevolgschade door onvoldoende schoonmaken en/of ontkalken van het apparaat.

2 års garanti

Garantien omfatter konstruktions-, fremstillings- og matrialefejl. Alle sliddele og fejlbrug samt følgeskader pga. utilstrækkelig rengøring og/eller afkalkning af enheden er ikke indbefattet.

2 vuoden takuu

Takuu käsittää valmistus-, tuotanto- sekä materiaalivirheet. Takuun ulkopuolelle jäävät kaikki kuluvat osat ja käyttöohjeiden vastainen käyttö, tai ne vauriot, jotka johtuvat siitä, että laitetta ei ole puhdistettu ja/tai laitteessa on pinttynyttä likaa.

2 års garanti

Denne garantien dekker feil i konstruksjon, produksjon og materiale. Garantien omfatter ikke slitedeler og feilaktig bruk eller skader som skyldes mangelfull rengjøring og/eller avkalking av apparatet.

2 års garanti

Denna garanti täcker brister i tillverkning, produktion och material. Slitdelar och felaktig användning, eller följdskador på grund av bristande rengöring och/eller avkalkning av apparaten är uteslutna.



Design by Fabian Zimmerli

Thanks to all people involved in this project: Barry Huang for his engagement and organization, Jerry Lee with Shen Yongjiu for the main engineering and Shu Hebo for his CAD work, Mario Rothenbühler for the photos, Fabian Zimmerli for the unique idea and design, Matti Walker for the graphic work.

Martin Stadler, CEO Stadler Form Aktiengesellschaft

Subscribe to our newsletter!

www.stadlerform.com/Newsletter

MANUFACTURER
Stadler Form
Aktiengesellschaft
 Chamerstrasse 174
 6300 Zug, Switzerland
 Phone +41 41 720 48 48

DISTRIBUTION EU
Stadler Form Germany GmbH
 Alt-Heerdt 104
 40549 Düsseldorf, Germany
 Phone +49 211 97531-640