

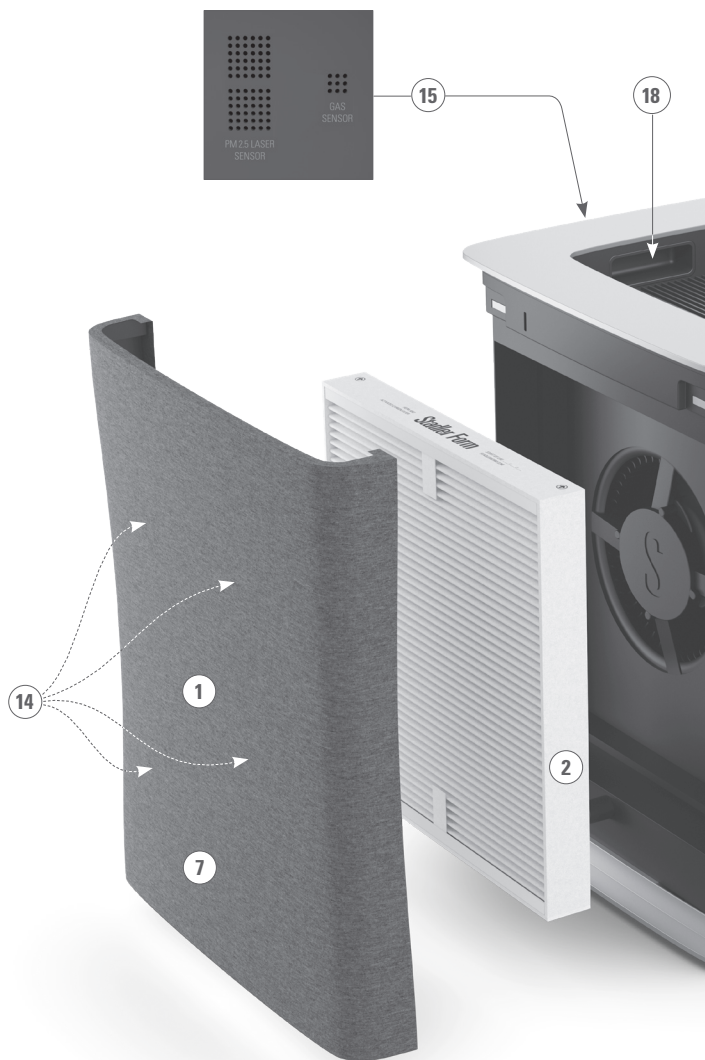
Roger, Roger^{little} & Roger^{big}

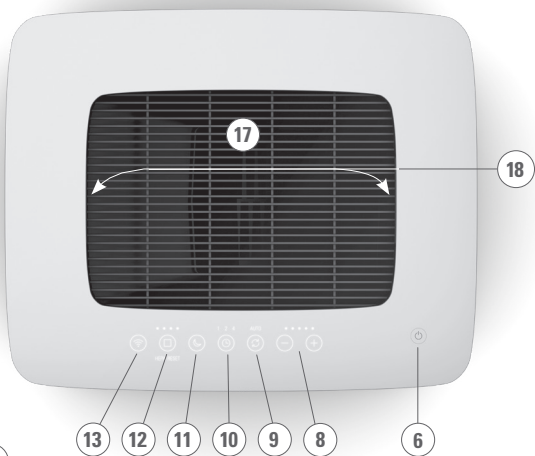
Operating instructions
Gebrauchsanweisung
Mode d'emploi
Istruzioni per l'uso
Manual de instrucciones
Gebruiksaanwijzing
Brugsanvisning
Käyttöohje
Bruksanvisning
Bruksanvisning
Инструкция по эксплуатации



Stadler Form[®]

Roger ^{big}



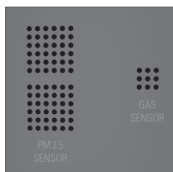


2 JAHRE GARANTIE • 2 ANNEES DE GARANTIE • 2 YEARS WARRANTY

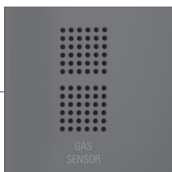
2

Roger & Roger little

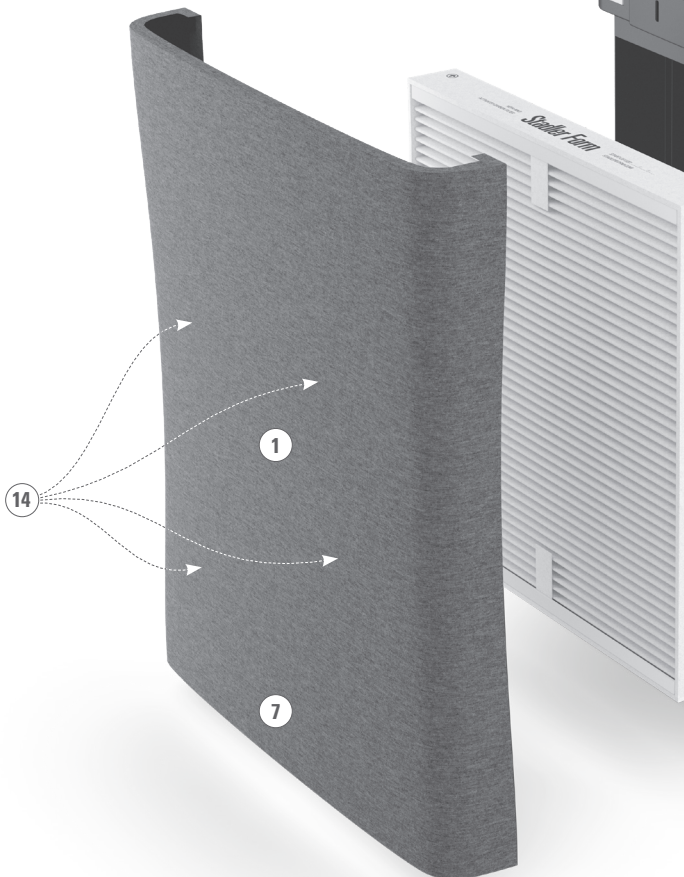
Roger

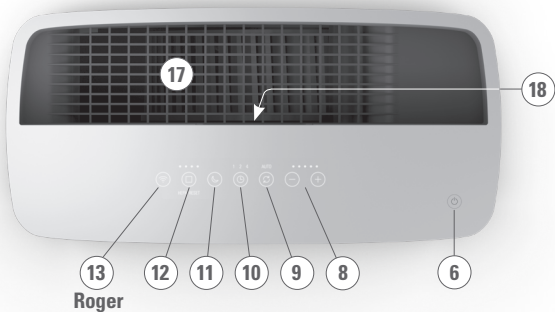


Roger little



15





2 JAHRE GARANTIE • 2 ANNEES DE GARANTIE • 2 YEARS WARRANTY

2



Share your feedback about Roger/Roger little /Roger big on:
Teilen Sie Ihr Feedback von Roger/Roger little /Roger big auf:
Partagez votre commentaire sur Roger/Roger little/Roger big :
www.stadlerform.com/Reviews



For frequently asked questions go to:
Für häufig gestellte Fragen besuchen Sie:
Trouvez la foire aux questions sur :
www.stadlerform.com/Roger/support
www.stadlerform.com/Roger-little/support
www.stadlerform.com/Roger-big/support



Download instruction manual:
Bedienungsanleitung hier herunterladen:
Téléchargez le mode d'emploi :
www.stadlerform.com/Roger/manual
www.stadlerform.com/Roger-little/manual
www.stadlerform.com/Roger-big/manual



Watch the video of Roger/Roger little/Roger big :
Schauen Sie sich das Video zu Roger/Roger little/Roger big an:
Regardez la vidéo du Roger/Roger little/Roger big :
www.stadlerform.com/Roger/video
www.stadlerform.com/Roger-little/video
www.stadlerform.com/Roger-big/video



You **Tube**

English

Congratulations! You have just acquired the exceptional air purifier ROGER/ ROGER LITTLE / ROGER BIG. It will give you great pleasure and improve the indoor air for you.

As with all domestic electrical appliances, particular care is also needed with this model in order to avoid injury, fire damage or damage to the appliance. Please study these operating instructions carefully before using this appliance for the first time and follow the safety advice on the appliance itself.

Description of the appliance

The appliance consists of the following main components:

1. Textile pre-filter with integrated Sanitized® hygiene function
2. Dual Filter™ (HEPA, Activated Carbon)
3. Housing
4. Mains cable for power supply
5. Connection for mains cable
6. On/off button
7. Air quality indicator
8. Button for the selection of the speed level
9. Button for auto mode
10. Button for timer
11. Button for night mode (air quality indicator in normal mode or switched off)
12. Button for HEPA RESET (Dual Filter-timer und exchange reminder)
13. Button for WiFi (only Roger and Roger big)
14. Air inlet
15. Position of gas sensor (Roger little), gas and particle sensor (Roger / Roger big)
16. Fan
17. Air outlet
18. Carrying handle

Important Safety Instructions

Please read through the operating instructions carefully before you use the appliance for the first time and keep them safely for later reference; if necessary pass them on to the next owner.

- Stadler Form refuses all liability for loss or damage which arises as a result of failure to follow these operating instructions.
- The appliance is only to be used in the home for the purposes described in these instructions. Unauthorised use and technical modifications to the appliance can lead to danger to life and health.
- This appliance can be used by children aged from 8 years and above and persons with reduced physical, sensory or mental capabilities or lack of experience and knowledge if they have been given supervision or instruction concerning use of the appliance in a safe way and understand the hazards involved. Children shall not play with the appliance. Cleaning and user maintenance shall not be made by children without supervision.
- Only connect the cable to alternating current. Observe the voltage information given on the appliance.
- Do not use damaged extension cords.
- Do not run the power cord over sharp edges and make sure that it does not get trapped.

- Do not pull the plug from the socket with wet hands or by holding on to the power cord.
- Do not use the appliance in immediate vicinity of a bath tub, a shower or a swimming pool (observe a minimum distance of 3 m). Place the appliance such that a person in the bath tub cannot touch the appliance.
- Do not place the appliance near a heat source. Do not subject the power cord to direct heat (such as a heated hotplate, open flames, hot iron sole plates or heaters for example). Protect power cords from oil.
- See to it that the appliance is properly positioned to ensure a high stability during its operation and make sure that no one can trip over the power cord.
- The appliance is not splash-proof.
- For indoor use only.
- Do not store the appliance outdoors.
- Store the appliance in a dry place inaccessible to children (pack the appliance).
- If the power cord is damaged, it must be replaced by the manufacturer or a repair shop authorized by the manufacturer or by similarly qualified persons in order to avoid a hazard.
- Prior to any maintenance, cleaning and after each use, switch off the appliance and unplug the mains cable from the socket.

Filter description

Textile Pre-filter (1) The textile pre-filter (1) removes coarse dust particles and dirt from the air. By doing this, it protects the Dual Filter™ and prolongs its service life. The integrated Sanitized®* hygiene function protects the textile pre-filter against microbial growth. The textile pre-filter (1) must be cleaned regularly, once or twice a month depending on the level of soiling, using the textile brush attachment for your vacuum cleaner. In the case of heavy soiling, the textile pre-filter (1) can also be washed in a washing machine at 30° on a gentle cycle. The antimicrobial protection provided by Sanitized® is guaranteed for at least 20 washes. Allergy sufferers are recommended to wash the textile pre-filter once a month and all other users every 3 months. Let the textile pre-filter (1) dry completely before attaching it to the appliance again.

*Sanitized® is the worldwide leading Swiss producer of the antimicrobial hygiene function and material protection for textiles and polymers.

Dual Filter™: HEPA, Activated Carbon (2) The Dual Filter™ is the heart of the air purifier. It is a combination of HEPA filter and Activated Carbon filter.

The HEPA filter part of the Dual Filter™ filters pollutants out of the air, such as fine dust, pollen, viruses and bacteria.

The Activated Carbon filter absorbs gases present in the air (bad odors, tobacco smoke, formaldehyde, toluene, volatile organic compounds, etc.) and filters them out of the air. The capacity of the Dual Filter™ is limited, which means that it must be replaced every 8–12 months, depending on its exposure to air and gases. Should you notice before eight months has passed that bad odors are no longer being eliminated, this is an indication that the filter needs to be changed.

Setting up / operation

1. Remove the textile pre-filter (1) by taking hold of the top on both sides and pulling it forwards. Take the Dual Filter™ (2) from its housing (3) and remove the plastic film. Set the Dual Filter™ (2) in place so that the two textile tabs are visible on the front side. Arrows on the top of the filter (2) indicate the direction in which the filter must be inserted. **Important:** Roger big has a textile pre-filter on both sides and a Dual Filter™, therefore both Dual Filter™s must be unpacked and inserted.
2. Refit the textile pre-filter (1) by inserting the positioning aids near the bottom of the textile pre-filter (1) into the notches on the housing (3) and then tilting the textile pre-filter (1) towards the housing until it is locked into place at the top by the magnets on the housing (3). Make sure that the LED cylinder at the front towards the bottom of the appliance is inserted in the hole on the pre-filter.
3. Place Roger/Roger little / Roger big to the desired location on a flat surface, ideally centered in the room. This allows air to be supplied from all sides.
4. Connect the mains cable (4) to its connection (5) on the unit and then to a suitable power outlet.
5. Turn on Roger/Roger little/ Roger big by pressing the on/off button (7). The controls and the display light up in sequence from right to left. If no further buttons are pressed within 10 seconds, the display goes out again. Otherwise, visibility is extended by a further 10 seconds. Pressing the on/off button (6) or the controls lights them back up. To turn Roger/Roger little / Roger big off, press the on/off button (6) for two seconds.
6. Air quality is measured by means of various sensors (Roger / Roger big = gas and particle sensor PM2.5 / Roger little = gas sensor) and is indicated by the air quality indicator (7) in front of the textile pre-filter (1). The blue LED means good air quality. The orange LED shows medium air quality, and the red LED shows poor air quality. If the device is switched on again, the display will light up in orange for the first three minutes. The display then changes to the air quality currently measured (blue, orange or red).
7. You can change the speed level by pressing the button for the selection of the speed level (8) (one LED for level 1, two LEDs for level 2, etc.). Increasing the speed level is useful when the air quality indicator (7) indicates decreasing air quality (blue for good air quality, orange for medium air quality and red for poor air quality). For optimal air purification, we recommend activating auto mode (9).
8. Pressing the button for auto mode (9) automatically adjusts the speed level to the current air quality (steps 1–4). If the air quality deteriorates, the device automatically selects a higher speed level. The display shows “Auto” when auto mode is activated.
9. By pressing the button for the timer (10) you can set the operating time for between one and seven hours (for example, 3h = 1h and 2h LEDs lit, 7h = 1h, 2h and 4h LEDs lit). The selected time is displayed above the timer button with white LEDs. Press once to set the operating time to 1h, press the button again for 2h, and so on. The remaining time is indicated by the illuminated LEDs above the timer button. The unit switches off automatically after the set operating time has elapsed. If no LEDs are lit above the timer, the unit is set to continuous operation.

10. If you are bothered by the brightness of the LEDs and the air quality indicator (7) (in a bedroom, for example), you can switch these off by pressing the button for night mode (11) once. The controls cannot be switched off completely, but go out automatically after 10 seconds without input.

Press the button for night mode again to return to normal mode.

11. Above the button for HEPA reset (12), four LEDs indicate the life span of the Dual Filter™ (2). If all four LEDs are flashing, the Dual Filter™ must be replaced. Reset the timer for the Dual Filter by pressing and holding the button for HEPA reset (12) (for about 3 seconds). If all 4 LEDs light up continuously, the timer has been successfully reset.
12. Press the WiFi button (13) to connect Roger/Roger big to the “Smart Life – Smart Living” App von Tuya Inc. (available in the App Store and via Google Play) on your smartphone. The illuminated LED above the WiFi button indicates the connection between Roger/Roger big and your smartphone. You can control all the functions of the appliance via the app and monitor the air quality in real time, even when you are not at home. For more detailed information on how to connect your Roger/Roger big to your smartphone, see the enclosed „WiFi – Quick Setup Guide“.

Cleaning and filter exchange

Prior to any maintenance, cleaning and after each use, switch off the appliance and unplug the mains cable (4) from the socket. To access the various filters, please refer to Point 1 of “Setting up / operation”.

Attention: Never submerge the appliance in water (danger of short-circuit).

- When cleaning the outside, rub the non-textile parts of your appliance with a damp cloth and then dry thoroughly.
- The textile pre-filter (1) must be cleaned regularly, once a month depending on the level of soiling, using the textile brush attachment for your vacuum cleaner. In the case of heavy soiling, the textile pre-filter (1) can also be washed in a washing machine. The antimicrobial protection provided by Sanitized® is guaranteed for at least 20 washes. Allergy sufferers are recommended to wash the textile pre-filter once a month and all other users every 3 months.
- The textile pre-filter will need to be removed from its plastic frame before it can be washed in a washing machine. In order to do that, all the material will need to be removed from the two positioning aids, the two pin, the 4 tabs and the two corner tabs at the top. The textile pre-filter can be washed at 30° on a gentle cycle. Let the textile pre-filter (1) dry completely before attaching it to the appliance again. To do that, stretch the material over the plastic part so that the washing label is at the top and on the inside. All openings in the material to be threaded through are marked with bright-coloured thread. In addition, the material should be lifted over the two corner tabs at the top of the appliance. **Caution:** Never put the textile pre-filter, filter or other parts of the housing in the dishwasher!
- The Dual Filter™ (2) cannot be cleaned and must be replaced after 8–12 months. If all four LEDs flash above the button for HEPA reset (12), the filter must be replaced. Should you notice that bad odors are no longer being released, this is also an indication that the filter needs to be changed.

After replacing the filter, reset the timer for the Dual Filter™ by pressing and holding the button for HEPA reset (12) (for about 3 seconds). If all 4 LEDs light up continuously, the timer has been successfully reset.

Repairs

- Repairs to electrical appliances must only be carried out by a qualified electrical technician. If improper repairs are carried out, the warranty lapses and all liability is refused.
- Never operate the appliance if the adaptor or plug is damaged, after it has malfunctioned, if it has been dropped or has been damaged in any other way (cracks/breaks in the casing).
- Do not push any object into the appliance.
- If the appliance is beyond repair, make it unusable immediately by cutting through the cable and hand it in at the collection point provided for the purpose.

Disposal

The European directive 2012 / 19 / CE on Waste Electrical and Electronic Equipment (WEEE), requires that old household electrical appliances must not be disposed in the normal unsorted municipal waste stream. Old appliances must be collected separately in order to optimize the recovery and recycling of the materials they contain and reduce the impact on human health and the environment. The crossed out "wheeled bin" symbol on the product reminds you of your obligation, that when you dispose of the appliance it must be separately collected. Consumers should contact their local authority or retailer for information concerning the correct disposal of their old appliance.



Specifications Roger

Rated voltage	100–240 V / 50–60 Hz
Rated power	4–100 W
Room size	up to 39 m ² with 5x/h air exchange (heavy air pollution and for allergy sufferers) up to 66 m ² with 3x/h air exchange (moderate air pollution/normal use)
CADR	up to 465 m ³ /h (Clean Air Delivery Rate according to AHAM)
Dimensions	420 x 516 x 200 mm (width x height x depth)
Weight	6.8 kg
Sound level	28–65 dB(A)
Complies with EU regulations	CE / WEEE / RoHS / EAC

Specifications Roger little

Rated voltage	100–240 V / 50–60 Hz
Rated power	3–40 W
Room size	up to 20 m ² with 5x/h air exchange (heavy air pollution and for allergy sufferers) up to 33 m ² with 3x/h air exchange (moderate air pollution/normal use)

CADR	up to 231 m ³ /h (Clean Air Delivery Rate according to AHAM)
Dimensions	330 x 450 x 170 mm (width x height x depth)
Weight	4.7 kg
Sound level	28–59 dB(A)
Complies with EU regulations	CE / WEEE / RoHS / EAC

Specifications Roger big

Rated voltage	100–240 V / 50–60 Hz
Rated power	4–90 W
Room size	up to 62 m ² with 5x/h air exchange (heavy air pollution and for allergy sufferers) up to 104 m ² with 3x/h air exchange (moderate air pollution/normal use)
CADR	up to 736 m ³ /h (Clean Air Delivery Rate according to AHAM)
Dimensions	420 x 520 x 340 mm (width x height x depth)
Weight	10.5 kg
Sound level	28–58 dB(A)
Complies with EU regulations	CE / WEEE / RoHS / EAC

This device contains a radio module from Stadler Form Aktiengesellschaft type: WBR3. It operates in the ISM band in the range 2.412 – 2.484 GHz with a maximum power of 56.2 mW and 89.1 mW EIRP.

All rights for any technical modifications are reserved



Deutsch

Gratulation! Sie haben soeben den aussergewöhnlichen Luftreiniger ROGER/ROGER LITTLE/ROGER BIG erworben. Er wird Ihnen viel Freude machen und die Raumluft für Sie verbessern.

Wie bei allen elektrischen Haushaltsgeräten wird auch bei diesem Gerät zur Vermeidung von Verletzungen, Brand- oder Geräteschäden besondere Sorgfalt verlangt. Bitte studieren Sie die vorliegende Betriebsanleitung vor der Inbetriebnahme und beachten Sie die Sicherheitshinweise auf dem Gerät.

Gerätebeschreibung

Das Gerät besteht aus den folgenden Hauptkomponenten:

1. Textiler Vorfilter mit integrierter Sanitized® Hygienefunktion
2. Dual Filter™ (HEPA, Aktivkohlefilter)
3. Gehäuse
4. Netzkabel für die Stromversorgung
5. Anschluss für Netzkabel
6. Ein-/Aus-Taste
7. Luftqualitätsanzeige
8. Tasten für die Wahl der Geschwindigkeitsstufe
9. Taste für den Auto-Modus
10. Taste für den Timer
11. Taste für den Nacht-Modus
(Luftqualitätsanzeige normal oder ausgeschaltet)
12. Taste für den HEPA RESET (Dual Filter-Timer und Austauscherrinnerung)
13. Taste für WiFi (nur Roger und Roger big)
14. Lufteintritt
15. Position des Gas Sensors (Roger little), Gas- und Partikel Sensor
(Roger / Roger big)
16. Ventilator
17. Luftauslass
18. Tragegriff

Wichtige Sicherheitshinweise

Bitte lesen Sie die Gebrauchsanleitung genau durch, bevor Sie das Gerät das erste Mal in Betrieb nehmen und bewahren Sie sie zum späteren Nachschlagen gut auf, geben Sie sie ggf. an den Nachbesitzer weiter.

- Für Schäden, die durch Nichtbeachten dieser Gebrauchsanleitung entstehen, lehnt Stadler Form jegliche Haftung ab.
- Das Gerät ist nur im Haushalt für die in dieser Gebrauchsanweisung beschriebenen Zwecke zu benutzen. Ein nicht bestimmungsgemäßer Gebrauch sowie technische Veränderungen am Gerät können zu Gefahren für Gesundheit und Leben führen.
- Dieses Gerät kann von Kindern ab 8 Jahren und Personen mit eingeschränkten körperlichen, sensorischen oder geistigen Fähigkeiten, aber auch von unerfahrenen und unwissenden Personen verwendet werden, sofern diese das Gerät unter Aufsicht verwenden oder von einer anderen Person über die sichere Verwendung des Gerätes unterwiesen wurden und sich der damit verbundenen Gefahren bewusst sind. Kinder sollten nicht mit dem Gerät spielen. Kinder sollten das Gerät nur unter Aufsicht reinigen und pflegen.
- Schliessen Sie das Kabel nur an Wechselstrom an. Achten Sie auf die Spannungsangaben auf dem Gerät.

- Keine beschädigten Verlängerungskabel verwenden.
- Das Netzkabel nicht über scharfe Kanten ziehen oder einklemmen.
- Den Stecker nie am Netzkabel oder mit nassen Händen aus der Steckdose ziehen.
- Das Gerät nicht in unmittelbarer Nähe einer Badewanne, einer Dusche oder eines Schwimmbeckens benutzen (Mindestabstand von 3 m einhalten). Gerät so aufstellen, dass Personen das Gerät von der Badewanne aus nicht berühren können.
- Gerät nicht in der Nähe einer Wärmequelle aufstellen. Das Netzkabel keiner direkten Hitzeeinwirkung (wie z.B. heiße Herdplatte, offene Flammen, heiße Bügelsohle oder Heizöfen) aussetzen. Netzkabel vor Öl schützen.
- Darauf achten, dass das Gerät beim Betrieb eine gute Standfestigkeit besitzt und nicht über das Netzkabel gestolpert werden kann.
- Das Gerät ist nicht spritzwassergeschützt.
- Das Gerät ist nur zur Verwendung in Innenräumen geeignet.
- Das Gerät nicht im Freien aufbewahren.
- Das Gerät an einem trockenen und für Kinder unzugänglichen Ort aufbewahren (einpacken).
- Wenn das Netzkabel beschädigt ist, muss es vom Hersteller oder in einer vom Hersteller zugelassenen Werkstatt oder von ähnlich qualifizierten Personen ersetzt werden, um Gefahren zu vermeiden.
- Vor jeder Wartung, Reinigung und nach jedem Gebrauch das Gerät ausschalten und das Netzkabel von der Steckdose trennen.

Filter-Beschrieb

Textiler Vorfilter (1) Der textile Vorfilter (1) filtert grobe Staubpartikel und Schmutz aus der Luft. Dadurch schützt er den Dual Filter™ und verlängert dessen Lebensdauer. Durch die integrierte Sanitized®** Hygienefunktion wird der textile Vorfilter vor Mikrobenwachstum geschützt. Der textile Vorfilter (1) muss regelmässig, je nach Verschmutzung 1-2x pro Monat, mit der Textilbürste des Staubsaugers gereinigt werden. Bei starker Verschmutzung kann der textile Vorfilter (1) zusätzlich bei 30° im Schonwaschgang gewaschen werden. Der antimikrobielle Schutz von Sanitized® ist für mindestens 20 Waschgänge garantiert. Allergikern wird empfohlen, den textilen Vorfilter 1x im Monat zu waschen, allen anderen alle 3 Monate. Lassen Sie den textilen Vorfilter (1) komplett trocknen, bevor Sie ihn wieder am Gerät befestigen.

*Sanitized® ist das weltweit führende Schweizer Unternehmen für Hygienefunktion und Materialschutz bei Textilien und Kunststoffen.

Dual Filter™: HEPA und Aktivkohle (2) Der Dual Filter™ ist das Herzstück des Luftreinigers. Er ist eine Kombination von HEPA Filter und Aktivkohlefilter.

Der HEPA Filter Teil des Dual Filters™ filtert Schadstoffe wie Partikel, Feinstaub, Pollen, Allergene, Viren und Bakterien aus der Raumluft.

Der Aktivkohlefilter adsorbiert in der Luft vorhandene Gase (schlechte Gerüche, Tabakrauch, Formaldehyd, Toluol, flüchtige organische Verbindungen etc.) und filtert diese somit aus der Luft. Die Kapazität des Dual Filters™ ist begrenzt, weshalb er je nach Belastung der Luft durch Gase und Schadstoffe, alle 8–12 Monate ersetzt werden muss. Sollten Sie vor Ablauf der 8 Monate bemerken, dass schlechte Gerüche nicht mehr genügend eliminiert werden, ist dies ein Anzeichen, dass der Filter gewechselt werden muss.

Inbetriebnahme/Bedienung

1. Lösen Sie den textilen Vorfilter (1) indem Sie ihn an beiden Seiten im oberen Bereich nach vorne ziehen. Nehmen Sie den Dual Filter™ (2) aus dem Gehäuse (3) und entfernen Sie die Plastikfolie. Setzen Sie den Dual Filter™ (2) so ein, dass die beiden Textil-Laschen auf der Vorderseite ersichtlich sind. Pfeile an der Oberseite des Filters (2) zeigen die Richtung an, in die der Filter eingesetzt werden muss. **Wichtig:** Roger big hat auf beiden Seiten einen textilen Vorfilter und einen Dual Filter™. D.h. beide Dual Filter™ müssen ausgepackt und eingesetzt werden.
2. Bringen Sie den textilen Vorfilter (1) wieder an, indem Sie die Positionierungshilfen im unteren Bereich des textilen Vorfilters (1) in die Aussparungen am Gehäuse (3) stecken und kippen Sie den textilen Vorfilter (1) in Richtung Gehäuse bis dieser durch die Magnete am Gehäuse (3) oben arretiert wird. Achten Sie darauf, dass der LED-Zylinder, vorne im unteren Bereich des Geräts, in das Loch am Vorfilter eingefügt wird.
3. Stellen Sie Roger/Roger little / Roger big an den gewünschten Platz auf einen flachen Untergrund, optimalerweise mittig im Raum. Dies ermöglicht eine Luftzufuhr von allen Seiten.
4. Schliessen Sie das Netzkabel (4) erst an den Anschluss (5) am Gerät und dann an eine geeignete Steckdose an.
5. Schalten Sie Roger/Roger little / Roger big durch Drücken der Ein-/Aus-Taste (6) ein. Bedienelemente und Display leuchten der Reihe nach von rechts nach links auf. Werden innerhalb von 10 Sekunden keine weiteren Tasten gedrückt, erlischt das Display wieder. Ansonsten verlängert sich die Sichtbarkeit jeweils um weitere 10 Sekunden. Durch erneutes Drücken der Ein-/Aus-Taste (6) oder im Bereich der Bedienelemente leuchten diese wieder auf. Um Roger/Roger little / Roger big auszuschalten, drücken Sie die Ein-/Aus-Taste (6) zwei Sekunden lang.
6. Die Luftqualität wird über verschiedene Sensoren gemessen (Roger / Roger big = Gas- und Partikel-Sensor PM2.5 / Roger little = Gas-Sensor) und über die Anzeige (7) vorne am textilen Vorfilter (1) angezeigt. Die blaue LED bedeutet eine gute Luftqualität. Die orange LED zeigt eine mittlere und die rote LED eine schlechte Luftqualität. Wird das Gerät neu eingeschaltet, leuchtet die Anzeige die ersten 3 Minuten in oranger Farbe. Danach wechselt die Anzeige zur aktuell gemessenen Luftqualität (blau, orange oder rot).
7. Durch Drücken der Tasten für die Wahl der Geschwindigkeitsstufe (8) können Sie die Geschwindigkeitsstufe verändern (eine LED für Stufe 1, zwei LEDs für Stufe 2, etc.). Das Erhöhen der Geschwindigkeitsstufe ist sinnvoll, wenn Ihnen die Luftqualitätsanzeige (7) eine abfallende Luftqualität signalisiert (blau für gute Luftqualität, orange für mittlere Luftqualität und rot für schlechte Luftqualität). Für optimale Luftreinigung empfehlen wir die Aktivierung des Auto-Modus (9).
8. Durch Drücken der Taste für den Auto-Modus (9) wird die Geschwindigkeitsstufe automatisch an die aktuelle Luftqualität angepasst (Stufen 1–4). Verschlechtert sich die Luftqualität, wählt das Gerät selbständig eine höhere Geschwindigkeitsstufe. Das Display zeigt im aktivierten Auto-Modus „Auto“ an.
9. Durch Drücken der Timer Taste (10) können Sie die Betriebsdauer wahlweise von 1h bis 7h einstellen (z.B. 3h = LED 1h + 2h aktiv / 7h = LED 1h, 2h, 4h aktiv). Die gewählte Zeitdauer wird oberhalb der Timer Taste

mit weissen LEDs angezeigt. Durch einmaliges Drücken ist 1 h Betriebsdauer eingestellt, durch nochmaliges Drücken 2 h Betriebszeit usw. Die verbleibende Restlaufzeit wird anhand der leuchtenden LEDs oberhalb der Timer Taste angezeigt. Das Gerät schaltet automatisch aus, nachdem die eingestellte Betriebszeit abgelaufen ist. Leuchten keine LEDs oberhalb des Timers, ist das Gerät auf Dauerbetrieb eingestellt.

10. Wenn Sie sich durch die Helligkeit der LEDs und der Luftqualitätsanzeige (7) gestört fühlen (im Schlafzimmer zum Beispiel), können Sie diese durch einmaliges Drücken der Taste für den Nacht-Modus (11) ausschalten. Die Bedienelemente lassen sich nicht komplett ausschalten, erlöschen aber automatisch nach 10 Sekunden ohne Eingabe. Durch nochmaliges Drücken des Nacht-Modus-Taste können Sie wieder in den normalen Modus wechseln.
11. Oberhalb der HEPA Reset-Taste (12) zeigen Ihnen vier LEDs die Lebensdauer des Dual Filters™ (2) an. Blinken alle vier LEDs, muss der Dual Filter™ ausgetauscht werden. Setzen Sie den Zähler für die Lebensdauer des Dual Filters™, durch anhaltendes Drücken (während ca. 3 Sekunden) der HEPA Reset-Taste (12), zurück. Leuchten alle 4 LEDs kontinuierlich, wurde der Zähler erfolgreich zurückgesetzt.
12. Durch Drücken der WiFi-Taste (13) kann Roger/Roger big mit der „Smart Life – Smart Living“ App von Tuya Inc. (erhältlich im App Store und via Google Play) auf Ihrem Smartphone verbunden werden. Die leuchtende LED oberhalb der WiFi-Taste signalisiert die bestehende Verbindung zwischen Roger/Roger big und Ihrem Smartphone. Via App können sämtliche Gerätefunktionen gesteuert und die Luftqualität in Echtzeit überwacht werden, auch wenn Sie nicht Zuhause sind. Genauere Informationen dazu, wie Sie Ihren Roger/Roger big mit Ihrem Smartphone verbinden, entnehmen Sie bitte dem beiliegenden „WiFi – Quick Setup Guide“.

Reinigung und Filter-Austausch

Vor jeder Wartung, Reinigung und nach jedem Gebrauch das Gerät ausschalten und das Netzkabel (4) von der Steckdose trennen. Für den Zugang zu den verschiedenen Filtern halten Sie sich an Punkt 1. der „Inbetriebnahme/Bedienung“.

Achtung: Das Gerät nie ins Wasser tauchen (Kurzschlussgefahr).

- Zur äusseren Reinigung die nicht-textilen Teile des Gerätes mit einem feuchten Lappen abreiben und danach gut trocknen.
- Der textile Vorfilter (1) muss regelmässig, je nach Verschmutzung 1x pro Monat, mit der Textilbürste des Staubsaugers gereinigt werden. Bei starker Verschmutzung kann der textile Vorfilter (1) zusätzlich in der Waschmaschine gewaschen werden. Der antimikrobielle Schutz von Sanitized® ist für mindestens 20 Waschgänge garantiert. Allergikern wird empfohlen, den textilen Vorfilter 1x im Monat zu waschen, allen anderen alle 3 Monate.
- Zur Reinigung des textilen Vorfilters in der Waschmaschine muss der Vorfilter vom Plastikrahmen entfernt werden. Dazu ist der gesamte Stoff von den zwei Positionierungshilfen, den zwei Zapfen, den 4 Laschen und den oberen beiden Ecklaschen zu lösen. Der textile Vorfilter kann bei 30° im Schonwaschgang gewaschen werden. Lassen Sie den textilen Vorfilter (1) komplett trocknen, bevor Sie ihn wieder am Gerät befestigen. Dazu spannen Sie den Stoff über den Plastikteil, sodass die Waschetikette oben und innen zu liegen kommt. Alle einzufädelnden Öffnungen am Stoff

sind mit hellem Faden gekennzeichnet. Zusätzlich sollten der Stoff über die beiden Ecklaschen im oberen Bereich des Geräts gehoben werden.

Achtung: textile Vorfilter, Filter oder sonstige Gehäuseteile nie im Geschirrspüler reinigen!

- Der Dual Filter™ (2) kann nicht gereinigt werden und muss nach 8–12 Monaten ersetzt werden. Blinken alle vier LEDs oberhalb der HEPA Reset-Taste (12), muss der Filter ausgetauscht werden. Sollten Sie bereits vorher bemerken, dass schlechte Gerüche nicht mehr genügend eliminiert werden, ist dies ebenfalls ein Anzeichen, dass der Filter gewechselt werden muss. Setzen Sie nach dem Austausch den Zähler für die Lebensdauer des Dual-Filter™ (3), durch anhaltendes Drücken (während ca. 3 Sekunden) der HEPA Reset-Taste (12), zurück. Leuchten alle 4 LEDs kontinuierlich, wurde der Zähler erfolgreich zurückgesetzt.

Reparaturen

- Reparaturen an Elektrogeräten (Wechseln des Netzkabels) dürfen nur von instruierten Fachkräften durchgeführt werden. Bei unsachgemässen Reparaturen erlischt die Garantie und jegliche Haftung wird abgelehnt.
- Nehmen Sie das Gerät nie in Betrieb, wenn ein Kabel oder Stecker beschädigt ist, nach Fehlfunktionen des Gerätes, wenn dieses heruntergefallen ist oder auf eine andere Art beschädigt wurde (Risse/Brüche am Gehäuse).
- Nicht mit irgendwelchen Gegenständen in das Gerät eindringen.
- Ausgedientes Gerät sofort unbrauchbar machen (Netzkabel durchtrennen) und bei der dafür vorgesehenen Sammelstelle abgeben.

Entsorgung

Die europäische Richtlinie 2012 / 19 / CE über Elektro- und Elektronik-Altgeräte (WEEE) verlangt, dass elektrische Haushaltsgeräte nicht über den Restmüll oder sonstigen Haushaltsabfall entsorgt werden dürfen, sondern an Sammelpunkten für das Recycling von elektrischen und elektronischen Geräten abgegeben werden müssen. So können die Verwertung der enthaltenen Materialien optimiert und ihre Auswirkungen auf die menschliche Gesundheit und die Umwelt reduziert werden. Das durchgestrichene Abfalltonnensymbol auf dem Produkt erinnert Sie an diese Verpflichtung. Bitte fragen Sie bei Ihrer Gemeindeverwaltung nach der zuständigen Entsorgungsstelle.



Technische Daten Roger

Nennspannung	100–240 V / 50–60 Hz
Nennleistung	4–100 W
Raumgrösse	bis 39 m ² bei 5x/h Luftaustausch (hohe Belastung der Raumluft und für Allergiker) bis 66 m ² bei 3x/h Luftaustausch (mittlere Belastung der Raumluft und normaler Gebrauch)
CADR	bis 465 m ³ /h (Clean Air Delivery Rate nach AHAM)
Abmessungen	420 x 516 x 200 mm (Breite x Höhe x Tiefe)
Gewicht	6.8 kg
Schalldruckpegel	28–65 dB(A)
Erfüllt EU-Vorschrift	CE / WEEE / RoHS / EAC

Technische Daten Roger little

Nennspannung	100–240 V / 50–60 Hz
Nennleistung	3–40 W
Raumgrösse	bis 20 m ² bei 5x/h Luftaustausch (hohe Belastung der Raumluft und für Allergiker) bis 33 m ² bei 3x/h Luftaustausch (mittlere Belastung der Raumluft und normaler Gebrauch)
CADR	bis 231 m ³ /h (Clean Air Delivery Rate nach AHAM)
Abmessungen	330 x 450 x 170 mm (Breite x Höhe x Tiefe)
Gewicht	4.7 kg
Schalldruckpegel	28–59 dB(A)
Erfüllt EU-Vorschrift	CE / WEEE / RoHS / EAC

Technische Daten Roger big

Nennspannung	100–240 V / 50–60 Hz
Nennleistung	4–90 W
Raumgrösse	bis 62 m ² bei 5x/h Luftaustausch (hohe Belastung der Raumluft und für Allergiker) bis 104 m ² bei 3x/h Luftaustausch (mittlere Belastung der Raumluft und normaler Gebrauch)
CADR	bis 736 m ³ /h (Clean Air Delivery Rate nach AHAM)
Abmessungen	420 x 520 x 340 mm (Breite x Höhe x Tiefe)
Gewicht	10.5 kg
Schalldruckpegel	28–58 dB(A)
Erfüllt EU-Vorschrift	CE / WEEE / RoHS / EAC

Dieses Gerät enthält ein Funkmodul der Stadler Form Aktiengesellschaft vom Typ WBR3. Es arbeitet im ISM-Band im Bereich von 2.412 – 2.484 GHz mit einer maximalen Leistung von 56.2 mW und 89.1 mW EIRP.

Technische Änderungen vorbehalten



Français

Félicitation! Vous venez d'acheter le superbe purificateur d'air ROGER/ROGER LITTLE/ROGER BIG. Nous espérons que cet appareil vous donnera entière satisfaction et améliorera l'air intérieur pour vous.

Comme pour tous les appareils ménagers électriques, il est important d'entretenir cet appareil correctement afin d'éviter les blessures, les incendies ou les dommages. Veuillez lire attentivement le présent mode d'emploi avant la mise en service et respecter les conseils de sécurité indiqués sur l'appareil.

Description de l'appareil

L'appareil est composé des éléments principaux suivants :

1. Pré-filtre textile avec fonction d'hygiène Sanitized® intégrée
2. Dual Filter™ (HEPA, charbon activé)
3. Boîtier
4. Câble de réseau pour alimentation électrique
5. Connexion pour câble de réseau
6. Interrupteur marche/arrêt
7. Indicateur de qualité d'air
8. Bouton pour sélectionner le niveau de vitesse
9. Bouton pour mode auto
10. Bouton pour minuteur
11. Bouton pour mode nuit (Affichage de la qualité de l'air normal ou éteint)
12. Bouton de RÉINITIALISATION HEPA (minuteur du Dual Filter et rappel de changements)
13. Touche pour WiFi (seulement Roger et Roger big)
14. Entrée d'air
15. Position du capteur de gaz (Roger little), du capteur de gaz et de particules (Roger/Roger big)
16. Ventilateur
17. Sortie d'air
18. Poignée de transport

Conseils de sécurité importants

Veuillez lire attentivement le mode d'emploi avant la première mise en service de l'appareil et conservez-le pour toute consultation ultérieure ou remettez-le, le cas échéant, au nouveau propriétaire.

- La société Stadler Form décline toute responsabilité des dommages résultant du non-respect des indications données dans ce mode d'emploi.
- Cet appareil ne doit être utilisé qu'aux fins domestiques décrites dans ce mode d'emploi. Toute utilisation contraire à sa destination ainsi que toute modification technique apportée à l'appareil peut entraîner des risques pour la santé et la vie.
- Cet appareil peut être utilisé par les enfants âgés de 8 ans et plus et les personnes aux capacités physiques, sensorielles ou mentales réduites ou ne disposant pas de l'expérience ou de la connaissance nécessaire, sous surveillance ou s'ils ont reçu les instructions concernant l'utilisation de l'appareil et s'ils comprennent les dangers impliqués. Les enfants ne doivent pas jouer avec l'appareil. Les opérations de nettoyage et d'entretien ne doivent pas être effectuées par des enfants sans surveillance.
- Ne branchez le câble qu'au courant alternatif. Tenez compte des indications de tension situées sur l'appareil.

- Ne pas utiliser de rallonge électrique endommagée.
- Ne pas faire passer ou coincer le câble d'alimentation par-dessus des arêtes vives.
- Ne jamais retirer la fiche de courant de la prise en tirant sur le câble d'alimentation ou en ayant les mains mouillées.
- Ne pas utiliser l'appareil à proximité immédiate d'une baignoire, d'une douche ou d'une piscine (respecter une distance minimum de 3 m). Placer l'appareil de telle façon à ce que personne ne puisse le toucher à partir de la baignoire.
- Ne pas placer l'appareil à proximité directe d'une source de chaleur. Ne pas exposer le câble d'alimentation à la chaleur (comme p. ex. une plaque chaude de cuisinière, flammes nues, semelle chaude de fer à repasser ou poêles). Protéger le câble d'alimentation de tout contact avec de l'huile.
- Veiller à ce que l'appareil ait une bonne stabilité lors de son fonctionnement et que l'on ne puisse pas trébucher sur le câble d'alimentation.
- Cet appareil n'est pas protégé contre les projections d'eau.
- Pour usage intérieur uniquement.
- L'appareil ne doit pas être conservé à l'extérieur.
- Conserver l'appareil à un endroit sec et hors de portée des enfants (l'emballer).
- Si le câble d'alimentation est endommagé, le faire remplacer par le fabricant ou par un atelier agréé par le fabricant ou des personnes qualifiées en conséquence, afin d'éviter tout danger.
- Avant toute opération d'entretien, de nettoyage et après chaque utilisation, éteignez l'appareil et débranchez le câble secteur de la prise.

Description du filtre

Pré-filtre textile (1) Le pré-filtre textile (1) libère l'air des grosses particules de poussière et des impuretés. Il protège en outre le Dual Filter™ et prolonge sa durée de vie. Par sa fonction d'hygiène Sanitized®* intégrée, le pré-filtre textile est protégé de la prolifération des microbes. Le pré-filtre textile (1) doit être nettoyé régulièrement, entre 1 à 2 fois par mois avec la brosse textile de l'aspirateur, en fonction de son degré de saleté. S'il est très sale, le pré-filtre textile (1) peut en outre être lavé à 30° en cycle doux. La protection anti-microbes de Sanitized® est garantie pour au moins 20 cycles de lavage. Nous conseillons aux personnes souffrant d'allergies de laver le pré-filtre textile 1 fois par mois, aux autres, tous les 3 mois. Laissez sécher entièrement le pré-filtre textile (1) avant de le fixer de nouveau sur l'appareil. *Sanitized® est l'entreprise suisse leader mondial de la fonction d'hygiène et protection du matériel pour les textiles et les matières synthétiques.

Dual Filter™ : HEPA, charbon activé (2) Le Dual Filter™ est le cœur même du purificateur d'air. Il est une combinaison du filtre HEPA et d'un filtre à charbon activé.

La partie du filtre HEPA de Dual Filter™ filtre les polluants de l'air comme la poussière fine, le pollen, les virus et les bactéries.

Le filtre à charbon activé absorbe les gaz présents dans l'air (mauvaises odeurs, fumée de tabac, formaldéhyde, toluène, composés organiques volatils, etc.) et les élimine de l'air. La capacité du Dual Filter™ est limitée. Cela signifie que le filtre doit être remplacé tous les 8 à 12 mois selon son exposition à l'air et aux gaz. Si vous remarquez que les mauvaises odeurs ne sont plus éliminées avant que huit mois ne soient écoulés, cela indique que le filtre doit être changé.

Mise en marche / Manipulation

1. Détachez le pré-filtre textile (1) en le tenant en haut des deux côtés et en le tirant vers l'avant. Retirez le Dual Filter™ (2) de son boîtier (3) et retirez-le de son film en plastique. Mettez le Dual Filter™ (2) en place de façon à ce que les deux languettes en tissu soient visibles à l'avant. Les flèches sur le dessus du filtre (2) indiquent le sens dans lequel le filtre doit être inséré. **Important:** Roger big est doté des deux côtés d'un pré-filtre textile et d'un Dual Filter™. Cela signifie que les deux Dual Filter™ doivent être déballés et mis en place.
2. Remettez le pré-filtre textile (1) en insérant les aides au positionnement situées près du bas du pré-filtre textile (1) dans les encoches se trouvant sur le boîtier (3) et basculez le pré-filtre textile en direction du boîtier jusqu'à ce qu'il soit arrêté par les aimants situés en haut sur le boîtier. Prenez garde à ce que le cylindre LED situé devant au bas de l'appareil soit inséré dans l'orifice du pré-filtre.
3. Placez Roger/Roger little/Roger big dans le lieu désiré sur une surface plane, idéalement au milieu d'une pièce. Ceci permet un approvisionnement d'air de tous les côtés.
4. Branchez le câble de réseau (4) sur sa connexion (5) sur l'unité, puis sur une prise de courant appropriée.
5. Mettez Roger/Roger little/Roger big en marche en appuyant sur l'interrupteur marche/arrêt (6). Les commandes et l'écran s'allument en séquence, de droite à gauche. Si aucun bouton n'est enfoncé dans les 10 secondes qui suivent, l'écran s'éteint. Autrement, la visibilité est rallongée de 10 secondes supplémentaires. Vous pouvez rallumer l'interrupteur marche/arrêt (6) ou les commandes en appuyant dessus. Pour éteindre Roger/Roger little/Roger big, appuyez sur l'interrupteur marche/arrêt (6) pendant deux secondes.
6. La qualité d'air se mesure au moyen de divers capteurs (Roger/Roger big = capteur de gaz et de particules PM2,5 / Roger little = capteur de gaz). Elle est signalée par l'indicateur de qualité d'air (7) devant de pré-filtre textile (1). La LED bleue signifie que la qualité de l'air est bonne. La LED orange indique une qualité d'air moyenne et une LED rouge une qualité médiocre. Si l'appareil est remis sous tension, l'écran s'allume en orange pendant les trois premières minutes. L'écran change ensuite selon la mesure actuelle de la qualité d'air (bleu, orange ou rouge).
7. Vous pouvez modifier le niveau de la vitesse en appuyant sur le bouton pour sélectionner le niveau de la vitesse (8) (une LED pour le niveau 1, deux LED pour le niveau 2, etc.). Augmenter le niveau de la vitesse est utile quand l'indicateur de qualité d'air (7) indique une diminution de la qualité de l'air (bleu pour une bonne qualité d'air, orange pour une qualité d'air moyenne et rouge pour une qualité d'air médiocre). Pour une purification d'air optimale, nous recommandons d'activer le mode auto (9).
8. En appuyant sur le bouton pour mode auto (9), le niveau de la vitesse se règle automatiquement à la qualité d'air actuelle (étapes 1 à 4). Si la qualité d'air se détériore, l'appareil sélectionne automatiquement un niveau de vitesse plus élevé. L'écran affiche «Auto» quand le mode auto est activé.
9. En appuyant sur le bouton du minuteur (10), vous pouvez régler les heures de fonctionnement entre une et sept heures (par exemple, 3h = 1h et 2h de LED allumées, 7h = 1h, 2h et 4h de LED allumées). La durée sélectionnée s'affiche au-dessus du bouton du minuteur avec des

LED blanches. Appuyez une fois pour régler la durée de fonctionnement sur 1 h, appuyez de nouveau sur le bouton pour 2 h, et ainsi de suite. La durée restante est indiquée par des LED allumées au-dessus du bouton du minuteur. L'appareil s'éteint automatiquement après l'écoulement de la durée de fonctionnement réglée. Si aucune LED n'est allumée au-dessus du minuteur, l'appareil est réglé sur un fonctionnement continu.

10. Si la luminosité des LED et l'indicateur de qualité d'air (7) vous gênent (dans une chambre, par exemple), vous pouvez les éteindre en actionnant une fois le bouton pour le mode nuit (11). Les commandes ne peuvent pas s'éteindre complètement, mais s'éteignent automatiquement après 10 secondes sans intervention.

Appuyez de nouveau sur le bouton pour mode nuit pour revenir au mode normal.

11. Au-dessus du bouton de réinitialisation HEPA (12), quatre LED indiquent la durée de vie du Dual Filter™ (2). Si les quatre LED clignotent, le Dual Filter™ doit être remplacé. Réinitialisez le minuteur du Dual Filter™ en appuyant sur le bouton et en le maintenant enfoncé pour réinitialiser HEPA (12) (pendant environ 3 secondes). Si les 4 LED sont allumées en continu, le minuteur a été réinitialisé avec succès.
12. En actionnant la touche WiFi (13), Roger/Roger big peut être connecté via l'appli „Smart Life – Smart Living” de Tuya Inc. (disponible dans l'App Store et Google Play) à votre smartphone. La LED allumée au-dessus de la touche WiFi signale que Roger/Roger big est connecté à votre smartphone. L'appli permet de commander les différentes fonctions de l'appareil et de surveiller en temps réel la qualité de l'air, même lorsque vous n'êtes pas chez vous. Vous trouverez des informations plus poussées pour connecter Roger/Roger big à votre smartphone dans le „WiFi – Quick Setup Guide” ci-joint.

Nettoyage et change de filtres

Avant toute opération d'entretien, de nettoyage et après chaque utilisation, éteignez l'appareil et débranchez le câble d'alimentation (4) de la prise. Pour accéder aux divers filtres, veuillez vous référer au point 1 de « Configuration/fonctionnement ».

Attention : Ne jamais plonger l'appareil dans l'eau (risque de court-circuit).

- Passez un chiffon humide pour nettoyer les parties extérieures non textiles et séchez-les bien ensuite.
- Le pré-filtre textile (1) doit être nettoyé régulièrement, 1 à 2 fois par mois avec la brosse textile de l'aspirateur, en fonction de son degré de saleté. S'il est très sale, le pré-filtre textile (1) peut, en outre, être lavé en machine. La protection anti-microbes de Sanitized® est garantie pour au moins 20 cycles de lavage. Nous conseillons aux personnes souffrant d'allergies de laver le pré-filtre textile 1 fois par mois, aux autres, tous les 3 mois.
- Pour laver le pré-filtre textile en machine, vous devez le sortir de son cadre en plastique. Pour ce faire, vous devez détacher l'ensemble de l'étoffe des 2 aides de positionnement, des 2 tenons, des 4 languettes et des 2 languettes de coin situées en haut. Le pré-filtre textile peut être lavé à 30° en cycle doux. Laissez sécher entièrement le pré-filtre textile (1) avant de le fixer de nouveau sur l'appareil. Pour ce faire, tendez l'étoffe sur la partie en plastique afin que l'étiquette de lavage soit située en haut et à l'intérieur. Toutes les ouvertures de fixation de l'étoffe sont caractérisées par un fil clair. En outre, l'étoffe doit passer sur les deux

languettes de coin dans la partie supérieure de l'appareil. **Attention:** ne jamais passer le pré-filtre textile, le filtre ou d'autres parties du boîtier au lave-vaisselle!

- Le Dual Filter™ (2) ne peut pas être nettoyé et doit être remplacé tous les 8 à 12 mois. Si les quatre LED clignotent au-dessus du bouton de réinitialisation HEPA (12), le filtre doit être remplacé. Si vous remarquez que les mauvaises odeurs ne sont plus éliminées, cela est également une indication que le filtre a besoin d'être changé. Après avoir remplacé le filtre, réinitialisez le minuteur du Dual Filter™ en appuyant sur le bouton et en le maintenant enfoncé pour réinitialiser HEPA (12) (pendant environ 3 secondes). Si les 4 LED sont allumées en continu, le minuteur a été réinitialisé avec succès.

Réparations

- Les réparations sur les appareils électriques ne doivent être effectuées que par des électriciens qualifiés. La garantie s'éteint et toute responsabilité est exclue en cas de réparations non conformes aux règles de l'art.
- Ne mettez jamais l'appareil en service en cas d'endommagement d'un cordon ou d'une fiche, après un dysfonctionnement de l'appareil causé par une chute ou par une autre détérioration de l'appareil (boîtier fissuré/cassé).
- Ne pas pénétrer avec des objets quelconques dans l'appareil.
- Arrivé au bout de sa durée de vie, l'appareil doit immédiatement être rendu inutilisable (sectionner le cordon d'alimentation) et être déposé dans une déchetterie prévue à cet effet.

Elimination

Conformément à la directive européenne 2012 / 19 / EC sur la mise au rebut des déchets d'équipements électriques et électroniques (DEEE), les appareils ménagers usés ne doivent pas être jetés avec les déchets non triés. Ces appareils usés doivent être collectés séparément des déchets ménagers pour optimiser la récupération et le recyclage de leurs composants dans le but de réduire les effets négatifs sur la santé humaine et sur l'environnement. Le symbole de poubelle avec roulettes et croix indique que ces produits doivent être collectés et mis au rebut séparément des ordures ménagères. Les consommateurs doivent contacter les autorités locales ou leurs revendeurs concernant la mise au rebut de leurs vieux appareils.



Caractéristiques techniques Roger

Tension nominale	100–240 V / 50–60 Hz
Puissance nominale	4–100 W
Taille de la pièce	jusqu'à 39m ² avec 5x / h changement de l'air (pollution de l'air sévère & pour les allergiques) jusqu'à 66m ² avec 3x / h changement de l'air (pollution de l'air moyenne / utilisation normale)
CADR	jusqu'à 465m ³ / h (Taux d'approvisionnement en air propre selon AHAM)
Dimensions	420 x 516 x 200 mm (largeur x hauteur x profondeur)

Poids	6.8 kg
Niveau de bruit	28–65 dB(A)
Conforme à la réglementation UE	CE / DEEE / RoHS / EAC

Caractéristiques techniques Roger little

Tension nominale	100–240 V / 50–60 Hz
Puissance nominale	3–40 W
Surface de la pièce	jusqu'à 20 m ² avec 5x / h changement de l'air (pollution de l'air sévère & pour les allergiques) jusqu'à 33 m ² avec 3x / h changement de l'air (pollution de l'air moyenne / utilisation normale)
CADR	jusqu'à 231 m ³ / h (Taux d'approvisionnement en air propre selon AHAM)
Dimensions	330 x 450 x 170 mm (largeur x hauteur x profondeur)
Poids	4.7 kg
Niveau de bruit	28–59 dB(A)
Conforme à la réglementation UE	CE / DEEE / RoHS / EAC

Caractéristiques techniques Roger big

Tension nominale	100–240 V / 50–60 Hz
Puissance nominale	4–90 W
Surface de la pièce	jusqu'à 62 m ² avec 5x / h changement de l'air (pollution de l'air sévère & pour les allergiques) jusqu'à 104 m ² avec 3x / h changement de l'air (pollution de l'air moyenne / utilisation normale)
CADR	jusqu'à 736 m ³ / h (Taux d'approvisionnement en air propre selon AHAM)
Dimensions	420 x 520 x 340 mm (largeur x hauteur x profondeur)
Poids	10.5 kg
Niveau de bruit	28–58 dB(A)
Conforme à la réglementation UE	CE / DEEE / RoHS / EAC

Cet appareil contient un module radio de Stadler Form SA de type WBR3. Il fonctionne dans la bande ISM, gamme de fréquence 2 412 – 2 484 Ghz, avec une puissance maximale de 56.2 mW et 89.1 mW EIRP.

Sous réserve de modifications techniques



Italiano

Congratulazioni! Avete appena acquistato il fantastico purificatore ROGER/ROGER LITTLE/ROGER BIG. Sarà estremamente piacevole e migliorerà l'aria nell'ambiente per voi.

Come con tutte le apparecchiature elettriche domestiche, è necessaria particolare attenzione anche con questo modello, al fine di evitare infortuni, danni da incendio o danni al dispositivo. Studiare con attenzione queste istruzioni per l'uso prima di utilizzare il dispositivo per la prima volta e seguire tutte le istruzioni di sicurezza fornite con esso.

Descrizione dell'apparecchio

L'apparecchio consiste delle seguenti componenti principali:

1. Pre-filtro in tessuto con funzione igienizzante Sanitized® integrata
2. Dual Filter™ (HEPA, Carbone Attivo)
3. Alloggiamento
4. Cavo di alimentazione elettrica
5. Collegamento del cavo
6. Tasto di accensione/spegnimento
7. Indicatore di qualità dell'aria
8. Tasto selezione del livello di velocità
9. Tasto modalità automatica
10. Tasto timer
11. Tasto modalità notturna (indicatore di qualità dell'aria normale o spento)
12. Tasto per RESET HEPA (timer Dual Filter e promemoria di sostituzione)
13. Tasto per Wi-Fi (solo Roger e Roger big)
14. Presa d'aria
15. Posizione del sensore gas (Roger little), sensore particelle e gas (Roger/Roger big)
16. Ventola
17. Scarico aria
18. Maniglia di trasporto

Importanti istruzioni di sicurezza

Prima di utilizzare l'apparecchio leggere attentamente le istruzioni per l'uso. Dopo aver letto le istruzioni per l'uso, conservarle con cura per la futura consultazione.

- La Stadler Form respinge ogni responsabilità per la perdita o danni che incorrano come risultato di un mancato rispetto di queste istruzioni d'uso.
- L'apparecchio dev'essere usato solo in casa e per gli scopi descritti in queste istruzioni. L'uso non autorizzato e le modifiche tecniche all'apparecchio possono portare a pericoli per la vita e la salute.
- Questo apparecchio può essere utilizzato da bambini di età superiore agli 8 anni e persone con ridotte capacità mentali, fisiche o sensoriali o prive di esperienza e conoscenze in merito, in presenza di altre persone che ne sorvegliano l'operato o ricevano istruzioni sull'uso dell'apparecchio in modo sicuro e ne comprendano i pericoli. I bambini non devono giocare con l'apparecchio. Pulizia e manutenzione non deve essere effettuata da bambini senza supervisione.
- Collegate il cavo solo alla corrente alternata. Rispettate le informazioni sul voltaggio riportate sull'apparecchio.
- Non utilizzate prolunghie danneggiate.

- Non fate scorrere il cavo su bordi taglienti ed assicuratevi che non rimanga incastrato.
- Non tirate il cavo dalla presa con mani umide o afferrando il cavo stesso.
- Non utilizzate questo apparecchio nelle immediate vicinanze di una vasca, una doccia o una piscina (rispettate una distanza minima di 3 m). Posizionate l'apparecchio in modo che una persona dentro la vasca non possa toccare l'apparecchio.
- Non posizionate l'apparecchio vicino ad una sorgente di calore. Non sottoponete il cavo di alimentazione al calore diretto (come piastre, fiamme libere, ferri da stiro caldi o caloriferi per esempio). Proteggete i cavi di alimentazione dall'olio.
- Fate in modo che l'apparecchio sia posizionato appropriatamente per assicurare una buona stabilità durante il suo funzionamento ed assicuratevi che nessuno possa inciampare sul cavo.
- L'apparecchio non è impermeabilizzato.
- Solo per uso interno.
- Non conservare questo apparecchio all'esterno.
- Riponete l'apparecchio in un luogo asciutto inaccessibile ai bambini (rimettete l'apparecchio nella confezione).
- Se il cavo di alimentazione è danneggiato, dev'essere sostituito dal produttore, dal responsabile della manutenzione o da una persona similmente qualificata per evitare pericoli.
- Prima di effettuare interventi di manutenzione, pulizia e dopo ogni utilizzo, spegnere il dispositivo e scollegare il cavo di alimentazione dalla presa di corrente.

Descrizione filtro

Pre-filtro in tessuto (1) Il pre-filtro in tessuto (1) filtra le particelle di polvere più grandi e le impurità dell'aria, proteggendo il Dual Filter™ e prolungandone la durata. Grazie alla funzione igienizzante Sanitized®* integrata, il pre-filtro in tessuto previene la proliferazione di microbi. Il pre-filtro in tessuto (1) deve essere pulito regolarmente, 1-2 volte al mese, a seconda del grado di sporco, con la spazzola in tessuto dell'aspirapolvere. Se molto sporco, il pre-filtro in tessuto (1) può essere anche lavato a 30° con un ciclo delicato. La protezione antimicrobica di Sanitized® è garantita per almeno 20 lavaggi. Ai soggetti allergici si raccomanda di lavare il pre-filtro in tessuto una volta al mese, mentre a tutti gli altri ogni 3 mesi. Lasciate asciugare completamente il pre-filtro in tessuto (1) prima di rimontarlo nell'apparecchio.

*Sanitized® è l'azienda svizzera leader mondiale per la funzione igienizzante e la protezione dei materiali in tessuto e plastica.

Dual Filter™: Carbone Attivo e HEPA (2) Il Dual Filter™ è il cuore del purificatore d'aria ed è formato da un filtro HEPA e un filtro a carbone attivo. L'elemento filtrante HEPA del Dual Filter™ filtra gli inquinanti, come polveri sottili, polline, virus e batteri purificando l'aria da queste sostanze.

Il filtro a Carbone Attivo assorbe i componenti gassosi presenti nell'aria (come odori sgradevoli, fumo di sigarette, formaldeide, toluene, componenti organici volatili ecc.) filtrando e purificando l'aria da queste sostanze. La durata di esercizio del Dual Filter™ è limitata, questo significa che deve essere sostituito ogni 8–12 mesi, a seconda della sua esposizione all'aria e ai gas. Se notate che nel periodo antecedente gli otto mesi gli odori sgradevoli non vengono più eliminati, questa è un'indicazione ulteriore che il filtro necessita di essere sostituito.

Impostazione / Utilizzo

1. Staccate il pre-filtro in tessuto (1) tirandolo in avanti da entrambi i lati della zona superiore. Estraiete il Dual Filter™ (2) dal proprio alloggiamento (3) e rimuovete la pellicola di plastica. Mettete il Dual Filter™ (2) in posizione, in modo tale che le due linguette di tessuto siano visibili sulla parte anteriore. Le frecce sulla parte superiore del filtro (2) indicano la direzione nella quale il filtro deve essere inserito. **Importante:** Roger big ha un pre-filtro in tessuto su entrambi i lati e un Dual Filter™. Ciò significa che entrambi i Dual Filter™ devono essere privati del relativo imballaggio e inseriti.
2. Rimontate il pre-filtro in tessuto (1) inserendo gli ausili di posizionamento situati nella parte inferiore del fondo del pre-filtro in tessuto (1) negli incavi sull'alloggiamento (3) e inclinate il pre-filtro in tessuto (1) verso l'alloggiamento fino all'arresto magnetico in alto nell'alloggiamento (3). Assicuratevi che il cilindro LED, nella parte anteriore in basso dell'apparecchio, sia inserito nel foro sul pre-filtro.
3. Posizionate Roger/Roger little/Roger big su una superficie piana nell'area desiderata, preferibilmente al centro della stanza. Questo consente all'apparecchiatura di fornire aria in qualsiasi direzione.
4. Collegate il cavo d'alimentazione elettrica (4) al collegamento situato sull'apparecchio (5) e quindi a una presa di corrente adeguata.
5. Accendete il Roger/Roger little/Roger big premendo il tasto on/off (accensione/spegnimento) (6). I controlli e il display si accendono in sequenza, da destra a sinistra. Se nessun altro tasto viene premuto entro 10 secondi il display si spegnerà nuovamente. In caso contrario, la visibilità del display è prolungata di ulteriori 10 secondi. Premendo il tasto on/off (6) o i controlli le luci si riaccendono. Per spegnere Roger/Roger little/Roger big premete per due secondi il tasto on/off (6).
6. La qualità dell'aria è misurata per mezzo di vari sensori (Roger/Roger big = gas e sensore particelle PM2,5 / Roger little = sensore gas) ed è indicata dall'indicatore di qualità dell'aria (7) davanti sul pre-filtro in tessuto (1). Il LED di colore blu indica una buona qualità dell'aria. Il LED di colore arancione indica una qualità dell'aria media e il LED di colore rosso indica una qualità dell'aria scadente. Se il dispositivo viene riacceso, il display si accenderà in modalità arancione per i primi tre minuti. Il display, successivamente varierà in modalità (blu, arancio o rossa) a seconda della qualità dell'aria misurata al momento.
7. Potete modificare il livello di velocità premendo il tasto per la selezione del livello di velocità (8) (un LED per il livello 1, due LED per il livello 2, ecc.). È opportuno aumentare il livello di velocità quando l'indicatore della qualità dell'aria (7) indica una riduzione della qualità dell'aria (il colore blu indica una qualità dell'aria buona, arancione una qualità dell'aria media e il colore rosso indica una qualità dell'aria scadente). Per ottenere una purificazione ottimale dell'aria, vi consigliamo di attivare la modalità automatica (9).
8. Premendo il tasto della modalità automatica (9) il livello di velocità si regolerà automaticamente in base alla qualità dell'aria misurata al momento (passi 1–4). Se la qualità dell'aria peggiora, il dispositivo selezionerà automaticamente il livello di velocità più elevato. Il display mostrerà "Auto" quando la modalità automatica è attivata.
9. Premendo il tasto per il timer (10) potete impostare il tempo di funzionamento (ad esempio, 3h = 1h e 2h di accensione LED, 7h = 1h, 2h e 4h

accensione LED). Il tempo di funzionamento è visualizzato sopra il tasto timer con un LED di colore bianco. Premete una volta per impostare il tempo di funzionamento ad un'ora, premete nuovamente per impostare il tempo di funzionamento a due ore e così via. Il tempo rimanente è indicato dal LED acceso sopra il tasto timer. L'unità si spegne automaticamente dopo che il tempo di funzionamento impostato è esaurito. Se nessun LED è acceso sopra il timer, l'unità è impostata in modalità di funzionamento continuo.

10. Se la luminosità del LED o dell'indicatore della qualità dell'aria (7) vi disturba (ad esempio in camera da letto) potete spegnerli premendo una volta il tasto per la modalità notturna (11). I comandi non possono essere completamente spenti, ma la loro luce si spegne automaticamente dopo 10 secondi senza interazione.

Premete ancora il tasto per la modalità notturna per ritornare alla modalità normale.

11. Sopra al tasto reset HEPA (12), quattro LED indicano il ciclo di vita utile del Dual Filter™ (2). Se tutti e quattro i LED stanno lampeggiando, il Dual Filter™ deve essere sostituito. Per azzerare il timer del Dual Filter™ premete e tenete premuto (per almeno 3 secondi) il tasto reset HEPA (12). Se tutti e quattro i LED si accendono in modalità fissa, il timer è stato azzerato con successo.

12. Premendo il tasto Wi-Fi (13), Roger/Roger big può essere collegato all'app "Smart Life – Smart Living" di Tuya Inc. (disponibile nell'App Store e tramite Google Play) sul vostro smartphone. Il LED luminoso sopra il tasto Wi-Fi indica che la connessione tra Roger/Roger big e il vostro smartphone è attiva. Grazie all'app potrete controllare tutte le funzioni dell'apparecchio e monitorare la qualità dell'aria in tempo reale, anche quando siete fuori casa. Informazioni più dettagliate sulla modalità di collegamento di Roger/Roger big al vostro smartphone sono disponibili nell'allegato "Wi-Fi – Quick Setup Guide".

Pulizia e sostituzione filtro

Prima di effettuare interventi di manutenzione, pulizia e dopo ogni utilizzo, spegnere il dispositivo e scollegare il cavo di alimentazione (4) dalla presa di corrente. Per accedere ai vari filtri, si faccia riferimento al Punto 1 del capitolo "Impostazioni / funzionamento".

Attenzione: Non immergete mai l'unità in acqua (pericolo di corto circuito).

- Per la pulizia esterna, pulite le parti non tessili dell'apparecchio con un panno umido e poi asciugatele bene.
- Il pre-filtro in tessuto (1) deve essere pulito regolarmente, 1 volta al mese, a seconda del grado di sporco, con la spazzola in tessuto dell'aspirapolvere. Se molto sporco, il pre-filtro in tessuto (1) può essere anche lavato in lavatrice. La protezione antimicrobica di Sanitized® è garantita per almeno 20 lavaggi. Ai soggetti allergici si raccomanda di lavare il pre-filtro in tessuto una volta al mese, mentre a tutti gli altri ogni 3 mesi.
- Per lavare il pre-filtro in tessuto in lavatrice, occorre rimuoverlo dal telaio in plastica. A questo scopo, la parte in tessuto deve essere staccata dai due ausili di posizionamento, dai due fermi, dalle 4 linguette e dalle due linguette angolari superiori. Il pre-filtro in tessuto può essere lavato a 30° con un ciclo delicato. Lasciate asciugare completamente il pre-filtro in tessuto (1) prima di rimontarlo nell'apparecchio. A questo scopo, stendere il tessuto sulla parte in plastica in modo che l'etichetta di lavaggio sia in

alto e all'interno. Tutte le aperture da infilare, presenti nel tessuto, sono contrassegnate con un filo chiaro. Inoltre, il tessuto deve essere sollevato sopra le due linguette angolari nella parte superiore dell'apparecchio. **Attenzione:** non lavare mai il pre-filtro in tessuto, il filtro o altri componenti dell'apparecchio in lavastoviglie!

- Il Dual Filter™ (2) non può essere pulito ma deve essere necessariamente sostituito dopo 8–12 mesi. Se tutti e quattro i LED lampeggiano sopra il tasto reset HEPA (12), il filtro deve essere sostituito. Se notate che gli odori sgradevoli non vengono più eliminati, questa è un'indicazione ulteriore che il filtro necessita di essere sostituito. Dopo che avete sostituito il filtro, azzerate il timer del Dual Filter™ premendo e tenendo premuto (per almeno 3 secondi) il tasto reset HEPA (12). Se tutti e quattro i LED si accendono in modalità fissa, il timer è stato azzerato con successo.

Riparazione

- Le riparazioni agli apparecchi elettrici devono essere effettuate solo da tecnici elettricisti qualificati. Se vengono effettuate riparazioni improprie, la garanzia viene annullata e tutte le responsabilità sono rifiutate.
- Non utilizzate mai l'apparecchio se l'alimentatore o la spina sono danneggiati, dopo un malfunzionamento, se è stato fatto cadere o è stato danneggiato in qualunque altro modo (rotture/crepe nell'involucro).
- Non spingete oggetti nell'apparecchio.
- Se l'apparecchio è irreparabile, rendetelo inutilizzabile immediatamente e consegnatelo al punto di raccolta appropriato.

Smaltimento

La Direttiva Europea 2012 / 19 / CE sullo Smaltimento dei rifiuti elettrici ed elettronici (WEEE) prevede che i dispositivi elettrici domestici usati non devono essere smaltiti nelle discariche municipali di rifiuti indifferenziati. I dispositivi usati devono essere raccolti separatamente in modo da ottimizzare il recupero e il riciclaggio dei materiali in essi contenuti e ridurre l'impatto sulla salute e sull'ambiente. Il simbolo del "cestino con ruote" barrato sul prodotto ricorda l'obbligo di smaltire il dispositivo mediante raccolta differenziata. I consumatori devono contattare le autorità locali o il rivenditore per informazioni relative al corretto smaltimento di dispositivi usati.



Specifiche Roger

Tensione nominale	100–240 V / 50–60 Hz
Potenza assorbita	4–100 W
Dimensioni della stanza	fino a 39 m ² con 5x/h di ricambio d'aria (Inquinamento dell'aria intenso e per chi soffre di allergie) fino a 66 m ² con 3x/h di ricambio d'aria (Inquinamento dell'aria moderato/utilizzo normale)
CADR	fino a 465 m ³ /h (Valore d'aria filtrata da un purificatore d'aria da AHAM)
Dimensioni	420 x 516 x 200 mm (larghezza x altezza x profondità)
Peso	6.8 kg
Rumorosità	28–65 dB(A)

Conforme con i regolamenti UE CE / WEEE / RoHS / EAC

Specifiche Roger little

Tensione nominale 100–240V / 50–60Hz
Potenza assorbita 3–40W
Dimensioni della stanza fino a 20 m² con 5x/h di ricambio d'aria (Inquinamento dell'aria intenso e per chi soffre di allergie)
fino a 33 m² con 3x/h di ricambio d'aria (Inquinamento dell'aria moderato/utilizzo normale)
CADR fino a 231 m³/h (Valore d'aria filtrata da un purificatore d'aria da AHAM)
Dimensioni 330 x 450 x 170 mm (larghezza x altezza x profondità)
Peso 4.7 kg
Rumorosità 28–59 dB(A)
Conforme con i regolamenti UE CE / WEEE / RoHS / EAC

Specifiche Roger big

Tensione nominale 100–240V / 50–60Hz
Potenza assorbita 4–90W
Dimensioni della stanza fino a 62 m² con 5x/h di ricambio d'aria (Inquinamento dell'aria intenso e per chi soffre di allergie)
fino a 104 m² con 3x/h di ricambio d'aria (Inquinamento dell'aria moderato/utilizzo normale)
CADR fino a 736 m³/h (Valore d'aria filtrata da un purificatore d'aria da AHAM)
Dimensioni 420 x 520 x 340 mm (larghezza x altezza x profondità)
Peso 10.5 kg
Rumorosità 28–58 dB(A)
Conforme con i regolamenti UE CE / WEEE / RoHS / EAC

Questo dispositivo contiene un modulo radio di Stadler Form Aktiengesellschaft di tipo WBR3 funzionante nella banda ISM nella gamma 2.412 – 2.484 GHz con una potenza massima di 56.2 mW e 89.1 mW EIRP.

Tutti i diritti relativi a qualsiasi modifica tecnica sono riservati



Español

¡Enhorabuena! Acaba de comprar un extraordinario purificador de aire ROGER/ROGER LITTLE/ROGER BIG. Estamos seguros de que mejora para usted el aire en los ambientes cerrados.

Como con todos los aparatos electrodomésticos también este aparato exige un especial cuidado para evitar heridas, daños causados por incendios o daños en el aparato. Le rogamos por lo tanto que lea detenidamente el presente manual de instrucciones antes de proceder a su puesta en marcha y preste atención a las advertencias de seguridad indicadas en el aparato.

Descripción del aparato

El aparato tiene los siguientes componentes principales:

1. Prefiltro textil con función higiénica Sanitized® integrada
2. Dual Filter™ (HEPA, carbono activado)
3. Carcasa
4. Cable de suministro para la fuente de alimentación
5. Conexión para el cable de suministro
6. Botón de encendido/apagado
7. Indicador de calidad del aire
8. Botón para la selección del nivel de velocidad
9. Botón para modo automático
10. Botón para el temporizador
11. Botón para modo nocturno
(Indicación de la calidad del aire normal o desconectada)
12. Botón para REINICIO DE HEPA (temporizador de Dual Filter y recordatorio de intercambio)
13. Botón para WiFi (solo en Roger y Roger big)
14. Entrada de aire
15. Posición del sensor de gas (Roger little) y el sensor de gas y partículas (Roger/Roger big)
16. Ventilador
17. Salida de aire
18. Manija de transporte

Advertencias de seguridad importantes

Por favor, lea detenidamente el manual de instrucciones antes de poner en marcha por primera vez el aparato y guárdelas bien por si necesitara consultarlas de nuevo más adelante o, dado el caso, pasárselas a un futuro nuevo propietario.

- Stadler Form declina cualquier responsabilidad por los daños resultantes de una utilización del aparato no conforme a este manual de instrucciones.
- El aparato sólo se ha de utilizar en el hogar y con los fines descritos en este manual de instrucciones. Una utilización no conforme a las disposiciones así como modificaciones técnicas en el aparato pueden poner en peligro la salud y la vida.
- Este aparato pueden usarlo los niños mayores de 8 años y aquellas personas con capacidades físicas, sensoriales o mentales reducidas o con falta de experiencia siempre y cuando se les haya dado una formación o supervisión respecto al uso del aparato de una forma segura y entiendan los riesgos que implica. Los niños no deben jugar con el aparato. La limpieza y el mantenimiento del usuario no deben hacerlo niños sin supervisión.

- Conecte el cable sólo a la corriente alterna. En el aparato, fíjese en las indicaciones sobre el voltaje.
- No utilice ningún cable alargador estropeado.
- No pase el cable de red sobre bordes afilados ni lo pise.
- Nunca tire del enchufe del cable de red ni lo extraiga de la toma de corriente con las manos mojadas.
- No emplee el aparato cerca de bañeras, duchas o piscinas (mantenga una distancia mínima de 3 m). Coloque el aparato de manera que no sea posible tocarlo al salir de la bañera.
- No sitúe el aparato cerca de un foco calorífico. No exponga el cable de red directamente al calor (como p.ej. fogones calientes, llamas, planchas calientes o estufas). Proteja el cable de red del aceite.
- Asegúrese de que, durante su funcionamiento, el aparato mantiene una buena estabilidad y que no tropieza con el cable de red.
- El aparato no está protegido contra salpicaduras de agua.
- Sólo para uso en el interior del hogar.
- No guarde el aparato en el exterior.
- Mantenga (empaquete) el aparato en un lugar seco e inaccesible para los niños.
- En caso de que el cable de red esté dañado, debe ser sustituido por el fabricante o un taller autorizado por el fabricante o personas calificadas para evitar cualquier riesgo.
- Antes de cualquier operación de mantenimiento, limpieza o después de cada uso, apague al aparato y desenchufe el cable de la corriente de la toma.

Descripción del filtro

Prefiltro textil (1) El prefiltro textil (1) filtra las partículas de polvo y suciedad más grandes del aire. De esta forma, protege al Dual Filter™ y alarga su vida útil. La función higiénica Sanitized®* integrada protege el prefiltro textil del crecimiento microbiano. El prefiltro textil (1) se debe limpiar regularmente con el cepillo de tela de la aspiradora, una o dos veces al mes en función del grado de suciedad. Si el grado de suciedad es elevado, el prefiltro textil (1) también se puede lavar a 30° en un ciclo de lavado delicado. La protección antimicrobiana de Sanitized® se garantiza durante al menos 20 lavados. En el caso de las personas alérgicas se recomienda lavar el prefiltro textil una vez al mes, y todos los demás una vez cada tres meses. Deje que el filtro textil (1) se seque por completo antes de volver a fijarlo en el aparato. *Sanitized® es la empresa suiza líder en el campo de la función higiénica y la protección de materiales textiles y plásticos.

Dual Filter™: HEPA, carbono activado (2) Dual Filter™ es el corazón del purificador de aire. Este filtro es una combinación de un filtro HEPA y un filtro de carbono activado.

La parte del filtro HEPA de Dual Filter™ filtra contaminantes del aire, como polvo fino, polen, virus y bacterias.

El filtro de carbono activado absorbe gases presentes en el aire (olores desagradables, humo de tabaco, formaldehído, tolueno, compuestos orgánicos volátiles, etc.) y los filtra. La capacidad de Dual Filter™ es limitada. Esto significa que debe reemplazarse cada 8–12 meses, según su exposición al aire y a los gases. Si antes de que transcurran ocho meses advierte que ya no se eliminan los olores desagradables, esto indica que debe cambiarse el filtro.

Puesta en funcionamiento / manejo

1. Suelte el prefiltro textil (1) tirando de los dos lados hacia delante, en la parte superior. Tire de Dual Filter™ (2) para retirarlo de su carcasa (3) y quite la película plástica. Coloque Dual Filter™ (2) en su lugar de forma tal que las dos lengüetas textiles sean visibles en la parte delantera. Las flechas en la parte superior del filtro (2) indican la dirección en la que debe insertarse el filtro. **Importante:** Roger big tiene un prefiltro textil y un Dual Filter™ en ambos lados. Esto implica que se deben desempaquetar e instalar los dos Dual Filter™.
2. Para volver a colocar el prefiltro textil (1), inserte los accesorios de posicionamiento cerca de la parte inferior del prefiltro textil (1), en las ranuras de la carcasa (3), y bascule el prefiltro textil (1) hacia la carcasa hasta que los imanes de dicha carcasa (3) lo inmovilicen arriba. Asegúrese de que el cilindro LED quede introducido en el agujero del prefiltro, delante, en la zona inferior del aparato.
3. Coloque el Roger/Roger little/Roger big en la ubicación deseada sobre una superficie plana, idealmente en el centro de la habitación. Esto permite que haya suministro de aire desde todas direcciones.
4. Conecte el cable de suministro (4) en su conexión (5) de la unidad y luego en un tomacorriente apropiado.
5. Pulse el botón de encendido/apagado (6) para encender el Roger/Roger little/Roger big. Los controles y la pantalla se encienden de forma secuencial, de derecha a izquierda. Si no se presionan otros botones en un periodo de 10 segundos, la pantalla vuelve a apagarse. De lo contrario, se prolonga la visibilidad otros 10 segundos. Si se presiona el botón de encendido/apagado (6) o los controles, las luces vuelven a encenderse. Para apagar el Roger/Roger little/Roger big, presione el botón de encendido/apagado (6) durante dos segundos.
6. La calidad del aire se mide por medio de varios sensores (Roger/Roger big = sensor de gas y partículas PM2,5 / Roger little = sensor de gas) y se observa en el indicador de calidad del aire (7), en frente de prefiltro (1). El LED azul significa que la calidad del aire es buena. El LED naranja muestra una calidad del aire media, mientras que el LED rojo representa una calidad del aire mala. Si se vuelve a encender el dispositivo, la pantalla se encenderá durante los primeros tres minutos. Luego, la pantalla cambia para mostrar la calidad del aire medida actualmente (azul, naranja o rojo).
7. Para cambiar el nivel de velocidad, presione el botón para seleccionar el nivel de velocidad (8) (un LED para el nivel 1, dos LED para el nivel 2, etc.). Aumentar el nivel de velocidad es útil cuando el indicador de calidad del aire (7) muestra una menor calidad del aire (azul para calidad del aire buena, naranja para calidad del aire media, rojo para calidad del aire mala). Para una purificación del aire óptima, recomendamos activar el modo automático (9).
8. Si se presiona el botón del modo automático (9), se ajusta automáticamente el nivel de velocidad según la calidad del aire actual (pasos 1–4). Si la calidad del aire se degrada, el dispositivo selecciona automáticamente un nivel de velocidad más alto. Cuando se activa el modo automático, la pantalla muestra "Auto".
9. Al presionar el botón del temporizador (10), puede configurar el tiempo de operación entre una y siete horas (por ejemplo, 3h = 1h y 2h con los LED encendidos, 7h = 1h, 2h y 4h con los LED encendidos). El tiempo

seleccionado se muestra encima del botón del temporizador con los LED blancos. Presione una vez para configurar el tiempo de operación en 1 h, presione nuevamente el botón para configurarlo en 2 h, etc. El tiempo restante se indica mediante los LED encendidos, encima del botón del temporizador. La unidad se apaga automáticamente una vez transcurrido el tiempo de operación configurado. Si no se encienden LED encima del temporizador, significa que la unidad está configurada para una operación continua.

10. Si le molesta el brillo de los LED y el indicador de calidad del aire (7) (por ejemplo, en una habitación), puede apagarlos pulsando una vez el botón del modo nocturno (11). Los controles no pueden apagarse completamente, pero todas las luces se apagarán si no se introducen datos durante 10 segundos

Presione nuevamente el botón para modo nocturno para regresar al modo normal.

11. Arriba del botón de reinicio de HEPA (12), cuatro LED indican la vida útil de Dual Filter™ (2). Si los cuatro LED parpadean, significa que Dual Filter™ debe reemplazarse. Para reiniciar el temporizador de Dual Filter™, mantenga presionado el botón de reinicio de HEPA (12) durante aproximadamente 3 segundos. Si los 4 LED se encienden de manera continua, significa que se ha reiniciado correctamente el temporizador.

12. Al pulsar el botón para WiFi (13), Roger/Roger big se puede conectar con la „Smart Life – Smart Living“ App von Tuya Inc. (disponible en la App Store y en Google Play) de su smartphone. El LED iluminado por encima del botón para WiFi indica que se ha establecido una conexión entre Roger/Roger big y su smartphone. A través de la app es posible controlar todas las funciones del aparato y supervisar la calidad del aire en tiempo real incluso aunque no se halle en casa. Encontrará información más detallada sobre cómo conectar su Roger/Roger big con su smartphone en la guía adjunta „WiFi – Quick Setup Guide“.

Limpieza e intercambio de filtros

Antes de cualquier operación de mantenimiento, limpieza y después de cada uso, apague el aparato y desenchufe el cable de alimentación (4) de la toma. Para acceder a los distintos filtros, consulte el punto 1 de “Configuración/funcionamiento”.

Atención: no sumerja el aparato en agua (peligro de cortocircuito).

- Realice la limpieza exterior de las piezas no textiles del aparato con un paño húmedo para, a continuación, secarlas bien.
- El prefiltro textil (1) se debe limpiar regularmente, con el cepillo de tela de la aspiradora, una vez al mes en función del grado de suciedad. Si el grado de suciedad es elevado, el prefiltro textil (1) también se puede lavar en la lavadora. La protección antimicrobiana de Sanitized® se garantiza durante al menos 20 lavados. En el caso de las personas alérgicas se recomienda lavar el prefiltro textil una vez al mes, y todos los demás una vez cada tres meses.
- Para lavar el prefiltro textil en la lavadora es necesario retirar el prefiltro de la montura de plástico. Para ello es necesario extraer la tela al completo de las dos guías de posicionamiento, los dos estribos, las cuatro pestañas y las dos pestañas superiores de las esquinas. El prefiltro textil se puede lavar a 30° en un ciclo de lavado delicado. Deje que el filtro textil (1) se seque por completo antes de volver a fijarlo en el aparato. Para

ello, tense la tela sobre la pieza de plástico de manera que la etiqueta de lavado quede hacia arriba y hacia dentro. Todas las aberturas del tejido que se deben pasar por algún elemento están marcadas con un hilo de color claro. Además, se deberá levantar la tela sobre las dos pestañas de las esquinas, en la parte superior del aparato. **Atención:** ¡Los prefiltros textiles, los filtros y demás piezas de la carcasa no se pueden lavar en el lavavajillas!

- Dual Filter™ (2) no puede limpiarse, y debe reemplazarse después de 8–12 meses. Si parpadean los cuatro LED ubicados arriba del botón de reinicio de HEPA (12), significa que debe reemplazarse el filtro. Si advierte que ya no se liberan olores desagradables, esto también indica que debe cambiarse el filtro. Después de reemplazar el filtro, reinicie el temporizador de Dual Filter™. Para hacerlo, mantenga presionado el botón de reinicio de HEPA (12) durante aproximadamente 3 segundos. Si los 4 LED se encienden de manera continua, significa que se ha reiniciado correctamente el temporizador.

Reparaciones

- Las reparaciones en los aparatos eléctricos (cambio del cable) sólo han de ser llevadas a cabo por personal especializado y debidamente formado.
- En caso de haberse procedido a reparaciones indebidas, la garantía déjã de tener efecto y se declina cualquier responsabilidad.
- Nunca ponga en marcha el aparato si el cable o el enchufe están estropeados, si falla alguna de las funciones, si el aparato se ha caído o si ha sufrido algún otro desperfecto (rajas/roturas en el chasis).
- No introducir ningún tipo de objetos en el aparato.
- Una vez llegado el aparato al final de su vida útil, inutilizarlo inmediatamente (separar el cable) y entregarlo en el centro de recogida previsto a tal efecto.

Eliminación

La directiva europea 2012 / 19 / CE sobre residuos de equipos eléctricos y electrónicos (WEEE), exige que los aparatos eléctricos domésticos antiguos no deben eliminarse en la recogida de residuos municipal normal sin clasificar. Los aparatos antiguos deben recogerse de forma separada para optimizar la recuperación y el reciclaje de los materiales y reducir el impacto sobre la salud humana y el medioambiente. El símbolo del "cubo de basura" tachado en el producto le recuerda su obligación de que, cuando se deshaga del aparato, debe recogerse de forma separada. Los consumidores deben ponerse en contacto con las autoridades locales o con el distribuidor para obtener información respecto a la correcta eliminación del aparato antiguo.



Datos técnicos Roger

Tensión nominal	100–240V / 50–60Hz
Potencia	4–100W
Tamaño de la habitación	hasta 39m ² con intercambio de aire 5 veces por hora (contaminación de aire considerable y personas que padecen alergias) hasta 66m ² con intercambio de aire 3 veces por hora (contaminación de aire moderada / uso normal)

CADR	hasta 465 m ³ /h (Velocidad de producción aire limpio de AHAM)
Dimensiones	420 x 516 x 200 mm (ancho x alto x largo)
Peso	6.8 kg
Nivel de intensidad acústica	28–65 dB(A)
Cumple la norma UE	CE / WEEE / RoHS / EAC

Datos técnicos Roger little

Tensión nominal	100–240 V / 50–60 Hz
Potencia	3–40 W
Tamaño de la habitación	hasta 20 m ² con intercambio de aire 5 veces por hora (contaminación de aire considerable y personas que padecen alergias) hasta 33 m ² con intercambio de aire 3 veces por hora (contaminación de aire moderada/ uso normal)
CADR	hasta 231 m ³ /h (Velocidad de producción aire limpio de AHAM)
Dimensiones	330 x 450 x 170 mm (ancho x alto x largo)
Peso	4.7 kg
Nivel de intensidad acústica	28–59 dB(A)
Cumple la norma UE	CE / WEEE / RoHS / EAC

Datos técnicos Roger big

Tensión nominal	100–240 V / 50–60 Hz
Potencia	4–90 W
Tamaño de la habitación	hasta 62 m ² con intercambio de aire 5 veces por hora (contaminación de aire considerable y personas que padecen alergias) hasta 104 m ² con intercambio de aire 3 veces por hora (contaminación de aire moderada/ uso normal)
CADR	hasta 736 m ³ /h (Velocidad de producción aire limpio de AHAM)
Dimensiones	420 x 520 x 340 mm (ancho x alto x largo)
Peso	10.5 kg
Nivel de intensidad acústica	28–58 dB(A)
Cumple la norma UE	CE / WEEE / RoHS / EAC

Este aparato contiene un módulo de radio de Stadler Form Aktiengesellschaft de tipo WBR3. Este opera en la banda ISM, en la subbanda de los 2.412 – 2.484 GHz con una potencia máxima de 56.2 mW y 89.1 mW EIRP.

Quedan reservadas modificaciones técnicas



Nederlands

Gefeliciteerd met uw aankoop van dit bijzondere lucht reinigers ROGER/ROGER LITTLE/ROGER BIG! Dit apparaat voorziet uw kamer van de omgevingslucht voor u verbeteren.

Zoals met alle elektronische apparaten, is zorgvuldig gebruik noodzakelijk om verwonding, brandschade of schade aan het apparaat te vermijden. Bestudeer de instructies nauwkeurig en volg de adviezen op het apparaat zelf, alvorens het apparaat voor het eerst te gebruiken.

Apparaatbeschrijving

Het apparaat bestaat uit de volgende onderdelen:

1. Textiel voorfilter met geïntegreerde Sanitized® hygiënefunctie
2. Dual Filter™ (HEPA, actieve kool)
3. Behuizing
4. Netsnoer voor stroomvoorziening
5. Aansluiting voor het netsnoer
6. Aan-uitknop
7. Indicator voor de luchtkwaliteit
8. Knop voor het instellen van de snelheid
9. Knop voor de auto-modus
10. Knop voor de timer
11. Knop voor de nachtmodus
(weergave luchtkwaliteit normaal of uitgeschakeld)
12. Knop voor HEPA RESET
(timer voor de Dual Filter en herinnering voor vervanging)
13. Knop voor WiFi (alleen Roger en Roger big)
14. Luchtinlaat
15. Positie van de gassensor (Roger little),
gas- en deeltjesfilter (Roger/Roger big)
16. Ventilator
17. Luchtuitlaat
18. Draaggreep

Belangrijke veiligheidsinstructies

Lees de instructies zorgvuldig door voordat u het apparaat voor het eerst gebruikt en bewaar deze handleiding voor later gebruik; geef hem, indien nodig, door aan de volgende eigenaar.

- Stadler Form is op geen enkele wijze aansprakelijk voor verlies of schade ten gevolge van het nalaten van deze instructies.
- Het apparaat dient alleen in huis te worden gebruikt of voor de doeleinden die in deze instructies worden beschreven. Interferentie op het toestel door onbevoegden kan leiden tot gevaar voor de gezondheid.
- Dit apparaat kan worden gebruikt door kinderen van 8 jaar en ouder en personen met gereduceerde fysieke, zintuiglijke of mentale capaciteiten of met een tekort aan ervaring en kennis, vooropgesteld dat ze onder toezicht staan of instructies hebben gekregen m.b.t. het gebruik van het apparaat op een veilige wijze en begrijpen welke gevaren er kunnen optreden. Laat kinderen het apparaat niet als speelgoed gebruiken. Reiniging en gebruikersonderhoud mogen niet door kinderen zonder toezicht worden uitgevoerd.
- Sluit de kabel alleen op wisselstroom aan. Let op de spanningsgegevens op het apparaat.

- Gebruik geen beschadigde verlengkabels.
- De netkabel mag niet over scherpe kanten heen worden getrokken of worden vastgeklemd.
- De stekker mag nooit aan de netkabel of met natte handen uit de contactdoos worden getrokken.
- Dit apparaat mag niet bij een ligbad, een douche of een zwembad worden gebruikt (minimumafstand van 3 m aanhouden). Plaats het apparaat zo dat personen het apparaat vanaf de rand van het ligbad niet kunnen aanraken
- Plaats het apparaat niet in de buurt van een warmtebron. De netkabel mag niet aan rechtstreekse hittewerking (bijv. heet fornuisplaat, open vlammen, hete strijkzool of kachel) worden blootgesteld, netkabel tegen olie beschermen.
- Let erop dat het apparaat bij het gebruik een goede stabiliteit heeft en men niet over de netkabel kan struikelen.
- Het apparaat is niet tegen spattend water beschermd.
- Uitsluitend voor gebruik binnenshuis.
- Het apparaat niet buitenshuis opbergen.
- Het apparaat op een droge en voor kinderen niet toegankelijke plaats bewaren (inpakken).
- Als de netkabel beschadigd is, dient deze door de fabrikant of een door de fabrikant goedgekeurd servicebedrijf of soortgelijk gekwalificeerd personeel te worden vervangen om gevaarlijke situaties te voorkomen.
- Vóór willekeurig onderhoud of reiniging en na elk gebruik, dient u het apparaat uit te schakelen en de voedingskabel uit het stopcontact te halen.

Beschrijving van de filters

Textiel voorfilter (1) Het textiele voorfilter (1) filtert grove stofdeeltjes en vuil uit de lucht. Dit beschermt de Dual Filter™ en verlengt zijn levensduur. De geïntegreerde Sanitized®* -hygiënefunctie beschermt het textiele voorfilter tegen microbiële groei. Het textiele voorfilter (1) moet regelmatig, 1-2 keer per maand afhankelijk van de mate van vervuiling, worden gereinigd met de textielborstel van de stofzuiger. Als het textiele voorfilter (1) erg vuil is kan het ook op 30° met een mild wasprogramma worden gewassen. De antimicrobiële bescherming van Sanitized® is gegarandeerd voor minstens 20 wasbeurten. Allergiepatiënten wordt aangeraden het textiele voorfilter 1x per maand te wassen, alle anderen om de 3 maanden. Laat het textiele voorfilter (1) volledig drogen voordat u het weer in het apparaat zet.

*Sanitized® is het wereldwijd toonaangevende Zwitserse bedrijf voor hygiënefunctie en materiaalbescherming voor textiel en kunststoffen.

Dual Filter™: HEPA, actieve kool (2) De Dual Filter™ is de kern van de luchtreiniger. Het is een combinatie van een HEPA-filter en een actieve-koolfilter.

Het gedeelte van de Dual Filter™ met de HEPA-filter filtert vuil zoals fijn stof, stuifmeel, virussen en bacteriën uit de lucht.

De aactieve-koolfilter adsorbeert gassen die in de lucht aanwezig zijn (geurtjes, tabaksrook, formaldehyde, toluene, vluchtige organische stoffen, enz.) en filtert deze uit de lucht. De capaciteit van de Dual Filter™ is beperkt wat betekent dat deze elke 8–12 maanden vervangen moet worden, afhankelijk van de hoeveelheid lucht en gassen die de filter te verwerken krijgt. Indien u vaststelt dat na een termijn van minder dan acht maanden de slechte geurtjes niet langer verwijderd worden, is dit een aanwijzing dat de filter vervangen moet worden.

Ingebruikname / bediening

1. Maak het textiele voorfilter (1) los door het aan beide kanten bovenaan het filter naar voren te trekken. Neem de Dual Filter™ (2) uit zijn behuizing (3) en verwijder de plastic folie. Plaats de Dual Filter™ (2) zodanig dat de twee stoffen lipjes zichtbaar zijn aan de voorkant. De pijlen bovenaan de filter (2) geven de richting aan waarin de filter geplaatst moet worden. **Belangrijk:** Roger big heeft aan beide kanten een textiel voorfilter en een Dual Filter™. Beide Dual Filter™ moeten worden uitgepakt en ingezet.
2. Plaats de textiele voorfilter (1) terug door de plaatsingshulpmiddelen onderaan de textiele voorfilter (1) in de inkepingen op de behuizing (3) te steken en klap het textiele voorfilter (1) naar de behuizing toe tot aan de magneten op de behuizing (3) bovenaan vastzit. Let op dat de ledcilinder onderaan op de voorkant van het apparaat door het gat van het voorfilter steekt.
3. Plaats de Roger/Roger little/Roger big op de gewenste plaats en op een vlak oppervlak, liefst in het midden van de kamer. Hierdoor kan er lucht vanuit alle richtingen binnenkomen.
4. Sluit het netsnoer (4) aan op de aansluiting (5) op het apparaat en daarna op een geschikt stopcontact.
5. Schakel de Roger/Roger little/Roger big aan door op de aan-uitknop (6) te drukken. De knoppen en de weergave lichten in volgorde op, van links naar rechts. Wanneer u binnen 10 seconden op geen andere knop drukt, dooft de weergave weer. Anders blijft deze 10 seconden langer zichtbaar. Wanneer u op de aan-uitknop (6) of een andere knop drukt, gaan ze weer branden. Druk gedurende twee seconden op de aan-uitknop (6) om de Roger/Roger little/Roger big uit te schakelen.
6. De luchtkwaliteit wordt gemeten door verschillende sensoren (Roger/Roger big = gas- en deeltjessensor PM2,5 / Roger little = gassensor) en wordt aangegeven door de indicator voor de luchtkwaliteit (7) vooraan op het textiele voorfilter (1). Een blauwe led geeft een goede luchtkwaliteit aan. De led brandt oranje bij een middelmatige luchtkwaliteit en rood bij een slechte luchtkwaliteit. Als u het apparaat opnieuw inschakelt, krijgt de weergave gedurende de eerste drie minuten een oranje kleur. Daarna verandert de kleur van de weergave naargelang de luchtkwaliteit die op dat moment gemeten wordt (blauw, oranje of rood).
7. U kunt de snelheid wijzigen door op de knop voor het selecteren van de snelheid (8) te drukken (één led voor niveau 1, twee LEDs voor niveau 2, enz.). Het verhogen van de snelheid kan nuttig zijn wanneer de indicator voor de luchtkwaliteit (7) aangeeft dat de luchtkwaliteit achteruit gaat (blauw voor goede luchtkwaliteit, oranje voor gemiddelde luchtkwaliteit en rood voor slechte luchtkwaliteit). Voor een optimale luchtreiniging raden we aan het apparaat te gebruiken in de auto-modus (9).
8. Wanneer u op de knop voor de auto-modus (9) hebt gedrukt, wordt de snelheid automatisch geregeld naargelang de huidige luchtkwaliteit (stappen 1–4). Wanneer de luchtkwaliteit achteruit gaat, selecteert het apparaat automatisch een hogere snelheid. Op de weergave verschijnt 'AUTO' wanneer de auto-modus geactiveerd is.
9. Wanneer u op de timerknop (10) drukt, kunt u de werkingstijd instellen tussen één en zeven uur (bijvoorbeeld, 3 u = de LEDs 1 u en 2 u branden, 7 u = de LEDs 1 u, 2 u en 4 u branden). De geselecteerde tijd wordt weergegeven met witte LEDs boven de timerknop. Druk eenmaal om de

werkingstijd in te stellen op 1 u, druk nogmaals op de knop voor 2 u, enzovoort. De resterende tijd wordt weergegeven door de verlichte LEDs boven de timerknop. Het apparaat schakelt automatisch uit na afloop van de ingestelde werkingstijd. Als er geen LEDs branden boven de timer is het apparaat ingesteld op ononderbroken werking.

10. Als de helderheid van de LEDs en de indicator voor de luchtkwaliteit (7) storen (in een slaapkamer bijvoorbeeld) kunt u deze uitschakelen door de knop voor de nachtmodus (11) een keer in te drukken. De bediening kan niet volledig uitgeschakeld worden maar gaat automatisch uit na 10 seconden indien er geen knoppen ingedrukt worden.
Druk nogmaals op de knop voor de nachtmodus om terug te keren naar de normale modus.
11. Boven de knop voor de HEPA-reset (12) geven vier LEDs de resterende levensduur aan van de Dual Filter™ (2). Als alle vier LEDs flikkeren moet de Dual Filter™ vervangen worden. Stel de timer voor de Dual Filter™ terug door de knop voor de HEPA-reset (12) ongeveer 3 seconden lang ingedrukt te houden. Wanneer de 4 LEDs gelijktijdig oplichten, is de timer teruggesteld.
12. Door op de WiFi-knop (13) te drukken kan Roger/Roger big worden aangesloten op de Smart Life – Smart Living app van Tuya Inc. (verkrijgbaar in de App Store en via Google Play) op uw smartphone. Het verlichte led-lampje boven de WiFi-knop geeft aan dat Roger/Roger big en uw smartphone met elkaar verbonden zijn. Via de app kunt u alle functies bedienen en de luchtkwaliteit in realtime bewaken, ook als u niet thuis bent. Meer informatie over hoe u uw Roger/Roger big verbindt met uw smartphone leest u in de bijgevoegde WiFi – Quick Setup Guide.

Reiniging en vervangen van filters

Vóór willekeurig onderhoud of reiniging en na elk gebruik, schakel het apparaat uit en haal de netkabel (4) uit het stopcontact. Raadpleeg punt 1 van 'Instellen/werking' voor informatie over de toegang tot de verschillende filters.

Let op: het apparaat nooit in water onderdompelen (kortsluitingsgevaar).

- Voor reiniging van de buitenkant veegt u de niet-textiele delen van het apparaat af met een vochtige doek en droogt u het vervolgens goed af.
- Het textiele voorfilter (1) moet regelmatig, 1 keer per maand afhankelijk van de mate van vervuiling, worden gereinigd met de textielborstel van de stofzuiger. Als het textiele voorfilter (1) erg vuil is, kan het ook in de wasmachine worden gewassen. De antimicrobiële bescherming van Sanitized® is gegarandeerd voor minstens 20 wasbeurten. Allergiepatiënten wordt aangeraden het textiele voorfilter 1x per maand te wassen, alle anderen om de 3 maanden.
- Om het textiele voorfilter in de wasmachine te wassen moet het voorfilter worden verwijderd uit het kunststof frame. Het textiel moet worden losgemaakt van de twee positioneringshulpstukken, de twee pennen, de 4 lipjes en de beide hoeken bovenaan. Het textiele voorfilter kan op 30° met een mild wasprogramma worden gewassen. Laat het textiele voorfilter (1) volledig drogen voordat u het weer in het apparaat zet. Span de stof over het kunststof gedeelte, zodat het wasetiket aan de boven- en binnenkant zit. Alle in te vullen openingen in de stof zijn gemarkeerd met lichtgekleurd garen. Daarnaast moet de stof over de beide hoeken bovenaan het apparaat worden getrokken. **Let op:** reinigt het textiele voorfilter, filters of andere onderdelen van de behuizing nooit in de vaatwasser!

- De Dual Filter™ (2) kan niet gereinigd worden en moet na 8–12 maanden vervangen worden. Als alle vier de LEDs boven de knop voor HEPA-reset (12) fllikkeren moet de filter vervangen worden. Indien u vaststelt dat de slechte geurtjes niet langer verwijderd worden, is dit ook een aanwijzing dat de filter vervangen moet worden. Stel na het vervangen van de filter de timer voor de Dual Filter™ terug door de knop voor de HEPA-reset (12) ongeveer 3 seconden ingedrukt te houden. Wanneer de 4 LEDs gelijktijdig oplichten, is de timer teruggesteld.

Reparaties

- Reparaties aan het toestel dienen te worden verricht door een erkende reparateur. Als onbevoegden interferentie hebben gemaakt op het toestel, dan vervalt de garantie evenals de aansprakelijkheid van Stadler Form.
- Zet het toestel nooit aan wanneer de adapter of de stop beschadigd is, nadat het defect is geweest, het gevallen is of op een andere manier is beschadigd. (barsten/onderbrekingen in het omhulsel).
- Duw geen voorwerp in het toestel. Haal het zuiveringssysteem niet uit elkaar.
- Als het toestel niet meer te repareren is, maak het dan onmiddellijk onbruikbaar en geef het af op het inzamelingspunt.

Verwijdering

De Europese richtlijn 2012 / 19 / EG inzake Afval van Elektrische en Elektronische Apparatuur (AEEA), vereist dat oude elektrische huishoudapparaten niet in de normale gemeentelijke ongesorteerde afvalstroom mogen worden weggegooid. Oude apparaten moeten apart worden ingezameld om recycling en hergebruik van de materialen daarin te optimaliseren en de gevolgen op het milieu en de volksgezondheid te verminderen. Het symbool met de doorgekruiste "vuilnisbak op wieltjes" op het product, herinnert u aan uw verplichting, dat het toestel bij verwijdering gescheiden ingezameld moet worden. Consumenten moeten contact opnemen met hun lokale autoriteit of verkoper voor informatie betreffende de juiste verwijdering van hun oude toestel.



Specificaties Roger

Nominale spanning	100–240V / 50–60Hz
Nominale vermogen	4–100W
Afmeting van de kamer	tot 39m ² met luchtverversing 5x/u (zware luchtvervuiling en voor personen met allergieën) tot 66m ² met luchtverversing 3x/u (gemiddelde luchtvervuiling/normaal gebruik)
CADR	tot 465m ³ /h (Clean Air Delivery Rate volgens AHAM)
Afmetingen	420 x 516 x 200mm (breedte x hoogte x diepte)
Gewicht	6.8 kg
Geluidsdrempel	28–65 dB(A)
EU- verordening	CE / AEEA / RoHS / EAC

Specificaties Roger little

Nominale spanning	100–240 V / 50–60 Hz
Nominale vermogen	3–40 W
Afmeting van de kamer	tot 20 m ² met luchtverversing 5x/u (zware luchtvervuiling en voor personen met allergieën) tot 33 m ² met luchtverversing 3x/u (gemiddelde luchtvervuiling/normaal gebruik)
CADR	tot 231 m ³ /h (Clean Air Delivery Rate volgens AHAM)
Afmetingen	330 x 450 x 170 mm (breedte x hoogte x diepte)
Gewicht	4.7 kg
Geluidsdrempel	28–59 dB(A)
EU- verordening	CE / AEEA / RoHS / EAC

Specificaties Roger big

Nominale spanning	100–240 V / 50–60 Hz
Nominale vermogen	4–90 W
Afmeting van de kamer	tot 62 m ² met luchtverversing 5x/u (zware luchtvervuiling en voor personen met allergieën) tot 104 m ² met luchtverversing 3x/u (gemiddelde luchtvervuiling/normaal gebruik)
CADR	tot 736 m ³ /h (Clean Air Delivery Rate volgens AHAM)
Afmetingen	420 x 520 x 340 mm (breedte x hoogte x diepte)
Gewicht	10.5 kg
Geluidsdrempel	28–58 dB(A)
EU- verordening	CE / AEEA / RoHS / EAC

Dit toestel bevat een radiomodule van Stadler Form Aktiengesellschaft van het type WBR3. Hij werkt in de ISM-band in het bereik 2.412 – 2.484 GHz met een maximaal vermogen van 56.2 mW en 89.1 mW EIRP.

De inhoud van deze gebruiksaanwijzing kan zonder voorafgaand bericht worden gewijzigd



Dansk

Tillykke! De har lige anskaffet Dem den usædvanlige Air renselanlæg ROGER/ROGER LITTLE/ROGER BIG. Den vil give Dem stor fornøjelse, når luften omkring Dem trænger til at blive rensat.

Som med alle elektriske husholdningsapparater er særlig pleje en nødvendighed også med dette produkt, for at undgå fysisk skade, brandskade eller beskadigelse af produktet. Læs venligst denne brugsanvisning grundigt før produktet tages i brug, og følg sikkerhedsanvisningerne på selve produktet.

Beskrivelse af apparatet

Apparatet består af følgende hoveddele:

1. Tekstilforfilter med integreret Sanitized® hygiejnefunktion
2. Dual Filter™-filter (HEPA, aktivt kul)
3. Hus
4. El-ledning til strømforsyning
5. Tilslutning til el-ledning
6. Tænd/sluk-knap
7. Luftkvalitetsindikator
8. Knap til valg af hastighedstrin
9. Knap til automatisk tilstand
10. Knap til timer
11. Knap til nattilstand (luftkvalitetsindikator normal eller slukket)
12. Knappen HEPA RESET (nulstilling af HEPA)
(Dual Filter-timer og påmindelse om udskiftning)
13. Knap til WiFi (kun Roger og Roger big)
14. Luftindtag
15. Placering af gassensor (Roger little),
gas- og partikelsensor (Roger/Roger big)
16. Ventilator
17. Luftudtag
18. Bærehåndtag

Vigtige sikkerhedsinstruktioner

Læs brugsvejledningen, før De bruger apparatet første gang og gem vejledningen; hvis nødvendigt skal den også gemmes til næste ejer.

- Stadler Forms distributør dækker ikke skader, der er opstået som følge af misligholdelse eller forkert brug af apparatet.
- Apparatet må kun bruges i hjemmet med det formål, der er beskrevet i vejledningen. Ukorrekt brug samt udførelse af tekniske ændringer på apparatet kann være farligt for liv og helbred.
- Dette apparat kan anvendes af børn fra 8 år og opefter og af personer med nedsatte fysiske, sanse- eller psykiske evner eller med manglende erfaring og kendskab, hvis de har været under opsyn og har modtaget undervisning i, hvordan apparatet kan bruges på sikker måde, og hvis de har forstået, hvilke eventuelle farer der kan være. Børn må ikke lege med apparatet. Rengøring og vedligeholdelse må ikke udføres af børn uden opsyn.
- Tilslut kun kablet til vekselstrøm. Læg mærke til apparatets spændingsangivelser.
- Benyt ikke en beskadiget forlængerledning.
- Træk ikke kablet over skarpe kanter og lad det ikke komme i klemme.

- Træk aldrig stikket ud ved at holde i kablet og træk aldrig stikket ud af stikkontakten med våde hænder.
- Benyt ikke denne apparatet i umiddelbar nærhed af badekar, brusebad eller badebassin (overhold mindstefstanden på 3 m). Stil apparatet således at det ikke kan berøres fra et badekar.
- Stil ikke apparatet i nærheden af en varmekilde. Netkablet bør ikke udsættes for direkte varmepåvirkning (fra f.eks. komfurplade, åben ild, varmt strygejern eller varmeovn). Beskyt netkablet mod olie.
- Ikke kan snuble over netkablet.
- Apparatet tåler ikke vandsprøjt.
- Kun til indendørs brug.
- Opbevar ikke apparatet udendørs.
- Apparatet bør opbevares på et tørt og for børn utilgængeligt sted (pakkes sammen).
- Hvis strømforsyningskablet er beskadiget, skal det udskiftes af producenten eller hos en reparatør, der er autoriseret af producenten, eller af en lignende kvalificeret tekniker for at undgå skade.
- Før vedligeholdelse, rengøring og efter hver brug skal apparatet slukkes og stikket trækkes ud af stikkontakten.

Beskrivelse af filteret

Tekstilforfilter (1) Tekstilforfilteret (1) filtrerer grove støvpartikler og snavs ud af luften. Dermed beskytter det Dual Filter™-filteret og øger dets levetid. Med den integrerede Sanitized®* hygiejnefunktion beskyttes tekstilforfilteret mod mikrobevækst. Tekstilforfilteret (1) skal renses jævnligt, afhængig af tilnavnsning 1-2x om måneden, med støvsugerens tekstilbørste. Ved kraftig tilnavnsning kan tekstilforfilteret (1) desuden vaskes på et skåneprogram ved 30°. Den antimikrobielle beskyttelse fra Sanitized® er garanteret efter mindst 20 ganges vask. Det anbefales allergikere at vaske tekstilforfilteret 1x om måneden, for alle andre anbefales hver 3. måned. Tekstilforfilteret (1) skal tørre helt, før det sættes i apparatet igen.

*Sanitized® er et schweizisk firma, der på verdensplan er førende inden for hygiejnefunktion og materialebeskyttelse ved tekstiler og kunststoffer

Dual Filter™: HEPA, aktivt kul (2) Dual Filter™-filteret er hovedkomponenten i luftrenseren. Det er en kombination af et HEPA-filter og et aktivkulfilter.

HEPA-filterdelen af Dual Filter™-filteret filtrerer forurenende stoffer ud af luften, såsom fint støv, pollen, virusser og bakterier.

Aktivkulfilteret adsorberer gasser fra luften (dårlige lugte, tobaksrøg, formaldehyd, toluen, flygtige organiske forbindelser osv.), og filtrerer dem ud af luften. Dual Filter™-filterets kapacitet er begrænset, hvilket vil sige, at det skal udskiftes hver 8–12 måned, afhængigt af eksponeringen af det for luft og gasser. Hvis De inden der er gået otte måneder, lægger mærke til, at dårlige lugte ikke længere fjernes, er det et tegn på, at filteret skal udskiftes.

Ibrugtagning / betjening

1. Løsn tekstilforfilteret (1) ved at trække det fremad i begge sider foroven. Tag Dual Filter™-filteret (2) ud af dets hus (3), og fjern plastikfilmen. Isæt Dual Filter™-filteret (2) således, at de to stofstykker er synlige på forsiden. Pilene øverst på filteret (2) viser i hvilken retning, filteret skal isættes. **Bemærk:** Roger big har på begge sider et tekstilforfilter og et

Dual Filter™-filter. Dvs. at begge Dual Filter™ -filtre skal pakkes ud og sættes i.

2. Sæt tekstilforfilteret (1) i igen ved at anbringe positioneringsdelene tæt på bunden af tekstilforfilteret (1) i indhakkene på huset (3) og vip tekstilforfilteret (1) ind mod huset, indtil det bliver arreteret ved hjælp af magneterne foroven på huset (3). Sørg for, at LED-cylinderen, foran på apparatet forned, glider ind i hullet på forfilteret.
3. Anbring Roger/Roger little/Roger big det ønskede sted på et fladt underlag, helst midt i rummet. Dermed kan luften komme fra alle sider.
4. Sæt el-ledningen (4) i tilslutningen (5) på apparatet og derefter i en egnet stikkontakt.
5. Tænd for Roger/Roger little/Roger big ved at trykke på tænd/sluk-knappen (6). Betjeningselementerne og displayet lyser op i rækkefølge fra højre mod venstre. Displayet slukker igen, hvis der ikke trykkes på en anden knap inden for 10 sekunder. I modsat fald forbliver det tændt i yderligere 10 sekunder. Hvis der trykkes på tænd/sluk-knappen (6) eller betjeningselementerne, så lyser de igen. Roger/Roger little/Roger big slukkes ved at trykke på tænd/sluk-knappen (6) i to sekunder.
6. Luftkvaliteten måles af forskellige sensorer (Roger/Roger big = gas- og partikelsensor PM2,5 / Roger little = gassensor) og vises af luftkvalitetsindikatoren (7) foran på tekstilforfilteret (1). Den blå LED-lampe betyder god luftkvalitet. Den orange LED-lampe viser middelhøj luftkvalitet, og den røde LED-lampe viser dårlig luftkvalitet. Hvis apparatet tændes igen, lyser displayet orange i de første tre minutter. Derefter skifter displayet til den aktuelt målte luftkvalitet (blå, orange eller rød).
7. De kan ændre hastighedstrinnet ved at trykke på knappen til valg af hastighedstrin (8) (én LED-lampe for trin 1, to LED-lamper for trin 2 osv.). Det kan være en god idé at øge hastighedstrinnet, når luftkvalitetsindikatoren (7) viser forringet luftkvalitet (blå indikerer god luftkvalitet, orange indikerer middelhøj luftkvalitet, og rød indikerer dårlig luftkvalitet). For at opnå optimal luftrensning anbefaler vi aktivering af den automatiske tilstand (9).
8. Ved tryk på knappen til automatisk tilstand (9) justeres hastighedstrinnet automatisk i forhold til den aktuelle luftkvalitet (trin 1–4). Hvis luftkvaliteten forringes, vælger apparatet automatisk et højere hastighedstrin. Displayet viser "Auto", når den automatiske tilstand er valgt.
9. Ved tryk på knappen til timeren (10) kan De indstille driftstiden til mellem én og syv timer (for eksempel, 3 h = LED-lamperne for 1 h og 2 h lyser, 7 h = LED-lamperne for 1 h, 2 h og 4 h lyser). Den valgte tid vises med hvide LED-lamper over timerknappen. Tryk én gang for at indstille driftstiden til 1 h, tryk på knappen igen for 2 h osv. Lysende LED-lamper over timerknappen viser den resterende tid. Apparatet slukker automatisk, når den valgte driftstid er udløbet. Hvis der ikke lyser nogen LED-lamper over timeren, så er apparatet indstillet til uafbrudt drift.
10. Hvis LED-lampernes og luftkvalitetsindikatorens (7) lysstyrke virker generende (eksempelvis i et soveværelse), har De mulighed for at slukke dem ved at trykke én gang på knappen til nattilstand (11). Betjenings-elementerne kan ikke slukkes helt, men de holder automatisk op med at lyse efter 10 sekunder, hvis der ikke trykkes på dem. Tryk på knap til nattilstand igen for at vende tilbage til normal tilstand.
11. Over knappen HEPA RESET (nulstilling af HEPA) (12), viser fire LED-lamper Dual Filter™-filterets (2) driftslevetid. Dual Filter™-filteret skal ud-

skiftes, når alle fire LED-lamper blinker. Timeren for Dual Filter™-filteret nulstilles ved at trykke på knappen HEPA RESET (nulstilling af HEPA) (12) og holde den nede (i cirka 3 sekunder). Hvis alle 4 LED-lamper lyser samtidigt, så er timeren blevet nulstillet korrekt.

- Med et tryk på WiFi-knappen (13) kan Roger/Roger big forbindes med „Smart Life – Smart Living“ app'en fra Tuya Inc. (fås i App Store og via Google Play) på Deres smartphone. Den lysende LED oven over WiFi-knappen signalerer, at der er forbindelse mellem Roger/Roger big og Deres smartphone. Via App'en kan De styre samtlige apparatfunktioner og overvåge luftkvaliteten i realtid, også når De ikke er hjemme. Nærmere oplysninger om, hvordan De forbinder Roger/Roger big med Deres smartphone, fremgår af vedlagte „WiFi – Quick Setup Guide“.

Rengøring og udskiftning af filteret

Før vedligeholdelse, rengøring og efter hver brug skal apparatet slukkes og ledningen (4) trækkes ud af stikkontakten. Med henblik på at få adgang til de forskellige filtre henvises der til punkt 1 "Ibrugtagning/betjening".

Advarsel: Nedsænk aldrig apparatet i vand (fare for kortslutning).

- Til udvendig rengøring skal de ikke-tekstile dele af apparatet rengøres med en fugtig klud og tørres godt bagefter.
- Tekstilforfilteret (1) skal renses jævnlige, afhængigt af tilsnavsning 1x om måneden, med støvsugerens tekstilbørste. Ved kraftig tilsnavsning kan tekstilforfilteret (1) desuden vaskes i vaskemaskinen. Den antimikrobielle beskyttelse fra Sanitized® er garanteret efter mindst 20 ganges vask. Det anbefales allergikere at vaske tekstilforfilteret 1x om måneden, for alle andre anbefales hver 3. måned.
- For at rengøre tekstilforfilteret i vaskemaskinen skal forfilteret først tages ud af plastrammen. Det gøres ved at løsne hele stoffet fra de to positioneringsdele, de to tapper, de 4 lasker og de to hjørnelasker foroven. Tekstilforfilteret kan vaskes ved 30° på et skåneprogram. Tekstilforfilteret (1) skal tørre helt, før det sættes i apparatet igen. Der gøres ved at spænde stoffet ud over plastdelen, sådan at vaskeetiketten kommer til at sidde indvendig foroven. Alle åbninger i stoffet, der skal lirkes på plads, er markeret med en lys tråd. Desuden skal stoffet løftes ind over de to hjørnelasker i apparatets øvre del. **Advarsel:** Tekstilforfiltre, filtre eller andre dele på kabinettet må ikke rengøres i opvaskemaskinen!
- Dual Filter™-filteret (2) kan ikke rengøres og skal udskiftes hver 8–12 måned. Filteret skal udskiftes, hvis alle fire LED-lamper over knappen HEPA RESET (nulstilling af HEPA) (12) lyser. Hvis De lægger mærke til, at dårlige lugte ikke længere fjernes, er det ligeledes et tegn på, at filteret skal udskiftes. Når filteret er blevet udskiftet, skal timeren for Dual Filter™-filteret nulstilles ved at trykke på knappen HEPA RESET (nulstilling af HEPA) (12) og holde den nede (i cirka 3 sekunder). Hvis alle 4 LED-lamper lyser samtidigt, så er timeren blevet nulstillet korrekt.

Reparation

- Reparationer af elektriske apparater må kun udføres af en kvalificeret, elektrisk tekniker. Udføres der upassende reparationer bortfalder garantien og ethvert ansvar fra producentens side.
- Brug aldrig apparatet, hvis et kabel eller stik er beskadiget, efter der har været driftsfejl, hvis det har været udsat for tab, eller der er synlige tegn på skade.

- Indfør ikke nogen former for genstande i apparatet.
- Hvis apparatet ikke kan repareres skal det gøres ubrugeligt (klip ledningen af) og aflever det på en genbrugsstation.

Bortskaffelse

EU-direktiv 2012 / 19 / CE om WEEE kræver, at brugte elektriske husholdningsapparater ikke bortskaffes sammen med almindeligt affald. Brugte apparater skal indsamles separat for optimal genbrug og genanvendelse af apparatets elementer og reduktion af miljøpåvirkning og helbredsrisici. Symbolet med skraldespanden med et kryds over på produktet er en påmindelse til dig om din forpligtelse til at bortskaffe apparatet separat. Du bør kontakte de lokale myndigheder eller forhandleren for at få oplysninger om korrekt bortskafning af brugte apparater.



Specifikationer Roger

Mærkespænding	100 – 240 V / 50–60 Hz
Mærkeeffekt	4–100 W
Rummets størrelse	op til 39 m ² med luftudveksling 5x/h (kraftig luftforurening og til allergikere) op til 66 m ² med luftudveksling 3x/h (moderat luftforurening/normal brug)
CADR	op til 465 m ³ /h (Clean Air Delivery Rate iht. AHAM)
Mål	420 x 516 x 200 mm (bredde x højde x dybde)
Vægt	6.8 kg
Støjniveau	28–65 dB(A)
I overensstemmelse med EU godkendelse	CE / WEEE / RoHS / EAC

Specifikationer Roger little

Mærkespænding	100 – 240 V / 50–60 Hz
Mærkeeffekt	3–40 W
Rummets størrelse	op til 20 m ² med luftudveksling 5x/h (kraftig luftforurening og til allergikere) op til 33 m ² med luftudveksling 3x/h (moderat luftforurening/normal brug)
CADR	op til 231 m ³ /h (Clean Air Delivery Rate iht. AHAM)
Mål	330 x 450 x 170 mm (bredde x højde x dybde)
Vægt	4.7 kg
Støjniveau	28–59 dB(A)
I overensstemmelse med EU godkendelse	CE / WEEE / RoHS / EAC

Specifikationer Roger big

Mærkespænding	100 – 240 V / 50–60 Hz
Mærkeeffekt	4–90 W
Rummets størrelse	op til 62 m ² med luftudveksling 5x/h (kraftig luftforurening og til allergikere) op til 104 m ² med luftudveksling 3x/h (moderat luftforurening/normal brug)
CADR	op til 736 m ³ /h (Clean Air Delivery Rate iht. AHAM)
Mål	420 x 520 x 340 mm (bredde x højde x dybde)
Vægt	10.5 kg
Støjniveau	28–58 dB(A)
I overensstemmelse med EU godkendelse	CE / WEEE / RoHS / EAC

Dette apparat indeholder en radiomodul fra Stadler Form Aktiengesellschaft type WBR3. Det arbejder på ISM-båndet i området 2.412 – 2.484 GHz med en maksimal effekt på 56.2 mW og 89.1 mW EIRP.

Der tages forbehold for tekniske ændringer



Suomi

Onneksi olkoon! Olet juuri hankkinut loistavan ROGER/ROGER LITTLE/ROGER BIG puhdistamot. Laite tarjoaa nautinnollisempaa oloa parantaen huoneen ilmanlaatua.

Kuten kaikkien kotitalouden sähkölaitteiden kanssa, myös tämän mallin kanssa tulee noudattaa erityistä huolellisuutta, jotta laite välttyy vahingoilta tai palovaurioilta. Lue nämä käyttöohjeet ensin huolellisesti ennen laitteen ensimmäistä käyttöä ja noudata laitteen turvaohjeita.

Laitteen kuvaus

Laite koostuu seuraavista osista:

1. Kankainen esisuodatin, jossa integroituna Sanitized® hygieniatoiminto
2. Dual Filter™ (HEPA, aktiivihili)
3. Kotelo
4. Verkkovirtakaapeli
5. Verkkovirtakaapelin liitäntä
6. Virtapainike
7. Ilmanlaadun ilmaisim
8. Nopeuspainike
9. Automaattisen tilan painike
10. Ajastinpainike
11. Yötila-painike (ilmanlaadun ilmaisim normaali tai pois päältä)
12. HEPA-nollauspainike (Dual Filter -ajastimen ja vaihdon muistutus)
13. WiFi-painike (vain Roger ja Roger big)
14. Ilman tuloaukko
15. Kaasuanturin (Roger little), kaasun ja hiukkasanturin (Roger/Roger big) sijainti
16. Puhallin
17. Ilmanpoistoaukko
18. Kantokahva

Tärkeitä turvallisuusohjeita

Lue käyttöohjeet huolellisesti ennen ensimmäistä käyttökertaa ja säilytä ohjeet myöhempää tarvetta varten. Toimita ohjeet tarvittaessa myös seuraavalle omistajalle.

- Stadler Form ei ole missään tapauksessa vastuussa vaurioista tai menetyksistä, jotka johtuvat näiden ohjeiden noudattamatta jättämisestä.
- Laite on tarkoitettu ainoastaan kotitalouskäyttöön näiden ohjeiden mukaisella tavalla. Laitteen vääränlainen käyttö ja muokkaaminen voi johtaa hengenvaarallisiin tilanteisiin.
- Vähintään 8 vuotta täyttäneet lapset ja sellaiset henkilöt, joiden fyysiset, sensoriset tai henkiset kyvyt eivät ole tähän riittäviä tai joilla ei ole laitteen tuntemusta tai kokemusta sen käytöstä, saavat käyttää tätä laitetta ainoastaan silloin, kun heidän turvallisuudestaan vastaava henkilö valvoo heitä. Lasten ei tule leikkiä laitteen kanssa. Lapset eivät saa puhdistaa tai huoltaa laitetta ilman valvontaa.
- Liitä virtajohto vain vaihtovirtaverkkoon. Tarkista laitteen käyttöjännite.
- Älä käytä vaurioitunutta jatkojohtoa.
- Älä altista virtajohtoa teräville reunoille ja varmista, ettei se jää puristuksiin.
- Älä irrota pistoketta pistorasiasta märillä käsillä tai vetämällä virtajohdosta.

- Älä koskaan käytä tuoksutinta kylpyammeen, suihkun tai uima-altaan välittömässä läheisyydessä (säilytä 3 metrin vähimmäisetäisyys). Sijoita laite niin, ettei kukaan voi koskettaa sitä kylpyammeesta käsin.
- Älä sijoita laitetta lämmönlähteen läheisyyteen. Älä altista virtajohtoa suoralle lämmölle (kuten liesi, avoliekit, kuumat metallinkappaleet tai lämmittimet, jne.). Älä altista virtajohtoa öljylle.
- Varmista, että laite on sijoitettu tukevalle, tasaiselle pinnalle käytön aikana ja varmista, ettei virtajohto aiheuta kompastumisvaaraa.
- Laite ei ole roiskeenkestävä.
- Vain sisäkäyttöön.
- Älä säilytä laitetta ulkona.
- Säilytä laitetta kuivassa paikassa lasten ulottumattomissa (alkuperäis-pakkauksessa).
- Jos virtajohto on vaurioitunut, valmistajan, valtuutetun huoltoliikkeen tai vastaavan ammattitaitoisen henkilön on vaihdettava se vahinkojen välttämiseksi.
- Huoltaaksesi tai puhdistaksesi laitteen sekä jokaisen käyttökerran jälkeen, käännä laitteen virta pois päältä ja irrota virtajohto pistorasiasta.

Suodattimen kuvaus

Kankainen esisuodatin (1) Kankainen esisuodatin (1) suodattaa ilmasta karkeita pölyhiukkasia ja likaa. Näin se suojaa Dual Filteriä™ ja pidentää sen käyttöikä. Integroitu Sanitized®-hygieniakäsittely suojaa kankaista esisuodatinta mikrobikasvustolta. Kankainen esisuodatin (1) on imuroitava säännöllisesti, likaisuudesta riippuen 1–2 kertaa kuukaudessa, pölynimurin tekstiilisuuttimella. Jos kankainen esisuodatin (1) on hyvin likainen, se voidaan lisäksi pestä 30 °C:n hienopesussa. Antimikrobinen Sanitized®-käsittely kestää vähintään 20 pesukertaa. Allergikkojen on hyvä pestä kankainen esisuodatin 1 kerran kuussa, muille riittää pesu joka 3. kuukausi. Anna kankaisen esisuodattimen (1) kuivua kokonaan, ennen kuin asetat sen paikalleen laitteen.

*Sanitized® on maailman johtava sveitsiläinen kankaiden ja muovien hygieni ominaisuuksien ja materiaalisuojien valmistaja.

Dual Filter™: HEPA, aktiivihiiili (2) Dual Filter™ on ilmanpuhdistimen sydän. Se on HEPA-suodattimen ja aktiivihiiლისuodattimen yhdistelmä.

Dual Filter™ -suodattimen HEPA-suodatinosa suodattaa ilmasta epäpuhtaudet, kuten hienopölyn, siitepölyn, virukset ja bakteerit.

Aktiivihiiლისuodatin absorboi ilmassa olevat kaasut (paha haju, tupakansavu, formaldehydi, tolueeni, haihtuvat orgaaniset yhdisteet jne.) ja suodattaa ne.

Dual Filter™ -suodattimen kapasiteetti on rajallinen, mikä tarkoittaa sitä, että se on vaihdettava 8–12 kuukauden välein riippuen siitä, kuinka paljon se altistuu ilmalle ja kaasuille. Jos huomaat, että pahat hajut eivät enää poistu ennen kuin kahdeksan kuukautta on kulunut, tämä tarkoittaa, että suodatin on vaihdettava.

Käyttöönotto / käyttö

1. Irrota kankainen esisuodatin (1) vetämällä sitä yläosasta molemmilta puolilta eteenpäin. Ota Dual Filter™ (2) kotelostaan (3) ja poista muovikalvo. Aseta Dual Filter™ (2) paikoilleen siten, että kaksi kangasliuskaa ovat näkyvillä etupuolella. Suodattimen (2) päällä olevat nuolet ilmaisevat suodattimen asetus suunnan. **Tärkeää:** Roger bigissä on molemmilla

puolilla kankainen esisuodatin ja Dual Filter™. Tämä tarkoittaa sitä, että molemmat Dual Filterit™ on irrotettava ja asennettava.

- Asenna kankainen esisuodatin (1) asettamalla esisuodattimen (1) alaosassa olevat ohjaimet kotelon (3) koloihin ja kallistamalla esisuodatinta (1) kotelon suuntaan, kunnes magneetit lukitsevat sen yläosasta koteloon (3). Kohdista LED-merkkivalo edestä laitteen alaosasta esisuodattimen reikään.
- Aseta Roger/Roger little/Roger big haluttuun paikkaan tasaiselle pinnalle. Ihanteellinen paikka on mahdollisimman keskellä huonetta. Tämä mahdollistaa ilman syöttämisen kaikilta puolilta.
- Kytke verkkovirtakaapeli (4) laitteen liitäntään (5) ja sopivaan virtapistokkeeseen.
- Kytke Roger/Roger little/Roger big päälle painamalla virtapainiketta (6). Ohjaimet ja näyttö syttyvät järjestyksessä oikealta vasemmalle. Jos muita painikkeita ei paineta 10 sekunnin aikana, näyttö sammuu uudelleen. Muussa tapauksessa näyttö on päällä vielä 10 sekuntia. Kun painat virtapainiketta (6) tai ohjaimia, ne syttyvät uudelleen. Voit kytkeä Roger/Roger little/Roger big -ilmanpuhdistimen pois päältä painamalla virtapainiketta (6) kaksi sekuntia.
- Ilmanlaatua mitataan erilaisilla antureilla (Roger/Roger big = kaasu ja hiukkasanturi PM2,5 / Roger little = kaasuanturi) kankaisen esisuodattimen (1) edestä ilmanlaadun ilmaisimella (7). Sininen LED-merkkivalo tarkoittaa hyvää ilmanlaatua. Oranssi LED-merkkivalo tarkoittaa keskittason ilmanlaatua ja punainen LED-merkkivalo kuvaa huonoa ilmanlaatua. Jos laite kytketään uudelleen päälle, näyttö syttyy oranssina ensimmäisen kolmen minuutin ajaksi. Tämän jälkeen näyttö muuttuu vastaamaan mitattua ilmanlaatua (sininen, oranssi tai punainen).
- Voit vaihtaa nopeustason painamalla nopeuspainiketta (8) (yksi LED-merkkivalo kuvaa tasoa 1, kaksi LED-merkkivaloa kuvaa tasoa 2 jne.). Nopeustason kasvattaminen on hyödyllistä, kun ilmanlaadun ilmaisimella (7) kuvaa heikentyneitä ilmanlaatua (sininen kuvaa hyvää ilmanlaatua, oranssi keskittason ilmanlaatua ja punainen huonoa ilmanlaatua). Jotta ilman puhdistaminen tapahtuisi ihanteellisella tavalla, suosittelemme aktivoimaan automaattisen tilan (9).
- Kun painat automaattisen tilan painiketta (9), laite säättää automaattisesti nykyisen ilmanlaadun (vaiheet 1–4). Jos ilmanlaatu heikkenee, laite valitsee automaattisesti suuremman nopeustason. Näytössä näkyy "Auto", kun automaattinen tila on aktivoituna.
- Ajastinpainiketta (10) painamalla voit asettaa toiminta-ajan yhden ja seitsemän tunnin välille (esimerkiksi 3h = 1h ja 2h LED-merkkivalot päällä, 7h = 1h, 2h ja 4h LED-merkkivalot päällä). Valittu aika näytetään ajastinpainikkeen yläpuolella valkoisilla LED-merkkivaloilla. Voit asettaa toiminta-ajaksi 1h painamalla painiketta kerran ja 2h painamalla uudelleen jne. Ajastinpainikkeen yläpuolella olevat syttyneet LED-merkkivalot ilmaisevat jäljellä olevan ajan. Laite kytkeytyy pois päältä automaattisesti, kun asetettu toiminta-aika on kulunut. Jos ajastimen yläpuolella ei ole syttyneitä LED-merkkivaloja, laite on asetettu jatkuvan toiminnan tilaan.
- Jos kirikkaat LED-merkkivalot ja ilmanlaadun ilmaisimella (7) häiritsevät sinua (esimerkiksi makuuhuoneessa), voit kytkeä nämä päältä painamalla kerran yötilan painiketta (11). Ohjaimia ei voi kytkeä pois päältä koko-

naan, mutta ne kytkeytyvät pois päältä automaattisesti 10 sekunnin kuluttua, jos ohjaimia ei käytetä.

Voit vaihtaa takaisin normaalitilaan painamalla uudelleen yötilan painiketta.

- HEPA-nollauspainikkeen (12) yläpuolella on neljä LED-merkkivaloa, jotka kuvaavat Dual Filter™-suodattimen (2) käyttöikää. Jos kaikki neljä LED-merkkivaloa vilkkuvat, Dual Filter™-suodatin on vaihdettava. Voit nollata Dual Filter™ -suodattimen ajastimen painamalla HEPA-nollauspainiketta (12) (noin 3 sekuntia). Jos kaikki 4 LED-merkkivaloa syttyvät ja palavat jatkuvasti, ajastin on nollattu onnistuneesti.
- Voit yhdistää Rogerin / Roger bigin Smart Life – Smart Living -sovelluksen avulla (valmistaja Tuya Inc., saatavana App Storesta tai Google Play -kaupasta) älypuhelimesi painamalla WLAN-painiketta (13). WLAN-painikkeen yläpuolella palava merkkivalo kertoo, että yhteys Rogerin / Roger bigin ja älypuhelimien välillä on muodostettu. Sovelluksella voit ohjata kaikkia laitteen toimintoja ja valvoa ilmanlaatua reaaliaikaisesti, vaikka et olisi kotonakaan. Lisätietoja Rogerin / Roger bigin yhdistämisestä älypuhelimiesi saat oheisesta WiFi – Quick Setup Guide -ohjeesta.

Puhdistaminen ja suodattimen vaihto

Huoltaaksesi tai puhdistaksesi laitteen sekä jokaisen käyttökerran jälkeen, käännä laitteen virta pois päältä ja irrota virtajohto (4) pistorasiasta. Voit käsitellä eri suodattimia katsomalla Asetus ja käyttö -kappaleen kohta 1.

Huomio: Älä koskaan upota laitetta veteen (oikosulun vaara).

- Laitteen muut kuin kankaiset ulko-osat pyyhitään puhtaaksi kostealla liinalla ja annetaan kuivua.
- Kankainen esisuodatin (1) on imuroitava säännöllisesti, likaisuudesta riippuen 1 kertaa kuukaudessa, pölynimurin tekstiilisuuttimella. Jos kankainen esisuodatin (1) on hyvin likainen, se voidaan lisäksi pestä pesukoneessa. Antimikrobinen Sanitized®-käsittely kestää vähintään 20 pesukertaa. Allergikkojen on hyvä pestä kankainen esisuodatin 1 kerran kuussa, muille riittää pesu joka 3. kuukausi.
- Kun haluat pestä kankaisten esisuodattimen pesukoneessa, se on irrotettava muovikehyksestään. Tätä varten koko kangas on irrotettava kahdesta ohjaimesta, kahdesta tapista, 4 kielekkeestä ja kahdesta yläkulman kielekkeestä. Kankainen esisuodatin voidaan pestä 30 °C:n hienopesussa. Anna kankaisten esisuodattimen (1) kuivua kokonaan, ennen kuin asetat sen paikalleen laitteeseen. Venytä kangas muoviosan päälle niin, että pesulappu tulee ylös sisäpuolelle. Kaikki kankaan pujotusaukot on merkitty vaalealla langalla. Lopuksi kangas on asetettava molempiin laitteen yläkulman kielekkeisiin. **Huomio:** Älä koskaan pese kankaista esisuodatinta, suodatinta tai muita kotelon osia astianpesukoneessa!
- Dual Filter™ -suodatinta (2) ei ole mahdollista puhdistaa ja se on vaihdettava 8–12 kuukauden välein. Jos kaikki neljä LED-merkkivaloa vilkkuvat HEPA-nollauspainikkeen (12) yläpuolella, suodatin on vaihdettava. Jos huomaat, että pahat hajut eivät enää poistu, tämä tarkoittaa, että suodatin on vaihdettava. Nollaa Dual Filter™ -suodattimen ajastin suodattimen vaihtamisen jälkeen painamalla HEPA-nollauspainiketta (12) (noin 3 sekuntia). Jos kaikki 4 LED-merkkivaloa syttyvät ja palavat jatkuvasti, ajastin on nollattu onnistuneesti.

Korjaukset

- Sähkölaitteiden korjauksia (verkkokaapelin vaihto) saa suorittaa yksin-omaan alan ammattilainen. Asiantuntemattomien suorittamissa korjauksissa takuu ja koko vastuu raukeavat.
- Älä koskaan käytä laitetta, jos kaapeli tai pistoke on vahingoittunut, jos laite toimii virheellisesti, jos se on pudonnut maahan tai muuten vioittunut (halkeamia/murtumia suojuksessa).
- Älä työnnä minkäänlaisia esineitä laitteeseen.
- Jos laitetta ei voi enää korjata, tee se käyttökelvottomaksi välittömästi ja vie se keräyspisteeseen (verkkokaapeli katkaistaan).

Jätehuolto

Euroopan parlamentin ja neuvoston direktiivi 2012 / 19 / CE Sähkö- ja elektroniikkalaiteromusta (WEEE) edellyttää, ettei vanhoja kotitalouksien sähkölaitteita saa hävittää lajittelemattoman yhdyskuntajätteen mukana. Vanhat laitteet on kerättävä erikseen materiaalien palautuksen- ja kierrättämisen optimoimiseksi sekä terveys- ja ympäristövaikutuksien vähentämiseksi. Tuotteen yliviivattu roskakori -merkintä muistuttaa siitä, että sinun velvollisuutesi on hävittää laite erikseen. Kuluttajia kehoitetaan ottamaan yhteyttä paikallisiin viranomaisiin tai tuotteen jälleenmyyjään saadakseen lisätietoja vanhan laitteen asianmukaisesta hävittämisestä.



Tekniset tiedot Roger

Nimellisjännite	100–240 V / 50–60 Hz
Teho	4–100 W
Huoneen koko	korkeintaan 39 m ² , ilmanvaihto 5x/h (runsaat ilman epäpuhtaudet ja allergiasta kärsivät) korkeintaan 66 m ² , ilmanvaihto 3x/h (keskitason ilman epäpuhtaudet tai normaali käyttö)
CADR	korkeintaan 465 m ³ /h (puhtaan ilman toimitusnopeus, AHAM)
Mitat	420 x 516 x 200 mm (leveys x korkeus x syvyys)
Paino	6.8 kg
Melutaso	28–65 dB(A)
Noudattaa EU-määräyksiä	CE / WEEE / RoHS / EAC

Tekniset tiedot Roger little

Nimellisjännite	100–240 V / 50–60 Hz
Teho	3–40 W
Huoneen koko	korkeintaan 20 m ² , ilmanvaihto 5x/h (runsaat ilman epäpuhtaudet ja allergiasta kärsivät) korkeintaan 33 m ² , ilmanvaihto 3x/h (keskitason ilman epäpuhtaudet tai normaali käyttö)
CADR	korkeintaan 231 m ³ /h (puhtaan ilman toimitusnopeus, AHAM)
Mitat	330 x 450 x 170 mm (leveys x korkeus x syvyys)
Paino	4.7 kg
Melutaso	28–59 dB(A)
Noudattaa EU-määräyksiä	CE / WEEE / RoHS / EAC

Tekniset tiedot Roger big

Nimellisjännite	100–240 V / 50–60 Hz
Teho	4–90 W
Huoneen koko	korkeintaan 62 m ² , ilmanvaihto 5x/h (runsaat ilman epäpuhtaudet ja allergiasta kärsivät) korkeintaan 104 m ² , ilmanvaihto 3x/h (keskitason ilman epäpuhtaudet tai normaali käyttö)
CADR	korkeintaan 736 m ³ /h (puhtaan ilman toimitusnopeus, AHAM)
Mitat	420 x 520 x 340 mm (leveys x korkeus x syvyys)
Paino	10.5 kg
Melutaso	28–58 dB(A)
Noudattaa EU-määräyksiä	CE / WEEE / RoHS / EAC

Tässä laitteessa on Stadler Form Aktiengesellschaft:in radiomoduuli tyyppi WBR3. Se toimii ISM-taajuusalueella 2.412 ja 2.484 GHz:n välisellä alueella maksimiteholla 56.2 mW ja 89.1 mW EIRP.

Oikeudet muutoksiin pidätetään



Norsk

Gratulerer! Du har akkurat anskaffet deg den eksepsjonelle renser ROGER/ROGER LITTLE/ROGER BIG. Den vil gi deg mye nytelse og forbedre innendørsluften for deg.

Som med alle elektriske husholdningsartikler er det nødvendig å utvise særlig hensyn til bruk av denne modellen, for å unngå personskader, brann eller produktskader. Vennligst les nøye gjennom disse driftsinstruksjonene før du tar i bruk apparatet for første gang, og følg sikkerhetsinstruksene på selve apparatet.

Beskrivelse av apparatet

Apparatet består av følgende hoveddeler:

1. Tekstilforfilter med integrert Sanitized® hygienefunksjon
2. Dual Filter™ (HEPA, aktivt kull)
3. Kabinett
4. Nettkabel for strømforsyning
5. Tilkobling for nettkabel
6. På/av-knapp
7. Indikator for luftkvalitet
8. Knapp for valg av hastighetsnivå
9. Knapp for automodus
10. Knapp for tidtaker
11. Knapp for nattmodus (Luftkvalitetsindikator normal eller av)
12. Knapp for HEPA-tilbakestilling (tidtaker for Dual Filter og påminnelse for utskiftning)
13. Tast for WiFi (kun Roger og Roger big)
14. Luftinnløp
15. Posisjon for gass-sensor (Roger little), gass- og partikkelsensor (Roger/Roger big)
16. Vifte
17. Luftavløp
18. Bærehåndtak

Viktige sikkerhetsinstrukser

Vennligst les nøye gjennom driftsinstruksjonene før du tar i bruk apparatet for første gang, og ta vare på dem for senere referansebruk, f.eks. dersom du gir viften videre til en ny eier.

- Stadler Form nekter alt ansvar innen tap eller skader som oppstår som en følge av mangelfull oppfølging av disse driftsinstruksjonene.
- Apparatet er kun tiltenkt bruk i hjemme for de formål beskrevet i disse instruksjonene. Uautorisert bruk og tekniske modifikasjoner på apparatet kan føre til far for helse og liv.
- Dette apparatet kan brukes av barn over 8 år og personer med reduserte fysiske, sensoriske eller mentale evner, eller mangel på erfaring og kunnskap, dersom de er under oppsyn av noen ansvarlig for dem eller har mottatt instruksjoner vedrørende bruk av apparatet på en trygg måte og forstår farene involvert. Barn må ikke leke med apparatet. Rengjøring og vedlikehold må ikke utføres av barn uten oppsyn.
- Kun koble kablet til vekselstrøm. Noter deg spenningsinformasjonen oppgitt på apparatet.
- Ikke bruk skjøteledninger med skader.

- Ikke dra strømkabelen over skarpe kanter og sørg for at den ikke klemmes mellom gjenstander.
- Ikke napp kabelen ut av stikkontakten, og ikke fjern kabelen med våte hender.
- Ikke bruk dette apparatet i umiddelbar nærhet av badekar, dusj eller svømmebasseng (minimumsavstand på 3 m). Plasser apparatet slik at man ikke kan nå det fra badekaret.
- Ikke plasser apparatet i nærheten av en varmekilde. Ikke utsett strømkabelen for direkte varme (som i nærheten av en kokeplate, åpen ild, varme jernplater eller ovner, for eksempel). Beskytt strømkabelen mot oljete væsker.
- Sørg for at apparatet er forsvarlig posisjonert for å sikre høy stabilitet under driftsmodus, og sørg for at ingen kan snuble i strømkabelen.
- Apparatet er ikke sprutsikkert.
- Kun for innendørs bruk.
- Ikke oppbevar apparatet utendørs.
- Lagre apparatet på et tørt sted hvor barn ikke kan nå det (pakk apparatet inn).
- Dersom strømkabelen er skadet må den erstattes av produsenten eller et verksted som er autorisert av produsenten eller av en tilsvarende kvalifisert person for å forhindre skader.
- Før vedlikehold og rengjøring av apparatet, slå av strømmen og plugg ut strømkabelen.

Filterbeskrivelse

Tekstilforfilter (1) Tekstilforfilteret (1) filtrerer store støvpartikler og smuss ut av luften. Dette beskytter Dual Filter™ så det kan brukes lenger. Den integrerte Sanitized®* hygienefunksjonen beskytter tekstilfilteret mot mikrobevekst. Tekstilfilteret (1) må renses med tekstilbørsten på støvsugeren med jevne mellomrom – 1 til 2 ganger pr. måned, avhengig av tilsmussingsgraden. Ved sterk tilsmussing kan tekstilfilteret (1) vaskes på finvask i vaskemaskin på 30 °C. Den antimikrobielle effekten av Sanitized® er garantert i minst 30 vaskeomganger. Vi anbefaler allergikere å vaske tekstilfilteret hver måned – alle andre hver 3. måned. Sørg for at tekstilfilteret er helt tørt før du setter det tilbake i apparatet.

*Sanitized® er sveitsisk, og verdens ledende produsent av hygienefunksjoner og materialbeskyttelse for tekstiler og plastmaterialer.

Dual Filter™: HEPA, aktivt kull (2) Dual Filter™ er hjertet til luftrenseren. Det er en kombinasjon av HEPA-filter og aktivt kull-filter.

HEPA-filterdelen av Dual Filter™ filtrerer forurensning fra luften, for eksempel fint støv, pollen, virus og bakterier.

Aktivt kull-filteret absorberer gasser i luften (lukt, tobakksrøyk, formaldehyd, toluen, flyktige organiske forbindelser, osv.) og filtrerer dem vekk. Dual Filter™ har begrenset kapasitet, hvilket betyr at det må byttes ut hver 8–12 måned, avhengig av eksponeringen til luft og gasser. Hvis du merker at dårlig lukt ikke lenger fjernes før det har gått åtte måneder, er dette en indikasjon på at filteret må byttes ut.

Installasjon / drift

1. Løsne tekstilforfilteret (1) ved å trekke begge sider av den øverste delen forover. Ta Dual Filter™ (2) fra kabinettet (3) og fjern plastfolien. Sett

Dual Filter™ (2) på plass slik at de to tekstilmerkene er synlige på forsiden. Pilene øverst på filteret (2) angir retningen filteret skal settes inn. **Viktig:** Roger big har et tekstilfilter og et Dual Filter™ på begge sider. Dvs. at begge Dual Filter™-ene må tas ut og settes inn.

2. Sett tekstilforfilteret (1) tilbake med posisjoneringshjelpen på bunnen av tekstilforfilteret (1) inn i hakkene på kabinettet (3), og vipp tekstilforfilteret (1) innover, til det fester i magneten (3) øverst på kassen. Pass på at LED-sylindren nede, foran på apparatet, føres inn i hullet i tekstilforfilteret.
3. Plasser Roger/Roger little/Roger big på en plan overflate der du ønsker, ideelt sett midt i rommet. Dette tillater lufttilførsel fra alle sider.
4. Koble nettkabelen (4) til tilkoblingen (5) på enheten, og deretter til et passende strømuttak.
5. Slå på Roger/Roger little/Roger big ved å trykke på på/av-knappen (6). Kontrollene og displayet lyser opp fra høyre til venstre. Hvis ingen flere knapper trykkes innen 10 sekunder, slukkes displayet igjen. Ellers forlenges synligheten med 10 sekunder. Hvis du trykker på på/av-knappen (6) eller kontrollene, lyser de opp på nytt. Roger/Roger little/Roger big slås av ved å trykke på/av-knappen (6) i to sekunder.
6. Luftkvalitet måles med forskjellige sensorer (Roger/Roger big = gass- og partikkelsensor, PM2,5 / Roger little = gass-sensor), og den angis av indikatoren for luftkvalitet (7) foran på tekstilforfilteret (1). Den blå LED-skjermen indikerer god luftkvalitet. Oransje LED-skjerm viser middels luftkvalitet, og rød LED-skjerm viser dårlig luftkvalitet. Hvis enheten slås på igjen, lyser displayet oransje de første tre minuttene. Displayet endres deretter til gjeldende luftkvalitet (blå, oransje eller rød).
7. Du kan endre hastighetsnivå ved å trykke på knappen for valg av hastighetsnivå (8) (ett LED-lys for nivå 1, to LED-lys for nivå 2, osv.). Økning av hastighetsnivå er nyttig når indikatoren for luftkvalitet (7) angir synkende luftkvalitet (blå for god luftkvalitet, oransje for middels luftkvalitet og rød for dårlig luftkvalitet). Vi anbefaler at du aktiverer automodus (9) for optimal luftrensing.
8. Når du trykker på knappen for automodus (9), justeres hastighetsnivået automatisk i henhold til nåværende luftkvalitet (trinn 1–4). Hvis luftkvaliteten går ned, velger enheten automatisk et høyere hastighetsnivå. Displayet viser "Auto" når automodus er aktivert.
9. Ved å trykke på knappen for tidtakeren (10) kan du angi driftstiden mellom én og syv timer (for eksempel, 3 t = 1 t og 2 t -LED-lys antent, 7 t = 1 t, 2 t og 4 t LED-lys antent). Det valgte tidspunktet vises med hvite LED-lys over tidtakerknappen. Trykk én gang for å sette driftstiden til 1 t, trykk knappen på nytt for 2 t, og så videre. Gjenværende tid angis av LED-lysene som lyser over tidtakerknappen. Enheten slås automatisk av etter den angitte driftstiden er utløpt. Hvis ingen LED-lys lyser over tidtakeren, er enheten satt til kontinuerlig drift.
10. Hvis du plages av lysstyrken til LED-lysene og indikatoren for luftkvalitet (7) (for eksempel i et soverom), kan du koble det ut ved å trykke én gang på nattmodus-tasten. Kontrollene kan ikke slås helt av, men slukkes automatisk etter 10 sekunder uten innmating. Trykk på knappen for nattmodus igjen for å gå tilbake til normal modus.
11. Over knappen for HEPA-tilbakestilling (12), viser fire LED-lys levetiden til Dual Filter™ (2). Dual Filter™ må byttes ut hvis alle fire LED-lysene

blinker. Tilbakestill tidtakeren for Dual Filter™ ved å trykke på og holde inne knappen for HEPA-tilbakestilling (12) (i ca. 3 sekunder). Hvis alle 4 LED-lysene lyser kontinuerlig, er tidtakeren tilbakestilt.

12. Trykk på Wi-Fi-tasten (13) for å forbinde Roger/Roger big med „Smart Life – Smart Living“ appen fra Tuya Inc. (fra App Store eller Google Play) på smarttelefonen din. LED-en som lyser over Wi-Fi-tasten signaliserer paring av Roger/Roger big og telefonen. Alle apparatfunksjonene kan styres med appen og luftkvaliteten overvåkes, også når du ikke er hjemme. Du finner mer informasjon om hvordan du forbinde Roger/Roger big med telefonen din i vedlagte „WiFi – Quick Setup Guide“.

Rengjøring og filterbytte

Før vedlikehold, rengjøring og etter bruk, slå av apparatet og plugg fra strømkabelen (4). Henvist til punkt 1 av "oppsett/drift" for tilgang til de forskjellige filterne.

Obs: Aldri senk enheten i vann (fare for kortslutning).

- Rengjør de ikke-tekstile delene av apparatet med en fuktig klut og tørk godt.
- Tekstilforfilteret (1) må renses regelmessig, avhengig av tilsmussingsgraden, én gang i måneden med tekstilbørsten på støvsugeren. Ved sterk tilsmussing kan tekstilforfilteret (1) vaskes i maskin. Den antimikrobielle beskyttelsen med Sanitized® garanteres for minst 20 vaskesykluser. Vi anbefaler allergikere å vaske tekstilfilteret hver måned – alle andre hver 3. måned.
- For å rengjøre tekstilforfilteret i vaskemaskin må filteret tas ut av plastrammen. Løsne hele stoffet fra de to plasseringshjelpene, de to tappene, de 4 laskene og de to hjørnelaskene øverst. Tekstilforfilteret kan vaskes på 30° finvask. La tekstilforfilteret (1) tørke helt før du setter det tilbake inn i apparatet. Spenn stoffet over plastrammen med vaskelappen opp og inn. Åpningene som skal festes i stoffet er merket med lys tråd. Til slutt trekkes stoffet over de to hjørnelaskene øverst på apparatet. **Advarsel:** Tekstilforfilter, filter og andre deler av apparatet skal ikke vaskes i oppvaskmaskin!
- Dual Filter™ (2) kan ikke rengjøres og må byttes ut etter 8–12 måneder. Filteret må byttes ut hvis alle fire LED-lysene over knappen for HEPA-tilbakestilling (12) blinker. Hvis dårlig lukt ikke lenger avgis, er dette også en indikasjon på at filteret må byttes ut. Etter utskiftning av filteret må du tilbake stille tidtakeren for Dual Filter™ ved å trykke på og holde inne knappen for HEPA-tilbakestilling (12) (i ca. 3 sekunder). Hvis alle 4 LED-lysene lyser kontinuerlig, er tidtakeren tilbakestilt.

Reparasjoner

- Reparasjoner på dette produktet må kun utføres av kvalifiserte teknikere. Dersom det utføres urettmessige reparasjoner utløper garantien og alt ansvarshold.
- Aldri bruk apparatet dersom adapteren eller kontakten er skadet, etter det har feilfunksjonert, dersom det har blitt mistet eller skadet på noen som helst måte (sprekker/spriker i kabinettet).
- Ikke press gjenstander inn i apparatet. Ikke demonter apparatet.
- Dersom apparatet er utenfor reparasjonsmuligheter, gjør det ubrukbart umiddelbart og lever det til et returpunkt gitt til formålet.

Avhending

EU-direktiv 2012 / 19 / EF vedrørende elektriske og elektroniske apparater (Waste Electrical and Electronic Equipment - WEEE) sier at gamle elektriske husholdningsapparater ikke må kastes som vanlig restavfall. Gamle apparater må samles inn separat for å optimalisere gjenbruk og resirkulering av materialene de inneholder og redusere påvirkningen på menneskers helse og miljøet. Det overkryssede søppelkassesymbolet er for å minne om din forpliktelse om at du når du kaster apparatet må det samles inn separat. Forbrukerne må kontakte lokale myndigheter eller forhandlere for informasjon angående riktig avhending av sitt gamle apparat.



Spesifikasjoner Roger

Rangert spenning	100–240 V / 50–60 Hz
Utgangseffekt	4–100 W
Romstørrelse	opptil 39 m ² med 5x/t luftskifte (tung luftforurensning og for personer med allergi) opptil 66 m ² med 3x/t luftskifte (middels luftforurensning / normal bruk)
CADR	opptil 465 m ³ /h (leveringsrate for ren luft fra AHAM)
Dimensjoner	420 x 516 x 200 mm (bredde x høyde x dybde)
Vekt	6.8 kg
Lydnivå	28–65 dB(A)
I samsvar med EU-forskrifter	CE / WEEE / RoHS / EAC

Spesifikasjoner Roger little

Rangert spenning	100–240 V / 50–60 Hz
Utgangseffekt	3–40 W
Romstørrelse	opptil 20 m ² med 5x/t luftskifte (tung luftforurensning og for personer med allergi) opptil 33 m ² med 3x/t luftskifte (middels luftforurensning / normal bruk)
CADR	opptil 231 m ³ /h (leveringsrate for ren luft fra AHAM)
Dimensjoner	330 x 450 x 170 mm (bredde x høyde x dybde)
Vekt	4.7 kg
Lydnivå	28–59 dB(A)
I samsvar med EU-forskrifter	CE / WEEE / RoHS / EAC

Spesifikasjoner Roger big

Rangert spenning	100–240 V / 50–60 Hz
Utgangseffekt	4–90 W
Romstørrelse	opptil 62 m ² med 5x/t luftskifte (tung luftforurensning og for personer med allergi) opptil 104 m ² med 3x/t luftskifte (middels luftforurensning / normal bruk)
CADR	opptil 736 m ³ /h (leveringsrate for ren luft fra AHAM)
Dimensjoner	420 x 520 x 340 mm (bredde x høyde x dybde)
Vekt	10.5 kg
Lydnivå	28–58 dB(A)
I samsvar med EU-forskrifter	CE / WEEE / RoHS / EAC

Dette apparatet inneholder en radiomodul fra Stadler Form Aktiengesellschaft av typen WBR3. Den fungerer i ISM båndet i området 2.412 – 2.484 GHz med en maks. effekt på 56.2 mW og 89.1 mW EIRP.

Alle rettigheter ovenfor tekniske modifikasjoner er forbeholdt



Svenska

Grattis! Du har just införskaffat den enastående renare ROGER/ROGER LITTLE/ROGER BIG. Den kommer att ge dig stor glädje och förbättra din inomhusluft.

Som med alla elektriska hushållsapparater krävs det att du är extra försiktig med den här modellen också, för att undvika personskador, brandskador eller skador på apparaten. Läs denna bruksanvisning noggrant innan du använder apparaten för första gången och följ säkerhetsanvisningarna på själva apparaten.

Beskrivning av apparaten

Apparaten består av följande huvuddelar:

1. Textilfilter med integrerad Sanitized®-hygienfunktion
2. Dual Filter™ (HEPA, aktivt kol)
3. Kåpa
4. Nätkabel för strömförsörjning
5. Koppling för nätkabel
6. Knappen på/av
7. Indikator för luftkvalitet
8. Knapp för val av hastighet
9. Knapp för automatiskt läge
10. Knapp för timer
11. Knapp för nattläge (luftkvalitetsvisning normal eller fränkopplad)
12. Knapp för HEPA RESET
(timer för Dual Filter och påminnelse för byte av filter)
13. Knapp för WiFi (endast Roger och Roger big)
14. Luftintag
15. Position av gassensorn (Roger little),
gas- och partikelsensor (Roger/Roger little)
16. Fläkt
17. Luftutsläpp
18. Bärhandtag

Viktiga säkerhetsanvisningar

Läs igenom bruksanvisningen noga innan du använder apparaten för första gången och håll den i säkert förvar för framtida referens, vid behov ger du den vidare till nästa ägare.

- Stadler Form avsäger sig allt ansvar för förlust eller skada som uppstår på grund av att bruksanvisningen inte följts.
- Apparaten får endast användas i hemmet för de ändamål som beskrivs i denna bruksanvisning. Otillåten användning och tekniska ändringar på apparaten kan leda till fara för liv och hälsa.
- Denna apparat kan användas av barn från 8 år och uppåt och personer med nedsatt fysisk eller mental förmåga eller brist på erfarenhet och kunskap, om de övervakas eller får instruktioner angående användning av apparaten på ett säkert sätt och förstår de inblandade riskerna. Barn ska inte leka med apparaten. Rengöring och underhåll får inte göras av barn utan tillsyn.
- Anslut endast kabeln till växelström. Observera spänningsinformationen på apparaten.
- Använd inte skadade förlängningskablar.
- Dra inte nätsladden över vassa kanter och se till att den inte kommer i kläm.

- Dra inte ut kontakten ur vägguttaget med våta händer eller genom att hålla i sladden.
- Använd inte denna apparat i omedelbar närhet av badkar, dusch eller simbassäng (minsta avstånd är 3 m). Placera apparaten så att en person som befinner sig i badkaret inte kan röra apparaten.
- Placera apparaten nära en värmekälla. Utsätt inte sladden för direkt värme (som t.ex. en uppvärmd värmeplatta, öppen eld, hett strykjärn, eller värmeelement). Skydda nätsladdar från olja.
- Se till att apparaten är korrekt placerad för att säkerställa en hög stabilitet under dess drift och se till att ingen kan snubbla över nätsladden.
- Apparaten är inte stänkskyddad.
- Endast för inomhusbruk.
- Förvara inte apparaten utomhus.
- Förvara apparaten på en torr plats, oåtkomlig för barn (packa in apparaten).
- Om nätsladden är skadad, måste den bytas ut av tillverkaren eller av en verkstad som godkänts av tillverkaren eller av liknande kvalificerade personer för att undvika fara.
- Innan apparaten underhålls och efter varje användning, stänger du av apparaten och drar ut nätkabeln ur vägguttaget.

Filterbeskrivning

Textilt förfilter (1) Textilförfiltret (1) filtrerar ut grova smutspartiklar och smuts ur luften. Därigenom skyddar det Dual Filter™ och förlänger dess livslängd. Tack vare den integrerade Sanitized®-hygienfunktionen skyddas textilförfiltret mot mikrobiell tillväxt. Textilförfiltret (1) måste rengöras regelbundet med dammsugarens textilborste, beroende på nedsmutsning 1–2 gånger i månaden. Vid stark nedsmutsning kan textilförfiltret (1) även tvättas i 30° skontvätt. Det antimikrobiella skyddet från Sanitized® garanteras i minst 20 tvättar. För allergiker rekommenderas att tvätta textilförfiltret en gång i månaden, för alla andra var tredje månad. Låt textilförfiltret (1) torka helt innan du fäster det på enheten igen.

*Sanitized® är det världsledande schweiziska företaget för hygienfunktioner och materialskydd för textilier och plast.

Dual Filter™: HEPA, aktivt kol (2) Dual Filter™ är kärnan av luftrengöringen. Det är en kombination av HEPA-filtrer och aktivt kolfiltrer.

HEPA-filtrets del av Dual Filter™ filtrerar föroreningar ur luften som t.ex. finpartikligt damm, pollen, virus och bakterier.

Det aktiva kolfiltret adsorberar gaser som finns i luften (dålig lukt, tobaksrök, formaldehyd, toluen, flyktiga organiska föreningar etc.) och filtrerar bort dem från luften. Kapaciteten för Dual Filter™ är begränsad vilket innebär att den måste bytas ut var 8–12 månad, beroende på dess exponering till luft och gaser. Skulle du märka att dålig lukt inte längre elimineras innan 8 månader har passerat, är detta en indikation på att filtret behöver bytas ut.

Inställning / drift

1. Lossa textilförfiltret (1) genom att dra det framåt på båda sidorna i det övre området. Ta ut Dual Filter™ (2) från dess kåpa (3) och avlägsna plastfilmen. Placera Dual Filter™ (2) så att de två textilflikarna är synliga på framsidan. Pilarna på övre delen av filtret (2) indikerar åt vilket håll filtret måste föras in. **Viktigt:** Roger big har ett textilförfilter och Dual Filter™ på båda sidorna. D.v.s. båda Dual Filter™ måste packas upp och sättas in.

2. Sätt tillbaka textilförfiltret (1) genom att placera positioneringshjälpmedlen nära textilförfiltret (1) botten i hakarna på kåpan (3) och luta textilförfiltret (1) mot huset tills det spärras upp till av magneterna på huset (3). Se till att LED-cylindern längst fram i enhetens nedre del sätts in i hålet på förfiltret.
3. Placera Roger/Roger little/Roger big på önskad plats på en plan yta, helst i mitten av rummet. Detta tillåter lufttillförsel från alla håll.
4. Koppla nätkabel för strömförsörjning (4) till dess koppling (5) på enheten och därefter till ett lämpligt ström uttag.
5. Slå på Roger/Roger little/Roger big genom att trycka på knappen på/av (6). Kontrollknapparna och displayen lyser upp i följd från höger till vänster. Om inga fler knappar trycks in inom 10 sekunder så släcks displayen ner. Annars hålls skärmen upplyst i ytterligare 10 sekunder. Den lyser upp igen om knappen på/av (6) eller kontrollknapparna trycks in. För att stänga av Roger/Roger little, tryck på knappen på/av (6) i två sekunder.
6. Luftkvaliteten är uppmätt med hjälp av ett flertal sensorer (Roger/Roger big = gas- och partikelsensor PM_{2,5} / Roger little = gassensor) och är indikerad via indikatorn för luftkvalitet (7) framför textilförfiltret (1). Den blå LED-lampan betyder att luftkvaliteten är bra. Är LED-lampan orange indikerar detta låg luftkvalitet och den röda LED-lampan indikerar dålig luftkvalitet. Om apparaten slås på igen lyser displayen upp i orange under de första tre minuterna. Därefter ställer displayen om och mäter den aktuella luftkvaliteten och indikerar blått, orange eller rött ljus.
7. Du kan ändra hastighet genom att trycka på knappen för val av hastighet (8) (en LED-lampa för nivå 1, två LED-lampor för nivå 2 etc.). Att öka hastigheten kan vara nödvändigt när indikatorn för luftkvalitet (7) indikerar nedsatt luftkvalitet (blå för bra luftkvalitet, orange för låg luftkvalitet och rött för dålig luftkvalitet). För optimal luftrengöring rekommenderar vi att ställa in den i automatiskt läge (9).
8. Genom att trycka på knappen för automatiskt läge (9) justeras hastigheten automatiskt till den aktuella luftkvaliteten (steg 1–4). Om luftkvaliteten försämras väljer apparaten automatiskt en högre hastighet. Displayen visar "Auto" när automatiskt läge är aktiverat.
9. Genom att trycka på knappen för timern (10) kan du ställa in dess drifttid mellan en till sju timmar (t.ex. 3 h = 1 h och 2 h LED-lampor lyser, 7 h = 1 h, 2 h och 4 h LED-lampor lyser). Den valda tiden visas ovanför knappen timer med vita LED-lampor. Tryck en gång för att ställa in drifttiden till 1 h, tryck två gånger för 2 h osv. Kvarvarande tid är indikerad av de upplysta LED-lamporna som finns ovanför knappen timer. Apparaten stänger av sig själv när den inställda drifttiden har passerat. Om inga LED-lampor är upplysta ovanför timern, då är apparaten inställd till kontinuerlig igångsättning.
10. Om du besväras av LED-lampornas ljusstyrka och indikatorns luftkvalitet (7) (t.ex. i ett sovrum) kan du stänga av den genom att trycka på knappen för nattläget (11) en gång. Kontrollknapparna kan inte stängas av helt men släcks ner automatiskt när de inte tryckts in under 10 sekunder. Tryck på knappen för nattläge igen för att återvända till normalt läge.
11. Ovanför knappen för HEPA reset (12) finns fyra LED-lampor som indikerar livslängden för Dual Filter™ (2). Om alla fyra LED-lampor lyser måste Dual Filter™ bytas ut. Återställ timern för Dual Filter™ genom att hålla in knapparna för HEPA reset (12) (i ca 3 sekunder). Om alla 4 LED-lampor lyser kontinuerligt så har timern ställts om.

- Genom att trycka på WiFi-knappen (13) kan Roger/Roger big anslutas till „Smart Life – Smart Living“ App von Tuya Inc. (finns på App Store och via Google Play). Den lysande LED över WiFi-knappen signalerar att Roger/Roger big är ansluten till din smartphone. Via appen kan samtliga enhetsfunktioner styras och luftkvaliteten övervakas i realtid, även när du inte är hemma. Detaljerad information om hur du ansluter Roger/Roger big till din smartphone framgår från den medföljande „WiFi – Quick Setup Guide“.

Rengöring och utbyte av filter

Innan apparaten underhålls och efter varje användning, stänger du av apparaten och drar ut nätkabeln (4) ur vägguttaget. För att få åtkomst till de olika filtren, hänvisa till punkt 1 i "Inställning/drift".

Observera: Doppa inte apparaten i vatten (risk för kortslutning).

- Rengör enheten utvändigt genom att torka av de icke-textila delarna av enheten med en fuktig trasa och torka sedan noggrant.
- Textilförfiltret (1) måste rengöras regelbundet med dammsugarens textiltorste, beroende på nedsmutsning 1 gång i månaden. Vid stark nedsmutsning kan textilförfiltret (1) även tvättas i tvättmaskinen. Det antimikrobiella skyddet från Sanitized® garanteras i minst 20 tvättar. För allergiker rekommenderas att tvätta textilförfiltret en gång i månaden, för alla andra var tredje månad.
- Innan textilförfiltret tvättas i tvättmaskinen måste förfiltret avlägsnas från plastramen. För att göra detta, lossa hela tyget från de två positioneringshjälpmedlen, de två tapparna, de 4 flikarna och de båda övre hörnflikarna. Textilförfiltret kan tvättas i 30° sköntvätt. Låt textilförfiltret (1) torka helt innan du fäster det på enheten igen. För att göra detta, sträck tyget över plastdelen så att tvättetiketten sitter upptill och på insidan. Alla öppningar på tyget som ska stickas in är markerade med ljus tråd. Dessutom ska tyget lyftas över de två hörnflikarna i enhetens övre område. **OBS:** Rengör aldrig textilförfiltret, filtret eller andra husdelar i diskmaskinen!
- Efter 8–12 månader kan inte Dual Filter™ (2) rengöras längre utan måste bytas ut. Om alla fyra LED-lampor blinkar ovanför HEPA reset (12) så måste filtret bytas ut. Skulle du märka att dålig lukt inte längre elimineras är även detta en indikation på att filtret behöver bytas. Efter att du har bytt filtret, återställ timern för Dual Filter™ genom att hålla in knapparna för HEPA reset (12) (i ca 3 sekunder). Om alla 4 LED-lampor lyser kontinuerligt så har timern ställts om.

Reparationer

- Reparationer av elektriska apparater får endast utföras av en kvalificerad eltekniker. Om felaktiga reparationer utförs, upphör garantin att gälla och allt ansvar frånsägs.
- Använd aldrig apparaten om en kabel eller kontakt är skadad, om den har funktionsfel, om den har tappats eller blivit skadad på något annat sätt (sprickor/brister i höljet).
- Tryck inte in några föremål i apparaten. Ta inte isär apparaten.
- Om apparaten inte går att reparera, gör den obrukbar omedelbart och lämna in den på en lämplig återvinningsstation.

Kassering

Det europeiska direktivet 2012 / 19 / CE om avfall från elektrisk och elektronisk utrustning (WEEE), kräver att gammal hushållselektronik INTE kastas i det normala osorterade avfallet. Förbrukad utrustning måste samlas in separat för att optimera återanvändning och återvinning av det material som de innehåller och för minska påverkan på människors hälsa och på miljön. Symbolen med den överkorsade "soptunnan" på produkten påminner dig om din skyldighet att apparaten måste samlas in separat när det kasseras. Du kan kontakta din lokala myndighet eller återförsäljare för information om korrekt kassering av förbrukad elektronisk utrustning.



Specifikationer Roger

Märkspänning	100–240 V / 50–60 Hz
Utgående effekt	4–100 W
Rumsstorlek	upp till 39 m ² med 5x/h luftutbyte (hög luftförorening och för allergiker) upp till 66 m ² med 3x/h luftutbyte (måttlig luftförorening/normal användning)
CADR	upp till 465 m ³ /h (Utsändningshastighet av ren luft (Clean Air Delivery Rate) av AHAM)
Mått	420 x 516 x 200 mm (bredd x höjd x djup)
Vikt	6.8 kg
Ljudnivå	28–65 dB(A)
Uppfyller EU:s regler	CE / WEEE / RoHS / EAC

Specifikationer Roger little

Märkspänning	100–240 V / 50–60 Hz
Utgående effekt	3–40 W
Rumsstorlek	upp till 20 m ² med 5x/h luftutbyte (hög luftförorening och för allergiker) upp till 33 m ² med 3x/h luftutbyte (måttlig luftförorening/normal användning)
CADR	upp till 231 m ³ /h (Utsändningshastighet av ren luft (Clean Air Delivery Rate) av AHAM)
Mått	330 x 450 x 170 mm (bredd x höjd x djup)
Vikt	4.7 kg
Ljudnivå	28–59 dB(A)
Uppfyller EU:s regler	CE / WEEE / RoHS / EAC

Specifikationer Roger big

Märkspänning	100–240 V / 50–60 Hz
Utgående effekt	4–90 W
Rumsstorlek	upp till 62 m ² med 5x/h luftutbyte (hög luftförorening och för allergiker) upp till 104 m ² med 3x/h luftutbyte (måttlig luftförorening/normal användning)
CADR	upp till 736 m ³ /h (Utsändningshastighet av ren luft (Clean Air Delivery Rate) av AHAM)
Mått	420 x 520 x 340 mm (bredd x höjd x djup)
Vikt	10.5 kg
Ljudnivå	28–58 dB(A)
Uppfyller EU:s regler	CE / WEEE / RoHS / EAC

Denna enhet innehåller en radiomodul från aktiebolaget Stadler Form av typen WBR3. Den fungerar på ISM-bandet i området 2,412 – 2,484 GHz med en maximal seffekt på 56.2 mW och 89.1 mW EIRP.

Alla rättigheter för tekniska ändringar förbehålles



Русский

Поздравляем с приобретением устройства премиум-очиститель ROGER/ROGER LITTLE/ROGER BIG. Использование этого устройства позволит улучшить воздух в помещении, а эксплуатация доставит несомненное удовольствие.

При эксплуатации очиститель воздуха, а также иных электроприборов, следует обращать особое внимание на меры безопасности. Прежде, чем использовать этот электроприбор, внимательно прочтите инструкцию. Во избежание травм или повреждений имущества, строго следуйте приведенным в данной инструкции рекомендациям.

Описание устройства

1. Тканевый фильтр предварительной очистки с интегрированной гигиенической функцией Sanitized®
2. Фильтр двойной очистки Dual Filter™ (высокоэффективный угольный и HEPA-фильтр)
3. Корпус
4. Сетевой кабель для подачи электропитания
5. Разъем для сетевого кабеля
6. Кнопка питания
7. Индикатор качества воздуха
8. Кнопка выбора скорости воздушного потока
9. Кнопка автоматического режима
10. Кнопка таймера
11. Кнопка ночного режима
(индикатор качества воздуха в обычном режиме работы или выключен)
12. Кнопка СБРОСА ТАЙМЕРА HEPA-ФИЛЬТРА (таймер фильтра Dual Filter и напоминание о замене)
13. Кнопка включения WiFi (только Roger и Roger big)
14. Впускное отверстие для воздуха
15. Местоположение газоанализатора (Roger little), газоанализатора и датчика частиц (Roger/Roger big)
16. Вентилятор
17. Выпуск воздуха
18. Ручка для переноски

Важные указания по безопасности

Сохраните эту инструкцию для дальнейших справок, а в случае передачи очиститель воздуха другому владельцу, передайте инструкцию вместе с электроприбором.

- Изготовитель не несет ответственности за любые травмы или ущербы, возникшие вследствие неправильной эксплуатации электроприбора.
- Очиститель воздуха является бытовым электроприбором и предназначен для использования только в домашних условиях в строгом соответствии с инструкцией по эксплуатации. Неправильная эксплуатация и техническая модификация устройства могут создать условия, опасные для жизни и здоровья пользователя.
- Этот электроприбор не предназначен для использования детьми до 8 лет или недееспособными взрослыми без надлежащего контроля, а также лицами, не имеющими достаточных навыков по использо-

ванию электроприборов и не знакомыми с инструкцией по эксплуатации. Детям категорически запрещено играть с прибором. Чистка и установка прибора может производиться детьми исключительно под присмотром взрослых.

- Перед подключением очиститель воздуха к электросети удостоверьтесь в том, что напряжение электросети соответствует напряжению, паспортизированному для данного электроприбора.
- Не используйте при подключении поврежденные или перегруженные удлинители.
- Следите за тем, чтобы сетевой шнур не касался поверхностей, способных повредить шнур, не запутывался и не перекручивался. Не прикасайтесь к сетевому шнуру или его вилке мокрыми руками.
- Не эксплуатируйте электроприборы в местах с повышенной влажностью. Во избежание поражения электрическим током запрещается эксплуатировать электроприборы в непосредственной близости ванны, душа или бассейна (минимальное расстояние 3 м). Устанавливайте прибор так, чтобы он не мешался.
- Не устанавливайте очиститель воздуха рядом с источниками тепла.
- Не допускайте, чтобы сетевой шнур касался горячих поверхностей любых нагревательных приборов, не допускайте контакта сетевого шнура с маслянистыми веществами.
- Следите за тем, чтобы нельзя было споткнуться о сетевой шнур при хождении по комнате.
- Очиститель воздуха не является водонепроницаемым
- Не эксплуатируйте очиститель воздуха вне помещений.
- Не храните очиститель на улице.
- Для хранения упакуйте прибор в коробку и храните в сухом помещении, в местах, недоступных для детей.
- В случаях повреждения сетевого шнура он должен быть заменен авторизованным сервисным центром либо квалифицированным специалистом.
- Установку и чистку прибора необходимо производить, отключив прибор от сети.

Описание фильтра

Тканевый фильтр предварительной очистки (1). Тканевый фильтр предварительной очистки (1) улавливает грубые частицы пыли и грязи из воздуха. Тем самым он защищает фильтр Dual Filter™ и увеличивает срок его службы. Интегрированная гигиеническая функция Sanitized®* предотвращает размножение микробов в тканевом фильтре предварительной очистки. Тканевый фильтр предварительной очистки (1) необходимо регулярно (в зависимости от загрязнения 1–2 раза в месяц) очищать с помощью щетки пылесоса для текстильных поверхностей. При сильном загрязнении тканевый фильтр (1) можно дополнительно стирать в режиме деликатной стирки при температуре 30°. Антибактериальный эффект Sanitized® сохраняется как минимум на протяжении 20 стирок. Аллергикам рекомендуется стирать фильтр предварительной очистки один раз в месяц, всем остальным – каждые 3 месяца. После стирки хорошо просушите тканевый фильтр предварительной очистки (1), прежде чем снова установить его в прибор.

*Швейцарская компания Sanitized® является мировым лидером в

сфере разработки и производства антибактериальных технологий для защиты текстильных

Двойной фильтр Dual Filter™: высокоэффективный угольный и HEPA-фильтр (2). Фильтр Dual Filter™ является центральным элементом воздухоочистителя. Фильтр Dual Filter™ состоит из HEPA-фильтра (от англ. High Efficiency Particle Absorption — высокоэффективное удержание частиц) и фильтра с активированным углем.

HEPA-фильтр, входящий в состав фильтра Dual Filter™, очищает воздух от таких загрязняющих веществ, как мельчайшая пыль, пыльца растений, вирусы и бактерии.

Фильтр с активированным углем адсорбирует присутствующие в воздухе газы (неприятные запахи, табачный дым, формальдегид, толуол, летучие органические соединения и т. п.). Фильтр Dual Filter™ имеет ограниченную пропускную способность, поэтому его необходимо менять каждые 8–12 месяцев, в зависимости от интенсивности работы прибора и уровня загрязнения воздуха. Если восьми месяцев еще не прошло, но вы заметили, что фильтр уже не удаляет неприятные запахи из воздуха, это значит, что фильтр необходимо заменить.

Настройка / эксплуатация

1. Снимите тканевый фильтр предварительной очистки (1), потянув его с обеих сторон в верхней части вперед. Выньте фильтр Dual Filter™ (2) из корпуса (3) и снимите пластиковую пленку. Установите фильтр Dual Filter™ (2) на место таким образом, чтобы два тканевых язычка были видны спереди. Направление, в котором следует вставлять фильтр, показано стрелками на верхней части фильтра (2). **Важно:** в приборе Roger big на каждой стороне устанавливается по одному тканевому фильтру предварительной очистки и фильтру Dual Filter™. Это значит, что нужно распаковать и установить оба фильтра Dual Filter™.
2. Установите тканевый фильтр предварительной очистки (1) обратно в прибор. Для этого вставьте позиционирующие выступы, находящиеся внизу тканевого фильтра предварительной очистки (1), в пазы на корпусе (3) и наклоняйте тканевый фильтр предварительной очистки (1) в направлении корпуса до тех пор, пока он не зафиксируется магнитами в верхней части корпуса (3). При этом следите за тем, чтобы светодиодный цилиндр, расположенный впереди в нижней части прибора, был вставлен в отверстие в фильтре предварительной очистки.
3. Установите прибор Roger/Roger little/Roger big на ровной поверхности в нужном месте, желательно по центру комнаты. Это обеспечит равномерное поступление воздуха со всех сторон.
4. Вставьте сетевой кабель (4) в соответствующий разъем (5) в корпусе прибора и подключите прибор к розетке.
5. Включите прибор Roger/Roger little/Roger big, нажав кнопку питания (6). Поочередно, справа налево, загорятся контрольные индикаторы и экран. Если в течение 10 секунд не нажата ни одна кнопка, экран вновь гаснет. При нажатии любой кнопки экран остается включенным еще на 10 секунд. Контрольные индикаторы вновь загораются при нажатии кнопки питания (6) или кнопок управления. Чтобы выключить прибор Roger или Roger little, нажмите и удерживайте кнопку питания (6) в течение двух секунд.

6. Качество воздуха определяется при помощи различных датчиков (газоанализатор и датчик частиц PM 2,5 в приборе Roger/Roger big и газоанализатор в приборе Roger little). Результаты отображаются на индикаторе качества воздуха (7), расположенном впереди, у тканевого фильтра предварительной очистки (1). Синий цвет индикатора означает хорошее качество воздуха. Оранжевый цвет индикатора означает среднее качество воздуха, а красный — плохое качество воздуха. Если прибор включить снова, дисплей будет гореть оранжевым в течение первых трех минут. Затем дисплей изменит свой цвет (синий, оранжевый или красный) в зависимости от результатов оценки текущего качества воздуха.
7. Вы можете выбрать скорость воздушного потока, нажав кнопку выбора скорости (8) (при выборе уровня 1 горит один светодиодный индикатор, уровня 2 — два индикатора и так далее). Рекомендуется повысить скорость воздушного потока, когда индикатор качества воздуха (7) показывает снижение качества воздуха (синий цвет — хорошее качество воздуха, оранжевый цвет — среднее качество воздуха и красный — плохое качество воздуха). Для оптимальной очистки воздуха рекомендуется включить автоматический режим (9).
8. При нажатии кнопки автоматического режима (9) скорость воздушного потока регулируется автоматически в зависимости от текущего качества воздуха (уровни 1–4). При снижении качества воздуха прибор автоматически включает более высокую скорость воздушного потока. При работе в автоматическом режиме на дисплее отображается надпись «Auto».
9. Нажав кнопку таймера (10), можно задать время работы от одного до семи часов (например, при установке времени 3ч загораются светодиодные индикаторы 1ч и 2ч, при установке времени 7ч загораются индикаторы 1ч, 2ч и 4ч). Заданное время отображается при помощи белых светодиодных индикаторов над кнопкой таймера. Чтобы задать время работы 1ч, нажмите кнопку один раз, 2ч — два раза и так далее. Оставшееся время работы отображается при помощи светодиодных индикаторов над кнопкой таймера. По окончании заданного времени работы прибор автоматически отключается. Если прибор включен в непрерывном режиме, никакие индикаторы над кнопкой таймера не горят.
10. Если вам мешает слишком яркий свет индикаторов таймера и качества воздуха (7) (например, в спальне), Вы можете выключить их, нажав один раз на кнопку ночного режима (11). Контрольные индикаторы невозможно выключить принудительно. Они выключаются сами, если в течение 10 секунд не была нажата ни одна кнопка. Для возвращения в обычный режим работы нажмите еще раз на кнопку ночного режима.
11. Над кнопкой замены HEPA-фильтра (12) находятся четыре светодиодных индикатора, показывающих срок службы фильтра Dual Filter™ (2). Если все четыре индикатора мигают, фильтр Dual Filter™ нуждается в замене. Сбросьте таймер фильтра Dual Filter™, нажав кнопку сброса таймера HEPA-фильтра (12) и удерживая ее примерно 3 секунды. При сбросе таймера все четыре индикатора горят непрерывно.
12. Нажатием кнопки для включения WiFi (13) можно подключить

прибор Roger / Roger big с помощью приложения „Smart Life – Smart Living“ от компании Tuya Inc. (доступно для скачивания в App Store и Google Play) к Вашему смартфону. Горящий светодиод над кнопкой для включения WiFi показывает наличие соединения между прибором Roger/Roger big и Вашим смартфоном. При помощи приложения можно управлять всеми функциями прибора и контролировать качество воздуха в режиме реального времени, не находясь дома. Более подробную информацию о том, как можно подключить прибор Roger / Roger big к своему смартфону, Вы найдете в прилагаемой краткой инструкции по настройке „WiFi – Quick Setup Guide“.

Чистка и замена фильтра

До проведения любого технического обслуживания, очистки, а также после каждого использования выключите прибор и отсоедините сетевую кабель (4) от штепсельной розетки. Выемка и установка фильтров описана в пункте 1 раздела «Настройка / эксплуатация».

Внимание! Никогда не погружайте прибор в воду (во избежание короткого замыкания).

- Для наружной очистки нетканевых деталей прибора используйте влажную тряпку. Затем хорошо протрите детали насухо.
- Тканевый фильтр предварительной очистки (1) необходимо регулярно (в зависимости от загрязнения 1 раз в месяц) очищать с помощью щетки пылесоса для очистки текстильных поверхностей. При сильном загрязнении тканевый фильтр предварительной очистки (1) можно стирать. Антибактерицидная защита Sanitized® сохраняется как минимум на протяжении 20 стирок. Аллергикам рекомендуется стирать тканевый фильтр предварительной очистки один раз в месяц, всем остальным – каждые 3 месяца.
- Для стирки тканевого фильтра предварительной очистки следует вынуть фильтр из пластиковой рамки. Для этого нужно вынуть тканевый фильтр из позиционирующих выступов, двух цапф, 4 язычков и обоих язычков в верхних углах. Тканевый фильтр предварительной очистки можно стирать в режиме деликатной стирки при температуре 30°. После стирки хорошо просушите тканевый фильтр предварительной очистки (1), прежде чем установить его обратно в прибор. Для этого натяните ткань на пластиковую деталь так, чтобы ярлык с информацией по уходу прилегал вверху и изнутри. Все отверстия для вставки обозначены на ткани светлыми нитками. Дополнительно следует натянуть ткань на оба угловых язычка в верхней части прибора. **Внимание:** не мойте фильтры предварительной очистки, фильтры или другие детали корпуса в посудомоечной машине!
- Фильтр Dual Filter™ (2) не подлежит очистке. Его необходимо заменять каждые 8–12 месяцев. Фильтр следует заменить, если над кнопкой сброса таймера HEPA-фильтра (12) мигают все четыре светодиода индикатора. Если вы заметили, что фильтр уже не удаляет неприятные запахи из воздуха, это также свидетельствует о том, что его необходимо заменить. После замены фильтра сбросьте таймер фильтра Dual Filter™, нажав кнопку сброса таймера HEPA-филь-

тра (12) и удерживая ее примерно 3 секунды. При сбросе таймера все четыре индикатора горят непрерывно.

Ремонт и устранение неисправностей

- В целях безопасности ремонт электроприбора должен осуществляться только квалифицированными специалистами авторизованного сервисного центра. Гарантия не распространяется на неисправности, обусловленные неквалифицированным ремонтом, а также неправильной эксплуатацией электроприбора.
- Запрещается использование неисправного электроприбора, а также при механических или иных повреждениях самого электроприбора, сетевого шнура или его вилки.
- Никогда не вставляйте никакие посторонние предметы в отверстия в корпусе электроприбора.
- Если устройство не пригодно к ремонту, обрежьте сетевой шнур и сдайте в специальные пункты приема.

Утилизация

Позаботьтесь об окружающей среде! Не выбрасывайте неисправные электроприборы вместе с бытовыми отходами. Обратитесь для этих целей в специализированный пункт утилизации электроприборов. Адреса пунктов приема бытовых электроприборов на переработку Вы можете получить в муниципальных службах Вашего города. Неправильная утилизация электроприборов наносит непоправимый вред окружающей среде. При замене неисправного электроприбора на новый юридическую ответственность за утилизацию должен нести продавец.



Спецификация Roger

Номинальное напряжение / частота	100–240 В / 50–60 Гц
Номинальная мощность	4–100 Вт
Размер помещения	до 39 м ² , 5-кратный воздухообмен за 1 ч (при сильном загрязнении воздуха и в помещениях с людьми, страдающими аллергией) до 66 м ² , 3-кратный воздухообмен за 1 ч (при средней степени загрязненности воздуха, обычный режим)
CADR	до 465 м ³ (скорость подачи чистого воздуха по стан дартам)
Габариты	420 x 516 x 200 мм (ширина x высота x глубина)
Вес	6.8 кг
Уровень шума	28–65 дБ
Соответствует европейским правилам безопасности CE / WEE / RoHS / EAC	

Спецификация Roger little

Номинальное напряжение / частота	100–240 В / 50–60 Гц
Номинальная мощность	3–40 Вт
Размер помещения	до 20 м ² , 5-кратный воздухообмен за 1 ч (при сильном загрязнении воздуха и в помещениях с людьми, страдающими аллергией) до 33 м ² , 3-кратный воздухообмен за 1 ч (при средней степени загрязненности воздуха, обычный режим)
CADR	до 231 м ³ (скорость подачи чистого воздуха по стан дартам)
Габариты	330 x 450 x 170 мм (ширина x высота x глубина)
Вес	4.7 кг
Уровень шума	28–59 дБ
Соответствует европейским правилам безопасности	CE / WEE / RoHS / EAC

Спецификация Roger big

Номинальное напряжение / частота	100–240 В / 50–60 Гц
Номинальная мощность	4–90 Вт
Размер помещения	до 62 м ² , 5-кратный воздухообмен за 1 ч (при сильном загрязнении воздуха и в помещениях с людьми, страдающими аллергией) до 104 м ² , 3-кратный воздухообмен за 1 ч (при средней степени загрязненности воздуха, обычный режим)
CADR	до 736 м ³ (скорость подачи чистого воздуха по стан дартам)
Габариты	420 x 520 x 340 мм (ширина x высота x глубина)
Вес	10.5 кг
Уровень шума	28–58 дБ
Соответствует европейским правилам безопасности	CE / WEE / RoHS / EAC

Данный прибор оснащен радиомодулем Stadler Form AG типа WBR3. Он работает в ПНМ-диапазоне частот от 2,412 до 2,484 ГГц с максимальной мощностью 56.2 мВт и 89.1 мВт EIRP.

Производитель сохраняет за собой право на внесение изменений в технические характеристики, комплектацию и конструкцию данной модели без предварительного уведомления.

Электронную версию инструкции можно скачать на нашем сайте:
www.stadlerform.ru

Информация о сертификации

Товар сертифицирован в соответствии с законом «О защите прав потребителей».

Установленный производителем в соответствии с п.2 ст.5 Федерального Закона РФ «О защите прав потребителей» срок службы для данного изделия равен 5 годам, при условии, что изделие используется в строгом соответствии с настоящей инструкцией по эксплуатации и применяемыми техническими стандартами.

Гарантийный срок

Гарантийный срок составляет 12 месяцев с документально подтвержденной даты продажи Оборудования/Изделия Потребителю Продавцом. В случае отсутствия у Потребителя документов, подтверждающих дату покупки, гарантийный срок рассчитывается с даты изготовления.

Дата изготовления

Дата изготовления зашифрована в виде группы цифр в серийном номере, расположенном на корпусе прибора.

Пример: 78901 1511 123456

78901 – код поставщика

15 – последние две цифры года

11 – номер месяца

123456 – номер продукта

Дату изготовления следует читать:

78901 **1511** 123456 – 2015 год, ноябрь.



Warranty/Garantie/Garantie/Garanzia/Garantía Garantie/Garanti/Takuu/Garanti/Garanti

2 Years warranty

This warranty covers defects of construction, manufacturing and material. Excluded are all wearing parts and improper usage, or consequential damages due to lack of cleaning and/or descaling of the appliance.

2 Jahre Garantie

Diese umfasst Konstruktions-, Produktions-, sowie Materialfehler. Ausgenommen sind sämtliche Verschleissteile und unsachgemässe Benutzung, sowie Folgeschäden durch mangelnde Reinigung und/oder Entkalkung des Gerätes.

Garantie 2 ans

La présente garantie couvre les défauts matériels, de construction et de fabrication. En revanche, elle exclut toutes les pièces d'usure normale, ainsi que tout dommage résultant de la négligence ou consécutif à un défaut d'entretien/de détartrage de l'appareil.

2 anni di garanzia

Questa garanzia copre difetti di costruzione, di produzione e di materiale. Tutte le parti di abrasione sono escluse e altresì l'uso o la manutenzione inappropriata dovuti alla mancanza di pulizia e/o disincrostazione dell'apparecchio.

2 años de garantía

Estagarantíacubre los defectos de construcción, fabricación y materiales. Están excluidas todas las piezas de desgaste y el uso indebido, o los daños indirectos provocados por la falta de limpieza y/o el descascarillado del dispositivo.

2 jaar garantie

Deze omvat constructie-, productie- en materiaalfouten. Uitgesloten zijn alle slijtageonderdelen en onoordeelkundig gebruik, plus gevolgschade door onvoldoende schoonmaken en/of ontkalken van het apparaat.

2 års garanti

Garantien omfatter konstruktions-, fremstillings- og matrialefejl. Alle sliddele og fejlbrug samt følgeskader pga. utilstrækkelig rengøring og/eller afkalkning af enheden er ikke indbefattet.

2 vuoden takuu

Takuu käsittää valmistus-, tuotanto- sekä materiaalivirheet. Takuun ulkopuolelle jäävät kaikki kuluvat osat ja käyttöohjeiden vastainen käyttö, tai ne vauriot, jotka johtuvat siitä, että laitetta ei ole puhdistettu ja/tai laitteessa on pinttynyttä likaa.

2 års garanti

Denne garantien dekker feil i konstruksjon, produksjon og materiale. Garantien omfatter ikke slidedeler og feilaktig bruk eller skader som skyldes mangelfull rengjøring og/eller avkalking av apparatet.

2 års garanti

Denna garanti täcker brister i tillverkning, produktion och material. Slitdelar och felaktig användning, eller följdskador på grund av bristande rengöring och/eller avkalkning av apparaten är uteslutna.



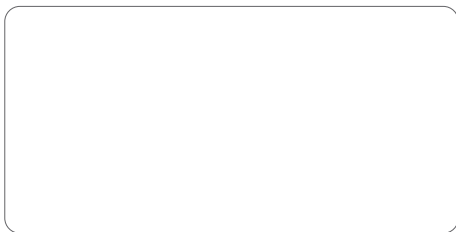
Design by Matti

Thanks to all people involved in this project: Barry Huang for his engagement and organization, Jerry Lee for the main engineering and Neo Wang for electronic engineering, Mario Rothenbühler for the photos, Matti Walker for the great design and the graphic work.

Martin Stadler, CEO Stadler Form Aktiengesellschaft

Subscribe to our newsletter!

www.stadlerform.com/Newsletter



Retailer's stamp / Stempel Verkaufsstelle /
 Cachet du point de vente / Timbro del rivenditore /
 Sello del establecimiento de venta / Stempel verkoopadres /
 Butikkens stempel / Leima myyntikonttori / Forhandlerstempel /
 Återförsäljarens stämpel / Печать магазина